

372

SERVICE
MANUAL 2285



marantz

model 2285

Stereophonic Receiver

TABLE OF CONTENTS

Section	Title	Page
1.	P.W. BOARDS	1
2.	TEST EQUIPMENT REQUIRED FOR SERVICING	1
3.	AM ALIGNMENT PROCEDURE	2
3.1	AM IF Alignment	2
3.2	AM Frequency Range and Tracking Alignment	2
3.3	AM Signal/Strength Meter Alignment	2
4.	FM ALIGNMENT PROCEDURE	2
4.1	FM Frequency Range and Tracking Alignment	2
4.2	Stereo Separation Alignment	2
4.3	Muting Circuit Alignment	2
4.4	Dolby FM Tape Out Setting	2
5.	AUDIO ADJUSTMENT	2
6.	VOLTAGE CONVERSION FOR EUROPEAN MODEL	3
7.	DIAGRAMS	5
7.1	Inter Connection Diagram	5
7.2	Block Diagram	7
7.3	FM Front End Board Schematic Diagram and Component Locations	8
7.4	AM Tuner Board Schematic Diagram and Component Locations	9
7.5	FM IF Board Schematic Diagram and Component Locations	11
7.6	Multiplex Board Schematic Diagram and Component Locations	13
7.7	Dolby Level Board Schematic Diagram and Component Locations	14
7.8	Phono Amp. Board Schematic Diagram and Component Locations	14
7.9	Main Amp. Board Schematic Diagram and Component Locations	15
7.10	Power Supply Board Schematic Diagram and Component Locations	16
7.11	Pre and Tone Amp. Board Schematic Diagram and Component Locations	17
7.12	Dolby FM, Tape Monitor Board Schematic Diagram and Component Locations	18
7.13	Function Lamp Board Schematic Diagram and Component Locations	18
7.14	Dial Lamp Board Schematic Diagram and Component Locations	19
7.15	Antenna Muting Board Schematic Diagram and Component Locations	19
7.16	Filter Amp. Board Schematic Diagram and Component Locations	20
7.17	Filter, Loudness Board Schematic Diagram and Component Locations	20
8.	MAJOR COMPONENT LOCATIONS	21
8.1	Cabinet-Front View	21
8.2	Chassis-Top View	21
8.3	Cabinet-Rear View	22
8.4	Chassis-Bottom View	22
8.5	Cabinet-Rear View - EUROPE	23
8.6	Chassis-Bottom View - EUROPE	23
9.	EXPLODED VIEW	24
9.1	Packing Material Exploded View	24
9.2	Mechanical Exploded View	25
10.	PARTS LIST	27
11.	TECHNICAL SPECIFICATIONS	40
12.	SCHEMATIC DIAGRAM	43

INTRODUCTION

This service manual was prepared for use by Authorized Warranty Stations and contains service information for Marantz Model 2285 Stereophonic Receiver.

Servicing information and voltage data included in this manual are intended for use by the knowledgeable and experienced technician only. All instructions should be read carefully. No attempt should be made to proceed without a good understanding of the operation of the receiver.

The parts list furnishes information by which replacement parts may be ordered from the Marantz Company. A simple description is included for parts which can usually be obtained through local suppliers.

1. P.W. BOARDS

As can be seen from the circuit diagram the chassis of Model 2285 consists of the following units. Each unit mounted on a printed circuit board is described within the square enclosed by a bold dotted line on the circuit diagram.

1. FM Front End mounted on P.W. Board P100
2. AM Tuner mounted on P.W. Board P150
3. FM IF mounted on P.W. Board P200
4. Multiplex mounted on P.W. Board P300
5. Dolby Level mounted on P.W. Board PC01
6. Phono Amp. mounted on P.W. Board P400
7. Main Amp. mounted on P.W. Board P700
8. Power Supply mounted on P.W. Board P800
9. Pre & Tone Amp. mounted on P.W. Board PE01
10. Dolby FM & Tape Monitor
. mounted on P.W. Board PS01
11. Function Lamp mounted on P.W. Board PY01
12. Dial Lamp mounted on P.W. Board PZ01
13. Antenna Muting mounted on P.W. Board PU01
14. Filter Amp. mounted on P.W. Board PH01
15. Filter & Loudness mounted on P.W. Board PT01
16. Fuse mounted on P.W. Board PR01

2. TEST EQUIPMENT REQUIRED FOR SERVICING

This table lists the test equipment required for servicing the Model 2285 Receiver.

Item	Manufacturer and Model No.	Use
AM Signal Generator		Signal source for AM alignment
Test Loop		Use with AM Signal Generator
FM Signal Generator MPX Signal Generator	Sound Technology Model 1000A	Signal source for FM alignment Stereo separation alignment and trouble shooting
Distortion Analyzer Audio Oscillator AC VTVM	Sound Technology Model 1700A	Distortion measurements Sinewave and squarewave signal source Voltage measurements (AC)
Oscilloscope	Tektronix Model T932 Philips Model 3232	Waveform analysis and trouble shooting and ASO alignment
Frequency Counter	Fluke Model 1900A	MPX Oscillator adjustment (VCO)
Circuit Tester		Trouble shooting
DC VTVM	Fluke Model 8000 "Digital" Simpson Model 313, Triplet Model 801	Voltage measurements (DC)
AC Wattmeter	Simpson Model 1379	Monitors primary power to amplifier
AC Ammeter	Commercial Grade (1-10A)	Monitors amplifier output under short circuit condition
Line Voltmeter	Simpson Model 1359	Monitors potential of primary power to amplifier
Variable Autotransformer	Superior Electronic Co., Powerstat Model 116B-10A	Adjusts level of primary power to amplifier
Shorting Plug	Use phono plug with 600-ohm across center pin and shell	Shorts amplifier input to eliminate noise pickup
Output Load (8 ohms, 0.5%, 100W)	Commercial Grade	Provides 8-ohm load for amplifier output termination
Output Load (4 ohms, 0.5%, 100W)	Commercial Grade	Provides 4-ohm load for amplifier output termination

3. AM ALIGNMENT PROCEDURE

3.1 AM IF ALIGNMENT

1. Connect a sweep generator to the J153 and an alignment scope to the test point B.
2. Rotate each core of IF transformer L153 for maximum height and flat top symmetrical response.

3.2 AM FREQUENCY RANGE AND TRACKING ALIGNMENT

1. Set AM signal generator to 515 kHz. Turn the tuning capacitor fully closed (place the tuning pointer at the low end) and adjust the oscillator coil L152 for maximum audio output.
2. Set the signal generator 59 1650 kHz. Place the tuning pointer in the high frequency end and adjust the oscillator trimmer on the oscillator tuning capacitor for maximum audio output.
3. Repeat steps 1 and 2 until no further adjustment is necessary.
4. Set the generator to 600 kHz and tune the receiver to the same frequency and adjust a slug core of AM ferrite-rod antenna L001 and RF coil L151 for maximum output.
5. Set the generator to 1400 kHz and tune the receiver to the same frequency and adjust both trimming capacitors of antenna and RF tuned circuit for maximum output.
6. Repeat steps 4 and 5 until no further adjustment is necessary.

NOTE: During tracking alignment reduce the signal generator output as necessary to avoid AGC action.

3.3 AM SIGNAL STRENGTH METER ALIGNMENT

Set an AM signal generator to 1000 kHz at $5 \mu\text{V}$, and adjust R178 so that the signal strength meter may read 90% of the full scale.

4. FM ALIGNMENT PROCEDURE

4.1 FM FREQUENCY RANGE AND TRACKING ALIGNMENT

1. Connect an FM signal generator to the FM ANTENNA terminals and an oscilloscope and an audio distortion analyzer to the TAPE MONITOR OUT jacks on the rear panel.
2. Set the signal generator to 87 MHz and provide about 3 to $5 \mu\text{V}$. Place the tuning pointer at the low frequency end by rotating the tuning knob and adjust the core of oscillator coil L104 to obtain maximum audio output.
3. Set the signal generator to 109 MHz and provide about 3 to $5 \mu\text{V}$ output. Rotate the tuning knob and place the tuning pointer at the high frequency end and adjust the trimming capacitor C106 for maximum output.
4. Repeat steps 2 and 3 until no further adjustment is necessary.
5. Set the signal generator to 90 MHz and tune the receiver to the same frequency. Decrease signal generator output until the audio output level decreases with the decreasing generator output. Adjust the antenna coil L101, RF coils L102, L103 and L104 and IF transformer L106 for minimum audio distortion.

6. Set the signal generator to 106 MHz and tune the receiver to the same frequency. Adjust the trimming capacitor CF01, CF02 and CF03 for minimum distortion.
7. Repeat steps 5 and 6 until no further adjustment is necessary.
8. Adjust the secondary core (upper) of discriminator transformer L201 so that the center tuning meter pointer indicates its center at no signal applied. Set the FM signal generator to 98 MHz and increase its output level $1 \mu\text{V}$ and tune the receiver to the same frequency so that the center tuning meter pointer indicates its center. Adjust the primary core (lower) of L201 for minimum distortion.
9. Set the signal generator to 98 MHz at $1000 \mu\text{V}$, and adjust R374 so that the signal strength meter may read 90% of the full scale.

4.2 STEREO SEPARATION ALIGNMENT

1. Set the FM signal generator to provide $1 \mu\text{V}$ at 98 MHz. Tune the receiver to the same frequency so that the center tuning meter pointer indicates its center.
2. Turn the signal generator modulation off (with the pilot signal turned off), connect a frequency counter to test point J310, and adjust R311 so that the frequency counter may precisely read 19 kHz.
3. Modulate the signal generator with stereo composite signal consisting only of subchannel signal (of course a pilot signal must be included).
4. Adjust the trimming resistor R301 for maximum and same separation in both channels.

4.3 MUTING CIRCUIT ALIGNMENT

1. Connect a VTVM across the resistor R363 and adjust the it until the meter reads 0.75V DC at no signal.
2. Set the FM signal generator to provide $1 \mu\text{V}$ at 98 MHz and tune the receiver to the same frequency correctly.
3. Depress the FM MUTING pushswitch. Shift the signal generator frequency to plus and minus and note both plus and minus shifted frequencies at which undesirable audio side responses are muted out. Adjust the R363 so that the same shifted frequencies mute the undesirable side response.
4. Adjust R362 for proper frequency shift at which the muting circuit operates.

4.4 DOLBY FM TAPE OUTPUT SETTING

1. Set the modulation of FM signal generator to 400 Hz, 50% ($\pm 37.5 \text{ kHz Dev.}$).
2. Set the signal generator to provide $1 \mu\text{V}$ at 98 MHz. Tune the receiver to the same frequency so that the center tuning meter pointer indicates its center.
3. Turn on DOLBY FM-25 μS pushswitch. Set the trimming resistors RC01 and RC02 so that the output of the TAPE MONITOR OUT jacks R and L become 580 mV at VTVM.

5. AUDIO ADJUSTMENT

1. Voltage adjustment
Connect a DC voltmeter between pin terminal J804 and J805, and adjust the trimming resistor R806 for 35V DC.

2. Main Amplifier DC off-set alignment

Connect a DC voltmeter with 0.5 or 1 V range between the speaker terminals and adjust the trimming resistor R726 for "zero" DC output on the meter. Repeat the same procedure for the other channel.

NOTE: During this alignment no load should be connected to the speaker terminals.

3. Idle-current adjustment

Connect a VTVM between pin terminals J716 and J718. Next, adjust the trimming resistor R727 so the VTVM reads 20 mV DC. Repeat the same procedure for the other channel.

4. Check DC off-set voltage aligned in the procedure 2 and if any DC output is observed on the DC voltmeter, adjust the R726 again for "zero" output.

5. Phono-amplifier adjustment

Connect an oscilloscope to the TAPE MONITOR OUT

jacks and an audio signal generator to the PHONO jacks. Place the SELECTOR switch in the PHONO position. Increase 1 kHz audio signal gradually until a slight clipping on top of the sine-wave is observed on the oscilloscope. Adjust the trimming resistor R408 for equal clipping level. For the other channel adjust R409.

6. VOLTAGE CONVERSION FOR EUROPEAN MODEL

The European version of the Model 2285 is equipped with a universal power transformer that may be adjusted to operate at 110 V, 120 V, 220 V, or 240 V AC at 50 to 60 Hz. To convert the unit to a different power source voltage, reposition conversion plug as shown in Figure 1.

CAUTION: DISCONNECT POWER SUPPLY CORD FROM AC OUTLET BEFORE CONVERTING VOLTAGE.

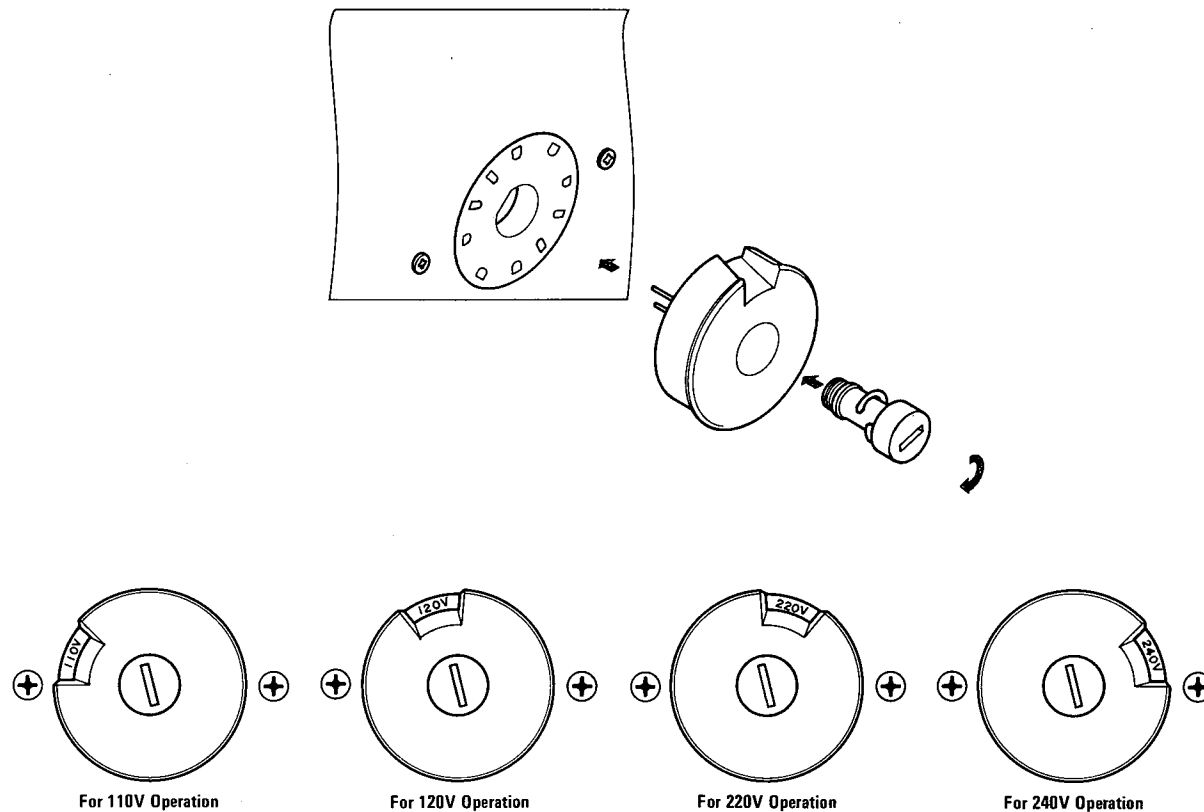


Figure 1. Voltage Conversion Chart

FTZ REGULATION

Instruction for the use in the range other than specified in FTZ codes

Achtung für die Leute, die in dem Gebiet wohnen, wo die FTZ-Bestimmungen vorherrschend sind.

Sollte das Gerät auch für Frequenzen ausserhalb des in den FTZ-Bestimmungen angegebenen Bereiches empfangsbereit sein, bitten wir, den Bereich durch Nachstellen des Kernes in der Oszillatospule (in der Abbildung mit "FTZ" gekennzeichnet) so zu korrigieren, dass er den Bestimmungen entspricht.

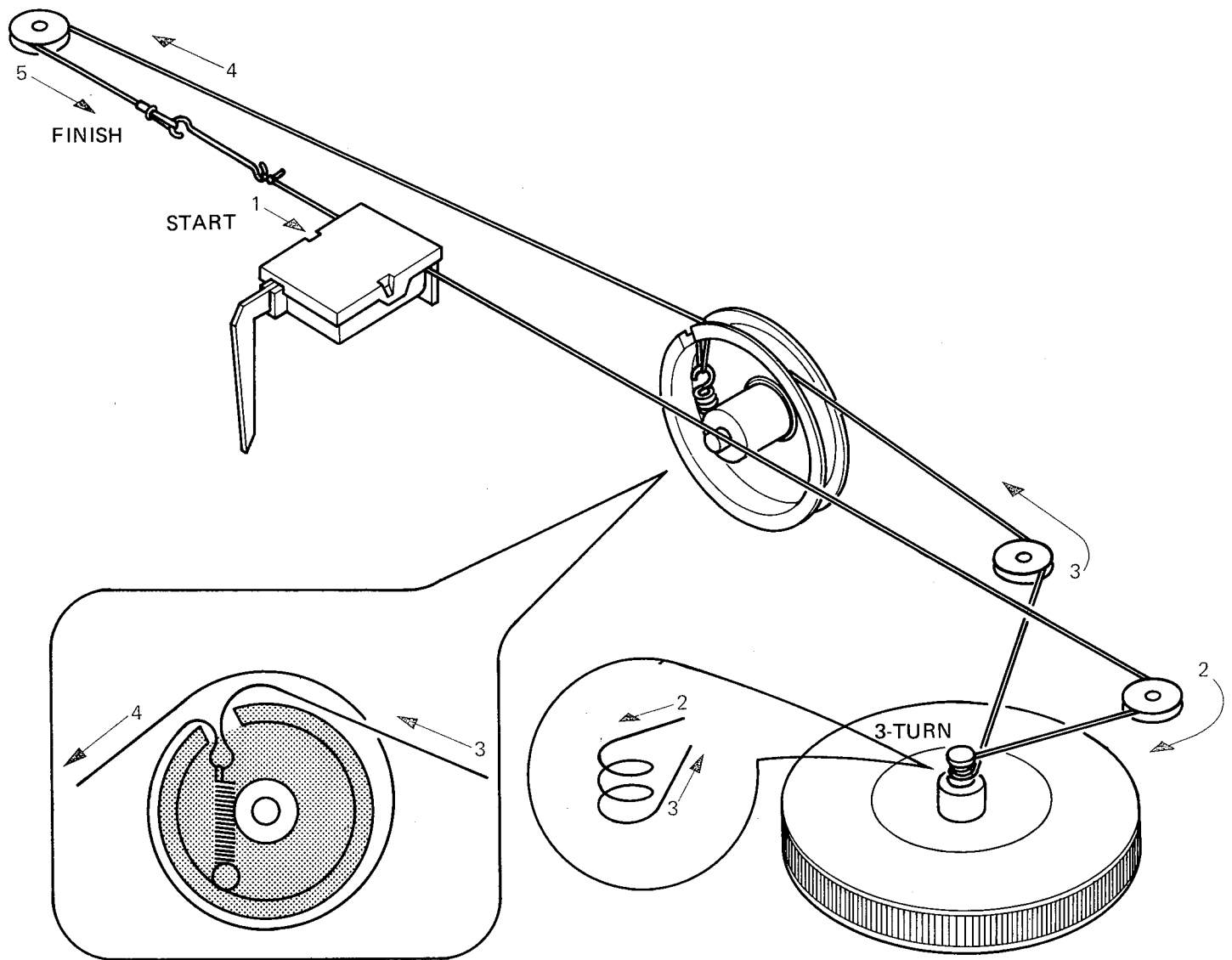
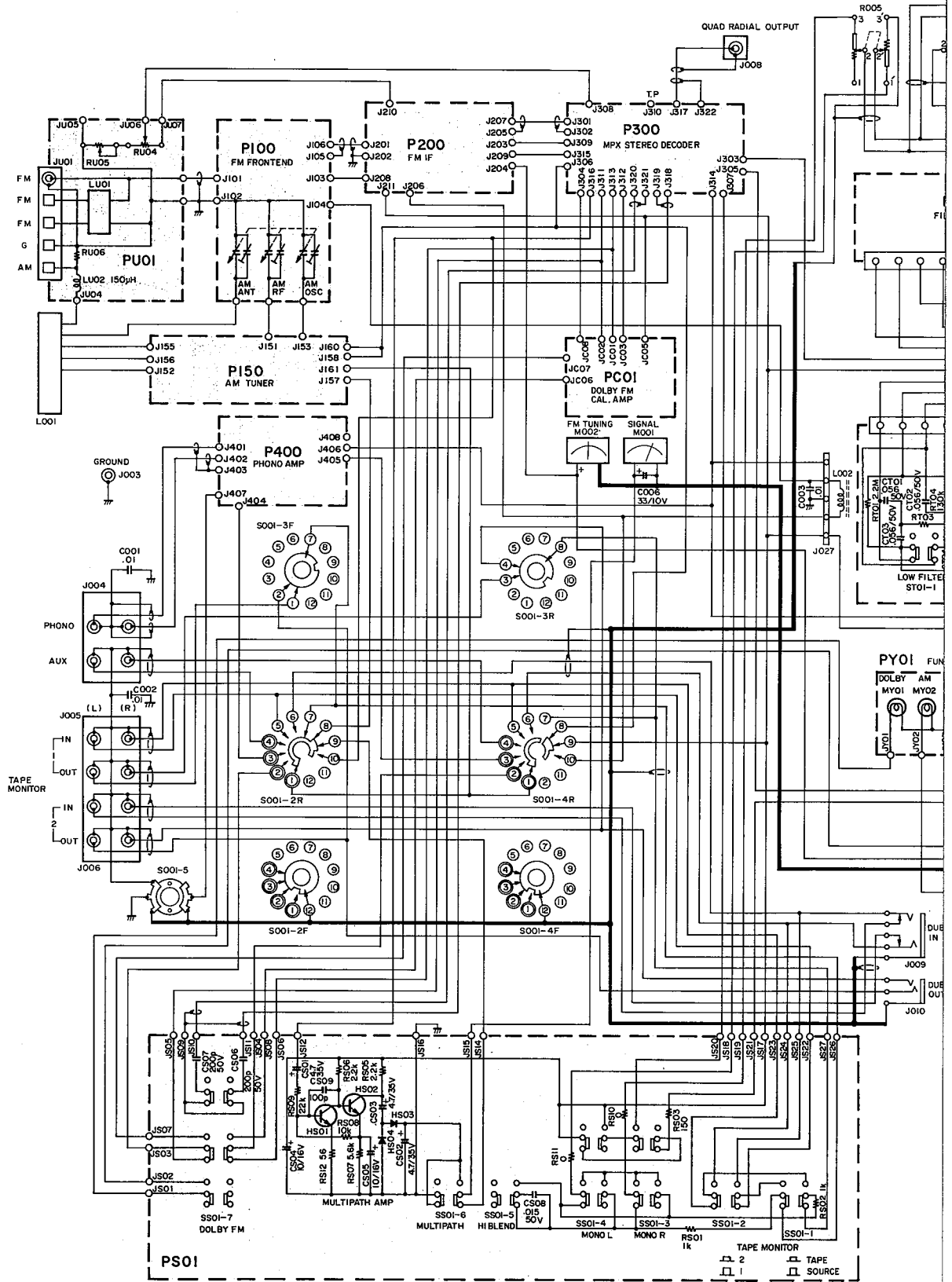


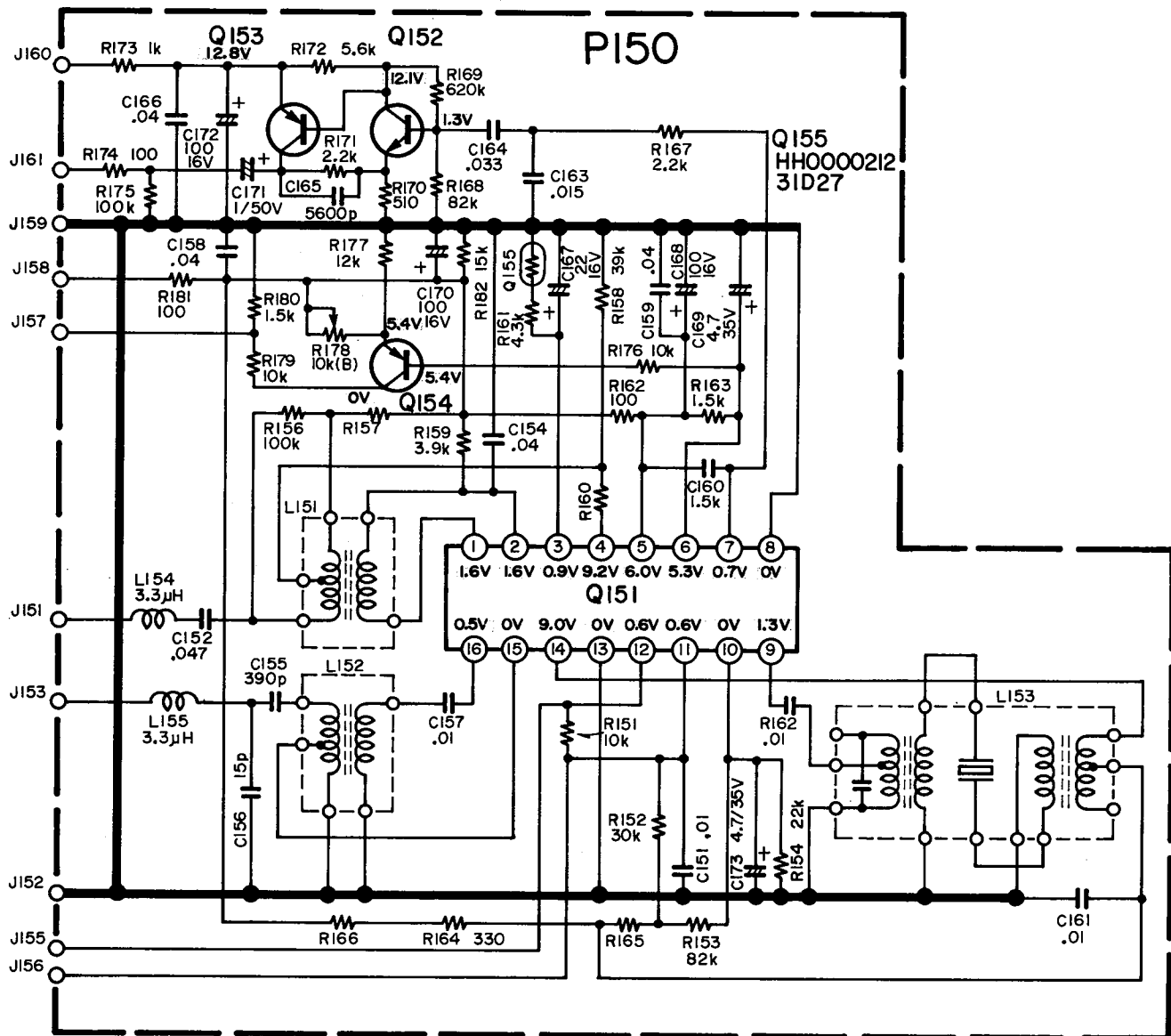
Figure 2. Dial Stringing

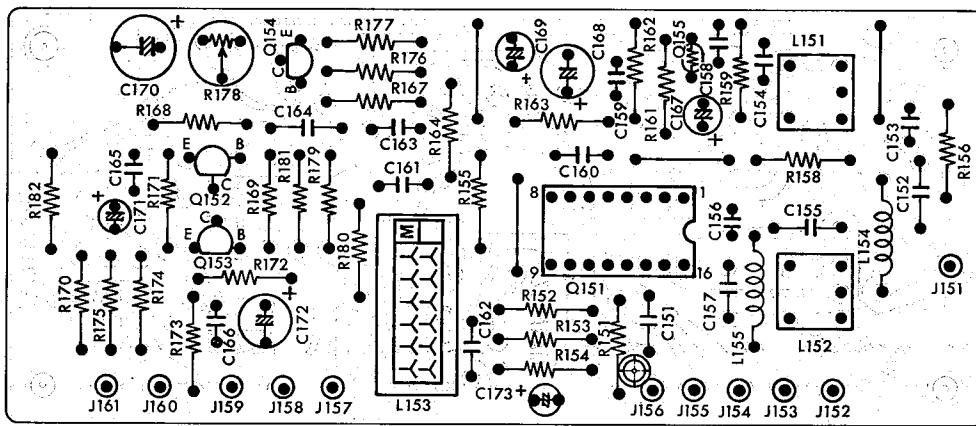
7. DIAGRAMS

7.1 INTER CONNECTION DIAGRAM

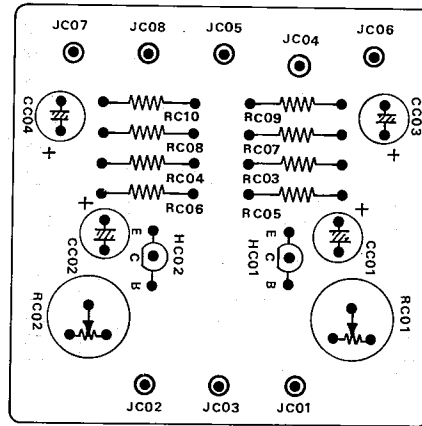
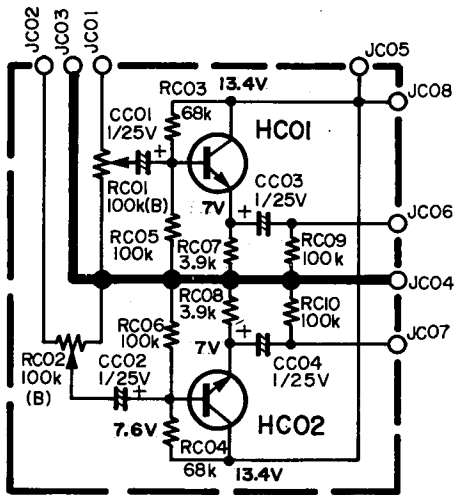


7.4 AM TUNER BOARD SCHEMATIC DIAGRAM AND COMPONENT LOCATIONS

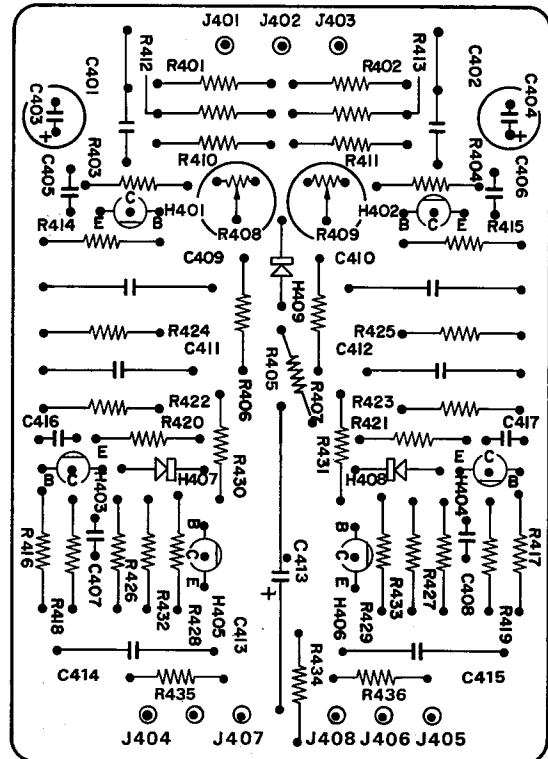
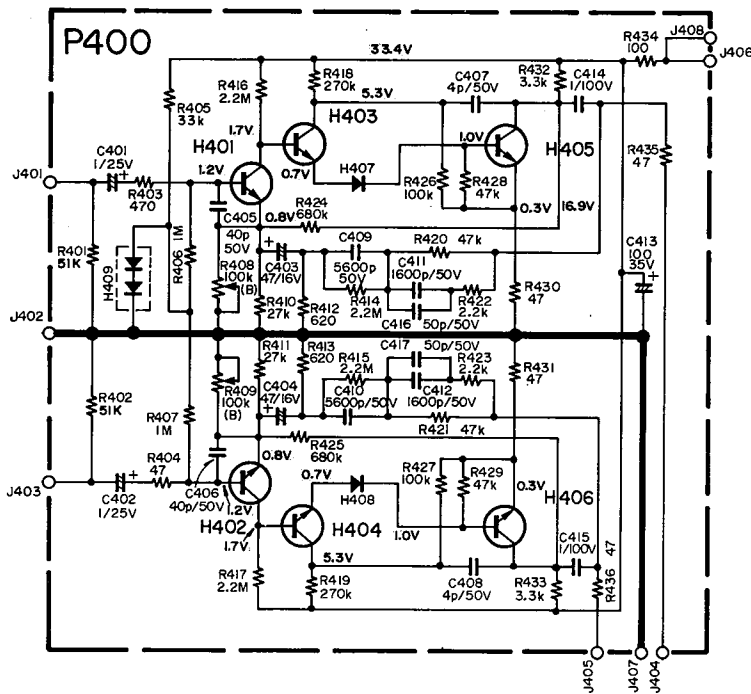




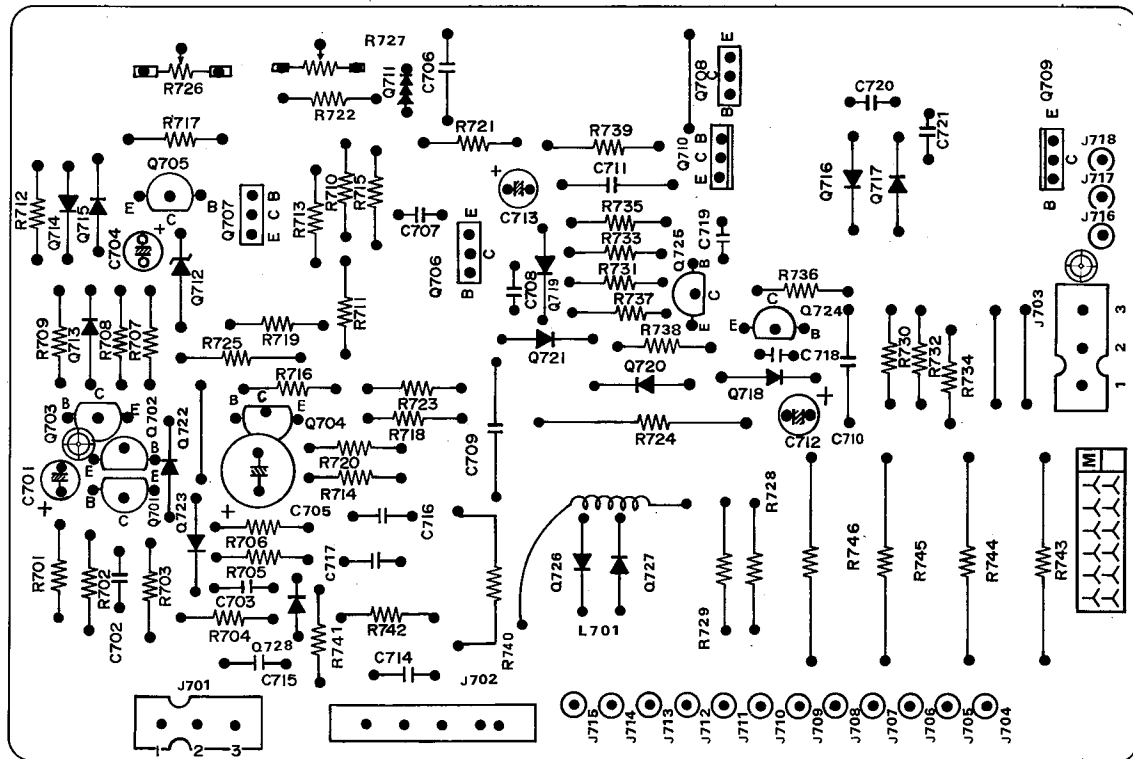
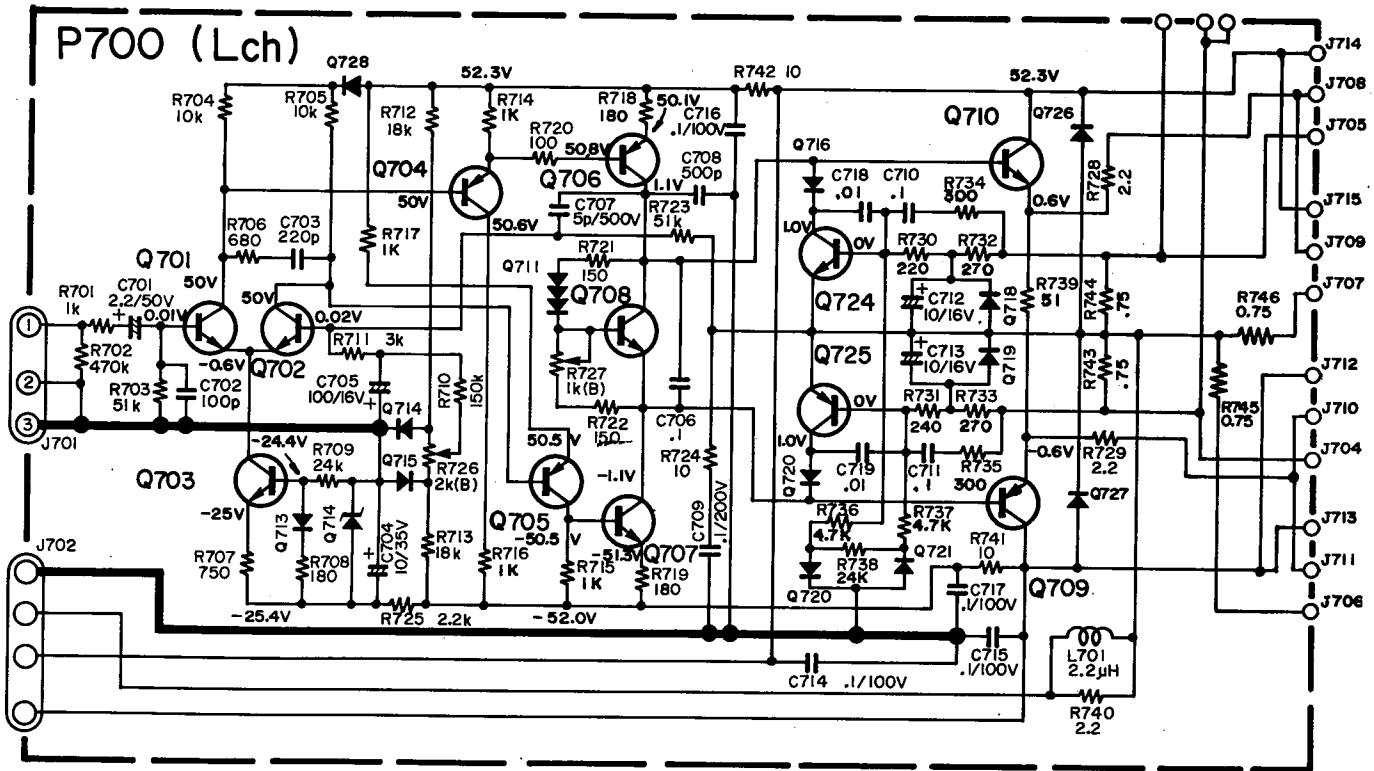
7.7 DOLBY LEVEL BOARD SCHEMATIC DIAGRAM AND COMPONENT LOCATIONS



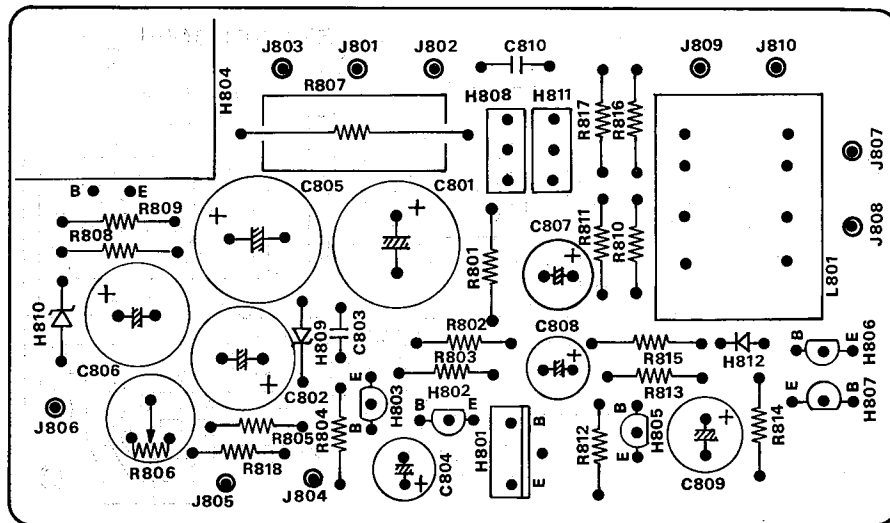
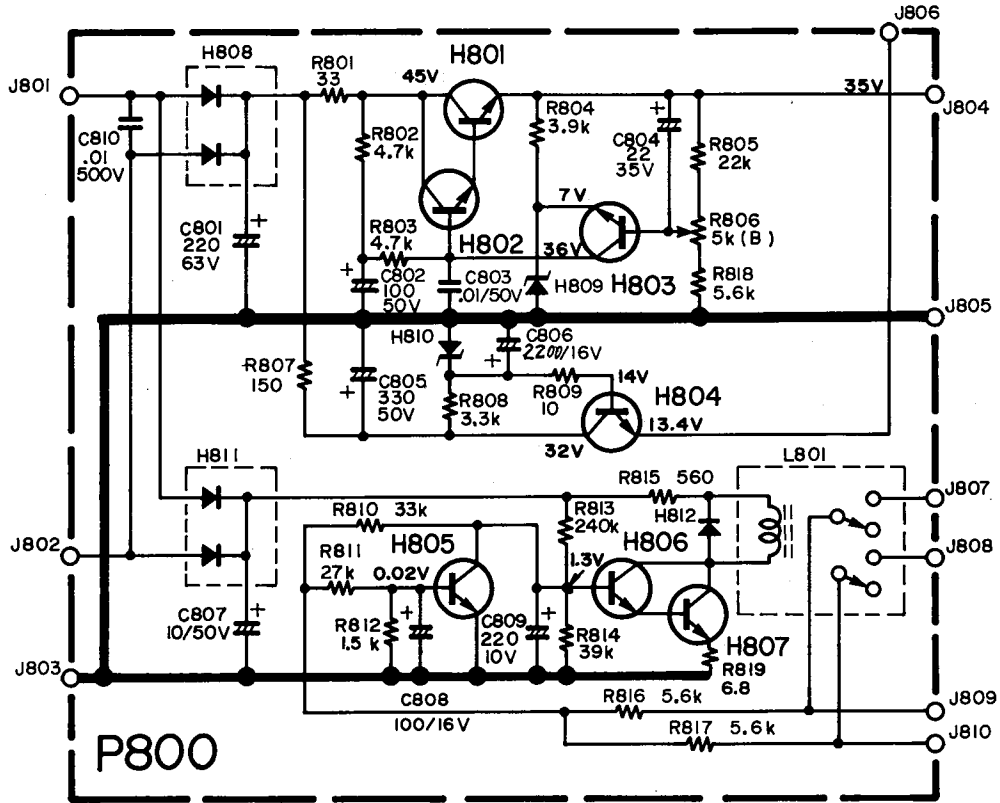
7.8 PHONO AMP. BOARD SCHEMATIC DIAGRAM AND COMPONENT LOCATIONS



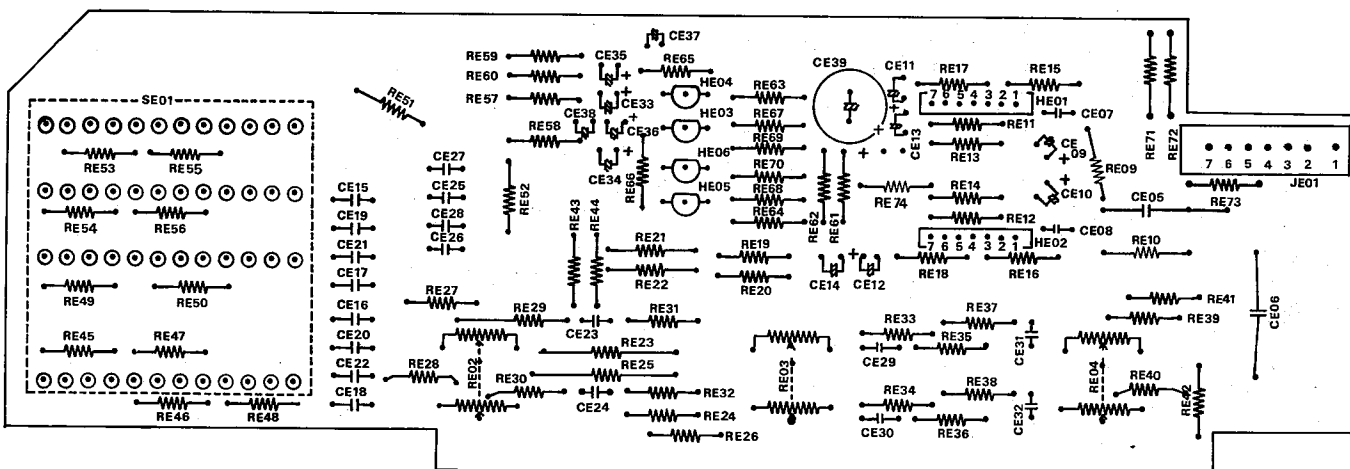
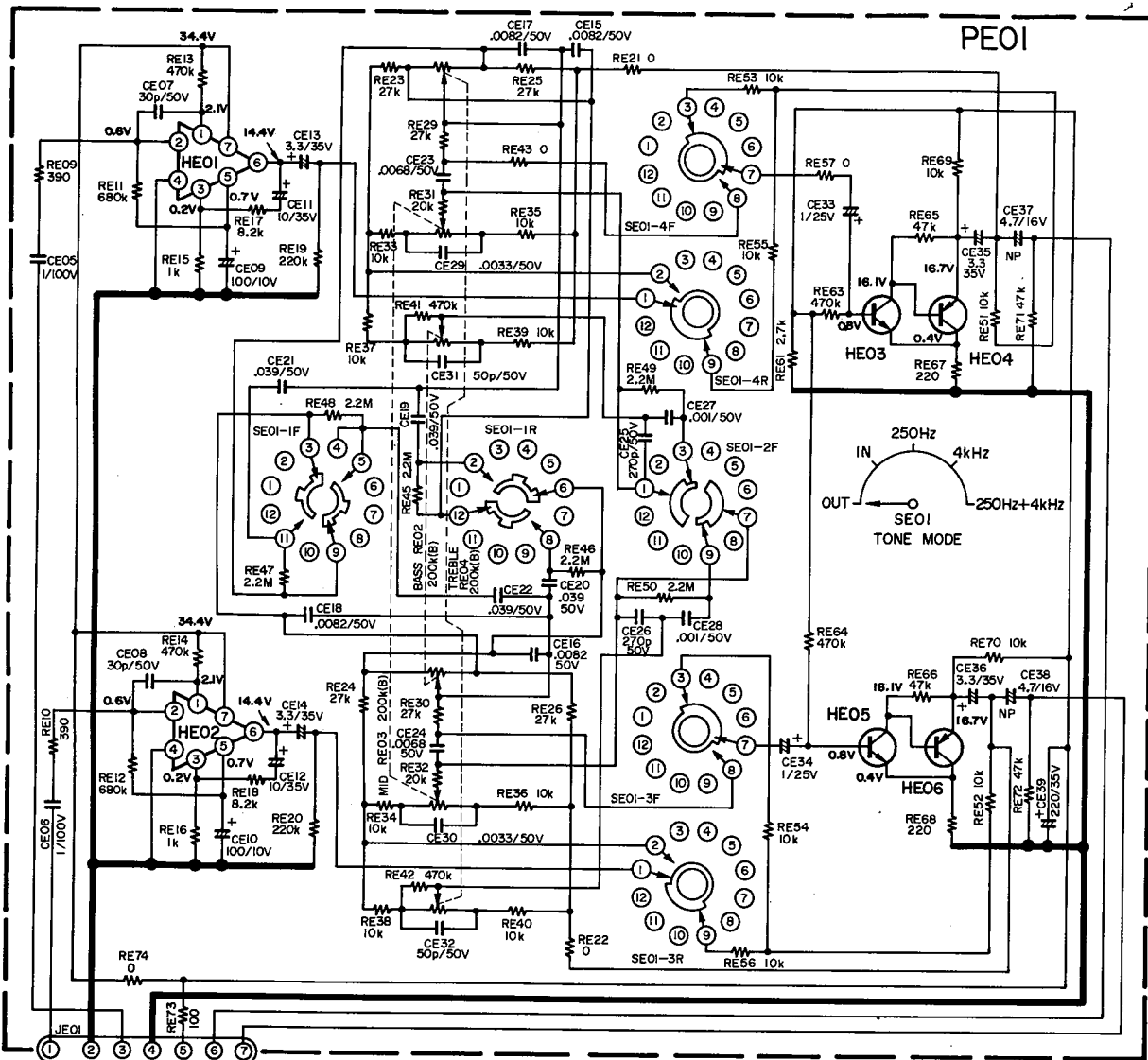
7.9 MAIN AMP. BOARD SCHEMATIC DIAGRAM AND COMPONENT LOCATIONS



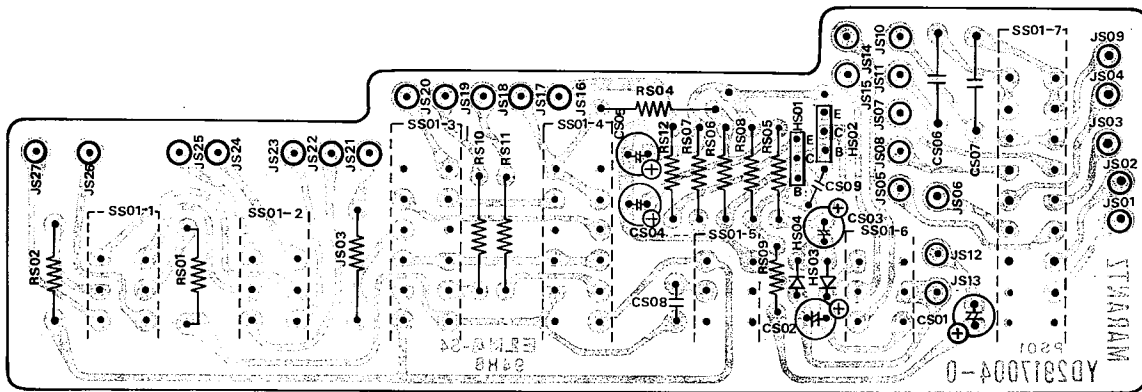
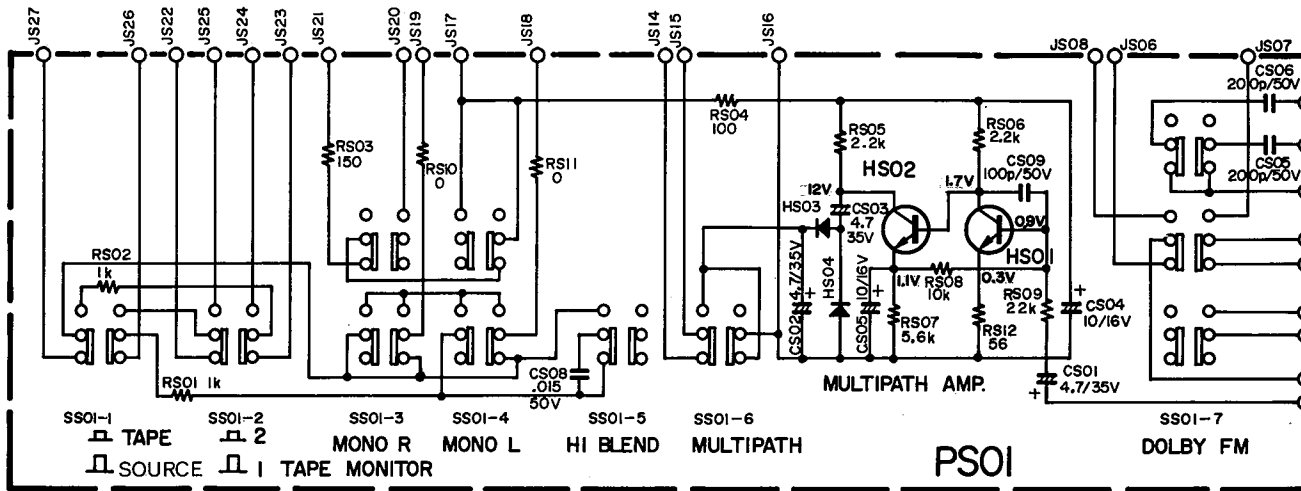
7.10 POWER SUPPLY BOARD SCHEMATIC DIAGRAM AND COMPONENT LOCATIONS



7.11 PRE AND TONE AMP. BOARD SCHEMATIC DIAGRAM AND COMPONENT LOCATIONS

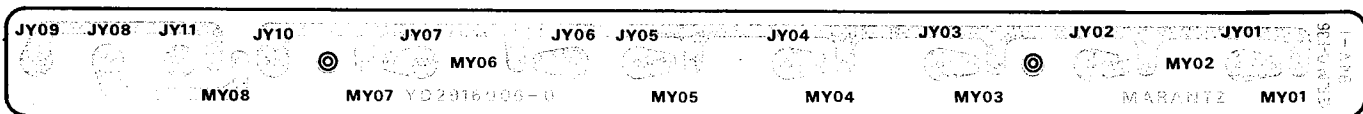
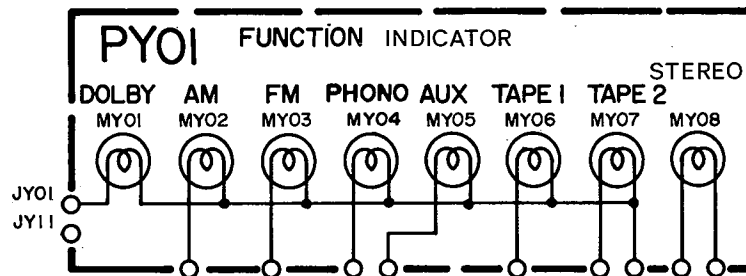


7.12 DOLBY FM, TAPE MONITOR BOARD SCHEMATIC DIAGRAM AND COMPONENT LOCATIONS

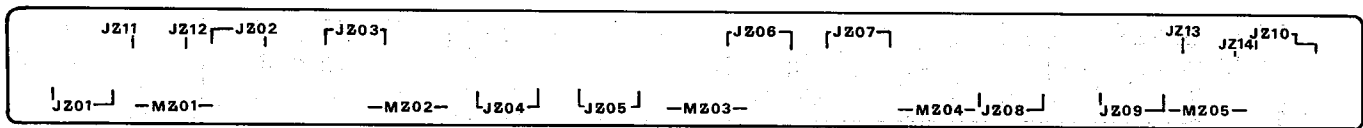
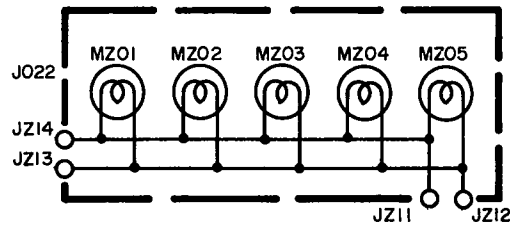


7.13 FUNCTION LAMP BOARD SCHEMATIC DIAGRAM AND COMPONENT LOCATIONS

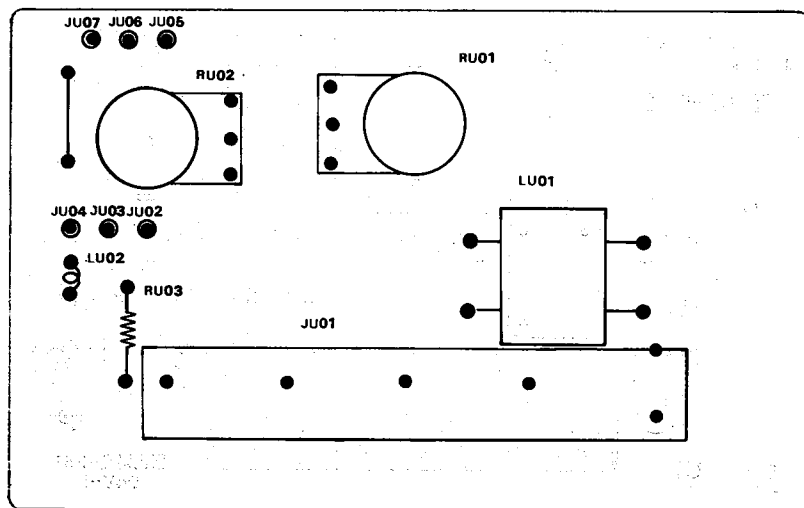
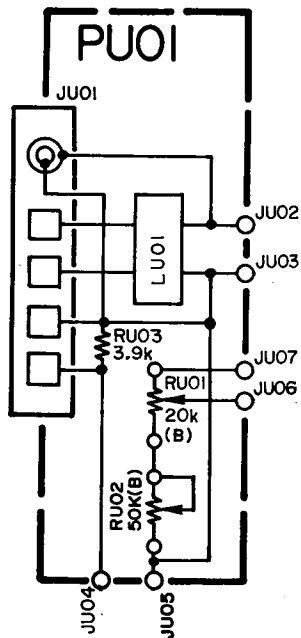
FUNCTION INDICATOR STEREO



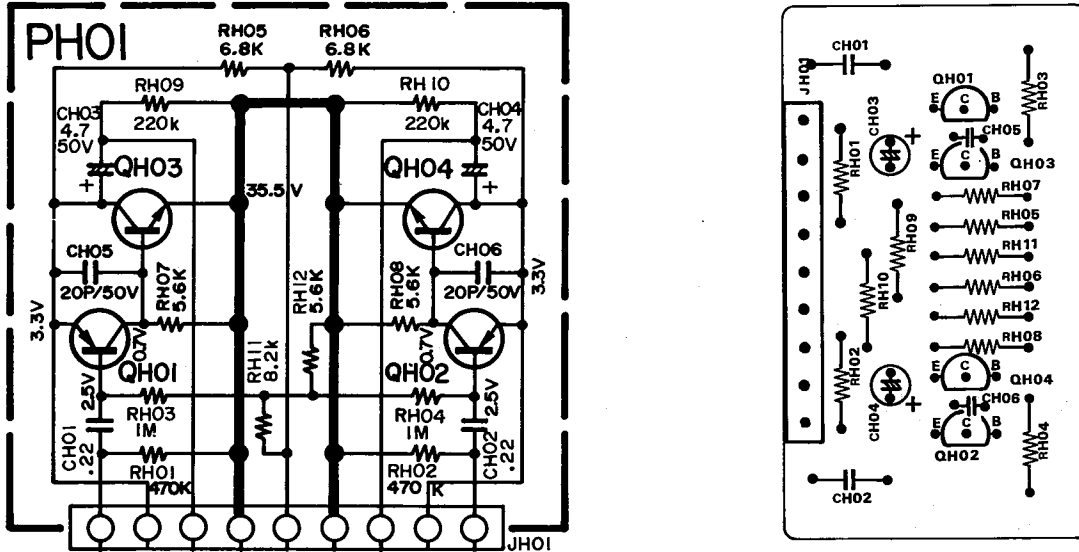
7.14 DIAL LAMP BOARD SCHEMATIC DIAGRAM AND COMPONENT LOCATIONS



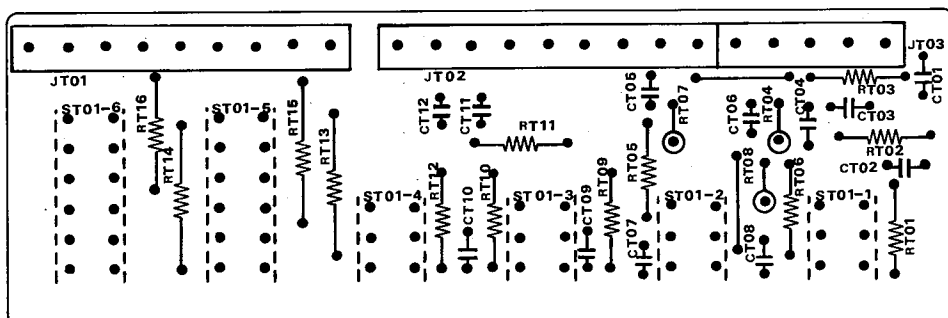
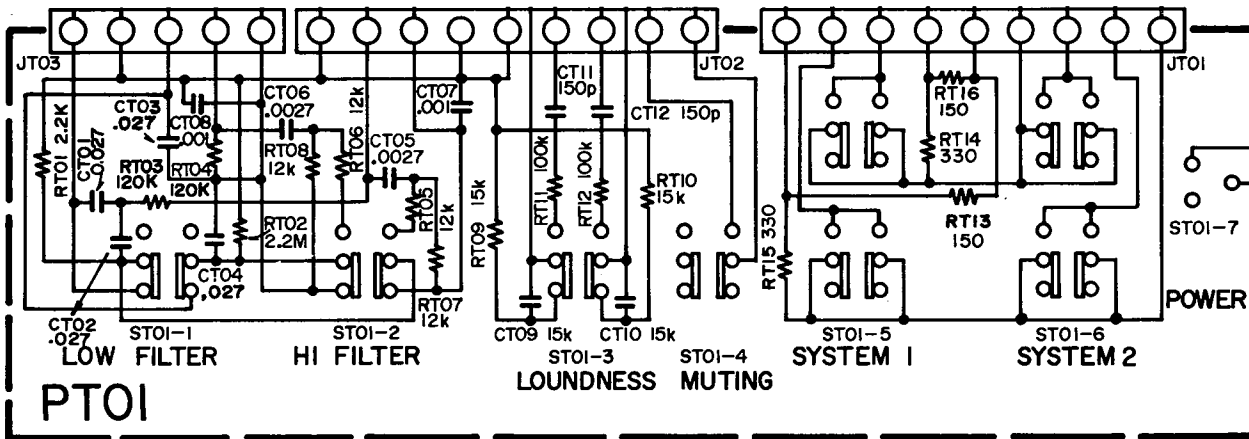
7.15 ANTENNA MUTING BOARD SCHEMATIC DIAGRAM AND COMPONENT LOCATIONS



7.16 FILTER AMP. BOARD SCHEMATIC DIAGRAM AND COMPONENT LOCATIONS

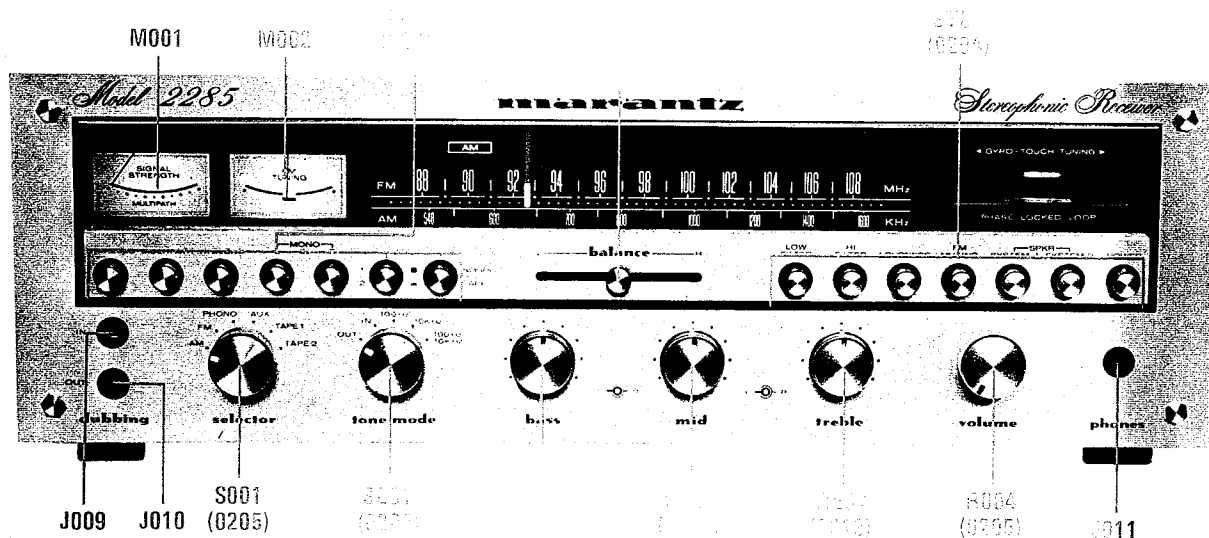


7.17 FILTER, LOUDNESS BOARD SCHEMATIC DIAGRAM AND COMPONENT LOCATIONS

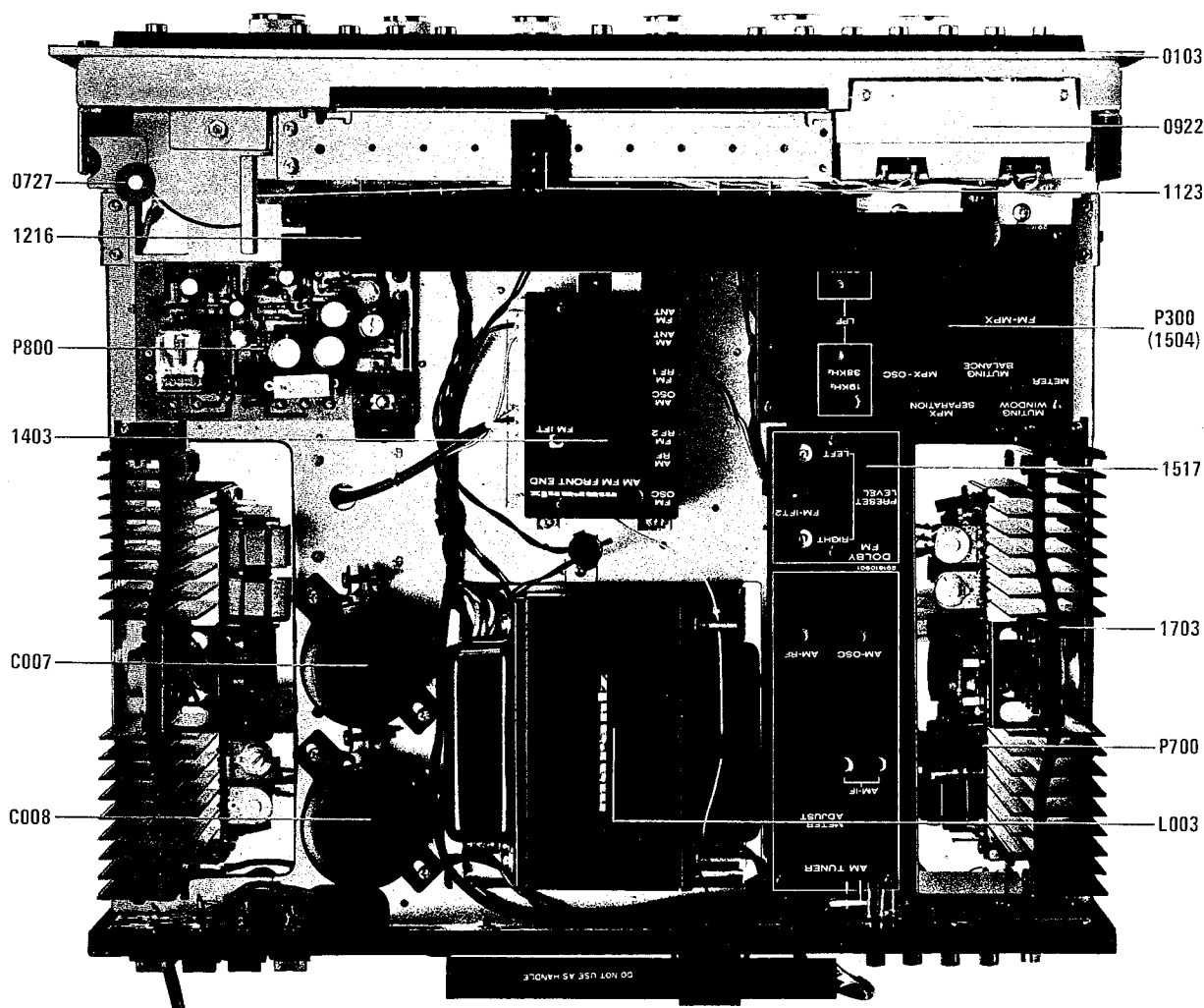


8. MAJOR COMPONENT LOCATIONS

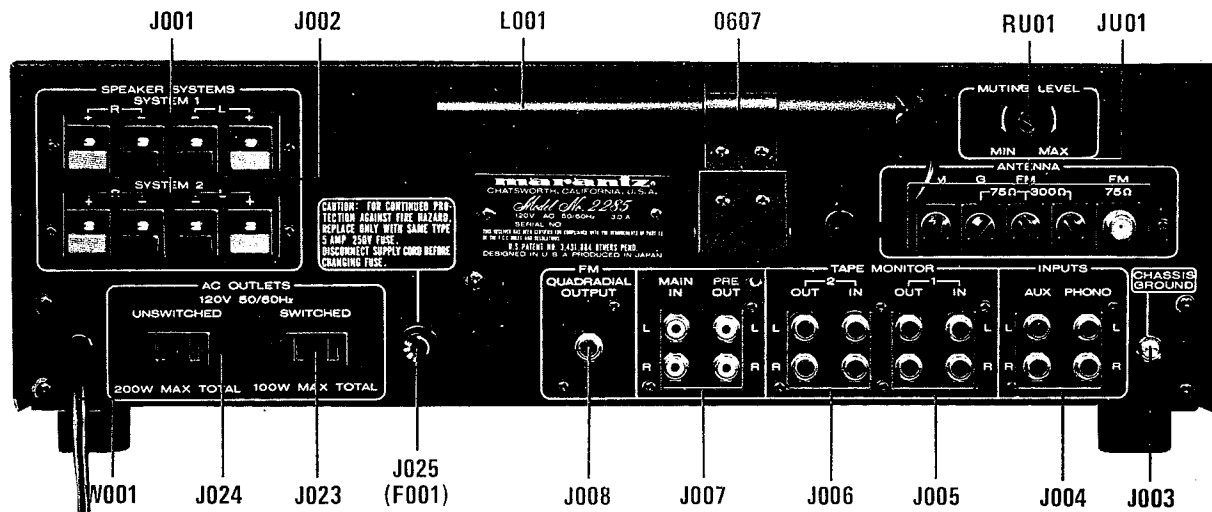
8.1 CABINET-FRONT VIEW



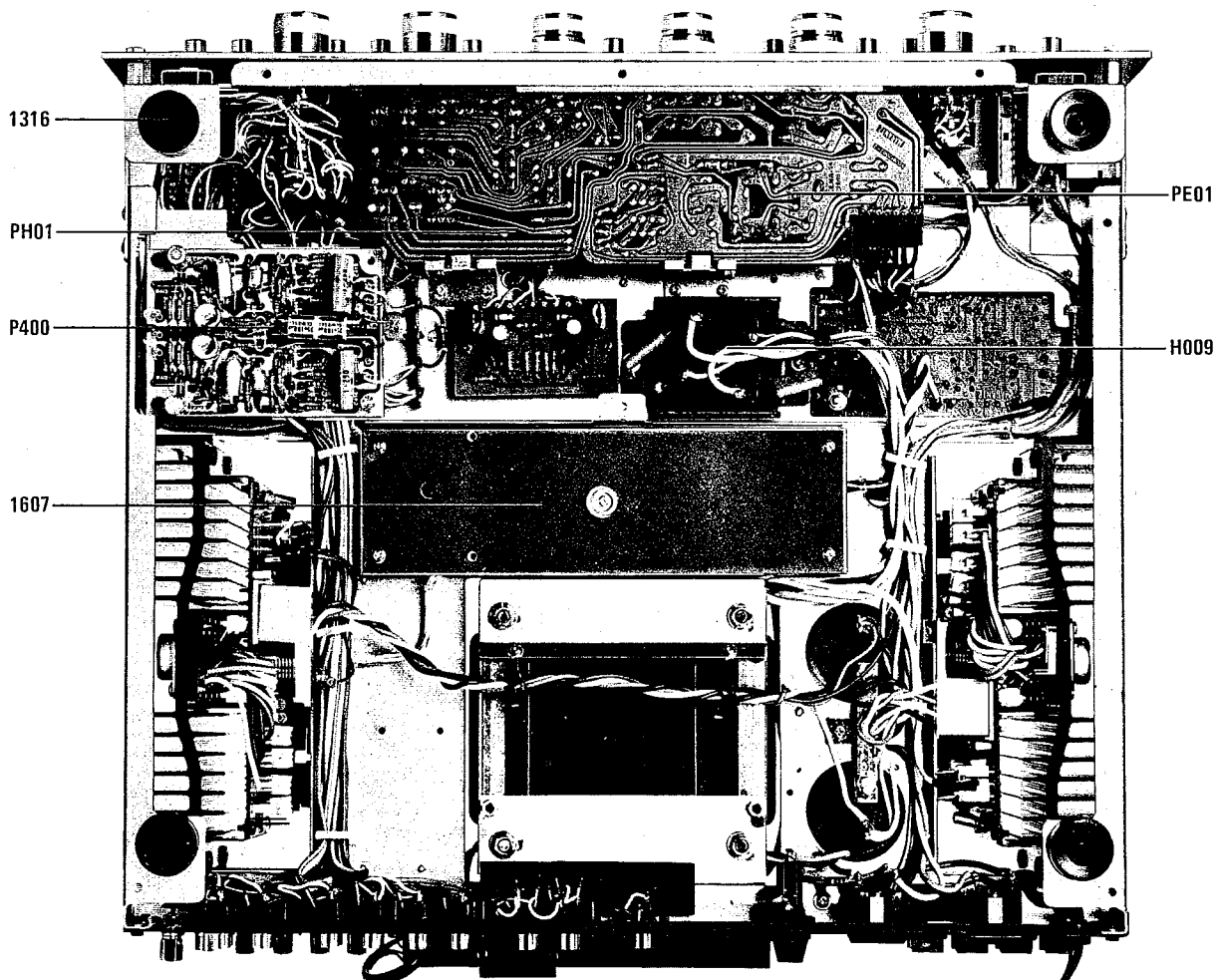
8.2 CHASSIS-TOP VIEW



8.3 CABINET-REAR VIEW

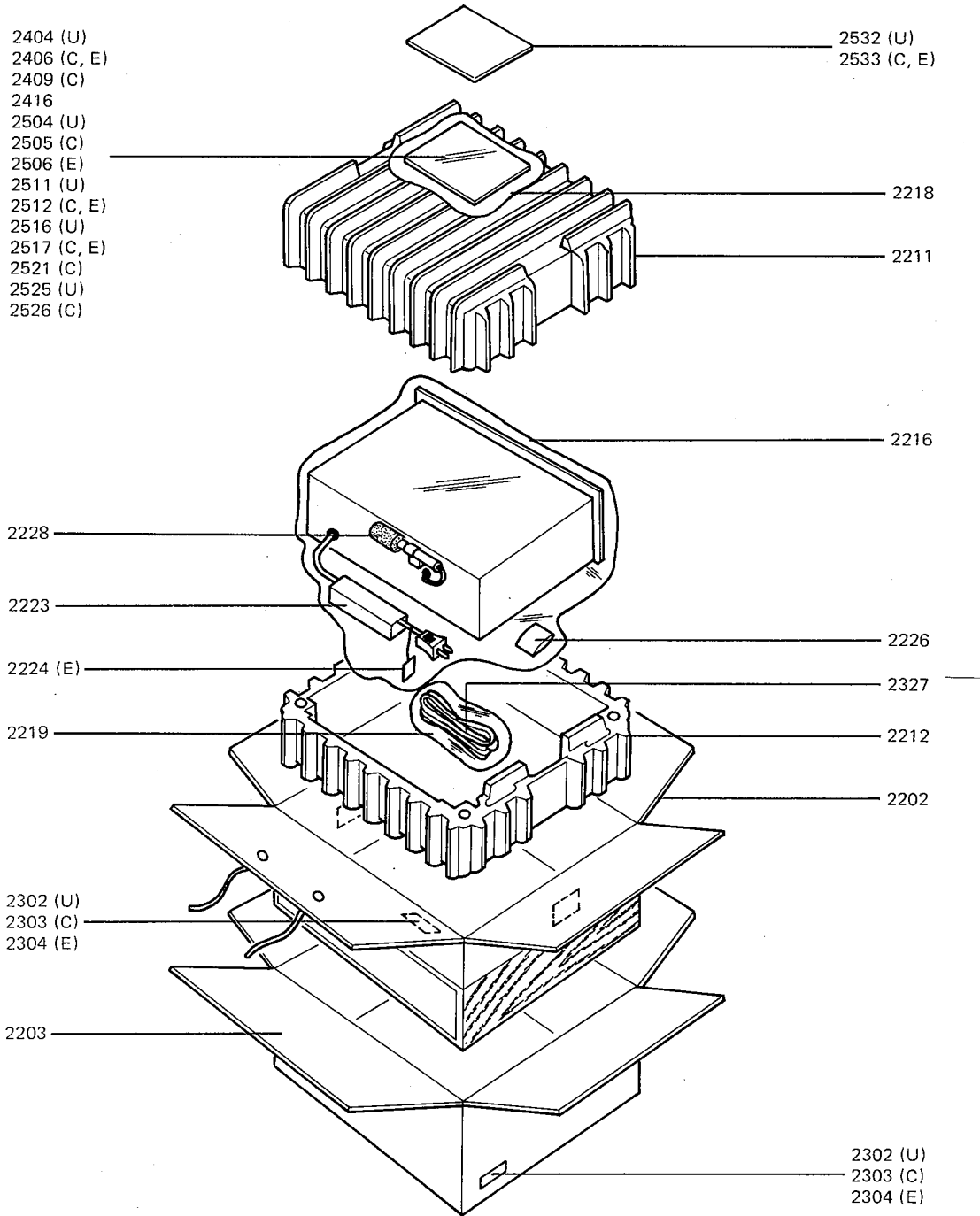


8.4 CHASSIS-BOTTOM VIEW



9. EXPLODED VIEW

9.1 PACKING MATERIAL EXPLODED VIEW



U : For U.S.A.
 C : For Canada
 E : For Europe

10. PARTS LIST

U : For U.S.A.
C : For Canada
E : For Europe

REF. DESIG.	Q'TY			PART NO.	DESCRIPTION
	U	C	E		
A	1	1	1	2212063400	Front Panel Assembly
0103	1	1	1	2212063012	Escutcheon
0104	1	1	1	2221401012	Frame
0105	1	1	1	2212063023	Escutcheon
0106	1	1	1	2221158010	Window
0107	14	14	14	2221259012	Bushing
0114	1	1	1	2917053010	Cover
B	1	1	1	2916257400	Lid Assembly, Upper
0303	1	1	1	2916257010	Lid
0304	5	5	5	2577118070	Spacer
0305	4	4	4	2856056010	Buffer
0306	1	1	1	2917056012	Buffer
C	1	1	1	2916257410	Lid Assembly, Lower
0317	1	1	1	2916257020	Lid
0318	1	1	1	2915120010	Insulator
D	1	1	1	2204159400	Drum Assembly
1412	1	1	1	2204159010	Drum
1413	1	1	1	71101689L0	Spring
1414	2	2	2	51064019A9	Set Screw
E	1	1	1	2915103400	Pointer Assembly
1122	1	1	1	2915103012	Pointer
1123	1	1	1	2915103020	Pointer
1124	1	1	1	2818103020	Pointer
1125	1	1	1	2915267030	Heatsink
M003	1	1	1	IN10080300	Lamp
F	1	1	1	2853273400	Flywheel Assembly
1109	2	2	2	2577063022	Escutcheon
1110	1	1	1	2577273010	Flywheel
1111	1	1	1	2853112010	Shaft
1114	1	1	1	53110603E9	Hexagon Nut
1115	1	1	1	54020601E0	Flat Washer
G	1	1	1	1202006430	Hook Assembly
1129	1	1	1	1202258010	Hook
1131	1	1	1	72071605A0	String
H		1		2210160400	Rear Panel Assembly
0504		1		2210160220	Bracket
0515		1		2821259010	Bushing
0516		2		55060305S0	T.R. Rivet
0517		2		54050300R0	T.L. Washer
0110	1	1	1	2915107010	Sheet
0120	4	4	4	52017039J0	Bolt
0122	1	1	1	2916055010	Collar
0203	1	1	1	2221154112	Knob
0204	14	14	14	2221154122	Knob
0205	3	3	3	2221154133	Knob
0209	3	3	3	2210154022	Knob
0213	3	3	3	2210154012	Knob
0309	4	4	4	51480406S9	B.H.M. Screw F, 4x6
0318	1	1	1	2915120010	Insulator
0320	10	10	10	51100410S9	B.H.M. Screw, B4x10
0402	1			2212265010	Indicator
0403		1		2212265020	Indicator
0404		1		2212265030	Indicator
0411	2	2	2	51280308U0	B.H. Tapped Screw B, 3x8
0412	1	1	1	2506265060	Indicator, Do not use as handle.
0417	1	1	1	2578861010	Label, UL Caution
0418	1	1	1	2932861010	Label, Do not remove cover.

REF. DESIG.	Q'TY			PART NO.	DESCRIPTION
	U	C	E		
0419	1			2818861010	Label, FTC
0421		1		9510911010	Label, LL No.
0422	1			9510911020	Label, UL Factory
0423	1			9511101020	Label, UL
0429	1	1	1	2886861010	Label, Marantz
0431	2			9510221010	Label, Fuse Caution
0432	1			9510611030	Label, 3A 250V
0433	1			9510611050	Label, 5A 250V
9236	1			2911861170	Label
9237	1			2911861110	Label
9238	1			2911861140	Label
9239	1			2911861010	Label
9240	1			2911861190	Label
9241	1			2911861240	Label
0503	1	1		2210160212	Bracket
0510	1	1		1455259030	Bushing, AC Cord
0511	1	1	1	1455259070	Bushing, Ferrite-rod Antenna
0518			2	51060316A9	P.H.M. Screw, P3x16
0519			2	53110303A9	Hexagon Nut
0523	1	1	1	62040029W0	Lug, Chassis Ground
0526	4	4	4	51280308U0	B.H. Tapped Screw B, 3x8
0528	2	2	2	51280308U0	B.H. Tapped Screw B, 3x8
0529	2	2	2	51280308U0	B.H. Tapped Screw B, 3x8
0533	10	10	10	51280308U0	B.H. Tapped Screw B, 3x8
0603	6	6	6	51100306S9	B.H.M. Screw, B3x6
0607	1	1	1	2819271130	Holder
0608	1	1	1	2578160522	Bracket K
0613	2	2	2	51280312U0	B.H. Tapped Screw B, 3x12
0618	2	2	2	51280312U0	B.H. Tapped Screw B, 3x12
0623	3	3	3	51100306S9	B.H.M. Screw, B3x6
0631		2		51100308S9	B.H.M. Screw, B3x8
0703	1	1	1	2915160505	Bracket K
0710	1	1	1	2915120040	Insulator
0711	2	2	2	51100306A9	B.H.M. Screw, B3x6
0713	4	4	4	51100306A9	B.H.M. Screw, B3x6
0716	1	1	1	2917160022	Bracket
0717	2	2	2	51100306A9	B.H.M. Screw, B3x6
0719	1	1	1	2916160022	Bracket
0722	2	2	2	51100306A9	B.H.M. Screw, B3x6
0723	2	2	2	51490306A9	B.H.M. Screw, B3x6
0727	1	1	1	2956262520	Pulley K
0733	2	2	2	51100305A9	B.H.M. Screw, B3x5
0806	1	1	1	2917120010	Insulator
0807	2	2	2	2916120012	Insulator
0810	1	1	1	2818160032	Bracket
0811	1	1	1	2818160042	Bracket
0812	4	4	4	51100406A9	B.H.M. Screw, B4x6
0816	1	1	1	2917109033	Shield
0817	1	1	1	2915120030	Insulator
0818	1	1	1	2889120050	Insulator
0820	3	3	3	51100305A9	B.H.M. Screw, B3x5
0823	1	1	1	2853269010	Protector
0824	2	2	2	51570306B0	P.H. Tapped Screw, P3x6ST
0827	1	1	1	2577106020	Bearing
0828	1	1	1	1415118010	Spacer
0829	2	2	2	51040306A9	F.H.M. Screw, F3x6
0833	1	1	1	2886122010	Sticker
0903	1	1	1	2871274110	Reflector
0904	1	1	1	2871271010	Holder, Dial Board
0905	2	2	2	51570306B0	P.H. Tapped Screw, P3x6ST
0908	1	1	1	2886271010	Holder, Function Lamp
0909	2	2	2	51570306B0	P.H. Tapped Screw, P3x6ST

U : For U.S.A
 C : For Canada
 E : For Europe

REF. DESIG.	G'TY			PART NO.	DESCRIPTION
	U	C	E		
0912	2	2	2	51100306A9	B.H.M. Screw, B3x6
0913	2	2	2	51480306A9	B.H.M. Screw, B3x6
0916	2	2	2	51042608A0	F.H.M. Screw, F2.6x8
0922	1	1	1	2886274012	Reflector, Meter
0923	1	1	1	2886271020	Holder, Lamp
0924	2	2	2	51570306B0	P.H. Tapped Screw, P3x6ST
0926	2	2	2	51480306A9	B.H.M. Screw, B3x6
0929	2	2	2	2886107010	Sheet
0930	2	2	2	2871053020	Cover
0931	1	1	1	2886262510	Pulley K
1002	2	2	2	51100306A9	B.H.M. Screw, B3x6
1003	2	2	2	54050300R0	T.L. Washer OR
1006	2	2	2	51570306B0	P.H. Tapped Screw, P3x6ST
1007	2	2	2	54050300R0	T.L. Washer OR
1012	1	1	1	2871051020	Guide
1016	1	1	1	2917262500	Pulley K
1021	2	2	2	51100305A9	B.H.M. Screw, B3x5
1032	1	1	1	2853106500	Bearing K
1103	1	1	1	51640410D9	Set Screw CP, 4x10
1104	1	1	1	54040402N0	Spring Washer
1105	1	1	1	53110403E9	Hexagon Nut
1133	1	1	1	56382540G0	Eyelet
1203	1	1	1	2210302012	Dial
1207	1	1	1	2856107010	Sheet
1209	1	1	1	2915269012	Protector
1210	2	2	2	51570305B0	P.H. Tapped Screw, P3x5ST
1216	1	1	1	2916269012	Protector
1217	2	2	2	51100305S9	B.H.M. Screw, B3x5
1221	1	1	1	2819120050	Insulator
1225	1	1	1	2850112020	Shaft
1226	1	1	1	54040402N0	Spring Washer
1303	1	1	1	2917105513	Chassis K
1316	4	4	4	2759057012	Leg
1317	4	4	4	51490410S9	B.H.M. Screw FS, 4x10
1320	10	10	10	51570306B0	P.H. Tapped Screw, P3x6ST
1325	1	1	1	51570306B0	P.H. Tapped Screw, P3x6ST
1326	1	1	1	54050300R0	T.L. Washer OR
1330	1	1	1	2960259010	Bushing
1331	1	1	1	2960259020	Bushing
1334	1	1	1	2210120010	Insulator
1403	1	1	1	2214109032	Shield
1404	3	3	3	51100306S9	B.H.M. Screw, B3x6
1405	3	3	3	51570306B0	P.H. Tapped Screw, P3x6ST
1422	1	1	1	2916267022	Heatsink
1423	1	1	1	51570306S0	P.H. Tapped Screw, P3x6ST
1424	3	3	3	51100306S9	B.H.M. Screw, B3x6
1425	2	2	2	51102606S0	B.H.M. Screw, B3x6
1427	1	1	1	51100312E9	B.H.M. Screw, B3x12
1428	1	1	1	53110301E9	Hexagon Nut
1429	1	1	1	54050300R0	T.L. Washer OR
1430	1	1	1	54040302N0	Spring Washer
1431	1	1	1	54020301E0	Flat Washer
1503	4	4	4	2917101010	Support
1504	1	1	1	2889109043	Shield
1505	4	4	4	51100304S9	B.H.M. Screw, B3x4
1512	2	2	2	2888101022	Support
1513	2	2	2	51100306S9	B.H.M. Screw, B3x6
1514	1	1	1	62030039W0	Lug
1517	1	1	1	2210109010	Shield
1518	2	2	2	51100304S9	B.H.M. Screw, B3x4
1521	2	2	2	2916101010	Support
1522	2	2	2	51100304S9	B.H.M. Screw, B3x4
1532	2	2	2	51100306S9	B.H.M. Screw, B3x6

REF. DESIG.	Q'TY			PART NO.	DESCRIPTION
	U	C	E		
1533	2	2	2	2928101010	Support
1534	2	2	2	54020301E0	Flat Washer P
1535	1	1	1	2916120050	Insulator
1607	1	1	1	2856109022	Shield
1608	4	4	4	2856101020	Support
1609	1	1	1	2818101070	Support
1610	5	5	5	51060304E9	P.H.M. Screw, P3x4
1611	1	1	1	3918109010	Shield
1617	4	4	4	51570406B0	P.H. Tapped Screw, P4x6ST
1618	1	1	1	2917160042	Bracket
1619	1	1	1	51570406B0	P.H. Tapped Screw, P4x6ST
1620	1	1	1	54050400R0	T.L. Washer OR
1628	2	2	2	2886160110	Bracket
1629	2	2	2	2886120090	Insulator
1630	4	4	4	51570306B0	P.H. Tapped Screw, P3x6ST
1703	2	2	2	2212267010	Heatsink
1705	2	2	2	2917160050	Bracket
1706	2	2	2	2212160010	Bracket
1707	12	12	12	51380306T0	P.H. Tapped Screw, P3x6ST
1710	4	4	4	2933160070	Bracket
1711	8	8	8	51100306S9	B.H.M. Screw, B3x6
1715	16	16	16	51100314E9	B.H.M. Screw, B3x14
1718	8	8	8	2577118020	Spacer
1722	10	10	10	51100306S9	B.H.M. Screw, B3x6
1727	2	2	2	2212160020	Bracket
1728	4	4	4	51100308S9	B.H.M. Screw, B3x8
1729	2	2	2	51480310S9	B.H.M. Screw F, 3x10
1803	4	4	4	2212267020	Heatsink
1805	4	4	4	51100306S9	B.H.M. Screw, B3x6
1806	4	4	4	53110303E9	Hexagon Nut
1807	4	4	4	51100308S9	B.H.M. Screw, B3x8
1808	4	4	4	2917267022	Heatsink
1809	6	6	6	51280308U0	B.H. Tapped Screw B, 3x8
1813	2	2	2	2933101022	Support
1814	2	2	2	51100306S9	B.H.M. Screw, B3x6
1815	2	2	2	54040302N0	Spring Washer
1819	1	1	1	2917109012	Shield
1820	2	2	2	51570306S0	P.H. Tapped Screw, P3x6ST
1825	8	8	8	51570306B0	P.H. Tapped Screw, P3x6ST
1830	1	1	1	2916109030	Shield
1831	3	3	3	51570306B0	P.H. Tapped Screw, P3x6ST
1903	1	1	1	2917267032	Heatsink
1904	2	2	2	51570308B0	P.H. Tapped Screw, P3x8ST
1907	1	1	1	51100316E9	B.H.M. Screw, B3x16
1908	1	1	1	53110301E9	Hexagon Nut
1917	1	1	1	2851160050	Bracket
1918	2	2	2	51570306B0	P.H. Tapped Screw, P3x6ST
1920	2	2	2	51100306S9	B.H.M. Screw, B3x6
1927	4	4	4	51490514A9	B.H.M. Screw FS, 5x14
1928	4	4	4	53110501A9	Hexagon Nut
1929	4	4	4	54040602N0	Spring Washer
1932	1	1	1	2818056030	Buffer
2002	2	2	2	2928101022	Support
2003	2	2	2	54040402N0	Spring Washer
2004	2	2	2	2916160070	Bracket
2007	6	6	6	2886005020	Clamper
2008	4	4	4	2886005040	Clamper
2011	2	2	2	2889259010	Bushing
2014	1	1	1	62030039W0	Lug
2015	2	2	2	51570306B0	P.H. Tapped Screw, P3x6ST
2016	1	1	1	62030039W0	Lug
2017	1	1	1	62030039W0	Lug
2018	2	2	2	62030039W0	Lug

U : For U.S.A.
 C : For Canada
 E : For Europe

REF. DESIG.	Q'TY			PART NO.	DESCRIPTION
	U	C	E		
2019	1	1		51570306B0	P.H. Tapped Screw, P3x6ST
2021	1	1	1	1210005010	Clamper
2022	1	1	1	54050300R0	T.L. Washer OR
2025	1	1	1	62030039W0	Lug
2026	1	1	1	51570306B0	P.H. Tapped Screw, P3x6ST
2028	1	1	1	62030039W0	Lug
2029	1	1	1	51570306B0	P.H. Tapped Screw, P3x6ST
2032	2	2	2	51570305B0	P.H. Tapped Screw, P3x5ST
2102	2	2	2	2871005010	Clamper
2105	1	1	1	1382005030	Clamper
2112	1	1	1	2908259010	Bushing
2117			1	2854160030	Bracket
2118			2	51570305B0	P.H. Tapped Screw, P3x5ST
2119			2	51100306S9	B.H.M. Screw, B3x6
2120			1	2917120020	Insulator
2121			2	2818055010	Collar
2130			1	62030039W0	Lug
2131			1	51570306B0	P.H. Tapped Screw, P3x6ST
2202	1	1	1	2212801010	Packing Case, Inner
2203	1	1	1	2212801110	Packing Case, Outer
2211	1	1	1	2886803020	Cushion, Upper
2212	1	1	1	2886803030	Cushion, Lower
2216	1	1	1	9014838380	Polyethylene Bag, Set
2218	1	1	1	9013025010	Polyethylene Bag, Printed Matter
2219	1	1	1	9013025010	Polyethylene Bag, Accessories
2223	1	1	1	2864804010	Sleeve, AC Cord
2224			1	9560000042	Hang Tag
2226	1	1	1	2731821010	Silicagel
2228	1	1	1	2819056010	Buffer, AM Antenna
2231	1	1	1	2918107130	Sheet
2302	4			9522815010	Serial No. Card
2303	4			9523015120	Serial No. Card
2304	4			9523015110	Serial No. Card
2314			2	9510901020	Label
2327	1	1	1	ZA02000070	Ext. Antenna, FM
2404	1			2212851010	Instructions, Set
2406	1	1		2212851310	Instructions, Set
2409			1	2886851100	Instructions, Flysheet
2416	1	1	1	2212856010	Schematic Diagram
2504	1			2577813010	Envelope, Orange
2505	1			2918813012	Envelope, Yellow
2506			1	2818813010	Envelope, Blue
2511	1			2577851020	Instructions, Important
2512	1	1	1	2818851120	Instructions, Important
2516	1			2577854012	Guarantee Card, IBM
2517	1	1	1	9630000180	Guarantee Card, IBM
2521	1			9650000050	Service Station Card
2525	1			2818854022	Guarantee Card
2526	1			2818854040	Guarantee Card
2532	1			2818851040	Instructions
2533	1	1		2818851140	Instructions
P100	1	1	1	YD29920010	P.W. Board, FM Front End
A001	1	1	1	AV01202070	FM Front End Assembly
R101	1	1	1	GD05104140	Fixed, 100kΩ ±5%, ¼W

REF. DESIG.	Q'TY			PART NO.	DESCRIPTION
	U	C	E		
R102	1	1	1	GD05470140	Fixed, 47Ω ±5%, ¼W
R103	1	1	1	GD05104140	Fixed, 100kΩ ±5%, ¼W
R104	1	1	1	GD05105140	Fixed, 1MΩ ±5%, ¼W
R105	1	1	1	GD05681140	Fixed, 680Ω ±5%, ¼W
R106	1	1	1	GD05153140	Fixed, 15kΩ ±5%, ¼W
R107	1	1	1	GD05472140	Fixed, 4.7kΩ ±5%, ¼W
R108	1	1	1	GD05103140	Fixed, 10kΩ ±5%, ¼W
R109	1	1	1	GD05821140	Fixed, 820Ω ±5%, ¼W
R110	1	1	1	GD05101140	Fixed, 100Ω ±5%, ¼W
R111	1	1	1	GD05101140	Fixed, 100Ω ±5%, ¼W
R112	1	1	1	GD05330140	Fixed, 33Ω ±5%, ¼W
C101	1	1	1	CA43700020	Variable, FM-4 AM-3
C102	1	1	1	DD16120020	Ceramic, 12pF ±10%
C103	1	1	1	DD16101010	Ceramic, 100pF ±10%
C104	1	1	1	DD15200010	Ceramic, 20pF ±5%
C105	1	1	1	DK18203030	Ceramic, 0.02μF +80%, -20%
C106	1	1	1	DK18203030	Ceramic, 0.02μF +80%, -20%
C107	1	1	1	DD16120020	Ceramic, 12pF ±10%
C108	1	1	1	DD16120020	Ceramic, 12pF ±10%
C109	1	1	1	DD10010020	Ceramic, 1pF ±0.25pF
C110	1	1	1	DD16150040	Ceramic, 15pF ±10%
C111	1	1	1	DD16082010	Ceramic, 8.2pF ±10%
C112	1	1	1	DD16470020	Ceramic, 47pF ±10%
C113	1	1	1	DD16150030	Ceramic, 15pF ±10%
C114	1	1	1	DK18203030	Ceramic, 0.02μF +80%, -20%
C115	1	1	1	DK18203030	Ceramic, 0.02μF +80%, -20%
C116	1	1	1	DK18203030	Ceramic, 0.02μF +80%, -20%
Q101	1	1	1	HF400451B0	FET, 3SK45 (B)
Q102	1	1	1	HF400591A0	FET, 3SK59 (Y)
Q103	1	1	1	HT307101C0	Transistor, 2SC710 (C)
L106	1	1	1	LI70039010	IFT, TM122
L107	1	1	1	LC13920010	Choke Coil, WU111
J101	1	1	1	YJ06001150	Plug
J102	1	1	1	YJ06001150	Plug
P150	1	1	1	YA29590310	P.W. Board, AM Tuner
	1	1	1	ZZ29590310	P.W. Board Assembly
R151	1	1	1	RT05103140	Fixed, 10kΩ ±5%, ¼W
R152	1	1	1	RT05303140	Fixed, 30kΩ ±5%, ¼W
R153	1	1	1	RT05823140	Fixed, 82kΩ ±5%, ¼W
R154	1	1	1	RT05223140	Fixed, 22kΩ ±5%, ¼W
R156	1	1	1	RT05104140	Fixed, 100kΩ ±5%, ¼W
R158	1	1	1	RT05393140	Fixed, 39kΩ ±5%, ¼W
R159	1	1	1	RT05392140	Fixed, 3.9kΩ ±5%, ¼W
R161	1	1	1	RT05432140	Fixed, 4.3kΩ ±5%, ¼W
R162	1	1	1	RT05101140	Fixed, 100Ω ±5%, ¼W
R163	1	1	1	RT05152140	Fixed, 1.5kΩ ±5%, ¼W
R164	1	1	1	RT05331140	Fixed, 330Ω ±5%, ¼W
R167	1	1	1	RT05222140	Fixed, 2.2kΩ ±5%, ¼W
R168	1	1	1	RT05823140	Fixed, 82kΩ ±5%, ¼W
R169	1	1	1	RT05624140	Fixed, 620kΩ ±5%, ¼W
R170	1	1	1	RT05511140	Fixed, 510Ω ±5%, ¼W
R171	1	1	1	RT05222140	Fixed, 2.2kΩ ±5%, ¼W
R172	1	1	1	RT05562140	Fixed, 5.6kΩ ±5%, ¼W

U : For U.S.A.
 C : For Canada
 E : For Europe

REF. DESIG.	Q'TY			PART NO.	DESCRIPTION
	U	C	E		
R173	1	1	1	RT05102140	Fixed, 1kΩ ±5%, ¼W
R174	1	1	1	RT05101140	Fixed, 100Ω ±5%, ¼W
R175	1	1	1	RT05104140	Fixed, 100kΩ ±5%, ¼W
R176	1	1	1	RT05103140	Fixed, 10kΩ ±5%, ¼W
R177	1	1	1	RT05123140	Fixed, 12kΩ ±5%, ¼W
R178	1	1	1	RA01030250	Trimming, 10kΩ (B)
R179	1	1	1	RT05103140	Fixed, 10kΩ ±5%, ¼W
R180	1	1	1	RT05152140	Fixed, 1.5kΩ ±5%, ¼W
R181	1	1	1	RT05101140	Fixed, 100Ω ±5%, ¼W
R182	1	1	1	RT05152140	Fixed, 1.5kΩ ±5%, ¼W
P150-CAPACITORS					
C151	1	1	1	DK17103010	Ceramic, 0.01μF ±20%
C152	1	1	1	DF17473050	Film, 0.047μF ±20%
C153	1	1	1	DD16200010	Ceramic, 20pF ±10%
C154	1	1	1	DK18403020	Ceramic, 0.04μF +80%, -20%
C155	1	1	1	DF65391010	Film, 390pF ±5%
C156	1	1	1	DD16150010	Ceramic, 15pF ±10%
C157	1	1	1	DK17103010	Ceramic, 0.01μF ±20%
C158	1	1	1	DK18403020	Ceramic, 0.04μF +80%, -20%
C159	1	1	1	DK18403020	Ceramic, 0.04μF +80%, -20%
C160	1	1	1	DK17103010	Ceramic, 0.01μF ±20%
C161	1	1	1	DK17103010	Ceramic, 0.01μF ±20%
C162	1	1	1	DK17103010	Ceramic, 0.01μF ±20%
C163	1	1	1	DF16153050	Film, 0.015μF ±10%
C164	1	1	1	DF16333050	Film, 0.033μF ±10%
C165	1	1	1	DF17562050	Film, 5600pF ±20%
C166	1	1	1	DK18403020	Ceramic, 0.04μF +80%, -20%
C167	1	1	1	EA22601690	Electrolytic, 22μF, 16V
C168	1	1	1	EA10701690	Electrolytic, 100μF, 16V
C169	1	1	1	EA47503590	Electrolytic, 4.7μF, 35V
C170	1	1	1	EA10701690	Electrolytic, 100μF, 16V
C171	1	1	1	EE10505040	Electrolytic, 1μF, 50V
C172	1	1	1	EA10701690	Electrolytic, 100μF, 16V
C173	1	1	1	EA47503590	Electrolytic, 4.7μF, 35V
P150-MISCELLANEOUS					
Q151	1	1	1	HC10005060	IC, μPC30C
Q152	1	1	1	HT313272A0	Transistor, 2SC1327 S or T
Q153	1	1	1	HT108422A0	Transistor, 2SA842 BL or G
Q154	1	1	1	HT104951C0	Transistor, 2SA495 Y
Q155	1	1	1	HH00002120	Thermistor, 31D27
L151	1	1	1	LA10010190	RF Coil, AM
L152	1	1	1	LO10010500	OSC Coil, AM
L153	1	1	1	LI10280030	IFT, AM
L154	1	1	1	LC13320020	Choke Coil, 3.3μH
L155	1	1	1	LC13320020	Choke Coil, 3.3μH
P158	1	1	1	2933118020	Spacer, R181
J151	1	1	1	YP10001130	Plug
J152	1	1	1	YP10001130	Plug
J153	1	1	1	YP10001130	Plug
J155	1	1	1	YP10001130	Plug
J156	1	1	1	YP10001130	Plug
J157	1	1	1	YP10001130	Plug
J158	1	1	1	YP10001130	Plug
J160	1	1	1	YP10001130	Plug
J161	1	1	1	YP10001130	Plug
FM IF CIRCUIT BOARD-P200					
P200	1	1	1	YD22120030	P.W. Board, FM IF
	1	1	1	ZZ22120030	P.W. Board Assembly

REF. DESIG.	Q'TY			PART NO.	DESCRIPTION
	U	C	E		
P200-RESISTORS					
R201	1	1	1	RT05151140	Fixed, 150Ω ±5%, ¼W
R202	1	1	1	RT05822140	Fixed, 8.2kΩ ±5%, ¼W
R203	1	1	1	RT05183140	Fixed, 18kΩ ±5%, ¼W
R204	1	1	1	RT05102140	Fixed, 1kΩ ±5%, ¼W
R205	1	1	1	RT05331140	Fixed, 330Ω ±5%, ¼W
R206	1	1	1	RC00000140	Fixed, 0Ω, ¼W
R207	1	1	1	RT05470140	Fixed, 47Ω ±5%, ¼W
R208	1	1	1	RT05332140	Fixed, 3.3kΩ ±5%, ¼W
R209	1	1	1	RT05152140	Fixed, 1.5kΩ ±5%, ¼W
R210	1	1	1	RT05151140	Fixed, 150Ω ±5%, ¼W
R212	1	1	1	RT05102140	Fixed, 1kΩ ±5%, ¼W
R213	1	1	1	RT05331140	Fixed, 330Ω ±5%, ¼W
R214	1	1	1	RC00000140	Fixed, 0Ω, ¼W
R215	1	1	1	RT05470140	Fixed, 47Ω ±5%, ¼W
R216	1	1	1	RT05332140	Fixed, 3.3kΩ ±5%, ¼W
R217	1	1	1	RT05152140	Fixed, 1.5kΩ ±5%, ¼W
R218	1	1	1	RT05151140	Fixed, 150Ω ±5%, ¼W
R219	1	1	1	RT05102140	Fixed, 1kΩ ±5%, ¼W
R220	1	1	1	RT05151140	Fixed, 150Ω ±5%, ¼W
R221	1	1	1	RT05750140	Fixed, 75Ω ±5%, ¼W
R223	1	1	1	RT05473140	Fixed, 47kΩ ±5%, ¼W
R224	1	1	1	RT05470140	Fixed, 47Ω ±5%, ¼W
R225	1	1	1	RT05152140	Fixed, 1.5kΩ ±5%, ¼W
R226	1	1	1	RT05332140	Fixed, 3.3kΩ ±5%, ¼W
R227	1	1	1	RT05151140	Fixed, 150Ω ±5%, ¼W
R228	1	1	1	RT05561140	Fixed, 560Ω ±5%, ¼W
R229	1	1	1	RT05221140	Fixed, 220Ω ±5%, ¼W
R230	1	1	1	RT05750140	Fixed, 75Ω ±5%, ¼W
R231	1	1	1	RT05750140	Fixed, 75Ω ±5%, ¼W
R232	1	1	1	RT05104140	Fixed, 100kΩ ±5%, ¼W
R234	1	1	1	RT05683140	Fixed, 68kΩ ±5%, ¼W
R235	1	1	1	RT05470140	Fixed, 47Ω ±5%, ¼W
R236	1	1	1	RT05821140	Fixed, 820Ω ±5%, ¼W
R237	1	1	1	RT05102140	Fixed, 1kΩ ±5%, ¼W
R238	1	1	1	RT05821140	Fixed, 820Ω ±5%, ¼W
R239	1	1	1	RT05152140	Fixed, 1.5kΩ ±5%, ¼W
R240	1	1	1	RT05332140	Fixed, 3.3kΩ ±5%, ¼W
R241	1	1	1	RT05151140	Fixed, 150Ω ±5%, ¼W
R242	1	1	1	RT05102140	Fixed, 1kΩ ±5%, ¼W
R243	1	1	1	RT05102140	Fixed, 1kΩ ±5%, ¼W
R244	1	1	1	RT05151140	Fixed, 150Ω ±5%, ¼W
R246	1	1	1	RT05683140	Fixed, 68kΩ ±5%, ¼W
R248	1	1	1	RT05470140	Fixed, 47Ω ±5%, ¼W
R249	1	1	1	RT05151140	Fixed, 150Ω ±5%, ¼W
R250	1	1	1	RT05104140	Fixed, 100kΩ ±5%, ¼W
R251	1	1	1	RT05822140	Fixed, 8.2kΩ ±5%, ¼W
R252	1	1	1	RT05153140	Fixed, 15kΩ ±5%, ¼W
R253	1	1	1	RT05102140	Fixed, 1kΩ ±5%, ¼W
R254	1	1	1	RT05102140	Fixed, 1kΩ ±5%, ¼W
R255	1	1	1	RT05151140	Fixed, 150Ω ±5%, ¼W
R257	1	1	1	RT05273140	Fixed, 27kΩ ±5%, ¼W
R258	1	1	1	RT05223140	Fixed, 22kΩ ±5%, ¼W
R259	1	1	1	RT05821140	Fixed, 820Ω ±5%, ¼W
R260	1	1	1	RT05104140	Fixed, 100kΩ ±5%, ¼W
R261	1	1	1	RT05151140	Fixed, 150Ω ±5%, ¼W
R262	1	1	1	RT05822140	Fixed, 8.2kΩ ±5%, ¼W
R263	1	1	1	RT05153140	Fixed, 15kΩ ±5%, ¼W
R264	1	1	1	RT05102140	Fixed, 1kΩ ±5%, ¼W
R265	1	1	1	RT05102140	Fixed, 1kΩ ±5%, ¼W
R266	1	1	1	RT05101140	Fixed, 100Ω ±5%, ¼W
R267	1	1	1	RT05151140	Fixed, 150Ω ±5%, ¼W
R268	1	1	1	RT05151140	Fixed, 150Ω ±5%, ¼W

U : For U.S.A
 C : For Canada
 E : For Europe

REF. DESIG.	Q'TY			PART NO.	DESCRIPTION
	U	C	E		
R269	1	1	1	RT05104140	Fixed, 100kΩ ±5%, ¼W
R270	1	1	1	RT05822140	Fixed, 8.2kΩ ±5%, ¼W
R271	1	1	1	RT05153140	Fixed, 15kΩ ±5%, ¼W
R272	1	1	1	RT05102140	Fixed, 1kΩ ±5%, ¼W
R273	1	1	1	RT05101140	Fixed, 100Ω ±5%, ¼W
R274	1	1	1	RT05272140	Fixed, 2.7kΩ ±5%, ¼W
R275	1	1	1	RT05821140	Fixed, 820Ω ±5%, ¼W
R276	1	1	1	RT05821140	Fixed, 820Ω ±5%, ¼W
R277	1	1	1	RT05821140	Fixed, 820Ω ±5%, ¼W
R278	1	1	1	RT05682140	Fixed, 6.8kΩ ±5%, ¼W
R279	1	1	1	RT05682140	Fixed, 6.8kΩ ±5%, ¼W
R280	1	1	1	RT05101140	Fixed, 100Ω ±5%, ¼W
R281	1	1	1	RT05563140	Fixed, 56kΩ ±5%, ¼W
R282	1	1	1	RT05153140	Fixed, 15kΩ ±5%, ¼W
R283	1	1	1	RT05101140	Fixed, 100Ω ±5%, ¼W
R284	1	1	1	RT05104140	Fixed, 100kΩ ±5%, ¼W
R285	1	1	1	RT05184140	Fixed, 180kΩ ±5%, ¼W
R286	1	1	1	RT05101140	Fixed, 100Ω ±5%, ¼W
R287	1	1	1	RT05222140	Fixed, 2.2kΩ ±5%, ¼W
R288	1	1	1	RT05101140	Fixed, 100Ω ±5%, ¼W
R289	1	1	1	RT05101140	Fixed, 100Ω ±5%, ¼W
R290	1	1	1	RT05121140	Fixed, 120Ω ±5%, ¼W
R291	1	1	1	RT05822140	Fixed, 8.2kΩ ±5%, ¼W
R292	1	1	1	RT05183140	Fixed, 18kΩ ±5%, ¼W
R293	1	1	1	RT05222140	Fixed, 2.2kΩ ±5%, ¼W
R294	1	1	1	RT05273140	Fixed, 27kΩ ±5%, ¼W
R295	1	1	1	RT05273140	Fixed, 27kΩ ±5%, ¼W
R296	1	1	1	RT05333140	Fixed, 33kΩ ±5%, ¼W
R298	1	1	1	RT05474140	Fixed, 470kΩ ±5%, ¼W
P200-CAPACITORS					
C201	1	1	1	DK18103010	Ceramic, 0.01μF +80%, -20%
C202	1	1	1	DK18103010	Ceramic, 0.01μF +80%, -20%
C203	1	1	1	DK18403020	Ceramic, 0.04μF +80%, -20%
C204	1	1	1	EA10601690	Electrolytic, 10μF, 16V
C205	1	1	1	EA10601690	Electrolytic, 10μF, 16V
C206	1	1	1	DK18403020	Ceramic, 0.04μF +80%, -20%
C207	1	1	1	DK18103010	Ceramic, 0.01μF +80%, -20%
C208	1	1	1	EA10601690	Electrolytic, 10μF, 16V
C209	1	1	1	DK18403020	Ceramic, 0.04μF +80%, -20%
C210	1	1	1	DK18103010	Ceramic, 0.01μF +80%, -20%
C211	1	1	1	DD15400010	Ceramic, 40pF ±5%
C213	1	1	1	DK18103010	Ceramic, 0.01μF +80%, -20%
C214	1	1	1	DD15400010	Ceramic, 40pF ±5%
C215	1	1	1	DK18103010	Ceramic, 0.01μF +80%, -20%
C217	1	1	1	DK18403020	Ceramic, 0.04μF +80%, -20%
C218	1	1	1	EA10601690	Electrolytic, 10μF, 16V
C219	1	1	1	EA10601690	Electrolytic, 10μF, 16V
C220	1	1	1	DK18403020	Ceramic, 0.04μF +80%, -20%
C221	1	1	1	DK18103010	Ceramic, 0.01μF +80%, -20%
C222	1	1	1	DK18103010	Ceramic, 0.01μF +80%, -20%
C223	1	1	1	DD15400010	Ceramic, 40pF ±5%
C225	1	1	1	DK18103010	Ceramic, 0.01μF +80%, -20%
C226	1	1	1	DK18103010	Ceramic, 0.01μF +80%, -20%
C227	1	1	1	DK18103010	Ceramic, 0.01μF +80%, -20%
C228	1	1	1	DD15400010	Ceramic, 40pF ±5%
C229	1	1	1	EA10601690	Electrolytic, 10μF, 16V
C230	1	1	1	DK18403020	Ceramic, 0.04μF +80%, -20%
C232	1	1	1	DK18103010	Ceramic, 0.01μF +80%, -20%
C233	1	1	1	DD15400010	Ceramic, 40pF ±5%
C234	1	1	1	DK18103010	Ceramic, 0.01μF +80%, -20%
C235	1	1	1	DK18103010	Ceramic, 0.01μF +80%, -20%
C236	1	1	1	DK18103010	Ceramic, 0.01μF +80%, -20%

REF. DESIG.	Q'TY			PART NO.	DESCRIPTION
	U	C	E		
C237	1	1	1	DK18103010	Ceramic, 0.01μF +80%, -20%
C238	1	1	1	DK18403020	Ceramic, 0.04μF +80%, -20%
C239	1	1	1	DD16201010	Ceramic, 200pF ±10%
C240	1	1	1	DD16201010	Ceramic, 200pF ±10%
C241	1	1	1	DD16201010	Ceramic, 200pF ±10%
C242	1	1	1	EA10601690	Electrolytic, 10μF, 16V
C243	1	1	1	EA10701090	Electrolytic, 100μF, 10V
C244	1	1	1	EA10601690	Electrolytic, 10μF, 16V
C245	1	1	1	EA10601690	Electrolytic, 10μF, 16V
C246	1	1	1	DK18403020	Ceramic, 0.04μF +80%, -20%
C247	1	1	1	DK18403020	Ceramic, 0.04μF +80%, -20%
C248	1	1	1	EA10601690	Electrolytic, 10μF, 16V
C249	1	1	1	EA10701690	Electrolytic, 100μF, 16V
C250	1	1	1	EA22601690	Electrolytic, 22μF, 16V
C251	1	1	1	DK18103010	Ceramic, 0.01μF +80%, -20%
C252	1	1	1	DD15400010	Ceramic, 40pF ±5%
C253	1	1	1	DK18403020	Ceramic, 0.04μF +80%, -20%
C254	1	1	1	DD15400010	Ceramic, 40pF ±5%
C255	1	1	1	DD16201010	Ceramic, 200pF ±10%
C256	1	1	1	EV10503520	Electrolytic, 1μF ±20%, 3.5V
C257	1	1	1	DD16201010	Ceramic, 200pF ±10%
C258	1	1	1	DK18103010	Ceramic, 0.01μF +80%, -20%
C259	1	1	1	DK18403020	Ceramic, 0.04μF +80%, -20%
C261	1	1	1	EA10505090	Electrolytic, 1μF, 50V
C262	1	1	1	DK18104020	Ceramic, 0.1μF +80%, -20%
C263	1	1	1	DK18104020	Ceramic, 0.1μF +80%, -20%
P200-FILTERS, TRANSFORMER & COIL					
F201					
F208	8	8	8	FP11070010	Ceramic Filter
L201	1	1	1	LI14016230	IFT, FM Detector
L202	1	1	1	LC13320020	Choke Coil, 3.3μH
P200-SEMICONDUCTORS					
Q201	1	1	1	HT310472B0	Transistor, 2SC1047 C or D
Q202	1	1	1	HT310472B0	Transistor, 2SC1047 C or D
Q203	1	1	1	HT308292B0	Transistor, 2SC829 C or D
Q204	1	1	1	HT308292B0	Transistor, 2SC829 C or D
Q205	1	1	1	HT308292B0	Transistor, 2SC829 C or D
Q206	1	1	1	HT308292B0	Transistor, 2SC829 C or D
Q207	1	1	1	HT308292B0	Transistor, 2SC829 C or D
Q208	1	1	1	HT308292B0	Transistor, 2SC829 C or D
Q209	1	1	1	HT308292B0	Transistor, 2SC829 C or D
Q210	1	1	1	HT313272A0	Transistor, 2SC1327 S or T
Q211	1	1	1	HD20001210	Diode, 1S2473C
Q212	1	1	1	HD20001210	Diode, 1S2473C
Q213	1	1	1	HD20001210	Diode, 1S2473C
Q214	1	1	1	HD20001210	Diode, 1S2473C
Q215	1	1	1	HD20001210	Diode, 1S2473C
Q216	1	1	1	HD20001210	Diode, 1S2473C
Q217	1	1	1	HD20001210	Diode, 1S2473C
Q218	1	1	1	HD20001210	Diode, 1S2473C
Q219	1	1	1	HD10003020	Diode, 20A90M
Q220	1	1	1	HD10003020	Diode, 20A90M
Q221	1	1	1	HD10001050	Diode, 1N60
Q222	1	1	1	HD10001050	Diode, 1N60
Q223	1	1	1	HD10001050	Diode, 1N60
Q224	1	1	1	HD10001050	Diode, 1N60
Q225	1	1	1	HD10001050	Diode, 1N60
Q226	1	1	1	HD10001050	Diode, 1N60
Q227	1	1	1	HD10001050	Diode, 1N60
Q228	1	1	1	HD10001050	Diode, 1N60

U : For U.S.A
 C : For Canada
 E : For Europe

REF. DESIG.	Q'TY			PART NO.	DESCRIPTION
	U	C	E		
Q229	1	1	1	HD10001050	Diode, 1N60
Q230	1	1	1	HD10001050	Diode, 1N60
Q231	1	1	1	HD10001050	Diode, 1N60
Q232	1	1	1	HD10001050	Diode, 1N60
Q233	1	1	1	HD10003020	Diode, 20A90M
P200-MISCELLANEOUS					
J201 ? J211	11	11	11	YP10001200	Plug
G201	1	1	1	BF22300060	Printed Comp., 1kΩ +0.022μF
G202	1	1	1	BF10200020	Printed Comp., 100kΩ+1000pF
G204	1	1	1	BF20100040	Printed Comp., 27kΩ +200pF
G205	1	1	1	BF20100040	Printed Comp., 27kΩ +200pF
G206	1	1	1	BF20100040	Printed Comp., 27kΩ +200pF
G207	1	1	1	BF20100040	Printed Comp., 27kΩ +200pF
MULTIPLEX CIRCUIT BOARD-P300					
P300	1	1	1	YD28900033	P.W. Board, Multiplex
	1	1	1	ZZZ22121033	P.W. Board Assembly
P300-RESISTORS					
R301	1	1	1	RA02020110	Trimming, 2kΩ (B)
R302	1	1	1	RT05224140	Fixed, 220kΩ ±5%, ¼W
R303	1	1	1	RT05563140	Fixed, 56kΩ ±5%, ¼W
R304	1	1	1	RT05683140	Fixed, 68kΩ ±5%, ¼W
R305	1	1	1	RT05101140	Fixed, 100Ω ±5%, ¼W
R306	1	1	1	RT05184140	Fixed, 180kΩ ±5%, ¼W
R307	1	1	1	RT05224140	Fixed, 220kΩ ±5%, ¼W
R308	1	1	1	RT05124140	Fixed, 120kΩ ±5%, ¼W
R309	1	1	1	RT05104140	Fixed, 100kΩ ±5%, ¼W
R310	1	1	1	RT05682140	Fixed, 6.8kΩ ±5%, ¼W
R311	1	1	1	RA04720050	Trimming, 4.7kΩ (B)
R312	1	1	1	RT05163140	Fixed, 16kΩ ±5%, ¼W
R313	1	1	1	RT05102140	Fixed, 1kΩ ±5%, ¼W
R314	1	1	1	RT05203140	Fixed, 20kΩ ±5%, ¼W
R315	1	1	1	RT05102140	Fixed, 1kΩ ±5%, ¼W
R316	1	1	1	RT05102140	Fixed, 1kΩ ±5%, ¼W
R317	1	1	1	RT05392140	Fixed, 3.9kΩ ±5%, ¼W
R318	1	1	1	RT05392140	Fixed, 3.9kΩ ±5%, ¼W
R319	1	1	1	RT05224140	Fixed, 220kΩ ±5%, ¼W
R320	1	1	1	RT05223140	Fixed, 22kΩ ±5%, ¼W
R321	1	1	1	RT05101140	Fixed, 100Ω ±5%, ¼W
R322	1	1	1	RT05100140	Fixed, 10Ω ±5%, ¼W
R323	1	1	1	RT05224140	Fixed, 220kΩ ±5%, ¼W
R324	1	1	1	RT05224140	Fixed, 220kΩ ±5%, ¼W
R325	1	1	1	RT05303140	Fixed, 30kΩ ±5%, ¼W
R326	1	1	1	RT05303140	Fixed, 30kΩ ±5%, ¼W
R327	1	1	1	RT05104140	Fixed, 100kΩ ±5%, ¼W
R328	1	1	1	RT05104140	Fixed, 100kΩ ±5%, ¼W
R329	1	1	1	RT05155140	Fixed, 1.5MΩ ±5%, ¼W
R330	1	1	1	RT05155140	Fixed, 1.5MΩ ±5%, ¼W
R331	1	1	1	RT05511140	Fixed, 510Ω ±5%, ¼W
R332	1	1	1	RT05511140	Fixed, 510Ω ±5%, ¼W
R333	1	1	1	RT05223140	Fixed, 22kΩ ±5%, ¼W
R334	1	1	1	RT05223140	Fixed, 22kΩ ±5%, ¼W
R335	1	1	1	RT05101140	Fixed, 100Ω ±5%, ¼W
R336	1	1	1	RT05101140	Fixed, 100Ω ±5%, ¼W
R337	1	1	1	RT05822140	Fixed, 8.2kΩ ±5%, ¼W
R338	1	1	1	RT05822140	Fixed, 8.2kΩ ±5%, ¼W
R339	1	1	1	RT05471140	Fixed, 470Ω ±5%, ¼W

REF. DESIG.	Q'TY			PART NO.	DESCRIPTION
	U	C	E		
R340	1	1	1	RT05471140	Fixed, 470Ω ±5%, ¼W
R341	1	1	1	RT05224140	Fixed, 220kΩ ±5%, ¼W
R342	1	1	1	RT05224140	Fixed, 220kΩ ±5%, ¼W
R343	1	1	1	RT05392140	Fixed, 3.9kΩ ±5%, ¼W
R344	1	1	1	RT05564140	Fixed, 560kΩ ±5%, ¼W
R345	1	1	1	RT05153140	Fixed, 15kΩ ±5%, ¼W
R346	1	1	1	RT05124140	Fixed, 120kΩ ±5%, ¼W
R347	1	1	1	RT05101140	Fixed, 100Ω ±5%, ¼W
R348	1	1	1	RT05224140	Fixed, 220kΩ ±5%, ¼W
R349	1	1	1	RT05562140	Fixed, 5.6kΩ ±5%, ¼W
R350	1	1	1	RT05103140	Fixed, 10kΩ ±5%, ¼W
R351	1	1	1	RT05101140	Fixed, 100Ω ±5%, ¼W
R352	1	1	1	RT05333140	Fixed, 33kΩ ±5%, ¼W
R353	1	1	1	RT05101140	Fixed, 100Ω ±5%, ¼W
R354	1	1	1	RT05104140	Fixed, 100kΩ ±5%, ¼W
R355	1	1	1	RT05273140	Fixed, 27kΩ ±5%, ¼W
R356	1	1	1	RT05104140	Fixed, 100kΩ ±5%, ¼W
R357	1	1	1	RT05102140	Fixed, 1kΩ ±5%, ¼W
R358	1	1	1	RT05101140	Fixed, 100Ω ±5%, ¼W
R359	1	1	1	RT05273140	Fixed, 27kΩ ±5%, ¼W
R360	1	1	1	RT05333140	Fixed, 33kΩ ±5%, ¼W
R361	1	1	1	RT05104140	Fixed, 100kΩ ±5%, ¼W
R362	1	1	1	RA01040180	Trimming, 100kΩ (B)
R363	1	1	1	RA01030250	Trimming, 10kΩ (B)
R364	1	1	1	RT05222140	Fixed, 2.2kΩ ±5%, ¼W
R365	1	1	1	RT05101140	Fixed, 100Ω ±5%, ¼W
R366	1	1	1	RT05103140	Fixed, 10kΩ ±5%, ¼W
R367	1	1	1	RT05101140	Fixed, 100Ω ±5%, ¼W
R368	1	1	1	RT05274140	Fixed, 270kΩ ±5%, ¼W
R369	1	1	1	RT05103140	Fixed, 10kΩ ±5%, ¼W
R370	1	1	1	RT05123140	Fixed, 12kΩ ±5%, ¼W
R371	1	1	1	RT05221140	Fixed, 220Ω ±5%, ¼W
R373	1	1	1	RT05823140	Fixed, 82kΩ ±5%, ¼W
R374	1	1	1	RA01030250	Trimming, 10kΩ (B)
R375	1	1	1	RT05101140	Fixed, 100Ω ±5%, ¼W
R376	1	1	1	RT05104140	Fixed, 100kΩ ±5%, ¼W
R377	1	1	1	RT05104140	Fixed, 100kΩ ±5%, ¼W
R378	1	1	1	RT05562140	Fixed, 5.6kΩ ±5%, ¼W
R379	1	1	1	RT05332140	Fixed, 3.3kΩ ±5%, ¼W
R380	1	1	1	RT05272140	Fixed, 2.7kΩ ±5%, ¼W
P300-CAPACITORS					
C301	1	1	1	DF16332050	Film, 3300pF ±10%
C302	1	1	1	EA33601090	Electrolytic, 33μF, 10V
C303	1	1	1	DF17223050	Film, 0.022μF±20%
C304	1	1	1	EA22601690	Electrolytic, 22μF, 16V
C305	1	1	1	DF55471010	Film, 470pF ±5%
C306	1	1	1	EA22601690	Electrolytic, 22μF, 16V
C307	1	1	1	EQ47405010	Electrolytic, 0.47μF±20%, 50V
C308	1	1	1	EQ22405010	Electrolytic, 0.22μF±20%, 50V
C309	1	1	1	EQ22405010	Electrolytic, 0.22μF±20%, 50V
C310	1	1	1	DF17473010	Film, 0.047μF±20%, 50V
C311	1	1	1	DF15152050	Film, 1500pF ±5%
C312	1	1	1	DF15152050	Film, 1500pF ±5%
C313	1	1	1	DD15361010	Ceramic, 360pF ±5%
C314	1	1	1	DD15361010	Ceramic, 360pF ±5%
C315	1	1	1	DF15332050	Film, 3300pF ±5%
C316	1	1	1	DF15332050	Film, 3300pF ±5%
C317	1	1	1	DF15152050	Film, 1500pF ±5%
C318	1	1	1	DF15152050	Film, 1500pF ±5%
C319	1	1	1	DF15222050	Film, 2200pF ±5%
C320	1	1	1	DF15222050	Film, 2200pF ±5%
C321	1	1	1	DF15102050	Film, 1000pF ±5%

U : For U.S.A
 C : For Canada
 E : For Europe

REF. DESIG.	Q'TY			PART NO.	DESCRIPTION
	U	C	E		
C322	1	1	1	DF15102050	Film, 1000pF ±5%
C323	1	1	1	EV22403510	Electrolytic, 0.22μF±20%, 35V
C324	1	1	1	EV22403510	Electrolytic, 0.22μF±20%, 35V
C325	1	1	1	EV10503520	Electrolytic, 1μF ±20%, 35V
C326	1	1	1	EV10503520	Electrolytic, 1μF ±20%, 35V
C327	1	1	1	EA22702590	Electrolytic, 220μF, 25V
C328	1	1	1	EA22701690	Electrolytic, 220μF, 16V
C329	1	1	1	EA10601690	Electrolytic, 10μF, 16V
C330	1	1	1	DK18403020	Ceramic, 0.04μF +80%, -20%
C331	1	1	1	EA10505090	Electrolytic, 1μF, 50V
C332	1	1	1	EA10601690	Electrolytic, 10μF, 16V
C333	1	1	1	DD12700010	Ceramic, 10pF ±1pF
C334	1	1	1	DF16683010	Film, 0.068μF ±10%
C335	1	1	1	DF17403010	Film, 0.04μF ±20%
C336	1	1	1	DK18104020	Ceramic, 0.1μF +80%, -20%
C337	1	1	1	EA47503510	Electrolytic, 4.7μF, 35V
C338	1	1	1	EA10505090	Electrolytic, 1μF, 50V
C342	1	1	1	EA10601690	Electrolytic, 10μF, 16V
C343	1	1	1	DF17104020	Film, 0.1μF ±20%
C344	1	1	1	DK18203020	Ceramic, 0.02μF +80%, -20%
P300-SEMICONDUCTORS					
H301	1	1	1	HF200301C0	FET, 2SK30Y
H302	1	1	1	HT308281D0	Transistor, 2SC828S
H303	1	1	1	HT308281D0	Transistor, 2SC828S
H304	1	1	1	HT307322A0	Transistor, 2SC732 B or G
H305	1	1	1	HT307322A0	Transistor, 2SC732 B or G
H306	1	1	1	HT108422A0	Transistor, 2SA842 (Gr or Bl)
H307	1	1	1	HT108422A0	Transistor, 2SA842 (Gr or Bl)
H308	1	1	1	HT308281D0	Transistor, 2SC828S
H309	1	1	1	HT308281D0	Transistor, 2SC828S
H310	1	1	1	HT308281D0	Transistor, 2SC828S
H311	1	1	1	HT308281D0	Transistor, 2SC828S
H312	1	1	1	HF200300A0	FET, 2SK30A
H313	1	1	1	HT308281D0	Transistor, 2SC828S
H314	1	1	1	HT308281D0	Transistor, 2SC828S
H315	1	1	1	HT308281D0	Transistor, 2SC828S
H316	1	1	1	HT308281D0	Transistor, 2SC828S
H317	1	1	1	HT308281D0	Transistor, 2SC828S
H318	1	1	1	HD10001050	Diode, 1N60
H319	1	1	1	HD10001050	Diode, 1N60
H321	1	1	1	HC10009060	IC, μPC587C2
P300-MISCELLANEOUS					
L301	1	1	1	LS10290040	MPX Coil, 56mH
L302	1	1	1	LS10290040	MPX Coil, 56mH
L303	1	1	1	LS10290050	MPX Coil, 43mH
L304	1	1	1	LS10290050	MPX Coil, 43mH
L305	1	1	1	LC21050010	Choke Coil, 1mH
J301	?	22	22	YP10001130	Plug
J322					
DOLBY LEVEL CIRCUIT BOARD-PC01					
PC01	1	1	1	YD29151070	P.W. Board, Dolby Level
	1	1	1	ZZ29283070	P.W. Board Assembly
PC01-MISCELLANEOUS					
RC01	1	1	1	RA01040150	Resistor, Trimming, 100kΩ(B)
RC02	1	1	1	RA01040150	Resistor, Trimming, 100kΩ(B)
RC03	1	1	1	RT05683140	Resistor, Fixed, 68kΩ ±5%, ¼W
RC04	1	1	1	RT05683140	Resistor, Fixed, 68kΩ ±5%, ¼W

REF. DESIG.	Q'TY			PART NO.	DESCRIPTION
	U	C	E		
RC05	1	1	1	RT05104140	Resistor, Fixed, 100kΩ±5%, ¼W
RC06	1	1	1	RT05104140	Resistor, Fixed, 100kΩ±5%, ¼W
RC07	1	1	1	RT05392140	Resistor, Fixed, 3.9kΩ ±5%, ¼W
RC08	1	1	1	RT05392140	Resistor, Fixed, 3.9kΩ ±5%, ¼W
RC09	1	1	1	RT05104140	Resistor, Fixed, 100kΩ±5%, ¼W
RC10	1	1	1	RT05104140	Resistor, Fixed, 100kΩ±5%, ¼W
CC01	1	1	1	EV10502560	Capacitor, Electrolytic, 1μF, 25V
CC02	1	1	1	EV10502560	Capacitor, Electrolytic, 1μF, 25V
CC03	1	1	1	EV10502560	Capacitor, Electrolytic, 1μF, 25V
CC04	1	1	1	EV10502560	Capacitor, Electrolytic, 1μF, 25V
JC01	1	1	1	YP10001130	Plug
JC02	1	1	1	YP10001130	Plug
JC03	1	1	1	YP10001130	Plug
JC05	1	1	1	YP10001130	Plug
JC06	1	1	1	YP10001130	Plug
JC07	1	1	1	YP10001130	Plug
JC08	1	1	1	YP10001130	Plug
HC01	1	1	1	HT313272A0	Transistor, 2SC1327 S or T
HC02	1	1	1	HT313272A0	Transistor, 2SC1327 S or T
PHONO AMP. CIRCUIT BOARD-P400					
P400	1	1	1	YD28920084	P.W. Board, Phono Amp.
	1	1	1	ZZ28920084	P.W. Board Assembly
P400-RESISTORS					
R401	1	1	1	RT05563140	Fixed, 56kΩ ±5%, ¼W
R402	1	1	1	RT05563140	Fixed, 56kΩ ±5%, ¼W
R403	1	1	1	RT05471140	Fixed, 470Ω ±5%, ¼W
R404	1	1	1	RT05471140	Fixed, 470Ω ±5%, ¼W
R405	1	1	1	RN05333140	Fixed, 33kΩ ±5%, ¼W
R406	1	1	1	RN05105140	Fixed, 1MΩ ±5%, ¼W
R407	1	1	1	RN05105140	Fixed, 1MΩ ±5%, ¼W
R408	1	1	1	RA01040150	Trimming, 100kΩ ±30% (B)
R409	1	1	1	RA01040150	Trimming, 100kΩ ±30% (B)
R410	1	1	1	RN05273140	Fixed, 27kΩ ±5%, ¼W
R411	1	1	1	RN05273140	Fixed, 27kΩ ±5%, ¼W
R412	1	1	1	RT05621140	Fixed, 620Ω ±5%, ¼W
R413	1	1	1	RT05621140	Fixed, 620Ω ±5%, ¼W
R414	1	1	1	RT05225140	Fixed, 2.2MΩ ±5%, ¼W
R415	1	1	1	RT05225140	Fixed, 2.2MΩ ±5%, ¼W
R416	1	1	1	RN05225140	Fixed, 2.2MΩ ±5%, ¼W
R417	1	1	1	RN05225140	Fixed, 2.2MΩ ±5%, ¼W
R418	1	1	1	RN05274140	Fixed, 270kΩ ±5%, ¼W
R419	1	1	1	RN05274140	Fixed, 270kΩ ±5%, ¼W
R420	1	1	1	RT05473140	Fixed, 47kΩ ±5%, ¼W
R421	1	1	1	RT05473140	Fixed, 47kΩ ±5%, ¼W
R422	1	1	1	RT05222140	Fixed, 2.2kΩ ±5%, ¼W
R423	1	1	1	RT05222140	Fixed, 2.2kΩ ±5%, ¼W
R424	1	1	1	RN05684140	Fixed, 680kΩ ±5%, ¼W
R425	1	1	1	RN05684140	Fixed, 680kΩ ±5%, ¼W
R426	1	1	1	RN05104140	Fixed, 100kΩ ±5%, ¼W
R427	1	1	1	RN05104140	Fixed, 100kΩ ±5%, ¼W
R428	1	1	1	RN05473140	Fixed, 47kΩ ±5%, ¼W
R429	1	1	1	RN05473140	Fixed, 47kΩ ±5%, ¼W
R430	1	1	1	RT05470140	Fixed, 47Ω ±5%, ¼W
R431	1	1	1	RT05470140	Fixed, 47Ω ±5%, ¼W

U : For U.S.A.
 C : For Canada
 E : For Europe

REF. DESIG.	Q'TY			PART NO.	DESCRIPTION
	U	C	E		
R432	1	1	1	RN05332140	Fixed, 3.3kΩ ±5%, ¼W
R433	1	1	1	RN05332140	Fixed, 3.3kΩ ±5%, ¼W
R434	1	1	1	RT05101140	Fixed, 100Ω ±5%, ¼W
R435	1	1	1	RT05470140	Fixed, 47Ω ±5%, ¼W
R436	1	1	1	RT05470140	Fixed, 47Ω ±5%, ¼W
P400-CAPACITORS					
C401	1	1	1	EV10502560	Electrolytic, 1μF ±20%, 25V
C402	1	1	1	EV10502560	Electrolytic, 1μF ±20%, 25V
C403	1	1	1	EE47601640	Electrolytic, 47μF±20%, 16V
C404	1	1	1	EE47601640	Electrolytic, 47μF±20%, 16V
C405	1	1	1	DD15400040	Ceramic, 40pF ±5%, 50V
C406	1	1	1	DD15400040	Ceramic, 40pF ±5%, 50V
C407	1	1	1	DD11040010	Ceramic, 4pF ±0.5pF, 50V
C408	1	1	1	DD11040010	Ceramic, 4pF ±0.5pF, 50V
C409	1	1	1	DF65562010	Film, 5600μF ±5%, 50V
C410	1	1	1	DF65562010	Film, 5600μF ±5%, 50V
C411	1	1	1	DF65162010	Film, 1600pF ±5%, 50V
C412	1	1	1	DF65162010	Film, 1600pF ±5%, 50V
C413	1	1	1	ED10703510	Electrolytic, 100μF, 35V
C414	1	1	1	DF16105500	Film, 1μF ±10%, 100V
C415	1	1	1	DF16105500	Film, 1μF ±10%, 100V
C416	1	1	1	DD16500010	Ceramic, 50pF ±10%, 100V
C417	1	1	1	DD16500010	Ceramic, 50pF ±10%, 100V
P400-SEMICONDUCTORS & PLUGS					
H401	1	1	1	HT313441E0	Transistor, 2SC1344E
H402	1	1	1	HT313441E0	Transistor, 2SC1344E
H403	1	1	1	HT313442A0	Transistor, 2SC1344 D or E
H404	1	1	1	HT313442A0	Transistor, 2SC1344 D or E
H405	1	1	1	HT317752C0	Transistor, 2SC1775A C or D
H406	1	1	1	HT317752C0	Transistor, 2SC1775A C or D
H407	1	1	1	HD20001210	Diode, 1S-2473C (Ye)
H408	1	1	1	HD20001210	Diode, 1S-2473C (Ye)
H409	1	1	1	HV00002060	Varistor, VD1212
J401 J408	8	8	8	YP10001130	Plug
MAIN AMP. CIRCUIT BOARD-P700					
P700	2	2	2	YD29652010	P.W. Board, Main Amp.
	2	2	2	ZZ22122010	P.W. Board Assembly
P700-RESISTORS					
R701	2	2	2	RT05102140	Fixed, 1kΩ ±5%, ¼W
R702	2	2	2	RT05474140	Fixed, 470kΩ ±5%, ¼W
R703	2	2	2	RT05513140	Fixed, 51kΩ ±5%, ¼W
R704	2	2	2	RT05103140	Fixed, 10kΩ ±5%, ¼W
R705	2	2	2	RT05103140	Fixed, 10kΩ ±5%, ¼W
R706	2	2	2	RT05681140	Fixed, 680Ω ±5%, ¼W
R707	2	2	2	RT05751140	Fixed, 750Ω ±5%, ¼W
R708	2	2	2	RT05181140	Fixed, 180Ω ±5%, ¼W
R709	2	2	2	RT05243140	Fixed, 24kΩ ±5%, ¼W
R710	2	2	2	RT05154140	Fixed, 150kΩ ±5%, ¼W
R711	2	2	2	RT02302140	Fixed, 3.0kΩ ±2%, ¼W
R712	2	2	2	RT05183140	Fixed, 18kΩ ±5%, ¼W
R713	2	2	2	RT05183140	Fixed, 18kΩ ±5%, ¼W
R714	2	2	2	RT05102140	Fixed, 1kΩ ±5%, ¼W
R715	2	2	2	RT05102140	Fixed, 1kΩ ±5%, ¼W
R716	2	2	2	RT05102140	Fixed, 1kΩ ±5%, ¼W
R717	2	2	2	RT05102140	Fixed, 1kΩ ±5%, ¼W
R718	2	2	2	RT05181140	Fixed, 180Ω ±5%, ¼W

REF. DESIG.	Q'TY			PART NO.	DESCRIPTION
	U	C	E		
R719	2	2	2	RT05181140	Fixed, 180Ω ±5%, ¼W
R720	2	2	2	RT05101140	Fixed, 100Ω ±5%, ¼W
R721	2	2	2	RT05151140	Fixed, 150Ω ±5%, ¼W
R722	2	2	2	RT05151140	Fixed, 150Ω ±5%, ¼W
R723	2	2	2	RT02513140	Fixed, 51kΩ ±2%, ¼W
R724	2	2	2	GJ05100030	Fixed, 10Ω ±5%, 3W
R725	2	2	2	GJ05222010	Fixed, 2.2kΩ ±5%, 1W
R726	2	2	2	RA02020130	Trimming, 2kΩ (B)
R727	2	2	2	RA01020200	Trimming, 1kΩ (B)
R728	2	2	2	GJ05022010	Fixed, 2.2Ω ±5%, 1W
R729	2	2	2	GJ05022010	Fixed, 2.2Ω ±5%, 1W
R730	2	2	2	RT05100140	Fixed, 10Ω ±5%, ¼W
R731	2	2	2	RT05271140	Fixed, 270Ω ±5%, ¼W
R732	2	2	2	RT05221140	Fixed, 220Ω ±5%, ¼W
R733	2	2	2	RT05271140	Fixed, 270Ω ±5%, ¼W
R734	2	2	2	RT05301140	Fixed, 300Ω ±5%, ¼W
R735	2	2	2	RT05301140	Fixed, 300Ω ±5%, ¼W
R736	2	2	2	RT05472140	Fixed, 4.7kΩ ±5%, ¼W
R737	2	2	2	RT05472140	Fixed, 4.7kΩ ±5%, ¼W
R738	2	2	2	RT05243140	Fixed, 24kΩ ±5%, ¼W
R739	2	2	2	GF05510120	Fixed, 51Ω ±5%, ½W
R740	2	2	2	GJ05022020	Fixed, 2.2Ω ±5%, 2W
R741	2	2	2	RT05100140	Fixed, 10Ω ±5%, ¼W
R742	2	2	2	RT05100140	Fixed, 10Ω ±5%, ¼W
R743	2	2	2	GW10752050	Fixed, 0.75Ω ±10%, 5W
R744	2	2	2	GW10752050	Fixed, 0.75Ω ±10%, 5W
R745	2	2	2	GW10752050	Fixed, 0.75Ω ±10%, 5W
R746	2	2	2	GW10752050	Fixed, 0.75Ω ±10%, 5W
P700-CAPACITORS					
C701	2	2	2	EE22505040	Electrolytic, 2.2μF, 50V
C702	2	2	2	DD15101010	Ceramic, 100pF ±5%
C703	2	2	2	DK16221510	Ceramic, 220pF ±10%
C704	2	2	2	EA10603590	Electrolytic, 10μF, 35V
C705	2	2	2	EE10701640	Electrolytic, 100μF, 16V
C706	2	2	2	DF17104050	Film, 0.1μF ±20%
C707	2	2	2	DD11050500	Ceramic, 5pF±0.25pF, 500V
C708	2	2	2	DK16501500	Ceramic, 500pF ±10%
C709	2	2	2	DF17104520	Film, 0.1μF ±20%, 200V
C710	2	2	2	DF16104050	Film, 0.1μF, 50V
C711	2	2	2	DF16104050	Film, 0.1μF, 50V
C712	2	2	2	EA10601690	Electrolytic, 10μF, 16V
C713	2	2	2	EA10601690	Electrolytic, 10μF, 16V
C714	2	2	2	DF17104540	Film, 0.1μF ±20%, 100V
C715	2	2	2	DF17104540	Film, 0.1μF ±20%, 100V
C716	2	2	2	DF17104540	Film, 0.1μF ±20%, 100V
C717	2	2	2	DF17104540	Film, 0.1μF ±20%, 100V
C718	2	2	2	DK18103010	Ceramic, 0.01μF
C719	2	2	2	DK18103010	Ceramic, 0.01μF
P700-SEMICONDUCTORS					
Q701	2	2	2	HT317752E0	Transistor, 2SC1775A E or F
Q702	2	2	2	HT317752E0	Transistor, 2SC1775A E or F
Q703	2	2	2	HT317752D0	Transistor, 2SC1775A D or E
Q704	2	2	2	HT108722D0	Transistor, 2SA872A D or E
Q705	2	2	2	HT108722D0	Transistor, 2SA872A D or E
Q706	2	2	2	HT109142B0	Transistor, 2SA914 R or S
Q707	2	2	2	HT319532B0	Transistor, 2SC1953 R or S
Q708	2	2	2	HT315682B0	Transistor, 2SC7568 R or S
Q709	2	2	2	HT109132B0	Transistor, 2SA913 Q or R
Q710	2	2	2	HT319132B0	Transistor, 2SC1913 Q or R
Q711	2	2	2	HV00005080	Varistor, STV3HY
Q712	2	2	2	HD30039090	Diode, WZ-240 (24V)
Q713	2	2	2	HD20011050	Diode, 1S1555

U : For U.S.A
 C : For Canada
 E : For Europe

REF. DESIG.	Q'TY			PART NO.	DESCRIPTION
	U	C	E		
Q714	2	2	2	HD20011050	Diode, 1S1555
Q715	2	2	2	HD20011050	Diode, 1S1555
Q716	2	2	2	HD20011050	Diode, 1S1555
Q717	2	2	2	HD20011050	Diode, 1S1555
Q718	2	2	2	HD20011050	Diode, 1S1555
Q719	2	2	2	HD20011050	Diode, 1S1555
Q720	2	2	2	HD20011050	Diode, 1S1555
Q721	2	2	2	HD20011050	Diode, 1S1555
Q722	2	2	2	HD20011050	Diode, 1S1555
Q723	2	2	2	HD20011050	Diode, 1S1555
Q724	2	2	2	HT309452A0	Transistor, 2SC945 Q or R
Q725	2	2	2	HT107332B0	Transistor, 2SA733 Q or R
Q726	2	2	2	HD20011010	Diode, W06C
Q727	2	2	2	HD20011010	Diode, W06C
P700-MISCELLANEOUS					
P708	24	24	24	3444118050	Spacer
P709	24	24	24	2933118010	Spacer
L701	2	2	2	LC22220010	Choke Coil, 2.2mH ±10%
J701	2	2	2	YP06001040	Plug, 3P
J702	2	2	2	YP06000520	Plug, 4P
J704	2	2	2	YP10001130	Plug
J705	2	2	2	YP10001130	Plug
J706	2	2	2	YP10001130	Plug
J707	2	2	2	YP10001130	Plug
J708	2	2	2	YP10001130	Plug
J709	2	2	2	YP10001130	Plug
J710	2	2	2	YP10001130	Plug
J711	2	2	2	YP10001130	Plug
J712	2	2	2	YP10001130	Plug
J713	2	2	2	YP10001130	Plug
J714	2	2	2	YP10001130	Plug
J715	2	2	2	YP10001130	Plug
J716	2	2	2	YP10001130	Plug
J717	2	2	2	YP10001130	Plug
J718	2	2	2	YP10001130	Plug
POWER SUPPLY CIRCUIT BOARD-P800					
P800	1	1	1	YD29160020	P.W. Board, Power Supply
	1	1	1	ZZ22121020	P.W. Board Assembly
P800-RESISTORS					
R801	1	1	1	GF05330140	Fixed, 33Ω ±5%, ¼W
R802	1	1	1	RT05472140	Fixed, 4.7kΩ ±5%, ¼W
R803	1	1	1	RT05472140	Fixed, 4.7kΩ ±5%, ¼W
R804	1	1	1	RT05392140	Fixed, 3.9kΩ ±5%, ¼W
R805	1	1	1	RT05223140	Fixed, 22kΩ ±5%, ¼W
R806	1	1	1	RA05020130	Trimming, 5kΩ (B)
R807	1	1	1	GS10151050	Fixed, 150Ω ±10%, 5W
R808	1	1	1	RT05332140	Fixed, 3.3kΩ ±5%, ¼W
R809	1	1	1	RT05100140	Fixed, 10Ω ±5%, ¼W
R810	1	1	1	RT05333140	Fixed, 33kΩ ±5%, ¼W
R811	1	1	1	RT05273140	Fixed, 27kΩ ±5%, ¼W
R812	1	1	1	RT05615140	Fixed, 1.5kΩ ±5%, ¼W
R813	1	1	1	RT05244140	Fixed, 240kΩ ±5%, ¼W
R814	1	1	1	RT05393140	Fixed, 39kΩ ±5%, ¼W
R815	1	1	1	GJ05561010	Fixed, 560Ω ±5%, 1W
R816	1	1	1	GU05562120	Fixed, 5.6kΩ ±5%, ½W
R817	1	1	1	GU05562120	Fixed, 5.6kΩ ±5%, ½W
R818	1	1	1	RT05562140	Fixed, 5.6kΩ ±5%, ¼W
R819	1	1	1	RT05068140	Fixed, 6.8Ω ±5%, ¼W

REF. DESIG.	Q'TY			PART NO.	DESCRIPTION
	U	C	E		
P800-CAPACITORS					
C801	1	1	1	EA22706310	Electrolytic, 220μF, 63V
C802	1	1	1	EA10705090	Electrolytic, 100μF, 50V
C803	1	1	1	DF17103050	Film, 0.01μF, 50V
C804	1	1	1	EA22603590	Electrolytic, 22μF, 35V
C805	1	1	1	EA33705090	Electrolytic, 330μF, 50V
C806	1	1	1	EA22801690	Electrolytic, 2200μF, 16V
C807	1	1	1	EA10605090	Electrolytic, 10μF, 50V
C808	1	1	1	EA10701690	Electrolytic, 100μF, 16V
C809	1	1	1	EA22701090	Electrolytic, 220μF, 10V
C810	1	1	1	DK18103510	Ceramic, 0.01μF, 500V
P800-SEMICONDUCTORS					
H801	1	1	1	HT403302A0	Transistor, 2SD330 D or E
H802	1	1	1	HT313183A0	Transistor, 2SC1318 Q, R or P
H803	1	1	1	HT309452A0	Transistor, 2SC945 Q or R
H804	1	1	1	HT403314A0	Transistor, 2SD331 C, D, E or F
H805	1	1	1	HT309452A0	Transistor, 2SC945 Q or R
H806	1	1	1	HT313183A0	Transistor, 2SC1318 P, Q or R
H807	1	1	1	HT313183A0	Transistor, 2SC1318 P, Q or R
H808	1	1	1	HD20011030	Diode, DS131-B
H809	1	1	1	HD30023090	Diode, WZ-071
H810	1	1	1	HD30027090	Diode, WZ-140
H811	1	1	1	HD20011030	Diode, DS131-B
H812	1	1	1	HD20003210	Diode, 1S2471
P800-MISCELLANEOUS					
L801	1	1	1	LY20240110	Relay, MSJ2, 24V
J801	?	?	?	?	?
J810	10	10	10	YP10001130	Plug
P809	2	2	2	2933118010	Spacer, R807
P808	10	10	10	2933118020	Spacer, R801, R815, R816, R817, H808, H811
PRE & TONE AMP. CIRCUIT BOARD-PE01					
PE01	1	1	1	YD29170022	P.W. Board, Pre & Tone
	1	1	1	ZZ29282022	P.W. Board Assembly
PE01-RESISTORS					
RE02	1	1	1	RD02040010	Variable, 200kΩ (B)
RE03	1	1	1	RD02040010	Variable, 200kΩ (B)
RE04	1	1	1	RD02040010	Variable, 200kΩ (B)
RE09	1	1	1	RT05391140	Fixed, 390Ω ±5%, ¼W
RE10	1	1	1	RT05391140	Fixed, 390Ω ±5%, ¼W
RE11	1	1	1	RN05684140	Fixed, 680kΩ ±5%, ¼W
RE12	1	1	1	RN05684140	Fixed, 680kΩ ±5%, ¼W
RE13	1	1	1	RN05474140	Fixed, 470kΩ ±5%, ¼W
RE14	1	1	1	RN05474140	Fixed, 470kΩ ±5%, ¼W
RE15	1	1	1	RT05102140	Fixed, 1kΩ ±5%, ¼W
RE16	1	1	1	RT05102140	Fixed, 1kΩ ±5%, ¼W
RE17	1	1	1	RT05822140	Fixed, 8.2kΩ ±5%, ¼W
RE18	1	1	1	RT05822140	Fixed, 8.2kΩ ±5%, ¼W
RE19	1	1	1	RT05224140	Fixed, 220kΩ ±5%, ¼W
RE20	1	1	1	RT05224140	Fixed, 220kΩ ±5%, ¼W
RE21	1	1	1	RC00000120	Fixed, 0Ω, ½W
RE22	1	1	1	RC00000120	Fixed, 0Ω, ½W
RE23	1	1	1	RT05273140	Fixed, 27kΩ ±5%, ¼W
RE24	1	1	1	RT05273140	Fixed, 27kΩ ±5%, ¼W
RE25	1	1	1	RT05273140	Fixed, 27kΩ ±5%, ¼W
RE26	1	1	1	RT05273140	Fixed, 27kΩ ±5%, ¼W

U : For U.S.A
 C : For Canada
 E : For Europe

REF. DESIG.	Q'TY			PART NO.	DESCRIPTION
	U	C	E		
RE29	1	1	1	RT05273140	Fixed, 27kΩ ±5%, ¼W
RE30	1	1	1	RT05273140	Fixed, 27kΩ ±5%, ¼W
RE31	1	1	1	RT05203140	Fixed, 20kΩ ±5%, ¼W
RE32	1	1	1	RT05203140	Fixed, 20kΩ ±5%, ¼W
RE33	1	1	1	RT05103140	Fixed, 10kΩ ±5%, ¼W
RE34	1	1	1	RT05103140	Fixed, 10kΩ ±5%, ¼W
RE35	1	1	1	RT05103140	Fixed, 10kΩ ±5%, ¼W
RE36	1	1	1	RT05103140	Fixed, 10kΩ ±5%, ¼W
RE37	1	1	1	RT05103140	Fixed, 10kΩ ±5%, ¼W
RE38	1	1	1	RT05103140	Fixed, 10kΩ ±5%, ¼W
RE39	1	1	1	RT05103140	Fixed, 10kΩ ±5%, ¼W
RE40	1	1	1	RT05103140	Fixed, 10kΩ ±5%, ¼W
RE41	1	1	1	RT05474140	Fixed, 470kΩ ±5%, ¼W
RE42	1	1	1	RT05474140	Fixed, 470kΩ ±5%, ¼W
RE43	1	1	1	RC00000120	Fixed, 0Ω, ¼W
RE45	1	1	1	RT05225140	Fixed, 2.2MΩ ±5%, ¼W
RE46	1	1	1	RT05225140	Fixed, 2.2MΩ ±5%, ¼W
RE47	1	1	1	RT05225140	Fixed, 2.2MΩ ±5%, ¼W
RE48	1	1	1	RT05225140	Fixed, 2.2MΩ ±5%, ¼W
RE49	1	1	1	RT05225140	Fixed, 2.2MΩ ±5%, ¼W
RE50	1	1	1	RT05225140	Fixed, 2.2MΩ ±5%, ¼W
RE51	1	1	1	RT05103140	Fixed, 10kΩ ±5%, ¼W
RE52	1	1	1	RT05103140	Fixed, 10kΩ ±5%, ¼W
RE53	1	1	1	RT05103140	Fixed, 10kΩ ±5%, ¼W
RE54	1	1	1	RT05103140	Fixed, 10kΩ ±5%, ¼W
RE55	1	1	1	RT05103140	Fixed, 10kΩ ±5%, ¼W
RE56	1	1	1	RT05103140	Fixed, 10kΩ ±5%, ¼W
RE57	1	1	1	RC00000120	Fixed, 0Ω, ¼W
RE61	1	1	1	RT05272140	Fixed, 2.7kΩ ±5%, ¼W
RE62	1	1	1	RT05104140	Fixed, 100kΩ ±5%, ¼W
RE63	1	1	1	RT05474140	Fixed, 470kΩ ±5%, ¼W
RE64	1	1	1	RT05474140	Fixed, 470kΩ ±5%, ¼W
RE65	1	1	1	RT05473140	Fixed, 47kΩ ±5%, ¼W
RE66	1	1	1	RT05473140	Fixed, 47kΩ ±5%, ¼W
RE67	1	1	1	RT05221140	Fixed, 220Ω ±5%, ¼W
RE68	1	1	1	RT05221140	Fixed, 220Ω ±5%, ¼W
RE69	1	1	1	RT05103140	Fixed, 10kΩ ±5%, ¼W
RE70	1	1	1	RT05103140	Fixed, 10kΩ ±5%, ¼W
RE71	1	1	1	RT05473140	Fixed, 47kΩ ±5%, ¼W
RE72	1	1	1	RT05473140	Fixed, 47kΩ ±5%, ¼W
RE73	1	1	1	RT05101140	Fixed, 100Ω ±5%, ¼W
RE74	1	1	1	RC00000120	Fixed, 0Ω, ¼W
PE01-CAPACITORS					
CE05	1	1	1	DF16105500	Film, 1μF ±10%, 100V
CE06	1	1	1	DF16105500	Film, 1μF ±10%, 100V
CE07	1	1	1	DD15300010	Ceramic, 30pF ±5%, 50V
CE08	1	1	1	DD15300010	Ceramic, 30pF ±5%, 50V
CE09	1	1	1	EA10701090	Electrolytic, 100μF +50%, -10%, 10V
CE10	1	1	1	EA10701090	Electrolytic, 100μF +50%, -10%, 10V
CE11	1	1	1	EA10603590	Electrolytic, 10μF, 35V
CE12	1	1	1	EA10603590	Electrolytic, 10μF, 35V
CE13	1	1	1	EV33503560	Electrolytic, 3.3μF ±20%
CE14	1	1	1	EV33503560	Electrolytic, 3.3μF ±20%
CE15	1	1	1	DF15822050	Film, 0.0082μF ±5%, 50V
CE16	1	1	1	DF15822050	Film, 0.0082μF ±5%, 50V
CE17	1	1	1	DF15822050	Film, 0.0082μF ±5%, 50V
CE18	1	1	1	DF15822050	Film, 0.0082μF ±5%, 50V
CE19	1	1	1	DF15393010	Film, 0.039μF ±5%, 50V
CE20	1	1	1	DF15393010	Film, 0.039μF ±5%, 50V
CE21	1	1	1	DF15393010	Film, 0.039μF ±5%, 50V
CE22	1	1	1	DF15393010	Film, 0.039μF ±5%, 50V

REF. DESIG.	Q'TY			PART NO.	DESCRIPTION
	U	C	E		
CE23	1	1	1	DF16682050	Film, 0.0068μF ±10%, 50V
CE24	1	1	1	DF16682050	Film, 0.0068μF ±10%, 50V
CE25	1	1	1	DF65271510	Film, 270pF ±5%, 50V
CE26	1	1	1	DF65271510	Film, 270pF ±5%, 50V
CE27	1	1	1	DF15102050	Film, 0.001μF ±5%, 50V
CE28	1	1	1	DF15102050	Film, 0.001μF ±5%, 50V
CE29	1	1	1	DF16332050	Film, 0.0033μF ±10%, 50V
CE30	1	1	1	DF16332050	Film, 0.0033μF ±10%, 50V
CE31	1	1	1	DD16500010	Ceramic, 50pF ±10%, 50V
CE32	1	1	1	DD16500010	Ceramic, 50pF ±10%, 50V
CE33	1	1	1	EV10502560	Electrolytic, 1μF ±20%, 25V
CE34	1	1	1	EV10502560	Electrolytic, 1μF ±20%, 25V
CE35	1	1	1	EV33503560	Electrolytic, 3.3μF, 35V
CE36	1	1	1	EV33503560	Electrolytic, 3.3μF, 35V
CE37	1	1	1	EQ47501610	Electrolytic, 4.7μF ±30%, 16V
CE38	1	1	1	EQ47501610	Electrolytic, 4.7μF ±30%, 16V
CE39	1	1	1	EA22703590	Electrolytic, 220μF +50%, -10%, 35V
PE01-MISCELLANEOUS					
HE01	1	1	1	HC10001210	IC, BA312
HE02	1	1	1	HC10001210	IC, BA312
HE03	1	1	1	HT313272A0	Transistor, 2SC1327 S or T
HE04	1	1	1	HT107212A0	Transistor, 2SA721 S or T
HE05	1	1	1	HT313272A0	Transistor, 2SC1327 S or T
HE06	1	1	1	HT107212A0	Transistor, 2SA721 S or T
JE01	1	1	1	YP06000590	Plug
SE01	1	1	1	SR10050073	Rotary Switch, Tone Mode
DOLBY FM & TAPE MON. CIRCUIT BOARD-PS01					
PS01	1	1	1	YD29170040	P.W. Board, Dolby FM & Tape Mon.
	1	1	1	ZZ29170040	P.W. Board Assembly
			1	ZZ29178040	P.W. Board Assembly
PS01-RESISTORS					
RS01	1	1	1	RT05102140	Fixed, 1kΩ ±5%, ¼W
RS02	1	1	1	RT05102140	Fixed, 1kΩ ±5%, ¼W
RS03	1	1	1	GJ05151010	Fixed, 150Ω ±5%, 1W
RS04	1	1	1	RT05101140	Fixed, 100Ω ±5%, ¼W
RS05	1	1	1	RT05222140	Fixed, 2.2kΩ ±5%, ¼W
RS06	1	1	1	RT05222140	Fixed, 2.2kΩ ±5%, ¼W
RS07	1	1	1	RT05562140	Fixed, 5.6kΩ ±5%, ¼W
RS08	1	1	1	RT05103140	Fixed, 10kΩ ±5%, ¼W
RS09	1	1	1	GD05223140	Fixed, 22kΩ ±5%, ¼W
RS10	1	1	1	RC00000120	Fixed, 0Ω, ¼W
RS11	1	1	1	RC00000120	Fixed, 0Ω, ¼W
RS12	1	1	1	RT05560140	Fixed, 56Ω ±5%, ¼W
PS01-CAPACITORS					
CS01	1	1	1	EA47503590	Electrolytic, 4.7μF +50%, -10%, 35V
CS02	1	1	1	EA47503590	Electrolytic, 4.7μF +50%, -10%, 35V
CS03	1	1	1	EA47503590	Electrolytic, 4.7μF +50%, -10%, 35V
CS04	1	1	1	EA10601690	Electrolytic, 10μF +50%, -10%, 16V
CS05	1	1	1	EA10601690	Electrolytic, 10μF +50%, -10%, 16V
CS06	1	1	1	DF65202010	Film, 2000pF ±5%, 50V
CS07	1	1	1	DF65202010	Film, 2000pF ±5%, 50V

U : For U.S.A
 C : For Canada
 E : For Europe

REF. DESIG.	Q'TY			PART NO.	DESCRIPTION
	U	C	E		
CS06			1	DF15102050	Film, 1000pF ±5%, 50V
CS07			1	DF15102050	Film, 1000pF ±5%, 50V
CS08	1	1	1	DF16153010	Film, 0.015μF±10%, 50V
CS09	1	1	1	DD16101010	Ceramic, 100pF ±10%, 50V
PS01-MISCELLANEOUS					
HS01	1	1	1	HT309452A0	Transistor, 2SC945 Q or R
HS02	1	1	1	HT309452A0	Transistor, 2SC945 Q or R
HS03	1	1	1	HD10001050	Diode, IN60
HS04	1	1	1	HD10001050	Diode, IN60
SS01	1	1	1	SP06070010	Pushswitch
JS01					
?	27	27	27	YP10001130	Plug
JS27					
FUNCTION LAMP CIRCUIT BOARD-PY01					
PY01	1	1	1	YD29160060	P.W. Board, Function Lamp
	1	1	1	ZZ29171060	P.W. Board Assembly
PY01-LAMPS & PLUGS					
MY01					
?	8	8	8	IN10080370	Lamp, 8V, 0.04A
MY08					
JY01					
?	11	11	11	YP10001130	Plug
JY11					
DIAL LAMP CIRCUIT BOARD-PZ01					
PZ01	1	1	1	YD28860160	P.W. Board, Dial Lamp
	1	1	1	ZZ29171160	P.W. Board Assembly
PZ01-MISCELLANEOUS					
MZ01					
?	5	5	5	IN10080360	Lamp, 8V, 0.2A
MZ05					
JZ01					
?	10	10	10	YJ08000170	Socket
JZ10					
JZ11					
?	4	4	4	YJ10001130	Plug
JZ14					
ANTENNA MUTING CIRCUIT BOARD-PU01					
PU01	1	1	1	YD22100010	P.W. Board, Ant. Muting
	1	1	1	ZZ22100010	P.W. Board Assembly
PU01-MISCELLANEOUS					
RU00	1	1	1	RC00000120	Resistor, Fixed, 0Ω, ¼W
RU01	1	1	1	RK02030322	Resistor, Variable, 20kΩ (B)
RU02	1	1	1	RK05030170	Resistor, Variable, 50kΩ (B)
RU03	1	1	1	RT05392140	Resistor, Fixed, 3.9kΩ±5%, ¼W
LU01	1	1	1	LB30075260	Balun Coil, 75Ω ↔ 300Ω
LU02	1	1	1	LC11540020	Choke Coil, 150μH

REF. DESIG.	Q'TY			PART NO.	DESCRIPTION
	U	C	E		
JU01	1	1	1	BY04050010	Terminal, Antenna
JU02	1	1	1	YP10001130	Plug
JU03	1	1	1	YP10001130	Plug
JU04	1	1	1	YP10001130	Plug
JU05	1	1	1	YP10001130	Plug
JU06	1	1	1	YP10001130	Plug
JU07	1	1	1	YP10001130	Plug
FILTER AMP. CIRCUIT BOARD-PH01					
PH01	1	1	1	YD22120020	P.W. Board, Filter Amp.
	1	1	1	ZZ22120020	P.W. Board Assembly
PH01-RESISTORS					
RH01	1	1	1	RT05514140	Fixed, 510kΩ±5%, ¼W
RH02	1	1	1	RT05514140	Fixed, 510kΩ±5%, ¼W
RH03	1	1	1	RT05105140	Fixed, 1MΩ ±5%, ¼W
RH04	1	1	1	RT05105140	Fixed, 1MΩ ±5%, ¼W
RH05	1	1	1	RT05682140	Fixed, 6.8kΩ ±5%, ¼W
RH06	1	1	1	RT05682140	Fixed, 6.8kΩ ±5%, ¼W
RH07	1	1	1	RT05562140	Fixed, 5.6kΩ ±5%, ¼W
RH08	1	1	1	RT05562140	Fixed, 5.6kΩ ±5%, ¼W
RH09	1	1	1	RT05224140	Fixed, 220kΩ±5%, ¼W
RH10	1	1	1	RT05224140	Fixed, 220kΩ±5%, ¼W
RH11	1	1	1	RT05823140	Fixed, 82kΩ ±5%, ¼W
RH12	1	1	1	RT05562140	Fixed, 5.6kΩ ±5%, ¼W
PH01-CAPACITORS					
CH01	1	1	1	DF15224010	Film, 0.22μF
CH02	1	1	1	DF15224010	Film, 0.22μF
CH03	1	1	1	EE47505040	Electrolytic, 4.7μF, 50V
CH04	1	1	1	EE47505040	Electrolytic, 4.7μF, 50V
CH05	1	1	1	DD16200010	Ceramic, 20pF, 50V
CH06	1	1	1	DD16200010	Ceramic, 20pF, 50V
PH01-TRANSISTORS & PLUG					
QH01	1	1	1	HT108362A0	Transistor, 2SA836 D or E
QH02	1	1	1	HT108362A0	Transistor, 2SA836 D or E
QH03	1	1	1	HT313452A0	Transistor, 2SC1345 D or E
QH04	1	1	1	HT313452A0	Transistor, 2SC1345 D or E
JH01	1	1	1	YP06001070	Plug, 9P
FILTER & LOUDNESS CIRCUIT BOARD-PT01					
PT01	1	1	1	YD22120010	P.W. Board, Filter & Loudness
	1	1	1	ZZ22120010	P.W. Board Assembly
PT01-RESISTORS					
RT01	1	1	1	RT05225140	Fixed, 2.2MΩ±5%, ¼W
RT02	1	1	1	RT05225140	Fixed, 2.2MΩ±5%, ¼W
RT03	1	1	1	RT05134140	Fixed, 130kΩ±5%, ¼W
RT04	1	1	1	RT05134140	Fixed, 130kΩ±5%, ¼W
RT05	1	1	1	RT05123140	Fixed, 12kΩ ±5%, ¼W
RT06	1	1	1	RT05123140	Fixed, 12kΩ ±5%, ¼W
RT07	1	1	1	RT05123140	Fixed, 12kΩ ±5%, ¼W
RT08	1	1	1	RT05123140	Fixed, 12kΩ ±5%, ¼W
RT09	1	1	1	RT05153140	Fixed, 15kΩ ±5%, ¼W
RT10	1	1	1	RT05153140	Fixed, 15kΩ ±5%, ¼W
RT11	1	1	1	RT05104140	Fixed, 100kΩ±5%, ¼W
RT12	1	1	1	RT05104140	Fixed, 100kΩ±5%, ¼W
RT13	1	1	1	GJ05331020	Fixed, 330Ω ±5%, 2W
RT14	1	1	1	GJ05331020	Fixed, 330Ω ±5%, 2W

U : For U.S.A.
C : For Canada
E : For Europe

REF. DESIG.	Q'TY			PART NO.	DESCRIPTION
	U	C	E		
RT15	1	1	1	GJ05151010	Fixed, 150Ω ±5%, 1W
RT16	1	1	1	GJ05151010	Fixed, 150Ω ±5%, 1W
RT00	2	2	2	RC00000120	Fixed, 0Ω, ½W
PT01-CAPACITORS					
CT01	1	1	1	DF15563010	Film, 0.056μF ±5%, 50V
CT02	1	1	1	DF15563010	Film, 0.056μF ±5%, 50V
CT03	1	1	1	DF15563010	Film, 0.056μF ±5%, 50V
CT04	1	1	1	DF15563010	Film, 0.056μF ±5%, 50V
CT05	1	1	1	DF15272010	Film, 0.0027μF ±5%, 50V
CT06	1	1	1	DF15272010	Film, 0.0027μF ±5%, 50V
CT07	1	1	1	DF15102010	Film, 0.001μF ±5%, 50V
CT08	1	1	1	DF15102010	Film, 0.001μF ±5%, 50V
CT09	1	1	1	DF15333010	Film, 0.033μF ±5%, 50V
CT10	1	1	1	DF15333010	Film, 0.033μF ±5%, 50V
CT11	1	1	1	DD16151010	Ceramic, 150pF ±10%, 50V
CT12	1	1	1	DD16151010	Ceramic, 150pF ±10%, 50V
PT01-MISCELLANEOUS					
ST01	1	1	1	SP04070010	Pushswitch
PT08	8	8	8	2933118020	Spacer, PT13~RT16
JT01	1	1	1	YP06001070	Plug, 9P
JT02	1	1	1	YP06001070	Plug, 9P
JT03	1	1	1	YP06001050	Plug, 5P
GENERAL MISCELLANEOUS					
M001	1	1	1	IM11042280	DC Meter, Signal Strength
M002	1	1	1	IM11042240	DC Meter, FM Tuning
M004	1	1	1	IN10080360	Lamp, Meter
M005	1	1	1	IN10080360	Lamp, Meter
C001	1	1	1	DK17103010	Capacitor, Ceramic, 0.01μF ±20%
C002	1	1	1	DK17103010	Capacitor, Ceramic, 0.01μF ±20%
C003	1	1	1	DF17103010	Capacitor, Ceramic, 0.01μF ±20%
C004	1	1	1	DF17104520	Capacitor, Film, 0.1μF ±20%, 200V
C005	1	1	1	DF17104520	Capacitor, Film, 0.1μF ±20%, 200V
C006	1	1	1	EA33601090	Capacitor, Electrolytic, 33μF +50%, -10%, 10V
C007	1	1	1	EC13905510	Capacitor, Electrolytic, 13μF +50%, -10%, 55V
C008	1	1	1	EC13905510	Capacitor, Electrolytic, 13μF +50%, -10%, 55V
C009			1	DF17223800	Capacitor, Film, 0.022μF, 1000V
S001	1	1	1	SR10060150	Rotary Switch, Selector
R001	1	1	1	GJ05222020	Resistor, Fixed, 2.2kΩ±5%, 2W
R002	1	1	1	GJ05222020	Resistor, Fixed, 2.2kΩ±5%, 2W
R003	1	1	1	RC10225120	Resistor, Fixed, 2.2MΩ ±10%, ½W
R004	1	1	1	RM02540220	Resistor, Variable, 250kΩ (B)
R005	1	1	1	RS02540120	Resistor, Variable, 250kΩ (MN)
J001	1	1	1	YT03040160	Terminal, System 1 Speaker
J002	1	1	1	YT03040160	Terminal, System 2 Speaker
J003	1	1	1	YT01010050	Terminal, Chassis Ground
J004	1	1	1	YT02040140	Terminal, Phono/Aux
J005	1	1	1	YT02040140	Terminal, Tape 1

REF. DESIG.	Q'TY			PART NO.	DESCRIPTION
	U	C	E		
J006	1	1	1	YT02040140	Terminal, Tape 2
J007	1	1	1	YT02040170	Terminal, Pre Out/Main In
J008	1	1	1	YT02010130	Terminal, Quadradial Output
J009	1	1	1	YJ01000810	Jack, Dubbing In
J010	1	1	1	YJ01000980	Jack, Dubbing Out
J011	1	1	1	YJ01000980	Jack, Headphones
J012	1	1	1	YJ05000220	Socket, Power Transistor
J013	1	1	1	YJ05000220	Socket, Power Transistor
J014	1	1	1	YJ05000220	Socket, Power Transistor
J015	1	1	1	YJ05000220	Socket, Power Transistor
J016	1	1	1	YJ05000220	Socket, Power Transistor
J017	1	1	1	YJ05000220	Socket, Power Transistor
J018	1	1	1	YJ05000220	Socket, Power Transistor
J019	1	1	1	YJ05000220	Socket, Power Transistor
J020	1	1	1	YJ06001060	Jack, Pre & Tone Amp.
J021	1	1	1	YJ08000190	Socket, Meter Lamp
J022	1	1	1	YJ08000190	Socket, Meter Lamp
J023	1	1	1	YJ04000570	Plug, AC Outlet
J024	1	1	1	YJ04000570	Plug, AC Outlet
J025	1	1	1	YJ08000120	Holder, Fuse
J026			1	BY03110010	Terminal, Voltage Conversion
J027	1	1	1	YL01050110	Terminal, 5P
J028	1	1	1	YJ06001040	Jack, 3P
J029	1	1	1	YJ06001040	Jack, 3P
J030	1	1	1	YJ06001130	Jack, 4P
J031	1	1	1	YJ06001140	Jack, 4P
J025			1	YJ08000220	Holder, Fuse
H001	1	1	1	HT311162C0	Transistor, 2SC1116A R or O
H002	1	1	1	HT107472C0	Transistor, 2SA747A R or O
H003	1	1	1	HT311162C0	Transistor, 2SC1116A R or O
H004	1	1	1	HT107472C0	Transistor, 2SA747A R or O
H005	1	1	1	HT311162C0	Transistor, 2SC1116A R or O
H006	1	1	1	HT107472C0	Transistor, 2SA747A R or O
H007	1	1	1	HT311162C0	Transistor, 2SC1116A R or O
H008	1	1	1	HT107472C0	Transistor, 2SA747A R or O
L001	1	1	1	LF11200470	AM Antenna Coil
L002	1	1	1	LC13320020	Choke Coil, 3.3μH
L003	1	1	1	TS61401080	Power Transformer
L003			1	TS61401090	Power Transformer
W001	1	1	1	YC02400220	AC Cord
W001			1	YC01900030	AC Cord
G001	1			BF10400030	Printed Comp., 0.1μF +120Ω, 125V
G001			1	BF33300020	Printed Comp., 0.033μF +120Ω, 125V
F001	1	1	1	FS10500040	Fuse, 5A, MGC
F002			1	FS20500010	Fuse, 5A
F001			1	FS10400900	Fuse, 4A
FUSE CIRCUIT BOARD-PR01					
PR01			1	YD29601030	P.W. Board, Fuse
			1	ZZ29603030	P.W. Board Assembly

U : For U.S.A.
 C : For Canada
 E : For Europe

REF. DESIG.	Q'TY			PART NO.	DESCRIPTION
	U	C	E		
					PR01-JACKS, PLUGS & FUSES
JR01			1	YJ08000200	Jack
JR02			1	YJ08000200	Jack
JR03			1	YJ08000200	Jack
JR04			1	YJ08000200	Jack
JR05			1	YJ08000200	Jack
JR06			1	YJ08000200	Jack
JR07			1	YP10001130	Plug
JR08			1	YP10001130	Plug
JR09			1	YP10001130	Plug
JR10			1	YP10001130	Plug
JR11			1	YP10001130	Plug
JR12			1	YP10001130	Plug
FR01			1	FS10400060	Fuse, 4A (20mm)
FR02			1	FS10100070	Fuse, 1A (20mm)
FR03			1	FS10100070	Fuse, 1A (20mm)

11. TECHNICAL SPECIFICATIONS

AMPLIFIER SECTION:

Rated Power Output, Minimum Continuous Average Power per Channel, both Channels Driven	85 W
Power Band	20 Hz to 20 kHz
Total Harmonic Distortion	0.08%
Load Impedance	8 ohms
Maximum Power Output, DIN 45500 (Less than 1% THD, 10 min. test at 1 kHz)	95 W
Power Bandwidth at 1% THD, DIN 45500	10 Hz to 70 kHz
I.M. Distortion (I.H.F. method, 60 Hz and 7 kHz mixed 4:1 at rated power output)	0.08%
Damping Factor	60
Sensitivity (at MAIN IN)	1.5 V
Impedance (at MAIN IN)	40 kohms
Frequency Response for Power Amp Only (at 1 W output, 20 Hz to 20 kHz)	±0.5 dB

PREAMPLIFIER SECTION:

Phono	
Input Overload at 1 kHz	110 mV
Equivalent Input Noise	1.0 μV
Dynamic Range (Dynamic Range is the ratio of input overload to equivalent input noise.)	100 dB
Input Sensitivity	1.8 mV
Input Impedance	47 kohms
Frequency Response, RIAA 20 Hz to 20 kHz	±0.5 dB
Signal-to-Noise Ratio (at rated output and 7.75 mV input)	78 dB
Signal-to-Noise Ratio, unweighted (DIN 45500)	50 dB
High Level (Aux and Tape)	
Input Sensitivity	180 mV
Input Impedance	100 kohms
Frequency Response (includes power amp)	10 Hz to 60 kHz, ±1.0 dB
Signal-to-Noise Ratio (ref. to rated output and 775 mV input)	88 dB
Output Levels	
Tape Out (ref. 7.75 mV at Phono inputs)	775 mV
Pre-Out (ref. 180 mV at Aux inputs)	1.5 V
(ref. 500 mV at Aux inputs, main amp disconnected)	4.2 V
Output Impedance	
Tape Out	600 ohms
Pre-Out	900 ohms

FM TUNER SECTION:

Sensitivity	
IHF Usable	10.3 dBf (1.8 μV)
IHF 50 dB Quieting (mono)	16.1 dBf (3.5 μV)
(Stereo)	36 dBf (35 μV)
DIN Sensitivity (Mono, 26 dB S/N, 300 ohm input)	1.6 μV
(Stereo, 46 dB S/N, 300 ohm input)	80 μV
Quieting Slope (Mono)	
RF Input for 30 dB Quieting	9.8 dBf (1.7 μV)
Quieting at:	
20 dBf (5.5 μV)	55 dB
25 dBf (10 μV)	60 dB
40 dBf (55 μV)	70 dB
65 dBf (1000 μV)	78 dB
Quieting Slope (Stereo)	
Quieting at:	
30 dBf (17 μV)	40 dB
40 dBf (55 μV)	50 dB
50 dBf (173 μV)	58 dB
65 dBf (1000 μV)	67 dB

Distortion (Mono)	
at 50 dB Quieting, 1000 Hz	0.6%
at 65 dBf (1000 μ V), 1000 Hz	0.15%
Distortion (Stereo)	
at 50 dB Quieting, 1000 Hz	0.6%
at 65 dBf (1000 μ V), 1000 Hz	0.3%
Hum and Noise	
at 65 dBf (1000 μ V)	
Mono	73 dB
Stereo	63 dB
Frequency Response	
30 Hz to 15 kHz	
Mono	± 1.0 dB
Stereo	± 1.0 dB
Capture Ratio	
at 45 dBf (100 μ V)	1.5 dB
at 65 dBf (1000 μ V)	1.0 dB
Alternate Channel Selectivity	70 dB
Spurious Response Rejection	100 dB
Image Response Rejection	85 dB
I.F. Rejection (Balanced)	100 dB
A.M. Suppression	55 dB
Stereo Separation	
100 Hz	42 dB
1000 Hz	45 dB
10 kHz	32 dB
Subcarrier Rejection	65 dB

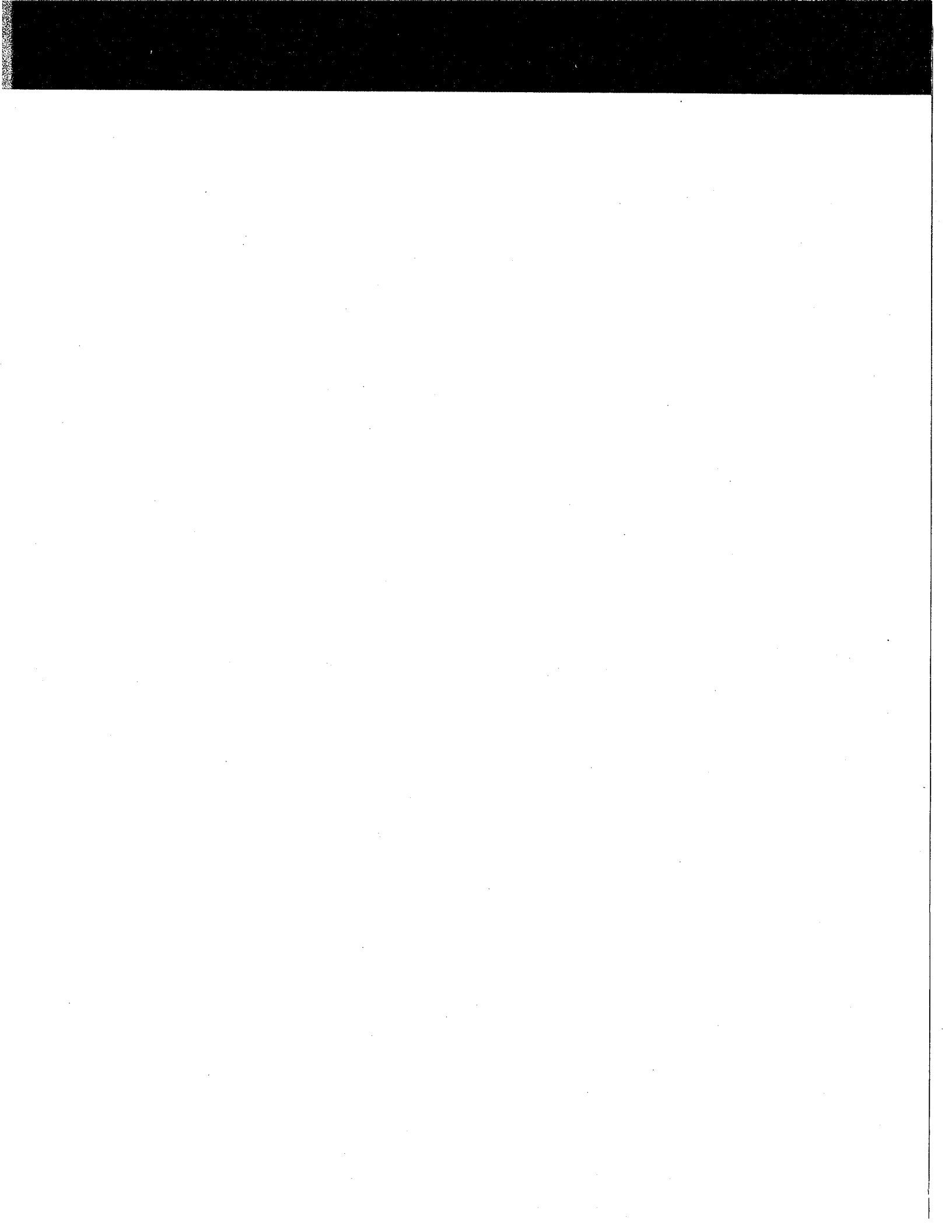
AM TUNER SECTION:

IHF Usable Sensitivity	12 μ V
Distortion (THD), 30% Modulation	0.4%
Signal-to-Noise Ratio	54 dB
Frequency Response (± 3 dB)	40 Hz to 2.5 kHz
Alternate Channel Selectivity	46 dB
Image Rejection	70 dB
Spurious Response Rejection	70 dB
I.F. Rejection	70 dB

GENERAL:

Power Requirements	120 V AC, 60 Hz (U.S.A. and Canadian Versions) 220 V AC, 50 Hz (European Version)
	(This unit can be converted by a qualified technician to operate on 110/120/240 V AC, 50/60 Hz.)
Power Consumption at rated output, both channels operating	430 W
Idling Power (Volume Control at zero)	47 W
Semiconductor Complement:	
Integrated Circuits	4
Transistors	86
Diodes	60
Field Effect Transistors	4
Dimensions:	
Panel Width	440 mm (17-5/16 inches)
Panel Height	137 mm (5-3/8 inches)
Depth	365 mm (14-3/8 inches)
Weight:	
Unit alone	17 kg (37.4 lbs)
Packed for shipment	20 kg (44.0 lbs)

NOTES



1 1 0 0 0 7



marantz

MARANTZ CO., INC. • P.O. BOX 577 • CHATSWORTH, CALIFORNIA • 91311



A WHOLLY-OWNED SUBSIDIARY OF SUPERSCOPE INC., CHATSWORTH, CALIFORNIA • 91311

"DOLBY" is a trademark of Dolby Laboratories, Inc.