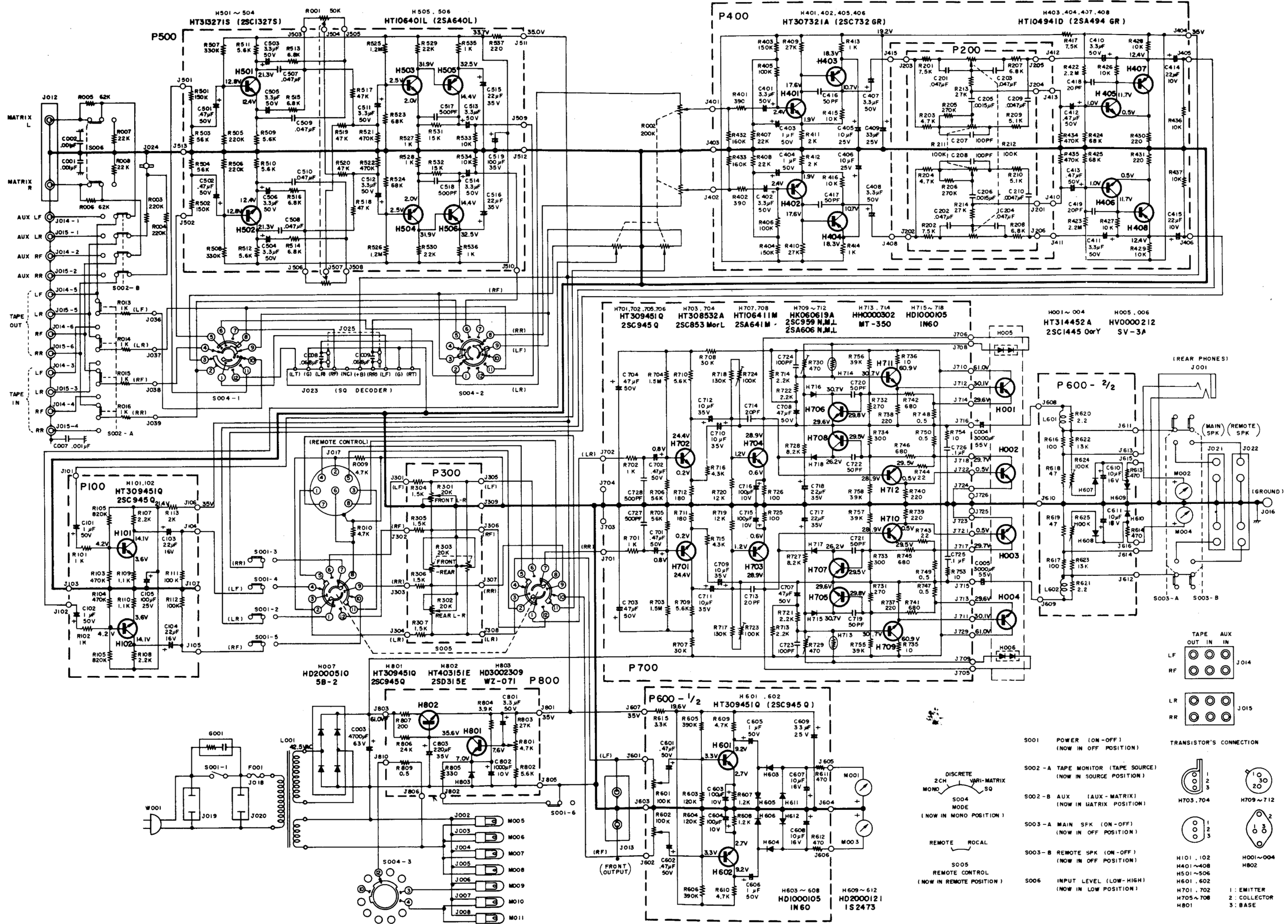


SCHEMATIC DIAGRAM FOR MODEL 2440



NOTE: This schematic diagram applied to units manufactured for the U. S. A market.