

2500
232



SERVICE MANUAL 2500



marantz.

model 2500

Stereophonic Receiver

TABLE OF CONTENTS

| Section | Title | Page |
|---------|---|------|
| 1. | P.W. BOARDS | 1 |
| 2. | TEST EQUIPMENT REQUIRED FOR SERVICING | 2 |
| 3. | AM ALIGNMENT PROCEDURES | 2 |
| 3.1 | AM IF Alignment | 2 |
| 3.2 | AM Frequency Range and Tracking Alignment | 2 |
| 3.3 | AM Signal Strength Display Adjustment | 2 |
| 4. | FM ALIGNMENT PROCEDURES | 2 |
| 4.1 | IF Frequency Range and Tracking Alignment | 2 |
| 4.2 | Stereo Separation Alignment | 3 |
| 4.3 | Muting Circuit Alignment | 3 |
| 4.4 | Dolby FM Tape Output Setting | 3 |
| 5. | AUDIO ADJUSTMENT | 3 |
| 6. | SCOPE DISPLAY ADJUSTMENT | 4 |
| 6.1 | AM Tuning Display Adjustment | 4 |
| 6.2 | FM Tuning Display Adjustment | 4 |
| 6.3 | FM Multipath Display Adjustment | 4 |
| 7. | VOLTAGE CONVERSION FOR EUROPEAN MODEL | 4 |
| 8. | DIAGRAMS | 6 |
| 8.1 | Block Diagram | 6 |
| 8.2 | Connection Diagram - U.S.A. & Canada | 8 |
| 8.3 | Connection Diagram - Europe | 10 |
| 9. | SCHEMATIC DIAGRAMS AND COMPONENTS LOCATIONS | 12 |
| 9.1 | FM Front End Circuit Board - P100 | 12 |
| 9.2 | AM Tuner, FM IF & MPX Stereo Decoder Circuit Board - P200 | 13 |
| 9.3 | FM Noise Amp Circuit Board - PB00 | 16 |
| 9.4 | FM Buffer Amp Circuit Board - PC01 | 16 |
| 9.5 | Phono Amp & Selector Switch Circuit Board - P400 | 17 |
| 9.6 | Power Supply Circuit Board - P800 - U.S.A. & Canada | 18 |
| 9.7 | Power Supply Circuit Board - P800 - Europe | 19 |
| 9.8 | Main Amp Circuit Board - P700 | 20 |
| 9.9 | Pre & Tone Amp Circuit Board - PE01 | 22 |
| 9.10 | Dolby NR Socket Circuit Board - PK01 - U.S.A. & Canada | 24 |
| 9.11 | Audio Muting Circuit Board - PN01 | 24 |
| 9.12 | Buffer Amp for Scope Input - Circuit Board - PD01 | 24 |
| 9.13 | Tape Copy, Tape Monitor & Scope Display Switches Circuit Board - PS01 | 25 |
| 9.14 | Dubbing In & Out Jacks Circuit Board - PU01 | 25 |
| 9.15 | Filter Amp Circuit Board - PT01 | 26 |
| 9.16 | Speaker System Switches & Attenuator Circuit Board - PW01 | 27 |
| 9.17 | Function Indicator Circuit Board - PY01 | 27 |
| 9.18 | Dial Lamp Circuit Board - PZ01 | 27 |
| 9.19 | Buffer Amp Circuit Board - PR50 | 28 |
| 9.20 | Scope Amp Circuit Board - P900 | 28 |
| 9.21 | Power Transistor Connection Circuit Board - PM01 | 28 |
| 9.22 | Peak Indicator & Soft Start Circuit Board - PX01 | 29 |
| 10. | MAJOR COMPONENT LOCATIONS | 30 |
| 10.1 | Cabinet - Front View - U.S.A. & Canada | 30 |
| 10.2 | Chassis - Top View - U.S.A. & Canada | 30 |
| 10.3 | Cabinet - Rear View - U.S.A. & Canada | 31 |
| 10.4 | Chassis - Bottom View - U.S.A. & Canada | 31 |

| | |
|--|-----------|
| 11. EXPLODED VIEWS | 32 |
| 11.1 Front Panel Exploded View | 32 |
| 11.2 Chassis Exploded View | 34 |
| 11.3 Rear Panel Exploded View - U.S.A. & Canada | 36 |
| 11.4 Rear Panel Exploded View - Europe | 36 |
| 11.5 Packing Material Exploded View | 37 |
| 12. PARTS LIST | 38 |
| 13. TECHNICAL SPECIFICATIONS | 54 |
| 14. SCHEMATIC DIAGRAMS | 56 |

INTRODUCTION

This service manual was prepared for use by Authorized Warranty Stations and contains service information for Marantz Model 2500 Stereophonic Receiver.

Servicing information and voltage data included in this manual are intended for use by the knowledgeable and experienced technician only. All instructions should be read carefully. No attempt should be made to proceed without a good understanding of the operation of the receiver.

The parts list furnishes information by which replacement parts may be ordered from the Marantz Company. A simple description is included for parts which can usually be obtained through local suppliers.

1. P.W. BOARDS

As can be seen from the circuit diagram the chassis of Model 2500 consists of the following units. Each unit mounted on a printed circuit board is described within the square enclosed by a bold dotted line on the circuit diagram.

- 1. FM Front End mounted on P.W. Board P100
- 2. AM Tuner, FM IF & MPX Stereo Decoder mounted on P.W. Board P200

- 3. FM Noise Amp mounted on P.W. Board PB00
- 4. FM Buffer Amp mounted on P.W. Board PC01
- 5. Phono Amp & Selector Switch mounted on P.W. Board P400
- 6. Main Amp mounted on P.W. Board P700
- 7. Power Supply mounted on P.W. Board P800
- 8. Pre & Tone Amp mounted on P.W. Board PE01
- 9. Dolby NR Socket mounted on P.W. Board PK01
- 10. Audio Muting mounted on P.W. Board PN01
- 11. Buffer Amp for Scope Input mounted on P.W. Board PD01
- 12. Tape Copy, Tape Monitor & Scope Display Switches mounted on P.W. Board PS01
- 13. Filter Amp mounted on P.W. Board PT01
- 14. Dubbing In & Out Jacks mounted on P.W. Board PU01
- 15. Speaker System Switches & Attenuator mounted on P.W. Board PW01
- 16. Function Indicator mounted on P.W. Board PY01
- 17. Dial Lamp mounted on P.W. Board PZ01
- 18. Buffer Amp mounted on P.W. Board PR50
- 19. Scope Amp mounted on P.W. Board P900
- 20. Peak Indicator & Soft Start mounted on P.W. Board PX01
- 21. Power Transistor Connection mounted on P.W. Board PM01

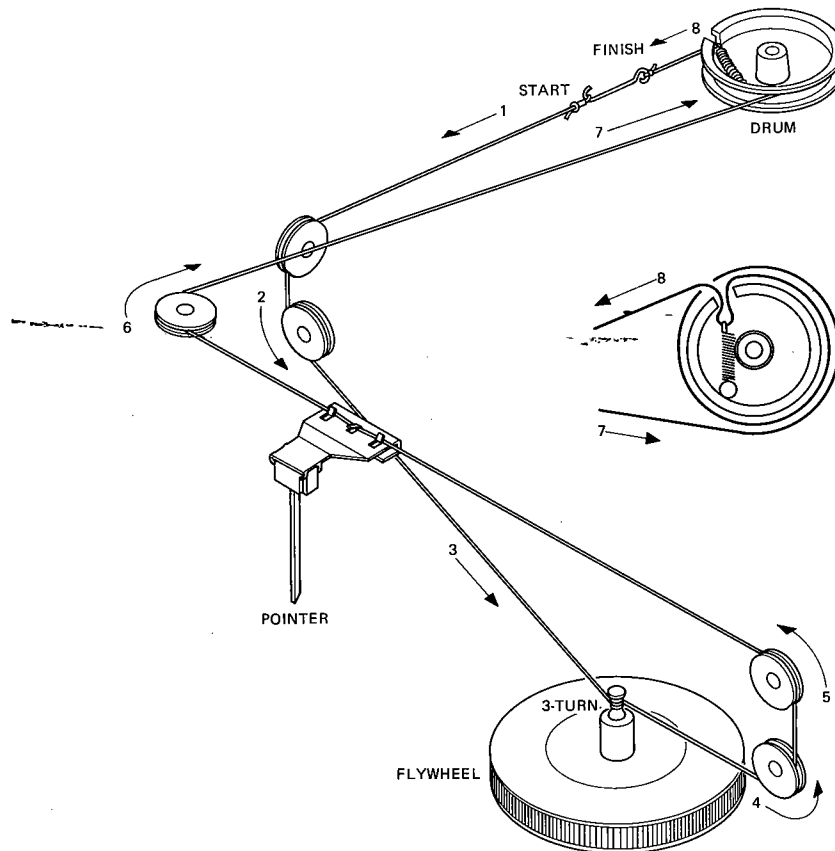


Figure 1. Dial Stringing

2. TEST EQUIPMENT REQUIRED FOR SERVICING

This table lists the test equipment required for servicing the Model 2500 Receiver.

| Item | Manufacturer and Model No. | Use |
|--|--|---|
| AM Signal Generator | | Signal source for AM alignment |
| Test Loop | | Use with AM Signal Generator |
| FM Signal Generator MPX Signal Generator | Sound Technology Model 1000A | Signal source for FM alignment Stereo separation alignment and trouble shooting |
| Distortion Analyzer Audio Oscillator AC VTVM | Sound Technology Model 1700A | Distortion measurements Sinewave and squarewave signal source Voltage measurements (AC) |
| Oscilloscope | Tektronix Model T932 Philips Model 3232 | Waveform analysis and trouble shooting and ASO alignment |
| Frequency Counter | Fluke Model 1900A | MPX Oscillator adjustment (VCO) |
| Circuit Tester | | Trouble shooting |
| DC VTVM | Fluke Model 8000 "Digital" Simpson Model 313, Triplet Model 801 | Voltage measurements (DC) |
| AC Wattmeter | Simpson Model 1379 | Monitors primary power to amplifier |
| AC Ammeter | Commercial Grade (1-30A) | Monitors amplifier output under short circuit condition |
| Line Voltmeter | Simpson Model 1359 | Monitors potential of primary power to amplifier |
| Variable Autotransformer | Superior Electronic Co., Powerstat Model 116B-10A | Adjusts level of primary power to amplifier |
| Shorting Plug | Use phono plug with 600-ohm across center pin and shell | Shorts amplifier input to eliminate noise pickup |
| Output Load (8 ohms, 0.5%, 300 W) | Commercial Grade | Provides 8-ohm load for amplifier output termination |
| Output Load (4 ohms, 0.5%, 500 W) | Commercial Grade | Provides 4-ohm load for amplifier output termination |

3. AM ALIGNMENT PROCEDURES

3.1 AM IF ALIGNMENT

1. Connect a sweep generator to the J229 and an alignment scope to the test point B.
2. Rotate each core of IF transformers L153 and L154 for maximum height and flat top symmetrical response.

3.2 AM FREQUENCY RANGE AND TRACKING ALIGNMENT

1. Set AM signal generator to 515 kHz. Turn the tuning capacitor fully closed (place the tuning pointer at the low end) and adjust the oscillator coil L152 for maximum audio output.
2. Set the signal generator to 1650 kHz. Place the tuning pointer in the high frequency end and adjust the oscillator trimmer on the oscillator tuning capacitor for maximum audio output.
3. Repeat steps 1 and 2 until no further adjustment is necessary.
4. Set the generator to 600 kHz and tune the receiver to the same frequency and adjust a slug core of AM ferrite-rod antenna L002 and RF coil L151 for maximum output.

5. Set the generator to 1400 kHz and tune the receiver to the same frequency and adjust both trimming capacitors of antenna and RF tuned circuit for maximum output.
6. Repeat steps 4 and 5 until no further adjustment is necessary.

NOTE: During tracking alignment reduce the signal generator output as necessary to avoid AGC action.

3.3 AM SIGNAL STRENGTH DISPLAY ADJUSTMENT

Set an AM signal generator to 1000 kHz at 100 dB/m, and adjust R163 so that the spot may meet upper mark.

4. FM ALIGNMENT PROCEDURES

4.1 FM FREQUENCY RANGE AND TRACKING ALIGNMENT

1. Connect an FM signal generator to the FM ANTENNA terminals and an oscilloscope and an audio distortion analyzer to the TAPE MONITOR OUT jacks on the rear panel.
2. Set the signal generator to 87.4 MHz and provide about 3 to 5 μ V. Place the tuning pointer at the low frequency end by rotating the tuning knob and adjust the core of

- oscillator coil L106 to obtain maximum audio output.
- Set the signal generator to 109 MHz and provide about 3 to 5 μV output. Rotate the tuning knob and place the tuning pointer at the high frequency end and adjust the trimming capacitor C123 for maximum output.
 - Repeat steps 2 and 3 until no further adjustment is necessary.
 - Set the signal generator to 90 MHz and tune the receiver to the same frequency. Decrease signal generator output until the audio output level decreases with the decreasing generator output. Adjust the antenna coil L101, RF coils L102, L103 and L104 and IF transformer L105 for minimum audio distortion.
 - Set the signal generator to 106 MHz and tune the receiver to the same frequency. Adjust the trimming capacitors CF01, CF02, CF03 and CF04 for minimum distortion.
 - Repeat steps 5 and 6 until no further adjustment is necessary.
 - Connect a VTVM (at DC 1 V range) across the J204 and J205. Adjust the secondary core (upper) of discriminator transformer L201 so that the VTVM indicates null reading (zero reading) at no signal. Set the FM signal generator to 98 MHz and increase its output level 1 μV and tune the receiver to the same frequency so that the VTVM gives null reading. Adjust the primary core (lower) of L201 for minimum distortion. (Scope display can, of course, be used as tuning indicator instead of the VTVM, if the scope unit has been correctly adjusted as instructed in the "Scope Display Adjustment".)
 - Set the signal generator to 98 MHz at 100 μV , and adjust R278 so that the signal strength indicator spot just reaches upper mark.

4.2 STEREO SEPARATION ALIGNMENT

- Set the FM signal generator to provide 1 μV at 98 MHz. Tune the receiver to the same frequency so that the center tuning indicator spot indicates its center.
- Turn the signal generator modulation off (with the pilot signal turned off), connect a frequency counter to test point J238, and adjust R310 so that the frequency counter may precisely read 19 kHz.
- Modulate the signal generator with stereo composite signal consisting only of subchannel signal (of course a pilot signal must be included).
- Adjust the trimming resistor R319 for maximum and same separation in both channels.

4.3 MUTING CIRCUIT ALIGNMENT

- Set the FM signal generator to provide 6 μV at 98 MHz and tune the receiver to the same frequency correctly.
- Depress the FM MUTING pushswitch. Set R001 to MIN position (counterclockwise). Adjust R330 until the muting circuit is activated to produce output for exactly 6 μV input.
- In turn increase the FM signal generator output up to 50 μV .
- Set R001 to MAX position (clockwise). Adjust R347 until the muting circuit is activated to produce output for exactly 50 μV input.
- Turn R001 from MIN to MAX to assure the muting threshold level can change in the range of 6 to 50 μV .

- Adjust R001 until the muting threshold level is 12.5 V. Then, increase the FM signal generator output up to 1 μV and shift its frequency up and down. Note both up- and down-shifted frequencies at which undesirable audio side responses are muted out. Adjust R280 until the muting circuit is activated when the oscilloscope trace deflects 10 to 20 mm.

4.4 DOLBY FM TAPE OUTPUT SETTING

- Set the modulation of FM signal generator to 400 Hz, 50% (± 37.5 kHz Dev.).
- Set the signal generator to provide 1 μV at 98 MHz. Tune the receiver to the same frequency so that the center tuning meter pointer indicates its center.
- Set the SELECTOR switch to the FM 25 μs position. Set the trimming resistors RC01 and RC02 so that the output of the TAPE MONITOR OUT jacks R and L become 580 mV at VTVM.

5. AUDIO ADJUSTMENT

- Voltage adjustment**
Connect a DC voltmeter across the pins 4 and 3 on J805. Adjust the trimming resistor R819 until the DC voltmeter reads 32 V.
- Main Amplifier DC off-set alignment**
Connect a DC voltmeter with 0.5 or 1 V range between the speaker terminals and adjust the trimming resistor R760 for "zero" DC output on the meter. Repeat the same procedure for the other channel.

NOTE: During this alignment no load should be connected to the speaker terminals.

- Idle current adjustment**
Connect a DC voltmeter (in 50 mV range) across TP1 and TP2 on JX01. Adjust R716 on the P.W. board on the left side of the tunnel heatsink until the voltmeter reads 25 mV (32 mA). In turn, connect the voltmeter across TP3 and TP4 on JX02 and similarly, adjust R716 on the P.W. board on the right side of the tunnel heatsink until the voltmeter reads 25 mV (32 mA).
- Check DC off-set voltage aligned in the procedure 3 and if any DC output is observed on the DC voltmeter, adjust the R760 again for "zero" output.

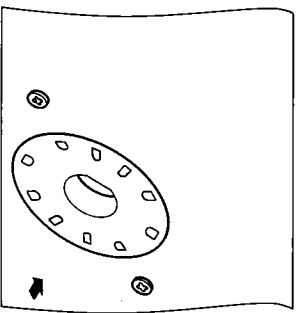
CAUTION: CONTINUOUS POWER OUTPUT TESTS.

Continuous sine wave tests at high audio power levels impose a maximum loading condition for the power supply, particularly when testing with 4 ohm output loads, and far exceeds power supply loading encountered with program materials. A primary line fuse has been selected for the Model 2500 which will open if the following 4 ohm testing periods are exceeded:

- At rated power of 330 watts per channel.**
Testing period- 45 minutes max.
- At power levels above 330 watts per channel.**
Individual tests- 1 minute max.

DISPLAY ADJUSTMENT

the SELECTOR switch to the AUX position. The SCOPE LEVEL and VOLUME controls to the W position. Press the SCOPE DISPLAY ON and AUDIO push-buttons in. Adjust the CENTERING controls until the spot comes to the center of the small circle. At the BRIGHT control (R002) on the rear panel the brightness becomes dark a little. Adjust the FOCUS control so that the spot may be smaller and circular. Adjust the SCOPE LEVEL control to the FCW. Adjust a 150 mV, 1 kHz signal to the AUX INPUTS and adjust R928 (H. GAIN) until the horizontal deflection is around 3 cm. Adjust the CENTERING control to the 12-o'clock position and adjust R925 (H. CENTER) until the spot is in the horizontal deflection center. Finally, adjust R926 (V. CENTER) until the spot is in the vertical deflection center.



- ### 6.1 AM TUNING DISPLAY ADJUSTMENT
1. Depress the SCOPE DISPLAY ON and TUNING push-switches. Set the SELECTOR switch to the AM position.
 2. Adjust R931 until the spot comes in the center below the base line without tuning into a station.

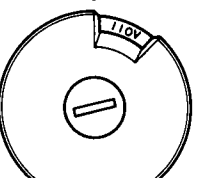
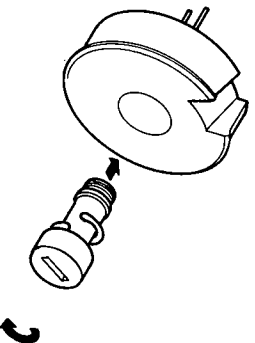
- ### 6.2 FM TUNING DISPLAY ADJUSTMENT
1. Depress the scope DISPLAY ON and TUNING push-switches. Set the SELECTOR switch to the FM position.
 2. Connect FM signal input of 100 μ V (98 MHz, 400 Hz, 30% mod.) to the FM ANTENNA terminals and adjust R278 so that the spot does not frame out.

- ### 6.3 FM MULTIPATH DISPLAY ADJUSTMENT
1. Adjust R280 to obtain full deflection of the trace within both side marks, applying FM signal (1 μ V, 400 Hz, 100% mod.) to the FM ANTENNA terminals.

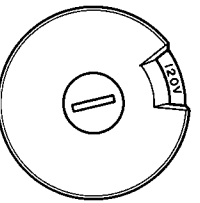
7. VOLTAGE CONVERSION FOR EUROPEAN MODEL

The European version of the Model 2500 is equipped with a universal power transformer that may be adjusted to operate at 110 V, 120 V, 220 V, or 240 V AC at 50 to 60 Hz. To convert the unit to a different power source voltage, reposition conversion plug as shown in Figure 1.

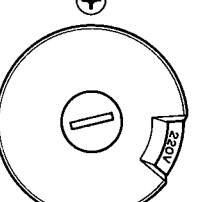
CAUTION: DISCONNECT POWER SUPPLY CORD FROM AC OUTLET BEFORE CONVERTING VOLTAGE.



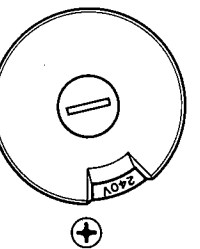
For 110V Operation



For 120V Operation



For 220V Operation



For 240V Operation

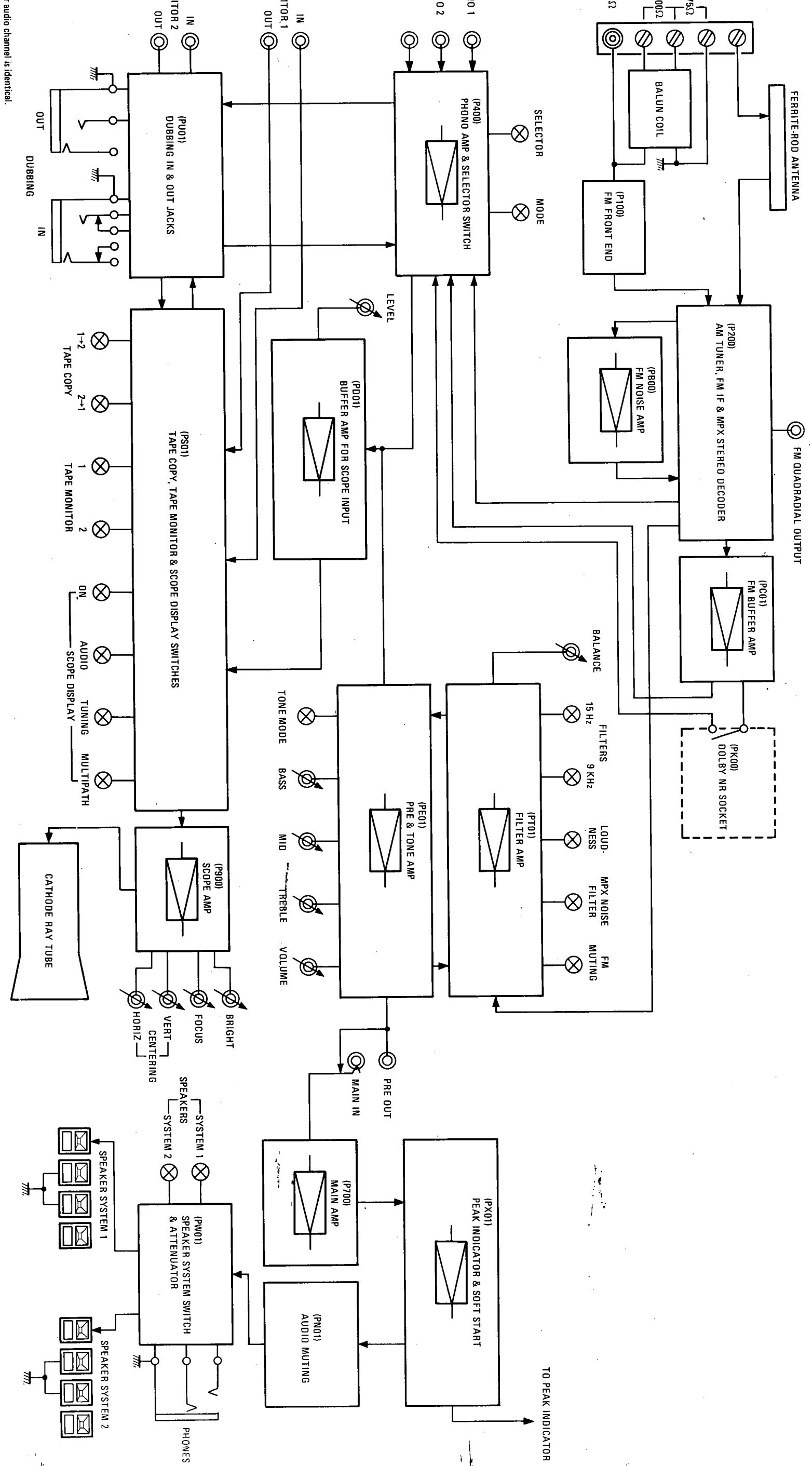
Figure 2. Voltage Conversion Chart

FTZ REGULATION

Instruction for the use in the range other than specified in FTZ codes.

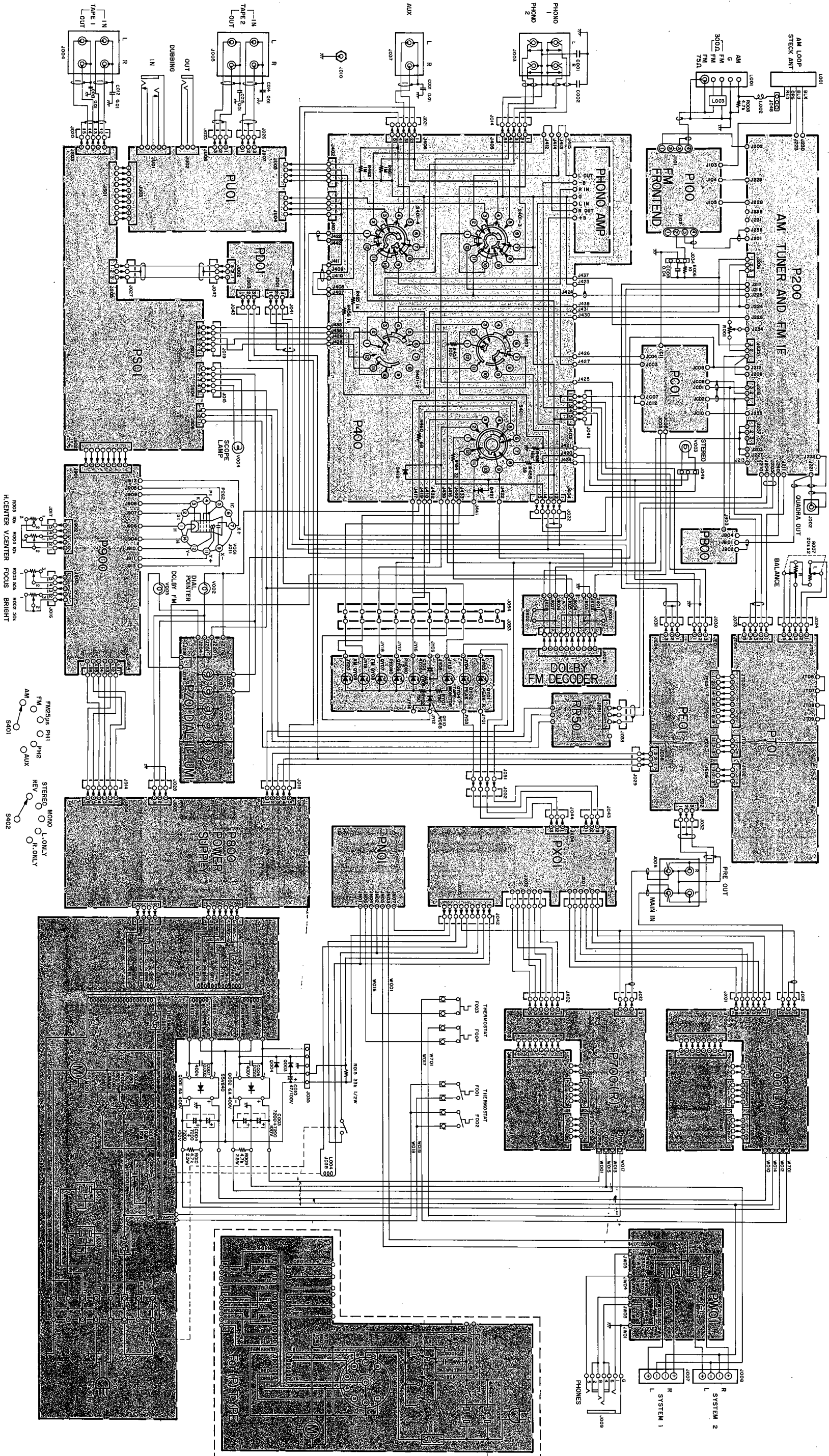
Achtung für die Leute, die in dem Gebiet wohnen, wo die FTZ-Bestimmungen vorherrschend sind.

Sollte das Gerät auch für Frequenzen ausserhalb des in den FTZ-Bestimmungen angegebenen Bereiches empfangsbereit sein, bitten wir, den Bereich durch Nachstellen des Kernes in der Oszillatorspule (in der Abbildung mit "FTZ" gekennzeichnet) so zu korrigieren, dass er den Bestimmungen entspricht.

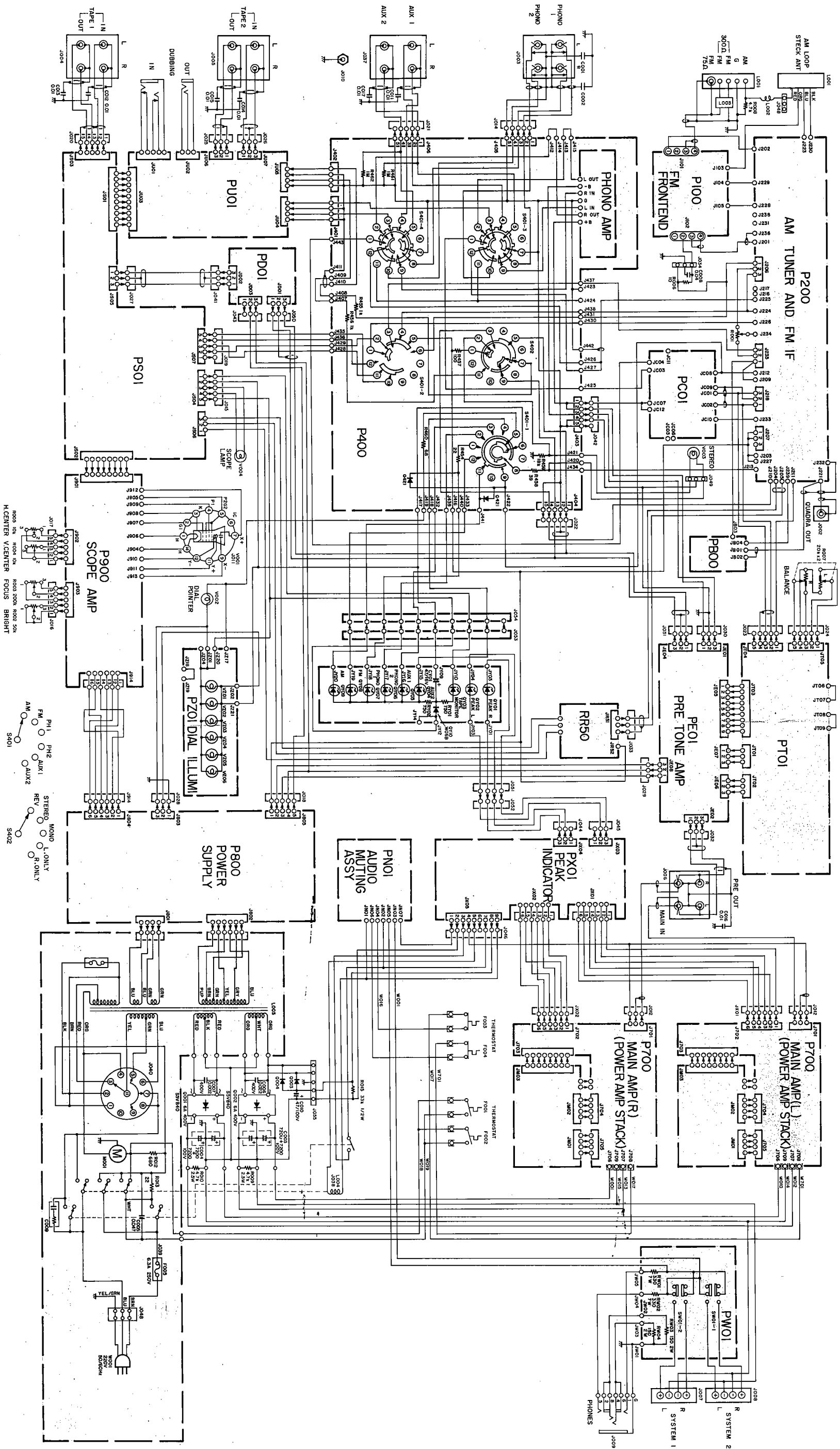


audio channel is identical.

8.2 CONNECTION DIAGRAM - U.S.A. & CANADA

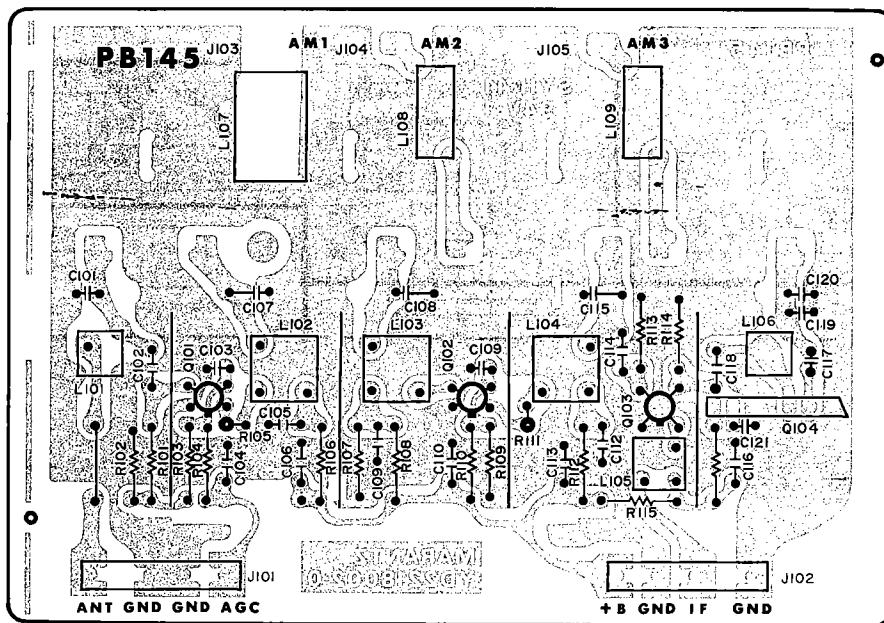
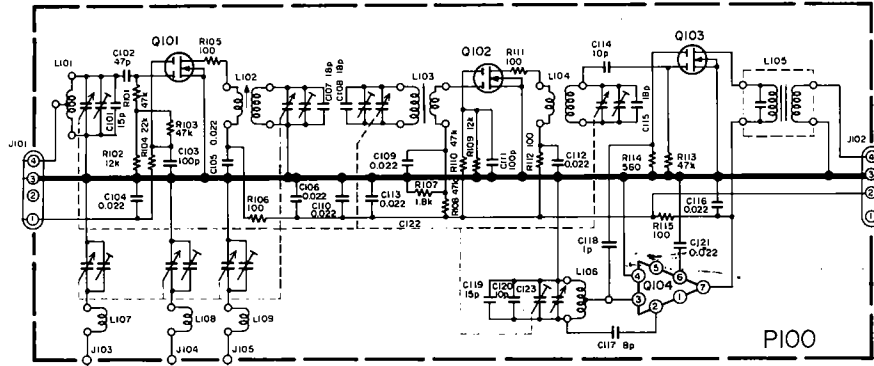


8.3 CONNECTION DIAGRAM - EUROPE

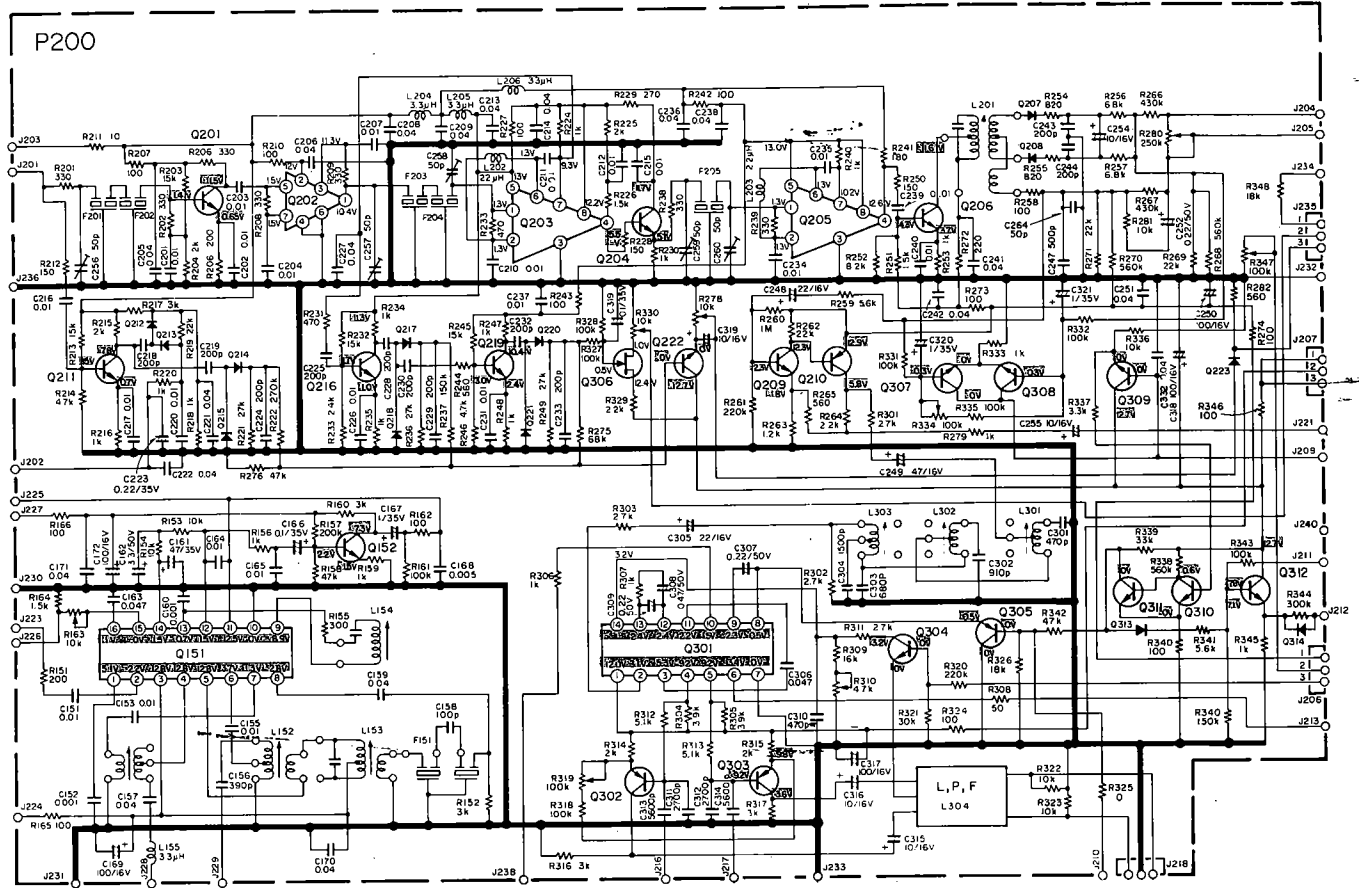


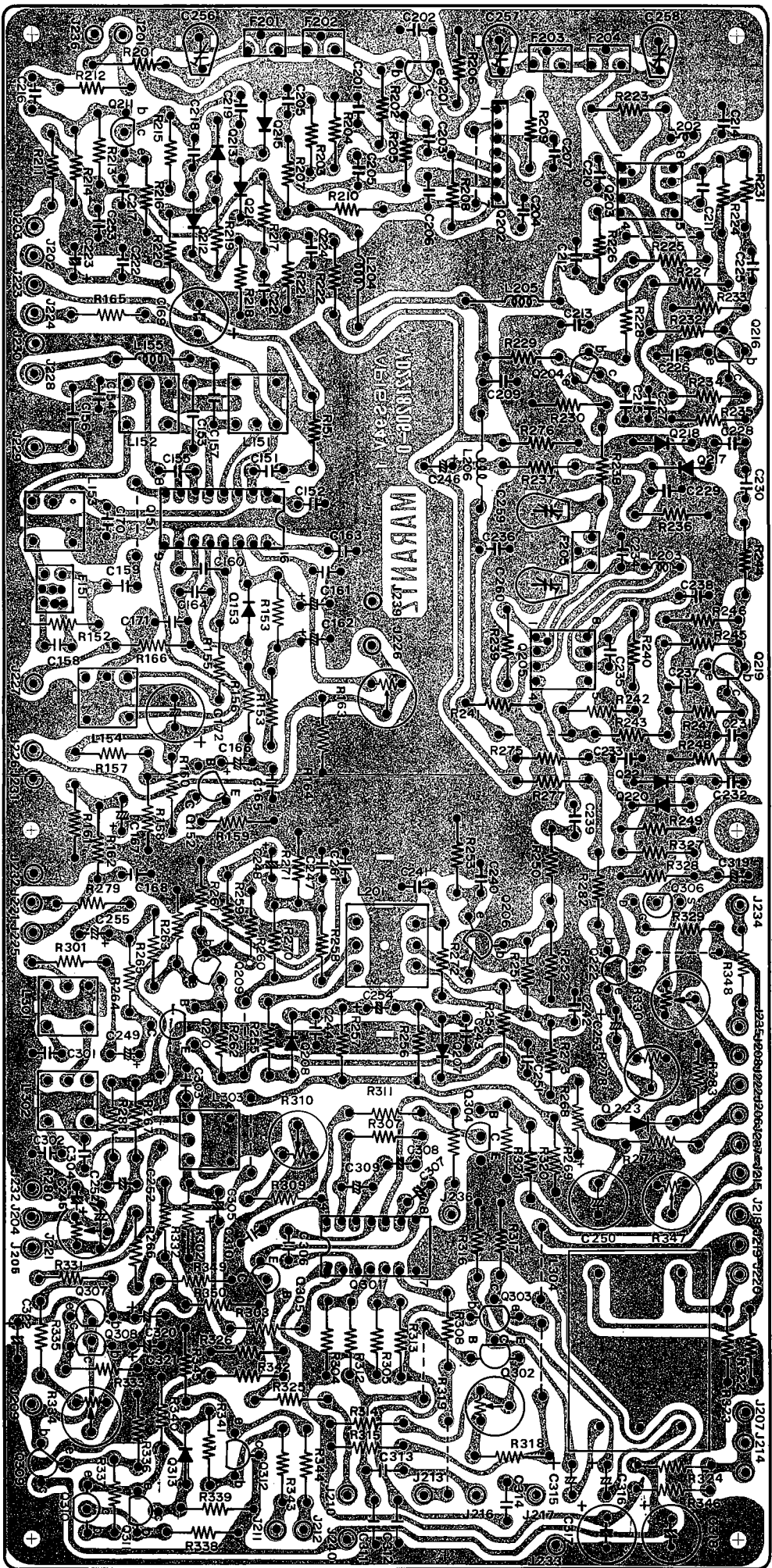
9. SCHEMATIC DIAGRAMS AND COMPONENTS LOCATIONS

9.1 FM FRONT END CIRCUIT BOARD - P100

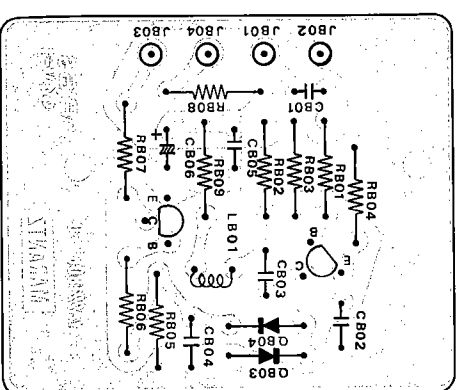
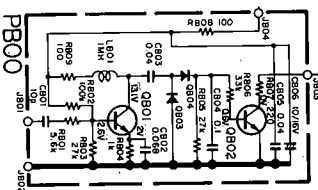


9.2 AM TUNER, FM IF & MPX STEREO DECODER CIRCUIT BOARD - P200

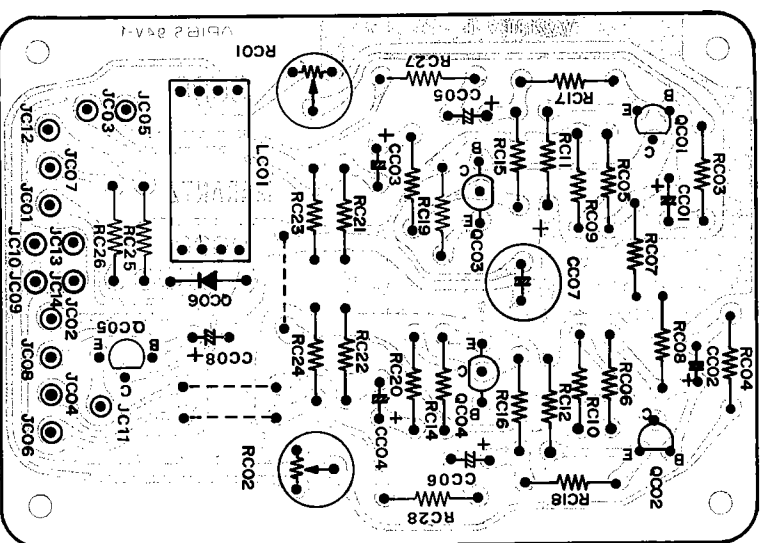
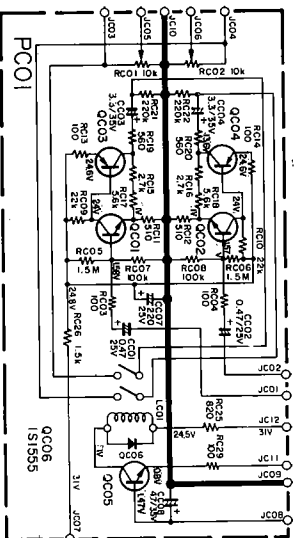




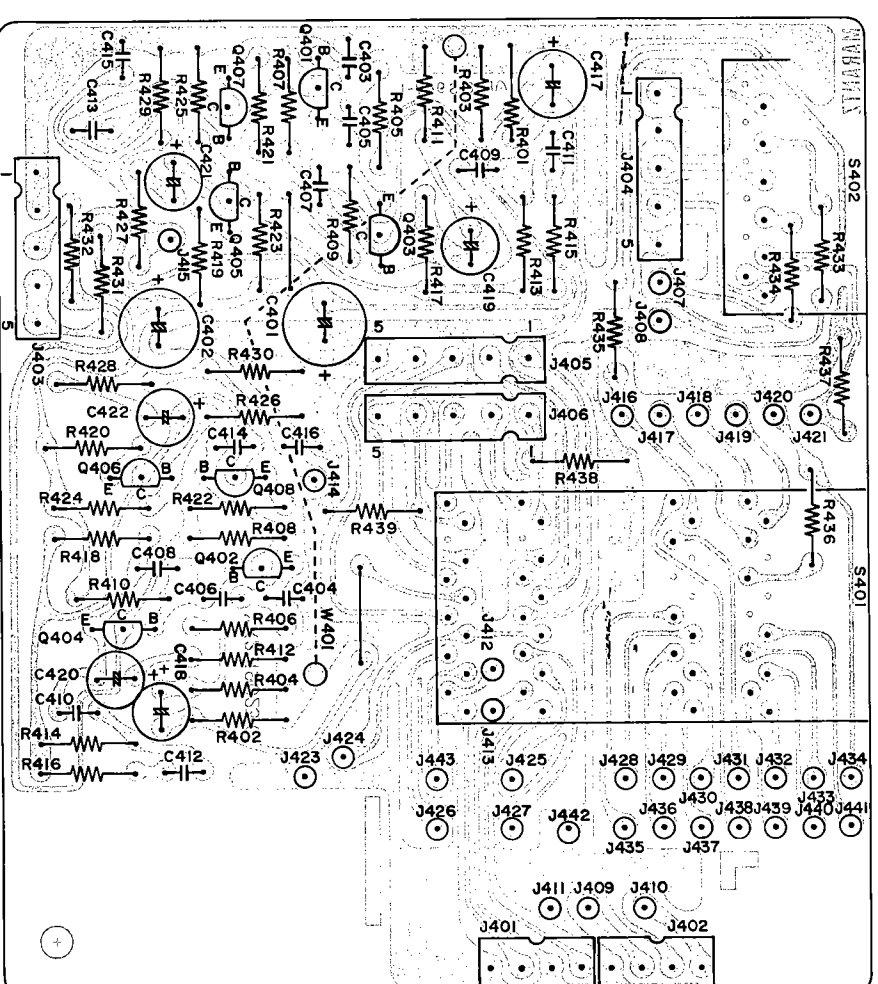
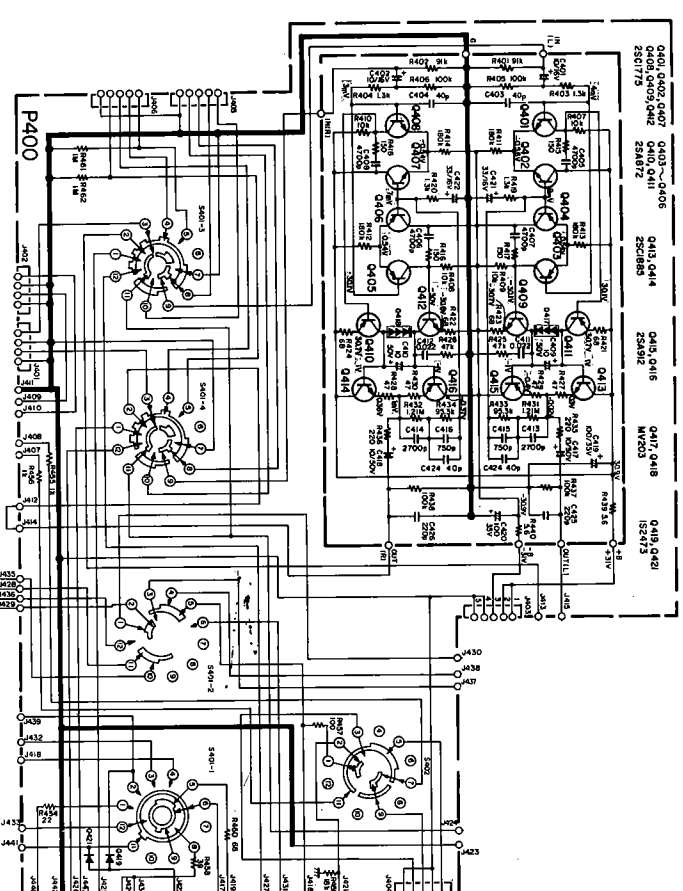
9.3 FM NOISE AMP CIRCUIT BOARD - PB00



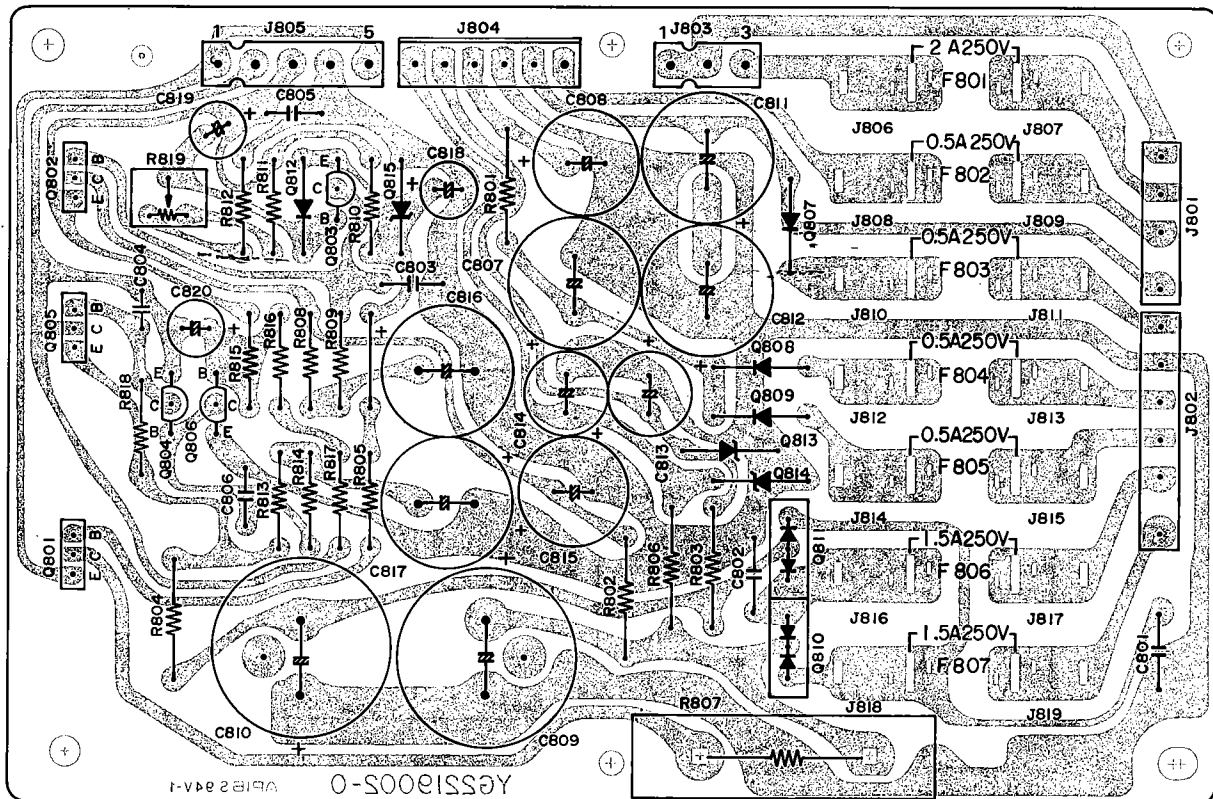
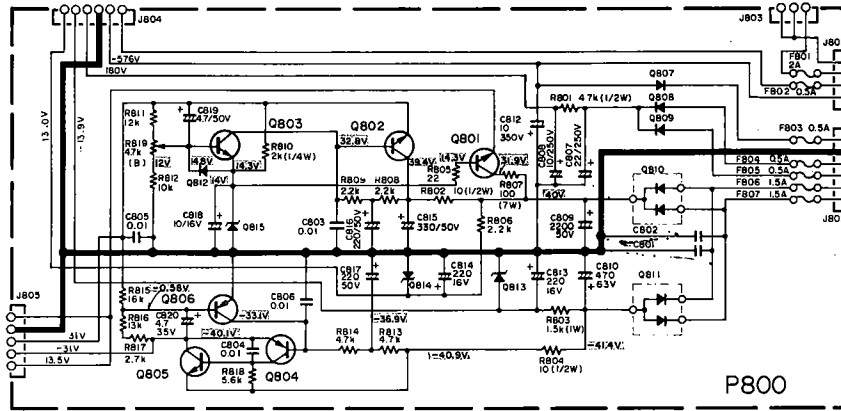
9.4 FM BUFFER AMP CIRCUIT BOARD - PC01



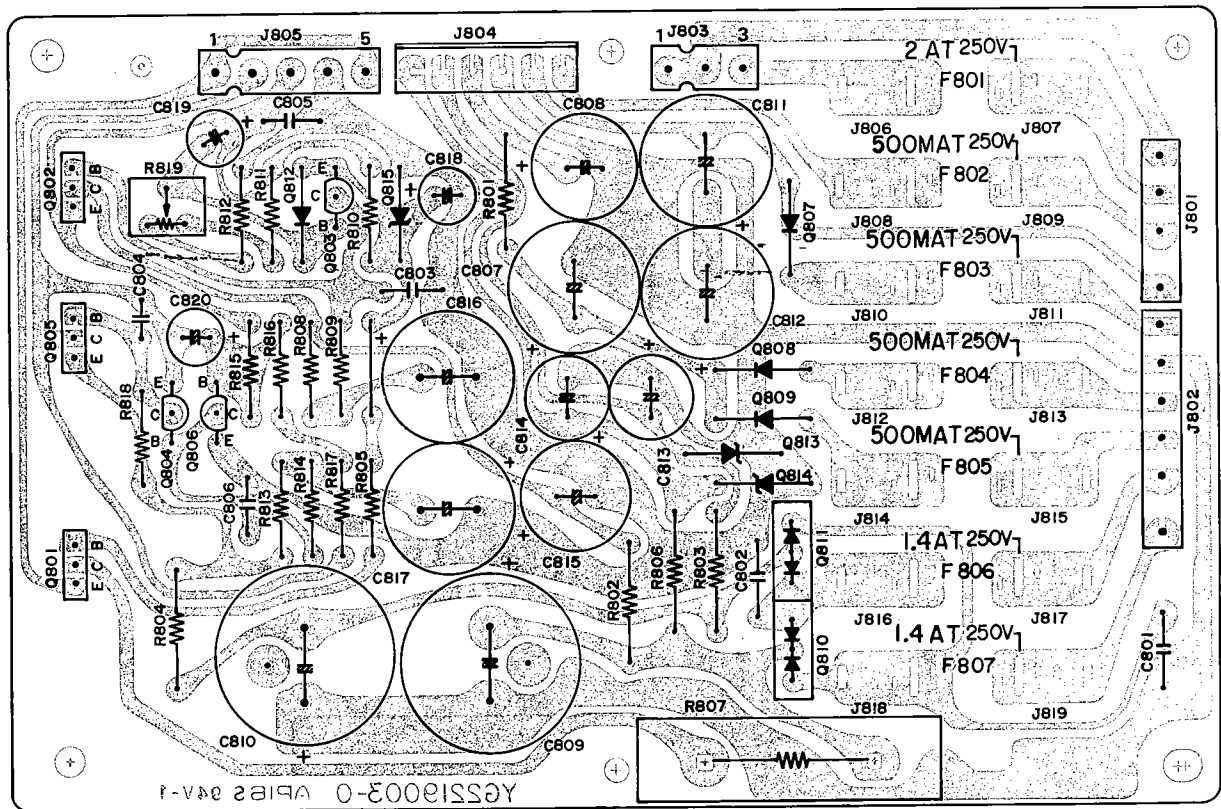
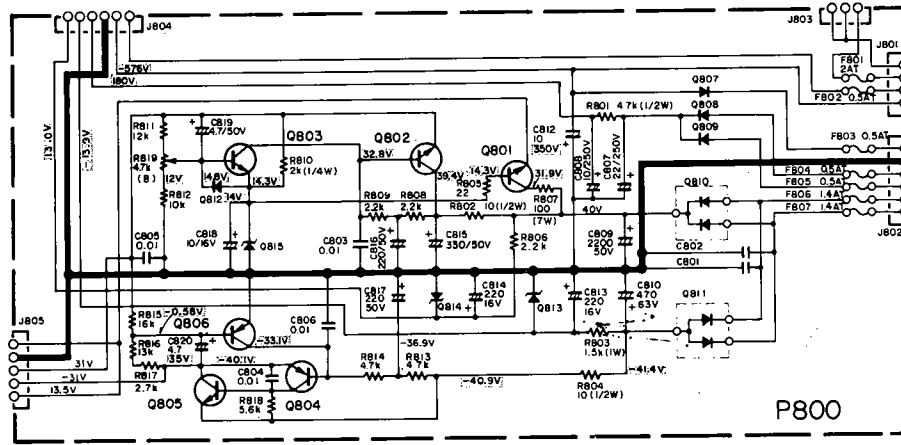
9.5 PHONO AMP & SELECTOR SWITCH CIRCUIT BOARD - PA00

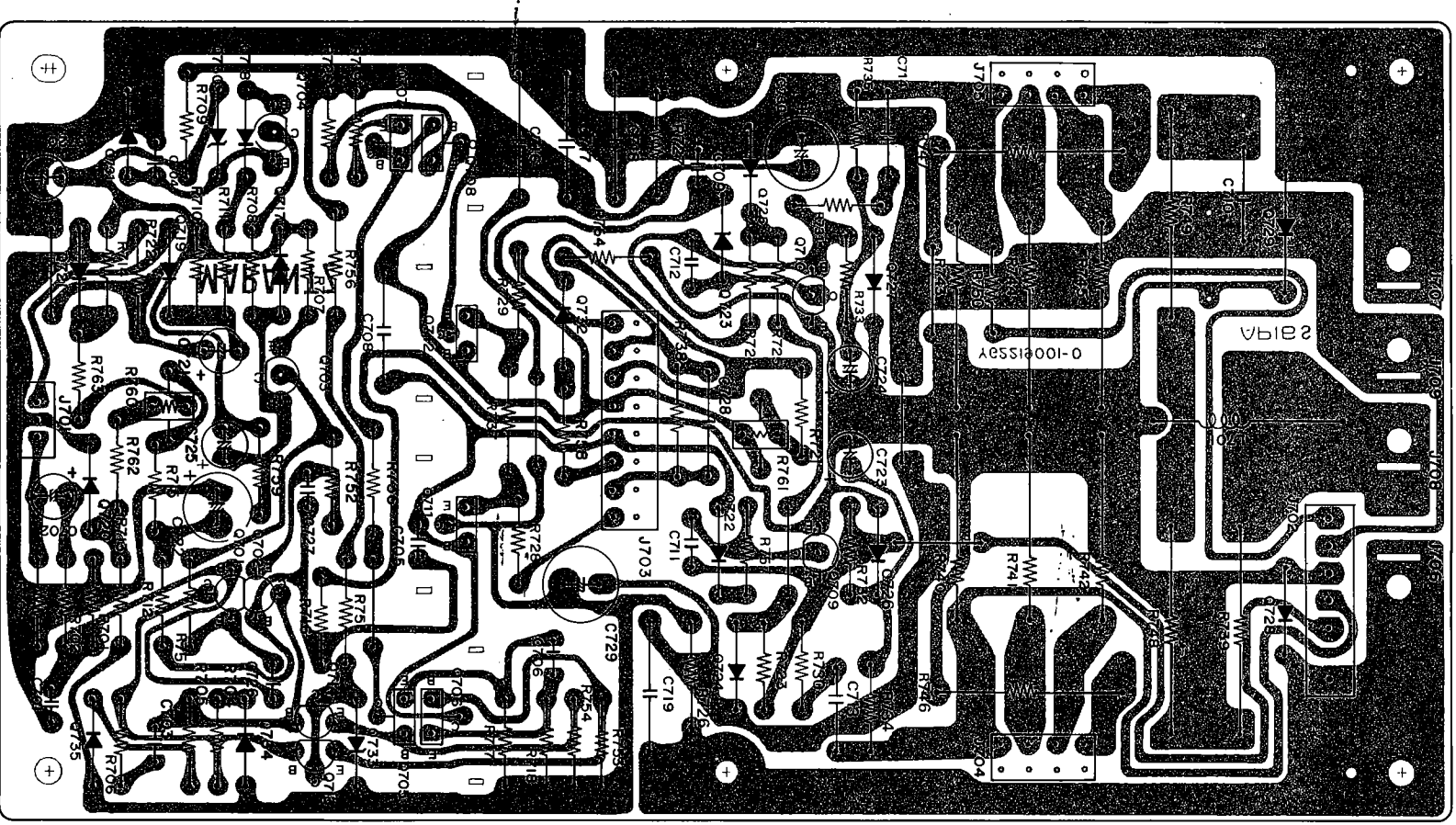
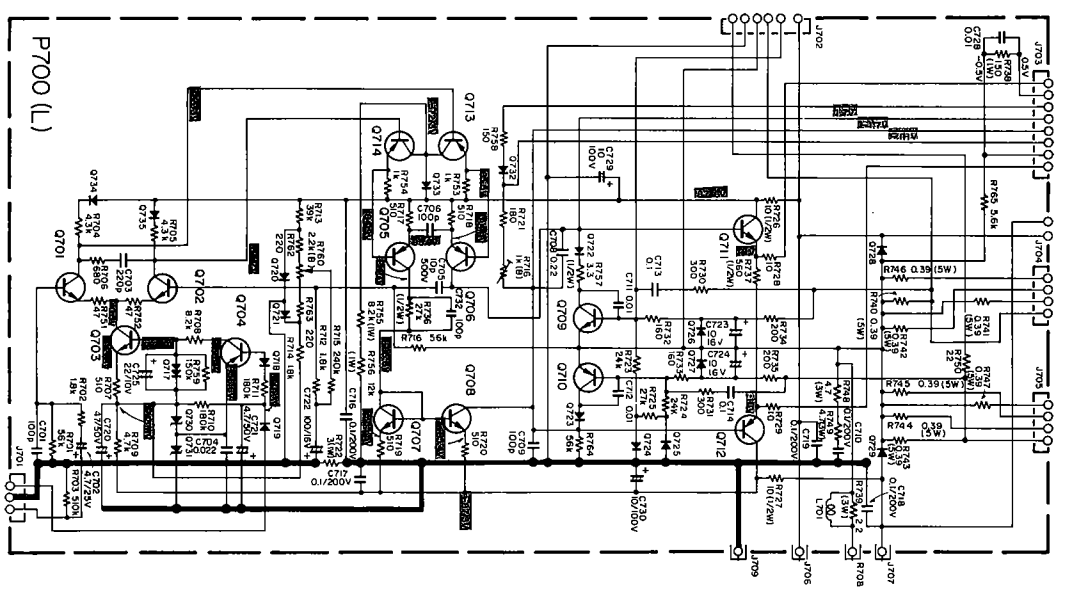


9.6 POWER SUPPLY CIRCUIT BOARD - P800 - U.S.A. & CANADA

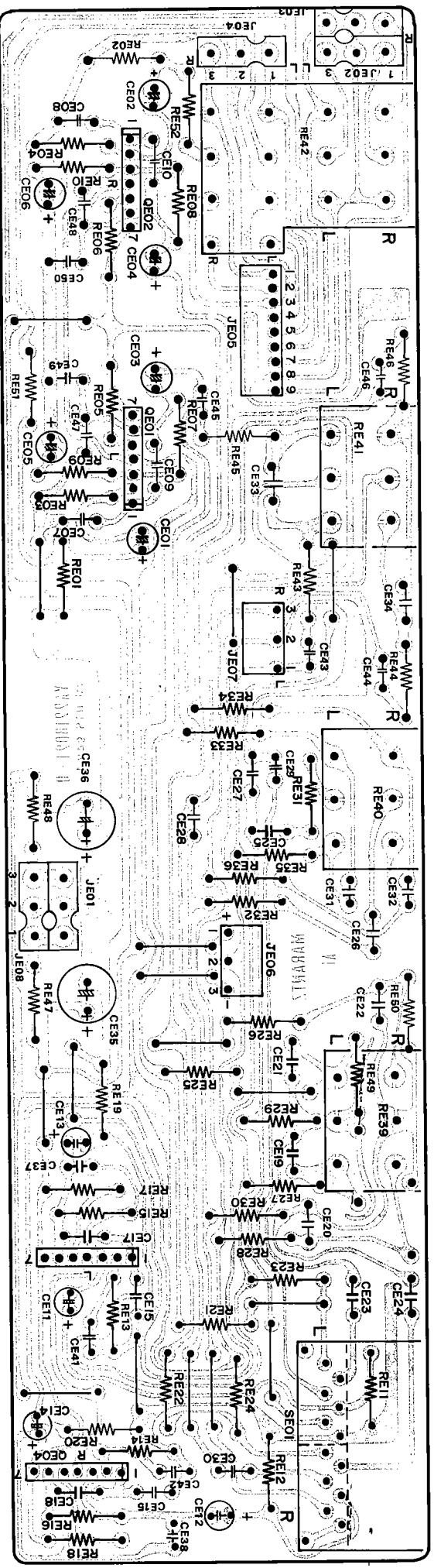
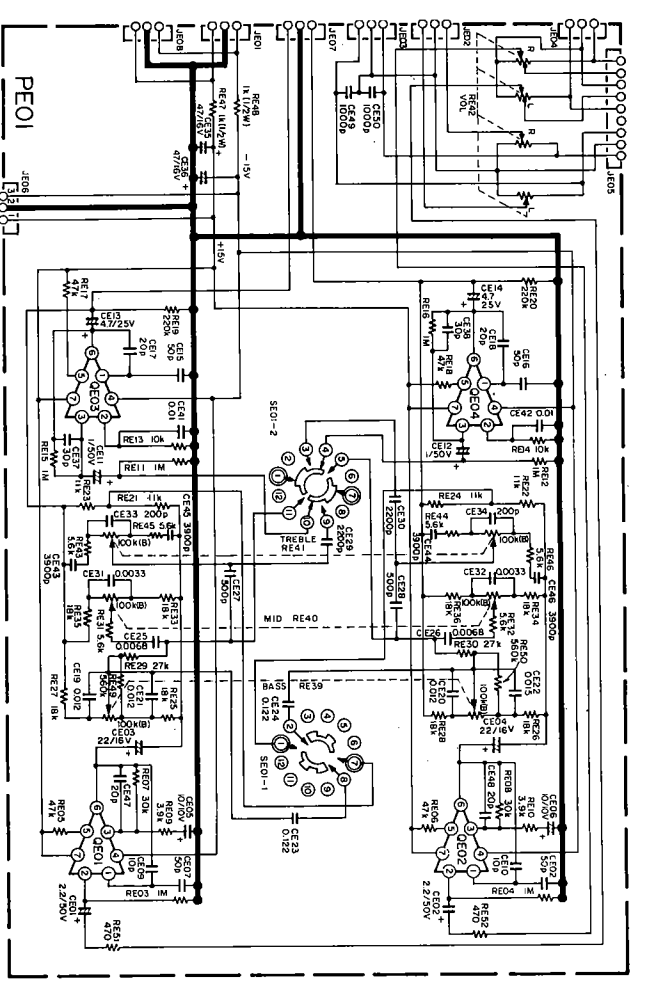


9.7 POWER SUPPLY CIRCUIT BOARD - P800 - EUROPE

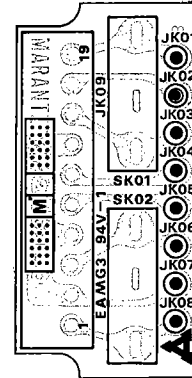
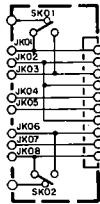




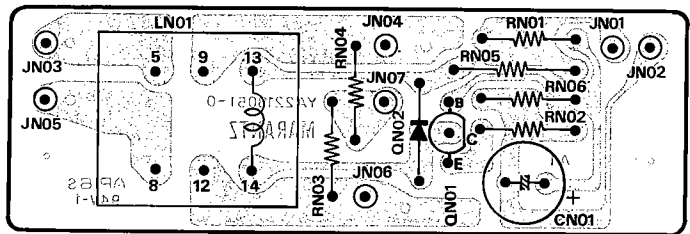
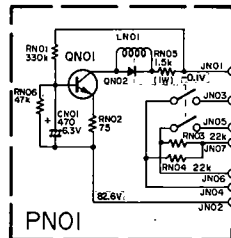
9.9 PRE & TONE AMP CIRCUIT BOARD - PE01



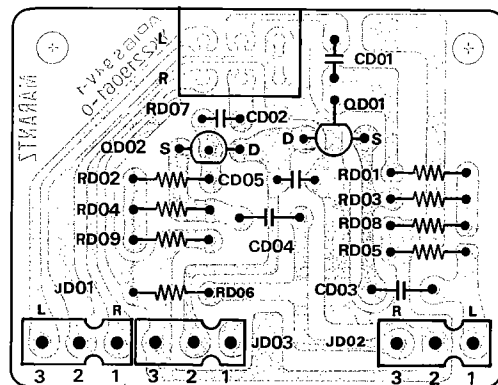
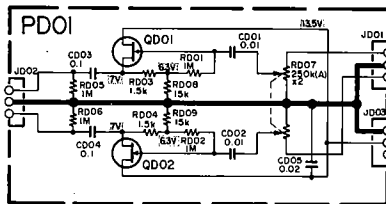
9.10 DOLBY NR SOCKET CIRCUIT BOARD - PK01 - U.S.A. & CANADA



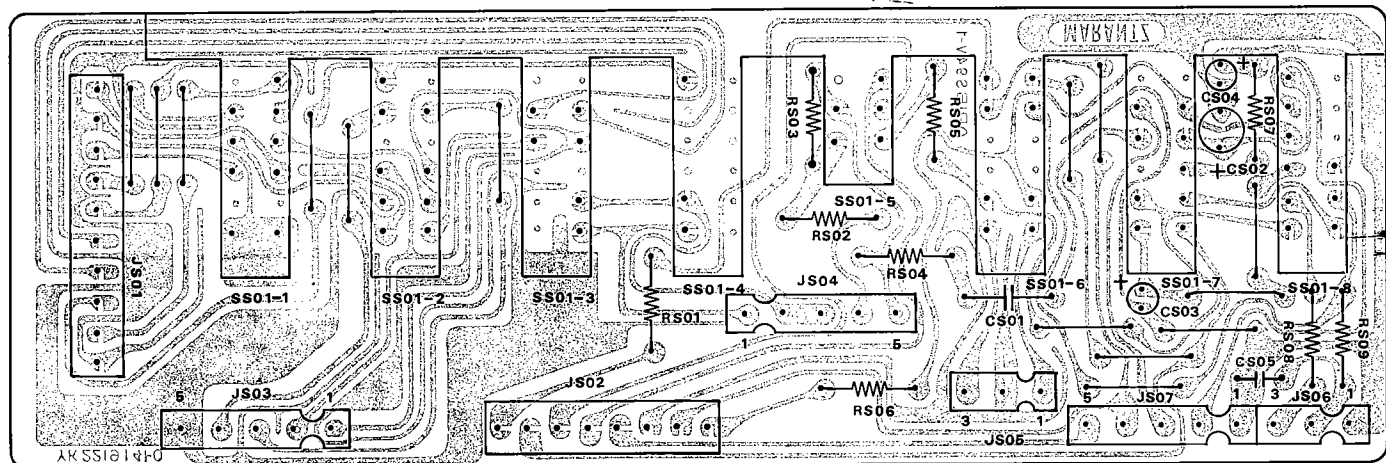
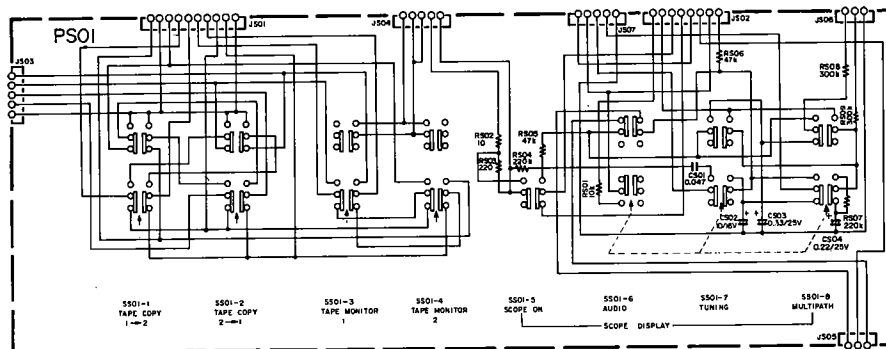
9.11 AUDIO MUTING CIRCUIT BOARD - PN01



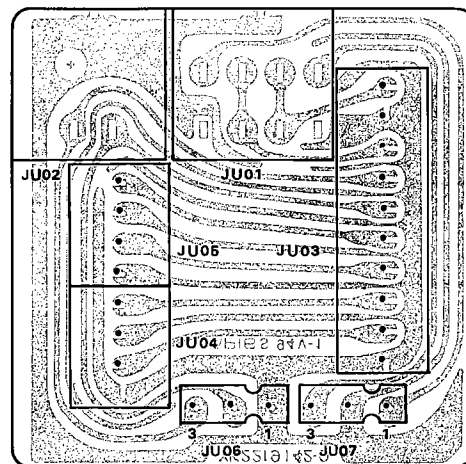
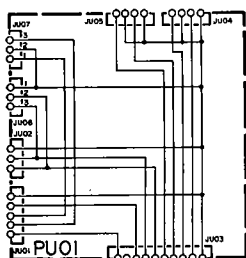
9.12 BUFFER AMP FOR SCOPE INPUT - CIRCUIT BOARD - PD01



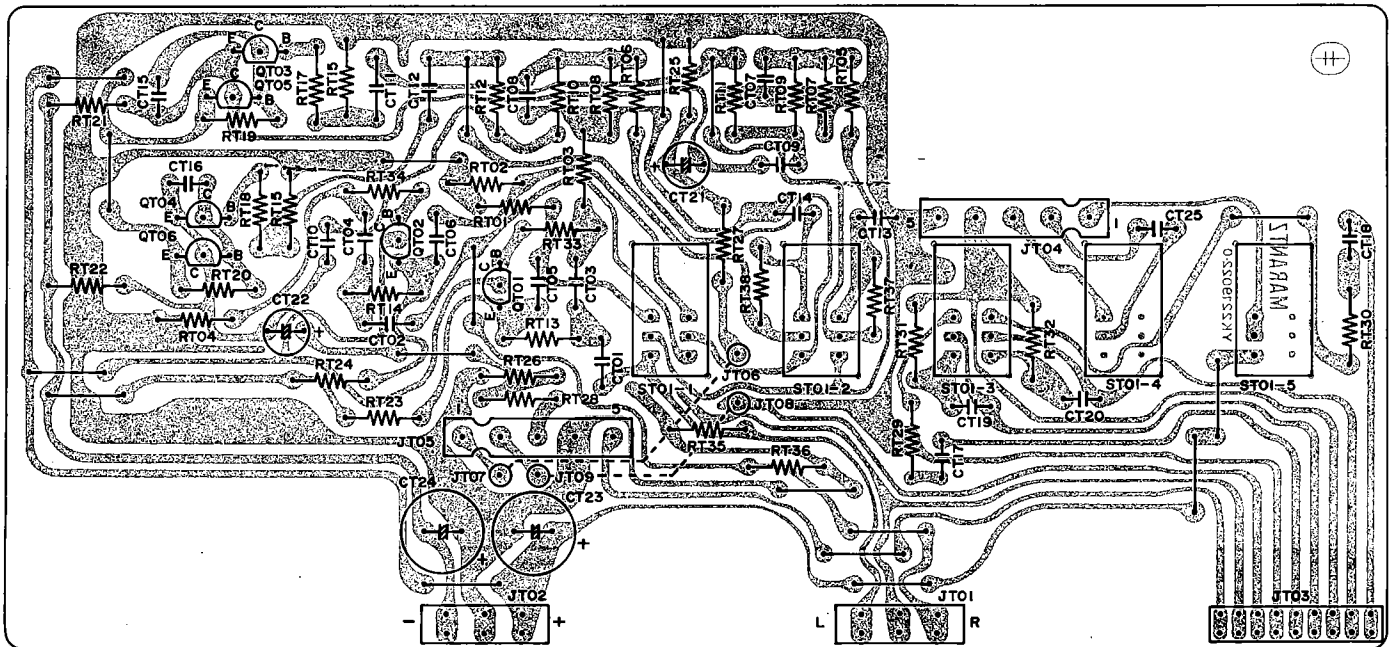
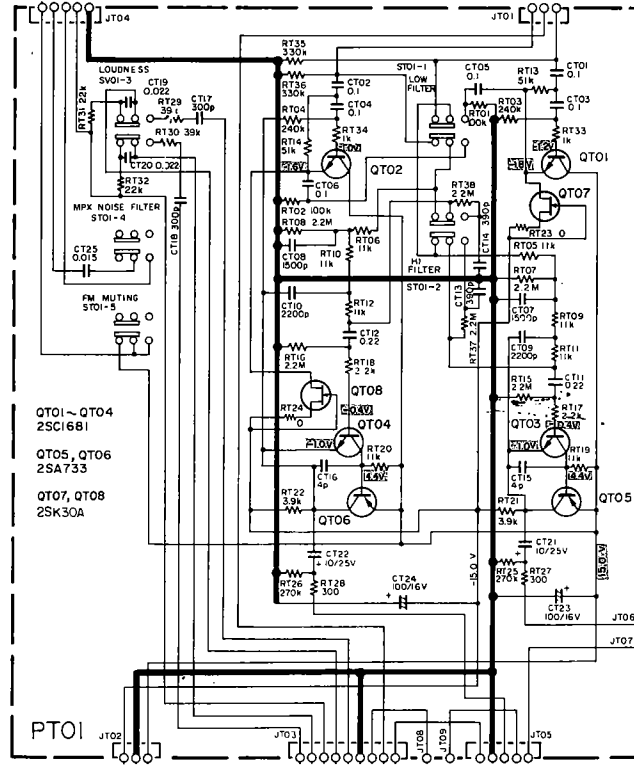
9.13 TAPE COPY, TAPE MONITOR & SCOPE DISPLAY SWITCHES CIRCUIT BOARD - PS01



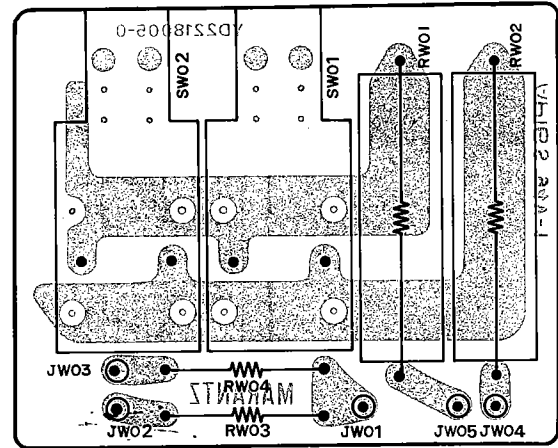
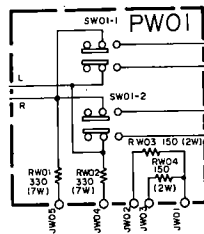
9.14 DUBBING IN & OUT JACKS CIRCUIT BOARD - PU01



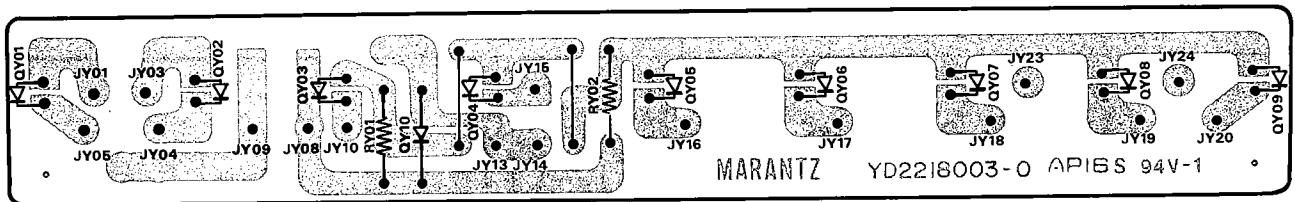
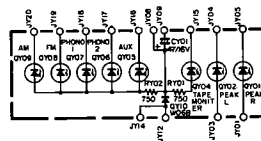
9.15 FILTER AMP CIRCUIT BOARD - PT01



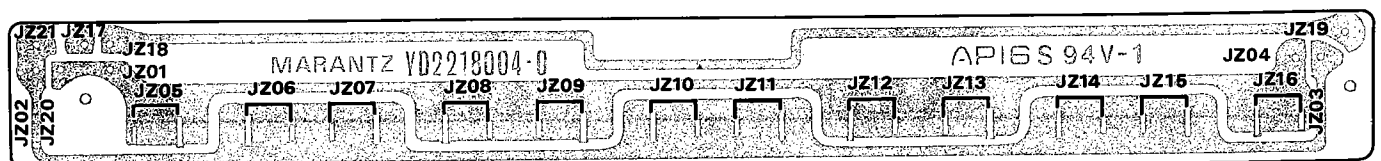
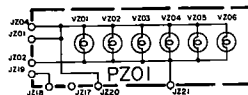
9.16 SPEAKER SYSTEM SWITCHES & ATTENUATOR CIRCUIT BOARD - PW01



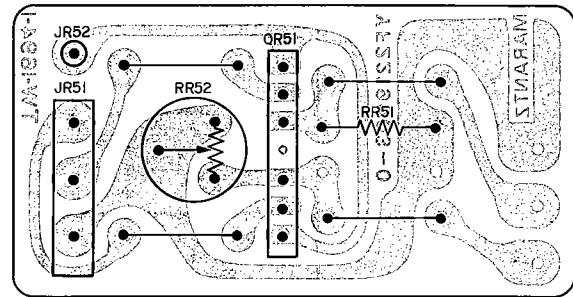
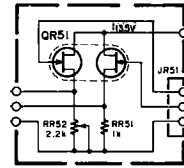
9.17 FUNCTION INDICATOR CIRCUIT BOARD - PY01



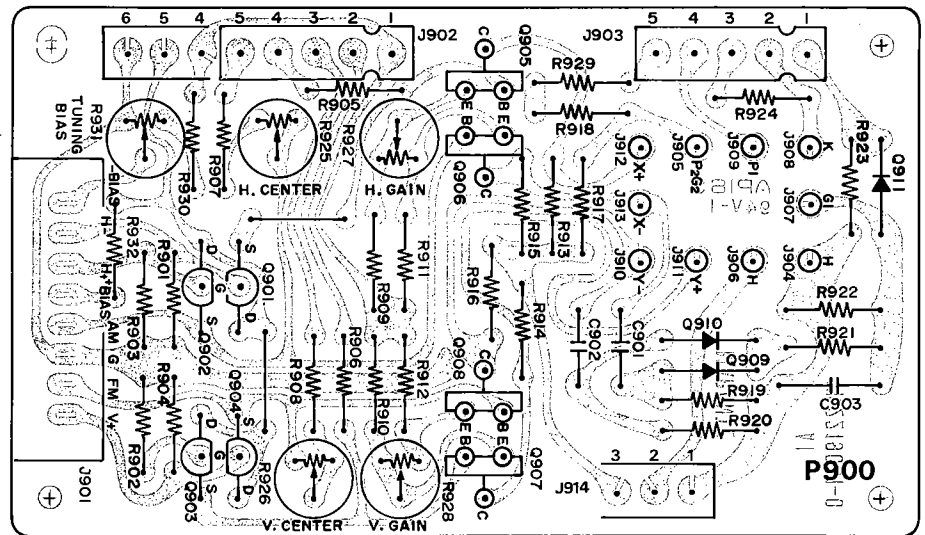
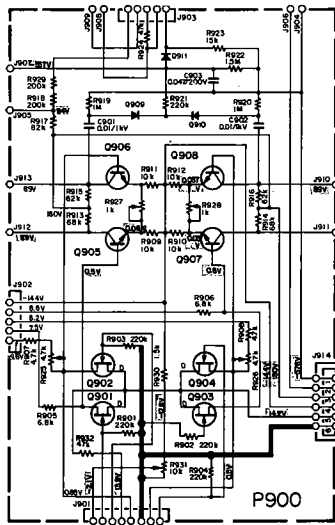
9.18 DIAL LAMP CIRCUIT BOARD - PZ01



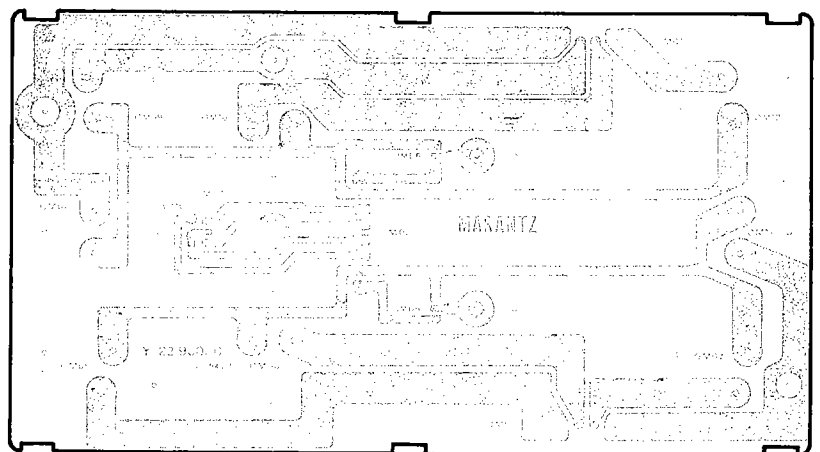
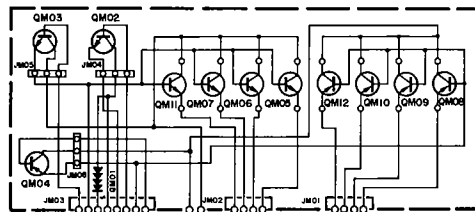
9.19 BUFFER AMP CIRCUIT BOARD - PR50



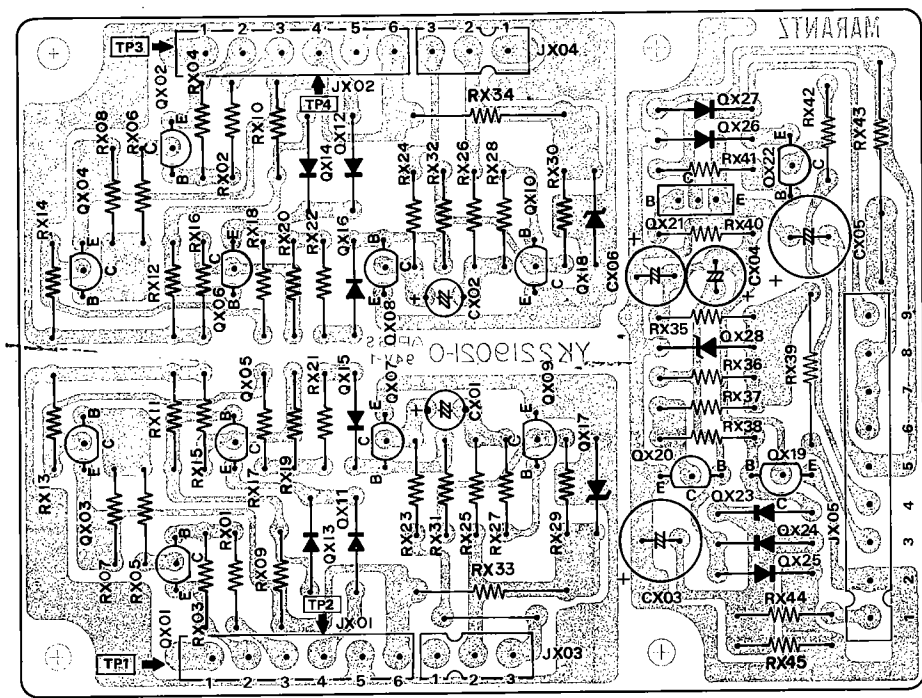
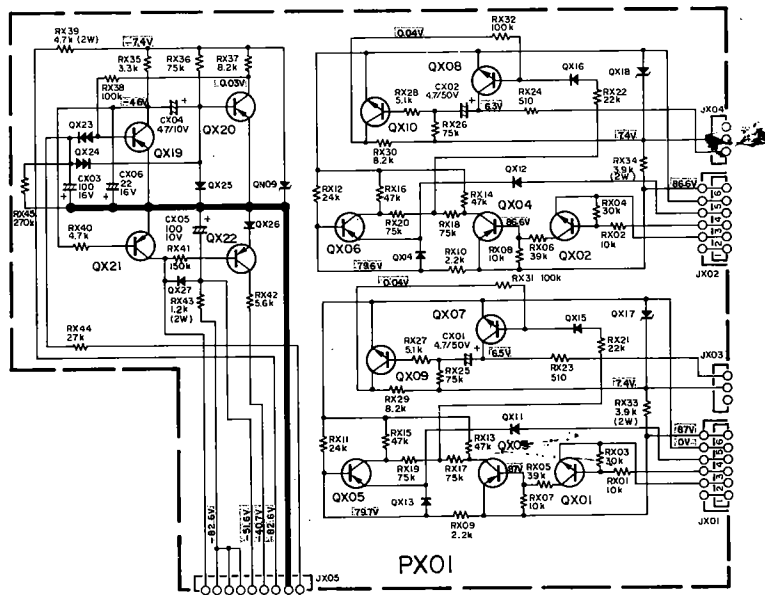
9.20 SCOPE AMP CIRCUIT BOARD - P900



9.21 POWER TRANSISTOR CONNECTION CIRCUIT BOARD - PM01

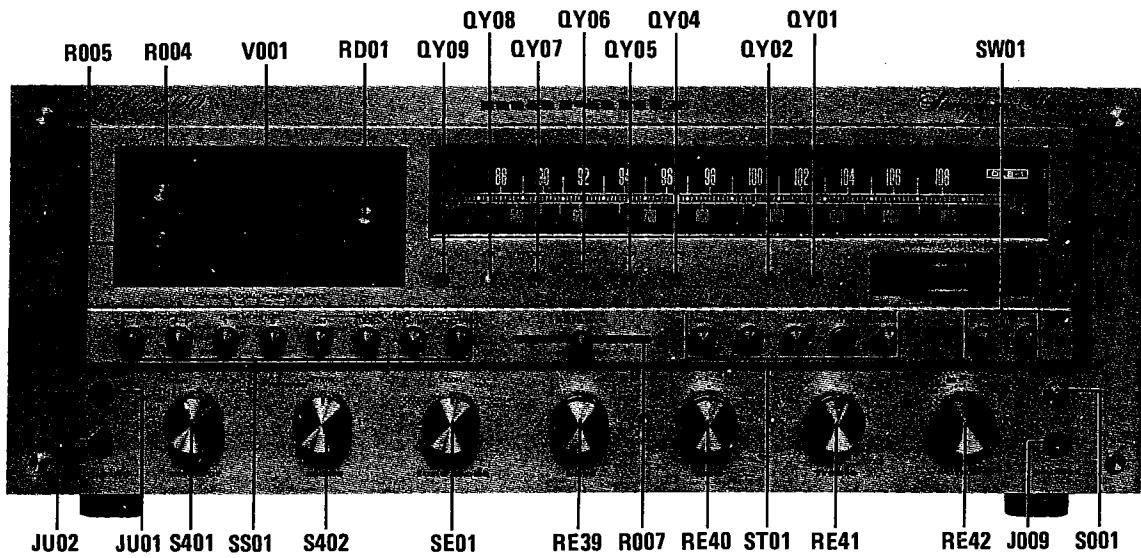


9.22 PEAK INDICATOR & SOFT START CIRCUIT BOARD - PX01

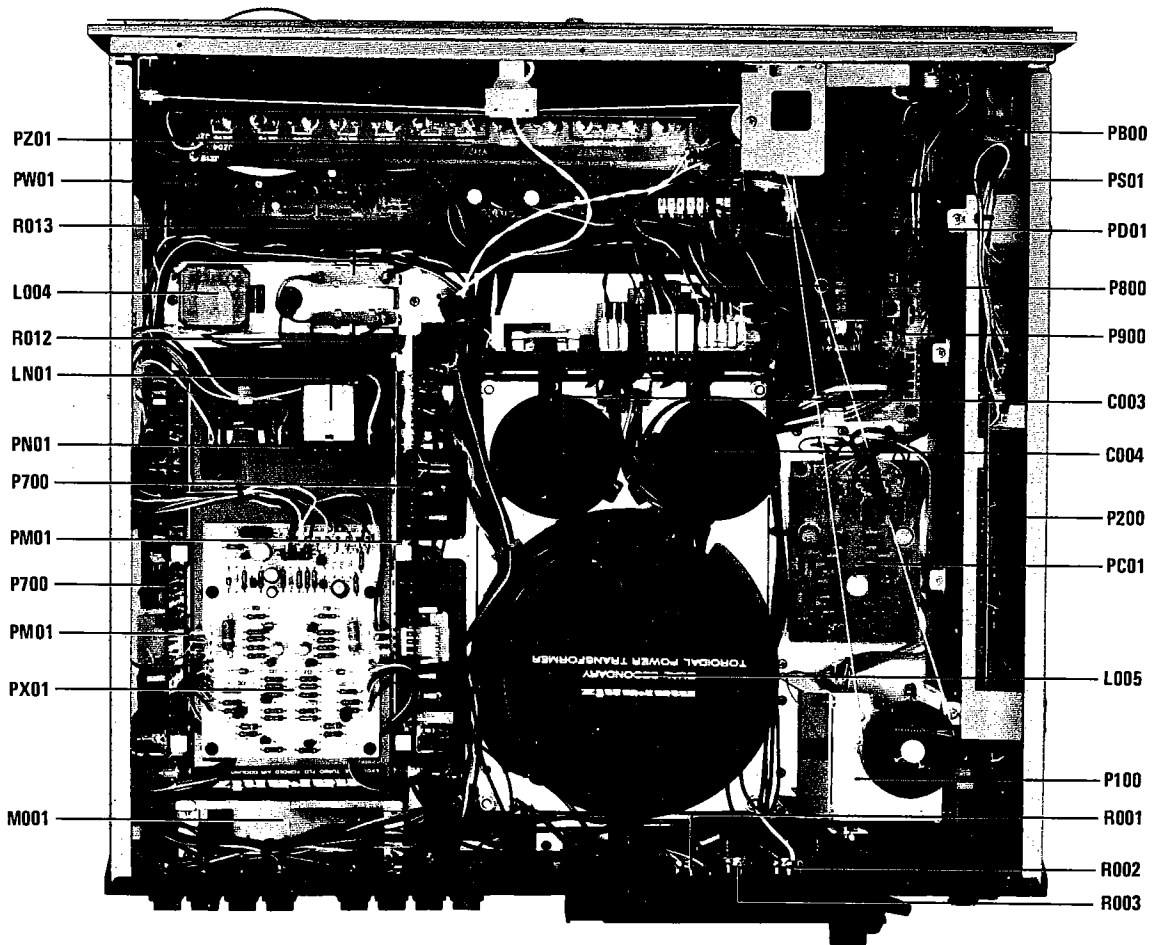


10. MAJOR COMPONENT LOCATIONS

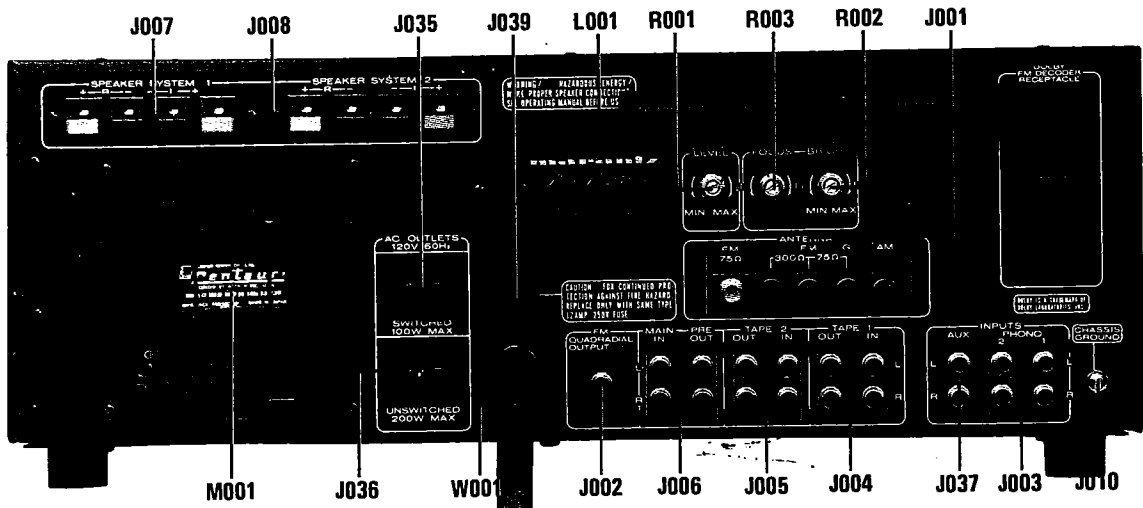
10.1 CABINET - FRONT VIEW - U.S.A. & CANADA



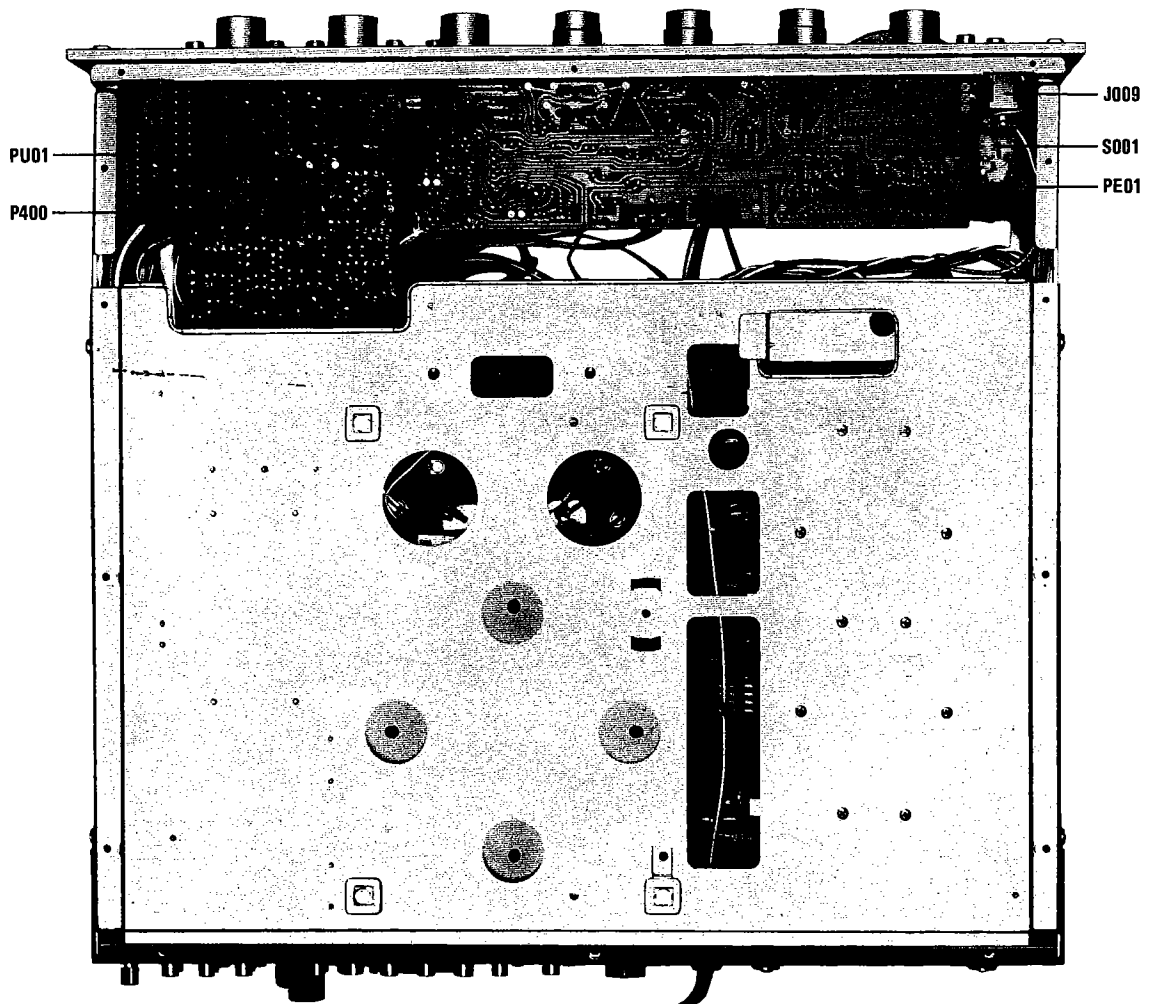
10.2 CHASSIS - TOP VIEW - U.S.A. & CANADA



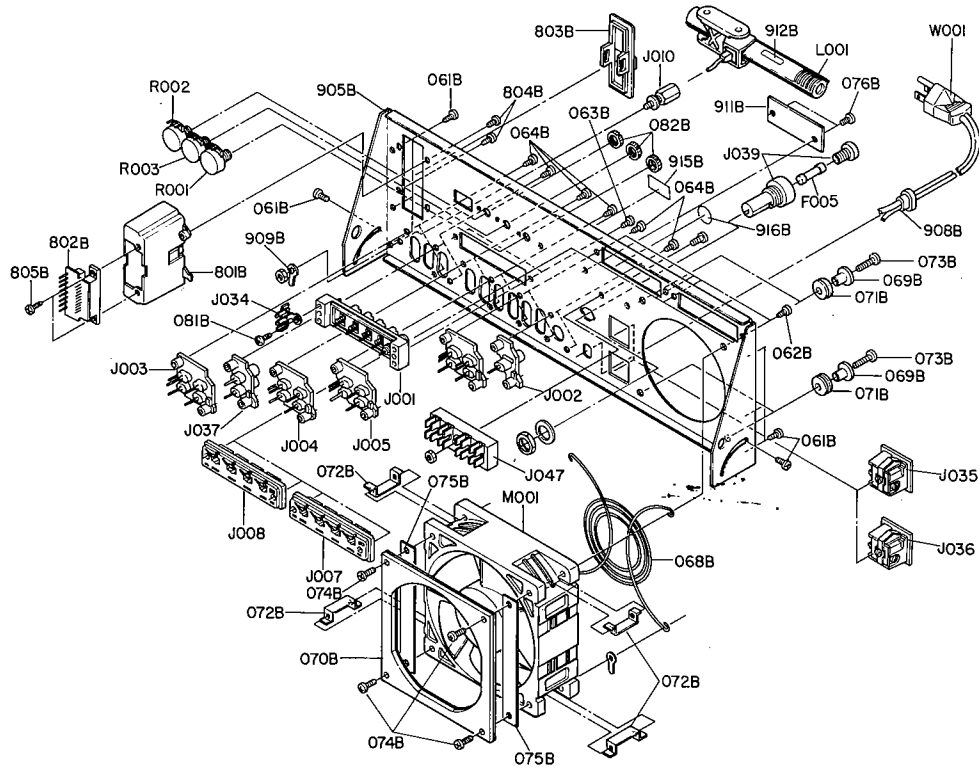
10.3 CABINET - REAR VIEW - U.S.A. & CANADA



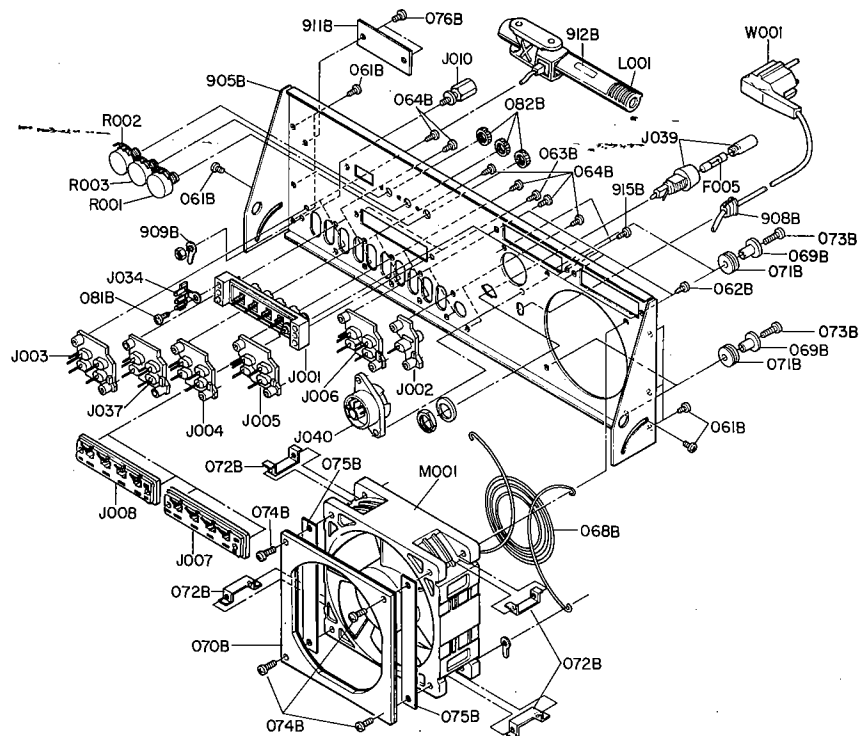
10.4 CHASSIS - BOTTOM VIEW - U.S.A. & CANADA



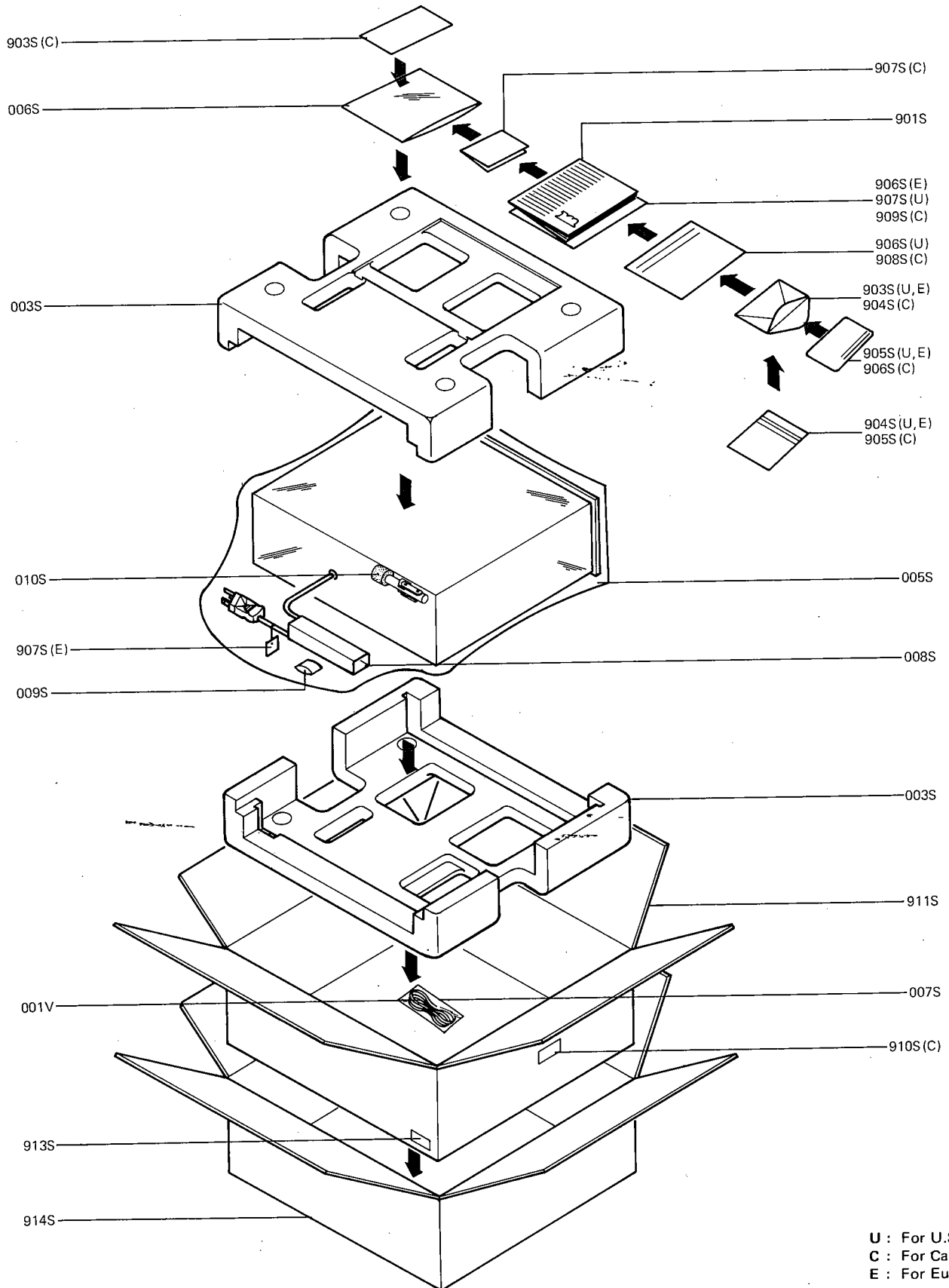
11.3 REAR PANEL EXPLODED VIEW - U.S.A. & CANADA



11.4 REAR PANEL EXPLODED VIEW - EUROPE



11.5 PACKING MATERIAL EXPLODED VIEW



U : For U.S.A.
 C : For Canada
 E : For Europe

12. PARTS LIST

U : For U.S.A.
C : For Canada
E : For Europe

| REF. DESIG. | Q'TY | | | PART NO. | DESCRIPTION |
|-------------------------|------|----|----|------------|---------------------------|
| | U | C | E | | |
| A | 1 | 1 | | 2219063400 | Front Panel Assembly |
| A1 | | | 1 | 2219063410 | Front Panel Assembly |
| 002B | 1 | 1 | 1 | 2218063040 | Escutcheon |
| 003B | 1 | 1 | 1 | 2218063030 | Escutcheon |
| 004B | 10 | 10 | 10 | 51280308B0 | B.H. Tapped Screw, B3x8ST |
| 007B | 1 | 1 | 1 | 2219158210 | Window |
| 008B | 1 | 1 | 1 | 2219158220 | Window |
| 011B | 1 | 1 | 1 | 2218053010 | Cover |
| 016B | 16 | 16 | 16 | 2978259010 | Bushing |
| 018B | 1 | 1 | 1 | 2854259110 | Bushing |
| 901B | 1 | 1 | | 2219063024 | Escutcheon |
| 901B | | | 1 | 2219063120 | Escutcheon |
| 902B | 1 | 1 | | 2219063014 | Escutcheon |
| 902B | | | 1 | 2219063110 | Escutcheon |
| B | 1 | 1 | 1 | 2218257400 | Lid Assembly, Upper |
| 048B | 1 | 1 | 1 | 2218257010 | Lid |
| 049B | 4 | 4 | 4 | 2577118070 | Spacer |
| C | 1 | 1 | 1 | 2219159400 | Drum Assembly |
| 199G | 1 | 1 | 1 | 2219159010 | Drum |
| 201G | 1 | 1 | 1 | 71101569M0 | Spring |
| 202G | 2 | 2 | 2 | 51064019A9 | P.H.M. Screw, P4x19 |
| D | 1 | 1 | 1 | 1202006430 | Hook Assembly |
| 203G | 1 | 1 | 1 | 1202258010 | Hook |
| 204G | 1 | 1 | 1 | 72071605A0 | String |
| E | 1 | 1 | 1 | 2219273400 | Flywheel Assembly |
| 0011 | 1 | 1 | 1 | 2219273010 | Flywheel |
| 0071 | 2 | 2 | 2 | 2219063030 | Escutcheon |
| 0101 | 1 | 1 | 1 | 2219353010 | Ring |
| 0121 | 1 | 1 | 1 | 51820206B0 | P.H.M. Screw, P2x6 |
| MECHANICAL PARTS | | | | | |
| PC08 | 1 | 1 | 1 | 2933118020 | Spacer |
| PC11 | 1 | 1 | 1 | 75061251P0 | Jumper Wire |
| PE07 | 4 | 4 | 4 | 3444118050 | Spacer |
| PE11 | 15 | 15 | 15 | 75061251P0 | Jumper Wire |
| PN08 | 2 | 2 | 2 | 3444118050 | Spacer |
| PS11 | 8 | 8 | 8 | 75061501P0 | Jumper Wire |
| PT11 | 14 | 14 | 14 | 75061001P0 | Jumper Wire |
| PX07 | 8 | 8 | 8 | 3444118050 | Spacer |
| PX11 | 2 | 2 | 2 | 75061251P0 | Jumper Wire |
| PY11 | 1 | 1 | 1 | 75061251P0 | Jumper Wire |
| P208 | 12 | 12 | 12 | 2933118020 | Spacer |
| P211 | 12 | 12 | 12 | 75061251P0 | Jumper Wire |
| P407 | 4 | 4 | 4 | 3444118050 | Spacer |
| P411 | 3 | 3 | 3 | 75061251P0 | Jumper Wire |
| P707 | 20 | 20 | 20 | 3444118050 | Spacer |
| P711 | 10 | 10 | 10 | 75061251P0 | Jumper Wire |
| P807 | 12 | 12 | 12 | 3444118050 | Spacer |

| REF. DESIG. | Q'TY | | | PART NO. | DESCRIPTION |
|-------------|------|----|----|------------|-------------------------------------|
| | U | C | E | | |
| P811 | 1 | 1 | 1 | 75061251P0 | Jumper Wire |
| P916 | 1 | 1 | 1 | 75061251P0 | Jumper Wire |
| 001G | 1 | 1 | 1 | 2219160013 | Bracket |
| 001V | 1 | 1 | 1 | ZA02000070 | Ext. Antenna, FM |
| 002G | 1 | 1 | 1 | 2218160022 | Bracket |
| 002I | 1 | 1 | 1 | 2219104500 | Retainer |
| 003G | 1 | 1 | 1 | 2218160032 | Bracket |
| 003I | 1 | 1 | 1 | 2219104010 | Retainer |
| 003S | 2 | 2 | 2 | 2219809010 | Cushion |
| 004G | 6 | 6 | 6 | 51280408B0 | B.H. Tapped Screw, B4x8ST |
| 004I | 2 | 2 | 2 | 2219106010 | Sustainer |
| 005G | 4 | 4 | 4 | 51280406B0 | B.H. Tapped Screw, B4x6ST |
| 005I | 1 | 1 | 1 | 2219106020 | Sustainer |
| 005S | 1 | 1 | 1 | 9015555500 | Polyethylene Bag, Set |
| 006S | 1 | 1 | 1 | 9013025010 | Polyethylene Bag, Printed Matter |
| 007S | 1 | 1 | 1 | 9013025010 | Polyethylene Bag, Accessory |
| 008I | 1 | 1 | 1 | 2219112010 | Shaft |
| 008S | 1 | 1 | 1 | 2864804010 | Sleeve, AC Cord |
| 009G | 1 | 1 | 1 | 2218271012 | Holder |
| 009S | 1 | 1 | 1 | 2731821010 | Silicagel |
| 010G | 3 | 3 | 3 | 5128030680 | B.H. Tapped Screw, B3x6ST |
| 010S | 1 | 1 | 1 | 2819056010 | Buffer, Ferrite-rod Antenna |
| 011G | 1 | 1 | 1 | 2219053020 | Cover |
| 012G | 1 | 1 | 1 | 2218274012 | Reflector |
| 013G | 2 | 2 | 2 | 53110303E9 | Hexagon Nut |
| 013I | 1 | 1 | 1 | 59031405G9 | Washer |
| 014B | 4 | 4 | 4 | 52017059J0 | H. Head Bolt |
| 014G | 2 | 2 | 2 | 51100308S9 | B.H.M. Screw, B3x8 |
| 015G | 1 | 1 | 1 | 2219107010 | Sheet |
| 017G | 1 | 1 | 1 | 2219401012 | Frame |
| 017I | 4 | 4 | 4 | 51470306A9 | L. Washer Screw |
| 018G | 2 | 2 | 2 | 51280306U0 | B.H. Tapped Screw, P3x6ST |
| 019B | 1 | 1 | 1 | 2219107020 | Sheet |
| 019G | 1 | 1 | 1 | 2904302020 | Dial |
| 020B | 1 | 1 | 1 | 2219101010 | Support |
| 020G | 1 | 1 | 1 | 2904303013 | Mask |
| 021B | 2 | 2 | 2 | 53118129G0 | Hexagon Nut |
| 022B | 1 | 1 | 1 | 2219101020 | Support |
| 022G | 1 | 1 | 1 | 2854160030 | Bracket |
| 023G | 2 | 2 | 2 | 51280306B0 | B.H. Tapped Screw, B3x6ST |
| 024G | 2 | 2 | 2 | 51100306S9 | B.H.M. Screw, B3x6 |
| 031B | 3 | 3 | 3 | 2221154230 | Knob |
| 031G | 3 | 3 | 3 | 2219055020 | Collar |
| 032B | 1 | 1 | 1 | 2221154140 | Knob |
| 032G | 1 | 1 | 1 | 2219109012 | Shield |
| 033B | 3 | 3 | 3 | 2210154220 | Knob |
| 033G | 1 | 1 | 1 | 2219357012 | Rod |
| 034B | 3 | 3 | 3 | 2210154210 | Knob |
| 034G | 3 | 3 | 3 | 51100314A9 | B.H.M. Screw, B3x14 |
| 035G | 1 | 1 | 1 | 2207005010 | Clamper |
| 036B | 10 | 10 | 10 | 2218154010 | Knob |
| 036G | 1 | 1 | 1 | 2904056012 | Buffer |
| 037B | 5 | 5 | 5 | 2218154020 | Knob |
| 037G | 1 | 1 | 1 | 2904056022 | Buffer |
| 038G | 1 | 1 | 1 | 2904005030 | Clamper |
| 039B | 1 | 1 | 1 | 2970154013 | Knob |
| 039G | 1 | 1 | 1 | 54020301S0 | Flat Washer P. |
| 040G | 1 | 1 | 1 | 51100308S9 | B.H.M. Screw, B3x8 |
| 041B | 1 | 1 | 1 | 2970154032 | Knob |

U : For U.S.A.
C : For Canada
E : For Europe

| REF. DESIG. | Q'TY | | | PART NO. | DESCRIPTION |
|-------------|------|----|----|------------|----------------------------|
| | U | C | E | | |
| 041G | 2 | 2 | 2 | 51100304S9 | B.H.M. Screw, B3x4 |
| 042G | 1 | 1 | 1 | 2219053010 | Cover |
| 043B | 3 | 3 | 3 | 2219154010 | Knob |
| 044B | 2 | 2 | 2 | 51690306Q9 | Socket Screw, HP |
| 044G | 1 | 1 | 1 | 2218051010 | Guide |
| 045B | 4 | 4 | 4 | 2759057012 | Leg |
| 045G | 2 | 2 | 2 | 51100306A9 | B.H.M. Screw, B3x6 |
| 046B | 4 | 4 | 4 | 51570410S9 | P. Tapped Screw, P4x10 |
| 048G | 6 | 6 | 6 | 51100306A9 | B.H.M. Screw, B3x6 |
| 049G | 2 | 2 | 2 | 51100306A9 | B.H.M. Screw, B3x6 |
| 050B | 6 | 6 | 6 | 51280306U0 | B.H. Tapped Screw, B3x6ST |
| 050G | 2 | 2 | 2 | 51100306A9 | B.H.M. Screw, B3x6 |
| 051B | 6 | 6 | 6 | 51480406S9 | F. Washer Screw |
| 051G | 1 | 1 | 1 | 2219120010 | Insulator |
| 052G | 2 | 2 | 2 | 51280306B0 | B.H. Tapped Screw, B3x6ST |
| 053B | 1 | 1 | 1 | 2218257020 | Lid |
| 053G | 1 | 1 | 1 | 2207109020 | Shield |
| 054B | 13 | 13 | 13 | 51280410U0 | B.H. Tapped Screw, B4x10ST |
| 054G | 2 | 2 | 2 | 51100306A9 | B.H.M. Screw, B3x6 |
| 061B | 8 | 8 | 8 | 51280306U0 | B.H. Tapped Screw, B3x6 |
| 061G | 1 | 1 | 1 | 2218262500 | Pulley |
| 062B | 4 | 4 | 4 | 51280308U0 | B.H. Tapped Screw, B3x8ST |
| 062G | 1 | 1 | 1 | 2218160150 | Bracket |
| 063B | 2 | 2 | 2 | 51280308U0 | B.H. Tapped Screw, B3x8ST |
| 063G | 2 | 2 | 2 | 51103029A0 | B.H.M. Screw, B3x29 |
| 064B | 12 | 12 | 12 | 51280308U0 | B.H. Tapped Screw, B3x8ST |
| 064G | 2 | 2 | 2 | 2991262010 | Pulley |
| 065B | 1 | 1 | 1 | 2218271060 | Holder |
| 066B | 1 | 1 | 1 | 2218271070 | Holder |
| 066G | 2 | 2 | 2 | 51280306B0 | B.H. Tapped Screw, B3x6ST |
| 068B | 1 | 1 | 1 | 2219202010 | Net |
| 069B | 4 | 4 | 4 | 2219055010 | Collar |
| 070B | 1 | 1 | 1 | 2219118012 | Spacer |
| 070G | 1 | 1 | 1 | 2218262510 | Pulley |
| 071B | 4 | 4 | 4 | 2219259020 | Bushing |
| 071G | 1 | 1 | 1 | 2218160160 | Bracket |
| 072B | 4 | 4 | 4 | 2219160042 | Bracket |
| 072G | 3 | 3 | 3 | 51103029A0 | B.H.M. Screw, B3x29 |
| 073B | 4 | 4 | 4 | 51100318S9 | B.H.M. Screw, B3x18 |
| 073G | 3 | 3 | 3 | 2991262010 | Pulley |
| 074B | 4 | 4 | 4 | 51100308S9 | B.H.M. Screw, B3x8 |
| 074G | 2 | 2 | 2 | 51280306B0 | B.H. Tapped Screw, B3x6ST |
| 076B | 2 | 2 | 2 | 51280306U0 | B.H. Tapped Screw, B3x6ST |
| 076G | 1 | 1 | 1 | 2218103500 | Pointer |
| 077G | 1 | 1 | 1 | 2218103010 | Pointer |
| 078B | 1 | 1 | 1 | 2219202022 | Net |
| 078G | 1 | 1 | 1 | 2218103020 | Pointer |
| 079B | 2 | 2 | 2 | 2219202032 | Net |
| 079G | 1 | 1 | 1 | 2218152010 | Tube |
| 080B | 2 | 2 | 2 | 2219202042 | Net |
| 080G | 1 | 1 | 1 | 2218280010 | Housing |
| 081G | 1 | 1 | 1 | 2218118010 | Spacer |
| 082G | 1 | 1 | 1 | 1N10080410 | Lamp, 8V 50mA |
| 091G | 1 | 1 | 1 | 2219015013 | Chassis |
| 092G | 1 | 1 | 1 | 2218105022 | Chassis |
| 093G | 1 | 1 | 1 | 2218267022 | Heatsink |
| 094G | 3 | 3 | 3 | 51280306B0 | B.H. Tapped Screw, B3x6ST |
| 095G | 3 | 3 | 3 | 51280306U0 | B.H. Tapped Screw, B3x6ST |
| 096G | 2 | 2 | 2 | 2218271020 | Holder |
| 097G | 2 | 2 | 2 | 51280312B0 | B.H. Tapped Screw, B3x12ST |

| REF. DESIG. | Q'TY | | | PART NO. | DESCRIPTION |
|-------------|------|----|----|------------|----------------------------|
| | U | C | E | | |
| 099G | 4 | 4 | 4 | 53250501A0 | Special Nut |
| 100G | 6 | 6 | 6 | 51280408B0 | B.H. Tapped Screw, B4x8ST |
| 101G | 6 | 6 | 6 | 51280408B0 | B.H. Tapped Screw, B4x8ST |
| 102G | 1 | 1 | 1 | 2207861020 | Label |
| 105G | 1 | 1 | 1 | 2917267022 | Heatsink |
| 106G | 1 | 1 | 1 | 53110303E9 | Hexagon Nut |
| 107G | 1 | 1 | 1 | 51100308S9 | B.H.M. Screw, B3x8 |
| 110G | 1 | 1 | 1 | 2219267020 | Heatsink |
| 111G | 2 | 2 | 2 | 51280306U0 | B.H. Tapped Screw, B3x6 |
| 112G | 3 | 3 | 3 | 51280306U0 | B.H. Tapped Screw, B3x6 |
| 113G | 3 | 3 | 3 | 2219259030 | Bushing |
| 121G | 1 | 1 | 1 | 2218123010 | Contact |
| 122G | 1 | 1 | 1 | 51280306B0 | B.H. Tapped Screw, B3x6ST |
| 124G | 1 | 1 | 1 | 2886005050 | Clamper |
| 125G | 1 | 1 | 1 | 2886005060 | Clamper |
| 126G | 1 | 1 | 1 | 2218259020 | Bushing |
| 131G | 2 | 2 | 2 | 2219267013 | Heatsink |
| 132G | 16 | 16 | 16 | 2219267030 | Heatsink |
| 133G | 2 | 2 | 2 | 2219160102 | Bracket |
| 134G | 2 | 2 | 2 | 2219160113 | Bracket |
| 135G | 32 | 32 | 32 | 2219259010 | Bushing |
| 136G | 32 | 32 | 32 | 51100316A9 | B.H.M. Screw, B3x16 |
| 138G | 2 | 2 | 2 | 51280312U0 | B.H. Tapped Screw, B3x12ST |
| 139G | 4 | 4 | 4 | 51280306U0 | B.H. Tapped Screw, B3x6ST |
| 140G | 2 | 2 | 2 | 51100304S9 | B.H.M. Screw, B3x4 |
| 141G | 4 | 4 | 4 | 51280306U0 | B.H. Tapped Screw, B3x6ST |
| 151G | 12 | 12 | 12 | 51100306S9 | B.H.M. Screw, B3x6 |
| 153G | 8 | 8 | 8 | 2917267022 | Heatsink |
| 154G | 4 | 4 | 4 | 51100310S9 | B.H.M. Screw, B3x10 |
| 155G | 4 | 4 | 4 | 51100308S9 | B.H.M. Screw, B3x8 |
| 156G | 8 | 8 | 8 | 53110303E9 | Hexagon Nut |
| 158G | 1 | 1 | 1 | 2219160082 | Bracket |
| 159G | 6 | 6 | 6 | 51280306U0 | B.H. Tapped Screw, B3x6ST |
| 160G | 4 | 4 | 4 | 51280306U0 | B.H. Tapped Screw, B3x6ST |
| 161G | 2 | 2 | 2 | 51280306U0 | B.H. Tapped Screw, B3x6ST |
| 162G | 1 | 1 | 1 | 2207269010 | Protector |
| 163G | 10 | 10 | 10 | 51280308B0 | B.H. Tapped Screw, B3x8ST |
| 164G | 1 | 1 | 1 | 2207861010 | Label |
| 166G | 1 | 1 | 1 | 2219160050 | Bracket |
| 167G | 2 | 2 | 2 | 51280408B0 | B.H. Tapped Screw, B4x8ST |
| 168G | 2 | 2 | 2 | 51280306B0 | B.H. Tapped Screw, B3x6ST |
| 169G | 2 | 2 | 2 | 51280306B0 | B.H. Tapped Screw, B3x6ST |
| 171G | 4 | 4 | 4 | 2887005110 | Clamper |
| 172G | 3 | 3 | 3 | 51280306B0 | B.H. Tapped Screw, B3x6ST |
| 181G | 1 | 1 | 1 | 2218160050 | Bracket |
| 182G | 6 | 6 | 6 | 51280306U0 | B.H. Tapped Screw, B3x6ST |
| 183G | 2 | 2 | 2 | 2218160060 | Bracket |
| 184G | 4 | 4 | 4 | 51280306B0 | B.H. Tapped Screw, B3x6ST |
| 185G | 2 | 2 | 2 | 51280306B0 | B.H. Tapped Screw, B3x6ST |
| 186G | 2 | 2 | 2 | 2218160092 | Bracket |
| 187G | 4 | 4 | 4 | 51280306B0 | B.H. Tapped Screw, B3x6ST |
| 188G | 2 | 2 | 2 | 51280306B0 | B.H. Tapped Screw, B3x6ST |
| 189G | 1 | 1 | 1 | 2908109022 | Shield |
| 191G | 4 | 4 | 4 | 51100306S9 | B.H.M. Screw, B3x6 |
| 193G | 1 | 1 | 1 | 2218160080 | Bracket |
| 194G | 4 | 4 | 4 | 51280306B0 | B.H. Tapped Screw, B3x6ST |
| 195G | 1 | 1 | 1 | 2218160040 | Bracket |
| 196G | 2 | 2 | 2 | 51100306A0 | B.H.M. Screw, B3x6 |
| 197G | 5 | 5 | 5 | 51280306B0 | B.H. Tapped Screw, B3x6ST |
| 198G | 2 | 2 | 2 | 2891056010 | Buffer |

U : For U.S.A.
 C : For Canada
 E : For Europe

| REF. DESIG. | Q'TY | | | PARTS NO. | DESCRIPTION |
|-------------|------|---|---|------------|---------------------------|
| | U | C | E | | |
| 200G | 1 | 1 | 1 | 56382540G0 | Eyelet |
| 203G | 1 | 1 | 1 | 1202258010 | Hook |
| 211G | 1 | 1 | 1 | 2219160020 | Bracket |
| 212G | 2 | 2 | 2 | 51280306B0 | B.H. Tapped Screw, B3x6ST |
| 213G | 2 | 2 | 2 | 51280306U0 | B.H. Tapped Screw, B3x6ST |
| 214G | 2 | 2 | 2 | 2219267040 | Heatsink |
| 215G | 4 | 4 | 4 | 54040302N0 | Spring Washer |
| 216G | 4 | 4 | 4 | 50020305B9 | Screw |
| 217G | 1 | 1 | 1 | 2207005022 | Clamper |
| 219G | 1 | 1 | 1 | 51280306B0 | B.H. Tapped Screw, B3x6ST |
| 220G | 1 | 1 | 1 | 54050300A0 | T.L. Washer OR |
| 221G | 4 | 4 | 4 | 62030039W0 | Lug |
| 222G | 4 | 4 | 4 | 51280306B0 | B.H. Tapped Screw, B3x6ST |
| 224G | 2 | 2 | 2 | 2891056010 | Buffer |
| 226G | 1 | 1 | 1 | 2908259010 | Bushing |
| 227G | 1 | 1 | 1 | 2991005010 | Clamper |
| 228G | 1 | 1 | 1 | 51280306B0 | B.H. Tapped Screw, B3x6ST |
| 801B | 1 | 1 | 1 | 2218271050 | Holder |
| 802B | 1 | 1 | 1 | 2218258010 | Hook |
| 803B | 1 | 1 | 1 | 2218257030 | Lid |
| 804B | 2 | 2 | 2 | 51280308U0 | B.H. Tapped Screw, B3x8ST |
| 805B | 2 | 2 | 2 | 51280308U0 | B.H. Tapped Screw, B3x8ST |
| 901G | 2 | 2 | 1 | 2218274032 | Reflector |
| 901S | 1 | 1 | 1 | 2219851010 | Instructions |
| 901S | 1 | 1 | 1 | 2219851310 | Instructions |
| 902G | 1 | 1 | 1 | 2218302010 | Dial |
| 902G | 1 | 1 | 1 | 2218302020 | Dial |
| 903B | 8 | 8 | 9 | 2979259022 | Bushing |
| 903S | 1 | 1 | 1 | 2577813010 | Envelope |
| 903S | 1 | 1 | 1 | 2818813010 | Envelope |
| 903S | 1 | 1 | 1 | 2886851100 | Instructions |
| 904S | 1 | 1 | 1 | 2577851020 | Instructions |
| 904S | 1 | 1 | 1 | 2818851120 | Instructions |
| 904S | 1 | 1 | 1 | 2918813012 | Envelope |
| 905B | 1 | 1 | 1 | 2219160214 | Bracket |
| 905B | 1 | 1 | 1 | 2219160220 | Bracket |
| 905S | 1 | 1 | 1 | 2577854012 | Guarantee Card |
| 905S | 1 | 1 | 1 | 2818851120 | Instructions |
| 905S | 1 | 1 | 1 | 9630000180 | Guarantee Card |
| 906S | 1 | 1 | 1 | 2818851140 | Instructions |
| 906S | 1 | 1 | 1 | 2818854023 | Guarantee Card |
| 906S | 1 | 1 | 1 | 9630000180 | Guarantee Card |
| 907S | 1 | 1 | 1 | 2818851040 | Instructions |
| 907S | 1 | 1 | 1 | 9560000042 | Hang Tag |
| 907S | 1 | 1 | 1 | 9650000050 | Service Station Card |
| 908B | 1 | 1 | 1 | 1455259040 | Bushing |
| 908B | 1 | 1 | 1 | 1455259100 | Bushing |
| 908S | 1 | 1 | 1 | 2818854042 | Guarantee Card |
| 909B | 1 | 1 | 2 | 62040029W0 | Lug |
| 909S | 1 | 1 | 1 | 2818851140 | Instructions |
| 910S | 2 | 2 | 2 | 9510901020 | Label |
| 911B | 1 | 1 | 1 | 2219265010 | Indicator |
| 911B | 1 | 1 | 1 | 2219265022 | Indicator |
| 911B | 1 | 1 | 1 | 2219265040 | Indicator |
| 911S | 1 | 1 | 1 | 2219801010 | Packing Case, Inner |
| 912B | 1 | 1 | 1 | 2506265060 | Indicator |
| 912B | 1 | 1 | 1 | 2911861170 | Label |
| 913B | 1 | 1 | 1 | 2578861010 | Label |

| REF. DESIG. | Q'TY | | | PARTS NO. | DESCRIPTION |
|-------------------------|------|---|---|------------|----------------------------|
| | U | C | E | | |
| 913B | 1 | 1 | 1 | 2911861110 | Label |
| 913S | 4 | 4 | 4 | 9522815010 | Serial No. Card |
| 913S | 7 | 7 | 7 | 9523015110 | Serial No. Card |
| 913S | 4 | 4 | 4 | 9523015120 | Serial No. Card |
| 914S | 1 | 1 | 1 | 2219801110 | Packing Case, Outer |
| 914B | 1 | 1 | 1 | 2911861140 | Label |
| 914B | 1 | 1 | 1 | 2932861010 | Label |
| 915B | 2 | 2 | 2 | 51100308S9 | B.H.M. Screw, B3x8 |
| 915B | 1 | 1 | 1 | 9510911010 | Label |
| 915B | 1 | 1 | 1 | 9510911020 | Label |
| 916B | 1 | 1 | 1 | 2457861040 | Label |
| 916B | 1 | 1 | 1 | 9511101020 | Label |
| 917B | 1 | 1 | 1 | 2911861190 | Label |
| 917B | 1 | 1 | 1 | 9510221010 | Label |
| 918B | 1 | 1 | 1 | 2911861160 | Label |
| 919B | 1 | 1 | 1 | 2911861300 | Label |
| ELECTRICAL PARTS | | | | | |
| CB01 | 1 | 1 | 1 | DD12100010 | Cap., Ceramic, 10pF |
| CB02 | 1 | 1 | 1 | DF16683010 | Cap., Film, 0.068μF |
| CB03 | 1 | 1 | 1 | DF17403010 | Cap., Film, 0.04μF |
| CB04 | 1 | 1 | 1 | DK18104020 | Cap., Ceramic, 0.1μF |
| CB05 | 1 | 1 | 1 | DK18403020 | Cap., Ceramic, 0.04μF |
| CB06 | 1 | 1 | 1 | EA10601690 | Cap., Elect., 10μF, 16V |
| JB01 | 1 | 1 | 1 | YP10001130 | Plug |
| JB02 | 1 | 1 | 1 | YP10001130 | Plug |
| JB03 | 1 | 1 | 1 | YP10001130 | Plug |
| JB04 | 1 | 1 | 1 | YP10001130 | Plug |
| LB01 | 1 | 1 | 1 | LC21050010 | Choke Coil, 1mH |
| PB00 | 1 | 1 | 1 | YA22180610 | P.W. Board, FM Noise Amp |
| PB00 | 1 | 1 | 1 | ZZ22180610 | P.W. Board Assembly |
| QB01 | 1 | 1 | 1 | HT308281D0 | Transistor, 2SC828S |
| QB02 | 1 | 1 | 1 | HT308281D0 | Transistor, 2SC828S |
| QB03 | 1 | 1 | 1 | HD10001050 | Diode, 1N60 |
| QB04 | 1 | 1 | 1 | HD10001050 | Diode, 1N60 |
| RB01 | 1 | 1 | 1 | RT05562140 | Res., Fixed, 5.6kΩ ±5%, ¼W |
| RB02 | 1 | 1 | 1 | RT05104140 | Res., Fixed, 100kΩ ±5%, ¼W |
| RB03 | 1 | 1 | 1 | RT05273140 | Res., Fixed, 27kΩ ±5%, ¼W |
| RB04 | 1 | 1 | 1 | RT05102140 | Res., Fixed, 1kΩ ±5%, ¼W |
| RB05 | 1 | 1 | 1 | RT05273140 | Res., Fixed, 27kΩ ±5%, ¼W |
| RB06 | 1 | 1 | 1 | RT05333140 | Res., Fixed, 33kΩ ±5%, ¼W |
| RB07 | 1 | 1 | 1 | RT05221140 | Res., Fixed, 220Ω ±5%, ¼W |
| RB08 | 1 | 1 | 1 | RT05101140 | Res., Fixed, 100Ω ±5%, ¼W |
| RB09 | 1 | 1 | 1 | RT05101140 | Res., Fixed, 100Ω ±5%, ¼W |
| CC01 | 1 | 1 | 1 | EV47403560 | Cap., Elect., 0.47μF, 35V |
| CC02 | 1 | 1 | 1 | EV47403560 | Cap., Elect., 0.47μF, 35V |
| CC03 | 1 | 1 | 1 | EV10503560 | Cap., Elect., 1μF, 35V |
| CC04 | 1 | 1 | 1 | EV10503560 | Cap., Elect., 1μF, 35V |
| CC05 | 1 | 1 | 1 | EV10503560 | Cap., Elect., 1μF, 35V |
| CC06 | 1 | 1 | 1 | EV10503560 | Cap., Elect., 1μF, 35V |
| CC07 | 1 | 1 | 1 | EA22702590 | Cap., Elect., 220μF, 25V |
| CC08 | 1 | 1 | 1 | EA47503590 | Cap., Elect., 4.7μF, 35V |
| JC01 | 1 | 1 | 1 | YP10001130 | Plug |
| JC02 | 1 | 1 | 1 | YP10001130 | Plug |
| JC03 | 1 | 1 | 1 | YP10001130 | Plug |
| JC04 | 1 | 1 | 1 | YP10001130 | Plug |
| JC05 | 1 | 1 | 1 | YP10001130 | Plug |

U : For U.S.A.
C : For Canada
E : For Europe

| REF. DESIG. | Q'TY | | | PART NO. | DESCRIPTION |
|-------------|------|---|---|------------|--|
| | U | C | E | | |
| JC06 | 1 | 1 | 1 | YP10001130 | Plug |
| JC07 | 1 | 1 | 1 | YP10001130 | Plug |
| JC08 | 1 | 1 | 1 | YP10001130 | Plug |
| JC09 | 1 | 1 | 1 | YP10001130 | Plug |
| JC10 | 1 | 1 | 1 | YP10001130 | Plug |
| JC11 | 1 | 1 | 1 | YP10001130 | Plug |
| JC12 | 1 | 1 | 1 | YP10001130 | Plug |
| LC01 | 1 | 1 | 1 | LY20240120 | Relay |
| PC01 | 1 | 1 | 1 | YA22180220 | P.W. Board, FM Buffer Amp |
| | 1 | 1 | 1 | ZZ22192070 | P.W. Board Assembly |
| RC01 | 1 | 1 | 1 | RA05020130 | Res., Semifixed, 4.7kΩ |
| RC02 | 1 | 1 | 1 | RA05020130 | Res., Semifixed, 4.7kΩ |
| RC03 | 1 | 1 | 1 | RT05101140 | Res., Fixed, 100Ω ±5%, ¼W |
| RC04 | 1 | 1 | 1 | RT05101140 | Res., Fixed, 100Ω ±5%, ¼W |
| RC05 | 1 | 1 | 1 | RT05155140 | Res., Fixed, 1.5MΩ±5%, ¼W |
| RC06 | 1 | 1 | 1 | RT05155140 | Res., Fixed, 1.5MΩ±5%, ¼W |
| RC07 | 1 | 1 | 1 | RT05913140 | Res., Fixed, 91kΩ ±5%, ¼W |
| RC08 | 1 | 1 | 1 | RT05913140 | Res., Fixed, 91kΩ ±5%, ¼W |
| RC09 | 1 | 1 | 1 | RT05223140 | Res., Fixed, 22kΩ ±5%, ¼W |
| RC10 | 1 | 1 | 1 | RT05223140 | Res., Fixed, 22kΩ ±5%, ¼W |
| RC11 | 1 | 1 | 1 | RT05431140 | Res., Fixed, 430Ω ±5%, ¼W |
| RC12 | 1 | 1 | 1 | RT05431140 | Res., Fixed, 430Ω ±5%, ¼W |
| RC13 | 1 | 1 | 1 | RT05101140 | Res., Fixed, 100Ω ±5%, ¼W |
| RC14 | 1 | 1 | 1 | RT05101140 | Res., Fixed, 100Ω ±5%, ¼W |
| RC15 | 1 | 1 | 1 | RT05272140 | Res., Fixed, 2.7kΩ ±5%, ¼W |
| RC16 | 1 | 1 | 1 | RT05272140 | Res., Fixed, 2.7kΩ ±5%, ¼W |
| RC17 | 1 | 1 | 1 | RT05562140 | Res., Fixed, 5.6kΩ ±5%, ¼W |
| RC18 | 1 | 1 | 1 | RT05562140 | Res., Fixed, 5.6kΩ ±5%, ¼W |
| RC19 | 1 | 1 | 1 | RT05561140 | Res., Fixed, 560Ω ±5%, ¼W |
| RC20 | 1 | 1 | 1 | RT05561140 | Res., Fixed, 560Ω ±5%, ¼W |
| RC21 | 1 | 1 | 1 | RT05224140 | Res., Fixed, 220kΩ±5%, ¼W |
| RC22 | 1 | 1 | 1 | RT05224140 | Res., Fixed, 220kΩ±5%, ¼W |
| RC23 | 1 | 1 | 1 | RT05224140 | Res., Fixed, 220kΩ±5%, ¼W |
| RC24 | 1 | 1 | 1 | RT05224140 | Res., Fixed, 220kΩ±5%, ¼W |
| RC25 | 1 | 1 | 1 | RT05101140 | Res., Fixed, 100Ω ±5%, ¼W |
| RC26 | 1 | 1 | 1 | RT05152140 | Res., Fixed, 1.5kΩ ±5%, ¼W |
| RC27 | 1 | 1 | 1 | RT05102140 | Res., Fixed, 1kΩ ±5%, ¼W |
| RC28 | 1 | 1 | 1 | RT05102140 | Res., Fixed, 1kΩ ±5%, ¼W |
| CD01 | 1 | 1 | 1 | DF17103010 | Cap., Film, 0.01μF, 50V |
| CD02 | 1 | 1 | 1 | DF17103010 | Cap., Film, 0.01μF, 50V |
| CD03 | 1 | 1 | 1 | DF17104010 | Cap., Film, 0.1μF, 50V |
| CD04 | 1 | 1 | 1 | DF17104010 | Cap., Film, 0.1μF, 50V |
| CD05 | 1 | 1 | 1 | DK17203010 | Cap., Ceramic, 0.02μF, 50V |
| JD01 | 1 | 1 | 1 | YP06000580 | Plug, 5P, Basepost |
| JD02 | 1 | 1 | 1 | YP06000570 | Plug, 3P, Basepost |
| PD01 | 1 | 1 | 1 | YK22190610 | P.W. Board, Buffer Amp for Scope Input |
| | 1 | 1 | 1 | ZZ22190610 | P.W. Board Assembly |
| QD01 | 1 | 1 | 1 | HF20030100 | F.E.T., 2SK30A Y |
| QD02 | 1 | 1 | 1 | HF20030100 | F.E.T., 2SK30A Y |
| RD01 | 1 | 1 | 1 | GD05105140 | Res., Fixed, 1MΩ ±5%, ¼W |
| RD02 | 1 | 1 | 1 | GD05105140 | Res., Fixed, 1MΩ ±5%, ¼W |
| RD03 | 1 | 1 | 1 | GD05152140 | Res., Fixed, 1.5kΩ ±5%, ¼W |
| RD04 | 1 | 1 | 1 | GD05152140 | Res., Fixed, 1.5kΩ ±5%, ¼W |
| RD05 | 1 | 1 | 1 | GD05105140 | Res., Fixed, 1MΩ ±5%, ¼W |
| RD06 | 1 | 1 | 1 | GD05105140 | Res., Fixed, 1MΩ ±5%, ¼W |

| REF. DESIG. | Q'TY | | | PART NO. | DESCRIPTION |
|-------------|------|---|---|------------|--|
| | U | C | E | | |
| RD07 | 1 | 1 | 1 | RM02540390 | Res., Variable, 250kΩ (A), Scope Level |
| RD08 | 1 | 1 | 1 | GD05153140 | Res., Fixed, 15kΩ ±5%, ¼W |
| RD09 | 1 | 1 | 1 | GD05153140 | Res., Fixed, 15kΩ ±5%, ¼W |
| CE01 | 1 | 1 | 1 | EE22503510 | Cap., Elect., 2.2μF, 35V |
| CE02 | 1 | 1 | 1 | EE22503510 | Cap., Elect., 2.2μF, 35V |
| CE03 | 1 | 1 | 1 | EE22601640 | Cap., Elect., 22μF, 16V |
| CE04 | 1 | 1 | 1 | EE22601640 | Cap., Elect., 22μF, 16V |
| CE05 | 1 | 1 | 1 | EA10601690 | Cap., Elect., 10μF, 16V |
| CE06 | 1 | 1 | 1 | EA10601690 | Cap., Elect., 10μF, 16V |
| CE07 | 1 | 1 | 1 | DD15500050 | Cap., Ceramic, 50pF, 50V |
| CE08 | 1 | 1 | 1 | DD15500050 | Cap., Ceramic, 50pF, 50V |
| CE09 | 1 | 1 | 1 | DD12100010 | Cap., Ceramic, 10pF, 50V |
| CE10 | 1 | 1 | 1 | DD12100010 | Cap., Ceramic, 10pF, 50V |
| CE11 | 1 | 1 | 1 | EE10505040 | Cap., Elect., 1μF, 50V |
| CE12 | 1 | 1 | 1 | EE10505040 | Cap., Elect., 1μF, 50V |
| CE13 | 1 | 1 | 1 | EE47502540 | Cap., Elect., 4.7μF, 35V |
| CE14 | 1 | 1 | 1 | EE47502540 | Cap., Elect., 4.7μF, 35V |
| CE15 | 1 | 1 | 1 | DD15500050 | Cap., Ceramic, 50pF, 50V |
| CE16 | 1 | 1 | 1 | DD15500050 | Cap., Ceramic, 50pF, 50V |
| CE17 | 1 | 1 | 1 | DD16200010 | Cap., Ceramic, 20pF, 50V |
| CE18 | 1 | 1 | 1 | DD16200010 | Cap., Ceramic, 20pF, 50V |
| CE19 | 1 | 1 | 1 | DF16123010 | Cap., Film, 0.012μF, 50V |
| CE20 | 1 | 1 | 1 | DF16123010 | Cap., Film, 0.012μF, 50V |
| CE21 | 1 | 1 | 1 | DF16123010 | Cap., Film, 0.012μF, 50V |
| CE22 | 1 | 1 | 1 | DF16123010 | Cap., Film, 0.012μF, 50V |
| CE23 | 1 | 1 | 1 | DF17224020 | Cap., Film, 0.22μF, 50V |
| CE24 | 1 | 1 | 1 | DF17224020 | Cap., Film, 0.22μF, 50V |
| CE25 | 1 | 1 | 1 | DF16682010 | Cap., Film, 6800pF, 50V |
| CE26 | 1 | 1 | 1 | DF16682010 | Cap., Film, 6800pF, 50V |
| CE27 | 1 | 1 | 1 | DD16501010 | Cap., Ceramic, 500pF, 50V |
| CE28 | 1 | 1 | 1 | DD16501010 | Cap., Ceramic, 500pF, 50V |
| CE29 | 1 | 1 | 1 | DF16222010 | Cap., Film, 2200pF, 50V |
| CE30 | 1 | 1 | 1 | DF16222010 | Cap., Film, 2200pF, 50V |
| CE31 | 1 | 1 | 1 | DF16332010 | Cap., Film, 3300pF, 50V |
| CE32 | 1 | 1 | 1 | DF16332010 | Cap., Film, 3300pF, 50V |
| CE33 | 1 | 1 | 1 | DD15201010 | Cap., Ceramic, 200pF, 50V |
| CE34 | 1 | 1 | 1 | DD15201010 | Cap., Ceramic, 200pF, 50V |
| CE35 | 1 | 1 | 1 | EA10701690 | Cap., Elect., 100μF, 16V |
| CE36 | 1 | 1 | 1 | EA10701690 | Cap., Elect., 100μF, 16V |
| CE37 | 1 | 1 | 1 | DD12100010 | Cap., Ceramic, 10pF, 50V |
| CE38 | 1 | 1 | 1 | DD12100010 | Cap., Ceramic, 10pF, 50V |
| CE41 | 1 | 1 | 1 | DK18103010 | Cap., Ceramic, 0.01μF, 50V |
| CE42 | 1 | 1 | 1 | DK18103010 | Cap., Ceramic, 0.01μF, 50V |
| CE43 | 1 | 1 | 1 | DF16392010 | Cap., Film, 3900pF, 50V |
| CE44 | 1 | 1 | 1 | DF16392010 | Cap., Film, 3900pF, 50V |
| CE45 | 1 | 1 | 1 | DF16392010 | Cap., Film, 3900pF, 50V |
| CE46 | 1 | 1 | 1 | DF16392010 | Cap., Film, 3900pF, 50V |
| CE47 | 1 | 1 | 1 | DD12030010 | Cap., Ceramic, 3pF, 50V |
| CE48 | 1 | 1 | 1 | DD12030010 | Cap., Ceramic, 3pF, 50V |
| JE01 | 1 | 1 | 1 | YP06001040 | Plug, 3P, Basepost |
| JE02 | 1 | 1 | 1 | YP06001040 | Plug, 3P, Basepost |
| JE04 | 1 | 1 | 1 | YP06001040 | Plug, 3P, Basepost |
| JE05 | 1 | 1 | 1 | YP06000490 | Plug, 9P, Amp |
| JE06 | 1 | 1 | 1 | YP06000740 | Plug, 3P, Amp |
| JE07 | 1 | 1 | 1 | YP06000740 | Plug, 3P, Amp |
| PE01 | 1 | 1 | 1 | YA22180210 | P.W. Board, Pre and Tone Amp |
| | 1 | 1 | 1 | ZZ22192130 | P.W. Board Assembly |

U : For U.S.A.
 C : For Canada
 E : For Europe

| REF. DESIG. | Q'TY | | | PART NO. | DESCRIPTION |
|-------------|------|---|---|------------|--|
| | U | C | E | | |
| QE01 | 1 | 1 | 1 | HC10022050 | I.C., TA7136P |
| QE02 | 1 | 1 | 1 | HC10022050 | I.C., TA7136P |
| QE03 | 1 | 1 | 1 | HC10022050 | I.C., TA7136P |
| QE04 | 1 | 1 | 1 | HC10022050 | I.C., TA7136P |
| RE03 | 1 | 1 | 1 | RN05105140 | Res., Fixed, 1M Ω \pm 5%, $\frac{1}{4}$ W |
| RE04 | 1 | 1 | 1 | RN05105140 | Res., Fixed, 1M Ω \pm 5%, $\frac{1}{4}$ W |
| RE05 | 1 | 1 | 1 | RT05104140 | Res., Fixed, 100k Ω \pm 5%, $\frac{1}{4}$ W |
| RE06 | 1 | 1 | 1 | RT05104140 | Res., Fixed, 100k Ω \pm 5%, $\frac{1}{4}$ W |
| RE07 | 1 | 1 | 1 | RT05154140 | Res., Fixed, 150k Ω \pm 5%, $\frac{1}{4}$ W |
| RE08 | 1 | 1 | 1 | RT05154140 | Res., Fixed, 150k Ω \pm 5%, $\frac{1}{4}$ W |
| RE09 | 1 | 1 | 1 | RT05203140 | Res., Fixed, 20k Ω \pm 5%, $\frac{1}{4}$ W |
| RE10 | 1 | 1 | 1 | RT05203140 | Res., Fixed, 20k Ω \pm 5%, $\frac{1}{4}$ W |
| RE11 | 1 | 1 | 1 | RT05105140 | Res., Fixed, 1M Ω \pm 5%, $\frac{1}{4}$ W |
| RE12 | 1 | 1 | 1 | RT05105140 | Res., Fixed, 1M Ω \pm 5%, $\frac{1}{4}$ W |
| RE13 | 1 | 1 | 1 | RT05103140 | Res., Fixed, 10k Ω \pm 5%, $\frac{1}{4}$ W |
| RE14 | 1 | 1 | 1 | RT05103140 | Res., Fixed, 10k Ω \pm 5%, $\frac{1}{4}$ W |
| RE15 | 1 | 1 | 1 | RT05105140 | Res., Fixed, 1M Ω \pm 5%, $\frac{1}{4}$ W |
| RE16 | 1 | 1 | 1 | RT05105140 | Res., Fixed, 1M Ω \pm 5%, $\frac{1}{4}$ W |
| RE17 | 1 | 1 | 1 | RN05104140 | Res., Fixed, 100k Ω \pm 5%, $\frac{1}{4}$ W |
| RE18 | 1 | 1 | 1 | RN05104140 | Res., Fixed, 100k Ω \pm 5%, $\frac{1}{4}$ W |
| RE19 | 1 | 1 | 1 | RT05224140 | Res., Fixed, 220k Ω \pm 5%, $\frac{1}{4}$ W |
| RE20 | 1 | 1 | 1 | RT05224140 | Res., Fixed, 220k Ω \pm 5%, $\frac{1}{4}$ W |
| RE21 | 1 | 1 | 1 | RT05113140 | Res., Fixed, 11k Ω \pm 5%, $\frac{1}{4}$ W |
| RE22 | 1 | 1 | 1 | RT05113140 | Res., Fixed, 11k Ω \pm 5%, $\frac{1}{4}$ W |
| RE23 | 1 | 1 | 1 | RT05113140 | Res., Fixed, 11k Ω \pm 5%, $\frac{1}{4}$ W |
| RE24 | 1 | 1 | 1 | RT05113140 | Res., Fixed, 11k Ω \pm 5%, $\frac{1}{4}$ W |
| RE25 | 1 | 1 | 1 | RT05183140 | Res., Fixed, 18k Ω \pm 5%, $\frac{1}{4}$ W |
| RE26 | 1 | 1 | 1 | RT05183140 | Res., Fixed, 18k Ω \pm 5%, $\frac{1}{4}$ W |
| RE27 | 1 | 1 | 1 | RT05183140 | Res., Fixed, 18k Ω \pm 5%, $\frac{1}{4}$ W |
| RE28 | 1 | 1 | 1 | RT05183140 | Res., Fixed, 18k Ω \pm 5%, $\frac{1}{4}$ W |
| RE29 | 1 | 1 | 1 | RT05273140 | Res., Fixed, 27k Ω \pm 5%, $\frac{1}{4}$ W |
| RE30 | 1 | 1 | 1 | RT05273140 | Res., Fixed, 27k Ω \pm 5%, $\frac{1}{4}$ W |
| RE31 | 1 | 1 | 1 | RT05562140 | Res., Fixed, 5.6k Ω \pm 5%, $\frac{1}{4}$ W |
| RE32 | 1 | 1 | 1 | RT05562140 | Res., Fixed, 5.6k Ω \pm 5%, $\frac{1}{4}$ W |
| RE33 | 1 | 1 | 1 | RT05183140 | Res., Fixed, 18k Ω \pm 5%, $\frac{1}{4}$ W |
| RE34 | 1 | 1 | 1 | RT05183140 | Res., Fixed, 18k Ω \pm 5%, $\frac{1}{4}$ W |
| RE35 | 1 | 1 | 1 | RT05183140 | Res., Fixed, 18k Ω \pm 5%, $\frac{1}{4}$ W |
| RE36 | 1 | 1 | 1 | RT05183140 | Res., Fixed, 18k Ω \pm 5%, $\frac{1}{4}$ W |
| RE39 | 1 | 1 | 1 | RD01040070 | Res., Variable, 100k Ω (B), Bass |
| RE40 | 1 | 1 | 1 | RD01040070 | Res., Variable, 100k Ω (B), Mid |
| RE41 | 1 | 1 | 1 | RD01040070 | Res., Variable, 100k Ω (B), Treble |
| RE42 | 1 | 1 | 1 | RG02030010 | Res., Variable, 20k Ω (B)/250k Ω (V), Volume |
| RE43 | 1 | 1 | 1 | RT05562140 | Res., Fixed, 5.6k Ω \pm 5%, $\frac{1}{4}$ W |
| RE44 | 1 | 1 | 1 | RT05562140 | Res., Fixed, 5.6k Ω \pm 5%, $\frac{1}{4}$ W |
| RE45 | 1 | 1 | 1 | RT05562140 | Res., Fixed, 5.6k Ω \pm 5%, $\frac{1}{4}$ W |
| RE46 | 1 | 1 | 1 | RT05562140 | Res., Fixed, 5.6k Ω \pm 5%, $\frac{1}{4}$ W |
| RE47 | 1 | 1 | 1 | GU05122120 | Res., Fixed, 1.2k Ω \pm 5%, $\frac{1}{4}$ W |
| RE48 | 1 | 1 | 1 | GU05122120 | Res., Fixed, 1.2k Ω \pm 5%, $\frac{1}{4}$ W |
| SE01 | 1 | 1 | 1 | SR04050130 | Rotary Switch, Tone Mode |
| JK01 | 1 | 1 | | YP10001130 | Plug |
| JK02 | 1 | 1 | | YP10001130 | Plug |
| JK03 | 1 | 1 | | YP10001130 | Plug |
| JK04 | 1 | 1 | | YP10001130 | Plug |
| JK05 | 1 | 1 | | YP10001130 | Plug |
| JK06 | 1 | 1 | | YP10001130 | Plug |
| JK07 | 1 | 1 | | YP10001130 | Plug |
| JK08 | 1 | 1 | | YP10001130 | Plug |
| JK09 | 1 | 1 | | YJ07000120 | Jack, 10P |

| REF. DESIG. | Q'TY | | | PART NO. | DESCRIPTION |
|-------------|------|---|---|------------|---|
| | U | C | E | | |
| PK01 | 1 | 1 | | YA22180310 | P.W. Board, Dolby Socket |
| | 1 | 1 | | ZZ22180310 | P.W. Board Assembly |
| SK01 | 1 | 1 | | SC01020240 | Micro Switch |
| SK02 | 1 | 1 | | SC01020240 | Micro Switch |
| JM01 | 2 | 2 | 2 | YP06001340 | Plug, 4P |
| JM02 | 2 | 2 | 2 | YP06001340 | Plug, 4P |
| JM03 | 2 | 2 | 2 | YP06001330 | Plug, 8P |
| JM04 | 2 | 2 | 2 | YJ06001380 | Jack, 3P |
| JM05 | 2 | 2 | 2 | YJ06001380 | Jack, 3P |
| JM06 | 2 | 2 | 2 | YJ06001380 | Jack, 3P |
| PM01 | 2 | 2 | 2 | YF22190010 | P.W. Board, Power Transistor Assembly |
| QM01 | 2 | 2 | 2 | HV00007080 | Varistor, STV-4H |
| QM02 | 2 | 2 | 2 | HT315682B0 | Transistor, 2SC1568 R or S |
| QM03 | 2 | 2 | 2 | HT406103A0 | Transistor, 2SD610 S, R or Q |
| QM04 | 2 | 2 | 2 | HT206303A0 | Transistor, 2SB630 S, R or Q |
| QM05 | 2 | 2 | 2 | HT405553A0 | Transistor, 2SD555 S, Q or R |
| QM06 | 2 | 2 | 2 | HT405553A0 | Transistor, 2SD555 S, Q or R |
| QM07 | 2 | 2 | 2 | HT405553A0 | Transistor, 2SD555 S, Q or R |
| QM08 | 2 | 2 | 2 | HT206003A0 | Transistor, 2SB600 S, Q or R |
| QM09 | 2 | 2 | 2 | HT206003A0 | Transistor, 2SB600 S, Q or R |
| QM10 | 2 | 2 | 2 | HT206003A0 | Transistor, 2SB600 S, Q or R |
| QM11 | 2 | 2 | 2 | HT405553A0 | Transistor, 2SD555 S, Q or R |
| QM12 | 2 | 2 | 2 | HT206003A0 | Transistor, 2SB600 S, Q or R |
| CN01 | 1 | 1 | 1 | EA22700690 | Cap., Elect., 220 μ F, 6.3V |
| JN01 | 1 | 1 | 1 | YP10001130 | Plug |
| JN02 | 1 | 1 | 1 | YP10001130 | Plug |
| JN05 | 1 | 1 | 1 | YP10001200 | Plug |
| JN06 | 1 | 1 | 1 | YP10001200 | Plug |
| JN07 | 1 | 1 | 1 | YP10001200 | Plug |
| LN01 | 1 | 1 | 1 | LY20480020 | Relay, MSJ2, 48V |
| PN01 | 1 | 1 | 1 | YA22180510 | P.W. Board, Audio Muting |
| | 1 | 1 | 1 | ZZ22191080 | P.W. Board Assembly |
| QN01 | 1 | 1 | 1 | HT406673A0 | Transistor, 2SD667A B, C or D |
| QN02 | 1 | 1 | 1 | HD20005010 | Diode, W06B |
| RN01 | 1 | 1 | 1 | RT05474140 | Res., Fixed, 470k Ω \pm 5%, $\frac{1}{4}$ W |
| RN02 | 1 | 1 | 1 | RT05101140 | Res., Fixed, 100 Ω \pm 5%, $\frac{1}{4}$ W |
| RN03 | 1 | 1 | 1 | RT05223140 | Res., Fixed, 22k Ω \pm 5%, $\frac{1}{4}$ W |
| RN04 | 1 | 1 | 1 | RT05223140 | Res., Fixed, 22k Ω \pm 5%, $\frac{1}{4}$ W |
| RN05 | 1 | 1 | 1 | GJ05182010 | Res., Fixed, 1.8k Ω \pm 5%, 1W |
| RN06 | 1 | 1 | 1 | RT05473140 | Res., Fixed, 47k Ω \pm 5%, $\frac{1}{4}$ W |
| PR01 | 1 | 1 | 1 | YF22190020 | P.W. Board, Wiring for Tape Copy & Monitor |
| CS01 | 1 | 1 | 1 | DF17473050 | Cap., Film, 0.047 μ F, 50V |
| CS02 | 1 | 1 | 1 | EA10601690 | Cap., Elect., 10 μ F, 16V |
| CS03 | 1 | 1 | 1 | EV33403560 | Cap., Elect., 0.33 μ F, 35V |
| CS04 | 1 | 1 | 1 | EV22403560 | Cap., Elect., 0.22 μ F, 35V |
| CS05 | 1 | 1 | 1 | DF16333050 | Cap., Film, 0.033 μ F, 50V |
| JS01 | 1 | 1 | 1 | YP06001350 | Plug, 10P |
| JS02 | 1 | 1 | 1 | YP06001290 | Plug, 8P |
| JS03 | 1 | 1 | 1 | YP06001050 | Plug, 5P |
| JS04 | 1 | 1 | 1 | YP06001050 | Plug, 5P, Basepost |
| JS05 | 1 | 1 | 1 | YP06001040 | Plug, 3P, Basepost |
| JS06 | 1 | 1 | 1 | YP06000570 | Plug, 3P, Basepost |
| JS07 | 1 | 1 | 1 | YP06000580 | Plug, 5P, Basepost |
| KS01 | 1 | 1 | 1 | YK22191400 | P.W. Board, Scope & Tape Moni. Switches & Dubbing Jacks |

U : For U.S.A.
C : For Canada
E : For Europe

| REF. DESIG. | Q'TY | | | PART NO. | DESCRIPTION |
|-------------|------|---|---|------------|---|
| | U | C | E | | |
| PS01 | 1 | 1 | 1 | YK22191410 | P.W. Board, Tape Copy, Tape Moni., & Scope Display Switches |
| | 1 | 1 | 1 | ZZ22191210 | P.W. Board Assembly |
| RS01 | 1 | 1 | 1 | RT05103140 | Res., Fixed, 10kΩ ±5%, ¼W |
| RS02 | 1 | 1 | 1 | RT05100140 | Res., Fixed, 10Ω ±5%, ¼W |
| RS03 | 1 | 1 | 1 | RT05221140 | Res., Fixed, 220Ω ±5%, ¼W |
| RS04 | 1 | 1 | 1 | RT05224140 | Res., Fixed, 200kΩ±5%, ¼W |
| RS05 | 1 | 1 | 1 | RT05473140 | Res., Fixed, 47kΩ ±5%, ¼W |
| RS06 | 1 | 1 | 1 | RT05473140 | Res., Fixed, 47kΩ ±5%, ¼W |
| RS07 | 1 | 1 | 1 | RT05224140 | Res., Fixed, 220kΩ±5%, ¼W |
| RS08 | 1 | 1 | 1 | RT05304140 | Res., Fixed, 300kΩ±5%, ¼W |
| RS09 | 1 | 1 | 1 | RT05304140 | Res., Fixed, 300kΩ±5%, ¼W |
| SS01 | 1 | 1 | 1 | SP04080020 | Pushswitch, Tape Copy, Tape Moni., & Scope Display |
| CT01 | 1 | 1 | 1 | DF15104010 | Cap., Film, 0.1μF, 50V |
| CT02 | 1 | 1 | 1 | DF15104010 | Cap., Film, 0.1μF, 50V |
| CT03 | 1 | 1 | 1 | DF15104010 | Cap., Film, 0.1μF, 50V |
| CT04 | 1 | 1 | 1 | DF15104010 | Cap., Film, 0.1μF, 50V |
| CT05 | 1 | 1 | 1 | DF15104010 | Cap., Film, 0.1μF, 50V |
| CT06 | 1 | 1 | 1 | DF15104010 | Cap., Film, 0.1μF, 50V |
| CT07 | 1 | 1 | 1 | DF15152010 | Cap., Film, 0.0015μF, 50V |
| CT08 | 1 | 1 | 1 | DF15152010 | Cap., Film, 0.0015μF, 50V |
| CT09 | 1 | 1 | 1 | DF15222010 | Cap., Film, 0.0022μF, 50V |
| CT10 | 1 | 1 | 1 | DF15222010 | Cap., Film, 0.0022μF, 50V |
| CT11 | 1 | 1 | 1 | DF17224010 | Cap., Film, 0.22μF, 50V |
| CT12 | 1 | 1 | 1 | DF17224010 | Cap., Film, 0.22μF, 50V |
| CT13 | 1 | 1 | 1 | DD15391010 | Cap., Ceramic, 390pF, 50V |
| CT14 | 1 | 1 | 1 | DD15391010 | Cap., Ceramic, 390pF, 50V |
| CT15 | 1 | 1 | 1 | DD11050010 | Cap., Ceramic, 5pF, 50V |
| CT16 | 1 | 1 | 1 | DD11050010 | Cap., Ceramic, 5pF, 50V |
| CT17 | 1 | 1 | 1 | DD16151010 | Cap., Ceramic, 150pF, 50V |
| CT18 | 1 | 1 | 1 | DD16151010 | Cap., Ceramic, 150pF, 50V |
| CT19 | 1 | 1 | 1 | DF16333010 | Cap., Film, 0.033μF, 50V |
| CT20 | 1 | 1 | 1 | DF16333010 | Cap., Film, 0.033μF, 50V |
| CT21 | 1 | 1 | 1 | EE10602540 | Cap., Elect., 10μF, 25V |
| CT22 | 1 | 1 | 1 | EE10602540 | Cap., Elect., 10μF, 25V |
| CT23 | 1 | 1 | 1 | EA10701690 | Cap., Elect., 100μF, 16V |
| CT24 | 1 | 1 | 1 | EA10701690 | Cap., Elect., 100μF, 16V |
| CT25 | 1 | 1 | 1 | DE16153010 | Cap., Film, 0.015μF, 50V |
| JT01 | 1 | 1 | 1 | YP06000340 | Plug, 3P, Amp |
| JT02 | 1 | 1 | 1 | YP06000340 | Plug, 3P, Amp |
| JT03 | 1 | 1 | 1 | YP06000700 | Plug, 9P, Amp |
| JT04 | 1 | 1 | 1 | YP06000580 | Plug, 5P, Basepost |
| JT05 | 1 | 1 | 1 | YP06001050 | Plug, 5P, Basepost |
| PT01 | 1 | 1 | 1 | YK22190220 | P.W. Board, Filter Amp |
| | 1 | 1 | 1 | ZZ22192020 | P.W. Board Assembly |
| QT01 | 1 | 1 | 1 | HT316812A0 | Transistor, 2SC1681 GR or BL |
| QT02 | 1 | 1 | 1 | HT316812A0 | Transistor, 2SC1681 GR or BL |
| QT03 | 1 | 1 | 1 | HT316812A0 | Transistor, 2SC1681 GR or BL |
| QT04 | 1 | 1 | 1 | HT316812A0 | Transistor, 2SC1681 GR or BL |
| QT05 | 1 | 1 | 1 | HT108412A0 | Transistor, 2SA841 GR or BL |
| QT06 | 1 | 1 | 1 | HT108412A0 | Transistor, 2SA841 GR or BL |
| RT01 | 1 | 1 | 1 | GD05114140 | Res., Fixed, 110kΩ±5%, ¼W |
| RT02 | 1 | 1 | 1 | GD05114140 | Res., Fixed, 110kΩ±5%, ¼W |
| RT03 | 1 | 1 | 1 | GD05244140 | Res., Fixed, 240kΩ±5%, ¼W |
| RT04 | 1 | 1 | 1 | GD05244140 | Res., Fixed, 240kΩ±5%, ¼W |
| RT05 | 1 | 1 | 1 | GD05113140 | Res., Fixed, 11kΩ ±5%, ¼W |

| REF. DESIG. | Q'TY | | | PART NO. | DESCRIPTION |
|-------------|------|---|---|------------|------------------------------|
| | U | C | E | | |
| RT06 | 1 | 1 | 1 | GD05113140 | Res., Fixed, 11kΩ ±5%, ¼W |
| RT07 | 1 | 1 | 1 | GD05225140 | Res., Fixed, 2.2MΩ±5%, ¼W |
| RT08 | 1 | 1 | 1 | GD05225140 | Res., Fixed, 2.2MΩ±5%, ¼W |
| RT09 | 1 | 1 | 1 | GD05113140 | Res., Fixed, 11kΩ ±5%, ¼W |
| RT10 | 1 | 1 | 1 | GD05113140 | Res., Fixed, 11kΩ ±5%, ¼W |
| RT11 | 1 | 1 | 1 | GD05113140 | Res., Fixed, 11kΩ ±5%, ¼W |
| RT12 | 1 | 1 | 1 | GD05113140 | Res., Fixed, 11kΩ ±5%, ¼W |
| RT13 | 1 | 1 | 1 | GD05513140 | Res., Fixed, 51kΩ ±5%, ¼W |
| RT14 | 1 | 1 | 1 | GD05513140 | Res., Fixed, 51kΩ ±5%, ¼W |
| RT15 | 1 | 1 | 1 | GD05225140 | Res., Fixed, 2.2MΩ±5%, ¼W |
| RT16 | 1 | 1 | 1 | GD05225140 | Res., Fixed, 2.2MΩ±5%, ¼W |
| RT17 | 1 | 1 | 1 | GD05225140 | Res., Fixed, 2.2MΩ±5%, ¼W |
| RT18 | 1 | 1 | 1 | GD05222140 | Res., Fixed, 2.2kΩ±5%, ¼W |
| RT19 | 1 | 1 | 1 | GD05113140 | Res., Fixed, 11kΩ ±5%, ¼W |
| RT20 | 1 | 1 | 1 | GD05113140 | Res., Fixed, 11kΩ ±5%, ¼W |
| RT21 | 1 | 1 | 1 | GD05562140 | Res., Fixed, 5.6kΩ ±5%, ¼W |
| RT22 | 1 | 1 | 1 | GD05562140 | Res., Fixed, 5.6kΩ ±5%, ¼W |
| RT23 | 1 | 1 | 1 | GD05103140 | Res., Fixed, 10kΩ ±5%, ¼W |
| RT24 | 1 | 1 | 1 | GD05103140 | Res., Fixed, 10kΩ ±5%, ¼W |
| RT25 | 1 | 1 | 1 | GD05274140 | Res., Fixed, 270kΩ±5%, ¼W |
| RT26 | 1 | 1 | 1 | GD05274140 | Res., Fixed, 270kΩ±5%, ¼W |
| RT27 | 1 | 1 | 1 | GD05301140 | Res., Fixed, 300Ω ±5%, ¼W |
| RT28 | 1 | 1 | 1 | GD05301140 | Res., Fixed, 300Ω ±5%, ¼W |
| RT29 | 1 | 1 | 1 | GD05104140 | Res., Fixed, 100kΩ±5%, ¼W |
| RT30 | 1 | 1 | 1 | GD05104140 | Res., Fixed, 100kΩ±5%, ¼W |
| RT31 | 1 | 1 | 1 | GD05153140 | Res., Fixed, 15kΩ ±5%, ¼W |
| RT32 | 1 | 1 | 1 | GD05153140 | Res., Fixed, 15kΩ ±5%, ¼W |
| RT33 | 1 | 1 | 1 | GD05102140 | Res., Fixed, 1kΩ ±5%, ¼W |
| RT34 | 1 | 1 | 1 | GD05102140 | Res., Fixed, 1kΩ ±5%, ¼W |
| RT35 | 1 | 1 | 1 | GD05334140 | Res., Fixed, 330kΩ±5%, ¼W |
| RT36 | 1 | 1 | 1 | GD05334140 | Res., Fixed, 330kΩ±5%, ¼W |
| RT37 | 1 | 1 | 1 | GD05225140 | Res., Fixed, 2.2MΩ±5%, ¼W |
| RT38 | 1 | 1 | 1 | GD05225140 | Res., Fixed, 2.2MΩ±5%, ¼W |
| RT39 | 1 | 1 | 1 | GD05124140 | Res., Fixed, 120kΩ±5%, ¼W |
| RT40 | 1 | 1 | 1 | GD05124140 | Res., Fixed, 120kΩ±5%, ¼W |
| ST01 | 1 | 1 | 1 | SP02050030 | Pushswitch |
| JU01 | 1 | 1 | 1 | YJ01001040 | Jack, Dubbing In |
| JU02 | 1 | 1 | 1 | YJ01001050 | Jack, Dubbing Out |
| JU03 | 1 | 1 | 1 | YJ06001350 | Jack, 10P |
| JU04 | 1 | 1 | 1 | YJ06001370 | Jack, 4P |
| JU05 | 1 | 1 | 1 | YJ06001370 | Jack, 4P |
| JU06 | 1 | 1 | 1 | YP06000570 | Plug, 3P, Basepost |
| JU07 | 1 | 1 | 1 | YP06000570 | Plug, 3P, Basepost |
| PU01 | 1 | 1 | 1 | YK22191420 | P.W. Board, Dubbing Jacks |
| | 1 | 1 | 1 | ZZ22191220 | P.W. Board Assembly |
| JW01 | 1 | 1 | 1 | YP10001200 | Plug |
| JW02 | 1 | 1 | 1 | YP10001200 | Plug |
| JW03 | 1 | 1 | 1 | YP10001200 | Plug |
| JW04 | 1 | 1 | 1 | YP10001200 | Plug |
| JW05 | 1 | 1 | 1 | YP10001200 | Plug |
| PW01 | 1 | 1 | 1 | YD22180050 | P.W. Board, Speaker Switches |
| | 1 | 1 | 1 | ZZ22180050 | P.W. Board Assembly |
| RW01 | 1 | 1 | 1 | GS10331070 | Res., Fixed, 330Ω ±10%, 7W |
| RW02 | 1 | 1 | 1 | GS10331070 | Res., Fixed, 330Ω ±10%, 7W |
| RW03 | 1 | 1 | 1 | GJ05151020 | Res., Fixed, 150Ω ±5%, 2W |
| RW04 | 1 | 1 | 1 | GJ05151020 | Res., Fixed, 150Ω ±5%, 2W |

U : For U.S.A.
C : For Canada
E : For Europe

| REF. DESIG. | Q'TY | | | PART NO. | DESCRIPTION |
|-------------|------|---|---|------------|--|
| | U | C | E | | |
| SW01 | 1 | 1 | 1 | SP04020180 | Pushswitch, Speakers |
| WW01 | 1 | 1 | 1 | YB00630010 | Connective Cord |
| WW02 | 1 | 1 | 1 | YB00630020 | Connective Cord |
| CX01 | 1 | 1 | 1 | EA47505090 | Cap., Elect., 4.7 μ F, 50V |
| CX02 | 1 | 1 | 1 | EA47505090 | Cap., Elect., 4.7 μ F, 50V |
| CX03 | 1 | 1 | 1 | EA10700690 | Cap., Elect., 100 μ F, 6.3V |
| CX04 | 1 | 1 | 1 | EA10701090 | Cap., Elect., 100 μ F, 10V |
| CX05 | 1 | 1 | 1 | EA10610010 | Cap., Elect., 10 μ F, 100V |
| CX06 | 1 | 1 | 1 | EA22601090 | Cap., Elect., 22 μ F, 10V |
| JX01 | 1 | 1 | 1 | YJ06001300 | Jack, 6P |
| JX02 | 1 | 1 | 1 | YJ06001300 | Jack, 6P |
| JX03 | 1 | 1 | 1 | YP06000570 | Plug, 3P |
| JX04 | 1 | 1 | 1 | YP06000570 | Plug, 3P |
| JX05 | 1 | 1 | 1 | YP06000600 | Plug, 5P |
| PX01 | 1 | 1 | 1 | YK22190210 | P.W. Board, Peak Ind. & Soft Start |
| | 1 | 1 | 1 | ZZ22190210 | P.W. Board Assembly |
| QX01 | 1 | 1 | 1 | HT315733A0 | Transistor, 2SC1573 P, Q or R |
| QX02 | 1 | 1 | 1 | HT315733A0 | Transistor, 2SC1573 P, Q or R |
| QX03 | 1 | 1 | 1 | HT109412A0 | Transistor, 2SA941 GR or BL |
| QX04 | 1 | 1 | 1 | HT109412A0 | Transistor, 2SA941 GR or BL |
| QX05 | 1 | 1 | 1 | HT109412A0 | Transistor, 2SA941 GR or BL |
| QX06 | 1 | 1 | 1 | HT109412A0 | Transistor, 2SA941 GR or BL |
| QX07 | 1 | 1 | 1 | HT309452A0 | Transistor, 2SC945 Q or R |
| QX08 | 1 | 1 | 1 | HT309452A0 | Transistor, 2SC945 Q or R |
| QX09 | 1 | 1 | 1 | HT309452A0 | Transistor, 2SC945 Q or R |
| QX10 | 1 | 1 | 1 | HT309452A0 | Transistor, 2SC945 Q or R |
| QX11 | 1 | 1 | 1 | HD20011010 | Diode, W06C, 200V 0.75A |
| QX12 | 1 | 1 | 1 | HD20011010 | Diode, W06C, 200V 0.75A |
| QX13 | 1 | 1 | 1 | HD20001210 | Diode, 1S2473, 35V |
| QX14 | 1 | 1 | 1 | HD20001210 | Diode, 1S2473, 35V |
| QX15 | 1 | 1 | 1 | HD20001210 | Diode, 1S2473, 35V |
| QX16 | 1 | 1 | 1 | HD20001210 | Diode, 1S2473, 35V |
| QX17 | 1 | 1 | 1 | HD30023090 | Zener, WZ-071, 7.1V |
| QX18 | 1 | 1 | 1 | HD30023090 | Zener, WZ-071, 7.1V |
| QX19 | 1 | 1 | 1 | HT107332A0 | Transistor, 2SA733 R or Q |
| QX20 | 1 | 1 | 1 | HT107332A0 | Transistor, 2SA733 R or Q |
| QX21 | 1 | 1 | 1 | HT206472B0 | Transistor, 2SB647A C or D |
| QX22 | 1 | 1 | 1 | HT107332A0 | Transistor, 2SA733 R or Q |
| QX23 | 1 | 1 | 1 | HV00003120 | Varistor, MV13 |
| QX24 | 1 | 1 | 1 | HV00003120 | Varistor, MV13 |
| QX25 | 1 | 1 | 1 | HD20001210 | Diode, 1S2473 |
| QX26 | 1 | 1 | 1 | HD20001210 | Diode, 1S2473 |
| QX27 | 1 | 1 | 1 | HD20005010 | Diode, W06B |
| QX28 | 1 | 1 | 1 | HD30023090 | Zener, WZ-071 |
| RX01 | 1 | 1 | 1 | RT05103140 | Res., Fixed, 10k Ω \pm 5%, $\frac{1}{4}$ W |
| RX02 | 1 | 1 | 1 | RT05103140 | Res., Fixed, 10k Ω \pm 5%, $\frac{1}{4}$ W |
| RX03 | 1 | 1 | 1 | RT05303140 | Res., Fixed, 30k Ω \pm 5%, $\frac{1}{4}$ W |
| RX04 | 1 | 1 | 1 | RT05303140 | Res., Fixed, 30k Ω \pm 5%, $\frac{1}{4}$ W |
| RX05 | 1 | 1 | 1 | RT05393140 | Res., Fixed, 39k Ω \pm 5%, $\frac{1}{4}$ W |
| RX06 | 1 | 1 | 1 | RT05393140 | Res., Fixed, 39k Ω \pm 5%, $\frac{1}{4}$ W |
| RX07 | 1 | 1 | 1 | RT05103140 | Res., Fixed, 10k Ω \pm 5%, $\frac{1}{4}$ W |
| RX08 | 1 | 1 | 1 | RT05103140 | Res., Fixed, 10k Ω \pm 5%, $\frac{1}{4}$ W |
| RX09 | 1 | 1 | 1 | RT05222140 | Res., Fixed, 2.2k Ω \pm 5%, $\frac{1}{4}$ W |
| RX10 | 1 | 1 | 1 | RT05222140 | Res., Fixed, 2.2k Ω \pm 5%, $\frac{1}{4}$ W |
| RX11 | 1 | 1 | 1 | RT05243140 | Res., Fixed, 24k Ω \pm 5%, $\frac{1}{4}$ W |
| RX12 | 1 | 1 | 1 | RT05243140 | Res., Fixed, 24k Ω \pm 5%, $\frac{1}{4}$ W |
| RX13 | 1 | 1 | 1 | RT05473140 | Res., Fixed, 47k Ω \pm 5%, $\frac{1}{4}$ W |

| REF. DESIG. | Q'TY | | | PART NO. | DESCRIPTION |
|-------------|------|---|---|------------|--|
| | U | C | E | | |
| RX14 | 1 | 1 | 1 | RT05473140 | Res., Fixed, 47k Ω \pm 5%, $\frac{1}{4}$ W |
| RX15 | 1 | 1 | 1 | RT05473140 | Res., Fixed, 47k Ω \pm 5%, $\frac{1}{4}$ W |
| RX16 | 1 | 1 | 1 | RT05473140 | Res., Fixed, 47k Ω \pm 5%, $\frac{1}{4}$ W |
| RX17 | 1 | 1 | 1 | RT05753140 | Res., Fixed, 75k Ω \pm 5%, $\frac{1}{4}$ W |
| RX18 | 1 | 1 | 1 | RT05753140 | Res., Fixed, 75k Ω \pm 5%, $\frac{1}{4}$ W |
| RX19 | 1 | 1 | 1 | RT05753140 | Res., Fixed, 75k Ω \pm 5%, $\frac{1}{4}$ W |
| RX20 | 1 | 1 | 1 | RT05753140 | Res., Fixed, 75k Ω \pm 5%, $\frac{1}{4}$ W |
| RX21 | 1 | 1 | 1 | RT05223140 | Res., Fixed, 22k Ω \pm 5%, $\frac{1}{4}$ W |
| RX22 | 1 | 1 | 1 | RT05223140 | Res., Fixed, 22k Ω \pm 5%, $\frac{1}{4}$ W |
| RX23 | 1 | 1 | 1 | RT05511140 | Res., Fixed, 510 Ω \pm 5%, $\frac{1}{4}$ W |
| RX24 | 1 | 1 | 1 | RT05511140 | Res., Fixed, 510 Ω \pm 5%, $\frac{1}{4}$ W |
| RX25 | 1 | 1 | 1 | RT05753140 | Res., Fixed, 75k Ω \pm 5%, $\frac{1}{4}$ W |
| RX26 | 1 | 1 | 1 | RT05753140 | Res., Fixed, 75k Ω \pm 5%, $\frac{1}{4}$ W |
| RX27 | 1 | 1 | 1 | RT05512140 | Res., Fixed, 5.1k Ω \pm 5%, $\frac{1}{4}$ W |
| RX28 | 1 | 1 | 1 | RT05512140 | Res., Fixed, 5.1k Ω \pm 5%, $\frac{1}{4}$ W |
| RX29 | 1 | 1 | 1 | RT05822140 | Res., Fixed, 8.2k Ω \pm 5%, $\frac{1}{4}$ W |
| RX30 | 1 | 1 | 1 | RT05822140 | Res., Fixed, 8.2k Ω \pm 5%, $\frac{1}{4}$ W |
| RX31 | 1 | 1 | 1 | RT05104140 | Res., Fixed, 100k Ω \pm 5%, $\frac{1}{4}$ W |
| RX32 | 1 | 1 | 1 | RT05104140 | Res., Fixed, 100k Ω \pm 5%, $\frac{1}{4}$ W |
| RX33 | 1 | 1 | 1 | GJ05392020 | Res., Fixed, 3.9k Ω \pm 5%, 2W |
| RX34 | 1 | 1 | 1 | GJ05392020 | Res., Fixed, 3.9k Ω \pm 5%, 2W |
| RX35 | 1 | 1 | 1 | RT05332140 | Res., Fixed, 3.3k Ω \pm 5%, $\frac{1}{4}$ W |
| RX36 | 1 | 1 | 1 | RT05753140 | Res., Fixed, 75k Ω \pm 5%, $\frac{1}{4}$ W |
| RX37 | 1 | 1 | 1 | RT05822140 | Res., Fixed, 8.2k Ω \pm 5%, $\frac{1}{4}$ W |
| RX38 | 1 | 1 | 1 | RT05104140 | Res., Fixed, 1M Ω \pm 5%, $\frac{1}{4}$ W |
| RX39 | 1 | 1 | 1 | GJ05472020 | Res., Fixed, 4.7k Ω \pm 5%, 2W |
| RX40 | 1 | 1 | 1 | RT05472140 | Res., Fixed, 4.7k Ω \pm 5%, $\frac{1}{4}$ W |
| RX41 | 1 | 1 | 1 | RT05154140 | Res., Fixed, 150k Ω \pm 5%, $\frac{1}{4}$ W |
| RX42 | 1 | 1 | 1 | RT05562140 | Res., Fixed, 5.6k Ω \pm 5%, $\frac{1}{4}$ W |
| RX43 | 1 | 1 | 1 | GJ05152020 | Res., Fixed, 1.5k Ω \pm 5%, 2W |
| RX44 | 1 | 1 | 1 | RT05273140 | Res., Fixed, 27k Ω \pm 5%, $\frac{1}{4}$ W |
| RX45 | 1 | 1 | 1 | RT05274140 | Res., Fixed, 270k Ω \pm 5%, $\frac{1}{4}$ W |
| CY01 | 1 | 1 | 1 | EA47601690 | Cap., Elect., 47 μ F, 16V |
| JY01 | 1 | 1 | 1 | YP10001200 | Plug |
| JY03 | 1 | 1 | 1 | YP10001200 | Plug |
| JY04 | 1 | 1 | 1 | YP10001200 | Plug |
| JY05 | 1 | 1 | 1 | YP10001200 | Plug |
| JY08 | 1 | 1 | 1 | YP10001200 | Plug |
| JY09 | 1 | 1 | 1 | YP10001200 | Plug |
| JY10 | 1 | 1 | 1 | YP10001200 | Plug |
| JY13 | 1 | 1 | 1 | YP10001200 | Plug |
| JY14 | 1 | 1 | 1 | YP10001200 | Plug |
| JY15 | 1 | 1 | 1 | YP10001200 | Plug |
| JY16 | 1 | 1 | 1 | YP10001200 | Plug |
| JY17 | 1 | 1 | 1 | YP10001200 | Plug |
| JY18 | 1 | 1 | 1 | YP10001200 | Plug |
| JY19 | 1 | 1 | 1 | YP10001200 | Plug |
| JY20 | 1 | 1 | 1 | YP10001200 | Plug |
| JY23 | 1 | 1 | 1 | YP10001200 | Plug |
| JY24 | 1 | 1 | 1 | YP10001200 | Plug |
| PY01 | 1 | 1 | 1 | YD22180030 | P.W. Board, Function Indicator |
| | 1 | 1 | 1 | ZZ22191030 | P.W. Board Assembly |
| | | | 1 | ZZ22198030 | P.W. Board Assembly |
| QY01 | 1 | 1 | 1 | HI10004030 | L.E.D., Peak Ind. (R) |
| QY02 | 1 | 1 | 1 | HI10004030 | L.E.D., Peak Ind. (L) |
| QY03 | 1 | 1 | 1 | HI10004030 | L.E.D., Tape |
| QY04 | 1 | 1 | 1 | HI10004030 | L.E.D., Tape |

U : For U.S.A.
C : For Canada
E : For Europe

| REF. DESIG. | Q'TY | | | PART NO. | DESCRIPTION |
|-------------|------|---|---|------------|--------------------------------|
| | U | C | E | | |
| QY05 | 1 | 1 | 1 | HI10004030 | L.E.D., Aux 1 |
| QY06 | 1 | 1 | 1 | HI10004030 | L.E.D., Phono 2 |
| QY07 | 1 | 1 | 1 | HI10004030 | L.E.D., Phono 1 |
| QY08 | 1 | 1 | 1 | HI10004030 | L.E.D., FM |
| QY09 | 1 | 1 | 1 | HI10004030 | L.E.D., AM |
| QY10 | 1 | 1 | | HD20001210 | Diode, 1S2473 |
| QY10 | | | 1 | HD20005010 | Diode, W06B |
| RY01 | 1 | 1 | 1 | RT05751140 | Res., Fixed, 750Ω ±5%, ¼W |
| RY02 | 1 | 1 | 1 | RT05751140 | Res., Fixed, 750Ω ±5%, ¼W |
| JZ01 | 1 | 1 | 1 | YP10001130 | Plug |
| JZ02 | 1 | 1 | 1 | YP10001130 | Plug |
| JZ03 | 1 | 1 | 1 | YP10001130 | Plug |
| JZ04 | 1 | 1 | 1 | YP10001130 | Plug |
| JZ05 | 1 | 1 | 1 | YJ08000170 | Jack |
| JZ06 | 1 | 1 | 1 | YJ08000170 | Jack |
| JZ07 | 1 | 1 | 1 | YJ08000170 | Jack |
| JZ08 | 1 | 1 | 1 | YJ08000170 | Jack |
| JZ09 | 1 | 1 | 1 | YJ08000170 | Jack |
| JZ10 | 1 | 1 | 1 | YJ08000170 | Jack |
| JZ11 | 1 | 1 | 1 | YJ08000170 | Jack |
| JZ12 | 1 | 1 | 1 | YJ08000170 | Jack |
| JZ13 | 1 | 1 | 1 | YJ08000170 | Jack |
| JZ14 | 1 | 1 | 1 | YJ08000170 | Jack |
| JZ15 | 1 | 1 | 1 | YJ08000170 | Jack |
| JZ16 | 1 | 1 | 1 | YJ08000170 | Jack |
| JZ17 | 1 | 1 | 1 | YJ08000170 | Jack |
| JZ18 | 1 | 1 | 1 | YP10001130 | Plug |
| JZ19 | 1 | 1 | 1 | YP10001130 | Plug |
| JZ20 | 1 | 1 | 1 | YP10001130 | Plug |
| JZ21 | 1 | 1 | 1 | YP10001130 | Plug |
| PZ01 | 1 | 1 | 1 | YD22180040 | P.W. Board, Dial Lamp |
| | 1 | 1 | 1 | ZZ22191040 | P.W. Board Assembly |
| VZ01 | 1 | 1 | 1 | IN10080070 | Lamp, 8V 0.2A |
| VZ02 | 1 | 1 | 1 | IN10080070 | Lamp, 8V 0.2A |
| VZ03 | 1 | 1 | 1 | IN10080070 | Lamp, 8V 0.2A |
| VZ04 | 1 | 1 | 1 | IN10080070 | Lamp, 8V 0.2A |
| VZ05 | 1 | 1 | 1 | IN10080070 | Lamp, 8V 0.2A |
| VZ06 | 1 | 1 | 1 | IN10080070 | Lamp, 8V 0.2A |
| C001 | 1 | 1 | 1 | DK17103010 | Cap., Ceramic, 0.01μF, 50V |
| C002 | 1 | 1 | 1 | DK17103010 | Cap., Ceramic, 0.01μF, 50V |
| C003 | 1 | 1 | 1 | ES72810010 | Cap., Elect., 7200μF, 100V |
| C004 | 1 | 1 | 1 | ES72810010 | Cap., Elect., 7200μF, 100V |
| C005 | | | 1 | DO07473540 | Cap., Oil-paper, 0.047μF, 450V |
| C006 | 1 | 1 | 1 | DF17223520 | Cap., Film, 0.022μF, 400V |
| C007 | 1 | 1 | 1 | DF17223520 | Cap., Film, 0.022μF, 400V |
| F001 | 2 | 2 | 2 | FR30800010 | Circuit Breaker |
| F002 | 2 | 2 | 2 | FR30800010 | Circuit Breaker |
| F003 | 2 | 2 | 2 | FR30600010 | Circuit Breaker |
| F004 | 2 | 2 | 2 | FR30600010 | Circuit Breaker |
| F005 | | | 1 | FS10800810 | Fuse |
| F005 | | | 1 | FS11500010 | Fuse |
| F005 | 1 | | | FS11500020 | Fuse |
| F006 | | | 1 | FS21500970 | Fuse |
| G001 | 1 | | | BF10400030 | Cap. Comp., Spark Killer |
| G001 | | | 1 | BF33300020 | Cap. Comp., Spark Killer |
| J001 | 1 | 1 | 1 | BY04050010 | Terminal |
| J002 | 1 | 1 | 1 | YT02010130 | Terminal, FM Quad. Output |
| J003 | 1 | 1 | 1 | YT02040190 | Terminal, Phono |

| REF. DESIG. | Q'TY | | | PART NO. | DESCRIPTION |
|-------------|------|---|---|------------|---------------------------------------|
| | U | C | E | | |
| J004 | 1 | 1 | 1 | YT02040140 | Terminal, Tape Moni. 1 In & Out |
| J005 | 1 | 1 | 1 | YT02040140 | Terminal, Tape Moni. 2 In & Out |
| J006 | 1 | 1 | 1 | YT02040170 | Terminal, Pre Out & Main In |
| J007 | 1 | 1 | 1 | YT03040160 | Terminal, Spk. System 1 |
| J008 | 1 | 1 | 1 | YT03040160 | Terminal, Spk. System 2 |
| J009 | 1 | 1 | 1 | YJ01001060 | Jack, Phones |
| J010 | 1 | 1 | 1 | YT01010050 | Terminal, Chassis Ground |
| J011 | 1 | 1 | 1 | YJ05000182 | Jack, C.R.T. Socket |
| J012 | 1 | 1 | 1 | YJ06001390 | Jack, Main In (L) |
| J013 | 1 | 1 | 1 | YJ06001400 | Jack, Main In (R) |
| J014 | 1 | 1 | 1 | YJ06001050 | Jack, 5P |
| J015 | 1 | 1 | 1 | YJ06001050 | Jack, 5P |
| J016 | 1 | 1 | 1 | YJ06001360 | Jack, 5P |
| J017 | 1 | 1 | 1 | YJ06000320 | Jack, 5P |
| J018 | 1 | 1 | 1 | YJ06001050 | Jack, 5P |
| J019 | 1 | 1 | 1 | YJ06001250 | Jack, 5P |
| J020 | 1 | 1 | 1 | YJ06001050 | Jack, 5P |
| J021 | 1 | 1 | 1 | YJ06001050 | Jack, 5P |
| J022 | 1 | 1 | 1 | YJ06001050 | Jack, 5P |
| J023 | 1 | 1 | 1 | YJ06001050 | Jack, 5P |
| J024 | 1 | 1 | 1 | YJ06001050 | Jack, 5P |
| J025 | 1 | 1 | 1 | YJ06001240 | Jack, 3P |
| J026 | 1 | 1 | 1 | YJ06001240 | Jack, 3P |
| J027 | 1 | 1 | 1 | YJ06001240 | Jack, 3P |
| J028 | 1 | 1 | 1 | YJ06001040 | Jack, 3P |
| J029 | 1 | 1 | 1 | YJ06001040 | Jack, 3P |
| J030 | 1 | 1 | 1 | YJ06001040 | Jack, 3P |
| J031 | 1 | 1 | 1 | YJ06001040 | Jack, 3P |
| J032 | 1 | 1 | 1 | YJ06001040 | Jack, 3P |
| J033 | 1 | 1 | 1 | YJ06001240 | Jack, 3P |
| J034 | 1 | 1 | 1 | YL01030010 | Terminal, 3P |
| J035 | 1 | 1 | 1 | YJ04000560 | Jack, AC Outlet |
| J035 | 1 | 1 | | YJ04000590 | Jack, 3P |
| J036 | | | 1 | YJ04000560 | Jack, AC Outlet |
| J036 | 1 | 1 | | YJ04000590 | Jack, 3P |
| J037 | 1 | 1 | | YT02020140 | Terminal, 2P, Aux |
| J037 | | | 1 | YT02040140 | Terminal, 4P, Aux 1 & 2 |
| J038 | 1 | 1 | | YJ06001410 | Jack, 11P, Relay Socket |
| J038 | 1 | 1 | 1 | YJ06001420 | Jack, 11P, Relay Socket |
| J039 | | | 1 | YJ08000220 | Jack, Fuse Holder |
| J039 | 1 | 1 | | YJ08000240 | Jack, Fuse Holder |
| J040 | | | 1 | BY03110010 | Plug, Voltage Selector |
| J041 | 1 | 1 | 1 | YJ06001040 | Jack, 3P |
| J042 | 1 | 1 | 1 | YJ06001050 | Jack, 5P |
| L001 | 1 | 1 | 1 | LF11200520 | Coil, AM Antenna |
| L002 | 1 | 1 | 1 | LC11540020 | Choke Coil, AM |
| L003 | 1 | 1 | 1 | LB30075260 | Balun Coil |
| L004 | 1 | 1 | 1 | LY30480010 | Relay, Soft Start |
| L005 | 1 | 1 | | TS44502010 | Power Transformer |
| L005 | | | 1 | TS44502020 | Power Transformer |
| M001 | 1 | | 1 | MI01150010 | AC Motor |
| M001 | | | 1 | MI01150020 | AC Motor |
| Q001 | 1 | 1 | 1 | HE20001290 | Diode, S5VB40 |
| Q002 | 1 | 1 | 1 | HE20001290 | Diode, S5VB40 |
| R001 | 1 | 1 | 1 | RK02030160 | Res., Variable, 20kΩ(B), Muting Level |
| R002 | 1 | 1 | 1 | RA05030180 | Res., Semifixed, 50kΩ(B), Bright |

U: For U.S.A.
C: For Canada
E: For Europe

| REF. DESIG. | Q'TY | | | PART NO. | DESCRIPTION |
|-------------|------|---|---|------------|-------------------------------------|
| | U | C | E | | |
| R003 | 1 | 1 | 1 | RK02040060 | Res., Variable, 200kΩ(B), Focus |
| R004 | 1 | 1 | 1 | RB01030240 | Res., Variable, 10kΩ(B), Vertical |
| R005 | 1 | 1 | 1 | RB01030240 | Res., Variable, 10kΩ(B), Horizontal |
| R006 | 1 | 1 | 1 | RT05100140 | Res., Fixed, 10Ω±5%, ¼W |
| R007 | 1 | 1 | 1 | RS02030110 | Res., Variable, 20kΩ(MN), Balance |
| R008 | 1 | 1 | 1 | RT05472140 | Res., Fixed, 4.7kΩ ±5%, ¼W |
| R009 | 1 | 1 | 1 | GS05472020 | Res., Fixed, 4.7kΩ ±5%, 2.5W |
| R010 | 1 | 1 | 1 | GS05472020 | Res., Fixed, 4.7kΩ ±5%, 2.5W |
| R012 | 1 | 1 | 1 | GQ10821100 | Res., Fixed, 820Ω ±5%, 10W |
| R013 | 1 | 1 | 1 | GQ10100100 | Res., Fixed, 10Ω ±10%, 10W |
| R013 | 1 | 1 | 1 | GS10220200 | Res., Fixed, 22Ω ±10%, 20W |
| S001 | 1 | 1 | 1 | SP04010230 | Pushswitch, Power |
| S001 | 1 | 1 | 1 | SP04010250 | Pushswitch, Power |
| V001 | 1 | 1 | 1 | VB00235012 | Cathod Ray Tube |
| V002 | 2 | 2 | 2 | IN10080410 | Lamp, 8V 50mA |
| V003 | 1 | 1 | 1 | IN10080340 | Lamp, 8V 60mA, Stereo |
| V004 | 1 | 1 | 1 | IN10080340 | Lamp, 8V 60mA |
| V005 | 1 | 1 | 1 | IN10080340 | Lamp, Dolby |
| W001 | 1 | 1 | 1 | YC01900030 | AC Power Cord |
| W001 | 1 | 1 | 1 | YC02400270 | AC Power Cord |
| W010 | 1 | 1 | 1 | YB00600060 | Connective Cord |
| W011 | 1 | 1 | 1 | YB00600070 | Connective Cord |
| W012 | 1 | 1 | 1 | YB00600080 | Connective Cord |
| W013 | 1 | 1 | 1 | YB00600090 | Connective Cord |
| W014 | 1 | 1 | 1 | YB00450010 | Connective Cord |
| W015 | 1 | 1 | 1 | YB00160030 | Connective Cord |
| W016 | 1 | 1 | 1 | YB00660010 | Connective Cord |
| W017 | 1 | 1 | 1 | YB00510010 | Connective Cord |
| W018 | 1 | 1 | 1 | YB00160020 | Connective Cord |
| W019 | 1 | 1 | 1 | YB00140020 | Connective Cord |
| C101 | 1 | 1 | 1 | DD16150010 | Cap., Ceramic, 15pF ±10% |
| C102 | 1 | 1 | 1 | DD16101010 | Cap., Ceramic, 47pF ±5% |
| C103 | 1 | 1 | 1 | DD16101010 | Cap., Ceramic, 100pF ±10% |
| C104 | 1 | 1 | 1 | DK18203030 | Cap., Ceramic, 0.02μF+80%, -20% |
| C105 | 1 | 1 | 1 | DK18203030 | Cap., Ceramic, 0.02μF+80%, -20% |
| C106 | 1 | 1 | 1 | DK18203030 | Cap., Ceramic, 0.02μF+80%, -20% |
| C107 | 1 | 1 | 1 | DD16180020 | Cap., Ceramic, 18pF ±10% |
| C108 | 1 | 1 | 1 | DD16180020 | Cap., Ceramic, 18pF ±10% |
| C109 | 1 | 1 | 1 | DK18203030 | Cap., Ceramic, 0.02μF±80%, -20% |
| C110 | 1 | 1 | 1 | DK18203030 | Cap., Ceramic, 0.02μF+80%, -20% |
| C111 | 1 | 1 | 1 | DD16101010 | Cap., Ceramic, 100pF ±10% |
| C112 | 1 | 1 | 1 | DK18203030 | Cap., Ceramic, 0.02μF+80%, -20% |
| C113 | 1 | 1 | 1 | DK18203030 | Cap., Ceramic, 0.02μF+80%, -20% |
| C114 | 1 | 1 | 1 | DD12100010 | Cap., Ceramic, 10pF ±10% |
| C115 | 1 | 1 | 1 | DD16180020 | Cap., Ceramic, 18pF ±10% |
| C116 | 1 | 1 | 1 | DK18203030 | Cap., Ceramic, 0.02μF+80%, -20% |
| C117 | 1 | 1 | 1 | DD11080010 | Cap., Ceramic, 8pF ±0.5pF |
| C118 | 1 | 1 | 1 | DD10010020 | Cap., Ceramic, 1pF ±0.5pF |
| C119 | 1 | 1 | 1 | DD16150090 | Cap., Ceramic, 15pF ±10% |
| C120 | 1 | 1 | 1 | DD12100090 | Cap., Ceramic, 10pF ±10% |

| REF. DESIG. | Q'TY | | | PART NO. | DESCRIPTION |
|-------------|------|---|---|------------|---------------------------------|
| | U | C | E | | |
| C121 | 1 | 1 | 1 | DK18203030 | Cap., Ceramic, 0.02μF+80%, -20% |
| C122 | 1 | 1 | 1 | CA53700010 | Cap., Variable, FM-5, AM-3 |
| C123 | 1 | 1 | 1 | CT10500030 | Cap., Trimmer, 3pF~8pF |
| C151 | 1 | 1 | 1 | DF17103010 | Cap., Film, 0.01μF |
| C152 | 1 | 1 | 1 | DF17102010 | Cap., Film, 0.001μF |
| C153 | 1 | 1 | 1 | DF17103010 | Cap., Film, 0.01μF |
| C155 | 1 | 1 | 1 | DF17103010 | Cap., Film, 0.01μF |
| C156 | 1 | 1 | 1 | DF65391010 | Cap., Film, 390pF |
| C157 | 1 | 1 | 1 | DF17403010 | Cap., Film, 0.04μF |
| C158 | 1 | 1 | 1 | DD16101010 | Cap., Ceramic, 100pF |
| C159 | 1 | 1 | 1 | DF17403010 | Cap., Film, 0.04μF |
| C160 | 1 | 1 | 1 | DF17102010 | Cap., Film, 0.001μF |
| C161 | 1 | 1 | 1 | EA47503590 | Cap., Elect., 4.7μF, 35V |
| C162 | 1 | 1 | 1 | EA33505090 | Cap., Elect., 3.3μF, 50V |
| C163 | 1 | 1 | 1 | DF17473010 | Cap., Film, 0.047μF |
| C164 | 1 | 1 | 1 | DF17103010 | Cap., Film, 0.01μF |
| C165 | 1 | 1 | 1 | DK17103010 | Cap., Ceramic, 0.01μF |
| C166 | 1 | 1 | 1 | EV10403560 | Cap., Elect., 0.1μF, 35V |
| C167 | 1 | 1 | 1 | EV10503560 | Cap., Elect., 1μF, 35V |
| C168 | 1 | 1 | 1 | DK17502010 | Cap., Ceramic, 0.005μF |
| C169 | 1 | 1 | 1 | EA10701690 | Cap., Elect., 100μF, 16V |
| C170 | 1 | 1 | 1 | DK18403020 | Cap., Ceramic, 0.04μF |
| C171 | 1 | 1 | 1 | DK18403020 | Cap., Ceramic, 0.04μF |
| C172 | 1 | 1 | 1 | EA10701690 | Cap., Elect., 100μF, 16V |
| F151 | 1 | 1 | 1 | FF10045160 | Ceramic Filter |
| J101 | 1 | 1 | 1 | YJ06001150 | Jack |
| J102 | 1 | 1 | 1 | YJ06001150 | Jack |
| J103 | 1 | 1 | 1 | YJ06001150 | Jack |
| J104 | 1 | 1 | 1 | YJ06001150 | Jack |
| J105 | 1 | 1 | 1 | YJ06001150 | Jack |
| L105 | 1 | 1 | 1 | LI71016060 | I.F.T., FM |
| L151 | 1 | 1 | 1 | LA10010190 | Coil, RF |
| L152 | 1 | 1 | 1 | LO10010480 | Coil, OSC |
| L153 | 1 | 1 | 1 | LI10015010 | I.F.T., AM |
| L154 | 1 | 1 | 1 | LI10015060 | I.F.T., AM |
| L155 | 1 | 1 | 1 | LC13320020 | Choke Coil |
| P100 | 1 | 1 | 1 | YD22180020 | P.W. Board, FM Front End |
| | 1 | 1 | 1 | AV01202080 | Front End Assembly |
| Q101 | 1 | 1 | 1 | HF400591A0 | F.E.T., 3SK59 |
| Q102 | 1 | 1 | 1 | HF400591A0 | F.E.T., 3SK59 |
| Q103 | 1 | 1 | 1 | HF400591A0 | F.E.T., 3SK59 |
| Q104 | 1 | 1 | 1 | HC10029050 | I.C., TA7301P |
| Q151 | 1 | 1 | 1 | HC10019010 | I.C., HA1197 |
| Q152 | 1 | 1 | 1 | HT313272A0 | Transistor, 2SC1327 S or T |
| R101 | 1 | 1 | 1 | GD05473140 | Res., Fixed, 47kΩ ±5%, ¼W |
| R102 | 1 | 1 | 1 | GD05123140 | Res., Fixed, 12kΩ ±5%, ¼W |
| R103 | 1 | 1 | 1 | GD05473140 | Res., Fixed, 47kΩ ±5%, ¼W |
| R104 | 1 | 1 | 1 | GD05223140 | Res., Fixed, 22kΩ ±5%, ¼W |
| R105 | 1 | 1 | 1 | GD05101140 | Res., Fixed, 100Ω ±5%, ¼W |
| R106 | 1 | 1 | 1 | GD05101140 | Res., Fixed, 100Ω ±5%, ¼W |
| R107 | 1 | 1 | 1 | GD05182140 | Res., Fixed, 1.8kΩ ±5%, ¼W |
| R108 | 1 | 1 | 1 | GD05473140 | Res., Fixed, 47kΩ ±5%, ¼W |
| R109 | 1 | 1 | 1 | GD05123140 | Res., Fixed, 12kΩ ±5%, ¼W |
| R110 | 1 | 1 | 1 | GD05473140 | Res., Fixed, 47kΩ ±5%, ¼W |
| R111 | 1 | 1 | 1 | GD05101140 | Res., Fixed, 100Ω ±5%, ¼W |
| R112 | 1 | 1 | 1 | GD05101140 | Res., Fixed, 100Ω ±5%, ¼W |
| R113 | 1 | 1 | 1 | GD05473140 | Res., Fixed, 47kΩ ±5%, ¼W |
| R114 | 1 | 1 | 1 | GD05561140 | Res., Fixed, 560Ω ±5%, ¼W |

U: For U.S.A.
 C: For Canada
 E: For Europe

| REF. DESIG. | Q'TY | | | PART NO. | DESCRIPTION |
|-------------|------|---|---|------------|----------------------------|
| | U | C | E | | |
| R115 | 1 | 1 | 1 | GD05101140 | Res., Fixed, 100Ω ±5%, ¼W |
| R116 | 1 | 1 | 1 | GD05331140 | Res., Fixed, 330Ω ±5%, ¼W |
| R151 | 1 | 1 | 1 | RT05201140 | Res., Fixed, 220Ω ±5%, ¼W |
| R152 | 1 | 1 | 1 | RT05302140 | Res., Fixed, 3kΩ ±5%, ¼W |
| R153 | 1 | 1 | 1 | RT05103140 | Res., Fixed, 10kΩ ±5%, ¼W |
| R154 | 1 | 1 | 1 | RT05103140 | Res., Fixed, 10kΩ ±5%, ¼W |
| R155 | 1 | 1 | 1 | RT05101140 | Res., Fixed, 300Ω ±5%, ¼W |
| R156 | 1 | 1 | 1 | RT05102140 | Res., Fixed, 1kΩ ±5%, ¼W |
| R157 | 1 | 1 | 1 | RT05204140 | Res., Fixed, 200kΩ ±5%, ¼W |
| R158 | 1 | 1 | 1 | RT05473140 | Res., Fixed, 47kΩ ±5%, ¼W |
| R159 | 1 | 1 | 1 | RT05102140 | Res., Fixed, 1kΩ ±5%, ¼W |
| R160 | 1 | 1 | 1 | RT05332140 | Res., Fixed, 3.3kΩ ±5%, ¼W |
| R161 | 1 | 1 | 1 | RT05104140 | Res., Fixed, 100kΩ ±5%, ¼W |
| R162 | 1 | 1 | 1 | RT05101140 | Res., Fixed, 100Ω ±5%, ¼W |
| R163 | 1 | 1 | 1 | RA01030250 | Res., Semifixed, 10kΩ |
| R164 | 1 | 1 | 1 | RT05152140 | Res., Fixed, 1.5kΩ ±5%, ¼W |
| R165 | 1 | 1 | 1 | RT05101140 | Res., Fixed, 100Ω ±5%, ¼W |
| R166 | 1 | 1 | 1 | RT05101140 | Res., Fixed, 100Ω ±5%, ¼W |
| C201 | 1 | 1 | 1 | DK17103010 | Cap., Ceramic, 0.01μF |
| C202 | 1 | 1 | 1 | DK17103010 | Cap., Ceramic, 0.01μF |
| C203 | 1 | 1 | 1 | DK17103010 | Cap., Ceramic, 0.01μF |
| C204 | 1 | 1 | 1 | DK17103010 | Cap., Ceramic, 0.01μF |
| C205 | 1 | 1 | 1 | DK18403010 | Cap., Ceramic, 0.04μF |
| C206 | 1 | 1 | 1 | DK18403010 | Cap., Ceramic, 0.04μF |
| C207 | 1 | 1 | 1 | DK17103010 | Cap., Ceramic, 0.01μF |
| C208 | 1 | 1 | 1 | DK18403010 | Cap., Ceramic, 0.04μF |
| C209 | 1 | 1 | 1 | DK18403010 | Cap., Ceramic, 0.04μF |
| C210 | 1 | 1 | 1 | DK17103010 | Cap., Ceramic, 0.01μF |
| C211 | 1 | 1 | 1 | DK17103010 | Cap., Ceramic, 0.01μF |
| C212 | 1 | 1 | 1 | DK17103010 | Cap., Ceramic, 0.01μF |
| C213 | 1 | 1 | 1 | DK18403020 | Cap., Ceramic, 0.04μF |
| C214 | 1 | 1 | 1 | DK18403020 | Cap., Ceramic, 0.04μF |
| C215 | 1 | 1 | 1 | DK17103010 | Cap., Ceramic, 0.01μF |
| C216 | 1 | 1 | 1 | DK17103010 | Cap., Ceramic, 0.01μF |
| C217 | 1 | 1 | 1 | DK17103010 | Cap., Ceramic, 0.01μF |
| C218 | 1 | 1 | 1 | DD16201010 | Cap., Ceramic, 200pF |
| C219 | 1 | 1 | 1 | DD16201010 | Cap., Ceramic, 200pF |
| C220 | 1 | 1 | 1 | DK17103010 | Cap., Ceramic, 0.01μF |
| C221 | 1 | 1 | 1 | DK18403020 | Cap., Ceramic, 0.04μF |
| C222 | 1 | 1 | 1 | DK18403020 | Cap., Ceramic, 0.04μF |
| C223 | 1 | 1 | 1 | EV22403560 | Cap., Elect., 0.22μF, 35V |
| C224 | 1 | 1 | 1 | DD16201010 | Cap., Ceramic, 200pF |
| C225 | 1 | 1 | 1 | DD16201010 | Cap., Ceramic, 200pF |
| C226 | 1 | 1 | 1 | DK16472010 | Cap., Ceramic, 0.0047μF |
| C227 | 1 | 1 | 1 | DK18403020 | Cap., Ceramic, 0.04μF |
| C228 | 1 | 1 | 1 | DD16201010 | Cap., Ceramic, 200pF |
| C229 | 1 | 1 | 1 | DK16152010 | Cap., Ceramic, 0.0015μF |
| C230 | 1 | 1 | 1 | DD16201010 | Cap., Ceramic, 200pF |
| C231 | 1 | 1 | 1 | DK16472010 | Cap., Ceramic, 0.0047μF |
| C232 | 1 | 1 | 1 | DD16201010 | Cap., Ceramic, 200pF |
| C233 | 1 | 1 | 1 | DD16201010 | Cap., Ceramic, 200pF |
| C234 | 1 | 1 | 1 | DK17103010 | Cap., Ceramic, 0.01μF |
| C235 | 1 | 1 | 1 | DK17103010 | Cap., Ceramic, 0.01μF |
| C236 | 1 | 1 | 1 | DK18403020 | Cap., Ceramic, 0.04μF |
| C237 | 1 | 1 | 1 | DK18403020 | Cap., Ceramic, 0.04μF |
| C238 | 1 | 1 | 1 | DK18403020 | Cap., Ceramic, 0.04μF |
| C239 | 1 | 1 | 1 | DK17103010 | Cap., Ceramic, 0.01μF |
| C240 | 1 | 1 | 1 | DK17103010 | Cap., Ceramic, 0.01μF |
| C241 | 1 | 1 | 1 | DK18403020 | Cap., Ceramic, 0.04μF |
| C242 | 1 | 1 | 1 | DK18403020 | Cap., Ceramic, 0.04μF |

| REF. DESIG. | Q'TY | | | PART NO. | DESCRIPTION |
|-------------|------|---|---|------------|---------------------------|
| | U | C | E | | |
| C243 | 1 | 1 | 1 | DD16201010 | Cap., Ceramic, 200pF |
| C244 | 1 | 1 | 1 | DD16201010 | Cap., Ceramic, 200pF |
| C247 | 1 | 1 | 1 | DD16201010 | Cap., Ceramic, 200pF |
| C248 | 1 | 1 | 1 | EA22601690 | Cap., Elect., 22μF, 16V |
| C249 | 1 | 1 | 1 | EA47601690 | Cap., Elect., 47μF, 16V |
| C250 | 1 | 1 | 1 | EA10701690 | Cap., Elect., 100μF, 16V |
| C251 | 1 | 1 | 1 | DK18403010 | Cap., Ceramic, 0.04μF |
| C252 | 1 | 1 | 1 | EQ22405010 | Cap., Elect., 0.22μF, 50V |
| C253 | 1 | 1 | 1 | EA10601690 | Cap., Elect., 10μF, 16V |
| C254 | 1 | 1 | 1 | EA10601690 | Cap., Elect., 10μF, 16V |
| C255 | 1 | 1 | 1 | EA10601690 | Cap., Elect., 10μF, 16V |
| C256 | 1 | 1 | 1 | CT15000010 | Cap., Trimmer, 50pF |
| C257 | 1 | 1 | 1 | CT15000010 | Cap., Trimmer, 50pF |
| C258 | 1 | 1 | 1 | CT15000010 | Cap., Trimmer, 50pF |
| C259 | 1 | 1 | 1 | CT15000010 | Cap., Trimmer, 50pF |
| C260 | 1 | 1 | 1 | CT15000010 | Cap., Trimmer, 50pF |
| C261 | 1 | 1 | 1 | DK18403020 | Cap., Ceramic, 0.04μF |
| C262 | 1 | 1 | 1 | DK18403020 | Cap., Ceramic, 0.04μF |
| F201 | 1 | 1 | 1 | FF11070050 | Ceramic Filter, 10.7MHz |
| F202 | 1 | 1 | 1 | FF11070050 | Ceramic Filter, 10.7MHz |
| F203 | 1 | 1 | 1 | FF11070050 | Ceramic Filter, 10.7MHz |
| F204 | 1 | 1 | 1 | FF11070050 | Ceramic Filter, 10.7MHz |
| F205 | 1 | 1 | 1 | FF11070050 | Ceramic Filter, 10.7MHz |
| J201 | 1 | 1 | 1 | YP10001130 | Plug |
| J202 | 1 | 1 | 1 | YP10001130 | Plug |
| J203 | 1 | 1 | 1 | YP10001130 | Plug |
| J204 | 1 | 1 | 1 | YP10001130 | Plug |
| J205 | 1 | 1 | 1 | YP10001130 | Plug |
| J206 | 1 | 1 | 1 | YP06000570 | Plug, 3P |
| J207 | 1 | 1 | 1 | YP06000570 | Plug, 3P |
| J209 | 1 | 1 | 1 | YP10001130 | Plug |
| J210 | 1 | 1 | 1 | YP10001130 | Plug |
| J211 | 1 | 1 | 1 | YP10001130 | Plug |
| J212 | 1 | 1 | 1 | YP10001130 | Plug |
| J213 | 1 | 1 | 1 | YP10001130 | Plug |
| J216 | 1 | 1 | 1 | YP10001130 | Plug |
| J217 | 1 | 1 | 1 | YP10001130 | Plug |
| J218 | 1 | 1 | 1 | YP06000570 | Plug, 3P |
| J221 | 1 | 1 | 1 | YP10001130 | Plug |
| J223 | 1 | 1 | 1 | YP10001130 | Plug |
| J224 | 1 | 1 | 1 | YP10001130 | Plug |
| J225 | 1 | 1 | 1 | YP10001130 | Plug |
| J226 | 1 | 1 | 1 | YP10001130 | Plug |
| J227 | 1 | 1 | 1 | YP10001130 | Plug |
| J228 | 1 | 1 | 1 | YP10001130 | Plug |
| J229 | 1 | 1 | 1 | YP10001130 | Plug |
| J231 | 1 | 1 | 1 | YP10001130 | Plug |
| J232 | 1 | 1 | 1 | YP10001130 | Plug |
| J233 | 1 | 1 | 1 | YP10001130 | Plug |
| J234 | 1 | 1 | 1 | YP10001130 | Plug |
| J235 | 1 | 1 | 1 | YP06000570 | Plug, 3P |
| J236 | 1 | 1 | 1 | YP10001130 | Plug |
| J238 | 1 | 1 | 1 | YP10001130 | Plug |
| J239 | 1 | 1 | 1 | YP10001130 | Plug |
| J240 | 1 | 1 | 1 | YP10001130 | Plug |
| L201 | 1 | 1 | 1 | LI14016230 | I.F.T., FM |
| L202 | 1 | 1 | 1 | LC12230020 | Choke Coil |
| L203 | 1 | 1 | 1 | LC12230020 | Choke Coil |
| L204 | 1 | 1 | 1 | LC13320020 | Choke Coil |
| L205 | 1 | 1 | 1 | LC13320020 | Choke Coil |

U : For U.S.A.
C : For Canada
E : For Europe

| REF. DESIG. | Q'TY | | | PART NO. | DESCRIPTION |
|-------------|------|---|---|------------|--|
| | U | C | E | | |
| L206 | 1 | 1 | 1 | LC13320020 | Choke Coil |
| P200 | 1 | 1 | 1 | YD22182060 | P.W. Board, AM Tuner, FM IF & MPX Stereo Decoder |
| | 1 | | | ZZ22192060 | P.W. Board Assembly |
| | | 1 | | ZZ22199060 | P.W. Board Assembly |
| | | | 1 | ZZ22198060 | P.W. Board Assembly |
| Q201 | 1 | 1 | 1 | HT310471C0 | Transistor, 2SC1047 C |
| Q202 | 1 | 1 | 1 | HC10011060 | I.C., NPC555H |
| Q203 | 1 | 1 | 1 | HC10019030 | I.C., LA1222 |
| Q204 | 1 | 1 | 1 | HT308291C0 | Transistor, 2SC829 C |
| Q205 | 1 | 1 | 1 | HC10019030 | I.C., LA1222 |
| Q206 | 1 | 1 | 1 | HT308291C0 | Transistor, 2SC829 C |
| Q207 | 1 | 1 | 1 | HD20011050 | Diode, 1S1555 |
| Q208 | 1 | 1 | 1 | HD20011050 | Diode, 1S1555 |
| Q209 | 1 | 1 | 1 | HT313272A0 | Transistor, 2SC1327 S or T |
| Q210 | 1 | 1 | 1 | HT108422A0 | Transistor, 2SA842 GR or BL |
| Q211 | 1 | 1 | 1 | HT308291C0 | Transistor, 2SC829 C |
| Q212 | 1 | 1 | 1 | HD10003020 | Diode, 20A90 |
| Q213 | 1 | 1 | 1 | HD10003020 | Diode, 20A90 |
| Q214 | 1 | 1 | 1 | HD10003020 | Diode, 20A90 |
| Q215 | 1 | 1 | 1 | HD10003020 | Diode, 20A90 |
| Q216 | 1 | 1 | 1 | HT308291C0 | Transistor, 2SC829 C |
| Q217 | 1 | 1 | 1 | HD10003020 | Diode, 20A90 |
| Q218 | 1 | 1 | 1 | HD10003020 | Diode, 20A90 |
| Q219 | 1 | 1 | 1 | HT308291C0 | Transistor, 2SC829 C |
| Q220 | 1 | 1 | 1 | HD10003020 | Diode, 20A90 |
| Q221 | 1 | 1 | 1 | HD10003020 | Diode, 20A90 |
| Q222 | 1 | 1 | 1 | HT309452B0 | Transistor, 2SC945 Q or P |
| Q223 | 1 | 1 | 1 | HD10003020 | Diode, 20A90 |
| R201 | 1 | 1 | 1 | RT05331140 | Res., Fixed, 330Ω ±5%, ¼W |
| R202 | 1 | 1 | 1 | RT05331140 | Res., Fixed, 330Ω ±5%, ¼W |
| R203 | 1 | 1 | 1 | RT05153140 | Res., Fixed, 15kΩ ±5%, ¼W |
| R204 | 1 | 1 | 1 | RT05202140 | Res., Fixed, 2kΩ ±5%, ¼W |
| R205 | 1 | 1 | 1 | RT05331140 | Res., Fixed, 330Ω ±5%, ¼W |
| R206 | 1 | 1 | 1 | RT05201140 | Res., Fixed, 200Ω ±5%, ¼W |
| R207 | 1 | 1 | 1 | RT05101140 | Res., Fixed, 100Ω ±5%, ¼W |
| R208 | 1 | 1 | 1 | RT05331140 | Res., Fixed, 330Ω ±5%, ¼W |
| R209 | 1 | 1 | 1 | RT05331140 | Res., Fixed, 330Ω ±5%, ¼W |
| R210 | 1 | 1 | 1 | RT05101140 | Res., Fixed, 100Ω ±5%, ¼W |
| R211 | 1 | 1 | 1 | RT05100140 | Res., Fixed, 10Ω ±5%, ¼W |
| R212 | 1 | 1 | 1 | RT05151140 | Res., Fixed, 150Ω ±5%, ¼W |
| R213 | 1 | 1 | 1 | RT05153140 | Res., Fixed, 15kΩ ±5%, ¼W |
| R214 | 1 | 1 | 1 | RT05472140 | Res., Fixed, 4.7kΩ ±5%, ¼W |
| R215 | 1 | 1 | 1 | RT05202140 | Res., Fixed, 2kΩ ±5%, ¼W |
| R216 | 1 | 1 | 1 | RT05102140 | Res., Fixed, 1kΩ ±5%, ¼W |
| R217 | 1 | 1 | 1 | RT05302140 | Res., Fixed, 3kΩ ±5%, ¼W |
| R218 | 1 | 1 | 1 | RT05102140 | Res., Fixed, 1kΩ ±5%, ¼W |
| R219 | 1 | 1 | 1 | RT05223140 | Res., Fixed, 22kΩ ±5%, ¼W |
| R220 | 1 | 1 | 1 | RT05102140 | Res., Fixed, 1kΩ ±5%, ¼W |
| R221 | 1 | 1 | 1 | RT05273140 | Res., Fixed, 27kΩ ±5%, ¼W |
| R222 | 1 | 1 | 1 | RT05274140 | Res., Fixed, 270kΩ ±5%, ¼W |
| R223 | 1 | 1 | 1 | RT05471140 | Res., Fixed, 470Ω ±5%, ¼W |
| R224 | 1 | 1 | 1 | RT05102140 | Res., Fixed, 1kΩ ±5%, ¼W |
| R225 | 1 | 1 | 1 | RT05202140 | Res., Fixed, 2kΩ ±5%, ¼W |
| R226 | 1 | 1 | 1 | RT05152140 | Res., Fixed, 1.5kΩ ±5%, ¼W |
| R227 | 1 | 1 | 1 | RT05101140 | Res., Fixed, 100Ω ±5%, ¼W |
| R228 | 1 | 1 | 1 | RT05151140 | Res., Fixed, 150Ω ±5%, ¼W |
| R229 | 1 | 1 | 1 | RT05271140 | Res., Fixed, 270Ω ±5%, ¼W |

| REF. DESIG. | Q'TY | | | PART NO. | DESCRIPTION |
|-------------|------|---|---|------------|----------------------------|
| | U | C | E | | |
| R230 | 1 | 1 | 1 | RT05102140 | Res., Fixed, 1kΩ ±5%, ¼W |
| R231 | 1 | 1 | 1 | RT05471140 | Res., Fixed, 470Ω ±5%, ¼W |
| R232 | 1 | 1 | 1 | RT05153140 | Res., Fixed, 15kΩ ±5%, ¼W |
| R233 | 1 | 1 | 1 | RT05242140 | Res., Fixed, 2.4kΩ ±5%, ¼W |
| R234 | 1 | 1 | 1 | RT05152140 | Res., Fixed, 1.5kΩ ±5%, ¼W |
| R235 | 1 | 1 | 1 | RT05102140 | Res., Fixed, 1kΩ ±5%, ¼W |
| R236 | 1 | 1 | 1 | RT05273140 | Res., Fixed, 27kΩ ±5%, ¼W |
| R237 | 1 | 1 | 1 | RT05154140 | Res., Fixed, 150kΩ ±5%, ¼W |
| R238 | 1 | 1 | 1 | RT05151140 | Res., Fixed, 150Ω ±5%, ¼W |
| R239 | 1 | 1 | 1 | RT05331140 | Res., Fixed, 330Ω ±5%, ¼W |
| R240 | 1 | 1 | 1 | RT05102140 | Res., Fixed, 1kΩ ±5%, ¼W |
| R241 | 1 | 1 | 1 | RT05181140 | Res., Fixed, 180Ω ±5%, ¼W |
| R242 | 1 | 1 | 1 | RT05101140 | Res., Fixed, 100Ω ±5%, ¼W |
| R243 | 1 | 1 | 1 | RT05101140 | Res., Fixed, 100Ω ±5%, ¼W |
| R244 | 1 | 1 | 1 | RT05561140 | Res., Fixed, 560Ω ±5%, ¼W |
| R245 | 1 | 1 | 1 | RT05153140 | Res., Fixed, 15kΩ ±5%, ¼W |
| R246 | 1 | 1 | 1 | RT05472140 | Res., Fixed, 4.7kΩ ±5%, ¼W |
| R247 | 1 | 1 | 1 | RT05102140 | Res., Fixed, 1kΩ ±5%, ¼W |
| R248 | 1 | 1 | 1 | RT05102140 | Res., Fixed, 1kΩ ±5%, ¼W |
| R249 | 1 | 1 | 1 | RT05273140 | Res., Fixed, 27kΩ ±5%, ¼W |
| R250 | 1 | 1 | 1 | RT05151140 | Res., Fixed, 150Ω ±5%, ¼W |
| R251 | 1 | 1 | 1 | RT05153140 | Res., Fixed, 15kΩ ±5%, ¼W |
| R252 | 1 | 1 | 1 | RT05822140 | Res., Fixed, 8.2kΩ ±5%, ¼W |
| R253 | 1 | 1 | 1 | RT05102140 | Res., Fixed, 1kΩ ±5%, ¼W |
| R254 | 1 | 1 | 1 | RT05821140 | Res., Fixed, 820Ω ±5%, ¼W |
| R255 | 1 | 1 | 1 | RT05821140 | Res., Fixed, 820Ω ±5%, ¼W |
| R256 | 1 | 1 | 1 | RT05682140 | Res., Fixed, 6.8kΩ ±5%, ¼W |
| R257 | 1 | 1 | 1 | RT05682140 | Res., Fixed, 6.8kΩ ±5%, ¼W |
| R258 | 1 | 1 | 1 | RT05101140 | Res., Fixed, 100Ω ±5%, ¼W |
| R259 | 1 | 1 | 1 | RT05562140 | Res., Fixed, 5.6kΩ ±5%, ¼W |
| R260 | 1 | 1 | 1 | RT05105140 | Res., Fixed, 1MΩ ±5%, ¼W |
| R261 | 1 | 1 | 1 | RT05224140 | Res., Fixed, 220kΩ ±5%, ¼W |
| R262 | 1 | 1 | 1 | RT05223140 | Res., Fixed, 22kΩ ±5%, ¼W |
| R263 | 1 | 1 | 1 | RT05122140 | Res., Fixed, 1.2kΩ ±5%, ¼W |
| R264 | 1 | 1 | 1 | RT05222140 | Res., Fixed, 2.2kΩ ±5%, ¼W |
| R265 | 1 | 1 | 1 | RT05561140 | Res., Fixed, 560Ω ±5%, ¼W |
| R266 | 1 | 1 | 1 | RT05334140 | Res., Fixed, 330kΩ ±5%, ¼W |
| R267 | 1 | 1 | 1 | RT05334140 | Res., Fixed, 330kΩ ±5%, ¼W |
| R268 | 1 | 1 | 1 | RT05564140 | Res., Fixed, 560kΩ ±5%, ¼W |
| R269 | 1 | 1 | 1 | RT05223140 | Res., Fixed, 22kΩ ±5%, ¼W |
| R270 | 1 | 1 | 1 | RT05564140 | Res., Fixed, 560kΩ ±5%, ¼W |
| R271 | 1 | 1 | 1 | RT05223140 | Res., Fixed, 22kΩ ±5%, ¼W |
| R272 | 1 | 1 | 1 | RT05221140 | Res., Fixed, 220Ω ±5%, ¼W |
| R273 | 1 | 1 | 1 | RT05101140 | Res., Fixed, 100Ω ±5%, ¼W |
| R274 | 1 | 1 | 1 | RT05101140 | Res., Fixed, 100Ω ±5%, ¼W |
| R275 | 1 | 1 | 1 | RT05683140 | Res., Fixed, 68kΩ ±5%, ¼W |
| R276 | 1 | 1 | 1 | RT05473140 | Res., Fixed, 4.7kΩ ±5%, ¼W |
| R277 | 1 | 1 | 1 | RT05153140 | Res., Fixed, 15kΩ ±5%, ¼W |
| R278 | 1 | 1 | 1 | RA01030250 | Res., Semifixed, 10kΩ |
| R279 | 1 | 1 | 1 | RT05102140 | Res., Fixed, 1kΩ ±5%, ¼W |
| R280 | 1 | 1 | 1 | RA02540010 | Res., Semifixed, 250kΩ |
| R281 | 1 | 1 | 1 | RT05103140 | Res., Fixed, 10kΩ ±5%, ¼W |
| R282 | 1 | 1 | 1 | RT05104140 | Res., Fixed, 100kΩ ±5%, ¼W |
| R283 | 1 | 1 | 1 | RT05153140 | Res., Fixed, 15kΩ ±5%, ¼W |
| C301 | 1 | 1 | 1 | DF55471010 | Cap., Film, 470pF |
| C302 | 1 | 1 | 1 | DF55911010 | Cap., Film, 910pF |
| C303 | 1 | 1 | 1 | DF55681010 | Cap., Film, 680pF |
| C304 | 1 | 1 | 1 | DF55152030 | Cap., Film, 1500pF |
| C305 | 1 | 1 | 1 | EA22601690 | Cap., Elect., 22μF, 16V |

U : For U.S.A.
C : For Canada
E : For Europe

| REF. DESIG. | Q'TY | | | PART NO. | DESCRIPTION |
|-------------|------|---|---|------------|---|
| | U | C | E | | |
| C306 | 1 | 1 | 1 | DF17473010 | Cap., Film, 0.047 μ F |
| C307 | 1 | 1 | 1 | EQ22405010 | Elect., 0.22 μ F, 35V |
| C308 | 1 | 1 | 1 | EQ47405010 | Cap., Elect., 0.47 μ F, 35V |
| C309 | 1 | 1 | 1 | EQ22405010 | Cap., Elect., 0.22 μ F, 35V |
| C310 | 1 | 1 | 1 | DF55471010 | Cap., Film, 470pF |
| C311 | 1 | 1 | 1 | DF15272050 | Cap., Film, 2700pF |
| C312 | 1 | 1 | 1 | DF15272050 | Cap., Film, 2700pF |
| C313 | 1 | 1 | 1 | DF15272050 | Cap., Film, 2700pF |
| C313 | 1 | 1 | 1 | DF15562050 | Cap., Film, 5600pF |
| C314 | 1 | 1 | 1 | DF15272050 | Cap., Film, 2700pF |
| C314 | 1 | 1 | 1 | DF15562050 | Cap., Film, 5600pF |
| C315 | 1 | 1 | 1 | EA10601690 | Cap., Elect., 10 μ F, 16V |
| C316 | 1 | 1 | 1 | EA10601690 | Cap., Elect., 10 μ F, 16V |
| C317 | 1 | 1 | 1 | EA10701690 | Cap., Elect., 100 μ F, 16V |
| C318 | 1 | 1 | 1 | EA10701690 | Cap., Elect., 100 μ F, 16V |
| C319 | 1 | 1 | 1 | EV10403560 | Cap., Elect., 0.1 μ F, 35V |
| C320 | 1 | 1 | 1 | EV10503560 | Cap., Elect., 1 μ F, 35V |
| C321 | 1 | 1 | 1 | EV10503560 | Cap., Elect., 1 μ F, 35V |
| C322 | 1 | 1 | 1 | EV10503560 | Cap., Elect., 1 μ F, 35V |
| L301 | 1 | 1 | 1 | LS10290160 | M.P.X. Coil |
| L302 | 1 | 1 | 1 | LS10290170 | M.P.X. Coil |
| L303 | 1 | 1 | 1 | LS10290180 | M.P.X. Coil |
| L304 | 1 | 1 | 1 | LS35035010 | M.P.X. Coil |
| Q301 | 1 | 1 | 1 | HC10004010 | I.C., HA1156 W |
| Q302 | 1 | 1 | 1 | HT108422A0 | Transistor, 2SA842 GR or BL |
| Q303 | 1 | 1 | 1 | HT108422A0 | Transistor, 2SA842 GR or BL |
| Q304 | 1 | 1 | 1 | HT309452B0 | Transistor, 2SC545 Q or P |
| Q305 | 1 | 1 | 1 | HT107331Q0 | Transistor, 2SA733 Q |
| Q306 | 1 | 1 | 1 | HF200300A0 | F.E.T., 2SK30 |
| Q307 | 1 | 1 | 1 | HT309452B0 | Transistor, 2SC945 Q or P |
| Q308 | 1 | 1 | 1 | HT309452B0 | Transistor, 2SC945 Q or P |
| Q309 | 1 | 1 | 1 | HT309452B0 | Transistor, 2SC945 Q or P |
| Q310 | 1 | 1 | 1 | HT309452B0 | Transistor, 2SC945 Q or P |
| Q311 | 1 | 1 | 1 | HT309452B0 | Transistor, 2SC945 Q or P |
| Q312 | 1 | 1 | 1 | HT309452B0 | Transistor, 2SC945 Q or P |
| Q313 | 1 | 1 | 1 | HD20011050 | Diode, 1S1555 |
| R301 | 1 | 1 | 1 | RT05272140 | Res., Fixed, 2.7k Ω \pm 5%, 1/4W |
| R302 | 1 | 1 | 1 | RT05272140 | Res., Fixed, 2.7k Ω \pm 5%, 1/4W |
| R303 | 1 | 1 | 1 | RT05102140 | Res., Fixed, 1k Ω \pm 5%, 1/4W |
| R304 | 1 | 1 | 1 | RT05392140 | Res., Fixed, 3.9k Ω \pm 5%, 1/4W |
| R305 | 1 | 1 | 1 | RT05392140 | Res., Fixed, 3.9k Ω \pm 5%, 1/4W |
| R306 | 1 | 1 | 1 | RT05102140 | Res., Fixed, 1k Ω \pm 5%, 1/4W |
| R307 | 1 | 1 | 1 | RT05102140 | Res., Fixed, 1k Ω \pm 5%, 1/4W |
| R308 | 1 | 1 | 1 | RT05200140 | Res., Fixed, 20 Ω \pm 5%, 1/4W |
| R309 | 1 | 1 | 1 | RT05163140 | Res., Fixed, 16k Ω \pm 5%, 1/4W |
| R310 | 1 | 1 | 1 | RA04720050 | Res., Semifixed, 4.7k Ω |
| R311 | 1 | 1 | 1 | RT05272140 | Res., Fixed, 2.7k Ω \pm 5%, 1/4W |
| R312 | 1 | 1 | 1 | RT05512140 | Res., Fixed, 5.1k Ω \pm 5%, 1/4W |
| R313 | 1 | 1 | 1 | RT05512140 | Res., Fixed, 5.1k Ω \pm 5%, 1/4W |
| R314 | 1 | 1 | 1 | RT05202140 | Res., Fixed, 2k Ω \pm 5%, 1/4W |
| R315 | 1 | 1 | 1 | RT05202140 | Res., Fixed, 2k Ω \pm 5%, 1/4W |
| R316 | 1 | 1 | 1 | RT05332140 | Res., Fixed, 3.3k Ω \pm 5%, 1/4W |
| R317 | 1 | 1 | 1 | RT05332140 | Res., Fixed, 3.3k Ω \pm 5%, 1/4W |
| R318 | 1 | 1 | 1 | RT05103140 | Res., Fixed, 10k Ω \pm 5%, 1/4W |
| R319 | 1 | 1 | 1 | RA01040180 | Res., Semifixed, 100k Ω |
| R320 | 1 | 1 | 1 | RT05204140 | Res., Fixed, 200k Ω \pm 5%, 1/4W |
| R321 | 1 | 1 | 1 | RT05303140 | Res., Fixed, 30k Ω \pm 5%, 1/4W |
| R322 | 1 | 1 | 1 | RT05332140 | Res., Fixed, 3.3k Ω \pm 5%, 1/4W |
| R323 | 1 | 1 | 1 | RT05332140 | Res., Fixed, 3.3k Ω \pm 5%, 1/4W |
| R324 | 1 | 1 | 1 | RT05101140 | Res., Fixed, 100 Ω \pm 5%, 1/4W |

| REF. DESIG. | Q'TY | | | PART NO. | DESCRIPTION |
|-------------|------|---|---|------------|---|
| | U | C | E | | |
| R325 | 1 | 1 | 1 | RT05100140 | Res., Fixed, 10 Ω \pm 5%, 1/4W |
| R325 | 1 | 1 | 1 | RT05273140 | Res., Fixed, 27k Ω \pm 5%, 1/4W |
| R326 | 1 | 1 | 1 | RT05273140 | Res., Fixed, 27k Ω \pm 5%, 1/4W |
| R327 | 1 | 1 | 1 | RT05104140 | Res., Fixed, 100k Ω \pm 5%, 1/4W |
| R328 | 1 | 1 | 1 | RT05104140 | Res., Fixed, 100k Ω \pm 5%, 1/4W |
| R329 | 1 | 1 | 1 | RT05222140 | Res., Fixed, 2.2k Ω \pm 5%, 1/4W |
| R330 | 1 | 1 | 1 | RA01030250 | Res., Semifixed, 10k Ω |
| R331 | 1 | 1 | 1 | RT05104140 | Res., Fixed, 100k Ω \pm 5%, 1/4W |
| R332 | 1 | 1 | 1 | RT05104140 | Res., Fixed, 100k Ω \pm 5%, 1/4W |
| R333 | 1 | 1 | 1 | RT05102140 | Res., Fixed, 1k Ω \pm 5%, 1/4W |
| R334 | 1 | 1 | 1 | RA01040180 | Res., Semifixed, 100k Ω |
| R335 | 1 | 1 | 1 | RT05104140 | Res., Fixed, 100k Ω \pm 5%, 1/4W |
| R336 | 1 | 1 | 1 | RT05103140 | Res., Fixed, 10k Ω \pm 5%, 1/4W |
| R337 | 1 | 1 | 1 | RT05332140 | Res., Fixed, 3.3k Ω \pm 5%, 1/4W |
| R338 | 1 | 1 | 1 | RT05564140 | Res., Fixed, 560k Ω \pm 5%, 1/4W |
| R339 | 1 | 1 | 1 | RT05333140 | Res., Fixed, 33k Ω \pm 5%, 1/4W |
| R340 | 1 | 1 | 1 | RT05101140 | Res., Fixed, 100 Ω \pm 5%, 1/4W |
| R341 | 1 | 1 | 1 | RT05154140 | Res., Fixed, 150k Ω \pm 5%, 1/4W |
| R342 | 1 | 1 | 1 | RT05473140 | Res., Fixed, 47k Ω \pm 5%, 1/4W |
| R343 | 1 | 1 | 1 | RT05224140 | Res., Fixed, 220k Ω \pm 5%, 1/4W |
| R344 | 1 | 1 | 1 | RT05104140 | Res., Fixed, 100k Ω \pm 5%, 1/4W |
| R345 | 1 | 1 | 1 | RT05103140 | Res., Fixed, 10k Ω \pm 5%, 1/4W |
| R346 | 1 | 1 | 1 | RT05101140 | Res., Fixed, 100 Ω \pm 5%, 1/4W |
| R347 | 1 | 1 | 1 | RA01040180 | Res., Semifixed, 100k Ω |
| R348 | 1 | 1 | 1 | RT05183140 | Res., Fixed, 18k Ω \pm 5%, 1/4W |
| C401 | 1 | 1 | 1 | EA10703590 | Cap., Elect., 100 μ F, 35V |
| C402 | 1 | 1 | 1 | EA10703590 | Cap., Elect., 100 μ F, 35V |
| C403 | 1 | 1 | 1 | DD15390010 | Cap., Ceramic, 39pF, 50V |
| C404 | 1 | 1 | 1 | DD15390010 | Cap., Ceramic, 39pF, 50V |
| C405 | 1 | 1 | 1 | DD15331010 | Cap., Ceramic, 330pF, 50V |
| C406 | 1 | 1 | 1 | DD15331010 | Cap., Ceramic, 330pF, 50V |
| C407 | 1 | 1 | 1 | DD15331010 | Cap., Ceramic, 330pF, 50V |
| C408 | 1 | 1 | 1 | DD15331010 | Cap., Ceramic, 330pF, 50V |
| C409 | 1 | 1 | 1 | DF14362020 | Cap., Film, 3600pF, 50V |
| C410 | 1 | 1 | 1 | DF14362020 | Cap., Film, 3600pF, 50V |
| C411 | 1 | 1 | 1 | DF14122010 | Cap., Film, 1200pF, 50V |
| C412 | 1 | 1 | 1 | DF14122010 | Cap., Film, 1200pF, 50V |
| C413 | 1 | 1 | 1 | DD11040010 | Cap., Ceramic, 4pF, 50V |
| C414 | 1 | 1 | 1 | DD11040010 | Cap., Ceramic, 4pF, 50V |
| C415 | 1 | 1 | 1 | DF16102010 | Cap., Film, 1000pF, 50V |
| C416 | 1 | 1 | 1 | DF16102010 | Cap., Film, 1000pF, 50V |
| C417 | 1 | 1 | 1 | EE47502540 | Cap., Elect., 4.7 μ F, 25V |
| C418 | 1 | 1 | 1 | EE47502540 | Cap., Elect., 4.7 μ F, 25V |
| C419 | 1 | 1 | 1 | EE47601040 | Cap., Elect., 47 μ F, 10V |
| C420 | 1 | 1 | 1 | EE47601040 | Cap., Elect., 47 μ F, 10V |
| C421 | 1 | 1 | 1 | EE47502540 | Cap., Elect., 4.7 μ F, 25V |
| C422 | 1 | 1 | 1 | EE47502540 | Cap., Elect., 4.7 μ F, 25V |
| J401 | 1 | 1 | 1 | YP06001370 | Plug, 4P, Basepost |
| J402 | 1 | 1 | 1 | YP06001370 | Plug, 4P, Basepost |
| J403 | 1 | 1 | 1 | YP06001050 | Plug, 5P, Basepost |
| J404 | 1 | 1 | 1 | YP06001050 | Plug, 5P, Basepost |
| J405 | 1 | 1 | 1 | YP06001050 | Plug, 5P, Basepost |
| J406 | 1 | 1 | 1 | YP06001050 | Plug, 5P, Basepost |
| J407 | 1 | 1 | 1 | YP10001130 | Plug, 5P, Basepost |
| J408 | 1 | 1 | 1 | YP10001130 | Plug, 5P, Basepost |
| J409 | 1 | 1 | 1 | YP10001130 | Plug, 5P, Basepost |
| J410 | 1 | 1 | 1 | YP10001130 | Plug, 5P, Basepost |
| J411 | 1 | 1 | 1 | YP10001130 | Plug, 5P, Basepost |
| J412 | 1 | 1 | 1 | YP10001130 | Plug, 5P, Basepost |

U: For U.S.A.
 C: For Canada
 E: For Europe

| REF. DESIG. | Q'TY | | | PART NO. | DESCRIPTION |
|-------------|------|---|---|------------|---|
| | U | C | E | | |
| J413 | 1 | 1 | 1 | YP10001130 | Plug |
| J414 | 1 | 1 | 1 | YP10001130 | Plug |
| J415 | 1 | 1 | 1 | YP10001130 | Plug |
| J416 | 1 | 1 | 1 | YP10001130 | Plug |
| J417 | 1 | 1 | 1 | YP10001130 | Plug |
| J418 | 1 | 1 | 1 | YP10001130 | Plug |
| J419 | 1 | 1 | 1 | YP10001130 | Plug |
| J420 | 1 | 1 | 1 | YP10001130 | Plug |
| J421 | 1 | 1 | 1 | YP10001130 | Plug |
| J422 | 1 | 1 | 1 | YP10001130 | Plug |
| J423 | 1 | 1 | 1 | YP10001130 | Plug |
| J424 | 1 | 1 | 1 | YP10001130 | Plug |
| J425 | 1 | 1 | 1 | YP10001130 | Plug |
| J426 | 1 | 1 | 1 | YP10001130 | Plug |
| J427 | 1 | 1 | 1 | YP10001130 | Plug |
| J428 | 1 | 1 | 1 | YP10001130 | Plug |
| J429 | 1 | 1 | 1 | YP10001130 | Plug |
| J430 | 1 | 1 | 1 | YP10001130 | Plug |
| J431 | 1 | 1 | 1 | YP10001130 | Plug |
| J432 | 1 | 1 | 1 | YP10001130 | Plug |
| J433 | 1 | 1 | 1 | YP10001130 | Plug |
| J434 | 1 | 1 | 1 | YP10001130 | Plug |
| J435 | 1 | 1 | 1 | YP10001130 | Plug |
| J436 | 1 | 1 | 1 | YP10001130 | Plug |
| J437 | 1 | 1 | 1 | YP10001130 | Plug |
| J438 | 1 | 1 | 1 | YP10001130 | Plug |
| J439 | 1 | 1 | 1 | YP10001130 | Plug |
| J440 | 1 | 1 | 1 | YP10001130 | Plug |
| J441 | 1 | 1 | 1 | YP10001130 | Plug |
| J442 | 1 | 1 | 1 | YP10001130 | Plug |
| P400 | 1 | 1 | 1 | YK22190230 | P.W. Board, Phono Amp & Selector Switch |
| | 1 | 1 | | ZZ22192040 | P.W. Board Assembly |
| | | | 1 | ZZ22198040 | P.W. Board Assembly |
| Q401 | 1 | 1 | 1 | HT108412A0 | Transistor, 2SA841 GR or BL |
| Q402 | 1 | 1 | 1 | HT108412A0 | Transistor, 2SA841 GR or BL |
| Q403 | 1 | 1 | 1 | HT108412A0 | Transistor, 2SA841 GR or BL |
| Q404 | 1 | 1 | 1 | HT108412A0 | Transistor, 2SA841 GR or BL |
| Q405 | 1 | 1 | 1 | HT109122D0 | Transistor, 2SA912 S or T |
| Q406 | 1 | 1 | 1 | HT109122D0 | Transistor, 2SA912 S or T |
| Q407 | 1 | 1 | 1 | HT318852D0 | Transistor, 2SC1885 S or T |
| Q408 | 1 | 1 | 1 | HT318852D0 | Transistor, 2SC1885 S or T |
| R401 | 1 | 1 | 1 | RT05823140 | Res., Fixed, 82kΩ ±5%, ¼W |
| R402 | 1 | 1 | 1 | RT05823140 | Res., Fixed, 82kΩ ±5%, ¼W |
| R403 | 1 | 1 | 1 | RN05153140 | Res., Fixed, 15kΩ ±5%, ¼W |
| R404 | 1 | 1 | 1 | RN05153140 | Res., Fixed, 15kΩ ±5%, ¼W |
| R405 | 1 | 1 | 1 | RT05911140 | Res., Fixed, 910Ω ±5%, ¼W |
| R406 | 1 | 1 | 1 | RT05911140 | Res., Fixed, 910Ω ±5%, ¼W |
| R407 | 1 | 1 | 1 | RT05123140 | Res., Fixed, 12kΩ ±5%, ¼W |
| R408 | 1 | 1 | 1 | RT05123140 | Res., Fixed, 12kΩ ±5%, ¼W |
| R409 | 1 | 1 | 1 | RN05623140 | Res., Fixed, 62kΩ ±5%, ¼W |
| R410 | 1 | 1 | 1 | RN05623140 | Res., Fixed, 62kΩ ±5%, ¼W |
| R411 | 1 | 1 | 1 | RT02911140 | Res., Fixed, 910Ω ±5%, ¼W |
| R412 | 1 | 1 | 1 | RT02911140 | Res., Fixed, 910Ω ±5%, ¼W |
| R413 | 1 | 1 | 1 | RT02683140 | Res., Fixed, 68kΩ ±5%, ¼W |
| R414 | 1 | 1 | 1 | RT02683140 | Res., Fixed, 68kΩ ±5%, ¼W |
| R415 | 1 | 1 | 1 | RT05431140 | Res., Fixed, 430Ω ±5%, ¼W |
| R416 | 1 | 1 | 1 | RT05431140 | Res., Fixed, 430Ω ±5%, ¼W |

| REF. DESIG. | Q'TY | | | PART NO. | DESCRIPTION |
|-------------|------|---|---|------------|----------------------------|
| | U | C | E | | |
| R417 | 1 | 1 | 1 | RT02105140 | Res., Fixed, 1MΩ ±2%, ¼W |
| R418 | 1 | 1 | 1 | RT02105140 | Res., Fixed, 1MΩ ±2%, ¼W |
| R419 | 1 | 1 | 1 | RT05331140 | Res., Fixed, 330Ω ±5%, ¼W |
| R420 | 1 | 1 | 1 | RT05331140 | Res., Fixed, 330Ω ±5%, ¼W |
| R421 | 1 | 1 | 1 | RT05330140 | Res., Fixed, 33Ω ±5%, ¼W |
| R422 | 1 | 1 | 1 | RT05330140 | Res., Fixed, 33Ω ±5%, ¼W |
| R423 | 1 | 1 | 1 | RT05202140 | Res., Fixed, 2kΩ ±5%, ¼W |
| R424 | 1 | 1 | 1 | RT05202140 | Res., Fixed, 2kΩ ±5%, ¼W |
| R425 | 1 | 1 | 1 | RT05203140 | Res., Fixed, 20kΩ ±5%, ¼W |
| R426 | 1 | 1 | 1 | RT05203140 | Res., Fixed, 20kΩ ±5%, ¼W |
| R427 | 1 | 1 | 1 | RT05331140 | Res., Fixed, 330Ω ±5%, ¼W |
| R428 | 1 | 1 | 1 | RT05331140 | Res., Fixed, 330Ω ±5%, ¼W |
| R429 | 1 | 1 | 1 | RT05105140 | Res., Fixed, 1MΩ ±5%, ¼W |
| R430 | 1 | 1 | 1 | RT05105140 | Res., Fixed, 1MΩ ±5%, ¼W |
| R431 | 1 | 1 | 1 | GF05100140 | Res., Fixed, 10Ω ±5%, ¼W |
| R432 | 1 | 1 | 1 | GF05100140 | Res., Fixed, 10Ω ±5%, ¼W |
| R433 | 1 | 1 | 1 | RT05102140 | Res., Fixed, 1kΩ ±5%, ¼W |
| R434 | 1 | 1 | 1 | RT05102140 | Res., Fixed, 1kΩ ±5%, ¼W |
| R435 | 1 | 1 | 1 | RT05101140 | Res., Fixed, 100Ω ±5%, ¼W |
| R436 | 1 | 1 | 1 | RT05240140 | Res., Fixed, 24Ω ±5%, ¼W |
| R437 | 1 | 1 | 1 | RT05273140 | Res., Fixed, 27kΩ ±5%, ¼W |
| R438 | 1 | 1 | 1 | RT05105140 | Res., Fixed, 1MΩ ±5%, ¼W |
| R439 | 1 | 1 | 1 | RT05105140 | Res., Fixed, 1MΩ ±5%, ¼W |
| S401 | | | 1 | SR09060020 | Rotary Switch, Selector |
| S401 | 1 | 1 | | SR10060160 | Rotary Switch, Selector |
| S402 | 1 | 1 | 1 | SR04050110 | Rotary Switch, Mode |
| W401 | 1 | 1 | 1 | YB00120020 | Connective Cord |
| C701 | 2 | 2 | 2 | DD15101010 | Cap., Ceramic, 100pF, 50V |
| C702 | 2 | 2 | 2 | EE47502540 | Cap., Elect., 4.7μF, 25V |
| C703 | 2 | 2 | 2 | DK16221510 | Cap., Ceramic, 220pF, 500V |
| C704 | 2 | 2 | 2 | DF17223050 | Cap., Film, 0.022μF, 50V |
| C705 | 2 | 2 | 2 | DD11050500 | Cap., Ceramic, 5pF, 500V |
| C706 | 2 | 2 | 2 | DK16101500 | Cap., Ceramic, 100pF, 500V |
| C708 | 2 | 2 | 2 | DF17224050 | Cap., Film, 0.22μF, 50V |
| C710 | 2 | 2 | 2 | DF17104520 | Cap., Film, 0.1μF, 200V |
| C711 | 2 | 2 | 2 | DF16103050 | Cap., Film, 0.01μF, 50V |
| C712 | 2 | 2 | 2 | DF16103050 | Cap., Film, 0.01μF, 50V |
| C713 | 2 | 2 | 2 | DF16104050 | Cap., Film, 0.1μF, 50V |
| C714 | 2 | 2 | 2 | DF16104050 | Cap., Film, 0.1μF, 50V |
| C716 | 2 | 2 | 2 | BF17104520 | Cap., Film, 0.1μF, 200V |
| C717 | 2 | 2 | 2 | DF17104520 | Cap., Film, 0.1μF, 200V |
| C718 | 2 | 2 | 2 | DF17104520 | Cap., Film, 0.1μF, 200V |
| C719 | 2 | 2 | 2 | DF17104520 | Cap., Film, 0.1μF, 200V |
| C720 | 2 | 2 | 2 | EA47505090 | Cap., Elect., 4.7μF, 50V |
| C721 | 2 | 2 | 2 | EA10605090 | Cap., Elect., 10μF, 50V |
| C722 | 2 | 2 | 2 | EE10701640 | Cap., Elect., 100μF, 16V |
| C723 | 2 | 2 | 2 | EA10601690 | Cap., Elect., 10μF, 16V |
| C724 | 2 | 2 | 2 | EA10601690 | Cap., Elect., 10μF, 16V |
| C725 | 2 | 2 | 2 | EA22601090 | Cap., Elect., 22μF, 10V |
| J701 | 2 | 2 | 2 | YP10001430 | Plug, 3P |
| J702 | 2 | 2 | 2 | YP06001300 | Plug, 6P |
| J703 | 2 | 2 | 2 | YJ06001330 | Jack, 8P |
| J704 | 2 | 2 | 2 | YJ06001340 | Jack, 4P |
| J705 | 2 | 2 | 2 | YJ06001340 | Jack, 4P |
| J706 | 2 | 2 | 2 | YL09010130 | Terminal, 1P |
| J707 | 2 | 2 | 2 | YL09010130 | Terminal, 1P |
| J708 | 2 | 2 | 2 | YL09010140 | Terminal, 1P |
| J709 | 2 | 2 | 2 | YL09010140 | Terminal, 1P |
| L701 | 2 | 2 | 2 | LC22220010 | Choke Coil |
| L702 | 2 | 2 | 2 | LC22220010 | Choke Coil |

U : For U.S.A.
C : For Canada
E : For Europe

| REF. DESIG. | Q'TY | | | PART NO. | DESCRIPTION |
|-------------|------|---|---|--------------------------|---|
| | U | C | E | | |
| P700 | 2 | 2 | 2 | YG22190010 ZZ22192010 | P.W. Board, Main Amp P.W. Board Assembly |
| Q701 | 2 | 2 | 2 | HT320882A0 | Transistor, 2SC2088 BL or V |
| Q702 | 2 | 2 | 2 | HT320882A0 | Transistor, 2SC2088 BL or V |
| Q703 | 2 | 2 | 2 | HT320882A0 | Transistor, 2SC2088 BL or V |
| Q704 | 2 | 2 | 2 | HT107332B0 | Transistor, 2SA733 Q or R |
| Q705 | 2 | 2 | 2 | HT109392B0 | Transistor, 2SA939 B or V |
| Q706 | 2 | 2 | 2 | HT109392B0 | Transistor, 2SA939 B or V |
| Q707 | 2 | 2 | 2 | HT320712B0 | Transistor, 2SC2071 B or V |
| Q708 | 2 | 2 | 2 | HT320712B0 | Transistor, 2SC2071 B or V |
| Q709 | 2 | 2 | 2 | HT309452A0 | Transistor, 2SC945 Q or R |
| Q710 | 2 | 2 | 2 | HT107332B0 | Transistor, 2SA733 Q or R |
| Q711 | 2 | 2 | 2 | HT320713A0 | Transistor, 2SC2071 G, B or V |
| Q712 | 2 | 2 | 2 | HT109393A0 | Transistor, 2SA939 G, B or V |
| Q713 | 2 | 2 | 2 | HT107502B0 | Transistor, 2SA750 E or U |
| Q714 | 2 | 2 | 2 | HT107502B0 | Transistor, 2SA750 E or U |
| Q715 | 2 | 2 | 2 | HD20001210 | Diode, 1S2473 |
| Q716 | 2 | 2 | 2 | HD20001210 | Diode, 1S2473 |
| Q717 | 2 | 2 | 2 | HV00003120 | Varistor, MV-13 |
| Q718 | 2 | 2 | 2 | HD20003210 | Diode, 1S2471 |
| Q719 | 2 | 2 | 2 | HD20001210 | Diode, 1S2473 |
| Q720 | 2 | 2 | 2 | HD20001210 | Diode, 1S2473 |
| Q721 | 2 | 2 | 2 | HD20001210 | Diode, 1S2473 |
| Q722 | 2 | 2 | 2 | HD20001210 | Diode, 1S2473 |
| Q723 | 2 | 2 | 2 | HD20001210 | Diode, 1S2473 |
| Q724 | 2 | 2 | 2 | HD20003210 | Diode, 1S2471 |
| Q725 | 2 | 2 | 2 | HD20003210 | Diode, 1S2471 |
| Q726 | 2 | 2 | 2 | HD20001210 | Diode, 1S2473 |
| Q727 | 2 | 2 | 2 | HD20001210 | Diode, 1S2473 |
| Q728 | 2 | 2 | 2 | HD20011010 | Diode, W06C |
| Q729 | 2 | 2 | 2 | HD20011010 | Diode, W06C |
| Q730 | 2 | 2 | 2 | HD30023090 | Zener, WZ-071, 7.1V 0.5W |
| Q731 | 2 | 2 | 2 | HD30002130 | Zener, EQA01-35R, 35V 0.5W |
| Q732 | 2 | 2 | 2 | HD20001210 | Diode, 1S2473 |
| Q733 | 2 | 2 | 2 | HD30027090 | Zener, WZ-140, 14V 0.5W |
| Q734 | 2 | 2 | 2 | HD20001210 | Diode, 1S2473 |
| Q735 | 2 | 2 | 2 | HD20001210 | Diode, 1S2473 |
| R701 | 2 | 2 | 2 | RT05513140 | Res., Fixed, 51kΩ ±5%, ¼W |
| R702 | 2 | 2 | 2 | RT05182140 | Res., Fixed, 1.8kΩ ±5%, ¼W |
| R703 | 2 | 2 | 2 | RT05514140 | Res., Fixed, 510kΩ ±5%, ¼W |
| R704 | 2 | 2 | 2 | RT05432140 | Res., Fixed, 4.3kΩ ±5%, ¼W |
| R705 | 2 | 2 | 2 | RT05432140 | Res., Fixed, 4.3kΩ ±5%, ¼W |
| R706 | 2 | 2 | 2 | RT05681140 | Res., Fixed, 680Ω ±5%, ¼W |
| R707 | 2 | 2 | 2 | RT05511140 | Res., Fixed, 510Ω ±5%, ¼W |
| R708 | 2 | 2 | 2 | RT05822140 | Res., Fixed, 8.2kΩ ±5%, ¼W |
| R709 | 2 | 2 | 2 | GF05472120 | Res., Fixed, 4.7kΩ ±5%, ½W |
| R710 | 2 | 2 | 2 | RT05184140 | Res., Fixed, 180kΩ ±5%, ¼W |
| R711 | 2 | 2 | 2 | RT05184140 | Res., Fixed, 180kΩ ±5%, ¼W |
| R712 | 2 | 2 | 2 | RT05182140 | Res., Fixed, 1.8kΩ ±5%, ¼W |
| R713 | 2 | 2 | 2 | RT05393140 | Res., Fixed, 39kΩ ±5%, ¼W |
| R714 | 2 | 2 | 2 | RT05183140 | Res., Fixed, 18kΩ ±5%, ¼W |
| R715 | 2 | 2 | 2 | RT05154140 | Res., Fixed, 150kΩ ±5%, ¼W |
| R716 | 2 | 2 | 2 | RT05513140 | Res., Fixed, 51kΩ ±5%, ¼W |
| R717 | 2 | 2 | 2 | RT05511140 | Res., Fixed, 510Ω ±5%, ¼W |
| R718 | 2 | 2 | 2 | RT05511140 | Res., Fixed, 510Ω ±5%, ¼W |
| R719 | 2 | 2 | 2 | RT05511140 | Res., Fixed, 510Ω ±5%, ¼W |
| R720 | 2 | 2 | 2 | RT05511140 | Res., Fixed, 510Ω ±5%, ¼W |
| R721 | 2 | 2 | 2 | RT05181140 | Res., Fixed, 180Ω ±5%, ¼W |
| R722 | 2 | 2 | 2 | GJ05030010 | Res., Fixed, 3Ω ±5%, 1W |
| R723 | 2 | 2 | 2 | RT05153140 | Res., Fixed, 15kΩ ±5%, ¼W |

| REF. DESIG. | Q'TY | | | PART NO. | DESCRIPTION |
|-------------|------|---|---|------------|-----------------------------|
| | U | C | E | | |
| R724 | 2 | 2 | 2 | RT05153140 | Res., Fixed, 15kΩ ±5%, ¼W |
| R725 | 2 | 2 | 2 | RT05393140 | Res., Fixed, 39kΩ ±5%, ¼W |
| R726 | 2 | 2 | 2 | GF05100120 | Res., Fixed, 10Ω ±5%, ½W |
| R727 | 2 | 2 | 2 | GF05100120 | Res., Fixed, 10Ω ±5%, ½W |
| R728 | 2 | 2 | 2 | GF05100140 | Res., Fixed, 10Ω ±5%, ¼W |
| R729 | 2 | 2 | 2 | GF05100140 | Res., Fixed, 10Ω ±5%, ¼W |
| R730 | 2 | 2 | 2 | RT05301140 | Res., Fixed, 300Ω ±5%, ¼W |
| R731 | 2 | 2 | 2 | RT05301140 | Res., Fixed, 300Ω ±5%, ¼W |
| R732 | 2 | 2 | 2 | GF05161140 | Res., Fixed, 160Ω ±5%, ¼W |
| R733 | 2 | 2 | 2 | GF05161140 | Res., Fixed, 160Ω ±5%, ¼W |
| R734 | 2 | 2 | 2 | GF05201140 | Res., Fixed, 200Ω ±5%, ¼W |
| R735 | 2 | 2 | 2 | GF05201140 | Res., Fixed, 200Ω ±5%, ¼W |
| R736 | 2 | 2 | 2 | GF05273120 | Res., Fixed, 27kΩ ±5%, ½W |
| R737 | 2 | 2 | 2 | GF05561120 | Res., Fixed, 560Ω ±5%, ½W |
| R738 | 2 | 2 | 2 | GJ05151010 | Res., Fixed, 150Ω ±5%, 1W |
| R739 | 2 | 2 | 2 | GJ05022030 | Res., Fixed, 2.2Ω ±5%, 3W |
| R740 | 2 | 2 | 2 | GW10392050 | Res., Fixed, 0.39Ω ±10%, 5W |
| R741 | 2 | 2 | 2 | GW10392050 | Res., Fixed, 0.39Ω ±10%, 5W |
| R742 | 2 | 2 | 2 | GW10392050 | Res., Fixed, 0.39Ω ±10%, 5W |
| R743 | 2 | 2 | 2 | GW10392050 | Res., Fixed, 0.39Ω ±10%, 5W |
| R744 | 2 | 2 | 2 | GW10392050 | Res., Fixed, 0.39Ω ±10%, 5W |
| R745 | 2 | 2 | 2 | GW10392050 | Res., Fixed, 0.39Ω ±10%, 5W |
| R746 | 2 | 2 | 2 | GW10392050 | Res., Fixed, 0.39Ω ±10%, 5W |
| R747 | 2 | 2 | 2 | GW10392050 | Res., Fixed, 0.39Ω ±10%, 5W |
| R748 | 2 | 2 | 2 | GJ05047030 | Res., Fixed, 4.7Ω ±5%, 3W |
| R749 | 2 | 2 | 2 | GJ05047030 | Res., Fixed, 4.7Ω ±5%, 3W |
| R750 | 2 | 2 | 2 | RT05220140 | Res., Fixed, 22Ω ±5%, ¼W |
| R751 | 2 | 2 | 2 | RT05470140 | Res., Fixed, 47Ω ±5%, ¼W |
| R752 | 2 | 2 | 2 | RT05470140 | Res., Fixed, 47Ω ±5%, ¼W |
| R753 | 2 | 2 | 2 | RT05102140 | Res., Fixed, 1kΩ ±5%, ¼W |
| R754 | 2 | 2 | 2 | RT05102140 | Res., Fixed, 1kΩ ±5%, ¼W |
| R755 | 2 | 2 | 2 | GJ05822010 | Res., Fixed, 8.2kΩ ±5%, 1W |
| R756 | 2 | 2 | 2 | GJ05123010 | Res., Fixed, 12kΩ ±5%, 1W |
| R757 | 2 | 2 | 2 | RT05033140 | Res., Fixed, 3.3Ω ±5%, ¼W |
| R758 | 2 | 2 | 2 | RT05151140 | Res., Fixed, 150Ω ±5%, ¼W |
| R759 | 2 | 2 | 2 | RT05154140 | Res., Fixed, 150kΩ ±5%, ¼W |
| R760 | 2 | 2 | 2 | RA02220090 | Res., Semifixed, 2.2kΩ |
| R761 | 2 | 2 | 2 | RA01020270 | Res., Semifixed, 1kΩ |
| W701 | 2 | 2 | 2 | YB00090010 | Connective Cord |
| C801 | 1 | 1 | 1 | DF17103510 | Cap., Film, 200V DC |
| C802 | 1 | 1 | 1 | DF17103510 | Cap., Film, 200V DC |
| C803 | 1 | 1 | 1 | DF17103050 | Cap., Film, 0.01μF, 50V |
| C804 | 1 | 1 | 1 | DF17103050 | Cap., Film, 0.01μF, 50V |
| C805 | 1 | 1 | 1 | DF17103050 | Cap., Film, 0.01μF, 50V |
| C806 | 1 | 1 | 1 | DF17103050 | Cap., Film, 0.01μF, 50V |
| C807 | 1 | 1 | 1 | EA22625010 | Cap., Elect., 22μF, 250V |
| C808 | 1 | 1 | 1 | EA10625010 | Cap., Elect., 10μF, 250V |
| C809 | 1 | 1 | 1 | EB10806310 | Cap., Elect., 1000μF, 63V |
| C810 | 1 | 1 | 1 | EB47706320 | Cap., Elect., 470μF, 63V |
| C811 | 1 | 1 | 1 | EA10635010 | Cap., Elect., 10μF, 350V |
| C812 | 1 | 1 | 1 | EA10635010 | Cap., Elect., 10μF, 350V |
| C813 | 1 | 1 | 1 | EA22701690 | Cap., Elect., 220μF, 16V |
| C814 | 1 | 1 | 1 | EA22701690 | Cap., Elect., 220μF, 16V |
| C815 | 1 | 1 | 1 | EA10705090 | Cap., Elect., 10μF, 50V |
| C816 | 1 | 1 | 1 | EA22705090 | Cap., Elect., 220μF, 50V |
| C817 | 1 | 1 | 1 | EA22705090 | Cap., Elect., 220μF, 50V |
| C818 | 1 | 1 | 1 | EA10601690 | Cap., Elect., 10μF, 16V |
| C819 | 1 | 1 | 1 | EE47505040 | Cap., Elect., 4.7μF, 50V |
| C820 | 1 | 1 | 1 | EE47505040 | Cap., Elect., 4.7μF, 50V |
| F801 | 1 | 1 | 1 | FS10200060 | Fuse, 30mm(UL) |



TECHNICAL SPECIFICATIONS

A.A. MODEL ONLY

STEREO SECTION:
 POWER OUTPUT, MINIMUM CONTINUOUS AVERAGE POWER PER CHANNEL, BOTH CHANNELS DRIVEN . . . 250 W
 BAND . . . 20 Hz to 20 kHz
 HARMONIC DISTORTION . . . 0.05%
 PEDANCE . . . 8 OHMS
 POWER OUTPUT, MINIMUM CONTINUOUS AVERAGE POWER PER CHANNEL, BOTH CHANNELS DRIVEN . . . 330 W
 BAND . . . 20 Hz to 20 kHz
 HARMONIC DISTORTION . . . 0.08%
 PEDANCE . . . 4 OHMS

Distortion (Mono and Stereo)
 at 50 dB Quieting, 1000 Hz 0.4%
 Hum and Noise
 at 65 dBf (1000 µV) 80 dB
 Mono
 Stereo
 Frequency Response
 30 Hz to 15 kHz +0.2 dB, -1.0 dB
 Mono
 Stereo
 Capture Ratio at 65 dBf (1000 µV) ±2 dB, -1.0 dB
 Alternate Channel Selectivity 85 dB
 Spurious Response Rejection 120 dB
 Image Response Rejection 120 dB
 I.F. Rejection (Balanced) 120 dB
 A.M. Suppression 60 dB
 Stereo Separation
 100 Hz 45 dB
 1000 Hz 50 dB
 10 kHz 42 dB
 Subcarrier Rejection 75 dB

LIFIER SECTION:
 Overload at 1 kHz 200 mV
 Input Noise 1.0 µV
 Dynamic Range is the ratio of input overload to
 equivalent input noise 106 dB
 Sensitivity 1.8 mV
 Impedance 47 kohms
 Capacity Response, RIAA 20 Hz to 20 kHz ±0.2 dB
 Impedance 100 pF
 Signal-to-Noise Ratio
 rated output and 7.75 mV input) 80 dB
 level (Aux and Tape)
 Input Impedance 180 mV
 Frequency Response 40 kohms
 Frequency Response 10 Hz to 60 kHz, ±1.0 dB
 Signal-to-Noise Ratio
 (ref. to rated output and 775 mV input) 98 dB

GENERAL:
 Power Requirements 120 V AC, 60 Hz
 Power Consumption at rated output, both channels
 operating 920 W
 Idling Power (Volume Control at zero) 115 W
 Dimensions:
 Panel Width 490 mm (19-1/4")
 Panel Height 177 mm (7")
 Depth 438 mm (17-1/4")
 Weight:
 Unit alone 27 kg (59.4 lbs)
 Packed for shipment 29 kg (63.8 lbs)

STEREO SECTION:
 Input Impedance 500 ohms
 Pre-Out 450 ohms
 Post-Out
 Headphone Jack Load Impedance (200, 400 ohms acceptable)

FM TUNER SECTION:
 Frequency Range 87.5 — 108 MHz
 Usable Sensitivity 40 kHz Deviation, 98 MHz
 Mono, S/N 26 dB 1.2 µV
 Stereo, S/N 46 dB 3.4 µV
 Alternate Channel Selectivity, 98 MHz ±300 kHz 72 dB
 Image Response Rejection, 98 MHz 120 dB
 I.F. Rejection, 98 MHz 110 dB
 Spurious Response Rejection, 98 MHz 110 dB
 AM Suppression, 98 MHz 65 dB
 Signal-to-Noise Ratio, 98 MHz
 Unweighted: Mono 73 dB
 Stereo 70 dB
 Weighted: Mono 78 dB
 Stereo 71 dB
 Pilot Signal & Subcarrier Rejection 65 dB
 19 kHz 75 dB
 38 kHz

AM TUNER SECTION:
 Frequency Range 515 — 1650 kHz
 Usable Sensitivity (26 dB S/N 30% Mod., 1 MHz) 15 µV
 Selectivity, 1 MHz ±9 kHz 27 dB
 Image Rejection, 1 MHz 80 dB
 I.F. Rejection, 1 MHz 50 dB
 Spurious Response Rejection, 1 MHz 90 dB
 Signal-to-Noise Ratio, 1 MHz 55 dB
 Frequency Response, 1 MHz ±3 dB 40 Hz — 2.3 kHz
 Total Harmonic Distortion, 1 MHz 0.4%

GENERAL:
 Power Requirements 220 V AC, 50 Hz
 Power Consumption at Rated Output, Both Channels
 Operating 920 W
 Idling Power 115 W
 Integrated Circuits 11
 Transistors 123
 Diodes 100
 Field Effect Transistors 12
 Dimensions:
 Panel Width 19-1/4" (490 mm)
 Panel Height 7" (177 mm)
 Depth 17-1/4" (438 mm)
 Weight:
 Unit alone 60.3 lbs (27.4 kg)
 Packed for shipment 64.7 lbs (29.4 kg)

[FOR EUROPEAN MODEL ONLY]

STEREO SECTION:
 POWER OUTPUT AT 1% DISTORTION 340 W
 RATED POWER OUTPUT, 1 kHz 330 W
 TOTAL HARMONIC DISTORTION AT RATED POWER OUTPUT, 1 kHz 0.1%
 I.M. DISTORTION AT RATED POWER OUTPUT
 (I.H.F. METHOD, 300 Hz AND 10 kHz MIXED 4:1 AT RATED POWER OUTPUT) 5 Hz — 35 kHz
 POWER BANDWIDTH (1/2 RATED POWER OUTPUT) 4 ohms
 LOAD IMPEDANCE 270 W
 POWER OUTPUT AT 1% DISTORTION 270 W
 RATED POWER OUTPUT, 1 kHz 0.05%
 TOTAL HARMONIC DISTORTION AT RATED POWER OUTPUT, 1 kHz
 I.M. DISTORTION AT RATED POWER OUTPUT
 (I.H.F. METHOD, 300 Hz AND 10 kHz MIXED 4:1 AT RATED POWER OUTPUT) 5 Hz — 35 kHz
 POWER BANDWIDTH (1/2 RATED POWER, OUTPUT) 8 ohms
 LOAD IMPEDANCE

Damping Factor 55
 8 ohms
 4 ohms 25
 Frequency Response
 Mono ±2 dB ±0.5 dB
 Stereo ±1.5 dB ±0.5 dB
 Main In ±1.5 dB ±0.2 dB
 Signal-to-Noise Ratio, 1 kHz
 Mono 56 dB
 Stereo 58 dB
 Main In 70 dB
 Input Impedance 47 kohms
 Phono: 1.8 mV
 Input Sensitivity 41 dB
 Overload Margin (Above rated input voltage) 55 kohms
 Aux: 180 mV
 Input Impedance
 Input Sensitivity 60 dB
 Overload Margin (Above rated input voltage) 1.0 µV
 Phono Equivalent Input Noise
 Phono Dynamic Range (Ratio of input overload to equivalent
 input noise) 106 dB
 Phono Input Capacitance 100 pF
 Channel Balance 2.5 dB
 Phono 0 — 40 dB 2.0 dB
 Aux 40 Hz — 16 kHz
 Interchannel Crosstalk
 Phono 1 kHz 43 dB
 250 Hz — 10 kHz 40 dB
 Aux 1 kHz 45 dB
 250 Hz — 10 kHz 35 dB
 Intersource Crosstalk (Worst Point)
 1 kHz 60 dB
 250 Hz — 10 kHz 43 dB
 Output Voltage, 1 kHz 775 mV
 Tape Out 1.5 V
 Pre Out 500 ohms
 Output Impedance, 1 kHz 350 ohms
 Tape Out 4 ohms or more
 Headphone Jack Load Impedance (200, 400 ohms acceptable)

FM TUNER SECTION:
 Frequency Range 87.5 — 108 MHz
 Usable Sensitivity 40 kHz Deviation, 98 MHz
 Mono, S/N 26 dB 1.2 µV
 Stereo, S/N 46 dB 3.4 µV
 Alternate Channel Selectivity, 98 MHz ±300 kHz 72 dB
 Image Response Rejection, 98 MHz 120 dB
 I.F. Rejection, 98 MHz 110 dB
 Spurious Response Rejection, 98 MHz 110 dB
 AM Suppression, 98 MHz 65 dB
 Signal-to-Noise Ratio, 98 MHz
 Unweighted: Mono 73 dB
 Stereo 70 dB
 Weighted: Mono 78 dB
 Stereo 71 dB
 Pilot Signal & Subcarrier Rejection 65 dB
 19 kHz 75 dB
 38 kHz

AM TUNER SECTION:
 Frequency Range 515 — 1650 kHz
 Usable Sensitivity (26 dB S/N 30% Mod., 1 MHz) 15 µV
 Selectivity, 1 MHz ±9 kHz 27 dB
 Image Rejection, 1 MHz 80 dB
 I.F. Rejection, 1 MHz 50 dB
 Spurious Response Rejection, 1 MHz 90 dB
 Signal-to-Noise Ratio, 1 MHz 55 dB
 Frequency Response, 1 MHz ±3 dB 40 Hz — 2.3 kHz
 Total Harmonic Distortion, 1 MHz 0.4%

GENERAL:
 Power Requirements 220 V AC, 50 Hz
 Power Consumption at Rated Output, Both Channels
 Operating 920 W
 Idling Power 115 W
 Integrated Circuits 11
 Transistors 123
 Diodes 100
 Field Effect Transistors 12
 Dimensions:
 Panel Width 19-1/4" (490 mm)
 Panel Height 7" (177 mm)
 Depth 17-1/4" (438 mm)
 Weight:
 Unit alone 60.3 lbs (27.4 kg)
 Packed for shipment 64.7 lbs (29.4 kg)