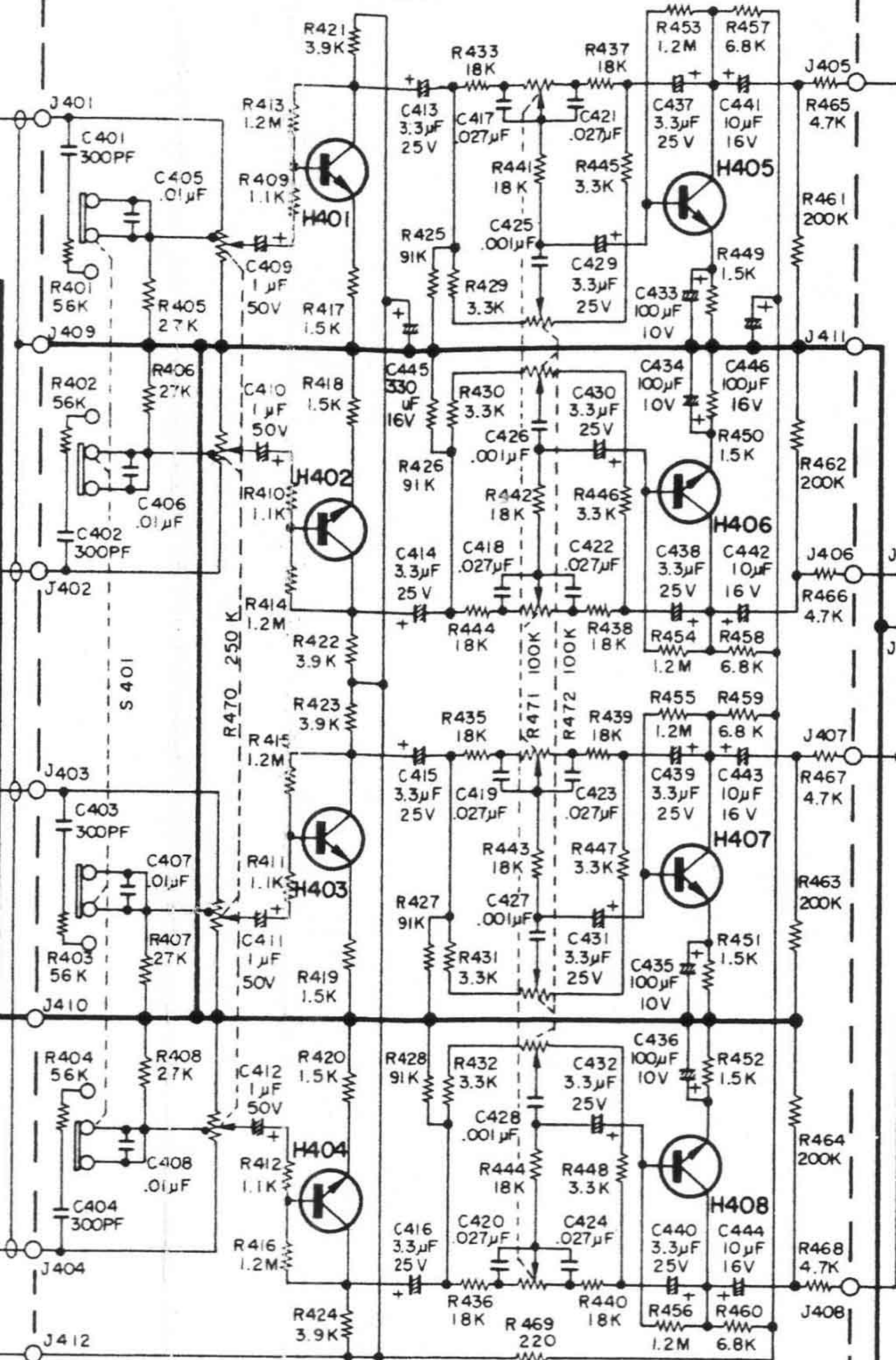


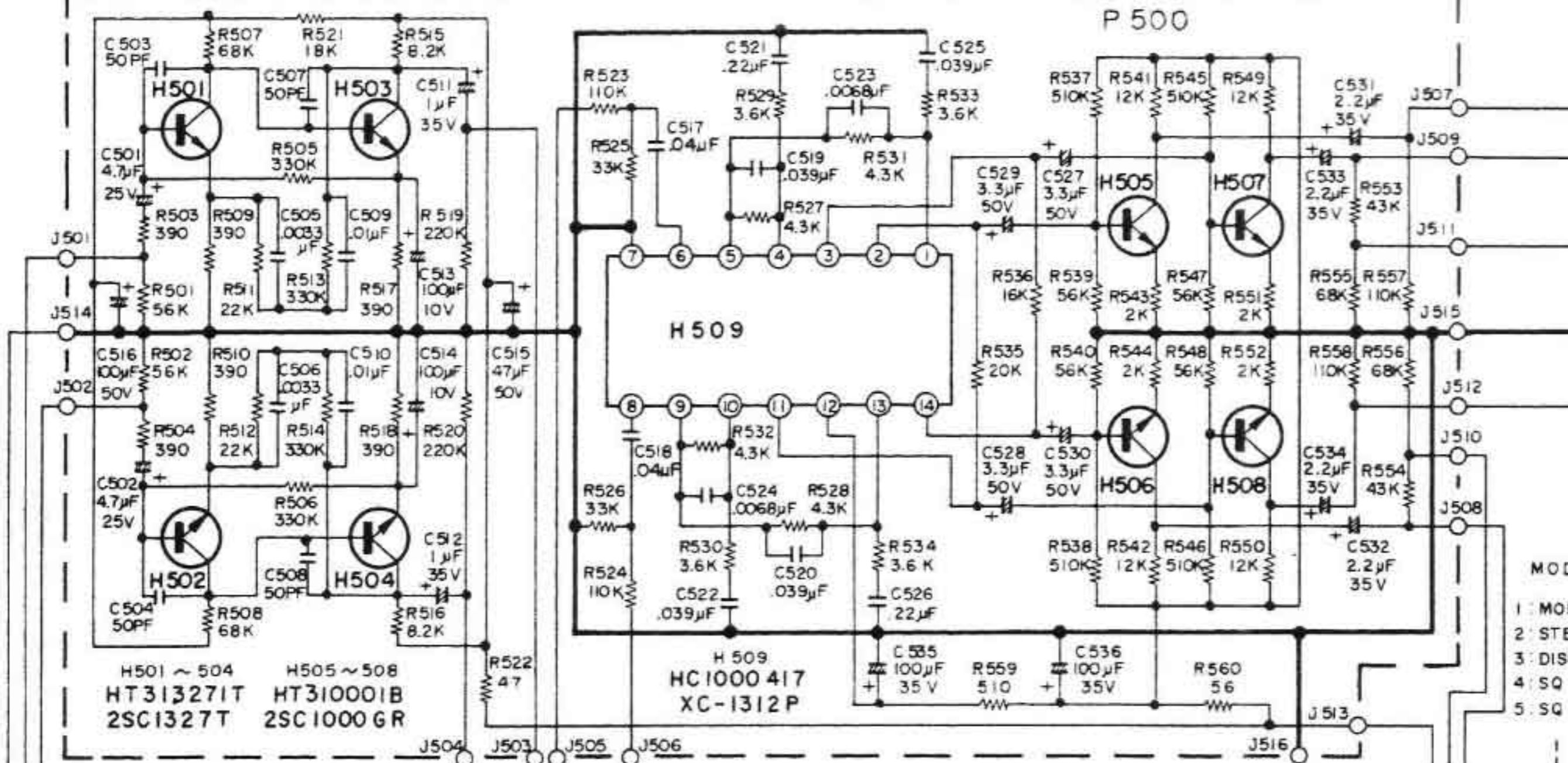


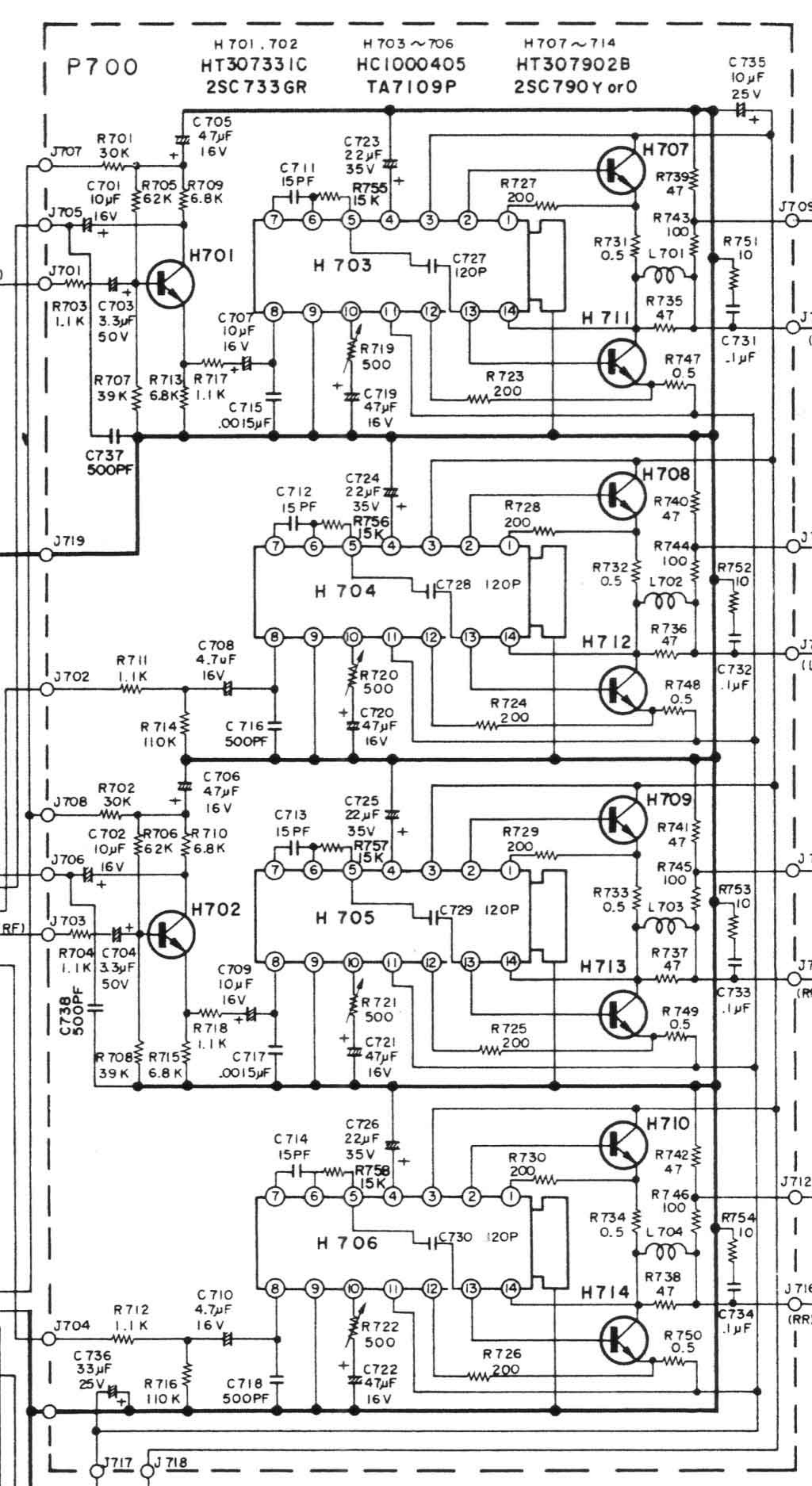
H401 ~ 408

P 400

HT31327IT 2SC1327T







P700

H701.702  
HT30733IC  
2SC733GR

H703~706  
HC1000405  
TA7109P

H707~714  
HT307902B  
2SC790Y or O

C735  
10 $\mu$ F  
25V

