

SERVICE MANUAL



marantz

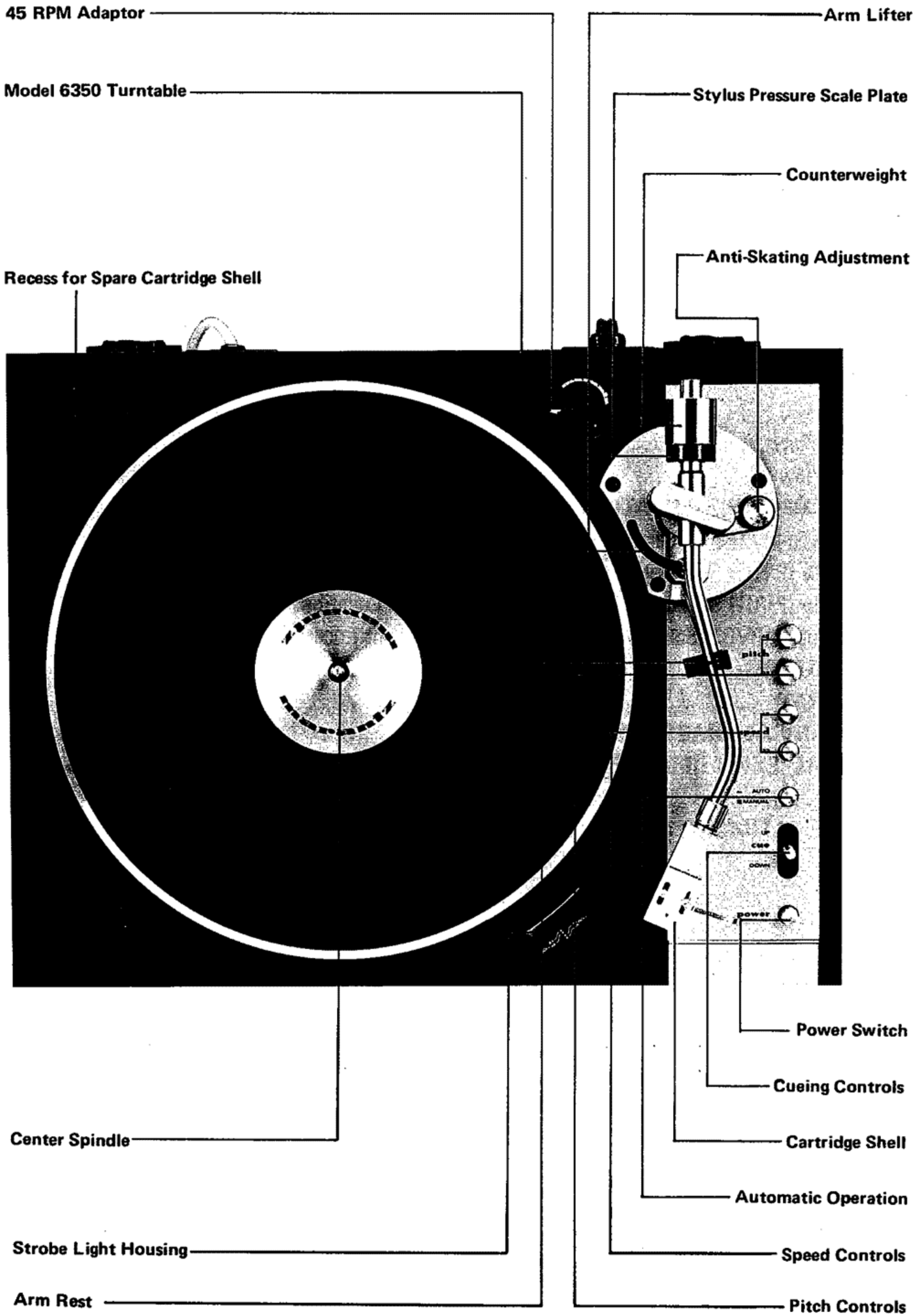
model 6350

Turntable

TABLE OF CONTENTS

SECTION	PAGE
1. MECHANICAL OPERATION	2
1.1 Auto Mode	2
1.2 Manual Mode	2
2. ADJUSTMENTS	3
2.1 Automatic Shut-Off Check and Adjustment	3
2.2 Tone Arm Adjustment	3
3. SERVICE NOTES	5
3.1 Voltage Conversion for European Model	5
3.2 Cartridge Wire Color Code	5
3.3 Replacement Parts/Technical Assistance	5
4. MAJOR COMPONENT LOCATIONS	6
4.1 Cabinet-Top View	6
4.2 Cabinet-Rear View	6
4.3 Cabinet-Bottom View	7
4.4 Chassis-Bottom View	7
5. DIAGRAM AND COMPONENT LOCATIONS	8
5.1 Power Supply Assembly (P800) Schematic Diagram and Component Locations	8
5.2 Adjuster Assembly (PV02) Schematic Diagram and Component Locations	9
5.3 Adjuster Assembly (PV01) Schematic Diagram and Component Locations	9
5.4 Connective Assembly (PV03) Schematic Diagram and Component Locations	9
6. CONNECTION DIAGRAM	10
7. SCHEMATIC DIAGRAM	12
8. EXPLODED MECHANICAL DIAGRAMS	14
9. PACKING MATERIAL EXPLODED VIEW	16
10. PARTS LIST	17
11. TECHNICAL SPECIFICATIONS	20

MARANTZ MODEL 6350 TURNTABLE



1. MECHANICAL OPERATION

1.1 AUTO MODE

1. CUE-DOWN

When the cue-lever 009B is set to "DOWN", the seesaw lever 124B, which moves the arm lifter up or down, is lowered to be locked with the locking fixture 141G. As the seesaw lever 124B is locked, the tone arm lifter is lowered, thereby lowering the tone arm onto the record.

2. CUE-UP

When the cue-lever 009B is set to "UP", the locking fixture 141G is actuated to release the seesaw lever 124B from locking. At the same time when tone arm lifter is raised up with the spring 126G, the power switch lever 095G turns off the power switch S001.

3. AUTOMATIC SHUT-OFF

The lead switches SV02 and SV03 are actuated with the magnet F010 attached to the tip of the lever 001F mounted on the axis of rotation of the tone arm. At the end of the record the magnet approaches the position where it actuates the lead switch, thereby turning on the lead switch. In this case, if the AUTO/MANUAL button is in

the "AUTO" position, the solenoid L002 is actuated to release the seesaw lever 124B from locking, and at the same time the power switch lever 095G turns off the power switch.

1.2 MANUAL MODE

1. CUE-DOWN

When the cue-lever 009B is set to "DOWN", the seesaw lever 124B keeping the arm lifter up is lowered to be locked with the locking fixture, thereby lowering the tone arm onto the record. In this case, even at the end of the record the switch S003 is in the "OFF" position because the operation is in a condition of "MANUAL MODE"; accordingly, as the solenoid L002 is not actuated, the tone arm is not raised.

2. CUE-UP

When the cue-lever 009B is set to "UP", the locking fixture 141G is actuated to release the seesaw lever 124B from locking, thereby raising the tone arm lifter. In this case, the power switch S001 will not be turned off because the power switch lever 095G is not actuated.

2. ADJUSTMENTS

2.1 AUTOMATIC SHUT-OFF CHECK AND ADJUSTMENT

1. AUTOMATIC SHUT-OFF CHECK

Make sure that the solenoid L002 is actuated not only by operation of the lead switch SV03 when the speed button is in the position of 33 RPM (for LP record) but also by operation of the lead switch SV02 when the speed button is in the position of 45 RPM (for EP record).

2. AUTOMATIC SHUT-OFF ADJUSTMENT

Loosen the lead switch assembly lock screw 018F before making the automatic shut-off adjustment.

Adjust the screw 011F so that the AUTO mechanism may be operated at 45 RPM (for EP record). Change the speed from 45 RPM to 33 RPM after adjustment of 45 RPM (for EP record) has been completed. If the AUTO mechanism is incorrectly operated at 33 RPM (for LP record), adjust the screw 017F. When the speed set to "33" is in normal operation at 33 RPM (for LP record), and when the speed set to "45" is in normal operation at 45 RPM (for EP record), tighten the screw (018F x 2) securely.

2.2 TONE ARM ADJUSTMENTS

After a cartridge is mounted, several adjustments must be made to optimize turntable performance. First, the stylus overhang must be adjusted; then the tone arm balance, tracking force, and anti-skating force.

1. STYLUS OVERHANG

The Model 6350 Turntable is designed to operate with the least distortion when the tip of the stylus is at a particular

distance from the tone arm pivot. For this reason, the cartridge shell is slotted, allowing the cartridge with its mounting screws to be slid toward or away from the pivot point. This, in effect, changes the radius of the arc described by the stylus. Supplied in the accessory kit is a 45 RPM spindle adaptor. The adaptor has been specially marked with an arrow and a cross mark to aid you in setting the proper stylus overhang. Proceed as follows:

- A. With the turntable stopped, place the 45 RPM adaptor on the center spindle with the arrow pointing to the rear of the turntable.
- B. Remove the arm from its arm rest and remove the protective cover (if any) from the stylus.
- C. Place the stylus tip over the 45 RPM adaptor and adjust the cartridge so that the stylus tip will be perfectly centered in the cross mark.
- D. Make sure that the cartridge is installed straight. The sides of the cartridge must remain parallel to the sides of the shell.
- E. Snug up the mounting screws.

2. VERTICAL TONE ARM BALANCE

The adjustable counterweight at the end of the tone arm establishes tone arm balance and stylus tracking force.

First, to establish a point of reference, the entire arm assembly (with cartridge installed) must be balanced. If the cartridge has a removable stylus protector, remove it, (as you would to play a record). Release the tone arm from the arm rest.



Figure 1. Stylus Overhang Adjustment



Figure 2. Tone Arm Balance Adjustment

To adjust the tone arm balance, set the anti-skate dial at minimum (see Figure 3 and disable the action of the anti-skate mechanism).

To balance the arm, adjust the position of the counterweight by rotating it. A numbered stylus pressure scale plate is located immediately in front of the counterweight. Rotating the scale plate alone does not change the counterweight's position. To change the balance, grasp and turn the counterweight itself.

Adjust the weight so that the arm is level (parallel to the turntable surface) with the cartridge suspended in mid air.

Then, without moving the counterweight, set the stylus pressure scale plate to indicate zero. This establishes a reference point for setting the tracking force.

Since no two types of cartridges weigh the same, the balance and tracking force must be adjusted for each cartridge being used.

3. TRACKING FORCE

For the recommended tracking force, refer to the instructions that accompany the cartridge.

Tracking force, the downward pressure of the stylus against the record, is produced by simply setting the arm off balance in the appropriate direction. That is, the counterweight is screwed inward (toward the arm pivot) until the desired downward pressure is achieved.

The stylus pressure scale plate is in frictional contact with the counterweight, so that they rotate together when the counterweight is turned. The numbers on the scale plate

correspond to the tracking force measured in grams. So, if the desired tracking force is two grams, turn the counterweight inward until the stylus pressure scale plate registers 2.

4. ANTI-SKATING ADJUSTMENT

The anti-skating mechanism is provided to counteract the natural tendency for the arm to "skate" toward the center of the record as it is being played. The more tracking force used, the more anti-skating force required.

The anti-skating force is adjustable with notched graduations that correspond with the tracking force markings on the stylus pressure scale plate.

The weight is placed in the notch nearest the end of the lever for a tracking force of 2.5 grams. The next three notches inward correspond to 2.0, 1.5, and 1.0 grams, respectively. (See Figure 3.)

Place the arm in the arm rest.

5. STYLUS TRACKING ANGLE

After setting up the arm for playing, it is important to check the tracking angle, because improper tracking angle will cause distortion and premature record wear. Most phono cartridges are designed so that when the cartridge is mounted on a surface parallel with the record surface, the stylus will track at the proper angle (see Figure 4). The surface inside of the cartridge shell (against which the cartridge is mounted) is parallel to the record surface when the tone arm is level. Visually check the angle of the tone arm in actual playing position. If it is not level and parallel with the record surface, then it is necessary to change the height of the tone arm's pivot.

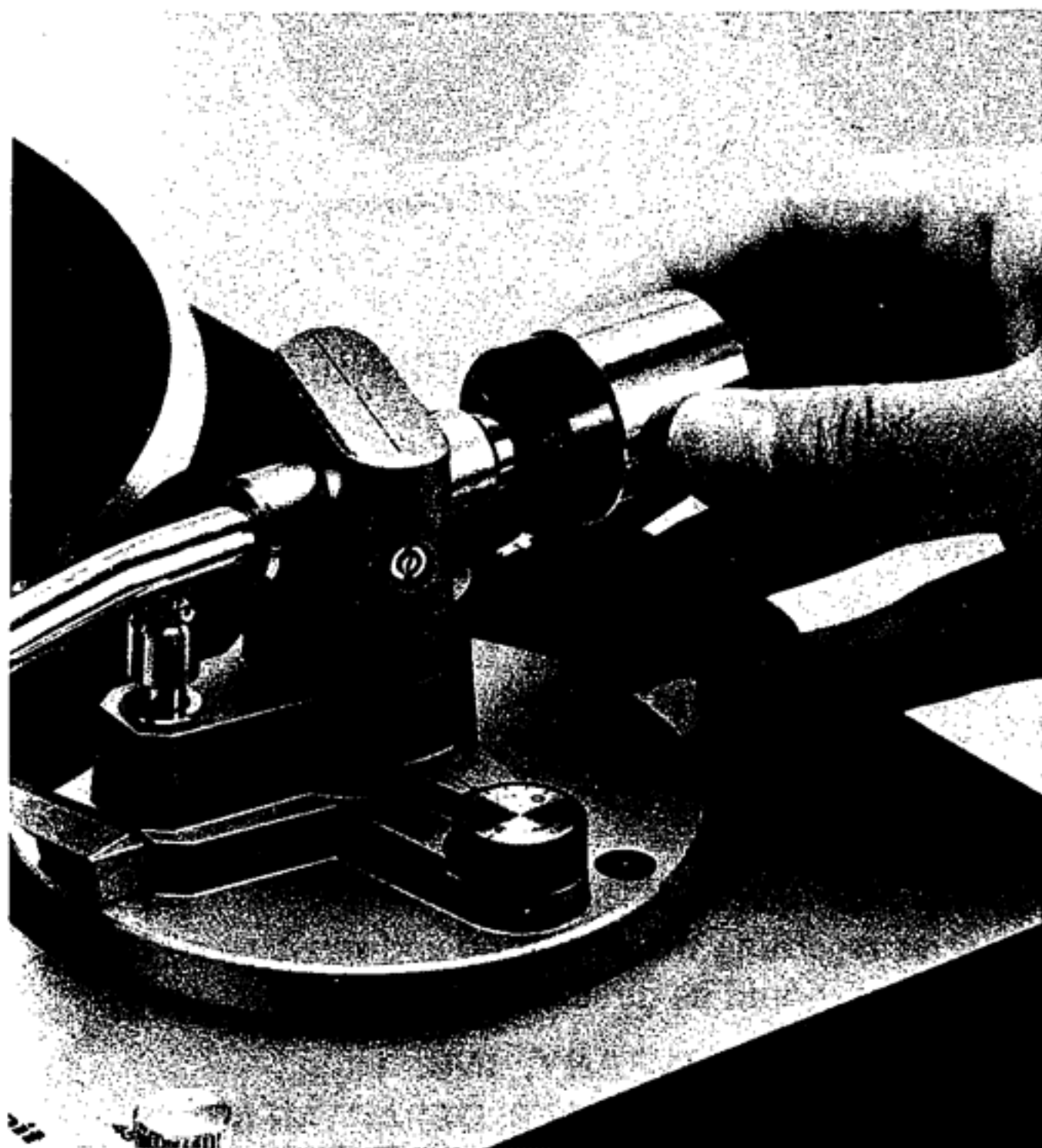


Figure 3. Anti-Skating Mechanism

NOTE

Some cartridges are built so that their bodies are at an angle with respect to their own mounting tabs. No attempt should be made to change this angle. Simply make sure that the cartridge mounting tab surfaces are parallel to the tone arm shell mounting surface before proceeding with the arm height adjustment.

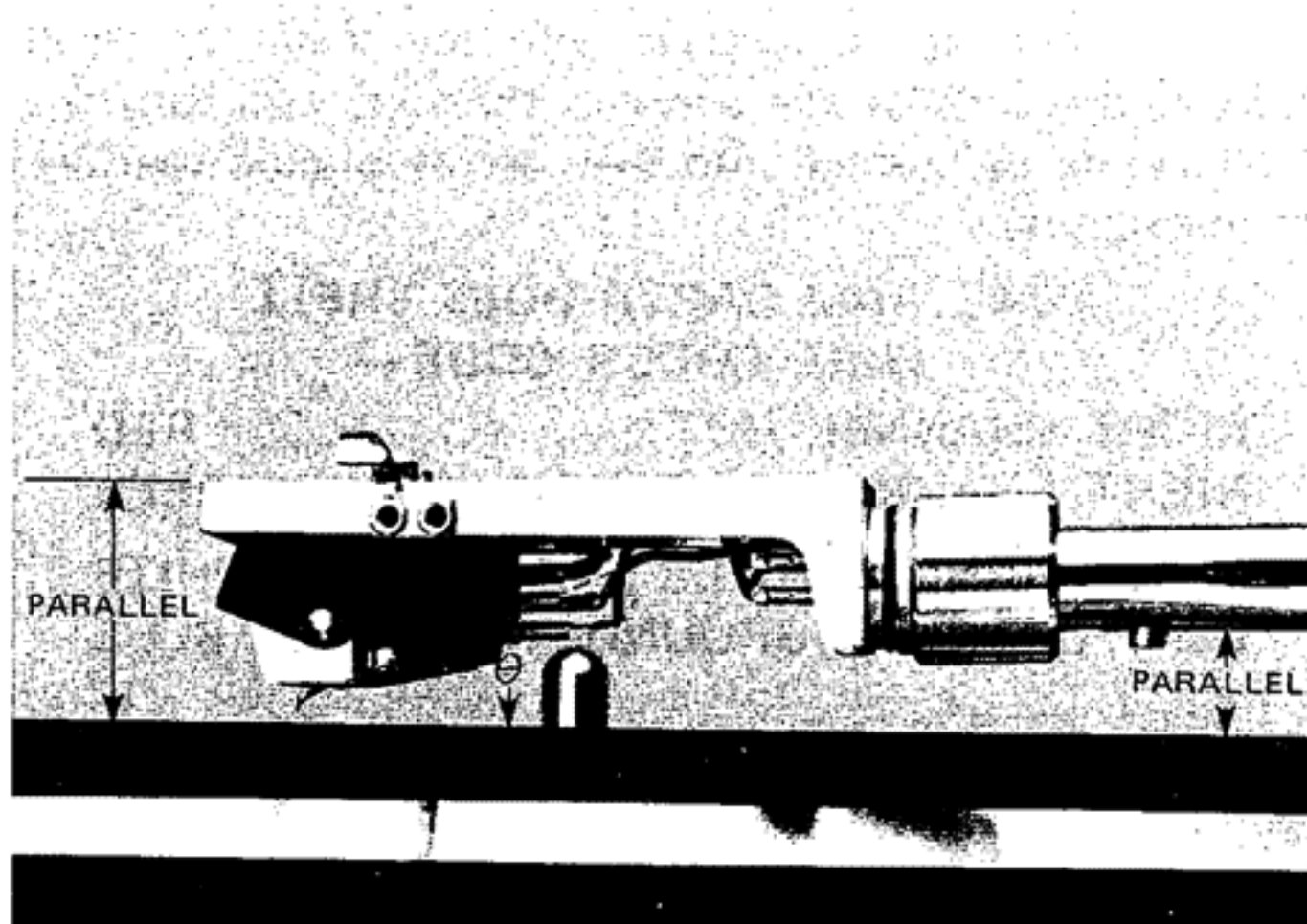


Figure 4. Tracking Angle

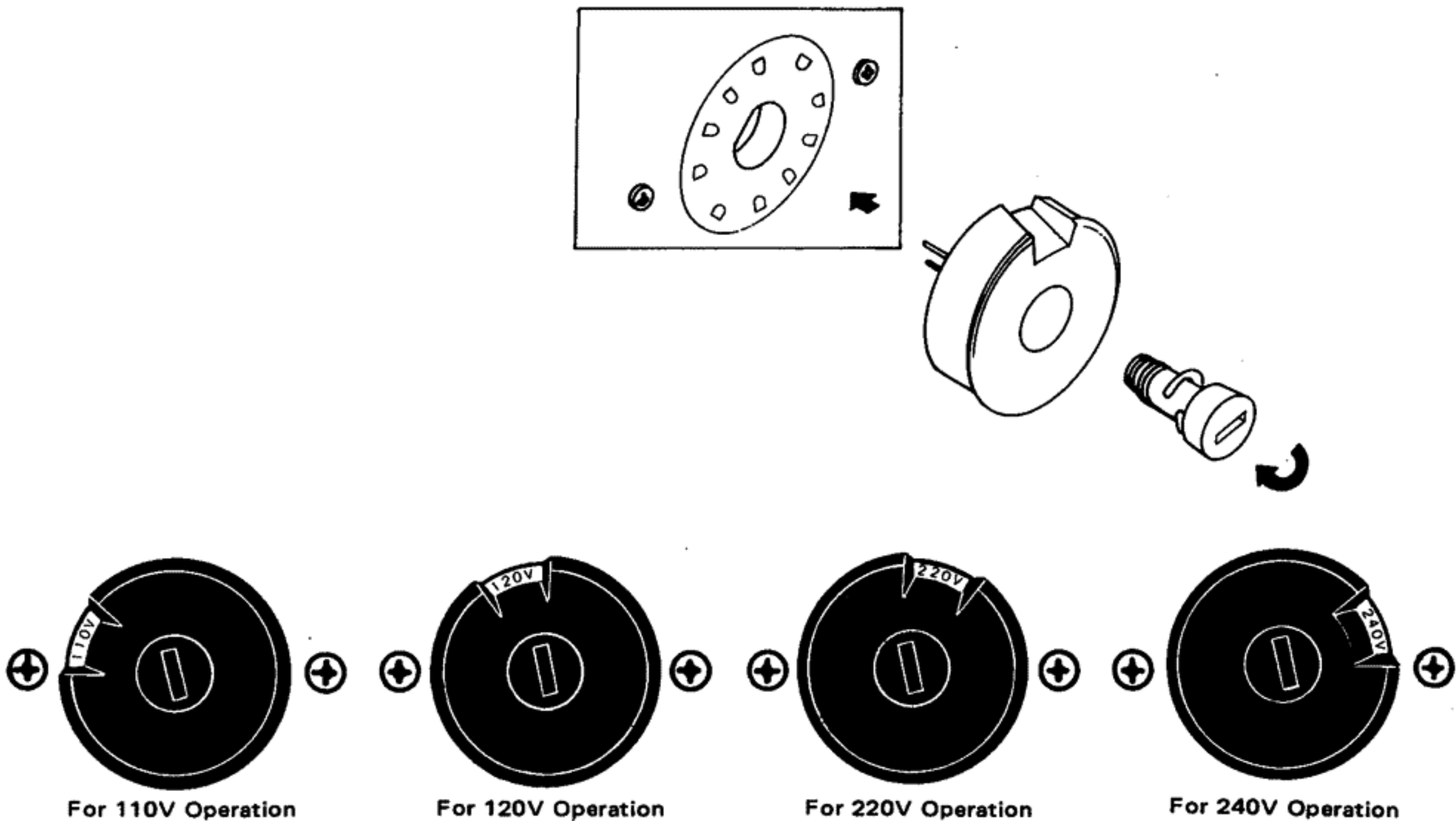
3. SERVICE NOTES

3.1 VOLTAGE CONVERSION / EUROPEAN MODEL

The European version of the Model 6350 is equipped with a universal power transformer that may be adjusted to operate at 110V, 120V, 220V, or 240V AC at 50 to 60 Hz. To convert the unit to a different power source voltage, reposition conversion plug as shown in the illustration below.

CAUTION
DISCONNECT POWER SUPPLY CORD FROM AC
OUTLET BEFORE CONVERTING VOLTAGE.

Figure 5. Voltage Conversion Chart



3.2 CARTRIDGE WIRE COLOR CODE

Before a cartridge is screwed into the shell, the small clips at the ends of the wires in the tone arm cartridge shell should be pushed onto their corresponding cartridge connection pins.

**TONE ARM CARTRIDGES SHELL
— WIRE COLOR CODE —**

RIGHT CHANNEL HOT	RED
RIGHT CHANNEL GROUND	GREEN
LEFT CHANNEL HOT	WHITE
LEFT CHANNEL GROUND	BLUE

The cartridge or its accompanying technical sheet will identify the cartridge connection pins. It may be necessary to slightly compress the terminal clips with your fingers to make them fit snugly on the prongs of some cartridges.

3.3 REPLACEMENT PARTS/TECHNICAL ASSISTANCE

1. REPLACEMENT PARTS

Turntable replacement parts may be ordered by writing to:

**MARANTZ COMPANY, INC.
PARTS DEPARTMENT
P.O. BOX 577
CHATSWORTH, CALIFORNIA 91311 USA**

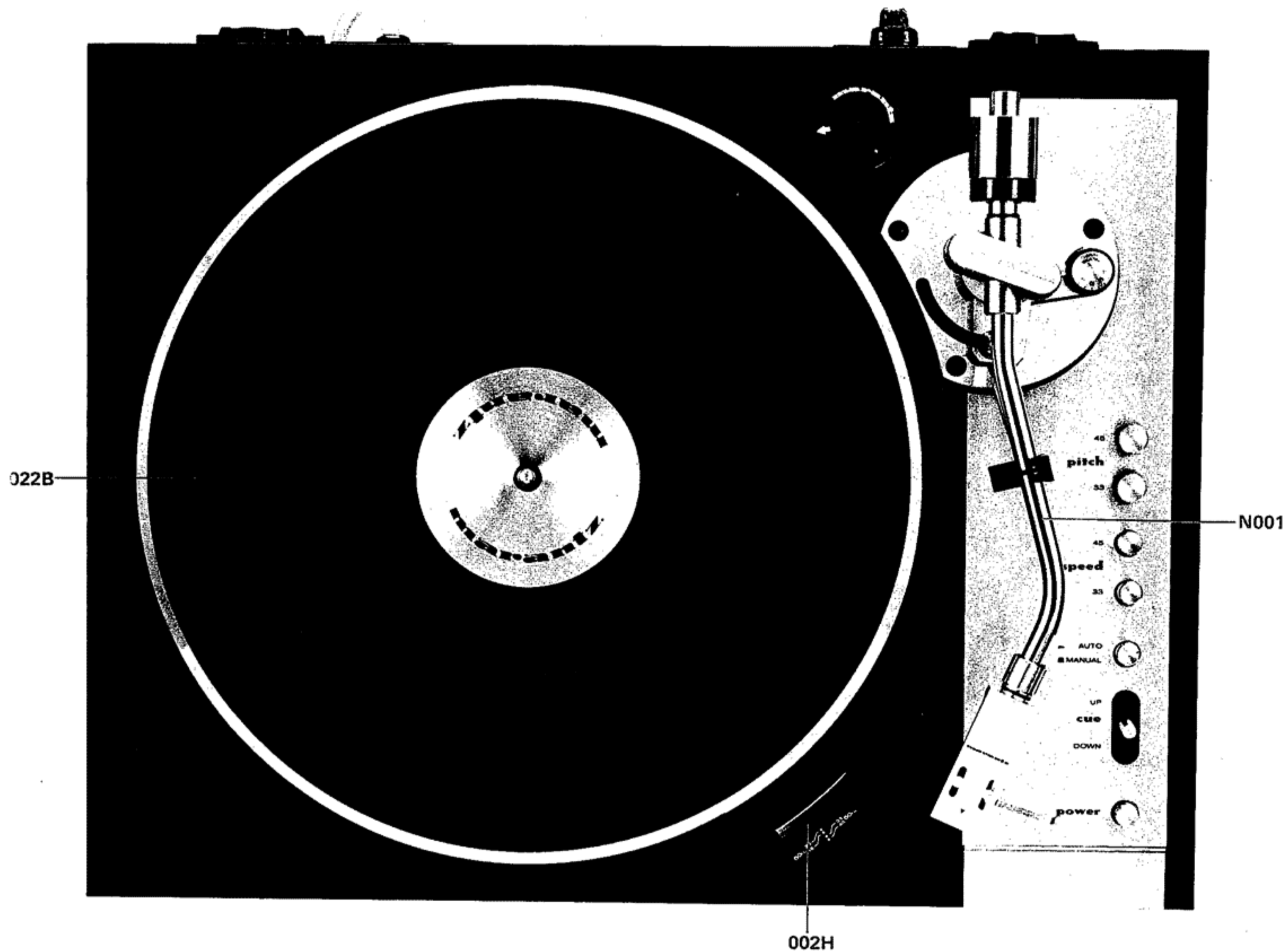
2. TECHNICAL ASSISTANCE

Inquiries regarding the operation and servicing of Marantz equipment should be directed to:

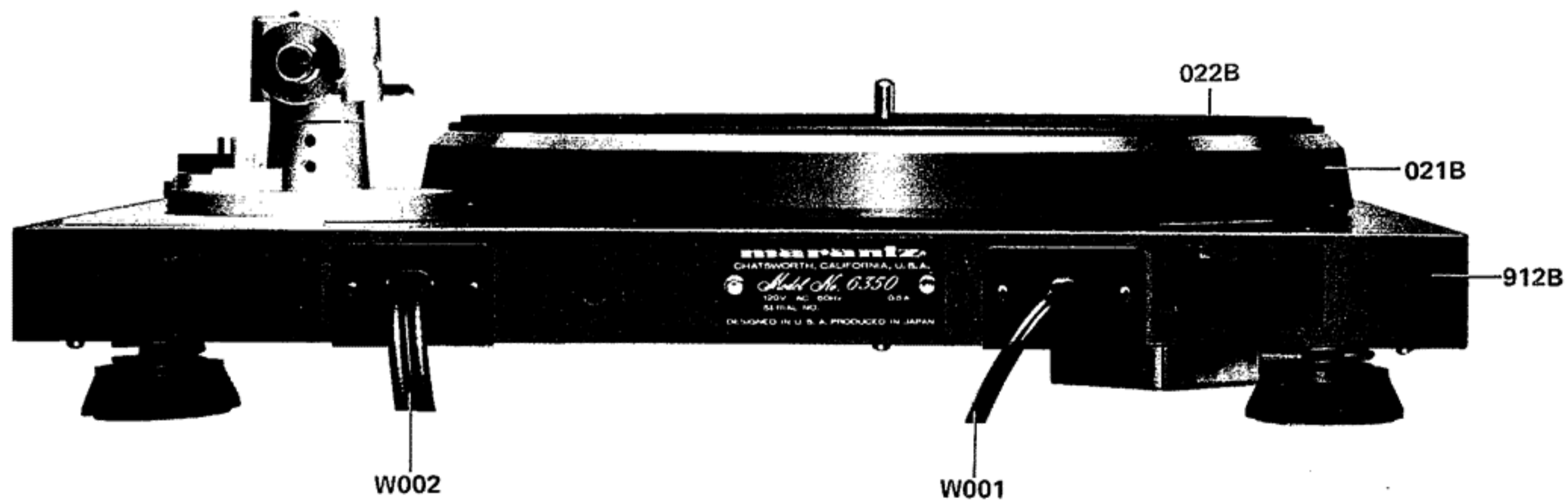
**MARANTZ COMPANY, INC.
TECHNICAL SERVICES DEPARTMENT
P.O. BOX 577
CHATSWORTH, CALIFORNIA 91311 USA**

4. MAJOR COMPONENT LOCATIONS

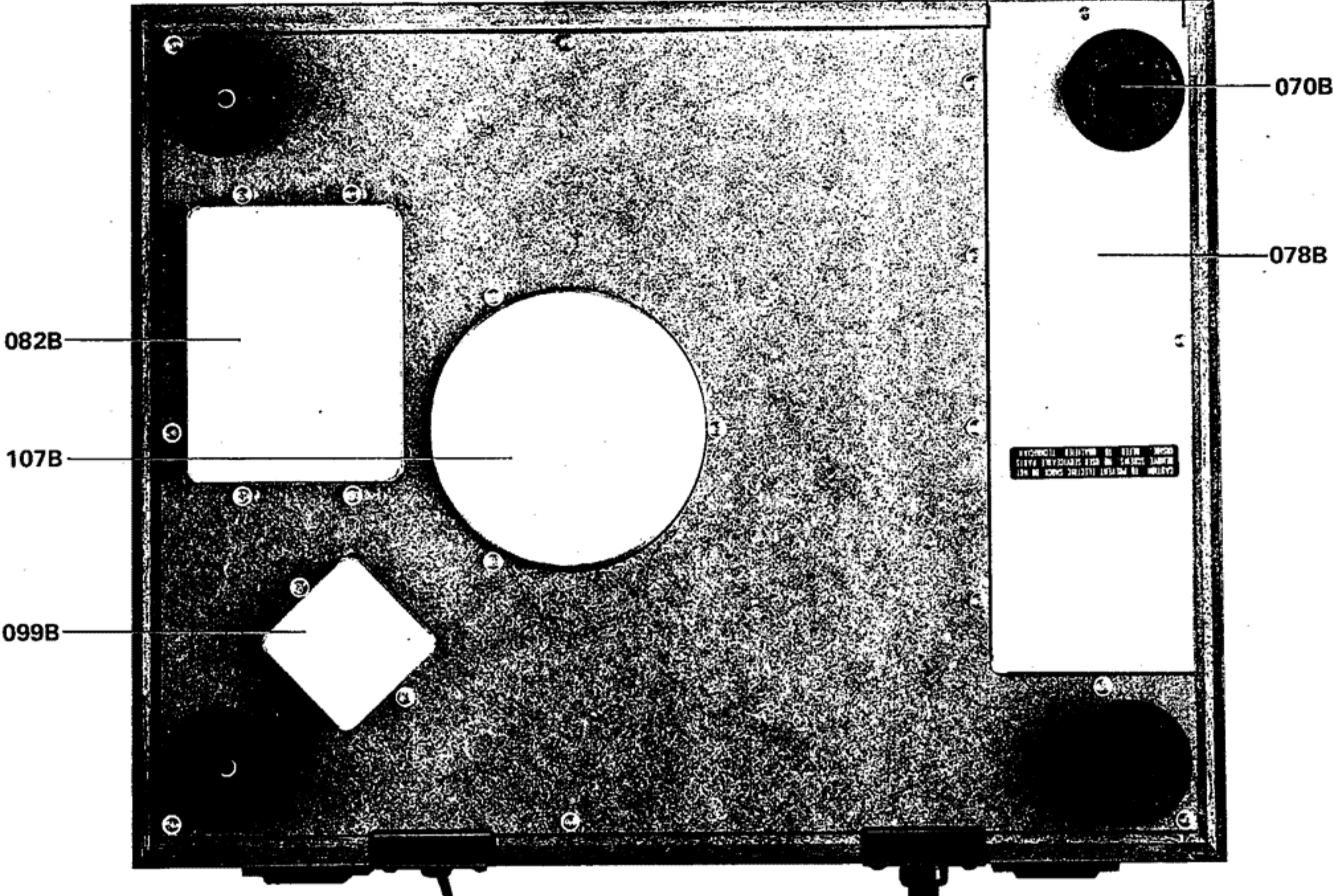
4.1 Cabinet-Top View



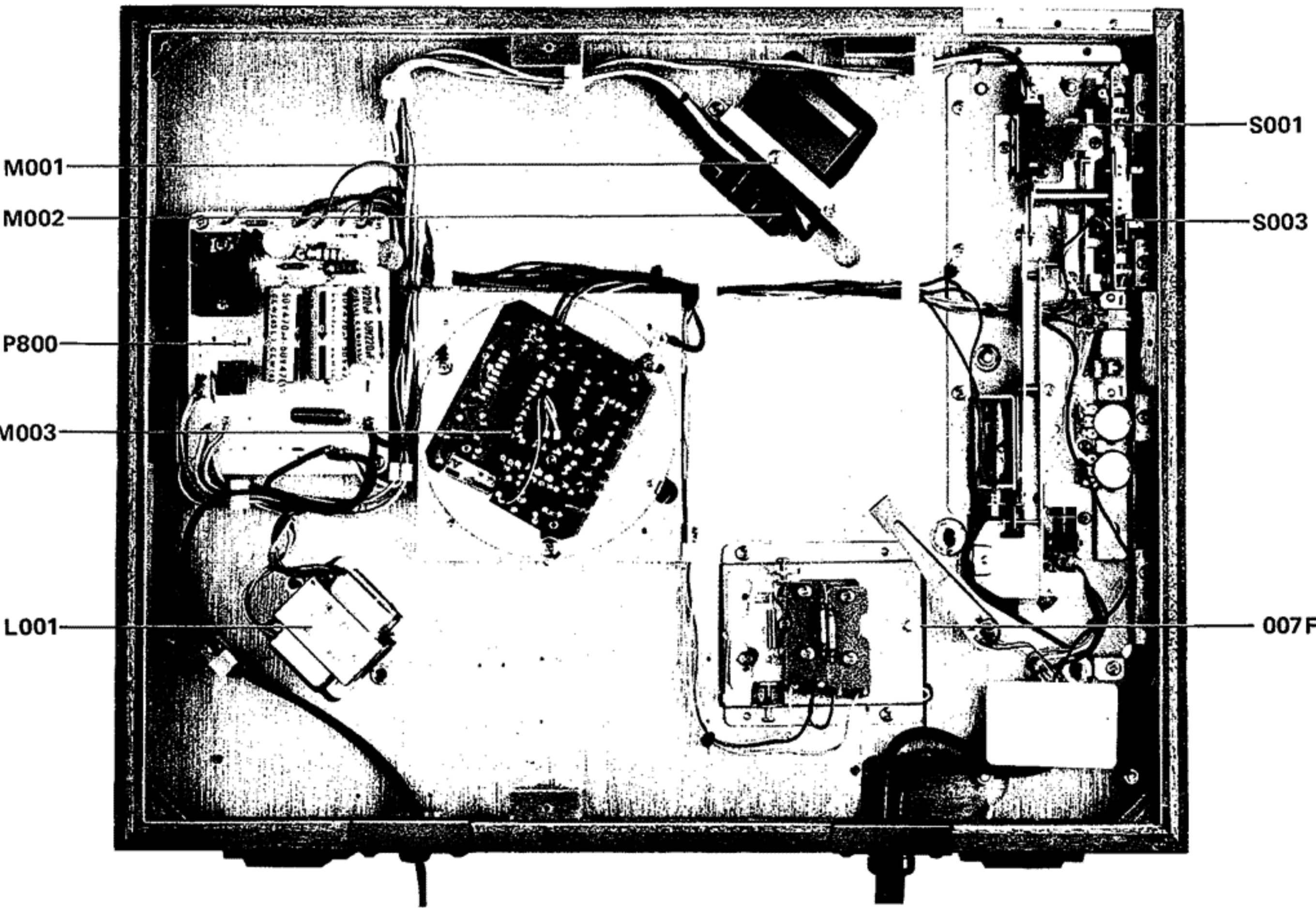
4.2 Cabinet-Rear View



4.3 Cabinet-Bottom View

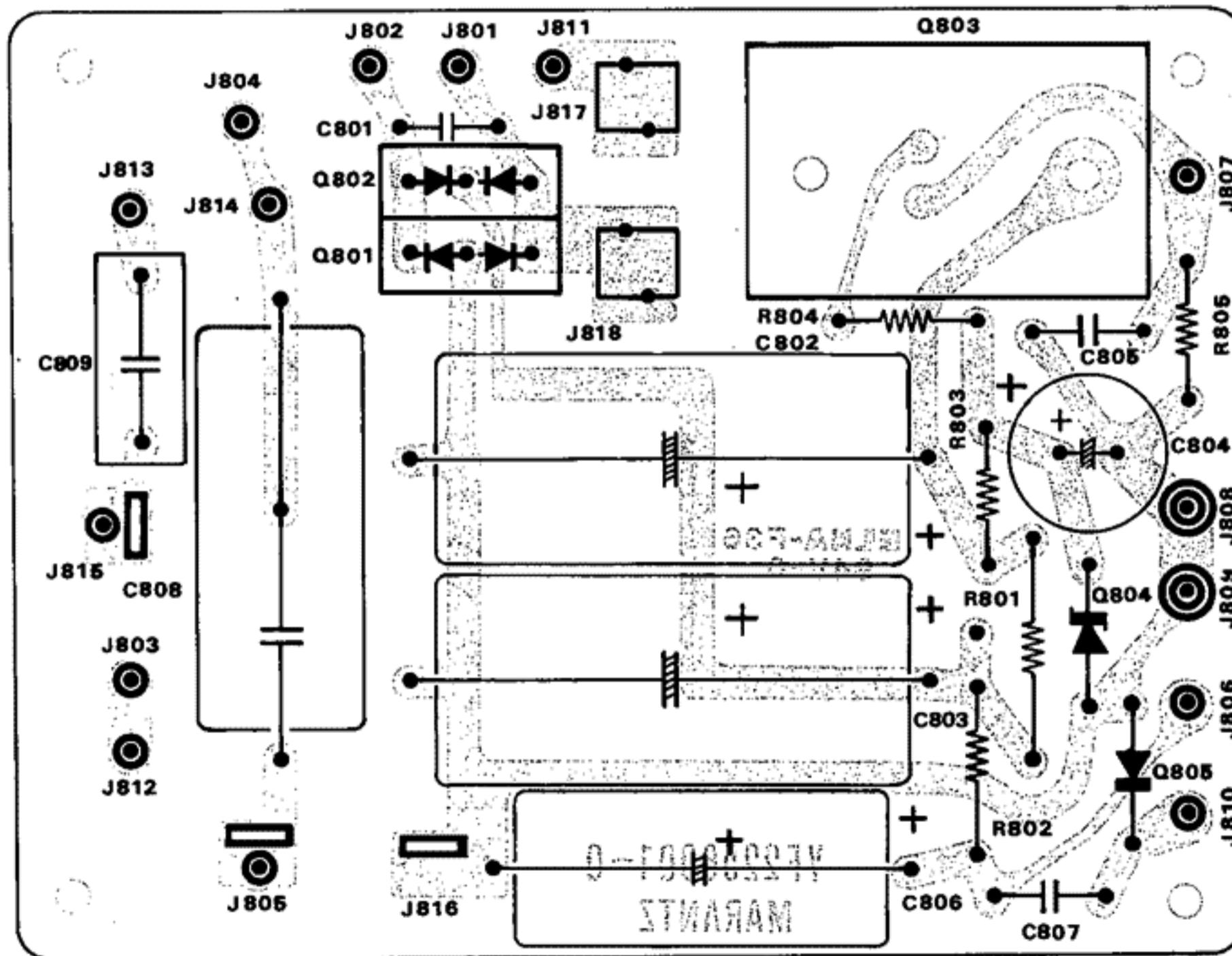
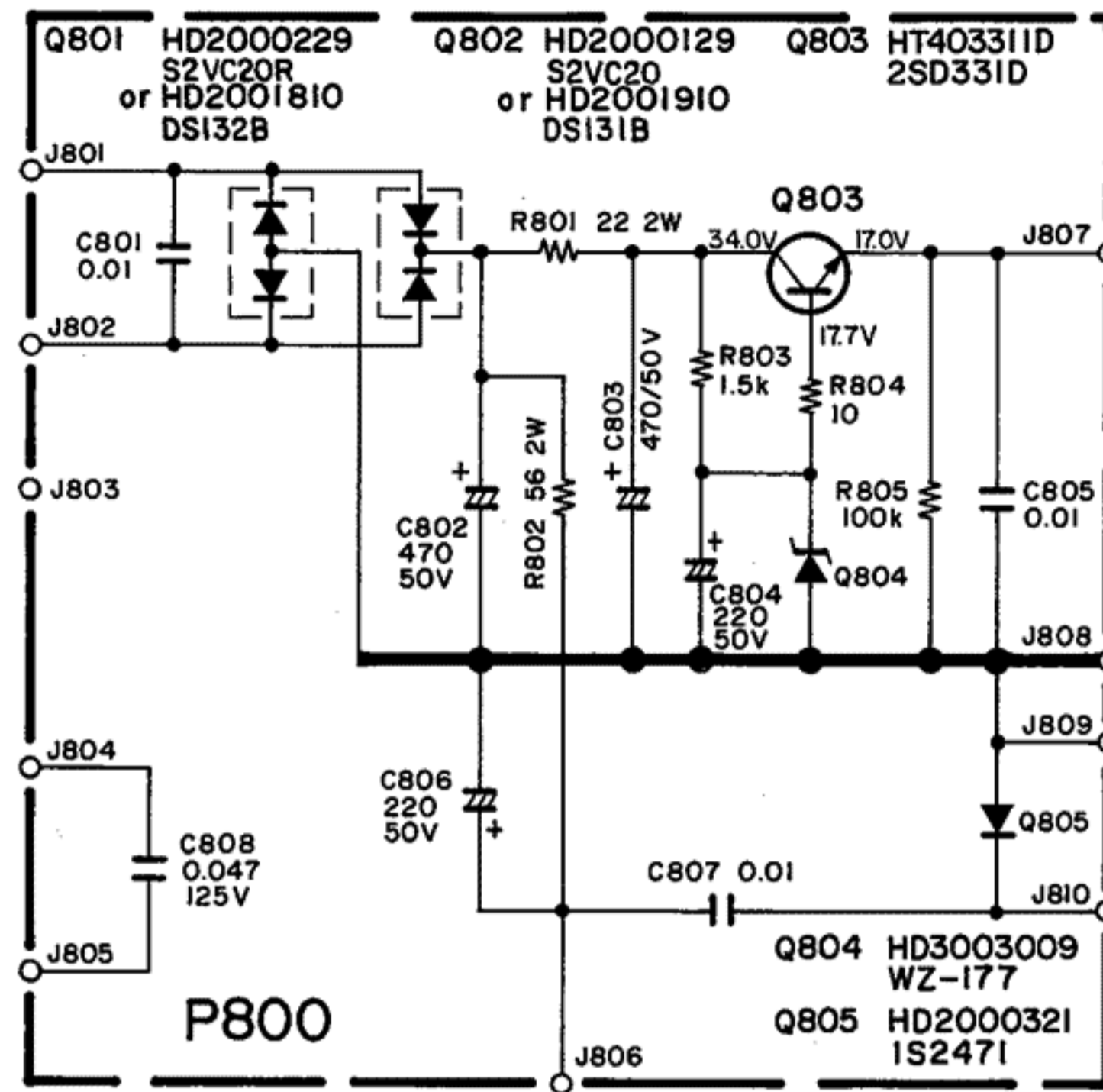


4.4 Chassis-Bottom View

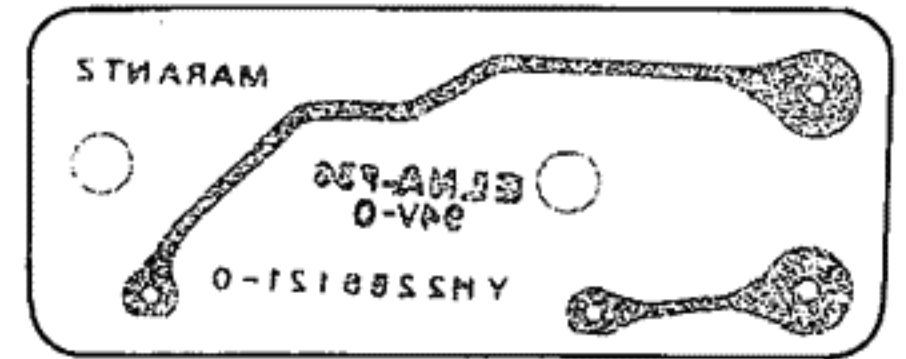
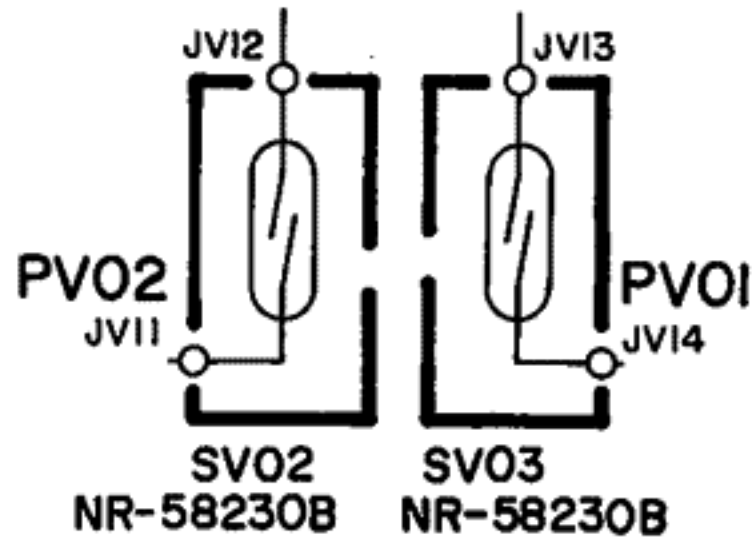
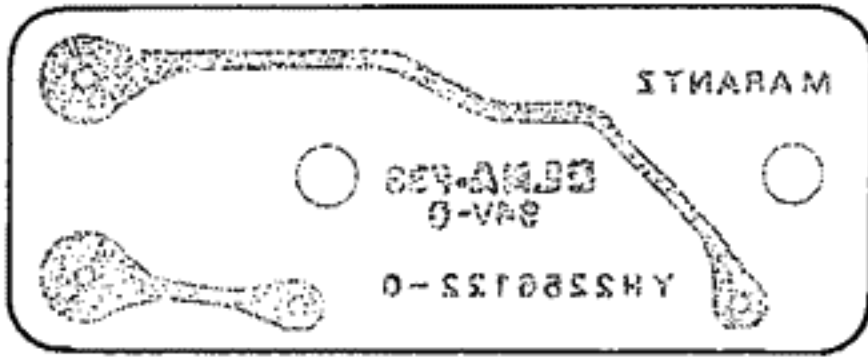


5. DIAGRAM AND COMPONENT LOCATIONS

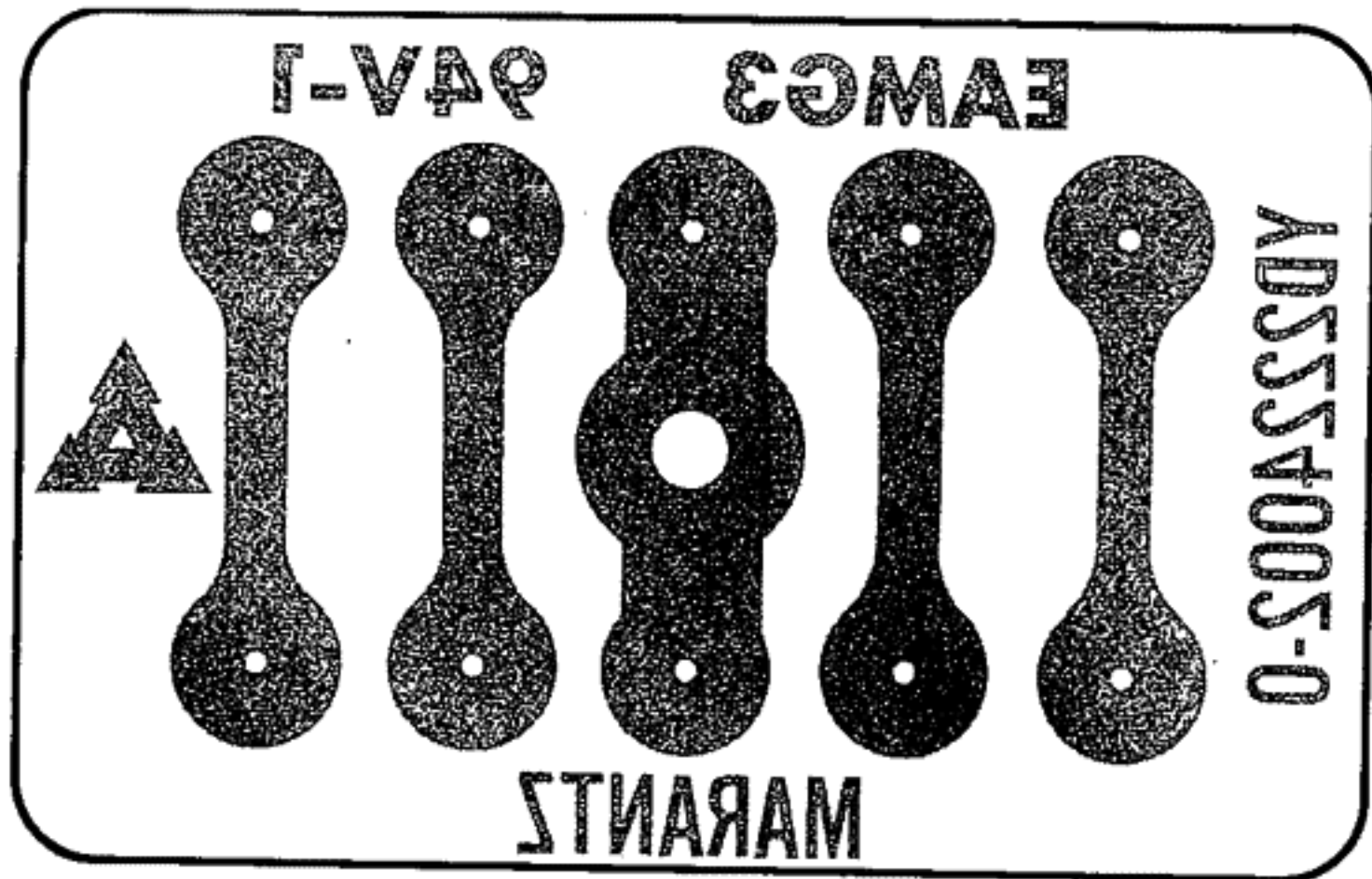
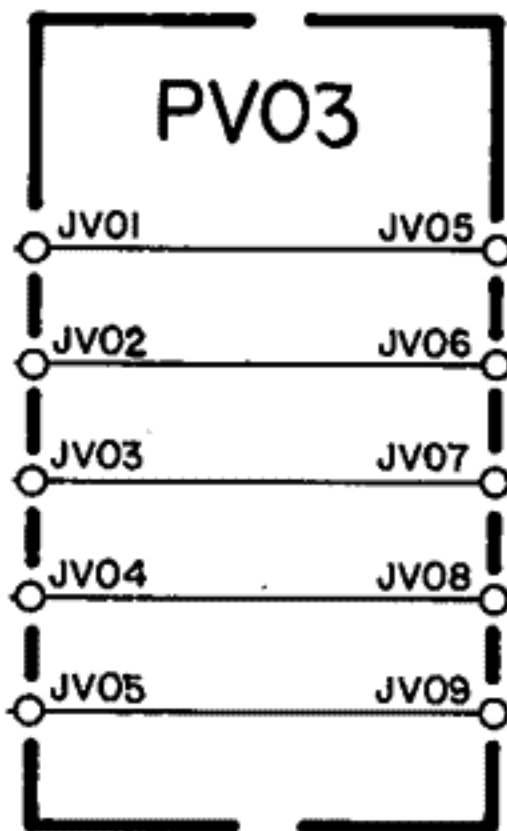
5.1 Power Supply Assembly (P800) Schematic Diagram and Component Locations



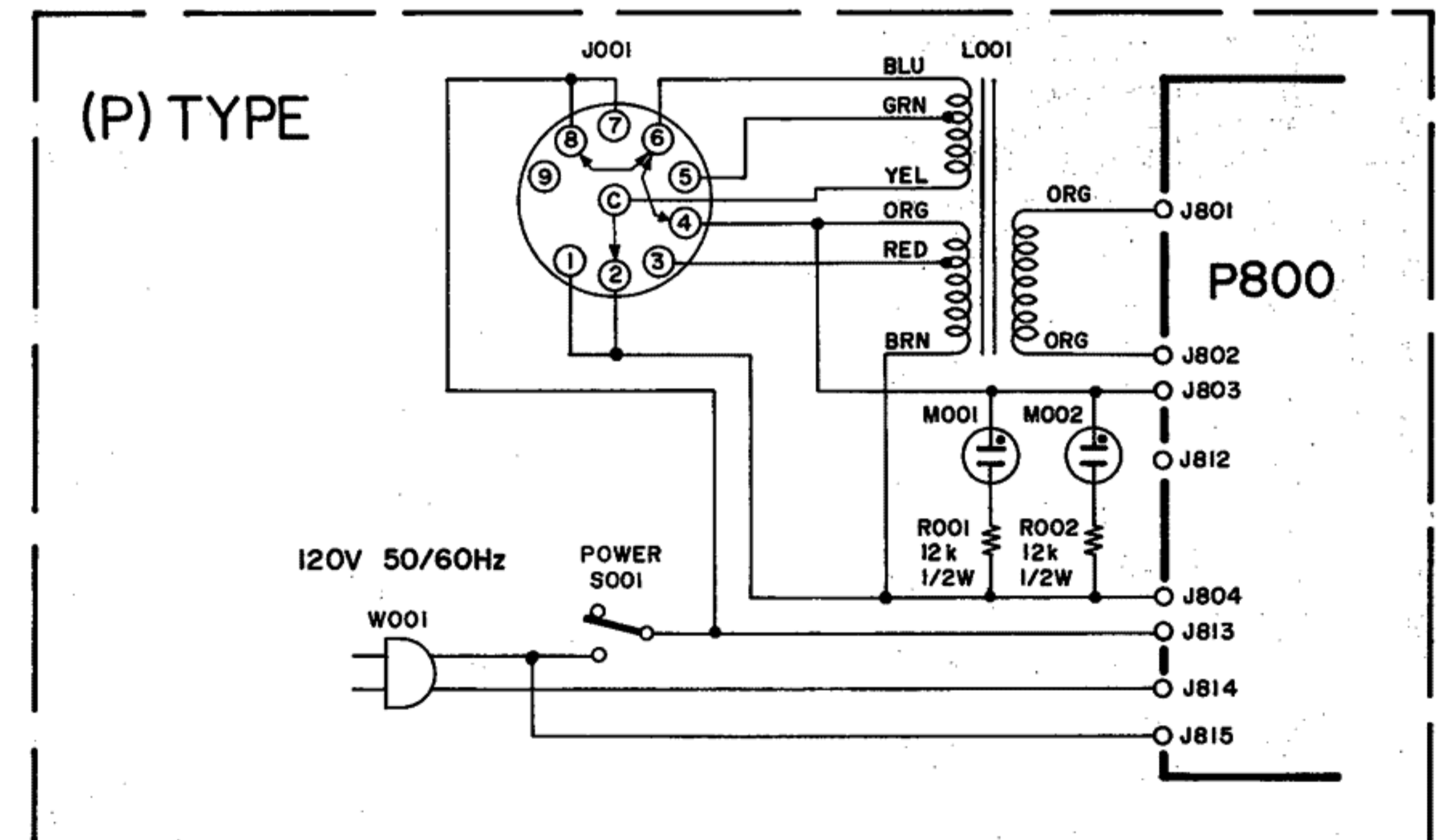
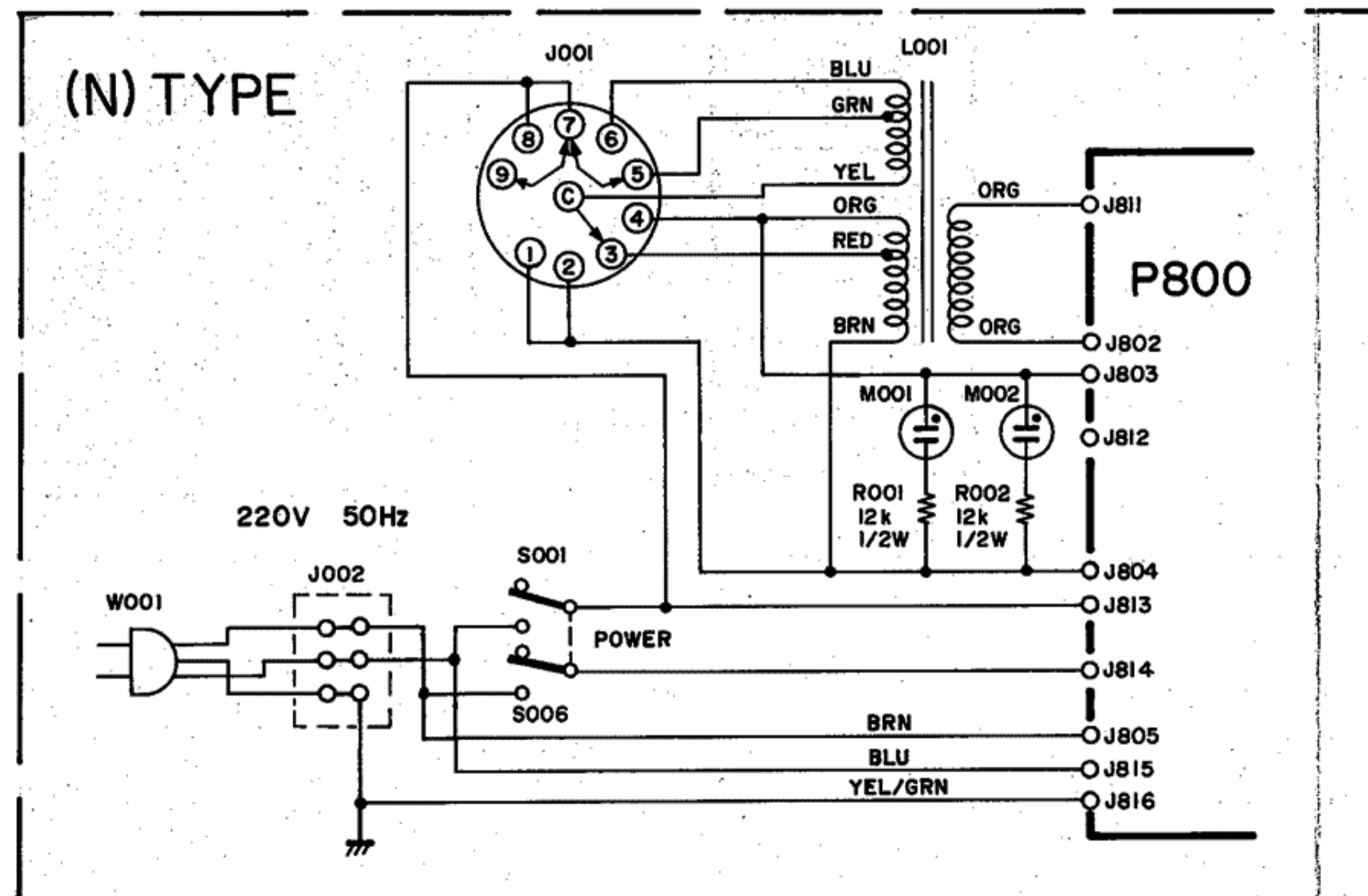
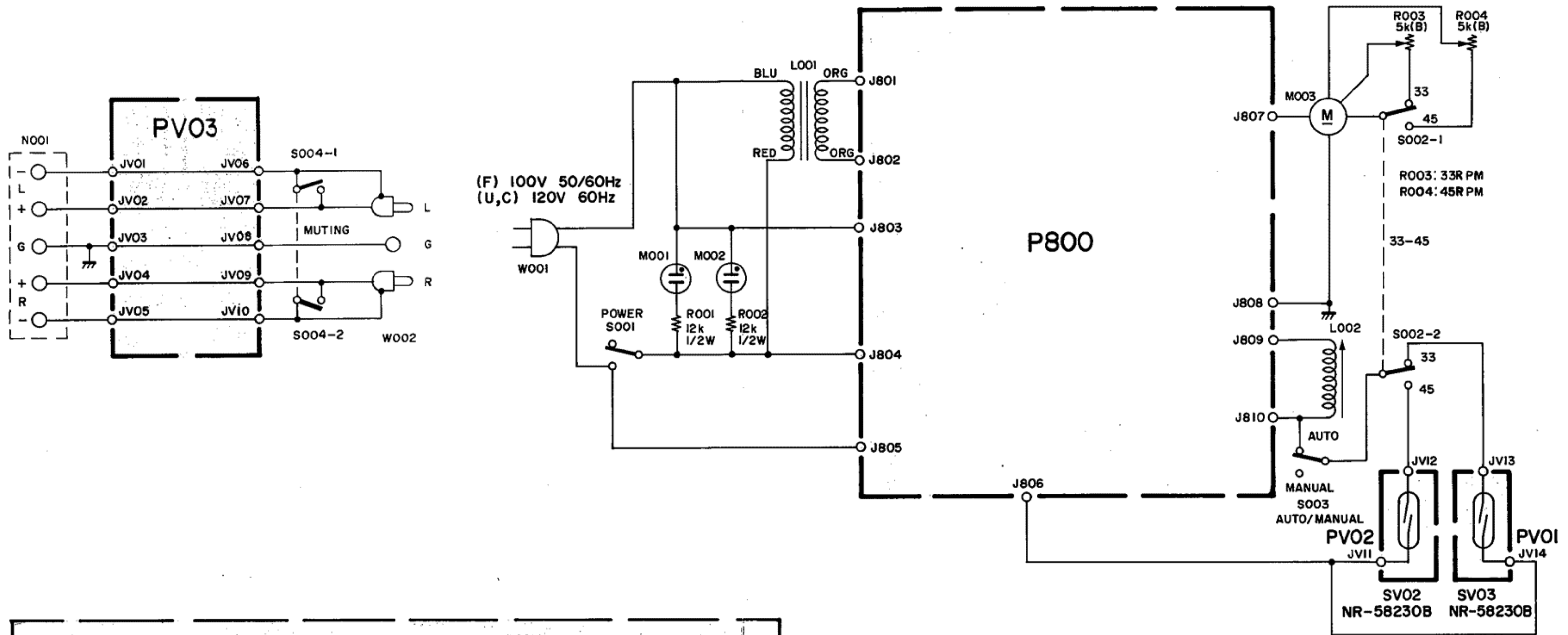
5.2 Adjuster Assembly (PV02) Schematic Diagram and Component Locations

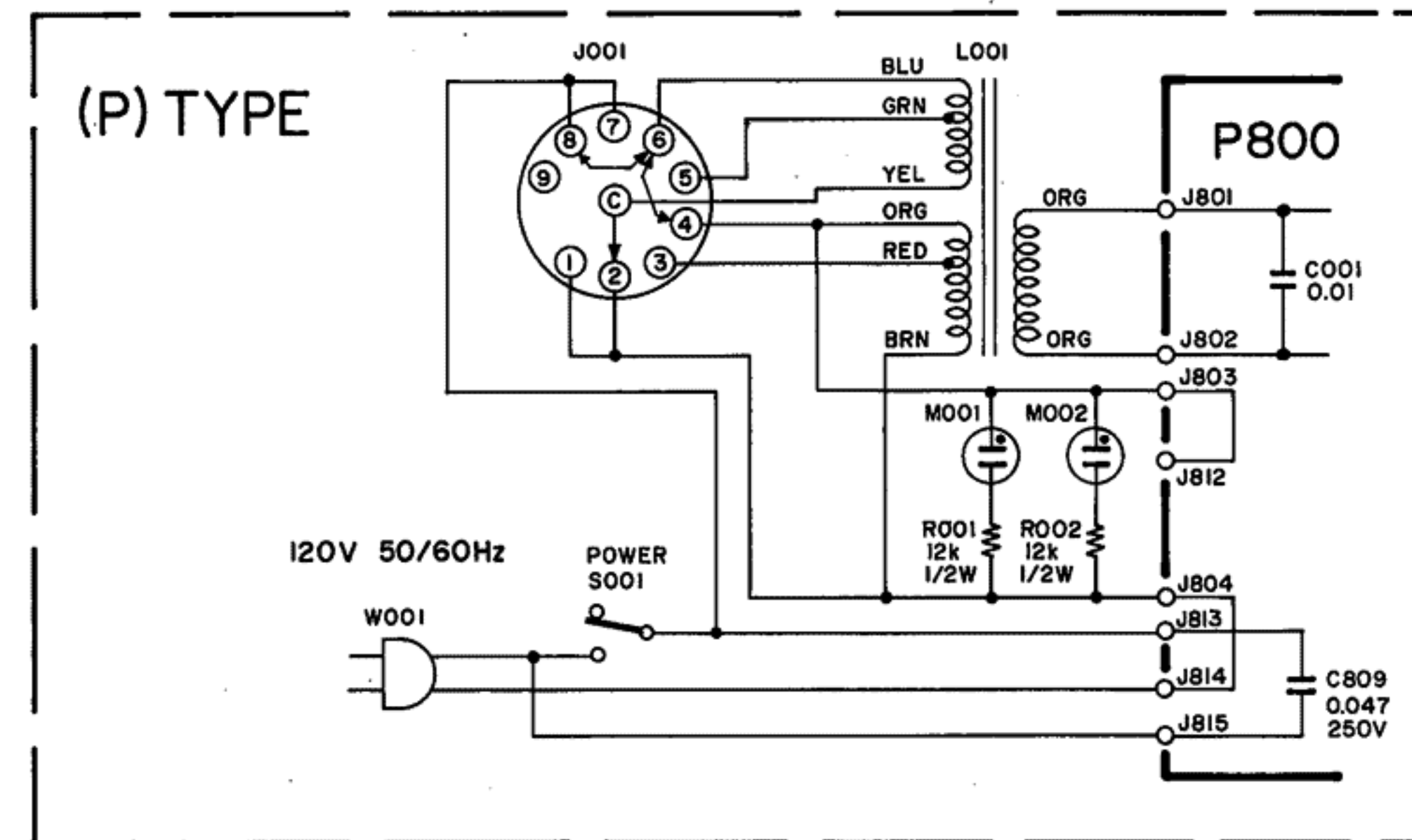
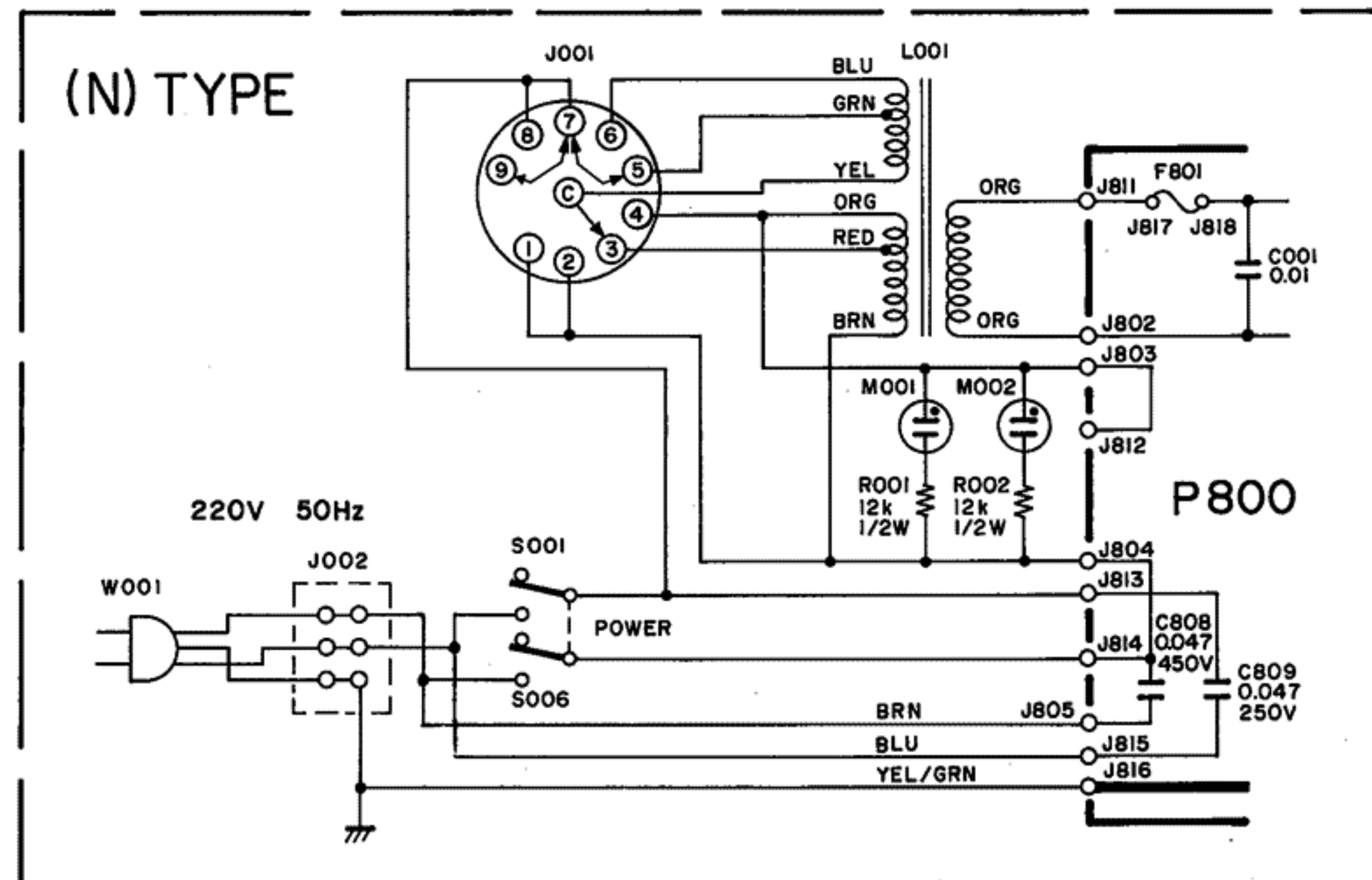
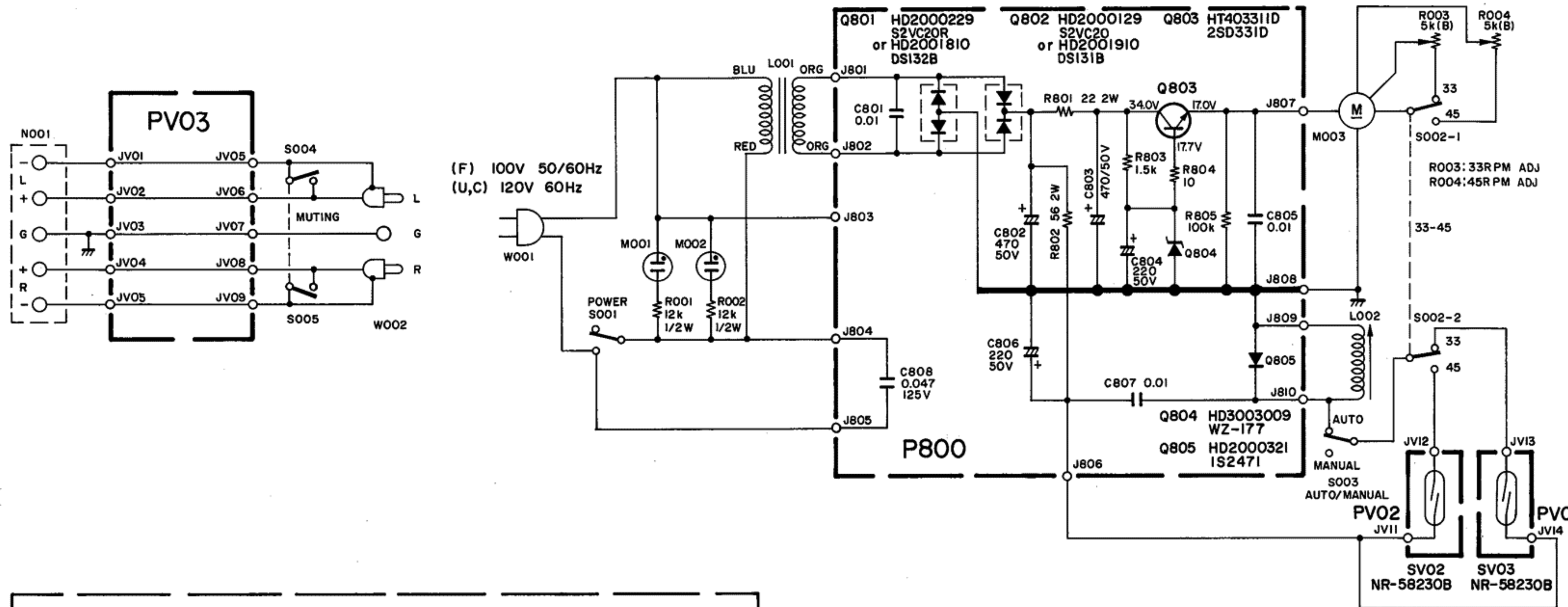


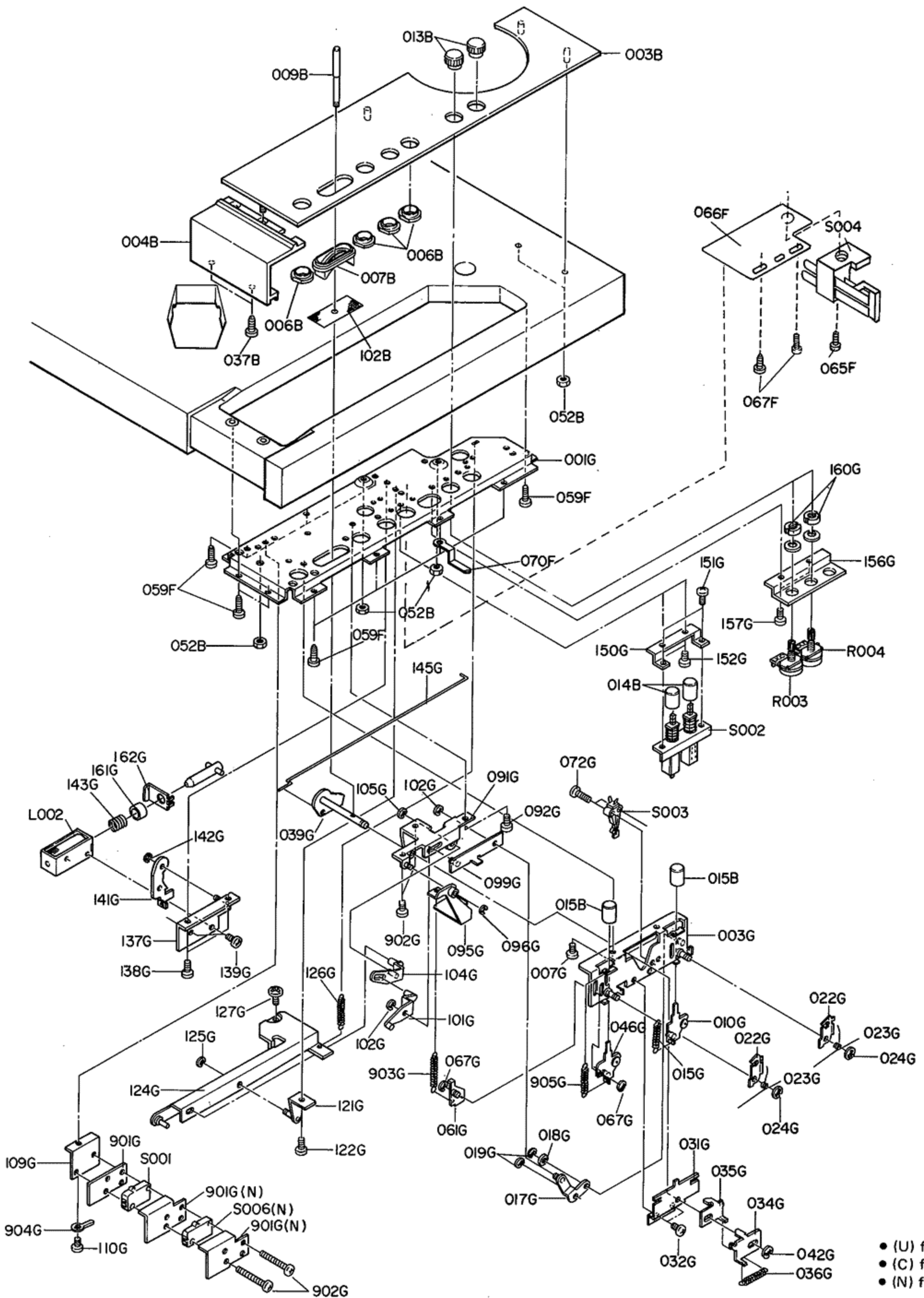
5.4 Connective Assembly (PV03) Schematic Diagram and Component Locations



6. CONNECTION DIAGRAM







- (U) for U.S.A
- (C) for Canad
- (N) for Europ

9. PACKING MATERIAL EXPLODED VIEW

005S (U,C,N)

014S

003S (U,C,N)

910S (N)

011S

021B

022B

N002

008V

004V

008S

915S (U)

915S (C)

912S (N)

901S (U) (C) (N)

902S (U) (C) (N)

903S (U) (C) (N)

904S (U) (C) (N)

906S (U) (C) (N)

907S (U) (C)

908S (U) (C) (N)

913S (U)

905S (C) (N)

909S (C)

911S (C)

006S (U,C,N)

017S STRIP

013S

003S (U,C,N)

006V

015S

009S

004S (U,C,N)

001S (U,C,N)

• (U) for U.S.A.
 • (C) for Canada
 • (N) for Europe

10. PARTS LIST

- (U) for U.S.A.
- (C) for Canada
- (N) for Europe

REF. DESIG.	Q'TY			PART NO.	DESCRIPTION	REF. DESIG.	Q'TY			PART NO.	DESCRIPTION
	U	C	N				U	C	N		
A	1			2256064400	Case Assembly	007H	1	1	1	2256158012	Window
A1		1		2256064410	Case Assembly	008H	1	1	1	2256158022	Window
A2			1	2256064420	Case Assembly, Silver	009H	1	1	1	2256158030	Window
A3			1	2256064430	Case Assembly, Brown						
004B	1	1	1	2256063022	Escutcheon						
031B	1	1	1	2988251012	Badge						
033B	1	1	1	2939259020	Bushing						
034B	1	1	1	51543110S0	F.H. Wood Screw						
036B	1	1	1	2939104020	Retainer						
037B	2	2	2	51522716A0	R.H. Wood Screw						
048B	2	2	2	2256160150	Bracket						
049B	8	8	8	51522713S0	R.H. Wood Screw						
051F	3	3	3	2951160010	Bracket	P808	6	6	6	2933118020	Spacer
061B	2	2	2	51770308B0	Screw						
903B	1			2256265010	Indicator	001F	1	1	1	2256002530	Arm
903B		1		2256265020	Indicator	001G	1	1	1	2256105022	Chassis
903B			1	2256265030	Indicator	001S	1	1	1	2256801010	Packing Case
912B	1	1	1	2256064010	Case, Brown	003G	1	1	1	2256105502	Chassis
912B			1	2256064110	Case, Silver	003S	2	2	2	2256803010	Partitioner
						004F	2	2	2	51650303A9	Set Screw, H.P.
B	1	1	1	2224053400	Dust Cover Assembly	004S	1	1	1	2256807010	Reinforcing
039B	1	1	1	2224053510	Cover	004V	1	1	1	2256008010	Weight
045B	2	2	2	2224153510	Hinge	005S	1	1	1	2256807020	Reinforcing
047B	4	4	4	51040410B9	F.H.M. Screw, F4 x 10	006S	1	1	1	2256807030	Reinforcing
C	1	1	1	2256063400	Panel Assembly	006V	1	1	1	2949104010	Retainer
003B	1	1	1	2256063012	Escutcheon	007F	1	1	1	2256160130	Bracket
006B	4	4	4	2978259012	Bushing	007G	2	2	2	51060304A9	P.H.M. Screw, P3 x 4
007B	1	1	1	2256259012	Bushing	008F	1	1	1	2256160140	Bracket
102B	1	1	1	2256118012	Spacer	008S	1	1	1	2256803020	Partitioner
						008V	1	1	1	2939164010	Adjuster
D	1	1		2256257400	Lid Assembly	009B	1	1	1	2256154502	Knob
D1			1	2256257410	Lid Assembly	009F	1	1	1	2256160190	Bracket
044F	1	1	1	2062120022	Insulator	009S	1	1	1	2256803030	Partitioner
070B	4	4	4	2224057012	Leg	010F	1	1	1	2256115050	Spring
071B	4	4	4	2224115030	Spring						
072B	4	4	4	54110149A0	Flat Washer	010G	1	1	1	2256354512	Lever
073B	3	3	3	51100318S9	B.H.M. Screw, B3 x 18	010H	1	1	1	2256160160	Bracket
074B	3	3	3	54020301A0	Flat Washer	011B	1	1	1	2256112092	Shaft
075B	3	3	3	53110303A9	Hexagon Nut	011F	1	1	1	51100314B9	B.H.M. Screw, B3 x 14
076B	1	1	1	51280312B0	B.H. Tapped Screw, B3 x 12	011H	1	1	1	51280306B0	B.H. Tapped Screw, B3 x 6
						011S	2	2	2	1029804010	Sleeve
078B	1	1	1	2256053012	Cover	012F	2	2	2	51523110A0	R.H. Wood Screw
079B	5	5	5	51100310B9	B.H.M. Screw, B3 x 10	013B	2	2	2	2224154030	Knob
082B	1	1	1	2256053020	Cover	013S	1	1	1	9014543380	Polyethylene Bag
083B	4	4	4	51100310B9	B.H.M. Screw, B3 x 10	014B	2	2	2	2963154032	Knob
099B	1	1	1	2256053040	Cover						
100B	2	2	2	51100310B9	B.H.M. Screw, B3 x 10	014S	1	1	1	9013025010	Polyethylene Bag
107B	1	1	1	2256053032	Cover	015B	2	2	2	2970154012	Knob
108B	3	3	3	51480308A9	F. Washer Screw, F3 x 8	015G	1	1	1	3411115222	Spring
901R			2	3889861010	Label	015S	3	3	3	9010510010	Polyethylene Bag
903R	1			9511101060	Label	016F	4	4	4	51060305A9	P.H.M. Screw, P3 x 5
						017G	1	1	1	2256354080	Lever
903R			1	2882861020	Label	017S	1	1	1	2939007010	Strip
909B	1	1		2256257010	Lid	018B	3	3	3	51730414S9	Screw,
909B			1	2256257110	Lid	018G	1	1	1	2256055010	Collar
						018S	1	1	1	2224803080	Partitioner
E	1	1	1	2256064440	Strobe Case Assembly						
001H	1	1	1	2256064022	Case	019B	3	3	3	2951160010	Bracket
002H	1	1	1	2256064030	Case	019G	2	2	2	64000200R0	RG Ring, E
004H	1	1	1	2256274010	Reflector	021B	1	1	1	2256165010	Turntable

- (U) for U.S.A.
- (C) for Canada
- (N) for Europe

REF. DESIG.	Q'TY			PART NO.	DESCRIPTION	REF. DESIG.	Q'TY			PART NO.	DESCRIPTION
	U	C	N				U	C	N		
022B	1	1	1	2224107020	Sheet	125G	1	1	1	51202603A0	P.F.W.M. Screw, P2.6 x 3
022F	2	2	2	51100312A9	B.H.M. Screw, B3 x 12	126G	1	1	1	2256115060	Spring
022G	2	2	2	3069102020	Lock	127G	1	1	1	2256164010	Adjuster
023F	2	2	2	53110303B9	Hexagon Nut	130G	1	1	1	2256160210	Bracket
023G	2	2	2	2939115090	Spring	131G	1	1	1	51060304A9	P.H.M. Screw, P3 x 4
024F	2	2	2	54040302B0	Spring Washer	132G	2	2	2	51100212A0	B.H.M. Screw, B2 x 12
024G	2	2	2	64000300R0	RG Ring, E	137G	1	1	1	2256160100	Bracket
025F	2	2	2	54020301B0	Flat Washer, P.	138G	2	2	2	51060304A9	P.H.M. Screw, P3 x 4
031F	2	2	2	2963160070	Bracket	139G	2	2	2	51102604A0	B.H.M. Screw, B2.6 x 4
031G	1	1	1	2256160050	Bracket	141G	1	1	1	2256114012	Stopper
032F	4	4	4	51523110A0	R.H. Wood Screw	142G	1	1	1	51202603A0	P.F.W.M. Screw, P2.6 x 3
032G	2	2	2	51060304A9	P.H.M. Screw, P3 x 4	143G	1	1	1	2256115070	Spring
033F	4	4	4	51100305A9	B.H.M. Screw, B3 x 5	144G	1	1	1	54020601A0	Flat Washer, P.
034G	1	1	1	2256051012	Guide	145G	1	1	1	2256125012	Joint
035G	1	1	1	2256051022	Guide	150G	1	1	1	2256160070	Bracket
036G	1	1	1	3411115222	Spring	151G	2	2	2	51060305A9	P.H.M. Screw, P3 x 5
039G	1	1	1	2256354500	Lever	152G	2	2	2	51060304A9	P.H.M. Screw, P3 x 4
042G	1	1	1	64000300R0	RG Ring, E	156G	1	1	1	2256160060	Bracket
046B	2	2	2	2224160210	Bracket	157G	2	2	2	51060304A9	P.H.M. Screw, P3 x 4
046G	1	1	1	2256354520	Lever	901F			1	2224160050	Bracket
048F	3	3	3	51100425A9	B.H.M. Screw, B4 x 25	901G	1	1		2939120010	Insulator
049F	3	3	3	54040402A0	Spring Washer	901S	1			2256851010	Instructions
050F	3	3	3	54020401A0	Flat Washer, P.	901S		1	1	2256851310	Instructions
051G	1	1	1	3411115222	Spring	902G	2	2		51060314A9	P.H.M. Screw, P3 x 14
052B	5	5	5	53110403B9	Hexagon Nut	902R		1		9510911010	Label
053B	5	5	5	54020401B0	Flat Washer, P.	902R	1			9510911020	Label
053F	1	1	1	2256053030	Cover	902S	1			2256851020	Instructions
054F	3	3	3	51060316A9	P.H.M. Screw, P3 x 16	902S		1	1	2256851030	Instructions
055F	3	3	3	54020301A0	Flat Washer, P.	903F			4	51523110A0	R.H. Wood Screw
061G	1	1	1	2256051510	Guide	903R	2			2911861182	Label
064B	1	1	1	2256160120	Bracket	903R	2			3889861010	Label
065B	1	1	1	1455259080	Bushing	903S		1		2886851100	Instructions
065G	1	1	1	2256115020	Spring	904F			2	51100306B9	B.H.M. Screw, B3 x 6
066B	2	2	2	51522710A0	R.H. Wood Screw	904R	1			3444861010	Label
067G	2	2	2	64000200R0	RG Ring, E	904R			1	9512601080	Label
068B	2	2	2	51522710A0	R.H. Wood Screw	904S			1	2818813010	Envelope
072G	2	2	2	51100210A0	B.H.M. Screw, B2 x 10	904S	1			2818851040	Instructions
080B	5	5	5	54020301A0	Flat Washer, P.	905B	1	1		2256160110	Bracket
084B	4	4	4	54020301A0	Flat Washer, P.	905B			1	2256160170	Bracket
091G	1	1	1	2256160092	Bracket	905F			1	4113120010	Insulator
092G	3	3	3	51060304A9	P.H.M. Screw, P3 x 4	905S			1	2818851120	Instructions
093B	7	7	7	51523113A0	R.H. Wood Screw	905S		1		2918813012	Envelope
094B	6	6	6	54020301A0	Flat Washer, P.	906B	1	1		1455259030	Bushing
095G	1	1	1	2256354022	Lever	906B			1	1455259040	Bushing
096B	1	1	1	51100306A9	B.H.M. Screw, B3 x 6	906F			2	51523110A0	R.H. Wood Screw
096G	1	1	1	64000200R0	RG Ring, E	906R		2		9510901020	Label
099G	1	1	1	2256002012	Arm	906S	1			2577813010	Envelope
101B	2	2	2	54020301A0	Flat Washer, P.	906S		1		2818851120	Instructions
101G	1	1	1	2256354042	Lever	906S			1	9630000180	Guarantee Card
102G	2	2	2	64000200R0	RG Ring, E	907S	1			2577851020	Instructions
104G	1	1	1	2256354050	Lever	907S		1		9630000180	Guarantee Card
105G	1	1	1	64000200R0	RG Ring, E	908S	1			2577854012	Guarantee Card
109G	1	1	1	2256160042	Bracket	908S			1	2818851140	Instructions
110G	1	1	1	51060304A9	P.H.M. Screw, P3 x 4	908S		1		9650000050	S. Station Card
121G	1	1	1	2256160082	Bracket	909B			1	2256257110	Lid
122G	1	1	1	51060304A9	P.H.M. Screw, P3 x 4	909S		1		2818854042	Guarantee Card
124G	1	1	1	2256354012	Lever	910S			1	9560000042	Hang Tag

- (U) for U.S.A.
- (C) for Canada
- (N) for Europe

REF. DESIG.	Q'TY			PART NO.	DESCRIPTION
	U	C	N		
911G			2	2939120050	Insulator
911S		1		2818851140	Instructions
912G			2	51060325A9	P.H.M. Screw, P3 x 25
912S			3	9523015130	Serial No. Card
913S	1			2818854023	Guarantee Card
915S	3			9522815010	Serial No. Card
915S		3		9523015120	Serial No. Card
PV01 ADJUSTER BOARD					
PV01	1	1	1	YK22561210	P.W. Board
	1	1	1	ZZ22561210	P.W. Board Assembly
PV02 ADJUSTER BOARD					
PV02	1	1	1	YK22561220	P.W. Board
	1	1	1	ZZ22561220	P.W. Board Assembly
PV03 CONNECTIVE BOARD					
PV03	1	1	1	YD22240020	P.W. Board
	1	1	1	ZZ22240020	P.W. Board Assembly
SV02	1	1	1	SC01010280	Switch, Adjuster
SV03	1	1	1	SC01010280	Switch, Adjuster
F010	1	1	1	FD20070010	Ferrite Magnet
J001			1	BY03110010	Plug,
J002			1	YL09030010	Terminal, 3P
L001	1	1		TS14808180	Power Transformer, UL CSA
L001			1	TS14808190	Power Transformer, SEMKO
L002	1	1	1	ME10490010	Solenoid Coil, DC12V 63Ω
M001	1	1	1	IN21200040	Lamp, AC120V
M002	1	1	1	IN21200040	Lamp, AC120V
M003	1	1	1	PM23300050	Phonomotor Unit
N001	1	1	1	PA12215010	Tone Arm
N002	1	1	1	YS02040060	Head Shell
R001	1	1	1	RC10123120	Resistor, 12kΩ ±10% ½W
R002	1	1	1	RC10123120	Resistor, 12kΩ ±10% ½W
R003	1	1	1	RK05020130	Variable Resistor, 5kΩ B Pitch
R004	1	1	1	RK05020130	Variable Resistor, 5kΩ B Pitch
S001			1	SM01020090	Mini Switch, Power SEMKO
S001	1	1		SM01020150	Mini Switch, Power UL, CSA
S002	1	1	1	SP02020320	Pushswitch
S003	1	1	1	SM01010620	Mini Switch, Auto
S004	1	1	1	SM01010620	Mini Switch, Muting, Bracket
S005	1	1	1	SM01010620	Mini Switch, Muting, Bracket
S006			1	SM01020090	Mini Switch, Power SEMKO
W001			1	YC01900030	A.C. Power Cord, SEMKO
W001	1	1		YC02400300	A.C. Power Cord, 105 Degree UL CSA
W002	1	1	1	YB01200030	Connective Cord, FR-1
C801	1	1	1	DK18103510	Ceramic Cap., 0.01μF 200V
C802	1	1	1	ED47705020	Electrolytic Cap., 470μF 50V
C803	1	1	1	ED47705020	Electrolytic Cap., 470μF 50V
C804	1	1	1	EA22702590	Electrolytic Cap., 220μF 25V
C805	1	1	1	DK18103510	Ceramic Cap., 0.01μF ±20% 200V
C806	1	1	1	ED22705090	Electrolytic Cap., 220μF 50V
C807	1	1	1	DK18103510	Ceramic Cap., 0.01μF ±20% 200V
C808			1	DF17473590	Film Cap., 0.047μF ±20% 125V

REF. DESIG.	Q'TY			PART NO.	DESCRIPTION
	U	C	N		
C808	1			DF17473600	Film Cap., 0.047μF ±20% 125V
C808		1		DO07473540	Oil-Paper Cap., 0.047μF ±20% 450V
C809	1			DF17473580	Film Cap., 0.047μF ±20% 250V
F801	1			FS10050800	Fuse, 500MAT SEMKO
J805	1			YL01010040	Terminal
J815	1			YL01010040	Terminal
J816	1			YL01010040	Terminal
J817	1			YJ08000200	Jack, For Fuse
J818	1			YJ08000200	Jack, For Fuse
P800 POWER SUPPLY BOARD					
P800	1	1	1	YG22560010	P.W. Board
	1			ZZ22560010	P.W. Board Assembly
			1	ZZ22569010	P.W. Board Assembly
			1	ZZ22568010	P.W. Board Assembly
Q801	1	1	1	HD20002290	Diode, S2VC20R
Q802	1	1	1	HD20001290	Diode, S2VC20
Q803	1	1	1	HT403311D0	Transistor, 2SD331D
Q804	1	1	1	HD30030090	Zener, WZ-177
Q805	1	1	1	HD20003210	Diode, 1S2471
R801	1	1	1	GJ05220020	Resistor, 22Ω ±5% 2W
R802	1	1	1	GJ05821010	Resistor, 820Ω ±5% 1W
R803	1	1	1	RT05152140	Resistor, 1.5kΩ ±5% ¼W
R804	1	1	1	RT05100140	Resistor, 10Ω ±5% ¼W
R805	1	1	1	RT05104140	Resistor, 100kΩ ±5% ¼W
PARTS FOR TONE ARM					
A001	1	1	1	YS02040040	Head Shell Assembly
A003	2	2	2	2224104210	Circular Nut
A004	2	2	2	2224104220	Pivot Screw
A006	1	1	1	2224008210	Main Weight Assembly
A008	1	1	1	2224104240	Holder Assembly, Arm Rest
A009	1	1	1	2224002210	Arm, Arm Rest
A011	1	1	1	2224002220	Lifter Arm Assembly
A012	1	1	1	2224160220	Fitting Screw
A013	1	1	1	2224160230	Accessories
A014	2	2	2	51650408D9	Set Screw, H.P. M4x8
A015	1	1	1	54040202A0	Spring Washer
A018	2	2	2	54040302A0	Spring Washer
A019	2	2	2	51060308A9	P.H.M. Screw, P3x8
A021	1	1	1	2224154210	Knob, Inside Force Cancellor
A022	1	1	1	2224354210	Lever, Inside Force Cancellor
A023	1	1	1	2224109210	Cover, Inside Force Cancellor
A024	1	1	1	51100204A0	B.H.M. Screw, B2x4
A025	1	1	1	2224115210	Spring, Inside Force Cancellor
A031	1	1	1	2256002230	Pipe Arm Assembly
A032	1	1	1	2256353210	Pivot Ring Assembly
A033	1	1	1	2256160310	Base Bracket Assembly
A034	1	1	1	51350208B0	T.H. Tapped Screw, T2x8
A035	1	1	1	51650304D0	Set Screw, H.P. M3x4
A036	1	1	1	2256360500	Elevator Assembly
A037	1	1	1	2256265210	Marking, Inside Force Cancellor
A038	1	1	1	2256118210	Polyethylene Slider Washer
A039	1	1	1	2256118220	Friction Washer
A040	1	1	1	2256104210	Boss, Inside Force Cancellor
A050	1	1	1	54020201B0	Spring Washer
A051	1	1	1	54060214B0	T.L. Washer, IR

11. TECHNICAL SPECIFICATIONS FOR U.S.A. MODEL ONLY

Drive System	Direct Drive System
Drive Motor Type	DC Servo-Controlled
Speed Control Range	6% ($\pm 3\%$)
Rumble (DIN B)	65 dB
Wow and Flutter (NAB, WRMS)	0.04%
Tone Arm Length	8-15/32 inches
Platter Diameter	12-3/16 inches

GENERAL

Power Requirements	120 V AC 60 Hz
Power Consumption	5 Watts
Dimensions:	
Width	17-3/4 inches (450 mm)
Height	5-1/8 inches (130 mm)
Depth	14-1/8 inches (360 mm)
Weight:	
Unit alone	16.1 lbs (7.3 kg)
Packed for Shipment	20.5 lbs (9.3 kg)

FOR EUROPEAN MODEL ONLY

Drive System	Direct Drive System
Drive Motor Type	DC Servo-Controlled
Speed	33-1/3 and 45
Speed Control Range	6% ($\pm 3\%$)
Rumble	
NAB	60 dB
DIN B WTD.	65 dB
Hum Pick Up	57 dB
Wow and Flutter	
NAB	0.04%
DIN WTD.	0.06%
Tracking Error	$-0^{\circ}12' \sim +5^{\circ}02'$
Tone Arm Length	8-15/32 inches
Platter Diameter	12-3/16 inches

GENERAL

Power Requirements	220 V \sim , 50 Hz
(This unit can be converted by a qualified technician to operate on 110/120/240 V \sim , 50 Hz.)	
Power Consumption	5 Watts
Dimensions	
Width	17-3/4 inches (450 mm)
Height	5-1/8 inches (130 mm)
Depth	14-1/8 inches (360 mm)
Weight	
Unit alone	16.1 lbs (7.3 kg)
Packed for shipment	20.5 lbs (9.3 kg)



marantz

MARANTZ CO., INC. · P. O. BOX 577 · CHATSWORTH, CALIFORNIA · 91311



A WHOLLY-OWNED SUBSIDIARY OF SUPERSCOPE INC., CHATSWORTH, CALIFORNIA · 91311