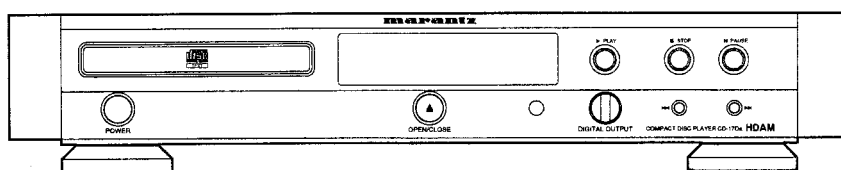
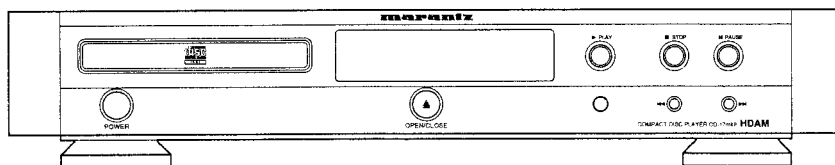


Service Manual

74 CD17 /22B/22G
CD-17Da F_N K_{GL}
CD-17mkII K_{BL} K_{GL} U_{BL}
Compact disc player



V24937



CONTENTS

SECTION	PAGE
1. TECHNICAL SPECIFICATIONS	1
2. SERVICING HINTS	2
3. SERVICINE TOOLS	2
4. SERVICE MODE	3
5. MICROPROCESSOR AND IC DATA	4
6. BLOCK DIAGRAM	7
7. FLAG NO.	7
8. SCHEMATIC DIAGRAM AND PARTS LOCATION	9
9. EXPLODED VIEW AND PARTS LIST	20
10. ELECTRICAL PARTS LIST	23

Please use this service manual with referring to the user guide (D.F.U.) without fail.

The Allen wrench (No. 1.5) is necessary to open the top cover.

修理の際は、必ず取扱説明書を準備し操作方法を確認の上作業を行ってください。

又、六角棒スパナNO. 1.5が必要です。

marantz®

model CD-17mkII/CD-17Da

4822 725 51178
First issue 1998.10
356k855010 MIT

MARANTZ DESIGN AND SERVICE

Using superior design and selected high grade components, **MARANTZ** company has created the ultimate in stereo sound. Only original **MARANTZ** parts can insure that your **MARANTZ** product will continue to perform to the specifications for which it is famous.

Parts for your **MARANTZ** equipment are generally available to our National Marantz Subsidiary or Agent.

ORDERING PARTS :

Parts can be ordered either by mail or by Fax.. In both cases, the correct part number has to be specified.

The following information must be supplied to eliminate delays in processing your order :

1. Complete address
2. Complete part numbers and quantities required
3. Description of parts
4. Model number for which part is required
5. Way of shipment
6. Signature : any order form or Fax. must be signed, otherwise such part order will be considered as null and void.

<p>USA</p> <p>MARANTZ AMERICA, INC. 440 MEDINAH ROAD ROSELLE, ILLINOIS 60172 USA PHONE : 630 - 307 - 3100 FAX : 630 - 307 - 2687</p>	<p>CANADA</p> <p>LENBROOK INDUSTRIES LIMITED 633 GRANITE COURT, PICKERING, ONTARIO L1W 3K1 CANADA PHONE : 905 - 831 - 6333 FAX : 905 - 831 - 6936</p>	<p>EUROPE / TRADING</p> <p>MARANTZ EUROPE B. V. P.O.BOX 80002 BUILDING SFF2 5600 JB EINDHOVEN THE NETHERLANDS PHONE : +31 - 40 - 2732241 FAX : +31 - 40 - 2735578</p>
<p>PROFESSIONAL USA</p> <p>SUPERSCOPE TECHNOLOGIES, INC. MARANTZ PROFESSIONAL PRODUCTS 2640 WHITE OAK CIRCLE, SUITE A AURORA, ILLINOIS 60504 USA PHONE : 630 - 820 - 4800 FAX : 630 - 820 - 8103</p>	<p>PROFESSIONAL CANADA</p> <p>TC ELECTRONICS CANADA LTD. 540 FIRING AVE. BAIE D'URFÉ, QUEBEC H9X 3T2 CANADA PHONE : 514 - 457 - 4044 FAX : 514 - 457 - 5524</p>	<p>KOREA</p> <p>MK ENTERPRISES LTD. 2F SHINHAN BLDG., 247-17 SEOKYO-DONG MAPO-KU, SEOUL KOREA PHONE : +82 - 2 - 323 - 2155 FAX : +31 - 2 - 323 - 2154</p>
<p>BRAZIL</p> <p>MARANTZ BRAZIL CAIXA POSTAL 21462 CEP 04698-970 SAO PAULO, SP, BRAZIL PHONE : 0800 - 123123 (Discagem Direta Gratuita) FAX : +55 11 534. 8988</p>	<p>THAILAND</p> <p>MRZ STANDARD CO., LTD. 746 - 754 MAHACHAI RD., WANGBURAPAIROM, PHRANAKORN, BANGKOK, 10200 THAILAND PHONE : +66 - 2 - 222 - 9181 FAX : +66 - 2 - 224 - 6795</p>	<p>HONG KONG</p> <p>FORWARD INTERNATIONAL CORP., LTD. 3F, BLOCK-B WO KEE HONG BLDG., 585-609 CASTLE PEAK RD., KWAI CHUNG, N.T. HONG KONG PHONE : +852 24942033 FAX : +852 24101656</p>
<p>AUSTRALIA / NEW ZEALAND</p> <p>SCAN AUDIO PTY. LTD. 52 CROWN STREET, RICHMOND 3121 VICTORIA AUSTRALIA PHONE : +61 - 3 - 9429 - 2199 FAX : +61 - 3 - 9429 - 9309</p>	<p>TAIWAN</p> <p>PAI-YUING CO., LTD. 6 TH FL NO, 148 SUNG KIANG ROAD, TAIPEI, 10429, TAIWAN R.O.C. PHONE : +886 (2) 5221304 FAX : +886 (2) 5630415</p>	<p>MALAYSIA</p> <p>WO KEE HONG ELECTRONICS SDN. BHD. NO. 102 JALAN SS 21/35, DAMANSARA UTAMA, 47400 PETALING JAYA SELANGOR DARUL EHSAN, MALAYSIA PHONE : +60 3 - 7184666 FAX : +60 3 - 7173828</p>
<p>JAPAN Technical</p> <p>MARANTZ JAPAN, INC. 35- 1, 7- CHOME, SAGAMIONO SAGAMIHARA - SHI, KANAGAWA JAPAN 228-8505 PHONE : +81 42748 1013 FAX : +81 42748 9190</p>	<p style="text-align: center;">日本マランツ株式会社</p> <p>本社 〒228-8505 神奈川県相模原市相模大野 7 - 35 - 1 営業本部 〒150-0022 東京都渋谷区恵比寿南 1 - 11 - 9</p>	<p>SINGAPORE</p> <p>FORWARD MARKETING (S) PTE. LTD. 23, LORONG 8, TOA PAYOH, SINGAPORE 319257. PHONE : +65 2583640 FAX : +65 3564047</p>

SHOCK, FIRE HAZARD SERVICE TEST :

CAUTION : After servicing this appliance and prior to returning to customer, measure the resistance between either primary AC cord connector pins (with unit NOT connected to AC mains and its Power switch ON), and the face or Front Panel of product and controls and chassis bottom.

Any resistance measurement less than 1 Megohms should cause unit to be repaired or corrected before AC power is applied, and verified before it is return to the user/customer.

Ref. UL Standard NO. 1492.

In case of difficulties, do not hesitate to contact the Technical Department at above mentioned address.

1. TECHNICAL SPECIFICATIONS

Audio Characteristics

Channels	2 channels
Sampling frequency (CD mode)	44.1 kHz
*Sampling frequency (D/A mode)	32/44.1/48 kHz
Quantization	16-bit linear/channel
Error correction	Cross-interleave read solomon code (CIRC)
D/A conversion	1-bit linear/channel
Wow & flutter	Precision of quartz

Optical Readout System

Laser	AlGaAs semiconductor
Wavelength	780 nm

Frequency Characteristics

Frequency range	5 Hz - 20 kHz
Dynamic range	> 98 dB
S/N ratio	> 110 dB
Channel separation (1 kHz)	> 103 dB
THD (1 kHz)	0.0015 %
Analog output	
Output level (cinch JACKS)	2.2 V RMS
Output impedance	250 ohms
Digital output	
Output level (cinch JACK)	0.5 Vp-p/75 ohms
Output level (optical JACK)	-19 dBm
*Digital input	
Input level (cinch JACK)	0.5 Vp-p/75 ohms
Input level (optical JACK)	-19 dBm

Power Supply

Power requirement	
K version	110 / 220V AC 50/60 Hz
J22 version	230V AC 50 Hz
U version	120V AC 60 Hz
Power Consumption	19 W

Cabinet, etc.

Dimensions	
Width	458 mm
Height	83mm
Depth	313mm
Netweight	7.8 kg
Operating temperatures	+5 °C ~ +35 °C
Operating humidity	5 % ~ 90 % (without dew)

Accessories

Remote control unit (RC-DA17CD)	1
AAA (R03) Batteries	2
Stereo audio cable with cinch pins	1
Remote cable with cinch pin	1
AC power cord	1

* : CD-17Da type only

Improvement may result in changes in specifications and design without notice.

オーディオ特性

チャンネル	2チャンネル
周波数特性	2Hz~20,000Hz, ±0.3dB
ダイナミックレンジ	98dB以上
S/N比	110dB
チャンネルセパレーション	103dB (1kHz)
高調波歪率	0.0015% (1kHz)
ワウフラッター	水晶精度
誤り訂正方式	クロス・インターリーブ・リードソロン・コード (CIRC)
音声出力	2.2V RMSステレオ
デジタル出力	ピンジャック 0.5Vp-p/75Ω (角型光コネクタ) 光出力 -19dBm
デジタル入力	ピンジャック 0.5Vp-p/75Ω (角型光コネクタ) 光出力 -19dBm

光学読み取り方式

レーザー	AlGaAs 半導体
波長	780nm

信号方式

サンプリング周波数 (CD モード)	44.1kHz
(D/A モード)	32/44.1/48kHz
量子化	16ビットリニア / チャンネル

電源部

電源	AC 100V 50/60Hz
消費電力 (電気用品取締法)	19W

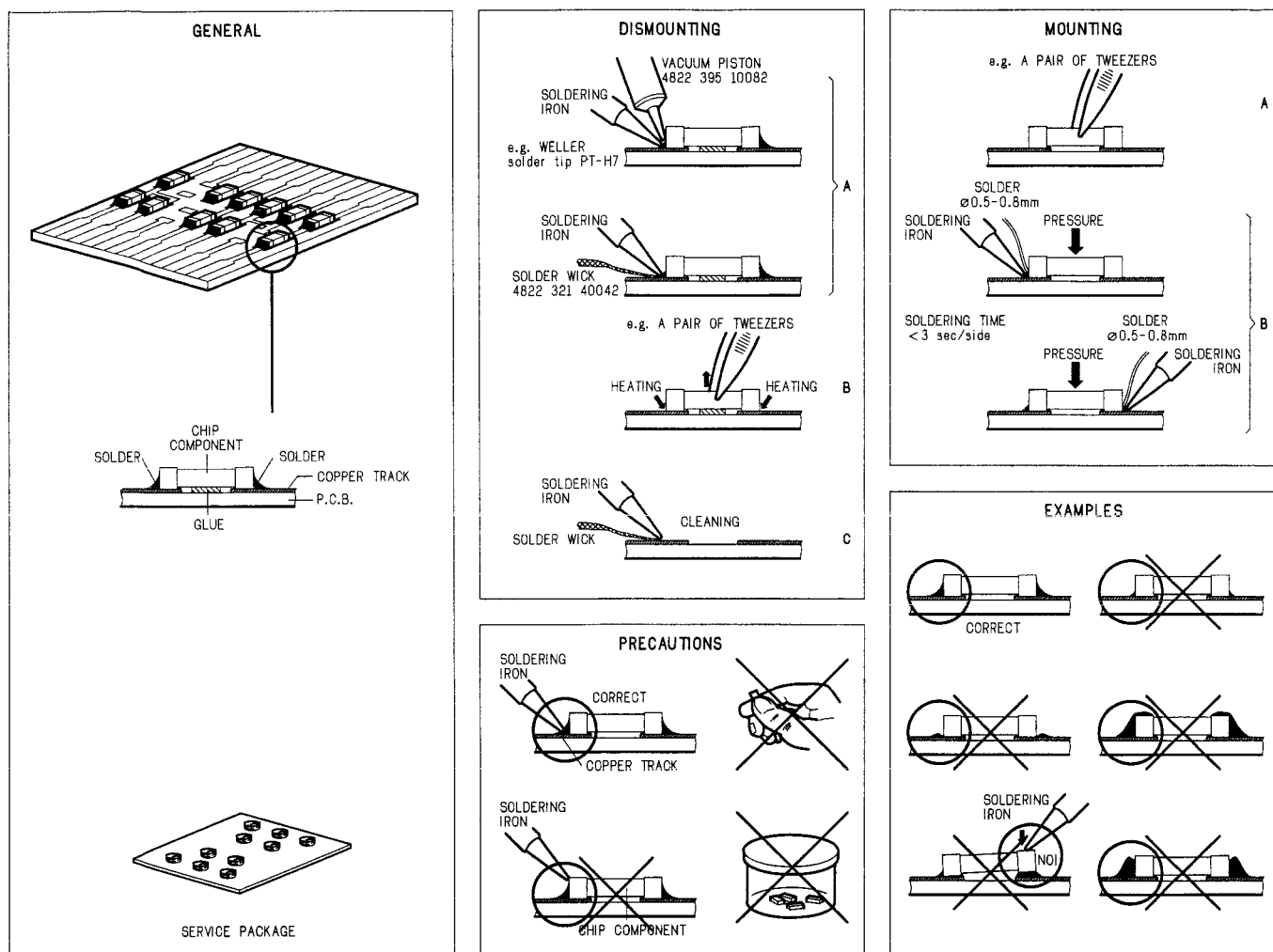
キャビネット・その他

最大外形寸法 (幅×高さ×奥行)	458×83×313mm
質量	7.8kg
許容動作温度	+5°C ~ +35°C
許容動作湿度	5%~90% (結露のないこと)

付属品

リモートコントロール送信機 (RC-DA17CD)	1
外形寸法 (幅×高さ×奥行)	44×17.5×239mm
質量 (電池なし)	175g
単四電池 (SUM-4)	2個
RCAピンコード	1組
リモート接続コード	1本
電源コード	1本

2. SERVICING HINTS



3. SERVICE TOOLS

Audio signals disc	4822 397 30184
Disc without errors (SBC444)+	
Disc with DO errors, black spots and fingerprints (SBC444A)	4822 397 30245
Disc (65 min 1kHz) without no pause	4822 397 30155
Max. diameter disc (58.0 mm)	4822 397 60141
Torx screwdrivers	
Set (straight)	4822 395 50145
Set (square)	4822 395 50132
13th order filter	4822 395 30204
Allen wrench (No. 1.5)	

4. SERVICE MODE

1. How to enter into the Service Mode

Turn the power on while pressing [PLAY]+[OPEN/CLOSE] buttons together.

The display shows "model number", "microprocessor version" and "mode".

```

CD 17 : 1 0 P 0 0
  |         |         |
  |         |         └─ Mode number
  |         └─ Microprocessor version
  └─ Model number
  
```

2. Mode 0 (display "P 00")

Condition: [FOCUS OFF], [SPINDLE OFF], [RADIAL OFF], [MUTE ON]

- While pressing [▶▶] (Remote Control unit only) button, the sledge moves outside. And, release from this button. The sledge return to neutral position.

- Press [NEXT ▶▶] button, the function will change to "Mode 1".

3. Mode 1 (display "P 01")

Condition: [FOCUS ON], [SPINDLE OFF], [RADIAL OFF], [MUTE ON]

- Press [NEXT ▶▶] button, the function will change to "Mode 2".

- Press [PREV ◀◀] button, the function will change to "Mode 0".

4. Mode 2 (display "P 02")

Condition: [FOCUS ON], [SPINDLE ON], [RADIAL OFF], [MUTE ON]

- Press [NEXT ▶▶] button, the function will change to "Mode 3".

- Press [PREV ◀◀] button, the function will change to "Mode 1".

5. Mode 3 (display "P 03")

Condition: [FOCUS ON], [SPINDLE ON], [RADIAL ON], [MUTE OFF]

- Press [PREV ◀◀] button, the function will change to "Mode 2".

* The following button operations are available at the Service Mode.

- While pressing [STOP] button, FL display shows all segments.
- Press [PAUSE] button. FL display shows each segments one by one automatically. (Segments test mode) And, press [PAUSE] button again, this mode will be stopped.
- The same as Normal operation is performed by pressing [PLAY] button. (Except segments test mode.) However if some default is detected, display shows an error code. (For example: "Err 10") Refer to the "Table 1 ERROR CODE".

6. Canceling the Service Mode

The Service Mode is canceled by turning the power off.

4. サービスモード

1. サービスモードへの入り方

[PLAY]と[OPEN/CLOSE] ボタンを押しながら電源を入れます。モデル番号及びプロセッサバージョン番号、モード番号を表示します。

```

CD 17 : 1 0 P 0 0
  |         |         |
  |         |         └─ モード番号
  |         └─ プロセッサバージョン番号
  └─ モデル番号
  
```

2. モード0 (表示 P 00)

状態: [FOCUS OFF] [SPINDLE OFF] [RADIAL OFF] [MUTE ON]

- リモコンの[▶▶] ボタンを押している間だけスレッドが外周へ移動します。ボタンを放すと原点に戻ります。
- [NEXT ▶▶] ボタンを押すとモード1へ移行します。

3. モード1 (表示 P 01)

状態: [FOCUS ON] [SPINDLE OFF] [RADIAL OFF] [MUTE ON]

- [NEXT ▶▶] ボタンを押すとモード2へ移行します。
- [PREV ◀◀] ボタンを押すとモード0へ移行します。

4. モード2 (表示 P 02)

状態: [FOCUS ON] [SPINDLE ON] [RADIAL OFF] [MUTE ON]

- [NEXT ▶▶] ボタンを押すとモード3へ移行します。
- [PREV ◀◀] ボタンを押すとモード0へ移行します。

5. モード3 (表示 P 03)

状態: [FOCUS ON] [SPINDLE ON] [RADIAL ON] [MUTE OFF]

- [PREV ◀◀] ボタンを押すとモード2へ移行します。

* サービスモードの全ての状態で以下のボタンが有効です。

- [STOP] ボタンを押している間だけFLが全点灯します。
- [PAUSE] ボタンを押すとFL各部自動点灯テストを行いません。もう一度押すとテストを中止します。
- [PLAY] ボタンを押すと通常 (サービスモード以外) と同じ動作となります。ただし、上記のFL各部自動点灯テスト中を除きます。動作中、異常が確認された時にエラー番号が表示されます。(例: Err 10) 下記の表を参考にしてください。

6. サービスモードの解除

電源を切るとサービスモードが解除されます。

Table 1 ERROR CODE

Error Code	Error
Err 02	FOCUS Error
Err 07	SUB CODE Error
Err 08	T. O. C. Error
Err 09	DECODER Error
Err 10	RADIAL Error
Err 11, 12	SLEDGE Error
Err 13	SPINDLE Error
Err 16 ~ 20	SEARCH Error
Err 30	DOOR Error
Err 31	TRAY Error
Err 32 ~ 47	BUTTON INPUT Error

5. MICROPROCESSOR AND IC DATA

Q102 SAA7372GP

PIN	SYMBOL	DESCRIPTION
1	VSSA1	*analog ground 1
2	VDDA1	* analog supply voltage 1
3	D1	unipolar current input (central diode signal input)
4	D2	unipolar current input (central diode signal input)
5	D3	unipolar current input (central diode signal input)
6	VRL	reference voltage input for ADC
7	D4	unipolar current input (central diode signal input)
8	R1	unipolar current input (satellite diode signal input)
9	R2	unipolar current input (satellite diode signal input)
10	IrefT	current reference output for ADC calibration
11	VRH	reference voltage output from ADC
12	VSSA2	* analog ground 2
13	SELPLL	selects whether internal clock multiplier PLL is used
14	ISLICE	current feedback output from data slicer
15	HFIN	comparator signal input
16	VSSA3	* analog ground 3
17	HFREF	comparator common mode input
18	Iref	reference current output pin (nominally 0.5VDD)
19	VDDA2	* analog supply voltage 2
20	TEST1	test control input 1; this pin should be tied LOW
21	CRIN	crystal/resonator input
22	CROUT	crystal/resonator output
23	TEST2	test control input 2; this pin should be tied LOW
24	CL16	16.9344 MHz system clock output
25	CL11	11.2896 or 5.6448 MHz clock output (3-state)
26	RA	radial actuator output
27	FO	focus actuator output
28	SL	sledge control output
29	TEST3	test control input 3; this pin should be tied LOW
30	VDDD1(P)	* digital supply voltage 1 for periphery
31	DOBM	bi-phase mark output (externally buffered; 3-state)
32	VSSD1	* digital ground 1
33	MOTO1	motor output 1; versatile (3-state)
34	MOTO2	motor output 2; versatile (3-state)
35	SBSY	subcode block sync output (3-state)
36	SFSY	subcode frame sync output (3-state)
37	RCK	subcode clock input
38	SUB	P-to-W subcode output bits (3-state)
39	VSSD2	* digital ground 2
40	V5	versatile output pin 5
41	V4	versatile output pin 4
42	V3	versatile output pin 3 (open-drain)
43	KILL	kill output (programmable; open-drain)
44	EF	C2 error flag; output only defined in CD ROM modes and 1fs modes (3-state)
45	DATA	serial data output (3-state)
46	WCLK	word clock output (3-state)
47	VDDD2(P)	* digital supply voltage 2 for periphery
48	SCLK	serial bit clock output (3-state)
49	VSSD3	* digital ground 3
50	CL4	4.2336 MHz microcontroller clock output
51	SDA	microcontroller interface data I/O line (open-drain output)
52	SCL	microcontroller interface clock line input
53	RAB	microcontroller interface R/W and load control line input (4-wire bus mode)
54	SILD	microcontroller interface R/W and load control line input (4-wire-bus mode)
55	n.c.	not connected
56	VSSD4	* digital ground 4
57	RESET	power-on reset input (active LOW)
58	STATUS	servo interrupt request line/decoder status register output (open-drain)
59	VDDD3(C)	* digital supply voltage 3 for core
60	C2FAIL	indication of correction failure output (open-drain)
61	CFLG	correction flag output (open-drain)
62	V1	versatile input pin 1
63	V2	versatile input pin 2
64	LDON	laser drive on output (open-drain)

* Note : All supply pins must be connected to the same external power supply voltage.

Q101 TDA1302T

PIN	SYMBOL	DESCRIPTION
1	O4	output of diode current amplifier 4
2	O6	output of diode current amplifier 6
3	O3	output of diode current amplifier 3
4	O1	output of diode current amplifier 1
5	O5	output of diode current amplifier 5
6	O2	output of diode current amplifier 2
7	LDON	control pin for switching the laser ON and OFF
8	VDDL	laser supply voltage
9	RFE	equalized output voltage of sum signal of amplifiers 1 to 4
10	RF	unequalized output
11	HG	control pin for gain switch
12	LS	control pin for speed switch
13	CL	external capacitor
14	ADJ	reference input normally connected to ground via a resistor
15	GND	0 V supply; substrate connection (ground)
16	LO	current output to the laser diode
17	MI	laser monitor diode input
18	VDD	amplifier supply voltage
19	I2	photo detector input 2 (central)
20	I5	photo detector input 5 (satellite)
21	I1	photo detector input 1 (central)
22	I3	photo detector input 3 (central)
23	I6	photo detector input 6 (satellite)
24	I4	photo detector input 4 (central)

Q106/Q107/Q108 TDA7073A

PIN	SYMBOL	DESCRIPTION
1	IN1-	negative input 1
2	IN1+	positive input 1
3	n.c.	not connected
4	n.c.	not connected
5	VP	positive supply voltage
6	IN2+	positive input 2
7	IN2-	negative input 2
8	n.c.	not connected
9	OUT2+	positive output 2
10	GND2	ground 2
11	n.c.	not connected
12	OUT2-	negative output 2
13	OUT1-	negative output 1
14	GND1	ground 1
15	n.c.	not connected
16	OUT1+	positive output 1

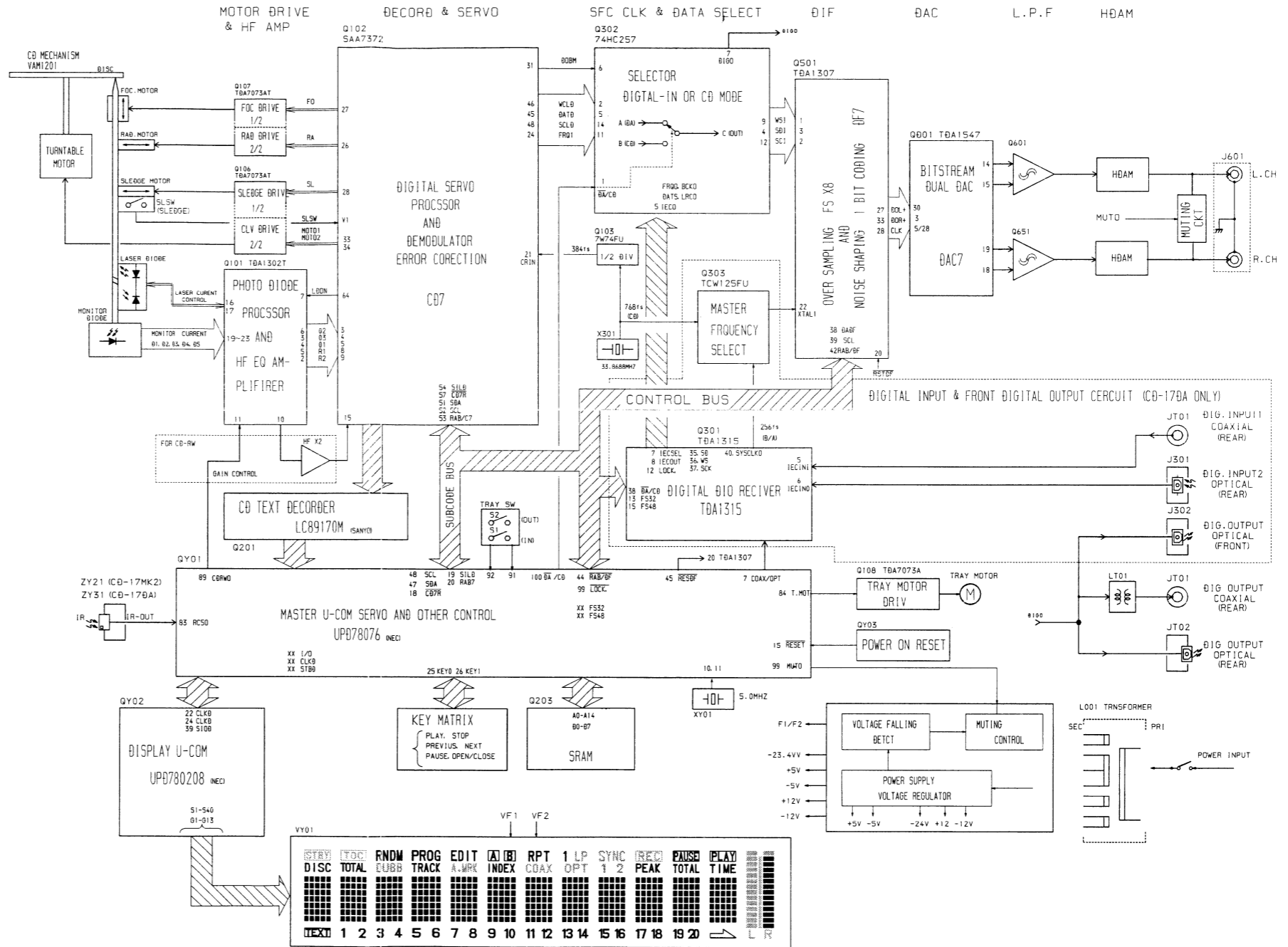
Q201 LC89170M

PIN	SYMBOL	I/O	FUNCTION
1	EXCK	I/O	Subcode interface shift clock input and output
2	SBSO	I	Subcode interface data Input
3	SCOR	I	Subcode interface block synchronization Input
4	WFCK	I	Subcode interface frame synchronization Input
5	MCK	I	Clock input (16.9344 MHz)
6	XMODE	I	System reset and low power mode
7	GND		Ground
8	TEST	I	Test pin (Must be connected to ground in normal operation.)
9	SW1	I	EXCK I/O setting (L: clock output, H: clock input)
10	SW2	I	EXCK clock output pulse width selection (L: double speed support, H: normal speed)
11	SCLK	I	Command interface shift clock input
12	SRDT	O	Command interface data output
13	DOSY	O	Command interface readout enable output
14	VDD		Power supply

QY02 μPD780204 DISPLAY

Pin No.	Port Name	Function	To/From	Descriptio	Active
1	+5VD	Vdd	+5VD		
2	OPEN	P37	---	LED On/Off	Low
3	OPEN	P36/BUZ	---	LED On/Off	Low
4	OPEN	P35/PCL	---	LED On/Off	Low
5	OPEN	P34/TI2	---	LED On/Off	Low
6	OPEN	P33/TI1	---	LED On/Off	Low
7	OPEN	P32/TO2	---	LED On/Off	Low
8	OPEN	P31/TO1	---	LED On/Off	Low
9	OPEN	P30/TO0	---	LED On/Off	Low
10	RESD	RESET	QY01		
11	5MHz X'tal	X2	XY02		
12	5MHz X'tal	X1	XY02		
13	GND	IC	GND		
14	OPEN	XT2	---		
15	OPEN	P04/XT1	---		
16	+5VD	Vdd	+5VD		
17	OPEN	P27/SCK0	---		
18	OPEN	P26/SO0/SB1	---		
19	OPEN	P25/SI0/SB0	---		
20	OPEN	P24/BUSY	---		
21	OPEN	P23/STB	---		
22	CLKD	P22/SCK1	---		
23	OPEN	P21/SO1	---		
24	SI0D	P20/SI1	QY01		
25	GND	Avss	GND		
26	OPEN	P17/ANI7	---		
27	OPEN	P16/ANI6	---		
28	OPEN	P15/ANI5	---		
29	OPEN	P14/ANI4	---		
30	OPEN	P13/ANI3	---		
31	OPEN	P12/ANI2	---		
32	OPEN	P11/ANI1	---		
33	OPEN	P10/ANI0	---		
34	OPEN	Avdd	---		
35	GND	Avref	GND		
36	OPEN	P03/INTP3	---		
37	OPEN	P02/INTP2	---		
38	OPEN	P01/INTP1	---		
39	STBD	P00/INTP0/TI0	QY01		
40	GND	Vss	GND		
41	OPEN	P74	---		
42	OPEN	P73	---		
43	OPEN	P72	---		
44	GND	P71	GND	Scroll rate select (LOW : CD-17)	
45	GND	P70	GND	Character select (LOW : CD-17)	
46	+5VD	Vdd	+5VD		
47	S40	P127/FIP52	FL	Segment output	
48	S39	P126/FIP51	FL	Segment output	
49	S38	P125/FIP50	FL	Segment output	
50	S37	P124/FIP49	FL	Segment output	
51	S36	P123/FIP48	FL	Segment output	
52	S35	P122/FIP47	FL	Segment output	
53	S34	P121/FIP46	FL	Segment output	
54	S33	P120/FIP45	FL	Segment output	
55	S32	P117/FIP44	FL	Segment output	
56	S31	P116/FIP43	FL	Segment output	
57	S30	P115/FIP42	FL	Segment output	
58	S29	P114/FIP41	FL	Segment output	
59	S28	P113/FIP40	FL	Segment output	
60	S27	P112/FIP39	FL	Segment output	
61	S26	P111/FIP38	FL	Segment output	
62	S25	P110/FIP37	FL	Segment output	
63	S24	P107/FIP36	FL	Segment output	
64	S23	P106/FIP35	FL	Segment output	
65	S22	P105/FIP34	FL	Segment output	
66	S21	P104/FIP33	FL	Segment output	
67	S20	P103/FIP32	FL	Segment output	
68	S19	P102/FIP31	FL	Segment output	
69	S18	P101/FIP30	FL	Segment output	
70	S17	P100/FIP29	FL	Segment output	
71	S16	P97/FIP28	FL	Segment output	
72	S15	P96/FIP27	FL	Segment output	
73	S14	P95/FIP26	FL	Segment output	
74	S13	P94/FIP25	FL	Segment output	
75	S12	P93/FIP24	FL	Segment output	
76	S11	P92/FIP23	FL	Segment output	
77	S10	P91/FIP22	FL	Segment output	
78	S9	P90/FIP21	FL	Segment output	
79	-VFT	Vload	-VFT		
80	S8	P87/FIP20	FL	Segment output	
81	S7	P86/FIP19	FL	Segment output	
82	S6	P85/FIP18	FL	Segment output	
83	S5	P84/FIP17	FL	Segment output	
84	S4	P83/FIP16	FL	Segment output	
85	S3	P82/FIP15	FL	Segment output	
86	S2	P81/FIP14	FL	Segment output	
87	S1	P80/FIP13	FL	Segment output	
88	G13	FIP12	FL	Gird output or Segment output	
89	G12	FIP11	FL	Gird output or Segment output	
90	G11	FIP10	FL	Gird output or Segment output	
91	G10	FIP9	FL	Gird output or Segment output	
92	G9	FIP8	FL	Gird output or Segment output	
93	G8	FIP7	FL	Gird output or Segment output	
94	G7	FIP6	FL	Gird output or Segment output	
95	G6	FIP5	FL	Gird output or Segment output	
96	G5	FIP4	FL	Gird output or Segment output	
97	G4	FIP3	FL	Gird output or Segment output	
98	G3	FIP2	FL	Gird output or Segment output	
99	G2	FIP1	FL	Gird output	
100	G1	FIP0	FL	Gird output	

6. BLOCK DIAGRAM

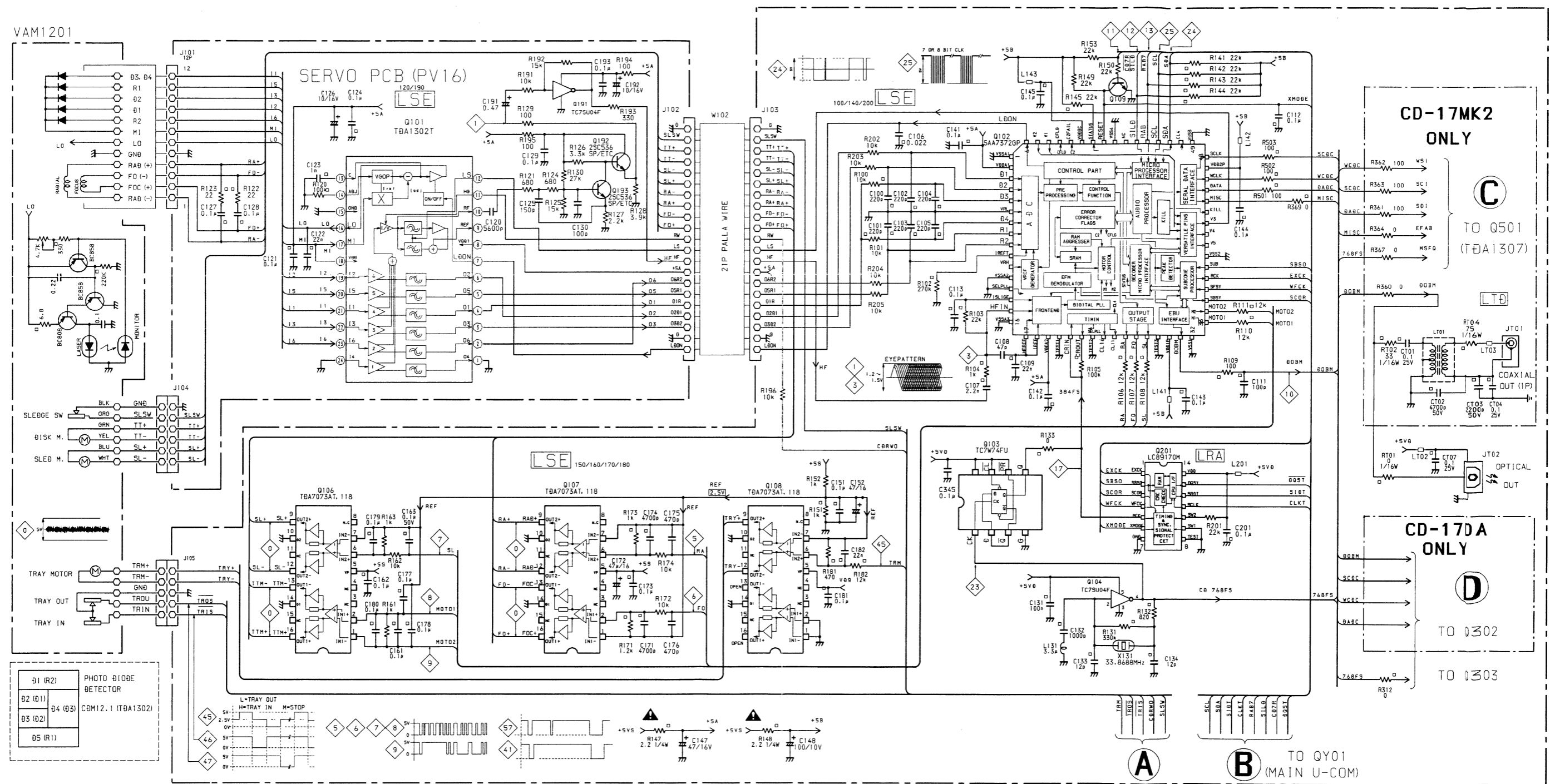


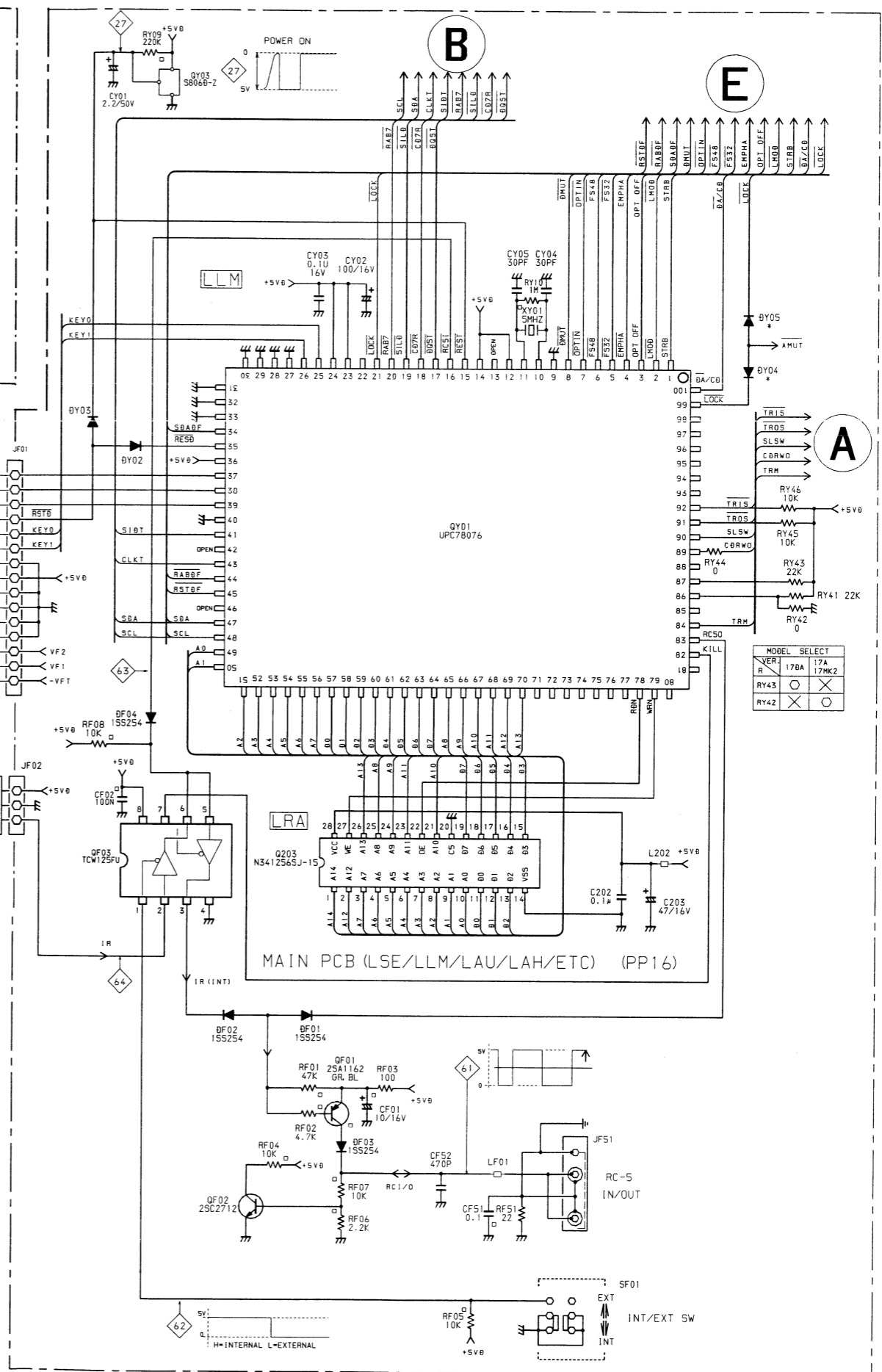
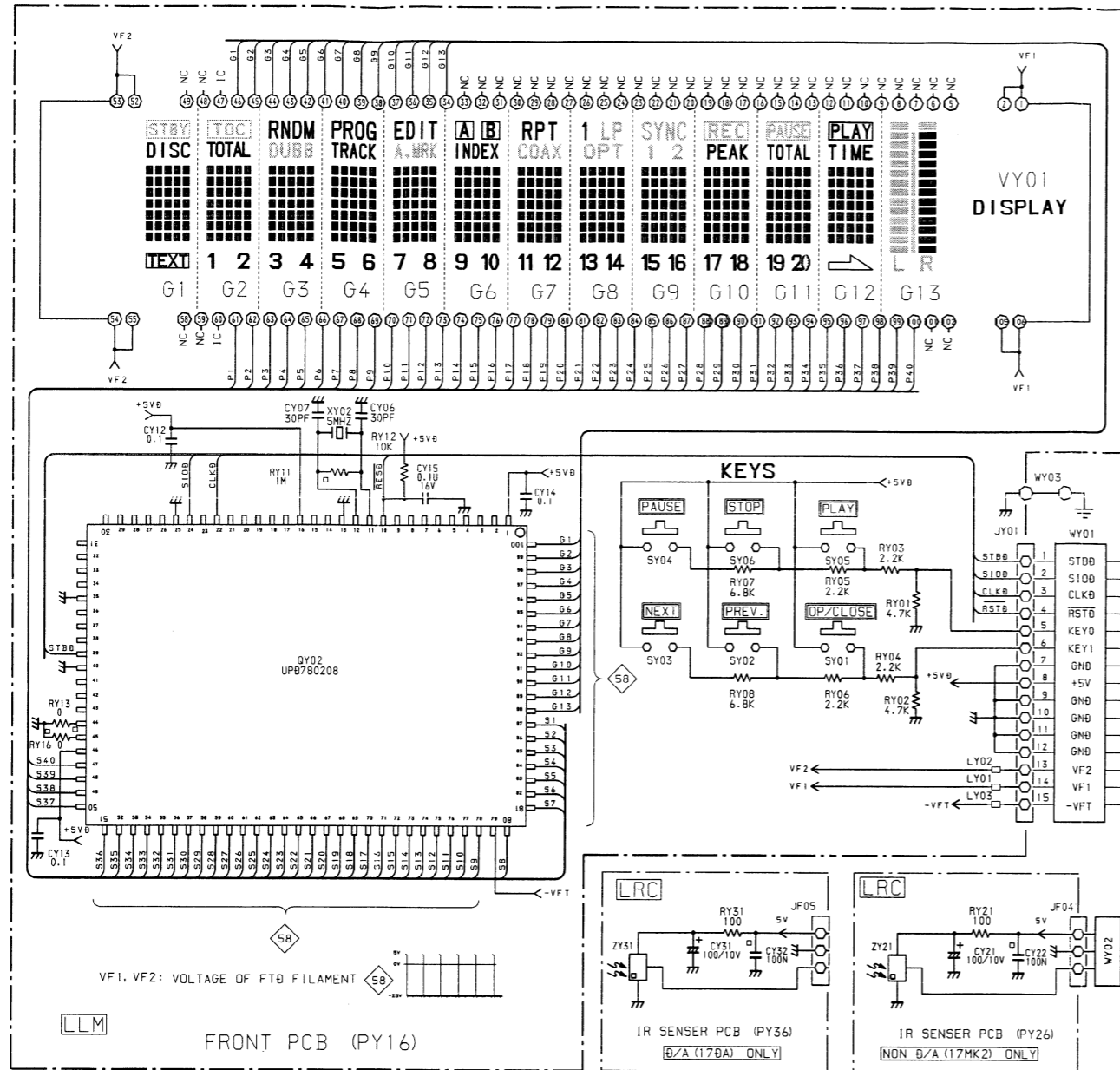
7. FLAG NO.

◇ FLAG

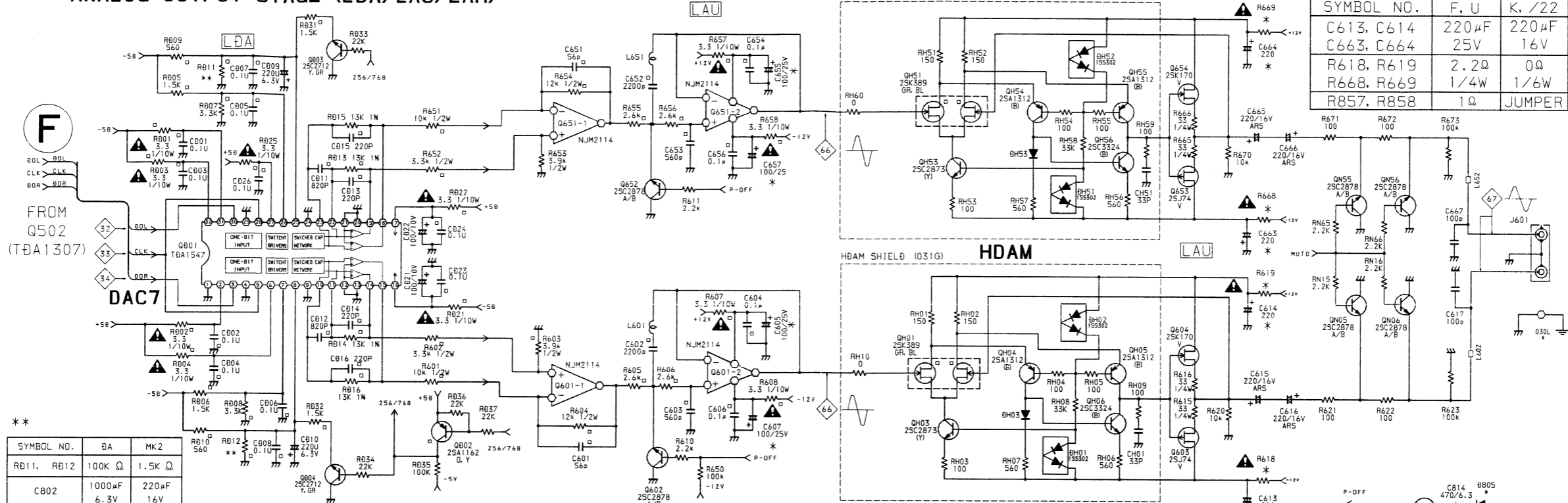
NO.	ITEM	FUNCTION	NO.	ITEM	FUNCTION	NO.	ITEM	FUNCTION
0	MT-OUT	MOTOR DRIVE OUTPUT	24	SBA	MPU DATA FOR C07/T0A1307/T0A1315	48	DMUT	T0A1315 MUTING SIGNAL
1	HF-OUT	T0A1302T HF SIGNAL OUT	25	SCL	MPU CLOCK FOR C07/T0A1307/T0A1315	49	OPT/COAX	DIGITAL INPUT SELECT L:OPT H:COAX
2			26	MSFG	MASTER FREQUENCY CLK FOR T0A1307	50	32K	INDICATES SAMPLE FREQUENCY=32kHz (ACTIVE LOW)
3	HF HPF	HF SIGNAL HPF OUT	27			51	44K	INDICATES SAMPLE FREQUENCY=44kHz (ACTIVE LOW)
4			28			52	48K	INDICATES SAMPLE FREQUENCY=48kHz (ACTIVE LOW)
5	RA	RABIAL MOTOR CONT PULSE (P0M)	29			53	S0	SERIAL AUDIO DATA INPUT/OUTPUT; I ² S-BUS
6	FO	FOCUS MOTOR CONT PULSE (P0M)	30			54	WS	WORD SELECT INPUT/OUTPUT; I ² S-BUS
7	SL	SLEDGE MOTOR CONT PULSE (P0M)	31			55	SCK	SERIAL AUDIO CLOCK INPUT/OUTPUT; I ² S-BUS
8	MOT01	TURNTABLE CONT PULSE (P0M)	32	00R	1 BIT DATA R	56	SYSCLK0	T0A1315H SYSTEM CLOCK OUTPUT
9	MOT02	TURNTABLE CONT PULSE (P0M)	33	CLK	1 BIT DATA CLOCK OUT	57	UNLOCK	PLL OUT-OF-LOCK (0=NOT LOCKED)
10	00BM	DIGITAL OUTPUT SIGNAL	34	00L	1 BIT DATA L	58	FLGS	FL GR0 AND SEGMENT DRIVE
11	C07R	C07 RESET PULSE	35	OSC2	UPC IN CLK (5.0MHz)	59	COAX	COAX INPUT SIGNAL
12	SIL0	DATA BUS R/W AND L0R0 CONTROL SERVO	36	OSC1	UPC OUT CLK (5.0MHz)	60	OPT	OPTICAL INPUT SIGNAL
13	RAB7	DATA BUS R/W AND L0R0 CONTROL DECODER	37			61	RC I/O	RC-5 SIGNAL INPUT/OUTPUT
14	SCLK	AUDIO SERIAL DATA CLOCK	38			62	IRSW	RC-5 INTERNAL/EXTERNAL SWITCH
15	WCLK	AUDIO WORD CLOCK	39	SLSW	SLEDGE SWITCH L:IN END	63	RCSI	RC-5 SIGNAL MPU INPUT
16	0AT	AUDIO I ² S DATA	40	A.MUTE	AUDIO MUTE H:MUTED	64	IR	RC-5 IR RECEIVE SIGNAL OUT
17	CL16	SYSTEM CLOCK 16.9344MHz	41	LOCK	DELAYED UNLOCK SIGNAL (L:UNLOCK H:LOCK)	65		
18	WCK0/LRCI	WORD CLOCK SWITCH OUT	42	EMPHA	T0A1315 EMPHA SIGNAL OUT (H:ON)	66	LPFO	AUDIO SIGNAL AT LPF OUTPUT
19	0AT0	SERIAL DATA SWITCH OUT	43	0A/CD	MODE SELECT 0:A OR CD (L:0/A H:CD)	67	LROUT	AUDIO SIGNAL OUTPUTS
20	0AT0/0IN	INV SERIAL 0AT0 DATA	44			68	MUTO	MUTING SIGNAL OUTPUT FOR AUDIO SIGNAL
21	BCK1/SCK0	SERIAL DATA BIT CLOCK SWITCH OUT	45	T.MOT	TRAY MOTOR CONTROL SIGNAL	69	PWMO	POWER ON/OFF MUTING SET SIGNAL
22			46	TRIS	TRAY IN/OUT DETECT SWITCH L:IN END	70		
23	X1	SYSTEM CLOCK (33.8688MHz)	47	TROS	TRAY IN/OUT DETECT SWITCH L:OUT END	71		

8. SCHEMATIC DIAGRAM AND PARTS LOCATION



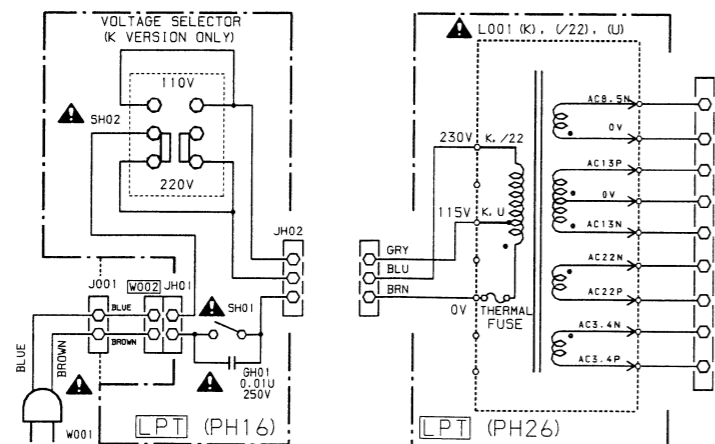


ANALOG OUTPUT STAGE (LDA/LAU/LAH)

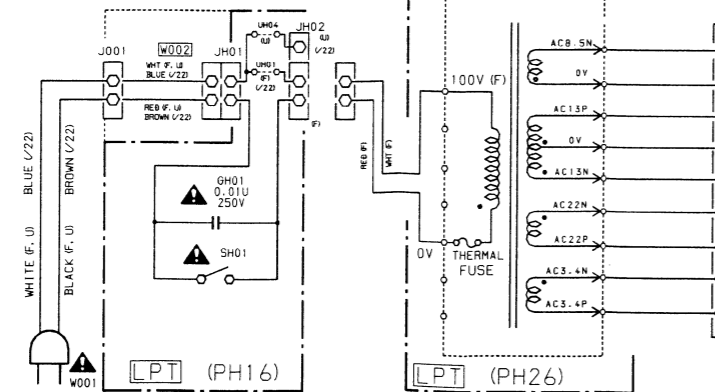


SYMBOL NO.	DA	MK2
RD11, RD12	100K Ω	1.5K Ω
CB02	1000µF	220µF
	6.3V	16V

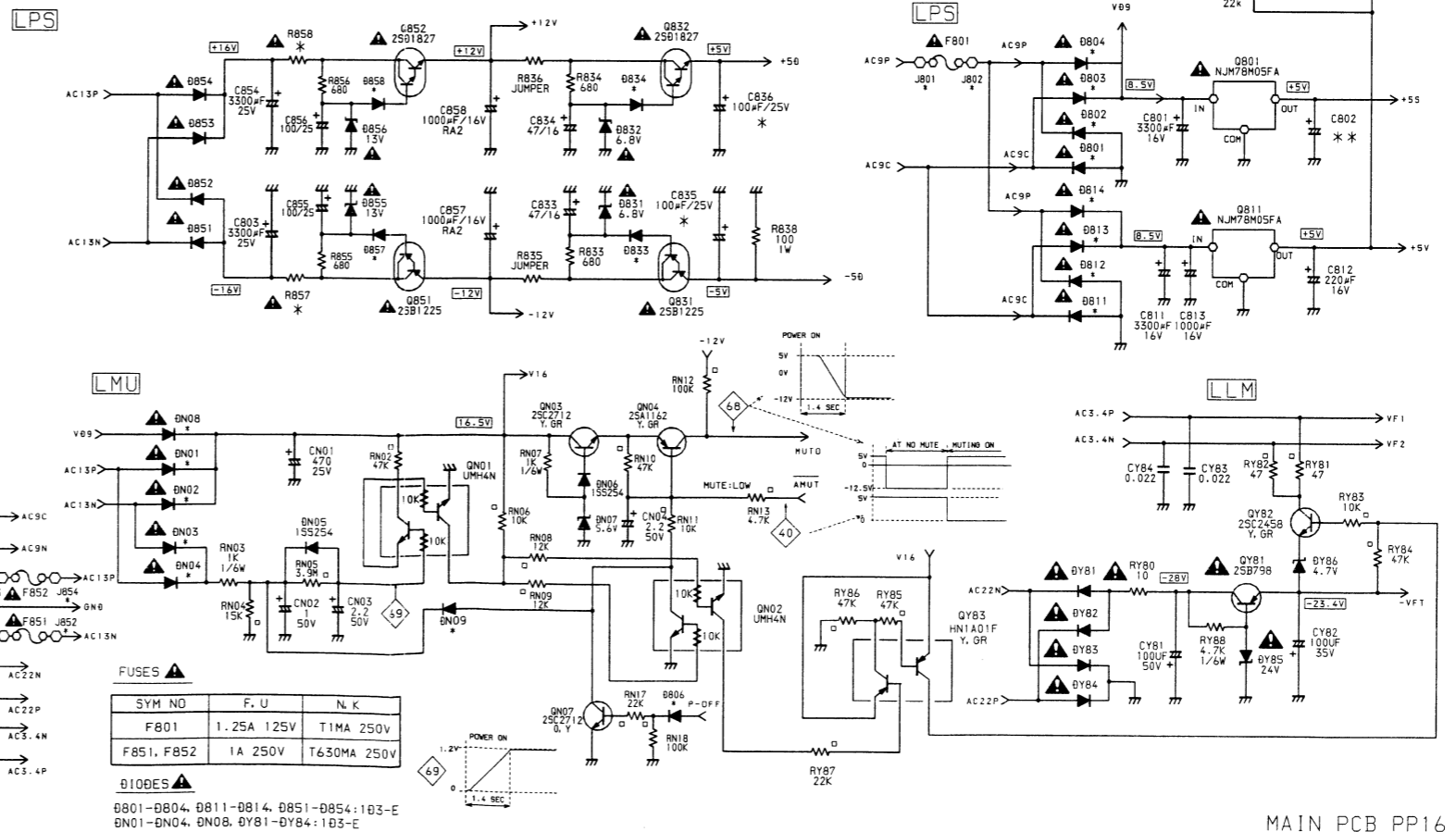
FOR K VERSION



FOR VERSION F. U. /22



POWER SUPPLY/MUTE (LPS/LLM/LMU)



MAIN PCB PP16

PP16

QN55
QN56
QN06
QN05
Q305

Q603
Q604
Q653
Q654
Q851

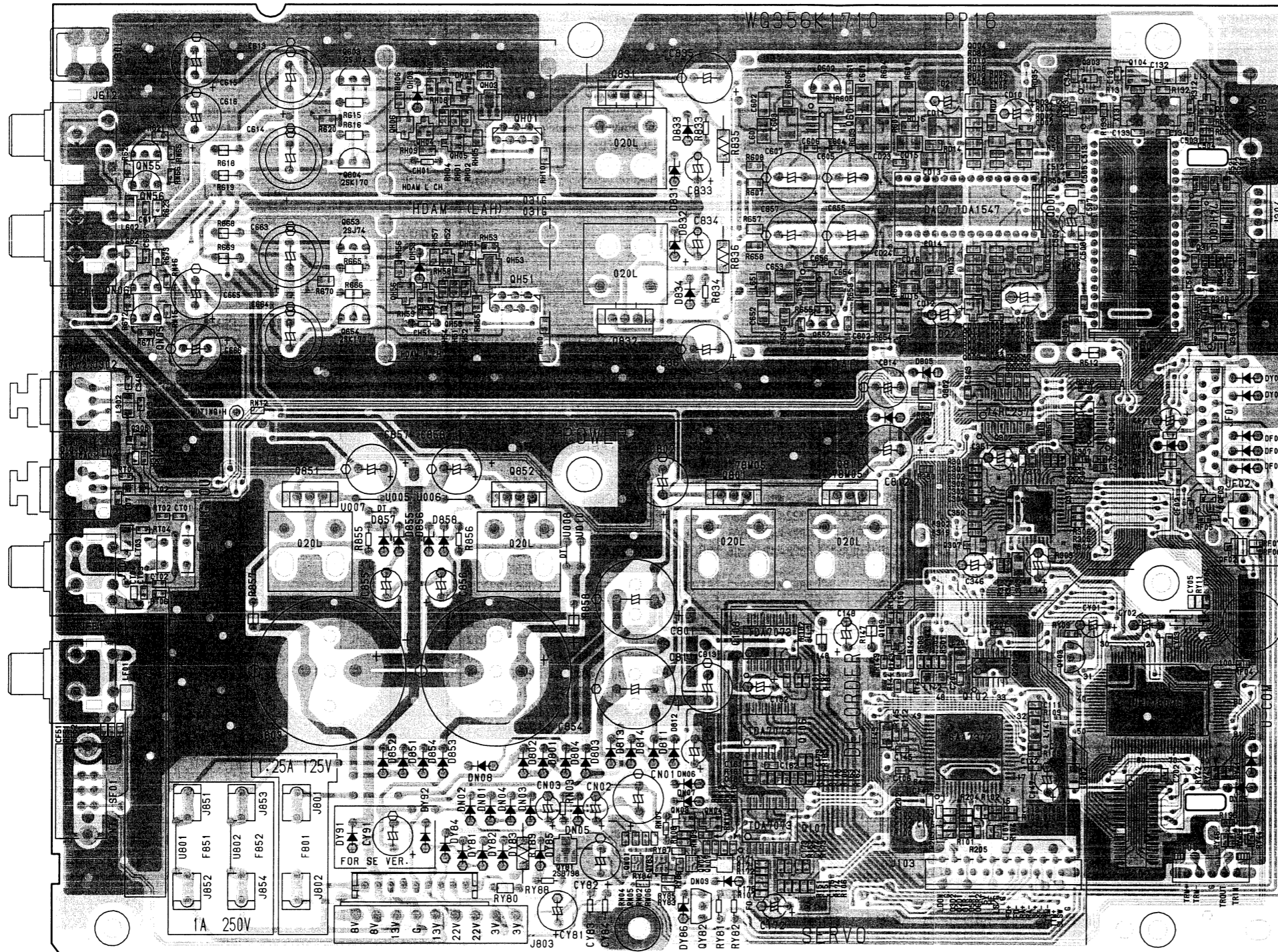
QH06 ~ QH03
QH56 ~ QH53
Q852

Q831
Q832

Q601
Q601
Q651
Q652

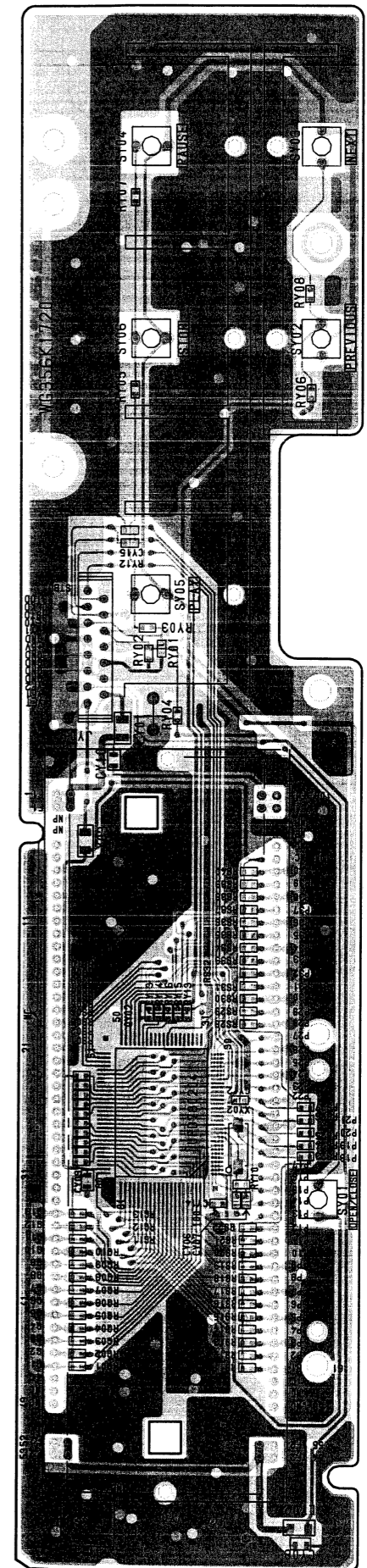
QD04
QD01

Q103 Q303 Q104
Q501 Q311
Q308
Q802 QD03 Q302 Q301 Q304 QF01



QY81 QN01 QY83 QN02 QN07 QY82
QN03 QN04 Q108 Q109 Q101 QY03 QY01
Q106 Q102 Q202

PY16

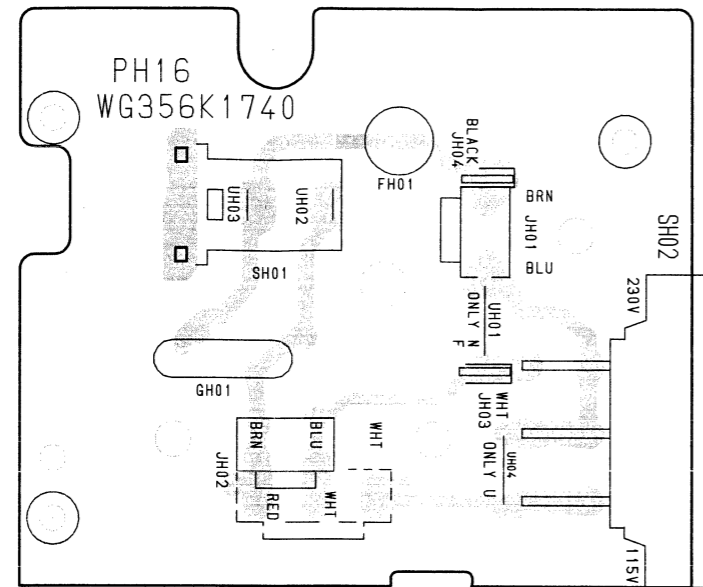


QY02

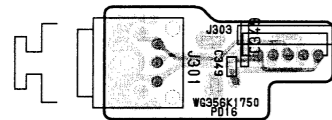
9. EXPLODED VIEW AND PARTS LIST

(VERS.:VERSION, U:U.S.A., F:JAPAN, K:FAR EAST, **EUROPE)

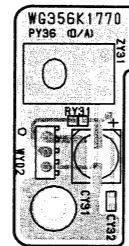
PH16



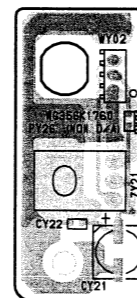
PD16



PY36

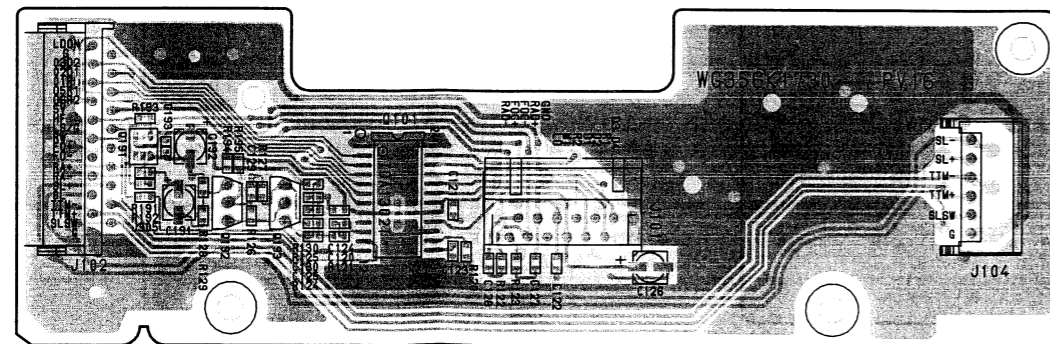


PY26

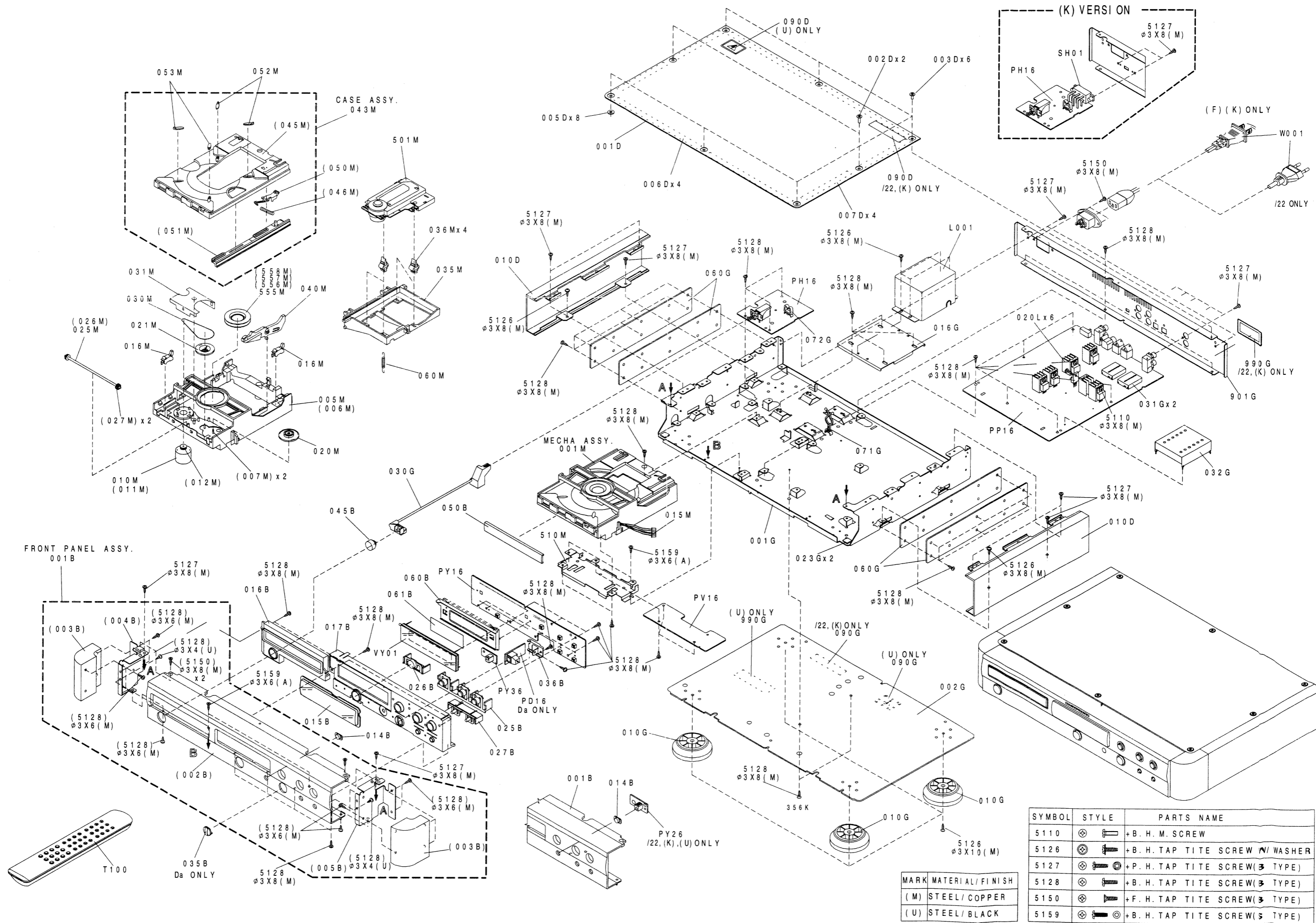


PV16

Q191 Q191 Q193 Q101



POS. NO	VERS. COLOR	PART NO. (FOR PCS)	DESCRIPTION	PART NO. (MJ)	POS. NO	VERS. COLOR	PART NO. (FOR PCS)	DESCRIPTION	PART NO. (MJ)
001B	DA		FRONT PANEL ASSY GLD	356K248550	050M		4822 528 30429	CAM	305K054010
001B	MK2		FRONT PANEL ASSY BLK	356K248500	051M		4822 522 10738	NEW GEAR FOR VAM1201	305K058050
	BLK				060M		4822 492 33495	SPRING	305K115020
001B	MK2		FRONT PANEL ASSY GLD	356K248510	501M		4822 691 10615	MECHANISM,VAM 1201	356K304500
002B	DA		FRONT PANEL AL GLD	356K248130	▲ J001	F		JACK 3P AC INLET	YJ04002160
002B	MK2	4822 459 05171	FRONT PANEL AL BLK	356K248010	▲ J001	/22,K,U	4822 265 11399	JACK 2P AC INLET	YJ04002360
	BLK				▲ L001	F		POWER TRANSF. 100V	TS15742010
002B	MK2	4822 459 05172	FRONT PANEL AL GLD	356K248110	▲ L001	/22,K,U	4822 146 11089	POWER TRANSF. 115V/230V	TS15742020
	GLD								
003B	GOLD	4822 444 40853	ESCUTCHEON AL GLD	318K063110	▲ W001	F	4822 321 11337	MAINS CORD	ZC01802080
003B	BLACK	4822 444 40852	ESCUTCHEON AL BLK	318K063010	▲ W001	K		MAINS CORD,2.5A 250V	ZC01803090
014B	GOLD	4822 381 12025	IR LENS GLD PANEL	290J355110	▲ W001	/22	4822 321 11439	MAINS CORD,10A 250V	ZC01803080
014B	BLACK	4822 381 12024	IR LENS BLK PANEL	290J355010	▲ W001	U		MAINS CORD,10A 125V	ZC01803100
015B	GOLD	4822 450 10143	WINDOW GLD	318K158110					
015B	BLACK	4822 450 10141	WINDOW BLK	318K158010					
016B	GOLD	4822 532 13091	BUSHING GLD	342K259110					
016B	BLACK	4822 532 13089	BUSHING BLK	342K259010					
017B	DA		RETAINER GL	318K104130	001T	F		PACKING USER GUIDE	356K851110
017B	MK2	4822 459 50977	RETAINER BLK	318K104010	001T	K		USER GUIDE,ENG/CHINA	356K851350
	BLK				001T	/22	4822 736 16577	USER GUIDE	356K851310
017B	MK2	4822 459 50978	RETAINER GLD	318K104110	001T	U		USER GUIDE	356K851250
	GLD								
025B	GOLD	4822 410 70032	BUTTON,PLAY STOP PAUSE	318K270120					
025B	BLACK	4822 410 70027	BUTTON,PLAY STOP PAUSE	318K270020					
026B	GOLD	4822 410 70033	BUTTON,OPEN CLOSE GLD	318K270130					
026B	BLACK	4822 410 70028	BUTTON,OPEN CLOSE BLK	318K270030					
027B	GOLD	4822 410 70034	BUTTON,TRACK GLD	318K270140					
027B	BLACK	4822 410 70029	BUTTON,TRACK BLK	318K270040					
035B	DA		DIGITAL CAP IN ELASTOMER BROWN	318K067110					
036B	DA		RETAINER OPTICAL JACK	318K104040					
045B	GOLD	4822 410 70031	BUTTON,POWER GLD	318K270110					
045B	BLACK	4822 410 70026	BUTTON,POWER BLK	318K270010					
050B	GOLD	4822 442 01607	ESCUTCHEON,TRAY LID GLD	342K063150					
050B	BLACK	4822 442 01606	ESCUTCHEON,TRAY LID BLK	342K063050					
060B			FL HOLDER	356K271010					
061B		4822 459 10942	STICKER ADHESIVE	056J122020					
001D	GOLD	4822 444 30517	LID, TOP COVER AL GLD	318K257110					
001D	BLACK	4822 444 30516	LID, TOP COVER AL BLK	318K257010					
002D	GOLD	4822 502 14425	SCREW, THINHEAD 3X8NI	323S010020					
002D	BLACK	4822 502 21693	SCREW, THINHEAD 3X8NI	323S010030					
003D	GOLD	4822 502 14462	SCREW, THINHEAD 3X5NI	318K010020					
003D	BLACK	4822 502 14461	SCREW, THINHEAD 3X5BL	318K010030					
010D	GOLD	4822 444 40855	SIDE PANEL, GLD	318K249110					
010D	BLACK	4822 444 40854	SIDE PANEL, BLK	318K249010					
001M	GOLD	4822 691 10763	MECHANISM, LOADER LM302 NEW TRAY BROWN	305K304650					
001M	BLACK	4822 691 10762	MECHANISM, LOADER LM302 NEW TRAY BLACK	305K304640					
005M		4822 464 10054	FRAME, K	305K401500					
010M		4822 361 21741	D.C MOTOR, K	MM0030002R					
016M		4822 271 30873	MINI	SM01020620					
020M		4822 522 33521	GEAR	305K058030					
021M		4822 528 81537	PULLEY	305K262010					
025M		4822 522 33522	GEAR	305K058500					
030M		4822 358 31314	BELT	305K264010	001S	F		NOT STANDARD SPARE PARTS PACKING CASE, GL	356K01060
035M		4822 443 51265	CASE	305K064110	001S	U BLK		PACKING CASE, BL	356K01010
036M		4822 462 72118	BUFFER, SUSPENSION	305K056010	001S	U GLD		PACKING CASE, GL	356K01020
040M		4822 402 11212	NEW ARM FOR VAM1201	305K002050	002S	F U		CUSHION, PIECE	318K09010
043M	GOLD	4822 449 80311	CASE K, NEW STYLING BROWN	329K064610					
043M	BLACK	4822 449 80312	CASE K, NEW STYLING BLACK	329K064600	B001			BATTERY	ZF2402000
046M		4822 492 33494	SPRING	305K115010	J051		4822 321 62012	CONNECTIVE CORD RCA	ZD0000100
					J081	K	4822 265 10092	JACK AC	YJ0401240
					J082		4822 321 22611	CONNECTIVE CORD RCA	ZD0100010



POS. NO	VERS. COLOR	PART NO. (FOR PCS)	DESCRIPTION	PART NO. (MJI)	POS. NO	VERS. COLOR	PART NO. (FOR PCS)	DESCRIPTION	PART NO. (MJI)
C652		4822 123 30387	MICA CHIP 2200pF ±5%	DF95222030	RF04		4822 051 30103	10kΩ ±5% 1/16W	NN05103610
C653		4822 123 30362	MICA CHIP 560pF ±5% 100WV	DF95561510	RF05		4822 051 30103	10kΩ ±5% 1/16W	NN05103610
C654		4822 126 13837	CER. 0.1μF ±10% 10V	DK96104200	RF06		4822 051 30222	2.2kΩ ±5% 1/16W	NN05222610
C655	F,U	4822 124 22238	ELECT 100μF 25V	OA10702550	RF07		4822 051 30103	10kΩ ±5% 1/16W	NN05103610
C655	K/22		ELECT 100μF 25V	OA10702540	RF51		4822 117 12139	22Ω ±5% 1/16W	NN05220610
C656		4822 126 13837	CER. 0.1μF ±10% 10V	DK96104200	RH01		4822 116 90503	150Ω ±5% 1/10W	NI05151110
C657	F,U	4822 124 22238	ELECT 100μF 25V	OA10702550	RH02		4822 116 90503	150Ω ±5% 1/10W	NI05151110
C657	K/22		ELECT 100μF 25V	OA10702540	RH03		4822 111 90893	100Ω ±5% 1/10W	NI05101110
C663	F,U	4822 124 90051	ELECT 220μF ±20% 25V	OA22702550	RH03		4822 111 90893	100Ω ±5% 1/10W	NI05101110
C663	K/22	4822 124 80123	ELECT 220μF 16V	OA22701640	RH04		4822 111 90893	100Ω ±5% 1/10W	NI05101110
C664	F,U	4822 124 90051	ELECT 220μF ±20% 25V	OA22702550	RH05		4822 111 90893	100Ω ±5% 1/10W	NI05101110
C664	K/22	4822 124 80123	ELECT 220μF 16V	OA22701640	RH06		4822 116 83352	560Ω ±5% 1/10W	NI05561110
C665		4822 124 80123	ELECT 220μF 16V	OA22701640	RH07		4822 116 83352	560Ω ±5% 1/10W	NI05561110
C666		4822 124 80123	ELECT 220μF 16V	OA22701640	RH08		4822 116 83229	33kΩ ±1% 1/10W	NI01333110
C667		4822 126 11759	CER. 100pF ±5% 50V	DD95101300	RH09		4822 111 90893	100Ω ±5% 1/10W	NI05101110
C801		4822 124 23782	ELECT 3300μF ±20% 16V	OC33801620	RH10		4822 111 90892	0Ω ±5% 1/10W	NI05000110
C802	DA	4822 124 22694	ELECT 1000μF 6.3V	OA10800620	RH51		4822 116 90503	150Ω ±5% 1/10W	NI05151110
C802	MK2	4822 124 90364	ELECT 220μF ±20% 16V	OA22701620	RH52		4822 116 90503	150Ω ±5% 1/10W	NI05151110
C803		4822 124 81318	ELECT 3300μF ±20% 25V	OB33802510	RH53		4822 111 90893	100Ω ±5% 1/10W	NI05101110
C811		4822 124 23782	ELECT 3300μF ±20% 16V	OC33801620	RH54		4822 111 90893	100Ω ±5% 1/10W	NI05101110
C812		4822 124 90364	ELECT 220μF ±20% 16V	OA22701620	RH55		4822 111 90893	100Ω ±5% 1/10W	NI05101110
C813		4822 124 22722	ELECT 1000μF ±20% 16V	OA10801620	RH56		4822 116 83352	560Ω ±5% 1/10W	NI05561110
C814		4822 124 41544	ELECT 470μF ±20% 6.3V	OA47700620	RH57		4822 116 83352	560Ω ±5% 1/10W	NI05561110
C833		4822 124 41539	ELECT 47μF ±20% 16V	OA47601620	RH58		4822 116 83229	33kΩ ±1% 1/10W	NI01333110
C834		4822 124 41539	ELECT 47μF ±20% 16V	OA47601620	RH59		4822 111 90893	100Ω ±5% 1/10W	NI05101110
C835	F,U	4822 124 22238	ELECT 100μF ±20% 25V	OA10702550	RH60		4822 111 90892	0Ω ±5% 1/10W	NI05000110
C835	K/22		ELECT 100μF ±20% 25V	OA10702540	RN02		4822 051 30473	47kΩ ±5% 1/16W	NN05473610
C836	F,U	4822 124 22238	ELECT 100μF ±20% 25V	OA10702550	RN04		4822 051 30223	22kΩ ±5% 1/16W	NN05223610
C836	K/22		ELECT 100μF ±20% 25V	OA10702540	RN05		4822 117 11977	3.9MΩ ±5% 1/16W	NN05395610
C854		4822 124 81318	ELECT 3300μF ±20% 25V	OB33802510	RN06		4822 051 30103	10kΩ ±5% 1/16W	NN05103610
C855		4822 124 41535	ELECT 100μF ±20% 25V	OA10702520	RN08		4822 116 83208	12kΩ ±5% 1/16W	NN05123610
C856		4822 124 41535	ELECT 100μF ±20% 25V	OA10702520	RN09		4822 116 83208	12kΩ ±5% 1/16W	NN05123610
C857		4822 124 22722	ELECT 1000μF ±20% 16V	OA10801620	RN10		4822 051 30473	47kΩ ±5% 1/16W	NN05473610
C858		4822 124 22722	ELECT 100μF ±20% 16V	OA10801620	RN11		4822 051 30103	10kΩ ±5% 1/16W	NN05103610
			PP16-RESISTORS CHIP		RN12		4822 051 30104	100kΩ ±5% 1/16W	NN05104610
▲ RD01		4822 117 10145	3.3Ω ±5% 1/10W FUSIBLE	NH85033110	RN13		4822 051 30472	4.7kΩ ±5% 1/16W	NN05472610
▲ RD04					RN15		4822 051 30222	2.2kΩ ±5% 1/16W	NN05222610
RD05		4822 116 83253	1.5kΩ ±1% 1/10W	NI01152110	RN16		4822 051 30222	2.2kΩ ±5% 1/16W	NN05222610
RD06		4822 116 83253	1.5kΩ ±1% 1/10W	NI01152110	RN17		4822 051 30223	22kΩ ±5% 1/16W	NN05223610
RD07		4822 116 83255	3.3kΩ ±1% 1/10W	NI01332110	RN18		4822 051 30104	100kΩ ±5% 1/16W	NN05104610
RD08		4822 116 83255	3.3kΩ ±1% 1/10W	NI01332110	RN65		4822 051 30222	2.2kΩ ±5% 1/16W	NN05222610
RD09		4822 116 83352	560Ω ±5% 1/10W	NI05561110	RN66		4822 051 30222	2.2kΩ ±5% 1/16W	NN05222610
RD10		4822 116 83352	560Ω ±5% 1/10W	NI05561110	RT01		4822 116 82487	0Ω ±5% 1/16W	NN05000610
RD11	DA	4822 111 90884	100kΩ ±1% 1/10W	NI01104110	RT02		4822 051 30339	33Ω ±5% 1/16W	NN05330610
RD11	MK2	4822 116 83253	1.5kΩ ±1% 1/10W	NI01152110	RT04		4822 051 30759	75Ω ±5% 1/16W	NN05750610
RD12	DA	4822 111 90884	100kΩ ±1% 1/10W	NI01104110	RT06		4822 051 30759	75Ω ±5% 1/16W	NN05750610
RD12	MK2	4822 116 83253	1.5kΩ ±1% 1/10W	NI01152110	RY09		4822 051 30224	220kΩ ±5% 1/16W	NN05224610
RD13		4822 117 11976	13kΩ ±1% 1/10W	NI01133110	RY10		4822 051 30105	1MΩ ±5% 1/16W	NN05105610
RD14		4822 117 11976	13kΩ ±1% 1/10W	NI01133110	RY12		4822 051 30103	10kΩ ±5% 1/16W	NN05103610
RD15		4822 117 11976	13kΩ ±1% 1/10W	NI01133110	RY41		4822 051 30223	22kΩ ±5% 1/16W	NN05223610
RD16		4822 117 11976	13kΩ ±1% 1/10W	NI01133110	RY42	MK2	4822 116 82487	0Ω ±5% 1/16W	NN05000610
▲ RD21		4822 117 10145	3.3Ω ±5% 1/10W FUSIBLE	NH85033110	RY43	DA	4822 051 30223	22kΩ ±5% 1/16W	NN05223610
▲ RD22		4822 117 10145	3.3Ω ±5% 1/10W FUSIBLE	NH85033110	RY44		4822 051 30223	22kΩ ±5% 1/16W	NN05223610
▲ RD25		4822 117 10145	3.3Ω ±5% 1/10W FUSIBLE	NH85033110	RY45		4822 051 30103	10kΩ ±5% 1/16W	NN05103610
RD31	DA	4822 116 83253	1.5kΩ ±1% 1/10W	NI01152110	RY46		4822 051 30103	10kΩ ±5% 1/16W	NN05103610
RD32	DA	4822 116 83253	1.5kΩ ±1% 1/10W	NI01152110	▲ RY80			10Ω ±5% FUSIBLE	NH85100110
RD33	DA	4822 051 30223	22kΩ ±5% 1/16W	NN05223610	RY83		4822 051 30103	10kΩ ±5% 1/16W	NN05103610
RD34	DA	4822 051 30223	22kΩ ±5% 1/16W	NN05223610	RY84		4822 051 30473	47kΩ ±5% 1/16W	NN05473610
RD35	DA	4822 051 30104	100kΩ ±5% 1/16W	NN05104610	RY85		4822 051 30473	47kΩ ±5% 1/16W	NN05473610
RD36	DA	4822 051 30223	22kΩ ±5% 1/16W	NN05223610	RY86		4822 051 30473	47kΩ ±5% 1/16W	NN05473610
RD37	DA	4822 051 30223	22kΩ ±5% 1/16W	NN05223610	RY87		4822 051 30223	22kΩ ±5% 1/16W	NN05223610
RD38	DA	4822 116 82487	0Ω ±5% 1/16W	NN05000610	R100		4822 051 30103	10kΩ ±5% 1/16W	NN05103610
RF01		4822 051 30473	47kΩ ±5% 1/16W	NN05473610	R101		4822 051 30103	10kΩ ±5% 1/16W	NN05103610
RF02		4822 051 30472	4.7kΩ ±5% 1/16W	NN05472610	R102		4822 051 30274	270kΩ ±5% 1/16W	NN05274610
RF03		4822 051 30101	100Ω ±5% 1/16W	NN05101610	R103		4822 051 30223	22kΩ ±5% 1/16W	NN05223610
					R104		4822 051 30102	1kΩ ±5% 1/16W	NN05102610

POS. NO	VERS. COLOR	PART NO. (FOR PCS)	DESCRIPTION	PART NO. (MJ)	POS. NO	VERS. COLOR	PART NO. (FOR PCS)	DESCRIPTION	PART NO. (MJ)
R105		4822 051 30104	100kΩ ±5% 1/16W	NN05104610	R506		4822 051 30479	47Ω ±5% 1/16W	NN05470610
R106		4822 116 83208	12kΩ ±5% 1/16W	NN05123610	R511		4822 051 30104	100kΩ ±5% 1/16W	NN05104610
R107		4822 116 83208	12kΩ ±5% 1/16W	NN05123610	R521		4822 051 30223	22kΩ ±5% 1/16W	NN05223610
R108		4822 116 83208	12kΩ ±5% 1/16W	NN05123610	R522		4822 116 82487	0Ω ±5% 1/16W	NN05000610
R109		4822 051 30101	100Ω ±5% 1/16W	NN05101610	R601			10kΩ ±1% 1/4W NON CHIP	GM11410020
R110		4822 116 83208	12kΩ ±5% 1/16W	NN05123610	R602		4822 117 11981	3.3kΩ ±5% 1/2W	RI05332120
R111		4822 116 83208	12kΩ ±5% 1/16W	NN05123610	R603		4822 117 11982	3.9kΩ ±5% 1/2W	RI05392120
R131		4822 051 30334	330kΩ ±5% 1/16W	NN05334610	R604		4822 117 11979	12kΩ ±5% 1/2W	RI05123120
R132		4822 117 12968	820Ω ±5% 1/16W	NN05821610	R605		4822 117 10183	2.6kΩ ±1% 1/10W	NI01262110
R133		4822 116 82487	0Ω ±5% 1/6W	NN05000610	R606		4822 117 10183	2.6kΩ ±1% 1/10W	NI01262110
R141					▲ R607		4822 117 10145	3.3Ω ±5% 1/10W FUSIBLE	NH85033110
R145		4822 051 30223	22kΩ ±5% 1/16W	NN05223610	▲ R608		4822 117 10145	3.3Ω ±5% 1/10W FUSIBLE	NH85033110
▲ R147		4822 116 60309	2.2Ω ±5% 1/4W FUSIBLE	NH05022140	R610		4822 051 30222	2.2kΩ ±5% 1/16W	NN05222610
▲ R148		4822 116 60309	2.2Ω ±5% 1/4W FUSIBLE	NH05022140	R611		4822 051 30222	2.2kΩ ±5% 1/16W	NN05222610
R149		4822 051 30223	22kΩ ±5% 1/16W	NN05223610	R615			33Ω ±5% 1/6W NON CHIP	GG05330160
R150		4822 051 30223	22kΩ ±5% 1/16W	NN05223610	R616			33Ω ±5% 1/6W NON CHIP	GG05330160
R151		4822 051 30102	1kΩ ±5% 1/16W	NN05102610	▲ R618	F,U	4822 116 60309	2.2Ω ±5% 1/4W FUSIBLE	NH05022140
R152		4822 051 30102	1kΩ ±5% 1/16W	NN05102610	▲ R619	F,U	4822 116 60309	2.2Ω ±5% 1/4W FUSIBLE	NH05022140
R153		4822 051 30223	22kΩ ±5% 1/16W	NN05223610	R620		4822 111 90895	10kΩ ±5% 1/10W	NI05103110
R161		4822 051 30102	1kΩ ±5% 1/16W	NN05102610	R621		4822 111 90893	100Ω ±5% 1/10W	NI05101110
R162		4822 051 30103	10kΩ ±5% 1/16W	NN05103610	R622		4822 111 90893	100Ω ±5% 1/10W	NI05101110
R163		4822 051 30102	1kΩ ±5% 1/16W	NN05102610	R623		4822 111 90896	100kΩ ±5% 1/10W	NI05104110
R171		4822 116 83207	1.2kΩ ±5% 1/16W	NN05122610	R650		4822 051 30104	100kΩ ±5% 1/16W	NN05104610
R172		4822 051 30103	10kΩ ±5% 1/16W	NN05103610	R651			10kΩ ±1% 1/4W NON CHIP	GM11410020
R173		4822 051 30102	1kΩ ±5% 1/16W	NN05102610	R652		4822 117 11981	3.3kΩ ±5% 1/2W	RI05332120
R174		4822 051 30103	10kΩ ±5% 1/16W	NN05103610	R653		4822 117 11982	3.9kΩ ±5% 1/2W	RI05392120
R181		4822 051 30471	470Ω ±5% 1/16W	NN05471610	R654		4822 117 11979	12kΩ ±5% 1/2W	RI05123120
R182		4822 116 83208	12kΩ ±5% 1/16W	NN05123610	R655		4822 117 10183	2.6kΩ ±1% 1/10W	NI01262110
R201		4822 051 30223	22kΩ ±5% 1/16W	NN05223610	R656		4822 117 10183	2.6kΩ ±1% 1/10W	NI01262110
R202					▲ R657		4822 117 10145	3.3Ω ±5% 1/10W FUSIBLE	NH85033110
R205		4822 051 30103	10kΩ ±5% 1/16W	NN05103610	▲ R658		4822 117 10145	3.3Ω ±5% 1/10W FUSIBLE	NH85033110
R301	DA	4822 051 30471	470Ω ±5% 1/16W	NN05471610	R665			33Ω ±5% 1/6W NON CHIP	GG05330160
R302	DA	4822 051 30101	100Ω ±5% 1/16W	NN05101610	R666			33Ω ±5% 1/6W NON CHIP	GG05330160
R303	DA	4822 116 82487	0Ω ±5% 1/16W	NN05000610	▲ R668	F,U	4822 116 60309	2.2Ω ±5% 1/4W FUSIBLE	NH05022140
R304	DA	4822 051 30479	47Ω ±5% 1/16W	NN05470610	▲ R669	F,U	4822 116 60309	2.2Ω ±5% 1/4W FUSIBLE	NH05022140
R305	DA	4822 051 30479	47Ω ±5% 1/16W	NN05470610	R670		4822 111 90895	10kΩ ±5% 1/10W	NI05103110
R306	DA	4822 051 30479	47Ω ±5% 1/16W	NN05470610	R671		4822 111 90893	100Ω ±5% 1/10W	NI05101110
R307	DA	4822 051 30101	100Ω ±5% 1/16W	NN05101610	R672		4822 111 90893	100Ω ±5% 1/10W	NI05101110
R308	DA	4822 051 30101	100Ω ±5% 1/16W	NN05101610	R673		4822 111 90896	100kΩ ±5% 1/10W	NI05104110
R309	DA	4822 051 30101	100Ω ±5% 1/16W	NN05101610	R837		4822 051 30223	22kΩ ±5% 1/16W	NN05223610
R310	DA	4822 051 30101	100Ω ±5% 1/16W	NN05101610	R838		4822 116 60327	100Ω ±5% 1W NON CHIP	GA05101010
R311	DA	4822 051 30223	22kΩ ±5% 1/16W	NN05223610	▲ R857	F,U	4822 116 60307	1Ω ±5% 1/4W FUSIBLE	NH05010140
R312		4822 116 82487	0Ω ±5% 1/16W	NN05000610	▲ R858	F,U	4822 116 60307	1Ω ±5% 1/4W FUSIBLE	NH05010140
R313	DA	4822 116 82487	0Ω ±5% 1/16W	NN05000610	R***			PP16-RESISTORS (COMMON) CARBON FILM FIXED RES. ±5% 1/6W : RF08 RN03 RN07 RY81 RY82 RY88 [R618 R619 R668 R669 : K/22] R833 R834 R855 R856	
R314	DA	4822 051 30223	22kΩ ±5% 1/16W	NN05223610				PP16-SEMICONDUCTORS	
R315	DA	4822 051 30223	22kΩ ±5% 1/16W	NN05223610	DF01				
R316		4822 051 30223	22kΩ ±5% 1/16W	NN05223610	}		4822 130 32362	DIODE 1SS176 MA165	HD20 02000
R317	DA	4822 051 30223	22kΩ ±5% 1/16W	NN05223610	DF04			1SS254 30V 0.1A	
R319		4822 051 30223	22kΩ ±5% 1/16W	NN05223610	DH01		4822 130 81324	CHIP DIODE 1SS302	HZ20 18050
R323	DA	4822 116 82487	0Ω ±5% 1/16W	NN05000610	DH02		4822 130 81324	CHIP DIODE 1SS302	HZ20 18050
R341	DA	4822 051 30223	22kΩ ±5% 1/16W	NN05223610	DH03		4822 130 32362	DIODE 1SS176 MA165 1SS254 30V 0.1A	HD20 02000
R347	DA	4822 051 30223	22kΩ ±5% 1/16W	NN05223610	DH51		4822 130 81324	CHIP DIODE 1SS302	HZ20 18050
R360	MK2	4822 116 82487	0Ω ±5% 1/16W	NN05000610	DH52		4822 130 81324	CHIP DIODE 1SS302	HZ20 18050
R361	MK2	4822 051 30101	100Ω ±5% 1/16W	NN05101610	DH53		4822 130 32362	DIODE 1SS176 MA165 1SS254 30V 0.1A	HD20 02000
R362	MK2	4822 051 30101	100Ω ±5% 1/16W	NN05101610	▲ DN01				
R363	MK2	4822 051 30101	100Ω ±5% 1/16W	NN05101610	}		4822 130 82421	DIODE 1D3 1A 200V	HD20 02710
R364	MK2	4822 116 82487	0Ω ±5% 1/16W	NN05000610	▲ DN04				
R365	DA	4822 051 30101	100Ω ±5% 1/16W	NN05101610	DN05		4822 130 32362	DIODE 1SS176 MA165 1SS254 30V 0.1A	HD20 02000
R366	DA	4822 051 30101	100Ω ±5% 1/16W	NN05101610					
R368		4822 051 30101	100Ω ±5% 1/16W	NN05101610					
R369		4822 116 82487	0Ω ±5% 1/16W	NN05000610					
R501		4822 051 30101	100Ω ±5% 1/16W	NN05101610					
R502		4822 051 30101	100Ω ±5% 1/16W	NN05101610					
R503		4822 051 30101	100Ω ±5% 1/16W	NN05101610					
R504		4822 051 30479	47Ω ±5% 1/16W	NN05470610					
R505		4822 051 30479	47Ω ±5% 1/16W	NN05470610					

(VERS.:VERSION, U:U.S.A., F:JAPAN, K:FAR EAST, **:EUROPE)

POS. NO	VERS. COLOR	PART NO. (FOR PCS)	DESCRIPTION	PART NO. (MJI)	POS. NO	VERS. COLOR	PART NO. (FOR PCS)	DESCRIPTION	PART NO. (MJI)
DN06		4822 130 32362	DIODE 1SS176 MA165 1SS254 30V 0.1A	HD20002000	QN01			DIG.TR.S. UMH4N	BA20070210
DN07		4822 130 33948	ZENER DIODE RD5.6JB2 MTZJ5.6B	HD30561000	QN02			DIG.TR.S. UMH4N	BA20070210
▲ DN08		4822 130 82421	DIODE 1D3 1A 200V	HD20002710	QN03		4822 130 61355	CHIP TRS. 2SC2712 0 Y	HX327122A0
DN09		4822 130 32362	DIODE 1SS176 MA165 1SS254 30V 0.1A	HD20002000	QN04		4822 130 61311	CHIP TRS. 2SA1162 0 Y	HX111622A0
DY02		4822 130 32362	DIODE 1SS176 MA165 1SS254 30V 0.1A	HD20002000	QN05		4822 130 43818	TRS. 2SC2878 A BRANK	HT328782A0
DY04		4822 130 32362	DIODE 1SS176 MA165 1SS254 30V 0.1A	HD20002000	QN06		4822 130 43818	TRS. 2SC2878 A BRANK	HT328782A0
DY05	DA	4822 130 32362	DIODE 1SS176 MA165 1SS254 30V 0.1A	HD20002000	QN07		4822 130 61355	CHIP TRS. 2SC2712 0 Y	HX327122A0
▲ DY81		4822 130 82421	DIODE 1D3 1A/200V	HD20002710	QN55		4822 130 43818	TRS. 2SC2878 A BRANK	HT328782A0
▲ DY84		4822 130 80116	ZENER DIODE RD24JB2 MTZJ24D	HD32401000	QN56		4822 130 43818	TRS. 2SC2878 A BRANK	HT328782A0
DY85		4822 130 80116	ZENER DIODE RD4.7JB2 MTZJ4.7B	HD30471000	QY01			MICROPROCESSOR μPD78076	HU356KN00F
DY86		4822 130 10667	ZENER DIODE RD4.7JB2 MTZJ4.7B	HD30471000	QY03		4822 209 15921	IC S-806D-Z	HC10077530
▲ D801		4822 130 82421	DIODE 1D3 1A 200V	HD20002710	QY81		4822 130 42734	CHIP TRS. 2SB798 DL DK	HX207982A0
▲ D804		4822 130 32362	DIODE 1SS176 MA165 1SS254 30V 0.1A	HD20002000	QY82		4822 130 60839	TRS. 2SC2458 Y GR	HT324582B0
D805		4822 130 32362	DIODE 1SS176 MA165 1SS254 30V 0.1A	HD20002000	QY83		4822 111 92195	DIG.TR.S. HN1A01F Y GR	BA10011050
D806		4822 130 32362	DIODE 1SS176 MA165 1SS254 30V 0.1A	HD20002000	Q102		4822 209 91174	IC SAA7372GP	HC10132490
▲ D811		4822 130 82421	DIODE 1D3 1A 200V	HD20002710	Q103		4822 209 90909	IC TC7W74FU	HC10400050
▲ D814		4822 130 80318	ZENER DIODE RD6.8JB2 MTZJ6.8C	HD30681000	Q104		4822 209 32984	IC TC7SHU04F	HC10427050
D831		4822 130 80318	ZENER DIODE RD6.8JB2 MTZJ6.8C	HD30681000	Q106		4822 209 16372	IC TDA7073AT	HC10165490
D832		4822 130 80318	ZENER DIODE RD6.8JB2 MTZJ6.8C	HD30681000	Q107		4822 209 16372	IC TDA7073AT	HC10165490
D833		4822 130 32362	DIODE 1SS176 MA165 1SS254 30V 0.1A	HD20002000	Q108		4822 209 16372	IC TDA7073AT	HC10165490
D834		4822 130 32362	DIODE 1SS176 MA165 1SS254 30V 0.1A	HD20002000	Q109		4822 130 61355	CHIP TRS. 2SC2712 0 Y	HX327122A0
▲ D851		4822 130 82421	DIODE 1D3 1A 200V	HD20002710	Q201		4822 209 14864	IC LC89170M	HC10390030
▲ D854		4822 130 80623	ZENER DIODE RD13JB2 MTZJ13B	HD31301000	Q202		4822 209 33578	IC 8X32K SRAM <35NS	HC10076000
D855		4822 130 80623	ZENER DIODE RD13JB2 MTZJ13B	HD31301000	Q301	DA	4822 209 91176	IC TDA1315	HC10117490
D856		4822 130 80623	ZENER DIODE RD13JB2 MTZJ13B	HD31301000	Q302	DA	4822 209 91176	IC 74HC257AF	HC725705R0
D857		4822 130 32362	DIODE 1SS176 MA165 1SS254 30V 0.1A	HD20002000	Q303		4822 209 90597	IC TCW125FU	HC10409050
D858		4822 130 32362	DIODE 1SS176 MA165 1SS254 30V 0.1A	HD20002000	Q304		4822 130 61311	IC 74HCU04	HC700400Z0
QD01		4822 209 31355	IC TDA1547	HC10066490	Q305	DA	4822 130 61311	CHIP TRS. 2SA1162 0 Y	HX111622A0
QD02	DA	4822 130 61311	CHIP TRS. 2SA1162 0 Y	HX111622A0	Q307	DA	4822 130 61311	CHIP TRS. 2SA1162 0 Y	HX111622A0
QD03	DA	4822 130 61355	CHIP TRS. 2SC2712 0 Y	HX327122A0	Q308	DA	4822 130 61311	CHIP TRS. 2SA1162 0 Y	HX111622A0
QD04	DA	4822 130 61355	CHIP TRS. 2SC2712 0 Y	HX327122A0	Q309	DA	4822 209 90597	IC TCW125FU	HC10409050
QF01		4822 130 61311	CHIP TRS. 2SA1162 0 Y	HX111622A0	Q311	DA	4822 209 30426	IC 74HC00	HC700000Z0
QF02		4822 130 61355	CHIP TRS. 2SC2712 0 Y	HX327122A0	Q501		4822 209 15923	IC TDA1307	HC10139490
QF03		4822 209 90597	IC TCW125FU	HC10409050	Q601		4822 209 91175	IC NJM2114	HC10175090
QH01		4822 130 42843	F.E.T. 2SK389 GR BL	HF203892A0	Q602		4822 130 43818	TRS. 2SC2878 A BRANK	HT328782A0
QH03		4822 130 61425	CHIP TRS. 2SC2873 Y	HX328731B0	Q603		4822 130 62649	F.E.T. 2SJ74 V LANK	HF100741H0
QH04		4822 130 63928	CHIP TRS. 2SA1312 B	HX113121B0	Q604		5322 130 41844	F.E.T. 2SK170 V LANK	HF201701H0
QH05		4822 130 63928	CHIP TRS. 2SA1312 B	HX113121B0	Q651		4822 209 91175	IC NJM2114	HC10175090
QH06		4822 130 63929	CHIP TRS. 2SC3324 B	HX333241B0	Q652		4822 130 43818	TRS. 2SC2878 A BRANK	HT328782A0
QH51		4822 130 42843	F.E.T. 2SK389 GR BL	HF203892A0	Q653		4822 130 62649	F.E.T. 2SJ74 V LANK	HF100741H0
QH53		4822 130 61425	CHIP TRS. 2SC2873 Y	HX328731B0	Q654		5322 130 41844	F.E.T. 2SK170 V LANK	HF201701H0
QH54		4822 130 63928	CHIP TRS. 2SA1312 B	HX113121B0	▲ Q801		4822 209 61847	IC NJM78M05FA 5V 0.5A	HC38505090
QH55		4822 130 63928	CHIP TRS. 2SA1312 B	HX113121B0	Q802		4822 130 61311	CHIP TRS. 2SA1162 0 Y	HX111622A0
QH56		4822 130 63929	CHIP TRS. 2SC3324 B	HX333241B0	▲ Q811		4822 209 61847	IC NJM78M05FA 5V 0.5A	HC38505090
					▲ Q831		4822 130 62704	TRS. 2SB1225 PNP	HT212251A0
					▲ Q832		5322 130 41842	TRS. 2SD1827 NPN	HT418271A0
					▲ Q851		4822 130 62704	TRS. 2SB1225 PNP	HT212251A0
					▲ Q852		5322 130 41842	TRS. 2SD1827 NPN	HT418271A0
					▲ F801	F,U		PP16-MISCELLANEOUS FUSE 1.25A 125V	FS10125350
					▲ F801	K/22	4822 070 31002	FUSE T1A 250V	FS10100850
					▲ F851	F,U		FUSE 1A 250V	FS10100350
					▲ F851	K/22	4822 070 36301	FUSE T630MA 250V	FS10063850
					▲ F852	F,U		FUSE 1A 250V	FS10100350
					▲ F852	K/22	4822 070 36301	FUSE T630MA 250V	FS10063850
					JF51		4822 267 41009	TERMINAL 2P RCA	YT02020890
					JT01	DA	4822 290 81598	TERMINAL 2P RCA GOLD	YT02021130
					JT01	MK2	4822 290 81638	TERMINAL RCA 1P	YT02010790
					J601		4822 265 31045	TERMINAL RCA GOLD	YT02021080
					▲ J801		4822 256 30329	JACK FUSE CLIP	YJ08000430
					▲ J802		4822 267 30978	JACK FUSE CLIP	YJ08000450
					▲ J851		4822 256 30329	JACK FUSE CLIP	YJ08000430
					▲ J852		4822 267 30978	JACK FUSE CLIP	YJ08000450

(VERS.:VERSION, U:U.S.A., F:JAPAN, K:FAR EAST, **:EUROPE)

POS. NO	VERS. COLOR	PART NO. (FOR PCS)	DESCRIPTION	PART NO. (MJI)	POS. NO	VERS. COLOR	PART NO. (FOR PCS)	DESCRIPTION	PART NO. (MJI)	
▲ J853		4822 256 30329	JACK FUSE CRIP	YJ08000430				PY16-FRONT CIRCUIT BOARD		
▲ J854		4822 267 30978	JACK FUSE CRIP	YJ08000450				PY16-CAPACITORS CHIP		
LF01		4822 158 60654	FERRITE CORE BLM31A02	FC90030070	CY06			CER. 30pF ±5%	DD95300300	
LT01		4822 142 60422	PULSE TRANSF.	TP41042030	CY07			CER. 30pF ±5%	DD95300300	
LT02		4822 158 60654	FERRITE CORE BLM31A02	FC90030070	CY12			4822 126 11687	CER. 0.1μF +80-20%	DK98104200
LT03		4822 158 60654	FERRITE CORE BLM31A02	FC90030070	Y					
L131			INDUCTANCE CHIP 3.3μH	LU12332010	CY15					
L141		4822 158 60654	FERRITE CORE BLM31A02	FC90030070	RY01		4822 051 30472	4.7kΩ ±5% 1/16W	NN05472610	
L142		4822 158 60654	FERRITE CORE BLM31A02	FC90030070	RY02		4822 051 30472	4.7kΩ ±5% 1/16W	NN05472610	
L143		4822 158 60654	FERRITE CORE BLM31A02	FC90030070	RY03			4822 051 30222	2.2kΩ ±5% 1/16W	NN05222610
L201		4822 158 60654	FERRITE CORE BLM31A02	FC90030070	Y					
L202		4822 158 60654	FERRITE CORE BLM31A02	FC90030070	RY06			4822 051 30682	6.8kΩ ±5% 1/16W	NN05682610
L301	DA	4822 158 60654	FERRITE CORE BLM31A02	FC90030070	RY07			4822 051 30682	6.8kΩ ±5% 1/16W	NN05682610
L302	DA	4822 158 60654	FERRITE CORE BLM31A02	FC90030070	RY08			4822 051 30105	1MΩ ±5% 1/16W	NN05105610
L303	DA	4822 158 60654	FERRITE CORE BLM31A02	FC90030070	RY11			4822 116 82487	0Ω ±5% 1/16W	NN05000610
L501		4822 158 60654	FERRITE CORE BLM31A02	FC90030070	RY13			4822 116 82487	0Ω ±5% 1/16W	NN05000610
L601		4822 157 53873	INDUCTANCE CHIP 100μH	LU12104010	RY16					
L602		4822 158 60654	FERRITE CORE BLM31A02	FC90030070						
L651		4822 157 53873	CHIP INDUCTANCE 100μH	LU12104010						
L652		4822 158 60654	FERRITE CORE BLM31A02	FC90030070	QY02			PY16-SEMICONDUCTORS		
SF01		4822 277 21559	SLIDE INT/EXT	SS02021150				MICROPROCESSOR	HU356KN10F	
XY01			CERAMIC RESONATOR 5MHz	FQ05004030				μPD780204		
X131		4822 242 10818	CRYSTAL 33.8688MHz	JX33001380	LY01		4822 158 60654	PY16-MISCELLANEOUS		
					LY02		4822 158 60654	FERRITE CORE BLM31A02	FC90030070	
					LY03		4822 158 60654	FERRITE CORE BLM31A02	FC90030070	
			PV16-SERVO CIRCUIT BOARD							
			PV16-CAPACITORS CHIP							
C120			CER. 5600pF ±10% 50V	DK96562300	SY01					
C121		4822 126 13837	CER. 0.1μF ±10% 10V	DK96104200	Y		4822 276 14009	PUSH TACT	SP01013310	
C122		4822 126 11704	CER. 0.022μF +80-20% 16V	DK98223300	SY06					
C123		4822 126 12516	CER. 1000pF ±10% 50V	DK96102300	VY01			DISPLAY UNIT	HQ31301410	
C124		4822 126 13837	CER. 0.1μF ±10% 10V	DK96104200				FTD DISP 13-MT-79G		
C125		4822 122 33753	CER. 150pF ±5% 50V	DD95151300	XY02			CERAMIC RESONATOR 5MHz	FQ05004030	
C126		4822 124 11074	ELECT 10μF 16V	EY10601620						
C127		4822 126 13837	CER. 0.1μF ±10% 10V	DK96104200				PY26-IR SENSOR		
C128		4822 126 13837	CER. 0.1μF ±10% 10V	DK96104200				CIRCUIT BOARD		
C129		4822 126 13837	CER. 0.1μF ±10% 10V	DK96104200				PY26-CAPACITORS CHIP		
C130		4822 126 11759	CER. 100pF ±5% 50V	DD95101300	CY21	MK2	4822 124 11432	ELECT 100μF 10V	EY10701020	
C191			ELECT 0.47μF 50V	EY47405020	CY22	MK2	4822 126 11687	CER. 0.1μF +80-20%	DK98104200	
C192		4822 124 11074	ELECT 10μF 16V	EY10601620						
			PV16-RESISTORS CHIP					PY26-RESISTORS CHIP		
R120		4822 051 30104	100kΩ ±5% 1/16W	NN05104610	RY21	MK2	4822 051 30101	100Ω ±5% 1/16W	NN05101610	
R121		4822 051 30681	680Ω ±5% 1/16W	NN05681610				PY26-MISCELLANEOUS		
R122		4822 117 12139	22Ω ±5% 1/16W	NN05220610	ZY21	MK2	4822 209 16735	PHOTO UNIT PNA4655M00HB	HV10006020	
R123		4822 117 12139	22Ω ±5% 1/16W	NN05220610						
R124		4822 051 30681	680Ω ±5% 1/16W	NN05681610				PY36-IR SENSOR		
R125		4822 051 30153	15kΩ ±5% 1/16W	NN05153610				CIRCUIT BOARD		
R126		4822 051 30332	3.3kΩ ±5% 1/16W	NN05332610				PY36-CAPACITORS CHIP		
R127		4822 051 30222	2.2kΩ ±5% 1/16W	NN05222610	CY31	DA	4822 124 11432	ELECT 100μF 10V	EY10701020	
R128		4822 051 30392	3.9kΩ ±5% 1/16W	NN05392610	CY32	DA	4822 126 11687	CER. 0.1μF +80-20%	DK98104200	
R129		4822 051 30101	100Ω ±5% 1/16W	NN05101610						
R130		4822 051 30273	27kΩ ±5% 1/16W	NN05273610				PY36-RESISTORS CHIP		
R191		4822 051 30103	10kΩ ±5% 1/16W	NN05103610	RY31	DA	4822 051 30101	100Ω ±5% 1/16W	NN05101610	
R192		4822 051 30153	15kΩ ±5% 1/16W	NN05153610						
R193		4822 051 30331	330Ω ±5% 1/16W	NN05331610				PY36-MISCELLANEOUS		
R194		4822 051 30101	100Ω ±5% 1/16W	NN05101610	ZY31	DA	4822 209 16735	PHOTO UNIT PNA4655M00HB	HV10006020	
R195		4822 051 30101	100Ω ±5% 1/16W	NN05101610						
R196		4822 116 82487	0Ω ±5% 1/16W	NN05000610						
			PV16-SEMICONDUCTORS							
Q101		4822 209 33992	IC TDA1302T	HC10136490						
Q191		4822 209 32984	IC TC7SHU04F	HC10427050						
Q192		4822 130 41947	TRS. 2SC2458	HT30001000						
			2SC1740S 2SC3199							
Q193		4822 130 41947	TRS. 2SC2458	HT30001000						
			2SC1740S 2SC3199							