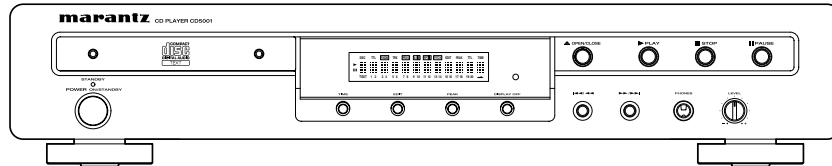


Service Manual

CD5001 /F N/K1G/L1G/N1G
/F B/N1B/U1B/N1S
CD5001F /N1B/N1S
CD Player

CD5001 / CD5001F

CD5001



CD5001F

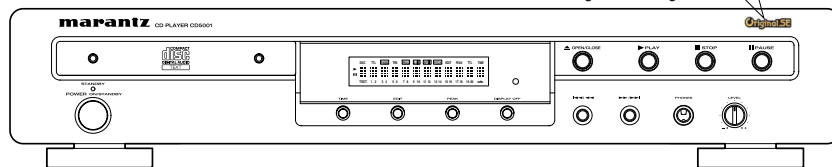


TABLE OF CONTENTS

SECTION	PAGE
1. TECHNICAL SPECIFICATIONS	1
2. SERVICE HINTS AND TOOLS	2
3. WARNING AND LASER SAFETY INSTRUCTIONS	3
4. SERVICE MODE AND EMERGENCY DISC EJECT	4
5. WIRING DIAGRAM	5
6. BLOCK DIAGRAM	7
7. SCHEMATIC DIAGRAM	9
8. PARTS LOCATION	15
9. MICROPROCESSOR AND IC DATA	21
10. EXPLODED VIEW AND PARTS LIST	31
CD5001	33
CD5001 OSE	37
CD MECHANISM	38
11. ELECTRICAL PARTS LIST	40
CD5001	41
CD5001 OSE	54

Please use this service manual with referring to the user guide (D.F.U.) without fail.
修理の際は、必ず取扱説明書を準備し操作方法を確認の上作業を行ってください。

marantz®

CD5001 / CD5001 OSE

MARANTZ DESIGN AND SERVICE

Using superior design and selected high grade components, **MARANTZ** company has created the ultimate in stereo sound. Only original **MARANTZ** parts can insure that your **MARANTZ** product will continue to perform to the specifications for which it is famous.

Parts for your **MARANTZ** equipment are generally available to our National Marantz Subsidiary or Agent.

ORDERING PARTS :

Parts can be ordered either by mail or by Fax.. In both cases, the correct part number has to be specified.

The following information must be supplied to eliminate delays in processing your order :

1. Complete address
2. Complete part numbers and quantities required
3. Description of parts
4. Model number for which part is required
5. Way of shipment
6. Signature : any order form or Fax. must be signed, otherwise such part order will be considered as null and void.

USA

MARANTZ AMERICA, INC
1100 MAPLEWOOD DRIVE
ITASCA, IL. 60143
USA
PHONE : 630 - 741 - 0300
FAX : 630 - 741 - 0301

EUROPE / TRADING

MARANTZ EUROPE B.V.
P. O. BOX 8744, BUILDING SILVERPOINT
BEEMDSTRAAT 11, 5653 MA EINDHOVEN
THE NETHERLANDS
PHONE : +31 - 40 - 2507844
FAX : +31 - 40 - 2507860

CANADA

MARANTZ CANADA INC.
5-505 APPLE CREEK BLVD.
MARKHAM, ONTARIO L3R 5B1
CANADA
PHONE : 905 - 415 - 9292
FAX : 905 - 475 - 4159

AUSTRALIA

QualiFi Pty Ltd,
24 LIONEL ROAD,
MT. WAVERLEY VIC 3149
AUSTRALIA
PHONE : +61 - (0)3 - 9543 - 1522
FAX : +61 - (0)3 - 9543 - 3677

THAILAND

MRZ STANDARD CO., LTD
746 - 754 MAHACHAI ROAD.,
WANGBURAPAPIROM, PHRANAKORN,
BANGKOK, 10200 THAILAND
PHONE : +66 - 2 - 222 9181
FAX : +66 - 2 - 224 6795

SINGAPORE

WO KEE HONG DISTRIBUTION PTE LTD
No.1 JALAN KILANG TIMOR
#08-03 PACIFIC TECH CENTRE
SINGAPORE 159303
PHONE : +65 6376 0338
FAX : +65 6376 0166

NEW ZEALAND

WILDASH AUDIO SYSTEMS NZ
14 MALVERN ROAD MT ALBERT
AUCKLAND NEW ZEALAND
PHONE : +64 - 9 - 8451958
FAX : +64 - 9 - 8463554

TAIWAN

PAI- YUING CO., LTD.
6 TH FL NO, 148 SUNG KIANG ROAD,
TAIPEI, 10429, TAIWAN R.O.C.
PHONE : +886 - 2 - 25221304
FAX : +886 - 2 - 25630415

MALAYSIA

WO KEE HONG ELECTRONICS SDN. BHD.
2ND FLOOR BANGUNAN INFINITE CENTRE
LOT 1, JALAN 13/6, 46200 PETALING JAYA
SELANGOR DARUL EHSAN, MALAYSIA
PHONE : +60 - 3 - 7954 8088
FAX : +60 - 3 - 7954 7088

JAPAN *Technical*

D&M Holdings Inc.
35- 1, 7- CHOME, SAGAMIONO
SAGAMIHARA - SHI, KANAGAWA
JAPAN 228-8505
PHONE : +81 42 748 1013
FAX : +81 42 741 9190

株式会社 ティーアンドエムホールディングス

本 社 〒228-8505
神奈川県相模原市相模大野7-35-1

KOREA

MARANTZ KOREA CO., LTD.
ROOM 604, ELECTRO OFFICE, 16-58,
HANGGANG-RO 3GA, YONGSAN-KU,
SEOUL, 140-013, KOREA
PHONE : +82 - 2 - 323 - 2155
FAX : +82 - 2 - 323 - 2154

SHOCK, FIRE HAZARD SERVICE TEST :

CAUTION : After servicing this appliance and prior to returning to customer, measure the resistance between either primary AC cord connector pins (with unit NOT connected to AC mains and its Power switch ON), and the face or Front Panel of product and controls and chassis bottom.

Any resistance measurement less than 1 Megohms should cause unit to be repaired or corrected before AC power is applied, and verified before it is return to the user/customer.

Ref. UL Standard No. 1492.

In case of difficulties, do not hesitate to contact the Technical Department at above mentioned address.

1. TECHNICAL SPECIFICATIONS

Audio characteristics

- Channels 2 channels
- Frequency response..... 2 Hz to 20 kHz
- Dynamic range 100 dB
- Signal-to-noise ratio 110 dB
- Channel separation 100 dB (1 kHz)
- Harmonic distortion 0.0025% (1 kHz)
- Wow & flutter Precision of quartz
- Error correction system Cross-interleave Reed Solomon code (CIRC)
- Audio output2.0 V rms, stereo
- Headphone output.... 18 mW/32 ohms (variable maximum)
- Digital output
 - Coaxial output (pin jack)0.5 Vp-p, 75 ohm
 - Optical output (square optical connector) -19 dBm

Optical readout system

- Laser AlGaAs semiconductor
- Wavelength.....780 nm

Signal system

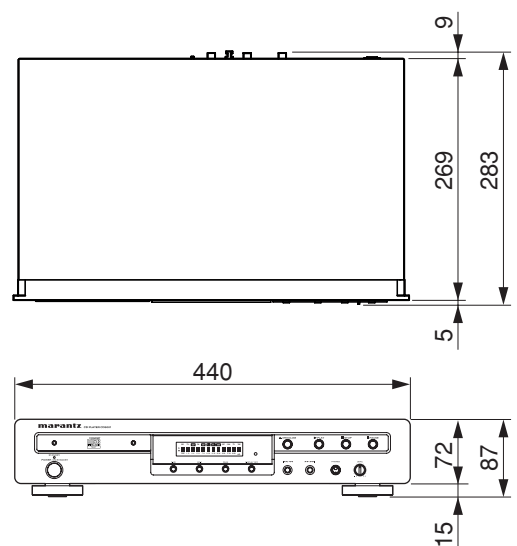
- Sampling frequency.....44.1 kHz
- Quantization 16-bit linear/channel

Power supply

- F version..... AC 100 V 50 /60 Hz
- K version AC 220 V 50 Hz
- L version..... AC 110 V 60 Hz
- N version AC 230 V 50 Hz
- U version AC 120 V 60 Hz
- Power consumption 14 W

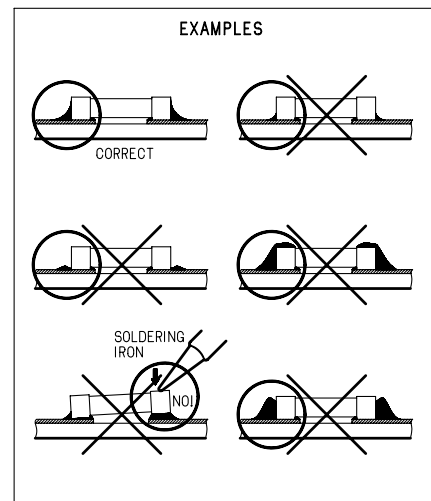
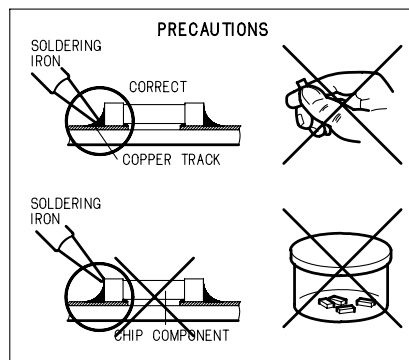
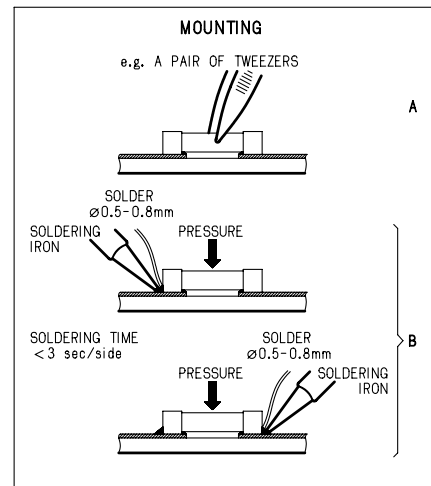
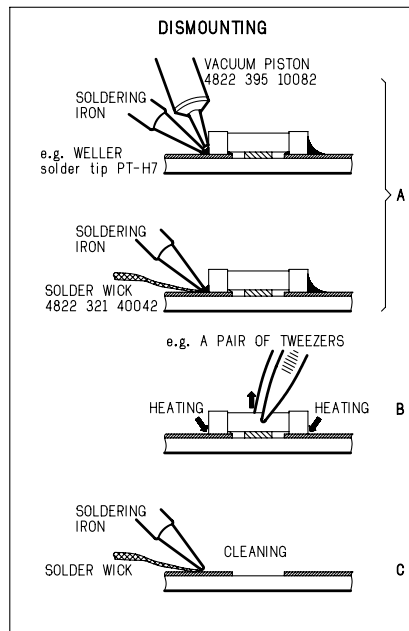
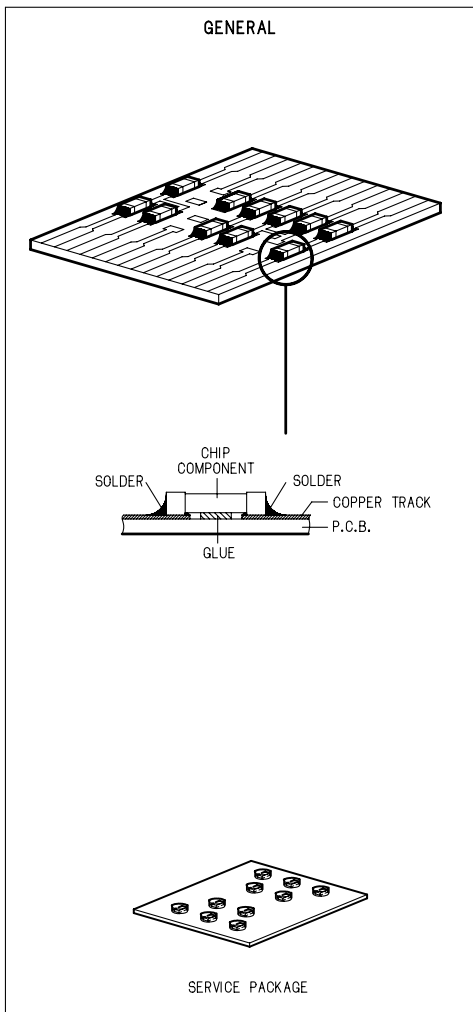
Cabinet, etc.

- Maximum dimensions..... 440(W) x 87(H) x 283(D) mm
17-5/16(W) x 3-1/2(H) x 11-1/8(D) inch
- Weight 4.0 kg
8.82 lbs
- Allowable operating temperature.....+5 to +35 °C
- Allowable operating humidity ..5 to 90 % (no condensation)



2. SERVICE HINTS AND TOOLS

SERVICE HINTS



SERVICE TOOLS

Audio signals disc

4822 397 30184

Disc without errors (SBC444)+Disc with DO errors,
black spots and fingerprints (SBC444A)

4822 397 30245

Disc (65 min 1kHz) without no pause

4822 397 30155

Max. diameter disc (58.0 mm)

4822 397 60141

13th order filter

4822 395 30204

3. WARNING AND LASER SAFETY INSTRUCTIONS

(GB) WARNING

All ICs and many other semi-conductors are susceptible to electrostatic discharges (ESD). Careless handling during repair can reduce life drastically.
When repairing, make sure that you are connected with the same potential as the mass of the set via a wrist wrap with resistance.
Keep components and tools also at this potential.



(NL) WAARSCHUWING

Alle IC's en vele andere halfgeleiders zijn gevoelig voor elektrostatische ontladingen (ESD).
Onzorgvuldig behandelen tijdens reparatie kan de levensduur drastisch doen verminderen.
Zorg ervoor dat u tijdens reparatie via een polsband met weerstand verbonden bent met hetzelfde potentiaal als de massa van het apparaat.
Houd componenten en hulpmiddelen ook op hetzelfde potentiaal.

(F) ATTENTION

Tous les IC et beaucoup d'autres semi-conducteurs sont sensibles aux décharges statiques (ESD).
Leur longévité pourrait être considérablement écourtée par le fait qu'aucune précaution n'est prise à leur manipulation.
Lors de réparations, s'assurer de bien être relié au même potentiel que la masse de l'appareil et enfiler le bracelet serti d'une résistance de sécurité.
Veiller à ce que les composants ainsi que les outils que l'on utilise soient également à ce potentiel.

(D) WARNUNG

Alle IC und viele andere Halbleiter sind empfindlich gegen elektrostatische Entladungen (ESD).
Unvorsorgfältige Behandlung bei der Reparatur kann die Lebensdauer drastisch vermindern.
Sorgen sie dafür, das Sie im Reparaturfall über ein Pulsarmband mit Widerstand mit dem Massepotential des Gerätes verbunden sind.
Halten Sie Bauteile und Hilfsmittel ebenfalls auf diesem Potential.

(I) AVVERTIMENTO

Tutti IC e parecchi semi-conduttori sono sensibili alle scariche statiche (ESD).
La loro longevità potrebbe essere fortemente ridotta in caso di non osservazione della più grande cauzione alla loro manipolazione.
Durante le riparazioni occorre quindi essere collegato allo stesso potenziale che quello della massa dell'apparecchio tramite un braccialetto a resistenza.
Assicurarsi che i componenti e anche gli utensili con quali si lavora siano anche a questo potenziale.

(GB)

Safety regulations require that the set be restored to its original condition and that parts which are identical with those specified be used.

(NL)

Veiligheidsbepalingen vereisen, dat het apparaat in zijn oorspronkelijke toestand wordt terug gebracht en dat onderdelen, identiek aan de gespecificeerde worden toegepast.

(D)

Bei jeder Reparatur sind die geltenden Sicherheitsvorschriften zu beachten. Der Originalzustand des Gerats darf nicht verändert werden. Für Reparaturen sind Original-Ersatzteile zu verwenden.

(I)

Le norme di sicurezza esigono che l'apparecchio venga rimesso nelle condizioni originali e che siano utilizzati pezzi di ricambio identici a quelli specificati.

(F)

Les normes de sécurité exigent que l'appareil soit remis à l'état d'origine et que soient utilisées les pièces de rechange identiques à celles spécifiées.

"Pour votre sécurité, ces documents doivent être utilisés par des spécialistes agréés, seuls habilités à réparer votre appareil en panne."

LASER SAFETY

This unit employs a laser. Only a qualified service person should remove the cover or attempt to service this device, due to possible eye injury.



USE OF CONTROLS OR ADJUSTMENTS OR PERFORMANCE OF PROCEDURE OTHER THAN THOSE SPECIFIED HEREIN MAY RESULT IN HAZARDOUS RADIATION EXPOSURE.

AVOID DIRECT EXPOSURE TO BEAM

WARNING

**The use of optical instruments with this product will increase eye hazard.
Repair handling should take place as much as possible with a disc loaded inside the player**

WARNING LOCATION: INSIDE ON LASER COVERSIELD

CAUTION VISIBLE AND INVISIBLE LASER RADIATION WHEN OPEN AVOID EXPOSURE TO BEAM
ADVARSEL SYNLIG OG USYNLIG LASERSTRÅLING VED ÅBNING UNDGÅ UDSÆTTELSE FOR STRÅLING
ADVARSEL SYNLIG OG USYNLIG LASERSTRÅLING NÅR DEKSEL Å PNES UNNGÅ EKSPONERING FOR STRÅLEN
VARNING SYNLIG OCH OSYNLIG LASERSTRÅLNING NÅR DENNA DEL ÅR ÖPPNAD BETRAKTA EJ STRÅLEN
VARO! AVATT AESSA OLET ALTTIINA NÄKYVÄLLE JA NÄKYMÄTTÖMÄLLE LASER SÄTEILYLLE. ÄLÄ KATSO SÄTEESEEN
VORSICHT SICHTBARE UND UNSICHTBARE LASERSTRAHLUNG WENN ABDECKUNG GEÖFFNET NICHT DEM STRAHL AUSSETZEN
DANGER VISIBLE AND INVISIBLE LASER RADIATION WHEN OPEN AVOID DIRECT EXPOSURE TO BEAM
ATTENTION RAYONNEMENT LASER VISIBLE ET INVISIBLE EN CAS D'OUVERTURE EXPOSITION DANGEREUSE AU FAISCEAU

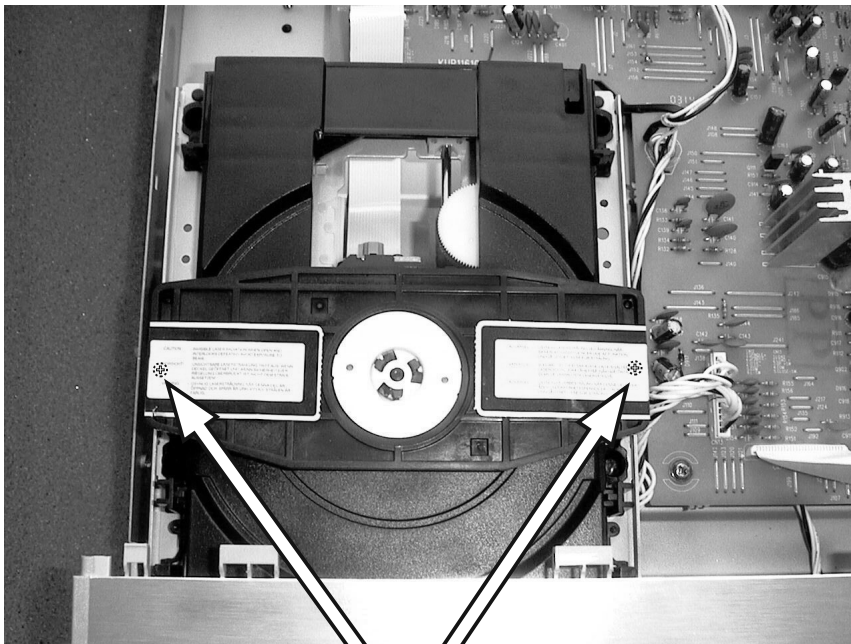
4. SERVICE MODE AND EMERGENCY DISC EJECT

SERVICE MODE

1. Insert mains cable plug in the outlet and press **POWER** button.
 2. Press the **OPEN/CLOSE** button to open the tray.
 3. Press the **TIME** button for about five seconds.
 4. The version number of the microprocessor is displayed Ex: 03-19-1.
 5. Press the **EDIT** button for about five seconds.
 6. Light up all the FL segment.
- Turn off power to quit Service mode.

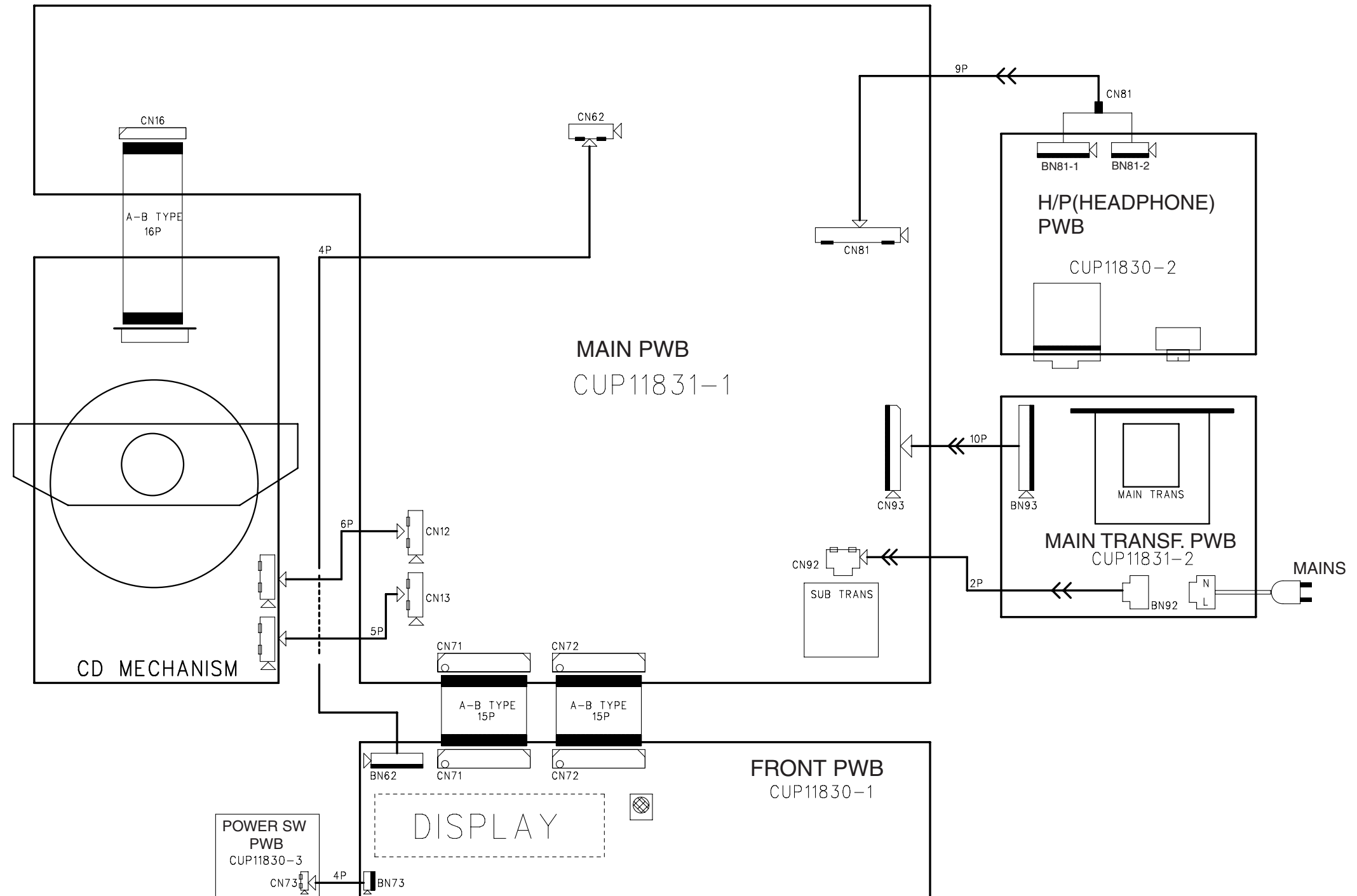
EMERGENCY DISC EJECT

1. Remove the top cover of the pleyer.
2. Remove 2 screws under the label shown in the picture follows.
3. Remove the disc clamber.
4. Now you can remove the disc.

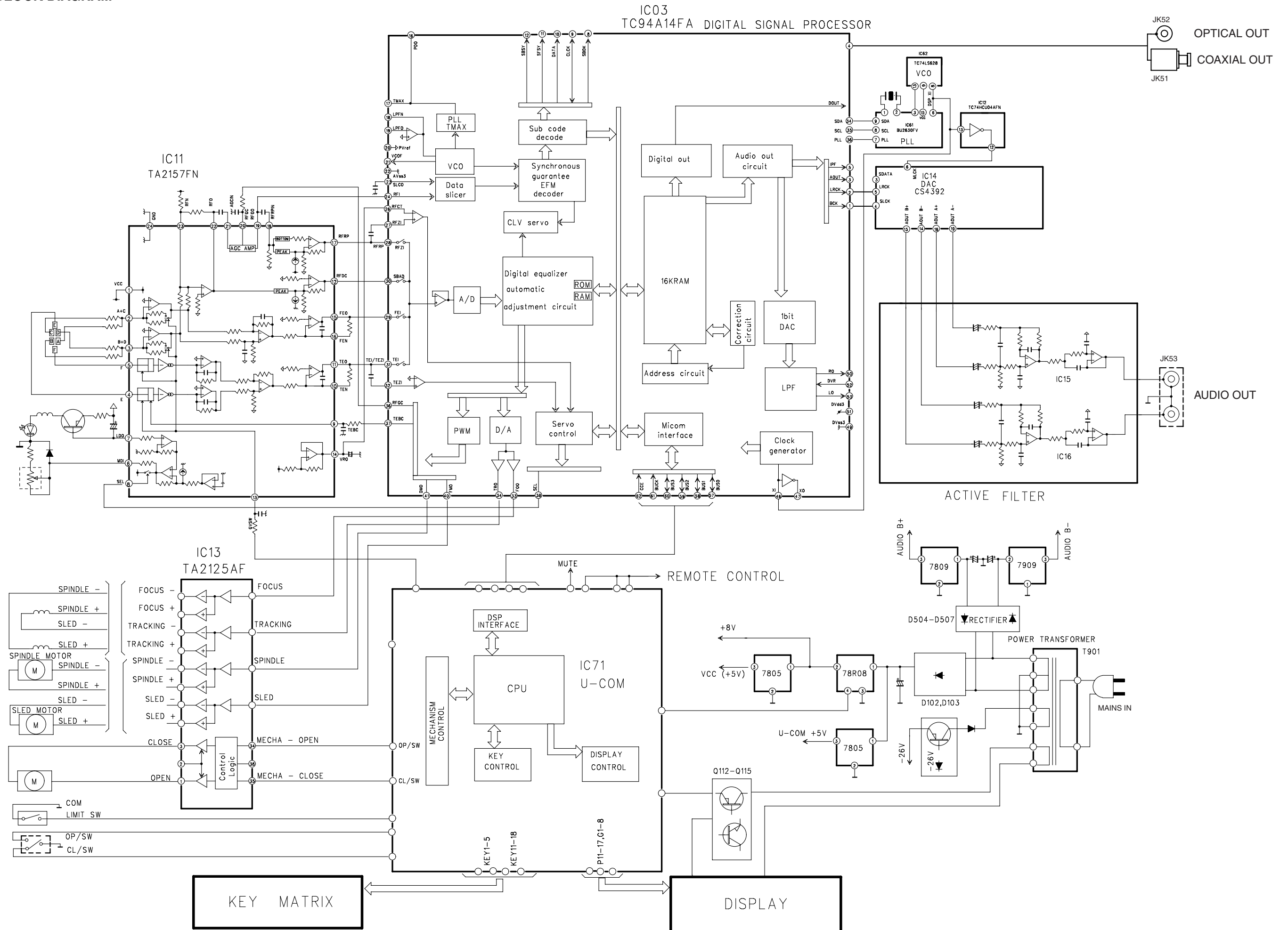


Remove those screws

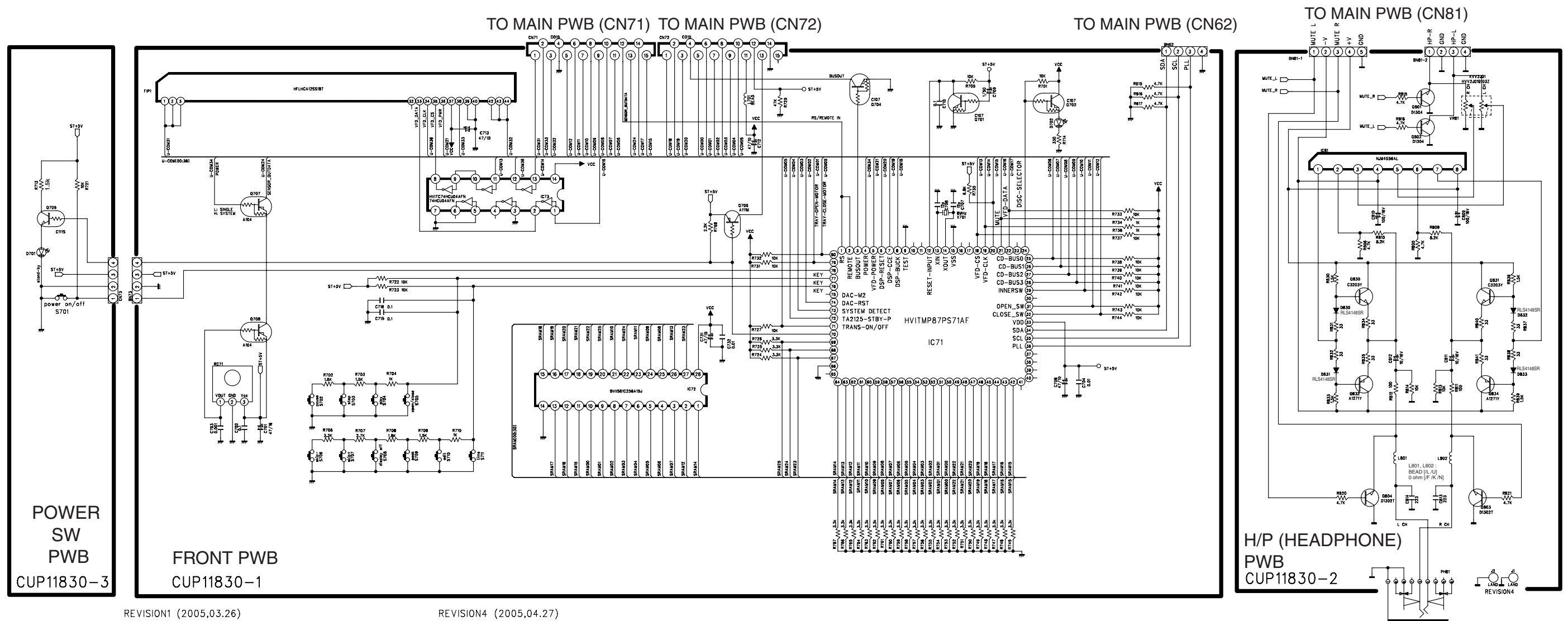
5. WIRING DIAGRAM



6. BLOCK DIAGRAM



7. SCHEMATIC DIAGRAM



- REVISION1 (2005.03.26)
1. R770 - R791 Short
 2. Q832,Q834 change emitter, collector(headphone)
 3. R801,R802,C183,C184 Delete and Short
 4. CN71 divide CN71 and CN72
 5. C805,C808 delete
 6. Q801,Q802,R815,R816 change position
 7. R724,R725,R726 change value (10K-->3.3K)

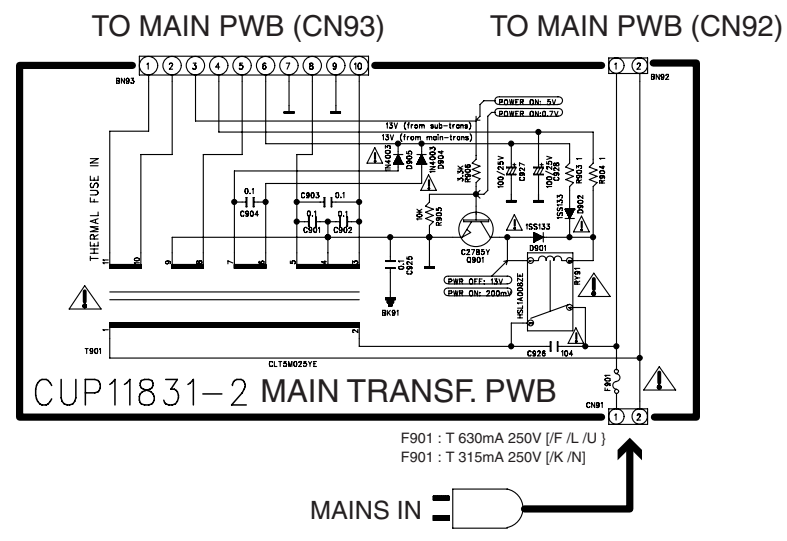
- REVISION2(2005.03.29)
1. Q830, Q831 change (D1302T --->KTC3203Y)
 2. Q832,Q834 change (A1266 ---> KTA1271Y)

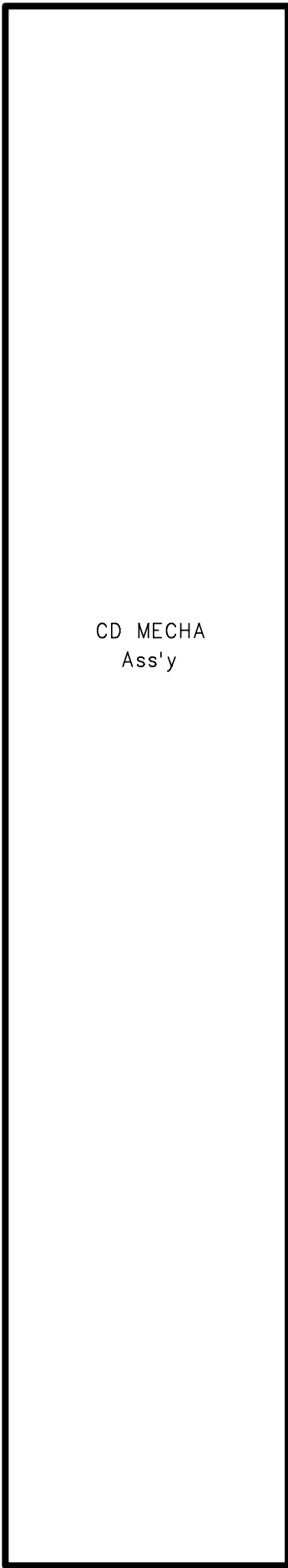
- REVISION3 (2005.04.07)
1. Headphone part change
 R803,R804,R807,R808,C806,C807 delete
 R805,R806 33K ----> 4.7K
 R809,R810 47K ----> 8.2K
 R811,R812 56 ----> 100
 R817,R818 56 ----> L801,L802(ferrite bead)
 L,R and L,R mute Change
 VR81 100K ----> 10K
 2. C707,C708 18p ----> 12p
 3. R728,R729,R730 delete
 4. S706,S707 change position

- REVISION4 (2005.04.27)
1. J1, J2(LAND) ADD
 2. DRAW NO.(1830SCDZ) ADD

- REVISION5 (2005.06.8)
1. Headphone L,R change

- REVISION6 (2005.06.22)
1. R713 2.2K CHANGE

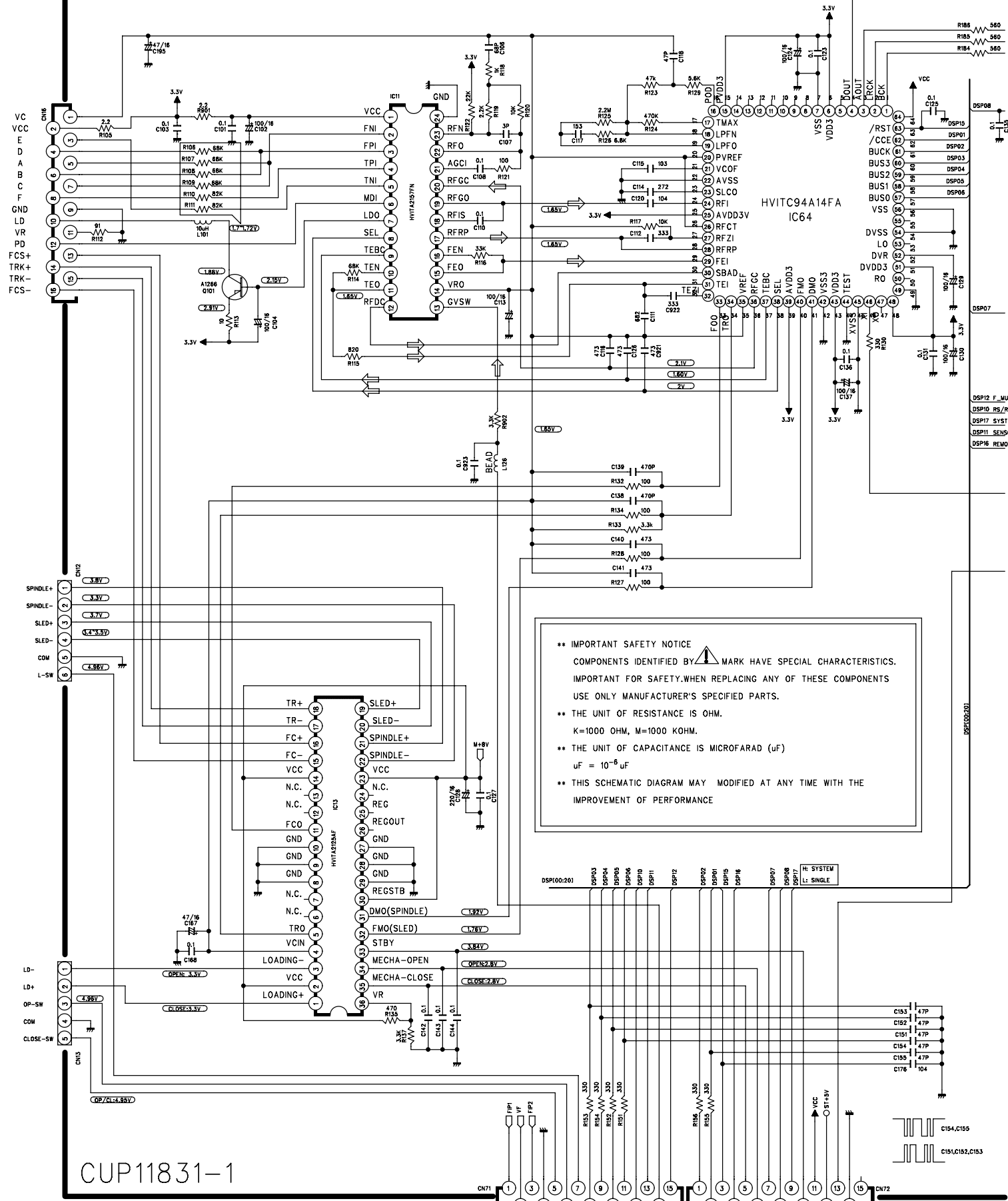




CD MECHA
Ass'y

CD MECHANISM

MAIN PWB - 1/2



CUP11831-1

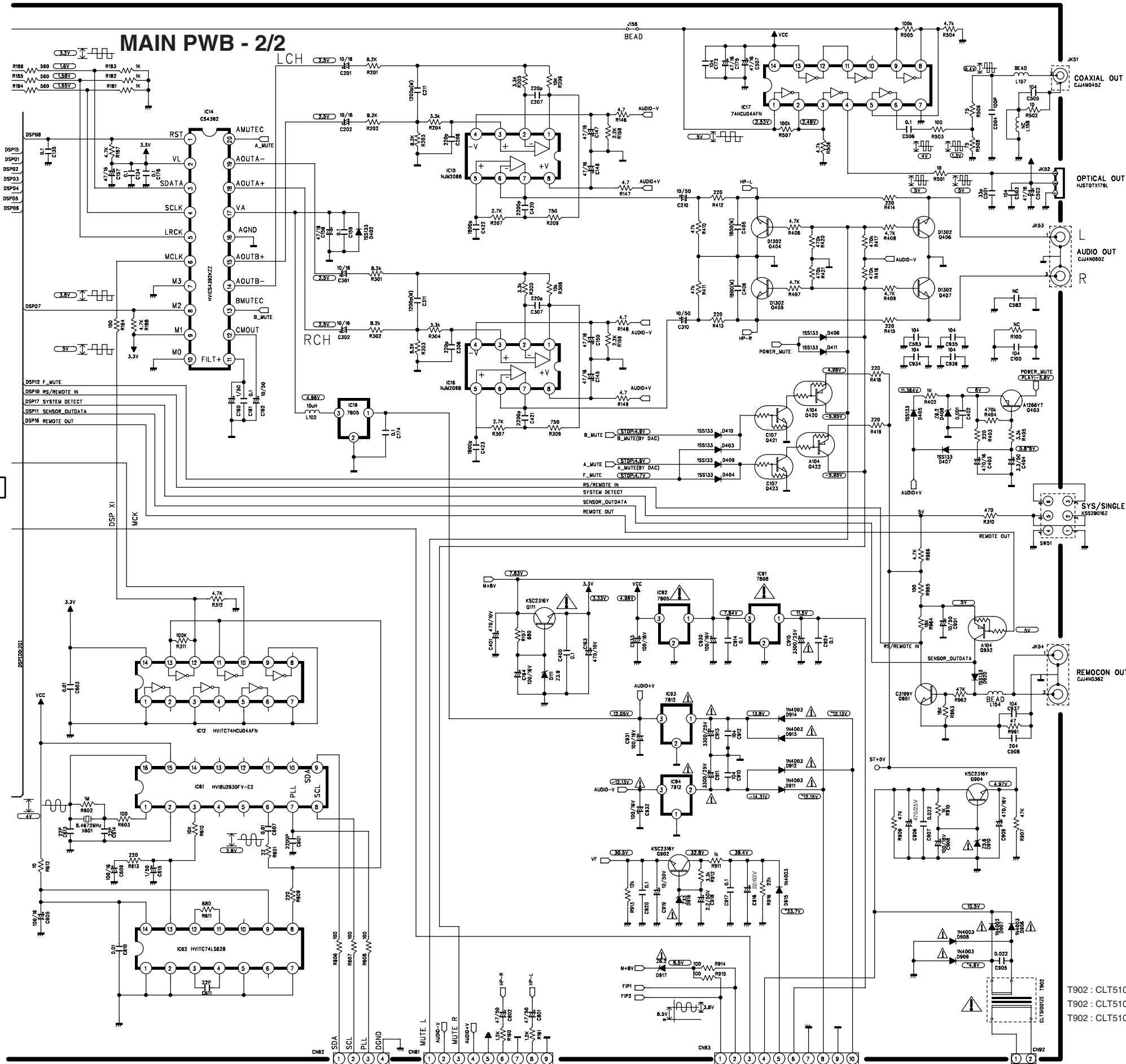
IMPORTANT SAFETY NOTICE
 COMPONENTS IDENTIFIED BY MARK HAVE SPECIAL CHARACTERISTICS.
 IMPORTANT FOR SAFETY WHEN REPLACING ANY OF THESE COMPONENTS
 USE ONLY MANUFACTURER'S SPECIFIED PARTS.

- THE UNIT OF RESISTANCE IS OHM.
 K=1000 OHM, M=1000 KOHM.
- THE UNIT OF CAPACITANCE IS MICROFARAD (uF)
 $\mu F = 10^{-6} uF$
- THIS SCHEMATIC DIAGRAM MAY MODIFIED AT ANY TIME WITH THE
 IMPROVEMENT OF PERFORMANCE

➔ MAIN
PWB - 2/2

TO FRONT PWB (CM71) TO FRONT PWB (CN72)

MAIN PWB - 1/2

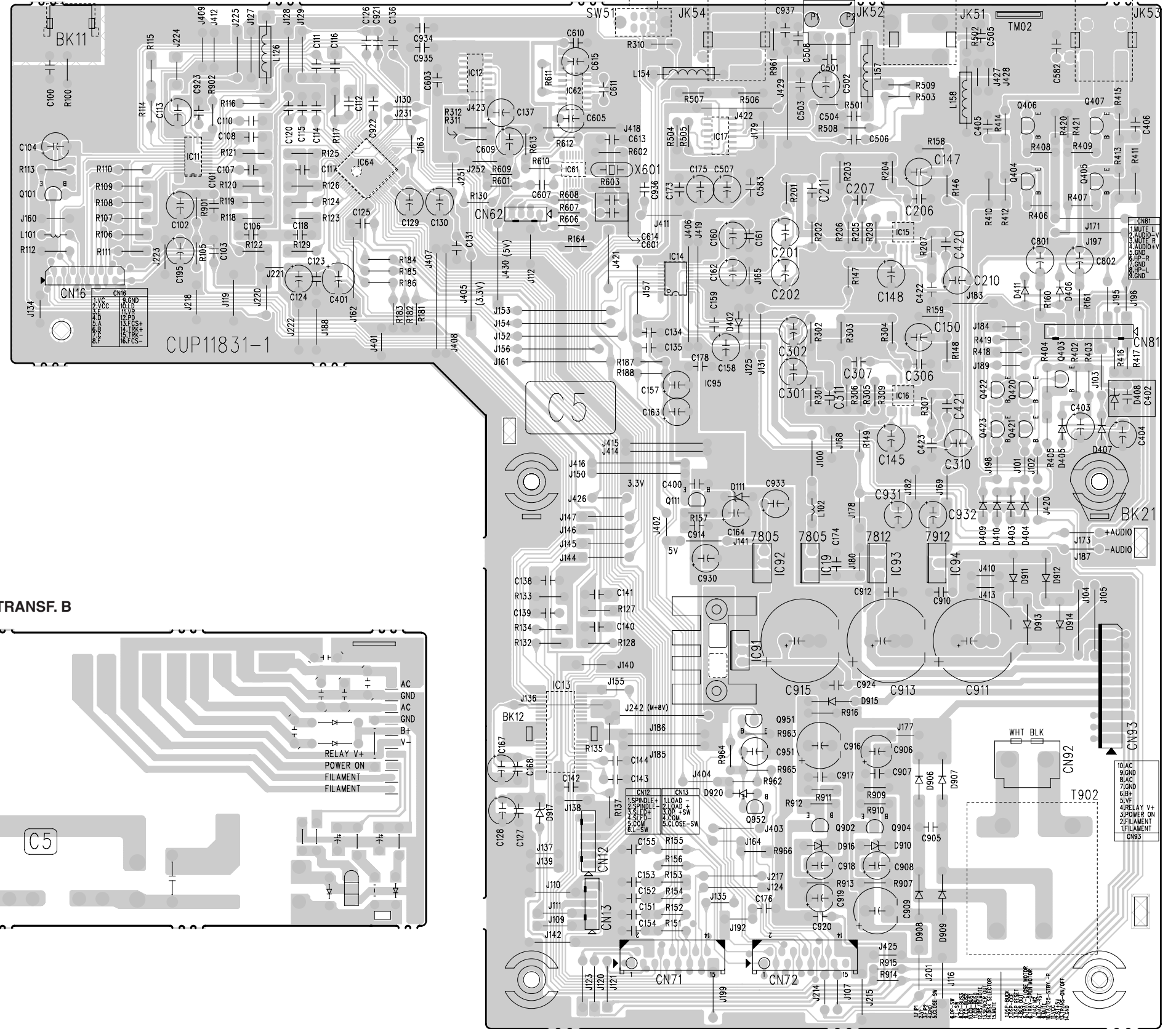


TO FRONT PWB (BN62) TO H/P(HEADPHONE) PWB (BN82) TO MAIN TRANSF. PWB (BN93) TO MAIN TRANSF. PWB (CN92)

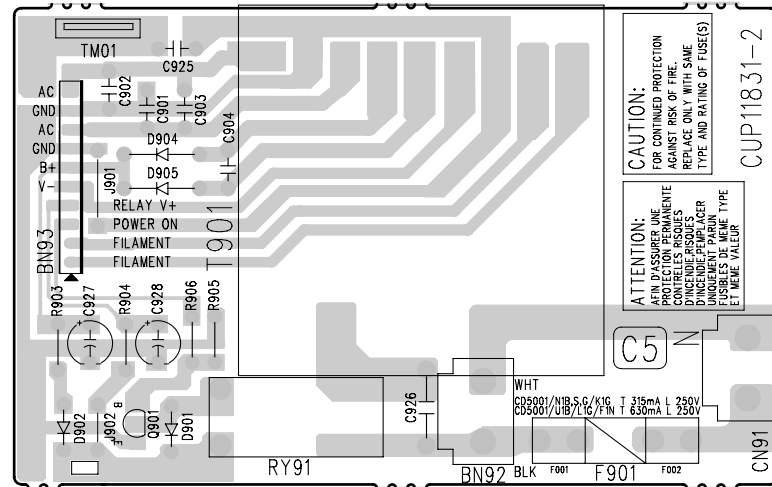
T902 : CLT51001ZJ [/F]
T902 : CLT51001ZU [/L /U]
T902 : CLT51001ZE [/K /N]

8. PARTS LOCATION

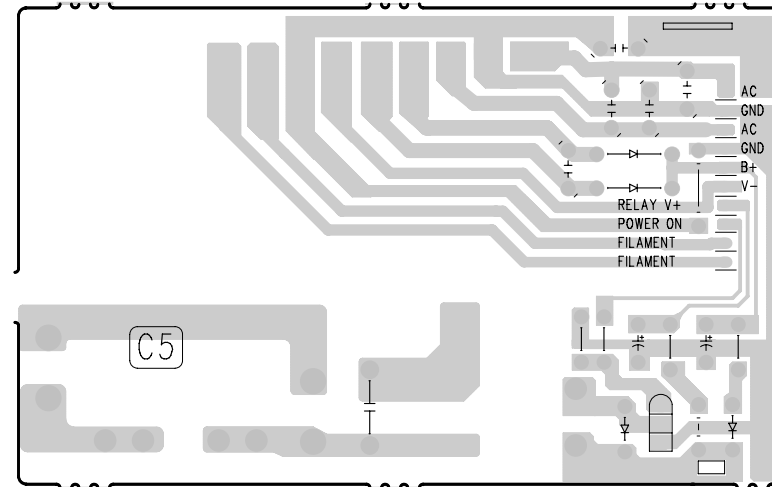
MAIN A
Q101



MAIN TRANSF. A
Q901

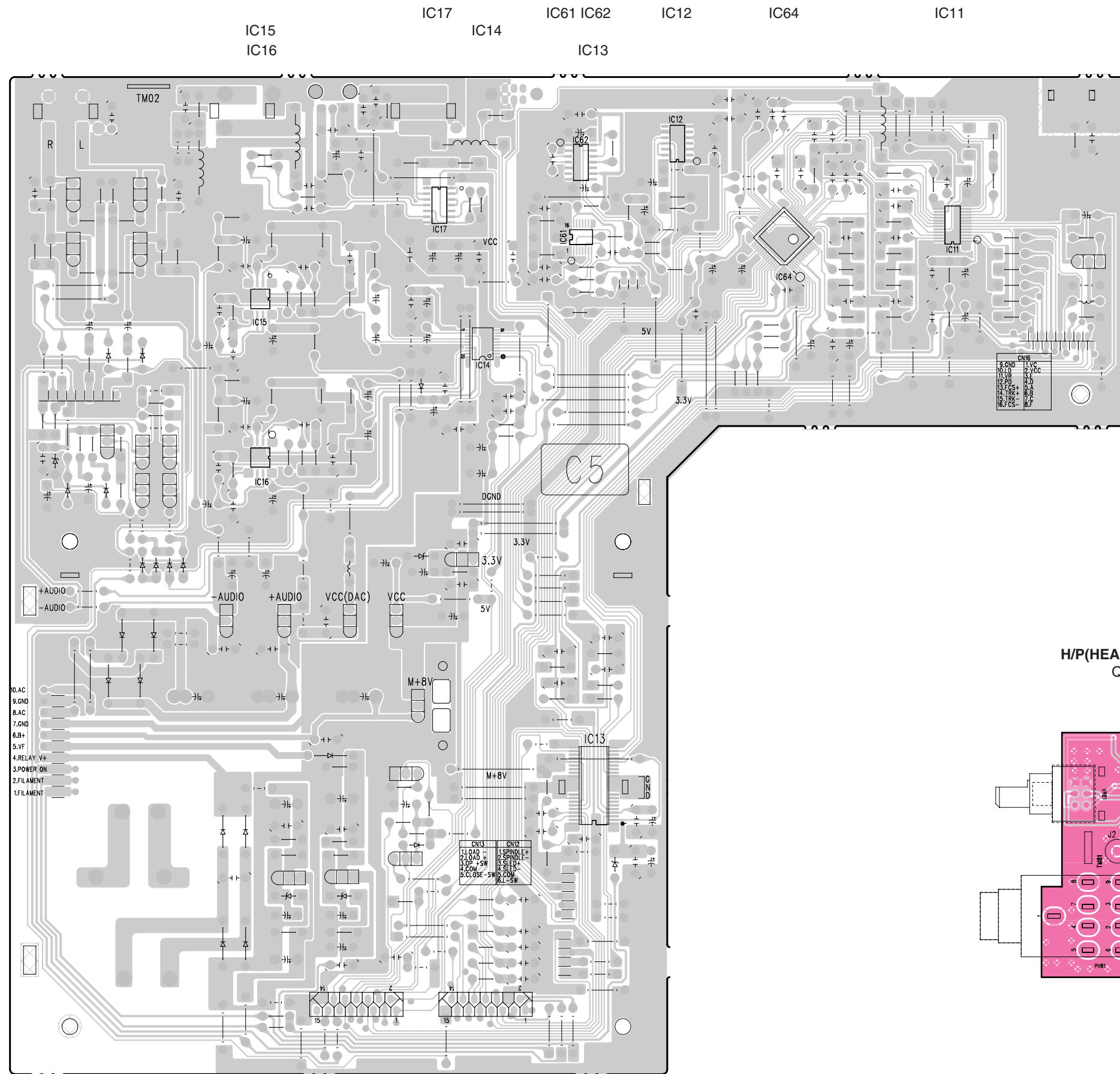


MAIN TRANSF. B



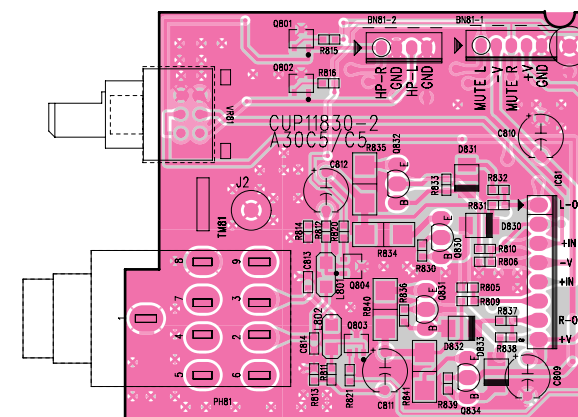
鉛フリー半田
半田付けには、鉛フリー半田 (Sn-Ag-Cu) を使用してください。
Lead-free Solder
When soldering, use the Lead-free Solder (Sn-Ag-Cu).

MAIN B

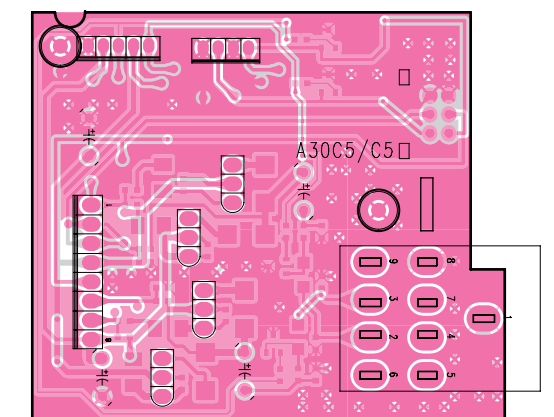


H/P(HEADPHONE) A

Q801 Q802
Q804 Q832 Q830
Q803 Q831 Q834



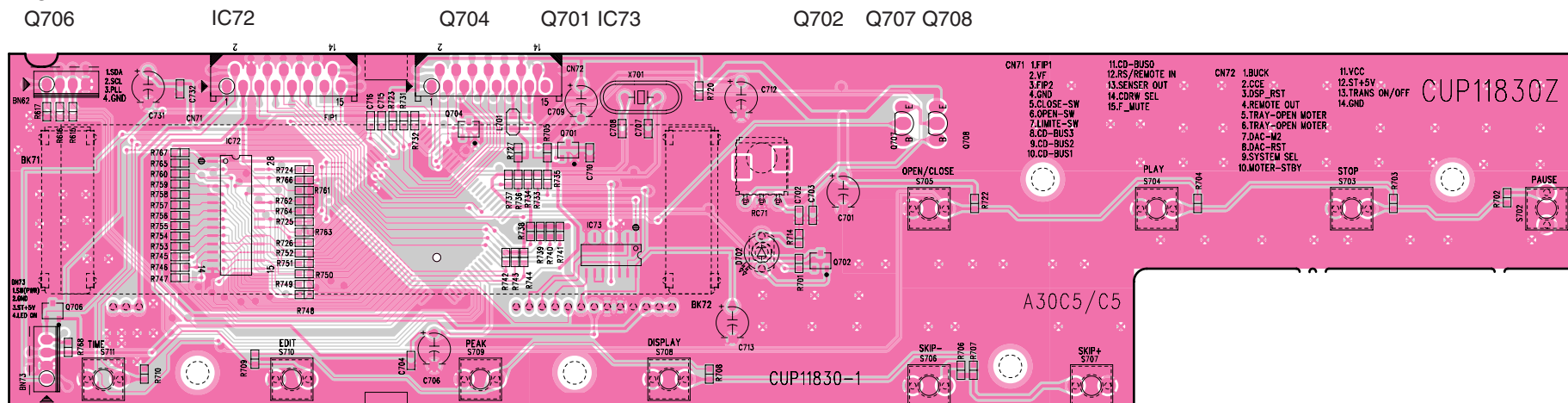
H/P(HEADPHONE) B



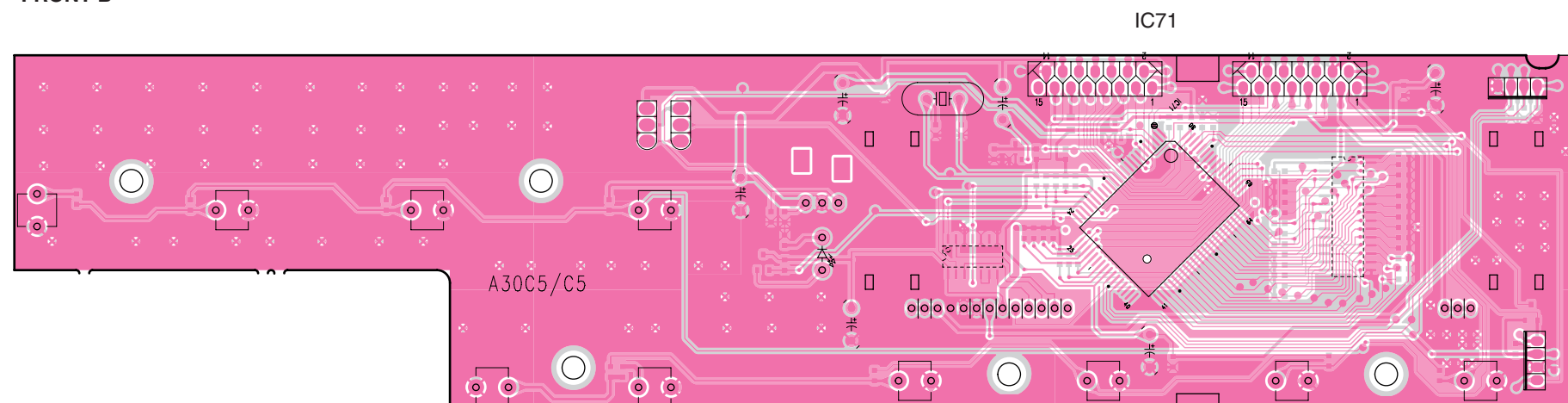
鉛フリー半田
半田付けには、鉛フリー半田 (Sn-Ag-Cu) を使用してください。

Lead-free Solder
When soldering, use the Lead-free Solder (Sn-Ag-Cu).

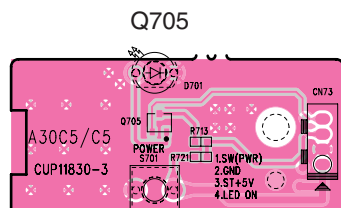
FRONT A



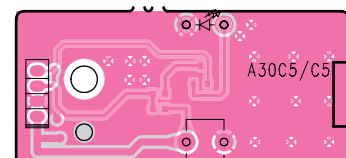
FRONT B



POWER SW A



POWER SW B



鉛フリー半田

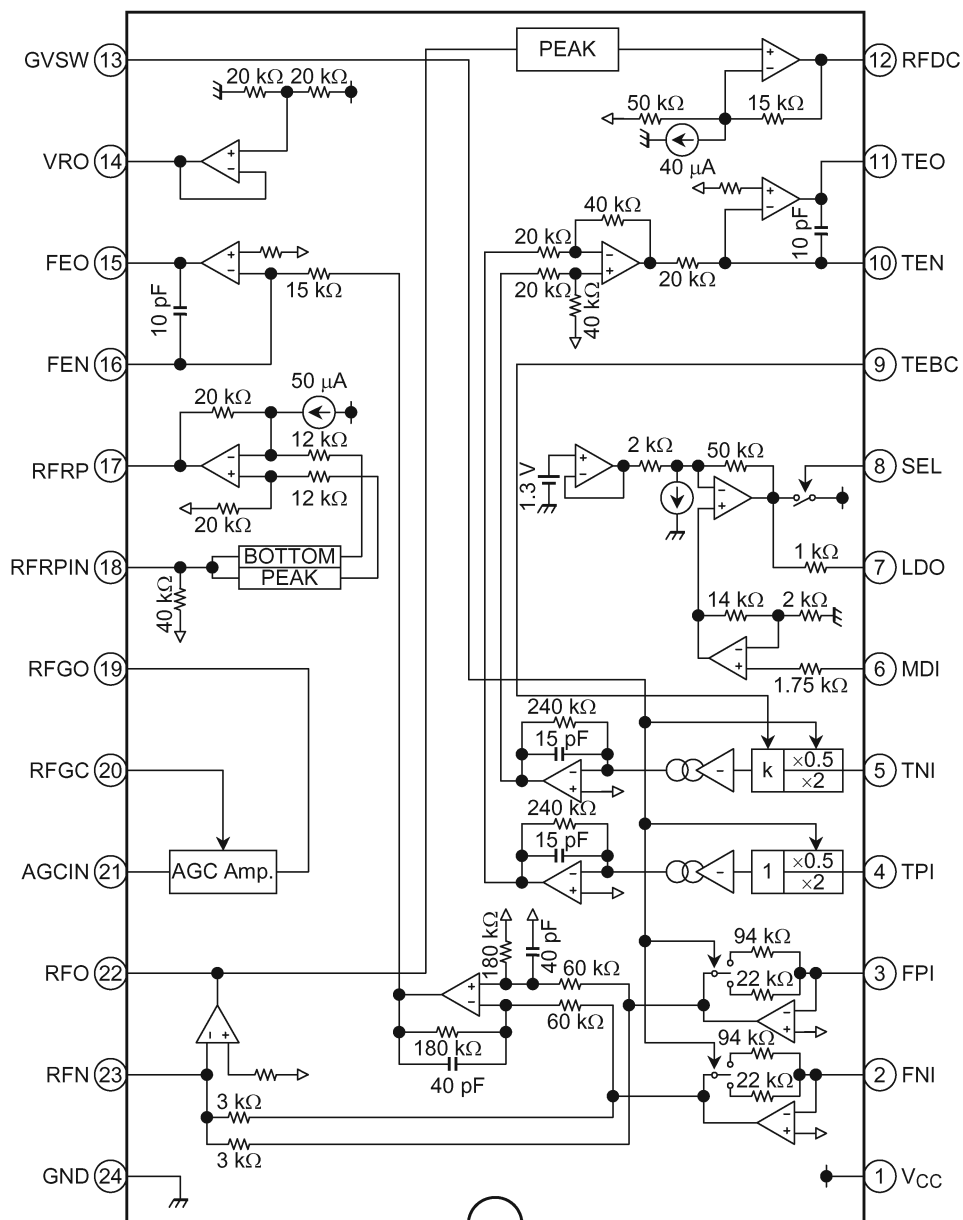
半田付けには、鉛フリー半田 (Sn-Ag-Cu) を使用してください。

Lead-free Solder

When soldering, use the Lead-free Solder (Sn-Ag-Cu).

9. MICROPROCESSOR AND IC DATA

IC11 : TA2157FN



IC11 : TA2157FN

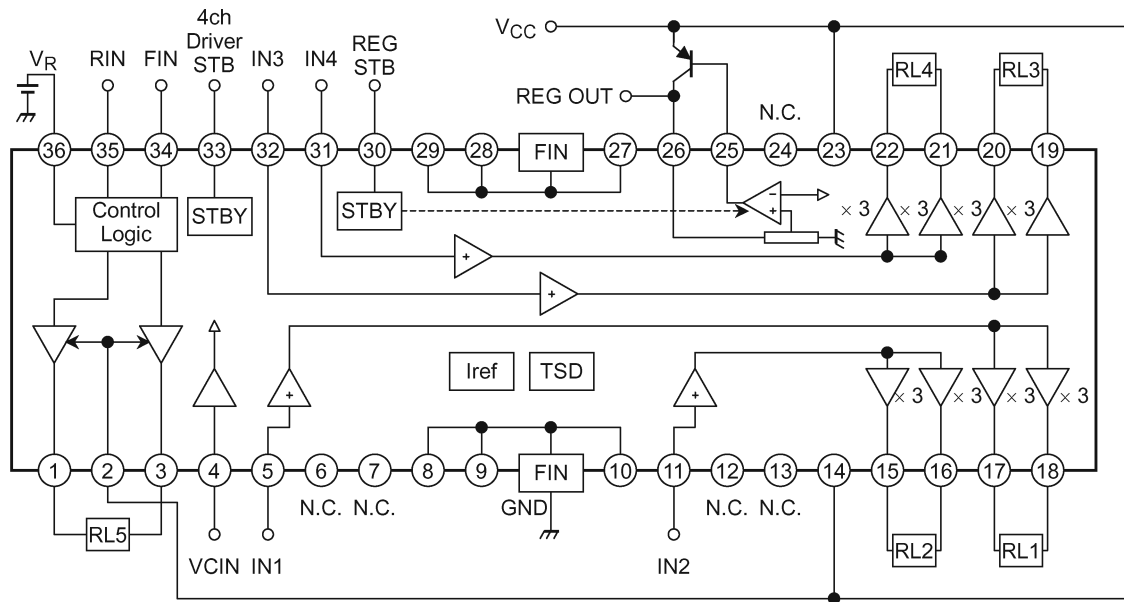
Pin No.	Symbol	I/O	Function Description	Internal Circuit												
1	V _{CC}	—	3.3 V power supply pin	—												
2	FNI	I	Main-beam amp input pin													
3	FPI	I	Main-beam amp input pin													
4	TPI	I	Sub-beam amp input pin													
5	TNI	I	Sub-beam amp input pin													
6	MDI	I	Monitor photo diode amp input pin													
7	LDO	O	Laser diode amp output pin													
8	SEL	I	APC circuit ON/OFF control signal, laser diode (LDO) control signal input or bottom/peak detection frequency change pin. <table border="1"> <thead> <tr> <th>SEL</th> <th>APC Circuit</th> <th>LDO</th> </tr> </thead> <tbody> <tr> <td>GND</td> <td>OFF</td> <td>Connected to V_{CC} through 1 kΩ resistor</td> </tr> <tr> <td>HIZ</td> <td>ON</td> <td>Control signal output</td> </tr> <tr> <td>V_{CC}</td> <td>ON</td> <td>Control signal output</td> </tr> </tbody> </table>	SEL	APC Circuit	LDO	GND	OFF	Connected to V _{CC} through 1 kΩ resistor	HIZ	ON	Control signal output	V _{CC}	ON	Control signal output	
SEL	APC Circuit	LDO														
GND	OFF	Connected to V _{CC} through 1 kΩ resistor														
HIZ	ON	Control signal output														
V _{CC}	ON	Control signal output														

Pin No.	Symbol	I/O	Function Description	Internal Circuit								
9	TEBC	I	Tracking error balance adjustment signal input pin Adjusts TE signal balance by eliminating carrier component from PWM signal (3-state output, PWM carrier = 88.2 kHz) output from TC94A14F/FA/FB TEBC pin using RC-LPF and inputting DC. TEBC input voltage: GND-V _{CC}									
10	TEN	I	Tracking error signal generation amp negative-phase input pin									
11	TEO	O	Tracking error signal generation amp output pin. Combining TEO signal and RFRP signal with TC94A14F/FA/FB TEO pin uses tracking search system.									
12	RFDC	O	RF signal peak detection output pin									
13	GVSW	I	AGC/FE/TE amp gain change pin <table border="1"> <thead> <tr> <th>GVSW</th> <th>Mode</th> </tr> </thead> <tbody> <tr> <td>GND</td> <td>CD-RW</td> </tr> <tr> <td>HIZ</td> <td>Normal</td> </tr> <tr> <td>V_{CC}</td> <td>Normal</td> </tr> </tbody> </table>	GVSW	Mode	GND	CD-RW	HIZ	Normal	V _{CC}	Normal	
GVSW	Mode											
GND	CD-RW											
HIZ	Normal											
V _{CC}	Normal											

Pin No.	Symbol	I/O	Function Description	Internal Circuit
14	VRO	O	Reference voltage (VRO) output pin • VRO = 1/2 V _{CC} when V _{CC} = 3.3 V	
15	FEO	O	Focus error signal generation amp output pin	
16	FEN	I	Focus error signal generation amp negative-phase input pin	
17	RFRP	O	Signal amp output pin for track count Combining RFRP signal and TEO signal with TC94A14F/FA/FB configures tracking search system.	
18	RFRPIN	I	Signal generation amp input pin for track count	

Pin No.	Symbol	I/O	Function Description	Internal Circuit
19	RFGO	O	RF signal amplitude adjustment amp output pin	
20	RFGC	I	RF amplitude adjustment control signal input pin Adjusts RF signal amplitude by eliminating carrier component from PWM signal (3-state output, PWM carrier = 88.2 kHz) output from TC94A14F/FA/FB RFGC pin using RC-LPF and inputting DC. • RFGC input voltage: GND-V _{CC}	
21	AGCIN	I	RF signal amplitude adjustment amp input pin	
22	RFO	O	RF signal generation amp output pin	
23	RFIN	I	RF signal generation amp input pin	
24	GND	—	GND pin	—

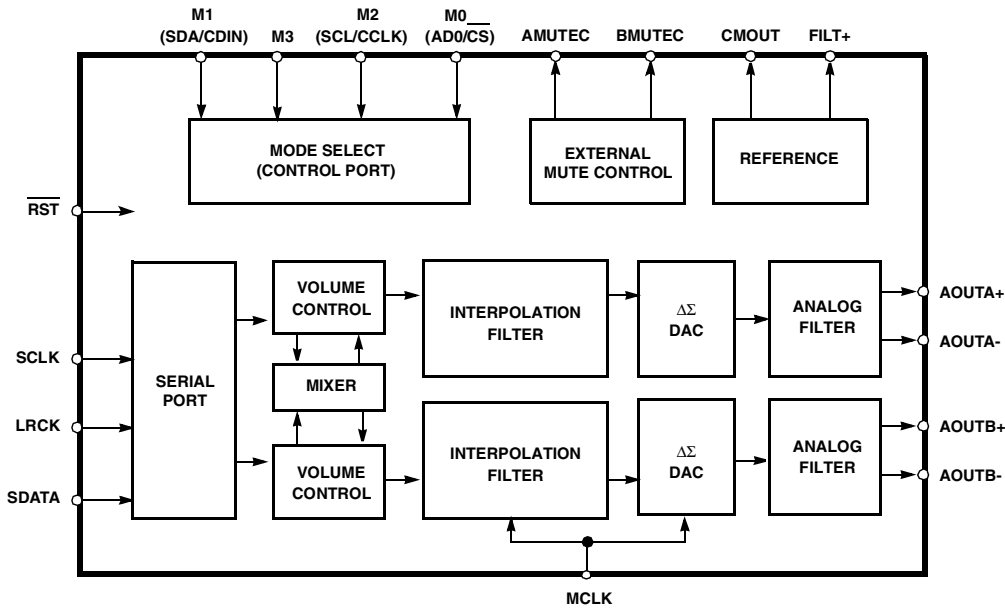
IC13 : TA2125AF



IC13 : TA2125AF

No.	Symbol	Function	
1	OUT5A	Output terminal	H-bridge
2	V _M	Supply voltage terminal for Logic	H-bridge
3	OUT5B	Output terminal	H-bridge
4	V _{CIN}	Input reference voltage	4ch BTL
5	IN1	Input for ch1	4ch BTL
6	N.C.	Open	—
7	N.C.	Open	—
8	N.C.	8, 9, 10, 27, 28, 29 are connected to PW GND (FIN)	—
9	N.C.	8, 9, 10, 27, 28, 29 are connected to PW GND (FIN)	—
10	N.C.	8, 9, 10, 27, 28, 29 are connected to PW GND (FIN)	—
11	IN2	Input for ch2	4ch BTL
12	N.C.	Open	—
13	N.C.	Open	—
14	V _{CC1}	Supply voltage terminal for ch1/ch2	4ch BTL
15	OUT2M	Inverted output for ch2	4ch BTL
16	OUT2P	Non-inverted output for ch2	4ch BTL
17	OUT1M	Inverted output for ch1	4ch BTL
18	OUT1P	Non-inverted output for ch1	4ch BTL
19	OUT3P	Non-inverted output for ch3	4ch BTL
20	OUT3M	Inverted output for ch3	4ch BTL
21	OUT4P	Non-inverted output for ch4	4ch BTL
22	OUT4M	Inverted output for ch4	4ch BTL
23	V _{CC2}	Supply voltage terminal for ch3/ch4	4ch BTL
24	N.C.	Open	—
25	REG	Connection with BASE of PNP Tr	Regulator
26	REG OUT	Output for regulator (5 V)	Regulator
27	N.C.	8, 9, 10, 27, 28, 29 are connected to PW GND (FIN)	—
28	N.C.	8, 9, 10, 27, 28, 29 are connected to PW GND (FIN)	—
29	N.C.	8, 9, 10, 27, 28, 29 are connected to PW GND (FIN)	—
30	REG STBY	Standby control for regulator	Regulator
31	IN4	Input for ch4	4ch BTL
32	IN3	Input for ch3	4ch BTL
33	STBY	Standby control for 4ch BTL	4ch BTL
34	FIN	Logic control input	H-bridge
35	RIN	Logic control input	H-bridge
36	VR	Supply voltage terminal for motor driver	H-bridge

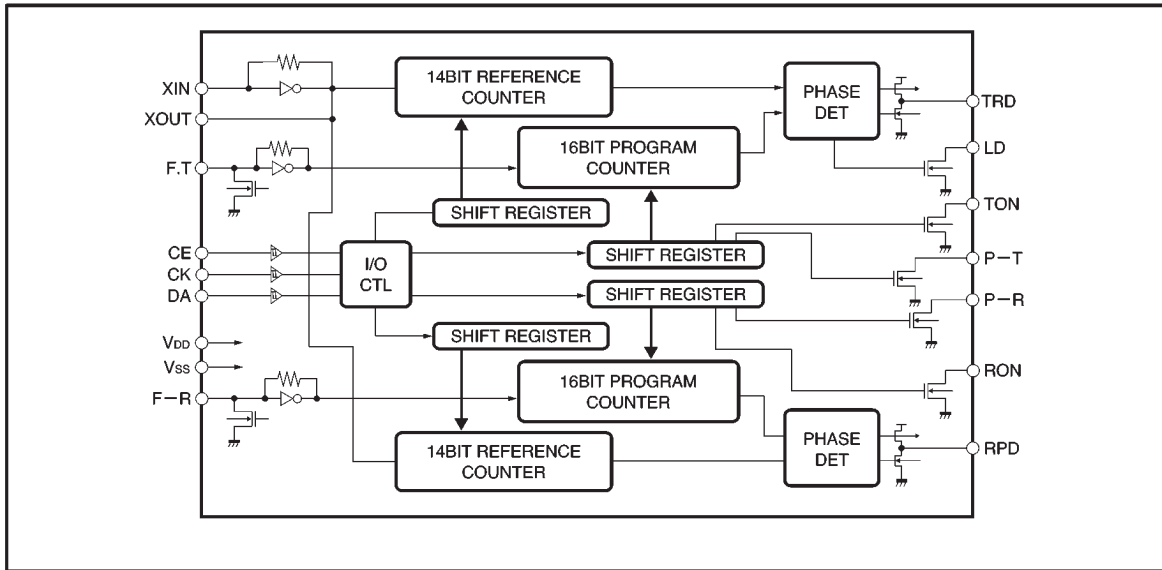
IC14 : CS4392KS



$\overline{\text{RST}}$	1	20	AMUTE
VL	2	19	AOUTA-
SDATA	3	18	AOUTA+
SCLK	4	17	VA
LRCK	5	16	AGND
MCLK	6	15	AOUTB+
M3	7	14	AOUTB-
(SCL/CCLK) M2	8	13	BMUTE
(SDA/CDIN) M1	9	12	CMOUT
(AD0/CS) M0	10	11	FILTER+

$\overline{\text{RST}}$	1	Reset (Input) - Powers down device and resets all internal registers to their default settings.
VL	2	Logic Power (Input) - Positive power for the digital input/output.
SDATA	3	Serial Audio Data (Input) - Input for two's complement serial audio data.
SCLK	4	Serial Clock (Input/Output) - Serial clock for the serial audio interface.
LRCK	5	Left Right Clock (Input/Output) - Determines which channel, Left or Right, is currently active on the serial audio data line.
MCLK	6	Master Clock (Input) - Clock source for the delta-sigma modulator and digital filters.
FILTER+	11	Positive Voltage Reference (Output) - Positive reference voltage for the internal sampling circuits.
CMOUT	12	Common Mode Voltage (Output) - Filter connection for internal quiescent voltage.
AMUTE	20	Mute Control (Output) - The Mute Control pin goes high during power-up initialization, reset, muting, power-down or if the master clock to left/right clock frequency ratio is incorrect.
AOUTB-	14	Differential Analog Output (Outputs) - The full scale differential analog output level is specified in the Analog Characteristics specification table.
AOUTB+	15	
AOUTA+	18	
AOUTA-	19	
AGND	16	Ground (Input)
VA	17	Analog Power (Input) - Positive power for the analog section.
Control Port Mode Definitions		
M3	7	Mode Selection (Input) - This pins should be tied to GND level during control port mode.
SCL/CCLK	8	Serial Control Port Clock (Input) - Serial clock for the serial control port.
SDA/CDIN	9	Serial Control Data (Input/Output) - SDA is a data I/O line in I ² C mode. CDIN is the input data line for the control port interface in SPI mode.
AD0/CS	10	Address Bit 0 (I²C) / Control Port Chip Select (SPI) (Input/Output) - AD0 is a chip address pin in I ² C mode; CS is the chip select signal for SPI format.
Stand-Alone Mode Definitions		
M3	7	Mode Selection (Input) - Determines the operational mode of the device.
M2	8	
M1	9	
M0	10	

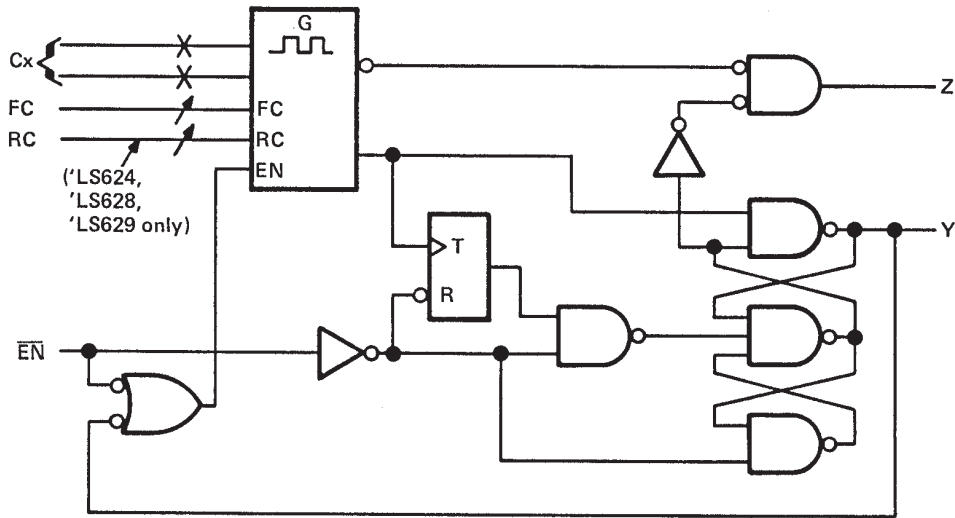
IC61 : BU2630



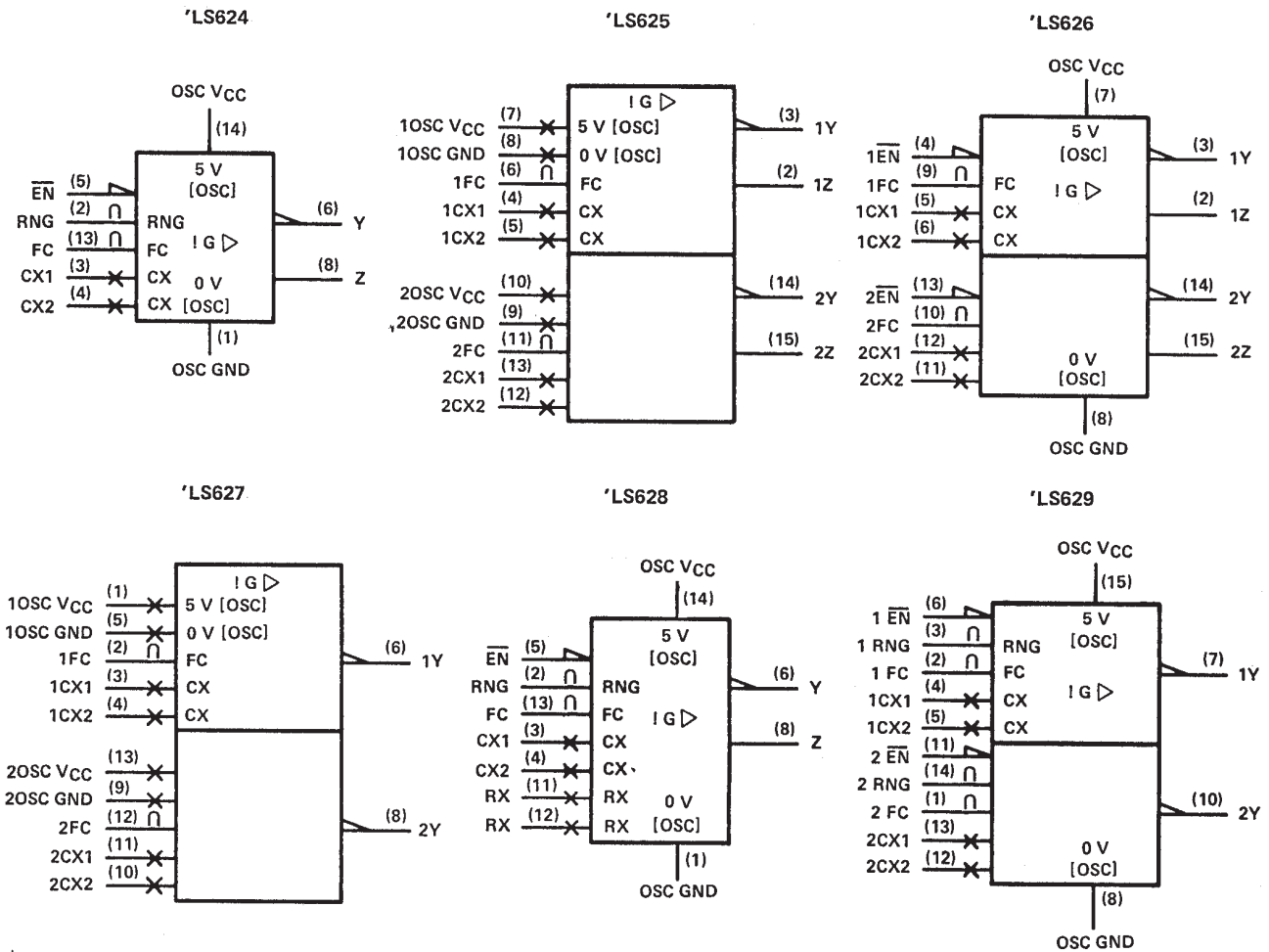
Pin No.	Pin name	Name	Function	I/O circuit
16	XOUT	Crystal resonator	For reference frequency	TYPE A
1	XIN			
2	V _{SS}			
3	RPD	Phase comparator output	This is LO if the locally divided value is higher than the reference frequency, HI if it is lower, and Z if it matches.	TYPE E
4	P-R	Output port	This is controlled by the input data.	TYPE D
5	RON			
6	F-R	VCO input	Local input for reception	TYPE F
7	CE	Chip enable clock signal serial data	When CE is HIGH, the DA synchronized to the rise of CK is read into the internal shift register, and is latched at the timing of the CE fall.	TYPE B
8	CK			
9	DA			
10	LD	Unlock output	This goes ON when the PLL is unlocked on the transmission side	TYPE D
11	F-T	VCO input	Local input for transmission	TYPE F
12	TON	Output port	This is controlled by the input data	TYPE D
13	P-T			
14	TPD	Phase comparator output	This is LO if the locally divided value is higher than the reference frequency, HI if it is lower, and Z if it matches.	TYPE E
15	V _{DD}	Power supply	2.5~5.5V	

IC62 : TC74LS628

logic diagram (positive logic)

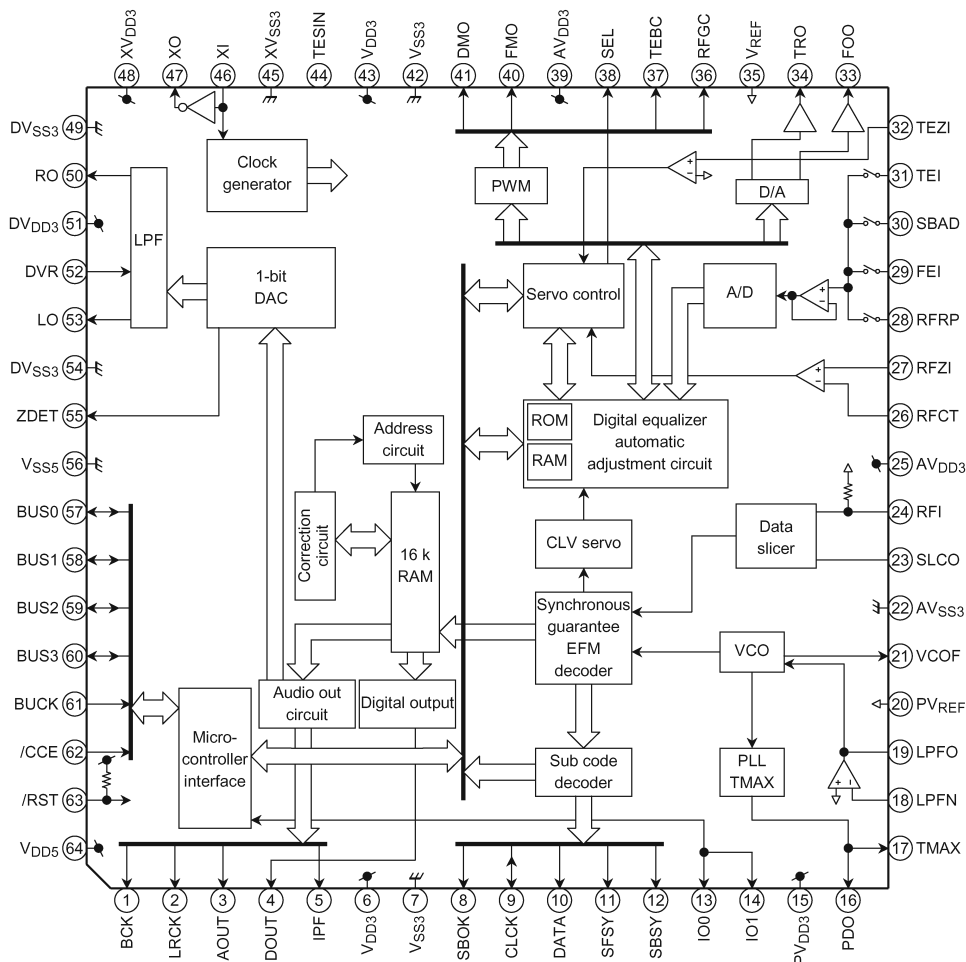


logic symbols†



†These symbols are in accordance with ANSI/IEEE Std. 91-1984 and IEC Publication 617-12. Pin numbers shown are for D, J, N, and W packages.

IC64 : TC94A14FA



Pin No.	Symbol	I/O	Function Description	Remarks								
1	BCK	O 3-5I/F	Bit clock output pin. 32fs, 48fs, or 64fs selectable by command.	Normal speed: 32fs = 1.4112 MHz								
2	LRCK	O 3-5I/F	L/R channel clock output pin. "L" for L channel and "H" for R channel. Output polarity can be inverted by command.	Normal speed: 44.1 kHz								
3	AOUT	O 3-5I/F	Audio data output pin. MSB-first or LSB-first selectable by command.	—								
4	DOUT	O 3-5I/F	Digital data output pin. Outputs up to double-speed playback.	Based on CP-1201								
5	IPF	O 3-5I/F	Correction flag output pin. When set to "H", AOUT output cannot be corrected by C2 correction processing.	Alias: C2PO								
6	VDD3	—	Digital 3.3 V power supply voltage pin.	—								
7	VSS3	—	Digital GND pin.	—								
8	SBOK	O 3-5I/F	Subcode Q data CRCC result output pin. "H" level when result is OK.	—								
9	CLCK	I/O 3-5I/F	Subcode P-W data read clock I/O pin. I/O polarity selectable by command.	Schmitt input								
10	DATA	O 3-5I/F	Subcode P-W data output pin.	—								
11	SFSY	O 3-5I/F	Playback frame sync signal output pin.	—								
12	SBSY	O 3-5I/F	Subcode block sync signal output pin. "H" level at S1 when subcode sync is detected.	—								
13	IO0	I/O	General-purpose input / output pins. Input port at reset.	Schmitt at input								
14	IO1	I/O 3-5I/F										
15	PVDD3	—	PLL-only 3.3 V power supply voltage pin.	—								
16	PDO	O A/I/F	EFM and PLCK phase difference signal output pin.	4-state output (PVDD3, HIZ, PVREF, AVSS3)								
17	TMAX	O A/I/F	TMAX detection result output pin.	3-state output (PVDD3, HIZ, AVSS3)								
			<table border="1"> <tr> <th>TMAX Detection Result</th> <th>TMAX Output</th> </tr> <tr> <td>Longer than fixed period</td> <td>"PVDD3"</td> </tr> <tr> <td>Within fixed period</td> <td>"HIZ"</td> </tr> <tr> <td>Shorter than fixed period</td> <td>"AVSS3"</td> </tr> </table>		TMAX Detection Result	TMAX Output	Longer than fixed period	"PVDD3"	Within fixed period	"HIZ"	Shorter than fixed period	"AVSS3"
			TMAX Detection Result		TMAX Output							
			Longer than fixed period		"PVDD3"							
Within fixed period	"HIZ"											
Shorter than fixed period	"AVSS3"											
18	LPFN	I A/I/F	Inverted input pin for PLL LPF amp.	Analog input								
19	LPFO	O A/I/F	Output pin for PLL LPF amp.	Analog output								
20	PVREF	—	PLL-only VREF pin.	—								
21	VCOF	O A/I/F	VCO filter pin.	Analog output								
22	AVSS3	—	Analog GND pin.	—								
23	SLCO	O A/I/F	DAC output pin for data slice level generation.	Analog output								
24	RFI	I A/I/F	RF signal input pin. Zin selectable by command.	Analog input								
25	AVDD3	—	Analog 3.3 V power supply voltage pin.	—								

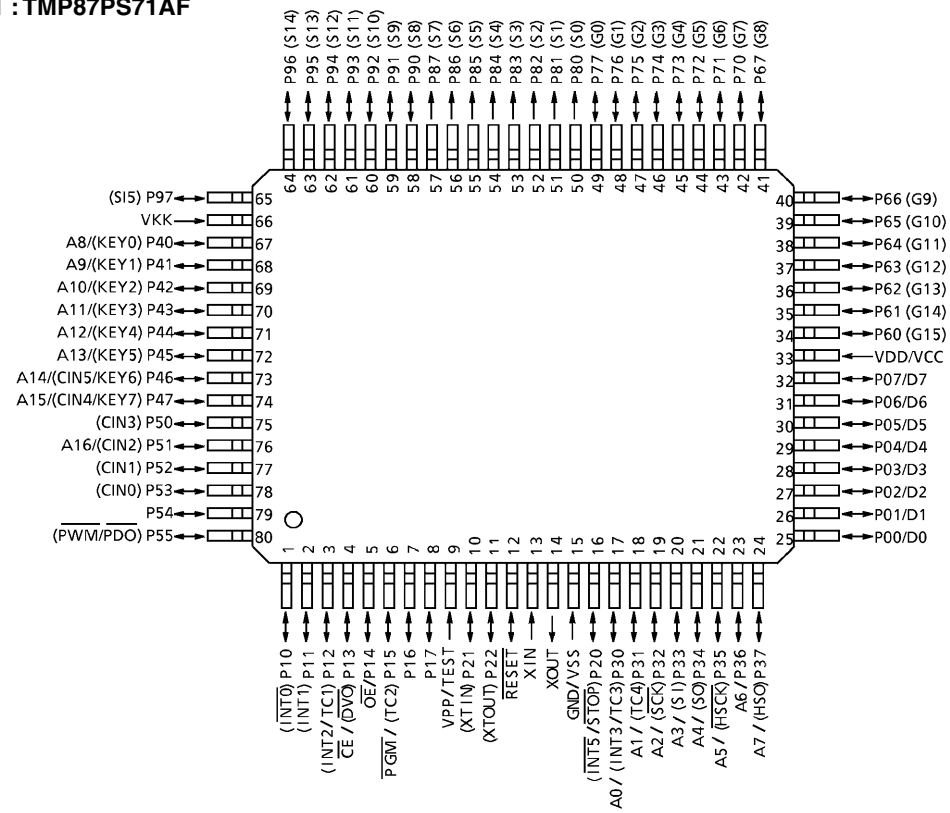
Pin No.	Symbol	I/O	Function Description	Remarks
26	RFCT	I A/I/F	RFRP signal center level input pin.	Analog input; Zin = 33 kΩ
27	RFZI	I A/I/F	RFRP signal zero-cross input pin.	Analog input
28	RFRP	I A/I/F	RF ripple signal input pin.	Analog input
29	FEI	I A/I/F	Focus error signal input pin.	Analog input
30	SBAD	I A/I/F	Sub-beam adder signal input pin.	Analog input
31	TEI	I A/I/F	Tracking error input pin. Inputs when tracking servo is on.	Analog input
32	TEZI	I A/I/F	Tracking error signal zero-cross input pin.	Analog input; Zin = 10 kΩ
33	FOO	O A/I/F	Focus equalizer output pin.	Analog output (AVSS3~AVDD3)
34	TRO	O A/I/F	Tracking equalizer output pin.	—
35	VREF	—	Analog reference power supply voltage pin.	—
36	RFGC	O A/I/F	RF amplitude adjustment control signal output pin.	3-state output (PWM carrier = 88.2 kHz) (AVDD3, VREF, AVSS3)
37	TEBC	O A/I/F	Tracking balance control signal output pin.	—
38	SEL	O A/I/F	APC circuit ON/OFF signal output pin. At laser on, high impedance with UHS = "L", H output with UHS = "H".	3-state output
39	AVDD3	—	Analog 3.3 V power supply voltage pin.	—
40	FMO	O A/I/F	Feed equalizer output pin.	3-state output (PWM carrier = 88.2 kHz) (AVDD3, VREF, AVSS3)
41	DMO	O A/I/F	Disc equalizer output pin.	—
42	VSS3	—	Digital GND pin.	—
43	VDD3	—	Digital 3.3 V power supply voltage pin.	—
44	TESIN	I 3I/F	Test input pin. Normally, fixed to "L".	—
45	XVSS3	—	System clock oscillator GND pin.	—
46	XI	I A/I/F	System clock oscillator input pin.	—
47	XO	O A/I/F	System clock oscillator output pin.	—
48	XVDD3	—	System clock oscillator 3.3 V power supply voltage pin.	—
49	DVSS3	—	DA converter GND pin.	—
50	RO	O A/I/F	R-channel data forward output pin.	—
51	DVDD3	—	DA converter 3.3 V power supply pin.	—
52	DVR	—	Reference voltage pin.	—
53	LO	O A/I/F	L-channel data forward output pin.	—
54	DVSS3	—	DA converter GND pin.	—

IC64 : TC94A14FA

Pin No.	Symbol	I/O	Function Description	Remarks
55	ZDET	\bar{O} 3-5/F	1 bit DA converter zero data detection flag output pin.	—
56	VSS5	—	Microcontroller interface GND pin.	—
57	BUS0	$\bar{I/O}$ 3-5/F	Microcontroller interface data I/O pins.	Schmitt input CMOS ports
58	BUS1			
59	BUS2			
60	BUS3			
61	BUCK	\bar{I} 3-5/F	Microcontroller interface clock input pin.	Schmitt input
62	/CCE	\bar{I} 3-5/F	Microcontroller interface chip enable signal input pin. At "L", BUS0 to BUS3 are active.	Schmitt input
63	/RST	\bar{I} 3-5/F	Reset signal input pin. At reset, "L".	Built-in pull-up resistor
64	VDD5	—	Microcontroller interface 5 V power supply pin.	—

Note: AI/F: analog input/output pin
 3-5/F: 3-5 interface built-in pin (5 V input/output pin)
 3/F: 3 V input/output pin

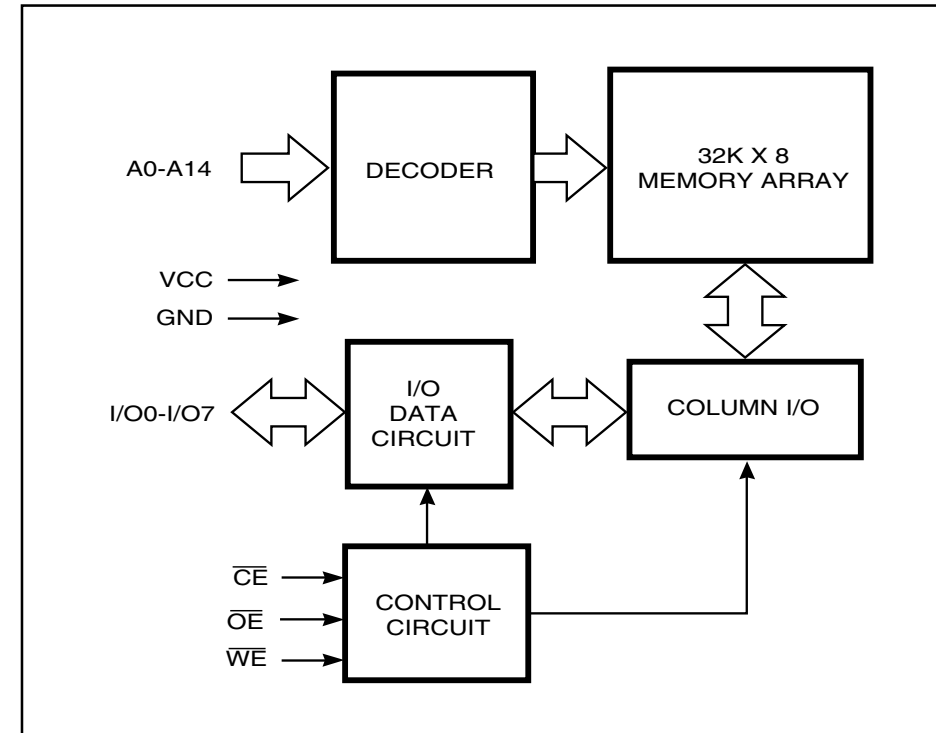
IC71 : TMP87PS71AF



PIN No.	SYMBOL	I/O	FUNCTION DESCRIPTION
1	RS	I	REMOCON OUT
2	REMOTE	I	REMOCON SENSOR CONTROL
3	BUS OUT	O	GND
4	POWER	O	POWER CONTROL PORT
5	VFD-POWER	O	VFD POWER CONTROL PORT
6	DSP-RESET	O	DSP RESET CONTROL PORT
7	DSP-CCE	O	DSP CCE CONTROL PORT
8	DSP-BUCK	O	DSP BUCK CONTROL PORT
9	TEST	-	GND
12	RESET-INPUT	-	RESET INPUT PORT
13	XIN	-	8MHz Crystal CONNECTION PORT
14	XOUT	-	
15	VSS	-	GND
18	VFD-CS	O	VFD CS CONTROL PORT
19	VFD-CLK	O	VFD CLK CONTROL PORT
20	MUTE	O	MUTE
21	VFD-DATA	O	VFD DATA PORT
22	DISC-SELECTOR	O	GVSW
24	VCC	O	VCC
25	CD-BUS0	I/O	BUS CONTROL PORT
26	CD-BUS1	I/O	
27	CD-BUS2	I/O	
28	CD-BUS3	I/O	
29	INNERSW	I	L-SWITCH
31	OPEN_SW	I	OPEN SWITCH
32	CLOSE_SW	I	CLOSE SWITCH
33	VDD	-	ST+5V
34	SDA	-	SDA
35	SCL	-	SCL
36	PLL	-	PLL
42	SRAM15	I/O	SRAM CONTROL PORT
43	SRAM16	I/O	
44	SRAM17	I/O	
45	SRAM18	I/O	
46	SRAM19	I/O	

PIN No.	SYMBOL	I/O	FUNCTION DESCRIPTION
47	SRAM20	I/O	SRAM CONTROL PORT
48	SRAM21	I/O	
49	SRAM22	I/O	
50	SRAM00	O	
51	SRAM01	O	
52	SRAM02	O	
53	SRAM03	O	
54	SRAM04	O	
55	SRAM05	O	
56	SRAM06	O	
57	SRAM07	O	
58	SRAM08	O	
59	SRAM09	O	
60	SRAM10	O	
61	SRAM11	O	
62	SRAM12	O	
63	SRAM13	O	
64	SRAM14	O	
66	GND	-	GND
67	SRAM23	O	SRAM CONTROL PORT
68	SRAM24	O	
69	SRAM25	O	
70	TRANS-ON/OFF	O	TRANS ON/OFF CONTROL PORT
71	TA2125-STBY-P	O	STAND BY PORT
72	RC-5 SELECTION	I	RC-5 SELECTION
73	DAC-RST	O	DAC RESET PORT
74	DAC-M2	O	DAC M2 PORT
76	KEY	I	ST+5V
77	KEY	I	ST+5V
78	KEY	I	BN72
79	TRAY-OPEN-MOTOR	O	MECHA OPEN CONTROL PORT
80	TRAY-CLOSE-MOTOR	O	MECHA CLOSE CONTROL PORT

IC72 : IS61C256AH



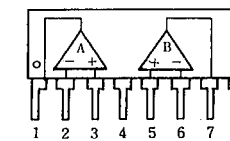
PIN DESCRIPTIONS

A0-A14	Address Inputs
CE	Chip Enable Input
OE	Output Enable Input
WE	Write Enable Input
I/O0-I/O7	Bidirectional Ports
Vcc	Power
GND	Ground

TRUTH TABLE

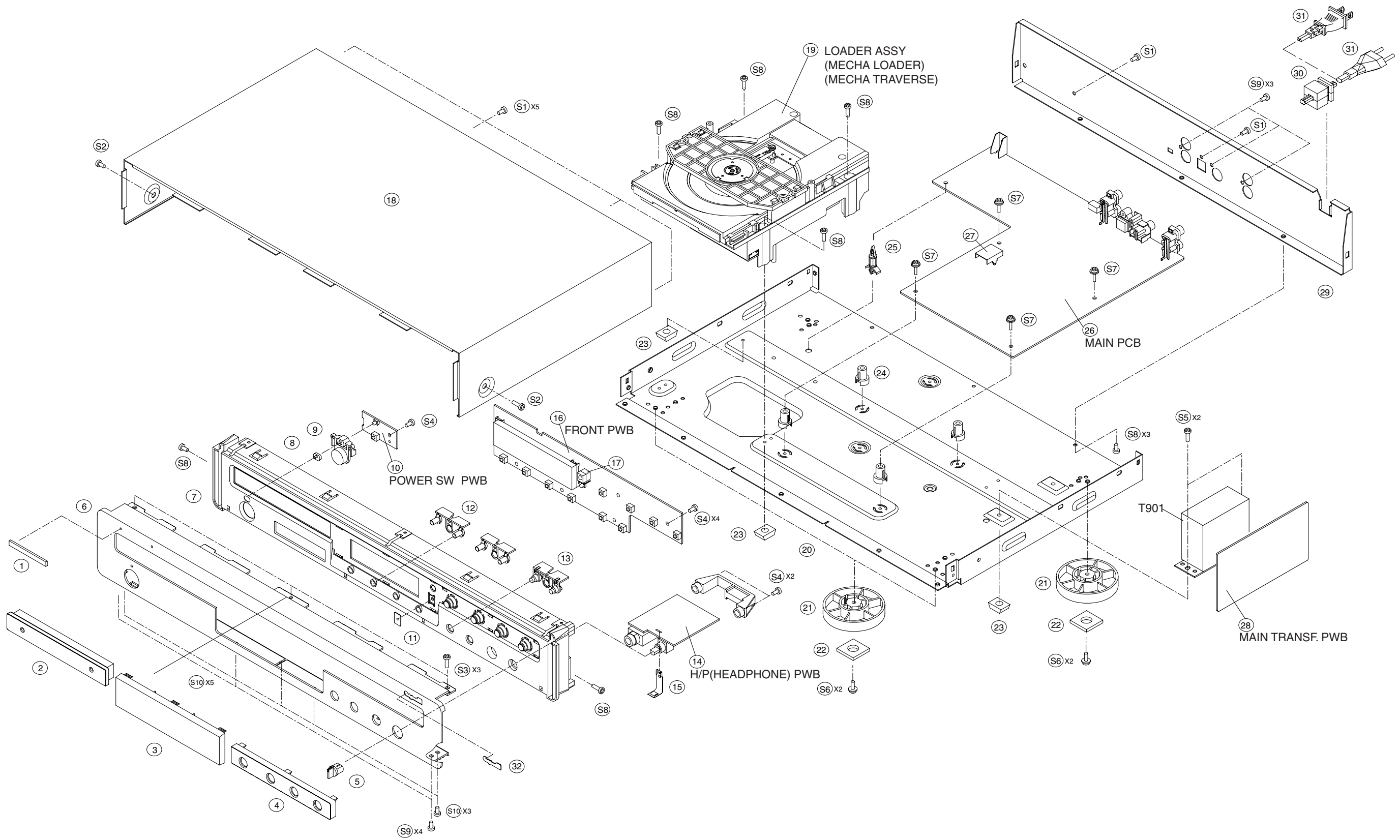
Mode	WE	CE	OE	I/O Operation	Vcc Current
Not Selected (Power-down)	X	H	X	High-Z	Isb1, Isb2
Output Disabled	H	L	H	High-Z	Icc
Read	H	L	L	DOUT	Icc
Write	L	L	X	DIN	Icc

IC81 : NJM4556AL



- PIN FUNCTION
1. A OUTPUT
 2. A-INPUT
 3. A+INPUT
 4. V-
 5. B+INPUT
 6. B-INPUT
 7. B OUTPUT
 8. V+

10. EXPLODED VIEW AND PARTS LIST



P.C.B. NAME	POS. NO.	VERS. COLOR	PART NO. (FOR EUR)	PART NO. (MZ)	PART NAME	DESCRIPTION	
	1	F B	nsp	00M24AW251010	BADGE	NEW MZ BADGE	CGB1A117
	1	F N	nsp	00M24AW251010	BADGE	NEW MZ BADGE	CGB1A117
	1	/K1G	nsp	00M24AW251010	BADGE	NEW MZ BADGE	CGB1A117
	1	/L1G	nsp	00M24AW251010	BADGE	NEW MZ BADGE	CGB1A117
	1	/N1B	00M24AW251010	00M24AW251010	BADGE	NEW MZ BADGE	CGB1A117
	1	/N1G	00M24AW251010	00M24AW251010	BADGE	NEW MZ BADGE	CGB1A117
	1	/N1S	00M24AW251020	00M24AW251020	BADGE	NEW MZ BADGE SILVER	CGB1A117G
	1	/U1B	nsp	00M24AW251010	BADGE	NEW MZ BADGE	CGB1A117
	2	F B	nsp	00M45BW063010	ESCUTCHEON	ORNAMENT DOOR BLACK	CGR1A382ZH10
	2	F N	nsp	00M45BW063110	ESCUTCHEON	ORNAMENT DOOR GOLD	CGR1A382RFYH40
	2	/K1G	nsp	00M45BW063110	ESCUTCHEON	ORNAMENT DOOR GOLD	CGR1A382RFYH40
	2	/L1G	nsp	00M45BW063110	ESCUTCHEON	ORNAMENT DOOR GOLD	CGR1A382RFYH40
	2	/N1B	00M45BW063010	00M45BW063010	ESCUTCHEON	ORNAMENT DOOR BLACK	CGR1A382ZH10
	2	/N1G	00M45BW063110	00M45BW063110	ESCUTCHEON	ORNAMENT DOOR GOLD	CGR1A382RFYH40
	2	/N1S	00M45BW063210	00M45BW063210	ESCUTCHEON	ORNAMENT DOOR SILVER	CGR1A382R6YH51
	2	/U1B	nsp	00M45BW063010	ESCUTCHEON	ORNAMENT DOOR BLACK	CGR1A382ZH10
	3	F B	nsp	00M45BW158110	WINDOW	WINDOW BLACK/GOLD	CGU1A378Z
	3	F N	nsp	00M45BW158110	WINDOW	WINDOW BLACK/GOLD	CGU1A378Z
	3	/K1G	nsp	00M45BW158110	WINDOW	WINDOW BLACK/GOLD	CGU1A378Z
	3	/L1G	nsp	00M45BW158110	WINDOW	WINDOW BLACK/GOLD	CGU1A378Z
	3	/N1B	00M45BW158110	00M45BW158110	WINDOW	WINDOW BLACK/GOLD	CGU1A378Z
	3	/N1G	00M45BW158110	00M45BW158110	WINDOW	WINDOW BLACK/GOLD	CGU1A378Z
	3	/N1S	00M45BW158210	00M45BW158210	WINDOW	WINDOW SILVER	CGU1A378Y
	3	/U1B	nsp	00M45BW158110	WINDOW	WINDOW BLACK/GOLD	CGU1A378Z
	4	F B	nsp	00M45BW063020	ESCUTCHEON	ORNAMENT KNOB BLACK	CGR1A383ZH10
	4	F N	nsp	00M45BW063120	ESCUTCHEON	ORNAMENT KNOB GOLD	CGR1A383RFYH40
	4	/K1G	nsp	00M45BW063120	ESCUTCHEON	ORNAMENT KNOB GOLD	CGR1A383RFYH40
	4	/L1G	nsp	00M45BW063120	ESCUTCHEON	ORNAMENT KNOB GOLD	CGR1A383RFYH40
	4	/N1B	00M45BW063020	00M45BW063020	ESCUTCHEON	ORNAMENT KNOB BLACK	CGR1A383ZH10
	4	/N1G	00M45BW063120	00M45BW063120	ESCUTCHEON	ORNAMENT KNOB GOLD	CGR1A383RFYH40
	4	/N1S	00M45BW063220	00M45BW063220	ESCUTCHEON	ORNAMENT KNOB SILVER	CGR1A383R6YH51
	4	/U1B	nsp	00M45BW063020	ESCUTCHEON	ORNAMENT KNOB BLACK	CGR1A383ZH10
	5	F B	nsp	00M24AW154010	KNOB	KNOB LEVEL BLACK	CBN1A170K92
	5	F N	nsp	00M24AW154110	KNOB	KNOB LEVEL GOLD	CBN1A170RFD4
	5	/K1G	nsp	00M24AW154110	KNOB	KNOB LEVEL GOLD	CBN1A170RFD4
	5	/L1G	nsp	00M24AW154110	KNOB	KNOB LEVEL GOLD	CBN1A170RFD4
	5	/N1B	00M24AW154010	00M24AW154010	KNOB	KNOB LEVEL BLACK	CBN1A170K92
	5	/N1G	00M24AW154110	00M24AW154110	KNOB	KNOB LEVEL GOLD	CBN1A170RFD4
	5	/N1S	00M24AW154210	00M24AW154210	KNOB	KNOB LEVEL SILVER	CBN1A170R6G13
	5	/U1B	nsp	00M24AW154010	KNOB	KNOB LEVEL BLACK	CBN1A170K92
	6	F B	nsp	00M45BW248010	PANEL	PANEL FRONT BLACK	CKM1A166ZC23
	6	F N	nsp	00M45BW248110	PANEL	PANEL FRONT GOLD	CKM1A166YC24
	6	/K1G	nsp	00M45BW248110	PANEL	PANEL FRONT GOLD	CKM1A166YC24
	6	/L1G	nsp	00M45BW248110	PANEL	PANEL FRONT GOLD	CKM1A166YC24
	6	/N1B	00M45BW248010	00M45BW248010	PANEL	PANEL FRONT BLACK	CKM1A166ZC23
	6	/N1G	00M45BW248110	00M45BW248110	PANEL	PANEL FRONT GOLD	CKM1A166YC24
	6	/N1S	00M45BW248210	00M45BW248210	PANEL	PANEL FRONT SILVER	CKM1A166YC40
	6	/U1B	nsp	00M45BW248010	PANEL	PANEL FRONT BLACK	CKM1A166ZC23
	7	F B	nsp	00M45BW105010	CHASSIS	PANEL SUB BLACK	CGW1A410R4K92
	7	F N	nsp	00M45BW105110	CHASSIS	PANEL SUB GOLD	CGW1A410RFD4
	7	/K1G	nsp	00M45BW105110	CHASSIS	PANEL SUB GOLD	CGW1A410RFD4
	7	/L1G	nsp	00M45BW105110	CHASSIS	PANEL SUB GOLD	CGW1A410RFD4
	7	/N1B	00M45BW105010	00M45BW105010	CHASSIS	PANEL SUB BLACK	CGW1A410R4K92
	7	/N1G	00M45BW105110	00M45BW105110	CHASSIS	PANEL SUB GOLD	CGW1A410RFD4
	7	/N1S	00M45BW105210	00M45BW105210	CHASSIS	PANEL SUB SILVER	CGW1A410R6G13
	7	/U1B	nsp	00M45BW105010	CHASSIS	PANEL SUB BLACK	CGW1A410R4K92
	8		00M24AW355010	00M24AW355010	LENS	STANDBY	CGL1A183
	9	F B	nsp	00M24AW270010	BUTTON	KNOB POWER BLACK	CBT1A878K92
	9	F N	nsp	00M24AW270110	BUTTON	KNOB POWER GOLD	CBT1A878RFD4
	9	/K1G	nsp	00M24AW270110	BUTTON	KNOB POWER GOLD	CBT1A878RFD4
	9	/L1G	nsp	00M24AW270110	BUTTON	KNOB POWER GOLD	CBT1A878RFD4
	9	/N1B	00M24AW270010	00M24AW270010	BUTTON	KNOB POWER BLACK	CBT1A878K92
	9	/N1G	00M24AW270110	00M24AW270110	BUTTON	KNOB POWER GOLD	CBT1A878RFD4
	9	/N1S	00M24AW270210	00M24AW270210	BUTTON	KNOB POWER SILVER	CBT1A878R6G13
	9	/U1B	nsp	00M24AW270010	BUTTON	KNOB POWER BLACK	CBT1A878K92
	10	F B	nsp	nsp	PWB ASSY	POWER SW PWB ASSY	COP11830B
	10	F N	nsp	nsp	PWB ASSY	POWER SW PWB ASSY	COP11830B

NOTE : *nsp* PART IS LISTED FOR REFERENCE ONLY, MARANTZ WILL NOT SUPPLY THESE PARTS.

P.C.B. NAME	POS. NO.	VERS. COLOR	PART NO. (FOR EUR)	PART NO. (MZ)	PART NAME	DESCRIPTION	
	10	/K1G	nsp	nsp	PWB ASSY	POWER SW PWB ASSY	COP11830B
	10	/L1G	nsp	nsp	PWB ASSY	POWER SW PWB ASSY	COP11830B
	10	/N1B	nsp	nsp	PWB ASSY	POWER SW PWB ASSY	COP11830B
	10	/N1G	nsp	nsp	PWB ASSY	POWER SW PWB ASSY	COP11830B
	10	/N1S	nsp	nsp	PWB ASSY	POWER SW PWB ASSY	COP11830C
	10	/U1B	nsp	nsp	PWB ASSY	POWER SW PWB ASSY	COP11830B
	11		nsp	nsp	SHEET		CGX1A372Z
	12	F B	nsp	00M24AW270050	BUTTON	KNOB DISPLAY BLACK	CBT1A879K92
	12	F N	nsp	00M24AW270150	BUTTON	KNOB DISPLAY GOLD	CBT1A879RFD4
	12	/K1G	nsp	00M24AW270150	BUTTON	KNOB DISPLAY GOLD	CBT1A879RFD4
	12	/L1G	nsp	00M24AW270150	BUTTON	KNOB DISPLAY GOLD	CBT1A879RFD4
	12	/N1B	00M24AW270050	00M24AW270050	BUTTON	KNOB DISPLAY BLACK	CBT1A879K92
	12	/N1G	00M24AW270150	00M24AW270150	BUTTON	KNOB DISPLAY GOLD	CBT1A879RFD4
	12	/N1S	00M24AW270250	00M24AW270250	BUTTON	KNOB DISPLAY SILVER	CBT1A879R6G13
	12	/U1B	nsp	00M24AW270050	BUTTON	KNOB DISPLAY BLACK	CBT1A879K92
	13	F B	nsp	00M45BW270010	BUTTON	KNOB SKIP BLACK	CBT1A966K92
	13	F N	nsp	00M45BW270110	BUTTON	KNOB SKIP GOLD	CBT1A966RFD4
	13	/K1G	nsp	00M45BW270110	BUTTON	KNOB SKIP GOLD	CBT1A966RFD4
	13	/L1G	nsp	00M45BW270110	BUTTON	KNOB SKIP GOLD	CBT1A966RFD4
	13	/N1B	00M45BW270010	00M45BW270010	BUTTON	KNOB SKIP BLACK	CBT1A966K92
	13	/N1G	00M45BW270110	00M45BW270110	BUTTON	KNOB SKIP GOLD	CBT1A966RFD4
	13	/N1S	00M45BW270210	00M45BW270210	BUTTON	KNOB SKIP SILVER	CBT1A966R6G13
	13	/U1B	nsp	00M45BW270010	BUTTON	KNOB SKIP BLACK	CBT1A966K92
	14	F B	nsp	nsp	PWB ASSY	H/P PWB ASSY	COP11830B
	14	F N	nsp	nsp	PWB ASSY	H/P PWB ASSY	COP11830B
	14	/K1G	nsp	nsp	PWB ASSY	H/P PWB ASSY	COP11830B
	14	/L1G	nsp	nsp	PWB ASSY	H/P PWB ASSY	COP11830B
	14	/N1B	nsp	nsp	PWB ASSY	H/P PWB ASSY	COP11830B
	14	/N1G	nsp	nsp	PWB ASSY	H/P PWB ASSY	COP11830B
	14	/N1S	nsp	nsp	PWB ASSY	H/P PWB ASSY	COP11830C
	14	/U1B	nsp	nsp	PWB ASSY	H/P PWB ASSY	COP11830B
	16	F B	nsp	nsp	PWB ASSY	FRONT PWB ASSY	COP11830B
	16	F N	nsp	nsp	PWB ASSY	FRONT PWB ASSY	COP11830B
	16	/K1G	nsp	nsp	PWB ASSY	FRONT PWB ASSY	COP11830B
	16	/L1G	nsp	nsp	PWB ASSY	FRONT PWB ASSY	COP11830B
	16	/N1B	nsp	nsp	PWB ASSY	FRONT PWB ASSY	COP11830B
	16	/N1G	nsp	nsp	PWB ASSY	FRONT PWB ASSY	COP11830B
	16	/N1S	nsp	nsp	PWB ASSY	FRONT PWB ASSY	COP11830C
	16	/U1B	nsp	nsp	PWB ASSY	FRONT PWB ASSY	COP11830B
	17		nsp	nsp	BUFFER		CHG2A185
	19		00M24AW304510	00M24AW304510	MECHANISM	MECHA LOADER AND TRAVERSE	CJDKSL2130CCM
	20		nsp	nsp	CHASSIS		CUA1A231
	21	F B	nsp	00M243W057010	LEG	LEG GOLD/BLACK	CKL2A042H11
	21	F N	nsp	00M243W057010	LEG	LEG GOLD/BLACK	CKL2A042H11
	21	/K1G	nsp	00M243W057010	LEG	LEG GOLD/BLACK	CKL2A042H11
	21	/L1G	nsp	00M243W057010	LEG	LEG GOLD/BLACK	CKL2A042H11
	21	/N1B	00M243W057010	00M243W057010	LEG	LEG GOLD/BLACK	CKL2A042H11
	21	/N1G	00M243W057010	00M243W057010	LEG	LEG GOLD/BLACK	CKL2A042H11
	21	/N1S	00M243W057210	00M243W057210	LEG	LEG FOR SILVER	CKL2A042H46
	21	/U1B	nsp	00M243W057010	LEG	LEG GOLD/BLACK	CKL2A042H11
	22		00M11BW056010	00M11BW056010	BUFFER	RUBBER CUSHION	KHG1A050
	23		nsp	nsp	BUFFER	RUBBER	CHG1A113
	24		nsp	nsp	HOLDER	HOLDER PWB	CHE1A030
	25		nsp	nsp	SUPPORT	SJSS-13N(T)	KRE1A057
	26	F B	nsp	nsp	PWB ASSY	MAIN PWB ASSY	COP11831D
	26	F N	nsp	nsp	PWB ASSY	MAIN PWB ASSY	COP11831D
	26	/K1G	nsp	nsp	PWB ASSY	MAIN PWB ASSY	COP11831C
	26	/L1G	nsp	nsp	PWB ASSY	MAIN PWB ASSY	COP11831B
	26	/N1B	nsp	nsp	PWB ASSY	MAIN PWB ASSY	COP11831C
	26	/N1G	nsp	nsp	PWB ASSY	MAIN PWB ASSY	COP11831C
	26	/N1S	nsp	nsp	PWB ASSY	MAIN PWB ASSY	COP11831C
	26	/U1B	nsp	nsp	PWB ASSY	MAIN PWB ASSY	COP11831B
	28	F B	nsp	nsp	PWB ASSY	MAIN TRANSF. PWB ASSY	COP11831D
	28	F N	nsp	nsp	PWB ASSY	MAIN TRANSF. PWB ASSY	COP11831D
	28	/K1G	nsp	nsp	PWB ASSY	MAIN TRANSF. PWB ASSY	COP11831C
	28	/L1G	nsp	nsp	PWB ASSY	MAIN TRANSF. PWB ASSY	COP11831B
	28	/N1B	nsp	nsp	PWB ASSY	MAIN TRANSF. PWB ASSY	COP11831C

NOTE : *nsp* PART IS LISTED FOR REFERENCE ONLY, MARANTZ WILL NOT SUPPLY THESE PARTS.

P.C.B. NAME	POS. NO.	VERS. COLOR	PART NO. (FOR EUR)	PART NO. (MZ)	PART NAME	DESCRIPTION	
	28	/N1G	nsp	nsp	PWB ASSY	MAIN TRANSF. PWB ASSY	COP11831C
	28	/N1S	nsp	nsp	PWB ASSY	MAIN TRANSF. PWB ASSY	COP11831C
	28	/U1B	nsp	nsp	PWB ASSY	MAIN TRANSF. PWB ASSY	COP11831B
	29	F B	nsp	nsp	PANEL	REAR PANEL F	CKF1A258O
	29	F N	nsp	nsp	PANEL	REAR PANEL F	CKF1A258O
	29	/K1G	nsp	nsp	PANEL	REAR PANEL K	CKF1A258M
	29	/L1G	nsp	nsp	PANEL	REAR PANEL L	CKF1A258N
	29	/N1B	nsp	nsp	PANEL	REAR PANEL N	CKF1A258Q
	29	/N1G	nsp	nsp	PANEL	REAR PANEL N	CKF1A258Q
	29	/N1S	nsp	nsp	PANEL	REAR PANEL N	CKF1A258Q
	29	/U1B	nsp	nsp	PANEL	REAR PANEL U	CKF1A258P
	30		00M24AW259020	00M24AW259020	BUSHING	BUSHING AC CORD	KHR1A028
	▲	31 F B	nsp	90M-YC000800R	MAINS CORD	! MAINS CORD FOR F	CJA2J049ZA
	▲	31 F N	nsp	90M-YC000800R	MAINS CORD	! MAINS CORD FOR F	CJA2J049ZA
	▲	31 /K1G	nsp	90M-YC000850R	MAINS CORD	! MAINS CORD FOR K	CJA2N047ZA
	▲	31 /L1G	nsp	90M-YC000890R	MAINS CORD	! MAINS CORD FOR L	CJA2L072ZA
	▲	31 /N1B	90M-YC000760R	90M-YC000760R	MAINS CORD	! MAINS CORD FOR N QDR-7100CC	CJA2B043ZA
	▲	31 /N1G	90M-YC000760R	90M-YC000760R	MAINS CORD	! MAINS CORD FOR N QDR-7100CC	CJA2B043ZA
	▲	31 /N1S	90M-YC000760R	90M-YC000760R	MAINS CORD	! MAINS CORD FOR N QDR-7100CC	CJA2B043ZA
	▲	31 /U1B	nsp	90M-YC000780R	MAINS CORD	! MAINS CORD FOR U	CJA523FBYA
	▲	F901 F B	nsp	90M-FS001030R	FUSE	! T 630MA L 250V FOR F U	KBA2C0630TLUZ
	▲	F901 F N	nsp	90M-FS001030R	FUSE	! T 630MA L 250V FOR F U	KBA2C0630TLUZ
	▲	F901 /K1G	nsp	90M-FS001260R	FUSE	! T 315MA L 250V	KBA2C0315TLEY
	▲	F901 /L1G	nsp	90M-FS001270R	FUSE	! T 630MA L 250V	KBA2C0630TLEZ
	▲	F901 /N1B	90M-FS001260R	90M-FS001260R	FUSE	! T 315MA L 250V	KBA2C0315TLEY
	▲	F901 /N1G	90M-FS001260R	90M-FS001260R	FUSE	! T 315MA L 250V	KBA2C0315TLEY
	▲	F901 /N1S	90M-FS001260R	90M-FS001260R	FUSE	! T 315MA L 250V	KBA2C0315TLEY
	▲	F901 /U1B	nsp	90M-FS001030R	FUSE	! T 630MA L 250V FOR F U	KBA2C0630TLUZ
	BN12		nsp	nsp	CORD	WIRE ASSY	CWB1A906090EG
	BN13		nsp	nsp	CORD	WIRE ASSY	CWB1B905090EG
	BN16		nsp	90M-YU001230R	FPC	FFC 16P 120MM	CWC1B2A16A120B
			nsp	nsp	CORD	WIRE ASSY	CWBBCD54UBN81
			nsp	nsp	CORD	WIRE ASSY	CWBBCD54UBN62
			nsp	90M-YU002060R	FPC	FFC 15P 120MM	CWC1B4A15B120B
			nsp	90M-YU002060R	FPC	FFC 15P 120MM	CWC1B4A15B120B
			90M-FC500020R	90M-FC500020R	FERRITE CORE	D 30 M/M	CLZ9W001Z
			90M-FC500020R	90M-FC500020R	FERRITE CORE	D 30 M/M	CLZ9W001Z
			90M-FC500020R	90M-FC500020R	FERRITE CORE	D 30 M/M	CLZ9W001Z
PACKING							
		F B	nsp	00M45BW851110	USER GUIDE	USER GUIDE CD5001 F	CQX1A1038Z
		F N	nsp	00M45BW851110	USER GUIDE	USER GUIDE CD5001 F	CQX1A1038Z
		/K1G	nsp	00M45BW851350	USER GUIDE	USER GUIDE CD5001 K	CQX1A1040Z
		/L1G	nsp	00M45BW851350	USER GUIDE	USER GUIDE CD5001 K	CQX1A1040Z
		/N1B	00M45BW851310	00M45BW851310	USER GUIDE	USER GUIDE CD5001 N	CQX1A1036Z
		/N1G	00M45BW851310	00M45BW851310	USER GUIDE	USER GUIDE CD5001 N	CQX1A1036Z
		/N1S	00M45BW851310	00M45BW851310	USER GUIDE	USER GUIDE CD5001 N	CQX1A1036Z
		/U1B	nsp	00M45BW851250	USER GUIDE	USER GUIDE CD5001 U	CQX1A1037Z
			00MZK24AW0010	00MZK24AW0010	UNIT KIT	REMOTE CONTROLLER RC5400CD	CARTCD5400CC
NOT STANDARD SPARE PART							
		F B	nsp	00M45BW801010	PACKING CASE	PACKING CASE	CPG1A725Y
		F N	nsp	00M45BW801010	PACKING CASE	PACKING CASE	CPG1A725Y
		/K1G	nsp	00M45BW801010	PACKING CASE	PACKING CASE	CPG1A725Y
		/L1G	nsp	00M45BW801010	PACKING CASE	PACKING CASE	CPG1A725Y
		/N1B	nsp	00M45BW801010	PACKING CASE	PACKING CASE	CPG1A725Y
		/N1G	nsp	00M45BW801010	PACKING CASE	PACKING CASE	CPG1A725Y
		/N1S	nsp	00M45BW801010	PACKING CASE	PACKING CASE	CPG1A725Y
		/U1B	nsp	00M45BW801010	PACKING CASE	PACKING CASE	CPG1A725Y
			nsp	00M24AW809010	CUSHION	CUSHION L	CPS1A624
	18	F B	nsp	00M24AW257010	LID	TOP COVER (BLACK)	CKC1A140K117
	18	F N	nsp	00M24AW257110	LID	TOP COVER (GOLD)	CKC1A140K118
	18	/K1G	nsp	00M24AW257110	LID	TOP COVER (GOLD)	CKC1A140K118
	18	/L1G	nsp	00M24AW257110	LID	TOP COVER (GOLD)	CKC1A140K118
	18	/N1B	nsp	00M24AW257010	LID	TOP COVER (BLACK)	CKC1A140K117
	18	/N1G	nsp	00M24AW257110	LID	TOP COVER (GOLD)	CKC1A140K118
	18	/N1S	nsp	00M24AW257210	LID	TOP COVER (SILVER)	CKC1A140G14
	18	/U1B	nsp	00M24AW257010	LID	TOP COVER (BLACK)	CKC1A140K117
			nsp	90M-ZD000510R	CONN. CORD	CORD PIN	CJS4N014Z

NOTE : *nsp* PART IS LISTED FOR REFERENCE ONLY, MARANTZ WILL NOT SUPPLY THESE PARTS.

CD5001

P.C.B. NAME	POS. NO.	VERS. COLOR	PART NO. (FOR EUR)	PART NO. (MZ)	PART NAME	DESCRIPTION
			nsp	90M-ZD000440R	CONN. CORD	CORD PIN CJS4M009X

NOTE : "nsp" PART IS LISTED FOR REFERENCE ONLY, MARANTZ WILL NOT SUPPLY THESE PARTS.

P.C.B. NAME	POS. NO.	VERS. COLOR	PART NO. (FOR EUR)	PART NO. (MZ)	PART NAME	DESCRIPTION	
	1	/N1B	00M24AW251010	00M24AW251010	BADGE	NEW MZ BADGE	CGB1A117
	1	/N1S	00M24AW251020	00M24AW251020	BADGE	NEW MZ BADGE SILVER	CGB1A117G
	2	/N1B	00M45BW063010	00M45BW063010	ESCUTCHEON	ORNAMENT DOOR BLACK	CGR1A382ZH10
	2	/N1S	00M45BW063210	00M45BW063210	ESCUTCHEON	ORNAMENT DOOR SILVER	CGR1A382R6YH51
	3	/N1B	00M45BW158110	00M45BW158110	WINDOW	WINDOW BLACK/GOLD	CGU1A378Z
	3	/N1S	00M45BW158210	00M45BW158210	WINDOW	WINDOW SILVER	CGU1A378Y
	4	/N1B	00M45BW063020	00M45BW063020	ESCUTCHEON	ORNAMENT KNOB BLACK	CGR1A383ZH10
	4	/N1S	00M45BW063220	00M45BW063220	ESCUTCHEON	ORNAMENT KNOB SILVER	CGR1A383R6YH51
	5	/N1B	00M24AW154010	00M24AW154010	KNOB	KNOB LEVEL BLACK	CBN1A170K92
	5	/N1S	00M24AW154210	00M24AW154210	KNOB	KNOB LEVEL SILVER	CBN1A170R6G13
	6	/N1B	00M45BW248310	00M45BW248310	PANEL	PANEL FRONT BLACK OSE	CKM2A166ZC23
	6	/N1S	00M45BW248410	00M45BW248410	PANEL	PANEL FRONT SILVER OSE	CKM2A166YC40
	7	/N1B	00M45BW105010	00M45BW105010	CHASSIS	PANEL SUB BLACK	CGW1A410R4K92
	7	/N1S	00M45BW105210	00M45BW105210	CHASSIS	PANEL SUB SILVER	CGW1A410R6G13
	8		00M24AW355010	00M24AW355010	LENS	STANDBY	CGL1A183
	9	/N1B	00M24AW270010	00M24AW270010	BUTTON	KNOB POWER BLACK	CBT1A878K92
	9	/N1S	00M24AW270210	00M24AW270210	BUTTON	KNOB POWER SILVER	CBT1A878R6G13
	10	/N1B	nsp	nsp	PWB ASSY	POWER SW PWB ASSY	COP11830B
	10	/N1S	nsp	nsp	PWB ASSY	POWER SW PWB ASSY	COP11830C
	11		nsp	nsp	SHEET		CGX1A372Z
	12	/N1B	00M24AW270050	00M24AW270050	BUTTON	KNOB DISPLAY BLACK	CBT1A879K92
	12	/N1S	00M24AW270250	00M24AW270250	BUTTON	KNOB DISPLAY SILVER	CBT1A879R6G13
	13	/N1B	00M45BW270010	00M45BW270010	BUTTON	KNOB SKIP BLACK	CBT1A966K92
	13	/N1S	00M45BW270210	00M45BW270210	BUTTON	KNOB SKIP SILVER	CBT1A966R6G13
	14	/N1B	nsp	nsp	PWB ASSY	H/P PWB ASSY	COP11830B
	14	/N1S	nsp	nsp	PWB ASSY	H/P PWB ASSY	COP11830C
	16	/N1B	nsp	nsp	PWB ASSY	FRONT PWB ASSY	COP11830B
	16	/N1S	nsp	nsp	PWB ASSY	FRONT PWB ASSY	COP11830C
	17		nsp	nsp	BUFFER		CHG2A185
	19		00M24AW304510	00M24AW304510	MECHANISM	MECHA LOADER AND TRAVERSE	CJDKSL2130CCM
	20		nsp	nsp	CHASSIS		CUA1A231
	21	/N1B	00M243W057010	00M243W057010	LEG	LEG GOLD/BLACK	CKL2A042H11
	21	/N1S	00M243W057210	00M243W057210	LEG	LEG FOR SILVER	CKL2A042H46
	22		00M11BW056010	00M11BW056010	BUFFER	RUBBER CUSHION	KHG1A050
	23		nsp	nsp	BUFFER	RUBBER	CHG1A113
	24		nsp	nsp	HOLDER	HOLDER PWB	CHE1A030
	25		nsp	nsp	SUPPORT	SJSS-13N(T)	KRE1A057
	26	/N1B	nsp	nsp	PWB ASSY	MAIN PWB ASSY	COP11831E
	26	/N1S	nsp	nsp	PWB ASSY	MAIN PWB ASSY	COP11831E
	28	/N1B	nsp	nsp	PWB ASSY	MAIN TRANSF. PWB ASSY	COP11831E
	28	/N1S	nsp	nsp	PWB ASSY	MAIN TRANSF. PWB ASSY	COP11831E
	29	/N1B	nsp	nsp	PANEL	REAR PANEL N OSE CD5001F	CKF1A258L
	29	/N1S	nsp	nsp	PANEL	REAR PANEL N OSE CD5001F	CKF1A258L
	30		00M24AW259020	00M24AW259020	BUSHING	BUSHING AC CORD	KHR1A028
	▲	/N1B	90M-YC000760R	90M-YC000760R	MAINS CORD	! MAINS CORD FOR N QDR-7100CC	CJA2B043ZA
	▲	/N1S	90M-YC000760R	90M-YC000760R	MAINS CORD	! MAINS CORD FOR N QDR-7100CC	CJA2B043ZA
	32	/N1B	00M255W251090	00M255W251090	BADGE	OSE BADGE GOLD	HGB1A160Z
	32	/N1S	00M255W251020	00M255W251020	BADGE	OSE BADGE SILVER	HGB1A160Y
	▲ F901	/N1B	90M-FS001260R	90M-FS001260R	FUSE	! T 315MA L 250V	KBA2C0315TLEY
	▲ F901	/N1S	90M-FS001260R	90M-FS001260R	FUSE	! T 315MA L 250V	KBA2C0315TLEY
	BN12		nsp	nsp	CORD	WIRE ASSY	CWB1A906090EG
	BN13		nsp	nsp	CORD	WIRE ASSY	CWB1B905090EG
	BN16		nsp	90M-YU001230R	FPC	FFC 16P 120MM	CWC1B2A16A120B
			nsp	nsp	CORD	WIRE ASSY	CWBCD54UBN81
			nsp	nsp	CORD	WIRE ASSY	CWBCD54UBN62
			nsp	90M-YU002060R	FPC	FFC 15P 120MM	CWC1B4A15B120B
			nsp	90M-YU002060R	FPC	FFC 15P 120MM	CWC1B4A15B120B
			90M-FC500020R	90M-FC500020R	FERRITE CORE	D 30 M/M	CLZ9W001Z
			90M-FC500020R	90M-FC500020R	FERRITE CORE	D 30 M/M	CLZ9W001Z
			90M-FC500020R	90M-FC500020R	FERRITE CORE	D 30 M/M	CLZ9W001Z
PACKING							
		/N1B	00M45BW851310	00M45BW851310	USER GUIDE	USER GUIDE CD5001 N	CQX1A1036Z
		/N1S	00M45BW851310	00M45BW851310	USER GUIDE	USER GUIDE CD5001 N	CQX1A1036Z
			00MZK24AW0010	00MZK24AW0010	UNIT KIT	REMOTE CONTROLLER RC5400CD	CARTCD5400CC
NOT STANDARD SPARE PART							
		/N1B	nsp	00M45BW801020	PACKING CASE	PACKING CASE CD5001 OSE	CPG1A725X
		/N1S	nsp	00M45BW801020	PACKING CASE	PACKING CASE CD5001 OSE	CPG1A725X

NOTE : *nsp* PART IS LISTED FOR REFERENCE ONLY, MARANTZ WILL NOT SUPPLY THESE PARTS.

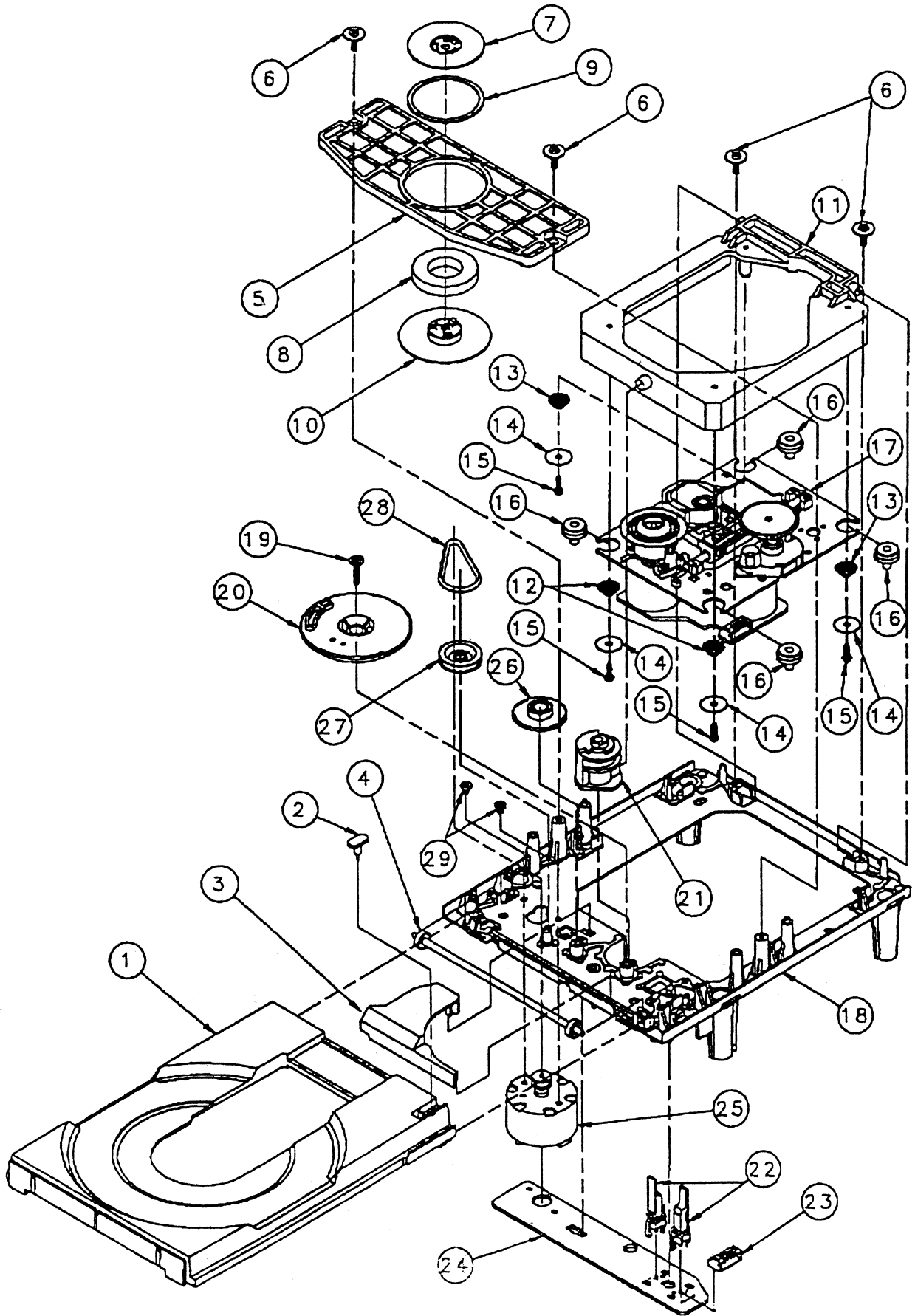
P.C.B. NAME	POS. NO.	VERS. COLOR	PART NO. (FOR EUR)	PART NO. (MZ)	PART NAME	DESCRIPTION	
			nsp	00M24AW809010	CUSHION	CUSHION L	CPS1A624
	18	/N1B	nsp	00M24AW257010	LID	TOP COVER (BLACK)	CKC1A140K117
	18	/N1S	nsp	00M24AW257210	LID	TOP COVER (SILVER)	CKC1A140G14
			nsp	90M-ZD000510R	CONN. CORD	CORD PIN	CJS4N014Z
			nsp	90M-ZD000440R	CONN. CORD	CORD PIN	CJS4M009X

CD MECHANISM (LOADER ASS'Y)

P.C.B. NAME	POS. NO.	VERS. COLOR	PART NO. (FOR EUR)	PART NO. (MZ)	PART NAME	DESCRIPTION	
	1		90M24AW163010	90M24AW163010	TRAY	TRAY (C)	9A07979600
	2		nsp	nsp			
	3		nsp	nsp	COVER	GEAR COVER (S)	9A07979700
	4		90M24AW058010	90M24AW058010	GEAR	TRAY GEAR (S)	9A07268500
	5		90M24AW104010	90M24AW104010	RETAINER	CHUCKING PLATE	9A07268900
	6		nsp	nsp	SCREW	SCREW+PTPWH 2.6X7	9A07269900
	7		nsp	nsp	CLAMPER	YOKE (S) , CHUCKING	9A06965300
	8		nsp	nsp	MAGNET	MAGNET	9A06965400
	9		90M24AW056010	90M24AW056010	DAMPER	DAMPER	9A07268700
	10		90M24AW005010	90M24AW005010	PULLY	CHUCKING PULLY	9A07979800
	11		nsp	nsp	CHASSIS	SUB CHASSIS 2130	9A07979900
	12		nsp	nsp	SPRING	COIL SPRING (FRONT)	9A07980000
	13		nsp	nsp	SPRING	COIL SPRING (BACK)	9A07980100
	14		nsp	nsp	WASHER	WASHER 2130	9A07980200
	15		nsp	nsp	SCREW	SCREW+P2.6X10	9A07980300
	16		90M24AW259010	90M24AW259010	INSULATOR	INSULATOR	9A07980400
	17		90M24AW304010	90M24AW304010	MECHANISM	MD ASS'Y(KSS-213CCM)	9A07980500
	18		nsp	nsp	CHASSIS	OUTSERT MAIN CHASSIS(S)	9A07980600
	19		nsp	nsp	SCREW	SCREW+PTPWH2.6X16	9A06966200
	20		90M24AW058020	90M24AW058020	GEAR	DRIVE GEAR (S)	9A07980700
	21		90M24AW054010	90M24AW054010	CAM	CONTROL CAM (S)	9A07269000
	22		90M24AW116010	90M24AW116010	SW	LEAF SW	9A07268000
	23		nsp	nsp	CONN.	PIN,CONNECTOR 5P	9A06966600
	24		nsp	nsp	PWB	PC BOARD,LOADING	9A06966700
	25		90M24AW127010	90M24AW127010	MOTOR	MOTOR ASSY LOADING	9A06966800
	26		90M24AW058030	90M24AW058030	GEAR	MIDWAY GEAR (S)	9A07980800
	27		90M24AW262010	90M24AW262010	PULLY	LOADING PULLY	9A07268600
	28		90M24AW264010	90M24AW264010	BELT	LM BELT	9A07980900
	29		nsp	nsp	SCREW	SCREW+B2.6X2.5	9A06967200

NOTE : "nsp" PART IS LISTED FOR REFERENCE ONLY, MARANTZ WILL NOT SUPPLY THESE PARTS.

CD MECHANISM (LOADER ASS'Y)



11. ELECTRICAL PARTS LIST

PARTS INFORMATION

RESISTORS

- 1) 00MGD05xxx140, Carbon film fixed resistor, ±5% 1/4W
- 2) 00MGD05xxx160, Carbon film fixed resistor, ±5% 1/6W

① Resistance value

Examples ;

- ① Resistance value
- | | | | |
|----------------|----------------|-----------------|-----------------|
| 0.1 Ω 001 | 10 Ω 100 | 1 kΩ 102 | 100 kΩ 104 |
| 0.5 Ω 005 | 18 Ω 180 | 2.7 kΩ 272 | 680 kΩ 684 |
| 1 Ω 010 | 100 Ω 101 | 10 kΩ 103 | 1 MΩ 105 |
| 6.8 Ω 068 | 390 Ω 391 | 22 kΩ 223 | 4.7 MΩ 475 |

Note : Please distinguish 1/4W from 1/6W by the shape of parts used actually.

CAPACITORS

CERAMIC CAP.

- 3) 00MDD1xxx370 Ceramic capacitor
Disc type
Temp.coeff.P350 ~N1000, 50V
- ② Capacity value
③ Tolerance

Examples ;

- ② Tolerance (Capacity deviation)
- ±0.25 pF 0
 - ±0.5 pF 1
 - ±5% 5

* Tolerance of COMMON PARTS handled here are as follows :

- 0.5 pF ~ 5 pF ±0.25 pF
- 6 pF ~ 10 pF ±0.5 pF
- 12 pF ~ 560 pF ±5%

③ Capacity value

- | | | |
|-----------------|----------------|-----------------|
| 0.5 pF 005 | 3 pF 030 | 100 pF 101 |
| 1 pF 010 | 10 pF 100 | 220 pF 221 |
| 1.5 pF 015 | 47 pF 470 | 560 pF 561 |

CERAMIC CAP.

- 4) 00MDK16xxx300, High dielectric constant ceramic capacitor
Disc type
Temp.chara. 2B4, 50V
- ④ Capacity value

Examples ;

- ④ Capacity value
- | | | |
|-----------------|------------------|-------------------|
| 100 pF 101 | 1000 pF 102 | 10000 pF 103 |
| 470 pF 471 | 2200 pF 222 | |

ELECTROLY CAP. (⏏)

- 5) 00MEAxxx10, Electrolytic capacitor
One-way lead type, Tolerance ±20%
- ⑤ Working voltage
⑥ Capacity value

Examples ;

- ⑤ Capacity value
- | | | |
|------------------|-----------------|------------------|
| 0.1 μF 104 | 4.7 μF 475 | 100 μF 107 |
| 0.33 μF 334 | 10 μF 106 | 330 μF 337 |
| 1 μF 105 | 22 μF 226 | 1100 μF 118 |
| | | 2200 μF 228 |
- ⑥ Working voltage
- | | |
|---------------|--------------|
| 6.3V 006 | 25V 025 |
| 10V 010 | 35V 035 |
| 16V 016 | 50V 050 |

FILM CAP. (⏏)

- 6) 00MDF15xxx350 Plastic film capacitor
 - 00MDF15xxx310 One-way type, Mylar ±5% 50V
 - 00MDF16xxx310 Plastic film capacitor
 - One-way type, Mylar ±10% 50V
- ⑦ Capacity value

Examples ;

- ⑦ Capacity value
- | | |
|------------------------------|------------------|
| 0.001 μF (1000 pF) 102 | 0.1 μF 104 |
| 0.0018 μF 182 | 0.56 μF 564 |
| 0.01 μF 103 | 1 μF 105 |
| 0.015 μF 153 | |

NOTE ON SAFETY FOR FUSIBLE RESISTOR :

The suppliers and their type numbers of fusible resistors are as follows;

1. KOA Corporation

- | Part No. (MJI) | Type No. (KOA) | Description |
|-----------------|----------------|-------------|
| 00MNH05 xxx 140 | RF25S xxx ΩJ | (±5% 1/4W) |
| 00MNH05 xxx 120 | RF50S xxx ΩJ | (±5% 1/2W) |
| 00MNH85 xxx 110 | RF73B2A xxx ΩJ | (±5% 1/10W) |
| 00MNH95 xxx 140 | RF73B2E xxx ΩJ | (±5% 1/4W) |
- * Resistance value Resistance value (0.1 Ω - 10 kΩ)

2. Matsushita Electronic Components Co., Ltd

- | Part No. (MJI) | Type No. (MEC) | Description |
|-----------------|----------------|-------------|
| 00MNF05 xxx 140 | ERD-2FCJ xxx | (±5% 1/4W) |
| 00MRF05 xxx 140 | | |
| 00MNF02 xxx 140 | ERD-2FCG xxx | (±2% 1/4W) |
| 00MRF02 xxx 140 | | |
- * Resistance value * Resistance value

Examples ;

- * Resistance value
- | | | | |
|----------------|----------------|-----------------|-----------------|
| 0.1 Ω 001 | 10 Ω 100 | 1 kΩ 102 | 100 kΩ 104 |
| 0.5 Ω 005 | 18 Ω 180 | 2.7 kΩ 272 | 680 kΩ 684 |
| 1 Ω 010 | 100 Ω 101 | 10 kΩ 103 | 1 MΩ 105 |
| 6.8 Ω 068 | 390 Ω 391 | 22 kΩ 223 | 4.7 MΩ 475 |



ABBREVIATION AND MARKS

ANT. : ANTENNA	BATT. : BATTERY
CAP. : CAPACITOR	CER. : CERAMIC
CONN. : CONNECTING	DIG. : DIGITAL
HP : HEADPHONE	MIC. : MICROPHONE
μ-PRO : MICROPROCESSOR	REC. : RECORDING
RES. : RESISTOR	SPK : SPEAKER
SW : SWITCH	TRANSF. : TRANSFORMER
TRIM. : TRIMMING	TRS. : TRANSISTOR
VAR. : VARIABLE	X'TAL : CRYSTAL


NOTE ON FUSE :

Regarding to all parts of parts code **00MFS20xxx2xx**, replace only with Wickmann-Werke GmbH, Type 372 non glass type fuse.

NOTE ON SAFETY :

Symbol  Fire or electrical shock hazard. Only original parts should be used to replaced any part marked with symbol . Any other component substitution (other than original type), may increase risk of fire or electrical shock hazard.

安全上の注意 :

 がついている部品は、安全上重要な部品です。必ず指定されている部品番号の部品を使用して下さい。

P.C.B. NAME	POS. NO.	VERS. COLOR	PART NO. (FOR EUR)	PART NO. (MZ)	PART NAME	DESCRIPTION	
					FRONT PWB (CUP11830-1)		CUP11830Z
FRONT	BK71		nsp	nsp	BRACKET	FOR DISPLAY UNIT	CMD1A374
FRONT	BK72		nsp	nsp	BRACKET	FOR DISPLAY UNIT	CMD1A374
FRONT	BN62		nsp	nsp	CORD	WIRE ASSY	CWBCD54UBN62ZA
FRONT	BN73		nsp	nsp	CORD	WIRE ASSY	CWB1B904110EN
FRONT	C701		nsp	00MEJ47601640	ELECT CAP.	47 UF 16V KS	CCEA1CKS470T
FRONT	C702		nsp	00MDK96104300	CER. CAP.	0.1UF 50V ZF	HCUS1H104ZF
FRONT	C703		nsp	00MDK96102300	CER. CAP.	1000PF 50V KC	HCUS1H102KC
FRONT	C704		nsp	00MDK96103300	CER. CAP.	0.01UF 50V KC	HCUS1H103KC
FRONT	C706		nsp	00MEJ47601640	ELECT CAP.	47 UF 16V KS	CCEA1CKS470T
FRONT	C707		nsp	00MDD95120300	CER. CAP.	12PF 50V JA	HCUS1H120JA
FRONT	C708		nsp	00MDD95120300	CER. CAP.	12PF 50V JA	HCUS1H120JA
FRONT	C709		nsp	00MEJ10505010	ELECT CAP.	1UF 50V	CCEA1HKS1R0T
FRONT	C710		nsp	00MDK96104300	CER. CAP.	0.1UF 50V ZF	HCUS1H104ZF
FRONT	C712		nsp	00MEJ47601640	ELECT CAP.	47 UF 16V KS	CCEA1CKS470T
FRONT	C713		nsp	00MEJ47601640	ELECT CAP.	47 UF 16V KS	CCEA1CKS470T
FRONT	C715		nsp	00MDK96104300	CER. CAP.	0.1UF 50V ZF	HCUS1H104ZF
FRONT	C716		nsp	00MDK96104300	CER. CAP.	0.1UF 50V ZF	HCUS1H104ZF
FRONT	C731		nsp	00MEJ47601640	ELECT CAP.	47 UF 16V KS	CCEA1CKS470T
FRONT	C732		nsp	00MDK96103300	CER. CAP.	0.01UF 50V KC	HCUS1H103KC
FRONT	CN71		nsp	nsp	CONN.	15P CARD CABLE	CJP15GA115ZY
FRONT	CN72		nsp	nsp	CONN.	15P CARD CABLE	CJP15GA115ZY
FRONT	D702		90M-HI101120R	90M-HI101120R	LED	SLR325VRA47	KVDSL325VRA47
FRONT	FIP1		90M-HQ300610R	90M-HQ300610R	DISPLAY	FL DISPLAY FOR CD5400	HFLHCA12SS18T
FRONT	IC71		90M-HS45BWT0R	90M-HS45BWT0R	U-PRO	TMP87PS71AFG (PB FREE)	HVITMP87PS71AFG
FRONT	IC72		90M-HC108370R	90M-HC108370R	IC	IS61C256AH-15J 256K SRAM	BVIIS61C256A15J
FRONT	IC73		90M-HC700550R	90M-HC700550R	IC	TC74HCU04AFNG	HVI74HCU04AFNG
FRONT	L701		90M-LU000240R	90M-LU000240R	CHIP INDUCT.	8.2MH	HLQ09E8R2KRZ
FRONT	Q701		90M-HX800080R	90M-HX800080R	CHIP TRS.	KRC107S	HVTKRC107S
FRONT	Q702		90M-HX800080R	90M-HX800080R	CHIP TRS.	KRC107S	HVTKRC107S
FRONT	Q704		90M-HX800080R	90M-HX800080R	CHIP TRS.	KRC107S	HVTKRC107S
FRONT	Q706		90M-HX600070R	90M-HX600070R	CHIP TRS.	KRA111ST	HVTKRA111ST
FRONT	Q707		00MBA10002000	00MBA10002000	TRS.	KRA104M	HVTKRA104MT
FRONT	Q708		00MBA10002000	00MBA10002000	TRS.	KRA104M	HVTKRA104MT
FRONT	R615		nsp	00MNN05472610	CHIP RES.	4.7K OHM 1/10W J	CRJ10DJ472T
FRONT	R616		nsp	00MNN05472610	CHIP RES.	4.7K OHM 1/10W J	CRJ10DJ472T
FRONT	R617		nsp	00MNN05472610	CHIP RES.	4.7K OHM 1/10W J	CRJ10DJ472T
FRONT	R701		nsp	00MNN05103610	CHIP RES.	10K OHM 1/10W J	CRJ10DJ103T
FRONT	R702		nsp	00MNN05182610	CHIP RES.	1.8K OHM 1/10W J	CRJ10DJ182T
FRONT	R703		nsp	00MNN05152610	CHIP RES.	1.5K OHM 1/10W J	CRJ10DJ152T
FRONT	R704		nsp	00MNN05102610	CHIP RES.	1K OHM 1/10W J	CRJ10DJ102T
FRONT	R705		nsp	00MNN05103610	CHIP RES.	10K OHM 1/10W J	CRJ10DJ103T
FRONT	R706		nsp	00MNN05332610	CHIP RES.	3.3K OHM 1/10W J	CRJ10DJ332T
FRONT	R707		nsp	00MNN05272610	CHIP RES.	2.7K OHM 1/10W J	CRJ10DJ272T
FRONT	R708		nsp	00MNN05182610	CHIP RES.	1.8K OHM 1/10W J	CRJ10DJ182T
FRONT	R709		nsp	00MNN05152610	CHIP RES.	1.5K OHM 1/10W J	CRJ10DJ152T
FRONT	R710		nsp	00MNN05102610	CHIP RES.	1K OHM 1/10W J	CRJ10DJ102T
FRONT	R714		nsp	00MNN05331610	CHIP RES.	330 OHM 1/10W J	CRJ10DJ331T
FRONT	R720		nsp	00MNN05473610	CHIP RES.	47K OHM 1/10W J	CRJ10DJ473T
FRONT	R722		nsp	00MNN05103610	CHIP RES.	10K OHM 1/10W J	CRJ10DJ103T
FRONT	R723		nsp	00MNN05103610	CHIP RES.	10K OHM 1/10W J	CRJ10DJ103T
FRONT	R724		nsp	00MNN05332610	CHIP RES.	3.3K OHM 1/10W J	CRJ10DJ332T
FRONT	R725		nsp	00MNN05332610	CHIP RES.	3.3K OHM 1/10W J	CRJ10DJ332T
FRONT	R726		nsp	00MNN05332610	CHIP RES.	3.3K OHM 1/10W J	CRJ10DJ332T
FRONT	R727		nsp	00MNN05103610	CHIP RES.	10K OHM 1/10W J	CRJ10DJ103T
FRONT	R731		nsp	00MNN05103610	CHIP RES.	10K OHM 1/10W J	CRJ10DJ103T
FRONT	R732		nsp	00MNN05103610	CHIP RES.	10K OHM 1/10W J	CRJ10DJ103T
FRONT	R733		nsp	00MNN05103610	CHIP RES.	10K OHM 1/10W J	CRJ10DJ103T
FRONT	R734		nsp	00MNN05102610	CHIP RES.	1K OHM 1/10W J	CRJ10DJ102T
FRONT	R735		nsp	00MNN05682610	CHIP RES.	6.8K OHM 1/10W J	CRJ10DJ682T
FRONT	R736		nsp	00MNN05102610	CHIP RES.	1K OHM 1/10W J	CRJ10DJ102T
FRONT	R737		nsp	00MNN05103610	CHIP RES.	10K OHM 1/10W J	CRJ10DJ103T
FRONT	R738		nsp	00MNN05103610	CHIP RES.	10K OHM 1/10W J	CRJ10DJ103T
FRONT	R739		nsp	00MNN05103610	CHIP RES.	10K OHM 1/10W J	CRJ10DJ103T
FRONT	R740		nsp	00MNN05103610	CHIP RES.	10K OHM 1/10W J	CRJ10DJ103T
FRONT	R741		nsp	00MNN05103610	CHIP RES.	10K OHM 1/10W J	CRJ10DJ103T
FRONT	R742		nsp	00MNN05103610	CHIP RES.	10K OHM 1/10W J	CRJ10DJ103T

NOTE : *nsp* PART IS LISTED FOR REFERENCE ONLY, MARANTZ WILL NOT SUPPLY THESE PARTS.

P.C.B. NAME	POS. NO.	VERS. COLOR	PART NO. (FOR EUR)	PART NO. (MZ)	PART NAME	DESCRIPTION
FRONT	R743		nsp	00MNN05103610	CHIP RES.	10K OHM 1/10W J CRJ10DJ103T
FRONT	R744		nsp	00MNN05103610	CHIP RES.	10K OHM 1/10W J CRJ10DJ103T
FRONT	R745		nsp	00MNN05332610	CHIP RES.	3.3K OHM 1/10W J CRJ10DJ332T
FRONT	R746		nsp	00MNN05332610	CHIP RES.	3.3K OHM 1/10W J CRJ10DJ332T
FRONT	R747		nsp	00MNN05332610	CHIP RES.	3.3K OHM 1/10W J CRJ10DJ332T
FRONT	R748		nsp	00MNN05332610	CHIP RES.	3.3K OHM 1/10W J CRJ10DJ332T
FRONT	R749		nsp	00MNN05332610	CHIP RES.	3.3K OHM 1/10W J CRJ10DJ332T
FRONT	R750		nsp	00MNN05332610	CHIP RES.	3.3K OHM 1/10W J CRJ10DJ332T
FRONT	R751		nsp	00MNN05332610	CHIP RES.	3.3K OHM 1/10W J CRJ10DJ332T
FRONT	R752		nsp	00MNN05332610	CHIP RES.	3.3K OHM 1/10W J CRJ10DJ332T
FRONT	R753		nsp	00MNN05332610	CHIP RES.	3.3K OHM 1/10W J CRJ10DJ332T
FRONT	R754		nsp	00MNN05332610	CHIP RES.	3.3K OHM 1/10W J CRJ10DJ332T
FRONT	R755		nsp	00MNN05332610	CHIP RES.	3.3K OHM 1/10W J CRJ10DJ332T
FRONT	R756		nsp	00MNN05332610	CHIP RES.	3.3K OHM 1/10W J CRJ10DJ332T
FRONT	R757		nsp	00MNN05332610	CHIP RES.	3.3K OHM 1/10W J CRJ10DJ332T
FRONT	R758		nsp	00MNN05332610	CHIP RES.	3.3K OHM 1/10W J CRJ10DJ332T
FRONT	R759		nsp	00MNN05332610	CHIP RES.	3.3K OHM 1/10W J CRJ10DJ332T
FRONT	R760		nsp	00MNN05332610	CHIP RES.	3.3K OHM 1/10W J CRJ10DJ332T
FRONT	R761		nsp	00MNN05332610	CHIP RES.	3.3K OHM 1/10W J CRJ10DJ332T
FRONT	R762		nsp	00MNN05332610	CHIP RES.	3.3K OHM 1/10W J CRJ10DJ332T
FRONT	R763		nsp	00MNN05332610	CHIP RES.	3.3K OHM 1/10W J CRJ10DJ332T
FRONT	R764		nsp	00MNN05332610	CHIP RES.	3.3K OHM 1/10W J CRJ10DJ332T
FRONT	R765		nsp	00MNN05332610	CHIP RES.	3.3K OHM 1/10W J CRJ10DJ332T
FRONT	R766		nsp	00MNN05332610	CHIP RES.	3.3K OHM 1/10W J CRJ10DJ332T
FRONT	R767		nsp	00MNN05332610	CHIP RES.	3.3K OHM 1/10W J CRJ10DJ332T
FRONT	R768		nsp	00MNN05222610	CHIP RES.	2.2K OHM 1/10W J CRJ10DJ222T
FRONT	RC71		00MHW10004210	00MHW10004210	PHOTO UNIT	RPM6936-V4 BRVRPM6936V4
FRONT	S702		90M-SP001320R	90M-SP001320R	SW	SKQNAED010 HST1A016Z
FRONT	S703		90M-SP001320R	90M-SP001320R	SW	SKQNAED010 HST1A016Z
FRONT	S704		90M-SP001320R	90M-SP001320R	SW	SKQNAED010 HST1A016Z
FRONT	S705		90M-SP001320R	90M-SP001320R	SW	SKQNAED010 HST1A016Z
FRONT	S706		90M-SP001320R	90M-SP001320R	SW	SKQNAED010 HST1A016Z
FRONT	S707		90M-SP001320R	90M-SP001320R	SW	SKQNAED010 HST1A016Z
FRONT	S708		90M-SP001320R	90M-SP001320R	SW	SKQNAED010 HST1A016Z
FRONT	S709		90M-SP001320R	90M-SP001320R	SW	SKQNAED010 HST1A016Z
FRONT	S710		90M-SP001320R	90M-SP001320R	SW	SKQNAED010 HST1A016Z
FRONT	S711		90M-SP001320R	90M-SP001320R	SW	SKQNAED010 HST1A016Z
FRONT	X701		90M-JX001030R	90M-JX001030R	X'TAL	8MHZ HOX08000E160C
					H/P PWB (CUP11830-2)	CUP11830Z
H/P	BN81		nsp	nsp	CORD	WIRE ASSY CWBCD54UBN81ZA
H/P	C809		nsp	00MEJ10601610	ELECT CAP.	100UF 16V KS CCEA1CKS101T
H/P	C810		nsp	00MEJ10601610	ELECT CAP.	100UF 16V KS CCEA1CKS101T
H/P	C811		nsp	00MEJ10601640	ELECT CAP.	10UF 16V KS CCEA1CKS100T
H/P	C812		nsp	00MEJ10601640	ELECT CAP.	10UF 16V KS CCEA1CKS100T
H/P	C813		nsp	00MDK98223300	CER. CAP.	0.022UF 50V KC HCUS1H223KC
H/P	C814		nsp	00MDK98223300	CER. CAP.	0.022UF 50V KC HCUS1H223KC
H/P	D830		90M-HZ200190R	90M-HZ200190R	DIODE	RLS4148SR HVDRLS4148SR
H/P	D831		90M-HZ200190R	90M-HZ200190R	DIODE	RLS4148SR HVDRLS4148SR
H/P	D832		90M-HZ200190R	90M-HZ200190R	DIODE	RLS4148SR HVDRLS4148SR
H/P	D833		90M-HZ200190R	90M-HZ200190R	DIODE	RLS4148SR HVDRLS4148SR
H/P	IC81		00MHC10200090	00MHC10200090	IC	NJM4556AL HVINJM4556AL
H/P	L801	F B	nsp	90M-NI001040R	CHIP RES.	0 OHM CRJ10CJ0R0T
H/P	L801	F N	nsp	90M-NI001040R	CHIP RES.	0 OHM CRJ10CJ0R0T
H/P	L801	/K1G	nsp	90M-NI001040R	CHIP RES.	0 OHM CRJ10CJ0R0T
H/P	L801	/L1G	nsp	90M-FN000260R	EMI FILTER	HU-1H3216-121 HLZ91002Z
H/P	L801	/N1B	90M-NI001040R	90M-NI001040R	CHIP RES.	0 OHM CRJ10CJ0R0T
H/P	L801	/N1G	90M-NI001040R	90M-NI001040R	CHIP RES.	0 OHM CRJ10CJ0R0T
H/P	L801	/N1S	90M-NI001040R	90M-NI001040R	CHIP RES.	0 OHM CRJ10CJ0R0T
H/P	L801	/U1B	nsp	90M-FN000260R	EMI FILTER	HU-1H3216-121 HLZ91002Z
H/P	L802	F B	nsp	90M-NI001040R	CHIP RES.	0 OHM CRJ10CJ0R0T
H/P	L802	F N	nsp	90M-NI001040R	CHIP RES.	0 OHM CRJ10CJ0R0T
H/P	L802	/K1G	nsp	90M-NI001040R	CHIP RES.	0 OHM CRJ10CJ0R0T
H/P	L802	/L1G	nsp	90M-FN000260R	EMI FILTER	HU-1H3216-121 HLZ91002Z
H/P	L802	/N1B	90M-NI001040R	90M-NI001040R	CHIP RES.	0 OHM CRJ10CJ0R0T
H/P	L802	/N1G	90M-NI001040R	90M-NI001040R	CHIP RES.	0 OHM CRJ10CJ0R0T
H/P	L802	/N1S	90M-NI001040R	90M-NI001040R	CHIP RES.	0 OHM CRJ10CJ0R0T
H/P	L802	/U1B	nsp	90M-FN000260R	EMI FILTER	HU-1H3216-121 HLZ91002Z

NOTE : *nsp* PART IS LISTED FOR REFERENCE ONLY, MARANTZ WILL NOT SUPPLY THESE PARTS.

P.C.B. NAME	POS. NO.	VERS. COLOR	PART NO. (FOR EUR)	PART NO. (MZ)	PART NAME	DESCRIPTION
H/P	PH81	F B	nsp	90M-YT003160R	TERMINAL	HTJ-064-05NG HEADPHONE JACK CJJ2E020Z
H/P	PH81	F N	nsp	90M-YT003160R	TERMINAL	HTJ-064-05NG HEADPHONE JACK CJJ2E020Z
H/P	PH81	/K1G	nsp	90M-YT003160R	TERMINAL	HTJ-064-05NG HEADPHONE JACK CJJ2E020Z
H/P	PH81	/L1G	nsp	90M-YT003160R	TERMINAL	HTJ-064-05NG HEADPHONE JACK CJJ2E020Z
H/P	PH81	/N1B	90M-YT003160R	90M-YT003160R	TERMINAL	HTJ-064-05NG HEADPHONE JACK CJJ2E020Z
H/P	PH81	/N1G	90M-YT003160R	90M-YT003160R	TERMINAL	HTJ-064-05NG HEADPHONE JACK CJJ2E020Z
H/P	PH81	/N1S	90M-YT004500R	90M-YT004500R	TERMINAL	JACK HEADPHONE(SILVER) CJJ2E026Z
H/P	PH81	/U1B	nsp	90M-YT003160R	TERMINAL	HTJ-064-05NG HEADPHONE JACK CJJ2E020Z
H/P	Q801		90M-HX900010R	90M-HX900010R	CHIP TRS.	KTD1304 HVTKTD1304T
H/P	Q802		90M-HX900010R	90M-HX900010R	CHIP TRS.	KTD1304 HVTKTD1304T
H/P	Q803		90M-HX900010R	90M-HX900010R	CHIP TRS.	KTD1304 HVTKTD1304T
H/P	Q804		90M-HX900010R	90M-HX900010R	CHIP TRS.	KTD1304 HVTKTD1304T
H/P	Q830		00MHT800951B0	00MHT800951B0	TRS.	KTC3203Y HVTKTC3203YT
H/P	Q831		00MHT800951B0	00MHT800951B0	TRS.	KTC3203Y HVTKTC3203YT
H/P	Q832		00MHT600141B0	00MHT600141B0	TRS.	KTA1271Y HVTKTA1271YT
H/P	Q834		00MHT600141B0	00MHT600141B0	TRS.	KTA1271Y HVTKTA1271YT
H/P	R805		nsp	00MNN05472610	CHIP RES.	4.7K OHM 1/10W J CRJ10DJ472T
H/P	R806		nsp	00MNN05472610	CHIP RES.	4.7K OHM 1/10W J CRJ10DJ472T
H/P	R809		nsp	00MNN05822610	CHIP RES.	8.2K OHM 1/10W J CRJ10DJ822T
H/P	R810		nsp	00MNN05822610	CHIP RES.	8.2K OHM 1/10W J CRJ10DJ822T
H/P	R811		nsp	00MNN05101610	CHIP RES.	100 OHM 1/10W J CRJ10DJ101T
H/P	R812		nsp	00MNN05101610	CHIP RES.	100 OHM 1/10W J CRJ10DJ101T
H/P	R813		nsp	00MNN05103610	CHIP RES.	10K OHM 1/10W J CRJ10DJ103T
H/P	R814		nsp	00MNN05103610	CHIP RES.	10K OHM 1/10W J CRJ10DJ103T
H/P	R815		nsp	00MNN05472610	CHIP RES.	4.7K OHM 1/10W J CRJ10DJ472T
H/P	R816		nsp	00MNN05472610	CHIP RES.	4.7K OHM 1/10W J CRJ10DJ472T
H/P	R820		nsp	00MNN05472610	CHIP RES.	4.7K OHM 1/10W J CRJ10DJ472T
H/P	R821		nsp	00MNN05472610	CHIP RES.	4.7K OHM 1/10W J CRJ10DJ472T
H/P	R830		nsp	00MNN05152610	CHIP RES.	1.5K OHM 1/10W J CRJ10DJ152T
H/P	R831		nsp	00MNN05330610	CHIP RES.	33 OHM 1/10W J CRJ10DJ330T
H/P	R832		nsp	00MNN05330610	CHIP RES.	33 OHM 1/10W J CRJ10DJ330T
H/P	R833		nsp	00MNN05152610	CHIP RES.	1.5K OHM 1/10W J CRJ10DJ152T
H/P	R834		nsp	nsp	CHIP RES.	33 OHM 1/2W CRJ50EJ330T
H/P	R835		nsp	nsp	CHIP RES.	33 OHM 1/2W CRJ50EJ330T
H/P	R836		nsp	00MNN05152610	CHIP RES.	1.5K OHM 1/10W J CRJ10DJ152T
H/P	R837		nsp	00MNN05330610	CHIP RES.	33 OHM 1/10W J CRJ10DJ330T
H/P	R838		nsp	00MNN05330610	CHIP RES.	33 OHM 1/10W J CRJ10DJ330T
H/P	R839		nsp	00MNN05152610	CHIP RES.	1.5K OHM 1/10W J CRJ10DJ152T
H/P	R840		nsp	nsp	CHIP RES.	33 OHM 1/2W CRJ50EJ330T
H/P	R841		nsp	nsp	CHIP RES.	33 OHM 1/2W CRJ50EJ330T
H/P	TM81		nsp	nsp	TERMINAL	EARTH PLATE CMC1A278
H/P	VR81		90M-RB000040R	90M-RB000040R	VAR. RES.	VOLUME (B CURVE) CVV2J02B103Z
					MAIN PWB (CUP11831-1)	CUP11831Z
MAIN	BK11		nsp	nsp	BRACKET	BRACKET PWB CMD1A387
MAIN	BK12		nsp	nsp	PLATE	CMC1A279
MAIN	BK21		nsp	nsp	TERMINAL	EARTH PLATE CNE75
MAIN	C100		nsp	nsp	CER. CAP.	50V 0.1UF CCKT1H104ZF
MAIN	C101		nsp	nsp	CER. CAP.	50V 0.1UF CCKT1H104ZF
MAIN	C102		nsp	00MOA10701620	ELECT CAP.	100UF 16V CCEA1CH101T
MAIN	C103		nsp	nsp	CER. CAP.	50V 0.1UF CCKT1H104ZF
MAIN	C104		nsp	00MOA10701620	ELECT CAP.	100UF 16V CCEA1CH101T
MAIN	C106		nsp	nsp	CER. CAP.	68PF 50V JC CCCT1H680JC
MAIN	C107		nsp	nsp	CER. CAP.	3PF 50V CC CCCT1H030CC
MAIN	C108		nsp	nsp	CER. CAP.	50V 0.1UF CCKT1H104ZF
MAIN	C110		nsp	nsp	CER. CAP.	50V 0.1UF CCKT1H104ZF
MAIN	C111		nsp	nsp	CER. CAP.	6800PF 50V KB CCKT1H682KB
MAIN	C112		nsp	nsp	CER. CAP.	0.033UF 50V ZF CCKT1H333ZF
MAIN	C113		nsp	00MOA10701620	ELECT CAP.	100UF 16V CCEA1CH101T
MAIN	C114		nsp	nsp	CER. CAP.	2700PF 50V KB CCKT1H272KB
MAIN	C115		nsp	nsp	CER. CAP.	0.01UF 50V ZF CCKT1H103ZF
MAIN	C116		nsp	nsp	CER. CAP.	0.047UF 50V ZF CCKT1H473ZF
MAIN	C117		nsp	nsp	CER. CAP.	0.015UF 50V ZF CCKT1H153ZF
MAIN	C118		nsp	nsp	CER. CAP.	47PF 50V JC CCCT1H470JC
MAIN	C120		nsp	nsp	CER. CAP.	50V 0.1UF CCKT1H104ZF
MAIN	C123		nsp	nsp	CER. CAP.	50V 0.1UF CCKT1H104ZF
MAIN	C124		nsp	00MOA10701620	ELECT CAP.	100UF 16V CCEA1CH101T
MAIN	C125		nsp	nsp	CER. CAP.	50V 0.1UF CCKT1H104ZF

NOTE : *nsp* PART IS LISTED FOR REFERENCE ONLY, MARANTZ WILL NOT SUPPLY THESE PARTS.

P.C.B. NAME	POS. NO.	VERS. COLOR	PART NO. (FOR EUR)	PART NO. (MZ)	PART NAME	DESCRIPTION	
MAIN	C126		nsp	nsp	CER. CAP.	0.047UF 50V ZF	CCKT1H473ZF
MAIN	C127		nsp	nsp	CER. CAP.	50V 0.1UF	CCKT1H104ZF
MAIN	C128		nsp	00MOA22701620	ELECT CAP.	220UF 16V	CCEA1CH221T
MAIN	C129		nsp	00MOA10701620	ELECT CAP.	100UF 16V	CCEA1CH101T
MAIN	C130		nsp	00MOA10701620	ELECT CAP.	100UF 16V	CCEA1CH101T
MAIN	C131		nsp	nsp	CER. CAP.	50V 0.1UF	CCKT1H104ZF
MAIN	C134		nsp	nsp	CER. CAP.	50V 0.1UF	CCKT1H104ZF
MAIN	C135		nsp	nsp	CER. CAP.	50V 0.1UF	CCKT1H104ZF
MAIN	C136		nsp	nsp	CER. CAP.	50V 0.1UF	CCKT1H104ZF
MAIN	C137		nsp	00MOA10701620	ELECT CAP.	100UF 16V	CCEA1CH101T
MAIN	C138		nsp	nsp	CER. CAP.	470PF 50V KB	CCKT1H471KB
MAIN	C139		nsp	nsp	CER. CAP.	470PF 50V KB	CCKT1H471KB
MAIN	C140		nsp	nsp	CER. CAP.	0.047UF 50V ZF	CCKT1H473ZF
MAIN	C141		nsp	nsp	CER. CAP.	0.047UF 50V ZF	CCKT1H473ZF
MAIN	C142		nsp	nsp	CER. CAP.	50V 0.1UF	CCKT1H104ZF
MAIN	C143		nsp	nsp	CER. CAP.	50V 0.1UF	CCKT1H104ZF
MAIN	C144		nsp	nsp	CER. CAP.	50V 0.1UF	CCKT1H104ZF
MAIN	C145	F B	nsp	00MOA47601640	ELECT CAP.	47UF 16V	CCEA1CH470T
MAIN	C145	F N	nsp	00MOA47601640	ELECT CAP.	47UF 16V	CCEA1CH470T
MAIN	C145	/K1G	nsp	00MOA47601640	ELECT CAP.	47UF 16V	CCEA1CH470T
MAIN	C145	/L1G	nsp	00MOA47601640	ELECT CAP.	47UF 16V	CCEA1CH470T
MAIN	C145	/N1B	nsp	00MOA47601640	ELECT CAP.	47UF 16V	CCEA1CH470T
MAIN	C145	/N1G	nsp	00MOA47601640	ELECT CAP.	47UF 16V	CCEA1CH470T
MAIN	C145	/N1S	nsp	00MOA47601640	ELECT CAP.	47UF 16V	CCEA1CH470T
MAIN	C145	/U1B	nsp	00MOA47601640	ELECT CAP.	47UF 16V	CCEA1CH470T
MAIN	C147	F B	nsp	00MOA47601640	ELECT CAP.	47UF 16V	CCEA1CH470T
MAIN	C147	F N	nsp	00MOA47601640	ELECT CAP.	47UF 16V	CCEA1CH470T
MAIN	C147	/K1G	nsp	00MOA47601640	ELECT CAP.	47UF 16V	CCEA1CH470T
MAIN	C147	/L1G	nsp	00MOA47601640	ELECT CAP.	47UF 16V	CCEA1CH470T
MAIN	C147	/N1B	nsp	00MOA47601640	ELECT CAP.	47UF 16V	CCEA1CH470T
MAIN	C147	/N1G	nsp	00MOA47601640	ELECT CAP.	47UF 16V	CCEA1CH470T
MAIN	C147	/N1S	nsp	00MOA47601640	ELECT CAP.	47UF 16V	CCEA1CH470T
MAIN	C147	/U1B	nsp	00MOA47601640	ELECT CAP.	47UF 16V	CCEA1CH470T
MAIN	C148	F B	nsp	00MOA47601640	ELECT CAP.	47UF 16V	CCEA1CH470T
MAIN	C148	F N	nsp	00MOA47601640	ELECT CAP.	47UF 16V	CCEA1CH470T
MAIN	C148	/K1G	nsp	00MOA47601640	ELECT CAP.	47UF 16V	CCEA1CH470T
MAIN	C148	/L1G	nsp	00MOA47601640	ELECT CAP.	47UF 16V	CCEA1CH470T
MAIN	C148	/N1B	nsp	00MOA47601640	ELECT CAP.	47UF 16V	CCEA1CH470T
MAIN	C148	/N1G	nsp	00MOA47601640	ELECT CAP.	47UF 16V	CCEA1CH470T
MAIN	C148	/N1S	nsp	00MOA47601640	ELECT CAP.	47UF 16V	CCEA1CH470T
MAIN	C148	/U1B	nsp	00MOA47601640	ELECT CAP.	47UF 16V	CCEA1CH470T
MAIN	C150	F B	nsp	00MOA47601640	ELECT CAP.	47UF 16V	CCEA1CH470T
MAIN	C150	F N	nsp	00MOA47601640	ELECT CAP.	47UF 16V	CCEA1CH470T
MAIN	C150	/K1G	nsp	00MOA47601640	ELECT CAP.	47UF 16V	CCEA1CH470T
MAIN	C150	/L1G	nsp	00MOA47601640	ELECT CAP.	47UF 16V	CCEA1CH470T
MAIN	C150	/N1B	nsp	00MOA47601640	ELECT CAP.	47UF 16V	CCEA1CH470T
MAIN	C150	/N1G	nsp	00MOA47601640	ELECT CAP.	47UF 16V	CCEA1CH470T
MAIN	C150	/N1S	nsp	00MOA47601640	ELECT CAP.	47UF 16V	CCEA1CH470T
MAIN	C150	/U1B	nsp	00MOA47601640	ELECT CAP.	47UF 16V	CCEA1CH470T
MAIN	C151		nsp	nsp	CER. CAP.	47PF 50V JC	CCCT1H470JC
MAIN	C152		nsp	nsp	CER. CAP.	47PF 50V JC	CCCT1H470JC
MAIN	C153		nsp	nsp	CER. CAP.	47PF 50V JC	CCCT1H470JC
MAIN	C154		nsp	nsp	CER. CAP.	47PF 50V JC	CCCT1H470JC
MAIN	C155		nsp	nsp	CER. CAP.	47PF 50V JC	CCCT1H470JC
MAIN	C157		nsp	00MOA47601640	ELECT CAP.	47UF 16V	CCEA1CH470T
MAIN	C158		nsp	00MOA47601640	ELECT CAP.	47UF 16V	CCEA1CH470T
MAIN	C159		nsp	nsp	CER. CAP.	50V 0.1UF	CCKT1H104ZF
MAIN	C160		nsp	00MOA10505020	ELECT CAP.	1UF 50V	CCEA1HH1R0T
MAIN	C161		nsp	nsp	CER. CAP.	50V 0.1UF	CCKT1H104ZF
MAIN	C162		nsp	00MOA10605020	ELECT CAP.	10UF 50V	CCEA1HH100T
MAIN	C163		nsp	00MOA47701020	ELECT CAP.	470UF 10V	CCEA1AH471T
MAIN	C164		nsp	00MOA10701620	ELECT CAP.	100UF 16V	CCEA1CH101T
MAIN	C167		nsp	00MOA47601640	ELECT CAP.	47UF 16V	CCEA1CH470T
MAIN	C168		nsp	nsp	CER. CAP.	50V 0.1UF	CCKT1H104ZF
MAIN	C173		nsp	nsp	CER. CAP.	50V 0.1UF	CCKT1H104ZF
MAIN	C174		nsp	nsp	CER. CAP.	50V 0.1UF	CCKT1H104ZF
MAIN	C175		nsp	00MOA47601640	ELECT CAP.	47UF 16V	CCEA1CH470T

NOTE : "nsp" PART IS LISTED FOR REFERENCE ONLY, MARANTZ WILL NOT SUPPLY THESE PARTS.

P.C.B. NAME	POS. NO.	VERS. COLOR	PART NO. (FOR EUR)	PART NO. (MZ)	PART NAME	DESCRIPTION	
MAIN	C176		nsp	nsp	CER. CAP.	50V 0.1UF	CCKT1H104ZF
MAIN	C178		nsp	nsp	CER. CAP.	50V 0.1UF	CCKT1H104ZF
MAIN	C195		nsp	00MOA47601640	ELECT CAP.	47UF 16V	CCEA1CH470T
MAIN	C201	F B	nsp	00MOA10601620	ELECT CAP.	10UF 16V	CCEA1CH100T
MAIN	C201	F N	nsp	00MOA10601620	ELECT CAP.	10UF 16V	CCEA1CH100T
MAIN	C201	/K1G	nsp	00MOA10601620	ELECT CAP.	10UF 16V	CCEA1CH100T
MAIN	C201	/L1G	nsp	00MOA10601620	ELECT CAP.	10UF 16V	CCEA1CH100T
MAIN	C201	/N1B	nsp	00MOA10601620	ELECT CAP.	10UF 16V	CCEA1CH100T
MAIN	C201	/N1G	nsp	00MOA10601620	ELECT CAP.	10UF 16V	CCEA1CH100T
MAIN	C201	/N1S	nsp	00MOA10601620	ELECT CAP.	10UF 16V	CCEA1CH100T
MAIN	C201	/U1B	nsp	00MOA10601620	ELECT CAP.	10UF 16V	CCEA1CH100T
MAIN	C202	F B	nsp	00MOA10601620	ELECT CAP.	10UF 16V	CCEA1CH100T
MAIN	C202	F N	nsp	00MOA10601620	ELECT CAP.	10UF 16V	CCEA1CH100T
MAIN	C202	/K1G	nsp	00MOA10601620	ELECT CAP.	10UF 16V	CCEA1CH100T
MAIN	C202	/L1G	nsp	00MOA10601620	ELECT CAP.	10UF 16V	CCEA1CH100T
MAIN	C202	/N1B	nsp	00MOA10601620	ELECT CAP.	10UF 16V	CCEA1CH100T
MAIN	C202	/N1G	nsp	00MOA10601620	ELECT CAP.	10UF 16V	CCEA1CH100T
MAIN	C202	/N1S	nsp	00MOA10601620	ELECT CAP.	10UF 16V	CCEA1CH100T
MAIN	C202	/U1B	nsp	00MOA10601620	ELECT CAP.	10UF 16V	CCEA1CH100T
MAIN	C206	F B	nsp	nsp	FILM CAP.	220PF 50V KB	CCKT1H221KB
MAIN	C206	F N	nsp	nsp	FILM CAP.	220PF 50V KB	CCKT1H221KB
MAIN	C206	/K1G	nsp	nsp	FILM CAP.	220PF 50V KB	CCKT1H221KB
MAIN	C206	/L1G	nsp	nsp	FILM CAP.	220PF 50V KB	CCKT1H221KB
MAIN	C206	/N1B	nsp	nsp	FILM CAP.	220PF 50V KB	CCKT1H221KB
MAIN	C206	/N1G	nsp	nsp	FILM CAP.	220PF 50V KB	CCKT1H221KB
MAIN	C206	/N1S	nsp	nsp	FILM CAP.	220PF 50V KB	CCKT1H221KB
MAIN	C206	/U1B	nsp	nsp	FILM CAP.	220PF 50V KB	CCKT1H221KB
MAIN	C207	F B	nsp	nsp	FILM CAP.	220PF 50V KB	CCKT1H221KB
MAIN	C207	F N	nsp	nsp	FILM CAP.	220PF 50V KB	CCKT1H221KB
MAIN	C207	/K1G	nsp	nsp	FILM CAP.	220PF 50V KB	CCKT1H221KB
MAIN	C207	/L1G	nsp	nsp	FILM CAP.	220PF 50V KB	CCKT1H221KB
MAIN	C207	/N1B	nsp	nsp	FILM CAP.	220PF 50V KB	CCKT1H221KB
MAIN	C207	/N1G	nsp	nsp	FILM CAP.	220PF 50V KB	CCKT1H221KB
MAIN	C207	/N1S	nsp	nsp	FILM CAP.	220PF 50V KB	CCKT1H221KB
MAIN	C207	/U1B	nsp	nsp	FILM CAP.	220PF 50V KB	CCKT1H221KB
MAIN	C210	F B	nsp	00MOA10605020	ELECT CAP.	10UF 50V	CCEA1HH100T
MAIN	C210	F N	nsp	00MOA10605020	ELECT CAP.	10UF 50V	CCEA1HH100T
MAIN	C210	/K1G	nsp	00MOA10605020	ELECT CAP.	10UF 50V	CCEA1HH100T
MAIN	C210	/L1G	nsp	00MOA10605020	ELECT CAP.	10UF 50V	CCEA1HH100T
MAIN	C210	/N1B	nsp	00MOA10605020	ELECT CAP.	10UF 50V	CCEA1HH100T
MAIN	C210	/N1G	nsp	00MOA10605020	ELECT CAP.	10UF 50V	CCEA1HH100T
MAIN	C210	/N1S	nsp	00MOA10605020	ELECT CAP.	10UF 50V	CCEA1HH100T
MAIN	C210	/U1B	nsp	00MOA10605020	ELECT CAP.	10UF 50V	CCEA1HH100T
MAIN	C211	F B	nsp	00MOF15122540	FILM CAP.	1200PF 50V J	HCQI1H122JZT
MAIN	C211	F N	nsp	00MOF15122540	FILM CAP.	1200PF 50V J	HCQI1H122JZT
MAIN	C211	/K1G	nsp	00MOF15122540	FILM CAP.	1200PF 50V J	HCQI1H122JZT
MAIN	C211	/L1G	nsp	00MOF15122540	FILM CAP.	1200PF 50V J	HCQI1H122JZT
MAIN	C211	/N1B	00MOF15122540	00MOF15122540	FILM CAP.	1200PF 50V J	HCQI1H122JZT
MAIN	C211	/N1G	00MOF15122540	00MOF15122540	FILM CAP.	1200PF 50V J	HCQI1H122JZT
MAIN	C211	/N1S	00MOF15122540	00MOF15122540	FILM CAP.	1200PF 50V J	HCQI1H122JZT
MAIN	C211	/U1B	nsp	00MOF15122540	FILM CAP.	1200PF 50V J	HCQI1H122JZT
MAIN	C301	F B	nsp	00MOA10601620	ELECT CAP.	10UF 16V	CCEA1CH100T
MAIN	C301	F N	nsp	00MOA10601620	ELECT CAP.	10UF 16V	CCEA1CH100T
MAIN	C301	/K1G	nsp	00MOA10601620	ELECT CAP.	10UF 16V	CCEA1CH100T
MAIN	C301	/L1G	nsp	00MOA10601620	ELECT CAP.	10UF 16V	CCEA1CH100T
MAIN	C301	/N1B	nsp	00MOA10601620	ELECT CAP.	10UF 16V	CCEA1CH100T
MAIN	C301	/N1G	nsp	00MOA10601620	ELECT CAP.	10UF 16V	CCEA1CH100T
MAIN	C301	/N1S	nsp	00MOA10601620	ELECT CAP.	10UF 16V	CCEA1CH100T
MAIN	C301	/U1B	nsp	00MOA10601620	ELECT CAP.	10UF 16V	CCEA1CH100T
MAIN	C302	F B	nsp	00MOA10601620	ELECT CAP.	10UF 16V	CCEA1CH100T
MAIN	C302	F N	nsp	00MOA10601620	ELECT CAP.	10UF 16V	CCEA1CH100T
MAIN	C302	/K1G	nsp	00MOA10601620	ELECT CAP.	10UF 16V	CCEA1CH100T
MAIN	C302	/L1G	nsp	00MOA10601620	ELECT CAP.	10UF 16V	CCEA1CH100T
MAIN	C302	/N1B	nsp	00MOA10601620	ELECT CAP.	10UF 16V	CCEA1CH100T
MAIN	C302	/N1G	nsp	00MOA10601620	ELECT CAP.	10UF 16V	CCEA1CH100T
MAIN	C302	/N1S	nsp	00MOA10601620	ELECT CAP.	10UF 16V	CCEA1CH100T
MAIN	C302	/U1B	nsp	00MOA10601620	ELECT CAP.	10UF 16V	CCEA1CH100T

NOTE : *nsp* PART IS LISTED FOR REFERENCE ONLY, MARANTZ WILL NOT SUPPLY THESE PARTS.

P.C.B. NAME	POS. NO.	VERS. COLOR	PART NO. (FOR EUR)	PART NO. (MZ)	PART NAME	DESCRIPTION	
MAIN	C306	F B	nsp	nsp	FILM CAP.	220PF 50V KB	CCKT1H221KB
MAIN	C306	F N	nsp	nsp	FILM CAP.	220PF 50V KB	CCKT1H221KB
MAIN	C306	/K1G	nsp	nsp	FILM CAP.	220PF 50V KB	CCKT1H221KB
MAIN	C306	/L1G	nsp	nsp	FILM CAP.	220PF 50V KB	CCKT1H221KB
MAIN	C306	/N1B	nsp	nsp	FILM CAP.	220PF 50V KB	CCKT1H221KB
MAIN	C306	/N1G	nsp	nsp	FILM CAP.	220PF 50V KB	CCKT1H221KB
MAIN	C306	/N1S	nsp	nsp	FILM CAP.	220PF 50V KB	CCKT1H221KB
MAIN	C306	/U1B	nsp	nsp	FILM CAP.	220PF 50V KB	CCKT1H221KB
MAIN	C307	F B	nsp	nsp	FILM CAP.	220PF 50V KB	CCKT1H221KB
MAIN	C307	F N	nsp	nsp	FILM CAP.	220PF 50V KB	CCKT1H221KB
MAIN	C307	/K1G	nsp	nsp	FILM CAP.	220PF 50V KB	CCKT1H221KB
MAIN	C307	/L1G	nsp	nsp	FILM CAP.	220PF 50V KB	CCKT1H221KB
MAIN	C307	/N1B	nsp	nsp	FILM CAP.	220PF 50V KB	CCKT1H221KB
MAIN	C307	/N1G	nsp	nsp	FILM CAP.	220PF 50V KB	CCKT1H221KB
MAIN	C307	/N1S	nsp	nsp	FILM CAP.	220PF 50V KB	CCKT1H221KB
MAIN	C307	/U1B	nsp	nsp	FILM CAP.	220PF 50V KB	CCKT1H221KB
MAIN	C310	F B	nsp	00MOA10605020	ELECT CAP.	10UF 50V	CCEA1HH100T
MAIN	C310	F N	nsp	00MOA10605020	ELECT CAP.	10UF 50V	CCEA1HH100T
MAIN	C310	/K1G	nsp	00MOA10605020	ELECT CAP.	10UF 50V	CCEA1HH100T
MAIN	C310	/L1G	nsp	00MOA10605020	ELECT CAP.	10UF 50V	CCEA1HH100T
MAIN	C310	/N1B	nsp	00MOA10605020	ELECT CAP.	10UF 50V	CCEA1HH100T
MAIN	C310	/N1G	nsp	00MOA10605020	ELECT CAP.	10UF 50V	CCEA1HH100T
MAIN	C310	/N1S	nsp	00MOA10605020	ELECT CAP.	10UF 50V	CCEA1HH100T
MAIN	C310	/U1B	nsp	00MOA10605020	ELECT CAP.	10UF 50V	CCEA1HH100T
MAIN	C311	F B	nsp	00MOF15122540	FILM CAP.	1200PF 50V J	HCQI1H122JZT
MAIN	C311	F N	nsp	00MOF15122540	FILM CAP.	1200PF 50V J	HCQI1H122JZT
MAIN	C311	/K1G	nsp	00MOF15122540	FILM CAP.	1200PF 50V J	HCQI1H122JZT
MAIN	C311	/L1G	nsp	00MOF15122540	FILM CAP.	1200PF 50V J	HCQI1H122JZT
MAIN	C311	/N1B	00MOF15122540	00MOF15122540	FILM CAP.	1200PF 50V J	HCQI1H122JZT
MAIN	C311	/N1G	00MOF15122540	00MOF15122540	FILM CAP.	1200PF 50V J	HCQI1H122JZT
MAIN	C311	/N1S	00MOF15122540	00MOF15122540	FILM CAP.	1200PF 50V J	HCQI1H122JZT
MAIN	C311	/U1B	nsp	00MOF15122540	FILM CAP.	1200PF 50V J	HCQI1H122JZT
MAIN	C400		nsp	nsp	CER. CAP.	50V 0.1UF	CCKT1H104ZF
MAIN	C401		nsp	00MOA47701020	ELECT CAP.	470UF 10V	CCEA1AH471T
MAIN	C402		nsp	nsp	CER. CAP.	1000PF 50V KB	CCKT1H102KB
MAIN	C403		nsp	00MOA47701620	ELECT CAP.	470UF 16V ZF	CCEA1CH471T
MAIN	C404		nsp	00MOA33505020	ELECT CAP.	3.3UF 50V	CCEA1HH3R3T
MAIN	C405		00MOF15182540	00MOF15182540	FILM CAP.	1800PF 50V J	HCQI1H182JZT
MAIN	C406		00MOF15182540	00MOF15182540	FILM CAP.	1800PF 50V J	HCQI1H182JZT
MAIN	C420	F B	nsp	90M-OF100350R	FILM CAP.	2200PF 50V J	HCQI1H222JZT
MAIN	C420	F N	nsp	90M-OF100350R	FILM CAP.	2200PF 50V J	HCQI1H222JZT
MAIN	C420	/K1G	nsp	90M-OF100350R	FILM CAP.	2200PF 50V J	HCQI1H222JZT
MAIN	C420	/L1G	nsp	90M-OF100350R	FILM CAP.	2200PF 50V J	HCQI1H222JZT
MAIN	C420	/N1B	90M-OF100350R	90M-OF100350R	FILM CAP.	2200PF 50V J	HCQI1H222JZT
MAIN	C420	/N1G	90M-OF100350R	90M-OF100350R	FILM CAP.	2200PF 50V J	HCQI1H222JZT
MAIN	C420	/N1S	90M-OF100350R	90M-OF100350R	FILM CAP.	2200PF 50V J	HCQI1H222JZT
MAIN	C420	/U1B	nsp	90M-OF100350R	FILM CAP.	2200PF 50V J	HCQI1H222JZT
MAIN	C421	F B	nsp	90M-OF100350R	FILM CAP.	2200PF 50V J	HCQI1H222JZT
MAIN	C421	F N	nsp	90M-OF100350R	FILM CAP.	2200PF 50V J	HCQI1H222JZT
MAIN	C421	/K1G	nsp	90M-OF100350R	FILM CAP.	2200PF 50V J	HCQI1H222JZT
MAIN	C421	/L1G	nsp	90M-OF100350R	FILM CAP.	2200PF 50V J	HCQI1H222JZT
MAIN	C421	/N1B	90M-OF100350R	90M-OF100350R	FILM CAP.	2200PF 50V J	HCQI1H222JZT
MAIN	C421	/N1G	90M-OF100350R	90M-OF100350R	FILM CAP.	2200PF 50V J	HCQI1H222JZT
MAIN	C421	/N1S	90M-OF100350R	90M-OF100350R	FILM CAP.	2200PF 50V J	HCQI1H222JZT
MAIN	C421	/U1B	nsp	90M-OF100350R	FILM CAP.	2200PF 50V J	HCQI1H222JZT
MAIN	C422		00MOF15182540	00MOF15182540	FILM CAP.	1800PF 50V J	HCQI1H182JZT
MAIN	C423		00MOF15182540	00MOF15182540	FILM CAP.	1800PF 50V J	HCQI1H182JZT
MAIN	C501		nsp	nsp	CER. CAP.	33PF 50V JC	CCCT1H330JC
MAIN	C502		nsp	00MOA47601640	ELECT CAP.	47UF 16V	CCEA1CH470T
MAIN	C503		nsp	nsp	CER. CAP.	50V 0.1UF	CCKT1H104ZF
MAIN	C504		nsp	nsp	CER. CAP.	100PF 50V KB	CCKT1H101KB
MAIN	C505		nsp	nsp	CER. CAP.	50V 0.1UF	CCKT1H104ZF
MAIN	C506		nsp	nsp	CER. CAP.	50V 0.1UF	CCKT1H104ZF
MAIN	C507		nsp	00MOA47601640	ELECT CAP.	47UF 16V	CCEA1CH470T
MAIN	C508		nsp	nsp	CER. CAP.	50V 0.1UF	CCKT1H104ZF
MAIN	C583		nsp	nsp	CER. CAP.	50V 0.1UF	CCKT1H104ZF
MAIN	C601		nsp	nsp	CER. CAP.	2200PF 50V ZF	CCKT1H222ZF

NOTE : "nsp" PART IS LISTED FOR REFERENCE ONLY, MARANTZ WILL NOT SUPPLY THESE PARTS.

P.C.B. NAME	POS. NO.	VERS. COLOR	PART NO. (FOR EUR)	PART NO. (MZ)	PART NAME	DESCRIPTION	
MAIN	C603		nsp	nsp	CER. CAP.	0.01UF 50V ZF	CCKT1H103ZF
MAIN	C605		nsp	00MOA10701620	ELECT CAP.	100UF 16V	CCEA1CH101T
MAIN	C607		nsp	nsp	CER. CAP.	0.01UF 50V ZF	CCKT1H103ZF
MAIN	C609		nsp	00MOA10701620	ELECT CAP.	100UF 16V	CCEA1CH101T
MAIN	C610		nsp	nsp	CER. CAP.	0.01UF 50V ZF	CCKT1H103ZF
MAIN	C611		nsp	nsp	CER. CAP.	22PF 50V JC	CCCT1H220JC
MAIN	C613		nsp	nsp	CER. CAP.	22PF 50V JC	CCCT1H220JC
MAIN	C614		nsp	nsp	CER. CAP.	22PF 50V JC	CCCT1H220JC
MAIN	C615		nsp	00MOA10505020	ELECT CAP.	1UF 50V	CCEA1HH1R0T
MAIN	C801		nsp	00MOA47605020	ELECT CAP.	47UF 50V	CCEA1HH470T
MAIN	C802		nsp	00MOA47605020	ELECT CAP.	47UF 50V	CCEA1HH470T
MAIN	C905		nsp	nsp	CER. CAP.	0.022UF 50V ZF	CCKT1H223ZF
MAIN	C906		nsp	00MOA47702520	ELECT CAP.	470UF 25V	CCEA1EH471T
MAIN	C907		nsp	nsp	CER. CAP.	0.022UF 50V ZF	CCKT1H223ZF
MAIN	C908		nsp	00MOA10701620	ELECT CAP.	100UF 16V	CCEA1CH101T
MAIN	C909		nsp	00MOA47701620	ELECT CAP.	470UF 16V ZF	CCEA1CH471T
MAIN	C910		nsp	nsp	CER. CAP.	50V 0.1UF	CCKT1H104ZF
MAIN	▲ C911	F B	nsp	90M-OA000440R	ELECT CAP.	! 3300UF 25V	HCEA1EH332EW
MAIN	▲ C911	F N	nsp	90M-OA000440R	ELECT CAP.	! 3300UF 25V	HCEA1EH332EW
MAIN	▲ C911	/K1G	nsp	90M-OA000440R	ELECT CAP.	! 3300UF 25V	HCEA1EH332EW
MAIN	▲ C911	/L1G	nsp	90M-OA000440R	ELECT CAP.	! 3300UF 25V	HCEA1EH332EW
MAIN	▲ C911	/N1B	90M-OA000440R	90M-OA000440R	ELECT CAP.	! 3300UF 25V	HCEA1EH332EW
MAIN	▲ C911	/N1G	90M-OA000440R	90M-OA000440R	ELECT CAP.	! 3300UF 25V	HCEA1EH332EW
MAIN	▲ C911	/N1S	90M-OA000440R	90M-OA000440R	ELECT CAP.	! 3300UF 25V	HCEA1EH332EW
MAIN	▲ C911	/U1B	nsp	90M-OA000440R	ELECT CAP.	! 3300UF 25V	HCEA1EH332EW
MAIN	C912		nsp	nsp	CER. CAP.	50V 0.1UF	CCKT1H104ZF
MAIN	▲ C913	F B	nsp	90M-OA000440R	ELECT CAP.	! 3300UF 25V	HCEA1EH332EW
MAIN	▲ C913	F N	nsp	90M-OA000440R	ELECT CAP.	! 3300UF 25V	HCEA1EH332EW
MAIN	▲ C913	/K1G	nsp	90M-OA000440R	ELECT CAP.	! 3300UF 25V	HCEA1EH332EW
MAIN	▲ C913	/L1G	nsp	90M-OA000440R	ELECT CAP.	! 3300UF 25V	HCEA1EH332EW
MAIN	▲ C913	/N1B	90M-OA000440R	90M-OA000440R	ELECT CAP.	! 3300UF 25V	HCEA1EH332EW
MAIN	▲ C913	/N1G	90M-OA000440R	90M-OA000440R	ELECT CAP.	! 3300UF 25V	HCEA1EH332EW
MAIN	▲ C913	/N1S	90M-OA000440R	90M-OA000440R	ELECT CAP.	! 3300UF 25V	HCEA1EH332EW
MAIN	▲ C913	/U1B	nsp	90M-OA000440R	ELECT CAP.	! 3300UF 25V	HCEA1EH332EW
MAIN	C914		nsp	nsp	CER. CAP.	50V 0.1UF	CCKT1H104ZF
MAIN	▲ C915		90M-OA000440R	90M-OA000440R	ELECT CAP.	! 3300UF 25V	HCEA1EH332EW
MAIN	C916		nsp	90M-OA000470R	ELECT CAP.	22UF 63V	CCEA1JH220E
MAIN	C917		nsp	nsp	CER. CAP.	50V 0.1UF	CCKT1H104ZF
MAIN	C918		nsp	00MOA22505020	ELECT CAP.	2.2UF 50V	CCEA1HH2R2T
MAIN	C919		nsp	00MOA10605020	ELECT CAP.	10UF 50V	CCEA1HH100T
MAIN	C920		nsp	nsp	CER. CAP.	50V 0.1UF	CCKT1H104ZF
MAIN	C921		nsp	nsp	CER. CAP.	0.047UF 50V ZF	CCKT1H473ZF
MAIN	C922		nsp	nsp	CER. CAP.	0.033UF 50V ZF	CCKT1H333ZF
MAIN	C923		nsp	nsp	CER. CAP.	50V 0.1UF	CCKT1H104ZF
MAIN	C924		nsp	nsp	CER. CAP.	50V 0.1UF	CCKT1H104ZF
MAIN	C930		nsp	00MOA10701620	ELECT CAP.	100UF 16V	CCEA1CH101T
MAIN	C931	F B	nsp	00MOA10701620	ELECT CAP.	100UF 16V	CCEA1CH101T
MAIN	C931	F N	nsp	00MOA10701620	ELECT CAP.	100UF 16V	CCEA1CH101T
MAIN	C931	/K1G	nsp	00MOA10701620	ELECT CAP.	100UF 16V	CCEA1CH101T
MAIN	C931	/L1G	nsp	00MOA10701620	ELECT CAP.	100UF 16V	CCEA1CH101T
MAIN	C931	/N1B	nsp	00MOA10701620	ELECT CAP.	100UF 16V	CCEA1CH101T
MAIN	C931	/N1G	nsp	00MOA10701620	ELECT CAP.	100UF 16V	CCEA1CH101T
MAIN	C931	/N1S	nsp	00MOA10701620	ELECT CAP.	100UF 16V	CCEA1CH101T
MAIN	C931	/U1B	nsp	00MOA10701620	ELECT CAP.	100UF 16V	CCEA1CH101T
MAIN	▲ C932	F B	nsp	00MOA10701620	ELECT CAP.	! 100UF 16V	CCEA1CH101T
MAIN	▲ C932	F N	nsp	00MOA10701620	ELECT CAP.	! 100UF 16V	CCEA1CH101T
MAIN	▲ C932	/K1G	nsp	00MOA10701620	ELECT CAP.	! 100UF 16V	CCEA1CH101T
MAIN	▲ C932	/L1G	nsp	00MOA10701620	ELECT CAP.	! 100UF 16V	CCEA1CH101T
MAIN	▲ C932	/N1B	00MOA10701620	00MOA10701620	ELECT CAP.	! 100UF 16V	CCEA1CH101T
MAIN	▲ C932	/N1G	00MOA10701620	00MOA10701620	ELECT CAP.	! 100UF 16V	CCEA1CH101T
MAIN	▲ C932	/N1S	00MOA10701620	00MOA10701620	ELECT CAP.	! 100UF 16V	CCEA1CH101T
MAIN	▲ C932	/U1B	nsp	00MOA10701620	ELECT CAP.	! 100UF 16V	CCEA1CH101T
MAIN	C933		nsp	00MOA10701620	ELECT CAP.	100UF 16V	CCEA1CH101T
MAIN	C934		nsp	nsp	CER. CAP.	50V 0.1UF	CCKT1H104ZF
MAIN	C935		nsp	nsp	CER. CAP.	50V 0.1UF	CCKT1H104ZF
MAIN	C936		nsp	nsp	CER. CAP.	50V 0.1UF	CCKT1H104ZF
MAIN	C937		nsp	nsp	CER. CAP.	50V 0.1UF	CCKT1H104ZF

NOTE : *nsp* PART IS LISTED FOR REFERENCE ONLY, MARANTZ WILL NOT SUPPLY THESE PARTS.

P.C.B. NAME	POS. NO.	VERS. COLOR	PART NO. (FOR EUR)	PART NO. (MZ)	PART NAME	DESCRIPTION
MAIN	C951		nsp	00MOA10605020	ELECT CAP.	10UF 50V CCEA1HH100T
MAIN	CN12		nsp	nsp	CONN.	6P STRAIGHT CJP06GA19ZY
MAIN	CN13		nsp	nsp	CONN.	5P STRAIGHT CJP05GA19ZY
MAIN	CN16		nsp	nsp	CONN.	GF102-16S-TS KJP16GA117ZG
MAIN	CN62		nsp	nsp	CONN.	00906-0027 4P STRAIGHT CJP04GA19ZY
MAIN	CN71		nsp	nsp	CONN.	15P CARD CABLE CJP15GA115ZY
MAIN	CN72		nsp	nsp	CONN.	15P CARD CABLE CJP15GA115ZY
MAIN	CN81		nsp	nsp	CONN.	9P STRAIGHT CJP09GA19ZY
MAIN	CN92		90M-YP100250R	90M-YP100250R	CONN.	MOLEX35328-02 KJP02GA89ZM
MAIN	CN93		nsp	nsp	CONN.	5267-10A CJP10GA01ZY
MAIN	D111		90M-HD302180R	90M-HD302180R	ZENER DIODE	3.9V 1/2W HVDMTZJ3.9BT
MAIN	D402		nsp	00MHD20015210	DIODE	1SS133T-77 HVD1SS133MT
MAIN	D403		nsp	00MHD20015210	DIODE	1SS133T-77 HVD1SS133MT
MAIN	D404		nsp	00MHD20015210	DIODE	1SS133T-77 HVD1SS133MT
MAIN	D405		nsp	00MHD20015210	DIODE	1SS133T-77 HVD1SS133MT
MAIN	D406		nsp	00MHD20015210	DIODE	1SS133T-77 HVD1SS133MT
MAIN	D407		nsp	00MHD20015210	DIODE	1SS133T-77 HVD1SS133MT
MAIN	D408		00MHD30621000	00MHD30621000	ZENER DIODE	6.2V 1/2W HVDMTZJ6.2BT
MAIN	D409		nsp	00MHD20015210	DIODE	1SS133T-77 HVD1SS133MT
MAIN	D410		nsp	00MHD20015210	DIODE	1SS133T-77 HVD1SS133MT
MAIN	D411		nsp	00MHD20015210	DIODE	1SS133T-77 HVD1SS133MT
MAIN	▲ D906		90M-HD201730R	90M-HD201730R	DIODE	! 1N4003 KVD1N4003ST
MAIN	▲ D907		90M-HD201730R	90M-HD201730R	DIODE	! 1N4003 KVD1N4003ST
MAIN	▲ D908		90M-HD201730R	90M-HD201730R	DIODE	! 1N4003 KVD1N4003ST
MAIN	▲ D909		90M-HD201730R	90M-HD201730R	DIODE	! 1N4003 KVD1N4003ST
MAIN	▲ D910		90M-HD301750R	90M-HD301750R	ZENER DIODE	! 5.6V 1/2W HVDMTZJ5.6BT
MAIN	▲ D911		90M-HD201730R	90M-HD201730R	DIODE	! 1N4003 KVD1N4003ST
MAIN	▲ D912		90M-HD201730R	90M-HD201730R	DIODE	! 1N4003 KVD1N4003ST
MAIN	▲ D913		90M-HD201730R	90M-HD201730R	DIODE	! 1N4003 KVD1N4003ST
MAIN	▲ D914		90M-HD201730R	90M-HD201730R	DIODE	! 1N4003 KVD1N4003ST
MAIN	D915		nsp	90M-HD201730R	DIODE	1N4003 KVD1N4003ST
MAIN	▲ D916		90M-HD301740R	90M-HD301740R	ZENER DIODE	! 33V 1/2W HVDMTZJ33BT
MAIN	▲ D917		00MHD30621000	00MHD30621000	ZENER DIODE	! 6.2V 1/2W HVDMTZJ6.2BT
MAIN	D920		nsp	00MHD20015210	DIODE	1SS133T-77 HVD1SS133MT
MAIN	IC11		90M-HC109480R	90M-HC109480R	IC	TA2157FNG HVITA2157FNG
MAIN	IC12		90M-HC700520R	90M-HC700520R	IC	74VHC04M HVI74VHC04MX
MAIN	IC13		90M-HC109470R	90M-HC109470R	IC	TA2125AFG HVITA2125AFG
MAIN	IC14		90M-HC109450R	90M-HC109450R	IC	CS4392KZZ HVICS4392KZZ
MAIN	IC15	F B	nsp	00MHC10102090	IC	NJM2068MD-TE1 HVINJM2068MDTE1
MAIN	IC15	F N	nsp	00MHC10102090	IC	NJM2068MD-TE1 HVINJM2068MDTE1
MAIN	IC15	/K1G	nsp	00MHC10102090	IC	NJM2068MD-TE1 HVINJM2068MDTE1
MAIN	IC15	/L1G	nsp	00MHC10102090	IC	NJM2068MD-TE1 HVINJM2068MDTE1
MAIN	IC15	/N1B	00MHC10102090	00MHC10102090	IC	NJM2068MD-TE1 HVINJM2068MDTE1
MAIN	IC15	/N1G	00MHC10102090	00MHC10102090	IC	NJM2068MD-TE1 HVINJM2068MDTE1
MAIN	IC15	/N1S	00MHC10102090	00MHC10102090	IC	NJM2068MD-TE1 HVINJM2068MDTE1
MAIN	IC15	/U1B	nsp	00MHC10102090	IC	NJM2068MD-TE1 HVINJM2068MDTE1
MAIN	IC16	F B	nsp	00MHC10102090	IC	NJM2068MD-TE1 HVINJM2068MDTE1
MAIN	IC16	F N	nsp	00MHC10102090	IC	NJM2068MD-TE1 HVINJM2068MDTE1
MAIN	IC16	/K1G	nsp	00MHC10102090	IC	NJM2068MD-TE1 HVINJM2068MDTE1
MAIN	IC16	/L1G	nsp	00MHC10102090	IC	NJM2068MD-TE1 HVINJM2068MDTE1
MAIN	IC16	/N1B	00MHC10102090	00MHC10102090	IC	NJM2068MD-TE1 HVINJM2068MDTE1
MAIN	IC16	/N1G	00MHC10102090	00MHC10102090	IC	NJM2068MD-TE1 HVINJM2068MDTE1
MAIN	IC16	/N1S	00MHC10102090	00MHC10102090	IC	NJM2068MD-TE1 HVINJM2068MDTE1
MAIN	IC16	/U1B	nsp	00MHC10102090	IC	NJM2068MD-TE1 HVINJM2068MDTE1
MAIN	IC17		90M-HC700550R	90M-HC700550R	IC	TC74HCU04AFNG HVI74HCU04AFNG
MAIN	▲ IC19		90M-HC300500R	90M-HC300500R	IC	! KA7805-ABTU HVIMC7805C
MAIN	IC61		90M-HC109440R	90M-HC109440R	IC	BU2630FV BVIBU2630FV-E2
MAIN	IC62		90M-HC700560R	90M-HC700560R	IC	TC74LS628 HVITC74LS628
MAIN	IC64		90M-HC109490R	90M-HC109490R	IC	TC94A14FAG HVITC94A14FAG
MAIN	▲ IC91		90M-HC300510R	90M-HC300510R	IC	! KA7808-ABTU HVIKA7808A
MAIN	▲ IC92		90M-HC300500R	90M-HC300500R	IC	! KA7805-ABTU HVIMC7805C
MAIN	▲ IC93		90M-HC300520R	90M-HC300520R	IC	! KA7812-ABTU HVIMC7812C
MAIN	▲ IC94		90M-HC300530R	90M-HC300530R	IC	! KA7912-ABTU HVIMC7912C
MAIN	J100		nsp	nsp	CORD	SN95/PB5, 0.6 C3A206
MAIN	J101		nsp	nsp	CORD	SN95/PB5, 0.6 C3A206
MAIN	J102		nsp	nsp	CORD	SN95/PB5, 0.6 C3A206
MAIN	J103		nsp	nsp	CORD	SN95/PB5, 0.6 C3A206

NOTE : "nsp" PART IS LISTED FOR REFERENCE ONLY, MARANTZ WILL NOT SUPPLY THESE PARTS.

P.C.B. NAME	POS. NO.	VERS. COLOR	PART NO. (FOR EUR)	PART NO. (MZ)	PART NAME	DESCRIPTION
MAIN	J104		nsp	nsp	CORD	SN95/PB5, 0.6 C3A206
MAIN	J105		nsp	nsp	CORD	SN95/PB5, 0.6 C3A206
MAIN	J107		nsp	nsp	CORD	SN95/PB5, 0.6 C3A206
MAIN	J109		nsp	nsp	CORD	SN95/PB5, 0.6 C3A206
MAIN	J110		nsp	nsp	CORD	SN95/PB5, 0.6 C3A206
MAIN	J111		nsp	nsp	CORD	SN95/PB5, 0.6 C3A206
MAIN	J112		nsp	nsp	CORD	SN95/PB5, 0.6 C3A206
MAIN	J116		nsp	nsp	CORD	SN95/PB5, 0.6 C3A206
MAIN	J119		nsp	nsp	CORD	SN95/PB5, 0.6 C3A206
MAIN	J120		nsp	nsp	CORD	SN95/PB5, 0.6 C3A206
MAIN	J121		nsp	nsp	CORD	SN95/PB5, 0.6 C3A206
MAIN	J123		nsp	nsp	CORD	SN95/PB5, 0.6 C3A206
MAIN	J124		nsp	nsp	CORD	SN95/PB5, 0.6 C3A206
MAIN	J125		nsp	nsp	CORD	SN95/PB5, 0.6 C3A206
MAIN	J127		nsp	nsp	CORD	SN95/PB5, 0.6 C3A206
MAIN	J128		nsp	nsp	CORD	SN95/PB5, 0.6 C3A206
MAIN	J129		nsp	nsp	CORD	SN95/PB5, 0.6 C3A206
MAIN	J130		nsp	nsp	CORD	SN95/PB5, 0.6 C3A206
MAIN	J131		nsp	nsp	CORD	SN95/PB5, 0.6 C3A206
MAIN	J134		nsp	nsp	CORD	SN95/PB5, 0.6 C3A206
MAIN	J135		nsp	nsp	CORD	SN95/PB5, 0.6 C3A206
MAIN	J136		nsp	nsp	CORD	SN95/PB5, 0.6 C3A206
MAIN	J137		nsp	nsp	CORD	SN95/PB5, 0.6 C3A206
MAIN	J138		nsp	nsp	CORD	SN95/PB5, 0.6 C3A206
MAIN	J139		nsp	nsp	CORD	SN95/PB5, 0.6 C3A206
MAIN	J140		nsp	nsp	CORD	SN95/PB5, 0.6 C3A206
MAIN	J141		nsp	nsp	CORD	SN95/PB5, 0.6 C3A206
MAIN	J142		nsp	nsp	CORD	SN95/PB5, 0.6 C3A206
MAIN	J144		nsp	nsp	CORD	SN95/PB5, 0.6 C3A206
MAIN	J145		nsp	nsp	CORD	SN95/PB5, 0.6 C3A206
MAIN	J146		nsp	nsp	CORD	SN95/PB5, 0.6 C3A206
MAIN	J147		nsp	nsp	CORD	SN95/PB5, 0.6 C3A206
MAIN	J150		nsp	nsp	CORD	SN95/PB5, 0.6 C3A206
MAIN	J152		nsp	nsp	CORD	SN95/PB5, 0.6 C3A206
MAIN	J153		nsp	nsp	CORD	SN95/PB5, 0.6 C3A206
MAIN	J154		nsp	nsp	CORD	SN95/PB5, 0.6 C3A206
MAIN	J155		nsp	nsp	CORD	SN95/PB5, 0.6 C3A206
MAIN	J156		nsp	nsp	CORD	SN95/PB5, 0.6 C3A206
MAIN	J156		90M-FN000090R	90M-FN000090R	EMI FILTER	BEAD KLZ9H001Z
MAIN	J157		nsp	nsp	CORD	SN95/PB5, 0.6 C3A206
MAIN	J160		nsp	nsp	CORD	SN95/PB5, 0.6 C3A206
MAIN	J161		nsp	nsp	CORD	SN95/PB5, 0.6 C3A206
MAIN	J162		nsp	nsp	CORD	SN95/PB5, 0.6 C3A206
MAIN	J163		nsp	nsp	CORD	SN95/PB5, 0.6 C3A206
MAIN	J164		nsp	nsp	CORD	SN95/PB5, 0.6 C3A206
MAIN	J165		nsp	nsp	CORD	SN95/PB5, 0.6 C3A206
MAIN	J168		nsp	nsp	CORD	SN95/PB5, 0.6 C3A206
MAIN	J169		nsp	nsp	CORD	SN95/PB5, 0.6 C3A206
MAIN	J171		nsp	nsp	CORD	SN95/PB5, 0.6 C3A206
MAIN	J173		nsp	nsp	CORD	SN95/PB5, 0.6 C3A206
MAIN	J177		nsp	nsp	CORD	SN95/PB5, 0.6 C3A206
MAIN	J178		nsp	nsp	CORD	SN95/PB5, 0.6 C3A206
MAIN	J179		nsp	nsp	CORD	SN95/PB5, 0.6 C3A206
MAIN	J180		nsp	nsp	CORD	SN95/PB5, 0.6 C3A206
MAIN	J182		nsp	nsp	CORD	SN95/PB5, 0.6 C3A206
MAIN	J183		nsp	nsp	CORD	SN95/PB5, 0.6 C3A206
MAIN	J184		nsp	nsp	CORD	SN95/PB5, 0.6 C3A206
MAIN	J185		nsp	nsp	CORD	SN95/PB5, 0.6 C3A206
MAIN	J186		nsp	nsp	CORD	SN95/PB5, 0.6 C3A206
MAIN	J187		nsp	nsp	CORD	SN95/PB5, 0.6 C3A206
MAIN	J188		nsp	nsp	CORD	SN95/PB5, 0.6 C3A206
MAIN	J189		nsp	nsp	CORD	SN95/PB5, 0.6 C3A206
MAIN	J192		nsp	nsp	CORD	SN95/PB5, 0.6 C3A206
MAIN	J195		nsp	nsp	CORD	SN95/PB5, 0.6 C3A206
MAIN	J196		nsp	nsp	CORD	SN95/PB5, 0.6 C3A206
MAIN	J197		nsp	nsp	CORD	SN95/PB5, 0.6 C3A206
MAIN	J198		nsp	nsp	CORD	SN95/PB5, 0.6 C3A206

NOTE : *nsp* PART IS LISTED FOR REFERENCE ONLY, MARANTZ WILL NOT SUPPLY THESE PARTS.

P.C.B. NAME	POS. NO.	VERS. COLOR	PART NO. (FOR EUR)	PART NO. (MZ)	PART NAME	DESCRIPTION	
MAIN	J199		nsp	nsp	CORD	SN95/PB5, 0.6	C3A206
MAIN	J201		nsp	nsp	CORD	SN95/PB5, 0.6	C3A206
MAIN	J214		nsp	nsp	CORD	SN95/PB5, 0.6	C3A206
MAIN	J215		nsp	nsp	CORD	SN95/PB5, 0.6	C3A206
MAIN	J217		nsp	nsp	CORD	SN95/PB5, 0.6	C3A206
MAIN	J218		nsp	nsp	CORD	SN95/PB5, 0.6	C3A206
MAIN	J220		nsp	nsp	CORD	SN95/PB5, 0.6	C3A206
MAIN	J221		nsp	nsp	CORD	SN95/PB5, 0.6	C3A206
MAIN	J222		nsp	nsp	CORD	SN95/PB5, 0.6	C3A206
MAIN	J223		nsp	nsp	CORD	SN95/PB5, 0.6	C3A206
MAIN	J224		nsp	nsp	CORD	SN95/PB5, 0.6	C3A206
MAIN	J225		nsp	nsp	CORD	SN95/PB5, 0.6	C3A206
MAIN	J231		nsp	nsp	CORD	SN95/PB5, 0.6	C3A206
MAIN	J242		nsp	nsp	CORD	SN95/PB5, 0.6	C3A206
MAIN	J251		nsp	nsp	CORD	SN95/PB5, 0.6	C3A206
MAIN	J252		nsp	nsp	CORD	SN95/PB5, 0.6	C3A206
MAIN	J401		nsp	nsp	CORD	SN95/PB5, 0.6	C3A206
MAIN	J402		nsp	nsp	CORD	SN95/PB5, 0.6	C3A206
MAIN	J403		nsp	nsp	CORD	SN95/PB5, 0.6	C3A206
MAIN	J404		nsp	nsp	CORD	SN95/PB5, 0.6	C3A206
MAIN	J405		nsp	nsp	CORD	SN95/PB5, 0.6	C3A206
MAIN	J406		nsp	nsp	CORD	SN95/PB5, 0.6	C3A206
MAIN	J407		nsp	nsp	CORD	SN95/PB5, 0.6	C3A206
MAIN	J408		nsp	nsp	CORD	SN95/PB5, 0.6	C3A206
MAIN	J409		nsp	nsp	CORD	SN95/PB5, 0.6	C3A206
MAIN	J410		nsp	nsp	CORD	SN95/PB5, 0.6	C3A206
MAIN	J411		nsp	nsp	CORD	SN95/PB5, 0.6	C3A206
MAIN	J412		nsp	nsp	CORD	SN95/PB5, 0.6	C3A206
MAIN	J413		nsp	nsp	CORD	SN95/PB5, 0.6	C3A206
MAIN	J414		nsp	nsp	CORD	SN95/PB5, 0.6	C3A206
MAIN	J415		nsp	nsp	CORD	SN95/PB5, 0.6	C3A206
MAIN	J416		nsp	nsp	CORD	SN95/PB5, 0.6	C3A206
MAIN	J418		nsp	nsp	CORD	SN95/PB5, 0.6	C3A206
MAIN	J419		nsp	nsp	CORD	SN95/PB5, 0.6	C3A206
MAIN	J420		nsp	nsp	CORD	SN95/PB5, 0.6	C3A206
MAIN	J421		nsp	nsp	CORD	SN95/PB5, 0.6	C3A206
MAIN	J422		nsp	nsp	CORD	SN95/PB5, 0.6	C3A206
MAIN	J423		nsp	nsp	CORD	SN95/PB5, 0.6	C3A206
MAIN	J424		nsp	nsp	CORD	SN95/PB5, 0.6	C3A206
MAIN	J425		nsp	nsp	CORD	SN95/PB5, 0.6	C3A206
MAIN	J426		nsp	nsp	CORD	SN95/PB5, 0.6	C3A206
MAIN	J427		nsp	nsp	CORD	SN95/PB5, 0.6	C3A206
MAIN	J428		nsp	nsp	CORD	SN95/PB5, 0.6	C3A206
MAIN	J429		nsp	nsp	CORD	SN95/PB5, 0.6	C3A206
MAIN	J430		nsp	nsp	CORD	SN95/PB5, 0.6	C3A206
MAIN	JK51		90M-YT003100R	90M-YT003100R	TERMINAL	CINCH 1P (GOLD) COAXIAL	CJ4M045Z
MAIN	JK52		90M-YJ002670R	90M-YJ002670R	OPT. CONN.	TOTX179L	HJSTOTX179L
MAIN	JK53		90M-YT003110R	90M-YT003110R	TERMINAL	CINCH 2P (GOLD) AUDIO	CJJ4N060Z
MAIN	JK54		90M-YT003120R	90M-YT003120R	TERMINAL	CINCH 2P (GOLD) REMOTE	CJJ4N036Z
MAIN	L101		nsp	nsp	COIL	10UH,K	HLQ02C100KT
MAIN	L102		nsp	nsp	COIL	10UH,K	HLQ02C100KT
MAIN	L126		90M-FN000090R	90M-FN000090R	EMI FILTER	BEAD	KLZ9H001Z
MAIN	L152		nsp	nsp	CORD	SN95/PB5, 0.6	C3A206
MAIN	L153		90M-FN000090R	90M-FN000090R	EMI FILTER	BEAD	KLZ9H001Z
MAIN	L154		90M-FN000090R	90M-FN000090R	EMI FILTER	BEAD	KLZ9H001Z
MAIN	L155		90M-FN000090R	90M-FN000090R	EMI FILTER	BEAD	KLZ9H001Z
MAIN	L157		90M-FN000090R	90M-FN000090R	EMI FILTER	BEAD	KLZ9H001Z
MAIN	Q101		90M-HT600010R	90M-HT600010R	TRS.	TKTA1266YT	HVTKTA1266YT
MAIN	▲ Q111		90M-HT800040R	90M-HT800040R	TRS.	! KSC2316Y	HVTKSC2316YT
MAIN	Q403		90M-HT600010R	90M-HT600010R	TRS.	TKTA1266YT	HVTKTA1266YT
MAIN	Q404		90M-HT400450R	90M-HT400450R	TRS.	KTD1302	HVTKTD1302T
MAIN	Q405		90M-HT400450R	90M-HT400450R	TRS.	KTD1302	HVTKTD1302T
MAIN	Q406		90M-HT400450R	90M-HT400450R	TRS.	KTD1302	HVTKTD1302T
MAIN	Q407		90M-HT400450R	90M-HT400450R	TRS.	KTD1302	HVTKTD1302T
MAIN	Q420		00MBA10002000	00MBA10002000	TRS.	KRA104M	HVTKRA104MT
MAIN	Q421		90M-BA001460R	90M-BA001460R	TRS.	KRC107M	HVTKRC107MT
MAIN	Q422		00MBA10002000	00MBA10002000	TRS.	KRA104M	HVTKRA104MT

NOTE : "nsp" PART IS LISTED FOR REFERENCE ONLY, MARANTZ WILL NOT SUPPLY THESE PARTS.

P.C.B. NAME	POS. NO.	VERS. COLOR	PART NO. (FOR EUR)	PART NO. (MZ)	PART NAME	DESCRIPTION	
MAIN	Q423		90M-BA001460R	90M-BA001460R	TRS.	KRC107M	HVTKRC107MT
MAIN	Q902		90M-HT800040R	90M-HT800040R	TRS.	KSC2316Y	HVTKSC2316YT
MAIN	Q904		90M-HT800040R	90M-HT800040R	TRS.	KSC2316Y	HVTKSC2316YT
MAIN	Q951		00MHT30001000	00MHT30001000	TRS.	KTC3199Y	HVTKTC3199YT
MAIN	Q952		00MBA10002000	00MBA10002000	TRS.	KRA104M	HVTKRA104MT
MAIN	R105		nsp	nsp	RES.	2.2 OHM 1/5W J	CRD20TJ2R2T
MAIN	R106		nsp	nsp	RES.	68K OHM 1/5W J	CRD20TJ683T
MAIN	R107		nsp	nsp	RES.	68K OHM 1/5W J	CRD20TJ683T
MAIN	R108		nsp	nsp	RES.	68K OHM 1/5W J	CRD20TJ683T
MAIN	R109		nsp	nsp	RES.	68K OHM 1/5W J	CRD20TJ683T
MAIN	R110		nsp	nsp	RES.	82K OHM 1/5W J	CRD20TJ823T
MAIN	R111		nsp	nsp	RES.	82K OHM 1/5W J	CRD20TJ823T
MAIN	R112		nsp	nsp	RES.	91 OHM 1/5W J	CRD20TJ910T
MAIN	R113		nsp	nsp	RES.	10 OHM 1/5W J	CRD20TJ100T
MAIN	R114		nsp	nsp	RES.	68K OHM 1/5W J	CRD20TJ683T
MAIN	R115		nsp	nsp	RES.	820 OHM 1/5W J	CRD20TJ821T
MAIN	R116		nsp	nsp	RES.	33K OHM 1/5W J	CRD20TJ333T
MAIN	R117		nsp	nsp	RES.	10K OHM 1/5W J	CRD20TJ103T
MAIN	R118		nsp	nsp	RES.	1K OHM 1/5W J	CRD20TJ102T
MAIN	R119		nsp	nsp	RES.	2.2K OHM 1/5W J	CRD20TJ222T
MAIN	R120		nsp	nsp	RES.	10K OHM 1/5W J	CRD20TJ103T
MAIN	R121		nsp	nsp	RES.	100 OHM 1/5W J	CRD20TJ101T
MAIN	R122		nsp	nsp	RES.	22K OHM 1/5W J	CRD20TJ223T
MAIN	R123		nsp	nsp	RES.	47K OHM 1/5W J	CRD20TJ473T
MAIN	R124		nsp	nsp	RES.	470K OHM 1/5W J	CRD20TJ474T
MAIN	R125		nsp	nsp	RES.	2.2M OHM 1/5W J	CRD20TJ225T
MAIN	R126		nsp	nsp	RES.	6.8K OHM 1/5W J	CRD20TJ682T
MAIN	R127		nsp	nsp	RES.	100 OHM 1/5W J	CRD20TJ101T
MAIN	R128		nsp	nsp	RES.	100 OHM 1/5W J	CRD20TJ101T
MAIN	R129		nsp	nsp	RES.	5.6K OHM 1/5W J	CRD20TJ562T
MAIN	R130		nsp	nsp	RES.	330 OHM 1/5W J	CRD20TJ331T
MAIN	R132		nsp	nsp	RES.	100 OHM 1/5W J	CRD20TJ101T
MAIN	R133		nsp	nsp	RES.	3.3K OHM 1/5W J	CRD20TJ332T
MAIN	R134		nsp	nsp	RES.	100 OHM 1/5W J	CRD20TJ101T
MAIN	R135		nsp	nsp	RES.	470 OHM 1/5W J	CRD20TJ471T
MAIN	R137		nsp	nsp	RES.	3.3K OHM 1/5W J	CRD20TJ332T
MAIN	R146		nsp	nsp	RES.	4.7 OHM 1/5W J	CRD20TJ4R7T
MAIN	R147		nsp	nsp	RES.	4.7 OHM 1/5W J	CRD20TJ4R7T
MAIN	R148		nsp	nsp	RES.	4.7 OHM 1/5W J	CRD20TJ4R7T
MAIN	R149		nsp	nsp	RES.	4.7 OHM 1/5W J	CRD20TJ4R7T
MAIN	R151		nsp	nsp	RES.	330 OHM 1/5W J	CRD20TJ331T
MAIN	R152		nsp	nsp	RES.	330 OHM 1/5W J	CRD20TJ331T
MAIN	R153		nsp	nsp	RES.	330 OHM 1/5W J	CRD20TJ331T
MAIN	R154		nsp	nsp	RES.	330 OHM 1/5W J	CRD20TJ331T
MAIN	R155		nsp	nsp	RES.	330 OHM 1/5W J	CRD20TJ331T
MAIN	R156		nsp	nsp	RES.	330 OHM 1/5W J	CRD20TJ331T
MAIN	R157		nsp	nsp	RES.	680 OHM 1/5W J	CRD20TJ681T
MAIN	R158		nsp	nsp	RES.	2.2K OHM 1/5W J	CRD20TJ222T
MAIN	R159		nsp	nsp	RES.	2.2K OHM 1/5W J	CRD20TJ222T
MAIN	R160		nsp	nsp	RES.	1.2K OHM 1/5W J	CRD20TJ122T
MAIN	R161		nsp	nsp	RES.	1.2K OHM 1/5W J	CRD20TJ122T
MAIN	R164		nsp	nsp	RES.	100 OHM 1/5W J	CRD20TJ101T
MAIN	R181		nsp	nsp	RES.	1K OHM 1/5W J	CRD20TJ102T
MAIN	R182		nsp	nsp	RES.	1K OHM 1/5W J	CRD20TJ102T
MAIN	R183		nsp	nsp	RES.	1K OHM 1/5W J	CRD20TJ102T
MAIN	R184		nsp	nsp	RES.	560 OHM 1/5W J	CRD20TJ561T
MAIN	R185		nsp	nsp	RES.	560 OHM 1/5W J	CRD20TJ561T
MAIN	R186		nsp	nsp	RES.	560 OHM 1/5W J	CRD20TJ561T
MAIN	R187		nsp	nsp	RES.	4.7K OHM 1/5W J	CRD20TJ472T
MAIN	R188		nsp	nsp	RES.	4.7K OHM 1/5W J	CRD20TJ472T
MAIN	R201		nsp	nsp	RES.	8.2K OHM 1/5W J	CRD20TJ822T
MAIN	R202		nsp	nsp	RES.	8.2K OHM 1/5W J	CRD20TJ822T
MAIN	R203		nsp	nsp	RES.	8.2K OHM 1/5W J	CRD20TJ822T
MAIN	R204		nsp	nsp	RES.	3.3K OHM 1/5W J	CRD20TJ332T
MAIN	R205		nsp	nsp	RES.	3.3K OHM 1/5W J	CRD20TJ332T
MAIN	R206		nsp	nsp	RES.	10K OHM 1/5W J	CRD20TJ103T
MAIN	R207		nsp	nsp	RES.	2.7K OHM 1/5W J	CRD20TJ272T

NOTE : *nsp* PART IS LISTED FOR REFERENCE ONLY, MARANTZ WILL NOT SUPPLY THESE PARTS.

P.C.B. NAME	POS. NO.	VERS. COLOR	PART NO. (FOR EUR)	PART NO. (MZ)	PART NAME	DESCRIPTION
MAIN	R209		nsp	nsp	RES.	750 OHM 1/5W J CRD20TJ751T
MAIN	R301		nsp	nsp	RES.	8.2K OHM 1/5W J CRD20TJ822T
MAIN	R302		nsp	nsp	RES.	8.2K OHM 1/5W J CRD20TJ822T
MAIN	R303		nsp	nsp	RES.	8.2K OHM 1/5W J CRD20TJ822T
MAIN	R304		nsp	nsp	RES.	3.3K OHM 1/5W J CRD20TJ332T
MAIN	R305		nsp	nsp	RES.	3.3K OHM 1/5W J CRD20TJ332T
MAIN	R306		nsp	nsp	RES.	10K OHM 1/5W J CRD20TJ103T
MAIN	R307		nsp	nsp	RES.	2.7K OHM 1/5W J CRD20TJ272T
MAIN	R309		nsp	nsp	RES.	750 OHM 1/5W J CRD20TJ751T
MAIN	R310		nsp	nsp	RES.	470 OHM 1/5W J CRD20TJ471T
MAIN	R311		nsp	nsp	RES.	100K OHM 1/5W J CRD20TJ104T
MAIN	R312		nsp	nsp	RES.	4.7K OHM 1/5W J CRD20TJ472T
MAIN	R402		nsp	nsp	RES.	1K OHM 1/5W J CRD20TJ102T
MAIN	R403		nsp	nsp	RES.	220 OHM 1/5W J CRD20TJ221T
MAIN	R404		nsp	nsp	RES.	470K OHM 1/5W J CRD20TJ474T
MAIN	R405		nsp	nsp	RES.	3.3K OHM 1/5W J CRD20TJ332T
MAIN	R406		nsp	nsp	RES.	4.7K OHM 1/5W J CRD20TJ472T
MAIN	R407		nsp	nsp	RES.	4.7K OHM 1/5W J CRD20TJ472T
MAIN	R408		nsp	nsp	RES.	4.7K OHM 1/5W J CRD20TJ472T
MAIN	R409		nsp	nsp	RES.	4.7K OHM 1/5W J CRD20TJ472T
MAIN	R410		nsp	nsp	RES.	47K OHM 1/5W J CRD20TJ473T
MAIN	R411		nsp	nsp	RES.	47K OHM 1/5W J CRD20TJ473T
MAIN	R412		nsp	nsp	RES.	220 OHM 1/5W J CRD20TJ221T
MAIN	R413		nsp	nsp	RES.	220 OHM 1/5W J CRD20TJ221T
MAIN	R414		nsp	nsp	RES.	220 OHM 1/5W J CRD20TJ221T
MAIN	R415		nsp	nsp	RES.	220 OHM 1/5W J CRD20TJ221T
MAIN	R416		nsp	nsp	RES.	470K OHM 1/5W J CRD20TJ474T
MAIN	R417		nsp	nsp	RES.	470K OHM 1/5W J CRD20TJ474T
MAIN	R418		nsp	nsp	RES.	220 OHM 1/5W J CRD20TJ221T
MAIN	R419		nsp	nsp	RES.	220 OHM 1/5W J CRD20TJ221T
MAIN	R420		nsp	nsp	RES.	470K OHM 1/5W J CRD20TJ474T
MAIN	R421		nsp	nsp	RES.	470K OHM 1/5W J CRD20TJ474T
MAIN	R501		nsp	nsp	RES.	10 OHM 1/5W J CRD20TJ100T
MAIN	R502		nsp	nsp	RES.	10 OHM 1/5W J CRD20TJ100T
MAIN	R503		nsp	nsp	RES.	100 OHM 1/5W J CRD20TJ101T
MAIN	R504		nsp	nsp	RES.	4.7K OHM 1/5W J CRD20TJ472T
MAIN	R505		nsp	nsp	RES.	100K OHM 1/5W J CRD20TJ104T
MAIN	R506		nsp	nsp	RES.	4.7K OHM 1/5W J CRD20TJ472T
MAIN	R507		nsp	nsp	RES.	100K OHM 1/5W J CRD20TJ104T
MAIN	R508		nsp	nsp	RES.	75 OHM 1/5W J CRD20TJ750T
MAIN	R509		nsp	nsp	RES.	75 OHM 1/5W J CRD20TJ750T
MAIN	R601		nsp	nsp	RES.	22 OHM 1/5W J CRD20TJ220T
MAIN	R602		nsp	nsp	RES.	1M OHM 1/5W J CRD20TJ105T
MAIN	R603		nsp	nsp	RES.	100 OHM 1/5W J CRD20TJ101T
MAIN	R606		nsp	nsp	RES.	100 OHM 1/5W J CRD20TJ101T
MAIN	R607		nsp	nsp	RES.	100 OHM 1/5W J CRD20TJ101T
MAIN	R608		nsp	nsp	RES.	100 OHM 1/5W J CRD20TJ101T
MAIN	R609		nsp	nsp	RES.	220 OHM 1/5W J CRD20TJ221T
MAIN	R610		nsp	nsp	RES.	10K OHM 1/5W J CRD20TJ103T
MAIN	R611		nsp	nsp	RES.	680 OHM 1/5W J CRD20TJ681T
MAIN	R612		nsp	nsp	RES.	10 OHM 1/5W J CRD20TJ100T
MAIN	R613		nsp	nsp	RES.	220 OHM 1/5W J CRD20TJ221T
MAIN	R901		nsp	nsp	RES.	2.2 OHM 1/5W J CRD20TJ2R2T
MAIN	R902		nsp	nsp	RES.	3.3K OHM 1/5W J CRD20TJ332T
MAIN	R907		nsp	nsp	RES.	47K OHM 1/5W J CRD20TJ473T
MAIN	R909		nsp	nsp	RES.	47K OHM 1/5W J CRD20TJ473T
MAIN	R910		nsp	nsp	RES.	1K OHM 1/5W J CRD20TJ102T
MAIN	R911		nsp	nsp	RES.	1K OHM 1/5W J CRD20TJ102T
MAIN	R912		nsp	nsp	RES.	3.3K OHM 1/5W J CRD20TJ332T
MAIN	R913		nsp	nsp	RES.	12K OHM 1/5W J CRD20TJ123T
MAIN	R914		nsp	nsp	RES.	100 OHM 1/5W J CRD20TJ101T
MAIN	R915		nsp	nsp	RES.	100 OHM 1/5W J CRD20TJ101T
MAIN	R916		nsp	nsp	RES.	22K OHM 1/5W J CRD20TJ223T
MAIN	R961		nsp	nsp	RES.	47 OHM 1/5W J CRD20TJ470T
MAIN	R962		nsp	nsp	RES.	47K OHM 1/5W J CRD20TJ473T
MAIN	R963		nsp	nsp	RES.	18K OHM 1/5W J CRD20TJ183T
MAIN	R964		nsp	nsp	RES.	18K OHM 1/5W J CRD20TJ183T

NOTE : "nsp" PART IS LISTED FOR REFERENCE ONLY, MARANTZ WILL NOT SUPPLY THESE PARTS.

P.C.B. NAME	POS. NO.	VERS. COLOR	PART NO. (FOR EUR)	PART NO. (MZ)	PART NAME	DESCRIPTION
MAIN	R965		nsp	nsp	RES.	100 OHM 1/5W J CRD20TJ101T
MAIN	R966		nsp	nsp	RES.	4.7K OHM 1/5W J CRD20TJ472T
MAIN	SW51		90M-SS000710R	90M-SS000710R	SW	SLIDE SWITCH KSS2B016Z
MAIN	▲ T902	F B	nsp	90M-TS001930R	TRANSF.	! SUB (DM) CD5400 CLT5I001ZJ
MAIN	▲ T902	F N	nsp	90M-TS001930R	TRANSF.	! SUB (DM) CD5400 CLT5I001ZJ
MAIN	▲ T902	/K1G	nsp	90M-TS001870R	TRANSF.	! SUB (230V/12V) SR4320/A1B CLT5I001ZE
MAIN	▲ T902	/L1G	nsp	90M-TS001860R	TRANSF.	! SUB (120V/12V) SR4320/U1B CLT5I001ZU
MAIN	▲ T902	/N1B	90M-TS001870R	90M-TS001870R	TRANSF.	! SUB (230V/12V) SR4320/A1B CLT5I001ZE
MAIN	▲ T902	/N1G	90M-TS001870R	90M-TS001870R	TRANSF.	! SUB (230V/12V) SR4320/A1B CLT5I001ZE
MAIN	▲ T902	/N1S	90M-TS001870R	90M-TS001870R	TRANSF.	! SUB (230V/12V) SR4320/A1B CLT5I001ZE
MAIN	▲ T902	/U1B	nsp	90M-TS001860R	TRANSF.	! SUB (120V/12V) SR4320/U1B CLT5I001ZU
MAIN	TM02		nsp	nsp	TERMINAL	EARTH PLATE CMC1A111
MAIN	X601		90M-JX001060R	90M-JX001060R	X'TAL	8.467MHZ HOX08467E120C
					POWER SW PWB (CUP11830-3)	CUP11830Z
P-SW	CN73		nsp	nsp	CONN.	4P ANGLE CJP04GB46ZY
P-SW	D701		90M-HI101120R	90M-HI101120R	LED	SLR325VRA47 KVD5LR325VRA47
P-SW	Q705		90M-HX800090R	90M-HX800090R	CHIP TRS.	KRC111S HVTKRC111S
P-SW	R713		nsp	00MNN05152610	CHIP RES.	1.5K OHM 1/10W J CRJ10DJ152T
P-SW	R721		nsp	00MNN05103610	CHIP RES.	10K OHM 1/10W J CRJ10DJ103T
P-SW	S701		90M-SP001320R	90M-SP001320R	SW	SKQNAED010 HST1A016Z
					MAIN TRANSF. PWB (CUP11831-2)	CUP11831Z
TRANSF.	BN92		nsp	nsp	CORD	WIRE ASSY CWB4D932230UZ
TRANSF.	BN93		nsp	nsp	CORD	WIRE ASSY CWB1C910160DM
TRANSF.	C901		nsp	nsp	CER. CAP.	50V 0.1UF CCKT1H104ZF
TRANSF.	C902		nsp	nsp	CER. CAP.	50V 0.1UF CCKT1H104ZF
TRANSF.	C903		nsp	nsp	FILM CAP.	0.1UF 100V CCUMT2A104KB
TRANSF.	C904		nsp	nsp	FILM CAP.	0.1UF 100V CCUMT2A104KB
TRANSF.	C925		nsp	nsp	CER. CAP.	50V 0.1UF CCKT1H104ZF
TRANSF.	▲ C926		90M-DK100770R	90M-DK100770R	CER. CAP.	! 0.0047UF 2.5KV KCKDKS472ME
TRANSF.	C927		nsp	00MOA10702520	ELECT CAP.	100UF 25V CCEA1EH101T
TRANSF.	C928		nsp	00MOA10702520	ELECT CAP.	100UF 25V CCEA1EH101T
TRANSF.	CN91		00MYP04000760	00MYP04000760	CONN.	7.92MM(YUNHO) KJP02KA060ZY
TRANSF.	▲ D901		00MHD20015210	00MHD20015210	DIODE	! 1SS133T-77 HVD1SS133MT
TRANSF.	▲ D902		00MHD20015210	00MHD20015210	DIODE	! 1SS133T-77 HVD1SS133MT
TRANSF.	▲ D904		90M-HD201730R	90M-HD201730R	DIODE	! 1N4003 KVD1N4003ST
TRANSF.	▲ D905		90M-HD201730R	90M-HD201730R	DIODE	! 1N4003 KVD1N4003ST
TRANSF.	F001		nsp	nsp	CONN.	HOLDER, FUSE KJCF5S
TRANSF.	F002		nsp	nsp	CONN.	HOLDER, FUSE KJCF5S
TRANSF.	J901		nsp	nsp	CORD	SN95/PB5, 0.6 C3A206
TRANSF.	J902		nsp	nsp	CORD	SN95/PB5, 0.6 C3A206
TRANSF.	Q901		00MHT327851H0	00MHT327851H0	TRS.	KSC2785Y KVTKSC2785YT
TRANSF.	R903		nsp	nsp	RES.	1 OHM 1/5W J CRD20TJ1R0T
TRANSF.	R904		nsp	nsp	RES.	1 OHM 1/5W J CRD20TJ1R0T
TRANSF.	R905		nsp	nsp	RES.	10K OHM 1/5W J CRD20TJ103T
TRANSF.	R906		nsp	nsp	RES.	3.3K OHM 1/5W J CRD20TJ332T
TRANSF.	▲ RY91		90M-LY000340R	90M-LY000340R	RELAY	! SDT-S-112DMR HSL1A008ZE
TRANSF.	▲ T901	F B	nsp	90M-TS002520R	TRANSF.	! POWER TRANSF. (DM) CLT5M025YJ
TRANSF.	▲ T901	F N	nsp	90M-TS002520R	TRANSF.	! POWER TRANSF. (DM) CLT5M025YJ
TRANSF.	▲ T901	/K1G	nsp	90M-TS002510R	TRANSF.	! POWER TRANSF. (EUR/UK) CLT5M025YE
TRANSF.	▲ T901	/L1G	nsp	90M-TS002530R	TRANSF.	! POWER TRANSF. (TC) CLT5M025YU
TRANSF.	▲ T901	/N1B	90M-TS002510R	90M-TS002510R	TRANSF.	! POWER TRANSF. (EUR/UK) CLT5M025YE
TRANSF.	▲ T901	/N1G	90M-TS002510R	90M-TS002510R	TRANSF.	! POWER TRANSF. (EUR/UK) CLT5M025YE
TRANSF.	▲ T901	/N1S	90M-TS002510R	90M-TS002510R	TRANSF.	! POWER TRANSF. (EUR/UK) CLT5M025YE
TRANSF.	▲ T901	/U1B	nsp	90M-TS002530R	TRANSF.	! POWER TRANSF. (TC) CLT5M025YU
TRANSF.	TM01		nsp	nsp	TERMINAL	EARTH PLATE CMC1A111

P.C.B. NAME	POS. NO.	VERS. COLOR	PART NO. (FOR EUR)	PART NO. (MZ)	PART NAME	DESCRIPTION
					FRONT PWB (CUP11830-1)	CUP11830Z
FRONT	BK71		nsp	nsp	BRACKET	FOR DISPLAY UNIT CMD1A374
FRONT	BK72		nsp	nsp	BRACKET	FOR DISPLAY UNIT CMD1A374
FRONT	BN62		nsp	nsp	CORD	WIRE ASSY CWBCD54UBN62ZA
FRONT	BN73		nsp	nsp	CORD	WIRE ASSY CWB1B904110EN
FRONT	C701		nsp	00MEJ47601640	ELECT CAP.	47 UF 16V KS CCEA1CK5470T
FRONT	C702		nsp	00MDK96104300	CER. CAP.	0.1UF 50V ZF HCUS1H104ZF
FRONT	C703		nsp	00MDK96102300	CER. CAP.	1000PF 50V KC HCUS1H102KC
FRONT	C704		nsp	00MDK96103300	CER. CAP.	0.01UF 50V KC HCUS1H103KC
FRONT	C706		nsp	00MEJ47601640	ELECT CAP.	47 UF 16V KS CCEA1CK5470T
FRONT	C707		nsp	00MDD95120300	CER. CAP.	12PF 50V JA HCUS1H120JA
FRONT	C708		nsp	00MDD95120300	CER. CAP.	12PF 50V JA HCUS1H120JA
FRONT	C709		nsp	00MEJ10505010	ELECT CAP.	1UF 50V CCEA1HKS1R0T
FRONT	C710		nsp	00MDK96104300	CER. CAP.	0.1UF 50V ZF HCUS1H104ZF
FRONT	C712		nsp	00MEJ47601640	ELECT CAP.	47 UF 16V KS CCEA1CK5470T
FRONT	C713		nsp	00MEJ47601640	ELECT CAP.	47 UF 16V KS CCEA1CK5470T
FRONT	C715		nsp	00MDK96104300	CER. CAP.	0.1UF 50V ZF HCUS1H104ZF
FRONT	C716		nsp	00MDK96104300	CER. CAP.	0.1UF 50V ZF HCUS1H104ZF
FRONT	C731		nsp	00MEJ47601640	ELECT CAP.	47 UF 16V KS CCEA1CK5470T
FRONT	C732		nsp	00MDK96103300	CER. CAP.	0.01UF 50V KC HCUS1H103KC
FRONT	CN71		nsp	nsp	CONN.	15P CARD CABLE CJP15GA115ZY
FRONT	CN72		nsp	nsp	CONN.	15P CARD CABLE CJP15GA115ZY
FRONT	D702		90M-HI101120R	90M-HI101120R	LED	SLR325VRA47 KVDSL325VRA47
FRONT	FIP1		90M-HQ300610R	90M-HQ300610R	DISPLAY	FL DISPLAY FOR CD5400 HFLHCA12SS18T
FRONT	IC71		90M-HS45BWT0R	90M-HS45BWT0R	U-PRO	TMP87PS71AFG (PB FREE) HVITMP87PS71AFG
FRONT	IC72		90M-HC108370R	90M-HC108370R	IC	IS61C256AH-15J 256K SRAM BVIIS61C256A15J
FRONT	IC73		90M-HC700550R	90M-HC700550R	IC	TC74HCU04AFNG HVI74HCU04AFNG
FRONT	L701		90M-LU000240R	90M-LU000240R	CHIP INDUCT.	8.2MH HLQ09E8R2KRZ
FRONT	Q701		90M-HX800080R	90M-HX800080R	CHIP TRS.	KRC107S HVTKRC107S
FRONT	Q702		90M-HX800080R	90M-HX800080R	CHIP TRS.	KRC107S HVTKRC107S
FRONT	Q704		90M-HX800080R	90M-HX800080R	CHIP TRS.	KRC107S HVTKRC107S
FRONT	Q706		90M-HX600070R	90M-HX600070R	CHIP TRS.	KRA111ST HVTKRA111ST
FRONT	Q707		00MBA10002000	00MBA10002000	TRS.	KRA104M HVTKRA104MT
FRONT	Q708		00MBA10002000	00MBA10002000	TRS.	KRA104M HVTKRA104MT
FRONT	R615		nsp	00MNN05472610	CHIP RES.	4.7K OHM 1/10W J CRJ10DJ472T
FRONT	R616		nsp	00MNN05472610	CHIP RES.	4.7K OHM 1/10W J CRJ10DJ472T
FRONT	R617		nsp	00MNN05472610	CHIP RES.	4.7K OHM 1/10W J CRJ10DJ472T
FRONT	R701		nsp	00MNN05103610	CHIP RES.	10K OHM 1/10W J CRJ10DJ103T
FRONT	R702		nsp	00MNN05182610	CHIP RES.	1.8K OHM 1/10W J CRJ10DJ182T
FRONT	R703		nsp	00MNN05152610	CHIP RES.	1.5K OHM 1/10W J CRJ10DJ152T
FRONT	R704		nsp	00MNN05102610	CHIP RES.	1K OHM 1/10W J CRJ10DJ102T
FRONT	R705		nsp	00MNN05103610	CHIP RES.	10K OHM 1/10W J CRJ10DJ103T
FRONT	R706		nsp	00MNN05332610	CHIP RES.	3.3K OHM 1/10W J CRJ10DJ332T
FRONT	R707		nsp	00MNN05272610	CHIP RES.	2.7K OHM 1/10W J CRJ10DJ272T
FRONT	R708		nsp	00MNN05182610	CHIP RES.	1.8K OHM 1/10W J CRJ10DJ182T
FRONT	R709		nsp	00MNN05152610	CHIP RES.	1.5K OHM 1/10W J CRJ10DJ152T
FRONT	R710		nsp	00MNN05102610	CHIP RES.	1K OHM 1/10W J CRJ10DJ102T
FRONT	R714		nsp	00MNN05331610	CHIP RES.	330 OHM 1/10W J CRJ10DJ331T
FRONT	R720		nsp	00MNN05473610	CHIP RES.	47K OHM 1/10W J CRJ10DJ473T
FRONT	R722		nsp	00MNN05103610	CHIP RES.	10K OHM 1/10W J CRJ10DJ103T
FRONT	R723		nsp	00MNN05103610	CHIP RES.	10K OHM 1/10W J CRJ10DJ103T
FRONT	R724		nsp	00MNN05332610	CHIP RES.	3.3K OHM 1/10W J CRJ10DJ332T
FRONT	R725		nsp	00MNN05332610	CHIP RES.	3.3K OHM 1/10W J CRJ10DJ332T
FRONT	R726		nsp	00MNN05332610	CHIP RES.	3.3K OHM 1/10W J CRJ10DJ332T
FRONT	R727		nsp	00MNN05103610	CHIP RES.	10K OHM 1/10W J CRJ10DJ103T
FRONT	R731		nsp	00MNN05103610	CHIP RES.	10K OHM 1/10W J CRJ10DJ103T
FRONT	R732		nsp	00MNN05103610	CHIP RES.	10K OHM 1/10W J CRJ10DJ103T
FRONT	R733		nsp	00MNN05103610	CHIP RES.	10K OHM 1/10W J CRJ10DJ103T
FRONT	R734		nsp	00MNN05102610	CHIP RES.	1K OHM 1/10W J CRJ10DJ102T
FRONT	R735		nsp	00MNN05682610	CHIP RES.	6.8K OHM 1/10W J CRJ10DJ682T
FRONT	R736		nsp	00MNN05102610	CHIP RES.	1K OHM 1/10W J CRJ10DJ102T
FRONT	R737		nsp	00MNN05103610	CHIP RES.	10K OHM 1/10W J CRJ10DJ103T
FRONT	R738		nsp	00MNN05103610	CHIP RES.	10K OHM 1/10W J CRJ10DJ103T
FRONT	R739		nsp	00MNN05103610	CHIP RES.	10K OHM 1/10W J CRJ10DJ103T
FRONT	R740		nsp	00MNN05103610	CHIP RES.	10K OHM 1/10W J CRJ10DJ103T
FRONT	R741		nsp	00MNN05103610	CHIP RES.	10K OHM 1/10W J CRJ10DJ103T
FRONT	R742		nsp	00MNN05103610	CHIP RES.	10K OHM 1/10W J CRJ10DJ103T

NOTE : "nsp" PART IS LISTED FOR REFERENCE ONLY, MARANTZ WILL NOT SUPPLY THESE PARTS.

P.C.B. NAME	POS. NO.	VERS. COLOR	PART NO. (FOR EUR)	PART NO. (MZ)	PART NAME	DESCRIPTION	
FRONT	R743		nsp	00MNN05103610	CHIP RES.	10K OHM 1/10W J	CRJ10DJ103T
FRONT	R744		nsp	00MNN05103610	CHIP RES.	10K OHM 1/10W J	CRJ10DJ103T
FRONT	R745		nsp	00MNN05332610	CHIP RES.	3.3K OHM 1/10W J	CRJ10DJ332T
FRONT	R746		nsp	00MNN05332610	CHIP RES.	3.3K OHM 1/10W J	CRJ10DJ332T
FRONT	R747		nsp	00MNN05332610	CHIP RES.	3.3K OHM 1/10W J	CRJ10DJ332T
FRONT	R748		nsp	00MNN05332610	CHIP RES.	3.3K OHM 1/10W J	CRJ10DJ332T
FRONT	R749		nsp	00MNN05332610	CHIP RES.	3.3K OHM 1/10W J	CRJ10DJ332T
FRONT	R750		nsp	00MNN05332610	CHIP RES.	3.3K OHM 1/10W J	CRJ10DJ332T
FRONT	R751		nsp	00MNN05332610	CHIP RES.	3.3K OHM 1/10W J	CRJ10DJ332T
FRONT	R752		nsp	00MNN05332610	CHIP RES.	3.3K OHM 1/10W J	CRJ10DJ332T
FRONT	R753		nsp	00MNN05332610	CHIP RES.	3.3K OHM 1/10W J	CRJ10DJ332T
FRONT	R754		nsp	00MNN05332610	CHIP RES.	3.3K OHM 1/10W J	CRJ10DJ332T
FRONT	R755		nsp	00MNN05332610	CHIP RES.	3.3K OHM 1/10W J	CRJ10DJ332T
FRONT	R756		nsp	00MNN05332610	CHIP RES.	3.3K OHM 1/10W J	CRJ10DJ332T
FRONT	R757		nsp	00MNN05332610	CHIP RES.	3.3K OHM 1/10W J	CRJ10DJ332T
FRONT	R758		nsp	00MNN05332610	CHIP RES.	3.3K OHM 1/10W J	CRJ10DJ332T
FRONT	R759		nsp	00MNN05332610	CHIP RES.	3.3K OHM 1/10W J	CRJ10DJ332T
FRONT	R760		nsp	00MNN05332610	CHIP RES.	3.3K OHM 1/10W J	CRJ10DJ332T
FRONT	R761		nsp	00MNN05332610	CHIP RES.	3.3K OHM 1/10W J	CRJ10DJ332T
FRONT	R762		nsp	00MNN05332610	CHIP RES.	3.3K OHM 1/10W J	CRJ10DJ332T
FRONT	R763		nsp	00MNN05332610	CHIP RES.	3.3K OHM 1/10W J	CRJ10DJ332T
FRONT	R764		nsp	00MNN05332610	CHIP RES.	3.3K OHM 1/10W J	CRJ10DJ332T
FRONT	R765		nsp	00MNN05332610	CHIP RES.	3.3K OHM 1/10W J	CRJ10DJ332T
FRONT	R766		nsp	00MNN05332610	CHIP RES.	3.3K OHM 1/10W J	CRJ10DJ332T
FRONT	R767		nsp	00MNN05332610	CHIP RES.	3.3K OHM 1/10W J	CRJ10DJ332T
FRONT	R768		nsp	00MNN05222610	CHIP RES.	2.2K OHM 1/10W J	CRJ10DJ222T
FRONT	RC71		00MHW10004210	00MHW10004210	PHOTO UNIT	RPM6936-V4	BRVRPM6936V4
FRONT	S702		90M-SP001320R	90M-SP001320R	SW	SKQNAED010	HST1A016Z
FRONT	S703		90M-SP001320R	90M-SP001320R	SW	SKQNAED010	HST1A016Z
FRONT	S704		90M-SP001320R	90M-SP001320R	SW	SKQNAED010	HST1A016Z
FRONT	S705		90M-SP001320R	90M-SP001320R	SW	SKQNAED010	HST1A016Z
FRONT	S706		90M-SP001320R	90M-SP001320R	SW	SKQNAED010	HST1A016Z
FRONT	S707		90M-SP001320R	90M-SP001320R	SW	SKQNAED010	HST1A016Z
FRONT	S708		90M-SP001320R	90M-SP001320R	SW	SKQNAED010	HST1A016Z
FRONT	S709		90M-SP001320R	90M-SP001320R	SW	SKQNAED010	HST1A016Z
FRONT	S710		90M-SP001320R	90M-SP001320R	SW	SKQNAED010	HST1A016Z
FRONT	S711		90M-SP001320R	90M-SP001320R	SW	SKQNAED010	HST1A016Z
FRONT	X701		90M-JX001030R	90M-JX001030R	X'TAL	8MHZ	HOX08000E160C
					H/P PWB (CUP11830-2)		CUP11830Z
H/P	BN81		nsp	nsp	CORD	WIRE ASSY	CWBCD54UBN81ZA
H/P	C809		nsp	00MEJ10601610	ELECT CAP.	100UF 16V KS	CCEA1CKS101T
H/P	C810		nsp	00MEJ10601610	ELECT CAP.	100UF 16V KS	CCEA1CKS101T
H/P	C811		nsp	00MEJ10601640	ELECT CAP.	10UF 16V KS	CCEA1CKS100T
H/P	C812		nsp	00MEJ10601640	ELECT CAP.	10UF 16V KS	CCEA1CKS100T
H/P	C813		nsp	00MDK98223300	CER. CAP.	0.022UF 50V KC	HCUS1H223KC
H/P	C814		nsp	00MDK98223300	CER. CAP.	0.022UF 50V KC	HCUS1H223KC
H/P	D830		90M-HZ200190R	90M-HZ200190R	DIODE	RLS4148SR	HVDRLS4148SR
H/P	D831		90M-HZ200190R	90M-HZ200190R	DIODE	RLS4148SR	HVDRLS4148SR
H/P	D832		90M-HZ200190R	90M-HZ200190R	DIODE	RLS4148SR	HVDRLS4148SR
H/P	D833		90M-HZ200190R	90M-HZ200190R	DIODE	RLS4148SR	HVDRLS4148SR
H/P	IC81		00MHC10200090	00MHC10200090	IC	NJM4556AL	HVINJM4556AL
H/P	L801	/N1B	90M-NI001040R	90M-NI001040R	CHIP RES.	0 OHM	CRJ10CJ0R0T
H/P	L801	/N1S	90M-NI001040R	90M-NI001040R	CHIP RES.	0 OHM	CRJ10CJ0R0T
H/P	L802	/N1B	90M-NI001040R	90M-NI001040R	CHIP RES.	0 OHM	CRJ10CJ0R0T
H/P	L802	/N1S	90M-NI001040R	90M-NI001040R	CHIP RES.	0 OHM	CRJ10CJ0R0T
H/P	PH81	/N1B	90M-YT003160R	90M-YT003160R	TERMINAL	HTJ-064-05NG HEADPHONE JACK	CJJ2E020Z
H/P	PH81	/N1S	90M-YT004500R	90M-YT004500R	TERMINAL	JACK HEADPHONE(SILVER)	CJJ2E026Z
H/P	Q801		90M-HX900010R	90M-HX900010R	CHIP TRS.	KTD1304	HVTKTD1304T
H/P	Q802		90M-HX900010R	90M-HX900010R	CHIP TRS.	KTD1304	HVTKTD1304T
H/P	Q803		90M-HX900010R	90M-HX900010R	CHIP TRS.	KTD1304	HVTKTD1304T
H/P	Q804		90M-HX900010R	90M-HX900010R	CHIP TRS.	KTD1304	HVTKTD1304T
H/P	Q830		00MHT800951B0	00MHT800951B0	TRS.	KTC3203Y	HVTKTC3203YT
H/P	Q831		00MHT800951B0	00MHT800951B0	TRS.	KTC3203Y	HVTKTC3203YT
H/P	Q832		00MHT600141B0	00MHT600141B0	TRS.	KTA1271Y	HVTKTA1271YT
H/P	Q834		00MHT600141B0	00MHT600141B0	TRS.	KTA1271Y	HVTKTA1271YT
H/P	R805		nsp	00MNN05472610	CHIP RES.	4.7K OHM 1/10W J	CRJ10DJ472T
H/P	R806		nsp	00MNN05472610	CHIP RES.	4.7K OHM 1/10W J	CRJ10DJ472T

NOTE : *nsp* PART IS LISTED FOR REFERENCE ONLY, MARANTZ WILL NOT SUPPLY THESE PARTS.

P.C.B. NAME	POS. NO.	VERS. COLOR	PART NO. (FOR EUR)	PART NO. (MZ)	PART NAME	DESCRIPTION	
H/P	R809		nsp	00MNN05822610	CHIP RES.	8.2K OHM 1/10W J	CRJ10DJ822T
H/P	R810		nsp	00MNN05822610	CHIP RES.	8.2K OHM 1/10W J	CRJ10DJ822T
H/P	R811		nsp	00MNN05101610	CHIP RES.	100 OHM 1/10W J	CRJ10DJ101T
H/P	R812		nsp	00MNN05101610	CHIP RES.	100 OHM 1/10W J	CRJ10DJ101T
H/P	R813		nsp	00MNN05103610	CHIP RES.	10K OHM 1/10W J	CRJ10DJ103T
H/P	R814		nsp	00MNN05103610	CHIP RES.	10K OHM 1/10W J	CRJ10DJ103T
H/P	R815		nsp	00MNN05472610	CHIP RES.	4.7K OHM 1/10W J	CRJ10DJ472T
H/P	R816		nsp	00MNN05472610	CHIP RES.	4.7K OHM 1/10W J	CRJ10DJ472T
H/P	R820		nsp	00MNN05472610	CHIP RES.	4.7K OHM 1/10W J	CRJ10DJ472T
H/P	R821		nsp	00MNN05472610	CHIP RES.	4.7K OHM 1/10W J	CRJ10DJ472T
H/P	R830		nsp	00MNN05152610	CHIP RES.	1.5K OHM 1/10W J	CRJ10DJ152T
H/P	R831		nsp	00MNN05330610	CHIP RES.	33 OHM 1/10W J	CRJ10DJ330T
H/P	R832		nsp	00MNN05330610	CHIP RES.	33 OHM 1/10W J	CRJ10DJ330T
H/P	R833		nsp	00MNN05152610	CHIP RES.	1.5K OHM 1/10W J	CRJ10DJ152T
H/P	R834		nsp	nsp	CHIP RES.	33 OHM 1/2W	CRJ50EJ330T
H/P	R835		nsp	nsp	CHIP RES.	33 OHM 1/2W	CRJ50EJ330T
H/P	R836		nsp	00MNN05152610	CHIP RES.	1.5K OHM 1/10W J	CRJ10DJ152T
H/P	R837		nsp	00MNN05330610	CHIP RES.	33 OHM 1/10W J	CRJ10DJ330T
H/P	R838		nsp	00MNN05330610	CHIP RES.	33 OHM 1/10W J	CRJ10DJ330T
H/P	R839		nsp	00MNN05152610	CHIP RES.	1.5K OHM 1/10W J	CRJ10DJ152T
H/P	R840		nsp	nsp	CHIP RES.	33 OHM 1/2W	CRJ50EJ330T
H/P	R841		nsp	nsp	CHIP RES.	33 OHM 1/2W	CRJ50EJ330T
H/P	TM81		nsp	nsp	TERMINAL	EARTH PLATE	CMC1A278
H/P	VR81		90M-RB000040R	90M-RB000040R	VAR. RES.	VOLUME (B CURVE)	CVV2J02B103Z
					MAIN PWB (CUP11831-1)		CUP11831Z
MAIN	BK11		nsp	nsp	BRACKET	BRACKET PWB	CMD1A387
MAIN	BK12		nsp	nsp	PLATE		CMC1A279
MAIN	BK21		nsp	nsp	TERMINAL	EARTH PLATE	CNE75
MAIN	C100		nsp	nsp	CER. CAP.	50V 0.1UF	CCKT1H104ZF
MAIN	C101		nsp	nsp	CER. CAP.	50V 0.1UF	CCKT1H104ZF
MAIN	C102		nsp	00MOA10701620	ELECT CAP.	100UF 16V	CCEA1CH101T
MAIN	C103		nsp	nsp	CER. CAP.	50V 0.1UF	CCKT1H104ZF
MAIN	C104		nsp	00MOA10701620	ELECT CAP.	100UF 16V	CCEA1CH101T
MAIN	C106		nsp	nsp	CER. CAP.	68PF 50V JC	CCCT1H680JC
MAIN	C107		nsp	nsp	CER. CAP.	3PF 50V CC	CCCT1H030CC
MAIN	C108		nsp	nsp	CER. CAP.	50V 0.1UF	CCKT1H104ZF
MAIN	C110		nsp	nsp	CER. CAP.	50V 0.1UF	CCKT1H104ZF
MAIN	C111		nsp	nsp	CER. CAP.	6800PF 50V KB	CCKT1H682KB
MAIN	C112		nsp	nsp	CER. CAP.	0.033UF 50V ZF	CCKT1H333ZF
MAIN	C113		nsp	00MOA10701620	ELECT CAP.	100UF 16V	CCEA1CH101T
MAIN	C114		nsp	nsp	CER. CAP.	2700PF 50V KB	CCKT1H272KB
MAIN	C115		nsp	nsp	CER. CAP.	0.01UF 50V ZF	CCKT1H103ZF
MAIN	C116		nsp	nsp	CER. CAP.	0.047UF 50V ZF	CCKT1H473ZF
MAIN	C117		nsp	nsp	CER. CAP.	0.015UF 50V ZF	CCKT1H153ZF
MAIN	C118		nsp	nsp	CER. CAP.	47PF 50V JC	CCCT1H470JC
MAIN	C120		nsp	nsp	CER. CAP.	50V 0.1UF	CCKT1H104ZF
MAIN	C123		nsp	nsp	CER. CAP.	50V 0.1UF	CCKT1H104ZF
MAIN	C124		nsp	00MOA10701620	ELECT CAP.	100UF 16V	CCEA1CH101T
MAIN	C125		nsp	nsp	CER. CAP.	50V 0.1UF	CCKT1H104ZF
MAIN	C126		nsp	nsp	CER. CAP.	0.047UF 50V ZF	CCKT1H473ZF
MAIN	C127		nsp	nsp	CER. CAP.	50V 0.1UF	CCKT1H104ZF
MAIN	C128		nsp	00MOA22701620	ELECT CAP.	220UF 16V	CCEA1CH221T
MAIN	C129		nsp	00MOA10701620	ELECT CAP.	100UF 16V	CCEA1CH101T
MAIN	C130		nsp	00MOA10701620	ELECT CAP.	100UF 16V	CCEA1CH101T
MAIN	C131		nsp	nsp	CER. CAP.	50V 0.1UF	CCKT1H104ZF
MAIN	C134		nsp	nsp	CER. CAP.	50V 0.1UF	CCKT1H104ZF
MAIN	C135		nsp	nsp	CER. CAP.	50V 0.1UF	CCKT1H104ZF
MAIN	C136		nsp	nsp	CER. CAP.	50V 0.1UF	CCKT1H104ZF
MAIN	C137		nsp	00MOA10701620	ELECT CAP.	100UF 16V	CCEA1CH101T
MAIN	C138		nsp	nsp	CER. CAP.	470PF 50V KB	CCKT1H471KB
MAIN	C139		nsp	nsp	CER. CAP.	470PF 50V KB	CCKT1H471KB
MAIN	C140		nsp	nsp	CER. CAP.	0.047UF 50V ZF	CCKT1H473ZF
MAIN	C141		nsp	nsp	CER. CAP.	0.047UF 50V ZF	CCKT1H473ZF
MAIN	C142		nsp	nsp	CER. CAP.	50V 0.1UF	CCKT1H104ZF
MAIN	C143		nsp	nsp	CER. CAP.	50V 0.1UF	CCKT1H104ZF
MAIN	C144		nsp	nsp	CER. CAP.	50V 0.1UF	CCKT1H104ZF
MAIN	C145	/N1B	nsp	00MOA47601620	ELECT CAP.	47UF 16V ROS	HCEA1CR470T

NOTE : "nsp" PART IS LISTED FOR REFERENCE ONLY, MARANTZ WILL NOT SUPPLY THESE PARTS.

P.C.B. NAME	POS. NO.	VERS. COLOR	PART NO. (FOR EUR)	PART NO. (MZ)	PART NAME	DESCRIPTION	
MAIN	C145	/N1S	nsp	00MOA476016Z0	ELECT CAP.	47UF 16V ROS	HCEA1CR470T
MAIN	C147	/N1B	nsp	00MOA476016Z0	ELECT CAP.	47UF 16V ROS	HCEA1CR470T
MAIN	C147	/N1S	nsp	00MOA476016Z0	ELECT CAP.	47UF 16V ROS	HCEA1CR470T
MAIN	C148	/N1B	nsp	00MOA476016Z0	ELECT CAP.	47UF 16V ROS	HCEA1CR470T
MAIN	C148	/N1S	nsp	00MOA476016Z0	ELECT CAP.	47UF 16V ROS	HCEA1CR470T
MAIN	C150	/N1B	nsp	00MOA476016Z0	ELECT CAP.	47UF 16V ROS	HCEA1CR470T
MAIN	C150	/N1S	nsp	00MOA476016Z0	ELECT CAP.	47UF 16V ROS	HCEA1CR470T
MAIN	C151		nsp	nsp	CER. CAP.	47PF 50V JC	CCCT1H470JC
MAIN	C152		nsp	nsp	CER. CAP.	47PF 50V JC	CCCT1H470JC
MAIN	C153		nsp	nsp	CER. CAP.	47PF 50V JC	CCCT1H470JC
MAIN	C154		nsp	nsp	CER. CAP.	47PF 50V JC	CCCT1H470JC
MAIN	C155		nsp	nsp	CER. CAP.	47PF 50V JC	CCCT1H470JC
MAIN	C157		nsp	00MOA47601640	ELECT CAP.	47UF 16V	CCEA1CH470T
MAIN	C158		nsp	00MOA47601640	ELECT CAP.	47UF 16V	CCEA1CH470T
MAIN	C159		nsp	nsp	CER. CAP.	50V 0.1UF	CCKT1H104ZF
MAIN	C160		nsp	00MOA10505020	ELECT CAP.	1UF 50V	CCEA1HH1R0T
MAIN	C161		nsp	nsp	CER. CAP.	50V 0.1UF	CCKT1H104ZF
MAIN	C162		nsp	00MOA10605020	ELECT CAP.	10UF 50V	CCEA1HH100T
MAIN	C163		nsp	00MOA47701020	ELECT CAP.	470UF 10V	CCEA1AH471T
MAIN	C164		nsp	00MOA10701620	ELECT CAP.	100UF 16V	CCEA1CH101T
MAIN	C167		nsp	00MOA47601640	ELECT CAP.	47UF 16V	CCEA1CH470T
MAIN	C168		nsp	nsp	CER. CAP.	50V 0.1UF	CCKT1H104ZF
MAIN	C173		nsp	nsp	CER. CAP.	50V 0.1UF	CCKT1H104ZF
MAIN	C174		nsp	nsp	CER. CAP.	50V 0.1UF	CCKT1H104ZF
MAIN	C175		nsp	00MOA47601640	ELECT CAP.	47UF 16V	CCEA1CH470T
MAIN	C176		nsp	nsp	CER. CAP.	50V 0.1UF	CCKT1H104ZF
MAIN	C178		nsp	nsp	CER. CAP.	50V 0.1UF	CCKT1H104ZF
MAIN	C195		nsp	00MOA47601640	ELECT CAP.	47UF 16V	CCEA1CH470T
MAIN	C201	/N1B	nsp	00MOA106035Z0	ELECT CAP.	10UF 35V ROS	HCEA1VR100T
MAIN	C201	/N1S	nsp	00MOA106035Z0	ELECT CAP.	10UF 35V ROS	HCEA1VR100T
MAIN	C202	/N1B	nsp	00MOA106035Z0	ELECT CAP.	10UF 35V ROS	HCEA1VR100T
MAIN	C202	/N1S	nsp	00MOA106035Z0	ELECT CAP.	10UF 35V ROS	HCEA1VR100T
MAIN	C206	/N1B	90M-OF100520R	90M-OF100520R	FILM CAP.	220PF J	CCMP2J221JS06T
MAIN	C206	/N1S	90M-OF100520R	90M-OF100520R	FILM CAP.	220PF J	CCMP2J221JS06T
MAIN	C207	/N1B	90M-OF100520R	90M-OF100520R	FILM CAP.	220PF J	CCMP2J221JS06T
MAIN	C207	/N1S	90M-OF100520R	90M-OF100520R	FILM CAP.	220PF J	CCMP2J221JS06T
MAIN	C210	/N1B	nsp	00MOA10702520	ELECT CAP.	100UF 25V RA-2	HCEA1ERA101T
MAIN	C210	/N1S	nsp	00MOA10702520	ELECT CAP.	100UF 25V RA-2	HCEA1ERA101T
MAIN	C211	/N1B	90M-OF100510R	90M-OF100510R	FILM CAP.	2200PF 100V J	CCMP2A122JS05T
MAIN	C211	/N1S	90M-OF100510R	90M-OF100510R	FILM CAP.	2200PF 100V J	CCMP2A122JS05T
MAIN	C301	/N1B	nsp	00MOA106035Z0	ELECT CAP.	10UF 35V ROS	HCEA1VR100T
MAIN	C301	/N1S	nsp	00MOA106035Z0	ELECT CAP.	10UF 35V ROS	HCEA1VR100T
MAIN	C302	/N1B	nsp	00MOA106035Z0	ELECT CAP.	10UF 35V ROS	HCEA1VR100T
MAIN	C302	/N1S	nsp	00MOA106035Z0	ELECT CAP.	10UF 35V ROS	HCEA1VR100T
MAIN	C306	/N1B	90M-OF100520R	90M-OF100520R	FILM CAP.	220PF J	CCMP2J221JS06T
MAIN	C306	/N1S	90M-OF100520R	90M-OF100520R	FILM CAP.	220PF J	CCMP2J221JS06T
MAIN	C307	/N1B	90M-OF100520R	90M-OF100520R	FILM CAP.	220PF J	CCMP2J221JS06T
MAIN	C307	/N1S	90M-OF100520R	90M-OF100520R	FILM CAP.	220PF J	CCMP2J221JS06T
MAIN	C310	/N1B	nsp	00MOA10702520	ELECT CAP.	100UF 25V RA-2	HCEA1ERA101T
MAIN	C310	/N1S	nsp	00MOA10702520	ELECT CAP.	100UF 25V RA-2	HCEA1ERA101T
MAIN	C311	/N1B	90M-OF100510R	90M-OF100510R	FILM CAP.	2200PF 100V J	CCMP2A122JS05T
MAIN	C311	/N1S	90M-OF100510R	90M-OF100510R	FILM CAP.	2200PF 100V J	CCMP2A122JS05T
MAIN	C400		nsp	nsp	CER. CAP.	50V 0.1UF	CCKT1H104ZF
MAIN	C401		nsp	00MOA47701020	ELECT CAP.	470UF 10V	CCEA1AH471T
MAIN	C402		nsp	nsp	CER. CAP.	1000PF 50V KB	CCKT1H102KB
MAIN	C403		nsp	00MOA47701620	ELECT CAP.	470UF 16V ZF	CCEA1CH471T
MAIN	C404		nsp	00MOA33505020	ELECT CAP.	3.3UF 50V	CCEA1HH3R3T
MAIN	C405		00MOF15182540	00MOF15182540	FILM CAP.	1800PF 50V J	HCQI1H182JZT
MAIN	C406		00MOF15182540	00MOF15182540	FILM CAP.	1800PF 50V J	HCQI1H182JZT
MAIN	C420	/N1B	90M-OF100510R	90M-OF100510R	FILM CAP.	2200PF 100V J	CCMP2A222JS05T
MAIN	C420	/N1S	90M-OF100510R	90M-OF100510R	FILM CAP.	2200PF 100V J	CCMP2A222JS05T
MAIN	C421	/N1B	90M-OF100510R	90M-OF100510R	FILM CAP.	2200PF 100V J	CCMP2A222JS05T
MAIN	C421	/N1S	90M-OF100510R	90M-OF100510R	FILM CAP.	2200PF 100V J	CCMP2A222JS05T
MAIN	C422		00MOF15182540	00MOF15182540	FILM CAP.	1800PF 50V J	HCQI1H182JZT
MAIN	C423		00MOF15182540	00MOF15182540	FILM CAP.	1800PF 50V J	HCQI1H182JZT
MAIN	C501		nsp	nsp	CER. CAP.	33PF 50V JC	CCCT1H330JC
MAIN	C502		nsp	00MOA47601640	ELECT CAP.	47UF 16V	CCEA1CH470T

NOTE : *nsp* PART IS LISTED FOR REFERENCE ONLY, MARANTZ WILL NOT SUPPLY THESE PARTS.

P.C.B. NAME	POS. NO.	VERS. COLOR	PART NO. (FOR EUR)	PART NO. (MZ)	PART NAME	DESCRIPTION	
MAIN	C503		nsp	nsp	CER. CAP.	50V 0.1UF	CCKT1H104ZF
MAIN	C504		nsp	nsp	CER. CAP.	100PF 50V KB	CCKT1H101KB
MAIN	C505		nsp	nsp	CER. CAP.	50V 0.1UF	CCKT1H104ZF
MAIN	C506		nsp	nsp	CER. CAP.	50V 0.1UF	CCKT1H104ZF
MAIN	C507		nsp	00MOA47601640	ELECT CAP.	47UF 16V	CCEA1CH470T
MAIN	C508		nsp	nsp	CER. CAP.	50V 0.1UF	CCKT1H104ZF
MAIN	C583		nsp	nsp	CER. CAP.	50V 0.1UF	CCKT1H104ZF
MAIN	C601		nsp	nsp	CER. CAP.	2200PF 50V ZF	CCKT1H222ZF
MAIN	C603		nsp	nsp	CER. CAP.	0.01UF 50V ZF	CCKT1H103ZF
MAIN	C605		nsp	00MOA10701620	ELECT CAP.	100UF 16V	CCEA1CH101T
MAIN	C607		nsp	nsp	CER. CAP.	0.01UF 50V ZF	CCKT1H103ZF
MAIN	C609		nsp	00MOA10701620	ELECT CAP.	100UF 16V	CCEA1CH101T
MAIN	C610		nsp	nsp	CER. CAP.	0.01UF 50V ZF	CCKT1H103ZF
MAIN	C611		nsp	nsp	CER. CAP.	22PF 50V JC	CCCT1H220JC
MAIN	C613		nsp	nsp	CER. CAP.	22PF 50V JC	CCCT1H220JC
MAIN	C614		nsp	nsp	CER. CAP.	22PF 50V JC	CCCT1H220JC
MAIN	C615		nsp	00MOA10505020	ELECT CAP.	1UF 50V	CCEA1HH1R0T
MAIN	C801		nsp	00MOA47605020	ELECT CAP.	47UF 50V	CCEA1HH470T
MAIN	C802		nsp	00MOA47605020	ELECT CAP.	47UF 50V	CCEA1HH470T
MAIN	C905		nsp	nsp	CER. CAP.	0.022UF 50V ZF	CCKT1H223ZF
MAIN	C906		nsp	00MOA47702520	ELECT CAP.	470UF 25V	CCEA1EH471T
MAIN	C907		nsp	nsp	CER. CAP.	0.022UF 50V ZF	CCKT1H223ZF
MAIN	C908		nsp	00MOA10701620	ELECT CAP.	100UF 16V	CCEA1CH101T
MAIN	C909		nsp	00MOA47701620	ELECT CAP.	470UF 16V ZF	CCEA1CH471T
MAIN	C910		nsp	nsp	CER. CAP.	50V 0.1UF	CCKT1H104ZF
MAIN	▲ C911	/N1B	00MOA47802520	00MOA47802520	ELECT CAP.	! 4700UF 25V RA-2	HCEA1ERA472E
MAIN	▲ C911	/N1S	00MOA47802520	00MOA47802520	ELECT CAP.	! 4700UF 25V RA-2	HCEA1ERA472E
MAIN	C912		nsp	nsp	CER. CAP.	50V 0.1UF	CCKT1H104ZF
MAIN	▲ C913	/N1B	00MOA47802520	00MOA47802520	ELECT CAP.	! 4700UF 25V RA-2	HCEA1ERA472E
MAIN	▲ C913	/N1S	00MOA47802520	00MOA47802520	ELECT CAP.	! 4700UF 25V RA-2	HCEA1ERA472E
MAIN	C914		nsp	nsp	CER. CAP.	50V 0.1UF	CCKT1H104ZF
MAIN	▲ C915		90M-OA000440R	90M-OA000440R	ELECT CAP.	! 3300UF 25V	HCEA1EH332EW
MAIN	C916		nsp	90M-OA000470R	ELECT CAP.	22UF 63V	CCEA1JH220E
MAIN	C917		nsp	nsp	CER. CAP.	50V 0.1UF	CCKT1H104ZF
MAIN	C918		nsp	00MOA22505020	ELECT CAP.	2.2UF 50V	CCEA1HH2R2T
MAIN	C919		nsp	00MOA10605020	ELECT CAP.	10UF 50V	CCEA1HH100T
MAIN	C920		nsp	nsp	CER. CAP.	50V 0.1UF	CCKT1H104ZF
MAIN	C921		nsp	nsp	CER. CAP.	0.047UF 50V ZF	CCKT1H473ZF
MAIN	C922		nsp	nsp	CER. CAP.	0.033UF 50V ZF	CCKT1H333ZF
MAIN	C923		nsp	nsp	CER. CAP.	50V 0.1UF	CCKT1H104ZF
MAIN	C924		nsp	nsp	CER. CAP.	50V 0.1UF	CCKT1H104ZF
MAIN	C930		nsp	00MOA10701620	ELECT CAP.	100UF 16V	CCEA1CH101T
MAIN	C931	/N1B	nsp	00MOA10702520	ELECT CAP.	100UF 25V RA-2	HCEA1ERA101T
MAIN	C931	/N1S	nsp	00MOA10702520	ELECT CAP.	100UF 25V RA-2	HCEA1ERA101T
MAIN	▲ C932	/N1B	00MOA10702520	00MOA10702520	ELECT CAP.	! 100UF 25V RA-2	HCEA1ERA101T
MAIN	▲ C932	/N1S	00MOA10702520	00MOA10702520	ELECT CAP.	! 100UF 25V RA-2	HCEA1ERA101T
MAIN	C933		nsp	00MOA10701620	ELECT CAP.	100UF 16V	CCEA1CH101T
MAIN	C934		nsp	nsp	CER. CAP.	50V 0.1UF	CCKT1H104ZF
MAIN	C935		nsp	nsp	CER. CAP.	50V 0.1UF	CCKT1H104ZF
MAIN	C936		nsp	nsp	CER. CAP.	50V 0.1UF	CCKT1H104ZF
MAIN	C937		nsp	nsp	CER. CAP.	50V 0.1UF	CCKT1H104ZF
MAIN	C951		nsp	00MOA10605020	ELECT CAP.	10UF 50V	CCEA1HH100T
MAIN	CN12		nsp	nsp	CONN.	6P STRAIGHT	CJP06GA19ZY
MAIN	CN13		nsp	nsp	CONN.	5P STRAIGHT	CJP05GA19ZY
MAIN	CN16		nsp	nsp	CONN.	GF102-16S-TS	KJP16GA117ZG
MAIN	CN62		nsp	nsp	CONN.	00906-0027 4P STRAIGHT	CJP04GA19ZY
MAIN	CN71		nsp	nsp	CONN.	15P CARD CABLE	CJP15GA115ZY
MAIN	CN72		nsp	nsp	CONN.	15P CARD CABLE	CJP15GA115ZY
MAIN	CN81		nsp	nsp	CONN.	9P STRAIGHT	CJP09GA19ZY
MAIN	CN92		90M-YP100250R	90M-YP100250R	CONN.	MOLEX35328-02	KJP02GA89ZM
MAIN	CN93		nsp	nsp	CONN.	5267-10A	CJP10GA01ZY
MAIN	D111		90M-HD302180R	90M-HD302180R	ZENER DIODE	3.9V 1/2W	HVDMTZJ3.9BT
MAIN	D402		nsp	00MHD20015210	DIODE	1SS133T-77	HVD1SS133MT
MAIN	D403		nsp	00MHD20015210	DIODE	1SS133T-77	HVD1SS133MT
MAIN	D404		nsp	00MHD20015210	DIODE	1SS133T-77	HVD1SS133MT
MAIN	D405		nsp	00MHD20015210	DIODE	1SS133T-77	HVD1SS133MT
MAIN	D406		nsp	00MHD20015210	DIODE	1SS133T-77	HVD1SS133MT

NOTE : "nsp" PART IS LISTED FOR REFERENCE ONLY, MARANTZ WILL NOT SUPPLY THESE PARTS.

P.C.B. NAME	POS. NO.	VERS. COLOR	PART NO. (FOR EUR)	PART NO. (MZ)	PART NAME	DESCRIPTION	
MAIN	D407		nsp	00MHD20015210	DIODE	1SS133T-77	HVD1SS133MT
MAIN	D408		00MHD30621000	00MHD30621000	ZENER DIODE	6.2V 1/2W	HVDMTZJ6.2BT
MAIN	D409		nsp	00MHD20015210	DIODE	1SS133T-77	HVD1SS133MT
MAIN	D410		nsp	00MHD20015210	DIODE	1SS133T-77	HVD1SS133MT
MAIN	D411		nsp	00MHD20015210	DIODE	1SS133T-77	HVD1SS133MT
MAIN	▲ D906		90M-HD201730R	90M-HD201730R	DIODE	! 1N4003	KVD1N4003ST
MAIN	▲ D907		90M-HD201730R	90M-HD201730R	DIODE	! 1N4003	KVD1N4003ST
MAIN	▲ D908		90M-HD201730R	90M-HD201730R	DIODE	! 1N4003	KVD1N4003ST
MAIN	▲ D909		90M-HD201730R	90M-HD201730R	DIODE	! 1N4003	KVD1N4003ST
MAIN	▲ D910		90M-HD301750R	90M-HD301750R	ZENER DIODE	! 5.6V 1/2W	HVDMTZJ5.6BT
MAIN	▲ D911		90M-HD201730R	90M-HD201730R	DIODE	! 1N4003	KVD1N4003ST
MAIN	▲ D912		90M-HD201730R	90M-HD201730R	DIODE	! 1N4003	KVD1N4003ST
MAIN	▲ D913		90M-HD201730R	90M-HD201730R	DIODE	! 1N4003	KVD1N4003ST
MAIN	▲ D914		90M-HD201730R	90M-HD201730R	DIODE	! 1N4003	KVD1N4003ST
MAIN	D915		nsp	90M-HD201730R	DIODE	1N4003	KVD1N4003ST
MAIN	▲ D916		90M-HD301740R	90M-HD301740R	ZENER DIODE	! 33V 1/2W	HVDMTZJ33BT
MAIN	▲ D917		00MHD30621000	00MHD30621000	ZENER DIODE	! 6.2V 1/2W	HVDMTZJ6.2BT
MAIN	D920		nsp	00MHD20015210	DIODE	1SS133T-77	HVD1SS133MT
MAIN	IC11		90M-HC109480R	90M-HC109480R	IC	TA2157FNG	HVITA2157FNG
MAIN	IC12		90M-HC700520R	90M-HC700520R	IC	74VHC04M	HVI74VHC04MX
MAIN	IC13		90M-HC109470R	90M-HC109470R	IC	TA2125AFG	HVITA2125AFG
MAIN	IC14		90M-HC109450R	90M-HC109450R	IC	CS4392KZZ	HVICS4392KZZ
MAIN	IC15	/N1B	90M-HC109460R	90M-HC109460R	IC	NJM2114M	HVINJM2114M
MAIN	IC15	/N1S	90M-HC109460R	90M-HC109460R	IC	NJM2114M	HVINJM2114M
MAIN	IC16	/N1B	90M-HC109460R	90M-HC109460R	IC	NJM2114M	HVINJM2114M
MAIN	IC16	/N1S	90M-HC109460R	90M-HC109460R	IC	NJM2114M	HVINJM2114M
MAIN	IC17		90M-HC700550R	90M-HC700550R	IC	TC74HCU04AFNG	HVI74HCU04AFNG
MAIN	▲ IC19		90M-HC300500R	90M-HC300500R	IC	! KA7805-ABTU	HVIMC7805C
MAIN	IC61		90M-HC109440R	90M-HC109440R	IC	BU2630FV	BVIBU2630FV-E2
MAIN	IC62		90M-HC700560R	90M-HC700560R	IC	TC74LS628	HVITC74LS628
MAIN	IC64		90M-HC109490R	90M-HC109490R	IC	TC94A14FAG	HVITC94A14FAG
MAIN	▲ IC91		90M-HC300510R	90M-HC300510R	IC	! KA7808-ABTU	HVIKA7808A
MAIN	▲ IC92		90M-HC300500R	90M-HC300500R	IC	! KA7805-ABTU	HVIMC7805C
MAIN	▲ IC93		90M-HC300520R	90M-HC300520R	IC	! KA7812-ABTU	HVIMC7812C
MAIN	▲ IC94		90M-HC300530R	90M-HC300530R	IC	! KA7912-ABTU	HVIMC7912C
MAIN	J100		nsp	nsp	CORD	SN95/PB5, 0.6	C3A206
MAIN	J101		nsp	nsp	CORD	SN95/PB5, 0.6	C3A206
MAIN	J102		nsp	nsp	CORD	SN95/PB5, 0.6	C3A206
MAIN	J103		nsp	nsp	CORD	SN95/PB5, 0.6	C3A206
MAIN	J104		nsp	nsp	CORD	SN95/PB5, 0.6	C3A206
MAIN	J105		nsp	nsp	CORD	SN95/PB5, 0.6	C3A206
MAIN	J107		nsp	nsp	CORD	SN95/PB5, 0.6	C3A206
MAIN	J109		nsp	nsp	CORD	SN95/PB5, 0.6	C3A206
MAIN	J110		nsp	nsp	CORD	SN95/PB5, 0.6	C3A206
MAIN	J111		nsp	nsp	CORD	SN95/PB5, 0.6	C3A206
MAIN	J112		nsp	nsp	CORD	SN95/PB5, 0.6	C3A206
MAIN	J116		nsp	nsp	CORD	SN95/PB5, 0.6	C3A206
MAIN	J119		nsp	nsp	CORD	SN95/PB5, 0.6	C3A206
MAIN	J120		nsp	nsp	CORD	SN95/PB5, 0.6	C3A206
MAIN	J121		nsp	nsp	CORD	SN95/PB5, 0.6	C3A206
MAIN	J123		nsp	nsp	CORD	SN95/PB5, 0.6	C3A206
MAIN	J124		nsp	nsp	CORD	SN95/PB5, 0.6	C3A206
MAIN	J125		nsp	nsp	CORD	SN95/PB5, 0.6	C3A206
MAIN	J127		nsp	nsp	CORD	SN95/PB5, 0.6	C3A206
MAIN	J128		nsp	nsp	CORD	SN95/PB5, 0.6	C3A206
MAIN	J129		nsp	nsp	CORD	SN95/PB5, 0.6	C3A206
MAIN	J130		nsp	nsp	CORD	SN95/PB5, 0.6	C3A206
MAIN	J131		nsp	nsp	CORD	SN95/PB5, 0.6	C3A206
MAIN	J134		nsp	nsp	CORD	SN95/PB5, 0.6	C3A206
MAIN	J135		nsp	nsp	CORD	SN95/PB5, 0.6	C3A206
MAIN	J136		nsp	nsp	CORD	SN95/PB5, 0.6	C3A206
MAIN	J137		nsp	nsp	CORD	SN95/PB5, 0.6	C3A206
MAIN	J138		nsp	nsp	CORD	SN95/PB5, 0.6	C3A206
MAIN	J139		nsp	nsp	CORD	SN95/PB5, 0.6	C3A206
MAIN	J140		nsp	nsp	CORD	SN95/PB5, 0.6	C3A206
MAIN	J141		nsp	nsp	CORD	SN95/PB5, 0.6	C3A206
MAIN	J142		nsp	nsp	CORD	SN95/PB5, 0.6	C3A206

NOTE : *nsp* PART IS LISTED FOR REFERENCE ONLY, MARANTZ WILL NOT SUPPLY THESE PARTS.

P.C.B. NAME	POS. NO.	VERS. COLOR	PART NO. (FOR EUR)	PART NO. (MZ)	PART NAME	DESCRIPTION
MAIN	J144		nsp	nsp	CORD	SN95/PB5, 0.6 C3A206
MAIN	J145		nsp	nsp	CORD	SN95/PB5, 0.6 C3A206
MAIN	J146		nsp	nsp	CORD	SN95/PB5, 0.6 C3A206
MAIN	J147		nsp	nsp	CORD	SN95/PB5, 0.6 C3A206
MAIN	J150		nsp	nsp	CORD	SN95/PB5, 0.6 C3A206
MAIN	J152		nsp	nsp	CORD	SN95/PB5, 0.6 C3A206
MAIN	J153		nsp	nsp	CORD	SN95/PB5, 0.6 C3A206
MAIN	J154		nsp	nsp	CORD	SN95/PB5, 0.6 C3A206
MAIN	J155		nsp	nsp	CORD	SN95/PB5, 0.6 C3A206
MAIN	J156		nsp	nsp	CORD	SN95/PB5, 0.6 C3A206
MAIN	J156		90M-FN000090R	90M-FN000090R	EMI FILTER	BEAD KLZ9H001Z
MAIN	J157		nsp	nsp	CORD	SN95/PB5, 0.6 C3A206
MAIN	J160		nsp	nsp	CORD	SN95/PB5, 0.6 C3A206
MAIN	J161		nsp	nsp	CORD	SN95/PB5, 0.6 C3A206
MAIN	J162		nsp	nsp	CORD	SN95/PB5, 0.6 C3A206
MAIN	J163		nsp	nsp	CORD	SN95/PB5, 0.6 C3A206
MAIN	J164		nsp	nsp	CORD	SN95/PB5, 0.6 C3A206
MAIN	J165		nsp	nsp	CORD	SN95/PB5, 0.6 C3A206
MAIN	J168		nsp	nsp	CORD	SN95/PB5, 0.6 C3A206
MAIN	J169		nsp	nsp	CORD	SN95/PB5, 0.6 C3A206
MAIN	J171		nsp	nsp	CORD	SN95/PB5, 0.6 C3A206
MAIN	J173		nsp	nsp	CORD	SN95/PB5, 0.6 C3A206
MAIN	J177		nsp	nsp	CORD	SN95/PB5, 0.6 C3A206
MAIN	J178		nsp	nsp	CORD	SN95/PB5, 0.6 C3A206
MAIN	J179		nsp	nsp	CORD	SN95/PB5, 0.6 C3A206
MAIN	J180		nsp	nsp	CORD	SN95/PB5, 0.6 C3A206
MAIN	J182		nsp	nsp	CORD	SN95/PB5, 0.6 C3A206
MAIN	J183		nsp	nsp	CORD	SN95/PB5, 0.6 C3A206
MAIN	J184		nsp	nsp	CORD	SN95/PB5, 0.6 C3A206
MAIN	J185		nsp	nsp	CORD	SN95/PB5, 0.6 C3A206
MAIN	J186		nsp	nsp	CORD	SN95/PB5, 0.6 C3A206
MAIN	J187		nsp	nsp	CORD	SN95/PB5, 0.6 C3A206
MAIN	J188		nsp	nsp	CORD	SN95/PB5, 0.6 C3A206
MAIN	J189		nsp	nsp	CORD	SN95/PB5, 0.6 C3A206
MAIN	J192		nsp	nsp	CORD	SN95/PB5, 0.6 C3A206
MAIN	J195		nsp	nsp	CORD	SN95/PB5, 0.6 C3A206
MAIN	J196		nsp	nsp	CORD	SN95/PB5, 0.6 C3A206
MAIN	J197		nsp	nsp	CORD	SN95/PB5, 0.6 C3A206
MAIN	J198		nsp	nsp	CORD	SN95/PB5, 0.6 C3A206
MAIN	J199		nsp	nsp	CORD	SN95/PB5, 0.6 C3A206
MAIN	J201		nsp	nsp	CORD	SN95/PB5, 0.6 C3A206
MAIN	J214		nsp	nsp	CORD	SN95/PB5, 0.6 C3A206
MAIN	J215		nsp	nsp	CORD	SN95/PB5, 0.6 C3A206
MAIN	J217		nsp	nsp	CORD	SN95/PB5, 0.6 C3A206
MAIN	J218		nsp	nsp	CORD	SN95/PB5, 0.6 C3A206
MAIN	J220		nsp	nsp	CORD	SN95/PB5, 0.6 C3A206
MAIN	J221		nsp	nsp	CORD	SN95/PB5, 0.6 C3A206
MAIN	J222		nsp	nsp	CORD	SN95/PB5, 0.6 C3A206
MAIN	J223		nsp	nsp	CORD	SN95/PB5, 0.6 C3A206
MAIN	J224		nsp	nsp	CORD	SN95/PB5, 0.6 C3A206
MAIN	J225		nsp	nsp	CORD	SN95/PB5, 0.6 C3A206
MAIN	J231		nsp	nsp	CORD	SN95/PB5, 0.6 C3A206
MAIN	J242		nsp	nsp	CORD	SN95/PB5, 0.6 C3A206
MAIN	J251		nsp	nsp	CORD	SN95/PB5, 0.6 C3A206
MAIN	J252		nsp	nsp	CORD	SN95/PB5, 0.6 C3A206
MAIN	J401		nsp	nsp	CORD	SN95/PB5, 0.6 C3A206
MAIN	J402		nsp	nsp	CORD	SN95/PB5, 0.6 C3A206
MAIN	J403		nsp	nsp	CORD	SN95/PB5, 0.6 C3A206
MAIN	J404		nsp	nsp	CORD	SN95/PB5, 0.6 C3A206
MAIN	J405		nsp	nsp	CORD	SN95/PB5, 0.6 C3A206
MAIN	J406		nsp	nsp	CORD	SN95/PB5, 0.6 C3A206
MAIN	J407		nsp	nsp	CORD	SN95/PB5, 0.6 C3A206
MAIN	J408		nsp	nsp	CORD	SN95/PB5, 0.6 C3A206
MAIN	J409		nsp	nsp	CORD	SN95/PB5, 0.6 C3A206
MAIN	J410		nsp	nsp	CORD	SN95/PB5, 0.6 C3A206
MAIN	J411		nsp	nsp	CORD	SN95/PB5, 0.6 C3A206
MAIN	J412		nsp	nsp	CORD	SN95/PB5, 0.6 C3A206

NOTE : "nsp" PART IS LISTED FOR REFERENCE ONLY, MARANTZ WILL NOT SUPPLY THESE PARTS.

P.C.B. NAME	POS. NO.	VERS. COLOR	PART NO. (FOR EUR)	PART NO. (MZ)	PART NAME	DESCRIPTION
MAIN	J413		nsp	nsp	CORD	SN95/PB5, 0.6 C3A206
MAIN	J414		nsp	nsp	CORD	SN95/PB5, 0.6 C3A206
MAIN	J415		nsp	nsp	CORD	SN95/PB5, 0.6 C3A206
MAIN	J416		nsp	nsp	CORD	SN95/PB5, 0.6 C3A206
MAIN	J418		nsp	nsp	CORD	SN95/PB5, 0.6 C3A206
MAIN	J419		nsp	nsp	CORD	SN95/PB5, 0.6 C3A206
MAIN	J420		nsp	nsp	CORD	SN95/PB5, 0.6 C3A206
MAIN	J421		nsp	nsp	CORD	SN95/PB5, 0.6 C3A206
MAIN	J422		nsp	nsp	CORD	SN95/PB5, 0.6 C3A206
MAIN	J423		nsp	nsp	CORD	SN95/PB5, 0.6 C3A206
MAIN	J424		nsp	nsp	CORD	SN95/PB5, 0.6 C3A206
MAIN	J425		nsp	nsp	CORD	SN95/PB5, 0.6 C3A206
MAIN	J426		nsp	nsp	CORD	SN95/PB5, 0.6 C3A206
MAIN	J427		nsp	nsp	CORD	SN95/PB5, 0.6 C3A206
MAIN	J428		nsp	nsp	CORD	SN95/PB5, 0.6 C3A206
MAIN	J429		nsp	nsp	CORD	SN95/PB5, 0.6 C3A206
MAIN	J430		nsp	nsp	CORD	SN95/PB5, 0.6 C3A206
MAIN	JK51		90M-YT003100R	90M-YT003100R	TERMINAL	CINCH 1P (GOLD) COAXIAL CJJ4M045Z
MAIN	JK52		90M-YJ002670R	90M-YJ002670R	OPT. CONN.	TOTX179L HJSTOTX179L
MAIN	JK53		90M-YT003110R	90M-YT003110R	TERMINAL	CINCH 2P (GOLD) AUDIO CJJ4N060Z
MAIN	JK54		90M-YT003120R	90M-YT003120R	TERMINAL	CINCH 2P (GOLD) REMOTE CJJ4N036Z
MAIN	L101		nsp	nsp	COIL	10UH,K HLQ02C100KT
MAIN	L102		nsp	nsp	COIL	10UH,K HLQ02C100KT
MAIN	L126		90M-FN000090R	90M-FN000090R	EMI FILTER	BEAD KLZ9H001Z
MAIN	L152		nsp	nsp	CORD	SN95/PB5, 0.6 C3A206
MAIN	L153		90M-FN000090R	90M-FN000090R	EMI FILTER	BEAD KLZ9H001Z
MAIN	L154		90M-FN000090R	90M-FN000090R	EMI FILTER	BEAD KLZ9H001Z
MAIN	L155		90M-FN000090R	90M-FN000090R	EMI FILTER	BEAD KLZ9H001Z
MAIN	L157		90M-FN000090R	90M-FN000090R	EMI FILTER	BEAD KLZ9H001Z
MAIN	Q101		90M-HT600010R	90M-HT600010R	TRS.	TKTA1266YT HVTKTA1266YT
MAIN	▲ Q111		90M-HT800040R	90M-HT800040R	TRS.	! KSC2316Y HVTKSC2316YT
MAIN	Q403		90M-HT600010R	90M-HT600010R	TRS.	TKTA1266YT HVTKTA1266YT
MAIN	Q404		90M-HT400450R	90M-HT400450R	TRS.	KTD1302 HVTKTD1302T
MAIN	Q405		90M-HT400450R	90M-HT400450R	TRS.	KTD1302 HVTKTD1302T
MAIN	Q406		90M-HT400450R	90M-HT400450R	TRS.	KTD1302 HVTKTD1302T
MAIN	Q407		90M-HT400450R	90M-HT400450R	TRS.	KTD1302 HVTKTD1302T
MAIN	Q420		00MBA10002000	00MBA10002000	TRS.	KRA104M HVTKRA104MT
MAIN	Q421		90M-BA001460R	90M-BA001460R	TRS.	KRC107M HVTKRC107MT
MAIN	Q422		00MBA10002000	00MBA10002000	TRS.	KRA104M HVTKRA104MT
MAIN	Q423		90M-BA001460R	90M-BA001460R	TRS.	KRC107M HVTKRC107MT
MAIN	Q902		90M-HT800040R	90M-HT800040R	TRS.	KSC2316Y HVTKSC2316YT
MAIN	Q904		90M-HT800040R	90M-HT800040R	TRS.	KSC2316Y HVTKSC2316YT
MAIN	Q951		00MHT30001000	00MHT30001000	TRS.	KTC3199Y HVTKTC3199YT
MAIN	Q952		00MBA10002000	00MBA10002000	TRS.	KRA104M HVTKRA104MT
MAIN	R105		nsp	nsp	RES.	2.2 OHM 1/5W J CRD20TJ2R2T
MAIN	R106		nsp	nsp	RES.	68K OHM 1/5W J CRD20TJ683T
MAIN	R107		nsp	nsp	RES.	68K OHM 1/5W J CRD20TJ683T
MAIN	R108		nsp	nsp	RES.	68K OHM 1/5W J CRD20TJ683T
MAIN	R109		nsp	nsp	RES.	68K OHM 1/5W J CRD20TJ683T
MAIN	R110		nsp	nsp	RES.	82K OHM 1/5W J CRD20TJ823T
MAIN	R111		nsp	nsp	RES.	82K OHM 1/5W J CRD20TJ823T
MAIN	R112		nsp	nsp	RES.	91 OHM 1/5W J CRD20TJ910T
MAIN	R113		nsp	nsp	RES.	10 OHM 1/5W J CRD20TJ100T
MAIN	R114		nsp	nsp	RES.	68K OHM 1/5W J CRD20TJ683T
MAIN	R115		nsp	nsp	RES.	820 OHM 1/5W J CRD20TJ821T
MAIN	R116		nsp	nsp	RES.	33K OHM 1/5W J CRD20TJ333T
MAIN	R117		nsp	nsp	RES.	10K OHM 1/5W J CRD20TJ103T
MAIN	R118		nsp	nsp	RES.	1K OHM 1/5W J CRD20TJ102T
MAIN	R119		nsp	nsp	RES.	2.2K OHM 1/5W J CRD20TJ222T
MAIN	R120		nsp	nsp	RES.	10K OHM 1/5W J CRD20TJ103T
MAIN	R121		nsp	nsp	RES.	100 OHM 1/5W J CRD20TJ101T
MAIN	R122		nsp	nsp	RES.	22K OHM 1/5W J CRD20TJ223T
MAIN	R123		nsp	nsp	RES.	47K OHM 1/5W J CRD20TJ473T
MAIN	R124		nsp	nsp	RES.	470K OHM 1/5W J CRD20TJ474T
MAIN	R125		nsp	nsp	RES.	2.2M OHM 1/5W J CRD20TJ225T
MAIN	R126		nsp	nsp	RES.	6.8K OHM 1/5W J CRD20TJ682T
MAIN	R127		nsp	nsp	RES.	100 OHM 1/5W J CRD20TJ101T

NOTE : *nsp* PART IS LISTED FOR REFERENCE ONLY, MARANTZ WILL NOT SUPPLY THESE PARTS.

P.C.B. NAME	POS. NO.	VERS. COLOR	PART NO. (FOR EUR)	PART NO. (MZ)	PART NAME	DESCRIPTION
MAIN	R128		nsp	nsp	RES.	100 OHM 1/5W J CRD20TJ101T
MAIN	R129		nsp	nsp	RES.	5.6K OHM 1/5W J CRD20TJ562T
MAIN	R130		nsp	nsp	RES.	330 OHM 1/5W J CRD20TJ331T
MAIN	R132		nsp	nsp	RES.	100 OHM 1/5W J CRD20TJ101T
MAIN	R133		nsp	nsp	RES.	3.3K OHM 1/5W J CRD20TJ332T
MAIN	R134		nsp	nsp	RES.	100 OHM 1/5W J CRD20TJ101T
MAIN	R135		nsp	nsp	RES.	470 OHM 1/5W J CRD20TJ471T
MAIN	R137		nsp	nsp	RES.	3.3K OHM 1/5W J CRD20TJ332T
MAIN	R146		nsp	nsp	RES.	4.7 OHM 1/5W J CRD20TJ4R7T
MAIN	R147		nsp	nsp	RES.	4.7 OHM 1/5W J CRD20TJ4R7T
MAIN	R148		nsp	nsp	RES.	4.7 OHM 1/5W J CRD20TJ4R7T
MAIN	R149		nsp	nsp	RES.	4.7 OHM 1/5W J CRD20TJ4R7T
MAIN	R151		nsp	nsp	RES.	330 OHM 1/5W J CRD20TJ331T
MAIN	R152		nsp	nsp	RES.	330 OHM 1/5W J CRD20TJ331T
MAIN	R153		nsp	nsp	RES.	330 OHM 1/5W J CRD20TJ331T
MAIN	R154		nsp	nsp	RES.	330 OHM 1/5W J CRD20TJ331T
MAIN	R155		nsp	nsp	RES.	330 OHM 1/5W J CRD20TJ331T
MAIN	R156		nsp	nsp	RES.	330 OHM 1/5W J CRD20TJ331T
MAIN	R157		nsp	nsp	RES.	680 OHM 1/5W J CRD20TJ681T
MAIN	R158		nsp	nsp	RES.	2.2K OHM 1/5W J CRD20TJ222T
MAIN	R159		nsp	nsp	RES.	2.2K OHM 1/5W J CRD20TJ222T
MAIN	R160		nsp	nsp	RES.	1.2K OHM 1/5W J CRD20TJ122T
MAIN	R161		nsp	nsp	RES.	1.2K OHM 1/5W J CRD20TJ122T
MAIN	R164		nsp	nsp	RES.	100 OHM 1/5W J CRD20TJ101T
MAIN	R181		nsp	nsp	RES.	1K OHM 1/5W J CRD20TJ102T
MAIN	R182		nsp	nsp	RES.	1K OHM 1/5W J CRD20TJ102T
MAIN	R183		nsp	nsp	RES.	1K OHM 1/5W J CRD20TJ102T
MAIN	R184		nsp	nsp	RES.	560 OHM 1/5W J CRD20TJ561T
MAIN	R185		nsp	nsp	RES.	560 OHM 1/5W J CRD20TJ561T
MAIN	R186		nsp	nsp	RES.	560 OHM 1/5W J CRD20TJ561T
MAIN	R187		nsp	nsp	RES.	4.7K OHM 1/5W J CRD20TJ472T
MAIN	R188		nsp	nsp	RES.	4.7K OHM 1/5W J CRD20TJ472T
MAIN	R201		nsp	nsp	RES.	8.2K OHM 1/5W J CRD20TJ822T
MAIN	R202		nsp	nsp	RES.	8.2K OHM 1/5W J CRD20TJ822T
MAIN	R203		nsp	nsp	RES.	8.2K OHM 1/5W J CRD20TJ822T
MAIN	R204		nsp	nsp	RES.	3.3K OHM 1/5W J CRD20TJ332T
MAIN	R205		nsp	nsp	RES.	3.3K OHM 1/5W J CRD20TJ332T
MAIN	R206		nsp	nsp	RES.	10K OHM 1/5W J CRD20TJ103T
MAIN	R207		nsp	nsp	RES.	2.7K OHM 1/5W J CRD20TJ272T
MAIN	R209		nsp	nsp	RES.	750 OHM 1/5W J CRD20TJ751T
MAIN	R301		nsp	nsp	RES.	8.2K OHM 1/5W J CRD20TJ822T
MAIN	R302		nsp	nsp	RES.	8.2K OHM 1/5W J CRD20TJ822T
MAIN	R303		nsp	nsp	RES.	8.2K OHM 1/5W J CRD20TJ822T
MAIN	R304		nsp	nsp	RES.	3.3K OHM 1/5W J CRD20TJ332T
MAIN	R305		nsp	nsp	RES.	3.3K OHM 1/5W J CRD20TJ332T
MAIN	R306		nsp	nsp	RES.	10K OHM 1/5W J CRD20TJ103T
MAIN	R307		nsp	nsp	RES.	2.7K OHM 1/5W J CRD20TJ272T
MAIN	R309		nsp	nsp	RES.	750 OHM 1/5W J CRD20TJ751T
MAIN	R310		nsp	nsp	RES.	470 OHM 1/5W J CRD20TJ471T
MAIN	R311		nsp	nsp	RES.	100K OHM 1/5W J CRD20TJ104T
MAIN	R312		nsp	nsp	RES.	4.7K OHM 1/5W J CRD20TJ472T
MAIN	R402		nsp	nsp	RES.	1K OHM 1/5W J CRD20TJ102T
MAIN	R403		nsp	nsp	RES.	220 OHM 1/5W J CRD20TJ221T
MAIN	R404		nsp	nsp	RES.	470K OHM 1/5W J CRD20TJ474T
MAIN	R405		nsp	nsp	RES.	3.3K OHM 1/5W J CRD20TJ332T
MAIN	R406		nsp	nsp	RES.	4.7K OHM 1/5W J CRD20TJ472T
MAIN	R407		nsp	nsp	RES.	4.7K OHM 1/5W J CRD20TJ472T
MAIN	R408		nsp	nsp	RES.	4.7K OHM 1/5W J CRD20TJ472T
MAIN	R409		nsp	nsp	RES.	4.7K OHM 1/5W J CRD20TJ472T
MAIN	R410		nsp	nsp	RES.	47K OHM 1/5W J CRD20TJ473T
MAIN	R411		nsp	nsp	RES.	47K OHM 1/5W J CRD20TJ473T
MAIN	R412		nsp	nsp	RES.	220 OHM 1/5W J CRD20TJ221T
MAIN	R413		nsp	nsp	RES.	220 OHM 1/5W J CRD20TJ221T
MAIN	R414		nsp	nsp	RES.	220 OHM 1/5W J CRD20TJ221T
MAIN	R415		nsp	nsp	RES.	220 OHM 1/5W J CRD20TJ221T
MAIN	R416		nsp	nsp	RES.	470K OHM 1/5W J CRD20TJ474T
MAIN	R417		nsp	nsp	RES.	470K OHM 1/5W J CRD20TJ474T

NOTE : "nsp" PART IS LISTED FOR REFERENCE ONLY, MARANTZ WILL NOT SUPPLY THESE PARTS.

P.C.B. NAME	POS. NO.	VERS. COLOR	PART NO. (FOR EUR)	PART NO. (MZ)	PART NAME	DESCRIPTION
MAIN	R418		nsp	nsp	RES.	220 OHM 1/5W J CRD20TJ221T
MAIN	R419		nsp	nsp	RES.	220 OHM 1/5W J CRD20TJ221T
MAIN	R420		nsp	nsp	RES.	470K OHM 1/5W J CRD20TJ474T
MAIN	R421		nsp	nsp	RES.	470K OHM 1/5W J CRD20TJ474T
MAIN	R501		nsp	nsp	RES.	10 OHM 1/5W J CRD20TJ100T
MAIN	R502		nsp	nsp	RES.	10 OHM 1/5W J CRD20TJ100T
MAIN	R503		nsp	nsp	RES.	100 OHM 1/5W J CRD20TJ101T
MAIN	R504		nsp	nsp	RES.	4.7K OHM 1/5W J CRD20TJ472T
MAIN	R505		nsp	nsp	RES.	100K OHM 1/5W J CRD20TJ104T
MAIN	R506		nsp	nsp	RES.	4.7K OHM 1/5W J CRD20TJ472T
MAIN	R507		nsp	nsp	RES.	100K OHM 1/5W J CRD20TJ104T
MAIN	R508		nsp	nsp	RES.	75 OHM 1/5W J CRD20TJ750T
MAIN	R509		nsp	nsp	RES.	75 OHM 1/5W J CRD20TJ750T
MAIN	R601		nsp	nsp	RES.	22 OHM 1/5W J CRD20TJ220T
MAIN	R602		nsp	nsp	RES.	1M OHM 1/5W J CRD20TJ105T
MAIN	R603		nsp	nsp	RES.	100 OHM 1/5W J CRD20TJ101T
MAIN	R606		nsp	nsp	RES.	100 OHM 1/5W J CRD20TJ101T
MAIN	R607		nsp	nsp	RES.	100 OHM 1/5W J CRD20TJ101T
MAIN	R608		nsp	nsp	RES.	100 OHM 1/5W J CRD20TJ101T
MAIN	R609		nsp	nsp	RES.	220 OHM 1/5W J CRD20TJ221T
MAIN	R610		nsp	nsp	RES.	10K OHM 1/5W J CRD20TJ103T
MAIN	R611		nsp	nsp	RES.	680 OHM 1/5W J CRD20TJ681T
MAIN	R612		nsp	nsp	RES.	10 OHM 1/5W J CRD20TJ100T
MAIN	R613		nsp	nsp	RES.	220 OHM 1/5W J CRD20TJ221T
MAIN	R901		nsp	nsp	RES.	2.2 OHM 1/5W J CRD20TJ2R2T
MAIN	R902		nsp	nsp	RES.	3.3K OHM 1/5W J CRD20TJ332T
MAIN	R907		nsp	nsp	RES.	47K OHM 1/5W J CRD20TJ473T
MAIN	R909		nsp	nsp	RES.	47K OHM 1/5W J CRD20TJ473T
MAIN	R910		nsp	nsp	RES.	1K OHM 1/5W J CRD20TJ102T
MAIN	R911		nsp	nsp	RES.	1K OHM 1/5W J CRD20TJ102T
MAIN	R912		nsp	nsp	RES.	3.3K OHM 1/5W J CRD20TJ332T
MAIN	R913		nsp	nsp	RES.	12K OHM 1/5W J CRD20TJ123T
MAIN	R914		nsp	nsp	RES.	100 OHM 1/5W J CRD20TJ101T
MAIN	R915		nsp	nsp	RES.	100 OHM 1/5W J CRD20TJ101T
MAIN	R916		nsp	nsp	RES.	22K OHM 1/5W J CRD20TJ223T
MAIN	R961		nsp	nsp	RES.	47 OHM 1/5W J CRD20TJ470T
MAIN	R962		nsp	nsp	RES.	47K OHM 1/5W J CRD20TJ473T
MAIN	R963		nsp	nsp	RES.	18K OHM 1/5W J CRD20TJ183T
MAIN	R964		nsp	nsp	RES.	18K OHM 1/5W J CRD20TJ183T
MAIN	R965		nsp	nsp	RES.	100 OHM 1/5W J CRD20TJ101T
MAIN	R966		nsp	nsp	RES.	4.7K OHM 1/5W J CRD20TJ472T
MAIN	SW51		90M-SS000710R	90M-SS000710R	SW	SLIDE SWITCH KSS2B016Z
MAIN	▲ T902	/N1B	90M-TS001870R	90M-TS001870R	TRANSF.	! SUB (230V/12V) SR4320/A1B CLT5I001ZE
MAIN	▲ T902	/N1S	90M-TS001870R	90M-TS001870R	TRANSF.	! SUB (230V/12V) SR4320/A1B CLT5I001ZE
MAIN	TM02		nsp	nsp	TERMINAL	EARTH PLATE CMC1A111
MAIN	X601		90M-JX001060R	90M-JX001060R	X'TAL	8.467MHZ HOX08467E120C
					POWER SW PWB (CUP11830-3)	CUP11830Z
P-SW	CN73		nsp	nsp	CONN.	4P ANGLE CJP04GB46ZY
P-SW	D701		90M-HI101120R	90M-HI101120R	LED	SLR325VRA47 KVD5LR325VRA47
P-SW	Q705		90M-HX800090R	90M-HX800090R	CHIP TRS.	KRC111S HVTKRC111S
P-SW	R713		nsp	00MNN05152610	CHIP RES.	1.5K OHM 1/10W J CRJ10DJ152T
P-SW	R721		nsp	00MNN05103610	CHIP RES.	10K OHM 1/10W J CRJ10DJ103T
P-SW	S701		90M-SP001320R	90M-SP001320R	SW	SKQNAED010 HST1A016Z
					MAIN TRANSF. PWB (CUP11831-2)	CUP11831Z
TRANSF.	BN92		nsp	nsp	CORD	WIRE ASSY CWB4D932230UZ
TRANSF.	BN93		nsp	nsp	CORD	WIRE ASSY CWB1C910160DM
TRANSF.	C901		nsp	nsp	CER. CAP.	50V 0.1UF CCKT1H104ZF
TRANSF.	C902		nsp	nsp	CER. CAP.	50V 0.1UF CCKT1H104ZF
TRANSF.	C903		nsp	nsp	FILM CAP.	0.1UF 100V CCUMT2A104KB
TRANSF.	C904		nsp	nsp	FILM CAP.	0.1UF 100V CCUMT2A104KB
TRANSF.	C925		nsp	nsp	CER. CAP.	50V 0.1UF CCKT1H104ZF
TRANSF.	▲ C926		90M-DK100770R	90M-DK100770R	CER. CAP.	! 0.0047UF 2.5KV KCKDKS472ME
TRANSF.	C927		nsp	00MOA10702520	ELECT CAP.	100UF 25V CCEA1EH101T
TRANSF.	C928		nsp	00MOA10702520	ELECT CAP.	100UF 25V CCEA1EH101T
TRANSF.	CN91		00MYP04000760	00MYP04000760	CONN.	7.92MM(YUNHO) KJP02KA060ZY
TRANSF.	▲ D901		00MHD20015210	00MHD20015210	DIODE	! 1SS133T-77 HVD1SS133MT
TRANSF.	▲ D902		00MHD20015210	00MHD20015210	DIODE	! 1SS133T-77 HVD1SS133MT

NOTE : *nsp* PART IS LISTED FOR REFERENCE ONLY, MARANTZ WILL NOT SUPPLY THESE PARTS.

CD5001 OSE

P.C.B. NAME	POS. NO.	VERS. COLOR	PART NO. (FOR EUR)	PART NO. (MZ)	PART NAME	DESCRIPTION
TRANSF.	▲ D904		90M-HD201730R	90M-HD201730R	DIODE	! 1N4003 KVD1N4003ST
TRANSF.	▲ D905		90M-HD201730R	90M-HD201730R	DIODE	! 1N4003 KVD1N4003ST
TRANSF.	F001		nsp	nsp	CONN.	HOLDER, FUSE KJCFC5S
TRANSF.	F002		nsp	nsp	CONN.	HOLDER, FUSE KJCFC5S
TRANSF.	J901		nsp	nsp	CORD	SN95/PB5, 0.6 C3A206
TRANSF.	J902		nsp	nsp	CORD	SN95/PB5, 0.6 C3A206
TRANSF.	Q901		00MHT327851H0	00MHT327851H0	TRS.	KSC2785Y KVTKSC2785YT
TRANSF.	R903		nsp	nsp	RES.	1 OHM 1/5W J CRD20TJ1R0T
TRANSF.	R904		nsp	nsp	RES.	1 OHM 1/5W J CRD20TJ1R0T
TRANSF.	R905		nsp	nsp	RES.	10K OHM 1/5W J CRD20TJ103T
TRANSF.	R906		nsp	nsp	RES.	3.3K OHM 1/5W J CRD20TJ332T
TRANSF.	▲ RY91		90M-LY000340R	90M-LY000340R	RELAY	! SDT-S-112DMR HSL1A008ZE
TRANSF.	▲ T901	/N1B	90M-TS002510R	90M-TS002510R	TRANSF.	! POWER TRANSF. (EUR/UK) CLT5M025YE
TRANSF.	▲ T901	/N1S	90M-TS002510R	90M-TS002510R	TRANSF.	! POWER TRANSF. (EUR/UK) CLT5M025YE
TRANSF.	TM01		nsp	nsp	TERMINAL	EARTH PLATE CMC1A111

NOTE : "nsp" PART IS LISTED FOR REFERENCE ONLY, MARANTZ WILL NOT SUPPLY THESE PARTS.