

Service Manual

CD6000K/N1B/T1B
/N1G/T1G

CD Player

CD6000 KI



REMARK : This service manual explains the electrical differences between the CD6000K/N1B/T1B/N1G/T1G (KI version) and CD6000F/N1B/T1B/N1G/T1G (OSE version).

All other information is described in the service manual of the model CD6000F/N1B/T1B/N1G/T1G (Code number : **3120 785 00060**). The dispatch of the parts for after sales service has to be referred to these service manuals, with the first priority.

For this reason, please use these service manuals with referring to the model CD6000 OSE service manual without fail.

The CD6000 KI is equal to the CD6000 OSE except the following electrical changes (mechanical changes are not listed):

Main PCB

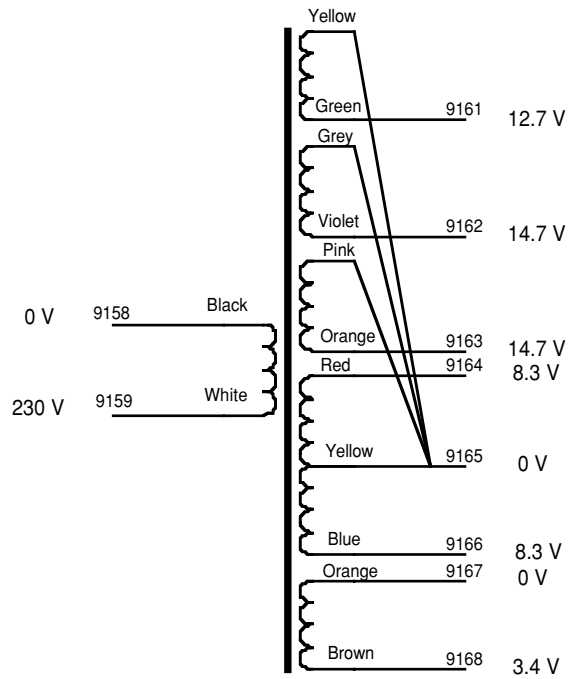
Position No.	Service code	Description
2131, 2132	9965 000 08117	3300uF 25V
2115, 2116, 2223,2224, 2225,2226	4822 124 80123	220uF 16V Silmic
2311, 2312, 2316, 2317	4822 124 80958	470uF 16V Silmic
5110	4822 146 10377	230V Transformer
3249, 3250, 3251,3252, 3711, 3712, 3713, 3714	--	Short circuited

marantz®

CD6000 KI

Transformer Connections

Below the color coding and the connections for the transformer wires are given.

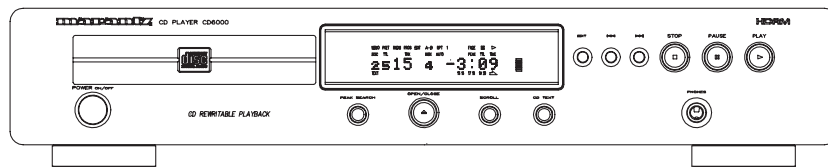


Service Manual

CD6000 /N1B, /N1G, /T1B, /K1B, /K1G
CD6000F /N1B, /N1G, /T1B, /U1B, /F1B, /F1N
CD Player

CD6000

CD6000



CD6000SE

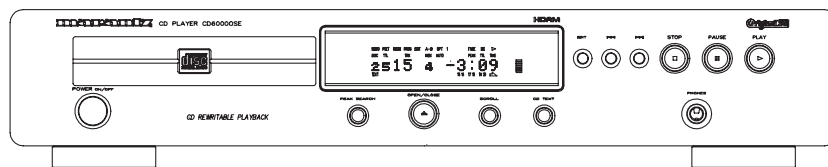


TABLE OF CONTENTS

1. TECHNICAL SPECIFICATIONS	1
2. SERVICING HINTS	2
3. SERVICINE TOOLS	2
4. SERVICE MODE	4
5. MICROPROCESSOR AND IC DATA	5
6. BLOCK DIAGRAM	7
7. WIRING DIAGRAM	9
8. SCHEMATIC DIAGRAM AND PARTS LOCATION	11
9. EXPLODED VIEW AND PARTS LIST	30
10. ELECTRICAL PARTS LIST	34

Please use this service manual with referring to the user guide (D.F.U) without fail.

修理の際は、必ず取扱説明書を準備し操作方法を確認の上作業を行って下さい。

marantz®

- CD6000 / CD6000SE -

marantz® SERVICE BULLETIN		Date: 10-May-01	Model: CD6000/CD6000OSE
		Page: 1/1	REF.NB MZ01-013
Circulation:		Subject:	
Application:		Correction of parts code number and description (POS. NO 5).	
x for information customer complaint in case of service mandatory			
Service Manual			

[PHENOMENON]

The part number and description for POS.NO 5 mentioned on page 33 of the service manual (255W855010, 3120 785 00060) are incorrect.

CD LOADER EXPLODED VIEW (page 33)

POS. NO	VERS. COLOR	PART NO. (FOR PCS)	DESCRIPTION
5		4822-402-61412	BRACKET, STEEL

[CORRECTION]

The correct spare parts code number and description are;

POS. NO	VERS. COLOR	PART NO. (FOR PCS)	DESCRIPTION
5		4822 401 11709	DISC CLAMP VAM1201 ONLY

marantz® SERVICE BULLETIN		Date: 16-Mar-01	Model: CD6000,CD6000OSE
		Page: 1/1	REF.NB MZ01-004
Circulation:		Subject:	
Application:		Change of CD mechanism and CD loader	
x for information customer complaint in case of service mandatory		SV00xxxxxxxxxx XE00xxxxxxxxxx XE01xxxxxxxxxx XE02xxxxxxxxxx	
		Int.ref:	

[PHENOMENON]

CD mechanism and CD loader (with Disc clamper) was changed as follows.

Service code	CD mechanism	Clumper (color)	CD loader
SV00	VAM1201/01	GRAY	L1260/41
XE00	VAM1202/02	BLACK	L1260/61
XE01	VAM1201/11	GRAY	L1260/41
XE02	VAM1201/11	GRAY	L1260/45

[SOLUTION]

When replace the **CDmechanism** with the new one as repair, please remark the service modification code and refer to the following details.

1. In case of service modification code **SV00, XE01, XE02**

Replace the CD mechanism with the new one **VAM1201/11 (4822 691 10615, 356K304500)** only.

2. In case of service modification code **XE00**

Replace both the CD mechanism and the disc clamper with the new ones **VAM1201/11 (4822 691 10615, 356K304500), disc clamper <GRAY> (4822 401 11709, 305K005600).**

marantz® SERVICE BULLETIN		Date: 16-Mar-01	Model: CD6000,CD6000OSE
		Page: 1/1	REF.NB MZ01-003
Circulation:		Subject:	
Application:		Problem with the function "DELETE PROGRAMMING".	
x for information customer complaint in case of service mandatory		Problem with the emphasis CD playback.	
SV00xxxxxxxxxx XE00xxxxxxxxxx and XE01xxxxxxxxxx		Int.ref:	

[PHENOMENON]

Problem with the function "DELETE PROGRAMMING".

When playing back the CD in "DELETE PROGRAMMING" mode. If only one track is deleted, then the next track and all following tracks will not be played back.

In case of several tracks are deleted, then it will be repeated to first track after playing back last track.

Problem with the emphasis CD play back.

When playback several emphasis CD's continuously.

The second emphasis CD is played back without de-emphasis after the first emphasis CD has played back.

[SOLUTION]

Replace the microprocessor 7600 with the improved one <uPD7806GF-098-3BA> (9965 000 06337, HU255WN03F). The improved one is available with above code numbers.

[REMARK]

This improvement has been done in the production line after the service modification code number "XE02" and later. The lot number and the service modification code are mentioned in the serial number label on the rear panel. (ex. XE02 xxxxxxxxxxxx)

This service bulletin is the revised one (MZ00-009).

Please replace the service bulletin MZ00-009 with this one.

marantz® SERVICE BULLETIN		Date: 10-Aug-00	Model: CD6000,CD6000OSE
		Page: 1/1	REF.NB MZ00-009
Circulation:		Subject:	
Application:		Problem with the function "DELETE PROGRAMMING".	
x for information customer complaint in case of service mandatory		Problem with the emphasis CD playback.	
		Int.ref:	

[PHENOMENON]

Problem with the function "DELETE PROGRAMMING".

When playing back the CD in "DELETE PROGRAMMING" mode. If only one track is deleted, then the next track and all following tracks will not be played back.

In case of several tracks are deleted, this phenomenon will not be appeared.

Problem with the emphasis CD play back.

When playback several emphasis CD's continuously.

The second emphasis CD is played back without de-emphasis after the first emphasis CD has played back.

[SOLUTION]

Replace the **microprocessor 7600** with the improved one <u**PD7806GF-098-3BA**> (**9965 000 06337, HU255WN03F**). The improved one is available with above code numbers.

[REMARK]

This improvement has been done in the production line after the service modification code number "XE01" and later. The lot number and the service modification code are mentioned in the serial number label on the rear panel. (ex. **XE01 xxxxxxxxxxxx**)

marantz® SERVICE BULLETIN		Date: 13-Jun-2003	Model: CD6000
		Page: 1/1	REF.NBR: MZ00-007 Rev
Circulation:		Application:	
x for information customer complaint in case of service mandatory		See below	
		Subject: Recorded CD-R disc can not be played back	
		Int.ref:	

[PHENOMENON]

Recorded CD-R disc can not be played back very few.

[REASONS]

CD player can not detect the CD-R disc.

[SOLUTION]

Add the capacitor <10pF 50V NP0 0805> (5322 122 32448, **DD91100300**) to the position **2509** on the HF AMP PCB.

[REMARKS]

<Revision>

This solution has already been applied in the production after the serial number as below and later.

CD6000/N2G	XE040312006992 and later.
CD6000F/N2G	XE040313008949 and later.
CD6000L/N1G	XE040312006383 and later.
CD6000F/N2B	XE040313009836 and later.
CD6000L/N1B	XE040312006273 and later.
CD6000L/T1B	XE040312003101 and later.
CD6000/K2G	XE040316001063 and later.

Approved by **S.Nagao**

Written by

WQ-19 2 817/additional rule3 (1st Issue 2003-03-19)

marantz® SERVICE BULLETIN		Date: 10-Aug-00	Model: CD6000,CD6000OSE
		Page: 1/1	REF.NB MZ00-007
Circulation:		Application:	
x for information customer complaint in case of service mandatory		All	
		Subject: Recorded CD-R disc can not be playback.	
		Int.ref:	

[PHENOMENON]

Recorded CD-R disc can not be played back very few.

[REASON]

CD-R disc can not be detected by CD player.

[SOLUTION]

Add the capacitor <10pF 50V NP0 0805> (5322 122 32448, DD91100300) to the position 2509 on the HF AMP PCB.

[REMARK]

This modification has to applied for product which has above mentioned phenomenon only.
Then this modification will be not applied at production.

MARANTZ DESIGN AND SERVICE

Using superior design and selected high grade components, **MARANTZ** company has created the ultimate in stereo sound. Only original **MARANTZ** parts can insure that your **MARANTZ** product will continue to perform to the specifications for which it is famous.

Parts for your **MARANTZ** equipment are generally available to our National Marantz Subsidiary or Agent.

ORDERING PARTS :

Parts can be ordered either by mail or by Fax.. In both cases, the correct part number has to be specified.

The following information must be supplied to eliminate delays in processing your order :

1. Complete address
2. Complete part numbers and quantities required
3. Description of parts
4. Model number for which part is required
5. Way of shipment
6. Signature : any order form or Fax. must be signed, otherwise such part order will be considered as null and void.

<p>USA MARANTZ AMERICA, INC. 440 MEDINAH ROAD ROSELLE, ILLINOIS 60172 USA PHONE : 630 - 307 - 3100 FAX : 630 - 307 - 2687</p>	<p>EUROPE / TRADING MARANTZ EUROPE B.V. P.O.BOX 80002, BUILDING SFF2 5600 JB EINDHOVEN THE NETHERLANDS PHONE : +31 - 40 - 2732241 FAX : +31 - 40 - 2735578</p>	<p>BRAZIL MARANTZ BRAZIL CAIXA POSTAL 21462 CEP 04698-970 SAO PAULO, SP, BRAZIL PHONE : 0800 - 123123(Discagem Direta Gratuita) FAX : +55 11 534. 8988</p>
<p>PROFESSIONAL AMERICAS SUPERSCOPE TECHNOLOGIES, INC. MARANTZ PROFESSIONAL PRODUCTS 2640 WHITE OAK CIRCLE, SUITE A AURORA, ILLINOIS 60504 USA PHONE : 630 - 820 - 4800 FAX : 630 - 820 - 8103</p>	<p>CANADA LENBROOK INDUSTRIES LIMITED 633 GRANITE COURT, PICKERING, ONTARIO L1W 3K1 CANADA PHONE : 905 - 831 - 6333 FAX : 905 - 831 - 6936</p>	
<p>AUSTRALIA SCAN AUDIO PTY. LTD. 52 CROWN STREET, RICHMOND 3121 VICTORIA AUSTRALIA PHONE : +61 - 3 - 9429 - 2199 FAX : +61 - 3 - 9429 - 9309</p>	<p>THAILAND MRZ STANDARD CO.,LTD 746 - 754 MAHACHAI ROAD., WANGBURAPAPIROM, PHRANAKORN, BANGKOK, 10200 THAILAND PHONE : +66 - 2 - 222 9181 FAX : +66 - 2 - 224 6795</p>	<p>SINGAPORE WO KEE HONG (S) PTE LTD WO KEE HONG CENTRE NO.23, LORONG 8, TOA PAYOH SINGAPORE 319257 PHONE : +65 2544555 FAX : +65 2502213</p>
<p>NEW ZEALAND SCAN AUDIO PTY. LTD. 8C PIERMARK DRIVE, ALBANY. NORTH SHORE, AUCKLAND. NEW ZEALAND PHONE : +64 - 9444 - 4710 FAX : +64 - 9444 - 1346</p>	<p>TAIWAN PAI- YUING CO., LTD. 6 TH FL NO, 148 SUNG KIANG ROAD, TAIPEI, 10429, TAIWAN R.O.C. PHONE : +886 - 2 - 25221304 FAX : +886 - 2 - 25630415</p>	<p>MALAYSIA WO KEE HONG ELECTRONICS SDN. BHD. NO. 102 JALAN SS 21/35, DAMANSARA UTAMA, 47400 PETALING JAYA SELANGOR DARUL EHSAN, MALAYSIA PHONE : +60 3 - 7184666 FAX : +60 3 - 7173828</p>
<p>JAPAN Technical MARANTZ JAPAN, INC. 35- 1, 7- CHOME, SAGAMIONO SAGAMIHARA - SHI, KANAGAWA JAPAN 228-8505 PHONE : +81 42 748 1013 FAX : +81 42 748 9190</p>	<p style="text-align: center;">日本マランツ株式会社</p> <p>本社 〒228-8505 神奈川県相模原市相模大野7-35-1 営業本部 〒150-0022 東京都渋谷区恵比寿南1-11-9</p>	<p>KOREA MK ENTERPRISES LTD. ROOM 604/605, ELECTRO-OFFICETEL, 16-58, 3GA, HANGANG-RO, YONGSAN-KU, SEOUL KOREA PHONE : +822 - 3232 - 155 FAX : +822 - 3232 - 154</p>

SHOCK, FIRE HAZARD SERVICE TEST :

CAUTION : After servicing this appliance and prior to returning to customer, measure the resistance between either primary AC cord connector pins (with unit NOT connected to AC mains and its Power switch ON), and the face or Front Panel of product and controls and chassis bottom.

Any resistance measurement less than 1 Megohms should cause unit to be repaired or corrected before AC power is applied, and verified before it is return to the user/customer.

Ref. UL Standard No. 1492.

In case of difficulties, do not hesitate to contact the Technical Department at above mentioned address.

1. TECHNICAL SPECIFICATIONS

Audio Characteristics

Channels	2 channels
Sampling frequency (CD mode)	44.1 kHz
Quantization	16-bit linear/channel
Error correction	Cross-interleave read solomon code (CIRC)
D/A conversion	1-bit linear/channel
Wow & flutter	Precision of quartz

Optical Readout System

Laser	AlGaAs semiconductor
Wavelength	780 nm

Frequency Characteristics

Frequency range	5 Hz - 20 kHz
Dynamic range	>98 dB
S/N ratio	>110 dB
Channel separation (1 kHz)	>103 dB
THD (1 kHz)	0.0025 %
Analog output	
Output level (cinch JACKS)	2.0 V RMS
Output impedance	250 ohms
Digital output	
Output level (cinch JACK)	0.5 Vp-p/75 ohms
Output level (optical JACK)	-19 dBm

Power Supply

Power requirement	
/K version	110 / 220V AC 50/60 Hz
/N,/T version	230V AC 50 Hz
/U version	120V AC 60 Hz
Power Consumption	13 W

Cabinet, etc.

Dimensions	
Width	440mm
Height	86mm
Depth	312mm
Netweight (CD6000)	4.1 kg
Netweight (CD6000F)	5.6 kg
Operating temperatures	+5°C ~ +35°C
Operating humidity	5 % ~ 90 % (without dew)

Accessories

Remote control unit (RC6000CD)	1
AAA (R03) Batteries	2
Stereo audio cable with cinch pins	1
Remote cable with cinch pin	1

Improvement may result in changes in specifications and design without notice.

オーディオ特性

チャンネル	2チャンネル
周波数特性	2Hz~20,000Hz, ±0.3dB
ダイナミックレンジ	98dB以上
S/N比	110dB
チャンネルセパレーション	103dB (1kHz)
高調波歪率	0.002% (1kHz)
ワウフラッター	水晶精度
誤り訂正方式	クロス・インターリーブ・リードソロモン・コード (CIRC)
音声出力	2.0V RMSステレオ
デジタル出力	ピンジャック 0.5Vp-p/75Ω (角型光コネクタ) 光出力 -19dBm

光学読み取り方式

レーザー	AlGaAs 半導体
波長	780nm

信号方式

サンプリング周波数	44.1kHz
量子化	16ビットリニア / チャンネル

電源部

電源	AC 100V 50/60Hz
消費電力 (電気用品取締法)	13W

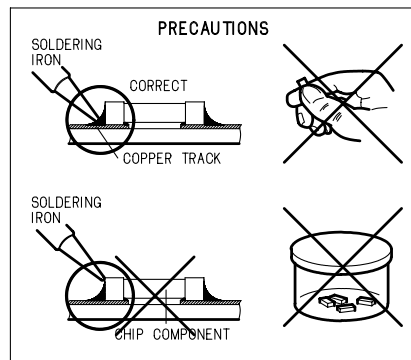
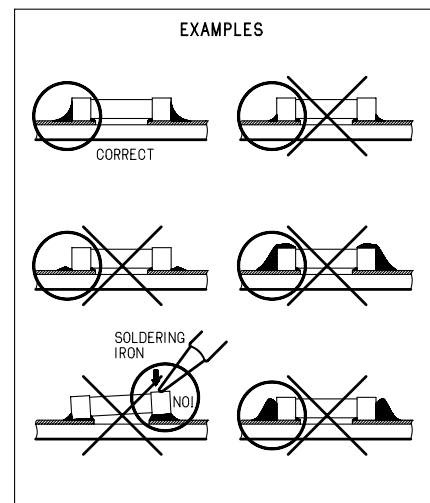
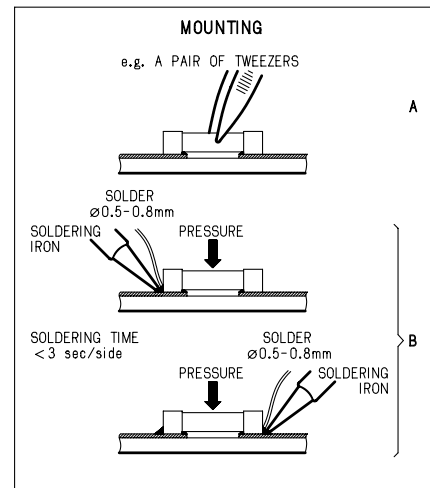
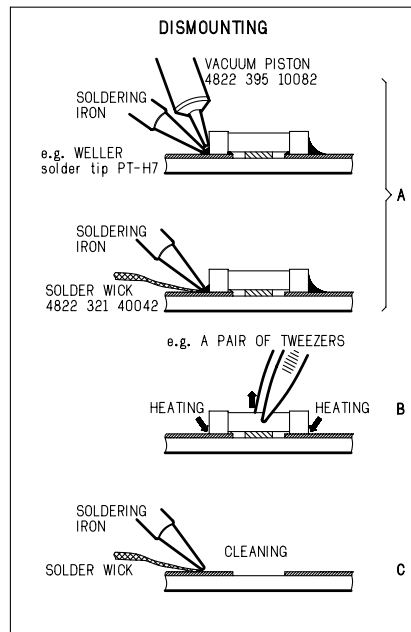
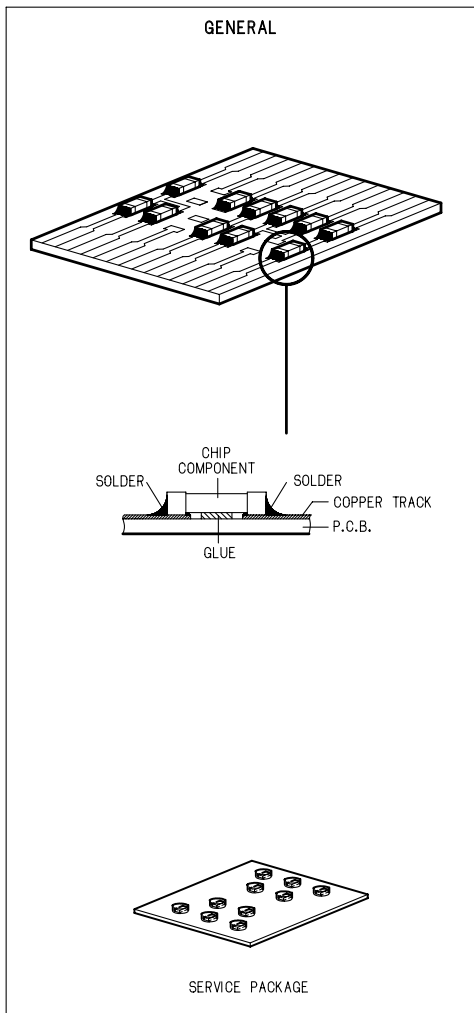
キャビネット・その他

最大外形寸法 (幅×高さ×奥行き)	440×86×312mm
質量	5.6kg
許容動作温度	+5°C ~ +35°C
許容動作湿度	5%~90% (結露のないこと)

付属品

リモートコントロール送信機 (RC6000CD)	1
外形寸法 (幅×高さ×奥行き)	50×145×23mm
質量(電池なし)	55g
単四電池(SUM-4)	2個
RCAピンコード	1組
リモート接続コード	1本

2. SERVICING HINTS



3. SERVICE TOOLS

Audio signals disc	4822 397 30184
Disc without errors (SBC444)+	
Disc with DO errors, black spots and fingerprints (SBC444A)	4822 397 30245
Disc (65 min 1kHz) without no pause	4822 397 30155
Max. diameter disc (58.0 mm)	4822 397 60141
Torx screwdrivers	
Set (straight)	4822 395 50145
Set (square)	4822 395 50132
13th order filter	4822 395 30204

(GB) WARNING

All ICs and many other semiconductors are susceptible to electrostatic discharges (ESD). Careless handling during repair can reduce life drastically. When repairing, make sure that you are connected with the same potential as the mass of the set via a wristband with resistance. Keep components and tools at this potential.

ESD



(NL) WAARSCHUWING

Alle IC's en vele andere halfgeleiders zijn gevoelig voor electrostatische ontladingen (ESD). Onzorgvuldig behandelen tijdens reparatie kan de levensduur drastisch doen verminderen. Zorg ervoor dat u tijdens reparatie via een polsband met weerstand verbonden bent met hetzelfde potentiaal als de massa van het apparaat. Houd componenten en hulpmiddelen ook op hetzelfde potentiaal.

(F) ATTENTION

Tous les IC et beaucoup d'autres semi-conducteurs sont sensibles aux décharges statiques (ESD). Leur longévité pourrait être considérablement écourtée par le fait qu'aucune précaution n'est prise à leur manipulation. Lors de réparations, s'assurer de bien être relié au même potentiel que la masse de l'appareil et enfilez le bracelet sert d'une résistance de sécurité. Veiller à ce que les composants ainsi que les outils que l'on utilise soient également à ce potentiel.

(D) WARNUNG

Alle ICs und viele andere Halbleiter sind empfindlich gegenüber elektrostatischen Entladungen (ESD). Unvorsichtige Behandlung im Reparaturfall kann die Lebensdauer drastisch reduzieren. Sorgen Sie dafür, daß sie im Reparaturfall über ein Pulsarmband mit Widerstand mit dem Massepotential des Gerätes verbunden sind. Halten Sie Bauteile und Hilfsmittel ebenfalls auf diesem Potential.

(I) AVVERTIMENTO

Tutti IC e parecchi semi-conduttori sono sensibili alle scariche statiche (ESD). La loro longevità potrebbe essere fortemente ridatta in caso di non osservazione della più grande cauzione alla loro manipolazione. Durante le riparazioni occorre quindi essere collegato allo stesso potenziale che quello della massa dell'apparecchio tramite un braccialetto a resistenza. Assicurarsi che i componenti e anche gli utensili con quali si lavora siano anche a questo potenziale.

(GB) AVAILABLE ESD PROTECTION EQUIPMENT :

anti-static table mat large 1200x650x1.25mm
small 600x650x1.25mm

anti-static wristband

connection box (3 press stud connections, 1M)

extendible cable (2m, 2M, to connect wristband to connection box)

connecting cable (3m, 2M, to connect table mat to connection box)

earth cable (1M, to connect any product to mat or to connection box)

KIT ESD3 (combining all 6 prior products - small table mat)

wristband tester

4822 466 10953
4822 466 10958
4822 395 10223
4822 320 11307
4822 320 11305
4822 320 11306
4822 320 11308
4822 310 10671
4822 344 13999

AVAILABLE JIG for FR980

Extension PCB and wire kit

4822 395 10815

(GB)

Safety regulations require that the set be restored to its original condition and that parts which are identical with those specified be used. Safety components are marked by the symbol

(F)

Les normes de sécurité exigent que l'appareil soit remis à l'état d'origine et que soient utilisées les pièces de rechange identiques à celles spécifiées. Les composants de sécurité sont marqués

SAFETY



(D)

Bei jeder Reparatur sind die geltenden Sicherheitsvorschriften zu beachten. Der Originalzustand des Gerätes darf nicht verändert werden. Für Reparaturen sind Originalersatzteile zu verwenden. Sicherheitsbauteile sind durch das Symbol markiert.

(NL)

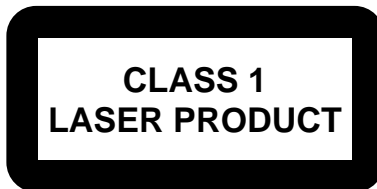
Veiligheidsbepalingen vereisen, dat het apparaat in zijn oorspronkelijke toestand wordt teruggebracht en dat onderdelen, identiek aan de gespecificeerde, worden toegepast. De Veiligheidsonderdelen zijn aangeduid met het symbool

(I)

Le norme di sicurezza estigono che l'apparecchio venga rimesso nelle condizioni originali e che siano utilizzati i pezzi di ricambio identici a quelli specificati. Componenti di sicurezza sono marcati con

(GB)

DANGER: Invisible laser radiation when open. AVOID DIRECT EXPOSURE TO BEAM.



(S) Varning !

Osynlig laserstrålning när apparaten är öppnad och spärren är urkopplad. Beträkta ej strålen.

(DK) Advarsel !

Usynlig laserstråling ved åbning når sikkerhedsafbrydere er ude af funktion. Undgå udsættelse for stråling.

(SF) Varoitus !

Avatussa laitteessa ja suojalukituksen ohitettaessa olet alttiina näkymättömälle laserisäteilylle. Älä katso säteeseen !

(GB)

After servicing and before returning the set to customer perform a leakage current measurement test from all exposed metal parts to earth ground, to assure no shock hazard exists. The leakage current must not exceed 0.5mA.

(F)

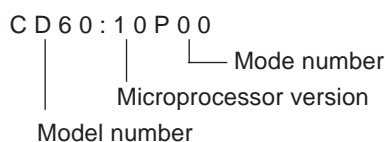
"Pour votre sécurité, ces documents doivent être utilisés par des spécialistes agréés, seuls habilités à réparer votre appareil en panne".

4. SERVICE MODE

1. How to enter into the Service Mode

Turn the power on while pressing [PLAY]+[OPEN/CLOSE] buttons together.

The display shows “model number”, “microprocessor version” and “mode”.



2. Mode 0 (display “P 00”)

Condition: [FOCUS OFF], [SPINDLE OFF], [RADIAL OFF], [MUTE ON]

- While pressing [NEXT ►►] button, the sledge moves out side.
And, release from this button. The sledge return to neutral position.
- Press [NEXT ►►] button, the function will change to “Mode 1”.

3. Mode 1 (display “P 01”)

Condition: [FOCUS ON], [SPINDLE OFF], [RADIAL OFF], [MUTE ON]

- Press [NEXT ►►] button, the function will change to “Mode 2”.
- Press [PREV ◄◄] button, the function will change to “Mode 0”.

4. Mode 2 (display “P 02”)

Condition: [FOCUS ON], [SPINDLE ON], [RADIAL OFF], [MUTE ON]

- Press [NEXT ►►] button, the function will change to “Mode 3”.
- Press [PREV ◄◄] button, the function will change to “Mode 1”.

5. Mode 3 (display “P 03”)

Condition: [FOCUS ON], [SPINDLE ON], [RADIAL ON], [MUTE OFF]

- Press [PREV ◄◄] button, the function will change to “Mode 2”.

* The following button operations are available at the Service Mode.

- 1) While pressing [STOP] button, FL display shows all segments.
- 2) Press [PAUSE] button. FL display shows each segments one by one automatically. (Segments test mode) And, press [PAUSE] button again, this mode will be stopped.
- 3) The same as Normal operation is performed by pressing [PLAY] button. (Except segments test mode.) However if some default is detected, display shows an error code. (For example: “Err 10”) Refer to the “Table 1 ERROR CODE”.

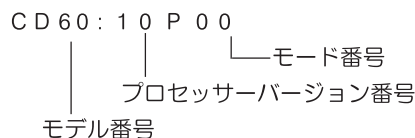
6. Canceling the Service Mode

The Service Mode is canceled by turning the power off.

4. サービスモード

1. サービスモードへの入り方

[PLAY]と[OPEN/CLOSE] ボタンを押しながら電源を入れます。モデル番号及びプロセッサバージョン番号、モード番号を表示します。



2. モード 0 (表示 P 0 0)

状態：[FOCUS OFF] [SPINDLE OFF] [RADIAL OFF] [MUTE ON]

- [NEXT ►►] ボタンを押している間だけスレッドが外周へ移動します。ボタンを放すと原点に戻ります。
- [NEXT ►►] ボタンを押すとモード 1 へ移行します。

3. モード 1 (表示 P 0 1)

状態：[FOCUS ON] [SPINDLE OFF] [RADIAL OFF] [MUTE ON]

- [NEXT ►►] ボタンを押すとモード 2 へ移行します。
- [PREV ◄◄] ボタンを押すとモード 0 へ移行します。

4. モード 2 (表示 P 0 2)

状態：[FOCUS ON] [SPINDLE ON] [RADIAL OFF] [MUTE ON]

- [NEXT ►►] ボタンを押すとモード 3 へ移行します。
- [PREV ◄◄] ボタンを押すとモード 0 へ移行します。

5. モード 3 (表示 P 0 3)

状態：[FOCUS ON] [SPINDLE ON] [RADIAL ON] [MUTE OFF]

- [PREV ◄◄] ボタンを押すとモード 2 へ移行します。

* サービスモードの全ての状態で以下のボタンが有効です。

- 1) [STOP] ボタンを押している間だけFLが全点灯します。
- 2) [PAUSE] ボタンを押すとFL各部自動点灯テストを行ないます。もう一度押すとテストを中止します。
- 3) [PLAY] ボタンを押すと通常（サービスモード以外）と同じ動作となります。ただし、上記のFL各部自動点灯テスト中を除きます。
動作中、異常が確認された時にエラー番号が表示されません。（例：Err 10）
下記の表を参考にしてください。

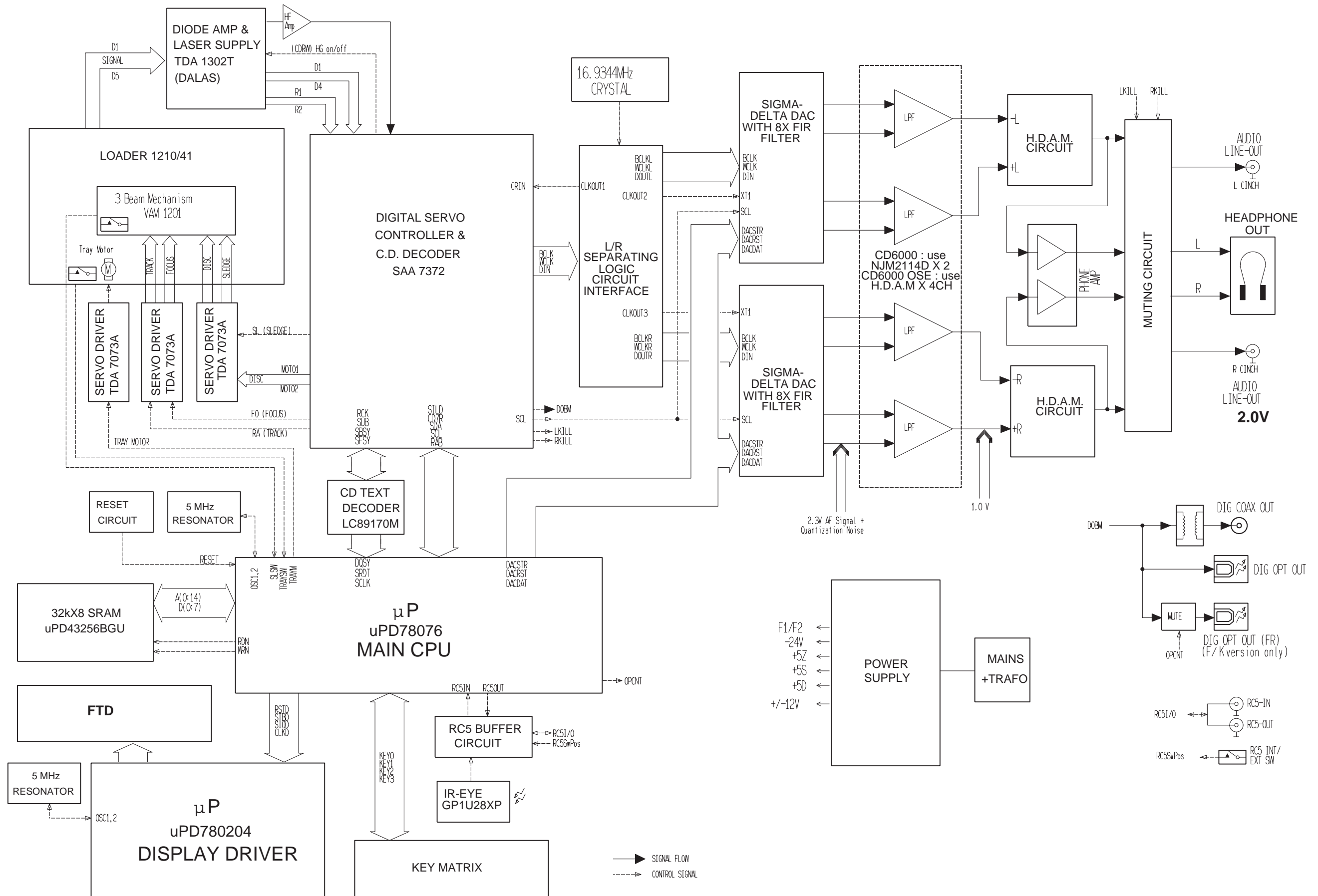
6. サービスモードの解除

電源を切るとサービスモードが解除されます。

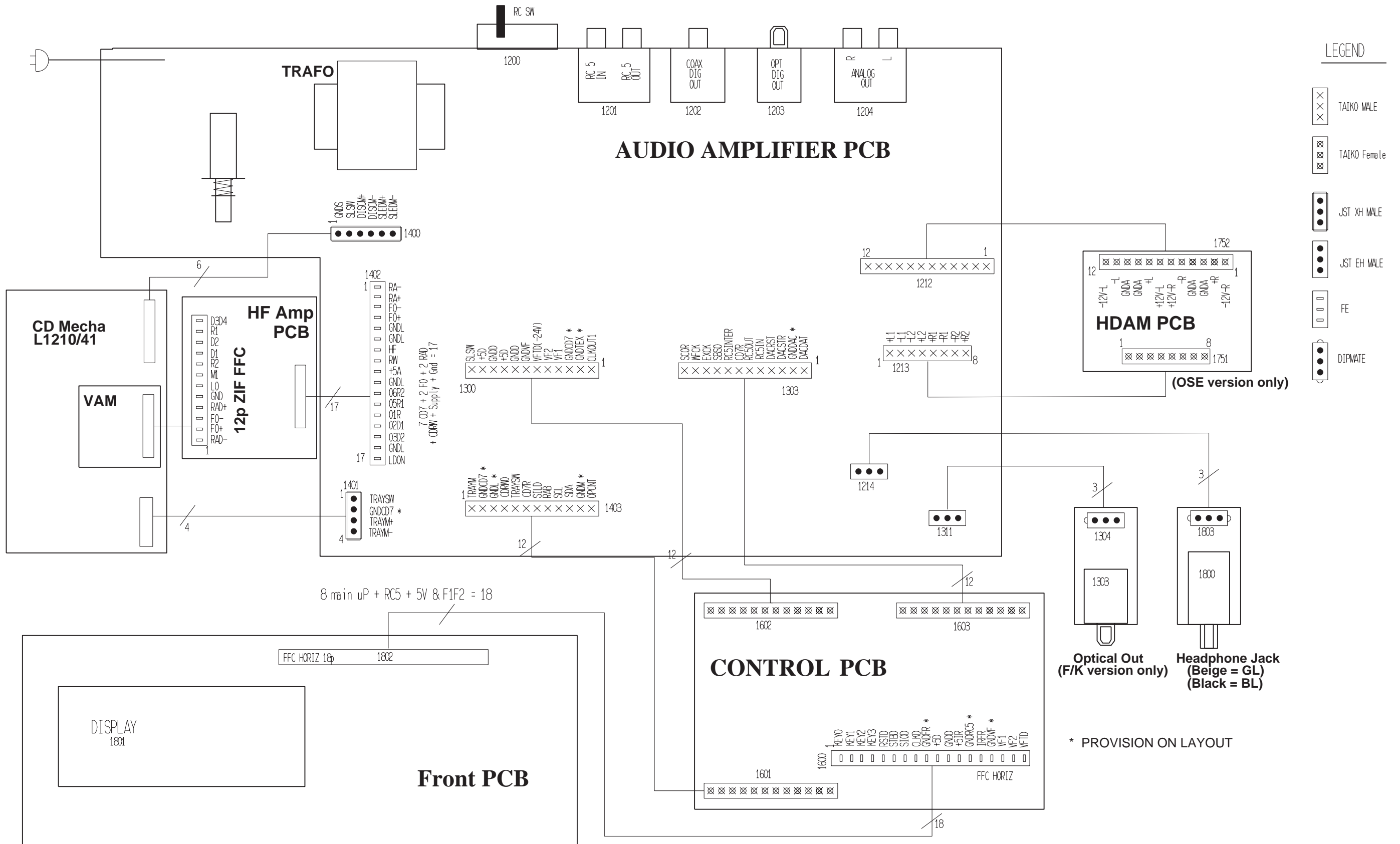
Table 1 ERROR CODE

Error Code	Error
Err 02	FOCUS Error
Err 07	SUB CODE Error
Err 08	T. O. C. Error
Err 09	DECODER Error
Err 10	RADIAL Error
Err 11, 12	SLEDGE Error
Err 13	SPINDLE Error
Err 16 ~ 20	SEARCH Error
Err 30	DOOR Error
Err 31	TRAY Error
Err 32 ~ 47	BUTTON INPUT Error

6. BLOCK DIAGRAM



7. WIRING DIAGRAM

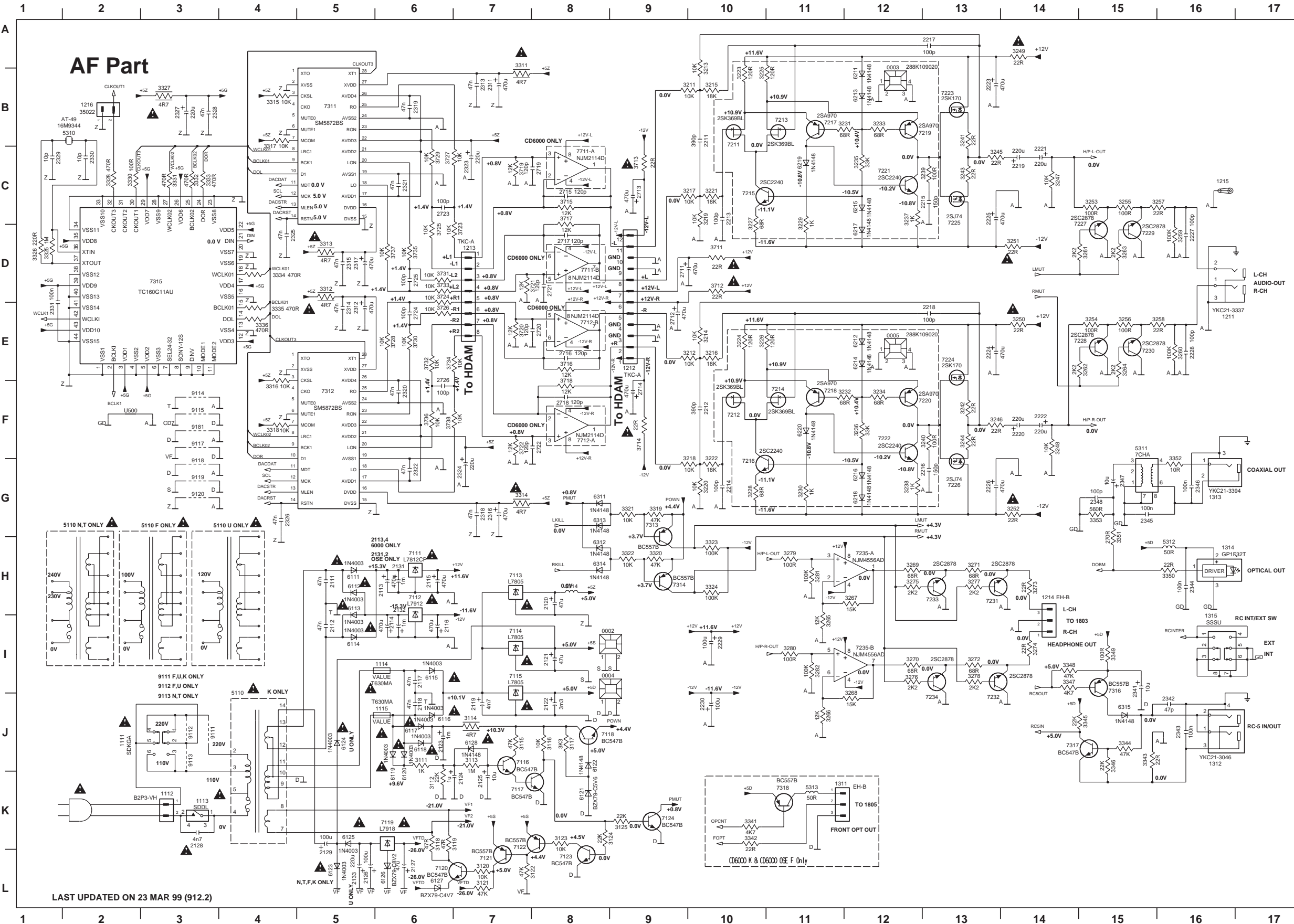


LEGEND

- TAIKO MALE
- TAIKO Female
- JST XH MALE
- JST EH MALE
- FE
- DIPMATE

8. SCHEMATIC DIAGRAM AND PARTS LOCATION

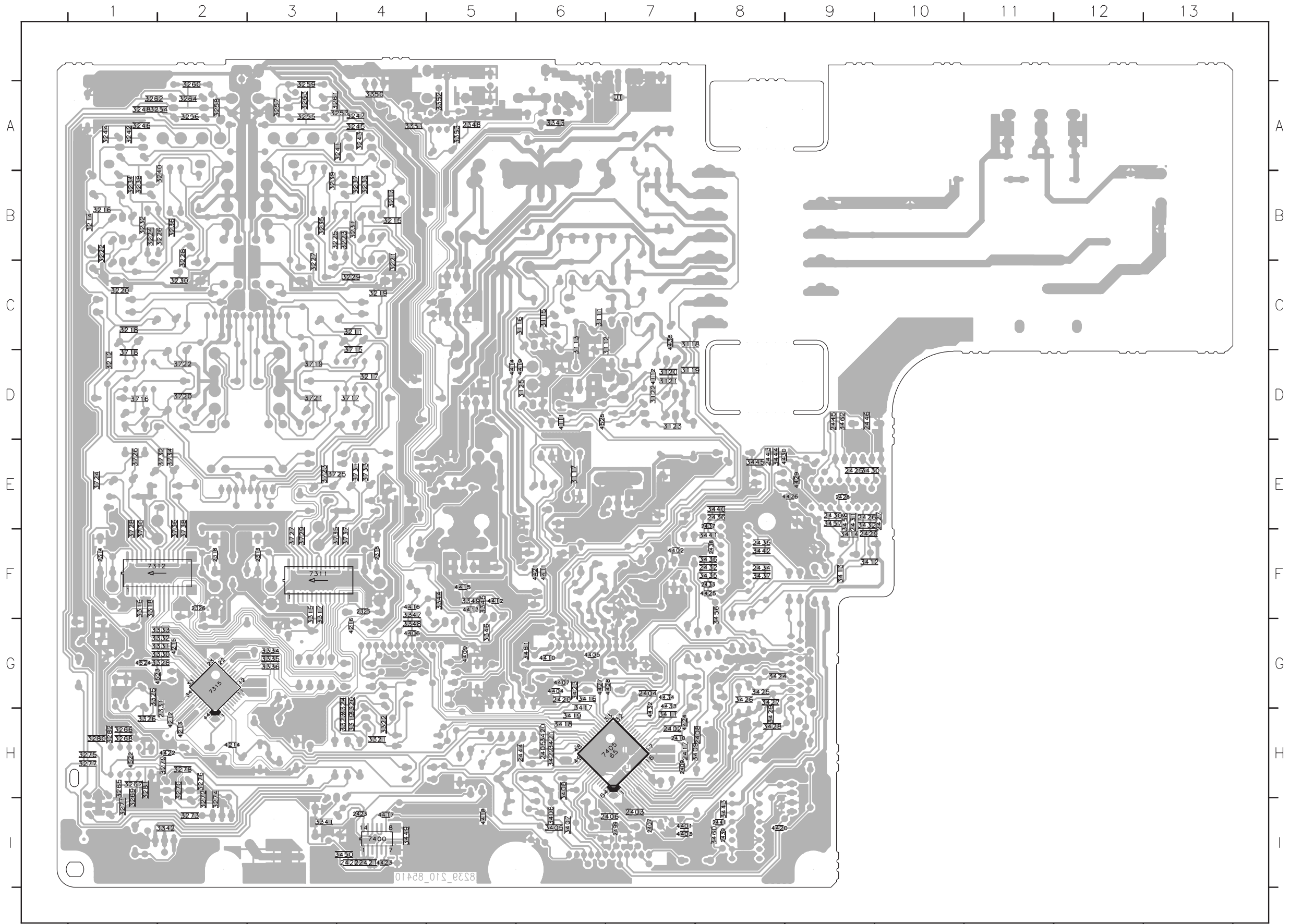
AUDIO AMPLIFIER PCB AF PART



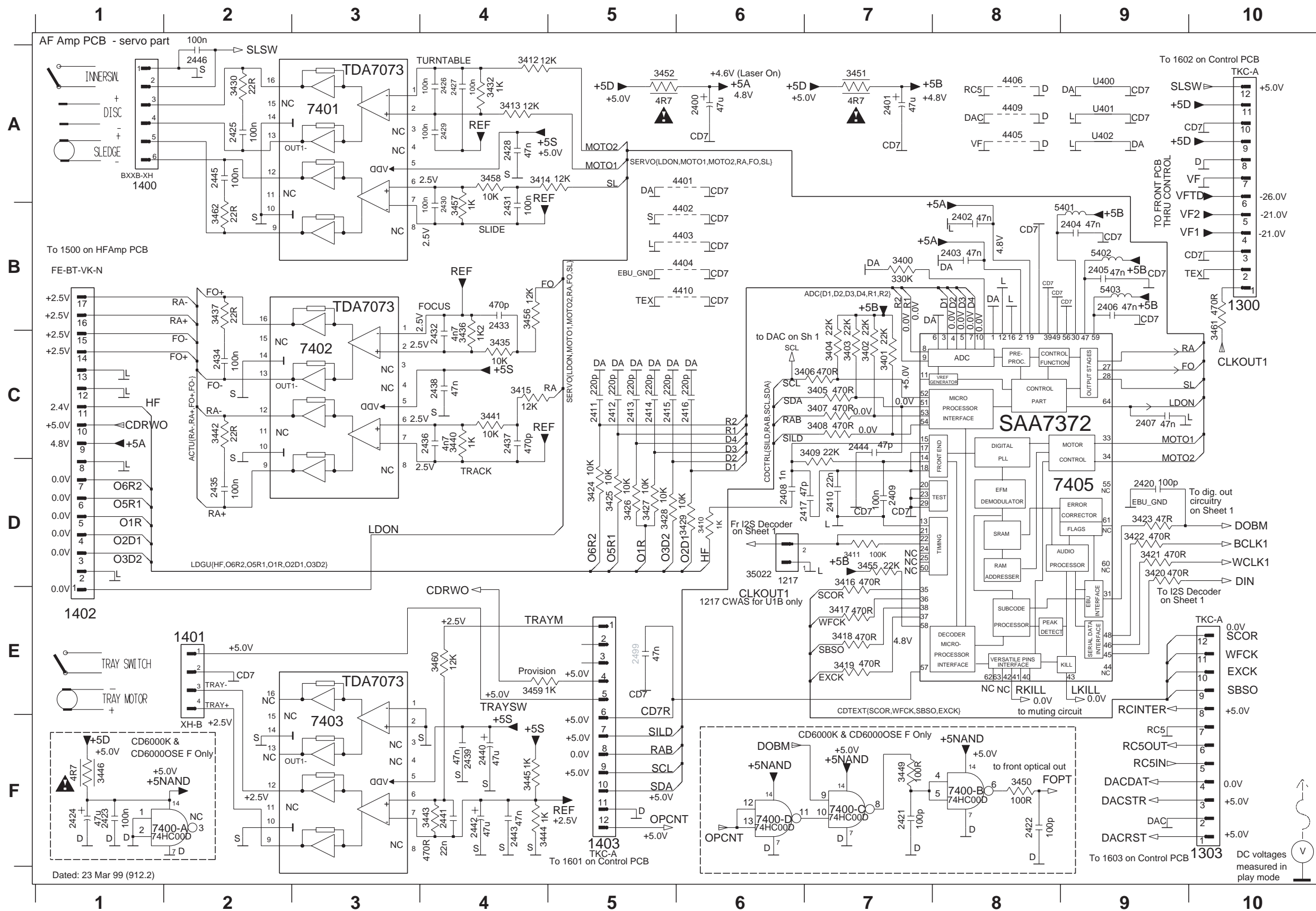
0002 J8	3226 E10	6119 K6
0003 B12	3227 C10	6120 K6
0004 J8	3228 G10	6121 K8
0005 E12	3229 C11	6122 J8
1111 J2	3230 B11	6123 L5
1112 K3	3231 B12	6124 J5
1113 K3	3232 F12	6125 K5
1114 J6	3233 B12	6126 L6
1115 J6	3234 F12	6127 L6
1211 E16	3235 C12	6128 J7
1212 E9	3236 F12	6211 B12
1213 D7	3237 C12	6212 E12
1214 H14	3238 G12	6213 B12
1215 C16	3239 C13	6214 E12
1216 B2	3240 F13	6215 C12
1311 K11	3241 B13	6216 G12
1312 J16	3242 F13	6217 D12
1313 G16	3243 C13	6218 G12
1314 H16	3244 F13	6219 C11
1315 I16	3245 C13	6220 F11
2111 H5	3246 F13	6311 G8
2112 I5	3247 C14	6312 H8
2113 H6	3248 F14	6313 G8
2114 H6	3249 A14	6314 H8
2115 H6	3250 E14	6315 J15
2116 H6	3251 D14	7111 H6
2117 H6	3252 G14	7112 H6
2118 J6	3253 C15	7113 H7
2119 J6	3254 E15	7112 K7
2120 H8	3255 C15	7115 I7
2121 I8	3256 E15	7116 J7
2122 J8	3257 C16	7117 K7
2123 H8	3258 A16	7118 J8
2124 K7	3259 D16	7119 K6
2125 K7	3260 E16	7120 L6
2126 L5	3261 D15	7121 L7
2127 L6	3262 E15	7122 L7
2128 K3	3263 D15	7123 L8
2129 L5	3264 E15	7124 K9
2131 H6	3265 H11	7211 B10
2132 H6	3266 J11	7212 F10
2133 L5	3267 H12	7213 B11
2134 G10	3268 J12	7214 F11
2135 C13	3269 H12	7215 C10
2136 G10	3270 H12	7216 G10
2137 H12	3271 H13	7217 B11
2138 G13	3272 H13	7218 F11
2139 C14	3273 H14	7219 B12
2140 F14	3274 H14	7220 F12
2141 C14	3275 H14	7221 C12
2142 H14	3276 H12	7222 F12
2143 H14	3277 H13	7223 B13
2144 H14	3278 H13	7224 E13
2145 H14	3279 H14	7225 C13
2146 H14	3280 H11	7226 G13
2147 H14	3281 H11	7227 C14
2148 H14	3282 H11	7228 E14
2149 H14	3283 H11	7229 B14
2150 H14	3284 H11	7230 H15
2151 H14	3285 H11	7231 H13
2152 H14	3286 H11	7232 H13
2153 H14	3287 H11	7233 H13
2154 H14	3288 H11	7234 H13
2155 H14	3289 H11	7235 H13
2156 H14	3290 H11	7236 H13
2157 H14	3291 H11	7237 H13
2158 H14	3292 H11	7238 H13
2159 H14	3293 H11	7239 H13
2160 H14	3294 H11	7240 H13
2161 H14	3295 H11	7241 H13
2162 H14	3296 H11	7242 H13
2163 H14	3297 H11	7243 H13
2164 H14	3298 H11	7244 H13
2165 H14	3299 H11	7245 H13
2166 H14	3300 H11	7246 H13
2167 H14	3301 H11	7247 H13
2168 H14	3302 H11	7248 H13
2169 H14	3303 H11	7249 H13
2170 H14	3304 H11	7250 H13
2171 H14	3305 H11	7251 H13
2172 H14	3306 H11	7252 H13
2173 H14	3307 H11	7253 H13
2174 H14	3308 H11	7254 H13
2175 H14	3309 H11	7255 H13
2176 H14	3310 H11	7256 H13
2177 H14	3311 H11	7257 H13
2178 H14	3312 H11	7258 H13
2179 H14	3313 H11	7259 H13
2180 H14	3314 H11	7260 H13
2181 H14	3315 H11	7261 H13
2182 H14	3316 H11	7262 H13
2183 H14	3317 H11	7263 H13
2184 H14	3318 H11	7264 H13
2185 H14	3319 H11	7265 H13
2186 H14	3320 H11	7266 H13
2187 H14	3321 H11	7267 H13
2188 H14	3322 H11	7268 H13
2189 H14	3323 H11	7269 H13
2190 H14	3324 H11	7270 H13
2191 H14	3325 H11	7271 H13
2192 H14	3326 H11	7272 H13
2193 H14	3327 H11	7273 H13
2194 H14	3328 H11	7274 H13
2195 H14	3329 H11	7275 H13
2196 H14	3330 H11	7276 H13
2197 H14	3331 H11	7277 H13
2198 H14	3332 H11	7278 H13
2199 H14	3333 H11	7279 H13
2200 H14	3334 H11	7280 H13
2201 H14	3335 H11	7281 H13
2202 H14	3336 H11	7282 H13
2203 H14	3337 H11	7283 H13
2204 H14	3338 H11	7284 H13
2205 H14	3339 H11	7285 H13
2206 H14	3340 H11	7286 H13
2207 H14	3341 H11	7287 H13
2208 H14	3342 H11	7288 H13
2209 H14	3343 H11	7289 H13
2210 H14	3344 H11	7290 H13
2211 H14	3345 H11	7291 H13
2212 H14	3346 H11	7292 H13
2213 H14	3347 H11	7293 H13
2214 H14	3348 H11	7294 H13
2215 H14	3349 H11	7295 H13
2216 H14	3350 H11	7296 H13
2217 H14	3351 H11	7297 H13
2218 H14	3352 H11	7298 H13
2219 H14	3353 H11	7299 H13
2220 H14	3354 H11	7300 H13
2221 H14	3355 H11	7301 H13
2222 H14	3356 H11	7302 H13
2223 H14	3357 H11	7303 H13
2224 H14	3358 H11	7304 H13
2225 H14	3359 H11	7305 H13
2226 H14	3360 H11	7306 H13
2227 H14	3361 H11	7307 H13
2228 H14	3362 H11	7308 H13
2229 H14	3363 H11	7309 H13
2230 H14	3364 H11	7310 H13
2231 H14	3365 H11	7311 H13
2232 H14	3366 H11	7312 H13
2233 H14	3367 H11	7313 H13
2234 H14	3368 H11	7314 H13
2235 H14	3369 H11	7315 H13
2236 H14	3370 H11	7316 H13
2237 H14	3371 H11	7317 H13
2238 H14	3372 H11	7318 H13
2239 H14	3373 H11	7319 H13
2240 H14	3374 H11	7320 H13
2241 H14	3375 H11	7321 H13
2242 H14	3376 H11	7322 H13
2243 H14	3377 H11	7323 H13
2244 H14	3378 H11	7324 H13
2245 H14	3379 H11	7325 H13
2246 H14	3380 H11	7326 H13
2247 H14	3381 H11	7327 H13
2248 H14	3382 H11	7328 H13
2249 H14	3383 H11	7329 H13
2250 H14	3384 H11	7330 H13
2251 H14	3385 H11	7331 H13
2252 H14	3386 H11	7332 H13
2253 H14	3387 H11	7333 H13
2254 H14	3388 H11	7334 H13
2255 H14	3389 H11	7335 H13
2256 H14	3390 H11	7336 H13
2257 H14	3391 H11	7337 H13
2258 H14	3392 H11	7338 H13
2259 H14	3393 H11	7339 H13
2260 H14	3394 H11	7340 H13
2261 H14	3395 H11	7341 H13
2262 H14	3396 H11	7342 H13
2263 H14	3397 H11	7343 H13
2264 H14	3398 H11	7344 H13
2265 H14	3399 H11	7345 H13
2266 H14	3400 H11	7346 H13
2267 H14	3401 H11	7347 H13
2268 H14	3402 H11	7348 H13
2269 H14	3403 H11	7349 H13
2270 H14	3404 H11	7350 H13
2271 H14	3405 H11	7351 H13
2272 H14	3406 H11	7352 H13
2273 H14	3407 H11	7353 H13
2274 H14	3408 H11	7354 H13
2275 H14	3409 H11	7355 H13
2276 H14	3410 H11	7356 H13
2277 H14	3411 H11	7357 H13
2278 H14	3412 H11	7358 H13
2279 H14	3413 H11	7359 H13
2280 H14	3414 H11	7360 H13
2281 H14	3415 H11	7361 H13
2282 H14	3416 H11	7362 H13
2283 H14	3417 H11	7363 H13
2284 H14	3418 H11	7364 H13
2285 H14	3419 H11	7365 H13
2286 H14	3420 H11	7366 H13
2287 H14	3421 H11	7367 H13
2288 H14	3422 H11	7368 H13
2289 H14	3423 H11	7369 H13
2290 H14	3424 H11	7370 H13
2291 H14	3425 H11	7371 H13
2292 H14	3426 H11	7372 H13
2293 H14	3427 H11	7373 H13
2294 H14	3428 H11	7374 H13
2295 H14	3429 H11	7375 H13
2296 H14	3430 H11	7376 H13
2297 H14	3431 H11	7377 H13
2298 H14	3432 H11	7378 H13
2299 H14	3433 H11	7379 H13
2300 H14	3434 H11	7380 H13
2301 H14	3435 H11	7381 H13
2302 H14	3436 H11	7382 H13
2303 H14	3437 H11	7383 H13
2304 H14	3438 H11	7384 H13
2305 H14	3439 H11	7385 H13
2306 H14	3440 H11	7386 H13
2307 H14	3441 H11	7387 H13
2308 H14	3442 H11	7388 H13
2309 H14	3443 H11	7389 H13
2310 H14	3444 H11	7390 H13
2311 H14	3445 H11	7391 H13
2312 H14	3446 H11	7392 H13
2313 H14	3447 H11	7393 H13
2314 H14	3448 H11	7394 H13
2315 H14	3449 H11	7395 H13
2316 H14	3450 H11	7396 H13
2317 H14	3451 H11	7397 H13
2318 H14	3452 H11	7398 H13
2319 H14	3453 H11	7399 H13
2320 H14	3454 H11	7400 H13
2321 H14	3455 H11	7401 H13
2322 H14	3456 H11	7402 H13
2323 H14	3457 H11	7403 H13
2324 H14	3458 H11	7404 H13
2325 H14	3459 H11	7405 H13
2326 H14	3460 H11	7406 H13
2327 H14	3461 H11	7407 H13
2328 H14	3462 H11	7408 H13
2329 H14	3463 H11	7409 H13
2330 H14	3464 H11	7410 H13
2331 H14	3465 H11	7411 H13
2332 H14	3466 H11	7412 H13
2333 H14	3467 H11	7413 H13
2334 H14	3468 H11	7414 H13
2335 H14	3469 H11	7415 H13
2336 H14	3470 H11	7416 H13
2337 H14	3471 H11	7417 H13
2338 H14	3472 H11	7418 H13
2339 H14	3473 H11	7419 H13
2340 H14	3474 H11	7420 H13
2341 H14	3475 H11	7421 H13
2342 H14	3476 H11	7422 H13
2343 H14	3477 H11	7423 H13
2344 H14	3478 H11	7424 H13
2345 H14	3479 H11	7425 H13
2346 H14	3480 H11	7426 H13
2347 H14	3481 H11	7427 H13
2348 H14	3482 H11	7428 H13
2349 H14	3483 H11	7429 H13
2350 H14	3484 H11	7430 H13
2351 H14	3485 H11	7431 H13
2352 H14	3486 H11	7432 H13
2353 H14	3487 H11	7433 H13
2354 H14	3488 H11	7434 H13
2355 H14	3489 H11	7435 H13
2356 H14	3490 H11	7436 H13
2357 H14	3491 H11	7437 H13
2358 H14	3492 H11	7438 H13
2359 H14	3493 H11	7439 H13
2360 H14	3494 H11	7440 H13
2361 H14	3495 H11	7441 H13
2362 H14	3496 H11	7442 H13
2363 H14	3497 H11	7443 H13
2364 H14	3498 H11	7444 H13
2365 H14	3499 H11	7445 H13
2366 H14	3500 H11	7446 H13
2367 H14	3501 H11	7447 H13
2368 H14	3502 H11	7448 H13
2369 H14	3503 H11	7449 H13
2370 H14	3504 H11	7450 H13
2371 H14	3505 H11	7451 H13
2372 H14	3506 H11	7452 H13
2373 H14	3507 H11	7453 H13
2374 H14	3508 H11	7454 H13
2375 H14	3509 H11	7455 H13
2376 H14	3510 H11	7456 H13
2377 H14	3511 H11	7457 H13
2378 H14	3512 H11	7458 H13
2379 H14	3513 H11	7459 H13
2380 H14	3514 H11	7460 H13
2381 H14	3515 H11	7461 H13
2382 H14	3516 H11	7462 H13
2383 H14	3517 H11	7463 H13
2384 H14	3518 H11	7464 H13
2385 H14	3519 H11	7465 H13
2386 H14	3520 H11	7466 H13
2387 H14	3521 H11	7467 H13
2388 H14	3522 H11	7468 H13
2389 H14	3523 H11	7469 H13
2390 H14	3524 H11	7470 H13
2391 H14	3525 H11	7471 H13
2392 H14	3526 H11	7472 H13
2393 H14	3527 H11	7473 H13
2		

AUDIO AMPLIFIER PCB COPPER SIDE VIEW

1 2 3 4 5 6 7 8 9 10 11 12 13
 14 15 16 17 18 19 20 21 22 23 24 25 26 27 28 29 30 31 32 33 34 35 36 37 38 39 40 41 42 43 44 45 46 47 48 49 50 51 52 53 54 55 56 57 58 59 60 61 62 63 64 65 66 67 68 69 70 71 72 73 74 75 76 77 78 79 80 81 82 83 84 85 86 87 88 89 90 91 92 93 94 95 96 97 98 99 100 101 102 103 104 105 106 107 108 109 110 111 112 113 114 115 116 117 118 119 120 121 122 123 124 125 126 127 128 129 130 131 132 133 134 135 136 137 138 139 140 141 142 143 144 145 146 147 148 149 150 151 152 153 154 155 156 157 158 159 160 161 162 163 164 165 166 167 168 169 170 171 172 173 174 175 176 177 178 179 180 181 182 183 184 185 186 187 188 189 190 191 192 193 194 195 196 197 198 199 200 201 202 203 204 205 206 207 208 209 210 211 212 213 214 215 216 217 218 219 220 221 222 223 224 225 226 227 228 229 230 231 232 233 234 235 236 237 238 239 240 241 242 243 244 245 246 247 248 249 250 251 252 253 254 255 256 257 258 259 260 261 262 263 264 265 266 267 268 269 270 271 272 273 274 275 276 277 278 279 280 281 282 283 284 285 286 287 288 289 290 291 292 293 294 295 296 297 298 299 300 301 302 303 304 305 306 307 308 309 310 311 312 313 314 315 316 317 318 319 320 321 322 323 324 325 326 327 328 329 330 331 332 333 334 335 336 337 338 339 340 341 342 343 344 345 346 347 348 349 350 351 352 353 354 355 356 357 358 359 360 361 362 363 364 365 366 367 368 369 370 371 372 373 374 375 376 377 378 379 380 381 382 383 384 385 386 387 388 389 390 391 392 393 394 395 396 397 398 399 400 401 402 403 404 405 406 407 408 409 410 411 412 413 414 415 416 417 418 419 420 421 422 423 424 425 426 427 428 429 430 431 432 433 434 435 436 437 438 439 440 441 442 443 444 445 446 447 448 449 450 451 452 453 454 455 456 457 458 459 460 461 462 463 464 465 466 467 468 469 470 471 472 473 474 475 476 477 478 479 480 481 482 483 484 485 486 487 488 489 490 491 492 493 494 495 496 497 498 499 500 501 502 503 504 505 506 507 508 509 510 511 512 513 514 515 516 517 518 519 520 521 522 523 524 525 526 527 528 529 530 531 532 533 534 535 536 537 538 539 540 541 542 543 544 545 546 547 548 549 550 551 552 553 554 555 556 557 558 559 560 561 562 563 564 565 566 567 568 569 570 571 572 573 574 575 576 577 578 579 580 581 582 583 584 585 586 587 588 589 590 591 592 593 594 595 596 597 598 599 600 601 602 603 604 605 606 607 608 609 610 611 612 613 614 615 616 617 618 619 620 621 622 623 624 625 626 627 628 629 630 631 632 633 634 635 636 637 638 639 640 641 642 643 644 645 646 647 648 649 650 651 652 653 654 655 656 657 658 659 660 661 662 663 664 665 666 667 668 669 670 671 672 673 674 675 676 677 678 679 680 681 682 683 684 685 686 687 688 689 690 691 692 693 694 695 696 697 698 699 700 701 702 703 704 705 706 707 708 709 710 711 712 713 714 715 716 717 718 719 720 721 722 723 724 725 726 727 728 729 730 731 732 733 734 735 736 737 738 739 740 741 742 743 744 745 746 747 748 749 750 751 752 753 754 755 756 757 758 759 760 761 762 763 764 765 766 767 768 769 770 771 772 773 774 775 776 777 778 779 780 781 782 783 784 785 786 787 788 789 790 791 792 793 794 795 796 797 798 799 800 801 802 803 804 805 806 807 808 809 810 811 812 813 814 815 816 817 818 819 820 821 822 823 824 825 826 827 828 829 830 831 832 833 834 835 836 837 838 839 840 841 842 843 844 845 846 847 848 849 850 851 852 853 854 855 856 857 858 859 860 861 862 863 864 865 866 867 868 869 870 871 872 873 874 875 876 877 878 879 880 881 882 883 884 885 886 887 888 889 890 891 892 893 894 895 896 897 898 899 900 901 902 903 904 905 906 907 908 909 910 911 912 913 914 915 916 917 918 919 920 921 922 923 924 925 926 927 928 929 930 931 932 933 934 935 936 937 938 939 940 941 942 943 944 945 946 947 948 949 950 951 952 953 954 955 956 957 958 959 960 961 962 963 964 965 966 967 968 969 970 971 972 973 974 975 976 977 978 979 980 981 982 983 984 985 986 987 988 989 990 991 992 993 994 995 996 997 998 999 1000



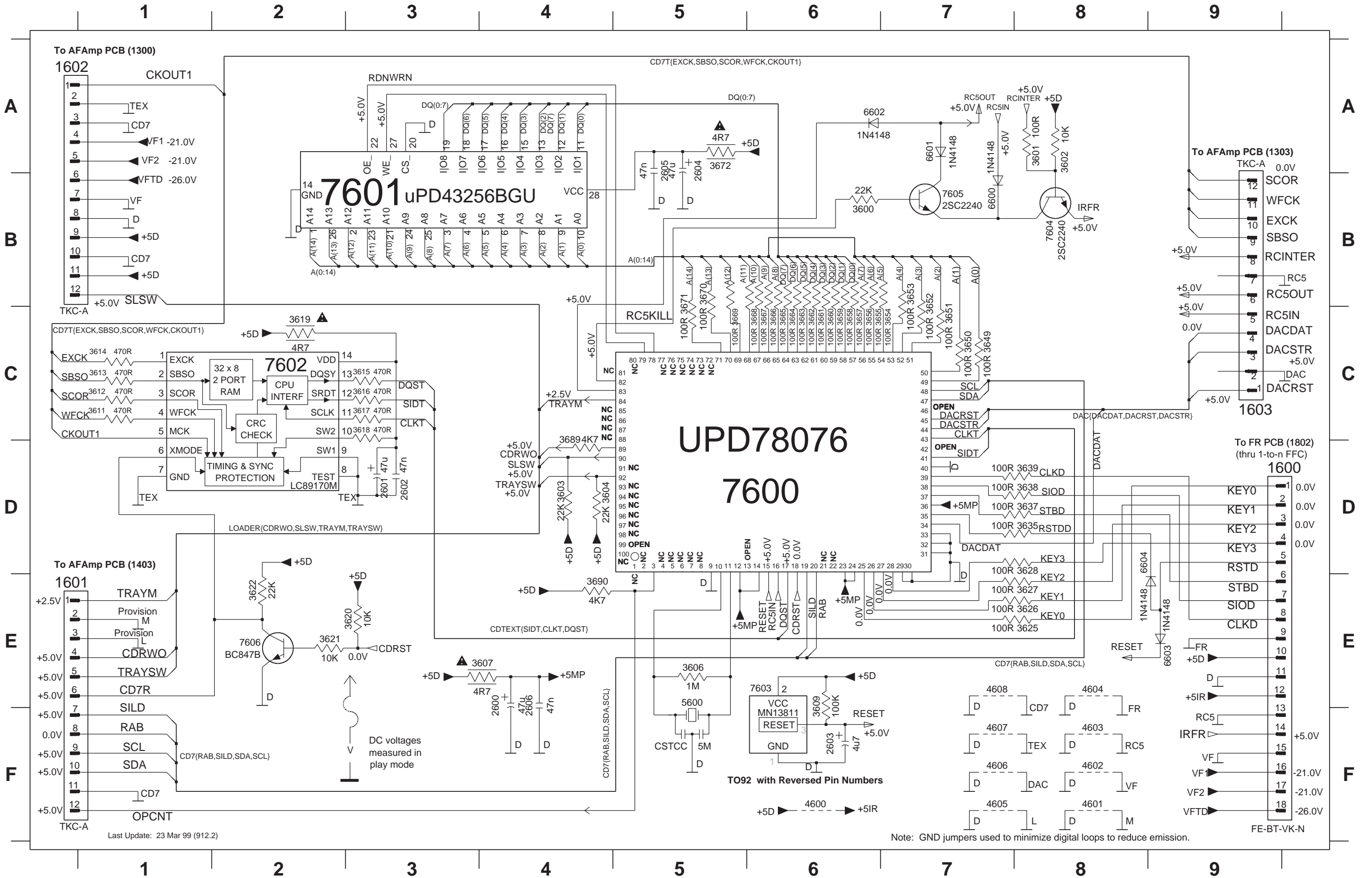
AUDIO AMPLIFIER PCB SERVO PART



- 1217 D6
- 1300 B10
- 1303 F10
- 1400 A1
- 1401 E2
- 1402 E1
- 1403 F5
- 2400 A6
- 2401 A7
- 2402 B8
- 2403 B8
- 2404 B9
- 2405 B9
- 2406 B9
- 2407 C9
- 2408 D6
- 2409 D7
- 2410 D7
- 2411 C5
- 2412 C5
- 2413 C5
- 2414 C5
- 2415 C5
- 2416 C6
- 2417 D7
- 2420 D9
- 2421 F7
- 2422 F8
- 2423 F1
- 2424 F1
- 2425 A2
- 2426 A4
- 2427 A4
- 2428 A4
- 2429 A4
- 2430 B4
- 2431 B4
- 2432 C4
- 2433 B4
- 2434 C2
- 2435 D2
- 2436 C4
- 2437 C4
- 2438 C4
- 2439 F4
- 2440 F4
- 2441 F4
- 2442 F4
- 2443 F4
- 2444 C7
- 2445 A2
- 2446 A2
- 2499 E5
- 3400 B7
- 3401 C7
- 3402 C7
- 3403 C7
- 3404 C7
- 3405 C7
- 3406 C7
- 3407 C7
- 3408 C7
- 3409 C7
- 3410 D6
- 3411 D7
- 3412 A4
- 3413 A4
- 3414 A4
- 3415 C4
- 3416 D7
- 3417 E7
- 3418 E7
- 3419 E7
- 3420 D9
- 3421 D9
- 3422 D9
- 3423 D9
- 3424 D5
- 3425 D5
- 3426 D5
- 3427 D5
- 3428 D5
- 3429 D6
- 3430 A2
- 3432 A4
- 3435 C4
- 3436 C4
- 3437 B2
- 3440 C4
- 3441 C4
- 3442 C2
- 3443 F4
- 3444 F4
- 3445 F4
- 3446 F1
- 3449 F7
- 3450 F8
- 3451 A7
- 3452 A5
- 3455 D7
- 3456 B4
- 3457 B4
- 3458 A4
- 3459 E4
- 3460 E4
- 3461 B10
- 3462 B2
- 4401 A6
- 4402 B6
- 4403 B6
- 4404 B6
- 4405 A8
- 4406 A8
- 4409 A8
- 4410 B6
- 5401 B9
- 5402 B9
- 5403 B9
- 7400-A F1
- 7400-B F8
- 7400-C F7
- 7400-D F6
- 7401 A3
- 7402 C3
- 7403 F3
- 7405 D9
- U400 A9
- U401 A9
- U402 A9

CONTROL PCB

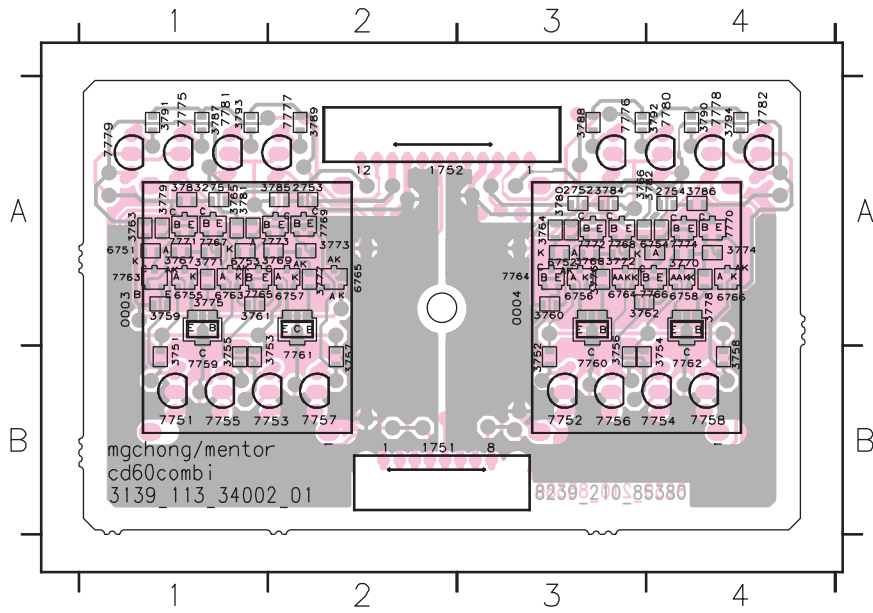
1600 D9	2600 E4	2604 A5	3601 A8	3606 E5	3612 C1	3616 C3	3620 E3	3626 E8	3637 D8	3650 C7	3654 C7	3658 C6	3662 C6	3666 C6	3670 B5	3690 E4	4603 F8	4607 F7	6601 A7	7600 D6	7604 B8
1601 E1	2601 D3	2605 A5	3602 A8	3607 E4	3613 C1	3617 C3	3621 E2	3627 E8	3638 D8	3651 C7	3655 C6	3659 C6	3663 C6	3667 C6	3671 B5	4600 F6	4604 E8	4608 E7	6602 A6	7601 B3	7605 B7
1602 A1	2602 D3	2606 E4	3603 D4	3609 E6	3614 C1	3618 C3	3622 E2	3628 D8	3639 D8	3652 B7	3656 C6	3660 C6	3664 C6	3668 C6	3672 A5	4601 F8	4605 F7	5600 E5	6603 E9	7602 C2	7606 E2
1603 C9	2603 F6	3600 B6	3604 D4	3611 C1	3615 C3	3619 C2	3625 E8	3635 D8	3649 C7	3653 B7	3657 C6	3661 C6	3665 C6	3669 C5	3689 D4	4602 F8	4606 F7	6600 B7	6604 D8	7603 E6	



Last Update: 23 Mar 99 (912.2)

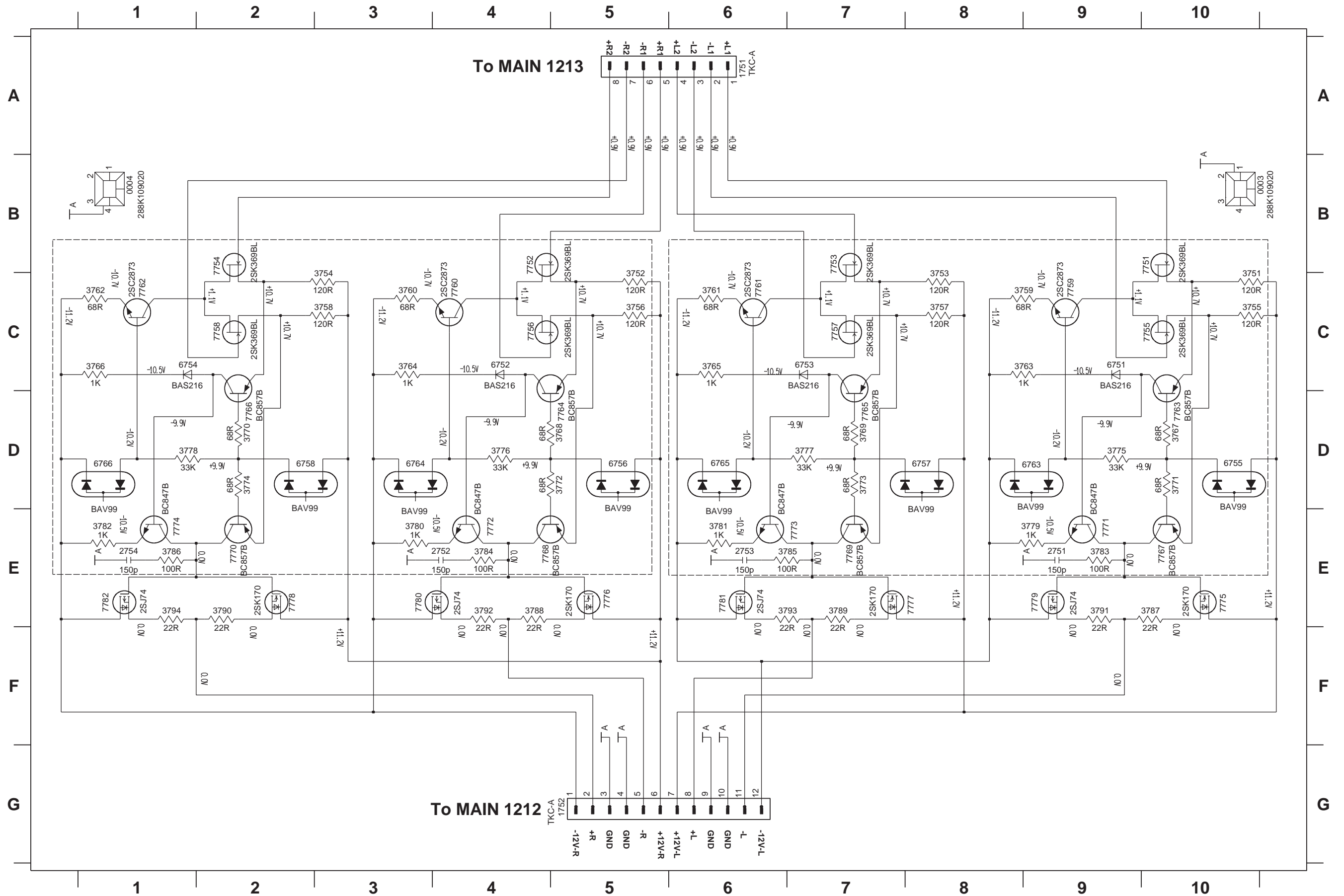
HDAM PCB COMPONENT SIDE VIEW

0003	A1	3775	B1	3767	A1	3779	A1	6763	A1	7775	B1	7771	A1
0004	A3	3776	B3	3768	A3	3780	A3	6764	A3	7776	B3	7772	A3
1751	A1	3777	B1	3769	A1	3781	A1	6765	A1	7777	B1	7773	A1
1752	A2	3778	B2	3770	A2	3782	A2	6766	A2	7778	B2	7774	A2
2751	A1	3779	B1	3771	A1	3783	A1	6767	A1	7779	B1	7775	A1
2752	A2	3780	B2	3772	A2	3784	A2	6768	A2	7780	B2	7776	A2
2753	A3	3781	B3	3773	A3	3785	A3	6769	A3	7781	B3	7777	A3
2754	A4	3782	B4	3774	A4	3786	A4	6770	A4	7782	B4	7778	A4
2755	A1	3783	B1	3775	A1	3787	A1	6771	A1	7783	B1	7779	A1
2756	A2	3784	B2	3776	A2	3788	A2	6772	A2	7784	B2	7780	A2
2757	A3	3785	B3	3777	A3	3789	A3	6773	A3	7785	B3	7781	A3
2758	A4	3786	B4	3778	A4	3790	A4	6774	A4	7786	B4	7782	A4

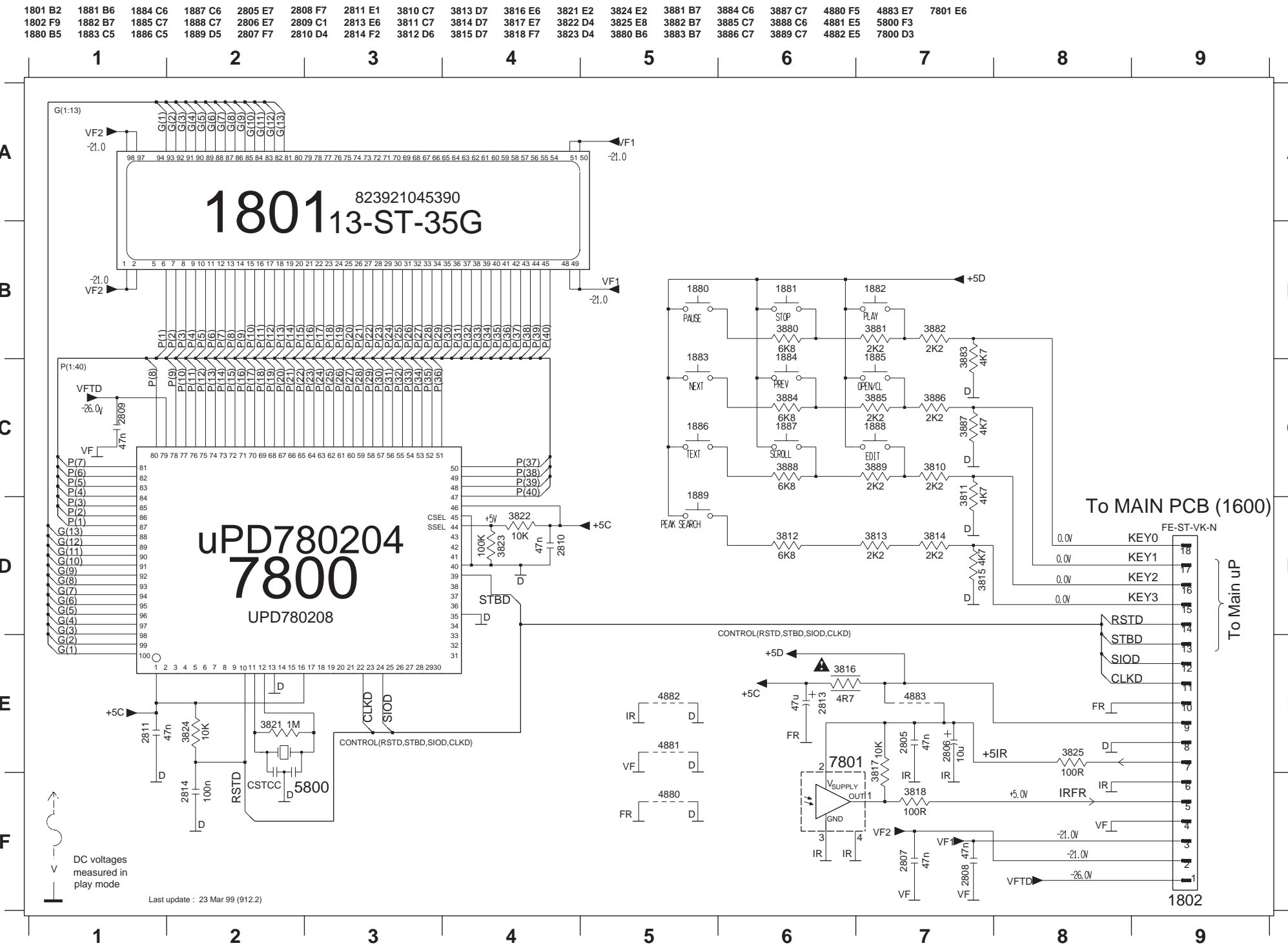


HDAM PCB

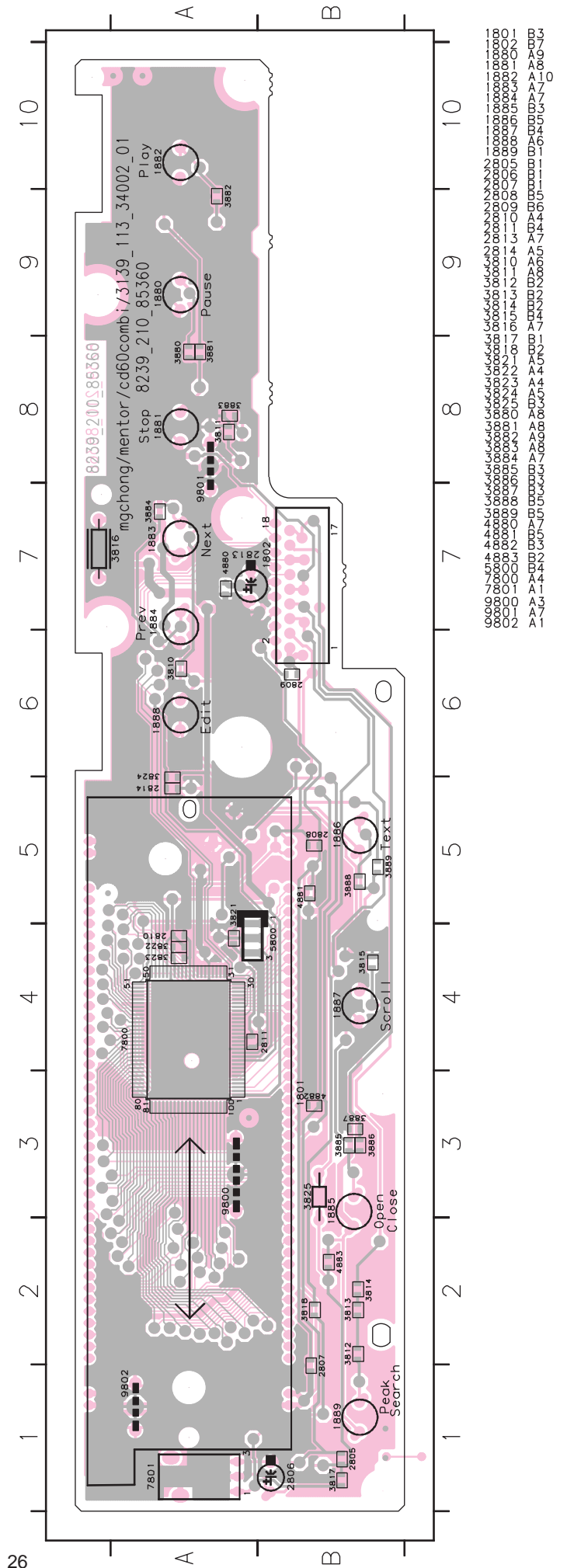
0003 B10	2751 E9	3751 C10	3755 C10	3759 C9	3763 C9	3767 D10	3771 D10	3775 D9	3779 E9	3783 E9	3787 E10	3791 E9	6751 C9	6755 D10	6763 D9	7751 B10	7755 C10	7759 C9	7763 D10	7767 E10	7771 E9	7775 E10	7779 E9
0004 B1	2752 E4	3752 C5	3756 C5	3760 C3	3764 C3	3768 D5	3772 D5	3776 D4	3780 E3	3784 E4	3788 E4	3792 E4	6752 C4	6756 D5	6764 D3	7752 B4	7756 C4	7760 C4	7764 D5	7768 E4	7772 E4	7776 E5	7780 E3
1751 A6	2753 E6	3753 C8	3757 C8	3761 C6	3765 C6	3769 D7	3773 D7	3777 D7	3781 E6	3785 E7	3789 E7	3793 E7	6753 C7	6757 D8	6765 D6	7753 B7	7757 C7	7761 C6	7765 D7	7769 E7	7773 E7	7777 E8	7781 E6
1752 G5	2754 E1	3754 C3	3758 C3	3762 C1	3766 C1	3770 D2	3774 D2	3778 D1	3782 E1	3786 E1	3790 E2	3794 E1	6754 C1	6758 D2	6766 D1	7754 B2	7758 C2	7762 C1	7766 D2	7770 E2	7774 E1	7778 E2	7782 E1



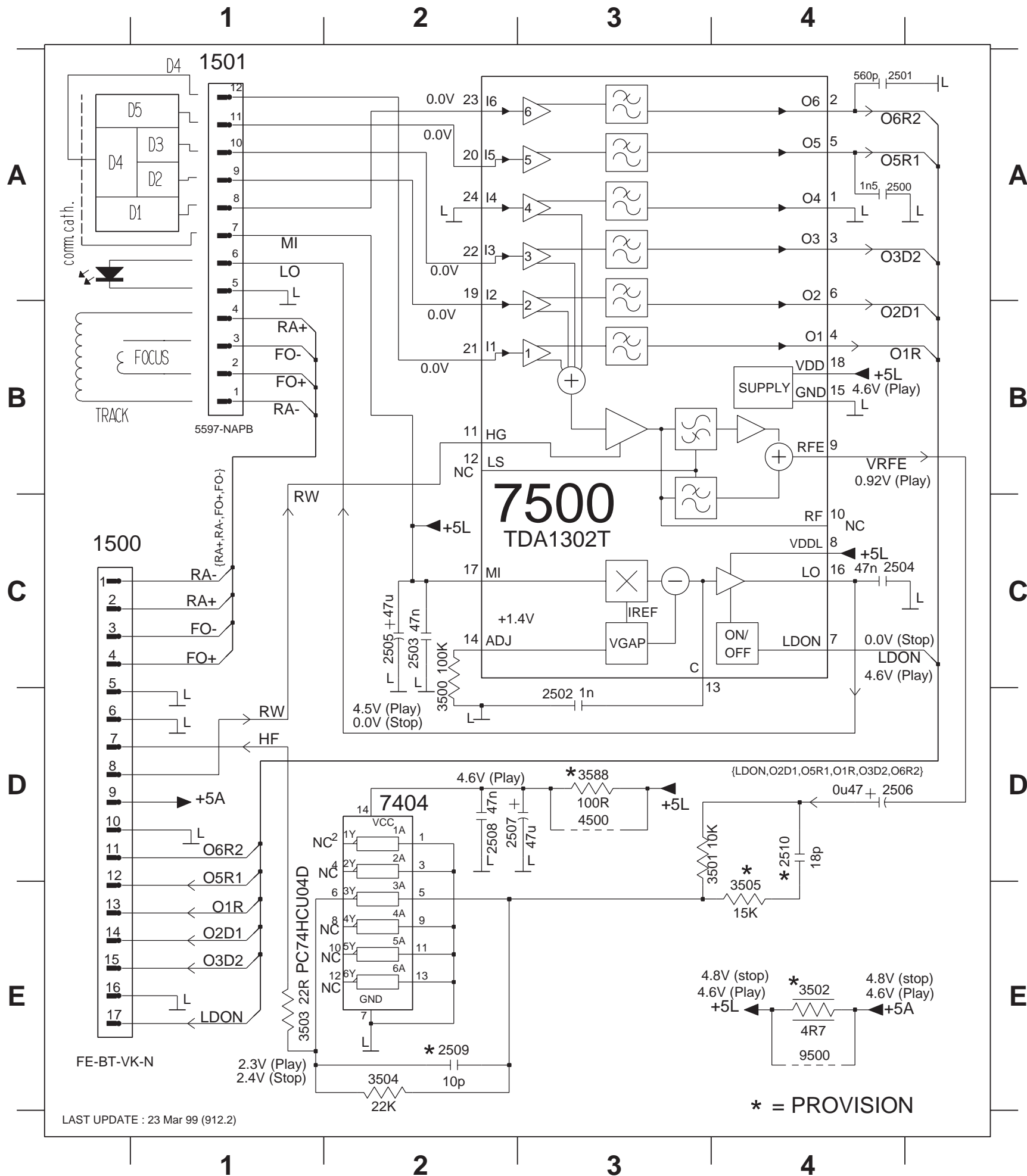
FRONT PCB



FRONT PCB COMPONENT SIDE VIEW

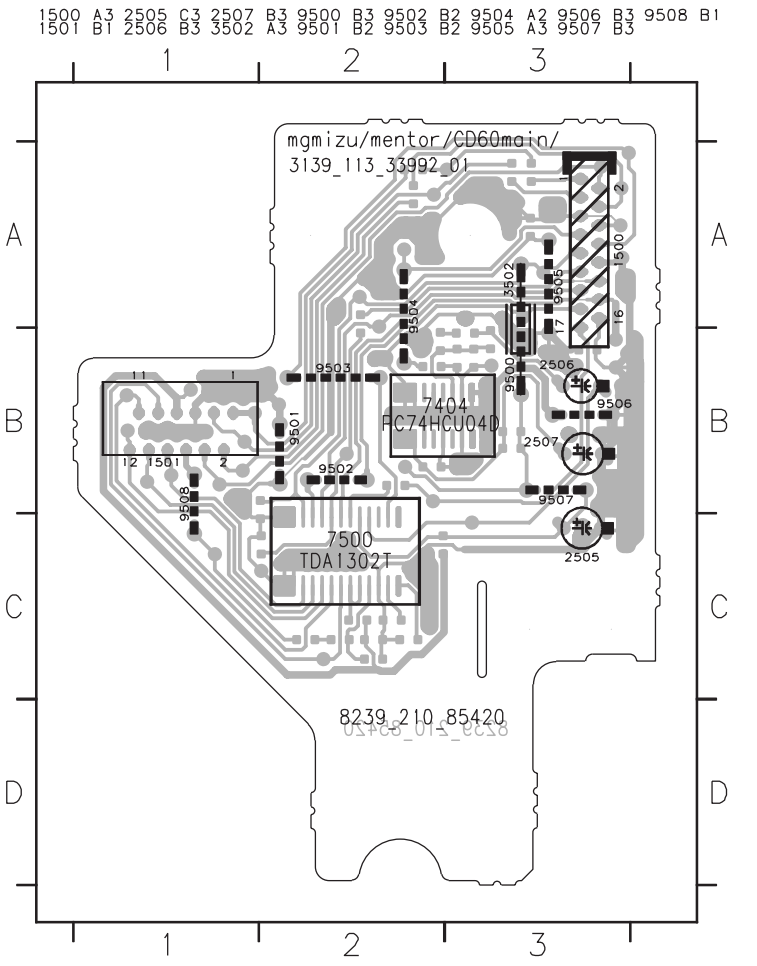


HF AMP PCB

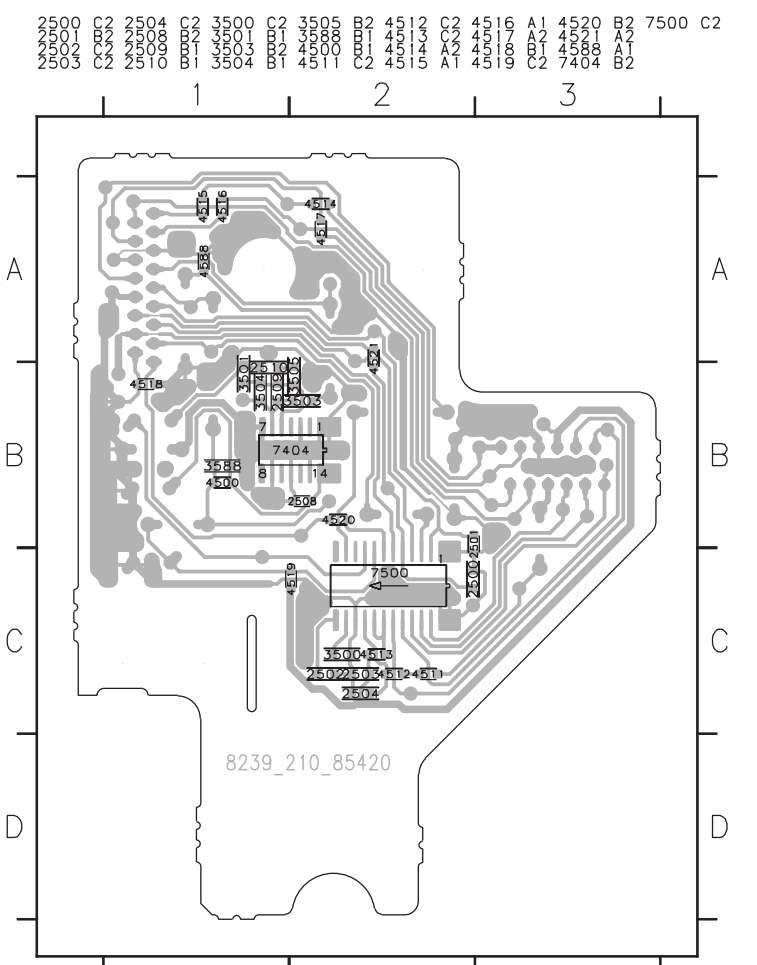


- 1500 C1
- 1501 A1
- 2500 A4
- 2501 A4
- 2502 D3
- 2503 C2
- 2504 C4
- 2505 C2
- 2506 D4
- 2507 D2
- 2508 D2
- 2509 E2
- 2510 D4
- 3500 D2
- 3501 D3
- 3502 E4
- 3503 E1
- 3504 E2
- 3505 E4
- 3588 D3
- 4500 D3
- 7404 D2
- 7500 C2
- 9500 E4

HF AMP PCB COMPONENT SIDE VIEW



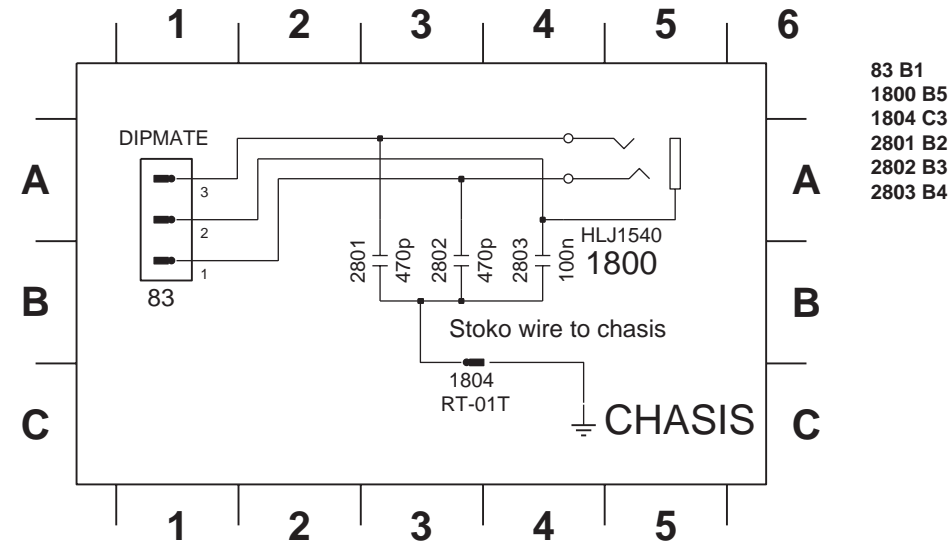
HF AMP PCB COPPER SIDE VIEW



LAST UPDATE : 23 Mar 99 (912.2)

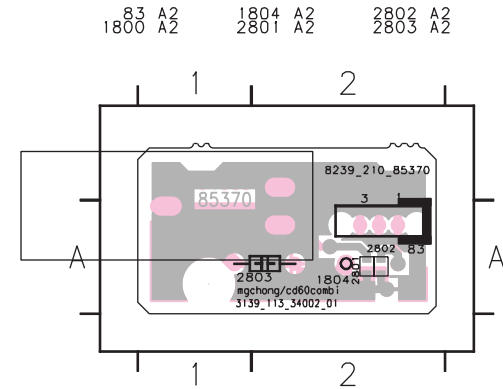
* = PROVISION

HEADPHONE JACK PCB



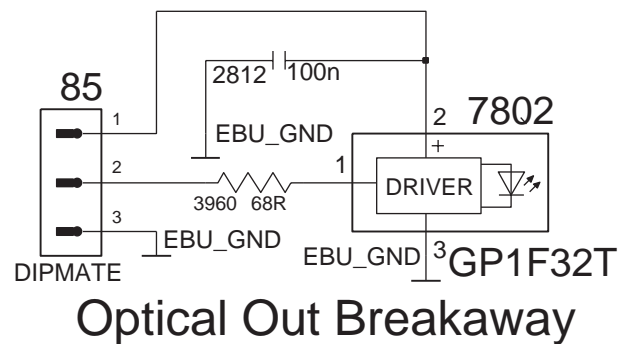
83 B1
1800 B5
1804 C3
2801 B2
2802 B3
2803 B4

HEADPHONE JACK PCB COMPONENT SIDE VIEW

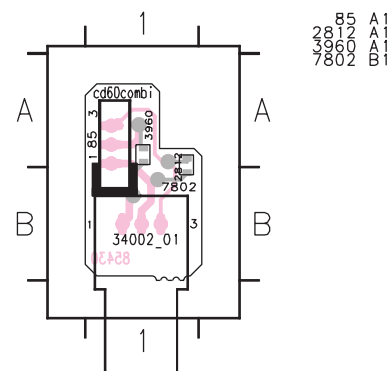


OPTICAL OUT PCB

1805 = CWAS 03EH/OP 100mm



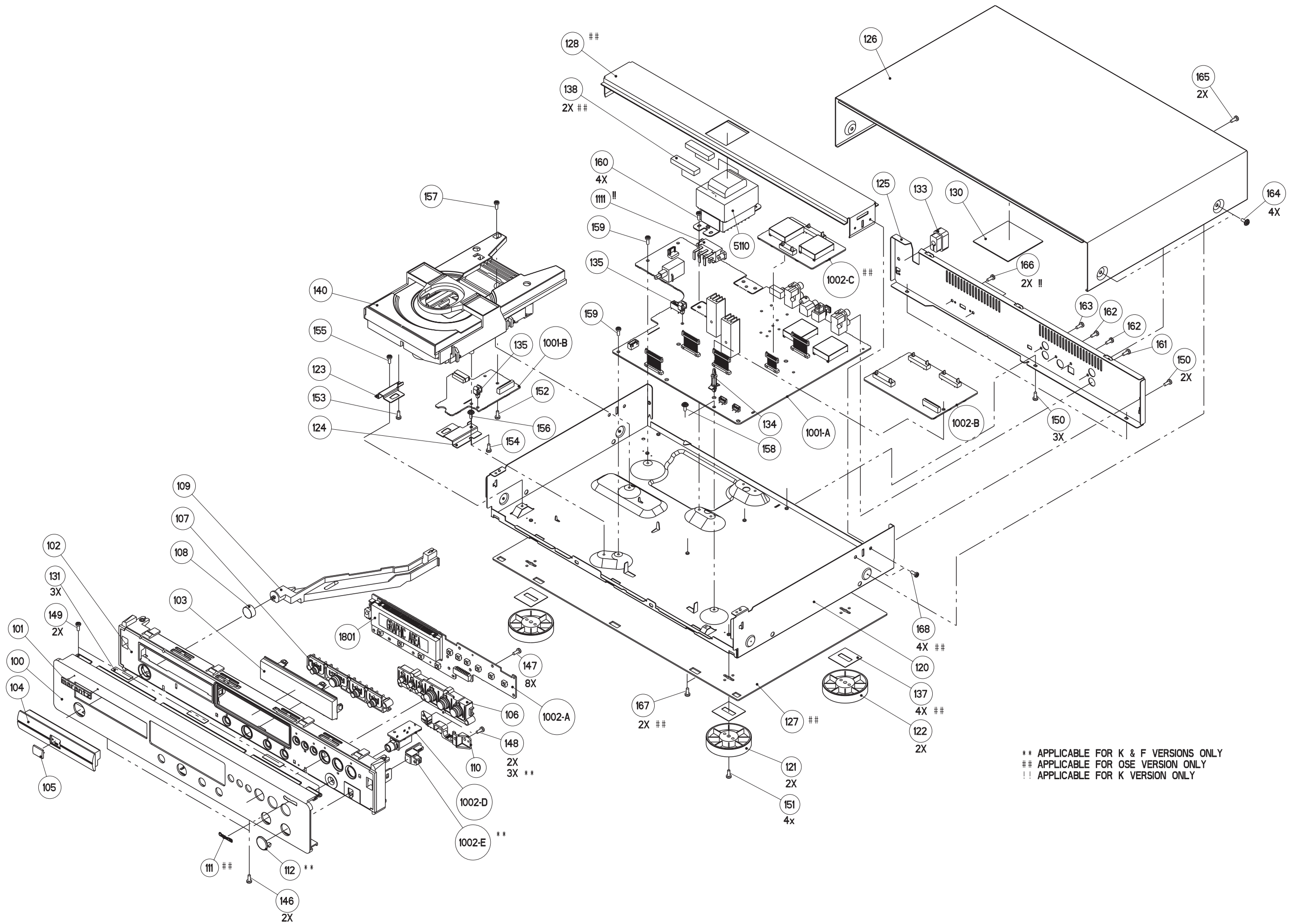
OPTICAL OUT PCB COMPONENT SIDE VIEW



9. EXPLODED VIEW AND PARTS LIST

(VERS.:VERSION, U:U.S.A., F:JAPAN, K:FAR EAST, **:EUROPE)

POS. NO	VERS. COLOR	PART NO. (FOR PCS)	DESCRIPTION
100	F/N,F/T,F/U BLK	4822 459 05335	AL FRONT CD6000 OSE BL
100	F/N GLD	4822 459 05336	AL FRONT CD6000 OSE GL
100	F/F BLK	3139 117 88420	AL FRONT CD6000 OSE B W/OPT
100	F/F GLD	3139 117 88460	AL FRONT CD6000 OSE N W/OPT
100	/N/T BLK	4822 459 05324	AL FRONT CD6000 BL
100	/N GLD	4822 459 05328	AL FRONT CD6000 GL
100	/K BLK	3139 117 88410	AL FRONT CD6000 BL W/OPT
100	/K GLD	3139 117 88450	AL FRONT CD6000 GL W/OPT
101		4822 454 11825	BADGE MARANTZ
102	BLK	4822 459 05325	CABINET FRONT BLK
102	GLD	4822 459 05334	CABINET FRONT GL
103		4822 450 10684	WINDOW DISPLAY
104	BLK	4822 442 01888	COVER TRAY BLK
104	GLD	4822 442 01926	COVER TRAY GLD
105	BLK	3139 117 89170	BADGE DISC BLK
105	GLD	3139 117 87910	BADGE DISC GLD
106	BLK	4822 410 12497	BUTTON SET PLAY BLK
106	GLD	4822 410 12549	BUTTON SET PLAY GLD
107	BLK	4822 410 12498	BUTTON SET OP/CL BLK
107	GLD	4822 410 12551	BUTTON SET OP/CL GLD
108	BLK	4822 410 12499	BUTTON POWER BLK
108	GLD	4822 410 12552	BUTTON POWER GLD
109		4822 402 11357	LEVER POWER
111	F/N,F/T,F/U,F/F	4822 454 13476	BADGE OSE
112	F/F,/K BLK	3139 114 66110	CAP OPTICAL FRONT BLK
112	F/F,/K GLD	3139 114 67440	CAP OPTICAL FRONT GLD
121		4822 462 42129	FOOT GLD FRONT
122	/N/T,F/N,F/T,F/U	4822 462 42131	FOOT GLD REAR
133		4822 532 60948	BUSH, PLASTIC
134		4822 402 10386	BRACKET, PLASTIC
135		4822 401 11808	WIRE CLAMPER
140		4822 691 10803	CD LOADER 1210/41
356		4822 219 10748	REMOTE CONTROL RC07111/02
387	/N/T,F/N,F/T	4822 736 17083	USER GUIDE for /N, /T
387	F/U	4822 736 17119	USER GUIDE for /U
387	F/F	3139 116 19000	USER GUIDE for /F
387	/K	3139 119 19010	USER GUIDE for /K
1003	/N,F/N	4822 321 10809	MAINS CORD for /N
1003	/T,F/T	4822 321 11509	MAINS CORD for /T
1003	/K	4822 321 11139	MAINS CORD for /K
1003	F/U	4822 321 11464	MAINS CORD for /U
1003	F/F	4822 321 11349	MAINS CORD for /F



** APPLICABLE FOR K & F VERSIONS ONLY
 ## APPLICABLE FOR OSE VERSION ONLY
 !!! APPLICABLE FOR K VERSION ONLY

(VERS.:VERSION, U:U.S.A., F:JAPAN, K:FAR EAST, **:EUROPE)

POS. NO	VERS. COLOR	PART NO. (FOR PCS)	DESCRIPTION
2442		4822 124 40433	47 μ F 20% 25V
2443		4822 126 13751	47NF 10% X7R 63V
2444		4822 126 13692	47pF 1% NPO 63V
2445		4822 126 14585	100NF 10% X7R 0805 50V
2446		4822 126 14585	100NF 10% X7R 0805 50V
2499		4822 126 13751	47NF 10% X7R 63V
2711		4822 124 20695	470 μ F 50% 16V
2712		4822 124 20695	470 μ F 50% 16V
2713		4822 124 20695	470 μ F 50% 16V
2714		4822 124 20695	470 μ F 50% 16V
2715		4822 121 10873	120pF 5% 100V
2716		4822 121 10873	120pF 5% 100V
2717		4822 121 10873	120pF 5% 100V
2718		4822 121 10873	120pF 5% 100V
2719		4822 121 10873	120pF 5% 100V
2720		4822 121 10873	120pF 5% 100V
2721		4822 121 10873	120pF 5% 100V
2722		4822 121 10873	120pF 5% 100V
2723		4822 121 10872	100pF 5% 100V
2724		4822 121 10872	100pF 5% 100V
2725		4822 121 10872	100pF 5% 100V
2726		4822 121 10872	100pF 5% 100V
3111		4822 051 10102	1K00 2% 0.25W
3112		4822 051 20223	22K00 5% 0.1W
3113		4822 051 20105	1M00 5% 0.1W
▲ 3114		4822 052 10478	4R70 5% 0.33W
3115		4822 117 10834	47K 1% 0.1W
3116		4822 117 10833	10K 1% 0.1W
3117		4822 051 20332	3K30 5% 0.1W
3118		4822 051 20479	47R00 5% 0.1W
3119		4822 051 20479	47R00 5% 0.1W
3120		4822 117 10833	10K 1% 0.1W
3121		4822 117 10834	47K 1% 0.1W
3122		4822 117 10834	47K 1% 0.1W
3123		4822 117 10833	10K 1% 0.1W
3124		4822 116 52257	22K 5% 0.5W
3125		4822 051 20223	22K00 5% 0.1W
3211		4822 117 10833	10K 1% 0.1W
3212		4822 117 10833	10K 1% 0.1W
3213		4822 117 10833	10K 1% 0.1W
3214		4822 117 10833	10K 1% 0.1W
3215		4822 117 10965	18K 1% 0.1W
3216		4822 117 10965	18K 1% 0.1W
3217		4822 117 10833	10K 1% 0.1W
3218		4822 117 10833	10K 1% 0.1W
3219		4822 117 10833	10K 1% 0.1W
3220		4822 117 10833	10K 1% 0.1W
3221		4822 117 10965	18K 1% 0.1W
3222		4822 117 10965	18K 1% 0.1W
3223		4822 051 20121	120R00 5% 0.1W
3224		4822 051 20121	120R00 5% 0.1W
3225		4822 051 20121	120R00 5% 0.1W
3226		4822 051 20121	120R00 5% 0.1W
3227		4822 117 12521	68R 1% 0.1W
3228		4822 117 12521	68R 1% 0.1W
3229		4822 051 10102	1K00 2% 0.25W
3230		4822 051 10102	1K00 2% 0.25W
3231		4822 117 12521	68R 1% 0.1W
3232		4822 117 12521	68R 1% 0.1W
3233		4822 117 12521	68R 1% 0.1W
3234		4822 117 12521	68R 1% 0.1W
3235		4822 051 20333	33K00 5% 0.1W
3236		4822 051 20333	33K00 5% 0.1W
3237		4822 051 10102	1K00 2% 0.25W

(VERS.:VERSION, U:U.S.A., F:JAPAN, K:FAR EAST, **:EUROPE)

POS. NO	VERS. COLOR	PART NO. (FOR PCS)	DESCRIPTION
3238		4822 051 10102	1K00 2% 0.25W
3239		4822 051 20101	100R00 5% 0.1W
3240		4822 051 20101	100R00 5% 0.1W
3241		4822 051 20229	22R00 5% 0.1W
3242		4822 051 20229	22R00 5% 0.1W
3243		4822 051 20229	22R00 5% 0.1W
3244		4822 051 20229	22R00 5% 0.1W
3245		4822 051 20229	22R00 5% 0.1W
3246		4822 051 20229	22R00 5% 0.1W
3247		4822 117 10833	10K 1% 0.1W
3248		4822 117 10833	10K 1% 0.1W
▲ 3249		4822 053 10229	22R00 5% 1W
▲ 3250		4822 053 10229	22R00 5% 1W
▲ 3251		4822 053 10229	22R00 5% 1W
▲ 3252		4822 053 10229	22R00 5% 1W
3253		4822 051 20101	100R00 5% 0.1W
3254		4822 051 20101	100R00 5% 0.1W
3255		4822 051 20101	100R00 5% 0.1W
3256		4822 051 20101	100R00 5% 0.1W
3257		4822 051 20229	22R00 5% 0.1W
3258		4822 051 20229	22R00 5% 0.1W
3259		4822 117 10837	100K 1% 0.1W
3260		4822 117 10837	100K 1% 0.1W
3261		4822 117 11449	2K2 1% 0.1W
3262		4822 117 11449	2K2 1% 0.1W
3263		4822 117 11449	2K2 1% 0.1W
3264		4822 117 11449	2K2 1% 0.1W
3265		4822 117 11383	12K 1% 0.1W
3266		4822 117 11383	12K 1% 0.1W
3267		4822 116 83933	15K 1% 0.1W
3268		4822 116 83933	15K 1% 0.1W
3269		4822 117 12521	68R 1% 0.1W
3270		4822 117 12521	68R 1% 0.1W
3271		4822 117 12521	68R 1% 0.1W
3272		4822 117 12521	68R 1% 0.1W
3273		4822 051 20229	22R00 5% 0.1W
3274		4822 051 20229	22R00 5% 0.1W
3275		4822 117 11449	2K2 1% 0.1W
3276		4822 117 11449	2K2 1% 0.1W
3277		4822 117 11449	2K2 1% 0.1W
3278		4822 117 11449	2K2 1% 0.1W
3279		4822 051 20101	100R00 5% 0.1W
3280		4822 051 20101	100R00 5% 0.1W
3281		4822 117 10837	100K 1% 0.1W
3282		4822 117 10837	100K 1% 0.1W
▲ 3311		4822 052 10478	4R70 5% 0.33W
▲ 3312		4822 052 10478	4R70 5% 0.33W
▲ 3313		4822 052 10478	4R70 5% 0.33W
▲ 3314		4822 052 10478	4R70 5% 0.33W
3315		4822 117 10833	10K 1% 0.1W
3316		4822 117 10833	10K 1% 0.1W
3317		4822 117 10833	10K 1% 0.1W
3318		4822 117 10833	10K 1% 0.1W
3319		4822 117 10834	47K 1% 0.1W
3320		4822 117 10834	47K 1% 0.1W
3321		4822 117 10833	10K 1% 0.1W
3322		4822 117 10833	10K 1% 0.1W
3323		4822 117 10837	100K 1% 0.1W
3324		4822 117 10837	100K 1% 0.1W
3325		4822 051 20105	1M00 5% 0.1W
3326		4822 117 11503	220R 1% 0.1W
▲ 3327		4822 052 10478	4R70 5% 0.33W
3328		4822 051 20471	470R00 5% 0.1W
3330		4822 051 20101	100R00 5% 0.1W
3331		4822 051 20471	470R00 5% 0.1W

(VERS.:VERSION, U:U.S.A., F:JAPAN, K:FAR EAST, **:EUROPE)

(VERS.:VERSION, U:U.S.A., F:JAPAN, K:FAR EAST, **:EUROPE)

POS. NO	VERS. COLOR	PART NO. (FOR PCS)	DESCRIPTION	POS. NO	VERS. COLOR	PART NO. (FOR PCS)	DESCRIPTION
3332		4822 051 20471	470R00 5% 0.1W	3456		4822 117 11383	12K 1% 0.1W
3333		4822 051 20471	470R00 5% 0.1W	3457		4822 051 10102	1K00 2% 0.25W
3334		4822 051 20471	470R00 5% 0.1W	3458		4822 117 10833	10K 1% 0.1W
3335		4822 051 20471	470R00 5% 0.1W	3459		4822 050 11002	1K00 1% 0.4W
3336		4822 051 20471	470R00 5% 0.1W	3460		4822 117 11383	12K 1% 0.1W
3341	/K,F/F	4822 051 20472	4K70 5% 0.1W	3461		4822 051 20471	470R00 5% 0.1W
3342	/K,F/F	4822 051 20229	22R00 5% 0.1W	3462		4822 051 20229	22R00 5% 0.1W
3343		4822 051 20229	22R00 5% 0.1W	▲ 3711		4822 053 10229	22R00 5% 1W
3344		4822 117 10834	47K 1% 0.1W	▲ 3712		4822 053 10229	22R00 5% 1W
3345		4822 051 20223	22K00 5% 0.1W	▲ 3713		4822 053 10229	22R00 5% 1W
3346		4822 051 20223	22K00 5% 0.1W	▲ 3714		4822 053 10229	22R00 5% 1W
3347		4822 051 20472	4K70 5% 0.1W	3715		4822 117 11383	12K 1% 0.1W
3348		4822 117 10834	47K 1% 0.1W	3716		4822 117 11383	12K 1% 0.1W
3349		4822 051 20101	100R00 5% 0.1W	3717		4822 117 11383	12K 1% 0.1W
3350		4822 051 20229	22R00 5% 0.1W	3718		4822 117 11383	12K 1% 0.1W
3351		4822 117 11504	270R 1% 0.1W	3719		4822 117 11383	12K 1% 0.1W
3352		4822 051 20109	10R00 5% 0.1W	3720		4822 117 11383	12K 1% 0.1W
3353		4822 051 20561	560R00 5% 0.1W	3721		4822 117 11383	12K 1% 0.1W
3400		4822 050 12704	270K00 1% 0.4W	3722		4822 117 11383	12K 1% 0.1W
3401		4822 116 52257	22K 5% 0.5W	3723		4822 117 10833	10K 1% 0.1W
3402		4822 116 52257	22K 5% 0.5W	3724		4822 117 10833	10K 1% 0.1W
3403		4822 116 52257	22K 5% 0.5W	3725		4822 117 10833	10K 1% 0.1W
3404		4822 116 52257	22K 5% 0.5W	3726		4822 117 10833	10K 1% 0.1W
3405		4822 051 20471	470R00 5% 0.1W	3727		4822 117 10833	10K 1% 0.1W
3406		4822 051 20471	470R00 5% 0.1W	3728		4822 117 10833	10K 1% 0.1W
3407		4822 051 20471	470R00 5% 0.1W	3729		4822 117 10833	10K 1% 0.1W
3408		4822 051 20471	470R00 5% 0.1W	3730		4822 117 10833	10K 1% 0.1W
3409		4822 051 20223	22K00 5% 0.1W	3731		4822 117 10833	10K 1% 0.1W
3410		4822 050 11002	1K00 1% 0.4W	3732		4822 117 10833	10K 1% 0.1W
3411		4822 117 10837	100K 1% 0.1W	3733		4822 117 10833	10K 1% 0.1W
3412		4822 117 11383	12K 1% 0.1W	3734		4822 117 10833	10K 1% 0.1W
3413		4822 117 11383	12K 1% 0.1W	3735		4822 117 10833	10K 1% 0.1W
3414		4822 117 11383	12K 1% 0.1W	3736		4822 117 10833	10K 1% 0.1W
3415		4822 116 52238	12K 5% 0.5W	3737		4822 117 10833	10K 1% 0.1W
3416		4822 051 20471	470R00 5% 0.1W	3738		4822 117 10833	10K 1% 0.1W
3417		4822 051 20471	470R00 5% 0.1W				
3418		4822 051 20471	470R00 5% 0.1W	4111		4822 051 20008	0R00 JUMP. (0805)
3419		4822 051 20471	470R00 5% 0.1W	4112		4822 051 20008	0R00 JUMP. (0805)
3420		4822 051 20471	470R00 5% 0.1W	4211		4822 051 20008	0R00 JUMP. (0805)
3421		4822 051 20471	470R00 5% 0.1W	4212		4822 051 20008	0R00 JUMP. (0805)
3422		4822 051 20471	470R00 5% 0.1W	4213		4822 051 20008	0R00 JUMP. (0805)
3423		4822 051 20479	47R00 5% 0.1W	4214		4822 051 20008	0R00 JUMP. (0805)
3424		4822 117 10833	10K 1% 0.1W	4215		4822 051 20008	0R00 JUMP. (0805)
3425		4822 117 10833	10K 1% 0.1W	4216		4822 051 20008	0R00 JUMP. (0805)
3426		4822 117 10833	10K 1% 0.1W	4401		4822 051 20008	0R00 JUMP. (0805)
3427		4822 117 10833	10K 1% 0.1W	4402		4822 051 20008	0R00 JUMP. (0805)
3428		4822 117 10833	10K 1% 0.1W	4403		4822 051 20008	0R00 JUMP. (0805)
3429		4822 117 10833	10K 1% 0.1W	4404		4822 051 20008	0R00 JUMP. (0805)
3430		4822 051 20229	22R00 5% 0.1W	4405		4822 051 20008	0R00 JUMP. (0805)
3432		4822 051 10102	1K00 2% 0.25W	4406		4822 051 20008	0R00 JUMP. (0805)
3435		4822 117 10833	10K 1% 0.1W	4407		4822 051 20008	0R00 JUMP. (0805)
3436		4822 051 20122	1K20 5% 0.1W	4408		4822 051 20008	0R00 JUMP. (0805)
3437		4822 051 20229	22R00 5% 0.1W	4409		4822 051 20008	0R00 JUMP. (0805)
3440		4822 051 10102	1K00 2% 0.25W	4410		4822 051 20008	0R00 JUMP. (0805)
3441		4822 117 10833	10K 1% 0.1W	4411		4822 051 20008	0R00 JUMP. (0805)
3442		4822 051 20229	22R00 5% 0.1W	4412		4822 051 20008	0R00 JUMP. (0805)
3443		4822 051 20471	470R00 5% 0.1W	4413		4822 051 20008	0R00 JUMP. (0805)
3444		4822 051 10102	1K00 2% 0.25W	4414		4822 051 20008	0R00 JUMP. (0805)
3445		4822 051 10102	1K00 2% 0.25W	4415		4822 051 20008	0R00 JUMP. (0805)
▲ 3446	/K,F/F	4822 052 10478	4R70 5% 0.33W	4416		4822 051 20008	0R00 JUMP. (0805)
3449	/K,F/F	4822 051 20101	100R00 5% 0.1W	4417		4822 051 20008	0R00 JUMP. (0805)
3450	/K,F/F	4822 051 20101	100R00 5% 0.1W	4418		4822 051 20008	0R00 JUMP. (0805)
▲ 3451		4822 052 10478	4R70 5% 0.33W	4419		4822 051 20008	0R00 JUMP. (0805)
▲ 3452		4822 052 10478	4R70 5% 0.33W	4420		4822 051 20008	0R00 JUMP. (0805)
3455		4822 116 52257	22K 5% 0.5W	4421		4822 051 20008	0R00 JUMP. (0805)

(VERS.:VERSION, U:U.S.A., F:JAPAN, K:FAR EAST, **:EUROPE)

POS. NO	VERS. COLOR	PART NO. (FOR PCS)	DESCRIPTION
4422		4822 051 20008	OR00 JUMP. (0805)
4423		4822 051 20008	OR00 JUMP. (0805)
4424		4822 051 20008	OR00 JUMP. (0805)
4425		4822 051 20008	OR00 JUMP. (0805)
4426		4822 051 20008	OR00 JUMP. (0805)
4427		4822 051 20008	OR00 JUMP. (0805)
4428		4822 051 20008	OR00 JUMP. (0805)
4429		4822 051 20008	OR00 JUMP. (0805)
4430		4822 051 20008	OR00 JUMP. (0805)
4432		4822 051 20008	OR00 JUMP. (0805)
4433		4822 051 20008	OR00 JUMP. (0805)
4434		4822 051 20008	OR00 JUMP. (0805)
4435		4822 051 20008	OR00 JUMP. (0805)
4511		4822 051 20008	OR00 JUMP. (0805)
4512		4822 051 20008	OR00 JUMP. (0805)
4513		4822 051 20008	OR00 JUMP. (0805)
4514		4822 051 20008	OR00 JUMP. (0805)
4515		4822 051 20008	OR00 JUMP. (0805)
4516		4822 051 20008	OR00 JUMP. (0805)
4517		4822 051 20008	OR00 JUMP. (0805)
4518		4822 051 20008	OR00 JUMP. (0805)
4519		4822 051 20008	OR00 JUMP. (0805)
4520		4822 051 20008	OR00 JUMP. (0805)
4521		4822 051 20008	OR00 JUMP. (0805)
4522		4822 051 20008	OR00 JUMP. (0805)
4523		4822 051 20008	OR00 JUMP. (0805)
4524		4822 051 20008	OR00 JUMP. (0805)
4525		4822 051 20008	OR00 JUMP. (0805)
4588		4822 051 20008	OR00 JUMP. (0805)
▲ 5110	F/N,F/T	4822 146 11187	MAINS TRANSF. 230V
▲ 5110	F/U	4822 146 11185	MAINS TRANSF. 120V
▲ 5110	F/F		MAINS TRANSF. 100V
▲ 5110	/N/T	4822 146 11178	MAINS TRANSF. 230V
▲ 5110	/K		MAINS TRANSF. 110V/220V
5310		4822 242 11053	16.9344MHZ
5311		4822 157 70601	100UH (920927085A)
5312		4822 526 10704	BEAD. FERRITE 100MHZ
5313	/K,F/F	4822 526 10704	BEAD. FERRITE 100MHZ
5314		4822 526 10704	BEAD. FERRITE 100MHZ
5401		4822 526 10704	BEAD. FERRITE 100MHZ
5402		4822 526 10704	BEAD. FERRITE 100MHZ
5403		4822 526 10704	BEAD. FERRITE 100MHZ
▲ 6111		4822 130 31878	1N4003G
▲ 6112		4822 130 31878	1N4003G
▲ 6113		4822 130 31878	1N4003G
▲ 6114		4822 130 31878	1N4003G
▲ 6115		4822 130 31878	1N4003G
▲ 6116		4822 130 31878	1N4003G
▲ 6117		4822 130 31878	1N4003G
▲ 6118		4822 130 31878	1N4003G
▲ 6119		4822 130 31878	1N4003G
▲ 6120		4822 130 31878	1N4003G
▲ 6123	/N/T,K,F/N,F/T,F/U,F/F	4822 130 31878	1N4003G
▲ 6124	F/U	4822 130 31878	1N4003G
▲ 6125		4822 130 31878	1N4003G
6121		4822 130 34174	BZX79-B4V7
6122		4822 130 30621	1N4148
6126		4822 130 34174	BZX79-B4V7
6127		4822 130 34174	BZX79-B4V7
6128		4822 130 30621	1N4148
6211		4822 130 30621	1N4148
6212		4822 130 30621	1N4148
6213		4822 130 30621	1N4148

(VERS.:VERSION, U:U.S.A., F:JAPAN, K:FAR EAST, **:EUROPE)

POS. NO	VERS. COLOR	PART NO. (FOR PCS)	DESCRIPTION
6214		4822 130 30621	1N4148
6215		4822 130 30621	1N4148
6216		4822 130 30621	1N4148
6217		4822 130 30621	1N4148
6218		4822 130 30621	1N4148
6219		4822 130 30621	1N4148
6220		4822 130 30621	1N4148
6311		4822 130 30621	1N4148
6312		4822 130 30621	1N4148
6313		4822 130 30621	1N4148
6314		4822 130 30621	1N4148
6315		4822 130 30621	1N4148
▲ 7111		4822 209 33575	L7812CP
▲ 7112		4822 209 73492	L7912CV
▲ 7113		4822 209 80817	L7805CV
▲ 7114		4822 209 80817	L7805CV
▲ 7115		4822 209 80817	L7805CV
7116		4822 130 40959	BC547B
7117		4822 130 40959	BC547B
7118		4822 130 40959	BC547B
▲ 7119		4822 209 17525	L7918CP
7120		4822 130 40959	BC547B
7121		4822 130 44568	BC557B
7122		4822 130 44568	BC557B
7123		4822 130 40959	BC547B
7124		4822 130 40959	BC547B
7211		4822 130 42839	2SK369BL
7212		4822 130 42839	2SK369BL
7213		4822 130 42839	2SK369BL
7214		4822 130 42839	2SK369BL
7215		4822 130 43233	2SC2240GR
7216		4822 130 43233	2SC2240GR
7217		4822 130 42949	2SA970GR
7218		4822 130 42949	2SA970GR
7219		4822 130 42949	2SA970GR
7220		4822 130 42949	2SA970GR
7221		4822 130 43233	2SC2240GR
7222		4822 130 43233	2SC2240GR
7223		5322 130 41844	2SK170BL
7224		5322 130 41844	2SK170BL
7225		4822 130 11658	2SJ74BL
7226		4822 130 11658	2SJ74BL
7227		4822 130 43818	2SC2878
7228		4822 130 43818	2SC2878
7229		4822 130 43818	2SC2878
7230		4822 130 43818	2SC2878
7231		4822 130 43818	2SC2878
7232		4822 130 43818	2SC2878
7233		4822 130 43818	2SC2878
7234		4822 130 43818	2SC2878
7235		4822 209 82362	NJM4556D
7311		4822 209 32762	SM5872BS
7312		4822 209 32762	SM5872BS
7313		4822 130 44568	BC557B
7314		4822 130 44568	BC557B
7315		4822 209 17526	TC160G11AU-1305
7316		4822 130 44568	BC557B
7317		4822 130 40959	BC547B
7318	/K,F/F	4822 130 44568	BC557B
7400	/K,F/F		74HC00
7401		4822 209 32852	TDA7073A/N2
7402		4822 209 32852	TDA7073A/N2
7403		4822 209 32852	TDA7073A/N2
7405		4822 209 90341	SAA7372GP/M1

(VERS.:VERSION, U:U.S.A., F:JAPAN, K:FAR EAST, **:EUROPE)

(VERS.:VERSION, U:U.S.A., F:JAPAN, K:FAR EAST, **:EUROPE)

POS. NO	VERS. COLOR	PART NO. (FOR PCS)	DESCRIPTION
7711	/N/T/K	4822 209 31153	NJM2114D
7712	/N/T/K	4822 209 31153	NJM2114D
1600		4822 265 11185	CONTROL CIRCUIT BOARD 18FE-BT-VK-N TOP ENTRY TYPE
1601		4822 267 11051	SOCKET 12P
1602		4822 267 11051	SOCKET 12P
1603		4822 267 11051	SOCKET 12P
2600		4822 124 40433	47 μ F 20% 25V
2601		4822 124 40433	47 μ F 20% 25V
2602		4822 126 13751	47NF 10% X7R 63V
2603		4822 124 40769	4.7 μ F 20% 100V
2604		4822 124 40433	47 μ F 20% 25V
2605		4822 126 13751	47NF 10% X7R 63V
2606		4822 126 13751	47NF 10% X7R 63V
3600		4822 051 20223	22K00 5% 0.1W
3601		4822 116 52175	100E 5% 0.5W
3602		4822 050 21003	10K00 1% 0.6W
3603		4822 051 20223	22K00 5% 0.1W
3604		4822 051 20223	22K00 5% 0.1W
3606		4822 051 20105	1M00 5% 0.1W
3607		4822 052 10478	4R70 5% 0.33W
3609		4822 117 10837	100K 1% 0.1W
3611		4822 051 20471	470R00 5% 0.1W
3612		4822 051 20471	470R00 5% 0.1W
3613		4822 051 20471	470R00 5% 0.1W
3614		4822 051 20471	470R00 5% 0.1W
3615		4822 051 20471	470R00 5% 0.1W
3616		4822 051 20471	470R00 5% 0.1W
3617		4822 051 20471	470R00 5% 0.1W
3618		4822 051 20471	470R00 5% 0.1W
3619		4822 052 10478	4R70 5% 0.33W
3620		4822 117 10833	10K 1% 0.1W
3621		4822 117 10833	10K 1% 0.1W
3622		4822 051 20223	22K00 5% 0.1W
3625		4822 051 20101	100R00 5% 0.1W
3626		4822 051 20101	100R00 5% 0.1W
3627		4822 051 20101	100R00 5% 0.1W
3628		4822 051 20101	100R00 5% 0.1W
3635		4822 051 20101	100R00 5% 0.1W
3637		4822 051 20101	100R00 5% 0.1W
3638		4822 051 20101	100R00 5% 0.1W
3639		4822 051 20101	100R00 5% 0.1W
3649		4822 051 20101	100R00 5% 0.1W
3650		4822 051 20101	100R00 5% 0.1W
3651		4822 051 20101	100R00 5% 0.1W
3652		4822 051 20101	100R00 5% 0.1W
3653		4822 051 20101	100R00 5% 0.1W
3654		4822 051 20101	100R00 5% 0.1W
3655		4822 051 20101	100R00 5% 0.1W
3656		4822 051 20101	100R00 5% 0.1W
3657		4822 051 20101	100R00 5% 0.1W
3658		4822 051 20101	100R00 5% 0.1W
3659		4822 051 20101	100R00 5% 0.1W
3660		4822 051 20101	100R00 5% 0.1W
3661		4822 051 20101	100R00 5% 0.1W
3662		4822 051 20101	100R00 5% 0.1W
3663		4822 051 20101	100R00 5% 0.1W
3664		4822 051 20101	100R00 5% 0.1W
3665		4822 051 20101	100R00 5% 0.1W
3666		4822 051 20101	100R00 5% 0.1W
3667		4822 051 20101	100R00 5% 0.1W

POS. NO	VERS. COLOR	PART NO. (FOR PCS)	DESCRIPTION
3668		4822 051 20101	100R00 5% 0.1W
3669		4822 051 20101	100R00 5% 0.1W
3670		4822 051 20101	100R00 5% 0.1W
3671		4822 051 20101	100R00 5% 0.1W
3672		4822 052 10478	4R70 5% 0.33W
3689		4822 051 20472	4K70 5% 0.1W
3690		4822 051 20472	4K70 5% 0.1W
4600		4822 051 20008	0R00 JUMP. (0805)
4604		4822 051 20008	0R00 JUMP. (0805)
4606		4822 051 20008	0R00 JUMP. (0805)
4607		4822 051 20008	0R00 JUMP. (0805)
5600		4822 242 10992	CSTCC5.00MG
6600		4822 130 30621	1N4148
6601		4822 130 30621	1N4148
6602		4822 130 30621	1N4148
6603		4822 130 30621	1N4148
6604		4822 130 30621	1N4148
7600		4822 209 17527	μ PD78076GF-078-3BA
7601		4822 209 17528	μ PD43256BGU-70LL
7602		4822 209 16143	LC89170M
7603		4822 209 17529	MN13811-R
7604		4822 130 43233	2SC2240GR
7605		4822 130 43233	2SC2240GR
7606		5322 130 60159	BC846B
1751	F/N,F/T,F/U,F/F	4822 265 11635	HDAM CIRCUIT BOARD CONN. 8P
1752	F/N,F/T,F/U,F/F	4822 267 11051	SOCKET 12P
2751	F/N,F/T,F/U,F/F	5322 122 33538	150pF 2% NP0 63V
2752	F/N,F/T,F/U,F/F	5322 122 33538	150pF 2% NP0 63V
2753	F/N,F/T,F/U,F/F	5322 122 33538	150pF 2% NP0 63V
2754	F/N,F/T,F/U,F/F	5322 122 33538	150pF 2% NP0 63V
3751	F/N,F/T,F/U,F/F	4822 051 20121	120R00 5% 0.1W
3752	F/N,F/T,F/U,F/F	4822 051 20121	120R00 5% 0.1W
3753	F/N,F/T,F/U,F/F	4822 051 20121	120R00 5% 0.1W
3754	F/N,F/T,F/U,F/F	4822 051 20121	120R00 5% 0.1W
3755	F/N,F/T,F/U,F/F	4822 051 20121	120R00 5% 0.1W
3756	F/N,F/T,F/U,F/F	4822 051 20121	120R00 5% 0.1W
3757	F/N,F/T,F/U,F/F	4822 051 20121	120R00 5% 0.1W
3758	F/N,F/T,F/U,F/F	4822 051 20121	120R00 5% 0.1W
3759	F/N,F/T,F/U,F/F	4822 117 12521	68R 1% 0.1W
3760	F/N,F/T,F/U,F/F	4822 117 12521	68R 1% 0.1W
3761	F/N,F/T,F/U,F/F	4822 117 12521	68R 1% 0.1W
3762	F/N,F/T,F/U,F/F	4822 117 12521	68R 1% 0.1W
3763	F/N,F/T,F/U,F/F	4822 051 10102	1K00 2% 0.25W
3764	F/N,F/T,F/U,F/F	4822 051 10102	1K00 2% 0.25W
3765	F/N,F/T,F/U,F/F	4822 051 10102	1K00 2% 0.25W
3766	F/N,F/T,F/U,F/F	4822 051 10102	1K00 2% 0.25W
3767	F/N,F/T,F/U,F/F	4822 117 12521	68R 1% 0.1W
3768	F/N,F/T,F/U,F/F	4822 117 12521	68R 1% 0.1W
3769	F/N,F/T,F/U,F/F	4822 117 12521	68R 1% 0.1W
3770	F/N,F/T,F/U,F/F	4822 117 12521	68R 1% 0.1W
3771	F/N,F/T,F/U,F/F	4822 117 12521	68R 1% 0.1W
3772	F/N,F/T,F/U,F/F	4822 117 12521	68R 1% 0.1W
3773	F/N,F/T,F/U,F/F	4822 117 12521	68R 1% 0.1W
3774	F/N,F/T,F/U,F/F	4822 117 12521	68R 1% 0.1W
3775	F/N,F/T,F/U,F/F	4822 051 20333	33K00 5% 0.1W
3776	F/N,F/T,F/U,F/F	4822 051 20333	33K00 5% 0.1W
3777	F/N,F/T,F/U,F/F	4822 051 20333	33K00 5% 0.1W

(VERS.:VERSION, U:U.S.A., F:JAPAN, K:FAR EAST, **:EUROPE)

POS. NO	VERS. COLOR	PART NO. (FOR PCS)	DESCRIPTION
3778	F/N,F/T,F/U,F/F	4822 051 20333	33K00 5% 0.1W
3779	F/N,F/T,F/U,F/F	4822 051 10102	1K00 2% 0.25W
3780	F/N,F/T,F/U,F/F	4822 051 10102	1K00 2% 0.25W
3781	F/N,F/T,F/U,F/F	4822 051 10102	1K00 2% 0.25W
3782	F/N,F/T,F/U,F/F	4822 051 10102	1K00 2% 0.25W
3783	F/N,F/T,F/U,F/F	4822 051 20101	100R00 5% 0.1W
3784	F/N,F/T,F/U,F/F	4822 051 20101	100R00 5% 0.1W
3785	F/N,F/T,F/U,F/F	4822 051 20101	100R00 5% 0.1W
3786	F/N,F/T,F/U,F/F	4822 051 20101	100R00 5% 0.1W
3787	F/N,F/T,F/U,F/F	4822 051 20229	22R00 5% 0.1W
3788	F/N,F/T,F/U,F/F	4822 051 20229	22R00 5% 0.1W
3789	F/N,F/T,F/U,F/F	4822 051 20229	22R00 5% 0.1W
3790	F/N,F/T,F/U,F/F	4822 051 20229	22R00 5% 0.1W
3791	F/N,F/T,F/U,F/F	4822 051 20229	22R00 5% 0.1W
3792	F/N,F/T,F/U,F/F	4822 051 20229	22R00 5% 0.1W
3793	F/N,F/T,F/U,F/F	4822 051 20229	22R00 5% 0.1W
3794	F/N,F/T,F/U,F/F	4822 051 20229	22R00 5% 0.1W
6751	F/N,F/T,F/U,F/F	4822 130 83757	BAS216
6752	F/N,F/T,F/U,F/F	4822 130 83757	BAS216
6753	F/N,F/T,F/U,F/F	4822 130 83757	BAS216
6754	F/N,F/T,F/U,F/F	4822 130 83757	BAS216
6755	F/N,F/T,F/U,F/F	5322 130 34337	BAV99
6756	F/N,F/T,F/U,F/F	5322 130 34337	BAV99
6757	F/N,F/T,F/U,F/F	5322 130 34337	BAV99
6758	F/N,F/T,F/U,F/F	5322 130 34337	BAV99
6763	F/N,F/T,F/U,F/F	5322 130 34337	BAV99
6764	F/N,F/T,F/U,F/F	5322 130 34337	BAV99
6765	F/N,F/T,F/U,F/F	5322 130 34337	BAV99
6766	F/N,F/T,F/U,F/F	5322 130 34337	BAV99
7751	F/N,F/T,F/U,F/F	4822 130 42839	2SK369BL
7752	F/N,F/T,F/U,F/F	4822 130 42839	2SK369BL
7753	F/N,F/T,F/U,F/F	4822 130 42839	2SK369BL
7754	F/N,F/T,F/U,F/F	4822 130 42839	2SK369BL
7755	F/N,F/T,F/U,F/F	4822 130 42839	2SK369BL
7756	F/N,F/T,F/U,F/F	4822 130 42839	2SK369BL
7757	F/N,F/T,F/U,F/F	4822 130 42839	2SK369BL
7758	F/N,F/T,F/U,F/F	4822 130 42839	2SK369BL
7759	F/N,F/T,F/U,F/F	4822 130 10252	2SC2873Y
7760	F/N,F/T,F/U,F/F	4822 130 10252	2SC2873Y
7761	F/N,F/T,F/U,F/F	4822 130 10252	2SC2873Y
7762	F/N,F/T,F/U,F/F	4822 130 10252	2SC2873Y
7763	F/N,F/T,F/U,F/F	4822 130 11661	2SA1312BL
7764	F/N,F/T,F/U,F/F	4822 130 11661	2SA1312BL
7765	F/N,F/T,F/U,F/F	4822 130 11661	2SA1312BL
7766	F/N,F/T,F/U,F/F	4822 130 11661	2SA1312BL
7767	F/N,F/T,F/U,F/F	4822 130 11661	2SA1312BL
7768	F/N,F/T,F/U,F/F	4822 130 11661	2SA1312BL
7769	F/N,F/T,F/U,F/F	4822 130 11661	2SA1312BL
7770	F/N,F/T,F/U,F/F	4822 130 11661	2SA1312BL
7771	F/N,F/T,F/U,F/F	4822 130 11662	2SC3324BL
7772	F/N,F/T,F/U,F/F	4822 130 11662	2SC3324BL
7773	F/N,F/T,F/U,F/F	4822 130 11662	2SC3324BL
7774	F/N,F/T,F/U,F/F	4822 130 11662	2SC3324BL
7775	F/N,F/T,F/U,F/F	5322 130 41844	2SK170BL
7776	F/N,F/T,F/U,F/F	5322 130 41844	2SK170BL
7777	F/N,F/T,F/U,F/F	5322 130 41844	2SK170BL
7778	F/N,F/T,F/U,F/F	5322 130 41844	2SK170BL
7779	F/N,F/T,F/U,F/F	4822 130 11658	2SJ74BL
7780	F/N,F/T,F/U,F/F	4822 130 11658	2SJ74BL
7781	F/N,F/T,F/U,F/F	4822 130 11658	2SJ74BL
7782	F/N,F/T,F/U,F/F	4822 130 11658	2SJ74BL

(VERS.:VERSION, U:U.S.A., F:JAPAN, K:FAR EAST, **:EUROPE)

POS. NO	VERS. COLOR	PART NO. (FOR PCS)	DESCRIPTION
1801		4822 135 00292	13-ST-35G
1802		4822 265 11184	18FE-ST-VK-N SIDE ENTRY TYPE
1880		4822 276 13775	SWITCH
1881		4822 276 13775	SWITCH
1882		4822 276 13775	SWITCH
1883		4822 276 13775	SWITCH
1884		4822 276 13775	SWITCH
1885		4822 276 13775	SWITCH
1886		4822 276 13775	SWITCH
1887		4822 276 13775	SWITCH
1888		4822 276 13775	SWITCH
1889		4822 276 13775	SWITCH
2805		4822 126 13751	47NF 10% X7R 63V
2806		4822 124 21732	10 μ F 20% 25V
2807		4822 126 13751	47NF 10% X7R 63V
2808		4822 126 13751	47NF 10% X7R 63V
2809		4822 126 13751	47NF 10% X7R 63V
2810		4822 126 13751	47NF 10% X7R 63V
2811		4822 126 13751	47NF 10% X7R 63V
2813		4822 124 80231	47 μ F 20% 16V
2814		4822 126 13838	100NF Y5V 0805 50V P80M20
3810		4822 117 11449	2K2 1% 0.1W
3811		4822 051 20472	4K70 5% 0.1W
3812		4822 117 11507	6K8 1% 0.1W
3813		4822 117 11449	2K2 1% 0.1W
3814		4822 117 11449	2K2 1% 0.1W
3815		4822 051 20472	4K70 5% 0.1W
3816		4822 052 10478	4R70 5% 0.33W
3817		4822 117 10833	10K 1% 0.1W
3818		4822 051 20101	100R00 5% 0.1W
3821		4822 051 20105	1M00 5% 0.1W
3822		4822 117 10833	10K 1% 0.1W
3823		4822 117 10837	100K 1% 0.1W
3824		4822 117 10833	10K 1% 0.1W
3825		4822 116 52175	100E 5% 0.5W
3880		4822 117 11507	6K8 1% 0.1W
3881		4822 117 11449	2K2 1% 0.1W
3882		4822 117 11449	2K2 1% 0.1W
3883		4822 051 20472	4K70 5% 0.1W
3884		4822 117 11507	6K8 1% 0.1W
3885		4822 117 11449	2K2 1% 0.1W
3886		4822 117 11449	2K2 1% 0.1W
3887		4822 051 20472	4K70 5% 0.1W
3888		4822 117 11507	6K8 1% 0.1W
3889		4822 117 11449	2K2 1% 0.1W
4880		4822 051 20008	0R00 JUMP. (0805)
4881		4822 051 20008	0R00 JUMP. (0805)
4882		4822 051 20008	0R00 JUMP. (0805)
4883		4822 051 20008	0R00 JUMP. (0805)
5800		4822 242 10992	CSTCC5.00MG
7800		4822 209 17531	μ PD780204GF-048-3BA
7801		4822 130 10165	GP1U28XP

(VERS.:VERSION, U:U.S.A., F:JAPAN, K:FAR EAST, **:EUROPE)

(VERS.:VERSION, U:U.S.A., F:JAPAN, K:FAR EAST, **:EUROPE)

POS. NO	VERS. COLOR	PART NO. (FOR PCS)	DESCRIPTION	POS. NO	VERS. COLOR	PART NO. (FOR PCS)	DESCRIPTION
1500		4822 267 10871	HF AMP CIRCUIT BOARD				
1501		4822 267 51453	CONN.17POL. FEM. CONN. 39-51-3123 (12P)				
2500		5322 122 31865	1.5NF 10% X7R 63V				
2501		5322 116 80853	560pF 5% NP0 63V				
2502		5322 122 31647	1NF 10% X7R 63V				
2503		4822 126 13751	47NF 10% X7R 63V				
2504		4822 126 13751	47NF 10% X7R 63V				
2505		4822 124 40433	47 μ F 20% 25V				
2506		4822 124 12435	0.47UF 20% 50V				
2507		4822 124 40433	47 μ F 20% 25V				
2508		4822 126 13751	47NF 10% X7R 63V				
3500		4822 117 10837	100K 1% 0.1W				
3501		4822 117 10833	10K 1% 0.1W				
3503		4822 051 20229	22R00 5% 0.1W				
3504		4822 051 20223	22K00 5% 0.1W				
4500		4822 051 20008	0R00 JUMP. (0805)				
7404		5322 209 11517	PC74HCU04T				
7500		4822 209 12636	TDA1320T/N1				
			HEADPHONE JACK CIRCUIT BOARD				
1800	BLK	4822 267 31453	HEADPHONES JACK				
1800	GLD	4822 265 11062	HEADPHONES JACK				
2801		5322 122 34099	470pF 10% X7R 63V				
2802		5322 122 34099	470pF 10% X7R 63V				
2803		4822 126 12882	100NF +80-20% 50V				
			OPTICAL OUT CIRCUIT BOARD				
2812		4822 126 13838	100NF Y5V 0805 50V P80M20				
3960		4822 117 12521	68R 1% 0.1W				
7802		4822 130 10845	GP1F32T OPT				