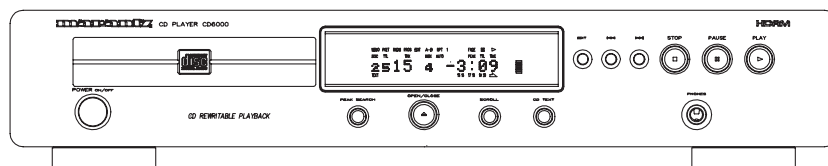


# Service Manual

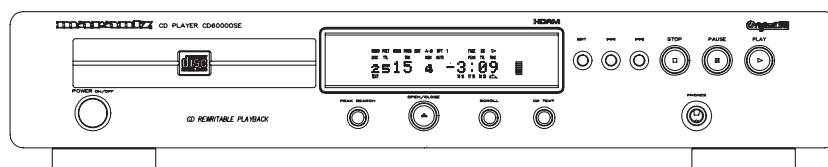
CD6000 /N1B, /N1G, /T1B, /K1B, /K1G  
CD6000F /N1B, /N1G, /T1B, /U1B, /F1B, /F1N  
CD Player

CD6000

CD6000



CD6000SE



## TABLE OF CONTENTS

1. TECHNICAL SPECIFICATIONS .....	1
2. SERVICING HINTS .....	2
3. SERVICINE TOOLS .....	2
4. SERVICE MODE .....	4
5. MICROPROCESSOR AND IC DATA .....	5
6. BLOCK DIAGRAM .....	7
7. WIRING DIAGRAM .....	9
8. SCHEMATIC DIAGRAM AND PARTS LOCATION .....	11
9. EXPLODED VIEW AND PARTS LIST .....	30
10. ELECTRICAL PARTS LIST .....	34

Please use this service manual with referring to the user guide (D.F.U) without fail.

修理の際は、必ず取扱説明書を準備し操作方法を確認の上作業を行って下さい。

# marantz®

## - CD6000 / CD6000SE -

## MARANTZ DESIGN AND SERVICE

Using superior design and selected high grade components, **MARANTZ** company has created the ultimate in stereo sound. Only original **MARANTZ** parts can insure that your **MARANTZ** product will continue to perform to the specifications for which it is famous.

Parts for your **MARANTZ** equipment are generally available to our National Marantz Subsidiary or Agent.

### ORDERING PARTS :

Parts can be ordered either by mail or by Fax.. In both cases, the correct part number has to be specified.

The following information must be supplied to eliminate delays in processing your order :

1. Complete address
2. Complete part numbers and quantities required
3. Description of parts
4. Model number for which part is required
5. Way of shipment
6. Signature : any order form or Fax. must be signed, otherwise such part order will be considered as null and void.

<p><b>USA</b>  <b>MARANTZ AMERICA, INC.</b>                      440 MEDINAH ROAD                      ROSELLE, ILLINOIS 60172                      USA                      PHONE : 630 - 307 - 3100                      FAX : 630 - 307 - 2687</p>	<p><b>EUROPE / TRADING</b>  <b>MARANTZ EUROPE B.V.</b>                      P.O.BOX 80002, BUILDING SFF2                      5600 JB EINDHOVEN                      THE NETHERLANDS                      PHONE : +31 - 40 - 2732241                      FAX : +31 - 40 - 2735578</p>	<p><b>BRAZIL</b>  <b>MARANTZ BRAZIL</b>                      CAIXA POSTAL 21462                      CEP 04698-970                      SAO PAULO, SP, BRAZIL                      PHONE : 0800 - 123123(Discagem Direta Gratuita)                      FAX : +55 11 534. 8988</p>
<p><b>PROFESSIONAL AMERICAS</b>  <b>SUPERSCOPE TECHNOLOGIES, INC.</b>                      MARANTZ PROFESSIONAL PRODUCTS                      2640 WHITE OAK CIRCLE, SUITE A                      AURORA, ILLINOIS 60504 USA                      PHONE : 630 - 820 - 4800                      FAX : 630 - 820 - 8103</p>	<p><b>CANADA</b>  <b>LENBROOK INDUSTRIES LIMITED</b>                      633 GRANITE COURT,                      PICKERING, ONTARIO L1W 3K1                      CANADA                      PHONE : 905 - 831 - 6333                      FAX : 905 - 831 - 6936</p>	
<p><b>AUSTRALIA</b>  <b>SCAN AUDIO PTY. LTD.</b>                      52 CROWN STREET, RICHMOND 3121                      VICTORIA                      AUSTRALIA                      PHONE : +61 - 3 - 9429 - 2199                      FAX : +61 - 3 - 9429 - 9309</p>	<p><b>THAILAND</b>  <b>MRZ STANDARD CO.,LTD</b>                      746 - 754 MAHACHAI ROAD.,                      WANGBURAPAPIROM, PHRANAKORN,                      BANGKOK, 10200 THAILAND                      PHONE : +66 - 2 - 222 9181                      FAX : +66 - 2 - 224 6795</p>	<p><b>SINGAPORE</b>  <b>WO KEE HONG (S) PTE LTD</b>                      WO KEE HONG CENTRE                      NO.23, LORONG 8, TOA PAYOH                      SINGAPORE 319257                      PHONE : +65 2544555                      FAX : +65 2502213</p>
<p><b>NEW ZEALAND</b>  <b>SCAN AUDIO PTY. LTD.</b>                      8C PIERMARK DRIVE, ALBANY.                      NORTH SHORE, AUCKLAND.                      NEW ZEALAND                      PHONE : +64 - 9444 - 4710                      FAX : +64 - 9444 - 1346</p>	<p><b>TAIWAN</b>  <b>PAI- YUING CO., LTD.</b>                      6 TH FL NO, 148 SUNG KIANG ROAD,                      TAIPEI, 10429, TAIWAN R.O.C.                      PHONE : +886 - 2 - 25221304                      FAX : +886 - 2 - 25630415</p>	<p><b>MALAYSIA</b>  <b>WO KEE HONG ELECTRONICS SDN. BHD.</b>                      NO. 102 JALAN SS 21/35, DAMANSARA                      UTAMA, 47400 PETALING JAYA                      SELANGOR DARUL EHSAN, MALAYSIA                      PHONE : +60 3 - 7184666                      FAX : +60 3 - 7173828</p>
<p><b>JAPAN Technical</b>  <b>MARANTZ JAPAN, INC.</b>                      35- 1, 7- CHOME, SAGAMIONO                      SAGAMIHARA - SHI, KANAGAWA                      JAPAN 228-8505                      PHONE : +81 42 748 1013                      FAX : +81 42 748 9190</p>	<p style="text-align: center;"><b>日本マランツ株式会社</b></p> <p>本社 〒228-8505                      神奈川県相模原市相模大野7-35-1                      営業本部 〒150-0022                      東京都渋谷区恵比寿南1-11-9</p>	<p><b>KOREA</b>  <b>MK ENTERPRISES LTD.</b>                      ROOM 604/605, ELECTRO-OFFICETEL, 16-58,                      3GA, HANGANG-RO, YONGSAN-KU, SEOUL                      KOREA                      PHONE : +822 - 3232 - 155                      FAX : +822 - 3232 - 154</p>

### SHOCK, FIRE HAZARD SERVICE TEST :

**CAUTION :** After servicing this appliance and prior to returning to customer, measure the resistance between either primary AC cord connector pins ( with unit NOT connected to AC mains and its Power switch ON ), and the face or Front Panel of product and controls and chassis bottom.

Any resistance measurement less than 1 Megohms should cause unit to be repaired or corrected before AC power is applied, and verified before it is return to the user/customer.

Ref. UL Standard No. 1492.

In case of difficulties, do not hesitate to contact the Technical Department at above mentioned address.

# 1. TECHNICAL SPECIFICATIONS

## Audio Characteristics

Channels .....	2 channels
Sampling frequency (CD mode) .....	44.1 kHz
Quantization .....	16-bit linear/channel
Error correction ..	Cross-interleave read solomon code (CIRC)
D/A conversion .....	1-bit linear/channel
Wow & flutter .....	Precision of quartz

## Optical Readout System

Laser .....	AlGaAs semiconductor
Wavelength .....	780 nm

## Frequency Characteristics

Frequency range .....	5 Hz - 20 kHz
Dynamic range .....	>98 dB
S/N ratio .....	>110 dB
Channel separation (1 kHz) .....	>103 dB
THD (1 kHz) .....	0.0025 %
Analog output	
Output level (cinch JACKS) .....	2.0 V RMS
Output impedance .....	250 ohms
Digital output	
Output level (cinch JACK) .....	0.5 Vp-p/75 ohms
Output level (optical JACK) .....	-19 dBm

## Power Supply

Power requirement	
/K version .....	110 / 220V AC 50/60 Hz
/N,/T version .....	230V AC 50 Hz
/U version .....	120V AC 60 Hz
Power Consumption .....	13 W

## Cabinet, etc.

Dimensions	
Width .....	440mm
Height .....	86mm
Depth .....	312mm
Netweight (CD6000) .....	4.1 kg
Netweight (CD6000F) .....	5.6 kg
Operating temperatures .....	+5°C ~ +35°C
Operating humidity .....	5 % ~ 90 % (without dew)

## Accessories

Remote control unit (RC6000CD) .....	1
AAA (R03) Batteries .....	2
Stereo audio cable with cinch pins .....	1
Remote cable with cinch pin .....	1

Improvement may result in changes in specifications and design without notice.

## オーディオ特性

チャンネル .....	2チャンネル
周波数特性 .....	2Hz~20,000Hz, ±0.3dB
ダイナミックレンジ .....	98dB以上
S/N比 .....	110dB
チャンネルセパレーション .....	103dB (1kHz)
高調波歪率 .....	0.002% (1kHz)
ワウフラッター .....	水晶精度
誤り訂正方式 .....	クロス・インターリーブ・リードソロモン・コード (CIRC)
音声出力 .....	2.0V RMSステレオ
デジタル出力 .....	ピンジャック 0.5Vp-p/75Ω (角型光コネクター) 光出力 -19dBm

## 光学読み取り方式

レーザー .....	AlGaAs 半導体
波長 .....	780nm

## 信号方式

サンプリング周波数 .....	44.1kHz
量子化 .....	16ビットリニア / チャンネル

## 電源部

電源 .....	AC 100V 50/60Hz
消費電力 (電気用品取締法) .....	13W

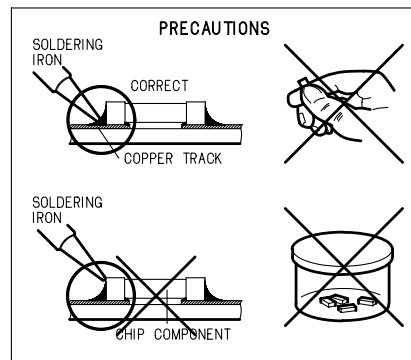
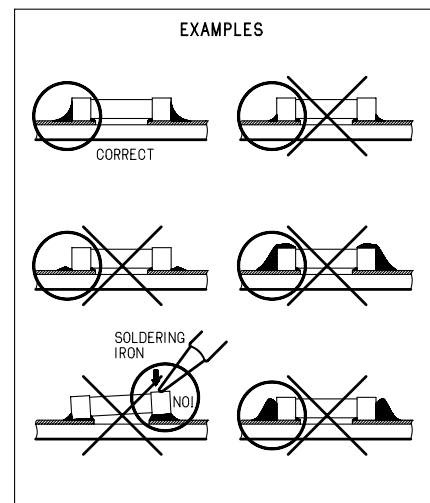
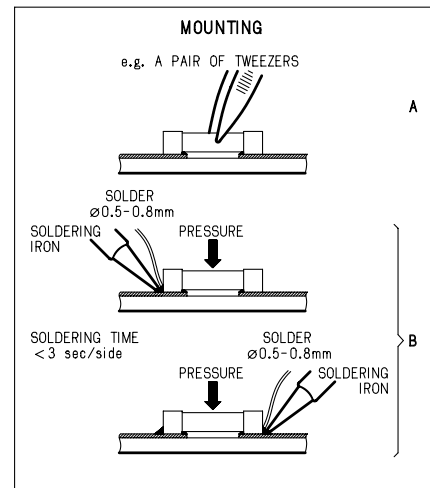
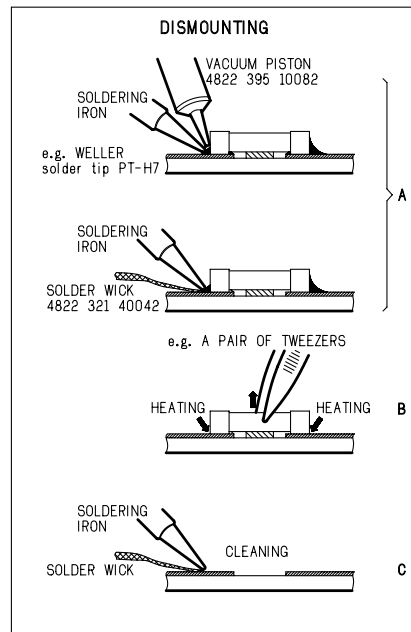
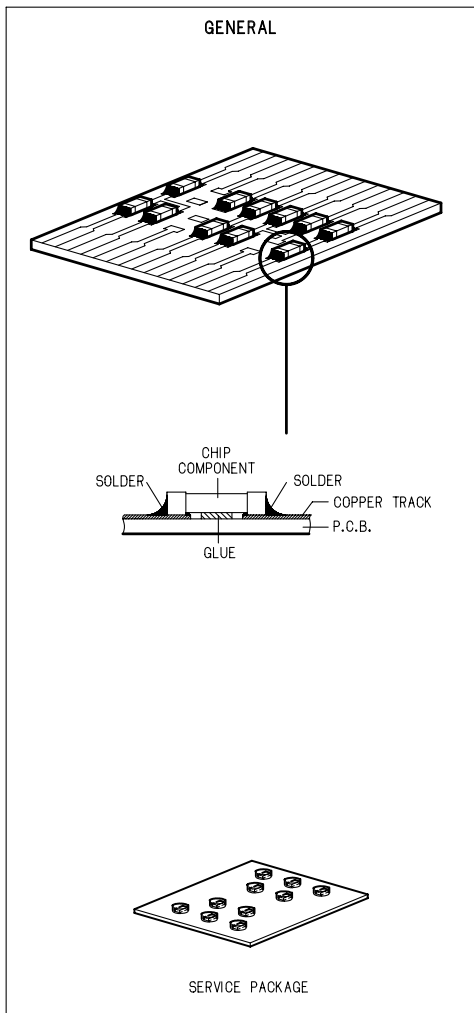
## キャビネット・その他

最大外形寸法 (幅×高さ×奥行き) .....	440×86×312mm
質量 .....	5.6kg
許容動作温度 .....	+5°C ~ +35°C
許容動作湿度 .....	5%~90% (結露のないこと)

## 付属品

リモートコントロール送信機 (RC6000CD) .....	1
外形寸法 (幅×高さ×奥行き) .....	50×145×23mm
質量(電池なし) .....	55g
単四電池(SUM-4) .....	2個
RCAピンコード .....	1組
リモート接続コード .....	1本

## 2. SERVICING HINTS



## 3. SERVICE TOOLS

Audio signals disc	4822 397 30184
Disc without errors (SBC444)+	
Disc with DO errors, black spots and fingerprints (SBC444A)	4822 397 30245
Disc (65 min 1kHz) without no pause	4822 397 30155
Max. diameter disc (58.0 mm)	4822 397 60141
Torx screwdrivers	
Set (straight)	4822 395 50145
Set (square)	4822 395 50132
13th order filter	4822 395 30204

**(GB) WARNING**

All ICs and many other semiconductors are susceptible to electrostatic discharges (ESD). Careless handling during repair can reduce life drastically.

When repairing, make sure that you are connected with the same potential as the mass of the set via a wristband with resistance. Keep components and tools at this potential.

**ESD**



**(NL) WAARSCHUWING**

Alle IC's en vele andere halfgeleiders zijn gevoelig voor electrostatische ontladingen (ESD). Onzorgvuldig behandelen tijdens reparatie kan de levensduur drastisch doen verminderen. Zorg ervoor dat u tijdens reparatie via een polsband met weerstand verbonden bent met hetzelfde potentiaal als de massa van het apparaat. Houd componenten en hulpmiddelen ook op ditzelfde potentiaal.

**(F) ATTENTION**

Tous les IC et beaucoup d'autres semi-conducteurs sont sensibles aux décharges statiques (ESD). Leur longévité pourrait être considérablement écourtée par le fait qu'aucune précaution n'est prise à leur manipulation.

Lors de réparations, s'assurer de bien être relié au même potentiel que la masse de l'appareil et enfilez le bracelet sert d'une résistance de sécurité.

Veiller à ce que les composants ainsi que les outils que l'on utilise soient également à ce potentiel.

**(D) WARNUNG**

Alle ICs und viele andere Halbleiter sind empfindlich gegenüber elektrostatischen Entladungen (ESD). Unvorsichtige Behandlung im Reparaturfall kann die Lebensdauer drastisch reduzieren. Sorgen Sie dafür, daß sie im Reparaturfall über ein Pulsarmband mit Widerstand mit dem Massepotential des Gerätes verbunden sind. Halten Sie Bauteile und Hilfsmittel ebenfalls auf diesem Potential.

**(I) AVVERTIMENTO**

Tutti IC e parecchi semi-conduttori sono sensibili alle scariche statiche (ESD).

La loro longevità potrebbe essere fortemente ridatta in caso di non osservazione della più grande cauzione alla loro manipolazione. Durante le riparazioni occorre quindi essere collegato allo stesso potenziale che quello della massa dell'apparecchio tramite un braccialetto a resistenza. Assicurarsi che i componenti e anche gli utensili con quali si lavora siano anche a questo potenziale.

**(GB) AVAILABLE ESD PROTECTION EQUIPMENT :**

**anti-static table mat** large 1200x650x1.25mm  
small 600x650x1.25mm

**anti-static wristband**

**connection box** (3 press stud connections, 1M)

**extendible cable** (2m, 2M, to connect wristband to connection box)

**connecting cable** (3m, 2M, to connect table mat to connection box)

**earth cable** (1M, to connect any product to mat or to connection box)

**KIT ESD3** (combining all 6 prior products - small table mat)

**wristband tester**

4822 466 10953  
4822 466 10958  
4822 395 10223  
4822 320 11307  
4822 320 11305  
4822 320 11306  
4822 320 11308  
4822 310 10671  
4822 344 13999

**AVAILABLE JIG for FR980**

Extension PCB and wire kit

4822 395 10815

**(GB)**

Safety regulations require that the set be restored to its original condition and that parts which are identical with those specified be used.

Safety components are marked by the symbol

**(F)**

Les normes de sécurité exigent que l'appareil soit remis à l'état d'origine et que soient utilisées les pièces de rechange identiques à celles spécifiées.

Les composants de sécurité sont marqués

**SAFETY**



**(D)**

Bei jeder Reparatur sind die geltenden Sicherheitsvorschriften zu beachten. Der Originalzustand des Gerätes darf nicht verändert werden. Für Reparaturen sind Originalersatzteile zu verwenden.

Sicherheitsbauteile sind durch das Symbol markiert.

**(NL)**

Veiligheidsbepalingen vereisen, dat het apparaat in zijn oorspronkelijke toestand wordt teruggebracht en dat onderdelen, identiek aan de gespecificeerde, worden toegepast. De Veiligheidsonderdelen zijn aangeduid met het symbool

**(I)**

Le norme di sicurezza estigono che l'apparecchio venga rimesso nelle condizioni originali e che siano utilizzati i pezzi di ricambio identici a quelli specificati.

Componenti di sicurezza sono marcati con

**(GB)**

**DANGER:** Invisible laser radiation when open. AVOID DIRECT EXPOSURE TO BEAM.



**(S) Varning !**

Osynlig laserstrålning när apparaten är öppnad och spärren är urkopplad. Beträkta ej strålen.

**(DK) Advarsel !**

Usynlig laserstråling ved åbning når sikkerhedsafbrydere er ude af funktion. Undgå udsættelse for stråling.

**(SF) Varoitus !**

Avatussa laitteessa ja suojalukituksen ohitettaessa olet alttiina näkymättömälle laserisäteilylle. Älä katso säteeseen !

**(GB)**

After servicing and before returning the set to customer perform a leakage current measurement test from all exposed metal parts to earth ground, to assure no shock hazard exists.

The leakage current must not exceed 0.5mA.

**(F)**

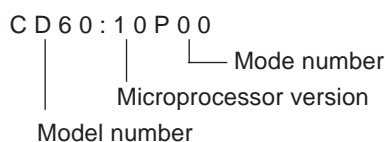
"Pour votre sécurité, ces documents doivent être utilisés par des spécialistes agréés, seuls habilités à réparer votre appareil en panne".

## 4. SERVICE MODE

### 1. How to enter into the Service Mode

Turn the power on while pressing [PLAY]+[OPEN/CLOSE] buttons together.

The display shows “model number”, “microprocessor version” and “mode”.



### 2. Mode 0 (display “P 00”)

Condition: [FOCUS OFF], [SPINDLE OFF], [RADIAL OFF], [MUTE ON]

- While pressing [NEXT ►►] button, the sledge moves out side.  
And, release from this button. The sledge return to neutral position.
- Press [NEXT ►►] button, the function will change to “Mode 1”.

### 3. Mode 1 (display “P 01”)

Condition: [FOCUS ON], [SPINDLE OFF], [RADIAL OFF], [MUTE ON]

- Press [NEXT ►►] button, the function will change to “Mode 2”.
- Press [PREV ◄◄] button, the function will change to “Mode 0”.

### 4. Mode 2 (display “P 02”)

Condition: [FOCUS ON], [SPINDLE ON], [RADIAL OFF], [MUTE ON]

- Press [NEXT ►►] button, the function will change to “Mode 3”.
- Press [PREV ◄◄] button, the function will change to “Mode 1”.

### 5. Mode 3 (display “P 03”)

Condition: [FOCUS ON], [SPINDLE ON], [RADIAL ON], [MUTE OFF]

- Press [PREV ◄◄] button, the function will change to “Mode 2”.

\* The following button operations are available at the Service Mode.

- 1) While pressing [STOP] button, FL display shows all segments.
- 2) Press [PAUSE] button. FL display shows each segments one by one automatically. (Segments test mode) And, press [PAUSE] button again, this mode will be stopped.
- 3) The same as Normal operation is performed by pressing [PLAY] button. (Except segments test mode.) However if some default is detected, display shows an error code. (For example: “Err 10”) Refer to the “Table 1 ERROR CODE”.

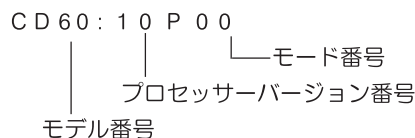
### 6. Canceling the Service Mode

The Service Mode is canceled by turning the power off.

## 4. サービスモード

### 1. サービスモードへの入り方

[PLAY]と[OPEN/CLOSE] ボタンを押しながら電源を入れます。モデル番号及びプロセッサバージョン番号、モード番号を表示します。



### 2. モード 0 (表示 P 0 0)

状態：[FOCUS OFF] [SPINDLE OFF] [RADIAL OFF] [MUTE ON]

- [NEXT ►►] ボタンを押している間だけスレッドが外周へ移動します。ボタンを放すと原点に戻ります。
- [NEXT ►►] ボタンを押すとモード 1 へ移行します。

### 3. モード 1 (表示 P 0 1)

状態：[FOCUS ON] [SPINDLE OFF] [RADIAL OFF] [MUTE ON]

- [NEXT ►►] ボタンを押すとモード 2 へ移行します。
- [PREV ◄◄] ボタンを押すとモード 0 へ移行します。

### 4. モード 2 (表示 P 0 2)

状態：[FOCUS ON] [SPINDLE ON] [RADIAL OFF] [MUTE ON]

- [NEXT ►►] ボタンを押すとモード 3 へ移行します。
- [PREV ◄◄] ボタンを押すとモード 0 へ移行します。

### 5. モード 3 (表示 P 0 3)

状態：[FOCUS ON] [SPINDLE ON] [RADIAL ON] [MUTE OFF]

- [PREV ◄◄] ボタンを押すとモード 2 へ移行します。

\* サービスモードの全ての状態で以下のボタンが有効です。

- 1) [STOP] ボタンを押している間だけFLが全点灯します。
- 2) [PAUSE] ボタンを押すとFL各部自動点灯テストを行ないます。もう一度押すとテストを中止します。
- 3) [PLAY] ボタンを押すと通常（サービスモード以外）と同じ動作となります。ただし、上記のFL各部自動点灯テスト中を除きます。  
動作中、異常が確認された時にエラー番号が表示されません。（例：Err 10）  
下記の表を参考にしてください。

### 6. サービスモードの解除

電源を切るとサービスモードが解除されます。

Table 1 ERROR CODE

Error Code	Error
Err 02	FOCUS Error
Err 07	SUB CODE Error
Err 08	T. O. C. Error
Err 09	DECODER Error
Err 10	RADIAL Error
Err 11, 12	SLEDGE Error
Err 13	SPINDLE Error
Err 16 ~ 20	SEARCH Error
Err 30	DOOR Error
Err 31	TRAY Error
Err 32 ~ 47	BUTTON INPUT Error

## 5. MICROPROCESSOR AND IC DATA

### 7405 SAA7372GP

PIN	SYMBOL	DESCRIPTION
1	VSSA1	*analog ground 1
2	VDDA1	* analog supply voltage 1
3	D1	unipolar current input (central diode signal input)
4	D2	unipolar current input (central diode signal input)
5	D3	unipolar current input (central diode signal input)
6	VRL	reference voltage input for ADC
7	D4	unipolar current input (central diode signal input)
8	R1	unipolar current input (satellite diode signal input)
9	R2	unipolar current input (satellite diode signal input)
10	IrefT	current reference output for ADC calibration
11	VRH	reference voltage output from ADC
12	VSSA2	* analog ground 2
13	SELPLL	selects whether internal clock multiplier PLL is used
14	ISLICE	current feedback output from data slicer
15	HFIN	comparator signal input
16	VSSA3	* analog ground 3
17	HFREF	comparator common mode input
18	Iref	reference current output pin (nominally 0.5VDD)
19	VDDA2	* analog supply voltage 2
20	TEST1	test control input 1; this pin should be tied LOW
21	CRIN	crystal/resonator input
22	CROUT	crystal/resonator output
23	TEST2	test control input 2; this pin should be tied LOW
24	CL16	16.9344 MHz system clock output
25	CL11	11.2896 or 5.6448 MHz clock output (3-state)
26	RA	radial actuator output
27	FO	focus actuator output
28	SL	sledge control output
29	TEST3	test control input 3; this pin should be tied LOW
30	VDDD1(P)	* digital supply voltage 1 for periphery
31	DOBM	bi-phase mark output (externally buffered; 3-state)
32	VSSD1	* digital ground 1
33	MOTO1	motor output 1; versatile (3-state)
34	MOTO2	motor output 2; versatile (3-state)
35	SBSY	subcode block sync output (3-state)
36	SFSY	subcode frame sync output (3-state)
37	RCK	subcode clock input
38	SUB	P-to-W subcode output bits (3-state)
39	VSSD2	* digital ground 2
40	V5	versatile output pin 5
41	V4	versatile output pin 4
42	V3	versatile output pin 3 (open-drain)
43	KILL	kill output (programmable; open-drain)
44	EF	C2 error flag; output only defined in CD ROM modes and 1fs modes (3-state)
45	DATA	serial data output (3-state)
46	WCLK	word clock output (3-state)
47	VDDD2(P)	* digital supply voltage 2 for periphery
48	SCLK	serial bit clock output (3-state)
49	VSSD3	* digital ground 3
50	CL4	4.2336 MHz microcontroller clock output
51	SDA	microcontroller interface data I/O line (open-drain output)
52	SCL	microcontroller interface clock line input
53	RAB	microcontroller interface R/W and load control line input (4-wire bus mode)
54	SILD	microcontroller interface R/W and load control line input (4-wire-bus mode)
55	n.c.	not connected
56	VSSD4	* digital ground 4
57	RESET	power-on reset input (active LOW)
58	STATUS	servo interrupt request line/decoder status register output (open-drain)
59	VDDD3(C)	* digital supply voltage 3 for core
60	C2FAIL	indication of correction failure output (open-drain)
61	CFLG	correction flag output (open-drain)
62	V1	versatile input pin 1
63	V2	versatile input pin 2
64	LDON	laser drive on output (open-drain)

\* Note : All supply pins must be connected to the same external power supply voltage.

### 7602 LC89170M

PIN	SYMBOL	I/O	FUNCTION
1	EXCK	I/O	Subcode interface shift clock input and output
2	SBSO	I	Subcode interface data Input
3	SCOR	I	Subcode interface block synchronization Input
4	WFCK	I	Subcode interface frame synchronization Input
5	MCK	I	Clock input (16.9344 MHz)
6	XMODE	I	System reset and low power mode
7	GND		Ground
8	TEST	I	Test pin (Must be connected to ground in normal operation.)
9	SW1	I	EXCK I/O setting (L: clock output, H: clock input)
10	SW2	I	EXCK clock output pulse width selection (L: double speed support, H: normal speed)
11	SCLK	I	Command interface shift clock input
12	SRDT	O	Command interface data output
13	DOSY	O	Command interface readout enable output
14	VDD		Power supply

### 7500 TDA1302T

PIN	SYMBOL	DESCRIPTION
1	O4	output of diode current amplifier 4
2	O6	output of diode current amplifier 6
3	O3	output of diode current amplifier 3
4	O1	output of diode current amplifier 1
5	O5	output of diode current amplifier 5
6	O2	output of diode current amplifier 2
7	LDON	control pin for switching the laser ON and OFF
8	VDDL	laser supply voltage
9	RFE	equalized output voltage of sum signal of amplifiers 1 to 4
10	RF	unequalized output
11	HG	control pin for gain switch
12	LS	control pin for speed switch
13	CL	external capacitor
14	ADJ	reference input normally connected to ground via a resistor
15	GND	0 V supply; substrate connection (ground)
16	LO	current output to the laser diode
17	MI	laser monitor diode input
18	VDD	amplifier supply voltage
19	I2	photo detector input 2 (central)
20	I5	photo detector input 5 (satellite)
21	I1	photo detector input 1 (central)
22	I3	photo detector input 3 (central)
23	I6	photo detector input 6 (satellite)
24	I4	photo detector input 4 (central)

### 7401/7402/7403 TDA7073A

PIN	SYMBOL	DESCRIPTION
1	IN1-	negative input 1
2	IN1+	positive input 1
3	n.c.	not connected
4	n.c.	not connected
5	VP	positive supply voltage
6	IN2+	positive input 2
7	IN2-	negative input 2
8	n.c.	not connected
9	OUT2+	positive output 2
10	GND2	ground 2
11	n.c.	not connected
12	OUT2-	negative output 2
13	OUT1-	negative output 1
14	GND1	ground 1
15	n.c.	not connected
16	OUT1+	positive output 1

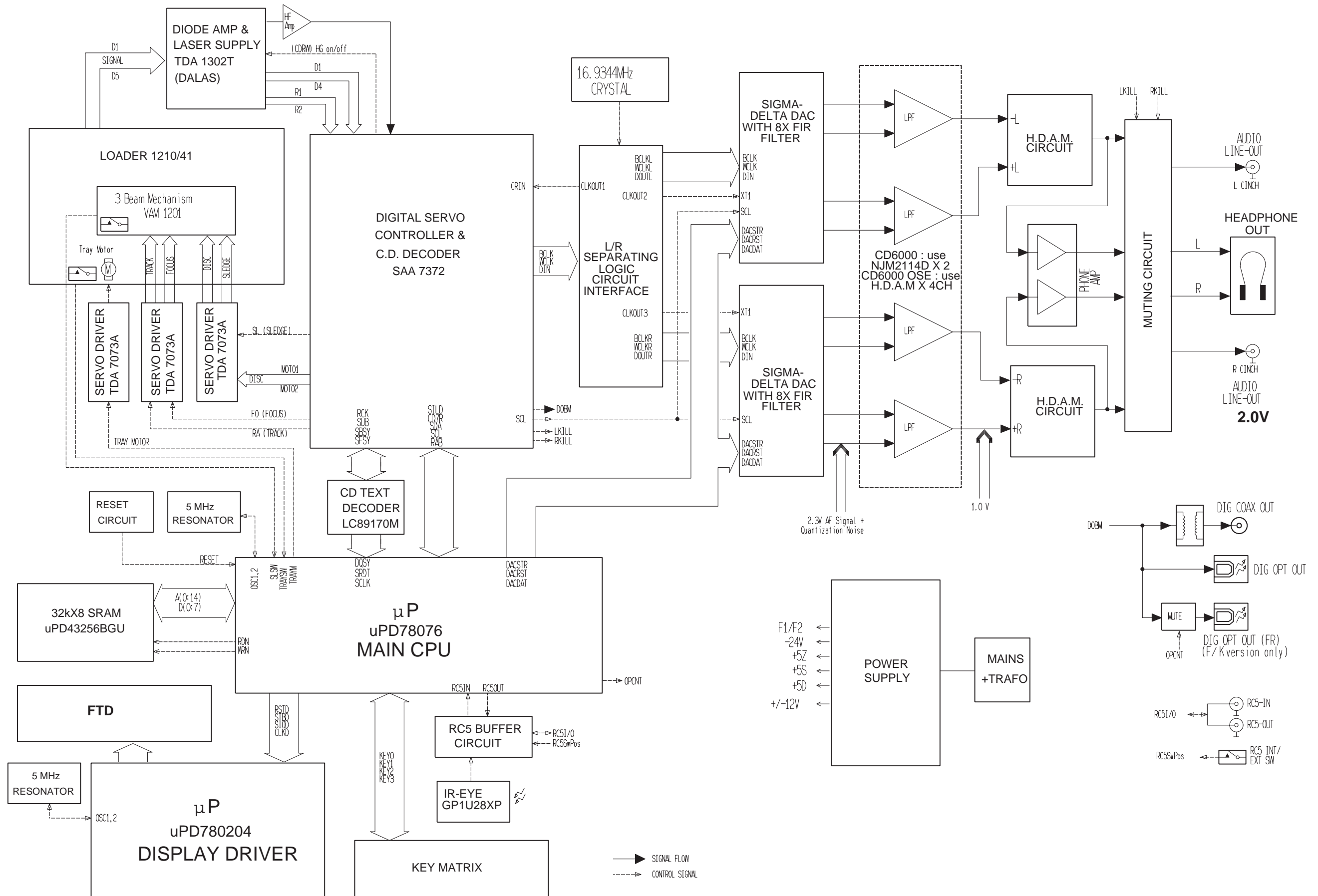
### 7600 μPD78076 MAIN

Pin No.	Port Name	Function	In/Out	Active	To/From	Description
1	OPEN	P120	Out	High	---	
2	OPEN	P121	Out	Low	---	
3	OPTCNT	P122	In	High	7318/7400	Control signal a front digital output's power
4	OPEN	P123	In	High	---	
5	OPEN	P124	In	Low	---	
6	OPEN	P125	In	Low	---	
7	OPEN	P126	Out	Low	---	
8	OPEN	P127	Out	Low	---	
9	GND	IC			GND	
10	5MHz XTAL	X2			5600	Clock out(5MHz)
11	5MHz XTAL	X1			5600	Clock in(5MHz)
12	+5MP	Vdd			+5MP	Power supply +5V
13		XT2			OPEN	
14		XT1			+5MP	
15	REST	RESET	In		7603	Reset signal input
16	RC5I	INTP0	In	↓ ↑	6600	Input remote control signal
17	DGSTN	INTP1	In	↓	7602	Request signal to read datas from 7602
18	CD7RN	P02	Out	Low	7405	CD7 Reset signal
19	SILDN	P03	Out	Low	7405	Strobe signal for servo part of 7405
20	RAB7N	P04	Out	Low	7405	Strobe signal for servo part of 7405
21	OPEN	P05	In		---	
22	OPEN	P06	In		---	
23	+5MP	Avdd			+5VD	
24	+5MP	Avref0			+5VD	
25	KEY0	ANI0	In	Level	Tact Switch	Key Sensor
26	KEY1	ANI1	In	Level	Tact Switch	Key Sensor
27	KEY2	ANI2	In	Level	Tact Switch	Key Sensor
28	KEY3	ANI3	In	Level	Tact Switch	Key Sensor
29	KEY4	ANI4	In	---	GND	Key Sensor(REERVED)
30	KEY5	ANI5	In	---	GND	Key Sensor(REERVED)
31	KEY6	ANI6	In	---	GND	Key Sensor(REERVED)
32	KEY7	ANI7	In	---	GND	Key Sensor(REERVED)
33	GND	Avss			GND	
34	DACDAT	P130	In/Out		7311/7312	Serial data signal for 7311/7312
35	RSTD	P131	Out		7800	Reset signal for 7800
36	+5MP	Avref			+5MP	
37	STBD	P70	Out		7800	Strobe signal for 7800
38	SIOD	SO2	Out		7800	Serial data for 7800
39	CLKD	SCK2	Out		7800	Serial clock for 7800
40	GND	Vss			GND	
41	SIDT	SI1	In		7602	Serial data signal from 7602
42	OPEN	SO1			---	
43	CLKT	SCK1	Out		7602	Serial clock signal from 7602
44	DACSTR	P23	Out	Low	7311/7312	Serial data's Strobe signal for 7311/7312
45	DACRST	P24	Out	Low	7311/7312	Reset signal for 7311/7312
46	OPEN	SB0			---	
47	SDA	SB1	In/Out		7405	Serial data signal for 7405
48	SCL	SCK0	Out		7405	Serial clock signal for 7405
49	A0	A0	Out		7601	Address signal for 7601
50	A1	A1	Out		7601	Address signal for 7601
51	A2	A2	Out		7601	Address signal for 7601
52	A3	A3	Out		7601	Address signal for 7601
53	A4	A4	Out		7601	Address signal for 7601
54	A5	A5	Out		7601	Address signal for 7601
55	A6	A6	Out		7601	Address signal for 7601
56	A7	A7	Out		7601	Address signal for 7601
57	AD0	D0	In/Out		7601	Data signal for 7601
58	AD1	D1	In/Out		7601	Data signal for 7601
59	AD2	D2	In/Out		7601	Data signal for 7601
60	AD3	D3	In/Out		7601	Data signal for 7601
61	AD4	D4	In/Out		7601	Data signal for 7601
62	AD5	D5	In/Out		7601	Data signal for 7601
63	AD6	D6	In/Out		7601	Data signal for 7601
64	AD7	D7	In/Out		7601	Data signal for 7601
65	A8	A8	Out		7601	Address signal for 7601
66	A9	A9	Out		7601	Address signal for 7601
67	A10	A10	Out		7601	Address signal for 7601
68	A11	A11	Out		7601	Address signal for 7601
69	A12	A12	Out		7601	Address signal for 7601
70	A13	A13	Out		7601	Address signal for 7601
71	OPEN	Vss			---	
72	OPEN	A14	Out		---	
73	OPEN	A15	Out		---	
74	OPEN	P60	Out		---	
75	OPEN	P61	Out		---	
76	OPEN	P62	Out		---	
77	OPEN	P63	Out		---	
78	RDN	RD	Out		7601	Read signal for 7601
79	WRN	WR	Out		7601	Write signal for 7601
80	OPEN	P66	Out		---	
81	OPEN	P67	Out		---	
82	RC5KILL	P100	Out		7605	Cancell RC5 from IR sensor during output RC5
83	RC5OUT	TO6	Out		7605/7316	Syncrorecoding signal output
84	TRAYM	P102			7403	Tray motor control signal
85	OPEN	P103			---	
86	OPEN	P30	In	Low	---	
87	OPEN	P31	In	Low	---	
88	OPEN	P32	In	High	---	
89	CDRW0	P33		High	7500	In case of CD-RW disc, Gain up RF signal
90	SLSWN	P34	In	Low	VAM1201	Sledge detect switch (LOW : in end)
91	OPEN	P35	In		---	
92	TRISN	P36	In	Low	TRAY	Tray in/out detect switch (LOW : in end)
93	OPEN	P37	In		---	
94	OPEN	P90	In		---	
95	OPEN	P91	Out		---	
96	OPEN	P93	Out		---	
97	OPEN	P94	Out		---	
98	OPEN	P95	Out		---	
99	OPEN	P95	Out	Low	---	
100	OPEN	P96	Out	Low	---	

### 7800 μPD780204 DISPLAY

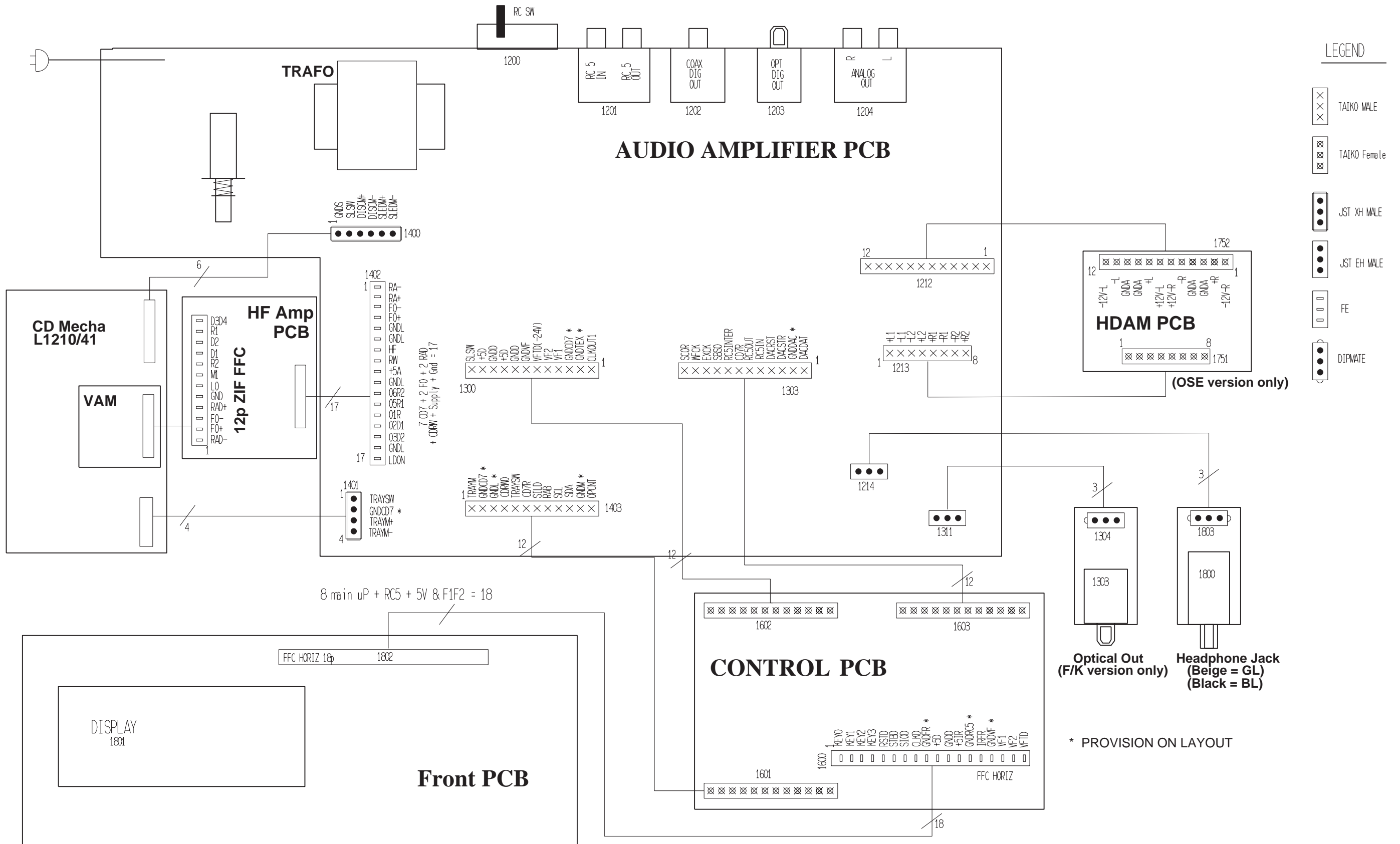
Pin No.	Port Name	Function	To/From	Description	Active
1	+5C	Vdd	+5C		
2	OPEN	P37	---	LED On/Off	Low
3	OPEN	P36/BUZ	---	LED On/Off	Low
4	OPEN	P35/PCL	---	LED On/Off	Low
5	OPEN	P34/TI2	---	LED On/Off	Low
6	OPEN	P33/TI1	---	LED On/Off	Low
7	OPEN	P32/TO2	---	LED On/Off	Low
8	OPEN	P31/TO1	---	LED On/Off	Low
9	OPEN	P30/TO0	---	LED On/Off	Low
10	RESD	RESET	7600		
11	5MHz X'tal	X2	5800		
12	5MHz X'tal	X1	5800		
13	GND	IC	GND		
14	OPEN	XT2	---		
15	OPEN	P04/XT1	---		
16	+5C	Vdd	+5C		
17	OPEN	P27/SCK0	---		
18	OPEN	P26/SO0/SB1	---		
19	OPEN	P25/SI0/SB0	---		
20	OPEN	P24/BUSY	---		
21	OPEN	P23/STB	---		
22	CLKD	P22/SCK1	---		
23	OPEN	P21/SO1	---		
24	SIOD	P20/SI1	7600		
25	GND	Avss	GND		
26	OPEN	P17/ANI7	---		
27	OPEN	P16/ANI6	---		
28	OPEN	P15/ANI5	---		
29	OPEN	P14/ANI4	---		
30	OPEN	P13/ANI3	---		
31	OPEN	P12/ANI2	---		
32	OPEN	P11/ANI1	---		
33	OPEN	P10/ANI0	---		
34	OPEN	Avdd	---		
35	GND	Avref	GND		
36	OPEN	P03/INTP3	---		
37	OPEN	P02/INTP2	---		
38	OPEN	P01/INTP1	---		
39	STBD	P00/INTP0/TI0	7600		
40	GND	Vss	GND		
41	OPEN	P74	---		
42	OPEN	P73	---		
43	OPEN	P72	---		
44	SSEL	P71	+5C	Scroll rule select (HIGH : CD6000)	
45	CSEL	P70	GND	Character select (LOW : CD6000)	
46	+5VD	Vdd	+5VD		
47	S40	P127/FIP52	FL	Segment output	
48	S39	P126/FIP51	FL	Segment output	
49	S38	P125/FIP50	FL	Segment output	
50	S37	P124/FIP49	FL	Segment output	
51	S36	P123/FIP48	FL	Segment output	
52	S35	P122/FIP47	FL	Segment output	
53	S34	P121/FIP46	FL	Segment output	
54	S33	P120/FIP45	FL	Segment output	
55	S32	P117/FIP44	FL	Segment output	
56	S31	P116/FIP43	FL	Segment output	
57	S30	P115/FIP42	FL	Segment output	
58	S29	P114/FIP41	FL	Segment output	
59	S28	P113/FIP			

## 6. BLOCK DIAGRAM



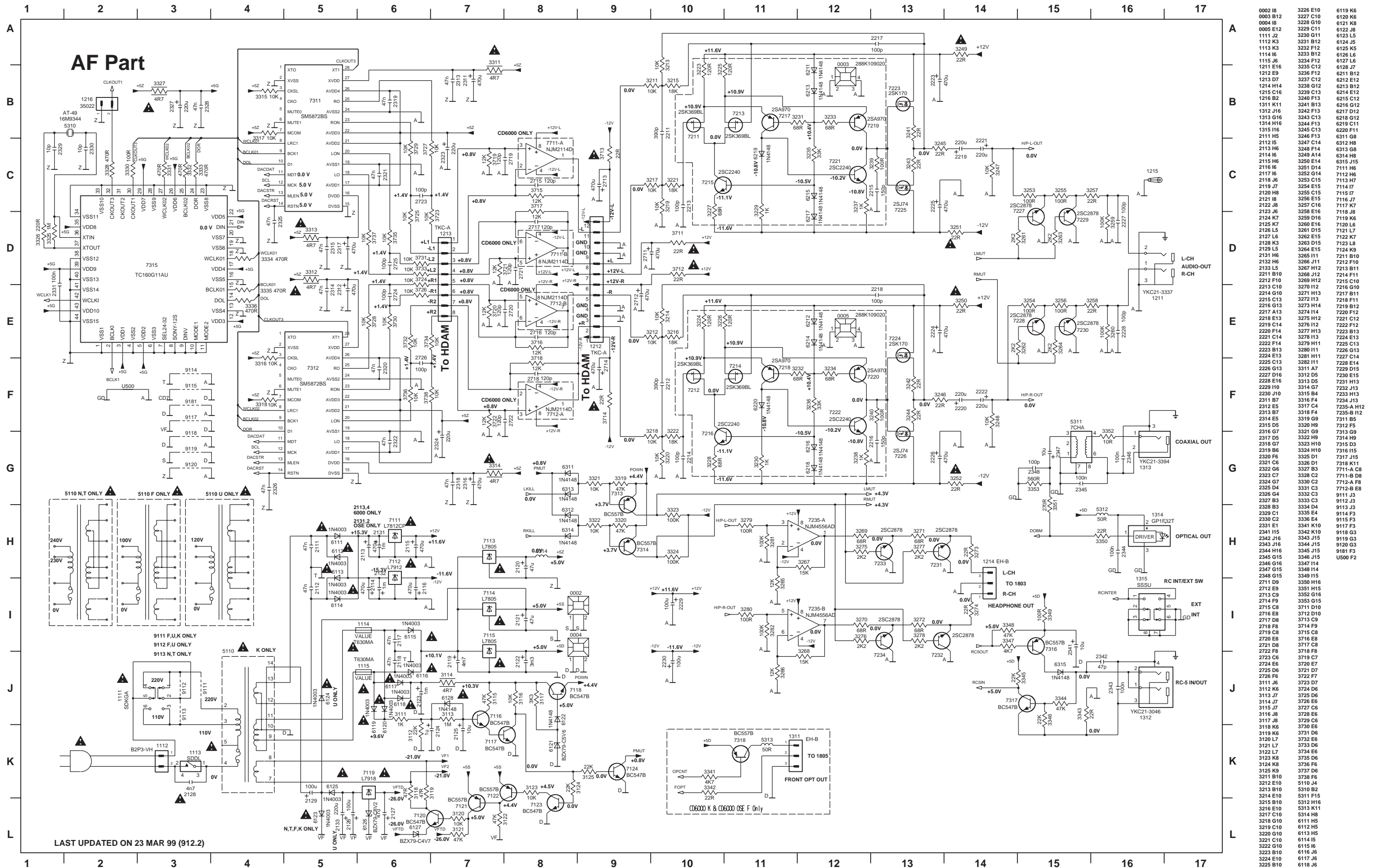


7. WIRING DIAGRAM



# 8. SCHEMATIC DIAGRAM AND PARTS LOCATION

## AUDIO AMPLIFIER PCB AF PART

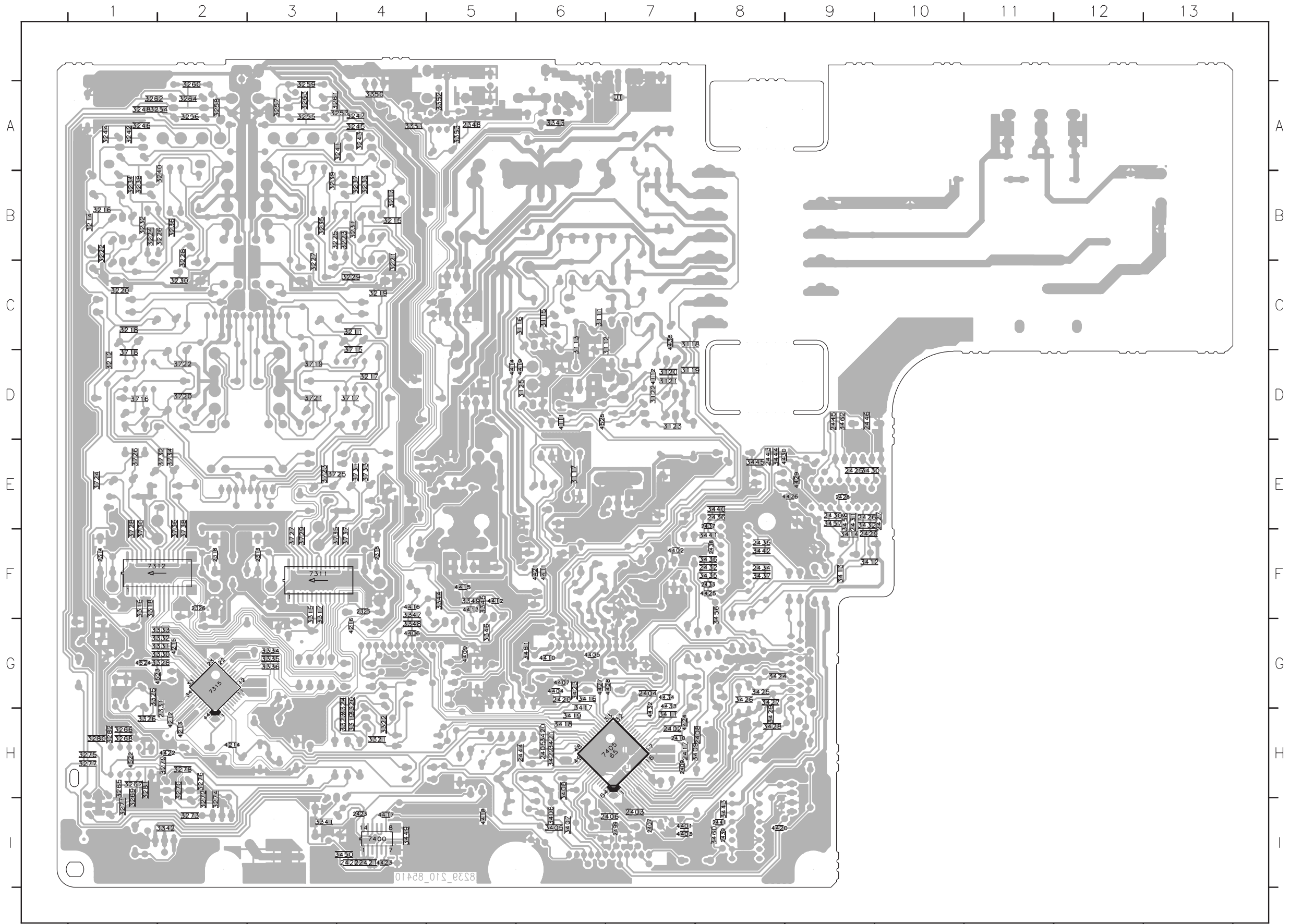


0002 I8	3226 E10	6119 K6
0003 B12	3227 C10	6120 K6
0004 I8	3228 G10	6121 K8
0005 E12	3229 C11	6122 J8
1111 J2	3230 G11	6123 L5
1112 K3	3231 B12	6124 J5
1113 K3	3232 F12	6125 K5
1114 I6	3233 B12	6126 L6
1115 J6	3234 F12	6127 L6
1211 E16	3235 C12	6128 J7
1212 E9	3236 F12	6211 B12
1213 D7	3237 C12	6212 E12
1214 H14	3238 G12	6213 B12
1215 C16	3239 C13	6214 E12
1216 B2	3240 F13	6215 C12
1311 K11	3241 B13	6216 G12
1312 J16	3242 F13	6217 D12
1313 G16	3243 C13	6218 G12
1314 H16	3244 F13	6219 C11
1315 I6	3245 C13	6220 F11
2111 H5	3246 F13	6311 G8
2112 I5	3247 C14	6312 H8
2113 H6	3248 F14	6313 G8
2114 I6	3249 A14	6314 H8
2115 H6	3250 E14	6315 J15
2116 I6	3251 D14	7111 H6
2117 I6	3252 G14	7112 H6
2118 J6	3253 C15	7113 H7
2119 J7	3254 E15	7114 H8
2120 H8	3255 C15	7115 I7
2121 I8	3256 E15	7116 J7
2122 J8	3257 C16	7117 K7
2123 H8	3258 A16	7118 J8
2124 K7	3259 D16	7119 K6
2125 K7	3260 E16	7120 L6
2126 L5	3261 D15	7121 L7
2127 L6	3262 E15	7122 K7
2128 K3	3263 D15	7123 L6
2129 L5	3264 E15	7124 K9
2131 H6	3265 H11	7211 B10
2132 H6	3266 J11	7212 F10
2133 L5	3267 H12	7213 B11
2211 B10	3268 J12	7214 F11
2212 F10	3269 H12	7215 C10
2213 C10	3270 H12	7216 G10
2214 G10	3271 H13	7217 B11
2215 C13	3272 H13	7218 F11
2216 G13	3273 H14	7219 B12
2217 A13	3274 H14	7220 F12
2218 J13	3275 H14	7221 C12
2219 C14	3276 H12	7222 F12
2220 F14	3277 H13	7223 B13
2221 C14	3278 H13	7224 E13
2222 F14	3279 H11	7225 C13
2223 B13	3280 H11	7226 G13
2224 I3	3281 H11	7227 C14
2225 C13	3282 H11	7228 E14
2226 H10	3283 B11	7229 B14
2227 J10	3284 D11	7230 H13
2228 E16	3285 D5	7231 H3
2229 H10	3286 G7	7232 H13
2230 J10	3287 B4	7233 H13
2311 B7	3288 F4	7234 H13
2312 E5	3289 C4	7235 A H12
2313 B7	3290 F4	7235-B H12
2314 E5	3291 B9	7236 H12
2315 D5	3292 H9	7312 F5
2316 G7	3293 G9	7313 G9
2317 D5	3294 H9	7314 H9
2318 G7	3295 H10	7315 D3
2319 B10	3296 B10	7316 H15
2320 F6	3297 D11	7317 J15
2321 C6	3298 D11	7318 K11
2322 G6	3299 B3	7711-A C8
2323 B3	3300 C3	7712-B C8
2324 G7	3301 C2	7712-A F8
2325 D4	3302 C3	7712-B E8
2326 G4	3303 C3	9111 J3
2327 B3	3304 D4	9112 J3
2328 B3	3305 E4	9113 J3
2329 C1	3306 E4	9114 F3
2330 C2	3307 E4	9115 F3
2331 E1	3308 K10	9117 B5
2334 I15	3309 K10	9118 G3
2342 J16	3310 K10	9119 G3
2343 J16	3311 J15	9120 G3
2344 H16	3312 J15	9181 F3
2345 G15	3313 I14	U500 F2
2346 G16	3314 I14	
2347 G15	3315 I14	
2348 G15	3316 I14	
2349 G15	3317 I14	
2350 H16	3318 H16	
2351 H15	3319 K6	
2352 G16	3320 G10	
2353 G16	3321 C10	
2354 H16	3322 G10	
2355 H16	3323 B10	
2356 H16	3324 E10	
2357 H16	3325 B10	

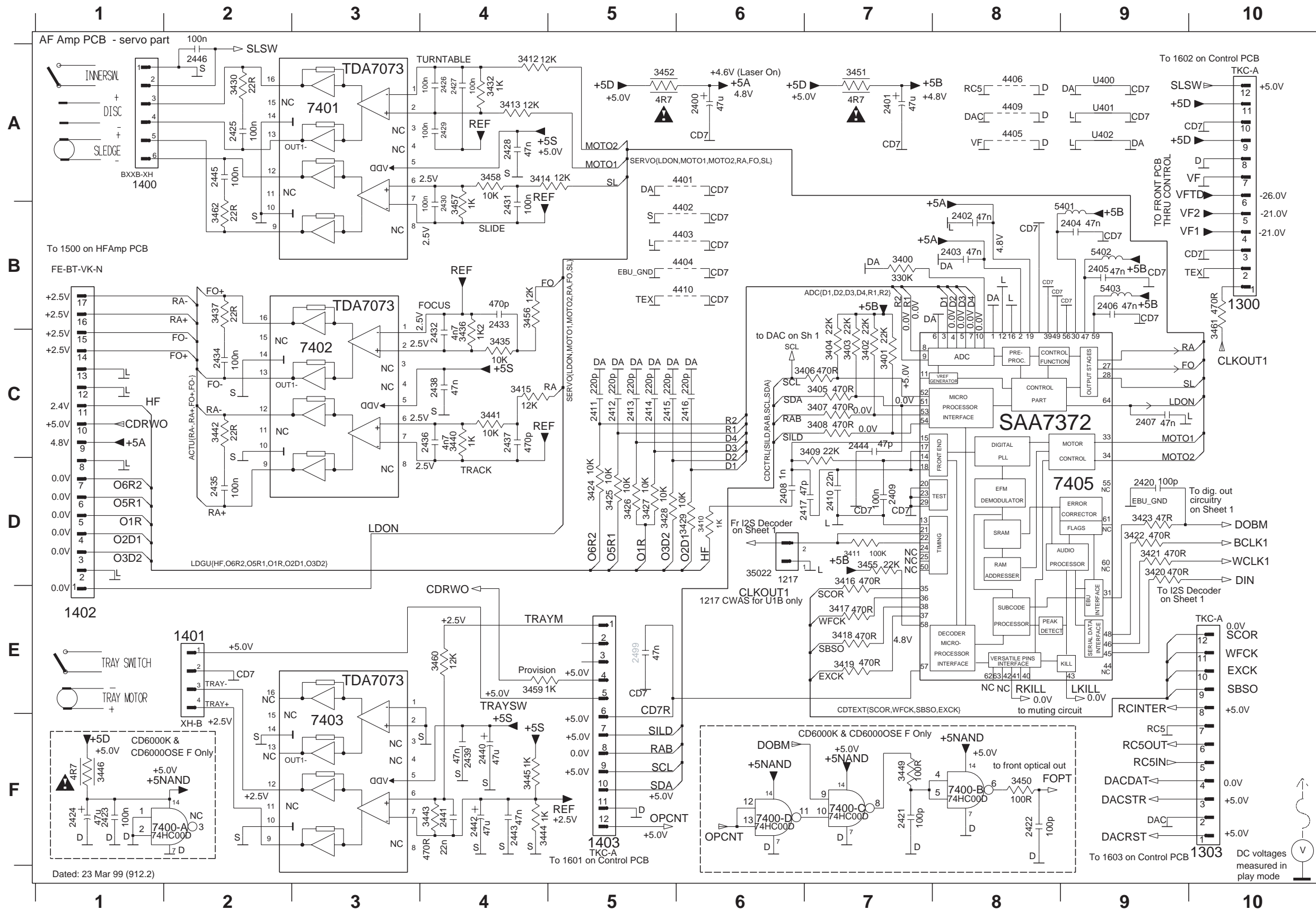


**AUDIO AMPLIFIER PCB COPPER SIDE VIEW**

1 2 3 4 5 6 7 8 9 10 11 12 13  
 14 15 16 17 18 19 20 21 22 23 24 25 26 27 28 29 30 31 32 33 34 35 36 37 38 39 40 41 42 43 44 45 46 47 48 49 50 51 52 53 54 55 56 57 58 59 60 61 62 63 64 65 66 67 68 69 70 71 72 73 74 75 76 77 78 79 80 81 82 83 84 85 86 87 88 89 90 91 92 93 94 95 96 97 98 99 100 101 102 103 104 105 106 107 108 109 110 111 112 113 114 115 116 117 118 119 120 121 122 123 124 125 126 127 128 129 130 131 132 133 134 135 136 137 138 139 140 141 142 143 144 145 146 147 148 149 150 151 152 153 154 155 156 157 158 159 160 161 162 163 164 165 166 167 168 169 170 171 172 173 174 175 176 177 178 179 180 181 182 183 184 185 186 187 188 189 190 191 192 193 194 195 196 197 198 199 200 201 202 203 204 205 206 207 208 209 210 211 212 213 214 215 216 217 218 219 220 221 222 223 224 225 226 227 228 229 230 231 232 233 234 235 236 237 238 239 240 241 242 243 244 245 246 247 248 249 250 251 252 253 254 255 256 257 258 259 260 261 262 263 264 265 266 267 268 269 270 271 272 273 274 275 276 277 278 279 280 281 282 283 284 285 286 287 288 289 290 291 292 293 294 295 296 297 298 299 300 301 302 303 304 305 306 307 308 309 310 311 312 313 314 315 316 317 318 319 320 321 322 323 324 325 326 327 328 329 330 331 332 333 334 335 336 337 338 339 340 341 342 343 344 345 346 347 348 349 350 351 352 353 354 355 356 357 358 359 360 361 362 363 364 365 366 367 368 369 370 371 372 373 374 375 376 377 378 379 380 381 382 383 384 385 386 387 388 389 390 391 392 393 394 395 396 397 398 399 400 401 402 403 404 405 406 407 408 409 410 411 412 413 414 415 416 417 418 419 420 421 422 423 424 425 426 427 428 429 430 431 432 433 434 435 436 437 438 439 440 441 442 443 444 445 446 447 448 449 450 451 452 453 454 455 456 457 458 459 460 461 462 463 464 465 466 467 468 469 470 471 472 473 474 475 476 477 478 479 480 481 482 483 484 485 486 487 488 489 490 491 492 493 494 495 496 497 498 499 500 501 502 503 504 505 506 507 508 509 510 511 512 513 514 515 516 517 518 519 520 521 522 523 524 525 526 527 528 529 530 531 532 533 534 535 536 537 538 539 540 541 542 543 544 545 546 547 548 549 550 551 552 553 554 555 556 557 558 559 560 561 562 563 564 565 566 567 568 569 570 571 572 573 574 575 576 577 578 579 580 581 582 583 584 585 586 587 588 589 590 591 592 593 594 595 596 597 598 599 600 601 602 603 604 605 606 607 608 609 610 611 612 613 614 615 616 617 618 619 620 621 622 623 624 625 626 627 628 629 630 631 632 633 634 635 636 637 638 639 640 641 642 643 644 645 646 647 648 649 650 651 652 653 654 655 656 657 658 659 660 661 662 663 664 665 666 667 668 669 670 671 672 673 674 675 676 677 678 679 680 681 682 683 684 685 686 687 688 689 690 691 692 693 694 695 696 697 698 699 700 701 702 703 704 705 706 707 708 709 710 711 712 713 714 715 716 717 718 719 720 721 722 723 724 725 726 727 728 729 730 731 732 733 734 735 736 737 738 739 740 741 742 743 744 745 746 747 748 749 750 751 752 753 754 755 756 757 758 759 760 761 762 763 764 765 766 767 768 769 770 771 772 773 774 775 776 777 778 779 780 781 782 783 784 785 786 787 788 789 790 791 792 793 794 795 796 797 798 799 800 801 802 803 804 805 806 807 808 809 810 811 812 813 814 815 816 817 818 819 820 821 822 823 824 825 826 827 828 829 830 831 832 833 834 835 836 837 838 839 840 841 842 843 844 845 846 847 848 849 850 851 852 853 854 855 856 857 858 859 860 861 862 863 864 865 866 867 868 869 870 871 872 873 874 875 876 877 878 879 880 881 882 883 884 885 886 887 888 889 890 891 892 893 894 895 896 897 898 899 900 901 902 903 904 905 906 907 908 909 910 911 912 913 914 915 916 917 918 919 920 921 922 923 924 925 926 927 928 929 930 931 932 933 934 935 936 937 938 939 940 941 942 943 944 945 946 947 948 949 950 951 952 953 954 955 956 957 958 959 960 961 962 963 964 965 966 967 968 969 970 971 972 973 974 975 976 977 978 979 980 981 982 983 984 985 986 987 988 989 990 991 992 993 994 995 996 997 998 999 1000



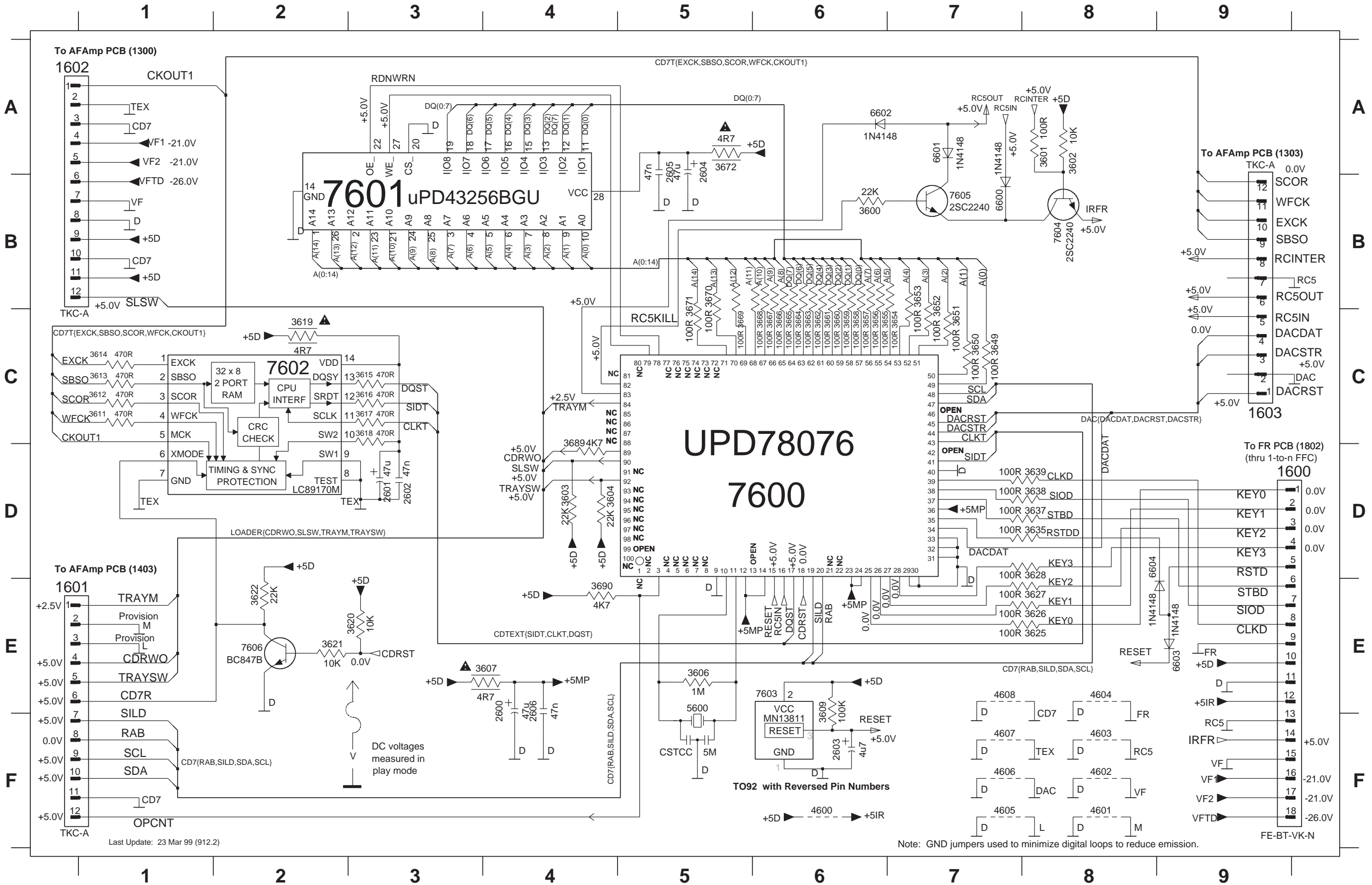
AUDIO AMPLIFIER PCB SERVO PART



1217 D6	3427 D5
1300 B10	3428 D5
1303 F10	3429 D6
1400 A1	3430 A2
1401 E2	3432 A4
1402 E1	3435 C4
1403 F5	3436 C4
2400 A6	3437 B2
2401 A7	3440 C4
2402 B8	3441 C4
2403 B8	3442 C2
2404 B9	3443 F4
2405 B9	3444 F4
2406 B9	3445 F4
2407 C9	3446 F1
2408 D6	3449 F7
2409 D7	3450 F8
2410 D7	3451 A7
2411 C5	3452 A5
2412 C5	3455 D7
2413 C5	3456 B4
2414 C5	3457 B4
2415 C5	3458 A4
2416 C6	3459 E4
2417 D7	3460 E4
2420 D9	3461 B10
2421 F7	3462 B2
2422 F8	4401 A6
2423 F1	4402 B6
2424 F1	4403 B6
2425 A2	4404 B6
2426 A4	4405 A8
2427 A4	4406 A8
2428 A4	4409 A8
2429 A4	4410 B6
2430 B4	5401 B9
2431 B4	5402 B9
2432 C4	5403 B9
2433 B4	7400-A F1
2434 C2	7400-B F8
2435 D2	7400-C F7
2436 C4	7400-D F6
2437 C4	7401 A3
2438 C4	7402 C3
2439 F4	7403 F3
2440 F4	7405 D9
2441 F4	U400 A9
2442 F4	U401 A9
2443 F4	U402 A9
2444 C7	
2445 A2	
2446 A2	
2499 E5	
3400 B7	
3401 C7	
3402 C7	
3403 C7	
3404 C7	
3405 C7	
3406 C7	
3407 C7	
3408 C7	
3409 C7	
3410 D6	
3411 D7	
3412 A4	
3413 A4	
3414 A4	
3415 C4	
3416 D7	
3417 E7	
3418 E7	
3419 E7	
3420 D9	
3421 D9	
3422 D9	
3423 D9	
3424 D5	
3425 D5	
3426 D5	

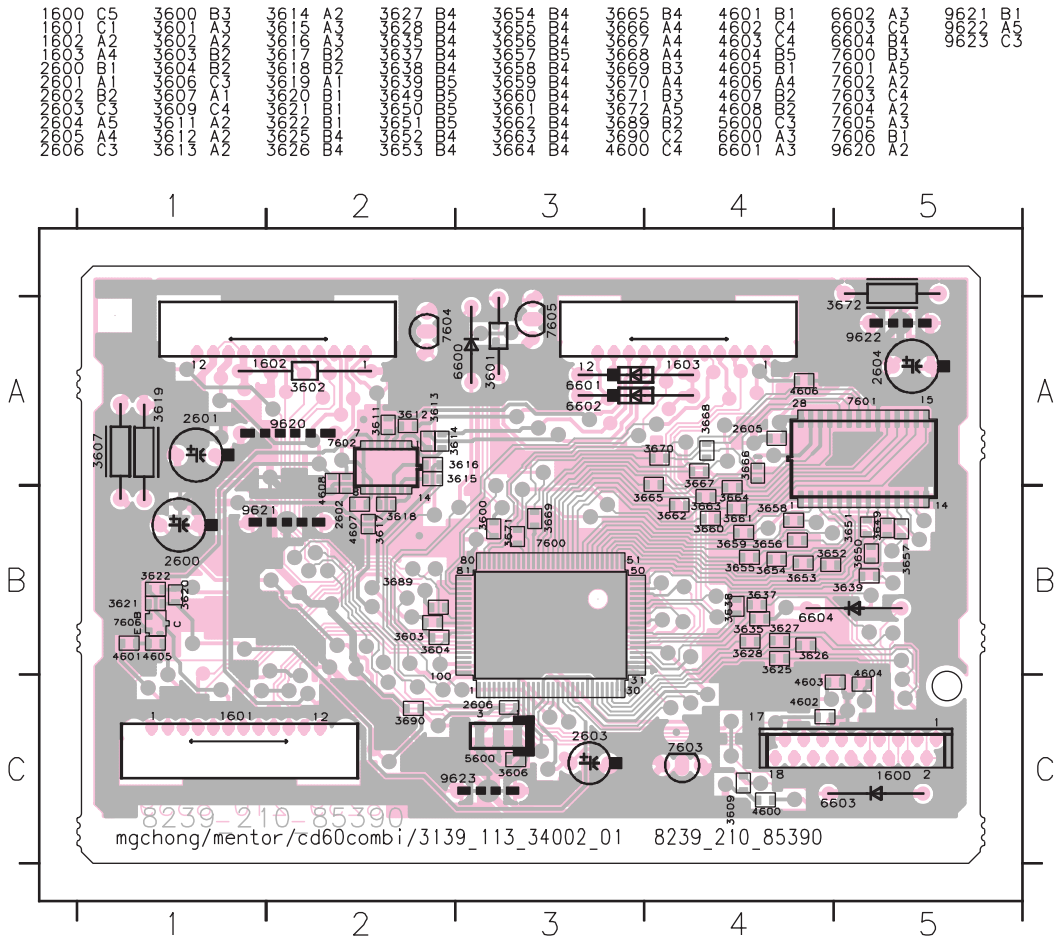
CONTROL PCB

1600 D9	2600 E4	2604 A5	3601 A8	3606 E5	3612 C1	3616 C3	3620 E3	3626 E8	3637 D8	3650 C7	3654 C7	3658 C6	3662 C6	3666 C6	3670 B5	3690 E4	4603 F8	4607 F7	6601 A7	7600 D6	7604 B8
1601 E1	2601 D3	2605 A5	3602 A8	3607 E4	3613 C1	3617 C3	3621 E2	3627 E8	3638 D8	3651 C7	3655 C6	3659 C6	3663 C6	3667 C6	3671 B5	4600 F6	4604 E8	4608 E7	6602 A6	7601 B3	7605 B7
1602 A1	2602 D3	2606 E4	3603 D4	3609 E6	3614 C1	3618 C3	3622 E2	3628 D8	3639 D8	3652 B7	3656 C6	3660 C6	3664 C6	3668 C6	3672 A5	4601 F8	4605 F7	5600 E5	6603 E9	7602 C2	7606 E2
1603 C9	2603 F6	3600 B6	3604 D4	3611 C1	3615 C3	3619 C2	3625 E8	3635 D8	3649 C7	3653 B7	3657 C6	3661 C6	3665 C6	3669 C5	3689 D4	4602 F8	4606 F7	6600 B7	6604 D8	7603 E6	



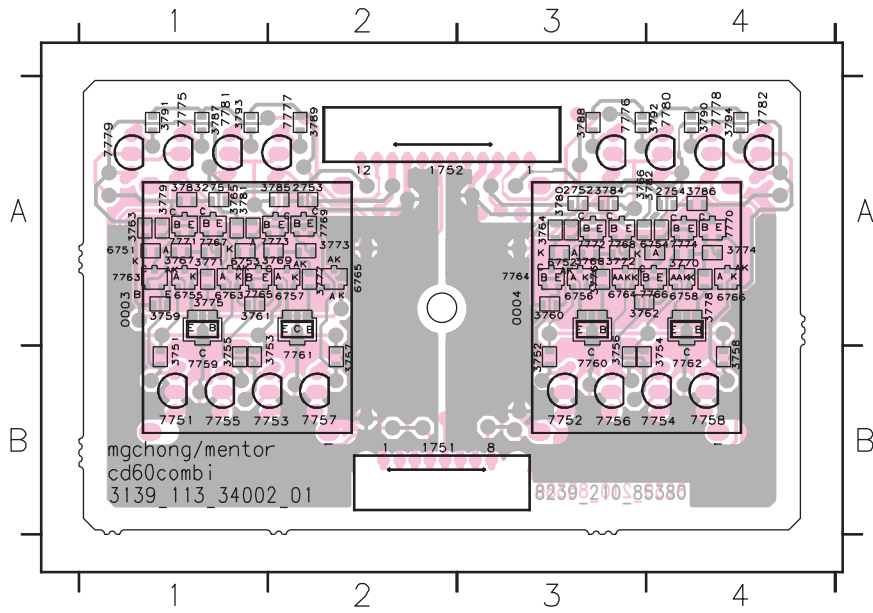
Last Update: 23 Mar 99 (912.2)

# CONTROL PCB COMPONENT SIDE VIEW



# HDAM PCB COMPONENT SIDE VIEW

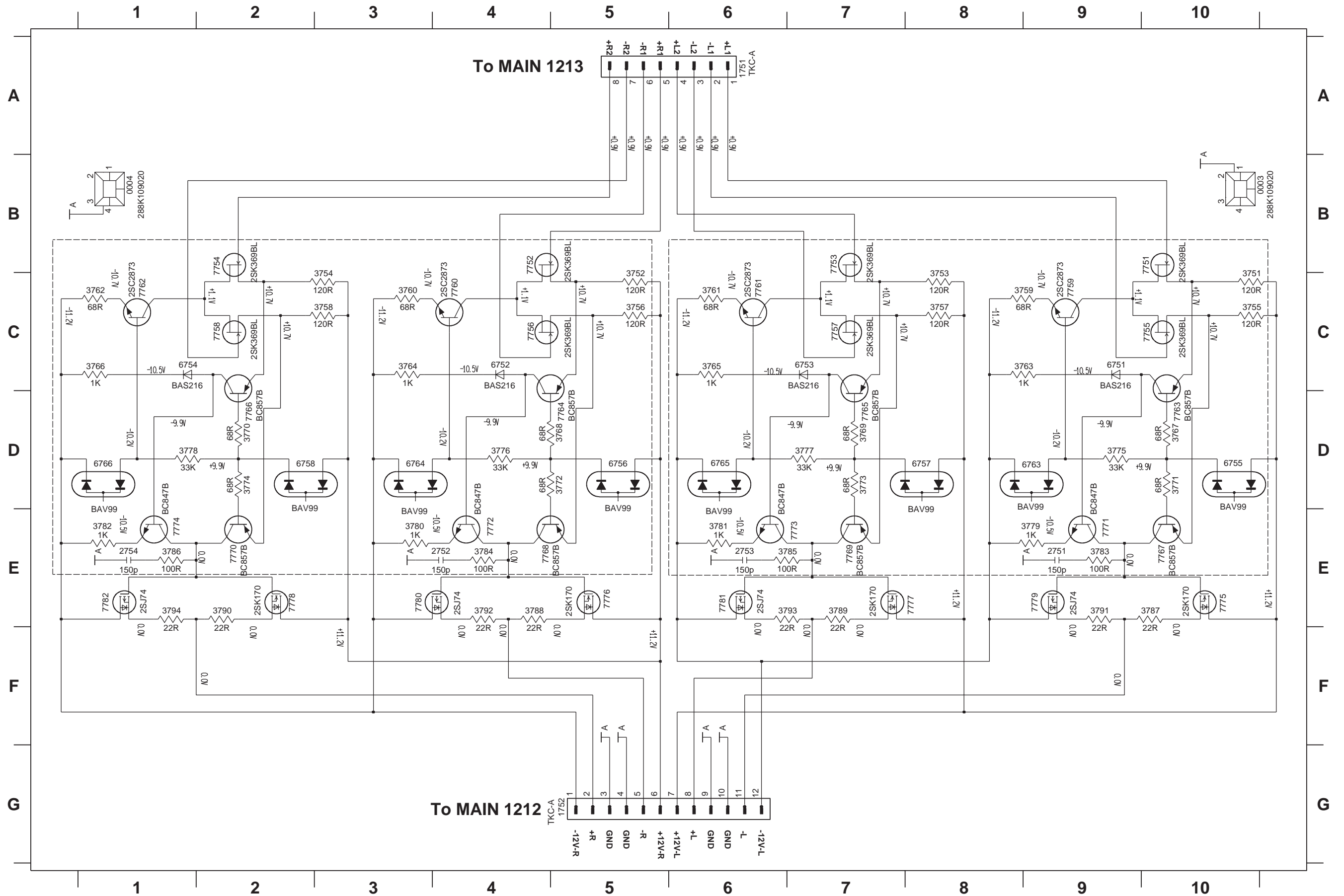
0003	A1	3733	A1	3767	A1	3779	A1	6763	A1	7759	B1	7771	A1
0004	A3	3734	A3	3768	A3	3780	A3	6764	A3	7760	B3	7772	A3
1751	A2	3735	A2	3769	A2	3781	A2	6765	A2	7761	B2	7773	A2
1752	A1	3736	A1	3770	A1	3782	A1	6766	A1	7762	B1	7774	A1
2751	A1	3737	A1	3771	A1	3783	A1	6767	A1	7763	B1	7775	A1
2752	A3	3738	A3	3772	A3	3784	A3	6768	A3	7764	B3	7776	A3
2753	A2	3739	A2	3773	A2	3785	A2	6769	A2	7765	B2	7777	A2
2754	A4	3740	A4	3774	A4	3786	A4	6770	A4	7766	B4	7778	A4
2755	A1	3741	A1	3775	A1	3787	A1	6771	A1	7767	B1	7779	A1
3754	A3	3742	A3	3776	A3	3788	A3	6772	A3	7768	B3	7780	A3
3755	A2	3743	A2	3777	A2	3789	A2	6773	A2	7769	B2	7781	A2
3756	A4	3744	A4	3778	A4	3790	A4	6774	A4	7770	B4	7782	A4



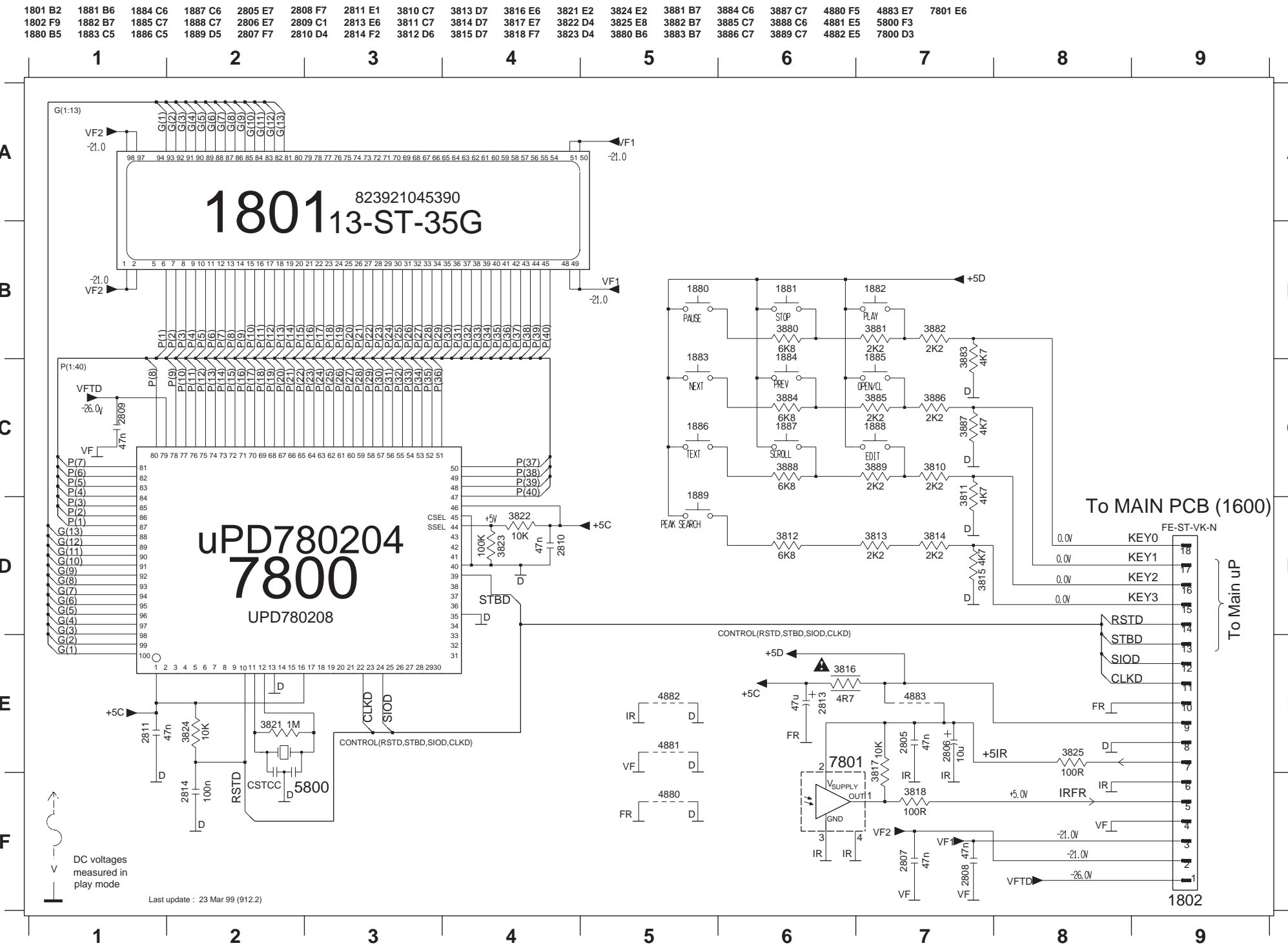


HDAM PCB

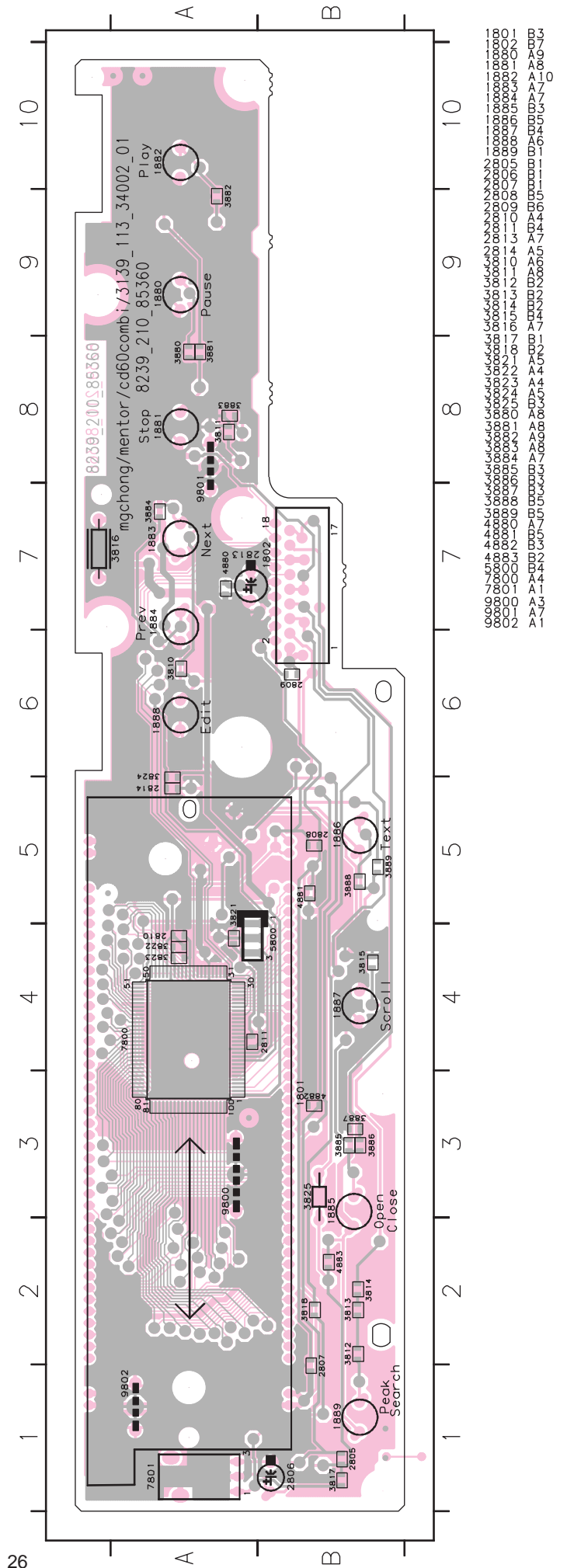
0003 B10	2751 E9	3751 C10	3755 C10	3759 C9	3763 C9	3767 D10	3771 D10	3775 D9	3779 E9	3783 E9	3787 E10	3791 E9	6751 C9	6755 D10	6763 D9	7751 B10	7755 C10	7759 C9	7763 D10	7767 E10	7771 E9	7775 E10	7779 E9
0004 B1	2752 E4	3752 C5	3756 C5	3760 C3	3764 C3	3768 D5	3772 D5	3776 D4	3780 E3	3784 E4	3788 E4	3792 E4	6752 C4	6756 D5	6764 D3	7752 B4	7756 C4	7760 C4	7764 D5	7768 E4	7772 E4	7776 E5	7780 E3
1751 A6	2753 E6	3753 C8	3757 C8	3761 C6	3765 C6	3769 D7	3773 D7	3777 D7	3781 E6	3785 E7	3789 E7	3793 E7	6753 C7	6757 D8	6765 D6	7753 B7	7757 C7	7761 C6	7765 D7	7769 E7	7773 E7	7777 E8	7781 E6
1752 G5	2754 E1	3754 C3	3758 C3	3762 C1	3766 C1	3770 D2	3774 D2	3778 D1	3782 E1	3786 E1	3790 E2	3794 E1	6754 C1	6758 D2	6766 D1	7754 B2	7758 C2	7762 C1	7766 D2	7770 E2	7774 E1	7778 E2	7782 E1



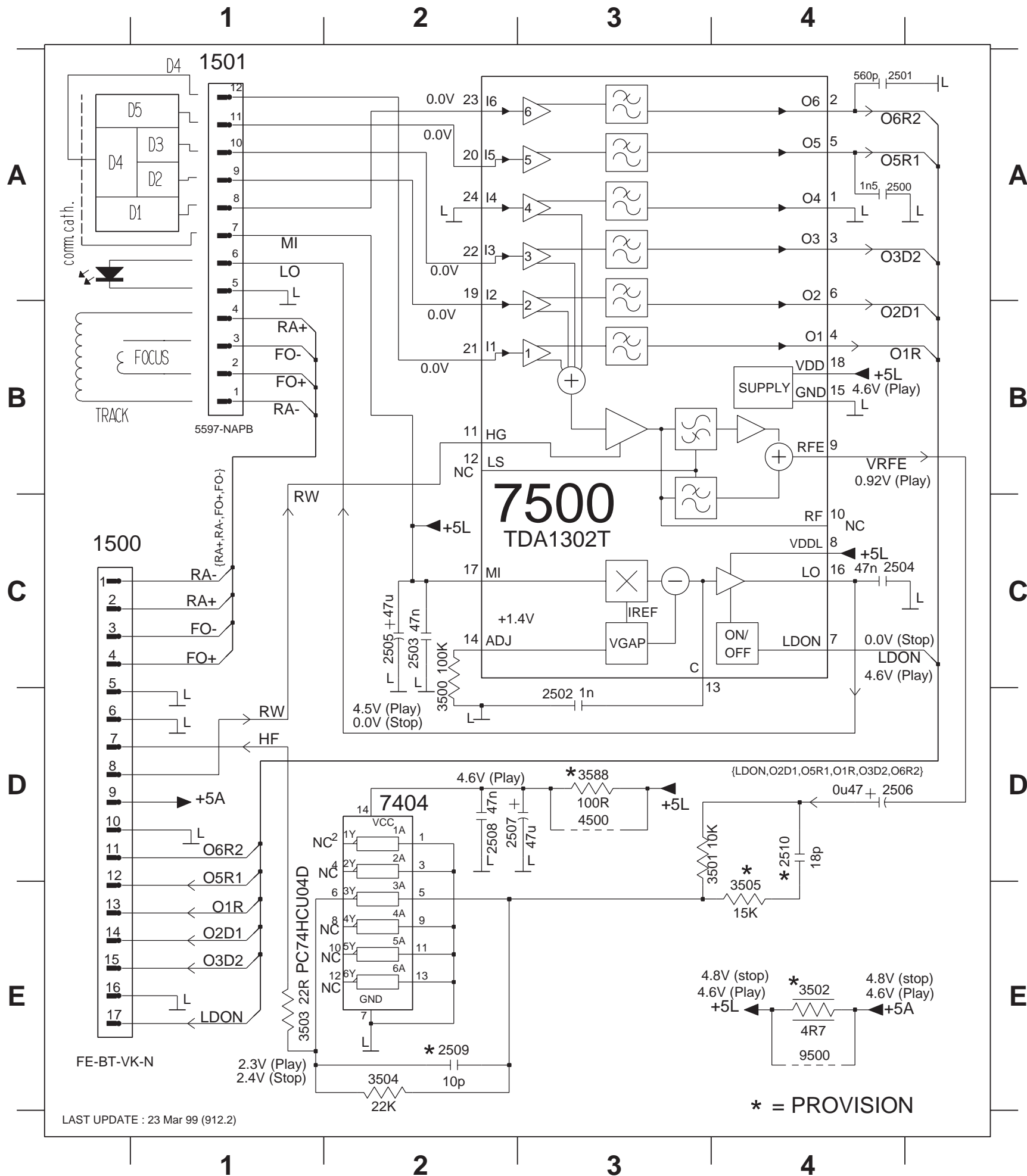
FRONT PCB



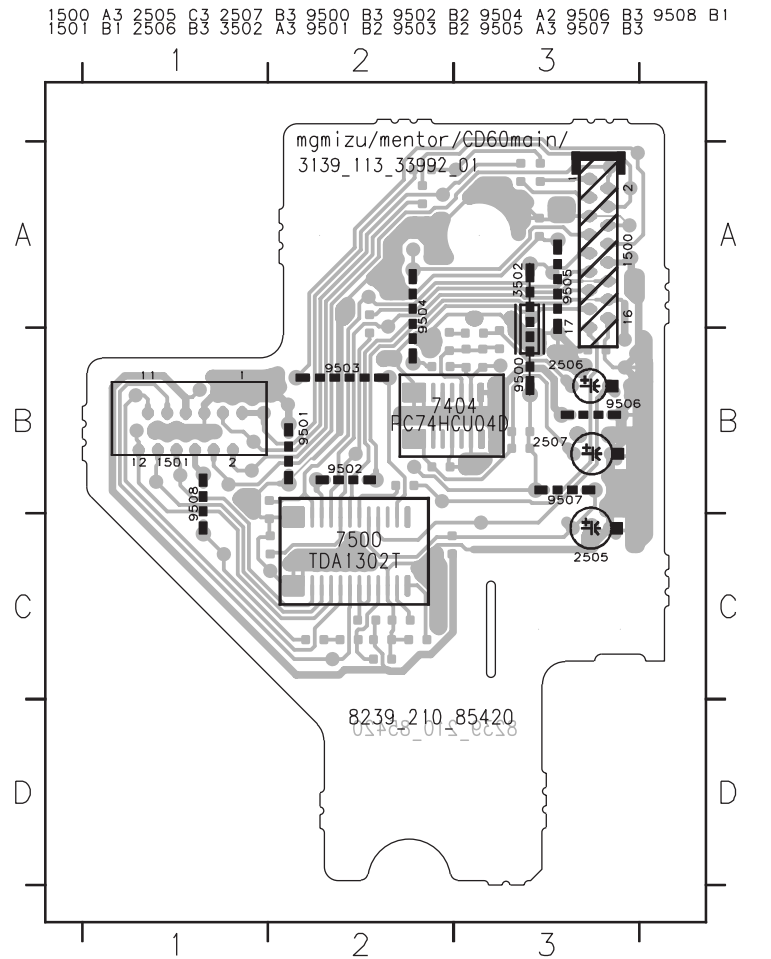
FRONT PCB COMPONENT SIDE VIEW



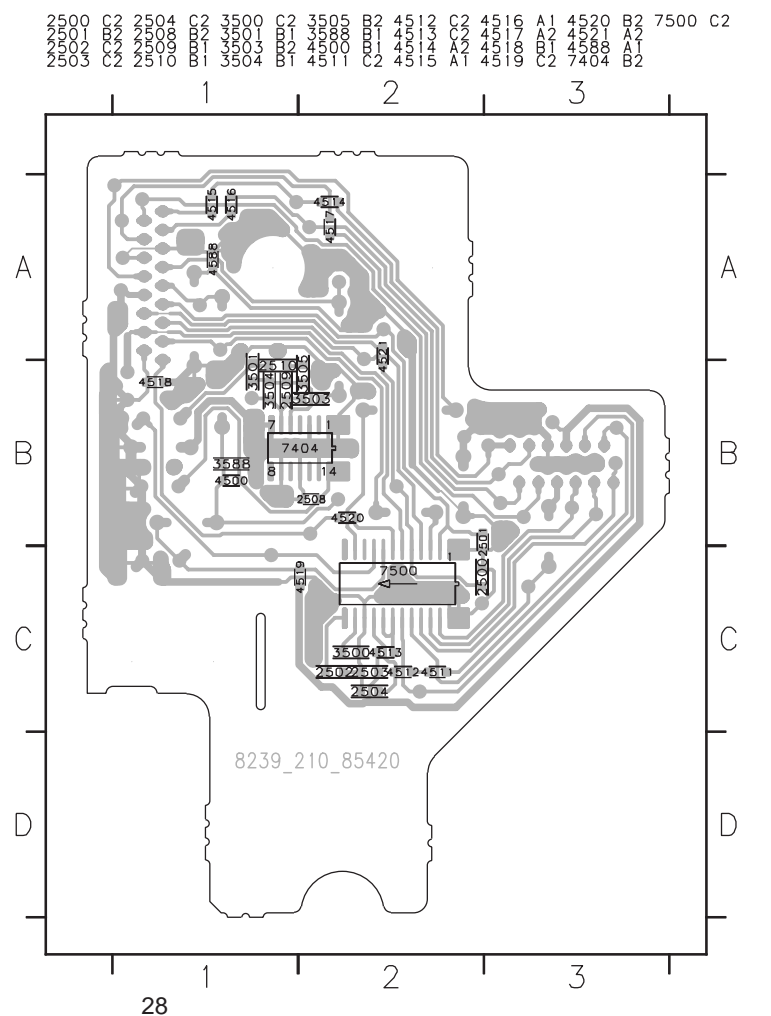
# HF AMP PCB



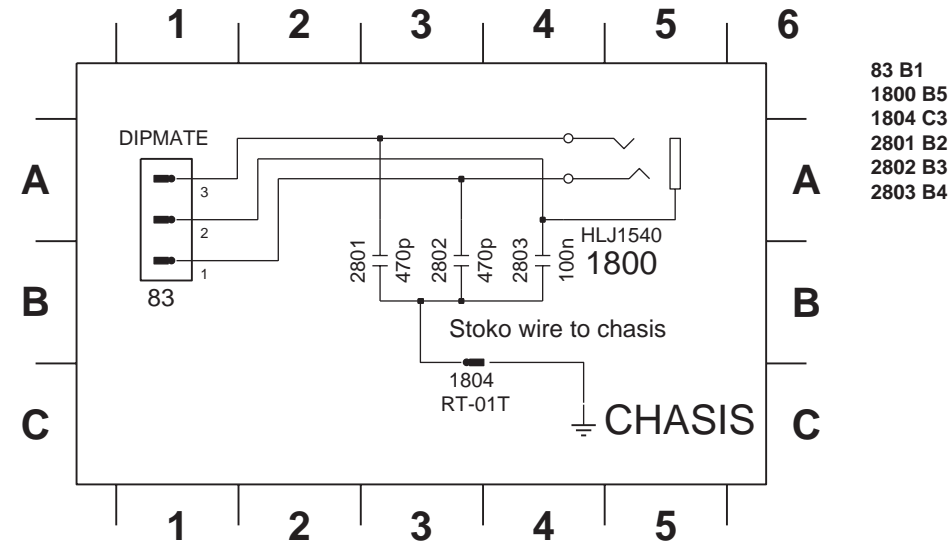
# HF AMP PCB COMPONENT SIDE VIEW



# HF AMP PCB COPPER SIDE VIEW

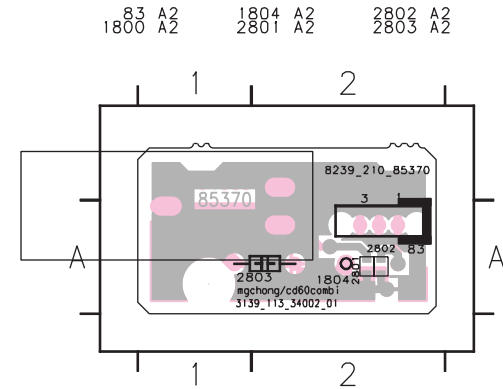


**HEADPHONE JACK PCB**



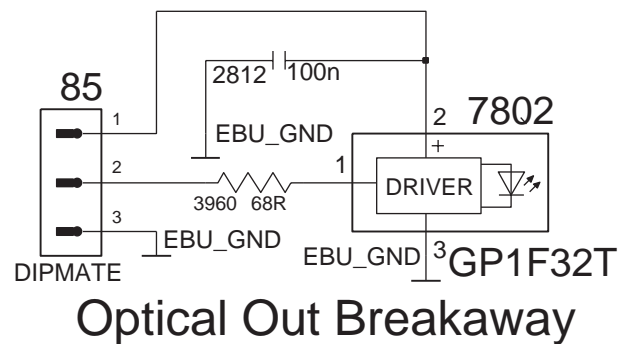
83 B1  
1800 B5  
1804 C3  
2801 B2  
2802 B3  
2803 B4

**HEADPHONE JACK PCB COMPONENT SIDE VIEW**

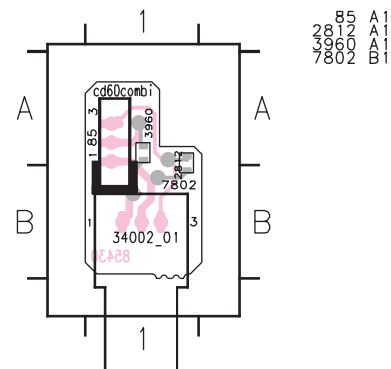


**OPTICAL OUT PCB**

1805 = CWAS 03EH/OP 100mm



**OPTICAL OUT PCB COMPONENT SIDE VIEW**

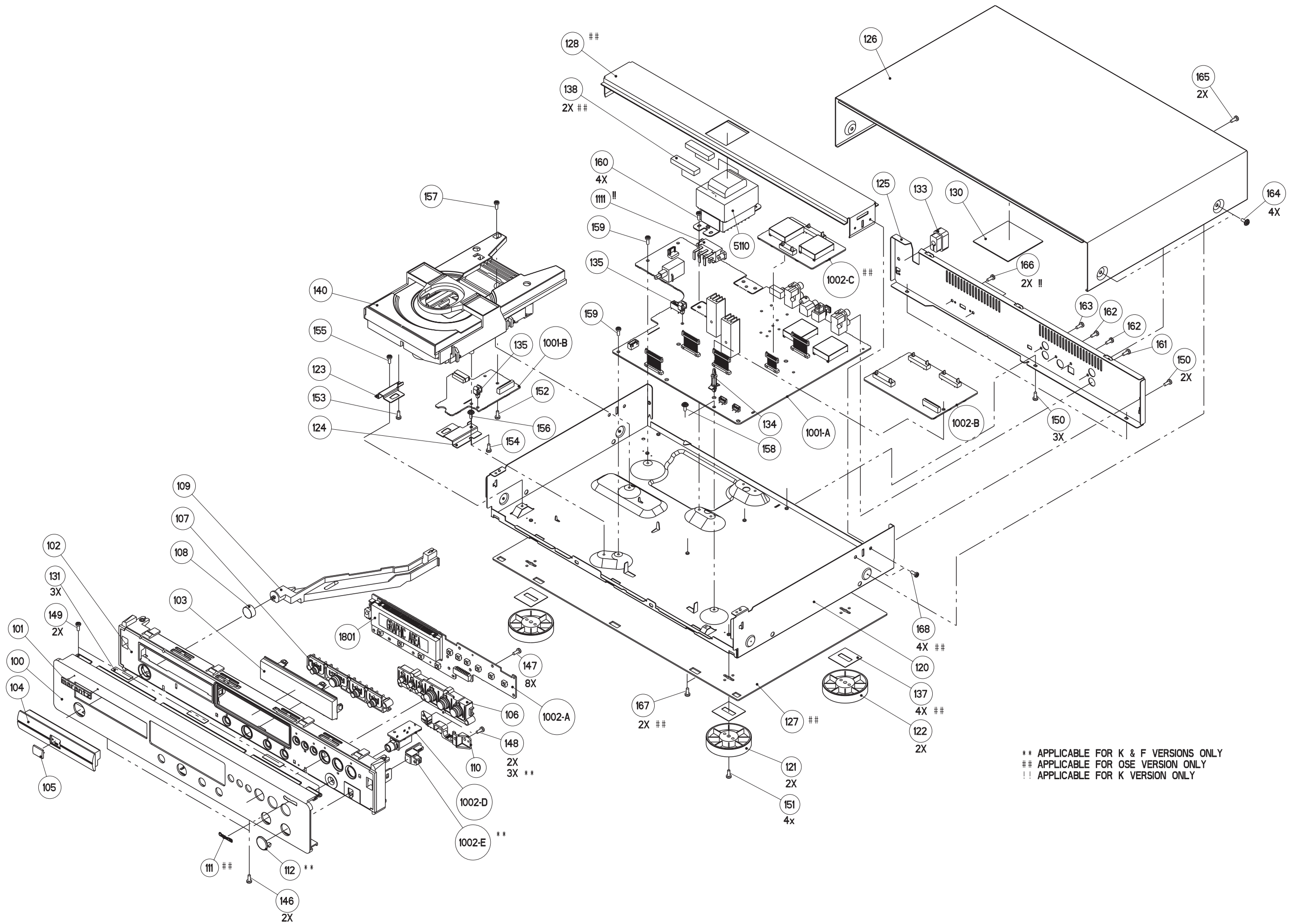


85 A1  
2812 A1  
3960 A1  
68R B1  
7802 B1

**9. EXPLODED VIEW AND PARTS LIST**

(VERS.:VERSION, U:U.S.A., F:JAPAN, K:FAR EAST, \*\*:EUROPE)

POS. NO	VERS. COLOR	PART NO. (FOR PCS)	DESCRIPTION
100	F/N,F/T,F/U BLK	4822 459 05335	AL FRONT CD6000 OSE BL
100	F/N GLD	4822 459 05336	AL FRONT CD6000 OSE GL
100	F/F BLK	3139 117 88420	AL FRONT CD6000 OSE B W/OPT
100	F/F GLD	3139 117 88460	AL FRONT CD6000 OSE N W/OPT
100	/N/T BLK	4822 459 05324	AL FRONT CD6000 BL
100	/N GLD	4822 459 05328	AL FRONT CD6000 GL
100	/K BLK	3139 117 88410	AL FRONT CD6000 BL W/OPT
100	/K GLD	3139 117 88450	AL FRONT CD6000 GL W/OPT
101		4822 454 11825	BADGE MARANTZ
102	BLK	4822 459 05325	CABINET FRONT BLK
102	GLD	4822 459 05334	CABINET FRONT GL
103		4822 450 10684	WINDOW DISPLAY
104	BLK	4822 442 01888	COVER TRAY BLK
104	GLD	4822 442 01926	COVER TRAY GLD
105	BLK	3139 117 89170	BADGE DISC BLK
105	GLD	3139 117 87910	BADGE DISC GLD
106	BLK	4822 410 12497	BUTTON SET PLAY BLK
106	GLD	4822 410 12549	BUTTON SET PLAY GLD
107	BLK	4822 410 12498	BUTTON SET OP/CL BLK
107	GLD	4822 410 12551	BUTTON SET OP/CL GLD
108	BLK	4822 410 12499	BUTTON POWER BLK
108	GLD	4822 410 12552	BUTTON POWER GLD
109		4822 402 11357	LEVER POWER
111	F/N,F/T,F/U,F/F	4822 454 13476	BADGE OSE
112	F/F,/K BLK	3139 114 66110	CAP OPTICAL FRONT BLK
112	F/F,/K GLD	3139 114 67440	CAP OPTICAL FRONT GLD
121		4822 462 42129	FOOT GLD FRONT
122	/N/T,F/N,F/T,F/U	4822 462 42131	FOOT GLD REAR
133		4822 532 60948	BUSH, PLASTIC
134		4822 402 10386	BRACKET, PLASTIC
135		4822 401 11808	WIRE CLAMPER
140		4822 691 10803	CD LOADER 1210/41
356		4822 219 10748	REMOTE CONTROL RC07111/02
387	/N/T,F/N,F/T	4822 736 17083	USER GUIDE for /N, /T
387	F/U	4822 736 17119	USER GUIDE for /U
387	F/F	3139 116 19000	USER GUIDE for /F
387	/K	3139 119 19010	USER GUIDE for /K
1003	/N,F/N	4822 321 10809	MAINS CORD for /N
1003	/T,F/T	4822 321 11509	MAINS CORD for /T
1003	/K	4822 321 11139	MAINS CORD for /K
1003	F/U	4822 321 11464	MAINS CORD for /U
1003	F/F	4822 321 11349	MAINS CORD for /F



\*\* APPLICABLE FOR K & F VERSIONS ONLY  
 ## APPLICABLE FOR OSE VERSION ONLY  
 !!! APPLICABLE FOR K VERSION ONLY



(VERS.:VERSION, U:U.S.A., F:JAPAN, K:FAR EAST, \*\*:EUROPE)

POS. NO	VERS. COLOR	PART NO. (FOR PCS)	DESCRIPTION
2442		4822 124 40433	47 $\mu$ F 20% 25V
2443		4822 126 13751	47NF 10% X7R 63V
2444		4822 126 13692	47pF 1% NPO 63V
2445		4822 126 14585	100NF 10% X7R 0805 50V
2446		4822 126 14585	100NF 10% X7R 0805 50V
2499		4822 126 13751	47NF 10% X7R 63V
2711		4822 124 20695	470 $\mu$ F 50% 16V
2712		4822 124 20695	470 $\mu$ F 50% 16V
2713		4822 124 20695	470 $\mu$ F 50% 16V
2714		4822 124 20695	470 $\mu$ F 50% 16V
2715		4822 121 10873	120pF 5% 100V
2716		4822 121 10873	120pF 5% 100V
2717		4822 121 10873	120pF 5% 100V
2718		4822 121 10873	120pF 5% 100V
2719		4822 121 10873	120pF 5% 100V
2720		4822 121 10873	120pF 5% 100V
2721		4822 121 10873	120pF 5% 100V
2722		4822 121 10873	120pF 5% 100V
2723		4822 121 10872	100pF 5% 100V
2724		4822 121 10872	100pF 5% 100V
2725		4822 121 10872	100pF 5% 100V
2726		4822 121 10872	100pF 5% 100V
3111		4822 051 10102	1K00 2% 0.25W
3112		4822 051 20223	22K00 5% 0.1W
3113		4822 051 20105	1M00 5% 0.1W
▲ 3114		4822 052 10478	4R70 5% 0.33W
3115		4822 117 10834	47K 1% 0.1W
3116		4822 117 10833	10K 1% 0.1W
3117		4822 051 20332	3K30 5% 0.1W
3118		4822 051 20479	47R00 5% 0.1W
3119		4822 051 20479	47R00 5% 0.1W
3120		4822 117 10833	10K 1% 0.1W
3121		4822 117 10834	47K 1% 0.1W
3122		4822 117 10834	47K 1% 0.1W
3123		4822 117 10833	10K 1% 0.1W
3124		4822 116 52257	22K 5% 0.5W
3125		4822 051 20223	22K00 5% 0.1W
3211		4822 117 10833	10K 1% 0.1W
3212		4822 117 10833	10K 1% 0.1W
3213		4822 117 10833	10K 1% 0.1W
3214		4822 117 10833	10K 1% 0.1W
3215		4822 117 10965	18K 1% 0.1W
3216		4822 117 10965	18K 1% 0.1W
3217		4822 117 10833	10K 1% 0.1W
3218		4822 117 10833	10K 1% 0.1W
3219		4822 117 10833	10K 1% 0.1W
3220		4822 117 10833	10K 1% 0.1W
3221		4822 117 10965	18K 1% 0.1W
3222		4822 117 10965	18K 1% 0.1W
3223		4822 051 20121	120R00 5% 0.1W
3224		4822 051 20121	120R00 5% 0.1W
3225		4822 051 20121	120R00 5% 0.1W
3226		4822 051 20121	120R00 5% 0.1W
3227		4822 117 12521	68R 1% 0.1W
3228		4822 117 12521	68R 1% 0.1W
3229		4822 051 10102	1K00 2% 0.25W
3230		4822 051 10102	1K00 2% 0.25W
3231		4822 117 12521	68R 1% 0.1W
3232		4822 117 12521	68R 1% 0.1W
3233		4822 117 12521	68R 1% 0.1W
3234		4822 117 12521	68R 1% 0.1W
3235		4822 051 20333	33K00 5% 0.1W
3236		4822 051 20333	33K00 5% 0.1W
3237		4822 051 10102	1K00 2% 0.25W

(VERS.:VERSION, U:U.S.A., F:JAPAN, K:FAR EAST, \*\*:EUROPE)

POS. NO	VERS. COLOR	PART NO. (FOR PCS)	DESCRIPTION
3238		4822 051 10102	1K00 2% 0.25W
3239		4822 051 20101	100R00 5% 0.1W
3240		4822 051 20101	100R00 5% 0.1W
3241		4822 051 20229	22R00 5% 0.1W
3242		4822 051 20229	22R00 5% 0.1W
3243		4822 051 20229	22R00 5% 0.1W
3244		4822 051 20229	22R00 5% 0.1W
3245		4822 051 20229	22R00 5% 0.1W
3246		4822 051 20229	22R00 5% 0.1W
3247		4822 117 10833	10K 1% 0.1W
3248		4822 117 10833	10K 1% 0.1W
▲ 3249		4822 053 10229	22R00 5% 1W
▲ 3250		4822 053 10229	22R00 5% 1W
▲ 3251		4822 053 10229	22R00 5% 1W
▲ 3252		4822 053 10229	22R00 5% 1W
3253		4822 051 20101	100R00 5% 0.1W
3254		4822 051 20101	100R00 5% 0.1W
3255		4822 051 20101	100R00 5% 0.1W
3256		4822 051 20101	100R00 5% 0.1W
3257		4822 051 20229	22R00 5% 0.1W
3258		4822 051 20229	22R00 5% 0.1W
3259		4822 117 10837	100K 1% 0.1W
3260		4822 117 10837	100K 1% 0.1W
3261		4822 117 11449	2K2 1% 0.1W
3262		4822 117 11449	2K2 1% 0.1W
3263		4822 117 11449	2K2 1% 0.1W
3264		4822 117 11449	2K2 1% 0.1W
3265		4822 117 11383	12K 1% 0.1W
3266		4822 117 11383	12K 1% 0.1W
3267		4822 116 83933	15K 1% 0.1W
3268		4822 116 83933	15K 1% 0.1W
3269		4822 117 12521	68R 1% 0.1W
3270		4822 117 12521	68R 1% 0.1W
3271		4822 117 12521	68R 1% 0.1W
3272		4822 117 12521	68R 1% 0.1W
3273		4822 051 20229	22R00 5% 0.1W
3274		4822 051 20229	22R00 5% 0.1W
3275		4822 117 11449	2K2 1% 0.1W
3276		4822 117 11449	2K2 1% 0.1W
3277		4822 117 11449	2K2 1% 0.1W
3278		4822 117 11449	2K2 1% 0.1W
3279		4822 051 20101	100R00 5% 0.1W
3280		4822 051 20101	100R00 5% 0.1W
3281		4822 117 10837	100K 1% 0.1W
3282		4822 117 10837	100K 1% 0.1W
▲ 3311		4822 052 10478	4R70 5% 0.33W
▲ 3312		4822 052 10478	4R70 5% 0.33W
▲ 3313		4822 052 10478	4R70 5% 0.33W
▲ 3314		4822 052 10478	4R70 5% 0.33W
3315		4822 117 10833	10K 1% 0.1W
3316		4822 117 10833	10K 1% 0.1W
3317		4822 117 10833	10K 1% 0.1W
3318		4822 117 10833	10K 1% 0.1W
3319		4822 117 10834	47K 1% 0.1W
3320		4822 117 10834	47K 1% 0.1W
3321		4822 117 10833	10K 1% 0.1W
3322		4822 117 10833	10K 1% 0.1W
3323		4822 117 10837	100K 1% 0.1W
3324		4822 117 10837	100K 1% 0.1W
3325		4822 051 20105	1M00 5% 0.1W
3326		4822 117 11503	220R 1% 0.1W
▲ 3327		4822 052 10478	4R70 5% 0.33W
3328		4822 051 20471	470R00 5% 0.1W
3330		4822 051 20101	100R00 5% 0.1W
3331		4822 051 20471	470R00 5% 0.1W

(VERS.:VERSION, U:U.S.A., F:JAPAN, K:FAR EAST, \*\*:EUROPE)

(VERS.:VERSION, U:U.S.A., F:JAPAN, K:FAR EAST, \*\*:EUROPE)

POS. NO	VERS. COLOR	PART NO. (FOR PCS)	DESCRIPTION	POS. NO	VERS. COLOR	PART NO. (FOR PCS)	DESCRIPTION
3332		4822 051 20471	470R00 5% 0.1W	3456		4822 117 11383	12K 1% 0.1W
3333		4822 051 20471	470R00 5% 0.1W	3457		4822 051 10102	1K00 2% 0.25W
3334		4822 051 20471	470R00 5% 0.1W	3458		4822 117 10833	10K 1% 0.1W
3335		4822 051 20471	470R00 5% 0.1W	3459		4822 050 11002	1K00 1% 0.4W
3336		4822 051 20471	470R00 5% 0.1W	3460		4822 117 11383	12K 1% 0.1W
3341	/K,F/F	4822 051 20472	4K70 5% 0.1W	3461		4822 051 20471	470R00 5% 0.1W
3342	/K,F/F	4822 051 20229	22R00 5% 0.1W	3462		4822 051 20229	22R00 5% 0.1W
3343		4822 051 20229	22R00 5% 0.1W	▲ 3711		4822 053 10229	22R00 5% 1W
3344		4822 117 10834	47K 1% 0.1W	▲ 3712		4822 053 10229	22R00 5% 1W
3345		4822 051 20223	22K00 5% 0.1W	▲ 3713		4822 053 10229	22R00 5% 1W
3346		4822 051 20223	22K00 5% 0.1W	▲ 3714		4822 053 10229	22R00 5% 1W
3347		4822 051 20472	4K70 5% 0.1W	3715		4822 117 11383	12K 1% 0.1W
3348		4822 117 10834	47K 1% 0.1W	3716		4822 117 11383	12K 1% 0.1W
3349		4822 051 20101	100R00 5% 0.1W	3717		4822 117 11383	12K 1% 0.1W
3350		4822 051 20229	22R00 5% 0.1W	3718		4822 117 11383	12K 1% 0.1W
3351		4822 117 11504	270R 1% 0.1W	3719		4822 117 11383	12K 1% 0.1W
3352		4822 051 20109	10R00 5% 0.1W	3720		4822 117 11383	12K 1% 0.1W
3353		4822 051 20561	560R00 5% 0.1W	3721		4822 117 11383	12K 1% 0.1W
3400		4822 050 12704	270K00 1% 0.4W	3722		4822 117 11383	12K 1% 0.1W
3401		4822 116 52257	22K 5% 0.5W	3723		4822 117 10833	10K 1% 0.1W
3402		4822 116 52257	22K 5% 0.5W	3724		4822 117 10833	10K 1% 0.1W
3403		4822 116 52257	22K 5% 0.5W	3725		4822 117 10833	10K 1% 0.1W
3404		4822 116 52257	22K 5% 0.5W	3726		4822 117 10833	10K 1% 0.1W
3405		4822 051 20471	470R00 5% 0.1W	3727		4822 117 10833	10K 1% 0.1W
3406		4822 051 20471	470R00 5% 0.1W	3728		4822 117 10833	10K 1% 0.1W
3407		4822 051 20471	470R00 5% 0.1W	3729		4822 117 10833	10K 1% 0.1W
3408		4822 051 20471	470R00 5% 0.1W	3730		4822 117 10833	10K 1% 0.1W
3409		4822 051 20223	22K00 5% 0.1W	3731		4822 117 10833	10K 1% 0.1W
3410		4822 050 11002	1K00 1% 0.4W	3732		4822 117 10833	10K 1% 0.1W
3411		4822 117 10837	100K 1% 0.1W	3733		4822 117 10833	10K 1% 0.1W
3412		4822 117 11383	12K 1% 0.1W	3734		4822 117 10833	10K 1% 0.1W
3413		4822 117 11383	12K 1% 0.1W	3735		4822 117 10833	10K 1% 0.1W
3414		4822 117 11383	12K 1% 0.1W	3736		4822 117 10833	10K 1% 0.1W
3415		4822 116 52238	12K 5% 0.5W	3737		4822 117 10833	10K 1% 0.1W
3416		4822 051 20471	470R00 5% 0.1W	3738		4822 117 10833	10K 1% 0.1W
3417		4822 051 20471	470R00 5% 0.1W				
3418		4822 051 20471	470R00 5% 0.1W	4111		4822 051 20008	0R00 JUMP. (0805)
3419		4822 051 20471	470R00 5% 0.1W	4112		4822 051 20008	0R00 JUMP. (0805)
3420		4822 051 20471	470R00 5% 0.1W	4211		4822 051 20008	0R00 JUMP. (0805)
3421		4822 051 20471	470R00 5% 0.1W	4212		4822 051 20008	0R00 JUMP. (0805)
3422		4822 051 20471	470R00 5% 0.1W	4213		4822 051 20008	0R00 JUMP. (0805)
3423		4822 051 20479	47R00 5% 0.1W	4214		4822 051 20008	0R00 JUMP. (0805)
3424		4822 117 10833	10K 1% 0.1W	4215		4822 051 20008	0R00 JUMP. (0805)
3425		4822 117 10833	10K 1% 0.1W	4216		4822 051 20008	0R00 JUMP. (0805)
3426		4822 117 10833	10K 1% 0.1W	4401		4822 051 20008	0R00 JUMP. (0805)
3427		4822 117 10833	10K 1% 0.1W	4402		4822 051 20008	0R00 JUMP. (0805)
3428		4822 117 10833	10K 1% 0.1W	4403		4822 051 20008	0R00 JUMP. (0805)
3429		4822 117 10833	10K 1% 0.1W	4404		4822 051 20008	0R00 JUMP. (0805)
3430		4822 051 20229	22R00 5% 0.1W	4405		4822 051 20008	0R00 JUMP. (0805)
3432		4822 051 10102	1K00 2% 0.25W	4406		4822 051 20008	0R00 JUMP. (0805)
3435		4822 117 10833	10K 1% 0.1W	4407		4822 051 20008	0R00 JUMP. (0805)
3436		4822 051 20122	1K20 5% 0.1W	4408		4822 051 20008	0R00 JUMP. (0805)
3437		4822 051 20229	22R00 5% 0.1W	4409		4822 051 20008	0R00 JUMP. (0805)
3440		4822 051 10102	1K00 2% 0.25W	4410		4822 051 20008	0R00 JUMP. (0805)
3441		4822 117 10833	10K 1% 0.1W	4411		4822 051 20008	0R00 JUMP. (0805)
3442		4822 051 20229	22R00 5% 0.1W	4412		4822 051 20008	0R00 JUMP. (0805)
3443		4822 051 20471	470R00 5% 0.1W	4413		4822 051 20008	0R00 JUMP. (0805)
3444		4822 051 10102	1K00 2% 0.25W	4414		4822 051 20008	0R00 JUMP. (0805)
3445		4822 051 10102	1K00 2% 0.25W	4415		4822 051 20008	0R00 JUMP. (0805)
▲ 3446	/K,F/F	4822 052 10478	4R70 5% 0.33W	4416		4822 051 20008	0R00 JUMP. (0805)
3449	/K,F/F	4822 051 20101	100R00 5% 0.1W	4417		4822 051 20008	0R00 JUMP. (0805)
3450	/K,F/F	4822 051 20101	100R00 5% 0.1W	4418		4822 051 20008	0R00 JUMP. (0805)
▲ 3451		4822 052 10478	4R70 5% 0.33W	4419		4822 051 20008	0R00 JUMP. (0805)
▲ 3452		4822 052 10478	4R70 5% 0.33W	4420		4822 051 20008	0R00 JUMP. (0805)
3455		4822 116 52257	22K 5% 0.5W	4421		4822 051 20008	0R00 JUMP. (0805)



(VERS.:VERSION, U:U.S.A., F:JAPAN, K:FAR EAST, \*\*:EUROPE)

POS. NO	VERS. COLOR	PART NO. (FOR PCS)	DESCRIPTION
4422		4822 051 20008	OR00 JUMP. (0805)
4423		4822 051 20008	OR00 JUMP. (0805)
4424		4822 051 20008	OR00 JUMP. (0805)
4425		4822 051 20008	OR00 JUMP. (0805)
4426		4822 051 20008	OR00 JUMP. (0805)
4427		4822 051 20008	OR00 JUMP. (0805)
4428		4822 051 20008	OR00 JUMP. (0805)
4429		4822 051 20008	OR00 JUMP. (0805)
4430		4822 051 20008	OR00 JUMP. (0805)
4432		4822 051 20008	OR00 JUMP. (0805)
4433		4822 051 20008	OR00 JUMP. (0805)
4434		4822 051 20008	OR00 JUMP. (0805)
4435		4822 051 20008	OR00 JUMP. (0805)
4511		4822 051 20008	OR00 JUMP. (0805)
4512		4822 051 20008	OR00 JUMP. (0805)
4513		4822 051 20008	OR00 JUMP. (0805)
4514		4822 051 20008	OR00 JUMP. (0805)
4515		4822 051 20008	OR00 JUMP. (0805)
4516		4822 051 20008	OR00 JUMP. (0805)
4517		4822 051 20008	OR00 JUMP. (0805)
4518		4822 051 20008	OR00 JUMP. (0805)
4519		4822 051 20008	OR00 JUMP. (0805)
4520		4822 051 20008	OR00 JUMP. (0805)
4521		4822 051 20008	OR00 JUMP. (0805)
4522		4822 051 20008	OR00 JUMP. (0805)
4523		4822 051 20008	OR00 JUMP. (0805)
4524		4822 051 20008	OR00 JUMP. (0805)
4525		4822 051 20008	OR00 JUMP. (0805)
4588		4822 051 20008	OR00 JUMP. (0805)
▲ 5110	F/N,F/T	4822 146 11187	MAINS TRANSF. 230V
▲ 5110	F/U	4822 146 11185	MAINS TRANSF. 120V
▲ 5110	F/F		MAINS TRANSF. 100V
▲ 5110	/N/T	4822 146 11178	MAINS TRANSF. 230V
▲ 5110	/K		MAINS TRANSF. 110V/220V
5310		4822 242 11053	16.9344MHZ
5311		4822 157 70601	100UH (920927085A)
5312		4822 526 10704	BEAD. FERRITE 100MHZ
5313	/K,F/F	4822 526 10704	BEAD. FERRITE 100MHZ
5314		4822 526 10704	BEAD. FERRITE 100MHZ
5401		4822 526 10704	BEAD. FERRITE 100MHZ
5402		4822 526 10704	BEAD. FERRITE 100MHZ
5403		4822 526 10704	BEAD. FERRITE 100MHZ
▲ 6111		4822 130 31878	1N4003G
▲ 6112		4822 130 31878	1N4003G
▲ 6113		4822 130 31878	1N4003G
▲ 6114		4822 130 31878	1N4003G
▲ 6115		4822 130 31878	1N4003G
▲ 6116		4822 130 31878	1N4003G
▲ 6117		4822 130 31878	1N4003G
▲ 6118		4822 130 31878	1N4003G
▲ 6119		4822 130 31878	1N4003G
▲ 6120		4822 130 31878	1N4003G
▲ 6123	/N/T/K,F/N,F/T,F/U,F/F	4822 130 31878	1N4003G
▲ 6124	F/U	4822 130 31878	1N4003G
▲ 6125		4822 130 31878	1N4003G
6121		4822 130 34174	BZX79-B4V7
6122		4822 130 30621	1N4148
6126		4822 130 34174	BZX79-B4V7
6127		4822 130 34174	BZX79-B4V7
6128		4822 130 30621	1N4148
6211		4822 130 30621	1N4148
6212		4822 130 30621	1N4148
6213		4822 130 30621	1N4148

(VERS.:VERSION, U:U.S.A., F:JAPAN, K:FAR EAST, \*\*:EUROPE)

POS. NO	VERS. COLOR	PART NO. (FOR PCS)	DESCRIPTION
6214		4822 130 30621	1N4148
6215		4822 130 30621	1N4148
6216		4822 130 30621	1N4148
6217		4822 130 30621	1N4148
6218		4822 130 30621	1N4148
6219		4822 130 30621	1N4148
6220		4822 130 30621	1N4148
6311		4822 130 30621	1N4148
6312		4822 130 30621	1N4148
6313		4822 130 30621	1N4148
6314		4822 130 30621	1N4148
6315		4822 130 30621	1N4148
▲ 7111		4822 209 33575	L7812CP
▲ 7112		4822 209 73492	L7912CV
▲ 7113		4822 209 80817	L7805CV
▲ 7114		4822 209 80817	L7805CV
▲ 7115		4822 209 80817	L7805CV
7116		4822 130 40959	BC547B
7117		4822 130 40959	BC547B
7118		4822 130 40959	BC547B
▲ 7119		4822 209 17525	L7918CP
7120		4822 130 40959	BC547B
7121		4822 130 44568	BC557B
7122		4822 130 44568	BC557B
7123		4822 130 40959	BC547B
7124		4822 130 40959	BC547B
7211		4822 130 42839	2SK369BL
7212		4822 130 42839	2SK369BL
7213		4822 130 42839	2SK369BL
7214		4822 130 42839	2SK369BL
7215		4822 130 43233	2SC2240GR
7216		4822 130 43233	2SC2240GR
7217		4822 130 42949	2SA970GR
7218		4822 130 42949	2SA970GR
7219		4822 130 42949	2SA970GR
7220		4822 130 42949	2SA970GR
7221		4822 130 43233	2SC2240GR
7222		4822 130 43233	2SC2240GR
7223		5322 130 41844	2SK170BL
7224		5322 130 41844	2SK170BL
7225		4822 130 11658	2SJ74BL
7226		4822 130 11658	2SJ74BL
7227		4822 130 43818	2SC2878
7228		4822 130 43818	2SC2878
7229		4822 130 43818	2SC2878
7230		4822 130 43818	2SC2878
7231		4822 130 43818	2SC2878
7232		4822 130 43818	2SC2878
7233		4822 130 43818	2SC2878
7234		4822 130 43818	2SC2878
7235		4822 209 82362	NJM4556D
7311		4822 209 32762	SM5872BS
7312		4822 209 32762	SM5872BS
7313		4822 130 44568	BC557B
7314		4822 130 44568	BC557B
7315		4822 209 17526	TC160G11AU-1305
7316		4822 130 44568	BC557B
7317		4822 130 40959	BC547B
7318	/K,F/F	4822 130 44568	BC557B
7400	/K,F/F		74HC00
7401		4822 209 32852	TDA7073A/N2
7402		4822 209 32852	TDA7073A/N2
7403		4822 209 32852	TDA7073A/N2
7405		4822 209 90341	SAA7372GP/M1

(VERS.:VERSION, U:U.S.A., F:JAPAN, K:FAR EAST, \*\*:EUROPE)

(VERS.:VERSION, U:U.S.A., F:JAPAN, K:FAR EAST, \*\*:EUROPE)

POS. NO	VERS. COLOR	PART NO. (FOR PCS)	DESCRIPTION
7711	/N/T/K	4822 209 31153	NJM2114D
7712	/N/T/K	4822 209 31153	NJM2114D
1600		4822 265 11185	<b>CONTROL CIRCUIT BOARD</b> 18FE-BT-VK-N TOP ENTRY TYPE
1601		4822 267 11051	SOCKET 12P
1602		4822 267 11051	SOCKET 12P
1603		4822 267 11051	SOCKET 12P
2600		4822 124 40433	47 $\mu$ F 20% 25V
2601		4822 124 40433	47 $\mu$ F 20% 25V
2602		4822 126 13751	47NF 10% X7R 63V
2603		4822 124 40769	4.7 $\mu$ F 20% 100V
2604		4822 124 40433	47 $\mu$ F 20% 25V
2605		4822 126 13751	47NF 10% X7R 63V
2606		4822 126 13751	47NF 10% X7R 63V
3600		4822 051 20223	22K00 5% 0.1W
3601		4822 116 52175	100E 5% 0.5W
3602		4822 050 21003	10K00 1% 0.6W
3603		4822 051 20223	22K00 5% 0.1W
3604		4822 051 20223	22K00 5% 0.1W
3606		4822 051 20105	1M00 5% 0.1W
3607		4822 052 10478	4R70 5% 0.33W
3609		4822 117 10837	100K 1% 0.1W
3611		4822 051 20471	470R00 5% 0.1W
3612		4822 051 20471	470R00 5% 0.1W
3613		4822 051 20471	470R00 5% 0.1W
3614		4822 051 20471	470R00 5% 0.1W
3615		4822 051 20471	470R00 5% 0.1W
3616		4822 051 20471	470R00 5% 0.1W
3617		4822 051 20471	470R00 5% 0.1W
3618		4822 051 20471	470R00 5% 0.1W
3619		4822 052 10478	4R70 5% 0.33W
3620		4822 117 10833	10K 1% 0.1W
3621		4822 117 10833	10K 1% 0.1W
3622		4822 051 20223	22K00 5% 0.1W
3625		4822 051 20101	100R00 5% 0.1W
3626		4822 051 20101	100R00 5% 0.1W
3627		4822 051 20101	100R00 5% 0.1W
3628		4822 051 20101	100R00 5% 0.1W
3635		4822 051 20101	100R00 5% 0.1W
3637		4822 051 20101	100R00 5% 0.1W
3638		4822 051 20101	100R00 5% 0.1W
3639		4822 051 20101	100R00 5% 0.1W
3649		4822 051 20101	100R00 5% 0.1W
3650		4822 051 20101	100R00 5% 0.1W
3651		4822 051 20101	100R00 5% 0.1W
3652		4822 051 20101	100R00 5% 0.1W
3653		4822 051 20101	100R00 5% 0.1W
3654		4822 051 20101	100R00 5% 0.1W
3655		4822 051 20101	100R00 5% 0.1W
3656		4822 051 20101	100R00 5% 0.1W
3657		4822 051 20101	100R00 5% 0.1W
3658		4822 051 20101	100R00 5% 0.1W
3659		4822 051 20101	100R00 5% 0.1W
3660		4822 051 20101	100R00 5% 0.1W
3661		4822 051 20101	100R00 5% 0.1W
3662		4822 051 20101	100R00 5% 0.1W
3663		4822 051 20101	100R00 5% 0.1W
3664		4822 051 20101	100R00 5% 0.1W
3665		4822 051 20101	100R00 5% 0.1W
3666		4822 051 20101	100R00 5% 0.1W
3667		4822 051 20101	100R00 5% 0.1W

POS. NO	VERS. COLOR	PART NO. (FOR PCS)	DESCRIPTION
3668		4822 051 20101	100R00 5% 0.1W
3669		4822 051 20101	100R00 5% 0.1W
3670		4822 051 20101	100R00 5% 0.1W
3671		4822 051 20101	100R00 5% 0.1W
3672		4822 052 10478	4R70 5% 0.33W
3689		4822 051 20472	4K70 5% 0.1W
3690		4822 051 20472	4K70 5% 0.1W
4600		4822 051 20008	0R00 JUMP. (0805)
4604		4822 051 20008	0R00 JUMP. (0805)
4606		4822 051 20008	0R00 JUMP. (0805)
4607		4822 051 20008	0R00 JUMP. (0805)
5600		4822 242 10992	CSTCC5.00MG
6600		4822 130 30621	1N4148
6601		4822 130 30621	1N4148
6602		4822 130 30621	1N4148
6603		4822 130 30621	1N4148
6604		4822 130 30621	1N4148
7600		4822 209 17527	$\mu$ PD78076GF-078-3BA
7601		4822 209 17528	$\mu$ PD43256BGU-70LL
7602		4822 209 16143	LC89170M
7603		4822 209 17529	MN13811-R
7604		4822 130 43233	2SC2240GR
7605		4822 130 43233	2SC2240GR
7606		5322 130 60159	BC846B
1751	F/N,F/T,F/U,F/F	4822 265 11635	<b>HDAM CIRCUIT BOARD</b> CONN. 8P
1752	F/N,F/T,F/U,F/F	4822 267 11051	SOCKET 12P
2751	F/N,F/T,F/U,F/F	5322 122 33538	150pF 2% NP0 63V
2752	F/N,F/T,F/U,F/F	5322 122 33538	150pF 2% NP0 63V
2753	F/N,F/T,F/U,F/F	5322 122 33538	150pF 2% NP0 63V
2754	F/N,F/T,F/U,F/F	5322 122 33538	150pF 2% NP0 63V
3751	F/N,F/T,F/U,F/F	4822 051 20121	120R00 5% 0.1W
3752	F/N,F/T,F/U,F/F	4822 051 20121	120R00 5% 0.1W
3753	F/N,F/T,F/U,F/F	4822 051 20121	120R00 5% 0.1W
3754	F/N,F/T,F/U,F/F	4822 051 20121	120R00 5% 0.1W
3755	F/N,F/T,F/U,F/F	4822 051 20121	120R00 5% 0.1W
3756	F/N,F/T,F/U,F/F	4822 051 20121	120R00 5% 0.1W
3757	F/N,F/T,F/U,F/F	4822 051 20121	120R00 5% 0.1W
3758	F/N,F/T,F/U,F/F	4822 051 20121	120R00 5% 0.1W
3759	F/N,F/T,F/U,F/F	4822 117 12521	68R 1% 0.1W
3760	F/N,F/T,F/U,F/F	4822 117 12521	68R 1% 0.1W
3761	F/N,F/T,F/U,F/F	4822 117 12521	68R 1% 0.1W
3762	F/N,F/T,F/U,F/F	4822 117 12521	68R 1% 0.1W
3763	F/N,F/T,F/U,F/F	4822 051 10102	1K00 2% 0.25W
3764	F/N,F/T,F/U,F/F	4822 051 10102	1K00 2% 0.25W
3765	F/N,F/T,F/U,F/F	4822 051 10102	1K00 2% 0.25W
3766	F/N,F/T,F/U,F/F	4822 051 10102	1K00 2% 0.25W
3767	F/N,F/T,F/U,F/F	4822 117 12521	68R 1% 0.1W
3768	F/N,F/T,F/U,F/F	4822 117 12521	68R 1% 0.1W
3769	F/N,F/T,F/U,F/F	4822 117 12521	68R 1% 0.1W
3770	F/N,F/T,F/U,F/F	4822 117 12521	68R 1% 0.1W
3771	F/N,F/T,F/U,F/F	4822 117 12521	68R 1% 0.1W
3772	F/N,F/T,F/U,F/F	4822 117 12521	68R 1% 0.1W
3773	F/N,F/T,F/U,F/F	4822 117 12521	68R 1% 0.1W
3774	F/N,F/T,F/U,F/F	4822 117 12521	68R 1% 0.1W
3775	F/N,F/T,F/U,F/F	4822 051 20333	33K00 5% 0.1W
3776	F/N,F/T,F/U,F/F	4822 051 20333	33K00 5% 0.1W
3777	F/N,F/T,F/U,F/F	4822 051 20333	33K00 5% 0.1W

(VERS.:VERSION, U:U.S.A., F:JAPAN, K:FAR EAST, \*\*:EUROPE)

POS. NO	VERS. COLOR	PART NO. (FOR PCS)	DESCRIPTION
3778	F/N,F/T,F/U,F/F	4822 051 20333	33K00 5% 0.1W
3779	F/N,F/T,F/U,F/F	4822 051 10102	1K00 2% 0.25W
3780	F/N,F/T,F/U,F/F	4822 051 10102	1K00 2% 0.25W
3781	F/N,F/T,F/U,F/F	4822 051 10102	1K00 2% 0.25W
3782	F/N,F/T,F/U,F/F	4822 051 10102	1K00 2% 0.25W
3783	F/N,F/T,F/U,F/F	4822 051 20101	100R00 5% 0.1W
3784	F/N,F/T,F/U,F/F	4822 051 20101	100R00 5% 0.1W
3785	F/N,F/T,F/U,F/F	4822 051 20101	100R00 5% 0.1W
3786	F/N,F/T,F/U,F/F	4822 051 20101	100R00 5% 0.1W
3787	F/N,F/T,F/U,F/F	4822 051 20229	22R00 5% 0.1W
3788	F/N,F/T,F/U,F/F	4822 051 20229	22R00 5% 0.1W
3789	F/N,F/T,F/U,F/F	4822 051 20229	22R00 5% 0.1W
3790	F/N,F/T,F/U,F/F	4822 051 20229	22R00 5% 0.1W
3791	F/N,F/T,F/U,F/F	4822 051 20229	22R00 5% 0.1W
3792	F/N,F/T,F/U,F/F	4822 051 20229	22R00 5% 0.1W
3793	F/N,F/T,F/U,F/F	4822 051 20229	22R00 5% 0.1W
3794	F/N,F/T,F/U,F/F	4822 051 20229	22R00 5% 0.1W
6751	F/N,F/T,F/U,F/F	4822 130 83757	BAS216
6752	F/N,F/T,F/U,F/F	4822 130 83757	BAS216
6753	F/N,F/T,F/U,F/F	4822 130 83757	BAS216
6754	F/N,F/T,F/U,F/F	4822 130 83757	BAS216
6755	F/N,F/T,F/U,F/F	5322 130 34337	BAV99
6756	F/N,F/T,F/U,F/F	5322 130 34337	BAV99
6757	F/N,F/T,F/U,F/F	5322 130 34337	BAV99
6758	F/N,F/T,F/U,F/F	5322 130 34337	BAV99
6763	F/N,F/T,F/U,F/F	5322 130 34337	BAV99
6764	F/N,F/T,F/U,F/F	5322 130 34337	BAV99
6765	F/N,F/T,F/U,F/F	5322 130 34337	BAV99
6766	F/N,F/T,F/U,F/F	5322 130 34337	BAV99
7751	F/N,F/T,F/U,F/F	4822 130 42839	2SK369BL
7752	F/N,F/T,F/U,F/F	4822 130 42839	2SK369BL
7753	F/N,F/T,F/U,F/F	4822 130 42839	2SK369BL
7754	F/N,F/T,F/U,F/F	4822 130 42839	2SK369BL
7755	F/N,F/T,F/U,F/F	4822 130 42839	2SK369BL
7756	F/N,F/T,F/U,F/F	4822 130 42839	2SK369BL
7757	F/N,F/T,F/U,F/F	4822 130 42839	2SK369BL
7758	F/N,F/T,F/U,F/F	4822 130 42839	2SK369BL
7759	F/N,F/T,F/U,F/F	4822 130 10252	2SC2873Y
7760	F/N,F/T,F/U,F/F	4822 130 10252	2SC2873Y
7761	F/N,F/T,F/U,F/F	4822 130 10252	2SC2873Y
7762	F/N,F/T,F/U,F/F	4822 130 10252	2SC2873Y
7763	F/N,F/T,F/U,F/F	4822 130 11661	2SA1312BL
7764	F/N,F/T,F/U,F/F	4822 130 11661	2SA1312BL
7765	F/N,F/T,F/U,F/F	4822 130 11661	2SA1312BL
7766	F/N,F/T,F/U,F/F	4822 130 11661	2SA1312BL
7767	F/N,F/T,F/U,F/F	4822 130 11661	2SA1312BL
7768	F/N,F/T,F/U,F/F	4822 130 11661	2SA1312BL
7769	F/N,F/T,F/U,F/F	4822 130 11661	2SA1312BL
7770	F/N,F/T,F/U,F/F	4822 130 11661	2SA1312BL
7771	F/N,F/T,F/U,F/F	4822 130 11662	2SC3324BL
7772	F/N,F/T,F/U,F/F	4822 130 11662	2SC3324BL
7773	F/N,F/T,F/U,F/F	4822 130 11662	2SC3324BL
7774	F/N,F/T,F/U,F/F	4822 130 11662	2SC3324BL
7775	F/N,F/T,F/U,F/F	5322 130 41844	2SK170BL
7776	F/N,F/T,F/U,F/F	5322 130 41844	2SK170BL
7777	F/N,F/T,F/U,F/F	5322 130 41844	2SK170BL
7778	F/N,F/T,F/U,F/F	5322 130 41844	2SK170BL
7779	F/N,F/T,F/U,F/F	4822 130 11658	2SJ74BL
7780	F/N,F/T,F/U,F/F	4822 130 11658	2SJ74BL
7781	F/N,F/T,F/U,F/F	4822 130 11658	2SJ74BL
7782	F/N,F/T,F/U,F/F	4822 130 11658	2SJ74BL

(VERS.:VERSION, U:U.S.A., F:JAPAN, K:FAR EAST, \*\*:EUROPE)

POS. NO	VERS. COLOR	PART NO. (FOR PCS)	DESCRIPTION
1801		4822 135 00292	13-ST-35G
1802		4822 265 11184	18FE-ST-VK-N SIDE ENTRY TYPE
1880		4822 276 13775	SWITCH
1881		4822 276 13775	SWITCH
1882		4822 276 13775	SWITCH
1883		4822 276 13775	SWITCH
1884		4822 276 13775	SWITCH
1885		4822 276 13775	SWITCH
1886		4822 276 13775	SWITCH
1887		4822 276 13775	SWITCH
1888		4822 276 13775	SWITCH
1889		4822 276 13775	SWITCH
2805		4822 126 13751	47NF 10% X7R 63V
2806		4822 124 21732	10 $\mu$ F 20% 25V
2807		4822 126 13751	47NF 10% X7R 63V
2808		4822 126 13751	47NF 10% X7R 63V
2809		4822 126 13751	47NF 10% X7R 63V
2810		4822 126 13751	47NF 10% X7R 63V
2811		4822 126 13751	47NF 10% X7R 63V
2813		4822 124 80231	47 $\mu$ F 20% 16V
2814		4822 126 13838	100NF Y5V 0805 50V P80M20
3810		4822 117 11449	2K2 1% 0.1W
3811		4822 051 20472	4K70 5% 0.1W
3812		4822 117 11507	6K8 1% 0.1W
3813		4822 117 11449	2K2 1% 0.1W
3814		4822 117 11449	2K2 1% 0.1W
3815		4822 051 20472	4K70 5% 0.1W
3816		4822 052 10478	4R70 5% 0.33W
3817		4822 117 10833	10K 1% 0.1W
3818		4822 051 20101	100R00 5% 0.1W
3821		4822 051 20105	1M00 5% 0.1W
3822		4822 117 10833	10K 1% 0.1W
3823		4822 117 10837	100K 1% 0.1W
3824		4822 117 10833	10K 1% 0.1W
3825		4822 116 52175	100E 5% 0.5W
3880		4822 117 11507	6K8 1% 0.1W
3881		4822 117 11449	2K2 1% 0.1W
3882		4822 117 11449	2K2 1% 0.1W
3883		4822 051 20472	4K70 5% 0.1W
3884		4822 117 11507	6K8 1% 0.1W
3885		4822 117 11449	2K2 1% 0.1W
3886		4822 117 11449	2K2 1% 0.1W
3887		4822 051 20472	4K70 5% 0.1W
3888		4822 117 11507	6K8 1% 0.1W
3889		4822 117 11449	2K2 1% 0.1W
4880		4822 051 20008	0R00 JUMP. (0805)
4881		4822 051 20008	0R00 JUMP. (0805)
4882		4822 051 20008	0R00 JUMP. (0805)
4883		4822 051 20008	0R00 JUMP. (0805)
5800		4822 242 10992	CSTCC5.00MG
7800		4822 209 17531	$\mu$ PD780204GF-048-3BA
7801		4822 130 10165	GP1U28XP

(VERS.:VERSION, U:U.S.A., F:JAPAN, K:FAR EAST, \*\*:EUROPE)

(VERS.:VERSION, U:U.S.A., F:JAPAN, K:FAR EAST, \*\*:EUROPE)

POS. NO	VERS. COLOR	PART NO. (FOR PCS)	DESCRIPTION	POS. NO	VERS. COLOR	PART NO. (FOR PCS)	DESCRIPTION
1500		4822 267 10871	<b>HF AMP CIRCUIT BOARD</b>				
1501		4822 267 51453	CONN.17POL. FEM. CONN. 39-51-3123 (12P)				
2500		5322 122 31865	1.5NF 10% X7R 63V				
2501		5322 116 80853	560pF 5% NP0 63V				
2502		5322 122 31647	1NF 10% X7R 63V				
2503		4822 126 13751	47NF 10% X7R 63V				
2504		4822 126 13751	47NF 10% X7R 63V				
2505		4822 124 40433	47 $\mu$ F 20% 25V				
2506		4822 124 12435	0.47UF 20% 50V				
2507		4822 124 40433	47 $\mu$ F 20% 25V				
2508		4822 126 13751	47NF 10% X7R 63V				
3500		4822 117 10837	100K 1% 0.1W				
3501		4822 117 10833	10K 1% 0.1W				
3503		4822 051 20229	22R00 5% 0.1W				
3504		4822 051 20223	22K00 5% 0.1W				
4500		4822 051 20008	0R00 JUMP. (0805)				
7404		5322 209 11517	PC74HCU04T				
7500		4822 209 12636	TDA1320T/N1				
			<b>HEADPHONE JACK CIRCUIT BOARD</b>				
1800	BLK	4822 267 31453	HEADPHONES JACK				
1800	GLD	4822 265 11062	HEADPHONES JACK				
2801		5322 122 34099	470pF 10% X7R 63V				
2802		5322 122 34099	470pF 10% X7R 63V				
2803		4822 126 12882	100NF +80-20% 50V				
			<b>OPTICAL OUT CIRCUIT BOARD</b>				
2812		4822 126 13838	100NF Y5V 0805 50V P80M20				
3960		4822 117 12521	68R 1% 0.1W				
7802		4822 130 10845	GP1F32T OPT				