



**SERVICE  
MANUAL**

**CD-95DR**

4822 725 50906

This service manual explains them by extracting the different specifications from those of the CD-12LE(W), based on the CD-12LE(W). For both electrical and mechanical information on the after-sales service which is not stated, all information is described in the CD-12(W) service manual (Codenumber 4822 725 50872). The dispatch of the parts for after-sales service has to be referred to this service manual, with the first priority.

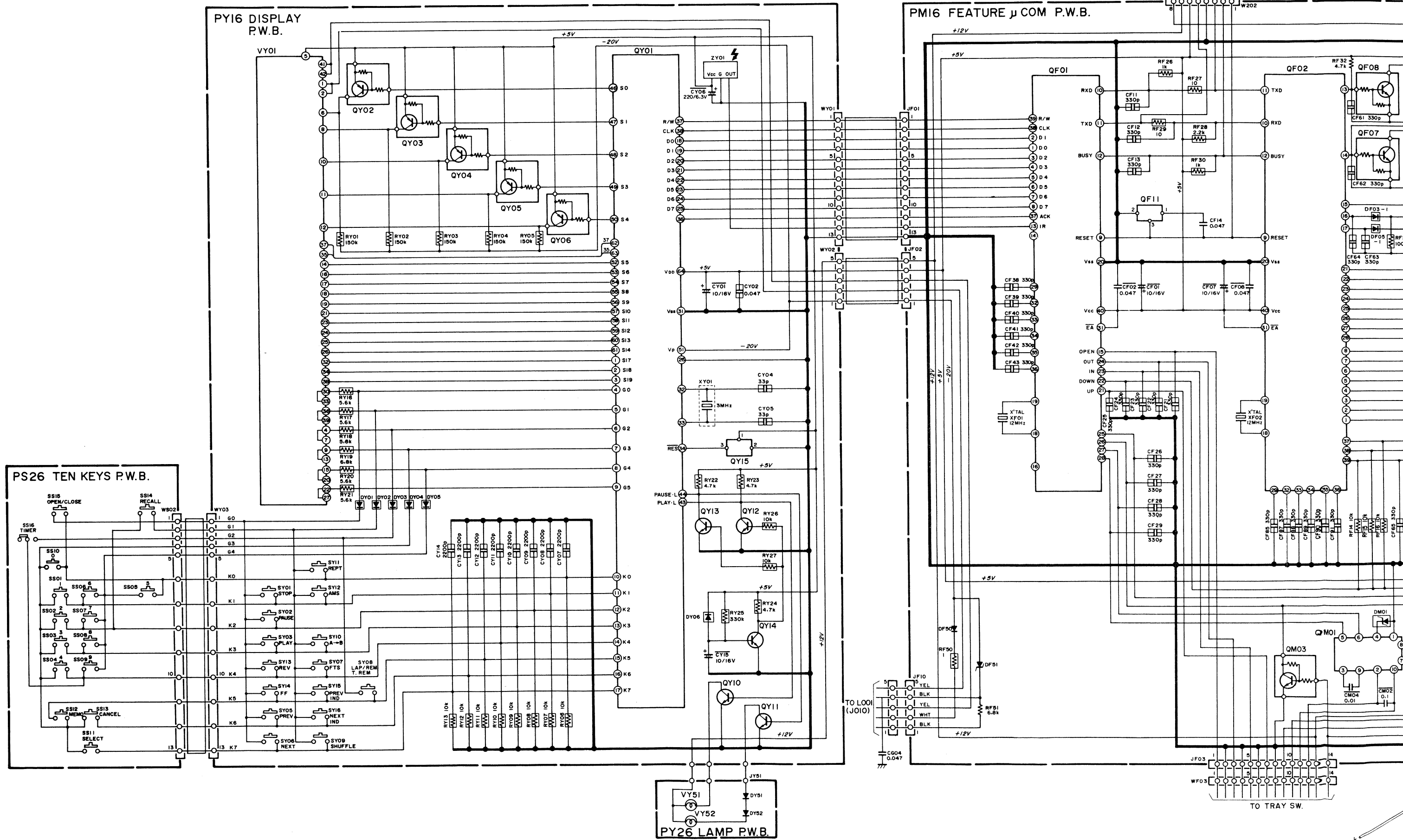
For this reason, please use this service manual with referring to the CD-12(W) service manual, without fail.

**marantz®**

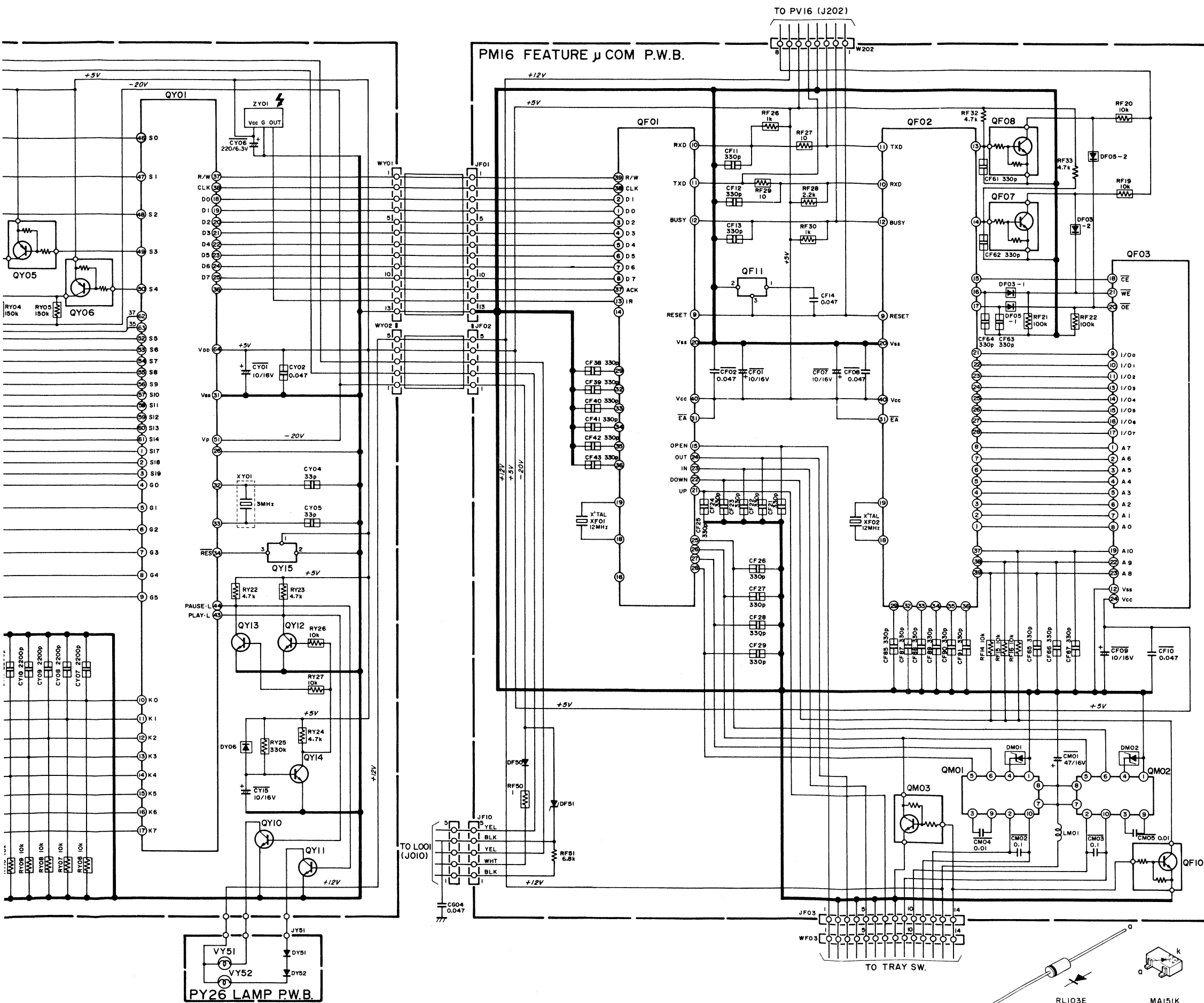
**Different Parts between MODEL CD-12(W) and MODEL CD-95DR(W)**

PAGE	REF. DESIG.	CD-12LE(W)	CD-95DR(W)	DESCRIPTION
See Schematic Diagram	DY06	---	4822 130 32635	Chip Diode, MA151K
	DY51	---	4822 130 32508	Diode, RL103E/DSF10C
	DY52	---	4822 130 32508	Diode, RL103E/DSF10C
	QY10	---	4822 130 42737	Chip TR, 2SD1328(S) PKG TW
	QY11	---	4822 130 42737	Chip TR, 2SD1328(S) PKG TW
	QY12	---	4822 130 43398	Chip TR, 2SC2712 G
	QY13	---	4822 130 43398	Chip TR, 2SC2712 G
	QY14	---	4822 130 43398	Chip TR, 2SC2712 G
	SY09	---	4822 276 12455	Push Switch, Shuffle
	SY12	---	4822 276 12455	Push Switch, AMS
	VY51	---	4822 134 40865	Lamp, Play 12V 100MA Blue
VY52	---	4822 134 40864	Lamp, Pause	
SS16	---	4822 277 30883	Slide Switch, SSS322 2C-2P	
43	R231 R232	4822 111 41271 4822 111 41271	4822 115 90166 4822 115 90166	Fuse Resister, 10 Ω G ¼W Fuse Resister, 10 Ω G ¼W
45	SY01 SY02 SY03 SY05 SY06  SY07 SY08 SY10 SY11 SY13  SY14 SY15 SY16	4822 276 11559 4822 276 11559 4822 276 11559 4822 276 11559 4822 276 11559  4822 276 11559 4822 276 11559 4822 276 11559 4822 276 11559 4822 276 11559  4822 276 11559 4822 276 11559 4822 276 11559	4822 276 12455 4822 276 12455 4822 276 12455 4822 276 12455 4822 276 12455  4822 276 12455 4822 276 12455 4822 276 12455 4822 276 12455 4822 276 12455  4822 276 12455 4822 276 12455 4822 276 12455	Push Switch, Stop Push Switch, Pause Push Switch, Play Push Switch, Prev. Track Push Switch, Next  Push Switch, FTS Push Switch, Time Push Switch, A B Push Switch, Repeat Push Switch, Reverse  Push Switch, F F Push Switch, Previous Index Push Switch, Next Index
	T100	---	4822 218 10247	RC-5 IR Comander

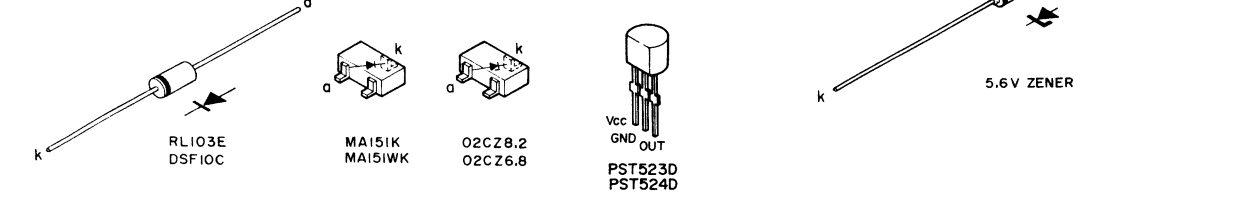
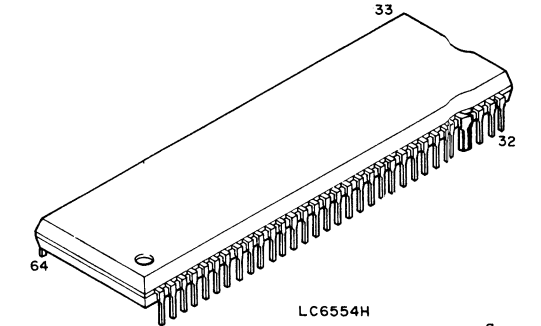
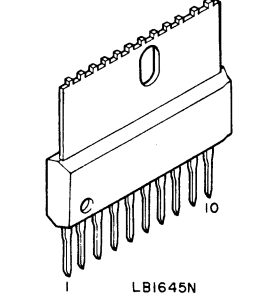
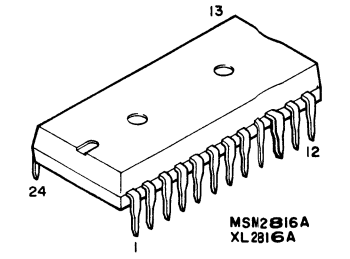
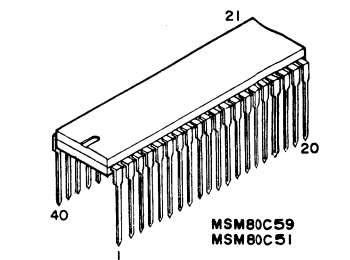
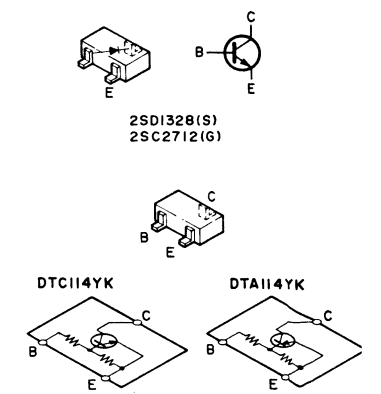
CD-95DR(W) SCHEMATIC DIAGRAM



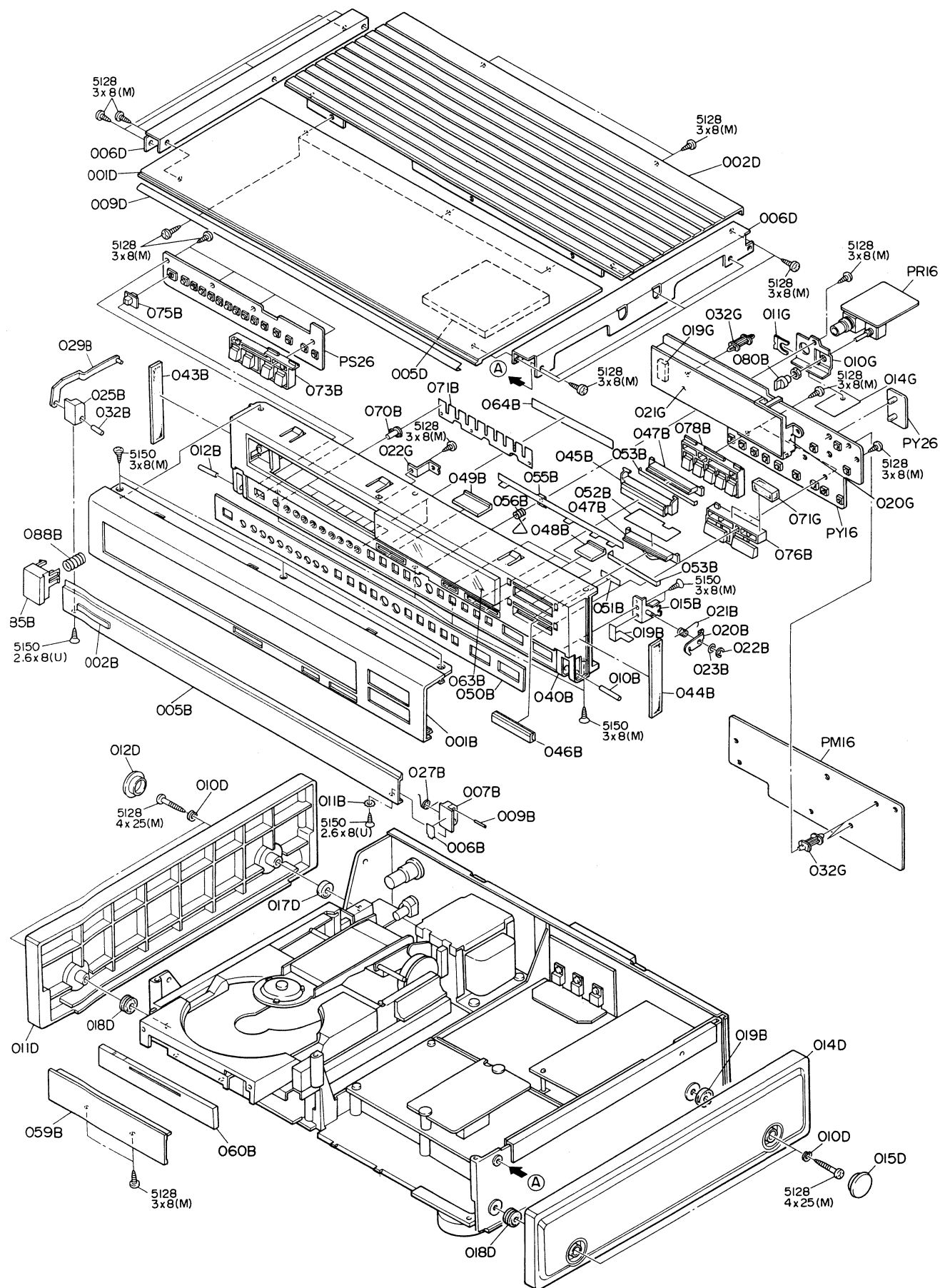
CD-95DR(W) SCHEMATIC DIAGRAM



- QY01  
HC10212030  
LC6554D
- QY02~QY06  
BA10005210  
DTA114YK
- QY10, QY11  
HX413281S0  
2SD1328(S)
- QY12~QY14  
HX327121A0  
2SC2712(G)
- QMO1, QMO2  
HC10148030  
LB1645N
- QF01  
HC10016260  
MSM80C59
- QF02  
HC10015260  
MSM80C51
- QF03  
HC10011000  
MSM2816A, XL2816A
- QF07, QF08, QF10, QMO3  
BA20007210  
DTC114YK
- DF03, DF05  
HZ20001020  
MA151WK
- DY01~DY06  
HZ20003020  
MA151K
- DY51, DY52, DF50, DF53  
HD20003000  
RL103E, DSFI0C
- DMO1, DMO2  
HZ30004050  
O2CZ8.2
- DF51  
HD30561000  
5.6V ZENER
- QY15  
HC10010550  
PST523D
- QF11  
HC10004550  
PST524D



CD-95DR(W) EXPLODED VIEW



Different Parts between MODEL CD-12(W) and MODEL CD-95DR(W)

PAGE	REF. DESIG.	CD-12LE(W)	CD-95DR(W)	DESCRIPTION
See Exploded View	001B	---	4822 444 40286	Front Panel
	005B	---	4822 460 20781	Escutcheon, Front Panel (Door) Gold
	045B	---	4822 410 26885	Button, Play (Gold)
	046B	---	4822 410 26886	Button, Stop (Gold)
	047B	---	4822 381 10904	Lens
	048B	---	4822 410 26281	Button, FTS Track
	049B	---	4822 410 26283	Button, Open/Close (Gold)
	050B	---	4822 460 20782	Escutcheon, For Door
	055B	---	4822 492 70153	Leaf Spring
	056B	---	4822 460 70562	Spring, Earth
	075B	---	4822 462 41336	Knob, Timer
37	063B	4822 450 61315	4822 450 61022	Window
39	060G	4822 462 71577	4822 462 41336	Leg
	001T	---	4822 736 20572	User Manual, CD-95DR(W)
	L001	---	4822 146 21512	Transformer

Different Parts between MODEL CD-12(W) and MODEL CD-95DR(W)

PAGE	REF. DESIG.	CD-12LE(W)	CD-95DR(W)	DESCRIPTION
See Exploded View	001B	---	4822 444 40286	Front Panel
	005B	---	4822 460 20781	Escutcheon, Front Panel (Door) Gold
	045B	---	4822 410 26885	Button, Play (Gold)
	046B	---	4822 410 26886	Button, Stop (Gold)
	047B	---	4822 381 10904	Lens
	048B	---	4822 410 26281	Button, FTS Track
	049B	---	4822 410 26283	Button, Open/Close (Gold)
	050B	---	4822 460 20782	Escutcheon, For Door
	055B	---	4822 492 70153	Leaf Spring
	056B	---	4822 460 70562	Spring, Earth
075B	---	4822 462 41336	Knob, Timer	
37	063B	4822 450 61315	4822 450 61022	Window
39	060G	4822 462 71577	4822 462 41336	Leg
	001T	---	4822 736 20572	User Manual, CD-95DR(W)
	L001	---	4822 146 21512	Transformer



**marantz®**