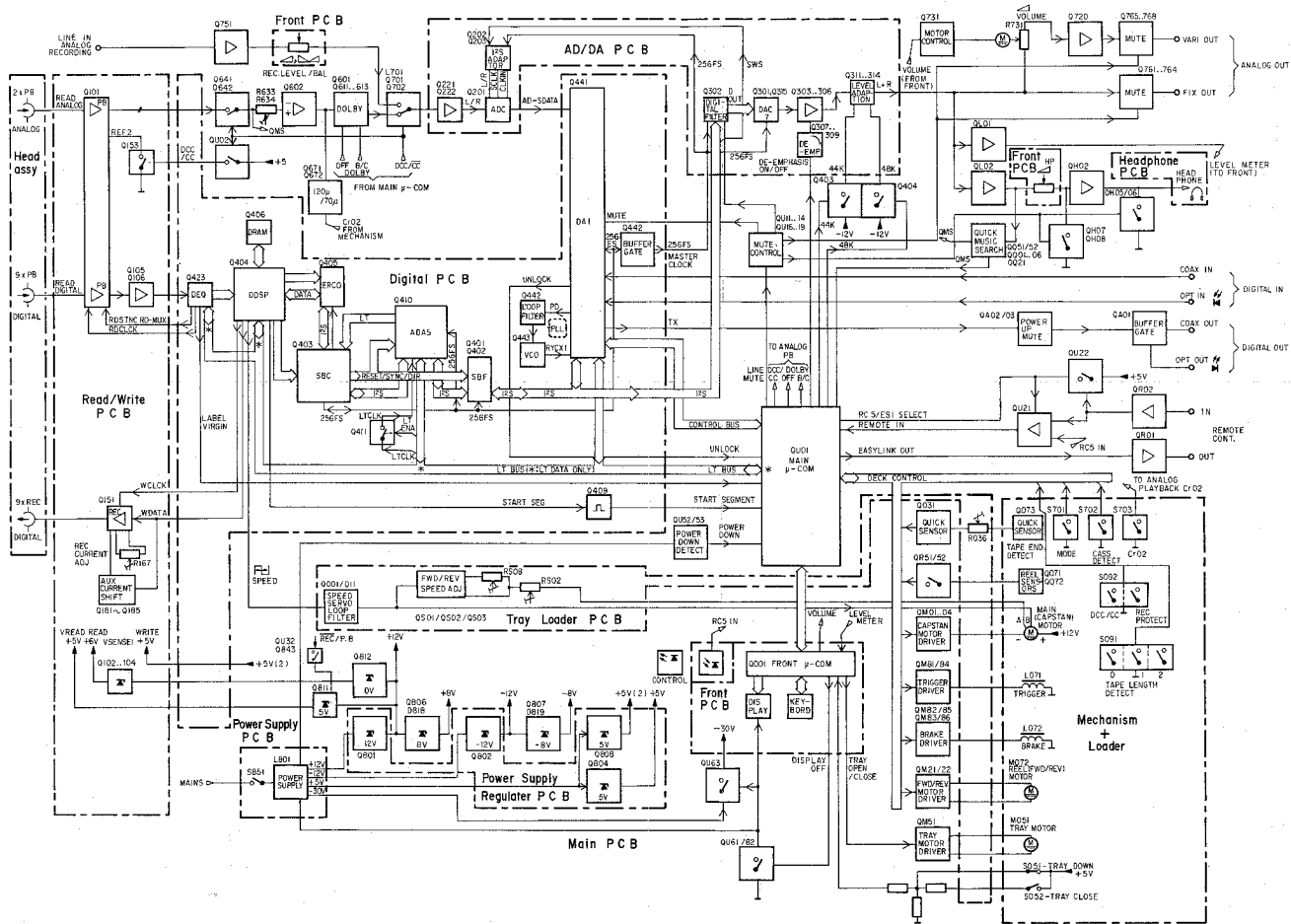
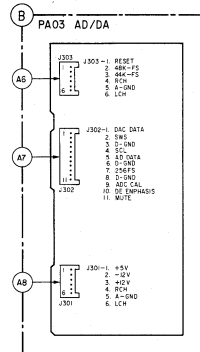
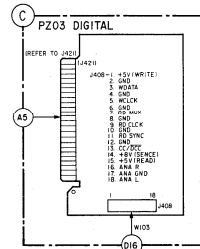
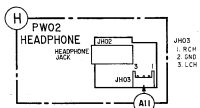
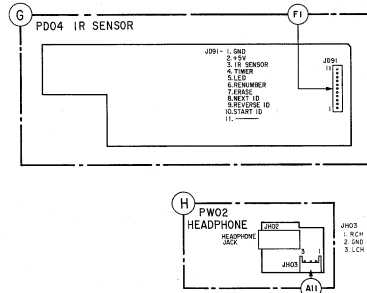
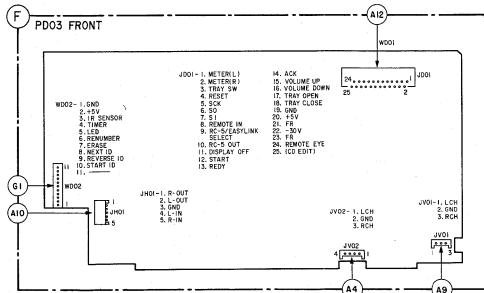
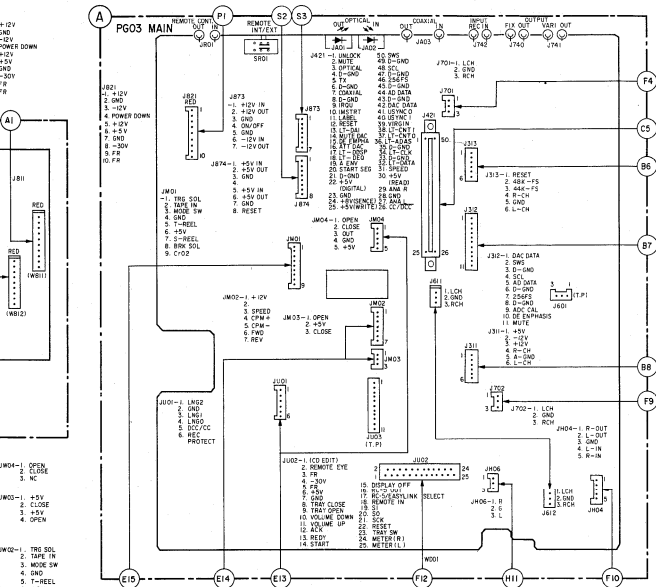
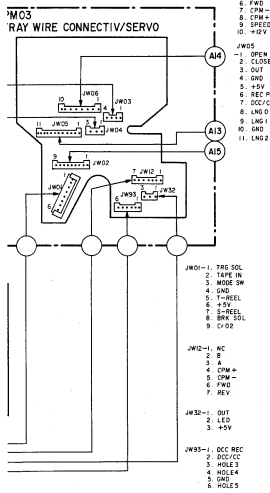
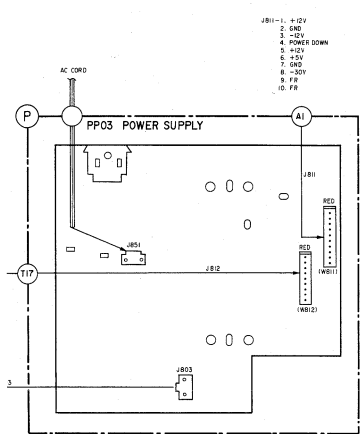


**BLOCK DIAGRAM**



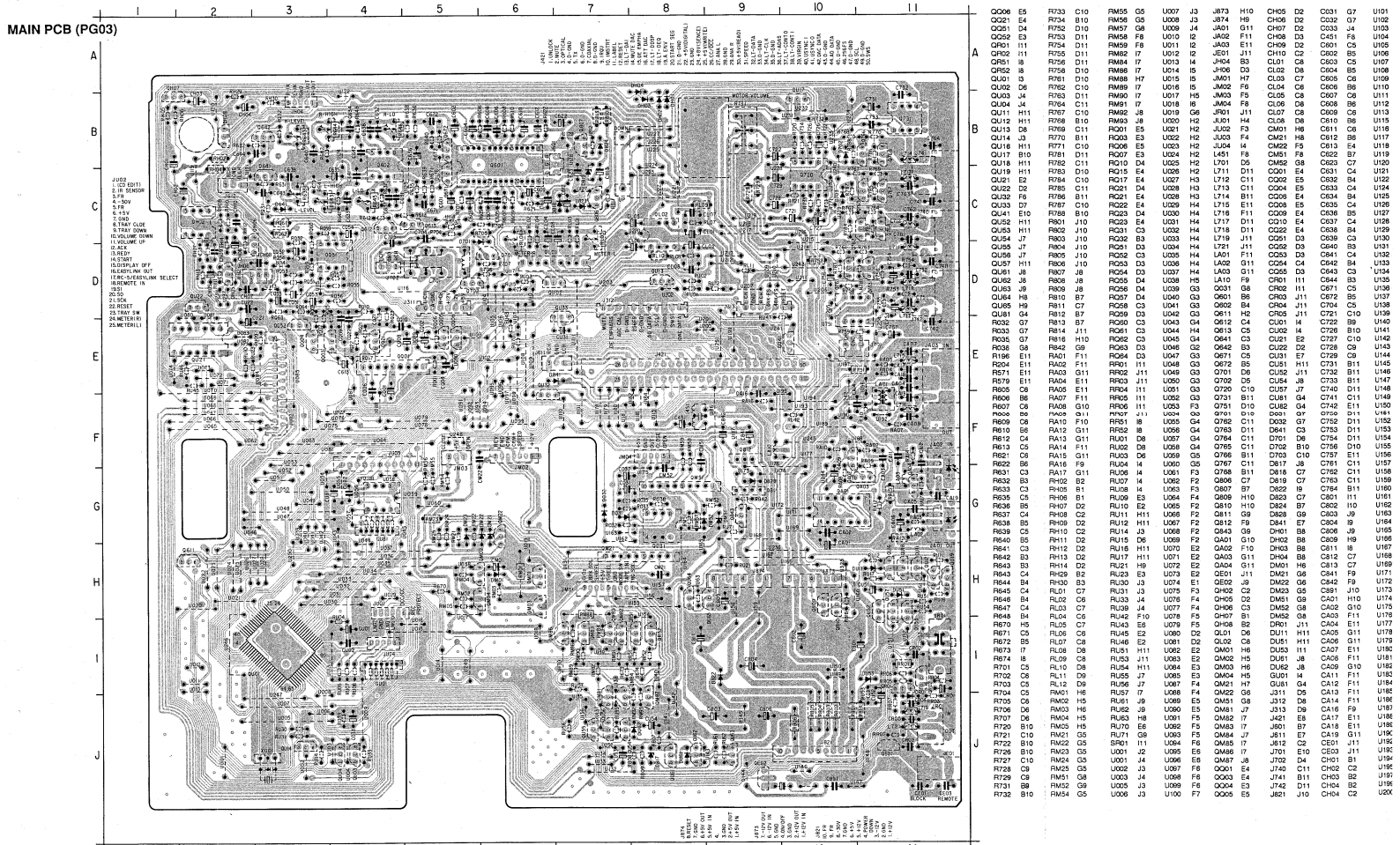




Symbol	Component	Value	Temp	Tol
	Carbon film	0.125 W or 0.2 W	70°C	5%
	Carbon film	0.25 W or 0.33 W	70°C	5%
	Metal film	0.25 W or 0.33 W	70°C	5%
	Carbon film	0.5 W	70°C	5%
	Carbon film	0.67 W	70°C	5%
	Carbon film	1 W or 1.5 W	70°C	5%
<b>(C) Chip component</b>				
	Ceramic plate			
	Tuning	≤ 120 pF NP.0	2%	
	Others		-20/+80%	
	Polyester flat foil		10%	
	Metalized polyester flat film		10%	
	Polyester flat foil small size (Mylar)		10%	
	Polystyrene film/foil		1%	
	Tubular ceramic			
	Miniature single tantalum		± 20%	

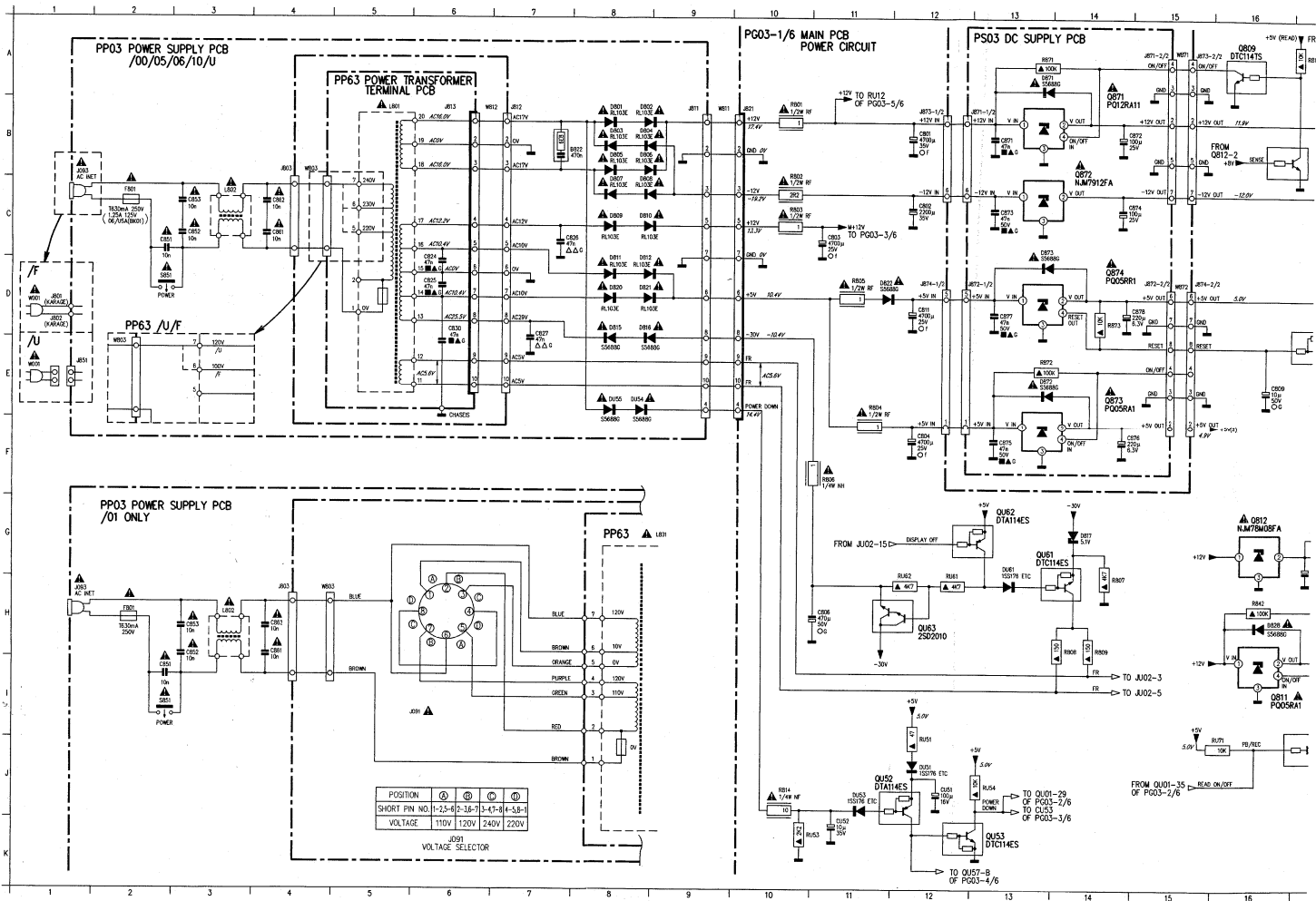
- \* a = 2.5 V
- b = 3.15 V
- or 4.4 V
- c = 6.3 V
- d = 10 V
- e = 15 V
- f = 25 V
- g = 40 V
- h = 63 V
- i = 100 V
- j = 125 V
- k = 150 V
- l = 160 V
- m = 200 V
- n = 400 V
- o = 300 V
- p = 350 V
- q = 500 V
- r = 630 V
- x = 1000 V
- A = 1.5 V
- B = 5 V
- C = 1.2 V
- D = 15 V
- E = 35 V
- F = 50 V
- G = 75 V
- H = 50 V
- I = 50 V

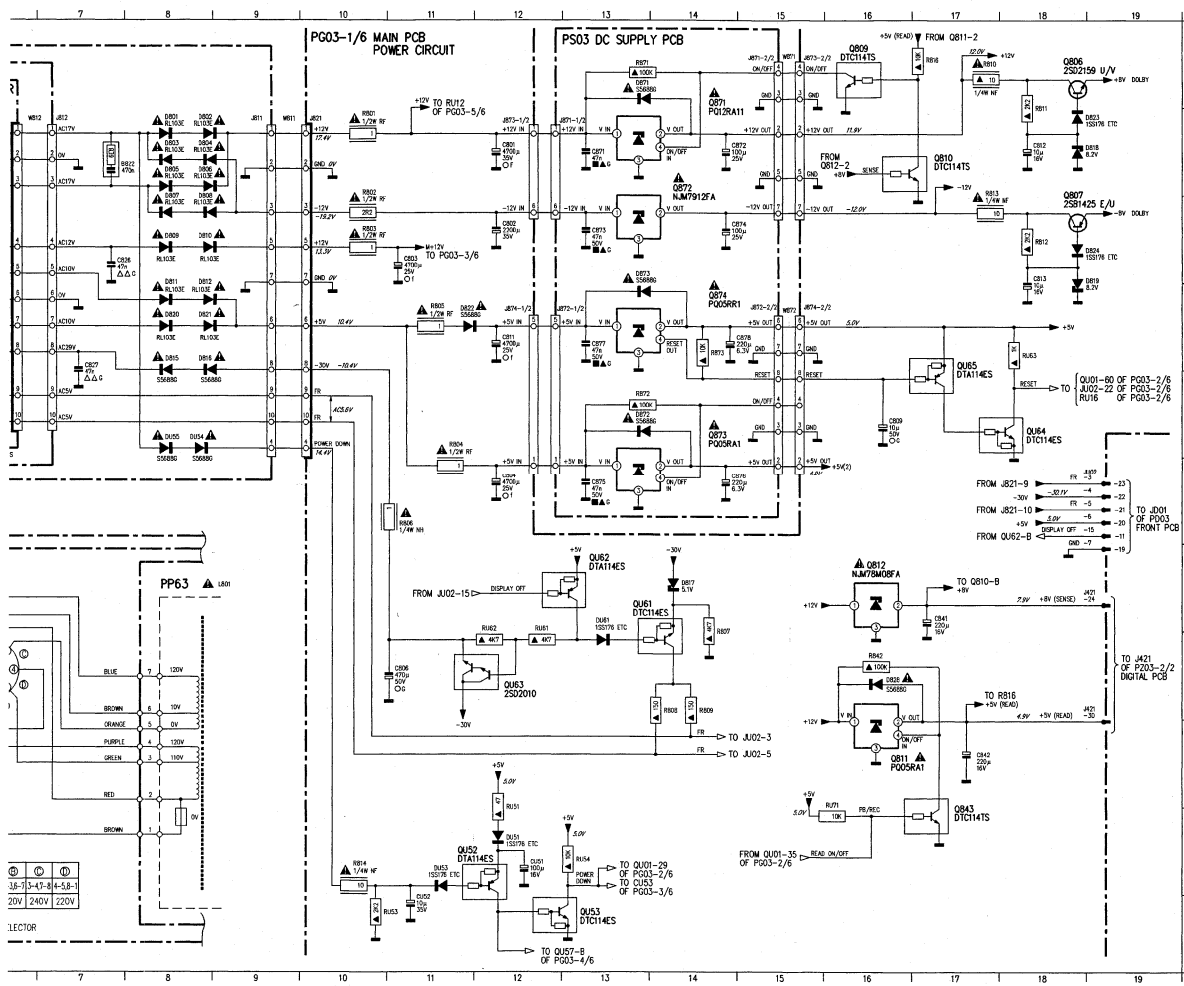
SCHEMATIC DIAGRAM AND PARTS LOCATIONS



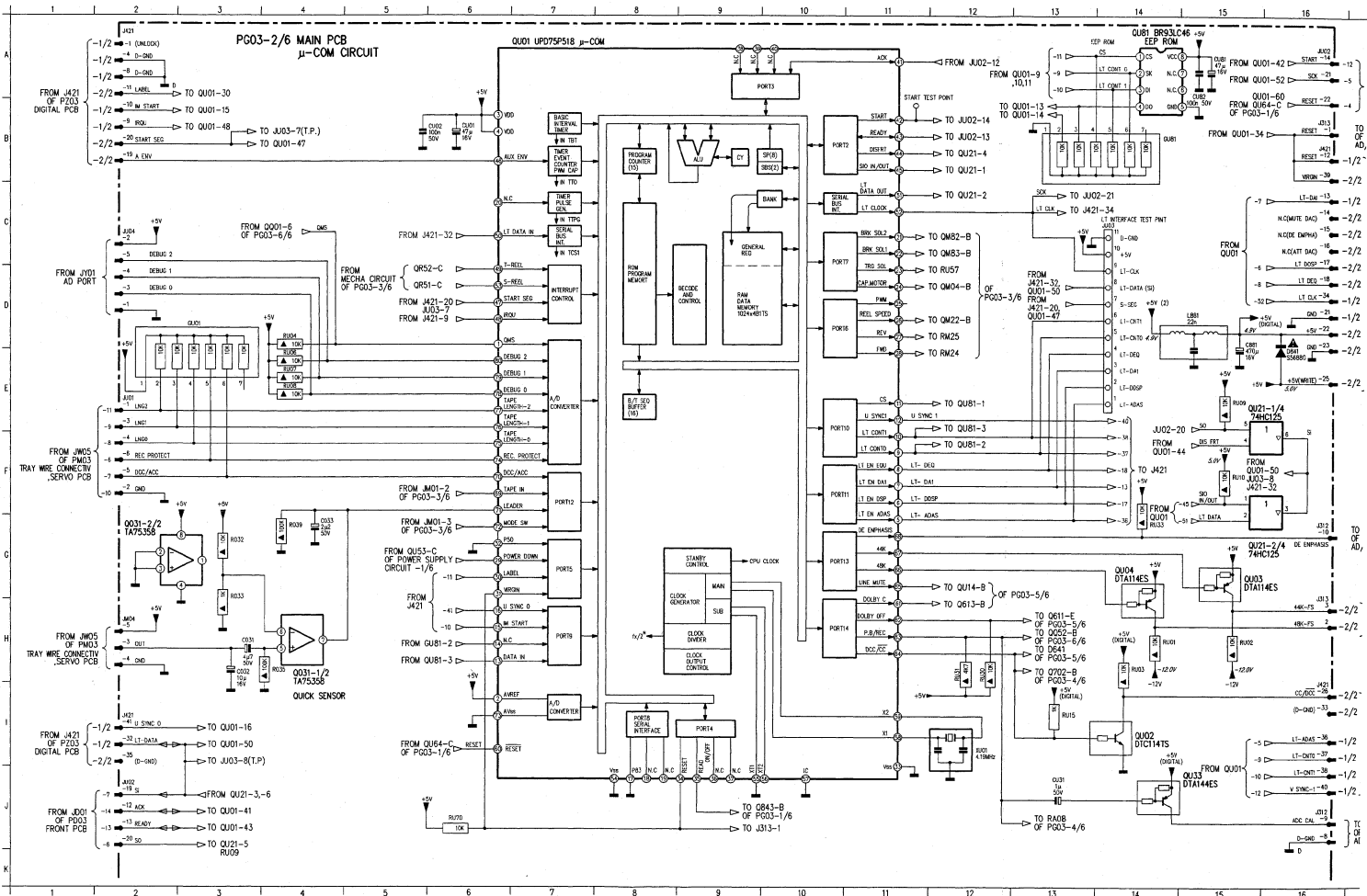
YK009D411-3



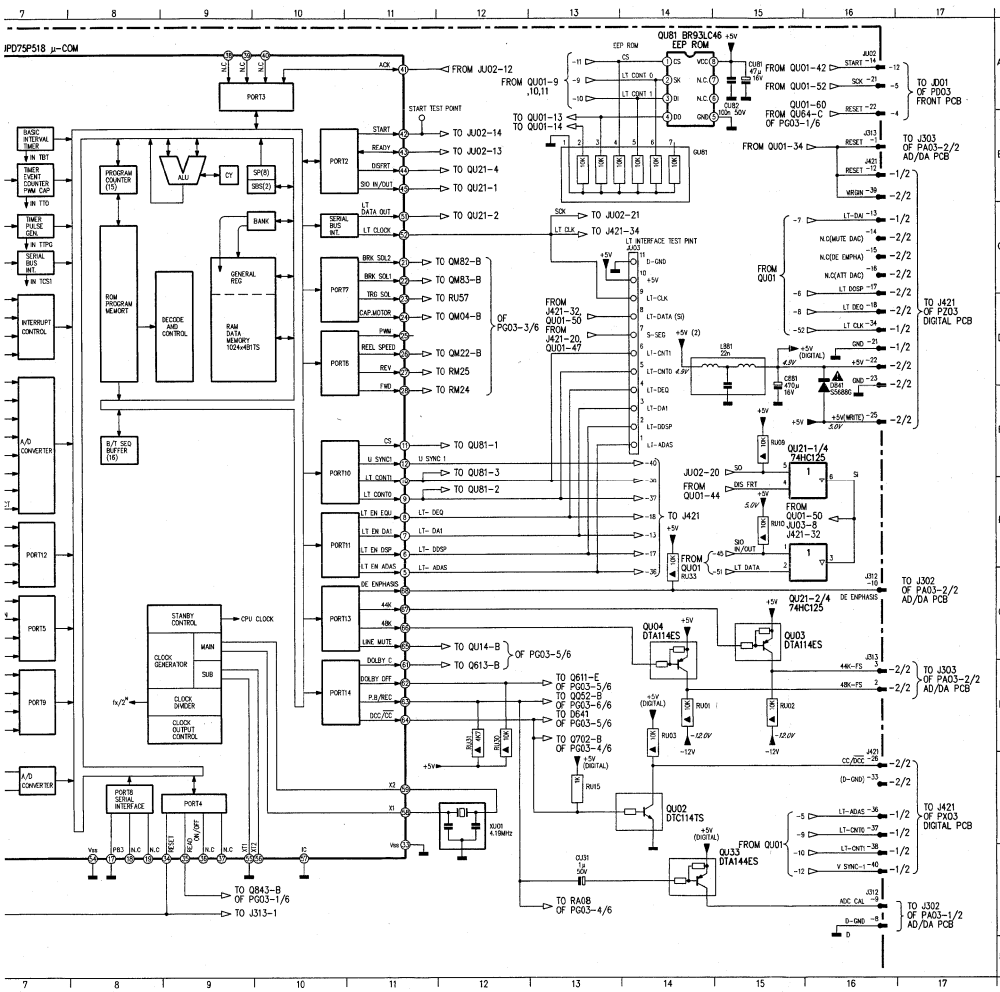




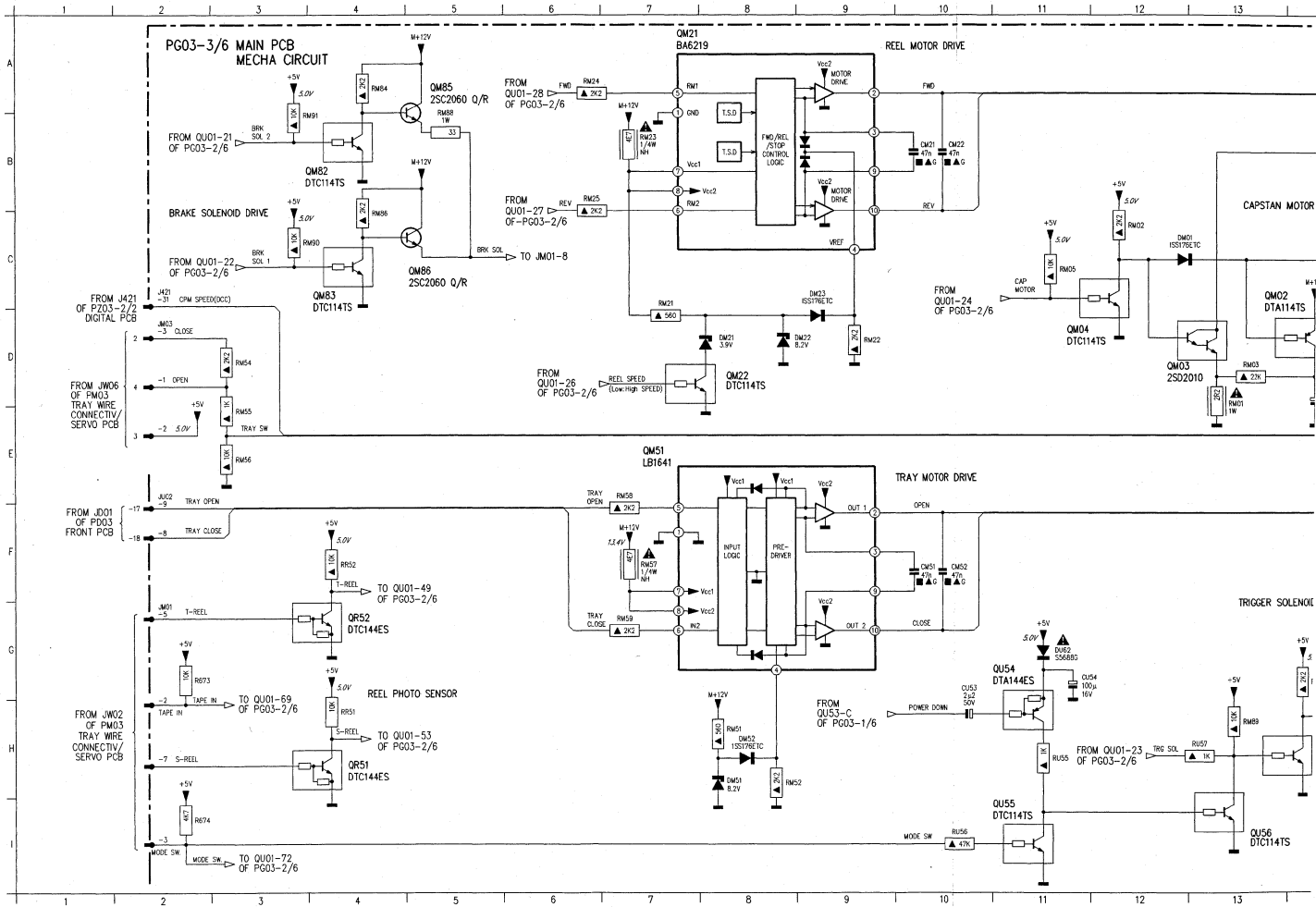
C822	B7	J421-30	I19
C823	B12	J421-31	I20
C824	C12	J803	C4
C825	C11	J803	H4
C826	B11	J811	H1
C827	H12	J812	B7
C828	B16	J813	B6
C829	C11	J821	B10
C830	B18	J851	C1
C831	C18	J851	H1
C832	D6	J871	B12
C833	D6	J871	B12
C834	C7	J871	B12
C835	C7	J871	B12
C836	E7	J871	B12
C837	E7	J871	B12
C838	RE	J420-15	F19
C839	G11	J420-3	F19
C840	G12	J420-4	F19
C841	G17	J420-5	F19
C842	I17	J420-6	F19
C843	C1	J420-6	F19
C844	C2	J420-6	F19
C845	H2	L801	B5
C846	H2	L801	B5
C847	C2	L802	C3
C848	H2	L802	H3
C849	C4	L802	H3
C850	H4	C806	A18
C851	H4	C807	C18
C852	C4	C809	A16
C853	H4	C810	B18
C854	B13	C811	H6
C855	B14	C812	G18
C856	C13	C843	I17
C857	C14	C871	B15
C858	F13	C872	C13
C859	F14	C873	F13
C860	D13	C874	D13
C861	D14	C875	G18
C862	F14	C876	F13
C863	D13	C877	D13
C864	G12	C878	J12
C865	J12	C879	K12
C866	K12	C880	K12
C867	B8	C881	G13
C868	B8	C882	G13
C869	B8	C883	H12
C870	B8	C884	E18
C871	B8	C885	E18
C872	B8	C886	E18
C873	B8	C887	E18
C874	B8	C888	E18
C875	B8	C889	E18
C876	B8	C890	E18
C877	B8	C891	E18
C878	B8	C892	E18
C879	B8	C893	E18
C880	B8	C894	E18
C881	B8	C895	E18
C882	B8	C896	E18
C883	B8	C897	E18
C884	B8	C898	E18
C885	B8	C899	E18
C886	B8	C900	E18
C887	B8	C901	E18
C888	B8	C902	E18
C889	B8	C903	E18
C890	B8	C904	E18
C891	B8	C905	E18
C892	B8	C906	E18
C893	B8	C907	E18
C894	B8	C908	E18
C895	B8	C909	E18
C896	B8	C910	E18
C897	B8	C911	E18
C898	B8	C912	E18
C899	B8	C913	E18
C900	B8	C914	E18
C901	B8	C915	E18
C902	B8	C916	E18
C903	B8	C917	E18
C904	B8	C918	E18
C905	B8	C919	E18
C906	B8	C920	E18
C907	B8	C921	E18
C908	B8	C922	E18
C909	B8	C923	E18
C910	B8	C924	E18
C911	B8	C925	E18
C912	B8	C926	E18
C913	B8	C927	E18
C914	B8	C928	E18
C915	B8	C929	E18
C916	B8	C930	E18
C917	B8	C931	E18
C918	B8	C932	E18
C919	B8	C933	E18
C920	B8	C934	E18
C921	B8	C935	E18
C922	B8	C936	E18
C923	B8	C937	E18
C924	B8	C938	E18
C925	B8	C939	E18
C926	B8	C940	E18
C927	B8	C941	E18
C928	B8	C942	E18
C929	B8	C943	E18
C930	B8	C944	E18
C931	B8	C945	E18
C932	B8	C946	E18
C933	B8	C947	E18
C934	B8	C948	E18
C935	B8	C949	E18
C936	B8	C950	E18
C937	B8	C951	E18
C938	B8	C952	E18
C939	B8	C953	E18
C940	B8	C954	E18
C941	B8	C955	E18
C942	B8	C956	E18
C943	B8	C957	E18
C944	B8	C958	E18
C945	B8	C959	E18
C946	B8	C960	E18
C947	B8	C961	E18
C948	B8	C962	E18
C949	B8	C963	E18
C950	B8	C964	E18
C951	B8	C965	E18
C952	B8	C966	E18
C953	B8	C967	E18
C954	B8	C968	E18
C955	B8	C969	E18
C956	B8	C970	E18
C957	B8	C971	E18
C958	B8	C972	E18
C959	B8	C973	E18
C960	B8	C974	E18
C961	B8	C975	E18
C962	B8	C976	E18
C963	B8	C977	E18
C964	B8	C978	E18
C965	B8	C979	E18
C966	B8	C980	E18
C967	B8	C981	E18
C968	B8	C982	E18
C969	B8	C983	E18
C970	B8	C984	E18
C971	B8	C985	E18
C972	B8	C986	E18
C973	B8	C987	E18
C974	B8	C988	E18
C975	B8	C989	E18
C976	B8	C990	E18
C977	B8	C991	E18
C978	B8	C992	E18
C979	B8	C993	E18
C980	B8	C994	E18
C981	B8	C995	E18
C982	B8	C996	E18
C983	B8	C997	E18
C984	B8	C998	E18
C985	B8	C999	E18
C986	B8	C1000	E18

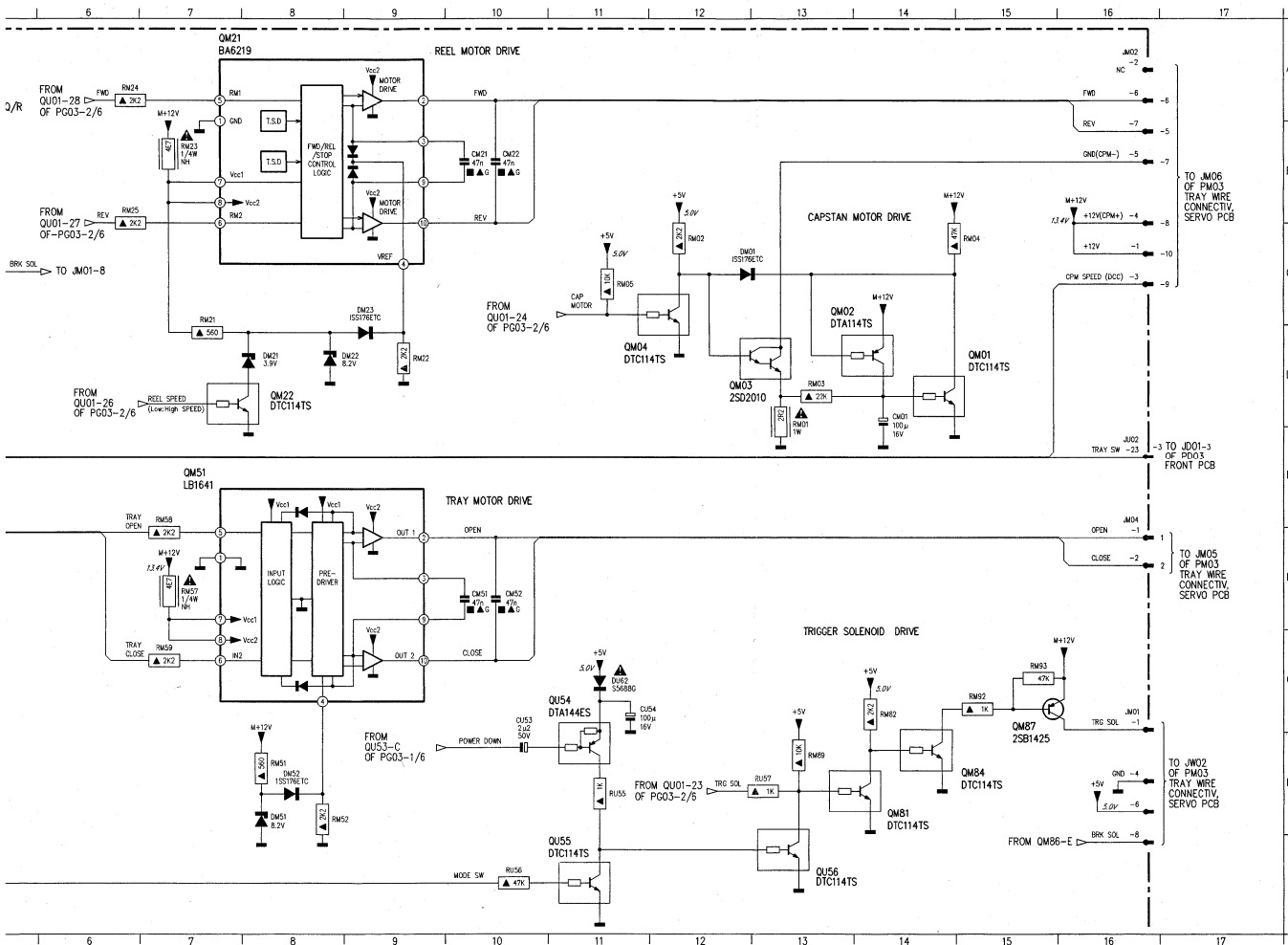




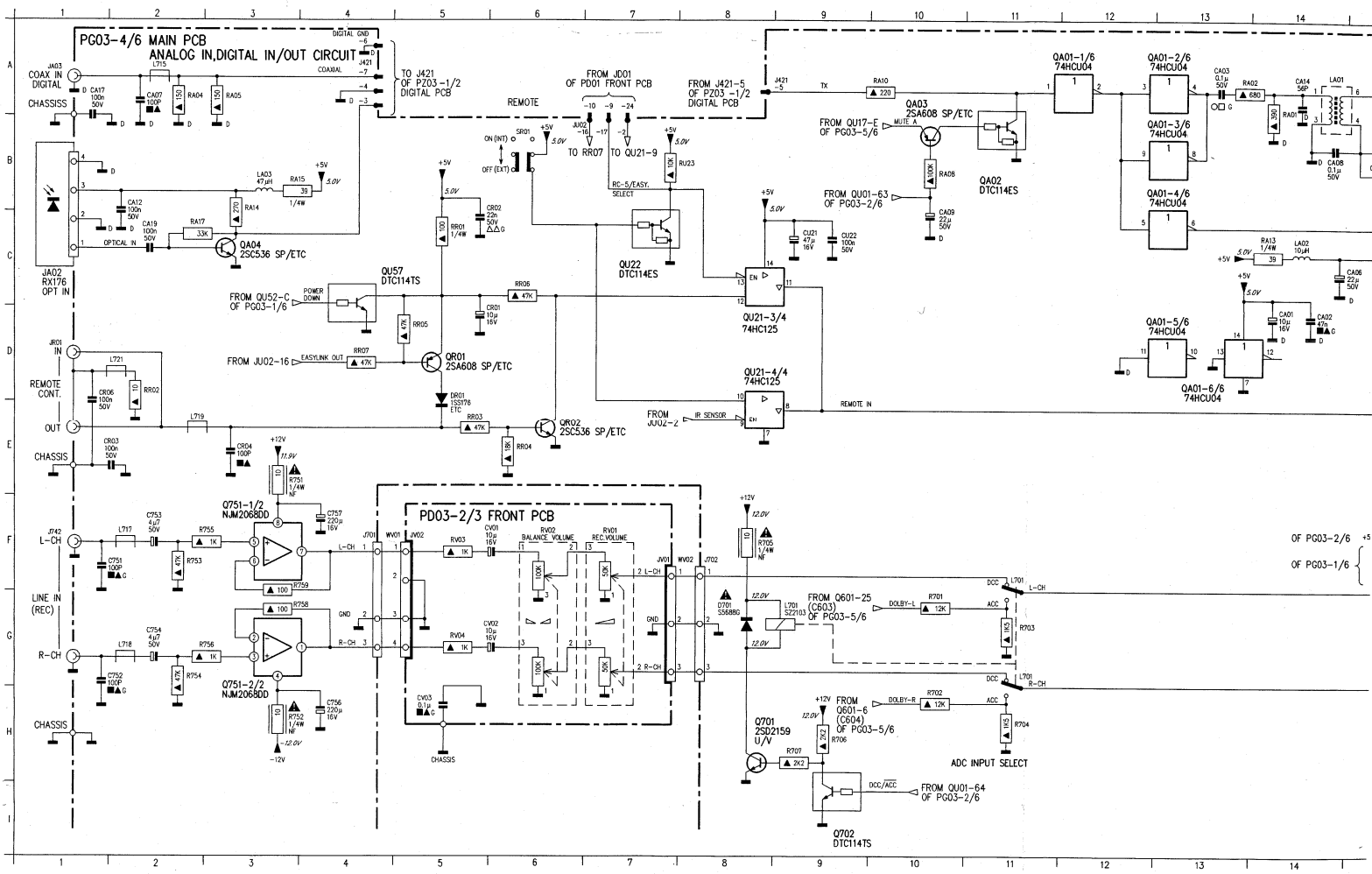


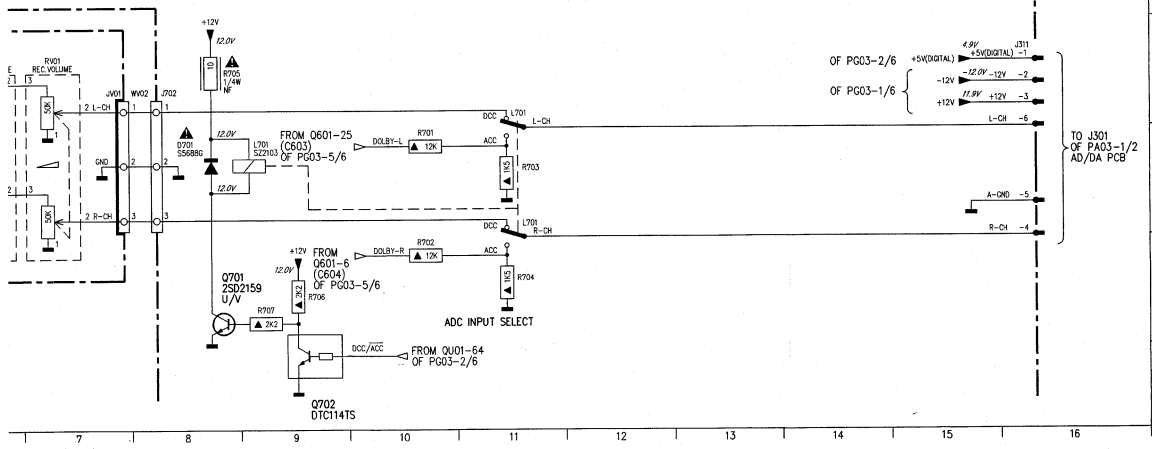
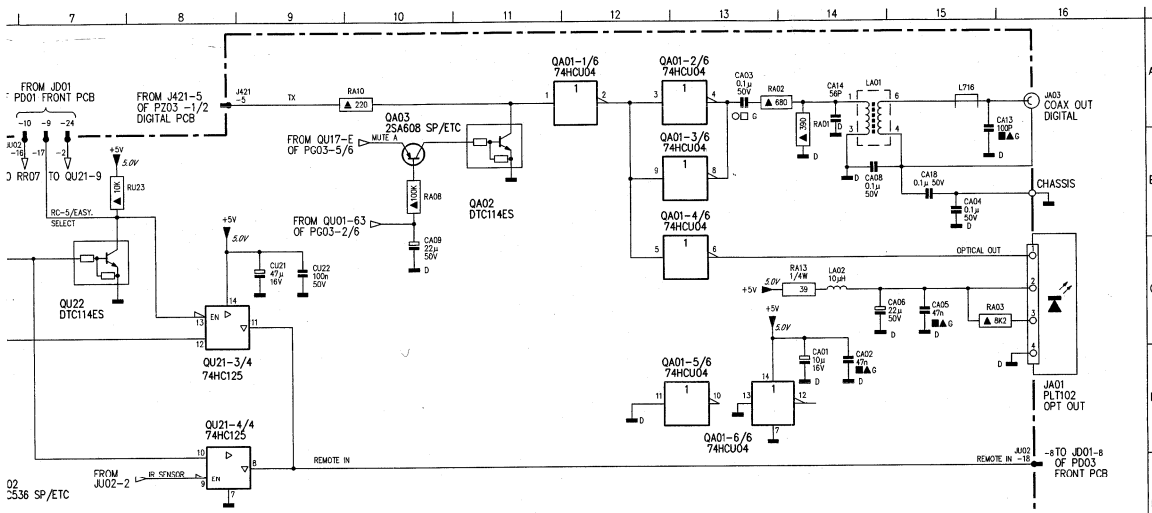
C031	H3	JU01-2	F2
C032	H3	JU01-3	E2
C033	G4	JU01-4	F2
C041	D15	JU01-5	F2
CU01	B6	JU01-6	F2
CU02	B5	JU02-12	J2
CU03	J13	JU02-13	J2
CU08	A15	JU02-14	A16
CJ52	A15	JU02-19	J2
D841	D16	JU02-20	J2
GU01	D3	JU02-21	A16
GU01	B3	JU03	O14
J12-10	G16	JU03-1	E14
J12-9	H16	JU03-2	E14
J12-9	J16	JU03-3	E14
J13-1	H16	JU03-4	E14
J13-2	H16	JU04-1	O2
J13-3	H16	JU04-2	C2
J451-11	A2	JU04-3	O2
J451-10	B2	JU04-4	O2
J451-11	A2	JU04-5	C2
J451-15	H16	L81	O15
J451-13	C16	CO31-2	H4
J451-14	C16	CU01	A7
J451-13	C16	QU02	I14
J451-16	C16	QU03	G15
J451-17	C16	QU04	G14
J451-16	D16	QU21-1/4	E16
J451-18	B2	QU21-3/4	F16
J451-20	B2	QU31-2/3	G3
J451-21	D16	QU33	J14
J451-22	D16	QU81	A14
J451-23	D16	RO32	G3
J451-25	E16	RO33	H4
J451-26	H16	RO35	H4
J451-28	D2	RO39	G4
J451-33	H16	RU01	H14
J451-34	D16	RU02	H15
J451-35	A2	RU03	A14
J451-36	H16	RU04	D4
J451-37	H16	RU06	E4
J451-38	J16	RU07	E4
J451-39	E16	RU08	E4
J451-4	A2	RU09	E15
J451-40	J16	RU10	F15
J451-43	B2	RU15	A15
J451-8	A2	RU30	H12
J451-9	B2	RU31	H12
JM04-3	H2	RU33	F14
JM04-4	H2	RU70	J6
JM04-5	H2	XU01	H12
JU01-1	E2		



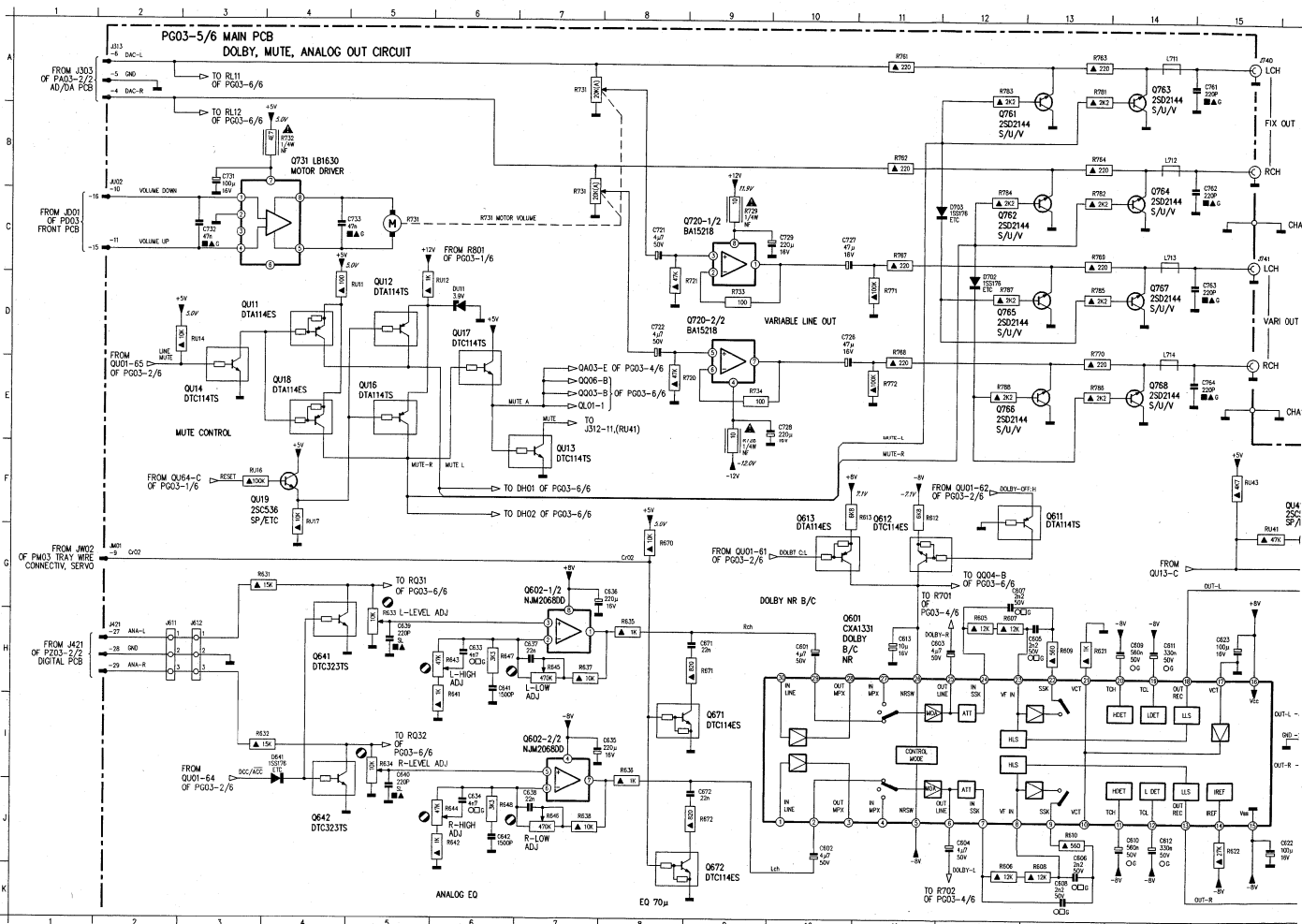


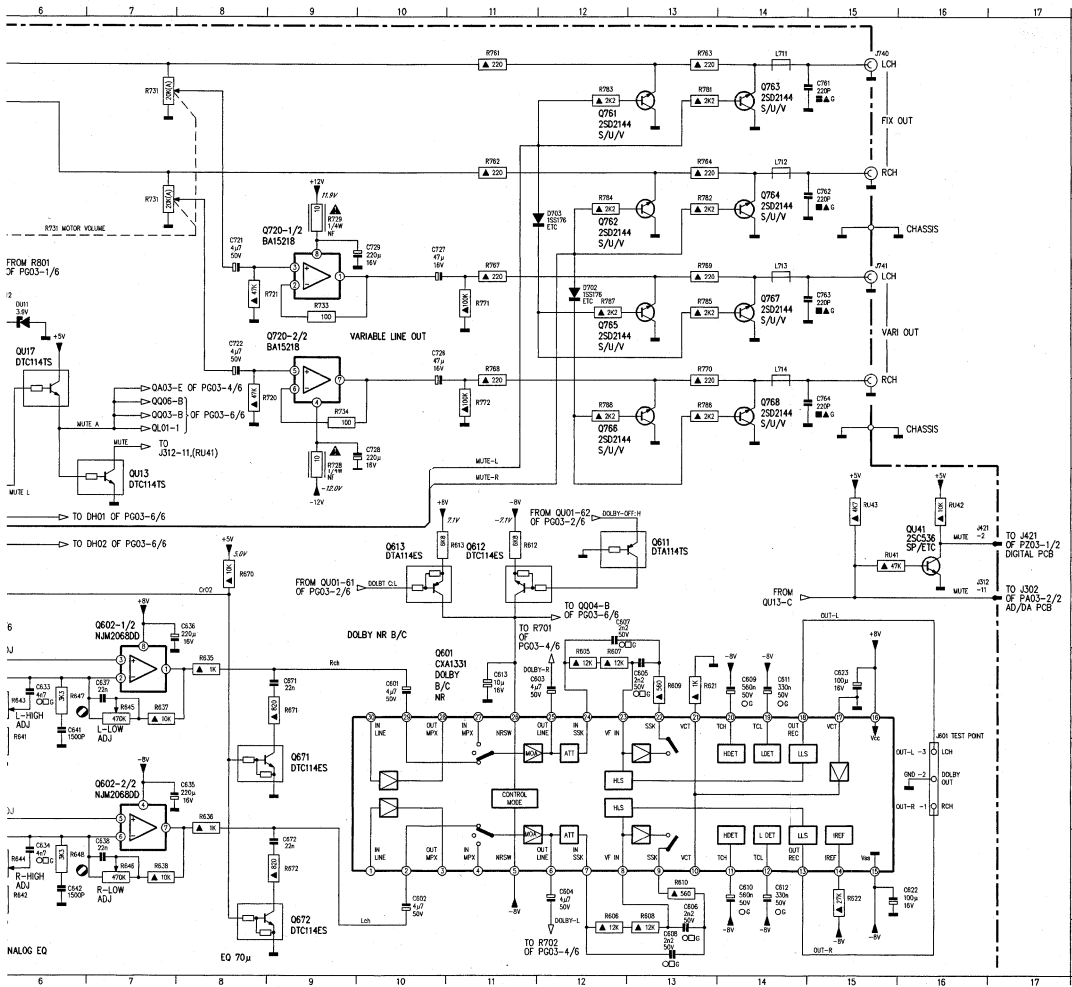
- CM01 D14
- CM21 B10
- CM22 B10
- CM23 F10
- CM52 F10
- CU33 H10
- CU54 G11
- DM01 C12
- DM02 D8
- DM22 D8
- DM23 D8
- DM51 H8
- DM52 H8
- DM53 H8
- J421-2 G11
- J421-01 E2
- JM01-1 C2
- JM01-1 G16
- JM01-2 H2
- JM01-3 I2
- JM01-4 H16
- JM01-5 G2
- JM01-6 H16
- JM01-7 H16
- JM01-8 I16
- JM05-1 C16
- JM05-2 A16
- JM05-3 C16
- JM05-4 B16
- JM05-5 B16
- JM05-6 A16
- JM05-7 B16
- JM05-1 D2
- JM05-3 D2
- JM04-1 F16
- JM04-2 F16
- JU02-25 E16
- JU02-8 F2
- JU02-9 F2
- QM01 D14
- QM02 D14
- QM03 D13
- QM04 C12
- QM21 A8
- QM22 D8
- CM51 H4
- CM52 H4
- CM53 C4
- CM54 H14
- CM55 A5
- CM56 C5
- CM57 G15
- CR51 H4
- CR52 G4
- CU54 H11
- CU55 H11
- CU56 H3
- PR71 C5
- PR74 I2
- RM02 D13
- RM03 D13
- RM04 C14
- RM05 C11
- RM01 D7
- RM22 D9
- RM23 B7
- RM24 A6
- RM25 B6
- RM51 H8
- RM52 H8
- RM54 D3
- RM55 D3
- RM56 D3
- RM57 F7
- RM58 F7
- RM59 G7
- RM62 G14
- RM64 A4
- RM66 B6
- RM68 B5
- RM69 B3
- RM80 C3
- RM81 B3
- RM82 G15
- RM83 G15
- RM84 A4
- RM85 F4
- RM86 H10
- RM87 H3





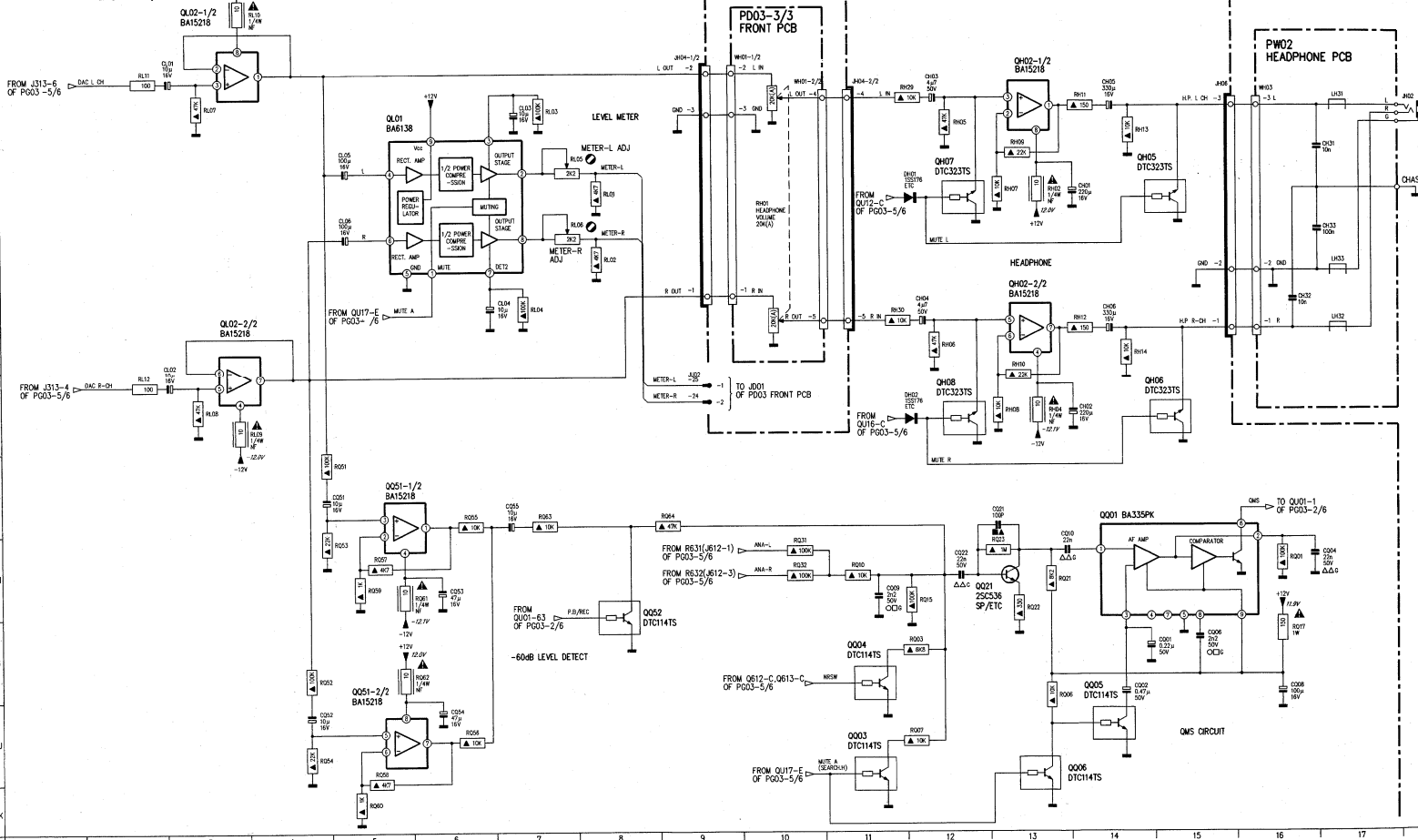
- |          |     |          |     |
|----------|-----|----------|-----|
| C751     | F1  | QU21-3/4 | C8  |
| C752     | G1  | QU21-4/4 | E8  |
| C753     | F2  | CJ22     | C7  |
| C754     | G2  | QU57     | C4  |
| C755     | H4  | FR01     | G10 |
| C757     | F4  | FR02     | H10 |
| CA01     | D14 | FR03     | G11 |
| CA02     | D14 | FR04     | H11 |
| CA03     | A13 | FR05     | F8  |
| CA04     | B15 | FR06     | H8  |
| CA05     | C15 | FR07     | H8  |
| CA06     | C14 | FR08     | H3  |
| CA07     | A2  | FR09     | H3  |
| CA08     | B14 | FR53     | F2  |
| CA09     | C10 | FR54     | G2  |
| CA12     | B2  | FR55     | F2  |
| CA13     | B15 | FR56     | G3  |
| CA14     | A14 | FR58     | G3  |
| CA17     | A1  | FR59     | F3  |
| CA18     | B15 | FR61     | A14 |
| CA19     | C2  | RA02     | C15 |
| CR01     | D5  | RA03     | C15 |
| CR02     | C5  | RA04     | A2  |
| CR03     | E1  | RA05     | A3  |
| CR04     | E3  | RA06     | B10 |
| CR08     | E1  | RA10     | A10 |
| CU21     | CP  | RA17     | C2  |
| CU22     | CP  | RA18     | B3  |
| CV01     | F6  | RA15     | B8  |
| CV02     | G6  | RA17     | C2  |
| CV03     | B1  | RA01     | B3  |
| D701     | B8  | RR02     | D2  |
| DR01     | E5  | RR03     | E5  |
| J311-1   | F16 | RR04     | B6  |
| J311-2   | F16 | RR05     | F8  |
| J311-3   | F16 | RR06     | C8  |
| J311-4   | F16 | RR07     | D4  |
| J311-5   | G16 | RL23     | B7  |
| J311-6   | F16 | RV01     | F7  |
| J421-3   | A4  | RV02     | F8  |
| J421-4   | A4  | RV03     | F8  |
| J421-5   | A4  | RV04     | G5  |
| J421-6   | A4  | SP01     | B9  |
| J421-7   | A4  | WW01     | F4  |
| J701     | F4  | WW02     | F8  |
| J702     | F8  |          |     |
| J703     | F4  |          |     |
| J704     | F1  |          |     |
| JA01-1   | C18 |          |     |
| JA01-2   | C18 |          |     |
| JA01-3   | C18 |          |     |
| JA01-4   | D18 |          |     |
| JA02-1   | C1  |          |     |
| JA02-2   | C1  |          |     |
| JA02-3   | B1  |          |     |
| JA02-4   | B1  |          |     |
| JA03     | A1  |          |     |
| JA03     | A16 |          |     |
| JF01     | D1  |          |     |
| JJ02-16  | BF  |          |     |
| JJ02-17  | BF  |          |     |
| JJ02-18  | E16 |          |     |
| JJ02-2   | BF  |          |     |
| JV01     | F7  |          |     |
| JV02     | F8  |          |     |
| L701     | G11 |          |     |
| L701     | G9  |          |     |
| L716     | A2  |          |     |
| L716     | A15 |          |     |
| L717     | F2  |          |     |
| L718     | G2  |          |     |
| L719     | E2  |          |     |
| L721     | D2  |          |     |
| LA01     | A14 |          |     |
| LA02     | C14 |          |     |
| LA03     | B3  |          |     |
| Q701     | H8  |          |     |
| Q702     | B   |          |     |
| Q705     | B   |          |     |
| Q751-1/2 | F3  |          |     |
| Q751-2/2 | G3  |          |     |
| QA01-1/6 | A12 |          |     |
| QA01-2/6 | A13 |          |     |
| QA01-3/6 | B13 |          |     |
| QA01-4/6 | C13 |          |     |
| QA01-5/6 | D13 |          |     |
| QA01-6/6 | D13 |          |     |
| QA02     | B11 |          |     |
| QA03     | B10 |          |     |
| QA04     | C3  |          |     |
| CR01     | D8  |          |     |
| CR02     | E8  |          |     |



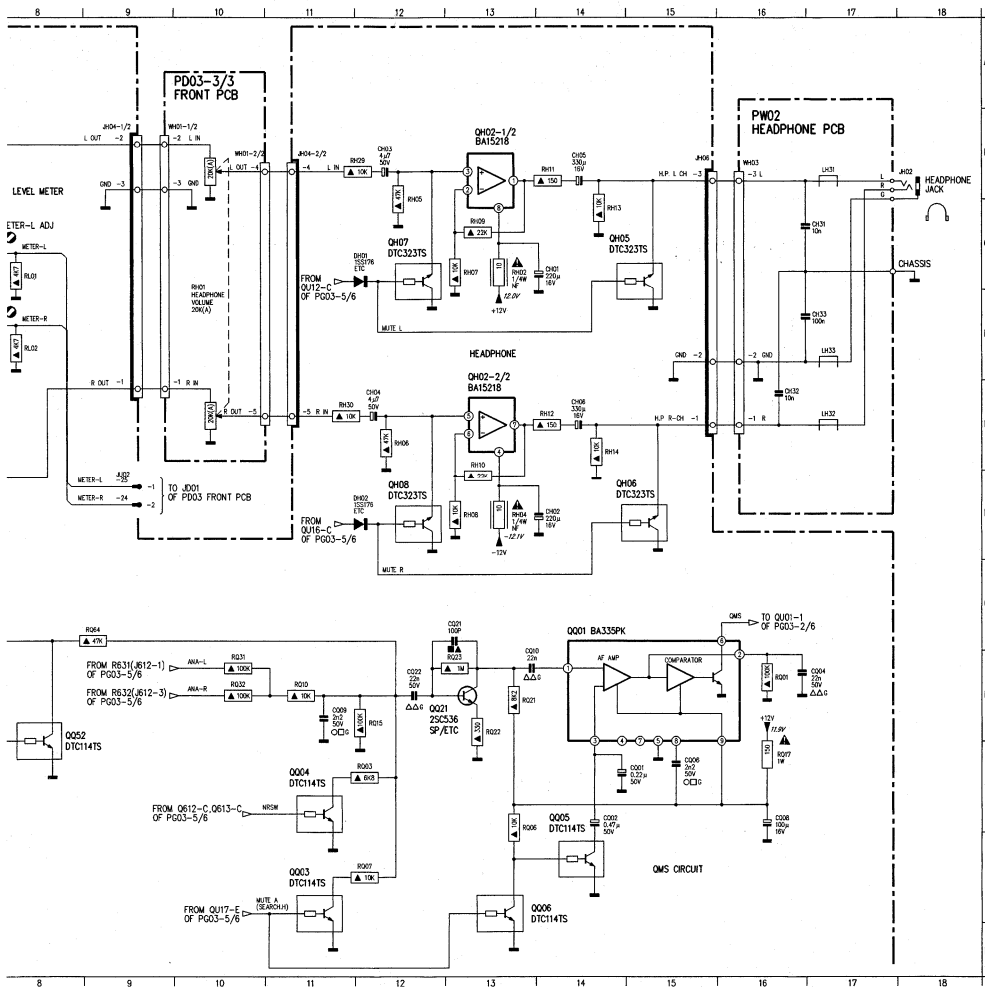


- C801 H10 F805 H12
- C802 J10 F806 K12
- C803 H12 F807 H12
- C804 J12 F808 K12
- C805 H13 F809 H13
- C806 K13 F810 J13
- C807 D12 F811 F10
- C808 K13 F812 F10
- C809 H14 F821 H13
- C810 J14 F822 K3
- C811 H14 F831 Q3
- C812 J14 F832 I3
- C813 H11 F833 H5
- C814 J16 F834 I5
- C815 H11 F835 H8
- C816 H8 F836 I8
- C817 H8 F837 H7
- C818 J7 F838 J7
- C819 G7 F839 H6
- C820 H8 F840 J6
- C821 H7 F841 H6
- C822 H7 F842 J6
- C823 H8 F843 H6
- C824 H8 F844 J6
- C825 J7 F845 J7
- C826 G7 F846 H6
- C827 H7 F847 H6
- C828 J7 F848 H6
- C829 H8 F849 J6
- C830 J5 F850 H7
- C831 H8 F851 H8
- C832 H8 F852 J8
- C833 C8 F853 D9
- C834 D10 F854 E9
- C835 C8 F855 C9
- C836 D8 F856 J9
- C837 D10 F857 E9
- C838 C8 F858 C9
- C839 D8 F859 J9
- C840 C8 F860 C9
- C841 D8 F861 J9
- C842 C8 F862 C9
- C843 D8 F863 J9
- C844 C8 F864 C9
- C845 D8 F865 J9
- C846 C8 F866 C9
- C847 D8 F867 J9
- C848 C8 F868 C9
- C849 D8 F869 J9
- C850 C8 F870 C9
- C851 D8 F871 J9
- C852 C8 F872 C9
- C853 D8 F873 J9
- C854 C8 F874 C9
- C855 D8 F875 J9
- C856 C8 F876 C9
- C857 D8 F877 J9
- C858 C8 F878 C9
- C859 D8 F879 J9
- C860 C8 F880 C9
- C861 D8 F881 J9
- C862 C8 F882 C9
- C863 D8 F883 J9
- C864 C8 F884 C9
- C865 D8 F885 J9
- C866 C8 F886 C9
- C867 D8 F887 J9
- C868 C8 F888 C9
- C869 D8 F889 J9
- C870 C8 F890 C9
- C871 D8 F891 J9
- C872 C8 F892 C9
- C873 D8 F893 J9
- C874 C8 F894 C9
- C875 D8 F895 J9
- C876 C8 F896 C9
- C877 D8 F897 J9
- C878 C8 F898 C9
- C879 D8 F899 J9
- C880 C8 F900 C9
- C881 D8 F901 J9
- C882 C8 F902 C9
- C883 D8 F903 J9
- C884 C8 F904 C9
- C885 D8 F905 J9
- C886 C8 F906 C9
- C887 D8 F907 J9
- C888 C8 F908 C9
- C889 D8 F909 J9
- C890 C8 F910 C9
- C891 D8 F911 J9
- C892 C8 F912 C9
- C893 D8 F913 J9
- C894 C8 F914 C9
- C895 D8 F915 J9
- C896 C8 F916 C9
- C897 D8 F917 J9
- C898 C8 F918 C9
- C899 D8 F919 J9
- C900 C8 F920 C9
- C901 D8 F921 J9
- C902 C8 F922 C9
- C903 D8 F923 J9
- C904 C8 F924 C9
- C905 D8 F925 J9
- C906 C8 F926 C9
- C907 D8 F927 J9
- C908 C8 F928 C9
- C909 D8 F929 J9
- C910 C8 F930 C9
- C911 D8 F931 J9
- C912 C8 F932 C9
- C913 D8 F933 J9
- C914 C8 F934 C9
- C915 D8 F935 J9
- C916 C8 F936 C9
- C917 D8 F937 J9
- C918 C8 F938 C9
- C919 D8 F939 J9
- C920 C8 F940 C9
- C921 D8 F941 J9
- C922 C8 F942 C9
- C923 D8 F943 J9
- C924 C8 F944 C9
- C925 D8 F945 J9
- C926 C8 F946 C9
- C927 D8 F947 J9
- C928 C8 F948 C9
- C929 D8 F949 J9
- C930 C8 F950 C9
- C931 D8 F951 J9
- C932 C8 F952 C9
- C933 D8 F953 J9
- C934 C8 F954 C9
- C935 D8 F955 J9
- C936 C8 F956 C9
- C937 D8 F957 J9
- C938 C8 F958 C9
- C939 D8 F959 J9
- C940 C8 F960 C9
- C941 D8 F961 J9
- C942 C8 F962 C9
- C943 D8 F963 J9
- C944 C8 F964 C9
- C945 D8 F965 J9
- C946 C8 F966 C9
- C947 D8 F967 J9
- C948 C8 F968 C9
- C949 D8 F969 J9
- C950 C8 F970 C9
- C951 D8 F971 J9
- C952 C8 F972 C9
- C953 D8 F973 J9
- C954 C8 F974 C9
- C955 D8 F975 J9
- C956 C8 F976 C9
- C957 D8 F977 J9
- C958 C8 F978 C9
- C959 D8 F979 J9
- C960 C8 F980 C9
- C961 D8 F981 J9
- C962 C8 F982 C9
- C963 D8 F983 J9
- C964 C8 F984 C9
- C965 D8 F985 J9
- C966 C8 F986 C9
- C967 D8 F987 J9
- C968 C8 F988 C9
- C969 D8 F989 J9
- C970 C8 F990 C9
- C971 D8 F991 J9
- C972 C8 F992 C9
- C973 D8 F993 J9
- C974 C8 F994 C9
- C975 D8 F995 J9
- C976 C8 F996 C9
- C977 D8 F997 J9
- C978 C8 F998 C9
- C979 D8 F999 J9
- C980 C8 F1000 C9

PG03-6/6 MAIN PCB  
HEADPHONE, QMS CIRCUIT

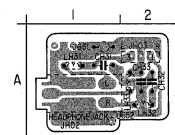






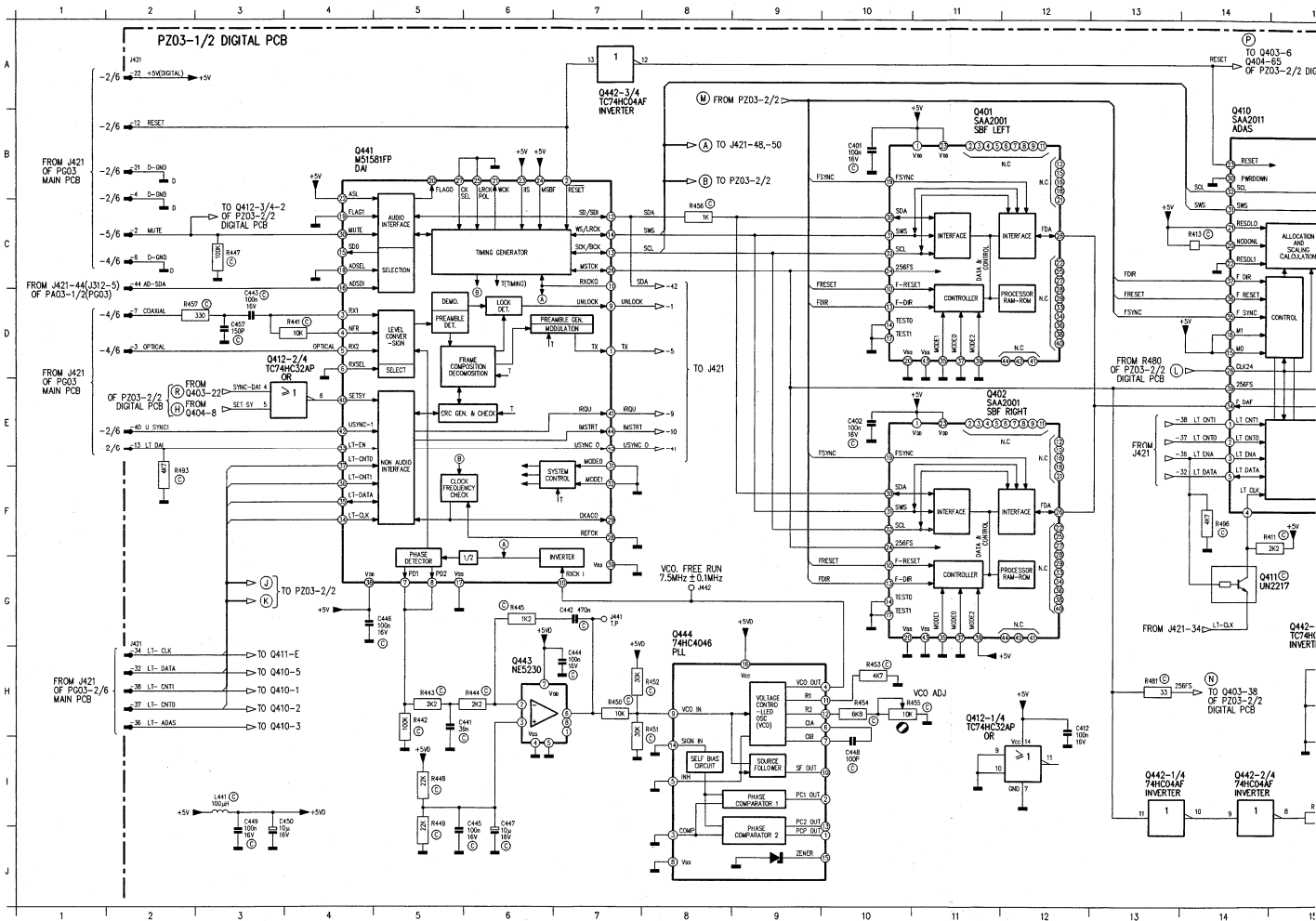
CH01	C14	LH32	E17	RL04	E7
CH02	F14	LH33	D17	RL05	F7
CH03	B12	QH2-1/2	B13	RL06	D7
CH04	E12	QH2-2/2	E13	RL07	B3
CH05	B14	QH5	C15	RL08	F3
CH06	E14	QH6	F15	RL09	F3
CH11	C16	QH07	C12	RL10	A3
CH32	E16	QH08	F12	RL11	B2
CH33	D16	QL11	C5	RL12	F2
CL01	B3	QL2-1/2	B3	RO01	H18
CL02	F3	QL2-2/2	F3	RO03	H12
CL03	B7	Q01	H4	RO06	H13
CL04	E7	Q03	J11	RO07	J12
CL05	C5	Q04	I11	RO10	H11
CL06	D5	Q05	J14	RO15	H12
CO01	I14	Q06	J13	RO17	H18
CO02	I14	Q021	H13	RO21	H13
CO04	H16	Q051-1/2	G5	RO22	H13
CO06	H15	Q051-2/2	J5	RO23	H13
CO08	H6	Q052	H8	RO31	H10
CO09	H11	RH01	B10	RO32	H10
CO10	H13	RH02	C13	RO31	G4
CO21	G13	RH04	F13	RO32	I4
CO22	H12	RH05	B16	RO33	H4
CO25	G4	RH06	E12	RO54	J4
CO26	J4	RH07	C13	RO55	G6
CO23	H6	RH08	F13	RO56	J6
CO24	J6	RH09	C13	RO57	H5
CO25	G7	RH10	F13	RO58	K5
DH01	C12	RH11	B14	RO59	H5
DH02	F12	RH12	E14	RO60	K5
JH02	B18	RH13	C14	RO81	H5
JH04	B9	RH14	E14	RO82	I5
JH06	B15	RH09	B12	RO83	G7
JH06	D15	RH50	E11	RO64	G9
JU02-24	F6	RL01	C8	WH01	B10
JU02-25	F9	RL02	D8	WH03	B16
LH31	B17	RL03	B7	WH03	D16

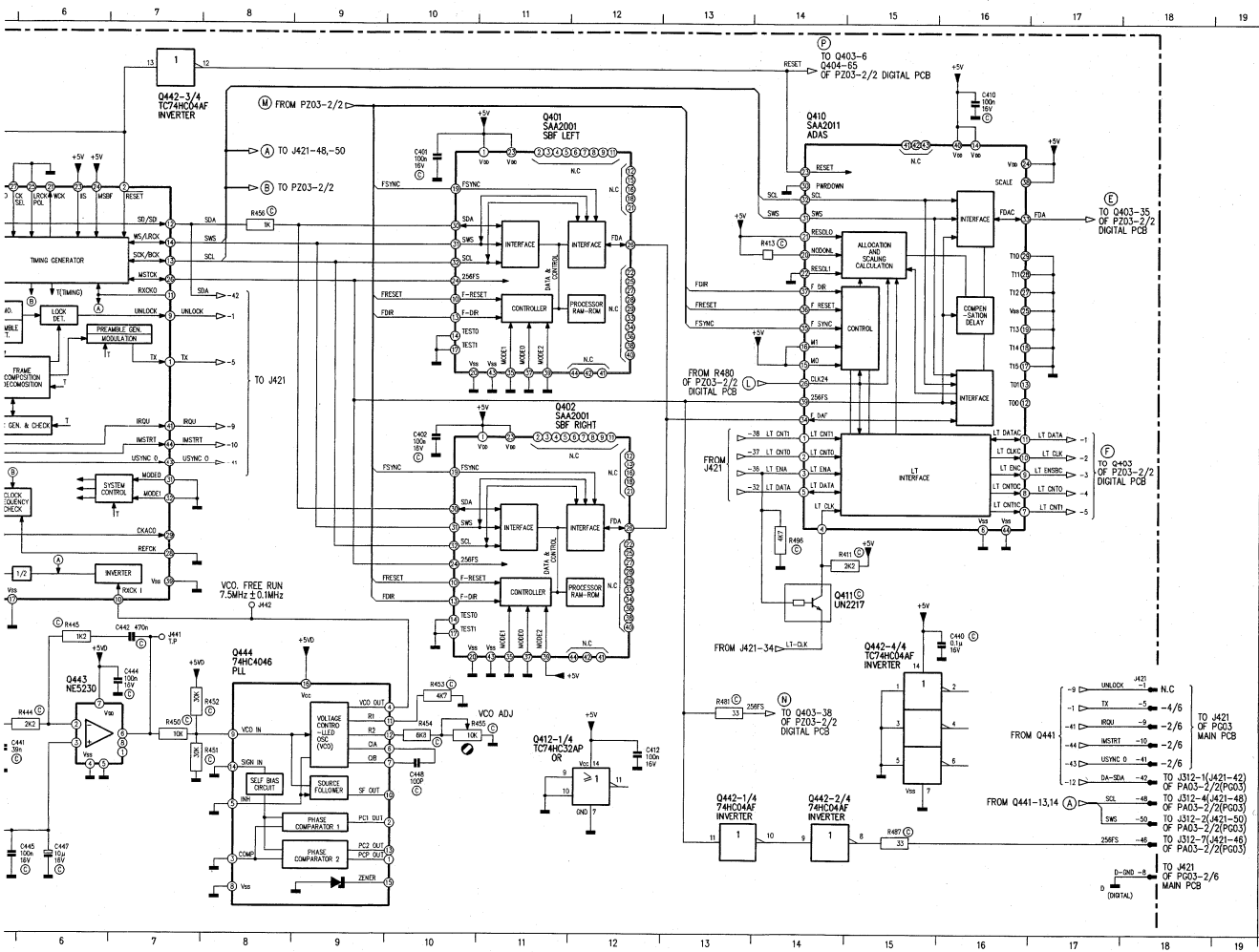
HEADPHONE PCB (PW02)



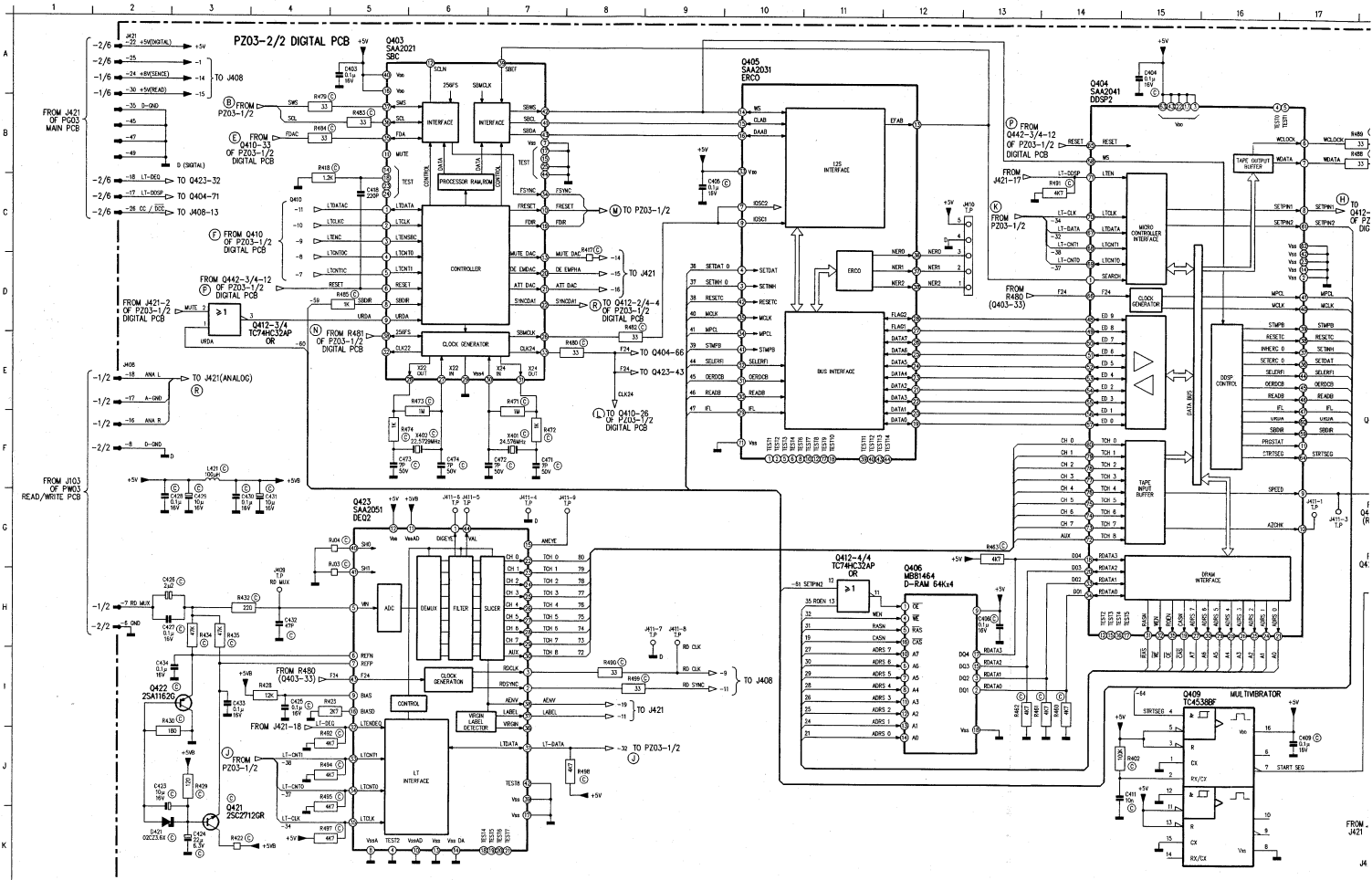
CH31	A-1
CH32	A-2
CH33	A-2
JH32	A-1
JH03	A-2
LH31	A-1
LH32	A-2
LH33	A-2
UH01	A-1
UH02	A-1

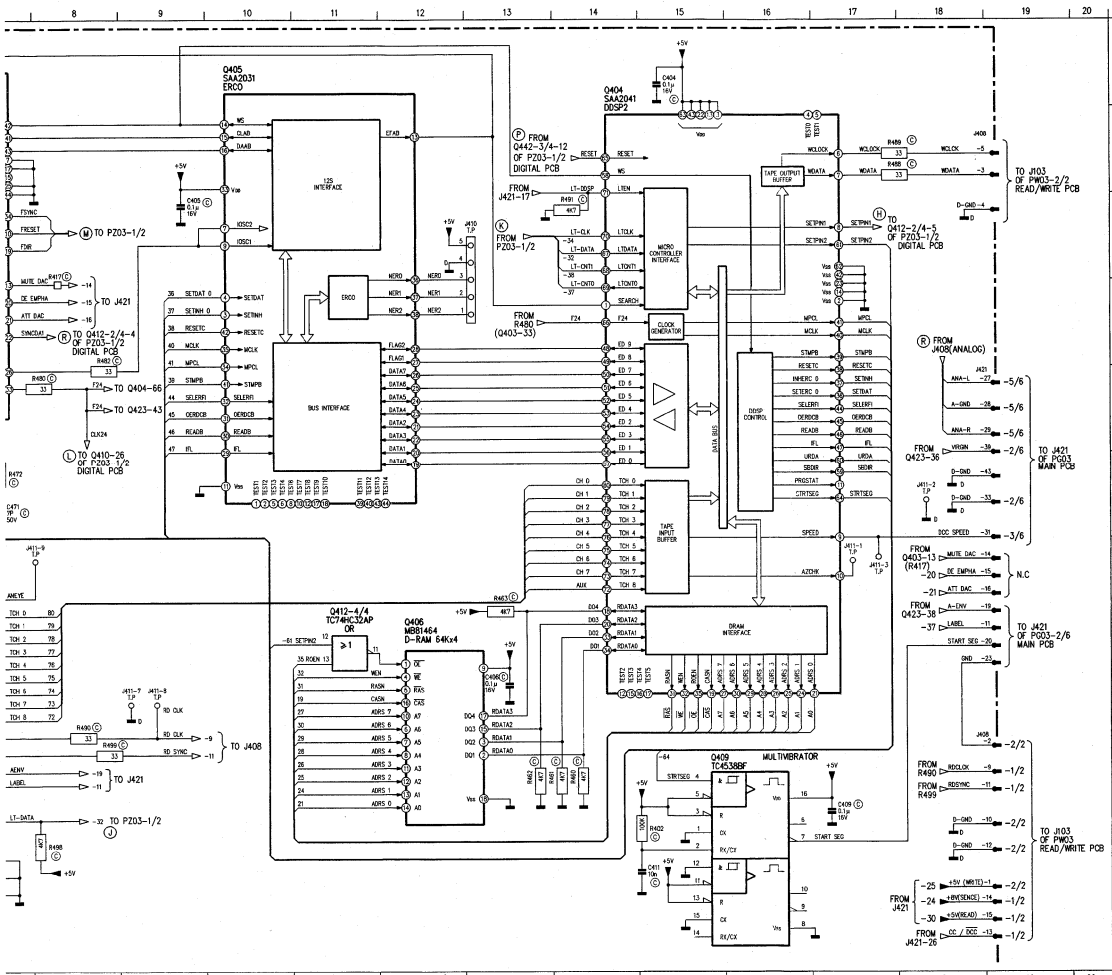
YN005D233-2





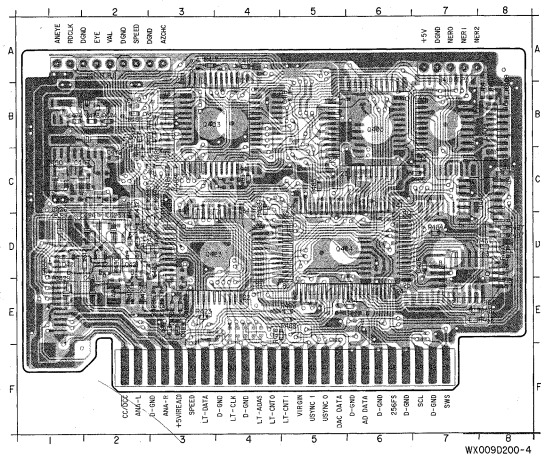
A	C401	B10
	C402	E10
	C410	A16
	C412	H12
	C440	O16
	C441	H5
	C442	O7
	C443	D5
	C444	H7
	C445	J5
B	C446	G4
	C447	J6
	C448	J10
	C449	J3
	C450	J3
	C457	D3
C	J421-1	H18
	J421-10	H18
	J421-12	B2
	J421-13	E2
	J421-22	A2
	J421-23	B2
	J421-32	H2
	J421-34	H2
	J421-36	H2
	J421-38	H2
	J421-4	B2
	J421-40	E2
	J421-41	H18
	J421-42	H18
	J421-44	C2
	J421-46	H18
	J421-48	H18
	J421-5	H18
	J421-50	H18
	J421-6	C2
	J421-7	D2
	J421-8	J18
	J421-9	H18
E	L441	3
	O401	B11
	O402	E11
	C410	B11
	O411	O14
	O412-1/4	I12
	O412-2/4	E4
	O441	B4
	O442-1/4	I13
	O442-2/4	I14
F	O442-3/4	A7
	O442-4/4	H18
	O443	H0
	O444	H0
	R411	F14
	R413	C14
	R414	D4
	R442	H5
	R443	H5
	R444	H6
	R445	O8
	R447	C3
	R448	I5
	R449	J5
	R450	H7
	R451	H7
	R452	H7
	R453	H10
	R454	H10
	R455	H10
	R456	C8
	R457	C8
	R481	H13
	R487	H15
	R493	F2
	R496	F14
G		
H		
I		
J		





C403	A5	J421-26	C9
C404	A15	J421-27	E19
C405	C9	J421-28	E19
C406	H13	J421-29	E19
C407	J17	J421-30	A2
C411	J15	J421-31	F19
C418	C5	J421-33	F19
C423	J2	J421-35	B2
C424	K3	J421-39	E19
C425	I4	J421-43	F19
C428	H2	J421-45	B2
C427	H2	J421-46	B2
C428	G2	J421-48	B2
C429	G3	J421-49	F2
C430	G3	J421-50	F19
C431	G4	O403	A5
C432	H4	O404	B14
C433	I3	O405	A10
C434	I3	O406	H12
C435	I3	O409	I19
C472	F7	O412-34	D3
C473	F5	O414-44	H11
C474	F8	O421	K3
D421	R2	O422	I3
D421	K19	O423	G5
J408-10	J19	R402	J15
J408-13	K19	S417	D8
J408-14	K19	R419	C4
J408-16	K19	R422	K3
J408-17	E2	R423	I3
J408-18	E2	R428	I4
J408-19	E2	R429	J3
J408-3	B19	R432	H3
J408-4	C19	R433	H3
J408-5	B19	R435	H3
J408-6	H2	R460	I14
J408-7	H2	R461	I14
J408-9	H2	R462	H13
J408	H4	R463	G13
J408-11	H19	R471	E7
J408-12	J19	R472	F7
J410	C13	R473	E6
J411-1	G17	R474	F5
J411-2	F19	R476	I8
J411-3	G17	R479	B4
J411-4	G7	R480	E8
J411-5	G6	R482	E8
J411-6	G6	R483	B5
J411-7	H9	R484	B4
J411-8	H9	R485	D5
J411-9	G8	R488	B17
J421-11	H19	R489	B17
J421-14	G19	R490	I8
J421-15	G19	R491	B14
J421-16	F2	R492	J4
J421-18	G19	R493	J4
J421-17	C2	R495	J4
J421-18	C2	R487	K4
J421-19	G19	R488	B8
J421-20	H19	R499	I8
J421-22	A2	F403	G5
J421-23	H19	F404	G5
J421-24	A2	X401	F7
J421-25	A2	X402	F7

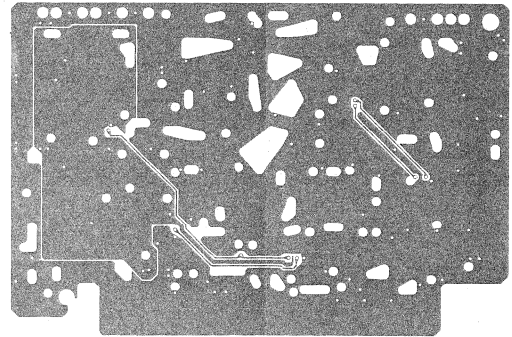
DIGITAL PCB A SIDE (PZ03)



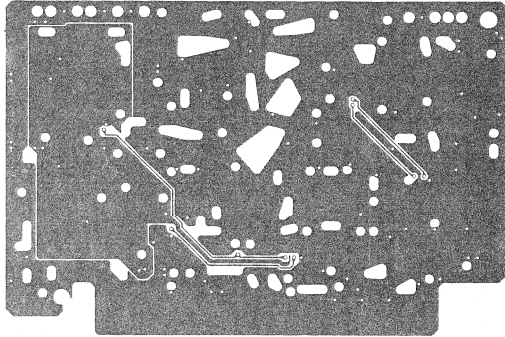
- |      |    |
|------|----|
| C403 | C4 |
| C404 | E6 |
| C405 | C7 |
| C406 | D7 |
| C409 | B6 |
| C410 | A4 |
| C411 | B8 |
| C418 | B5 |
| C423 | D2 |
| C424 | D2 |
| C425 | E3 |
| C428 | D1 |
| C429 | E3 |
| C429 | E3 |
| C429 | E1 |
| C430 | F3 |
| C431 | E2 |
| C432 | D2 |
| C433 | D2 |
| C434 | D2 |
| C440 | D6 |
| C447 | C1 |
| C450 | C1 |
| C471 | B2 |
| C472 | C2 |
| C473 | B2 |
| C474 | B1 |
| C480 | C2 |
| C481 | C3 |
| C482 | B6 |
| C487 | D6 |
| C488 | E3 |
| C489 | E3 |
| C490 | C2 |
| C498 | C3 |
| D421 | D1 |
| J410 | A7 |
| J411 | A2 |
| L421 | E2 |
| R403 | B3 |
| R404 | D6 |
| R405 | B6 |

- |      |    |
|------|----|
| C406 | D7 |
| C409 | B6 |
| C421 | D2 |
| C422 | D2 |
| C423 | D3 |
| C440 | D6 |
| R402 | B8 |
| R417 | A3 |
| R418 | A3 |
| R421 | D2 |
| R422 | E2 |
| R423 | E3 |
| R428 | E3 |
| R429 | E2 |
| R430 | D2 |
| R432 | D2 |
| R434 | D2 |
| R435 | D2 |
| R438 | D3 |
| R460 | D6 |
| R461 | D6 |
| R462 | E7 |
| R463 | E7 |
| R464 | D7 |
| R471 | B2 |
| R472 | B2 |
| R473 | B3 |
| R474 | B2 |
| R476 | E5 |
| R480 | C3 |
| R481 | C3 |
| R482 | B6 |
| R483 | C3 |
| R485 | C6 |
| R487 | D6 |
| R489 | E5 |
| R489 | E5 |
| R490 | D2 |
| R498 | C4 |
| R499 | B3 |
| X401 | B2 |
| X402 | B2 |

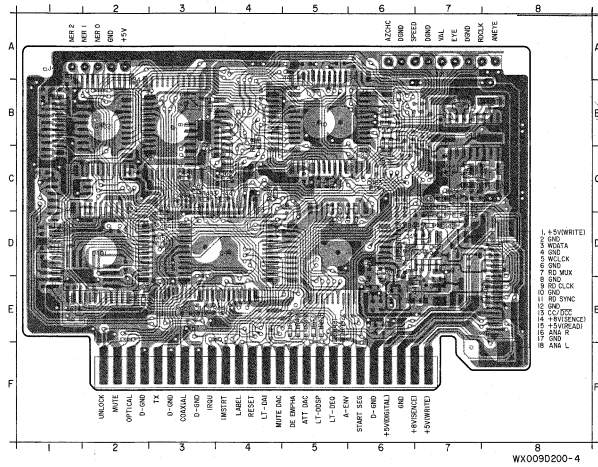
MIDDLE LAYER PATTERN



MIDDLE LAYER PATTERN

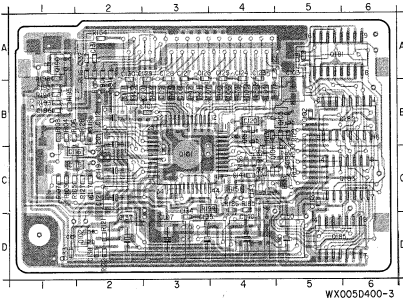


DIGITAL PCB B SIDE (PZ03)

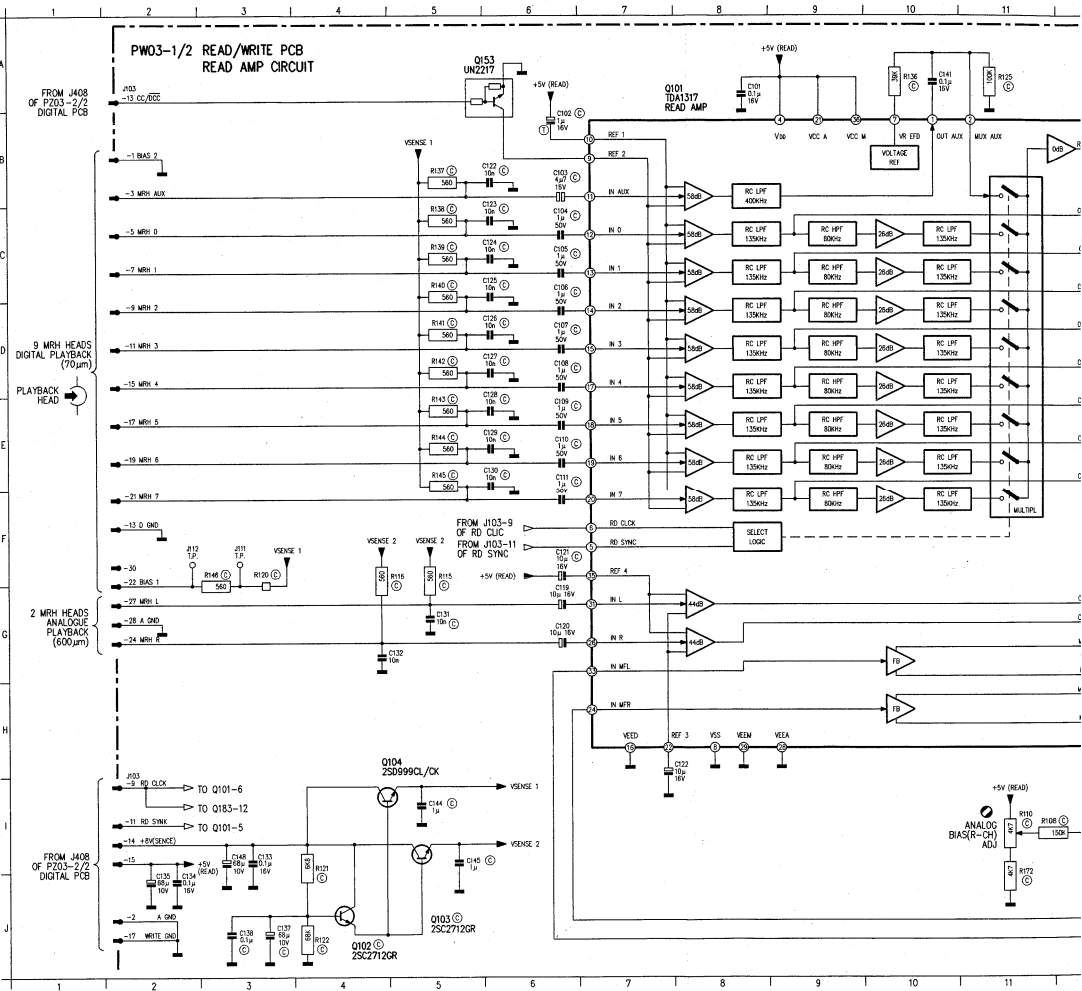


- |      |    |      |    |
|------|----|------|----|
| C401 | E2 | R411 | B3 |
| C402 | A1 | R412 | C5 |
| C412 | C4 | R413 | C5 |
| C441 | D6 | R415 | B8 |
| C442 | D7 | R416 | B4 |
| C443 | E3 | R441 | E4 |
| C444 | E7 | R442 | D6 |
| C445 | C7 | R443 | E5 |
| C446 | D3 | R444 | D6 |
| C448 | B7 | R445 | D7 |
| C449 | C7 | R447 | C4 |
| C451 | C3 | R450 | C7 |
| C452 | C3 | R451 | C7 |
| C453 | C3 | R452 | C7 |
| C454 | D3 | R453 | C7 |
| C455 | C3 | R454 | C7 |
| C457 | E3 | R456 | C7 |
| C190 | D6 | R459 | D6 |
| C483 | O6 | R457 | E5 |
| C484 | B8 | R477 | E5 |
| J406 | E8 | R478 | E5 |
| J409 | D6 | R479 | B6 |
| J410 | A2 | R484 | B6 |
| J411 | A7 | R481 | E5 |
| J441 | C7 | R492 | E5 |
| J442 | B8 | R483 | C3 |
| J443 | C7 | R484 | E5 |
| O401 | D2 | R495 | E5 |
| O402 | B2 | R496 | E5 |
| R410 | B5 | R497 | C4 |
| O411 | B3 | FU01 | C6 |
| O412 | B3 | FU02 | C6 |
| O441 | D4 | FU03 | C6 |
| O443 | D7 | FU04 | C6 |
| O444 | B7 |      |    |

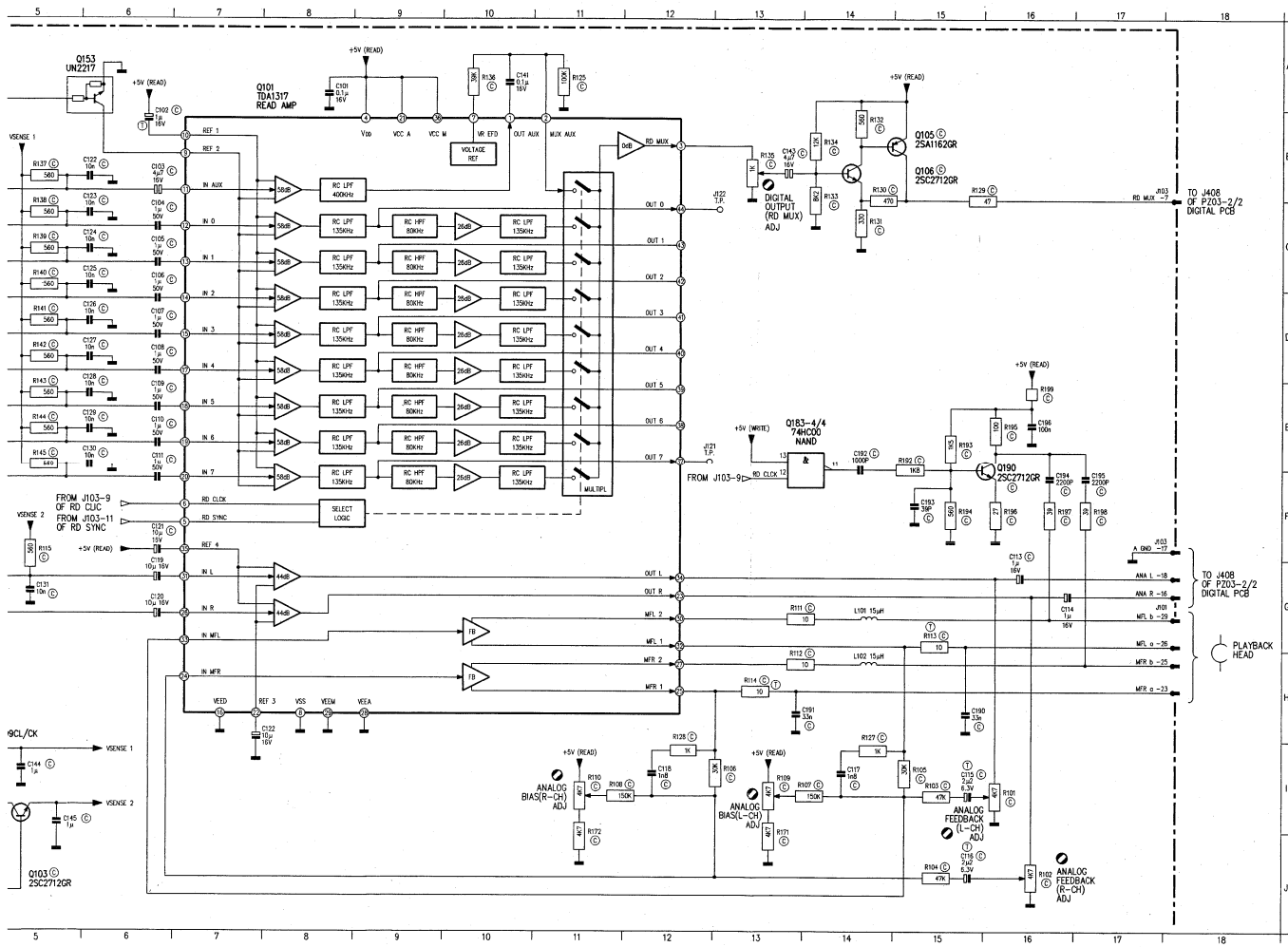
READ WRITE PCB A SIDE (PW03)



C101	B3	Q101	C3
C103	B5	Q102	D2
C104	B4	Q105	B5
C105	B4	Q106	C4
C106	B4	Q153	B4
C107	B3	Q181	A5
C108	B3	Q182	B6
C109	B3	Q183	C6
C110	B3	Q185	D5
C111	B2	Q190	A1
C112	B2	R103	C1
C115	C1	R104	B1
C116	C1	R106	A1
C117	C2	R108	B1
C118	B2	R107	C1
C119	C2	R109	B1
C120	B2	R115	A2
C121	C4	R116	A2
C121	C2	R121	D2
C122	A4	R122	D2
C123	A4	R125	C4
C124	A4	R127	C2
C125	A4	R128	B2
C128	A3	R129	B5
C127	A3	R130	B5
C128	A3	R131	C5
C129	A3	R132	B4
C130	A2	R133	C5
C131	A2	R134	C4
C132	A2	R136	C4
C133	D1	R137	B4
C134	D3	R138	B4
C135	D3	R139	B4
C137	D2	R140	B4
C138	D2	R141	B3
C140	D4	R142	B3
C141	C4	R143	B3
C143	C4	R144	B3
C150	D5	R145	B2
C181	A5	R151	C4
C182	B5	R154	A2
C183	C5	R185	C4
C190	A2	R186	C4
C191	A2	R190	B1
C193	B1	R194	B1
C198	B1	R195	B1
C197	D3	R196	A1
C198	C4	R199	C3

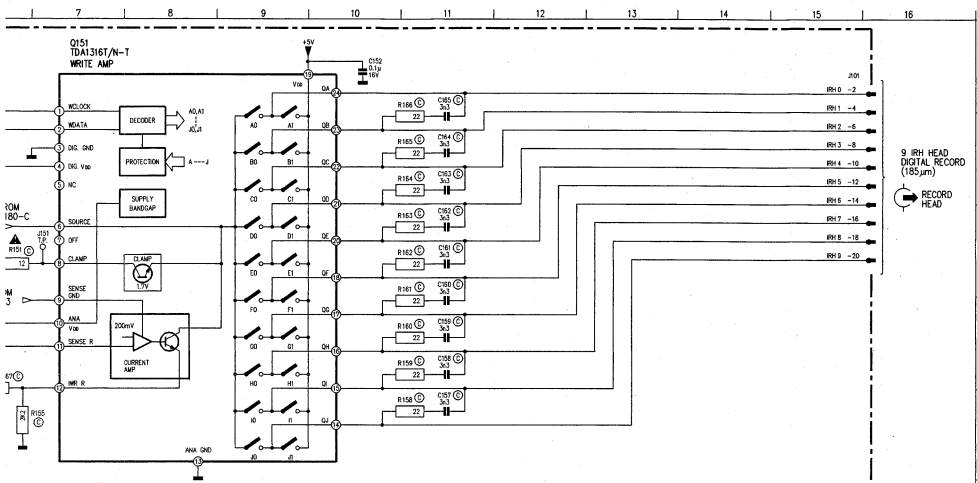






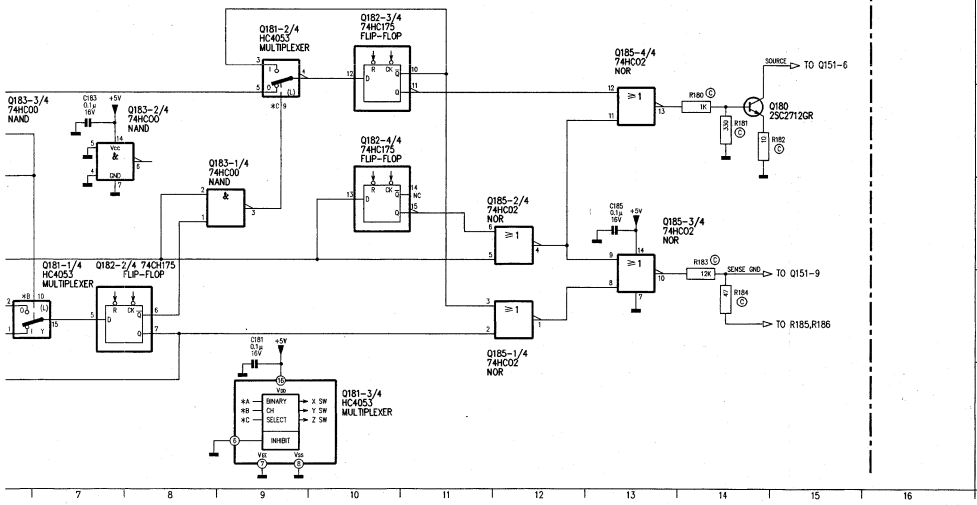
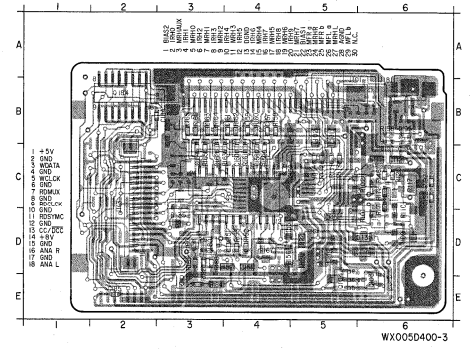
C101	A8	J103-3	B2
C102	B6	J103-30	F2
C103	B6	J103-5	C6
C104	C6	J103-7	B16
C105	C6	J103-7	C2
C106	D6	J103-9	D2
C107	D6	J103-9	I2
C108	D6	J103-9	I2
C109	E6	J112	F2
C110	E6	J121	E12
C111	E6	J122	C12
C112	F6	J102	F12
C113	G18	L101	G14
C114	G18	L102	H14
C115	I15	Q101	E7
C116	J15	Q102	J4
C117	I14	Q103	B
C118	I12	Q104	I4
C119	I12	Q105	F4
C120	Q6	Q106	B14
C121	F6	Q153	A6
C122	B6	Q183-4/4	E14
C122	H7	Q190	E16
C123	C6	R101	I16
C124	C6	R102	J16
C125	C6	R103	I16
C126	D6	R104	J15
C127	D6	R105	I15
C128	E6	R106	I13
C129	E6	R107	I14
C130	E6	R108	I11
C131	G6	R109	I13
C132	G4	R110	I11
C133	I3	R111	G13
C134	J2	R112	H13
C135	J2	R113	G13
C137	J3	R114	F15
C138	J3	R115	F5
C141	A10	R116	F10
C143	B13	R120	F3
C144	I5	R121	I4
C145	I5	R122	J4
C146	I3	R125	A11
C190	H15	R132	H14
C181	H13	R128	I12
C182	E14	R129	B15
C183	F15	R130	B14
C184	F16	R131	C14
C185	F17	R132	B14
C186	E16	R133	B14
C187	E16	R134	B14
C188	E16	R135	B14
C189	F16	R136	A10
C190	F17	R137	B6
C191	F17	R138	C5
C192	F17	R139	C5
C193	F17	R140	C5
C194	F17	R141	D5
C195	F17	R142	D5
C196	F17	R143	E5
C197	F17	R144	E5
C198	F17	R145	E5
C199	F17	R146	F3
C200	F17	R147	J13
C201	F17	R172	J11
C202	F17	R192	E15
C203	F17	R193	E15
C204	F17	R194	F15
C205	F17	R195	F15
C206	F17	R196	F15
C207	F17	R197	F15
C208	F17	R198	F17
C209	F17	R199	E16
C210	F17	R199	E16





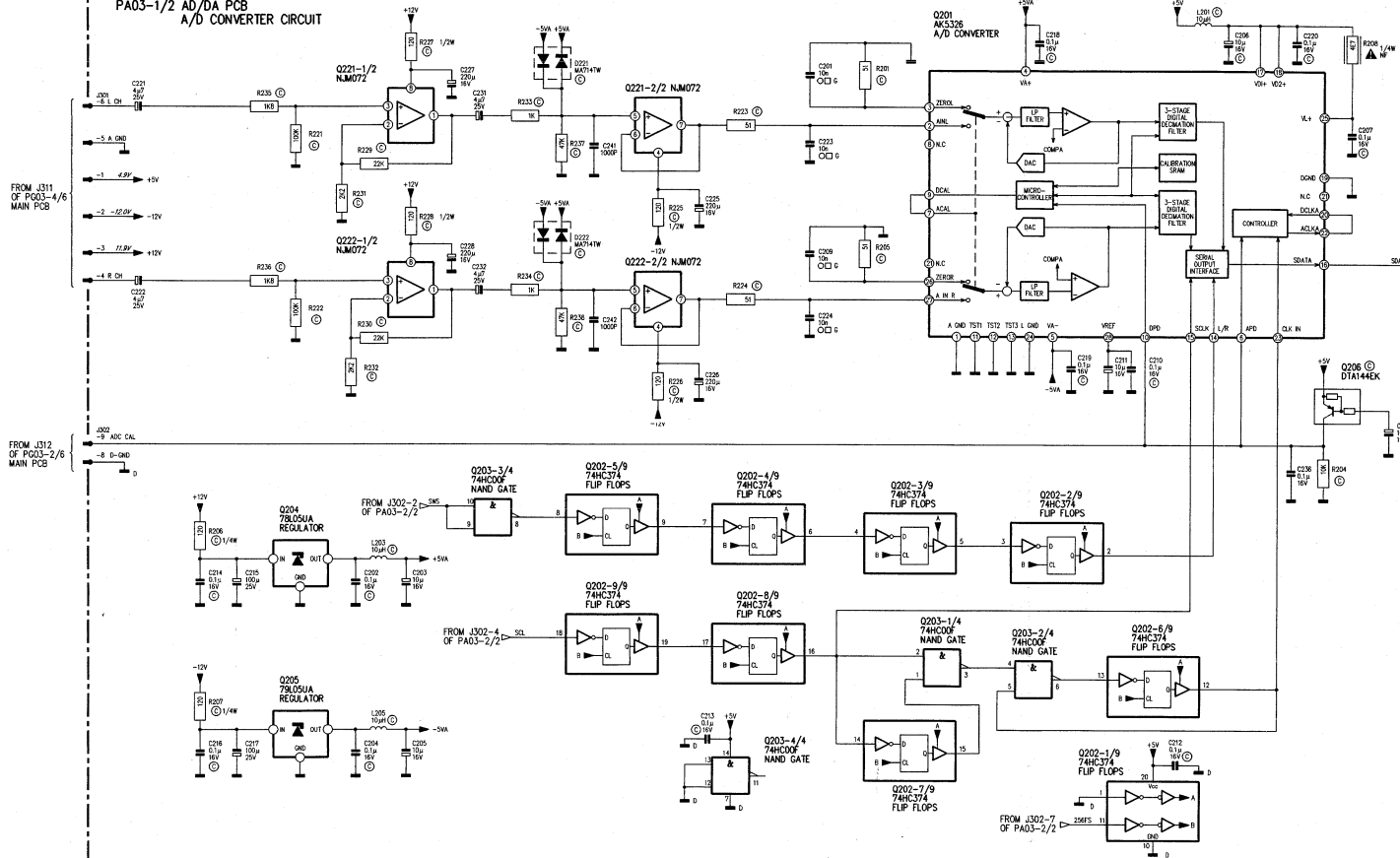
C113	D8	C195	B8	R109	D6	R163	C4
C114	D6	J101	B4	R110	D6	R164	B3
C144	D3	J103	C2	R111	C3	R165	C3
C145	D5	J111	C6	R112	C5	R166	B3
C151	D4	J112	C6	R113	C5	R167	D4
C152	C4	J121	D5	R114	C5	R171	C6
C157	B4	J122	D5	R117	C6	R172	C6
C158	C4	J151	D4	R120	C6	R182	D3
C159	B4	J152	D4	R135	D3	R181	D3
C160	C4	J181	B5	R146	C6	R146	C6
C161	B4	L101	B5	R152	D4	R183	E3
C162	C3	L102	B5	R183	D4	R184	E3
C163	B3	Q103	E9	R155	D4	R188	D3
C164	C3	Q104	E5	R156	D4	R192	C6
C165	B3	Q151	C4	R158	B4	R197	B6
C164	B3	Q150	D3	R159	C4	R198	B6
C185	E2	Q164	B2	R160	B4		
C185	C6	R101	D6	R161	C4		
C184	B6	R102	C6	R162	B4		

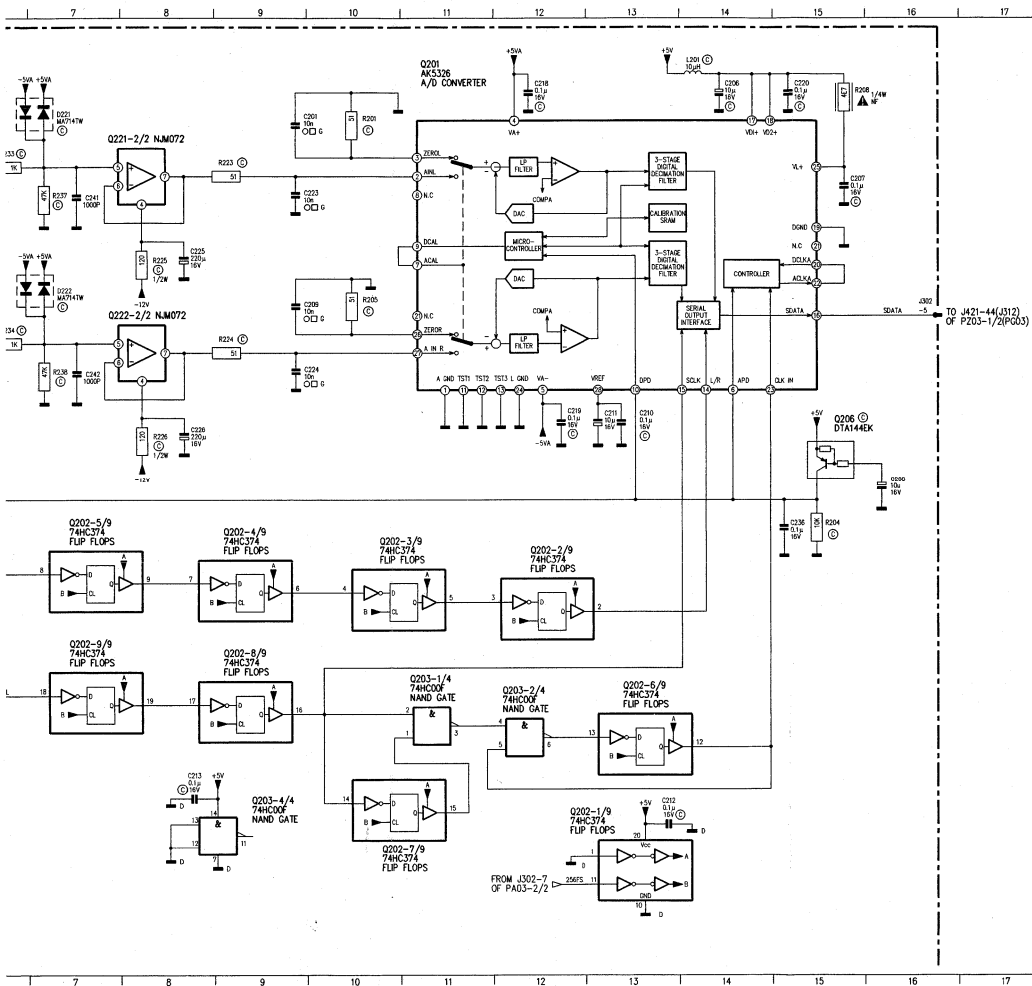
**READ/WRITE PCB B SIDE (PW03)**



C150	B6	J101-16	C16	C180	G14	R156	E6
C151	B5	J101-18	C16	Q181-1/4	I7	R158	E11
C152	A10	J101-20	A16	Q181-2/4	F9	R159	D11
C157	E11	J101-20	C16	Q181-3/4	J9	R160	D11
C158	D11	J101-18	A16	Q181-4/4	I5	R161	D11
C159	D11	J101-18	B16	Q182-1/4	F4	R162	C11
C160	D11	J101-18	B16	Q182-2/4	I7	R163	C11
C161	C11	J103-1	A2	Q182-3/4	F10	R164	B11
C162	C11	J103-10	C2	Q182-4/4	H10	R165	B11
C163	B11	J103-12	C2	Q183-1/4	I19	R166	B11
C164	B11	J103-3	B2	Q183-2/4	G7	R167	D6
C165	G7	J103-4	B2	Q183-3/4	O6	R180	G14
C162	E5	J103-5	A2	Q184	I14	R167	D6
C183	G7	J103-8	B2	Q185-1/4	I12	R192	G14
C184	J3	J103-8	B2	Q185-2/4	H12	R193	I14
C185	H13	J151	C7	Q185-3/4	I13	R194	I14
J101-10	B16	J152	C6	Q185-4/4	G13	R185	D6
J101-12	B16	J161	D4	R161	D6	R166	D6
J101-14	B16	C151	J7	R155	E6	R167	D4

PA03-1/2 AD/DA PCB  
A/D CONVERTER CIRCUIT

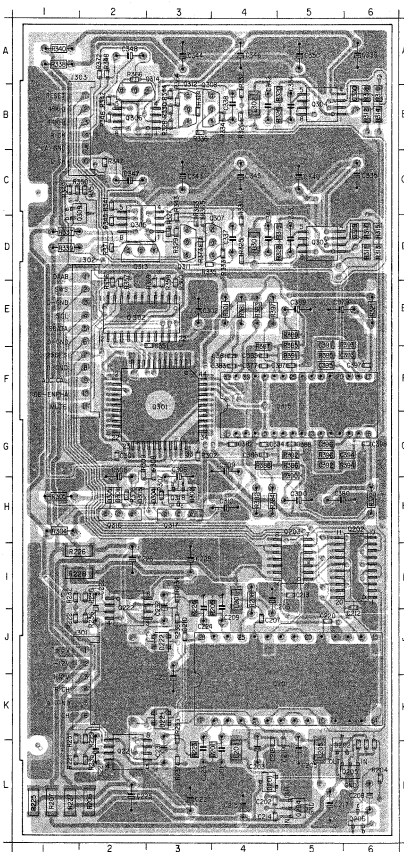




A  
B  
C  
D  
E  
F  
G  
H  
I  
J

- C201 B6
- C202 G4
- C203 G5
- C204 H4
- C205 I5
- C206 A14
- C207 B15
- C208 F16
- C209 D8
- C210 E13
- C211 E13
- C212 H13
- C213 I8
- C214 G3
- C215 G3
- C216 I3
- C217 I3
- C218 A12
- C219 E12
- C220 A15
- C221 B2
- C222 D2
- C223 B9
- C224 D9
- C225 C8
- C226 E8
- C227 B5
- C228 D5
- C231 B6
- C232 D7
- C236 F15
- C241 E7
- C242 D7
- D221 B7
- D222 C7
- J301-1 C2
- J301-2 C2
- J301-3 D2
- J301-4 D2
- J301-5 B2
- J301-6 B2
- J302-5 D18
- J302-6 F2
- J302-9 F2
- L201 A14
- L203 G3
- L205 I5
- Q201 B11
- Q202-1/9 H13
- Q202-2/9 G12
- Q202-3/9 G10
- Q202-4/9 F9
- Q202-5/9 F7
- Q202-6/9 H13
- Q202-7/9 H10
- Q202-8/9 H9
- Q202-9/9 H7
- Q203-1/4 H11
- Q203-2/4 H13
- Q203-3/4 F6
- Q203-4/4 I8
- Q204 G4
- Q205 E15
- Q221-1/2 B5
- Q221-2/2 B8
- Q222-1/2 D5
- Q222-2/2 D8
- R201 F15
- R204 D10
- R205 G3
- R207 I5
- R208 A15
- R221 B4
- R222 D4
- R223 B9
- R224 D9
- R225 C9
- R226 E5
- R227 AB
- R228 C5
- R229 CC
- R231 C4
- R232 E4
- R233 B6
- R234 D6
- R235 B3
- R236 D3
- R237 D7
- R238 D7

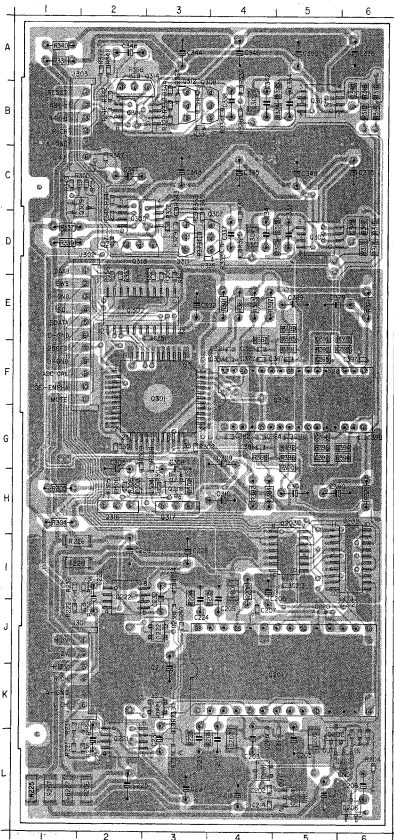
# AD/DA PCB (PA03)



WD005D201-4

C201	L-4	Q201	K-5	R344	B-3
C202	L-4	Q202	B	R345	D-2
C203	L-4	Q203	I-5	R346	B-2
C205	L-5	Q204	L-5	R347	C-2
C206	I-4	Q205	L-6	R348	A-2
C207	J-4	Q206	L-6	R349	C-1
C208	L-6	Q207	L-2	R350	C-1
C209	I-4	Q222	I-2	R351	C-2
C210	J-3	Q301	F-3	R366	E-2
C211	K-3	Q302	E-2	R357	E-2
C212	L-6	Q303	D-5	R358	E-3
C213	L-5	Q304	B-5	R359	E-3
C214	L-4	Q305	D-2	R360	E-3
C215	L-4	Q306	B-2	R363	D-3
C217	L-5	Q307	D-3	R364	B-3
C218	L-4	Q308	B-3	R365	D-3
C219	L-5	Q309	C-2	R366	A-2
C220	J-5	Q311	D-3	R371	D-2
C221	L-2	Q312	B-3	R372	A-2
C222	I-2	Q313	D-2	R373	D-3
C223	L-3	Q314	B-2	R374	B-3
C224	I-3	Q315	F-5	R381	E-4
C225	L-2	Q316	H-2	R382	H-4
C226	I-2	Q317	H-3	R383	E-4
C227	L-3	Q318	I-3	R384	H-4
C228	I-3	R201	L-4	R385	E-5
C231	L-3	R204	L-6	R386	G-5
C232	I-3	R205	I-4	R387	F-4
C301	G-2	R206	L-2	R388	G-4
C302	E-3	R207	L-1	R389	E-5
C305	G-2	R208	I-4	R390	G-5
C306	G-3	R221	L-1	R391	F-5
C309	G-4	R222	J-1	R392	G-5
C310	H-4	R223	D-3	R393	E-6
C329	D-8	R224	I-3	R394	G-6
C330	B-6	R225	L-1	R395	F-5
C333	D-5	R226	L-1	R396	G-5
C334	B-5	R227	I-1	R397	E-4
C335	G-6	R228	G-6		
C336	A-6	R229	K-2		
C338	B-4	R230	I-2		
C341	D-4	R231	K-1		
C342	D-3	R232	E-4		
C343	C-3	R233	K-1		
C344	A-3	R234	I-3		
C345	C-4	R235	L-2		
C346	A-4	R236	I-2		
C347	C-2	R237	G-3		
C348	A-2	R238	J-3		
C349	C-5	R301	E-4		
C350	A-5	R302	G-3		
C351	E-3	R304	H-1		
C377	F-4	R305	H-1		
C379	E-5	R306	H-2		
C380	H-5	R307	H-3		
C381	F-4	R308	G-3		
C382	G-4	R309	G-2		
C383	F-4	R311	D-6		
C384	G-4	R312	B-6		
C385	F-4	R313	D-6		
C386	G-4	R314	B-6		
C387	F-5	R315	D-6		
C388	G-5	R316	B-6		
C389	E-5	R317	D-6		
C390	H-5	R318	B-6		
C391	E-5	R319	D-5		
C392	G-5	R320	B-5		
C393	F-6	R321	E-6		
C394	G-6	R322	H-6		
C395	F-5	R323	D-5		
C396	G-5	R324	B-5		
C397	F-6	R325	D-4		
C398	G-6	R326	B-4		
D201	L-4	R327	D-3		
D202	L-5	R328	B-3		
D221	K-3	R329	D-3		
D222	J-3	R330	B-3		
D301	H-2	R331	D-4		
D302	H-3	R332	B-4		
D303	H-2	R333	D-4		
D304	H-3	R334	B-4		
D305	H-2	R335	D-3		
J301	J-2	R336	B-3		
J302	D-2	R337	D-1		
J303	B-1	R338	A-1		
L201	H-4	R339	D-1		
L203	L-4	R340	A-1		
L205	L-5	R341	C-2		
L301	D-4	R342	B-2		
L302	B-4	R343	D-3		

# AD/DA PCB (PA03)

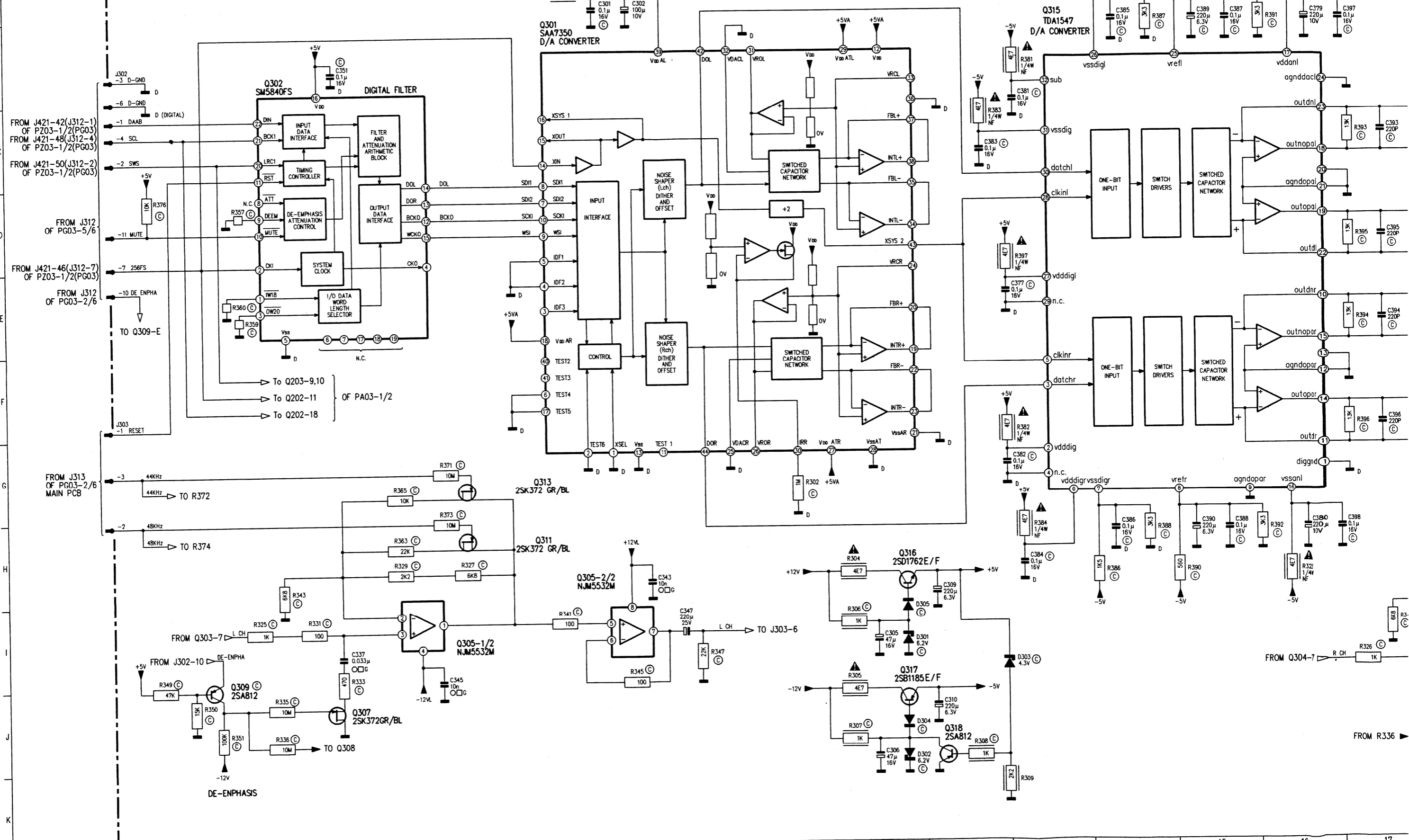


C201	L-4	Q201	K-5	C301	B-10	R321	A-16
C202	L-4	Q202	I-6	C302	B-10	R322	H-16
C203	L-4	Q203	I-5	C305	I-11	R323	D-20
C205	L-5	Q204	L-5	C306	J-11	R324	F-20
C206	I-4	Q205	E-6	C309	H-12	R325	I-4
C207	J-4	Q206	L-6	C310	J-12	R326	I-17
C208	L-6	Q221	L-2	C329	C-18	R327	H-6
C209	I-4	Q222	I-2	C330	E-19	R328	I-19
C210	J-3	Q311	F-3	C331	D-21	R329	H-5
C211	K-3	Q302	E-2	C332	F-21	R330	I-19
C212	H-8	Q303	D-5	C335	D-22	R331	I-4
C213	H-5	Q304	B-5	C336	G-22	R332	I-17
C214	L-4	Q305	D-2	C337	I-8	R333	I-5
C215	L-4	Q306	E-2	C344	J-18	R334	J-18
C217	L-5	Q307	D-3	C341	D-20	R335	J-4
C218	L-4	Q308	B-3	C342	F-20	R336	J-4
C219	L-5	Q309	C-2	C343	H-8	R337	C-22
C220	J-5	Q311	D-3	C344	H-8	R338	E-22
C221	L-2	Q312	D-3	C345	I-6	R339	D-22
C222	I-2	Q313	B-2	C346	J-19	R340	F-22
C223	L-3	Q314	B-2	C347	I-9	R341	I-7
C224	H-3	Q315	F-5	C348	I-22	R342	I-20
C225	G-2	Q316	H-2	C349	C-22	R343	H-4
C226	I-2	Q317	H-3	C350	E-22	R344	I-17
C227	L-3	Q318	H-3	C351	B-4	R345	I-8
C228	I-3	R201	L-4	C377	E-12	R346	J-21
C229	L-3	R204	L-6	C379	I-8	R347	I-8
C232	I-3	R205	I-4	C380	H-16	R348	J-22
C301	G-2	R206	L-2	C381	B-13	R349	J-2
C302	E-2	R207	L-1	C382	G-12	R350	J-3
C305	G-2	R208	I-4	C383	C-12	R351	J-3
C306	G-3	R221	L-1	C384	H-13	R357	D-3
C309	O-4	R222	J-1	C385	B-14	R359	E-3
C310	H-4	R223	L-3	C386	H-14	R360	E-3
C309	D-6	R224	I-3	C387	B-15	R363	H-6
C330	B-6	R225	L-1	C388	H-15	R364	H-18
C333	D-5	R226	I-1	C389	B-15	R365	G-5
C334	B-5	R227	L-1	C390	H-15	R366	H-18
C335	C-6	R228	I-1	C391	D-17	R371	G-6
C336	A-6	R229	K-2	C392	F-17	R372	G-19
C338	B-4	R230	I-2	C393	C-17	R373	H-6
C341	D-4	R231	K-1	C394	E-17	R374	H-19
C342	B-4	R232	I-1	C395	D-17	R376	D-2
C343	C-3	R233	K-3	C396	F-17	R381	B-13
C344	A-3	R234	I-3	C397	B-16	R382	F-12
C345	C-4	R235	L-2	C398	H-16	R383	C-12
C346	A-4	R236	I-2	D301	I-11	R384	H-13
C347	C-2	R237	L-3	D302	J-11	R385	A-14
C348	A-2	R238	J-2	D303	J-12	R386	H-14
C349	C-5	R301	E-4	D304	J-11	R387	B-14
C350	A-5	R302	G-3	D305	I-11	R388	H-14
C351	E-3	R304	H-1	J302	B-2	R389	A-15
C377	F-4	R305	H-1	J303	F-2	R390	H-15
C378	E-5	R308	H-2	J303	H-23	R391	B-16
C380	H-5	R307	H-3	L301	D-21	R362	H-16
C381	F-4	R308	G-3	L302	F-21	R363	C-17
C382	G-4	R309	G-2	O301	B-7	R364	E-17
C383	F-4	R311	D-6	O302	B-4	R365	D-17
C384	G-4	R312	B-6	O303-1/2	D-19	R366	F-17
C385	F-4	R313	D-6	O303-1/2	F-19	R367	D-12
C386	G-4	R314	B-6	O303-2/2	C-21		
C387	F-5	R315	D-6	O304-2/2	F-21		
C389	G-5	R316	B-6	O305-1/2	B-6		
C390	H-5	R318	B-6	O306	I-21		
C391	E-6	R319	D-5	O306-1/2	I-19		
C392	G-5	R320	G-5	Q307	J-4		
C393	F-6	R321	E-6	Q308	J-18		
C394	G-6	R322	H-6	Q309	J-3		
C395	F-5	R323	D-5	Q311	H-6		
C396	G-5	R324	B-5	Q312	H-19		
C397	F-6	R325	D-4	Q313	G-6		
C398	G-6	R326	B-4	Q315	B-13		
D201	L-4	R327	D-3	Q316	H-11		
D202	L-5	R328	B-3	Q317	J-11		
D221	H-3	R329	D-3	Q318	D-12		
D222	J-3	R330	B-3	F301	A-11		
D301	H-2	R331	D-4	R302	G-10		
D302	H-3	R332	B-4	R304	H-11		
D303	H-2	R333	D-4	R306	J-11		
D304	H-3	R334	B-4	R307	B-11		
D305	H-2	R335	D-3	R307	J-11		
J301	J-2	R336	B-3	R308	J-12		
J302	D-2	R337	D-1	R309	I-13		
J303	B-1	R338	A-1	R310	C-18		
L201	H-4	R339	D-1	R312	E-18		
L203	L-4	R340	A-1	R313	D-18		
L205	L-5	R341	C-2	R314	F-18		
L301	D-4	R342	B-2	R315	D-16		
L302	B-4	R343	D-3	R316	F-18		
				R317	C-19		
				R318	E-19		
				R319	D-20		
				R320	F-20		

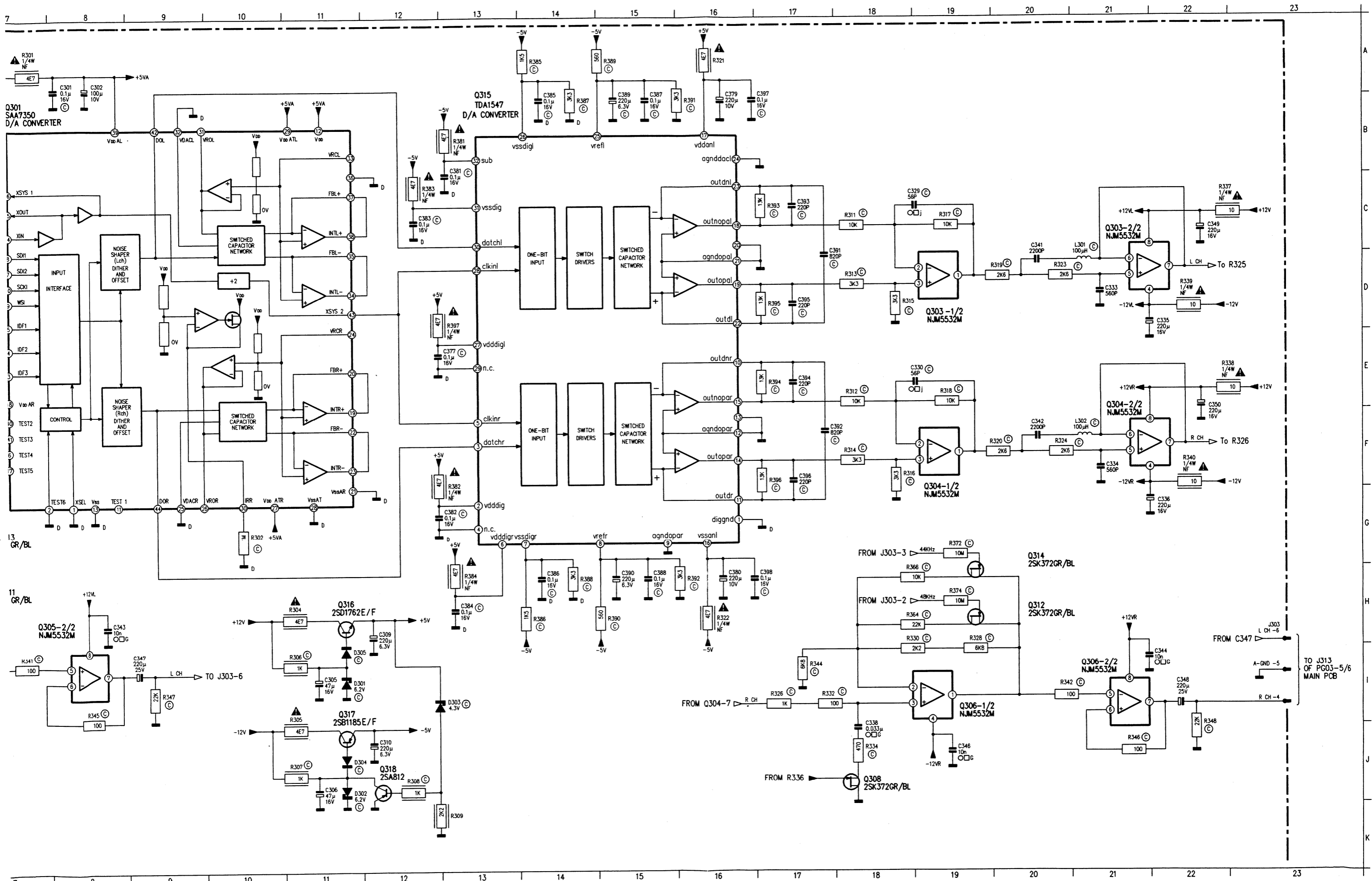
WD005D201-4

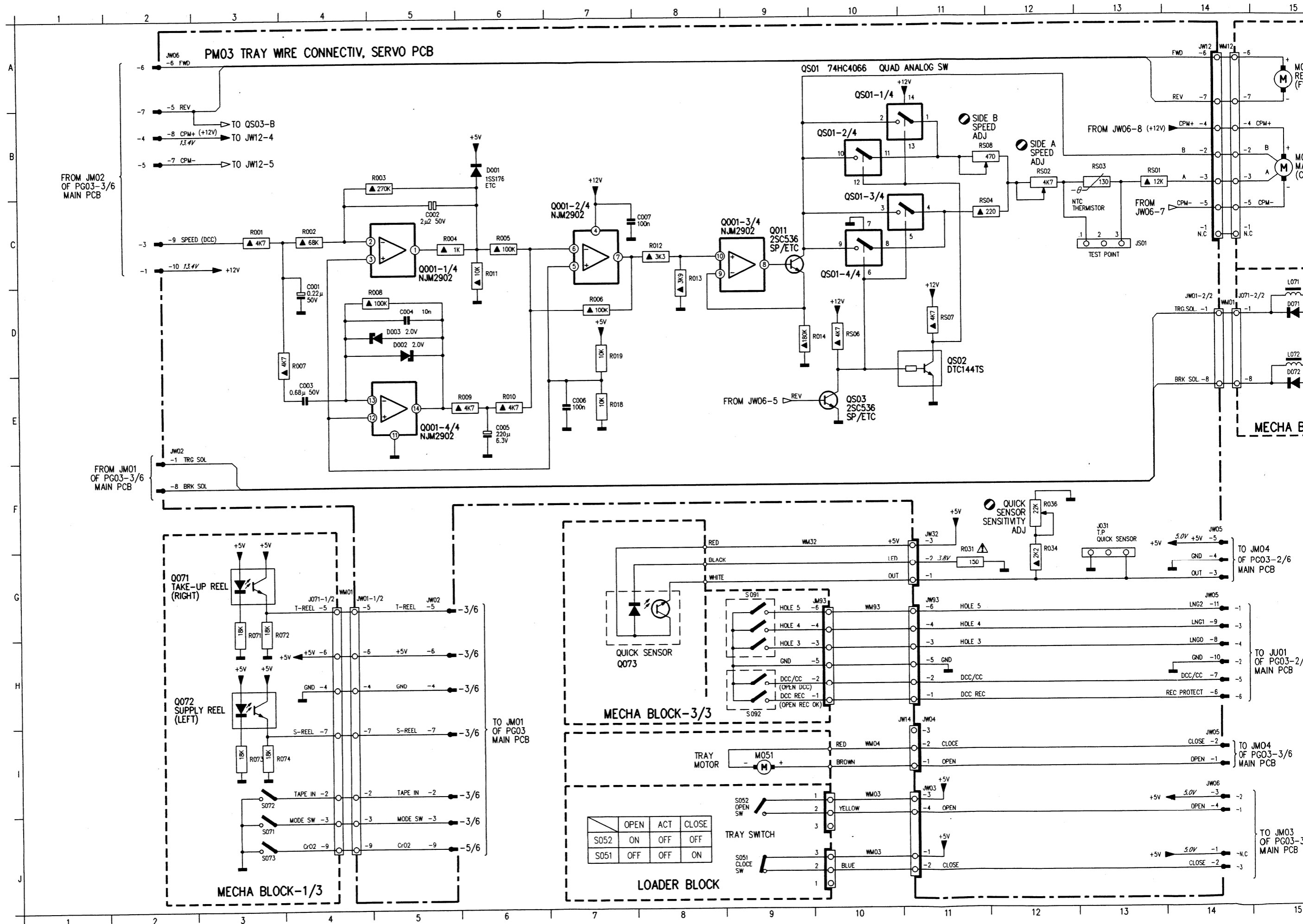
R344	B-3	R356	E-2	R366	A-2	R384	H-4	R392	G-5
R345	D-2	R357	E-2	R371	D-2	R385	E-5	R393	G-6
R346	B-2	R358	E-3	R372	A-2	R386	G-5	R394	E-6
R347	C-2	R359	E-3	R373	D-3	R387	F-4	R395	F-5
R348	A-2	R360	E-3	R374	B-3	R388	G-4	R396	G-5
R349	C-1	R363	D-3	R381	E-4	R389	E-5	R397	E-4
R350	C-1	R364	B-3	R382	H-4	R390	G-5		
R351	C-2	R365	D-3	R383	E-4	R391	F-5		

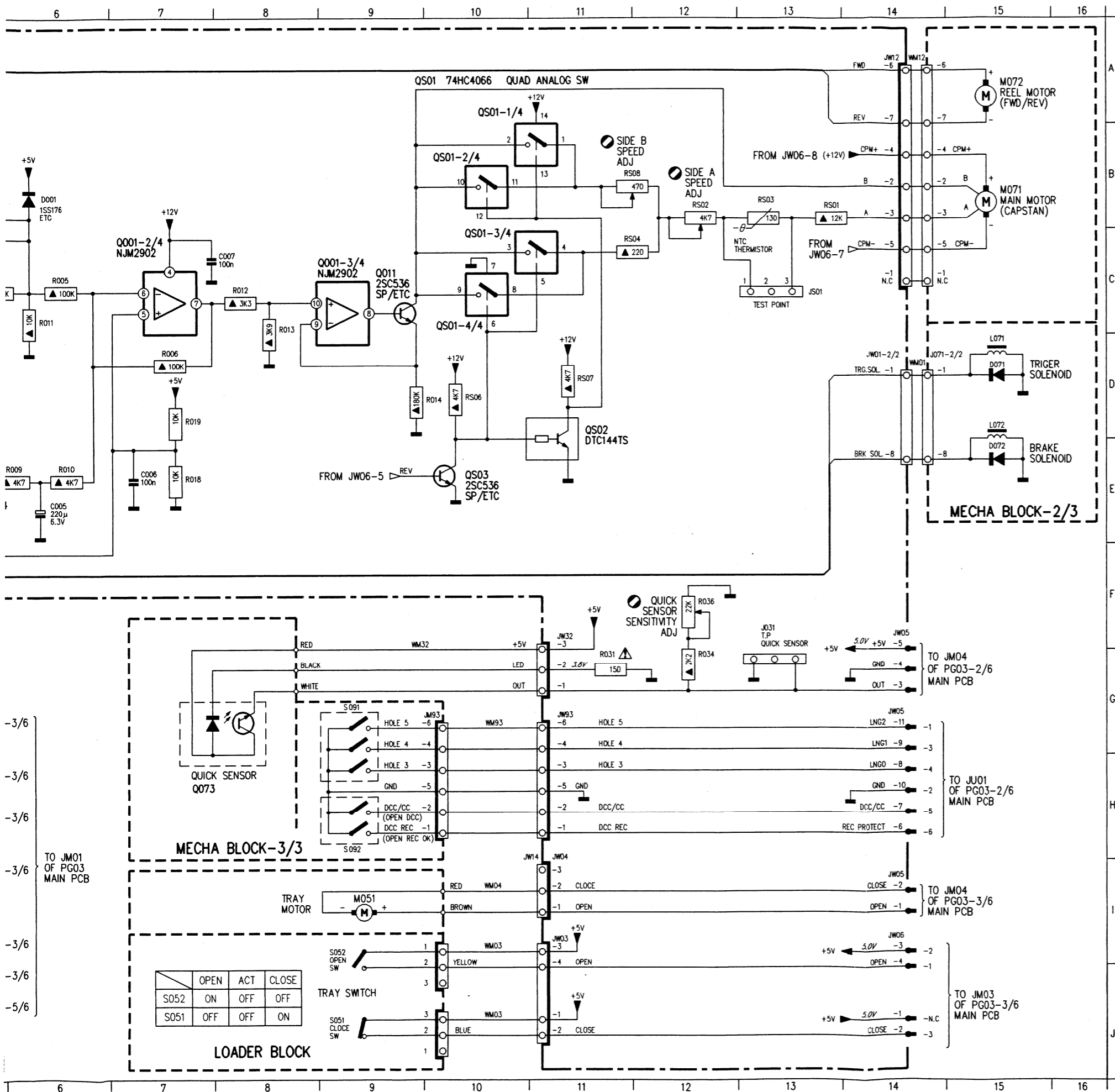
PA03-2/2 AD/DA PCB  
D/A CONVERTER CIRCUIT





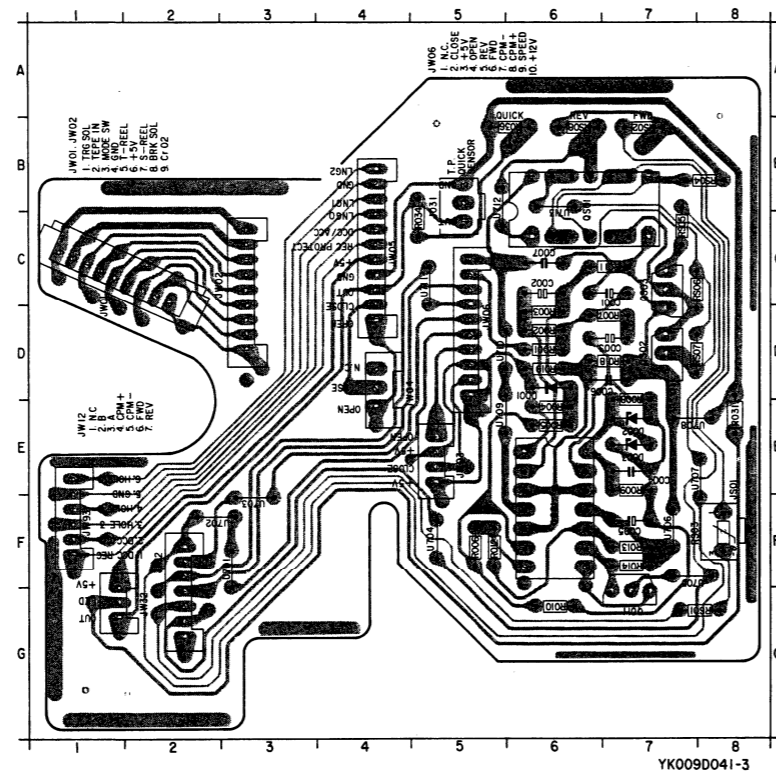






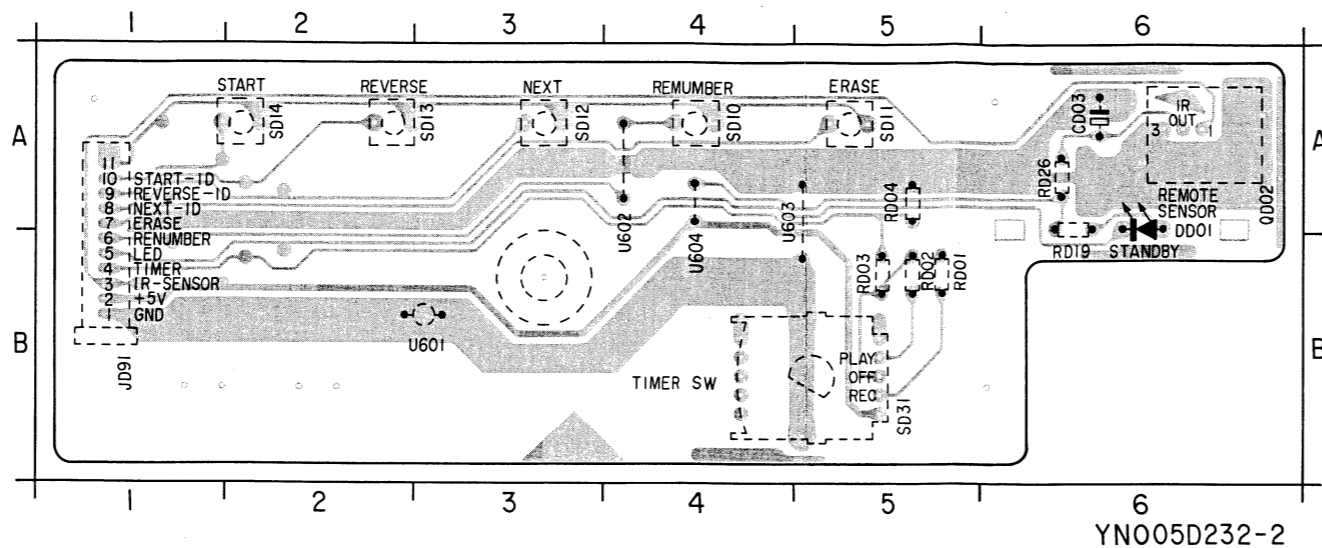
C001	D4	L071	D15
C002	C5	L072	E15
C003	E4	M051	I9
C004	D5	M071	B15
C005	E6	M072	A15
C006	E7	Q001-1/4	C5
C007	C7	Q001-2/4	C7
D001	B6	Q001-3/4	C9
D002	D5	Q001-4/4	E5
D003	D5	Q011	C9
D071	D15	Q071	G3
D072	E15	Q072	H3
J031	G13	Q073	G8
J071-1/2	G4	QS03	E10
J071-1/2-2/4		QS01-1/4	B11
J071-1/2-3/4		QS01-2/4	B10
J071-1/2-7/4		QS01-3/4	C11
J071-1/2-8/4		QS01-4/4	C10
J071-2/2	D14	QS02	D11
JM93	G10	R001	C3
JS01	C13	R002	C4
JW01-1/2	G4	R003	B5
JW01-1/2-2/4		R004	C5
JW01-1/2-3/4		R005	C6
JW01-1/2-7/4		R006	D7
JW01-1/2-8/4		R007	D4
JW01-2/2	D14	R008	D5
JW02-1	F2	R009	E6
JW02-2	I5	R010	E6
JW02-3	J5	R011	C6
JW02-4	H4	R012	C8
JW02-5	G5	R013	C8
JW02-6	H4	R014	D9
JW02-7	I5	R018	E7
JW02-8	F2	R019	D7
JW02-9	J5	R031	G11
JW03	I11	R034	G12
JW03-1	J11	R036	F12
JW03-2	J11	R071	G3
JW03-4	J11	R072	G3
JW04	I11	R073	I3
JW05-1	I14	R074	I3
JW05-10	H14	RS01	B13
JW05-11	G14	RS02	B12
JW05-2	I14	RS03	B13
JW05-3	G14	RS04	C11
JW05-4	G14	RS06	D10
JW05-5	G14	RS07	D11
JW05-6	H14	RS08	B11
JW05-7	H14	S052	I9
JW05-8	H14	S071	J3
JW05-9	G14	S072	I3
JW06-1	J14	S073	J3
JW06-10	C2	S091	G9
JW06-2	J14	S092	H9
JW06-3	I14	SD51	J9
JW06-4	J14	WM01	D14
JW06-5	A2	WM01	G4
JW06-6	A2	WM03	I10
JW06-7	B2	WM03	J10
JW06-8	B2	WM04	I10
JW06-9	C2	WM12-1	C14
JW12-1	C14	WM12-2	B14
JW12-2	B14	WM12-3	B14
JW12-3	B14	WM12-4	B14
JW12-4	B14	WM12-5	C14
JW12-5	C14	WM12-6	A14
JW12-6	A14	WM12-7	A14
JW12-7	A14	WM32	G9
JW32	G11	WM93	G10
JW93	G11		

TRAY WIRE CONNECTION, SERVO PCB (PM03)



C001	C7	R008	E7
C002	C6	R009	E7
C003	D7	R010	G6
C004	E7	R011	C7
C005	F7	R012	F5
C006	D7	R013	F7
C007	C6	R014	F7
D001	D6	R018	D7
D002	E7	R019	D6
D003	E7	R031	E8
J031	B5	R034	C5
JS01	F8	R036	B6
JW01	C1	RS01	G8
JW02	C3	RS02	B7
JW03	E5	RS03	F8
JW04	D4	RS04	B8
JW05	C4	RS05	C7
JW06	D5	RS06	C7
JW12	F2	RS07	D7
JW32	G1	RS08	B6
JW93	F1	U701	F3
Q001	F6	U702	F2
Q011	G7	U703	F3
QS01	B6	U704	F5
QS02	D7	U705	F7
QS03	C7	U706	F7
R001	D6	U707	E8
R002	D6	U708	E7
R003	D6	U709	E5
R004	E6	U710	D5
R005	E6	U711	C5
R006	F5	U712	B5
R007	D7	U713	B6

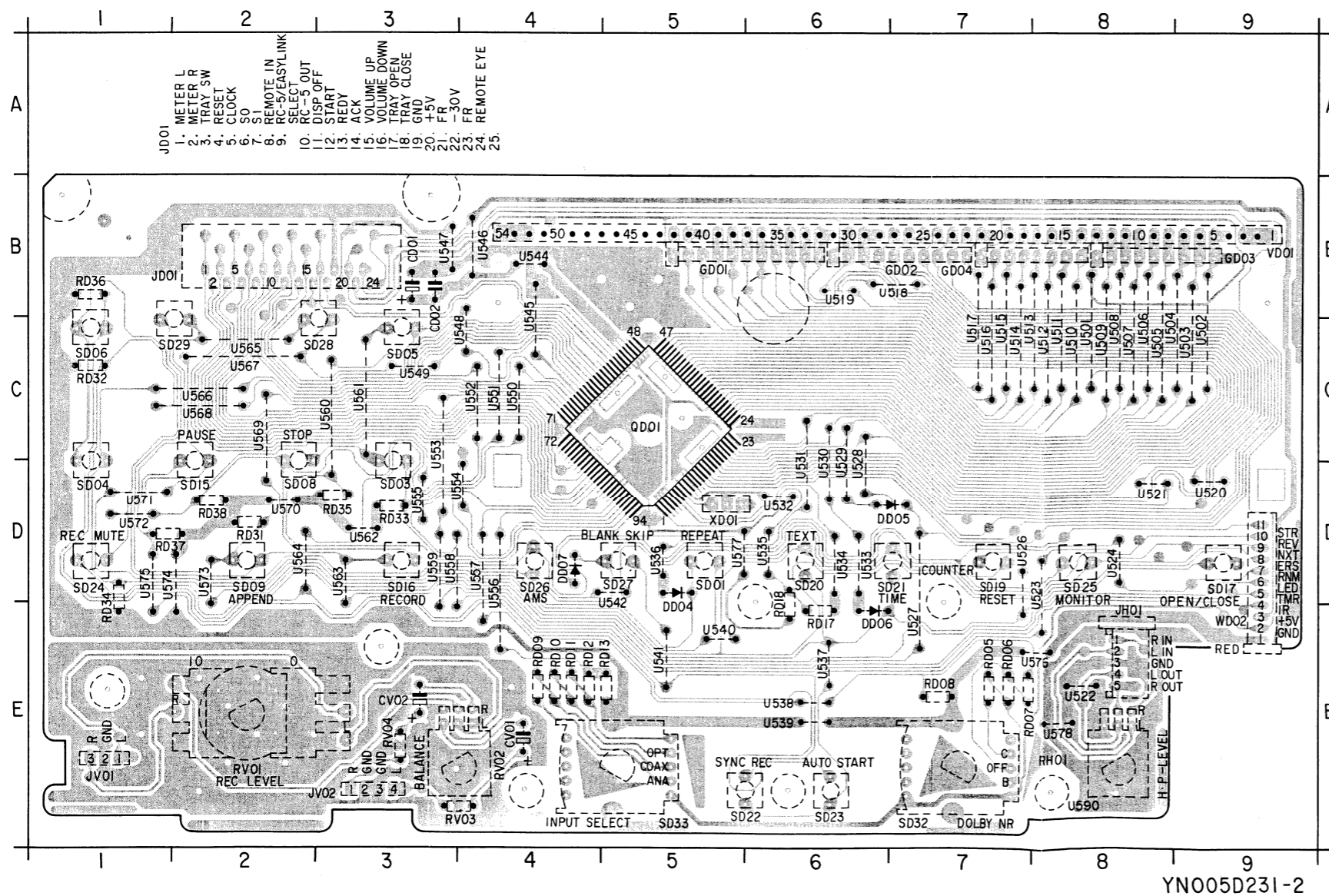
IR SENSOR PCB (PD04)



CD03	A-6
DD01	A-6
JD91	B-1
QD02	A-6
RD01	B-5
RD02	B-5
RD03	B-5
RD04	A-5
RD19	A-6
RD26	A-6
SD10	A-4
SD11	A-5
SD12	A-3
SD13	A-2
SD14	A-2
SD31	B-5
U601	B-3
U602	A-4
U603	A-5
U604	A-4

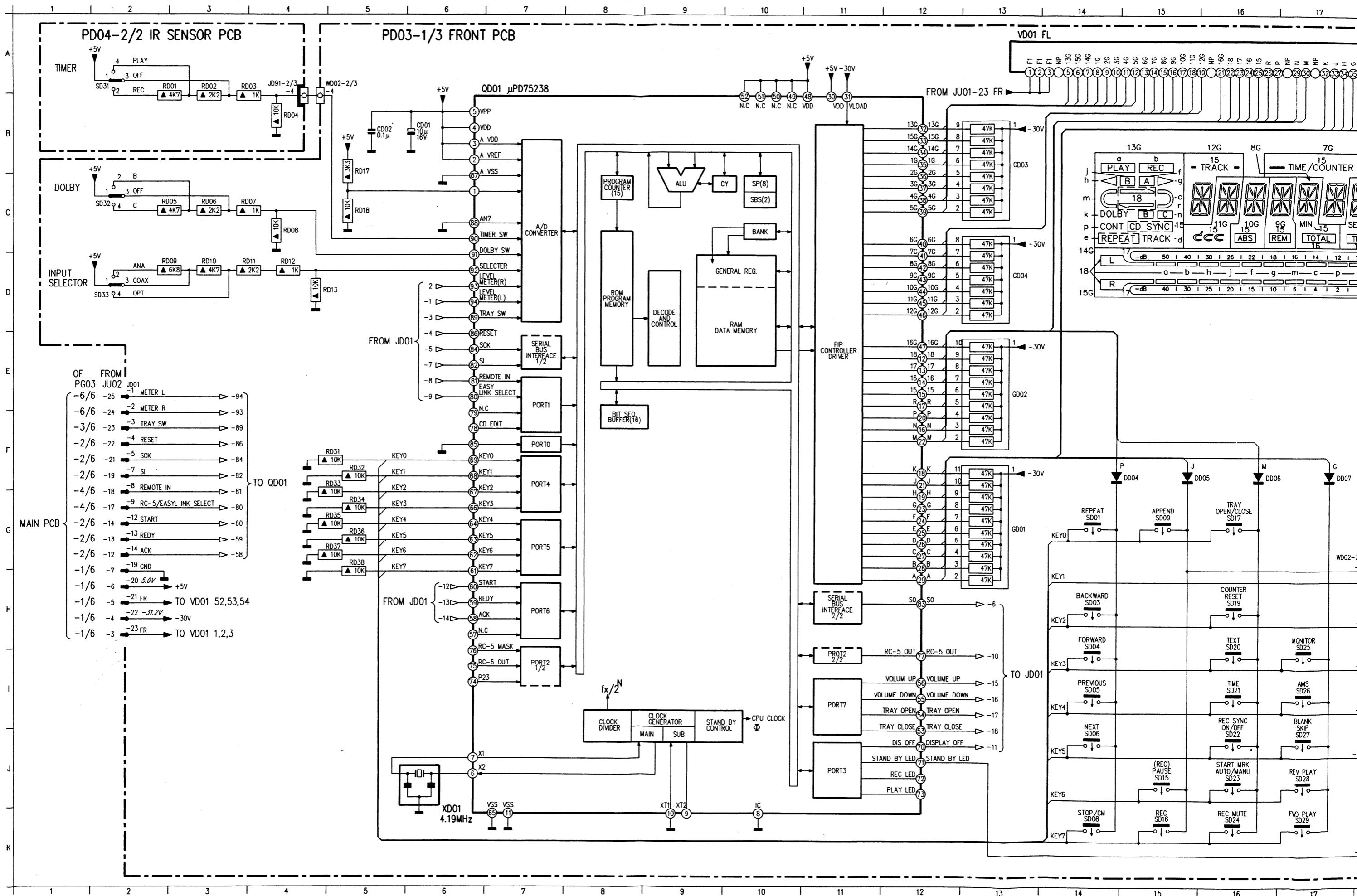
YN005D232-2

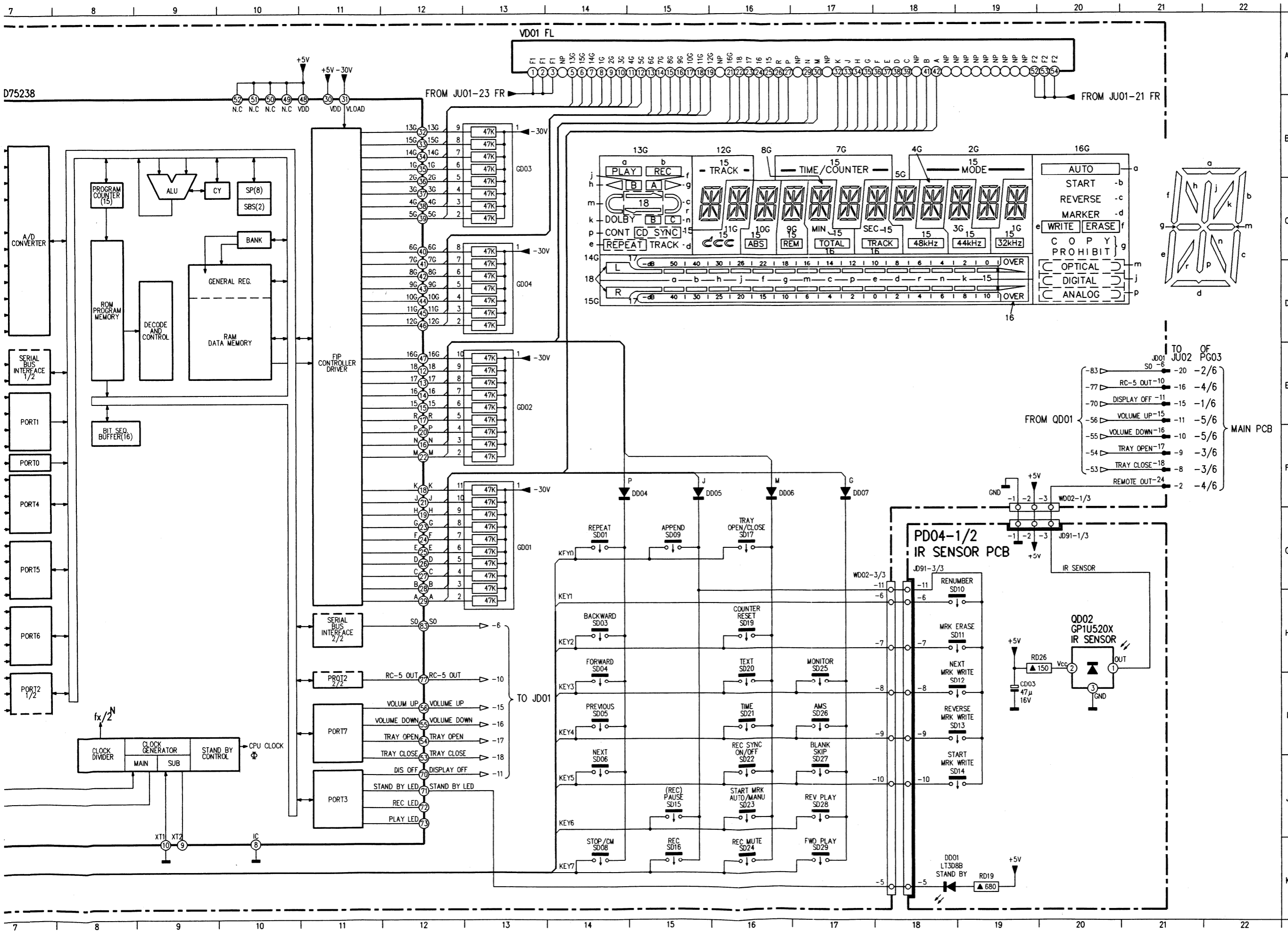
FRONT PCB (PD03)



CD01	B-3	SD17	D-9	U536	D-5
CD02	B-3	SD19	D-7	U537	E-6
CV01	E-4	SD20	D-6	U538	E-6
CV02	E-3	SD21	D-7	U539	E-6
DD05	D-7	SD22	E-6	U540	E-5
DD06	E-6	SD23	E-6	U541	E-5
DD07	D-4	SD24	D-1	U542	D-5
GD01	B-5	SD25	D-8	U544	B-4
GD02	B-7	SD26	D-4	U545	B-4
GD03	B-8	SD27	D-5	U545	C-4
GD04	B-7	SD28	C-3	U546	B-4
JD01	B-2	SD29	C-2	U547	B-3
JH01	E-8	SD32	E-7	U548	C-4
JV01	E-1	SD33	E-5	U549	C-3
JV02	E-3	U501	C-8	U550	C-4
QD01	C-5	U502	C-9	U551	C-4
RD05	E-7	U503	C-9	U552	C-4
RD06	E-7	U504	C-8	U553	C-3
RD07	E-7	U505	C-8	U554	D-4
RD08	E-7	U506	C-8	U555	D-3
RD09	E-4	U507	C-8	U556	D-4
RD10	E-4	U508	C-8	U557	D-4
RD11	E-4	U509	C-8	U557	D-6
RD12	E-4	U510	C-8	U558	D-3
RD13	E-5	U511	C-8	U559	D-3
RD17	E-6	U512	C-8	U560	C-3
RD18	E-6	U513	C-8	U561	C-3
RD31	D-2	U514	C-7	U562	D-3
RD32	C-1	U515	C-7	U563	D-3
RD33	D-3	U516	C-7	U564	D-2
RD34	D-1	U517	C-7	U565	C-2
RD35	D-3	U518	B-7	U566	C-2
RD36	B-1	U519	B-6	U567	C-2
RD37	D-1	U520	D-9	U568	C-2
RD38	D-2	U521	D-8	U569	C-2
RH01	E-8	U522	E-8	U570	D-2
RV01	E-2	U523	D-8	U571	D-1
RV02	E-4	U524	D-8	U572	D-1
RV03	E-4	U526	D-7	U573	D-2
SD01	D-5	U527	D-7	U574	D-1
SD03	D-3	U528	D-6	U574	D-2
SD04	D-1	U529	D-6	U575	D-1
SD05	C-3	U530	D-6	U576	E-8
SD06	C-1	U531	D-6	U578	E-8
SD08	D-2	U532	D-6	U590	E-8
SD09	D-2	U533	D-6	VD01	B-9
SD15	D-2	U534	D-6	WD02	D-9
SD16	D-3	U535	D-6	XD01	D-5

YN005D231-2





CD01	B-6	SD06	J-14
CD02	B-5	SD08	K-14
CD03	I-19	SD09	G-15
CV01	E-4	SD10	H-18
CV02	E-3	SD11	H-18
DD01	K-18	SD12	I-18
DD04	F-14	SD13	I-18
DD05	D-7	SD14	J-18
DD05	F-15	SD15	J-15
DD06	E-6	SD16	K-15
DD06	F-16	SD17	D-9
DD07	D-4	SD17	G-16
DD07	F-17	SD19	D-7
GD01	G-13	SD19	H-16
GD02	E-13	SD20	D-6
GD03	B-13	SD20	I-16
GD04	D-13	SD21	D-7
JD01	E-2	SD21	I-16
JD01	E-21	SD22	E-8
JD91-2/3	A-4	SD22	J-16
JD91-1/3	G-19	SD23	E-6
JD91-3/3	G-18	SD23	J-16
JH01	E-8	SD24	K-16
JV01	E-1	SD25	D-8
JV02	E-3	SD25	I-17
QD01	A-7	SD26	D-4
QD02	H-20	SD26	I-17
RD01	A-2	SD27	D-5
RD02	A-3	SD27	J-17
RD03	A-4	SD28	J-17
RD04	B-4	SD29	K-17
RD05	C-2	SD31	A-2
RD05	E-7	SD32	C-2
RD06	C-3	SD32	E-7
RD06	E-7	SD33	D-2
RD07	C-4	SD33	E-5
RD07	E-7	U520	D-9
RD08	C-4	U521	D-8
RD08	E-7	U522	E-8
RD09	E-4	U523	D-8
RD10	D-3	U524	D-8
RD10	E-4	U526	D-7
RD11	D-4	U527	D-7
RD11	E-4	U528	D-6
RD12	D-4	U529	D-6
RD12	E-4	U530	D-6
RD13	D-4	U531	D-6
RD13	E-5	U532	D-6
RD17	B-5	U533	D-6
RD17	E-6	U534	D-6
RD18	C-5	U535	D-6
RD18	E-6	U536	D-5
RD19	K-19	U537	E-6
RD26	H-20	U538	E-6
RD31	F-5	U539	E-6
RD32	F-5	U540	E-5
RD33	G-5	U541	E-5
RD34	G-5	U542	D-5
RD35	G-5	U554	D-4
RD36	G-5	U556	D-4
RD37	G-5	U557	D-4
RD38	H-5	U557	D-6
RD90	S-2	U576	E-8
RH01	E-8	U578	E-8
RV01	E-2	U590	E-8
RV02	E-4	VD01	A-13
RV03	E-4	WD02	D-9
SD01	D-5	WD02-2/3	A-4
SD01	G-14	WD02-1/3	F-20
SD03	H-14	WD02-3/3	G-18
SD04	I-14	XD01	D-5
SD05	I-14	XD01	J-6