

Service
Service
Service

TS9200
TS9201
DS9200
RX-77



Service Manual

TABLE OF CONTENTS

	Page
Mechanical Instructions	1
Electrical diagrams	2
Mainboard component layout	3
Mechanical & Electrical Parts list	4
Mechanical Instructions - Docking station	5
Electrical diagrams - Docking station	6
Charge board component layout	7
Mechanical & Electrical Parts list - Docking station	8
Mechanical Instructions RX-77	9
Electrical diagrams RX-77	10
RX-77boards component layout	11
Mechanical & Electrical Parts list RX-77	12

MECHANICAL INSTRUCTIONS - TS9201

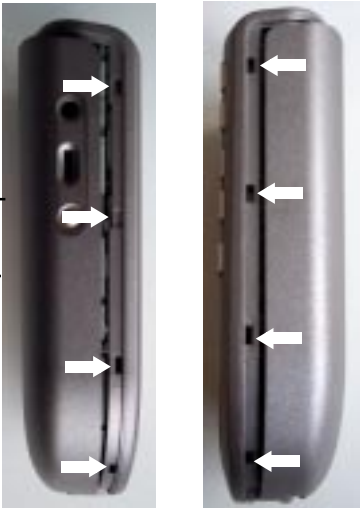
Set Disassembly

- 1. Remove battery lid
- 2. Remove battery
- 3. Remove 2 x screw (Torx screw 2x6)
see picture - arrows



- 6. Put a sharp knife between toppart and bottompart and use this as lever to separate the two parts. see picture

Overview snapholes

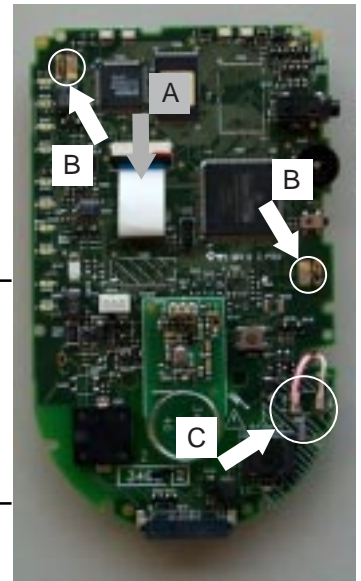


MECHANICAL INSTRUCTIONS - TS9201

Disassembly LCD & Buttons

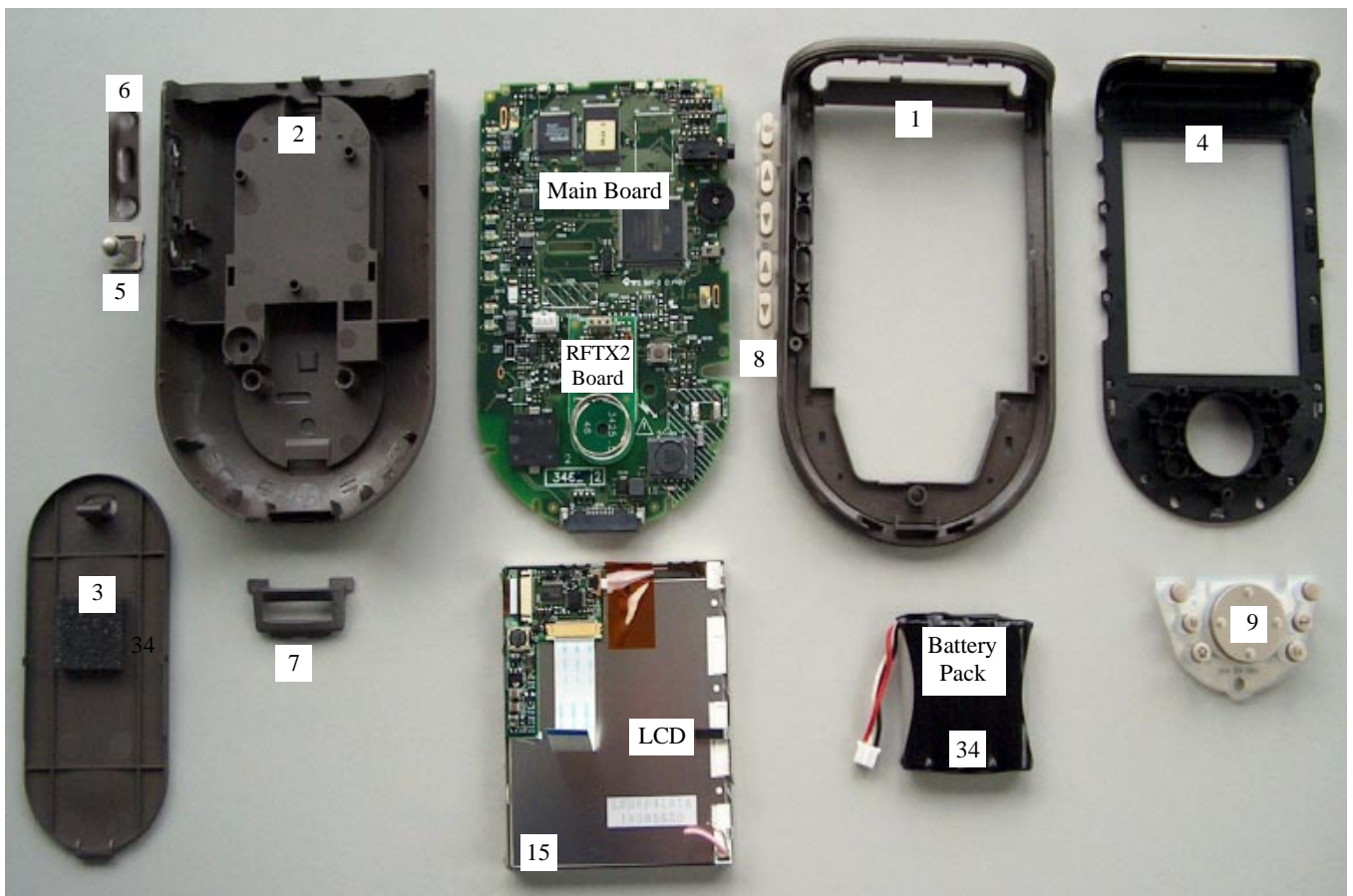


1. Remove 5 x screw (Torx screw 2x6). see picture - arrows
2. Remove the printboard assy from the toppart assy



- Disassembly LCD & Mainboard**
- 1a. Desolder the 2 fixation points, bend the lips straight. - arrows B
 - 2a. Desolder the 2 wires. see picture - arrows C
 - 3a. Remove the flex cable. see picture - arrow A
 - 4a. Remove LCD from the mainboard assy.

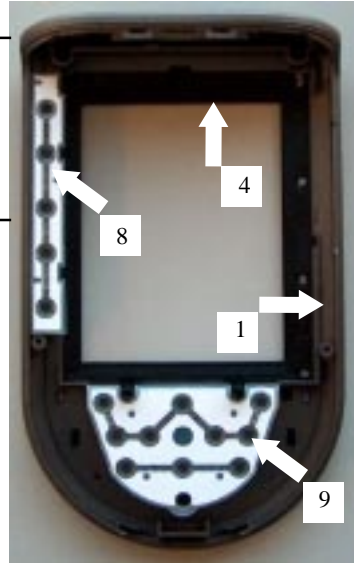
Overview disassembled parts - TS9201



MECHANICAL INSTRUCTIONS - TS9201

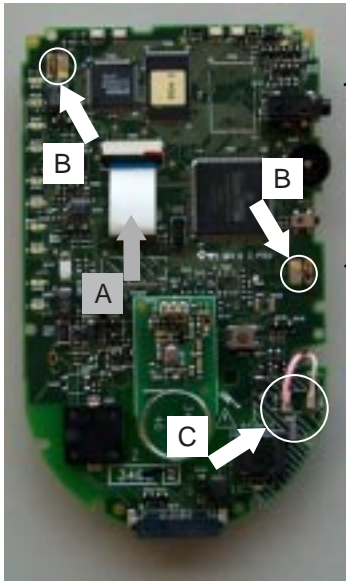
Set Reassembly

1. Put Toppart (*item1) and IR-wind assy (*item 4) together.
2. Place Toppart assy (item1 & item4) upside down.
3. Place upper keymat assy. (*item8)
4. Place LCD keymat assy. (*item9)



Reassembly LCD & Mainboard

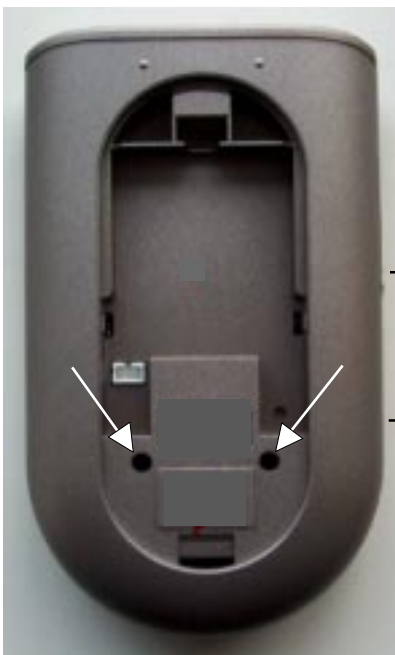
- 1a. Put printboard on LCD assy. (*item15)
- 2a. Soldering the 2 fixation points. see arrow B
- 3a. Connect the flex cable. see arrow A
- 4a. Solder the two wires. see arrow C



5. Place mainboard in the toppart.assy.
6. Place Doc. plug assy. (*item7)
7. Mount the 5 screws back. see arrows



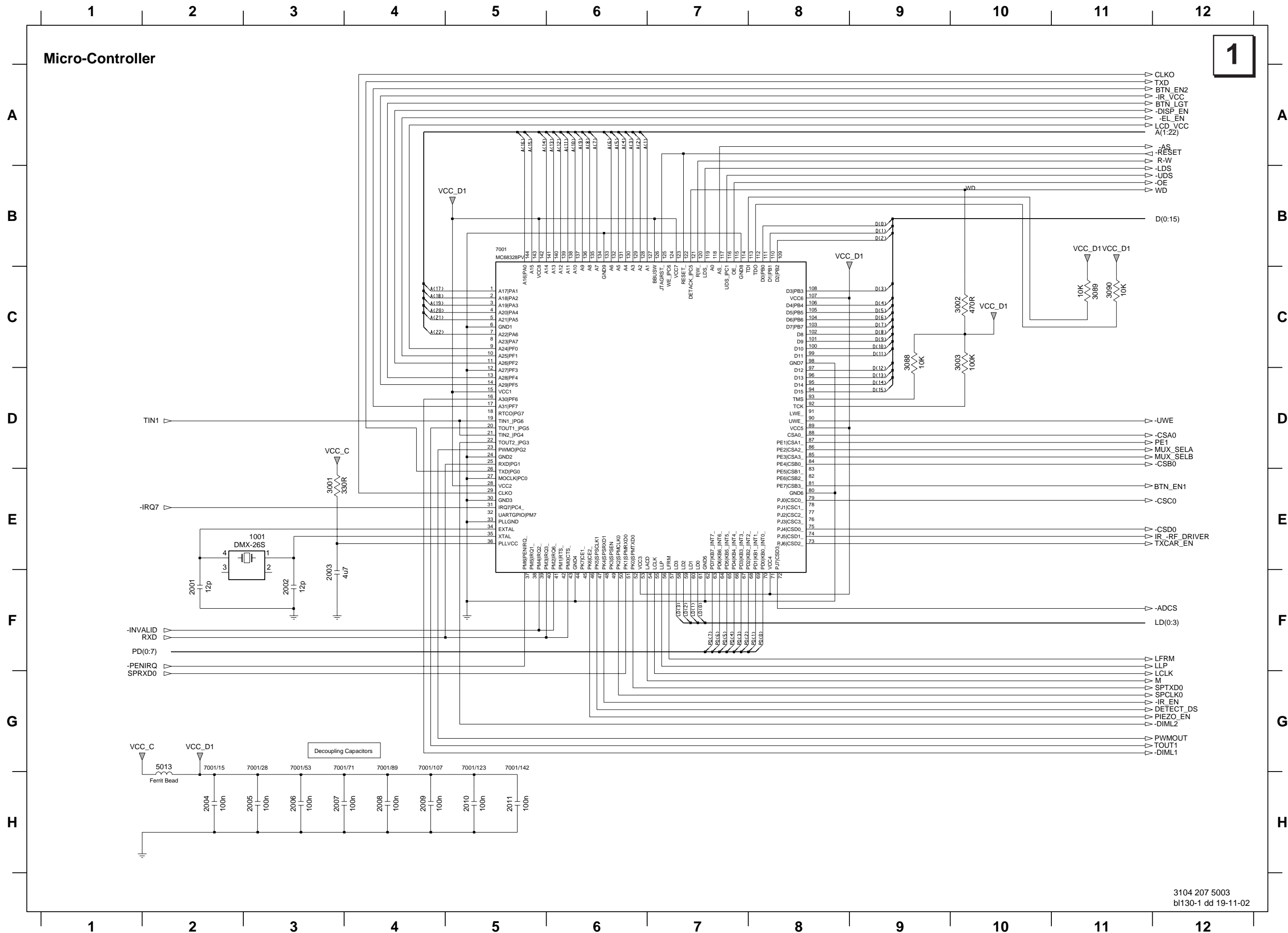
8. Place bottompart assy (*item2)
9. Mount the two screws. see arrow
10. Place battery pack. (*item34)
11. Place batterylid assy. (*item3)



12. Place plug insert assy. (*item6)
see picture - arrow



* for items see overview disassembled parts



- 1001 E3
- 1020 B2
- 2001 F2
- 2002 F3
- 2003 F3
- 2004 H2
- 2005 H3
- 2006 H3
- 2007 H4
- 2008 H4
- 2009 H4
- 2010 H5
- 2011 H5
- 2031 B3
- 3001 E3
- 3002 C10
- 3003 C10
- 3088 C9
- 3089 C11
- 3123 A2
- 5013 H2
- 7001 D7

Color LCD Controller

2

- 1002 E11
- 2067 B9
- 2068 H2
- 2069 H3
- 2070 H3
- 2071 H3
- 2072 H4
- 2073 H4
- 2074 H4
- 2091 B10
- 2097 B10
- 2098 B10
- 3118 E2
- 3119 E2
- 3120 E2
- 3121 E2
- 3122 E1
- 5014 H2
- 5018 A8
- 7060 C5
- 7066 A9
- 7067-A E8

A

B

C

D

E

F

G

H

A

B

C

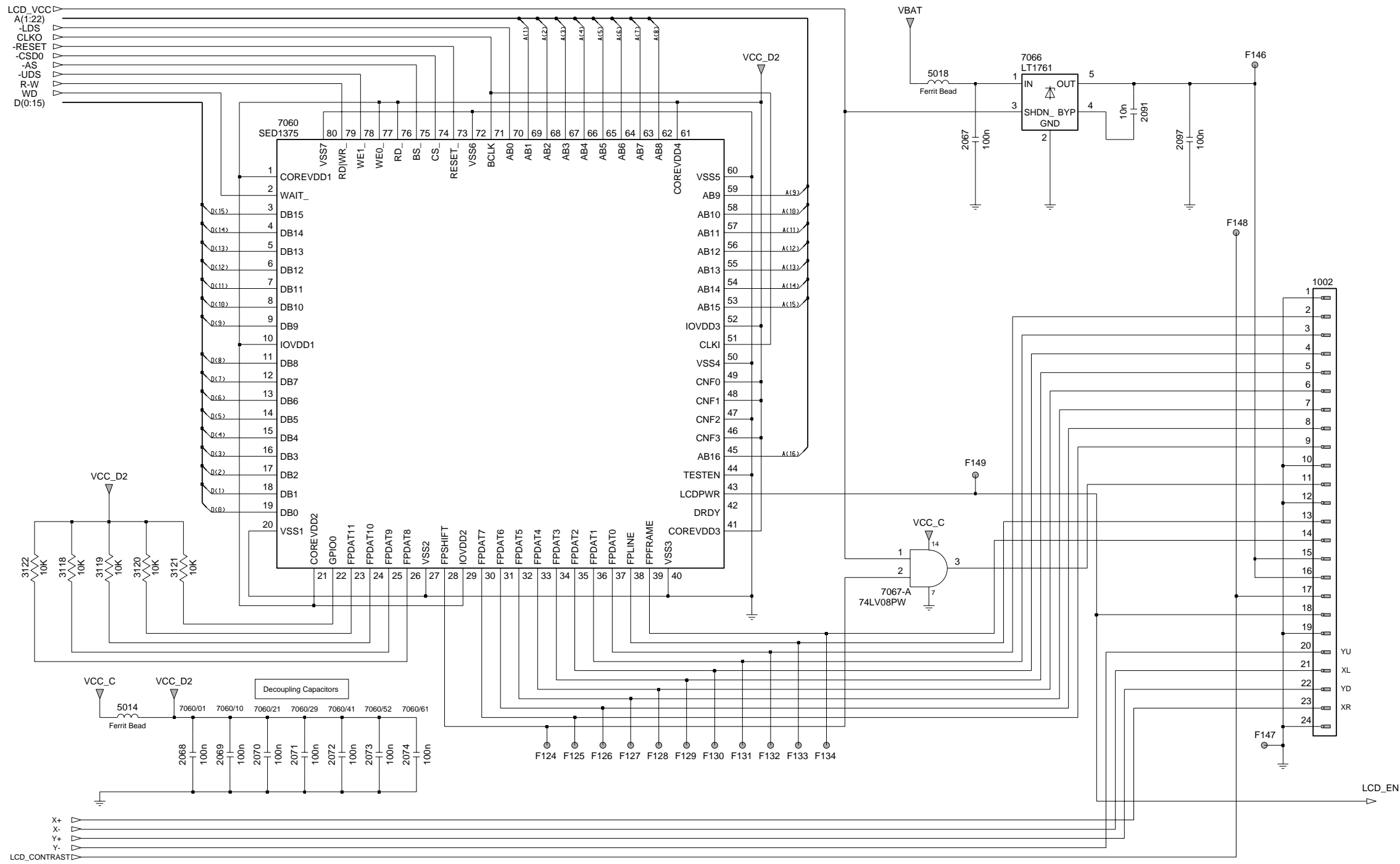
D

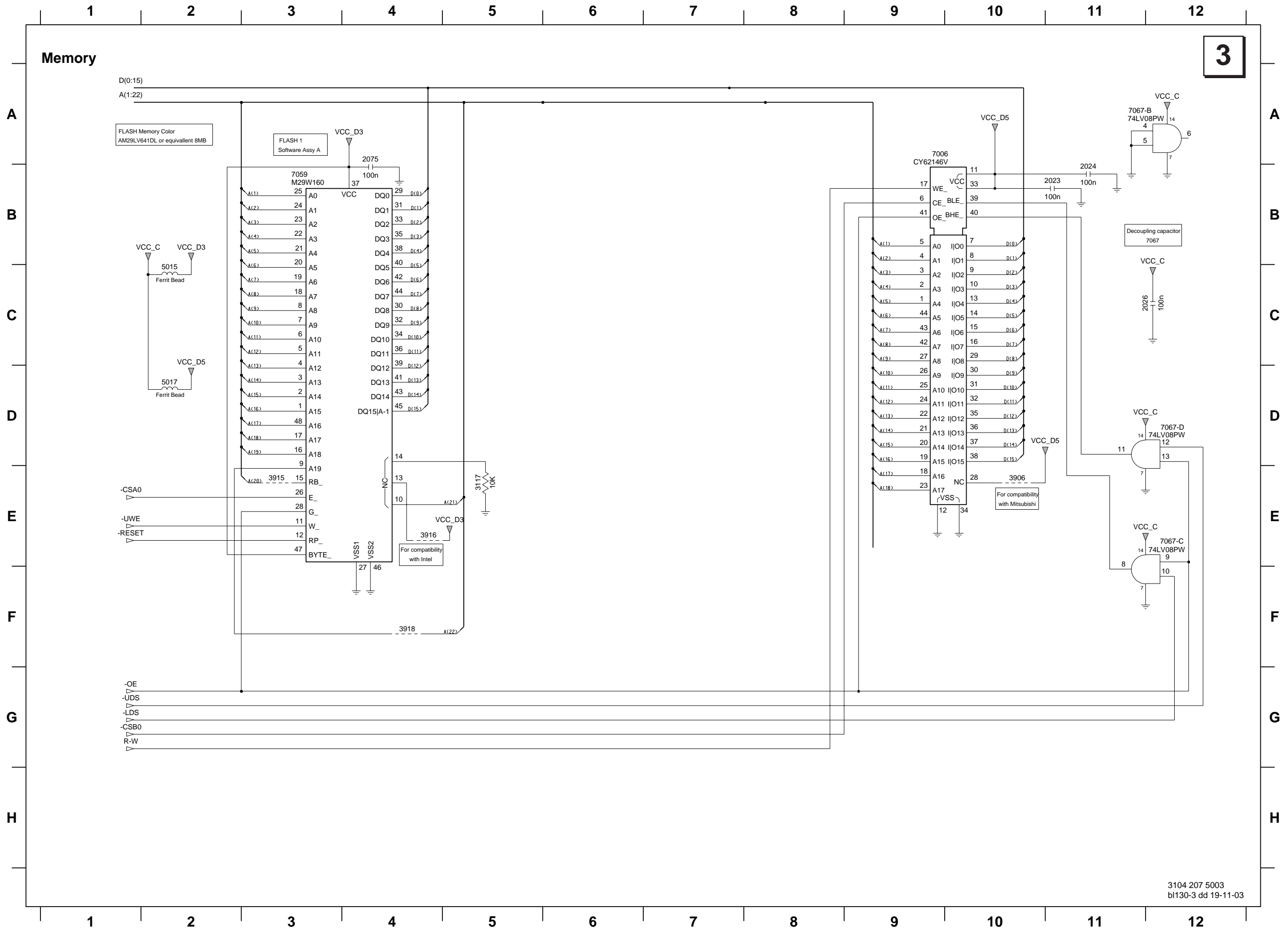
E

F

G

H





- 2023 B11
- 2024 B11
- 2025 A7
- 2026 C12
- 2075 A4
- 3104 E8
- 3105 E8
- 3116 E5
- 3117 E5
- 3906 E10
- 3907 E10
- 3915 D4
- 3916 E4
- 3917 F4
- 3918 F4
- 3919 F7
- 3920 F7
- 3921 E7
- 3922 D7
- 5015 C2
- 5016 C2
- 5017 D2
- 7005 B6
- 7006 A10
- 7059 B3
- 7067-B A11
- 7067-C E12
- 7067-D D12

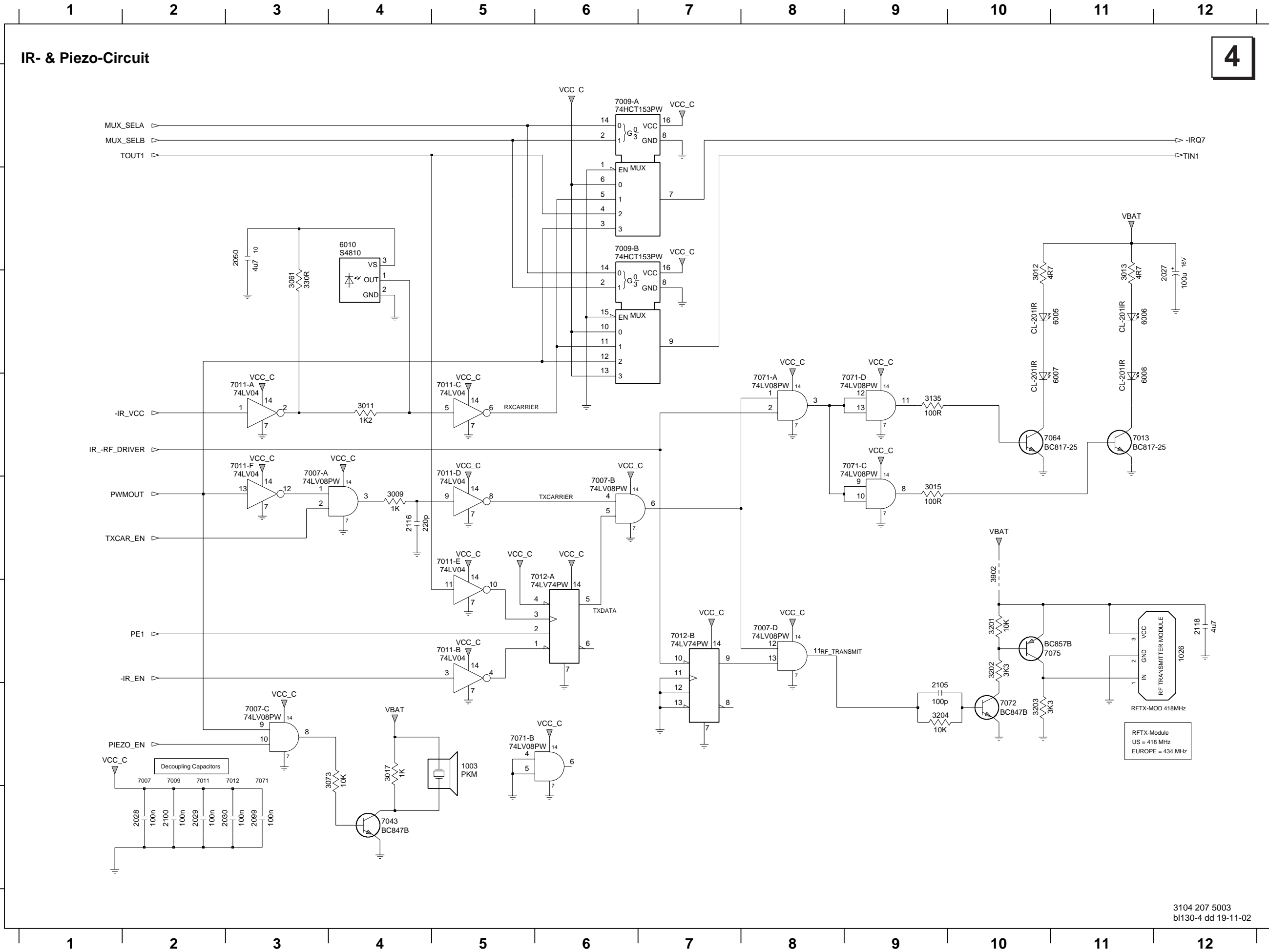
IR- & Piezo-Circuit

4

- 1003 G5
- 1026 F12
- 2027 C12
- 2028 H2
- 2029 H2
- 2030 H3
- 2050 B3
- 2099 H3
- 2100 H2
- 2105 G9
- 2116 E4
- 2118 F12
- 2119 F10
- 2120 C10
- 2121 C10
- 3009 E4
- 3011 D4
- 3012 C10
- 3013 C11
- 3015 E9
- 3017 G4
- 3061 C3
- 3073 G4
- 3135 D9
- 3201 F10
- 3202 F10
- 3203 G10
- 3204 G9
- 3901 C8
- 3902 E10
- 3904 E11
- 3905 G9
- 3908 D11
- 6005 C10
- 6006 C11
- 6007 D10
- 6008 D11
- 6010 C4
- 7007-A E4
- 7007-B E6
- 7007-C G3
- 7007-D F8
- 7009-A B7
- 7009-B C7
- 7011-A D3
- 7011-B F5
- 7011-C D5
- 7011-D E5
- 7011-E F5
- 7011-F E3
- 7012-A F6
- 7012-B G7
- 7013 D11
- 7043 H4
- 7064 D10
- 7071-A D8
- 7071-B G6
- 7071-C E9
- 7071-D D9
- 7072 G10
- 7075 F10

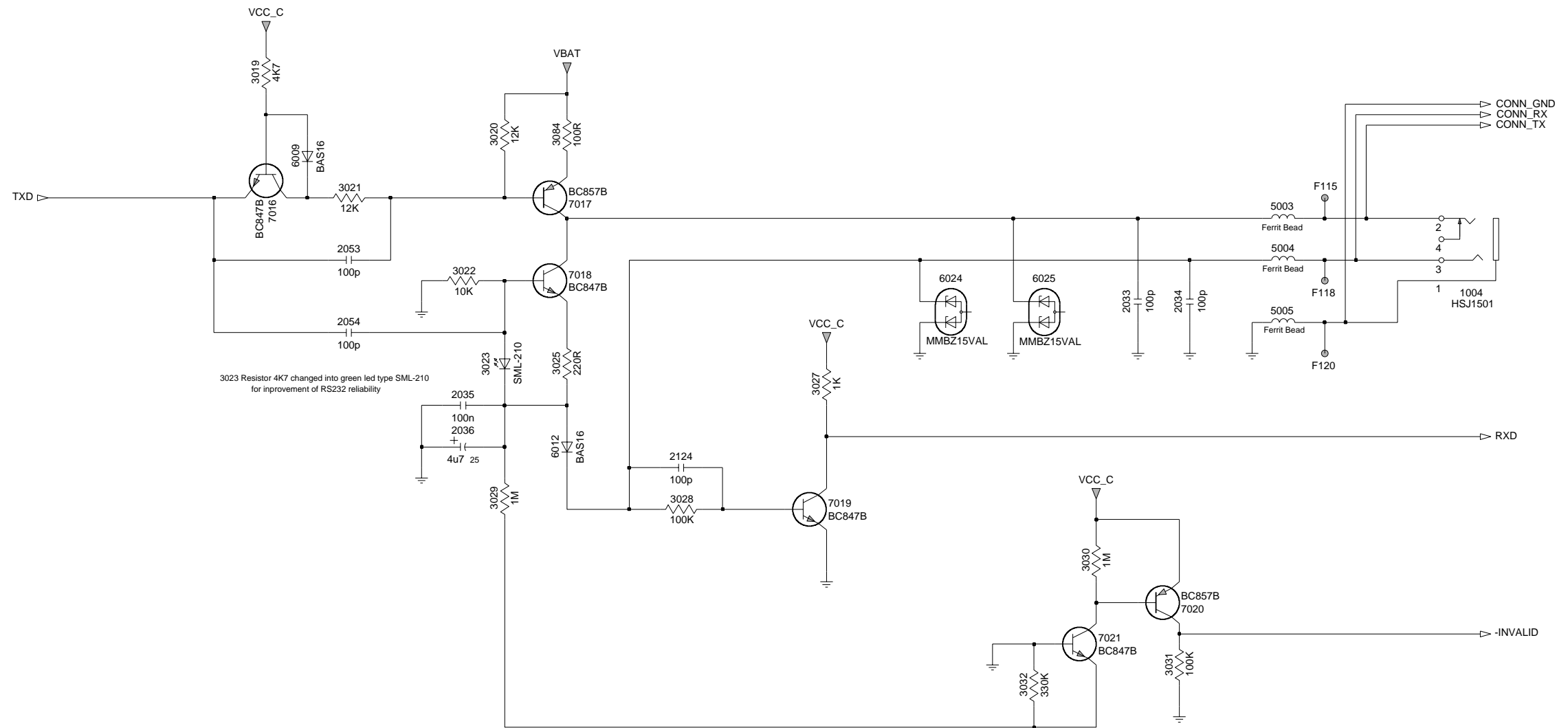
A
B
C
D
E
F
G
H

A
B
C
D
E
F
G
H



RS232 Interface

5

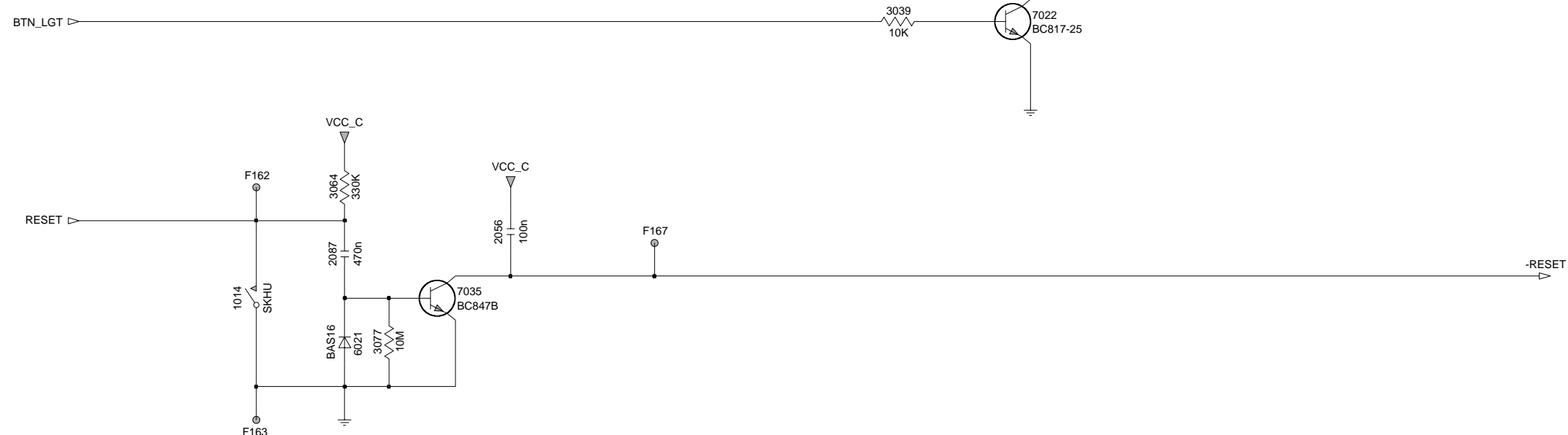
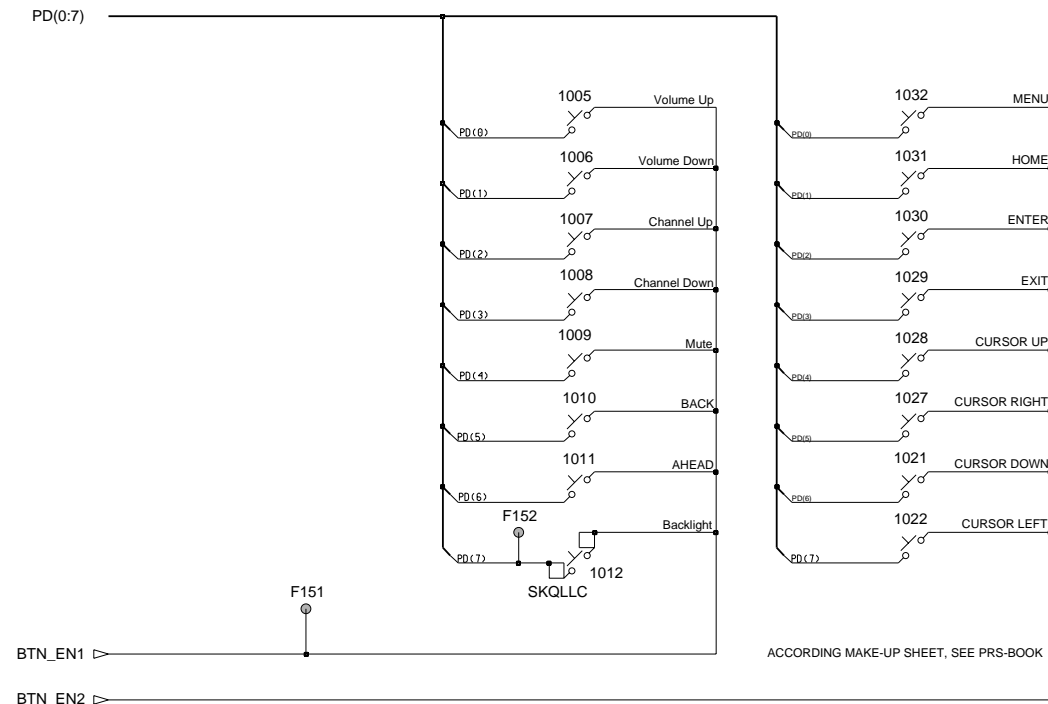


3023 Resistor 4K7 changed into green led type SML-210 for improvement of RS232 reliability

- 1004 C11
- 2033 C9
- 2034 C9
- 2035 D4
- 2036 D4
- 2053 C4
- 2054 D4
- 2124 E6
- 3019 B3
- 3020 B5
- 3021 C4
- 3022 C4
- 3023 D5
- 3025 D5
- 3027 D7
- 3028 E6
- 3029 E5
- 3030 E9
- 3031 F9
- 3032 F8
- 3084 B5
- 5003 C10
- 5004 C10
- 5005 D10
- 6009 B3
- 6012 D5
- 6013 E6
- 6024 D8
- 6025 D8
- 6025 C3
- 7016 C5
- 7017 C5
- 7018 C5
- 7019 E7
- 7020 F9
- 7021 F9

Keys & KeyBacklighting

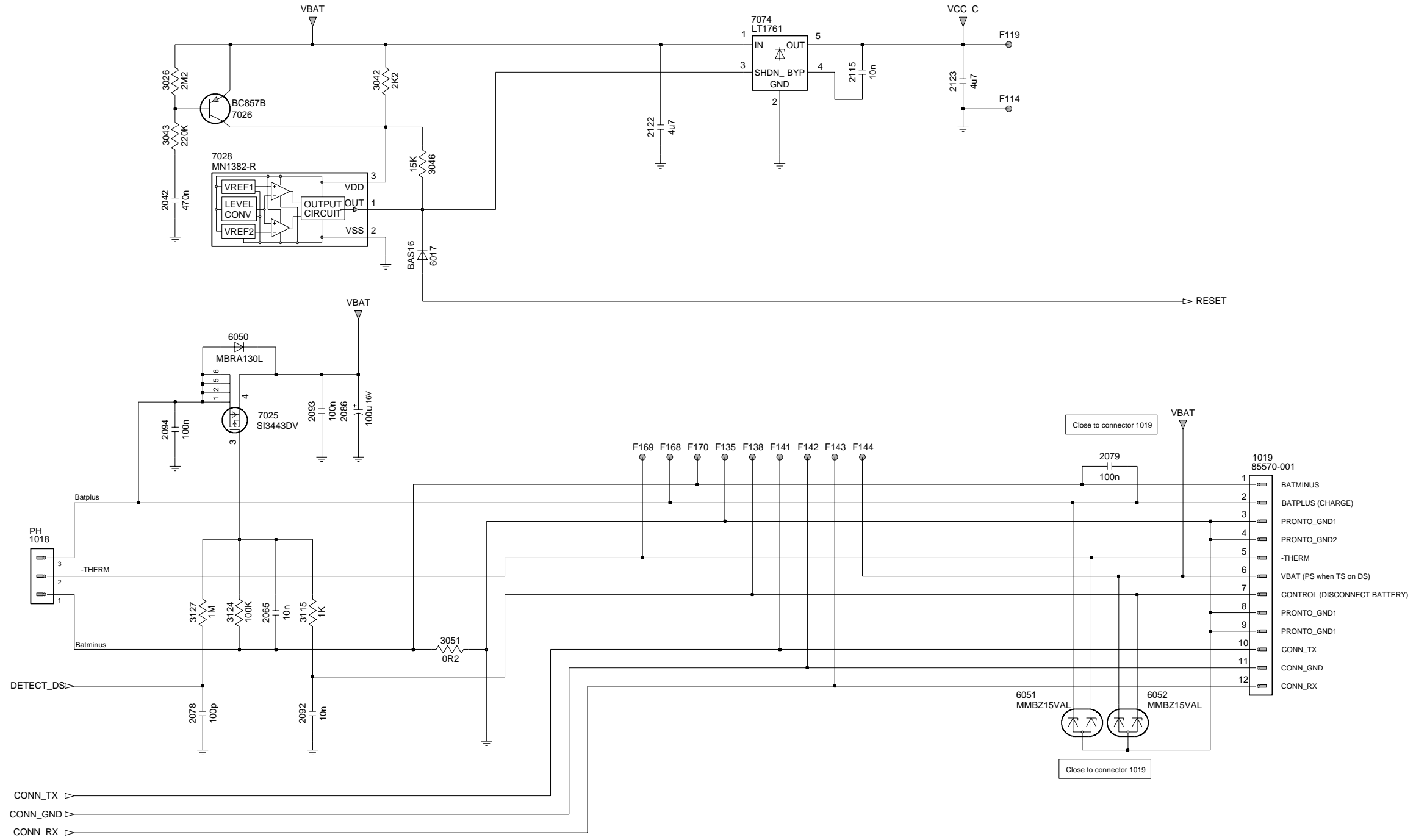
6



- 1005 A4
- 1006 B4
- 1007 B4
- 1008 B4
- 1009 B4
- 1010 C4
- 1011 C4
- 1012 C4
- 1014 G3
- 1021 C6
- 1022 C6
- 1027 C6
- 1028 B6
- 1029 B6
- 1030 B6
- 1031 B6
- 1032 A6
- 2056 F5
- 2087 F4
- 3004 C10
- 3005 C11
- 3006 C11
- 3037 C8
- 3038 C9
- 3039 E7
- 3064 F4
- 3077 G4
- 3078 E7
- 3106 C9
- 3142 F5
- 6021 G4
- 6026 D10
- 6027 D10
- 6028 D11
- 6029 D11
- 6030 D11
- 6042 D8
- 6043 D8
- 6044 D9
- 6045 D9
- 6046 D9
- 7022 E8
- 7035 G4

Power Circuit

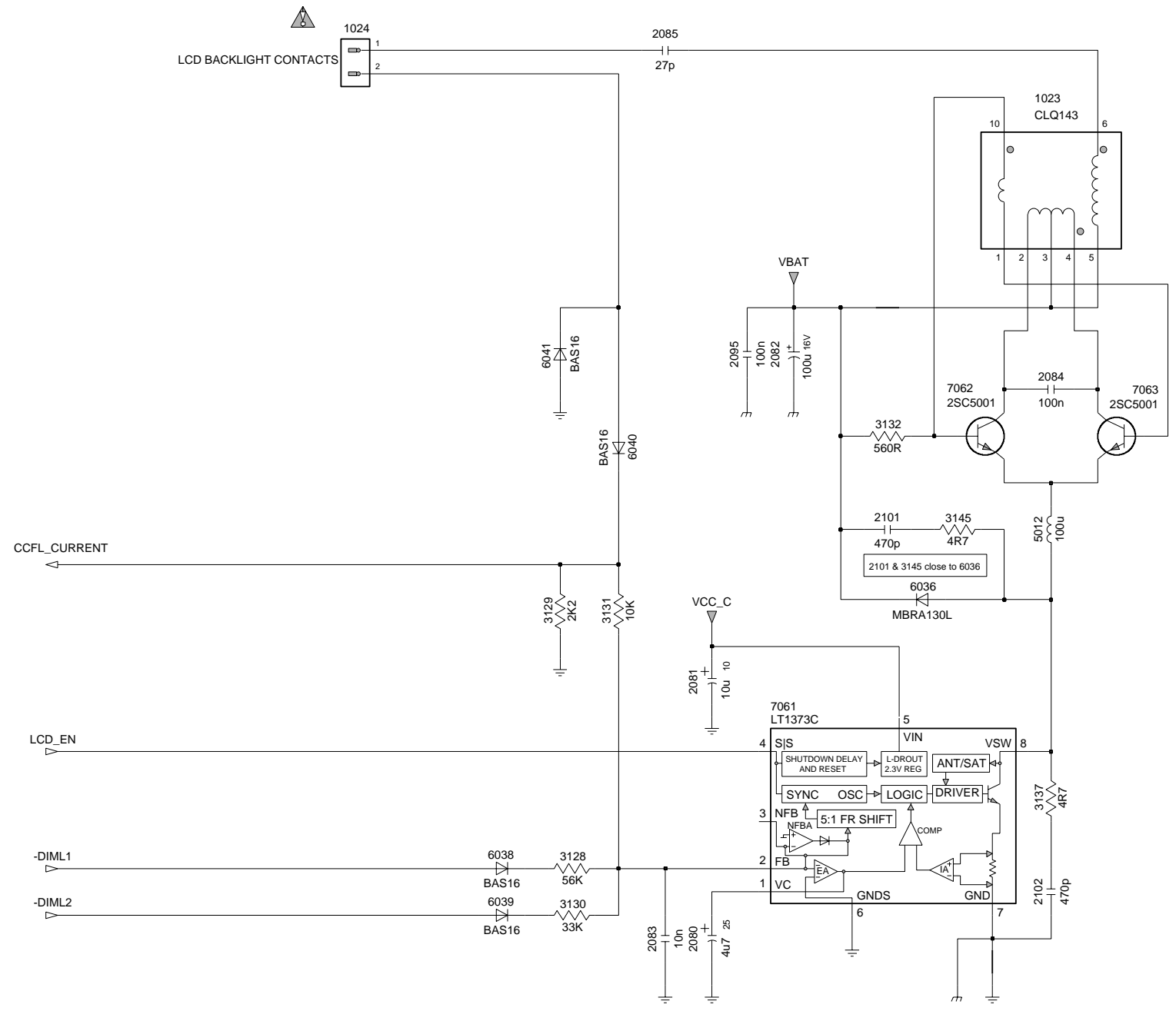
7



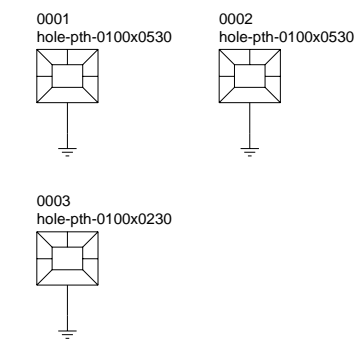
- 1018 F2
- 1019 F11
- 2042 C3
- 2065 F3
- 2078 G3
- 2079 E10
- 2086 D4
- 2092 G4
- 2093 D3
- 2094 E2
- 2103 B7
- 2104 B8
- 2115 B8
- 2117 B8
- 2122 B6
- 2123 B9
- 3026 B3
- 3042 B4
- 3043 B3
- 3046 C4
- 3051 F5
- 3115 F4
- 3124 F3
- 3127 F3
- 3146 D3
- 6017 C4
- 6050 D3
- 6051 G10
- 6052 G10
- 7025 D3
- 7026 B3
- 7028 C3
- 7074 B7
- F114 B9
- F119 B9
- F135 E7
- F138 E7
- F141 E7
- F142 E7
- F143 E8
- F144 E8
- F168 E6
- F169 E6
- F170 E7

CCFL Backlight Driver

8



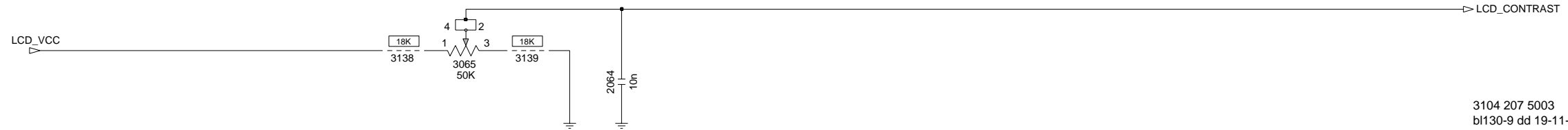
Plated through holes for grounding of Color LCD-frame



- 0001 F10
- 0002 F11
- 0003 G10
- 1023 B8
- 1024 A4
- 2080 G6
- 2081 E6
- 2082 C6
- 2083 G6
- 2084 C8
- 2085 A6
- 2095 C6
- 2101 D7
- 2102 F8
- 3128 F5
- 3129 E5
- 3130 F5
- 3131 E5
- 3132 D7
- 3137 F8
- 3145 D7
- 5012 D8
- 6036 E7
- 6038 F5
- 6039 F5
- 6040 D5
- 6041 C5
- 7061 F7
- 7062 D8
- 7063 D8

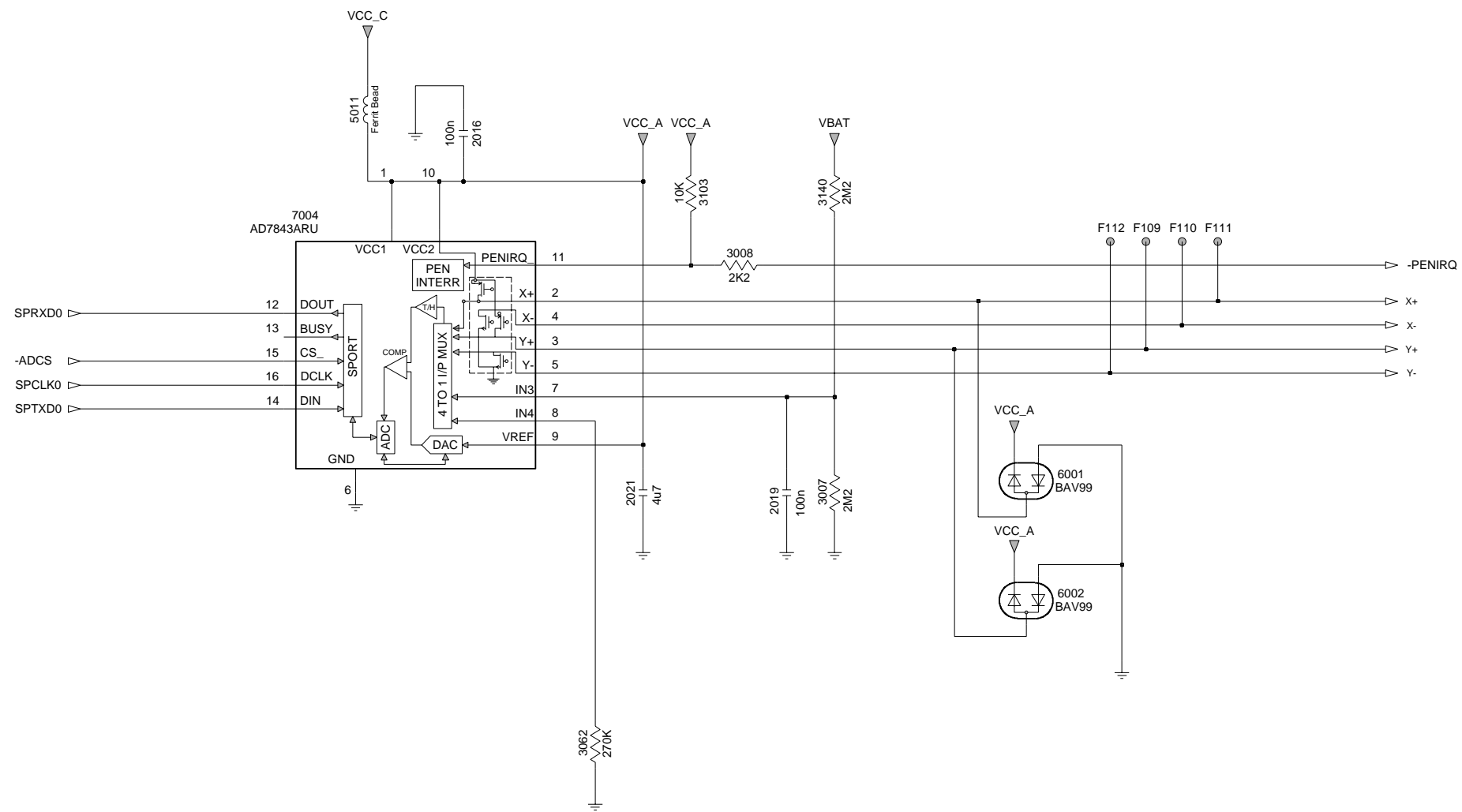
B&W LCD & 23V Step-Up

9



Touchscreen DAC

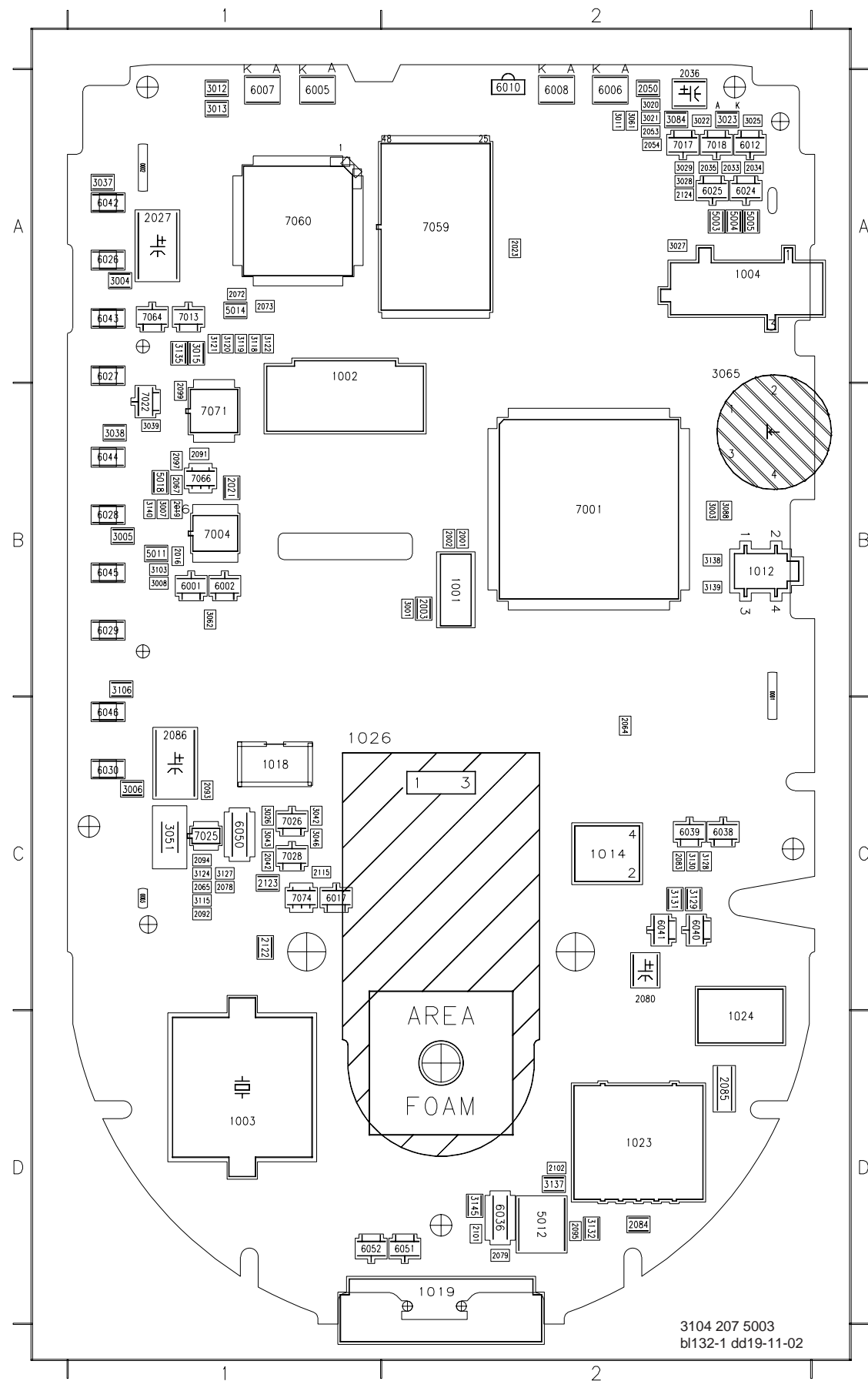
10



- 2016 B5
- 2019 D7
- 2020 D7
- 2021 D6
- 3007 D8
- 3008 C7
- 3062 F6
- 3099 E5
- 3103 C7
- 3140 C8
- 3144 E4
- 3909 E5
- 5011 B5
- 6001 D9
- 6002 E9
- 7004 C5
- F109 C9
- F110 C10
- F111 C10
- F112 C9

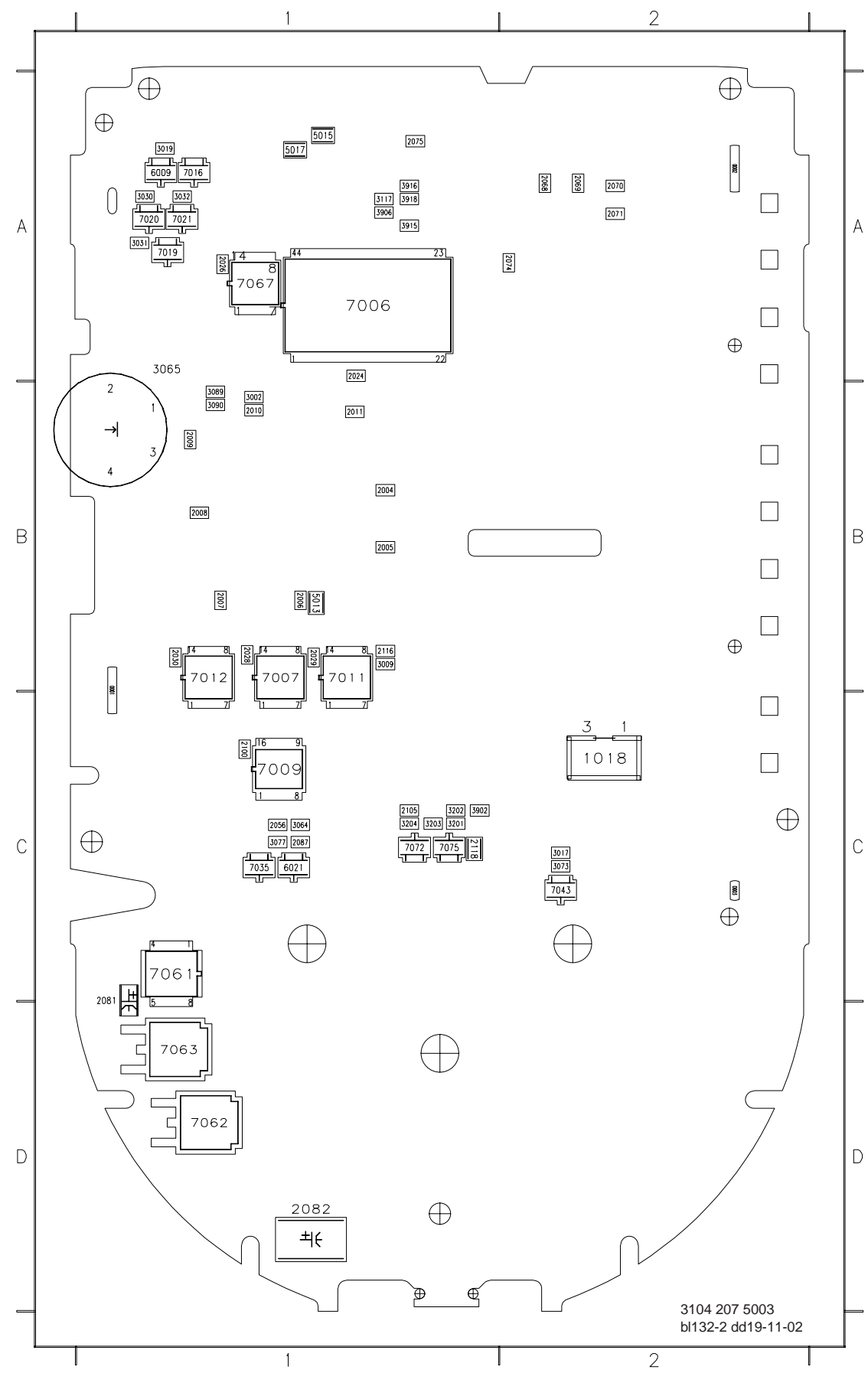
3104 207 5003
bl130-10 dd 19-11-02

MAIN BOARD - SIDE-A VIEW



- | | | | |
|------|----|-------|----|
| 0001 | B2 | 3059 | C2 |
| 0002 | A1 | 3060 | C2 |
| 0003 | C1 | 3061 | A2 |
| 1001 | B2 | 3062 | B1 |
| 1002 | A1 | 3065 | B2 |
| 1003 | D1 | 3074 | B1 |
| 1004 | A2 | 3078 | B1 |
| 1012 | B2 | 3079 | B1 |
| 1014 | C2 | 3084 | A2 |
| 1018 | C1 | 3088 | B2 |
| 1019 | D2 | 3099 | B1 |
| 1020 | C1 | 3103 | B1 |
| 1023 | D2 | 3106 | B1 |
| 1024 | C2 | 3116 | C1 |
| 1025 | C1 | 3118 | A1 |
| 1026 | C2 | 3119 | A1 |
| 2001 | B2 | 3120 | A1 |
| 2002 | B2 | 3121 | A1 |
| 2003 | B2 | 3122 | A1 |
| 2012 | B1 | 3123 | C1 |
| 2013 | C1 | 3124 | C1 |
| 2014 | C1 | 3127 | C1 |
| 2015 | B1 | 3128 | C2 |
| 2016 | B1 | 3129 | C2 |
| 2019 | B1 | 3130 | C2 |
| 2020 | B1 | 3131 | C2 |
| 2021 | B1 | 3132 | D2 |
| 2023 | A2 | 3135 | A1 |
| 2027 | A1 | 3137 | D2 |
| 2031 | C1 | 3138 | B2 |
| 2033 | A2 | 3139 | B2 |
| 2034 | A2 | 3140 | B1 |
| 2035 | A2 | 3144 | B1 |
| 2036 | A2 | 3145 | D2 |
| 2042 | C1 | 3146 | C1 |
| 2044 | C2 | 3901 | B1 |
| 2045 | C2 | 3908 | A1 |
| 2046 | C2 | 3909 | B1 |
| 2047 | C2 | 5001 | B1 |
| 2049 | B2 | 5002 | B1 |
| 2050 | A2 | 5003 | A2 |
| 2053 | A2 | 5004 | A2 |
| 2054 | A2 | 5005 | A2 |
| 2064 | C2 | 5006 | C2 |
| 2065 | C1 | 5011 | B1 |
| 2067 | B1 | 5012 | D2 |
| 2073 | A1 | 5014 | A1 |
| 2078 | A1 | 5018 | B1 |
| 2079 | C2 | 6001 | B1 |
| 2080 | D2 | 6002 | A1 |
| 2083 | C2 | 6006 | A2 |
| 2084 | D2 | 6007 | A1 |
| 2085 | D2 | 6008 | A2 |
| 2086 | C1 | 6010 | A2 |
| 2091 | B1 | 6012 | A2 |
| 2092 | C1 | 6013 | A2 |
| 2093 | C1 | 6017 | C1 |
| 2094 | A1 | 6018 | C2 |
| 2095 | D2 | 6024 | A2 |
| 2097 | B1 | 6025 | A2 |
| 2098 | B1 | 6026 | A1 |
| 2099 | B1 | 6027 | A1 |
| 2101 | D2 | 6028 | B1 |
| 2102 | D2 | 6029 | B1 |
| 2103 | C1 | 6030 | C1 |
| 2104 | C1 | 6036 | D2 |
| 2115 | C1 | 6038 | C2 |
| 2117 | C1 | 6039 | C2 |
| 2120 | A1 | 6040 | C2 |
| 2121 | A1 | 6041 | C2 |
| 2122 | C1 | 6042 | A1 |
| 2123 | C1 | 6043 | A1 |
| 2124 | A2 | 6044 | B1 |
| 3001 | B2 | 6045 | B1 |
| 3003 | B2 | 6046 | C1 |
| 3004 | A1 | 6050 | C1 |
| 3005 | B1 | 6051 | D2 |
| 3006 | C1 | 6052 | D1 |
| 3007 | B1 | 7001 | B2 |
| 3008 | B1 | 7004 | B1 |
| 3011 | A2 | 7005 | A2 |
| 3012 | A1 | 7013 | A1 |
| 3013 | A1 | 7017 | A2 |
| 3015 | A1 | 7018 | A2 |
| 3020 | A2 | 7022 | B1 |
| 3021 | A2 | 7025 | C1 |
| 3022 | A2 | 7026 | C1 |
| 3023 | A2 | 7028 | C1 |
| 3025 | A2 | 7031 | C2 |
| 3026 | C1 | 7032 | C2 |
| 3027 | A2 | 7033 | C2 |
| 3028 | A2 | 7046 | B1 |
| 3029 | A2 | 7059 | A2 |
| 3037 | A1 | 7060 | A1 |
| 3038 | B1 | 7064 | A1 |
| 3039 | B1 | 7066 | B1 |
| 3042 | C1 | 7071 | B1 |
| 3043 | C1 | 7074 | C1 |
| 3046 | C1 | c-101 | D2 |
| 3051 | C1 | | |
| 3052 | C2 | | |
| 3053 | C2 | | |
| 3054 | C2 | | |
| 3055 | C2 | | |
| 3056 | C2 | | |
| 3057 | C2 | | |

MAIN BOARD - SIDE-B VIEW



- | | | | |
|------|----|------|----|
| 1005 | B2 | F115 | A1 |
| 1006 | B2 | F118 | A1 |
| 1007 | A2 | F119 | C2 |
| 1008 | A2 | F120 | A1 |
| 1009 | C2 | F124 | A2 |
| 1010 | C1 | F125 | B2 |
| 1011 | C2 | F126 | B2 |
| 1021 | D1 | F127 | B2 |
| 1022 | D1 | F128 | B2 |
| 1027 | D2 | F129 | B2 |
| 1028 | C1 | F130 | B2 |
| 1029 | D2 | F131 | B2 |
| 1030 | D2 | F132 | B2 |
| 1031 | D1 | F133 | B2 |
| 1032 | D1 | F134 | B2 |
| 2004 | B1 | F135 | C2 |
| 2006 | B1 | F138 | D2 |
| 2007 | B1 | F141 | D1 |
| 2007 | B1 | F142 | D1 |
| 2008 | B1 | F143 | D1 |
| 2009 | B1 | F144 | D1 |
| 2010 | B1 | F146 | B2 |
| 2011 | B1 | F147 | B2 |
| 2024 | A1 | F148 | B2 |
| 2025 | A1 | F149 | B2 |
| 2026 | A1 | F151 | B1 |
| 2028 | B1 | F152 | B1 |
| 2029 | B1 | F162 | C1 |
| 2030 | B1 | F163 | C1 |
| 2056 | C1 | F167 | C1 |
| 2068 | A2 | F168 | C2 |
| 2069 | A2 | F169 | C2 |
| 2070 | A2 | F170 | C2 |
| 2071 | A2 | F201 | B2 |
| 2074 | A2 | F202 | B2 |
| 2075 | A1 | F203 | B2 |
| 2081 | C1 | F204 | B2 |
| 2082 | D1 | F205 | B2 |
| 2087 | C1 | F206 | B2 |
| 2100 | C1 | F207 | B2 |
| 2105 | C1 | F208 | B2 |
| 2116 | B1 | F209 | B2 |
| 2118 | C1 | F210 | B2 |
| 2119 | C1 | F211 | B2 |
| 2125 | C1 | F212 | B2 |
| 3002 | B1 | F213 | B2 |
| 3003 | B1 | c102 | C1 |
| 3017 | C2 | | |
| 3019 | A1 | | |
| 3030 | A1 | | |
| 3031 | A1 | | |
| 3032 | A1 | | |
| 3064 | C1 | | |
| 3073 | C2 | | |
| 3077 | C1 | | |
| 3089 | B1 | | |
| 3090 | B1 | | |
| 3104 | A1 | | |
| 3105 | A1 | | |
| 3116 | A1 | | |
| 3117 | A1 | | |
| 3142 | C1 | | |
| 3201 | C1 | | |
| 3202 | C1 | | |
| 3203 | C1 | | |
| 3204 | C1 | | |
| 3902 | C1 | | |
| 3904 | C1 | | |
| 3905 | C1 | | |
| 3906 | A1 | | |
| 3907 | A1 | | |
| 3915 | A1 | | |
| 3916 | A1 | | |
| 3917 | A1 | | |
| 3918 | A1 | | |
| 3919 | A1 | | |
| 3920 | A1 | | |
| 3921 | A1 | | |
| 3922 | A1 | | |
| 5013 | B1 | | |
| 5015 | A1 | | |
| 5016 | A1 | | |
| 5017 | A1 | | |
| 6009 | A1 | | |
| 6021 | C1 | | |
| 7006 | A1 | | |
| 7007 | B1 | | |
| 7009 | C1 | | |
| 7011 | B1 | | |
| 7012 | B1 | | |
| 7016 | A1 | | |
| 7019 | A1 | | |
| 7020 | A1 | | |
| 7021 | A1 | | |
| 7035 | C1 | | |
| 7043 | C2 | | |
| 7061 | C1 | | |
| 7062 | D1 | | |
| 7063 | D1 | | |
| 7067 | A1 | | |
| 7072 | C1 | | |
| 7075 | C1 | | |
| F109 | B2 | | |
| F110 | B2 | | |
| F111 | B2 | | |
| F112 | B2 | | |
| F114 | C2 | | |

MECHANICAL & ELECTRICAL PARTS LIST

MECHANICAL PARTS

1	3104 207 79030	TOPPART ASSY
2	3104 207 79040	BOTTOMPART ASSY
3	3104 207 79600	BATTERYLID ASSY TS9201
3	3104 207 79050	BATTERYLID ASSY TS9200
4	3104 207 79060	IR-WIND.+BEZEL SUB ASSY
5	3104 207 79070	BACKLIGHT BUTT.ASSY
6	3104 207 79080	PLUG INSERT ASSY
7	3104 207 79090	DOC PLUG INS.ASSY
8	3104 207 79100	UPPER KEYMAT ASSY
9	3104 207 79110	LCD KEYMAT ASSY
15	3104 200 51280	LCD

MISCELLANEOUS

3104 205 32670	IFU for /N1M /T1M
3104 205 32440	IFU for /U1G
3104 205 32700	IFU RX-77 for /N1M /T1M
3104 205 32560	IFU RX-77 for /U1G

Note: Only the parts mentioned in this list are normal service parts

For more information:

E-mail: erik.gybels@philips.com

ELECTRICAL PARTS

34	3104 200 51270	BATTERYPACK
	3104 207 14350	MAINBOARD TS9201(3104 207 13270) (RFTX2 board included)
	3104 207 14380	MAINBOARD TS9200(3104 207 12680) (RFTX2 board included)



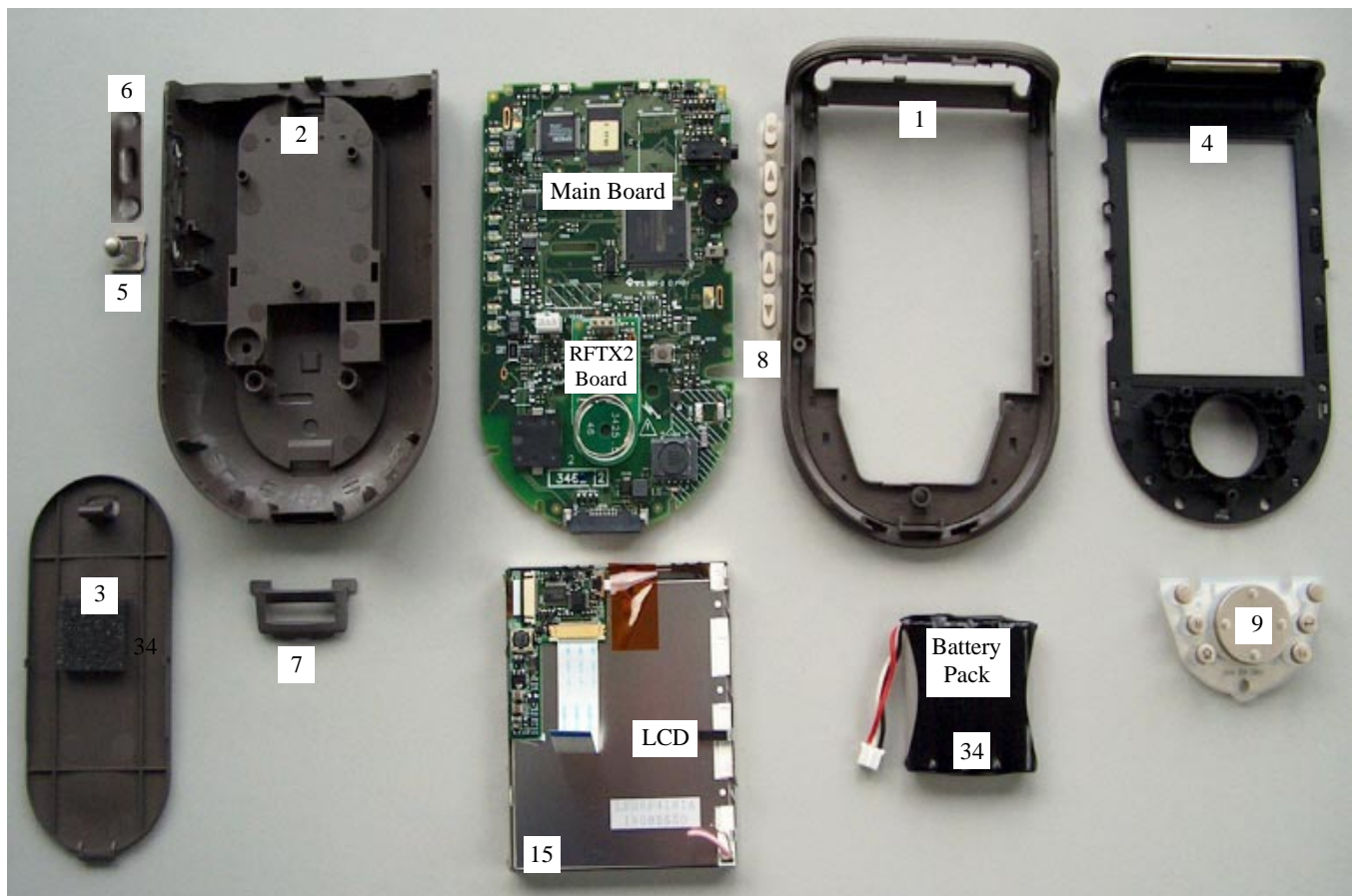
3104 200 51200 ADAPTOR /N1M - EUROPE
3104 200 51210 ADAPTOR /T1M - UK
3104 200 51190 ADAPTOR /U1G - US



3104 200 50960 CABLE SET



3104 200 51660 EMITTER CABLE



ELECTRICAL PARTS LIST - TS9201 - TS9200**MISCELLANEOUS**

1001	2422 543 00937	RES XTL SM 32K76
1002	2422 025 16177	CON H 24P F 0.50 SM
1003	2422 527 00547	BUZZER SM 16X16
1004	2422 026 05066	SOC PHONE H 1P F 3.5 ST
1012	2422 128 02646	SWI TACT
1014	2422 128 02435	SWI TACT
1018	2422 025 11072	CON V 3P
1019	8204 161 43491	CON BM
1023	2422 536 00179	TRANSFORMER
1026	2422 025 17892	CON BM V 3P

CAPACITORS

2001	2238 867 18129	CER1 0603 NP0 50V 12P PM1
2002	2238 867 18129	CER1 0603 NP0 50V 12P PM1
2003	2020 552 96305	CER2 0805 Y5V 10V 4U7 P8020
2004	2238 916 19849	CER2 0603 Y5V 25V 100N P8020
2005	2238 916 19849	CER2 0603 Y5V 25V 100N P8020
2006	2238 916 19849	CER2 0603 Y5V 25V 100N P8020
2007	2238 916 19849	CER2 0603 Y5V 25V 100N P8020
2008	2238 916 19849	CER2 0603 Y5V 25V 100N P8020
2009	2238 916 19849	CER2 0603 Y5V 25V 100N P8020
2010	2238 916 19849	CER2 0603 Y5V 25V 100N P8020
2011	2238 916 19849	CER2 0603 Y5V 25V 100N P8020
2016	2238 916 19849	CER2 0603 Y5V 25V 100N P8020
2019	2238 916 19849	CER2 0603 Y5V 25V 100N P8020
2021	2020 552 96305	CER2 0805 Y5V 10V 4U7 P8020
2023	2238 916 19849	CER2 0603 Y5V 25V 100N P8020
2024	2238 916 19849	CER2 0603 Y5V 25V 100N P8020
2026	2238 916 19849	CER2 0603 Y5V 25V 100N P8020
2027	2022 009 00686	TANCAP 16V 100U PM20
2028	2238 916 19849	CER2 0603 Y5V 25V 100N P8020
2029	2238 916 19849	CER2 0603 Y5V 25V 100N P8020
2030	2238 916 19849	CER2 0603 Y5V 25V 100N P8020
2033	2238 586 15609	CER2 0603 X7R 50V 100P PM10
2034	2238 586 15609	CER2 0603 X7R 50V 100P PM10
2035	2238 916 19849	CER2 0603 Y5V 25V 100N P8020
2036	2020 004 90296	TANCAP SM 25V 4U7 PM20
2042	2238 246 19858	CER2 0603 Y5V 10V 470N P8020
2050	2020 552 96305	CER2 0805 Y5V 10V 4U7 P8020
2053	2238 586 15609	CER2 0603 X7R 50V 100P PM10
2054	2238 586 15609	CER2 0603 X7R 50V 100P PM10
2056	2238 916 19849	CER2 0603 Y5V 25V 100N P8020
2064	2238 586 15636	CER2 0603 X7R 50V 10N PM10
2065	2238 586 15636	CER2 0603 X7R 50V 10N PM10
2067	2238 916 19849	CER2 0603 Y5V 25V 100N P8020
2068	2238 916 19849	CER2 0603 Y5V 25V 100N P8020
2069	2238 916 19849	CER2 0603 Y5V 25V 100N P8020
2070	2238 916 19849	CER2 0603 Y5V 25V 100N P8020
2071	2238 916 19849	CER2 0603 Y5V 25V 100N P8020
2072	2238 916 19849	CER2 0603 Y5V 25V 100N P8020
2073	2238 916 19849	CER2 0603 Y5V 25V 100N P8020
2074	2238 916 19849	CER2 0603 Y5V 25V 100N P8020
2075	2238 916 19849	CER2 0603 Y5V 25V 100N P8020
2078	2238 586 15609	CER2 0603 X7R 50V 100P PM10
2079	2238 916 19849	CER2 0603 Y5V 25V 100N P8020
2080	2020 004 90296	TANCAP SM 25V 4U7 PM20
2081	2020 004 90283	TANCAP SM 10V 10U PM20

CAPACITORS

2082	2022 009 00686	TANCAP SM 16V 100U PM20
2083	2238 586 15636	CER2 0603 X7R 50V 10N PM10
2084	2222 580 15649	CER2 0805 X7R 50V 100N PM10
2085	2250 043 11528	CER1 1808 NP0 3KV 27P PM5
2086	2022 009 00686	TANCAP SM 16V 100U PM20
2087	2238 246 19858	CER2 0603 10V 470N P8020
2091	2238 586 15636	CER2 0603 X7R 50V 10N PM10
2092	2238 586 15636	CER2 0603 X7R 50V 10N PM10
2093	2238 916 19849	CER2 0603 Y5V 25V 100N P8020
2094	2238 916 19849	CER2 0603 Y5V 25V 100N P8020
2095	2238 916 19849	CER2 0603 Y5V 25V 100N P8020
2097	2238 916 19849	CER2 0603 Y5V 25V 100N P8020
2099	2238 916 19849	CER2 0603 Y5V 25V 100N P8020
2100	2238 916 19849	CER2 0603 Y5V 25V 100N P8020
2101	2238 586 15618	CER2 0603 X7R 50V 470P PM10
2102	2238 586 15618	CER2 0603 X7R 50V 470P PM10
2105	2238 586 15609	CER2 0603 X7R 50V 100P PM10
2115	2238 586 15636	CER2 0603 X7R 50V 10N PM10
2116	2238 586 15614	CER2 0603 X7R 50V 220P PM10
2118	2020 552 96305	CER2 0805 Y5V 10V 4U7 P8020
2122	2020 552 96305	CER2 0805 Y5V 10V 4U7 P8020
2123	2020 552 96305	CER2 0805 Y5V 10V 4U7 P8020
2124	2238 586 15609	CER2 0603 X7R 50V 100P PM10

RESISTORS

3001	2322 702 60331	RST SM 0603C21 330R PM5
3002	2322 702 60471	RST SM 0603C21 470R PM5
3003	2322 702 60104	RST SM 0603C21 100K PM5
3004	2322 730 61101	RST SM 0805C11 100R PM5
3005	2322 730 61101	RST SM 0805C11 100R PM5
3006	2322 730 61271	RST SM 0805C11 270R PM5
3007	2322 702 60225	RST SM 0603C21 2M2 PM5
3008	2322 702 60222	RST SM 0603C21 2K2 PM5
3009	2322 702 60102	RST SM 0603C21 1K PM5
3011	2322 702 60122	RST SM 0603C21 1K2 PM5
3012	2322 730 61478	RST SM 0805C11 4R7 PM5
3013	2322 730 61478	RST SM 0805C11 4R7 PM5
3015	2322 730 61101	RST SM 0805C11 100R PM5
3017	2322 702 60102	RST SM 0603C21 1K PM5
3019	2322 702 60472	RST SM 0603C21 4K7 PM5
3020	2322 702 60123	RST SM 0603C21 12K PM5
3021	2322 702 60123	RST SM 0603C21 12K PM5
3022	2322 702 60103	RST SM 0603C21 10K PM5
3023	9322 117 97685	LED
3025	2322 702 60221	RST SM 0603C21 220R PM5
3026	2322 702 60225	RST SM 0603C21 2M2 PM5
3027	2322 702 60102	RST SM 0603C21 1K PM5
3028	2322 702 60104	RST SM 0603C21 100K PM5
3029	2322 702 60105	RST SM 0603C21 1M PM5
3030	2322 702 60105	RST SM 0603C21 1M PM5
3031	2322 702 60104	RST SM 0603C21 100K PM5
3032	2322 702 60334	RST SM 0603C21 330K PM5
3037	2322 730 61101	RST SM 0805C11 100R PM5
3038	2322 730 61101	RST SM 0805C11 100R PM5
3039	2322 702 60103	RST SM 0603C21 10K PM5
3042	2322 702 60222	RST SM 0603C21 2K2 PM5

ELECTRICAL PARTS LIST - TS9201 - TS9200

RESISTORS

3043	2322 702 60224	RST SM 0603C21	220K PM5
3046	2322 702 60153	RST SM 0603C21	15K PM5
3051	2322 762 60207	RST SM PRC221	0R2 PM5
3061	2322 702 60331	RST SM 0603C21	330R PM5
3062	2322 702 60274	RST SM 0603C21	270K PM5
3064	2322 702 60334	RST SM 0603C21	330K PM5
3065	2120 357 90076	POTM CAR LIN	50K
3073	2322 702 60103	RST SM 0603C21	10K PM5
3077	2322 702 60106	RST SM 0603C21	10M PM5
3084	2322 730 61101	RST SM 0805C11	100R PM5
3088	2322 702 60103	RST SM 0603C21	10K PM5
3089	2322 702 60103	RST SM 0603C21	10K PM5
3090	2322 702 60103	RST SM 0603C21	10K PM5
3103	2322 702 60103	RST SM 0603C21	10K PM5
3106	2322 730 61271	RST SM 0805C11	270R PM5
3115	2322 702 60102	RST SM 0603C21	1K PM5
3117	2322 702 60103	RST SM 0603C21	10K PM5
3118	2322 702 60103	RST SM 0603C21	10K PM5
3119	2322 702 60103	RST SM 0603C21	10K PM5
3120	2322 702 60103	RST SM 0603C21	10K PM5
3121	2322 702 60103	RST SM 0603C21	10K PM5
3122	2322 702 60103	RST SM 0603C21	10K PM5
3124	2322 702 60104	RST SM 0603C21	100K PM5
3127	2322 702 60105	RST SM 0603C21	1M PM5
3128	2322 702 60563	RST SM 0603C21	56K PM5
3129	2322 730 61222	RST SM 0805C11	2K2 PM5
3130	2322 702 60333	RST SM 0603C21	33K PM5
3131	2322 730 61103	RST SM 0805C11	10K PM5
3132	2322 730 61561	RST SM 0805C11	560R PM5
3135	2322 730 61101	RST SM 0805C11	100R PM5
3137	2322 730 61478	RST SM 0805C11	4R7 PM5
3138	2322 702 60183	RST SM 0603C21	18K PM5
3139	2322 702 60183	RST SM 0603C21	18K PM5
3140	2322 702 60225	RST SM 0603C21	2M2 PM5
3145	2322 730 61478	RST SM 0805C11	4R7 PM5
3201	2322 702 60103	RST SM 0603C21	10K PM5
3202	2322 702 60332	RST SM 0603C21	3K3 PM5
3203	2322 702 60332	RST SM 0603C21	3K3 PM5
3204	2322 702 60103	RST SM 0603C21	10K PM5
3902	2322 702 96001	RST SM 0603	MAX 0R05
3906	2322 702 96001	RST SM 0603	MAX 0R05
3915	2322 702 96001	RST SM 0603	MAX 0R05
3916	2322 702 96001	RST SM 0603	MAX 0R05
3918	2322 702 96001	RST SM 0603	MAX 0R05

FILTERS

5003	2422 549 41222	IND FXD 0805	100MHZ 120R
5004	2422 549 41222	IND FXD 0805	100MHZ 120R
5005	2422 549 41222	IND FXD 0805	100MHZ 120R
5011	2422 549 41222	IND FXD 0805	100MHZ 120R
5012	2422 536 00119	IND FXD SM	100U PM20
5013	2422 549 41222	IND FXD 0805	100MHZ 120R
5014	2422 549 41222	IND FXD 0805	100MHZ 120R
5015	2422 549 41222	IND FXD 0805	100MHZ 120R
5017	2422 549 41222	IND FXD 0805	100MHZ 120R
5018	2422 549 41222	IND FXD 0805	100MHZ 120R

DIODES

6001	9332 153 70215	DIO SIG SM	BAV99
6002	9332 153 70215	DIO SIG SM	BAV99
6005	9322 172 08685	LED IR SM	CL-201IR-X
6006	9322 172 08685	LED IR SM	CL-201IR-X
6007	9322 172 08685	LED IR SM	CL-201IR-X
6008	9322 172 08685	LED IR SM	CL-201IR-X
6009	9334 606 20215	DIO SIG SM	BAS16
6010	9322 105 11682	OPT SEN	S4810
6012	9334 606 20215	DIO SIG SM	BAS16
6017	9334 606 20215	DIO SIG SM	BAS16
6021	9334 606 20215	DIO SIG SM	BAS16
6024	9322 168 12685	DIOEG SM	MMBZ15V
6025	9322 168 12685	DIOEG SM	MMBZ15V
6026	9322 139 61685	LED VS SM	LTST-C230GKT
6027	9322 139 61685	LED VS SM	LTST-C230GKT
6028	9322 139 61685	LED VS SM	LTST-C230GKT
6029	9322 139 61685	LED VS SM	LTST-C230GKT
6030	9322 139 61685	LED VS SM	LTST-C230GKT
6036	9322 157 58668	DIOEC SM	MBRA130L
6038	9334 606 20215	DIO SIG SM	BAS16
6039	9334 606 20215	DIO SIG SM	BAS16
6040	9334 606 20215	DIO SIG SM	BAS16
6041	9334 606 20215	DIO SIG SM	BAS16
6042	9322 139 61685	LED VS SM	LTST-C230GKT
6043	9322 139 61685	LED VS SM	LTST-C230GKT
6044	9322 139 61685	LED VS SM	LTST-C230GKT
6045	9322 139 61685	LED VS SM	LTST-C230GKT
6046	9322 139 61685	LED VS SM	LTST-C230GKT
6050	9322 157 58668	DIOEC SM	MBRA130L
6051	9322 168 12685	DIOEG SM	MMBZ15VAL
6052	9322 168 12685	DIOEG SM	MMBZ15VAL)

TRANSISTORS & IC'S

7001	8204 161 41661	MC68328PV-16VA
7004	9322 170 84685	IC SM AD7843ARU
7006	9322 150 87668	IC SM CY62146VLL
7007	9351 742 80118	IC SM 74LV08PW
7009	9351 895 40118	IC SM 74HCT153PW
7011	9351 742 10118	IC SM 74LV04PW
7012	9351 751 40118	IC SM 74LV74PW
7013	9336 286 30215	TRA SIG SM BC817-25
7016	9335 895 90215	TRA SIG SM BC847B
7017	9335 897 60215	TRA SIG SM BC857B
7018	9335 895 90215	TRA SIG SM BC847B
7019	9335 895 90215	TRA SIG SM BC847B
7020	9335 897 60215	TRA SIG SM BC857B
7021	9335 895 90215	TRA SIG SM BC847B
7022	9336 286 30215	TRA SIG SM BC817-25
7025	9322 140 10685	FET POW SM SI3443DV
7026	9335 897 60215	TRA SIG SM BC857B
7028	9322 138 60685	IC SM MN1382-R
7035	9335 895 90215	TRA SIG SM BC847B
7043	9335 895 90215	TRA SIG SM BC847B
7060	9322 150 72671	IC SM SED1375F0A
7061	9322 157 65668	IC SM LT1373CS8
7062	9322 157 52668	TRA POW SM 2SC5001

ELECTRICAL PARTS LIST - TS9201 - TS9200**TRANSISTORS & IC'S**

7063	9322 157 52668	TRA POW SM 2SC5001
7064	9336 286 30215	TRA SIG SM BC817-25
7066	9322 171 42685	IC SM LT1761ES5-3.3
7067	9351 742 80118	IC SM 74LV08PW
7071	9351 742 80118	IC SM 74LV08PW
7072	9335 895 90215	TRA SIG SM BC847B
7074	9322 171 42685	IC SM LT1761ES5-3.3
7075	9335 897 60215	TRA SIG SM BC857B
7059	9322 169 49671	IC SM AM29LV641DL

RFTX2 BOARD ASSY:**3104 207 11300 - 434MHz used in TS9201****3104 207 11290 - 418MHz used in TS9200****MISCELLANEOUS**

1002	3104 201 23700	ANTENNA DIA 18MM L
1003	8204 161 44261	3 PL.HE.FEM.SMD-FCI

CAPACITORS

2002	2238 861 18828	CER1 0805 NP0 50V 8P2
2002	2238 861 18109	50V 10P only in 418MHZ
2003	2238 861 18109	CER1 0805 NP0 50V 10P
2003	2238 861 18129	50V 12P only in 418MHZ
2004	2238 861 18129	CER1 0805 NP0 50V 12P
2004	2238 861 18159	50V 15P only in 418MHZ
2005	2238 861 18109	CER1 0805 NP0 50V 10P
2006	2238 861 18828	50V 8P2 only in 418MHZ
2007	2238 861 18229	CER1 0805 NP0 50V 22P
2007	2238 861 18279	50V 27P only in 418MHZ
2008	2238 861 18229	CER1 0805 NP0 50V 22P
2008	2238 861 18339	50V 33P only in 418MHZ
2009	2238 861 18339	CER1 0805 NP0 50V 33P
2010	2238 861 18339	CER1 0805 NP0 50V 33P
2011	2238 861 15471	CER1 0805 NP0 50V 470P
2012	2238 861 15471	CER1 0805 NP0 50V 470P
2013	2238 861 18129	50V 12P only in 434MHZ
2014	2238 861 18159	50V 15P only in 418MHZ
2015	2238 861 15471	CER1 0805 NP0 50V 470P
2016	2238 861 15471	CER1 0805 NP0 50V 470P

RESISTORS

3001	2322 730 61569	RST SM 0805 56R
3002	2322 730 61471	RST SM 0805 470R
3003	2322 730 61273	RST SM 0805 27K
3004	2322 730 61273	RST SM 0805 27K
3005	2322 730 61229	RST SM 0805 22R
3901	2322 730 91002	RST SM 0805 JUMP.
3902	2322 730 91002	RST SM 0805 JUMP.

FILTERS

5001	2422 535 94152	IND FXD SM 0805 27N
5003	2422 535 94151	IND FXD SM 0805 22N
5004	2422 535 94151	IND FXD SM 0805 22N
5005	2422 549 41993	IND FXD EMI 100MHZ
5006	2422 549 41993	IND FXD EMI 100MHZ
5010	2422 540 98562	RES 434MHZ only in 434MHZ
5010	2422 540 98545	RES 418MHZ only in 418MHZ
5011	2422 549 41993	IND FXD EMI 100MHZ

TRANSISTORS

7001	9337 502 50215	TRA SIG SM BFS17A
------	----------------	-------------------



DOCKING STATION
DS9200

MECHANICAL INSTRUCTIONS

Set Disassembly - Docking station



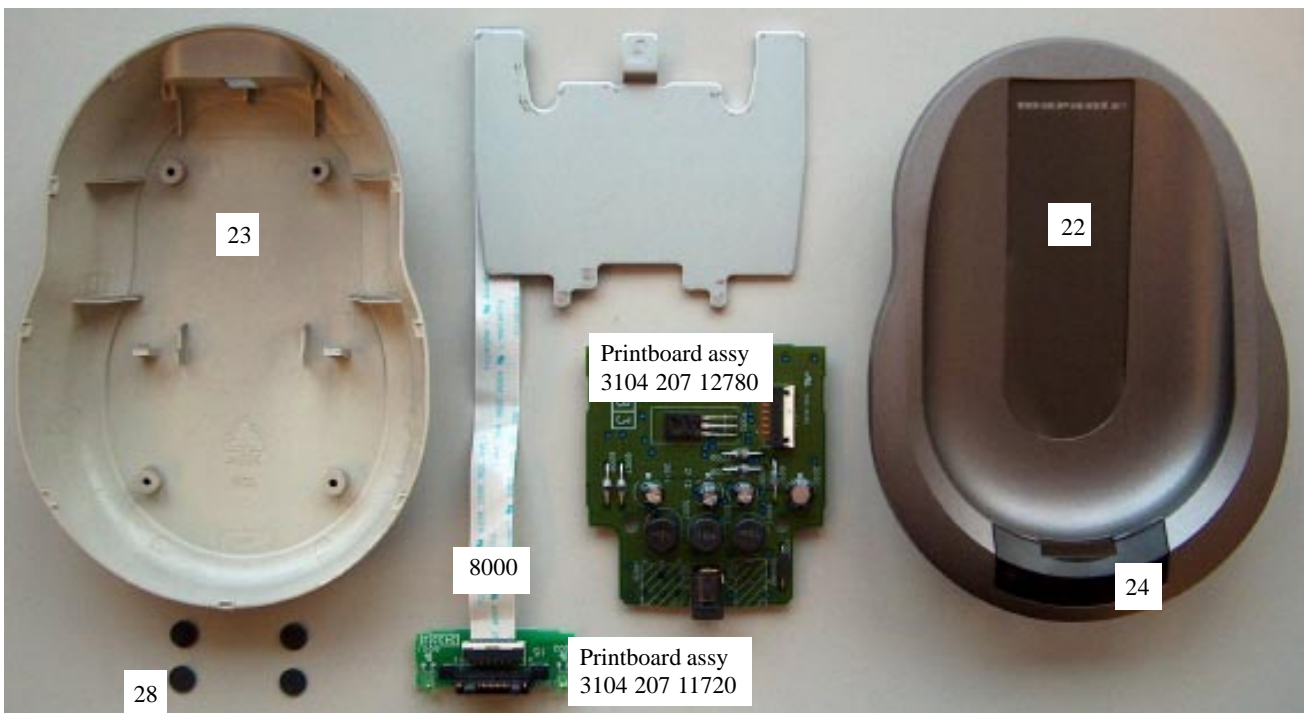
- 1. Remove the four rubber feet
- 2. Remove 4 x screw
see picture - arrows

Overview snapholes



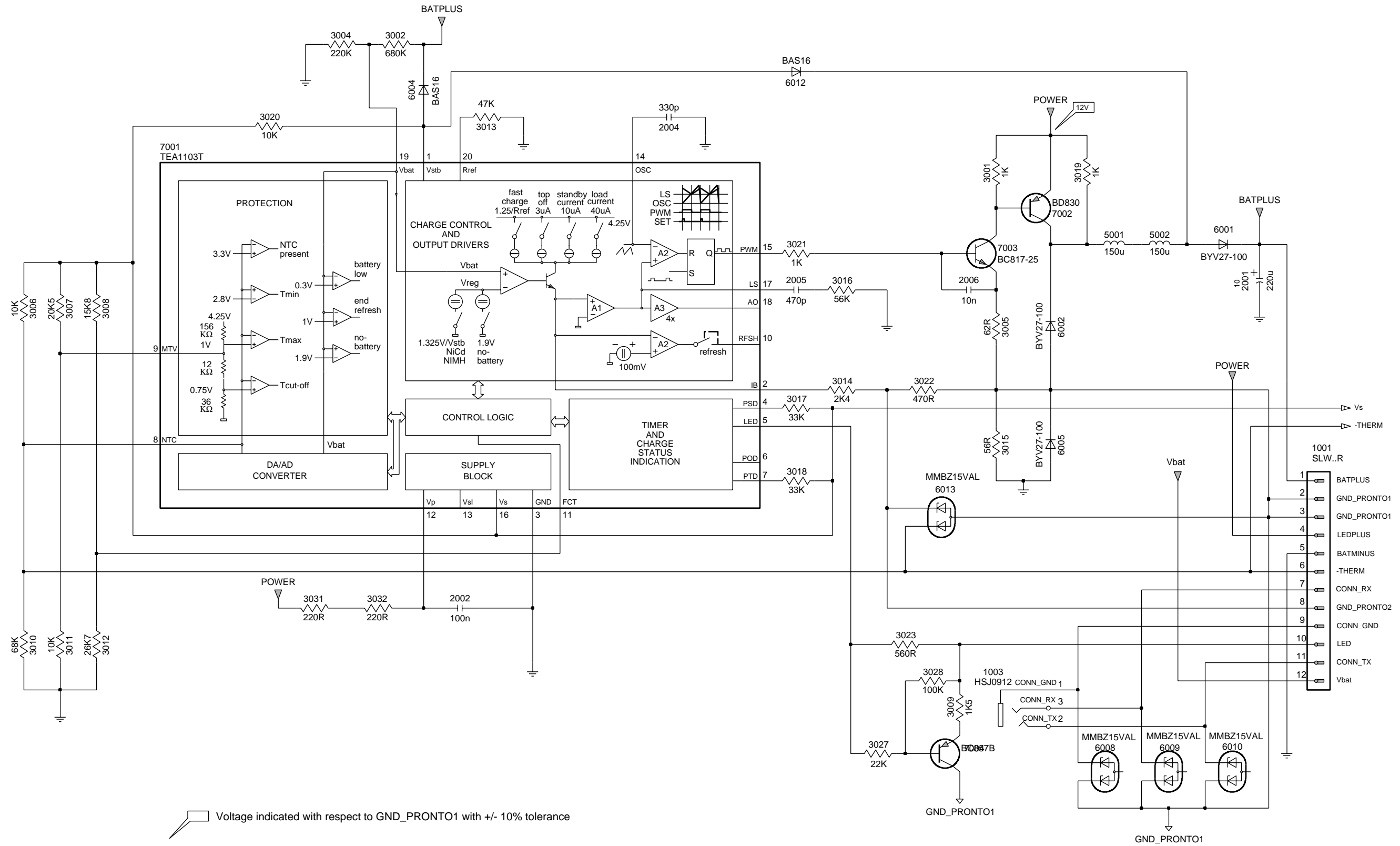
- 3. Put a sharp knife between toppart and bottompart and use this as lever to separate the two parts.
For the correct position of the knife see snapholes in picture

Overview disassembled parts - DS9200



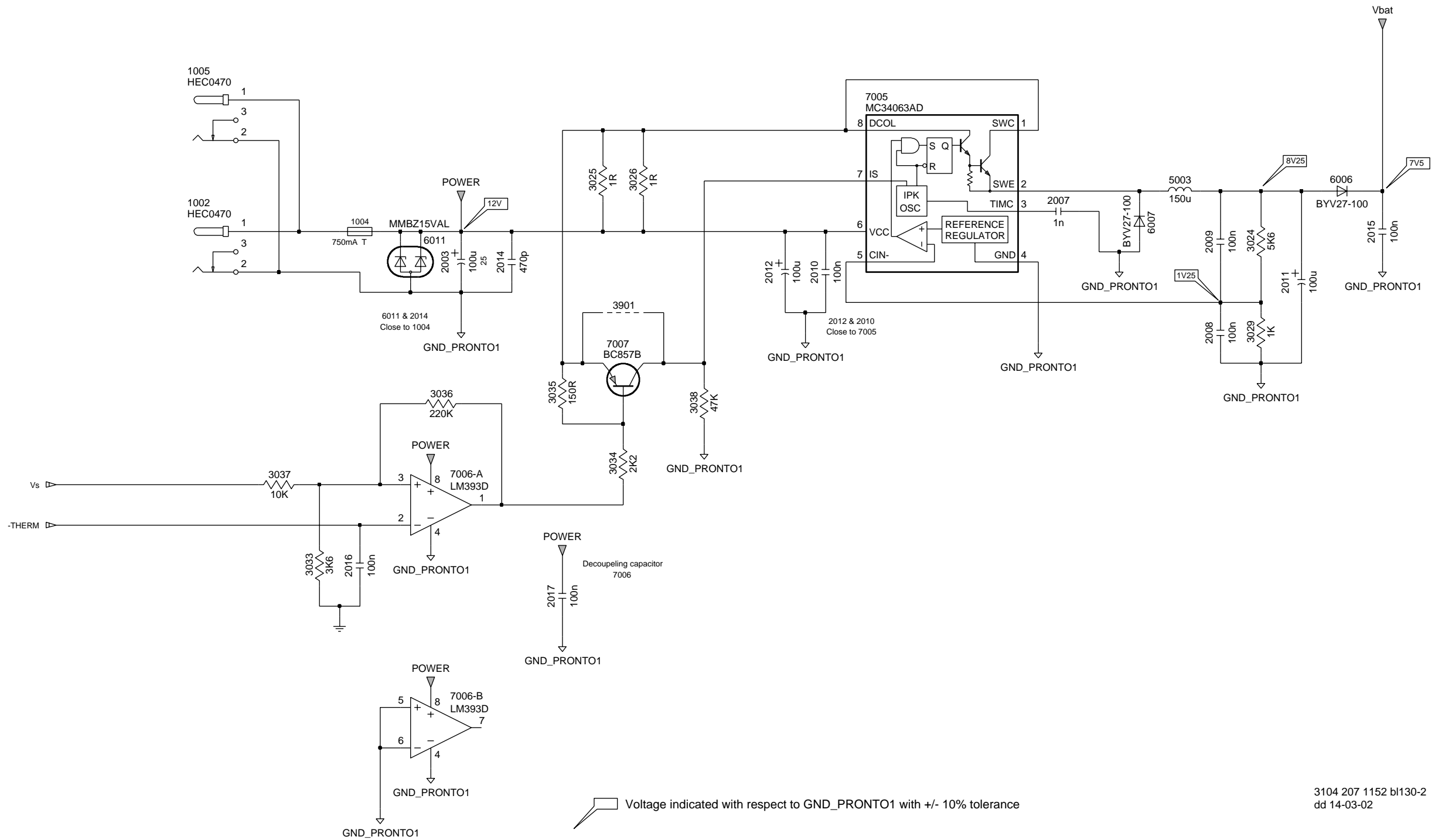
CHARGER DIAGRAM

1



CHARGER DIAGRAM

2



MECHANICAL & ELECTRICAL PARTS LIST - Docking Station - DS9200

ELECTRICAL PARTS

1004	2422 086 11074	FUSE 750mA 125V UL
	3104 207 14340	DOCKING STATION (3104 207 12690)



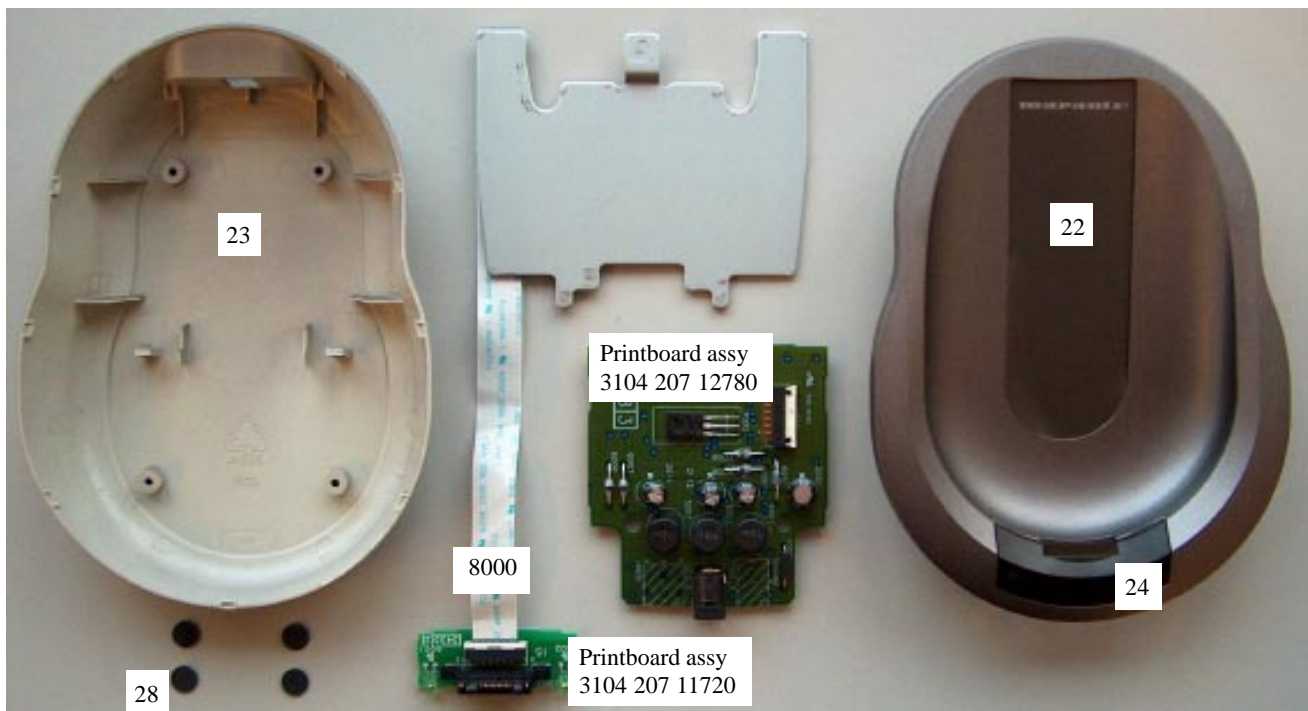
DOCKING STATION

Note: Only the parts mentioned in this list are normal service parts

For more information:

E-mail: erik.gybels@philips.com

Overview disassembled parts



ELECTRICAL PARTS LIST- Docking Station - DS9200**MECHANICAL PARTS**

22	3104 207 79240	TOPPART ASSY
23	3104 204 79250	BOTTOMPART ASSY
24	3104 204 18540	IR - WINDOW
28	3139 225 20710	RUBBER FEET

PRINTBOARD ASSY 3104 207 12780**MISCELLANEOUS**

1001	2422 025 17146	CON BM H 12P F
1004	2422 086 11074	FUSE 0A75 125V UL
1005	2422 026 03455	SOC POWER H 1P F DC

CAPACITORS

2001	2020 024 90701	ELCAP10V S 220U PM20 A
2002	2238 910 19849	CER2 0805 Y5V 25V 100N
2003	2020 012 93777	ELCAP 25V S 100U PM20 A
2004	2238 861 15471	CER1 0805 NP0 50V 470P
2005	2238 580 15618	CER2 0805 50V 470P PM10
2006	2238 580 15636	CER2 0805 50V 10N PM10
2007	2238 580 15623	CER2 0805 50V 1N PM10
2010	2238 910 19849	CER2 0805 25V 100N P8020
2011	2020 012 93777	ELCAP 25V S 100U PM20
2012	2020 012 93777	ELCAP 25V S 100U PM20
2014	2238 861 15471	CER1 0805 NP0 50V 470P
2015	2238 910 19849	CER2 0805 25V 100N P8020
2016	2238 910 19849	CER2 0805 25V 100N P8020
2017	2238 910 19849	CER2 0805 25V 100N P8020

RESISTORS

3001	2322 730 61102	RST SM 0805 RC11 1K
3002	2322 730 61684	RST SM 0805 RC11 680K
3004	2322 730 61224	RST SM 0805 RC11 220K
3005	2322 730 61629	RST SM 0805 RC11 62R
3006	2322 730 61103	RST SM 0805 RC11 10K
3007	2322 734 62053	RST SM 0805 RC12H 20K5
3008	2322 734 61583	RST SM 0805 RC12H 15K8
3010	2322 730 61683	RST SM 0805 RC11 68K
3011	2322 734 61003	RST SM 0805 RC12H 10K
3012	2322 734 62673	RST SM 0805 RC12H 26K7
3013	2322 730 61473	RST SM 0805 RC11 47K
3014	2322 730 61182	RST SM 0805 RC11 1K8
3015	2322 730 61569	RST SM 0805 RC11 56R
3016	2322 730 61563	RST SM 0805 RC11 56K
3017	2322 730 61333	RST SM 0805 RC11 33K
3018	2322 730 61333	RST SM 0805 RC11 33K
3019	2322 730 61102	RST SM 0805 RC11 1K
3020	2322 730 61103	RST SM 0805 RC11 10K
3021	2322 730 61102	RST SM 0805 RC11 1K
3022	2322 730 61471	RST SM 0805 RC11 470R
3023	2322 730 61681	RST SM 0805 RC11 680R
3024	2322 730 61562	RST SM 0805 RC11 5K6
3025	2322 730 61108	RST SM 0805 RC11 1R
3026	2322 730 61108	RST SM 0805 RC11 1R
3029	2322 730 61102	RST SM 0805 RC11 1K
3031	2322 730 61221	RST SM 0805 RC11 220R
3032	2322 730 61221	RST SM 0805 RC11 220R

RESISTORS

3033	2322 730 61362	RST SM 0805 RC11 3K6
3034	2322 730 61222	RST SM 0805 RC11 2K2
3035	2322 730 61151	RST SM 0805 RC11 150R
3036	2322 730 61224	RST SM 0805 RC11 220K
3037	2322 730 61103	RST SM 0805 RC11 10K
3038	2322 730 61473	RST SM 0805 RC11 47K

FILTERS

5001	2422 535 94841	IND FXD LHL10 S 150U
5002	2422 535 94841	IND FXD LHL10 S 150U
5003	2422 535 94841	IND FXD LHL10 S 150U

DIODES

6001	9335 435 00133	DIO REC BYV27-100
6002	9335 435 00133	DIO REC BYV27-100
6004	9334 606 20215	DIO SIG SM BAS16
6005	9335 435 00133	DIO REC BYV27-100
6006	9335 435 00133	DIO REC BYV27-100
6007	9335 435 00133	DIO REC BYV27-100
6008	9322 168 12685	DIO REG SM BZ15V
6009	9322 168 12685	DIO REG SM BZ15V
6010	9322 168 12685	DIO REG SM BZ15V
6012	9334 606 20215	DIO SIG SM BAS16
6013	9322 168 12685	DIO REG SM BZ15V

TRANSISTORS & IC'S

7001	9352 604 38118	IC SM TEA1103T/N2
7002	9332 480 40687	TRA POW BD136
7003	9336 286 30215	TRA SIG SM BC817-25
7005	9322 033 40668	IC SM MC34063AD
7006	9339 575 30668	IC SM LM393D
7007	9335 897 60215	TRA SIG SM BC857B

PRINTBOARD ASSY 3104 207 11720**MISCELLANEOUS**

1001	2422 025 17146	CONN. BM 12P
1002	8204 161 43590	CONN. BM
8000	3104 200 51370	FLEX CABLE

DIODES

6001	9322 106 63675	LED GREEN
6002	9322 106 63675	LED GREEN



IR-RF RECEIVER
RX-77

MECHANICAL INSTRUCTIONS

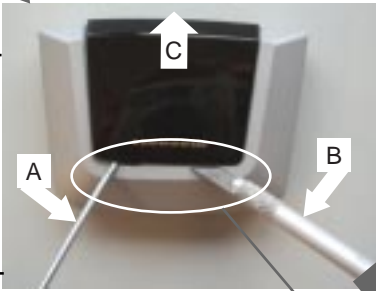
Set Disassembly - IR-IF RECEIVER RX-77



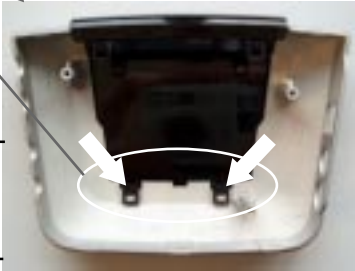
1. Remove the label a little bit
 2. Remove screw
 see picture - arrow



3. Put a sharp knife between top part and window and use this as lever to separate the two parts a little bit.



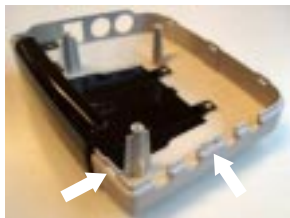
4. Put something between the two parts
 see picture - arrow A.
 5. Put the knife on the other side.
 see picture - arrow B
 6. Push the window away direction
 arrow C - see picture



Info:
 These two mentioned noks must be pushed down with the knife. see picture - arrows

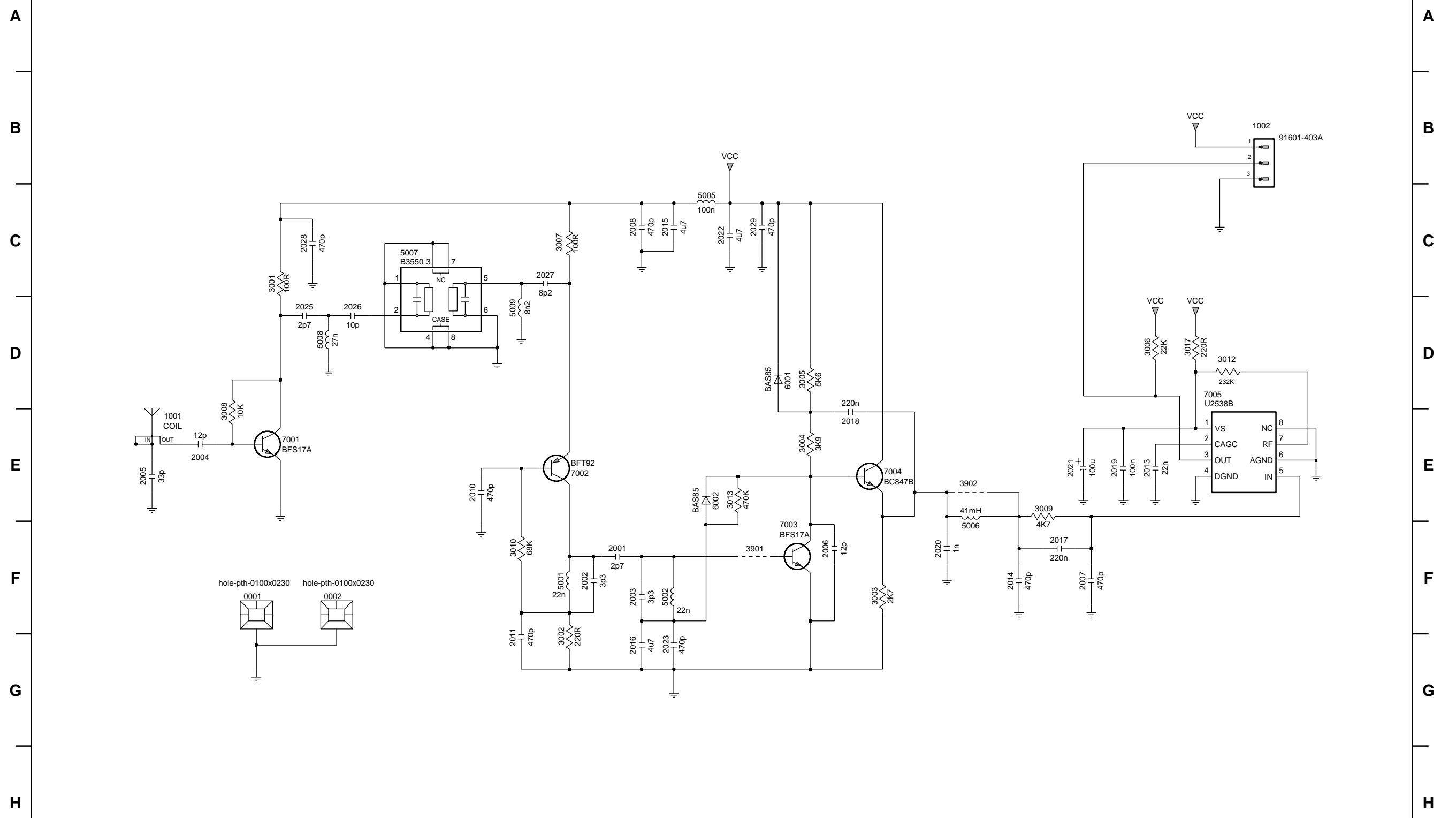
7. Put a sharp knife between top part and bottom part and use this as lever to separate the two parts.
 For the correct position of the knife see snapholes in picture

Overview snapholes



RFRX1

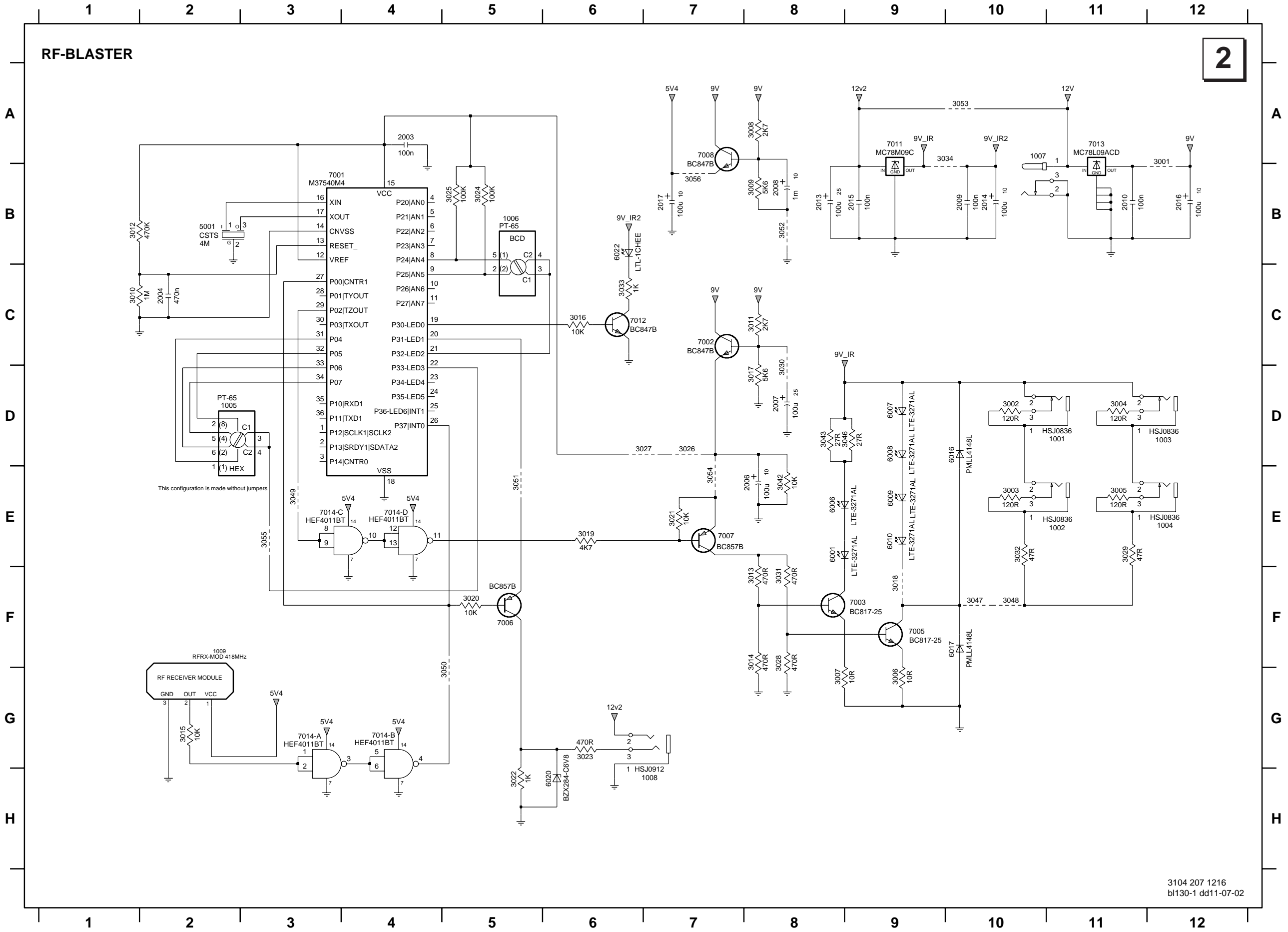
1



- 0001 F2
- 0002 F3
- 1001 E2
- 1002 B11
- 2001 F6
- 2002 F5
- 2003 F6
- 2004 E2
- 2005 E1
- 2006 F7
- 2007 F10
- 2008 C6
- 2010 E4
- 2011 G5
- 2013 E10
- 2014 F9
- 2015 C6
- 2016 G6
- 2017 F10
- 2018 E8
- 2019 E10
- 2020 F8
- 2021 E10
- 2022 C7
- 2023 G6
- 2025 D3
- 2026 D3
- 2027 C5
- 2028 C3
- 2029 C7
- 3001 C3
- 3002 G5
- 3003 F8
- 3004 E7
- 3005 D7
- 3006 D10
- 3007 C5
- 3008 E2
- 3009 E9
- 3010 F5
- 3012 D11
- 3013 E7
- 3017 D11
- 3901 F7
- 3902 E9
- 5001 F5
- 5002 F6
- 5005 C6
- 5006 F9
- 5007 C4
- 5008 D3
- 5009 D5
- 6001 D7
- 6002 E6
- 7001 E3
- 7002 E5
- 7003 F7
- 7004 E8
- 7005 D11

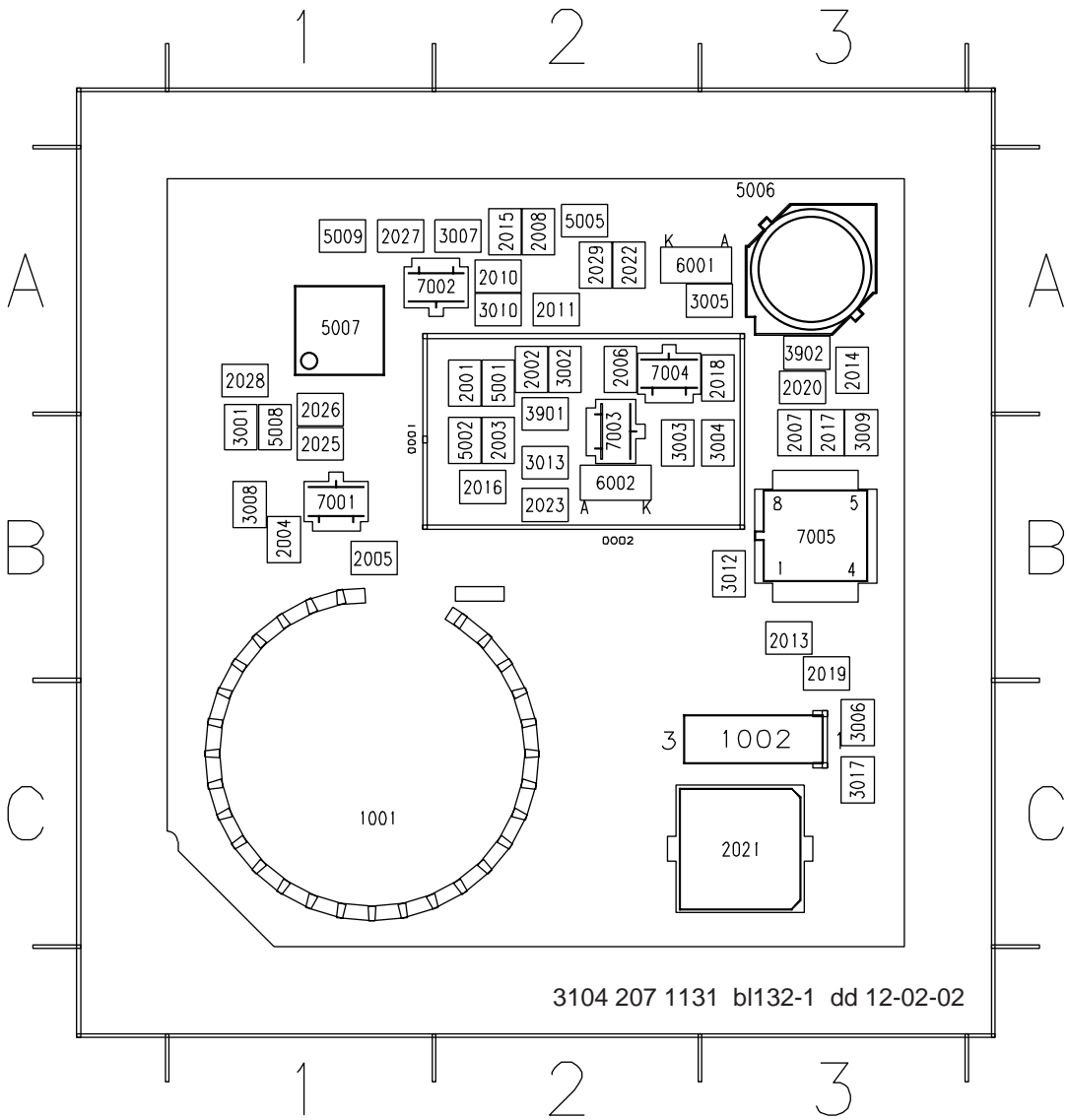
RF-BLASTER

2



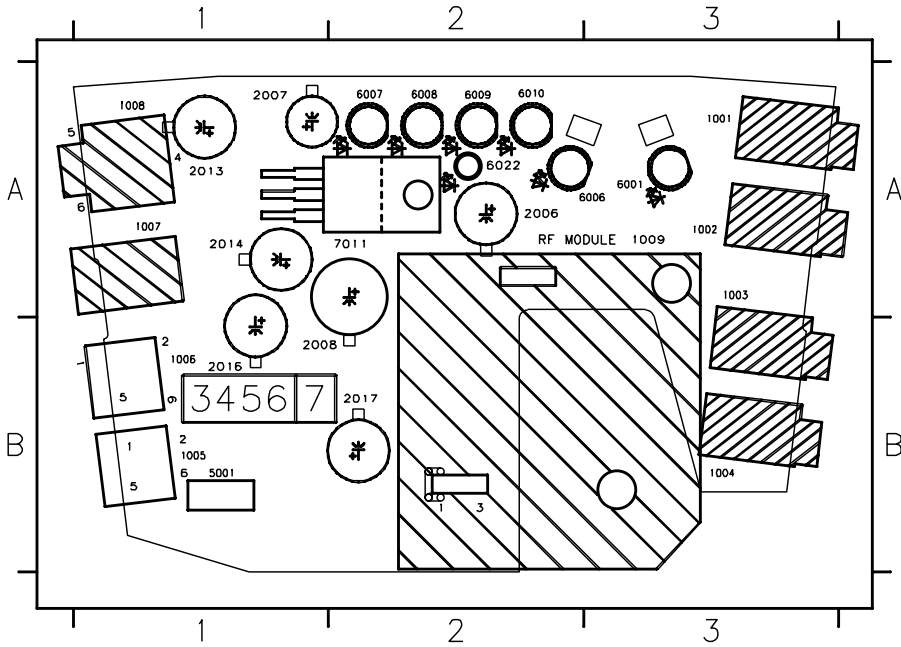
- 1001 D10
- 1002 E10
- 1003 D11
- 1004 E11
- 1005 D3
- 1006 C5
- 1007 B11
- 1008 G6
- 1009 G2
- 2003 A4
- 2004 C2
- 2006 E8
- 2007 D8
- 2008 B8
- 2009 B10
- 2010 B11
- 2013 B8
- 2014 B10
- 2015 B9
- 2016 B12
- 2017 B7
- 3001 B12
- 3002 D10
- 3003 E10
- 3004 D11
- 3005 E11
- 3006 G9
- 3007 G9
- 3008 A8
- 3009 B8
- 3010 C2
- 3011 C8
- 3012 B2
- 3013 F8
- 3014 F8
- 3015 G2
- 3016 C6
- 3017 D8
- 3018 F9
- 3019 E6
- 3020 F5
- 3021 E7
- 3022 H5
- 3023 G6
- 3024 B5
- 3025 B5
- 3026 D7
- 3027 D7
- 3028 F8
- 3029 E11
- 3030 D8
- 3031 F8
- 3032 E10
- 3033 C6
- 3034 B10
- 3042 E8
- 3043 D8
- 3046 D9
- 3047 F10
- 3048 F10
- 3049 E3
- 3050 G5
- 3051 E5
- 3052 B8
- 3053 A10
- 3054 E7
- 3055 E3
- 3056 B7
- 5001 B2
- 6001 E9
- 6006 E9
- 6007 D9
- 6008 D9
- 6009 E9
- 6010 E9
- 6016 D10
- 6017 F10
- 6020 H6
- 6022 B6
- 7001 C4
- 7002 C7
- 7003 F8
- 7005 F9
- 7006 F5
- 7007 E7
- 7008 A7
- 7011 B9
- 7012 C6
- 7013 B11
- 7014-A G3
- 7014-B G4
- 7014-C E4
- 7014-D E4

RF RX1 BOARD - Component Layout

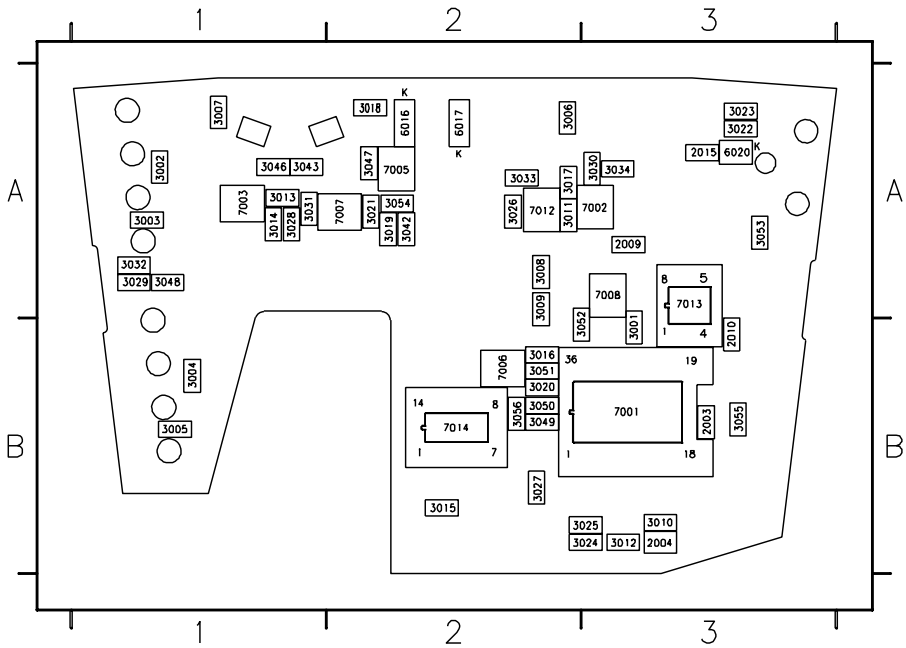


0001	B1	2015	A2	3003	B2	5006	A3
0002	B2	2016	B2	3004	B3	5007	A1
1001	C1	2017	B3	3005	A3	5008	B1
1002	C3	2018	A3	3006	C3	5009	A1
2001	A2	2019	B3	3007	A2	6001	A2
2002	A2	2020	A3	3008	B1	6002	B2
2003	B2	2021	C3	3009	B3	7001	B1
2004	B1	2022	A2	3010	A2	7002	A2
2005	B1	2023	B2	3012	B3	7003	B2
2006	A2	2025	B1	3013	B2	7004	A2
2007	B3	2026	A1	3017	C3	7005	B3
2008	A2	2027	A1	3901	A2		
2010	A2	2028	A1	3902	A3		
2011	A2	2029	A2	5001	A2		
2013	B3	3001	B1	5002	B2		
2014	A3	3002	A2	5005	A2		

PF-BLASTER BOARD - Component Layout



- 1001 A3
- 1002 A3
- 1003 A3
- 1004 B3
- 1005 B1
- 1006 B1
- 1007 A1
- 1008 A1
- 1009 A3
- 2006 A2
- 2007 A1
- 2008 B1
- 2013 A1
- 2014 A1
- 2016 B1
- 2017 B2
- 5001 B1
- 6001 A3
- 6006 A3
- 6007 A2
- 6008 A2
- 6009 A2
- 6010 A2
- 6022 A2
- 7011 A2



- 2003 B3
- 2004 B3
- 2009 A3
- 2010 B3
- 2015 A3
- 3001 B3
- 3002 A1
- 3003 A1
- 3004 B1
- 3005 B1
- 3006 A2
- 3007 A1
- 3008 A2
- 3009 A2
- 3010 B3
- 3011 A2
- 3012 B3
- 3013 A1
- 3014 A1
- 3015 B2
- 3016 B2
- 3017 A2
- 3018 A2
- 3019 A2
- 3020 B2
- 3021 A2
- 3022 A3
- 3023 A3
- 3024 B3
- 3025 B3
- 3026 A2
- 3027 B2
- 3028 A1
- 3029 A1
- 3030 A3
- 3031 A1
- 3032 A1
- 3033 A2
- 3034 A3
- 3042 A2
- 3043 A1
- 3046 A1
- 3047 A2
- 3048 A1
- 3049 B2
- 3050 B2
- 3051 B2
- 3052 B2
- 3053 A3
- 3054 A2
- 3055 B3
- 3056 B2
- 6016 A2
- 6017 A2
- 6020 A3
- 7001 B3
- 7002 A3
- 7003 A1
- 7005 A2
- 7006 B2
- 7007 A2
- 7008 A3
- 7009 A3
- 7010 A2
- 7011 A2
- 7012 A2
- 7013 A3
- 7014 B2

MECHANICAL & ELECTRICAL PARTS LIST - IR RF RECEIVER RX-77

MECHANICAL PARTS

3104 207 14330 RX-77 only for EUROPE and UK version (3104 207 13280)
 3104 207 14390 RX-77 only for US version (3104 207 12703)



RX-77



3104 200 51200 ADAPTOR /N1M - EUROPE
 3104 200 51210 ADAPTOR /T1M - UK
 3104 200 51190 ADAPTOR /U1G - US



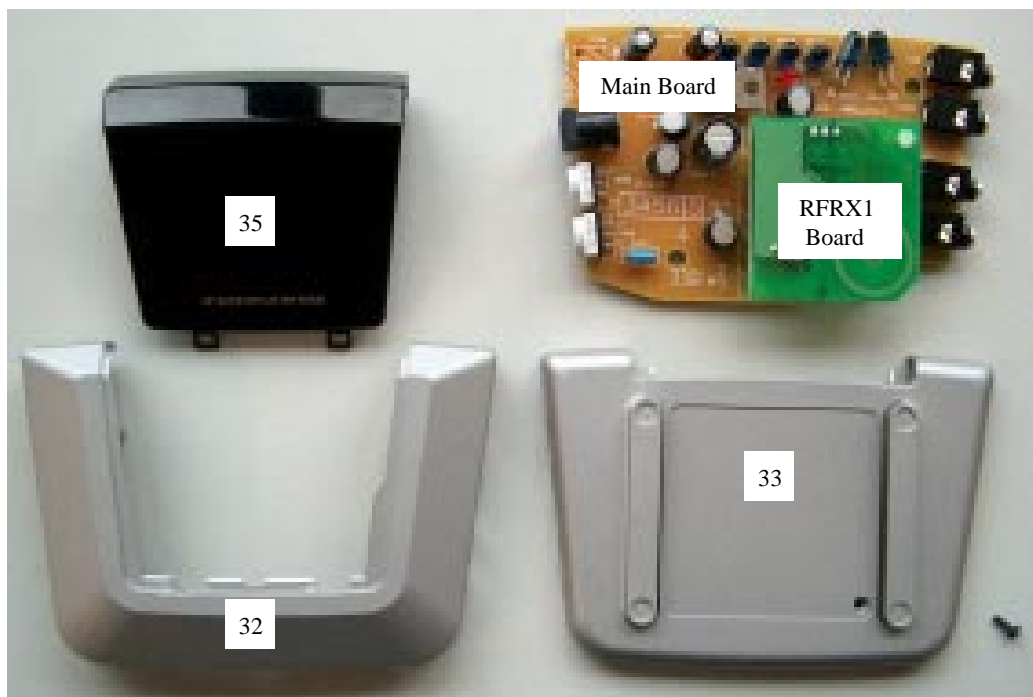
3104 200 51660 EMITTER CABLE

Note: Only the parts mentioned in this list are normal service parts

For more information:

E-mail: erik.gybels@philips.com

Overview disassembled parts



ELECTRICAL PARTS LIST - IR-RF RECEIVER RX-77**MAIN BOARD ASSY****MECHANICAL PARTS**

32	3104 207 78750	TOPPART ASSY
33	3104 207 79140	BOTTOM PART ASSY
35	3104 207 79460	WINDOW ASSY

MISCELLANEOUS

1001	2422 026 03328	SOC PHONE H 1P 3.5
1002	2422 026 03328	SOC PHONE H 1P 3.5
1003	2422 026 03328	SOC PHONE H 1P 3.5
1004	2422 026 03328	SOC PHONE H 1P3.5
1005	2422 124 00273	SWI ROT 4P 16 POS
1006	2422 124 00272	SWI ROT 2P 4POS
1007	2422 026 03455	SOC POWER H 1P DC
	3104 201 23480	ANTENNA DIA 18MM
	3104 204 20240	ANTENNA SUPPORT

CAPACITORS

2003	2238 910 19849	CER2 0805 25V 100N P8020
2004	2222 780 15658	CER2 0805 16V 470N PM10
2006	2020 024 90696	ELCAP 10V S 100U PM20
2007	2020 012 92639	ELCAP 25V S 100U PM20
2008	2020 012 93787	ELCAP 10V S 1000U PM20
2009	2238 910 19849	CER2 0805 25V 100N P8020
2010	2238 910 19849	CER2 0805 25V 100N P8020
2013	2020 012 93777	ELCAP 25V 100U PM20
2014	2020 024 90696	ELCAP 10V S 100U PM20
2015	2238 910 19849	CER2 0805 25V 100N P8020
2016	2020 024 90696	ELCAP 10V S 100U PM20
2017	2020 024 90696	ELCAP 10V S 100U PM20

RESISTORS

3001	2322 730 91002	RST SM 0805 JUMP. 0R05
3002	2322 730 61121	RST SM 0805 RC11 120R
3003	2322 730 61121	RST SM 0805 RC11 120R
3004	2322 730 61121	RST SM 0805 RC11 120R
3005	2322 730 61121	RST SM 0805 RC11 120R
3006	2322 730 61109	RST SM 0805 RC11 10R
3007	2322 730 61109	RST SM 0805 RC11 10R
3008	2322 730 61272	RST SM 0805 RC11 2K7
3009	2322 730 61562	RST SM 0805 RC11 5K6
3010	2322 730 61105	RST SM 0805 RC11 1M
3011	2322 730 61272	RST SM 0805 RC11 2K7
3012	2322 730 61474	RST SM 0805 RC11 470K
3013	2322 730 61471	RST SM 0805 RC11 470R
3014	2322 730 61471	RST SM 0805 RC11 470R
3015	2322 730 61103	RST SM 0805 RC11 10K
3016	2322 730 61103	RST SM 0805 RC11 10K
3017	2322 730 61562	RST SM 0805 RC11 5K6
3018	2322 730 91002	RST SM 0805 JUMP. 0R05
3019	2322 730 61472	RST SM 0805 RC11 4K7
3021	2322 730 61103	RST SM 0805 RC11 10K
3024	2322 730 61103	RST SM 0805 RC11 10K
3025	2322 730 61103	RST SM 0805 RC11 10K
3026	2322 730 91002	RST SM 0805 JUMP. 0R05
3027	2322 730 91002	RST SM 0805 JUMP. 0R05
3028	2322 730 61471	RST SM 0805 RC11 470R

RESISTORS

3029	2322 730 61479	RST SM 0805 RC11 47R
3030	2322 730 91002	RST SM 0805 JUMP. 0R05
3031	2322 730 61471	RST SM 0805 RC11 470R
3032	2322 730 61479	RST SM 0805 RC11 47R
3033	2322 730 61102	RST SM 0805 RC11 1K
3034	2322 730 91002	RST SM 0805 JUMP. 0R05
3043	2322 730 61279	RST SM 0805 RC11 27R
3046	2322 730 61279	RST SM 0805 RC11 27R
3047	2322 730 91002	RST SM 0805 JUMP. 0R05
3048	2322 730 91002	RST SM 0805 JUMP. 0R05
3049	2322 730 91002	RST SM 0805 JUMP. 0R05
3050	2322 730 91002	RST SM 0805 JUMP. 0R05
3052	2322 730 91002	RST SM 0805 JUMP. 0R05
3053	2322 730 91002	RST SM 0805 JUMP. 0R05
3054	2322 730 91002	RST SM 0805 JUMP. 0R05
3055	2322 730 91002	RST SM 0805 JUMP. 0R05
3056	2322 730 91002	RST SM 0805 JUMP. 0R05

FILTER

5001	2422 540 98409
------	----------------

DIODES

6001	9322 113 73676	LED IR LTE-3271AL-
6006	9322 113 73676	LED IR LTE-3271AL-
6007	9322 113 73676	LED IR LTE-3271AL-
6008	9322 113 73676	LED IR LTE-3271AL-
6009	9322 113 73676	LED IR LTE-3271AL-
6010	9322 113 73676	LED IR LTE-3271AL-
6016	9339 302 20115	DIO SIG SM LL4148L
6017	9339 302 20115	DIO SIG SM LL4148L
6022	9322 131 65676	LED

TRANSISTORS & IC'S

7001	3104 208 83401	IC-M37540M4FP
7002	9335 895 90215	TRA SIG SM BC847B
7003	9336 286 30215	TRA SIG SM BC817-25
7005	9336 286 30215	TRA SIG SM BC817-25
7007	9335 897 60215	TRA SIG SM BC857B
7008	9335 895 90215	TRA SIG SM BC847B
7011	9322 169 34687	IC MC78M09CT
7012	9335 895 90215	TRA SIG SM BC847B
7014	9333 726 40653	IC SM HEF4011BT

ELECTRICAL PARTS LIST - IR-RF RECEIVER RX-77**RFRX1 BOARD ASSY:****3104 207 11320 - used in 434MHz version****3104 207 11310 - used in 418MHz version****MISCELLANEOUS**

1002	3104 200 51551	3 PINS PIN HEADER
1100	3104 204 18291	PCB SUPPORTING PIN

CAPASITORS

2001	2238 861 14278	CER1 0805 NP0 50V 2P7
2002	2238 861 14338	CER1 0805 NP0 50V 3P3
2003	2238 861 14338	CER1 0805 NP0 50V 3P3
2004	2238 861 18129	CER1 0805 NP0 50V 12P
2005	2238 861 18339	CER1 0805 NP0 50V 33P
2008	2238 861 15471	CER1 0805 NP0 50V 470P
2010	2238 861 15471	CER1 0805 NP0 50V 470P
2011	2238 580 15618	CER2 0805 X7R 50V 470P
2013	2238 580 15641	CER2 0805 X7R 50V 22N
2015	2020 552 96305	CER2 0805 Y5V 10V 4U7
2016	2020 552 96305	CER2 0805 Y5V 10V 4U7
2018	2238 780 15654	CER2 0805 X7R 16V 220N
2019	2238 910 19849	CER2 0805 Y5V 25V 100N
2020	2238 580 15623	CER2 0805 X7R 50V 1N
2021	2022 009 00686	TANCAP SM 16V 100U
2022	2020 552 96305	CER2 0805 Y5V 10V 4U7
2023	2238 580 15618	CER2 0805 X7R 50V 470P
2025	2238 861 14278	CER1 0805 NP0 50V 2P7
2026	2238 861 18568	CER1 0805 NP0 50V 5P6
2026	2238 861 18109	50V 10P only in 418MHz
2027	2238 861 18568	CER1 0805 NP0 50V 5P6
2027	2238 861 18828	50V 8P2 only in 418MHz
2028	2238 580 15618	CER2 0805 X7R 50V 470P
2029	2238 580 15618	CER2 0805 X7R 50V 470P

RESISTORS

3001	2322 730 61101	RST SM 0805 RC11 100R
3002	2322 730 61221	RST SM 0805 RC11 220R
3003	2322 730 61272	RST SM 0805 RC11 2K7
3004	2322 730 61392	RST SM 0805 RC11 3K9
3005	2322 730 61562	RST SM 0805 RC11 5K6
3006	2322 730 61223	RST SM 0805 RC11 22K
3007	2322 730 61101	RST SM 0805 RC11 100R
3008	2322 730 61103	RST SM 0805 RC11 10K
3009	2322 730 61472	RST SM 0805 RC11 4K7
3010	2322 730 61823	RST SM 0805 RC11 82K
3010	2322 730 61683	68K only in 418MHz
3012	2322 734 62324	RST SM 0805 RC12H 232K
3013	2322 730 61474	RST SM 0805 RC11 470K
3017	2322 730 61221	RST SM 0805 RC11 220R
3901	2322 730 91002	RST SM 0805 JUMP. 0R05
3902	2322 730 91002	RST SM 0805 JUMP. 0R05

FILTERS

5001	2422 535 94151	IND FXD SM 0805 22N
5002	2422 535 94151	IND FXD SM 0805 22N
5005	2422 535 94159	IND FXD SM 0805 0U10
5007	2422 549 44909	FIL 433MHz
5007	2422 549 44908	FIL 418MHz only in 418MHz

FILTERS

5008	2422 535 94152	IND FXD SM 0805 27N
5009	2422 535 94147	IND FXD SM 0805 12N
5009	2422 535 94889	IND FXD 8N2 only in 418MHz

DIODES

6001	9338 765 40115	DIO SIG SM BAS85
6002	9338 765 40115	DIO SIG SM BAS85

TRANSISTORS & IC'S

7001	9337 502 50215	TRA SIG SM BFS17A
7002	9333 477 30215	TRA SIG SM BFT92
7003	9337 502 50215	TRA SIG SM BFS17A
7004	9335 895 90215	TRA SIG SM BC847B
7005	9322 104 68668	IC SM U2538B