

Service Manual

DV7600 /F N/K1G/L1G/S1G

/N1B/U1B/N1S

Super Audio CD / DVD Player

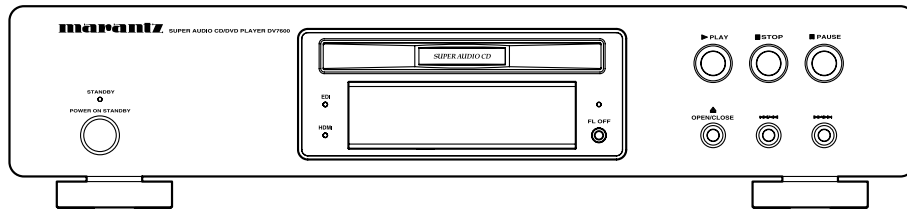


TABLE OF CONTENTS

SECTION	PAGE
1. TECHNICAL SPECIFICATIONS	1
2. SERVICE HINTS AND TOOLS	4
3. WARNING AND LASER SAFETY INSTRUCTIONS	5
4. EMERGENCY DISC EJECT	6
5. CAUTION (Optical pick up and Servo Board)	7
6. BACK END / FRONT END SOFTWARE (Firmware) VERSION CHECK.....	8
7. THE UPDATE DISC CREATION PROCEDURE	9
8. UPDATES BACK END FIRMWARE PROCEDURE	9
9. UPDATES FRONT END FIRMWARE PROCEDURE.....	10
10. WIRING DIAGRAM	11
11. BLOCK DIAGRAM	13
12. SCHEMATIC DIAGRAM.....	15
13. PARTS LOCATION.....	35
14. MICROPROCESSOR AND IC DATA.....	43
15. EXPLODED VIEW AND PARTS LIST	57
16. ELECTRICAL PARTS LIST	62

Please use this service manual with referring to the user guide (D.F.U.) without fail.
修理の際は、必ず取扱説明書を準備し操作方法を確認の上作業を行ってください。

marantz®

DV7600

Part no. 90M25BW855010
First Issue 2005.05
MZ

MARANTZ DESIGN AND SERVICE

Using superior design and selected high grade components, **MARANTZ** company has created the ultimate in stereo sound. Only original **MARANTZ** parts can insure that your **MARANTZ** product will continue to perform to the specifications for which it is famous.

Parts for your **MARANTZ** equipment are generally available to our National Marantz Subsidiary or Agent.

ORDERING PARTS :

Parts can be ordered either by mail or by Fax.. In both cases, the correct part number has to be specified.

The following information must be supplied to eliminate delays in processing your order :

1. Complete address
2. Complete part numbers and quantities required
3. Description of parts
4. Model number for which part is required
5. Way of shipment
6. Signature : any order form or Fax. must be signed, otherwise such part order will be considered as null and void.

USA

MARANTZ AMERICA, INC
1100 MAPLEWOOD DRIVE
ITASCA, IL. 60143
USA
PHONE : 630 - 741 - 0300
FAX : 630 - 741 - 0301

EUROPE / TRADING

MARANTZ EUROPE B.V.
P. O. BOX 8744, BUILDING SILVERPOINT
BEEMDSTRAAT 11, 5653 MA EINDHOVEN
THE NETHERLANDS
PHONE : +31 - 40 - 2507844
FAX : +31 - 40 - 2507860

CANADA

MARANTZ CANADA INC.
5-505 APPLE CREEK BLVD.
MARKHAM, ONTARIO L3R 5B1
CANADA
PHONE : 905 - 415 - 9292
FAX : 905 - 475 - 4159

AUSTRALIA

QualiFi Pty Ltd,
24 LIONEL ROAD,
MT. WAVERLEY VIC 3149
AUSTRALIA
PHONE : +61 - (0)3 - 9543 - 1522
FAX : +61 - (0)3 - 9543 - 3677

THAILAND

MRZ STANDARD CO., LTD
746 - 754 MAHACHAI ROAD.,
WANGBURAPAPIROM, PHRANAKORN,
BANGKOK, 10200 THAILAND
PHONE : +66 - 2 - 222 9181
FAX : +66 - 2 - 224 6795

SINGAPORE

WO KEE HONG DISTRIBUTION PTE LTD
No.1 JALAN KILANG TIMOR
#08-03 PACIFIC TECH CENTRE
SINGAPORE 159303
PHONE : +65 6376 0338
FAX : +65 6376 0166

NEW ZEALAND

WILDASH AUDIO SYSTEMS NZ
14 MALVERN ROAD MT ALBERT
AUCKLAND NEW ZEALAND
PHONE : +64 - 9 - 8451958
FAX : +64 - 9 - 8463554

TAIWAN

PAI- YUING CO., LTD.
6 TH FL NO, 148 SUNG KIANG ROAD,
TAIPEI, 10429, TAIWAN R.O.C.
PHONE : +886 - 2 - 25221304
FAX : +886 - 2 - 25630415

MALAYSIA

WO KEE HONG ELECTRONICS SDN. BHD.
2ND FLOOR BANGUNAN INFINITE CENTRE
LOT 1, JALAN 13/6, 46200 PETALING JAYA
SELANGOR DARUL EHSAN, MALAYSIA
PHONE : +60 - 3 - 7954 8088
FAX : +60 - 3 - 7954 7088

JAPAN *Technical*

D&M Holdings, Inc.
35- 1, 7- CHOME, SAGAMIONO
SAGAMIHARA - SHI, KANAGAWA
JAPAN 228-8505
PHONE : +81 42 748 1013
FAX : +81 42 741 9190

株式会社 ティーアンドエムホールディングス

本 社 〒228-8505
神奈川県相模原市相模大野7-35-1

KOREA

MK ENTERPRISES LTD.
ROOM 604/605, ELECTRO-OFFICETEL, 16-58,
3GA, HANGANG-RO, YONGSAN-KU, SEOUL
KOREA
PHONE : +822 - 3232 - 155
FAX : +822 - 3232 - 154

SHOCK, FIRE HAZARD SERVICE TEST :

CAUTION : After servicing this appliance and prior to returning to customer, measure the resistance between either primary AC cord connector pins (with unit NOT connected to AC mains and its Power switch ON), and the face or Front Panel of product and controls and chassis bottom.

Any resistance measurement less than 1 Megohms should cause unit to be repaired or corrected before AC power is applied, and verified before it is return to the user/customer.

Ref. UL Standard No. 6500.

In case of difficulties, do not hesitate to contact the Technical
Department at above mentioned address.

1. TECHNICAL SPECIFICATIONS

General

System

DVD-Video, DVD-Audio, DVD-R/RW, Video CD, Super Audio CD, CD, MP3 files and JPEG files

Power requirements

F version AC 100 V, 50/60 Hz
 K version (China) AC 220 V, 50/60 Hz
 L version (Taiwan) AC 110 V, 60 Hz
 N version AC 230 V, 50/60 Hz
 S version AC 230 V, 50/60 Hz
 U version AC 120 V, 60 Hz

Power consumption 28 W
 Weight 4.6 kg (10 lb 2 oz)

Dimensions 440 (W) x 96.3 (H) x 305.5 (D) mm
 (17.3 (W) x 3.8 (H) x 12 (D) in.)

Operating temperature +5°C to +35°C (+41°F to +96°F)
 Operating humidity 5% to 85% (no condensation)

S-Video output

Y (luminance) - Output level 1 Vp-p (75 Ω)
 C (color) - Output level 286 mVp-p (75 Ω)
 Jacks S-VIDEO jack

Video output (2 individual outputs)

Output level 1 Vp-p (75 Ω)
 Jacks RCA jack

Component video output (Y, C_B/P_B, C_R/P_R)

Output level Y : 1.0 Vp-p (75 Ω)
 C_B/P_B, C_R/P_R : 0.7 Vp-p (75 Ω)
 Jacks RCA jacks

D1/D2 video output

Output level Y : 1.0 Vp-p (75 Ω)
 C_B/P_B, C_R/P_R : 0.7 Vp-p (75 Ω)
 Jacks D terminal

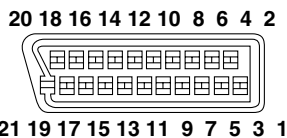
HDMI output

Output Terminal 19-pin

21-pin connector assignment (Europe model only)

AV connector output 21-pin connector

This connector provides the video and audio signals for connection to a compatible color TV or monitor.



PIN no.

1	Audio 2/R out	11	G out
3	Audio 1/L out	15	R or C out
4	GND	17	GND
7	B out	19	Video out or Y out
8	Status	21	GND

Audio output

Output level

During audio output 2 Vrms (1kHz, 0 dB)

Number of channels 2

Jacks RCA jack

Audio output (multi-channel / L, R, C, SW, LS, RS)

Output level

During audio output 2 Vrms (1kHz, 0 dB)

Number of channels 6

Jacks RCA jack

Audio characteristics

Frequency response 4Hz to 44kHz (DVD fs: 96kHz)
 4Hz to 88kHz (DVD-Audio fs: 192kHz)

S/N ratio 125 dB

Dynamic range 110 dB

Total harmonic distortion 0.0012 %

Wow and flutter:

Limit of measurement (±0.001% W. PEAK) or lower

Digital output

Optical digital output Optical digital jack

Coaxial digital output RCA jack

Other terminals

Control in/out RCA jack

RS232C 1

Accessories

Remote control 1

AAA/AR03 dry cell batteries 2

Audio/Video cable (yellow/red/white) 1

System control cable 1

Power cable 1

User Guide (this manual)

Before You Start

Discs compatible with this player


Any disc that displays one of the following logos should play in this player. Other formats, including DVD-RAM, DVD-ROM, DVD+RW, DVD+R, CD-ROM (except those that contain MP3/JPEG files) and Photo CD will not play.

DVD-Video compatibility:

- Logos: 
- Single sided or double sided discs
- Single layer or dual layer discs
- Dolby Digital, DTS, MPEG or Linear PCM digital audio
- MPEG-2 digital video

Discs are generally divided into one or more titles. Titles may be further subdivided into chapters.


DVD-Audio compatibility:

- Logos: 
- Single sided discs
- Single layer or dual layer discs
- Linear or packed PCM digital audio
- Some discs may contain MPEG-2 video, and Dolby Digital, DTS or MPEG digital audio

Discs are generally divided into one or more groups. Groups may be further subdivided into tracks.


DVD-R compatibility:

This unit can play DVD-R discs. Please note the following points when using these discs:


- Logo: 
- This unit can play DVD-R discs recorded as DVD-Video format.

DVD-RW compatibility:

This unit can play DVD-RW discs. Please note the following points when using these discs:

- Logo: 
- This unit can play DVD-RW discs recorded as DVD-Video format.
- DVD-RW discs that were recorded with copy-once only permission cannot be played.

Audio CD compatibility:


- Logos: 
- 12cm (5in.) or 8cm (3in.) discs
- Linear PCM digital audio
- Audio CD, CD-R* and CD-RW* formats

CDs are divided into tracks.

*This unit can play CD-R and CD-RW discs recorded in Audio CD or Video CD format, or with MP3 audio files.


*Some copy-controlled CDs may not conform to official CD standards. They are special discs and may not play on the DV7600.

Video CD compatibility:

- Logo: 
- 12cm (5in.) or 8cm (3in.) discs
- MPEG-1 digital audio
- MPEG-1 digital video


Video CDs are divided into tracks.

Super VCD compatibility:

- Logo: 
- 12cm (5in.) or 8cm (3in.) discs
- MPEG-1 digital audio
- MPEG-2 digital video

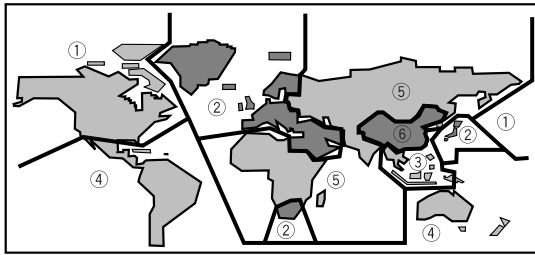
Super VCDs are divided into tracks.

Super Audio CD compatibility:

- Logo: 
- Single layer, dual layer or Hybrid layer
- 12cm (5in.) or 8cm (3in.) discs
- Digital audio (DSD)

Super Audio CDs are divided into tracks.

DVD-Video regions



All DVD-Video discs carry a region mark on the case somewhere that indicates which region(s) of the world the disc is compatible with. Your DVD player also has a region mark, which you can find on the rear panel. Discs from incompatible regions will not play in this player. Discs marked **ALL** will play in any player.

MP3 compatibility information

- The CD-ROM must be ISO 9660 compatible.
- Files should be MPEG1 Audio Layer 3 format, 44.1 kHz or 48kHz. Incompatible files will not play.
- This player is not compatible with MP3 PRO, ID3-Tag and packet write.
- This player cannot play DVD-R/RW discs with recorded MP3 music data.
- This player only plays tracks that are named with the file extension “.mp3” or “.MP3”.
- This player is not compatible with multi-session discs. If you try and play a multi-session disc, only the first session will be played.
- Use CD-R or CD-RW media for recording your MP3 files. The disc must be finalized in order to play.
- Audio encoded at 128Kbps should sound close to regular audio CD quality. Although this player will play lower bit-rate MP3 tracks, the sound quality becomes noticeably worse at lower bit-rates.
- Only the first 8 characters of folder and track names (excluding the “.mp3” extension) are displayed.
- This player can recognize about total 250 files/folder.
- Not compatible with variable bit-rate (VBR) files.

JPEG compatibility information

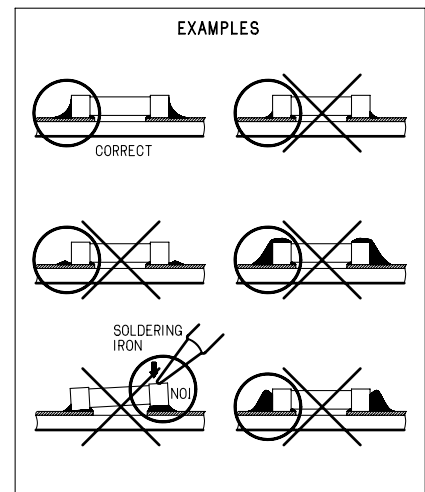
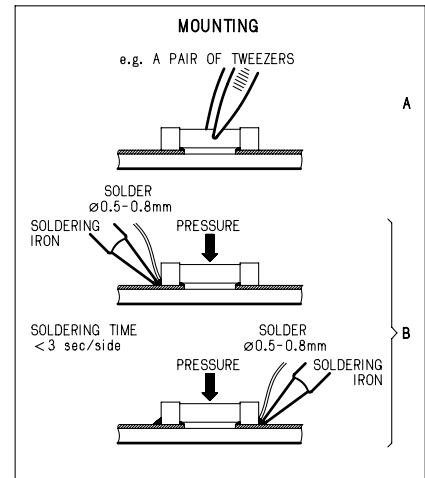
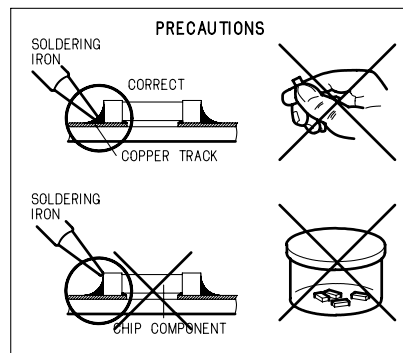
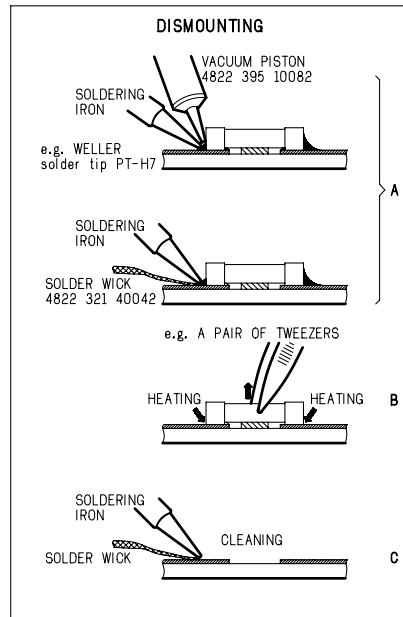
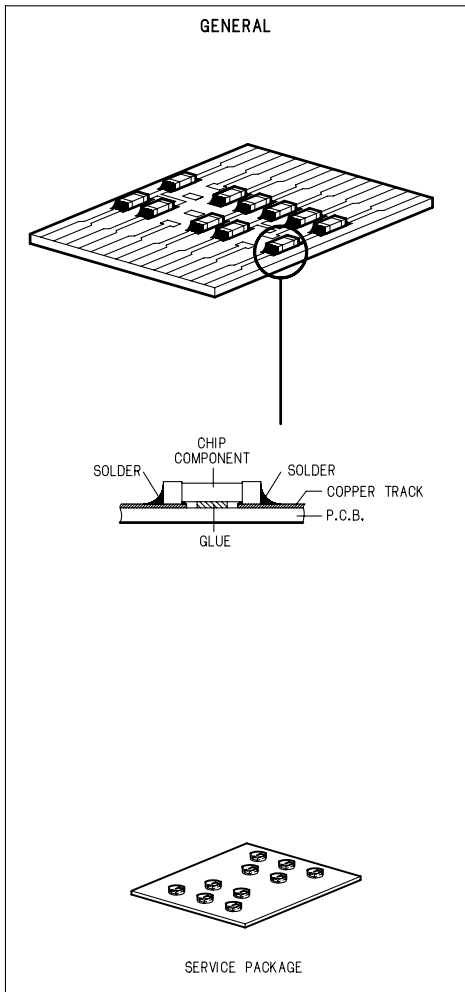
- While this player is designed to be able to handle image data recorded in JPEG format, no assurances are given that the player will be able to display image data recorded in all JPEG formats.
- This player cannot display progressive JPEG images.
- When writing JPEG files to CD-R/RW discs, always be sure to set the writing format to ISO 9660 Level 1.
- Always be sure to specify a file extension of “.JPG” or “.JPE” for JPEG files. The file will not be able to be displayed if a file extension other than “.JPG” or “.JPE” is specified or if no file extension is assigned to the file. (Note that this means that JPEG files created on a Macintosh will not be able to be displayed as is.)
- Depending on the file size and compression rate, some JPEG pictures cannot be displayed correctly.

Caution!

- DVD-R/RW and CD-R/RW discs recorded using a personal computer or a DVD or CD recorder may not play if the disc is damaged or dirty, or if there is dirt or condensation on the player's lens.
- If you record a disc using a personal computer, even if it is recorded in a compatible format, there are cases in which it may not play because of the settings of the application software used to create the disc. (Check with the software publisher for more detailed information.)
- Unfinalized DVD-R/RW discs cannot be played.
- Unfinalized CD-R/RW discs cannot be played.
- Never try to replay anything other than a music CD (CDA format) or a CD-R/RW on which MP3 and/or JPEG files have been stored. Depending on the type of file, there may be times when doing so will result in problems or erroneous operation.
- There may be times when it is impossible to replay a CD-R/RW disc because of the characteristics of the disc being used or because of dirt or scratches on the disc.

2. SERVICE HINTS AND TOOLS

SERVICE HINTS



SERVICE TOOLS

Audio signals disc	4822 397 30184
Disc without errors (SBC444)+	
Disc with DO errors, black spots and fingerprints (SBC444A)	4822 397 30245
Disc (65 min 1kHz) without no pause	4822 397 30155
Max. diameter disc (58.0 mm)	4822 397 60141
Torx screwdrivers	
Set (straight)	4822 395 50145
Set (square)	4822 395 50132
13th order filter	4822 395 30204
DVD test disc (PAL)	4822 397 10131
DVD test disc (NTSC) ALMEDIO	TDV-540

3. WARNING AND LASER SAFETY INSTRUCTIONS

(GB) WARNING

All ICs and many other semi-conductors are susceptible to electrostatic discharges (ESD). Careless handling during repair can reduce life drastically.

When repairing, make sure that you are connected with the same potential as the mass of the set via a wrist wrap with resistance.

Keep components and tools also at this potential.



(NL) WAARSCHUWING

Alle IC's en vele andere halfgeleiders zijn gevoelig voor elektrostatische ontladingen (ESD).

Onzorgvuldig behandelen tijdens reparatie kan de levensduur drastisch doen verminderen.

Zorg ervoor dat u tijdens reparatie via een polsband met weerstand verbonden bent met hetzelfde potentiaal als de massa van het apparaat.

Houd componenten en hulpmiddelen ook op ditzelfde potentiaal.

(F) ATTENTION

Tous les IC et beaucoup d'autres semi-conducteurs sont sensibles aux décharges statiques (ESD).

Leur longévité pourrait être considérablement écourtée par le fait qu'aucune précaution n'est prise à leur manipulation.

Lors de réparations, s'assurer de bien être relié au même potentiel que la masse de l'appareil et enfilier le braceleterti d'une résistance de sécurité.

Veiller à ce que les composants ainsi que les outils que l'on utilise soient également à ce potentiel.

(D) WARNUNG

Alle IC und viele andere Halbleiter sind empfindlich gegen elektrostatische Entladungen (ESD).

Unvorsichtige Behandlung bei der Reparatur kann die Lebensdauer drastisch vermindern. Sorgen sie dafür, das Sie im Reparaturfall über ein Pulsarmband mit Widerstand mit dem Massepotential des Gerätes verbunden sind.

Halten Sie Bauteile und Hilfsmittel ebenfalls auf diesem Potential.

(I) AVVERTIMENTO

Tutti IC e parecchi semi-conduttori sono sensibili alle scariche statiche (ESD).

La loro longevità potrebbe essere fortemente ridotta in caso di non osservazione della più grande cauzione alla loro manipolazione. Durante le riparazioni occorre quindi essere collegato allo stesso potenziale che quello della massa dell'apparecchio tramite un braccialetto a resistenza.

Assicurarsi che i componenti e anche gli utensili con quali si lavora siano anche a questo potenziale.

(GB)

Safety regulations require that the set be restored to its original condition and that parts which are identical with those specified be used.

(NL)

Veiligheidsbepalingen vereisen, dat het apparaat in zijn oorspronkelijke toestand wordt terug gebracht en dat onderdelen, identiek aan de gespecificeerde worden toegepast.

(D)

Bei jeder Reparatur sind die geltenden Sicherheitsvorschriften zu beachten. Der Originalzustand des Gerats darf nicht verändert werden. Für Reparaturen sind Original-Ersatzteile zu verwenden.

(I)

Le norme di sicurezza esigono che l'apparecchio venga rimesso nelle condizioni originali e che siano utilizzati pezzi di ricambio identici a quelli specificati.

(F)

Les normes de sécurité exigent que l'appareil soit remis à l'état d'origine et que soient utilisées les pièces de rechange identiques à celles spécifiées.

"Pour votre sécurité, ces documents doivent être utilisés par des spécialistes agréés, seuls habilités à réparer votre appareil en panne."

LASER SAFETY

This unit employs a laser. Only a qualified service person should remove the cover or attempt to service this device, due to possible eye injury.



USE OF CONTROLS OR ADJUSTMENTS OR PERFORMANCE OF PROCEDURE OTHER THAN THOSE SPECIFIED HEREIN MAY RESULT IN HAZARDOUS RADIATION EXPOSURE.

AVOID DIRECT EXPOSURE TO BEAM

WARNING

The use of optical instruments with this product will increase eye hazard.

Repair handling should take place as much as possible with a disc loaded inside the player

WARNING LOCATION: INSIDE ON LASER COVERSHELD

CAUTION VISIBLE AND INVISIBLE LASER RADIATION WHEN OPEN AVOID EXPOSURE TO BEAM
ADVARSEL SYNLIG OG USYNLIG LASERSTRÅLING VED ÅBNING UNGDÅ UDSÆTTELSE FOR STRÅLING
ADVARSEL SYNLIG OG USYNLIG LASERSTRÅLING NÅR DEKSEL Å PNES UNNGÅ EKSPONERING FOR STRÅLEN
VARNING SYNLIG OCH OSYNLIG LASERSTRÅLNING NÅR DENNA DEL ÅR ÖPPNAD BETRAKTA EJ STRÅLEN
VARO! AVATT AESSA OLET ALTTIINA NÄKYVÄLLE JA NÄKYMÄTTÖMÄLLE LASER SÄTEILYLLE. ÄLÄ KATSO SÄTEESEEN
VORSICHT SICHTBARE UND UNSICHTBARE LASERSTRAHLUNG WENN ABDECKUNG GEÖFFNET NICHT DEM STRAHL AUSSETSEN
DANGER VISIBLE AND INVISIBLE LASER RADIATION WHEN OPEN AVOID DIRECT EXPOSURE TO BEAM
ATTENTION RAYONNEMENT LASER VISIBLE ET INVISIBLE EN CAS D'OUVERTURE EXPOSITION DANGEREUSE AU FAISCEAU

4. EMERGENCY DISC EJECT

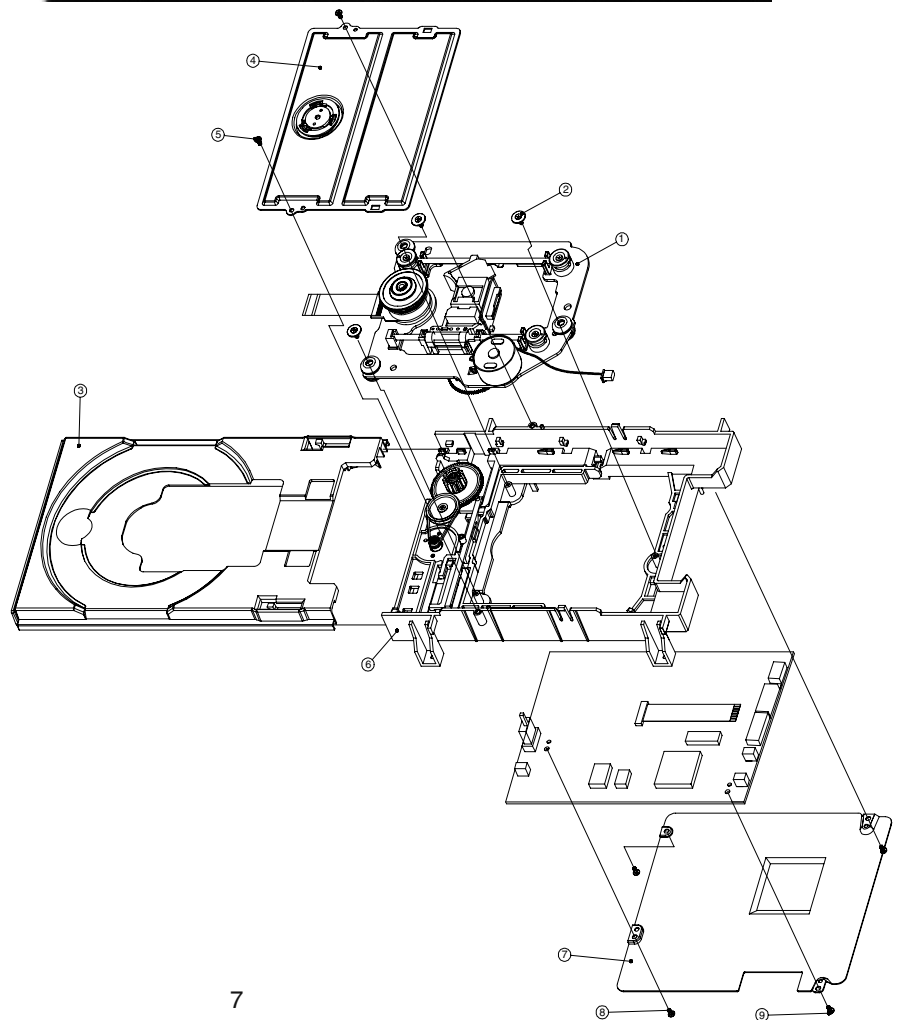
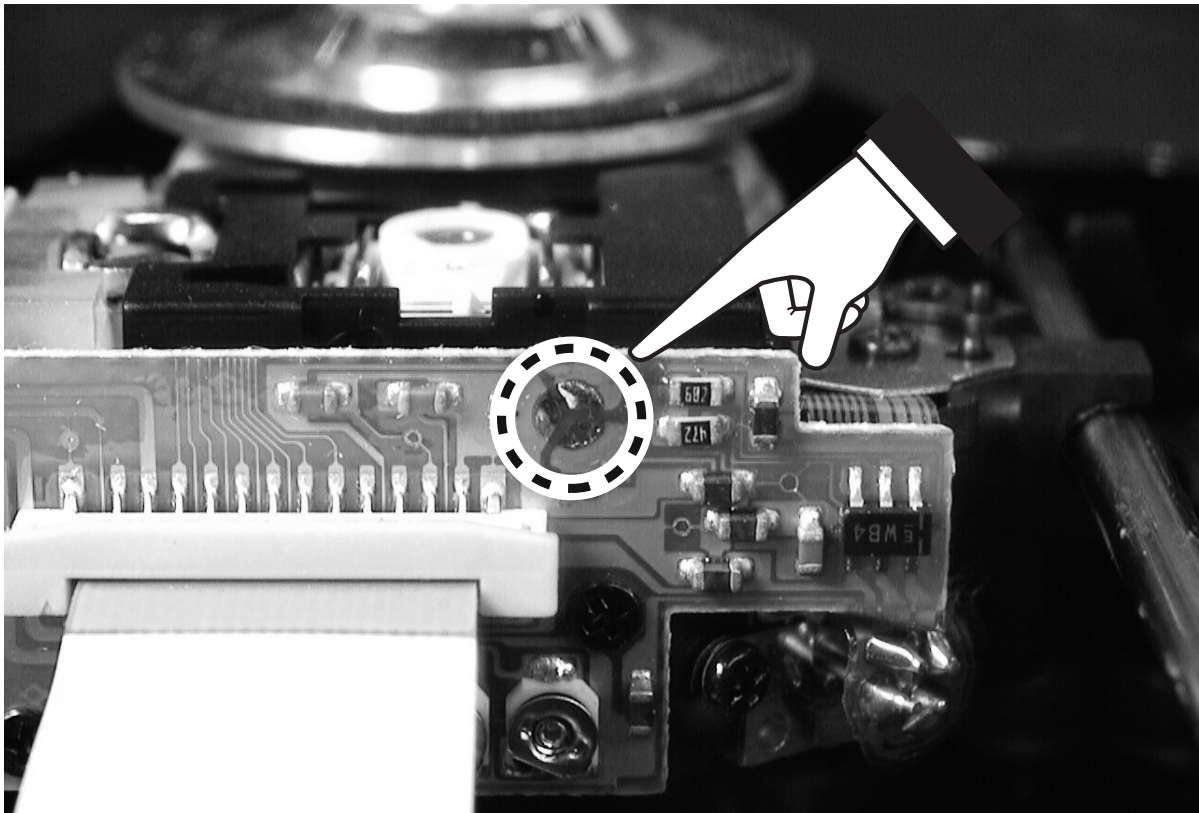
1. Remove the top cover of the player.
2. Remove two screws shown in the picture above.
3. Remove the cover of the drive unit with pressing the latches.



4. Now you can remove the disc.

5. CAUTION (Optical pick up and Servo Board)

When removing the flat wire between Optical pick up and Servo Board,
Solder the three lands pointed by arrows to short the circuit.
Otherwise the LASER DIODE may be damaged by static electricity.

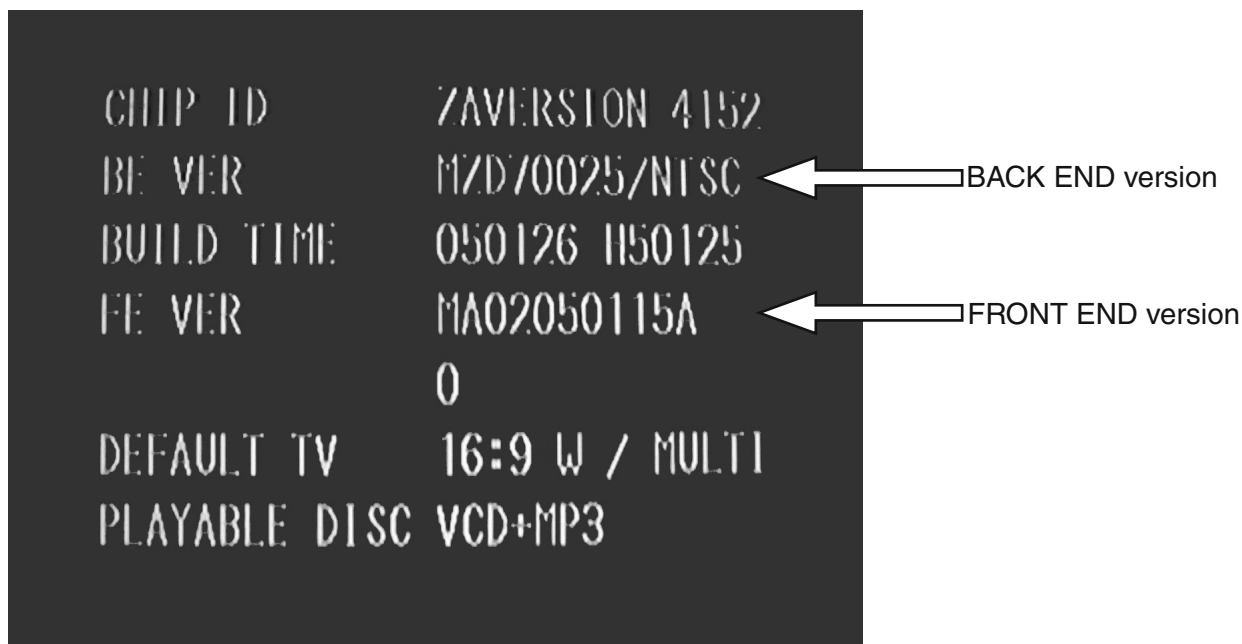


6. BACK END / FRONT END SOFTWARE (Firmware) VERSION CHECK

1. First, connect TV monitor to the unit.
2. Press the **POWER ON/STANDBY** button to turn on the unit.
3. Press the **OPEN/CLOSE** button to open the tray.
4. Press the **CLEAR, 2, 5, 8, 0** and **CLEAR** button in order on the remote controller.
5. The following information is displayed on the TV screen.
The firmware version is shown.

6. BACK END / FRONT END SOFTWARE (Firmware) VERSION CHECK

1. 必ずモニターを接続してください。
2. **POWER ON/STANDBY** を押して本機の電源を入れます。
3. **OPEN/CLOSE** を押して TRAY を出します。
4. リモコンで **CLEAR, 2, 5, 8, 0, CLEAR** の順に押します。
5. VERSION 確認画面が表示されます。



6. Press the **POWER ON/STANDBY** button to quit SERVICE MODE.

6. **POWER ON/STANDBY** を押して電源を切ります。

7. THE UPDATE DISC CREATION PROCEDURE

[A] Front End firmware update disc

Necessary Equipment

- Update data (99MA.BIN)
- CD-R or CD-RW
- CD-R writing software

Setting of writing software

1. File name : 99MA.BIN
2. CD LABEL NAME : RMC_LDR_DOWN
(uppercase alphabet)
3. CD MODE : MODE 1 (CLOSE SESSION)
4. FILE FORMAT : ISO9660
5. WRITE MODE : DISC AT ONCE

NOTICE : Please set up CD LABEL NAME, without surely forgetting.

[B] Back End firmware update disc

Necessary Equipment

- Update data (MZD70099.ROM)
- CD-R or CD-RW
- CD-R writing software

Setting of writing software

1. File name : MZD70099.ROM
2. CD LABEL NAME : any one.
3. CD MODE : MODE 1 (CLOSE SESSION)
4. FILE FORMAT : ISO9660
5. WRITE MODE : DISC AT ONCE

8. UPDATES BACK END FIRMWARE PROCEDURE

Necessary Equipment

- Monitor
- Update data (MZD70099.ROM) or Disc (90M-DV7600BER)

NOTICE : Refer to "7. THE UPDATE DISC CREATION PROCEDURE", when you make update disc from update data.

Writing Procedure

The writing of software takes about 3 minute.

Caution: Be sure to connect a monitor for the update.

1. Press **POWER ON/STANDBY** button to turn on the unit.
2. Press **OPEN/CLOSE** button to open the tray.
3. Press in order of **CLEAR, 2, 5, 8, 0,** and **CLEAR** button by remote control.
4. Software version is displayed.
5. Insert the Update Disc.
6. Press **PROGRAM** button by remote control.
7. The tray closes.
8. "LOADING" is displayed on the front display.
9. The update file name is displayed on the monitor. And next, "READING" is displayed.

7. THE UPDATE DISC CREATION PROCEDURE

[A] Front End firmware update disc

必要機器

- アップデートデータ (99MA.BIN)
- CD-R or CD-RW
- CD-R 書き込みソフト

書き込みソフトの設定

1. File name : 99MA.BIN
2. CD LABEL NAME : RMC_LDR_DOWN
(アルファベット大文字)
3. CD MODE : MODE 1 (CLOSE SESSION)
4. FILE FORMAT : ISO9660
5. WRITE MODE : DISC AT ONCE

注意) CD LABEL NAME は必ず設定してください。

[B] Back End firmware update disc

必要機器

- アップデートデータ (MZD70099.ROM)
- CD-R or CD-RW
- CD-R 書き込みソフト

書き込みソフトの設定

1. File name : MZD70099.ROM
2. CD LABEL NAME : any one.
3. CD MODE : MODE 1 (CLOSE SESSION)
4. FILE FORMAT : ISO9660
5. WRITE MODE : DISC AT ONCE

8. UPDATES BACK END FIRMWARE PROCEDURE

必要機器

- モニター
- アップデートディスク (90M-DV7600BER)、またはアップデートデータ (MZD70099.ROM)

注意) アップデートデータからアップデートディスクを作成する方法は "THE UPDATE DISC CREATION PROCEDURE" を参照してください。

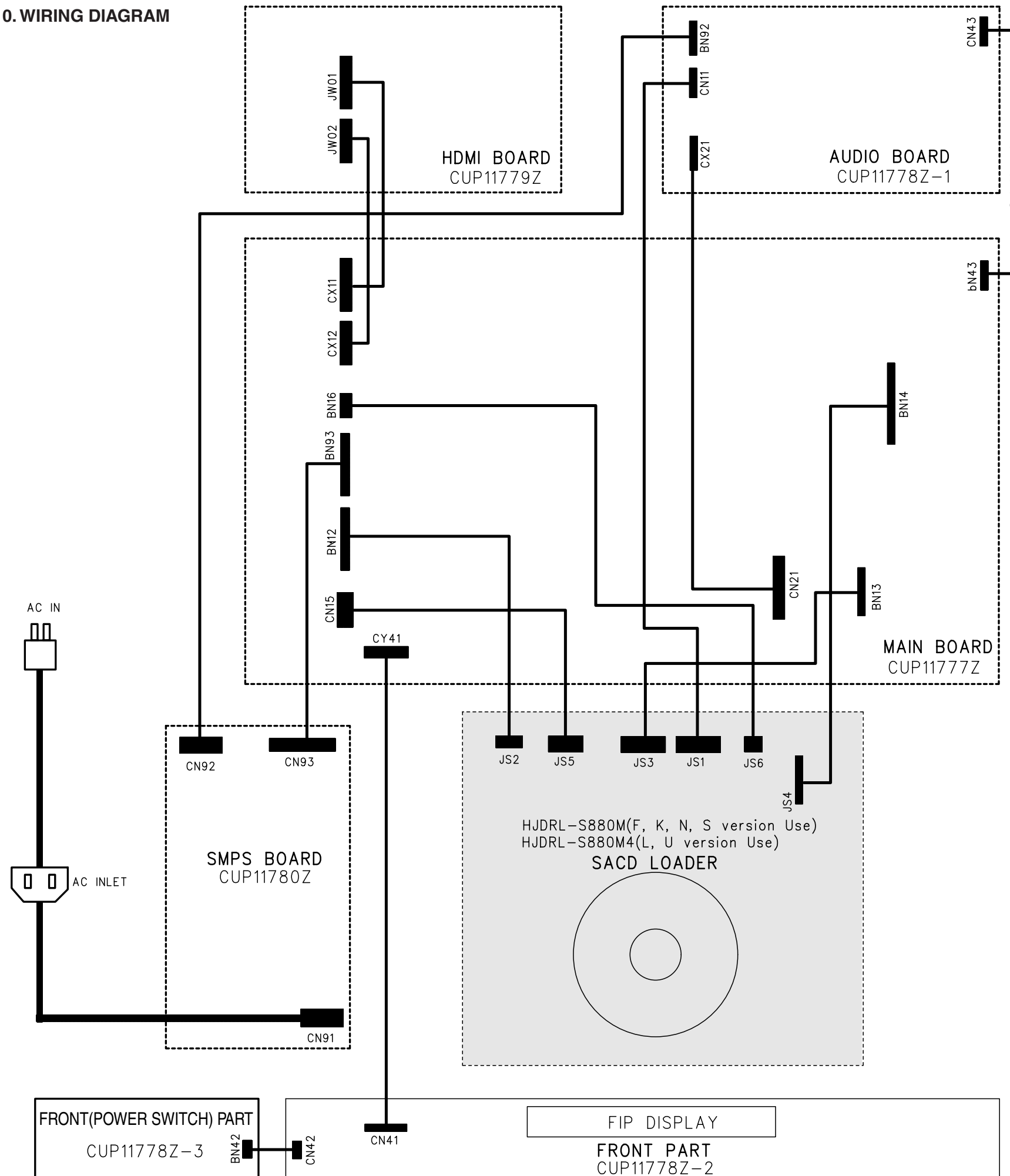
アップデート方法

所要時間は 3 分程度です。

注意) アップデート時は必ずモニターを接続してください。

1. **POWER ON/STANDBY** を押して本機の電源を入れます。
2. **OPEN/CLOSE** を押して TRAY を出します。
3. リモコンで **CLEAR, 2, 5, 8, 0, CLEAR** の順に押します。
4. VERSION 確認画面が表示されます。
5. アップデートディスクを TRAY に乗せます。
6. リモコンの **PROGRAM** を押します。
7. TRAY が閉まります。
8. FL ディスプレイに "LOADING" と表示されます。
9. このときモニターにはアップデートファイル名が表示され、次に "READING" と表示されます。
10. 自動的に TRAY が開くのでアップデートディスクを取り出します。

10. WIRING DIAGRAM



PIN DISCRPTION

CN51<--->CN7		BN12<--->JS2		BN13<--->JS3		BN14<--->JS4	
1 LRCK	11 D_GND	1 +12V	1 TSD1	1 TSD1	1 AUX2	1 TSD1	1 AUX2
2 TS0D	12 AUX6	2 D_GND	2 TS0D	2 TS0D	2 AUX6	2 TS0D	2 AUX6
3 TSD1	13 D_GND	3 +5V	3 TSD2	3 TSD2	3 AUX7	3 TSD2	3 AUX7
4 TSD2	14 LRCK	4 D_GND	4 TLCK	4 TLCK	4 GND	4 TLCK	4 GND
5 MCLK	15 TS0D	5 D_GND	5 TBCLK	5 TBCLK	5 EAUX32	5 TBCLK	5 EAUX32
6 BCLK	16 TS0D	6 +3.3V	6 MCLK	6 MCLK	6 AUX3	6 MCLK	6 AUX3
7 GND	17 TSD2	7 D_GND			7 AUX5		7 AUX5
8 AUX2	18 MCLK				8 D_GND		8 D_GND
9 AUX7	19 BCLK				9 AUX4		9 AUX4
10 AUX6	20 D_GND				10 AUX1		10 AUX1
					11 AUX0		11 AUX0
					12 D_GND		12 D_GND
					13 M_RESET1		13 M_RESET1
					14 D_GND		14 D_GND

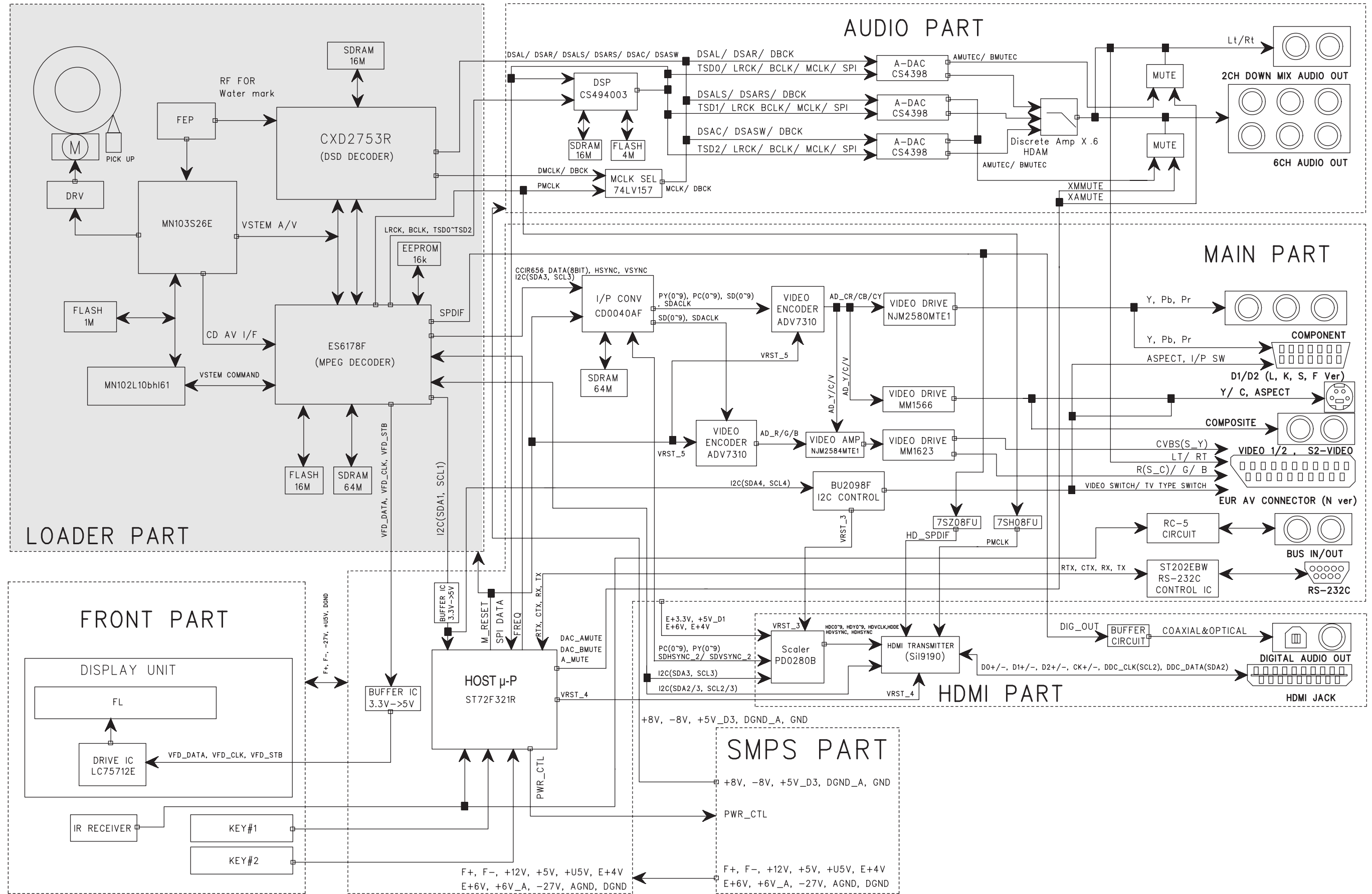
BN43<--->CN43		BN16<--->JS6	
Only N version			
1 SCART_R	1 GND_D1		
2 GND	2 SPDIF		
3 SCART_L	3 GND_D1		

CN15<--->JS5		CN11<--->JS1		CN21<--->CY21	
1 PIXEL_OUT_CLK	1 DMCLK	1 DSALS	1 DGND	15 DSP_FCS	
2 V-GND	2 D_GND	12 D_GND	2 DGND	16 DSP_CS2	
3 HSYNC	3 DBCLK	13 DSAR	3 SW+12V	17 DSP_CS1	
4 VSYNC	4 D_GND	14 D_GND	4 MCLK_SEL	18 DSP&DAC_IN	
5 YUV7	5 DSASW	15 DSAL	5 DGND	19 DSP&DAC_OUT	
6 YUV6	6 D_GND	16 D_GND	6 DGND	20 DSP&DAC_CLK	
7 YUV4	7 DSAC	17 DSMAR	7 XMMUTE	21 DSP_BUSY	
8 YUV5	8 D_GND	18 D_GND	8 XAMUTE	22 MCLK	
9 YUV2	9 DSARS	19 DSMAL	9 PMUTE	23 TLCK	
10 YUV3	10 D_GND	20 D_GND	10 M_RESET3	24 TBCLK	
11 YUV0			11 DSP_FINTREQ	25 TSD2	
12 YUV1			12 DSP_INTREQ	26 TSD1	
			13 DSP_RESET	27 TSD0	
			14 DSP_SCS		

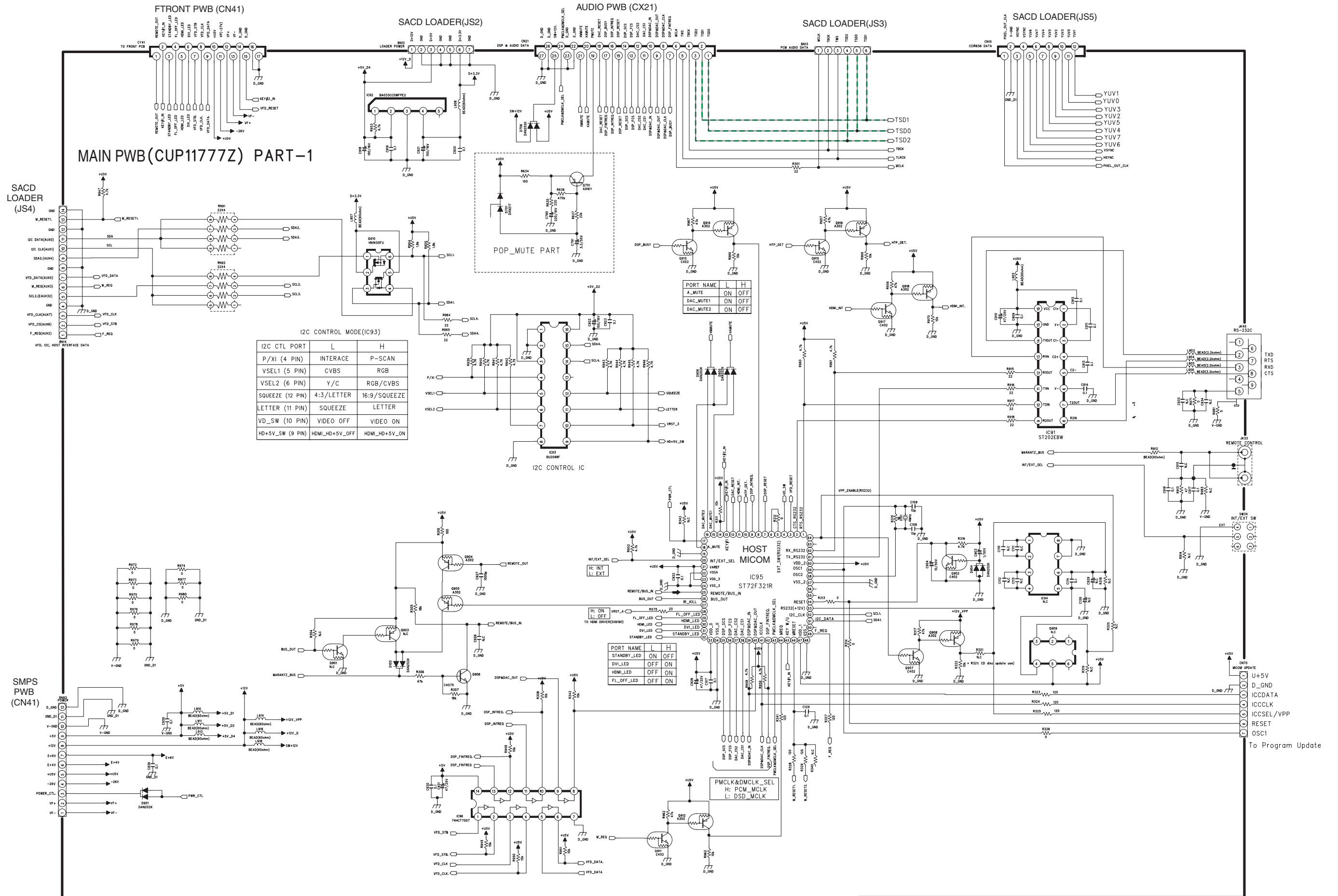
BN93<--->CN93		BN92<--->CN92		CN41<--->CY41	
1 VF-	1 DGND_A	1 REMOTE_OUT	10 +U5V		
2 VF+	2 GND	2 KEY#1_IN	11 VP		
3 PWR_CTL	3 GND	3 STANDBY_LED	12 VF+		
4 VP	4 +5VR	4 FL_OFF_LED	13 VF-		
5 +U5V	5 -8V	5 HDMI_LED	14 VFD_RESET		
6 E+4V	6 +8V	6 DVI_LED	15 KEY#2_IN		
7 E+6V		7 VFD_STD	16 D_GND		
8 +12V		8 VFD_CLK	17 D_GND		
9 +5V		9 VFD_DATA			
10 AGND					
11 DGND					
12 DGND					

CN42<--->BN42		CX11<--->JW01		CX12<--->JW02	
1 D_GND	1 GND_D1	1 GND_D1	11 PC_2(2)	21 PY_2(7)	31 GND_D1
2 STANDBY_LED	2 STANDBY_LED	2 SCLK_2	12 PC_2(1)	22 PY_2(8)	32 GND_D1
3 KKEY#1_IN	3 KKEY#1_IN	3 GND_D1	13 PC_2(0)	23 PY_2(9)	33 DIG_OUT
4 +U5V	4 +U5V	4 PC_2(9)	14 PY_2(0)	24 SDHSYNC_2	34 GND_D1
		5 PC_2(8)	15 PY_2(1)	25 SDVSYNC_2	35 GND_D1
		6 PC_2(7)	16 PY_2(2)	26 GND_D1	36 SDA3
		7 PC_2(6)	17 PY_2(3)	27 HD_SPDIF	37 SCL3
		8 PC_2(5)	18 PY_2(4)	28 GND_D1	38 GND_D1
		9 PC_2(4)	19 PY_2(5)	29 GND_D1	39 SDA2
		10 PC_2(3)	20 PY_2(6)	30 HD_MCLK	40 SCL2

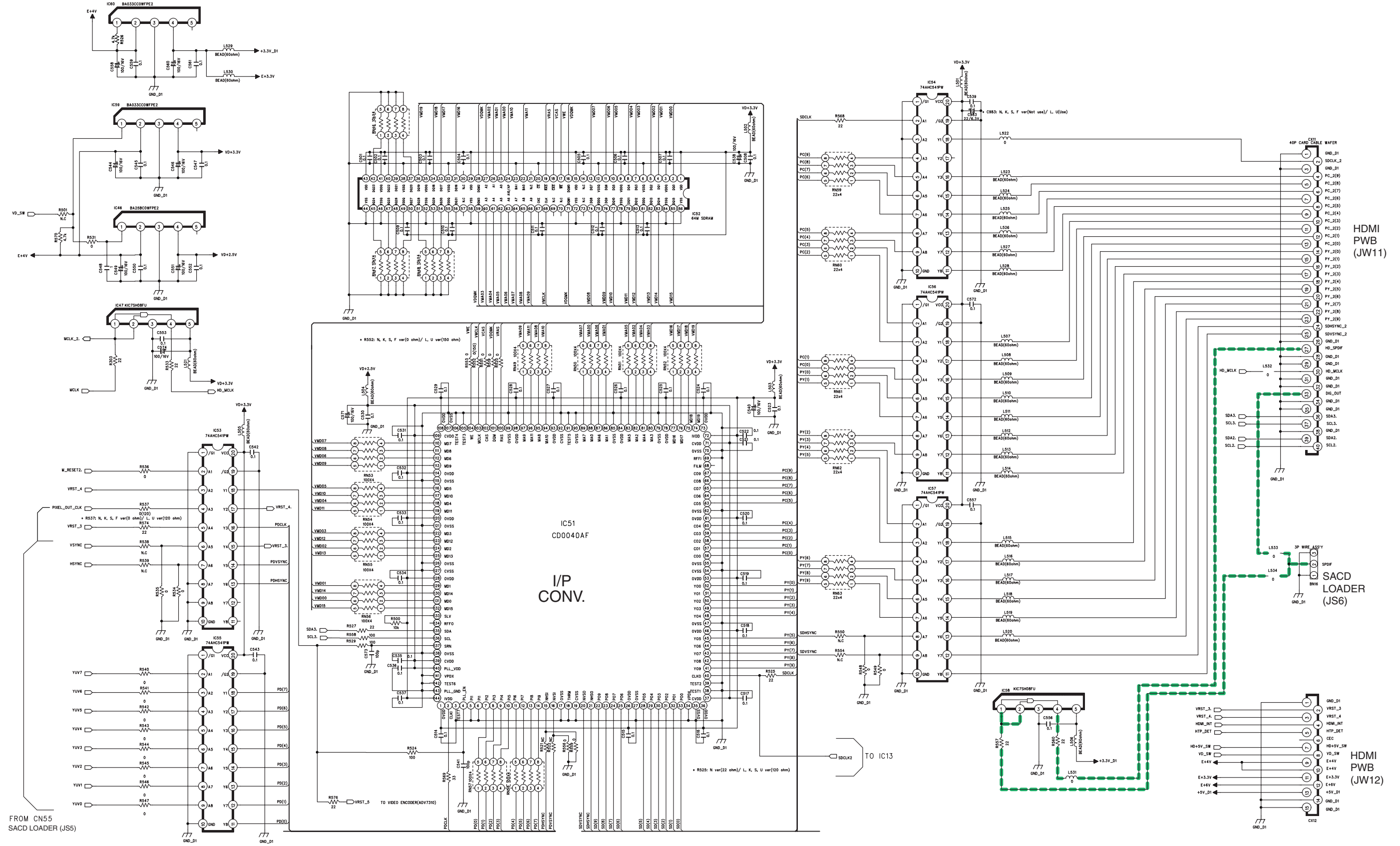
11. BLOCK DIAGRAM



12. SCHEMATIC DIAGRAM



MAIN PWB (CUP11777Z) PART-2



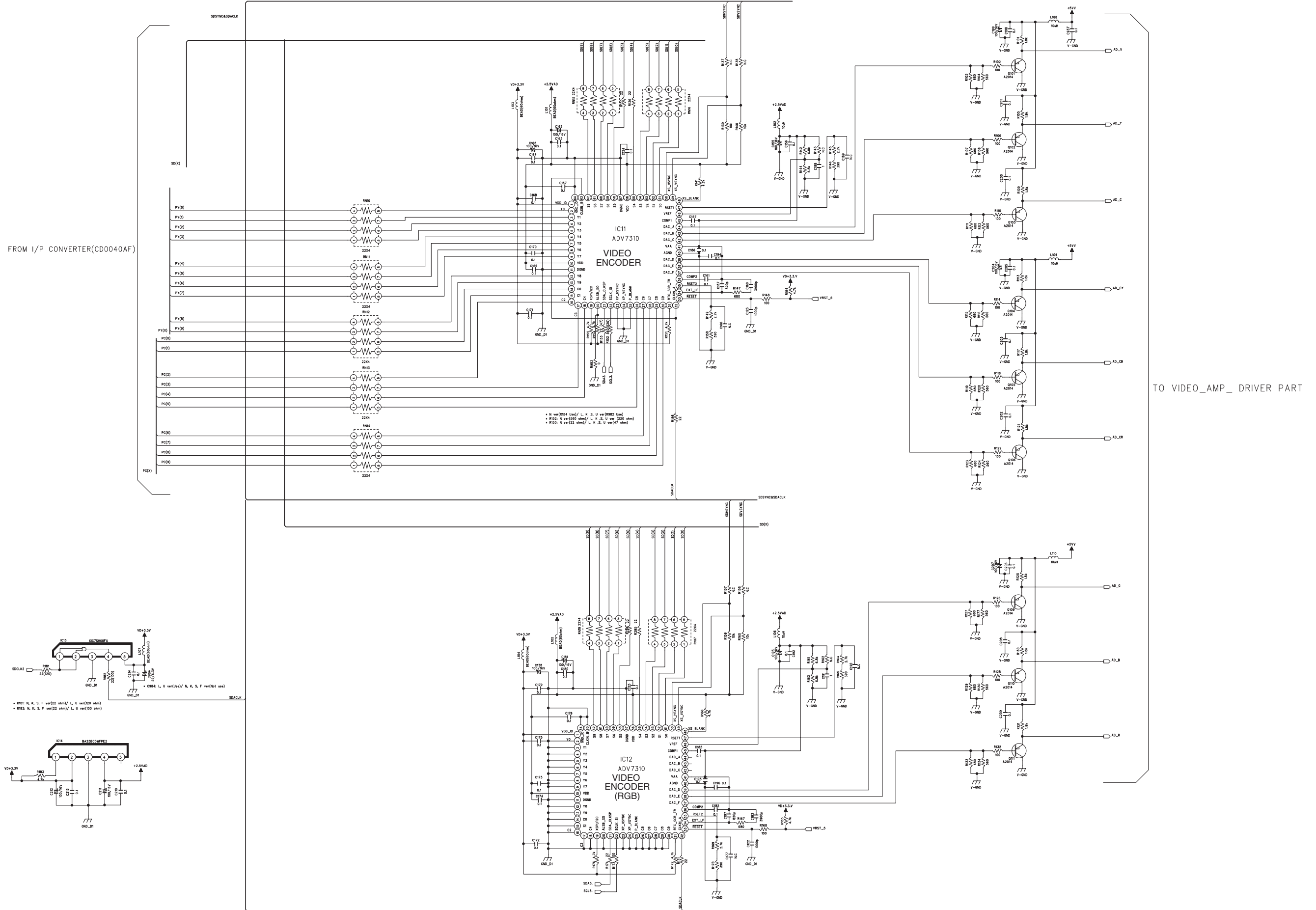
FROM CN55
SACD LOADER (JS5)

HDMI
PWB
(JW11)

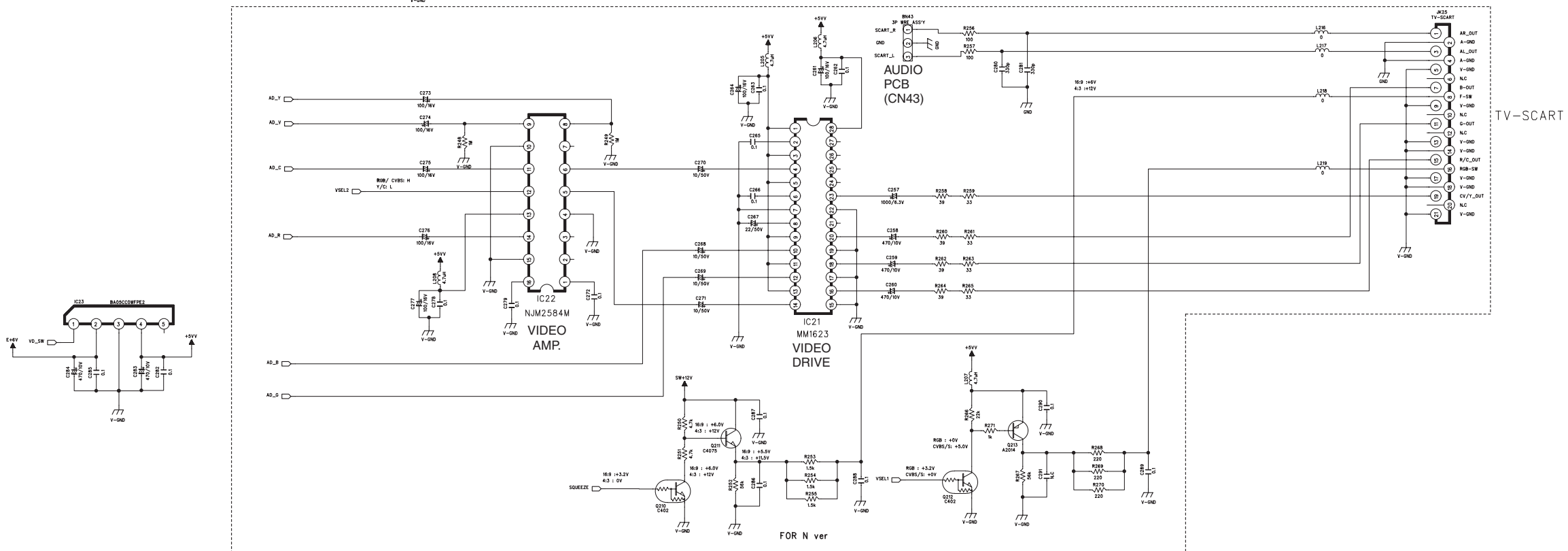
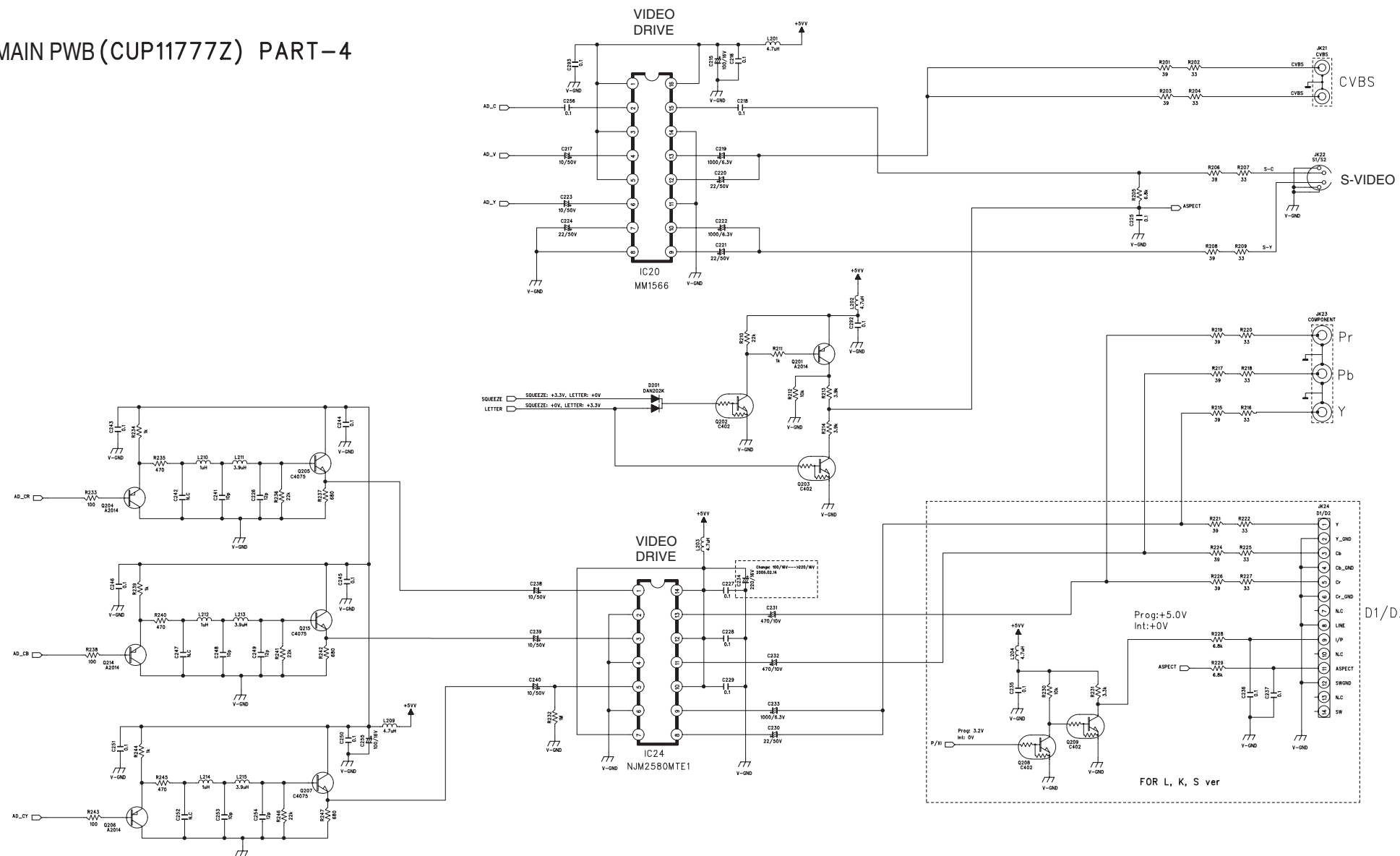
SACD
LOADER
(JS6)

HDMI
PWB
(JW12)

MAIN PWB (CUP1177Z) PART-3

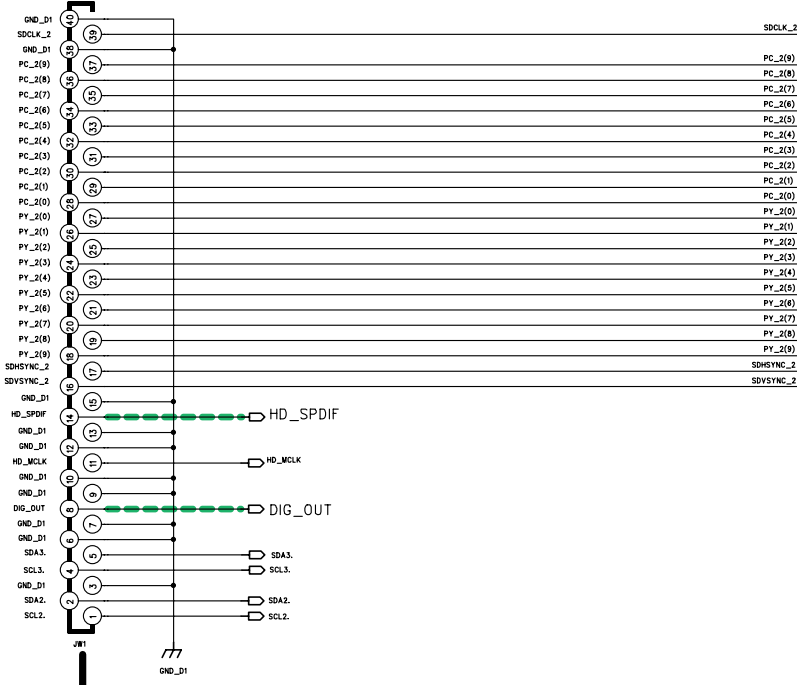


MAIN PWB (CUP1177Z) PART-4

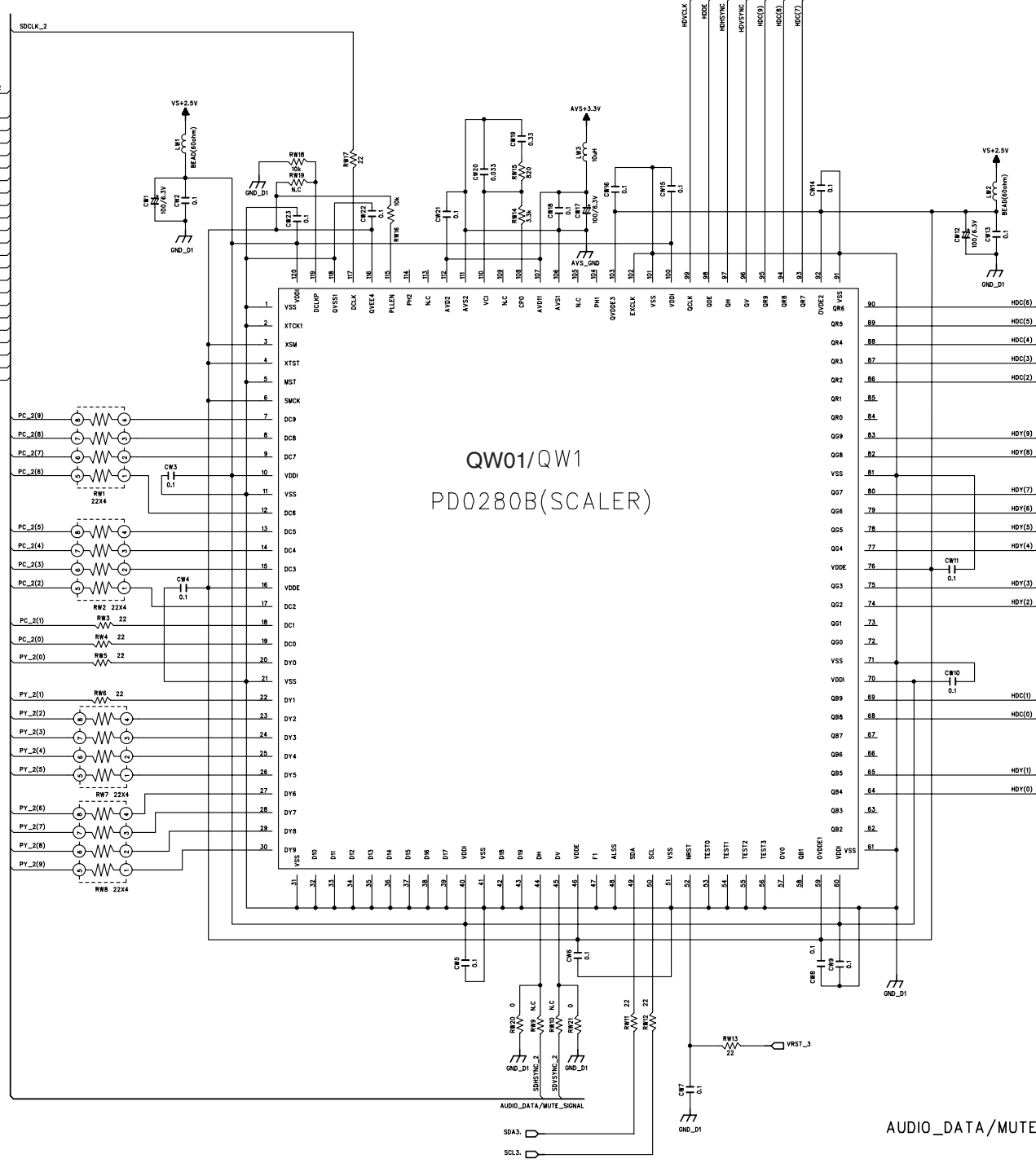
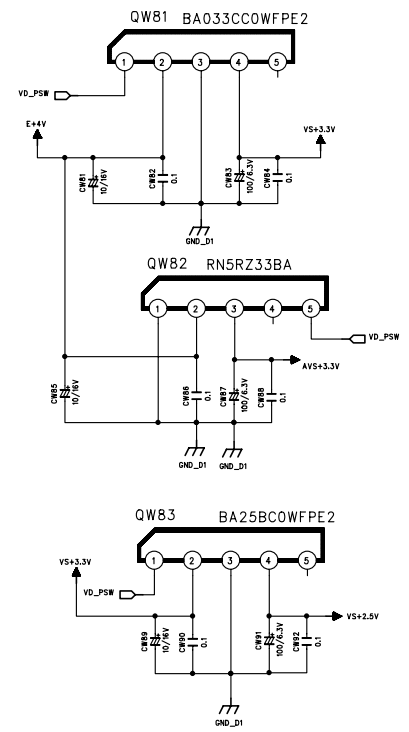
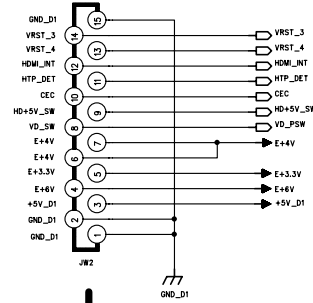


HDMI PWB(CUP11779Z) PART-1

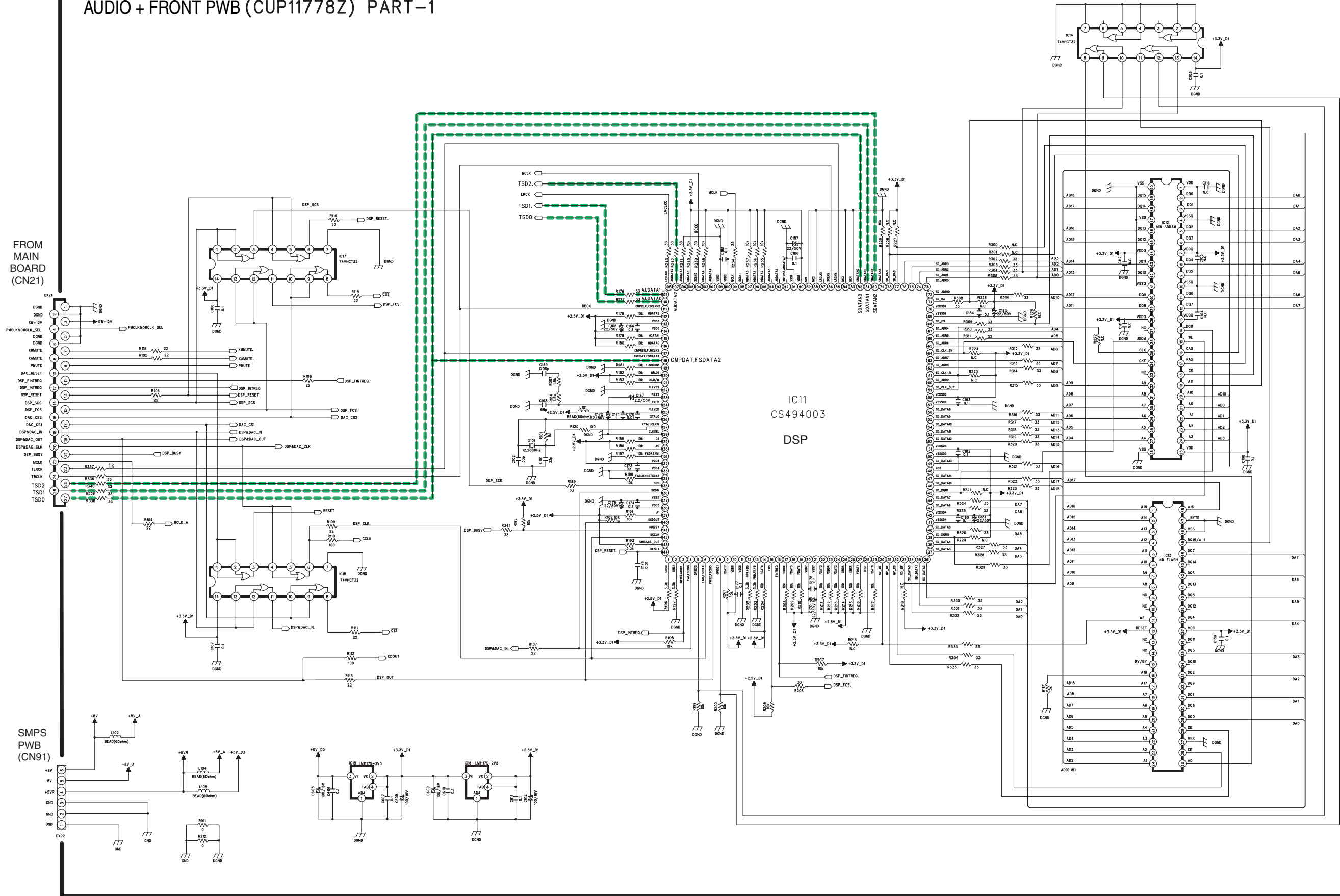
MAIN PWB (CX11)



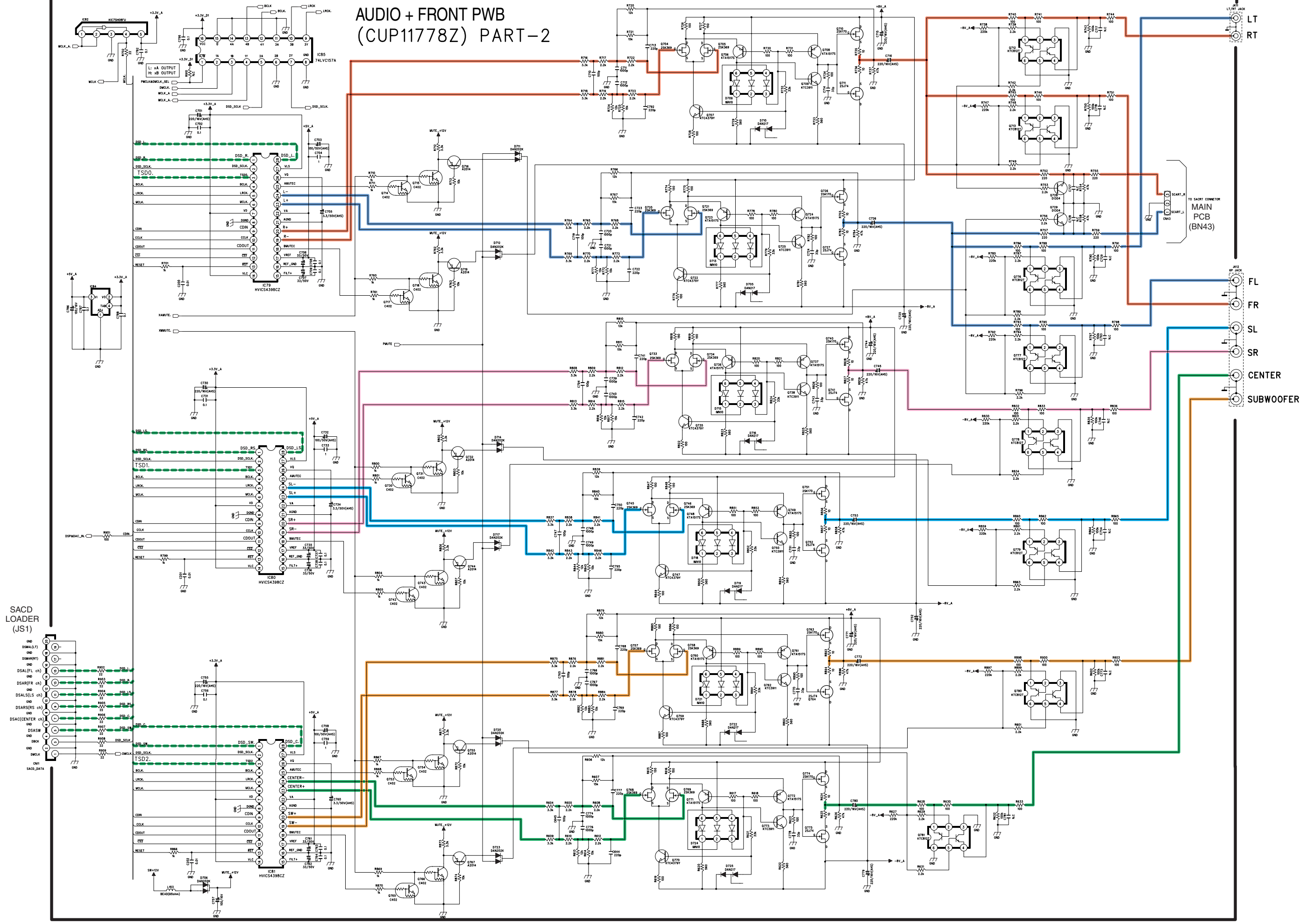
MAIN PWB (CX12)



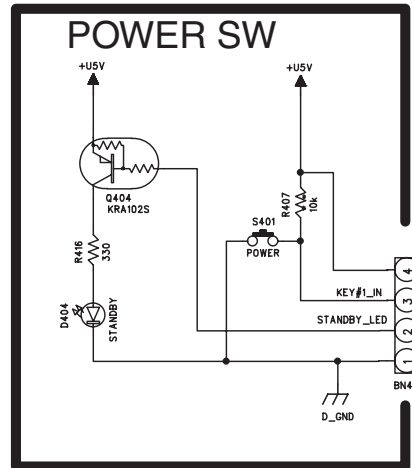
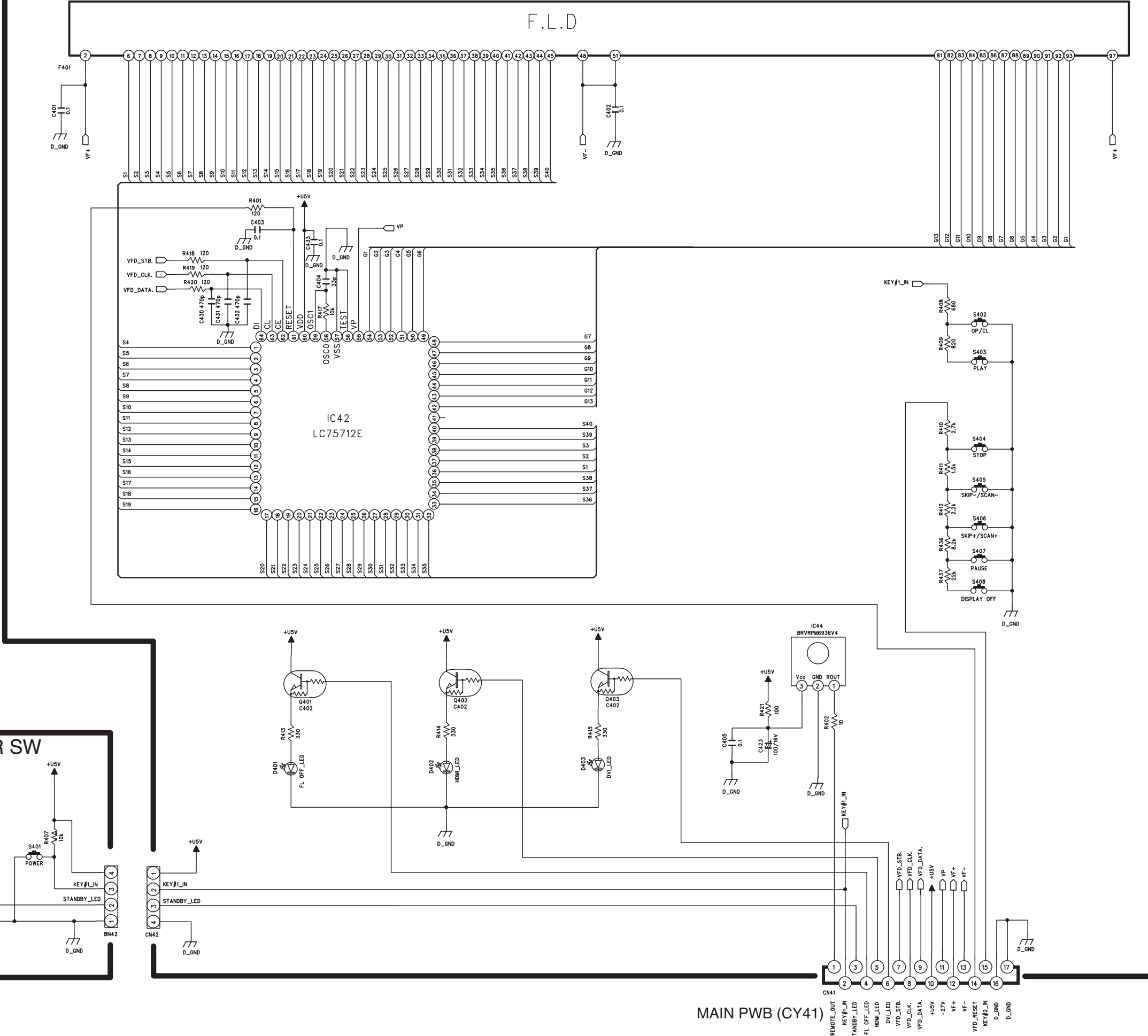
AUDIO + FRONT PWB (CUP11778Z) PART-1



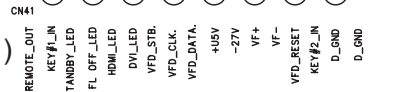
AUDIO + FRONT PWB (CUP11778Z) PART-2



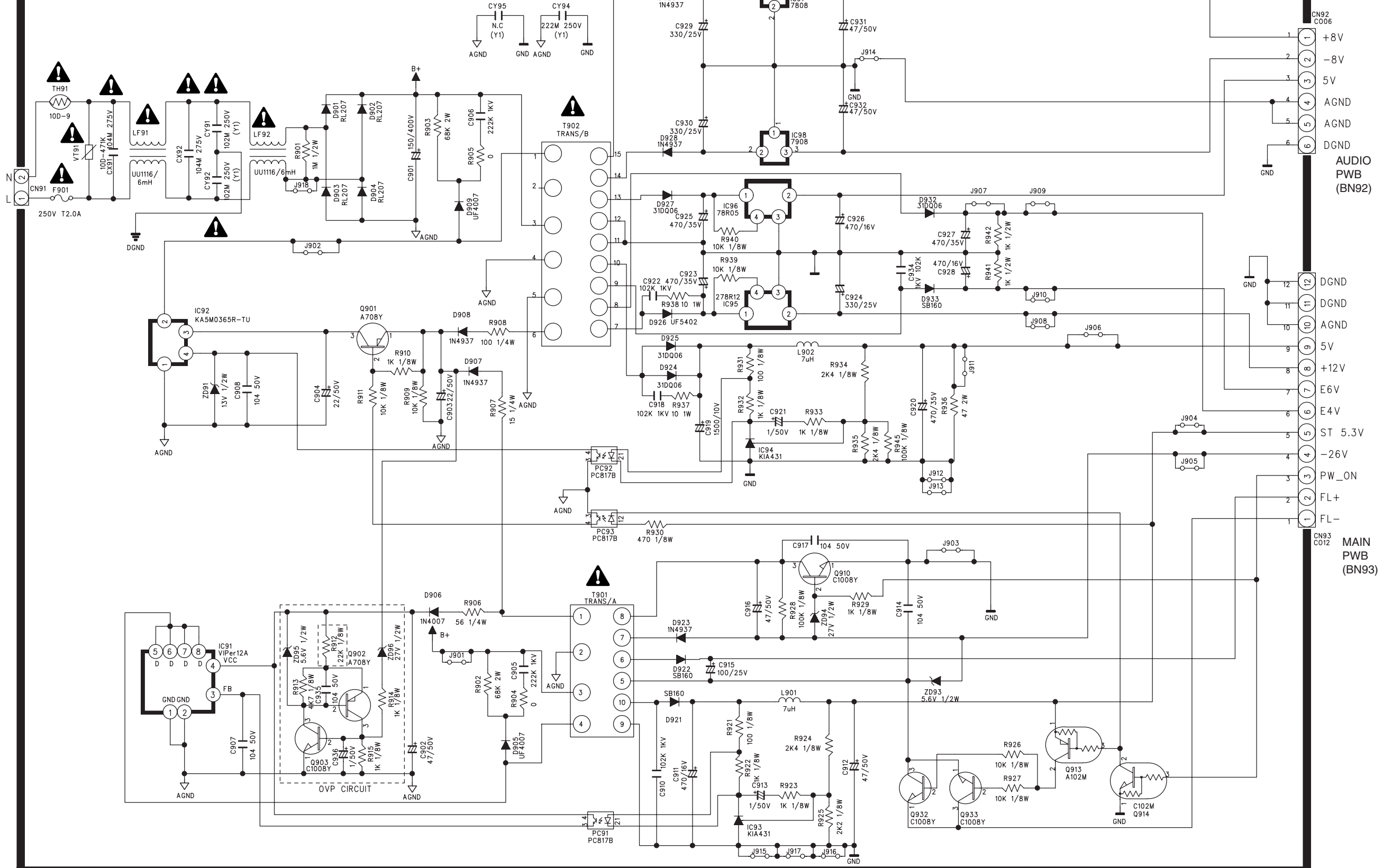
FTRONT PWB (CUP11778Z-2)




MAIN PWB (CY41)

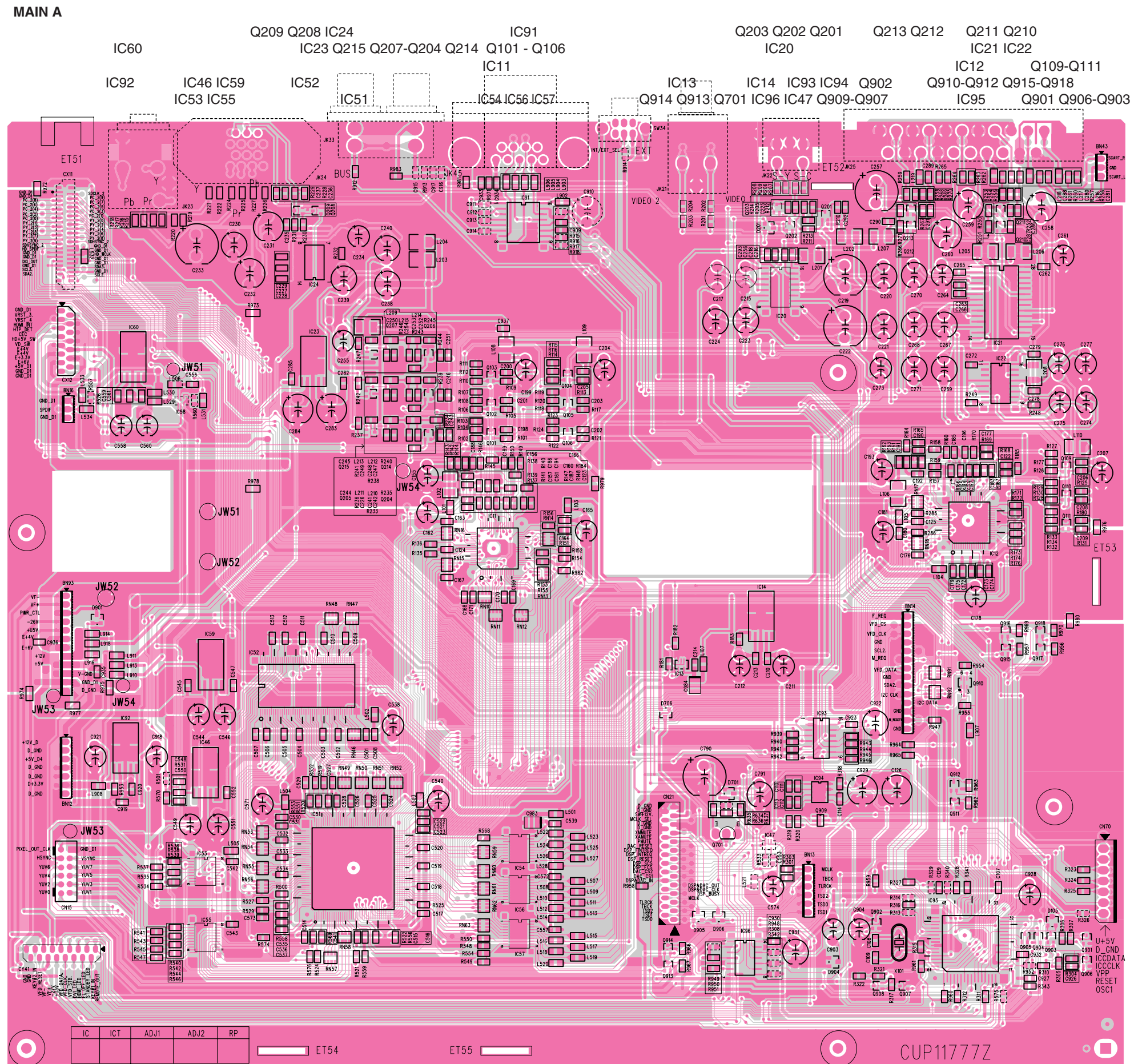


SMPS PWB (CUP11780Z)



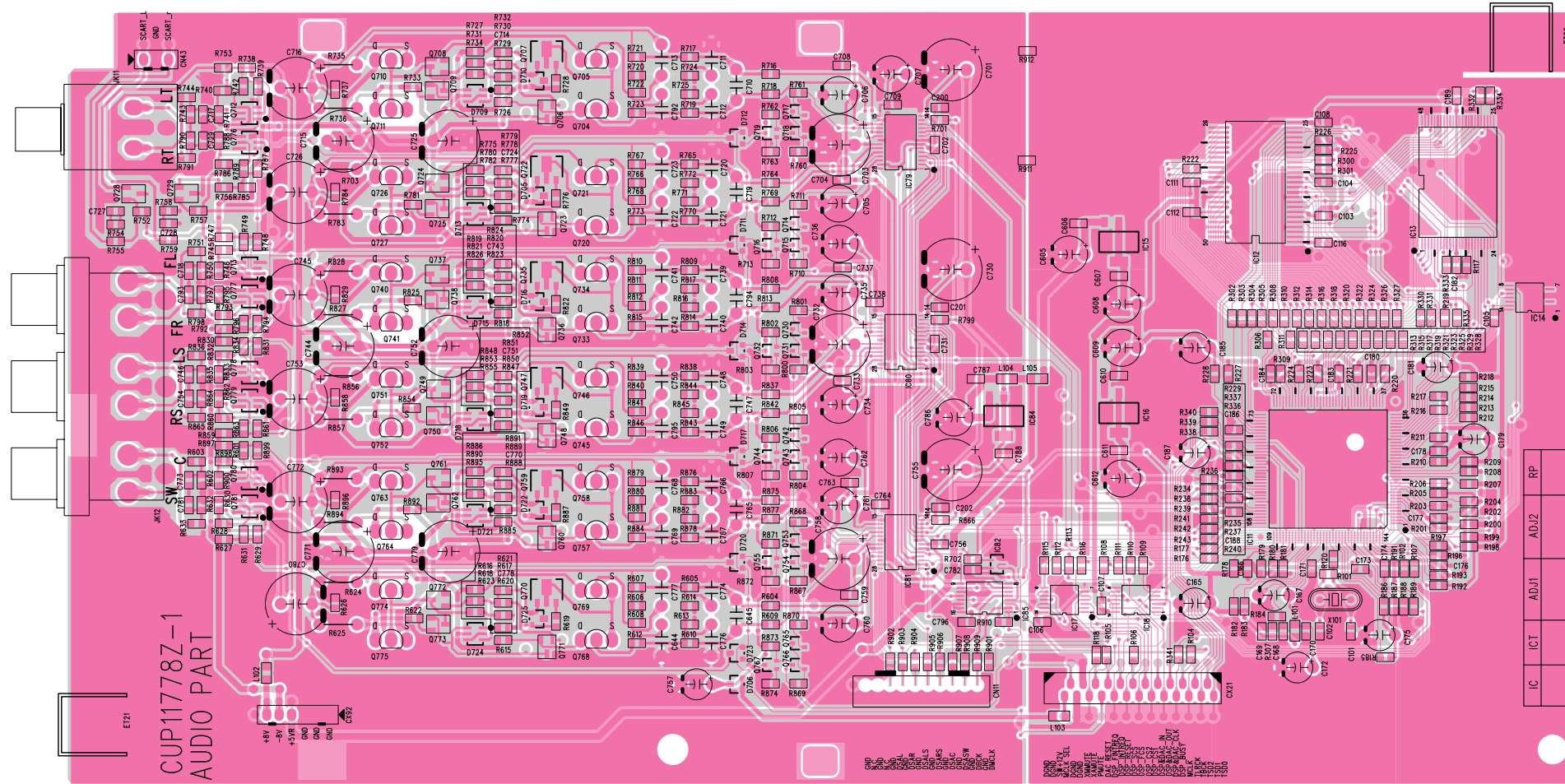
**IMPORTANT SAFETY NOTICE.
 COMPONENTS IDENTIFIED BY  MARK HAVE SPECIAL CHARACTERISTICS.
 IMPORTANT FOR SAFETY, WHEN REPLACING ANY OF THESE COMPONENTS,
 USE ONLY MANUFACTURER'S SPECIFIED PARTS.
 **THE UNIT OF RESISTANCE IS OHM.
 K=1000 OHM, M=1000 KOHM
 **THE UNIT OF CAPACITANCE IS MICROFARAD (uF)
 pF=10⁻¹² uF
 **THIS SCHEMATIC DIAGRAM MAY MODIFIED AT ANY TIME WITH THE
 IMPROVEMENT OF PERFORMANCE

13. PARTS LOCATION

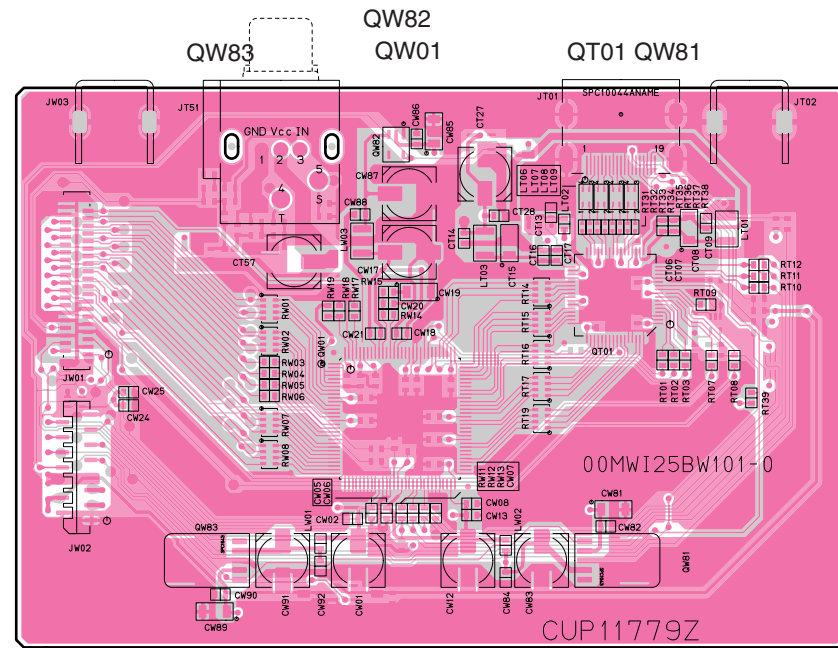


AUDIO A

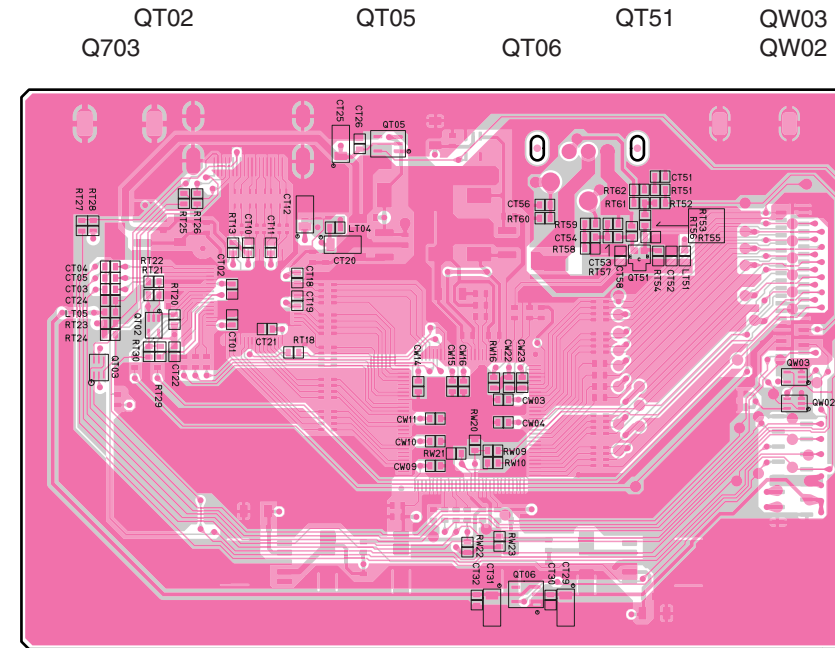
Q712 Q776	Q711 - Q708	Q707 - Q704	Q719 - Q717	IC79				
Q728 Q729	Q727 - Q724	Q722 - Q720	Q716 - Q714		IC15	IC12		IC13
Q713 Q777	Q740 Q741 Q737 Q738	Q735 - Q733	Q732 - Q730	IC80				IC14
Q778 Q779	Q752 - Q749	Q748 - Q745	Q744 - Q742	IC81	IC84	IC16		
Q780 Q781	Q764 - Q761	Q760 - Q757	Q755 - Q735		IC82		IC11	
	Q775 - Q722	Q771 - Q768	Q767 - Q765		IC85	IC17 IC18		



HDMI A

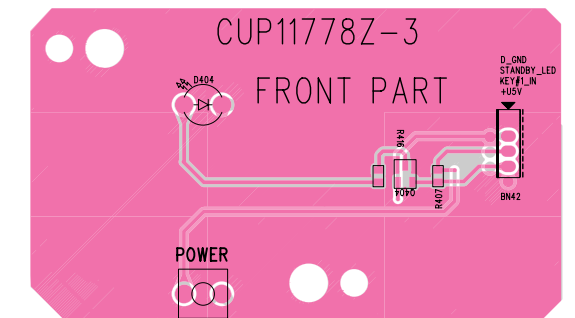


HDMI B



POWER SWITCH (FRONT2) A

Q404

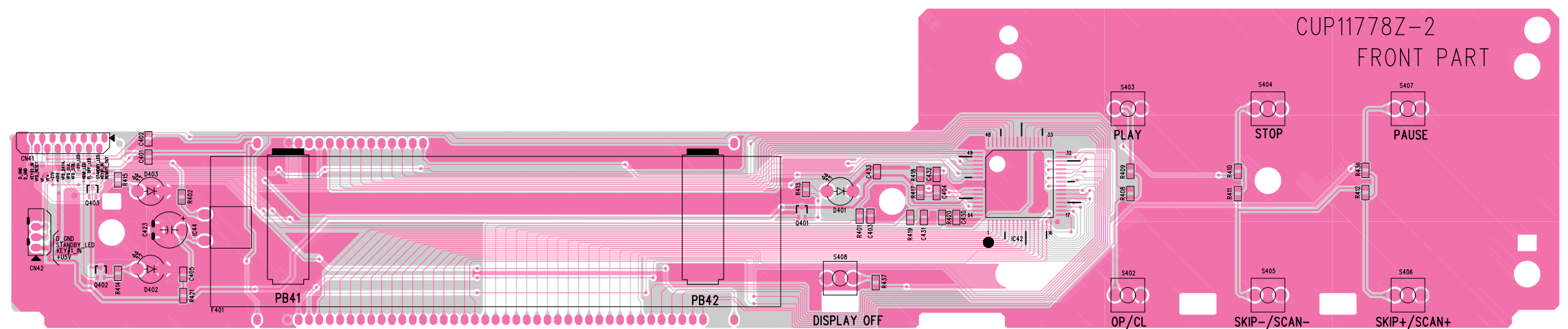


FRONT A

Q403 Q402

Q401

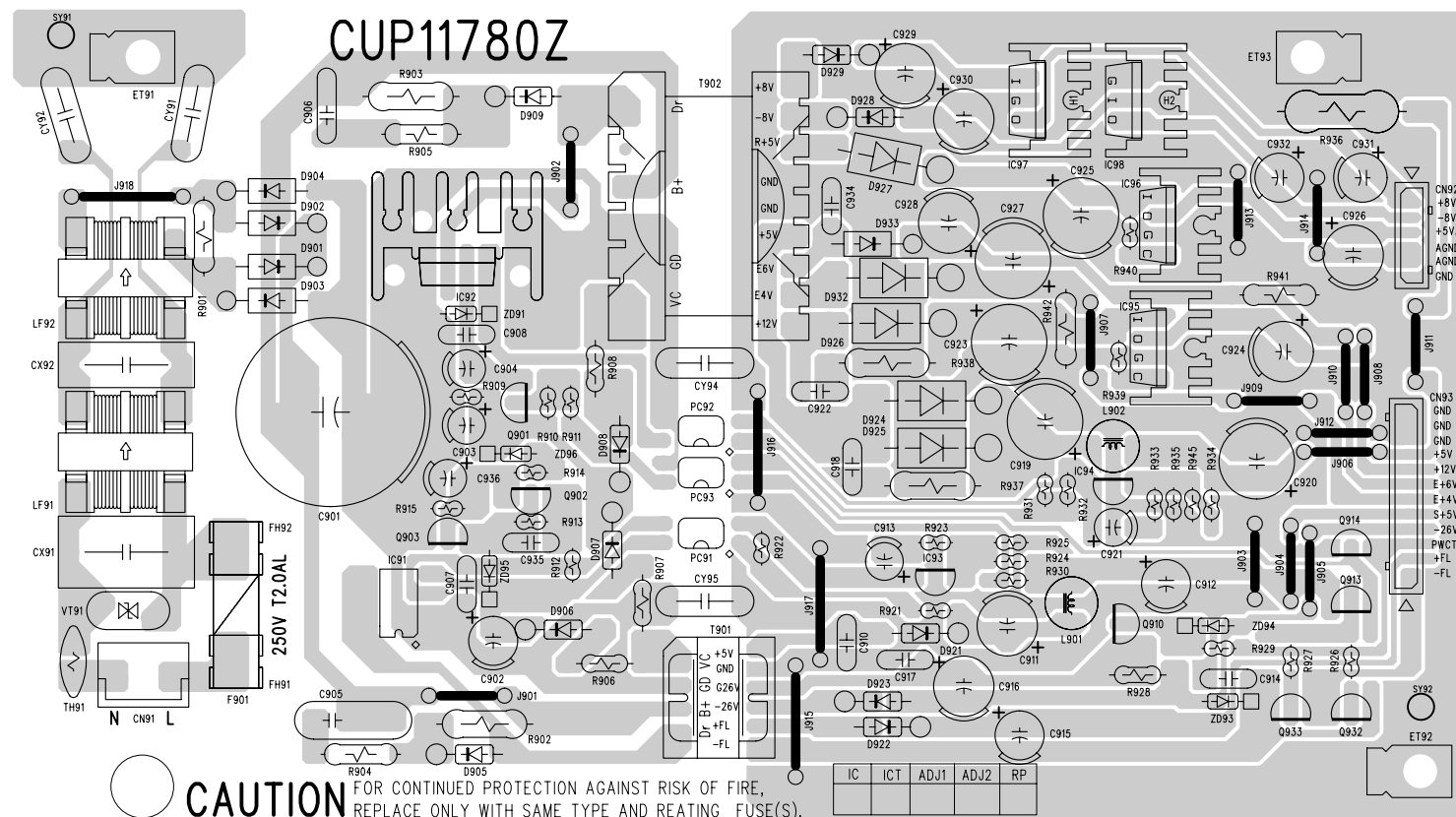
IC42



SMPS A

IC92 Q901
IC91 Q903 Q902

IC93
IC98 - IC95
IC94 Q910 Q933 Q932 Q914 Q913

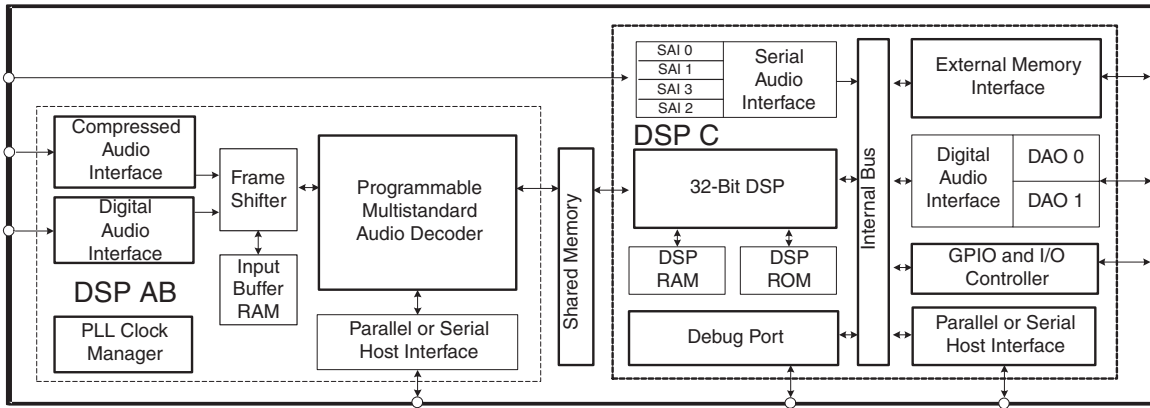


14. MICROPROCESSOR AND IC DATA

IC95 : ST72F321R (HOST MICOM)

FUNCTION	PIN NAME	PIN No.	PORT NAME	I/O
CONTROL PORT	1.POWER CONTROL	PD4(PIN.17)	: AIN4/PD4	---> OUTPUT
	2.AUDIO_MUTE_P	PD5(PIN.18)	: AIN5/PD5	---> OUTPUT
	3.VIDEO_DAC_VCC_CONTROL	PE7(PIN.4)	: (HS)PE7	---> OUTPUT
	4.UPDATE_CONTROL_P	PB1(PIN.6)	: PWM2/PB1	---> OUTPUT
	5.VFD_RESET_P	PE6(PIN.3)	: (HS)PE6	---> OUTPUT
	5.AUDIO_DSD_PCM_SELECT	PA0(PIN.43)	: PA0	---> OUTPUT
DSP/DAC	1. DSP_RESET_P	PB2(PIN.7)	: PWM1/PB2	---> OUTPUT
	2. DSP_BUSY	PB3(PIN.8)	: PWM0/PB3	<--- INPUT
	3. DSP_INTREQ	PB4(PIN.9)	: ARTCLK/(HS)PB4	<--- INPUT
	4. DAC_RESET	PB7(PIN.12)	: PB7	---> OUTPUT
	5. DAC_LR_MUTE_P	PD2(PIN.15)	: AIN2/PD2	---> OUTPUT
	6. DAC_SCW_MUTE_P	PD3(PIN.16)	: AIN3/PD3	---> OUTPUT
	7. DSP_SCS	PC0(PIN.35)	: PC0/OCMP2_B/AIN12	---> OUTPUT
	8. DSP_FCS	PC1(PIN.36)	: PC1/OCMP1_B/AIN13	---> OUTPUT
	9. DAC_CS2	PC2(PIN.37)	: PC2(HS)/ICAP2_B	---> OUTPUT
	10. DAC_CS1	PC3(PIN.38)	: PC3(HS)/ICAP1_B	---> OUTPUT
	11. DSP_DAC_IN	PC4(PIN.39)	: PC4/MISO/ICCDATA	---> OUTPUT
	12. DSP_DAC_OUT	PC5(PIN.40)	: PC5/MOSI/AIN14	<--- INPUT
	13. DSP_DAC_CLOCK	PC6(PIN.41)	: PC6/SCK/ICCLK	---> OUTPUT
	14. DSP_FINTREQ	PC7(PIN.42)	: PC7/SS/AIN15	<--- INPUT
DVD	1. DVD_MREQ_P	PA1(PIN.44)	: PA1	<--- INPUT
	2. DVD_MRESET	PA3(PIN.46)	: PA3(HS)	---> OUTPUT
	3. DVD_FREQ_P	PA4(PIN.49)	: PA4(HS)	---> OUTPUT
	4. DVD_I2C_DATA	PA6(PIN.51)	: PA6(HS)/SDA	<---> IN/OUT
	5. DVD_I2C_CLOCK	PA7(PIN.52)	: PA7(HS)/SCL	<--- INPUT
FLASH UPDATE	1. VPP(+12) INPUT	(PIN.53)	: FLASH UPDATE	<---> INPUT
	2. FLASH_VPP_ENABLE	PE3(PIN.64)	: FLASH UPDATE	---> OUTPUT
	3. FLASH_UPDATE_MODE_IN	PB0(PIN.5)	: PWM3/PB0	<--- INPUT
VFD	1. VFD_RESET	PE6(PIN.3)	: (HS)PE6	---> OUTPUT
LED	1. STANDBY_LED	PF7(PIN.32)	: EXTCLK_A/(HS)PF7	---> OUTPUT
	2. DVI_LED	PF6(PIN.31)	: ICAP1_A/(HS)PF6	---> OUTPUT
	3. HDMI_LED	PF5(PIN.30)	: ICAP2_A/AIN11/PF5	---> OUTPUT
	4. FL_OFF_LED	PF4(PIN.29)	: OCMP1_A/AIN10/PF4	---> OUTPUT
HDMI	1. SI9190_RESET_P	PF3(PIN.28)	: OCMP2_A/AIN9/PF3	---> OUTPUT
	2. HDMI_HPD	PB5(PIN.10)	: ARTIC1/PB5	<--- INPUT
	3. HDMI_INT	PF6(PIN.11)	: ARTIC2/PB6	<--- INPUT
RS232C	1. RS232C_RTS	PE4(PIN.1)	: (HS)PE4	---> OUTPUT
	2. RS232C_CTS	PE5(PIN.2)	: (HS)PE5	<--- INPUT
	3. RS232C_RX	PE1(PIN.62)	: PE1/RD1	<--- INPUT
	4. RS232C_TX	PE0(PIN.61)	: PE0/TD0	---> OUTPUT
SYSTEM	1. OPTION_P	PD6(PIN.19)	: NO USED	<--- INPUT
	2. SYSTEM_BUS_IN/OUT	PF1(PIN.26)	: BEEP/(HS)PF1	<---> IN/OUT
	3. REMOCON_IR_KILL	PF2(PIN.27)	: (HS)PF2	---> OUTPUT
	5. REMOTE IN	PF0(PIN.25)	: MCO/AIN8/PF0	<--- INPUT
	6. KEY_IN1	PD0(PIN.13)	: AIN0/PD0 (A/D)	<--- INPUT
	7. KEY_IN2	PD1(PIN.14)	: AIN1/PD1 (A/D)	<--- INPUT
	8. ECO_WAKE_UP_P	PA2(PIN.45)	: PA2	<--- INPUT
	OPERATION	1.GND3	PIN.24	: VSS_3
2.GND0		PIN.34	: VSS_0	
3.GND1		PIN.48	: VSS_1	
4.GND2		PIN.57	: VSS_2	
5.VDD3		PIN.23	: VDD3 (+5V)	
6.VDD0		PIN.33	: VDD0 (+5V)	
7.VDD1		PIN.47	: VDD1 (+5V)	
8.VDD2		PIN.60	: VDD2 (+5V)	
9.MCU RESET		PIN.54	: MCU RESET	
10.VAREF		PIN.21	: ANALOG REF VOLTAGE	
11.VSSA		PIN.22	: ANALOG GND	
12.TLI		PIN.56	: NO USE	
13.OSC1_IN		PIN.59	: OSC(4MHZ)	
14.OSC2_OUT		PIN.58	: OSC(4MHZ)	
15.PE2		PIN.63	: NO USE	
16.PA5		PIN.50	: NO USE	
17.EVD		PIN.55	: NO USE	

IC11 : CS494003 (DSP)



FILT1 — Phase-Locked Loop Filter

Connects to an external filter for the on-chip phase-locked loop.

FILT2 — Phase Locked Loop Filter

Connects to an external filter for the on-chip phase-locked loop.

CLKIN, XTALI — External Clock Input/Crystal Oscillator Input

CS49400 clock input. This pin accepts an external clock input signal that is used to drive the internal core logic. When in internal clock mode (CLKSEL == VSS), this input is connected to the internal PLL from which all internal clocks are derived. When in external clock mode (CLKSEL == VDD[7:1]), this input is connected to the DSP clock. Alternatively, a crystal oscillator can be connected between XTALI and XTALO.

XTALO — Crystal Oscillator Output

Crystal oscillator output.

CLKSEL — DSP Clock Select

This pin selects the internal source clock. When CLKSEL is low, CLKIN is connected to the internal PLL from which all internal clocks are derived. When CLKSEL is high, the PLL is bypassed and the external clock directly drives all input logic.

FDAT7 — DSP AB Bidirectional Data Bus

FDAT6
FDAT5
FDAT4
FDAT3
FDAT2
FDAT1
FDAT0

In parallel host mode, these pins provide a bidirectional data bus to DSP AB.

FA0, FSCCLK — Host Parallel Address Bit Zero or Serial Control Port Clock

In parallel host mode, this pin serves as one of two address input pins used to select one of four parallel registers. In serial host mode, this pin serves as the serial control clock signal, specifically as the SPI clock input or the \overline{FCS} clock input.

FA1, FSCDIN — Host Address Bit One or SPI Serial Control Data Input

In parallel host mode, this pin serves as one of two address input pins used to select one of four parallel registers. In SPI serial host mode, this pin serves as the data input.

FHS1, \overline{FRD} , \overline{FRW} — Mode Select Bit 1 or Host Parallel Output Enable or Host Parallel $\overline{R/W}$

DSP AB control port mode select bit 1. This bit is one of 3 control port select bits that are sampled on the rising edge of \overline{RESET} to determine the control port mode of DSP AB. In Intel parallel host mode, this pin serves as the active-low data bus enable input. In Motorola parallel host mode, this pin serves as the read-high/write-low control input signal. In serial host mode, this pin can serve as the external memory active-low data-enable output signal.

FHS0, \overline{FWR} , \overline{FDS} — Mode Select Bit 0 or Host Write Strobe or Host Data Strobe

DSP AB control port mode select bit 0. This bit is one of 3 control port select bits that are sampled on the rising edge of \overline{RESET} to determine the control port mode of DSP AB. In Intel parallel host mode, this pin serves as the active-low data-write-input strobe. In Motorola parallel host mode, this pin serves as the active-low data-strobe-input signal. In serial host mode, this pin can serve as the external-memory active-low write-enable output signal.

\overline{FCS} — Host Parallel Chip Select, Host Serial SPI Chip Select

In parallel host mode, this pin serves as the active-low chip-select input signal. In serial host SPI mode, this pin is used as the active-low chip-select input signal.

FHS2, FSCDIO, FSCDOUT — Mode Select Bit 2 or Serial Control Port Data Input and Output, Parallel Port Type Select

DSP AB control port mode select bit 2. This bit is one of 3 control port select bits that are sampled on the rising edge of \overline{RESET} to determine the control port mode of DSP AB. In 2-wire serial mode, this pin serves as the open-drain bidirectional data pin. In SPI mode this pin serves as the data output pin. In parallel host mode, this pin is sampled at the rising edge of \overline{RESET} to configure the parallel host mode as an Intel type bus or as a Motorola type bus.

FINTREQ — Control Port Interrupt Request

Open-drain interrupt-request output. This pin is driven low to indicate that the DSP has outgoing control data that should be read by the host.

FSCLKN1, STCCLK2 — PCM Audio Input Bit Clock

Digital-audio bit clock input. FSCLKN1 operates asynchronously from all other DSP AB clocks. In master mode, FSCLKN1 is derived from DSP AB's internal clock generator. The active edge of FSCLKN1 can be programmed by the DSP.

FLRCLKN1 — PCM Audio Input Sample Rate Clock

Digital-audio frame clock input. FLRCLKN1 typically is run at the sampling frequency. FLRCLKN1 operates asynchronously from all other DSP AB clocks. The polarity of FLRCLKN1 for a particular subframe can be programmed by the DSP.

FSDATAN1 — PCM Audio Data Input One

Digital-audio data input that can accept from one compressed line or 2 channels of PCM data. FSDATAN1 can be sampled with either edge of FSCLKN1, depending on how FSCLKN1 has been configured.

IC11 : CS494003 (DSP)

CMPCLK, FSCLKN2 — PCM Audio Input Bit Clock

Digital-audio bit clock input. FSCLKN2 operates asynchronously from all other DSP AB clocks. The active edge of FSCLKN2 can be programmed by the DSP.

CMPCDAT, FSDATAN2 — PCM Audio Data Input Number Two

Digital-audio data input that can accept either one compressed line or 2 channels of PCM data. FSDATAN2 can be sampled with either edge of FSCLKN2, depending on how FSCLKN2 has been configured.

FDBCK — Reserved

This pin is reserved and should be pulled up with an external 10k resistor.

FDBDA — Reserved

This pin is reserved and should be pulled up with an external 10k resistor.

PLLVDD — PLL Supply Voltage

2.5 V PLL supply.

PLLSS — PLL Ground Voltage

PLL ground.

RESET — Master Reset Input

Asynchronous active-low master reset input. Reset should be low at power-up to initialize the DSP and to guarantee that the device is not active during initial power-on stabilization periods. At the rising edge of reset the host interface mode of DSP AB is selected contingent on the state of the FHS0, FHS1, and FHS2 pins. At the rising edge of reset the host interface mode of DSP C is selected contingent on the state of the UHS0, UHS1, and UHS2 pins. If reset is low all bidirectional pins are high-Z inputs.

TEST — Reserved

This should be tied low for normal operation.

MCLK — Audio Master Clock

Bidirectional master audio clock. As an output, MCLK provides a low jitter oversampling clock. MCLK supports all standard oversampling frequencies.

SCLK0 — Audio Output Bit Clock

Bidirectional digital-audio output bit clock for AUDATA0, AUDATA1, AUDATA2, and AUDATA3. As an output, SCLK0 can provide 32 Fs, 64 Fs, 128 Fs, 256 Fs, or 512 Fs frequencies and is synchronous to MCLK. As an input, SCLK0 is independent of MCLK.

AUDATA7, XMT958B, GPIO31 — Digital Audio Output 7, S/PDIF Transmitter, General Purpose I/O

CMOS level output that contains a biphasic-mark encoded (S/PDIF) IEC60958 signal or digital audio data which is capable of carrying two channels of PCM digital audio. This pin can also act as a general-purpose input or output that can be individually configured and controlled by DSP C.

DBCK — Debug Clock

Must be tied high to 10k ohm resistor.

DBDA — Debug Data

Must be tied high to 10k ohm resistor.

SLCKN, GPIO22 — PCM Audio Input Bit Clock, General Purpose I/O

Digital-audio bit clock that is an input. SCLKN operates asynchronously from all other DSP AB clocks. The active edge of SCLKN can be programmed by the DSP. This pin can act as a general-purpose input or output that can be individually configured and controlled by DSP C.

LRCLKN, GPIO23 — PCM Audio Input Sample Rate Clock, General Purpose I/O

Digital-audio frame clock input. LRCLKN operates asynchronously from all other DSP AB clocks. The polarity of LRCLKN for a particular subframe can be programmed by the DSP. This pin can act as a general-purpose input or output that can be individually configured and controlled by DSP C.

SDATAN0, GPIO24 — PCM Audio Input Data, General Purpose I/O

Digital-audio PCM data input. This pin can act as a general-purpose input or output that can be individually configured and controlled by DSP C.

SDATAN1, GPIO25 — PCM Audio Input Data, General Purpose I/O

Digital-audio PCM data input. This pin can act as a general-purpose input or output that can be individually configured and controlled by DSP C.

SDATAN2, GPIO26 — PCM Audio Input Data, General Purpose I/O

Digital-audio PCM data input. This pin can act as a general-purpose input or output that can be individually configured and controlled by DSP C.

SDATAN3, GPIO27 — PCM Audio Input Data, General Purpose I/O

Digital-audio PCM data input. This pin can act as a general-purpose input or output that can be individually configured and controlled by DSP C.

SCS — Host Serial SPI Chip Select

SPI mode active-low chip-select input signal.

SCLK1 — Audio Output Bit Clock

Bidirectional digital-audio output bit clock for AUDATA4, AUDATA5, AUDATA6, and AUDATA7. As an output, SCLK1 can provide 32 Fs, 64 Fs, 128 Fs, 256 Fs, or 512 Fs frequencies and is synchronous to MCLK. As an input, SCLK1 is independent of MCLK.

LRCLK0 — Audio Output Sample Rate Clock

Bidirectional digital-audio output frame clock for AUDATA0, AUDATA1, AUDATA2, and AUDATA3. As an output, LRCLK0 can provide all standard output sample rates up to 192 kHz and is synchronous to MCLK. As an input, LRCLK0 is independent of MCLK.

LRCLK1 — Audio Output Sample Rate Clock

Bidirectional digital-audio output frame clock for AUDATA4, AUDATA5, AUDATA6, and AUDATA7. As an output, LRCLK1 can provide all standard output sample rates up to 192 kHz and is synchronous to MCLK. As an input, LRCLK1 is independent of MCLK.

AUDATA0 — Digital Audio Output 0

PCM digital-audio data output.

AUDATA1 — Digital Audio Output 1

PCM digital-audio data output.

AUDATA2 — Digital Audio Output 2

PCM digital-audio data output.

AUDATA3, XMT958A — Digital Audio Output 3, S/PDIF Transmitter

CMOS level output that outputs a biphasic-mark encoded (S/PDIF) IEC60958 signal or digital audio data which is capable of carrying two channels of PCM digital audio.

AUDATA4, GPIO28 — Digital Audio Output 4, General Purpose I/O

PCM digital-audio data output. This pin can act as a general-purpose input or output that can be individually configured and controlled by DSP C.

AUDATA5, GPIO29 — Digital Audio Output 5, General Purpose I/O

PCM digital-audio data output. This pin can act as a general-purpose input or output that can be individually configured and controlled by DSP C.

AUDATA6, GPIO30 — Digital Audio Output 6, General Purpose I/O

PCM digital-audio data output. This pin can act as a general-purpose input or output that can be individually configured and controlled by DSP C.

SCCLK — Serial Control Port Clock

This pin serves in serial host mode as one of two address input pins used to select one of four parallel registers. It serves as the serial open-drain SPI clock input or the I²C clock input.

SCDIN — SPI Serial Control Data Input

In SPI mode this pin serves as the data input pin.

SCDOUT, SCDIO — Serial Control Port Data Input and Output

In I²C mode, this pin serves as the open-drain bidirectional data pin. In SPI mode this pin serves as the data output pin.

INTREQ — Control Port Interrupt Request

Open-drain interrupt-request output. This pin is driven low to indicate that DSP C has outgoing control data and should be serviced by the host.

HDATA7, GPIO7 — DSP C Bidirectional Data Bus, General Purpose I/O

HDATA6, GPIO6
HDATA5, GPIO5
HDATA4, GPIO4
HDATA3, GPIO3
HDATA2, GPIO2
HDATA1, GPIO1
HDATA0, GPIO0

In parallel host mode, these pins provide a bidirectional data bus. These pins can also act as general purpose input or output pins that can be individually configured and controlled by DSP C.

A0, GPIO13 — Host Parallel Address Bit 0, General Purpose I/O

In parallel host mode, this pin serves as the LS Bit of a two bit address input used to select one of four parallel registers. This pin can act as a general-purpose input or output that can be individually configured and controlled by DSP C.

A1, GPIO12 — Host Address Bit 1, General Purpose I/O

In parallel host mode, this pin serves as the MS Bit of a two bit address input used to select one of four parallel registers. This pin can act as a general-purpose input or output that can be individually configured and controlled by DSP C.

RD, R/W, GPIO11 — Host Parallel Output Enable, Host Parallel R/W, General Purpose I/O

In Intel parallel host mode, this pin serves as the active-low data bus enable input. In Motorola parallel host mode, this pin serves as the read-high/write-low control input signal. This pin can act as a general-purpose input or output that can be individually configured and controlled by DSP C.

IC11 : CS494003 (DSP)

WR, DS, GPIO10 — Host Write Strobe, Host Data Strobe, General Purpose I/O

In Intel parallel host mode, this pin serves as the active-low data bus enable input. In Motorola parallel host mode, this pin serves as the read-high/write-low control input signal. In serial host mode, this pin can serve as a general purpose input or output bit. This pin can act as a general-purpose input or output that can be individually configured and controlled by DSP C.

CS, GPIO9 — Host Parallel Chip Select, General Purpose I/O

In parallel host mode, this pin serves as the active-low chip-select input signal. This pin can act as a general-purpose input or output that can be individually configured and controlled by DSP C.

HINBSY, GPIO8 — Input Host Message Status, General Purpose I/O

This pin indicates that serial or parallel communication data written to the DSP has not been read yet. This pin can act as a general-purpose input or output that can be individually configured and controlled by DSP C.

SD_DATA15, EXTA18 — SDRAM Data Bus, SRAM External Address Bus

SD_DATA14, EXTA17
SD_DATA13, EXTA16
SD_DATA12, EXTA15
SD_DATA11, EXTA14
SD_DATA10, EXTA13
SD_DATA9, EXTA12
SD_DATA8, EXTA11

SDRAM data bus 15:8. SRAM external address bus 18:11.

SD_DATA7, EXTD7 — SDRAM Data Bus, SRAM External Data Bus

SD_DATA6, EXTD6
SD_DATA5, EXTD5
SD_DATA4, EXTD4
SD_DATA3, EXTD3
SD_DATA2, EXTD2
SD_DATA1, EXTD1
SD_DATA0, EXTD0

SDRAM data bus 7:0. SRAM external data bus 7:0.

SD_ADDR10, EXTA10 — SDRAM Address Bus, SRAM External Address Bus

SD_ADDR9, EXTA9
SD_ADDR8, EXTA8
SD_ADDR7, EXTA7
SD_ADDR6, EXTA6
SD_ADDR5, EXTA5
SD_ADDR4, EXTA4
SD_ADDR3, EXTA3
SD_ADDR2, EXTA2
SD_ADDR1, EXTA1
SD_ADDR0, EXTA0

SDRAM address bus 10:0. SRAM external address bus 10:0.

NV_WE, GPIO16 — SRAM Write Enable, General Purpose I/O

SRAM write enable. This pin can act as a general-purpose input or output that can be individually configured and controlled by DSP C.

UHS2, CS_OUT, GPIO17 — Mode Select Bit 2, External Serial Memory Chip Select, General Purpose I/O

DSP C control port mode select bit 2. This pin is sampled at the rising edge of $\overline{\text{RESET}}$ and is one of three pins used to select the control port mode. In serial control port mode, this pin can serve as an output to provide the chip-select for a serial EEPROM. This pin can act as a general-purpose input or output that can be individually configured and controlled by DSP C.

UHS0, GPIO18 — Mode Select Bit 0, General Purpose I/O

DSP C control port mode select bit 0. This pin is sampled at the rising edge of $\overline{\text{RESET}}$ and is one of three pins used to select the control port mode. This pin can act as a general-purpose input or output that can be individually configured and controlled by DSP C.

UHS1, GPIO19 — Mode Select Bit 1, General Purpose I/O

DSP C control port mode select bit 1. This pin is sampled at the rising edge of $\overline{\text{RESET}}$ and is one of three pins used to select the control port mode. This pin can act as a general-purpose input or output that can be individually configured and controlled by DSP C.

GPIO20 — General Purpose I/O

This pin can act as a general-purpose input or output that can be individually configured and controlled by DSP C.

GPIO21 — General Purpose I/O

This pin can act as a general-purpose input or output that can be individually configured and controlled by DSP C.

VDD[7:1] — 2.5V Supply Voltage

2.5V supply voltage.

VSS — 2.5V Ground

2.5V ground.

NC[5:1] — No Connect

Recommended tie to ground.

VDDSD[4:1] — 3.3V SDRAM/SRAM/EPROM Interface Supply

3.3V SDRAM/SRAM/EPROM supply.

VSSSD — 3.3V SDRAM/SRAM/EPROM Interface Ground

3.3V ground.

SD_CLK_OUT — SDRAM Clock Output

SDRAM clock output.

SD_CLK_IN — SDRAM Re-timing Clock Input

SDRAM re-timing clock input.

SD_CLK_EN — SDRAM Clock Enable

SDRAM clock enable.

SD_BA, EXTA19 — SDRAM Bank Address Select, SRAM External Address Bus

SDRAM bank address select.

SD_CS — SDRAM Chip Select

SDRAM chip select.

SD_RAS — SDRAM Row Address Strobe

SDRAM row address strobe.

SD_CAS — SDRAM Column Address Strobe

SDRAM column address strobe.

SD_WE — SDRAM Write Enable

SDRAM write enable.

SD_DQM1 — SDRAM Data Mask 1

SDRAM data mask 1.

SD_DQM0 — SDRAM Data Mask 2

SDRAM data mask 0.

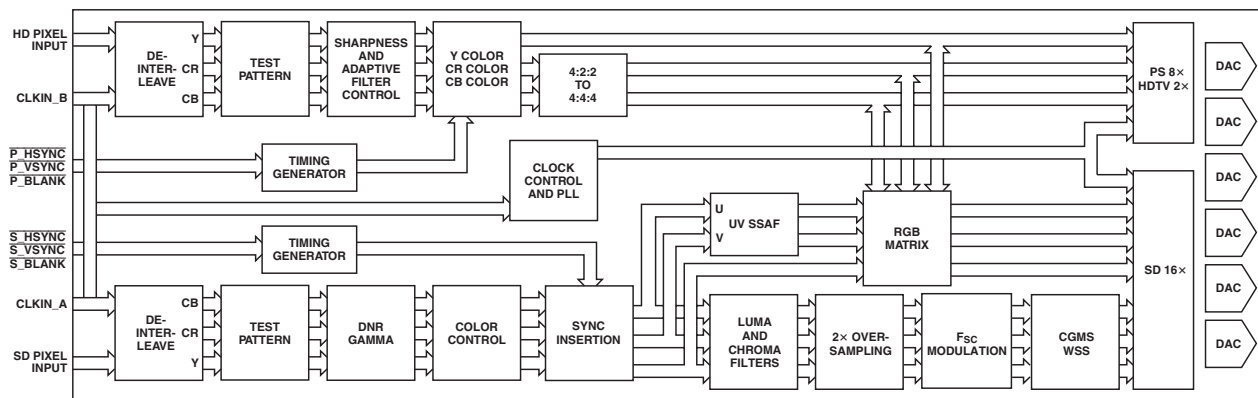
NV_CS, GPIO14 — SRAM Chip Select, General Purpose I/O

SRAM chip select. This pin can act as a general-purpose input or output that can be individually configured and controlled by DSP C.

NV_OE, GPIO15 — SRAM Output Enable, General Purpose I/O

SRAM output enable. This pin can act as a general-purpose input or output that can be individually configured and controlled by DSP C.

IC11 / IC12 : ADV7310 (VIDEO ENCODER WITH NSV)



TERMINOLOGY

SD Standard Definition Video, conforming to ITU-R BT.601/ITU-R BT.656.

HD High Definition Video, i.e., Progressive Scan or HDTV.

PS Progressive Scan Video, conforming to SMPTE 293M, ITU-R BT.1358, BTAT-1004EDTV2, or BTA1362.

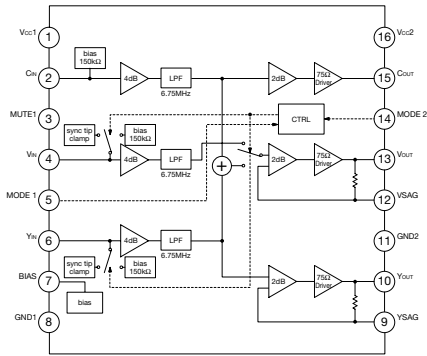
HDTV High Definition Television Video, conforming to SMPTE 274M or SMPTE 296M.

YCrCb SD, PS, or HD Component Digital Video.

YPrPb SD, PS, or HD Component Analog Video.

Mnemonic	Input/Output	Function
DGND	G	Digital Ground.
AGND	G	Analog Ground.
CLKIN_A	I	Pixel Clock Input for HD (74.25 MHz Only, PS Only (27 MHz), SD Only (27 MHz).
CLKIN_B	I	Pixel Clock Input. Requires a 27 MHz reference clock for progressive scan mode or a 74.25 MHz (74.1758 MHz) reference clock in HDTV mode. This clock is only used in dual modes.
COMP1,2	O	Compensation Pin for DACs. Connect 0.1 µF capacitor from COMP pin to V _{AA} .
DAC A	O	CVBS/Green/Y/Y Analog Output.
DAC B	O	Chroma/Blue/U/Pb Analog Output.
DAC C	O	Luma/Red/V/Pr Analog Output.
DAC D	O	In SD Only Mode: CVBS/Green/Y Analog Output; in HD Only Mode and Simultaneous HD/SD Mode: Y/Green [HD] Analog Output.
DAC E	O	In SD Only Mode: Luma/Blue/U Analog Output; in HD Only Mode and Simultaneous HD/SD Mode: Pr/Red Analog Output.
DAC F	O	In SD Only Mode: Chroma/Red/V Analog Output; in HD Only Mode and Simultaneous HD/SD Mode: Pb/Blue [HD] Analog Output.
P_HS _{SYNC}	I	Video Horizontal Sync Control Signal for HD in Simultaneous SD/HD Mode and HD Only Mode.
P_VS _{SYNC}	I	Video Vertical Sync Control Signal for HD in Simultaneous SD/HD Mode and HD Only Mode.
P_BLANK	I	Video Blanking Control Signal for HD in Simultaneous SD/HD Mode and HD Only Mode.
S_BLANK	I/O	Video Blanking Control Signal for SD Only.
S_HS _{SYNC}	I/O	Video Horizontal Sync Control Signal for SD Only.
S_VS _{SYNC}	I/O	Video Vertical Sync Control Signal for SD Only.
Y9-Y0	I	SD or Progressive Scan/HDTV Input Port for Y Data. Input port for interleaved progressive scan data. The LSB is set up on Pin Y0. For 8-bit data input, LSB is set up on Y2.
C9-C0	I	Progressive Scan/HDTV Input Port 4:4:4 Input Mode. This port is used for the Cb[Blue/U] data. The LSB is set up on pin C0. For 8-bit data input, LSB is set up on C2.
S9-S0	I	SD or Progressive Scan/HDTV Input Port for Cr[Red/V] data in 4:4:4 input mode. LSB is set up on pin S0. For 8-bit data input, LSB is set up on S2.
RESET	I	This input resets the on-chip timing generator and sets the ADV7310/ADV7311 into default register setting. RESET is an active low signal.
R _{SET1,2}	I	A 3040 Ω resistor must be connected from this pin to AGND and is used to control the amplitudes of the DAC outputs.
SCLK	I	I ² C Port Serial Interface Clock Input.
SDA	I/O	I ² C Port Serial Data Input/Output.
ALS _B	I	TTL Address Input. This signal sets up the LSB of the I ² C address. When this pin is tied low, the I ² C filter is activated, which reduces noise on the I ² C interface.
V _{DD_IO}	P	Power Supply for Digital Inputs and Outputs.
V _{DD}	P	Digital Power Supply.
V _{AA}	P	Analog Power Supply.
V _{REF}	I/O	Optional External Voltage Reference Input for DACs or Voltage Reference Output (1.235 V).
EXT_LF	I	External Loop Filter for the Internal PLL.
RTC_SCR_TR	I	Multifunctional Input. Real time control (RTC) input, timing reset input, subcarrier reset input.
I ² C	I	This input pin must be tied high (V _{DD_IO}) for the ADV7310/ADV7311 to interface over the I ² C port.
GND_IO		Digital Input/Output Ground.

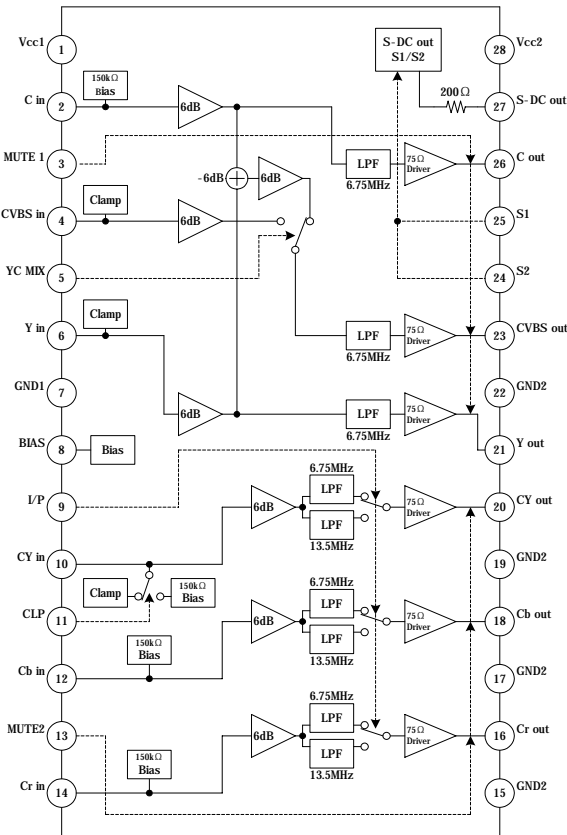
IC20 : MM1566A (VIDEO SIGNAL DRIVER)



	Input Terminal	Input Signal (Input clamp)	Output Signal	Control Terminal		
				MUTE1	MODE1	MODE2
1	MUTE	*	MUTE	Low	*	*
	CIN	C(bias)	C	High	Low	Low
	VIN		Composite Video(Y+C)			
	YIN	Y(clamp)	Y			
2	MUTE	*	MUTE	Low	*	*
	CIN	C(bias)	C	High	High	Low
	VIN	Composite Video(clamp)	Composite Video			
	YIN	Y(clamp)	Y			
3	MUTE	*	MUTE	Low	*	*
	CIN	Cr(bias)	Cr	High	Low	High
	VIN	Cb(bias)	Cb			
	YIN	Y(clamp)	Y			
4	MUTE	*	MUTE	Low	*	*
	CIN	R(bias)	R	High	High	High
	VIN	G(bias)	G			
	YIN	B(bias)	B			

* : Don't care

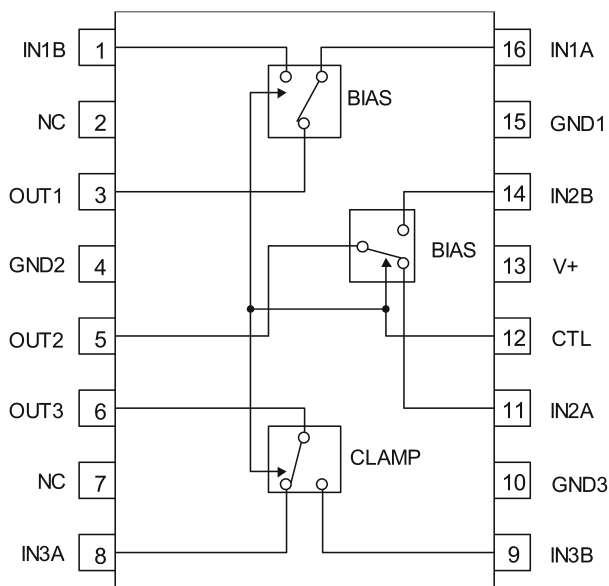
IC21 : MM1623X (VIDEO SIGNAL DRIVER)



入力選択 Input select	出力端子 Output Terminal	制御端子 Control Terminal			
		MUTE1	YC MIX	MUTE2	CLP
MUTE	C out	Low	*	*	*
C in		High	*	*	*
MUTE	CVBS out	Low	*	*	*
Y in + C in		High	Low	*	*
CVBS in		High	High	*	*
MUTE	Y out	Low	*	*	*
Y in		High	*	*	*
MUTE	CY out	*	*	Low	*
CY in (Clamp)		*	*	High	Low
CY in (Bias)		*	*	High	High
MUTE	Cb out	*	*	Low	*
Cb in		*	*	High	*
MUTE	Cr out	*	*	Low	*
Cr in		*	*	High	*

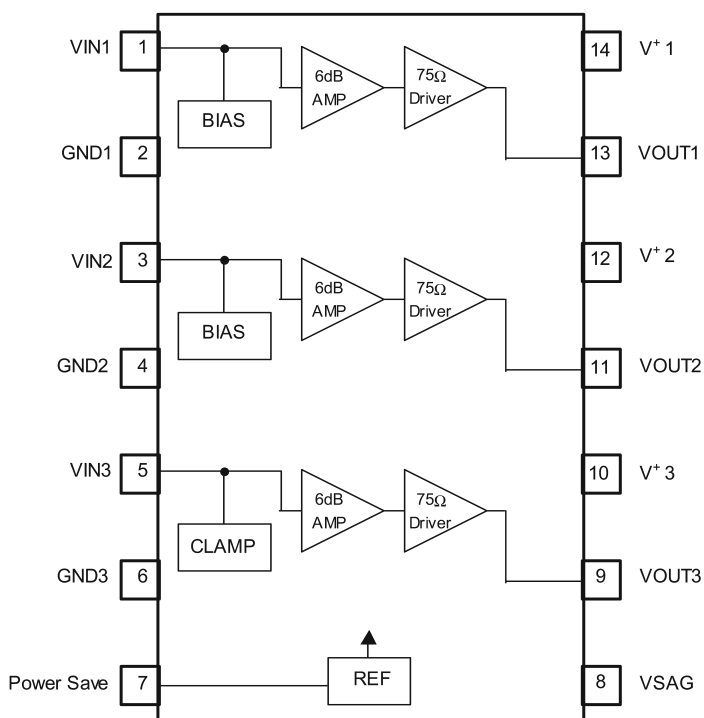
*: Don't care

IC22 : NJM2584M (VIDEO SW.)



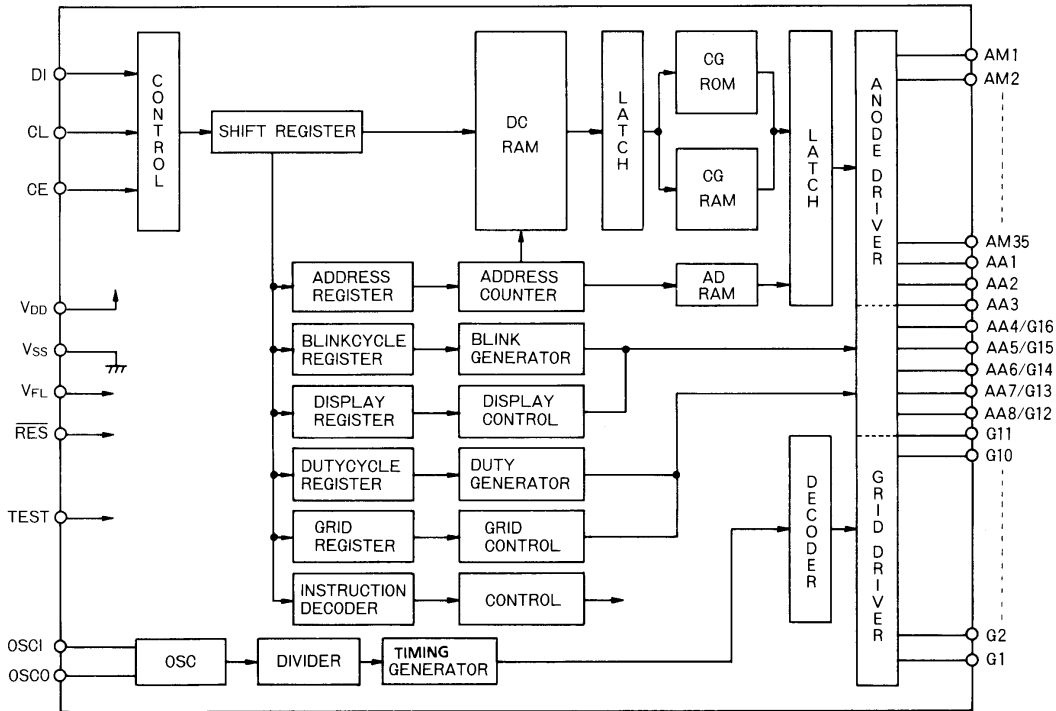
PIN	MODE	NOTES
Control	H	B channel output
	L	A channel output
	OPEN	A channel output

IC24 : NJM2580M (VIDEO AMP.)



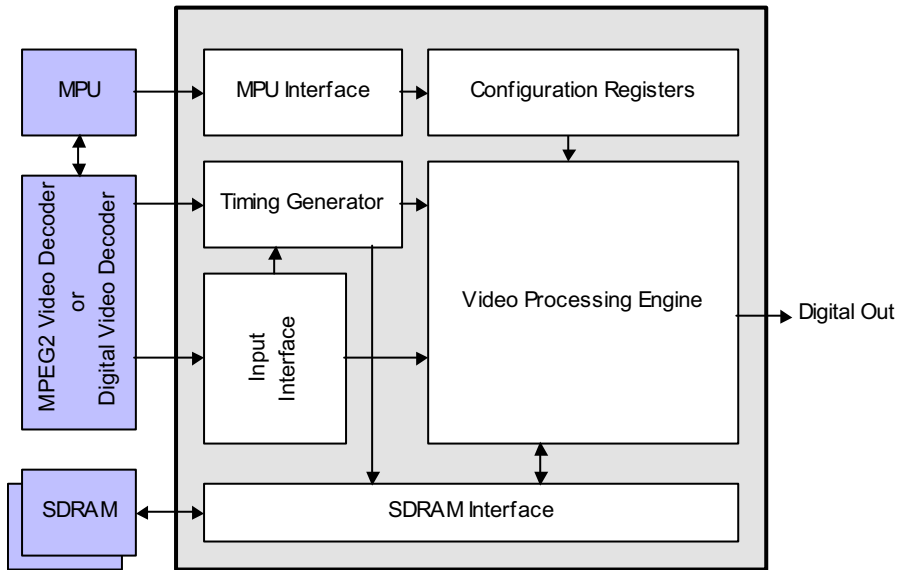
PIN	MODE	NOTES
Power Save	H	Power Save: OFF
	L	Power Save: ON
	OPEN	Power Save: ON

IC42 : LC75712E (FL DRIVER)



Pin	No.	Pin circuit	Function
V _{DD}	1		Logic block power supply: +5 V (typical)
V _{SS}	1		Logic block power supply: ground
V _{FL}	1		Driver block power supply
DI CL CE	1 1 1		Serial data interface DI: Transfer data CL: Synchronization clock CE: Chip enable
OSCI OSCO	1 1		External oscillator RC circuit connections
RES	1		System reset input
AM1 to AM35 AA1 to AA3	38		Anode outputs Pull-down resistors are built in.
AA4/G16 AA5/G15 AA6/G14 AA7/G13 AA8/G12	5		Anode/grid outputs These pins function as grid output pins when the number of displayed digits is selected to be between 12 and 16 digits with the "Grid register load" instruction. Pull-down resistors are built in.
G1 to G11	11		Grid outputs Pull-down resistors are built in.
TEST	1		LSI testing This pin must be connected to V _{SS} during normal operation.

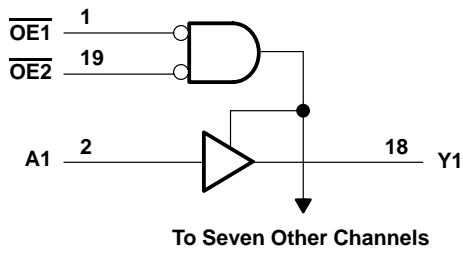
IC51 : CD0040AF (I/P SCAN CONVER.)



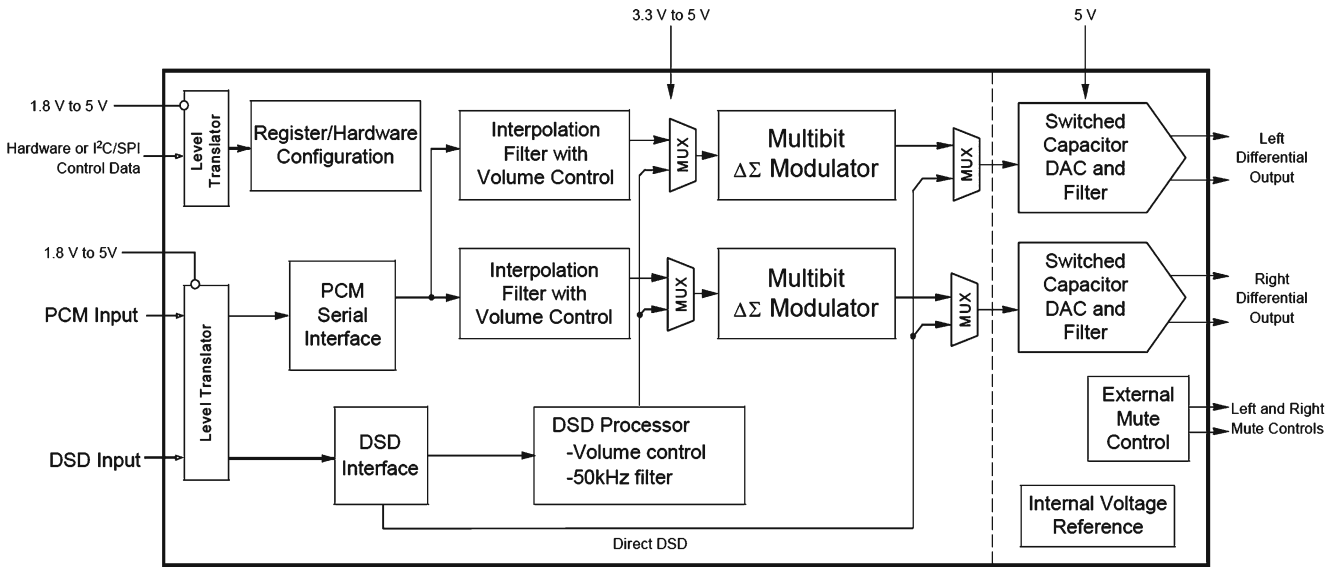
IC53-IC57 : 74AHC541

FUNCTION TABLE
(each buffer/driver)

INPUTS			OUTPUT
OE1	OE2	A	Y
L	L	L	L
L	L	H	H
H	X	X	Z
X	H	X	Z



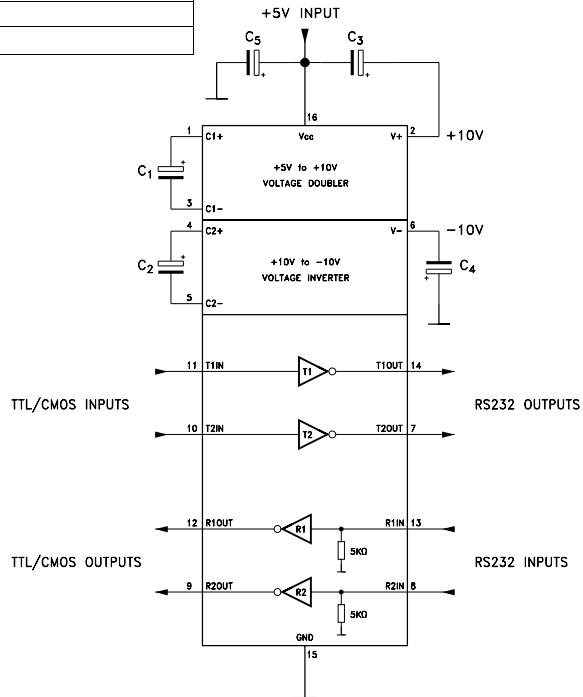
IC79 - IC81 : CS4398 (DAC WITH VOL. CONT.)



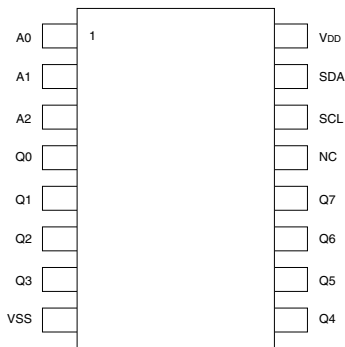
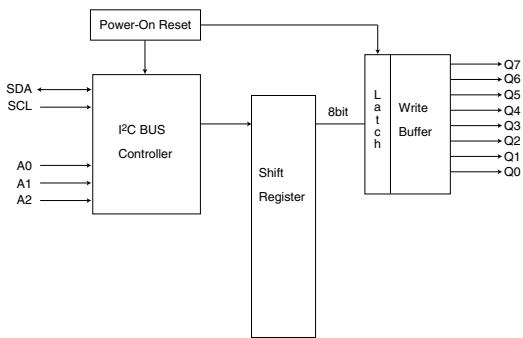
Pin Name	#	Pin Description
DSD_A	28	Direct Stream Digital Input (<i>Input</i>) - Input for Direct Stream Digital serial audio data.
DSD_B	1	
DSD_SCLK	2	DSD Serial Clock (<i>Input</i>) - Serial clock for the Direct Stream Digital audio interface.
SDIN	3	Serial Audio Data Input (<i>Input</i>) - Input for two's complement serial audio data.
SCLK	4	Serial Clock (<i>Input</i>) - Serial clock for the serial audio interface.
LRCK	5	Left Right Clock (<i>Input</i>) - Determines which channel, Left or Right, is currently active on the serial audio data line.
MCLK	6	Master Clock (<i>Input</i>) - Clock source for the delta-sigma modulator and digital filters.
VD	7	Digital Power (<i>Input</i>) - Positive power for the digital section.
DGND	8	Digital Ground (<i>Input</i>) - Ground reference for the digital section.
RST	13	Reset (<i>Input</i>) - The device enters system reset when enabled.
VLC	14	Control Port Power (<i>Input</i>) - Positive power for Control Port I/O.
FILT+	15	Positive Voltage Reference (<i>Output</i>) - Positive reference voltage for the internal sampling circuits.
REF_GND	16	Reference Ground (<i>Input</i>) - Ground reference for the internal sampling circuits.
VREF	17	Voltage Reference (<i>Input</i>) - Positive voltage reference for the internal sampling circuits.
BMUTE	18	Mute Control (<i>Output</i>) - The Mute Control pin is active during power-up initialization, muting, power-down or if the master clock to left/right clock frequency ratio is incorrect. During reset these outputs are set to a high impedance.
AMUTE	25	
AOUTB+	20	Differential Right Channel Analog Output (<i>Output</i>) - The full scale differential analog output level is specified in the Analog Characteristics specification table.
AOUTB-	19	
AGND	21	Analog Ground (<i>Input</i>) - Ground reference for the analog section.
VA	22	Analog Power (<i>Input</i>) - Positive power for the analog section.
AOUTA+	23	Differential Left Channel Analog Output (<i>Output</i>) - The full scale differential analog output level is specified in the Analog Characteristics specification table.
AOUTA-	24	
VQ	26	Quiescent Voltage (<i>Output</i>) - Filter connection for internal quiescent voltage.
VLS	27	Serial Audio Interface Power (<i>Input</i>) - Positive power for serial audio interface I/O.
Stand Alone Mode Definitions		
M3	9	Mode Selection (<i>Input</i>) - Determines the operational mode of the device.
M2	10	
M1	11	
M0	12	
Control Port Mode Definitions		
AD1/CDIN	9	Address Bit 1 (I²C) / Control Data Input (SPI) (<i>Input</i>) - AD1 is a chip address pin in I²C mode; CDIN is the input data line for the Control Port interface in SPI mode.
SCL/CCLK	10	Serial Control Port Clock (<i>Input</i>) - Serial clock for the serial Control Port.
SDA/CDOOUT	11	Serial Control Data (I²C) / Control Data Output (SPI) (<i>Input/Output</i>) - SDA is a data I/O line in I²C mode. CDOOUT is the output data line for the Control Port interface in SPI mode.
AD0/CS	12	Address Bit 0 (I²C) / Control Port Chip Select (SPI) (<i>Input</i>) - AD0 is a chip address pin in I²C mode; CS is the chip select signal for SPI format.

IC91 : ST202E (RS-232 I/O)

PIN N°	SYMBOL	NAME AND FUNCTION
1	C ₁₊	Positive Terminal for the first Charge Pump Capacitor
2	V+	Doubled Voltage Terminal
3	C ₁₋	Negative Terminal for the first Charge Pump Capacitor
4	C ₂₊	Positive Terminal for the second Charge Pump Capacitor
5	C ₂₋	Negative Terminal for the second Charge Pump Capacitor
6	V-	Inverted Voltage Terminal
7	T ₂ OUT	Second Transmitter Output Voltage
8	R ₂ IN	Second Receiver Input Voltage
9	R ₂ OUT	Second Receiver Output Voltage
10	T ₂ IN	Second Transmitter Input Voltage
11	T ₁ IN	First Transmitter Input Voltage
12	R ₁ OUT	First Receiver Output Voltage
13	R ₁ IN	First Receiver Input Voltage
14	T ₁ OUT	First Transmitter Output Voltage
15	GND	Ground
16	V _{CC}	Supply Voltage



IC93 : BU2098F (I²C CONT.)



Pin No.	Pin name	Type	Function
1~3	A0~A2	I	Address input (pull-up)
4~7 9~12	Q0~Q7	O	Open Drain output
8	V _{SS}		GND
13	NC		Not connected
14	SCL	I	Serial clock input
15	SDA	I / O	Serial data input/output
16	V _{DD}		Power supply

Sil 9190 Features

PanelLink Cinema™ Transmitter

Industry-Standard Compliance

- HDMI 1.0
- DVI 1.0
- EIA/CEA-861B
- HDCP 1.1

Digital Video Input

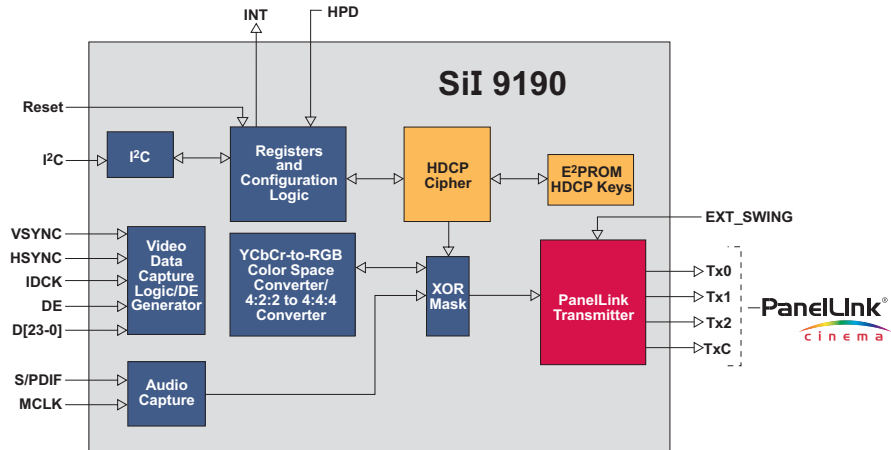
- Integrated PanelLink® core supports all DTV resolutions (480i/576i/480p/576p/720p/1080i)
- Flexible video interface supports DVD and HD MPEG decoders
 - 12/24-bit RGB 4:4:4
 - 12/24-bit YCbCr 4:4:4
 - 16/20/24-bit YCbCr 4:2:2
 - 8/10/12-bit YCbCr 4:2:2 (ITU.601 and 656)
- Integrated YCbCr-to-RGB color space conversion
- 4:2:2 to 4:4:4 up-converter
- Programmable Data Enable (DE) generator

Digital Audio Input

- Industry-standard S/PDIF input
- Supports IEC60958 2-channel PCM (48kHz)
- Capable of carrying IEC61937 compressed audio (Dolby Digital, DTS, etc.)

Power Management

- 3.3V core provides low-power operation
- Flexible power-down modes
- Standby mode consumes less than 10mW



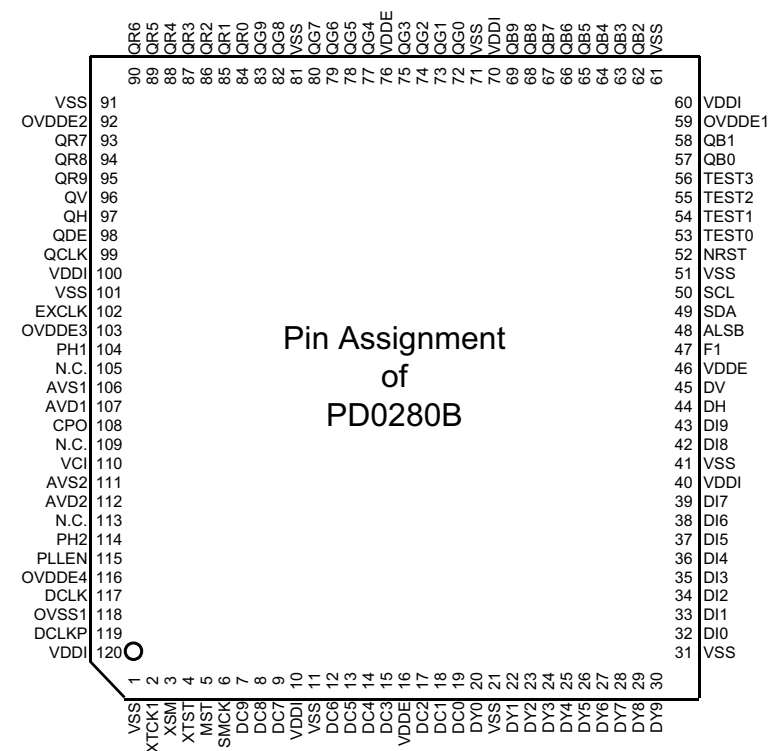
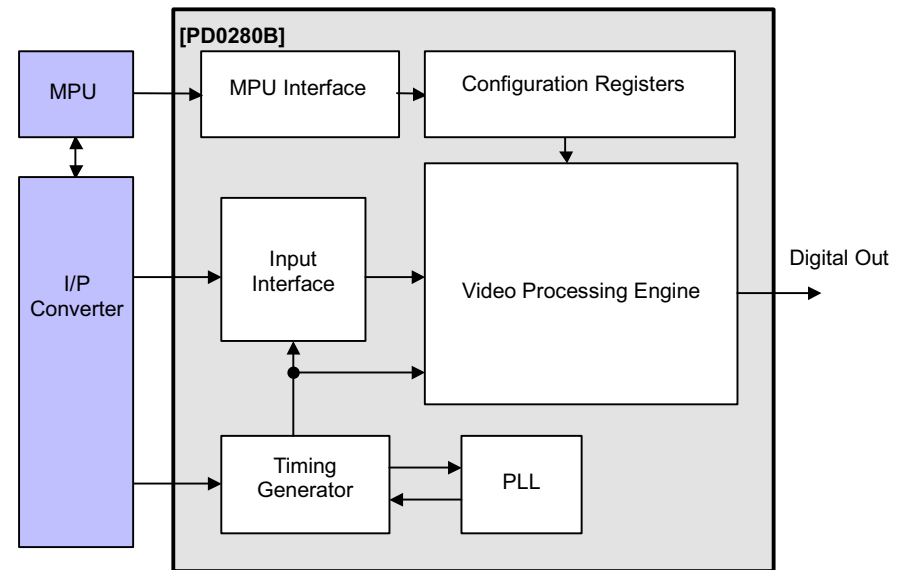
Content Protection

- Integrated High-bandwidth Digital Content Protection (HDCP) cipher engine
- Pre-programmed HDCP keys
 - Simplify manufacturing process
 - Most secure solution available
 - Lower system, manufacturing costs
- Encrypts both video and audio

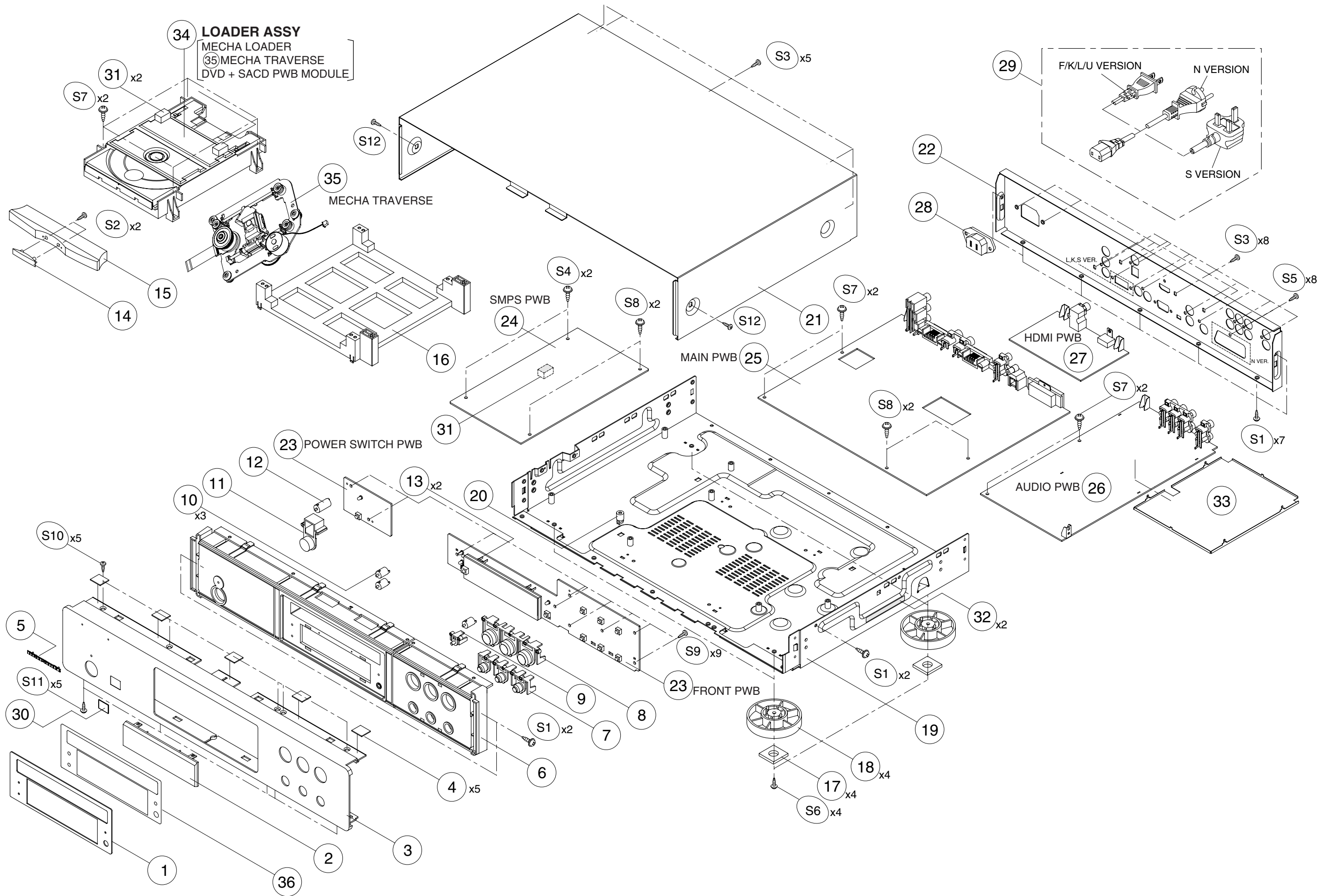
System Operation

- Register-programmable via slave I²C interface
- Flexible interrupt registers with interrupt pin
- Monitor detection supported through hot plug and receiver detection

QW01 : PD0280B (SCALER)



15. EXPLODED VIEW AND PARTS LIST



P.C.B. NAME	POS. NO.	VERS. COLOR	PART NO. (FOR EUR)	PART NO. (MJI)	PART NAME	DESCRIPTION	
	1	F N	nsp	00M25BW063130	ESCUTCHEON	WINDOW, SHEET	CGX2A363ZC24
	1	/K1G	nsp	00M25BW063130	ESCUTCHEON	WINDOW, SHEET	CGX2A363ZC24
	1	/L1G	nsp	00M25BW063130	ESCUTCHEON	WINDOW, SHEET	CGX2A363ZC24
	1	/N1B	00M25BW063030	00M25BW063030	ESCUTCHEON	WINDOW, SHEET	CGX2A363ZC23
	1	/N1S	00M25BW063230	00M25BW063230	ESCUTCHEON	WINDOW, SHEET	CGX2A363ZC40
	1	/S1G	nsp	00M25BW063130	ESCUTCHEON	WINDOW, SHEET	CGX2A363ZC24
	1	/U1B	nsp	00M25BW063030	ESCUTCHEON	WINDOW, SHEET	CGX2A363ZC23
	2		00M25BW158010	00M25BW158010	WINDOW	WINDOW, FIP	CGU1A367
	3	F N	nsp	00M25BW248110	PANEL	PANEL, FRONT(AL)	CKM1A161ZC24
	3	/K1G	nsp	00M25BW248110	PANEL	PANEL, FRONT(AL)	CKM1A161ZC24
	3	/L1G	nsp	00M25BW248110	PANEL	PANEL, FRONT(AL)	CKM1A161ZC24
	3	/N1B	00M25BW248010	00M25BW248010	PANEL	PANEL, FRONT(AL)	CKM1A161ZC23
	3	/N1S	00M25BW248210	00M25BW248210	PANEL	PANEL, FRONT(AL)	CKM1A161ZC40
	3	/S1G	nsp	00M25BW248110	PANEL	PANEL, FRONT(AL)	CKM1A161ZC24
	3	/U1B	nsp	00M25BW248010	PANEL	PANEL, FRONT(AL)	CKM1A161ZC23
	4		00M25BW056010	00M25BW056010	BUFFER	RUBBER	CHG1A316
	5	F N	nsp	00M24AW251010	BADGE	BADGE, MARANTZ	CGB1A117
	5	/K1G	nsp	00M24AW251010	BADGE	BADGE, MARANTZ	CGB1A117
	5	/L1G	nsp	00M24AW251010	BADGE	BADGE, MARANTZ	CGB1A117
	5	/N1B	00M24AW251010	00M24AW251010	BADGE	BADGE, MARANTZ	CGB1A117
	5	/N1S	00M24AW251020	00M24AW251020	BADGE	BADGE, MARANTZ	CGB1A117G
	5	/S1G	nsp	00M24AW251010	BADGE	BADGE, MARANTZ	CGB1A117
	5	/U1B	nsp	00M24AW251010	BADGE	BADGE, MARANTZ	CGB1A117
	6	F N	nsp	00M25BW105110	CHASSIS	PANEL, SUB	CGW1A397RFD4
	6	/K1G	nsp	00M25BW105110	CHASSIS	PANEL, SUB	CGW1A397RFD4
	6	/L1G	nsp	00M25BW105110	CHASSIS	PANEL, SUB	CGW1A397RFD4
	6	/N1B	00M25BW105010	00M25BW105010	CHASSIS	PANEL, SUB	CGW1A397R4K92
	6	/N1S	00M25BW105210	00M25BW105210	CHASSIS	PANEL, SUB	CGW1A397R6G13
	6	/S1G	nsp	00M25BW105110	CHASSIS	PANEL, SUB	CGW1A397RFD4
	6	/U1B	nsp	00M25BW105010	CHASSIS	PANEL, SUB	CGW1A397R4K92
	7	F N	nsp	00M25BW270550	BUTTON	OPEN KNOB ASS'Y	HBT1A968ZA
	7	/K1G	nsp	00M25BW270550	BUTTON	OPEN KNOB ASS'Y	HBT1A968ZA
	7	/L1G	nsp	00M25BW270550	BUTTON	OPEN KNOB ASS'Y	HBT1A968ZA
	7	/N1B	00M25BW270540	00M25BW270540	BUTTON	OPEN KNOB ASS'Y	HBT1A968YA
	7	/N1S	00M25BW270560	00M25BW270560	BUTTON	OPEN KNOB ASS'Y	HBT1A968XA
	7	/S1G	nsp	00M25BW270550	BUTTON	OPEN KNOB ASS'Y	HBT1A968ZA
	7	/U1B	nsp	00M25BW270540	BUTTON	OPEN KNOB ASS'Y	HBT1A968YA
	8	F N	nsp	00M25BW270520	BUTTON	PLAY KNOB ASS'Y	HBT1A967ZA
	8	/K1G	nsp	00M25BW270520	BUTTON	PLAY KNOB ASS'Y	HBT1A967ZA
	8	/L1G	nsp	00M25BW270520	BUTTON	PLAY KNOB ASS'Y	HBT1A967ZA
	8	/N1B	00M25BW270510	00M25BW270510	BUTTON	PLAY KNOB ASS'Y	HBT1A967YA
	8	/N1S	00M25BW270530	00M25BW270530	BUTTON	PLAY KNOB ASS'Y	HBT1A967XA
	8	/S1G	nsp	00M25BW270520	BUTTON	PLAY KNOB ASS'Y	HBT1A967ZA
	8	/U1B	nsp	00M25BW270510	BUTTON	PLAY KNOB ASS'Y	HBT1A967YA
	9	F N	nsp	00M25BW270130	BUTTON	KNOB, FL	CBT1A969RFD4
	9	/K1G	nsp	00M25BW270130	BUTTON	KNOB, FL	CBT1A969RFD4
	9	/L1G	nsp	00M25BW270130	BUTTON	KNOB, FL	CBT1A969RFD4
	9	/N1B	00M25BW270030	00M25BW270030	BUTTON	KNOB, FL	CBT1A969K92
	9	/N1S	00M25BW270230	00M25BW270230	BUTTON	KNOB, FL	CBT1A969R6G13
	9	/S1G	nsp	00M25BW270130	BUTTON	KNOB, FL	CBT1A969RFD4
	9	/U1B	nsp	00M25BW270030	BUTTON	KNOB, FL	CBT1A969K92
	10		00M25BW355010	00M25BW355010	LENS	INDICATOR, FL	CGL1A234
	11	F N	nsp	00M25BW270140	BUTTON	KNOB, POWER	CBT1A658RFD4
	11	/K1G	nsp	00M25BW270140	BUTTON	KNOB, POWER	CBT1A658RFD4
	11	/L1G	nsp	00M25BW270140	BUTTON	KNOB, POWER	CBT1A658RFD4
	11	/N1B	00M25BW270040	00M25BW270040	BUTTON	KNOB, POWER	CBT1A658K92
	11	/N1S	00M25BW270240	00M25BW270240	BUTTON	KNOB, POWER	CBT1A658R6G13
	11	/S1G	nsp	00M25BW270140	BUTTON	KNOB, POWER	CBT1A658RFD4
	11	/U1B	nsp	00M25BW270040	BUTTON	KNOB, POWER	CBT1A658K92
	12		00M25BW355020	00M25BW355020	LENS	INDICATOR	CGL1A170
	13		nsp	nsp	BRACKET	BRACKET, FLT	CMD1A468
	14	F N	nsp	00M25BW063010	ESCUTCHEON	ORNAMENT, DOOR	CGR1A365MBC13
	14	/K1G	nsp	00M25BW063010	ESCUTCHEON	ORNAMENT, DOOR	CGR1A365MBC13
	14	/L1G	nsp	00M25BW063010	ESCUTCHEON	ORNAMENT, DOOR	CGR1A365MBC13
	14	/N1B	00M25BW063010	00M25BW063010	ESCUTCHEON	ORNAMENT, DOOR	CGR1A365MBC13
	14	/N1S	00M25BW063110	00M25BW063110	ESCUTCHEON	ORNAMENT, DOOR	CGR1A365MBC22
	14	/S1G	nsp	00M25BW063010	ESCUTCHEON	ORNAMENT, DOOR	CGR1A365MBC13

NOTE : *nsp* PART IS LISTED FOR REFERENCE ONLY, MARANTZ WILL NOT SUPPLY THESE PARTS.

P.C.B. NAME	POS. NO.	VERS. COLOR	PART NO. (FOR EUR)	PART NO. (MJI)	PART NAME	DESCRIPTION	
	14	/U1B	nsp	00M25BW063010	ESCUTCHEON	ORNAMENT, DOOR	CGR1A365MBC13
	15	/F N	nsp	00M25BW063120	ESCUTCHEON	DOOR, DVD	CGR1A366RFD4
	15	/K1G	nsp	00M25BW063120	ESCUTCHEON	DOOR, DVD	CGR1A366RFD4
	15	/L1G	nsp	00M25BW063120	ESCUTCHEON	DOOR, DVD	CGR1A366RFD4
	15	/N1B	00M25BW063020	00M25BW063020	ESCUTCHEON	DOOR, DVD	CGR1A366K92
	15	/N1S	00M25BW063220	00M25BW063220	ESCUTCHEON	DOOR, DVD	CGR1A366R6G13
	15	/S1G	nsp	00M25BW063120	ESCUTCHEON	DOOR, DVD	CGR1A366RFD4
	15	/U1B	nsp	00M25BW063020	ESCUTCHEON	DOOR, DVD	CGR1A366K92
	16		nsp	nsp	BRACKET	SUPPORT, MECHA	CMH1A243
	17		00M11BW056010	00M11BW056010	BUFFER	RUBBER, CUSHION	KHG1A050
	18	/F N	nsp	00M243W057010	LEG	FOOT, FRONT	CKL2A042H11
	18	/K1G	nsp	00M243W057010	LEG	FOOT, FRONT	CKL2A042H11
	18	/L1G	nsp	00M243W057010	LEG	FOOT, FRONT	CKL2A042H11
	18	/N1B	00M243W057010	00M243W057010	LEG	FOOT, FRONT	CKL2A042H11
	18	/N1S	00M243W057210	00M243W057210	LEG	FOOT, FRONT	CKL2A042H46
	18	/S1G	nsp	00M243W057010	LEG	FOOT, FRONT	CKL2A042H11
	18	/U1B	nsp	00M243W057010	LEG	FOOT, FRONT	CKL2A042H11
	19		nsp	nsp	CHASSIS	CHASSIS, BOTTOM	CUA3A254
	20		nsp	nsp	SUPPORT	MOUNT, PWB	CHE1A023
	22	/F N	nsp	nsp	PANEL	PANEL, REAR	CKF6A295Y
	22	/K1G	nsp	nsp	PANEL	PANEL, REAR	CKF6A295Z
	22	/L1G	nsp	nsp	PANEL	PANEL, REAR	CKF6A295W
	22	/N1B	nsp	nsp	PANEL	PANEL, REAR	CKF4A295Z
	22	/N1S	nsp	nsp	PANEL	PANEL, REAR	CKF4A295Z
	22	/S1G	nsp	nsp	PANEL	PANEL, REAR	CKF6A295X
	22	/U1B	nsp	nsp	PANEL	PANEL, REAR	CKF5A295Z
	23		nsp	nsp	PWB ASSY	FRONT/POWER SW PWB	COP11778B
	24		nsp	nsp	PWB ASSY	SMPS PWB	COP11780B
	25	/F N	nsp	nsp	PWB ASSY	MAIN PWB	COP11777D
	25	/K1G	nsp	nsp	PWB ASSY	MAIN PWB	COP11777D
	25	/L1G	nsp	nsp	PWB ASSY	MAIN PWB	COP11777E
	25	/N1B	nsp	nsp	PWB ASSY	MAIN PWB	COP11777B
	25	/N1S	nsp	nsp	PWB ASSY	MAIN PWB	COP11777B
	25	/S1G	nsp	nsp	PWB ASSY	MAIN PWB	COP11777D
	25	/U1B	nsp	nsp	PWB ASSY	MAIN PWB	COP11777C
	26		nsp	nsp	PWB ASSY	AUDIO PWB	COP11778B
	27		nsp	nsp	PWB ASSY	HDMI PWB	COP11779B
	▲ 28		90M-YJ002690R	90M-YJ002690R	TERMINAL	! R-301(187-2P) 10A/250V/EUR	HJJ8A001Z
	30	/F N	nsp	00M25BW251010	BADGE	BADGE, SUPER AUDIO	KGB1A149Z
	30	/K1G	nsp	00M25BW251010	BADGE	BADGE, SUPER AUDIO	KGB1A149Z
	30	/L1G	nsp	00M25BW251010	BADGE	BADGE, SUPER AUDIO	KGB1A149Z
	30	/N1B	00M25BW251010	00M25BW251010	BADGE	BADGE, SUPER AUDIO	KGB1A149Z
	30	/N1S	00M25BW251020	00M25BW251020	BADGE	BADGE, SUPER AUDIO	KGB1A149Y
	30	/S1G	nsp	00M25BW251010	BADGE	BADGE, SUPER AUDIO	KGB1A149Z
	30	/U1B	nsp	00M25BW251010	BADGE	BADGE, SUPER AUDIO	KGB1A149Z
	31		nsp	nsp	BUFFER	CUSHION, SUPPORT	KHG1A212
	32		nsp	nsp	BUFFER	TAPE, HEMELON	KHS1A032
	33		nsp	nsp	SHIELD	PLATE, SHIELD	CMD1A560
	34	/F N	nsp	00M25BW304510	MECHANISM	MECHA LOADER/TRVERSE/PWB DVD+SACD (16M,CCIR656) FOR /F	HJDRL-S880M (DV7600/F N)
	34	/K1G	nsp	00M25BW304530	MECHANISM	MECHA LOADER/TRVERSE/PWB DVD+SACD (16M,CCIR656) FOR /K	HJDRL-S880M (DV7600/K1G)
	34	/L1G	nsp	00M25BW304540	MECHANISM	MECHA LOADER/TRVERSE/PWB DVD+SACD (16M,CCIR656) FOR /L	HJDRL-S880M4 (DV7600/L1G)
	34	/N1B	00M25BW304520	00M25BW304520	MECHANISM	MECHA LOADER/TRVERSE/PWB DVD+SACD (16M,CCIR656) FOR /N	HJDRL-S880M (DV7600/N1B/N1S)
	34	/N1S	00M25BW304520	00M25BW304520	MECHANISM	MECHA LOADER/TRVERSE/PWB DVD+SACD (16M,CCIR656) FOR /N	HJDRL-S880M (DV7600/N1B/N1S)
	34	/S1G	nsp	00M25BW304550	MECHANISM	MECHA LOADER/TRVERSE/PWB DVD+SACD (16M,CCIR656) FOR /S	HJDRL-S880M (DV7600/S1G)
	34	/U1B	nsp	00M25BW304560	MECHANISM	MECHA LOADER/TRVERSE/PWB DVD+SACD (16M,CCIR656) FOR /U	HJDRL-S880M4 (DV7600/U1B)
	35		00D9430073705	00D9430073705	MECHANISM	MECHA TRAVERSE AY FEEDING	MAY010042000
	36		00M25BW122010	00M25BW122010	STICKER	TAPE, WINDOW	CHP1A063
	37		nsp	nsp	BUFFER	SMPS, CUSHION	KHG1A321
	38		nsp	nsp	PLATE	PLATE, PWB EARTH	CMC1A272
	39		nsp	nsp	PLATE	PLATE, WINDOW EARTH	CMC1A273

NOTE : *nsp* PART IS LISTED FOR REFERENCE ONLY, MARANTZ WILL NOT SUPPLY THESE PARTS.

P.C.B. NAME	POS. NO.	VERS. COLOR	PART NO. (FOR EUR)	PART NO. (MJI)	PART NAME	DESCRIPTION	
	40	/L1G	nsp	nsp	SHIELD	PLATE, SHIELD	CMC1A277
	40	/U1B	nsp	nsp	SHIELD	PLATE, SHIELD	CMC1A277
	▲ F901		90M-FS001240R	90M-FS001240R	FUSE	250V T2.0AL	KBA2C2000TLEY
			90M-FC500030R	90M-FC500030R	FERRITE CORE	29X7.7X19	CLZ9W003Z
		/F N	nsp	90M-FC500070R	FERRITE CORE		KLZ9Z061Z
		/K1G	nsp	90M-FC500070R	FERRITE CORE		KLZ9Z061Z
		/N1B	90M-FC500070R	90M-FC500070R	FERRITE CORE		KLZ9Z061Z
		/N1S	90M-FC500070R	90M-FC500070R	FERRITE CORE		KLZ9Z061Z
		/S1G	nsp	90M-FC500070R	FERRITE CORE		KLZ9Z061Z
	BN11		nsp	nsp	CORD	WIRE ASS'Y	CWZDV7500BN11
	BN15		nsp	nsp	CORD	WIRE ASS'Y	CWZDV7500BN15
			nsp	nsp	CORD	WIRE ASS'Y	CWB1C906350EE
			nsp	nsp	CORD	WIRE ASS'Y	CWZDV7500BN91
			nsp	90M-YU001960R	FPC	15P/80MM (A TYPE)	CWC1B2A15A080A
			nsp	90M-YU001950R	FPC	1MM PITCH, 150MM	CWC1B2A17A150B
			nsp	90M-YU001970R	FPC	27P/100MM (A TYPE)	CWC1B2A27A100A
			nsp	90M-YU001940R	FPC	100MM	CWC3G2A40G100A
PACKING							
		/F N	nsp	00M25BW851110	USER GUIDE	MANUAL, INSTRUCTION	CQX1A980Z
		/K1G	nsp	00M25BW851350	USER GUIDE	MANUAL, INSTRUCTION	CQX1A978Z
		/L1G	nsp	00M25BW851350	USER GUIDE	MANUAL, INSTRUCTION	CQX1A978Z
		/N1B	00M25BW851310	00M25BW851310	USER GUIDE	MANUAL, INSTRUCTION, 8 LANG.	CQX1A976Z
		/N1S	00M25BW851310	00M25BW851310	USER GUIDE	MANUAL, INSTRUCTION, 8 LANG.	CQX1A976Z
		/S1G	nsp	00M25BW851350	USER GUIDE	MANUAL, INSTRUCTION	CQX1A978Z
		/U1B	nsp	00M25BW851250	USER GUIDE	MANUAL, INSTRUCTION, 4 LANG.	CQX1A977Z
			90M-ZK000480R	90M-ZK000480R	UNIT KIT	REMOTE CONTROLLER RC7600DV	HARTDV7600
	▲ 29	/F N	nsp	90M-ZC000350R	MAINS CORD	CORD, POWER 12A/125V	CJA2J076Z
	▲ 29	/K1G	nsp	90M-ZC000330R	MAINS CORD	CORD, POWER 10A/125V	CJA2N075Z
	▲ 29	/L1G	nsp	90M-ZC000370R	MAINS CORD	CORD, POWER 10A/125V	CJA2L080Z
	▲ 29	/N1B	90M-ZC000320R	90M-ZC000320R	MAINS CORD	! 2WIRE 10A/250V	CJA2B054Z
	▲ 29	/N1S	90M-ZC000320R	90M-ZC000320R	MAINS CORD	! 2WIRE 10A/250V	CJA2B054Z
	▲ 29	/S1G	nsp	90M-ZC000320R	MAINS CORD	! 2WIRE 10A/250V	CJA2B054Z
	▲ 29	/U1B	nsp	90M-ZC000310R	MAINS CORD	! 032508/12	CJA2A070Z
NOT STANDARD SPARE PART							
		/F N	nsp	00M25BW801010	PACKING CASE	BOX, OUT CARTON	CPG1A781Z
		/K1G	nsp	00M25BW801020	PACKING CASE	BOX, OUT CARTON	CPG1A781Y
		/L1G	nsp	00M25BW801020	PACKING CASE	BOX, OUT CARTON	CPG1A781Y
		/N1B	nsp	00M25BW801010	PACKING CASE	BOX, OUT CARTON	CPG1A781Z
		/N1S	nsp	00M25BW801010	PACKING CASE	BOX, OUT CARTON	CPG1A781Z
		/S1G	nsp	00M25BW801020	PACKING CASE	BOX, OUT CARTON	CPG1A781Y
		/U1B	nsp	00M25BW801010	PACKING CASE	BOX, OUT CARTON	CPG1A781Z
			nsp	00M25BW809010	CUSHION	PAD, SNOW(L)	CPS1A695
			nsp	00M25BW809020	CUSHION	PAD, SNOW(R)	CPS1A696
	21	/F N	nsp	00M25BW257110	LID	CABINET, TOP	CKC2A086K118
	21	/K1G	nsp	00M25BW257110	LID	CABINET, TOP	CKC2A086K118
	21	/L1G	nsp	00M25BW257110	LID	CABINET, TOP	CKC2A086K118
	21	/N1B	nsp	00M25BW257010	LID	CABINET, TOP	CKC2A086K117
	21	/N1S	nsp	00M25BW257210	LID	CABINET, TOP	CKC2A086G14
	21	/S1G	nsp	00M25BW257110	LID	CABINET, TOP	CKC2A086K118
	21	/U1B	nsp	00M25BW257010	LID	CABINET, TOP	CKC2A086K117
			nsp	90M-ZD000440R	CONN. CORD	CORD, PIN	CJS4M009X
			nsp	90M-ZD000460R	CONN. CORD	CINCH CABLE 1M (YELLOW)	CJS4M033Z
			nsp	90M-ZD000450R	CONN. CORD	CINCH CORD 1M GOLD (W/R)	CJS4N016Z

NOTE : *nsp* PART IS LISTED FOR REFERENCE ONLY, MARANTZ WILL NOT SUPPLY THESE PARTS.

16. ELECTRICAL PARTS LIST

PARTS INFORMATION

RESISTORS

- 1) 00MGD05 × × × 140, Carbon film fixed resistor, ±5% 1/4W
 2) 00MGD05 × × × 160, Carbon film fixed resistor, ±5% 1/6W

① — Resistance value

Examples ;

① Resistance value
 0.1 Ω 001 10 Ω 100 1 kΩ 102 100 kΩ 104
 0.5 Ω 005 18 Ω 180 2.7 kΩ 272 680 kΩ 684
 1 Ω 010 100 Ω 101 10 kΩ 103 1 MΩ 105
 6.8 Ω 068 390 Ω 391 22 kΩ 223 4.7 MΩ 475

Note : Please distinguish 1/4W from 1/6W by the shape of parts used actually.

CAPACITORS

CERAMIC CAP.

- 3) 00MDD1 × × × × 370 Ceramic capacitor
 Disc type
 Temp.coef.P350 ~N1000, 50V
- ② — Capacity value
 ③ — Tolerance

Examples ;

② Tolerance (Capacity deviation)
 ±0.25 pF 0
 ±0.5 pF 1
 ±5% 5

* Tolerance of COMMON PARTS handled here are as follows :

0.5 pF ~ 5 pF ±0.25 pF
 6 pF ~ 10 pF ±0.5 pF
 12 pF ~ 560 pF ±5%

③ Capacity value

0.5 pF 005 3 pF 030 100 pF 101
 1 pF 010 10 pF 100 220 pF 221
 1.5 pF 015 47 pF 470 560 pF 561

CERAMIC CAP.

- 4) 00MDK16 × × × 300, High dielectric constant ceramic capacitor
 Disc type
 Temp.chara. 2B4, 50V
- ④ — Capacity value

Examples ;

④ Capacity value
 100 pF 101 1000 pF 102 10000 pF 103
 470 pF 471 2200 pF 222

ELECTROLY CAP. (⏏)

- 5) 00MEA × × × × × 10, Electrolytic capacitor
 One-way lead type, Tolerance ±20%
- ⑤ — Working voltage
 ⑥ — Capacity value

Examples ;

⑤ Capacity value
 0.1 μF 104 4.7 μF 475 100 μF 107
 0.33 μF 334 10 μF 106 330 μF 337
 1 μF 105 22 μF 226 1100 μF 118
 2200 μF 228

⑥ Working voltage

6.3V 006 25V 025
 10V 010 35V 035
 16V 016 50V 050

FILM CAP. (⏏)

- 6) 00MDF15 × × × 350 Plastic film capacitor
 One-way type, Mylar ±5% 50V
 00MDF15 × × × 310 Plastic film capacitor
 One-way type, Mylar ±10% 50V
- ⑦ — Capacity value

Examples ;

⑦ Capacity value
 0.001 μF (1000 pF) 102 0.1 μF 104
 0.0018 μF 182 0.56 μF 564
 0.01 μF 103 1 μF 105
 0.015 μF 153

NOTE ON SAFETY FOR FUSIBLE RESISTOR :

The suppliers and their type numbers of fusible resistors are as follows;

1. KOA Corporation

Part No. (MJI)	Type No. (KOA)	Description
00MNH05 × × × 140	RF25S × × × × ΩJ	(±5% 1/4W)
00MNH05 × × × 120	RF50S × × × × ΩJ	(±5% 1/2W)
00MNH85 × × × 110	RF73B2A × × × × ΩJ	(±5% 1/10W)
00MNH95 × × × 140	RF73B2E × × × × ΩJ	(±5% 1/4W)

* Resistance value Resistance value (0.1 Ω – 10 kΩ)

2. Matsushita Electronic Components Co., Ltd

Part No. (MJI)	Type No. (MEC)	Description
00MNF05 × × × 140	ERD-2FCJ × × ×	(±5% 1/4W)
00MRF05 × × × 140		
00MNF02 × × × 140	ERD-2FCG × × ×	(±2% 1/4W)
00MRF02 × × × 140		

* Resistance value * Resistance value

Examples ;

* Resistance value
 0.1 Ω 001 10 Ω 100 1 kΩ 102 100 kΩ 104
 0.5 Ω 005 18 Ω 180 2.7 kΩ 272 680 kΩ 684
 1 Ω 010 100 Ω 101 10 kΩ 103 1 MΩ 105
 6.8 Ω 068 390 Ω 391 22 kΩ 223 4.7 MΩ 475

ABBREVIATION AND MARKS

ANT. : ANTENNA	BATT. : BATTERY
CAP. : CAPACITOR	CER. : CERAMIC
CONN. : CONNECTING	DIG. : DIGITAL
HP : HEADPHONE	MIC. : MICROPHONE
μ-PRO : MICROPROCESSOR	REC. : RECORDING
RES. : RESISTOR	SPK : SPEAKER
SW : SWITCH	TRANSF. : TRANSFORMER
TRIM. : TRIMMING	TRS. : TRANSISTOR
VAR. : VARIABLE	X'TAL : CRYSTAL

NOTE ON FUSE :

Regarding to all parts of parts code 00MFS20xxx2xx, replace only with Wickmann-Werke GmbH, Type 372 non glass type fuse.

NOTE ON SAFETY :

Symbol \blacktriangle Fire or electrical shock hazard. Only original parts should be used to replaced any part marked with symbol \blacktriangle . Any other component substitution (other than original type), may increase risk of fire or electrical shock hazard.

安全上の注意 :

\blacktriangle がついている部品は、安全上重要な部品です。必ず指定されている部品番号の部品を使用して下さい。

P.C.B. NAME	POS. NO.	VERS. COLOR	PART NO. (FOR EUR)	PART NO. (MJ)	PART NAME	DESCRIPTION	
AUDIO PWB (CUP11778Z-1)							
AUDIO	C101		nsp	00MDD95330300	CER. CAP.	33PF 50V JA 1608SIZE	HCUS1H330JA
AUDIO	C102		nsp	00MDD95330300	CER. CAP.	33PF 50V JA 1608SIZE	HCUS1H330JA
AUDIO	C105		nsp	00MDK96104300	CER. CAP.	0.1UF	HCUS1H104ZF
AUDIO	C106		nsp	00MDK96104300	CER. CAP.	0.1UF	HCUS1H104ZF
AUDIO	C107		nsp	00MDK96104300	CER. CAP.	0.1UF	HCUS1H104ZF
AUDIO	C165		nsp	00MOA22605020	ELECT. CAP.	22 UF M 50V RA-2	CCEA1HH220T
AUDIO	C166		nsp	00MDK96104300	CER. CAP.	0.1UF	HCUS1H104ZF
AUDIO	C167		nsp	00MOA22505020	ELECT. CAP.	2.2UF/50V	CCEA1HH2R2T
AUDIO	C168		nsp	00MDD95680300	CER. CAP.	68PF 50V JA 1608SIZE	HCUS1H680JA
AUDIO	C169		nsp	00MDK96122300	CER. CAP.	1200PF 50V KC 1608SIZE	HCUS1H122KC
AUDIO	C170		nsp	00MDK96103300	CER. CAP.	0.01UF 50V KC 1608SIZE	HCUS1H103KC
AUDIO	C171		nsp	00MDK96105200	CER. CAP.	1UF	HCUS1C105ZF
AUDIO	C172		nsp	00MOA22605020	ELECT. CAP.	22 UF M 50V RA-2	CCEA1HH220T
AUDIO	C173		nsp	00MDK96104300	CER. CAP.	0.1UF	HCUS1H104ZF
AUDIO	C174		nsp	00MDK96104300	CER. CAP.	0.1UF	HCUS1H104ZF
AUDIO	C175		nsp	00MOA22605020	ELECT. CAP.	22 UF M 50V RA-2	CCEA1HH220T
AUDIO	C176		nsp	00MDK96103300	CER. CAP.	0.01UF 50V KC 1608SIZE	HCUS1H103KC
AUDIO	C177		nsp	00MDK96104300	CER. CAP.	0.1UF	HCUS1H104ZF
AUDIO	C178		nsp	00MDK96104300	CER. CAP.	0.1UF	HCUS1H104ZF
AUDIO	C179		nsp	00MOA22605020	ELECT. CAP.	22 UF M 50V RA-2	CCEA1HH220T
AUDIO	C180		nsp	00MDK96104300	CER. CAP.	0.1UF	HCUS1H104ZF
AUDIO	C181		nsp	00MOA22605020	ELECT. CAP.	22 UF M 50V RA-2	CCEA1HH220T
AUDIO	C182		nsp	00MDK96104300	CER. CAP.	0.1UF	HCUS1H104ZF
AUDIO	C183		nsp	00MDK96104300	CER. CAP.	0.1UF	HCUS1H104ZF
AUDIO	C184		nsp	00MDK96104300	CER. CAP.	0.1UF	HCUS1H104ZF
AUDIO	C185		nsp	00MOA22605020	ELECT. CAP.	22 UF M 50V RA-2	CCEA1HH220T
AUDIO	C186		nsp	00MDK96104300	CER. CAP.	0.1UF	HCUS1H104ZF
AUDIO	C187		nsp	00MOA22605020	ELECT. CAP.	22 UF M 50V RA-2	CCEA1HH220T
AUDIO	C188		nsp	00MDK96104300	CER. CAP.	0.1UF	HCUS1H104ZF
AUDIO	C189		nsp	00MDK96104300	CER. CAP.	0.1UF	HCUS1H104ZF
AUDIO	C200		nsp	00MDK96103300	CER. CAP.	0.01UF 50V KC 1608SIZE	HCUS1H103KC
AUDIO	C201		nsp	00MDK96103300	CER. CAP.	0.01UF 50V KC 1608SIZE	HCUS1H103KC
AUDIO	C202		nsp	00MDK96103300	CER. CAP.	0.01UF 50V KC 1608SIZE	HCUS1H103KC
AUDIO	C605		nsp	00MOA10701620	ELECT. CAP.	100UF 16V ZF	CCEA1CH101T
AUDIO	C606		nsp	00MDK96104300	CER. CAP.	0.1UF	HCUS1H104ZF
AUDIO	C607		nsp	00MDK96104300	CER. CAP.	0.1UF	HCUS1H104ZF
AUDIO	C608		nsp	00MOA10701620	ELECT. CAP.	100UF 16V ZF	CCEA1CH101T
AUDIO	C609		nsp	00MOA10701620	ELECT. CAP.	100UF 16V ZF	CCEA1CH101T
AUDIO	C610		nsp	00MDK96104300	CER. CAP.	0.1UF	HCUS1H104ZF
AUDIO	C611		nsp	00MDK96104300	CER. CAP.	0.1UF	HCUS1H104ZF
AUDIO	C612		nsp	00MOA10701620	ELECT. CAP.	100UF 16V ZF	CCEA1CH101T
AUDIO	C644		nsp	nsp	FILM CAP.	POLYPROPYLENE FILM (APS)	HCMP2A221JT
AUDIO	C645		nsp	nsp	FILM CAP.	POLYPROPYLENE FILM (APS)	HCMP2A101JT
AUDIO	C701		nsp	90M-OA000250R	ELECT. CAP.	220UF/16V(AHS CAP)	HCEA1CAHS221T
AUDIO	C702		nsp	00MDK96104300	CER. CAP.	0.1UF	HCUS1H104ZF
AUDIO	C703		nsp	90M-OA000120R	ELECT. CAP.	100UF/50V	HCEA1HAHS101T
AUDIO	C704		nsp	90M-DK900050R	CER. CAP.	1UF	HCUS1E105ZF
AUDIO	C705		nsp	90M-OA000260R	ELECT. CAP.	3.3UF/50V(AHS CAP)	HCEA1HAHS3R3T
AUDIO	C706		nsp	90M-OA000330R	ELECT. CAP.	33UF 50V	CCEA1HH330T
AUDIO	C707		nsp	90M-OA000330R	ELECT. CAP.	33UF 50V	CCEA1HH330T
AUDIO	C708		nsp	00MDK96104300	CER. CAP.	0.1UF	HCUS1H104ZF
AUDIO	C709		nsp	00MDK96104300	CER. CAP.	0.1UF	HCUS1H104ZF
AUDIO	C710		nsp	nsp	FILM CAP.	POLYPROPYLENE FILM (APS)	HCMP2A101JT
AUDIO	C711		nsp	nsp	FILM CAP.	POLYPROPYLENE FILM (APS)	HCMP2A102JT
AUDIO	C712		nsp	nsp	FILM CAP.	POLYPROPYLENE FILM (APS)	HCMP2A102JT
AUDIO	C713		nsp	nsp	FILM CAP.	POLYPROPYLENE FILM (APS)	HCMP2A221JT
AUDIO	C714		nsp	00MDD95330300	CER. CAP.	33PF 50V JA 1608SIZE	HCUS1H330JA
AUDIO	C715		nsp	90M-OA000250R	ELECT. CAP.	220UF/16V(AHS CAP)	HCEA1CAHS221T
AUDIO	C716		nsp	90M-OA000250R	ELECT. CAP.	220UF/16V(AHS CAP)	HCEA1CAHS221T
AUDIO	C719		nsp	nsp	FILM CAP.	POLYPROPYLENE FILM (APS)	HCMP2A101JT
AUDIO	C720		nsp	nsp	FILM CAP.	POLYPROPYLENE FILM (APS)	HCMP2A102JT
AUDIO	C721		nsp	nsp	FILM CAP.	POLYPROPYLENE FILM (APS)	HCMP2A102JT
AUDIO	C722		nsp	nsp	FILM CAP.	POLYPROPYLENE FILM (APS)	HCMP2A221JT
AUDIO	C723		nsp	nsp	FILM CAP.	POLYPROPYLENE FILM (APS)	HCMP2A221JT
AUDIO	C724		nsp	00MDD95330300	CER. CAP.	33PF 50V JA 1608SIZE	HCUS1H330JA
AUDIO	C725		nsp	90M-OA000250R	ELECT. CAP.	220UF/16V(AHS CAP)	HCEA1CAHS221T

NOTE : *nsp* PART IS LISTED FOR REFERENCE ONLY, MARANTZ WILL NOT SUPPLY THESE PARTS.

P.C.B. NAME	POS. NO.	VERS. COLOR	PART NO. (FOR EUR)	PART NO. (MJI)	PART NAME	DESCRIPTION	
AUDIO	C726		nsp	90M-OA000250R	ELECT. CAP.	220UF/16V(AHS CAP)	HCEA1CAHS221T
AUDIO	C730		nsp	90M-OA000250R	ELECT. CAP.	220UF/16V(AHS CAP)	HCEA1CAHS221T
AUDIO	C731		nsp	00MDK96104300	CER. CAP.	0.1UF	HCUS1H104ZF
AUDIO	C732		nsp	90M-OA000120R	ELECT. CAP.	100UF/50V	HCEA1HAHS101T
AUDIO	C733		nsp	90M-DK900050R	CER. CAP.	1UF	HCUS1E105ZF
AUDIO	C734		nsp	90M-OA000260R	ELECT. CAP.	3.3UF/50V(AHS CAP)	HCEA1HAHS3R3T
AUDIO	C735		nsp	90M-OA000330R	ELECT. CAP.	33UF 50V	CCEA1HH330T
AUDIO	C736		nsp	90M-OA000330R	ELECT. CAP.	33UF 50V	CCEA1HH330T
AUDIO	C737		nsp	00MDK96104300	CER. CAP.	0.1UF	HCUS1H104ZF
AUDIO	C738		nsp	00MDK96104300	CER. CAP.	0.1UF	HCUS1H104ZF
AUDIO	C739		nsp	nsp	FILM CAP.	POLYPROPYLENE FILM (APS)	HCMP2A102JT
AUDIO	C740		nsp	nsp	FILM CAP.	POLYPROPYLENE FILM (APS)	HCMP2A102JT
AUDIO	C741		nsp	nsp	FILM CAP.	POLYPROPYLENE FILM (APS)	HCMP2A221JT
AUDIO	C742		nsp	nsp	FILM CAP.	POLYPROPYLENE FILM (APS)	HCMP2A221JT
AUDIO	C743		nsp	00MDD95330300	CER. CAP.	33PF 50V JA 1608SIZE	HCUS1H330JA
AUDIO	C744		nsp	90M-OA000250R	ELECT. CAP.	220UF/16V(AHS CAP)	HCEA1CAHS221T
AUDIO	C745		nsp	90M-OA000250R	ELECT. CAP.	220UF/16V(AHS CAP)	HCEA1CAHS221T
AUDIO	C747		nsp	nsp	FILM CAP.	POLYPROPYLENE FILM (APS)	HCMP2A101JT
AUDIO	C748		nsp	nsp	FILM CAP.	POLYPROPYLENE FILM (APS)	HCMP2A102JT
AUDIO	C749		nsp	nsp	FILM CAP.	POLYPROPYLENE FILM (APS)	HCMP2A102JT
AUDIO	C750		nsp	nsp	FILM CAP.	POLYPROPYLENE FILM (APS)	HCMP2A221JT
AUDIO	C751		nsp	00MDD95330300	CER. CAP.	33PF 50V JA 1608SIZE	HCUS1H330JA
AUDIO	C752		nsp	90M-OA000250R	ELECT. CAP.	220UF/16V(AHS CAP)	HCEA1CAHS221T
AUDIO	C753		nsp	90M-OA000250R	ELECT. CAP.	220UF/16V(AHS CAP)	HCEA1CAHS221T
AUDIO	C755		nsp	90M-OA000250R	ELECT. CAP.	220UF/16V(AHS CAP)	HCEA1CAHS221T
AUDIO	C756		nsp	00MDK96104300	CER. CAP.	0.1UF	HCUS1H104ZF
AUDIO	C757		nsp	00MOA10701620	ELECT. CAP.	100UF 16V ZF	CCEA1CH101T
AUDIO	C758		nsp	90M-OA000120R	ELECT. CAP.	100UF/50V	HCEA1HAHS101T
AUDIO	C759		nsp	90M-DK900050R	CER. CAP.	1UF	HCUS1E105ZF
AUDIO	C760		nsp	90M-OA000260R	ELECT. CAP.	3.3UF/50V(AHS CAP)	HCEA1HAHS3R3T
AUDIO	C761		nsp	90M-OA000330R	ELECT. CAP.	33UF 50V	CCEA1HH330T
AUDIO	C762		nsp	90M-OA000330R	ELECT. CAP.	33UF 50V	CCEA1HH330T
AUDIO	C763		nsp	00MDK96104300	CER. CAP.	0.1UF	HCUS1H104ZF
AUDIO	C764		nsp	00MDK96104300	CER. CAP.	0.1UF	HCUS1H104ZF
AUDIO	C765		nsp	nsp	FILM CAP.	POLYPROPYLENE FILM (APS)	HCMP2A101JT
AUDIO	C766		nsp	nsp	FILM CAP.	POLYPROPYLENE FILM (APS)	HCMP2A102JT
AUDIO	C767		nsp	nsp	FILM CAP.	POLYPROPYLENE FILM (APS)	HCMP2A102JT
AUDIO	C768		nsp	nsp	FILM CAP.	POLYPROPYLENE FILM (APS)	HCMP2A221JT
AUDIO	C769		nsp	nsp	FILM CAP.	POLYPROPYLENE FILM (APS)	HCMP2A221JT
AUDIO	C770		nsp	00MDD95330300	CER. CAP.	33PF 50V JA 1608SIZE	HCUS1H330JA
AUDIO	C771		nsp	90M-OA000250R	ELECT. CAP.	220UF/16V(AHS CAP)	HCEA1CAHS221T
AUDIO	C772		nsp	90M-OA000250R	ELECT. CAP.	220UF/16V(AHS CAP)	HCEA1CAHS221T
AUDIO	C774		nsp	nsp	FILM CAP.	POLYPROPYLENE FILM (APS)	HCMP2A102JT
AUDIO	C776		nsp	nsp	FILM CAP.	POLYPROPYLENE FILM (APS)	HCMP2A102JT
AUDIO	C777		nsp	nsp	FILM CAP.	POLYPROPYLENE FILM (APS)	HCMP2A221JT
AUDIO	C778		nsp	00MDD95330300	CER. CAP.	33PF 50V JA 1608SIZE	HCUS1H330JA
AUDIO	C779		nsp	90M-OA000250R	ELECT. CAP.	220UF/16V(AHS CAP)	HCEA1CAHS221T
AUDIO	C780		nsp	90M-OA000250R	ELECT. CAP.	220UF/16V(AHS CAP)	HCEA1CAHS221T
AUDIO	C782		nsp	00MDK96104300	CER. CAP.	0.1UF	HCUS1H104ZF
AUDIO	C786		nsp	00MOA10701620	ELECT. CAP.	100UF 16V ZF	CCEA1CH101T
AUDIO	C787		nsp	00MDK96104300	CER. CAP.	0.1UF	HCUS1H104ZF
AUDIO	C788		nsp	00MDK96104300	CER. CAP.	0.1UF	HCUS1H104ZF
AUDIO	C792		nsp	nsp	FILM CAP.	POLYPROPYLENE FILM (APS)	HCMP2A221JT
AUDIO	C794		nsp	nsp	FILM CAP.	POLYPROPYLENE FILM (APS)	HCMP2A101JT
AUDIO	C795		nsp	nsp	FILM CAP.	POLYPROPYLENE FILM (APS)	HCMP2A221JT
AUDIO	C796		nsp	00MDK96104300	CER. CAP.	0.1UF	HCUS1H104ZF
AUDIO	CN11		nsp	nsp	JACK	20 DUAL WAFER	CJP20GA147ZW
AUDIO	CN43		nsp	nsp	JACK	WAFER	KJP03GA19ZM
AUDIO	CX21		nsp	nsp	JACK	WAFER , CARD CABLE	KJP27GA117ZG
AUDIO	CX92		nsp	nsp	JACK	WAFER, STRAIGHT, 6PIN	CJP06GA19ZY
AUDIO	D705		00MHZ20056210	00MHZ20056210	CHIP DIODE	DAN217 T146 (SMD3)	BVDDAN217
AUDIO	D706		00MHZ20002210	00MHZ20002210	CHIP DIODE	DAN202K	BVDDAN202K
AUDIO	D709		00MHZ20007210	00MHZ20007210	CHIP DIODE	IMN10 (SMD6 PACKAGE)	BVDIMN10
AUDIO	D710		00MHZ20056210	00MHZ20056210	CHIP DIODE	DAN217 T146 (SMD3)	BVDDAN217
AUDIO	D711		00MHZ20002210	00MHZ20002210	CHIP DIODE	DAN202K	BVDDAN202K
AUDIO	D712		00MHZ20002210	00MHZ20002210	CHIP DIODE	DAN202K	BVDDAN202K
AUDIO	D713		00MHZ20007210	00MHZ20007210	CHIP DIODE	IMN10 (SMD6 PACKAGE)	BVDIMN10

NOTE : *nsp* PART IS LISTED FOR REFERENCE ONLY, MARANTZ WILL NOT SUPPLY THESE PARTS.

P.C.B. NAME	POS. NO.	VERS. COLOR	PART NO. (FOR EUR)	PART NO. (MJ)	PART NAME	DESCRIPTION	
AUDIO	D714		00MHZ20002210	00MHZ20002210	CHIP DIODE	DAN202K	BVDDAN202K
AUDIO	D715		00MHZ20007210	00MHZ20007210	CHIP DIODE	IMN10 (SMD6 PACKAGE)	BVDIMN10
AUDIO	D716		00MHZ20056210	00MHZ20056210	CHIP DIODE	DAN217 T146 (SMD3)	BVDDAN217
AUDIO	D717		00MHZ20002210	00MHZ20002210	CHIP DIODE	DAN202K	BVDDAN202K
AUDIO	D718		00MHZ20007210	00MHZ20007210	CHIP DIODE	IMN10 (SMD6 PACKAGE)	BVDIMN10
AUDIO	D719		00MHZ20056210	00MHZ20056210	CHIP DIODE	DAN217 T146 (SMD3)	BVDDAN217
AUDIO	D720		00MHZ20002210	00MHZ20002210	CHIP DIODE	DAN202K	BVDDAN202K
AUDIO	D721		00MHZ20007210	00MHZ20007210	CHIP DIODE	IMN10 (SMD6 PACKAGE)	BVDIMN10
AUDIO	D722		00MHZ20056210	00MHZ20056210	CHIP DIODE	DAN217 T146 (SMD3)	BVDDAN217
AUDIO	D723		00MHZ20002210	00MHZ20002210	CHIP DIODE	DAN202K	BVDDAN202K
AUDIO	D724		00MHZ20007210	00MHZ20007210	CHIP DIODE	IMN10 (SMD6 PACKAGE)	BVDIMN10
AUDIO	D725		00MHZ20056210	00MHZ20056210	CHIP DIODE	DAN217 T146 (SMD3)	BVDDAN217
AUDIO	ET21		nsp	nsp	BRACKET	BRACKET , PWB	CMD1A387
AUDIO	ET22		nsp	nsp	BRACKET	BRACKET , FIP	CMD1A501
AUDIO	IC11		00MHC10014880	00MHC10014880	IC	CS49400-CQ DECODER	HVICS49400-CQ
AUDIO	IC13		90M-HS25BWX0R	90M-HS25BWX0R	ONE TIME PROM	MX29LV400TTC-70 4M FLASH	HVIMX29LV400TTC
AUDIO	IC14		90M-HC108930R	90M-HC108930R	IC	74LCX32	HVI74LCX32TTR
AUDIO	IC15		90M-HC300810R	90M-HC300810R	IC	I.C , REGULATOR (3.3V)	HVILM1117S-3V3
AUDIO	IC16		90M-HC300800R	90M-HC300800R	IC	I.C , REGULATOR (2.5V)	HVILM1117S-2V5
AUDIO	IC17		90M-HC108930R	90M-HC108930R	IC	74LCX32	HVI74LCX32TTR
AUDIO	IC18		90M-HC108930R	90M-HC108930R	IC	74LCX32	HVI74LCX32TTR
AUDIO	IC79		90M-HC109330R	90M-HC109330R	IC	AUDIO DAC	HVICS4398CZ
AUDIO	IC80		90M-HC109330R	90M-HC109330R	IC	AUDIO DAC	HVICS4398CZ
AUDIO	IC81		90M-HC109330R	90M-HC109330R	IC	AUDIO DAC	HVICS4398CZ
AUDIO	IC82		90M-HC109360R	90M-HC109360R	IC	HI-SPEED 2 INPUT AND GATE	HVIKIC7SH08FU
AUDIO	IC84		90M-HC300810R	90M-HC300810R	IC	I.C , REGULATOR (3.3V)	HVILM1117S-3V3
AUDIO	IC85		90M-HC109310R	90M-HC109310R	IC	I.C , MULTIPLEXER	HVI74LVC157ADBR
AUDIO	JK11		90M-YT004410R	90M-YT004410R	TERMINAL	2P, JACK	CJJ4N067Z
AUDIO	JK12		90M-YT004440R	90M-YT004440R	TERMINAL	6P JACK (GOLD PLATE)	CJJ4R047Z
AUDIO	L101		90M-FC900380R	90M-FC900380R	FERRITE CORE	2012(0805)600E, 1.5A,POWER	HLZ9R001Z
AUDIO	L102		90M-FC900380R	90M-FC900380R	FERRITE CORE	2012(0805)600E, 1.5A,POWER	HLZ9R001Z
AUDIO	L103		90M-FC900380R	90M-FC900380R	FERRITE CORE	2012(0805)600E, 1.5A,POWER	HLZ9R001Z
AUDIO	L104		90M-FC900380R	90M-FC900380R	FERRITE CORE	2012(0805)600E, 1.5A,POWER	HLZ9R001Z
AUDIO	L105		90M-FC900380R	90M-FC900380R	FERRITE CORE	2012(0805)600E, 1.5A,POWER	HLZ9R001Z
AUDIO	Q704		00MHF203691B0	00MHF203691B0	F.E.T.	FET (N-CH) AUDIO	HVT2SK369BLT
AUDIO	Q705		00MHF203691B0	00MHF203691B0	F.E.T.	FET (N-CH) AUDIO	HVT2SK369BLT
AUDIO	Q706		00MHX600081A0	00MHX600081A0	CHIP TRS.	KTA1517SGR	HVTKTA1517SGR
AUDIO	Q707		90M-HX800060R	90M-HX800060R	CHIP TRS.	KTC4379Y	HVTKTC4379Y
AUDIO	Q708		00MHX600081A0	00MHX600081A0	CHIP TRS.	KTA1517SGR	HVTKTA1517SGR
AUDIO	Q709		00MHX800081A0	00MHX800081A0	CHIP TRS.	KTC3911SGR	HVTKTC3911SGR
AUDIO	Q710		00MHF201701G0	00MHF201701G0	F.E.T.	FET (N-CH) AUDIO	HVT2SK170BLT
AUDIO	Q711		90M-HF000070R	90M-HF000070R	F.E.T.	FET (P-CH) AUDIO	HVT2SJ74BLT
AUDIO	Q712		90M-HX800070R	90M-HX800070R	CHIP TRS.	KTC812TB	HVTKTC812TB
AUDIO	Q713		90M-HX800070R	90M-HX800070R	CHIP TRS.	KTC812TB	HVTKTC812TB
AUDIO	Q714		90M-HX800050R	90M-HX800050R	CHIP TRS.	KRC402	HVTKRC402
AUDIO	Q715		90M-HX800050R	90M-HX800050R	CHIP TRS.	KRC402	HVTKRC402
AUDIO	Q716		90M-HT600050R	90M-HT600050R	TRS.	KTA2014GR	HVTKTA2014GR
AUDIO	Q717		90M-HX800050R	90M-HX800050R	CHIP TRS.	KRC402	HVTKRC402
AUDIO	Q718		90M-HX800050R	90M-HX800050R	CHIP TRS.	KRC402	HVTKRC402
AUDIO	Q719		90M-HT600050R	90M-HT600050R	TRS.	KTA2014GR	HVTKTA2014GR
AUDIO	Q720		00MHF203691B0	00MHF203691B0	F.E.T.	FET (N-CH) AUDIO	HVT2SK369BLT
AUDIO	Q721		00MHF203691B0	00MHF203691B0	F.E.T.	FET (N-CH) AUDIO	HVT2SK369BLT
AUDIO	Q722		90M-HX800060R	90M-HX800060R	CHIP TRS.	KTC4379Y	HVTKTC4379Y
AUDIO	Q723		00MHX600081A0	00MHX600081A0	CHIP TRS.	KTA1517SGR	HVTKTA1517SGR
AUDIO	Q724		00MHX600081A0	00MHX600081A0	CHIP TRS.	KTA1517SGR	HVTKTA1517SGR
AUDIO	Q725		00MHX800081A0	00MHX800081A0	CHIP TRS.	KTC3911SGR	HVTKTC3911SGR
AUDIO	Q726		00MHF201701G0	00MHF201701G0	F.E.T.	FET (N-CH) AUDIO	HVT2SK170BLT
AUDIO	Q727		90M-HF000070R	90M-HF000070R	F.E.T.	FET (P-CH) AUDIO	HVT2SJ74BLT
AUDIO	Q728		90M-HX900010R	90M-HX900010R	CHIP TRS.	KTD1304 (MUTE)	HVTKTD1304T
AUDIO	Q729		90M-HX900010R	90M-HX900010R	CHIP TRS.	KTD1304 (MUTE)	HVTKTD1304T
AUDIO	Q730		90M-HX800050R	90M-HX800050R	CHIP TRS.	KRC402	HVTKRC402
AUDIO	Q731		90M-HX800050R	90M-HX800050R	CHIP TRS.	KRC402	HVTKRC402
AUDIO	Q732		90M-HT600050R	90M-HT600050R	TRS.	KTA2014GR	HVTKTA2014GR
AUDIO	Q733		00MHF203691B0	00MHF203691B0	F.E.T.	FET (N-CH) AUDIO	HVT2SK369BLT
AUDIO	Q734		00MHF203691B0	00MHF203691B0	F.E.T.	FET (N-CH) AUDIO	HVT2SK369BLT
AUDIO	Q735		90M-HX800060R	90M-HX800060R	CHIP TRS.	KTC4379Y	HVTKTC4379Y
AUDIO	Q736		00MHX600081A0	00MHX600081A0	CHIP TRS.	KTA1517SGR	HVTKTA1517SGR

NOTE : *nsp* PART IS LISTED FOR REFERENCE ONLY, MARANTZ WILL NOT SUPPLY THESE PARTS.

P.C.B. NAME	POS. NO.	VERS. COLOR	PART NO. (FOR EUR)	PART NO. (MJJ)	PART NAME	DESCRIPTION	
AUDIO	Q737		00MHX600081A0	00MHX600081A0	CHIP TRS.	KTA1517SGR	HVTKTA1517SGR
AUDIO	Q738		00MHX800081A0	00MHX800081A0	CHIP TRS.	KTC3911SGR	HVTKTC3911SGR
AUDIO	Q740		00MHF201701G0	00MHF201701G0	F.E.T.	FET (N-CH) AUDIO	HVT2SK170BLT
AUDIO	Q741		90M-HF000070R	90M-HF000070R	F.E.T.	FET (P-CH) AUDIO	HVT2SJ74BLT
AUDIO	Q742		90M-HX800050R	90M-HX800050R	CHIP TRS.	KRC402	HVTKRC402
AUDIO	Q743		90M-HX800050R	90M-HX800050R	CHIP TRS.	KRC402	HVTKRC402
AUDIO	Q744		90M-HT600050R	90M-HT600050R	TRS.	KTA2014GR	HVTKTA2014GR
AUDIO	Q745		00MHF203691B0	00MHF203691B0	F.E.T.	FET (N-CH) AUDIO	HVT2SK369BLT
AUDIO	Q746		00MHF203691B0	00MHF203691B0	F.E.T.	FET (N-CH) AUDIO	HVT2SK369BLT
AUDIO	Q747		90M-HX800060R	90M-HX800060R	CHIP TRS.	KTC4379Y	HVTKTC4379Y
AUDIO	Q748		00MHX600081A0	00MHX600081A0	CHIP TRS.	KTA1517SGR	HVTKTA1517SGR
AUDIO	Q749		00MHX600081A0	00MHX600081A0	CHIP TRS.	KTA1517SGR	HVTKTA1517SGR
AUDIO	Q750		00MHX800081A0	00MHX800081A0	CHIP TRS.	KTC3911SGR	HVTKTC3911SGR
AUDIO	Q751		00MHF201701G0	00MHF201701G0	F.E.T.	FET (N-CH) AUDIO	HVT2SK170BLT
AUDIO	Q752		90M-HF000070R	90M-HF000070R	F.E.T.	FET (P-CH) AUDIO	HVT2SJ74BLT
AUDIO	Q753		90M-HX800050R	90M-HX800050R	CHIP TRS.	KRC402	HVTKRC402
AUDIO	Q754		90M-HX800050R	90M-HX800050R	CHIP TRS.	KRC402	HVTKRC402
AUDIO	Q755		90M-HT600050R	90M-HT600050R	TRS.	KTA2014GR	HVTKTA2014GR
AUDIO	Q757		00MHF203691B0	00MHF203691B0	F.E.T.	FET (N-CH) AUDIO	HVT2SK369BLT
AUDIO	Q758		00MHF203691B0	00MHF203691B0	F.E.T.	FET (N-CH) AUDIO	HVT2SK369BLT
AUDIO	Q759		90M-HX800060R	90M-HX800060R	CHIP TRS.	KTC4379Y	HVTKTC4379Y
AUDIO	Q760		00MHX600081A0	00MHX600081A0	CHIP TRS.	KTA1517SGR	HVTKTA1517SGR
AUDIO	Q761		00MHX600081A0	00MHX600081A0	CHIP TRS.	KTA1517SGR	HVTKTA1517SGR
AUDIO	Q762		00MHX800081A0	00MHX800081A0	CHIP TRS.	KTC3911SGR	HVTKTC3911SGR
AUDIO	Q763		00MHF201701G0	00MHF201701G0	F.E.T.	FET (N-CH) AUDIO	HVT2SK170BLT
AUDIO	Q764		90M-HF000070R	90M-HF000070R	F.E.T.	FET (P-CH) AUDIO	HVT2SJ74BLT
AUDIO	Q765		90M-HX800050R	90M-HX800050R	CHIP TRS.	KRC402	HVTKRC402
AUDIO	Q766		90M-HX800050R	90M-HX800050R	CHIP TRS.	KRC402	HVTKRC402
AUDIO	Q767		90M-HT600050R	90M-HT600050R	TRS.	KTA2014GR	HVTKTA2014GR
AUDIO	Q768		00MHF203691B0	00MHF203691B0	F.E.T.	FET (N-CH) AUDIO	HVT2SK369BLT
AUDIO	Q769		00MHF203691B0	00MHF203691B0	F.E.T.	FET (N-CH) AUDIO	HVT2SK369BLT
AUDIO	Q770		90M-HX800060R	90M-HX800060R	CHIP TRS.	KTC4379Y	HVTKTC4379Y
AUDIO	Q771		00MHX600081A0	00MHX600081A0	CHIP TRS.	KTA1517SGR	HVTKTA1517SGR
AUDIO	Q772		00MHX600081A0	00MHX600081A0	CHIP TRS.	KTA1517SGR	HVTKTA1517SGR
AUDIO	Q773		00MHX800081A0	00MHX800081A0	CHIP TRS.	KTC3911SGR	HVTKTC3911SGR
AUDIO	Q774		00MHF201701G0	00MHF201701G0	F.E.T.	FET (N-CH) AUDIO	HVT2SK170BLT
AUDIO	Q775		90M-HF000070R	90M-HF000070R	F.E.T.	FET (P-CH) AUDIO	HVT2SJ74BLT
AUDIO	Q776		90M-HX800070R	90M-HX800070R	CHIP TRS.	KTC812TB	HVTKTC812TB
AUDIO	Q777		90M-HX800070R	90M-HX800070R	CHIP TRS.	KTC812TB	HVTKTC812TB
AUDIO	Q778		90M-HX800070R	90M-HX800070R	CHIP TRS.	KTC812TB	HVTKTC812TB
AUDIO	Q779		90M-HX800070R	90M-HX800070R	CHIP TRS.	KTC812TB	HVTKTC812TB
AUDIO	Q780		90M-HX800070R	90M-HX800070R	CHIP TRS.	KTC812TB	HVTKTC812TB
AUDIO	Q781		90M-HX800070R	90M-HX800070R	CHIP TRS.	KTC812TB	HVTKTC812TB
AUDIO	R101		nsp	00MNN05105610	CHIP RES.	1 MOHM	CRJ10DJ105T
AUDIO	R102		nsp	00MNN05103610	CHIP RES.	10 KOHM	CRJ10DJ103T
AUDIO	R104		nsp	00MNN05220610	CHIP RES.	22 OHM 1/10W J	CRJ10DJ220T
AUDIO	R105		nsp	00MNN05220610	CHIP RES.	22 OHM 1/10W J	CRJ10DJ220T
AUDIO	R106		nsp	00MNN05220610	CHIP RES.	22 OHM 1/10W J	CRJ10DJ220T
AUDIO	R107		nsp	00MNN05220610	CHIP RES.	22 OHM 1/10W J	CRJ10DJ220T
AUDIO	R108		nsp	00MNN05220610	CHIP RES.	22 OHM 1/10W J	CRJ10DJ220T
AUDIO	R109		nsp	00MNN05220610	CHIP RES.	22 OHM 1/10W J	CRJ10DJ220T
AUDIO	R110		nsp	00MNN05101610	CHIP RES.	100 OHM	CRJ10DJ101T
AUDIO	R111		nsp	00MNN05220610	CHIP RES.	22 OHM 1/10W J	CRJ10DJ220T
AUDIO	R112		nsp	00MNN05101610	CHIP RES.	100 OHM	CRJ10DJ101T
AUDIO	R113		nsp	00MNN05220610	CHIP RES.	22 OHM 1/10W J	CRJ10DJ220T
AUDIO	R115		nsp	00MNN05220610	CHIP RES.	22 OHM 1/10W J	CRJ10DJ220T
AUDIO	R116		nsp	00MNN05220610	CHIP RES.	22 OHM 1/10W J	CRJ10DJ220T
AUDIO	R117		nsp	00MNN05103610	CHIP RES.	10 KOHM	CRJ10DJ103T
AUDIO	R118		nsp	00MNN05220610	CHIP RES.	22 OHM 1/10W J	CRJ10DJ220T
AUDIO	R120		nsp	00MNN05101610	CHIP RES.	100 OHM	CRJ10DJ101T
AUDIO	R176		nsp	00MNN05330610	CHIP RES.	33 OHM	CRJ10DJ330T
AUDIO	R177		nsp	00MNN05330610	CHIP RES.	33 OHM	CRJ10DJ330T
AUDIO	R178		nsp	00MNN05103610	CHIP RES.	10 KOHM	CRJ10DJ103T
AUDIO	R179		nsp	00MNN05103610	CHIP RES.	10 KOHM	CRJ10DJ103T
AUDIO	R180		nsp	00MNN05103610	CHIP RES.	10 KOHM	CRJ10DJ103T
AUDIO	R181		nsp	00MNN05103610	CHIP RES.	10 KOHM	CRJ10DJ103T
AUDIO	R182		nsp	00MNN05103610	CHIP RES.	10 KOHM	CRJ10DJ103T

NOTE : "nsp" PART IS LISTED FOR REFERENCE ONLY, MARANTZ WILL NOT SUPPLY THESE PARTS.

P.C.B. NAME	POS. NO.	VERS. COLOR	PART NO. (FOR EUR)	PART NO. (MJJ)	PART NAME	DESCRIPTION	
AUDIO	R183		nsp	00MNN05103610	CHIP RES.	10 KOHM	CRJ10DJ103T
AUDIO	R184		nsp	00MNN05152610	CHIP RES.	1.5 KOHM	CRJ10DJ152T
AUDIO	R185		nsp	00MNN05103610	CHIP RES.	10 KOHM	CRJ10DJ103T
AUDIO	R186		nsp	00MNN05103610	CHIP RES.	10 KOHM	CRJ10DJ103T
AUDIO	R187		nsp	00MNN05103610	CHIP RES.	10 KOHM	CRJ10DJ103T
AUDIO	R188		nsp	00MNN05103610	CHIP RES.	10 KOHM	CRJ10DJ103T
AUDIO	R189		nsp	00MNN05330610	CHIP RES.	33 OHM	CRJ10DJ330T
AUDIO	R191		nsp	00MNN05103610	CHIP RES.	10 KOHM	CRJ10DJ103T
AUDIO	R192		nsp	00MNN05103610	CHIP RES.	10 KOHM	CRJ10DJ103T
AUDIO	R193		nsp	00MNN05332610	CHIP RES.	3.3 KOHM	CRJ10DJ332T
AUDIO	R196		nsp	00MNN05332610	CHIP RES.	3.3 KOHM	CRJ10DJ332T
AUDIO	R197		nsp	00MNN05332610	CHIP RES.	3.3 KOHM	CRJ10DJ332T
AUDIO	R198		nsp	00MNN05103610	CHIP RES.	10 KOHM	CRJ10DJ103T
AUDIO	R199		nsp	00MNN05103610	CHIP RES.	10 KOHM	CRJ10DJ103T
AUDIO	R200		nsp	00MNN05103610	CHIP RES.	10 KOHM	CRJ10DJ103T
AUDIO	R201		nsp	00MNN05103610	CHIP RES.	10 KOHM	CRJ10DJ103T
AUDIO	R202		nsp	00MNN05332610	CHIP RES.	3.3 KOHM	CRJ10DJ332T
AUDIO	R203		nsp	00MNN05332610	CHIP RES.	3.3 KOHM	CRJ10DJ332T
AUDIO	R204		nsp	00MNN05103610	CHIP RES.	10 KOHM	CRJ10DJ103T
AUDIO	R205		nsp	00MNN05103610	CHIP RES.	10 KOHM	CRJ10DJ103T
AUDIO	R206		nsp	00MNN05330610	CHIP RES.	33 OHM	CRJ10DJ330T
AUDIO	R207		nsp	00MNN05103610	CHIP RES.	10 KOHM	CRJ10DJ103T
AUDIO	R208		nsp	00MNN05103610	CHIP RES.	10 KOHM	CRJ10DJ103T
AUDIO	R209		nsp	00MNN05103610	CHIP RES.	10 KOHM	CRJ10DJ103T
AUDIO	R210		nsp	00MNN05103610	CHIP RES.	10 KOHM	CRJ10DJ103T
AUDIO	R211		nsp	00MNN05103610	CHIP RES.	10 KOHM	CRJ10DJ103T
AUDIO	R212		nsp	00MNN05103610	CHIP RES.	10 KOHM	CRJ10DJ103T
AUDIO	R213		nsp	00MNN05103610	CHIP RES.	10 KOHM	CRJ10DJ103T
AUDIO	R214		nsp	00MNN05103610	CHIP RES.	10 KOHM	CRJ10DJ103T
AUDIO	R215		nsp	00MNN05103610	CHIP RES.	10 KOHM	CRJ10DJ103T
AUDIO	R216		nsp	00MNN05103610	CHIP RES.	10 KOHM	CRJ10DJ103T
AUDIO	R217		nsp	00MNN05103610	CHIP RES.	10 KOHM	CRJ10DJ103T
AUDIO	R229		nsp	00MNN05103610	CHIP RES.	10 KOHM	CRJ10DJ103T
AUDIO	R234		nsp	00MNN05330610	CHIP RES.	33 OHM	CRJ10DJ330T
AUDIO	R235		nsp	00MNN05103610	CHIP RES.	10 KOHM	CRJ10DJ103T
AUDIO	R236		nsp	00MNN05103610	CHIP RES.	10 KOHM	CRJ10DJ103T
AUDIO	R237		nsp	00MNN05103610	CHIP RES.	10 KOHM	CRJ10DJ103T
AUDIO	R238		nsp	00MNN05103610	CHIP RES.	10 KOHM	CRJ10DJ103T
AUDIO	R239		nsp	00MNN05330610	CHIP RES.	33 OHM	CRJ10DJ330T
AUDIO	R240		nsp	00MNN05103610	CHIP RES.	10 KOHM	CRJ10DJ103T
AUDIO	R241		nsp	00MNN05330610	CHIP RES.	33 OHM	CRJ10DJ330T
AUDIO	R242		nsp	00MNN05330610	CHIP RES.	33 OHM	CRJ10DJ330T
AUDIO	R243		nsp	00MNN05330610	CHIP RES.	33 OHM	CRJ10DJ330T
AUDIO	R302		nsp	00MNN05330610	CHIP RES.	33 OHM	CRJ10DJ330T
AUDIO	R303		nsp	00MNN05330610	CHIP RES.	33 OHM	CRJ10DJ330T
AUDIO	R304		nsp	00MNN05330610	CHIP RES.	33 OHM	CRJ10DJ330T
AUDIO	R305		nsp	00MNN05330610	CHIP RES.	33 OHM	CRJ10DJ330T
AUDIO	R306		nsp	00MNN05330610	CHIP RES.	33 OHM	CRJ10DJ330T
AUDIO	R307		nsp	00MNN05152610	CHIP RES.	1.5 KOHM	CRJ10DJ152T
AUDIO	R308		nsp	00MNN05330610	CHIP RES.	33 OHM	CRJ10DJ330T
AUDIO	R309		nsp	00MNN05330610	CHIP RES.	33 OHM	CRJ10DJ330T
AUDIO	R310		nsp	00MNN05330610	CHIP RES.	33 OHM	CRJ10DJ330T
AUDIO	R311		nsp	00MNN05330610	CHIP RES.	33 OHM	CRJ10DJ330T
AUDIO	R312		nsp	00MNN05330610	CHIP RES.	33 OHM	CRJ10DJ330T
AUDIO	R313		nsp	00MNN05330610	CHIP RES.	33 OHM	CRJ10DJ330T
AUDIO	R314		nsp	00MNN05330610	CHIP RES.	33 OHM	CRJ10DJ330T
AUDIO	R315		nsp	00MNN05330610	CHIP RES.	33 OHM	CRJ10DJ330T
AUDIO	R316		nsp	00MNN05330610	CHIP RES.	33 OHM	CRJ10DJ330T
AUDIO	R317		nsp	00MNN05330610	CHIP RES.	33 OHM	CRJ10DJ330T
AUDIO	R318		nsp	00MNN05330610	CHIP RES.	33 OHM	CRJ10DJ330T
AUDIO	R319		nsp	00MNN05330610	CHIP RES.	33 OHM	CRJ10DJ330T
AUDIO	R320		nsp	00MNN05330610	CHIP RES.	33 OHM	CRJ10DJ330T
AUDIO	R321		nsp	00MNN05330610	CHIP RES.	33 OHM	CRJ10DJ330T
AUDIO	R322		nsp	00MNN05330610	CHIP RES.	33 OHM	CRJ10DJ330T
AUDIO	R323		nsp	00MNN05330610	CHIP RES.	33 OHM	CRJ10DJ330T
AUDIO	R324		nsp	00MNN05330610	CHIP RES.	33 OHM	CRJ10DJ330T
AUDIO	R325		nsp	00MNN05330610	CHIP RES.	33 OHM	CRJ10DJ330T

NOTE : *nsp* PART IS LISTED FOR REFERENCE ONLY, MARANTZ WILL NOT SUPPLY THESE PARTS.

P.C.B. NAME	POS. NO.	VERS. COLOR	PART NO. (FOR EUR)	PART NO. (MJI)	PART NAME	DESCRIPTION	
AUDIO	R326		nsp	00MNN05330610	CHIP RES.	33 OHM	CRJ10DJ330T
AUDIO	R327		nsp	00MNN05330610	CHIP RES.	33 OHM	CRJ10DJ330T
AUDIO	R328		nsp	00MNN05330610	CHIP RES.	33 OHM	CRJ10DJ330T
AUDIO	R329		nsp	00MNN05330610	CHIP RES.	33 OHM	CRJ10DJ330T
AUDIO	R330		nsp	00MNN05330610	CHIP RES.	33 OHM	CRJ10DJ330T
AUDIO	R331		nsp	00MNN05330610	CHIP RES.	33 OHM	CRJ10DJ330T
AUDIO	R332		nsp	00MNN05330610	CHIP RES.	33 OHM	CRJ10DJ330T
AUDIO	R333		nsp	00MNN05330610	CHIP RES.	33 OHM	CRJ10DJ330T
AUDIO	R334		nsp	00MNN05330610	CHIP RES.	33 OHM	CRJ10DJ330T
AUDIO	R335		nsp	00MNN05330610	CHIP RES.	33 OHM	CRJ10DJ330T
AUDIO	R336		nsp	00MNN05330610	CHIP RES.	33 OHM	CRJ10DJ330T
AUDIO	R337		nsp	00MNN05102610	CHIP RES.	1K OHM	CRJ10DJ102T
AUDIO	R338		nsp	00MNN05330610	CHIP RES.	33 OHM	CRJ10DJ330T
AUDIO	R339		nsp	00MNN05330610	CHIP RES.	33 OHM	CRJ10DJ330T
AUDIO	R340		nsp	00MNN05330610	CHIP RES.	33 OHM	CRJ10DJ330T
AUDIO	R341		nsp	00MNN05330610	CHIP RES.	33 OHM	CRJ10DJ330T
AUDIO	R601		nsp	00MNN05222610	CHIP RES.	2.2 KOHM	CRJ10DJ222T
AUDIO	R602		nsp	00MNN05104610	CHIP RES.	100 KOHM	CRJ10DJ104T
AUDIO	R603		nsp	00MNN05101610	CHIP RES.	100 OHM	CRJ10DJ101T
AUDIO	R604		nsp	00MNN05332610	CHIP RES.	3.3 KOHM	CRJ10DJ332T
AUDIO	R605		nsp	00MNN05222610	CHIP RES.	2.2 KOHM	CRJ10DJ222T
AUDIO	R606		nsp	00MNN05123610	CHIP RES.	12 KOHM	CRJ10DJ123T
AUDIO	R607		nsp	00MNN05153610	CHIP RES.	15 KOHM	CRJ10DJ153T
AUDIO	R608		nsp	00MNN05222610	CHIP RES.	2.2 KOHM	CRJ10DJ222T
AUDIO	R609		nsp	00MNN05332610	CHIP RES.	3.3 KOHM	CRJ10DJ332T
AUDIO	R610		nsp	00MNN05222610	CHIP RES.	2.2 KOHM	CRJ10DJ222T
AUDIO	R612		nsp	00MNN05222610	CHIP RES.	2.2 KOHM	CRJ10DJ222T
AUDIO	R613		nsp	00MNN05123610	CHIP RES.	12 KOHM	CRJ10DJ123T
AUDIO	R614		nsp	00MNN05153610	CHIP RES.	15 KOHM	CRJ10DJ153T
AUDIO	R615		nsp	00MNN05151610	CHIP RES.	150 OHM 1/10W J	CRJ10DJ151T
AUDIO	R616		nsp	00MNN05151610	CHIP RES.	150 OHM 1/10W J	CRJ10DJ151T
AUDIO	R617		nsp	00MNN05101610	CHIP RES.	100 OHM	CRJ10DJ101T
AUDIO	R618		nsp	00MNN05101610	CHIP RES.	100 OHM	CRJ10DJ101T
AUDIO	R619		nsp	00MNN05101610	CHIP RES.	100 OHM	CRJ10DJ101T
AUDIO	R620		nsp	00MNN05561610	CHIP RES.	560 OHM	CRJ10DJ561T
AUDIO	R621		nsp	00MNN05333610	CHIP RES.	33 KOHM	CRJ10DJ333T
AUDIO	R622		nsp	00MNN05561610	CHIP RES.	560 OHM	CRJ10DJ561T
AUDIO	R623		nsp	00MNN05101610	CHIP RES.	100 OHM	CRJ10DJ101T
AUDIO	R624		nsp	nsp	RES.	10 OHM 1/5W J	CRD20TJ100T
AUDIO	R625		nsp	nsp	RES.	10 OHM 1/5W J	CRD20TJ100T
AUDIO	R626		nsp	00MNN05473610	CHIP RES.	47 KOHM	CRJ10DJ473T
AUDIO	R627		nsp	00MNN05224610	CHIP RES.	220 KOHM	CRJ10DJ224T
AUDIO	R628		nsp	00MNN05101610	CHIP RES.	100 OHM	CRJ10DJ101T
AUDIO	R629		nsp	00MNN05222610	CHIP RES.	2.2 KOHM	CRJ10DJ222T
AUDIO	R630		nsp	00MNN05101610	CHIP RES.	100 OHM	CRJ10DJ101T
AUDIO	R631		nsp	00MNN05222610	CHIP RES.	2.2 KOHM	CRJ10DJ222T
AUDIO	R632		nsp	00MNN05104610	CHIP RES.	100 KOHM	CRJ10DJ104T
AUDIO	R633		nsp	00MNN05101610	CHIP RES.	100 OHM	CRJ10DJ101T
AUDIO	R701		nsp	00MNN05102610	CHIP RES.	1 KOHM	CRJ10DJ102T
AUDIO	R702		nsp	00MNN05220610	CHIP RES.	22 OHM 1/10W J	CRJ10DJ220T
AUDIO	R703		nsp	nsp	RES.	10 OHM 1/5W J	CRD20TJ100T
AUDIO	R710		nsp	00MNN05102610	CHIP RES.	1 KOHM	CRJ10DJ102T
AUDIO	R711		nsp	00MNN05102610	CHIP RES.	1 KOHM	CRJ10DJ102T
AUDIO	R712		nsp	00MNN05332610	CHIP RES.	3.3 KOHM	CRJ10DJ332T
AUDIO	R713		nsp	00MNN05103610	CHIP RES.	10 KOHM	CRJ10DJ103T
AUDIO	R716		nsp	00MNN05332610	CHIP RES.	3.3 KOHM	CRJ10DJ332T
AUDIO	R717		nsp	00MNN05222610	CHIP RES.	2.2 KOHM	CRJ10DJ222T
AUDIO	R718		nsp	00MNN05332610	CHIP RES.	3.3 KOHM	CRJ10DJ332T
AUDIO	R719		nsp	00MNN05222610	CHIP RES.	2.2 KOHM	CRJ10DJ222T
AUDIO	R720		nsp	00MNN05123610	CHIP RES.	12 KOHM	CRJ10DJ123T
AUDIO	R721		nsp	00MNN05153610	CHIP RES.	15 KOHM	CRJ10DJ153T
AUDIO	R722		nsp	00MNN05222610	CHIP RES.	2.2 KOHM	CRJ10DJ222T
AUDIO	R723		nsp	00MNN05222610	CHIP RES.	2.2 KOHM	CRJ10DJ222T
AUDIO	R724		nsp	00MNN05123610	CHIP RES.	12 KOHM	CRJ10DJ123T
AUDIO	R725		nsp	00MNN05153610	CHIP RES.	15 KOHM	CRJ10DJ153T
AUDIO	R726		nsp	00MNN05151610	CHIP RES.	150 OHM 1/10W J	CRJ10DJ151T
AUDIO	R727		nsp	00MNN05151610	CHIP RES.	150 OHM 1/10W J	CRJ10DJ151T

NOTE : "nsp" PART IS LISTED FOR REFERENCE ONLY, MARANTZ WILL NOT SUPPLY THESE PARTS.

P.C.B. NAME	POS. NO.	VERS. COLOR	PART NO. (FOR EUR)	PART NO. (MJ)	PART NAME	DESCRIPTION	
AUDIO	R728		nsp	00MNN05101610	CHIP RES.	100 OHM	CRJ10DJ101T
AUDIO	R729		nsp	00MNN05561610	CHIP RES.	560 OHM	CRJ10DJ561T
AUDIO	R730		nsp	00MNN05101610	CHIP RES.	100 OHM	CRJ10DJ101T
AUDIO	R731		nsp	00MNN05101610	CHIP RES.	100 OHM	CRJ10DJ101T
AUDIO	R732		nsp	00MNN05333610	CHIP RES.	33 KOHM	CRJ10DJ333T
AUDIO	R733		nsp	00MNN05561610	CHIP RES.	560 OHM	CRJ10DJ561T
AUDIO	R734		nsp	00MNN05101610	CHIP RES.	100 OHM	CRJ10DJ101T
AUDIO	R735		nsp	nsp	RES.	10 OHM 1/5W J	CRD20TJ100T
AUDIO	R736		nsp	nsp	RES.	10 OHM 1/5W J	CRD20TJ100T
AUDIO	R737		nsp	00MNN05473610	CHIP RES.	47 KOHM	CRJ10DJ473T
AUDIO	R738		nsp	00MNN05224610	CHIP RES.	220 KOHM	CRJ10DJ224T
AUDIO	R739		nsp	00MNN05222610	CHIP RES.	2.2 KOHM	CRJ10DJ222T
AUDIO	R740		nsp	00MNN05101610	CHIP RES.	100 OHM	CRJ10DJ101T
AUDIO	R741		nsp	00MNN05101610	CHIP RES.	100 OHM	CRJ10DJ101T
AUDIO	R742		nsp	00MNN05222610	CHIP RES.	2.2 KOHM	CRJ10DJ222T
AUDIO	R743		nsp	00MNN05104610	CHIP RES.	100 KOHM	CRJ10DJ104T
AUDIO	R744		nsp	00MNN05101610	CHIP RES.	100 OHM	CRJ10DJ101T
AUDIO	R745		nsp	00MNN05101610	CHIP RES.	100 OHM	CRJ10DJ101T
AUDIO	R746		nsp	00MNN05101610	CHIP RES.	100 OHM	CRJ10DJ101T
AUDIO	R747		nsp	00MNN05224610	CHIP RES.	220 KOHM	CRJ10DJ224T
AUDIO	R748		nsp	00MNN05222610	CHIP RES.	2.2 KOHM	CRJ10DJ222T
AUDIO	R749		nsp	00MNN05222610	CHIP RES.	2.2 KOHM	CRJ10DJ222T
AUDIO	R750		nsp	00MNN05104610	CHIP RES.	100 KOHM	CRJ10DJ104T
AUDIO	R751		nsp	00MNN05101610	CHIP RES.	100 OHM	CRJ10DJ101T
AUDIO	R752		nsp	00MNN05221610	CHIP RES.	220 OHM	CRJ10DJ221T
AUDIO	R753		nsp	00MNN05222610	CHIP RES.	2.2 KOHM	CRJ10DJ222T
AUDIO	R754		nsp	00MNN05473610	CHIP RES.	47 KOHM	CRJ10DJ473T
AUDIO	R755		nsp	00MNN05221610	CHIP RES.	220 OHM	CRJ10DJ221T
AUDIO	R756		nsp	00MNN05222610	CHIP RES.	2.2 KOHM	CRJ10DJ222T
AUDIO	R757		nsp	00MNN05221610	CHIP RES.	220 OHM	CRJ10DJ221T
AUDIO	R758		nsp	00MNN05473610	CHIP RES.	47 KOHM	CRJ10DJ473T
AUDIO	R759		nsp	00MNN05221610	CHIP RES.	220 OHM	CRJ10DJ221T
AUDIO	R760		nsp	00MNN05102610	CHIP RES.	1 KOHM	CRJ10DJ102T
AUDIO	R761		nsp	00MNN05102610	CHIP RES.	1 KOHM	CRJ10DJ102T
AUDIO	R762		nsp	00MNN05332610	CHIP RES.	3.3 KOHM	CRJ10DJ332T
AUDIO	R763		nsp	00MNN05103610	CHIP RES.	10 KOHM	CRJ10DJ103T
AUDIO	R764		nsp	00MNN05332610	CHIP RES.	3.3 KOHM	CRJ10DJ332T
AUDIO	R765		nsp	00MNN05222610	CHIP RES.	2.2 KOHM	CRJ10DJ222T
AUDIO	R766		nsp	00MNN05123610	CHIP RES.	12 KOHM	CRJ10DJ123T
AUDIO	R767		nsp	00MNN05153610	CHIP RES.	15 KOHM	CRJ10DJ153T
AUDIO	R768		nsp	00MNN05222610	CHIP RES.	2.2 KOHM	CRJ10DJ222T
AUDIO	R769		nsp	00MNN05332610	CHIP RES.	3.3 KOHM	CRJ10DJ332T
AUDIO	R770		nsp	00MNN05222610	CHIP RES.	2.2 KOHM	CRJ10DJ222T
AUDIO	R771		nsp	00MNN05123610	CHIP RES.	12 KOHM	CRJ10DJ123T
AUDIO	R772		nsp	00MNN05153610	CHIP RES.	15 KOHM	CRJ10DJ153T
AUDIO	R773		nsp	00MNN05222610	CHIP RES.	2.2 KOHM	CRJ10DJ222T
AUDIO	R774		nsp	00MNN05151610	CHIP RES.	150 OHM 1/10W J	CRJ10DJ151T
AUDIO	R775		nsp	00MNN05151610	CHIP RES.	150 OHM 1/10W J	CRJ10DJ151T
AUDIO	R776		nsp	00MNN05101610	CHIP RES.	100 OHM	CRJ10DJ101T
AUDIO	R777		nsp	00MNN05561610	CHIP RES.	560 OHM	CRJ10DJ561T
AUDIO	R778		nsp	00MNN05101610	CHIP RES.	100 OHM	CRJ10DJ101T
AUDIO	R779		nsp	00MNN05333610	CHIP RES.	33 KOHM	CRJ10DJ333T
AUDIO	R780		nsp	00MNN05101610	CHIP RES.	100 OHM	CRJ10DJ101T
AUDIO	R781		nsp	00MNN05561610	CHIP RES.	560 OHM	CRJ10DJ561T
AUDIO	R782		nsp	00MNN05101610	CHIP RES.	100 OHM	CRJ10DJ101T
AUDIO	R783		nsp	nsp	RES.	10 OHM 1/5W J	CRD20TJ100T
AUDIO	R784		nsp	00MNN05473610	CHIP RES.	47 KOHM	CRJ10DJ473T
AUDIO	R785		nsp	00MNN05224610	CHIP RES.	220 KOHM	CRJ10DJ224T
AUDIO	R786		nsp	00MNN05101610	CHIP RES.	100 OHM	CRJ10DJ101T
AUDIO	R787		nsp	00MNN05222610	CHIP RES.	2.2 KOHM	CRJ10DJ222T
AUDIO	R788		nsp	00MNN05101610	CHIP RES.	100 OHM	CRJ10DJ101T
AUDIO	R789		nsp	00MNN05222610	CHIP RES.	2.2 KOHM	CRJ10DJ222T
AUDIO	R790		nsp	00MNN05104610	CHIP RES.	100 KOHM	CRJ10DJ104T
AUDIO	R791		nsp	00MNN05101610	CHIP RES.	100 OHM	CRJ10DJ101T
AUDIO	R792		nsp	00MNN05224610	CHIP RES.	220 KOHM	CRJ10DJ224T
AUDIO	R793		nsp	00MNN05101610	CHIP RES.	100 OHM	CRJ10DJ101T
AUDIO	R794		nsp	00MNN05222610	CHIP RES.	2.2 KOHM	CRJ10DJ222T

NOTE : *nsp* PART IS LISTED FOR REFERENCE ONLY, MARANTZ WILL NOT SUPPLY THESE PARTS.

P.C.B. NAME	POS. NO.	VERS. COLOR	PART NO. (FOR EUR)	PART NO. (MJI)	PART NAME	DESCRIPTION	
AUDIO	R795		nsp	00MNN05101610	CHIP RES.	100 OHM	CRJ10DJ101T
AUDIO	R796		nsp	00MNN05222610	CHIP RES.	2.2 KOHM	CRJ10DJ222T
AUDIO	R797		nsp	00MNN05104610	CHIP RES.	100 KOHM	CRJ10DJ104T
AUDIO	R798		nsp	00MNN05101610	CHIP RES.	100 OHM	CRJ10DJ101T
AUDIO	R799		nsp	00MNN05102610	CHIP RES.	1 KOHM	CRJ10DJ102T
AUDIO	R800		nsp	00MNN05102610	CHIP RES.	1 KOHM	CRJ10DJ102T
AUDIO	R801		nsp	00MNN05102610	CHIP RES.	1 KOHM	CRJ10DJ102T
AUDIO	R802		nsp	00MNN05332610	CHIP RES.	3.3 KOHM	CRJ10DJ332T
AUDIO	R803		nsp	00MNN05103610	CHIP RES.	10 KOHM	CRJ10DJ103T
AUDIO	R804		nsp	00MNN05102610	CHIP RES.	1 KOHM	CRJ10DJ102T
AUDIO	R805		nsp	00MNN05102610	CHIP RES.	1 KOHM	CRJ10DJ102T
AUDIO	R806		nsp	00MNN05332610	CHIP RES.	3.3 KOHM	CRJ10DJ332T
AUDIO	R807		nsp	00MNN05103610	CHIP RES.	10 KOHM	CRJ10DJ103T
AUDIO	R808		nsp	00MNN05332610	CHIP RES.	3.3 KOHM	CRJ10DJ332T
AUDIO	R809		nsp	00MNN05222610	CHIP RES.	2.2 KOHM	CRJ10DJ222T
AUDIO	R810		nsp	00MNN05123610	CHIP RES.	12 KOHM	CRJ10DJ123T
AUDIO	R811		nsp	00MNN05153610	CHIP RES.	15 KOHM	CRJ10DJ153T
AUDIO	R812		nsp	00MNN05222610	CHIP RES.	2.2 KOHM	CRJ10DJ222T
AUDIO	R813		nsp	00MNN05332610	CHIP RES.	3.3 KOHM	CRJ10DJ332T
AUDIO	R814		nsp	00MNN05222610	CHIP RES.	2.2 KOHM	CRJ10DJ222T
AUDIO	R815		nsp	00MNN05222610	CHIP RES.	2.2 KOHM	CRJ10DJ222T
AUDIO	R816		nsp	00MNN05123610	CHIP RES.	12 KOHM	CRJ10DJ123T
AUDIO	R817		nsp	00MNN05153610	CHIP RES.	15 KOHM	CRJ10DJ153T
AUDIO	R818		nsp	00MNN05151610	CHIP RES.	150 OHM 1/10W J	CRJ10DJ151T
AUDIO	R819		nsp	00MNN05151610	CHIP RES.	150 OHM 1/10W J	CRJ10DJ151T
AUDIO	R820		nsp	00MNN05101610	CHIP RES.	100 OHM	CRJ10DJ101T
AUDIO	R821		nsp	00MNN05101610	CHIP RES.	100 OHM	CRJ10DJ101T
AUDIO	R822		nsp	00MNN05101610	CHIP RES.	100 OHM	CRJ10DJ101T
AUDIO	R823		nsp	00MNN05561610	CHIP RES.	560 OHM	CRJ10DJ561T
AUDIO	R824		nsp	00MNN05333610	CHIP RES.	33 KOHM	CRJ10DJ333T
AUDIO	R825		nsp	00MNN05561610	CHIP RES.	560 OHM	CRJ10DJ561T
AUDIO	R826		nsp	00MNN05101610	CHIP RES.	100 OHM	CRJ10DJ101T
AUDIO	R827		nsp	nsp	RES.	10 OHM 1/5W J	CRD20TJ100T
AUDIO	R828		nsp	nsp	RES.	10 OHM 1/5W J	CRD20TJ100T
AUDIO	R829		nsp	00MNN05473610	CHIP RES.	47 KOHM	CRJ10DJ473T
AUDIO	R830		nsp	00MNN05224610	CHIP RES.	220 KOHM	CRJ10DJ224T
AUDIO	R831		nsp	00MNN05222610	CHIP RES.	2.2 KOHM	CRJ10DJ222T
AUDIO	R832		nsp	00MNN05101610	CHIP RES.	100 OHM	CRJ10DJ101T
AUDIO	R833		nsp	00MNN05101610	CHIP RES.	100 OHM	CRJ10DJ101T
AUDIO	R834		nsp	00MNN05222610	CHIP RES.	2.2 KOHM	CRJ10DJ222T
AUDIO	R835		nsp	00MNN05104610	CHIP RES.	100 KOHM	CRJ10DJ104T
AUDIO	R836		nsp	00MNN05101610	CHIP RES.	100 OHM	CRJ10DJ101T
AUDIO	R837		nsp	00MNN05332610	CHIP RES.	3.3 KOHM	CRJ10DJ332T
AUDIO	R838		nsp	00MNN05222610	CHIP RES.	2.2 KOHM	CRJ10DJ222T
AUDIO	R839		nsp	00MNN05123610	CHIP RES.	12 KOHM	CRJ10DJ123T
AUDIO	R840		nsp	00MNN05153610	CHIP RES.	15 KOHM	CRJ10DJ153T
AUDIO	R841		nsp	00MNN05222610	CHIP RES.	2.2 KOHM	CRJ10DJ222T
AUDIO	R842		nsp	00MNN05332610	CHIP RES.	3.3 KOHM	CRJ10DJ332T
AUDIO	R843		nsp	00MNN05222610	CHIP RES.	2.2 KOHM	CRJ10DJ222T
AUDIO	R844		nsp	00MNN05123610	CHIP RES.	12 KOHM	CRJ10DJ123T
AUDIO	R845		nsp	00MNN05153610	CHIP RES.	15 KOHM	CRJ10DJ153T
AUDIO	R846		nsp	00MNN05222610	CHIP RES.	2.2 KOHM	CRJ10DJ222T
AUDIO	R847		nsp	00MNN05151610	CHIP RES.	150 OHM 1/10W J	CRJ10DJ151T
AUDIO	R848		nsp	00MNN05151610	CHIP RES.	150 OHM 1/10W J	CRJ10DJ151T
AUDIO	R849		nsp	00MNN05101610	CHIP RES.	100 OHM	CRJ10DJ101T
AUDIO	R850		nsp	00MNN05561610	CHIP RES.	560 OHM	CRJ10DJ561T
AUDIO	R851		nsp	00MNN05101610	CHIP RES.	100 OHM	CRJ10DJ101T
AUDIO	R852		nsp	00MNN05333610	CHIP RES.	33 KOHM	CRJ10DJ333T
AUDIO	R853		nsp	00MNN05101610	CHIP RES.	100 OHM	CRJ10DJ101T
AUDIO	R854		nsp	00MNN05561610	CHIP RES.	560 OHM	CRJ10DJ561T
AUDIO	R855		nsp	00MNN05101610	CHIP RES.	100 OHM	CRJ10DJ101T
AUDIO	R856		nsp	nsp	RES.	10 OHM 1/5W J	CRD20TJ100T
AUDIO	R857		nsp	nsp	RES.	10 OHM 1/5W J	CRD20TJ100T
AUDIO	R858		nsp	00MNN05473610	CHIP RES.	47 KOHM	CRJ10DJ473T
AUDIO	R859		nsp	00MNN05224610	CHIP RES.	220 KOHM	CRJ10DJ224T
AUDIO	R860		nsp	00MNN05101610	CHIP RES.	100 OHM	CRJ10DJ101T
AUDIO	R861		nsp	00MNN05222610	CHIP RES.	2.2 KOHM	CRJ10DJ222T

NOTE : "nsp" PART IS LISTED FOR REFERENCE ONLY, MARANTZ WILL NOT SUPPLY THESE PARTS.

P.C.B. NAME	POS. NO.	VERS. COLOR	PART NO. (FOR EUR)	PART NO. (MJJ)	PART NAME	DESCRIPTION	
AUDIO	R862		nsp	00MNN05101610	CHIP RES.	100 OHM	CRJ10DJ101T
AUDIO	R863		nsp	00MNN05222610	CHIP RES.	2.2 KOHM	CRJ10DJ222T
AUDIO	R864		nsp	00MNN05104610	CHIP RES.	100 KOHM	CRJ10DJ104T
AUDIO	R865		nsp	00MNN05101610	CHIP RES.	100 OHM	CRJ10DJ101T
AUDIO	R866		nsp	00MNN05102610	CHIP RES.	1 KOHM	CRJ10DJ102T
AUDIO	R867		nsp	00MNN05102610	CHIP RES.	1 KOHM	CRJ10DJ102T
AUDIO	R868		nsp	00MNN05102610	CHIP RES.	1 KOHM	CRJ10DJ102T
AUDIO	R869		nsp	00MNN05102610	CHIP RES.	1 KOHM	CRJ10DJ102T
AUDIO	R870		nsp	00MNN05102610	CHIP RES.	1 KOHM	CRJ10DJ102T
AUDIO	R871		nsp	00MNN05332610	CHIP RES.	3.3 KOHM	CRJ10DJ332T
AUDIO	R872		nsp	00MNN05103610	CHIP RES.	10 KOHM	CRJ10DJ103T
AUDIO	R873		nsp	00MNN05332610	CHIP RES.	3.3 KOHM	CRJ10DJ332T
AUDIO	R874		nsp	00MNN05103610	CHIP RES.	10 KOHM	CRJ10DJ103T
AUDIO	R875		nsp	00MNN05332610	CHIP RES.	3.3 KOHM	CRJ10DJ332T
AUDIO	R876		nsp	00MNN05222610	CHIP RES.	2.2 KOHM	CRJ10DJ222T
AUDIO	R877		nsp	00MNN05332610	CHIP RES.	3.3 KOHM	CRJ10DJ332T
AUDIO	R878		nsp	00MNN05222610	CHIP RES.	2.2 KOHM	CRJ10DJ222T
AUDIO	R879		nsp	00MNN05123610	CHIP RES.	12 KOHM	CRJ10DJ123T
AUDIO	R880		nsp	00MNN05153610	CHIP RES.	15 KOHM	CRJ10DJ153T
AUDIO	R881		nsp	00MNN05222610	CHIP RES.	2.2 KOHM	CRJ10DJ222T
AUDIO	R882		nsp	00MNN05123610	CHIP RES.	12 KOHM	CRJ10DJ123T
AUDIO	R883		nsp	00MNN05153610	CHIP RES.	15 KOHM	CRJ10DJ153T
AUDIO	R884		nsp	00MNN05222610	CHIP RES.	2.2 KOHM	CRJ10DJ222T
AUDIO	R885		nsp	00MNN05151610	CHIP RES.	150 OHM 1/10W J	CRJ10DJ151T
AUDIO	R886		nsp	00MNN05151610	CHIP RES.	150 OHM 1/10W J	CRJ10DJ151T
AUDIO	R887		nsp	00MNN05101610	CHIP RES.	100 OHM	CRJ10DJ101T
AUDIO	R888		nsp	00MNN05561610	CHIP RES.	560 OHM	CRJ10DJ561T
AUDIO	R889		nsp	00MNN05101610	CHIP RES.	100 OHM	CRJ10DJ101T
AUDIO	R890		nsp	00MNN05101610	CHIP RES.	100 OHM	CRJ10DJ101T
AUDIO	R891		nsp	00MNN05333610	CHIP RES.	33 KOHM	CRJ10DJ333T
AUDIO	R892		nsp	00MNN05561610	CHIP RES.	560 OHM	CRJ10DJ561T
AUDIO	R893		nsp	nsp	RES.	10 OHM 1/5W J	CRD20TJ100T
AUDIO	R894		nsp	nsp	RES.	10 OHM 1/5W J	CRD20TJ100T
AUDIO	R895		nsp	00MNN05101610	CHIP RES.	100 OHM	CRJ10DJ101T
AUDIO	R896		nsp	00MNN05473610	CHIP RES.	47 KOHM	CRJ10DJ473T
AUDIO	R897		nsp	00MNN05224610	CHIP RES.	220 KOHM	CRJ10DJ224T
AUDIO	R898		nsp	00MNN05101610	CHIP RES.	100 OHM	CRJ10DJ101T
AUDIO	R899		nsp	00MNN05222610	CHIP RES.	2.2 KOHM	CRJ10DJ222T
AUDIO	R900		nsp	00MNN05101610	CHIP RES.	100 OHM	CRJ10DJ101T
AUDIO	R901		nsp	00MNN05101610	CHIP RES.	100 OHM	CRJ10DJ101T
AUDIO	R902		nsp	00MNN05220610	CHIP RES.	22 OHM 1/10W J	CRJ10DJ220T
AUDIO	R903		nsp	00MNN05220610	CHIP RES.	22 OHM 1/10W J	CRJ10DJ220T
AUDIO	R904		nsp	00MNN05220610	CHIP RES.	22 OHM 1/10W J	CRJ10DJ220T
AUDIO	R905		nsp	00MNN05220610	CHIP RES.	22 OHM 1/10W J	CRJ10DJ220T
AUDIO	R906		nsp	00MNN05220610	CHIP RES.	22 OHM 1/10W J	CRJ10DJ220T
AUDIO	R907		nsp	00MNN05220610	CHIP RES.	22 OHM 1/10W J	CRJ10DJ220T
AUDIO	R908		nsp	00MNN05220610	CHIP RES.	22 OHM 1/10W J	CRJ10DJ220T
AUDIO	R909		nsp	00MNN05220610	CHIP RES.	22 OHM 1/10W J	CRJ10DJ220T
AUDIO	R911		nsp	00MNN05000610	CHIP RES.	0 OHM	CRJ10DJ0R0T
AUDIO	R912		nsp	00MNN05000610	CHIP RES.	0 OHM	CRJ10DJ0R0T
AUDIO	X101		90M-JX001180R	90M-JX001180R	X'TAL	12288HZ	HOX12288E320TF
					FRONT PWB (CUP11778Z-2)		
FRONT	C401		nsp	00MDK96104300	CER. CAP.	0.1UF	HCUS1H104ZF
FRONT	C402		nsp	00MDK96104300	CER. CAP.	0.1UF	HCUS1H104ZF
FRONT	C403		nsp	00MDK96104300	CER. CAP.	0.1UF	HCUS1H104ZF
FRONT	C404		nsp	00MDD95330300	CER. CAP.	33PF 50V JA 1608SIZE	HCUS1H330JA
FRONT	C405		nsp	00MDK96104300	CER. CAP.	0.1UF	HCUS1H104ZF
FRONT	C423		nsp	00MOA10701620	ELECT. CAP.	100UF 16V ZF	CCEA1CH101T
FRONT	C430		nsp	00MDD95471300	CER. CAP.	470PF 50V JA 1608SIZE	HCUS1H471JA
FRONT	C431		nsp	00MDD95471300	CER. CAP.	470PF 50V JA 1608SIZE	HCUS1H471JA
FRONT	C432		nsp	00MDD95471300	CER. CAP.	470PF 50V JA 1608SIZE	HCUS1H471JA
FRONT	C433		nsp	00MDK96104300	CER. CAP.	0.1UF	HCUS1H104ZF
FRONT	CN41		nsp	nsp	JACK	GF102-17S-TS	KJP17GA117ZG
FRONT	CN42		nsp	nsp	JACK	WAFER	KJP04GA19ZM
FRONT	D401		90M-HI101040R	90M-HI101040R	L.E.D.	SLR342VCTB7T089	HVD342VCTB7T089
FRONT	D402		90M-HI101110R	90M-HI101110R	L.E.D.	L.E.D , GREEN	HVD342MCTB7T089
FRONT	D403		90M-HI101040R	90M-HI101040R	L.E.D.	SLR342VCTB7T089	HVD342VCTB7T089

NOTE : *nsp* PART IS LISTED FOR REFERENCE ONLY, MARANTZ WILL NOT SUPPLY THESE PARTS.

P.C.B. NAME	POS. NO.	VERS. COLOR	PART NO. (FOR EUR)	PART NO. (MJI)	PART NAME	DESCRIPTION
FRONT	F401		90M-HQ300690R	90M-HQ300690R	DISPLAY	FLT, DISPLAY HFLCH2099CB
FRONT	IC42		90M-HC109370R	90M-HC109370R	IC	VFD DRIVER IC (QFP64E PKG) HVILC75712E-E
FRONT	IC44		00MHW10004210	00MHW10004210	PHOTO UNIT	RPM6936-V4 BRVRPM6936V4
FRONT	PB41		nsp	nsp	BRACKET	BRACKET , FLT CMD1A468
FRONT	PB42		nsp	nsp	BRACKET	BRACKET , FLT CMD1A468
FRONT	Q401		90M-HX800050R	90M-HX800050R	CHIP TRS.	KRC402 HVTKRC402
FRONT	Q402		90M-HX800050R	90M-HX800050R	CHIP TRS.	KRC402 HVTKRC402
FRONT	Q403		90M-HX800050R	90M-HX800050R	CHIP TRS.	KRC402 HVTKRC402
FRONT	R401		nsp	00MNN05121610	CHIP RES.	120 OHM CRJ10DJ121T
FRONT	R402		nsp	00MNN05100610	CHIP RES.	10 OHM 1/10W J CRJ10DJ100T
FRONT	R408		nsp	00MNN05681610	CHIP RES.	680 OHM CRJ10DJ681T
FRONT	R409		nsp	00MNN05821610	CHIP RES.	820 OHM/1608/5% 00200-0102 CRJ10DJ821T
FRONT	R410		nsp	00MNN05272610	CHIP RES.	2.7 KOHM CRJ10DJ272T
FRONT	R411		nsp	00MNN05152610	CHIP RES.	1.5 KOHM CRJ10DJ152T
FRONT	R412		nsp	00MNN05222610	CHIP RES.	2.2 KOHM CRJ10DJ222T
FRONT	R413		nsp	00MNN05331610	CHIP RES.	330 OHM/1608/5% 00200-0117 CRJ10DJ331T
FRONT	R414		nsp	00MNN05331610	CHIP RES.	330 OHM/1608/5% 00200-0117 CRJ10DJ331T
FRONT	R415		nsp	00MNN05331610	CHIP RES.	330 OHM/1608/5% 00200-0117 CRJ10DJ331T
FRONT	R417		nsp	00MNN05103610	CHIP RES.	10 KOHM CRJ10DJ103T
FRONT	R418		nsp	00MNN05121610	CHIP RES.	120 OHM CRJ10DJ121T
FRONT	R419		nsp	00MNN05121610	CHIP RES.	120 OHM CRJ10DJ121T
FRONT	R420		nsp	00MNN05121610	CHIP RES.	120 OHM CRJ10DJ121T
FRONT	R421		nsp	00MNN05101610	CHIP RES.	100 OHM CRJ10DJ101T
FRONT	R436		nsp	00MNN05822610	CHIP RES.	8.2 KOHM CRJ10DJ822T
FRONT	R437		nsp	00MNN05223610	CHIP RES.	22 KOHM CRJ10DJ223T
FRONT	S402		90M-SP001210R	90M-SP001210R	PUSH SW	SKHV10910G TACT CST1A012ZT
FRONT	S403		90M-SP001210R	90M-SP001210R	PUSH SW	SKHV10910G TACT CST1A012ZT
FRONT	S404		90M-SP001210R	90M-SP001210R	PUSH SW	SKHV10910G TACT CST1A012ZT
FRONT	S405		90M-SP001210R	90M-SP001210R	PUSH SW	SKHV10910G TACT CST1A012ZT
FRONT	S406		90M-SP001210R	90M-SP001210R	PUSH SW	SKHV10910G TACT CST1A012ZT
FRONT	S407		90M-SP001210R	90M-SP001210R	PUSH SW	SKHV10910G TACT CST1A012ZT
FRONT	S408		90M-SP001210R	90M-SP001210R	PUSH SW	SKHV10910G TACT CST1A012ZT
					HDMI PWB (CUP11779Z)	
HDMI	CT01		nsp	00MDK96104300	CER. CAP.	0.1UF HCUS1H104ZF
HDMI	CT02		nsp	00MDK96104300	CER. CAP.	0.1UF HCUS1H104ZF
HDMI	CT03		nsp	00MDK96102300	CER. CAP.	1000PF 50V KC 1608SIZE HCUS1H102KC
HDMI	CT04		nsp	00MDD95470300	CER. CAP.	47PF 50V J HCUS1H470JA
HDMI	CT05		nsp	00MDD95470300	CER. CAP.	47PF 50V J HCUS1H470JA
HDMI	CT06		nsp	00MDK96102300	CER. CAP.	1000PF 50V KC 1608SIZE HCUS1H102KC
HDMI	CT07		nsp	00MDK96104300	CER. CAP.	0.1UF HCUS1H104ZF
HDMI	CT08		90M-EY000440R	90M-EY000440R	TANTL.CAP CHIP	TANTAL CAP 10UF/16V HCSIA1C100B
HDMI	CT09		nsp	00MDK96104300	CER. CAP.	0.1UF HCUS1H104ZF
HDMI	CT10		nsp	00MDK96104300	CER. CAP.	0.1UF HCUS1H104ZF
HDMI	CT11		nsp	00MDK96104300	CER. CAP.	0.1UF HCUS1H104ZF
HDMI	CT12		90M-EY000430R	90M-EY000430R	TANTL.CAP CHIP	TANTAL CAP 22UF/6.3V HCSIA0J220B
HDMI	CT13		nsp	00MDK96104300	CER. CAP.	0.1UF HCUS1H104ZF
HDMI	CT14		nsp	00MDK96104300	CER. CAP.	0.1UF HCUS1H104ZF
HDMI	CT15		90M-EY000440R	90M-EY000440R	TANTL.CAP CHIP	TANTAL CAP 10UF/16V HCSIA1C100B
HDMI	CT16		nsp	00MDK96104300	CER. CAP.	0.1UF HCUS1H104ZF
HDMI	CT17		nsp	00MDK96102300	CER. CAP.	1000PF 50V KC 1608SIZE HCUS1H102KC
HDMI	CT18		nsp	00MDK96104300	CER. CAP.	0.1UF HCUS1H104ZF
HDMI	CT19		nsp	00MDK96104300	CER. CAP.	0.1UF HCUS1H104ZF
HDMI	CT20		90M-EY000430R	90M-EY000430R	TANTL.CAP CHIP	TANTAL CAP 22UF/6.3V HCSIA0J220B
HDMI	CT21		nsp	00MDK96104300	CER. CAP.	0.1UF HCUS1H104ZF
HDMI	CT22		nsp	00MDK96104300	CER. CAP.	0.1UF HCUS1H104ZF
HDMI	CT24		nsp	00MDK96104300	CER. CAP.	0.1UF HCUS1H104ZF
HDMI	CT25		90M-EY000440R	90M-EY000440R	TANTL.CAP CHIP	TANTAL CAP 10UF/16V HCSIA1C100B
HDMI	CT26		nsp	00MDK96104300	CER. CAP.	0.1UF HCUS1H104ZF
HDMI	CT27		90M-EY000420R	90M-EY000420R	TANTL.CAP CHIP	CAP , CHIP ELECT HCEC0JRV2101T
HDMI	CT28		nsp	00MDK96104300	CER. CAP.	0.1UF HCUS1H104ZF
HDMI	CT29		90M-EY000440R	90M-EY000440R	TANTL.CAP CHIP	TANTAL CAP 10UF/16V HCSIA1C100B
HDMI	CT30		nsp	00MDK96104300	CER. CAP.	0.1UF HCUS1H104ZF
HDMI	CT31		90M-EY000440R	90M-EY000440R	TANTL.CAP CHIP	TANTAL CAP 10UF/16V HCSIA1C100B
HDMI	CT32		nsp	00MDK96104300	CER. CAP.	0.1UF HCUS1H104ZF
HDMI	CT51		nsp	00MDD95101300	CER. CAP.	100PF 50V JA 1608SIZE HCUS1H101JA
HDMI	CT52		nsp	00MDK96104300	CER. CAP.	0.1UF HCUS1H104ZF
HDMI	CT54		nsp	90M-DK900050R	CER. CAP.	1UF HCUS1E105ZF

NOTE : "nsp" PART IS LISTED FOR REFERENCE ONLY, MARANTZ WILL NOT SUPPLY THESE PARTS.

P.C.B. NAME	POS. NO.	VERS. COLOR	PART NO. (FOR EUR)	PART NO. (MJI)	PART NAME	DESCRIPTION	
HDMI	CT57		90M-EY000410R	90M-EY000410R	TANTL.CAP CHIP	CAP , ELEC (SMD) 47UF/16V	HCEC1CRV2470T
HDMI	CT58		nsp	00MDK96104300	CER. CAP.	0.1UF	HCUS1H104ZF
HDMI	CW01		90M-EY000420R	90M-EY000420R	TANTL.CAP CHIP	CAP , CHIP ELECT	HCEC0JRV2101T
HDMI	CW02		nsp	00MDK96104300	CER. CAP.	0.1UF	HCUS1H104ZF
HDMI	CW03		nsp	00MDK96104300	CER. CAP.	0.1UF	HCUS1H104ZF
HDMI	CW04		nsp	00MDK96104300	CER. CAP.	0.1UF	HCUS1H104ZF
HDMI	CW05		nsp	00MDK96104300	CER. CAP.	0.1UF	HCUS1H104ZF
HDMI	CW06		nsp	00MDK96104300	CER. CAP.	0.1UF	HCUS1H104ZF
HDMI	CW07		nsp	00MDK96104300	CER. CAP.	0.1UF	HCUS1H104ZF
HDMI	CW08		nsp	00MDK96104300	CER. CAP.	0.1UF	HCUS1H104ZF
HDMI	CW09		nsp	00MDK96104300	CER. CAP.	0.1UF	HCUS1H104ZF
HDMI	CW10		nsp	00MDK96104300	CER. CAP.	0.1UF	HCUS1H104ZF
HDMI	CW11		nsp	00MDK96104300	CER. CAP.	0.1UF	HCUS1H104ZF
HDMI	CW12		90M-EY000420R	90M-EY000420R	TANTL.CAP CHIP	CAP , CHIP ELECT	HCEC0JRV2101T
HDMI	CW13		nsp	00MDK96104300	CER. CAP.	0.1UF	HCUS1H104ZF
HDMI	CW14		nsp	00MDK96104300	CER. CAP.	0.1UF	HCUS1H104ZF
HDMI	CW15		nsp	00MDK96104300	CER. CAP.	0.1UF	HCUS1H104ZF
HDMI	CW16		nsp	00MDK96104300	CER. CAP.	0.1UF	HCUS1H104ZF
HDMI	CW17		90M-EY000420R	90M-EY000420R	TANTL.CAP CHIP	CAP , CHIP ELECT	HCEC0JRV2101T
HDMI	CW18		nsp	00MDK96104300	CER. CAP.	0.1UF	HCUS1H104ZF
HDMI	CW19		nsp	nsp	CER. CAP.	0.33F, 3216 SIZE	BCUP1H334KC
HDMI	CW20		nsp	90M-DK900060R	CER. CAP.	0.033UF	HCUS1E333KC
HDMI	CW21		nsp	00MDK96104300	CER. CAP.	0.1UF	HCUS1H104ZF
HDMI	CW22		nsp	00MDK96104300	CER. CAP.	0.1UF	HCUS1H104ZF
HDMI	CW23		nsp	00MDK96104300	CER. CAP.	0.1UF	HCUS1H104ZF
HDMI	CW81		90M-EY000440R	90M-EY000440R	TANTL.CAP CHIP	TANTAL CAP 10UF/16V	HCSIA1C100B
HDMI	CW82		nsp	00MDK96104300	CER. CAP.	0.1UF	HCUS1H104ZF
HDMI	CW83		90M-EY000420R	90M-EY000420R	TANTL.CAP CHIP	CAP , CHIP ELECT	HCEC0JRV2101T
HDMI	CW84		nsp	00MDK96104300	CER. CAP.	0.1UF	HCUS1H104ZF
HDMI	CW85		90M-EY000440R	90M-EY000440R	TANTL.CAP CHIP	TANTAL CAP 10UF/16V	HCSIA1C100B
HDMI	CW86		nsp	00MDK96104300	CER. CAP.	0.1UF	HCUS1H104ZF
HDMI	CW87		90M-EY000420R	90M-EY000420R	TANTL.CAP CHIP	CAP , CHIP ELECT	HCEC0JRV2101T
HDMI	CW88		nsp	00MDK96104300	CER. CAP.	0.1UF	HCUS1H104ZF
HDMI	CW89		90M-EY000440R	90M-EY000440R	TANTL.CAP CHIP	TANTAL CAP 10UF/16V	HCSIA1C100B
HDMI	CW90		nsp	00MDK96104300	CER. CAP.	0.1UF	HCUS1H104ZF
HDMI	CW91		90M-EY000420R	90M-EY000420R	TANTL.CAP CHIP	CAP , CHIP ELECT	HCEC0JRV2101T
HDMI	CW92		nsp	00MDK96104300	CER. CAP.	0.1UF	HCUS1H104ZF
HDMI	JT01		90M-YT004470R	90M-YT004470R	TERMINAL	HDMI JACK (SMD TYPE)	KJJ9H002Z
HDMI	JT02		nsp	nsp	BRACKET	BRACKET , PWB	CMD1A387
HDMI	JT51		90M-YT004380R	90M-YT004380R	TERMINAL	CINCH+OPT. GL YKC22-0748N	HJS9U003Z
HDMI	JW01		90M-YJ002850R	90M-YJ002850R	JACK	FPC WAFER 0.5MM PITCH	KJP40GA195ZM
HDMI	JW02		90M-YU001930R	90M-YU001930R	FPC	CARD CABLE WAFER (10022HS)	KJP15GA193ZY
HDMI	JW03		nsp	nsp	BRACKET	BRACKET , PWB	CMD1A387
HDMI	LT01		90M-LU000220R	90M-LU000220R	CHIP INDUCTOR	10UH (3225 PKG)	HLQ10E100KRZ
HDMI	LT02		90M-FC900400R	90M-FC900400R	FERRITE CORE	BEAD CHIP 60(1608 SIZE)	HLZ9R005Z
HDMI	LT03		90M-LU000220R	90M-LU000220R	CHIP INDUCTOR	10UH (3225 PKG)	HLQ10E100KRZ
HDMI	LT04		90M-FC900400R	90M-FC900400R	FERRITE CORE	BEAD CHIP 60(1608 SIZE)	HLZ9R005Z
HDMI	LT05		90M-FC900400R	90M-FC900400R	FERRITE CORE	BEAD CHIP 60(1608 SIZE)	HLZ9R005Z
HDMI	LT06		90M-FC900410R	90M-FC900410R	FERRITE CORE	BEAD CHIP 90 OHM (2012 SIZE)	BLZ9R004Z
HDMI	LT07		90M-FC900410R	90M-FC900410R	FERRITE CORE	BEAD CHIP 90 OHM (2012 SIZE)	BLZ9R004Z
HDMI	LT08		90M-FC900410R	90M-FC900410R	FERRITE CORE	BEAD CHIP 90 OHM (2012 SIZE)	BLZ9R004Z
HDMI	LT09		90M-FC900410R	90M-FC900410R	FERRITE CORE	BEAD CHIP 90 OHM (2012 SIZE)	BLZ9R004Z
HDMI	LT51		90M-FC900400R	90M-FC900400R	FERRITE CORE	BEAD CHIP 60(1608 SIZE)	HLZ9R005Z
HDMI	LW01		90M-FC900400R	90M-FC900400R	FERRITE CORE	BEAD CHIP 60(1608 SIZE)	HLZ9R005Z
HDMI	LW02		90M-FC900400R	90M-FC900400R	FERRITE CORE	BEAD CHIP 60(1608 SIZE)	HLZ9R005Z
HDMI	LW03		90M-LU000220R	90M-LU000220R	CHIP INDUCTOR	10UH (3225 PKG)	HLQ10E100KRZ
HDMI	QT01		90M-HC109390R	90M-HC109390R	IC	HDMI TRANSMITTER	HVISI9190CT64
HDMI	QT02		00MHC008905K0	00MHC008905K0	IC	S HI-SPEED INPUT AND GATE	HVIKIC7SZ08FU
HDMI	QT03		90M-HY200040R	90M-HY200040R	CHIP FET	F.E.T , SMD HN1K05FU	HVTHN1K05FU
HDMI	QT05		90M-HC300820R	90M-HC300820R	IC	REGULATOR 3.3V(SOT-23-5)	HVIRN5RZ33BA
HDMI	QT06		90M-HC300830R	90M-HC300830R	IC	REGULATOR 5V (SOT-23-5)	HVIRN5RZ50BA
HDMI	QT51		90M-HT800110R	90M-HT800110R	TRS.	KTC4075GR	HVTKTC4075GR
HDMI	QW01		00MHC10020660	00MHC10020660	IC	SCALER IC (LQFP-120)	HVIPD0280B
HDMI	QW81		90M-HZ300060R	90M-HZ300060R	CHIP DIODE	REGULATOR 3.3V (TO252-5)	BVIBA033C0WFP
HDMI	QW82		90M-HC300820R	90M-HC300820R	IC	REGULATOR 3.3V(SOT-23-5)	HVIRN5RZ33BA
HDMI	QW83		00MHC10228210	00MHC10228210	IC	REGULATOR 2.5V (TO252-5)	BVIBA25BC0WFPE2
HDMI	RT01		nsp	00MNN05000610	CHIP RES.	0 OHM	CRJ10DJ0R0T

NOTE : *nsp* PART IS LISTED FOR REFERENCE ONLY, MARANTZ WILL NOT SUPPLY THESE PARTS.

P.C.B. NAME	POS. NO.	VERS. COLOR	PART NO. (FOR EUR)	PART NO. (MJI)	PART NAME	DESCRIPTION	
HDMI	RT02		nsp	00MNN05000610	CHIP RES.	0 OHM	CRJ10DJ0R0T
HDMI	RT03		nsp	00MNN05000610	CHIP RES.	0 OHM	CRJ10DJ0R0T
HDMI	RT07		nsp	00MNN05220610	CHIP RES.	22 OHM 1/10W J	CRJ10DJ220T
HDMI	RT08		nsp	00MNN05220610	CHIP RES.	22 OHM 1/10W J	CRJ10DJ220T
HDMI	RT09		nsp	00MNN05472610	CHIP RES.	4.7 KOHM	CRJ10DJ472T
HDMI	RT10		nsp	00MNN05101610	CHIP RES.	100 OHM	CRJ10DJ101T
HDMI	RT11		nsp	00MNN05220610	CHIP RES.	22 OHM 1/10W J	CRJ10DJ220T
HDMI	RT12		nsp	00MNN05101610	CHIP RES.	100 OHM	CRJ10DJ101T
HDMI	RT13		nsp	00MNN05561610	CHIP RES.	560 OHM	CRJ10DJ561T
HDMI	RT14		90M-BW000400R	90M-BW000400R	RES. COMPO.	RES,4ARRAY	CRJ104DJ220T
HDMI	RT15		90M-BW000400R	90M-BW000400R	RES. COMPO.	RES,4ARRAY	CRJ104DJ220T
HDMI	RT16		90M-BW000400R	90M-BW000400R	RES. COMPO.	RES,4ARRAY	CRJ104DJ220T
HDMI	RT17		90M-BW000400R	90M-BW000400R	RES. COMPO.	RES,4ARRAY	CRJ104DJ220T
HDMI	RT18		nsp	00MNN05220610	CHIP RES.	22 OHM 1/10W J	CRJ10DJ220T
HDMI	RT19		90M-BW000400R	90M-BW000400R	RES. COMPO.	RES,4ARRAY	CRJ104DJ220T
HDMI	RT20		nsp	00MNN05103610	CHIP RES.	10 KOHM	CRJ10DJ103T
HDMI	RT21		nsp	00MNN05473610	CHIP RES.	47 KOHM	CRJ10DJ473T
HDMI	RT22		nsp	00MNN05101610	CHIP RES.	100 OHM	CRJ10DJ101T
HDMI	RT23		nsp	00MNN05182610	CHIP RES.	1.8 KOHM	CRJ10DJ182T
HDMI	RT24		nsp	00MNN05182610	CHIP RES.	1.8 KOHM	CRJ10DJ182T
HDMI	RT25		nsp	00MNN05000610	CHIP RES.	0 OHM	CRJ10DJ0R0T
HDMI	RT26		nsp	00MNN05000610	CHIP RES.	0 OHM	CRJ10DJ0R0T
HDMI	RT29		nsp	00MNN05101610	CHIP RES.	100 OHM	CRJ10DJ101T
HDMI	RT30		nsp	00MNN05101610	CHIP RES.	100 OHM	CRJ10DJ101T
HDMI	RT31		90M-NP000020R	90M-NP000020R	CHIP RES.	51 OHM (1005 PACKAGE)	CRJ06IJ510T
HDMI	RT32		90M-NP000020R	90M-NP000020R	CHIP RES.	51 OHM (1005 PACKAGE)	CRJ06IJ510T
HDMI	RT33		90M-NP000020R	90M-NP000020R	CHIP RES.	51 OHM (1005 PACKAGE)	CRJ06IJ510T
HDMI	RT34		90M-NP000020R	90M-NP000020R	CHIP RES.	51 OHM (1005 PACKAGE)	CRJ06IJ510T
HDMI	RT35		90M-NP000020R	90M-NP000020R	CHIP RES.	51 OHM (1005 PACKAGE)	CRJ06IJ510T
HDMI	RT36		90M-NP000020R	90M-NP000020R	CHIP RES.	51 OHM (1005 PACKAGE)	CRJ06IJ510T
HDMI	RT37		90M-NP000010R	90M-NP000010R	CHIP RES.	22 OHM (1005 PACKAGE)	CRJ06IJ220T
HDMI	RT38		90M-NP000010R	90M-NP000010R	CHIP RES.	22 OHM (1005 PACKAGE)	CRJ06IJ220T
HDMI	RT39		nsp	00MNN05103610	CHIP RES.	10 KOHM	CRJ10DJ103T
HDMI	RT51		nsp	00MNN05220610	CHIP RES.	22 OHM 1/10W J	CRJ10DJ220T
HDMI	RT52		nsp	00MNN05000610	CHIP RES.	0 OHM	CRJ10DJ0R0T
HDMI	RT53		nsp	00MNN05222610	CHIP RES.	2.2 KOHM	CRJ10DJ222T
HDMI	RT54		nsp	00MNN05182610	CHIP RES.	1.8 KOHM	CRJ10DJ182T
HDMI	RT55		nsp	00MNN05392610	CHIP RES.	3.9K OHM 1/10W J	CRJ10DJ392T
HDMI	RT56		nsp	00MNN05221610	CHIP RES.	220 OHM	CRJ10DJ221T
HDMI	RT57		nsp	00MNN05680610	CHIP RES.	68 OHM	CRJ10DJ680T
HDMI	RT58		nsp	00MNN05104610	CHIP RES.	100 KOHM	CRJ10DJ104T
HDMI	RT59		nsp	00MNN05101610	CHIP RES.	100 OHM	CRJ10DJ101T
HDMI	RT60		nsp	00MNN05000610	CHIP RES.	0 OHM	CRJ10DJ0R0T
HDMI	RT61		nsp	00MNN05221610	CHIP RES.	220 OHM	CRJ10DJ221T
HDMI	RW01		90M-BW000400R	90M-BW000400R	RES. COMPO.	RES,4ARRAY	CRJ104DJ220T
HDMI	RW02		90M-BW000400R	90M-BW000400R	RES. COMPO.	RES,4ARRAY	CRJ104DJ220T
HDMI	RW03		nsp	00MNN05220610	CHIP RES.	22 OHM 1/10W J	CRJ10DJ220T
HDMI	RW04		nsp	00MNN05220610	CHIP RES.	22 OHM 1/10W J	CRJ10DJ220T
HDMI	RW05		nsp	00MNN05220610	CHIP RES.	22 OHM 1/10W J	CRJ10DJ220T
HDMI	RW06		nsp	00MNN05220610	CHIP RES.	22 OHM 1/10W J	CRJ10DJ220T
HDMI	RW07		90M-BW000400R	90M-BW000400R	RES. COMPO.	RES,4ARRAY	CRJ104DJ220T
HDMI	RW08		90M-BW000400R	90M-BW000400R	RES. COMPO.	RES,4ARRAY	CRJ104DJ220T
HDMI	RW11		nsp	00MNN05220610	CHIP RES.	22 OHM 1/10W J	CRJ10DJ220T
HDMI	RW12		nsp	00MNN05220610	CHIP RES.	22 OHM 1/10W J	CRJ10DJ220T
HDMI	RW13		nsp	00MNN05220610	CHIP RES.	22 OHM 1/10W J	CRJ10DJ220T
HDMI	RW14		nsp	00MNN05332610	CHIP RES.	3.3 KOHM	CRJ10DJ332T
HDMI	RW15		nsp	00MNN05821610	CHIP RES.	820 OHM/1608/5% 00200-0102	CRJ10DJ821T
HDMI	RW16		nsp	00MNN05103610	CHIP RES.	10 KOHM	CRJ10DJ103T
HDMI	RW17		nsp	00MNN05220610	CHIP RES.	22 OHM 1/10W J	CRJ10DJ220T
HDMI	RW18		nsp	00MNN05103610	CHIP RES.	10 KOHM	CRJ10DJ103T
HDMI	RW20		nsp	00MNN05000610	CHIP RES.	0 OHM	CRJ10DJ0R0T
HDMI	RW21		nsp	00MNN05000610	CHIP RES.	0 OHM	CRJ10DJ0R0T
					MAIN PWB (CUP1177Z)		
MAIN	BN12		nsp	nsp	CORD	WIRE ASS'Y	CWB1C907170GN
MAIN	BN13		nsp	nsp	CORD	WIRE ASS'Y	CWZDV7500BN13
MAIN	BN14		nsp	nsp	CORD	WIRE ASS'Y	CWZDV7500BN14
MAIN	BN16		nsp	nsp	CORD	WIRE ASS'Y	CWZDV7500BN16

NOTE : *nsp* PART IS LISTED FOR REFERENCE ONLY, MARANTZ WILL NOT SUPPLY THESE PARTS.

P.C.B. NAME	POS. NO.	VERS. COLOR	PART NO. (FOR EUR)	PART NO. (MJ)	PART NAME	DESCRIPTION	
MAIN	BN43	/N1B	nsp	nsp	CORD	WIRE ASS'Y (150MM)	CWB1C903150EN
MAIN	BN43	/N1S	nsp	nsp	CORD	WIRE ASS'Y (150MM)	CWB1C903150EN
MAIN	BN93		nsp	nsp	CORD	WIRE ASS'Y DV7500	CWB1C912150EN
MAIN	C107		nsp	00MDK96104300	CER. CAP.	0.1UF	HCUS1H104ZF
MAIN	C108		nsp	00MDD9515030R	CER. CAP.	15PF	HCUS1H150JA
MAIN	C109		nsp	00MDD9515030R	CER. CAP.	15PF	HCUS1H150JA
MAIN	C110	/F N	nsp	00MDK96104300	CER. CAP.	0.1UF	HCUS1H104ZF
MAIN	C110	/K1G	nsp	00MDK96104300	CER. CAP.	0.1UF	HCUS1H104ZF
MAIN	C110	/N1B	nsp	00MDK96104300	CER. CAP.	0.1UF	HCUS1H104ZF
MAIN	C110	/N1S	nsp	00MDK96104300	CER. CAP.	0.1UF	HCUS1H104ZF
MAIN	C110	/S1G	nsp	00MDK96104300	CER. CAP.	0.1UF	HCUS1H104ZF
MAIN	C122		nsp	00MDK96102300	CER. CAP.	1000PF 50V KC 1608SIZE	HCUS1H102KC
MAIN	C123		nsp	00MDK96102300	CER. CAP.	1000PF 50V KC 1608SIZE	HCUS1H102KC
MAIN	C124		nsp	00MDK96104300	CER. CAP.	0.1UF	HCUS1H104ZF
MAIN	C125		nsp	00MDK96104300	CER. CAP.	0.1UF	HCUS1H104ZF
MAIN	C129		nsp	00MDK96104300	CER. CAP.	0.1UF	HCUS1H104ZF
MAIN	C155		nsp	00MOA10701620	ELECT. CAP.	100UF 16V ZF	CCEA1CH101T
MAIN	C156		nsp	00MDK96104300	CER. CAP.	0.1UF	HCUS1H104ZF
MAIN	C157		nsp	00MDK96104300	CER. CAP.	0.1UF	HCUS1H104ZF
MAIN	C160		nsp	00MDK96392300	CER. CAP.	3900PF 50V	HCUS1H392KB
MAIN	C161		nsp	00MDK96104300	CER. CAP.	0.1UF	HCUS1H104ZF
MAIN	C162		nsp	00MOA10701620	ELECT. CAP.	100UF 16V ZF	CCEA1CH101T
MAIN	C163		nsp	00MDK96104300	CER. CAP.	0.1UF	HCUS1H104ZF
MAIN	C164		nsp	00MDK96104300	CER. CAP.	0.1UF	HCUS1H104ZF
MAIN	C165		nsp	00MOA10701620	ELECT. CAP.	100UF 16V ZF	CCEA1CH101T
MAIN	C167		nsp	00MDK96104300	CER. CAP.	0.1UF	HCUS1H104ZF
MAIN	C168		nsp	00MDK96104300	CER. CAP.	0.1UF	HCUS1H104ZF
MAIN	C169		nsp	00MDK96104300	CER. CAP.	0.1UF	HCUS1H104ZF
MAIN	C170		nsp	00MDK96104300	CER. CAP.	0.1UF	HCUS1H104ZF
MAIN	C171		nsp	00MDK96104300	CER. CAP.	0.1UF	HCUS1H104ZF
MAIN	C172		nsp	00MDK96104300	CER. CAP.	0.1UF	HCUS1H104ZF
MAIN	C173		nsp	00MDK96104300	CER. CAP.	0.1UF	HCUS1H104ZF
MAIN	C174		nsp	00MDK96104300	CER. CAP.	0.1UF	HCUS1H104ZF
MAIN	C175		nsp	00MDK96104300	CER. CAP.	0.1UF	HCUS1H104ZF
MAIN	C176		nsp	00MDK96104300	CER. CAP.	0.1UF	HCUS1H104ZF
MAIN	C178		nsp	00MOA10701620	ELECT. CAP.	100UF 16V ZF	CCEA1CH101T
MAIN	C179		nsp	00MDK96104300	CER. CAP.	0.1UF	HCUS1H104ZF
MAIN	C180		nsp	00MDK96104300	CER. CAP.	0.1UF	HCUS1H104ZF
MAIN	C181		nsp	00MOA10701620	ELECT. CAP.	100UF 16V ZF	CCEA1CH101T
MAIN	C182		nsp	00MDK96104300	CER. CAP.	0.1UF	HCUS1H104ZF
MAIN	C183		nsp	00MDK96392300	CER. CAP.	3900PF 50V	HCUS1H392KB
MAIN	C185		nsp	00MDK96104300	CER. CAP.	0.1UF	HCUS1H104ZF
MAIN	C186		nsp	00MDK96104300	CER. CAP.	0.1UF	HCUS1H104ZF
MAIN	C187		nsp	00MDK96821300	CER. CAP.	820PF 50V	HCUS1H821JA
MAIN	C188		nsp	90M-DK900050R	CER. CAP.	1UF	HCUS1E105ZF
MAIN	C191		nsp	90M-DK900050R	CER. CAP.	1UF	HCUS1E105ZF
MAIN	C192		nsp	00MDK96104300	CER. CAP.	0.1UF	HCUS1H104ZF
MAIN	C193		nsp	00MOA10701620	ELECT. CAP.	100UF 16V ZF	CCEA1CH101T
MAIN	C194		nsp	00MDK96104300	CER. CAP.	0.1UF	HCUS1H104ZF
MAIN	C195		nsp	00MDK96104300	CER. CAP.	0.1UF	HCUS1H104ZF
MAIN	C196		nsp	00MDK96104300	CER. CAP.	0.1UF	HCUS1H104ZF
MAIN	C197		nsp	00MDK96821300	CER. CAP.	820PF 50V	HCUS1H821JA
MAIN	C198		nsp	00MDK96104300	CER. CAP.	0.1UF	HCUS1H104ZF
MAIN	C199		nsp	00MOA10701620	ELECT. CAP.	100UF 16V ZF	CCEA1CH101T
MAIN	C200		nsp	00MDK96104300	CER. CAP.	0.1UF	HCUS1H104ZF
MAIN	C201		nsp	00MDK96104300	CER. CAP.	0.1UF	HCUS1H104ZF
MAIN	C202		nsp	00MDK96104300	CER. CAP.	0.1UF	HCUS1H104ZF
MAIN	C203		nsp	00MDK96104300	CER. CAP.	0.1UF	HCUS1H104ZF
MAIN	C204		nsp	00MOA10701620	ELECT. CAP.	100UF 16V ZF	CCEA1CH101T
MAIN	C205		nsp	00MDK96104300	CER. CAP.	0.1UF	HCUS1H104ZF
MAIN	C206		nsp	00MDK96104300	CER. CAP.	0.1UF	HCUS1H104ZF
MAIN	C207		nsp	00MOA10701620	ELECT. CAP.	100UF 16V ZF	CCEA1CH101T
MAIN	C208		nsp	00MDK96104300	CER. CAP.	0.1UF	HCUS1H104ZF
MAIN	C209		nsp	00MDK96104300	CER. CAP.	0.1UF	HCUS1H104ZF
MAIN	C210		nsp	00MDK96104300	CER. CAP.	0.1UF	HCUS1H104ZF
MAIN	C211		nsp	00MOA10701620	ELECT. CAP.	100UF 16V ZF	CCEA1CH101T
MAIN	C212		nsp	00MOA10701620	ELECT. CAP.	100UF 16V ZF	CCEA1CH101T

NOTE : *nsp* PART IS LISTED FOR REFERENCE ONLY, MARANTZ WILL NOT SUPPLY THESE PARTS.

P.C.B. NAME	POS. NO.	VERS. COLOR	PART NO. (FOR EUR)	PART NO. (MJI)	PART NAME	DESCRIPTION	
MAIN	C213		nsp	00MDK96104300	CER. CAP.	0.1UF	HCUS1H104ZF
MAIN	C214		nsp	00MDK96104300	CER. CAP.	0.1UF	HCUS1H104ZF
MAIN	C215		nsp	00MOA10701620	ELECT. CAP.	100UF 16V ZF	CCEA1CH101T
MAIN	C216		nsp	00MDK96104300	CER. CAP.	0.1UF	HCUS1H104ZF
MAIN	C217		nsp	00MOA10605020	ELECT. CAP.	10UF 50V ZF	CCEA1HH100T
MAIN	C218		nsp	00MDK96104300	CER. CAP.	0.1UF	HCUS1H104ZF
MAIN	C219		nsp	00MOA10800620	ELECT. CAP.	1000UF 6.3V	CCEA0JH102T
MAIN	C220		nsp	00MOA22605020	ELECT. CAP.	22 UF M 50V RA-2	CCEA1HH220T
MAIN	C221		nsp	00MOA22605020	ELECT. CAP.	22 UF M 50V RA-2	CCEA1HH220T
MAIN	C222		nsp	00MOA10800620	ELECT. CAP.	1000UF 6.3V	CCEA0JH102T
MAIN	C223		nsp	00MOA10605020	ELECT. CAP.	10UF 50V ZF	CCEA1HH100T
MAIN	C224		nsp	00MOA22605020	ELECT. CAP.	22 UF M 50V RA-2	CCEA1HH220T
MAIN	C225		nsp	00MDK96104300	CER. CAP.	0.1UF	HCUS1H104ZF
MAIN	C226		nsp	00MDD95120300	CER. CAP.	12PF	HCUS1H120JA
MAIN	C227		nsp	00MDK96104300	CER. CAP.	0.1UF	HCUS1H104ZF
MAIN	C228		nsp	00MDK96104300	CER. CAP.	0.1UF	HCUS1H104ZF
MAIN	C229		nsp	00MDK96104300	CER. CAP.	0.1UF	HCUS1H104ZF
MAIN	C230		nsp	00MOA22605020	ELECT. CAP.	22 UF M 50V RA-2	CCEA1HH220T
MAIN	C231		nsp	00MOA47701020	ELECT. CAP.	470UF/10V	CCEA1AH471T
MAIN	C232		nsp	00MOA47701020	ELECT. CAP.	470UF/10V	CCEA1AH471T
MAIN	C233		nsp	00MOA10800620	ELECT. CAP.	1000UF 6.3V	CCEA0JH102T
MAIN	C234		nsp	00MOA22701620	ELECT. CAP.	220UF 16V	CCEA1CH221T
MAIN	C235		nsp	00MDK96104300	CER. CAP.	0.1UF	HCUS1H104ZF
MAIN	C236		nsp	00MDK96104300	CER. CAP.	0.1UF	HCUS1H104ZF
MAIN	C237		nsp	00MDK96104300	CER. CAP.	0.1UF	HCUS1H104ZF
MAIN	C238		nsp	00MOA10605020	ELECT. CAP.	10UF 50V ZF	CCEA1HH100T
MAIN	C239		nsp	00MOA10605020	ELECT. CAP.	10UF 50V ZF	CCEA1HH100T
MAIN	C240		nsp	00MOA10605020	ELECT. CAP.	10UF 50V ZF	CCEA1HH100T
MAIN	C241		nsp	00MDD91100300	CER. CAP.	10PF 50V JA 1608SIZE	HCUS1H100JA
MAIN	C243		nsp	00MDK96104300	CER. CAP.	0.1UF	HCUS1H104ZF
MAIN	C244		nsp	00MDK96104300	CER. CAP.	0.1UF	HCUS1H104ZF
MAIN	C245		nsp	00MDK96104300	CER. CAP.	0.1UF	HCUS1H104ZF
MAIN	C246		nsp	00MDK96104300	CER. CAP.	0.1UF	HCUS1H104ZF
MAIN	C248		nsp	00MDD91100300	CER. CAP.	10PF 50V JA 1608SIZE	HCUS1H100JA
MAIN	C249		nsp	00MDD95120300	CER. CAP.	12PF	HCUS1H120JA
MAIN	C250		nsp	00MDK96104300	CER. CAP.	0.1UF	HCUS1H104ZF
MAIN	C251		nsp	00MDK96104300	CER. CAP.	0.1UF	HCUS1H104ZF
MAIN	C253		nsp	00MDD91100300	CER. CAP.	10PF 50V JA 1608SIZE	HCUS1H100JA
MAIN	C254		nsp	00MDD95120300	CER. CAP.	12PF	HCUS1H120JA
MAIN	C255		nsp	00MOA10701620	ELECT. CAP.	100UF 16V ZF	CCEA1CH101T
MAIN	C256		nsp	00MDK96104300	CER. CAP.	0.1UF	HCUS1H104ZF
MAIN	C257		nsp	00MOA10800620	ELECT. CAP.	1000UF 6.3V	CCEA0JH102T
MAIN	C258		nsp	00MOA47701020	ELECT. CAP.	470UF/10V	CCEA1AH471T
MAIN	C259		nsp	00MOA47701020	ELECT. CAP.	470UF/10V	CCEA1AH471T
MAIN	C260		nsp	00MOA47701020	ELECT. CAP.	470UF/10V	CCEA1AH471T
MAIN	C261		nsp	00MOA10701620	ELECT. CAP.	100UF 16V ZF	CCEA1CH101T
MAIN	C262		nsp	00MDK96104300	CER. CAP.	0.1UF	HCUS1H104ZF
MAIN	C263		nsp	00MDK96104300	CER. CAP.	0.1UF	HCUS1H104ZF
MAIN	C264		nsp	00MOA10701620	ELECT. CAP.	100UF 16V ZF	CCEA1CH101T
MAIN	C265		nsp	00MDK96104300	CER. CAP.	0.1UF	HCUS1H104ZF
MAIN	C266		nsp	00MDK96104300	CER. CAP.	0.1UF	HCUS1H104ZF
MAIN	C267		nsp	00MOA22605020	ELECT. CAP.	22 UF M 50V RA-2	CCEA1HH220T
MAIN	C268		nsp	00MOA10605020	ELECT. CAP.	10UF 50V ZF	CCEA1HH100T
MAIN	C269		nsp	00MOA10605020	ELECT. CAP.	10UF 50V ZF	CCEA1HH100T
MAIN	C270		nsp	00MOA10605020	ELECT. CAP.	10UF 50V ZF	CCEA1HH100T
MAIN	C271		nsp	00MOA10605020	ELECT. CAP.	10UF 50V ZF	CCEA1HH100T
MAIN	C272		nsp	00MDK96104300	CER. CAP.	0.1UF	HCUS1H104ZF
MAIN	C273		nsp	00MOA10701620	ELECT. CAP.	100UF 16V ZF	CCEA1CH101T
MAIN	C274		nsp	00MOA10701620	ELECT. CAP.	100UF 16V ZF	CCEA1CH101T
MAIN	C275		nsp	00MOA10701620	ELECT. CAP.	100UF 16V ZF	CCEA1CH101T
MAIN	C276		nsp	00MOA10701620	ELECT. CAP.	100UF 16V ZF	CCEA1CH101T
MAIN	C277		nsp	00MOA10701620	ELECT. CAP.	100UF 16V ZF	CCEA1CH101T
MAIN	C278		nsp	00MDK96104300	CER. CAP.	0.1UF	HCUS1H104ZF
MAIN	C279		nsp	00MDK96104300	CER. CAP.	0.1UF	HCUS1H104ZF
MAIN	C280		nsp	00MDD95331300	CER. CAP.	330PF 50V J	HCUS1H331JA
MAIN	C281		nsp	00MDD95331300	CER. CAP.	330PF 50V J	HCUS1H331JA
MAIN	C282		nsp	00MDK96104300	CER. CAP.	0.1UF	HCUS1H104ZF

NOTE : *nsp* PART IS LISTED FOR REFERENCE ONLY, MARANTZ WILL NOT SUPPLY THESE PARTS.

P.C.B. NAME	POS. NO.	VERS. COLOR	PART NO. (FOR EUR)	PART NO. (MJ)	PART NAME	DESCRIPTION	
MAIN	C283		nsp	00MOA47701020	ELECT. CAP.	470UF/10V	CCEA1AH471T
MAIN	C284		nsp	00MOA47701020	ELECT. CAP.	470UF/10V	CCEA1AH471T
MAIN	C285		nsp	00MDK96104300	CER. CAP.	0.1UF	HCUS1H104ZF
MAIN	C286		nsp	00MDK96104300	CER. CAP.	0.1UF	HCUS1H104ZF
MAIN	C287		nsp	00MDK96104300	CER. CAP.	0.1UF	HCUS1H104ZF
MAIN	C288		nsp	00MDK96104300	CER. CAP.	0.1UF	HCUS1H104ZF
MAIN	C289		nsp	00MDK96104300	CER. CAP.	0.1UF	HCUS1H104ZF
MAIN	C290		nsp	00MDK96104300	CER. CAP.	0.1UF	HCUS1H104ZF
MAIN	C292		nsp	00MDK96104300	CER. CAP.	0.1UF	HCUS1H104ZF
MAIN	C293		nsp	00MDK96104300	CER. CAP.	0.1UF	HCUS1H104ZF
MAIN	C501		nsp	00MDK96104300	CER. CAP.	0.1UF	HCUS1H104ZF
MAIN	C502		nsp	00MDK96104300	CER. CAP.	0.1UF	HCUS1H104ZF
MAIN	C503		nsp	00MDK96104300	CER. CAP.	0.1UF	HCUS1H104ZF
MAIN	C504		nsp	00MDK96104300	CER. CAP.	0.1UF	HCUS1H104ZF
MAIN	C505		nsp	00MDK96104300	CER. CAP.	0.1UF	HCUS1H104ZF
MAIN	C506		nsp	00MDK96104300	CER. CAP.	0.1UF	HCUS1H104ZF
MAIN	C507		nsp	00MDK96104300	CER. CAP.	0.1UF	HCUS1H104ZF
MAIN	C508		nsp	00MDK96104300	CER. CAP.	0.1UF	HCUS1H104ZF
MAIN	C509		nsp	00MDK96104300	CER. CAP.	0.1UF	HCUS1H104ZF
MAIN	C510		nsp	00MDK96104300	CER. CAP.	0.1UF	HCUS1H104ZF
MAIN	C511		nsp	00MDK96104300	CER. CAP.	0.1UF	HCUS1H104ZF
MAIN	C512		nsp	00MDK96104300	CER. CAP.	0.1UF	HCUS1H104ZF
MAIN	C513		nsp	00MDK96104300	CER. CAP.	0.1UF	HCUS1H104ZF
MAIN	C514		nsp	00MDK96104300	CER. CAP.	0.1UF	HCUS1H104ZF
MAIN	C515		nsp	00MDK96104300	CER. CAP.	0.1UF	HCUS1H104ZF
MAIN	C516		nsp	00MDK96104300	CER. CAP.	0.1UF	HCUS1H104ZF
MAIN	C517		nsp	00MDK96104300	CER. CAP.	0.1UF	HCUS1H104ZF
MAIN	C518		nsp	00MDK96104300	CER. CAP.	0.1UF	HCUS1H104ZF
MAIN	C519		nsp	00MDK96104300	CER. CAP.	0.1UF	HCUS1H104ZF
MAIN	C520		nsp	00MDK96104300	CER. CAP.	0.1UF	HCUS1H104ZF
MAIN	C521		nsp	00MDK96104300	CER. CAP.	0.1UF	HCUS1H104ZF
MAIN	C522		nsp	00MDK96104300	CER. CAP.	0.1UF	HCUS1H104ZF
MAIN	C523		nsp	00MDK96104300	CER. CAP.	0.1UF	HCUS1H104ZF
MAIN	C524		nsp	00MDK96104300	CER. CAP.	0.1UF	HCUS1H104ZF
MAIN	C525		nsp	00MDK96104300	CER. CAP.	0.1UF	HCUS1H104ZF
MAIN	C526		nsp	00MDK96104300	CER. CAP.	0.1UF	HCUS1H104ZF
MAIN	C527		nsp	00MDK96104300	CER. CAP.	0.1UF	HCUS1H104ZF
MAIN	C528		nsp	00MDK96104300	CER. CAP.	0.1UF	HCUS1H104ZF
MAIN	C529		nsp	00MDK96104300	CER. CAP.	0.1UF	HCUS1H104ZF
MAIN	C530		nsp	00MDK96104300	CER. CAP.	0.1UF	HCUS1H104ZF
MAIN	C531		nsp	00MDK96104300	CER. CAP.	0.1UF	HCUS1H104ZF
MAIN	C532		nsp	00MDK96104300	CER. CAP.	0.1UF	HCUS1H104ZF
MAIN	C533		nsp	00MDK96104300	CER. CAP.	0.1UF	HCUS1H104ZF
MAIN	C534		nsp	00MDK96104300	CER. CAP.	0.1UF	HCUS1H104ZF
MAIN	C535		nsp	00MDK96104300	CER. CAP.	0.1UF	HCUS1H104ZF
MAIN	C536		nsp	00MDK96104300	CER. CAP.	0.1UF	HCUS1H104ZF
MAIN	C537		nsp	00MDK96104300	CER. CAP.	0.1UF	HCUS1H104ZF
MAIN	C538		nsp	00MOA10701620	ELECT. CAP.	100UF 16V ZF	CCEA1CH101T
MAIN	C539		nsp	00MDK96104300	CER. CAP.	0.1UF	HCUS1H104ZF
MAIN	C540		nsp	00MOA10701620	ELECT. CAP.	100UF 16V ZF	CCEA1CH101T
MAIN	C541		nsp	00MDD95101300	CER. CAP.	100PF 50V JA 1608SIZE	HCUS1H101JA
MAIN	C542		nsp	00MDK96104300	CER. CAP.	0.1UF	HCUS1H104ZF
MAIN	C543		nsp	00MDK96104300	CER. CAP.	0.1UF	HCUS1H104ZF
MAIN	C544		nsp	00MOA10701620	ELECT. CAP.	100UF 16V ZF	CCEA1CH101T
MAIN	C545		nsp	00MDK96104300	CER. CAP.	0.1UF	HCUS1H104ZF
MAIN	C546		nsp	00MOA10701620	ELECT. CAP.	100UF 16V ZF	CCEA1CH101T
MAIN	C547		nsp	00MDK96104300	CER. CAP.	0.1UF	HCUS1H104ZF
MAIN	C548		nsp	90M-DK900050R	CER. CAP.	1UF	HCUS1E105ZF
MAIN	C549		nsp	00MOA10701620	ELECT. CAP.	100UF 16V ZF	CCEA1CH101T
MAIN	C550		nsp	00MDK96104300	CER. CAP.	0.1UF	HCUS1H104ZF
MAIN	C551		nsp	00MOA10701620	ELECT. CAP.	100UF 16V ZF	CCEA1CH101T
MAIN	C552		nsp	00MDK96104300	CER. CAP.	0.1UF	HCUS1H104ZF
MAIN	C553		nsp	00MDK96104300	CER. CAP.	0.1UF	HCUS1H104ZF
MAIN	C556		nsp	00MDK96104300	CER. CAP.	0.1UF	HCUS1H104ZF
MAIN	C557		nsp	00MDK96104300	CER. CAP.	0.1UF	HCUS1H104ZF
MAIN	C558		nsp	00MOA10701620	ELECT. CAP.	100UF 16V ZF	CCEA1CH101T
MAIN	C559		nsp	00MDK96104300	CER. CAP.	0.1UF	HCUS1H104ZF

NOTE : *nsp* PART IS LISTED FOR REFERENCE ONLY, MARANTZ WILL NOT SUPPLY THESE PARTS.

P.C.B. NAME	POS. NO.	VERS. COLOR	PART NO. (FOR EUR)	PART NO. (MJI)	PART NAME	DESCRIPTION	
MAIN	C560		nsp	00MOA10701620	ELECT. CAP.	100UF 16V ZF	CCEA1CH101T
MAIN	C561		nsp	00MDK96104300	CER. CAP.	0.1UF	HCUS1H104ZF
MAIN	C571		nsp	00MOA10701620	ELECT. CAP.	100UF 16V ZF	CCEA1CH101T
MAIN	C572		nsp	00MDK96104300	CER. CAP.	0.1UF	HCUS1H104ZF
MAIN	C573		nsp	00MDD95101300	CER. CAP.	100PF 50V JA 1608SIZE	HCUS1H101JA
MAIN	C574		nsp	00MOA10701620	ELECT. CAP.	100UF 16V ZF	CCEA1CH101T
MAIN	C790		nsp	00MOA22701620	ELECT. CAP.	220UF 16V	CCEA1CH221T
MAIN	C791		nsp	00MOA33505020	ELECT. CAP.	3.3UF 50V	CCEA1HH3R3T
MAIN	C903		nsp	00MOA10505020	ELECT. CAP.	1UF 50V	CCEA1HH1R0T
MAIN	C904		nsp	00MOA10605020	ELECT. CAP.	10UF 50V ZF	CCEA1HH100T
MAIN	C909		nsp	00MDK96104300	CER. CAP.	0.1UF	HCUS1H104ZF
MAIN	C910		nsp	00MOA47602520	ELECT. CAP.	47UF 25V	CCEA1EH470T
MAIN	C911		nsp	00MDK96104300	CER. CAP.	0.1UF	HCUS1H104ZF
MAIN	C912		nsp	00MDK96104300	CER. CAP.	0.1UF	HCUS1H104ZF
MAIN	C913		nsp	00MDK96104300	CER. CAP.	0.1UF	HCUS1H104ZF
MAIN	C914		nsp	00MDK96104300	CER. CAP.	0.1UF	HCUS1H104ZF
MAIN	C916		nsp	00MDK96104300	CER. CAP.	0.1UF	HCUS1H104ZF
MAIN	C917		nsp	00MDK96104300	CER. CAP.	0.1UF	HCUS1H104ZF
MAIN	C918		nsp	00MOA10701620	ELECT. CAP.	100UF 16V ZF	CCEA1CH101T
MAIN	C919		nsp	00MDK96104300	CER. CAP.	0.1UF	HCUS1H104ZF
MAIN	C920		nsp	00MDK96104300	CER. CAP.	0.1UF	HCUS1H104ZF
MAIN	C921		nsp	00MOA10701620	ELECT. CAP.	100UF 16V ZF	CCEA1CH101T
MAIN	C922		nsp	00MOA10701620	ELECT. CAP.	100UF 16V ZF	CCEA1CH101T
MAIN	C923		nsp	00MDK96104300	CER. CAP.	0.1UF	HCUS1H104ZF
MAIN	C927		nsp	00MDK96102300	CER. CAP.	1000PF 50V KC 1608SIZE	HCUS1H102KC
MAIN	C928		nsp	00MOA47602520	ELECT. CAP.	47UF 25V	CCEA1EH470T
MAIN	C930		nsp	00MDK96104300	CER. CAP.	0.1UF	HCUS1H104ZF
MAIN	C931		nsp	00MOA47602520	ELECT. CAP.	47UF 25V	CCEA1EH470T
MAIN	C932		nsp	00MDK96104300	CER. CAP.	0.1UF	HCUS1H104ZF
MAIN	C935		nsp	00MDK96104300	CER. CAP.	0.1UF	HCUS1H104ZF
MAIN	C936		nsp	00MDK96104300	CER. CAP.	0.1UF	HCUS1H104ZF
MAIN	C937		nsp	00MDK96104300	CER. CAP.	0.1UF	HCUS1H104ZF
MAIN	C983	/L1G	nsp	90M-EY000450R	TANTL.CAP CHIP	TANTALUM, 22U/6.3V B,20%	HCSHB20J220B
MAIN	C983	/U1B	nsp	90M-EY000450R	TANTL.CAP CHIP	TANTALUM, 22U/6.3V B,20%	HCSHB20J220B
MAIN	C984	/L1G	nsp	90M-EY000450R	TANTL.CAP CHIP	TANTALUM, 22U/6.3V B,20%	HCSHB20J220B
MAIN	C984	/U1B	nsp	90M-EY000450R	TANTL.CAP CHIP	TANTALUM, 22U/6.3V B,20%	HCSHB20J220B
MAIN	CN15		nsp	nsp	JACK	DUAL 12P (2MM PITCH)	CJP12GA147ZY
MAIN	CN21		nsp	nsp	JACK	WAFER , CARD CABLE	KJP27GA117ZG
MAIN	CN70		nsp	nsp	JACK	WAFER, STRAIGHT, 7PIN	CJP07GA01ZY
MAIN	CX11		90M-YJ002850R	90M-YJ002850R	JACK	FPC WAFER 0.5MM PITCH	KJP40GA195ZM
MAIN	CX12		nsp	nsp	JACK	WAFER , CARD CABLE	CJP15GA117ZY
MAIN	CY41		nsp	nsp	JACK	GF102-17S-TS	KJP17GA117ZG
MAIN	D105		00MHZ20002210	00MHZ20002210	CHIP DIODE	DAN202K	BVDDAN202K
MAIN	D201		00MHZ20002210	00MHZ20002210	CHIP DIODE	DAN202K	BVDDAN202K
MAIN	D701		00MHZ20056210	00MHZ20056210	CHIP DIODE	DAN217 T146 (SMD3)	BVDDAN217
MAIN	D706		00MHZ20002210	00MHZ20002210	CHIP DIODE	DAN202K	BVDDAN202K
MAIN	D901		00MHZ20002210	00MHZ20002210	CHIP DIODE	DAN202K	BVDDAN202K
MAIN	D904		00MHZ20002210	00MHZ20002210	CHIP DIODE	DAN202K	BVDDAN202K
MAIN	D905		00MHZ20002210	00MHZ20002210	CHIP DIODE	DAN202K	BVDDAN202K
MAIN	D906		00MHZ20002210	00MHZ20002210	CHIP DIODE	DAN202K	BVDDAN202K
MAIN	ET51		nsp	nsp	BRACKET	BRACKET , PWB	CMD1A387
MAIN	ET52		nsp	nsp	TERMINAL	PLATE , EARTH	CMC1A111
MAIN	IC11		00MHC10089840	00MHC10089840	IC	VIDEO ENCODER	HVIADV7310
MAIN	IC12	/N1B	00MHC10089840	00MHC10089840	IC	VIDEO ENCODER	HVIADV7310
MAIN	IC12	/N1S	00MHC10089840	00MHC10089840	IC	VIDEO ENCODER	HVIADV7310
MAIN	IC13		90M-HC109360R	90M-HC109360R	IC	HI-SPEED 2 INPUT AND GATE	HVIKIC7SH08FU
MAIN	IC14		00MHC10228210	00MHC10228210	IC	REGULATOR 2.5V (TO252-5)	BVIBA25BC0WFPE2
MAIN	IC20		90M-HC109380R	90M-HC109380R	IC	VIDEO DRIVER (SOP-16C)	HVIMM1566AFBE
MAIN	IC21	/N1B	00MHC10102550	00MHC10102550	IC	VIDEO DRIVER (SOP-28D)	HVIMM1623XFBE
MAIN	IC21	/N1S	00MHC10102550	00MHC10102550	IC	VIDEO DRIVER (SOP-28D)	HVIMM1623XFBE
MAIN	IC22	/N1B	00MHC12244090	00MHC12244090	IC	VIDEO SWITCH (DMP16)	HVINJM2584MTE1
MAIN	IC22	/N1S	00MHC12244090	00MHC12244090	IC	VIDEO SWITCH (DMP16)	HVINJM2584MTE1
MAIN	IC23		90M-HZ300070R	90M-HZ300070R	CHIP DIODE	REGULATOR 5V (TO252-5)	BVIBA05CC0WFPE2
MAIN	IC24		00MHC10231090	00MHC10231090	IC	TRIPLE VIDEO AMPLIFIER	HVINJM2580MTE1
MAIN	IC46		00MHC10228210	00MHC10228210	IC	REGULATOR 2.5V (TO252-5)	BVIBA25BC0WFPE2
MAIN	IC47		90M-HC109360R	90M-HC109360R	IC	HI-SPEED 2 INPUT AND GATE	HVIKIC7SH08FU
MAIN	IC51		00MHC10019660	00MHC10019660	IC	I/P CONVERTER (LQFP-144)	HVICD0040AF

NOTE : "nsp" PART IS LISTED FOR REFERENCE ONLY, MARANTZ WILL NOT SUPPLY THESE PARTS.

P.C.B. NAME	POS. NO.	VERS. COLOR	PART NO. (FOR EUR)	PART NO. (MJ)	PART NAME	DESCRIPTION
MAIN	IC52		90M-HC109300R	90M-HC109300R	IC	64M, SDRAM (86P TSOPII) HV157V643220TP7
MAIN	IC53		90M-HC109400R	90M-HC109400R	IC	OCTAL BUFFERS IC(TSSOP-20) HVISN74AHC541PW
MAIN	IC54		90M-HC109400R	90M-HC109400R	IC	OCTAL BUFFERS IC(TSSOP-20) HVISN74AHC541PW
MAIN	IC55		90M-HC109400R	90M-HC109400R	IC	OCTAL BUFFERS IC(TSSOP-20) HVISN74AHC541PW
MAIN	IC56		90M-HC109400R	90M-HC109400R	IC	OCTAL BUFFERS IC(TSSOP-20) HVISN74AHC541PW
MAIN	IC57		90M-HC109400R	90M-HC109400R	IC	OCTAL BUFFERS IC(TSSOP-20) HVISN74AHC541PW
MAIN	IC58		90M-HC109360R	90M-HC109360R	IC	HI-SPEED 2 INPUT AND GATE HVIKIC7SH08FU
MAIN	IC59		90M-HZ300060R	90M-HZ300060R	CHIP DIODE	REGULATOR 3.3V (TO252-5) BVIBA033CC0WFP
MAIN	IC60		90M-HZ300060R	90M-HZ300060R	CHIP DIODE	REGULATOR 3.3V (TO252-5) BVIBA033CC0WFP
MAIN	IC91		90M-HC108440R	90M-HC108440R	IC	ST202EBW RS-232C HVIST202EBW
MAIN	IC92		90M-HZ300060R	90M-HZ300060R	CHIP DIODE	REGULATOR 3.3V (TO252-5) BVIBA033CC0WFP
MAIN	IC93		90M-HC109320R	90M-HC109320R	IC	IC , I2C BUS HVIBU2098F
MAIN	IC95		90M-HS25BWX2R	90M-HS25BWX2R	ONE TIME PROM	IC , FLASH U-PRO HVIST72F321R
MAIN	IC96		90M-HC108430R	90M-HC108430R	IC	TC74HC7007AFEL HVITC74HCT7007F
MAIN	JK21		90M-YT004420R	90M-YT004420R	TERMINAL	JACK , VIDEO 2P(Y/Y) CJJ4N070Z
MAIN	JK22		90M-YT004460R	90M-YT004460R	TERMINAL	JACK , S-VIDEO (1P/GOLD) CJJ9M005Z
MAIN	JK23		90M-YT004450R	90M-YT004450R	TERMINAL	JACK , IN/OUT (R.G.B) CJJ4S014Z
MAIN	JK24	/F N	nsp	90M-YT004480R	TERMINAL	CONNECTOR , D TERMINAL BJJKYF45-3001
MAIN	JK24	/K1G	nsp	90M-YT004480R	TERMINAL	CONNECTOR , D TERMINAL BJJKYF45-3001
MAIN	JK24	/L1G	nsp	90M-YT004480R	TERMINAL	CONNECTOR , D TERMINAL BJJKYF45-3001
MAIN	JK24	/S1G	nsp	90M-YT004480R	TERMINAL	CONNECTOR , D TERMINAL BJJKYF45-3001
MAIN	JK25	/N1B	90M-YT003640R	90M-YT003640R	TERMINAL	SCART CONNECTOR KJP21GA118ZP
MAIN	JK25	/N1S	90M-YT003640R	90M-YT003640R	TERMINAL	SCART CONNECTOR KJP21GA118ZP
MAIN	JK33		90M-YT004430R	90M-YT004430R	TERMINAL	2P JACK (GOLD PLATE) CJJ4N075Z
MAIN	JK45		90M-YT003300R	90M-YT003300R	TERMINAL	D-SUB 9P MALE KJP09TA87WM
MAIN	JW51		nsp	nsp	CORD	WIRE ASS'Y CWE7202050AA
MAIN	JW52		nsp	nsp	CORD	WIRE ASS'Y CWE7202050AA
MAIN	JW53		nsp	nsp	CORD	WIRE ASS'Y CWE7202050AA
MAIN	JW54		nsp	nsp	CORD	WIRE ASS'Y CWE7202100AA
MAIN	L101		90M-FC900380R	90M-FC900380R	FERRITE CORE	2012(0805)600E, 1.5A,POWER HLZ9R001Z
MAIN	L102		90M-LU000220R	90M-LU000220R	CHIP INDUCTOR	10UH (3225 PKG) HLQ10E100KRZ
MAIN	L103		90M-FC900380R	90M-FC900380R	FERRITE CORE	2012(0805)600E, 1.5A,POWER HLZ9R001Z
MAIN	L104		90M-FC900380R	90M-FC900380R	FERRITE CORE	2012(0805)600E, 1.5A,POWER HLZ9R001Z
MAIN	L105		90M-FC900380R	90M-FC900380R	FERRITE CORE	2012(0805)600E, 1.5A,POWER HLZ9R001Z
MAIN	L106		90M-LU000220R	90M-LU000220R	CHIP INDUCTOR	10UH (3225 PKG) HLQ10E100KRZ
MAIN	L107		90M-FC900380R	90M-FC900380R	FERRITE CORE	2012(0805)600E, 1.5A,POWER HLZ9R001Z
MAIN	L108		90M-LU000220R	90M-LU000220R	CHIP INDUCTOR	10UH (3225 PKG) HLQ10E100KRZ
MAIN	L109		90M-LU000220R	90M-LU000220R	CHIP INDUCTOR	10UH (3225 PKG) HLQ10E100KRZ
MAIN	L110		90M-LU000220R	90M-LU000220R	CHIP INDUCTOR	10UH (3225 PKG) HLQ10E100KRZ
MAIN	L201		90M-LU000230R	90M-LU000230R	CHIP INDUCTOR	4.7UH/3225/10% HLQ10E4R7KRZ
MAIN	L202		90M-LU000230R	90M-LU000230R	CHIP INDUCTOR	4.7UH/3225/10% HLQ10E4R7KRZ
MAIN	L203		90M-LU000230R	90M-LU000230R	CHIP INDUCTOR	4.7UH/3225/10% HLQ10E4R7KRZ
MAIN	L204		90M-LU000230R	90M-LU000230R	CHIP INDUCTOR	4.7UH/3225/10% HLQ10E4R7KRZ
MAIN	L205		90M-LU000230R	90M-LU000230R	CHIP INDUCTOR	4.7UH/3225/10% HLQ10E4R7KRZ
MAIN	L206		90M-LU000230R	90M-LU000230R	CHIP INDUCTOR	4.7UH/3225/10% HLQ10E4R7KRZ
MAIN	L207		90M-LU000230R	90M-LU000230R	CHIP INDUCTOR	4.7UH/3225/10% HLQ10E4R7KRZ
MAIN	L208		90M-LU000230R	90M-LU000230R	CHIP INDUCTOR	4.7UH/3225/10% HLQ10E4R7KRZ
MAIN	L209		90M-LU000230R	90M-LU000230R	CHIP INDUCTOR	4.7UH/3225/10% HLQ10E4R7KRZ
MAIN	L210		90M-LU000200R	90M-LU000200R	CHIP INDUCTOR	1UH INDUCTOR (2012 SIZE) HLQ08E1R0KRZ
MAIN	L211		90M-LU000210R	90M-LU000210R	CHIP INDUCTOR	IND , CHIP 2012 3.9UH HLQ08E3R9KRZ
MAIN	L212		90M-LU000200R	90M-LU000200R	CHIP INDUCTOR	1UH INDUCTOR (2012 SIZE) HLQ08E1R0KRZ
MAIN	L213		90M-LU000210R	90M-LU000210R	CHIP INDUCTOR	IND , CHIP 2012 3.9UH HLQ08E3R9KRZ
MAIN	L214		90M-LU000200R	90M-LU000200R	CHIP INDUCTOR	1UH INDUCTOR (2012 SIZE) HLQ08E1R0KRZ
MAIN	L215		90M-LU000210R	90M-LU000210R	CHIP INDUCTOR	IND , CHIP 2012 3.9UH HLQ08E3R9KRZ
MAIN	L216		nsp	00MNN05000610	CHIP RES.	0 OHM CRJ18AJ0R0T
MAIN	L217		nsp	00MNN05000610	CHIP RES.	0 OHM CRJ18AJ0R0T
MAIN	L218		nsp	00MNN05000610	CHIP RES.	0 OHM CRJ18AJ0R0T
MAIN	L219		nsp	00MNN05000610	CHIP RES.	0 OHM CRJ18AJ0R0T
MAIN	L501		90M-FC900380R	90M-FC900380R	FERRITE CORE	2012(0805)600E, 1.5A,POWER HLZ9R001Z
MAIN	L502		90M-FC900380R	90M-FC900380R	FERRITE CORE	2012(0805)600E, 1.5A,POWER HLZ9R001Z
MAIN	L503		90M-FC900380R	90M-FC900380R	FERRITE CORE	2012(0805)600E, 1.5A,POWER HLZ9R001Z
MAIN	L504		90M-FC900380R	90M-FC900380R	FERRITE CORE	2012(0805)600E, 1.5A,POWER HLZ9R001Z
MAIN	L505		90M-FC900380R	90M-FC900380R	FERRITE CORE	2012(0805)600E, 1.5A,POWER HLZ9R001Z
MAIN	L506		90M-FC900380R	90M-FC900380R	FERRITE CORE	2012(0805)600E, 1.5A,POWER HLZ9R001Z
MAIN	L507		90M-FC900380R	90M-FC900380R	FERRITE CORE	2012(0805)600E, 1.5A,POWER HLZ9R001Z
MAIN	L508		90M-FC900380R	90M-FC900380R	FERRITE CORE	2012(0805)600E, 1.5A,POWER HLZ9R001Z
MAIN	L509		90M-FC900380R	90M-FC900380R	FERRITE CORE	2012(0805)600E, 1.5A,POWER HLZ9R001Z

NOTE : *nsp* PART IS LISTED FOR REFERENCE ONLY, MARANTZ WILL NOT SUPPLY THESE PARTS.

P.C.B. NAME	POS. NO.	VERS. COLOR	PART NO. (FOR EUR)	PART NO. (MJI)	PART NAME	DESCRIPTION	
MAIN	L510		90M-FC900380R	90M-FC900380R	FERRITE CORE	2012(0805)600E, 1.5A,POWER	HLZ9R001Z
MAIN	L511		90M-FC900380R	90M-FC900380R	FERRITE CORE	2012(0805)600E, 1.5A,POWER	HLZ9R001Z
MAIN	L512		90M-FC900380R	90M-FC900380R	FERRITE CORE	2012(0805)600E, 1.5A,POWER	HLZ9R001Z
MAIN	L513		90M-FC900380R	90M-FC900380R	FERRITE CORE	2012(0805)600E, 1.5A,POWER	HLZ9R001Z
MAIN	L514		90M-FC900380R	90M-FC900380R	FERRITE CORE	2012(0805)600E, 1.5A,POWER	HLZ9R001Z
MAIN	L515		90M-FC900380R	90M-FC900380R	FERRITE CORE	2012(0805)600E, 1.5A,POWER	HLZ9R001Z
MAIN	L516		90M-FC900380R	90M-FC900380R	FERRITE CORE	2012(0805)600E, 1.5A,POWER	HLZ9R001Z
MAIN	L517		90M-FC900380R	90M-FC900380R	FERRITE CORE	2012(0805)600E, 1.5A,POWER	HLZ9R001Z
MAIN	L518		90M-FC900380R	90M-FC900380R	FERRITE CORE	2012(0805)600E, 1.5A,POWER	HLZ9R001Z
MAIN	L519		90M-FC900380R	90M-FC900380R	FERRITE CORE	2012(0805)600E, 1.5A,POWER	HLZ9R001Z
MAIN	L520		90M-FC900380R	90M-FC900380R	FERRITE CORE	2012(0805)600E, 1.5A,POWER	HLZ9R001Z
MAIN	L521		90M-FC900380R	90M-FC900380R	FERRITE CORE	2012(0805)600E, 1.5A,POWER	HLZ9R001Z
MAIN	L522		nsp	00MNN05000610	CHIP RES.	0 OHM	CRJ18AJOR0T
MAIN	L523		90M-FC900380R	90M-FC900380R	FERRITE CORE	2012(0805)600E, 1.5A,POWER	HLZ9R001Z
MAIN	L524		90M-FC900380R	90M-FC900380R	FERRITE CORE	2012(0805)600E, 1.5A,POWER	HLZ9R001Z
MAIN	L525		90M-FC900380R	90M-FC900380R	FERRITE CORE	2012(0805)600E, 1.5A,POWER	HLZ9R001Z
MAIN	L526		90M-FC900380R	90M-FC900380R	FERRITE CORE	2012(0805)600E, 1.5A,POWER	HLZ9R001Z
MAIN	L527		90M-FC900380R	90M-FC900380R	FERRITE CORE	2012(0805)600E, 1.5A,POWER	HLZ9R001Z
MAIN	L528		90M-FC900380R	90M-FC900380R	FERRITE CORE	2012(0805)600E, 1.5A,POWER	HLZ9R001Z
MAIN	L529		90M-FC900380R	90M-FC900380R	FERRITE CORE	2012(0805)600E, 1.5A,POWER	HLZ9R001Z
MAIN	L530		90M-FC900380R	90M-FC900380R	FERRITE CORE	2012(0805)600E, 1.5A,POWER	HLZ9R001Z
MAIN	L531		nsp	00MNN05000610	CHIP RES.	0 OHM	CRJ18AJOR0T
MAIN	L532		nsp	00MNN05000610	CHIP RES.	0 OHM	CRJ18AJOR0T
MAIN	L533		nsp	00MNN05000610	CHIP RES.	0 OHM	CRJ18AJOR0T
MAIN	L534		nsp	00MNN05000610	CHIP RES.	0 OHM	CRJ18AJOR0T
MAIN	L902		90M-FC900380R	90M-FC900380R	FERRITE CORE	2012(0805)600E, 1.5A,POWER	HLZ9R001Z
MAIN	L903		90M-FC900390R	90M-FC900390R	FERRITE CORE	BEAD CHIP 2.2K(2012)	HLZ9R003Z
MAIN	L904		90M-FC900390R	90M-FC900390R	FERRITE CORE	BEAD CHIP 2.2K(2012)	HLZ9R003Z
MAIN	L905		90M-FC900390R	90M-FC900390R	FERRITE CORE	BEAD CHIP 2.2K(2012)	HLZ9R003Z
MAIN	L906		90M-FC900390R	90M-FC900390R	FERRITE CORE	BEAD CHIP 2.2K(2012)	HLZ9R003Z
MAIN	L907		90M-FC900380R	90M-FC900380R	FERRITE CORE	2012(0805)600E, 1.5A,POWER	HLZ9R001Z
MAIN	L908		90M-FC900380R	90M-FC900380R	FERRITE CORE	2012(0805)600E, 1.5A,POWER	HLZ9R001Z
MAIN	L910		90M-FC900380R	90M-FC900380R	FERRITE CORE	2012(0805)600E, 1.5A,POWER	HLZ9R001Z
MAIN	L911		90M-FC900380R	90M-FC900380R	FERRITE CORE	2012(0805)600E, 1.5A,POWER	HLZ9R001Z
MAIN	L913		90M-FC900380R	90M-FC900380R	FERRITE CORE	2012(0805)600E, 1.5A,POWER	HLZ9R001Z
MAIN	L914		90M-FC900380R	90M-FC900380R	FERRITE CORE	2012(0805)600E, 1.5A,POWER	HLZ9R001Z
MAIN	L916		90M-FC900380R	90M-FC900380R	FERRITE CORE	2012(0805)600E, 1.5A,POWER	HLZ9R001Z
MAIN	L918		90M-FC900380R	90M-FC900380R	FERRITE CORE	2012(0805)600E, 1.5A,POWER	HLZ9R001Z
MAIN	Q101		90M-HT600050R	90M-HT600050R	TRS.	KTA2014GR	HVTKTA2014GR
MAIN	Q102		90M-HT600050R	90M-HT600050R	TRS.	KTA2014GR	HVTKTA2014GR
MAIN	Q103		90M-HT600050R	90M-HT600050R	TRS.	KTA2014GR	HVTKTA2014GR
MAIN	Q104		90M-HT600050R	90M-HT600050R	TRS.	KTA2014GR	HVTKTA2014GR
MAIN	Q105		90M-HT600050R	90M-HT600050R	TRS.	KTA2014GR	HVTKTA2014GR
MAIN	Q106		90M-HT600050R	90M-HT600050R	TRS.	KTA2014GR	HVTKTA2014GR
MAIN	Q109		90M-HT600050R	90M-HT600050R	TRS.	KTA2014GR	HVTKTA2014GR
MAIN	Q110		90M-HT600050R	90M-HT600050R	TRS.	KTA2014GR	HVTKTA2014GR
MAIN	Q111		90M-HT600050R	90M-HT600050R	TRS.	KTA2014GR	HVTKTA2014GR
MAIN	Q201		90M-HT600050R	90M-HT600050R	TRS.	KTA2014GR	HVTKTA2014GR
MAIN	Q202		90M-HX800050R	90M-HX800050R	CHIP TRS.	KRC402	HVTKRC402
MAIN	Q203		90M-HX800050R	90M-HX800050R	CHIP TRS.	KRC402	HVTKRC402
MAIN	Q204		90M-HT600050R	90M-HT600050R	TRS.	KTA2014GR	HVTKTA2014GR
MAIN	Q205		90M-HT800110R	90M-HT800110R	TRS.	KTC4075GR	HVTKTC4075GR
MAIN	Q206		90M-HT600050R	90M-HT600050R	TRS.	KTA2014GR	HVTKTA2014GR
MAIN	Q207		90M-HT800110R	90M-HT800110R	TRS.	KTC4075GR	HVTKTC4075GR
MAIN	Q208		90M-HX800050R	90M-HX800050R	CHIP TRS.	KRC402	HVTKRC402
MAIN	Q209		90M-HX800050R	90M-HX800050R	CHIP TRS.	KRC402	HVTKRC402
MAIN	Q210		90M-HX800050R	90M-HX800050R	CHIP TRS.	KRC402	HVTKRC402
MAIN	Q211		90M-HT800110R	90M-HT800110R	TRS.	KTC4075GR	HVTKTC4075GR
MAIN	Q212		90M-HX800050R	90M-HX800050R	CHIP TRS.	KRC402	HVTKRC402
MAIN	Q213		90M-HT600050R	90M-HT600050R	TRS.	KTA2014GR	HVTKTA2014GR
MAIN	Q214		90M-HT600050R	90M-HT600050R	TRS.	KTA2014GR	HVTKTA2014GR
MAIN	Q215		90M-HT800110R	90M-HT800110R	TRS.	KTC4075GR	HVTKTC4075GR
MAIN	Q701		90M-HT100460R	90M-HT100460R	TRS.	KSA916Y	HVTKSA916YT
MAIN	Q902		90M-HX800050R	90M-HX800050R	CHIP TRS.	KRC402	HVTKRC402
MAIN	Q904		90M-HX600060R	90M-HX600060R	CHIP TRS.	KRA302	HVTKRA302
MAIN	Q905		90M-HX600060R	90M-HX600060R	CHIP TRS.	KRA302	HVTKRA302
MAIN	Q906		90M-HT800110R	90M-HT800110R	TRS.	KTC4075GR	HVTKTC4075GR

NOTE : "nsp" PART IS LISTED FOR REFERENCE ONLY, MARANTZ WILL NOT SUPPLY THESE PARTS.

P.C.B. NAME	POS. NO.	VERS. COLOR	PART NO. (FOR EUR)	PART NO. (MJ)	PART NAME	DESCRIPTION	
MAIN	Q907		90M-HX800050R	90M-HX800050R	CHIP TRS.	KRC402	HVTKRC402
MAIN	Q908		90M-HX600060R	90M-HX600060R	CHIP TRS.	KRA302	HVTKRA302
MAIN	Q910		90M-HY200040R	90M-HY200040R	CHIP FET	F.E.T , SMD HN1K05FU	HVTHN1K05FU
MAIN	Q911		90M-HX800050R	90M-HX800050R	CHIP TRS.	KRC402	HVTKRC402
MAIN	Q912		90M-HX600060R	90M-HX600060R	CHIP TRS.	KRA302	HVTKRA302
MAIN	Q913		90M-HX800050R	90M-HX800050R	CHIP TRS.	KRC402	HVTKRC402
MAIN	Q914		90M-HX600060R	90M-HX600060R	CHIP TRS.	KRA302	HVTKRA302
MAIN	Q915		90M-HX800050R	90M-HX800050R	CHIP TRS.	KRC402	HVTKRC402
MAIN	Q916		90M-HX600060R	90M-HX600060R	CHIP TRS.	KRA302	HVTKRA302
MAIN	Q917		90M-HX800050R	90M-HX800050R	CHIP TRS.	KRC402	HVTKRC402
MAIN	Q918		90M-HX600060R	90M-HX600060R	CHIP TRS.	KRA302	HVTKRA302
MAIN	R101		nsp	00MNN05182610	CHIP RES.	1.8 KOHM	CRJ10DJ182T
MAIN	R102		nsp	00MNN05101610	CHIP RES.	100 OHM	CRJ10DJ101T
MAIN	R103		nsp	00MNN05681610	CHIP RES.	680 OHM	CRJ10DJ681T
MAIN	R104		nsp	00MNN05561610	CHIP RES.	560 OHM	CRJ10DJ561T
MAIN	R105		nsp	00MNN05182610	CHIP RES.	1.8 KOHM	CRJ10DJ182T
MAIN	R106		nsp	00MNN05101610	CHIP RES.	100 OHM	CRJ10DJ101T
MAIN	R107		nsp	00MNN05681610	CHIP RES.	680 OHM	CRJ10DJ681T
MAIN	R108		nsp	00MNN05561610	CHIP RES.	560 OHM	CRJ10DJ561T
MAIN	R109		nsp	00MNN05182610	CHIP RES.	1.8 KOHM	CRJ10DJ182T
MAIN	R110		nsp	00MNN05101610	CHIP RES.	100 OHM	CRJ10DJ101T
MAIN	R111		nsp	00MNN05681610	CHIP RES.	680 OHM	CRJ10DJ681T
MAIN	R112		nsp	00MNN05561610	CHIP RES.	560 OHM	CRJ10DJ561T
MAIN	R113		nsp	00MNN05182610	CHIP RES.	1.8 KOHM	CRJ10DJ182T
MAIN	R114		nsp	00MNN05101610	CHIP RES.	100 OHM	CRJ10DJ101T
MAIN	R115		nsp	00MNN05681610	CHIP RES.	680 OHM	CRJ10DJ681T
MAIN	R116		nsp	00MNN05561610	CHIP RES.	560 OHM	CRJ10DJ561T
MAIN	R117		nsp	00MNN05182610	CHIP RES.	1.8 KOHM	CRJ10DJ182T
MAIN	R118		nsp	00MNN05101610	CHIP RES.	100 OHM	CRJ10DJ101T
MAIN	R119		nsp	00MNN05681610	CHIP RES.	680 OHM	CRJ10DJ681T
MAIN	R120		nsp	00MNN05561610	CHIP RES.	560 OHM	CRJ10DJ561T
MAIN	R121		nsp	00MNN05182610	CHIP RES.	1.8 KOHM	CRJ10DJ182T
MAIN	R122		nsp	00MNN05101610	CHIP RES.	100 OHM	CRJ10DJ101T
MAIN	R123		nsp	00MNN05681610	CHIP RES.	680 OHM	CRJ10DJ681T
MAIN	R124		nsp	00MNN05561610	CHIP RES.	560 OHM	CRJ10DJ561T
MAIN	R125		nsp	00MNN05182610	CHIP RES.	1.8 KOHM	CRJ10DJ182T
MAIN	R126		nsp	00MNN05101610	CHIP RES.	100 OHM	CRJ10DJ101T
MAIN	R127		nsp	00MNN05681610	CHIP RES.	680 OHM	CRJ10DJ681T
MAIN	R128		nsp	00MNN05101610	CHIP RES.	100 OHM	CRJ10DJ101T
MAIN	R129		nsp	00MNN05681610	CHIP RES.	680 OHM	CRJ10DJ681T
MAIN	R130		nsp	00MNN05561610	CHIP RES.	560 OHM	CRJ10DJ561T
MAIN	R131		nsp	00MNN05182610	CHIP RES.	1.8 KOHM	CRJ10DJ182T
MAIN	R132		nsp	00MNN05101610	CHIP RES.	100 OHM	CRJ10DJ101T
MAIN	R133		nsp	00MNN05681610	CHIP RES.	680 OHM	CRJ10DJ681T
MAIN	R134		nsp	00MNN05561610	CHIP RES.	560 OHM	CRJ10DJ561T
MAIN	R135		nsp	00MNN05220610	CHIP RES.	22 OHM 1/10W J	CRJ10DJ220T
MAIN	R136		nsp	00MNN05220610	CHIP RES.	22 OHM 1/10W J	CRJ10DJ220T
MAIN	R139		nsp	00MNN05103610	CHIP RES.	10 KOHM	CRJ10DJ103T
MAIN	R140		nsp	00MNN05103610	CHIP RES.	10 KOHM	CRJ10DJ103T
MAIN	R141		nsp	00MNN05472610	CHIP RES.	4.7 KOHM	CRJ10DJ472T
MAIN	R142		nsp	00MNN05682610	CHIP RES.	6.8K OHM 1/10W J	CRJ10DJ682T
MAIN	R144		nsp	00MNN05682610	CHIP RES.	6.8K OHM 1/10W J	CRJ10DJ682T
MAIN	R145		nsp	00MNN05272610	CHIP RES.	2.7 KOHM	CRJ10DJ272T
MAIN	R146		nsp	00MNN05391610	CHIP RES.	390 OHM 1/10W J	CRJ10DJ391T
MAIN	R147		nsp	00MNN05681610	CHIP RES.	680 OHM	CRJ10DJ681T
MAIN	R148		nsp	00MNN05101610	CHIP RES.	100 OHM	CRJ10DJ101T
MAIN	R149		nsp	00MNN05272610	CHIP RES.	2.7 KOHM	CRJ10DJ272T
MAIN	R150		nsp	00MNN05391610	CHIP RES.	390 OHM 1/10W J	CRJ10DJ391T
MAIN	R151		nsp	00MNN05472610	CHIP RES.	4.7 KOHM	CRJ10DJ472T
MAIN	R152	/F N	nsp	00MNN05221610	CHIP RES.	220 OHM	CRJ10DJ221T
MAIN	R152	/K1G	nsp	00MNN05221610	CHIP RES.	220 OHM	CRJ10DJ221T
MAIN	R152	/L1G	nsp	00MNN05221610	CHIP RES.	220 OHM	CRJ10DJ221T
MAIN	R152	/N1B	nsp	00MNN05561610	CHIP RES.	560 OHM	CRJ10DJ561T
MAIN	R152	/N1S	nsp	00MNN05561610	CHIP RES.	560 OHM	CRJ10DJ561T
MAIN	R152	/S1G	nsp	00MNN05221610	CHIP RES.	220 OHM	CRJ10DJ221T
MAIN	R152	/U1B	nsp	00MNN05221610	CHIP RES.	220 OHM	CRJ10DJ221T
MAIN	R153	/F N	nsp	00MNN05470610	CHIP RES.	47 OHM 1/10W J	CRJ10DJ470T

NOTE : *nsp* PART IS LISTED FOR REFERENCE ONLY, MARANTZ WILL NOT SUPPLY THESE PARTS.

P.C.B. NAME	POS. NO.	VERS. COLOR	PART NO. (FOR EUR)	PART NO. (MJI)	PART NAME	DESCRIPTION	
MAIN	R153	/K1G	nsp	00MNN05470610	CHIP RES.	47 OHM 1/10W J	CRJ10DJ470T
MAIN	R153	/L1G	nsp	00MNN05470610	CHIP RES.	47 OHM 1/10W J	CRJ10DJ470T
MAIN	R153	/N1B	nsp	00MNN05220610	CHIP RES.	22 OHM 1/10W J	CRJ10DJ220T
MAIN	R153	/N1S	nsp	00MNN05220610	CHIP RES.	22 OHM 1/10W J	CRJ10DJ220T
MAIN	R153	/S1G	nsp	00MNN05470610	CHIP RES.	47 OHM 1/10W J	CRJ10DJ470T
MAIN	R153	/U1B	nsp	00MNN05470610	CHIP RES.	47 OHM 1/10W J	CRJ10DJ470T
MAIN	R154	/N1B	nsp	00MNN05472610	CHIP RES.	4.7 KOHM	CRJ10DJ472T
MAIN	R154	/N1S	nsp	00MNN05472610	CHIP RES.	4.7 KOHM	CRJ10DJ472T
MAIN	R155		nsp	00MNN05472610	CHIP RES.	4.7 KOHM	CRJ10DJ472T
MAIN	R156		nsp	00MNN05220610	CHIP RES.	22 OHM 1/10W J	CRJ10DJ220T
MAIN	R159		nsp	00MNN05103610	CHIP RES.	10 KOHM	CRJ10DJ103T
MAIN	R160		nsp	00MNN05103610	CHIP RES.	10 KOHM	CRJ10DJ103T
MAIN	R161		nsp	00MNN05682610	CHIP RES.	6.8K OHM 1/10W J	CRJ10DJ682T
MAIN	R163		nsp	00MNN05682610	CHIP RES.	6.8K OHM 1/10W J	CRJ10DJ682T
MAIN	R164		nsp	00MNN05272610	CHIP RES.	2.7 KOHM	CRJ10DJ272T
MAIN	R165		nsp	00MNN05391610	CHIP RES.	390 OHM 1/10W J	CRJ10DJ391T
MAIN	R166		nsp	00MNN05472610	CHIP RES.	4.7 KOHM	CRJ10DJ472T
MAIN	R167		nsp	00MNN05681610	CHIP RES.	680 OHM	CRJ10DJ681T
MAIN	R168		nsp	00MNN05101610	CHIP RES.	100 OHM	CRJ10DJ101T
MAIN	R169		nsp	00MNN05272610	CHIP RES.	2.7 KOHM	CRJ10DJ272T
MAIN	R170		nsp	00MNN05391610	CHIP RES.	390 OHM 1/10W J	CRJ10DJ391T
MAIN	R171		nsp	00MNN05220610	CHIP RES.	22 OHM 1/10W J	CRJ10DJ220T
MAIN	R172		nsp	00MNN05472610	CHIP RES.	4.7 KOHM	CRJ10DJ472T
MAIN	R173		nsp	00MNN05101610	CHIP RES.	100 OHM	CRJ10DJ101T
MAIN	R174		nsp	00MNN05220610	CHIP RES.	22 OHM 1/10W J	CRJ10DJ220T
MAIN	R176		nsp	00MNN05472610	CHIP RES.	4.7 KOHM	CRJ10DJ472T
MAIN	R177		nsp	00MNN05561610	CHIP RES.	560 OHM	CRJ10DJ561T
MAIN	R180		nsp	00MNN05182610	CHIP RES.	1.8 KOHM	CRJ10DJ182T
MAIN	R181	/F N	nsp	00MNN05220610	CHIP RES.	22 OHM 1/10W J	CRJ10DJ220T
MAIN	R181	/K1G	nsp	00MNN05220610	CHIP RES.	22 OHM 1/10W J	CRJ10DJ220T
MAIN	R181	/L1G	nsp	00MNN05121610	CHIP RES.	120 OHM	CRJ10DJ121T
MAIN	R181	/N1B	nsp	00MNN05220610	CHIP RES.	22 OHM 1/10W J	CRJ10DJ220T
MAIN	R181	/N1S	nsp	00MNN05220610	CHIP RES.	22 OHM 1/10W J	CRJ10DJ220T
MAIN	R181	/S1G	nsp	00MNN05220610	CHIP RES.	22 OHM 1/10W J	CRJ10DJ220T
MAIN	R181	/U1B	nsp	00MNN05121610	CHIP RES.	120 OHM	CRJ10DJ121T
MAIN	R182	/F N	nsp	00MNN05220610	CHIP RES.	22 OHM 1/10W J	CRJ10DJ220T
MAIN	R182	/K1G	nsp	00MNN05220610	CHIP RES.	22 OHM 1/10W J	CRJ10DJ220T
MAIN	R182	/L1G	nsp	00MNN05101610	CHIP RES.	100 OHM	CRJ10DJ101T
MAIN	R182	/N1B	nsp	00MNN05220610	CHIP RES.	22 OHM 1/10W J	CRJ10DJ220T
MAIN	R182	/N1S	nsp	00MNN05220610	CHIP RES.	22 OHM 1/10W J	CRJ10DJ220T
MAIN	R182	/S1G	nsp	00MNN05220610	CHIP RES.	22 OHM 1/10W J	CRJ10DJ220T
MAIN	R182	/U1B	nsp	00MNN05101610	CHIP RES.	100 OHM	CRJ10DJ101T
MAIN	R183		nsp	00MNN05472610	CHIP RES.	4.7 KOHM	CRJ10DJ472T
MAIN	R184		nsp	00MNN05472610	CHIP RES.	4.7 KOHM	CRJ10DJ472T
MAIN	R185		nsp	00MNN05472610	CHIP RES.	4.7 KOHM	CRJ10DJ472T
MAIN	R201		nsp	00MNN05390610	CHIP RES.	39 OHM	CRJ10DJ390T
MAIN	R202		nsp	00MNN05330610	CHIP RES.	33 OHM	CRJ10DJ330T
MAIN	R203		nsp	00MNN05390610	CHIP RES.	39 OHM	CRJ10DJ390T
MAIN	R204		nsp	00MNN05330610	CHIP RES.	33 OHM	CRJ10DJ330T
MAIN	R205		nsp	00MNN05682610	CHIP RES.	6.8K OHM 1/10W J	CRJ10DJ682T
MAIN	R206		nsp	00MNN05390610	CHIP RES.	39 OHM	CRJ10DJ390T
MAIN	R207		nsp	00MNN05330610	CHIP RES.	33 OHM	CRJ10DJ330T
MAIN	R208		nsp	00MNN05390610	CHIP RES.	39 OHM	CRJ10DJ390T
MAIN	R209		nsp	00MNN05330610	CHIP RES.	33 OHM	CRJ10DJ330T
MAIN	R210		nsp	00MNN05223610	CHIP RES.	22 KOHM	CRJ10DJ223T
MAIN	R211		nsp	00MNN05102610	CHIP RES.	1 KOHM	CRJ10DJ102T
MAIN	R212		nsp	00MNN05103610	CHIP RES.	10 KOHM	CRJ10DJ103T
MAIN	R213		nsp	00MNN05392610	CHIP RES.	3.9K OHM 1/10W J	CRJ10DJ392T
MAIN	R214		nsp	00MNN05392610	CHIP RES.	3.9K OHM 1/10W J	CRJ10DJ392T
MAIN	R215		nsp	00MNN05390610	CHIP RES.	39 OHM	CRJ10DJ390T
MAIN	R216		nsp	00MNN05330610	CHIP RES.	33 OHM	CRJ10DJ330T
MAIN	R217		nsp	00MNN05390610	CHIP RES.	39 OHM	CRJ10DJ390T
MAIN	R218		nsp	00MNN05330610	CHIP RES.	33 OHM	CRJ10DJ330T
MAIN	R219		nsp	00MNN05390610	CHIP RES.	39 OHM	CRJ10DJ390T
MAIN	R220		nsp	00MNN05330610	CHIP RES.	33 OHM	CRJ10DJ330T
MAIN	R221		nsp	00MNN05390610	CHIP RES.	39 OHM	CRJ10DJ390T
MAIN	R222		nsp	00MNN05330610	CHIP RES.	33 OHM	CRJ10DJ330T

NOTE : "nsp" PART IS LISTED FOR REFERENCE ONLY, MARANTZ WILL NOT SUPPLY THESE PARTS.

P.C.B. NAME	POS. NO.	VERS. COLOR	PART NO. (FOR EUR)	PART NO. (MJ)	PART NAME	DESCRIPTION	
MAIN	R224		nsp	00MNN05390610	CHIP RES.	39 OHM	CRJ10DJ390T
MAIN	R225		nsp	00MNN05330610	CHIP RES.	33 OHM	CRJ10DJ330T
MAIN	R226		nsp	00MNN05390610	CHIP RES.	39 OHM	CRJ10DJ390T
MAIN	R227		nsp	00MNN05330610	CHIP RES.	33 OHM	CRJ10DJ330T
MAIN	R228		nsp	00MNN05682610	CHIP RES.	6.8K OHM 1/10W J	CRJ10DJ682T
MAIN	R229		nsp	00MNN05682610	CHIP RES.	6.8K OHM 1/10W J	CRJ10DJ682T
MAIN	R230		nsp	00MNN05103610	CHIP RES.	10 KOHM	CRJ10DJ103T
MAIN	R231		nsp	00MNN05332610	CHIP RES.	3.3 KOHM	CRJ10DJ332T
MAIN	R232		nsp	00MNN05105610	CHIP RES.	1 MOHM	CRJ10DJ105T
MAIN	R233		nsp	00MNN05101610	CHIP RES.	100 OHM	CRJ10DJ101T
MAIN	R234		nsp	00MNN05102610	CHIP RES.	1 KOHM	CRJ10DJ102T
MAIN	R235		nsp	00MNN05471610	CHIP RES.	470 OHM 1/10W J	CRJ10DJ471T
MAIN	R236		nsp	00MNN05223610	CHIP RES.	22 KOHM	CRJ10DJ223T
MAIN	R237		nsp	00MNN05681610	CHIP RES.	680 OHM	CRJ10DJ681T
MAIN	R238		nsp	00MNN05101610	CHIP RES.	100 OHM	CRJ10DJ101T
MAIN	R239		nsp	00MNN05102610	CHIP RES.	1 KOHM	CRJ10DJ102T
MAIN	R240		nsp	00MNN05471610	CHIP RES.	470 OHM 1/10W J	CRJ10DJ471T
MAIN	R241		nsp	00MNN05223610	CHIP RES.	22 KOHM	CRJ10DJ223T
MAIN	R242		nsp	00MNN05681610	CHIP RES.	680 OHM	CRJ10DJ681T
MAIN	R243		nsp	00MNN05101610	CHIP RES.	100 OHM	CRJ10DJ101T
MAIN	R244		nsp	00MNN05102610	CHIP RES.	1 KOHM	CRJ10DJ102T
MAIN	R245		nsp	00MNN05471610	CHIP RES.	470 OHM 1/10W J	CRJ10DJ471T
MAIN	R246		nsp	00MNN05223610	CHIP RES.	22 KOHM	CRJ10DJ223T
MAIN	R247		nsp	00MNN05681610	CHIP RES.	680 OHM	CRJ10DJ681T
MAIN	R248		nsp	00MNN05105610	CHIP RES.	1 MOHM	CRJ10DJ105T
MAIN	R249		nsp	00MNN05105610	CHIP RES.	1 MOHM	CRJ10DJ105T
MAIN	R250		nsp	00MNN05472610	CHIP RES.	4.7 KOHM	CRJ10DJ472T
MAIN	R251		nsp	00MNN05472610	CHIP RES.	4.7 KOHM	CRJ10DJ472T
MAIN	R252		nsp	00MNN05563610	CHIP RES.	56 KOHM	CRJ10DJ563T
MAIN	R253		nsp	00MNN05152610	CHIP RES.	1.5 KOHM	CRJ10DJ152T
MAIN	R254		nsp	00MNN05152610	CHIP RES.	1.5 KOHM	CRJ10DJ152T
MAIN	R255		nsp	00MNN05152610	CHIP RES.	1.5 KOHM	CRJ10DJ152T
MAIN	R256		nsp	00MNN05101610	CHIP RES.	100 OHM	CRJ10DJ101T
MAIN	R257		nsp	00MNN05101610	CHIP RES.	100 OHM	CRJ10DJ101T
MAIN	R258		nsp	00MNN05390610	CHIP RES.	39 OHM	CRJ10DJ390T
MAIN	R259		nsp	00MNN05330610	CHIP RES.	33 OHM	CRJ10DJ330T
MAIN	R260		nsp	00MNN05390610	CHIP RES.	39 OHM	CRJ10DJ390T
MAIN	R261		nsp	00MNN05330610	CHIP RES.	33 OHM	CRJ10DJ330T
MAIN	R262		nsp	00MNN05390610	CHIP RES.	39 OHM	CRJ10DJ390T
MAIN	R263		nsp	00MNN05330610	CHIP RES.	33 OHM	CRJ10DJ330T
MAIN	R264		nsp	00MNN05390610	CHIP RES.	39 OHM	CRJ10DJ390T
MAIN	R265		nsp	00MNN05330610	CHIP RES.	33 OHM	CRJ10DJ330T
MAIN	R266		nsp	00MNN05223610	CHIP RES.	22 KOHM	CRJ10DJ223T
MAIN	R267		nsp	00MNN05563610	CHIP RES.	56 KOHM	CRJ10DJ563T
MAIN	R268		nsp	00MNN05221610	CHIP RES.	220 OHM	CRJ10DJ221T
MAIN	R269		nsp	00MNN05221610	CHIP RES.	220 OHM	CRJ10DJ221T
MAIN	R270		nsp	00MNN05221610	CHIP RES.	220 OHM	CRJ10DJ221T
MAIN	R271		nsp	00MNN05102610	CHIP RES.	1 KOHM	CRJ10DJ102T
MAIN	R285		nsp	00MNN05220610	CHIP RES.	22 OHM 1/10W J	CRJ10DJ220T
MAIN	R286		nsp	00MNN05220610	CHIP RES.	22 OHM 1/10W J	CRJ10DJ220T
MAIN	R301		nsp	00MNN05220610	CHIP RES.	22 OHM 1/10W J	CRJ10DJ220T
MAIN	R303		nsp	00MNN05220610	CHIP RES.	22 OHM 1/10W J	CRJ10DJ220T
MAIN	R305		nsp	00MNN05183610	CHIP RES.	18K OHM 1/10W J	CRJ10DJ183T
MAIN	R306		nsp	00MNN05473610	CHIP RES.	47 KOHM	CRJ10DJ473T
MAIN	R307		nsp	00MNN05183610	CHIP RES.	18K OHM 1/10W J	CRJ10DJ183T
MAIN	R308		nsp	00MNN05103610	CHIP RES.	10 KOHM	CRJ10DJ103T
MAIN	R310		nsp	00MNN05101610	CHIP RES.	100 OHM	CRJ10DJ101T
MAIN	R311		nsp	00MNN05103610	CHIP RES.	10 KOHM	CRJ10DJ103T
MAIN	R312		nsp	00MNN05000610	CHIP RES.	0 OHM	CRJ10DJ0R0T
MAIN	R313		nsp	00MNN05000610	CHIP RES.	0 OHM	CRJ10DJ0R0T
MAIN	R314		nsp	00MNN05000610	CHIP RES.	0 OHM	CRJ10DJ0R0T
MAIN	R315		nsp	00MNN05105610	CHIP RES.	1 MOHM	CRJ10DJ105T
MAIN	R316		nsp	00MNN05472610	CHIP RES.	4.7 KOHM	CRJ10DJ472T
MAIN	R317		nsp	00MNN05473610	CHIP RES.	47 KOHM	CRJ10DJ473T
MAIN	R322		nsp	00MNN05103610	CHIP RES.	10 KOHM	CRJ10DJ103T
MAIN	R323		nsp	00MNN05121610	CHIP RES.	120 OHM	CRJ10DJ121T
MAIN	R324		nsp	00MNN05121610	CHIP RES.	120 OHM	CRJ10DJ121T

NOTE : *nsp* PART IS LISTED FOR REFERENCE ONLY, MARANTZ WILL NOT SUPPLY THESE PARTS.

P.C.B. NAME	POS. NO.	VERS. COLOR	PART NO. (FOR EUR)	PART NO. (MJI)	PART NAME	DESCRIPTION	
MAIN	R325		nsp	00MNN05121610	CHIP RES.	120 OHM	CRJ10DJ121T
MAIN	R326		nsp	00MNN05000610	CHIP RES.	0 OHM	CRJ10DJ0R0T
MAIN	R327		nsp	00MNN05121610	CHIP RES.	120 OHM	CRJ10DJ121T
MAIN	R328		nsp	00MNN05121610	CHIP RES.	120 OHM	CRJ10DJ121T
MAIN	R329		nsp	00MNN05121610	CHIP RES.	120 OHM	CRJ10DJ121T
MAIN	R341		nsp	00MNN05121610	CHIP RES.	120 OHM	CRJ10DJ121T
MAIN	R342		nsp	00MNN05103610	CHIP RES.	10 KOHM	CRJ10DJ103T
MAIN	R500		nsp	00MNN05103610	CHIP RES.	10 KOHM	CRJ10DJ103T
MAIN	R519		nsp	00MNN05000610	CHIP RES.	0 OHM	CRJ10DJ0R0T
MAIN	R520		nsp	00MNN05000610	CHIP RES.	0 OHM	CRJ10DJ0R0T
MAIN	R524		nsp	00MNN05101610	CHIP RES.	100 OHM	CRJ10DJ101T
MAIN	R525		nsp	00MNN05220610	CHIP RES.	22 OHM 1/10W J	CRJ10DJ220T
MAIN	R526		nsp	00MNN05472610	CHIP RES.	4.7 KOHM	CRJ10DJ472T
MAIN	R527		nsp	00MNN05220610	CHIP RES.	22 OHM 1/10W J	CRJ10DJ220T
MAIN	R529		nsp	00MNN05101610	CHIP RES.	100 OHM	CRJ10DJ101T
MAIN	R531		nsp	00MNN05000610	CHIP RES.	0 OHM	CRJ10DJ0R0T
MAIN	R533		nsp	00MNN05220610	CHIP RES.	22 OHM 1/10W J	CRJ10DJ220T
MAIN	R534		nsp	00MNN05000610	CHIP RES.	0 OHM	CRJ10DJ0R0T
MAIN	R535		nsp	00MNN05000610	CHIP RES.	0 OHM	CRJ10DJ0R0T
MAIN	R536		nsp	00MNN05000610	CHIP RES.	0 OHM	CRJ10DJ0R0T
MAIN	R537	/F N	nsp	00MNN05000610	CHIP RES.	0 OHM	CRJ10DJ0R0T
MAIN	R537	/K1G	nsp	00MNN05000610	CHIP RES.	0 OHM	CRJ10DJ0R0T
MAIN	R537	/L1G	nsp	00MNN05121610	CHIP RES.	120 OHM	CRJ10DJ121T
MAIN	R537	/N1B	nsp	00MNN05000610	CHIP RES.	0 OHM	CRJ10DJ0R0T
MAIN	R537	/N1S	nsp	00MNN05000610	CHIP RES.	0 OHM	CRJ10DJ0R0T
MAIN	R537	/S1G	nsp	00MNN05000610	CHIP RES.	0 OHM	CRJ10DJ0R0T
MAIN	R537	/U1B	nsp	00MNN05121610	CHIP RES.	120 OHM	CRJ10DJ121T
MAIN	R540		nsp	00MNN05000610	CHIP RES.	0 OHM	CRJ10DJ0R0T
MAIN	R541		nsp	00MNN05000610	CHIP RES.	0 OHM	CRJ10DJ0R0T
MAIN	R542		nsp	00MNN05000610	CHIP RES.	0 OHM	CRJ10DJ0R0T
MAIN	R543		nsp	00MNN05000610	CHIP RES.	0 OHM	CRJ10DJ0R0T
MAIN	R544		nsp	00MNN05000610	CHIP RES.	0 OHM	CRJ10DJ0R0T
MAIN	R545		nsp	00MNN05000610	CHIP RES.	0 OHM	CRJ10DJ0R0T
MAIN	R546		nsp	00MNN05000610	CHIP RES.	0 OHM	CRJ10DJ0R0T
MAIN	R547		nsp	00MNN05000610	CHIP RES.	0 OHM	CRJ10DJ0R0T
MAIN	R548		nsp	00MNN05000610	CHIP RES.	0 OHM	CRJ10DJ0R0T
MAIN	R549		nsp	00MNN05000610	CHIP RES.	0 OHM	CRJ10DJ0R0T
MAIN	R551		nsp	00MNN05000610	CHIP RES.	0 OHM	CRJ10DJ0R0T
MAIN	R552	/F N	nsp	00MNN05000610	CHIP RES.	0 OHM	CRJ10DJ0R0T
MAIN	R552	/K1G	nsp	00MNN05000610	CHIP RES.	0 OHM	CRJ10DJ0R0T
MAIN	R552	/L1G	nsp	00MNN05151610	CHIP RES.	150 OHM	CRJ10DJ151T
MAIN	R552	/N1B	nsp	00MNN05000610	CHIP RES.	0 OHM	CRJ10DJ0R0T
MAIN	R552	/N1S	nsp	00MNN05000610	CHIP RES.	0 OHM	CRJ10DJ0R0T
MAIN	R552	/S1G	nsp	00MNN05000610	CHIP RES.	0 OHM	CRJ10DJ0R0T
MAIN	R552	/U1B	nsp	00MNN05151610	CHIP RES.	150 OHM	CRJ10DJ151T
MAIN	R553		nsp	00MNN05000610	CHIP RES.	0 OHM	CRJ10DJ0R0T
MAIN	R556		nsp	00MNN05000610	CHIP RES.	0 OHM	CRJ10DJ0R0T
MAIN	R557		nsp	00MNN05220610	CHIP RES.	22 OHM 1/10W J	CRJ10DJ220T
MAIN	R558		nsp	00MNN05101610	CHIP RES.	100 OHM	CRJ10DJ101T
MAIN	R559		nsp	00MNN05000610	CHIP RES.	0 OHM	CRJ10DJ0R0T
MAIN	R560		nsp	00MNN05220610	CHIP RES.	22 OHM 1/10W J	CRJ10DJ220T
MAIN	R568		nsp	00MNN05220610	CHIP RES.	22 OHM 1/10W J	CRJ10DJ220T
MAIN	R569		nsp	00MNN05330610	CHIP RES.	33 OHM	CRJ10DJ330T
MAIN	R570		nsp	00MNN05472610	CHIP RES.	4.7 KOHM	CRJ10DJ472T
MAIN	R574		nsp	00MNN05220610	CHIP RES.	22 OHM 1/10W J	CRJ10DJ220T
MAIN	R575		nsp	00MNN05220610	CHIP RES.	22 OHM 1/10W J	CRJ10DJ220T
MAIN	R576		nsp	00MNN05220610	CHIP RES.	22 OHM 1/10W J	CRJ10DJ220T
MAIN	R634		nsp	00MNN05101610	CHIP RES.	100 OHM	CRJ10DJ101T
MAIN	R635		nsp	00MNN05221610	CHIP RES.	220 OHM	CRJ10DJ221T
MAIN	R636		nsp	00MNN05474610	CHIP RES.	470 KOHM	CRJ10DJ474T
MAIN	R637		nsp	00MNN05223610	CHIP RES.	22 KOHM	CRJ10DJ223T
MAIN	R912		90M-FC900380R	90M-FC900380R	FERRITE CORE	2012(0805)600E, 1.5A,POWER	HLZ9R001Z
MAIN	R913		nsp	00MNN05470610	CHIP RES.	47 OHM 1/10W J	CRJ10DJ470T
MAIN	R915		nsp	00MNN05220610	CHIP RES.	22 OHM 1/10W J	CRJ10DJ220T
MAIN	R916		nsp	00MNN05220610	CHIP RES.	22 OHM 1/10W J	CRJ10DJ220T
MAIN	R917		nsp	00MNN05220610	CHIP RES.	22 OHM 1/10W J	CRJ10DJ220T
MAIN	R918		nsp	00MNN05220610	CHIP RES.	22 OHM 1/10W J	CRJ10DJ220T

NOTE : *nsp* PART IS LISTED FOR REFERENCE ONLY, MARANTZ WILL NOT SUPPLY THESE PARTS.

P.C.B. NAME	POS. NO.	VERS. COLOR	PART NO. (FOR EUR)	PART NO. (MJI)	PART NAME	DESCRIPTION	
MAIN	R939		nsp	00MNN05472610	CHIP RES.	4.7 KOHM	CRJ10DJ472T
MAIN	R940		nsp	00MNN05472610	CHIP RES.	4.7 KOHM	CRJ10DJ472T
MAIN	R941		nsp	00MNN05472610	CHIP RES.	4.7 KOHM	CRJ10DJ472T
MAIN	R942		nsp	00MNN05472610	CHIP RES.	4.7 KOHM	CRJ10DJ472T
MAIN	R943		nsp	00MNN05472610	CHIP RES.	4.7 KOHM	CRJ10DJ472T
MAIN	R944		nsp	00MNN05472610	CHIP RES.	4.7 KOHM	CRJ10DJ472T
MAIN	R945		nsp	00MNN05472610	CHIP RES.	4.7 KOHM	CRJ10DJ472T
MAIN	R946		nsp	00MNN05472610	CHIP RES.	4.7 KOHM	CRJ10DJ472T
MAIN	R947		nsp	00MNN05472610	CHIP RES.	4.7 KOHM	CRJ10DJ472T
MAIN	R948		nsp	00MNN05103610	CHIP RES.	10 KOHM	CRJ10DJ103T
MAIN	R949		nsp	00MNN05103610	CHIP RES.	10 KOHM	CRJ10DJ103T
MAIN	R950		nsp	00MNN05103610	CHIP RES.	10 KOHM	CRJ10DJ103T
MAIN	R951		nsp	00MNN05103610	CHIP RES.	10 KOHM	CRJ10DJ103T
MAIN	R952		nsp	00MNN05472610	CHIP RES.	4.7 KOHM	CRJ10DJ472T
MAIN	R953		nsp	00MNN05472610	CHIP RES.	4.7 KOHM	CRJ10DJ472T
MAIN	R954		nsp	00MNN05182610	CHIP RES.	1.8 KOHM	CRJ10DJ182T
MAIN	R955		nsp	00MNN05182610	CHIP RES.	1.8 KOHM	CRJ10DJ182T
MAIN	R956		nsp	00MNN05473610	CHIP RES.	47 KOHM	CRJ10DJ473T
MAIN	R957		nsp	00MNN05473610	CHIP RES.	47 KOHM	CRJ10DJ473T
MAIN	R958		nsp	00MNN05472610	CHIP RES.	4.7 KOHM	CRJ10DJ472T
MAIN	R959		nsp	00MNN05472610	CHIP RES.	4.7 KOHM	CRJ10DJ472T
MAIN	R960		nsp	00MNN05472610	CHIP RES.	4.7 KOHM	CRJ10DJ472T
MAIN	R961		nsp	00MNN05472610	CHIP RES.	4.7 KOHM	CRJ10DJ472T
MAIN	R962		nsp	00MNN05473610	CHIP RES.	47 KOHM	CRJ10DJ473T
MAIN	R963		nsp	00MNN05103610	CHIP RES.	10 KOHM	CRJ10DJ103T
MAIN	R964		nsp	00MNN05220610	CHIP RES.	22 OHM 1/10W J	CRJ10DJ220T
MAIN	R965		nsp	00MNN05220610	CHIP RES.	22 OHM 1/10W J	CRJ10DJ220T
MAIN	R966		nsp	00MNN05103610	CHIP RES.	10 KOHM	CRJ10DJ103T
MAIN	R967		nsp	00MNN05473610	CHIP RES.	47 KOHM	CRJ10DJ473T
MAIN	R969		nsp	00MNN05103610	CHIP RES.	10 KOHM	CRJ10DJ103T
MAIN	R970		nsp	00MNN05103610	CHIP RES.	10 KOHM	CRJ10DJ103T
MAIN	R971		nsp	00MNN05000610	CHIP RES.	0 OHM	CRJ10DJ0R0T
MAIN	R972		nsp	00MNN05000610	CHIP RES.	0 OHM	CRJ10DJ0R0T
MAIN	R973		nsp	00MNN05000610	CHIP RES.	0 OHM	CRJ10DJ0R0T
MAIN	R974		nsp	00MNN05000610	CHIP RES.	0 OHM	CRJ10DJ0R0T
MAIN	R975		nsp	00MNN05000610	CHIP RES.	0 OHM	CRJ10DJ0R0T
MAIN	R976		nsp	00MNN05000610	CHIP RES.	0 OHM	CRJ10DJ0R0T
MAIN	R977		nsp	00MNN05000610	CHIP RES.	0 OHM	CRJ10DJ0R0T
MAIN	R978		nsp	00MNN05000610	CHIP RES.	0 OHM	CRJ10DJ0R0T
MAIN	R979		nsp	00MNN05000610	CHIP RES.	0 OHM	CRJ10DJ0R0T
MAIN	R980		nsp	00MNN05000610	CHIP RES.	0 OHM	CRJ10DJ0R0T
MAIN	R981		nsp	00MNN05000610	CHIP RES.	0 OHM	CRJ10DJ0R0T
MAIN	R982	/F N	nsp	00MNN05000610	CHIP RES.	0 OHM	CRJ10DJ0R0T
MAIN	R982	/K1G	nsp	00MNN05000610	CHIP RES.	0 OHM	CRJ10DJ0R0T
MAIN	R982	/L1G	nsp	00MNN05000610	CHIP RES.	0 OHM	CRJ10DJ0R0T
MAIN	R982	/S1G	nsp	00MNN05000610	CHIP RES.	0 OHM	CRJ10DJ0R0T
MAIN	R982	/U1B	nsp	00MNN05000610	CHIP RES.	0 OHM	CRJ10DJ0R0T
MAIN	RN10		90M-BW000400R	90M-BW000400R	RES. COMPO.	RES,4ARRAY	CRJ104DJ220T
MAIN	RN11		90M-BW000400R	90M-BW000400R	RES. COMPO.	RES,4ARRAY	CRJ104DJ220T
MAIN	RN12		90M-BW000400R	90M-BW000400R	RES. COMPO.	RES,4ARRAY	CRJ104DJ220T
MAIN	RN13		90M-BW000400R	90M-BW000400R	RES. COMPO.	RES,4ARRAY	CRJ104DJ220T
MAIN	RN14		90M-BW000400R	90M-BW000400R	RES. COMPO.	RES,4ARRAY	CRJ104DJ220T
MAIN	RN15		90M-BW000400R	90M-BW000400R	RES. COMPO.	RES,4ARRAY	CRJ104DJ220T
MAIN	RN16		90M-BW000400R	90M-BW000400R	RES. COMPO.	RES,4ARRAY	CRJ104DJ220T
MAIN	RN17		90M-BW000400R	90M-BW000400R	RES. COMPO.	RES,4ARRAY	CRJ104DJ220T
MAIN	RN18		90M-BW000400R	90M-BW000400R	RES. COMPO.	RES,4ARRAY	CRJ104DJ220T
MAIN	RN46		90M-BW000410R	90M-BW000410R	RES. COMPO.	RES, ARRAY, 10K (1608)	CRJ104DJ103T
MAIN	RN47		90M-BW000410R	90M-BW000410R	RES. COMPO.	RES, ARRAY, 10K (1608)	CRJ104DJ103T
MAIN	RN48		90M-BW000410R	90M-BW000410R	RES. COMPO.	RES, ARRAY, 10K (1608)	CRJ104DJ103T
MAIN	RN49		90M-BW000390R	90M-BW000390R	RES. COMPO.	RES, ARRAY, 100R (1608)	CRJ104DJ101T
MAIN	RN50		90M-BW000390R	90M-BW000390R	RES. COMPO.	RES, ARRAY, 100R (1608)	CRJ104DJ101T
MAIN	RN51		90M-BW000390R	90M-BW000390R	RES. COMPO.	RES, ARRAY, 100R (1608)	CRJ104DJ101T
MAIN	RN52		90M-BW000390R	90M-BW000390R	RES. COMPO.	RES, ARRAY, 100R (1608)	CRJ104DJ101T
MAIN	RN53		90M-BW000390R	90M-BW000390R	RES. COMPO.	RES, ARRAY, 100R (1608)	CRJ104DJ101T
MAIN	RN54		90M-BW000390R	90M-BW000390R	RES. COMPO.	RES, ARRAY, 100R (1608)	CRJ104DJ101T
MAIN	RN55		90M-BW000390R	90M-BW000390R	RES. COMPO.	RES, ARRAY, 100R (1608)	CRJ104DJ101T
MAIN	RN56		90M-BW000390R	90M-BW000390R	RES. COMPO.	RES, ARRAY, 100R (1608)	CRJ104DJ101T

NOTE : *nsp* PART IS LISTED FOR REFERENCE ONLY, MARANTZ WILL NOT SUPPLY THESE PARTS.

P.C.B. NAME	POS. NO.	VERS. COLOR	PART NO. (FOR EUR)	PART NO. (MJI)	PART NAME	DESCRIPTION	
MAIN	RN57		90M-BW000390R	90M-BW000390R	RES. COMPO.	RES. ARRAY, 100R (1608)	CRJ104DJ101T
MAIN	RN58		90M-BW000390R	90M-BW000390R	RES. COMPO.	RES. ARRAY, 100R (1608)	CRJ104DJ101T
MAIN	RN59		90M-BW000400R	90M-BW000400R	RES. COMPO.	RES.4ARRAY	CRJ104DJ220T
MAIN	RN60		90M-BW000400R	90M-BW000400R	RES. COMPO.	RES.4ARRAY	CRJ104DJ220T
MAIN	RN61		90M-BW000400R	90M-BW000400R	RES. COMPO.	RES.4ARRAY	CRJ104DJ220T
MAIN	RN62		90M-BW000400R	90M-BW000400R	RES. COMPO.	RES.4ARRAY	CRJ104DJ220T
MAIN	RN63		90M-BW000400R	90M-BW000400R	RES. COMPO.	RES.4ARRAY	CRJ104DJ220T
MAIN	RN91		90M-BW000400R	90M-BW000400R	RES. COMPO.	RES.4ARRAY	CRJ104DJ220T
MAIN	RN92		90M-BW000400R	90M-BW000400R	RES. COMPO.	RES.4ARRAY	CRJ104DJ220T
MAIN	SW34		90M-SS000710R	90M-SS000710R	SLIDE SW	SWITCH , SLIDE	KSS2B016Z
MAIN	X101		90M-JX001210R	90M-JX001210R	XTAL	CRYSTAL , 4MHZ	HOX04000E150C
					SMPS PWB (CUP11780Z)		
SMPS	C901		nsp	90M-OA000360R	ELECT. CAP.	CAP , ELECT (400V , 150 UF)	CCET400VHE151NH
SMPS	C902		nsp	90M-OA000340R	ELECT. CAP.	50V/47UF	CCEA1HH470TS
SMPS	C903		nsp	90M-OA000320R	ELECT. CAP.	50V/22UF/105°C	CCEA1HH220TS
SMPS	C904		nsp	90M-OA000320R	ELECT. CAP.	50V/22UF/105°C	CCEA1HH220TS
SMPS	C905		nsp	nsp	CER. CAP.	2200PF	CCKT3A222KBL
SMPS	C906		nsp	nsp	CER. CAP.	2200PF	CCKT3A222KBL
SMPS	C907		nsp	nsp	CER. CAP.	104 50V	CCUMT1H104KB
SMPS	C908		nsp	nsp	CER. CAP.	104 50V	CCUMT1H104KB
SMPS	C910		nsp	nsp	CER. CAP.	EKR3A102K05FK5	CCKT3A102KBL
SMPS	C911		nsp	90M-OA000280R	ELECT. CAP.	16V/470UF	CCEA1CH471TS
SMPS	C912		nsp	90M-OA000340R	ELECT. CAP.	50V/47UF	CCEA1HH470TS
SMPS	C913		nsp	90M-OA000310R	ELECT. CAP.	50V/1.0UF/105°C	CCEA1HH1R0TS
SMPS	C914		nsp	nsp	CER. CAP.	104 50V	CCUMT1H104KB
SMPS	C915		nsp	90M-OA000300R	ELECT. CAP.	50V/100UF	CCEA1HH101TS
SMPS	C916		nsp	90M-OA000340R	ELECT. CAP.	50V/47UF	CCEA1HH470TS
SMPS	C917		nsp	nsp	CER. CAP.	104 50V	CCUMT1H104KB
SMPS	C918		nsp	nsp	CER. CAP.	EKR3A102K05FK5	CCKT3A102KBL
SMPS	C919		nsp	90M-OA000270R	ELECT. CAP.	1500UF	CCEA1ARD152EHS
SMPS	C920		nsp	90M-OA000350R	ELECT. CAP.	35V/470UF/105°C	CCEA1VH471ES
SMPS	C921		nsp	90M-OA000310R	ELECT. CAP.	50V/1.0UF/105°C	CCEA1HH1R0TS
SMPS	C922		nsp	nsp	CER. CAP.	EKR3A102K05FK5	CCKT3A102KBL
SMPS	C923		nsp	90M-OA000350R	ELECT. CAP.	35V/470UF/105°C	CCEA1VH471ES
SMPS	C924		nsp	90M-OA000290R	ELECT. CAP.	330UF 25V 105DEG.	CCEA1EH331TS
SMPS	C925		nsp	90M-OA000350R	ELECT. CAP.	35V/470UF/105°C	CCEA1VH471ES
SMPS	C926		nsp	90M-OA000280R	ELECT. CAP.	16V/470UF	CCEA1CH471TS
SMPS	C927		nsp	90M-OA000350R	ELECT. CAP.	35V/470UF/105°C	CCEA1VH471ES
SMPS	C928		nsp	90M-OA000280R	ELECT. CAP.	16V/470UF	CCEA1CH471TS
SMPS	C929		nsp	90M-OA000290R	ELECT. CAP.	330UF 25V 105DEG.	CCEA1EH331TS
SMPS	C930		nsp	90M-OA000290R	ELECT. CAP.	330UF 25V 105DEG.	CCEA1EH331TS
SMPS	C931		nsp	90M-OA000340R	ELECT. CAP.	50V/47UF	CCEA1HH470TS
SMPS	C932		nsp	90M-OA000340R	ELECT. CAP.	50V/47UF	CCEA1HH470TS
SMPS	C934		nsp	nsp	CER. CAP.	EKR3A102K05FK5	CCKT3A102KBL
SMPS	C935		nsp	nsp	CER. CAP.	104 50V	CCUMT1H104KB
SMPS	C936		nsp	90M-OA000310R	ELECT. CAP.	50V/1.0UF/105°C	CCEA1HH1R0TS
SMPS	CN91		00MYP04000760	00MYP04000760	PLUG	7.92MM(YUNHO)	KJP02KA060ZY
SMPS	CN92		nsp	nsp	JACK	WAFER, STRAIGHT, 6PIN	CJP06GA19ZY
SMPS	CN93		nsp	nsp	JACK	WAFER, STRAIGHT, 6PIN	CJP12GA19ZY
SMPS	▲ CX91		90M-OF100500R	90M-OF100500R	FILM CAP.	POLYPROPYLENE FILM	HCQF2E104KZE
SMPS	▲ CX92		90M-OF100500R	90M-OF100500R	FILM CAP.	POLYPROPYLENE FILM	HCQF2E104KZE
SMPS	▲ CY91		90M-DK100930R	90M-DK100930R	CER. CAP.	CERAMIC (400V Y-CAP)	CCKDHS102ME
SMPS	▲ CY92		90M-DK100930R	90M-DK100930R	CER. CAP.	CERAMIC (400V Y-CAP)	CCKDHS102ME
SMPS	CY94		90M-DK100870R	90M-DK100870R	CER. CAP.	SDE2G222M10FF7	CCKDHS222ME
SMPS	D901		nsp	90M-HD201970R	DIODE	RL207T	HVDRL207T
SMPS	D902		nsp	90M-HD201970R	DIODE	RL207T	HVDRL207T
SMPS	D903		nsp	90M-HD201970R	DIODE	RL207T	HVDRL207T
SMPS	D904		nsp	90M-HD201970R	DIODE	RL207T	HVDRL207T
SMPS	D905		nsp	90M-HD201870R	DIODE	UF4007 SCHOTTKY	HVDUF4007T
SMPS	D906		nsp	90M-HD201960R	DIODE	1N4937T RECTIFIERS	HVD1N4937T
SMPS	D907		nsp	90M-HD201960R	DIODE	1N4937T RECTIFIERS	HVD1N4937T
SMPS	D908		nsp	90M-HD201960R	DIODE	1N4937T RECTIFIERS	HVD1N4937T
SMPS	D909		nsp	90M-HD201870R	DIODE	UF4007 SCHOTTKY	HVDUF4007T
SMPS	D921		nsp	90M-HD201950R	DIODE	11EQ06T SCHOTTKY (60V/1A)	HVD11EQ06T
SMPS	D922		nsp	90M-HD201950R	DIODE	11EQ06T SCHOTTKY (60V/1A)	HVD11EQ06T
SMPS	D923		nsp	90M-HD201960R	DIODE	1N4937T RECTIFIERS	HVD1N4937T
SMPS	D924		nsp	90M-HD201990R	DIODE	31DQ06	HVD31DQ06H

NOTE : "nsp" PART IS LISTED FOR REFERENCE ONLY, MARANTZ WILL NOT SUPPLY THESE PARTS.

P.C.B. NAME	POS. NO.	VERS. COLOR	PART NO. (FOR EUR)	PART NO. (MJ)	PART NAME	DESCRIPTION	
SMPS	D925		nsp	90M-HD201990R	DIODE	31DQ06	HVD31DQ06H
SMPS	D926		nsp	90M-HD201890R	DIODE	UF5404H 15MM FORMING	HVDUF5404H
SMPS	D927		nsp	90M-HD201990R	DIODE	31DQ06	HVD31DQ06H
SMPS	D928		nsp	90M-HD201960R	DIODE	1N4937T RECTIFIERS	HVD1N4937T
SMPS	D929		nsp	90M-HD201960R	DIODE	1N4937T RECTIFIERS	HVD1N4937T
SMPS	D932		nsp	90M-HD201990R	DIODE	31DQ06	HVD31DQ06H
SMPS	D933		nsp	90M-HD201950R	DIODE	11EQ06T SCHOTTKY (60V/1A)	HVD11EQ06T
SMPS	ET91		nsp	nsp	TERMINAL	MET37-0002	HJT1A025
SMPS	ET92		nsp	nsp	TERMINAL	MET37-0002	HJT1A025
SMPS	ET93		nsp	nsp	TERMINAL	MET37-0002	HJT1A025
SMPS	FH91		nsp	nsp	HOLDER	HOLDER , FUSE	KJCFCS5
SMPS	FH92		nsp	nsp	HOLDER	HOLDER , FUSE	KJCFCS5
SMPS	IC91		90M-HC109410R	90M-HC109410R	IC	I.C , VIPER	HVIVIPER12ADIP
SMPS	IC92		90M-HC109430R	90M-HC109430R	IC	IC , POWER SW	HVIKA5M0365RYDT
SMPS	IC93		90M-HC300770R	90M-HC300770R	IC	I.C , REGULATOR	HVIKIA431BAT
SMPS	IC94		90M-HC300770R	90M-HC300770R	IC	I.C , REGULATOR	HVIKIA431BAT
SMPS	IC95		90M-HC300700R	90M-HC300700R	IC	KA278R12TU	HVIKA278R12
SMPS	IC96		90M-HC300790R	90M-HC300790R	IC	REGULATOR (5V LOW DROP)	HVIKIA78R05PI
SMPS	IC97		90M-HC300780R	90M-HC300780R	IC	REGULATOR , +8V	HVIKIA7808API
SMPS	IC98		00MHC3990809F	00MHC3990809F	IC	REGULATOR -8V	HVINJM7908FA
SMPS	J901		nsp	nsp	CONN. CORD	SN95/PB5 , 0.6	C3A206
SMPS	J902		nsp	nsp	CONN. CORD	SN95/PB5 , 0.6	C3A206
SMPS	J903		nsp	nsp	CONN. CORD	SN95/PB5 , 0.6	C3A206
SMPS	J904		nsp	nsp	CONN. CORD	SN95/PB5 , 0.6	C3A206
SMPS	J905		nsp	nsp	CONN. CORD	SN95/PB5 , 0.6	C3A206
SMPS	J906		nsp	nsp	CONN. CORD	SN95/PB5 , 0.6	C3A206
SMPS	J907		nsp	nsp	CONN. CORD	SN95/PB5 , 0.6	C3A206
SMPS	J908		nsp	nsp	CONN. CORD	SN95/PB5 , 0.6	C3A206
SMPS	J909		nsp	nsp	CONN. CORD	SN95/PB5 , 0.6	C3A206
SMPS	J910		nsp	nsp	CONN. CORD	SN95/PB5 , 0.6	C3A206
SMPS	J911		nsp	nsp	CONN. CORD	SN95/PB5 , 0.6	C3A206
SMPS	J912		nsp	nsp	CONN. CORD	SN95/PB5 , 0.6	C3A206
SMPS	J913		nsp	nsp	CONN. CORD	SN95/PB5 , 0.6	C3A206
SMPS	J914		nsp	nsp	CONN. CORD	SN95/PB5 , 0.6	C3A206
SMPS	J915		nsp	nsp	CONN. CORD	SN95/PB5 , 0.6	C3A206
SMPS	J916		nsp	nsp	CONN. CORD	SN95/PB5 , 0.6	C3A206
SMPS	J917		nsp	nsp	CONN. CORD	SN95/PB5 , 0.6	C3A206
SMPS	J918		nsp	nsp	CONN. CORD	SN95/PB5 , 0.6	C3A206
SMPS	L901		nsp	nsp	COIL	CHOKE(6.8UH)	CLZ9Z040Z
SMPS	L902		nsp	nsp	COIL	CHOKE(6.8UH)	CLZ9Z040Z
SMPS	▲ LF91		90M-FN000250R	90M-FN000250R	EMI FILTER	LINE FILTER	CLZ9Z060Z
SMPS	▲ LF92		90M-FN000250R	90M-FN000250R	EMI FILTER	LINE FILTER	CLZ9Z060Z
SMPS	PC91		90M-HW100710R	90M-HW100710R	PHOTO UNIT	PC-17L1CB	HVIPC17L1CB
SMPS	PC92		90M-HW100710R	90M-HW100710R	PHOTO UNIT	PC-17L1CB	HVIPC17L1CB
SMPS	PC93		90M-HW100710R	90M-HW100710R	PHOTO UNIT	PC-17L1CB	HVIPC17L1CB
SMPS	Q901		90M-HT600060R	90M-HT600060R	TRS.	KSA708Y	HVTKSA708YT
SMPS	Q902		90M-HT600060R	90M-HT600060R	TRS.	KSA708Y	HVTKSA708YT
SMPS	Q903		90M-HT800130R	90M-HT800130R	TRS.	KSC1008Y	HVTKSC1008YT
SMPS	Q910		90M-HT800130R	90M-HT800130R	TRS.	KSC1008Y	HVTKSC1008YT
SMPS	Q913		00MBA10001000	00MBA10001000	TRS.	KRA102M	HVTKRA102MT
SMPS	Q914		00MBA20001000	00MBA20001000	TRS.	KRC102M	HVTKRC102MT
SMPS	Q932		90M-HT800130R	90M-HT800130R	TRS.	KSC1008Y	HVTKSC1008YT
SMPS	Q933		90M-HT800130R	90M-HT800130R	TRS.	KSC1008Y	HVTKSC1008YT
SMPS	R901		nsp	nsp	RES.	1/2W , 1M OHM	KROS1TJ105V
SMPS	R902		nsp	nsp	RES.	2W 68K OHM MINI	KRG2SANJ683H
SMPS	R903		nsp	nsp	RES.	2W 68K OHM MINI	KRG2SANJ683H
SMPS	R904		nsp	nsp	CONN. CORD	SN95/PB5 , 0.6	C3A206
SMPS	R905		nsp	nsp	CONN. CORD	SN95/PB5 , 0.6	C3A206
SMPS	R906		nsp	nsp	RES.	56 OHM 1/4W J	CRD25TJ560T
SMPS	R907		nsp	nsp	RES.	15 OHM 1/4W J	CRD25TJ150T
SMPS	R908		nsp	nsp	RES.	100 OHM 1/4W J	CRD25TJ101T
SMPS	R909		nsp	nsp	RES.	10K OHM 1/5W J	CRD20TJ103T
SMPS	R910		nsp	nsp	RES.	1K OHM 1/5W J	CRD20TJ102T
SMPS	R911		nsp	nsp	RES.	10K OHM 1/5W J	CRD20TJ103T
SMPS	R912		nsp	nsp	RES.	22K OHM 1/5W J	CRD20TJ223T
SMPS	R913		nsp	nsp	RES.	4.7 OHM 1/5W J	CRD20TJ4R7T
SMPS	R914		nsp	nsp	RES.	1K OHM 1/5W J	CRD20TJ102T

NOTE : *nsp* PART IS LISTED FOR REFERENCE ONLY, MARANTZ WILL NOT SUPPLY THESE PARTS.

P.C.B. NAME	POS. NO.	VERS. COLOR	PART NO. (FOR EUR)	PART NO. (MJI)	PART NAME	DESCRIPTION
SMPS	R915		nsp	nsp	RES.	1K OHM 1/5W J CRD20TJ102T
SMPS	R921		nsp	nsp	RES.	100 OHM 1/5W J CRD20TJ101T
SMPS	R922		nsp	nsp	RES.	1K OHM 1/5W J CRD20TJ102T
SMPS	R923		nsp	nsp	RES.	1K OHM 1/5W J CRD20TJ102T
SMPS	R924		nsp	nsp	RES.	1/5W 2.4K-F CRD20TF2401T
SMPS	R925		nsp	nsp	RES.	1/5W 2.2K-F CRD20TF2201T
SMPS	R926		nsp	nsp	RES.	10K OHM 1/5W J CRD20TJ103T
SMPS	R927		nsp	nsp	RES.	10K OHM 1/5W J CRD20TJ103T
SMPS	R928		nsp	nsp	RES.	100K OHM 1/5W J CRD20TJ104T
SMPS	R929		nsp	nsp	RES.	1K OHM 1/5W J CRD20TJ102T
SMPS	R930		nsp	nsp	RES.	470 OHM 1/5W J CRD20TJ471T
SMPS	R931		nsp	nsp	RES.	100 OHM 1/5W J CRD20TJ101T
SMPS	R932		nsp	nsp	RES.	1K OHM 1/5W J CRD20TJ102T
SMPS	R933		nsp	nsp	RES.	1K OHM 1/5W J CRD20TJ102T
SMPS	R934		nsp	nsp	RES.	1/5W 2.4K-F CRD20TF2401T
SMPS	R935		nsp	nsp	RES.	1/5W 2.4K-F CRD20TF2401T
SMPS	R936		nsp	nsp	RES.	47 OHM 2W METAL OXIDE FILM KRG2ANJ470H
SMPS	R937		nsp	nsp	RES.	10 OHM 1W METAL OXIDE FILM KRG1ANJ100H
SMPS	R938		nsp	nsp	RES.	10 OHM 1W METAL OXIDE FILM KRG1ANJ100H
SMPS	R939		nsp	nsp	RES.	10K OHM 1/5W J CRD20TJ103T
SMPS	R940		nsp	nsp	RES.	10K OHM 1/5W J CRD20TJ103T
SMPS	R941		nsp	nsp	RES.	1K OHM CRD50TJ102T
SMPS	R942		nsp	nsp	RES.	1K OHM CRD50TJ102T
SMPS	R945		nsp	nsp	RES.	100K OHM 1/5W J CRD20TJ104T
SMPS	▲ T901		90M-TS002470R	90M-TS002470R	TRANSF.	TRANS , SUB CLT9Z016ZE
SMPS	▲ T902		90M-TS002480R	90M-TS002480R	TRANSF.	TRANS , MAIN CLT9Z017ZE
SMPS	▲ TH91		90M-HH000120R	90M-HH000120R	THERMISTOR	THERMISTER KRT10D9MSFT
SMPS	▲ VT91		90M-HV000060R	90M-HV000060R	VARISTOR	SVC471D10A CRVSV471D10A
SMPS	ZD91		90M-HD302300R	90M-HD302300R	ZENER DIODE	13V HVDMTZJ13BT
SMPS	ZD93		90M-HD301750R	90M-HD301750R	ZENER DIODE	5.6V ZENER HVDMTZJ5.6BT
SMPS	ZD94		90M-HD302310R	90M-HD302310R	ZENER DIODE	27V HVDMTZJ27BT
SMPS	ZD95		90M-HD301750R	90M-HD301750R	ZENER DIODE	5.6V ZENER HVDMTZJ5.6BT
SMPS	ZD96		90M-HD302310R	90M-HD302310R	ZENER DIODE	27V HVDMTZJ27BT
POWER SWITCH (FRONT 2) PWB (CUP11778Z-3)						
P-SW	BN42		nsp	nsp	CORD	WIRE ASS'Y CWB1A904060EN
P-SW	D404		90M-HI101040R	90M-HI101040R	L.E.D.	SLR342VCTB7T089 HVD342VCTB7T089
P-SW	Q404		90M-HX600010R	90M-HX600010R	CHIP TRS.	KRA102S HVTKRA102S
P-SW	R407		nsp	00MNN05103610	CHIP RES.	10 KOHM CRJ10DJ103T
P-SW	R416		nsp	00MNN05331610	CHIP RES.	330 OHM/1608/5% 00200-0117 CRJ10DJ331T
P-SW	S401		90M-SP001210R	90M-SP001210R	PUSH SW	SKHV10910G TACT CST1A012ZT

NOTE : *nsp* PART IS LISTED FOR REFERENCE ONLY, MARANTZ WILL NOT SUPPLY THESE PARTS.