

Service Manual

ER2500 /N1S /S1S /U1S

DVD Surround Receiver

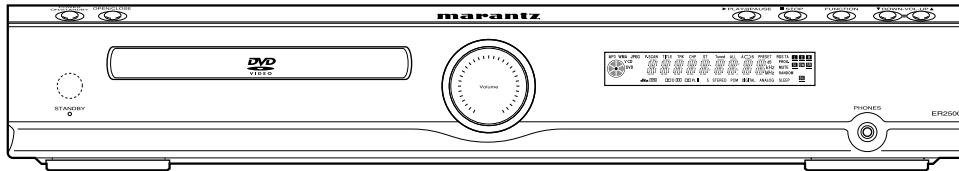


TABLE OF CONTENTS

SECTION	PAGE
1. TECHNICAL SPECIFICATIONS	1
2. SERVICE HINTS AND TOOLS	3
3. WARNING AND LASER SAFETY INSTRUCTIONS	4
4. EMERGENCY DISC EJECT	5
5. BACK END SOFTWARE (Firmware) VERSION CHECK	6
6. REPLACING MECHA LOADER AND MECHA TRAVERSE	7
7. BACK END SOFTWARE (Firmware) UPDATE PROCEDURE	8
8. POWER AMPLIFIER DC OFFSET ADJUSTMENT	9
9. WIRING DIAGRAM	11
10. BLOCK DIAGRAM	12
11. SCHEMATIC DIAGRAM	13
12. PARTS LOCATION	20
13. IC DATA	23
14. EXPLODED VIEW AND PARTS LIST	32
15. ELECTRICAL PARTS LIST	35

Please use this service manual with referring to the user guide (D.F.U) without fail.
修理の際は、必ず取扱説明書を準備し操作方法を確認の上作業を行ってください。

marantz®

ER2500

Part no. 90M16BW855010
First Issue 2004.07
ecm

ER2500

MARANTZ DESIGN AND SERVICE

Using superior design and selected high grade components, **MARANTZ** company has created the ultimate in stereo sound. Only original **MARANTZ** parts can insure that your **MARANTZ** product will continue to perform to the specifications for which it is famous.

Parts for your **MARANTZ** equipment are generally available to our National Marantz Subsidiary or Agent.

ORDERING PARTS :

Parts can be ordered either by mail or by Fax.. In both cases, the correct part number has to be specified.

The following information must be supplied to eliminate delays in processing your order :

1. Complete address
2. Complete part numbers and quantities required
3. Description of parts
4. Model number for which part is required
5. Way of shipment
6. Signature : any order form or Fax. must be signed, otherwise such part order will be considered as null and void.

USA

MARANTZ AMERICA, INC
1100 MAPLEWOOD DRIVE
ITASCA, IL. 60143
USA
PHONE : 630 - 741 - 0300
FAX : 630 - 741 - 0301

EUROPE / TRADING

MARANTZ EUROPE B.V.
P. O. BOX 8744, BUILDING SILVERPOINT
BEEMDSTRAAT 11, 5653 MA EINDHOVEN
THE NETHERLANDS
PHONE : +31 - 40 - 2507844
FAX : +31 - 40 - 2507860

CANADA

MARANTZ CANADA INC.
5-505 APPLE CREEK BLVD.
MARKHAM, ONTARIO L3R 5B1
CANADA
PHONE : 905 - 415 - 9292
FAX : 905 - 475 - 4159

PROFESSIONAL AMERICAS

SUPERSCOPE TECHNOLOGIES, INC.
MARANTZ PROFESSIONAL PRODUCTS
2640 WHITE OAK CIRCLE, SUITE A
AURORA, ILLINOIS 60504 USA
PHONE : 630 - 820 - 4800
FAX : 630 - 820 - 8103

PROFESSIONAL AUSTRALIA

TECHNICAL AUDIO GROUP PTY, LTD
43-53 Bridge Rd.,
STANMORE NSW 2048
AUSTRALIA
PHONE : +61 - (0)2 - 9519 - 0900
FAX : +61 - (0)2 - 9519 - 0600

PROFESSIONAL HONG KONG

Jolly ProAudio Broadcast Engineering Ltd.
UNIT 2, 10F, WAH HUNG CENTRE,
41 HUNG TO ROAD, KWUN TONG, KLN.,
HONG KONG
PHONE : 852 - 21913660
FAX : 852 - 21913990

AUSTRALIA

QualiFi Pty Ltd,
24 LIONEL ROAD,
MT. WAVERLEY VIC 3149
AUSTRALIA
PHONE : +61 - (0)3 - 9543 - 1522
FAX : +61 - (0)3 - 9543 - 3677

THAILAND

MRZ STANDARD CO., LTD
746 - 754 MAHACHAI ROAD.,
WANGBURAPAPIROM, PHRANAKORN,
BANGKOK, 10200 THAILAND
PHONE : +66 - 2 - 222 9181
FAX : +66 - 2 - 224 6795

SINGAPORE

WO KEE HONG DISTRIBUTION PTE LTD
No.1 JALAN KILANG TIMOR
#08-03 PACIFIC TECH CENTRE
SINGAPORE 159303
PHONE : +65 6376 0338
FAX : +65 6376 0166

NEW ZEALAND

WILDASH AUDIO SYSTEMS NZ
14 MALVERN ROAD MT ALBERT
AUCKLAND NEW ZEALAND
PHONE : +64 - 9 - 8451958
FAX : +64 - 9 - 8463554

TAIWAN

PAI- YUING CO., LTD.
6 TH FL NO, 148 SUNG KIANG ROAD,
TAIPEI, 10429, TAIWAN R.O.C.
PHONE : +886 - 2 - 25221304
FAX : +886 - 2 - 25630415

MALAYSIA

WO KEE HONG ELECTRONICS SDN. BHD.
2ND FLOOR BANGUNAN INFINITE CENTRE
LOT 1, JALAN 13/6, 46200 PETALING JAYA
SELANGOR DARUL EHSAN, MALAYSIA
PHONE : +60 - 3 - 7954 8088
FAX : +60 - 3 - 7954 7088

JAPAN *Technical*

MARANTZ JAPAN, INC.
35- 1, 7- CHOME, SAGAMIONO
SAGAMIHARA - SHI, KANAGAWA
JAPAN 228-8505
PHONE : +81 42 748 1013
FAX : +81 42 741 9190

日本マランツ株式会社

本社 〒228-8505
神奈川県相模原市相模大野7-35-1

KOREA

MK ENTERPRISES LTD.
ROOM 604/605, ELECTRO-OFFICETEL, 16-58,
3GA, HANGANG-RO, YONGSAN-KU, SEOUL
KOREA
PHONE : +822 - 3232 - 155
FAX : +822 - 3232 - 154

SHOCK, FIRE HAZARD SERVICE TEST :

CAUTION : After servicing this appliance and prior to returning to customer, measure the resistance between either primary AC cord connector pins (with unit NOT connected to AC mains and its Power switch ON), and the face or Front Panel of product and controls and chassis bottom.

Any resistance measurement less than 1 Megohms should cause unit to be repaired or corrected before AC power is applied, and verified before it is return to the user/customer.

Ref. UL Standard No. 1492.

In case of difficulties, do not hesitate to contact the Technical Department at above mentioned address.

Video Format

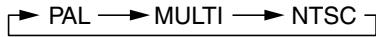
This unit can handle with MULTI, NTSC or PAL format.

Caution

This unit cannot handle with NTSC4.43 and SECAM formats.

SETTING PICTURE FORMAT

- Every time the **NTSC/PAL** button on the remote is pressed, picture format changes in the following order.



Caution

- If wrong color or disordered picture appears in the MULTI mode, switch the mode to NTSC or PAL.
- If a disc recorded in PAL(NTSC) is played in the NTSC(PAL) mode, picture may be disordered.

ABOUT DVD DISCS

Marks on packages

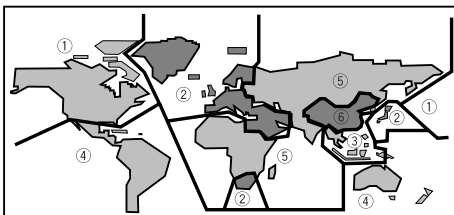
The marks listed below indicate contents in a disc.

②))	Indicates the number of recorded audio tracks.
.2..	Indicates the number of recorded subtitle languages.
4 1	Indicates the number of recorded angles.
16 : 9 LB	Indicates the selectable aspect ratios.
1 2	Indicates the region number of the disc.

REGIONAL RESTRICTION CODES (REGION NUMBER)

Regional restriction codes are built in to ER2500 player and DVD discs for each sales region. If the regional code of the ER2500 player does not match one of the regional codes of the DVD disc, playback is not possible.

The region number can be found on the rear panel of the ER2500 player. The illustration below shows the regions and corresponding region numbers.



STRUCTURE OF DVD DISCS

Depending on the material on the disc (a movie, video clips, a drama series, etc.), these discs may have one or more Titles, and each Title may have one or more Chapters. To make access easy and convenient, your player lets you move between Titles and between Chapters.



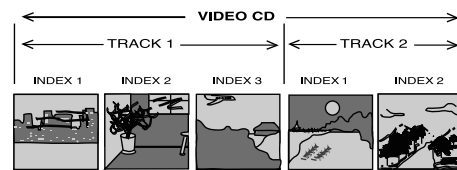
About Video CDs

VARIATIONS OF VIDEO CD

- Video-CD Version 2.0**
The Video-CD with PBC (Play Back Control : Menu playback function) function. You can choose or search a section to play with a menu displayed on the TV screen. Also still pictures can be displayed in higher quality.
- Video-CD Version 1.1**
The video-CD without PBC function. It can play video and audio by operation much like to the ordinary audio-CD.

STRUCTURE OF VIDEO-CD DISCS

Depending on the material on the disc (a movie, video clips, a drama series, etc.), these discs may have one or more tracks, and tracks may have one or more indexes, as indicated on the disc case. To make access easy and convenient, your player lets you move between tracks and between indexes.



About Audio CD

STRUCTURE OF AUDIO CD

Audio CDs contain music tracks only.

You can play them in conventional style through a stereo system, using the keys on the remote control and/or front panel.



ABOUT MP3/WMA

MP3 is the compressed music file in MPEG1, Audio Layer 3 format.

A WMA(Windows Media Audio) file is a Microsoft audio compression technology. WMA offers double the audio compression of the MP3 format.

Microsoft, Windows Media, and the Windows Logo are trademarks or registered trademarks of Microsoft Corporation in both the United States and other countries.

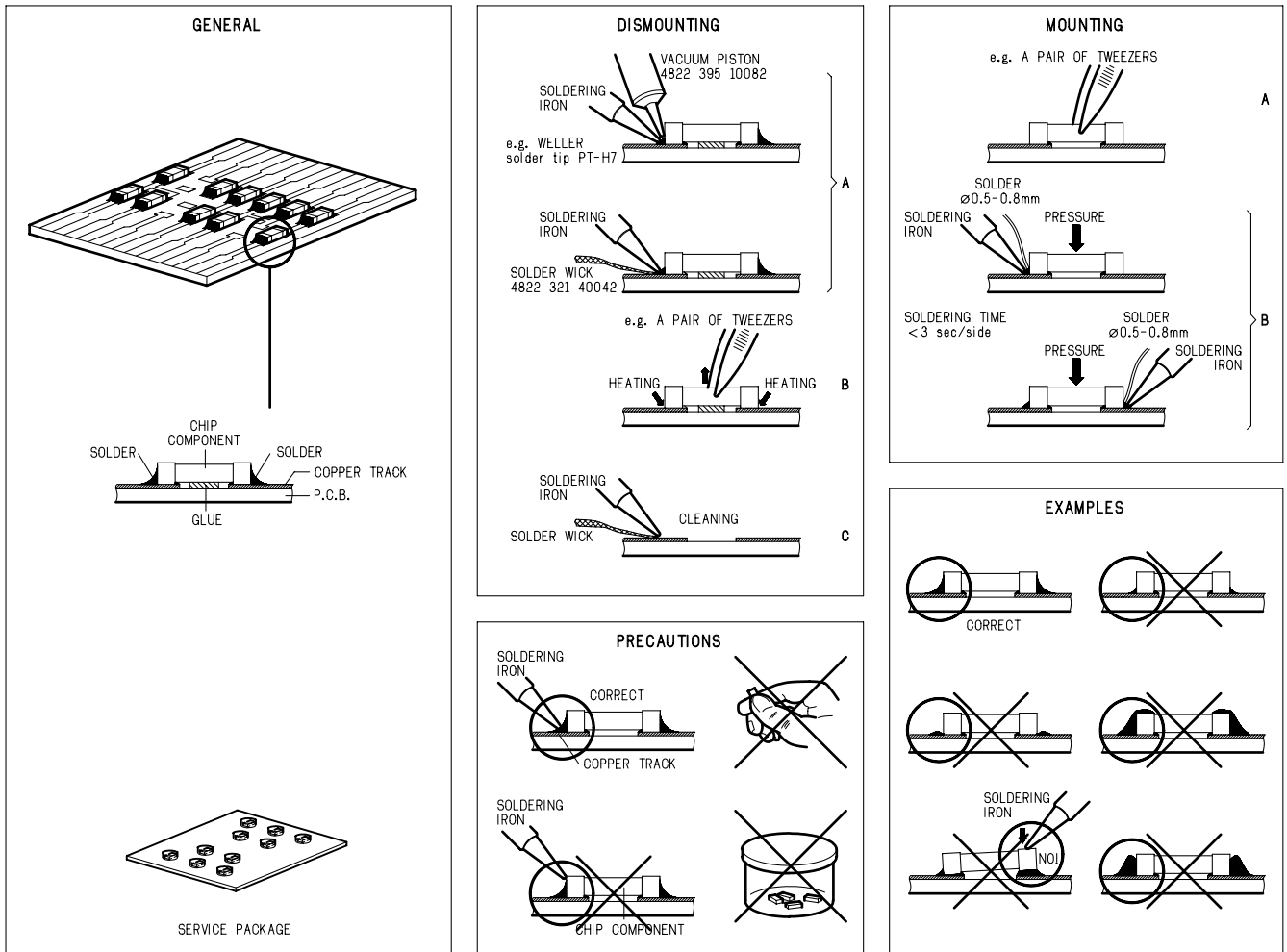


MP3/WMA PLAYBACK

- This player can play MP3/WMA discs recorded in ISO9660 format.
- The player plays the files with “.mp3/.WMA” extension only.
- The maximum file number in a disc is 650. (Including the number of folders.)
- The maximum folder layer number is 8.
- When playing a MP3/WMA disc, it may take more than 30 seconds depending on the number of files and folder structure.

2. SERVICE HINTS AND TOOLS

SERVICE HINTS



SERVICE TOOLS

Audio signals disc	4822 397 30184
Disc without errors (SBC444)+	
Disc with DO errors, black spots and fingerprints (SBC444A)	4822 397 30245
Disc (65 min 1kHz) without no pause	4822 397 30155
Max. diameter disc (58.0 mm)	4822 397 60141
Torx screwdrivers	
Set (straight)	4822 395 50145
Set (square)	4822 395 50132
13th order filter	4822 395 30204
DVD test disc (PAL)	4822 397 10131
DVD test disc (NTSC) ALMEDIO	TDV-540

3. WARNING AND LASER SAFETY INSTRUCTIONS

(GB) WARNING

All ICs and many other semi-conductors are susceptible to electrostatic discharges (ESD). Careless handling during repair can reduce life drastically. When repairing, make sure that you are connected with the same potential as the mass of the set via a wrist wrap with resistance. Keep components and tools also at this potential.



(NL) WAARSCHUWING

Alle IC's en vele andere halfgeleiders zijn gevoelig voor elektrostatische ontladingen (ESD). Onzorgvuldig behandelen tijdens reparatie kan de levensduur drastisch doen verminderen. Zorg ervoor dat u tijdens reparatie via een polsband met weerstand verbonden bent met hetzelfde potentiaal als de massa van het apparaat. Houd componenten en hulpmiddelen ook op ditzelfde potentiaal.

(F) ATTENTION

Tous les IC et beaucoup d'autres semi-conducteurs sont sensibles aux décharges statiques (ESD). Leur longévité pourrait être considérablement écourtée par le fait qu'aucune précaution n'est prise à leur manipulation. Lors de réparations, s'assurer de bien être relié au même potentiel que la masse de l'appareil et enfiler le bracelet serti d'une résistance de sécurité. Veiller à ce que les composants ainsi que les outils que l'on utilise soient également à ce potentiel.

(D) WARNUNG

Alle IC und viele andere Halbleiter sind empfindlich gegen elektrostatische Entladungen (ESD). Unvorsichtige Behandlung bei der Reparatur kann die Lebensdauer drastisch vermindern. Sorgen sie dafür, das Sie im Reparaturfall über ein Pulsarmband mit Widerstand mit dem Massepotential des Gerätes verbunden sind. Halten Sie Bauteile und Hilfsmittel ebenfalls auf diesem Potential.

(I) AVVERTIMENTO

Tutti IC e parecchi semi-conduttori sono sensibili alle scariche statiche (ESD). La loro longevità potrebbe essere fortemente ridatta in caso di non osservazione della piu grande cauzione alla loro manipolazione. Durante le riparazioni occorre quindi essere collegato allo stesso potenziale che quello della massa dell'apparecchio tramite un braccialetto a resistenza. Assicurarsi che i componenti e anche gli utensili con quali si lavora siano anche a questo potenziale.

(GB)

Safety regulations require that the set be restored to its original condition and that parts which are identical with those specified be used.

(NL)

Veiligheidsbepalingen vereisen, dat het apparaat in zijn oorspronkelijke toestand wordt terug gebracht en dat onderdelen, identiek aan de gespecificeerde worden toegepast.

"Pour votre sécurité, ces documents doivent être utilisés par des spécialistes agréés, seuls habilités à réparer votre appareil en panne."

(F)

Les normes de sécurité exigent que l'appareil soit remis à l'état d'origine et que soient utilisées les pièces de rechange identiques à celles spécifiées.

(D)

Bei jeder Reparatur sind die geltenden Sicherheitsvorschriften zu beachten. Der Originalzustand des Gerats darf nicht verändert werden. Für Reparaturen sind Original-Ersatzteile zu verwenden.

(I)

Le norme di sicurezza esigono che l'apparecchio venga rimesso nelle condizioni originali e che siano utilizzati pezzi di ricambio identici a quelli specificati.

LASER SAFETY

This unit employs a laser. Only a qualified service person should remove the cover or attempt to service this device, due to possible eye injury.



USE OF CONTROLS OR ADJUSTMENTS OR PERFORMANCE OF PROCEDURE OTHER THAN THOSE SPECIFIED HEREIN MAY RESULT IN HAZARDOUS RADIATION EXPOSURE.

AVOID DIRECT EXPOSURE TO BEAM

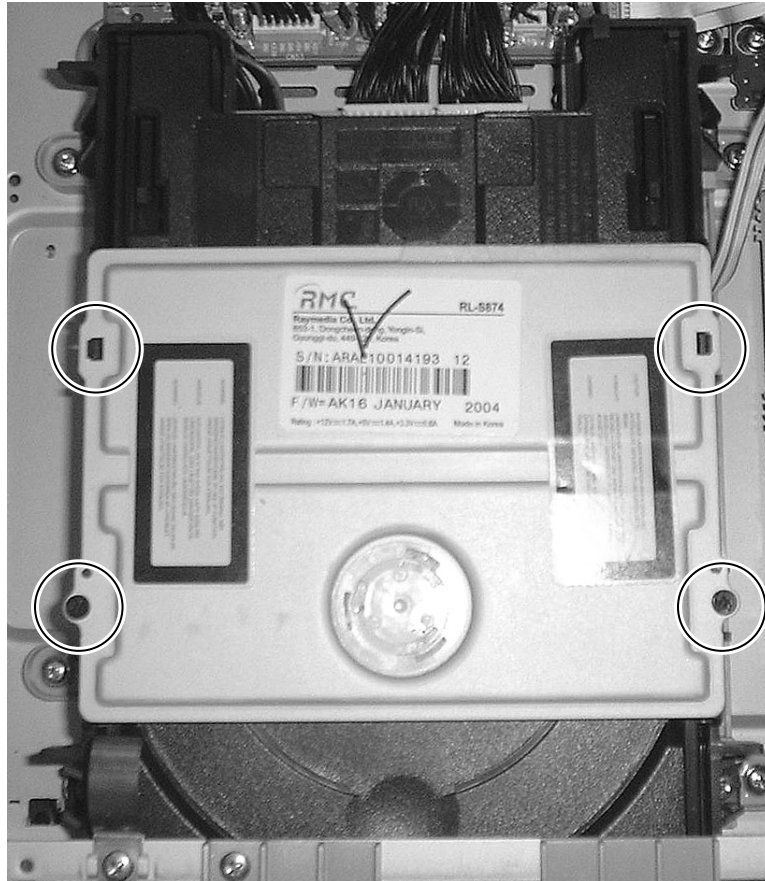
WARNING

The use of optical instruments with this product will increase eye hazard. Repair handling should take place as much as possible with a disc loaded inside the player

WARNING LOCATION: INSIDE ON LASER COVERSIELD

CAUTION VISIBLE AND INVISIBLE LASER RADIATION WHEN OPEN AVOID EXPOSURE TO BEAM
ADVARSEL SYNLIG OG USYNLIG LASERSTRÅLING VED ÅBNING UNDGÅ UDSÆTTELSE FOR STRÅLING
ADVARSEL SYNLIG OG USYNLIG LASERSTRÅLING NÅR DEKSEL Å PNES UNNGÅ EKSPONERING FOR STRÅLEN
WARNING SYNLIG OCH OSYNLIG LASERSTRÅLNING NÅR DENNA DEL ÅR ÖPPNAD BETRakta EJ STRÅLEN
VARO! AVATT AESSA OLET ALTTIINA NÄKYVÄLLE JA NÄKYMÄTTÖMÄLLE LASER SÄTEILYLLE. ÄLÄ KATSO SÄTEESEEN
VORSICHT SICHTBARE UND UNSICHTBARE LASERSTRAHLUNG WENN ABDECKUNG GEÖFFNET NICHT DEM STRAHL AUSSETSEN
DANGER VISIBLE AND INVISIBLE LASER RADIATION WHEN OPEN AVOID DIRECT EXPOSURE TO BEAM
ATTENTION RAYONNEMENT LASER VISIBLE ET INVISIBLE EN CAS D'OUVERTURE EXPOSITION DANGEREUSE AU FAISCEAU

4. EMERGENCY DISC EJECT

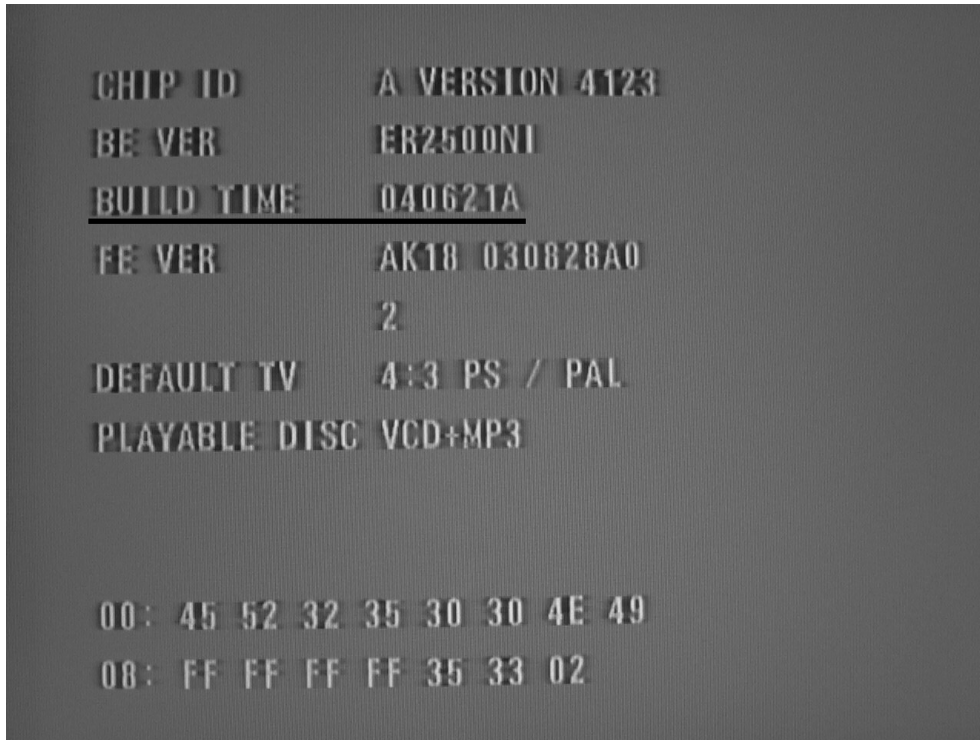


1. Remove the top cover of the player.
2. Remove two screws shown in the picture above.
3. Remove the cover of the drive unit with pressing the latches.
4. Now you can remove the disc.

5. BACK END SOFTWARE (Firmware) VERSION CHECK

1. Press the **POWER ON/STANDBY** button to turn on the unit.
2. Press the **OPEN/CLOSE** button to open the tray.
3. Press the **CLR, 2, 5, 8, 0** and **CLR** button in order on the remote controller.
4. The following information is displayed on the TV screen. The firmware version is shown.

(Ex.: BUILD TIME 040621A)

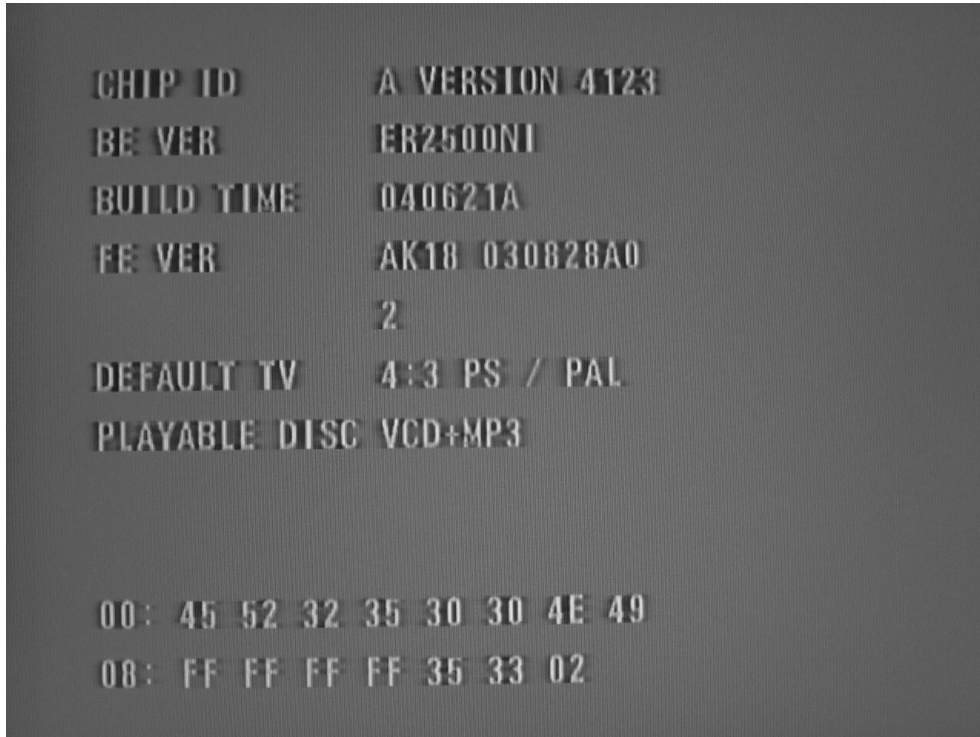


5. Press the **POWER ON/STANDBY** button to quit SERVICE MODE.

6. REPLACING MECHA LOADER AND MECHA TRAVERSE

When you repair the “MECHA LOADER AND MECHA TRAVERSE”, please be sure to initial setting. Procedure is the following.

1. Press the **POWER ON/STANDBY** button to turn on the unit.
2. Press the **OPEN/CLOSE** button to open the tray.
3. Press the **CLR, 2, 5, 8, 0** and **CLR** button in order on the remote controller.
4. The following information is displayed on the TV screen.



5. Press **ENTER** button on the remote controller.
6. Press the **POWER ON/STANDBY** button to turn off the unit.

7. BACK END SOFTWARE (Firmware) UPDATE PROCEDURE

Necessary Equipment

- Update Disc (for Back End Software) part no.: 90M-ER2500xxx.
 1. First, connect TV monitor to the unit.
 2. Press **POWER ON/STANDBY** button to turn on the unit.
 3. Press **OPEN/CLOSE** button to open the tray.
 4. Insert the Update Disc.
 5. Press **OPEN/CLOSE** button to close the tray.
 6. The unit enters the firmware update mode automatically.
 7. "LOADING." is displayed on the Front display.
 8. The following updating state is displayed on the TV screen.
ERASE: >>>>>>>>>>
WRITE: >>>>>>>>>>
FINISH:
 9. After update is finished, the tray opens automatically.
 10. Remove the Update Disc on the tray.
 11. Press the **POWER ON/STANDBY** button to turn off the unit.

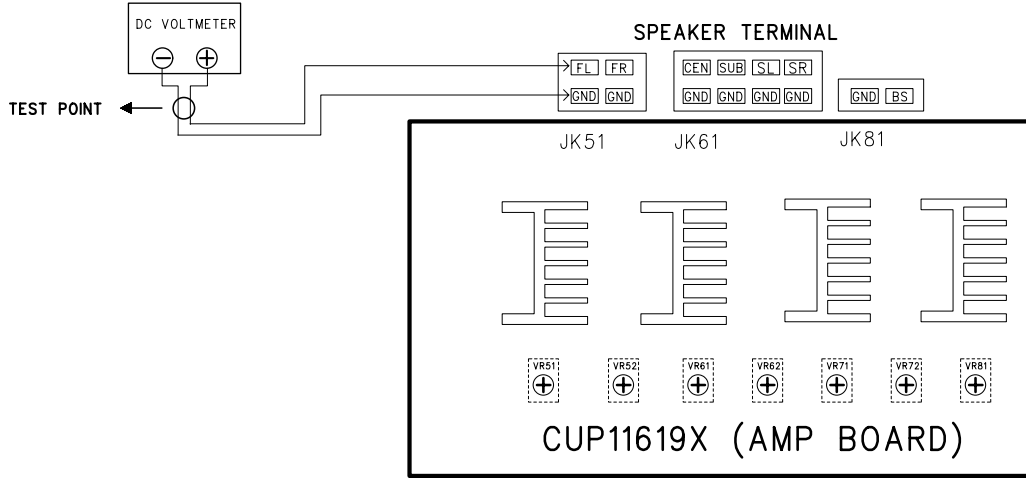
8. POWER AMPLIFIER DC OFFSET ADJUSTMENT

*** MEASUREMENT CONDITION**

- : TURN ON THE MAIN SWITCH AND HEAT UP THE AMPLIFIER ABOUT 10 MINUTES
- : DSS ANALOG FUNCTION
- : NO INPUT SIGNAL, VOLUME POSITION IS MINIMUM, SPEAKER OUT---NO LOAD

*** TARGET VALUE**

- : DC OFFSET VOLTAGE : 0 mV +/- 20 mV FOR EACH CHANNEL

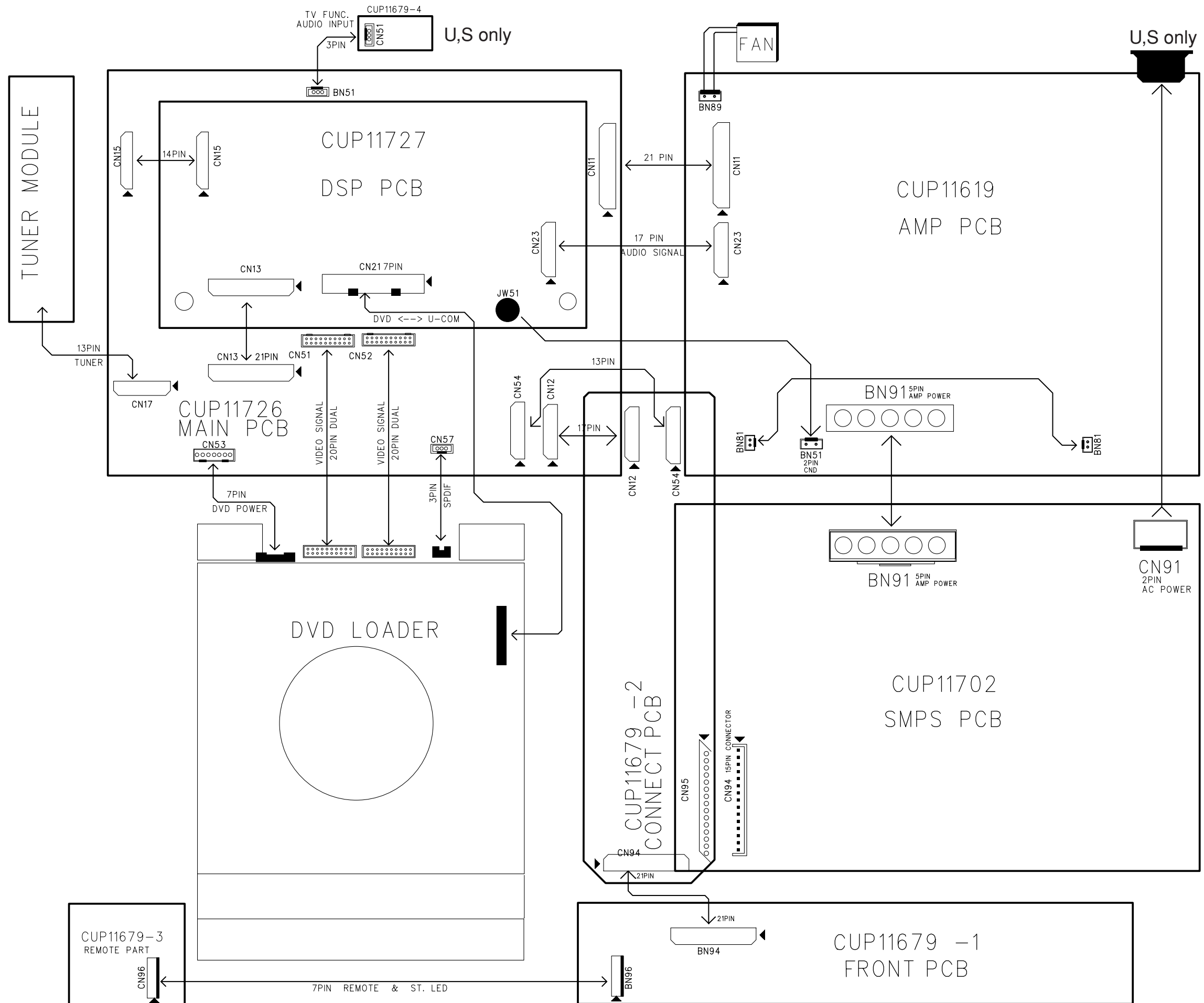


DC VOLTMETER ... CONNECT TO SPK TERMINAL TIME TABLE OF DC OFFSET VOLTAGE

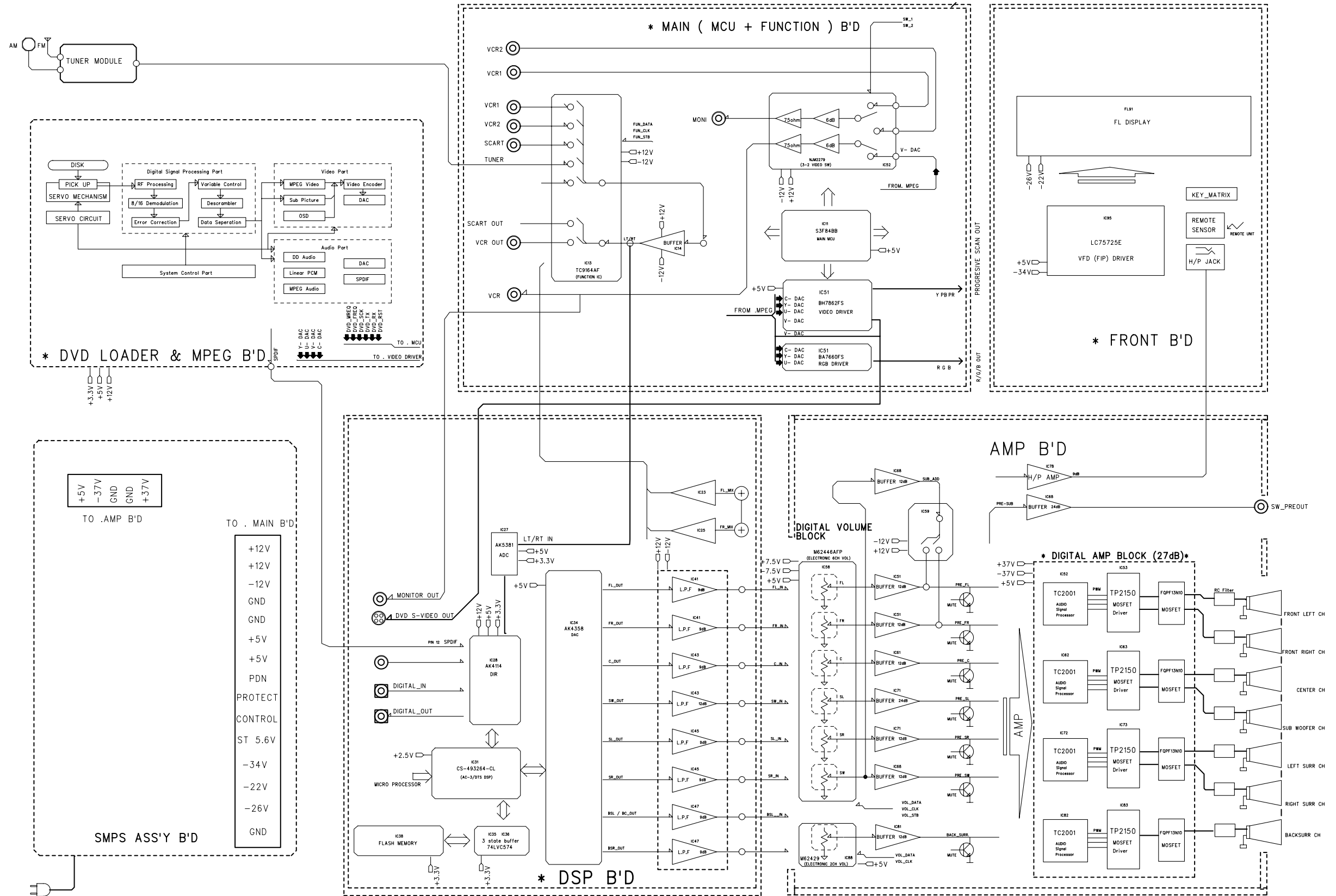
NO.	CHANNEL	MEASUREMENT POINT	ALIGNMENT POINT
1	FRONT LEFT	JK51	VR51
2	FRONT RIGHT	JK51	VR52
3	CENTER	JK61	VR61
4	SUB WOOFER	JK61	VR62
5	SURROUND LEFT	JK61	VR71
6	SURROUND RIGHT	JK61	VR72
7	SURROUND BACK	JK81	VR81

AFTER TURNING ON	MEASUREMENT VOLTAGE
5 min	-2 mV
10 min	-4 mV
20 min	-5 mV
30 min	-7 mV
40 min	-10 mV
50 min	-10 mV
60 min	-10 mV

9. WIRING DIAGRAM

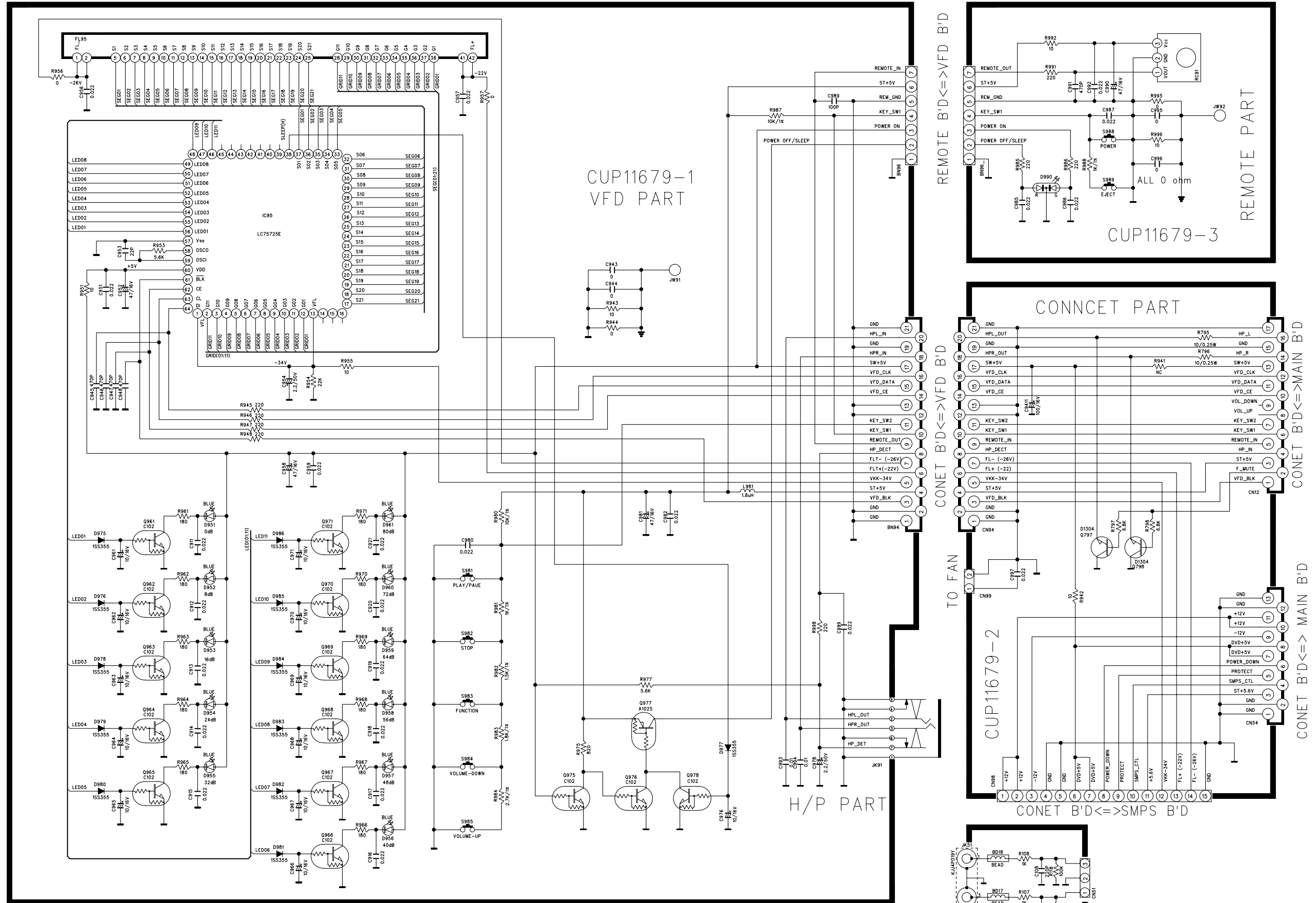


10. BLOCK DIAGRAM



11. SCHEMATIC DIAGRAM

Front

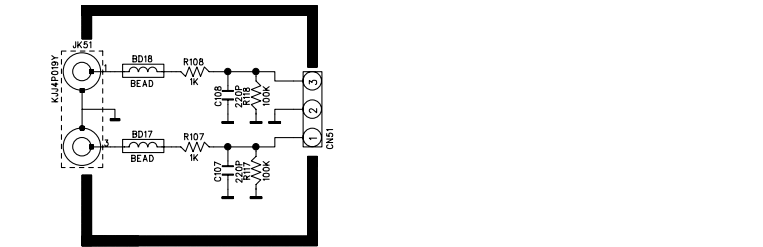
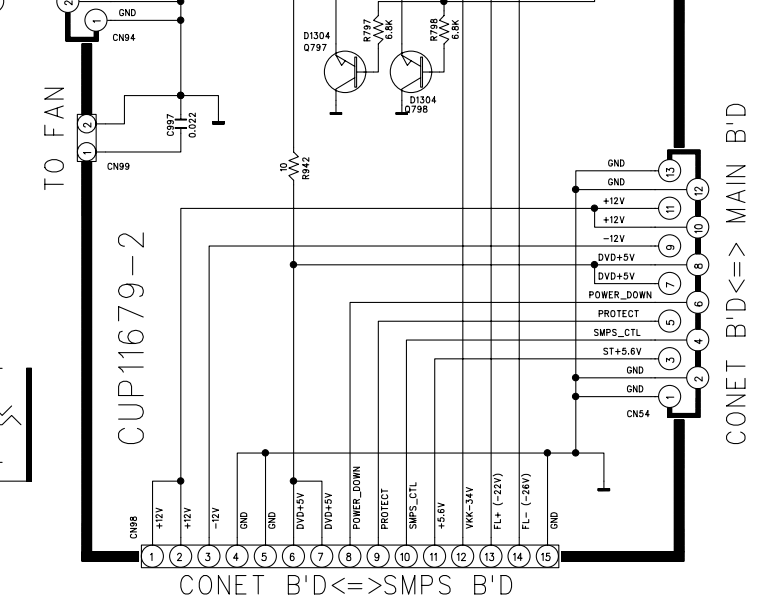
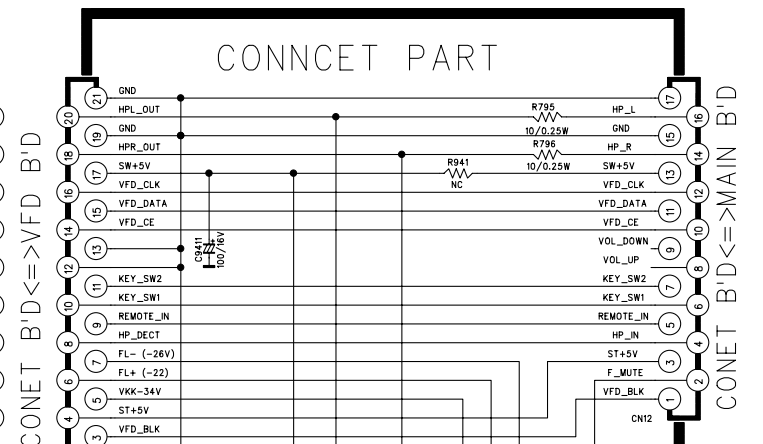
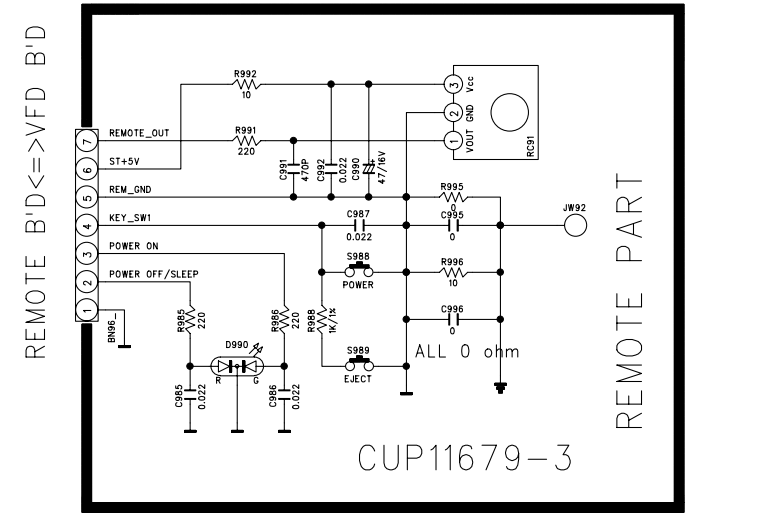


****IMPORTANT SAFETY NOTICE.**
 COMPONENTS IDENTIFIED BY  MARK HAVE SPECIAL CHARACTERISTICS.
 IMPORTANT FOR SAFETY. WHEN REPLACING ANY OF THESE COMPONENTS.
 USE ONLY MANUFACTUREY'S SPECIFIED PARTS.

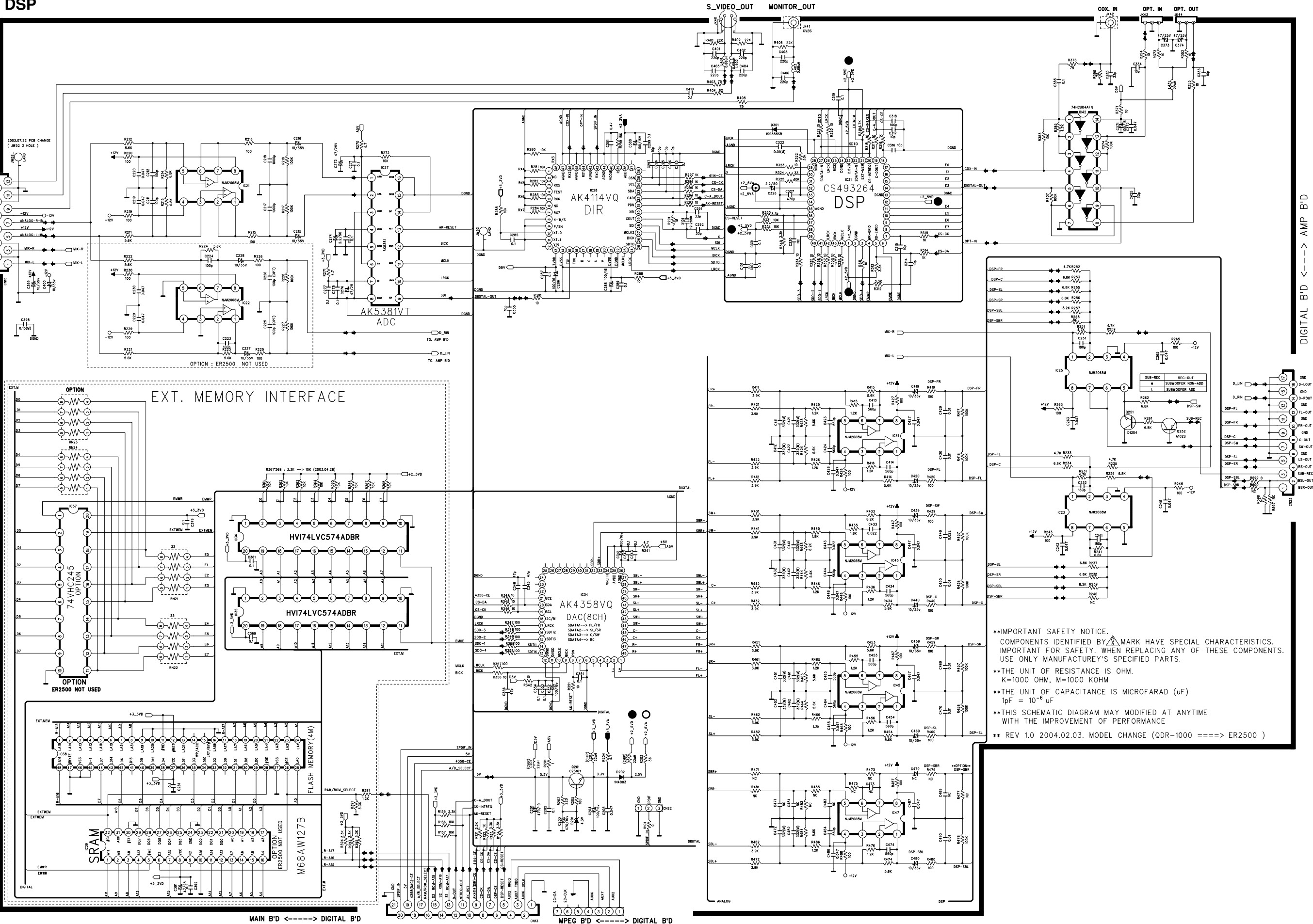
**THE UNIT OF RESISTANCE IS OHM.
 K=1000 OHM, M=1000 KOHM

**THE UNIT OF CAPACITANCE IS MICROFARAD (uF)
 1pF = 10⁻⁶ uF

**THIS SCHEMATIC DIAGRAM MAY MODIFIED AT ANYTIME
 WITH THE IMPROVEMENT OF PERFORMANCE



DSP



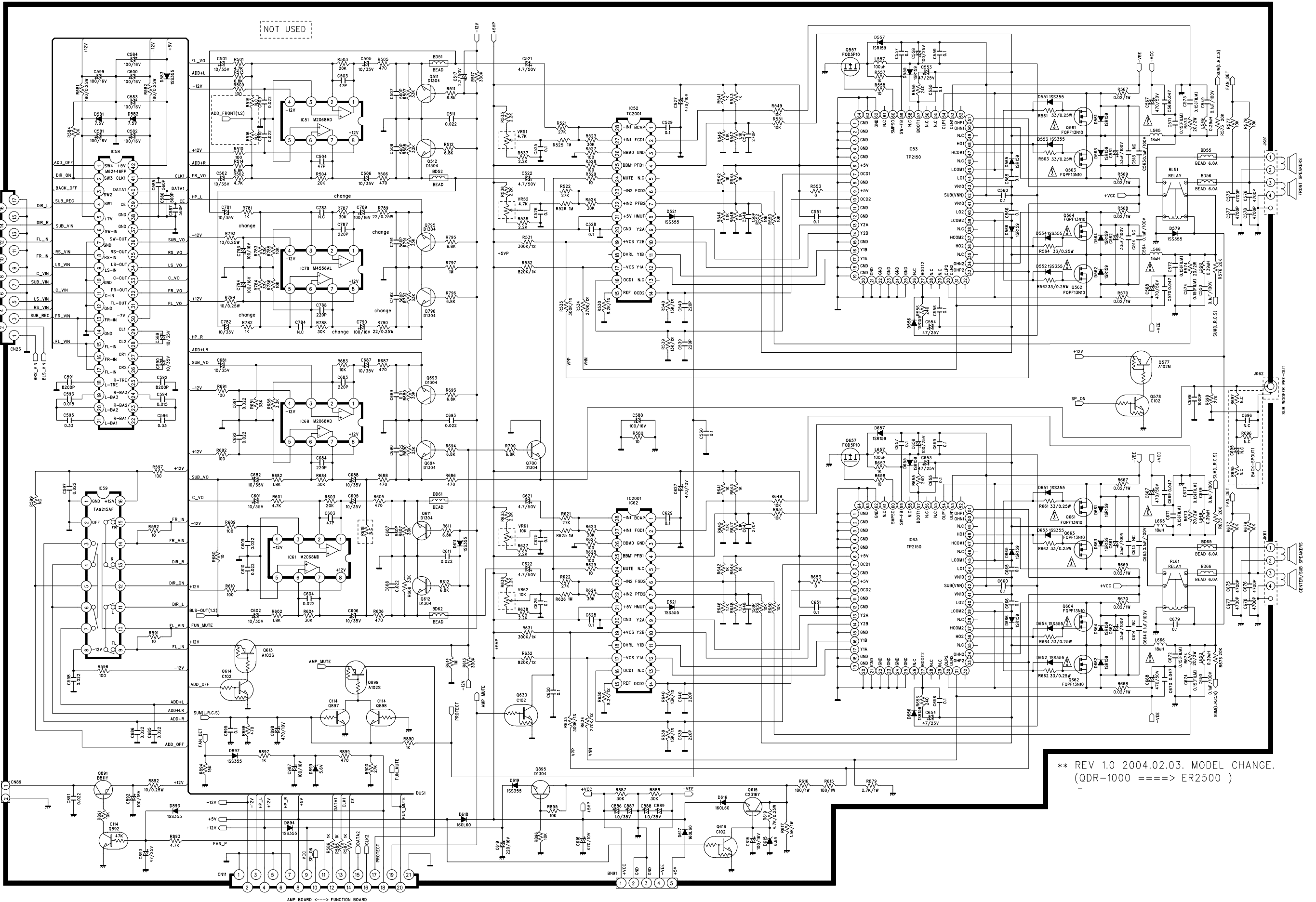
****IMPORTANT SAFETY NOTICE.**
 COMPONENTS IDENTIFIED BY MARK HAVE SPECIAL CHARACTERISTICS. IMPORTANT FOR SAFETY, WHEN REPLACING ANY OF THESE COMPONENTS, USE ONLY MANUFACTURER'S SPECIFIED PARTS.
 **THE UNIT OF RESISTANCE IS OHM.
 K=1000 OHM, M=1000 KOHM
 **THE UNIT OF CAPACITANCE IS MICROFARAD (uF)
 1pF = 10⁻⁶ uF
 **THIS SCHEMATIC DIAGRAM MAY MODIFIED AT ANYTIME WITH THE IMPROVEMENT OF PERFORMANCE
 ** REV 1.0 2004.02.03. MODEL CHANGE (QDR-1000 ==> ER2500)

DIGITAL B'D <---> AMP B'D

MAIN B'D <---> DIGITAL B'D

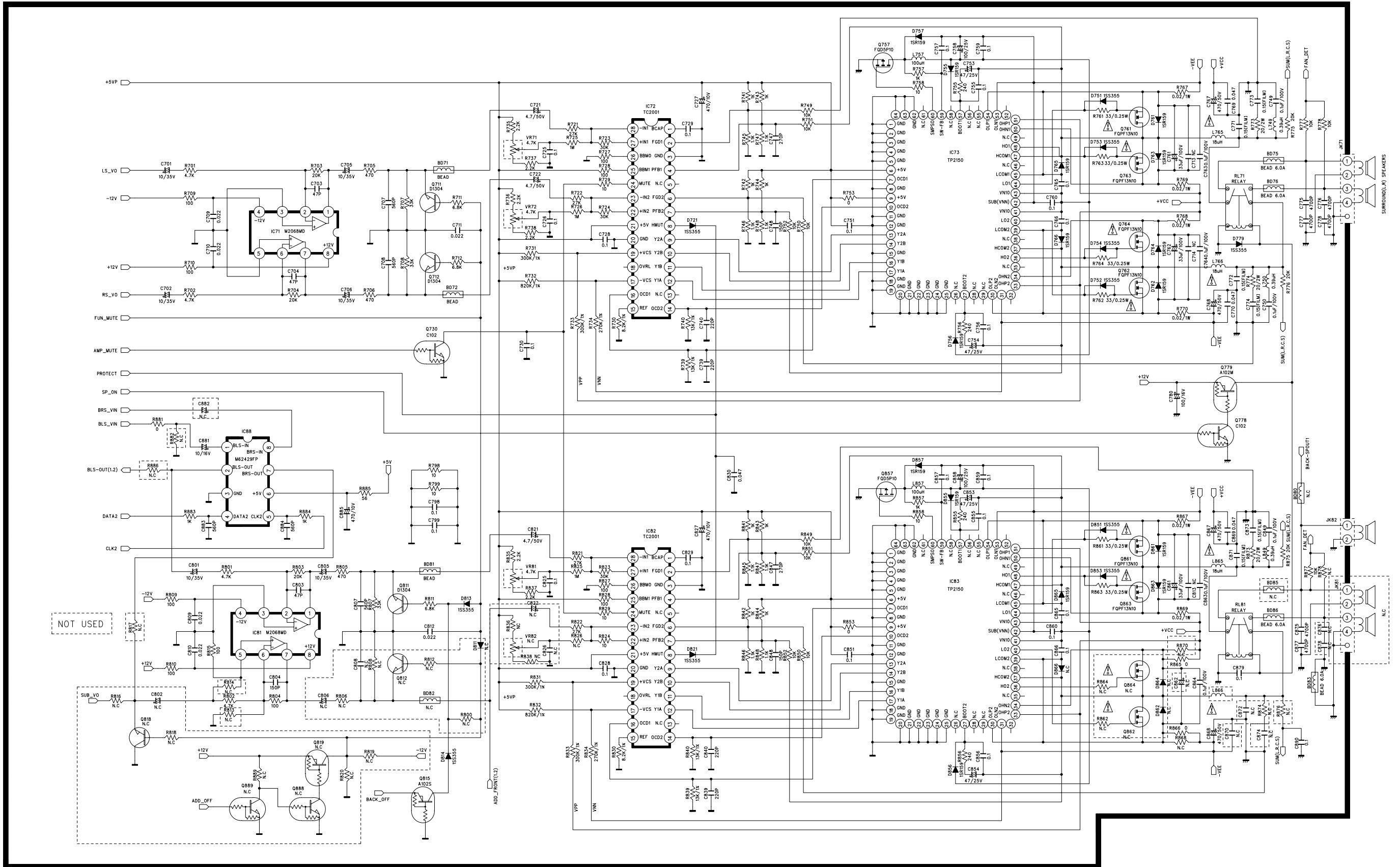
MPEG B'D <---> DIGITAL B'D

AMP1



** REV 1.0 2004.02.03. MODEL CHANGE.
(QDR-1000 ==> ER2500)

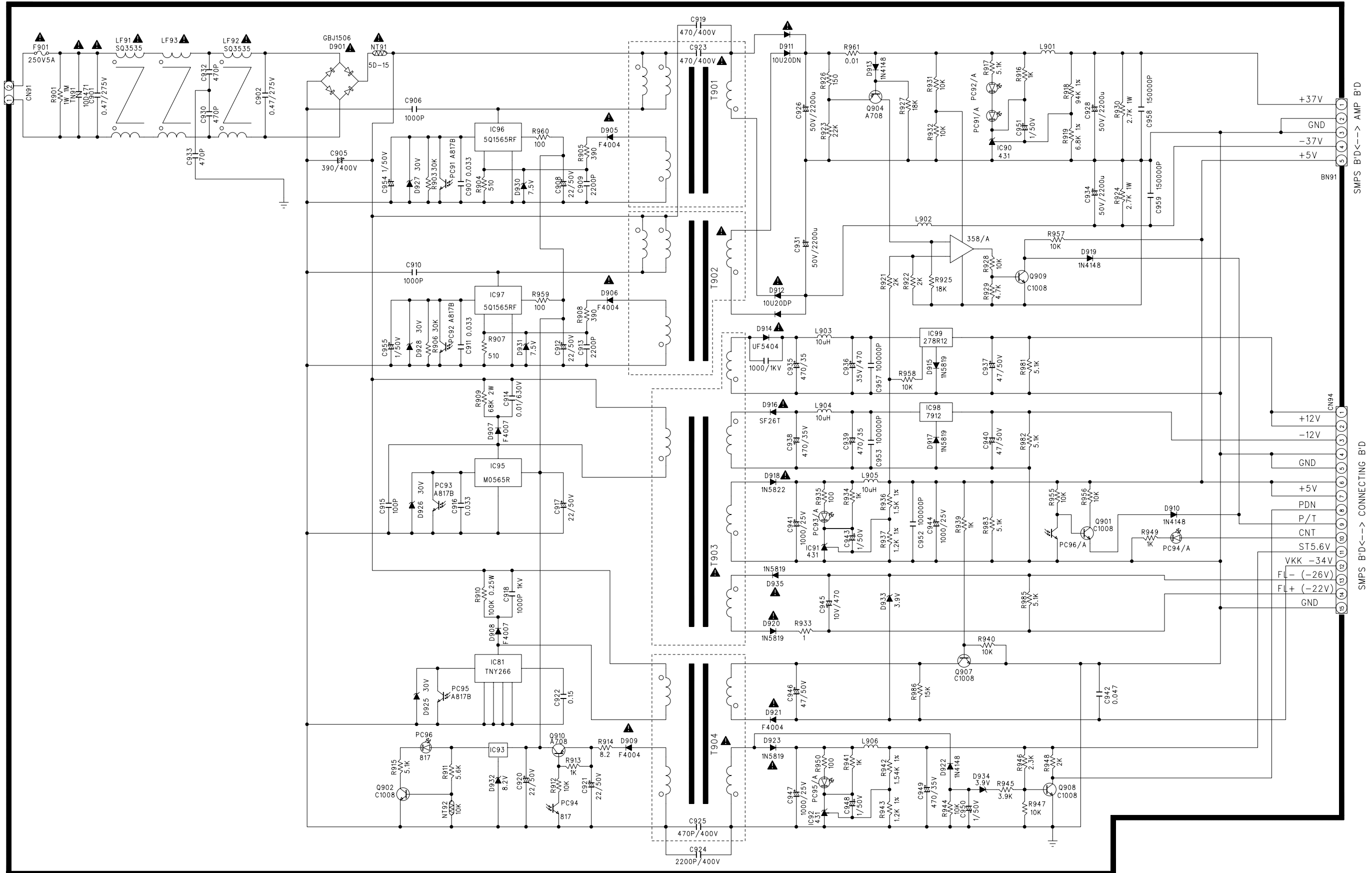
AMP2



****IMPORTANT SAFETY NOTICE.**
 COMPONENTS IDENTIFIED BY  MARK HAVE SPECIAL CHARACTERISTICS.
 IMPORTANT FOR SAFETY. WHEN REPLACING ANY OF THESE COMPONENTS,
 USE ONLY MANUFACTURER'S SPECIFIED PARTS.

****THE UNIT OF RESISTANCE IS OHM.**
 K=1000 OHM, M=1000 KOHM
****THE UNIT OF CAPACITANCE IS MICROFARAD (uF)**
 1pF = 10⁻⁶ uF
****THIS SCHEMATIC DIAGRAM MAY MODIFIED AT ANYTIME**
WITH THE IMPROVEMENT OF PERFORMANCE

SMPS /N1S/S1S



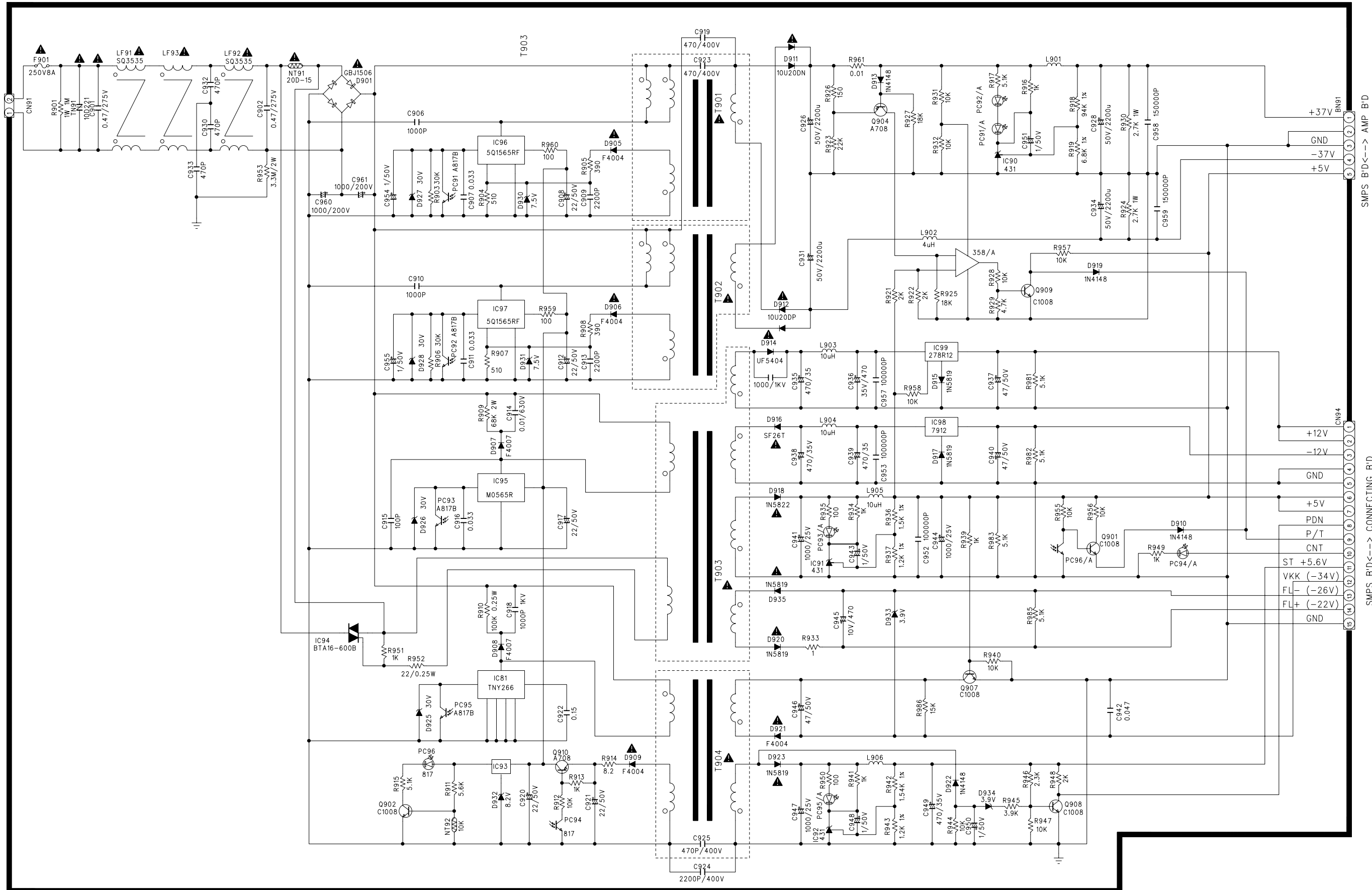
****IMPORTANT SAFETY NOTICE.**
 COMPONENTS IDENTIFIED BY  MARK HAVE SPECIAL CHARACTERISTICS.
 IMPORTANT FOR SAFETY. WHEN REPLACING ANY OF THESE COMPONENTS,
 USE ONLY MANUFACTURER'S SPECIFIED PARTS.

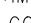
****THE UNIT OF RESISTANCE IS OHM.**
 K=1000 OHM, M=1000 KOHM

****THE UNIT OF CAPACITANCE IS MICROFARAD (uF)**
 $1\mu F = 10^{-6} uF$

****THIS SCHEMATIC DIAGRAM MAY MODIFIED AT ANYTIME
 WITH THE IMPROVEMENT OF PERFORMANCE**

SMPS /U1S



**IMPORTANT SAFETY NOTICE.
 COMPONENTS IDENTIFIED BY  MARK HAVE SPECIAL CHARACTERISTICS.
 IMPORTANT FOR SAFETY. WHEN REPLACING ANY OF THESE COMPONENTS,
 USE ONLY MANUFACTUREY'S SPECIFIED PARTS.
 **THE UNIT OF RESISTANCE IS OHM.
 K=1000 OHM, M=1000 KOHM

**THE UNIT OF CAPACITANCE IS MICROFARAD (uF)
 1pF = 10⁻⁶ uF
 **THIS SCHEMATIC DIAGRAM MAY MODIFIED AT ANYTIME
 WITH THE IMPROVEMENT OF PERFORMANCE

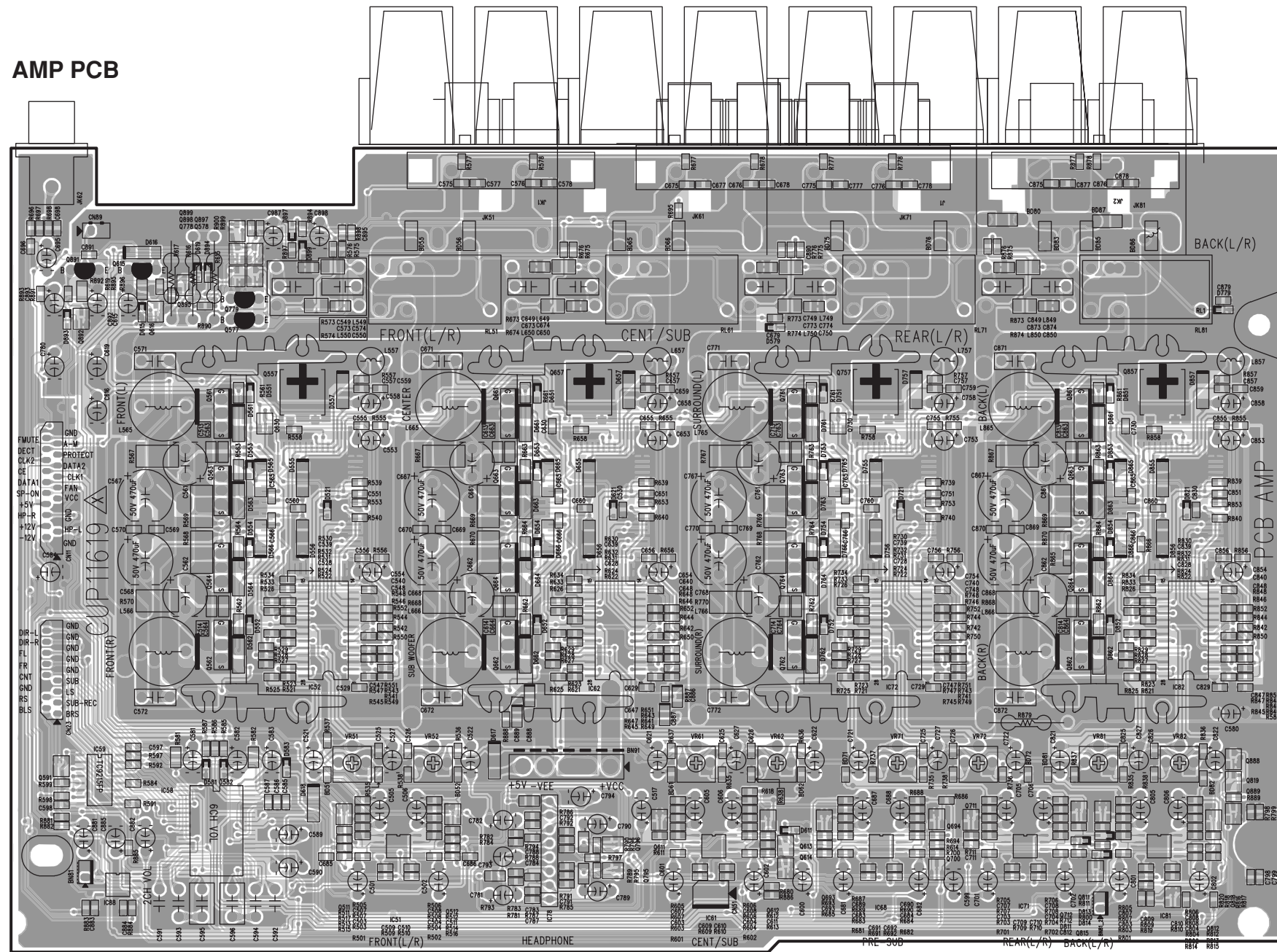
SMPS B'D<--> AMP B'D

SMPS B'D<--> CONNECTING B'D

12. PARTS LOCATION

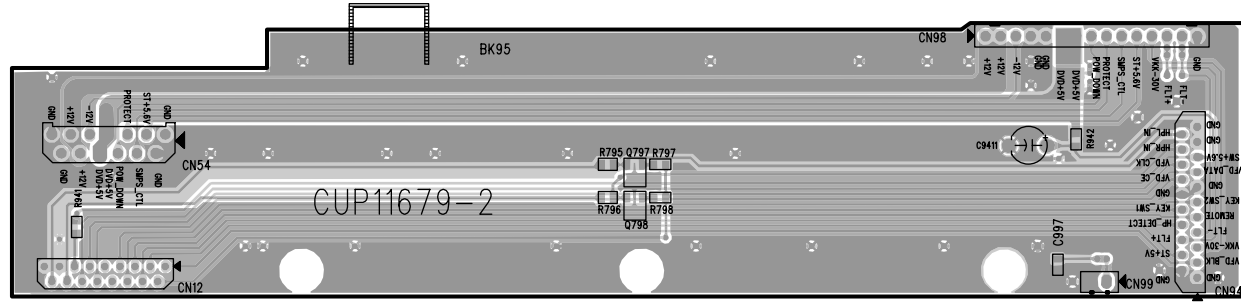
- Q899
- Q898 Q897
- Q891 Q615 Q778 Q578
- Q895 Q779
- Q892 Q616 Q577
- Q557
- Q561 Q630
- Q563
- Q564
- Q562
- Q661
- Q663
- Q664
- Q662
- Q657
- Q757
- Q761 Q730
- Q763
- Q764
- Q762
- Q861
- Q863
- Q864
- Q862
- Q888
- Q819
- Q591 IC59
- IC52
- IC62
- Q613
- IC72
- Q857
- IC88 IC58
- Q511
- Q512
- IC62
- Q611
- Q612 Q614
- IC72
- Q811
- IC82 Q889
- IC51
- Q796 Q795
- IC61
- IC68
- Q711
- IC71 Q815
- Q812
- Q818 IC81

AMP PCB



FRONT (CONNECT) PCB

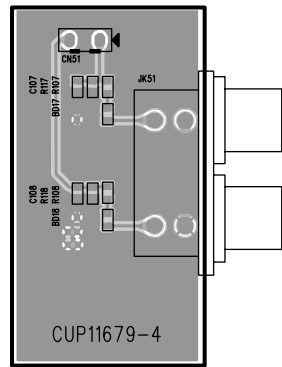
Q797
Q798



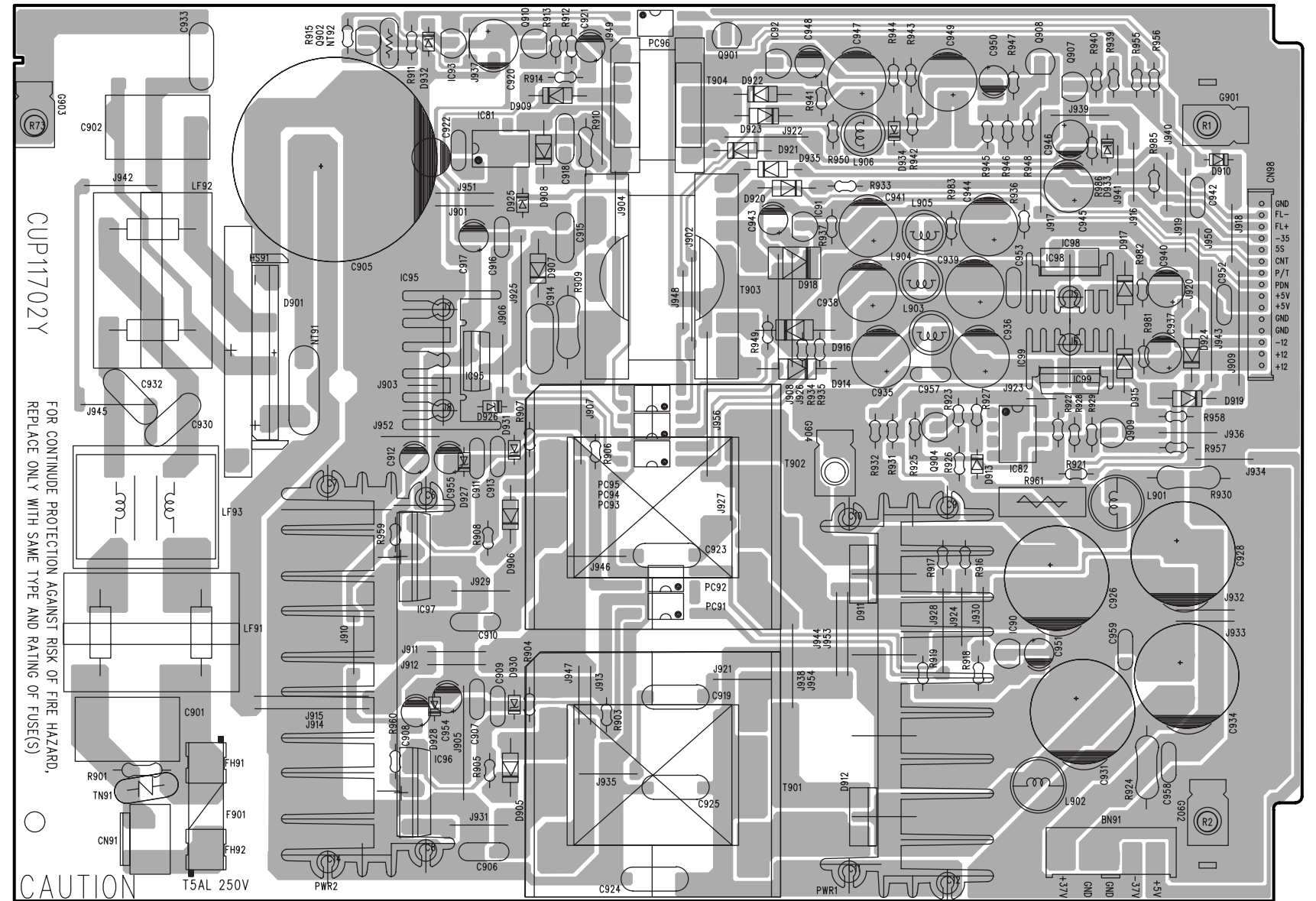
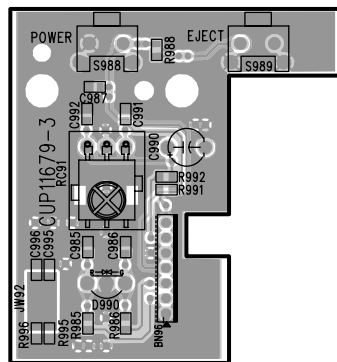
SMPS PCB

Q902 IC93
IC81 Q910
IC95
IC97
IC96
Q901 IC92
IC91
Q908
Q907
IC98
IC82 IC99
IC90
Q904
Q909

FRONT (TV AUDIO IN) PCB [S, N only]



FRONT (POWER OPEN/CLOSE) PCB



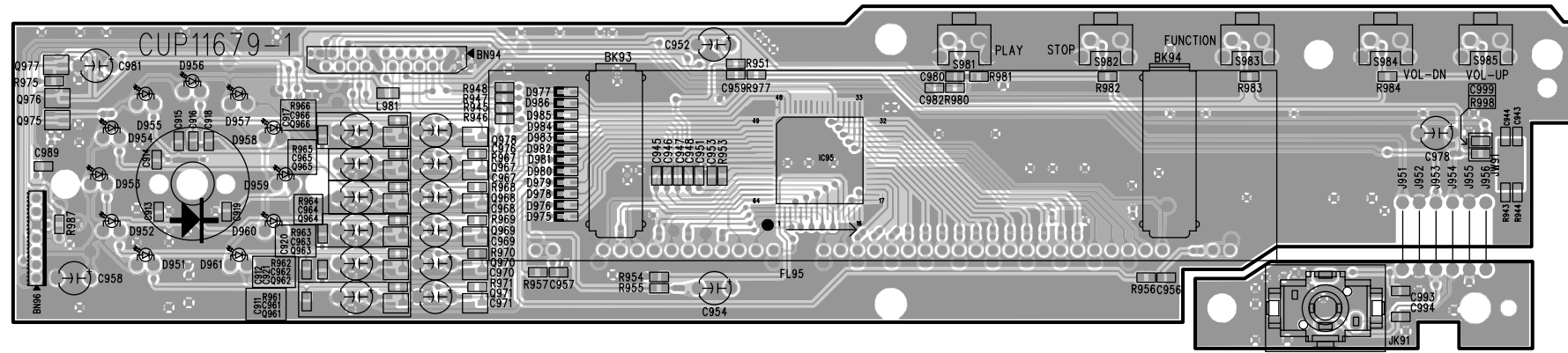
FOR CONTINUE PROTECTION AGAINST RISK OF FIRE HAZARD,
REPLACE ONLY WITH SAME TYPE AND RATING OF FUSES!

CAUTION

Q977
Q976
Q975

Q966 Q978
Q965 Q967
Q964 Q968
Q963 Q969
Q962 Q970
Q961 Q971

FRONT PCB

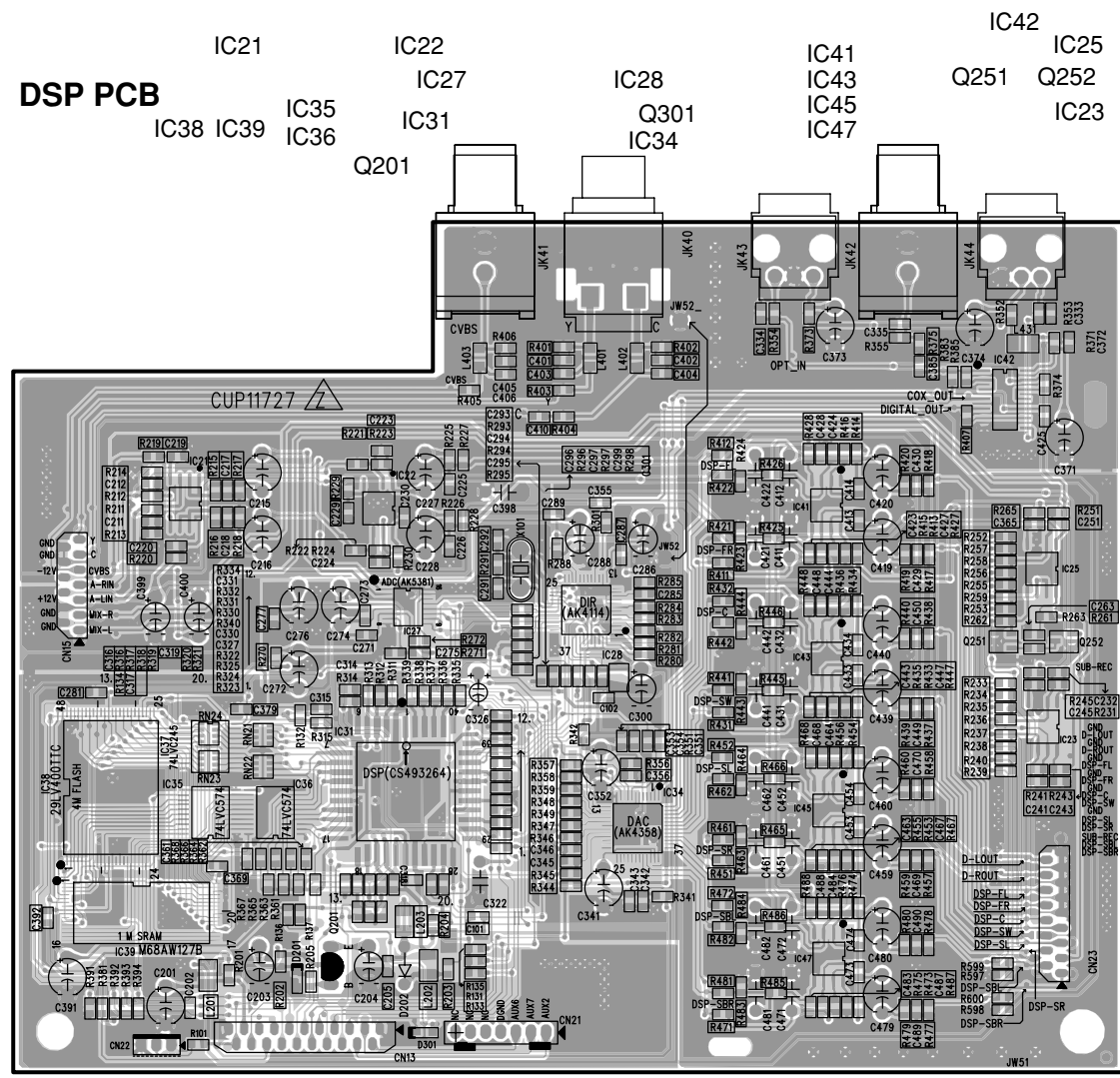
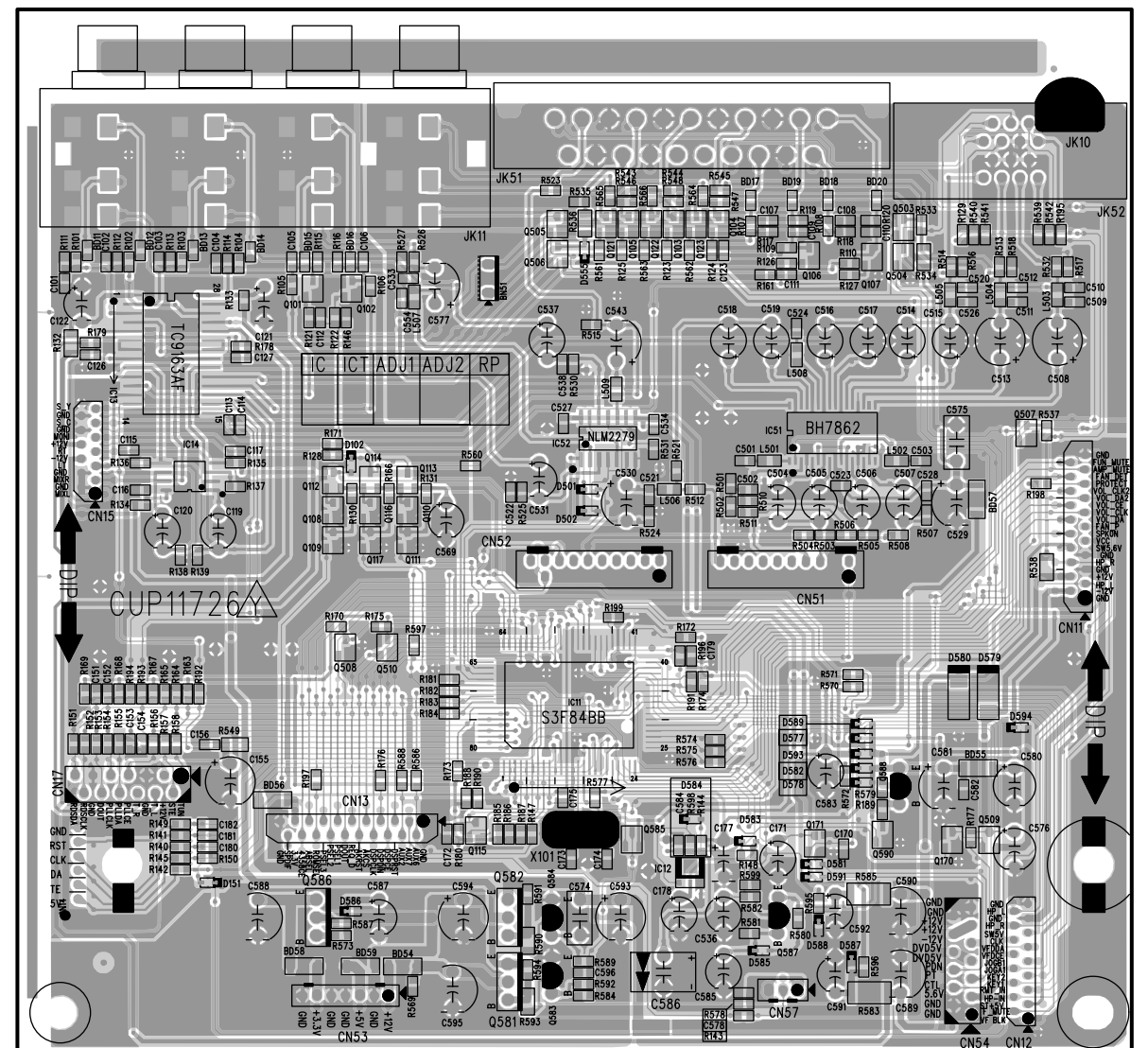


Q101 Q102
Q112 Q114 Q113
Q108 Q116 Q110
Q109 Q117 Q111

Q505 Q105 Q103 Q104 Q503
Q506 Q121 Q122 Q123 Q106 Q107 Q504

IC52 IC51
IC13 IC14
Q508 Q510
Q115 Q584 Q585
Q586 Q582 Q581 Q583
IC11
IC12 Q587
Q171 Q590 Q170 Q509
Q588 Q507

MAIN PCB

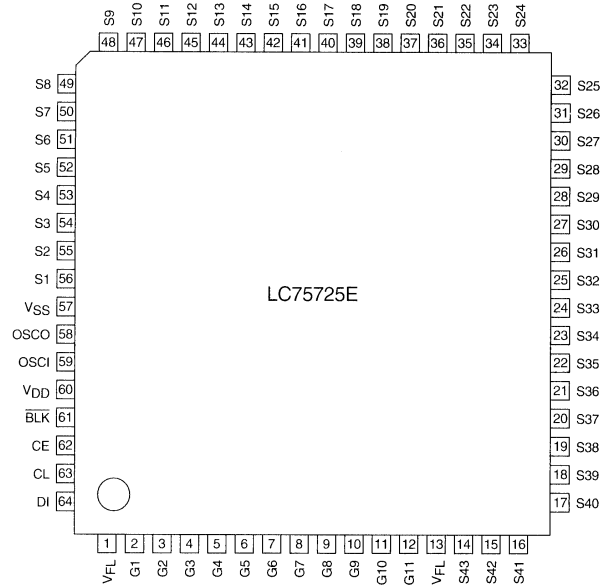


13. IC DATA

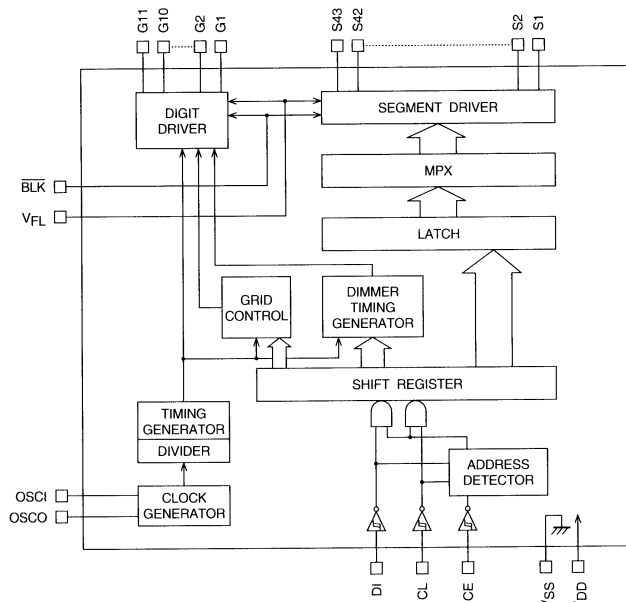
IC11: S3F84BB

NO	FUNCTION	PIN NAME	PIN No.
1	EXTERNAL ROM CONTROL PORT	1.PAGE_SELECT1	P6.5(N.51) : PAGE_SELECT1 ---> OUTPUT
2		2.PAGE_SELECT2	P6.6(N.50) : PAGE_SELECT2 ---> OUTPUT
3		3.PAGE_SELECT3	P6.7(N.49) : PAGE_SELECT3 ---> OUTPUT
4		4.A/B_SELECT	P7.0(N.62) : NO USE
5		5.ROM_SELECT_P	P1.6(N.66) : ROM_SELECT ---> OUTPUT
6	DSP/DIR/DAC	1. DSP/DIR/DAC_CLK_P	P6.4(N.54) : DSP/DIR/DAC_CLK ---> OUTPUT
7		2. DSP/DIR/DAC_DIN_P	P6.3(N.55) : DSP/DIR/DAC_DIN ---> OUTPUT
8		3. AK4114_CS_P	P6.2(N.56) : AK4114_CS ---> OUTPUT
9		4. AK4114_RST_P	P6.1(N.57) : AK4114_RST ---> OUTPUT
10		5. CS493264_CS_P	P6.0(N.58) : CS493264_CS ---> OUTPUT
11		6. CS493264_INTREQ_P	P8.5(N.59) : DSP_INTREQ <--- INPUT
12		7. DSP/DIR/DAC_DOUT_P	P8.4(N.60) : DSP/DIR/DAC_DOUT <--- INPUT
13		8. CS493264_RST_P	P8.3(N.61) : CS493264_RST ---> OUTPUT
14		9. AK4358_CE_P	P8.1(N.63) : DAC_CE ---> OUTPUT
15	PLL_IC	1. RDS_CLK_P	P4.0(N.38) : RDS_CLK <--- INPUT
16		2. RDS_DATA_P	P7.7(N.39) : RDS_DATA <--- INPUT
17		3. TUNED	P0.6(N.74) : TUNED (Action "L") <--- INPUT
18		4. STEREO	P0.5(N.75) : STEREO (Action "L") <--- INPUT
19		5. PLL_DOUNT_P	P0.4(N.76) : PLL_DOUT <--- INPUT
20		6. PLL_CE_P	P0.3(N.77) : PLL_CE ---> OUTPUT
21	FUNCTION IC	7. PLL_CLK_P	P0.2(N.78) : TC9164/ PLL_CLK ---> OUTPUT
22		8. PLL_DATA_P	P0.1(N.79) : TC9164/ PLL_DATA ---> OUTPUT
23		9. FUNCTION_STB_P	P0.0(N.80) : TC9164_CE ---> OUTPUT
24	DVD	1. DVD_MREQ_P	P4.3(N.35) : DVD_MREQ <--- INPUT
25		2. DVD_SIO_OUT_P	P2.0(N.08) : DVD_DATA_OUT ---> OUTPUT
26		3. DVD_SIO_IN_P	P2.1(N.07) : DVD_DATA_IN <--- INPUT
27		4. DVD_SIO_CLK_P	P2.2(N.06) : DVD_CLK <--- INPUT
28		5. DVD_RESET_P	P2.3(N.05) : DVD_RESET ---> OUTPUT
29		6. DVD_FREQ_P	P2.4(N.04) : DVD_FREQ ---> OUTPUT
30		7. DVD_POWER_P	P2.5(N.03) : DVD_POWER_ON ("H") ---> OUTPUT
31	FLASH WRITER	1. DATA (MCU pin no.10)	P5.6(N.10) : FLASH_WRITER_CONNECTOR (DATA)
32		2. CLK (MCU pin no.11)	P5.5(N.11) : FLASH_WRITER_CONNECTOR (CLK)
33		3. TEST (MCU pin no.16)	P5.5(N.16) : FLASH_WRITER_CONNECTOR (TEST)
34	VFD DRIVER	1. VFD_CE_P	P3.5(N.25) : VFD_CE ---> OUTPUT
35		2. VFD_DATA_P	P3.4(N.26) : VFD_DATA ---> OUTPUT
36		3. VFD_CLK_P	P3.3(N.27) : VFD_CLK ---> OUTPUT
37		4. VFD_BLK_P	P3.2(N.28) : VFD_BLK ---> OUTPUT
38	EVOL	1. EVOL_DATA_P	P5.2(N.20) : EVOL_DATA, M62446FP ---> OUTPUT
39		2. EVOL_CLK_P	P5.1(N.21) : EVOL_CLK, M62446FP ---> OUTPUT
40		3. EVOL_CE_P	P5.0(N.22) : EVOL_CE, M62446FP ---> OUTPUT
41		4. EVOL_DATA_P	P3.7(N.23) : EVOL_DATA, M62429FP ---> OUTPUT
42		5. EVOL_CLK_P	P3.6(N.24) : EVOL_CLK, M62429FP ---> OUTPUT
43	SYSTEM	1. PROTECTOR_P	P0.7(N.73) : PROTECTOR_IN ("L") <--- INPUT
44		2. REC1_MUTE_P	P1.7(N.65) : REC1_MUTE ---> OUTPUT
45		3. VIDEO_SW1	P1.5(N.67) : VIDEO_SW1 ---> OUTPUT
46		4. VIDEO_SW2	P1.4(N.68) : VIDEO_SW2 ---> OUTPUT
47		5. OPTION_D	P1.3(N.69) : OPTION_D <--- INPUT
48		6. OPTION_C	P1.2(N.70) : OPTION_C <--- INPUT
49		7. OPTION_C	P1.1(N.71) : OPTION_C <--- INPUT
50		8. OPTION_A	P1.0(N.72) : OPTION_A <--- INPUT
51		9. POWER_ON_P	P2.7(N.01) : POWER_ON ("H") ---> OUTPUT
52		10. SMPS_POWER	P2.6(N.02) : SMPS_POWER ("H") ---> OUTPUT
53		11. VIDEO_MUTE1	P3.1(N.29) : VIDEO_MUTE1 ---> OUTPUT
54		12. VIDEO_MUTE2	P3.0(N.30) : VIDEO_MUTE2 ---> OUTPUT
55		13. TV_SW	P4.7(N.31) : TV_SW ("H") ---> OUTPUT
56		14. CVBS_SW	P4.6(N.32) : CVBS_SW ("H") ---> OUTPUT
57		15. REC2_MUTE	P4.5(N.33) : REC2_MUTE ("L") ---> OUTPUT
58		16. CHIP_ENABLE	P4.4(N.34) : POWER_DOWN ("H") <--- INPUT
59		17. REMOTE_IN	P4.2(N.36) : REMOCON_IN <--- INPUT
60		18. REMOTE_IN	P4.1(N.37) : REMOCON_IN <--- INPUT
61		19. SPEAKER_ON_P	P5.7(N.09) : SPEAKER_ON ("H") ---> OUTPUT
62		20. FAN_P	P5.4(N.17) : FAN_MOTOR ("H") ---> OUTPUT
63		21. FUNCTION_MUTE_P	P5.3(N.18) : FUNC_MUTE ("H") ---> OUTPUT
64		22. KEY_IN1	P7.6(N.40) : 1KEY_DATA (A/D) <--- INPUT
65		23. KEY_IN2	P7.5(N.41) : 2KEY_DATA (A/D) <--- INPUT
66		24. D2_JACK_DECTOR	P7.4(N.42) : NO_UES <--- INPUT
67		25. FAN_DECT	P7.3(N.45) : FAN_DECT <--- INPUT
68		26. H/P_IN	P7.2(N.46) : HP_IN ("L") <--- INPUT
69		27. POWER_MUTE	P8.0(N.64) : AMP_MUTE ("H") ---> OUTPUT
70	OPERATION	1.GND	N.13 : GND
71		2.GND	N.44 : GND
72		3.GND	N.52 : GND
73		4.VDD	N.12 : VDD (+5V)
74		5.VDD	N.43 : VDD (+5V)
75		6.VDD	N.53 : VDD (+5V)
76		7.MCU_RESET	N.19 : MCU_RESET
77		8.MASTER_CLK	N.14 : MASTER_CLK_OUTPUT
78		9.MASTER_CLK	N.15 : MASTER_CLK_INPUT
79		10.JOG_A_P	N.47 : NO USE
80		11.JOG_B_P	N.48 : NO USE

IC95: LC75725



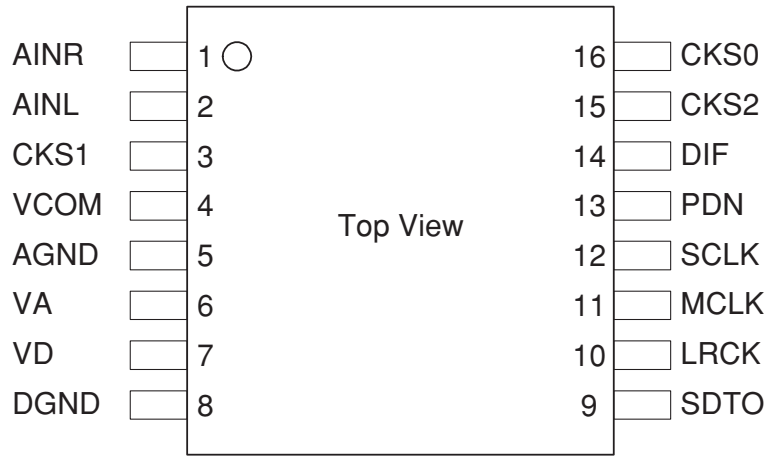
A06732



Pin Functions

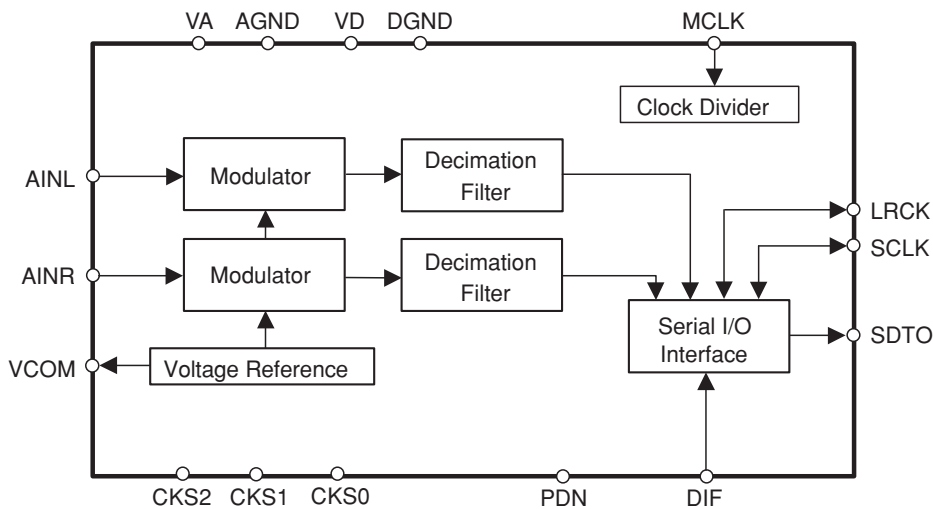
Pin	Pin No.	Function	I/O	Handling when unused
V _{FL}	1, 13	Driver block power supply connection. (Both pins must be connected.)	—	—
V _{DD}	60	Logic block power supply connection. Provide a voltage between 4.5 and 5.5 V.	—	—
V _{SS}	57	Power supply connection. Connect to the ground.	—	—
OSCI	59	Oscillator connection. An oscillator circuit is formed by connecting an external resistor and capacitor to these pins.	I	GND
OSCO	58		O	OPEN
$\overline{\text{BLK}}$	61	Display off control input. BLK = Low (V _{SS}) ... Display off. (S1 to S43 and G1 to G11 at V _{FL} level.) BLK = High (V _{DD}) ... Display on. Note that serial data can be transferred while the display is turned off.	I	GND
CL	63	Serial data transfer inputs. These pins must be connected to the system microcontroller. CL: Synchronization clock	I	GND
DI	64	DI: Transfer data		
CE	62	CE: Chip enable		
G1 to G11	2 to 12	Digit outputs. These pins are P-channel open drain outputs with pull-down resistors.	O	OPEN
S1 to S43	56 to 14	Segment outputs for displaying the display data transferred by serial data input. These pins are P-channel open drain outputs with pull-down resistors.	O	OPEN

IC27: AK5381



No.	Pin Name	I/O	Function
1	AINR	I	Rch Analog Input Pin
2	AINL	I	Lch Analog Input Pin
3	CKS1	I	Mode Select 1 Pin
4	VCOM	O	Common Voltage Output Pin, VA/2 Bias voltage of ADC input.
5	AGND	-	Analog Ground Pin
6	VA	-	Analog Power Supply Pin, 4.55.5V
7	VD	-	Digital Power Supply Pin, 2.7 5.5V(fs=48kHz), 3.0 5.5V(fs=96kHz)
8	DGND	-	Digital Ground Pin
9	SDTO	O	Audio Serial Data Output Pin “L” Output in Master Mode at Power-down mode.
10	LRCK	I/O	Output Channel Clock Pin “L” Output in Master Mode at Power-down mode.
11	MCLK	I	Master Clock Input Pin
12	SCLK	I/O	Audio Serial Data Clock Pin “L” Output in Master Mode at Power-down mode.
13	PDN	I	Power Down Mode Pin “H”: Power up, “L”: Power down
14	DIF	I	Audio Interface Format Pin “H” : 24bit IS Compatible, “L”: 24bit MSB justified
15	CKS2	I	Mode Select 2 Pin
16	CKS0	I	Mode Select 0 Pin

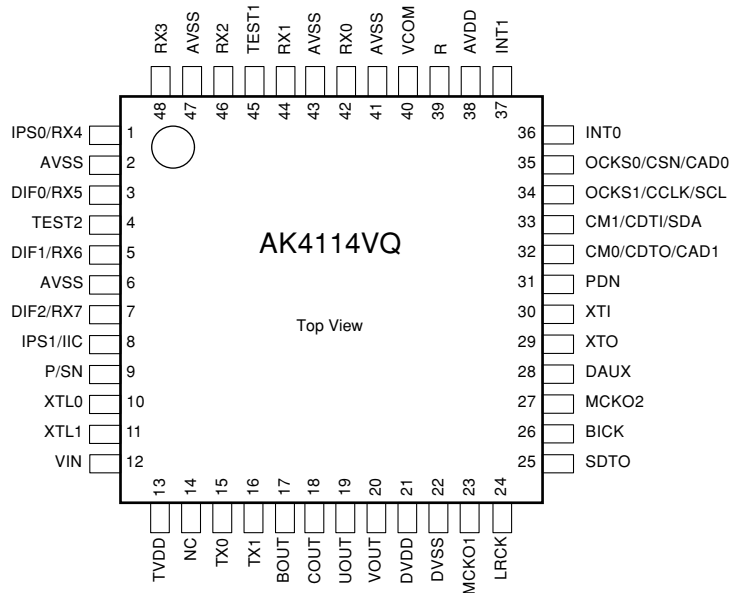
Note: All digital input pins should not be left floating.



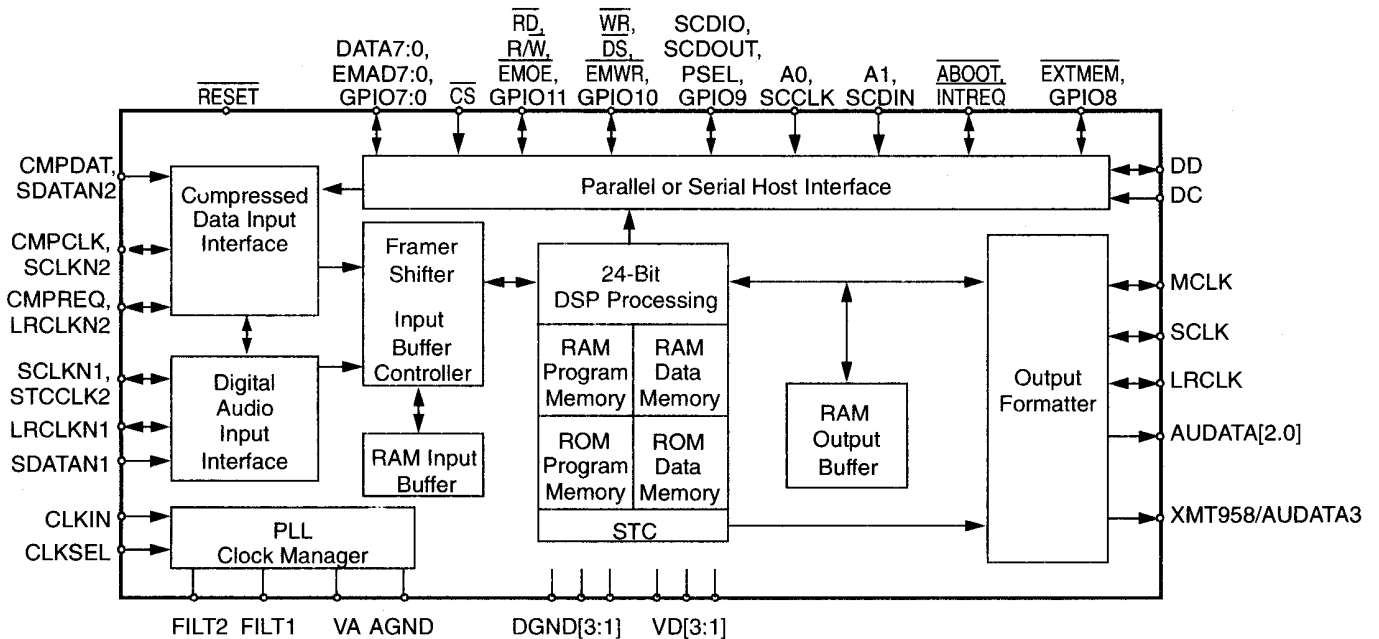
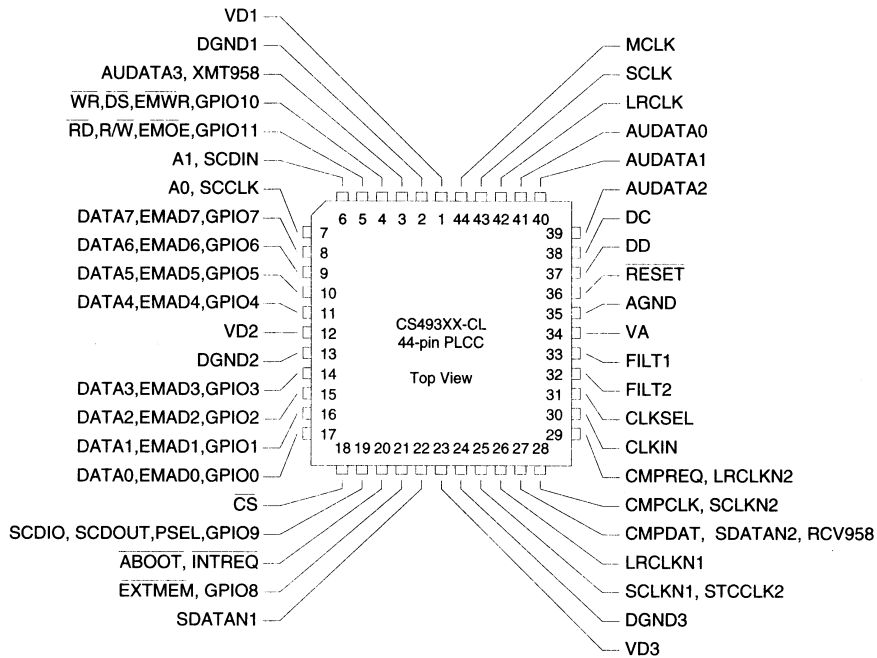
IC28: AK4114

No.	Pin Name	I/O	Function
1	IPS0 RX4	I I	Input Channel Select 0 Pin in Parallel Mode Receiver Channel 4 Pin in Serial Mode (Internal biased pin)
2	NC(AVSS)	I	No Connect No internal bonding. This pin should be connected to AVSS.
3	DIF0 RX5	I I	Audio Data Interface Format 0 Pin in Parallel Mode Receiver Channel 5 Pin in Serial Mode (Internal biased pin)
4	TEST2	I	TEST 2 pin This pin should be connect to AVSS.
5	DIF1 RX6	I I	Audio Data Interface Format 1 Pin in Parallel Mode Receiver Channel 6 Pin in Serial Mode (Internal biased pin)
6	NC(AVSS)	I	No Connect No internal bonding. This pin should be connected to AVSS.
7	DIF2 RX7	I I	Audio Data Interface Format 2 Pin in Parallel Mode Receiver Channel 7 Pin in Serial Mode (Internal biased pin)
8	IPS1 IIC	I I	Input Channel Select 1 Pin in Parallel Mode IIC Select Pin in Serial Mode. "L": 4-wire Serial, iHi: IIC
9	P/SN	I	Parallel/Serial Select Pin "L": Serial Mode, "H": Parallel Mode
10	XTL0	I	X'tal Frequency Select 0 Pin
11	XTL1	I	X'tal Frequency Select 1 Pin
12	VIN	I	V-bit Input Pin for Transmitter Output
13	TVDD	I	Input Buffer Power Supply Pin, 3.3V or 5V
14	NC	I	No Connect No internal bonding. This pin should be open or connected to DVSS.
15	TX0	O	Transmit Channel (Through Data) Output 0 Pin
16	TX1	O	When TX bit = "0", Transmit Channel (Through Data) Output 1 Pin. When TX bit = "1", Transmit Channel (DAUX Data) Output Pin (Default).
17	BOUT	O	Block -Start Output Pin for Receiver Input iHi during first 40 frames.
18	COOUT	O	C-bit Output Pin for Receiver Input
19	UOUT	O	U-bit Output Pin for Receiver Input
20	VOOUT	O	V-bit Output Pin for Receiver Input
21	DVDD	I	Digital Power Supply Pin, 3.3V
22	DVSS	I	Digital Ground Pin
23	MCKO1	O	Master Clock Output 1 Pin
24	LRCK	I/O	Channel Clock Pin
25	SDTO	O	Audio Serial Data Output Pin
26	BICK	I/O	Audio Serial Data Clock Pin
27	MCKO2	O	Master Clock Output 2 Pin
28	DAUX	I	Auxiliary Audio Data Input Pin
29	XTO	O	X'tal Output Pin
30	XTI	I	X'tal Input Pin
31	PDN	I	Power-Down Mode Pin When "L", the AK4114 is powereddown and reset.
32	CM0 CDTO CAD1	I O I	Master Clock Operation Mode 0 Pin in Parallel Mode Control Data Output Pin in Serial Mode, IIC="L". Chip Address 1 Pin in Serial Mode, IIC="H".
33	CM1 CDTI SDA	I I I/O	Master Clock Operation Mode 1 Pin in Parallel Mode Control Data Input Pin in Serial Mode, IIC="L". Control Data Pin in Serial Mode, IIC="H".
34	OCKS1 CCLK SCL	I I I	Output Clock Select 1 Pin in Parallel Mode Control Data Clock Pin in Serial Mode, IIC="L". Control Data Clock Pin in Serial Mode, IIC="H".
35	OCKS0 CSN CAD0	I I I	Output Clock Select 0 Pin in Parallel Mode Chip Select Pin in Serial Mode, IIC="L". Chip Address 0 Pin in Serial Mode, IIC="H".
36	INT0	O	Interrupt 0 Pin
37	INT1	O	Interrupt 1 Pin
38	AVDD	I	Analog Power Supply Pin, 3.3V
39	R	-	External Resistor Pin 18kΩ +/-1% resistor should be connected to AVSS external y.
40	VCOM	-	Common Voltage Output Pin 0.47μF capacitor should be connected to AVSS external y.
41	AVSS	I	Analog Ground Pin
42	RX0	I	Receiver Channel 0 Pin (Internal biased pin) This channel is default in serial mode.
43	NC(AVSS)	I	No Connect No internal bonding. This pin should be connected to AVSS.
44	RX1	I	Receiver Channel 1 Pin (Internal biased pin)
45	TEST1	I	TEST 1 pin. This pin should be connected to AVSS.
46	RX2	I	Receiver Channel 2 Pin (Internal biased pin)
47	NC(AVSS)	I	No Connect No internal bonding. This pin should be connected to AVSS.
48	RX3	I	Receiver Channel 3 Pin (Internal biased pin)

Note 1 All input pins except internal .biased pins should not be left floating.



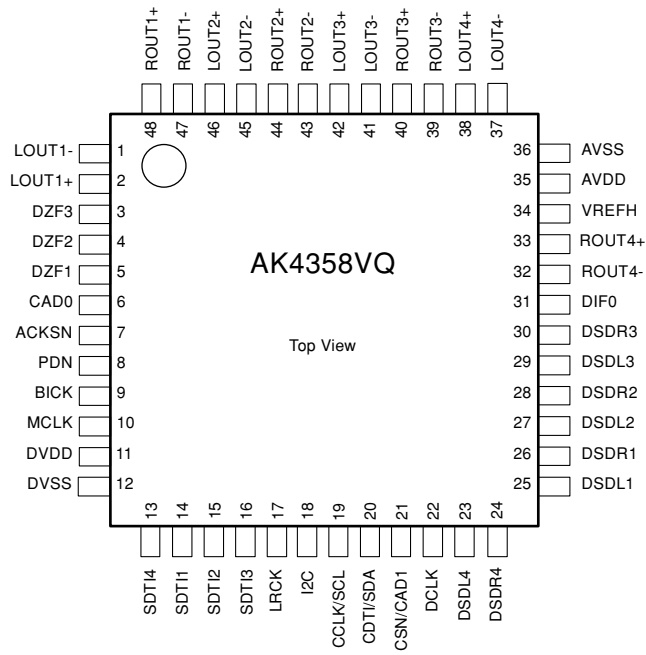
IC31: CS49300



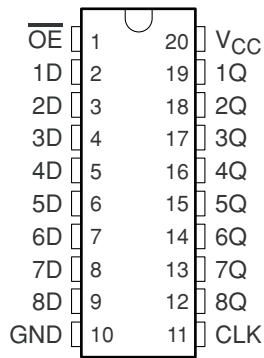
IC34: AK4358

No.	Pin Name	I/O	Function
1	LOUT1-	O	DAC 1 Lch Negative Analog Output Pin
2	LOUT1+	O	DAC 1 Lch Positive Analog Output Pin
3	DZF3	O	Zero Input Detect 3 Pin
4	DZF2	O	Zero Input Detect 2 Pin
5	DZF1	O	Zero Input Detect 1 Pin
6	CAD0	I	Chip Address 0 Pin
7	ACKSN	I	Auto Setting Mode Disable Pin (Pull-down Pin) “L”: Auto Setting Mode, “H”: Manual Setting Mode
8	PDN	I	Power-Down Mode Pin When at “L”, the AK4358 is in the power-down mode and is held in reset. The AK4358 should always be reset upon power-up.
9	BICK	I	Audio Serial Data Clock Pin
10	MCLK	I	Master Clock Input Pin An external TTL clock should be input on this pin.
11	DVDD	-	Digital Power Supply Pin, +4.75 +5.25V
12	DVSS	-	Digital Ground Pin
13	SDTI4	I	DAC 4 Audio Serial Data Input Pin
14	SDTI1	I	DAC 1 Audio Serial Data Input Pin
15	SDTI2	I	DAC 2 Audio Serial Data Input Pin
16	SDTI3	I	DAC 3 Audio Serial Data Input Pin
17	LRCK	I	L/R Clock Pin
18	I2C	I	Control Mode Select Pin “L”: 3-wire Serial, “H”: IC Bus
19	CCLK/SCL	I	Control Data Clock Pin I2C = “L”: CCLK (3-wire Serial), I2C = “H”: SCL (I2C Bus)
20	CDTI/SDA	I/O	Control Data Input Pin I2C = “L”: CDTI (3-wire Serial), I2C = “H”: SDA (I2C Bus)
21	CSN/CAD1	I	Chip Select Pin I2C = “L”: CSN (3-wire Serial), I2C = “H”: CAD1 (I2C Bus)
22	DCLK	I	DSD Clock Pin
23	DSDL4	I	DAC 4 DSD Lch Data Input Pin
24	DSDR4	I	DAC 4 DSD Rch Data Input Pin
25	DSDL1	I	DAC 1 DSD Lch Data Input Pin
26	DSDR1	I	DAC 1 DSD Rch Data Input Pin
27	DSDL2	I	DAC 2 DSD Lch Data Input Pin
28	DSDR2	I	DAC 2 DSD Rch Data Input Pin
29	DSDL3	I	DAC 3 DSD Lch Data Input Pin
30	DSDR3	I	DAC 3 DSD Rch Data Input Pin
31	DIF0	I	Audio Data Interface Format 0 Pin
32	ROUT4-	O	DAC 4 Rch Negative Analog Output Pin
33	ROUT4+	O	DAC 4 Rch Positive Analog Output Pin
34	VREFH	I	Positive Voltage Reference Input Pin
35	AVDD	-	Analog Power Supply Pin, +4.75 +5.25V
36	AVSS	-	Analog Ground Pin
37	LOUT4-	O	DAC 4 Lch Negative Analog Output Pin
38	LOUT4+	O	DAC 4 Lch Positive Analog Output Pin
39	ROUT3-	O	DAC 3 Rch Negative Analog Output Pin
40	ROUT3+	O	DAC 3 Rch Positive Analog Output Pin
41	LOUT3-	O	DAC 3 Lch Negative Analog Output Pin
42	LOUT3+	O	DAC 3 Lch Positive Analog Output Pin
43	ROUT2-	O	DAC 2 Rch Negative Analog Output Pin
44	ROUT2+	O	DAC 2 Rch Positive Analog Output Pin
45	LOUT2-	O	DAC 2 Lch Negative Analog Output Pin
46	LOUT2+	O	DAC 2 Lch Positive Analog Output Pin
47	ROUT1-	O	DAC 1 Rch Negative Analog Output Pin
48	ROUT1+	O	DAC 1 Rch Positive Analog Output Pin

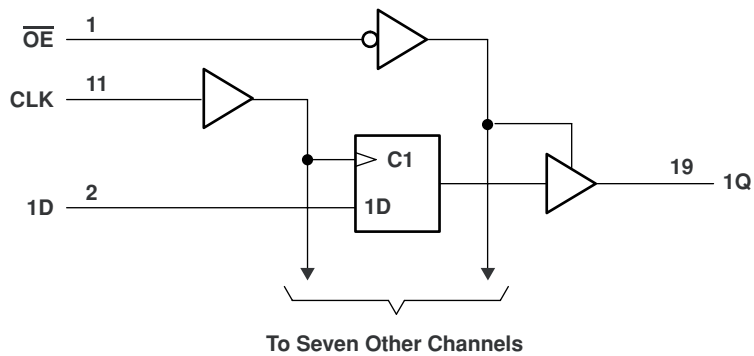
Note: All input pins except pull-down pin should not be left floating.



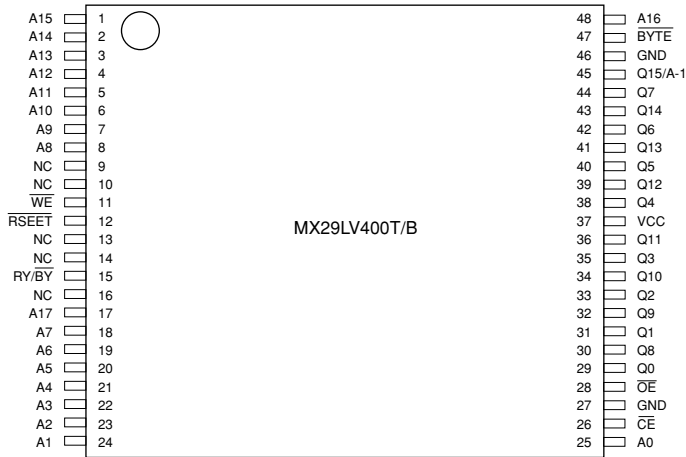
IC35: 74LVC574



logic diagram (positive logic)



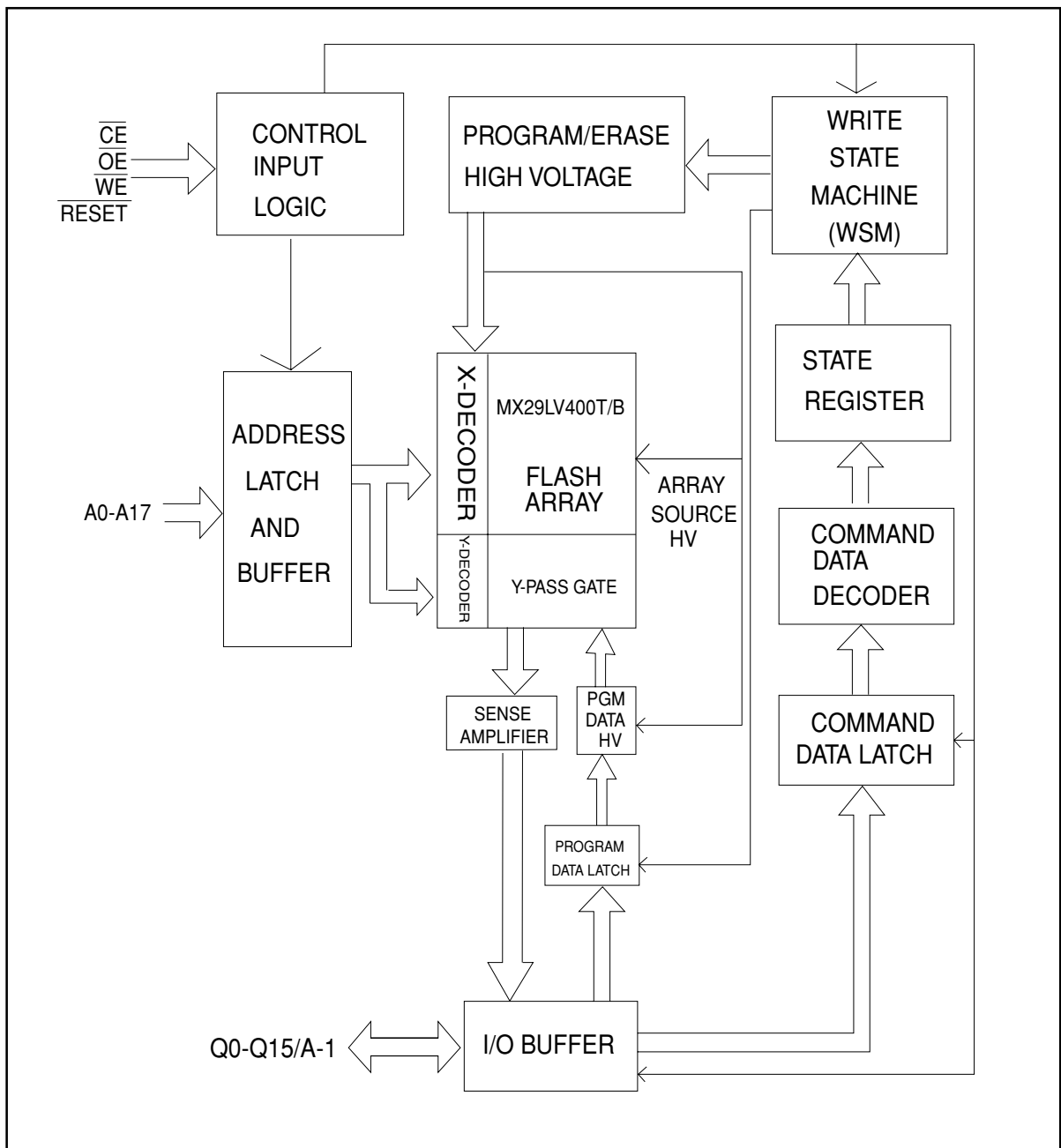
IC38: MX29LV400T/B



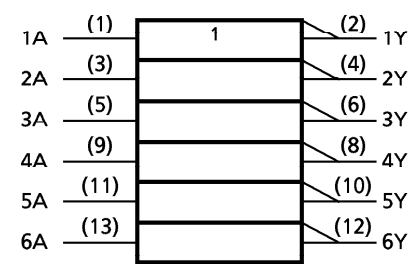
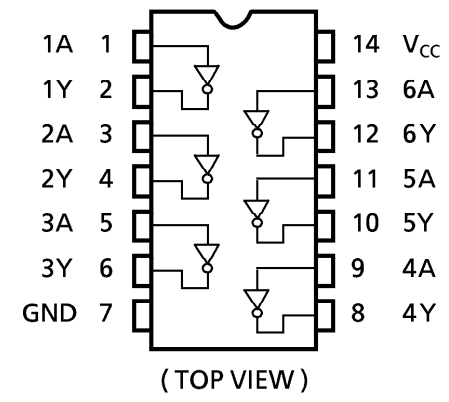
PINDESCRIPTION

SYMBOL	PINNAME
A0~A17	AddressInput
Q0~Q14	DataInput/Output
Q15/A-1	Q15(Wordmode)/LSBaddr(Byte mode)
CE	ChipEnableInput
WE	WriteEnableInput
BYTE	Word/ByteSelectioninput
RESET	HardwareResetPin/SectorProtectUnlock
OE	OutputEnableInput
RY/BY	Ready/BusyOutput
VCC	PowerSupplyPin(2.7V~3.6V)
GND	GroundPin

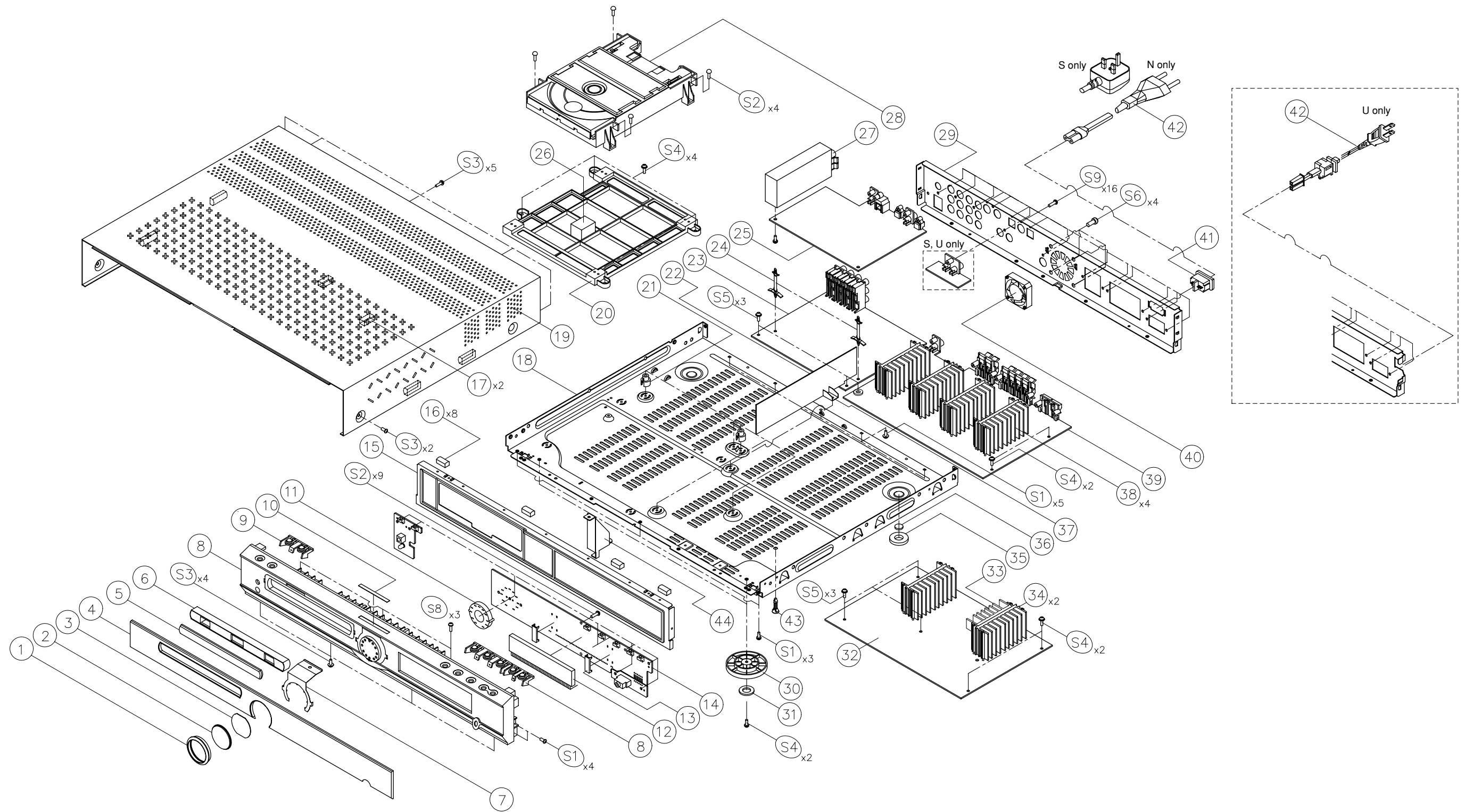
BLOCK DIAGRAM



IC42: TC74HCU04AP/AF/AFN



14. EXPLODED VIEW AND PARTS LIST



P.C.B. NAME	POS.NO.	VERS. COLOR	PART NO. (FOR EUR)	PART NO. (MJI)	PART NAME	DESCRIPTION
	1		00M16BW353010	00M16BW353010	RING	RING , AL CGK1A097C40
	2		00M16BW158010	00M16BW158010	WINDOW	WINDOW , VOL CGU1A330Y
	3		00M16BW107010	00M16BW107010	SHEET	SHEET , DIFFRACT KMZ1A092
	4		00M16BW158020	00M16BW158020	WINDOW	WINDOW , FRONT CGU1A337ZH48
	5		00M16BW158030	00M16BW158030	WINDOW	WINDOW , DOOR CGU1A338ZH47
	6		00M16BW063010	00M16BW063010	ESCUTCHEON	ORNAMENT , DOOR CGR1A333G13
	7		nsp	nsp	BRACKET	PALTE , SHIELD CMC1A222
	8		00M16BW248010	00M16BW248010	PANEL	PANEL , FRONT CGW1A379ZG13H47
	9		00M16BW270010	00M16BW270010	BUTTON	KNOB , FUNCTION CBT1A923C22
	10		00M16BW251010	00M16BW251010	BADGE	BADGE HGB1A132
	11		nsp	nsp	STOPPER	STOPPER , LED CHG1A264
	13		nsp	nsp	BRACKET	BRACKET , FLT CMD1A468
	13		nsp	nsp	BRACKET	BRACKET , FLT CMD1A468
	14	/N1S	nsp	nsp	PCB ASSY	FRONT PCB ASS'Y COP11679M
	14	/S1S	nsp	nsp	PCB ASSY	FRONT PCB ASS'Y COP11679N
	14	/U1S	nsp	nsp	PCB ASSY	FRONT PCB ASS'Y COP11679N
	15		nsp	nsp	FRAME	FRAME , FRONT CMD1A522
	16		nsp	nsp	CUSHION	CUSHION , GND KMC1A249
	17		nsp	nsp	CUSHION	CUSHION CHG1A282
	18		nsp	nsp	CHASSIS	CHASSIS , BOTTOM CUA1A232
	20		nsp	nsp	SUPPORT	SUPPORT , MECHA CMH1A213
	21		nsp	nsp	HOLDER	HOLDER , PCB CHE170
	23	/N1S	nsp	nsp	PCB ASSY	MAIN PCB ASS'Y COP11726B
	23	/S1S	nsp	nsp	PCB ASSY	MAIN PCB ASS'Y COP11726C
	23	/U1S	nsp	nsp	PCB ASSY	MAIN PCB ASS'Y COP11726D
	24		nsp	nsp	SUPPORT	SUPPORT , LOCKING KRE1A059
	25	/N1S	nsp	nsp	PCB ASSY	DIGITAL PCB ASS'Y COP11727B
	25	/S1S	nsp	nsp	PCB ASSY	DIGITAL PCB ASS'Y COP11727B
	25	/U1S	nsp	nsp	PCB ASSY	DIGITAL PCB ASS'Y COP11727B
	26		nsp	nsp	BUFFER	SHIELD , CUSHION KMC1A196
	27	/N1S	90M-AV000430R	90M-AV000430R	TUNER	TUNER , MODULE CNVML114MA1-A17
	27	/S1S	nsp	90M-AV000440R	TUNER	TUNER , MODULE CNVML014MA1-A17
	27	/U1S	nsp	90M-AV000450R	TUNER	TUNER , MODULE CNVML014MA0-A17
	28		00M16BW304010	00M16BW304010	MECHANISM	MECHA LOADER & MECHA TRAVERSE HJDRL-S874DR
	29	/N1S	nsp	nsp	PANEL	PANEL , REAR CKF4A259ZG14
	29	/S1S	nsp	nsp	PANEL	PANEL , REAR CKF5A259ZG14
	29	/U1S	nsp	nsp	PANEL	PANEL , REAR CKF6A259ZG14
	30		00M16BW057010	00M16BW057010	LEG	FOOT CKL1A185H30
	31		00M16BW056010	00M16BW056010	CUSHION	CUSHION , FOOT KHG2A039Z
	32		nsp	nsp	PCB ASSY	SMPS PCB ASS'Y COP11702B
	33		nsp	nsp	HEATSINK	HEAT SINK CMY1A240
	34		nsp	nsp	HEATSINK	HEAT SINK CMY3A216
	34		nsp	nsp	HEATSINK	HEAT SINK CMY3A216
	35		00M16BW056020	00M16BW056020	CUSHION	CUSHION , FOOT KHG1A281
	36		00M16BW056030	00M16BW056030	CUSHION	CUSHION , FOOT KHG1A251
	37		nsp	nsp	BRACKET	BRACKET , PCB CMD1A387
	38		nsp	nsp	HEATSINK	SINK , HEAT CMY2A216
	38		nsp	nsp	HEATSINK	SINK , HEAT CMY2A216
	38		nsp	nsp	HEATSINK	SINK , HEAT CMY2A216
	38		nsp	nsp	HEATSINK	SINK , HEAT CMY2A216
	38		nsp	nsp	HEATSINK	SINK , HEAT CMY2A216
	39		nsp	nsp	PCB ASSY	AMP PCB ASS'Y COP11619M
	40		90M-MM001300R	90M-MM001300R	MOTOR	FAN , MOTOR HDMF410T12L1C01
	41	/N1S	90M-YJ002730R	90M-YJ002730R	INLET	RECEPTACLE,(2.5A 250VA) HJJ8A003Z
	41	/S1S	nsp	90M-YJ002730R	INLET	RECEPTACLE,(2.5A 250VA) HJJ8A003Z
	41	/U1S	nsp	00M24AW259020	BUSHING	BUSHING , AC CORD KHR1A028
	▲ 42	/U1S	nsp	90M-YC000780R	MAINS CORD	CORD , POWER CJA523FBYA
	43		nsp	nsp	SUPPORT	SUPPORT , PCB KRE1A042
	44		nsp	nsp	BRACKET	BRACKET , PCB CMD1A548
	CN91	/N1S	nsp	nsp	CONNECTIVE CORD	WIRE ASS'Y CWZER2500CN91
	CN91	/S1S	nsp	nsp	CONNECTIVE CORD	WIRE ASS'Y CWZER2500CN91
	CN94		90M-YU001750R	90M-YU001750R	FPC	CARD CABLE CWC1B2A21A150B6
			90M-YU001760R	90M-YU001760R	FPC	CARD CABLE CWC1B2A13A070B
			90M-YU001770R	90M-YU001770R	FPC	CARD CABLE CWC1B2A13B080B
			90M-YU001430R	90M-YU001430R	FPC	CARD CABLE CWC1B2A13B110B
			90M-YU001780R	90M-YU001780R	FPC	CARD CABLE CWC1B2A17A060B
			90M-YU001790R	90M-YU001790R	FPC	CARD CABLE CWC1B2A17A080B
			90M-YU001800R	90M-YU001800R	FPC	CARD CABLE CWC1B2A21A050B
			90M-YU001810R	90M-YU001810R	FPC	CARD CABLE CWC1B2A21A070B

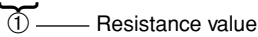
NOTE : "nsp" PARTS IS LISTED FOR REFERENCE ONLY, MARANTZ WILL NOT SUPPLY THESE PARTS.

15. ELECTRICAL PARTS LIST

PARTS INFORMATION

RESISTORS

- 1) 00MGD05xxx140, Carbon film fixed resistor, ±5% 1/4W
- 2) 00MGD05xxx160, Carbon film fixed resistor, ±5% 1/6W



Examples ;

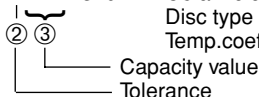
- ① Resistance value
 - 0.1 Ω 001 10 Ω 100 1 kΩ 102 100 kΩ 104
 - 0.5 Ω 005 18 Ω 180 2.7 kΩ 272 680 kΩ 684
 - 1 Ω 010 100 Ω 101 10 kΩ 103 1 MΩ 105
 - 6.8 Ω 068 390 Ω 391 22 kΩ 223 4.7 MΩ 475

Note : Please distinguish 1/4W from 1/6W by the shape of parts used actually.

CAPACITORS

CERAMIC CAP.

- 3) 00MDD1xxx370 Ceramic capacitor
Disc type
Temp.coeff.P350 ~ N1000, 50V



Examples ;

- ② Tolerance (Capacity deviation)
 - ±0.25 pF 0
 - ±0.5 pF 1
 - ±5% 5

* Tolerance of COMMON PARTS handled here are as follows :

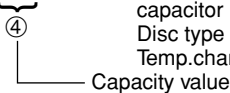
- 0.5 pF ~ 5 pF ±0.25 pF
- 6 pF ~ 10 pF ±0.5 pF
- 12 pF ~ 560 pF ±5%

③ Capacity value

- 0.5 pF 005 3 pF 030 100 pF 101
- 1 pF 010 10 pF 100 220 pF 221
- 1.5 pF 015 47 pF 470 560 pF 561

CERAMIC CAP.

- 4) 00MDK16xxx300, High dielectric constant ceramic capacitor
Disc type
Temp.chara. 2B4, 50V

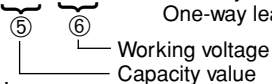


Examples ;

- ④ Capacity value
 - 100 pF 101 1000 pF 102 10000 pF 103
 - 470 pF 471 2200 pF 222

ELECTROLY CAP. (⏏)

- 5) 00MEAxxxxx10, Electrolytic capacitor
One-way lead type, Tolerance ±20%

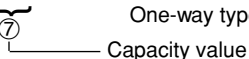


Examples ;

- ⑤ Capacity value
 - 0.1 μF 104 4.7 μF 475 100 μF 107
 - 0.33 μF 334 10 μF 106 330 μF 337
 - 1 μF 105 22 μF 226 1100 μF 118
 - 2200 μF 228
- ⑥ Working voltage
 - 6.3V 006 25V 025
 - 10V 010 35V 035
 - 16V 016 50V 050

FILM CAP. (⏏)

- 6) 00MDF15xxx350 → Plastic film capacitor
00MDF15xxx310 → One-way type, Mylar ±5% 50V
00MDF16xxx310 → Plastic film capacitor
One-way type, Mylar ±10% 50V



Examples ;

- ⑦ Capacity value
 - 0.001 μF (1000 pF) 102 0.1 μF 104
 - 0.0018 μF 182 0.56 μF 564
 - 0.01 μF 103 1 μF 105
 - 0.015 μF 153

NOTE ON SAFETY FOR FUSIBLE RESISTOR :

The suppliers and their type numbers of fusible resistors are as follows;

1. KOA Corporation

Part No. (MJI)	Type No. (KOA)	Description
00MNH05 xxx 140	RF25S xxxxx ΩJ	(±5% 1/4W)
00MNH05 xxx 120	RF50S xxxxx ΩJ	(±5% 1/2W)
00MNH85 xxx 110	RF73B2A xxxxx ΩJ	(±5% 1/10W)
00MNH95 xxx 140	RF73B2E xxxxx ΩJ	(±5% 1/4W)

* Resistance value Resistance value
(0.1 Ω – 10 kΩ)

2. Matsushita Electronic Components Co., Ltd

Part No. (MJI)	Type No. (MEC)	Description
00MNF05 xxx 140	ERD-2FCJ xxx	(±5% 1/4W)
00MRF05 xxx 140		
00MNF02 xxx 140	ERD-2FCG xxx	(±2% 1/4W)
00MRF02 xxx 140		

* Resistance value * Resistance value

Examples ;

- * Resistance value
 - 0.1 Ω 001 10 Ω 100 1 kΩ 102 100 kΩ 104
 - 0.5 Ω 005 18 Ω 180 2.7 kΩ 272 680 kΩ 684
 - 1 Ω 010 100 Ω 101 10 kΩ 103 1 MΩ 105
 - 6.8 Ω 068 390 Ω 391 22 kΩ 223 4.7 MΩ 475

ABBREVIATION AND MARKS		
ANT. : ANTENNA	BATT. : BATTERY	
CAP. : CAPACITOR	CER. : CERAMIC	
CONN. : CONNECTING	DIG. : DIGITAL	
HP : HEADPHONE	MIC. : MICROPHONE	
μ-PRO : MICROPROCESSOR	REC. : RECORDING	
RES. : RESISTOR	SPK : SPEAKER	
SW : SWITCH	TRANSF. : TRANSFORMER	
TRIM. : TRIMMING	TRS. : TRANSISTOR	
VAR. : VARIABLE	XTAL : CRYSTAL	

NOTE ON FUSE :

Regarding to all parts of parts code 00MFS20xxx2xx, replace only with Wickmann-Werke GmbH, Type 372 non glass type fuse.

NOTE ON SAFETY :

Symbol Fire or electrical shock hazard. Only original parts should be used to replaced any part marked with symbol . Any other component substitution (other than original type), may increase risk of fire or electrical shock hazard.

安全上の注意 :

がついている部品は、安全上重要な部品です。必ず指定されている部品番号の部品を使用して下さい。

P.C.B. NAME	POS.NO.	VERS. COLOR	PART NO. (FOR EUR)	PART NO. (MJ)	PART NAME	DESCRIPTION	
						AMP PCB (CUP11619)	
AMP	BD51		90M-FC900350R	90M-FC900350R	FERRITE CORE	HB-1M1608-601JT	HLZ9Z018Z
AMP	BD52		90M-FC900350R	90M-FC900350R	FERRITE CORE	HB-1M1608-601JT	HLZ9Z018Z
AMP	BD55		90M-FC900340R	90M-FC900340R	FERRITE CORE	HU-1H4516-600JT	HLZ9Z014Z
AMP	BD56		90M-FC900340R	90M-FC900340R	FERRITE CORE	HU-1H4516-600JT	HLZ9Z014Z
AMP	BD61		90M-FC900350R	90M-FC900350R	FERRITE CORE	HB-1M1608-601JT	HLZ9Z018Z
AMP	BD62		90M-FC900350R	90M-FC900350R	FERRITE CORE	HB-1M1608-601JT	HLZ9Z018Z
AMP	BD65		90M-FC900340R	90M-FC900340R	FERRITE CORE	HU-1H4516-600JT	HLZ9Z014Z
AMP	BD66		90M-FC900340R	90M-FC900340R	FERRITE CORE	HU-1H4516-600JT	HLZ9Z014Z
AMP	BD71		90M-FC900350R	90M-FC900350R	FERRITE CORE	HB-1M1608-601JT	HLZ9Z018Z
AMP	BD72		90M-FC900350R	90M-FC900350R	FERRITE CORE	HB-1M1608-601JT	HLZ9Z018Z
AMP	BD75		90M-FC900340R	90M-FC900340R	FERRITE CORE	HU-1H4516-600JT	HLZ9Z014Z
AMP	BD76		90M-FC900340R	90M-FC900340R	FERRITE CORE	HU-1H4516-600JT	HLZ9Z014Z
AMP	BD81		90M-FC900350R	90M-FC900350R	FERRITE CORE	HB-1M1608-601JT	HLZ9Z018Z
AMP	BD83		90M-FC900340R	90M-FC900340R	FERRITE CORE	HU-1H4516-600JT	HLZ9Z014Z
AMP	BD86		90M-FN000090R	90M-FN000090R	EMI FILTER		KLZ9H001Z
AMP	BN81		nsp	nsp	CONNECTIVE CORD	SHIELD 2P	CWZER2500BN81
AMP	BN91		nsp	nsp	CONNECTIVE CORD		CWB3F005130UZ
AMP	C501		nsp	00MOA10603540	ELECT CAP.	10UF 35V	HCEA1VH100T
AMP	C502		nsp	00MOA10603540	ELECT CAP.	10UF 35V	HCEA1VH100T
AMP	C503		nsp	00MDD95470300	CERAMIC CAP.	47PF 50V J	HCUS1H470JA
AMP	C504		nsp	00MDD95470300	CERAMIC CAP.	47PF 50V J	HCUS1H470JA
AMP	C505		nsp	00MOA10603540	ELECT CAP.	10UF 35V	HCEA1VH100T
AMP	C506		nsp	00MOA10603540	ELECT CAP.	10UF 35V	HCEA1VH100T
AMP	C507		nsp	00MDK96561300	CERAMIC CAP.	560PF 50V J	HCUS1H561JA
AMP	C508		nsp	00MDK96561300	CERAMIC CAP.	560PF 50V J	HCUS1H561JA
AMP	C509		nsp	00MDK98223300	CERAMIC CAP.	0.022uF 50V K	HCUS1H223KC
AMP	C510		nsp	00MDK98223300	CERAMIC CAP.	0.022uF 50V K	HCUS1H223KC
AMP	C511		nsp	00MDK98223300	CERAMIC CAP.	0.022uF 50V K	HCUS1H223KC
AMP	C517		nsp	00MOA22505020	ELECT CAP.	2.2UF 50V	HCEA1HH2R2T
AMP	C521		nsp	00MOA47505020	ELECT CAP.	4.7UF 50V	HCEA1HH4R7T
AMP	C522		nsp	00MOA47505020	ELECT CAP.	4.7UF 50V	HCEA1HH4R7T
AMP	C525		nsp	00MDK96104300	CERAMIC CAP.	0.1uF 25V Z	HCUS1E104ZF
AMP	C526		nsp	00MDK96104300	CERAMIC CAP.	0.1uF 25V Z	HCUS1E104ZF
AMP	C527		nsp	00MOA47701020	ELECT CAP.	470UF 10V	HCEA1AH471T
AMP	C528		nsp	00MDK96104300	CERAMIC CAP.	0.1uF 25V Z	HCUS1E104ZF
AMP	C529		nsp	00MDK96104300	CERAMIC CAP.	0.1uF 25V Z	HCUS1E104ZF
AMP	C530		nsp	00MDK96104300	CERAMIC CAP.	0.1uF 25V Z	HCUS1E104ZF
AMP	C539		nsp	00MDD95221300	CERAMIC CAP.	220PF 50V J	HCUS1H221JA
AMP	C540		nsp	00MDD95221300	CERAMIC CAP.	220PF 50V J	HCUS1H221JA
AMP	C547		nsp	00MDD95271300	CERAMIC CAP.	270PF 50V J	HCUS1H271JA
AMP	C548		nsp	00MDD95151300	CERAMIC CAP.	150PF 50V J	HCUS1H151JA
AMP	C549		nsp	nsp	CERAMIC CAP.	100V	CCUP2A104KB
AMP	C550		nsp	nsp	CERAMIC CAP.	100V	CCUP2A104KB
AMP	C551		nsp	00MDK96104300	CERAMIC CAP.	0.1uF 25V Z	HCUS1E104ZF
AMP	C553		nsp	00MOA47602520	ELECT CAP.	47UF 25V 105°C	HCEA1EH470TS
AMP	C554		nsp	00MOA47602520	ELECT CAP.	47UF 25V 105°C	HCEA1EH470TS
AMP	C555		nsp	00MDK96104300	CERAMIC CAP.	0.1uF 25V Z	HCUS1E104ZF
AMP	C556		nsp	00MDK96104300	CERAMIC CAP.	0.1uF 25V Z	HCUS1E104ZF
AMP	C557		nsp	00MDK96104300	CERAMIC CAP.	0.1uF 25V Z	HCUS1E104ZF
AMP	C558		nsp	00MOA10702520	ELECT CAP.	100UF 25V	HCEA1EH101T
AMP	C559		nsp	00MDK96104300	CERAMIC CAP.	0.1uF 25V Z	HCUS1E104ZF
AMP	C560		nsp	00MDK96104300	CERAMIC CAP.	0.1uF 25V Z	HCUS1E104ZF
AMP	C561		nsp	90M-OA000190R	ELECT CAP.	105°C	HCEA2AH330TS
AMP	C562		nsp	90M-OA000190R	ELECT CAP.	105°C	HCEA2AH330TS
AMP	C563		nsp	nsp	CERAMIC CAP.	100V	CCUP2A104KB
AMP	C564		nsp	nsp	CERAMIC CAP.	100V	CCUP2A104KB
AMP	C565		nsp	00MDK96104300	CERAMIC CAP.	0.1uF 25V Z	HCUS1E104ZF
AMP	C566		nsp	00MDK96104300	CERAMIC CAP.	0.1uF 25V Z	HCUS1E104ZF
AMP	C567		nsp	00MOA47705020	ELECT CAP.	470uF 50V	HCEA1HH471E
AMP	C568		nsp	00MOA47705020	ELECT CAP.	470uF 50V	HCEA1HH471E
AMP	C569		nsp	00MDK98473300	CERAMIC CAP.	0.047uF 50V Z	HCUS1H473ZF
AMP	C570		nsp	00MDK98473300	CERAMIC CAP.	0.047uF 50V Z	HCUS1H473ZF
AMP	C571		90M-OF100470R	90M-OF100470R	FILM CAP.	100V / 0.15UF	CCME2A154JXT
AMP	C572		90M-OF100470R	90M-OF100470R	FILM CAP.	100V / 0.15UF	CCME2A154JXT
AMP	C573		90M-OF100470R	90M-OF100470R	FILM CAP.	100V / 0.15UF	CCME2A154JXT

NOTE : "nsp" PARTS IS LISTED FOR REFERENCE ONLY, MARANTZ WILL NOT SUPPLY THESE PARTS.

P.C.B. NAME	POS.NO.	VERS. COLOR	PART NO. (FOR EUR)	PART NO. (MJI)	PART NAME	DESCRIPTION
AMP	C574		90M-OF100470R	90M-OF100470R	FILM CAP.	100V / 0.15UF CCME2A154JXT
AMP	C575		nsp	00MDK98223300	CERAMIC CAP.	0.022uF 50V K HCUS1H223KC
AMP	C576		nsp	00MDK98223300	CERAMIC CAP.	0.022uF 50V K HCUS1H223KC
AMP	C577		nsp	00MDK98473300	CERAMIC CAP.	0.047uF 50V Z HCUS1H473ZF
AMP	C578		nsp	00MDK98473300	CERAMIC CAP.	0.047uF 50V Z HCUS1H473ZF
AMP	C580		nsp	00MOA10701620	ELECT CAP.	100UF 16V HCEA1CH101T
AMP	C581		nsp	00MOA10701620	ELECT CAP.	100UF 16V HCEA1CH101T
AMP	C582		nsp	00MOA10701620	ELECT CAP.	100UF 16V HCEA1CH101T
AMP	C583		nsp	00MOA10701620	ELECT CAP.	100UF 16V HCEA1CH101T
AMP	C584		nsp	00MOA10701620	ELECT CAP.	100UF 16V HCEA1CH101T
AMP	C585		nsp	00MDK96561300	CERAMIC CAP.	560PF 50V J HCEA1H561JA
AMP	C586		nsp	00MDK96561300	CERAMIC CAP.	560PF 50V J HCUS1H561JA
AMP	C587		nsp	00MDK96561300	CERAMIC CAP.	560PF 50V J HCUS1H561JA
AMP	C589		nsp	00MOA10601620	ELECT CAP.	10UF 16V HCEA1CH100T
AMP	C590		nsp	00MOA10601620	ELECT CAP.	10UF 16V HCEA1CH100T
AMP	C591		nsp	nsp	FILM CAP	8200PF 50V J HCQ11H822JZT
AMP	C592		nsp	nsp	FILM CAP	8200PF 50V J HCQ11H822JZT
AMP	C593		nsp	nsp	FILM CAP	0.015UF 50V J HCQ11H153JZT
AMP	C594		nsp	nsp	FILM CAP	0.015UF 50V J HCQ11H153JZT
AMP	C595		90M-DF100340R	90M-DF100340R	FILM CAP.	0.33UF 63V J KCFE1J334JBT
AMP	C596		90M-DF100340R	90M-DF100340R	FILM CAP.	0.33UF 63V J KCFE1J334JBT
AMP	C597		nsp	00MDK98223300	CERAMIC CAP.	0.022uF 50V K HCUS1H223KC
AMP	C598		nsp	00MDK98223300	CERAMIC CAP.	0.022uF 50V K HCUS1H223KC
AMP	C599		nsp	00MOA10701620	ELECT CAP.	100UF 16V HCEA1CH101T
AMP	C600		nsp	00MOA10701620	ELECT CAP.	100UF 16V HCEA1CH101T
AMP	C601		nsp	00MOA10603540	ELECT CAP.	10UF 35V HCEA1VH100T
AMP	C602		nsp	00MOA10603540	ELECT CAP.	10UF 35V HCEA1VH100T
AMP	C603		nsp	00MDD95470300	CERAMIC CAP.	47PF 50V J HCUS1H470JA
AMP	C604		nsp	00MDK98223300	CERAMIC CAP.	0.022uF 50V K HCUS1H223KC
AMP	C605		nsp	00MOA10603540	ELECT CAP.	10UF 35V HCEA1VH100T
AMP	C606		nsp	00MOA10603540	ELECT CAP.	10UF 35V HCEA1VH100T
AMP	C607		nsp	00MDK96561300	CERAMIC CAP.	560PF 50V J HCUS1H561JA
AMP	C608		nsp	00MDK98223300	CERAMIC CAP.	0.022uF 50V K HCUS1H223KC
AMP	C609		nsp	00MDK98223300	CERAMIC CAP.	0.022uF 50V K HCUS1H223KC
AMP	C610		nsp	00MDK98223300	CERAMIC CAP.	0.022uF 50V K HCUS1H223KC
AMP	C611		nsp	00MDK98223300	CERAMIC CAP.	0.022uF 50V K HCUS1H223KC
AMP	C615		nsp	00MOA10701620	ELECT CAP.	100UF 16V HCEA1CH101T
AMP	C616		nsp	00MOA47701020	ELECT CAP.	470UF 10V HCEA1AH471T
AMP	C619		nsp	00MOA22701620	ELECT CAP.	220UF 16V HCEA1CH221T
AMP	C621		nsp	00MOA47505020	ELECT CAP.	4.7UF 50V HCEA1HH4R7T
AMP	C622		nsp	00MOA47505020	ELECT CAP.	4.7UF 50V HCEA1HH4R7T
AMP	C625		nsp	00MDK96104300	CERAMIC CAP.	0.1uF 25V Z HCUS1E104ZF
AMP	C626		nsp	00MDK96104300	CERAMIC CAP.	0.1uF 25V Z HCUS1E104ZF
AMP	C627		nsp	00MOA47701020	ELECT CAP.	470UF 10V HCEA1AH471T
AMP	C628		nsp	00MDK96104300	CERAMIC CAP.	0.1uF 25V Z HCUS1E104ZF
AMP	C629		nsp	00MDK96104300	CERAMIC CAP.	0.1uF 25V Z HCUS1E104ZF
AMP	C630		nsp	00MDK96104300	CERAMIC CAP.	0.1uF 25V Z HCUS1E104ZF
AMP	C639		nsp	00MDD95221300	CERAMIC CAP.	220PF 50V J HCUS1H221JA
AMP	C640		nsp	00MDD95221300	CERAMIC CAP.	220PF 50V J HCUS1H221JA
AMP	C647		nsp	00MDD95271300	CERAMIC CAP.	270PF 50V J HCUS1H271JA
AMP	C648		nsp	00MDD95151300	CERAMIC CAP.	150PF 50V J HCUS1H151JA
AMP	C649		nsp	nsp	CERAMIC CAP.	100V CCUP2A104KB
AMP	C650		nsp	nsp	CERAMIC CAP.	100V CCUP2A104KB
AMP	C651		nsp	00MDK96104300	CERAMIC CAP.	0.1uF 25V Z HCUS1E104ZF
AMP	C653		nsp	00MOA47602520	ELECT CAP.	47UF 25V 105°C HCEA1EH470TS
AMP	C654		nsp	00MOA47602520	ELECT CAP.	47UF 25V 105°C HCEA1EH470TS
AMP	C655		nsp	00MDK96104300	CERAMIC CAP.	0.1uF 25V Z HCUS1E104ZF
AMP	C656		nsp	00MDK96104300	CERAMIC CAP.	0.1uF 25V Z HCUS1E104ZF
AMP	C657		nsp	00MDK96104300	CERAMIC CAP.	0.1uF 25V Z HCUS1E104ZF
AMP	C658		nsp	00MOA10702520	ELECT CAP.	100UF 25V HCEA1EH101T
AMP	C659		nsp	00MDK96104300	CERAMIC CAP.	0.1uF 25V Z HCUS1E104ZF
AMP	C660		nsp	00MDK96104300	CERAMIC CAP.	0.1uF 25V Z HCUS1E104ZF
AMP	C661		nsp	90M-OA000190R	ELECT CAP.	105°C HCEA2AH330TS
AMP	C662		nsp	90M-OA000190R	ELECT CAP.	105°C HCEA2AH330TS
AMP	C663		nsp	nsp	CERAMIC CAP.	100V CCUP2A104KB
AMP	C664		nsp	nsp	CERAMIC CAP.	100V CCUP2A104KB

NOTE : "nsp" PARTS IS LISTED FOR REFERENCE ONLY, MARANTZ WILL NOT SUPPLY THESE PARTS.

P.C.B. NAME	POS.NO.	VERS. COLOR	PART NO. (FOR EUR)	PART NO. (MJI)	PART NAME	DESCRIPTION
AMP	C665		nsp	00MDK96104300	CERAMIC CAP.	0.1uF 25V Z HCUS1E104ZF
AMP	C666		nsp	00MDK96104300	CERAMIC CAP.	0.1uF 25V Z HCUS1E104ZF
AMP	C667		nsp	00MOA47705020	ELECT CAP.	470uF 50V HCEA1HH471E
AMP	C668		nsp	00MOA47705020	ELECT CAP.	470uF 50V HCEA1HH471E
AMP	C669		nsp	00MDK98473300	CERAMIC CAP.	0.047uF 50V Z HCUS1H473ZF
AMP	C670		nsp	00MDK98473300	CERAMIC CAP.	0.047uF 50V Z HCUS1H473ZF
AMP	C671		90M-OF100470R	90M-OF100470R	FILM CAP.	100V / 0.15UF CCME2A154JXT
AMP	C672		90M-OF100470R	90M-OF100470R	FILM CAP.	100V / 0.15UF CCME2A154JXT
AMP	C673		90M-OF100470R	90M-OF100470R	FILM CAP.	100V / 0.15UF CCME2A154JXT
AMP	C674		90M-OF100470R	90M-OF100470R	FILM CAP.	100V / 0.15UF CCME2A154JXT
AMP	C675		nsp	00MDK98223300	CERAMIC CAP.	0.022uF 50V K HCUS1H223KC
AMP	C676		nsp	00MDK98223300	CERAMIC CAP.	0.022uF 50V K HCUS1H223KC
AMP	C677		nsp	00MDK98473300	CERAMIC CAP.	0.047uF 50V Z HCUS1H473ZF
AMP	C678		nsp	00MDK98473300	CERAMIC CAP.	0.047uF 50V Z HCUS1H473ZF
AMP	C679		nsp	00MDK96104300	CERAMIC CAP.	0.1uF 25V Z HCUS1E104ZF
AMP	C681		nsp	00MOA10603540	ELECT CAP.	10UF 35V HCEA1VH100T
AMP	C682		nsp	00MOA10603540	ELECT CAP.	10UF 35V HCEA1VH100T
AMP	C683		nsp	00MDD95221300	CERAMIC CAP.	220PF 50V J HCUS1H221JA
AMP	C684		nsp	00MDD95221300	CERAMIC CAP.	220PF 50V J HCUS1H221JA
AMP	C685		nsp	00MDK98223300	CERAMIC CAP.	0.022uF 50V K HCUS1H223KC
AMP	C686		nsp	00MDK98223300	CERAMIC CAP.	0.022uF 50V K HCUS1H223KC
AMP	C687		nsp	00MOA10603540	ELECT CAP.	10UF 35V HCEA1VH100T
AMP	C688		nsp	00MOA10603540	ELECT CAP.	10UF 35V HCEA1VH100T
AMP	C689		nsp	00MDK96103300	CERAMIC CAP.	0.01uF 50V K HCUS1H103KC
AMP	C690		nsp	00MDK96102300	CERAMIC CAP.	1000PF 50V K HCUS1H102KC
AMP	C691		nsp	00MDK98223300	CERAMIC CAP.	0.022uF 50V K HCUS1H223KC
AMP	C692		nsp	00MDK98223300	CERAMIC CAP.	0.022uF 50V K HCUS1H223KC
AMP	C693		nsp	00MDK98223300	CERAMIC CAP.	0.022uF 50V K HCUS1H223KC
AMP	C698		nsp	00MDK96102300	CERAMIC CAP.	1000PF 50V K HCUS1H102KC
AMP	C701		nsp	00MOA10603540	ELECT CAP.	10UF 35V HCEA1VH100T
AMP	C702		nsp	00MOA10603540	ELECT CAP.	10UF 35V HCEA1VH100T
AMP	C703		nsp	00MDD95470300	CERAMIC CAP.	47PF 50V J HCUS1H470JA
AMP	C704		nsp	00MDD95470300	CERAMIC CAP.	47PF 50V J HCUS1H470JA
AMP	C705		nsp	00MOA10603540	ELECT CAP.	10UF 35V HCEA1VH100T
AMP	C706		nsp	00MOA10603540	ELECT CAP.	10UF 35V HCEA1VH100T
AMP	C707		nsp	00MDK96561300	CERAMIC CAP.	560PF 50V J HCUS1H561JA
AMP	C708		nsp	00MDK96561300	CERAMIC CAP.	560PF 50V J HCUS1H561JA
AMP	C709		nsp	00MDK98223300	CERAMIC CAP.	0.022uF 50V K HCUS1H223KC
AMP	C710		nsp	00MDK98223300	CERAMIC CAP.	0.022uF 50V K HCUS1H223KC
AMP	C711		nsp	00MDK98223300	CERAMIC CAP.	0.022uF 50V K HCUS1H223KC
AMP	C721		nsp	00MOA47505020	ELECT CAP.	4.7UF 50V HCEA1HH4R7T
AMP	C722		nsp	00MOA47505020	ELECT CAP.	4.7UF 50V HCEA1HH4R7T
AMP	C725		nsp	00MDK96104300	CERAMIC CAP.	0.1uF 25V Z HCUS1E104ZF
AMP	C726		nsp	00MDK96104300	CERAMIC CAP.	0.1uF 25V Z HCUS1E104ZF
AMP	C727		nsp	00MOA47701020	ELECT CAP.	470UF 10V HCEA1AH471T
AMP	C728		nsp	00MDK96104300	CERAMIC CAP.	0.1uF 25V Z HCUS1E104ZF
AMP	C729		nsp	00MDK96104300	CERAMIC CAP.	0.1uF 25V Z HCUS1E104ZF
AMP	C730		nsp	00MDK96104300	CERAMIC CAP.	0.1uF 25V Z HCUS1E104ZF
AMP	C739		nsp	00MDD95221300	CERAMIC CAP.	220PF 50V J HCUS1H221JA
AMP	C740		nsp	00MDD95221300	CERAMIC CAP.	220PF 50V J HCUS1H221JA
AMP	C747		nsp	00MDD95271300	CERAMIC CAP.	270PF 50V J HCUS1H271JA
AMP	C748		nsp	00MDD95151300	CERAMIC CAP.	150PF 50V J HCUS1H151JA
AMP	C749		nsp	nsp	CERAMIC CAP.	100V CCUP2A104KB
AMP	C750		nsp	nsp	CERAMIC CAP.	100V CCUP2A104KB
AMP	C751		nsp	00MDK96104300	CERAMIC CAP.	0.1uF 25V Z HCUS1E104ZF
AMP	C753		nsp	00MOA47602520	ELECT CAP.	47UF 25V 105°C HCEA1EH470TS
AMP	C754		nsp	00MOA47602520	ELECT CAP.	47UF 25V 105°C HCEA1EH470TS
AMP	C755		nsp	00MDK96104300	CERAMIC CAP.	0.1uF 25V Z HCUS1E104ZF
AMP	C756		nsp	00MDK96104300	CERAMIC CAP.	0.1uF 25V Z HCUS1E104ZF
AMP	C757		nsp	00MDK96104300	CERAMIC CAP.	0.1uF 25V Z HCUS1E104ZF
AMP	C758		nsp	00MOA10702520	ELECT CAP.	100UF 25V HCEA1EH101T
AMP	C759		nsp	00MDK96104300	CERAMIC CAP.	0.1uF 25V Z HCUS1E104ZF
AMP	C760		nsp	00MDK96104300	CERAMIC CAP.	0.1uF 25V Z HCUS1E104ZF
AMP	C761		nsp	90M-OA000190R	ELECT CAP.	105°C HCEA2AH330TS
AMP	C762		nsp	90M-OA000190R	ELECT CAP.	105°C HCEA2AH330TS
AMP	C763		nsp	nsp	CERAMIC CAP.	100V CCUP2A104KB

NOTE : "nsp" PARTS IS LISTED FOR REFERENCE ONLY, MARANTZ WILL NOT SUPPLY THESE PARTS.

P.C.B. NAME	POS.NO.	VERS. COLOR	PART NO. (FOR EUR)	PART NO. (MJI)	PART NAME	DESCRIPTION
AMP	C764		nsp	nsp	CERAMIC CAP.	100V CCUP2A104KB
AMP	C765		nsp	00MDK96104300	CERAMIC CAP.	0.1uF 25V Z HCUS1E104ZF
AMP	C766		nsp	00MDK96104300	CERAMIC CAP.	0.1uF 25V Z HCUS1E104ZF
AMP	C767		nsp	00MOA47705020	ELECT CAP.	470uF 50V HCEA1HH471E
AMP	C768		nsp	00MOA47705020	ELECT CAP.	470uF 50V HCEA1HH471E
AMP	C769		nsp	00MDK98473300	CERAMIC CAP.	0.047uF 50V Z HCUS1H473ZF
AMP	C770		nsp	00MDK98473300	CERAMIC CAP.	0.047uF 50V Z HCUS1H473ZF
AMP	C771		90M-OF100470R	90M-OF100470R	FILM CAP.	100V / 0.15UF CCME2A154JXT
AMP	C772		90M-OF100470R	90M-OF100470R	FILM CAP.	100V / 0.15UF CCME2A154JXT
AMP	C773		90M-OF100470R	90M-OF100470R	FILM CAP.	100V / 0.15UF CCME2A154JXT
AMP	C774		90M-OF100470R	90M-OF100470R	FILM CAP.	100V / 0.15UF CCME2A154JXT
AMP	C775		nsp	00MDK98223300	CERAMIC CAP.	0.022uF 50V K HCUS1H223KC
AMP	C776		nsp	00MDK98223300	CERAMIC CAP.	0.022uF 50V K HCUS1H223KC
AMP	C777		nsp	00MDK98473300	CERAMIC CAP.	0.047uF 50V Z HCUS1H473ZF
AMP	C778		nsp	00MDK98473300	CERAMIC CAP.	0.047uF 50V Z HCUS1H473ZF
AMP	C780		nsp	00MOA10701620	ELECT CAP.	100UF 16V HCEA1CH101T
AMP	C781		nsp	00MOA10603540	ELECT CAP.	10UF 35V HCEA1VH100T
AMP	C782		nsp	00MOA10603540	ELECT CAP.	10UF 35V HCEA1VH100T
AMP	C787		nsp	00MDD95221300	CERAMIC CAP.	220PF 50V J HCUS1H221JA
AMP	C788		nsp	00MDD95221300	CERAMIC CAP.	220PF 50V J HCUS1H221JA
AMP	C789		nsp	00MOA10701620	ELECT CAP.	100UF 16V HCEA1CH101T
AMP	C790		nsp	00MOA10701620	ELECT CAP.	100UF 16V HCEA1CH101T
AMP	C791		nsp	00MDK96561300	CERAMIC CAP.	560PF 50V J HCUS1H561JA
AMP	C792		nsp	00MDK96561300	CERAMIC CAP.	560PF 50V J HCUS1H561JA
AMP	C793		nsp	00MOA10701620	ELECT CAP.	100UF 16V HCEA1CH101T
AMP	C794		nsp	00MOA10701620	ELECT CAP.	100UF 16V HCEA1CH101T
AMP	C798		nsp	00MDK96104300	CERAMIC CAP.	0.1uF 25V Z HCUS1E104ZF
AMP	C799		nsp	00MDK96104300	CERAMIC CAP.	0.1uF 25V Z HCUS1E104ZF
AMP	C801		nsp	00MOA10603540	ELECT CAP.	10UF 35V HCEA1VH100T
AMP	C803		nsp	00MDD95470300	CERAMIC CAP.	47PF 50V J HCUS1H470JA
AMP	C804		nsp	00MDD95151300	CERAMIC CAP.	150PF 50V J HCUS1H151JA
AMP	C805		nsp	00MOA10603540	ELECT CAP.	10UF 35V HCEA1VH100T
AMP	C807		nsp	00MDK96561300	CERAMIC CAP.	560PF 50V J HCUS1H561JA
AMP	C809		nsp	00MDK98223300	CERAMIC CAP.	0.022uF 50V K HCUS1H223KC
AMP	C810		nsp	00MDK98223300	CERAMIC CAP.	0.022uF 50V K HCUS1H223KC
AMP	C812		nsp	00MDK98223300	CERAMIC CAP.	0.022uF 50V K HCUS1H223KC
AMP	C821		nsp	00MOA47505020	ELECT CAP.	4.7UF 50V HCEA1HH4R7T
AMP	C822		nsp	00MOA47505020	ELECT CAP.	4.7UF 50V HCEA1HH4R7T
AMP	C825		nsp	00MDK96104300	CERAMIC CAP.	0.1uF 25V Z HCUS1E104ZF
AMP	C827		nsp	00MOA47701020	ELECT CAP.	470UF 10V HCEA1AH471T
AMP	C828		nsp	00MDK96104300	CERAMIC CAP.	0.1uF 25V Z HCUS1E104ZF
AMP	C829		nsp	00MDK96104300	CERAMIC CAP.	0.1uF 25V Z HCUS1E104ZF
AMP	C830		nsp	00MDK98473300	CERAMIC CAP.	0.047uF 50V Z HCUS1H473ZF
AMP	C839		nsp	00MDD95221300	CERAMIC CAP.	220PF 50V J HCUS1H221JA
AMP	C840		nsp	00MDD95221300	CERAMIC CAP.	220PF 50V J HCUS1H221JA
AMP	C847		nsp	00MDD95271300	CERAMIC CAP.	270PF 50V J HCUS1H271JA
AMP	C848		nsp	00MDD95151300	CERAMIC CAP.	150PF 50V J HCUS1H151JA
AMP	C849		nsp	nsp	CERAMIC CAP.	100V CCUP2A104KB
AMP	C851		nsp	00MDK96104300	CERAMIC CAP.	0.1uF 25V Z HCUS1E104ZF
AMP	C853		nsp	00MOA47602520	ELECT CAP.	47UF 25V 105°C HCEA1EH470TS
AMP	C854		nsp	00MOA47602520	ELECT CAP.	47UF 25V 105°C HCEA1EH470TS
AMP	C855		nsp	00MDK96104300	CERAMIC CAP.	0.1uF 25V Z HCUS1E104ZF
AMP	C856		nsp	00MDK96104300	CERAMIC CAP.	0.1uF 25V Z HCUS1E104ZF
AMP	C857		nsp	00MDK96104300	CERAMIC CAP.	0.1uF 25V Z HCUS1E104ZF
AMP	C858		nsp	00MOA10702520	ELECT CAP.	100UF 25V HCEA1EH101T
AMP	C859		nsp	00MDK96104300	CERAMIC CAP.	0.1uF 25V Z HCUS1E104ZF
AMP	C860		nsp	00MDK96104300	CERAMIC CAP.	0.1uF 25V Z HCUS1E104ZF
AMP	C861		nsp	90M-OA000190R	ELECT CAP.	105°C HCEA2AH330TS
AMP	C863		nsp	nsp	CERAMIC CAP.	100V CCUP2A104KB
AMP	C864		nsp	nsp	CERAMIC CAP.	100V CCUP2A104KB
AMP	C865		nsp	00MDK96104300	CERAMIC CAP.	0.1uF 25V Z HCUS1E104ZF
AMP	C866		nsp	00MDK96104300	CERAMIC CAP.	0.1uF 25V Z HCUS1E104ZF
AMP	C867		nsp	00MOA47705020	ELECT CAP.	470uF 50V HCEA1HH471E
AMP	C868		nsp	00MOA47705020	ELECT CAP.	470uF 50V HCEA1HH471E
AMP	C869		nsp	00MDK98473300	CERAMIC CAP.	0.047uF 50V Z HCUS1H473ZF
AMP	C871		90M-OF100470R	90M-OF100470R	FILM CAP.	100V / 0.15UF CCME2A154JXT

NOTE : "nsp" PARTS IS LISTED FOR REFERENCE ONLY, MARANTZ WILL NOT SUPPLY THESE PARTS.

P.C.B. NAME	POS.NO.	VERS. COLOR	PART NO. (FOR EUR)	PART NO. (MJI)	PART NAME	DESCRIPTION
AMP	C873		90M-OF100470R	90M-OF100470R	FILM CAP.	100V / 0.15UF CCME2A154JXT
AMP	C875		nsp	00MDK98223300	CERAMIC CAP.	0.022uF 50V K HCUS1H223KC
AMP	C877		nsp	00MDK98473300	CERAMIC CAP.	0.047uF 50V Z HCUS1H473ZF
AMP	C879		nsp	00MDK96104300	CERAMIC CAP.	0.1uF 25V Z HCUS1E104ZF
AMP	C881		nsp	00MEJ10601640	ELECT CAP.	10UF 16V KS HCEA1CK5100T
AMP	C883		nsp	00MDK96561300	CERAMIC CAP.	560PF 50V J HCUS1H561JA
AMP	C884		nsp	00MDK96561300	CERAMIC CAP.	560PF 50V J HCUS1H561JA
AMP	C885		nsp	00MOA47701020	ELECT CAP.	470UF 10V HCEA1AH471T
AMP	C886		nsp	nsp	CERAMIC CAP.	100V CCUP2A104KB
AMP	C887		nsp	nsp	CERAMIC CAP.	100V CCUP2A104KB
AMP	C888		nsp	nsp	CERAMIC CAP.	100V CCUP2A104KB
AMP	C889		nsp	nsp	CERAMIC CAP.	100V CCUP2A104KB
AMP	C890		nsp	00MDK96104300	CERAMIC CAP.	0.1uF 25V Z HCUS1E104ZF
AMP	C891		nsp	00MDK98223300	CERAMIC CAP.	0.022uF 50V K HCUS1H223KC
AMP	C892		nsp	00MOA10701620	ELECT CAP.	100UF 16V HCEA1CH101T
AMP	C893		nsp	00MOA10603540	ELECT CAP.	10UF 35V HCEA1VH100T
AMP	C895		nsp	00MDK96104300	CERAMIC CAP.	0.1uF 25V Z HCUS1E104ZF
AMP	C898		nsp	00MOA47701020	ELECT CAP.	470UF 10V HCEA1AH471T
AMP	C987		nsp	00MOA10701620	ELECT CAP.	100UF 16V HCEA1CH101T
AMP	CN11		nsp	nsp	JACK	GF102-21S-TS KJP21GA117ZG
AMP	CN23		nsp	nsp	JACK	GF102-17S-TS KJP17GA117ZG
AMP	CN51		nsp	nsp	JACK	MOLEX 5267-02A KJP02GA012M
AMP	CN89		nsp	nsp	JACK	KJP02GA68ZG
AMP	D521		nsp	90M-HD201800R	DIODE	1SS355 HVD1SS355T
AMP	D551		nsp	90M-HD201800R	DIODE	1SS355 HVD1SS355T
AMP	D552		nsp	90M-HD201800R	DIODE	1SS355 HVD1SS355T
AMP	D553		nsp	90M-HD201800R	DIODE	1SS355 HVD1SS355T
AMP	D554		nsp	90M-HD201800R	DIODE	1SS355 HVD1SS355T
AMP	D555		nsp	90M-HD201840R	DIODE	1SR159-200 HVD1SR159-200
AMP	D556		nsp	90M-HD201840R	DIODE	1SR159-200 HVD1SR159-200
AMP	D557		nsp	90M-HD201840R	DIODE	1SR159-200 HVD1SR159-200
AMP	D561		nsp	90M-HD201840R	DIODE	1SR159-200 HVD1SR159-200
AMP	D562		nsp	90M-HD201840R	DIODE	1SR159-200 HVD1SR159-200
AMP	D563		nsp	90M-HD201840R	DIODE	1SR159-200 HVD1SR159-200
AMP	D564		nsp	90M-HD201840R	DIODE	1SR159-200 HVD1SR159-200
AMP	D565		nsp	90M-HD201840R	DIODE	1SR159-200 HVD1SR159-200
AMP	D566		nsp	90M-HD201840R	DIODE	1SR159-200 HVD1SR159-200
AMP	D579		nsp	90M-HD201800R	DIODE	1SS355 HVD1SS355T
AMP	D581		90M-HD302290R	90M-HD302290R	ZENER DIODE	7.5V HVDUDZS7.5BSR
AMP	D582		90M-HD302290R	90M-HD302290R	ZENER DIODE	7.5V HVDUDZS7.5BSR
AMP	D583		nsp	90M-HD201800R	DIODE	1SS355 HVD1SS355T
AMP	D611		nsp	90M-HD201800R	DIODE	1SS355 HVD1SS355T
AMP	D615		90M-HD302280R	90M-HD302280R	ZENER DIODE	6.8V HVDUDZS6.8BSR
AMP	D616		nsp	90M-HD201820R	DIODE	RB160L-60TE25 HVDRB160L60TE25
AMP	D617		nsp	90M-HD201820R	DIODE	RB160L-60TE25 HVDRB160L60TE25
AMP	D618		nsp	90M-HD201820R	DIODE	RB160L-60TE25 HVDRB160L60TE25
AMP	D619		nsp	90M-HD201800R	DIODE	1SS355 HVD1SS355T
AMP	D621		nsp	90M-HD201800R	DIODE	1SS355 HVD1SS355T
AMP	D651		nsp	90M-HD201800R	DIODE	1SS355 HVD1SS355T
AMP	D652		nsp	90M-HD201800R	DIODE	1SS355 HVD1SS355T
AMP	D653		nsp	90M-HD201800R	DIODE	1SS355 HVD1SS355T
AMP	D654		nsp	90M-HD201800R	DIODE	1SS355 HVD1SS355T
AMP	D655		nsp	90M-HD201840R	DIODE	1SR159-200 HVD1SR159-200
AMP	D656		nsp	90M-HD201840R	DIODE	1SR159-200 HVD1SR159-200
AMP	D657		nsp	90M-HD201840R	DIODE	1SR159-200 HVD1SR159-200
AMP	D661		nsp	90M-HD201840R	DIODE	1SR159-200 HVD1SR159-200
AMP	D662		nsp	90M-HD201840R	DIODE	1SR159-200 HVD1SR159-200
AMP	D663		nsp	90M-HD201840R	DIODE	1SR159-200 HVD1SR159-200
AMP	D664		nsp	90M-HD201840R	DIODE	1SR159-200 HVD1SR159-200
AMP	D665		nsp	90M-HD201840R	DIODE	1SR159-200 HVD1SR159-200
AMP	D666		nsp	90M-HD201840R	DIODE	1SR159-200 HVD1SR159-200
AMP	D721		nsp	90M-HD201800R	DIODE	1SS355 HVD1SS355T
AMP	D751		nsp	90M-HD201800R	DIODE	1SS355 HVD1SS355T
AMP	D752		nsp	90M-HD201800R	DIODE	1SS355 HVD1SS355T
AMP	D753		nsp	90M-HD201800R	DIODE	1SS355 HVD1SS355T
AMP	D754		nsp	90M-HD201800R	DIODE	1SS355 HVD1SS355T

NOTE : "nsp" PARTS IS LISTED FOR REFERENCE ONLY, MARANTZ WILL NOT SUPPLY THESE PARTS.

P.C.B. NAME	POS.NO.	VERS. COLOR	PART NO. (FOR EUR)	PART NO. (MJI)	PART NAME	DESCRIPTION
AMP	D755		nsp	90M-HD201840R	DIODE	1SR159-200 HVD1SR159-200
AMP	D756		nsp	90M-HD201840R	DIODE	1SR159-200 HVD1SR159-200
AMP	D757		nsp	90M-HD201840R	DIODE	1SR159-200 HVD1SR159-200
AMP	D761		nsp	90M-HD201840R	DIODE	1SR159-200 HVD1SR159-200
AMP	D762		nsp	90M-HD201840R	DIODE	1SR159-200 HVD1SR159-200
AMP	D763		nsp	90M-HD201840R	DIODE	1SR159-200 HVD1SR159-200
AMP	D764		nsp	90M-HD201840R	DIODE	1SR159-200 HVD1SR159-200
AMP	D765		nsp	90M-HD201840R	DIODE	1SR159-200 HVD1SR159-200
AMP	D766		nsp	90M-HD201840R	DIODE	1SR159-200 HVD1SR159-200
AMP	D779		nsp	90M-HD201800R	DIODE	1SS355 HVD1SS355T
AMP	D811		nsp	90M-HD201800R	DIODE	1SS355 HVD1SS355T
AMP	D813		nsp	90M-HD201800R	DIODE	1SS355 HVD1SS355T
AMP	D814		nsp	90M-HD201800R	DIODE	1SS355 HVD1SS355T
AMP	D821		nsp	90M-HD201800R	DIODE	1SS355 HVD1SS355T
AMP	D851		nsp	90M-HD201800R	DIODE	1SS355 HVD1SS355T
AMP	D853		nsp	90M-HD201800R	DIODE	1SS355 HVD1SS355T
AMP	D855		nsp	90M-HD201840R	DIODE	1SR159-200 HVD1SR159-200
AMP	D856		nsp	90M-HD201840R	DIODE	1SR159-200 HVD1SR159-200
AMP	D857		nsp	90M-HD201840R	DIODE	1SR159-200 HVD1SR159-200
AMP	D861		nsp	90M-HD201840R	DIODE	1SR159-200 HVD1SR159-200
AMP	D863		nsp	90M-HD201840R	DIODE	1SR159-200 HVD1SR159-200
AMP	D865		nsp	90M-HD201840R	DIODE	1SR159-200 HVD1SR159-200
AMP	D893		nsp	90M-HD201800R	DIODE	1SS355 HVD1SS355T
AMP	D894		nsp	90M-HD201800R	DIODE	1SS355 HVD1SS355T
AMP	D897		nsp	90M-HD201800R	DIODE	1SS355 HVD1SS355T
AMP	D899		90M-HD302270R	90M-HD302270R	ZENER DIODE	5.6V HVDUDZ5.6BSR
AMP	IC51		00MHC10102090	00MHC10102090	IC	NJM2068MD-TE1 HVINJM2068MDTE1
AMP	IC52		90M-HC109040R	90M-HC109040R	IC	TC2001 HVITC2001
AMP	IC53		90M-HC109010R	90M-HC109010R	IC	TP2150 HVITP2150
AMP	IC58		90M-HC108220R	90M-HC108220R	IC	M62446AFP HVIM62446AFP
AMP	IC59		90M-HC108720R	90M-HC108720R	IC	TC9215AF HVITC9215AF
AMP	IC61		00MHC10102090	00MHC10102090	IC	NJM2068MD-TE1 HVINJM2068MDTE1
AMP	IC62		90M-HC109040R	90M-HC109040R	IC	TC2001 HVITC2001
AMP	IC63		90M-HC109010R	90M-HC109010R	IC	TP2150 HVITP2150
AMP	IC68		00MHC10102090	00MHC10102090	IC	NJM2068MD-TE1 HVINJM2068MDTE1
AMP	IC71		00MHC10102090	00MHC10102090	IC	NJM2068MD-TE1 HVINJM2068MDTE1
AMP	IC72		90M-HC109040R	90M-HC109040R	IC	TC2001 HVITC2001
AMP	IC73		90M-HC109010R	90M-HC109010R	IC	TP2150 HVITP2150
AMP	IC78		00MHC10200090	00MHC10200090	IC	NJM4556AL HVINJM4556AL
AMP	IC81		00MHC10102090	00MHC10102090	IC	NJM2068MD-TE1 HVINJM2068MDTE1
AMP	IC82		90M-HC109040R	90M-HC109040R	IC	TC2001 HVITC2001
AMP	IC83		90M-HC109010R	90M-HC109010R	IC	TP2150 HVITP2150
AMP	IC88		90M-HC109080R	90M-HC109080R	IC	M62429FP HVIM62429FP
AMP	JK51		90M-YT004160R	90M-YT004160R	TERMINAL	ER2500 CJJ5P022Z
AMP	JK61		90M-YT004170R	90M-YT004170R	TERMINAL	PTB-801SA - 11 CJJ5Q014Z
AMP	JK62		90M-YT004100R	90M-YT004100R	TERMINAL	S-440AE CJJ4M037Z
AMP	JK71		90M-YT004180R	90M-YT004180R	TERMINAL	CJJ5N011Z
AMP	L549		90M-LU000170R	90M-LU000170R	CHIP INDUCTANCE	2012-R39UH HLQ08ER39KRZ
AMP	L550		90M-LU000170R	90M-LU000170R	CHIP INDUCTANCE	2012-R39UH HLQ08ER39KRZ
AMP	L557		90M-LC107360R	90M-LC107360R	CHOKE COIL	6700-101K CLZ9Z016Z
AMP	▲ L565		90M-LC107400R	90M-LC107400R	CHOKE COIL	8019-11-180L CLZ9Z045Z
AMP	▲ L566		90M-LC107400R	90M-LC107400R	CHOKE COIL	8019-11-180L CLZ9Z045Z
AMP	L649		90M-LU000170R	90M-LU000170R	CHIP INDUCTANCE	2012-R39UH HLQ08ER39KRZ
AMP	L650		90M-LU000170R	90M-LU000170R	CHIP INDUCTANCE	2012-R39UH HLQ08ER39KRZ
AMP	L657		90M-LC107360R	90M-LC107360R	CHOKE COIL	6700-101K CLZ9Z016Z
AMP	▲ L665		90M-LC107400R	90M-LC107400R	CHOKE COIL	8019-11-180L CLZ9Z045Z
AMP	▲ L666		90M-LC107400R	90M-LC107400R	CHOKE COIL	8019-11-180L CLZ9Z045Z
AMP	L749		90M-LU000170R	90M-LU000170R	CHIP INDUCTANCE	2012-R39UH HLQ08ER39KRZ
AMP	L750		90M-LU000170R	90M-LU000170R	CHIP INDUCTANCE	2012-R39UH HLQ08ER39KRZ
AMP	L757		90M-LC107360R	90M-LC107360R	CHOKE COIL	6700-101K CLZ9Z016Z
AMP	▲ L765		90M-LC107400R	90M-LC107400R	CHOKE COIL	8019-11-180L CLZ9Z045Z
AMP	▲ L766		90M-LC107400R	90M-LC107400R	CHOKE COIL	8019-11-180L CLZ9Z045Z
AMP	L849		90M-LU000170R	90M-LU000170R	CHIP INDUCTANCE	2012-R39UH HLQ08ER39KRZ
AMP	L857		90M-LC107360R	90M-LC107360R	CHOKE COIL	6700-101K CLZ9Z016Z
AMP	▲ L865		90M-LC107400R	90M-LC107400R	CHOKE COIL	8019-11-180L CLZ9Z045Z
AMP	Q511		90M-HX900010R	90M-HX900010R	CHIP TR.	KTD1304 HVTKTD1304T

NOTE : "nsp" PARTS IS LISTED FOR REFERENCE ONLY, MARANTZ WILL NOT SUPPLY THESE PARTS.

P.C.B. NAME	POS.NO.	VERS. COLOR	PART NO. (FOR EUR)	PART NO. (MJI)	PART NAME	DESCRIPTION
AMP	Q512		90M-HX900010R	90M-HX900010R	CHIP TR.	KTD1304 HVTKTD1304T
AMP	Q557		90M-HY200030R	90M-HY200030R	CHIP FET	FQD5P10RTM HVTFQD5P10D
AMP	▲ Q561		90M-HF000060R	90M-HF000060R	F.E.T.	FQPF13N10TU HVTFQPF13N10
AMP	▲ Q562		90M-HF000060R	90M-HF000060R	F.E.T.	FQPF13N10TU HVTFQPF13N10
AMP	▲ Q563		90M-HF000060R	90M-HF000060R	F.E.T.	FQPF13N10TU HVTFQPF13N10
AMP	▲ Q564		90M-HF000060R	90M-HF000060R	F.E.T.	FQPF13N10TU HVTFQPF13N10
AMP	Q577		00MBA10001000	00MBA10001000	TRANSISTOR	KRA102M HVTKRA102MT
AMP	Q578		90M-HX800010R	90M-HX800010R	CHIP TR.	KRC102S HVTKRC102S
AMP	Q611		90M-HX900010R	90M-HX900010R	CHIP TR.	KTD1304 HVTKTD1304T
AMP	Q612		90M-HX900010R	90M-HX900010R	CHIP TR.	KTD1304 HVTKTD1304T
AMP	Q613		90M-HX600010R	90M-HX600010R	CHIP TR.	KRA102S HVTKRA102S
AMP	Q614		90M-HX800010R	90M-HX800010R	CHIP TR.	KRC102S HVTKRC102S
AMP	Q615		90M-HT800040R	90M-HT800040R	TRANSISTOR	KSC2316Y HVTKSC2316YT
AMP	Q616		90M-HX800010R	90M-HX800010R	CHIP TR.	KRC102S HVTKRC102S
AMP	Q630		90M-HX800010R	90M-HX800010R	CHIP TR.	KRC102S HVTKRC102S
AMP	Q657		90M-HY200030R	90M-HY200030R	CHIP FET	FQD5P10RTM HVTFQD5P10D
AMP	▲ Q661		90M-HF000060R	90M-HF000060R	F.E.T.	FQPF13N10TU HVTFQPF13N10
AMP	▲ Q662		90M-HF000060R	90M-HF000060R	F.E.T.	FQPF13N10TU HVTFQPF13N10
AMP	▲ Q663		90M-HF000060R	90M-HF000060R	F.E.T.	FQPF13N10TU HVTFQPF13N10
AMP	▲ Q664		90M-HF000060R	90M-HF000060R	F.E.T.	FQPF13N10TU HVTFQPF13N10
AMP	Q693		90M-HX900010R	90M-HX900010R	CHIP TR.	KTD1304 HVTKTD1304T
AMP	Q694		90M-HX900010R	90M-HX900010R	CHIP TR.	KTD1304 HVTKTD1304T
AMP	Q700		90M-HX900010R	90M-HX900010R	CHIP TR.	KTD1304 HVTKTD1304T
AMP	Q711		90M-HX900010R	90M-HX900010R	CHIP TR.	KTD1304 HVTKTD1304T
AMP	Q712		90M-HX900010R	90M-HX900010R	CHIP TR.	KTD1304 HVTKTD1304T
AMP	Q730		90M-HX800010R	90M-HX800010R	CHIP TR.	KRC102S HVTKRC102S
AMP	Q757		90M-HY200030R	90M-HY200030R	CHIP FET	FQD5P10RTM HVTFQD5P10D
AMP	▲ Q761		90M-HF000060R	90M-HF000060R	F.E.T.	FQPF13N10TU HVTFQPF13N10
AMP	▲ Q762		90M-HF000060R	90M-HF000060R	F.E.T.	FQPF13N10TU HVTFQPF13N10
AMP	▲ Q763		90M-HF000060R	90M-HF000060R	F.E.T.	FQPF13N10TU HVTFQPF13N10
AMP	▲ Q764		90M-HF000060R	90M-HF000060R	F.E.T.	FQPF13N10TU HVTFQPF13N10
AMP	Q778		90M-HX800010R	90M-HX800010R	CHIP TR.	KRC102S HVTKRC102S
AMP	Q779		00MBA10001000	00MBA10001000	TRANSISTOR	KRA102M HVTKRA102MT
AMP	Q795		90M-HX900010R	90M-HX900010R	CHIP TR.	KTD1304 HVTKTD1304T
AMP	Q796		90M-HX900010R	90M-HX900010R	CHIP TR.	KTD1304 HVTKTD1304T
AMP	Q811		90M-HX900010R	90M-HX900010R	CHIP TR.	KTD1304 HVTKTD1304T
AMP	Q815		90M-HX600010R	90M-HX600010R	CHIP TR.	KRA102S HVTKRA102S
AMP	Q857		90M-HY200030R	90M-HY200030R	CHIP FET	FQD5P10RTM HVTFQD5P10D
AMP	▲ Q861		90M-HF000060R	90M-HF000060R	F.E.T.	FQPF13N10TU HVTFQPF13N10
AMP	▲ Q863		90M-HF000060R	90M-HF000060R	F.E.T.	FQPF13N10TU HVTFQPF13N10
AMP	Q891		90M-HT700060R	90M-HT700060R	TRANSISTOR	KSB811Y HVTKSB811YT
AMP	Q892		90M-HX800010R	90M-HX800010R	CHIP TR.	KRC102S HVTKRC102S
AMP	Q895		90M-HX900010R	90M-HX900010R	CHIP TR.	KTD1304 HVTKTD1304T
AMP	Q897		90M-HX800030R	90M-HX800030R	CHIP TR.	KRC114S HVTKRC114S
AMP	Q898		90M-HX800030R	90M-HX800030R	CHIP TR.	KRC114S HVTKRC114S
AMP	Q899		90M-HX600010R	90M-HX600010R	CHIP TR.	KRA102S HVTKRA102S
AMP	R501		nsp	00MNN05472610	CHIP RESISTOR	4.7K OHM 1/10W J CRJ10DJ472T
AMP	R502		nsp	00MNN05472610	CHIP RESISTOR	4.7K OHM 1/10W J CRJ10DJ472T
AMP	R503		nsp	00MNN05203610	CHIP RESISTOR	20K OHM 1/10W J CRJ10DJ203T
AMP	R504		nsp	00MNN05203610	CHIP RESISTOR	20K OHM 1/10W J CRJ10DJ203T
AMP	R505		nsp	00MNN05471610	CHIP RESISTOR	470 OHM 1/10W J CRJ10DJ471T
AMP	R506		nsp	00MNN05471610	CHIP RESISTOR	470 OHM 1/10W J CRJ10DJ471T
AMP	R507		nsp	00MNN05333610	CHIP RESISTOR	33K OHM 1/10W J CRJ10DJ333T
AMP	R508		nsp	00MNN05333610	CHIP RESISTOR	33K OHM 1/10W J CRJ10DJ333T
AMP	R509		nsp	00MNN05101610	CHIP RESISTOR	100 OHM 1/10W J CRJ10DJ101T
AMP	R510		nsp	00MNN05101610	CHIP RESISTOR	100 OHM 1/10W J CRJ10DJ101T
AMP	R511		nsp	00MNN05682610	CHIP RESISTOR	6.8K OHM 1/10W J CRJ10DJ682T
AMP	R512		nsp	00MNN05682610	CHIP RESISTOR	6.8K OHM 1/10W J CRJ10DJ682T
AMP	R513		nsp	00MNN05682610	CHIP RESISTOR	6.8K OHM 1/10W J CRJ10DJ682T
AMP	R514		nsp	00MNN05682610	CHIP RESISTOR	6.8K OHM 1/10W J CRJ10DJ682T
AMP	R517		nsp	00MNN05334610	CHIP RESISTOR	330K OHM 1/10W J CRJ10DJ334T
AMP	R521		nsp	00MNN05273610	CHIP RESISTOR	27K OHM 1/10W J CRJ10DJ273T
AMP	R522		nsp	00MNN05273610	CHIP RESISTOR	27K OHM 1/10W J CRJ10DJ273T
AMP	R523		nsp	00MNN05303610	CHIP RESISTOR	30K OHM 1/10W J CRJ10DJ303T
AMP	R524		nsp	00MNN05303610	CHIP RESISTOR	30K OHM 1/10W J CRJ10DJ303T
AMP	R525		nsp	00MNN05105610	CHIP RESISTOR	1M OHM 1/10W J CRJ10DJ105T

NOTE : "nsp" PARTS IS LISTED FOR REFERENCE ONLY, MARANTZ WILL NOT SUPPLY THESE PARTS.

P.C.B. NAME	POS.NO.	VERS. COLOR	PART NO. (FOR EUR)	PART NO. (MJI)	PART NAME	DESCRIPTION
AMP	R526		nsp	00MNN05105610	CHIP RESISTOR	1M OHM 1/10W J CRJ10DJ105T
AMP	R527		nsp	00MNN05101610	CHIP RESISTOR	100 OHM 1/10W J CRJ10DJ101T
AMP	R528		nsp	00MNN05101610	CHIP RESISTOR	100 OHM 1/10W J CRJ10DJ101T
AMP	R529		nsp	00MNN05100610	CHIP RESISTOR	10 OHM 1/10W J CRJ10DJ100T
AMP	R530		nsp	90M-NN000690R	CHIP RESISTOR	8.2K OHM 1/10W F CRJ10DF8201T
AMP	R531		nsp	90M-NN000680R	CHIP RESISTOR	300K OHM 1/10W F CRJ10DF3003T
AMP	R532		nsp	90M-NN000700R	CHIP RESISTOR	820K OHM 1/10W F CRJ10DF8203T
AMP	R533		nsp	90M-NN000680R	CHIP RESISTOR	300K OHM 1/10W F CRJ10DF3003T
AMP	R534		nsp	90M-NN000670R	CHIP RESISTOR	270K OHM 1/10W F CRJ10DF2703T
AMP	R535		nsp	00MNN05222610	CHIP RESISTOR	2.2K OHM 1/10W J CRJ10DJ222T
AMP	R536		nsp	00MNN05222610	CHIP RESISTOR	2.2K OHM 1/10W J CRJ10DJ222T
AMP	R537		nsp	00MNN05222610	CHIP RESISTOR	2.2K OHM 1/10W J CRJ10DJ222T
AMP	R538		nsp	00MNN05222610	CHIP RESISTOR	2.2K OHM 1/10W J CRJ10DJ222T
AMP	R539		nsp	90M-NN000660R	CHIP RESISTOR	13K OHM 1/10W F CRJ10DF1302T
AMP	R540		nsp	90M-NN000660R	CHIP RESISTOR	13K OHM 1/10W F CRJ10DF1302T
AMP	R541		nsp	00MNN05102610	CHIP RESISTOR	1K OHM 1/10W J CRJ10DJ102T
AMP	R542		nsp	00MNN05102610	CHIP RESISTOR	1K OHM 1/10W J CRJ10DJ102T
AMP	R543		nsp	00MNN05102610	CHIP RESISTOR	1K OHM 1/10W J CRJ10DJ102T
AMP	R544		nsp	00MNN05102610	CHIP RESISTOR	1K OHM 1/10W J CRJ10DJ102T
AMP	R545		nsp	90M-NN000620R	CHIP RESISTOR	1.1K OHM 1/10W J CRJ10DJ112T
AMP	R546		nsp	90M-NN000620R	CHIP RESISTOR	1.1K OHM 1/10W J CRJ10DJ112T
AMP	R547		nsp	90M-NN000620R	CHIP RESISTOR	1.1K OHM 1/10W J CRJ10DJ112T
AMP	R548		nsp	90M-NN000620R	CHIP RESISTOR	1.1K OHM 1/10W J CRJ10DJ112T
AMP	R549		nsp	00MNN05103610	CHIP RESISTOR	10K OHM 1/10W J CRJ10DJ103T
AMP	R550		nsp	00MNN05103610	CHIP RESISTOR	10K OHM 1/10W J CRJ10DJ103T
AMP	R551		nsp	00MNN05103610	CHIP RESISTOR	10K OHM 1/10W J CRJ10DJ103T
AMP	R552		nsp	00MNN05103610	CHIP RESISTOR	10K OHM 1/10W J CRJ10DJ103T
AMP	R553		nsp	00MNN05000610	CHIP RESISTOR	0 OHM 1/10W J CRJ10DJ0R0T
AMP	R555		nsp	90M-NN000630R	CHIP RESISTOR	240 OHM 1/10W J CRJ10DJ241T
AMP	R556		nsp	90M-NN000630R	CHIP RESISTOR	240 OHM 1/10W J CRJ10DJ241T
AMP	R557		nsp	00MNN05102610	CHIP RESISTOR	1K OHM 1/10W J CRJ10DJ102T
AMP	R558		nsp	00MNN05100610	CHIP RESISTOR	10 OHM 1/10W J CRJ10DJ100T
AMP	R561		90M-RI000290R	90M-RI000290R	CHIP RESISTOR	33 OHM 1/4W J CRJ14CJ330T
AMP	R562		90M-RI000290R	90M-RI000290R	CHIP RESISTOR	33 OHM 1/4W J CRJ14CJ330T
AMP	R563		90M-RI000290R	90M-RI000290R	CHIP RESISTOR	33 OHM 1/4W J CRJ14CJ330T
AMP	R564		90M-RI000290R	90M-RI000290R	CHIP RESISTOR	33 OHM 1/4W J CRJ14CJ330T
AMP	R567		90M-RI000220R	90M-RI000220R	CHIP RESISTOR	RL25 (1W/0.02) CRJ01HJR020T
AMP	R568		90M-RI000220R	90M-RI000220R	CHIP RESISTOR	RL25 (1W/0.02) CRJ01HJR020T
AMP	R569		90M-RI000220R	90M-RI000220R	CHIP RESISTOR	RL25 (1W/0.02) CRJ01HJR020T
AMP	R570		90M-RI000220R	90M-RI000220R	CHIP RESISTOR	RL25 (1W/0.02) CRJ01HJR020T
AMP	R573		nsp	nsp	RESISTOR	2W 20 OHM MINI KRG2SANJ200H
AMP	R574		nsp	nsp	RESISTOR	2W 20 OHM MINI KRG2SANJ200H
AMP	R575		nsp	00MNN05203610	CHIP RESISTOR	20K OHM 1/10W J CRJ10DJ203T
AMP	R576		nsp	00MNN05203610	CHIP RESISTOR	20K OHM 1/10W J CRJ10DJ203T
AMP	R577		nsp	00MNN05103610	CHIP RESISTOR	10K OHM 1/10W J CRJ10DJ103T
AMP	R578		nsp	00MNN05103610	CHIP RESISTOR	10K OHM 1/10W J CRJ10DJ103T
AMP	R580		nsp	00MNN05100610	CHIP RESISTOR	10 OHM 1/10W J CRJ10DJ100T
AMP	R581		90M-RI000270R	90M-RI000270R	CHIP RESISTOR	180 OHM 1/4W J CRJ14CJ181T
AMP	R582		90M-RI000270R	90M-RI000270R	CHIP RESISTOR	180 OHM 1/4W J CRJ14CJ181T
AMP	R584		nsp	00MNN05103610	CHIP RESISTOR	10K OHM 1/10W J CRJ10DJ103T
AMP	R585		nsp	00MNN05102610	CHIP RESISTOR	1K OHM 1/10W J CRJ10DJ102T
AMP	R586		nsp	00MNN05102610	CHIP RESISTOR	1K OHM 1/10W J CRJ10DJ102T
AMP	R587		nsp	00MNN05102610	CHIP RESISTOR	1K OHM 1/10W J CRJ10DJ102T
AMP	R591		nsp	00MNN05100610	CHIP RESISTOR	10 OHM 1/10W J CRJ10DJ100T
AMP	R592		nsp	00MNN05100610	CHIP RESISTOR	10 OHM 1/10W J CRJ10DJ100T
AMP	R597		nsp	00MNN05101610	CHIP RESISTOR	100 OHM 1/10W J CRJ10DJ101T
AMP	R598		nsp	00MNN05101610	CHIP RESISTOR	100 OHM 1/10W J CRJ10DJ101T
AMP	R601		nsp	00MNN05472610	CHIP RESISTOR	4.7K OHM 1/10W J CRJ10DJ472T
AMP	R602		nsp	00MNN05182610	CHIP RESISTOR	1.8K OHM 1/10W J CRJ10DJ182T
AMP	R603		nsp	00MNN05203610	CHIP RESISTOR	20K OHM 1/10W J CRJ10DJ203T
AMP	R604		nsp	00MNN05303610	CHIP RESISTOR	30K OHM 1/10W J CRJ10DJ303T
AMP	R605		nsp	00MNN05471610	CHIP RESISTOR	470 OHM 1/10W J CRJ10DJ471T
AMP	R606		nsp	00MNN05471610	CHIP RESISTOR	470 OHM 1/10W J CRJ10DJ471T
AMP	R607		nsp	00MNN05333610	CHIP RESISTOR	33K OHM 1/10W J CRJ10DJ333T
AMP	R608		nsp	00MNN05333610	CHIP RESISTOR	33K OHM 1/10W J CRJ10DJ333T
AMP	R609		nsp	00MNN05101610	CHIP RESISTOR	100 OHM 1/10W J CRJ10DJ101T

NOTE : "nsp" PARTS IS LISTED FOR REFERENCE ONLY, MARANTZ WILL NOT SUPPLY THESE PARTS.

P.C.B. NAME	POS.NO.	VERS. COLOR	PART NO. (FOR EUR)	PART NO. (MJI)	PART NAME	DESCRIPTION
AMP	R610		nsp	00MNN05101610	CHIP RESISTOR	100 OHM 1/10W J CRJ10DJ101T
AMP	R611		nsp	00MNN05682610	CHIP RESISTOR	6.8K OHM 1/10W J CRJ10DJ682T
AMP	R612		nsp	00MNN05682610	CHIP RESISTOR	6.8K OHM 1/10W J CRJ10DJ682T
AMP	R613		nsp	00MNN05334610	CHIP RESISTOR	330K OHM 1/10W J CRJ10DJ334T
AMP	R614		nsp	00MNN05105610	CHIP RESISTOR	1M OHM 1/10W J CRJ10DJ105T
AMP	R615		nsp	nsp	RESISTOR	180 OHM 1W J CRG1ANJ181H
AMP	R616		nsp	nsp	RESISTOR	180 OHM 1W J CRG1ANJ181H
AMP	R617		nsp	nsp	RESISTOR	1.5K OHM 1W J CRG1ANJ152H
AMP	R618		nsp	00MNN05471610	CHIP RESISTOR	470 OHM 1/10W J CRJ10DJ471T
AMP	R619		90M-RI000310R	90M-RI000310R	CHIP RESISTOR	4.7K OHM 1/4W J CRJ14CJ472T
AMP	R621		nsp	00MNN05273610	CHIP RESISTOR	27K OHM 1/10W J CRJ10DJ273T
AMP	R622		nsp	00MNN05273610	CHIP RESISTOR	27K OHM 1/10W J CRJ10DJ273T
AMP	R623		nsp	00MNN05303610	CHIP RESISTOR	30K OHM 1/10W J CRJ10DJ303T
AMP	R624		nsp	00MNN05303610	CHIP RESISTOR	30K OHM 1/10W J CRJ10DJ303T
AMP	R625		nsp	00MNN05105610	CHIP RESISTOR	1M OHM 1/10W J CRJ10DJ105T
AMP	R626		nsp	00MNN05105610	CHIP RESISTOR	1M OHM 1/10W J CRJ10DJ105T
AMP	R627		nsp	00MNN05101610	CHIP RESISTOR	100 OHM 1/10W J CRJ10DJ101T
AMP	R628		nsp	00MNN05101610	CHIP RESISTOR	100 OHM 1/10W J CRJ10DJ101T
AMP	R629		nsp	00MNN05100610	CHIP RESISTOR	10 OHM 1/10W J CRJ10DJ100T
AMP	R630		nsp	90M-NN000690R	CHIP RESISTOR	8.2K OHM 1/10W F CRJ10DF8201T
AMP	R631		nsp	90M-NN000680R	CHIP RESISTOR	300K OHM 1/10W F CRJ10DF3003T
AMP	R632		nsp	90M-NN000700R	CHIP RESISTOR	820K OHM 1/10W F CRJ10DF8203T
AMP	R633		nsp	90M-NN000680R	CHIP RESISTOR	300K OHM 1/10W F CRJ10DF3003T
AMP	R634		nsp	90M-NN000670R	CHIP RESISTOR	270K OHM 1/10W F CRJ10DF2703T
AMP	R635		nsp	00MNN05222610	CHIP RESISTOR	2.2K OHM 1/10W J CRJ10DJ222T
AMP	R636		nsp	00MNN05222610	CHIP RESISTOR	2.2K OHM 1/10W J CRJ10DJ222T
AMP	R637		nsp	00MNN05222610	CHIP RESISTOR	2.2K OHM 1/10W J CRJ10DJ222T
AMP	R638		nsp	00MNN05222610	CHIP RESISTOR	2.2K OHM 1/10W J CRJ10DJ222T
AMP	R639		nsp	90M-NN000660R	CHIP RESISTOR	13K OHM 1/10W F CRJ10DF1302T
AMP	R640		nsp	90M-NN000660R	CHIP RESISTOR	13K OHM 1/10W F CRJ10DF1302T
AMP	R641		nsp	00MNN05102610	CHIP RESISTOR	1K OHM 1/10W J CRJ10DJ102T
AMP	R642		nsp	00MNN05102610	CHIP RESISTOR	1K OHM 1/10W J CRJ10DJ102T
AMP	R643		nsp	00MNN05102610	CHIP RESISTOR	1K OHM 1/10W J CRJ10DJ102T
AMP	R644		nsp	00MNN05102610	CHIP RESISTOR	1K OHM 1/10W J CRJ10DJ102T
AMP	R645		nsp	90M-NN000620R	CHIP RESISTOR	1.1K OHM 1/10W J CRJ10DJ112T
AMP	R646		nsp	90M-NN000620R	CHIP RESISTOR	1.1K OHM 1/10W J CRJ10DJ112T
AMP	R647		nsp	90M-NN000620R	CHIP RESISTOR	1.1K OHM 1/10W J CRJ10DJ112T
AMP	R648		nsp	90M-NN000620R	CHIP RESISTOR	1.1K OHM 1/10W J CRJ10DJ112T
AMP	R649		nsp	00MNN05103610	CHIP RESISTOR	10K OHM 1/10W J CRJ10DJ103T
AMP	R650		nsp	00MNN05103610	CHIP RESISTOR	10K OHM 1/10W J CRJ10DJ103T
AMP	R651		nsp	00MNN05103610	CHIP RESISTOR	10K OHM 1/10W J CRJ10DJ103T
AMP	R652		nsp	00MNN05103610	CHIP RESISTOR	10K OHM 1/10W J CRJ10DJ103T
AMP	R653		nsp	00MNN05000610	CHIP RESISTOR	0 OHM 1/10W J CRJ10DJ0R0T
AMP	R655		nsp	90M-NN000630R	CHIP RESISTOR	240 OHM 1/10W J CRJ10DJ241T
AMP	R656		nsp	90M-NN000630R	CHIP RESISTOR	240 OHM 1/10W J CRJ10DJ241T
AMP	R657		nsp	00MNN05102610	CHIP RESISTOR	1K OHM 1/10W J CRJ10DJ102T
AMP	R658		nsp	00MNN05100610	CHIP RESISTOR	10 OHM 1/10W J CRJ10DJ100T
AMP	R661		90M-RI000290R	90M-RI000290R	CHIP RESISTOR	33 OHM 1/4W J CRJ14CJ330T
AMP	R662		90M-RI000290R	90M-RI000290R	CHIP RESISTOR	33 OHM 1/4W J CRJ14CJ330T
AMP	R663		90M-RI000290R	90M-RI000290R	CHIP RESISTOR	33 OHM 1/4W J CRJ14CJ330T
AMP	R664		90M-RI000290R	90M-RI000290R	CHIP RESISTOR	33 OHM 1/4W J CRJ14CJ330T
AMP	R667		90M-RI000220R	90M-RI000220R	CHIP RESISTOR	RL25 (1W/0.02) CRJ01HJR020T
AMP	R668		90M-RI000220R	90M-RI000220R	CHIP RESISTOR	RL25 (1W/0.02) CRJ01HJR020T
AMP	R669		90M-RI000220R	90M-RI000220R	CHIP RESISTOR	RL25 (1W/0.02) CRJ01HJR020T
AMP	R670		90M-RI000220R	90M-RI000220R	CHIP RESISTOR	RL25 (1W/0.02) CRJ01HJR020T
AMP	R673		nsp	nsp	RESISTOR	2W 20 OHM MINI KRG2SANJ200H
AMP	R674		nsp	nsp	RESISTOR	2W 20 OHM MINI KRG2SANJ200H
AMP	R675		nsp	00MNN05203610	CHIP RESISTOR	20K OHM 1/10W J CRJ10DJ203T
AMP	R676		nsp	00MNN05203610	CHIP RESISTOR	20K OHM 1/10W J CRJ10DJ203T
AMP	R677		nsp	00MNN05103610	CHIP RESISTOR	10K OHM 1/10W J CRJ10DJ103T
AMP	R678		nsp	00MNN05103610	CHIP RESISTOR	10K OHM 1/10W J CRJ10DJ103T
AMP	R680		nsp	00MNN05100610	CHIP RESISTOR	10 OHM 1/10W J CRJ10DJ100T
AMP	R681		nsp	00MNN05333610	CHIP RESISTOR	33K OHM 1/10W J CRJ10DJ333T
AMP	R682		nsp	00MNN05182610	CHIP RESISTOR	1.8K OHM 1/10W J CRJ10DJ182T
AMP	R683		nsp	00MNN05103610	CHIP RESISTOR	10K OHM 1/10W J CRJ10DJ103T
AMP	R684		nsp	00MNN05303610	CHIP RESISTOR	30K OHM 1/10W J CRJ10DJ303T

NOTE : "nsp" PARTS IS LISTED FOR REFERENCE ONLY, MARANTZ WILL NOT SUPPLY THESE PARTS.

P.C.B. NAME	POS.NO.	VERS. COLOR	PART NO. (FOR EUR)	PART NO. (MJI)	PART NAME	DESCRIPTION
AMP	R685		nsp	00MNN05332610	CHIP RESISTOR	3.3K OHM 1/10W J CRJ10DJ332T
AMP	R686		nsp	00MNN05471610	CHIP RESISTOR	470 OHM 1/10W J CRJ10DJ471T
AMP	R687		nsp	00MNN05471610	CHIP RESISTOR	470 OHM 1/10W J CRJ10DJ471T
AMP	R688		nsp	00MNN05471610	CHIP RESISTOR	470 OHM 1/10W J CRJ10DJ471T
AMP	R689		nsp	00MNN05333610	CHIP RESISTOR	33K OHM 1/10W J CRJ10DJ333T
AMP	R690		nsp	00MNN05333610	CHIP RESISTOR	33K OHM 1/10W J CRJ10DJ333T
AMP	R691		nsp	00MNN05101610	CHIP RESISTOR	100 OHM 1/10W J CRJ10DJ101T
AMP	R692		nsp	00MNN05101610	CHIP RESISTOR	100 OHM 1/10W J CRJ10DJ101T
AMP	R693		nsp	00MNN05682610	CHIP RESISTOR	6.8K OHM 1/10W J CRJ10DJ682T
AMP	R694		nsp	00MNN05682610	CHIP RESISTOR	6.8K OHM 1/10W J CRJ10DJ682T
AMP	R698		nsp	00MNN05273610	CHIP RESISTOR	27K OHM 1/10W J CRJ10DJ273T
AMP	R700		nsp	00MNN05682610	CHIP RESISTOR	6.8K OHM 1/10W J CRJ10DJ682T
AMP	R701		nsp	00MNN05472610	CHIP RESISTOR	4.7K OHM 1/10W J CRJ10DJ472T
AMP	R702		nsp	00MNN05472610	CHIP RESISTOR	4.7K OHM 1/10W J CRJ10DJ472T
AMP	R703		nsp	00MNN05203610	CHIP RESISTOR	20K OHM 1/10W J CRJ10DJ203T
AMP	R704		nsp	00MNN05203610	CHIP RESISTOR	20K OHM 1/10W J CRJ10DJ203T
AMP	R705		nsp	00MNN05471610	CHIP RESISTOR	470 OHM 1/10W J CRJ10DJ471T
AMP	R706		nsp	00MNN05471610	CHIP RESISTOR	470 OHM 1/10W J CRJ10DJ471T
AMP	R707		nsp	00MNN05333610	CHIP RESISTOR	33K OHM 1/10W J CRJ10DJ333T
AMP	R708		nsp	00MNN05333610	CHIP RESISTOR	33K OHM 1/10W J CRJ10DJ333T
AMP	R709		nsp	00MNN05101610	CHIP RESISTOR	100 OHM 1/10W J CRJ10DJ101T
AMP	R710		nsp	00MNN05101610	CHIP RESISTOR	100 OHM 1/10W J CRJ10DJ101T
AMP	R711		nsp	00MNN05682610	CHIP RESISTOR	6.8K OHM 1/10W J CRJ10DJ682T
AMP	R712		nsp	00MNN05682610	CHIP RESISTOR	6.8K OHM 1/10W J CRJ10DJ682T
AMP	R721		nsp	00MNN05273610	CHIP RESISTOR	27K OHM 1/10W J CRJ10DJ273T
AMP	R722		nsp	00MNN05273610	CHIP RESISTOR	27K OHM 1/10W J CRJ10DJ273T
AMP	R723		nsp	00MNN05303610	CHIP RESISTOR	30K OHM 1/10W J CRJ10DJ303T
AMP	R724		nsp	00MNN05303610	CHIP RESISTOR	30K OHM 1/10W J CRJ10DJ303T
AMP	R725		nsp	00MNN05105610	CHIP RESISTOR	1M OHM 1/10W J CRJ10DJ105T
AMP	R726		nsp	00MNN05105610	CHIP RESISTOR	1M OHM 1/10W J CRJ10DJ105T
AMP	R727		nsp	00MNN05101610	CHIP RESISTOR	100 OHM 1/10W J CRJ10DJ101T
AMP	R728		nsp	00MNN05101610	CHIP RESISTOR	100 OHM 1/10W J CRJ10DJ101T
AMP	R729		nsp	00MNN05100610	CHIP RESISTOR	10 OHM 1/10W J CRJ10DJ100T
AMP	R730		nsp	90M-NN000690R	CHIP RESISTOR	8.2K OHM 1/10W F CRJ10DF8201T
AMP	R731		nsp	90M-NN000680R	CHIP RESISTOR	300K OHM 1/10W F CRJ10DF3003T
AMP	R732		nsp	90M-NN000700R	CHIP RESISTOR	820K OHM 1/10W F CRJ10DF8203T
AMP	R733		nsp	90M-NN000680R	CHIP RESISTOR	300K OHM 1/10W F CRJ10DF3003T
AMP	R734		nsp	90M-NN000670R	CHIP RESISTOR	270K OHM 1/10W F CRJ10DF2703T
AMP	R735		nsp	00MNN05222610	CHIP RESISTOR	2.2K OHM 1/10W J CRJ10DJ222T
AMP	R736		nsp	00MNN05222610	CHIP RESISTOR	2.2K OHM 1/10W J CRJ10DJ222T
AMP	R737		nsp	00MNN05222610	CHIP RESISTOR	2.2K OHM 1/10W J CRJ10DJ222T
AMP	R738		nsp	00MNN05222610	CHIP RESISTOR	2.2K OHM 1/10W J CRJ10DJ222T
AMP	R739		nsp	90M-NN000660R	CHIP RESISTOR	13K OHM 1/10W F CRJ10DF1302T
AMP	R740		nsp	90M-NN000660R	CHIP RESISTOR	13K OHM 1/10W F CRJ10DF1302T
AMP	R741		nsp	00MNN05102610	CHIP RESISTOR	1K OHM 1/10W J CRJ10DJ102T
AMP	R742		nsp	00MNN05102610	CHIP RESISTOR	1K OHM 1/10W J CRJ10DJ102T
AMP	R743		nsp	00MNN05102610	CHIP RESISTOR	1K OHM 1/10W J CRJ10DJ102T
AMP	R744		nsp	00MNN05102610	CHIP RESISTOR	1K OHM 1/10W J CRJ10DJ102T
AMP	R745		nsp	90M-NN000620R	CHIP RESISTOR	1.1K OHM 1/10W J CRJ10DJ112T
AMP	R746		nsp	90M-NN000620R	CHIP RESISTOR	1.1K OHM 1/10W J CRJ10DJ112T
AMP	R747		nsp	90M-NN000620R	CHIP RESISTOR	1.1K OHM 1/10W J CRJ10DJ112T
AMP	R748		nsp	90M-NN000620R	CHIP RESISTOR	1.1K OHM 1/10W J CRJ10DJ112T
AMP	R749		nsp	00MNN05103610	CHIP RESISTOR	10K OHM 1/10W J CRJ10DJ103T
AMP	R750		nsp	00MNN05103610	CHIP RESISTOR	10K OHM 1/10W J CRJ10DJ103T
AMP	R751		nsp	00MNN05103610	CHIP RESISTOR	10K OHM 1/10W J CRJ10DJ103T
AMP	R752		nsp	00MNN05103610	CHIP RESISTOR	10K OHM 1/10W J CRJ10DJ103T
AMP	R753		nsp	00MNN05000610	CHIP RESISTOR	0 OHM 1/10W J CRJ10DJ0R0T
AMP	R755		nsp	90M-NN000630R	CHIP RESISTOR	240 OHM 1/10W J CRJ10DJ241T
AMP	R756		nsp	90M-NN000630R	CHIP RESISTOR	240 OHM 1/10W J CRJ10DJ241T
AMP	R757		nsp	00MNN05102610	CHIP RESISTOR	1K OHM 1/10W J CRJ10DJ102T
AMP	R758		nsp	00MNN05100610	CHIP RESISTOR	10 OHM 1/10W J CRJ10DJ100T
AMP	R761		90M-RI000290R	90M-RI000290R	CHIP RESISTOR	33 OHM 1/4W J CRJ14CJ330T
AMP	R762		90M-RI000290R	90M-RI000290R	CHIP RESISTOR	33 OHM 1/4W J CRJ14CJ330T
AMP	R763		90M-RI000290R	90M-RI000290R	CHIP RESISTOR	33 OHM 1/4W J CRJ14CJ330T
AMP	R764		90M-RI000290R	90M-RI000290R	CHIP RESISTOR	33 OHM 1/4W J CRJ14CJ330T
AMP	R767		90M-RI000220R	90M-RI000220R	CHIP RESISTOR	RL25 (1W/0.02) CRJ01HJR020T

NOTE : "nsp" PARTS IS LISTED FOR REFERENCE ONLY, MARANTZ WILL NOT SUPPLY THESE PARTS.

P.C.B. NAME	POS.NO.	VERS. COLOR	PART NO. (FOR EUR)	PART NO. (MJI)	PART NAME	DESCRIPTION
AMP	R768		90M-RI000220R	90M-RI000220R	CHIP RESISTOR	RL25 (1W/0.02) CRJ01HJR020T
AMP	R769		90M-RI000220R	90M-RI000220R	CHIP RESISTOR	RL25 (1W/0.02) CRJ01HJR020T
AMP	R770		90M-RI000220R	90M-RI000220R	CHIP RESISTOR	RL25 (1W/0.02) CRJ01HJR020T
AMP	R773		nsp	nsp	RESISTOR	2W 20 OHM MINI KRG2SANJ200H
AMP	R774		nsp	nsp	RESISTOR	2W 20 OHM MINI KRG2SANJ200H
AMP	R775		nsp	00MNN05203610	CHIP RESISTOR	20K OHM 1/10W J CRJ10DJ203T
AMP	R776		nsp	00MNN05203610	CHIP RESISTOR	20K OHM 1/10W J CRJ10DJ203T
AMP	R777		nsp	00MNN05103610	CHIP RESISTOR	10K OHM 1/10W J CRJ10DJ103T
AMP	R778		nsp	00MNN05103610	CHIP RESISTOR	10K OHM 1/10W J CRJ10DJ103T
AMP	R781		nsp	00MNN05102610	CHIP RESISTOR	1K OHM 1/10W J CRJ10DJ102T
AMP	R782		nsp	00MNN05102610	CHIP RESISTOR	1K OHM 1/10W J CRJ10DJ102T
AMP	R783		nsp	00MNN05333610	CHIP RESISTOR	33K OHM 1/10W J CRJ10DJ333T
AMP	R784		nsp	00MNN05333610	CHIP RESISTOR	33K OHM 1/10W J CRJ10DJ333T
AMP	R785		nsp	00MNN05103610	CHIP RESISTOR	10K OHM 1/10W J CRJ10DJ103T
AMP	R786		nsp	00MNN05103610	CHIP RESISTOR	10K OHM 1/10W J CRJ10DJ103T
AMP	R787		nsp	00MNN05303610	CHIP RESISTOR	30K OHM 1/10W J CRJ10DJ303T
AMP	R788		nsp	00MNN05303610	CHIP RESISTOR	30K OHM 1/10W J CRJ10DJ303T
AMP	R789		90M-RI000280R	90M-RI000280R	CHIP RESISTOR	22 OHM 1/4W J CRJ14CJ220T
AMP	R790		90M-RI000280R	90M-RI000280R	CHIP RESISTOR	22 OHM 1/4W J CRJ14CJ220T
AMP	R791		nsp	00MNN05333610	CHIP RESISTOR	33K OHM 1/10W J CRJ10DJ333T
AMP	R792		nsp	00MNN05333610	CHIP RESISTOR	33K OHM 1/10W J CRJ10DJ333T
AMP	R793		90M-RI000230R	90M-RI000230R	CHIP RESISTOR	10 OHM 1/4W J CRJ14CJ100T
AMP	R794		90M-RI000230R	90M-RI000230R	CHIP RESISTOR	10 OHM 1/4W J CRJ14CJ100T
AMP	R795		nsp	00MNN05682610	CHIP RESISTOR	6.8K OHM 1/10W J CRJ10DJ682T
AMP	R796		nsp	00MNN05682610	CHIP RESISTOR	6.8K OHM 1/10W J CRJ10DJ682T
AMP	R797		nsp	00MNN05105610	CHIP RESISTOR	1M OHM 1/10W J CRJ10DJ105T
AMP	R798		nsp	00MNN05100610	CHIP RESISTOR	10 OHM 1/10W J CRJ10DJ100T
AMP	R799		nsp	00MNN05100610	CHIP RESISTOR	10 OHM 1/10W J CRJ10DJ100T
AMP	R801		nsp	00MNN05472610	CHIP RESISTOR	4.7K OHM 1/10W J CRJ10DJ472T
AMP	R802		nsp	00MNN05472610	CHIP RESISTOR	4.7K OHM 1/10W J CRJ10DJ472T
AMP	R803		nsp	00MNN05303610	CHIP RESISTOR	30K OHM 1/10W J CRJ10DJ303T
AMP	R804		nsp	00MNN05113610	CHIP RESISTOR	11K OHM 1/10W J CRJ10DJ113T
AMP	R805		nsp	00MNN05471610	CHIP RESISTOR	470 OHM 1/10W J CRJ10DJ471T
AMP	R807		nsp	00MNN05333610	CHIP RESISTOR	33K OHM 1/10W J CRJ10DJ333T
AMP	R809		nsp	00MNN05101610	CHIP RESISTOR	100 OHM 1/10W J CRJ10DJ101T
AMP	R810		nsp	00MNN05101610	CHIP RESISTOR	100 OHM 1/10W J CRJ10DJ101T
AMP	R811		nsp	00MNN05682610	CHIP RESISTOR	6.8K OHM 1/10W J CRJ10DJ682T
AMP	R821		nsp	00MNN05273610	CHIP RESISTOR	27K OHM 1/10W J CRJ10DJ273T
AMP	R823		nsp	00MNN05303610	CHIP RESISTOR	30K OHM 1/10W J CRJ10DJ303T
AMP	R824		nsp	00MNN05100610	CHIP RESISTOR	10 OHM 1/10W J CRJ10DJ100T
AMP	R825		nsp	00MNN05105610	CHIP RESISTOR	1M OHM 1/10W J CRJ10DJ105T
AMP	R827		nsp	00MNN05101610	CHIP RESISTOR	100 OHM 1/10W J CRJ10DJ101T
AMP	R828		nsp	00MNN05101610	CHIP RESISTOR	100 OHM 1/10W J CRJ10DJ101T
AMP	R829		nsp	00MNN05100610	CHIP RESISTOR	10 OHM 1/10W J CRJ10DJ100T
AMP	R830		nsp	90M-NN000690R	CHIP RESISTOR	8.2K OHM 1/10W F CRJ10DF8201T
AMP	R831		nsp	90M-NN000680R	CHIP RESISTOR	300K OHM 1/10W F CRJ10DF3003T
AMP	R832		nsp	90M-NN000700R	CHIP RESISTOR	820K OHM 1/10W F CRJ10DF8203T
AMP	R833		nsp	90M-NN000680R	CHIP RESISTOR	300K OHM 1/10W F CRJ10DF3003T
AMP	R834		nsp	90M-NN000670R	CHIP RESISTOR	270K OHM 1/10W F CRJ10DF2703T
AMP	R835		nsp	00MNN05222610	CHIP RESISTOR	2.2K OHM 1/10W J CRJ10DJ222T
AMP	R837		nsp	00MNN05222610	CHIP RESISTOR	2.2K OHM 1/10W J CRJ10DJ222T
AMP	R839		nsp	90M-NN000660R	CHIP RESISTOR	13K OHM 1/10W F CRJ10DF1302T
AMP	R840		nsp	90M-NN000660R	CHIP RESISTOR	13K OHM 1/10W F CRJ10DF1302T
AMP	R841		nsp	00MNN05102610	CHIP RESISTOR	1K OHM 1/10W J CRJ10DJ102T
AMP	R842		nsp	00MNN05102610	CHIP RESISTOR	1K OHM 1/10W J CRJ10DJ102T
AMP	R843		nsp	00MNN05102610	CHIP RESISTOR	1K OHM 1/10W J CRJ10DJ102T
AMP	R844		nsp	00MNN05102610	CHIP RESISTOR	1K OHM 1/10W J CRJ10DJ102T
AMP	R845		nsp	90M-NN000620R	CHIP RESISTOR	1.1K OHM 1/10W J CRJ10DJ112T
AMP	R846		nsp	90M-NN000620R	CHIP RESISTOR	1.1K OHM 1/10W J CRJ10DJ112T
AMP	R847		nsp	90M-NN000620R	CHIP RESISTOR	1.1K OHM 1/10W J CRJ10DJ112T
AMP	R848		nsp	90M-NN000620R	CHIP RESISTOR	1.1K OHM 1/10W J CRJ10DJ112T
AMP	R849		nsp	00MNN05103610	CHIP RESISTOR	10K OHM 1/10W J CRJ10DJ103T
AMP	R850		nsp	00MNN05103610	CHIP RESISTOR	10K OHM 1/10W J CRJ10DJ103T
AMP	R851		nsp	00MNN05103610	CHIP RESISTOR	10K OHM 1/10W J CRJ10DJ103T
AMP	R852		nsp	00MNN05103610	CHIP RESISTOR	10K OHM 1/10W J CRJ10DJ103T
AMP	R853		nsp	00MNN05000610	CHIP RESISTOR	0 OHM 1/10W J CRJ10DJ0R0T

NOTE : "nsp" PARTS IS LISTED FOR REFERENCE ONLY, MARANTZ WILL NOT SUPPLY THESE PARTS.

P.C.B. NAME	POS.NO.	VERS. COLOR	PART NO. (FOR EUR)	PART NO. (MJI)	PART NAME	DESCRIPTION
AMP	R855		nsp	90M-NN000630R	CHIP RESISTOR	240 OHM 1/10W J CRJ10DJ241T
AMP	R856		nsp	90M-NN000630R	CHIP RESISTOR	240 OHM 1/10W J CRJ10DJ241T
AMP	R857		nsp	00MNN05102610	CHIP RESISTOR	1K OHM 1/10W J CRJ10DJ102T
AMP	R858		nsp	00MNN05100610	CHIP RESISTOR	10 OHM 1/10W J CRJ10DJ100T
AMP	R861		90M-RI000290R	90M-RI000290R	CHIP RESISTOR	33 OHM 1/4W J CRJ14CJ330T
AMP	R863		90M-RI000290R	90M-RI000290R	CHIP RESISTOR	33 OHM 1/4W J CRJ14CJ330T
AMP	R865		nsp	00MNN05000610	CHIP RESISTOR	0 OHM 1/10W J CRJ10DJ0R0T
AMP	R866		nsp	00MNN05000610	CHIP RESISTOR	0 OHM 1/10W J CRJ10DJ0R0T
AMP	R867		90M-RI000220R	90M-RI000220R	CHIP RESISTOR	RL25 (1W/0.02) CRJ01HJR020T
AMP	R869		90M-RI000220R	90M-RI000220R	CHIP RESISTOR	RL25 (1W/0.02) CRJ01HJR020T
AMP	R873		nsp	nsp	RESISTOR	2W 20 OHM MINI KRG2SANJ200H
AMP	R875		nsp	00MNN05203610	CHIP RESISTOR	20K OHM 1/10W J CRJ10DJ203T
AMP	R877		nsp	00MNN05103610	CHIP RESISTOR	10K OHM 1/10W J CRJ10DJ103T
AMP	R879		nsp	nsp	RESISTOR	2.7K OHM 1W J CRG1ANJ272H
AMP	R881		nsp	00MNN05100610	CHIP RESISTOR	10 OHM 1/10W J CRJ10DJ100T
AMP	R883		nsp	00MNN05102610	CHIP RESISTOR	1K OHM 1/10W J CRJ10DJ102T
AMP	R884		nsp	00MNN05102610	CHIP RESISTOR	1K OHM 1/10W J CRJ10DJ102T
AMP	R885		nsp	00MNN05560610	CHIP RESISTOR	56 OHM 1/10W J CRJ10DJ560T
AMP	R887		nsp	00MNN05303610	CHIP RESISTOR	30K OHM 1/10W J CRJ10DJ303T
AMP	R888		nsp	00MNN05303610	CHIP RESISTOR	30K OHM 1/10W J CRJ10DJ303T
AMP	R890		nsp	00MNN05102610	CHIP RESISTOR	1K OHM 1/10W J CRJ10DJ102T
AMP	R891		nsp	00MNN05103610	CHIP RESISTOR	10K OHM 1/10W J CRJ10DJ103T
AMP	R892		90M-RI000230R	90M-RI000230R	CHIP RESISTOR	10 OHM 1/4W J CRJ14CJ100T
AMP	R893		nsp	00MNN05472610	CHIP RESISTOR	4.7K OHM 1/10W J CRJ10DJ472T
AMP	R894		nsp	00MNN05153610	CHIP RESISTOR	15K OHM 1/10W J CRJ10DJ153T
AMP	R895		nsp	00MNN05103610	CHIP RESISTOR	10K OHM 1/10W J CRJ10DJ103T
AMP	R896		nsp	00MNN05103610	CHIP RESISTOR	10K OHM 1/10W J CRJ10DJ103T
AMP	R897		nsp	00MNN05102610	CHIP RESISTOR	1K OHM 1/10W J CRJ10DJ102T
AMP	R898		nsp	00MNN05471610	CHIP RESISTOR	470 OHM 1/10W J CRJ10DJ471T
AMP	R899		nsp	00MNN05471610	CHIP RESISTOR	470 OHM 1/10W J CRJ10DJ471T
AMP	R900		nsp	00MNN05273610	CHIP RESISTOR	27K OHM 1/10W J CRJ10DJ273T
AMP	RL51		90M-LY000330R	90M-LY000330R	RELAY	OSA-SS-212DM3 HSL4A004ZU
AMP	RL61		90M-LY000330R	90M-LY000330R	RELAY	OSA-SS-212DM3 HSL4A004ZU
AMP	RL71		90M-LY000330R	90M-LY000330R	RELAY	OSA-SS-212DM3 HSL4A004ZU
AMP	RL81		90M-LY000340R	90M-LY000340R	RELAY	SDT-S-112DMR HSL1A008ZE
AMP	VR51		90M-RA001110R	90M-RA001110R	TRIMMING RESIST	RH0638C-472 HVN1RA472B01T
AMP	VR52		90M-RA001110R	90M-RA001110R	TRIMMING RESIST	RH0638C-472 HVN1RA472B01T
AMP	VR61		90M-RA001110R	90M-RA001110R	TRIMMING RESIST	RH0638C-472 HVN1RA472B01T
AMP	VR62		90M-RA001110R	90M-RA001110R	TRIMMING RESIST	RH0638C-472 HVN1RA472B01T
AMP	VR71		90M-RA001110R	90M-RA001110R	TRIMMING RESIST	RH0638C-472 HVN1RA472B01T
AMP	VR72		90M-RA001110R	90M-RA001110R	TRIMMING RESIST	RH0638C-472 HVN1RA472B01T
AMP	VR81		90M-RA001110R	90M-RA001110R	TRIMMING RESIST	RH0638C-472 HVN1RA472B01T
					DSP PCB (CUP11727Z)	
DSP	C101		nsp	00MDK96104300	CERAMIC CAP.	0.1uF 25V Z HCUS1E104ZF
DSP	C102		nsp	00MDK96104300	CERAMIC CAP.	0.1uF 25V Z HCUS1E104ZF
DSP	C201		nsp	00MOA47701020	ELECT CAP.	470UF 10V HCEA1AH471T
DSP	C202		nsp	00MDK96104300	CERAMIC CAP.	0.1uF 25V Z HCUS1E104ZF
DSP	C203		nsp	00MOA47701020	ELECT CAP.	470UF 10V HCEA1AH471T
DSP	C204		nsp	00MOA10701620	ELECT CAP.	100UF 16V HCEA1CH101T
DSP	C205		nsp	00MDK98473300	CERAMIC CAP.	0.047uF 50V Z HCUS1H473ZF
DSP	C211		nsp	00MDD95101300	CERAMIC CAP.	100PF 50V J HCUS1H101JA
DSP	C212		nsp	00MDD95101300	CERAMIC CAP.	100PF 50V J HCUS1H101JA
DSP	C215		nsp	00MOA10603540	ELECT CAP.	10UF 35V HCEA1VH100T
DSP	C216		nsp	00MOA10603540	ELECT CAP.	10UF 35V HCEA1VH100T
DSP	C217		nsp	00MDK96102300	CERAMIC CAP.	1000PF 50V K HCUS1H102KC
DSP	C218		nsp	00MDK96102300	CERAMIC CAP.	1000PF 50V K HCUS1H102KC
DSP	C219		nsp	00MDK98473300	CERAMIC CAP.	0.047uF 50V Z HCUS1H473ZF
DSP	C220		nsp	00MDK98473300	CERAMIC CAP.	0.047uF 50V Z HCUS1H473ZF
DSP	C232		nsp	00MDD95181300	CERAMIC CAP.	180PF 50V J HCUS1H181JA
DSP	C241		nsp	00MDD95181300	CERAMIC CAP.	180PF 50V J HCUS1H181JA
DSP	C243		nsp	00MDK98473300	CERAMIC CAP.	0.047uF 50V Z HCUS1H473ZF
DSP	C245		nsp	00MDK98473300	CERAMIC CAP.	0.047uF 50V Z HCUS1H473ZF
DSP	C251		nsp	00MDD95181300	CERAMIC CAP.	180PF 50V J HCUS1H181JA
DSP	C263		nsp	00MDK98473300	CERAMIC CAP.	0.047uF 50V Z HCUS1H473ZF
DSP	C271		nsp	00MDK96104300	CERAMIC CAP.	0.1uF 25V Z HCUS1E104ZF
DSP	C272		nsp	00MOA47602520	ELECT CAP.	47UF 25V HCEA1EH470T

NOTE : "nsp" PARTS IS LISTED FOR REFERENCE ONLY, MARANTZ WILL NOT SUPPLY THESE PARTS.

P.C.B. NAME	POS.NO.	VERS. COLOR	PART NO. (FOR EUR)	PART NO. (MJI)	PART NAME	DESCRIPTION
DSP	C273		nsp	00MDK96104300	CERAMIC CAP.	0.1uF 25V Z HCUS1E104ZF
DSP	C274		nsp	00MEJ22505010	ELECT CAP.	2.2UF 50V KS HCEA1HKS2R2T
DSP	C275		nsp	00MDK96104300	CERAMIC CAP.	0.1uF 25V Z HCUS1E104ZF
DSP	C276		nsp	00MOA47602520	ELECT CAP.	47UF 25V HCEA1EH470T
DSP	C277		nsp	00MDK96104300	CERAMIC CAP.	0.1uF 25V Z HCUS1E104ZF
DSP	C281		nsp	00MDK96104300	CERAMIC CAP.	0.1uF 25V Z HCUS1E104ZF
DSP	C285		nsp	00MDK96104300	CERAMIC CAP.	0.1uF 25V Z HCUS1E104ZF
DSP	C286		nsp	00MOA10701620	ELECT CAP.	100UF 16V HCEA1CH101T
DSP	C287		nsp	00MDK96104300	CERAMIC CAP.	0.1uF 25V Z HCUS1E104ZF
DSP	C288		nsp	00MOA10701620	ELECT CAP.	100UF 16V HCEA1CH101T
DSP	C289		nsp	00MDK96104300	CERAMIC CAP.	0.1uF 25V Z HCUS1E104ZF
DSP	C291		nsp	00MDD95330300	CERAMIC CAP.	33PF 50V J HCUS1H330JA
DSP	C292		nsp	00MDD95330300	CERAMIC CAP.	33PF 50V J HCUS1H330JA
DSP	C293		nsp	00MDK96104300	CERAMIC CAP.	0.1uF 25V Z HCUS1E104ZF
DSP	C294		nsp	00MDD91100300	CERAMIC CAP.	10PF 50V J HCUS1H100JA
DSP	C295		nsp	00MDD91100300	CERAMIC CAP.	10PF 50V J HCUS1H100JA
DSP	C296		nsp	00MDD91100300	CERAMIC CAP.	10PF 50V J HCUS1H100JA
DSP	C297		nsp	00MDD91100300	CERAMIC CAP.	10PF 50V J HCUS1H100JA
DSP	C299		nsp	00MDK96104300	CERAMIC CAP.	0.1uF 25V Z HCUS1E104ZF
DSP	C300		nsp	00MOA10701620	ELECT CAP.	100UF 16V HCEA1CH101T
DSP	C301		nsp	00MDK98474200	CERAMIC CAP.	0.47uF 50V Z HCUS1C474ZF
DSP	C314		nsp	00MDD91100300	CERAMIC CAP.	10PF 50V J HCUS1H100JA
DSP	C315		nsp	00MDD91100300	CERAMIC CAP.	10PF 50V J HCUS1H100JA
DSP	C316		nsp	00MDD91100300	CERAMIC CAP.	10PF 50V J HCUS1H100JA
DSP	C317		nsp	00MDD91100300	CERAMIC CAP.	10PF 50V J HCUS1H100JA
DSP	C318		nsp	00MDD95101300	CERAMIC CAP.	100PF 50V J HCUS1H101JA
DSP	C319		nsp	00MDK96104300	CERAMIC CAP.	0.1uF 25V Z HCUS1E104ZF
DSP	C322		nsp	nsp	FILM CAP	0.01UF 50V J HCQI1H103JZT
DSP	C326		nsp	00MEJ22505010	ELECT CAP.	2.2UF 50V KS HCEA1HKS2R2T
DSP	C327		nsp	00MDD95471300	CERAMIC CAP.	470PF 50V J HCUS1H471JA
DSP	C331		nsp	00MDK96104300	CERAMIC CAP.	0.1uF 25V Z HCUS1E104ZF
DSP	C333		nsp	00MDD91100300	CERAMIC CAP.	10PF 50V J HCUS1H100JA
DSP	C335		nsp	00MDD95330300	CERAMIC CAP.	33PF 50V J HCUS1H330JA
DSP	C341		nsp	00MOA10701620	ELECT CAP.	100UF 16V HCEA1CH101T
DSP	C342		nsp	00MDK96104300	CERAMIC CAP.	0.1uF 25V Z HCUS1E104ZF
DSP	C343		nsp	00MDK96104300	CERAMIC CAP.	0.1uF 25V Z HCUS1E104ZF
DSP	C345		nsp	00MDD95470300	CERAMIC CAP.	47PF 50V J HCUS1H470JA
DSP	C346		nsp	00MDD95470300	CERAMIC CAP.	47PF 50V J HCUS1H470JA
DSP	C351		nsp	00MDK96104300	CERAMIC CAP.	0.1uF 25V Z HCUS1E104ZF
DSP	C352		nsp	00MOA10701620	ELECT CAP.	100UF 16V HCEA1CH101T
DSP	C353		nsp	00MDK96104300	CERAMIC CAP.	0.1uF 25V Z HCUS1E104ZF
DSP	C354		nsp	00MDK96104300	CERAMIC CAP.	0.1uF 25V Z HCUS1E104ZF
DSP	C355		nsp	00MDD91100300	CERAMIC CAP.	10PF 50V J HCUS1H100JA
DSP	C356		nsp	00MDD95470300	CERAMIC CAP.	47PF 50V J HCUS1H470JA
DSP	C361		nsp	00MDK96104300	CERAMIC CAP.	0.1uF 25V Z HCUS1E104ZF
DSP	C365		nsp	00MDK98473300	CERAMIC CAP.	0.047uF 50V Z HCUS1H473ZF
DSP	C369		nsp	00MDK96104300	CERAMIC CAP.	0.1uF 25V Z HCUS1E104ZF
DSP	C371		nsp	00MOA10701620	ELECT CAP.	100UF 16V HCEA1CH101T
DSP	C372		nsp	00MDK98473300	CERAMIC CAP.	0.047uF 50V Z HCUS1H473ZF
DSP	C373		nsp	00MOA47602520	ELECT CAP.	47UF 25V HCEA1EH470T
DSP	C374		nsp	00MOA47602520	ELECT CAP.	47UF 25V HCEA1EH470T
DSP	C379		nsp	00MDK96104300	CERAMIC CAP.	0.1uF 25V Z HCUS1E104ZF
DSP	C385		nsp	00MDK96104300	CERAMIC CAP.	0.1uF 25V Z HCUS1E104ZF
DSP	C391		nsp	00MOA47602520	ELECT CAP.	47UF 25V HCEA1EH470T
DSP	C392		nsp	00MDK96104300	CERAMIC CAP.	0.1uF 25V Z HCUS1E104ZF
DSP	C398		90M-OF100450R	90M-OF100450R	FILM CAP.	METALIZED KCQE1J154KXT
DSP	C399		nsp	00MOA10603540	ELECT CAP.	10UF 35V HCEA1VH100T
DSP	C400		nsp	00MOA10603540	ELECT CAP.	10UF 35V HCEA1VH100T
DSP	C410		nsp	00MDK96104300	CERAMIC CAP.	0.1uF 25V Z HCUS1E104ZF
DSP	C411		nsp	nsp	FILM CAP	3300PF 50V J HCQI1H332JZT
DSP	C412		nsp	nsp	FILM CAP	3300PF 50V J HCQI1H332JZT
DSP	C413		nsp	00MDK96561300	CERAMIC CAP.	560PF 50V J HCUS1H561JA
DSP	C414		nsp	00MDK96561300	CERAMIC CAP.	560PF 50V J HCUS1H561JA
DSP	C419		nsp	00MOA10603540	ELECT CAP.	10UF 35V HCEA1VH100T
DSP	C420		nsp	00MOA10603540	ELECT CAP.	10UF 35V HCEA1VH100T
DSP	C421		nsp	nsp	FILM CAP	3300PF 50V J HCQI1H332JZT

NOTE : "nsp" PARTS IS LISTED FOR REFERENCE ONLY, MARANTZ WILL NOT SUPPLY THESE PARTS.

P.C.B. NAME	POS.NO.	VERS. COLOR	PART NO. (FOR EUR)	PART NO. (MJI)	PART NAME	DESCRIPTION
DSP	C422		nsp	nsp	FILM CAP	3300PF 50V J HCQ1H332JZT
DSP	C423		nsp	00MDK96561300	CERAMIC CAP.	560PF 50V J HCUS1H561JA
DSP	C424		nsp	00MDK96561300	CERAMIC CAP.	560PF 50V J HCUS1H561JA
DSP	C425		nsp	00MDD95330300	CERAMIC CAP.	33PF 50V J HCUS1H330JA
DSP	C427		nsp	00MDK98473300	CERAMIC CAP.	0.047uF 50V Z HCUS1H473ZF
DSP	C428		nsp	00MDK98473300	CERAMIC CAP.	0.047uF 50V Z HCUS1H473ZF
DSP	C429		nsp	00MDK96103300	CERAMIC CAP.	0.01uF 50V K HCUS1H103KC
DSP	C430		nsp	00MDK96103300	CERAMIC CAP.	0.01uF 50V K HCUS1H103KC
DSP	C431		nsp	nsp	FILM CAP	3300PF 50V J HCQ1H332JZT
DSP	C432		nsp	nsp	FILM CAP	3300PF 50V J HCQ1H332JZT
DSP	C433		nsp	00MDK98223300	CERAMIC CAP.	0.022uF 50V K HCUS1H223KC
DSP	C434		nsp	00MDK96561300	CERAMIC CAP.	560PF 50V J HCUS1H561JA
DSP	C439		nsp	00MOA10603540	ELECT CAP.	10UF 35V HCEA1VH100T
DSP	C440		nsp	00MOA10603540	ELECT CAP.	10UF 35V HCEA1VH100T
DSP	C441		nsp	nsp	FILM CAP	3300PF 50V J HCQ1H332JZT
DSP	C442		nsp	nsp	FILM CAP	3300PF 50V J HCQ1H332JZT
DSP	C443		nsp	00MDK98223300	CERAMIC CAP.	0.022uF 50V K HCUS1H223KC
DSP	C444		nsp	00MDK96561300	CERAMIC CAP.	560PF 50V J HCUS1H561JA
DSP	C447		nsp	00MDK98473300	CERAMIC CAP.	0.047uF 50V Z HCUS1H473ZF
DSP	C448		nsp	00MDK98473300	CERAMIC CAP.	0.047uF 50V Z HCUS1H473ZF
DSP	C449		nsp	00MDK98223300	CERAMIC CAP.	0.022uF 50V K HCUS1H223KC
DSP	C450		nsp	00MDK96103300	CERAMIC CAP.	0.01uF 50V K HCUS1H103KC
DSP	C451		nsp	nsp	FILM CAP	3300PF 50V J HCQ1H332JZT
DSP	C452		nsp	nsp	FILM CAP	3300PF 50V J HCQ1H332JZT
DSP	C453		nsp	00MDK96561300	CERAMIC CAP.	560PF 50V J HCUS1H561JA
DSP	C454		nsp	00MDK96561300	CERAMIC CAP.	560PF 50V J HCUS1H561JA
DSP	C459		nsp	00MOA10603540	ELECT CAP.	10UF 35V HCEA1VH100T
DSP	C460		nsp	00MOA10603540	ELECT CAP.	10UF 35V HCEA1VH100T
DSP	C461		nsp	nsp	FILM CAP	3300PF 50V J HCQ1H332JZT
DSP	C462		nsp	nsp	FILM CAP	3300PF 50V J HCQ1H332JZT
DSP	C463		nsp	00MDK96561300	CERAMIC CAP.	560PF 50V J HCUS1H561JA
DSP	C464		nsp	00MDK96561300	CERAMIC CAP.	560PF 50V J HCUS1H561JA
DSP	C467		nsp	00MDK98473300	CERAMIC CAP.	0.047uF 50V Z HCUS1H473ZF
DSP	C468		nsp	00MDK98473300	CERAMIC CAP.	0.047uF 50V Z HCUS1H473ZF
DSP	C469		nsp	00MDK96103300	CERAMIC CAP.	0.01uF 50V K HCUS1H103KC
DSP	C470		nsp	00MDK96103300	CERAMIC CAP.	0.01uF 50V K HCUS1H103KC
DSP	C472		nsp	nsp	FILM CAP	3300PF 50V J HCQ1H332JZT
DSP	C474		nsp	00MDK96561300	CERAMIC CAP.	560PF 50V J HCUS1H561JA
DSP	C480		nsp	00MOA10603540	ELECT CAP.	10UF 35V HCEA1VH100T
DSP	C482		nsp	nsp	FILM CAP	3300PF 50V J HCQ1H332JZT
DSP	C484		nsp	00MDK96561300	CERAMIC CAP.	560PF 50V J HCUS1H561JA
DSP	C487		nsp	00MDK98473300	CERAMIC CAP.	0.047uF 50V Z HCUS1H473ZF
DSP	C488		nsp	00MDK98473300	CERAMIC CAP.	0.047uF 50V Z HCUS1H473ZF
DSP	C490		nsp	00MDK96103300	CERAMIC CAP.	0.01uF 50V K HCUS1H103KC
DSP	CN13		nsp	nsp	JACK	GF102-21S-TS KJP21GA117ZG
DSP	CN15		nsp	nsp	JACK	GF120-13S-TS KJP13GA117ZG
DSP	CN21		nsp	nsp	JACK	MOLEX53014-0710 KJP07GA192M
DSP	CN23		nsp	nsp	JACK	GF102-17S-TS KJP17GA117ZG
DSP	D201		90M-HD302260R	90M-HD302260R	ZENER DIODE	4.3V HVDUDZS4.3BSR
DSP	D202		nsp	90M-HD201750R	DIODE	1N4003 KVD1N4003SRT
DSP	D301		nsp	90M-HD201800R	DIODE	1SS355 HVD1SS355T
DSP	IC21		00MHC10102090	00MHC10102090	IC	NJM2068MD-TE1 HVINJM2068MDTE1
DSP	IC23		00MHC10102090	00MHC10102090	IC	NJM2068MD-TE1 HVINJM2068MDTE1
DSP	IC25		00MHC10102090	00MHC10102090	IC	NJM2068MD-TE1 HVINJM2068MDTE1
DSP	IC27		90M-HC108990R	90M-HC108990R	IC	AK5381VT HVIK5381VT
DSP	IC28		90M-HC109020R	90M-HC109020R	IC	AK4114VQ HVIK4114VQ
DSP	IC31		90M-HC108680R	90M-HC108680R	IC	CS493264-CL HVICS493264-CL
DSP	IC34		90M-HC109000R	90M-HC109000R	IC	AK4358VQ HVIK4358VQ
DSP	IC35		90M-HC700530R	90M-HC700530R	IC	SN74LVC574ADBR HV174LVC574ADBR
DSP	IC36		90M-HC700530R	90M-HC700530R	IC	SN74LVC574ADBR HV174LVC574ADBR
DSP	IC38		90M-HS16BWX0R	90M-HS16BWX0R	IC	MX29LV400TTC-70 HVIMX29LV400TTC
DSP	IC41		00MHC10102090	00MHC10102090	IC	NJM2068MD-TE1 HVINJM2068MDTE1
DSP	IC42		00MHC700400Z0	00MHC700400Z0	IC	TC74HCU04AFN HVITC74HCU04AFN
DSP	IC43		00MHC10102090	00MHC10102090	IC	NJM2068MD-TE1 HVINJM2068MDTE1
DSP	IC45		00MHC10102090	00MHC10102090	IC	NJM2068MD-TE1 HVINJM2068MDTE1
DSP	IC47		00MHC10102090	00MHC10102090	IC	NJM2068MD-TE1 HVINJM2068MDTE1

NOTE : "nsp" PARTS IS LISTED FOR REFERENCE ONLY, MARANTZ WILL NOT SUPPLY THESE PARTS.

P.C.B. NAME	POS.NO.	VERS. COLOR	PART NO. (FOR EUR)	PART NO. (MJI)	PART NAME	DESCRIPTION
DSP	JK40		90M-YT004140R	90M-YT004140R	TERMINAL	CJJ9M001Z
DSP	JK41		90M-YT004110R	90M-YT004110R	TERMINAL	RCA-115A-05 CJJ4M049Z
DSP	JK42		90M-YT004150R	90M-YT004150R	TERMINAL	SILVER PLATE CJJ4M044Y
DSP	JK43		90M-YJ002680R	90M-YJ002680R	OPT. CONNECTOR	TORX179L HJSTORX179L
DSP	JK44		90M-YJ002670R	90M-YJ002670R	OPT. CONNECTOR	TOTX179L HJSTOTX179L
DSP	L201		90M-LU000150R	90M-LU000150R	CHIP INDUCTANCE	LEMC3225TYPE HLZ9M011Z
DSP	L202		90M-LU000150R	90M-LU000150R	CHIP INDUCTANCE	LEMC3225TYPE HLZ9M011Z
DSP	L203		90M-LU000150R	90M-LU000150R	CHIP INDUCTANCE	LEMC3225TYPE HLZ9M011Z
DSP	L401		90M-LU000180R	90M-LU000180R	CHIP INDUCTANCE	2012-R68UH HLQ08ER68KRZ
DSP	L402		90M-LU000180R	90M-LU000180R	CHIP INDUCTANCE	2012-R68UH HLQ08ER68KRZ
DSP	L403		90M-LU000180R	90M-LU000180R	CHIP INDUCTANCE	2012-R68UH HLQ08ER68KRZ
DSP	L431		90M-LU000150R	90M-LU000150R	CHIP INDUCTANCE	LEMC3225TYPE HLZ9M011Z
DSP	Q201		90M-HT800040R	90M-HT800040R	TRANSISTOR	KSC2316Y HVTKSC2316YT
DSP	Q251		90M-HX900010R	90M-HX900010R	CHIP TR.	KTD1304 HVTKTD1304T
DSP	Q252		90M-HX600010R	90M-HX600010R	CHIP TR.	KRA102S HVTKRA102S
DSP	R101		nsp	00MNN05000610	CHIP RESISTOR	0 OHM 1/10W J CRJ10DJ0R0T
DSP	R131		nsp	00MNN05332610	CHIP RESISTOR	3.3K OHM 1/10W J CRJ10DJ332T
DSP	R132		nsp	00MNN05102610	CHIP RESISTOR	1K OHM 1/10W J CRJ10DJ102T
DSP	R133		nsp	00MNN05332610	CHIP RESISTOR	3.3K OHM 1/10W J CRJ10DJ332T
DSP	R134		nsp	00MNN05332610	CHIP RESISTOR	3.3K OHM 1/10W J CRJ10DJ332T
DSP	R135		nsp	00MNN05332610	CHIP RESISTOR	3.3K OHM 1/10W J CRJ10DJ332T
DSP	R136		nsp	00MNN05103610	CHIP RESISTOR	10K OHM 1/10W J CRJ10DJ103T
DSP	R137		nsp	00MNN05103610	CHIP RESISTOR	10K OHM 1/10W J CRJ10DJ103T
DSP	R201		nsp	00MNN05010610	CHIP RESISTOR	1 OHM 1/10W J CRJ10DJ1R0T
DSP	R202		nsp	00MNN05221610	CHIP RESISTOR	220 OHM 1/10W J CRJ10DJ221T
DSP	R203		nsp	00MNN05560610	CHIP RESISTOR	56 OHM 1/10W J CRJ10DJ560T
DSP	R204		nsp	00MNN05047610	CHIP RESISTOR	4.7 OHM 1/10W J CRJ10DJ4R7T
DSP	R205		nsp	00MNN05181610	CHIP RESISTOR	180 OHM 1/10W J CRJ10DJ181T
DSP	R211		nsp	00MNN05562610	CHIP RESISTOR	5.6K OHM 1/10W J CRJ10DJ562T
DSP	R212		nsp	00MNN05562610	CHIP RESISTOR	5.6K OHM 1/10W J CRJ10DJ562T
DSP	R213		nsp	00MNN05682610	CHIP RESISTOR	6.8K OHM 1/10W J CRJ10DJ682T
DSP	R214		nsp	00MNN05682610	CHIP RESISTOR	6.8K OHM 1/10W J CRJ10DJ682T
DSP	R215		nsp	00MNN05101610	CHIP RESISTOR	100 OHM 1/10W J CRJ10DJ101T
DSP	R216		nsp	00MNN05101610	CHIP RESISTOR	100 OHM 1/10W J CRJ10DJ101T
DSP	R217		nsp	00MNN05104610	CHIP RESISTOR	100K OHM 1/10W J CRJ10DJ104T
DSP	R218		nsp	00MNN05104610	CHIP RESISTOR	100K OHM 1/10W J CRJ10DJ104T
DSP	R219		nsp	00MNN05101610	CHIP RESISTOR	100 OHM 1/10W J CRJ10DJ101T
DSP	R220		nsp	00MNN05101610	CHIP RESISTOR	100 OHM 1/10W J CRJ10DJ101T
DSP	R231		nsp	00MNN05472610	CHIP RESISTOR	4.7K OHM 1/10W J CRJ10DJ472T
DSP	R233		nsp	00MNN05472610	CHIP RESISTOR	4.7K OHM 1/10W J CRJ10DJ472T
DSP	R234		nsp	00MNN05682610	CHIP RESISTOR	6.8K OHM 1/10W J CRJ10DJ682T
DSP	R235		nsp	00MNN05472610	CHIP RESISTOR	4.7K OHM 1/10W J CRJ10DJ472T
DSP	R236		nsp	00MNN05682610	CHIP RESISTOR	6.8K OHM 1/10W J CRJ10DJ682T
DSP	R237		nsp	00MNN05682610	CHIP RESISTOR	6.8K OHM 1/10W J CRJ10DJ682T
DSP	R238		nsp	00MNN05682610	CHIP RESISTOR	6.8K OHM 1/10W J CRJ10DJ682T
DSP	R239		nsp	00MNN05822610	CHIP RESISTOR	8.2K OHM 1/10W J CRJ10DJ822T
DSP	R241		nsp	00MNN05682610	CHIP RESISTOR	6.8K OHM 1/10W J CRJ10DJ682T
DSP	R243		nsp	00MNN05101610	CHIP RESISTOR	100 OHM 1/10W J CRJ10DJ101T
DSP	R245		nsp	00MNN05101610	CHIP RESISTOR	100 OHM 1/10W J CRJ10DJ101T
DSP	R251		nsp	00MNN05472610	CHIP RESISTOR	4.7K OHM 1/10W J CRJ10DJ472T
DSP	R252		nsp	00MNN05472610	CHIP RESISTOR	4.7K OHM 1/10W J CRJ10DJ472T
DSP	R253		nsp	00MNN05682610	CHIP RESISTOR	6.8K OHM 1/10W J CRJ10DJ682T
DSP	R255		nsp	00MNN05682610	CHIP RESISTOR	6.8K OHM 1/10W J CRJ10DJ682T
DSP	R256		nsp	00MNN05682610	CHIP RESISTOR	6.8K OHM 1/10W J CRJ10DJ682T
DSP	R257		nsp	00MNN05822610	CHIP RESISTOR	8.2K OHM 1/10W J CRJ10DJ822T
DSP	R259		nsp	00MNN05472610	CHIP RESISTOR	4.7K OHM 1/10W J CRJ10DJ472T
DSP	R261		nsp	00MNN05682610	CHIP RESISTOR	6.8K OHM 1/10W J CRJ10DJ682T
DSP	R262		nsp	00MNN05682610	CHIP RESISTOR	6.8K OHM 1/10W J CRJ10DJ682T
DSP	R263		nsp	00MNN05101610	CHIP RESISTOR	100 OHM 1/10W J CRJ10DJ101T
DSP	R265		nsp	00MNN05101610	CHIP RESISTOR	100 OHM 1/10W J CRJ10DJ101T
DSP	R270		nsp	00MNN05047610	CHIP RESISTOR	4.7 OHM 1/10W J CRJ10DJ4R7T
DSP	R271		nsp	00MNN05047610	CHIP RESISTOR	4.7 OHM 1/10W J CRJ10DJ4R7T
DSP	R272		nsp	00MNN05103610	CHIP RESISTOR	10K OHM 1/10W J CRJ10DJ103T
DSP	R280		nsp	00MNN05103610	CHIP RESISTOR	10K OHM 1/10W J CRJ10DJ103T
DSP	R281		nsp	00MNN05103610	CHIP RESISTOR	10K OHM 1/10W J CRJ10DJ103T
DSP	R282		nsp	00MNN05103610	CHIP RESISTOR	10K OHM 1/10W J CRJ10DJ103T

NOTE : "nsp" PARTS IS LISTED FOR REFERENCE ONLY, MARANTZ WILL NOT SUPPLY THESE PARTS.

P.C.B. NAME	POS.NO.	VERS. COLOR	PART NO. (FOR EUR)	PART NO. (MJI)	PART NAME	DESCRIPTION
DSP	R283		nsp	00MNN05103610	CHIP RESISTOR	10K OHM 1/10W J CRJ10DJ103T
DSP	R284		nsp	00MNN05103610	CHIP RESISTOR	10K OHM 1/10W J CRJ10DJ103T
DSP	R285		nsp	00MNN05103610	CHIP RESISTOR	10K OHM 1/10W J CRJ10DJ103T
DSP	R288		nsp	00MNN05100610	CHIP RESISTOR	10 OHM 1/10W J CRJ10DJ100T
DSP	R291		nsp	00MNN05105610	CHIP RESISTOR	1M OHM 1/10W J CRJ10DJ105T
DSP	R293		nsp	00MNN05100610	CHIP RESISTOR	10 OHM 1/10W J CRJ10DJ100T
DSP	R294		nsp	00MNN05100610	CHIP RESISTOR	10 OHM 1/10W J CRJ10DJ100T
DSP	R295		nsp	00MNN05102610	CHIP RESISTOR	1K OHM 1/10W J CRJ10DJ102T
DSP	R296		nsp	00MNN05102610	CHIP RESISTOR	1K OHM 1/10W J CRJ10DJ102T
DSP	R297		nsp	00MNN05102610	CHIP RESISTOR	1K OHM 1/10W J CRJ10DJ102T
DSP	R298		nsp	00MNN05183610	CHIP RESISTOR	18K OHM 1/10W J CRJ10DJ183T
DSP	R301		nsp	00MNN05100610	CHIP RESISTOR	10 OHM 1/10W J CRJ10DJ100T
DSP	R311		nsp	00MNN05100610	CHIP RESISTOR	10 OHM 1/10W J CRJ10DJ100T
DSP	R312		nsp	00MNN05332610	CHIP RESISTOR	3.3K OHM 1/10W J CRJ10DJ332T
DSP	R313		nsp	00MNN05332610	CHIP RESISTOR	3.3K OHM 1/10W J CRJ10DJ332T
DSP	R314		nsp	00MNN05102610	CHIP RESISTOR	1K OHM 1/10W J CRJ10DJ102T
DSP	R315		nsp	00MNN05102610	CHIP RESISTOR	1K OHM 1/10W J CRJ10DJ102T
DSP	R316		nsp	00MNN05102610	CHIP RESISTOR	1K OHM 1/10W J CRJ10DJ102T
DSP	R317		nsp	00MNN05100610	CHIP RESISTOR	10 OHM 1/10W J CRJ10DJ100T
DSP	R318		nsp	00MNN05100610	CHIP RESISTOR	10 OHM 1/10W J CRJ10DJ100T
DSP	R319		nsp	00MNN05472610	CHIP RESISTOR	4.7K OHM 1/10W J CRJ10DJ472T
DSP	R320		nsp	00MNN05100610	CHIP RESISTOR	10 OHM 1/10W J CRJ10DJ100T
DSP	R321		nsp	00MNN05100610	CHIP RESISTOR	10 OHM 1/10W J CRJ10DJ100T
DSP	R322		nsp	00MNN05333610	CHIP RESISTOR	33K OHM 1/10W J CRJ10DJ333T
DSP	R323		nsp	00MNN05100610	CHIP RESISTOR	10 OHM 1/10W J CRJ10DJ100T
DSP	R324		nsp	00MNN05330610	CHIP RESISTOR	33 OHM 1/10W J CRJ10DJ330T
DSP	R325		nsp	00MNN05103610	CHIP RESISTOR	10K OHM 1/10W J CRJ10DJ103T
DSP	R330		nsp	00MNN05332610	CHIP RESISTOR	3.3K OHM 1/10W J CRJ10DJ332T
DSP	R331		nsp	00MNN05103610	CHIP RESISTOR	10K OHM 1/10W J CRJ10DJ103T
DSP	R332		nsp	00MNN05103610	CHIP RESISTOR	10K OHM 1/10W J CRJ10DJ103T
DSP	R334		nsp	00MNN05100610	CHIP RESISTOR	10 OHM 1/10W J CRJ10DJ100T
DSP	R335		nsp	00MNN05100610	CHIP RESISTOR	10 OHM 1/10W J CRJ10DJ100T
DSP	R336		nsp	00MNN05100610	CHIP RESISTOR	10 OHM 1/10W J CRJ10DJ100T
DSP	R337		nsp	00MNN05100610	CHIP RESISTOR	10 OHM 1/10W J CRJ10DJ100T
DSP	R338		nsp	00MNN05100610	CHIP RESISTOR	10 OHM 1/10W J CRJ10DJ100T
DSP	R339		nsp	00MNN05100610	CHIP RESISTOR	10 OHM 1/10W J CRJ10DJ100T
DSP	R340		nsp	00MNN05332610	CHIP RESISTOR	3.3K OHM 1/10W J CRJ10DJ332T
DSP	R341		nsp	00MNN05047610	CHIP RESISTOR	4.7 OHM 1/10W J CRJ10DJ47T
DSP	R342		nsp	00MNN05100610	CHIP RESISTOR	10 OHM 1/10W J CRJ10DJ100T
DSP	R344		nsp	00MNN05100610	CHIP RESISTOR	10 OHM 1/10W J CRJ10DJ100T
DSP	R345		nsp	00MNN05100610	CHIP RESISTOR	10 OHM 1/10W J CRJ10DJ100T
DSP	R346		nsp	00MNN05100610	CHIP RESISTOR	10 OHM 1/10W J CRJ10DJ100T
DSP	R347		nsp	00MNN05101610	CHIP RESISTOR	100 OHM 1/10W J CRJ10DJ101T
DSP	R348		nsp	00MNN05101610	CHIP RESISTOR	100 OHM 1/10W J CRJ10DJ101T
DSP	R349		nsp	00MNN05101610	CHIP RESISTOR	100 OHM 1/10W J CRJ10DJ101T
DSP	R351		nsp	00MNN05100610	CHIP RESISTOR	10 OHM 1/10W J CRJ10DJ100T
DSP	R352		nsp	00MNN05100610	CHIP RESISTOR	10 OHM 1/10W J CRJ10DJ100T
DSP	R353		nsp	00MNN05100610	CHIP RESISTOR	10 OHM 1/10W J CRJ10DJ100T
DSP	R354		nsp	00MNN05100610	CHIP RESISTOR	10 OHM 1/10W J CRJ10DJ100T
DSP	R355		nsp	00MNN05750610	CHIP RESISTOR	75 OHM 1/10W J CRJ10DJ750T
DSP	R356		nsp	00MNN05100610	CHIP RESISTOR	10 OHM 1/10W J CRJ10DJ100T
DSP	R357		nsp	00MNN05101610	CHIP RESISTOR	100 OHM 1/10W J CRJ10DJ101T
DSP	R358		nsp	00MNN05101610	CHIP RESISTOR	100 OHM 1/10W J CRJ10DJ101T
DSP	R359		nsp	00MNN05101610	CHIP RESISTOR	100 OHM 1/10W J CRJ10DJ101T
DSP	R361		nsp	00MNN05103610	CHIP RESISTOR	10K OHM 1/10W J CRJ10DJ103T
DSP	R362		nsp	00MNN05103610	CHIP RESISTOR	10K OHM 1/10W J CRJ10DJ103T
DSP	R363		nsp	00MNN05103610	CHIP RESISTOR	10K OHM 1/10W J CRJ10DJ103T
DSP	R364		nsp	00MNN05103610	CHIP RESISTOR	10K OHM 1/10W J CRJ10DJ103T
DSP	R365		nsp	00MNN05103610	CHIP RESISTOR	10K OHM 1/10W J CRJ10DJ103T
DSP	R366		nsp	00MNN05103610	CHIP RESISTOR	10K OHM 1/10W J CRJ10DJ103T
DSP	R367		nsp	00MNN05103610	CHIP RESISTOR	10K OHM 1/10W J CRJ10DJ103T
DSP	R368		nsp	00MNN05103610	CHIP RESISTOR	10K OHM 1/10W J CRJ10DJ103T
DSP	R371		nsp	00MNN05100610	CHIP RESISTOR	10 OHM 1/10W J CRJ10DJ100T
DSP	R373		nsp	00MNN05100610	CHIP RESISTOR	10 OHM 1/10W J CRJ10DJ100T
DSP	R374		nsp	00MNN05104610	CHIP RESISTOR	100K OHM 1/10W J CRJ10DJ104T
DSP	R375		nsp	00MNN05750610	CHIP RESISTOR	75 OHM 1/10W J CRJ10DJ750T

NOTE : "nsp" PARTS IS LISTED FOR REFERENCE ONLY, MARANTZ WILL NOT SUPPLY THESE PARTS.

P.C.B. NAME	POS.NO.	VERS. COLOR	PART NO. (FOR EUR)	PART NO. (MJI)	PART NAME	DESCRIPTION
DSP	R381		nsp	00MNN05122610	CHIP RESISTOR	1.2K OHM 1/10W J CRJ10DJ122T
DSP	R383		nsp	00MNN05103610	CHIP RESISTOR	10K OHM 1/10W J CRJ10DJ103T
DSP	R385		nsp	00MNN05472610	CHIP RESISTOR	4.7K OHM 1/10W J CRJ10DJ472T
DSP	R391		nsp	00MNN05332610	CHIP RESISTOR	3.3K OHM 1/10W J CRJ10DJ332T
DSP	R392		nsp	00MNN05332610	CHIP RESISTOR	3.3K OHM 1/10W J CRJ10DJ332T
DSP	R393		nsp	00MNN05332610	CHIP RESISTOR	3.3K OHM 1/10W J CRJ10DJ332T
DSP	R394		nsp	00MNN05332610	CHIP RESISTOR	3.3K OHM 1/10W J CRJ10DJ332T
DSP	R401		nsp	00MNN05223610	CHIP RESISTOR	22K OHM 1/10W J CRJ10DJ223T
DSP	R402		nsp	00MNN05223610	CHIP RESISTOR	22K OHM 1/10W J CRJ10DJ223T
DSP	R403		nsp	00MNN05750610	CHIP RESISTOR	75 OHM 1/10W J CRJ10DJ750T
DSP	R404		nsp	00MNN05820610	CHIP RESISTOR	820 OHM 1/10W J CRJ10DJ820T
DSP	R405		nsp	00MNN05750610	CHIP RESISTOR	75 OHM 1/10W J CRJ10DJ750T
DSP	R406		nsp	00MNN05223610	CHIP RESISTOR	22K OHM 1/10W J CRJ10DJ223T
DSP	R407		nsp	00MNN05104610	CHIP RESISTOR	100K OHM 1/10W J CRJ10DJ104T
DSP	R411		nsp	00MNN05392610	CHIP RESISTOR	3.9K OHM 1/10W J CRJ10DJ392T
DSP	R412		nsp	00MNN05392610	CHIP RESISTOR	3.9K OHM 1/10W J CRJ10DJ392T
DSP	R413		nsp	00MNN05562610	CHIP RESISTOR	5.6K OHM 1/10W J CRJ10DJ562T
DSP	R414		nsp	00MNN05562610	CHIP RESISTOR	5.6K OHM 1/10W J CRJ10DJ562T
DSP	R415		nsp	00MNN05122610	CHIP RESISTOR	1.2K OHM 1/10W J CRJ10DJ122T
DSP	R416		nsp	00MNN05122610	CHIP RESISTOR	1.2K OHM 1/10W J CRJ10DJ122T
DSP	R417		nsp	00MNN05104610	CHIP RESISTOR	100K OHM 1/10W J CRJ10DJ104T
DSP	R418		nsp	00MNN05104610	CHIP RESISTOR	100K OHM 1/10W J CRJ10DJ104T
DSP	R419		nsp	00MNN05101610	CHIP RESISTOR	100 OHM 1/10W J CRJ10DJ101T
DSP	R420		nsp	00MNN05101610	CHIP RESISTOR	100 OHM 1/10W J CRJ10DJ101T
DSP	R421		nsp	00MNN05392610	CHIP RESISTOR	3.9K OHM 1/10W J CRJ10DJ392T
DSP	R422		nsp	00MNN05392610	CHIP RESISTOR	3.9K OHM 1/10W J CRJ10DJ392T
DSP	R423		nsp	00MNN05562610	CHIP RESISTOR	5.6K OHM 1/10W J CRJ10DJ562T
DSP	R424		nsp	00MNN05562610	CHIP RESISTOR	5.6K OHM 1/10W J CRJ10DJ562T
DSP	R425		nsp	00MNN05122610	CHIP RESISTOR	1.2K OHM 1/10W J CRJ10DJ122T
DSP	R426		nsp	00MNN05122610	CHIP RESISTOR	1.2K OHM 1/10W J CRJ10DJ122T
DSP	R427		nsp	00MNN05101610	CHIP RESISTOR	100 OHM 1/10W J CRJ10DJ101T
DSP	R428		nsp	00MNN05101610	CHIP RESISTOR	100 OHM 1/10W J CRJ10DJ101T
DSP	R431		nsp	00MNN05392610	CHIP RESISTOR	3.9K OHM 1/10W J CRJ10DJ392T
DSP	R432		nsp	00MNN05392610	CHIP RESISTOR	3.9K OHM 1/10W J CRJ10DJ392T
DSP	R433		nsp	00MNN05822610	CHIP RESISTOR	8.2K OHM 1/10W J CRJ10DJ822T
DSP	R434		nsp	00MNN05562610	CHIP RESISTOR	5.6K OHM 1/10W J CRJ10DJ562T
DSP	R435		nsp	00MNN05182610	CHIP RESISTOR	1.8K OHM 1/10W J CRJ10DJ182T
DSP	R436		nsp	00MNN05122610	CHIP RESISTOR	1.2K OHM 1/10W J CRJ10DJ122T
DSP	R437		nsp	00MNN05104610	CHIP RESISTOR	100K OHM 1/10W J CRJ10DJ104T
DSP	R438		nsp	00MNN05104610	CHIP RESISTOR	100K OHM 1/10W J CRJ10DJ104T
DSP	R439		nsp	00MNN05101610	CHIP RESISTOR	100 OHM 1/10W J CRJ10DJ101T
DSP	R440		nsp	00MNN05101610	CHIP RESISTOR	100 OHM 1/10W J CRJ10DJ101T
DSP	R441		nsp	00MNN05392610	CHIP RESISTOR	3.9K OHM 1/10W J CRJ10DJ392T
DSP	R442		nsp	00MNN05392610	CHIP RESISTOR	3.9K OHM 1/10W J CRJ10DJ392T
DSP	R443		nsp	00MNN05822610	CHIP RESISTOR	8.2K OHM 1/10W J CRJ10DJ822T
DSP	R444		nsp	00MNN05562610	CHIP RESISTOR	5.6K OHM 1/10W J CRJ10DJ562T
DSP	R445		nsp	00MNN05182610	CHIP RESISTOR	1.8K OHM 1/10W J CRJ10DJ182T
DSP	R446		nsp	00MNN05122610	CHIP RESISTOR	1.2K OHM 1/10W J CRJ10DJ122T
DSP	R447		nsp	00MNN05101610	CHIP RESISTOR	100 OHM 1/10W J CRJ10DJ101T
DSP	R448		nsp	00MNN05101610	CHIP RESISTOR	100 OHM 1/10W J CRJ10DJ101T
DSP	R451		nsp	00MNN05392610	CHIP RESISTOR	3.9K OHM 1/10W J CRJ10DJ392T
DSP	R452		nsp	00MNN05392610	CHIP RESISTOR	3.9K OHM 1/10W J CRJ10DJ392T
DSP	R453		nsp	00MNN05562610	CHIP RESISTOR	5.6K OHM 1/10W J CRJ10DJ562T
DSP	R454		nsp	00MNN05562610	CHIP RESISTOR	5.6K OHM 1/10W J CRJ10DJ562T
DSP	R455		nsp	00MNN05122610	CHIP RESISTOR	1.2K OHM 1/10W J CRJ10DJ122T
DSP	R456		nsp	00MNN05122610	CHIP RESISTOR	1.2K OHM 1/10W J CRJ10DJ122T
DSP	R457		nsp	00MNN05104610	CHIP RESISTOR	100K OHM 1/10W J CRJ10DJ104T
DSP	R458		nsp	00MNN05104610	CHIP RESISTOR	100K OHM 1/10W J CRJ10DJ104T
DSP	R459		nsp	00MNN05101610	CHIP RESISTOR	100 OHM 1/10W J CRJ10DJ101T
DSP	R460		nsp	00MNN05101610	CHIP RESISTOR	100 OHM 1/10W J CRJ10DJ101T
DSP	R461		nsp	00MNN05392610	CHIP RESISTOR	3.9K OHM 1/10W J CRJ10DJ392T
DSP	R462		nsp	00MNN05392610	CHIP RESISTOR	3.9K OHM 1/10W J CRJ10DJ392T
DSP	R463		nsp	00MNN05562610	CHIP RESISTOR	5.6K OHM 1/10W J CRJ10DJ562T
DSP	R464		nsp	00MNN05562610	CHIP RESISTOR	5.6K OHM 1/10W J CRJ10DJ562T
DSP	R465		nsp	00MNN05122610	CHIP RESISTOR	1.2K OHM 1/10W J CRJ10DJ122T
DSP	R466		nsp	00MNN05122610	CHIP RESISTOR	1.2K OHM 1/10W J CRJ10DJ122T

NOTE : "nsp" PARTS IS LISTED FOR REFERENCE ONLY, MARANTZ WILL NOT SUPPLY THESE PARTS.

P.C.B. NAME	POS.NO.	VERS. COLOR	PART NO. (FOR EUR)	PART NO. (MJI)	PART NAME	DESCRIPTION
DSP	R467		nsp	00MNN05101610	CHIP RESISTOR	100 OHM 1/10W J CRJ10DJ101T
DSP	R468		nsp	00MNN05101610	CHIP RESISTOR	100 OHM 1/10W J CRJ10DJ101T
DSP	R472		nsp	00MNN05392610	CHIP RESISTOR	3.9K OHM 1/10W J CRJ10DJ392T
DSP	R474		nsp	00MNN05562610	CHIP RESISTOR	5.6K OHM 1/10W J CRJ10DJ562T
DSP	R476		nsp	00MNN05122610	CHIP RESISTOR	1.2K OHM 1/10W J CRJ10DJ122T
DSP	R478		nsp	00MNN05104610	CHIP RESISTOR	100K OHM 1/10W J CRJ10DJ104T
DSP	R480		nsp	00MNN05101610	CHIP RESISTOR	100 OHM 1/10W J CRJ10DJ101T
DSP	R482		nsp	00MNN05392610	CHIP RESISTOR	3.9K OHM 1/10W J CRJ10DJ392T
DSP	R484		nsp	00MNN05562610	CHIP RESISTOR	5.6K OHM 1/10W J CRJ10DJ562T
DSP	R486		nsp	00MNN05122610	CHIP RESISTOR	1.2K OHM 1/10W J CRJ10DJ122T
DSP	R487		nsp	00MNN05101610	CHIP RESISTOR	100 OHM 1/10W J CRJ10DJ101T
DSP	R488		nsp	00MNN05101610	CHIP RESISTOR	100 OHM 1/10W J CRJ10DJ101T
DSP	R597		nsp	00MNN05222610	CHIP RESISTOR	2.2K OHM 1/10W J CRJ10DJ222T
DSP	R599		nsp	00MNN05102610	CHIP RESISTOR	1K OHM 1/10W J CRJ10DJ102T
DSP	RN21		90M-BW000360R	90M-BW000360R	RESISTOR COMPO.	33 OHM/1608*4 HRJ104DJ330T
DSP	RN22		90M-BW000360R	90M-BW000360R	RESISTOR COMPO.	33 OHM/1608*4 HRJ104DJ330T
DSP	RN23		90M-BW000360R	90M-BW000360R	RESISTOR COMPO.	33 OHM/1608*4 HRJ104DJ330T
DSP	RN24		90M-BW000360R	90M-BW000360R	RESISTOR COMPO.	33 OHM/1608*4 HRJ104DJ330T
DSP	X101		90M-JX001120R	90M-JX001120R	CRYSTAL	12.288MHZ 22PF HOX12288E220TF
FRONT PCB (CUP11679Z)						
FRONT	BD17	/S1S	nsp	90M-FC900350R	FERRITE CORE	HB-1M1608-601JT HLZ9Z018Z
FRONT	BD17	/U1S	nsp	90M-FC900350R	FERRITE CORE	HB-1M1608-601JT HLZ9Z018Z
FRONT	BD18	/S1S	nsp	90M-FC900350R	FERRITE CORE	HB-1M1608-601JT HLZ9Z018Z
FRONT	BD18	/U1S	nsp	90M-FC900350R	FERRITE CORE	HB-1M1608-601JT HLZ9Z018Z
FRONT	BN94		nsp	nsp	JACK	GF102-21S-TS KJP21GA117ZG
FRONT	BN96		nsp	nsp	CONNECTIVE CORD	PITCH 2.0 200MM CWB2B007200NN
FRONT	C107	/S1S	nsp	00MDD95221300	CERAMIC CAP.	220PF 50V J HCUS1H221JA
FRONT	C107	/U1S	nsp	00MDD95221300	CERAMIC CAP.	220PF 50V J HCUS1H221JA
FRONT	C108	/S1S	nsp	00MDD95221300	CERAMIC CAP.	220PF 50V J HCUS1H221JA
FRONT	C108	/U1S	nsp	00MDD95221300	CERAMIC CAP.	220PF 50V J HCUS1H221JA
FRONT	C911		nsp	00MDK98223300	CERAMIC CAP.	0.022uF 50V K HCUS1H223KC
FRONT	C912		nsp	00MDK98223300	CERAMIC CAP.	0.022uF 50V K HCUS1H223KC
FRONT	C913		nsp	00MDK98223300	CERAMIC CAP.	0.022uF 50V K HCUS1H223KC
FRONT	C914		nsp	00MDK98223300	CERAMIC CAP.	0.022uF 50V K HCUS1H223KC
FRONT	C915		nsp	00MDK98223300	CERAMIC CAP.	0.022uF 50V K HCUS1H223KC
FRONT	C916		nsp	00MDK98223300	CERAMIC CAP.	0.022uF 50V K HCUS1H223KC
FRONT	C917		nsp	00MDK98223300	CERAMIC CAP.	0.022uF 50V K HCUS1H223KC
FRONT	C918		nsp	00MDK98223300	CERAMIC CAP.	0.022uF 50V K HCUS1H223KC
FRONT	C919		nsp	00MDK98223300	CERAMIC CAP.	0.022uF 50V K HCUS1H223KC
FRONT	C920		nsp	00MDK98223300	CERAMIC CAP.	0.022uF 50V K HCUS1H223KC
FRONT	C921		nsp	00MDK98223300	CERAMIC CAP.	0.022uF 50V K HCUS1H223KC
FRONT	C941		nsp	00MOA10701620	ELECT CAP.	100UF 16V HCEA1CH101T
FRONT	C943		nsp	00MNN05000610	CHIP RESISTOR	0 OHM 1/10W J CRJ10DJ0R0T
FRONT	C944		nsp	00MNN05000610	CHIP RESISTOR	0 OHM 1/10W J CRJ10DJ0R0T
FRONT	C945		nsp	00MDD95471300	CERAMIC CAP.	470PF 50V J HCUS1H471JA
FRONT	C946		nsp	00MDD95471300	CERAMIC CAP.	470PF 50V J HCUS1H471JA
FRONT	C947		nsp	00MDD95471300	CERAMIC CAP.	470PF 50V J HCUS1H471JA
FRONT	C948		nsp	00MDD95471300	CERAMIC CAP.	470PF 50V J HCUS1H471JA
FRONT	C951		nsp	00MDK98223300	CERAMIC CAP.	0.022uF 50V K HCUS1H223KC
FRONT	C952		nsp	00MEJ47601640	ELECT CAP.	47 UF 16V KS HCEA1CKS470T
FRONT	C953		nsp	00MDD95220300	CERAMIC CAP.	220PF 50V J HCUS1H220JA
FRONT	C954		nsp	00MEJ22505010	ELECT CAP.	2.2UF 50V KS HCEA1HKS2R2T
FRONT	C956		nsp	00MDK98223300	CERAMIC CAP.	0.022uF 50V K HCUS1H223KC
FRONT	C957		nsp	00MDK98223300	CERAMIC CAP.	0.022uF 50V K HCUS1H223KC
FRONT	C958		nsp	00MEJ47601640	ELECT CAP.	47 UF 16V KS HCEA1CKS470T
FRONT	C959		nsp	00MDK98223300	CERAMIC CAP.	0.022uF 50V K HCUS1H223KC
FRONT	C961		nsp	00MEJ10601640	ELECT CAP.	10UF 16V KS HCEA1CKS100T
FRONT	C962		nsp	00MEJ10601640	ELECT CAP.	10UF 16V KS HCEA1CKS100T
FRONT	C963		nsp	00MEJ10601640	ELECT CAP.	10UF 16V KS HCEA1CKS100T
FRONT	C964		nsp	00MEJ10601640	ELECT CAP.	10UF 16V KS HCEA1CKS100T
FRONT	C965		nsp	00MEJ10601640	ELECT CAP.	10UF 16V KS HCEA1CKS100T
FRONT	C966		nsp	00MEJ10601640	ELECT CAP.	10UF 16V KS HCEA1CKS100T
FRONT	C967		nsp	00MEJ10601640	ELECT CAP.	10UF 16V KS HCEA1CKS100T
FRONT	C968		nsp	00MEJ10601640	ELECT CAP.	10UF 16V KS HCEA1CKS100T
FRONT	C969		nsp	00MEJ10601640	ELECT CAP.	10UF 16V KS HCEA1CKS100T
FRONT	C970		nsp	00MEJ10601640	ELECT CAP.	10UF 16V KS HCEA1CKS100T

NOTE : "nsp" PARTS IS LISTED FOR REFERENCE ONLY, MARANTZ WILL NOT SUPPLY THESE PARTS.

P.C.B. NAME	POS.NO.	VERS. COLOR	PART NO. (FOR EUR)	PART NO. (MJI)	PART NAME	DESCRIPTION
FRONT	C971		nsp	00MEJ10601640	ELECT CAP.	10UF 16V KS HCEA1CK5100T
FRONT	C976		nsp	00MEJ10601640	ELECT CAP.	10UF 16V KS HCEA1CK5100T
FRONT	C978		nsp	00MEJ22505010	ELECT CAP.	2.2UF 50V KS HCEA1HKS2R2T
FRONT	C980		nsp	00MDK98223300	CERAMIC CAP.	0.022uF 50V K HCUS1H223KC
FRONT	C981		nsp	00MEJ47601640	ELECT CAP.	47 UF 16V KS HCEA1CK5470T
FRONT	C982		nsp	00MDK98223300	CERAMIC CAP.	0.022uF 50V K HCUS1H223KC
FRONT	C985		nsp	00MDK98223300	CERAMIC CAP.	0.022uF 50V K HCUS1H223KC
FRONT	C986		nsp	00MDK98223300	CERAMIC CAP.	0.022uF 50V K HCUS1H223KC
FRONT	C987		nsp	00MDK98223300	CERAMIC CAP.	0.022uF 50V K HCUS1H223KC
FRONT	C989		nsp	00MDD95101300	CERAMIC CAP.	100PF 50V J HCUS1H101JA
FRONT	C990		nsp	00MEJ47601640	ELECT CAP.	47 UF 16V KS HCEA1CK5470T
FRONT	C991		nsp	00MDD95101300	CERAMIC CAP.	100PF 50V J HCUS1H101JA
FRONT	C992		nsp	00MDK98223300	CERAMIC CAP.	0.022uF 50V K HCUS1H223KC
FRONT	C993		nsp	00MDK96103300	CERAMIC CAP.	0.01uF 50V K HCUS1H103KC
FRONT	C994		nsp	00MDK96103300	CERAMIC CAP.	0.01uF 50V K HCUS1H103KC
FRONT	C995		nsp	00MNN05000610	CHIP RESISTOR	0 OHM 1/10W J CRJ10DJ0R0T
FRONT	C996		nsp	00MNN05000610	CHIP RESISTOR	0 OHM 1/10W J CRJ10DJ0R0T
FRONT	C997		nsp	00MDK98223300	CERAMIC CAP.	0.022uF 50V K HCUS1H223KC
FRONT	C999		nsp	00MDK98223300	CERAMIC CAP.	0.022uF 50V K HCUS1H223KC
FRONT	CN12		nsp	nsp	JACK	GF102-17S-TS KJP17GA117ZG
FRONT	CN51	/S1S	nsp	nsp	JACK	MOLEX53014-0310 KJP03GA19ZM
FRONT	CN51	/U1S	nsp	nsp	JACK	MOLEX53014-0310 KJP03GA19ZM
FRONT	CN54		nsp	nsp	JACK	GF120-13S-TS KJP13GA115ZG
FRONT	CN94		nsp	nsp	JACK	GF102-21S-TS KJP21GA117ZG
FRONT	CN98		nsp	nsp	JACK	35237(15PIN) KJP15GB99ZM
FRONT	D951		90M-HI101080R	90M-HI101080R	LED.	LEBBL33T0 CVDLEBBL33T0
FRONT	D952		90M-HI101080R	90M-HI101080R	LED.	LEBBL33T0 CVDLEBBL33T0
FRONT	D953		90M-HI101080R	90M-HI101080R	LED.	LEBBL33T0 CVDLEBBL33T0
FRONT	D954		90M-HI101080R	90M-HI101080R	LED.	LEBBL33T0 CVDLEBBL33T0
FRONT	D955		90M-HI101080R	90M-HI101080R	LED.	LEBBL33T0 CVDLEBBL33T0
FRONT	D956		90M-HI101080R	90M-HI101080R	LED.	LEBBL33T0 CVDLEBBL33T0
FRONT	D957		90M-HI101080R	90M-HI101080R	LED.	LEBBL33T0 CVDLEBBL33T0
FRONT	D958		90M-HI101080R	90M-HI101080R	LED.	LEBBL33T0 CVDLEBBL33T0
FRONT	D959		90M-HI101080R	90M-HI101080R	LED.	LEBBL33T0 CVDLEBBL33T0
FRONT	D960		90M-HI101080R	90M-HI101080R	LED.	LEBBL33T0 CVDLEBBL33T0
FRONT	D961		90M-HI101080R	90M-HI101080R	LED.	LEBBL33T0 CVDLEBBL33T0
FRONT	D975		nsp	90M-HD201800R	DIODE	1SS355 HVD1SS355T
FRONT	D976		nsp	90M-HD201800R	DIODE	1SS355 HVD1SS355T
FRONT	D977		nsp	90M-HD201800R	DIODE	1SS355 HVD1SS355T
FRONT	D978		nsp	90M-HD201800R	DIODE	1SS355 HVD1SS355T
FRONT	D979		nsp	90M-HD201800R	DIODE	1SS355 HVD1SS355T
FRONT	D980		nsp	90M-HD201800R	DIODE	1SS355 HVD1SS355T
FRONT	D981		nsp	90M-HD201800R	DIODE	1SS355 HVD1SS355T
FRONT	D982		nsp	90M-HD201800R	DIODE	1SS355 HVD1SS355T
FRONT	D983		nsp	90M-HD201800R	DIODE	1SS355 HVD1SS355T
FRONT	D984		nsp	90M-HD201800R	DIODE	1SS355 HVD1SS355T
FRONT	D985		nsp	90M-HD201800R	DIODE	1SS355 HVD1SS355T
FRONT	D986		nsp	90M-HD201800R	DIODE	1SS355 HVD1SS355T
FRONT	D990		90M-HI101090R	90M-HI101090R	LED.	SPR-39MVW3 HVDSPR39MVW3
FRONT	FL95		90M-HQ300670R	90M-HQ300670R	DISPLAY	11-BT-230GNK HFL11BT230GNK
FRONT	IC95		90M-HC109060R	90M-HC109060R	IC	LC75725E HVILC75725E
FRONT	J951		nsp	nsp	CONNECTIVE CORD	C3A206
FRONT	J952		nsp	nsp	CONNECTIVE CORD	C3A206
FRONT	J953		nsp	nsp	CONNECTIVE CORD	C3A206
FRONT	J954		nsp	nsp	CONNECTIVE CORD	C3A206
FRONT	J955		nsp	nsp	CONNECTIVE CORD	C3A206
FRONT	J956		nsp	nsp	CONNECTIVE CORD	C3A206
FRONT	JK51	/S1S	nsp	90M-YT003180R	TERMINAL	CJJ4N063Z
FRONT	JK51	/U1S	nsp	90M-YT003180R	TERMINAL	CJJ4N063Z
FRONT	JK91		90M-YT004120R	90M-YT004120R	TERMINAL	HJJ2D003Y
FRONT	JW91		nsp	nsp	CONNECTIVE CORD	CWE8202080RV
FRONT	JW92		nsp	nsp	CONNECTIVE CORD	CWE8202110RV
FRONT	L981		90M-LU000190R	90M-LU000190R	CHIP INDUCTANCE	1.8uH HLQ08E1R8KRZ
FRONT	Q797		90M-HX900010R	90M-HX900010R	CHIP TR.	KTD1304 HVTKTD1304T
FRONT	Q798		90M-HX900010R	90M-HX900010R	CHIP TR.	KTD1304 HVTKTD1304T
FRONT	Q961		90M-HX800010R	90M-HX800010R	CHIP TR.	KRC102S HVTKRC102S

NOTE : "nsp" PARTS IS LISTED FOR REFERENCE ONLY, MARANTZ WILL NOT SUPPLY THESE PARTS.

P.C.B. NAME	POS.NO.	VERS. COLOR	PART NO. (FOR EUR)	PART NO. (MJI)	PART NAME	DESCRIPTION
FRONT	Q962		90M-HX800010R	90M-HX800010R	CHIP TR.	KRC102S HVTKRC102S
FRONT	Q963		90M-HX800010R	90M-HX800010R	CHIP TR.	KRC102S HVTKRC102S
FRONT	Q964		90M-HX800010R	90M-HX800010R	CHIP TR.	KRC102S HVTKRC102S
FRONT	Q965		90M-HX800010R	90M-HX800010R	CHIP TR.	KRC102S HVTKRC102S
FRONT	Q966		90M-HX800010R	90M-HX800010R	CHIP TR.	KRC102S HVTKRC102S
FRONT	Q967		90M-HX800010R	90M-HX800010R	CHIP TR.	KRC102S HVTKRC102S
FRONT	Q968		90M-HX800010R	90M-HX800010R	CHIP TR.	KRC102S HVTKRC102S
FRONT	Q969		90M-HX800010R	90M-HX800010R	CHIP TR.	KRC102S HVTKRC102S
FRONT	Q970		90M-HX800010R	90M-HX800010R	CHIP TR.	KRC102S HVTKRC102S
FRONT	Q971		90M-HX800010R	90M-HX800010R	CHIP TR.	KRC102S HVTKRC102S
FRONT	Q975		90M-HX800010R	90M-HX800010R	CHIP TR.	KRC102S HVTKRC102S
FRONT	Q976		90M-HX800010R	90M-HX800010R	CHIP TR.	KRC102S HVTKRC102S
FRONT	Q977		90M-HX600010R	90M-HX600010R	CHIP TR.	KRA102S HVTKRA102S
FRONT	Q978		90M-HX800010R	90M-HX800010R	CHIP TR.	KRC102S HVTKRC102S
FRONT	R107	/S1S	nsp	00MNN05102610	CHIP RESISTOR	1K OHM 1/10W J CRJ10DJ102T
FRONT	R107	/U1S	nsp	00MNN05102610	CHIP RESISTOR	1K OHM 1/10W J CRJ10DJ102T
FRONT	R108	/S1S	nsp	00MNN05102610	CHIP RESISTOR	1K OHM 1/10W J CRJ10DJ102T
FRONT	R108	/U1S	nsp	00MNN05102610	CHIP RESISTOR	1K OHM 1/10W J CRJ10DJ102T
FRONT	R117	/S1S	nsp	00MNN05104610	CHIP RESISTOR	100K OHM 1/10W J CRJ10DJ104T
FRONT	R117	/U1S	nsp	00MNN05104610	CHIP RESISTOR	100K OHM 1/10W J CRJ10DJ104T
FRONT	R118	/S1S	nsp	00MNN05104610	CHIP RESISTOR	100K OHM 1/10W J CRJ10DJ104T
FRONT	R118	/U1S	nsp	00MNN05104610	CHIP RESISTOR	100K OHM 1/10W J CRJ10DJ104T
FRONT	R795		90M-RI000230R	90M-RI000230R	CHIP RESISTOR	10 OHM 1/4W J CRJ14CJ100T
FRONT	R796		90M-RI000230R	90M-RI000230R	CHIP RESISTOR	10 OHM 1/4W J CRJ14CJ100T
FRONT	R797		nsp	00MNN05682610	CHIP RESISTOR	6.8K OHM 1/10W J CRJ10DJ682T
FRONT	R798		nsp	00MNN05682610	CHIP RESISTOR	6.8K OHM 1/10W J CRJ10DJ682T
FRONT	R942		nsp	00MNN05100610	CHIP RESISTOR	10 OHM 1/10W J CRJ10DJ100T
FRONT	R943		nsp	00MNN05000610	CHIP RESISTOR	0 OHM 1/10W J CRJ10DJ0R0T
FRONT	R944		nsp	00MNN05000610	CHIP RESISTOR	0 OHM 1/10W J CRJ10DJ0R0T
FRONT	R945		nsp	00MNN05221610	CHIP RESISTOR	220 OHM 1/10W J CRJ10DJ221T
FRONT	R946		nsp	00MNN05221610	CHIP RESISTOR	220 OHM 1/10W J CRJ10DJ221T
FRONT	R947		nsp	00MNN05221610	CHIP RESISTOR	220 OHM 1/10W J CRJ10DJ221T
FRONT	R948		nsp	00MNN05221610	CHIP RESISTOR	220 OHM 1/10W J CRJ10DJ221T
FRONT	R951		nsp	00MNN05100610	CHIP RESISTOR	10 OHM 1/10W J CRJ10DJ100T
FRONT	R953		nsp	00MNN05562610	CHIP RESISTOR	5.6K OHM 1/10W J CRJ10DJ562T
FRONT	R954		nsp	00MNN05223610	CHIP RESISTOR	22K OHM 1/10W J CRJ10DJ223T
FRONT	R955		nsp	00MNN05100610	CHIP RESISTOR	10 OHM 1/10W J CRJ10DJ100T
FRONT	R956		nsp	00MNN05000610	CHIP RESISTOR	0 OHM 1/10W J CRJ10DJ0R0T
FRONT	R957		nsp	00MNN05000610	CHIP RESISTOR	0 OHM 1/10W J CRJ10DJ0R0T
FRONT	R961		nsp	00MNN05181610	CHIP RESISTOR	180 OHM 1/10W J CRJ10DJ181T
FRONT	R962		nsp	00MNN05181610	CHIP RESISTOR	180 OHM 1/10W J CRJ10DJ181T
FRONT	R963		nsp	00MNN05181610	CHIP RESISTOR	180 OHM 1/10W J CRJ10DJ181T
FRONT	R964		nsp	00MNN05181610	CHIP RESISTOR	180 OHM 1/10W J CRJ10DJ181T
FRONT	R965		nsp	00MNN05181610	CHIP RESISTOR	180 OHM 1/10W J CRJ10DJ181T
FRONT	R966		nsp	00MNN05181610	CHIP RESISTOR	180 OHM 1/10W J CRJ10DJ181T
FRONT	R967		nsp	00MNN05181610	CHIP RESISTOR	180 OHM 1/10W J CRJ10DJ181T
FRONT	R968		nsp	00MNN05181610	CHIP RESISTOR	180 OHM 1/10W J CRJ10DJ181T
FRONT	R969		nsp	00MNN05181610	CHIP RESISTOR	180 OHM 1/10W J CRJ10DJ181T
FRONT	R970		nsp	00MNN05181610	CHIP RESISTOR	180 OHM 1/10W J CRJ10DJ181T
FRONT	R971		nsp	00MNN05181610	CHIP RESISTOR	180 OHM 1/10W J CRJ10DJ181T
FRONT	R975		nsp	00MNN05820610	CHIP RESISTOR	820 OHM 1/10W J CRJ10DJ820T
FRONT	R977		nsp	00MNN05562610	CHIP RESISTOR	5.6K OHM 1/10W J CRJ10DJ562T
FRONT	R980		nsp	90M-NN000590R	CHIP RESISTOR	10K OHM 1/10W F CRJ10DF1002T
FRONT	R981		nsp	90M-NN000580R	CHIP RESISTOR	1K OHM 1/10W F CRJ10DF1001T
FRONT	R982		nsp	90M-NN000600R	CHIP RESISTOR	1.5K OHM 1/10W F CRJ10DF1501T
FRONT	R983		nsp	90M-NN000610R	CHIP RESISTOR	1.8K OHM 1/10W F CRJ10DF1801T
FRONT	R984		nsp	90M-NN000710R	CHIP RESISTOR	2.7K OHM 1/10W F CRJ10DF2701T
FRONT	R985		nsp	00MNN05221610	CHIP RESISTOR	220 OHM 1/10W J CRJ10DJ221T
FRONT	R986		nsp	00MNN05221610	CHIP RESISTOR	220 OHM 1/10W J CRJ10DJ221T
FRONT	R987		nsp	90M-NN000590R	CHIP RESISTOR	10K OHM 1/10W F CRJ10DF1002T
FRONT	R988		nsp	90M-NN000580R	CHIP RESISTOR	1K OHM 1/10W F CRJ10DF1001T
FRONT	R991		nsp	00MNN05221610	CHIP RESISTOR	220 OHM 1/10W J CRJ10DJ221T
FRONT	R992		nsp	00MNN05100610	CHIP RESISTOR	10 OHM 1/10W J CRJ10DJ100T
FRONT	R995		nsp	00MNN05000610	CHIP RESISTOR	0 OHM 1/10W J CRJ10DJ0R0T
FRONT	R996		nsp	00MNN05000610	CHIP RESISTOR	0 OHM 1/10W J CRJ10DJ0R0T
FRONT	R998		nsp	00MNN05221610	CHIP RESISTOR	220 OHM 1/10W J CRJ10DJ221T

NOTE : "nsp" PARTS IS LISTED FOR REFERENCE ONLY, MARANTZ WILL NOT SUPPLY THESE PARTS.

P.C.B. NAME	POS.NO.	VERS. COLOR	PART NO. (FOR EUR)	PART NO. (MJI)	PART NAME	DESCRIPTION
FRONT	RC91		90M-HW100720R	90M-HW100720R	PHOTO UNIT	NJL23H360A HRVNJL23H360A
FRONT	S981		90M-SP000880R	90M-SP000880R	SWITCH	KST1A010Z
FRONT	S982		90M-SP000880R	90M-SP000880R	SWITCH	KST1A010Z
FRONT	S983		90M-SP000880R	90M-SP000880R	SWITCH	KST1A010Z
FRONT	S984		90M-SP000880R	90M-SP000880R	SWITCH	KST1A010Z
FRONT	S985		90M-SP000880R	90M-SP000880R	SWITCH	KST1A010Z
FRONT	S988		90M-SP000880R	90M-SP000880R	SWITCH	KST1A010Z
FRONT	S989		90M-SP000880R	90M-SP000880R	SWITCH	KST1A010Z
					MAIN PCB (CUP11726Y)	
MAIN	BD11		90M-FC900350R	90M-FC900350R	FERRITE CORE	HB-1M1608-601JT HLZ9Z018Z
MAIN	BD12		90M-FC900350R	90M-FC900350R	FERRITE CORE	HB-1M1608-601JT HLZ9Z018Z
MAIN	BD13		90M-FC900350R	90M-FC900350R	FERRITE CORE	HB-1M1608-601JT HLZ9Z018Z
MAIN	BD14		90M-FC900350R	90M-FC900350R	FERRITE CORE	HB-1M1608-601JT HLZ9Z018Z
MAIN	BD15		90M-FC900350R	90M-FC900350R	FERRITE CORE	HB-1M1608-601JT HLZ9Z018Z
MAIN	BD16		90M-FC900350R	90M-FC900350R	FERRITE CORE	HB-1M1608-601JT HLZ9Z018Z
MAIN	BD17	/N1S	90M-FC900350R	90M-FC900350R	FERRITE CORE	HB-1M1608-601JT HLZ9Z018Z
MAIN	BD18	/N1S	90M-FC900350R	90M-FC900350R	FERRITE CORE	HB-1M1608-601JT HLZ9Z018Z
MAIN	BD19		90M-FC900350R	90M-FC900350R	FERRITE CORE	HB-1M1608-601JT HLZ9Z018Z
MAIN	BD20		90M-FC900350R	90M-FC900350R	FERRITE CORE	HB-1M1608-601JT HLZ9Z018Z
MAIN	BD54		90M-FC900340R	90M-FC900340R	FERRITE CORE	HU-1H4516-600JT HLZ9Z014Z
MAIN	BD55		90M-FC900340R	90M-FC900340R	FERRITE CORE	HU-1H4516-600JT HLZ9Z014Z
MAIN	BD56		90M-FC900340R	90M-FC900340R	FERRITE CORE	HU-1H4516-600JT HLZ9Z014Z
MAIN	BD57		90M-FC900340R	90M-FC900340R	FERRITE CORE	HU-1H4516-600JT HLZ9Z014Z
MAIN	BD58		90M-FC900340R	90M-FC900340R	FERRITE CORE	HU-1H4516-600JT HLZ9Z014Z
MAIN	BD59		90M-FC900340R	90M-FC900340R	FERRITE CORE	HU-1H4516-600JT HLZ9Z014Z
MAIN	BN51	/S1S	nsp	nsp	CONNECTIVE CORD	SHIELD , 3PIN CWZER2500BN51
MAIN	BN51	/U1S	nsp	nsp	CONNECTIVE CORD	SHIELD , 3PIN CWZER2500BN51
MAIN	C101		nsp	00MDD95221300	CERAMIC CAP.	220PF 50V J HCUS1H221JA
MAIN	C102		nsp	00MDD95221300	CERAMIC CAP.	220PF 50V J HCUS1H221JA
MAIN	C103		nsp	00MDD95221300	CERAMIC CAP.	220PF 50V J HCUS1H221JA
MAIN	C104		nsp	00MDD95221300	CERAMIC CAP.	220PF 50V J HCUS1H221JA
MAIN	C105		nsp	00MDD95221300	CERAMIC CAP.	220PF 50V J HCUS1H221JA
MAIN	C106		nsp	00MDD95221300	CERAMIC CAP.	220PF 50V J HCUS1H221JA
MAIN	C107	/N1S	nsp	00MDD95221300	CERAMIC CAP.	220PF 50V J HCUS1H221JA
MAIN	C108	/N1S	nsp	00MDD95221300	CERAMIC CAP.	220PF 50V J HCUS1H221JA
MAIN	C109		nsp	00MDD95221300	CERAMIC CAP.	220PF 50V J HCUS1H221JA
MAIN	C110		nsp	00MDD95221300	CERAMIC CAP.	220PF 50V J HCUS1H221JA
MAIN	C111		nsp	00MDK98223300	CERAMIC CAP.	0.022uF 50V K HCUS1H223KC
MAIN	C112		nsp	00MDK98223300	CERAMIC CAP.	0.022uF 50V K HCUS1H223KC
MAIN	C113		nsp	00MDK96561300	CERAMIC CAP.	560PF 50V J HCUS1H561JA
MAIN	C114		nsp	00MDK96561300	CERAMIC CAP.	560PF 50V J HCUS1H561JA
MAIN	C115		nsp	00MDK96561300	CERAMIC CAP.	560PF 50V J HCUS1H561JA
MAIN	C116		nsp	00MDK98223300	CERAMIC CAP.	0.022uF 50V K HCUS1H223KC
MAIN	C117		nsp	00MDK98223300	CERAMIC CAP.	0.022uF 50V K HCUS1H223KC
MAIN	C119		nsp	00MOA10603540	ELECT CAP.	10UF 35V HCEA1VH100T
MAIN	C120		nsp	00MOA10603540	ELECT CAP.	10UF 35V HCEA1VH100T
MAIN	C121		nsp	00MOA10701620	ELECT CAP.	100UF 16V HCEA1CH101T
MAIN	C122		nsp	00MOA10701620	ELECT CAP.	100UF 16V HCEA1CH101T
MAIN	C126		nsp	00MDK96102300	CERAMIC CAP.	1000PF 50V K HCUS1H102KC
MAIN	C127		nsp	00MDK96102300	CERAMIC CAP.	1000PF 50V K HCUS1H102KC
MAIN	C151		nsp	00MDD95221300	CERAMIC CAP.	220PF 50V J HCUS1H221JA
MAIN	C152		nsp	00MDD95221300	CERAMIC CAP.	220PF 50V J HCUS1H221JA
MAIN	C153		nsp	00MDD95221300	CERAMIC CAP.	220PF 50V J HCUS1H221JA
MAIN	C154		nsp	00MDD95221300	CERAMIC CAP.	220PF 50V J HCUS1H221JA
MAIN	C155		nsp	00MOA47701620	ELECT CAP.	470UF 10V HCEA1CH471T
MAIN	C156		nsp	00MDK98223300	CERAMIC CAP.	0.022uF 50V K HCUS1H223KC
MAIN	C170		nsp	00MDK98223300	CERAMIC CAP.	0.022uF 50V K HCUS1H223KC
MAIN	C171		nsp	00MOA22505020	ELECT CAP.	2.2UF 50V HCEA1HH2R2T
MAIN	C172		nsp	00MDK98223300	CERAMIC CAP.	0.022uF 50V K HCUS1H223KC
MAIN	C173		nsp	00MDD95330300	CERAMIC CAP.	33PF 50V J HCUS1H330JA
MAIN	C174		nsp	00MDD95330300	CERAMIC CAP.	33PF 50V J HCUS1H330JA
MAIN	C175		nsp	00MDK98223300	CERAMIC CAP.	0.022uF 50V K HCUS1H223KC
MAIN	C177		nsp	00MOA47701020	ELECT CAP.	470UF 10V HCEA1AH471T
MAIN	C178		nsp	00MOA22505020	ELECT CAP.	2.2UF 50V HCEA1HH2R2T
MAIN	C179		nsp	00MDK96102300	CERAMIC CAP.	1000PF 50V K HCUS1H102KC
MAIN	C180		nsp	00MDD95221300	CERAMIC CAP.	220PF 50V J HCUS1H221JA

NOTE : "nsp" PARTS IS LISTED FOR REFERENCE ONLY, MARANTZ WILL NOT SUPPLY THESE PARTS.

P.C.B. NAME	POS.NO.	VERS. COLOR	PART NO. (FOR EUR)	PART NO. (MJI)	PART NAME	DESCRIPTION
MAIN	C181		nsp	00MDD95221300	CERAMIC CAP.	220PF 50V J HCUS1H221JA
MAIN	C182		nsp	00MDK98223300	CERAMIC CAP.	0.022uF 50V K HCUS1H223KC
MAIN	C199		nsp	00MDK98223300	CERAMIC CAP.	0.022uF 50V K HCUS1H223KC
MAIN	C501		nsp	00MDD95560300	CERAMIC CAP.	56PF 50V J HCUS1H560JA
MAIN	C502		nsp	00MDK96104300	CERAMIC CAP.	0.1uF 25V Z HCUS1E104ZF
MAIN	C503		nsp	00MDD95220300	CERAMIC CAP.	220PF 50V J HCUS1H220JA
MAIN	C504		nsp	00MOA10701620	ELECT CAP.	100UF 16V HCEA1CH101T
MAIN	C505		nsp	00MOA10701620	ELECT CAP.	100UF 16V HCEA1CH101T
MAIN	C506		nsp	00MOA10701620	ELECT CAP.	100UF 16V HCEA1CH101T
MAIN	C507		nsp	00MOA10701620	ELECT CAP.	100UF 16V HCEA1CH101T
MAIN	C508		nsp	00MOA47701020	ELECT CAP.	470UF 10V HCEA1AH471T
MAIN	C513		nsp	00MOA47701020	ELECT CAP.	470UF 10V HCEA1AH471T
MAIN	C514		nsp	00MOA10701620	ELECT CAP.	100UF 16V HCEA1CH101T
MAIN	C515		nsp	00MOA22601620	ELECT CAP.	22UF 16V HCEA1CH220T
MAIN	C516		nsp	00MOA10701620	ELECT CAP.	100UF 16V HCEA1CH101T
MAIN	C517		nsp	00MOA22601620	ELECT CAP.	22UF 16V HCEA1CH220T
MAIN	C518	/S1S	nsp	00MOA10701620	ELECT CAP.	100UF 16V HCEA1CH101T
MAIN	C518	/U1S	nsp	00MOA10701620	ELECT CAP.	100UF 16V HCEA1CH101T
MAIN	C519	/S1S	nsp	00MOA22601620	ELECT CAP.	22UF 16V HCEA1CH220T
MAIN	C519	/U1S	nsp	00MOA22601620	ELECT CAP.	22UF 16V HCEA1CH220T
MAIN	C521		nsp	00MNN05223610	CHIP RESISTOR	22K OHM 1/10W J CRJ10DJ223T
MAIN	C522		nsp	00MDD95101300	CERAMIC CAP.	100PF 50V J HCUS1H101JA
MAIN	C523		nsp	00MDK98223300	CERAMIC CAP.	0.022uF 50V K HCUS1H223KC
MAIN	C524		nsp	00MDD95560300	CERAMIC CAP.	56PF 50V J HCUS1H560JA
MAIN	C527		nsp	00MDK98223300	CERAMIC CAP.	0.022uF 50V K HCUS1H223KC
MAIN	C528		nsp	00MDK98223300	CERAMIC CAP.	0.022uF 50V K HCUS1H223KC
MAIN	C529		nsp	00MOA47701020	ELECT CAP.	470UF 10V HCEA1AH471T
MAIN	C530		nsp	00MOA47701020	ELECT CAP.	470UF 10V HCEA1AH471T
MAIN	C531		nsp	00MOA10701620	ELECT CAP.	100UF 16V HCEA1CH101T
MAIN	C534		nsp	00MDK98223300	CERAMIC CAP.	0.022uF 50V K HCUS1H223KC
MAIN	C536		nsp	00MOA22505020	ELECT CAP.	2.2UF 50V HCEA1HH2R2T
MAIN	C537		nsp	00MOA10701620	ELECT CAP.	100UF 16V HCEA1CH101T
MAIN	C538		nsp	00MDD95101300	CERAMIC CAP.	100PF 50V J HCUS1H101JA
MAIN	C543		nsp	00MOA47701020	ELECT CAP.	470UF 10V HCEA1AH471T
MAIN	C569		nsp	00MOA10702520	ELECT CAP.	100UF 25V HCEA1EH101T
MAIN	C574		90M-OF100450R	90M-OF100450R	FILM CAP.	METALIZED KCQE1J154KXT
MAIN	C575		90M-OF100450R	90M-OF100450R	FILM CAP.	METALIZED KCQE1J154KXT
MAIN	C576		nsp	00MOA10603540	ELECT CAP.	10UF 35V HCEA1VH100T
MAIN	C577		nsp	00MOA47701020	ELECT CAP.	470UF 10V HCEA1AH471T
MAIN	C580		nsp	00MOA10701620	ELECT CAP.	100UF 16V HCEA1CH101T
MAIN	C581		nsp	00MOA47701020	ELECT CAP.	470UF 10V HCEA1AH471T
MAIN	C582		nsp	00MDK98223300	CERAMIC CAP.	0.022uF 50V K HCUS1H223KC
MAIN	C583		nsp	00MOA10701620	ELECT CAP.	100UF 16V HCEA1CH101T
MAIN	C584		nsp	00MDK96104300	CERAMIC CAP.	0.1uF 25V Z HCUS1E104ZF
MAIN	C586		nsp	90M-OA000200R	BIG ELECT CAP	SCDC5R5224V HCESCDC5R5224V
MAIN	C587		nsp	00MOA10701620	ELECT CAP.	100UF 16V HCEA1CH101T
MAIN	C588		nsp	00MOA47701020	ELECT CAP.	470UF 10V HCEA1AH471T
MAIN	C589		nsp	00MOA22701620	ELECT CAP.	220UF 16V HCEA1CH221T
MAIN	C590		nsp	00MOA22701620	ELECT CAP.	220UF 16V HCEA1CH221T
MAIN	C591		nsp	00MOA10701620	ELECT CAP.	100UF 16V HCEA1CH101T
MAIN	C592		nsp	00MOA10701620	ELECT CAP.	100UF 16V HCEA1CH101T
MAIN	C593		nsp	00MOA47701020	ELECT CAP.	470UF 10V HCEA1AH471T
MAIN	C594		nsp	00MOA47701020	ELECT CAP.	470UF 10V HCEA1AH471T
MAIN	C595		nsp	00MOA10801620	ELECT CAP.	1000UF 16V HCEA1CH102E
MAIN	C596		nsp	00MDK98223300	CERAMIC CAP.	0.022uF 50V K HCUS1H223KC
MAIN	CN11		nsp	nsp	JACK	GF102-21S-TS KJP21GA117ZG
MAIN	CN12		nsp	nsp	JACK	GF102-17S-TS KJP17GA117ZG
MAIN	CN13		nsp	nsp	JACK	GF102-21S-TS KJP21GA117ZG
MAIN	CN14		nsp	nsp	JACK	MOLEX53014-0610 KJP06GA19ZM
MAIN	CN15		nsp	nsp	JACK	GF120-13S-TS KJP13GA117ZG
MAIN	CN17		nsp	nsp	JACK	GF120-13S-TS KJP13GA115ZG
MAIN	CN51		nsp	nsp	JACK	JWT CJP20GA147ZW
MAIN	CN52		nsp	nsp	JACK	JWT CJP20GA147ZW
MAIN	CN53		nsp	nsp	JACK	MOLEX53014-0710 KJP07GA19ZM
MAIN	CN54		nsp	nsp	JACK	GF120-13S-TS KJP13GA115ZG
MAIN	CN57		nsp	nsp	JACK	MOLEX53014-0310 KJP03GA19ZM

NOTE : "nsp" PARTS IS LISTED FOR REFERENCE ONLY, MARANTZ WILL NOT SUPPLY THESE PARTS.

P.C.B. NAME	POS.NO.	VERS. COLOR	PART NO. (FOR EUR)	PART NO. (MJI)	PART NAME	DESCRIPTION
MAIN	D151		nsp	90M-HD201800R	DIODE	HVD1SS355T
MAIN	D501		nsp	90M-HD201800R	DIODE	1SS355 HVD1SS355T
MAIN	D502		nsp	90M-HD201800R	DIODE	1SS355 HVD1SS355T
MAIN	D555		nsp	90M-HD201800R	DIODE	1SS355 HVD1SS355T
MAIN	D578		nsp	90M-HD201800R	DIODE	1SS355 HVD1SS355T
MAIN	D579		nsp	90M-HD201820R	DIODE	RB160L-60TE25 HVDRB160L60TE25
MAIN	D580		nsp	90M-HD201820R	DIODE	RB160L-60TE25 HVDRB160L60TE25
MAIN	D581		nsp	90M-HD201800R	DIODE	1SS355 HVD1SS355T
MAIN	D582		nsp	90M-HD201800R	DIODE	1SS355 HVD1SS355T
MAIN	D583		nsp	90M-HD201800R	DIODE	1SS355 HVD1SS355T
MAIN	D586		90M-HD302260R	90M-HD302260R	ZENER DIODE	4.3V HVDUDZS4.3BSR
MAIN	D587		90M-HD302280R	90M-HD302280R	ZENER DIODE	6.8V HVDUDZS6.8BSR
MAIN	D588		90M-HD302280R	90M-HD302280R	ZENER DIODE	6.8V HVDUDZS6.8BSR
MAIN	D589		nsp	90M-HD201800R	DIODE	1SS355 HVD1SS355T
MAIN	D591		nsp	90M-HD201800R	DIODE	1SS355 HVD1SS355T
MAIN	D593		nsp	90M-HD201800R	DIODE	1SS355 HVD1SS355T
MAIN	D594		nsp	90M-HD201800R	DIODE	1SS355 HVD1SS355T
MAIN	IC11		90M-HS16BWX2R	90M-HS16BWX2R	IC	S3F84BB HVISF84BB
MAIN	IC12		90M-HC109100R	90M-HC109100R	IC	RICOH 1.8V HIVRH5VT18C
MAIN	IC13		90M-HC109030R	90M-HC109030R	IC	TC9164AF HVITC9164AF
MAIN	IC14		00MHC10102090	00MHC10102090	IC	NJM2068MD-TE1 HVINJM2068MDTE1
MAIN	IC51		90M-HC108790R	90M-HC108790R	IC	ROHM (BH7862FS) BVIBH7862FS
MAIN	IC52		90M-HC108210R	90M-HC108210R	IC	NJM2279M-TE1 HVINJM2279MTE1
MAIN	JK10		nsp	nsp	TERMINAL	CMC1A111
MAIN	JK11		90M-YT004130R	90M-YT004130R	TERMINAL	CJJ4L005Z
MAIN	JK51	/N1S	90M-YT003640R	90M-YT003640R	TERMINAL	KJP21GA118ZP
MAIN	L501		90M-LU000180R	90M-LU000180R	CHIP INDUCTANCE	2012-R68UH HLQ08ER68KRZ
MAIN	L502		90M-LU000170R	90M-LU000170R	CHIP INDUCTANCE	2012-R39UH HLQ08ER39KRZ
MAIN	L503		90M-LU000180R	90M-LU000180R	CHIP INDUCTANCE	2012-R68UH HLQ08ER68KRZ
MAIN	L504		90M-LU000180R	90M-LU000180R	CHIP INDUCTANCE	2012-R68UH HLQ08ER68KRZ
MAIN	L505		90M-LU000180R	90M-LU000180R	CHIP INDUCTANCE	2012-R68UH HLQ08ER68KRZ
MAIN	L506		nsp	00MNN05000610	CHIP RESISTOR	0 OHM 1/10W J CRJ10DJ0R0T
MAIN	L507		90M-LU000180R	90M-LU000180R	CHIP INDUCTANCE	2012-R68UH HLQ08ER68KRZ
MAIN	L508		90M-LU000180R	90M-LU000180R	CHIP INDUCTANCE	2012-R68UH HLQ08ER68KRZ
MAIN	L509		90M-LU000180R	90M-LU000180R	CHIP INDUCTANCE	2012-R68UH HLQ08ER68KRZ
MAIN	Q101		90M-HX900010R	90M-HX900010R	CHIP TR.	KTD1304 HVTKTD1304T
MAIN	Q102		90M-HX900010R	90M-HX900010R	CHIP TR.	KTD1304 HVTKTD1304T
MAIN	Q103	/N1S	90M-HX900010R	90M-HX900010R	CHIP TR.	KTD1304 HVTKTD1304T
MAIN	Q104	/N1S	90M-HX900010R	90M-HX900010R	CHIP TR.	KTD1304 HVTKTD1304T
MAIN	Q105	/N1S	90M-HX900010R	90M-HX900010R	CHIP TR.	KTD1304 HVTKTD1304T
MAIN	Q106		90M-HX900010R	90M-HX900010R	CHIP TR.	KTD1304 HVTKTD1304T
MAIN	Q107		90M-HX900010R	90M-HX900010R	CHIP TR.	KTD1304 HVTKTD1304T
MAIN	Q108		90M-HX800030R	90M-HX800030R	CHIP TR.	KRC114S HVTKRC114S
MAIN	Q109		90M-HX800010R	90M-HX800010R	CHIP TR.	KRC102S HVTKRC102S
MAIN	Q110		90M-HX800030R	90M-HX800030R	CHIP TR.	KRC114S HVTKRC114S
MAIN	Q111		90M-HX800010R	90M-HX800010R	CHIP TR.	KRC102S HVTKRC102S
MAIN	Q112		90M-HX600010R	90M-HX600010R	CHIP TR.	KRA102S HVTKRA102S
MAIN	Q113		90M-HX600010R	90M-HX600010R	CHIP TR.	KRA102S HVTKRA102S
MAIN	Q114		90M-HX600010R	90M-HX600010R	CHIP TR.	KRA102S HVTKRA102S
MAIN	Q115		90M-HX800010R	90M-HX800010R	CHIP TR.	KRC102S HVTKRC102S
MAIN	Q116		90M-HX800030R	90M-HX800030R	CHIP TR.	KRC114S HVTKRC114S
MAIN	Q117		90M-HX800010R	90M-HX800010R	CHIP TR.	KRC102S HVTKRC102S
MAIN	Q121	/N1S	90M-HX900010R	90M-HX900010R	CHIP TR.	KTD1304 HVTKTD1304T
MAIN	Q122	/N1S	90M-HX900010R	90M-HX900010R	CHIP TR.	KTD1304 HVTKTD1304T
MAIN	Q123	/N1S	90M-HX900010R	90M-HX900010R	CHIP TR.	KTD1304 HVTKTD1304T
MAIN	Q170		90M-HX800010R	90M-HX800010R	CHIP TR.	KRC102S HVTKRC102S
MAIN	Q171		90M-HX800010R	90M-HX800010R	CHIP TR.	KRC102S HVTKRC102S
MAIN	Q505		90M-HX800010R	90M-HX800010R	CHIP TR.	KRC102S HVTKRC102S
MAIN	Q506		90M-HX600010R	90M-HX600010R	CHIP TR.	KRA102S HVTKRA102S
MAIN	Q507		90M-HX800010R	90M-HX800010R	CHIP TR.	KRC102S HVTKRC102S
MAIN	Q508		90M-HX800010R	90M-HX800010R	CHIP TR.	KRC102S HVTKRC102S
MAIN	Q509		90M-HX600010R	90M-HX600010R	CHIP TR.	KRA102S HVTKRA102S
MAIN	Q510		90M-HX800010R	90M-HX800010R	CHIP TR.	KRC102S HVTKRC102S
MAIN	Q581		90M-HT700070R	90M-HT700070R	TRANSISTOR	KSB1151Y HVTKSB1151Y
MAIN	Q582		90M-HT700070R	90M-HT700070R	TRANSISTOR	KSB1151Y HVTKSB1151Y
MAIN	Q583		90M-HT300590R	90M-HT300590R	TRANSISTOR	KSC2785Y KVTKSC2785YT

NOTE : "nsp" PARTS IS LISTED FOR REFERENCE ONLY, MARANTZ WILL NOT SUPPLY THESE PARTS.

P.C.B. NAME	POS.NO.	VERS. COLOR	PART NO. (FOR EUR)	PART NO. (MJI)	PART NAME	DESCRIPTION
MAIN	Q584		90M-HT300590R	90M-HT300590R	TRANSISTOR	KSC2785Y KVTKSC2785YT
MAIN	Q585		90M-HX600010R	90M-HX600010R	CHIP TR.	KRA102S HVTKRA102S
MAIN	Q586		90M-HT900090R	90M-HT900090R	TRANSISTOR	KSD1691Y HVTKSD1691Y
MAIN	Q588		90M-HT100460R	90M-HT100460R	TRANSISTOR	KSA916Y HVTKSA916YT
MAIN	Q590		90M-HX800010R	90M-HX800010R	CHIP TR.	KRC102S HVTKRC102S
MAIN	R101		nsp	00MNN05102610	CHIP RESISTOR	1K OHM 1/10W J CRJ10DJ102T
MAIN	R102		nsp	00MNN05102610	CHIP RESISTOR	1K OHM 1/10W J CRJ10DJ102T
MAIN	R103		nsp	00MNN05102610	CHIP RESISTOR	1K OHM 1/10W J CRJ10DJ102T
MAIN	R104		nsp	00MNN05102610	CHIP RESISTOR	1K OHM 1/10W J CRJ10DJ102T
MAIN	R105		nsp	00MNN05102610	CHIP RESISTOR	1K OHM 1/10W J CRJ10DJ102T
MAIN	R106		nsp	00MNN05102610	CHIP RESISTOR	1K OHM 1/10W J CRJ10DJ102T
MAIN	R107	/N1S	nsp	00MNN05102610	CHIP RESISTOR	1K OHM 1/10W J CRJ10DJ102T
MAIN	R108	/N1S	nsp	00MNN05102610	CHIP RESISTOR	1K OHM 1/10W J CRJ10DJ102T
MAIN	R109		nsp	00MNN05102610	CHIP RESISTOR	1K OHM 1/10W J CRJ10DJ102T
MAIN	R110		nsp	00MNN05102610	CHIP RESISTOR	1K OHM 1/10W J CRJ10DJ102T
MAIN	R111		nsp	00MNN05104610	CHIP RESISTOR	100K OHM 1/10W J CRJ10DJ104T
MAIN	R112		nsp	00MNN05104610	CHIP RESISTOR	100K OHM 1/10W J CRJ10DJ104T
MAIN	R113		nsp	00MNN05104610	CHIP RESISTOR	100K OHM 1/10W J CRJ10DJ104T
MAIN	R114		nsp	00MNN05104610	CHIP RESISTOR	100K OHM 1/10W J CRJ10DJ104T
MAIN	R115		nsp	00MNN05104610	CHIP RESISTOR	100K OHM 1/10W J CRJ10DJ104T
MAIN	R116		nsp	00MNN05104610	CHIP RESISTOR	100K OHM 1/10W J CRJ10DJ104T
MAIN	R117	/N1S	nsp	00MNN05104610	CHIP RESISTOR	100K OHM 1/10W J CRJ10DJ104T
MAIN	R118	/N1S	nsp	00MNN05104610	CHIP RESISTOR	100K OHM 1/10W J CRJ10DJ104T
MAIN	R119		nsp	00MNN05104610	CHIP RESISTOR	100K OHM 1/10W J CRJ10DJ104T
MAIN	R120		nsp	00MNN05104610	CHIP RESISTOR	100K OHM 1/10W J CRJ10DJ104T
MAIN	R121		nsp	00MNN05562610	CHIP RESISTOR	5.6K OHM 1/10W J CRJ10DJ562T
MAIN	R122		nsp	00MNN05562610	CHIP RESISTOR	5.6K OHM 1/10W J CRJ10DJ562T
MAIN	R123	/N1S	nsp	00MNN05391610	CHIP RESISTOR	390 OHM 1/10W J CRJ10DJ391T
MAIN	R124	/N1S	nsp	00MNN05391610	CHIP RESISTOR	390 OHM 1/10W J CRJ10DJ391T
MAIN	R125	/N1S	nsp	00MNN05391610	CHIP RESISTOR	390 OHM 1/10W J CRJ10DJ391T
MAIN	R125	/S1S	nsp	00MNN05391610	CHIP RESISTOR	390 OHM 1/10W J CRJ10DJ391T
MAIN	R126		nsp	00MNN05562610	CHIP RESISTOR	5.6K OHM 1/10W J CRJ10DJ562T
MAIN	R127		nsp	00MNN05562610	CHIP RESISTOR	5.6K OHM 1/10W J CRJ10DJ562T
MAIN	R128		nsp	00MNN05334610	CHIP RESISTOR	330K OHM 1/10W J CRJ10DJ334T
MAIN	R129		nsp	00MNN05102610	CHIP RESISTOR	1K OHM 1/10W J CRJ10DJ102T
MAIN	R130		nsp	00MNN05103610	CHIP RESISTOR	10K OHM 1/10W J CRJ10DJ103T
MAIN	R131		nsp	00MNN05103610	CHIP RESISTOR	10K OHM 1/10W J CRJ10DJ103T
MAIN	R132		90M-RI000240R	90M-RI000240R	CHIP RESISTOR	100 OHM 1/4W J CRJ14CJ101T
MAIN	R133		nsp	00MNN05101610	CHIP RESISTOR	100 OHM 1/10W J CRJ10DJ101T
MAIN	R134		nsp	00MNN05101610	CHIP RESISTOR	100 OHM 1/10W J CRJ10DJ101T
MAIN	R135		nsp	00MNN05101610	CHIP RESISTOR	100 OHM 1/10W J CRJ10DJ101T
MAIN	R136		nsp	00MNN05104610	CHIP RESISTOR	100K OHM 1/10W J CRJ10DJ104T
MAIN	R137		nsp	00MNN05104610	CHIP RESISTOR	100K OHM 1/10W J CRJ10DJ104T
MAIN	R138		nsp	00MNN05473610	CHIP RESISTOR	47K OHM 1/10W J CRJ10DJ473T
MAIN	R139		nsp	00MNN05473610	CHIP RESISTOR	47K OHM 1/10W J CRJ10DJ473T
MAIN	R140		nsp	00MNN05470610	CHIP RESISTOR	47 OHM 1/10W J CRJ10DJ470T
MAIN	R141		nsp	00MNN05470610	CHIP RESISTOR	47 OHM 1/10W J CRJ10DJ470T
MAIN	R142		nsp	00MNN05470610	CHIP RESISTOR	47 OHM 1/10W J CRJ10DJ470T
MAIN	R143		nsp	00MNN05100610	CHIP RESISTOR	10 OHM 1/10W J CRJ10DJ100T
MAIN	R144		nsp	00MNN05100610	CHIP RESISTOR	10 OHM 1/10W J CRJ10DJ100T
MAIN	R145		nsp	00MNN05470610	CHIP RESISTOR	47 OHM 1/10W J CRJ10DJ470T
MAIN	R146		nsp	00MNN05105610	CHIP RESISTOR	1M OHM 1/10W J CRJ10DJ105T
MAIN	R147		nsp	00MNN05470610	CHIP RESISTOR	47 OHM 1/10W J CRJ10DJ470T
MAIN	R148		nsp	00MNN05103610	CHIP RESISTOR	10K OHM 1/10W J CRJ10DJ103T
MAIN	R149		nsp	00MNN05470610	CHIP RESISTOR	47 OHM 1/10W J CRJ10DJ470T
MAIN	R150		nsp	00MNN05472610	CHIP RESISTOR	4.7K OHM 1/10W J CRJ10DJ472T
MAIN	R151		nsp	00MNN05471610	CHIP RESISTOR	470 OHM 1/10W J CRJ10DJ471T
MAIN	R152		nsp	00MNN05471610	CHIP RESISTOR	470 OHM 1/10W J CRJ10DJ471T
MAIN	R153		nsp	00MNN05471610	CHIP RESISTOR	470 OHM 1/10W J CRJ10DJ471T
MAIN	R154		nsp	00MNN05471610	CHIP RESISTOR	470 OHM 1/10W J CRJ10DJ471T
MAIN	R155		nsp	00MNN05471610	CHIP RESISTOR	470 OHM 1/10W J CRJ10DJ471T
MAIN	R156		nsp	00MNN05471610	CHIP RESISTOR	470 OHM 1/10W J CRJ10DJ471T
MAIN	R157		nsp	00MNN05471610	CHIP RESISTOR	470 OHM 1/10W J CRJ10DJ471T
MAIN	R158		nsp	00MNN05471610	CHIP RESISTOR	470 OHM 1/10W J CRJ10DJ471T
MAIN	R161		nsp	00MNN05105610	CHIP RESISTOR	1M OHM 1/10W J CRJ10DJ105T
MAIN	R163		nsp	00MNN05103610	CHIP RESISTOR	10K OHM 1/10W J CRJ10DJ103T

NOTE : "nsp" PARTS IS LISTED FOR REFERENCE ONLY, MARANTZ WILL NOT SUPPLY THESE PARTS.

P.C.B. NAME	POS.NO.	VERS. COLOR	PART NO. (FOR EUR)	PART NO. (MJI)	PART NAME	DESCRIPTION
MAIN	R164		nsp	00MNN05103610	CHIP RESISTOR	10K OHM 1/10W J CRJ10DJ103T
MAIN	R165		nsp	00MNN05103610	CHIP RESISTOR	10K OHM 1/10W J CRJ10DJ103T
MAIN	R166		nsp	00MNN05103610	CHIP RESISTOR	10K OHM 1/10W J CRJ10DJ103T
MAIN	R167		nsp	00MNN05103610	CHIP RESISTOR	10K OHM 1/10W J CRJ10DJ103T
MAIN	R168		nsp	00MNN05103610	CHIP RESISTOR	10K OHM 1/10W J CRJ10DJ103T
MAIN	R169		nsp	00MNN05103610	CHIP RESISTOR	10K OHM 1/10W J CRJ10DJ103T
MAIN	R170		nsp	00MNN05102610	CHIP RESISTOR	1K OHM 1/10W J CRJ10DJ102T
MAIN	R171		nsp	00MNN05334610	CHIP RESISTOR	330K OHM 1/10W J CRJ10DJ334T
MAIN	R172		nsp	00MNN05103610	CHIP RESISTOR	10K OHM 1/10W J CRJ10DJ103T
MAIN	R173		nsp	00MNN05103610	CHIP RESISTOR	10K OHM 1/10W J CRJ10DJ103T
MAIN	R174		nsp	00MNN05103610	CHIP RESISTOR	10K OHM 1/10W J CRJ10DJ103T
MAIN	R175		nsp	00MNN05102610	CHIP RESISTOR	1K OHM 1/10W J CRJ10DJ102T
MAIN	R176		nsp	00MNN05100610	CHIP RESISTOR	10 OHM 1/10W J CRJ10DJ100T
MAIN	R177		nsp	00MNN05221610	CHIP RESISTOR	220 OHM 1/10W J CRJ10DJ221T
MAIN	R178		nsp	00MNN05471610	CHIP RESISTOR	470 OHM 1/10W J CRJ10DJ471T
MAIN	R179		nsp	00MNN05471610	CHIP RESISTOR	470 OHM 1/10W J CRJ10DJ471T
MAIN	R180		nsp	00MNN05472610	CHIP RESISTOR	4.7K OHM 1/10W J CRJ10DJ472T
MAIN	R181	/U1S	nsp	00MNN05103610	CHIP RESISTOR	10K OHM 1/10W J CRJ10DJ103T
MAIN	R182	/U1S	nsp	00MNN05103610	CHIP RESISTOR	10K OHM 1/10W J CRJ10DJ103T
MAIN	R183	/S1S	nsp	00MNN05103610	CHIP RESISTOR	10K OHM 1/10W J CRJ10DJ103T
MAIN	R183	/U1S	nsp	00MNN05103610	CHIP RESISTOR	10K OHM 1/10W J CRJ10DJ103T
MAIN	R184		nsp	00MNN05103610	CHIP RESISTOR	10K OHM 1/10W J CRJ10DJ103T
MAIN	R185		nsp	00MNN05472610	CHIP RESISTOR	4.7K OHM 1/10W J CRJ10DJ472T
MAIN	R186		nsp	00MNN05472610	CHIP RESISTOR	4.7K OHM 1/10W J CRJ10DJ472T
MAIN	R187		nsp	00MNN05472610	CHIP RESISTOR	4.7K OHM 1/10W J CRJ10DJ472T
MAIN	R188		nsp	00MNN05472610	CHIP RESISTOR	4.7K OHM 1/10W J CRJ10DJ472T
MAIN	R189		nsp	00MNN05102610	CHIP RESISTOR	1K OHM 1/10W J CRJ10DJ102T
MAIN	R190		nsp	00MNN05470610	CHIP RESISTOR	47 OHM 1/10W J CRJ10DJ470T
MAIN	R191		nsp	00MNN05000610	CHIP RESISTOR	0 OHM 1/10W J CRJ10DJ0R0T
MAIN	R192		nsp	00MNN05471610	CHIP RESISTOR	470 OHM 1/10W J CRJ10DJ471T
MAIN	R193		nsp	00MNN05471610	CHIP RESISTOR	470 OHM 1/10W J CRJ10DJ471T
MAIN	R194		nsp	00MNN05471610	CHIP RESISTOR	470 OHM 1/10W J CRJ10DJ471T
MAIN	R195		nsp	00MNN05102610	CHIP RESISTOR	1K OHM 1/10W J CRJ10DJ102T
MAIN	R196		nsp	00MNN05102610	CHIP RESISTOR	1K OHM 1/10W J CRJ10DJ102T
MAIN	R197		nsp	00MNN05470610	CHIP RESISTOR	47 OHM 1/10W J CRJ10DJ470T
MAIN	R198		nsp	00MNN05102610	CHIP RESISTOR	1K OHM 1/10W J CRJ10DJ102T
MAIN	R199		nsp	00MNN05104610	CHIP RESISTOR	100K OHM 1/10W J CRJ10DJ104T
MAIN	R501		nsp	90M-NN000650R	CHIP RESISTOR	91 OHM 1/10W J CRJ10DJ910T
MAIN	R502	/S1S	nsp	00MNN05000610	CHIP RESISTOR	0 OHM 1/10W J CRJ10DJ0R0T
MAIN	R502	/U1S	nsp	00MNN05000610	CHIP RESISTOR	0 OHM 1/10W J CRJ10DJ0R0T
MAIN	R503		nsp	90M-NN000650R	CHIP RESISTOR	91 OHM 1/10W J CRJ10DJ910T
MAIN	R504		nsp	00MNN05000610	CHIP RESISTOR	0 OHM 1/10W J CRJ10DJ0R0T
MAIN	R505	/S1S	nsp	90M-NN000650R	CHIP RESISTOR	91 OHM 1/10W J CRJ10DJ910T
MAIN	R505	/U1S	nsp	90M-NN000650R	CHIP RESISTOR	91 OHM 1/10W J CRJ10DJ910T
MAIN	R506	/S1S	nsp	00MNN05000610	CHIP RESISTOR	0 OHM 1/10W J CRJ10DJ0R0T
MAIN	R506	/U1S	nsp	00MNN05000610	CHIP RESISTOR	0 OHM 1/10W J CRJ10DJ0R0T
MAIN	R507		nsp	90M-NN000650R	CHIP RESISTOR	91 OHM 1/10W J CRJ10DJ910T
MAIN	R508		nsp	00MNN05000610	CHIP RESISTOR	0 OHM 1/10W J CRJ10DJ0R0T
MAIN	R510	/N1S	nsp	00MNN05000610	CHIP RESISTOR	0 OHM 1/10W J CRJ10DJ0R0T
MAIN	R511	/N1S	nsp	00MNN05000610	CHIP RESISTOR	0 OHM 1/10W J CRJ10DJ0R0T
MAIN	R512	/N1S	nsp	00MNN05000610	CHIP RESISTOR	0 OHM 1/10W J CRJ10DJ0R0T
MAIN	R513		nsp	00MNN05750610	CHIP RESISTOR	75 OHM 1/10W J CRJ10DJ750T
MAIN	R514		nsp	00MNN05750610	CHIP RESISTOR	75 OHM 1/10W J CRJ10DJ750T
MAIN	R515		nsp	00MNN05223610	CHIP RESISTOR	22K OHM 1/10W J CRJ10DJ223T
MAIN	R516		nsp	00MNN05223610	CHIP RESISTOR	22K OHM 1/10W J CRJ10DJ223T
MAIN	R517		nsp	00MNN05223610	CHIP RESISTOR	22K OHM 1/10W J CRJ10DJ223T
MAIN	R518		nsp	00MNN05223610	CHIP RESISTOR	22K OHM 1/10W J CRJ10DJ223T
MAIN	R521	/S1S	nsp	00MNN05820610	CHIP RESISTOR	820 OHM 1/10W J CRJ10DJ820T
MAIN	R521	/U1S	nsp	00MNN05820610	CHIP RESISTOR	820 OHM 1/10W J CRJ10DJ820T
MAIN	R523		nsp	00MNN05750610	CHIP RESISTOR	75 OHM 1/10W J CRJ10DJ750T
MAIN	R524		nsp	00MNN05750610	CHIP RESISTOR	75 OHM 1/10W J CRJ10DJ750T
MAIN	R525		nsp	00MNN05750610	CHIP RESISTOR	75 OHM 1/10W J CRJ10DJ750T
MAIN	R526		nsp	00MNN05750610	CHIP RESISTOR	75 OHM 1/10W J CRJ10DJ750T
MAIN	R527		nsp	00MNN05223610	CHIP RESISTOR	22K OHM 1/10W J CRJ10DJ223T
MAIN	R530		nsp	00MNN05750610	CHIP RESISTOR	75 OHM 1/10W J CRJ10DJ750T
MAIN	R531		nsp	00MNN05223610	CHIP RESISTOR	22K OHM 1/10W J CRJ10DJ223T

NOTE : "nsp" PARTS IS LISTED FOR REFERENCE ONLY, MARANTZ WILL NOT SUPPLY THESE PARTS.

P.C.B. NAME	POS.NO.	VERS. COLOR	PART NO. (FOR EUR)	PART NO. (MJI)	PART NAME	DESCRIPTION
MAIN	R532		nsp	00MNN05750610	CHIP RESISTOR	75 OHM 1/10W J CRJ10DJ750T
MAIN	R535		nsp	00MNN05471610	CHIP RESISTOR	470 OHM 1/10W J CRJ10DJ471T
MAIN	R536		90M-RI000240R	90M-RI000240R	CHIP RESISTOR	100 OHM 1/4W J CRJ14CJ101T
MAIN	R537		nsp	00MNN05102610	CHIP RESISTOR	1K OHM 1/10W J CRJ10DJ102T
MAIN	R538		90M-RI000250R	90M-RI000250R	CHIP RESISTOR	1.2K OHM 1/4W J CRJ14CJ122T
MAIN	R539		nsp	00MNN05103610	CHIP RESISTOR	10K OHM 1/10W J CRJ10DJ103T
MAIN	R540		nsp	00MNN05102610	CHIP RESISTOR	1K OHM 1/10W J CRJ10DJ102T
MAIN	R541		nsp	00MNN05103610	CHIP RESISTOR	10K OHM 1/10W J CRJ10DJ103T
MAIN	R542		nsp	00MNN05103610	CHIP RESISTOR	10K OHM 1/10W J CRJ10DJ103T
MAIN	R543		nsp	00MNN05750610	CHIP RESISTOR	75 OHM 1/10W J CRJ10DJ750T
MAIN	R544		nsp	00MNN05750610	CHIP RESISTOR	75 OHM 1/10W J CRJ10DJ750T
MAIN	R545		nsp	00MNN05750610	CHIP RESISTOR	75 OHM 1/10W J CRJ10DJ750T
MAIN	R546		nsp	00MNN05750610	CHIP RESISTOR	75 OHM 1/10W J CRJ10DJ750T
MAIN	R547		nsp	00MNN05750610	CHIP RESISTOR	75 OHM 1/10W J CRJ10DJ750T
MAIN	R548		nsp	00MNN05750610	CHIP RESISTOR	75 OHM 1/10W J CRJ10DJ750T
MAIN	R549		90M-RI000320R	90M-RI000320R	CHIP RESISTOR	4.7 OHM 1/4W J CRJ14CJ4R7T
MAIN	R561	/N1S	nsp	00MNN05391610	CHIP RESISTOR	390 OHM 1/10W J CRJ10DJ391T
MAIN	R562	/N1S	nsp	00MNN05391610	CHIP RESISTOR	390 OHM 1/10W J CRJ10DJ391T
MAIN	R563	/N1S	nsp	00MNN05391610	CHIP RESISTOR	390 OHM 1/10W J CRJ10DJ391T
MAIN	R564		nsp	90M-NN000640R	CHIP RESISTOR	2.7 OHM 1/10W J CRJ10DJ2R7T
MAIN	R565		nsp	90M-NN000640R	CHIP RESISTOR	2.7 OHM 1/10W J CRJ10DJ2R7T
MAIN	R566		nsp	90M-NN000640R	CHIP RESISTOR	2.7 OHM 1/10W J CRJ10DJ2R7T
MAIN	R569		nsp	00MNN05223610	CHIP RESISTOR	22K OHM 1/10W J CRJ10DJ223T
MAIN	R573		nsp	00MNN05151610	CHIP RESISTOR	150 OHM 1/10W J CRJ10DJ151T
MAIN	R574		nsp	00MNN05470610	CHIP RESISTOR	47 OHM 1/10W J CRJ10DJ470T
MAIN	R575		nsp	00MNN05470610	CHIP RESISTOR	47 OHM 1/10W J CRJ10DJ470T
MAIN	R576		nsp	00MNN05470610	CHIP RESISTOR	47 OHM 1/10W J CRJ10DJ470T
MAIN	R577		nsp	00MNN05105610	CHIP RESISTOR	1M OHM 1/10W J CRJ10DJ105T
MAIN	R578		nsp	00MNN05000610	CHIP RESISTOR	0 OHM 1/10W J CRJ10DJ0R0T
MAIN	R579		nsp	00MNN05103610	CHIP RESISTOR	10K OHM 1/10W J CRJ10DJ103T
MAIN	R583		90M-RI000210R	90M-RI000210R	CHIP RESISTOR	180 OHM 1/2W J CRJ12EJ181T
MAIN	R584		nsp	00MNN05223610	CHIP RESISTOR	22K OHM 1/10W J CRJ10DJ223T
MAIN	R585		90M-RI000210R	90M-RI000210R	CHIP RESISTOR	180 OHM 1/2W J CRJ12EJ181T
MAIN	R586		nsp	00MNN05470610	CHIP RESISTOR	47 OHM 1/10W J CRJ10DJ470T
MAIN	R587		nsp	00MNN05221610	CHIP RESISTOR	220 OHM 1/10W J CRJ10DJ221T
MAIN	R588		nsp	00MNN05470610	CHIP RESISTOR	47 OHM 1/10W J CRJ10DJ470T
MAIN	R589		nsp	00MNN05332610	CHIP RESISTOR	3.3K OHM 1/10W J CRJ10DJ332T
MAIN	R590		90M-RI000300R	90M-RI000300R	CHIP RESISTOR	330 OHM 1/4W J CRJ14CJ331T
MAIN	R591		nsp	00MNN05473610	CHIP RESISTOR	47K OHM 1/10W J CRJ10DJ473T
MAIN	R592		nsp	00MNN05332610	CHIP RESISTOR	3.3K OHM 1/10W J CRJ10DJ332T
MAIN	R593		90M-RI000260R	90M-RI000260R	CHIP RESISTOR	1.5K OHM 1/4W J CRJ14CJ152T
MAIN	R594		nsp	00MNN05473610	CHIP RESISTOR	47K OHM 1/10W J CRJ10DJ473T
MAIN	R595		nsp	00MNN05047610	CHIP RESISTOR	4.7 OHM 1/10W J CRJ10DJ4R7T
MAIN	R596		nsp	00MNN05047610	CHIP RESISTOR	4.7 OHM 1/10W J CRJ10DJ4R7T
MAIN	R597		nsp	00MNN05100610	CHIP RESISTOR	10 OHM 1/10W J CRJ10DJ100T
MAIN	R598		nsp	00MNN05102610	CHIP RESISTOR	1K OHM 1/10W J CRJ10DJ102T
MAIN	R599		nsp	00MNN05223610	CHIP RESISTOR	22K OHM 1/10W J CRJ10DJ223T
MAIN	X101		90M-JX001110R	90M-JX001110R	CRYSTAL	CL-22P HOX10000E220TF
						SMPS PCB (CUP11702Y)
SMPS	BN91		nsp	nsp	JACK	MOLEX35313-0510 KJP05GA90ZM
SMPS	▲ C901		90M-OF100480R	90M-OF100480R	FILM CAP	PX474K3ID604 HCQF2E474KZE
SMPS	▲ C902		90M-OF100480R	90M-OF100480R	FILM CAP	PX474K3ID604 HCQF2E474KZE
SMPS	C905		nsp	90M-OA000180R	ELECT CAP.	HC400V391UF85°C CCET400VHC391NH
SMPS	C906		nsp	nsp	CERAMIC CAP.	EKR3A102K05FK5 CCTK3A102KBL
SMPS	C907		nsp	nsp	FILM CAP	0.033UF 50V J HCQI1H333JZT
SMPS	C908		nsp	00MOA22605020	ELECT CAP.	50V/22UF/105°C CCEA1HH220TS
SMPS	C909		nsp	nsp	FILM CAP	2200PF 50V J HCQI1H222JZT
SMPS	C910		nsp	nsp	CERAMIC CAP.	EKR3A102K05FK5 CCTK3A102KBL
SMPS	C911		nsp	nsp	FILM CAP	0.033UF 50V J HCQI1H333JZT
SMPS	C912		nsp	00MOA22605020	ELECT CAP.	50V/22UF/105°C CCEA1HH220TS
SMPS	C913		nsp	nsp	FILM CAP	2200PF 50V J HCQI1H222JZT
SMPS	C914		90M-OF100460R	90M-OF100460R	FILM CAP.	TL2J103J10000CS CCFE2J103JB
SMPS	C915		nsp	nsp	CERAMIC CAP.	EKR3A101K05FK5 CCTK3A101KBL
SMPS	C916		nsp	nsp	FILM CAP	0.033UF 50V J HCQI1H333JZT
SMPS	C917		nsp	00MOA22605020	ELECT CAP.	50V/22UF/105°C CCEA1HH220TS
SMPS	C918		nsp	nsp	CERAMIC CAP.	EKR3A102K05FK5 CCTK3A102KBL

NOTE : "nsp" PARTS IS LISTED FOR REFERENCE ONLY, MARANTZ WILL NOT SUPPLY THESE PARTS.

P.C.B. NAME	POS.NO.	VERS. COLOR	PART NO. (FOR EUR)	PART NO. (MJI)	PART NAME	DESCRIPTION
SMPS	C919		90M-DK100880R	90M-DK100880R	CERAMIC CAP.	AC250V471 CCKDHS471ME
SMPS	C920		nsp	00MOA22605020	ELECT CAP.	50V/22UF/105°C CCEA1HH220TS
SMPS	C921		nsp	00MOA22605020	ELECT CAP.	50V/22UF/105°C CCEA1HH220TS
SMPS	C922			90M-OF100470R	FILM CAP.	100V / 0.15UF CCME2A154JXT
SMPS	C923		90M-DK100880R	90M-DK100880R	CERAMIC CAP.	AC250V471 CCKDHS471ME
SMPS	C924		90M-DK100870R	90M-DK100870R	CERAMIC CAP.	SDE2G222M10FF7 CCKDHS222ME
SMPS	C925		90M-DK100880R	90M-DK100880R	CERAMIC CAP.	AC250V471 CCKDHS471ME
SMPS	C926		nsp	90M-OA000170R	ELECT CAP.	WL50V222UF 105C CCEA1HA222EHS
SMPS	C928		nsp	90M-OA000170R	ELECT CAP.	WL50V222UF 105C CCEA1HA222EHS
SMPS	C930		90M-DK100880R	90M-DK100880R	CERAMIC CAP.	AC250V471 CCKDHS471ME
SMPS	C931		nsp	90M-OA000170R	ELECT CAP.	WL50V222UF 105C CCEA1HA222EHS
SMPS	C932		90M-DK100880R	90M-DK100880R	CERAMIC CAP.	AC250V471 CCKDHS471ME
SMPS	C933		90M-DK100880R	90M-DK100880R	CERAMIC CAP.	AC250V471 CCKDHS471ME
SMPS	C934		nsp	90M-OA000170R	ELECT CAP.	WL50V222UF 105C CCEA1HA222EHS
SMPS	C935		nsp	00MOA47703520	ELECT CAP.	35V/470UF/105°C CCEA1VH471ES
SMPS	C936		nsp	00MOA47703520	ELECT CAP.	35V/470UF/105°C CCEA1VH471ES
SMPS	C937		nsp	00MOA47605020	ELECT CAP.	50V/47UF CCEA1HH470TS
SMPS	C938		nsp	00MOA47703520	ELECT CAP.	35V/470UF/105°C CCEA1VH471ES
SMPS	C939		nsp	00MOA47703520	ELECT CAP.	35V/470UF/105°C CCEA1VH471ES
SMPS	C940		nsp	00MOA47605020	ELECT CAP.	50V/47UF CCEA1HH470TS
SMPS	C941		nsp	00MOA10802520	ELECT CAP.	25V/1000UF105°C HCEA1EH102ES
SMPS	C942		nsp	nsp	CERAMIC CAP.	0.047UF 50V ZF CCKT1H473ZF
SMPS	C943		nsp	00MOA10505020	ELECT CAP.	50V/1.0UF/105°C CCEA1HH1R0TS
SMPS	C944		nsp	00MOA10802520	ELECT CAP.	25V/1000UF105°C HCEA1EH102ES
SMPS	C945		nsp	00MOA47701020	ELECT CAP.	470UF 10V CCEA1AH471TS
SMPS	C946		nsp	00MOA47605020	ELECT CAP.	50V/47UF CCEA1HH470TS
SMPS	C947		nsp	00MOA10802520	ELECT CAP.	25V/1000UF105°C HCEA1EH102ES
SMPS	C948		nsp	00MOA10505020	ELECT CAP.	50V/1.0UF/105°C CCEA1HH1R0TS
SMPS	C949		nsp	00MOA47703520	ELECT CAP.	35V/470UF/105°C CCEA1VH471ES
SMPS	C950		nsp	00MOA10505020	ELECT CAP.	50V/1.0UF/105°C CCEA1HH1R0TS
SMPS	C951		nsp	00MOA10505020	ELECT CAP.	50V/1.0UF/105°C CCEA1HH1R0TS
SMPS	C952		nsp	nsp	CERAMIC CAP.	50V 0.1UF CCKT1H104ZF
SMPS	C953		nsp	nsp	CERAMIC CAP.	50V 0.1UF CCKT1H104ZF
SMPS	C954		nsp	00MOA10505020	ELECT CAP.	50V/1.0UF/105°C CCEA1HH1R0TS
SMPS	C955		nsp	00MOA10505020	ELECT CAP.	50V/1.0UF/105°C CCEA1HH1R0TS
SMPS	C957		nsp	nsp	CERAMIC CAP.	50V 0.1UF CCKT1H104ZF
SMPS	C958		90M-OF100470R	90M-OF100470R	FILM CAP.	100V / 0.15UF CCME2A154JXT
SMPS	C959		90M-OF100470R	90M-OF100470R	FILM CAP.	100V / 0.15UF CCME2A154JXT
SMPS	C960	/U1S	nsp	90M-OA000210R	ELECT. CAP.	HC200V102UF85°C CCET200VHC102NH
SMPS	C961	/U1S	nsp	90M-OA000210R	ELECT. CAP.	HC200V102UF85°C CCET200VHC102NH
SMPS	CN91		00MYP04000760	00MYP04000760	JACK	7.92MM(YUNHO) KJP02KA060ZY
SMPS	CN94		nsp	nsp	JACK	MOLEX35336-1510 KJP15GA98ZM
SMPS	▲ D901		90M-HE200350R	90M-HE200350R	ZENER DIODE	GBJ1506 HVDGBJ1506
SMPS	▲ D905		90M-HD201860R	90M-HD201860R	DIODE	UF4004 HVDFUF4004T
SMPS	▲ D906		90M-HD201860R	90M-HD201860R	DIODE	UF4004 HVDFUF4004T
SMPS	D907		nsp	90M-HD201870R	DIODE	UF4007 HVDFUF4007T
SMPS	D908		nsp	90M-HD201870R	DIODE	UF4007 HVDFUF4007T
SMPS	▲ D909		90M-HD201860R	90M-HD201860R	DIODE	UF4004 HVDFUF4004T
SMPS	D910		nsp	90M-HD201790R	DIODE	1N4148 HVD1N4148T
SMPS	▲ D911		90M-HE200360R	90M-HE200360R	DIODE	FFPF10U20DN HVIFFPF10U20DN
SMPS	▲ D912		90M-HE200370R	90M-HE200370R	DIODE	FFPF10U20DP HVIFFPF10U20DP
SMPS	D913		nsp	90M-HD201790R	DIODE	1N4148 HVD1N4148T
SMPS	▲ D914		90M-HD201890R	90M-HD201890R	DIODE	15MM FORMING HVDFUF5404H
SMPS	D915		nsp	90M-HD201850R	DIODE	1N5819 HVD1N5819T
SMPS	▲ D916		90M-HD201880R	90M-HD201880R	DIODE	SF26 HVDSF26T
SMPS	D917		nsp	90M-HD201850R	DIODE	1N5819 HVD1N5819T
SMPS	▲ D918		90M-HD201830R	90M-HD201830R	DIODE	1N5822 HVD1N5822
SMPS	D919		nsp	90M-HD201790R	DIODE	1N4148 HVD1N4148T
SMPS	▲ D920		90M-HD201850R	90M-HD201850R	DIODE	1N5819 HVD1N5819T
SMPS	▲ D921		90M-HD201860R	90M-HD201860R	DIODE	UF4004 HVDFUF4004T
SMPS	D922		nsp	90M-HD201790R	DIODE	1N4148 HVD1N4148T
SMPS	▲ D923		90M-HD201850R	90M-HD201850R	DIODE	1N5819 HVD1N5819T
SMPS	D925		90M-HD302190R	90M-HD302190R	ZENER DIODE	30V HVDMTZJ30BT
SMPS	D926		90M-HD302190R	90M-HD302190R	ZENER DIODE	30V HVDMTZJ30BT
SMPS	D927		90M-HD302190R	90M-HD302190R	ZENER DIODE	30V HVDMTZJ30BT
SMPS	D928		90M-HD302190R	90M-HD302190R	ZENER DIODE	30V HVDMTZJ30BT

NOTE : "nsp" PARTS IS LISTED FOR REFERENCE ONLY, MARANTZ WILL NOT SUPPLY THESE PARTS.

P.C.B. NAME	POS.NO.	VERS. COLOR	PART NO. (FOR EUR)	PART NO. (MJI)	PART NAME	DESCRIPTION
SMPS	D930		90M-HD302250R	90M-HD302250R	ZENER DIODE	7.5V 1/2W HVDMTZJ7.5BT
SMPS	D931		90M-HD302251R	90M-HD302251R	ZENER DIODE	7.5V 1/2W HVDMTZJ7.5BT
SMPS	D932		00MHD30821000	00MHD30821000	ZENER DIODE	8.2V 1/2W HVDMTZJ8.2BT
SMPS	D933		90M-HD302180R	90M-HD302180R	ZENER DIODE	3.9V HVDMTZJ3.9BT
SMPS	D934		90M-HD302180R	90M-HD302180R	ZENER DIODE	3.9V HVDMTZJ3.9BT
SMPS	▲ D935		90M-HD201850R	90M-HD201850R	DIODE	1N5819 HVD1N5819T
SMPS	▲ F901	/N1S	90M-FS001210R	90M-FS001210R	FUSE	5ATL 250V KBA2C5000TLEZ
SMPS	▲ F901	/S1S	nsp	90M-FS001210R	FUSE	5ATL 250V KBA2C5000TLEZ
SMPS	▲ F901	/U1S	nsp	90M-FS001220R	FUSE	LITTEL FUSE KBA2C8000TLEY
SMPS	G901		nsp	nsp	TERMINAL	MET37-0002 HJT1A025
SMPS	G902		nsp	nsp	TERMINAL	MET37-0002 HJT1A025
SMPS	G903		nsp	nsp	TERMINAL	MET37-0002 HJT1A025
SMPS	G904		nsp	nsp	TERMINAL	MET37-0002 HJT1A025
SMPS	IC81		90M-HC108980R	90M-HC108980R	IC	TNY266P HVITNY266P
SMPS	IC82		90M-HC109090R	90M-HC109090R	IC	KA358/8-DIP HVIKA358D
SMPS	IC90		90M-HC300710R	90M-HC300710R	IC REG	FAN431AZXA HVIFAN431A
SMPS	IC91		90M-HC300710R	90M-HC300710R	IC REG	FAN431AZXA HVIFAN431A
SMPS	IC92		90M-HC300710R	90M-HC300710R	IC REG	FAN431AZXA HVIFAN431A
SMPS	IC93		00MHC38108090	00MHC38108090	IC REG	KA78LXXAZTA HVIKA78L08AZT
SMPS	IC94	/U1S	nsp	90M-HB000010R	THYRISTOR	HVIBTA16600BRG
SMPS	IC95		90M-HC109070R	90M-HC109070R	IC	KA1M0565R-YDTU HVIKA1M0565RYD
SMPS	IC96		90M-HC109050R	90M-HC109050R	IC	KA5Q1565RF-YDTU HVIKA5Q1565RFYD
SMPS	IC97		90M-HC109050R	90M-HC109050R	IC	KA5Q1565RF-YDTU HVIKA5Q1565RFYD
SMPS	IC98		90M-HC300660R	90M-HC300660R	IC REG	L7912(ST) HVIL7912CP
SMPS	IC99		90M-HC300700R	90M-HC300700R	IC REG	KA278R12TU HVIKA278R12
SMPS	J901		nsp	nsp	CONNECTIVE CORD	C3A206
SMPS	J902		nsp	nsp	CONNECTIVE CORD	C3A206
SMPS	J903		nsp	nsp	CONNECTIVE CORD	C3A206
SMPS	J904		nsp	nsp	CONNECTIVE CORD	C3A206
SMPS	J905		nsp	nsp	CONNECTIVE CORD	C3A206
SMPS	J906		nsp	nsp	CONNECTIVE CORD	C3A206
SMPS	J907		nsp	nsp	CONNECTIVE CORD	C3A206
SMPS	J908		nsp	nsp	CONNECTIVE CORD	C3A206
SMPS	J909		nsp	nsp	CONNECTIVE CORD	C3A206
SMPS	J910		nsp	nsp	CONNECTIVE CORD	C3A206
SMPS	J911		nsp	nsp	CONNECTIVE CORD	C3A206
SMPS	J912		nsp	nsp	CONNECTIVE CORD	C3A206
SMPS	J913		nsp	nsp	CONNECTIVE CORD	C3A206
SMPS	J914		nsp	nsp	CONNECTIVE CORD	C3A206
SMPS	J915		nsp	nsp	CONNECTIVE CORD	C3A206
SMPS	J916		nsp	nsp	CONNECTIVE CORD	C3A206
SMPS	J917		nsp	nsp	CONNECTIVE CORD	C3A206
SMPS	J918		nsp	nsp	CONNECTIVE CORD	C3A206
SMPS	J919		nsp	nsp	CONNECTIVE CORD	C3A206
SMPS	J920		nsp	nsp	CONNECTIVE CORD	C3A206
SMPS	J921		nsp	nsp	CONNECTIVE CORD	C3A206
SMPS	J922		nsp	nsp	CONNECTIVE CORD	C3A206
SMPS	J923		nsp	nsp	CONNECTIVE CORD	C3A206
SMPS	J924		nsp	nsp	CONNECTIVE CORD	C3A206
SMPS	J925		nsp	nsp	CONNECTIVE CORD	C3A206
SMPS	J926		nsp	nsp	CONNECTIVE CORD	C3A206
SMPS	J927		nsp	nsp	CONNECTIVE CORD	C3A206
SMPS	J928		nsp	nsp	CONNECTIVE CORD	C3A206
SMPS	J929		nsp	nsp	CONNECTIVE CORD	C3A206
SMPS	J930		nsp	nsp	CONNECTIVE CORD	C3A206
SMPS	J931		nsp	nsp	CONNECTIVE CORD	C3A206
SMPS	J932		nsp	nsp	CONNECTIVE CORD	C3A206
SMPS	J933		nsp	nsp	CONNECTIVE CORD	C3A206
SMPS	J934		nsp	nsp	CONNECTIVE CORD	C3A206
SMPS	J935		nsp	nsp	CONNECTIVE CORD	C3A206
SMPS	J936		nsp	nsp	CONNECTIVE CORD	C3A206
SMPS	J937		nsp	nsp	CONNECTIVE CORD	C3A206
SMPS	J938		nsp	nsp	CONNECTIVE CORD	C3A206
SMPS	J939		nsp	nsp	CONNECTIVE CORD	C3A206
SMPS	J940		nsp	nsp	CONNECTIVE CORD	C3A206
SMPS	J941		nsp	nsp	CONNECTIVE CORD	C3A206

NOTE : "nsp" PARTS IS LISTED FOR REFERENCE ONLY, MARANTZ WILL NOT SUPPLY THESE PARTS.

P.C.B. NAME	POS.NO.	VERS. COLOR	PART NO. (FOR EUR)	PART NO. (MJI)	PART NAME	DESCRIPTION
SMPS	J942		nsp	nsp	CONNECTIVE CORD	C3A206
SMPS	J943		nsp	nsp	CONNECTIVE CORD	C3A206
SMPS	J944		nsp	nsp	CONNECTIVE CORD	C3A206
SMPS	J945		nsp	nsp	CONNECTIVE CORD	C3A206
SMPS	J946		nsp	nsp	CONNECTIVE CORD	C3A206
SMPS	J947		nsp	nsp	CONNECTIVE CORD	C3A206
SMPS	J948		nsp	nsp	CONNECTIVE CORD	C3A206
SMPS	J949		nsp	nsp	CONNECTIVE CORD	C3A206
SMPS	J950		nsp	nsp	CONNECTIVE CORD	C3A206
SMPS	J951		nsp	nsp	CONNECTIVE CORD	C3A206
SMPS	J952		nsp	nsp	CONNECTIVE CORD	C3A206
SMPS	J953		nsp	nsp	CONNECTIVE CORD	C3A206
SMPS	J954		nsp	nsp	CONNECTIVE CORD	C3A206
SMPS	J956		nsp	nsp	CONNECTIVE CORD	C3A206
SMPS	L901		90M-LC107380R	90M-LC107380R	CHOKE COIL	520121240 CLZ9Z023Z
SMPS	L902		90M-LC107390R	90M-LC107390R	CHOKE COIL	520121240 CLZ9Z023Z
SMPS	L903		90M-LC107350R	90M-LC107350R	CHOKE COIL	100 CLZ9Z021Z
SMPS	L904		90M-LC107350R	90M-LC107350R	CHOKE COIL	100 CLZ9Z021Z
SMPS	L905		90M-LC107350R	90M-LC107350R	CHOKE COIL	100 CLZ9Z021Z
SMPS	L906		90M-LC107380R	90M-LC107380R	CHOKE COIL	3R3 CLZ9Z020Z
SMPS	▲ LF91		90M-FN000220R	90M-FN000220R	EMI FILTER	SQ2828 CLZ9Z052Z
SMPS	▲ LF92		90M-FN000220R	90M-FN000220R	EMI FILTER	SQ2828 CLZ9Z052Z
SMPS	▲ LF93		90M-FN000210R	90M-FN000210R	EMI FILTER	CLZ9Z053Z
SMPS	▲ NT91		90M-HH000110R	90M-HH000110R	THERMISTOR	DSC-5D-15 MSFC KRT5D15MSFC
SMPS	PC91		90M-HW100710R	90M-HW100710R	PHOTO UNIT	PC-17L1CB HVIPC17L1CB
SMPS	PC92		90M-HW100710R	90M-HW100710R	PHOTO UNIT	PC-17L1CB HVIPC17L1CB
SMPS	PC93		90M-HW100710R	90M-HW100710R	PHOTO UNIT	PC-17L1CB HVIPC17L1CB
SMPS	PC94		90M-HW100710R	90M-HW100710R	PHOTO UNIT	PC-17L1CB HVIPC17L1CB
SMPS	PC95		90M-HW100710R	90M-HW100710R	PHOTO UNIT	PC-17L1CB HVIPC17L1CB
SMPS	PC96		90M-HW100710R	90M-HW100710R	PHOTO UNIT	PC-17L1CB HVIPC17L1CB
SMPS	Q901		90M-HT800130R	90M-HT800130R	TRANSISTOR	KSC1008Y HVTKSC1008YT
SMPS	Q902		90M-HT800130R	90M-HT800130R	TRANSISTOR	KSC1008Y HVTKSC1008YT
SMPS	Q904		90M-HT600060R	90M-HT600060R	TRANSISTOR	KSA708Y HVTKSA708YT
SMPS	Q907		90M-HT800130R	90M-HT800130R	TRANSISTOR	KSC1008Y HVTKSC1008YT
SMPS	Q908		90M-HT800130R	90M-HT800130R	TRANSISTOR	KSC1008Y HVTKSC1008YT
SMPS	Q909		90M-HT800130R	90M-HT800130R	TRANSISTOR	KSC1008Y HVTKSC1008YT
SMPS	Q910		90M-HT600060R	90M-HT600060R	TRANSISTOR	KSA708Y HVTKSA708YT
SMPS	R901		nsp	nsp	RESISTOR	1/2W , 1M OHM KROS1TJ105V
SMPS	R903		nsp	nsp	RESISTOR	30K OHM 1/5W J CRD20TJ303T
SMPS	R904		nsp	nsp	RESISTOR	510 OHM 1/5W J CRD20TJ511T
SMPS	R905		nsp	nsp	RESISTOR	390 OHM 1/5W J CRD20TJ391T
SMPS	R906		nsp	nsp	RESISTOR	30K OHM 1/5W J CRD20TJ303T
SMPS	R907		nsp	nsp	RESISTOR	510 OHM 1/5W J CRD20TJ511T
SMPS	R908		nsp	nsp	RESISTOR	390 OHM 1/5W J CRD20TJ391T
SMPS	R909		nsp	nsp	RESISTOR	2W 68K OHM MINI KRG2SANJ683H
SMPS	R910		nsp	nsp	RESISTOR	100K OHM 1/4W CRD25TJ104T
SMPS	R911		nsp	nsp	RESISTOR	5.6K OHM 1/5W J CRD20TJ562T
SMPS	R912		nsp	nsp	RESISTOR	10K OHM 1/5W J CRD20TJ103T
SMPS	R913		nsp	nsp	RESISTOR	1K OHM 1/5W J CRD20TJ102T
SMPS	R914		nsp	nsp	RESISTOR	8.2 OHM 1/5W J CRD20TJ8R2T
SMPS	R915		nsp	nsp	RESISTOR	5.1K OHM J CRD20TJ512T
SMPS	R916		nsp	nsp	RESISTOR	1K OHM 1/5W J CRD20TJ102T
SMPS	R917		nsp	nsp	RESISTOR	5.1K OHM J CRD20TJ512T
SMPS	R918		nsp	nsp	RESISTOR	1/5W 94K-F CRD20TF9402T
SMPS	R919		nsp	nsp	RESISTOR	1/5W 6.8K-F CRD20TF6801T
SMPS	R921		nsp	nsp	RESISTOR	2K OHM 1/5W J CRD20TJ202T
SMPS	R922		nsp	nsp	RESISTOR	2K OHM 1/5W J CRD20TJ202T
SMPS	R923		nsp	nsp	RESISTOR	22K OHM 1/5W J CRD20TJ223T
SMPS	R924		nsp	nsp	RESISTOR	2.7K OHM 1W J CRG1ANJ272H
SMPS	R925		nsp	nsp	RESISTOR	18K OHM 1/5W J CRD20TJ183T
SMPS	R926		nsp	nsp	RESISTOR	150 OHM 1/5W J CRD20TJ151T
SMPS	R927		nsp	nsp	RESISTOR	18K OHM 1/5W J CRD20TJ183T
SMPS	R928		nsp	nsp	RESISTOR	10K OHM 1/5W J CRD20TJ103T
SMPS	R929		nsp	nsp	RESISTOR	4.7K OHM 1/5W J CRD20TJ472T
SMPS	R930		nsp	nsp	RESISTOR	2.7K OHM 1W J CRG1ANJ272H
SMPS	R931		nsp	nsp	RESISTOR	10K OHM 1/5W J CRD20TJ103T

NOTE : "nsp" PARTS IS LISTED FOR REFERENCE ONLY, MARANTZ WILL NOT SUPPLY THESE PARTS.

