

marantz[®]

Service Bulletin

No. : MZ08-035

Date: September 1, 2010

Model: ES7001

Subject: Improvement of FUSE (F802)

Symptom: The fuse (F802) may open when the AC rated voltage goes down to -10% or lower while the unit is connected via HDMI.

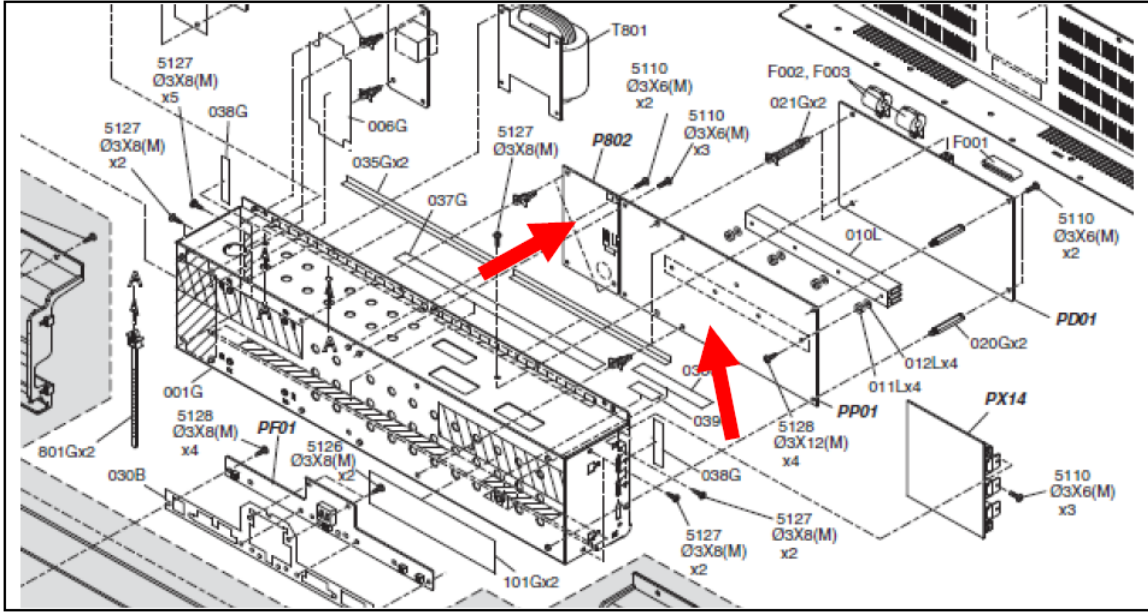
Solution: The circuit must be modified to detect voltage sags sooner, put the unit into standby or mute, reduce actuating currents and thereby prevent the fuse from opening.

Please replace the following three parts:

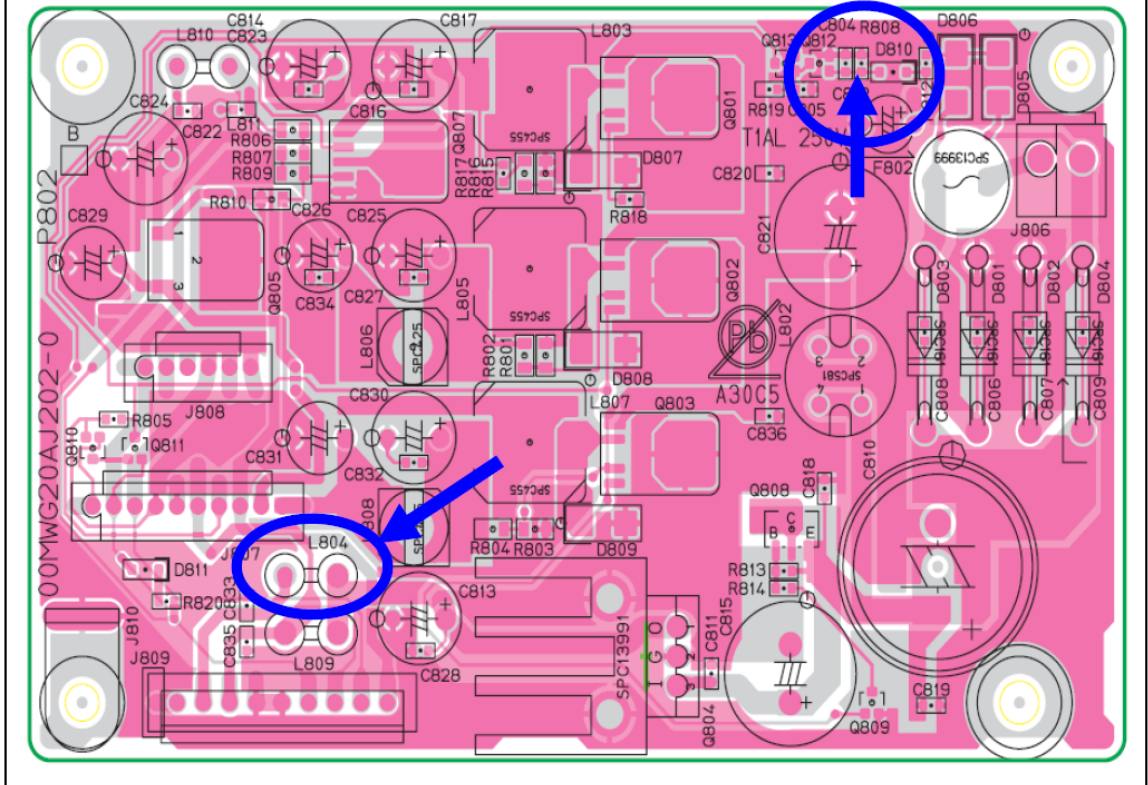
1. The 18k Ω on **POS NO. R808** (SECONDARY POWER PWB P802) with a **10k Ω** resistor.
2. The FERRITE CORE on **POS NO. L804** (SECONDARY POWER PWB P802) with a **10 Ω** resistor.
3. The 100u/16V on **POS NO. CP40** (DIGITAL AMP PWB PP01) with a **2,200u/16V** capacitor.

CONFIDENTIALITY NOTICE:

The information contained in this document is intended for the exclusive use by MARANTZ Authorized Service Centers and their employees. This document may contain information that is privileged, confidential and may be protected from disclosure under applicable laws and terms of the MARANTZ Service Agreement. Any distribution, disclosure, dissemination or copying of this document and the information it contains is prohibited. No responsibility will be accepted by MARANTZ for any damage, injury or loss resulting from the misuse of the information contained in this document.



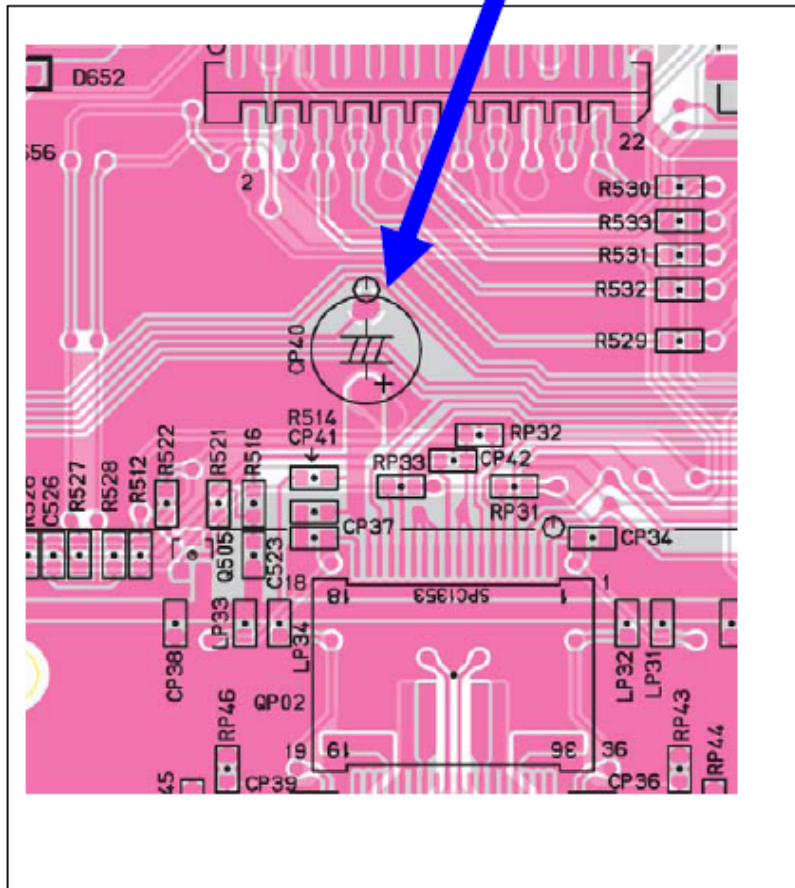
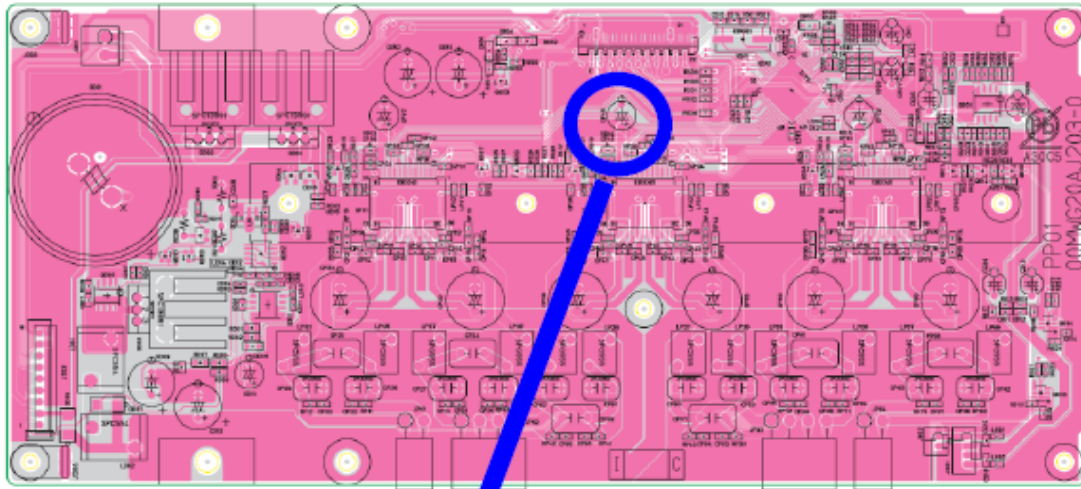
POS NO. R808, L804 (SECONDARY POWER PWB P802)



CONFIDENTIALITY NOTICE:

The information contained in this document is intended for the exclusive use by MARANTZ Authorized Service Centers and their employees. This document may contain information that is privileged, confidential and may be protected from disclosure under applicable laws and terms of the MARANTZ Service Agreement. Any distribution, disclosure, dissemination or copying of this document and the information it contains is prohibited. No responsibility will be accepted by MARANTZ for any damage, injury or loss resulting from the misuse of the information contained in this document.

POS NO. CP40 (DEGITAL AMP PWB PP01)



CONFIDENTIALITY NOTICE:

The information contained in this document is intended for the exclusive use by MARANTZ Authorized Service Centers and their employees. This document may contain information that is privileged, confidential and may be protected from disclosure under applicable laws and terms of the MARANTZ Service Agreement. Any distribution, disclosure, dissemination or copying of this document and the information it contains is prohibited. No responsibility will be accepted by MARANTZ for any damage, injury or loss resulting from the misuse of the information contained in this document.

Parts:

Necessary parts:

Old New	POS. NO.	VERS. COLOR	PART NO. (FOR EUR)	PART NO. (MZ)	PART NAME	DESCRIPTION
Old	R808		-	00MNN05183610	CHIP RES.	18K OHM +-5% 1/16W
New	R808		-	00MNN05103610	CHIP RES.	10K OHM +-5% 1/16W
Old	L804		-	00MFC90050130	FERRITE CORE	BL02RN2-R62T2 FERRITE BEAD
New	L804		-	00MGG05100160	RES.	10 OHM +-5% 1/6W
Old	CP40		-	00MOA10701620	ELECT CAP.	100UF M 16V RA-2
New	CP40		-	00MOA22801620	ELECT CAP.	2200UF M 16V RA-2

Serial Number Range:

This problem applies to the following serial number range:
S/N 20000803001290 and earlier.

The update has been done in production units from serial number
20000803001291 and later.

CONFIDENTIALITY NOTICE:

The information contained in this document is intended for the exclusive use by MARANTZ Authorized Service Centers and their employees. This document may contain information that is privileged, confidential and may be protected from disclosure under applicable laws and terms of the MARANTZ Service Agreement. Any distribution, disclosure, dissemination or copying of this document and the information it contains is prohibited. No responsibility will be accepted by MARANTZ for any damage, injury or loss resulting from the misuse of the information contained in this document.