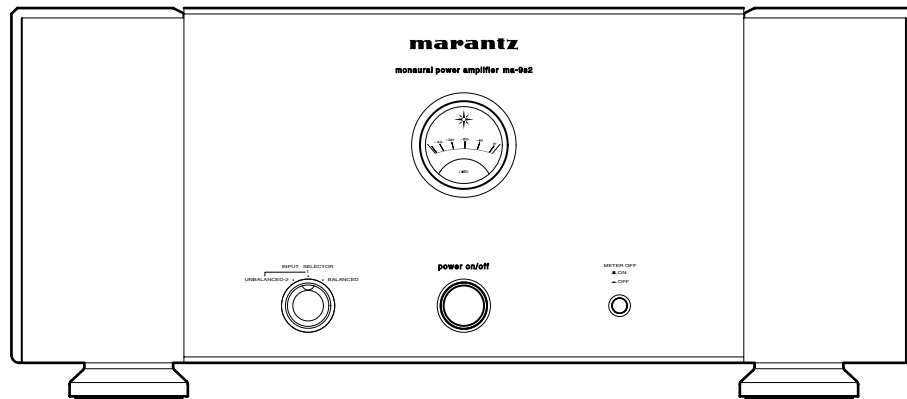


Service Manual

MA-9S2 /F N/K1G/N1G/U1G

Monaural Power Amplifier



MA-9S2

TABLE OF CONTENTS

SECTION	PAGE
1. TECHNICAL SPECIFICATIONS	1
2. CAUTION	1
3. ALIGNMENTS	2
4. BLOCK DIAGRAM	4
5. WIRING DIAGRAM	5
6. SCHEMATIC DIAGRAM	7
7. PARTS LOCATION	11
8. EXPLODED VIEW AND PARTS LIST	23
9. ELECTRICAL PARTS LIST	27

Please use this service manual with referring to the user guide (D.F.U.) without fail.
修理の際は、必ず取扱説明書を準備し操作方法を確認の上作業を行ってください。

marantz®

MA-9S2

MARANTZ DESIGN AND SERVICE

Using superior design and selected high grade components, **MARANTZ** company has created the ultimate in stereo sound. Only original **MARANTZ** parts can insure that your **MARANTZ** product will continue to perform to the specifications for which it is famous.

Parts for your **MARANTZ** equipment are generally available to our National Marantz Subsidiary or Agent.

ORDERING PARTS :

Parts can be ordered either by mail or by Fax.. In both cases, the correct part number has to be specified.

The following information must be supplied to eliminate delays in processing your order :

1. Complete address
2. Complete part numbers and quantities required
3. Description of parts
4. Model number for which part is required
5. Way of shipment
6. Signature : any order form or Fax. must be signed, otherwise such part order will be considered as null and void.

USA

MARANTZ AMERICA, INC
100 CORPORATE DRIVE
MAHWAH, NEW JERSEY 07430
USA

EUROPE / TRADING

MARANTZ EUROPE B.V.
P. O. BOX 8744, BUILDING SILVERPOINT
BEEMDSTRAAT 11, 5653 MA EINDHOVEN
THE NETHERLANDS
PHONE : +31 - 40 - 2507844
FAX : +31 - 40 - 2507860

CANADA

MARANTZ CANADA INC.
5-505 APPLE CREEK BLVD.
MARKHAM, ONTARIO L3R 5B1
CANADA
PHONE : 905 - 415 - 9292
FAX : 905 - 475 - 4159

AUSTRALIA

QualiFi Pty Ltd,
24 LIONEL ROAD,
MT. WAVERLEY VIC 3149
AUSTRALIA
PHONE : +61 - (0)3 - 9543 - 1522
FAX : +61 - (0)3 - 9543 - 3677

THAILAND

MRZ STANDARD CO., LTD
746 - 754 MAHACHAI ROAD.,
WANGBURAPAPIROM, PHRANAKORN,
BANGKOK, 10200 THAILAND
PHONE : +66 - 2 - 222 9181
FAX : +66 - 2 - 224 6795

SINGAPORE

WO KEE HONG DISTRIBUTION PTE LTD
No.1 JALAN KILANG TIMOR
#08-03 PACIFIC TECH CENTRE
SINGAPORE 159303
PHONE : +65 6376 0338
FAX : +65 6376 0166

NEW ZEALAND

WILDASH AUDIO SYSTEMS NZ
14 MALVERN ROAD MT ALBERT
AUCKLAND NEW ZEALAND
PHONE : +64 - 9 - 8451958
FAX : +64 - 9 - 8463554

TAIWAN

PAI- YUING CO., LTD.
6 TH FL NO, 148 SUNG KIANG ROAD,
TAIPEI, 10429, TAIWAN R.O.C.
PHONE : +886 - 2 - 25221304
FAX : +886 - 2 - 25630415

MALAYSIA

WO KEE HONG ELECTRONICS SDN. BHD.
2ND FLOOR BANGUNAN INFINITE CENTRE
LOT 1, JALAN 13/6, 46200 PETALING JAYA
SELANGOR DARUL EHSAN, MALAYSIA
PHONE : +60 - 3 - 7954 8088
FAX : +60 - 3 - 7954 7088

JAPAN

D&M Holdings Inc.
D&M BUILDING, 2-1 NISSHIN-CHO,
KAWASAKI-KU, KAWASAKI-SHI,
KANAGAWA, 210-8569 JAPAN

株式会社 ディーアンドエムホールディングス

本 社 〒210-8569
神奈川県川崎市川崎区日進町2-1 D&Mビル

KOREA

MARANTZ KOREA CO., LTD.
ROOM 604, ELECTRO OFFICE, 16-58,
HANGGANG-RO 3GA, YONGSAN-KU,
SEOUL, 140-013, KOREA
PHONE : +82 - 2 - 323 - 2155
FAX : +82 - 2 - 323 - 2154

CHINA

MARANTZ SHANGHAI TRADING LTD.
ROOM.506 SHANGHAI LIGHT INDUSTRY MANSION
1578 NANJING (WEST) ROAD SHANGHAI
CHINA
TEL : 021 - 6248 - 1064
FAX : 021 - 6248 - 3565

SHOCK, FIRE HAZARD SERVICE TEST :

CAUTION : After servicing this appliance and prior to returning to customer, measure the resistance between either primary AC cord connector pins (with unit NOT connected to AC mains and its Power switch ON), and the face or Front Panel of product and controls and chassis bottom.

Any resistance measurement less than 1 Megohms should cause unit to be repaired or corrected before AC power is applied, and verified before it is return to the user/customer.

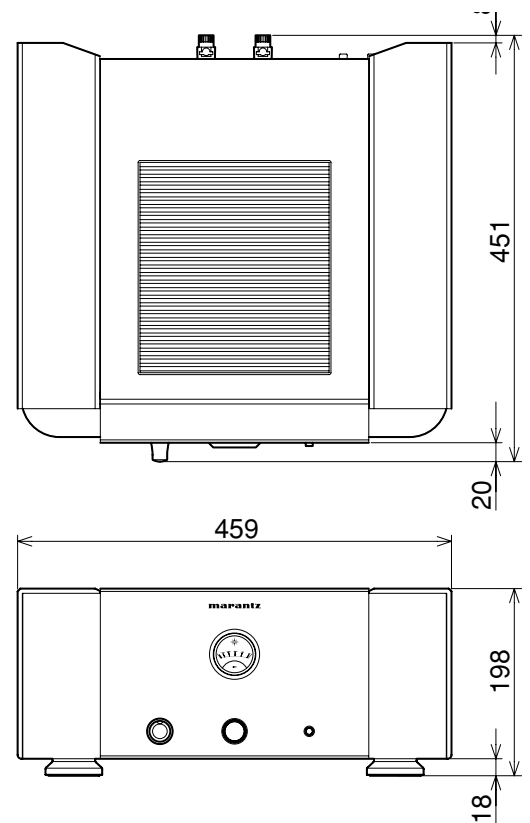
Ref. UL Standard No. 6500.

In case of difficulties, do not hesitate to contact the Technical Department at above mentioned address.

1. TECHNICAL SPECIFICATIONS

Rated power output (20 Hz to 20 kHz)	
.....	300 W (8 Ω load)
.....	600 W (4 Ω load)
Total harmonic distortion (20 Hz to 20 kHz, 8 Ω load)	
.....	0.01 %
Output bandwidth (8 Ω load, 0.05 %)	
[F].....	5 Hz to 55 kHz
Frequency response (1W, 8 Ω load)	
.....	3 Hz to 150 kHz (+0 / -3 dB)
Damping factor (20 Hz to 20 kHz, 8 Ω load)	
.....	200
Inout sensitivity / Inout impedance	
.....	1.7 V / 20 kΩ (BALANCED)
.....	1.7 V / 20 kΩ (UNBALANCED)
S/N (IHF A network, input shorted)	
.....	123 dB (BALANCED)
.....	123 dB (UNBALANCED)
Level of voltage amplification	
[F].....	29 dB (BALANCED)
[F].....	29 dB (UNBALANCED)
Attenuation	0, -3, -6, -9, -12, -∞ dB
Supply voltage	
[F].....	100 V AC, 50 / 60 Hz
[K].....	220 V AC, 50 / 60 Hz
[N].....	AC 230V 50Hz
[U].....	AC 120V 60Hz
Power consumption	
[F].....	450 W
[K/N/U].....	500W
4 Ω, 600 W driven	1200 W
Dimensions	
Width.....	459 mm
Height.....	198 mm
Depth.....	451 mm
Weight.....	37.4 kg

DIMENSIONS



Unit : mm

2. CAUTION

The layout of this amplifier is well concerned for sound quality.

1. When screws and washers are removed, those parts must be set to the same places.
2. When wires are removed, the wires must be installed in the same roots, same places.
3. Do not hold the side panel (001D/002D) and the bracket (915G) to move the unit when the unit is disassembled.

2. 注意

当機は音質を考慮したレイアウトになっています。

1. ネジやワッシャ類を取り外した場合、元の位置に取り付けてください。
2. ワイヤ類を取り外した場合の配線ルートは、元のルート通りに戻してください。
3. 当機を分解した状態で移動するときは、サイドパネル (001D, 002D) 及びブラケット (915G) を持たないでください。

3. ALIGNMENTS

Adjustment Procedure

Set the power voltage to rated voltage for this adjustment.

DC Offset Voltage Adjustment

1. Before turning on power, set the attenuator switch (S201) at $-\infty$, and turn the variable resistors R691 and R692 on the PWB (P691) counterclockwise to the end.
Insert digital voltage meters between the SPEAKERS-1 "+" terminal on the rear panel and the GND terminal of C001/C002, and between the SPEAKERS-1 "-" terminal on the rear panel and the GND terminal of C001/C002.
 2. After the all preparation in Step 1 is done, turn on power. Just after the speaker relays turning on, make the adjustment to set the offset voltages of the SPEAKERS-1 "+" terminal and the SPEAKERS-1 "-" terminal to $0V \pm 20mV$.
Also, the difference between the offset voltages of the SPEAKERS-1 "+" terminal and the SPEAKERS-1 "-" terminal must be within $\pm 3mV$.
- Offset voltage between the SPEAKERS-1 "+" terminal and GND
Adjust the variable resistors R507 on the PWB P501 so that the desired value is obtained.
 - Offset voltage between the SPEAKERS-1 "-" terminal and GND
Adjust the variable resistors R508 on the PWB P501 so that the desired value is obtained.

Idling Current Adjustment

1. After DC Offset Voltage Adjustment is completed, adjust the idling current with the variable resistors R691 and R692 on the PWB (P691).
The test point uses the 2pin connectors J675 and J677 on the PWB (P671).
 2. Connect a digital voltage meter in between the 1 pin and the 2 pin of J675 and in between the 1 pin and the 2 pin of J671 each. No. 2 terminal is "+" of DC range.
 3. With seeing the digital voltage meter, turn the variable resistors clockwise slowly to adjust the idling current.
- Idling current adjustment with R691
R691 is to adjust the idling current for the power transistor(s) on the upper side of the heat sink.
Turn R691 clockwise to increase the idling current.
The voltage measured by the digital voltage meter connected to J675 will increase.
 - Idling current adjustment with R692
R692 is to adjust the idling current for the power transistor(s) on the lower side of the heat sink.
Turn R692 clockwise to increase the idling current.
The voltage measured by the digital voltage meter connected to J677 will increase.

3. ALIGNMENTS

調整手順

調整時は必ず電源電圧を定格電圧に合わせてください。

DCオフセット電圧調整

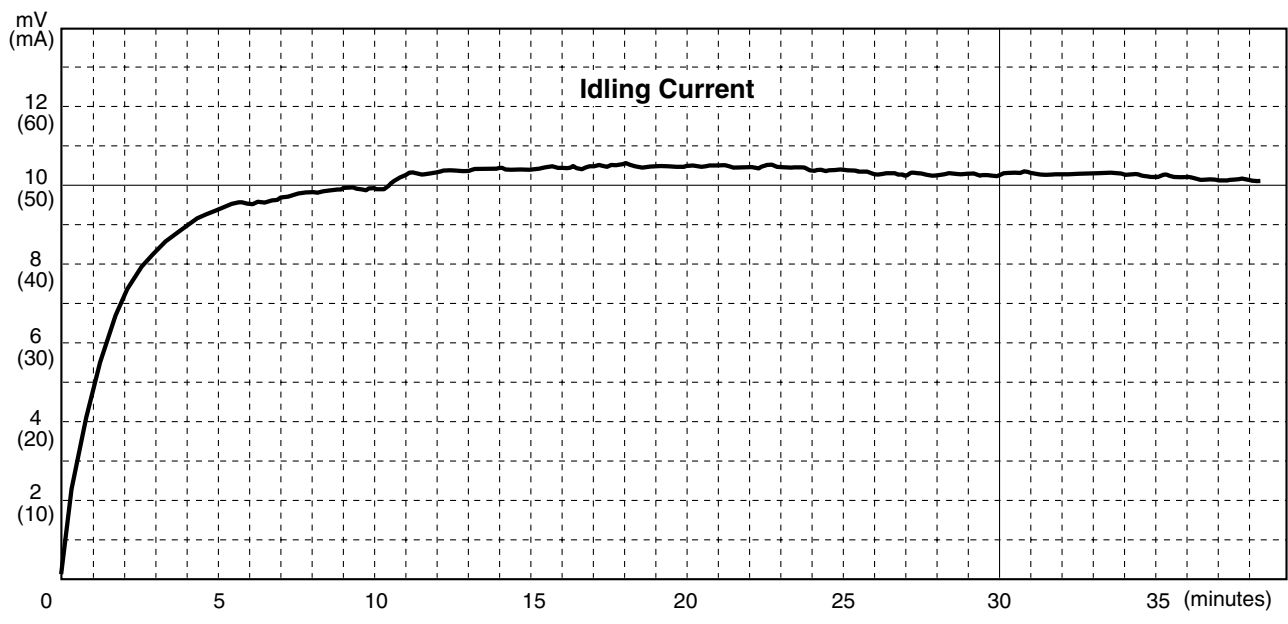
1. 電源を投入する前にリアパネルのATTENUATORスイッチ (S201) を $-\infty$ 、プリント基板 (P691) の半固定抵抗 R691とR692をそれぞれ反時計方向に絞り切った状態 (アイドリング電流) にしてください。
リアパネルのSPEAKERS-1の"+"端子とC001/C002のGND端子間およびSPEAKERS-1の "-"端子とC001/C002のGND端子間にそれぞれデジタルボルトメーターを接続します。
 2. 上記設定後電源を投入しスピーカリレーがONした直後、SPEAKERS-1の"+"端子とSPEAKERS-1の "-"端子をそれぞれ $0V \pm 20mV$ に調整します。
このとき、"+"端子のオフセット電圧と "-"端子のオフセット電圧との差が $\pm 3mV$ 以内になるように調整します。
- SPEAKERS-1の"+"端子とGND間のオフセット電圧
プリント基板 (P501) の半固定抵抗 (R507) を調整します。
 - SPEAKERS-1の "-"端子とGND間のオフセット電圧
プリント基板 (P501) の半固定抵抗 (R508) を調整します。

アイドリング電流調整

1. DCオフセット電圧調整終了後、プリント基板 (P691) の半固定抵抗R691とR692でアイドリング電流を調整します。
テストポイントはプリント基板 (P671) の2pinコネクタ J675とJ677を使用します。
 2. デジタルボルトメーターをJ675の1番端子と2番端子間、J671の1番端子と2番端子間にそれぞれに接続します。2番端子がDCレンジの+側です。
 3. デジタルボルトメーターの電圧値を監視しながらゆっくりと半固定抵抗を時計方向に回しアイドリング電流を調整します。
- 半固定抵抗R691でのアイドリング調整
R691はヒートシンク上部に配置しているパワートランジスターのアイドリング電流を調整します。
R691を時計方向に回すとJ675に接続したデジタルボルトメーターの電圧値が増加しアイドリング電流が増加します。
 - 半固定抵抗R692でのアイドリング調整
R692はヒートシンク下部に配置しているパワートランジスターの電流を調整します。
R692を時計方向に回すとJ677に接続したデジタルボルトメーターの電圧値が増加しアイドリング電流が増加します。

- The voltage of the idling current will be 10mV(50mA) for each.
The current value is stabilized by about 10mV (50mA) in about 30 minutes after turn on power.
Refer to the following graph for the idling current and time after turn on power.
- 3 minutes after turn on power, adjust the idling current to 8mV (40mA), after 10 minutes, it checks becoming the value of about 10mV (50mA).

- アイドリング電流の設定値はそれぞれ10mV (50mA)とします。
電源投入後約30分で約10mV (50mA) で安定します。
電源投入後のアイドリング電流と時間経過の推移は下記グラフを参照してください。
- 調整は、電源を投入し3分後に8mV (40mA) に調整し、さらに10分後に10mV (50mA) 前後の値になることを確認してください。



Meter Adjustment

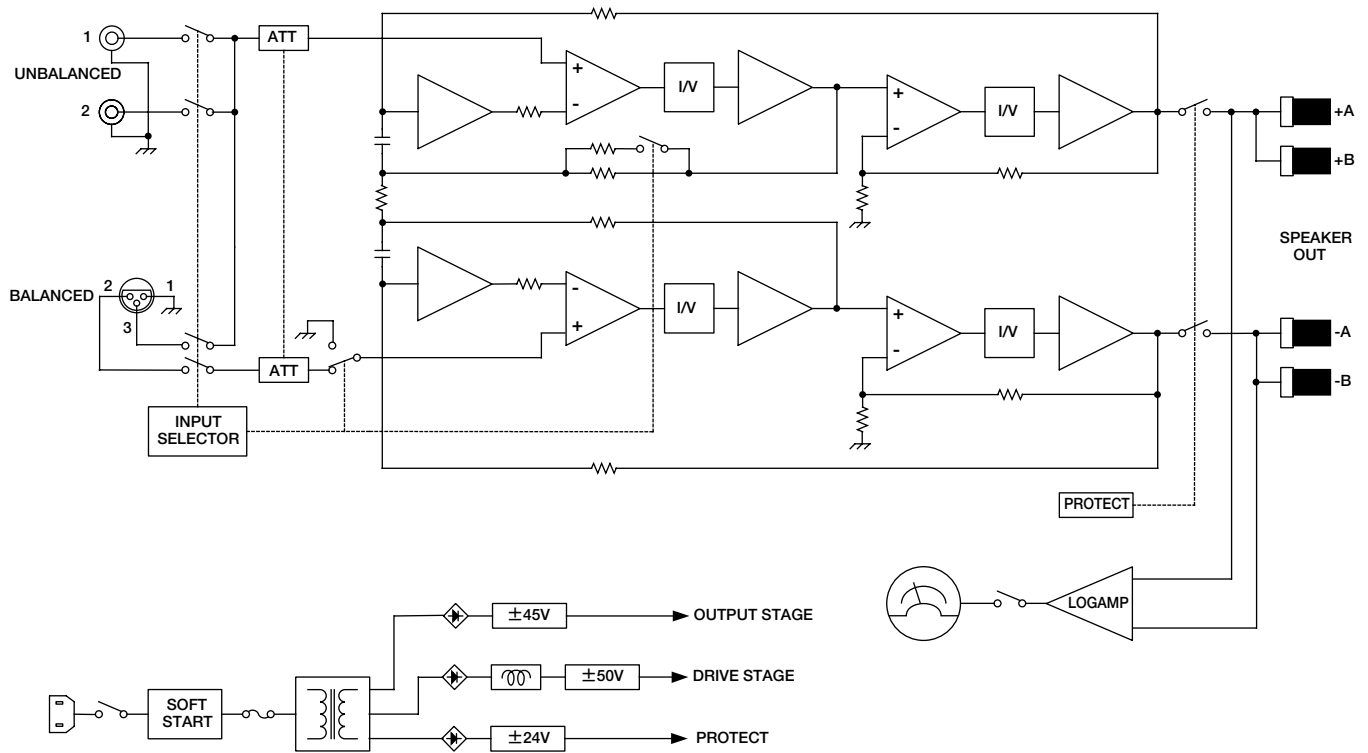
- Connect an oscillator to the input terminal UNBALANCED-1 and connect an AC voltage meter to the speaker output terminals. ATTENUATOR is set to 0dB and no load is connected to the speaker output.
Turn the variable resistor R917 on the PWB (P801) counterclockwise to the end.
- Turn on power and adjust output power (output frequency 1kHz) of the oscillator to set the speaker output voltage to 15.5V.
- When the speaker output voltage becomes 15.5V, adjust the variable resistor R917 on the PWB P801 to set the meter -10dB. (Output voltage 15.5V means 30W for 8Ω, 60W for 4Ω.)
- Assuming this point as 0db, decrease the output power of the oscillator like 0dB → -20dB → -30dB → -40dB, the meter will show the corresponding

メーター調整

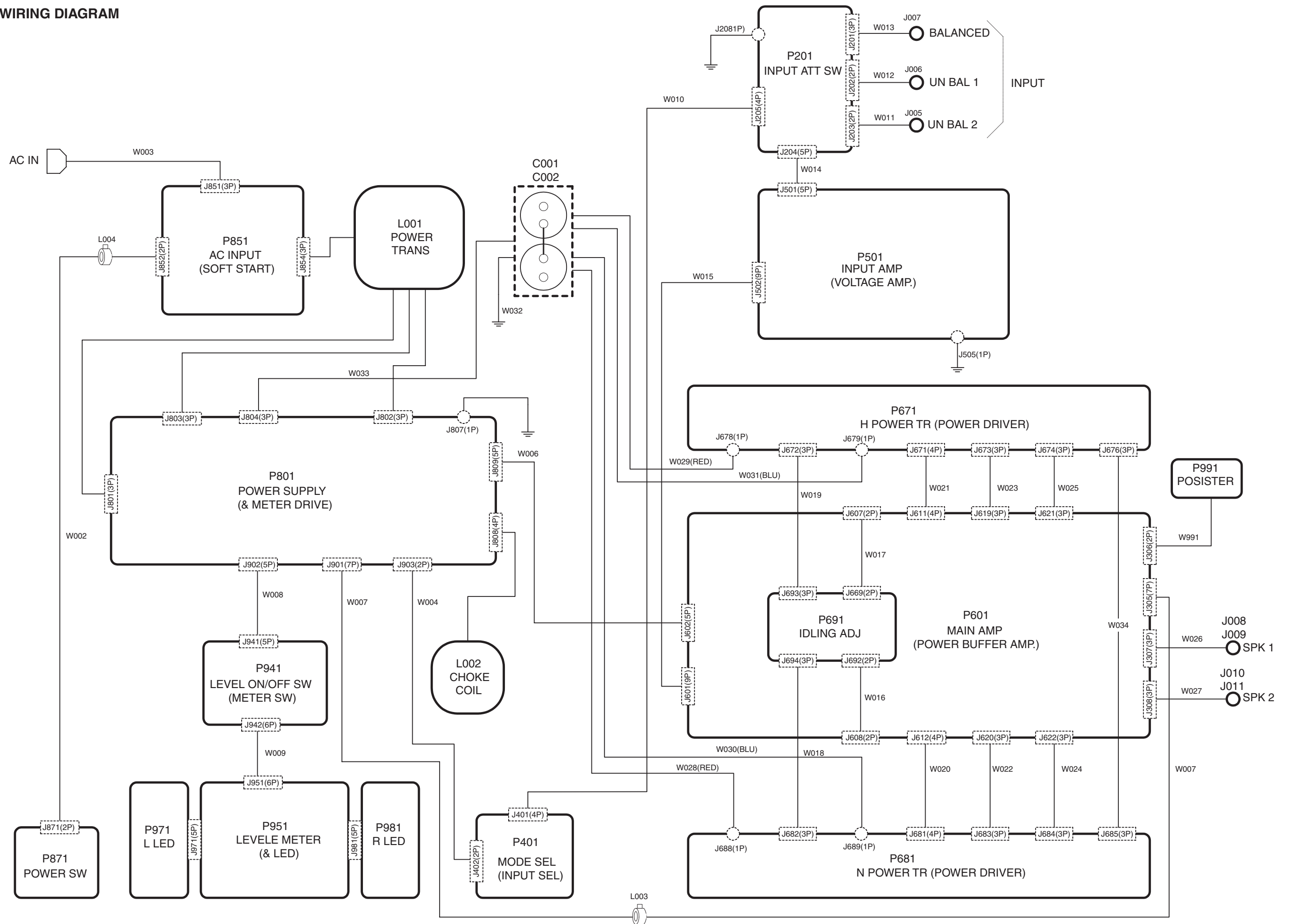
- 入力端子UNBALANCED-1に発振器を接続し、スピーカー出力端子にACボルトメーターを接続します。
ATTENUATORは0dB、スピーカー出力は無負荷とします。
P801基板の半固定抵抗R917は反時計方向に絞り切った状態にしてください。
- 電源をONしスピーカー出力電圧が15.5Vになるように発振器の出力レベルを調整(周波数は1kHz)してください。
- スピーカー出力電圧が15.5Vになったら、メーターが-10dBを指すようにP801基板の半固定抵抗R917を調整します。(出力電圧15.5Vは8Ω時30W、4Ω時60Wの電圧になります。)
- この状態を-10dBとして発振器の出力レベルを0dB → -20dB → -30dB → -40dBと順に減衰させていくと、メーターの針はスケール板のそれぞれの表示値を示します。

METER	8 OHM LOAD	4 OHM LOAD
0 dB	300 W	600 W
-10 dB	30 W	60 W
-20 dB	3 W	6 W
-30 dB	0.3 W	0.6 W
-40 dB	0.03 W	0.06 W

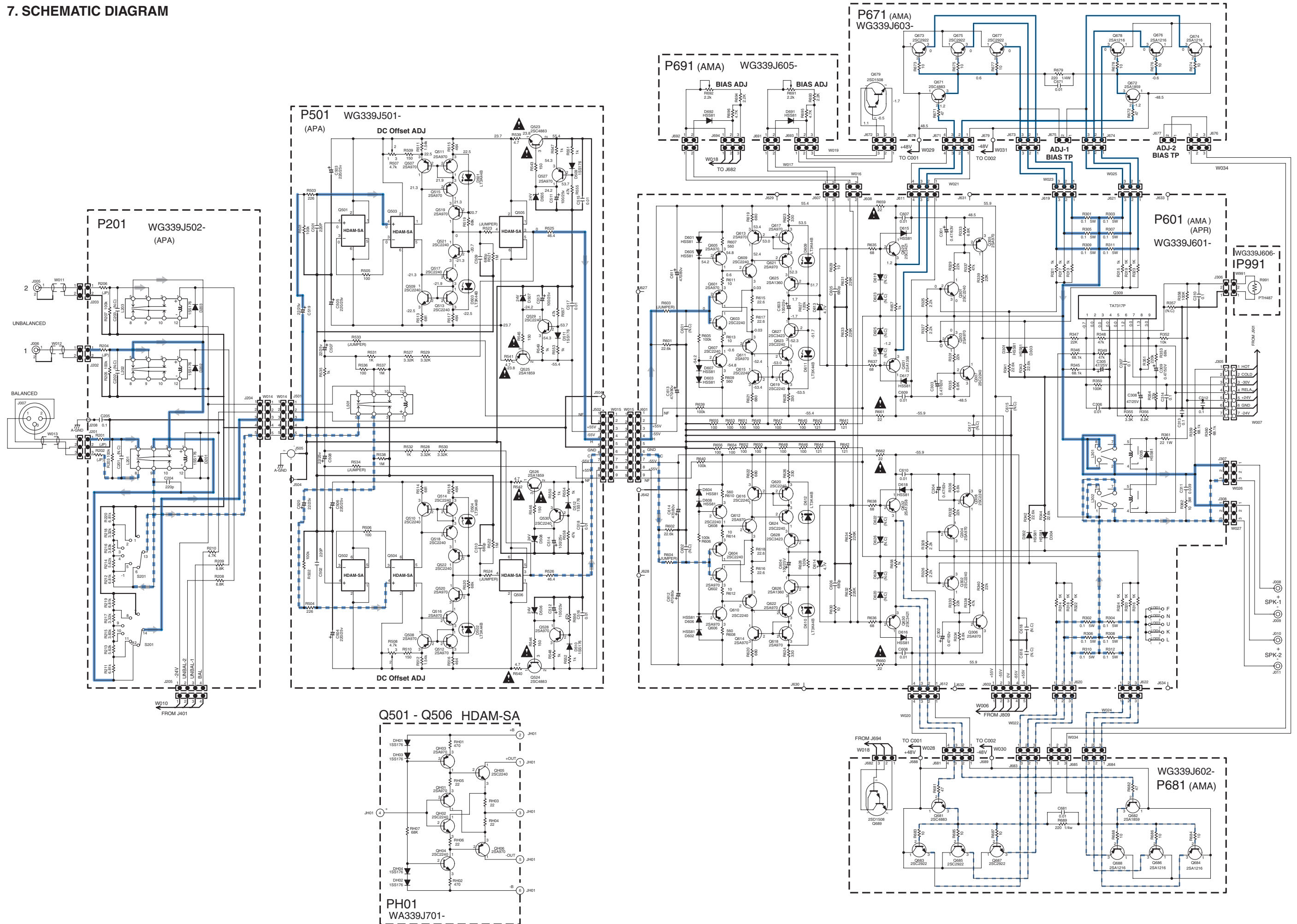
4. BLOCK DIAGRAM

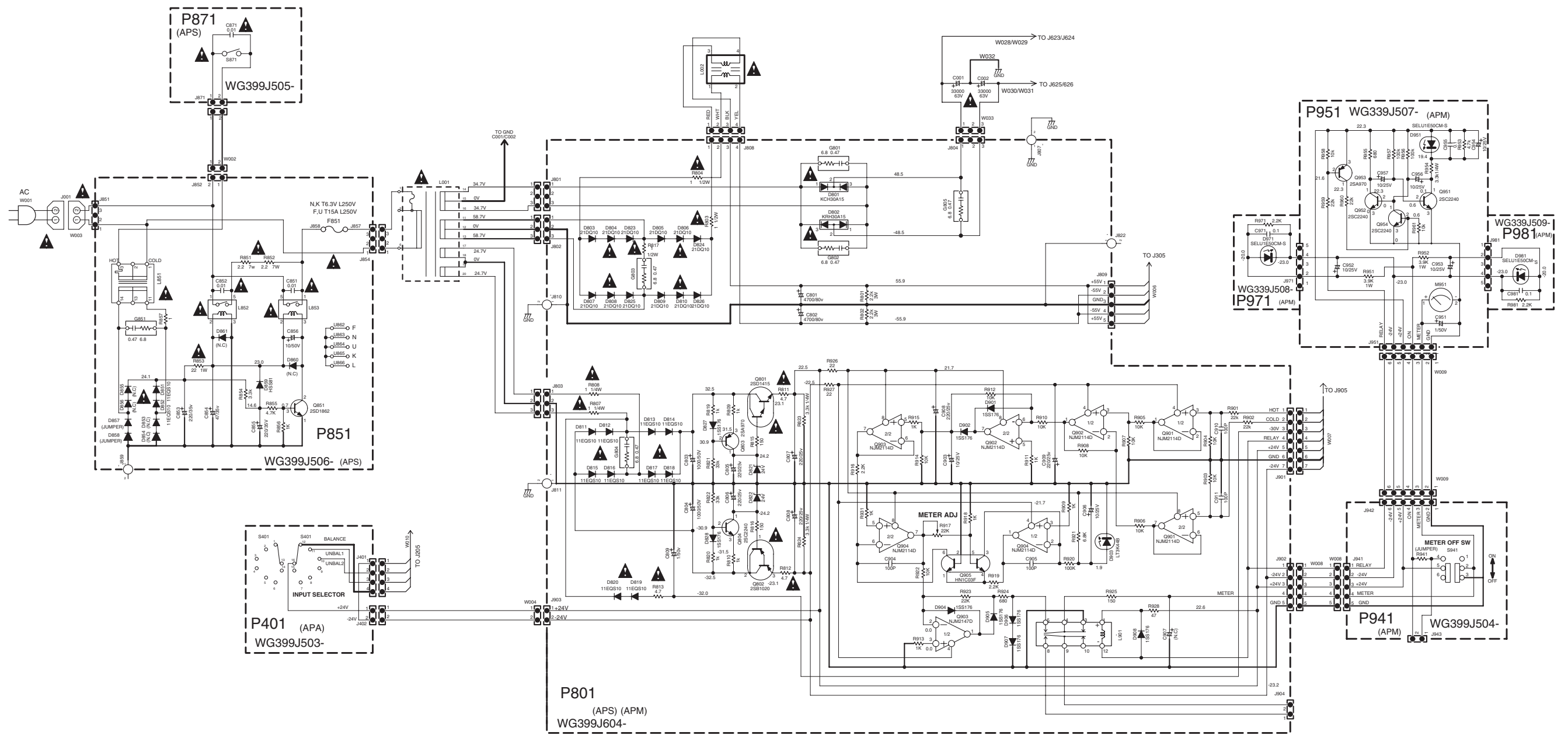


6. WIRING DIAGRAM



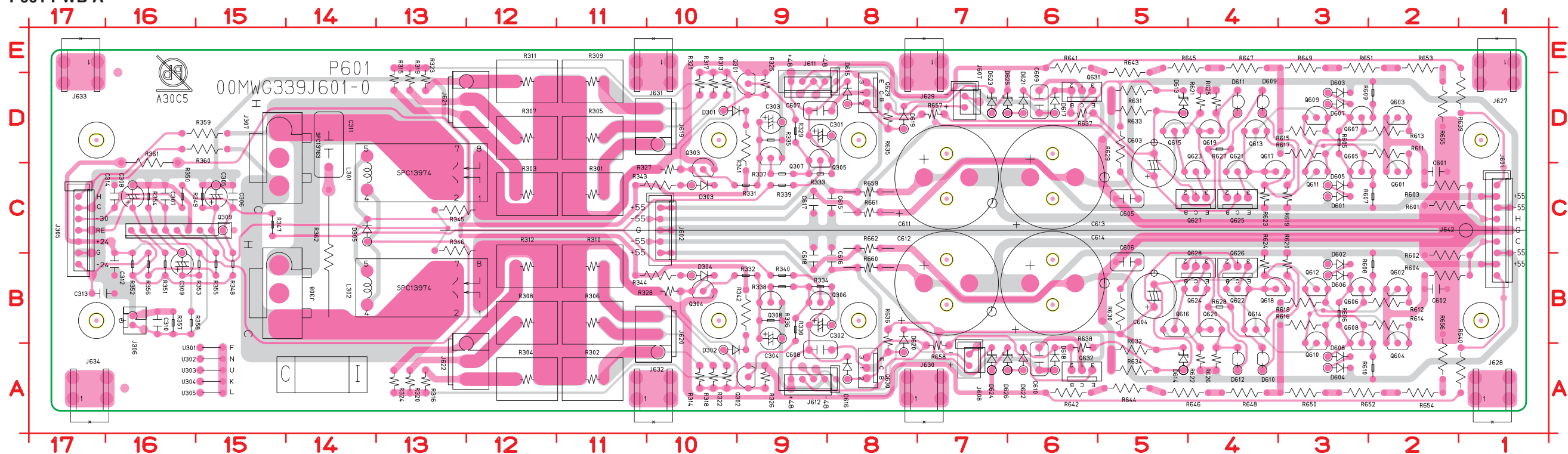
7. SCHEMATIC DIAGRAM





8. PARTS LOCATION

P601 PWB A



C301	D9	C612	B7	D614	A5	J621	D13	Q604	B2	Q629	D8	R322	A10	R347	C15	R610	A2	R635	D8	R660	B8
C302	B9	C613	C6	D615	D8	J622	A13	Q605	C3	Q630	A8	R323	D13	R348	B15	R611	D2	R636	A8	R661	C8
C303	D9	C614	B6	D616	A8	J627	E1	Q606	B3	Q631	D6	R324	A13	R349	C15	R612	B2	R637	D6	R662	C8
C304	B9	C615	C8	D617	D6	J628	A1	Q607	D3	Q632	A6	R325	D9	R350	C16	R613	D2	R638	A6	U301	A15
C305	C15	C616	B8	D618	A6	J629	E7	Q608	B3	R301	C11	R326	A9	R351	B16	R614	B2	R639	D1	U302	A15
C306	C15	C617	C9	D619	D8	J630	A7	Q609	D3	R302	A11	R327	C10	R352	B16	R615	D3	R640	A1	U303	A15
C307	C16	C618	B9	D620	A8	J631	E10	Q610	B3	R303	C12	R328	B10	R353	B15	R616	B3	R641	E6	U304	A15
C308	C16	D301	D10	D621	D6	J632	A10	Q611	C3	R304	A12	R329	D9	R354	C16	R617	D3	R642	A6	U305	A15
C309	B16	D302	A10	D622	A6	J633	E17	Q612	B3	R305	D11	R330	B9	R355	B15	R618	B3	R643	E5		
C310	B16	D303	C10	D623	D7	J634	A17	Q613	D4	R306	B11	R331	C9	R356	B16	R619	C3	R644	A5		
C311	C14	D304	B10	D624	A7	J642	C1	Q614	B4	R307	D12	R332	B9	R357	B16	R620	B3	R645	E4		
C312	B16	D305	C14	D625	D7	L301	D14	Q615	D5	R308	B12	R333	C8	R358	B16	R621	D4	R646	A4		
C313	B16	D601	C3	D626	A7	L302	B14	Q616	B5	R309	D11	R334	B8	R359	D15	R622	A4	R647	E4		
C314	C16	D602	B3	J305	C17	Q301	D9	Q617	C4	R310	B11	R335	D9	R360	D15	R623	C4	R648	A4		
C601	C2	D603	D3	J306	B16	Q302	A9	Q618	B4	R311	D12	R336	B9	R361	D16	R624	B4	R649	E3		
C602	B2	D604	A3	J307	D15	Q303	C10	Q619	D4	R312	B12	R337	C9	R362	B14	R625	D4	R650	A3		
C603	C5	D605	C3	J308	B15	Q304	B10	Q620	B4	R313	D10	R338	B9	R601	C1	R626	A4	R651	E2		
C604	B5	D606	B3	J601	C1	Q305	D9	Q621	C4	R314	A10	R339	C9	R602	B1	R627	D4	R652	A2		
C605	C5	D607	D3	J602	C10	Q306	B9	Q622	B4	R315	D13	R340	B9	R603	C1	R628	B4	R653	E2		
C606	B5	D608	A3	J607	D7	Q307	D9	Q623	C4	R316	A13	R341	C9	R604	B1	R629	C5	R654	A2		
C607	D8	D609	D4	J608	A7	Q308	B9	Q624	B4	R317	D10	R342	B9	R605	D3	R630	B5	R655	D2		
C608	A8	D610	A4	J611	D9	Q309	C15	Q625	C4	R318	A10	R343	C10	R606	B3	R631	D5	R656	A2		
C609	D6	D611	D4	J612	A9	Q601	C2	Q626	B4	R319	D13	R344	B10	R607	C2	R632	A5	R657	D7		
C610	A6	D612	A4	J619	D10	Q602	B2	Q627	C4	R320	A13	R345	C12	R608	B2	R633	D5	R658	A7		
C611	C7	D613	D5	J620	A10	Q603	D2	Q628	B4	R321	D10	R346	C12	R609	D2	R634	A5	R659	C8		

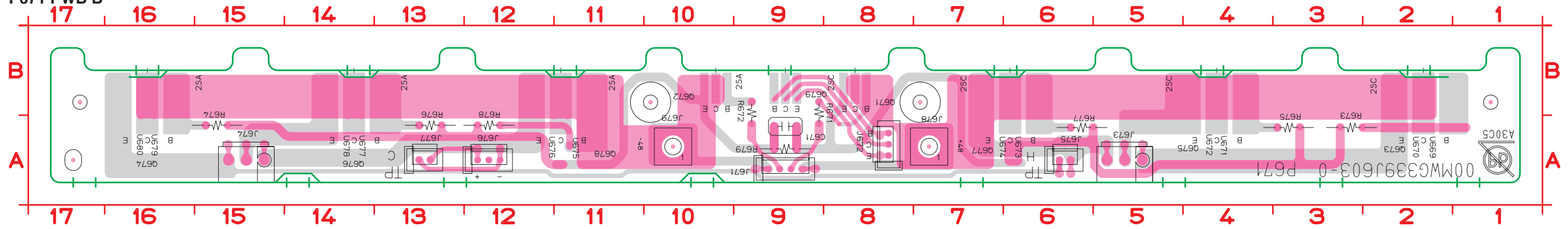
鉛フリー半田

半田付けには、鉛フリー半田 (Sn-Ag-Cu) を使用してください。

Lead-free Solder

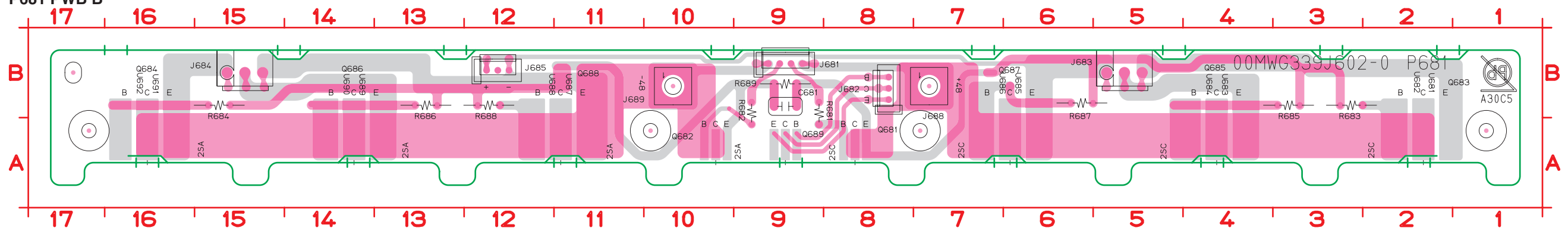
When soldering, use the Lead-free Solder (Sn-Ag-Cu).

P671 PWB B



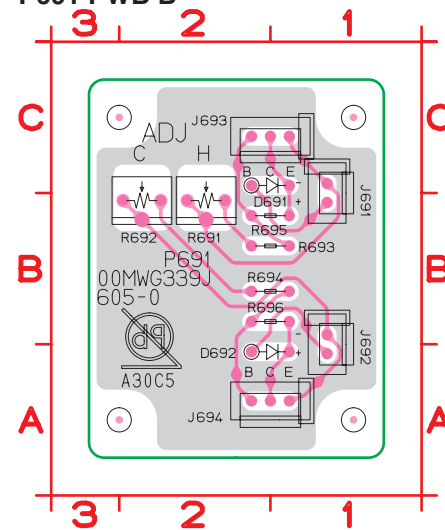
C671	A9	Q671	B8	R672	A9	U671	B4
J671	A9	Q672	B10	R673	A3	U672	B4
J672	A8	Q673	B2	R674	A15	U673	B6
J673	A5	Q674	B16	R675	A3	U674	B7
J674	A15	Q675	B4	R676	A13	U675	B11
J675	A6	Q676	B14	R677	A6	U676	B12
J676	A12	Q677	B6	R678	A12	U677	B14
J677	A13	Q678	B11	R679	A9	U678	B14
J678	A7	Q679	B9	U669	B2	U679	B16
J679	A10	R671	A9	U670	B2	U680	B16

P681 PWB B



C681	B9	Q683	A2	R684	B15	U685	A6
J681	B9	Q684	A16	R685	B3	U686	A7
J682	B8	Q685	A4	R686	B13	U687	A11
J683	B5	Q686	A14	R687	B6	U688	A12
J684	B15	Q687	A6	R688	B12	U689	A14
J685	B12	Q688	A11	R689	B9	U690	A14
J688	B7	Q689	A9	U681	A2	U691	A16
J689	B10	R681	A9	U682	A2	U692	A16
Q681	A8	R682	A9	U683	A4		
Q682	A10	R683	B3	U684	A4		

P691 PWB B

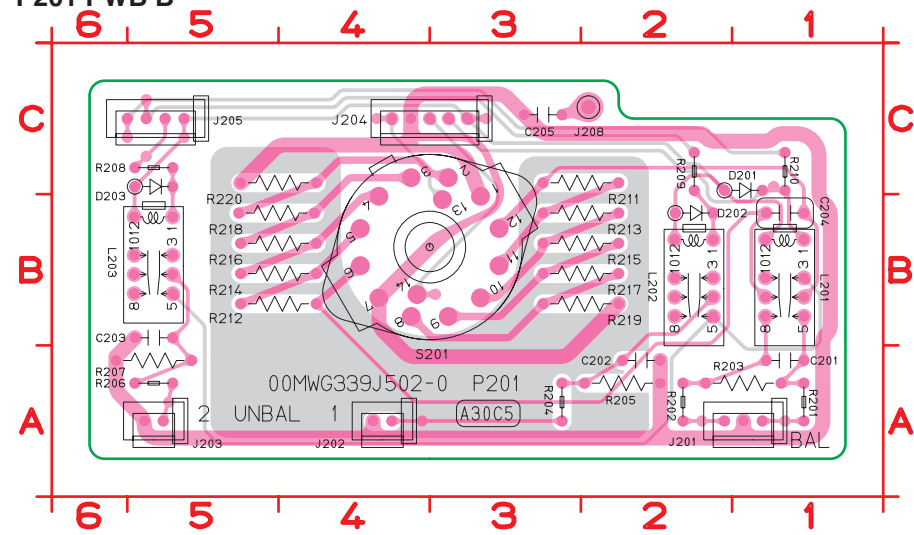


D691	C2
D692	A2
J691	C1
J692	B1
J693	C1
J694	A1
R691	B2
R692	B2
R693	B1
R694	B1
R695	B1
R696	B1

鉛フリー半田
半田付けには、鉛フリー半田 (Sn-Ag-Cu) を使用してください。

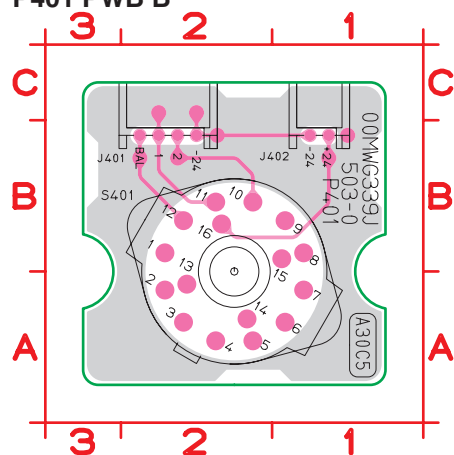
Lead-free Solder
When soldering, use the Lead-free Solder (Sn-Ag-Cu).

P201 PWB B



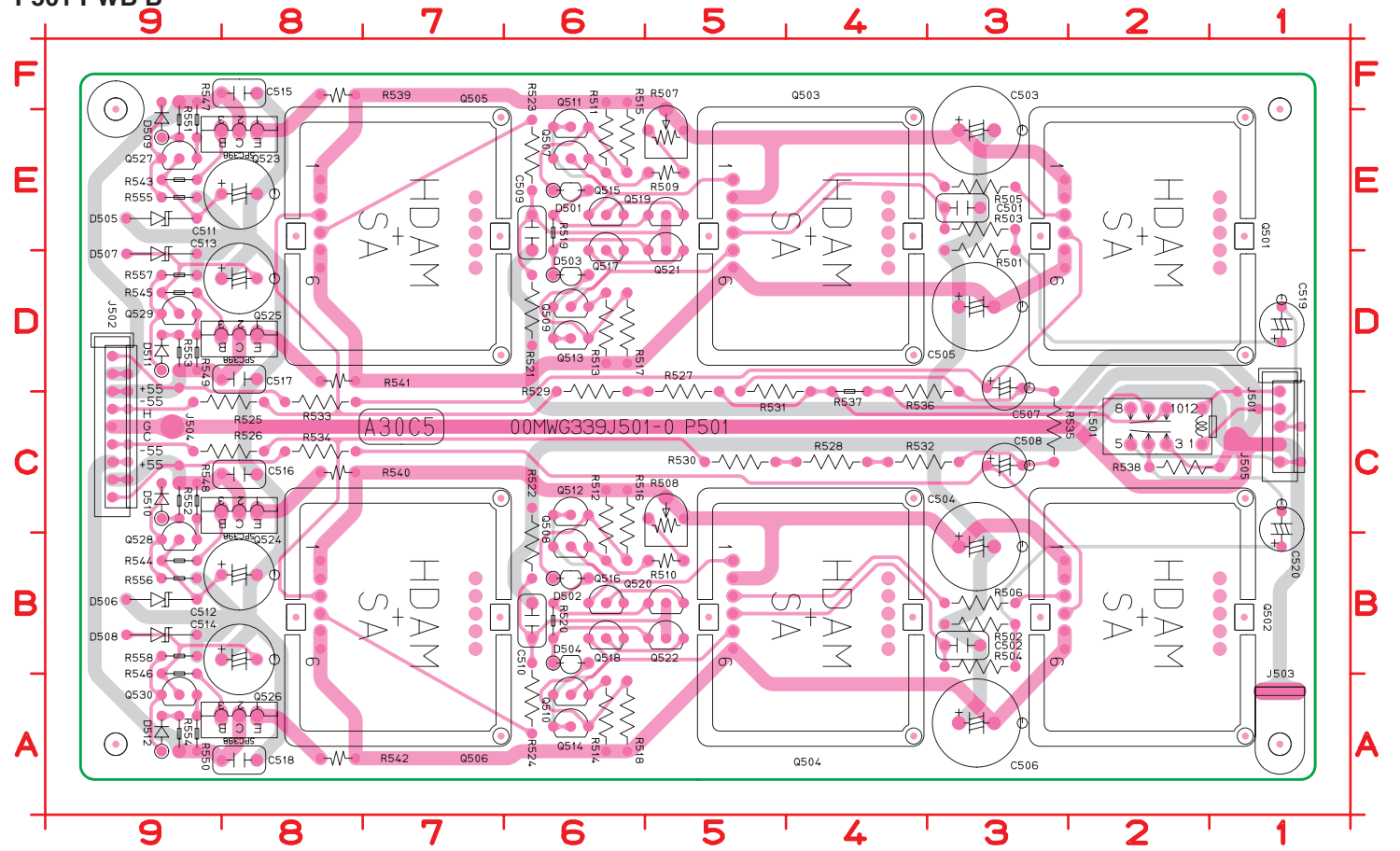
C201	A1	J203	A5	R204	A3	R214	B4
C202	A2	J204	C3	R205	A2	R215	B2
C203	B5	J205	C5	R206	A5	R216	B4
C204	B1	J208	C2	R207	A5	R217	B2
C205	C3	L201	B1	R208	C5	R218	B4
D201	C2	L202	B2	R209	C2	R219	B2
D202	B2	L203	B5	R210	C1	R220	C4
D203	C5	R201	A1	R211	C2	S201	B4
J201	A1	R202	A2	R212	B4		
J202	A4	R203	A1	R213	B2		

P401 PWB B



J401	B2
J402	B1
S401	B2

P501 PWB B



C501	E3	C518	A8	J503	A1	Q514	A6	R501	E3	R518	A6	R535	C3	R552	C9
C502	B3	C519	D1	J504	C9	Q515	E6	R502	B3	R519	E6	R536	D3	R553	D9
C503	E3	C520	B1	J505	C1	Q516	B6	R503	E3	R520	B6	R537	D4	R554	A9
C504	B3	D501	E6	L501	C2	Q517	E6	R504	B3	R521	D6	R538	C1	R555	E9
C505	D3	D502	B6	Q501	E2	Q518	B6	R505	E3	R522	B6	R539	F8	R556	B9
C506	A3	D503	D6	Q502	B2	Q519	E5	R506	B3	R523	E6	R540	C8	R557	D9
C507	D3	D504	B6	Q503	E4	Q520	B5	R507	F5	R524	A6	R541	D8	R558	B9
C508	C3	D505	E9	Q504	B4	Q521	E5	R508	C5	R525	C8	R542	A8		
C509	E6	D506	B9	Q505	E7	Q522	B5	R509	E5	R526	C8	R543	E9		
C510	B6	D507	D9	Q506	B7	Q523	E8	R510	B5	R527	D5	R544	B9		
C511	E9	D508	B9	Q507	E6	Q524	C8	R511	E6	R528	C4	R545	D9		
C512	B9	D509	E9	Q508	B6	Q525	D8	R512	B6	R529	D6	R546	B9		
C513	D9	D510	C9	Q509	D6	Q526	A8	R513	D6	R530	C5	R547	E9		
C514	B9	D511	D9	Q510	A6	Q527	E9	R514	A6	R531	D4	R548	C9		
C515	F8	D512	A9	Q511	E6	Q528	B9	R515	E6	R532	C3	R549	D9		
C516	C8	J501	D1	Q512	C6	Q529	D9	R516	B6	R533	C8	R550	A9		
C517	D8	J502	D9	Q513	D6	Q530	A9	R517	D6	R534	C8	R551	E9		

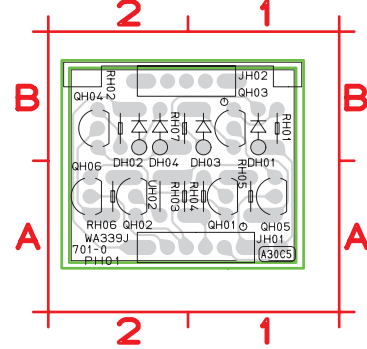
鉛フリー半田

半田付けには、鉛フリー半田 (Sn-Ag-Cu) を使用してください。

Lead-free Solder

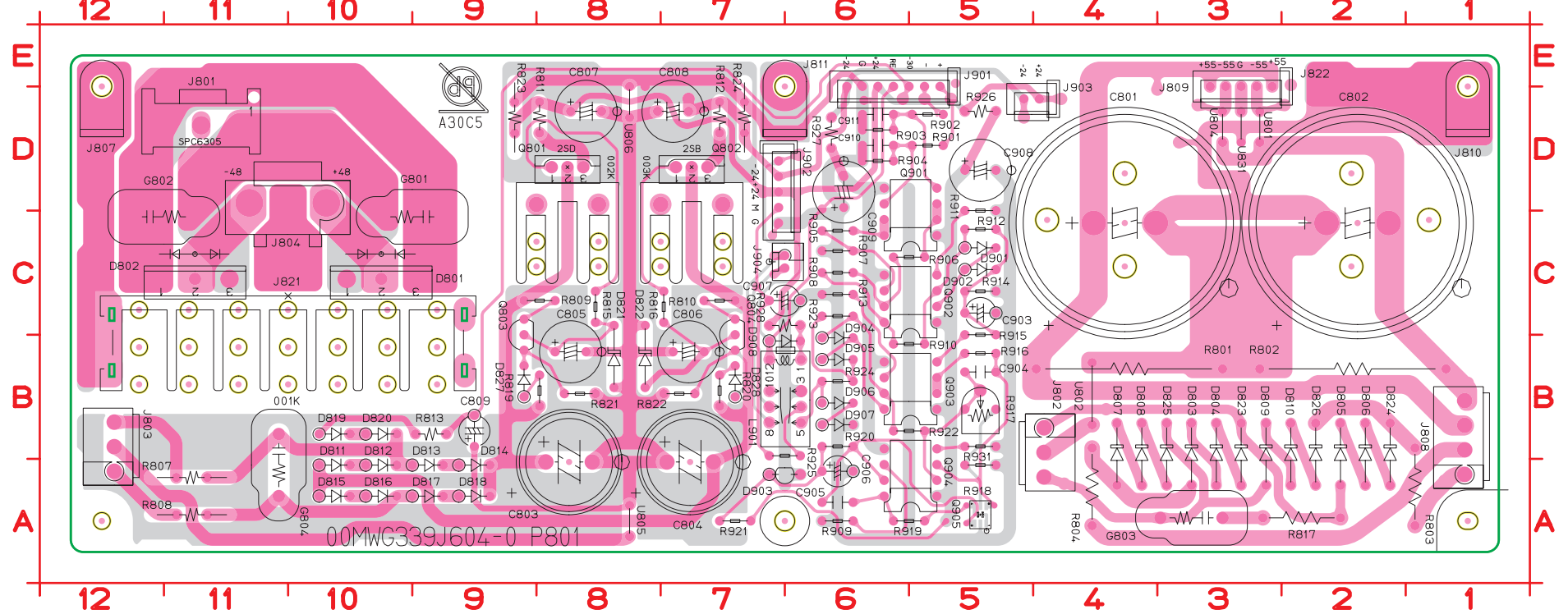
When soldering, use the Lead-free Solder (Sn-Ag-Cu).

PH01 PWB B (HDAM-SA)



DH01	B1
DH02	B2
DH03	B1
DH04	B2
JH01	A1
JH02	B1
QH01	A1
QH02	A2
QH03	B1
QH04	B2
QH05	A1
QH06	A2
RH01	B1
RH02	B2
RH03	A2
RH04	A1
RH05	A1
RH06	A2
RH07	B2
UH02	A2

P801 PWB B

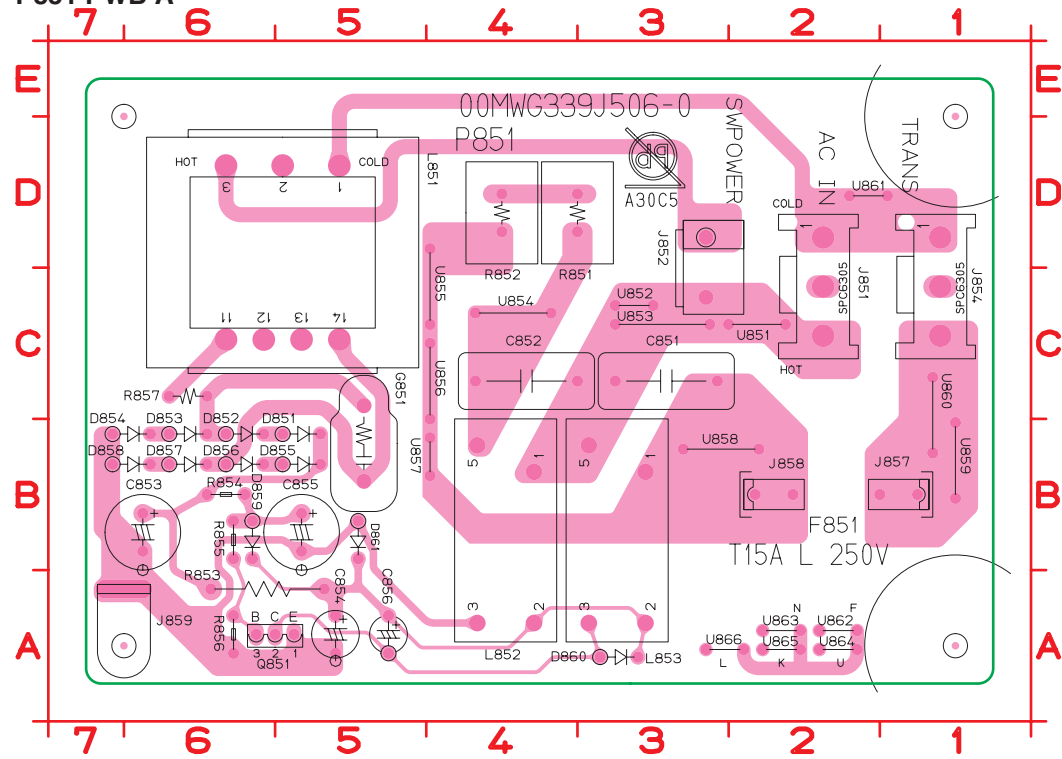


001K	C11	C910	D6	D816	A10	D905	B6	J822	D2	R803	A1	R824	D7	R917	B5	U806	D8
C801	C4	C911	D6	D817	A10	D906	B6	J901	E5	R804	A4	R901	D5	R918	A5	U831	D3
C802	C2	D801	C10	D818	A9	D907	B6	J902	D7	R807	A11	R902	D5	R919	A5		
C803	A8	D802	C11	D819	B10	D908	B7	J903	D4	R808	A11	R903	D6	R920	B6		
C804	A7	D803	A3	D820	B10	G801	C10	J904	C7	R809	C8	R904	D6	R921	A7		
C805	B8	D804	A3	D821	B8	G802	C11	L901	B6	R810	C7	R905	C6	R922	B5		
C806	B7	D805	A2	D822	B8	G803	A3	Q801	D8	R811	D8	R906	C5	R923	C6		
C807	D8	D806	A2	D823	A3	G804	A11	Q802	D7	R812	D7	R907	C6	R924	B6		
C808	D8	D807	A4	D824	A2	J801	D11	Q803	C9	R813	B9	R908	C6	R925	B6		
C809	B9	D808	A4	D825	A3	J802	B4	Q804	C7	R815	C8	R909	A6	R926	D5		
C903	C5	D809	A3	D826	A2	J803	A12	Q901	C6	R816	C7	R910	B5	R927	D6		
C904	B5	D810	A2	D827	B9	J804	D10	Q902	C6	R817	A2	R911	D5	R928	C6		
C905	A6	D811	A10	D828	B7	J807	E12	Q903	B6	R819	B8	R912	C5	R931	B5		
C906	A6	D812	A10	D901	C5	J808	A1	Q904	A6	R820	B7	R913	C6	U801	D3		
C907	C7	D813	A10	D902	C5	J809	E3	Q905	A5	R821	B8	R914	C5	U802	B4		
C908	D5	D814	A9	D903	A7	J810	E1	R801	B3	R822	B7	R915	C5	U804	D3		
C909	D6	D815	A10	D904	B6	J811	E7	R802	B1	R823	D9	R916	B5	U805	A8		

鉛フリー半田
半田付けには、鉛フリー半田 (Sn-Ag-Cu) を使用してください。

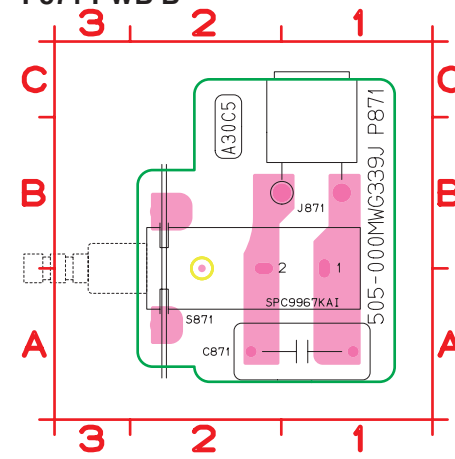
Lead-free Solder
When soldering, use the Lead-free Solder (Sn-Ag-Cu).

P851 PWB A



C851	C3	D860	A3	R853	A5	U861	D1
C852	C4	D861	B5	R854	B6	U862	A2
C853	B6	G851	C5	R855	B6	U863	A2
C854	A5	J851	D2	R856	A6	U864	A2
C855	B5	J852	D3	R857	C6	U865	A2
C856	A5	J854	D1	U851	C2	U866	A2
D851	B5	J857	B1	U852	C3		
D852	B6	J858	B2	U853	C3		
D853	B6	J859	A7	U854	C4		
D854	B7	L851	D5	U855	C4		
D855	B5	L852	B4	U856	C4		
D856	B6	L853	B3	U857	B4		
D857	B6	Q851	A6	U858	B2		
D858	B7	R851	D4	U859	B1		
D859	B6	R852	D4	U860	B1		

P871 PWB B



C871	A1
J871	B1
S871	B2

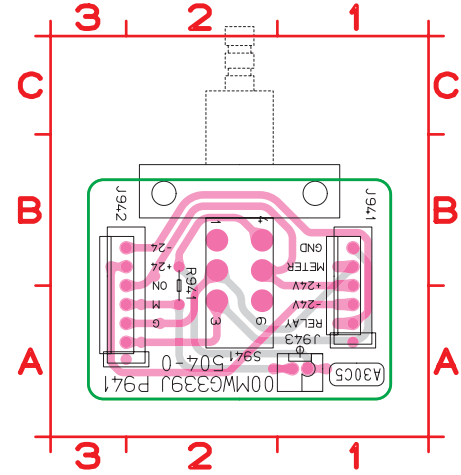
鉛フリー半田

半田付けには、鉛フリー半田 (Sn-Ag-Cu) を使用してください。

Lead-free Solder

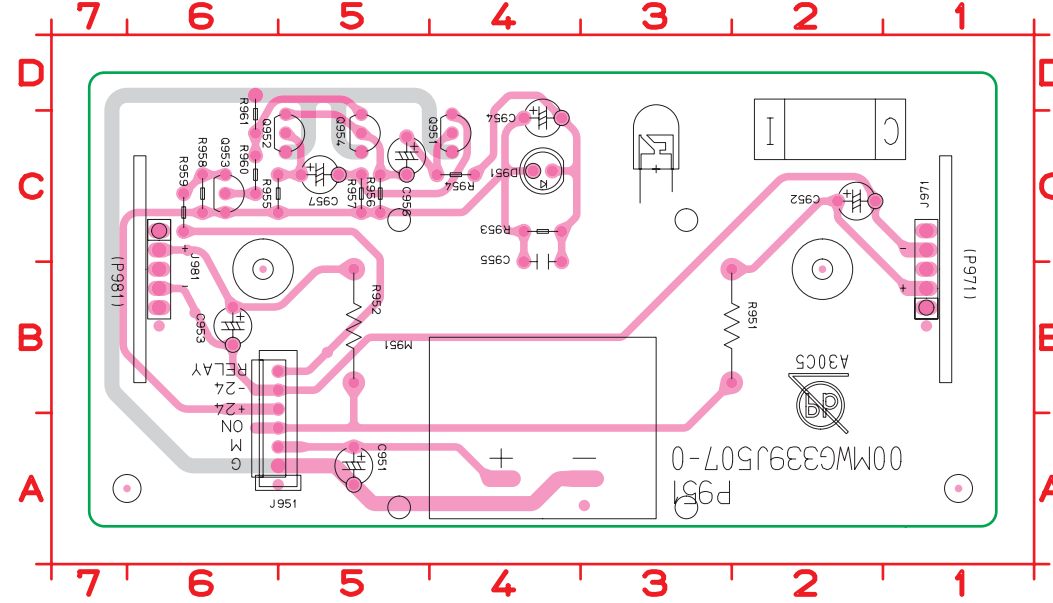
When soldering, use the Lead-free Solder (Sn-Ag-Cu).

P941 PWB B



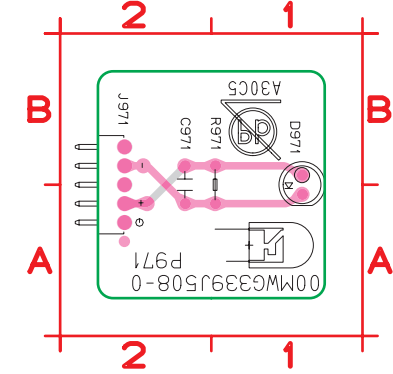
- J941 A1
- J942 A3
- J943 A1
- R941 A2
- S941 B2

P951 PWB B



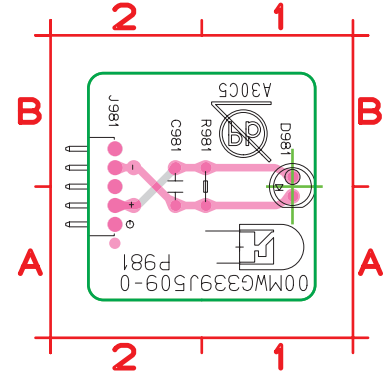
- | | | | | | |
|------|----|------|----|------|----|
| C951 | A5 | J981 | C6 | R955 | C6 |
| C952 | C2 | M951 | A4 | R956 | C5 |
| C953 | B6 | Q951 | C4 | R957 | C5 |
| C954 | C4 | Q952 | C5 | R958 | C6 |
| C955 | C4 | Q953 | C6 | R959 | C6 |
| C956 | C5 | Q954 | C5 | R960 | C6 |
| C957 | C5 | R951 | B3 | R961 | C6 |
| D951 | C4 | R952 | B5 | | |
| J951 | A6 | R953 | C4 | | |
| J971 | B1 | R954 | C4 | | |

P971 PWB B



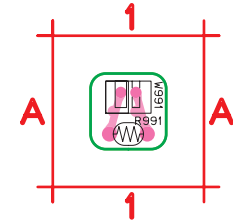
- C971 A2
- D971 B1
- J971 A2
- R971 A1

P981 PWB B



- C981 A2
- D981 B1
- J981 A2
- R981 A1

P991 PWB B

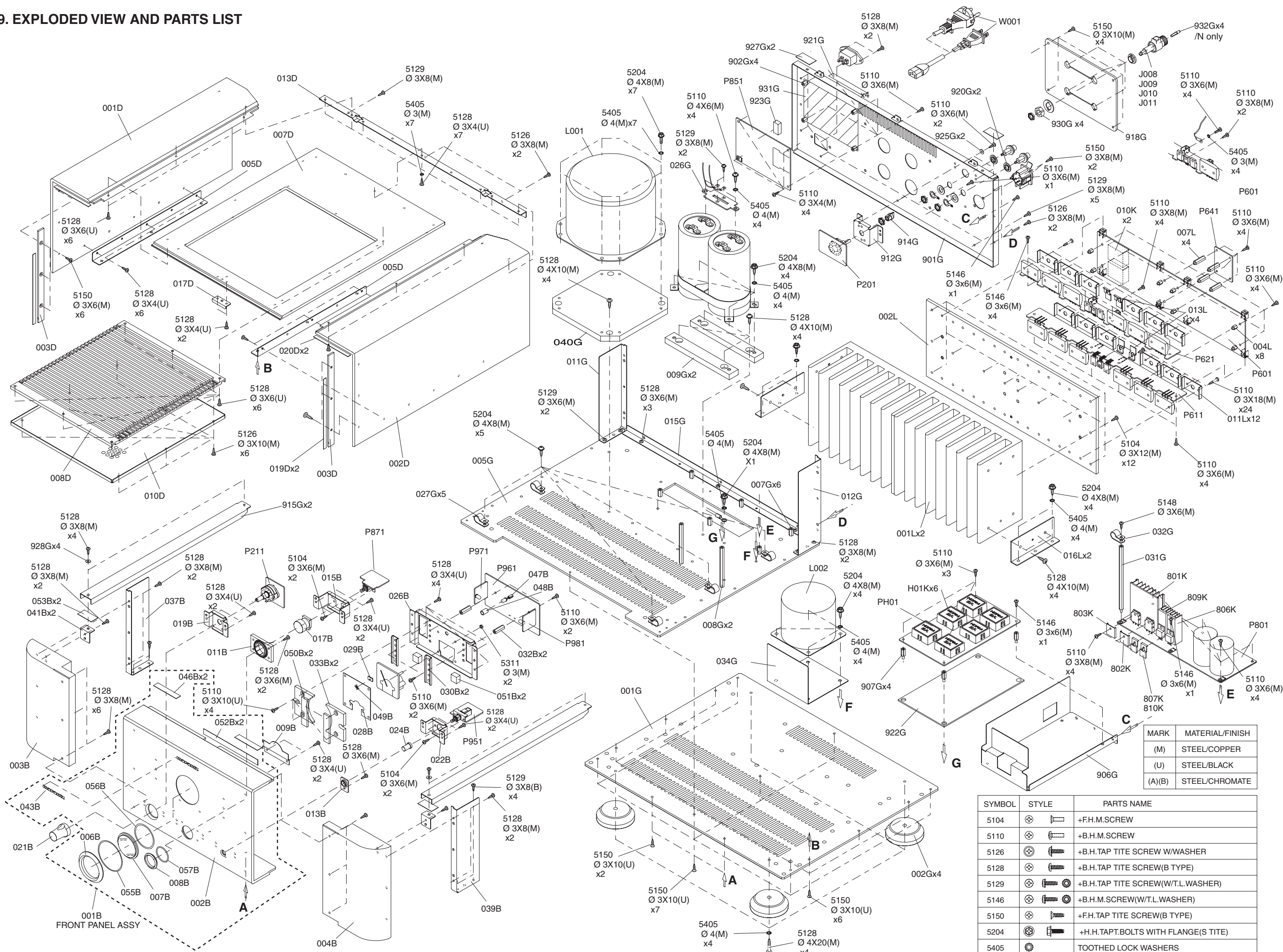


- R991 A1
- W991 A1

鉛フリー半田
半田付けには、鉛フリー半田 (Sn-Ag-Cu) を使用してください。

Lead-free Solder
When soldering, use the Lead-free Solder (Sn-Ag-Cu).

9. EXPLODED VIEW AND PARTS LIST



MARK	MATERIAL/FINISH
(M)	STEEL/COPPER
(U)	STEEL/BLACK
(A)(B)	STEEL/CHROMATE

SYMBOL	STYLE	PARTS NAME
5104		+F.H.M.SCREW
5110		+B.H.M.SCREW
5126		+B.H.TAP TITE SCREW W/WASHER
5128		+B.H.TAP TITE SCREW(B TYPE)
5129		+B.H.TAP TITE SCREW(W/T.L.WASHER)
5146		+B.H.M.SCREW(W/T.L.WASHER)
5150		+F.H.TAP TITE SCREW(B TYPE)
5204		+H.H.TAPT.BOLTS WITH FLANGE(S TITE)
5405		TOOTHED LOCK WASHERS

P.W.B. NAME	POS. NO.	VERS. COLOR	PART NO. (FOR EUR)	PART NO. (MZ)	PART NAME	DESCRIPTION
	001B		99M339J248410	99M339J248410	FRONT PANEL	FRONT PANEL ASSY
	002B		00M339J248120	00M339J248120	FRONT PANEL	FRONT PANEL
	003B		00M339J063110	00M339J063110	ESCUTCHEON	ESCUTCHEON LEFT
	004B		00M339J063120	00M339J063120	ESCUTCHEON	ESCUTCHEON RIGHT
	006B		00M339J353210	00M339J353210	RING	RING FOR METER
	007B		00M339J158010	00M339J158010	WINDOW	WINDOW FOR METER
	008B		00M339J353120	00M339J353120	RING	RING FOR POWER SWITCH
	009B		00M339J265010	00M339J265010	INDICATOR	INDICATOR FOR METER FRONT
	011B		00M339J259010	00M339J259010	BUSHING	BUSH FOR POWER SWITCH
	013B		00M339J259020	00M339J259020	BUSHING	BUSH FOR METER SWITCH
	017B		00M339J270110	00M339J270110	BUTTON	BUTTON FOR POWER SWITCH
	021B		00M339J154110	00M339J154110	KNOB	KNOB FOR SELECTOR SWITCH
	024B		00M339J270120	00M339J270120	BUTTON	BUTTON FOR METER SWITCH
	028B		00M339J265020	00M339J265020	INDICATOR	INDICATOR FOR METER
	029B		00M339J355020	00M339J355020	LENS	LENS FOR STAR MARK
	033B		00M339J355010	00M339J355010	LENS	LENS FOR SIDE LIGHTING
	043B		00M04AJ251010	00M04AJ251010	BADGE	MARANTZ BADGE (GOLD)
	049B		00M339J251010	00M339J251010	BADGE	BADGE FOR STAR MARK
	001D		00M339J249110	00M339J249110	SIDE PANEL	SIDE PANEL LEFT
	002D		00M339J249120	00M339J249120	SIDE PANEL	SIDE PANEL RIGHT
	003D		00M339J063140	00M339J063140	ESCUTCHEON	ESCUTCHEON
	007D		00M339J257110	00M339J257110	LID	TOP LID
	008D		00M339J063130	00M339J063130	ESCUTCHEON	ESCUTCHEON FOR TOP LID
	010D		00M339J202010	00M339J202010	NET	NET FOR ESCUTCHEON
	002G		00M163J057220	00M163J057220	LEG	LEG (CUPPER)
	914G		00M426T154010	00M426T154010	KNOB	KNOB FOR ATT SWITCH
	918G		00M339J053110	00M339J053110	COVER	COVER FOR SPEAKER TERMINAL
	920G		00M339J259030	00M339J259030	BUSHING	BUSH FOR RCA TERMINAL
	▲ C001		00MOB33906320	00MOB33906320	ELECT. CAP.	! 33000UF 63V LKG1J333MSGOZT
	▲ C002		00MOB33906320	00MOB33906320	ELECT. CAP.	! 33000UF 63V LKG1J333MSGOZT
	▲ J001		00MYJ04002550	00MYJ04002550	JACK	! INLET TYPE HF-301
	J005		00MYT02011300	00MYT02011300	TERMINAL	EW-2560T-LH-B
	J006		00MYT02011300	00MYT02011300	TERMINAL	EW-2560T-LH-B
	J007		00MYJ01004760	00MYJ01004760	JACK	NC3FDL-B-1 (NEUTRIC)
	J008		00MYT01010360	00MYT01010360	TERMINAL	WBT-0765 POLE TERMINAL RED
	J009		00MYT01010370	00MYT01010370	TERMINAL	WBT-0765 POLE TERMINAL WHT
	J010		00MYT01010360	00MYT01010360	TERMINAL	WBT-0765 POLE TERMINAL RED
	J011		00MYT01010370	00MYT01010370	TERMINAL	WBT-0765 POLE TERMINAL WHT
	▲ L001	F N	nsp	00MZK339J0010	UNIT KIT	! POWER TRANSF. ASSY FOR 100V
	▲ L001	/K1G	nsp	00MZK339J0030	UNIT KIT	! POWER TRANSF. ASSY FOR 230V
	▲ L001	/N1G	00MZK339J0030	00MZK339J0030	UNIT KIT	! POWER TRANSF. ASSY FOR 230V
	▲ L001	/U1G	nsp	00MZK339J0020	UNIT KIT	! POWER TRANSF. ASSY FOR 120V
	▲ L002		00MFN21010050	00MFN21010050	EMI FILTER	! 0.18HX2 CHOKE COIL
	L003		00MFC50160030	00MFC50160030	FERRITE CORE	FERRITE CORE TFCK-16813
	L004		00MFC50160030	00MFC50160030	FERRITE CORE	FERRITE CORE TFCK-16813
	L005		00MFC50160030	00MFC50160030	FERRITE CORE	FERRITE CORE TFCK-16813
	P201		nsp	nsp	PWB ASSY	INPUT ATT PWB
	P401		nsp	nsp	PWB ASSY	MODE SEL PWB
	P501		nsp	nsp	PWB ASSY	INPUT AMP PWB
	P601		nsp	nsp	PWB ASSY	MAIN AMP PWB
	P671		nsp	nsp	PWB ASSY	H POWER TR PWB
	P681		nsp	nsp	PWB ASSY	N POWER TR PWB
	P691		nsp	nsp	PWB ASSY	IDLING ADJ PWB
	P801		nsp	nsp	PWB ASSY	POWER SUPPLY PWB
	P851		nsp	nsp	PWB ASSY	AC INLET PWB
	P871		nsp	nsp	PWB ASSY	POWER SW PWB
	P941		nsp	nsp	PWB ASSY	LEVEL ON/OFF SW PWB
	P951		nsp	nsp	PWB ASSY	LEVEL METER PWB
	P971		nsp	nsp	PWB ASSY	L LED PWB
	P981		nsp	nsp	PWB ASSY	R LED PWB
	P991		nsp	nsp	PWB ASSY	POSISTOR PWB
	PH01		nsp	nsp	PWB ASSY	HDAM-SA S2 PWB
PACKING						
	001T	F N	nsp	00M339J851120	USER GUIDE	USER GUIDE MA-9S2 (F)
	001T	/K1G	nsp	00M339J851350	USER GUIDE	USER GUIDE MA-9S2 (K)
	001T	/N1G	00M339J851320	00M339J851320	USER GUIDE	USER GUIDE MA-9S2 (N)
	001T	/U1G	nsp	00M339J851320	USER GUIDE	USER GUIDE MA-9S2 (N)

NOTE : "nsp" PART IS LISTED FOR REFERENCE ONLY, MARANTZ WILL NOT SUPPLY THESE PARTS.

P.W.B. NAME	POS. NO.	VERS. COLOR	PART NO. (FOR EUR)	PART NO. (MZ)	PART NAME	DESCRIPTION
	004T		00M340J851990	00M340J851990	USER GUIDE	DFU TO ENGLISH (CD-R)
	▲ W001	F N	nsp	00D2062141002	MAINS CORD	# MAINS CORD W/CON&PLUG
	▲ W001	/K1G	nsp	00MZC01808030	MAINS CORD	# 2P MAINS CORD 250V 10A
	▲ W001	/N1G	00MZC01803080	00MZC01803080	MAINS CORD	# 2P MAINS CORD 10A 250V CLASS2
	▲ W001	/U1G	nsp	00MZC01802100	MAINS CORD	# MAINS CORDSET 125V13A UL/CSA
NOT STANDARD SPARE PART						
	001S		nsp	00M339J801020	PACKING CASE	PACKING CASE MA-9S2
	002S		nsp	00M339J805020	MASS CARTON	PACKING CASE (W)
	003S		nsp	00M339J809070	CUSHION	CUSHION FRONT
	004S		nsp	00M339J809080	CUSHION	CUSHION REAR

NOTE : "nsp" PART IS LISTED FOR REFERENCE ONLY, MARANTZ WILL NOT SUPPLY THESE PARTS.

9. ELECTRICAL PARTS LIST

PARTS INFORMATION

RESISTORS

- 1) 00MGD05 x x x 140, Carbon film fixed resistor, ±5% 1/4W
- 2) 00MGD05 x x x 160, Carbon film fixed resistor, ±5% 1/6W

① Resistance value

Examples ;

- ① Resistance value
- 0.1Ω 001 10Ω 100 1kΩ 102 100kΩ 104
- 0.5Ω 005 18Ω 180 2.7kΩ 272 680kΩ 684
- 1Ω 010 100Ω 101 10kΩ 103 1MΩ 105
- 6.8Ω 068 390Ω 391 22kΩ 223 4.7MΩ 475

Note : Please distinguish 1/4W from 1/6W by the shape of parts used actually.

CAPACITORS

CERAMIC CAP.

- 3) 00MDD1 x x x x 370, Ceramic capacitor
- Disc type
- Temp.coeff.P350 ~ N1000, 50V
- ② Capacity value
- ③ Tolerance

Examples ;

- ② Tolerance (Capacity deviation)
- ±0.25pF.....0
- ±0.5pF.....1
- ±5%.....5

* Tolerance of COMMON PARTS handled here are as follows :

- 0.5pF ~ 5pF ±0.25pF
- 6pF ~ 10pF ±0.5pF
- 12pF ~ 560pF ±5%

- ③ Capacity value
- 0.5pF 005 3pF 030 100pF 101
- 1pF 010 10pF 100 220pF 221
- 1.5pF 015 47pF 470 560pF 561

CERAMIC CAP.

- 4) 00MDK16 x x x 300, High dielectric constant ceramic capacitor
- Disc type
- Temp.chara. 2B4, 50V
- ④ Capacity value

Examples ;

- ④ Capacity value
- 100pF 101 1000pF 102 10000pF 103
- 470pF 471 2200pF 222

ELECTROLY CAP. (Z)

- 5) 00MEA x x x x x 10, Electrolytic capacitor
- One-way lead type, Tolerance ±20%
- ⑤ Working voltage
- ⑥ Capacity value

Examples ;

- ⑤ Capacity value
- 0.1μF 104 4.7μF 475 100μF ... 107
- 0.33μF 334 10μF ... 106 330μF ... 337
- 1μF 105 22μF 226 1100μF ... 118
- 2200μF ... 228
- ⑥ Working voltage
- 6.3V 006 25V 025
- 10V 010 35V 035
- 16V 016 50V 050

FILM CAP. (+)

- 6) 00MDF15 x x x 350 Plastic film capacitor
- 00MDF15 x x x 310 One-way type, Mylar ±5% 50V
- 00MDF16 x x x 310 Plastic film capacitor
- One-way type, Mylar ±10% 50V
- ⑦ Capacity value

Examples ;

- ⑦ Capacity value
- 0.001μF (1000pF) 102 0.1μF 104
- 0.0018μF 182 0.56μF 564
- 0.01μF 103 1μF 105
- 0.015μF 153

NOTE ON SAFETY FOR FUSIBLE RESISTOR :

The suppliers and their type numbers of fusible resistors are as follows;

1. KOA Corporation

Part No. (MJI)	Type No. (KOA)	Description
00MNH05 x x x 140	RF25S x x x x ΩJ	(±5% 1/4W)
00MNH05 x x x 120	RF50S x x x x ΩJ	(±5% 1/2W)
00MNH85 x x x 110	RF73B2A x x x x ΩJ	(±5% 1/10W)
00MNH95 x x x 140	RF73B2E x x x x ΩJ	(±5% 1/4W)

* Resistance value Resistance value (0.1 – 10kΩ)

2. Matsushita Electronic Components Co., Ltd

Part No. (MJI)	Type No. (MEC)	Description
00MNF05 x x x 140	ERD-2FCJ x x x	(±5% 1/4W)
00MRF05 x x x 140		
00MNF02 x x x 140	ERD-2FCG x x x	(±2% 1/4W)
00MRF02 x x x 140		

* Resistance value * Resistance value

Examples ;

- * Resistance value
- 0.1Ω 001 10Ω 100 1kΩ 102 100kΩ 104
- 0.5Ω 005 18Ω 180 2.7kΩ 272 680kΩ 684
- 1Ω 010 100Ω 101 10kΩ 103 1MΩ 105
- 6.8Ω 068 390Ω 391 22kΩ 223 4.7MΩ 475



ABBREVIATION AND MARKS

ANT. : ANTENNA	BATT. : BATTERY
CAP. : CAPACITOR	CER. : CERAMIC
CONN. : CONNECTING	DIG. : DIGITAL
HP : HEADPHONE	MIC. : MICROPHONE
μ-PRO : MICROPROCESSOR	REC. : RECORDING
RES. : RESISTOR	SPK : SPEAKER
SW : SWITCH	TRANSF. : TRANSFORMER
TRIM. : TRIMMING	TRS. : TRANSISTOR
VAR. : VARIABLE	X'TAL : CRYSTAL


NOTE ON FUSE :

Regarding to all parts of parts code **00MFS20xxx2xx**, replace only with Wickmann-Werke GmbH, Type 372 non glass type fuse.

NOTE ON SAFETY :

Symbol  Fire or electrical shock hazard. Only original parts should be used to replaced any part marked with symbol . Any other component substitution (other than original type), may increase risk of fire or electrical shock hazard.

安全上の注意 :

 がついている部品は、安全上重要な部品です。必ず指定されている部品番号の部品を使用して下さい。

P.W.B. NAME	POS. NO.	VERS. COLOR	PART NO. (FOR EUR)	PART NO. (MZ)	PART NAME	DESCRIPTION
					INPUT ATT PWB P201 (00MWG339J502-)	
P201	C204		00MOF56221540	00MOF56221540	FILM CAP.	FPS-200V-221K (220PF 10%)
P201	D201		nsp	00MHD20002000	DIODE	1SS176,MA165,1SS254 30V 0.1A
P201	D202		nsp	00MHD20002000	DIODE	1SS176,MA165,1SS254 30V 0.1A
P201	D203		nsp	00MHD20002000	DIODE	1SS176,MA165,1SS254 30V 0.1A
P201	L201		00MLY20240470	00MLY20240470	RELAY	ED2-24
P201	L202		00MLY20240470	00MLY20240470	RELAY	ED2-24
P201	L203		00MLY20240470	00MLY20240470	RELAY	ED2-24
P201	S201		00MSR02060190	00MSR02060190	ROTARY SW	ROTARY SW SRRM264300
					MODE SEL PWB P401 00MWG339J503-)	
P401	S401		00MSR04030460	00MSR04030460	ROTARY SW	ROTARY SW SRRM435800
					INPUT AMP PWB P501 (00MWG339J501-)	
P501	C501		00MOF56221540	00MOF56221540	FILM CAP.	FPS-200V-221K (220PF 10%)
P501	C502		00MOF56221540	00MOF56221540	FILM CAP.	FPS-200V-221K (220PF 10%)
P501	C503		nsp	00MOA227025Z0	ELECT. CAP.	ROS-25V 221M-I5#PE (220UF 25V)
P501	C504		nsp	00MOA227025Z0	ELECT. CAP.	ROS-25V 221M-I5#PE (220UF 25V)
P501	C505		nsp	00MOA227025Z0	ELECT. CAP.	ROS-25V 221M-I5#PE (220UF 25V)
P501	C506		nsp	00MOA227025Z0	ELECT. CAP.	ROS-25V 221M-I5#PE (220UF 25V)
P501	C507		nsp	00MOA226025Z0	ELECT. CAP.	ROS-25V 220M-F3#PE (22UF 25V)
P501	C508		nsp	00MOA226025Z0	ELECT. CAP.	ROS-25V 220M-F3#PE (22UF 25V)
P501	C509		00MOF56681540	00MOF56681540	FILM CAP.	FPS-200V-681K (680PF 10%)
P501	C510		00MOF56681540	00MOF56681540	FILM CAP.	FPS-200V-681K (680PF 10%)
P501	C511		nsp	00MOA107025Z0	ELECT. CAP.	ROS-25V 101M-H4#PE (100UF 25V)
P501	C512		nsp	00MOA107025Z0	ELECT. CAP.	ROS-25V 101M-H4#PE (100UF 25V)
P501	C513		nsp	00MOA107025Z0	ELECT. CAP.	ROS-25V 101M-H4#PE (100UF 25V)
P501	C514		nsp	00MOA107025Z0	ELECT. CAP.	ROS-25V 101M-H4#PE (100UF 25V)
P501	C515		00MOF55103580	00MOF55103580	FILM CAP.	0.01UF 100V +5% FNS
P501	C516		00MOF55103580	00MOF55103580	FILM CAP.	0.01UF 100V +5% FNS
P501	C517		00MOF55103580	00MOF55103580	FILM CAP.	0.01UF 100V +5% FNS
P501	C518		00MOF55103580	00MOF55103580	FILM CAP.	0.01UF 100V +5% FNS
P501	C519		nsp	00MOA226025Z0	ELECT. CAP.	ROS-25V 220M-F3#PE (22UF 25V)
P501	C520		nsp	00MOA226025Z0	ELECT. CAP.	ROS-25V 220M-F3#PE (22UF 25V)
P501	D501		00MHI10095320	00MHI10095320	L.E.D.	LT3K44B GREEN 30MA
P501	D502		00MHI10095320	00MHI10095320	L.E.D.	LT3K44B GREEN 30MA
P501	D503		00MHI10095320	00MHI10095320	L.E.D.	LT3K44B GREEN 30MA
P501	D504		00MHI10095320	00MHI10095320	L.E.D.	LT3K44B GREEN 30MA
P501	D505		00MHD30012010	00MHD30012010	ZENER DIODE	HZ24-2L
P501	D506		00MHD30012010	00MHD30012010	ZENER DIODE	HZ24-2L
P501	D507		00MHD30012010	00MHD30012010	ZENER DIODE	HZ24-2L
P501	D508		00MHD30012010	00MHD30012010	ZENER DIODE	HZ24-2L
P501	D509		nsp	00MHD20002000	DIODE	1SS176,MA165,1SS254 30V 0.1A
P501	D510		nsp	00MHD20002000	DIODE	1SS176,MA165,1SS254 30V 0.1A
P501	D511		nsp	00MHD20002000	DIODE	1SS176,MA165,1SS254 30V 0.1A
P501	D512		nsp	00MHD20002000	DIODE	1SS176,MA165,1SS254 30V 0.1A
P501	L501		00MLY20240470	00MLY20240470	RELAY	ED2-24
P501	Q501		00MKH339J7010	00MKH339J7010	UNIT & H-IC	HDAM-SA S2
P501	Q502		00MKH339J7010	00MKH339J7010	UNIT & H-IC	HDAM-SA S2
P501	Q503		00MKH339J7010	00MKH339J7010	UNIT & H-IC	HDAM-SA S2
P501	Q504		00MKH339J7010	00MKH339J7010	UNIT & H-IC	HDAM-SA S2
P501	Q505		00MKH339J7010	00MKH339J7010	UNIT & H-IC	HDAM-SA S2
P501	Q506		00MKH339J7010	00MKH339J7010	UNIT & H-IC	HDAM-SA S2
P501	Q507		00MHT109702A0	00MHT109702A0	TRS.	2SA970 (GR) OR (BL)
P501	Q508		00MHT109702A0	00MHT109702A0	TRS.	2SA970 (GR) OR (BL)
P501	Q509		00MHT322402A0	00MHT322402A0	TRS.	2SC2240 GR OR BL
P501	Q510		00MHT322402A0	00MHT322402A0	TRS.	2SC2240 GR OR BL
P501	Q511		00MHT109702A0	00MHT109702A0	TRS.	2SA970 (GR) OR (BL)
P501	Q512		00MHT109702A0	00MHT109702A0	TRS.	2SA970 (GR) OR (BL)
P501	Q513		00MHT322402A0	00MHT322402A0	TRS.	2SC2240 GR OR BL
P501	Q514		00MHT322402A0	00MHT322402A0	TRS.	2SC2240 GR OR BL
P501	Q515		00MHT109702A0	00MHT109702A0	TRS.	2SA970 (GR) OR (BL)
P501	Q516		00MHT109702A0	00MHT109702A0	TRS.	2SA970 (GR) OR (BL)
P501	Q517		00MHT322402A0	00MHT322402A0	TRS.	2SC2240 GR OR BL
P501	Q518		00MHT322402A0	00MHT322402A0	TRS.	2SC2240 GR OR BL
P501	Q519		00MHT109702A0	00MHT109702A0	TRS.	2SA970 (GR) OR (BL)
P501	Q520		00MHT109702A0	00MHT109702A0	TRS.	2SA970 (GR) OR (BL)
P501	Q521		00MHT322402A0	00MHT322402A0	TRS.	2SC2240 GR OR BL
P501	Q522		00MHT322402A0	00MHT322402A0	TRS.	2SC2240 GR OR BL

NOTE : "nsp" PART IS LISTED FOR REFERENCE ONLY, MARANTZ WILL NOT SUPPLY THESE PARTS.

P.W.B. NAME	POS. NO.	VERS. COLOR	PART NO. (FOR EUR)	PART NO. (MZ)	PART NAME	DESCRIPTION
P501	▲ Q523		00MHT348832A0	00MHT348832A0	TRS.	! 2SC4883 O OR Y
P501	▲ Q524		00MHT348832A0	00MHT348832A0	TRS.	! 2SC4883 O OR Y
P501	▲ Q525		00MHT118592A0	00MHT118592A0	TRS.	! 2SA1859 O OR Y
P501	▲ Q526		00MHT118592A0	00MHT118592A0	TRS.	! 2SA1859 O OR Y
P501	Q527		00MHT109702A0	00MHT109702A0	TRS.	2SA970 (GR) OR (BL)
P501	Q528		00MHT109702A0	00MHT109702A0	TRS.	2SA970 (GR) OR (BL)
P501	Q529		00MHT322402A0	00MHT322402A0	TRS.	2SC2240 GR OR BL
P501	Q530		00MHT322402A0	00MHT322402A0	TRS.	2SC2240 GR OR BL
P501	R507		00MRA04720780	00MRA04720780	TRIM. RES.	4.7KOHM RH0638CS3R
P501	R508		00MRA04720780	00MRA04720780	TRIM. RES.	4.7KOHM RH0638CS3R
P501	R519		nsp	00MGD05683160	RES.	68K OHM +-5% 1/6W
P501	R520		nsp	00MGD05683160	RES.	68K OHM +-5% 1/6W
P501	R537		nsp	00MGD05105160	RES.	1M OHM +-5% 1/6W
P501	▲ R539		00MGG05047160	00MGG05047160	RES.	! 4.7 OHM +-5% 1/6W
P501	▲ R540		00MGG05047160	00MGG05047160	RES.	! 4.7 OHM +-5% 1/6W
P501	▲ R541		00MGG05047160	00MGG05047160	RES.	! 4.7 OHM +-5% 1/6W
P501	▲ R542		00MGG05047160	00MGG05047160	RES.	! 4.7 OHM +-5% 1/6W
P501	R543		nsp	00MGD05151160	RES.	150 OHM +-5% 1/6W
P501	R544		nsp	00MGD05151160	RES.	150 OHM +-5% 1/6W
P501	R545		nsp	00MGD05151160	RES.	150 OHM +-5% 1/6W
P501	R546		nsp	00MGD05151160	RES.	150 OHM +-5% 1/6W
P501	R547		nsp	00MGD05102160	RES.	1K OHM +-5% 1/6W
P501	R548		nsp	00MGD05102160	RES.	1K OHM +-5% 1/6W
P501	R549		nsp	00MGD05102160	RES.	1K OHM +-5% 1/6W
P501	R550		nsp	00MGD05102160	RES.	1K OHM +-5% 1/6W
P501	R551		nsp	00MGD05102160	RES.	1K OHM +-5% 1/6W
P501	R552		nsp	00MGD05102160	RES.	1K OHM +-5% 1/6W
P501	R553		nsp	00MGD05102160	RES.	1K OHM +-5% 1/6W
P501	R554		nsp	00MGD05102160	RES.	1K OHM +-5% 1/6W
P501	R555		nsp	00MGD05473160	RES.	47K OHM +-5% 1/6W
P501	R556		nsp	00MGD05473160	RES.	47K OHM +-5% 1/6W
P501	R557		nsp	00MGD05473160	RES.	47K OHM +-5% 1/6W
P501	R558		nsp	00MGD05473160	RES.	47K OHM +-5% 1/6W
					MAIN AMP PWB P601 (00MWG339J601-)	
P601	C301		nsp	00MOA47405020	ELECT. CAP.	0.47UF M 50V RA-2
P601	C302		nsp	00MOA47405020	ELECT. CAP.	0.47UF M 50V RA-2
P601	C303		nsp	00MOA47405020	ELECT. CAP.	0.47UF M 50V RA-2
P601	C304		nsp	00MOA47405020	ELECT. CAP.	0.47UF M 50V RA-2
P601	C305		nsp	00MOA47602520	ELECT. CAP.	47 UF M 25V RA-2
P601	C308		nsp	00MOA47602520	ELECT. CAP.	47 UF M 25V RA-2
P601	C309		nsp	00MOA47405020	ELECT. CAP.	0.47UF M 50V RA-2
P601	C311		00MOF55393580	00MOF55393580	FILM CAP.	0.039UF 100V +-5% FAS
P601	C603		nsp	00MOA10702520	ELECT. CAP.	ROS-25V 101M-H4#PE (100UF 25V)
P601	C604		nsp	00MOA10702520	ELECT. CAP.	ROS-25V 101M-H4#PE (100UF 25V)
P601	C605		00MOF56681540	00MOF56681540	FILM CAP.	FPS-200V-681K (680PF 10%)
P601	C606		00MOF56681540	00MOF56681540	FILM CAP.	FPS-200V-681K (680PF 10%)
P601	C607		00MOF55103580	00MOF55103580	FILM CAP.	0.01UF 100V +-5% FNS
P601	C608		00MOF55103580	00MOF55103580	FILM CAP.	0.01UF 100V +-5% FNS
P601	C609		00MOF55103580	00MOF55103580	FILM CAP.	0.01UF 100V +-5% FNS
P601	C610		00MOF55103580	00MOF55103580	FILM CAP.	0.01UF 100V +-5% FNS
P601	C611		nsp	00MOA47708020	ELECT. CAP.	470UF 80V FOR MA9S2
P601	C612		nsp	00MOA47708020	ELECT. CAP.	470UF 80V FOR MA9S2
P601	C613		nsp	00MOA47708020	ELECT. CAP.	470UF 80V FOR MA9S2
P601	C614		nsp	00MOA47708020	ELECT. CAP.	470UF 80V FOR MA9S2
P601	D301		nsp	00MHD20027010	DIODE	HSS81TD-E 150V 150MA
P601	D302		nsp	00MHD20027010	DIODE	HSS81TD-E 150V 150MA
P601	D303		nsp	00MHD20027010	DIODE	HSS81TD-E 150V 150MA
P601	D304		nsp	00MHD20027010	DIODE	HSS81TD-E 150V 150MA
P601	D305		nsp	00MHD20027010	DIODE	HSS81TD-E 150V 150MA
P601	D601		nsp	00MHD20027010	DIODE	HSS81TD-E 150V 150MA
P601	D602		nsp	00MHD20027010	DIODE	HSS81TD-E 150V 150MA
P601	D603		nsp	00MHD20027010	DIODE	HSS81TD-E 150V 150MA
P601	D604		nsp	00MHD20027010	DIODE	HSS81TD-E 150V 150MA
P601	D605		nsp	00MHD20027010	DIODE	HSS81TD-E 150V 150MA
P601	D606		nsp	00MHD20027010	DIODE	HSS81TD-E 150V 150MA
P601	D607		nsp	00MHD20027010	DIODE	HSS81TD-E 150V 150MA
P601	D608		nsp	00MHD20027010	DIODE	HSS81TD-E 150V 150MA

NOTE : "nsp" PART IS LISTED FOR REFERENCE ONLY, MARANTZ WILL NOT SUPPLY THESE PARTS.

P.W.B. NAME	POS. NO.	VERS. COLOR	PART NO. (FOR EUR)	PART NO. (MZ)	PART NAME	DESCRIPTION
P601	D609		00MHI10095320	00MHI10095320	L.E.D.	LT3K44B GREEN 30MA
P601	D610		00MHI10095320	00MHI10095320	L.E.D.	LT3K44B GREEN 30MA
P601	D611		00MHI10095320	00MHI10095320	L.E.D.	LT3K44B GREEN 30MA
P601	D612		00MHI10095320	00MHI10095320	L.E.D.	LT3K44B GREEN 30MA
P601	D613		00MHD30471000	00MHD30471000	ZENER DIODE	4.7V ZENER EQUIVALENT
P601	D614		00MHD30471000	00MHD30471000	ZENER DIODE	4.7V ZENER EQUIVALENT
P601	D615		nsp	00MHD20027010	DIODE	HSS81TD-E 150V 150MA
P601	D616		nsp	00MHD20027010	DIODE	HSS81TD-E 150V 150MA
P601	D617		nsp	00MHD20027010	DIODE	HSS81TD-E 150V 150MA
P601	D618		nsp	00MHD20027010	DIODE	HSS81TD-E 150V 150MA
P601	K011		00MHK135819A0	00MHK135819A0	TRS. KIT	2SA1358 O,2SC3421 O PAIR FOR Q629/Q631
P601	K012		00MHK135819A0	00MHK135819A0	TRS. KIT	2SA1358 O,2SC3421 O PAIR FOR Q630/Q632
P601	L301		00MLY20240310	00MLY20240310	RELAY	VB-24MBU-510-UC
P601	L302		00MLY20240310	00MLY20240310	RELAY	VB-24MBU-510-UC
P601	Q301		00MHT322402A0	00MHT322402A0	TRS.	2SC2240 GR OR BL
P601	Q302		00MHT322402A0	00MHT322402A0	TRS.	2SC2240 GR OR BL
P601	Q303		00MHT109702A0	00MHT109702A0	TRS.	2SA970 (GR) OR (BL)
P601	Q304		00MHT109702A0	00MHT109702A0	TRS.	2SA970 (GR) OR (BL)
P601	Q305		00MHT109702A0	00MHT109702A0	TRS.	2SA970 (GR) OR (BL)
P601	Q306		00MHT109702A0	00MHT109702A0	TRS.	2SA970 (GR) OR (BL)
P601	Q307		00MHT322402A0	00MHT322402A0	TRS.	2SC2240 GR OR BL
P601	Q308		00MHT322402A0	00MHT322402A0	TRS.	2SC2240 GR OR BL
P601	Q309		00MHC10042050	00MHC10042050	IC	IC TA7317P
P601	Q601		00MHT109702A0	00MHT109702A0	TRS.	2SA970 (GR) OR (BL)
P601	Q602		00MHT109702A0	00MHT109702A0	TRS.	2SA970 (GR) OR (BL)
P601	Q603		00MHT322402A0	00MHT322402A0	TRS.	2SC2240 GR OR BL
P601	Q604		00MHT322402A0	00MHT322402A0	TRS.	2SC2240 GR OR BL
P601	Q605		00MHT109702A0	00MHT109702A0	TRS.	2SA970 (GR) OR (BL)
P601	Q606		00MHT109702A0	00MHT109702A0	TRS.	2SA970 (GR) OR (BL)
P601	Q607		00MHT322402A0	00MHT322402A0	TRS.	2SC2240 GR OR BL
P601	Q608		00MHT322402A0	00MHT322402A0	TRS.	2SC2240 GR OR BL
P601	Q609		00MHT322402A0	00MHT322402A0	TRS.	2SC2240 GR OR BL
P601	Q610		00MHT322402A0	00MHT322402A0	TRS.	2SC2240 GR OR BL
P601	Q611		00MHT109702A0	00MHT109702A0	TRS.	2SA970 (GR) OR (BL)
P601	Q612		00MHT109702A0	00MHT109702A0	TRS.	2SA970 (GR) OR (BL)
P601	Q613		00MHT109702A0	00MHT109702A0	TRS.	2SA970 (GR) OR (BL)
P601	Q614		00MHT109702A0	00MHT109702A0	TRS.	2SA970 (GR) OR (BL)
P601	Q615		00MHT322402A0	00MHT322402A0	TRS.	2SC2240 GR OR BL
P601	Q616		00MHT322402A0	00MHT322402A0	TRS.	2SC2240 GR OR BL
P601	Q617		00MHT109702A0	00MHT109702A0	TRS.	2SA970 (GR) OR (BL)
P601	Q618		00MHT109702A0	00MHT109702A0	TRS.	2SA970 (GR) OR (BL)
P601	Q619		00MHT322402A0	00MHT322402A0	TRS.	2SC2240 GR OR BL
P601	Q620		00MHT322402A0	00MHT322402A0	TRS.	2SC2240 GR OR BL
P601	Q621		00MHT109702A0	00MHT109702A0	TRS.	2SA970 (GR) OR (BL)
P601	Q622		00MHT109702A0	00MHT109702A0	TRS.	2SA970 (GR) OR (BL)
P601	Q623		00MHT322402A0	00MHT322402A0	TRS.	2SC2240 GR OR BL
P601	Q624		00MHT322402A0	00MHT322402A0	TRS.	2SC2240 GR OR BL
P601	Q625		00MHT113602A0	00MHT113602A0	TRS.	2SA1360 O OR Y
P601	Q626		00MHT113602A0	00MHT113602A0	TRS.	2SA1360 O OR Y
P601	Q627		00MHT334232A0	00MHT334232A0	TRS.	2SC3423 O OR Y
P601	Q628		00MHT334232A0	00MHT334232A0	TRS.	2SC3423 O OR Y
P601	Q629		nsp	nsp	TRS.	2SC3421 O,Y 120V,1A PAIR WITH Q631 OF K011
P601	Q630		nsp	nsp	TRS.	2SC3421 O,Y 120V,1A PAIR WITH Q632 OF K012
P601	Q631		nsp	nsp	TRS.	2SA1358 O,Y 120V 1A PAIR WITH Q629 OF K011
P601	Q632		nsp	nsp	TRS.	2SA1358 O,Y 120V 1A PAIR WITH Q630 OF K012
P601	▲ R301		00MGW05001050	00MGW05001050	RES.	! 0.1 OHM J 5W BWR5
P601	▲ R302		00MGW05001050	00MGW05001050	RES.	! 0.1 OHM J 5W BWR5
P601	▲ R303		00MGW05001050	00MGW05001050	RES.	! 0.1 OHM J 5W BWR5
P601	▲ R304		00MGW05001050	00MGW05001050	RES.	! 0.1 OHM J 5W BWR5
P601	▲ R305		00MGW05001050	00MGW05001050	RES.	! 0.1 OHM J 5W BWR5
P601	▲ R306		00MGW05001050	00MGW05001050	RES.	! 0.1 OHM J 5W BWR5
P601	▲ R307		00MGW05001050	00MGW05001050	RES.	! 0.1 OHM J 5W BWR5
P601	▲ R308		00MGW05001050	00MGW05001050	RES.	! 0.1 OHM J 5W BWR5
P601	▲ R309		00MGW05001050	00MGW05001050	RES.	! 0.1 OHM J 5W BWR5
P601	▲ R310		00MGW05001050	00MGW05001050	RES.	! 0.1 OHM J 5W BWR5
P601	▲ R311		00MGW05001050	00MGW05001050	RES.	! 0.1 OHM J 5W BWR5
P601	▲ R312		00MGW05001050	00MGW05001050	RES.	! 0.1 OHM J 5W BWR5

NOTE : "nsp" PART IS LISTED FOR REFERENCE ONLY, MARANTZ WILL NOT SUPPLY THESE PARTS.

P.W.B. NAME	POS. NO.	VERS. COLOR	PART NO. (FOR EUR)	PART NO. (MZ)	PART NAME	DESCRIPTION
P601	R329		nsp	00MGD05223160	RES.	22K OHM +-5% 1/6W
P601	R330		nsp	00MGD05223160	RES.	22K OHM +-5% 1/6W
P601	R331		nsp	00MGD05223160	RES.	22K OHM +-5% 1/6W
P601	R332		nsp	00MGD05223160	RES.	22K OHM +-5% 1/6W
P601	R333		nsp	00MGD05682160	RES.	6.8K OHM +-5% 1/6W
P601	R334		nsp	00MGD05682160	RES.	6.8K OHM +-5% 1/6W
P601	R335		nsp	00MGD05682160	RES.	6.8K OHM +-5% 1/6W
P601	R336		nsp	00MGD05682160	RES.	6.8K OHM +-5% 1/6W
P601	R337		nsp	00MGD05473160	RES.	47K OHM +-5% 1/6W
P601	R338		nsp	00MGD05473160	RES.	47K OHM +-5% 1/6W
P601	R339		nsp	00MGD05223160	RES.	22K OHM +-5% 1/6W
P601	R340		nsp	00MGD05223160	RES.	22K OHM +-5% 1/6W
P601	R347		nsp	00MGD05223160	RES.	22K OHM +-5% 1/6W
P601	R348		nsp	00MGD05473160	RES.	47K OHM +-5% 1/6W
P601	R349		nsp	00MGD05473160	RES.	47K OHM +-5% 1/6W
P601	R350		nsp	00MGD05104160	RES.	100K OHM +-5% 1/6W
P601	R351		nsp	00MGD05224160	RES.	220K OHM +-5% 1/6W
P601	R352		nsp	00MGD05103160	RES.	10K OHM +-5% 1/6W
P601	R353		nsp	00MGD05683160	RES.	68K OHM +-5% 1/6W
P601	R354		nsp	00MGD05333160	RES.	33K OHM +-5% 1/6W
P601	R355		nsp	00MGD05332160	RES.	3.3K OHM +-5% 1/6W
P601	R356		nsp	00MGD05822160	RES.	8.2K OHM +-5% 1/6W
P601	R358		nsp	00MGD05104160	RES.	100K OHM +-5% 1/6W
P601	R361		00MKNK05220010	00MKNK05220010	METAL RES.	22 OHM +-5% 1W
P601	R605		nsp	00MGD05104160	RES.	100K OHM +-5% 1/6W
P601	R606		nsp	00MGD05104160	RES.	100K OHM +-5% 1/6W
P601	R607		nsp	00MGD05561160	RES.	560 OHM +-5% 1/6W
P601	R608		nsp	00MGD05561160	RES.	560 OHM +-5% 1/6W
P601	R609		nsp	00MGD05561160	RES.	560 OHM +-5% 1/6W
P601	R610		nsp	00MGD05561160	RES.	560 OHM +-5% 1/6W
P601	R627		nsp	00MGD05124160	RES.	120K OHM +-5% 1/6W
P601	R628		nsp	00MGD05124160	RES.	120K OHM +-5% 1/6W
P601	▲ R659		00MGG05220140	00MGG05220140	RES.	! 22 OHM +-5% 1/4W
P601	▲ R660		00MGG05220140	00MGG05220140	RES.	! 22 OHM +-5% 1/4W
P601	▲ R661		00MGG05220140	00MGG05220140	RES.	! 22 OHM +-5% 1/4W
P601	▲ R662		00MGG05220140	00MGG05220140	RES.	! 22 OHM +-5% 1/4W
					H POWER TR PWB P671 (00MWG339J603-)	
P671	C671		00MOF55103580	00MOF55103580	FILM CAP.	0.01UF 100V +-5% FNS
P671	K013		00MHK185919C0	00MHK185919C0	TRS. KIT	2SA1859/2SC4883 O,Y PAIR FOR Q671/Q672
P671	K601		00MHK121619F0	00MHK121619F0	TRS. KIT	2SA1216/2SC2922 O,Y PAIR FOR Q673/Q674
P671	K603		00MHK121619F0	00MHK121619F0	TRS. KIT	2SA1216/2SC2922 O,Y PAIR FOR Q675/Q676
P671	K605		00MHK121619F0	00MHK121619F0	TRS. KIT	2SA1216/2SC2922 O,Y PAIR FOR Q677/Q678
P671	Q671		nsp	nsp	TRS.	2SC4883 O,Y PAIR WITH Q672 OF K013
P671	Q672		nsp	nsp	TRS.	2SA1859 O,Y PAIR WITH Q671 OF K013
P671	Q673		nsp	nsp	TRS.	2SC2922 Y,P PAIR WITH Q674 OF K601
P671	Q674		nsp	nsp	TRS.	2SA1216 Y,P PAIR WITH Q673 OF K601
P671	Q675		nsp	nsp	TRS.	2SC2922 Y,P PAIR WITH Q676 OF K603
P671	Q676		nsp	nsp	TRS.	2SA1216 Y,P PAIR WITH Q675 OF K603
P671	Q677		nsp	nsp	TRS.	2SC2922 Y,P PAIR WITH Q678 OF K605
P671	Q678		nsp	nsp	TRS.	2SA1216 Y,P PAIR WITH Q677 OF K605
P671	Q679		00MHT415080A0	00MHT415080A0	TRS.	2SD1508 DARLINGTON TR.HFE>4000
					N POWER TR PWB P681 (00MWG339J602-)	
P681	C681		00MOF55103580	00MOF55103580	FILM CAP.	0.01UF 100V +-5% FNS
P681	K014		00MHK185919C0	00MHK185919C0	TRS. KIT	2SA1859/2SC4883 O,Y PAIR FOR Q681/Q682
P681	K602		00MHK121619F0	00MHK121619F0	TRS. KIT	2SA1216/2SC2922 O,Y PAIR FOR Q683/Q684
P681	K604		00MHK121619F0	00MHK121619F0	TRS. KIT	2SA1216/2SC2922 O.Y PAIR FOR Q685/Q686
P681	K606		00MHK121619F0	00MHK121619F0	TRS. KIT	2SA1216/2SC2922 O.Y PAIR FOR Q687/Q688
P681	Q681		nsp	nsp	TRS.	2SC4883 O,Y PAIR WITH Q682 OF K014
P681	Q682		nsp	nsp	TRS.	2SA1859 O,Y PAIR WITH Q681 OF K014
P681	Q683		nsp	nsp	TRS.	2SC2922 Y,P PAIR WITH Q684 OF K602
P681	Q684		nsp	nsp	TRS.	2SA1216 Y,P PAIR WITH Q683 OF K602
P681	Q685		nsp	nsp	TRS.	2SC2922 Y,P PAIR WITH Q686 OF K604
P681	Q686		nsp	nsp	TRS.	2SA1216 Y,P PAIR WITH Q685 OF K604
P681	Q687		nsp	nsp	TRS.	2SC2922 Y,P PAIR WITH Q688 OF K606
P681	Q688		nsp	nsp	TRS.	2SA1216 Y,P PAIR WITH Q687 OF K606
P681	Q689		00MHT415080A0	00MHT415080A0	TRS.	2SD1508 DARLINGTON TR.HFE>4000
					IDLING ADJ PWB P691 (00MWG339J605-)	

NOTE : "nsp" PART IS LISTED FOR REFERENCE ONLY, MARANTZ WILL NOT SUPPLY THESE PARTS.

P.W.B. NAME	POS. NO.	VERS. COLOR	PART NO. (FOR EUR)	PART NO. (MZ)	PART NAME	DESCRIPTION
P691	D691		nsp	00MHD20027010	DIODE	HSS81TD-E 150V 150MA
P691	D692		nsp	00MHD20027010	DIODE	HSS81TD-E 150V 150MA
P691	R691		00MRA02220760	00MRA02220760	TRIM. RES.	VAR. RES. 2.2KOHM VERTICAL
P691	R692		00MRA02220760	00MRA02220760	TRIM. RES.	VAR. RES. 2.2KOHM VERTICAL
P691	R693		nsp	00MGD05222160	RES.	2.2K OHM +-5% 1/6W
P691	R694		nsp	00MGD05222160	RES.	2.2K OHM +-5% 1/6W
P691	R695		nsp	00MGD05472160	RES.	4.7K OHM +-5% 1/6W
P691	R696		nsp	00MGD05472160	RES.	4.7K OHM +-5% 1/6W
					POWER SUPPLY PWB P801 (00MWG339J604-)	
P801	C801		nsp	00MOA47808020	ELECT. CAP.	4700UF 80V FOR MA9S2
P801	C802		nsp	00MOA47808020	ELECT. CAP.	4700UF 80V FOR MA9S2
P801	C803		nsp	00MOA10805020	ELECT. CAP.	ELNA RA2 16X25
P801	C804		nsp	00MOA10805020	ELECT. CAP.	ELNA RA2 16X25
P801	C805		nsp	00MOA227025R0	ELECT. CAP.	ROA-25V 221M-H5#PE (220UF 25V)
P801	C806		nsp	00MOA227025R0	ELECT. CAP.	ROA-25V 221M-H5#PE (220UF 25V)
P801	C807		nsp	00MOA227025R0	ELECT. CAP.	ROA-25V 221M-H5#PE (220UF 25V)
P801	C808		nsp	00MOA227025R0	ELECT. CAP.	ROA-25V 221M-H5#PE (220UF 25V)
P801	C809		nsp	00MOA10505020	ELECT. CAP.	1 UF M 50V RA-2
P801	C903		nsp	00MOA10602520	ELECT. CAP.	10 UF M 25V RA-2
P801	C904		00MOF15101540	00MOF15101540	FILM CAP.	100PF J 100V APSV
P801	C905		00MOF15101540	00MOF15101540	FILM CAP.	100PF J 100V APSV
P801	C906		nsp	00MOA10602520	ELECT. CAP.	10 UF M 25V RA-2
P801	C908		nsp	00MOA227025R0	ELECT. CAP.	ROA-25V 221M-H5#PE (220UF 25V)
P801	C909		nsp	00MOA227025R0	ELECT. CAP.	ROA-25V 221M-H5#PE (220UF 25V)
P801	C910		00MOF15101540	00MOF15101540	FILM CAP.	100PF J 100V APSV
P801	C911		00MOF15101540	00MOF15101540	FILM CAP.	100PF J 100V APSV
P801	▲ D801		00MHE10007100	00MHE10007100	DIODE	! KCH30A15 (CATHODE COMON)
P801	▲ D802		00MHE10008100	00MHE10008100	DIODE	! KRH30A15 (ANODE COMON)
P801	▲ D803		00MHD20059100	00MHD20059100	DIODE	! 21DQ10
P801	▲ D804		00MHD20059100	00MHD20059100	DIODE	! 21DQ10
P801	▲ D805		00MHD20059100	00MHD20059100	DIODE	! 21DQ10
P801	▲ D806		00MHD20059100	00MHD20059100	DIODE	! 21DQ10
P801	▲ D807		00MHD20059100	00MHD20059100	DIODE	! 21DQ10
P801	▲ D808		00MHD20059100	00MHD20059100	DIODE	! 21DQ10
P801	▲ D809		00MHD20059100	00MHD20059100	DIODE	! 21DQ10
P801	▲ D810		00MHD20059100	00MHD20059100	DIODE	! 21DQ10
P801	▲ D811		00MHD20055100	00MHD20055100	DIODE	! SHOTTKY 11EQS10 1A 100V
P801	▲ D812		00MHD20055100	00MHD20055100	DIODE	! SHOTTKY 11EQS10 1A 100V
P801	▲ D813		00MHD20055100	00MHD20055100	DIODE	! SHOTTKY 11EQS10 1A 100V
P801	▲ D814		00MHD20055100	00MHD20055100	DIODE	! SHOTTKY 11EQS10 1A 100V
P801	▲ D815		00MHD20055100	00MHD20055100	DIODE	! SHOTTKY 11EQS10 1A 100V
P801	▲ D816		00MHD20055100	00MHD20055100	DIODE	! SHOTTKY 11EQS10 1A 100V
P801	▲ D817		00MHD20055100	00MHD20055100	DIODE	! SHOTTKY 11EQS10 1A 100V
P801	▲ D818		00MHD20055100	00MHD20055100	DIODE	! SHOTTKY 11EQS10 1A 100V
P801	▲ D819		00MHD20055100	00MHD20055100	DIODE	! SHOTTKY 11EQS10 1A 100V
P801	▲ D820		00MHD20055100	00MHD20055100	DIODE	! SHOTTKY 11EQS10 1A 100V
P801	D821		00MHD30012010	00MHD30012010	ZENER DIODE	HZ24-2L
P801	D822		00MHD30012010	00MHD30012010	ZENER DIODE	HZ24-2L
P801	▲ D823		00MHD20059100	00MHD20059100	DIODE	! 21DQ10
P801	▲ D824		00MHD20059100	00MHD20059100	DIODE	! 21DQ10
P801	▲ D825		00MHD20059100	00MHD20059100	DIODE	! 21DQ10
P801	▲ D826		00MHD20059100	00MHD20059100	DIODE	! 21DQ10
P801	D827		nsp	00MHD20002000	DIODE	1SS176,MA165,1SS254 30V 0.1A
P801	D828		nsp	00MHD20002000	DIODE	1SS176,MA165,1SS254 30V 0.1A
P801	D901		nsp	00MHD20002000	DIODE	1SS176,MA165,1SS254 30V 0.1A
P801	D902		nsp	00MHD20002000	DIODE	1SS176,MA165,1SS254 30V 0.1A
P801	D903		00MHI10095320	00MHI10095320	L.E.D.	LT3K44B GREEN 30MA
P801	D904		nsp	00MHD20002000	DIODE	1SS176,MA165,1SS254 30V 0.1A
P801	D905		nsp	00MHD20002000	DIODE	1SS176,MA165,1SS254 30V 0.1A
P801	D906		nsp	00MHD20002000	DIODE	1SS176,MA165,1SS254 30V 0.1A
P801	D907		nsp	00MHD20002000	DIODE	1SS176,MA165,1SS254 30V 0.1A
P801	D908		nsp	00MHD20002000	DIODE	1SS176,MA165,1SS254 30V 0.1A
P801	G801		00MBF47400020	00MBF47400020	CAP.COMP.	0.47UF+6.8OHM RFD2B474K
P801	G802		00MBF47400020	00MBF47400020	CAP.COMP.	0.47UF+6.8OHM RFD2B474K
P801	G803		00MBF47400020	00MBF47400020	CAP.COMP.	0.47UF+6.8OHM RFD2B474K
P801	G804		00MBF47400020	00MBF47400020	CAP.COMP.	0.47UF+6.8OHM RFD2B474K
P801	G805		00MBF47400020	00MBF47400020	CAP.COMP.	0.47UF+6.8OHM RFD2B474K

NOTE : "nsp" PART IS LISTED FOR REFERENCE ONLY, MARANTZ WILL NOT SUPPLY THESE PARTS.

P.W.B. NAME	POS. NO.	VERS. COLOR	PART NO. (FOR EUR)	PART NO. (MZ)	PART NAME	DESCRIPTION
P801	L901		00MLY20240470	00MLY20240470	RELAY	ED2-24
P801	▲ Q801		00MHT41415100	00MHT41415100	TRS.	! 2SD1415
P801	▲ Q802		00MHT21020100	00MHT21020100	TRS.	! 2SB1020
P801	Q803		00MHT109702A0	00MHT109702A0	TRS.	2SA970 (GR) OR (BL)
P801	Q804		00MHT322402A0	00MHT322402A0	TRS.	2SC2240 GR OR BL
P801	Q901		00MHC10111090	00MHC10111090	IC	NJM2114D
P801	Q902		00MHC10111090	00MHC10111090	IC	NJM2114D
P801	Q903		00MHC10111090	00MHC10111090	IC	NJM2114D
P801	Q904		00MHC10111090	00MHC10111090	IC	NJM2114D
P801	Q905		00MBA20016050	00MBA20016050	TRS.	HN1C03F(B)(NPNX2(MUTING))
P801	▲ R803		00MGG05010120	00MGG05010120	RES.	! ERD50FJ1R0P/SPRX1CM12.5A J 1R0
P801	▲ R804		00MGG05010120	00MGG05010120	RES.	! ERD50FJ1R0P/SPRX1CM12.5A J 1R0
P801	▲ R807		00MGG05010140	00MGG05010140	RES.	! 1 OHM +-5% 1/4W
P801	▲ R808		00MGG05010140	00MGG05010140	RES.	! 1 OHM +-5% 1/4W
P801	R809		nsp	00MGD05102160	RES.	1K OHM +-5% 1/6W
P801	R810		nsp	00MGD05102160	RES.	1K OHM +-5% 1/6W
P801	▲ R811		00MGG05047160	00MGG05047160	RES.	! 4.7 OHM +-5% 1/6W
P801	▲ R812		00MGG05047160	00MGG05047160	RES.	! 4.7 OHM +-5% 1/6W
P801	▲ R813		00MGG05047160	00MGG05047160	RES.	! 4.7 OHM +-5% 1/6W
P801	R815		nsp	00MGD05151160	RES.	150 OHM +-5% 1/6W
P801	R816		nsp	00MGD05151160	RES.	150 OHM +-5% 1/6W
P801	▲ R817		00MGG05010120	00MGG05010120	RES.	! ERD50FJ1R0P/SPRX1CM12.5A J 1R0
P801	R819		nsp	00MGD05102160	RES.	1K OHM +-5% 1/6W
P801	R820		nsp	00MGD05102160	RES.	1K OHM +-5% 1/6W
P801	R821		nsp	00MGD05333160	RES.	33K OHM +-5% 1/6W
P801	R822		nsp	00MGD05333160	RES.	33K OHM +-5% 1/6W
P801	R901		nsp	00MGD05223160	RES.	22K OHM +-5% 1/6W
P801	R902		nsp	00MGD05223160	RES.	22K OHM +-5% 1/6W
P801	R903		nsp	00MGD05103160	RES.	10K OHM +-5% 1/6W
P801	R904		nsp	00MGD05103160	RES.	10K OHM +-5% 1/6W
P801	R905		nsp	00MGD05103160	RES.	10K OHM +-5% 1/6W
P801	R906		nsp	00MGD05103160	RES.	10K OHM +-5% 1/6W
P801	R907		nsp	00MGD05103160	RES.	10K OHM +-5% 1/6W
P801	R908		nsp	00MGD05103160	RES.	10K OHM +-5% 1/6W
P801	R909		nsp	00MGD05102160	RES.	1K OHM +-5% 1/6W
P801	R910		nsp	00MGD05103160	RES.	10K OHM +-5% 1/6W
P801	R911		nsp	00MGD05102160	RES.	1K OHM +-5% 1/6W
P801	R912		nsp	00MGD05103160	RES.	10K OHM +-5% 1/6W
P801	R913		nsp	00MGD05102160	RES.	1K OHM +-5% 1/6W
P801	R914		nsp	00MGD05103160	RES.	10K OHM +-5% 1/6W
P801	R915		nsp	00MGD05102160	RES.	1K OHM +-5% 1/6W
P801	R916		nsp	00MGD05222160	RES.	2.2K OHM +-5% 1/6W
P801	R917		00MRA02230780	00MRA02230780	TRIM. RES.	22KOHM RH0638CJ4R
P801	R918		nsp	00MGD05102160	RES.	1K OHM +-5% 1/6W
P801	R919		nsp	00MGD05222160	RES.	2.2K OHM +-5% 1/6W
P801	R920		nsp	00MGD05104160	RES.	100K OHM +-5% 1/6W
P801	R921		nsp	00MGD05682160	RES.	6.8K OHM +-5% 1/6W
P801	R922		nsp	00MGD05103160	RES.	10K OHM +-5% 1/6W
P801	R923		nsp	00MGD05223160	RES.	22K OHM +-5% 1/6W
P801	R924		nsp	00MGD05681160	RES.	680 OHM +-5% 1/6W
P801	R925		nsp	00MGD05151160	RES.	150 OHM +-5% 1/6W
P801	R931		nsp	00MGD05102160	RES.	1K OHM +-5% 1/6W
AC INLET PWB P851 (00MWG339J506-)						
P851	▲ C851		00MDF77103500	00MDF77103500	FILM CAP.	! 0.01UF M 250V AC
P851	▲ C852		00MDF77103500	00MDF77103500	FILM CAP.	! 0.01UF M 250V AC
P851	C853		nsp	00MOA22703520	ELECT. CAP.	220UF 35V M RA-2
P851	C854		nsp	00MOA47603520	ELECT. CAP.	47UF M 35V RA-2
P851	C855		nsp	00MOA22703520	ELECT. CAP.	220UF 35V M RA-2
P851	C856		nsp	00MOA10605020	ELECT. CAP.	10 UF M 50V RA-2
P851	▲ D851		00MHD20055100	00MHD20055100	DIODE	! SHOTTKY 11EQS10 1A 100V
P851	▲ D852		00MHD20055100	00MHD20055100	DIODE	! SHOTTKY 11EQS10 1A 100V
P851	D859		nsp	00MHD20027010	DIODE	HSS81TD-E 150V 150MA
P851	▲ F851	F N	nsp	0520100210050	FUSE	# 0218015MXP T15A L 250V
P851	▲ F851	/K1G	nsp	0520100180090	FUSE	# 021806.3MXP (FUSE 6.3A 250V)
P851	▲ F851	/N1G	0520100180090	0520100180090	FUSE	# 021806.3MXP (FUSE 6.3A 250V)
P851	▲ F851	/U1G	nsp	0520100210050	FUSE	# 0218015MXP T15A L 250V
P851	G851		00MBF47400020	00MBF47400020	CAP.COMP.	0.47UF+6.8OHM RFD2B474K

NOTE : "nsp" PART IS LISTED FOR REFERENCE ONLY, MARANTZ WILL NOT SUPPLY THESE PARTS.

P.W.B. NAME	POS. NO.	VERS. COLOR	PART NO. (FOR EUR)	PART NO. (MZ)	PART NAME	DESCRIPTION
P851	▲ L851	F N	nsp	00MTS13521210	TRANSF.	# POWER TRANSF. FOR BACKUP 100V
P851	▲ L851	/K1G	nsp	00MTS13521230	TRANSF.	# POWER TRANSF. FOR BACKUP 230V
P851	▲ L851	/N1G	00MTS13521230	00MTS13521230	TRANSF.	# POWER TRANSF. FOR BACKUP 230V
P851	▲ L851	/U1G	nsp	00MTS13521220	TRANSF.	# POWER TRANSF. FOR BACKUP 120V
P851	▲ L852		00MLY10240240	00MLY10240240	RELAY	! VS24MB-NR TV-8 SEMKO LISTED
P851	▲ L853		00MLY10240240	00MLY10240240	RELAY	! VS24MB-NR TV-8 SEMKO LISTED
P851	Q851		00MHT418622A0	00MHT418622A0	TRS.	2SD1862 TV-2 NPN Q,R
P851	▲ R851		00MNQ15022070	00MNQ15022070	ROTOR RES.	! 2.2 OHM 7W W/TEMP.FUSE
P851	▲ R852		00MNQ15022070	00MNQ15022070	ROTOR RES.	! 2.2 OHM 7W W/TEMP.FUSE
P851	▲ R853		00MGA05220010	00MGA05220010	RES.	! 22 OHM +-5% 1W
P851	R854		nsp	00MGD05332160	RES.	3.3K OHM +-5% 1/6W
P851	R855		nsp	00MGD05472160	RES.	4.7K OHM +-5% 1/6W
P851	R856		nsp	00MGD05102160	RES.	1K OHM +-5% 1/6W
POWER SW PWB P871 (00MWG339J505-)						
P871	▲ C871		00MDF77103500	00MDF77103500	FILM CAP.	! 0.01UF M 250V AC
P871	▲ S871		00MSP01012500	00MSP01012500	PUSH SW	! ESB92S13B TV-5 STROKE=1.5MM
LEVEL ON/OFF SW PWB P941 (00MWG339J504-)						
P941	S941		00MSP02010960	00MSP02010960	PUSH SW	ALPS SUL
LEVEL METER PWB P951 (00MWG339J507-)						
P951	C951		nsp	00MOA10505020	ELECT. CAP.	1 UF M 50V RA-2
P951	C952		nsp	00MOA10602520	ELECT. CAP.	10 UF M 25V RA-2
P951	C953		nsp	00MOA10602520	ELECT. CAP.	10 UF M 25V RA-2
P951	C954		nsp	00MOA10602520	ELECT. CAP.	10 UF M 25V RA-2
P951	C956		nsp	00MOA10602520	ELECT. CAP.	10 UF M 25V RA-2
P951	C957		nsp	00MOA10602520	ELECT. CAP.	10 UF M 25V RA-2
P951	D951		00MHI10040080	00MHI10040080	L.E.D.	SELU1E10CXM-S BLUE LED
P951	M951		00MIM31050010	00MIM31050010	V.U METER	KFM-8A LEVEL METER
P951	Q951		00MHT322402A0	00MHT322402A0	TRS.	2SC2240 GR OR BL
P951	Q952		00MHT322402A0	00MHT322402A0	TRS.	2SC2240 GR OR BL
P951	Q953		00MHT109702A0	00MHT109702A0	TRS.	2SA970 (GR) OR (BL)
P951	Q954		00MHT322402A0	00MHT322402A0	TRS.	2SC2240 GR OR BL
P951	R953		nsp	00MGD05472160	RES.	4.7K OHM +-5% 1/6W
P951	R955		nsp	00MGD05681160	RES.	680 OHM +-5% 1/6W
P951	R956		nsp	00MGD05104160	RES.	100K OHM +-5% 1/6W
P951	R957		nsp	00MGD05104160	RES.	100K OHM +-5% 1/6W
P951	R958		nsp	00MGD05103160	RES.	10K OHM +-5% 1/6W
P951	R959		nsp	00MGD05223160	RES.	22K OHM +-5% 1/6W
P951	R960		nsp	00MGD05223160	RES.	22K OHM +-5% 1/6W
P951	R961		nsp	00MGD05103160	RES.	10K OHM +-5% 1/6W
L LED PWB P971 (00MWG339J508-)						
P971	D971		00MHI10040080	00MHI10040080	L.E.D.	SELU1E10CXM-S BLUE LED
P971	J971		00MYP07001950	00MYP07001950	PLUG	IMSA-1068-05Z042 5P
P971	R971		nsp	00MGD05222160	RES.	2.2K OHM +-5% 1/6W
R LED PWB P981 (00MWG339J509-)						
P981	D981		00MHI10040080	00MHI10040080	L.E.D.	SELU1E10CXM-S BLUE LED
P981	J981		00MYP07001950	00MYP07001950	PLUG	IMSA-1068-05Z042 5P
P981	R981		nsp	00MGD05222160	RES.	2.2K OHM +-5% 1/6W
POSISTOR PWB P991 (00MWG339J606-)						
P991	R991		00MHP00009230	00MHP00009230	VARIATOR	POSISTOR PTH487 (01BB-120)
HDAM-SA S2 PWB PH01 (00MWA339J701-)						
PH01	DH01		nsp	00MHD20002000	DIODE	1SS176,MA165,1SS254 30V 0.1A
PH01	DH02		nsp	00MHD20002000	DIODE	1SS176,MA165,1SS254 30V 0.1A
PH01	DH03		nsp	00MHD20002000	DIODE	1SS176,MA165,1SS254 30V 0.1A
PH01	DH04		nsp	00MHD20002000	DIODE	1SS176,MA165,1SS254 30V 0.1A
PH01	JH01		00MYP07005720	00MYP07005720	PLUG	IMSA-6065B-06Z074-PT1
PH01	JH02		00MYP07005710	00MYP07005710	PLUG	IMSA-6065B-05Z074-PT1
PH01	QH01		00MHT109702A0	00MHT109702A0	TRS.	2SA970 (GR) OR (BL)
PH01	QH02		00MHT322402A0	00MHT322402A0	TRS.	2SC2240 GR OR BL
PH01	QH03		00MHT109702A0	00MHT109702A0	TRS.	2SA970 (GR) OR (BL)
PH01	QH04		00MHT322402A0	00MHT322402A0	TRS.	2SC2240 GR OR BL
PH01	QH05		00MHT322402A0	00MHT322402A0	TRS.	2SC2240 GR OR BL
PH01	QH06		00MHT109702A0	00MHT109702A0	TRS.	2SA970 (GR) OR (BL)
PH01	RH01		nsp	00MGD05471160	RES.	470 OHM +-5% 1/6W
PH01	RH02		nsp	00MGD05471160	RES.	470 OHM +-5% 1/6W
PH01	RH03		nsp	00MGD05220160	RES.	22 OHM +-5% 1/6W
PH01	RH04		nsp	00MGD05220160	RES.	22 OHM +-5% 1/6W
PH01	RH05		nsp	00MGD05220160	RES.	22 OHM +-5% 1/6W

NOTE : "nsp" PART IS LISTED FOR REFERENCE ONLY, MARANTZ WILL NOT SUPPLY THESE PARTS.

P.W.B. NAME	POS. NO.	VERS. COLOR	PART NO. (FOR EUR)	PART NO. (MZ)	PART NAME	DESCRIPTION
PH01	RH06		nsp	00MGD05220160	RES.	22 OHM +-5% 1/6W
PH01	RH07		nsp	00MGD05683160	RES.	68K OHM +-5% 1/6W

NOTE : "nsp" PART IS LISTED FOR REFERENCE ONLY, MARANTZ WILL NOT SUPPLY THESE PARTS.