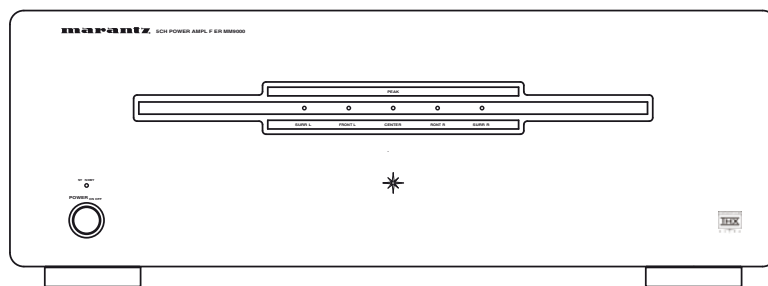


Service Manual

MM9000 /K1G, /N1G, /S1G
/N1B, /U1B
Power Amplifier



MM9000

TABLE OF CONTENTS

SECTION	PAGE
1. TECHNICAL SPECIFICATIONS	1
2. IC DATA	1
3. BLOCK DIAGRAM	2
4. WIRING DIAGRAM	3
4. SCHEMATIC DIAGRAM	5
6. PARTS LOCATION (Pattern Side)	10
7. EXPLODED VIEW AND PARTS LIST	19
8. ELECTRICAL ADJUSTMENT	23
9. TECHNICAL DESCRIPTION	25
10. ELECTRICAL PARTS LIST	26

Please use this service manual with referring to the user guide (D.F.U.) without fail.

marantz®

MM9000

MARANTZ DESIGN AND SERVICE

Using superior design and selected high grade components, **MARANTZ** company has created the ultimate in stereo sound. Only original **MARANTZ** parts can insure that your **MARANTZ** product will continue to perform to the specifications for which it is famous.

Parts for your **MARANTZ** equipment are generally available to our National Marantz Subsidiary or Agent.

ORDERING PARTS :

Parts can be ordered either by mail or by Fax.. In both cases, the correct part number has to be specified.

The following information must be supplied to eliminate delays in processing your order :

1. Complete address
2. Complete part numbers and quantities required
3. Description of parts
4. Model number for which part is required
5. Way of shipment
6. Signature : any order form or Fax. must be signed, otherwise such part order will be considered as null and void.

USA

MARANTZ AMERICA, INC.
440 MEDINAH ROAD
ROSELLE, ILLINOIS 60172
USA
PHONE : 630 - 307 - 3100
FAX : 630 - 307 - 2687

EUROPE / TRADING

MARANTZ EUROPE B.V.
P.O.BOX 80002, BUILDING SFF2
5600 JB EINDHOVEN
THE NETHERLANDS
PHONE : +31 - 40 - 2732241
FAX : +31 - 40 - 2735578

BRAZIL

MARANTZ BRAZIL
CAIXA POSTAL 21462
CEP 04698-970
SAO PAULO, SP, BRAZIL
PHONE : 0800 - 123123(Discagem Direta Gratuita)
FAX : +55 11 534. 8988

PROFESSIONAL AMERICAS SUPERSCOPE TECHNOLOGIES, INC.

MARANTZ PROFESSIONAL PRODUCTS
2640 WHITE OAK CIRCLE, SUITE A
AURORA, ILLINOIS 60504 USA
PHONE : 630 - 820 - 4800
FAX : 630 - 820 - 8103

CANADA

LENBROOK INDUSTRIES LIMITED
633 GRANITE COURT,
PICKERING, ONTARIO L1W 3K1
CANADA
PHONE : 905 - 831 - 6333
FAX : 905 - 831 - 6936

AUSTRALIA

JAMO AUSTRALIA PTY LTD
1 EXPO COURT, P.O. BOX 350
MT. WAVERLEY VIC 3149
AUSTRALIA
PHONE : +61 - 3 - 9543 - 1522
FAX : +61 - 3 - 9543 - 3677

THAILAND

MRZ STANDARD CO.,LTD
746 - 754 MAHACHAI ROAD.,
WANGBURAPAPIROM, PHRANAKORN,
BANGKOK, 10200 THAILAND
PHONE : +66 - 2 - 222 9181
FAX : +66 - 2 - 224 6795

SINGAPORE

WO KEE HONG (S) PTE LTD
WO KEE HONG CENTRE
NO.23, LORONG 8, TOA PAYOH
SINGAPORE 319257
PHONE : +65 2544555
FAX : +65 2502213

NEW ZEALAND

WILDASH AUDIO SYSTEMS NZ
14 MALVERN ROAD MT ALBERT
AUCKLAND NEW ZEALAND
PHONE : +64 - 9 - 8451958
FAX : +64 - 9 - 8463554

TAIWAN

PAI- YUING CO., LTD.
6 TH FL NO, 148 SUNG KIANG ROAD,
TAIPEI, 10429, TAIWAN R.O.C.
PHONE : +886 - 2 - 25221304
FAX : +886 - 2 - 25630415

MALAYSIA

WO KEE HONG ELECTRONICS SDN. BHD.
SUITE 8.1, LEVEL 8, MENARA GENESIS,
NO. 33, JALAN SULTAN ISMAIL,
50250 KUALA LUMPUR, MALAYSIA
PHONE : +60 3 - 2457677
FAX : +60 3 - 2458180

JAPAN *Technical*

MARANTZ JAPAN, INC.
35- 1, 7- CHOME, SAGAMIONO
SAGAMIHARA - SHI, KANAGAWA
JAPAN 228-8505
PHONE : +81 42 748 1013
FAX : +81 42 741 9190

日本マランツ株式会社

本社 〒228-8505
神奈川県相模原市相模大野7-35-1
営業本部 〒150-0022
東京都渋谷区恵比寿南1-11-9

KOREA

MK ENTERPRISES LTD.
ROOM 604/605, ELECTRO-OFFICETEL, 16-58,
3GA, HANGANG-RO, YONGSAN-KU, SEOUL
KOREA
PHONE : +822 - 3232 - 155
FAX : +822 - 3232 - 154

SHOCK, FIRE HAZARD SERVICE TEST :

CAUTION : After servicing this appliance and prior to returning to customer, measure the resistance between either primary AC cord connector pins (with unit NOT connected to AC mains and its Power switch ON), and the face or Front Panel of product and controls and chassis bottom.

Any resistance measurement less than 1 Megohms should cause unit to be repaired or corrected before AC power is applied, and verified before it is return to the user/customer.

Ref. UL Standard No. 1492.

In case of difficulties, do not hesitate to contact the Technical
Department at above mentioned address.

1. TECHNICAL SPECIFICATIONS

Rated power output
 Front L/R (20Hz - 20kHz) 170W 8-ohm / Channel
 Center (20Hz - 20kHz) 170W 8-ohm / Channel
 Surround L/R (20Hz - 20kHz) 170W 8-ohm / Channel
 THD (20Hz - 20kHz) 0.03% 8-ohm
 Input sensitivity 100mV / 1W Output
 Input impedance 20k ohms
 Frequency response (-1dB) 5 Hz to 100kHz
 Signal to noise ratio 95dB

Power requirement AC 220V 50/60 Hz (K version)
 AC 230V 50 Hz (N version)
 AC 230V 50 Hz (S version)
 AC 120V 60 Hz (U version)
 Power consumption (L/R channel 100W driven) 400W

Dimensions (Maximum)

Width 17-5/16 inches (440mm)
 Height 6-5/16 inches (160mm)
 Depth 17-4/5 inches (452mm)
 Weight 44.1 lbs (20kg)

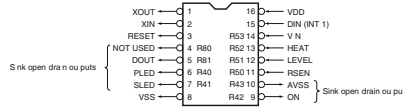
Accessories

AC power cord 1

Design and specifications are subject to change without notice.

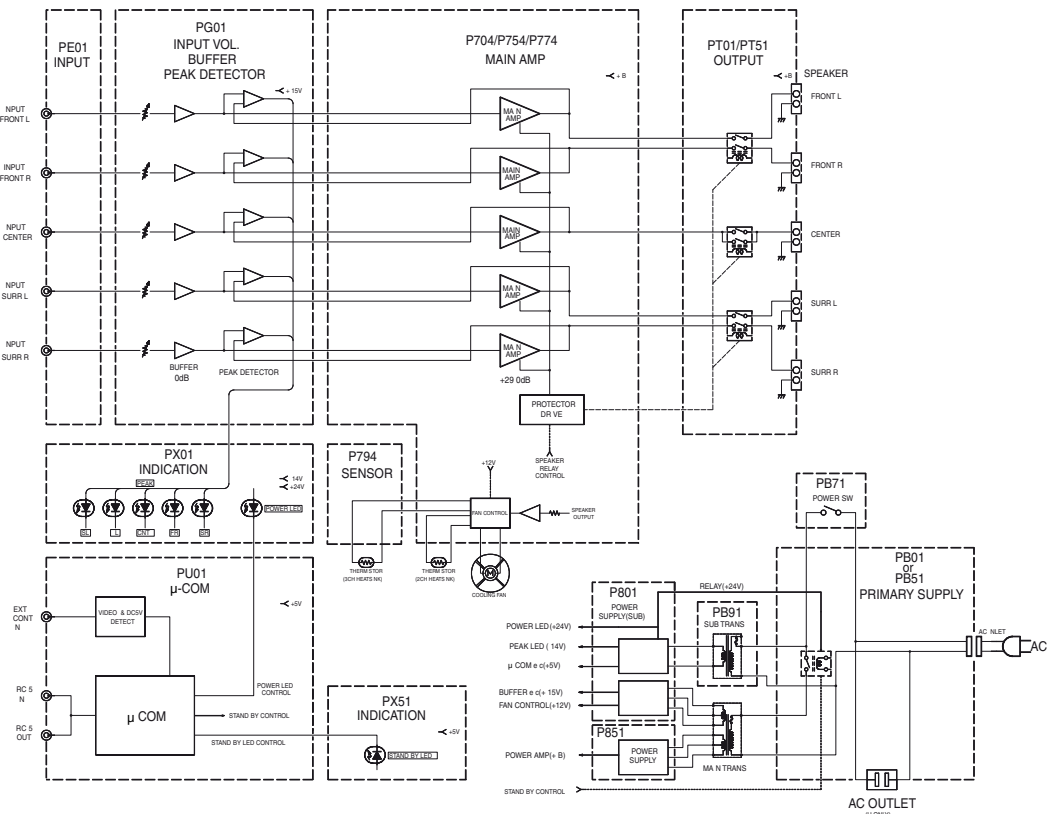
2. IC DATA

QU06 : TMP47C101

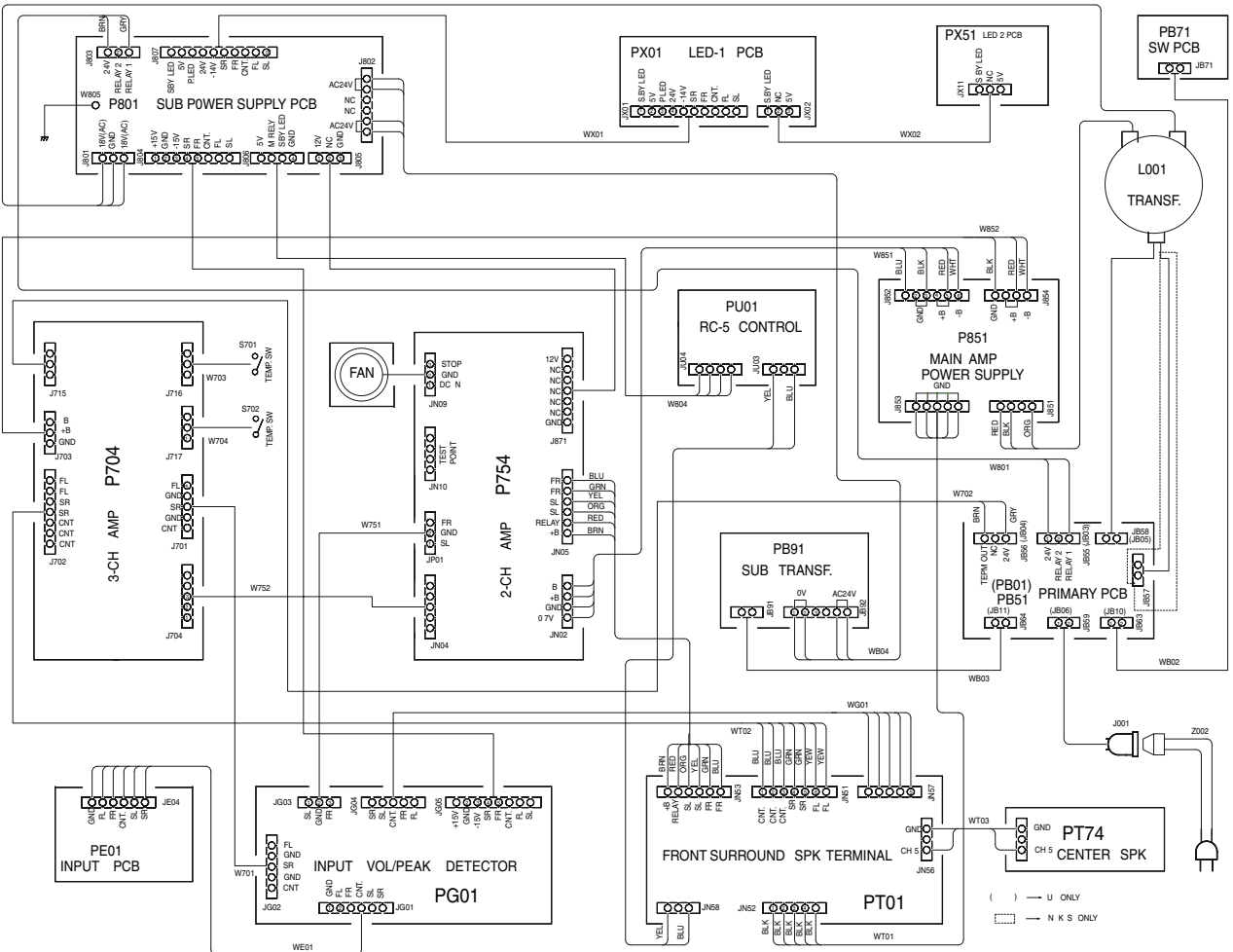


Port	Pins	Name	In/Out	Active	Description
R80	4	Input			Not used
R81	5	DOUT	Output		Data output from RC5
R82	15	DIN	Input	L	Data input to RC5
R40	6	PLED	Output	L	Power LED
R41	7	SLED	Output	L	Stand by LED
R42	9	CN	Output	L/H	Power amplifier OFF/ON
R43	10	AVSS	Output	L/H	Power amplifier voltage control. Low/high voltage
R90	11	RSEN	Input	H/L	Power amplifier output sensing. Active when detect on input OFF/ON
R91	12	LEVEL	Input	L/H	Power amplifier output level detection input. High/Low power
R92	13	HEAT	Input	L/H	Heat sink overheating detection input. Overheat/Normal
R93	14	VIN	Input	L/H	Video and DC signal detection input. Detected/Not detected

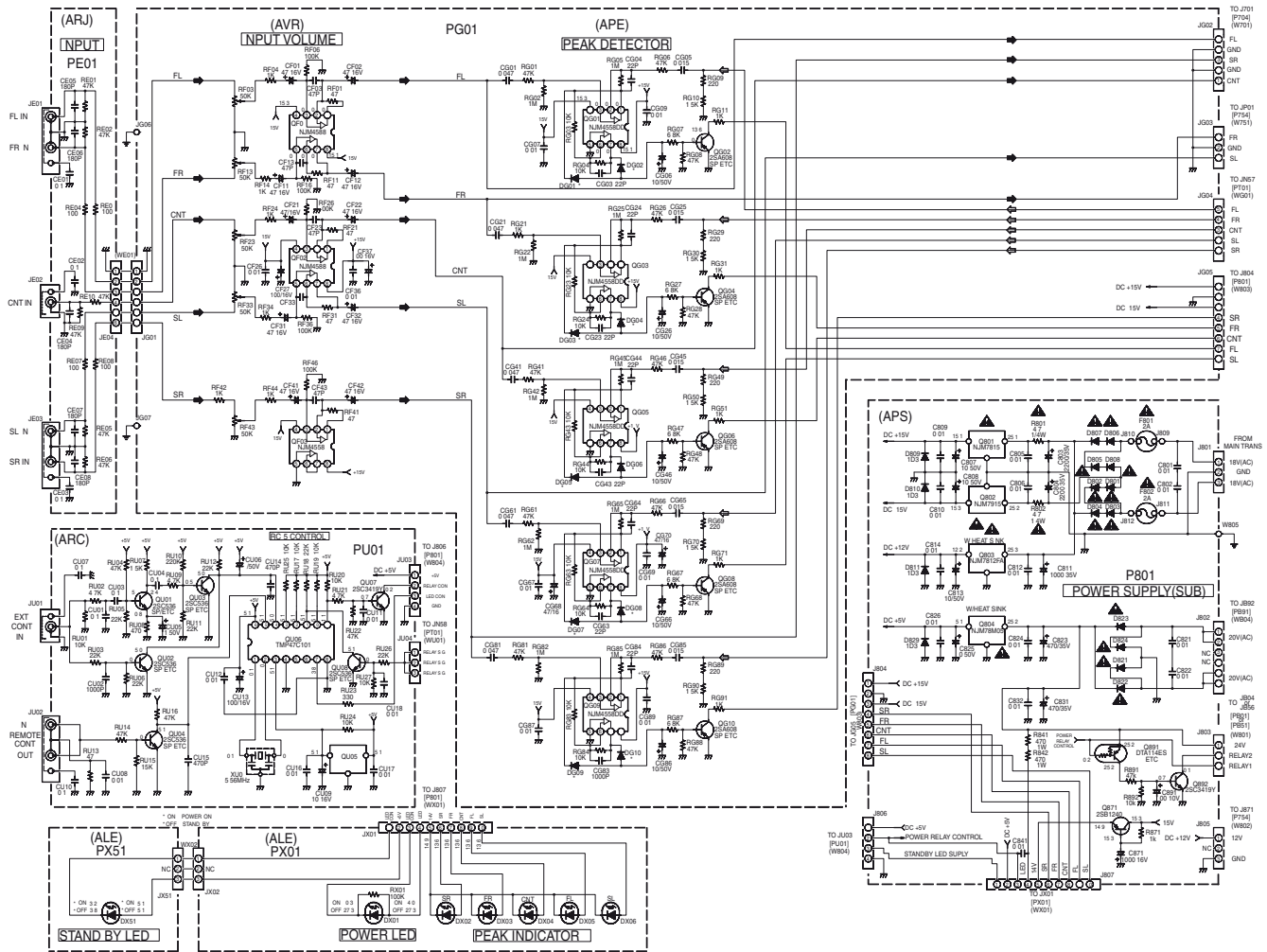
3. BLOCK DIAGRAM

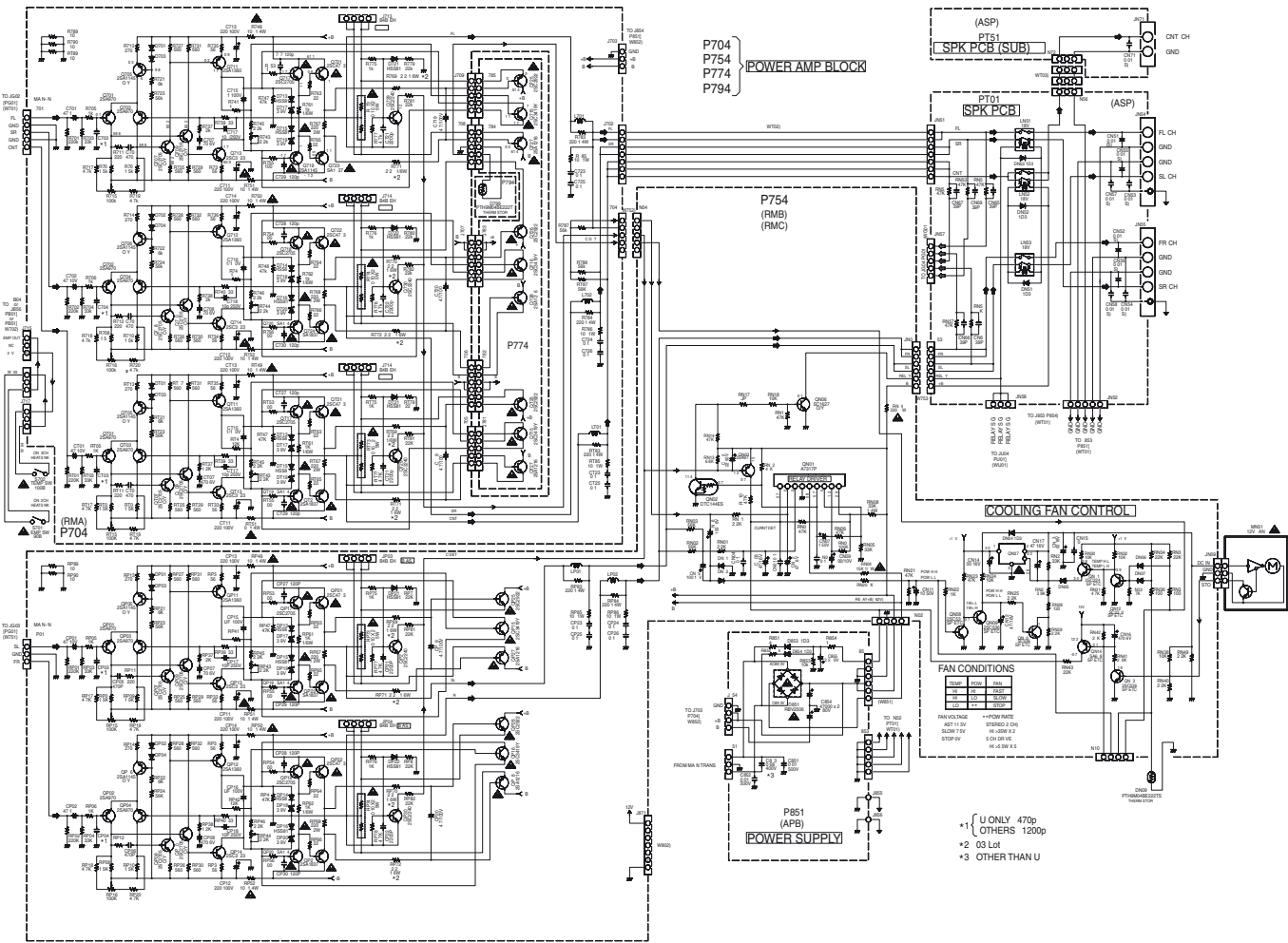


4. WIRING DIAGRAM

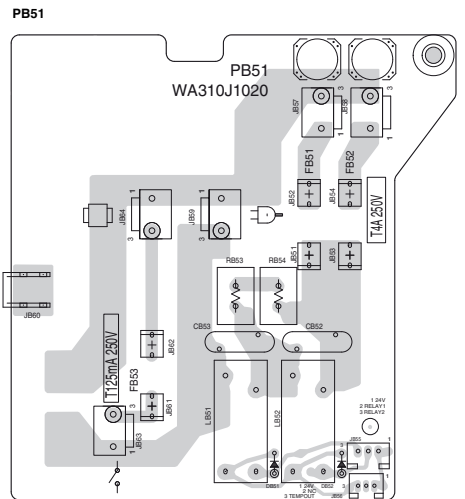
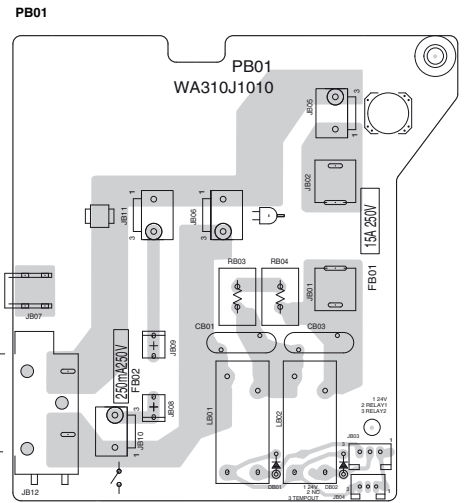
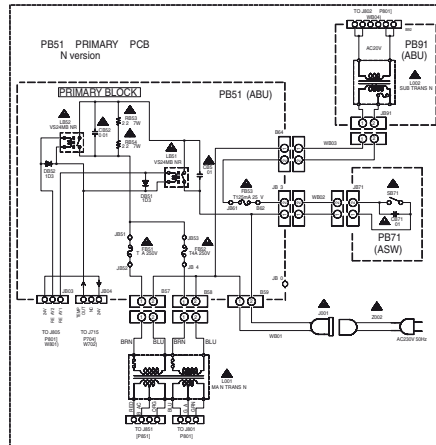
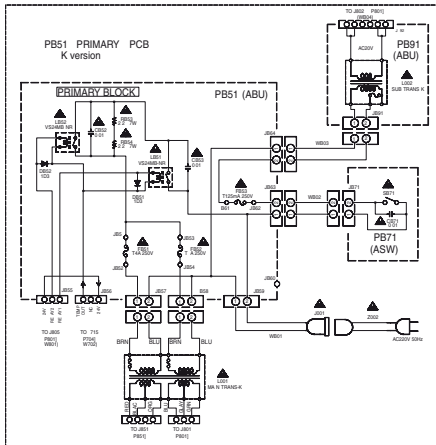
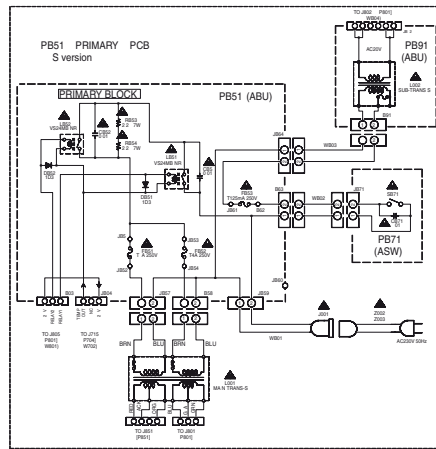
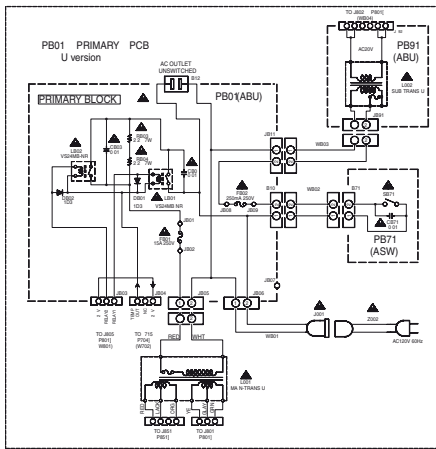


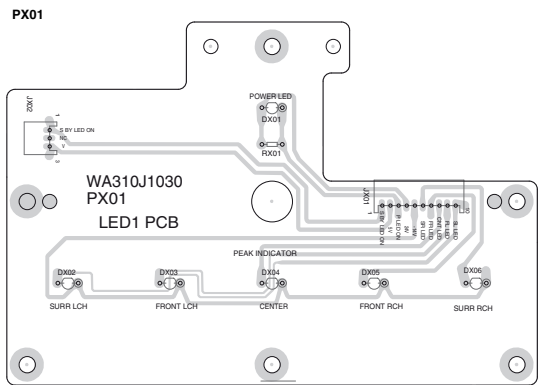
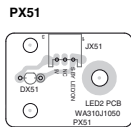
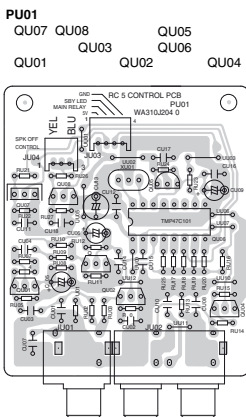
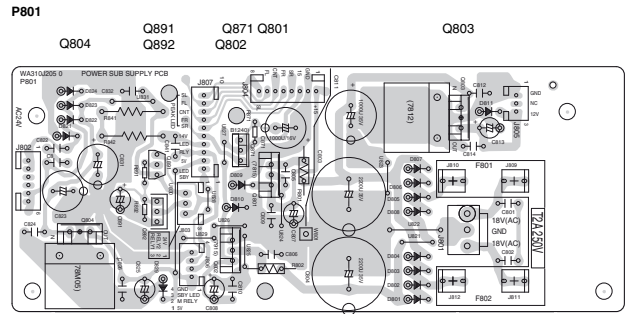
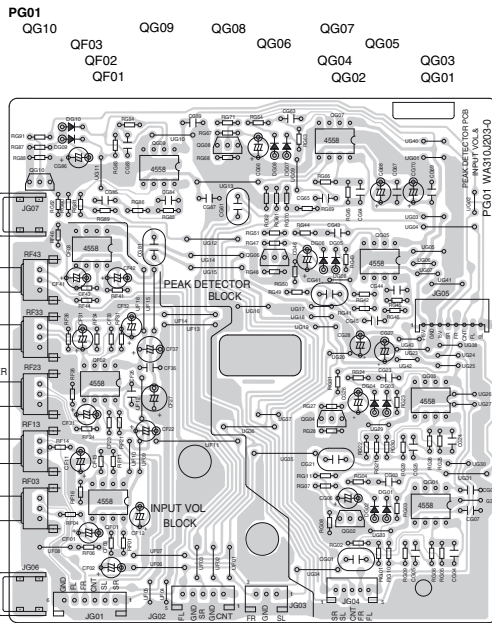
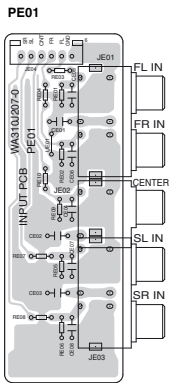
5. SCHEMATIC DIAGRAM



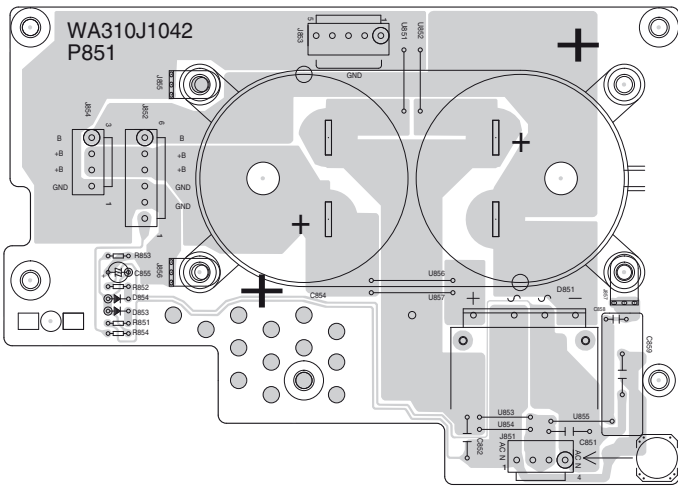


6. PARTS LOCATION (Pattern Side)

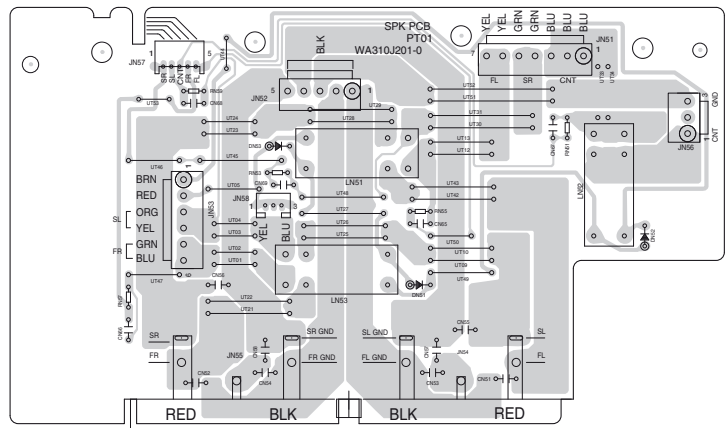




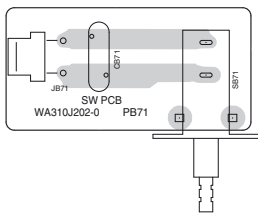
P851



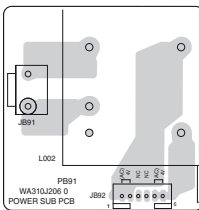
PT01



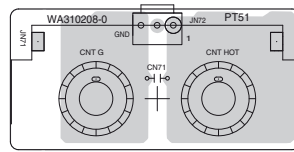
PB71



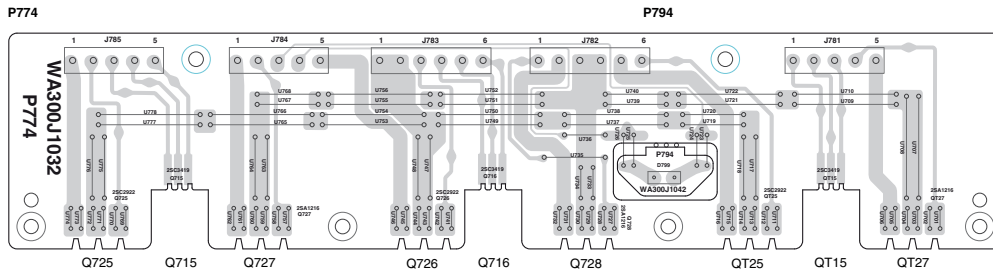
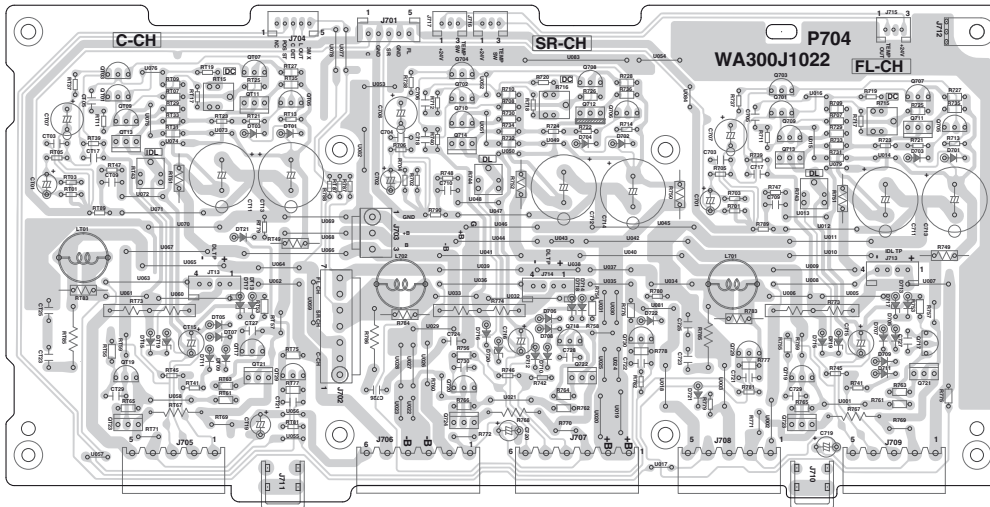
PB91



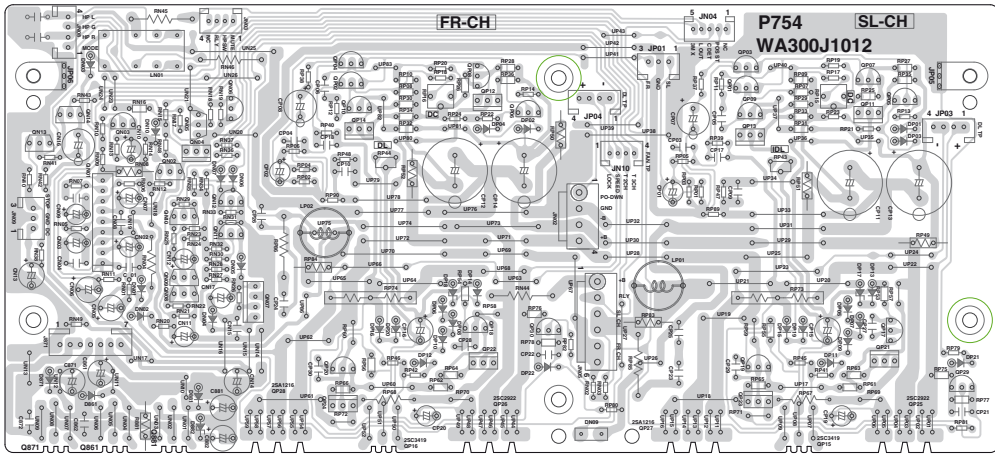
PT51



P704	QT03 QT01 QT09 QT13 QT19 QT23	QT07 QT11 QT05 QT17 QT21 QT29	Q704 Q702 Q710 Q714 Q720 Q724	Q708 Q712 Q706 Q718 Q722 Q730	Q703 Q701 Q709 Q713 Q728 Q719	Q707 Q711 Q705 Q717 Q721
-------------	-------------------------------------	-------------------------------------	-------------------------------------	-------------------------------------	-------------------------------------	--------------------------------

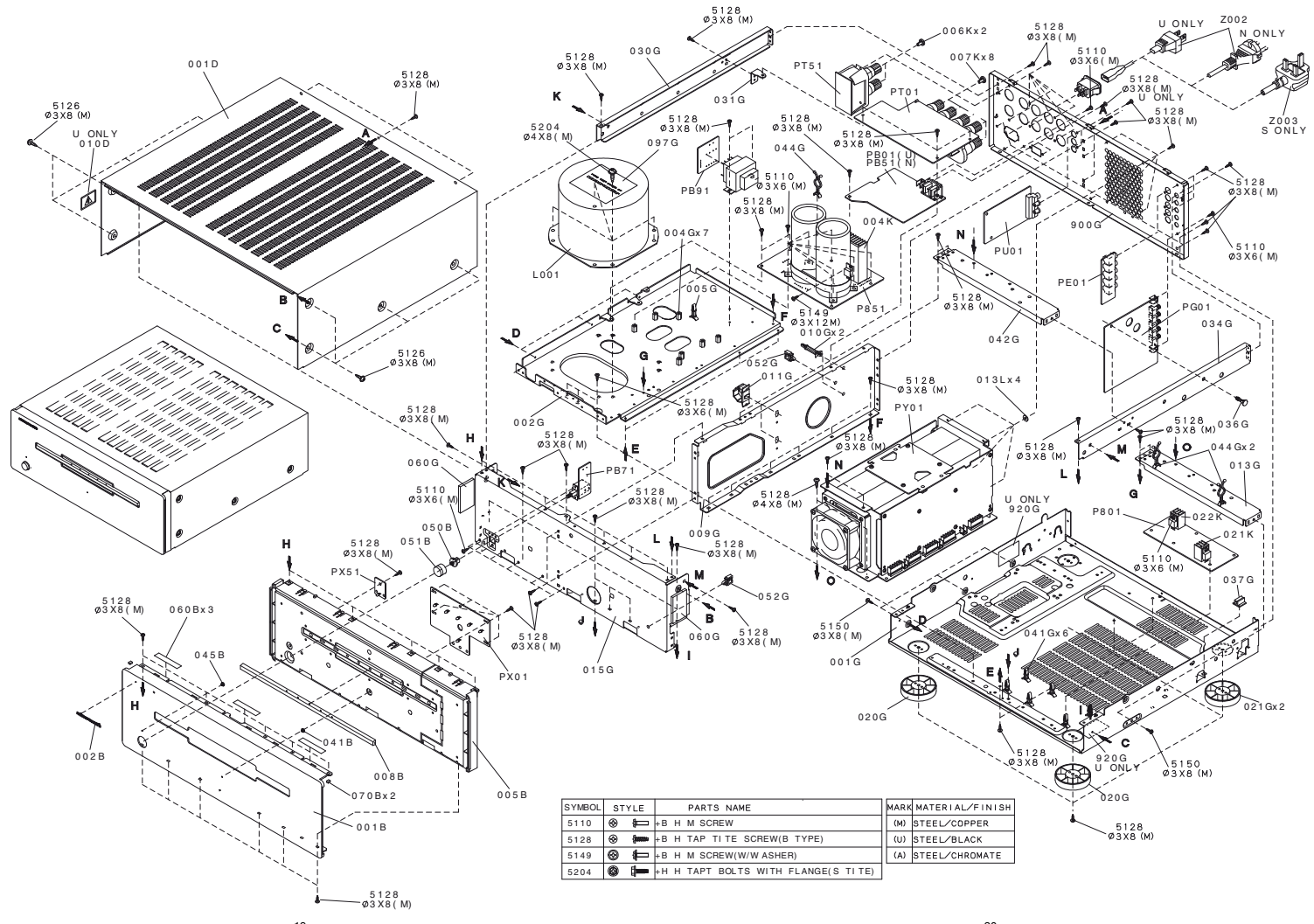


P754 QN14 QN05 QN04 QN06 QP04 QP02 QP08 QP03 QP01 QP07
 QN13 QN03 QN02 QN10 QN12 QN11 QP10 QP14 QP12 QP06 QP09 QP13 QP11 QP05
 QN09 QN08 QN07

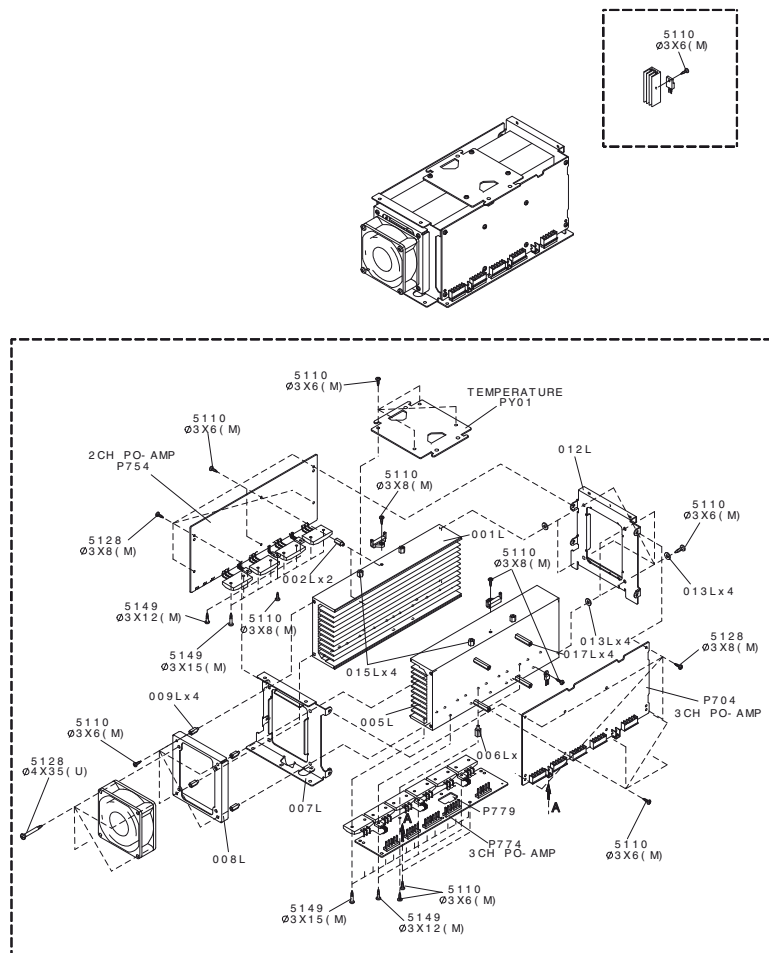


Q871 Q861 Q881 QP20 QP24 QP16 QP18 QP22 QP30 QP19 QP23
 QP28 QP26 QP27 QP15

7. EXPLODED VIEW AND PARTS LIST



POS. NO	VERS. COLOR	PART NO. (FOR PCS)	DESCRIPTION	PART NO. (MUJ)
001B	GOLD	9965 000 01970	FRONT PANEL GLD	310J248110
001B	BLACK	9965 000 01969	FRONT PANEL BLK	310J248010
002B		4822 454 11825	BADGE MARANTZ	185J251010
005B	GOLD	9965 000 01972	CHASSIS FRONT MOLD GLD	310J105110
005B	BLACK	9965 000 01971	CHASSIS FRONT MOLD BLK	310J105010
008B		9965 000 01973	WINDOW	310J158010
041B		9965 000 01974	LENS STAR MARK	310J355010
045B		9965 000 01393	LENS STANDBY	312J355010
050B		9965 000 01394	JOINT POWER	312J125010
051B	GOLD	9965 000 01395	BUTTON POWER SW GLD	255W270110
051B	BLACK	9965 000 01975	BUTTON POWER SW BLK	255W270010
020G		4822 462 42129	LEG FRONT	183J057010
021G		4822 462 42048	LEG REAR	183J057110
▲ J001		9965 000 01313	JACK 2P AC INLET PW11910-H	YJ04002440
▲ L001	/K		MAINS TRANSF. TROIDAL 220V 50Hz	TS42003020
▲ L001	/N,/S	9965 000 01961	MAINS TRANSF. TROIDAL 230V 50Hz	TS42003030
▲ L001	/U		MAINS TRANSF. TROIDAL 120V 60Hz	TS42003010
			PACKING	
001T	/K,/S		USER GU DE E/C	310J851350
001T	/N	9965 000 01976	USER GU DE	310J851310
001T	/U		USER GUIDE EIF	310J851250
▲ Z002	/K		MAINS CORD CCEE 2.5A 250V	ZC01803090
▲ Z002	/N,/S	4822 321 11439	MAINS CORD 2P 10A 250V CLASS2	ZC01803080
▲ Z002	/U		MAINS CORD 125V13A UL/CSA	ZC01802100
▲ Z003	/S		MAINS CORD 250V10A FOR HONG KONG (S PORE)	ZC01804070
			NOT STANDARD SPARE PARTS	
001S	/U		PACKING CASE	310J801010
002S	/U		CUSHION RIGHT	310J809010
003S	/U		CUSHION LEFT	310J809020
008T	/K,/S		USER GUIDE FLY SHEET	310J851020
008T	/N		USER GU DE FLY SHEET	256J851010
010T			IEC 65 USER GU DE FLY SHEET	310J851010



8. ELECTRICAL ADJUSTMENTS

1. DC offset adjustment

Master Volume : Minimum, Speaker out : non Load

Step	Power	Channel	Adjustment Point	Test Point	Adjustment Vaule
1	on	Front L	R715	Speaker Output Terminal	± 20mV
		Center	RT15		
		Front R	RP16		
		Surr. L	RP15		
		Surr. R	R716		

Note : If the measured value is not exceed ±20mV, no need to adjust the DC offset.

2. Idling current adjustment

Master Volume : Minimum, Speaker out : non Load

Step	Power	Channel	Adjustment Point	Test Point	Adjustment Vaule
1	Power on	Front L	R743	J713 or R773	within 1 minute 0.4mV
		Center	RT43	JT13 or RT73	
		Front R	RP44	JP04 or RP74	
		Surr. L	RP43	JP03 or RP73	
		Surr. R	R744	J714 or R774	
2	after 4 minutes			J***:4P Connector (between 1p-4p) R***:Emitter Resistor (0.1ohms x2)	see table for adjustment vaule

Time since power on	Idling current adjust.	Time since power on	Idling current adjust.
4-4 minutes 30 seconds	5.6mV	11-12 minutes	8.0mV
4m30s-5 minutes	6.4mV	12-14 minutes	7.6mV
5-5 minutes 30 seconds	7.2mV	14-16 minutes	7.2mV
5m30s-6 minutes	7.7mV	16-18 minutes	6.5mV
6-7 minutes	8.2mV	18-22 minutes	5.6mV
7-8 minutes	8.6mV	22-26 minutes	4.9mV
8-9 minutes	8.8mV	26-30 minutes	4.4mV
9-10 minutes	8.6mV	more than 30 minutes	4.0mV
10-11 minutes	8.4mV		The target is 4.0mV

3. Thermostat circuit confirmation

- 1) When the product is POWER ON, remove the wire W701 from the connector J715 (P704).
- 2) Confirm the main relay is off.
- 3) Connect the wire W701 to the connector J715 (on P704).
- 4) Confirm the main relay is on.

4. Cooling fan confirmation

4.1 Fan failure sensor confirmation

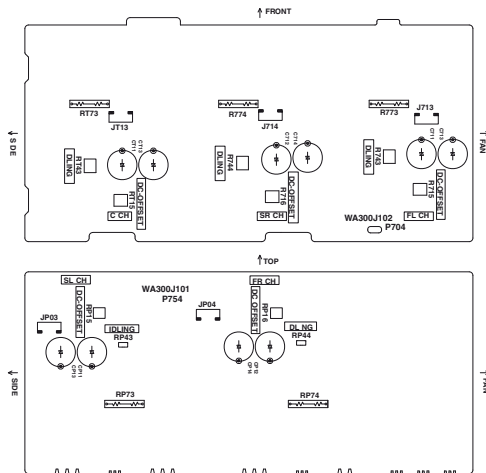
- 1) Set to be SPK output 1W from the front channel.
- 2) Connect the 1pin (LOCK) of the connector JN10 (on P754) to chassis (GND level) by a wire.
- 3) After 6 seconds the SPK relay works, and the SPK output isn't output.

4.2 Temperature sensor confirmation

- 1) Connect a resistor (470ohms 1W) between JN10 3pin (T-2CH) and DC +12V.
- 2) Confirm the cooling fan starts working. (Status : JN09 between 1pin and 2pin = +7.5V, Fan speed = **Low**)
- 3) Remove the resistor.
- 4) Confirm the cooling fan stops.
- 5) Connect the resistor between JN10 4pin (T-3CH) and DC +12V.
- 6) Confirm the cooling fan starts working again.
- 7) Remove the resistor.
- 8) Confirm the cooling fan stops.
- 9) Connect the resistor between JN10 3pin (T-2CH) and DC +12V. And then connect another resistor between JN10 4pin (T-3CH) and DC +12V.
- 10) Confirm the cooling fan starts working.
- 11) And then connect the resistor between JN10 2pin (SPEED) and DC +12V.
- 12) Confirm the cooling fan changes to work with high speed. (Status : JN09 between 1pin and 2pin = +11.5V, Fan speed = **High**)

4.3 Fan catching a foreign body sensor confirmation

- 1) Connect the resistor (470ohms 1W) between JN10 3pin (T-3CH) and DC +12V.
 - 2) Confirm the cooling fan starts working. (Status : JN09 between 1pin and 2pin=+7.5V, Fan speed = **Low**)
 - 3) Set to be SPK output 1W from the front channel.
 - 4) Hold the cooling fan by hand and stop it.
- Notes: Take care of wound in the hand!**
- 5) After 6 seconds the SPK relay works and the SPK output isn't output.



9. TECHNICAL DESCRIPTION

The Peak Detector (explanation about Front L CH)

- 1) First stage of QG01 <NJM4558DD> (on PG01) functions for comparator.
- 2) The input signal voltage at JE01 <INPUT Front L> (on PE01) is sent to the 3 pin of QG01 by way of CG01 (on PG01) and RG01 (on PG01), part of Speaker Output voltage is sent to the 2 pin of QG01 by way of RN55 (on PT01), CG05 (on PG01) and RG06 (on PG01).
- 3) The 2 pin voltage is same to the 3 pin until about 1.5V input voltage at JE01. Therefore the 1 pin of QG01 output voltage is 0V.
- 4) When input voltage at JE01 is more than 1.5V, Speaker Output voltage reaches at clipping level and the 2 pin voltage is different from the 3 pin.
- 5) Then some voltage appears at the 1 pin of QG01.
- 6) Negative voltage is taken out by DG01 (on PG01) and DG02 (on PG01), then QG02 <2SA608SP/ETC> (on PG01) becomes ON and PEAK LED turns on.

Notice: The PEAK LED turns on little in usual operation, This turns on when input voltage at JE01 becomes 1.5V over and Speaker Output voltage is more than 36V.

10. ELECTRICAL PARTS LIST

ASSIGNMENT OF COMMON PARTS CODES.

RESISTORS

R***: 1) GD05 × × × 140, Carbon film fixed resistor, ±5% 1/4W

R***: 2) GD05 × × × 160, Carbon film fixed resistor, ±5% 1/6W

① — Resistance value

Examples ;

① Resistance value

0.1 Ω 001 10 Ω 100 1 kΩ 102 100 kΩ 104
 0.5 Ω 005 18 Ω 180 2.7 kΩ 272 680 kΩ 684
 1 Ω 010 100 Ω 101 10 kΩ 103 1 MΩ 105
 6.8 Ω 068 390 Ω 391 22 kΩ 223 4.7 MΩ 475

Note : Please distinguish 1/4W from 1/6W by the shape of parts used actually.

CAPACITORS

C***: CERAMIC CAP.

3) DD1 × × × × 370, Ceramic capacitor
 Disc type
 Temp.coeff.P350 ~N1000, 50V
 ② Capacity value
 ③ Tolerance

Examples ;

② Tolerance (Capacity deviation)

±0.25 pF 0
 ±0.5 pF 1
 ±5% 5

* Tolerance of COMMON PARTS handled here are as follows :

0.5 pF ~ 5 pF ±0.25 pF
 6 pF ~ 10 pF ±0.5 pF
 12 pF ~ 560 pF ±5%

③ Capacity value

0.5 pF 005 3 pF 030 100 pF 101
 1 pF 010 10 pF 100 220 pF 221
 1.5 pF 015 47 pF 470 560 pF 561



C*** : CERAMIC CAP.

4) DK16 × × × 300, High dielectric constant ceramic capacitor
 Disc type
 Temp.chara. 2B4, 50V
 ④ Capacity value

Examples ;

④ Capacity value

100 pF 101 1000 pF 102 10000 pF 103
 470 pF 471 2200 pF 222

C***: 5) ELECTROLY CAP. (), 6) FILM CAP. ()

5) EA × × × × × × × 10, Electrolytic capacitor
 One-way lead type, Tolerance ±20%
 ⑤ Working voltage
 ⑥ Capacity value

Examples ;

⑤ Capacity value

0.1 μF 104 4.7 μF 475 100 μF 107
 0.33 μF 334 10 μF 106 330 μF 337
 1 μF 105 22 μF 226 1100 μF 118
 2200 μF 228

⑥ Working voltage

6.3V 006 25V 025
 10V 010 35V 035
 16V 016 50V 050

6) DF15 × × × 350 — Plastic film capacitor
 DF15 × × × 310 — One-way type, Mylar ±5% 50V
 DF16 × × × 310 — Plastic film capacitor
 One-way type, Mylar ±10% 50V
 ⑦ Capacity value

Examples ;

⑦ Capacity value

0.001 μF (1000 pF) 102 0.1 μF 104
 0.0018 μF 182 0.56 μF 564
 0.01 μF 103 1 μF 105
 0.015 μF 153

NOTE : 1) The above CODES (R***, R***, C***, C*** and C***) are omitted on the schematic diagram in some case.

2) On the occasion, be confirmed the common parts on the parts list.

3) Refer to "Common Parts List" for the other common parts (RI05, DD4, DK4).

NOTE ON SAFETY FOR FUSIBLE RESISTOR :

The suppliers and their type numbers of fusible resistors are as follows;

1. KOA Corporation

Part No. (MJI)	Type No. (KOA)	Description
NH05 × × × 140	RF25S × × × × ΩJ	(±5% 1/4W)
NH05 × × × 120	RF50S × × × × ΩJ	(±5% 1/2W)
NH85 × × × 110	RF73B2A × × × × ΩJ	(±5% 1/10W)
NH95 × × × 140	RF73B2E × × × × ΩJ	(±5% 1/4W)

* Resistance value Resistance value (0.1 Ω – 10 kΩ)

2. Matsushita Electronic Components Co., Ltd

Part No. (MJI)	Type No. (MEC)	Description
NF05 × × × 140	ERD-2FCJ × × ×	(±5% 1/4W)
RF05 × × × 140		
NF02 × × × 140	ERD-2FCG × × ×	(±2% 1/4W)
RF02 × × × 140		

* Resistance value * Resistance value

Examples ;



* Resistance value

0.1 Ω 001 10 Ω 100 1 kΩ 102 100 kΩ 104
 0.5 Ω 005 18 Ω 180 2.7 kΩ 272 680 kΩ 684
 1 Ω 010 100 Ω 101 10 kΩ 103 1 MΩ 105
 6.8 Ω 068 390 Ω 391 22 kΩ 223 4.7 MΩ 475


ABBREVIATION AND MARKS

ANT. : ANTENNA	BATT. : BATTERY
CAP. : CAPACITOR	CER. : CERAMIC
CONN. : CONNECTING	DIG. : DIGITAL
HP : HEADPHONE	MIC. : MICROPHONE
μ-PRO : MICROPROCESSOR	REC. : RECORDING
RES. : RESISTOR	SPK : SPEAKER
SW : SWITCH	TRANSF. : TRANSFORMER
TRIM. : TRIMMING	TRS. : TRANSISTOR
VAR. : VARIABLE	X'TAL : CRYSTAL

NOTE ON SAFETY :

Symbol  Fire or electrical shock hazard. Only original parts should be used to replaced any part marked with symbol  . Any other component substitution (other than original type), may increase risk of fire or electrical shock hazard.

安全上の注意 :

 がついている部品は、安全上重要な部品です。必ず指定されている部品番号の部品を使用して下さい。

POS. NO	VERS. COLOR	PART NO. (FOR PCS)	DESCRIPTION	PART NO. (MJI)	POS. NO	VERS. COLOR	PART NO. (FOR PCS)	DESCRIPTION	PART NO. (MJI)
CT01		4822 124 22275	P704-3CH AMP CIRCUIT BOARD		RT85			10Ω ±5% 1W	GA05100010
CT03	/K,/N,/S		P704-CAPACITORS		R707			1.5kΩ ±5% 1/6W	GG05152160
CT05	/U		ELECT. 47μF M 10V RA-2	OA47601020	R708			1.5kΩ ±5% 1/6W	GG05152160
CT07		9965 000 01040	FILM 1200pF ±5% 100V APSV	OF15122540	R709			1.5kΩ ±5% 1/6W	GG05152160
CT11			FILM 470pF ±5% 100V APSV	OF15471540	R710			1.5kΩ ±5% 1/6W	GG05152160
CT13			FILM 470pF ±5% 100V APSV	OF15471540	R715	4822 100 12159	TRIM. 100kΩ RH0638C15R	RA01040780	
CT15		4822 124 11533	ELECT. 470μF M 6.3V RA-2	OA47700620	R716	4822 100 12159	TRIM. 100kΩ RH0638C15R	RA01040780	
CT17			ELECT. 220μF M 100V RA-2	OA22710020	R725				
CT19			ELECT. 220μF M 100V RA-2	OA22710020	∫		560Ω ±5% 1/6W	GG05561160	
CT27		9965 000 00438	ELECT. 1μF 100V RA-2	OA10510020	R732				
CT29		9965 000 00438	MICA 10pF ±0.5pF AUDIO	DF31100520	R733				
C701		4822 124 22275	ELECT. 4.7μF 100V	EA47510010	∫		56Ω ±5% 1/6W	GG05560160	
C702		4822 124 22275	FILM 120pF ±5% 100V APSV	OF15121540	R736				
C703	/K,/N,/S		FILM 120pF ±5% 100V APSV	OF15121540	R743	4822 100 20681	TRIM. 2.2kΩ RH0638CJ3R	RA02220780	
C703	/U		FILM 470pF ±5% 100V APSV	OF15471540	R744	4822 100 20681	TRIM. 2.2kΩ RH0638CJ3R	RA02220780	
C704	/K,/N,/S		FILM 1200pF ±5% 100V APSV	OF15122540	▲ R749				
C704	/U		FILM 470pF ±5% 100V APSV	OF15471540	∫		10Ω ±5% 1/4W	GG05100140	
C705			FILM 470pF ±5% 100V APSV	OF15471540	▲ R752				
C706			FILM 470pF ±5% 100V APSV	OF15471540	R753				
C707		9965 000 01040	FILM 470pF ±5% 100V APSV	OF15471540	∫		100Ω ±5% 1/6W	GG05101160	
C708		9965 000 01040	ELECT. 470μF M 6.3V RA-2	OA47700620	R756				
C711			ELECT. 470μF M 6.3V RA-2	OA47700620	R757				
C714			ELECT. 220μF M 100V RA-2	OA22710020	∫		JUMPER	75060501P0	
C715		4822 124 11533	ELECT. 1μF100V RA-2	OA10510020	R760				
C716		4822 124 11533	ELECT. 1μF100V RA-2	OA10510020	R761				
C717			MICA 10pF ±0.5pF AUDIO	DF31100520	R762				
C718			MICA 10pF ±0.5pF AUDIO	DF31100520	R763				
C719			ELECT. 4.7μF 100V	EA47510010	∫		22Ω ±5% 1/6W	GG05220160	
C720			ELECT. 4.7μF 100V	EA47510010	R766				
C727					▲ R767	4822 116 60319	FUSIBLE 220Ω ±5% 1/2W	NH05221120	
C730		9965 000 00438	FILM 120pF ±5% 100V APSV	OF15121540	▲ R768	4822 116 60319	FUSIBLE 220Ω ±5% 1/2W	NH05221120	
					R769				
					∫		2.2Ω ±5% 1/6W	GG05022160	
					R772				
					▲ R773	9965 000 01764	FIXED 0.10Ω K 5W X2	BZ10102020	
					▲ R774	9965 000 01764	FIXED 0.10Ω K 5W X2	BZ10102020	
					R775		1kΩ ±5% 1/6W	GG05102160	
					R776		1kΩ ±5% 1/6W	GG05102160	
					R777		4.7kΩ ±5% 1/6W	GG05472160	
					R778		4.7kΩ ±5% 1/6W	GG05472160	
					R783		220Ω ±5% 1/4W	GG05221140	
					R784		220Ω ±5% 1/4W	GG05221140	
					R785		10Ω ±5% 1W	GA05100010	
					R786		10Ω ±5% 1W	GA05100010	
			P704 CAPACITORS (COMMON)						
			PLASTIC FILM CAPACITOR						
			±5% 50V : CT21 CT23 CT25						
			C721-C726						
			P704-RESISTORS						
RT07			1.5kΩ ±5% 1/6W	GG05152160					
RT09			1.5kΩ ±5% 1/6W	GG05152160					
RT15		4822 100 12159	TRIM. 100kΩ RH0638C15R	RA01040780	R***				
RT25			560Ω ±5% 1/6W	GG05561160			P704-RESISTORS (COMMON)		
RT27			560Ω ±5% 1/6W	GG05561160			CARBON FILM FIXED RES.		
RT29			560Ω ±5% 1/6W	GG05561160			±5% 1/6W : R701-R706		
RT31			560Ω ±5% 1/6W	GG05561160			R711-R714 R717-R724		
RT33			56Ω ±5% 1/6W	GG05560160			R737-R742 R745-R748		
RT35			56Ω ±5% 1/6W	GG05560160			R779-R782 R787-R790 RT01		
RT43		4822 100 20681	TRIM. 2.2kΩ RH0638CJ3R	RA02220780			RT03 RT05 RT11 RT13 RT17		
▲ RT49			10Ω ±5% 1/4W	GG05100140			RT19 RT21 RT23 RT37 RT39		
▲ RT51			10Ω ±5% 1/4W	GG05100140			RT41 RT45 RT47 RT79 RT81		
RT53			100Ω ±5% 1/6W	GG05101160			RT87 RT89		
RT55			100Ω ±5% 1/6W	GG05101160					
RT57			JUMPER	75060501P0	DT01	4822 130 32362	DIODE 1SS176 MA165 1SS254	HD20002000	
RT59			JUMPER	75060501P0	DT03	4822 130 32362	DIODE 1SS176 MA165 1SS254	HD20002000	
RT61			1kΩ ±5% 1/6W	GG05102160			30V 0.1A		
RT63			22Ω ±5% 1/6W	GG05220160	DT05		JUMPER	75060501P0	
RT65			22Ω ±5% 1/6W	GG05220160	DT07		JUMPER	75060501P0	
▲ RT67		4822 116 60319	FUSIBLE 220Ω ±5% 1/2W	NH05221120	DT09		JUMPER	75060501P0	
RT69			2.2Ω ±5% 1/6W	GG05022160	DT11		JUMPER	75060501P0	
RT71			2.2Ω ±5% 1/6W	GG05022160	DT13	4822 130 80837	DIODE HSS81TD 150V 150mA	HD20027010	
▲ RT73		9965 000 01764	FIXED 0.10Ω K 5W X2	BZ10102020	DT15	4822 130 80837	DIODE HSS81TD 150V 150mA	HD20027010	
RT75			1kΩ ±5% 1/6W	GG05102160	DT17	4822 130 80132	ZENER DIODE 3.9V	HD30391000	
RT77			4.7kΩ ±5% 1/6W	GG05472160	DT19	4822 130 80132	ZENER DIODE 3.9V	HD30391000	
RT83			220Ω ±5% 1/4W	GG05221140	DT21	4822 130 80837	DIODE HSS81TD 150V 150mA	HD20027010	

POS. NO	VERS. COLOR	PART NO. (FOR PCS)	DESCRIPTION	PART NO. (MJI)	POS. NO	VERS. COLOR	PART NO. (FOR PCS)	DESCRIPTION	PART NO. (MJI)
D701 }		4822 130 32362	DIODE 1SS176 MA165 1SS254 30V 0.1A	HD20002000				P754-2CH AMP CIRCUIT BOARD	
D704 D705 }			JUMPER	75060501P0	CN01				CER. 0.1µF +80%-20% 50V DC
D712 D713 }		4822 130 80837	DIODE HSS81TD 150V 150mA	HD20027010	CN02	4822 124 41539		ELECT. 47µF M 16V RA-2	OA47601620
D716 D717 }		4822 130 80837	DIODE HSS81TD 150V 150mA	HD20027010	CN03	4822 124 41539		ELECT. 47µF M 16V RA-2	OA47601620
D720 D721 D722		4822 130 80132	ZENER DIODE 3.9V	HD30391000	CN04			CER. 0.1µF +80%-20% 50V DC	DD38104010
		4822 130 80837	DIODE HSS81TD 150V 150mA	HD20027010	CN05	4822 124 90354		ELECT. 100µF M 16V RA-2	OA10701620
		4822 130 80837	DIODE HSS81TD 150V 150mA	HD20027010	CN06	4822 124 90354		ELECT. 100µF M 16V RA-2	OA10701620
K761 }			TRS. KIT	HK136019C0	CN07	4822 124 41543		ELECT. 1µF M 50V RA-2	OA10505020
K763 K766 }			2SA360 2SC3423 PAIR O OR Y	HK136019C0	CN08			CER. 0.1µF +80%-20% 50V DC	DD38104010
K768 K771 }			TRS. KIT.	HK183719C0	CN09	4822 124 90353		ELECT. 100µF M 10V RA-2	OA10701020
K773			2SA1837 2SC4793(HFE) SELE.	HK183719C0	CN10	4822 124 90362		ELECT. 22µF M 50V RA-2	OA22605020
			TRS. KIT 2SA1216 2SC2922 O OR Y PAIR	HK121619F0	CN11	5322 124 21731		ELECT. 10µF M 50V RA-2	OA10605020
QT01		4822 130 42949	TRS. 2SA970 GR OR BL	HT109702A0	CN12	4822 124 41539		ELECT. 47µF M 16V RA-2	OA47601620
QT03		4822 130 42949	TRS. 2SA970 GR OR BL	HT109702A0	CN13	4822 124 90354		ELECT. 100µF M 16V RA-2	OA10701620
QT05		4822 130 42999	TRS. 2SA1145 O OR Y	HT111452A0	CN14	4822 124 90354		ELECT. 100µF M 16V RA-2	OA10701620
QT07		4822 130 43283	TRS. 2SC2705 O OR Y	HT327052A0	CN15			CER. 0.1µF +80%-20% 50V DC	DD38104010
QT09		4822 130 43283	TRS. 2SC2705 O OR Y	HT327052A0	CN16	9965 000 01040		ELECT. 470µF M 6.3V RA-2	OA47700620
QT11		5322 130 61728	TRS. 2SA1360 O OR Y	HT113602A0	CN17	4822 124 12389		ELECT. 47µF 16V	EA47601630
QT13		5322 130 61737	TRS. 2SC3423 O OR Y	HT334232A0	CP01	4822 124 22275		ELECT. 47µF M 10V RA-2	OA47601020
▲QT17		4822 130 43283	TRS. 2SC2705 O OR Y	HT327052A0	CP02	4822 124 22275		ELECT. 47µF M 10V RA-2	OA47601020
▲QT19		4822 130 42999	TRS. 2SA1145 O OR Y	HT111452A0	CP03	/K,/N,/S		FILM 1200pF ±5% 100V APSV	OF15122540
▲QT21		4822 130 63635	TRS. 2SC4793 O Y	HT347932A0	CP03	/U		FILM 470pF ±5% 100V APSV	OF15471540
▲QT23		4822 130 63634	TRS. 2SA1837 O Y	HT118372A0	CP04	/K,/N,/S		FILM 1200pF ±5% 100V APSV	OF15122540
QT29		4822 130 43233	TRS. 2SC2240 GR OR BL	HT322402A0	CP04	/U		FILM 470pF ±5% 100V APSV	OF15471540
Q701 }		4822 130 42949	TRS. 2SA970 GR OR BL	HT109702A0	CP05			FILM 470pF ±5% 100V APSV	OF15471540
Q704					CP06			FILM 470pF ±5% 100V APSV	OF15471540
Q705		4822 130 42999	TRS. 2SA1145 O OR Y	HT111452A0	CP07	9965 000 01040		ELECT. 470µF M 6.3V RA-2	OA47700620
Q706		4822 130 42999	TRS. 2SA1145 O OR Y	HT111452A0	CP08	9965 000 01040		ELECT. 470µF M 6.3V RA-2	OA47700620
Q707 }		4822 130 43283	TRS. 2SC2705 O OR Y	HT327052A0	CP11			ELECT. 220µF M 100V RA-2	OA22710020
Q710					}			ELECT. 220µF M 100V RA-2	OA22710020
Q711		5322 130 61728	TRS. 2SA1360 O OR Y	HT113602A0	CP13				
Q712		5322 130 61728	TRS. 2SA1360 O OR Y	HT113602A0	CP14				
Q713		5322 130 61737	TRS. 2SC3423 O OR Y	HT334232A0	CP15	4822 124 11533		ELECT. 1µF100V RA-2	OA10510020
Q714		5322 130 61737	TRS. 2SC3423 O OR Y	HT334232A0	CP16	4822 124 11533		ELECT. 1µF100V RA-2	OA10510020
▲Q717		4822 130 43283	TRS. 2SC2705 O OR Y	HT327052A0	CP17			MICA 10pF ±0.5pF AUDIO	DF31100520
▲Q718		4822 130 43283	TRS. 2SC2705 O OR Y	HT327052A0	CP18			MICA 10pF ±0.5pF AUDIO	DF31100520
▲Q719		4822 130 42999	TRS. 2SA1145 O OR Y	HT111452A0	CP19			ELECT. 4.7µF 100V	EA47510010
▲Q720		4822 130 42999	TRS. 2SA1145 O OR Y	HT111452A0	CP20			ELECT. 4.7µF 100V	EA47510010
▲Q721		4822 130 63635	TRS. 2SC4793 O Y	HT347932A0	CP27			FILM 120pF ±5% 100V APSV	OF15121540
▲Q722		4822 130 63635	TRS. 2SC4793 O Y	HT347932A0	}				
▲Q723		4822 130 63634	TRS. 2SA1837 O Y	HT118372A0	CP30				
▲Q724		4822 130 63634	TRS. 2SA1837 O Y	HT118372A0					
Q729		4822 130 43233	TRS. 2SC2240 GR OR BL	HT322402A0					
Q730		4822 130 43233	TRS. 2SC2240 GR OR BL	HT322402A0					
			P704-MISCELLANEOUS					P754 CAPACITORS (COMMON)	
LT01			AIR COIL SPK CHOCK	ML08010030				PLASTIC FILM CAPACITOR	
L701			AIR COIL SPK CHOCK	ML08010030				±5% 50V : CP21-CP26	
L702			AIR COIL SPK CHOCK	ML08010030					
S701		9965 000 01967	CIRCUIT BREAKER TEMP-SW 90DEG OHD3-90B	FR30900010	▲RN04			P754-RESISTORS	
S702		9965 000 01968	CIRCUIT BREAKER TEMP-SW 90DEG OHD3-91B	FR31000040	RN08			15kΩ ±5% 1/2W	GG05153120
					RN17			33kΩ ±5% 1/4W	GG05333140
					▲RN44			JUMPER	75060501P0
					RP07			220Ω ±5% 1W	GA05221010
					}				
					RP10			1.5kΩ ±5% 1/6W	GG05152160
					RP15	9965 000 01766		TRIM. 100kΩ	RA01040760
					RP16	9965 000 01766		TRIM. 100kΩ	RA01040760
					RP25				
					}				
					RP32			560Ω ±5% 1/6W	GG05561160
					RP33				
					}				
					RP36			56Ω ±5% 1/6W	GG05560160
					RP43	9965 000 01566		TRIM. 2.2kΩ	RA02220760
					RP44	9965 000 01566		TRIM. 2.2kΩ	RA02220760
					▲RP49				
					}				
					▲RP52			10Ω ±5% 1/4W	GG05100140

POS. NO	VERS. COLOR	PART NO. (FOR PCS)	DESCRIPTION	PART NO. (MJI)	POS. NO	VERS. COLOR	PART NO. (FOR PCS)	DESCRIPTION	PART NO. (MJI)
RP53			100Ω ±5% 1/6W	GG05101160	K770			TRS. KIT	HK183719C0
RP55			100Ω ±5% 1/6W	GG05101160	K774			2SA1837 2SC4793(HFE) SELE.	HK121619F0
RP56								TRS. KIT 2SA1216 2SC2922	HK121619F0
RP57					K775			O OR Y PAIR	
RP60			JUMPER	75060501P0				TRS. KIT 2SA1216 2SC2922	
RP61			1kΩ ±5% 1/6W	GG05102160				O OR Y PAIR	
RP62			1kΩ ±5% 1/6W	GG05102160	QN01	4822 209 83312		IC TA7317P	HC10042050
RP63					QN02	4822 130 42594		DIG. TRS. DTC144ES UN4213	BA20002000
RP66			22Ω ±5% 1/6W	GG05220160	QN03	4822 130 42949		47K 47K	HT109702A0
▲ RP67	4822 116 60319		FUSIBLE 220Ω ±5% 1/2W	NH05221120	QN06	4822 130 60696		TRS. 2SC1627 O OR Y	HT316272B0
▲ RP68	4822 116 60319		FUSIBLE 220Ω ±5% 1/2W	NH05221120	▲ QN07	9965 000 01771		80V 300mA 600MW TO	HC36930320
RP69					QN08	4822 130 41947		IC PQ30RV11	HT30001000
RP72			2.2Ω ±5% 1/6W	GG05022160				TRS. 2SC1740S	HT30001000
▲ RP73	9965 000 01764		FIXED 0.10Ω K 5W X2	BZ10102020	QN09	4822 130 41947		2SC2458 2SC1740S	HT30001000
▲ RP74	9965 000 01764		FIXED 0.10Ω K 5W X2	BZ10102020	QN10	4822 130 41947		2SC3199 ETC.	HT30001000
RP75			1kΩ ±5% 1/6W	GG05102160				TRS. 2SC2458 2SC1740S	HT30001000
RP76			1kΩ ±5% 1/6W	GG05102160	QN11	4822 130 43233		2SC3199 ETC.	HT322402A0
RP77			4.7kΩ ±5% 1/6W	GG05472160	QN12	4822 130 43233		TRS. 2SC2240 GR OR BL	HT322402A0
RP78			4.7kΩ ±5% 1/6W	GG05472160	QN13	4822 130 41947		TRS. 2SC2458 2SC1740S	HT30001000
RP83			220Ω ±5% 1/4W	GG05221140				2SC3199 ETC.	
RP84			220Ω ±5% 1/4W	GG05221140	QN14	4822 130 42715		TRS. 2SA1048 2SA933S	HT10001000
RP85			10Ω ±5% 1W	GA05100010				2SA1267 ETC.	
RP86			10Ω ±5% 1W	GA05100010	QP01				
			P754-RESISTORS (COMMON)		QP04	4822 130 42949		TRS. 2SA970 GR OR BL	HT109702A0
			CARBON FILM FIXED RES.		QP05	4822 130 42999		TRS. 2SA1145 O OR Y	HT111452A0
			±5% 1/6W : RN01-RN03		QP06	4822 130 42999		TRS. 2SA1145 O OR Y	HT111452A0
			RN05-RN07 RN09-RN14		QP07				
			RN18-RN38 RN40-RN43 RN49		QP10	4822 130 43283		TRS. 2SC2705 O OR Y	HT327052A0
			RP01-RP06 RP11-RP14		QP11	5322 130 61728		TRS. 2SA1360 O OR Y	HT113602A0
			RP17-RP24 RP37-RP42		QP12	5322 130 61728		TRS. 2SA1360 O OR Y	HT113602A0
			RP45-RP48 RP79-RP82		QP13	5322 130 61737		TRS. 2SC3423 O OR Y	HT334232A0
			RP89 RP90		QP14	5322 130 61737		TRS. 2SC3423 O OR Y	HT334232A0
			P754-SEMICONDUCTORS		▲ QP15	4822 130 60117		TRS. 2SC3419 Y	HT334191Y0
DN01	4822 130 32362		DIODE 1SS176 MA165 1SS254	HD20002000	▲ QP16	4822 130 60117		40V 0.8A PC=1.2W (5W)	HT334191Y0
DN02	4822 130 32362		DIODE 1SS176 MA165 1SS254	HD20002000	▲ QP17	4822 130 43283		TRS. 2SC2705 O OR Y	HT327052A0
DN04	4822 130 82421		DIODE 1D3 1A 200V	HD20002710	▲ QP18	4822 130 43283		TRS. 2SC2705 O OR Y	HT327052A0
DN05					▲ QP19	4822 130 42999		TRS. 2SA1145 O OR Y	HT111452A0
DN07	4822 130 32362		DIODE 1SS176 MA165 1SS254	HD20002000	▲ QP20	4822 130 42999		TRS. 2SA1145 O OR Y	HT111452A0
DN09	4822 116 21235		VARISTOR PTH487A01BE222	HP00004230	▲ QP21	4822 130 63635		TRS. 2SC4793 O Y	HT347932A0
DP01					▲ QP22	4822 130 63635		TRS. 2SC4793 O Y	HT347932A0
DP04	4822 130 32362		DIODE 1SS176 MA165 1SS254	HD20002000	▲ QP23	4822 130 63634		TRS. 2SA1837 O Y	HT118372A0
DP05			30V 0.1A		▲ QP24	4822 130 63634		TRS. 2SA1837 O Y	HT118372A0
DP12			JUMPER	75060501P0	▲ QP25	9965 000 01762		TRS. 2SC2922 O Y	HT329222A0
DP13					▲ QP26	9965 000 01762		TRS. 2SC2922 O Y	HT329222A0
DP16	4822 130 80837		DIODE HSS81TD 150V 150mA	HD20027010	▲ QP27	9965 000 01763		TRS. 2SA1216 O Y	HT112162A0
DP17					▲ QP28	9965 000 01763		TRS. 2SA1216 O Y	HT112162A0
DP20	4822 130 80132		ZENER DIODE 3.9V	HD30391000	QP29	4822 130 43233		TRS. 2SC2240 GR OR BL	HT322402A0
DP21	4822 130 80837		DIODE HSS81TD 150V 150mA	HD20027010	QP30	4822 130 43233		TRS. 2SC2240 GR OR BL	HT322402A0
DP22	4822 130 80837		DIODE HSS81TD 150V 150mA	HD20027010				P754-MISCELLANEOUS	
K764			TRS. KIT	HK136019C0	LP01			AIR COIL SPK CHOCK	ML08010030
K765			2SA360 2SC3423 PAIR O OR Y	HK136019C0	LP02			AIR COIL SPK CHOCK	ML08010030
K769			TRS. KIT	HK136019C0	▲ MN51	9965 000 01770		D.C MOTOR	MM01200320
			2SA360 2SC3423 PAIR O OR Y	HK183719C0				DC FAN 12V FBA08A12H0	
			TRS. KIT	HK183719C0				UNIT KIT DC FAN MOTOR	ZK300J0020
			2SA1837 2SC4793(HFE) SELE.						

POS. NO	VERS. COLOR	PART NO. (FOR PCS)	DESCRIPTION	PART NO. (MJI)
D799		4822 116 21235	P774-POWER CIRCUIT BOARD P774-SEMICONDUCTORS VARISTOR PTH487A01BE222	HP00004230
▲QT15		4822 130 60117	TRS. 2SC3419 Y 40V 0.8A PC=1.2W (5W)	HT334191Y0
▲QT25		9965 000 01762	TRS. 2SC2922 O Y	HT329222A0
▲QT27		9965 000 01763	TRS. 2SA1216 O Y	HT112162A0
▲Q715		4822 130 60117	TRS. 2SC3419 Y 40V 0.8A PC=1.2W (5W)	HT334191Y0
▲Q716		4822 130 60117	TRS. 2SC3419 Y 40V 0.8A PC=1.2W (5W)	HT334191Y0
▲Q725		9965 000 01762	TRS. 2SC2922 O Y	HT329222A0
▲Q726		9965 000 01762	TRS. 2SC2922 O Y	HT329222A0
▲Q727		9965 000 01763	TRS. 2SA1216 O Y	HT112162A0
▲Q728		9965 000 01763	TRS. 2SA1216 O Y	HT112162A0
			P801-SUB POWER SUPPLY CIRCUIT BOARD P801-CAPACITORS	
C801			CER. 0.01μF +80%-20% 50V	DK18103310
C802			CER. 0.01μF +80%-20% 50V	DK18103310
C803		4822 124 11583	ELECT. 2200μF 35V	OA22803510
C804		4822 124 11583	ELECT. 2200μF 35V	OA22803510
C805			CER. 0.01μF +80%-20% 50V	DK18103310
C806			CER. 0.01μF +80%-20% 50V	DK18103310
C807		5322 124 21731	ELECT. 10μF M 50V RA-2	OA10605020
C808		5322 124 21731	ELECT. 10μF M 50V RA-2	OA10605020
C809			CER. 0.01μF +80%-20% 50V	DK18103310
C810			CER. 0.01μF +80%-20% 50V	DK18103310
C811		9965 000 01965	ELECT. 1000μF 35V	OA10803510
C812			CER. 0.01μF +80%-20% 50V	DK18103310
C813		5322 124 21731	ELECT. 10μF M 50V RA-2	OA10605020
C814			CER. 0.01μF +80%-20% 50V	DK18103310
C821			CER. 0.01μF +80%-20% 50V	DK18103310
C822			CER. 0.01μF +80%-20% 50V	DK18103310
C823			ELECT. 470μF 35V	EA47703510
C824			CER. 0.01μF +80%-20% 50V	DK18103310
C825		5322 124 21731	ELECT. 10μF M 50V RA-2	OA10605020
C826			CER. 0.01μF +80%-20% 50V	DK18103310
C831			ELECT. 470μF 35V	EA47703510
C832			CER. 0.01μF +80%-20% 50V	DK18103310
C841			CER. 0.01μF DC50V +80%-20%	DD38103010
C871		4822 124 22722	ELECT. 1000μF 16V	OA10801620
C891		4822 124 90353	ELECT. 100μF 10V	OA10701020
			P801-RESISTORS	
▲R801		4822 111 90967	FUSE 4.7Ω 1/4W	NF05047140
▲R802		4822 111 90967	FUSE 4.7Ω 1/4W	NF05047140
R841			470Ω ±5% 1W	GA05471010
R842			470Ω ±5% 1W	GA05471010
R871			1kΩ ±5% 1/6W	GD05102160
R891			47kΩ ±5% 1/6W	GD05473160
R892			10kΩ ±5% 1/6W	GD05103160
			P801-SEMICONDUCTORS	
▲D801			DIODE 1D3 1A 200V	HD20002710
▲D808		4822 130 82421	DIODE 1D3 1A 200V	HD20002710
D809		4822 130 82421	DIODE 1D3 1A 200V	HD20002710
D810		4822 130 82421	DIODE 1D3 1A 200V	HD20002710
D811		4822 130 82421	DIODE 1D3 1A 200V	HD20002710
▲D821			DIODE 1D3 1A 200V	HD20002710
▲D824		4822 130 82421	DIODE 1D3 1A 200V	HD20002710
D829		4822 130 82421	DIODE 1D3 1A 200V	HD20002710
▲Q801		4822 209 83317	IC NJM7815FA +15V	HC38915090
▲Q802		4822 209 61256	IC NJM7915FA -15V	HC39915090

POS. NO	VERS. COLOR	PART NO. (FOR PCS)	DESCRIPTION	PART NO. (MJI)
▲Q803		4822 209 70084	IC NJM7812FA +12V	HC38912090
▲Q804		4822 209 73096	IC NJM78M05FA +5V	HC38505090
Q871		4822 130 61417	TRS. 2SB1240 TV-2 PND Q.R	HT212402A0
Q891		4822 130 61227	DIG.TR.S. DTA114ES UN4111 10K.10K	BA10001000
Q892		4822 130 60117	TRS. 2SC3419 Y 40V 0.8A PC=1.2W	HT334191Y0
			P801-MISCELLANEOUS	
▲F801	/K,/N,/S	4822 070 32001	FUSE T2A 250V BS LISTED	FS10200850
▲F801	/U		FUSE 2A 125V UL CSA MITI	FS10200360
▲F802	/K,/N,/S	4822 070 32001	FUSE T2A 250V BS LISTED	FS10200850
▲F802	/U1B		FUSE 2A 125V UL CSA MITI	FS10200360
P851			P851-MAIN AMP POWER SUPPLY CIRCUIT BOARD P851-CAPACITORS	WA310J1050
C851			CER. 0.01μF +80%-20% E 500V	DK18103560
C852			CER. 0.01μF +80%-20% E 500V	DK18103560
C853	/K,/N,/S		FILM. 0.68μF DC400V	DF76684510
▲C854		9965 000 01964	ELECT. 47000μF M 80V X2	EI47908010
C855		4822 124 40763	ELECT. 2.2μF M 50V RA-2	OA22505020
			P851-RESISTORS (COMMON) CARBON FILM FIXED RES. ±5% 1/6W : R851-R854	
			P851-SEMICONDUCTORS	
▲D851		9965 000 01578	DIODE 600V 25A BRIDGE	HE20029290
D853		4822 130 82421	DIODE 1D3 1A 200V	HD20002710
D854		4822 130 82421	DIODE 1D3 1A 200V	HD20002710
			PB01-PRIMARY POWER SUPPLY CIRCUIT BOARD [U VERSION]	
▲CB01	/U		CER. 0.01μF ±20% DE7150 F	DK17103840
▲CB03	/U		CER. 0.01μF ±20% DE7150 F	DK17103840
			PB01-RESISTORS	
▲RB03	/U	9965 000 01761	ROTOR 2.2Ω 7W W/TEMP.FUSE	NQ15022070
▲RB04	/U	9965 000 01761	ROTOR 2.2Ω 7W W/TEMP.FUSE	NQ15022070
			PB01-SEMICONDUCTORS	
DB01	/U	4822 130 82421	DIODE 1D3 1A 200V	HD20002710
DB02	/U	4822 130 82421	DIODE 1D3 1A 200V	HD20002710
			PB01-MISCELLANEOUS	
▲FB01	/U		FUSE 15A 250V UL CSA MITI NO.314	FS11500440
▲FB02	/U		FUSE 250mA 250V UL CSA FBM	FS10025360
▲JB12	/U		JACK AC OUTLET 1P CCT1302-0202	YJ04001780
▲LB01	/U	4822 280 80773	RELAY VS24MB-NR TV-8 SEMKO LISTED	LY10240240
▲LB02	/U	4822 280 80773	RELAY VS24MB-NR TV-8 SEMKO LISTED	LY10240240
			PB51-PRIMARY POWER SUPPLY CIRCUIT BOARD [K,/N,/S VERSION]	
▲CB52	/K,/N,/S		CER. 0.01μF ±20% DE7150 F	DK17103840
▲CB53	/K,/N,/S		CER. 0.01μF ±20% DE7150 F	DK17103840
			PB51-RESISTORS	
▲RB53	/K,/N,/S	9965 000 01761	ROTOR 2.2Ω 7W	NQ15022070

POS. NO	VERS. COLOR	PART NO. (FOR PCS)	DESCRIPTION	PART NO. (MJI)	POS. NO	VERS. COLOR	PART NO. (FOR PCS)	DESCRIPTION	PART NO. (MJI)
▲ RB54	/K,/N,/S	9965 000 01761	W/TEMP.FUSE ROTOR 2.2Ω 7W W/TEMP.FUSE	NQ15022070	CF36			CER. 0.01μF +80%-20% 50V	DK18103310
DB51	/K,/N,/S	4822 130 82421	PB51-SEMICONDUCTORS DIODE 1D3 1A 200V	HD20002710	CF37		4822 124 90354	ELECT. 100μF M 16V RA-2	OA10701620
DB52	/K,/N,/S	4822 130 82421	DIODE 1D3 1A 200V	HD20002710	CF41		4822 124 41539	ELECT. 47μF M 16V RA-2	OA47601620
▲ FB51	/K,/N,/S	4822 070 34002	PB51-MISCELLANEOUS FUSE T4A 250V BS LISTED	FS10400850	CF42			JUMPER	75060501P0
▲ FB52	/K,/N,/S	4822 070 34002	FUSE T4A 250V BS LISTED	FS10400850	CF43			CER. 47pF ±5% 50V	DA15470110
▲ FB53	/K,/N,/S	4822 070 11251	FUSE T125mA 250V BS LISTED	FS10012850	CG03			CER. 22pF ±5% 50V	DD15220300
▲ LB51	/K,/N,/S	4822 280 80773	RELAY VS24MB-NR TV-8 SEMKO LISTED	LY10240240	CG04			CER. 22pF ±5% 50V	DD15220300
▲ LB52	/K,/N,/S	4822 280 80773	RELAY VS24MB-NR TV-8 SEMKO LISTED	LY10240240	CG06		5322 124 21731	ELECT. 10μF M 50V RA-2	OA10605020
▲ CB71			PB71-POWER SWITCH CIRCUIT BOARD CER. 0.01μF ±20% DE7150 F	DK17103840	CG07			CER. 0.01μF +80%-20% 50V	DK18103310
▲ SB71		9965 000 01777	PUSH SW. POWER SDDL B1-B1-D2 TV-5 M3	SP01012460	CG09			CER. 0.01μF ±5% 50V	DD15220300
▲ L002	/K		PB91-SUB TRANSF CIRCUIT BOARD MAINS TRANSF. 220V 50Hz	TS14155020	CG23			CER. 22pF ±5% 50V	DD15220300
▲ L002	/N,/S	9965 000 01962	MAINS TRANSF. 230V 50Hz	TS14155030	CG24			CER. 22pF ±5% 50V	DD15220300
▲ L002	/U		MAINS TRANSF. 120V 60Hz	TS14155010	CG26		5322 124 21731	ELECT. 10μF M 50V RA-2	OA10605020
CE01			PE01-INPUT TERMINAL CIRCUIT BOARD PE01-CAPACITORS CER. 0.1μF +80%-20% 50V DC	DD38104010	CG43			CER. 22pF ±5% 50V	DD15220300
CE02			CER. 0.1μF +80%-20% 50V DC	DD38104010	CG44		5322 124 21731	ELECT. 10μF M 50V RA-2	OA10605020
CE03			CER. 0.1μF +80%-20% 50V DC	DD38104010	CG46			CER. 22pF ±5% 50V	DD15220300
CE04			FILM 180pF ±5% 100V	OF15181540	CG64			ELECT. 10μF M 50V RA-2	OA10605020
CE08			PE01-RESISTORS (COMMON) CARBON FILM FIXED RES. ±5% 1/6W : RE01-RE10		CG66		5322 124 21731	ELECT. 10μF M 50V RA-2	OA10605020
JE01		9965 000 01315	PE01-MISCELLANEOUS TERMINAL 2P RCA JACK BLK/BLK GOLD 1L2	YT02021550	CG67			CER. 0.01μF +80%-20% 50V	DK18103310
JE02		4822 290 81638	TERMINAL RCA 1L1P BLK AU FLM-GND	YT02010790	CG68		4822 124 41539	ELECT. 47μF 16V RA-2	OA47601620
JE03		9965 000 01315	TERMINAL 2P RCA JACK BLK/BLK GOLD 1L2	YT02021550	CG69		4822 124 41539	CER. 0.01μF +80%-20% 50V	DK18103310
CF01		4822 124 41539	PG01-INPUT VOL. PEAK DETECTOR CIRCUIT BOARD PG01-CAPACITORS ELECT. 47μF M 16V RA-2	OA47601620	CG70		4822 124 41539	ELECT. 47μF 16V RA-2	OA47601620
CF02			JUMPER	75060501P0	CG83			CER. 22pF ±5% 50V	DD15220300
CF03				DA15470110	CG84		5322 124 21731	ELECT. 10μF M 50V RA-2	OA10605020
CF11		4822 124 41539	ELECT. 47μF M 16V RA-2	OA47601620	CG86			CER. 0.01μF +80%-20% 50V	DK18103310
CF12			JUMPER	75060501P0	CG87			CER. 0.01μF +80%-20% 50V	DK18103310
CF13			CER. 47pF ±5% 50V	DA15470110	CG88			CER. 0.01μF +80%-20% 50V	DK18103310
CF21		4822 124 41539	ELECT. 47μF M 16V RA-2	OA47601620	CG89			CER. 0.01μF +80%-20% 50V	DK18103310
CF22			JUMPER	75060501P0				PG01 CAPACITORS (COMMON) PLASTIC FILM CAPACITOR ±5% 50V : CG01 CG05 CG21 CG25 CG41 CG45 CG61 CG65 CG81 CG85	
CF23			CER. 47pF ±5% 50V	DA15470110				PG01-RESISTORS VAR. 50K(B) RK09K111	RK05030940
CF26			CER. 0.01μF +80%-20% 50V	DK18103310				VAR. 50K(B) RK09K111	RK05030940
CF27		4822 124 90354	ELECT. 100μF M 16V RA-2	OA10701620				VAR. 50K(B) RK09K111	RK05030940
CF31		4822 124 41539	ELECT. 47μF M 16V RA-2	OA47601620				VAR. 50K(B) RK09K111	RK05030940
CF32			JUMPER	75060501P0				VAR. 50K(B) RK09K111	RK05030940
CF33			CER. 47pF ±5% 50V	DA15470110				VAR. 50K(B) RK09K111	RK05030940
								PG01-RESISTORS (COMMON) CARBON FILM FIXED RES. ±5% 1/6W : RF01 RF04 RF06 RF11 RF14 RF16 RF21 RF24 RF26 RF31 RF34 RF36 RF41 RF44 RF46 RG01-RG11 RG21-RG31 RG41-RG51 RG61 RG71 RG81-RG91	
								PG01-SEMICONDUCTORS	
								DIODE 1SS176 MA165 1SS254 30V 0.1A	HD20002000
								IC NJM4558D-D	HC10008090
								TRS. 2SA1048 2SA933S 2SA1267 ETC.	HT10001000
								IC NJM4558D-D	HC10008090
								TRS. 2SA1048 2SA933S 2SA1267 ETC.	HT10001000
								IC NJM4558D-D	HC10008090
								TRS. 2SA1048 2SA933S 2SA1267 ETC.	HT10001000
								IC NJM4558D-D	HC10008090
								TRS. 2SA1048 2SA933S 2SA1267 ETC.	HT10001000

POS. NO	VERS. COLOR	PART NO. (FOR PCS)	DESCRIPTION	PART NO. (MJI)	POS. NO	VERS. COLOR	PART NO. (FOR PCS)	DESCRIPTION	PART NO. (MJI)
QG09		4822 209 83631	IC NJM4558D-D	HC10008090	CU15		4822 121 42327	FILM. 470pF ±5% M 50V	DF15471350
QG10		4822 130 42715	TRS. 2SA1048 2SA933S 2SA1267 ETC.	HT10001000	CU16			CER. 0.01µF DC50V +80%-20%	DD38103010
Z001	/K1G		PG01-MISCELLANEOU JACK AC ADAPTER S-16116 (PLRTY)	YJ04001240	CU17			CER. 0.01µF DC50V +80%-20%	DD38103010
			PT01-FRONT SURROUND SPK TERM. CIRCUIT BOARD		CU18			CER. 0.01µF +80%-20% 50V	DK18103310
			PT01-CAPACITORS		R***			PU01-RESISTORS (COMMON) CARBON FILM FIXED RES. ±5% 1/6W : RU01-RU27	
CN51	/N/S		CER. 0.01µF +80%-20% 50V	DK18103310				PU01-SEMICONDUCTORS	
CN58			CER. 39pF ±5% CH 50V BLK	DD15390300	QU01		4822 130 41947	TRS. 2SC2458 2SC1740S 2SC3199 ETC.	HT30001000
CN65			PT01-RESISTORS (COMMON) CARBON FILM FIXED RES. ±5% 1/6W : RN51 RN53 RN55 RN57 RN59		QU04		4822 209 14883	IC S-806C 4.55V V-SENSOR	HC10075530
CN69			PT01-SEMICONDUCTORS		QU05		4822 209 15768	MICROPROCESSOR TMP47C201P	HU400ST000
R***			PT01-MISCELLANEOUS TERMINAL SPK. T6478 RR/BB IEC		QU06		4822 130 60117	TRS. 2SC3419 Y 40V 0.8APC=1.2W(5W)	HT334191Y0
DN51		4822 130 82421	DIODE 1D3 1A 200V	HD20002710	QU07		4822 130 41947	TRS. 2SC2458 2SC1740S 2SC3199 ETC	HT30001000
DN52		4822 130 82421	DIODE 1D3 1A 200V	HD20002710	JU01			PU01-MISCELLANEOU TERMINAL 1P RCA YELLOW	YT02010560
DN53		4822 130 82421	DIODE 1D3 1A 200V	HD20002710	JU02			TERMINAL RCA 1L2P ORG	YT02021640
JN54	/K,/N,/S	9965 000 01774	TERMINAL SPK. T6478 RR/BB IEC	YT01040830	XU01		4822 242 72592	SERAMIC VIB. CST 5.56MGW-TF01	FO05564010
JN54	/U1B		TERMINAL SPK. RR/BB 94V2	YT01040860				PX01-STANDBY INDICATE CIRCUIT BOARD L.E.D. EB3803X-J210K BLUE	HI10119300
JN55	/K,/N,/S	9965 000 01775	TERMINAL SPK. T6478 BB/RR IEC	YT01040840	DX01		9965 000 01963	L.E.D. HLMF-K200 #2UL RED	HI10005340
JN55	/U1B		TERMINAL SPK. BB/RR 94V2	YT01040850	DX02		4822 130 11569	100kΩ ±5% 1/6W	GD05104160
LN51		4822 280 10305	RELAY VB-18MBU-565-UL3	LY20180020	DX06			PX51-POWER PEAK INDICATE CIRCUIT BOARD L.E.D. HLMF-K200 #2UL RED	HI10005340
LN52		4822 280 10305	RELAY VB-18MBU-565-UL3	LY20180020	RX01				
LN53		4822 280 10305	RELAY VB-18MBU-565-UL3	LY20180020	DX51		4822 130 11569		
007K	/K,/N,/S		BUSHING SPK TERMINAL CAP	227J259010					
007K	/U		BUSHING SPK TERMINAL CAP	227J259020					
CN71	/N/S		PT51-CENTER SPEAKER TERMINAL CIRCUIT BOARD CER. 0.01µF +80%-20% 50V	DK18103310					
JN71	/K,/N,/S	9965 000 01776	TERMINAL T6976 2P SPK. B-R	YT01020390					
JN71	/U		TERMINAL SPK. T6543-C	YT01020410					
006K	/K,/N,/S		BUSHING SPK TERMINAL CAP	227J259010					
006K	/U1		BUSHING SPK TERMINAL CAP	227J259020					
CU01			PU01-RC-5 CONTROL CIRCUIT BOARD						
CU02			PU01-CAPACITORS						
CU03			CER. 0.1µF +80%-20% 50V DC	DD38104010					
CU04			CER. 1000pF K 50V	DK16102300					
CU05	4822 124 41543		CER. 0.1µF +80%-20% 50V DC	DD38104010					
CU06	4822 124 41543		CER. 0.1µF +80%-20% 50V DC	DD38104010					
CU07			ELECT. 1µF M 50V RA-2	OA10505020					
CU08			ELECT. 1µF M 50V RA-2	OA10505020					
CU09			CER. 0.1µF +80%-20% 50V DC	DD38104010					
CU10	4822 124 90352		CER. 0.01µF DC50V +80%-20%	DD38103010					
CU11			ELECT. 10µF M 16V RA-2	OA10601620					
CU12			CER. 0.1µF +80%-20% 50V DC	DD38104010					
CU13	4822 124 90354		CER. 0.01µF DC50V +80%-20%	DD38103010					
CU14	4822 121 42327		CER. 0.01µF +80%-20% 50V	DK18103310					
			ELECT. 100µF M 16V RA-2	OA10701620					
			FILM. 470pF ±5% M 50V	DF15471350					