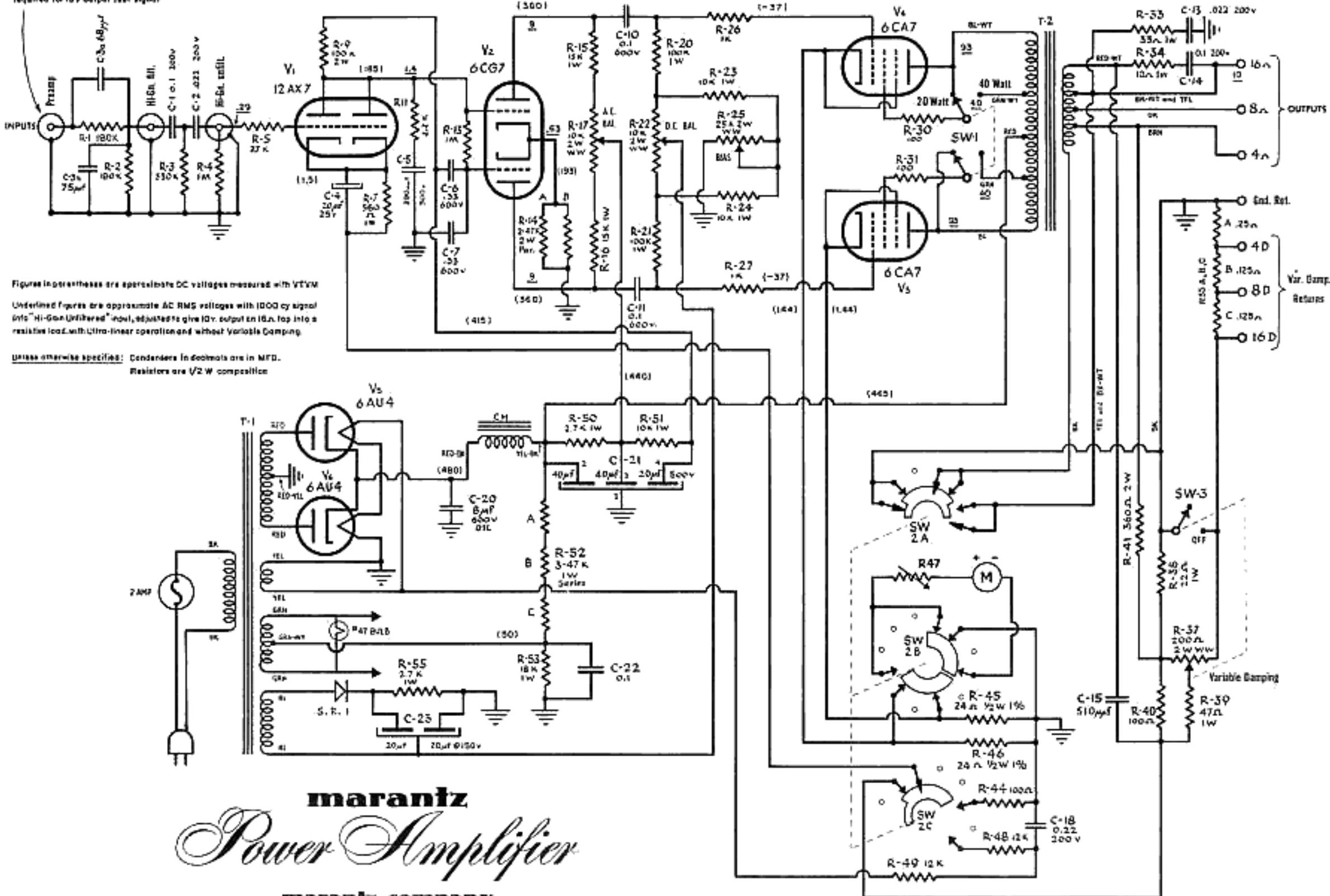


Approx. 0.6V RMS into "Preamp" input required for 10v output test signal



Figures in parentheses are approximate DC voltages measured with VTVM
 Underlined figures are approximate AC RMS voltages with 1000 cycles signal into "Hi-Gain Unfiltered" input, adjusted to give 10v output on 16A tap into a resistive load with ultra-linear operation and without Variable Damping.

Unless otherwise specified: Condensers in decimots are in MFD.
 Resistors are 1/2 W composition

marantz
Power Amplifier

marantz company
 LONG ISLAND CITY, NEW YORK

SW2 shown in NORMAL or listening position (counterclockwise).