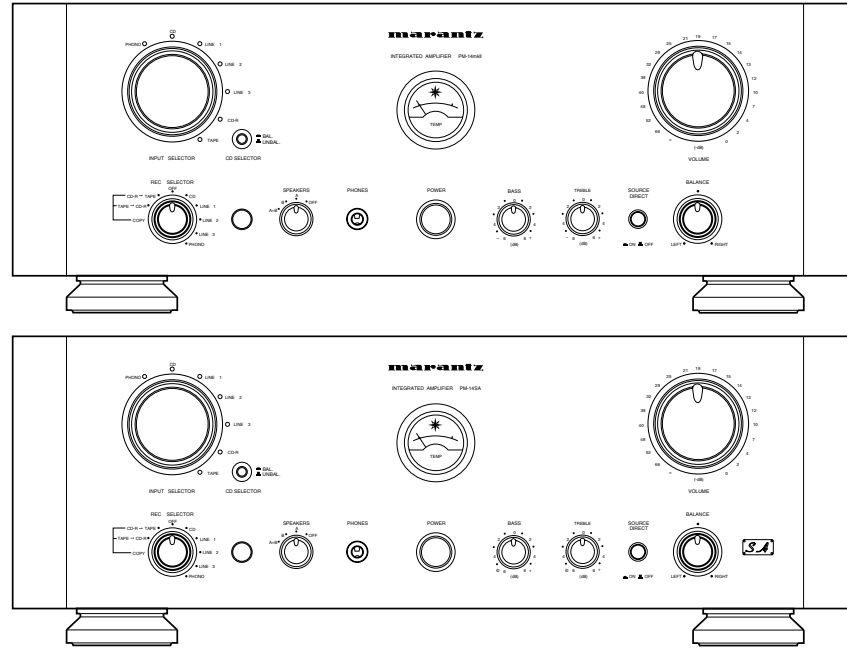


Service Manual

PM14A /N1B, /N1G, /C1G, /E1G, /K1G, /S1G PM-14SA F_N Integrated amplifier



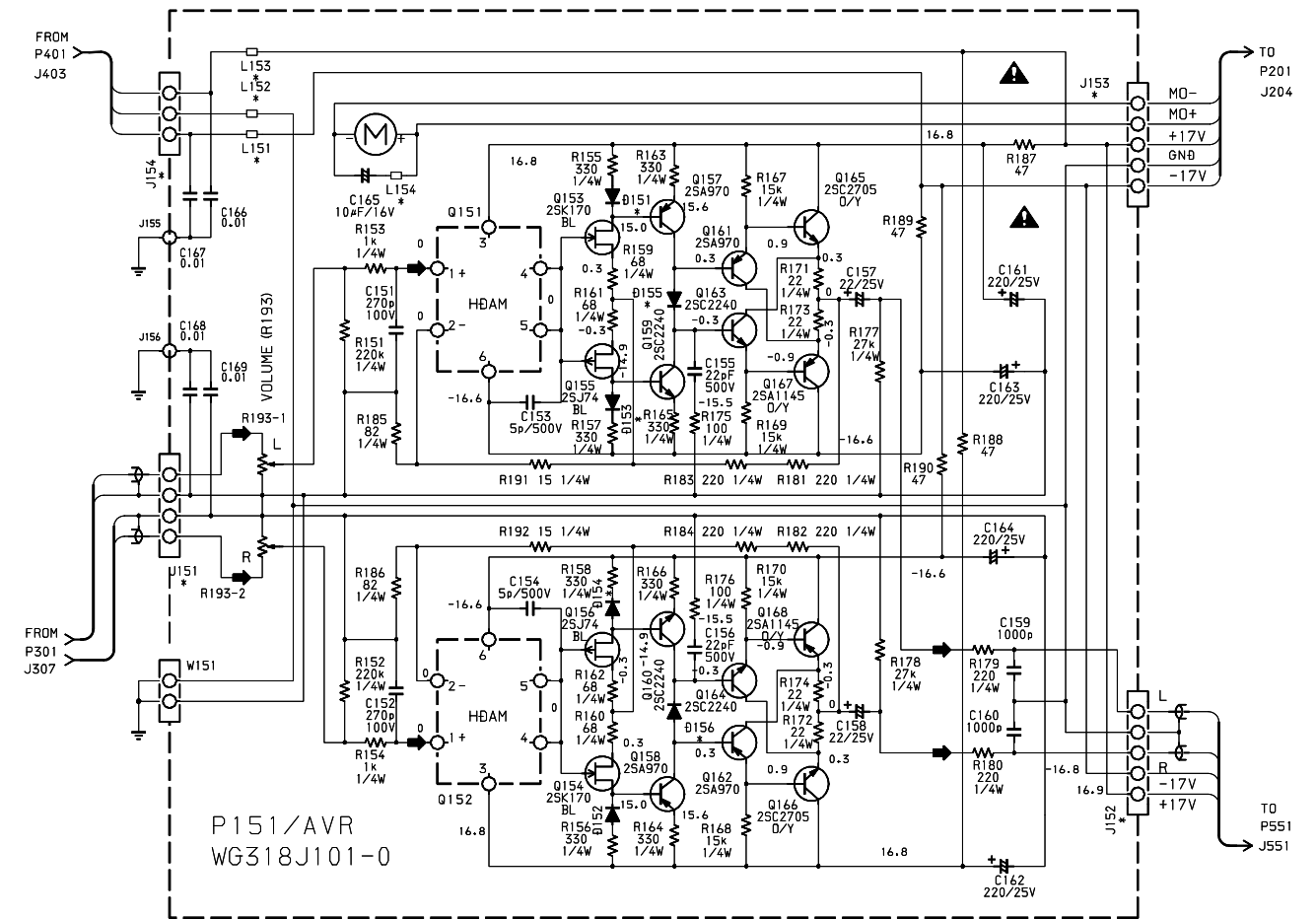
PM-14SA / mkl

REMARK : This service manual explains them by extracting the different specifications of the "Cosmetics Parts" and "Preamp. PCB (P151) and Electrical Parts" were changed to new design for the model **PM-14SA/PM-14mkl** based on the model 74PM14/02B/02G. All other information is described in the service manual of the model PM-14 (Code number : 4822 725 51175 or 289J855010). The dispatch of the parts for after sales service has to be referred to this service manual, with the first priority. For this reason, please use this service manual with referring to the model PM-14 service manual without fail.

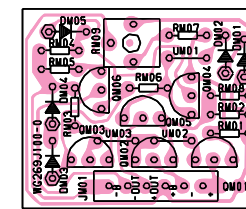
PM-14SA F_NはPM-14 F_Nの外装部分、プリアンプ部分の基板（新規）とその電気部品、製品名表示部分を変更した製品です。このサービスマニュアルにはPM-14 F_Nとの相違部分のみを記載してあります。その他の部分はPM-14のサービスマニュアル（289J855010 または 4822 725 51175）を参照してください。

Please use this service manual with referring to the user guide (D.F.U.) without fail.
修理の際は、必ず取扱説明書を準備し操作方法を確認の上作業を行ってください。

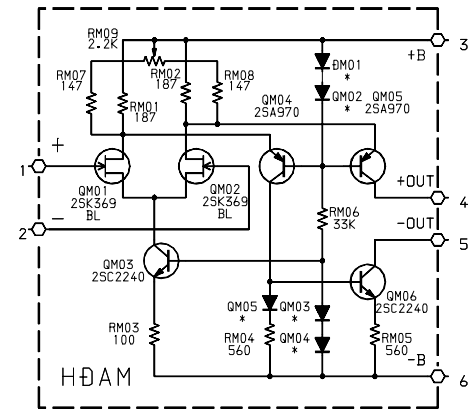
SCHEMATIC DIAGRAM (P151)



HDAM



Q151, Q152

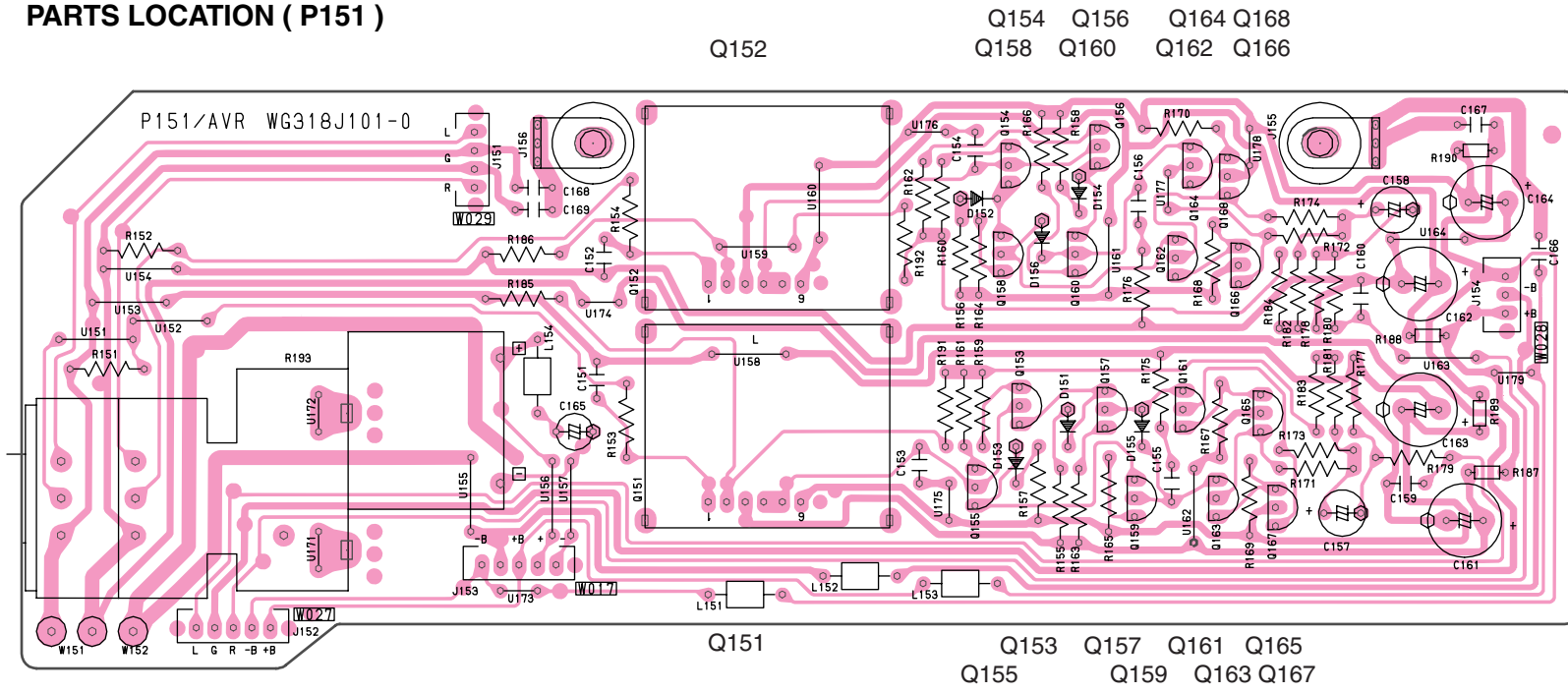


marantz®

PM-14SA / PM-14mkl

318J855020 MIT
3120 785 22390
First Issue 2000.07

PARTS LOCATION (P151)



PARTS LIST

POS. NO	VERS. COLOR	PART NO. (FOR PCS)	DESCRIPTION	PART NO. (MJI)
			P151-VOL. AND PRE AMP. CIRCUIT BOARD	
			P151-CAPACITORS	
C151		9965 000 01560	FILM 270pF ±5% 100V OFC	OF55271540
C152		9965 000 01560	FILM 270pF ±5% 100V OFC	OF55271540
C153		4822 123 30093	MICA 5pF ±0.5pF 500V FE922H	DF31050520
C154		4822 123 30093	MICA 5pF ±0.5pF 500V FE922H	DF31050520
C155		4822 123 30089	MICA 22pF ±5% 500V FE	DF35220520
C156		4822 123 30089	MICA 22pF ±5% 500V FE	DF35220520
C157		4822 124 80578	ELECT 22µF 25V ARA	OA22602550
C158		4822 124 80578	ELECT 22µF 25V ARA	OA22602550
C159		9965 000 05739	FILM 0.001µF ±5% 100V OFC	OF55102540
C160		9965 000 05739	FILM 0.001µF ±5% 100V OFC	OF55102540
C161				
		4822 124 90051	ELECT 220 µF M 25V ARA	OA22702550
C164				
C165		4822 124 23112	ELECT 10µF 16V	EQ10601630
C166				
		4822 126 12496	CER. 0.01µF +80 -20% 50V	DD38103010
C169				
			P151-RESISTORS	
R151		4822 111 20423	220kΩ ±1% 1/4W ERD	NR01224140
R152		4822 111 20423	220kΩ ±1% 1/4W ERD	NR01224140
R153		4822 111 20408	1kΩ ± 1% 1/4W ERD	NR01102140
R154		4822 111 20408	1kΩ ± 1% 1/4W ERD	NR01102140
R155				
		4822 111 20416	330Ω ± 1% 1/4W ERD	NR01331140
R158				
R159				
		9965 000 01565	68Ω ± 1% 1/4W ERD	NR01680140
R162				
R163				
		4822 111 20416	330Ω ± 1% 1/4W ERD	NR01331140
R166				
R167				
		9965 000 05742	15kΩ ± 1% 1/4W ERD	NR01153140
R170				
R171				
		9965 000 05743	22Ω ± 1% 1/4W ERD	NR01220140
R174				

POS. NO	VERS. COLOR	PART NO. (FOR PCS)	DESCRIPTION	PART NO. (MJI)
R175		4822 111 20407	100Ω ± 1% 1/4W ERD	NR01101140
R176		4822 111 20407	100Ω ± 1% 1/4W ERD	NR01101140
R177		4822 111 20415	27kΩ ± 1% 1/4W ERD	NR01273140
R178		4822 111 20415	27kΩ ± 1% 1/4W ERD	NR01273140
R179				
		4822 111 20413	220Ω ± 1% 1/4W ERD	NR01221140
R184				
R185		9965 000 05736	82Ω ± 1% 1/4W ERD	NR01820140
R186		9965 000 05736	82Ω ± 1% 1/4W ERD	NR01820140
R187				
		4822 052 10479	47Ω ± 5% 1/6W	GG05470160
R190				
R191		4822 111 20422	15Ω ± 1% 1/4W ERD	NR01150140
R192		4822 111 20422	15Ω ± 1% 1/4W ERD	NR01150140
R193		9965 000 05745	VARIABLE 20kΩ X2 R27	RY02030050
			P151-SEMICONDUCTORS	
D151				
		4822 130 32362	DIODE 1SS176 MA165 1SS254 30V 0.1A	HD20002000
D156				
Q151			NEW HDAM	KH269J1010
Q152			NEW HDAM	KH269J1010
Q153		5322130 41844	FET 2SK170 BL VGDS=-40V PD=0.4V	HF201701G0
Q154		5322130 41844	FET 2SK170 BL VGDS=-40V PD=0.4V	HF201701G0
Q155		4822 130 62649	FET 2SJ74 BL VGDS=25V PD=24W	HF100741G0
Q156		4822 130 62649	FET 2SJ74 BL VGDS=25V PD=24W	HF100741G0
Q157		4822 130 42949	TRS. 2SA970 GR OR BL	HT109702A0
Q158		4822 130 42949	TRS. 2SA970 GR OR BL	HT109702A0
Q159		4822 130 43233	TRS. 2SC2240 GR OR BL	HT322402A0
Q160		4822 130 43233	TRS. 2SC2240 GR OR BL	HT322402A0
Q161		4822 130 42949	TRS. 2SA970 GR OR BL	HT109702A0
Q162		4822 130 42949	TRS. 2SA970 GR OR BL	HT109702A0
Q163		4822 130 43233	TRS. 2SC2240 GR OR BL	HT322402A0
Q164		4822 130 43233	TRS. 2SC2240 GR OR BL	HT322402A0
Q165		4822 130 43283	TRS. 2SC2705 O OR Y	HT327052A0
Q166		4822 130 43283	TRS. 2SC2705 O OR Y	HT327052A0

POS. NO	VERS. COLOR	PART NO. (FOR PCS)	DESCRIPTION	PART NO. (MJI)
Q167		4822 130 42999	TRS. 2SA1145 O OR Y	HT111452A0
Q168		4822 130 42999	TRS. 2SA1145 O OR Y	HT111452A0
			P151-MISCELLANEOUS	
L151				
		4822 158 60605	FERRIT BEADS (B-01-RT)	FC90050060
L154				
			P201-µ-COM CIRCUIT BOARD	
Q218	/C, /E, /K, /N, /S	9965 000 01584	MICROPROCESSOR TMP47CP200BN	HU313JT000
			COSMETICS	
001B	/C1G, /E1G, /K1G, /S1G		FRONT PANEL ASSY	318J248540
001B	FN		FRONT PANEL ASSY	318J248510
001B	/N1G		FRONT PANEL ASSY	318J248530
001B	/N1B		FRONT PANEL ASSY	318J248520
002B	/C1G, /E1G, /K1G, /S1G		FRONT PANEL	318J248120
002B	FN		FRONT PANEL	289J248130
002B	/N1G	9965 000 05750	FRONT PANEL	318J248110
002B	/N1B	9965 000 05746	FRONT PANEL	318J248010
027B	GOLD	9965 000 05751	KNOB FOR MASTER VOLUME	318J154110
027B	BLACK	9965 000 05747	KNOB FOR MASTER VOLUME	318J154010
028B	GOLD	9965 000 05752	KNOB FOR INPUT SELECTOR	318J154120
028B	BLACK	9965 000 05748	KNOB FOR INPUT SELECTOR	318J154020
039B	/C1G, /E1G, /N1G, /S1G, FN, /K1G, /S1G		ESCUTCHEON FOR METER	289J063120
039B	/N1G	4822 532 13059	ESCUTCHEON FOR METER	289J063110
039B	BLACK	4822 532 13058	ESCUTCHEON FOR METER	289J063010
041B	/C1G, /E1G, /K1G, /S1G		BADGE SUPER AUDIO	318J251020
041B	FN		BADGE SUPER AUDIO	318J251010
042B	GOLD	9965 000 01554	BADGE MARANTZ	313J251110
042B	BLACK	9965 000 01553	BADGE MARANTZ	313J251010
▲ F001	/E		FUSE 10A 250V	FS11000570
▲ J014	/E		FUSE HOLDER 31.8mm	YJ08000600
▲ L001	/E		MAINS TRANSFORMER	TS42002110
▲ W001	/C		MAINS CORD 10A 250V	ZC02009010
▲ W001	/E		MAINS CORD 125V MITI	ZC01802080
▲ W001	/K		MAINS CORD 10A 250V	ZC01803090
▲ W001	/S		MAINS CORD 10A 250V	ZC01804100
			PACKING	
001T	/C, /E, /K, /S		USER GUIDE	318J851350
001T	F		USER GUIDE	318J851110
001T	/N	9965 000 05749	USER GUIDE	318J851310
T001	/C, /E, /K, /N, /S	9965 000 01556	REMOTE COMMANDER RC-17MK2PM	ZK313J0010
			NOT STANDARD SPARE PARTS	
001S	FN		PACKING CASE	318J801010
J099	/C, /K		JACK AC ADAPTER	YJ04001240