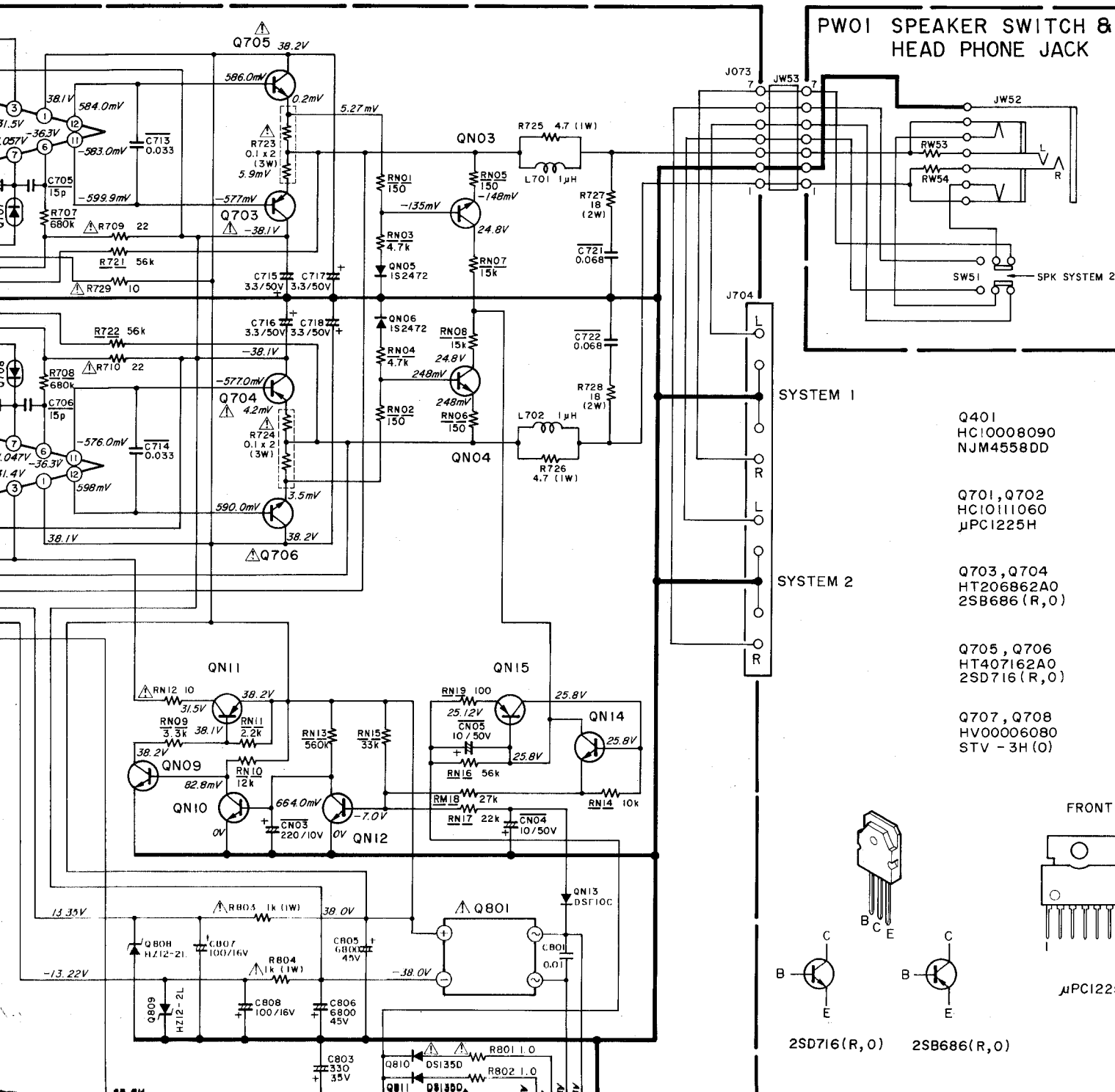


# SCHEMATIC DIAGRAM FOR Model PM151



Q801  
HD20008290  
S4VB-20

Q808, Q809  
HD30009010  
HZ12-2L

Q810, Q811  
HD20015030  
DS135D

Q401  
HC10008090  
NJM4558DD

Q701, Q702  
HC10111060  
μPC1225H

Q703, Q704  
HT206862A0  
2SB686 (R,0)

Q705, Q706  
HT407162A0  
2SD716 (R,0)

Q707, Q708  
HV00006080  
STV-3H(0)

Q401  
HC10008090  
NJM4558DD

Q701, Q702  
HC10111060  
μPC1225H

Q703, Q704  
HT206862A0  
2SB686 (R,0)

Q705, Q706  
HT407162A0  
2SD716 (R,0)

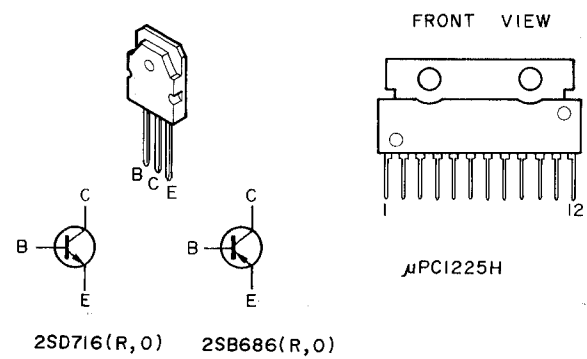
QNO5, QNO6  
HD20002210  
IS2472

QN11, QN15  
HT109331Q0  
2SA933 SP

QN13  
HD20022030  
DSF10C

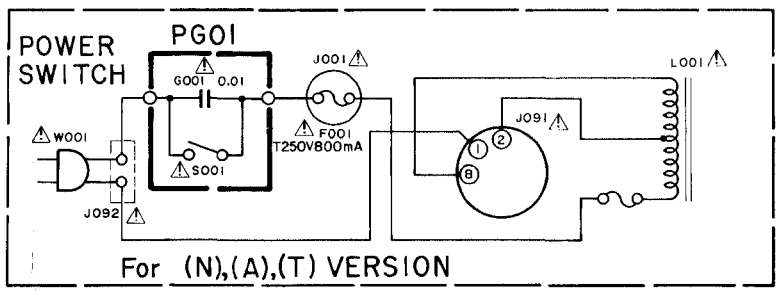
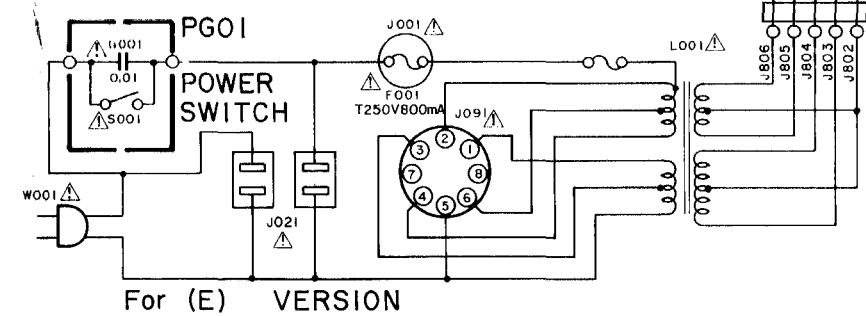
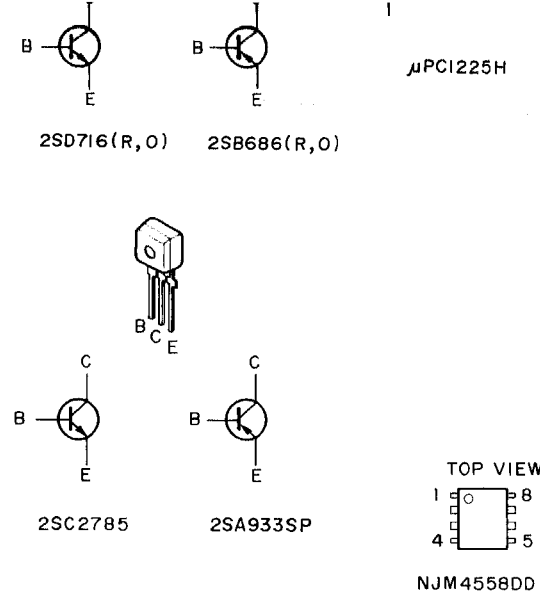
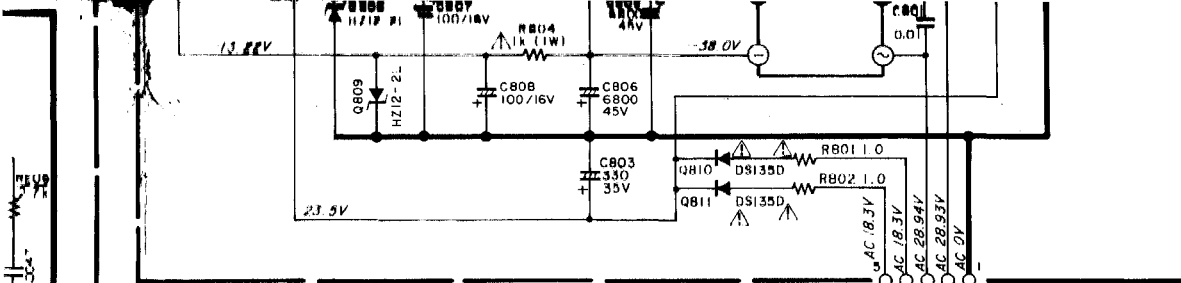


COMÉRCIO DE ARTIGOS ELÉTRICOS. LDA  
Rua da MATRIZ, 6 - Tel/Fax (058)941403  
4990 PONTE DE LIMA



2SD716 (R,0) 2SB686 (R,0)





**ELECTROACTIVA**  
 COMÉRCIO DE ARTIGOS ELÉTRICOS. LDA  
 Rua da MATRIZ, 6 - Tel/Fax (058)941403  
 4990 PONTE DE LIMA

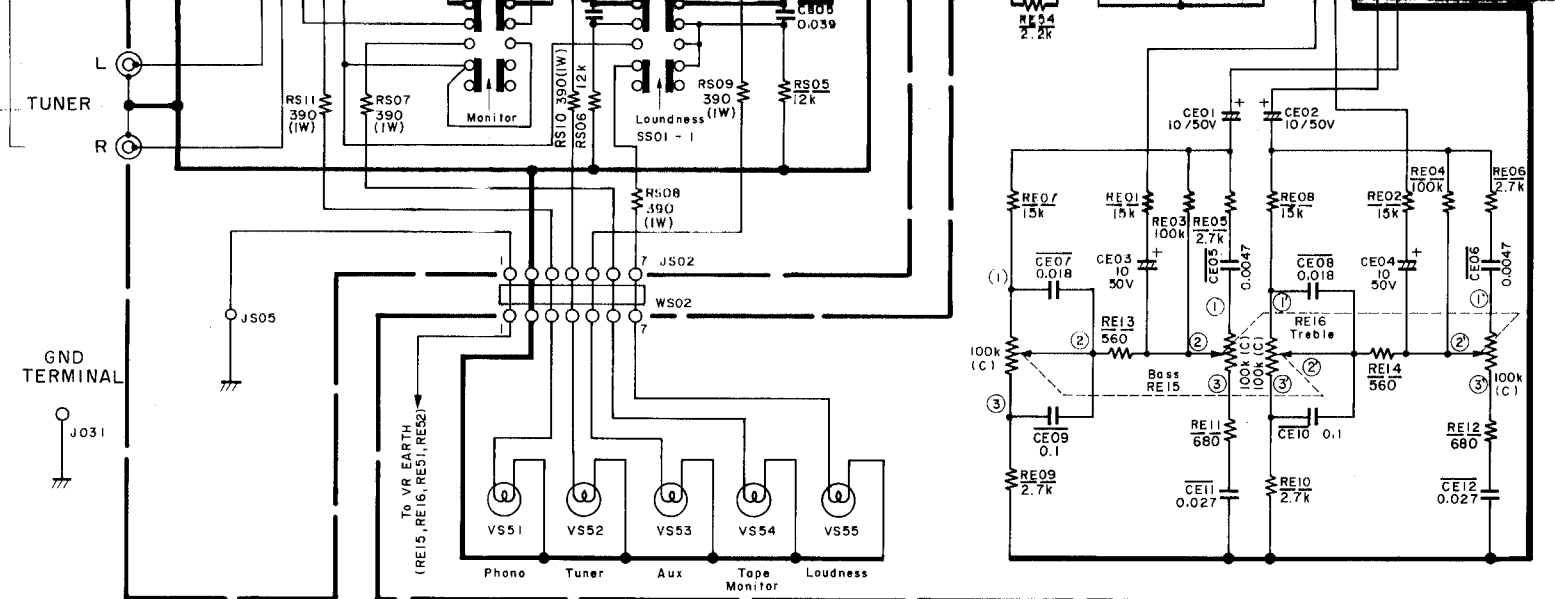
"SERVICE INFORMATION IS FOR USE BY QUALIFIED PERSONNEL ONLY –  
 ANY MISADJUSTMENT OR MISALIGNMENT MAY BE TREATED AS A NON-WARRANTY  
 REPAIR BY ANY MARANTZ SERVICE CENTRE –"

**Kind of Common Parts**

- RESISTOR**
- R\*\*\* (1) GD05 --- 140, Carbon film fixed resistor, ±5% 1/4W
  - R\*\*\* (2) GD05 --- 160, Carbon film fixed resistor, ±5% 1/6W
- C\*\*\* : CERAMIC CAP.**
- (1) DD1 ---- 370, Ceramic condenser, disc type (titan condenser)  
Temp. coeff. P350 ~ N1000 50V
- C\*\*\* : CERAMIC CAP.**
- (1) DK16 --- 300, High dielectric constant ceramic condenser, disc type (titan variable)  
Temp. chara. 2B4 50V

- C\*\*\* : ELECTROLY CAP. (⊖) / FILM CAP. (≡)**
- (1) EA ----- 10, Electrolytic condenser, one-way lead type, tolerance ±20%
  - (2) DF15 --- 350, Plastic film condenser, one-way type, Mylar, ±5% 50V

\*In case of ordering the common parts, please establish the correct parts number of 10 figures by the procedure "ASSIGNMENT OF COMMON PARTS CODES"



F001	FS10080800	FUSE 800mA	L702	LL23905120	COIL 1mH
G001	DK18103840	CERAMIC 0.01 $\mu$ F	R715	RA01010800	TRIMMING 100 $\Omega$
J001	YJ08000290	JACK FUSE HOLDER	R716	RA01010800	TRIMMING 100 $\Omega$
J021	YJ04001210	JACK AC OUTLET	SW51	SP02010960	PUSH SWITCH SPEAKER
J091	BY05030040	VOLTAGE SELECTOR (N, A)	JS06	YT02040500	TERMINAL RCA JACK
J091	BY05080050	VOLTAGE SELECTOR (E)	JS07	YT02060210	TERMINAL RCA JACK
J092	YP04000580	PLUG AC INLET	SS01	SP04050270	PUSH SWITCH FUNCTION
L001	TS16804020	POWER TRANSFORMER (N, A)	RE15	RS01040320	VARIABLE TONE VOL. 100k $\Omega$
S001	SP01010730	PUSH SWITCH POWER	RE16	RS01040320	VARIABLE TONE VOL. 100k $\Omega$
W001	ZC02006020	AC POWER CORD (A)	RE51	RM01040830	VARIABLE MAIN VOL. 100k $\Omega$
W001	YC01900080	AC POWER CORD (E)	RE52	RX02040080	VARIABLE BALANCE 200k $\Omega$
W001	ZC01805010	AC POWER CORD (N)	VS51		
JW52	YJ01002090	JACK HEADPHONE	}	IN10080610	LAMP 8V 50mA
J074	YT03080020	TERMINAL SPEAKER	VS55		
L701	LL23905120	COIL 1mH			



COMÉRCIO DE ARTIGOS ELÉTRICOS. LDA  
 Rua da MATRIZ, 6 - Tel/Fax (058)941403  
 4990 PONTE DE LIMA

**NOTE ON SAFETY :**

Symbol  $\Delta$  Fire or electrical shock hazard. Only original parts should be used to replace any part marked with symbol  $\Delta$ . Any other component substitution (other than original type), may increase risk of fire or electrical shock hazard.

Components and wiring are subject to change