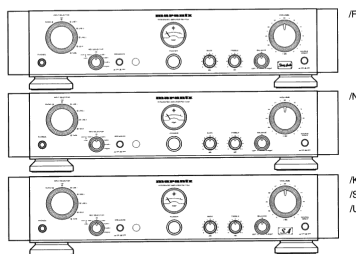


Service Manual

PM17A /F1N, /K1G, /N1G, /S1G
/N1B, /U1B
Integrated amplifier



PM17SA /mkII

TABLE OF CONTENTS

SECTION	PAGE
1. TECHNICAL SPECIFICATIONS	1
2. BLOCK DIAGRAM	2
3. TEST EQUIPMENT REQUIRED FOR SERVICING	2
4. SCHEMATIC DIAGRAM	3
5. PARTS LOCATION (Pattern Side)	7
6. EXPLODED VIEW AND PARTS LIST	12
7. DC OFFSET VOLTAGE ALIGNMENT	15
8. IDLING CURRENT ALIGNMENT	15
9. ELECTRICAL PARTS LIST	16

Please use this service manual with referring to the user guide (D.F.U.) without fail.
修理の際は、必ず取扱説明書を準拠し操作方法を確認の上作業を行ってください。

marantz®

PM-17SA / PM-17mkII

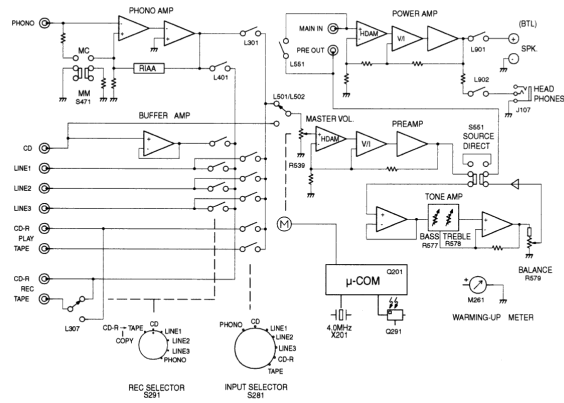
313J855010 MIT
3120 785 22180

1. TECHNICAL SPECIFICATIONS

Rated power output (20 Hz to 20 kHz, 2CH simultaneous drive)	60 W x 2 (8 Ω load)
	80 W x 2 (6 Ω load)
	100 W x 2 (4 Ω load)
Total harmonic distortion (20 Hz to 20 kHz, 2CH drive, 8 Ω load)	0.01 %
Cross-modulation distortion (SMPTE)	0.01 %
Output bandwidth (8 Ω load, 0.04 %)	10 Hz to 50 kHz
Frequency response (CD, SOURCE DIRECT)	5 Hz to 70 kHz, +0/-1 dB
Damping factor (8 Ω load, 20 Hz to 20 kHz)	100
Input sensitivity/input impedance	
PHONE (MC)	230 μV/100 Ω
PHONE (MM)	2.5 mV/47 kΩ
HIGH LEVEL	220 mV/22 kΩ
MAIN IN	1.6 V/22 kΩ
Output voltage/output impedance	
PRE OUT	1.6 V/250 Ω
Maximum allowable PHONE input (1 kHz)	
MC	15 mV
MM	150 mV
RIAA deviation (20 Hz to 20 kHz)	±0.2 dB
S/N (IHF A network, input shorted)	
PHONE (MC)	76 dB
PHONE (MM)	90 dB
HIGH LEVEL	112 dB
Tone control	
BASS (100 Hz)	±8 dB
TREBLE (10 kHz)	±8 dB
Supply voltage	
F version	100 V AC, 50/60 Hz
/K1 version	110 V/220 V AC, 50/60 Hz
/N1, /S1 version	230 V AC, 50 Hz
/J1 version	120 V AC, 60 Hz
Power consumption	180 W
Dimensions (Maximum)	
Width	458 mm
Height	110 mm
Depth	429 mm
Weight	16 kg
Accessories	
Remote control unit (RC-17mkII/PM)	x 1
Dimensions	
Width	44 mm
Height	239 mm
Depth	17.5 mm
Weight (without batteries)	189 g
SUM-4 (R6/ "AA" size) dry cell battery	x 2

Design and specifications are subject to change without notice.

2. BLOCK DIAGRAM



3. TEST EQUIPMENT REQUIRED FOR SERVICING

Item 項目	Use 使用方法
Distortion Analyzer 歪率計	Distortion measurements 歪の測定
Audio Oscillator 正弦波発生器	Sinewave and squarewave signal source 正弦波及び矩形波の信号源
AC VTVM 交流VTVM	Voltage measurements (AC) 交流電圧の測定
Oscilloscope オシロスコープ	Waveform analysis and trouble shooting and ASO alignment 波形分析、トラブルシューティング及びASOの調整
DC VTVM 直流VTVM	Voltage measurements (DC) 直流電圧の測定
AC Wattmeter 交流ワットメーター	Monitors primary power to amplifier アンプの一次電源電力のモニター
Line Voltmeter 電圧電圧計	Monitors potential of primary power to amplifier アンプの一次電源電圧のモニター
Variable Autotransformer スライダック	Adjust level of primary power to amplifier アンプの一次電源電圧の調節
Circuit Tester テストター	Trouble shooting トラブルシューティング
Shorting Plug ショート用プラグ	Shorts amplifier input to eliminate noise pickup 雑音を拾わないようにアンプ入力を短絡する

4. SCHEMATIC DIAGRAM

