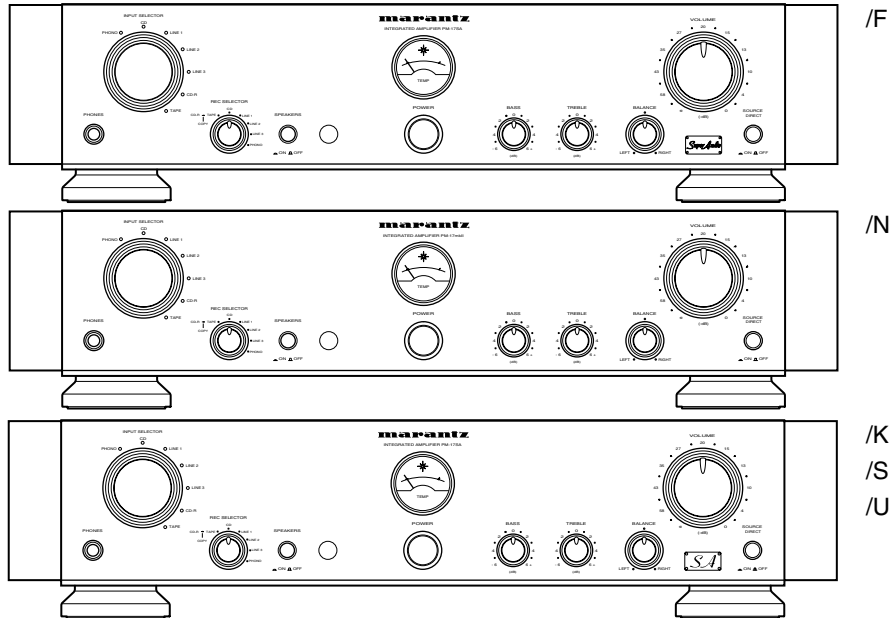


Service Manual

PM17A /F1N, /K1G, /N1G, /S1G
/N1B, /U1B
Integrated amplifier



PM-17SA / mkII

TABLE OF CONTENTS

| SECTION | PAGE |
|--|------|
| 1. TECHNICAL SPECIFICATIONS | 1 |
| 2. BLOCK DIAGRAM | 2 |
| 3. TEST EQUIPMENT REQUIRED FOR SERVICING | 2 |
| 4. SCHEMATIC DIAGRAM | 3 |
| 5. PARTS LOCATION (Pattern Side) | 7 |
| 6. EXPLODED VIEW AND PARTS LIST | 12 |
| 7. DC OFFSET VOLTAGE ALIGNMENT | 15 |
| 8. IDLING CURRENT ALIGNMENT | 15 |
| 9. ELECTRICAL PARTS LIST | 16 |

Please use this service manual with referring to the user guide (D.F.U.) without fail.
修理の際は、必ず取扱説明書を準備し操作方法を確認の上作業を行ってください。

marantz®

PM-17SA / PM-17mkII

313J855010 MIT
3120 785 22180
First Issue 1999.10

MARANTZ DESIGN AND SERVICE

Using superior design and selected high grade components, **MARANTZ** company has created the ultimate in stereo sound. Only original **MARANTZ** parts can insure that your **MARANTZ** product will continue to perform to the specifications for which it is famous.

Parts for your **MARANTZ** equipment are generally available to our National Marantz Subsidiary or Agent.

ORDERING PARTS :

Parts can be ordered either by mail or by Fax.. In both cases, the correct part number has to be specified.

The following information must be supplied to eliminate delays in processing your order :

1. Complete address
2. Complete part numbers and quantities required
3. Description of parts
4. Model number for which part is required
5. Way of shipment
6. Signature : any order form or Fax. must be signed, otherwise such part order will be considered as null and void.

USA

MARANTZ AMERICA, INC.
440 MEDINAH ROAD
ROSELLE, ILLINOIS 60172
USA
PHONE : 630 - 307 - 3100
FAX : 630 - 307 - 2687

EUROPE / TRADING

MARANTZ EUROPE B.V.
P.O.BOX 80002, BUILDING SFF2
5600 JB EINDHOVEN
THE NETHERLANDS
PHONE : +31 - 40 - 2732241
FAX : +31 - 40 - 2735578

BRAZIL

MARANTZ BRAZIL
CAIXA POSTAL 21462
CEP 04698-970
SAO PAULO, SP, BRAZIL
PHONE : 0800 - 123123(Discagem Direta Gratuita)
FAX : +55 11 534. 8988

PROFESSIONAL AMERICAS

SUPERSCOPE TECHNOLOGIES, INC.
MARANTZ PROFESSIONAL PRODUCTS
2640 WHITE OAK CIRCLE, SUITE A
AURORA, ILLINOIS 60504 USA
PHONE : 630 - 820 - 4800
FAX : 630 - 820 - 8103

CANADA

LENBROOK INDUSTRIES LIMITED
633 GRANITE COURT,
PICKERING, ONTARIO L1W 3K1
CANADA
PHONE : 905 - 831 - 6333
FAX : 905 - 831 - 6936

AUSTRALIA

JAMO AUSTRALIA PTY LTD
1 EXPO COURT, P.O. BOX 350
MT. WAVERLEY VIC 3149
AUSTRALIA
PHONE : +61 - 3 - 9543 - 1522
FAX : +61 - 3 - 9543 - 3677

THAILAND

MRZ STANDARD CO.,LTD
746 - 754 MAHACHAI ROAD.,
WANGBURAPAPIROM, PHRANAKORN,
BANGKOK, 10200 THAILAND
PHONE : +66 - 2 - 222 9181
FAX : +66 - 2 - 224 6795

SINGAPORE

WO KEE HONG (S) PTE LTD
WO KEE HONG CENTRE
NO.23, LORONG 8, TOA PAYOH
SINGAPORE 319257
PHONE : +65 2544555
FAX : +65 2502213

TAIWAN

PAI- YUING CO., LTD.
6 TH FL NO, 148 SUNG KIANG ROAD,
TAIPEI, 10429, TAIWAN R.O.C.
PHONE : +886 - 2 - 25221304
FAX : +886 - 2 - 25630415

MALAYSIA

WO KEE HONG ELECTRONICS SDN. BHD.
SUITE 8.1, LEVEL 8, MENARA GENESIS,
NO. 33, JALAN SULTAN ISMAIL,
50250 KUALA LUMPUR, MALAYSIA
PHONE : +60 3 - 2457677
FAX : +60 3 - 2458180

JAPAN *Technical*

MARANTZ JAPAN, INC.
35- 1, 7- CHOME, SAGAMIONO
SAGAMIHARA - SHI, KANAGAWA
JAPAN 228-8505
PHONE : +81 42 748 1013
FAX : +81 42 741 9190

日本マランツ株式会社

本社 〒228-8505
神奈川県相模原市相模大野7-35-1
営業本部 〒150-0022
東京都渋谷区恵比寿南1-11-9

KOREA

MK ENTERPRISES LTD.
ROOM 604/605, ELECTRO-OFFICETEL, 16-58,
3GA, HANGANG-RO, YONGSAN-KU, SEOUL
KOREA
PHONE : +822 - 3232 - 155
FAX : +822 - 3232 - 154

SHOCK, FIRE HAZARD SERVICE TEST :

CAUTION : After servicing this appliance and prior to returning to customer, measure the resistance between either primary AC cord connector pins (with unit NOT connected to AC mains and its Power switch ON), and the face or Front Panel of product and controls and chassis bottom.

Any resistance measurement less than 1 Megohms should cause unit to be repaired or corrected before AC power is applied, and verified before it is return to the user/customer.

Ref. UL Standard No. 1492.

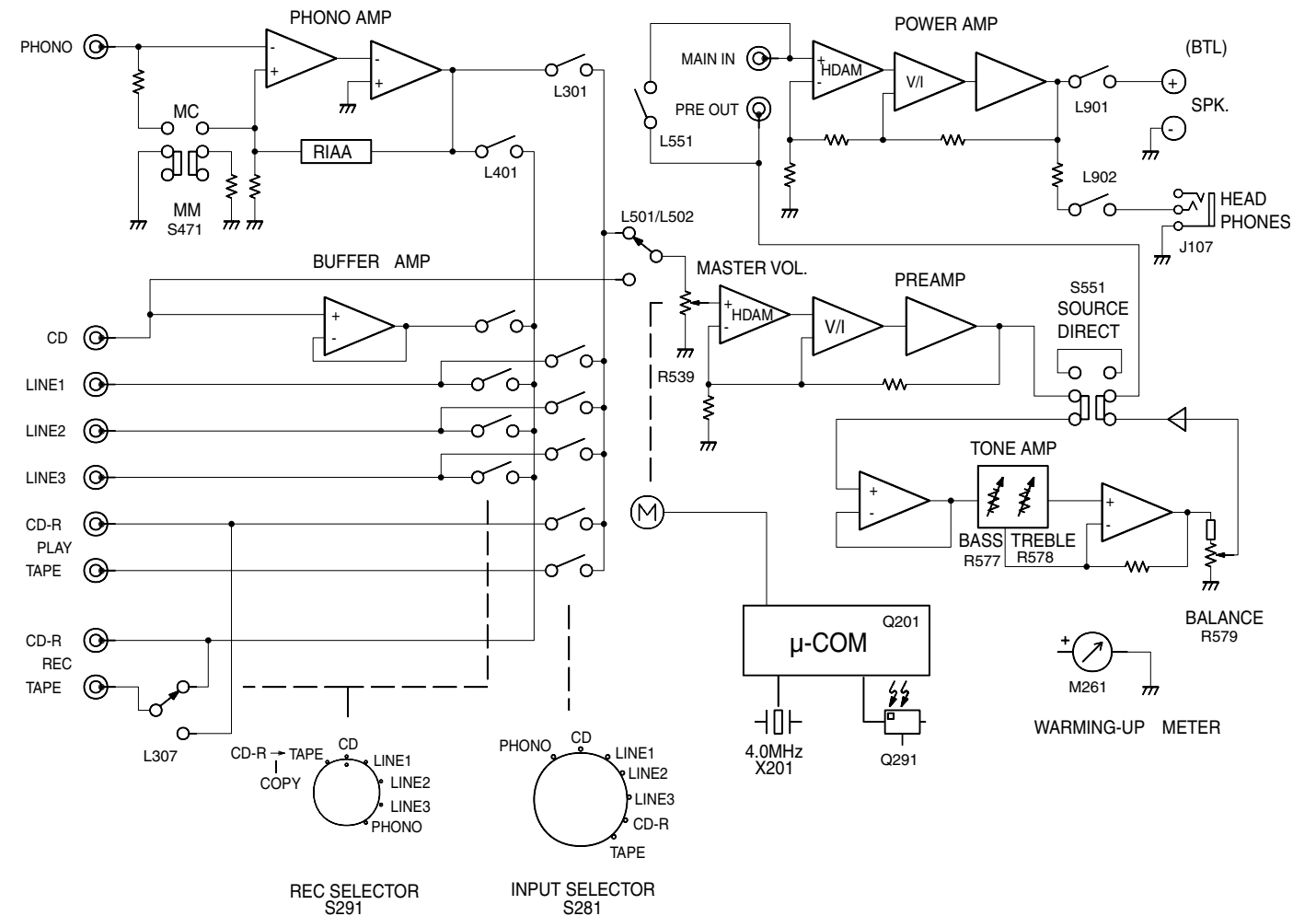
In case of difficulties, do not hesitate to contact the Technical
Department at above mentioned address.

1. TECHNICAL SPECIFICATIONS

| | |
|--|--|
| Rated power output (20 Hz to 20 kHz, 2CH simultaneous drive)..... | 60 W x 2 (8 Ω load) 80 W x 2 (6 Ω load) 100 W x 2 (4 Ω load) |
| Total harmonic distortion (20 Hz to 20 kHz, 2CH drive, 8 Ω load) | 0.01 % |
| Cross-modulation distortion (SMPTE) | 0.01 % |
| Output bandwidth (8 Ω load, 0.04 %)..... | 10 Hz to 50 kHz |
| Frequency response (CD, SOURCE DIRECT) | 5 Hz to 70 kHz, +0/-1 dB |
| Damping factor (8 Ω load, 20 Hz to 20 kHz) | 100 |
| Input sensitivity/input impedance | |
| PHONE (MC) | 230 μV/100 Ω |
| PHONE (MM) | 2.5 mV/47 kΩ |
| HIGH LEVEL | 220 mV/22 kΩ |
| MAIN IN | 1.6 V/22 kΩ |
| Output voltage/output impedance | |
| PRE OUT | 1.6 V/250 Ω |
| Maximum allowable PHONE input (1 kHz) | |
| MC | 15 mV |
| MM | 150 mV |
| RIAA deviation (20 Hz to 20 kHz) | ±0.2 dB |
| S/N (IHF A network, input shorted) | |
| PHONE (MC) | 76 dB |
| PHONE (MM) | 90 dB |
| HIGH LEVEL | 112 dB |
| Tone control | |
| BASS (100 Hz) | ±8 dB |
| TREBLE (10 kHz) | ±8 dB |
| Supply voltage | |
| F version | 100 V AC, 50/60 Hz |
| /K1 version | 110 V/220 V AC, 50/60 Hz |
| /N1, /S1 version | 230 V AC, 50 Hz |
| /U1 version | 120 V AC, 60 Hz |
| Power consumption | 180 W |
| Dimensions (Maximum) | |
| Width | 458 mm |
| Height | 110 mm |
| Depth | 429 mm |
| Weight | 16 kg |
| Accessories | |
| Remote control unit (RC-17mkIIIPM) | x 1 |
| Dimensions | |
| Width | 44 mm |
| Height | 239 mm |
| Depth | 17.5 mm |
| Weight (without batteries) | 189 g |
| SUM-4 (R6/ "AA" size) dry cell battery | x 2 |

Design and specifications are subject to change without notice.

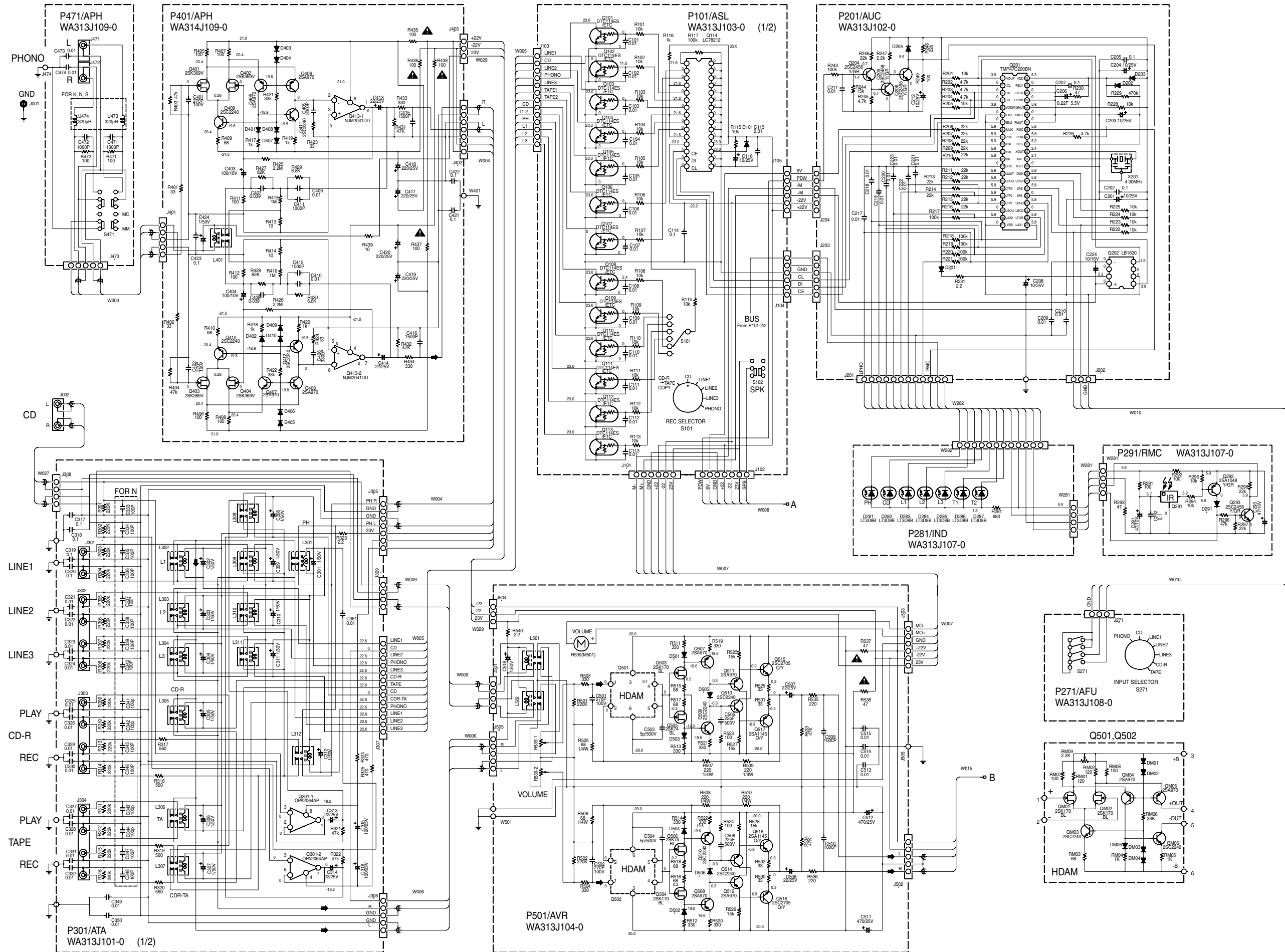
2. BLOCK DIAGRAM

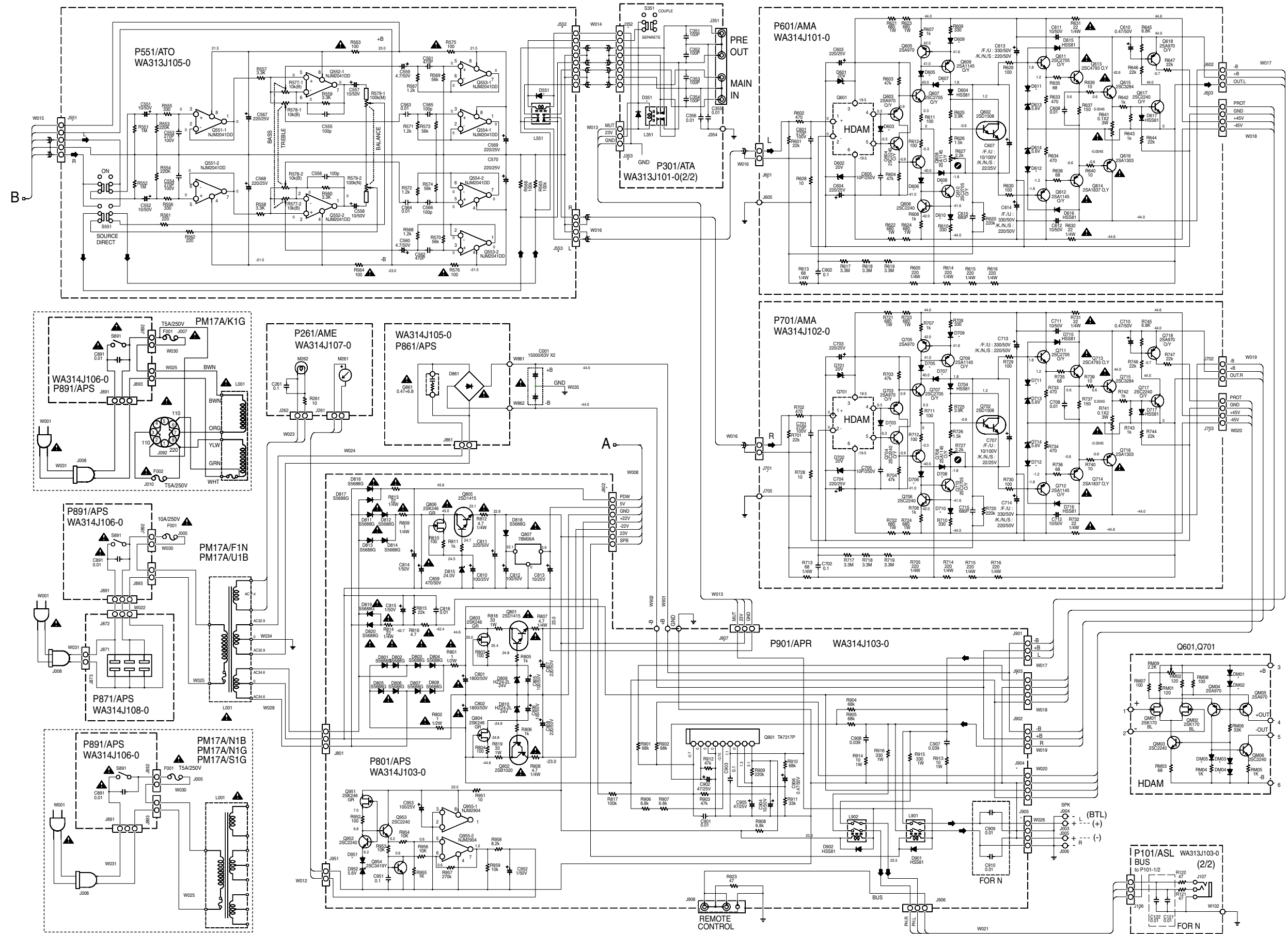


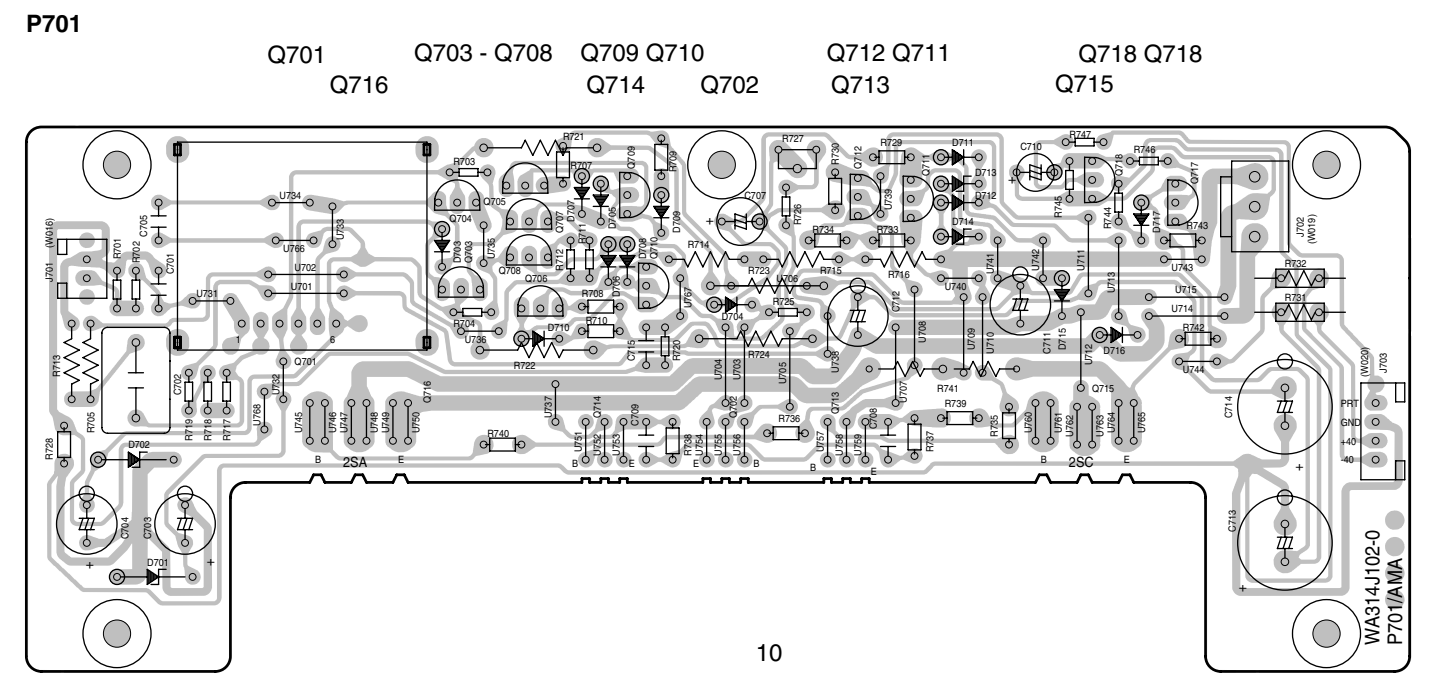
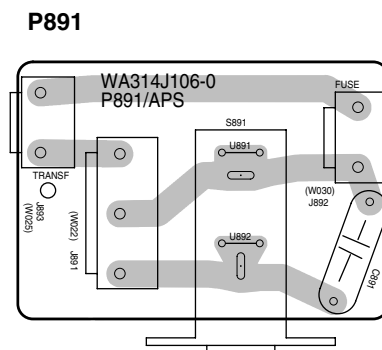
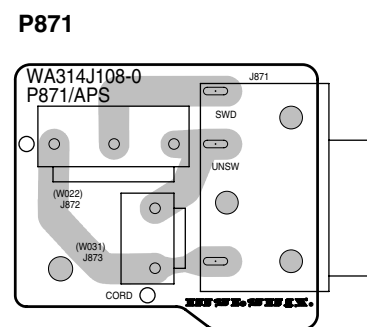
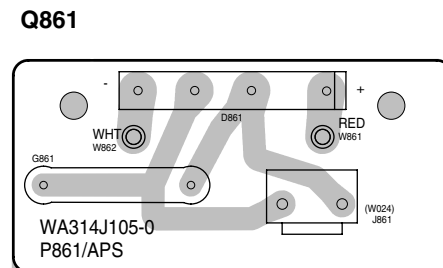
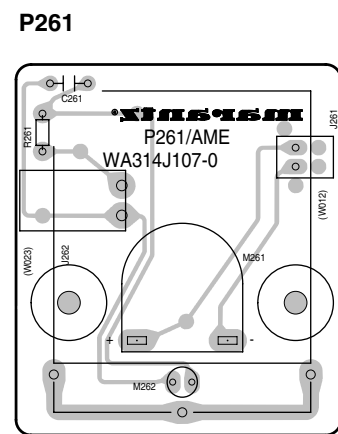
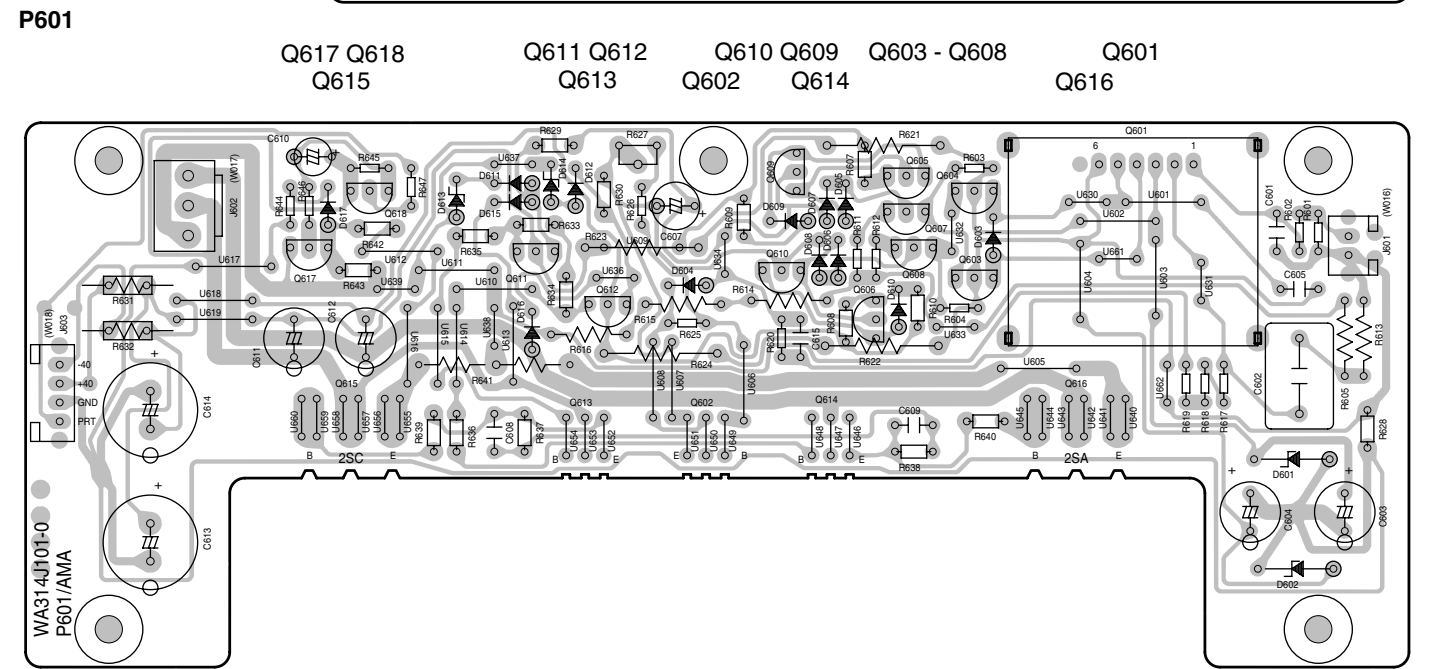
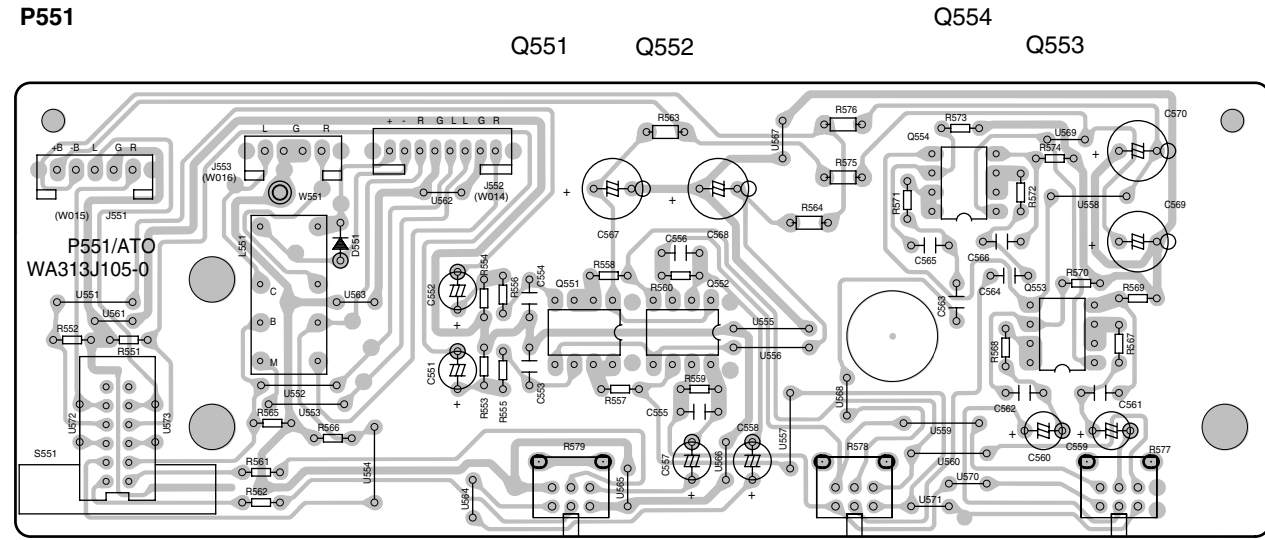
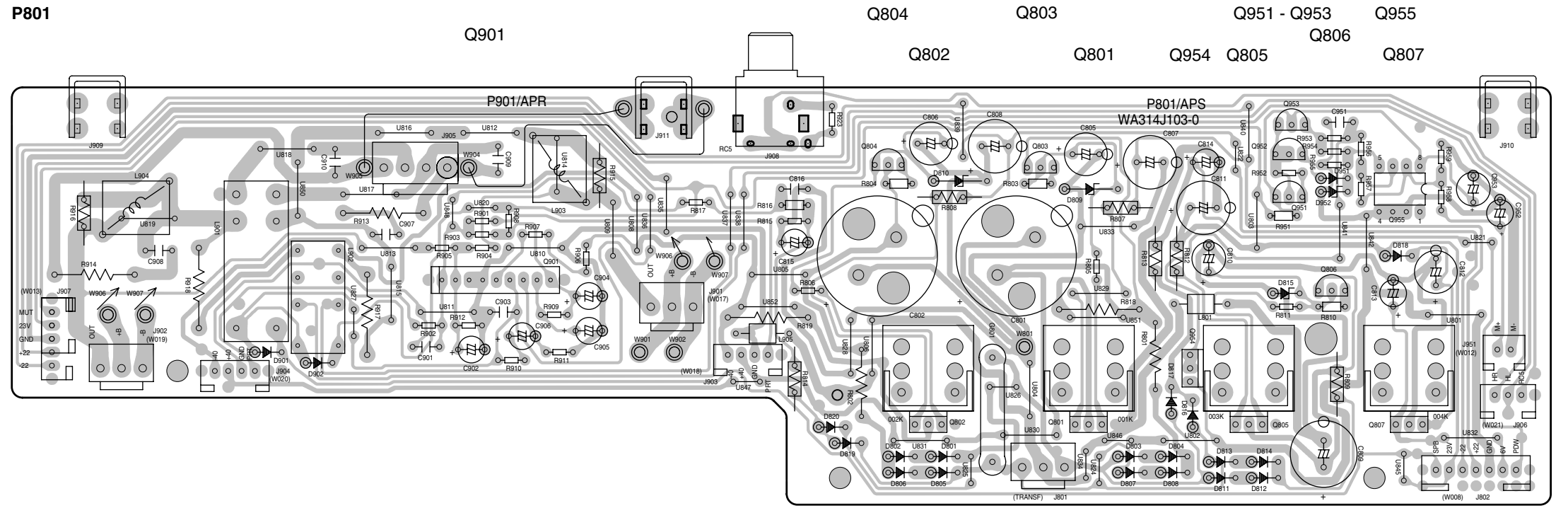
3. TEST EQUIPMENT REQUIRED FOR SERVICING

| Item 項目 | Use 使用方法 |
|------------------------------------|--|
| Distortion Analyzer 歪率計 | Distortion measurements 歪の測定 |
| Audio Oscillator 低周波発振器 | Sinewave and squarewave signal source 正弦波及び矩形波の信号源 |
| AC VTVM AC VTVM | Voltage measurements (AC) 交流電圧の測定 |
| Oscilloscope オシロスコープ | Waveform analysis and trouble shooting and ASO alignment 波計分析、トラブルシューティング及びASOの調整 |
| DC VTVM DC VTVM | Voltage measurements (DC) 直流電圧の測定 |
| AC Wattmeter 交流ワットメーター | Monitors primary power to amplifier アンプの一次側消費電力のモニター |
| Line Voltmeter 電源電圧計 | Monitors potential of primary power to amplifier アンプの一次側消費電圧のモニター |
| Variable Autotransformer スライダック | Adjust level of primary power to amplifier アンプの一次側電圧の調節 |
| Circuit Tester テスター | Trouble shooting トラブルシューティング |
| Shorting Plug ショート用プラグ | Shorts amplifier input to eliminate noise pickup 雑音を拾わないようにアンプ入力を短絡する |

4. SCHEMATIC DIAGRAM

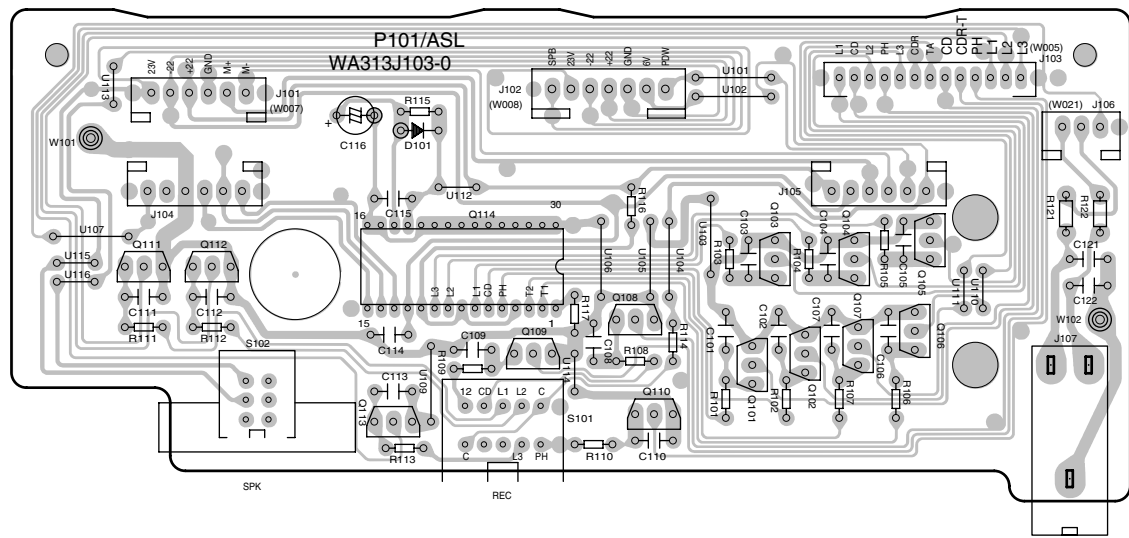






P101

Q111 Q112 Q113 Q114 Q109 Q108 Q110 Q103 Q101 Q104 Q106 Q105 Q108

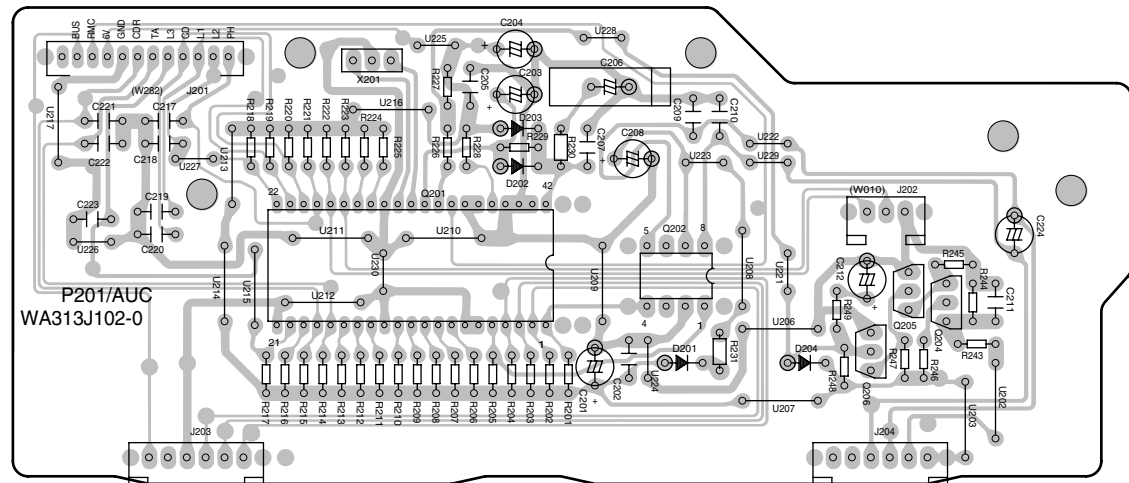


6. EXPLODED VIEW AND PARTS LIST

| POS. NO | VERS. COLOR | PART NO. (FOR PCS) | DESCRIPTION | PART NO. (MJI) | POS. NO | VERS. COLOR | PART NO. (FOR PCS) | DESCRIPTION | PART NO. (MJI) |
|---------|-------------|--------------------|---------------------------------------|----------------|---------|-------------|--------------------|---|----------------|
| 001B | /F1N | | FRONT PANEL ASSY PM-17SA GOLD HAIR | 313J248510 | J002 | | 4822 290 81671 | TERMINAL 2P RCA PIN GL | YT02021240 |
| 001B | /K1G, /S1G | | FRONT PANEL ASSY PM-17SA GOLD BLAST | 313J248550 | J003 | | 4822 265 11424 | TERMINAL WBT-0745 POLE TERMINA+E34L RED | YT01010360 |
| 001B | /N1G | 9965 000 01834 | FRONT PANEL ASSY PM-17MK2 GOLD BLAST | 313J248530 | J004 | | 4822 265 11425 | TERMINAL WBT-0745 POLE TERMINAL WHT | YT01010370 |
| 001B | /N1B | 9965 000 01814 | FRONT PANEL ASSY PM-17MK2 BLACK BLAST | 313J248520 | J005 | | 4822 265 11424 | TERMINAL WBT-0745 POLE TERMINAL RED | YT01010360 |
| 001B | /U1B | | FRONT PANEL ASSY PM-17SA BLACK BLAST | 313J248540 | J006 | | 4822 265 11425 | TERMINAL WBT-0745 POLE TERMINAL WHT | YT01010370 |
| 003B | GOLD | 4822 426 10497 | ESCUTCHEON GOLD | 269J063110 | ▲ J007 | /F,/K,/U | | JACK FUSE HOLDER 10A 250V 31.8MM | YJ08000600 |
| 003B | BLACK | 4822 426 10496 | ESCUTCHEON BLACK | 269J063010 | J007 | /N,/S | 4822 267 31818 | JACK FUSE HOLDER H201 20MM | YJ08000610 |
| 015B | GOLD | 4822 410 63898 | BUTTON FOR S.D/SPEAKER GOLD | 144J270010 | ▲ J008 | | 4822 265 11399 | JACK AC INLET SOT-16C | YJ04002360 |
| 015B | BLACK | 4822 410 10227 | BUTTON FOR S.D/SPEAKER BLACK | 144J270110 | ▲ J010 | /K | 4822 267 31818 | JACK FUSE HOLDER H201 20MM | YJ08000610 |
| 017B | | 4822 404 21012 | JOINT LINK FOR POWER BUTTON | 025J125010 | J092 | /K | | VOLTAGE SELECT. 2POLE-2POSITION | BY05080060 |
| 018B | GOLD | 4822 410 11276 | POWER BUTTON GOLD | 176J270150 | J099 | /K | | JACK MAINS ADAPTER | YJ04001240 |
| 018B | BLACK | 4822 410 11275 | POWER BUTTON BLACK | 176J270050 | ▲ L001 | /F | | MAINS TRANSFORMER | TS42002120 |
| 024B | GOLD | 9965 000 01550 | KNOB FOR MAS.VOL GOLD | 313J154110 | ▲ L001 | /K | | MAINS TRANSFORMER | TS42002140 |
| 024B | BLACK | 9965 000 01549 | KNOB FOR MAS.VOL BLACK | 313J154010 | ▲ L001 | /N,/S | 9965 000 01558 | MAINS TRANSFORMER | TS42002130 |
| 025B | GOLD | 9965 000 01552 | KNOB FOR INPUT.SEL GOLD | 313J154120 | ▲ L001 | /U | | MAINS TRANSFORMER | TS42002150 |
| 025B | BLACK | 9965 000 01551 | KNOB FOR INPUT.SEL BLACK | 313J154020 | ▲ L002 | | 4822 526 10691 | FERRITE CORE TFCK-16-8-13 | FC50160030 |
| 026B | GOLD | 4822 410 12036 | KNOB FOR BAL/TONE/REC GOLD | 289J154140 | ▲ W001 | /F | | MAINS CORD MITY DC-302-J 12A | ZC01802080 |
| 026B | BLACK | 4822 410 12035 | KNOB FOR BAL/TONE/REC BLACK | 289J154040 | ▲ W001 | /K | | MAINS CORD 2P 10A 250V | ZC01803090 |
| 035B | /F | | SUPER AUDIO BADGE | 318J251010 | ▲ W001 | /N | 4822 321 11439 | MAINS CORD 2P 10A 250V CLASS2 | ZC01803080 |
| 036B | GOLD | 9965 000 01554 | NEW MARANTZ BADGE GL | 313J251110 | ▲ W001 | /S | | MAINS CORD | ZC01804070 |
| 036B | BLACK | 9965 000 01553 | NEW MARANTZ BADGE BL | 313J251010 | ▲ W001 | /U | | MAINS CORD UL/CSA 10A 125V | ZC01803100 |
| 037B | /S, /U | | S A BADGE | 313J251020 | 001T | /F | | PACKING USER GUIDE PM-17SA | 313J851110 |
| 001D | GOLD | 4822 442 01018 | TOP LID GOLD | 269J257110 | 001T | /K,/S | | USER GUIDE PM-17SA | 313J851350 |
| 001D | BLACK | 4822 442 01017 | TOP LID BLACK | 269J257010 | 001T | /N | 9965 000 01555 | USER GUIDE PM-17MK2 | 313J851310 |
| 002D | GOLD | 4822 502 14425 | SCREW FOR TOP LID GOLD | 323S010020 | 001T | /U | | USER GUIDE PM-17SA | 313J851250 |
| 002D | BLACK | 4822 502 21693 | SCREW FOR TOP LID BLACK | 323S010030 | T100 | | 9965 000 01556 | REMOTE COMMANDER RC-17MK2PM | ZK313J0010 |
| 003D | GOLD | 4822 426 10499 | SIDE PANEL GOLD | 269J249110 | | | | | |
| 003D | BLACK | 4822 426 10498 | SIDE PANEL BLACK | 269J249010 | | | | | |
| 004D | GOLD | 4822 502 14425 | SCREW FOR SIDE PANEL FRONT GL | 323S010020 | | | | | |
| 004D | BLACK | 4822 502 21693 | SCREW FOR SIDE PANEL FRONT BL | 323S010030 | | | | | |
| 009D | GOLD | 4822 502 14462 | SCREW FOR TOP LID REAR GOLD | 318K010020 | | | | | |
| 009D | BLACK | 4822 502 14461 | SCREW FOR TOP LID REAR BLACK | 318K010030 | | | | | |
| 010D | GOLD | 4822 502 14462 | SCREW FOR SIDE PANEL REAR GL | 318K010020 | | | | | |
| 010D | BLACK | 4822 502 14461 | SCREW FOR SIDE PANEL REAR BL | 318K010030 | | | | | |
| 002G | | | LID BOTTOM LID | 313J257020 | | | | | |
| 003G | | 4822 462 42134 | LEG LEG | 291K057010 | | | | | |
| 903G | | 4822 410 60343 | BUTTON FOR MM/MC SEL.SW. | 058J270030 | | | | | |
| ▲ C001 | | 9965 000 01557 | ELECT 15000µF 63V X2 FOR AUDIO | EI15906350 | | | | | |
| ▲ F001 | /F | | FUSE 10A 250V MITI GRU | FS11000570 | | | | | |
| ▲ F001 | /K,/N,/S | 4822 070 35002 | FUSE 5A 250V BS LISTED | FS10500850 | 001S | /F,/U | | NOT STANDARD SPARE PARTS PACKING CASE PM-17SA | 313J801010 |
| ▲ F001 | /U | | FUSE 10A 250V | FS11000530 | 002S | | | CUSHION FOR LEFT | 314J809010 |
| ▲ F002 | /K | | FUSE T5A 250V BS | FS10500850 | 003S | | | CUSHION FOR RIGHT | 314J809020 |

P201

Q201 Q202 Q206 Q205 Q204



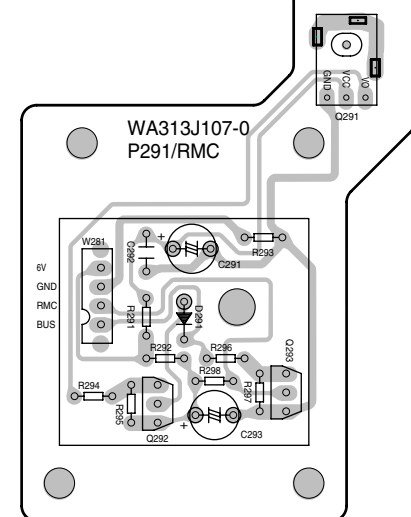
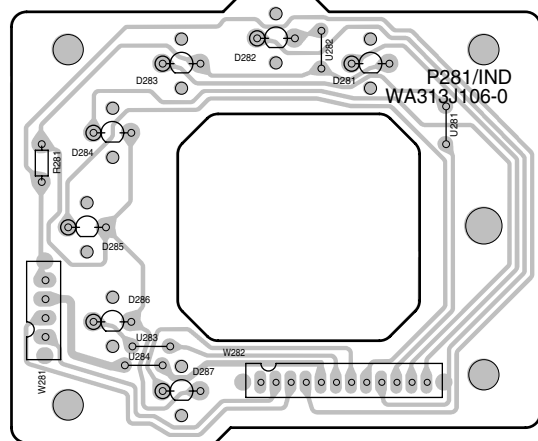
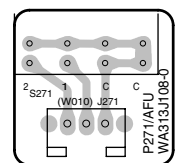
P271

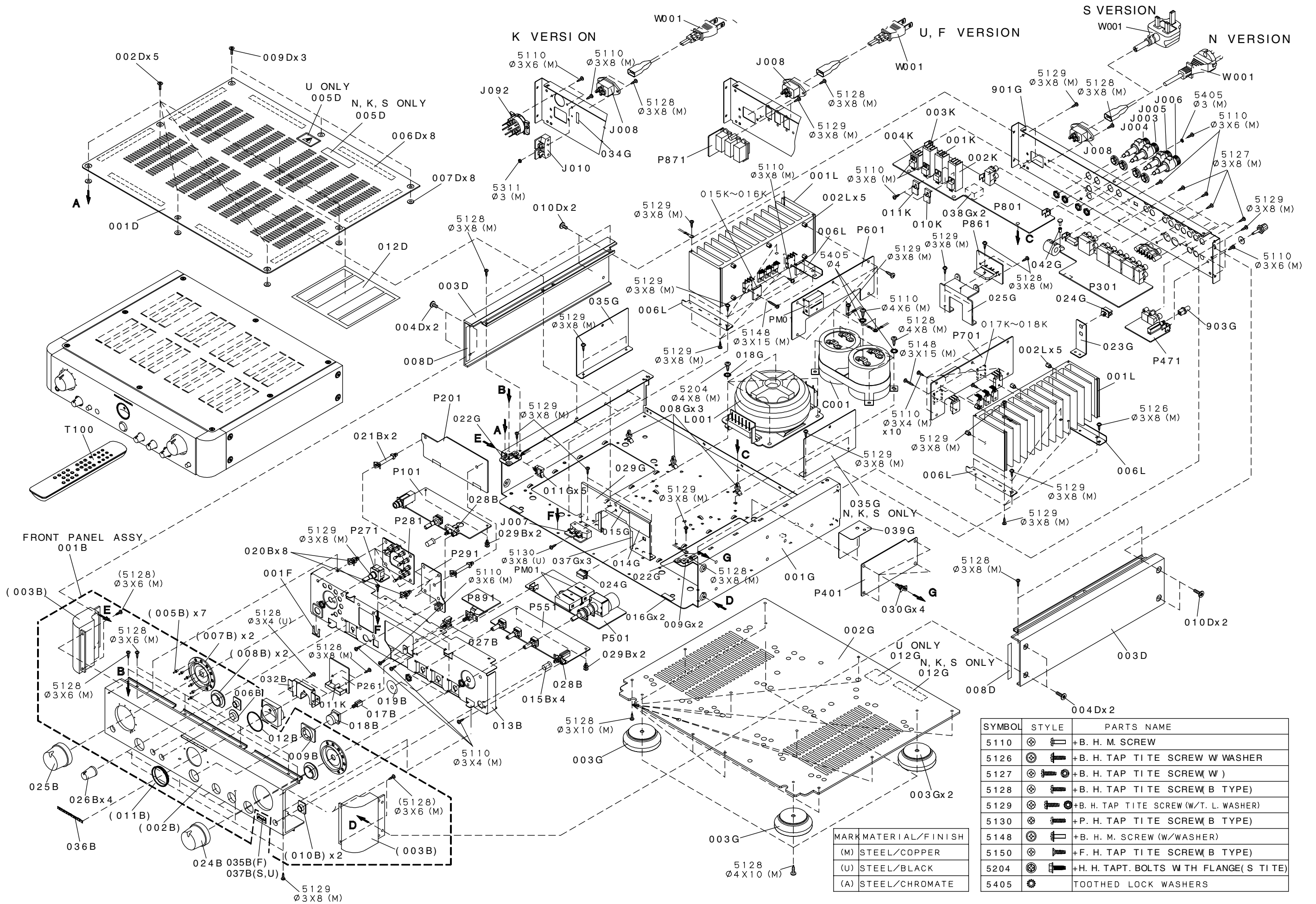
P281

P291

Q219

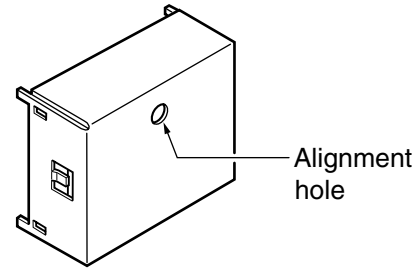
Q292 Q293





7. DC OFFSET VOLTAGE ALIGNMENT

- Before switching the mains switch. Turn down the master volume to the minimum position and set the balance volume and tone volumes at the center positions. Set variable resistors R627(on the PCB P601:L ch) and R727(on the PCB P701:R ch) fully counterclockwise.
- Connect the digital voltage meter to the speaker terminal. And set the digital voltage meter for the DC position.
- Turn the mains switch ON. Put thin adjustment screw driver in to the hole of the HDAM (Q601:L ch / Q701:R ch) copper cover. Adjust variable resistors in the HDAM (Q601:L ch / Q701:R ch) value at 0mV±3mV with in 10 seconds after speaker relay turn ON.



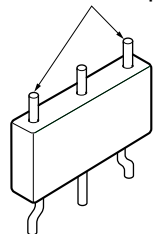
8. IDLING CURRENT ALIGNMENT

REMARK

Before "Idling current alignment", "DC offset voltage alignment" have to be done!!

- Each of cement resistor R641(on the PCB P601:Lch) and cement resistor R741(on the PCB P701:Rch) are provided with three test points. Connect the digital voltage meter, set for the DC voltage input, to the test points at the two extremities of three test points of R641(L ch) and R741(R ch).
- After the setup above, turn the mains switch ON and heat up the amplifier about 10 minutes.
- Adjust variable resistors R627(on the PCB P601:L ch) and R727(on the PCB P701:R ch) according to the digital volt meter reading. The target setting value is 9mV±1mV(45mA) for both L ch and R ch.

Measurement point



R641 / R741

DC オフセット電圧調整

- 本体の電源スイッチを入れるまえに、ボリュームを最小に、バランス及びトーンコントロールをセンターに合わせます。P601基板上のR627(L ch)及びP701基板上のR727(R ch)の半固定抵抗を反時計回りにしぼりきります。
- 本体背面のスピーカー端子にデジタルボルトメータを接続します。(レンジはDCに設定する。)
- HDAM(Q601:L ch/Q701:R ch)のカバーにあいた穴に調整用ドライバーをさし込み、中の半固定抵抗を回せるようにします。電源スイッチをオンにし、スピーカーリレーがオンになってから10秒以内に半固定抵抗を回しデジタルボルトメータの値が0mV±3mVになるように調整します。

アイドリング電流調整

【注意】

アイドリング電流の調整は必ずDCオフセット電圧の調整を終えてから行って下さい。

- P601基板上のセメント抵抗R641(L ch)及びP701基板上のセメント抵抗R741(R ch)の3本の測定用端子のうちの両端の2本にデジタルボルトメータを接続します。(レンジはDCに設定する。)
- 電源スイッチをオンにし、アイドリング電流が安定するまで、およそ10分間放置します。
- P601基板上の半固定抵抗R627(L ch)とP701基板上の半固定抵抗R727(R ch)を時計回りにまわしデジタルボルトメータの値が9mV±1mV(45mA)になるように調整します。

9. ELECTRICAL PARTS LIST

ASSIGNMENT OF COMMON PARTS CODES.

RESISTORS

- R***: 1) GD05×××140, Carbon film fixed resistor, ±5% 1/4W
 R***: 2) GD05×××160, Carbon film fixed resistor, ±5% 1/6W
- ① Resistance value

Examples ;

① Resistance value

| | | | |
|---------------|---------------|----------------|----------------|
| 0.1 Ω ... 001 | 10 Ω ... 100 | 1 kΩ ... 102 | 100 kΩ ... 104 |
| 0.5 Ω ... 005 | 18 Ω ... 180 | 2.7 kΩ ... 272 | 680 kΩ ... 684 |
| 1 Ω ... 010 | 100 Ω ... 101 | 10 kΩ ... 103 | 1 MΩ ... 105 |
| 6.8 Ω ... 068 | 390 Ω ... 391 | 22 kΩ ... 223 | 4.7 MΩ ... 475 |

Note : Please distinguish 1/4W from 1/6W by the shape of parts used actually.

CAPACITORS

C***: CERAMIC CAP.

- 3) DD1××××370, Ceramic capacitor
 Disc type
 Temp.coeff.P350 ~N1000, 50V
- ② Capacity value
 Tolerance

Examples ;

② Tolerance (Capacity deviation)

| | | |
|----------------|---------------|-----------|
| ±0.25 pF ... 0 | ±0.5 pF ... 1 | ±5% ... 5 |
|----------------|---------------|-----------|

* Tolerance of COMMON PARTS handled here are as follows :

| | |
|----------------|----------|
| 0.5 pF ~ 5 pF | ±0.25 pF |
| 6 pF ~ 10 pF | ±0.5 pF |
| 12 pF ~ 560 pF | ±5% |

③ Capacity value

| | | |
|----------------|---------------|----------------|
| 0.5 pF ... 005 | 3 pF ... 030 | 100 pF ... 101 |
| 1 pF ... 010 | 10 pF ... 100 | 220 pF ... 221 |
| 1.5 pF ... 015 | 47 pF ... 470 | 560 pF ... 561 |

C***: CERAMIC CAP.

- 4) DK16×××300, High dielectric constant ceramic capacitor
 Disc type
 Temp.chara. 2B4, 50V
- ④ Capacity value

Examples ;

④ Capacity value

| | | |
|----------------|-----------------|------------------|
| 100 pF ... 101 | 1000 pF ... 102 | 10000 pF ... 103 |
| 470 pF ... 471 | 2200 pF ... 222 | |

C***: 5) ELECTROLY CAP. (E), 6) FILM CAP. (F)

- 5) EA×××××10, Electrolytic capacitor
 One-way lead type, Tolerance ±20%
- ⑤ Capacity value
 Working voltage

Examples ;

⑤ Capacity value

| | | |
|-----------------|----------------|-----------------|
| 0.1 μF ... 104 | 4.7 μF ... 475 | 100 μF ... 107 |
| 0.33 μF ... 334 | 10 μF ... 106 | 330 μF ... 337 |
| 1 μF ... 105 | 22 μF ... 226 | 1100 μF ... 118 |
| | | 2200 μF ... 228 |

⑥ Working voltage

| | |
|--------------|-------------|
| 6.3V ... 006 | 25V ... 025 |
| 10V ... 010 | 35V ... 035 |
| 16V ... 016 | 50V ... 050 |

- 6) DF15×××350 Plastic film capacitor
 DF15×××310 One-way type, Mylar ±5% 50V
 DF16×××310 Plastic film capacitor
 One-way type, Mylar ±10% 50V
- ⑦ Capacity value

Examples ;

⑦ Capacity value

| | |
|----------------------------|-----------------|
| 0.001 μF (1000 pF) ... 102 | 0.1 μF ... 104 |
| 0.0018 μF ... 182 | 0.56 μF ... 564 |
| 0.01 μF ... 103 | 1 μF ... 105 |
| 0.015 μF ... 153 | |

NOTE : 1) The above CODES (R***, R***, C***, C*** and C***) are omitted on the schematic diagram in some case.

2) On the occasion, be confirmed the common parts on the parts list.

3) Refer to "Common Parts List" for the other common parts (R105, DD4, DK4).

NOTE ON SAFETY FOR FUSIBLE RESISTOR :

The suppliers and their type numbers of fusible resistors are as follows;

1. KOA Corporation

| Part No. (MJI) | Type No. (KOA) | Description |
|----------------|----------------|-------------|
| NH05×××140 | RF25S××××ΩJ | (±5% 1/4W) |
| NH05×××120 | RF50S××××ΩJ | (±5% 1/2W) |
| NH85×××110 | RF73B2A××××ΩJ | (±5% 1/10W) |
| NH95×××140 | RF73B2E××××ΩJ | (±5% 1/4W) |

* Resistance value Resistance value (0.1 Ω - 10 kΩ)

2. Matsushita Electronic Components Co., Ltd

| Part No. (MJI) | Type No. (MEC) | Description |
|----------------|----------------|-------------|
| NF05×××140 | ERD-2FCJ××× | (±5% 1/4W) |
| RF05×××140 | | |
| NF02×××140 | ERD-2FCG××× | (±2% 1/4W) |
| RF02×××140 | | |

* Resistance value * Resistance value

Examples ;

* Resistance value

| | | | |
|---------------|---------------|----------------|----------------|
| 0.1 Ω ... 001 | 10 Ω ... 100 | 1 kΩ ... 102 | 100 kΩ ... 104 |
| 0.5 Ω ... 005 | 18 Ω ... 180 | 2.7 kΩ ... 272 | 680 kΩ ... 684 |
| 1 Ω ... 010 | 100 Ω ... 101 | 10 kΩ ... 103 | 1 MΩ ... 105 |
| 6.8 Ω ... 068 | 390 Ω ... 391 | 22 kΩ ... 223 | 4.7 MΩ ... 475 |

ABBREVIATION AND MARKS

| | |
|------------------------|-----------------------|
| ANT. : ANTENNA | BATT. : BATTERY |
| CAP. : CAPACITOR | CER. : CERAMIC |
| CONN. : CONNECTING | DIG. : DIGITAL |
| HP : HEADPHONE | MIC. : MICROPHONE |
| μ-PRO : MICROPROCESSOR | REC. : RECORDING |
| RES. : RESISTOR | SPK : SPEAKER |
| SW : SWITCH | TRANSF. : TRANSFORMER |
| TRIM. : TRIMMING | TRS. : TRANSISTOR |
| VAR. : VARIABLE | XTAL : CRYSTAL |

NOTE ON SAFETY :

Symbol \blacktriangle Fire or electrical shock hazard. Only original parts should be used to replaced any part marked with symbol \blacktriangle . Any other component substitution (other than original type), may increase risk of fire or electrical shock hazard.

安全上の注意 :

\blacktriangle がついている部品は、安全上重要な部品です。必ず指定されている部品番号の部品を使用して下さい。

| POS. NO | VERS. COLOR | PART NO. (FOR PCS) | DESCRIPTION | PART NO. (MJI) | POS. NO | VERS. COLOR | PART NO. (FOR PCS) | DESCRIPTION | PART NO. (MJI) |
|-------------|-------------|--------------------|---|----------------|---------|-------------|--------------------|--|----------------|
| C101 } | | 9965 000 01569 | P101-SW & HP CIRCUIT BOARD P101-CAPACITORS CER. 0.01µF +80%-20% DC50V | DD38103010 | Q201 | | 9965 000 01584 | MICROPROCESSOR 4BIT 2K TMP47C200BN-1A68(Z) | HU313JT000 |
| C113 | | 4822 122 40617 | CER. 0.1µF +80%-20% DC50V | DD38104010 | Q202 | | 4822 209 73287 | IC LB1630 | HC10235030 |
| C114 | | 9965 000 01569 | CER. 0.01µF +80%-20% DC50V | DD38103010 | Q204 | | 4822 130 60839 | TRS. 2SC2458 Y OR GR | HT324582B0 |
| C115 | | 4822 124 41534 | ELECT. 10µF M 25V RA-2 | OA10602520 | Q205 | | 4822 130 60839 | TRS. 2SC2458 Y OR GR | HT324582B0 |
| C116 | | 4822 124 12276 | FILM 0.01µF ± 5% | OF15103540 | Q206 | | 4822 130 60839 | TRS. 2SC2458 Y OR GR | HT324582B0 |
| C121 | /K,/S | 4822 124 12276 | FILM 0.01µF ± 5% | OF15103540 | X201 | | 4822 242 72527 | P201-MISCELLANEOUS CERAMIC VIB. CERALOCK CST4.00MGW | FQ04004030 |
| C122 | /N | 4822 124 12276 | FILM 0.01µF ± 5% | OF15103540 | | | | P261-METER & LAMP CIRCUIT BOARD | |
| R121 | | 4822 052 10479 | P101-RESISTORS 47Ω ±5%1/6W | GG05470160 | C261 | | 4822 122 40617 | CER. 0.1µF +8%-20% DC50V | DD38104010 |
| R122 | | 4822 052 10479 | 47Ω ±5%1/6W | GG05470160 | M261 | | 4822 344 14034 | D.C METER MG-28 | IM11030030 |
| R*** | | | P101-RESISTORS (COMMON) CARBON FILM FIXED RES. ±5% 1/6W : R101-R117 | | M262 | | 4822 134 40925 | LAMP 8V 100mA DC IGN.BLUE | IN10080680 |
| D101 | | 4822 130 32362 | P101-SEMICONDUCTORS DIODE 1SS176 MA165 1SS254 30V 0.1A | HD20002000 | ▲ R261 | | 4822 052 10109 | 10Ω ±5%1/6W | GG05100160 |
| Q101 } | | 4822 130 60588 | DIG.TRS. DTC114ES UN4211 10k 10k | BA20001000 | R271 | | 4822 050 21021 | P271-FUNCTION SELECTOR CIRCUIT BOARD 100Ω ±5%1/4W | GG05101140 |
| Q113 | | 4822 209 32553 | IC LC7822N | HC10309030 | S271 | | 4822 273 20368 | ROTARY SW. SRRSIC | SR01120070 |
| Q114 | | | | | | | | P281-INDICATOR LED CIRCUIT BOARD | |
| J107 | GOLD | 4822 267 31692 | JACK HLJ0540-01-410 GRY | YJ01003880 | D281 | | 4822 130 80326 | L.E.D. LT3D8B RED 30 | HI10062320 |
| J107 | BLACK | 9965 000 11662 | JACK HLJ0540-01-410 BLK | YJ01003870 | D282 | | 4822 130 80326 | L.E.D. LT3D8B RED 30 | HI10062320 |
| S101 | | 9965 000 01579 | ROTARY SW. SRBM16N-F1020 | SR01060100 | D283 | | 4822 130 80326 | L.E.D. LT3D8B RED 30 | HI10062320 |
| S102 | | 9965 000 01580 | PUSH SW. SPUP12-2N-*W2 | SP02012290 | D284 | | 4822 130 80326 | L.E.D. LT3D8B RED 30 | HI10062320 |
| | | | P201-U-COM CIRCUIT BOARD P201-CAPACITORS | | D285 | | 4822 130 80326 | L.E.D. LT3D8B RED 30 | HI10062320 |
| C201 | | 4822 124 41534 | ELECT. 10µF M 25V RA-2 | OA10602520 | D286 | | 4822 130 80326 | L.E.D. LT3D8B RED 30 | HI10062320 |
| C202 | | 4822 122 40617 | CER. 0.1µF +8%-20% DC50V | DD38104010 | D287 | | 4822 130 80326 | L.E.D. LT3D8B RED 30 | HI10062320 |
| C203 | | 4822 124 41534 | ELECT. 10µF M 25V RA-2 | OA10602520 | ▲ R281 | | 4822 052 10681 | 680Ω ±5%1/6W | GG05681160 |
| C204 | | 4822 124 41534 | ELECT. 10µF M 25V RA-2 | OA10602520 | C291 | | 9965 000 00603 | P291-IR SENSOR CIRCUIT BOARD ELECT 47µF 10V | EG47601050 |
| C205 | | 4822 122 40617 | CER. 0.1µF +8%-20% DC50V | DD38104010 | C292 | | 4822 122 40617 | CER. 0.1µF +8%-20% DC50V | DD38104010 |
| C206 | | 4822 124 90406 | BIG ELECT FMOH223ZTP16 | EX22300530 | C293 | | 9965 000 00603 | ELECT 47µF 10V | EG47601050 |
| C207 | | 4822 122 40617 | CER. 0.1µF +8%-20% DC50V | DD38104010 | D291 | | 4822 130 32362 | DIODE 1SS176 MA165 1SS254 30V 0.1A | HD20002000 |
| C208 | | 4822 124 41534 | ELECT. 10µF M 25V RA-2 | OA10602520 | Q291 | | 4822 209 16735 | PHOTO UNIT PNA4655M00HB | HW10006020 |
| C209 | | 9965 000 01569 | CER. 0.01µF +80%-20% DC50V | DD38103010 | Q292 | | 4822 130 60107 | TRS. 2SA1048 Y OR GR | HT110482B0 |
| C210 | | 9965 000 01569 | CER. 0.01µF +80%-20% DC50V | DD38103010 | Q293 | | 4822 130 60839 | TRS. 2SC2458 Y OR GR | HT324582B0 |
| C211 | | 9965 000 01569 | CER. 0.01µF +80%-20% DC50V | DD38103010 | | | | P301-INPUT JACK CIRCUIT BOARD P301-CAPACITORS | |
| C212 | | 4822 124 41534 | ELECT. 10µF M 25V RA-2 | OA10602520 | C301 | | 4822 124 41543 | ELECT. 1µF M 50V RA-2 | OA10505020 |
| C217 | | 9965 000 01569 | CER. 0.01µF +80%-20% DC50V | DD38103010 | C312 | | | | |
| C223 | | | | | C313 | | 9965 000 01581 | ELECT. 22µF M 25V RA-2 | OA22602520 |
| C224 | | 4822 124 11947 | ELECT 10µF 16V | EQ10601630 | C314 | | 9965 000 01581 | ELECT. 22µF M 25V RA-2 | OA22602520 |
| R230 | | 4822 052 10479 | P201-RESISTORS 47Ω ±5%1/6W | GG05470160 | C315 | | 4822 124 41535 | ELECT. 100µF M 25V RA-2 | OA10702520 |
| R231 | | 4822 052 10228 | 2.2Ω ±5%1/6W | GG05022160 | C316 | | 4822 124 41535 | ELECT. 100µF M 25V RA-2 | OA10702520 |
| R*** | | | P201-RESISTORS (COMMON) CARBON FILM FIXED RES. ±5% 1/6W : R201-R227 R228 R229 R246-249 R291-R298 | | C317 | | | | |
| D201 | | | P201-SEMICONDUCTORS | | C319 | | 4822 122 40617 | CER. 0.1µF +80%-20% DC50V | DD38104010 |
| D203 | | 4822 130 32362 | DIODE 1SS176 MA165 1SS254 30V 0.1A | HD20002000 | C320 | | | | |
| D204 | | | | | C333 | /K,/N,/S | 9965 000 01344 | FILM 100pF ±5%100V | OF15101540 |
| | | | | | C348 | /K,/N,/S | | | |
| | | | | | C349 | | 9965 000 01569 | CER. 0.01µF +80%-20% DC50V | DD38103010 |

| POS. NO | VERS. COLOR | PART NO. (FOR PCS) | DESCRIPTION | PART NO. (MJ) |
|-------------|-------------|--------------------|---|---------------|
| C350 | | 9965 000 01569 | CER. 0.01µF +80%-20% DC50V | DD38103010 |
| C351 | | 9965 000 01344 | FILM 100pF ±5%100V | OF15101540 |
| C354 | | | | |
| C355 | | 9965 000 01569 | CER. 0.01µF +80%-20% DC50V | DD38103010 |
| C361 | | | | |
| R323 | | 4822 052 10228 | 2.2Ω ±5%1/6W | GG05022160 |
| R324 | | 4822 052 10471 | 470Ω ±5%1/6W | GG05471160 |
| R325 | | 4822 052 10471 | 470Ω ±5%1/6W | GG05471160 |
| R*** | | | P301-RESISTORS (COMMON) CARBON FILM FIXED RES. ±5% 1/6W : R301-R322 | |
| D351 | | 4822 130 32362 | P301-SEMICONDUCTORS DIODE 1SS176 MA165 1SS254 30V 0.1A | HD20002000 |
| Q301 | | 4822 209 16926 | IC OPA2604AP BURR-BROWN | HC10008610 |
| J301 | | 4822 290 81598 | P301-MISCELLANEOUS TERMINAL 2P RCA JACK YKC21-3255 GOLD | YT02021130 |
| J302 | | 4822 290 81599 | TERMINAL YKC21-3269 GOLD | YT02040970 |
| J303 | | 4822 290 81599 | TERMINAL YKC21-3269 GOLD | YT02040970 |
| J304 | | 4822 290 81599 | TERMINAL YKC21-3269 GOLD | YT02040970 |
| J351 | | 4822 290 81599 | TERMINAL YKC21-3269 GOLD | YT02040970 |
| L301 | | 9965 000 01570 | RELAY ED2-24 | LY20240470 |
| L312 | | | | |
| L351 | | 9965 000 01576 | RELAY MR82-24USR | LY20240480 |
| S351 | | 9965 000 01582 | SLIDE SW. SSSU12 | SS02020950 |
| C401 | | 9965 000 01560 | P401-PHONO AMP CIRCUIT BOARD P401-CAPACITORS FILM 270pF ±5%100V OFC | OF55271540 |
| C402 | | 9965 000 01560 | FILM 270pF ±5%100V OFC | OF55271540 |
| C403 | | 9965 000 01567 | ELECT. 100µF 10V ARA | OA10701050 |
| C404 | | 9965 000 01567 | ELECT. 100µF 10V ARA | OA10701050 |
| C409 | | 4822 124 12276 | FILM 0.01µF ± 5% | OF15103540 |
| C410 | | 4822 124 12276 | FILM 0.01µF ± 5% | OF15103540 |
| C411 | | 4822 121 70437 | FILM 1000pF ±5%100V APSV | OF15102540 |
| C412 | | 4822 121 70437 | FILM 1000pF ±5%100V APSV | OF15102540 |
| C413 | | 4822 124 81151 | ELECT. 22µF 25V ARA | OA22602550 |
| C414 | | 4822 124 81151 | ELECT. 22µF 25V ARA | OA22602550 |
| C415 | | 9965 000 01568 | FILM 1500pF ±5%100V APSV | OF15152540 |
| C416 | | 9965 000 01568 | FILM 1500pF ±5%100V APSV | OF15152540 |
| C417 | | 4822 124 90365 | ELECT. 220µF M 25V RA-2 | OA22702520 |
| C420 | | | | |
| C421 | | 4822 122 40617 | CER. 0.1µF DC50V +80 -20% | DD38104010 |
| C422 | | 4822 122 40617 | CER. 0.1µF DC50V +80 -20% | DD38104010 |
| C423 | | 4822 122 40617 | CER. 0.1µF DC50V +80 -20% | DD38104010 |
| C424 | | 4822 124 41543 | ELECT. 1µF M 50V RA-2 | OA10505020 |
| C*** | | | P401-CAPACITORS (COMMON) PLASTIC FILM CAPACITOR ±5% 50V : C504-C408 | |
| R405 | | 9965 000 01571 | 100Ω ± 1% 1/6W | GM11610000 |
| R408 | | | | |

| POS. NO | VERS. COLOR | PART NO. (FOR PCS) | DESCRIPTION | PART NO. (MJ) |
|-------------|-------------|--------------------|---|---------------|
| ▲ R435 | | 4822 052 10101 | 100Ω ±5%1/6W | GG05101160 |
|) | | | | |
| ▲ R438 | | 4822 052 10109 | 10Ω ±5%1/6W | GG05100160 |
| R439 | | | | |
| R*** | | | P401-RESISTORS (COMMON) CARBON FILM FIXED RES. ±5% 1/6W : R401-R404 R409-R434 R471 R472 | |
| D401 | | 4822 130 32362 | DIODE 1SS176 MA165 1SS254 30V 0.1A | HD20002000 |
|) | | | | |
| D410 | | 4822 130 43547 | F.E.T. 2SK369 V VGDS-40V PD0.4W | HF203691V0 |
|) | | | | |
| Q401 | | 4822 130 42949 | TRS. 2SA970 GR OR BL | HT109702A0 |
|) | | | | |
| Q404 | | 4822 130 43233 | TRS. 2SC2240 GR OR BL | HT322402A0 |
|) | | | | |
| Q405 | | 4822 209 81565 | IC NJM-2041-DD | HC10026090 |
|) | | | | |
| Q408 | | 9965 000 01570 | RELAY ED2-24 | LY20240470 |
| Q409 | | | | |
| Q412 | | 9965 000 01570 | RELAY ED2-24 | LY20240470 |
| Q413 | | | | |
| L401 | | 9965 000 01570 | RELAY ED2-24 | LY20240470 |
| C471 | | 4822 121 70437 | FILM 1000pF ±5%100V APSV | OF15102540 |
| C472 | | 4822 121 70437 | FILM 1000pF ±5%100V APSV | OF15102540 |
| C473 | | 9965 000 01569 | CER. 0.01µF +80%-20% DC50V | DD38103010 |
| C474 | | 9965 000 01569 | CER. 0.01µF +80%-20% DC50V | DD38103010 |
| J471 | | 4822 290 81638 | P471-MISCELLANEOUS TERMINAL 14X14 RA 1L1P BLK AU FLM-GND | YT02010790 |
| J472 | | 4822 290 81638 | TERMINAL 14X14 RA 1L1P BLK AU FLM-GND | YT02010790 |
| S471 | | 4822 276 13409 | PUSH SW. SPUP19-4N-W2.0 | SP04010660 |
| U473 | /K,/N,/S | 4822 158 60606 | CHOKO COIL 22µH 5R200PN | LC12030050 |
| U474 | /K,/N,/S | 4822 158 60606 | CHOKO COIL 22µH 5R200PN | LC12030050 |
| C501 | | 9965 000 01560 | P501-MASTER VOL. & AMP CIRCUIT BOARD P501-CAPACITORS FILM 270pF ±5%100V OFC | OF55271540 |
| C502 | | 9965 000 01560 | FILM 270pF ±5%100V OFC | OF55271540 |
| C503 | | 9965 000 01585 | MICA 5pF 500V FE922H | DF31050520 |
| C504 | | 9965 000 01585 | MICA 5pF 500V FE922H | DF31050520 |
| C505 | | 9965 000 01586 | MICA 22pF ±5%500V FE | DF35220520 |
| C506 | | 9965 000 01586 | MICA 22pF ±5%500V FE | DF35220520 |
| C507 | /F,/U | 9965 000 02015 | ELECT. 22µF 25V ARA | OA22602550 |
| C507 | /K,/N,/S | | ELECT. 22µF 25V ARS | OA22602540 |
| C508 | /F,/U | 9965 000 02015 | ELECT. 22µF 25V ARA | OA22602550 |
| C508 | /K,/N,/S | | ELECT. 22µF 25V ARS | OA22602540 |
| C511 | | 4822 124 90051 | ELECT. 220µF M 25V ARA | OA22702550 |
| C512 | | 4822 124 90051 | ELECT. 220µF M 25V ARA | OA22702550 |
| C513 | | 9965 000 01569 | CER. 0.01µF +80%-20% DC50V | DD38103010 |
| C514 | | 9965 000 01569 | CER. 0.01µF +80%-20% DC50V | DD38103010 |
| C515 | | 9965 000 01569 | CER. 0.01µF +80%-20% DC50V | DD38103010 |
| C516 | | 4822 124 41543 | ELECT. 1µF M 50V RA-2 | OA10505020 |
| R505 | | 9965 000 01565 | P501-RESISTORS 68Ω ± 1% 1/4W ERD | NR01680140 |
| R506 | | 9965 000 01565 | 68Ω ± 1% 1/4W ERD | NR01680140 |

| POS. NO | VERS. COLOR | PART NO. (FOR PCS) | DESCRIPTION | PART NO. (MJI) | POS. NO | VERS. COLOR | PART NO. (FOR PCS) | DESCRIPTION | PART NO. (MJI) |
|-------------|-------------|--------------------|---|----------------|-----------|-------------|--------------------|---|------------------------|
| R507 } | | 4822 111 20413 | 220Ω ± 1% 1/4W ERD | NR01221140 | R579 | | 4822 100 30138 | VAR. 100kΩ MN FOR BALANCE VOLUME | RM01041310 |
| R510 | | | | | R*** | | | P551-RESISTORS (COMMON) CARBON FILM FIXED RES. ±5% 1/6W : R551-R562 R565-R574 | |
| R537 | | 4822 052 10479 | 47Ω ±5%1/6W | GG05470160 | | | | | |
| R538 | | 4822 052 10479 | 47Ω ±5%1/6W | GG05470160 | | | | | |
| R539 | | 9965 000 01587 | VAR. RK18112MC-30K DX2 | RM03030050 | | | | | |
| R540 | | 4822 052 10228 | 2.2Ω ±5%1/6W | GG05022160 | | | | | |
| R*** | | | P501-RESISTORS (COMMON) CARBON FILM FIXED RES. ±5% 1/6W : R501-R505 R511-R536 | | D551 | | 4822 130 32362 | P551-SEMICONDUCTORS DIODE 1SS176 MA165 1SS254 30V 0.1A | HD20002000 |
| D501 } | | 4822 130 32362 | DIODE 1SS176 MA165 1SS254 30V 0.1A | HD20002000 | Q551 } | | 4822 209 81565 | IC NJM-2041-DD | HC10026090 |
| D506 | | | | | Q554 | | | | |
| Q501 | | | IC NEW HDAM | KH313J1010 | L551 | | 9965 000 01576 | P551-MISCELLANEOUS RELAY MR82-24USR | LY20240480 |
| Q502 | | | IC NEW HDAM | KH313J1010 | S551 | | 4822 276 13065 | PUSH SW. SPUP24V1A STROK=2MM NON-SHORT | SP04010650 |
| Q503 } | | 4822 130 62649 | F.E.T. 2SJ74 BL VGDS=25V PD=24W | HF100741G0 | | | | P601-POWER AMP L CIRCUIT BOARD | |
| Q506 | | | | | C601 | | 9965 000 01560 | | FILM 270pF ±5%100V OFC |
| Q507 | | 4822 130 42949 | TRS. 2SA970 GR OR BL | HT109702A0 | C602 | | 4822 121 10867 | FILM 0.1μF ±5%100V OFC | OF55104540 |
| Q508 | | 4822 130 42949 | TRS. 2SA970 GR OR BL | HT109702A0 | C603 | | 4822 124 90365 | ELECT. 220μF M 25V RA-2 | OA22702520 |
| Q509 | | 4822 130 43233 | TRS. 2SC2240 GR OR BL | HT322402A0 | C604 | | 4822 124 90365 | ELECT. 220μF M 25V RA-2 | OA22702520 |
| Q510 | | 4822 130 43233 | TRS. 2SC2240 GR OR BL | HT322402A0 | C605 | | 9965 000 01561 | MICA 10pF ± 0.5pF 500V FE | DF31100520 |
| Q511 | | 4822 130 42949 | TRS. 2SA970 GR OR BL | HT109702A0 | C607 | /F,/U | | ELECT. 10μF M 100V RA-2 | OA10610020 |
| Q512 | | 4822 130 42949 | TRS. 2SA970 GR OR BL | HT109702A0 | C607 | /K,/N,/S | 9965 000 02015 | ELECT. 22μF M 25V ARS | OA22602540 |
| Q513 | | 4822 130 43233 | TRS. 2SC2240 GR OR BL | HT322402A0 | C608 | | 4822 124 12276 | FILM 0.01μF ± 5% | OF15103540 |
| Q514 | | 4822 130 43233 | TRS. 2SC2240 GR OR BL | HT322402A0 | C610 | | 4822 124 22273 | ELECT. 0.47μF M 50V RA-2 | OA47405020 |
| Q515 | | 4822 130 43283 | TRS. 2SC2705 O OR Y | HT327052A0 | C611 | | 9965 000 01562 | ELECT 10μF M 50V RA2BP | EQ10605090 |
| Q516 | | 4822 130 43283 | TRS. 2SC2705 O OR Y | HT327052A0 | C612 | | 9965 000 01562 | ELECT 10μF M 50V RA2BP | EQ10605090 |
| Q517 | | 4822 130 42999 | TRS. 2SA1145 O OR Y | HT111452A0 | C613 | /F,/U | | ELECT. 330μF M 50V RA-2 | OA33705020 |
| Q518 | | 4822 130 42999 | TRS. 2SA1145 O OR Y | HT111452A0 | C613 | /K,/N,/S | 9965 000 02014 | ELECT. 220μF M 50V ARS | OA22705040 |
| L501 | | 9965 000 01570 | RELAY ED2-24 | LY20240470 | C614 | /F,/U | | ELECT. 330μF M 50V RA-2 | OA33705020 |
| L502 | | 9965 000 01570 | RELAY ED2-24 | LY20240470 | C614 | /K,/N,/S | 9965 000 02014 | ELECT. 220μF M 50V ARS | OA22705040 |
| | | | | | C615 | | 9965 000 01564 | FILM 680pF ±5%100V OFC | OF55681540 |
| | | | P501-MISCELLANEOUS | | | | | P601-RESISTORS | |
| | | | RELAY ED2-24 | | R605 | | 4822 111 20413 | | 220Ω ± 1% 1/4W ERD |
| | | | | | ▲ R607 | | 4822 052 10102 | 1kΩ ±5%1/6W | GG05102160 |
| | | | P551-TONE AMP CIRCUIT BOARD | | ▲ R608 | | 4822 052 10102 | 1kΩ ±5%1/6W | GG05102160 |
| | | | P551-CAPACITORS | | ▲ R609 | | 4822 111 31001 | 330Ω ±5%1/6W | GG05331160 |
| C551 | | 5322 124 21731 | ELECT. 10μF M 50V RA-2 | OA10605020 | ▲ R610 | | 4822 111 31001 | 330Ω ±5%1/6W | GG05331160 |
| C552 | | 5322 124 21731 | ELECT. 10μF M 50V RA-2 | OA10605020 | R613 | | 9965 000 01565 | 68Ω ± 1% 1/4W ERD | NR01680140 |
| C553 | | 9965 000 01560 | FILM 270pF ±5%100V OFC | OF55271540 | R614 | | 4822 111 20413 | 220Ω ± 1% 1/4W ERD | NR01221140 |
| C554 | | 9965 000 01560 | FILM 270pF ±5%100V OFC | OF55271540 | R615 | | 4822 111 20413 | 220Ω ± 1% 1/4W ERD | NR01221140 |
| C555 | | 9965 000 01344 | FILM 100pF ±5%100V | OF15101540 | R616 | | 4822 111 20413 | 220Ω ± 1% 1/4W ERD | NR01221140 |
| C556 | | 9965 000 01344 | FILM 100pF ±5%100V | OF15101540 | R617 | | 4822 050 23308 | 3.3MΩ ±5%1/6W | GD05335160 |
| C557 | | 5322 124 21731 | ELECT. 10μF M 50V RA-2 | OA10605020 | R618 | | 4822 050 23308 | 3.3MΩ ±5%1/6W | GD05335160 |
| C558 | | 5322 124 21731 | ELECT. 10μF M 50V RA-2 | OA10605020 | R619 | | 4822 050 23308 | 3.3MΩ ±5%1/6W | GD05335160 |
| C559 | | 4822 124 80067 | ELECT. 4.7μF M 50V RA-2 | OA47505020 | R621 | | | | |
| C560 | | 4822 124 80067 | ELECT. 4.7μF M 50V RA-2 | OA47505020 | } | | 4822 053 10681 | 680Ω ±5%1W | GA05681010 |
| C561 | | 9965 000 01583 | FILM 0.047μF ±5%50V MTFV | OF15473040 | R624 | | | | |
| C562 | | 9965 000 01583 | FILM 0.047μF ±5%50V MTFV | OF15473040 | R627 | | 9965 000 01566 | TRIM. VARIABLE 2.2kΩ | RA02220760 |
| C563 | | 4822 124 12276 | FILM 0.01μF ± 5% | OF15103540 | R628 | | 4822 052 10109 | 10Ω ±5%1/6W | GG05100160 |
| C564 | | 4822 124 12276 | FILM 0.01μF ± 5% | OF15103540 | R629 | | 4822 052 10101 | 100Ω ±5%1/6W | GG05101160 |
| C565 | | 9965 000 01344 | FILM 100pF ±5%100V | OF15101540 | R630 | | 4822 052 10101 | 100Ω ±5%1/6W | GG05101160 |
| C566 | | 9965 000 01344 | FILM 100pF ±5%100V | OF15101540 | ▲ R631 | | 4822 050 22209 | 22Ω ±5%1/4W | GG05220140 |
| C567 | | | | | ▲ R632 | | 4822 050 22209 | 22Ω ±5%1/4W | GG05220140 |
| C570 | | 4822 124 90365 | ELECT. 220μF M 25V RA-2 | OA22702520 | R633 | | 4822 052 10471 | 470Ω ±5%1/6W | GG05471160 |
| ▲ R563 } | | | | | R634 | | 4822 052 10471 | 470Ω ±5%1/6W | GG05471160 |
| ▲ R576 | | 4822 052 10101 | 100Ω ±5%1/6W | GG05101160 | R635 | | 4822 050 26809 | 68Ω ±5%1/6W | GG05680160 |
| R577 | | 4822 101 30735 | VAR. 10kΩ X2 B | RM01030720 | R636 | | 4822 050 26809 | 68Ω ±5%1/6W | GG05680160 |
| R578 | | 4822 101 30735 | VAR. 10kΩ X2 B | RM01030720 | ▲ R637 | | 4822 052 10151 | 150Ω ±5%1/6W | GG05151160 |
| | | | | | R638 | | | JUMPER JUMPER WIRE 5MM | 75060501P0 |
| | | | | | R639 | | 4822 052 10109 | 10Ω ±5%1/6W | GG05100160 |

| POS. NO | VERS. COLOR | PART NO. (FOR PCS) | DESCRIPTION | PART NO. (MUJ) |
|-------------|-------------|--------------------|---|----------------|
| R640 | | 4822 052 10109 | 10Ω ±5%1/6W | GG05100160 |
| ▲ R641 | | 4822 111 91402 | FIXED 0.10Ω x 2 3W | BZ10102010 |
| R642 | | 4822 052 10102 | 1kΩ ±5%1/6W | GG05102160 |
| R643 | | 4822 052 10102 | 1kΩ ±5%1/6W | GG05102160 |
| R*** | | | P601-RESISTORS (COMMON) CARBON FILM FIXED RES. ±5% 1/6W : R601-R604 R611 R612 R620 R625 R626 R644-R647 | |
| | | | P601-SEMICONDUCTORS | |
| D601 | | 4822 130 83385 | ZENER DIODE HZ20L-1 | HD30020010 |
| D602 | | 4822 130 83385 | ZENER DIODE HZ20L-1 | HD30020010 |
| D603 | | 4822 130 32362 | DIODE 1SS176 MA165 1SS254 30V 0.1A | HD20002000 |
| D604 | | 4822 130 80837 | DIODE HSS81TD 150V 150mA | HD20027010 |
| D605 | | 4822 130 32362 | DIODE 1SS176 MA165 1SS254 30V 0.1A | HD20002000 |
| D612 | | 4822 130 33948 | ZENER DIODE 5.6V | HD30561000 |
| D613 | | 4822 130 33948 | ZENER DIODE 5.6V | HD30561000 |
| D614 | | 4822 130 80837 | DIODE HSS81TD 150V 150mA | HD20027010 |
| D615 | | 4822 130 80837 | DIODE HSS81TD 150V 150mA | HD20027010 |
| D616 | | 4822 130 80837 | DIODE HSS81TD 150V 150mA | HD20027010 |
| D617 | | 4822 130 80837 | DIODE HSS81TD 150V 150mA | HD20027010 |
| K601 | | | TRS. KIT 2SA1837 & 2SC4793 HFE SELECTED RANK | HK183719C0 |
| Q601 | | | IC NEW HDAM | KH313J1010 |
| Q602 | | 4822 130 60526 | TRS. 2SD1508 DARLINGTON TR.HFE>4000 | HT415080A0 |
| Q603 | | 4822 130 42949 | TRS. 2SA970 GR OR BL | HT109702A0 |
| Q604 | | 4822 130 43233 | TRS. 2SC2240 GR OR BL | HT322402A0 |
| Q605 | | 4822 130 42949 | TRS. 2SA970 GR OR BL | HT109702A0 |
| Q606 | | 4822 130 43233 | TRS. 2SC2240 GR OR BL | HT322402A0 |
| Q607 | | 4822 130 43283 | TRS. 2SC2705 O OR Y | HT327052A0 |
| Q608 | | 4822 130 42999 | TRS. 2SA1145 O OR Y | HT111452A0 |
| Q609 | | 4822 130 42999 | TRS. 2SA1145 O OR Y | HT111452A0 |
| Q610 | | 4822 130 43283 | TRS. 2SC2705 O OR Y | HT327052A0 |
| Q611 | | 4822 130 43283 | TRS. 2SC2705 O OR Y | HT327052A0 |
| Q612 | | 4822 130 42999 | TRS. 2SA1145 O OR Y | HT111452A0 |
| ▲ Q613 | | 4822 130 63635 | TRS. 2SC4793 O Y | HT347932A0 |
| ▲ Q614 | | 4822 130 63634 | TRS. 2SA1837 O Y | HT118372A0 |
| ▲ Q615 | | 4822 130 60741 | TRS. 2SC3284 O P Y 125W FMG112 | HT332843D0 |
| ▲ Q616 | | 4822 130 63674 | TRS. 2SA1303 O P Y 125W FMG112 | HT113033D0 |
| Q617 | | 4822 130 43233 | TRS. 2SC2240 GR OR BL | HT322402A0 |
| Q618 | | 4822 130 42949 | TRS. 2SA970 GR OR BL | HT109702A0 |
| | | | P701-POWER AMP R CIRCUIT BOARD | |
| | | | P701-CAPACITORS | |
| C701 | | 9965 000 01560 | FILM 270pF ±5%100V OFC | OF55271540 |
| C702 | | 4822 121 10867 | FILM 0.1μF ±5%100V OFC | OF55104540 |
| C703 | | 4822 124 90365 | ELECT. 220μF M 25V RA-2 | OA22702520 |
| C704 | | 4822 124 90365 | ELECT. 220μF M 25V RA-2 | OA22702520 |
| C705 | | 9965 000 01561 | MICA 10pF ± 0.5pF 500V FE | DF31100520 |
| C707 | /F,/U | | ELECT. 10μF M 100V RA-2 | OA10610020 |
| C707 | /K,/N,/S | 9965 000 02015 | ELECT. 22μF M 25V ARS | OA22602540 |
| C708 | | 4822 124 12276 | FILM 0.01μF ± 5% | OF15103540 |
| C710 | | 4822 124 22273 | ELECT. 0.47μF M 50V RA-2 | OA47405020 |
| C711 | | 9965 000 01562 | ELECT 10μF M 50V RA2BP | EQ106605090 |
| C712 | | 9965 000 01562 | ELECT 10μF M 50V RA2BP | EQ106605090 |
| C713 | /F,/U | | ELECT. 330μF M 50V RA-2 | OA33705020 |
| C713 | /K,/N,/S | 9965 000 02014 | ELECT. 220μF M 50V ARS | OA22705040 |
| C714 | /F,/U | | ELECT. 330μF M 50V RA-2 | OA33705020 |
| C714 | /K,/N,/S | 9965 000 02014 | ELECT. 220μF M 50V ARS | OA22705040 |
| C715 | | 9965 000 01564 | FILM 680pF ±5%100V OFC | OF55681540 |

| POS. NO | VERS. COLOR | PART NO. (FOR PCS) | DESCRIPTION | PART NO. (MUJ) |
|-------------|-------------|--------------------|---|--------------------------|
| R705 | | 4822 111 20413 | 220Ω ± 1% 1/4W ERD | NR01221140 |
| ▲ R707 | | 4822 052 10102 | 1kΩ ±5%1/6W | GG05102160 |
| ▲ R708 | | 4822 052 10102 | 1kΩ ±5%1/6W | GG05102160 |
| ▲ R709 | | 4822 111 31001 | 330Ω ±5%1/6W | GG05331160 |
| ▲ R710 | | 4822 111 31001 | 330Ω ±5%1/6W | GG05331160 |
| R713 | | 9965 000 01565 | 68Ω ± 1% 1/4W ERD | NR01680140 |
| R714 | | 4822 111 20413 | 220Ω ± 1% 1/4W ERD | NR01221140 |
| R715 | | 4822 111 20413 | 220Ω ± 1% 1/4W ERD | NR01221140 |
| R716 | | 4822 111 20413 | 220Ω ± 1% 1/4W ERD | NR01221140 |
| R717 | | 4822 050 23308 | 3.3MΩ ±5%1/6W | GD05335160 |
| R718 | | 4822 050 23308 | 3.3MΩ ±5%1/6W | GD05335160 |
| R719 | | 4822 050 23308 | 3.3MΩ ±5%1/6W | GD05335160 |
| R721 | | 4822 053 10681 | 680Ω ±5%1W | GA05681010 |
| ∫ | | | | |
| R724 | | 9965 000 01566 | TRIM. VARIABLE 2.2kΩ | RA02220760 |
| R727 | | 4822 052 10109 | 10Ω ±5%1/6W | GG05100160 |
| R728 | | 4822 052 10101 | 100Ω ±5%1/6W | GG05101160 |
| R729 | | 4822 052 10101 | 100Ω ±5%1/6W | GG05101160 |
| R730 | | 4822 052 10101 | 100Ω ±5%1/6W | GG05101160 |
| ▲ R731 | | 4822 050 22209 | 22Ω ±5%1/4W | GG05220140 |
| ▲ R732 | | 4822 050 22209 | 22Ω ±5%1/4W | GG05220140 |
| R733 | | 4822 052 10471 | 470Ω ±5%1/6W | GG05471160 |
| R734 | | 4822 052 10471 | 470Ω ±5%1/6W | GG05471160 |
| R735 | | 4822 050 26809 | 68Ω ±5%1/6W | GG05680160 |
| R736 | | 4822 050 26809 | 68Ω ±5%1/6W | GG05680160 |
| ▲ R737 | | 4822 052 10151 | 150Ω ±5%1/6W JUMPER WIRE 5MM | GG05151160 75060501P0 |
| R738 | | 4822 052 10109 | 10Ω ±5%1/6W | GG05100160 |
| R739 | | 4822 052 10109 | 10Ω ±5%1/6W | GG05100160 |
| R740 | | 4822 111 91402 | 0.100HMx2 3W | BZ10102010 |
| ▲ R741 | | 4822 052 10102 | 1kΩ ±5%1/6W | GG05102160 |
| R742 | | 4822 052 10102 | 1kΩ ±5%1/6W | GG05102160 |
| R743 | | 4822 052 10102 | 1kΩ ±5%1/6W | GG05102160 |
| R*** | | | P701-RESISTORS (COMMON) CARBON FILM FIXED RES. ±5% 1/6W : R701-R704 R711 R712 R720 R725 R726 R744-R747 | |
| | | | P701-SEMICONDUCTORS | |
| D701 | | 4822 130 83385 | ZENER DIODE HZ20L-1 | HD30020010 |
| D702 | | 4822 130 83385 | ZENER DIODE HZ20L-1 | HD30020010 |
| D703 | | 4822 130 32362 | DIODE 1SS176 MA165 1SS254 30V 0.1A | HD20002000 |
| D704 | | 4822 130 80837 | DIODE HSS81TD 150V 150MA | HD20027010 |
| D705 | | 4822 130 32362 | DIODE 1SS176 MA165 1SS254 30V 0.1A | HD20002000 |
| ∫ | | | | |
| D712 | | 4822 130 33948 | ZENER DIODE 5.6V | HD30561000 |
| D713 | | 4822 130 33948 | ZENER DIODE 5.6V | HD30561000 |
| D714 | | 4822 130 80837 | DIODE HSS81TD 150V 150mA | HD20027010 |
| D715 | | 4822 130 80837 | DIODE HSS81TD 150V 150mA | HD20027010 |
| D716 | | 4822 130 80837 | DIODE HSS81TD 150V 150mA | HD20027010 |
| D717 | | 4822 130 80837 | DIODE HSS81TD 150V 150mA | HD20027010 |
| K701 | | | TRS. KIT 2SA1837 & 2SC4793 HFE SELECTED RANK | HK183719C0 |
| Q701 | | | IC NEW HDAM | KH313J1010 |
| Q702 | | 4822 130 60526 | TRS. 2SD1508 DARLINGTON TR.HFE>4000 | HT415080A0 |
| Q703 | | 4822 130 42949 | TRS. 2SA970 GR OR BL | HT109702A0 |
| Q704 | | 4822 130 43233 | TRS. 2SC2240 GR OR BL | HT322402A0 |
| Q705 | | 4822 130 42949 | TRS. 2SA970 GR OR BL | HT109702A0 |
| Q706 | | 4822 130 43233 | TRS. 2SC2240 GR OR BL | HT322402A0 |
| Q707 | | 4822 130 43283 | TRS. 2SC2705 O OR Y | HT327052A0 |
| Q708 | | 4822 130 42999 | TRS. 2SA1145 O OR Y | HT111452A0 |
| Q709 | | 4822 130 42999 | TRS. 2SA1145 O OR Y | HT111452A0 |
| Q710 | | 4822 130 43283 | TRS. 2SC2705 O OR Y | HT327052A0 |
| Q711 | | 4822 130 43283 | TRS. 2SC2705 O OR Y | HT327052A0 |
| Q712 | | 4822 130 42999 | TRS. 2SA1145 O OR Y | HT111452A0 |

| POS. NO | VERS. COLOR | PART NO. (FOR PCS) | DESCRIPTION | PART NO. (MJJ) | POS. NO | VERS. COLOR | PART NO. (FOR PCS) | DESCRIPTION | PART NO. (MJJ) | |
|---------|-------------|--------------------|--|----------------|---------|-------------|--------------------|-------------------------------------|--------------------------|------------|
| ▲ Q713 | | 4822 130 63635 | TRS. 2SC4793 O Y | HT347932A0 | ▲ D801 | | | P801-SEMICONDUCTORS | | |
| ▲ Q714 | | 4822 130 63634 | TRS. 2SA1837 O Y | HT118372A0 | ▲ D808 | | 4822 130 80839 | | DIODE S5688G | HD20029050 |
| ▲ Q715 | | 4822 130 60741 | TRS. 2SC3284 O P Y | HT332843D0 | D809 | | 4822 130 10851 | | VRM=400V I0=1A | |
| Q716 | | 4822 130 63674 | 125W FMG112 | HT113033D0 | D810 | | 4822 130 10851 | | ZENER DIODE HZ24-2L | HD30012010 |
| Q717 | | 4822 130 43233 | TRS. 2SC2240 GR OR BL | HT322402A0 | D811 | | 4822 130 80839 | | ZENER DIODE HZ24-2L | HD30012010 |
| Q718 | | 4822 130 42949 | TRS. 2SA970 GR OR BL | HT109702A0 | D812 | | 4822 130 80839 | | DIODE S5688G | HD20029050 |
| | | | P801-POWER SUPPLY & PROTECTOR CIRCUIT BOARD | | D813 | | 4822 130 80839 | | VRM=400V I0=1A | HD20029050 |
| C801 | | 9965 000 01577 | P801-CAPACITORS | | ▲ D814 | | 4822 130 80839 | | DIODE S5688G | HD20029050 |
| C802 | | 9965 000 01577 | ELECT 1800µF 50V FOR AUDIO | EB18805020 | D815 | | 4822 130 80116 | | VRM=400V I0=1A | HD20029050 |
| C805 | | 4822 124 90355 | ELECT. 1800µF 50V FOR AUDIO | EB18805020 | ▲ D816 | | 4822 130 80839 | | DIODE S5688G | HD20029050 |
| C806 | | 4822 124 90355 | ELECT. 100µF M 50V RA-2 | OA10705020 | ▲ D817 | | 4822 130 80839 | | VRM=400V I0=1A | HD20029050 |
| C807 | | 4822 124 90366 | ELECT. 100µF M 50V RA-2 | OA10705020 | D818 | | 4822 130 80839 | | DIODE S5688G | HD20029050 |
| C808 | | 4822 124 90366 | ELECT. 220µF M 50V RA-2 | OA22705020 | ▲ D819 | | 4822 130 80839 | | VRM=400V I0=1A | HD20029050 |
| C809 | | 4822 124 41542 | ELECT. 220µF M 50V RA-2 | OA22705020 | ▲ D820 | | 4822 130 80839 | | DIODE S5688G | HD20029050 |
| C810 | | 4822 124 41542 | ELECT. 470µF M 50V RA-2 | OA47705020 | D901 | | 4822 130 80837 | | VRM=400V I0=1A | HD20029050 |
| C811 | | 4822 124 41535 | ELECT. 100µF M 25V RA-2 | OA10702520 | D902 | | 4822 130 80837 | | DIODE S5688G | HD20029050 |
| C812 | | 4822 124 90366 | ELECT. 100µF M 50V RA-2 | OA22705020 | D951 | | 4822 130 32362 | | VRM=400V I0=1A | HD20029050 |
| C813 | | 4822 124 90355 | ELECT. 100µF M 50V RA-2 | OA10705020 | D952 | | 4822 130 33948 | | DIODE S5688G | HD20029050 |
| C814 | | 4822 124 41534 | ELECT. 10µF M 25V RA-2 | OA10602520 | ▲ Q801 | | 4822 130 11605 | | VRM=400V I0=1A | HD20029050 |
| C815 | | 4822 124 41543 | ELECT. 1µF M 50V RA-2 | OA10505020 | ▲ Q802 | | 4822 130 11604 | | DIODE HSS81TD 150V 150mA | HD20027010 |
| C816 | | 4822 124 12276 | ELECT. 1µF M 50V RA-2 | OA10505020 | Q803 | | 4822 130 42836 | DIODE HSS81TD 150V 150mA | HD20027010 | |
| C901 | | 4822 124 12276 | FILM 0.01µF ± 5% | OF15103540 | Q804 | | 4822 130 42836 | DIODE 1SS176 MA165 1SS254 | HD20002000 | |
| C902 | | 4822 124 12276 | FILM 0.01µF ± 5% | OF15103540 | ▲ Q805 | | 4822 130 11605 | 30V 0.1A | HD30561000 | |
| C903 | | 4822 124 22698 | FILM 0.01µF ± 5% | OF15103540 | Q806 | | 4822 130 42836 | ZENER DIODE 5.6V EQUIVALENT | | |
| C904 | | 4822 122 40617 | ELECT. 47µF M 25V RA-2 | OA47602520 | ▲ Q807 | | 4822 209 83821 | | | |
| C905 | | 4822 122 40617 | CER. 0.1µF +8%-20% DC50V | DD38104010 | Q901 | | 4822 209 83312 | | | |
| C906 | | 5322 124 21731 | ELECT. 10µF M 50V RA-2 | OA10605020 | Q951 | | 4822 130 42836 | | | |
| C907 | | 4822 124 22698 | ELECT. 47µF M 25V RA-2 | OA47602520 | Q952 | | 4822 130 43233 | | | |
| C908 | | 4822 124 22698 | ELECT. 47µF M 25V RA-2 | OA47602520 | Q953 | | 4822 130 43233 | | | |
| C909 | | 4822 124 22273 | ELECT. 0.47µF M 50V RA-2 | OA47405020 | Q954 | | 4822 130 60117 | | | |
| C907 | | 9965 000 01575 | FILM 0.039µF ±5%100V OFC | OF55393540 | Q955 | | 4822 209 83679 | | | |
| C908 | | 9965 000 01575 | FILM 0.039µF ±5%100V OFC | OF55393540 | | | | | | |
| C909 | /K,/N,/S | 4822 124 12276 | FILM 0.01µF ± 5% | OF15103540 | | | | | | |
| C910 | /K,/N,/S | 4822 124 12276 | FILM 0.01µF ± 5% | OF15103540 | | | | | | |
| C951 | | 4822 122 40617 | CER. 0.1µF +8%-20% DC50V | DD38104010 | | | | | | |
| C952 | | 4822 124 41543 | ELECT. 1µF M 50V | OA10505020 | | | | | | |
| C953 | | 4822 124 41535 | ELECT. 100µF M 25V RA-2 | OA10702520 | | | | | | |
| | | | P801-RESISTORS | | | | | | | |
| ▲ R801 | | 4822 050 21108 | 1Ω ±5%1/2W | GG05010120 | | | | | | |
| ▲ R802 | | 4822 050 21108 | 1Ω ±5%1/2W | GG05010120 | | | | | | |
| ▲ R803 | | 4822 052 10101 | 100Ω ±5%1/6W | GG05101160 | | | | | | |
| ▲ R804 | | 4822 052 10101 | 100Ω ±5%1/6W | GG05101160 | | | | | | |
| ▲ R807 | | 4822 050 24708 | 4.7Ω ±5%1/4W | GG05047140 | | | | | | |
| ▲ R808 | | 4822 050 24708 | 4.7Ω ±5%1/4W | GG05047140 | | | | | | |
| ▲ R809 | | 4822 117 10158 | 1Ω ±5%1/4W | GG05010140 | | | | | | |
| ▲ R810 | | 4822 052 10101 | 100Ω ±5%1/6W | GG05101160 | ▲ G801 | | 4822 121 20263 | P801-MISCELLANEOUS | | |
| ▲ R812 | | 4822 050 24708 | 4.7Ω ±5%1/4W | GG05047140 | | | | CAP.COMP. 0.47µF + 6.8Ω | BF47400010 | |
| ▲ R813 | | 4822 113 90119 | FUSE 22Ω G 1/4W | NF02220140 | J908 | | 4822 267 41009 | NOISE KILLER | | |
| ▲ R814 | | 4822 113 90119 | FUSE 22Ω G 1/4W | NF02220140 | L801 | | 4822 158 60605 | TERMINAL 2P RCA PIN JACK | YT02020890 | |
| ▲ R816 | | 4822 052 10478 | 4.7Ω ±5%1/6W | GG05047160 | L901 | | 4822 280 70354 | FERRIT BEADS B-01-RT | FC90050060 | |
| ▲ R818 | | 4822 053 10339 | 33Ω ±5%1W | GA05330010 | | | | RELAY VB 24MBU-510 | LY20240310 | |
| ▲ R819 | | 4822 053 10339 | 33Ω ±5%1W | GA05330010 | | | | 5A/240VAC | | |
| R913 | | 4822 053 10109 | 10Ω ±5%1W | GA05100010 | L902 | | 9965 000 01576 | RELAY MR82-24USR | LY20240480 | |
| R914 | | 4822 053 10109 | 10Ω ±5%1W | GA05100010 | L905 | | 4822 158 60605 | FERRIT BEADS B-01-RT | FC90050060 | |
| R917 | | 4822 053 10331 | 330Ω ±5%1W | GA05331010 | U804 | | 4822 158 60605 | FERRITE BEADS B-01-RT | FC90050060 | |
| R918 | | 4822 053 10331 | 330Ω ±5%1W | GA05331010 | | | | | | |
| R951 | | 4822 052 10109 | 10Ω ±5%1/6W | GG05100160 | | | | | | |
| | | | P801-RESISTORS (COMMON) | | ▲ D861 | | 9965 000 01578 | P861-RECTIFIER CIRCUIT BOARD | | |
| | | | CARBON FILM FIXED RES. | | ▲ G861 | | 4822 121 20263 | DIODE D25XB60 | HE20029290 | |
| | | | ±5% 1/6W : R805 R806 R811 | | | | | 600V 25A BRIDGE-DI | | |
| | | | R815 R817 R901-R912 R923 | | | | | CAP.COMP. 0.47µF + 6.8Ω | BF47400010 | |
| | | | R952-R959 | | | | | NOISE KILLER | | |

| POS. NO | VERS. COLOR | PART NO. (FOR PCS) | DESCRIPTION | PART NO. (MJI) |
|-------------------|-------------|----------------------------------|--|--------------------------|
| ▲ J871 | /F,/U | 482226731417 | P871-AC-OUTLET CIRCUIT BOARD [F,U VERSION] JACK AC OUTLET CCT1306-0212 | YJ04001840 |
| ▲ C891 S891 | | 4822 121 43732 4822 276 12647 | P891-POWER SW CIRCUIT BOARD FILM 0.1μF M 250V AC PUSH SW. POWER ESB-99753V-4 TV-8 | DF77103500 SP01011470 |
| RM09 | | 4822 100 20681 | PM01-HDAM CIRCUIT BOARD FOR Q501 Q502 Q601 Q701 PM01-RESISTOR TRIM. 2.2kΩ RH0638C14R | RA02220780 |
| R*** | | | PM01-RESISTORS (COMMON) CARBON FILM FIXED RES. ±5% 1/6W : RM01-RM08 | |
| DM01 S DM05 | | 4822 130 32362 | PM01-SEMICONDUCTORS DIODE 1SS176 A165 1SS254 30V 0.1A | HD20002000 |
| QM01 | | 5322 130 41844 | F. E. T. 2SK170 BL VGDS=-40V PD=0.4V | HF201701G0 |
| QM02 | | 5322 130 41844 | F. E. T. 2SK170 BL VGDS=-40V PD=0.4V | HF201701G0 |
| QM03 | | 4822 130 43233 | TRS. 2SC2240 GR OR BL | HT322402A0 |
| QM04 | | 4822 130 42949 | TRS. 2SA970 GR OR BL | HT109702A0 |
| QM05 | | 4822 130 42949 | TRS. 2SA970 GR OR BL | HT109702A0 |
| QM06 | | 4822 130 43233 | TRS. 2SC2240 GR OR BL | HT322402A0 |