

Service Manual

**74 PM40/00B/01B/02B/05B/07B
10B/12B/15B/17B**

Stereo amplifier



PM-40



PM-40SE

TABLE OF CONTENTS

Section	Page
1. BLOCK DIAGRAM	2
2. SCHEMATIC DIAGRAM AND PARTS LOCATIONS (Pattern Side)	3
3. EXPLODED VIEW AND PARTS LIST	13
4. IDLING CURRENT ADJUSTMENT	14
5. HOW TO CHANGE THE SUPPLY VOLTAGE 01B/02B/05B/07B	14
6. TEST EQUIPMENT REQUIRED FOR SERVICING	15
7. VOLTAGE CONVERSION	15
8. ELECTRICAL PARTS LIST	16

marantz®

model PM-40/PM-40SE

First issue: 1990

4822 725 50913

HC

MARANTZ DESIGN AND SERVICE

Using superior design and selected high grade components, MARANTZ company has created the ultimate in stereo sound.

Only **original MARANTZ parts** can insure that your MARANTZ product will continue to perform to the specifications for which it is famous.

Parts for your MARANTZ equipment are generally available to our National Marantz Subsidiary or Agent.

ORDERING PARTS:

Parts can be ordered either by mail or by telex. In both cases, correct part number has to be specified. The following information must be supplied to eliminate delays in processing your order:

1. Complete address
2. Complete part numbers and quantities required
3. Description of parts
4. Model number for which part is required
5. Way of shipment
6. Signature: any order form or telex must be signed otherwise such part order will be considered as null and void.

PARTS ORDERING

Parts may be ordered at the following addresses:

AUSTRIA

HORNYPHON
Vertriebsgesellschaft GmbH
Wienerbergstrasse 1
A 1101 Wien
Austria
Telex: 132.332

FINLAND

MARANTZ
DIVISION OF OY PHILIPS Ab
Kaivokatu 8
00100 Helsinki
Finland
Telex: 124811

GREAT BRITAIN

MARANTZ AUDIO U.K. Ltd
Unit 15/16
Saxon Way Industrial Estate
Moor Lane
Harmondsworth UB7 OLW
Great Britain
Telex: 935196

SAUDI ARABIA

AL ALAMIAH ELECTRONICS
P.O.Box 5954
University Street
Riyadh 11432
Saudi Arabia
Telex: 401530

SWITZERLAND

MARANTZ
Technischer Service
Duenstrasse 3
3186 Dürdingen
Switzerland

BELGIUM

SVD DIVISION MARANTZ
Industrialaan 1
1720 Groot-Bijgaarden
Belgium
Telex: 24466

FRANCE

MARANTZ FRANCE
4 Rue Bernard Palissy
92600 Asnières
France
Telex: 611651

GREECE

SHERTON ELECTRONICS S.A.
P.O.Box 21025
Hippocrates Street 188
Athens 11471
Greece
Telex: 216.795

SOUTH AFRICA

MARANTZ
DIVISION OF PHILIPS S.A.
Main Road Martindale
P.O. Box. 58088
Newville 21114
South Africa

TURKEY

DOGRUOL Ltd.
I.M.C.
6 Blok N°6310
Unkapani
Istanbul
Turkey
Telex: 22085

CHILE

MARANTZ
DIVISION OF PHILIPS S.A.
AV. Santa Maria, 0760
Casilla 2687
Santiago
Telex: 240.239

GERMANY

MARANTZ GERMANY GmbH
Alexanderstrasse 1
2000 Hamburg
Germany

JAPAN

MARANTZ JAPAN, Inc.
35-1, 7-chome, Sagamiono
Sagamihara-shi, Kanagawa
Japan

SPAIN

PHONO S.A.
Ignacio Iglesias 10
Badalona (Barcelona)
Spain
Telex: 59355

MALTA

CACHIA & GALEA
Republic Street, 68D
Valetta
Telex: 1682

DENMARK

MARANTZ
DIVISION OF PHILIPS
SERVICE A/S
Prags Boulevard 80
Postbox 1919
DK-2300 København S
Denmark
Telex: 31201

THE NETHERLANDS

Elpro Marantz
Wint Hontlaan 28
3526 KV Utrecht
The Netherlands
Telex: 4748

KUWAIT

AL ALAMIAH ELECTRONICS
Ussama Building
Fahd al Saleem Street
P.O.Box 23781
Safat-Kuwait
Telex: 22694

SWEDEN

MARANTZ
DIVISION OF PHILIPS
Försäljning AB
Tegeluddsvägen 1
S-115 84 Stockholm
Sweden
Telex: 14060

PORTUGAL

MARANTZ
Divisao philips S.A. service
Oturela-carnaxide
2795 LinDA-A-VELHA
Telex: 43906

NORWAY

MARANTZ
DIVISION OF PHILIPS A/S
Sandstuveien 40
0680 Oslo 6
Norway
Telex: 72640

ITALY

MARANTZ ITALIANA S.P.A.
Via Chiese, 74
20126 Milano
Italy

MARANTZ INTERNATIONAL
Vestdijk 9
5600 MD Eindhoven
The Netherlands
Phone: +31/40.758290
Telefax: +31/40.75.82.99
Telex: 35000 PHTC NL routing IND NLMTFAT

All of the above locations are fully equipped to take care of your total service needs. Because various countries have differing configuration requirements, it is necessary that you contact the service facility in your particular country. In the event that there is no service location listed for your country, please, contact the nearest facility for the necessary assistance.

In case of difficulties, do not hesitate to contact the Technical Department at abovementioned address.

TECHNICAL SPECIFICATIONS (DIN)

Power Amplifier Section

IHF Dynamic Power		
2 ohms		: 100W
4 ohms		: 80W
8 ohms		: 54W
Power Output Per Channel		
DIN 8 ohms	1 kHz 1% THD	: 48W
FTC 4 ohms	40–20 kHz 0.15% THD	: 55W
FTC 8 ohms	40–20 kHz 0.08% THD	: 43W
Total Harmonic Distortion at 8 ohms		: 0.015%
I.M. Distortion at 8 ohms		: 0.015%
Damping Factor		: 100

Phono Amplifier Section

MM Cartridge Input		
Frequency Difference		: ±0.5 dB
Signal to Noise Ratio (A weighted)		: 87 dB
Input Sensitivity		: 2.5 mV
Input Impedance		: 47k Ohms

High Level Section

Frequency Response		: 10–60 kHz
Signal to Noise Ratio (A weighted)		: 87 dB
Input Sensitivity		: 150 mV
Input Impedance		: 33k Ohms
Tape Output Level [Phono (MM) 5 mV 1 kHz Input]		: 300 mV
Tape Output Impedance (Phono)		: 220 Ohms
		: 440 Ohms (only /02B/12B version)
Tone Control Action	100 Hz	: ±6 dB
	10 kHz	: ±6 dB

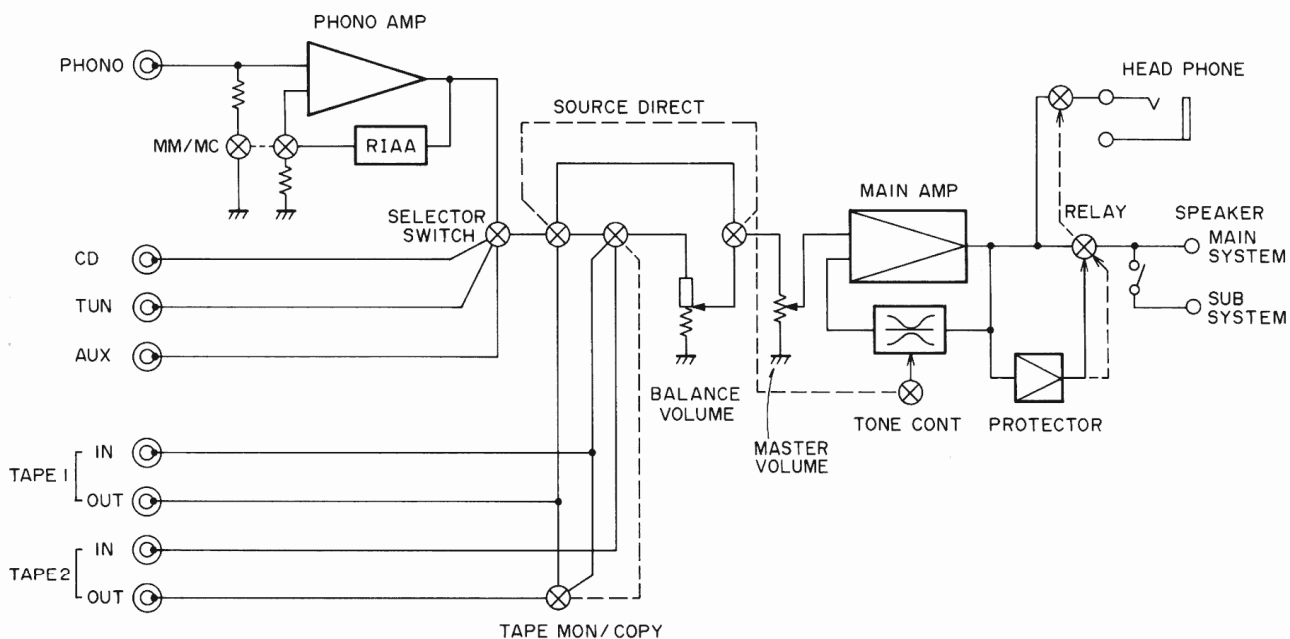
General

Power Requirements		
2 Voltage version		: 220V/240V
4 Voltage version		: 110V–240V
Power Consumption (Rated Power)		
AB Class Moode		: 170W
A Class Moode		: —
Dimensions		
Panel Width		: 420 mm
Panel Height		: 118 mm
Depth		: 280 mm
Weight		
Unit alone		: 10 kg

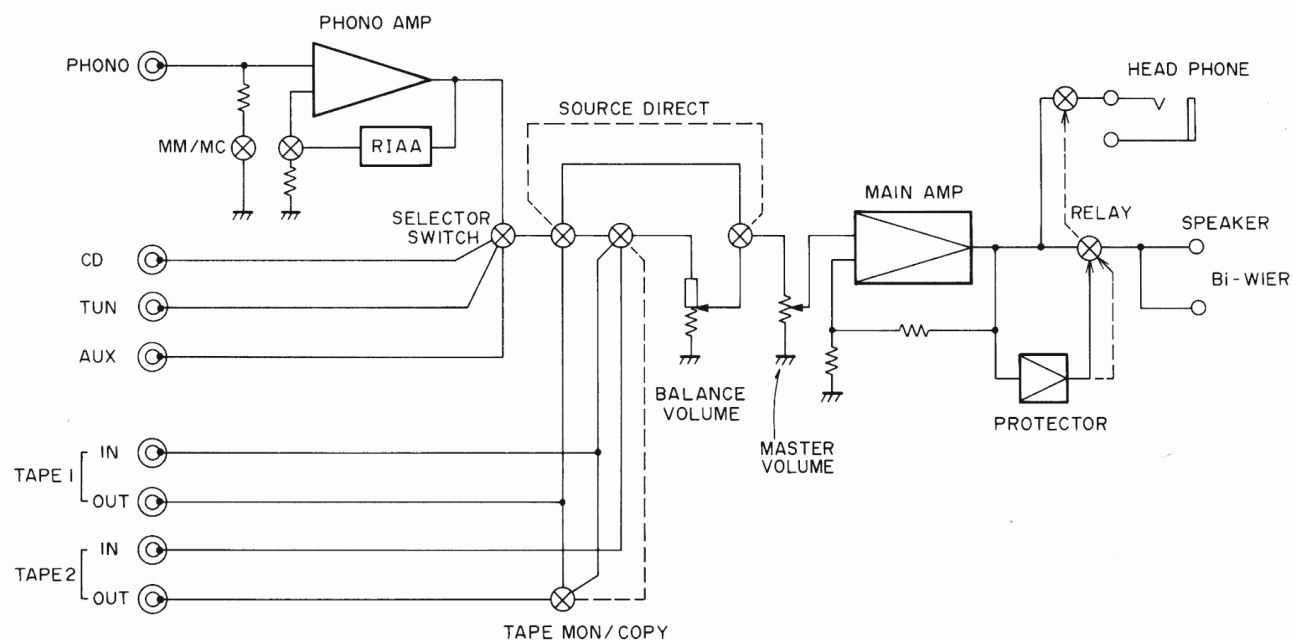
Specifications and appearance are subject to change for modification without notice.

1. BLOCK DIAGRAM

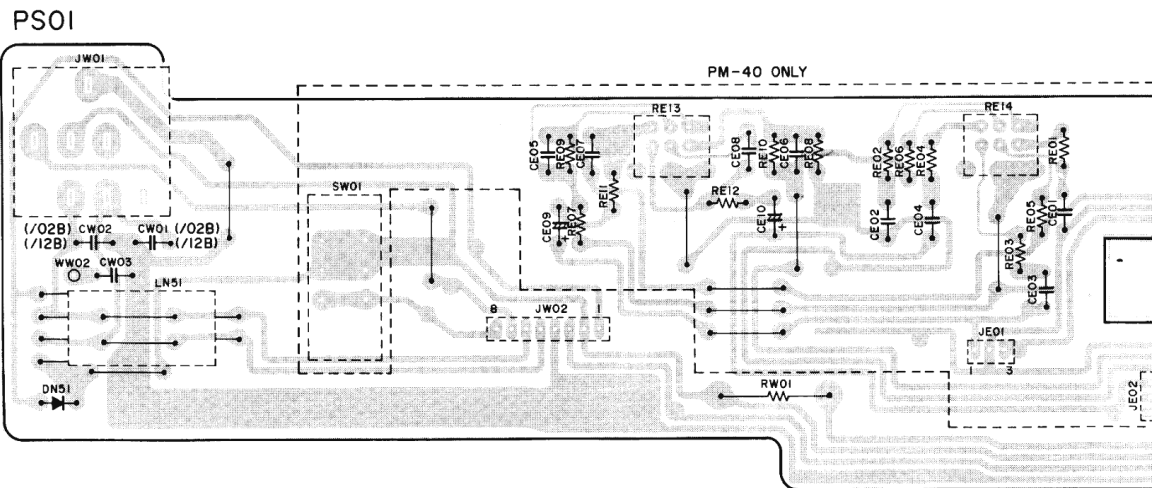
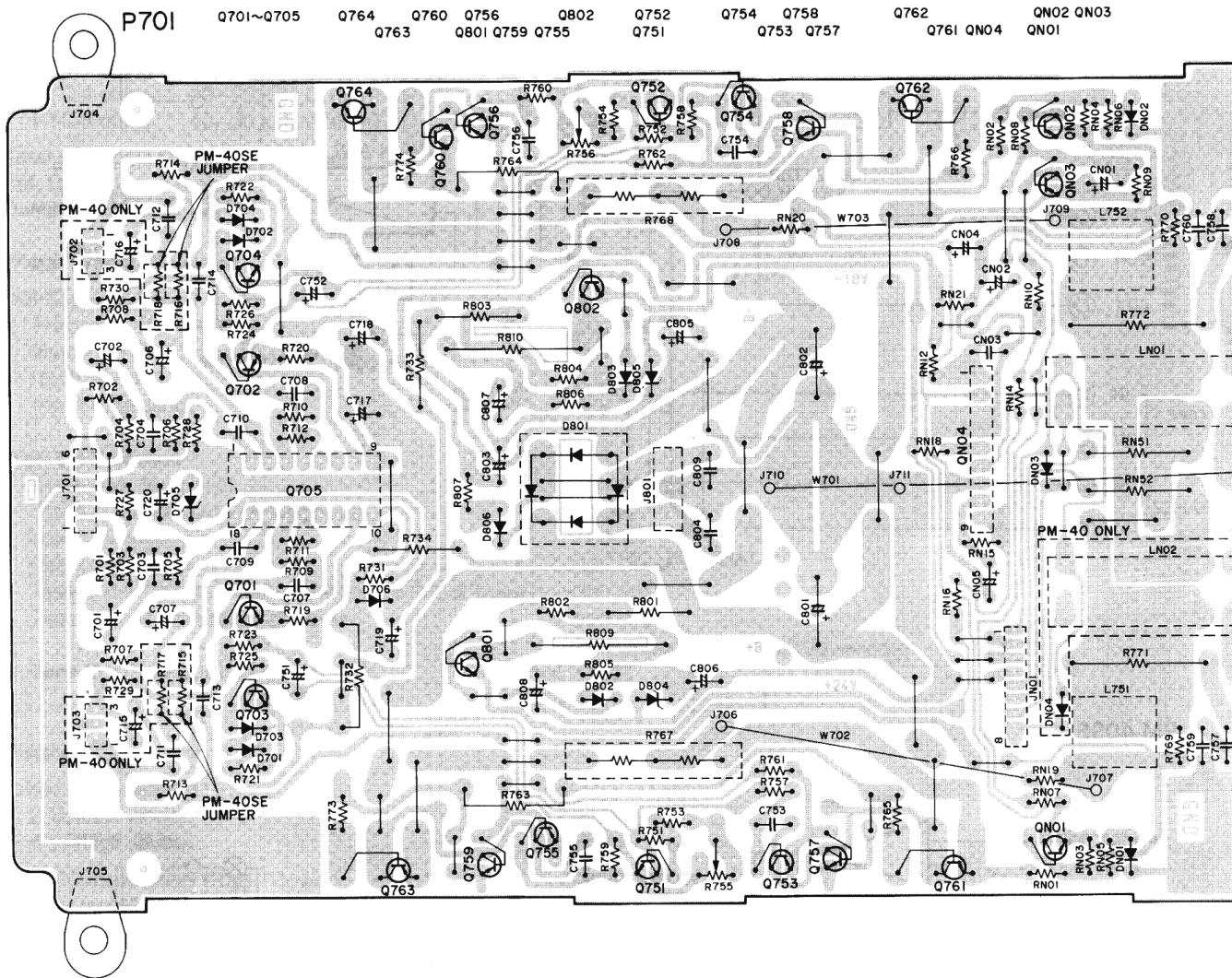
PM-40



PM-40SE



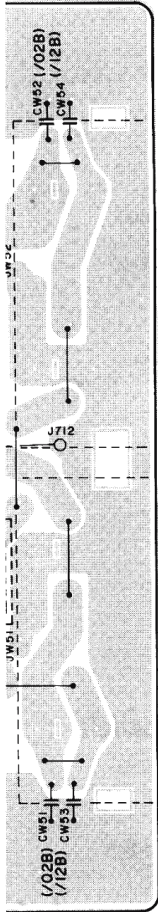
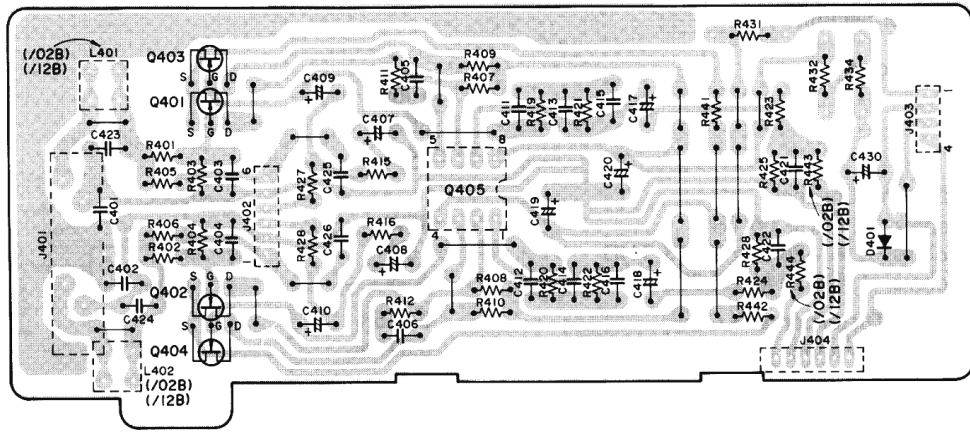
2. SCHEMATIC DIAGRAM AND PARTS LOCATION (Pattern side)



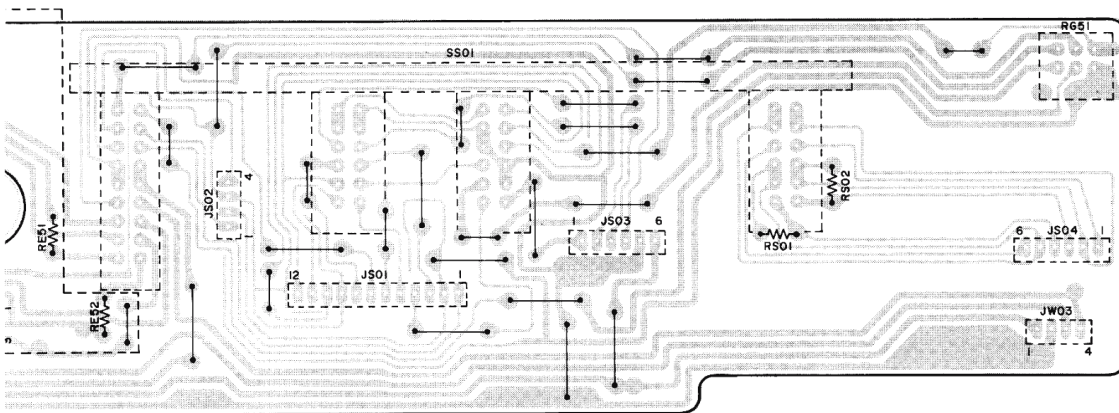
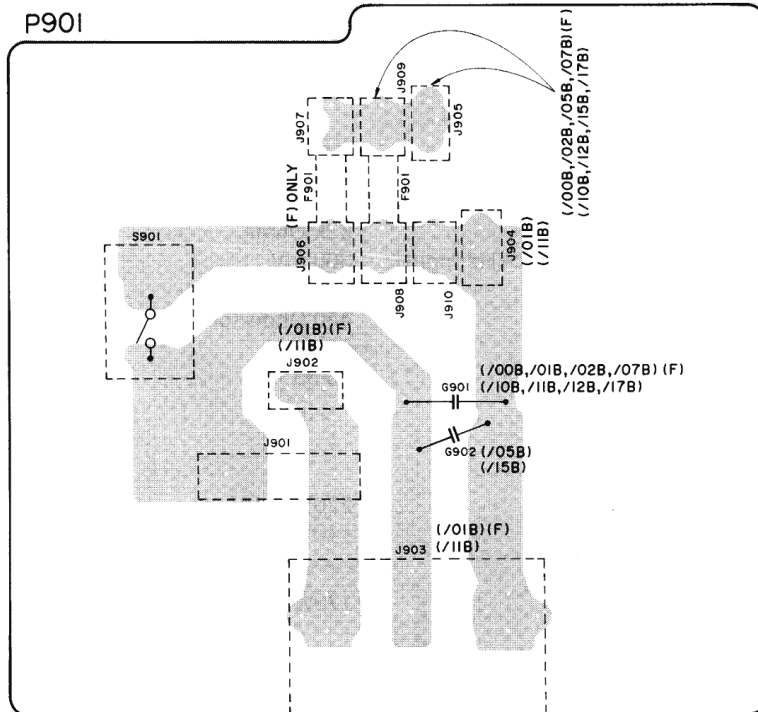
P401

Q401~Q404

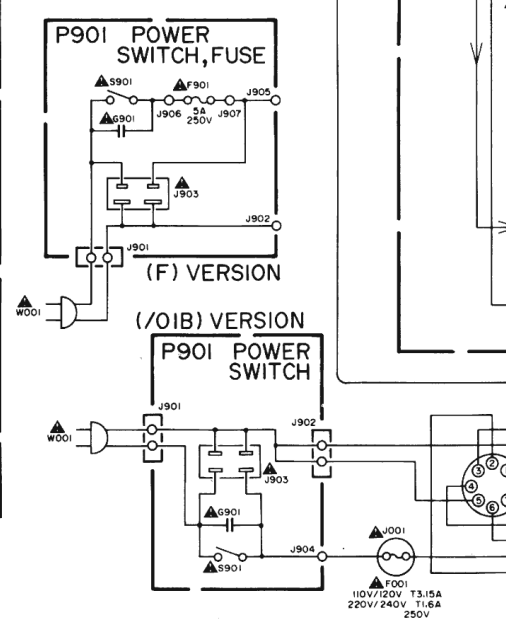
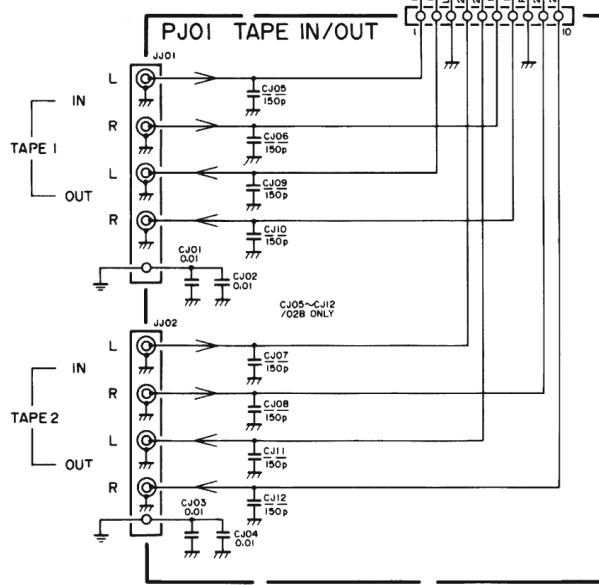
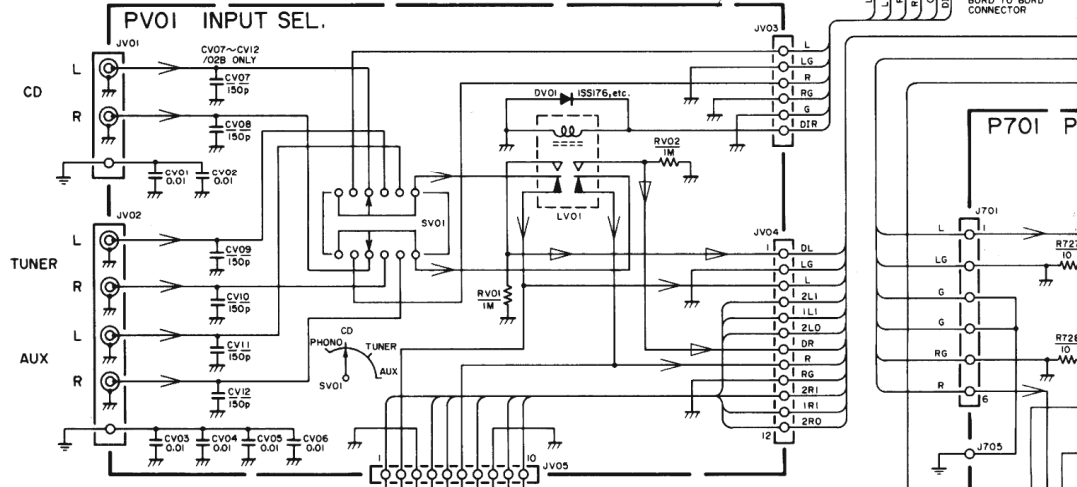
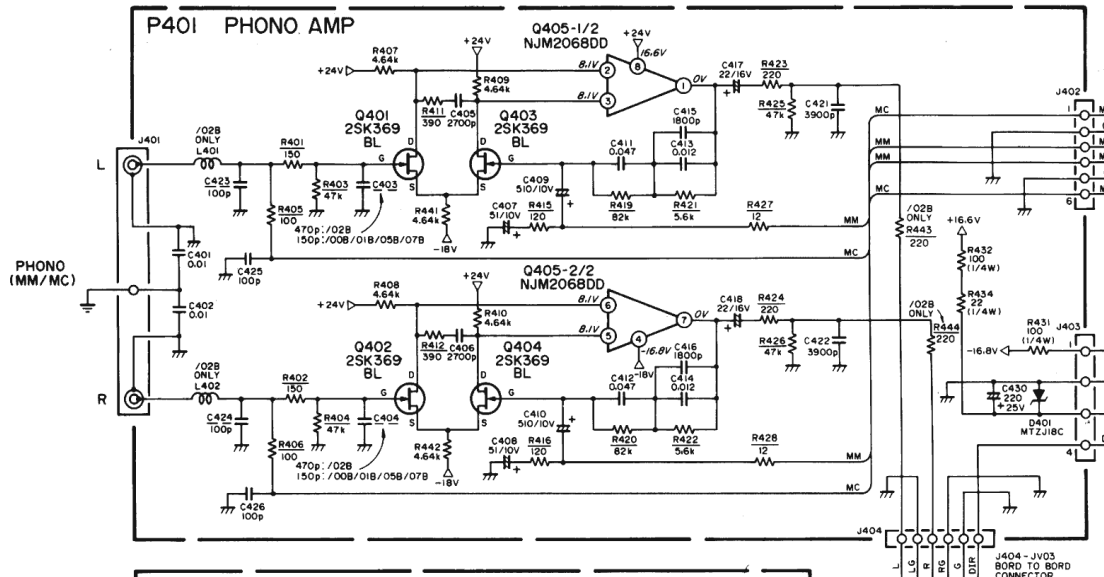
Q405

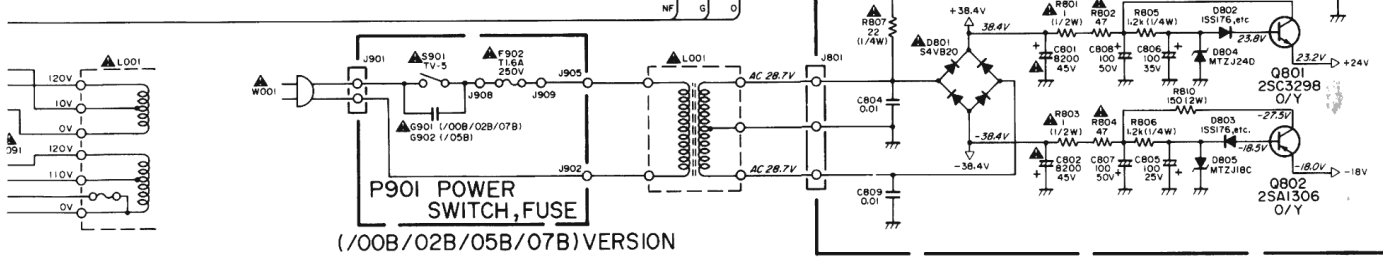
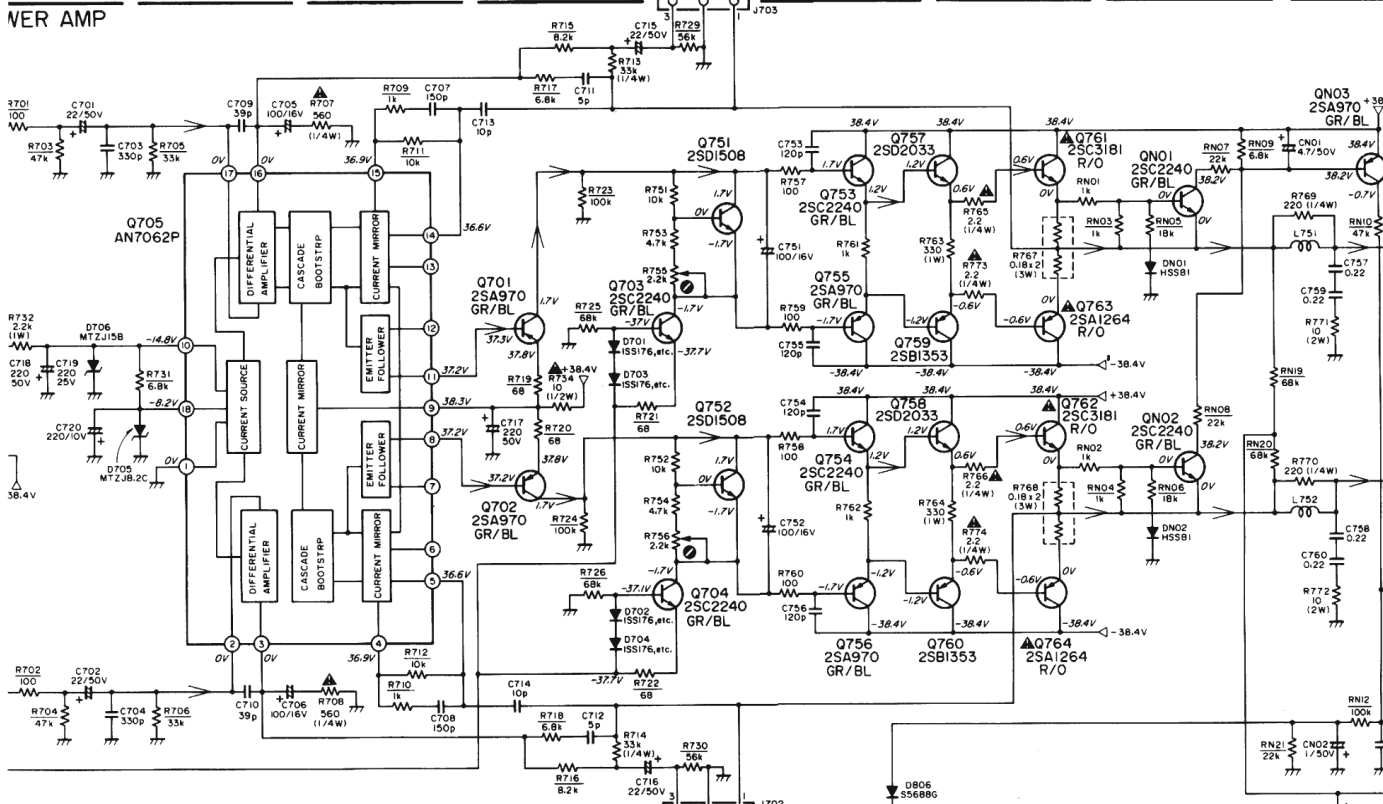
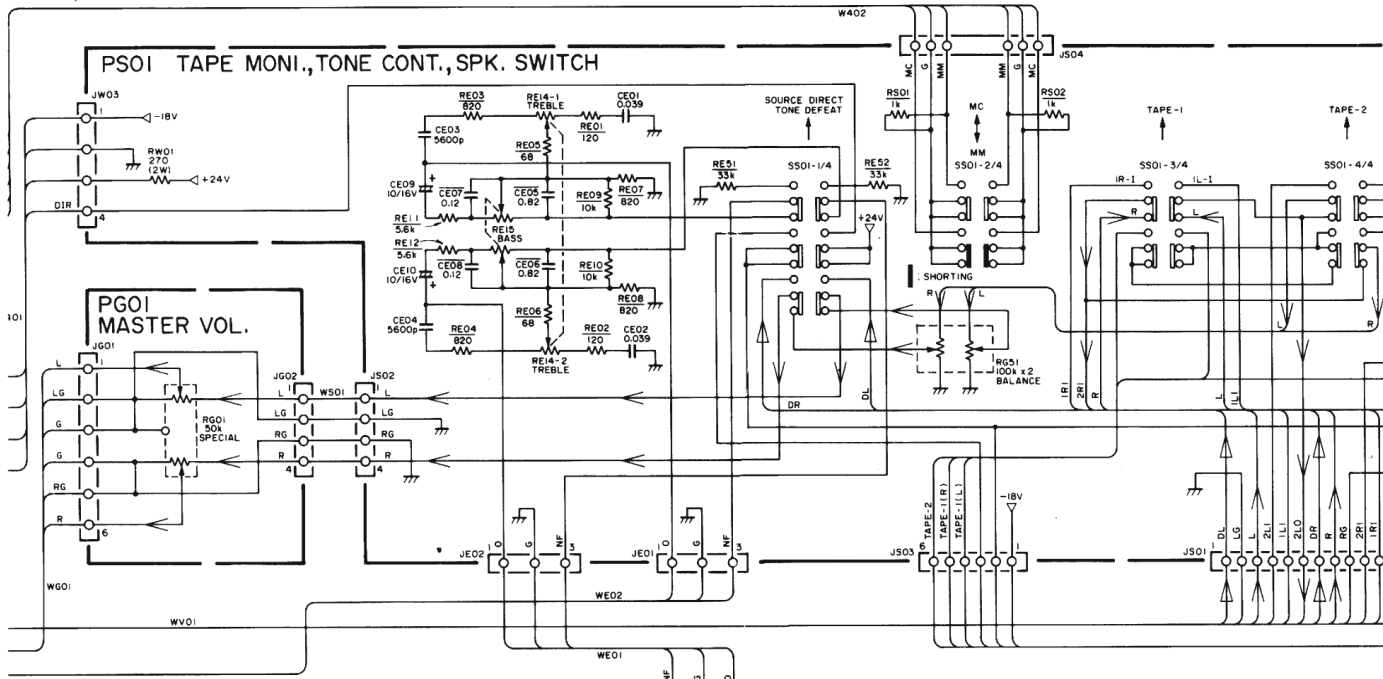


P901

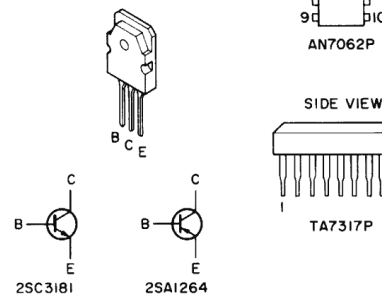
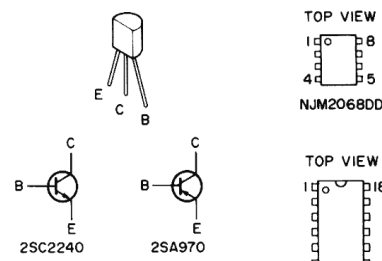
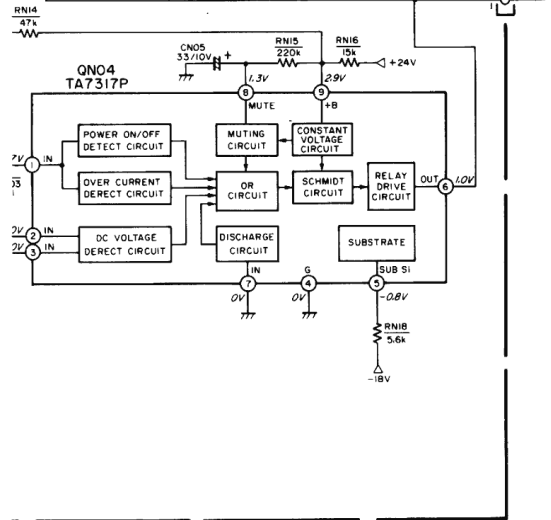
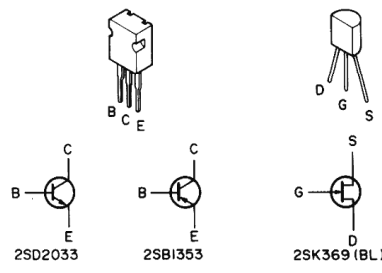
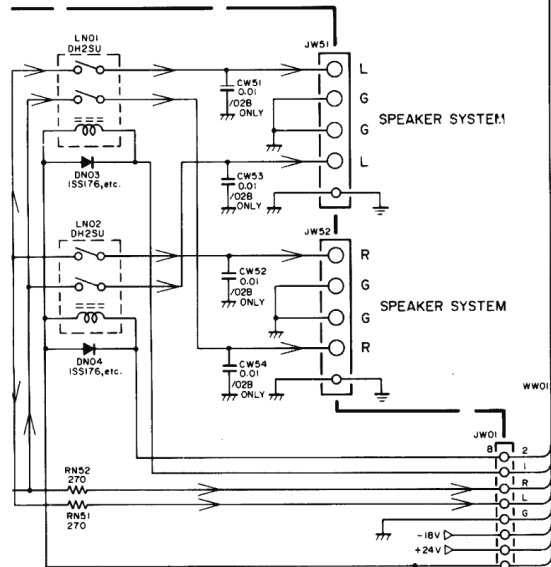
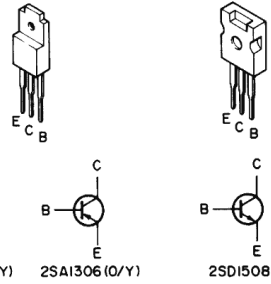
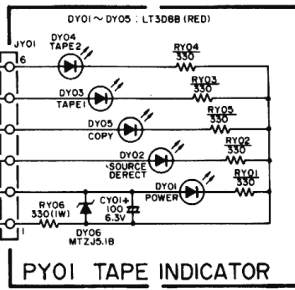
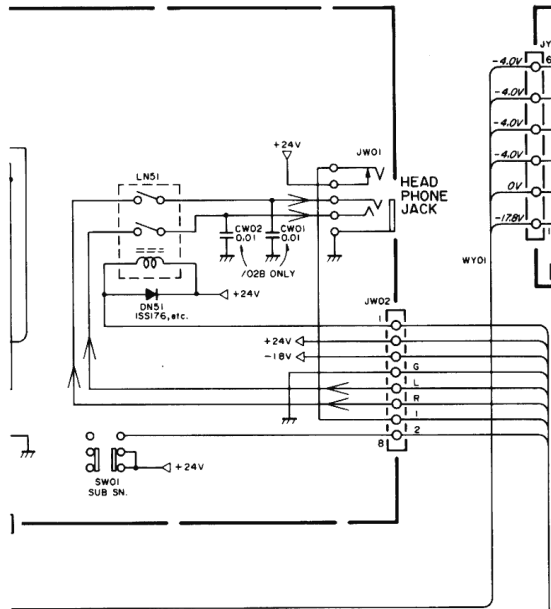


PM-40





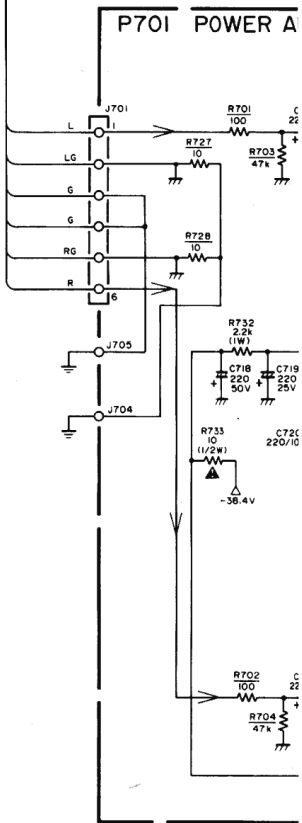
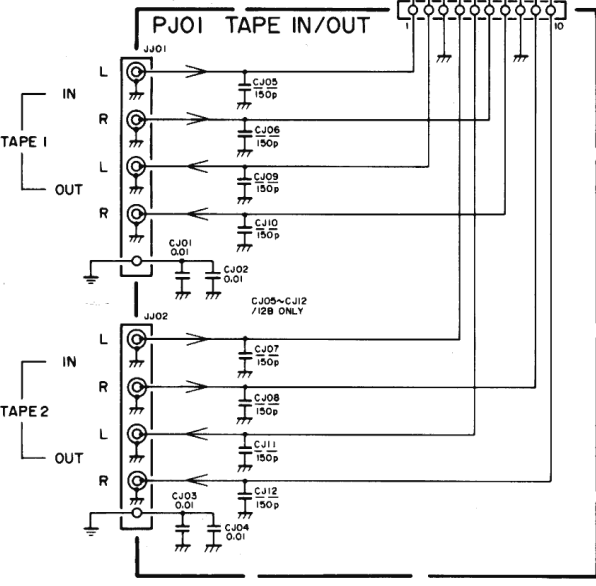
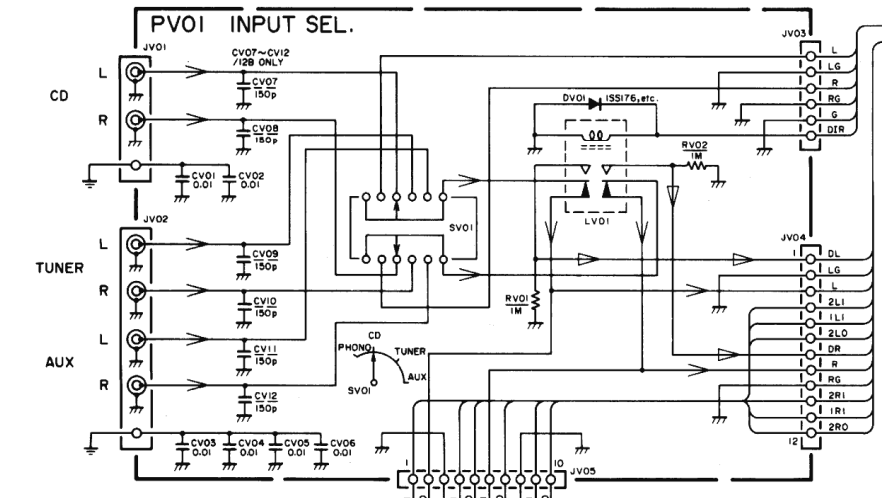
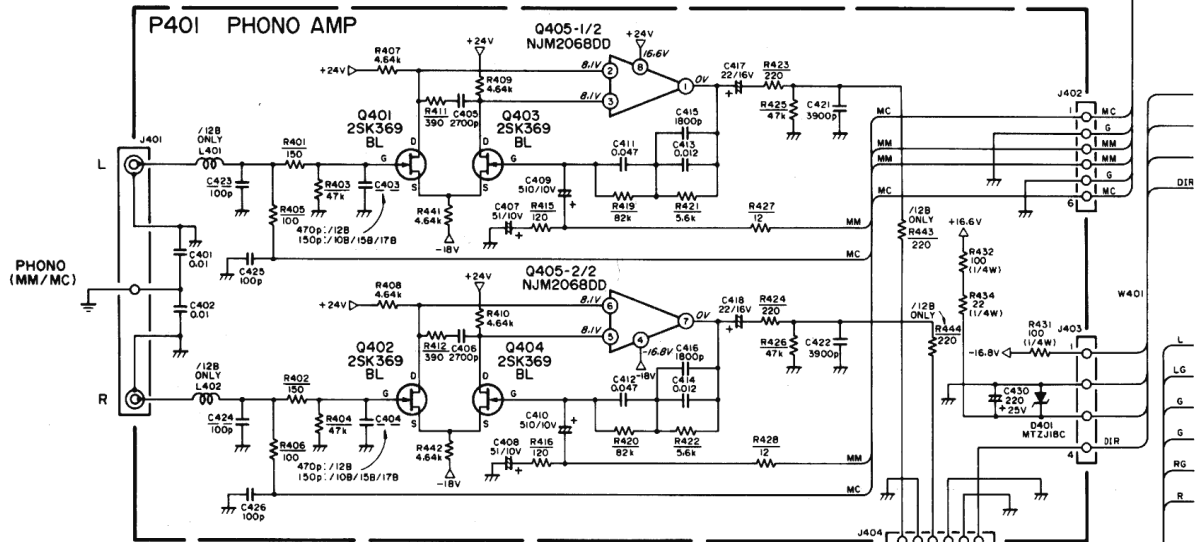
NOTE ON SAFETY:
 Symbol ▲ Fire or electrical shock hazard. Only original part be used to replace any part marked with symbol ▲. Any other substitution (other than original type), may increase risk or electrical shock hazard.

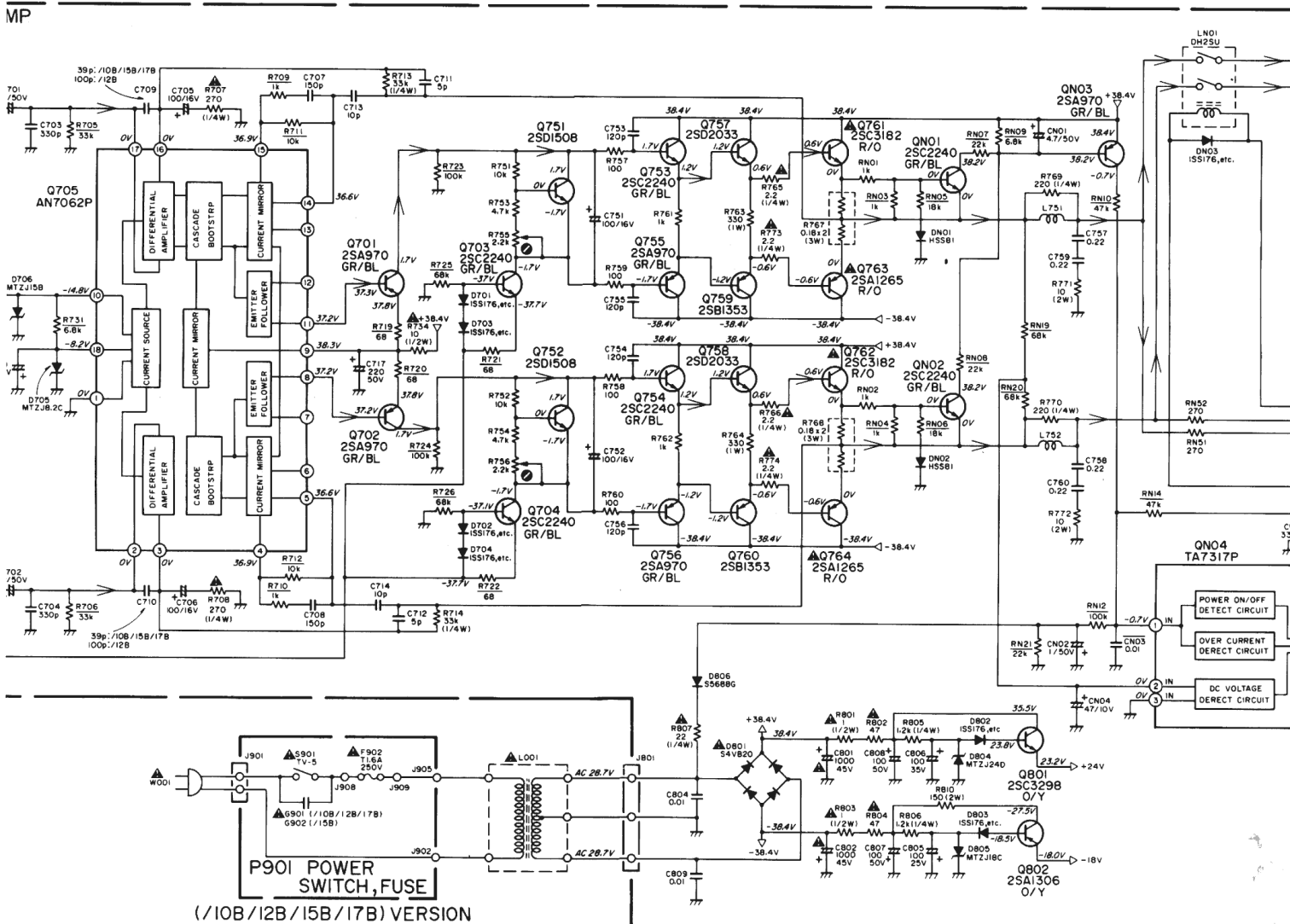
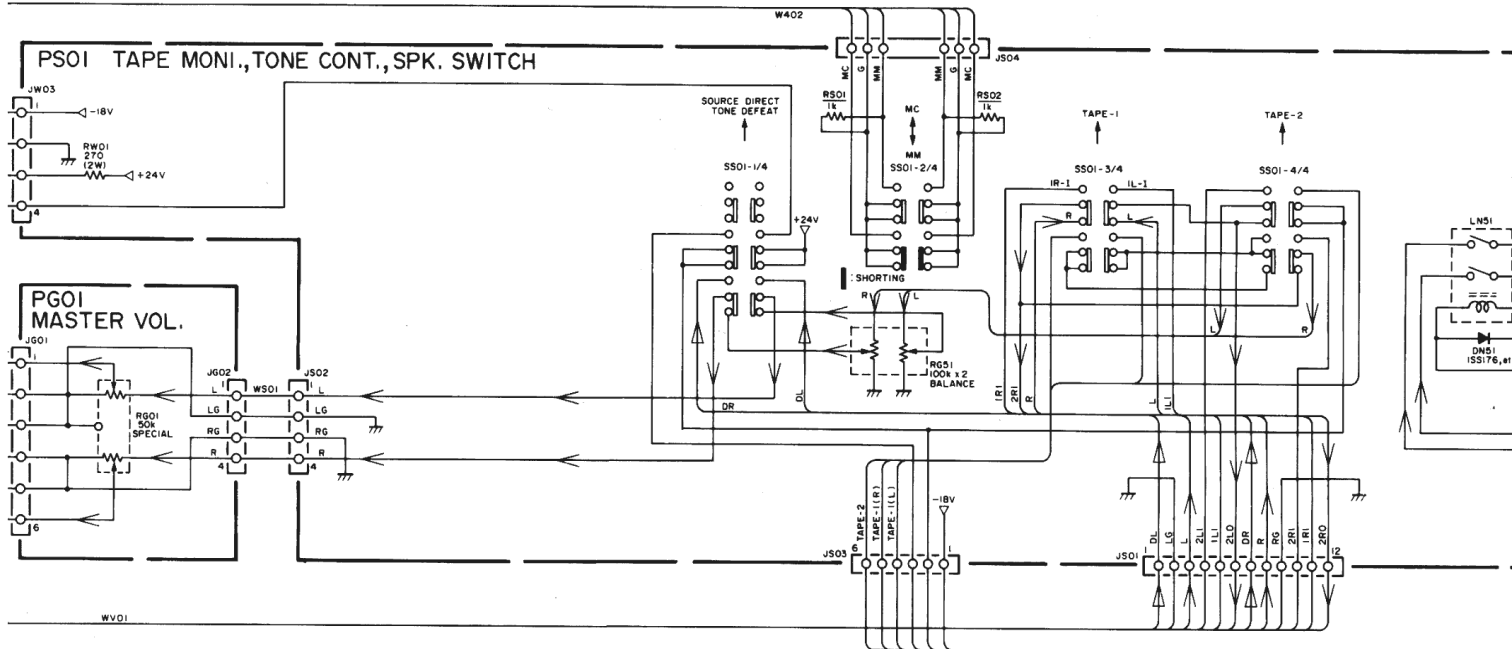


NOTE :
 → NORMAL SIGNAL LINE
 → SOURCE DIRECT SIGNAL LINE

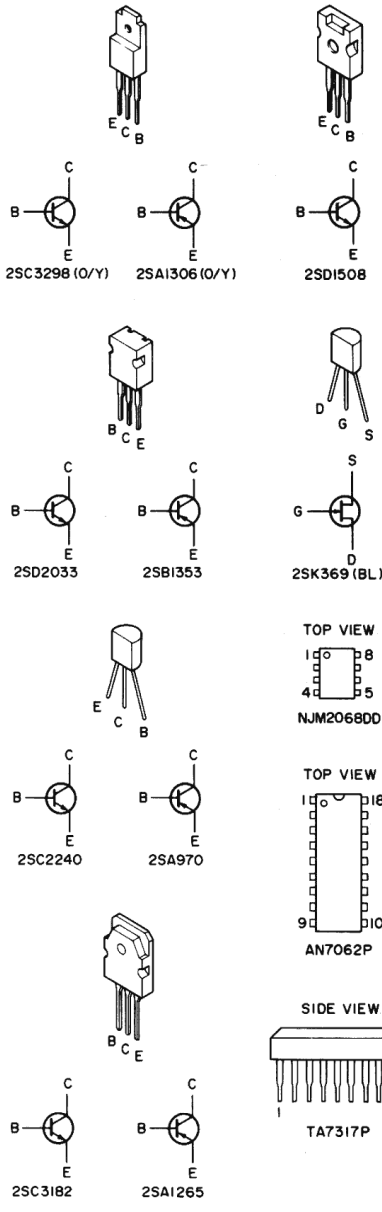
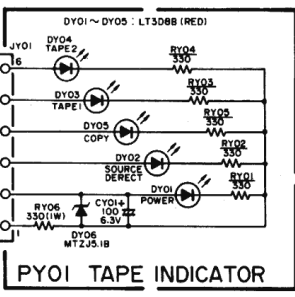
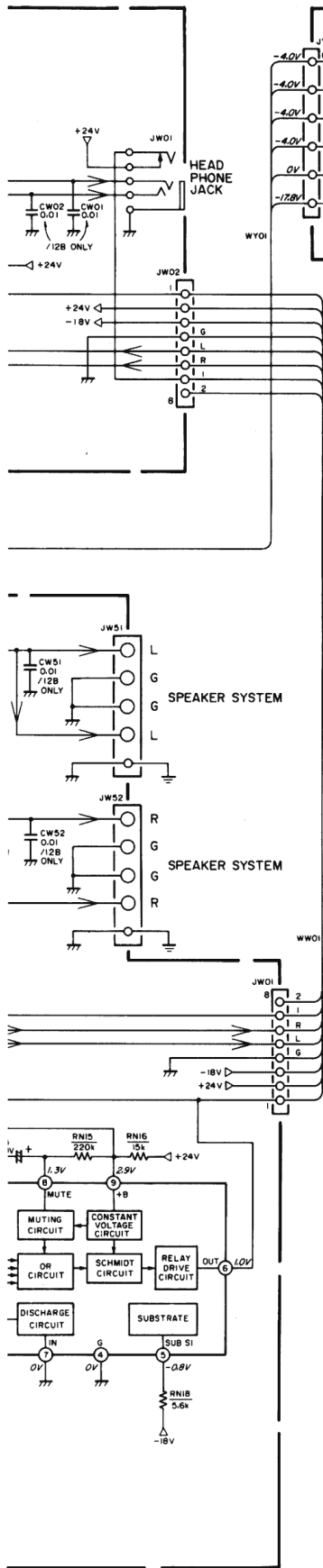
should
 r com-
 of fire

PM-40SE





NOTE ON SAFETY:
 Symbol ▲ Fire or electrical shock hazard. Only original parts should be used to replace any part marked with symbol ▲. Any other component substitution (other than original type), may increase risk of fire or electrical shock hazard.

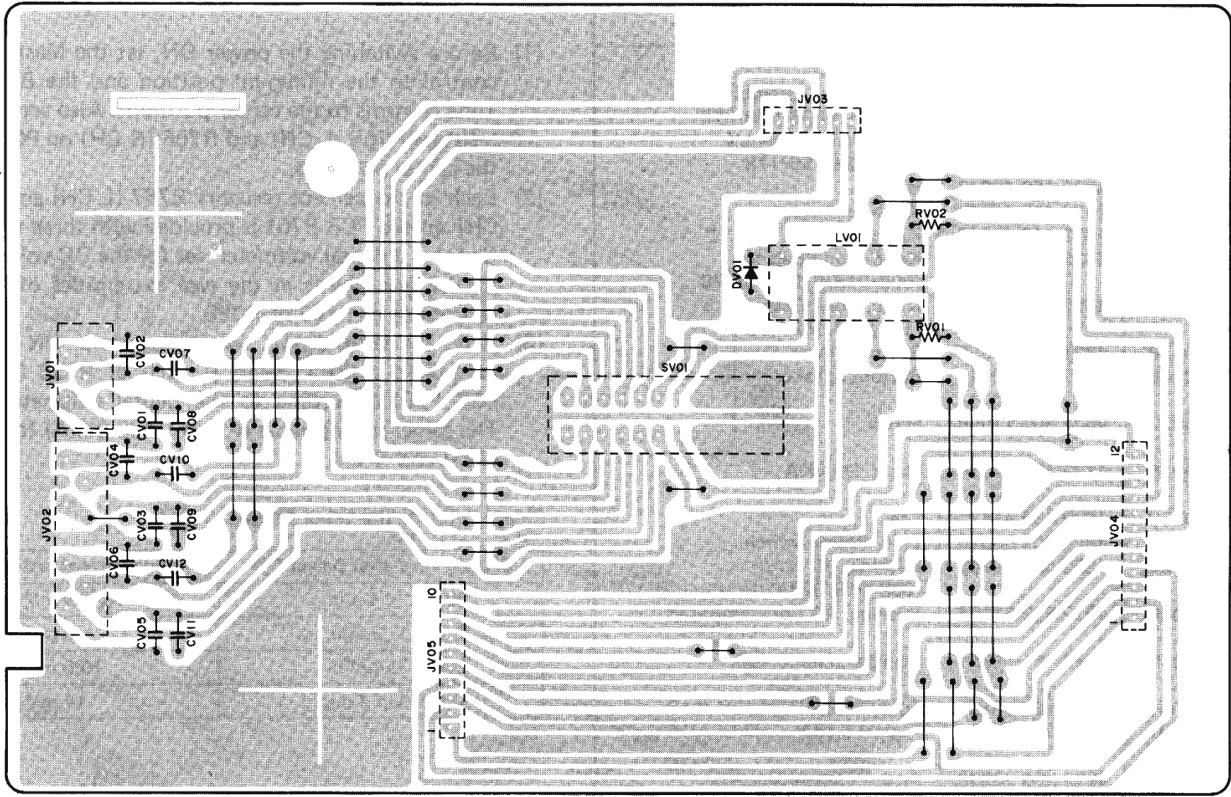


NOTE :

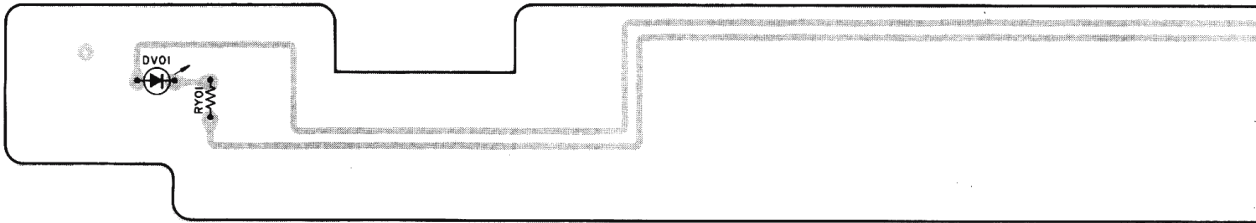
→ NORMAL SIGNAL LINE

→ SOURCE DIRECT SIGNAL LINE

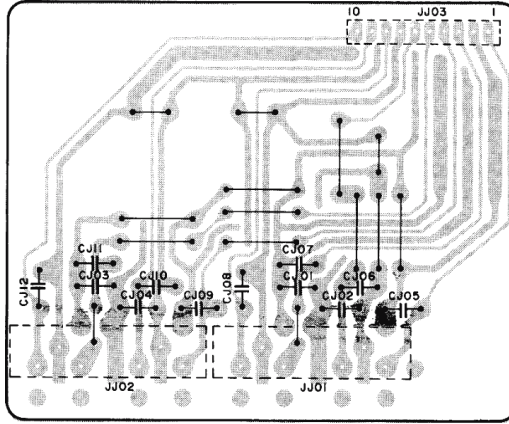
PV01



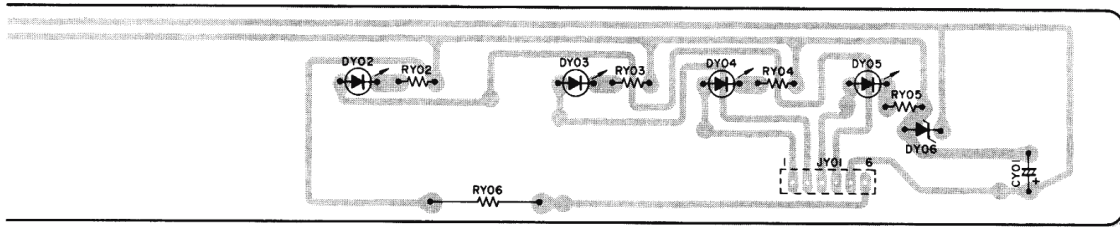
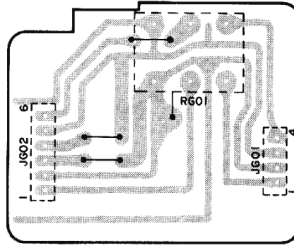
PY01



PJ01



PG01



REF. DESIG.	PART NO.	DESCRIPTION
001B	4822 425 40177	Front Panel Assembly /00B/01B/02B/05B/07B
	4822 425 40178	Front Panel Assembly /10B/12B/15B/17B
003B	4822 459 10943	Badge
010B	4822 413 41544	Knob, Volume
011B	4822 413 41545	Knob, Selector
012B	4822 413 41589	Knob, Tone/Balance /00B/01B/02B/05B/07B
	4822 413 31551	Knob, Tone/Balance /10B/12B/15B/17B
013B	4822 410 60395	Button, Power
014B	4822 410 60343	Button, Speaker
002D	4822 501 11008	Screw
001F	4822 466 92914	Sheet, DENKA
005G	4822 462 41477	Leg
010G	4822 404 60628	Link, Power Switch
902G	4822 532 60948	Bushing, AC Cord /00B/01B/02B/07B/10B/12B/17B
902G	4822 532 61184	Bushing, AC Cord /05B/15B
001P	4822 401 11351	Clamper, Phono Jack
▲ F001	4822 253 30191	Fuse, T1.6A 250V /01B
F002	4822 253 30027	Fuse, T3.15A 250V /01B
▲ J001	4822 256 30233	Jack, Fuse Holder /01B
J031	4822 290 40297	Terminal, GND
▲ J091	4822 272 10227	Voltage Selector /01B
J092	4822 265 10092	Jack, AC Adapter /01B
▲ J903	4822 264 30313	Jack, AC Outlet
▲ L001	4822 146 21552	Power Transformer /00B/02B/05B/07B/10B/12B/15B/17B
	4822 146 21555	Power Transformer /01B
S011	4822 273 10214	Rotary Switch, Selector
001T	4822 736 20695	User Manual /00B/01B/02B/05B/07B
	4822 736 20715	User Manual /10B/12B/15B/17B

4. IDLING CURRENT ADJUSTMENT

- (1) Before switching the power ON, set the Master Volume control to the minimum position and the Balance and Tone controls to the center positions. Also set semi-fixed resistors R755 (L CH) and R756 (R CH) on PCB P701 to the center positions.
- (2) Each of the cement resistors R767 (L CH) and R768 (R CH) on the PCB P701 is provided with three test points. Connect a digital voltmeter, set for the DC voltage input, to the test points at the two extremities of the three test points of R767 or R768.
- (3) After the setup above, switch the power ON and adjust semi-fixed resistor R755 (L CH) or R756 (R CH) on PCB P701 according to the digital voltmeter reading. The target setting value is 14 mV (38.9 mA) for both the L CH and R CH.

Please refer to the table below.

Elapsed time after power ON	Idling current setting value
30 sec. — 1 min.	5 mV
1 min. — 2 min.	8 mV
2 min. — 4 min.	10.5 mV
More than 4 min.	14 mV

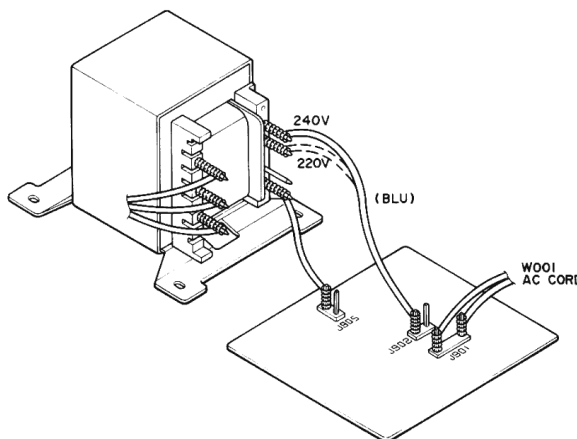
Note on Safety:

Symbol ▲ Fire or electrical shock hazard. Only original parts should be used to replace any part marked with symbol ▲. Any other component substitution (other than original type), may increase risk of fire or electrical shock hazard.

5. HOW TO CHANGE THE SUPPLY VOLTAGE (/00B/02B/05B/07B/10B/12B/15B/17B Versions)

With the /05B/07B/15B/17B Versions, the rated supply voltage of 240V can be changed to 220V. In the same way, the 220V rated supply voltage of the /00B/02B/10B/12B Versions can be changed to 240V.

Refer to the following diagram for the voltage change procedure.



6. TEST EQUIPMENT REQUIRED FOR SERVICING

This table lists the test equipment required for servicing

Item	Use
Distortion Analyzer	Distortion measurements
Audio Oscillator	Sinewave and squarewave signal source
ACVTVM	Voltage measurements (AC)
Oscilloscope	Waveform analysis and trouble shooting and ASO aignment
Circuit Tester	Trouble shooting
DCVTVM	Voltage measurements (DC)
AC Wattmeter	Monitors primary power to amplifier
Line Voltmeter	Monitors potential of primary power to amplifier
Variable Autotransformer	Adjust level of primery power to amplifier
Shorting Plug	Shorts amplifier input to eliminate noise pickup

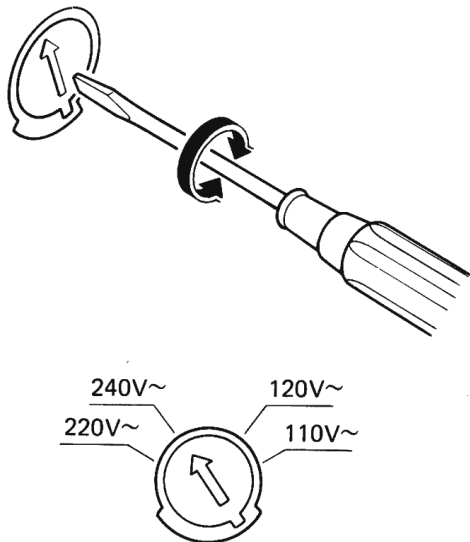
7. VOLTAGE CONVERSION

● EUROPEAN MODEL ONLY

To convert the unit to a different power source voltage, change the position as illustrated in the drawing below.

VOLTAGE SELECTOR

CAUTION
DISCONNECT POWER SUPPLY CORD FROM AC
OUTLET BEFORE CONVERTING VOLTAGE.



8. ELECTRICAL PARTS LIST

ASSIGNMENT OF COMMON PARTS CODES.

RESISTOR

- R*****: (1) GD05 --- 140, Carbon film fixed resistor, $\pm 5\%$, 1/4W
R***: (2) GD05 --- 160, Carbon film fixed resistor, $\pm 5\%$, 1/6W

① — Resistance value

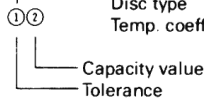
Examples

- ① Resistance value
 0.1 Ω ...001 10 Ω ...100 1k Ω ...102 100k Ω ...104
 0.5 Ω ...005 18 Ω ...180 2.7k Ω ...272 680k Ω ...684
 1 Ω ...010 100 Ω ...101 10k Ω ...103 1M Ω ...105
 6.8 Ω ...068 390 Ω ...391 22k Ω ...223 4.7M Ω ...475

(Note) Please distinguish 1/4W from 1/6W by the shape of parts used actually.

C***: CERAMIC CAP.

- (1) DD1 --- 370, Ceramic condenser
 Disc type
 Temp. coeff. P350 ~ N1000, 50V



Examples

- ① Tolerance (Capacity deviation)
 $\pm 0.25\text{pF}$...0
 $\pm 0.5\text{pF}$...1
 $\pm 5\%$...5

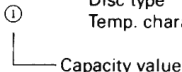
* Tolerance of COMMON PARTS handled here are as follows:

- 0.5pF ~ 5pF... $\pm 0.25\text{pF}$
 6pF ~ 10pF... $\pm 0.5\text{pF}$
 12pF ~ 560pF... $\pm 5\%$

- ② Capacity value
 0.5pF...005 3pF...030 100pF...101
 1pF...010 10pF...100 220pF...221
 1.5pF...015 47pF...470 560pF...561

C***: CERAMIC CAP.

- (1) DK16 --- 300, High dielectric constant ceramic condenser
 Disc type
 Temp. chara. 2B4, 50V

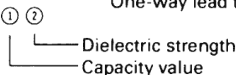


Example

- ② Capacity value
 100pF...101 1000pF...102 10000pF...103
 470pF...471 2200pF...222

C***: ELECTROLY CAP. (---), FILM CAP. (---)

- (1) EA --- 10, Electrolytic condenser
 One-way lead type, Tolerance $\pm 20\%$

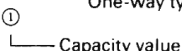


Examples

- ① Capacity value
 0.1 μF ...104 4.7 μF ...475 100 μF ...107
 0.33 μF ...334 10 μF ...106 330 μF ...337
 1 μF ...105 22 μF ...226 1100 μF ...108
 2200 μF ...228

- ② Working voltage
 6.3V...006 25V...025
 10V...010 35V...035
 16V...016 50V...050

- (2) DF15 --- 350, Plastic film condenser
 One-way type, Mylar $\pm 5\%$ 50V



Examples

- ① Capacity value
 0.001 μF (1000pF)...102 0.1 μF ...104
 0.0018 μF ...182 0.56 μF ...564
 0.01 μF ...103 1 μF ...105
 0.015 μF ...153

REF. DESIG.	PART NO.	DESCRIPTION
		PG01-MASTER VOLUME CIRCUIT BOARD
RG01	4822 101 30653	Variable Resistor 50K Ω
		PJ01-TAPE IN/OUT CIRCUIT BOARD
CJ01 }	4822 122 32486	Ceramic Cap. 0.01 μF +80% -20%
CJ04		
JJ01	4822 266 30284	Terminal, 4P RCA
JJ02	4822 266 30284	Terminal, 4P RCA
		PS01-TAPE/TONE/SPK. CIRCUIT BOARD
CE01	4822 121 43133	Film Cap. 0.039 μF $\pm 5\%$ /00B/01B/02B/05B/07B
CE02	4822 121 43133	Film Cap. 0.039 μF $\pm 5\%$ /00B/01B/02B/05B/07B
CE03	4822 121 51389	Film Cap. 5600pF $\pm 5\%$ /00B/01B/02B/05B/07B
CE04	4822 121 51389	Film Cap. 5600pF $\pm 5\%$ /00B/01B/02B/05B/07B
CE09	4822 124 90352	Elect Cap. 10 μF 16V /00B/01B/02B/05B/07B
CE10	4822 124 90352	Elect Cap. 10 μF 16V /00B/01B/02B/05B/07B
CW01	4822 122 32486	Ceramic 0.01 μF +80% -20% /02B/12B
CW02	4822 122 32486	Ceramic 0.01 μF +80% -20% /02B/12B
RE13	4822 100 30139	Variable Resistor 50K Ω (C) /00B/01B/02B/05B/07B
RE14	4822 100 30139	Variable Resistor 50K Ω (C) /00B/01B/02B/05B/07B
RG51	4822 100 30138	Variable Resistor 100K Ω (MN)
RW01	4822 116 60455	Metal Resistor 270 Ω $\pm 5\%$ 2W
DN51	4822 130 33305	Diode 1SS176, etc.
JW01	4822 267 31227	Jack, Headphone /00B/01B/02B/05B/07B
	4822 267 31229	Jack, Headphone /10B/12B/15B/17B
LN51	4822 280 20196	Relay
SS01	4822 276 12197	Push Switch
SW01	4822 276 12218	Push Switch /00B/01B/02B/05B/07B
		PV01-INPUT SELECTOR CIRCUIT BOARD
CV01 }	4822 122 32486	Ceramic Cap. 0.01 μF +80% -20%
CV06		
DV01	4822 130 33305	Diode 1SS176, etc.
JV01	4822 266 30282	Terminal, 2P RCA
JV02	4822 266 30284	Terminal, 4P RCA
LV01	4822 280 20195	Relay, SZ-2104
SV01	4822 277 21412	Slide Switch, Selector

REF. DESIG.	PART NO.	DESCRIPTION
		PY01-TAPE INDICATOR CIRCUIT BOARD
CY01	4822 124 21737	Elect Cap. 100 μ F 6.3V
RY06	4822 111 50474	Resistor 330 Ω \pm 5%
DY01 } DY05 DY06	4822 130 80326 4822 130 80317	L.E.D. LT3D8B (RED) Zener Diode RD5.1JB2/MTZJ5.1B
		P401-PHONO AMP. CIRCUIT BOARD
		P401-CAPACITORS
C401	4822 122 32486	Ceramic 0.01 μ F +80% -20%
C402	4822 122 32486	Ceramic 0.01 μ F +80% -20%
C403	4822 126 11069	Ceramic 150pF \pm 10% /00B/01B/05B/07B
C403	4822 121 51037	Film 150pF \pm 5% /10B/15B/17B
C404	4822 126 11069	Ceramic 150pF \pm 10% /00B/01B/05B/07B
C404	4822 121 51037	Film 150pF \pm 5% /10B/15B/17B
C405	4822 121 42761	Film 2700pF \pm 5%
C406	4822 121 42761	Film 2700pF \pm 5%
C407	4822 124 22278	Elect 51 μ F 10V
C408	4822 124 22278	Elect 51 μ F 10V
C409	4822 124 22279	Elect 510 μ F 10V
C410	4822 124 22279	Elect 510 μ F 10V
C411	4822 121 42764	Film 0.047 μ F \pm 5%
C412	4822 121 42764	Film 0.047 μ F \pm 5%
C413	4822 121 42755	Film 0.012 μ F \pm 5%
C414	4822 121 42755	Film 0.012 μ F \pm 5%
C415	4822 121 42758	Film 1800pF \pm 5%
C416	4822 121 42758	Film 1800pF \pm 5%
C417	4822 124 90358	Elect 22 μ F 16V
C418	4822 124 90358	Elect 22 μ F 16V
C419	4822 124 90365	Elect 220 μ F 25V
C420	4822 124 90365	Elect 220 μ F 25V
C421	4822 121 42763	Film 3900pF \pm 5%
C422	4822 121 42763	Film 3900pF \pm 5%
C430	4822 124 90365	Elect 220 μ F 25V
		P401-RESISTORS
R407 } R410	4822 116 53691	4.64K Ω \pm 1% 1/6W
R431	4822 116 52892	100 Ω \pm 5% 1/4W
R432	4822 116 52892	100 Ω \pm 5% 1/4W
R434	5322 116 53479	22 Ω \pm 5% 1/4W
R441	4822 116 53691	4.64K Ω \pm 1% 1/6W
R442	4822 116 53691	4.64K Ω \pm 1% 1/6W
		P401-SEMICONDUCTORS
D401	4822 130 80838	Zener RD18JB2/MTZJ18C
Q401 } Q404 Q405	4822 130 42839 4822 209 73064	F.E.T. 2SK369(BL) IC NJM2068DD
		P401-MISCELLANEOUS
J401	4822 265 20355	Terminal, 2P RCA
L401	4822 156 11019	Choke Coil, 320 μ H [/02B/12B]
L402	4822 156 11019	Choke Coil, 320 μ H [/02B/12B]

REF. DESIG.	PART NO.	DESCRIPTION
		P701-POWER AMP. CIRCUIT BOARD
		P701-CAPACITORS
CN01	4822 124 22274	Elect 4.7 μ F 50V
CN02	4822 124 41543	Elect 1 μ F 50V
CN04	4822 124 22275	Elect 47 μ F 10V
CN05	4822 124 23417	Elect 33 μ F 10V
CW51	4822 122 32486	Ceramic 0.01 μ F +80% -20% [/02B/12B]
CW52	4822 122 32486	Ceramic 0.01 μ F +80% -20% [/02B/12B]
CW53	4822 122 32486	Ceramic 0.01 μ F +80% -20% [/02B]
CW54	4822 122 32486	Ceramic 0.01 μ F +80% -20% [/02B]
C701	4822 124 90362	Elect 22 μ F 50V
C702	4822 124 90362	Elect 22 μ F 50V
C703	4822 126 11071	Ceramic 330pF \pm 10%
C704	4822 126 11071	Ceramic 330pF \pm 10%
C705	4822 124 90354	Elect 100 μ F 16V
C706	4822 124 90354	Elect 100 μ F 16V
C707	4822 121 51037	Film 150pF \pm 5%
C708	4822 121 51037	Film 150pF \pm 5%
C709	4822 126 11068	Ceramic 39pF \pm 5% /00B/01B/05B/07B
	4822 126 10364	Ceramic 100pF \pm 5% /02B/12B
	4822 121 43135	Film 30pF \pm 10% /10B/15B/17B
C710	4822 126 11068	Ceramic 39pF \pm 5% /00B/01B/05B/07B
	4822 126 10364	Ceramic 100pF \pm 5% /02B/12B
	4822 121 43135	Film 30pF \pm 10% /10B/15B/17B
C711	4822 121 43127	Film 5pF \pm 10%
C712	4822 121 43127	Film 5pF \pm 10%
C713	4822 121 43128	Film 10pF \pm 10%
C714	4822 121 43128	Film 10pF \pm 10%
C715	4822 124 90362	Elect 22 μ F 50V /00B/01B/02B/05B/07B
C716	4822 124 90362	Elect 22 μ F 50V /00B/01B/02B/05B/07B
C717	4822 124 90366	Elect 220 μ F 50V
C718	4822 124 90366	Elect 220 μ F 50V
C719	4822 124 90365	Elect 220 μ F 25V
C720	4822 124 90363	Elect 220 μ F 10V
C751	4822 124 90354	Elect 100 μ F 16V
C752	4822 124 90354	Elect 100 μ F 16V
C753	4822 121 43126	Film 120pF \pm 5%
C754	4822 121 43126	Film 120pF \pm 5%
C755	4822 121 43126	Film 120pF \pm 5%
C756	4822 121 43126	Film 120pF \pm 5%
▲ C801	4822 124 42042	Elect 8200 μ F 45V /00B/01B/02B/05B/07B
▲ C801	4822 124 42043	Elect 10000 μ F 45V /10B/12B/15B/17B
▲ C802	4822 124 42042	Elect 8200 μ F 45V /00B/01B/02B/05B/07B
▲ C802	4822 124 42043	Elect 10000 μ F 45V /10B/12B/15B/17B
C804	4822 122 32486	Ceramic 0.01 μ F +80% -20%
C805	4822 124 41535	Elect 100 μ F 25V
C806	4822 124 41536	Elect 100 μ F 35V
C807	4822 124 90355	Elect 100 μ F 50V
C808	4822 124 90355	Elect 100 μ F 50V
C809	4822 122 32486	Ceramic 0.01 μ F +80% -20%

REF. DESIG.	PART NO.	DESCRIPTION
P701-RESISTORS		
RN01	4822 111 91257	1K Ω \pm 5% 1/6W
RN02	4822 111 91257	1K Ω \pm 5% 1/6W
RN51	4822 116 60455	270 Ω \pm 5% 2W, Metal
RN52	4822 116 60455	270 Ω \pm 5% 2W, Metal
▲ R707	4822 113 90231	560 Ω \pm 2% 1/4W, Fuse [/02B/05B]
▲ R707	4822 116 80828	270 Ω \pm 2% 1/4W [/12B/15B]
▲ R708	4822 113 90231	560 Ω \pm 2% 1/4W, Fuse [/02B/05B]
▲ R708	4822 116 80828	270 Ω \pm 2% 1/4W [/12B/15B]
R713	4822 050 23303	33K Ω \pm 5% 1/4W
R714	4822 050 23303	33K Ω \pm 5% 1/4W
R732	4822 116 60346	2.2K Ω \pm 5% 1W
▲ R733	4822 116 60313	10 Ω \pm 5% 1/4W, Fusible
▲ R734	4822 116 60313	10 Ω \pm 5% 1/4W, Fusible
R755	4822 100 20681	2.2K Ω , Trimming
R756	4822 100 20681	2.2K Ω , Trimming
R757	4822 111 91285	100 Ω \pm 5% 1/6W
R758	4822 111 91285	100 Ω \pm 5% 1/6W
R759	4822 111 91285	100 Ω \pm 5% 1/6W
R760	4822 111 91285	100 Ω \pm 5% 1/6W
R761	4822 111 91257	1K Ω \pm 5% 1/6W
R762	4822 111 91257	1K Ω \pm 5% 1/6W
R763	4822 111 50474	330 Ω \pm 5% 1W
R764	4822 111 50474	330 Ω \pm 5% 1W
▲ R765	4822 116 52348	2.2 Ω \pm 5% 1/4W
▲ R766	4822 116 52348	2.2 Ω \pm 5% 1/4W
R767	4822 116 82049	0.18 Ω x2 \pm 10% 3W
R768	4822 116 82049	0.18 Ω x2 \pm 10% 3W
R769	4822 116 52849	220 Ω \pm 5% 1/4W
R770	4822 116 52849	220 Ω \pm 5% 1/4W
R771	4822 111 90726	10 Ω \pm 5% 2W
R772	4822 111 90726	10 Ω \pm 5% 2W
▲ R773	4822 116 52348	2.2 Ω \pm 5% 1/4W
▲ R774	4822 116 52348	2.2 Ω \pm 5% 1/4W
▲ R801	4822 116 60306	1 Ω \pm 5% 1/4W, Fusible
▲ R802	4822 111 90731	47 Ω \pm 2% 1/4W, Fuse
▲ R803	4822 116 60306	1 Ω \pm 5% 1/4W, Fusible
▲ R804	4822 111 90731	47 Ω \pm 2% 1/4W, Fuse
R805	4822 111 91423	1.2K Ω \pm 5% 1/4W
R806	4822 111 91423	1.2K Ω \pm 5% 1/4W
▲ R807	4822 113 90119	22 Ω \pm 2% 1/4W, Fuse
R810	4822 116 60338	150 Ω \pm 5% 2W
P701-SEMICONDUCTORS		
DN01	4822 130 80837	Diode HSS81
DN02	4822 130 80837	Diode HSS81
DN03	4822 130 33305	Diode 1SS176, etc.
DN04	4822 130 33305	Diode 1SS176, etc.
D701	4822 130 33305	Diode 1SS176, etc.
D704		
D705		
D706	4822 130 80273	Zener RD8.2JB2/MTZJ8.2C
	4822 130 80322	Zener RD15JB1/MTZJ15B
▲ D801	4822 130 31007	Diode S4VB-20
D802	4822 130 33305	Diode 1SS176, etc.
D803	4822 130 33305	Diode 1SS176, etc.
D804	4822 130 80116	Zener RD24JB2/MTZJ24D
D805	4822 130 80838	Zener RD18JB2/MTZJ18C
▲ D806	4822 130 80839	Diode S5688G
QN01	4822 130 43233	Transistor 2SC2240(GR, BL)
QN02	4822 130 43233	Transistor 2SC2240(GR, BL)
QN03	4822 130 42951	Transistor 2SA970(GR, BL)
QN04	4822 290 83312	IC TA7317P

REF. DESIG.	PART NO.	DESCRIPTION
Q701	4822 130 42951	Transistor 2SA970(GR, BL)
Q702	4822 130 42951	Transistor 2SA970(GR, BL)
Q703	4822 130 43233	Transistor 2SC2240(GR, BL)
Q704	4822 130 43233	Transistor 2SC2240(GR, BL)
Q705	4822 209 83732	IC AN7062P
Q751	4822 130 60526	Transistor 2SD1508
Q752	4822 130 60526	Transistor 2SD1508
Q753	4822 130 43233	Transistor 2SC2240(GR, BL)
Q754	4822 130 43233	Transistor 2SC2240(GR, BL)
Q755	4822 130 42951	Transistor 2SA970(GR, BL)
Q756	4822 130 42951	Transistor 2SA970(GR, BL)
Q757	4822 130 62335	Transistor 2SD2033(E)
Q758	4822 130 62335	Transistor 2SD2033(E)
Q759	4822 130 62334	Transistor 2SB1353(E)
Q760	4822 130 62334	Transistor 2SB1353(E)
▲ Q761	4822 130 61319	Transistor 2SC3181(R, O) /00B/01B/02B/05B/07B
	4822 130 61747	Transistor 2SC3182N(R, O) /10B/12B/15B/17B
▲ Q762	4822 130 61319	Transistor 2SC3181(R, O) /00B/01B/02B/05B/07B
	4822 130 61747	Transistor 2SC3182N(R, O) /10B/12B/15B/17B
▲ Q763	4822 130 43018	Transistor 2SA1264(R, O) /00B/01B/02B/05B/07B
	4822 130 61746	Transistor 2SA1265N(R, O) /10B/12B/15B/17B
▲ Q764	4822 130 43018	Transistor 2SA1264(R, O) /00B/01B/02B/05B/07B
	4822 130 61746	Transistor 2SA1265N(R, O) /10B/12B/15B/17B
Q801	4822 130 43311	Transistor 2SC3298(O, Y)
Q802	4822 130 43023	Transistor 2SA1306(O, Y)
P701-MISCELLANEOUS		
JW51	4822 290 60837	Terminal, Speaker [/00B/01B/05B/07B/10B/11B/15B/17B]
JW51	4822 290 60841	Terminal, Speaker /02B/12B
JW52	4822 290 60836	Terminal, Speaker [/00B/01B/05B/07B/10B/11B/15B/17B]
JW52	4822 290 60839	Terminal, Speaker /02B/12B
LN01	4822 280 20197	Relay, DH2SU
LN02	4822 280 20197	Relay, DH2SU /00B/01B/02B/05B/07B
L751	4822 157 51739	Coil, Speaker
L752	4822 157 51739	Coil, Speaker
P901-POWER SWITCH CIRCUIT BOARD		
▲ F902	4822 253 30191	Fuse 5A 250V /00B/02B/05B/07B
▲ G901	4822 121 43732	Film Cap. 0.01 μ F \pm 20% /00B/01B/02B/07B/10B/12B/17B
▲ G902	4822 122 33276	Ceramic Cap. 0.01 μ F \pm 20% /05B/15B
▲ J903	4822 264 30313	Jack, AC Outlet /01B
▲ S901	4822 276 11654	Push Switch, Power

NOTE ON SAFETY:

Symbol ▲ Fire or electrical shock hazard. Only original parts should be used to replace any part marked with symbol ▲. Any other component substitution (other than original type), may increase risk of fire or electrical shock hazard.