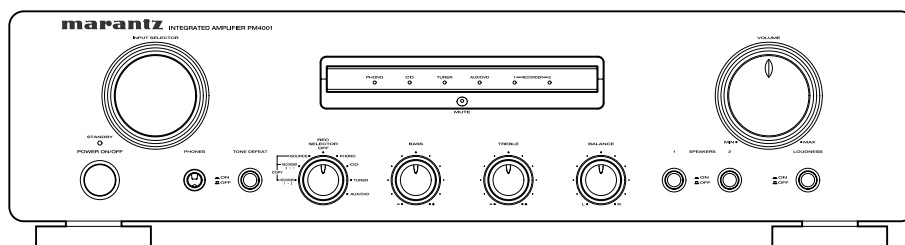


# Service Manual

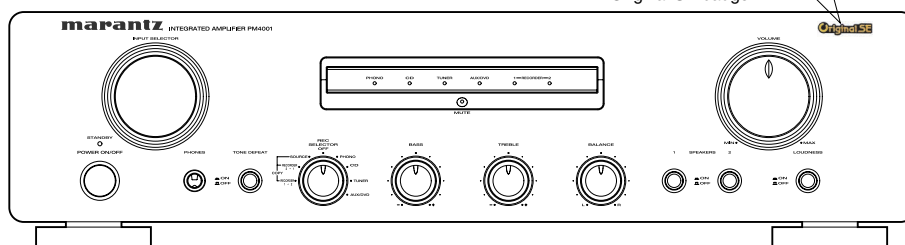
PM4001 /F N/N1G/N1S  
/F B/N1B

PM4001F /N1B/N1S  
Integrated Amplifier

PM4001



PM4001F



## TABLE OF CONTENTS

SECTION	PAGE
1. TECHNICAL SPECIFICATIONS .....	1
2. DC OFFSET VOLTAGE ADJUSTMENT .....	2
3. IDLING CURRENT ADJUSTMENT .....	2
4. BLOCK DIAGRAM .....	3
5. WIRING DIAGRAM .....	5
6. SCHEMATIC DIAGRAM .....	7
7. PARTS LOCATION .....	11
8. MICROPROCESSOR .....	16
9. EXPLODED VIEW AND PARTS LIST .....	17
PM4001 .....	19
PM4001 OSE .....	21
10. ELECTRICAL PARTS LIST .....	22
PM4001 .....	23
PM4001 OSE .....	40

Please use this service manual with referring to the user guide ( D.F.U. ) without fail.  
修理の際は、必ず取扱説明書を準備し操作方法を確認の上作業を行ってください。

# marantz®

## PM4001 / PM4001 OSE

## MARANTZ DESIGN AND SERVICE

Using superior design and selected high grade components, **MARANTZ** company has created the ultimate in stereo sound. Only original **MARANTZ** parts can insure that your **MARANTZ** product will continue to perform to the specifications for which it is famous.

Parts for your **MARANTZ** equipment are generally available to our National Marantz Subsidiary or Agent.

### ORDERING PARTS :

Parts can be ordered either by mail or by Fax.. In both cases, the correct part number has to be specified.

The following information must be supplied to eliminate delays in processing your order :

1. Complete address
2. Complete part numbers and quantities required
3. Description of parts
4. Model number for which part is required
5. Way of shipment
6. Signature : any order form or Fax. must be signed, otherwise such part order will be considered as null and void.

#### USA

**MARANTZ AMERICA, INC**  
1100 MAPLEWOOD DRIVE  
ITASCA, IL. 60143  
USA  
PHONE : 630 - 741 - 0300  
FAX : 630 - 741 - 0301

#### EUROPE / TRADING

**MARANTZ EUROPE B.V.**  
P. O. BOX 8744, BUILDING SILVERPOINT  
BEEMDSTRAAT 11, 5653 MA EINDHOVEN  
THE NETHERLANDS  
PHONE : +31 - 40 - 2507844  
FAX : +31 - 40 - 2507860

#### CANADA

**MARANTZ CANADA INC.**  
5-505 APPLE CREEK BLVD.  
MARKHAM, ONTARIO L3R 5B1  
CANADA  
PHONE : 905 - 415 - 9292  
FAX : 905 - 475 - 4159

#### AUSTRALIA

**QualiFi Pty Ltd,**  
24 LIONEL ROAD,  
MT. WAVERLEY VIC 3149  
AUSTRALIA  
PHONE : +61 - (0)3 - 9543 - 1522  
FAX : +61 - (0)3 - 9543 - 3677

#### THAILAND

**MRZ STANDARD CO., LTD**  
746 - 754 MAHACHAI ROAD.,  
WANGBURAPAPIROM, PHRANAKORN,  
BANGKOK, 10200 THAILAND  
PHONE : +66 - 2 - 222 9181  
FAX : +66 - 2 - 224 6795

#### SINGAPORE

**WO KEE HONG DISTRIBUTION PTE LTD**  
No.1 JALAN KILANG TIMOR  
#08-03 PACIFIC TECH CENTRE  
SINGAPORE 159303  
PHONE : +65 6376 0338  
FAX : +65 6376 0166

#### NEW ZEALAND

**WILDASH AUDIO SYSTEMS NZ**  
14 MALVERN ROAD MT ALBERT  
AUCKLAND NEW ZEALAND  
PHONE : +64 - 9 - 8451958  
FAX : +64 - 9 - 8463554

#### TAIWAN

**PAI- YUING CO., LTD.**  
6 TH FL NO, 148 SUNG KIANG ROAD,  
TAIPEI, 10429, TAIWAN R.O.C.  
PHONE : +886 - 2 - 25221304  
FAX : +886 - 2 - 25630415

#### MALAYSIA

**WO KEE HONG ELECTRONICS SDN. BHD.**  
2ND FLOOR BANGUNAN INFINITE CENTRE  
LOT 1, JALAN 13/6, 46200 PETALING JAYA  
SELANGOR DARUL EHSAN, MALAYSIA  
PHONE : +60 - 3 - 7954 8088  
FAX : +60 - 3 - 7954 7088

#### JAPAN *Technical*

**D&M Holdings Inc.**  
35- 1, 7- CHOME, SAGAMIONO  
SAGAMIHARA - SHI, KANAGAWA  
JAPAN 228-8505  
PHONE : +81 42 748 1013  
FAX : +81 42 741 9190

株式会社 ディーアンドエムホールディングス

本 社 〒228-8505  
神奈川県相模原市相模大野7-35-1

#### KOREA

**MARANTZ KOREA CO., LTD.**  
ROOM 604, ELECTRO OFFICE, 16-58,  
HANGGANG-RO 3GA, YONGSAN-KU,  
SEOUL, 140-013, KOREA  
PHONE : +82 - 2 - 323 - 2155  
FAX : +82 - 2 - 323 - 2154

### SHOCK, FIRE HAZARD SERVICE TEST :

**CAUTION :** After servicing this appliance and prior to returning to customer, measure the resistance between either primary AC cord connector pins ( with unit NOT connected to AC mains and its Power switch ON ), and the face or Front Panel of product and controls and chassis bottom.

Any resistance measurement less than 1 Megohms should cause unit to be repaired or corrected before AC power is applied, and verified before it is return to the user/customer.

Ref. UL Standard No. 1492.

In case of difficulties, do not hesitate to contact the Technical Department at above mentioned address.

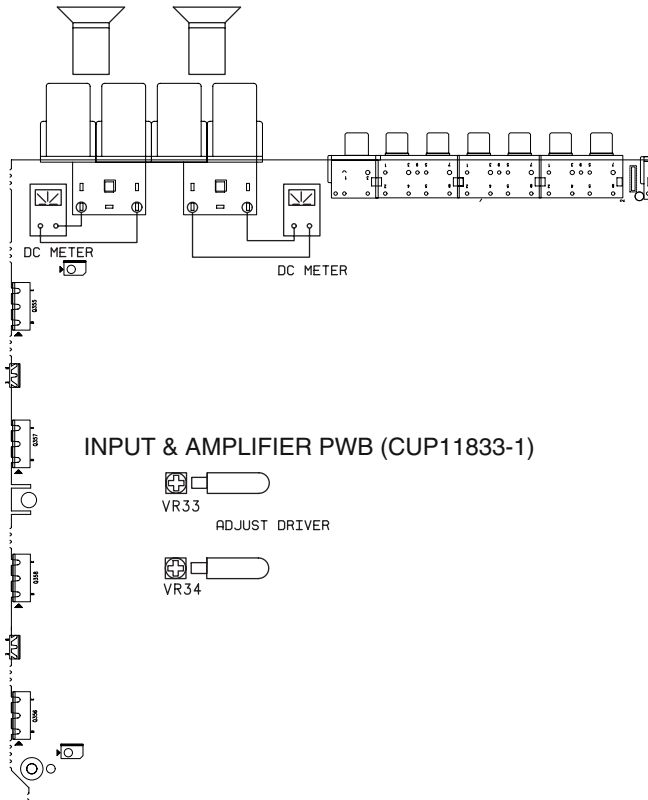


## 2. DC OFFSET VOLTAGE ADJUSTMENT

### CONTROLS SETTING :

TONE(BASS & TREBLE) : MID POSITION  
 BALANCE : MID POSITION  
 VOLUME : MINIMUM POSITION  
 LOUDNESS : OFF POSITION  
 TONE DEFEAT : OFF POSITION  
 SPEAKER 1, 2 : ON POSITION

ADJUST	MESURED ACROSS	VOLTMETER READING
VR33	SPEAKER OUT (L-CH)	+ - 50mV
VR34	SPEAKER OUT(R-CH)	+ - 50mV



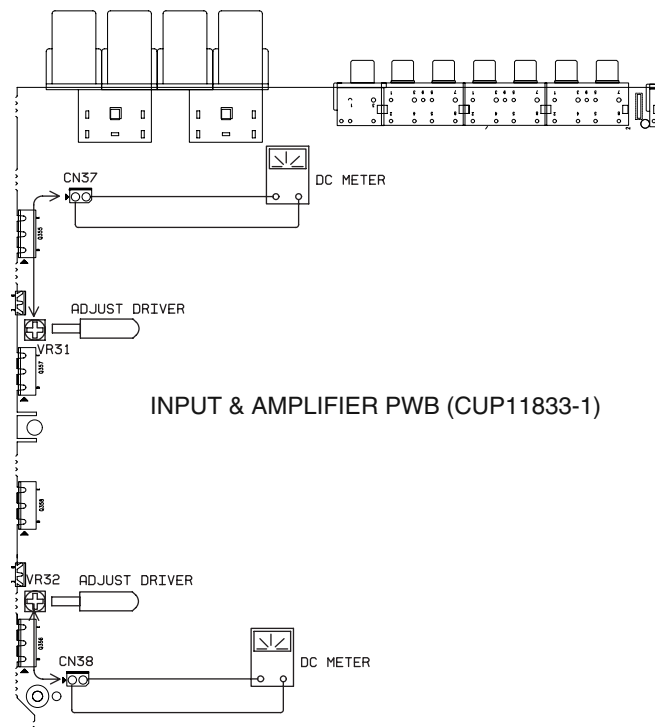
## 3. IDLING CURRENT ADJUSTMENT

After DC Offset Voltage Adjustment is completed, adjust the Idling Current with the variable resistor VR31 and VR32 on the PWB.

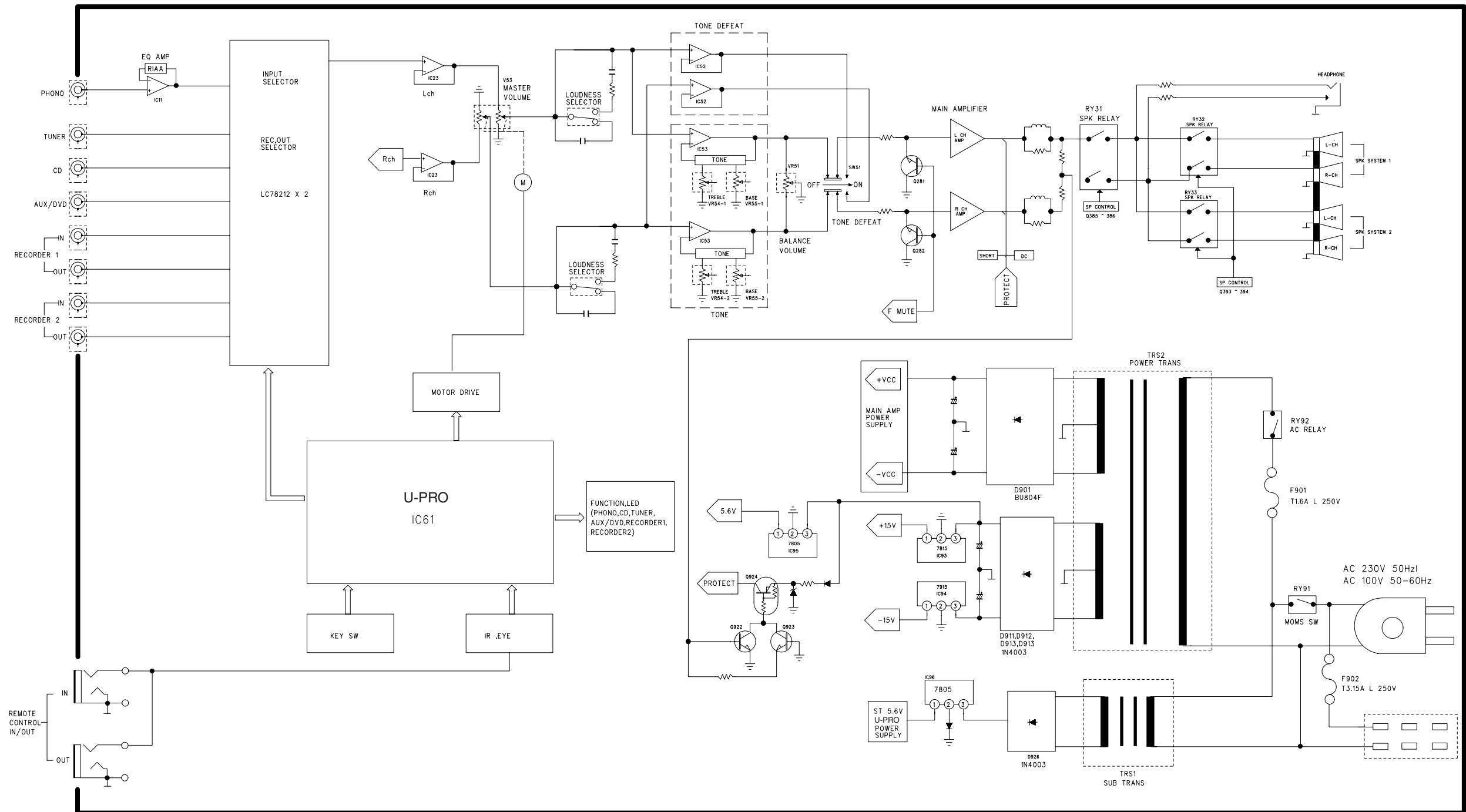
### CONTROLS SETTING :

TONE(BASS & TREBLE) : MID POSITION  
 BALANCE : MID POSITION  
 VOLUME : MINIMUM POSITION  
 LOUDNESS : OFF POSITION  
 TONE DEFEAT : OFF POSITION

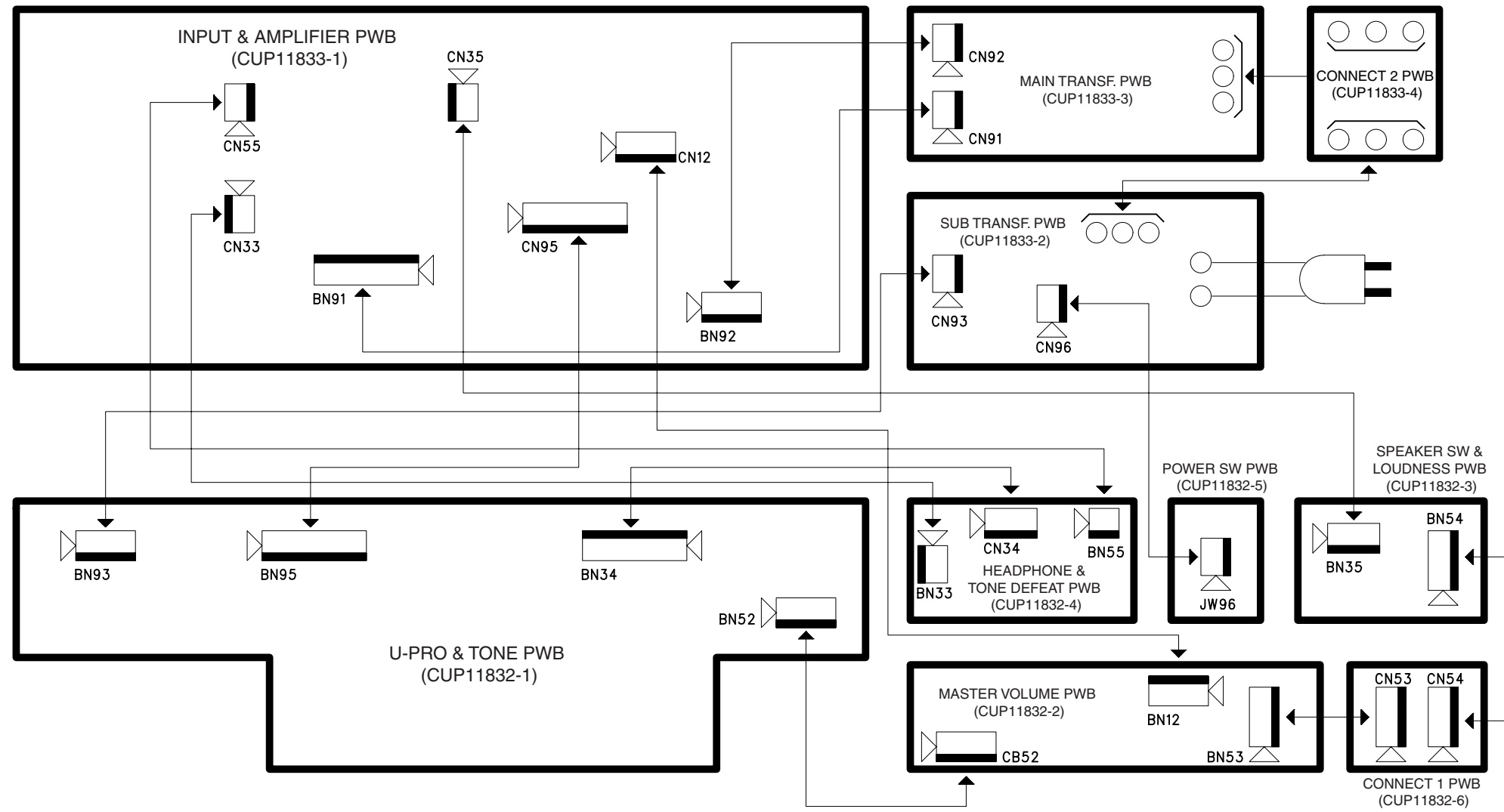
ADJUST	MESURED ACROSS	VOLTMETER READING
VR31	CN37	5mV
VR32	CN38	5mV



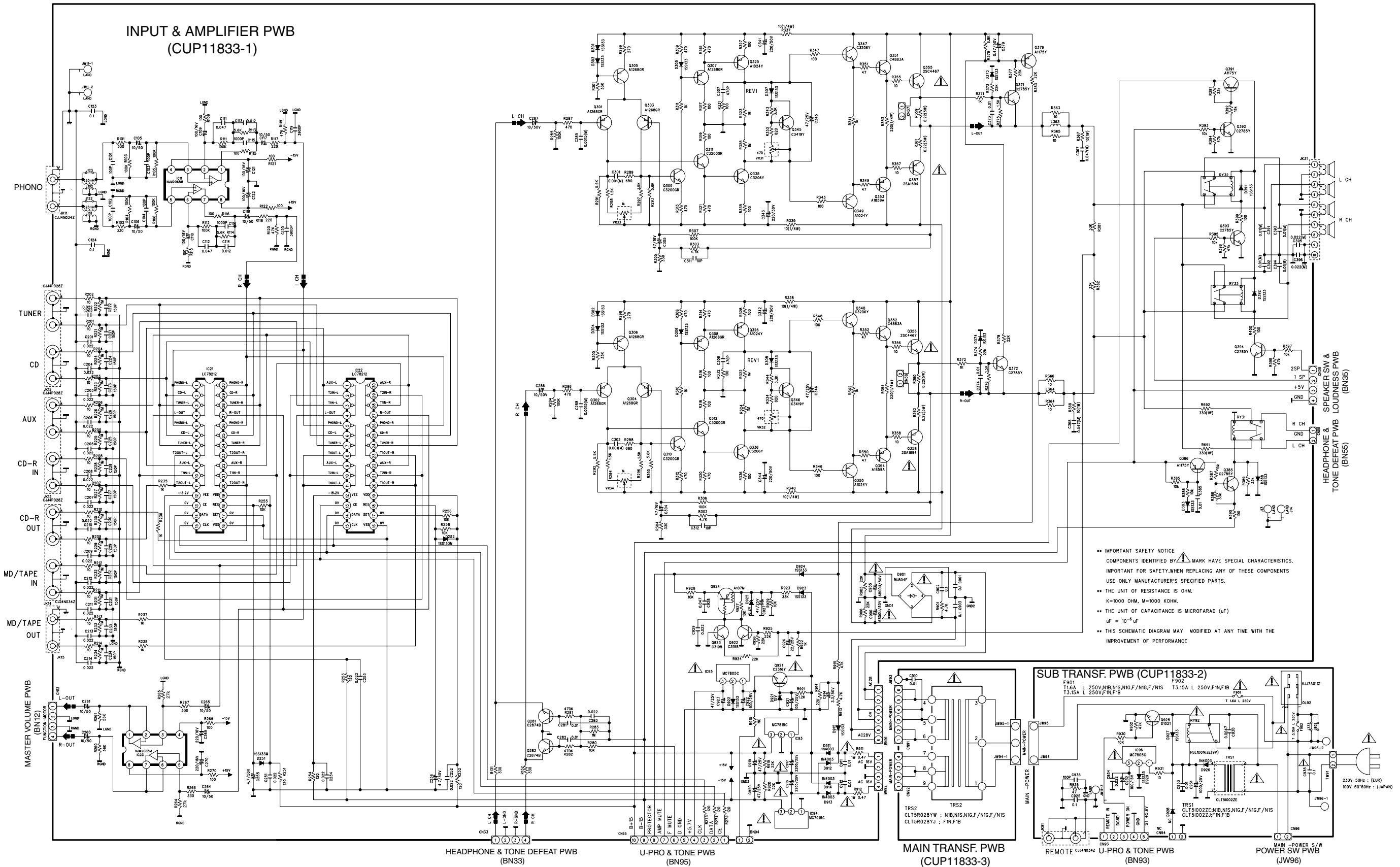
# 4. BLOCK DIAGRAM



5. WIRING DIAGRAM



# 6. SCHEMATIC DIAGRAM







## 7. PARTS LOCATION

### U-PRO & TONE A PWB

Q603  
Q604  
Q605

Q617  
Q613 Q689

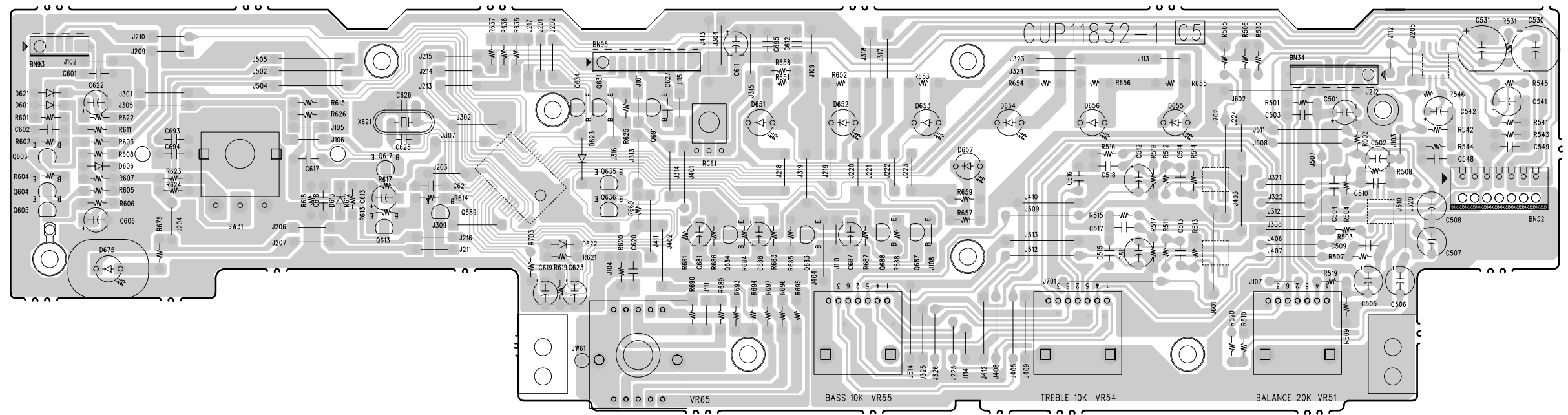
Q634 Q631 Q691

Q635  
Q636

Q684

Q683

Q688 Q687



### U-PRO & TONE B PWB

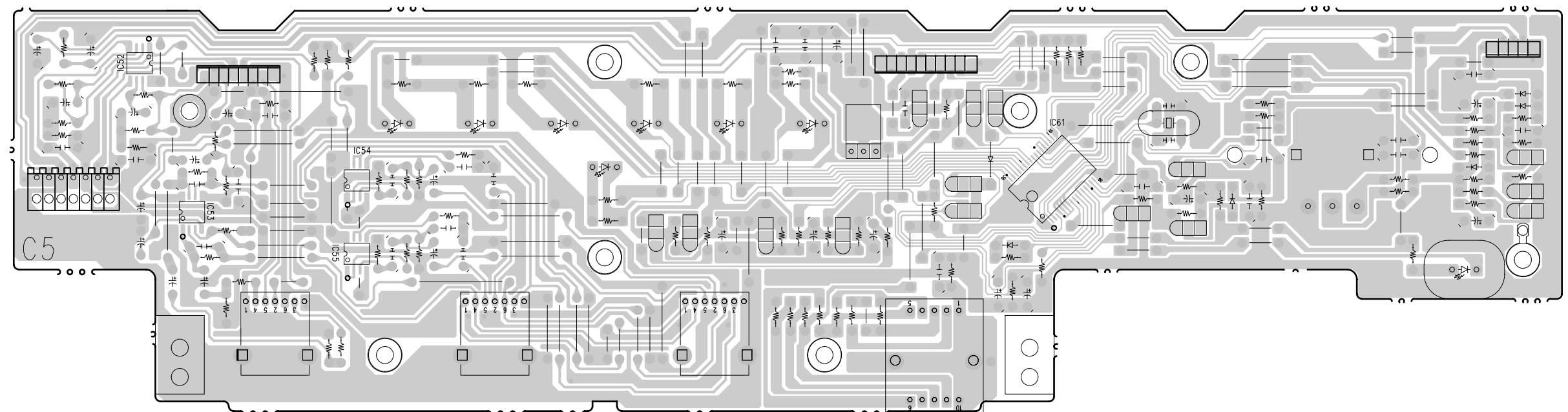
IC52

IC53

IC54

IC55

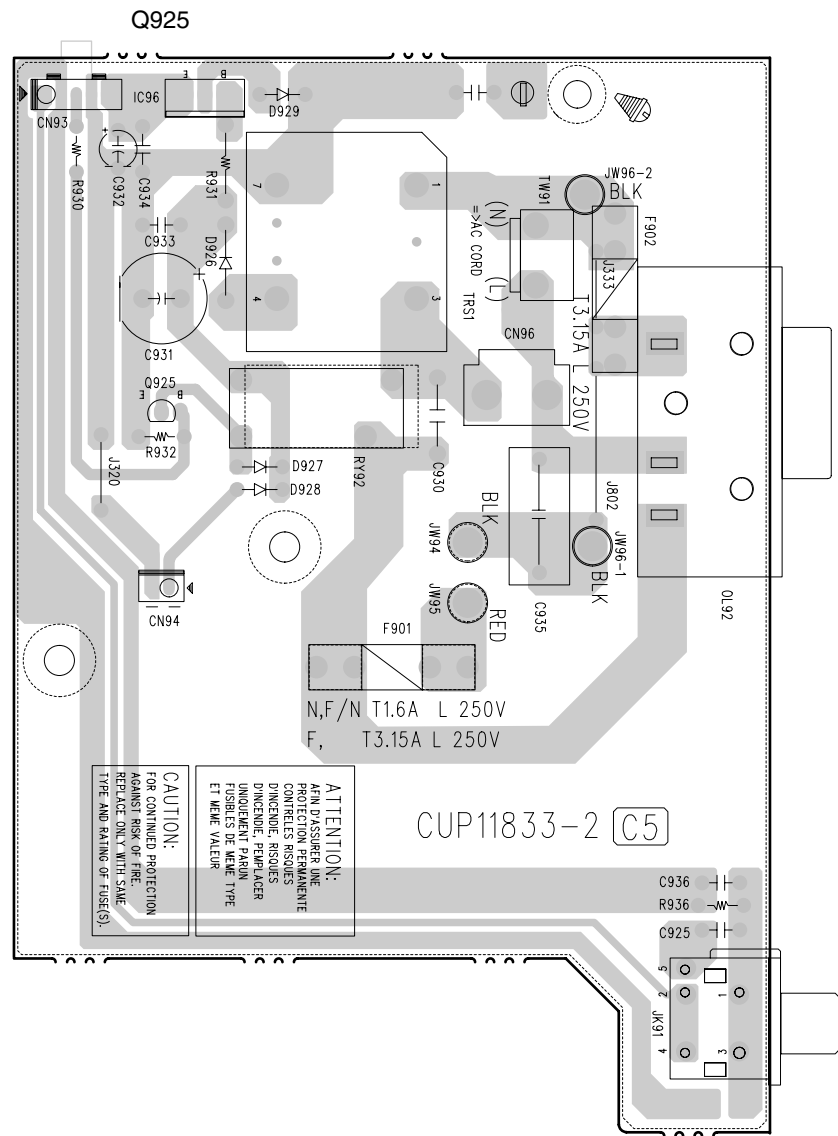
IC61



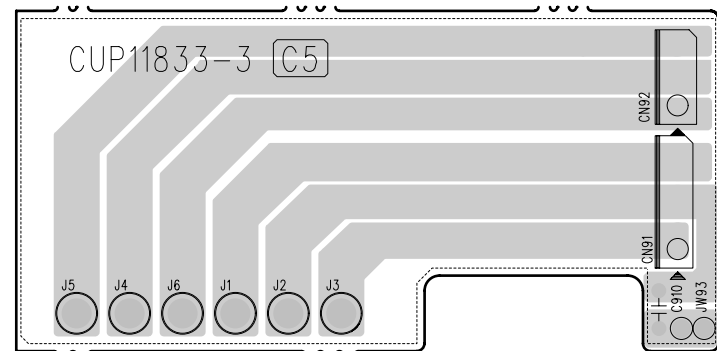
**鉛フリー半田**  
半田付けには、鉛フリー半田 (Sn-Ag-Cu) を使用してください。

**Lead-free Solder**  
When soldering, use the Lead-free Solder (Sn-Ag-Cu).

**SUB TRANSF. A PWB**  
IC96

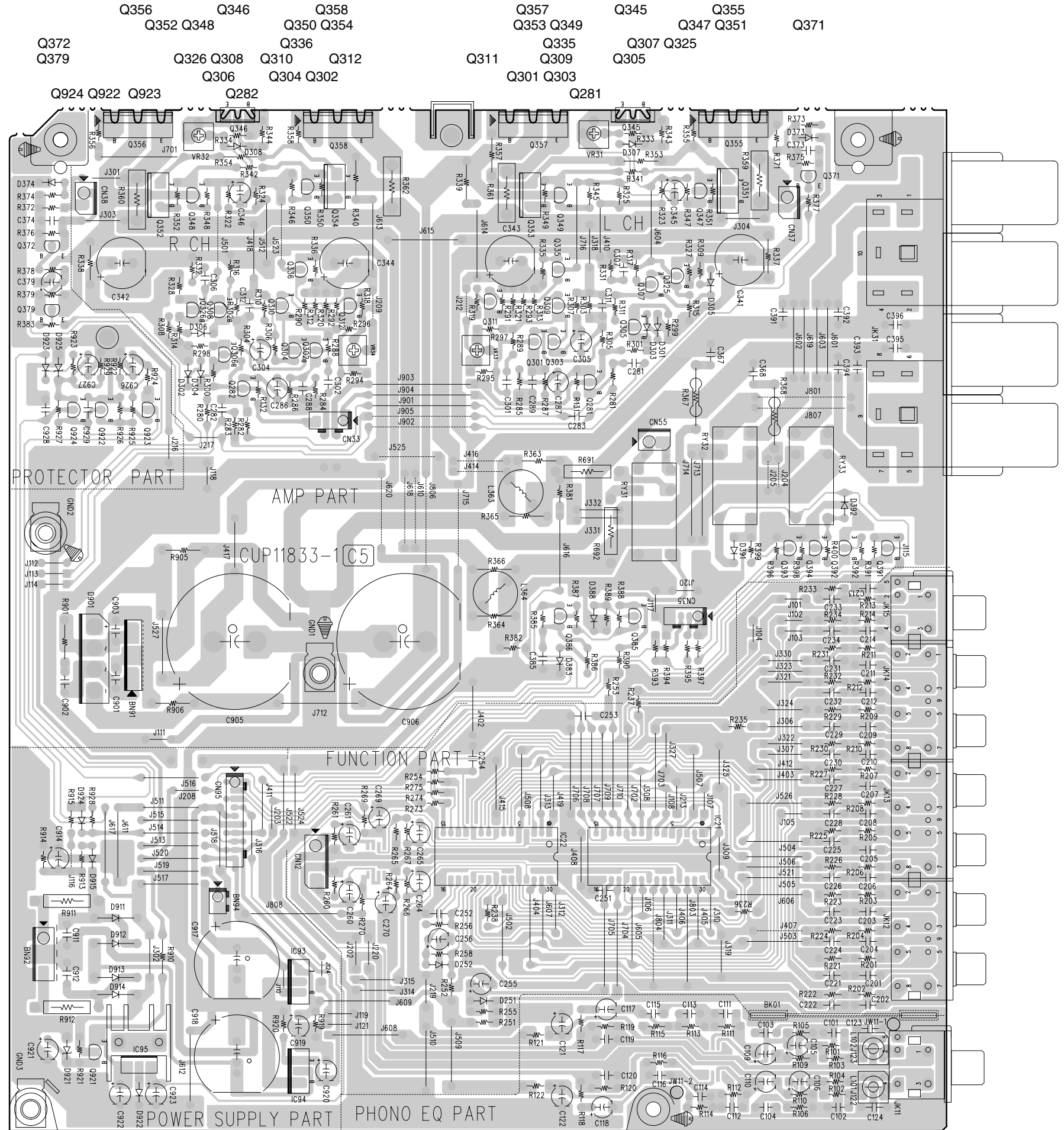


**MAIN TRANSF. A PWB**



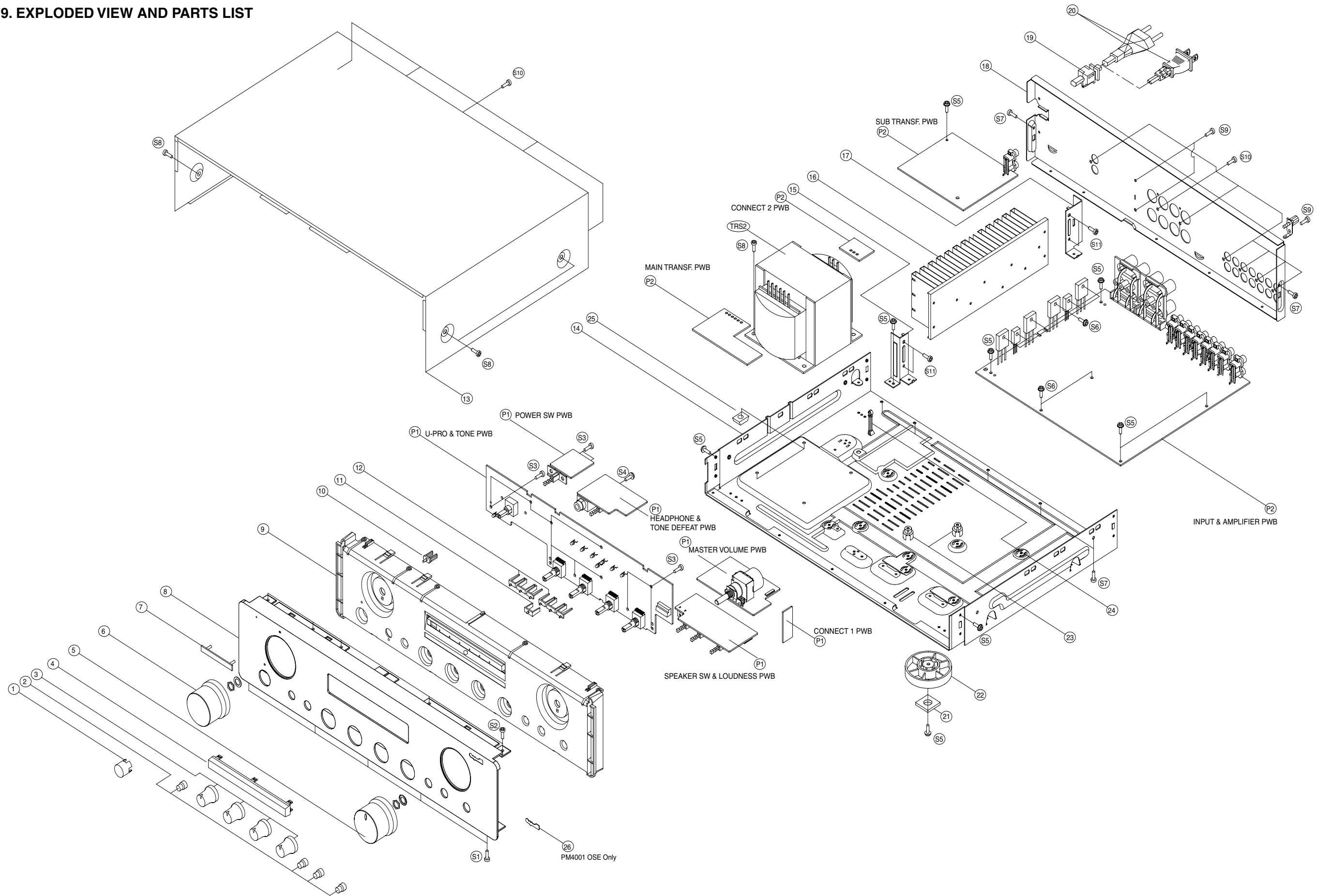
**鉛フリー半田**  
半田付けには、鉛フリー半田 (Sn-Ag-Cu) を使用してください。  
**Lead-free Solder**  
When soldering, use the Lead-free Solder (Sn-Ag-Cu).

**INPUT & AMPLIFIER A PWB**





**9. EXPLODED VIEW AND PARTS LIST**



P.C.B. NAME	POS. NO.	VERS. COLOR	PART NO. (FOR EUR)	PART NO. (MZ)	PART NAME	DESCRIPTION		
	1	F B	nsp	90M285W270010	BUTTON	KNOB POWER BLACK	CBC1A122K92	
	1	F N	nsp	90M44BW270110	BUTTON	KNOB POWER GOLD	CBC1A122RFD4	
	1	/N1B	90M285W270010	90M285W270010	BUTTON	KNOB POWER BLACK	CBC1A122K92	
	1	/N1G	90M44BW270110	90M44BW270110	BUTTON	KNOB POWER GOLD	CBC1A122RFD4	
	1	/N1S	90M44BW270210	90M44BW270210	BUTTON	KNOB POWER SILVER	CBC1A122R6G13	
	2	F B	nsp	90M285W270060	BUTTON	KNOB SPEAKER BLACK	CBC1A123	
	2	F N	nsp	90M44BW270160	BUTTON	KNOB SPEAKER GOLD	CBC1A123RFD4	
	2	/N1B	90M285W270060	90M285W270060	BUTTON	KNOB SPEAKER BLACK	CBC1A123	
	2	/N1G	90M44BW270160	90M44BW270160	BUTTON	KNOB SPEAKER GOLD	CBC1A123RFD4	
	2	/N1S	90M44BW270260	90M44BW270260	BUTTON	KNOB SPEAKER SILVER	CBC1A123R6G13	
	3	F B	nsp	00M274W154030	KNOB	BALANCE KNOB BLACK	CBN1A115	
	3	F N	nsp	00M274W154130	KNOB	BALANCE KNOB GOLD	CBN1A115RFD4	
	3	/N1B	00M274W154030	00M274W154030	KNOB	BALANCE KNOB BLACK	CBN1A115	
	3	/N1G	00M274W154130	00M274W154130	KNOB	BALANCE KNOB GOLD	CBN1A115RFD4	
	3	/N1S	00M274W154230	00M274W154230	KNOB	BALANCE KNOB SILVER	CBN1A115R6G13	
	4	F B	nsp	00M44BW158110	WINDOW	INDICATOR BLACK/GOLD	CGU1A377Z	
	4	F N	nsp	00M44BW158110	WINDOW	INDICATOR BLACK/GOLD	CGU1A377Z	
	4	/N1B	00M44BW158110	00M44BW158110	WINDOW	INDICATOR BLACK/GOLD	CGU1A377Z	
	4	/N1G	00M44BW158110	00M44BW158110	WINDOW	INDICATOR BLACK/GOLD	CGU1A377Z	
	4	/N1S	00M44BW158210	00M44BW158210	WINDOW	INDICATOR SILVER	CGU1A377Y	
	5	F B	nsp	00M44BW154010	KNOB	VOLUME KNOB BLACK	CGX1A371ZA	
	5	F N	nsp	00M44BW154110	KNOB	VOLUME KNOB GOLD	CGX1A371YA	
	5	/N1B	00M44BW154010	00M44BW154010	KNOB	VOLUME KNOB BLACK	CGX1A371ZA	
	5	/N1G	00M44BW154110	00M44BW154110	KNOB	VOLUME KNOB GOLD	CGX1A371YA	
	5	/N1S	00M44BW154210	00M44BW154210	KNOB	VOLUME KNOB SILVER	CGX1A371XA	
	6	F B	nsp	00M44BW154020	KNOB	FUNCTION KNOB BLACK	CGX2A371ZA	
	6	F N	nsp	00M44BW154120	KNOB	FUNCTION KNOB GOLD	CGX2A371YA	
	6	/N1B	00M44BW154020	00M44BW154020	KNOB	FUNCTION KNOB BLACK	CGX2A371ZA	
	6	/N1G	00M44BW154120	00M44BW154120	KNOB	FUNCTION KNOB GOLD	CGX2A371YA	
	6	/N1S	00M44BW154220	00M44BW154220	KNOB	FUNCTION KNOB SILVER	CGX2A371XA	
	7	F B	nsp	00M24AW251010	BADGE	NEW MZ BADGE	CGB1A117	
	7	F N	nsp	00M24AW251010	BADGE	NEW MZ BADGE	CGB1A117	
	7	/N1B	00M24AW251010	00M24AW251010	BADGE	NEW MZ BADGE	CGB1A117	
	7	/N1G	00M24AW251010	00M24AW251010	BADGE	NEW MZ BADGE	CGB1A117	
	7	/N1S	00M24AW251020	00M24AW251020	BADGE	NEW MZ BADGE SILVER	CGB1A117G	
	8	F B	nsp	00M44BW248010	PANEL	PANEL FRONT BLACK	CKM1A165ZC23	
	8	F N	nsp	00M44BW248110	PANEL	PANEL FRONT GOLD	CKM1A165ZC24	
	8	/N1B	00M44BW248010	00M44BW248010	PANEL	PANEL FRONT BLACK	CKM1A165ZC23	
	8	/N1G	00M44BW248110	00M44BW248110	PANEL	PANEL FRONT GOLD	CKM1A165ZC24	
	8	/N1S	00M44BW248210	00M44BW248210	PANEL	PANEL FRONT SILVER	CKM1A165ZC40	
	9	F B	nsp	00M44BW105010	CHASSIS	PANEL SUB BLACK	CGW1A409R4K92	
	9	F N	nsp	00M44BW105110	CHASSIS	PANEL SUB GOLD	CGW1A409RFD4	
	9	/N1B	00M44BW105010	00M44BW105010	CHASSIS	PANEL SUB BLACK	CGW1A409R4K92	
	9	/N1G	00M44BW105110	00M44BW105110	CHASSIS	PANEL SUB GOLD	CGW1A409RFD4	
	9	/N1S	00M44BW105210	00M44BW105210	CHASSIS	PANEL SUB SILVER	CGW1A409R6G13	
	10		00M274W355020	00M274W355020	LENS	INDICATOR STANDBY	CGL1A174	
	11		00M44BW355020	00M44BW355020	LENS	INDICATOR MUTE	CGL1A239	
	12		00M44BW355010	00M44BW355010	LENS	INDICATOR FUNCTION	CGL1A238	
	14		nsp	nsp	CHASSIS	CHASSIS, BOTTOM	CUA2A162	
	15		nsp	nsp	BRACKET	A4-97-2814	CMD1A366	
	16		nsp	nsp	HEATSINK	SINK, HEAT	CMY1A150	
	17		nsp	nsp	BRACKET	A4-97-2815	CMD1A367	
	18	F B	nsp	nsp	PANEL	REAR PANEL F	CKF2A187L	
	18	F N	nsp	nsp	PANEL	REAR PANEL F	CKF2A187L	
	18	/N1B	nsp	nsp	PANEL	REAR PANEL N	CKF1A187L	
	18	/N1G	nsp	nsp	PANEL	REAR PANEL N	CKF1A187L	
	18	/N1S	nsp	nsp	PANEL	REAR PANEL N	CKF1A187L	
	19		00M24AW259020	00M24AW259020	BUSHING	BUSHING AC CORD	KHR1A028	
	▲	20	F B	nsp	90M-YC000800R	MAINS CORD	! MAINS CORD F	CJA2J049ZA
	▲	20	F N	nsp	90M-YC000800R	MAINS CORD	! MAINS CORD F	CJA2J049ZA
	▲	20	/N1B	90M-YC000760R	90M-YC000760R	MAINS CORD	! MAINS CORD N QDR-7100CC	CJA2B043ZA
	▲	20	/N1G	90M-YC000760R	90M-YC000760R	MAINS CORD	! MAINS CORD N QDR-7100CC	CJA2B043ZA
	▲	20	/N1S	90M-YC000760R	90M-YC000760R	MAINS CORD	! MAINS CORD N QDR-7100CC	CJA2B043ZA
	21		00M11BW056010	00M11BW056010	BUFFER	RUBBER CUSHION	KHG1A050	
	22	F B	nsp	00M243W057010	LEG	LEG GOLD/BLACK	CKL2A042H11	
	22	F N	nsp	00M243W057010	LEG	LEG GOLD/BLACK	CKL2A042H11	
	22	/N1B	00M243W057010	00M243W057010	LEG	LEG GOLD/BLACK	CKL2A042H11	

NOTE : \*nsp\* PART IS LISTED FOR REFERENCE ONLY, MARANTZ WILL NOT SUPPLY THESE PARTS.

P.C.B. NAME	POS. NO.	VERS. COLOR	PART NO. (FOR EUR)	PART NO. (MZ)	PART NAME	DESCRIPTION
	22	/N1G	00M243W057010	00M243W057010	LEG	LEG GOLD/BLACK CKL2A042H11
	22	/N1S	00M243W057210	00M243W057210	LEG	LEG FOR SILVER CKL2A042H46
	23		nsp	nsp	HOLDER	HOLDER PWB CHE170
	24		nsp	nsp	SUPPORT	SJBS-26R KRE1A006
	25		nsp	nsp	BUFFER	RUBBER CHG1A113
▲ F901	F B		nsp	90M-FS001060R	FUSE	! T3.15A 250V KBA2C3150TLEZ
▲ F901	F N		nsp	90M-FS001060R	FUSE	! T3.15A 250V KBA2C3150TLEZ
▲ F901	/N1B		90M-FS001050R	90M-FS001050R	FUSE	! T1.6A 250V KBA2C1600TLEZ
▲ F901	/N1G		90M-FS001050R	90M-FS001050R	FUSE	! T1.6A 250V KBA2C1600TLEZ
▲ F901	/N1S		90M-FS001050R	90M-FS001050R	FUSE	! T1.6A 250V KBA2C1600TLEZ
▲ F902	F B		nsp	90M-FS001060R	FUSE	! T3.15A 250V KBA2C3150TLEZ
▲ F902	F N		nsp	90M-FS001060R	FUSE	! T3.15A 250V KBA2C3150TLEZ
▲ TRS2	F B		nsp	90M-TS002550R	TRANSF.	! TRANS, POWER FOR F CLT5R028YJ
▲ TRS2	F N		nsp	90M-TS002550R	TRANSF.	! TRANS, POWER FOR F CLT5R028YJ
▲ TRS2	/N1B		90M-TS002540R	90M-TS002540R	TRANSF.	! TRANS, POWER FOR N CLT5R028YW
▲ TRS2	/N1G		90M-TS002540R	90M-TS002540R	TRANSF.	! TRANS, POWER FOR N CLT5R028YW
▲ TRS2	/N1S		90M-TS002540R	90M-TS002540R	TRANSF.	! TRANS, POWER FOR N CLT5R028YW
			90M-FC500030R	90M-FC500030R	FERRITE CORE	FERRITE RING 29X7.7X19 CLZ9W003Z
P1	F B		nsp	nsp	PWB ASSY	FRONT PWB ASSY COP11832B
P1	F N		nsp	nsp	PWB ASSY	FRONT PWB ASSY COP11832B
P1	/N1B		nsp	nsp	PWB ASSY	FRONT PWB ASSY COP11832B
P1	/N1G		nsp	nsp	PWB ASSY	FRONT PWB ASSY COP11832B
P1	/N1S		nsp	nsp	PWB ASSY	FRONT PWB ASSY COP11832C
P2	F B		nsp	nsp	PWB ASSY	MAIN PWB ASSY COP11833C
P2	F N		nsp	nsp	PWB ASSY	MAIN PWB ASSY COP11833C
P2	/N1B		nsp	nsp	PWB ASSY	MAIN PWB ASSY COP11833B
P2	/N1G		nsp	nsp	PWB ASSY	MAIN PWB ASSY COP11833B
P2	/N1S		nsp	nsp	PWB ASSY	MAIN PWB ASSY COP11833B
<b>PACKING</b>						
	F B		nsp	00M44BW851110	USER GUIDE	USER GUIDE PM4001 F CQX1A1035Z
	F N		nsp	00M44BW851110	USER GUIDE	USER GUIDE PM4001 F CQX1A1035Z
	/N1B		00M44BW851310	00M44BW851310	USER GUIDE	USER GUIDE PM4001 N CQX1A1034Z
	/N1G		00M44BW851310	00M44BW851310	USER GUIDE	USER GUIDE PM4001 N CQX1A1034Z
	/N1S		00M44BW851310	00M44BW851310	USER GUIDE	USER GUIDE PM4001 N CQX1A1034Z
			3070100010088	3070100010088	UNIT KIT	REMOTE CONTROLLER RC4001PM HARTPM4001
<b>NOT STANDARD SPARE PART</b>						
	F B		nsp	00M44BW801010	PACKING CASE	PACKING CASE CPG1A564U
	F N		nsp	00M44BW801010	PACKING CASE	PACKING CASE CPG1A564U
	/N1B		nsp	00M44BW801010	PACKING CASE	PACKING CASE CPG1A564U
	/N1G		nsp	00M44BW801010	PACKING CASE	PACKING CASE CPG1A564U
	/N1S		nsp	00M44BW801010	PACKING CASE	PACKING CASE CPG1A564U
			nsp	00M274W809010	CUSHION	CUSHION CPS1A451
	13	F B	nsp	00M274W257010	LID	TOP LID BLACK CKC2A104K117
	13	F N	nsp	00M274W257110	LID	TOP LID GOLD CKC2A104K118
	13	/N1B	nsp	00M274W257010	LID	TOP LID BLACK CKC2A104K117
	13	/N1G	nsp	00M274W257110	LID	TOP LID GOLD CKC2A104K118
	13	/N1S	nsp	00M274W257210	LID	TOP LID SILVER CKC2A104G14

## PM4001 OSE

P.C.B. NAME	POS. NO.	VERS. COLOR	PART NO. (FOR EUR)	PART NO. (MZ)	PART NAME	DESCRIPTION		
	1	/N1B	90M285W270010	90M285W270010	BUTTON	KNOB POWER BLACK	CBC1A122K92	
	1	/N1S	90M44BW270210	90M44BW270210	BUTTON	KNOB POWER SILVER	CBC1A122R6G13	
	2	/N1B	90M285W270060	90M285W270060	BUTTON	KNOB SPEAKER BLACK	CBC1A123	
	2	/N1S	90M44BW270260	90M44BW270260	BUTTON	KNOB SPEAKER SILVER	CBC1A123R6G13	
	3	/N1B	00M274W154030	00M274W154030	KNOB	BALANCE KNOB BLACK	CBN1A115	
	3	/N1S	00M274W154230	00M274W154230	KNOB	BALANCE KNOB SILVER	CBN1A115R6G13	
	4	/N1B	00M44BW158110	00M44BW158110	WINDOW	INDICATOR BLACK/GOLD	CGU1A377Z	
	4	/N1S	00M44BW158210	00M44BW158210	WINDOW	INDICATOR SILVER	CGU1A377Y	
	5	/N1B	00M44BW154010	00M44BW154010	KNOB	VOLUME KNOB BLACK	CGX1A371ZA	
	5	/N1S	00M44BW154210	00M44BW154210	KNOB	VOLUME KNOB SILVER	CGX1A371XA	
	6	/N1B	00M44BW154020	00M44BW154020	KNOB	FUNCTION KNOB BLACK	CGX2A371ZA	
	6	/N1S	00M44BW154220	00M44BW154220	KNOB	FUNCTION KNOB SILVER	CGX2A371XA	
	7	/N1B	00M24AW251010	00M24AW251010	BADGE	NEW MZ BADGE	CGB1A117	
	7	/N1S	00M24AW251020	00M24AW251020	BADGE	NEW MZ BADGE SILVER	CGB1A117G	
	8	/N1B	00M44BW248310	00M44BW248310	PANEL	PANEL FRONT BLACK OSE	CKM2A165ZC23	
	8	/N1S	00M44BW248410	00M44BW248410	PANEL	PANEL FRONT SILVER OSE	CKM2A165ZC40	
	9	/N1B	00M44BW105010	00M44BW105010	CHASSIS	PANEL SUB BLACK	CGW1A409R4K92	
	9	/N1S	00M44BW105210	00M44BW105210	CHASSIS	PANEL SUB SILVER	CGW1A409R6G13	
	10		00M274W355020	00M274W355020	LENS	INDICATOR STANDBY	CGL1A174	
	11		00M44BW355020	00M44BW355020	LENS	INDICATOR MUTE	CGL1A239	
	12		00M44BW355010	00M44BW355010	LENS	INDICATOR FUNCTION	CGL1A238	
	14		nsp	nsp	CHASSIS	CHASSIS, BOTTOM	CUA2A162	
	15		nsp	nsp	BRACKET	A4-97-2814	CMD1A366	
	16		nsp	nsp	HEATSINK	SINK, HEAT	CMY1A150	
	17		nsp	nsp	BRACKET	A4-97-2815	CMD1A367	
	18	/N1B	nsp	nsp	PANEL	REAR PANEL N OSE PM4001F	CKF1A187K	
	18	/N1S	nsp	nsp	PANEL	REAR PANEL N OSE PM4001F	CKF1A187K	
	19		00M24AW259020	00M24AW259020	BUSHING	BUSHING AC CORD	KHR1A028	
	▲	20	/N1B	90M-YC000760R	90M-YC000760R	MAINS CORD	! MAINS CORD N QDR-7100CC	CJA2B043ZA
	▲	20	/N1S	90M-YC000760R	90M-YC000760R	MAINS CORD	! MAINS CORD N QDR-7100CC	CJA2B043ZA
	21		00M11BW056010	00M11BW056010	BUFFER	RUBBER CUSHION	KHG1A050	
	22	/N1B	00M243W057010	00M243W057010	LEG	LEG GOLD/BLACK	CKL2A042H11	
	22	/N1S	00M243W057210	00M243W057210	LEG	LEG FOR SILVER	CKL2A042H46	
	23		nsp	nsp	HOLDER	HOLDER PWB	CHE170	
	24		nsp	nsp	SUPPORT	SJBS-26R	KRE1A006	
	25		nsp	nsp	BUFFER	RUBBER	CHG1A113	
	26	/N1B	00M255W251090	00M255W251090	BADGE	OSE BADGE GOLD	HGB1A160Z	
	26	/N1S	00M255W251020	00M255W251020	BADGE	OSE BADGE SILVER	HGB1A160Y	
	▲	F901	/N1B	90M-FS001050R	90M-FS001050R	FUSE	! T1.6A 250V	KBA2C1600TLEZ
	▲	F901	/N1S	90M-FS001050R	90M-FS001050R	FUSE	! T1.6A 250V	KBA2C1600TLEZ
	▲	TRS2	/N1B	90M-TS002540R	90M-TS002540R	TRANSF.	! TRANS, POWER FOR N	CLT5R028YW
	▲	TRS2	/N1S	90M-TS002540R	90M-TS002540R	TRANSF.	! TRANS, POWER FOR N	CLT5R028YW
				90M-FC500030R	90M-FC500030R	FERRITE CORE	FERRITE RING 29X7.7X19	CLZ9W003Z
	P1	/N1B	nsp	nsp	PWB ASSY	FRONT PWB ASSY	COP11832D	
	P1	/N1S	nsp	nsp	PWB ASSY	FRONT PWB ASSY	COP11832E	
	P2	/N1B	nsp	nsp	PWB ASSY	MAIN PWB ASSY	COP11833D	
	P2	/N1S	nsp	nsp	PWB ASSY	MAIN PWB ASSY	COP11833D	
<b>PACKING</b>								
		/N1B	00M44BW851310	00M44BW851310	USER GUIDE	USER GUIDE PM4001 N	CQX1A1034Z	
		/N1S	00M44BW851310	00M44BW851310	USER GUIDE	USER GUIDE PM4001 N	CQX1A1034Z	
			3070100010088	3070100010088	UNIT KIT	REMOTE CONTROLLER RC4001PM	HARTPM4001	
<b>NOT STANDARD SPARE PART</b>								
		/N1B	nsp	00M44BW801020	PACKING CASE	PACKING CASE PM4001 OSE	CPG1A564T	
		/N1S	nsp	00M44BW801020	PACKING CASE	PACKING CASE PM4001 OSE	CPG1A564T	
			nsp	00M274W809010	CUSHION	CUSHION	CPS1A451	
	13	/N1B	nsp	00M274W257010	LID	TOP LID BLACK	CKC2A104K117	
	13	/N1S	nsp	00M274W257210	LID	TOP LID SILVER	CKC2A104G14	

NOTE : \*nsp\* PART IS LISTED FOR REFERENCE ONLY, MARANTZ WILL NOT SUPPLY THESE PARTS.

## 10. ELECTRICAL PARTS LIST

### PARTS INFORMATION

#### RESISTORS

- 1) 00MGD05 × × × 140, Carbon film fixed resistor, ±5% 1/4W  
 2) 00MGD05 × × × 160, Carbon film fixed resistor, ±5% 1/6W

① — Resistance value

Examples ;

① Resistance value  
 0.1 Ω .... 001    10 Ω .... 100    1 kΩ .... 102    100 kΩ .... 104  
 0.5 Ω .... 005    18 Ω .... 180    2.7 kΩ .... 272    680 kΩ .... 684  
 1 Ω .... 010    100 Ω .... 101    10 kΩ .... 103    1 MΩ .... 105  
 6.8 Ω .... 068    390 Ω .... 391    22 kΩ .... 223    4.7 MΩ .... 475

**Note :** Please distinguish 1/4W from 1/6W by the shape of parts used actually.

#### CAPACITORS

##### CERAMIC CAP.

- 3) 00MDD1 × × × × 370 Ceramic capacitor  
 Disc type  
 Temp.coeff.P350 ~ N1000, 50V
- ② — Capacity value  
 ③ — Tolerance

Examples ;

② Tolerance (Capacity deviation)  
 ±0.25 pF .... 0  
 ±0.5 pF .... 1  
 ±5% .... 5

\* Tolerance of COMMON PARTS handled here are as follows :

0.5 pF ~ 5 pF .... ±0.25 pF  
 6 pF ~ 10 pF .... ±0.5 pF  
 12 pF ~ 560 pF .... ±5%

③ Capacity value

0.5 pF .... 005    3 pF .... 030    100 pF .... 101  
 1 pF .... 010    10 pF .... 100    220 pF .... 221  
 1.5 pF .... 015    47 pF .... 470    560 pF .... 561

##### CERAMIC CAP.

- 4) 00MDK16 × × × 300, High dielectric constant ceramic capacitor  
 Disc type  
 Temp.chara. 2B4, 50V
- ④ — Capacity value

Examples ;

④ Capacity value  
 100 pF .... 101    1000 pF .... 102    10000 pF .... 103  
 470 pF .... 471    2200 pF .... 222

##### ELECTROLY CAP. ( $\text{⏏}$ )

- 5) 00MEA × × × × × 10, Electrolytic capacitor  
 One-way lead type, Tolerance ±20%
- ⑤ — Capacity value  
 ⑥ — Working voltage

Examples ;

⑤ Capacity value  
 0.1 μF .... 104    4.7 μF .... 475    100 μF .... 107  
 0.33 μF .... 334    10 μF .... 106    330 μF .... 337  
 1 μF .... 105    22 μF .... 226    1100 μF .... 118  
 2200 μF .... 228

⑥ Working voltage

6.3V .... 006    25V .... 025  
 10V .... 010    35V .... 035  
 16V .... 016    50V .... 050

##### FILM CAP. ( $\text{⏏}$ )

- 6) 00MDF15 × × × 350 → Plastic film capacitor  
 00MDF15 × × × 310 → One-way type, Mylar ±5% 50V  
 00MDF16 × × × 310 → Plastic film capacitor  
 One-way type, Mylar ±10% 50V
- ⑦ — Capacity value

Examples ;

⑦ Capacity value  
 0.001 μF (1000 pF) ..... 102    0.1 μF .... 104  
 0.0018 μF ..... 182    0.56 μF .... 564  
 0.01 μF ..... 103    1 μF .... 105  
 0.015 μF ..... 153

### NOTE ON SAFETY FOR FUSIBLE RESISTOR :

The suppliers and their type numbers of fusible resistors are as follows;

#### 1. KOA Corporation

Part No. (MJ)	Type No. (KOA)	Description
00MNH05 × × × 140	RF25S × × × × ΩJ	(±5% 1/4W)
00MNH05 × × × 120	RF50S × × × × ΩJ	(±5% 1/2W)
00MNH85 × × × 110	RF73B2A × × × × ΩJ	(±5% 1/10W)
00MNH95 × × × 140	RF73B2E × × × × ΩJ	(±5% 1/4W)

\* Resistance value      Resistance value (0.1 Ω – 10 kΩ)

#### 2. Matsushita Electronic Components Co., Ltd

Part No. (MJ)	Type No. (MEC)	Description
00MNF05 × × × 140	ERD-2FCJ × × ×	(±5% 1/4W)
00MRF05 × × × 140	ERD-2FCG × × ×	(±2% 1/4W)
00MNF02 × × × 140		
00MRF02 × × × 140		

\* Resistance value      \* Resistance value

Examples ;

\* Resistance value  
 0.1 Ω .... 001    10 Ω .... 100    1 kΩ .... 102    100 kΩ .... 104  
 0.5 Ω .... 005    18 Ω .... 180    2.7 kΩ .... 272    680 kΩ .... 684  
 1 Ω .... 010    100 Ω .... 101    10 kΩ .... 103    1 MΩ .... 105  
 6.8 Ω .... 068    390 Ω .... 391    22 kΩ .... 223    4.7 MΩ .... 475



### ABBREVIATION AND MARKS

ANT. : ANTENNA	BATT. : BATTERY
CAP. : CAPACITOR	CER. : CERAMIC
CONN. : CONNECTING	DIG. : DIGITAL
HP : HEADPHONE	MIC. : MICROPHONE
μ-PRO : MICROPROCESSOR	REC. : RECORDING
RES. : RESISTOR	SPK : SPEAKER
SW : SWITCH	TRANSF. : TRANSFORMER
TRIM. : TRIMMING	TRS. : TRANSISTOR
VAR. : VARIABLE	X'TAL : CRYSTAL


### NOTE ON FUSE :

Regarding to all parts of parts code **00MFS20xxx2xx**, replace only with Wickmann-Werke GmbH, Type 372 non glass type fuse.

### NOTE ON SAFETY :

Symbol  Fire or electrical shock hazard. Only original parts should be used to replaced any part marked with symbol . Any other component substitution (other than original type), may increase risk of fire or electrical shock hazard.

### 安全上の注意 :

 がついている部品は、安全上重要な部品です。必ず指定されている部品番号の部品を使用して下さい。



P.C.B. NAME	POS. NO.	VERS. COLOR	PART NO. (FOR EUR)	PART NO. (MZ)	PART NAME	DESCRIPTION
					<b>CONNECT 1 PWB (CUP11832-6)</b>	
CONN.	CN53		90M-YP100340R	90M-YP100340R	CONN.	6P STRAIGHT CJP06GA98ZY
CONN.	CN54		90M-YP100340R	90M-YP100340R	CONN.	6P STRAIGHT CJP06GA98ZY
					<b>HEADPHONE &amp; TONE DEFEAT PWB (CUP11832-4)</b>	
H/P	BK61		nsp	nsp	BRACKET	BRACKET PWB CMD1A387
H/P	BN33		nsp	nsp	CORD	CWZPM4001BN33
H/P	BN55		nsp	nsp	CORD	CWB1C902450BM
H/P	C532		nsp	00MOA10605020	ELECT CAP.	10UF 50V CCEA1HH100T
H/P	C533		nsp	00MOA10605020	ELECT CAP.	10UF 50V CCEA1HH100T
H/P	C535	F B	nsp	00MOA10605020	ELECT CAP.	10UF 50V CCEA1HH100T
H/P	C535	F N	nsp	00MOA10605020	ELECT CAP.	10UF 50V CCEA1HH100T
H/P	C535	/N1B	nsp	00MOA10605020	ELECT CAP.	10UF 50V CCEA1HH100T
H/P	C535	/N1G	nsp	00MOA10605020	ELECT CAP.	10UF 50V CCEA1HH100T
H/P	C535	/N1S	nsp	00MOA10605020	ELECT CAP.	10UF 50V CCEA1HH100T
H/P	C536	F B	nsp	00MOA10605020	ELECT CAP.	10UF 50V CCEA1HH100T
H/P	C536	F N	nsp	00MOA10605020	ELECT CAP.	10UF 50V CCEA1HH100T
H/P	C536	/N1B	nsp	00MOA10605020	ELECT CAP.	10UF 50V CCEA1HH100T
H/P	C536	/N1G	nsp	00MOA10605020	ELECT CAP.	10UF 50V CCEA1HH100T
H/P	C536	/N1S	nsp	00MOA10605020	ELECT CAP.	10UF 50V CCEA1HH100T
H/P	C691		nsp	nsp	FILM CAP.	0.01UF 50V J HCQ1H103JZT
H/P	C692		nsp	nsp	FILM CAP.	0.01UF 50V J HCQ1H103JZT
H/P	CN34		nsp	nsp	CONN.	8P STRAIGHT CJP08GA19ZY
H/P	J208		nsp	nsp	CORD	SN95/PB5, 0.6 C3A206
H/P	JK61	F B	nsp	90M-YT003160R	TERMINAL	HTJ-064-05NG HEADPHONE JACK CJJ2E020Z
H/P	JK61	F N	nsp	90M-YT003160R	TERMINAL	HTJ-064-05NG HEADPHONE JACK CJJ2E020Z
H/P	JK61	/N1B	90M-YT003160R	90M-YT003160R	TERMINAL	HTJ-064-05NG HEADPHONE JACK CJJ2E020Z
H/P	JK61	/N1G	90M-YT003160R	90M-YT003160R	TERMINAL	HTJ-064-05NG HEADPHONE JACK CJJ2E020Z
H/P	JK61	/N1S	90M-YT004500R	90M-YT004500R	TERMINAL	JACK HEADPHONE(SILVER) CJJ2E026Z
H/P	JW62		nsp	nsp	CORD	WIRE ASSY CWZAMC660JW52
H/P	R532		nsp	nsp	RES.	56K OHM 1/5W J CRD20TJ563T
H/P	R533		nsp	nsp	RES.	56K OHM 1/5W J CRD20TJ563T
H/P	R535		nsp	nsp	RES.	56K OHM 1/5W J CRD20TJ563T
H/P	R536		nsp	nsp	RES.	56K OHM 1/5W J CRD20TJ563T
H/P	R698		nsp	nsp	RES.	47 OHM 1/4W J CRD25TJ470T
H/P	R699		nsp	nsp	RES.	47 OHM 1/4W J CRD25TJ470T
H/P	SW51		90M-SP001330R	90M-SP001330R	SW	CSH2B019Z
					<b>INPUT &amp; AMPLIFIER PWB (CUP11833-1)</b>	
INPUT	BK01		nsp	nsp	SHIELD	SHIELD, PLATE CMD1A576
INPUT	BN91		nsp	nsp	CORD	CWZPM4001BN91
INPUT	BN92		nsp	nsp	CORD	CWZPM4001BN92
INPUT	C101		nsp	nsp	CER. CAP.	100PF 50V KB CCKT1H101KB
INPUT	C102		nsp	nsp	CER. CAP.	100PF 50V KB CCKT1H101KB
INPUT	C103		nsp	nsp	CER. CAP.	100PF 50V KB CCKT1H101KB
INPUT	C104		nsp	nsp	CER. CAP.	100PF 50V KB CCKT1H101KB
INPUT	C105		nsp	00MOA10605020	ELECT CAP.	10UF 50V CCEA1HH100T
INPUT	C106		nsp	00MOA10605020	ELECT CAP.	10UF 50V CCEA1HH100T
INPUT	C109		nsp	00MOA10701620	ELECT CAP.	100UF 16V CCEA1CH101T
INPUT	C110		nsp	00MOA10701620	ELECT CAP.	100UF 16V CCEA1CH101T
INPUT	C111		nsp	nsp	FILM CAP.	0.047UF 50V J HCQ1H473JZT
INPUT	C112		nsp	nsp	FILM CAP.	0.047UF 50V J HCQ1H473JZT
INPUT	C113		nsp	nsp	FILM CAP.	0.012UF 50V J HCQ1H123JZT
INPUT	C114		nsp	nsp	FILM CAP.	0.012UF 50V J HCQ1H123JZT
INPUT	C115		nsp	nsp	FILM CAP.	1000PF 50V J HCQ1H102JZT
INPUT	C116		nsp	nsp	FILM CAP.	1000PF 50V J HCQ1H102JZT
INPUT	C117		nsp	00MOA10605020	ELECT CAP.	10UF 50V CCEA1HH100T
INPUT	C118		nsp	00MOA10605020	ELECT CAP.	10UF 50V CCEA1HH100T
INPUT	C119		nsp	nsp	FILM CAP.	3900PF 50V J HCQ1H392JZT
INPUT	C120		nsp	nsp	FILM CAP.	3900PF 50V J HCQ1H392JZT
INPUT	C121		nsp	00MOA10701620	ELECT CAP.	100UF 16V CCEA1CH101T
INPUT	C122		nsp	00MOA10701620	ELECT CAP.	100UF 16V CCEA1CH101T
INPUT	C123		nsp	nsp	CER. CAP.	0.1UF 50V Z HCBS1H104ZFT
INPUT	C124		nsp	nsp	CER. CAP.	0.1UF 50V Z HCBS1H104ZFT
INPUT	C201		nsp	nsp	CER. CAP.	0.022UF 50V Z HCBS1H223ZFT
INPUT	C202		nsp	nsp	CER. CAP.	0.022UF 50V Z HCBS1H223ZFT
INPUT	C203		nsp	nsp	CER. CAP.	0.022UF 50V Z HCBS1H223ZFT
INPUT	C204		nsp	nsp	CER. CAP.	0.022UF 50V Z HCBS1H223ZFT
INPUT	C205		nsp	nsp	CER. CAP.	0.022UF 50V Z HCBS1H223ZFT

NOTE : \*nsp\* PART IS LISTED FOR REFERENCE ONLY, MARANTZ WILL NOT SUPPLY THESE PARTS.

P.C.B. NAME	POS. NO.	VERS. COLOR	PART NO. (FOR EUR)	PART NO. (MZ)	PART NAME	DESCRIPTION	
INPUT	C206		nsp	nsp	CER. CAP.	0.022UF 50V Z	HCBS1H223ZFT
INPUT	C207		nsp	nsp	CER. CAP.	0.022UF 50V Z	HCBS1H223ZFT
INPUT	C208		nsp	nsp	CER. CAP.	0.022UF 50V Z	HCBS1H223ZFT
INPUT	C209		nsp	nsp	CER. CAP.	0.022UF 50V Z	HCBS1H223ZFT
INPUT	C210		nsp	nsp	CER. CAP.	0.022UF 50V Z	HCBS1H223ZFT
INPUT	C211		nsp	nsp	CER. CAP.	0.022UF 50V Z	HCBS1H223ZFT
INPUT	C212		nsp	nsp	CER. CAP.	0.022UF 50V Z	HCBS1H223ZFT
INPUT	C213		nsp	nsp	CER. CAP.	0.022UF 50V Z	HCBS1H223ZFT
INPUT	C214		nsp	nsp	CER. CAP.	0.022UF 50V Z	HCBS1H223ZFT
INPUT	C221	/N1B	nsp	nsp	CER. CAP.	150PF 50V K	HCBS1H151KBT
INPUT	C221	/N1G	nsp	nsp	CER. CAP.	150PF 50V K	HCBS1H151KBT
INPUT	C221	/N1S	nsp	nsp	CER. CAP.	150PF 50V K	HCBS1H151KBT
INPUT	C222	/N1B	nsp	nsp	CER. CAP.	150PF 50V K	HCBS1H151KBT
INPUT	C222	/N1G	nsp	nsp	CER. CAP.	150PF 50V K	HCBS1H151KBT
INPUT	C222	/N1S	nsp	nsp	CER. CAP.	150PF 50V K	HCBS1H151KBT
INPUT	C223	/N1B	nsp	nsp	CER. CAP.	150PF 50V K	HCBS1H151KBT
INPUT	C223	/N1G	nsp	nsp	CER. CAP.	150PF 50V K	HCBS1H151KBT
INPUT	C223	/N1S	nsp	nsp	CER. CAP.	150PF 50V K	HCBS1H151KBT
INPUT	C224	/N1B	nsp	nsp	CER. CAP.	150PF 50V K	HCBS1H151KBT
INPUT	C224	/N1G	nsp	nsp	CER. CAP.	150PF 50V K	HCBS1H151KBT
INPUT	C224	/N1S	nsp	nsp	CER. CAP.	150PF 50V K	HCBS1H151KBT
INPUT	C225	/N1B	nsp	nsp	CER. CAP.	150PF 50V K	HCBS1H151KBT
INPUT	C225	/N1G	nsp	nsp	CER. CAP.	150PF 50V K	HCBS1H151KBT
INPUT	C225	/N1S	nsp	nsp	CER. CAP.	150PF 50V K	HCBS1H151KBT
INPUT	C226	/N1B	nsp	nsp	CER. CAP.	150PF 50V K	HCBS1H151KBT
INPUT	C226	/N1G	nsp	nsp	CER. CAP.	150PF 50V K	HCBS1H151KBT
INPUT	C226	/N1S	nsp	nsp	CER. CAP.	150PF 50V K	HCBS1H151KBT
INPUT	C227	/N1B	nsp	nsp	CER. CAP.	150PF 50V K	HCBS1H151KBT
INPUT	C227	/N1G	nsp	nsp	CER. CAP.	150PF 50V K	HCBS1H151KBT
INPUT	C227	/N1S	nsp	nsp	CER. CAP.	150PF 50V K	HCBS1H151KBT
INPUT	C228	/N1B	nsp	nsp	CER. CAP.	150PF 50V K	HCBS1H151KBT
INPUT	C228	/N1G	nsp	nsp	CER. CAP.	150PF 50V K	HCBS1H151KBT
INPUT	C228	/N1S	nsp	nsp	CER. CAP.	150PF 50V K	HCBS1H151KBT
INPUT	C229	/N1B	nsp	nsp	CER. CAP.	150PF 50V K	HCBS1H151KBT
INPUT	C229	/N1G	nsp	nsp	CER. CAP.	150PF 50V K	HCBS1H151KBT
INPUT	C229	/N1S	nsp	nsp	CER. CAP.	150PF 50V K	HCBS1H151KBT
INPUT	C230	/N1B	nsp	nsp	CER. CAP.	150PF 50V K	HCBS1H151KBT
INPUT	C230	/N1G	nsp	nsp	CER. CAP.	150PF 50V K	HCBS1H151KBT
INPUT	C230	/N1S	nsp	nsp	CER. CAP.	150PF 50V K	HCBS1H151KBT
INPUT	C231	/N1B	nsp	nsp	CER. CAP.	150PF 50V K	HCBS1H151KBT
INPUT	C231	/N1G	nsp	nsp	CER. CAP.	150PF 50V K	HCBS1H151KBT
INPUT	C231	/N1S	nsp	nsp	CER. CAP.	150PF 50V K	HCBS1H151KBT
INPUT	C232	/N1B	nsp	nsp	CER. CAP.	150PF 50V K	HCBS1H151KBT
INPUT	C232	/N1G	nsp	nsp	CER. CAP.	150PF 50V K	HCBS1H151KBT
INPUT	C232	/N1S	nsp	nsp	CER. CAP.	150PF 50V K	HCBS1H151KBT
INPUT	C233	/N1B	nsp	nsp	CER. CAP.	150PF 50V K	HCBS1H151KBT
INPUT	C233	/N1G	nsp	nsp	CER. CAP.	150PF 50V K	HCBS1H151KBT
INPUT	C233	/N1S	nsp	nsp	CER. CAP.	150PF 50V K	HCBS1H151KBT
INPUT	C234	/N1B	nsp	nsp	CER. CAP.	150PF 50V K	HCBS1H151KBT
INPUT	C234	/N1G	nsp	nsp	CER. CAP.	150PF 50V K	HCBS1H151KBT
INPUT	C234	/N1S	nsp	nsp	CER. CAP.	150PF 50V K	HCBS1H151KBT
INPUT	C251		nsp	nsp	CER. CAP.	0.022UF 50V Z	HCBS1H223ZFT
INPUT	C252		nsp	nsp	CER. CAP.	0.022UF 50V Z	HCBS1H223ZFT
INPUT	C253		nsp	nsp	CER. CAP.	0.022UF 50V Z	HCBS1H223ZFT
INPUT	C254		nsp	nsp	CER. CAP.	0.022UF 50V Z	HCBS1H223ZFT
INPUT	C255		nsp	00MOA47505020	ELECT CAP.	4.7UF 50V	CCEA1HH4R7T
INPUT	C256		nsp	00MOA47505020	ELECT CAP.	4.7UF 50V	CCEA1HH4R7T
INPUT	C260	F B	nsp	00MOA10605020	ELECT CAP.	10UF 50V	CCEA1HH100T
INPUT	C260	F N	nsp	00MOA10605020	ELECT CAP.	10UF 50V	CCEA1HH100T
INPUT	C260	/N1B	nsp	00MOA10605020	ELECT CAP.	10UF 50V	CCEA1HH100T
INPUT	C260	/N1G	nsp	00MOA10605020	ELECT CAP.	10UF 50V	CCEA1HH100T
INPUT	C260	/N1S	nsp	00MOA10605020	ELECT CAP.	10UF 50V	CCEA1HH100T
INPUT	C261	F B	nsp	00MOA10605020	ELECT CAP.	10UF 50V	CCEA1HH100T
INPUT	C261	F N	nsp	00MOA10605020	ELECT CAP.	10UF 50V	CCEA1HH100T
INPUT	C261	/N1B	nsp	00MOA10605020	ELECT CAP.	10UF 50V	CCEA1HH100T
INPUT	C261	/N1G	nsp	00MOA10605020	ELECT CAP.	10UF 50V	CCEA1HH100T
INPUT	C261	/N1S	nsp	00MOA10605020	ELECT CAP.	10UF 50V	CCEA1HH100T

NOTE : "nsp" PART IS LISTED FOR REFERENCE ONLY, MARANTZ WILL NOT SUPPLY THESE PARTS.

P.C.B. NAME	POS. NO.	VERS. COLOR	PART NO. (FOR EUR)	PART NO. (MZ)	PART NAME	DESCRIPTION	
INPUT	C264	F B	nsp	00MOA10605020	ELECT CAP.	10UF 50V	CCEA1HH100T
INPUT	C264	F N	nsp	00MOA10605020	ELECT CAP.	10UF 50V	CCEA1HH100T
INPUT	C264	/N1B	nsp	00MOA10605020	ELECT CAP.	10UF 50V	CCEA1HH100T
INPUT	C264	/N1G	nsp	00MOA10605020	ELECT CAP.	10UF 50V	CCEA1HH100T
INPUT	C264	/N1S	nsp	00MOA10605020	ELECT CAP.	10UF 50V	CCEA1HH100T
INPUT	C265	F B	nsp	00MOA10605020	ELECT CAP.	10UF 50V	CCEA1HH100T
INPUT	C265	F N	nsp	00MOA10605020	ELECT CAP.	10UF 50V	CCEA1HH100T
INPUT	C265	/N1B	nsp	00MOA10605020	ELECT CAP.	10UF 50V	CCEA1HH100T
INPUT	C265	/N1G	nsp	00MOA10605020	ELECT CAP.	10UF 50V	CCEA1HH100T
INPUT	C265	/N1S	nsp	00MOA10605020	ELECT CAP.	10UF 50V	CCEA1HH100T
INPUT	C269		nsp	00MOA22701620	ELECT CAP.	220UF 16V	CCEA1CH221T
INPUT	C270		nsp	00MOA22701620	ELECT CAP.	220UF 16V	CCEA1CH221T
INPUT	C281		nsp	nsp	CER. CAP.	0.01UF 50V ZF	CCKT1H103ZF
INPUT	C282		nsp	nsp	CER. CAP.	0.01UF 50V ZF	CCKT1H103ZF
INPUT	C283		nsp	nsp	CER. CAP.	0.022UF 50V Z	HCBS1H223ZFT
INPUT	C286	F B	nsp	00MOA10605020	ELECT CAP.	10UF 50V	CCEA1HH100T
INPUT	C286	F N	nsp	00MOA10605020	ELECT CAP.	10UF 50V	CCEA1HH100T
INPUT	C286	/N1B	nsp	00MOA10605020	ELECT CAP.	10UF 50V	CCEA1HH100T
INPUT	C286	/N1G	nsp	00MOA10605020	ELECT CAP.	10UF 50V	CCEA1HH100T
INPUT	C286	/N1S	nsp	00MOA10605020	ELECT CAP.	10UF 50V	CCEA1HH100T
INPUT	C287	F B	nsp	00MOA10605020	ELECT CAP.	10UF 50V	CCEA1HH100T
INPUT	C287	F N	nsp	00MOA10605020	ELECT CAP.	10UF 50V	CCEA1HH100T
INPUT	C287	/N1B	nsp	00MOA10605020	ELECT CAP.	10UF 50V	CCEA1HH100T
INPUT	C287	/N1G	nsp	00MOA10605020	ELECT CAP.	10UF 50V	CCEA1HH100T
INPUT	C287	/N1S	nsp	00MOA10605020	ELECT CAP.	10UF 50V	CCEA1HH100T
INPUT	C288		nsp	nsp	FILM CAP.	1500PF 50V J	HCQ1H152JZT
INPUT	C289		nsp	nsp	FILM CAP.	1500PF 50V J	HCQ1H152JZT
INPUT	C301	F B	nsp	nsp	FILM CAP.	1000PF 50V J	HCQ1H102JZT
INPUT	C301	F N	nsp	nsp	FILM CAP.	1000PF 50V J	HCQ1H102JZT
INPUT	C301	/N1B	nsp	nsp	FILM CAP.	1000PF 50V J	HCQ1H102JZT
INPUT	C301	/N1G	nsp	nsp	FILM CAP.	1000PF 50V J	HCQ1H102JZT
INPUT	C301	/N1S	nsp	nsp	FILM CAP.	1000PF 50V J	HCQ1H102JZT
INPUT	C302	F B	nsp	nsp	FILM CAP.	1000PF 50V J	HCQ1H102JZT
INPUT	C302	F N	nsp	nsp	FILM CAP.	1000PF 50V J	HCQ1H102JZT
INPUT	C302	/N1B	nsp	nsp	FILM CAP.	1000PF 50V J	HCQ1H102JZT
INPUT	C302	/N1G	nsp	nsp	FILM CAP.	1000PF 50V J	HCQ1H102JZT
INPUT	C302	/N1S	nsp	nsp	FILM CAP.	1000PF 50V J	HCQ1H102JZT
INPUT	C304	F B	nsp	00MOA47601640	ELECT CAP.	47UF 16V	CCEA1CH470T
INPUT	C304	F N	nsp	00MOA47601640	ELECT CAP.	47UF 16V	CCEA1CH470T
INPUT	C304	/N1B	nsp	00MOA47601640	ELECT CAP.	47UF 16V	CCEA1CH470T
INPUT	C304	/N1G	nsp	00MOA47601640	ELECT CAP.	47UF 16V	CCEA1CH470T
INPUT	C304	/N1S	nsp	00MOA47601640	ELECT CAP.	47UF 16V	CCEA1CH470T
INPUT	C305	F B	nsp	00MOA47601640	ELECT CAP.	47UF 16V	CCEA1CH470T
INPUT	C305	F N	nsp	00MOA47601640	ELECT CAP.	47UF 16V	CCEA1CH470T
INPUT	C305	/N1B	nsp	00MOA47601640	ELECT CAP.	47UF 16V	CCEA1CH470T
INPUT	C305	/N1G	nsp	00MOA47601640	ELECT CAP.	47UF 16V	CCEA1CH470T
INPUT	C305	/N1S	nsp	00MOA47601640	ELECT CAP.	47UF 16V	CCEA1CH470T
INPUT	C306	F B	nsp	nsp	CER. CAP.	470PF 50V KB	CCKT1H471KB
INPUT	C306	F N	nsp	nsp	CER. CAP.	470PF 50V KB	CCKT1H471KB
INPUT	C306	/N1B	nsp	nsp	CER. CAP.	470PF 50V KB	CCKT1H471KB
INPUT	C306	/N1G	nsp	nsp	CER. CAP.	470PF 50V KB	CCKT1H471KB
INPUT	C306	/N1S	nsp	nsp	CER. CAP.	470PF 50V KB	CCKT1H471KB
INPUT	C307	F B	nsp	nsp	CER. CAP.	470PF 50V KB	CCKT1H471KB
INPUT	C307	F N	nsp	nsp	CER. CAP.	470PF 50V KB	CCKT1H471KB
INPUT	C307	/N1B	nsp	nsp	CER. CAP.	470PF 50V KB	CCKT1H471KB
INPUT	C307	/N1G	nsp	nsp	CER. CAP.	470PF 50V KB	CCKT1H471KB
INPUT	C307	/N1S	nsp	nsp	CER. CAP.	470PF 50V KB	CCKT1H471KB
INPUT	C311		nsp	nsp	CER. CAP.	10PF 50V DC	CCCT1H100DC
INPUT	C312		nsp	nsp	CER. CAP.	10PF 50V DC	CCCT1H100DC
INPUT	C341		nsp	00MOA22705020	ELECT CAP.	220UF 50V	CCEA1HH221E
INPUT	C342		nsp	00MOA22705020	ELECT CAP.	220UF 50V	CCEA1HH221E
INPUT	C343		nsp	00MOA22705020	ELECT CAP.	220UF 50V	CCEA1HH221E
INPUT	C344		nsp	00MOA22705020	ELECT CAP.	220UF 50V	CCEA1HH221E
INPUT	C345		nsp	00MOA47602520	ELECT CAP.	47UF 25V	CCEA1EH470T
INPUT	C346		nsp	00MOA47602520	ELECT CAP.	47UF 25V	CCEA1EH470T
INPUT	C367		nsp	nsp	FILM CAP.	0.047UF 50V J	HCQ1H473JZT
INPUT	C368		nsp	nsp	FILM CAP.	0.047UF 50V J	HCQ1H473JZT

NOTE : \*nsp\* PART IS LISTED FOR REFERENCE ONLY, MARANTZ WILL NOT SUPPLY THESE PARTS.

P.C.B. NAME	POS. NO.	VERS. COLOR	PART NO. (FOR EUR)	PART NO. (MZ)	PART NAME	DESCRIPTION	
INPUT	C373		nsp	nsp	FILM CAP.	0.01UF 50V J	HCQ1H103JZT
INPUT	C374		nsp	nsp	FILM CAP.	0.01UF 50V J	HCQ1H103JZT
INPUT	C379		nsp	00MOA47405020	ELECT CAP.	0.47UF 50V	CCEA1HHR47T
INPUT	C385		nsp	nsp	CER. CAP.	0.01UF 50V ZF	CCKT1H103ZF
INPUT	C391	/N1B	nsp	nsp	FILM CAP.	0.01UF 50V J	HCQ1H103JZT
INPUT	C391	/N1G	nsp	nsp	FILM CAP.	0.01UF 50V J	HCQ1H103JZT
INPUT	C391	/N1S	nsp	nsp	FILM CAP.	0.01UF 50V J	HCQ1H103JZT
INPUT	C392	/N1B	nsp	nsp	FILM CAP.	0.01UF 50V J	HCQ1H103JZT
INPUT	C392	/N1G	nsp	nsp	FILM CAP.	0.01UF 50V J	HCQ1H103JZT
INPUT	C392	/N1S	nsp	nsp	FILM CAP.	0.01UF 50V J	HCQ1H103JZT
INPUT	C393	/N1B	nsp	nsp	FILM CAP.	0.01UF 50V J	HCQ1H103JZT
INPUT	C393	/N1G	nsp	nsp	FILM CAP.	0.01UF 50V J	HCQ1H103JZT
INPUT	C393	/N1S	nsp	nsp	FILM CAP.	0.01UF 50V J	HCQ1H103JZT
INPUT	C394	/N1B	nsp	nsp	FILM CAP.	0.01UF 50V J	HCQ1H103JZT
INPUT	C394	/N1G	nsp	nsp	FILM CAP.	0.01UF 50V J	HCQ1H103JZT
INPUT	C394	/N1S	nsp	nsp	FILM CAP.	0.01UF 50V J	HCQ1H103JZT
INPUT	C395	/N1B	nsp	nsp	FILM CAP.	0.022UF 50V J	HCQ1H223JZT
INPUT	C395	/N1G	nsp	nsp	FILM CAP.	0.022UF 50V J	HCQ1H223JZT
INPUT	C395	/N1S	nsp	nsp	FILM CAP.	0.022UF 50V J	HCQ1H223JZT
INPUT	C396	/N1B	nsp	nsp	FILM CAP.	0.022UF 50V J	HCQ1H223JZT
INPUT	C396	/N1G	nsp	nsp	FILM CAP.	0.022UF 50V J	HCQ1H223JZT
INPUT	C396	/N1S	nsp	nsp	FILM CAP.	0.022UF 50V J	HCQ1H223JZT
INPUT	C901		nsp	nsp	FILM CAP.	0.1UF 50V ZF	CCFT1H104ZF
INPUT	C902		nsp	nsp	FILM CAP.	0.1UF 50V ZF	CCFT1H104ZF
INPUT	C903		nsp	nsp	FILM CAP.	0.1UF 50V ZF	CCFT1H104ZF
INPUT	▲ C905	F B	nsp	90M-OA000450R	ELECT CAP.	! 6800UF 50V	CCET50VKL4682NK
INPUT	▲ C905	F N	nsp	90M-OA000450R	ELECT CAP.	! 6800UF 50V	CCET50VKL4682NK
INPUT	▲ C905	/N1B	90M-OA000450R	90M-OA000450R	ELECT CAP.	! 6800UF 50V	CCET50VKL4682NK
INPUT	▲ C905	/N1G	90M-OA000450R	90M-OA000450R	ELECT CAP.	! 6800UF 50V	CCET50VKL4682NK
INPUT	▲ C905	/N1S	90M-OA000450R	90M-OA000450R	ELECT CAP.	! 6800UF 50V	CCET50VKL4682NK
INPUT	▲ C906	F B	nsp	90M-OA000450R	ELECT CAP.	! 6800UF 50V	CCET50VKL4682NK
INPUT	▲ C906	F N	nsp	90M-OA000450R	ELECT CAP.	! 6800UF 50V	CCET50VKL4682NK
INPUT	▲ C906	/N1B	90M-OA000450R	90M-OA000450R	ELECT CAP.	! 6800UF 50V	CCET50VKL4682NK
INPUT	▲ C906	/N1G	90M-OA000450R	90M-OA000450R	ELECT CAP.	! 6800UF 50V	CCET50VKL4682NK
INPUT	▲ C906	/N1S	90M-OA000450R	90M-OA000450R	ELECT CAP.	! 6800UF 50V	CCET50VKL4682NK
INPUT	C911		nsp	nsp	FILM CAP.	0.01UF 50V J	HCQ1H103JZT
INPUT	C912		nsp	nsp	FILM CAP.	0.01UF 50V J	HCQ1H103JZT
INPUT	C914		nsp	00MOA33505020	ELECT CAP.	3.3UF 50V	CCEA1HH3R3T
INPUT	C917	F B	nsp	00MOA22802520	ELECT CAP.	2200UF 25V	CCEA1EH222E
INPUT	C917	F N	nsp	00MOA22802520	ELECT CAP.	2200UF 25V	CCEA1EH222E
INPUT	C917	/N1B	nsp	00MOA22802520	ELECT CAP.	2200UF 25V	CCEA1EH222E
INPUT	C917	/N1G	nsp	00MOA22802520	ELECT CAP.	2200UF 25V	CCEA1EH222E
INPUT	C917	/N1S	nsp	00MOA22802520	ELECT CAP.	2200UF 25V	CCEA1EH222E
INPUT	C918	F B	nsp	00MOA22802520	ELECT CAP.	2200UF 25V	CCEA1EH222E
INPUT	C918	F N	nsp	00MOA22802520	ELECT CAP.	2200UF 25V	CCEA1EH222E
INPUT	C918	/N1B	nsp	00MOA22802520	ELECT CAP.	2200UF 25V	CCEA1EH222E
INPUT	C918	/N1G	nsp	00MOA22802520	ELECT CAP.	2200UF 25V	CCEA1EH222E
INPUT	C918	/N1S	nsp	00MOA22802520	ELECT CAP.	2200UF 25V	CCEA1EH222E
INPUT	C919		nsp	00MOA47602520	ELECT CAP.	47UF 25V	CCEA1EH470T
INPUT	C920		nsp	00MOA47602520	ELECT CAP.	47UF 25V	CCEA1EH470T
INPUT	C921		nsp	00MOA10702520	ELECT CAP.	100UF 25V	CCEA1EH101T
INPUT	C922		nsp	00MOA10702520	ELECT CAP.	100UF 25V	CCEA1EH101T
INPUT	C923		nsp	00MOA47602520	ELECT CAP.	47UF 25V	CCEA1EH470T
INPUT	C926		nsp	00MOA22605020	ELECT CAP.	22UF 25V	CCEA1EH220T
INPUT	C927		nsp	00MOA47602520	ELECT CAP.	47UF 25V	CCEA1EH470T
INPUT	C928		nsp	nsp	CER. CAP.	0.047UF 50V ZF	CCKT1H473ZF
INPUT	C929		nsp	nsp	CER. CAP.	0.022UF 50V Z	HCBS1H223ZFT
INPUT	CN12		nsp	nsp	CONN.	STRAIGHT 4PIN	CJP04GA01ZY
INPUT	CN33		nsp	nsp	CONN.	00906-0027 4P STRAIGHT	CJP04GA19ZY
INPUT	CN35		nsp	nsp	CONN.	00906-0027 4P STRAIGHT	CJP04GA19ZY
INPUT	CN37		nsp	nsp	CONN.	STRAIGHT, 2PIN	CJP02GA01ZY
INPUT	CN38		nsp	nsp	CONN.	STRAIGHT, 2PIN	CJP02GA01ZY
INPUT	CN55		nsp	nsp	CONN.	STRAIGHT, 2PIN	CJP02GA01ZY
INPUT	CN95		nsp	nsp	CONN.	10P STRAIGHT	CJP10GA19ZY
INPUT	D251		nsp	00MHD20015210	DIODE	1SS133T-77	HVD1SS133MT
INPUT	D252		nsp	00MHD20015210	DIODE	1SS133T-77	HVD1SS133MT
INPUT	D301		nsp	00MHD20015210	DIODE	1SS133T-77	HVD1SS133MT

NOTE : "nsp" PART IS LISTED FOR REFERENCE ONLY, MARANTZ WILL NOT SUPPLY THESE PARTS.

P.C.B. NAME	POS. NO.	VERS. COLOR	PART NO. (FOR EUR)	PART NO. (MZ)	PART NAME	DESCRIPTION	
INPUT	D302		nsp	00MHD20015210	DIODE	1SS133T-77	HVD1SS133MT
INPUT	D303		nsp	00MHD20015210	DIODE	1SS133T-77	HVD1SS133MT
INPUT	D304		nsp	00MHD20015210	DIODE	1SS133T-77	HVD1SS133MT
INPUT	D305		nsp	00MHD20015210	DIODE	1SS133T-77	HVD1SS133MT
INPUT	D306		nsp	00MHD20015210	DIODE	1SS133T-77	HVD1SS133MT
INPUT	D307		nsp	00MHD20015210	DIODE	1SS133T-77	HVD1SS133MT
INPUT	D308		nsp	00MHD20015210	DIODE	1SS133T-77	HVD1SS133MT
INPUT	D373		nsp	00MHD20015210	DIODE	1SS133T-77	HVD1SS133MT
INPUT	D374		nsp	00MHD20015210	DIODE	1SS133T-77	HVD1SS133MT
INPUT	D383		nsp	00MHD20015210	DIODE	1SS133T-77	HVD1SS133MT
INPUT	D388		nsp	00MHD20015210	DIODE	1SS133T-77	HVD1SS133MT
INPUT	D391		nsp	00MHD20015210	DIODE	1SS133T-77	HVD1SS133MT
INPUT	D392		nsp	00MHD20015210	DIODE	1SS133T-77	HVD1SS133MT
INPUT	▲ D901		90M-HE200330R	90M-HE200330R	DIODE	! BU804F	HVDKBU804F
INPUT	D911		nsp	90M-HD201730R	DIODE	1N4003	KVD1N4003ST
INPUT	D912		nsp	90M-HD201730R	DIODE	1N4003	KVD1N4003ST
INPUT	D913		nsp	90M-HD201730R	DIODE	1N4003	KVD1N4003ST
INPUT	D914		nsp	90M-HD201730R	DIODE	1N4003	KVD1N4003ST
INPUT	D915		nsp	00MHD20015210	DIODE	1SS133T-77	HVD1SS133MT
INPUT	D921		90M-HD302170R	90M-HD302170R	ZENER DIODE	15V 1/2W	HVDMTZJ15BT
INPUT	D922		nsp	00MHD20015210	DIODE	1SS133T-77	HVD1SS133MT
INPUT	D923		nsp	00MHD20015210	DIODE	1SS133T-77	HVD1SS133MT
INPUT	D924		nsp	00MHD20015210	DIODE	1SS133T-77	HVD1SS133MT
INPUT	D925		00MHD30621000	00MHD30621000	ZENER DIODE	6.2V 1/2W	HVDMTZJ6.2BT
INPUT	GND1		nsp	nsp	TERMINAL	MET37-0002	HJT1A025
INPUT	IC11		00MHC10102090	00MHC10102090	IC	NJM2068MD-TE1	HVINJM2068MDTE1
INPUT	IC21		00MHC10309030	00MHC10309030	IC	LC78212	HVILC78212
INPUT	IC22		00MHC10309030	00MHC10309030	IC	LC78212	HVILC78212
INPUT	IC23	F B	nsp	00MHC10102090	IC	NJM2068MD-TE1	HVINJM2068MDTE1
INPUT	IC23	F N	nsp	00MHC10102090	IC	NJM2068MD-TE1	HVINJM2068MDTE1
INPUT	IC23	/N1B	00MHC10102090	00MHC10102090	IC	NJM2068MD-TE1	HVINJM2068MDTE1
INPUT	IC23	/N1G	00MHC10102090	00MHC10102090	IC	NJM2068MD-TE1	HVINJM2068MDTE1
INPUT	IC23	/N1S	00MHC10102090	00MHC10102090	IC	NJM2068MD-TE1	HVINJM2068MDTE1
INPUT	▲ IC93		90M-HC300480R	90M-HC300480R	IC	! KA7815-ABTU	HVIMC7815C
INPUT	▲ IC95		90M-HC300500R	90M-HC300500R	IC	! KA7805-ABTU	HVIMC7805C
INPUT	J101		nsp	nsp	CORD	SN95/PB5, 0.6	C3A206
INPUT	J102		nsp	nsp	CORD	SN95/PB5, 0.6	C3A206
INPUT	J103		nsp	nsp	CORD	SN95/PB5, 0.6	C3A206
INPUT	J104		nsp	nsp	CORD	SN95/PB5, 0.6	C3A206
INPUT	J105		nsp	nsp	CORD	SN95/PB5, 0.6	C3A206
INPUT	J106		nsp	nsp	CORD	SN95/PB5, 0.6	C3A206
INPUT	J107		nsp	nsp	CORD	SN95/PB5, 0.6	C3A206
INPUT	J108		nsp	nsp	CORD	SN95/PB5, 0.6	C3A206
INPUT	J110		nsp	nsp	CORD	SN95/PB5, 0.6	C3A206
INPUT	J111		nsp	nsp	CORD	SN95/PB5, 0.6	C3A206
INPUT	J112		nsp	nsp	CORD	SN95/PB5, 0.6	C3A206
INPUT	J113		nsp	nsp	CORD	SN95/PB5, 0.6	C3A206
INPUT	J114		nsp	nsp	CORD	SN95/PB5, 0.6	C3A206
INPUT	J115		nsp	nsp	CORD	SN95/PB5, 0.6	C3A206
INPUT	J116		nsp	nsp	CORD	SN95/PB5, 0.6	C3A206
INPUT	J117		nsp	nsp	CORD	SN95/PB5, 0.6	C3A206
INPUT	J118		nsp	nsp	CORD	SN95/PB5, 0.6	C3A206
INPUT	J119		nsp	nsp	CORD	SN95/PB5, 0.6	C3A206
INPUT	J120		nsp	nsp	CORD	SN95/PB5, 0.6	C3A206
INPUT	J121		nsp	nsp	CORD	SN95/PB5, 0.6	C3A206
INPUT	J122	F B	nsp	nsp	CORD	SN95/PB5, 0.6	C3A206
INPUT	J122	F N	nsp	nsp	CORD	SN95/PB5, 0.6	C3A206
INPUT	J123	F B	nsp	nsp	CORD	SN95/PB5, 0.6	C3A206
INPUT	J123	F N	nsp	nsp	CORD	SN95/PB5, 0.6	C3A206
INPUT	J124		nsp	nsp	CORD	SN95/PB5, 0.6	C3A206
INPUT	J202		nsp	nsp	CORD	SN95/PB5, 0.6	C3A206
INPUT	J203		nsp	nsp	CORD	SN95/PB5, 0.6	C3A206
INPUT	J204		nsp	nsp	CORD	SN95/PB5, 0.6	C3A206
INPUT	J205		nsp	nsp	CORD	SN95/PB5, 0.6	C3A206
INPUT	J208		nsp	nsp	CORD	SN95/PB5, 0.6	C3A206
INPUT	J209		nsp	nsp	CORD	SN95/PB5, 0.6	C3A206
INPUT	J212		nsp	nsp	CORD	SN95/PB5, 0.6	C3A206

NOTE : \*nsp\* PART IS LISTED FOR REFERENCE ONLY, MARANTZ WILL NOT SUPPLY THESE PARTS.

P.C.B. NAME	POS. NO.	VERS. COLOR	PART NO. (FOR EUR)	PART NO. (MZ)	PART NAME	DESCRIPTION	
INPUT	J213		nsp	nsp	CORD	SN95/PB5, 0.6	C3A206
INPUT	J216		nsp	nsp	CORD	SN95/PB5, 0.6	C3A206
INPUT	J217		nsp	nsp	CORD	SN95/PB5, 0.6	C3A206
INPUT	J219		nsp	nsp	CORD	SN95/PB5, 0.6	C3A206
INPUT	J220		nsp	nsp	CORD	SN95/PB5, 0.6	C3A206
INPUT	J301		nsp	nsp	CORD	SN95/PB5, 0.6	C3A206
INPUT	J302		nsp	nsp	CORD	SN95/PB5, 0.6	C3A206
INPUT	J303		nsp	nsp	CORD	SN95/PB5, 0.6	C3A206
INPUT	J304		nsp	nsp	CORD	SN95/PB5, 0.6	C3A206
INPUT	J306		nsp	nsp	CORD	SN95/PB5, 0.6	C3A206
INPUT	J307		nsp	nsp	CORD	SN95/PB5, 0.6	C3A206
INPUT	J308		nsp	nsp	CORD	SN95/PB5, 0.6	C3A206
INPUT	J309		nsp	nsp	CORD	SN95/PB5, 0.6	C3A206
INPUT	J310		nsp	nsp	CORD	SN95/PB5, 0.6	C3A206
INPUT	J311		nsp	nsp	CORD	SN95/PB5, 0.6	C3A206
INPUT	J312		nsp	nsp	CORD	SN95/PB5, 0.6	C3A206
INPUT	J313		nsp	nsp	CORD	SN95/PB5, 0.6	C3A206
INPUT	J314		nsp	nsp	CORD	SN95/PB5, 0.6	C3A206
INPUT	J315		nsp	nsp	CORD	SN95/PB5, 0.6	C3A206
INPUT	J316		nsp	nsp	CORD	SN95/PB5, 0.6	C3A206
INPUT	J318		nsp	nsp	CORD	SN95/PB5, 0.6	C3A206
INPUT	J319		nsp	nsp	CORD	SN95/PB5, 0.6	C3A206
INPUT	J321		nsp	nsp	CORD	SN95/PB5, 0.6	C3A206
INPUT	J322		nsp	nsp	CORD	SN95/PB5, 0.6	C3A206
INPUT	J323		nsp	nsp	CORD	SN95/PB5, 0.6	C3A206
INPUT	J324		nsp	nsp	CORD	SN95/PB5, 0.6	C3A206
INPUT	J325		nsp	nsp	CORD	SN95/PB5, 0.6	C3A206
INPUT	J327		nsp	nsp	CORD	SN95/PB5, 0.6	C3A206
INPUT	J330		nsp	nsp	CORD	SN95/PB5, 0.6	C3A206
INPUT	J331		nsp	nsp	CORD	SN95/PB5, 0.6	C3A206
INPUT	J332		nsp	nsp	CORD	SN95/PB5, 0.6	C3A206
INPUT	J402		nsp	nsp	CORD	SN95/PB5, 0.6	C3A206
INPUT	J403		nsp	nsp	CORD	SN95/PB5, 0.6	C3A206
INPUT	J404		nsp	nsp	CORD	SN95/PB5, 0.6	C3A206
INPUT	J405		nsp	nsp	CORD	SN95/PB5, 0.6	C3A206
INPUT	J406		nsp	nsp	CORD	SN95/PB5, 0.6	C3A206
INPUT	J407		nsp	nsp	CORD	SN95/PB5, 0.6	C3A206
INPUT	J408		nsp	nsp	CORD	SN95/PB5, 0.6	C3A206
INPUT	J410		nsp	nsp	CORD	SN95/PB5, 0.6	C3A206
INPUT	J411		nsp	nsp	CORD	SN95/PB5, 0.6	C3A206
INPUT	J412		nsp	nsp	CORD	SN95/PB5, 0.6	C3A206
INPUT	J414		nsp	nsp	CORD	SN95/PB5, 0.6	C3A206
INPUT	J415		nsp	nsp	CORD	SN95/PB5, 0.6	C3A206
INPUT	J416		nsp	nsp	CORD	SN95/PB5, 0.6	C3A206
INPUT	J417		nsp	nsp	CORD	SN95/PB5, 0.6	C3A206
INPUT	J418		nsp	nsp	CORD	SN95/PB5, 0.6	C3A206
INPUT	J419		nsp	nsp	CORD	SN95/PB5, 0.6	C3A206
INPUT	J501		nsp	nsp	CORD	SN95/PB5, 0.6	C3A206
INPUT	J502		nsp	nsp	CORD	SN95/PB5, 0.6	C3A206
INPUT	J503		nsp	nsp	CORD	SN95/PB5, 0.6	C3A206
INPUT	J504		nsp	nsp	CORD	SN95/PB5, 0.6	C3A206
INPUT	J505		nsp	nsp	CORD	SN95/PB5, 0.6	C3A206
INPUT	J506		nsp	nsp	CORD	SN95/PB5, 0.6	C3A206
INPUT	J507		nsp	nsp	CORD	SN95/PB5, 0.6	C3A206
INPUT	J508		nsp	nsp	CORD	SN95/PB5, 0.6	C3A206
INPUT	J509		nsp	nsp	CORD	SN95/PB5, 0.6	C3A206
INPUT	J510		nsp	nsp	CORD	SN95/PB5, 0.6	C3A206
INPUT	J511		nsp	nsp	CORD	SN95/PB5, 0.6	C3A206
INPUT	J512		nsp	nsp	CORD	SN95/PB5, 0.6	C3A206
INPUT	J513		nsp	nsp	CORD	SN95/PB5, 0.6	C3A206
INPUT	J514		nsp	nsp	CORD	SN95/PB5, 0.6	C3A206
INPUT	J515		nsp	nsp	CORD	SN95/PB5, 0.6	C3A206
INPUT	J516		nsp	nsp	CORD	SN95/PB5, 0.6	C3A206
INPUT	J517		nsp	nsp	CORD	SN95/PB5, 0.6	C3A206
INPUT	J518		nsp	nsp	CORD	SN95/PB5, 0.6	C3A206
INPUT	J519		nsp	nsp	CORD	SN95/PB5, 0.6	C3A206
INPUT	J520		nsp	nsp	CORD	SN95/PB5, 0.6	C3A206

NOTE : "nsp" PART IS LISTED FOR REFERENCE ONLY, MARANTZ WILL NOT SUPPLY THESE PARTS.

P.C.B. NAME	POS. NO.	VERS. COLOR	PART NO. (FOR EUR)	PART NO. (MZ)	PART NAME	DESCRIPTION
INPUT	J521		nsp	nsp	CORD	SN95/PB5, 0.6 C3A206
INPUT	J522		nsp	nsp	CORD	SN95/PB5, 0.6 C3A206
INPUT	J523		nsp	nsp	CORD	SN95/PB5, 0.6 C3A206
INPUT	J524		nsp	nsp	CORD	SN95/PB5, 0.6 C3A206
INPUT	J525		nsp	nsp	CORD	SN95/PB5, 0.6 C3A206
INPUT	J526		nsp	nsp	CORD	SN95/PB5, 0.6 C3A206
INPUT	J527		nsp	nsp	CORD	SN95/PB5, 0.6 C3A206
INPUT	J601		nsp	nsp	CORD	SN95/PB5, 0.6 C3A206
INPUT	J602		nsp	nsp	CORD	SN95/PB5, 0.6 C3A206
INPUT	J603		nsp	nsp	CORD	SN95/PB5, 0.6 C3A206
INPUT	J604		nsp	nsp	CORD	SN95/PB5, 0.6 C3A206
INPUT	J605		nsp	nsp	CORD	SN95/PB5, 0.6 C3A206
INPUT	J606		nsp	nsp	CORD	SN95/PB5, 0.6 C3A206
INPUT	J607		nsp	nsp	CORD	SN95/PB5, 0.6 C3A206
INPUT	J608		nsp	nsp	CORD	SN95/PB5, 0.6 C3A206
INPUT	J609		nsp	nsp	CORD	SN95/PB5, 0.6 C3A206
INPUT	J610		nsp	nsp	CORD	SN95/PB5, 0.6 C3A206
INPUT	J611		nsp	nsp	CORD	SN95/PB5, 0.6 C3A206
INPUT	J612		nsp	nsp	CORD	SN95/PB5, 0.6 C3A206
INPUT	J613		nsp	nsp	CORD	SN95/PB5, 0.6 C3A206
INPUT	J614		nsp	nsp	CORD	SN95/PB5, 0.6 C3A206
INPUT	J615		nsp	nsp	CORD	SN95/PB5, 0.6 C3A206
INPUT	J616		nsp	nsp	CORD	SN95/PB5, 0.6 C3A206
INPUT	J617		nsp	nsp	CORD	SN95/PB5, 0.6 C3A206
INPUT	J618		nsp	nsp	CORD	SN95/PB5, 0.6 C3A206
INPUT	J619		nsp	nsp	CORD	SN95/PB5, 0.6 C3A206
INPUT	J620		nsp	nsp	CORD	SN95/PB5, 0.6 C3A206
INPUT	J701		nsp	nsp	CORD	SN95/PB5, 0.6 C3A206
INPUT	J702		nsp	nsp	CORD	SN95/PB5, 0.6 C3A206
INPUT	J703		nsp	nsp	CORD	SN95/PB5, 0.6 C3A206
INPUT	J704		nsp	nsp	CORD	SN95/PB5, 0.6 C3A206
INPUT	J705		nsp	nsp	CORD	SN95/PB5, 0.6 C3A206
INPUT	J706		nsp	nsp	CORD	SN95/PB5, 0.6 C3A206
INPUT	J707		nsp	nsp	CORD	SN95/PB5, 0.6 C3A206
INPUT	J708		nsp	nsp	CORD	SN95/PB5, 0.6 C3A206
INPUT	J709		nsp	nsp	CORD	SN95/PB5, 0.6 C3A206
INPUT	J710		nsp	nsp	CORD	SN95/PB5, 0.6 C3A206
INPUT	J712		nsp	nsp	CORD	SN95/PB5, 0.6 C3A206
INPUT	J713		nsp	nsp	CORD	SN95/PB5, 0.6 C3A206
INPUT	J714		nsp	nsp	CORD	SN95/PB5, 0.6 C3A206
INPUT	J715		nsp	nsp	CORD	SN95/PB5, 0.6 C3A206
INPUT	J716		nsp	nsp	CORD	SN95/PB5, 0.6 C3A206
INPUT	J801		nsp	nsp	CORD	SN95/PB5, 0.6 C3A206
INPUT	J803		nsp	nsp	CORD	SN95/PB5, 0.6 C3A206
INPUT	J804		nsp	nsp	CORD	SN95/PB5, 0.6 C3A206
INPUT	J806		nsp	nsp	CORD	SN95/PB5, 0.6 C3A206
INPUT	J807		nsp	nsp	CORD	SN95/PB5, 0.6 C3A206
INPUT	J808		nsp	nsp	CORD	SN95/PB5, 0.6 C3A206
INPUT	J901		nsp	nsp	CORD	SN95/PB5, 0.6 C3A206
INPUT	J902		nsp	nsp	CORD	SN95/PB5, 0.6 C3A206
INPUT	J903		nsp	nsp	CORD	SN95/PB5, 0.6 C3A206
INPUT	J904		nsp	nsp	CORD	SN95/PB5, 0.6 C3A206
INPUT	J905		nsp	nsp	CORD	SN95/PB5, 0.6 C3A206
INPUT	JK11	F B	nsp	90M-YT003130R	TERMINAL	CINCH 2P AUDIO CJJ4N034Z
INPUT	JK11	F N	nsp	90M-YT003130R	TERMINAL	CINCH 2P AUDIO CJJ4N034Z
INPUT	JK11	/N1B	90M-YT003130R	90M-YT003130R	TERMINAL	CINCH 2P AUDIO CJJ4N034Z
INPUT	JK11	/N1G	90M-YT003130R	90M-YT003130R	TERMINAL	CINCH 2P AUDIO CJJ4N034Z
INPUT	JK11	/N1S	90M-YT003130R	90M-YT003130R	TERMINAL	CINCH 2P AUDIO CJJ4N034Z
INPUT	JK12	F B	nsp	90M-YT003140R	TERMINAL	CINCH 4P AUDIO CJJ4P028Z
INPUT	JK12	F N	nsp	90M-YT003140R	TERMINAL	CINCH 4P AUDIO CJJ4P028Z
INPUT	JK12	/N1B	90M-YT003140R	90M-YT003140R	TERMINAL	CINCH 4P AUDIO CJJ4P028Z
INPUT	JK12	/N1G	90M-YT003140R	90M-YT003140R	TERMINAL	CINCH 4P AUDIO CJJ4P028Z
INPUT	JK12	/N1S	90M-YT003140R	90M-YT003140R	TERMINAL	CINCH 4P AUDIO CJJ4P028Z
INPUT	JK13	F B	nsp	90M-YT003140R	TERMINAL	CINCH 4P AUDIO CJJ4P028Z
INPUT	JK13	F N	nsp	90M-YT003140R	TERMINAL	CINCH 4P AUDIO CJJ4P028Z
INPUT	JK13	/N1B	90M-YT003140R	90M-YT003140R	TERMINAL	CINCH 4P AUDIO CJJ4P028Z
INPUT	JK13	/N1G	90M-YT003140R	90M-YT003140R	TERMINAL	CINCH 4P AUDIO CJJ4P028Z

NOTE : \*nsp\* PART IS LISTED FOR REFERENCE ONLY, MARANTZ WILL NOT SUPPLY THESE PARTS.

P.C.B. NAME	POS. NO.	VERS. COLOR	PART NO. (FOR EUR)	PART NO. (MZ)	PART NAME	DESCRIPTION	
INPUT	JK13	/N1S	90M-YT003140R	90M-YT003140R	TERMINAL	CINCH 4P AUDIO	CJJ4P028Z
INPUT	JK14	F B	nsp	90M-YT003140R	TERMINAL	CINCH 4P AUDIO	CJJ4P028Z
INPUT	JK14	F N	nsp	90M-YT003140R	TERMINAL	CINCH 4P AUDIO	CJJ4P028Z
INPUT	JK14	/N1B	90M-YT003140R	90M-YT003140R	TERMINAL	CINCH 4P AUDIO	CJJ4P028Z
INPUT	JK14	/N1G	90M-YT003140R	90M-YT003140R	TERMINAL	CINCH 4P AUDIO	CJJ4P028Z
INPUT	JK14	/N1S	90M-YT003140R	90M-YT003140R	TERMINAL	CINCH 4P AUDIO	CJJ4P028Z
INPUT	JK15	F B	nsp	90M-YT003130R	TERMINAL	CINCH 2P AUDIO	CJJ4N034Z
INPUT	JK15	F N	nsp	90M-YT003130R	TERMINAL	CINCH 2P AUDIO	CJJ4N034Z
INPUT	JK15	/N1B	90M-YT003130R	90M-YT003130R	TERMINAL	CINCH 2P AUDIO	CJJ4N034Z
INPUT	JK15	/N1G	90M-YT003130R	90M-YT003130R	TERMINAL	CINCH 2P AUDIO	CJJ4N034Z
INPUT	JK15	/N1S	90M-YT003130R	90M-YT003130R	TERMINAL	CINCH 2P AUDIO	CJJ4N034Z
INPUT	JK31		90M-YT002990R	90M-YT002990R	TERMINAL	8P SPEAKER	CJJ5Q006Z
INPUT	JW11		nsp	nsp	CORD		CWEH202080PP
INPUT	L101	/N1B	nsp	nsp	COIL	COIL, TOROIDAL	CLU9S004Z
INPUT	L101	/N1G	nsp	nsp	COIL	COIL, TOROIDAL	CLU9S004Z
INPUT	L101	/N1S	nsp	nsp	COIL	COIL, TOROIDAL	CLU9S004Z
INPUT	L102	/N1B	nsp	nsp	COIL	COIL, TOROIDAL	CLU9S004Z
INPUT	L102	/N1G	nsp	nsp	COIL	COIL, TOROIDAL	CLU9S004Z
INPUT	L102	/N1S	nsp	nsp	COIL	COIL, TOROIDAL	CLU9S004Z
INPUT	L363		90M-LC107310R	90M-LC107310R	COIL	0.5UH K	CLEY0R5KAK
INPUT	L364		90M-LC107310R	90M-LC107310R	COIL	0.5UH K	CLEY0R5KAK
INPUT	Q281		00MHT805501B0	00MHT805501B0	TRS.	KTC2874B	HVTKTC2874BT
INPUT	Q282		00MHT805501B0	00MHT805501B0	TRS.	KTC2874B	HVTKTC2874BT
INPUT	Q301		00MHT600121A0	00MHT600121A0	TRS.	KTA1268GR	HVTKTA1268GRT
INPUT	Q302		00MHT600121A0	00MHT600121A0	TRS.	KTA1268GR	HVTKTA1268GRT
INPUT	Q303		00MHT600121A0	00MHT600121A0	TRS.	KTA1268GR	HVTKTA1268GRT
INPUT	Q304		00MHT600121A0	00MHT600121A0	TRS.	KTA1268GR	HVTKTA1268GRT
INPUT	Q305		00MHT600121A0	00MHT600121A0	TRS.	KTA1268GR	HVTKTA1268GRT
INPUT	Q306		00MHT600121A0	00MHT600121A0	TRS.	KTA1268GR	HVTKTA1268GRT
INPUT	Q307		00MHT600121A0	00MHT600121A0	TRS.	KTA1268GR	HVTKTA1268GRT
INPUT	Q308		00MHT600121A0	00MHT600121A0	TRS.	KTA1268GR	HVTKTA1268GRT
INPUT	Q309		00MHT800931A0	00MHT800931A0	TRS.	KTC3200GR	HVTKTC3200GRT
INPUT	Q310		00MHT800931A0	00MHT800931A0	TRS.	KTC3200GR	HVTKTC3200GRT
INPUT	Q311		00MHT800931A0	00MHT800931A0	TRS.	KTC3200GR	HVTKTC3200GRT
INPUT	Q312		00MHT800931A0	00MHT800931A0	TRS.	KTC3200GR	HVTKTC3200GRT
INPUT	Q325		90M-HT600030R	90M-HT600030R	TRS.	KTA1024Y	HVTKTA1024YT
INPUT	Q326		90M-HT600030R	90M-HT600030R	TRS.	KTA1024Y	HVTKTA1024YT
INPUT	Q335		00MHT800941B0	00MHT800941B0	TRS.	KTC3206Y	HVTKTC3206YAT
INPUT	Q336		00MHT800941B0	00MHT800941B0	TRS.	KTC3206Y	HVTKTC3206YAT
INPUT	Q345		00MHT334191Y0	00MHT334191Y0	TRS.	2SC3419Y	HVT2SC3419Y
INPUT	Q346		00MHT334191Y0	00MHT334191Y0	TRS.	2SC3419Y	HVT2SC3419Y
INPUT	Q347		00MHT800941B0	00MHT800941B0	TRS.	KTC3206Y	HVTKTC3206YAT
INPUT	Q348		00MHT800941B0	00MHT800941B0	TRS.	KTC3206Y	HVTKTC3206YAT
INPUT	Q349		90M-HT600030R	90M-HT600030R	TRS.	KTA1024Y	HVTKTA1024YT
INPUT	Q350		90M-HT600030R	90M-HT600030R	TRS.	KTA1024Y	HVTKTA1024YT
INPUT	Q351		90M-HT300940R	90M-HT300940R	TRS.	2SC4883A	HVT2SC4883A
INPUT	Q352		90M-HT300940R	90M-HT300940R	TRS.	2SC4883A	HVT2SC4883A
INPUT	Q353		90M-HT100690R	90M-HT100690R	TRS.	2SA1859A	HVT2SA1859A
INPUT	Q354		90M-HT100690R	90M-HT100690R	TRS.	2SA1859A	HVT2SA1859A
INPUT	▲ Q355		90M-HT300950R	90M-HT300950R	TRS.	! 2SC4467	HVT2SC4467-OKM
INPUT	▲ Q356		90M-HT300950R	90M-HT300950R	TRS.	! 2SC4467	HVT2SC4467-OKM
INPUT	▲ Q357		90M-HT100700R	90M-HT100700R	TRS.	! 2SA1694	HVT2SA1694-OKM
INPUT	▲ Q358		90M-HT100700R	90M-HT100700R	TRS.	! 2SA1694	HVT2SA1694-OKM
INPUT	Q371		00MHT327851H0	00MHT327851H0	TRS.	KSC2785Y	KVTKSC2785YT
INPUT	Q372		00MHT327851H0	00MHT327851H0	TRS.	KSC2785Y	KVTKSC2785YT
INPUT	Q379		90M-HT100390R	90M-HT100390R	TRS.	KSA1175Y	KVTKSA1175YT
INPUT	Q385		00MHT327851H0	00MHT327851H0	TRS.	KSC2785Y	KVTKSC2785YT
INPUT	Q386		90M-HT100390R	90M-HT100390R	TRS.	KSA1175Y	KVTKSA1175YT
INPUT	Q391		90M-HT100390R	90M-HT100390R	TRS.	KSA1175Y	KVTKSA1175YT
INPUT	Q392		00MHT327851H0	00MHT327851H0	TRS.	KSC2785Y	KVTKSC2785YT
INPUT	Q393		00MHT327851H0	00MHT327851H0	TRS.	KSC2785Y	KVTKSC2785YT
INPUT	Q394		00MHT327851H0	00MHT327851H0	TRS.	KSC2785Y	KVTKSC2785YT
INPUT	▲ Q921		90M-HT800040R	90M-HT800040R	TRS.	! KSC2316Y	HVTKSC2316YT
INPUT	Q922		90M-HT800050R	90M-HT800050R	TRS.	KTC3198Y	HVTKTC3198YT
INPUT	Q923		90M-HT800050R	90M-HT800050R	TRS.	KTC3198Y	HVTKTC3198YT
INPUT	Q924		90M-BA001450R	90M-BA001450R	TRS.	KRA107M	HVTKRA107MT
INPUT	R101		nsp	nsp	RES.	330 OHM 1/5W J	CRD20TJ331T

NOTE : "nsp" PART IS LISTED FOR REFERENCE ONLY, MARANTZ WILL NOT SUPPLY THESE PARTS.



P.C.B. NAME	POS. NO.	VERS. COLOR	PART NO. (FOR EUR)	PART NO. (MZ)	PART NAME	DESCRIPTION
INPUT	R102		nsp	nsp	RES.	330 OHM 1/5W J CRD20TJ331T
INPUT	R103		nsp	nsp	RES.	100K OHM 1/5W J CRD20TJ104T
INPUT	R104		nsp	nsp	RES.	100K OHM 1/5W J CRD20TJ104T
INPUT	R105		nsp	nsp	RES.	100K OHM 1/5W J CRD20TJ104T
INPUT	R106		nsp	nsp	RES.	100K OHM 1/5W J CRD20TJ104T
INPUT	R109		nsp	nsp	RES.	100 OHM 1/5W J CRD20TJ101T
INPUT	R110		nsp	nsp	RES.	100 OHM 1/5W J CRD20TJ101T
INPUT	R111		nsp	nsp	RES.	100K OHM 1/5W J CRD20TJ104T
INPUT	R112		nsp	nsp	RES.	100K OHM 1/5W J CRD20TJ104T
INPUT	R113		nsp	nsp	RES.	5.6K OHM 1/5W J CRD20TJ562T
INPUT	R114		nsp	nsp	RES.	5.6K OHM 1/5W J CRD20TJ562T
INPUT	R115		nsp	nsp	RES.	100 OHM 1/5W J CRD20TJ101T
INPUT	R116		nsp	nsp	RES.	100 OHM 1/5W J CRD20TJ101T
INPUT	R117		nsp	nsp	RES.	220 OHM 1/5W J CRD20TJ221T
INPUT	R118		nsp	nsp	RES.	220 OHM 1/5W J CRD20TJ221T
INPUT	R119		nsp	nsp	RES.	47K OHM 1/5W J CRD20TJ473T
INPUT	R120		nsp	nsp	RES.	47K OHM 1/5W J CRD20TJ473T
INPUT	R121		nsp	nsp	RES.	100 OHM 1/5W J CRD20TJ101T
INPUT	R122		nsp	nsp	RES.	100 OHM 1/5W J CRD20TJ101T
INPUT	R131		nsp	nsp	RES.	330 OHM 1/5W J CRD20TJ331T
INPUT	R132		nsp	nsp	RES.	330 OHM 1/5W J CRD20TJ331T
INPUT	R201		nsp	nsp	RES.	10 OHM 1/5W J CRD20TJ100T
INPUT	R202		nsp	nsp	RES.	10 OHM 1/5W J CRD20TJ100T
INPUT	R203		nsp	nsp	RES.	10 OHM 1/5W J CRD20TJ100T
INPUT	R204		nsp	nsp	RES.	10 OHM 1/5W J CRD20TJ100T
INPUT	R205		nsp	nsp	RES.	10 OHM 1/5W J CRD20TJ100T
INPUT	R206		nsp	nsp	RES.	10 OHM 1/5W J CRD20TJ100T
INPUT	R207		nsp	nsp	RES.	10 OHM 1/5W J CRD20TJ100T
INPUT	R208		nsp	nsp	RES.	10 OHM 1/5W J CRD20TJ100T
INPUT	R209		nsp	nsp	RES.	10 OHM 1/5W J CRD20TJ100T
INPUT	R210		nsp	nsp	RES.	10 OHM 1/5W J CRD20TJ100T
INPUT	R211		nsp	nsp	RES.	10 OHM 1/5W J CRD20TJ100T
INPUT	R212		nsp	nsp	RES.	10 OHM 1/5W J CRD20TJ100T
INPUT	R213		nsp	nsp	RES.	10 OHM 1/5W J CRD20TJ100T
INPUT	R214		nsp	nsp	RES.	10 OHM 1/5W J CRD20TJ100T
INPUT	R221		nsp	nsp	RES.	1M OHM 1/5W J CRD20TJ105T
INPUT	R222		nsp	nsp	RES.	1M OHM 1/5W J CRD20TJ105T
INPUT	R223		nsp	nsp	RES.	1M OHM 1/5W J CRD20TJ105T
INPUT	R224		nsp	nsp	RES.	1M OHM 1/5W J CRD20TJ105T
INPUT	R225		nsp	nsp	RES.	1M OHM 1/5W J CRD20TJ105T
INPUT	R226		nsp	nsp	RES.	1M OHM 1/5W J CRD20TJ105T
INPUT	R227		nsp	nsp	RES.	1M OHM 1/5W J CRD20TJ105T
INPUT	R228		nsp	nsp	RES.	1M OHM 1/5W J CRD20TJ105T
INPUT	R229		nsp	nsp	RES.	1M OHM 1/5W J CRD20TJ105T
INPUT	R230		nsp	nsp	RES.	1M OHM 1/5W J CRD20TJ105T
INPUT	R231		nsp	nsp	RES.	1M OHM 1/5W J CRD20TJ105T
INPUT	R232		nsp	nsp	RES.	1M OHM 1/5W J CRD20TJ105T
INPUT	R233		nsp	nsp	RES.	1M OHM 1/5W J CRD20TJ105T
INPUT	R234		nsp	nsp	RES.	1M OHM 1/5W J CRD20TJ105T
INPUT	R235		nsp	nsp	RES.	1K OHM 1/5W J CRD20TJ102T
INPUT	R236		nsp	nsp	RES.	1K OHM 1/5W J CRD20TJ102T
INPUT	R237		nsp	nsp	RES.	1K OHM 1/5W J CRD20TJ102T
INPUT	R238		nsp	nsp	RES.	1K OHM 1/5W J CRD20TJ102T
INPUT	R251		nsp	nsp	RES.	120 OHM 1/5W J CRD20TJ121T
INPUT	R252		nsp	nsp	RES.	120 OHM 1/5W J CRD20TJ121T
INPUT	R253		nsp	nsp	RES.	120 OHM 1/5W J CRD20TJ121T
INPUT	R254		nsp	nsp	RES.	120 OHM 1/5W J CRD20TJ121T
INPUT	R255		nsp	nsp	RES.	10K OHM 1/5W J CRD20TJ103T
INPUT	R256		nsp	nsp	RES.	10K OHM 1/5W J CRD20TJ103T
INPUT	R258		nsp	nsp	RES.	10K OHM 1/5W J CRD20TJ103T
INPUT	R260		nsp	nsp	RES.	56K OHM 1/5W J CRD20TJ563T
INPUT	R261		nsp	nsp	RES.	56K OHM 1/5W J CRD20TJ563T
INPUT	R264		nsp	nsp	RES.	27K OHM 1/5W J CRD20TJ273T
INPUT	R265		nsp	nsp	RES.	27K OHM 1/5W J CRD20TJ273T
INPUT	R266		nsp	nsp	RES.	330 OHM 1/5W J CRD20TJ331T
INPUT	R267		nsp	nsp	RES.	330 OHM 1/5W J CRD20TJ331T
INPUT	R269		nsp	nsp	RES.	100 OHM 1/5W J CRD20TJ101T

NOTE : \*nsp\* PART IS LISTED FOR REFERENCE ONLY, MARANTZ WILL NOT SUPPLY THESE PARTS.

P.C.B. NAME	POS. NO.	VERS. COLOR	PART NO. (FOR EUR)	PART NO. (MZ)	PART NAME	DESCRIPTION
INPUT	R270		nsp	nsp	RES.	100 OHM 1/5W J CRD20TJ101T
INPUT	R273		nsp	nsp	RES.	120 OHM 1/5W J CRD20TJ121T
INPUT	R274		nsp	nsp	RES.	120 OHM 1/5W J CRD20TJ121T
INPUT	R275		nsp	nsp	RES.	120 OHM 1/5W J CRD20TJ121T
INPUT	R280		nsp	nsp	RES.	10K OHM 1/5W J CRD20TJ103T
INPUT	R281		nsp	nsp	RES.	470K OHM 1/5W J CRD20TJ474T
INPUT	R282		nsp	nsp	RES.	470K OHM 1/5W J CRD20TJ474T
INPUT	R283		nsp	nsp	RES.	1M OHM 1/5W J CRD20TJ105T
INPUT	R284		nsp	nsp	RES.	100K OHM 1/5W J CRD20TJ104T
INPUT	R285		nsp	nsp	RES.	100K OHM 1/5W J CRD20TJ104T
INPUT	R286		nsp	nsp	RES.	470 OHM 1/5W J CRD20TJ471T
INPUT	R287		nsp	nsp	RES.	470 OHM 1/5W J CRD20TJ471T
INPUT	R288		nsp	nsp	RES.	680 OHM 1/5W J CRD20TJ681T
INPUT	R289		nsp	nsp	RES.	680 OHM 1/5W J CRD20TJ681T
INPUT	R290		nsp	nsp	RES.	5.6K OHM 1/5W J CRD20TJ562T
INPUT	R291		nsp	nsp	RES.	5.6K OHM 1/5W J CRD20TJ562T
INPUT	R292		nsp	nsp	RES.	5.6K OHM 1/5W J CRD20TJ562T
INPUT	R293		nsp	nsp	RES.	5.6K OHM 1/5W J CRD20TJ562T
INPUT	R294		nsp	nsp	RES.	1.5K OHM 1/5W J CRD20TJ152T
INPUT	R295		nsp	nsp	RES.	1.5K OHM 1/5W J CRD20TJ152T
INPUT	R296		nsp	nsp	RES.	1.5K OHM 1/5W J CRD20TJ152T
INPUT	R297		nsp	nsp	RES.	1.5K OHM 1/5W J CRD20TJ152T
INPUT	R298		nsp	nsp	RES.	270 OHM 1/5W J CRD20TJ271T
INPUT	R299		nsp	nsp	RES.	270 OHM 1/5W J CRD20TJ271T
INPUT	R300		nsp	nsp	RES.	33K OHM 1/5W J CRD20TJ333T
INPUT	R301		nsp	nsp	RES.	33K OHM 1/5W J CRD20TJ333T
INPUT	R302		nsp	nsp	RES.	4.7K OHM 1/5W J CRD20TJ472T
INPUT	R303		nsp	nsp	RES.	4.7K OHM 1/5W J CRD20TJ472T
INPUT	R304		nsp	nsp	RES.	330 OHM 1/5W J CRD20TJ331T
INPUT	R305		nsp	nsp	RES.	330 OHM 1/5W J CRD20TJ331T
INPUT	R306		nsp	nsp	RES.	100K OHM 1/5W J CRD20TJ104T
INPUT	R307		nsp	nsp	RES.	100K OHM 1/5W J CRD20TJ104T
INPUT	R308		nsp	nsp	RES.	470 OHM 1/5W J CRD20TJ471T
INPUT	R309		nsp	nsp	RES.	470 OHM 1/5W J CRD20TJ471T
INPUT	R310		nsp	nsp	RES.	1K OHM 1/5W J CRD20TJ102T
INPUT	R311		nsp	nsp	RES.	1K OHM 1/5W J CRD20TJ102T
INPUT	R312		nsp	nsp	RES.	470 OHM 1/5W J CRD20TJ471T
INPUT	R313		nsp	nsp	RES.	470 OHM 1/5W J CRD20TJ471T
INPUT	R314		nsp	nsp	RES.	470 OHM 1/5W J CRD20TJ471T
INPUT	R315		nsp	nsp	RES.	470 OHM 1/5W J CRD20TJ471T
INPUT	R316		nsp	nsp	RES.	100 OHM 1/5W J CRD20TJ101T
INPUT	R317		nsp	nsp	RES.	100 OHM 1/5W J CRD20TJ101T
INPUT	R318		nsp	nsp	RES.	100 OHM 1/5W J CRD20TJ101T
INPUT	R319		nsp	nsp	RES.	100 OHM 1/5W J CRD20TJ101T
INPUT	R320		nsp	nsp	RES.	470 OHM 1/5W J CRD20TJ471T
INPUT	R321		nsp	nsp	RES.	470 OHM 1/5W J CRD20TJ471T
INPUT	R322		nsp	nsp	RES.	1M OHM 1/5W J CRD20TJ105T
INPUT	R323		nsp	nsp	RES.	1M OHM 1/5W J CRD20TJ105T
INPUT	R324		nsp	nsp	RES.	1M OHM 1/5W J CRD20TJ105T
INPUT	R325		nsp	nsp	RES.	1M OHM 1/5W J CRD20TJ105T
INPUT	R327		nsp	nsp	RES.	100 OHM 1/5W J CRD20TJ101T
INPUT	R328		nsp	nsp	RES.	100 OHM 1/5W J CRD20TJ101T
INPUT	R331		nsp	nsp	RES.	100 OHM 1/5W J CRD20TJ101T
INPUT	R332		nsp	nsp	RES.	100 OHM 1/5W J CRD20TJ101T
INPUT	R333		nsp	nsp	RES.	820 OHM 1/5W J CRD20TJ821T
INPUT	R334		nsp	nsp	RES.	820 OHM 1/5W J CRD20TJ821T
INPUT	R335		nsp	nsp	RES.	100 OHM 1/5W J CRD20TJ101T
INPUT	R336		nsp	nsp	RES.	100 OHM 1/5W J CRD20TJ101T
INPUT	R337		nsp	nsp	RES.	10 OHM 1/4W KRD25FJ100T
INPUT	R338		nsp	nsp	RES.	10 OHM 1/4W KRD25FJ100T
INPUT	R339		nsp	nsp	RES.	10 OHM 1/4W KRD25FJ100T
INPUT	R340		nsp	nsp	RES.	10 OHM 1/4W KRD25FJ100T
INPUT	R341		nsp	nsp	RES.	1K OHM 1/5W J CRD20TJ102T
INPUT	R342		nsp	nsp	RES.	1K OHM 1/5W J CRD20TJ102T
INPUT	R343		nsp	nsp	RES.	3.3K OHM 1/5W J CRD20TJ332T
INPUT	R344		nsp	nsp	RES.	3.3K OHM 1/5W J CRD20TJ332T
INPUT	R345		nsp	nsp	RES.	100 OHM 1/5W J CRD20TJ101T

NOTE : "nsp" PART IS LISTED FOR REFERENCE ONLY, MARANTZ WILL NOT SUPPLY THESE PARTS.

P.C.B. NAME	POS. NO.	VERS. COLOR	PART NO. (FOR EUR)	PART NO. (MZ)	PART NAME	DESCRIPTION
INPUT	R346		nsp	nsp	RES.	100 OHM 1/5W J CRD20TJ101T
INPUT	R347		nsp	nsp	RES.	100 OHM 1/5W J CRD20TJ101T
INPUT	R348		nsp	nsp	RES.	100 OHM 1/5W J CRD20TJ101T
INPUT	R349		nsp	nsp	RES.	47 OHM 1/5W J CRD20TJ470T
INPUT	R350		nsp	nsp	RES.	47 OHM 1/5W J CRD20TJ470T
INPUT	R351		nsp	nsp	RES.	47 OHM 1/5W J CRD20TJ470T
INPUT	R352		nsp	nsp	RES.	47 OHM 1/5W J CRD20TJ470T
INPUT	R353		nsp	nsp	RES.	220 OHM 1/4W J CRD25TJ221T
INPUT	R354		nsp	nsp	RES.	220 OHM 1/4W J CRD25TJ221T
INPUT	R355		nsp	nsp	RES.	10 OHM 1/5W J CRD20TJ100T
INPUT	R356		nsp	nsp	RES.	10 OHM 1/5W J CRD20TJ100T
INPUT	R357		nsp	nsp	RES.	10 OHM 1/4W J CRD25TJ100T
INPUT	R358		nsp	nsp	RES.	10 OHM 1/5W J CRD20TJ100T
INPUT	R359		90M-GO000005R	90M-GO000005R	RES.	0.22 OHM 5W K CRF5EKR22H
INPUT	R360		90M-GO000005R	90M-GO000005R	RES.	0.22 OHM 5W K CRF5EKR22H
INPUT	R361		90M-GO000005R	90M-GO000005R	RES.	0.22 OHM 5W K CRF5EKR22H
INPUT	R362		90M-GO000005R	90M-GO000005R	RES.	0.22 OHM 5W K CRF5EKR22H
INPUT	R363		nsp	nsp	RES.	10 OHM 1/4W J CRD25TJ100T
INPUT	R364		nsp	nsp	RES.	10 OHM 1/4W J CRD25TJ100T
INPUT	R365		nsp	nsp	RES.	10 OHM 1/4W J CRD25TJ100T
INPUT	R366		nsp	nsp	RES.	10 OHM 1/4W J CRD25TJ100T
INPUT	R367		nsp	nsp	RES.	10 OHM CRG1ANJ100H
INPUT	R368		nsp	nsp	RES.	10 OHM CRG1ANJ100H
INPUT	R371		nsp	nsp	RES.	1K OHM 1/5W J CRD20TJ102T
INPUT	R372		nsp	nsp	RES.	1K OHM 1/5W J CRD20TJ102T
INPUT	R373		nsp	nsp	RES.	22K OHM 1/5W J CRD20TJ223T
INPUT	R374		nsp	nsp	RES.	22K OHM 1/5W J CRD20TJ223T
INPUT	R375		nsp	nsp	RES.	1.5K OHM 1/5W J CRD20TJ152T
INPUT	R376		nsp	nsp	RES.	1.5K OHM 1/5W J CRD20TJ152T
INPUT	R377		nsp	nsp	RES.	22K OHM 1/5W J CRD20TJ223T
INPUT	R378		nsp	nsp	RES.	22K OHM 1/5W J CRD20TJ223T
INPUT	R379		nsp	nsp	RES.	6.8K OHM 1/5W J CRD20TJ682T
INPUT	R381		nsp	nsp	RES.	33K OHM 1/5W J CRD20TJ333T
INPUT	R382		nsp	nsp	RES.	33K OHM 1/5W J CRD20TJ333T
INPUT	R383		nsp	nsp	RES.	22K OHM 1/5W J CRD20TJ223T
INPUT	R385		nsp	nsp	RES.	10K OHM 1/5W J CRD20TJ103T
INPUT	R386		nsp	nsp	RES.	10K OHM 1/5W J CRD20TJ103T
INPUT	R387		nsp	nsp	RES.	10K OHM 1/5W J CRD20TJ103T
INPUT	R388		nsp	nsp	RES.	33K OHM 1/5W J CRD20TJ333T
INPUT	R389		nsp	nsp	RES.	33K OHM 1/5W J CRD20TJ333T
INPUT	R390		nsp	nsp	RES.	100 OHM 1/5W J CRD20TJ101T
INPUT	R391		nsp	nsp	RES.	33K OHM 1/5W J CRD20TJ333T
INPUT	R392		nsp	nsp	RES.	18K OHM 1/5W J CRD20TJ183T
INPUT	R393		nsp	nsp	RES.	10K OHM 1/5W J CRD20TJ103T
INPUT	R394		nsp	nsp	RES.	47K OHM 1/5W J CRD20TJ473T
INPUT	R395		nsp	nsp	RES.	10K OHM 1/5W J CRD20TJ103T
INPUT	R396		nsp	nsp	RES.	47K OHM 1/5W J CRD20TJ473T
INPUT	R397		nsp	nsp	RES.	10K OHM 1/5W J CRD20TJ103T
INPUT	R398		nsp	nsp	RES.	47K OHM 1/5W J CRD20TJ473T
INPUT	R399		nsp	nsp	RES.	100 OHM 1/5W J CRD20TJ101T
INPUT	R400		nsp	nsp	RES.	100 OHM 1/5W J CRD20TJ101T
INPUT	R691		nsp	nsp	RES.	330 OHM 1W CRG1ANJ331H
INPUT	R692		nsp	nsp	RES.	330 OHM 1W CRG1ANJ331H
INPUT	R901		nsp	nsp	RES.	4.7K OHM 1/4W J CRD25TJ472T
INPUT	R905		nsp	nsp	RES.	22K OHM 1/4W J CRD25TJ223T
INPUT	R906		nsp	nsp	RES.	22K OHM 1/4W J CRD25TJ223T
INPUT	▲ R911		90M-NH000080R	90M-NH000080R	FUSE RES.	! 0.47 OHM 1W J KRQ1AJR47H
INPUT	▲ R912		90M-NH000080R	90M-NH000080R	FUSE RES.	! 0.47 OHM 1W J KRQ1AJR47H
INPUT	R913		nsp	nsp	RES.	4.7K OHM 1/5W J CRD20TJ472T
INPUT	R914		nsp	nsp	RES.	22K OHM 1/5W J CRD20TJ223T
INPUT	R915		nsp	nsp	RES.	47K OHM 1/5W J CRD20TJ473T
INPUT	R919		nsp	nsp	RES.	22K OHM 1/5W J CRD20TJ223T
INPUT	R920		nsp	nsp	RES.	22K OHM 1/5W J CRD20TJ223T
INPUT	R921		nsp	nsp	RES.	1.2K OHM 1/5W J CRD20TJ122T
INPUT	R922		nsp	nsp	RES.	1K OHM 1/5W J CRD20TJ102T
INPUT	R923		nsp	nsp	RES.	33K OHM 1/5W J CRD20TJ333T
INPUT	R924		nsp	nsp	RES.	22K OHM 1/5W J CRD20TJ223T

NOTE : \*nsp\* PART IS LISTED FOR REFERENCE ONLY, MARANTZ WILL NOT SUPPLY THESE PARTS.

P.C.B. NAME	POS. NO.	VERS. COLOR	PART NO. (FOR EUR)	PART NO. (MZ)	PART NAME	DESCRIPTION
INPUT	R925		nsp	nsp	RES.	22K OHM 1/5W J CRD20TJ223T
INPUT	R926		nsp	nsp	RES.	22K OHM 1/5W J CRD20TJ223T
INPUT	R927		nsp	nsp	RES.	10K OHM 1/5W J CRD20TJ103T
INPUT	R928		nsp	nsp	RES.	10K OHM 1/5W J CRD20TJ103T
INPUT	R929		nsp	nsp	RES.	10K OHM 1/5W J CRD20TJ103T
INPUT	RY31		90M-LY000330R	90M-LY000330R	RELAY	OSA-SS-212DM3 HSL4A004ZU
INPUT	RY32		90M-LY000330R	90M-LY000330R	RELAY	OSA-SS-212DM3 HSL4A004ZU
INPUT	RY33		90M-LY000330R	90M-LY000330R	RELAY	OSA-SS-212DM3 HSL4A004ZU
INPUT	VR31		90M-RA001080R	90M-RA001080R	TRIM. RES.	RH0638C-471 HVN1RA471B01T
INPUT	VR32		90M-RA001080R	90M-RA001080R	TRIM. RES.	RH0638C-471 HVN1RA471B01T
INPUT	VR33		90M-RA001140R	90M-RA001140R	TRIM. RES.	RH0638C-102 HVN1RA102B01T
INPUT	VR34		90M-RA001140R	90M-RA001140R	TRIM. RES.	RH0638C-102 HVN1RA102B01T
<b>MAIN TRANSF. PWB (CUP11833-3)</b>						
MAIN-T	C910		nsp	nsp	FILM CAP.	0.01UF 50V J HCQ11H103JZT
MAIN-T	CN91		nsp	nsp	CONN.	6P ANGLE CJP06GB03ZY
MAIN-T	CN92		nsp	nsp	CONN.	4P ANGLE CJP04GB03ZY
MAIN-T	JW93		nsp	nsp	CORD	WIRE ASSY CWZAMC660JW52
<b>MASTER VOLUME PWB (CUP11832-2)</b>						
M-VOL.	BN12		nsp	nsp	CORD	WIRE ASSY 2.5MM(04P) SHIELD CWZPM48BN33
M-VOL.	BN53		90M-YJ002920R	90M-YJ002920R	CONN.	6P ANGLE CJP06GB99ZY
M-VOL.	C527		nsp	nsp	CER. CAP.	0.01UF 50V Z HCBS1H103ZFT
M-VOL.	C543	F B	nsp	00MOA10605020	ELECT CAP.	10UF 50V CCEA1HH100T
M-VOL.	C543	F N	nsp	00MOA10605020	ELECT CAP.	10UF 50V CCEA1HH100T
M-VOL.	C543	/N1B	nsp	00MOA10605020	ELECT CAP.	10UF 50V CCEA1HH100T
M-VOL.	C543	/N1G	nsp	00MOA10605020	ELECT CAP.	10UF 50V CCEA1HH100T
M-VOL.	C543	/N1S	nsp	00MOA10605020	ELECT CAP.	10UF 50V CCEA1HH100T
M-VOL.	C544	F B	nsp	00MOA10605020	ELECT CAP.	10UF 50V CCEA1HH100T
M-VOL.	C544	F N	nsp	00MOA10605020	ELECT CAP.	10UF 50V CCEA1HH100T
M-VOL.	C544	/N1B	nsp	00MOA10605020	ELECT CAP.	10UF 50V CCEA1HH100T
M-VOL.	C544	/N1G	nsp	00MOA10605020	ELECT CAP.	10UF 50V CCEA1HH100T
M-VOL.	C544	/N1S	nsp	00MOA10605020	ELECT CAP.	10UF 50V CCEA1HH100T
M-VOL.	CB52		90M-YP100330R	90M-YP100330R	CONN.	7P ANGLE CJP07GF107ZY
M-VOL.	J116		nsp	nsp	CORD	SN95/PB5, 0.6 C3A206
M-VOL.	J303		nsp	nsp	CORD	SN95/PB5, 0.6 C3A206
M-VOL.	J306		nsp	nsp	CORD	SN95/PB5, 0.6 C3A206
M-VOL.	J327		nsp	nsp	CORD	SN95/PB5, 0.6 C3A206
M-VOL.	J501		nsp	nsp	CORD	SN95/PB5, 0.6 C3A206
M-VOL.	J503		nsp	nsp	CORD	SN95/PB5, 0.6 C3A206
M-VOL.	J506		nsp	nsp	CORD	SN95/PB5, 0.6 C3A206
M-VOL.	J901		nsp	nsp	CORD	SN95/PB5, 0.6 C3A206
M-VOL.	J902		nsp	nsp	CORD	SN95/PB5, 0.6 C3A206
M-VOL.	JW52		nsp	nsp	CORD	ST710388-5298T CWZPM48JW52
M-VOL.	R527		nsp	nsp	RES.	330 OHM 1/5W J CRD20TJ331T
M-VOL.	R528		nsp	nsp	RES.	330 OHM 1/5W J CRD20TJ331T
M-VOL.	R539		nsp	nsp	RES.	56K OHM 1/5W J CRD20TJ563T
M-VOL.	R540		nsp	nsp	RES.	56K OHM 1/5W J CRD20TJ563T
M-VOL.	R548		nsp	nsp	RES.	330 OHM 1/5W J CRD20TJ331T
M-VOL.	R549		nsp	nsp	RES.	330 OHM 1/5W J CRD20TJ331T
M-VOL.	VR53		90M-RB000070R	90M-RB000070R	VAR. RES.	VR, MOTOR CVV9Y13B503Z
<b>POWER SW PWB (CUP11832-5)</b>						
P-SW	▲ C901		90M-DK100770R	90M-DK100770R	CER. CAP.	! 0.0047UF 2.5KV KCKDKS472ME
P-SW	JW96		nsp	nsp	CORD	WIRE ASSY CWZPM48JW96
P-SW	▲ SW91		90M-SP001250R	90M-SP001250R	SW	! JPP1197CSA64 KSH1A001ZV
<b>SPEAKER SW &amp; LOUDNESS PWB (CUP11832-3)</b>						
SPKR	BK62		nsp	nsp	BRACKET	BRACKET PWB CMD1A387
SPKR	BK63		nsp	nsp	BRACKET	BRACKET PWB CMD1A387
SPKR	BN35		nsp	nsp	CORD	CWB2B904400EN
SPKR	BN54		90M-YJ002920R	90M-YJ002920R	CONN.	6P ANGLE CJP06GB99ZY
SPKR	C523		nsp	nsp	FILM CAP.	0.1UF 50V J HCQ11H104JZT
SPKR	C524		nsp	nsp	FILM CAP.	0.1UF 50V J HCQ11H104JZT
SPKR	C525		nsp	nsp	FILM CAP.	1000PF 50V J HCQ11H102JZT
SPKR	C526		nsp	nsp	FILM CAP.	1000PF 50V J HCQ11H102JZT
SPKR	J310		nsp	nsp	CORD	SN95/PB5, 0.6 C3A206
SPKR	J311		nsp	nsp	CORD	SN95/PB5, 0.6 C3A206
SPKR	R523		nsp	nsp	RES.	5.6K OHM 1/5W J CRD20TJ562T
SPKR	R524		nsp	nsp	RES.	5.6K OHM 1/5W J CRD20TJ562T
SPKR	R525		nsp	nsp	RES.	3.3K OHM 1/5W J CRD20TJ332T

NOTE : "nsp" PART IS LISTED FOR REFERENCE ONLY, MARANTZ WILL NOT SUPPLY THESE PARTS.

P.C.B. NAME	POS. NO.	VERS. COLOR	PART NO. (FOR EUR)	PART NO. (MZ)	PART NAME	DESCRIPTION
SPKR	R526		nsp	nsp	RES.	3.3K OHM 1/5W J CRD20TJ332T
SPKR	SW52		90M-SP001240R	90M-SP001240R	SW	SPUL19X1M071 HSH2B017Z
SPKR	SW61		90M-SP001240R	90M-SP001240R	SW	SPUL19X1M071 HSH2B017Z
SPKR	SW62		90M-SP001240R	90M-SP001240R	SW	SPUL19X1M071 HSH2B017Z
					<b>SUB TRANSF. PWB (CUP11833-2)</b>	
SUB-T	C925		nsp	nsp	FILM CAP.	0.1UF 50V ZF CCFT1H104ZF
SUB-T	C930		nsp	90M-DK100780R	CER. CAP.	DE1310-610E472M HCKWKH472ME
SUB-T	C931		nsp	00MOA10802520	ELECT CAP.	1000UF 25V CCEA1EH102E
SUB-T	C932		nsp	00MOA10701620	ELECT CAP.	100UF 16V CCEA1CH101T
SUB-T	C933		nsp	nsp	CER. CAP.	0.01UF 50V ZF CCKT1H103ZF
SUB-T	C934		nsp	nsp	CER. CAP.	0.022UF 50V Z HCBS1H223ZFT
SUB-T	▲ C935		00MDF17104630	00MDF17104630	FILM CAP.	! 0.1UF 250V KD HCQE2E104KDE
SUB-T	C936		nsp	nsp	CER. CAP.	100PF 50V KB CCKT1H101KB
SUB-T	CN93		nsp	nsp	CONN.	5P STRAIGHT CJP05GA19ZY
SUB-T	CN96		90M-YP100250R	90M-YP100250R	CONN.	MOLEX35328-02 KJP02GA89ZM
SUB-T	D926		nsp	90M-HD201730R	DIODE	1N4003 KVD1N4003ST
SUB-T	D927		nsp	00MHD20015210	DIODE	1SS133T-77 HVD1SS133MT
SUB-T	D929		nsp	00MHD20015210	DIODE	1SS133T-77 HVD1SS133MT
SUB-T	F901		nsp	nsp	CONN.	HOLDER, FUSE KJCF5S
SUB-T	F902	F B	nsp	nsp	CONN.	HOLDER, FUSE KJCF5S
SUB-T	F902	F N	nsp	nsp	CONN.	HOLDER, FUSE KJCF5S
SUB-T	▲ IC94		90M-HC300490R	90M-HC300490R	IC	! KA7915-ABTU HVIMC7915C
SUB-T	▲ IC96		90M-HC300500R	90M-HC300500R	IC	! KA7805-ABTU HVIMC7805C
SUB-T	J320		nsp	nsp	CORD	SN95/PB5, 0.6 C3A206
SUB-T	J333	/N1B	nsp	nsp	CORD	SN95/PB5, 0.6 C3A206
SUB-T	J333	/N1G	nsp	nsp	CORD	SN95/PB5, 0.6 C3A206
SUB-T	J333	/N1S	nsp	nsp	CORD	SN95/PB5, 0.6 C3A206
SUB-T	J802	/N1B	nsp	nsp	CORD	SN95/PB5, 0.6 C3A206
SUB-T	J802	/N1G	nsp	nsp	CORD	SN95/PB5, 0.6 C3A206
SUB-T	J802	/N1S	nsp	nsp	CORD	SN95/PB5, 0.6 C3A206
SUB-T	JK91		90M-YT003120R	90M-YT003120R	TERMINAL	CINCH 2P (GOLD) REMOTE CJJ4N036Z
SUB-T	JW94		nsp	nsp	CORD	MOLEX-5298T BLACK CWEE202110VV
SUB-T	JW95		nsp	nsp	CORD	MOLEX-5298T RED CWEE212110VV
SUB-T	JW96	F B	nsp	nsp	CORD	MOLEX-5298T BLACK CWEE202110VV
SUB-T	JW96	F N	nsp	nsp	CORD	MOLEX-5298T BLACK CWEE202110VV
SUB-T	▲ OL92	F B	nsp	90M-YT003150R	TERMINAL	! A206D0051P(3P) KJJ7A011Z
SUB-T	▲ OL92	F N	nsp	90M-YT003150R	TERMINAL	! A206D0051P(3P) KJJ7A011Z
SUB-T	Q925		90M-HT900080R	90M-HT900080R	TRS.	KSD1021Y HVTKSD1021YT
SUB-T	R930		nsp	nsp	RES.	10K OHM 1/5W J CRD20TJ103T
SUB-T	R931		nsp	nsp	RES.	10 OHM 1/4W J CRD25TJ100T
SUB-T	R932		nsp	nsp	RES.	47K OHM 1/5W J CRD20TJ473T
SUB-T	R936		nsp	nsp	RES.	47 OHM 1/5W J CRD20TJ470T
SUB-T	▲ RY92		00MLY10090010	00MLY10090010	RELAY	! SDT-S-109DMR HSL1D016ZE
SUB-T	▲ TRS1	F B	nsp	90M-TS001960R	TRANSF.	! SUB PS5400(6400)/F1 CLT5I002ZJ
SUB-T	▲ TRS1	F N	nsp	90M-TS001960R	TRANSF.	! SUB PS5400(6400)/F1 CLT5I002ZJ
SUB-T	▲ TRS1	/N1B	90M-TS001940R	90M-TS001940R	TRANSF.	! SUB SR5400(6400)/N1 CLT5I002ZE
SUB-T	▲ TRS1	/N1G	90M-TS001940R	90M-TS001940R	TRANSF.	! SUB SR5400(6400)/N1 CLT5I002ZE
SUB-T	▲ TRS1	/N1S	90M-TS001940R	90M-TS001940R	TRANSF.	! SUB SR5400(6400)/N1 CLT5I002ZE
SUB-T	TW91		00MYP04000760	00MYP04000760	CONN.	7.92MM(YUNHO) CJP02KA060ZY
					<b>U-PRO &amp; TONE PWB (CUP11832-1)</b>	
U-PRO	BN34		nsp	nsp	CORD	CWZPM4001BN34
U-PRO	BN52		90M-YJ002930R	90M-YJ002930R	CONN.	7P STRAIGHT KJP07HA37ZM
U-PRO	BN93		nsp	nsp	CORD	CWB2B905280EN
U-PRO	BN95		nsp	nsp	CORD	CWB2B910300EN
U-PRO	C501		nsp	00MOA10605020	ELECT CAP.	10UF 50V CCEA1HH100T
U-PRO	C502		nsp	00MOA10605020	ELECT CAP.	10UF 50V CCEA1HH100T
U-PRO	C503		nsp	nsp	CER. CAP.	100PF 50V K HCBS1H101KBT
U-PRO	C504		nsp	nsp	CER. CAP.	100PF 50V K HCBS1H101KBT
U-PRO	C505		nsp	00MOA22605020	ELECT CAP.	22UF 50V CCEA1HH220T
U-PRO	C506		nsp	00MOA22605020	ELECT CAP.	22UF 50V CCEA1HH220T
U-PRO	C507		nsp	00MOA47601640	ELECT CAP.	47UF 16V CCEA1CH470T
U-PRO	C508		nsp	00MOA47601640	ELECT CAP.	47UF 16V CCEA1CH470T
U-PRO	C509		nsp	nsp	CER. CAP.	33PF 50V J HCBS1H330JT
U-PRO	C510		nsp	nsp	CER. CAP.	33PF 50V J HCBS1H330JT
U-PRO	C511		nsp	00MOA47505020	ELECT CAP.	4.7UF 50V CCEA1HH4R7T
U-PRO	C512		nsp	00MOA47505020	ELECT CAP.	4.7UF 50V CCEA1HH4R7T
U-PRO	C513		nsp	nsp	FILM CAP.	0.033UF 50V J HCQI1H333JZT

NOTE : "nsp" PART IS LISTED FOR REFERENCE ONLY, MARANTZ WILL NOT SUPPLY THESE PARTS.

P.C.B. NAME	POS. NO.	VERS. COLOR	PART NO. (FOR EUR)	PART NO. (MZ)	PART NAME	DESCRIPTION	
U-PRO	C514		nsp	nsp	FILM CAP.	0.033UF 50V J	HCQ1H333JZT
U-PRO	C515		nsp	nsp	FILM CAP.	0.015UF 50V J	HCQ1H153JZT
U-PRO	C516		nsp	nsp	FILM CAP.	0.015UF 50V J	HCQ1H153JZT
U-PRO	C517		nsp	nsp	CER. CAP.	220PF 50V K	HCBS1H221KBT
U-PRO	C518		nsp	nsp	CER. CAP.	220PF 50V K	HCBS1H221KBT
U-PRO	C530	F B	nsp	00MOA22701620	ELECT CAP.	220UF 16V	CCEA1CH221T
U-PRO	C530	F N	nsp	00MOA22701620	ELECT CAP.	220UF 16V	CCEA1CH221T
U-PRO	C530	/N1B	nsp	00MOA22701620	ELECT CAP.	220UF 16V	CCEA1CH221T
U-PRO	C530	/N1G	nsp	00MOA22701620	ELECT CAP.	220UF 16V	CCEA1CH221T
U-PRO	C530	/N1S	nsp	00MOA22701620	ELECT CAP.	220UF 16V	CCEA1CH221T
U-PRO	C531	F B	nsp	00MOA22701620	ELECT CAP.	220UF 16V	CCEA1CH221T
U-PRO	C531	F N	nsp	00MOA22701620	ELECT CAP.	220UF 16V	CCEA1CH221T
U-PRO	C531	/N1B	nsp	00MOA22701620	ELECT CAP.	220UF 16V	CCEA1CH221T
U-PRO	C531	/N1G	nsp	00MOA22701620	ELECT CAP.	220UF 16V	CCEA1CH221T
U-PRO	C531	/N1S	nsp	00MOA22701620	ELECT CAP.	220UF 16V	CCEA1CH221T
U-PRO	C541		nsp	00MOA22605020	ELECT CAP.	22UF 25V	CCEA1EH220T
U-PRO	C542		nsp	00MOA22605020	ELECT CAP.	22UF 25V	CCEA1EH220T
U-PRO	C548		nsp	nsp	CER. CAP.	100PF 50V K	HCBS1H101KBT
U-PRO	C549		nsp	nsp	CER. CAP.	100PF 50V K	HCBS1H101KBT
U-PRO	C601		nsp	nsp	CER. CAP.	0.01UF 50V Z	HCBS1H103ZFT
U-PRO	C602		nsp	nsp	CER. CAP.	0.01UF 50V Z	HCBS1H103ZFT
U-PRO	C606		nsp	00MOA10605020	ELECT CAP.	10UF 50V	CCEA1HH100T
U-PRO	C611		nsp	00MOA22701620	ELECT CAP.	220UF 16V	CCEA1CH221T
U-PRO	C612		nsp	nsp	CER. CAP.	0.01UF 50V Z	HCBS1H103ZFT
U-PRO	C613		nsp	00MOA22701620	ELECT CAP.	220UF 16V	CCEA1CH221T
U-PRO	C617		nsp	nsp	CER. CAP.	100PF 50V K	HCBS1H101KBT
U-PRO	C618		nsp	nsp	CER. CAP.	0.01UF 50V Z	HCBS1H103ZFT
U-PRO	C619		nsp	00MOA10605020	ELECT CAP.	10UF 50V	CCEA1HH100T
U-PRO	C620		nsp	nsp	CER. CAP.	0.01UF 50V Z	HCBS1H103ZFT
U-PRO	C621		nsp	nsp	CER. CAP.	0.01UF 50V Z	HCBS1H103ZFT
U-PRO	C622		nsp	00MOA22701620	ELECT CAP.	220UF 16V	CCEA1CH221T
U-PRO	C623		nsp	00MOA10605020	ELECT CAP.	10UF 50V	CCEA1HH100T
U-PRO	C625		nsp	nsp	CER. CAP.	33PF 50V JC	CCCT1H330JC
U-PRO	C626		nsp	nsp	CER. CAP.	33PF 50V JC	CCCT1H330JC
U-PRO	C627		nsp	nsp	CER. CAP.	0.01UF 50V Z	HCBS1H103ZFT
U-PRO	C681		nsp	00MOA22701620	ELECT CAP.	220UF 16V	CCEA1CH221T
U-PRO	C687		nsp	00MOA10605020	ELECT CAP.	10UF 50V	CCEA1HH100T
U-PRO	C688		nsp	00MOA10605020	ELECT CAP.	10UF 50V	CCEA1HH100T
U-PRO	C693		nsp	nsp	CER. CAP.	0.01UF 50V Z	HCBS1H103ZFT
U-PRO	C694		nsp	nsp	CER. CAP.	0.01UF 50V Z	HCBS1H103ZFT
U-PRO	C695		nsp	nsp	CER. CAP.	0.1UF 50V Z	HCBS1H104ZFT
U-PRO	D601		nsp	00MHD20015210	DIODE	1SS133T-77	HVD1SS133MT
U-PRO	D606		nsp	00MHD20015210	DIODE	1SS133T-77	HVD1SS133MT
U-PRO	D613		nsp	00MHD20015210	DIODE	1SS133T-77	HVD1SS133MT
U-PRO	D621		nsp	00MHD20015210	DIODE	1SS133T-77	HVD1SS133MT
U-PRO	D622		nsp	00MHD20015210	DIODE	1SS133T-77	HVD1SS133MT
U-PRO	D623		nsp	00MHD20015210	DIODE	1SS133T-77	HVD1SS133MT
U-PRO	D651		90M-HI101040R	90M-HI101040R	L.E.D.	SLR342VCTB7T089	HVD342VCTB7T089
U-PRO	D652		90M-HI101040R	90M-HI101040R	L.E.D.	SLR342VCTB7T089	HVD342VCTB7T089
U-PRO	D653		90M-HI101040R	90M-HI101040R	L.E.D.	SLR342VCTB7T089	HVD342VCTB7T089
U-PRO	D654		90M-HI101040R	90M-HI101040R	L.E.D.	SLR342VCTB7T089	HVD342VCTB7T089
U-PRO	D655		90M-HI101040R	90M-HI101040R	L.E.D.	SLR342VCTB7T089	HVD342VCTB7T089
U-PRO	D656		90M-HI101040R	90M-HI101040R	L.E.D.	SLR342VCTB7T089	HVD342VCTB7T089
U-PRO	D657		90M-HI101040R	90M-HI101040R	L.E.D.	SLR342VCTB7T089	HVD342VCTB7T089
U-PRO	D675		90M-HI101040R	90M-HI101040R	L.E.D.	SLR342VCTB7T089	HVD342VCTB7T089
U-PRO	IC52	F B	nsp	00MHC10102090	IC	NJM2068MD-TE1	HVINJM2068MDTE1
U-PRO	IC52	F N	nsp	00MHC10102090	IC	NJM2068MD-TE1	HVINJM2068MDTE1
U-PRO	IC52	/N1B	00MHC10102090	00MHC10102090	IC	NJM2068MD-TE1	HVINJM2068MDTE1
U-PRO	IC52	/N1G	00MHC10102090	00MHC10102090	IC	NJM2068MD-TE1	HVINJM2068MDTE1
U-PRO	IC52	/N1S	00MHC10102090	00MHC10102090	IC	NJM2068MD-TE1	HVINJM2068MDTE1
U-PRO	IC53		00MHC10102090	00MHC10102090	IC	NJM2068MD-TE1	HVINJM2068MDTE1
U-PRO	IC54		00MHC10102090	00MHC10102090	IC	NJM2068MD-TE1	HVINJM2068MDTE1
U-PRO	IC55		00MHC10102090	00MHC10102090	IC	NJM2068MD-TE1	HVINJM2068MDTE1
U-PRO	IC61		90M-HS44BWM0R	90M-HS44BWM0R	U-PRO	M37531E4FP PM4001	HVIANAM1368A
U-PRO	J101		nsp	nsp	CORD	SN95/PB5, 0.6	C3A206
U-PRO	J102		nsp	nsp	CORD	SN95/PB5, 0.6	C3A206
U-PRO	J103		nsp	nsp	CORD	SN95/PB5, 0.6	C3A206

NOTE : "nsp" PART IS LISTED FOR REFERENCE ONLY, MARANTZ WILL NOT SUPPLY THESE PARTS.

P.C.B. NAME	POS. NO.	VERS. COLOR	PART NO. (FOR EUR)	PART NO. (MZ)	PART NAME	DESCRIPTION
U-PRO	J104		nsp	nsp	CORD	SN95/PB5, 0.6 C3A206
U-PRO	J105		nsp	nsp	CORD	SN95/PB5, 0.6 C3A206
U-PRO	J106		nsp	nsp	CORD	SN95/PB5, 0.6 C3A206
U-PRO	J107		nsp	nsp	CORD	SN95/PB5, 0.6 C3A206
U-PRO	J108		nsp	nsp	CORD	SN95/PB5, 0.6 C3A206
U-PRO	J109		nsp	nsp	CORD	SN95/PB5, 0.6 C3A206
U-PRO	J110		nsp	nsp	CORD	SN95/PB5, 0.6 C3A206
U-PRO	J111		nsp	nsp	CORD	SN95/PB5, 0.6 C3A206
U-PRO	J112		nsp	nsp	CORD	SN95/PB5, 0.6 C3A206
U-PRO	J113		nsp	nsp	CORD	SN95/PB5, 0.6 C3A206
U-PRO	J114		nsp	nsp	CORD	SN95/PB5, 0.6 C3A206
U-PRO	J115		nsp	nsp	CORD	SN95/PB5, 0.6 C3A206
U-PRO	J201		nsp	nsp	CORD	SN95/PB5, 0.6 C3A206
U-PRO	J202		nsp	nsp	CORD	SN95/PB5, 0.6 C3A206
U-PRO	J203		nsp	nsp	CORD	SN95/PB5, 0.6 C3A206
U-PRO	J204		nsp	nsp	CORD	SN95/PB5, 0.6 C3A206
U-PRO	J205		nsp	nsp	CORD	SN95/PB5, 0.6 C3A206
U-PRO	J206		nsp	nsp	CORD	SN95/PB5, 0.6 C3A206
U-PRO	J207		nsp	nsp	CORD	SN95/PB5, 0.6 C3A206
U-PRO	J209		nsp	nsp	CORD	SN95/PB5, 0.6 C3A206
U-PRO	J210		nsp	nsp	CORD	SN95/PB5, 0.6 C3A206
U-PRO	J211		nsp	nsp	CORD	SN95/PB5, 0.6 C3A206
U-PRO	J212		nsp	nsp	CORD	SN95/PB5, 0.6 C3A206
U-PRO	J213		nsp	nsp	CORD	SN95/PB5, 0.6 C3A206
U-PRO	J214		nsp	nsp	CORD	SN95/PB5, 0.6 C3A206
U-PRO	J215		nsp	nsp	CORD	SN95/PB5, 0.6 C3A206
U-PRO	J216		nsp	nsp	CORD	SN95/PB5, 0.6 C3A206
U-PRO	J217		nsp	nsp	CORD	SN95/PB5, 0.6 C3A206
U-PRO	J218		nsp	nsp	CORD	SN95/PB5, 0.6 C3A206
U-PRO	J219		nsp	nsp	CORD	SN95/PB5, 0.6 C3A206
U-PRO	J220		nsp	nsp	CORD	SN95/PB5, 0.6 C3A206
U-PRO	J221		nsp	nsp	CORD	SN95/PB5, 0.6 C3A206
U-PRO	J222		nsp	nsp	CORD	SN95/PB5, 0.6 C3A206
U-PRO	J223		nsp	nsp	CORD	SN95/PB5, 0.6 C3A206
U-PRO	J224		nsp	nsp	CORD	SN95/PB5, 0.6 C3A206
U-PRO	J225		nsp	nsp	CORD	SN95/PB5, 0.6 C3A206
U-PRO	J301		nsp	nsp	CORD	SN95/PB5, 0.6 C3A206
U-PRO	J302		nsp	nsp	CORD	SN95/PB5, 0.6 C3A206
U-PRO	J304		nsp	nsp	CORD	SN95/PB5, 0.6 C3A206
U-PRO	J305		nsp	nsp	CORD	SN95/PB5, 0.6 C3A206
U-PRO	J307		nsp	nsp	CORD	SN95/PB5, 0.6 C3A206
U-PRO	J308		nsp	nsp	CORD	SN95/PB5, 0.6 C3A206
U-PRO	J309		nsp	nsp	CORD	SN95/PB5, 0.6 C3A206
U-PRO	J312		nsp	nsp	CORD	SN95/PB5, 0.6 C3A206
U-PRO	J313		nsp	nsp	CORD	SN95/PB5, 0.6 C3A206
U-PRO	J314		nsp	nsp	CORD	SN95/PB5, 0.6 C3A206
U-PRO	J315		nsp	nsp	CORD	SN95/PB5, 0.6 C3A206
U-PRO	J316		nsp	nsp	CORD	SN95/PB5, 0.6 C3A206
U-PRO	J317		nsp	nsp	CORD	SN95/PB5, 0.6 C3A206
U-PRO	J318		nsp	nsp	CORD	SN95/PB5, 0.6 C3A206
U-PRO	J319		nsp	nsp	CORD	SN95/PB5, 0.6 C3A206
U-PRO	J320		nsp	nsp	CORD	SN95/PB5, 0.6 C3A206
U-PRO	J321		nsp	nsp	CORD	SN95/PB5, 0.6 C3A206
U-PRO	J322		nsp	nsp	CORD	SN95/PB5, 0.6 C3A206
U-PRO	J323		nsp	nsp	CORD	SN95/PB5, 0.6 C3A206
U-PRO	J324		nsp	nsp	CORD	SN95/PB5, 0.6 C3A206
U-PRO	J325		nsp	nsp	CORD	SN95/PB5, 0.6 C3A206
U-PRO	J326		nsp	nsp	CORD	SN95/PB5, 0.6 C3A206
U-PRO	J401		nsp	nsp	CORD	SN95/PB5, 0.6 C3A206
U-PRO	J402		nsp	nsp	CORD	SN95/PB5, 0.6 C3A206
U-PRO	J403		nsp	nsp	CORD	SN95/PB5, 0.6 C3A206
U-PRO	J404		nsp	nsp	CORD	SN95/PB5, 0.6 C3A206
U-PRO	J405		nsp	nsp	CORD	SN95/PB5, 0.6 C3A206
U-PRO	J406		nsp	nsp	CORD	SN95/PB5, 0.6 C3A206
U-PRO	J407		nsp	nsp	CORD	SN95/PB5, 0.6 C3A206
U-PRO	J408		nsp	nsp	CORD	SN95/PB5, 0.6 C3A206
U-PRO	J409		nsp	nsp	CORD	SN95/PB5, 0.6 C3A206

NOTE : \*nsp\* PART IS LISTED FOR REFERENCE ONLY, MARANTZ WILL NOT SUPPLY THESE PARTS.

P.C.B. NAME	POS. NO.	VERS. COLOR	PART NO. (FOR EUR)	PART NO. (MZ)	PART NAME	DESCRIPTION	
U-PRO	J410		nsp	nsp	CORD	SN95/PB5, 0.6	C3A206
U-PRO	J411		nsp	nsp	CORD	SN95/PB5, 0.6	C3A206
U-PRO	J412		nsp	nsp	CORD	SN95/PB5, 0.6	C3A206
U-PRO	J413		nsp	nsp	CORD	SN95/PB5, 0.6	C3A206
U-PRO	J502		nsp	nsp	CORD	SN95/PB5, 0.6	C3A206
U-PRO	J504		nsp	nsp	CORD	SN95/PB5, 0.6	C3A206
U-PRO	J505		nsp	nsp	CORD	SN95/PB5, 0.6	C3A206
U-PRO	J507		nsp	nsp	CORD	SN95/PB5, 0.6	C3A206
U-PRO	J508		nsp	nsp	CORD	SN95/PB5, 0.6	C3A206
U-PRO	J509		nsp	nsp	CORD	SN95/PB5, 0.6	C3A206
U-PRO	J510		nsp	nsp	CORD	SN95/PB5, 0.6	C3A206
U-PRO	J511		nsp	nsp	CORD	SN95/PB5, 0.6	C3A206
U-PRO	J512		nsp	nsp	CORD	SN95/PB5, 0.6	C3A206
U-PRO	J513		nsp	nsp	CORD	SN95/PB5, 0.6	C3A206
U-PRO	J514		nsp	nsp	CORD	SN95/PB5, 0.6	C3A206
U-PRO	J601		nsp	nsp	CORD	SN95/PB5, 0.6	C3A206
U-PRO	J602		nsp	nsp	CORD	SN95/PB5, 0.6	C3A206
U-PRO	J701		nsp	nsp	CORD	SN95/PB5, 0.6	C3A206
U-PRO	J702		nsp	nsp	CORD	SN95/PB5, 0.6	C3A206
U-PRO	JW61		nsp	nsp	CORD	WIRE ASSY	CWZAMC660JW52
U-PRO	Q603		00MHT327851H0	00MHT327851H0	TRS.	KSC2785Y	KVTKSC2785YT
U-PRO	Q604		00MHT327851H0	00MHT327851H0	TRS.	KSC2785Y	KVTKSC2785YT
U-PRO	Q605		00MHT327851H0	00MHT327851H0	TRS.	KSC2785Y	KVTKSC2785YT
U-PRO	Q613		90M-HT100390R	90M-HT100390R	TRS.	KSA1175Y	KVTKSA1175YT
U-PRO	Q617		00MHT327851H0	00MHT327851H0	TRS.	KSC2785Y	KVTKSC2785YT
U-PRO	Q631		90M-BA001450R	90M-BA001450R	TRS.	KRA107M	HVTKRA107MT
U-PRO	Q634		90M-BA001450R	90M-BA001450R	TRS.	KRA107M	HVTKRA107MT
U-PRO	Q635		90M-BA001450R	90M-BA001450R	TRS.	KRA107M	HVTKRA107MT
U-PRO	Q636		90M-BA001450R	90M-BA001450R	TRS.	KRA107M	HVTKRA107MT
U-PRO	Q683		90M-HT900080R	90M-HT900080R	TRS.	KSD1021Y	HVTKSD1021YT
U-PRO	Q684		90M-HT900080R	90M-HT900080R	TRS.	KSD1021Y	HVTKSD1021YT
U-PRO	Q687		90M-HT700060R	90M-HT700060R	TRS.	KSB811Y	HVTKSB811YT
U-PRO	Q688		90M-HT700060R	90M-HT700060R	TRS.	KSB811Y	HVTKSB811YT
U-PRO	Q689		90M-BA001460R	90M-BA001460R	TRS.	KRC107M	HVTKRC107MT
U-PRO	Q691		90M-BA001460R	90M-BA001460R	TRS.	KRC107M	HVTKRC107MT
U-PRO	R501		nsp	nsp	RES.	100K OHM 1/5W J	CRD20TJ104T
U-PRO	R502		nsp	nsp	RES.	100K OHM 1/5W J	CRD20TJ104T
U-PRO	R503		nsp	nsp	RES.	2.7K OHM 1/5W J	CRD20TJ272T
U-PRO	R504		nsp	nsp	RES.	2.7K OHM 1/5W J	CRD20TJ272T
U-PRO	R505		nsp	nsp	RES.	100 OHM 1/5W J	CRD20TJ101T
U-PRO	R506		nsp	nsp	RES.	100 OHM 1/5W J	CRD20TJ101T
U-PRO	R507		nsp	nsp	RES.	2.7K OHM 1/5W J	CRD20TJ272T
U-PRO	R508		nsp	nsp	RES.	2.7K OHM 1/5W J	CRD20TJ272T
U-PRO	R509		nsp	nsp	RES.	100K OHM 1/5W J	CRD20TJ104T
U-PRO	R510		nsp	nsp	RES.	100K OHM 1/5W J	CRD20TJ104T
U-PRO	R511		nsp	nsp	RES.	1K OHM 1/5W J	CRD20TJ102T
U-PRO	R512		nsp	nsp	RES.	1K OHM 1/5W J	CRD20TJ102T
U-PRO	R513		nsp	nsp	RES.	33K OHM 1/5W J	CRD20TJ333T
U-PRO	R514		nsp	nsp	RES.	33K OHM 1/5W J	CRD20TJ333T
U-PRO	R515		nsp	nsp	RES.	1.2K OHM 1/5W J	CRD20TJ122T
U-PRO	R516		nsp	nsp	RES.	1.2K OHM 1/5W J	CRD20TJ122T
U-PRO	R517		nsp	nsp	RES.	33K OHM 1/5W J	CRD20TJ333T
U-PRO	R518		nsp	nsp	RES.	33K OHM 1/5W J	CRD20TJ333T
U-PRO	R519		nsp	nsp	RES.	220 OHM 1/5W J	CRD20TJ221T
U-PRO	R520		nsp	nsp	RES.	220 OHM 1/5W J	CRD20TJ221T
U-PRO	R530		nsp	nsp	RES.	100 OHM 1/5W J	CRD20TJ101T
U-PRO	R531		nsp	nsp	RES.	100 OHM 1/5W J	CRD20TJ101T
U-PRO	R541		nsp	nsp	RES.	2.7K OHM 1/5W J	CRD20TJ272T
U-PRO	R542		nsp	nsp	RES.	2.7K OHM 1/5W J	CRD20TJ272T
U-PRO	R543		nsp	nsp	RES.	470 OHM 1/5W J	CRD20TJ471T
U-PRO	R544		nsp	nsp	RES.	470 OHM 1/5W J	CRD20TJ471T
U-PRO	R545		nsp	nsp	RES.	100K OHM 1/5W J	CRD20TJ104T
U-PRO	R546		nsp	nsp	RES.	100K OHM 1/5W J	CRD20TJ104T
U-PRO	R601		nsp	nsp	RES.	22K OHM 1/5W J	CRD20TJ223T
U-PRO	R602		nsp	nsp	RES.	10K OHM 1/5W J	CRD20TJ103T
U-PRO	R603		nsp	nsp	RES.	22K OHM 1/5W J	CRD20TJ223T
U-PRO	R604		nsp	nsp	RES.	4.7K OHM 1/5W J	CRD20TJ472T

NOTE : "nsp" PART IS LISTED FOR REFERENCE ONLY, MARANTZ WILL NOT SUPPLY THESE PARTS.



P.C.B. NAME	POS. NO.	VERS. COLOR	PART NO. (FOR EUR)	PART NO. (MZ)	PART NAME	DESCRIPTION	
U-PRO	R605		nsp	nsp	RES.	2.2K OHM 1/5W J	CRD20TJ222T
U-PRO	R606		nsp	nsp	RES.	100 OHM 1/5W J	CRD20TJ101T
U-PRO	R607		nsp	nsp	RES.	47K OHM 1/5W J	CRD20TJ473T
U-PRO	R608		nsp	nsp	RES.	22K OHM 1/5W J	CRD20TJ223T
U-PRO	R611		nsp	nsp	RES.	100 OHM 1/5W J	CRD20TJ101T
U-PRO	R612		nsp	nsp	RES.	100 OHM 1/5W J	CRD20TJ101T
U-PRO	R613		nsp	nsp	RES.	10K OHM 1/5W J	CRD20TJ103T
U-PRO	R614		nsp	nsp	RES.	10K OHM 1/5W J	CRD20TJ103T
U-PRO	R615		nsp	nsp	RES.	47K OHM 1/5W J	CRD20TJ473T
U-PRO	R617		nsp	nsp	RES.	22K OHM 1/5W J	CRD20TJ223T
U-PRO	R618		nsp	nsp	RES.	10 OHM 1/5W J	CRD20TJ100T
U-PRO	R619		nsp	nsp	RES.	10K OHM 1/5W J	CRD20TJ103T
U-PRO	R620		nsp	nsp	RES.	10 OHM 1/5W J	CRD20TJ100T
U-PRO	R621		nsp	nsp	RES.	470K OHM 1/5W J	CRD20TJ474T
U-PRO	R622		nsp	nsp	RES.	100 OHM 1/5W J	CRD20TJ101T
U-PRO	R623		nsp	nsp	RES.	22K OHM 1/5W J	CRD20TJ223T
U-PRO	R624		nsp	nsp	RES.	22K OHM 1/5W J	CRD20TJ223T
U-PRO	R625		nsp	nsp	RES.	22K OHM 1/5W J	CRD20TJ223T
U-PRO	R626		nsp	nsp	RES.	22K OHM 1/5W J	CRD20TJ223T
U-PRO	R635		nsp	nsp	RES.	4.7K OHM 1/5W J	CRD20TJ472T
U-PRO	R636		nsp	nsp	RES.	4.7K OHM 1/5W J	CRD20TJ472T
U-PRO	R637		nsp	nsp	RES.	4.7K OHM 1/5W J	CRD20TJ472T
U-PRO	R651		nsp	nsp	RES.	470K OHM 1/5W J	CRD20TJ474T
U-PRO	R652		nsp	nsp	RES.	470K OHM 1/5W J	CRD20TJ474T
U-PRO	R653		nsp	nsp	RES.	470K OHM 1/5W J	CRD20TJ474T
U-PRO	R654		nsp	nsp	RES.	470K OHM 1/5W J	CRD20TJ474T
U-PRO	R655		nsp	nsp	RES.	470K OHM 1/5W J	CRD20TJ474T
U-PRO	R656		nsp	nsp	RES.	470K OHM 1/5W J	CRD20TJ474T
U-PRO	R657		nsp	nsp	RES.	470K OHM 1/5W J	CRD20TJ474T
U-PRO	R658		nsp	nsp	RES.	390 OHM 1/5W J	CRD20TJ391T
U-PRO	R659		nsp	nsp	RES.	390 OHM 1/5W J	CRD20TJ391T
U-PRO	R660		nsp	nsp	RES.	10K OHM 1/5W J	CRD20TJ103T
U-PRO	R675		nsp	nsp	RES.	560 OHM 1/5W J	CRD20TJ561T
U-PRO	R681		nsp	nsp	RES.	10 OHM 1/5W J	CRD20TJ100T
U-PRO	R683		nsp	nsp	RES.	4.7K OHM 1/5W J	CRD20TJ472T
U-PRO	R684		nsp	nsp	RES.	4.7K OHM 1/5W J	CRD20TJ472T
U-PRO	R685		nsp	nsp	RES.	47K OHM 1/5W J	CRD20TJ473T
U-PRO	R686		nsp	nsp	RES.	47K OHM 1/5W J	CRD20TJ473T
U-PRO	R687		nsp	nsp	RES.	4.7K OHM 1/5W J	CRD20TJ472T
U-PRO	R688		nsp	nsp	RES.	4.7K OHM 1/5W J	CRD20TJ472T
U-PRO	R689		nsp	nsp	RES.	7.5K OHM 1/5W J	CRD20TJ752T
U-PRO	R690		nsp	nsp	RES.	5.6K OHM 1/5W J	CRD20TJ562T
U-PRO	R693		nsp	nsp	RES.	3.3K OHM 1/5W J	CRD20TJ332T
U-PRO	R694		nsp	nsp	RES.	2.7K OHM 1/5W J	CRD20TJ272T
U-PRO	R695		nsp	nsp	RES.	1.8K OHM 1/5W J	CRD20TJ182T
U-PRO	R696		nsp	nsp	RES.	1.5K OHM 1/5W J	CRD20TJ152T
U-PRO	R697		nsp	nsp	RES.	1K OHM 1/5W J	CRD20TJ102T
U-PRO	R703		nsp	nsp	RES.	5.6K OHM 1/5W J	CRD20TJ562T
U-PRO	RC61		00MHW10004210	00MHW10004210	PHOTO UNIT	RPM6936-V4	BRVRPM6936V4
U-PRO	SW31		90M-SR000290R	90M-SR000290R	ROTARY SW		CSR2A034Z
U-PRO	VR51		90M-RB000060R	90M-RB000060R	VAR. RES.	RES, VARIABLE(BALANCE)	CVV2X11M203Z
U-PRO	VR54		90M-RB000050R	90M-RB000050R	VAR. RES.	RES, VARIABLE(TONE)	CVV2X10B103Z
U-PRO	VR55		90M-RB000050R	90M-RB000050R	VAR. RES.	RES, VARIABLE(TONE)	CVV2X10B103Z
U-PRO	VR65		90M-SR000250R	90M-SR000250R	ROTARY SW	SRBV18	HSR8A004Z
U-PRO	X621		90M-JX001030R	90M-JX001030R	X'TAL	8MHZ	HOX08000E160C

P.C.B. NAME	POS. NO.	VERS. COLOR	PART NO. (FOR EUR)	PART NO. (MZ)	PART NAME	DESCRIPTION
<b>CONNECT 1 PWB (CUP11832-6)</b>						
CONN.	CN53		90M-YP100340R	90M-YP100340R	CONN.	6P STRAIGHT CJP06GA98ZY
CONN.	CN54		90M-YP100340R	90M-YP100340R	CONN.	6P STRAIGHT CJP06GA98ZY
<b>HEADPHONE &amp; TONE DEFEAT PWB (CUP11832-4)</b>						
H/P	BK61		nsp	nsp	BRACKET	BRACKET PWB CMD1A387
H/P	BN33		nsp	nsp	CORD	CWZPM4001BN33
H/P	BN55		nsp	nsp	CORD	CWB1C902450BM
H/P	C532		nsp	00MOA10605020	ELECT CAP.	10UF 50V CCEA1HH100T
H/P	C533		nsp	00MOA10605020	ELECT CAP.	10UF 50V CCEA1HH100T
H/P	C535	/N1B	nsp	00MOA106035Z0	ELECT CAP.	10UF 35V ROS HCEA1VR100T
H/P	C535	/N1S	nsp	00MOA106035Z0	ELECT CAP.	10UF 35V ROS HCEA1VR100T
H/P	C536	/N1B	nsp	00MOA106035Z0	ELECT CAP.	10UF 35V ROS HCEA1VR100T
H/P	C536	/N1S	nsp	00MOA106035Z0	ELECT CAP.	10UF 35V ROS HCEA1VR100T
H/P	C691		nsp	nsp	FILM CAP.	0.01UF 50V J HCQ11H103JZT
H/P	C692		nsp	nsp	FILM CAP.	0.01UF 50V J HCQ11H103JZT
H/P	CN34		nsp	nsp	CONN.	8P STRAIGHT CJP08GA19ZY
H/P	J208		nsp	nsp	CORD	SN95/PB5, 0.6 C3A206
H/P	JK61	/N1B	90M-YT003160R	90M-YT003160R	TERMINAL	HTJ-064-05NG HEADPHONE JACK CJJ2E020Z
H/P	JK61	/N1S	90M-YT004500R	90M-YT004500R	TERMINAL	JACK HEADPHONE(SILVER) CJJ2E026Z
H/P	JW62		nsp	nsp	CORD	WIRE ASSY CWZAMC660JW52
H/P	R532		nsp	nsp	RES.	56K OHM 1/5W J CRD20TJ563T
H/P	R533		nsp	nsp	RES.	56K OHM 1/5W J CRD20TJ563T
H/P	R535		nsp	nsp	RES.	56K OHM 1/5W J CRD20TJ563T
H/P	R536		nsp	nsp	RES.	56K OHM 1/5W J CRD20TJ563T
H/P	R698		nsp	nsp	RES.	47 OHM 1/4W J CRD25TJ470T
H/P	R699		nsp	nsp	RES.	47 OHM 1/4W J CRD25TJ470T
H/P	SW51		90M-SP001330R	90M-SP001330R	SW	CSH2B019Z
<b>INPUT &amp; AMPLIFIER PWB (CUP11833-1)</b>						
INPUT	BK01		nsp	nsp	SHIELD	SHIELD, PLATE CMD1A576
INPUT	BN91		nsp	nsp	CORD	CWZPM4001BN91
INPUT	BN92		nsp	nsp	CORD	CWZPM4001BN92
INPUT	C101		nsp	nsp	CER. CAP.	100PF 50V KB CCKT1H101KB
INPUT	C102		nsp	nsp	CER. CAP.	100PF 50V KB CCKT1H101KB
INPUT	C103		nsp	nsp	CER. CAP.	100PF 50V KB CCKT1H101KB
INPUT	C104		nsp	nsp	CER. CAP.	100PF 50V KB CCKT1H101KB
INPUT	C105		nsp	00MOA10605020	ELECT CAP.	10UF 50V CCEA1HH100T
INPUT	C106		nsp	00MOA10605020	ELECT CAP.	10UF 50V CCEA1HH100T
INPUT	C109		nsp	00MOA10701620	ELECT CAP.	100UF 16V CCEA1CH101T
INPUT	C110		nsp	00MOA10701620	ELECT CAP.	100UF 16V CCEA1CH101T
INPUT	C111		nsp	nsp	FILM CAP.	0.047UF 50V J HCQ11H473JZT
INPUT	C112		nsp	nsp	FILM CAP.	0.047UF 50V J HCQ11H473JZT
INPUT	C113		nsp	nsp	FILM CAP.	0.012UF 50V J HCQ11H123JZT
INPUT	C114		nsp	nsp	FILM CAP.	0.012UF 50V J HCQ11H123JZT
INPUT	C115		nsp	nsp	FILM CAP.	1000PF 50V J HCQ11H102JZT
INPUT	C116		nsp	nsp	FILM CAP.	1000PF 50V J HCQ11H102JZT
INPUT	C117		nsp	00MOA10605020	ELECT CAP.	10UF 50V CCEA1HH100T
INPUT	C118		nsp	00MOA10605020	ELECT CAP.	10UF 50V CCEA1HH100T
INPUT	C119		nsp	nsp	FILM CAP.	3900PF 50V J HCQ11H392JZT
INPUT	C120		nsp	nsp	FILM CAP.	3900PF 50V J HCQ11H392JZT
INPUT	C121		nsp	00MOA10701620	ELECT CAP.	100UF 16V CCEA1CH101T
INPUT	C122		nsp	00MOA10701620	ELECT CAP.	100UF 16V CCEA1CH101T
INPUT	C123		nsp	nsp	CER. CAP.	0.1UF 50V Z HCBS1H104ZFT
INPUT	C124		nsp	nsp	CER. CAP.	0.1UF 50V Z HCBS1H104ZFT
INPUT	C201		nsp	nsp	CER. CAP.	0.022UF 50V Z HCBS1H223ZFT
INPUT	C202		nsp	nsp	CER. CAP.	0.022UF 50V Z HCBS1H223ZFT
INPUT	C203		nsp	nsp	CER. CAP.	0.022UF 50V Z HCBS1H223ZFT
INPUT	C204		nsp	nsp	CER. CAP.	0.022UF 50V Z HCBS1H223ZFT
INPUT	C205		nsp	nsp	CER. CAP.	0.022UF 50V Z HCBS1H223ZFT
INPUT	C206		nsp	nsp	CER. CAP.	0.022UF 50V Z HCBS1H223ZFT
INPUT	C207		nsp	nsp	CER. CAP.	0.022UF 50V Z HCBS1H223ZFT
INPUT	C208		nsp	nsp	CER. CAP.	0.022UF 50V Z HCBS1H223ZFT
INPUT	C209		nsp	nsp	CER. CAP.	0.022UF 50V Z HCBS1H223ZFT
INPUT	C210		nsp	nsp	CER. CAP.	0.022UF 50V Z HCBS1H223ZFT
INPUT	C211		nsp	nsp	CER. CAP.	0.022UF 50V Z HCBS1H223ZFT
INPUT	C212		nsp	nsp	CER. CAP.	0.022UF 50V Z HCBS1H223ZFT
INPUT	C213		nsp	nsp	CER. CAP.	0.022UF 50V Z HCBS1H223ZFT
INPUT	C214		nsp	nsp	CER. CAP.	0.022UF 50V Z HCBS1H223ZFT

NOTE : \*nsp\* PART IS LISTED FOR REFERENCE ONLY, MARANTZ WILL NOT SUPPLY THESE PARTS.

P.C.B. NAME	POS. NO.	VERS. COLOR	PART NO. (FOR EUR)	PART NO. (MZ)	PART NAME	DESCRIPTION
INPUT	C221	/N1B	nsp	nsp	CER. CAP.	150PF 50V K HCBS1H151KBT
INPUT	C221	/N1S	nsp	nsp	CER. CAP.	150PF 50V K HCBS1H151KBT
INPUT	C222	/N1B	nsp	nsp	CER. CAP.	150PF 50V K HCBS1H151KBT
INPUT	C222	/N1S	nsp	nsp	CER. CAP.	150PF 50V K HCBS1H151KBT
INPUT	C223	/N1B	nsp	nsp	CER. CAP.	150PF 50V K HCBS1H151KBT
INPUT	C223	/N1S	nsp	nsp	CER. CAP.	150PF 50V K HCBS1H151KBT
INPUT	C224	/N1B	nsp	nsp	CER. CAP.	150PF 50V K HCBS1H151KBT
INPUT	C224	/N1S	nsp	nsp	CER. CAP.	150PF 50V K HCBS1H151KBT
INPUT	C225	/N1B	nsp	nsp	CER. CAP.	150PF 50V K HCBS1H151KBT
INPUT	C225	/N1S	nsp	nsp	CER. CAP.	150PF 50V K HCBS1H151KBT
INPUT	C226	/N1B	nsp	nsp	CER. CAP.	150PF 50V K HCBS1H151KBT
INPUT	C226	/N1S	nsp	nsp	CER. CAP.	150PF 50V K HCBS1H151KBT
INPUT	C227	/N1B	nsp	nsp	CER. CAP.	150PF 50V K HCBS1H151KBT
INPUT	C227	/N1S	nsp	nsp	CER. CAP.	150PF 50V K HCBS1H151KBT
INPUT	C228	/N1B	nsp	nsp	CER. CAP.	150PF 50V K HCBS1H151KBT
INPUT	C228	/N1S	nsp	nsp	CER. CAP.	150PF 50V K HCBS1H151KBT
INPUT	C229	/N1B	nsp	nsp	CER. CAP.	150PF 50V K HCBS1H151KBT
INPUT	C229	/N1S	nsp	nsp	CER. CAP.	150PF 50V K HCBS1H151KBT
INPUT	C230	/N1B	nsp	nsp	CER. CAP.	150PF 50V K HCBS1H151KBT
INPUT	C230	/N1S	nsp	nsp	CER. CAP.	150PF 50V K HCBS1H151KBT
INPUT	C231	/N1B	nsp	nsp	CER. CAP.	150PF 50V K HCBS1H151KBT
INPUT	C231	/N1S	nsp	nsp	CER. CAP.	150PF 50V K HCBS1H151KBT
INPUT	C232	/N1B	nsp	nsp	CER. CAP.	150PF 50V K HCBS1H151KBT
INPUT	C232	/N1S	nsp	nsp	CER. CAP.	150PF 50V K HCBS1H151KBT
INPUT	C233	/N1B	nsp	nsp	CER. CAP.	150PF 50V K HCBS1H151KBT
INPUT	C233	/N1S	nsp	nsp	CER. CAP.	150PF 50V K HCBS1H151KBT
INPUT	C234	/N1B	nsp	nsp	CER. CAP.	150PF 50V K HCBS1H151KBT
INPUT	C234	/N1S	nsp	nsp	CER. CAP.	150PF 50V K HCBS1H151KBT
INPUT	C251		nsp	nsp	CER. CAP.	0.022UF 50V Z HCBS1H223ZFT
INPUT	C252		nsp	nsp	CER. CAP.	0.022UF 50V Z HCBS1H223ZFT
INPUT	C253		nsp	nsp	CER. CAP.	0.022UF 50V Z HCBS1H223ZFT
INPUT	C254		nsp	nsp	CER. CAP.	0.022UF 50V Z HCBS1H223ZFT
INPUT	C255		nsp	00MOA47505020	ELECT CAP.	4.7UF 50V CCEA1HH4R7T
INPUT	C256		nsp	00MOA47505020	ELECT CAP.	4.7UF 50V CCEA1HH4R7T
INPUT	C260	/N1B	nsp	00MOA106035Z0	ELECT CAP.	10UF 35V ROS HCEA1VR100T
INPUT	C260	/N1S	nsp	00MOA106035Z0	ELECT CAP.	10UF 35V ROS HCEA1VR100T
INPUT	C261	/N1B	nsp	00MOA106035Z0	ELECT CAP.	10UF 35V ROS HCEA1VR100T
INPUT	C261	/N1S	nsp	00MOA106035Z0	ELECT CAP.	10UF 35V ROS HCEA1VR100T
INPUT	C264	/N1B	nsp	00MOA106035Z0	ELECT CAP.	10UF 35V ROS HCEA1VR100T
INPUT	C264	/N1S	nsp	00MOA106035Z0	ELECT CAP.	10UF 35V ROS HCEA1VR100T
INPUT	C265	/N1B	nsp	00MOA106035Z0	ELECT CAP.	10UF 35V ROS HCEA1VR100T
INPUT	C265	/N1S	nsp	00MOA106035Z0	ELECT CAP.	10UF 35V ROS HCEA1VR100T
INPUT	C269		nsp	00MOA22701620	ELECT CAP.	220UF 16V CCEA1CH221T
INPUT	C270		nsp	00MOA22701620	ELECT CAP.	220UF 16V CCEA1CH221T
INPUT	C281		nsp	nsp	CER. CAP.	0.01UF 50V ZF CCKT1H103ZF
INPUT	C282		nsp	nsp	CER. CAP.	0.01UF 50V ZF CCKT1H103ZF
INPUT	C283		nsp	nsp	CER. CAP.	0.022UF 50V Z HCBS1H223ZFT
INPUT	C286	/N1B	nsp	00MOA106035Z0	ELECT CAP.	10UF 35V ROS HCEA1VR100T
INPUT	C286	/N1S	nsp	00MOA106035Z0	ELECT CAP.	10UF 35V ROS HCEA1VR100T
INPUT	C287	/N1B	nsp	00MOA106035Z0	ELECT CAP.	10UF 35V ROS HCEA1VR100T
INPUT	C287	/N1S	nsp	00MOA106035Z0	ELECT CAP.	10UF 35V ROS HCEA1VR100T
INPUT	C288		nsp	nsp	FILM CAP.	1500PF 50V J HCQI1H152JZT
INPUT	C289		nsp	nsp	FILM CAP.	1500PF 50V J HCQI1H152JZT
INPUT	C301	/N1B	90M-OF100530R	90M-OF100530R	FILM CAP.	1000PF 100V J CCMP2A102JS05T
INPUT	C301	/N1S	90M-OF100530R	90M-OF100530R	FILM CAP.	1000PF 100V J CCMP2A102JS05T
INPUT	C302	/N1B	90M-OF100530R	90M-OF100530R	FILM CAP.	1000PF 100V J CCMP2A102JS05T
INPUT	C302	/N1S	90M-OF100530R	90M-OF100530R	FILM CAP.	1000PF 100V J CCMP2A102JS05T
INPUT	C304	/N1B	nsp	00MOA476016Z0	ELECT CAP.	47UF 16V ROS HCEA1CR470T
INPUT	C304	/N1S	nsp	00MOA476016Z0	ELECT CAP.	47UF 16V ROS HCEA1CR470T
INPUT	C305	/N1B	nsp	00MOA476016Z0	ELECT CAP.	47UF 16V ROS HCEA1CR470T
INPUT	C305	/N1S	nsp	00MOA476016Z0	ELECT CAP.	47UF 16V ROS HCEA1CR470T
INPUT	C306	/N1B	90M-OF100540R	90M-OF100540R	FILM CAP.	470PF 100V J CCMP2J471JS06T
INPUT	C306	/N1S	90M-OF100540R	90M-OF100540R	FILM CAP.	470PF 100V J CCMP2J471JS06T
INPUT	C307	/N1B	90M-OF100540R	90M-OF100540R	FILM CAP.	470PF 100V J CCMP2J471JS06T
INPUT	C307	/N1S	90M-OF100540R	90M-OF100540R	FILM CAP.	470PF 100V J CCMP2J471JS06T
INPUT	C311		nsp	nsp	CER. CAP.	10PF 50V DC CCCT1H100DC
INPUT	C312		nsp	nsp	CER. CAP.	10PF 50V DC CCCT1H100DC

NOTE : \*nsp\* PART IS LISTED FOR REFERENCE ONLY, MARANTZ WILL NOT SUPPLY THESE PARTS.

P.C.B. NAME	POS. NO.	VERS. COLOR	PART NO. (FOR EUR)	PART NO. (MZ)	PART NAME	DESCRIPTION	
INPUT	C341		nsp	00MOA22705020	ELECT CAP.	220UF 50V	CCEA1HH221E
INPUT	C342		nsp	00MOA22705020	ELECT CAP.	220UF 50V	CCEA1HH221E
INPUT	C343		nsp	00MOA22705020	ELECT CAP.	220UF 50V	CCEA1HH221E
INPUT	C344		nsp	00MOA22705020	ELECT CAP.	220UF 50V	CCEA1HH221E
INPUT	C345		nsp	00MOA47602520	ELECT CAP.	47UF 25V	CCEA1EH470T
INPUT	C346		nsp	00MOA47602520	ELECT CAP.	47UF 25V	CCEA1EH470T
INPUT	C367		nsp	nsp	FILM CAP.	0.047UF 50V J	HCQ11H473JZT
INPUT	C368		nsp	nsp	FILM CAP.	0.047UF 50V J	HCQ11H473JZT
INPUT	C373		nsp	nsp	FILM CAP.	0.01UF 50V J	HCQ11H103JZT
INPUT	C374		nsp	nsp	FILM CAP.	0.01UF 50V J	HCQ11H103JZT
INPUT	C379		nsp	00MOA47405020	ELECT CAP.	0.47UF 50V	CCEA1HHR47T
INPUT	C385		nsp	nsp	CER. CAP.	0.01UF 50V ZF	CCKT1H103ZF
INPUT	C391	/N1B	nsp	nsp	FILM CAP.	0.01UF 50V J	HCQ11H103JZT
INPUT	C391	/N1S	nsp	nsp	FILM CAP.	0.01UF 50V J	HCQ11H103JZT
INPUT	C392	/N1B	nsp	nsp	FILM CAP.	0.01UF 50V J	HCQ11H103JZT
INPUT	C392	/N1S	nsp	nsp	FILM CAP.	0.01UF 50V J	HCQ11H103JZT
INPUT	C393	/N1B	nsp	nsp	FILM CAP.	0.01UF 50V J	HCQ11H103JZT
INPUT	C393	/N1S	nsp	nsp	FILM CAP.	0.01UF 50V J	HCQ11H103JZT
INPUT	C394	/N1B	nsp	nsp	FILM CAP.	0.01UF 50V J	HCQ11H103JZT
INPUT	C394	/N1S	nsp	nsp	FILM CAP.	0.01UF 50V J	HCQ11H103JZT
INPUT	C395	/N1B	nsp	nsp	FILM CAP.	0.022UF 50V J	HCQ11H223JZT
INPUT	C395	/N1S	nsp	nsp	FILM CAP.	0.022UF 50V J	HCQ11H223JZT
INPUT	C396	/N1B	nsp	nsp	FILM CAP.	0.022UF 50V J	HCQ11H223JZT
INPUT	C396	/N1S	nsp	nsp	FILM CAP.	0.022UF 50V J	HCQ11H223JZT
INPUT	C901		nsp	nsp	FILM CAP.	0.1UF 50V ZF	CCFT1H104ZF
INPUT	C902		nsp	nsp	FILM CAP.	0.1UF 50V ZF	CCFT1H104ZF
INPUT	C903		nsp	nsp	FILM CAP.	0.1UF 50V ZF	CCFT1H104ZF
INPUT	▲ C905	/N1B	90M-OA000460R	90M-OA000460R	ELECT CAP.	! 6800UF 16V LAO	HCET50VLAO682N
INPUT	▲ C905	/N1S	90M-OA000460R	90M-OA000460R	ELECT CAP.	! 6800UF 16V LAO	HCET50VLAO682N
INPUT	▲ C906	/N1B	90M-OA000460R	90M-OA000460R	ELECT CAP.	! 6800UF 16V LAO	HCET50VLAO682N
INPUT	▲ C906	/N1S	90M-OA000460R	90M-OA000460R	ELECT CAP.	! 6800UF 16V LAO	HCET50VLAO682N
INPUT	C911		nsp	nsp	FILM CAP.	0.01UF 50V J	HCQ11H103JZT
INPUT	C912		nsp	nsp	FILM CAP.	0.01UF 50V J	HCQ11H103JZT
INPUT	C914		nsp	00MOA33505020	ELECT CAP.	3.3UF 50V	CCEA1HH3R3T
INPUT	▲ C917	/N1B	00MOA47802520	00MOA47802520	ELECT CAP.	! 4700UF 25V RA-2	HCEA1ERA472E
INPUT	▲ C917	/N1S	00MOA47802520	00MOA47802520	ELECT CAP.	! 4700UF 25V RA-2	HCEA1ERA472E
INPUT	▲ C918	/N1B	00MOA47802520	00MOA47802520	ELECT CAP.	! 4700UF 25V RA-2	HCEA1ERA472E
INPUT	▲ C918	/N1S	00MOA47802520	00MOA47802520	ELECT CAP.	! 4700UF 25V RA-2	HCEA1ERA472E
INPUT	C919		nsp	00MOA47602520	ELECT CAP.	47UF 25V	CCEA1EH470T
INPUT	C920		nsp	00MOA47602520	ELECT CAP.	47UF 25V	CCEA1EH470T
INPUT	C921		nsp	00MOA10702520	ELECT CAP.	100UF 25V	CCEA1EH101T
INPUT	C922		nsp	00MOA10702520	ELECT CAP.	100UF 25V	CCEA1EH101T
INPUT	C923		nsp	00MOA47602520	ELECT CAP.	47UF 25V	CCEA1EH470T
INPUT	C926		nsp	00MOA22605020	ELECT CAP.	22UF 25V	CCEA1EH220T
INPUT	C927		nsp	00MOA47602520	ELECT CAP.	47UF 25V	CCEA1EH470T
INPUT	C928		nsp	nsp	CER. CAP.	0.047UF 50V ZF	CCKT1H473ZF
INPUT	C929		nsp	nsp	CER. CAP.	0.022UF 50V Z	HCBS1H223ZFT
INPUT	CN12		nsp	nsp	CONN.	STRAIGHT 4PIN	CJP04GA01ZY
INPUT	CN33		nsp	nsp	CONN.	00906-0027 4P STRAIGHT	CJP04GA19ZY
INPUT	CN35		nsp	nsp	CONN.	00906-0027 4P STRAIGHT	CJP04GA19ZY
INPUT	CN37		nsp	nsp	CONN.	STRAIGHT, 2PIN	CJP02GA01ZY
INPUT	CN38		nsp	nsp	CONN.	STRAIGHT, 2PIN	CJP02GA01ZY
INPUT	CN55		nsp	nsp	CONN.	STRAIGHT, 2PIN	CJP02GA01ZY
INPUT	CN95		nsp	nsp	CONN.	10P STRAIGHT	CJP10GA19ZY
INPUT	D251		nsp	00MHD20015210	DIODE	1SS133T-77	HVD1SS133MT
INPUT	D252		nsp	00MHD20015210	DIODE	1SS133T-77	HVD1SS133MT
INPUT	D301		nsp	00MHD20015210	DIODE	1SS133T-77	HVD1SS133MT
INPUT	D302		nsp	00MHD20015210	DIODE	1SS133T-77	HVD1SS133MT
INPUT	D303		nsp	00MHD20015210	DIODE	1SS133T-77	HVD1SS133MT
INPUT	D304		nsp	00MHD20015210	DIODE	1SS133T-77	HVD1SS133MT
INPUT	D305		nsp	00MHD20015210	DIODE	1SS133T-77	HVD1SS133MT
INPUT	D306		nsp	00MHD20015210	DIODE	1SS133T-77	HVD1SS133MT
INPUT	D307		nsp	00MHD20015210	DIODE	1SS133T-77	HVD1SS133MT
INPUT	D308		nsp	00MHD20015210	DIODE	1SS133T-77	HVD1SS133MT
INPUT	D373		nsp	00MHD20015210	DIODE	1SS133T-77	HVD1SS133MT
INPUT	D374		nsp	00MHD20015210	DIODE	1SS133T-77	HVD1SS133MT
INPUT	D383		nsp	00MHD20015210	DIODE	1SS133T-77	HVD1SS133MT

NOTE : "nsp" PART IS LISTED FOR REFERENCE ONLY, MARANTZ WILL NOT SUPPLY THESE PARTS.

PM4001 OSE

P.C.B. NAME	POS. NO.	VERS. COLOR	PART NO. (FOR EUR)	PART NO. (MZ)	PART NAME	DESCRIPTION	
INPUT	D388		nsp	00MHD20015210	DIODE	1SS133T-77	HVD1SS133MT
INPUT	D391		nsp	00MHD20015210	DIODE	1SS133T-77	HVD1SS133MT
INPUT	D392		nsp	00MHD20015210	DIODE	1SS133T-77	HVD1SS133MT
INPUT	▲ D901		90M-HE200330R	90M-HE200330R	DIODE	! BU804F	HVDKBU804F
INPUT	D911		nsp	90M-HD201730R	DIODE	1N4003	KVD1N4003ST
INPUT	D912		nsp	90M-HD201730R	DIODE	1N4003	KVD1N4003ST
INPUT	D913		nsp	90M-HD201730R	DIODE	1N4003	KVD1N4003ST
INPUT	D914		nsp	90M-HD201730R	DIODE	1N4003	KVD1N4003ST
INPUT	D915		nsp	00MHD20015210	DIODE	1SS133T-77	HVD1SS133MT
INPUT	D921		90M-HD302170R	90M-HD302170R	ZENER DIODE	15V 1/2W	HVDMTZJ15BT
INPUT	D922		nsp	00MHD20015210	DIODE	1SS133T-77	HVD1SS133MT
INPUT	D923		nsp	00MHD20015210	DIODE	1SS133T-77	HVD1SS133MT
INPUT	D924		nsp	00MHD20015210	DIODE	1SS133T-77	HVD1SS133MT
INPUT	D925		00MHD30621000	00MHD30621000	ZENER DIODE	6.2V 1/2W	HVDMTZJ6.2BT
INPUT	GND1		nsp	nsp	TERMINAL	MET37-0002	HJT1A025
INPUT	IC11		00MHC10102090	00MHC10102090	IC	NJM2068MD-TE1	HVINJM2068MDTE1
INPUT	IC21		00MHC10309030	00MHC10309030	IC	LC78212	HVILC78212
INPUT	IC22		00MHC10309030	00MHC10309030	IC	LC78212	HVILC78212
INPUT	IC23	/N1B	90M-HC109460R	90M-HC109460R	IC	NJM2114M	HVINJM2114M
INPUT	IC23	/N1S	90M-HC109460R	90M-HC109460R	IC	NJM2114M	HVINJM2114M
INPUT	▲ IC93		90M-HC300480R	90M-HC300480R	IC	! KA7815-ABTU	HVIMC7815C
INPUT	▲ IC95		90M-HC300500R	90M-HC300500R	IC	! KA7805-ABTU	HVIMC7805C
INPUT	J101		nsp	nsp	CORD	SN95/PB5, 0.6	C3A206
INPUT	J102		nsp	nsp	CORD	SN95/PB5, 0.6	C3A206
INPUT	J103		nsp	nsp	CORD	SN95/PB5, 0.6	C3A206
INPUT	J104		nsp	nsp	CORD	SN95/PB5, 0.6	C3A206
INPUT	J105		nsp	nsp	CORD	SN95/PB5, 0.6	C3A206
INPUT	J106		nsp	nsp	CORD	SN95/PB5, 0.6	C3A206
INPUT	J107		nsp	nsp	CORD	SN95/PB5, 0.6	C3A206
INPUT	J108		nsp	nsp	CORD	SN95/PB5, 0.6	C3A206
INPUT	J110		nsp	nsp	CORD	SN95/PB5, 0.6	C3A206
INPUT	J111		nsp	nsp	CORD	SN95/PB5, 0.6	C3A206
INPUT	J112		nsp	nsp	CORD	SN95/PB5, 0.6	C3A206
INPUT	J113		nsp	nsp	CORD	SN95/PB5, 0.6	C3A206
INPUT	J114		nsp	nsp	CORD	SN95/PB5, 0.6	C3A206
INPUT	J115		nsp	nsp	CORD	SN95/PB5, 0.6	C3A206
INPUT	J116		nsp	nsp	CORD	SN95/PB5, 0.6	C3A206
INPUT	J117		nsp	nsp	CORD	SN95/PB5, 0.6	C3A206
INPUT	J118		nsp	nsp	CORD	SN95/PB5, 0.6	C3A206
INPUT	J119		nsp	nsp	CORD	SN95/PB5, 0.6	C3A206
INPUT	J120		nsp	nsp	CORD	SN95/PB5, 0.6	C3A206
INPUT	J121		nsp	nsp	CORD	SN95/PB5, 0.6	C3A206
INPUT	J122		nsp	nsp	CORD	SN95/PB5, 0.6	C3A206
INPUT	J202		nsp	nsp	CORD	SN95/PB5, 0.6	C3A206
INPUT	J203		nsp	nsp	CORD	SN95/PB5, 0.6	C3A206
INPUT	J204		nsp	nsp	CORD	SN95/PB5, 0.6	C3A206
INPUT	J205		nsp	nsp	CORD	SN95/PB5, 0.6	C3A206
INPUT	J208		nsp	nsp	CORD	SN95/PB5, 0.6	C3A206
INPUT	J209		nsp	nsp	CORD	SN95/PB5, 0.6	C3A206
INPUT	J212		nsp	nsp	CORD	SN95/PB5, 0.6	C3A206
INPUT	J213		nsp	nsp	CORD	SN95/PB5, 0.6	C3A206
INPUT	J216		nsp	nsp	CORD	SN95/PB5, 0.6	C3A206
INPUT	J217		nsp	nsp	CORD	SN95/PB5, 0.6	C3A206
INPUT	J219		nsp	nsp	CORD	SN95/PB5, 0.6	C3A206
INPUT	J220		nsp	nsp	CORD	SN95/PB5, 0.6	C3A206
INPUT	J301		nsp	nsp	CORD	SN95/PB5, 0.6	C3A206
INPUT	J302		nsp	nsp	CORD	SN95/PB5, 0.6	C3A206
INPUT	J303		nsp	nsp	CORD	SN95/PB5, 0.6	C3A206
INPUT	J304		nsp	nsp	CORD	SN95/PB5, 0.6	C3A206
INPUT	J306		nsp	nsp	CORD	SN95/PB5, 0.6	C3A206
INPUT	J307		nsp	nsp	CORD	SN95/PB5, 0.6	C3A206
INPUT	J308		nsp	nsp	CORD	SN95/PB5, 0.6	C3A206
INPUT	J309		nsp	nsp	CORD	SN95/PB5, 0.6	C3A206
INPUT	J310		nsp	nsp	CORD	SN95/PB5, 0.6	C3A206
INPUT	J311		nsp	nsp	CORD	SN95/PB5, 0.6	C3A206
INPUT	J312		nsp	nsp	CORD	SN95/PB5, 0.6	C3A206
INPUT	J313		nsp	nsp	CORD	SN95/PB5, 0.6	C3A206

NOTE : \*nsp\* PART IS LISTED FOR REFERENCE ONLY, MARANTZ WILL NOT SUPPLY THESE PARTS.

PM4001 OSE

P.C.B. NAME	POS. NO.	VERS. COLOR	PART NO. (FOR EUR)	PART NO. (MZ)	PART NAME	DESCRIPTION	
INPUT	J314		nsp	nsp	CORD	SN95/PB5, 0.6	C3A206
INPUT	J315		nsp	nsp	CORD	SN95/PB5, 0.6	C3A206
INPUT	J316		nsp	nsp	CORD	SN95/PB5, 0.6	C3A206
INPUT	J318		nsp	nsp	CORD	SN95/PB5, 0.6	C3A206
INPUT	J319		nsp	nsp	CORD	SN95/PB5, 0.6	C3A206
INPUT	J321		nsp	nsp	CORD	SN95/PB5, 0.6	C3A206
INPUT	J322		nsp	nsp	CORD	SN95/PB5, 0.6	C3A206
INPUT	J323		nsp	nsp	CORD	SN95/PB5, 0.6	C3A206
INPUT	J324		nsp	nsp	CORD	SN95/PB5, 0.6	C3A206
INPUT	J325		nsp	nsp	CORD	SN95/PB5, 0.6	C3A206
INPUT	J327		nsp	nsp	CORD	SN95/PB5, 0.6	C3A206
INPUT	J330		nsp	nsp	CORD	SN95/PB5, 0.6	C3A206
INPUT	J331		nsp	nsp	CORD	SN95/PB5, 0.6	C3A206
INPUT	J332		nsp	nsp	CORD	SN95/PB5, 0.6	C3A206
INPUT	J402		nsp	nsp	CORD	SN95/PB5, 0.6	C3A206
INPUT	J403		nsp	nsp	CORD	SN95/PB5, 0.6	C3A206
INPUT	J404		nsp	nsp	CORD	SN95/PB5, 0.6	C3A206
INPUT	J405		nsp	nsp	CORD	SN95/PB5, 0.6	C3A206
INPUT	J406		nsp	nsp	CORD	SN95/PB5, 0.6	C3A206
INPUT	J407		nsp	nsp	CORD	SN95/PB5, 0.6	C3A206
INPUT	J408		nsp	nsp	CORD	SN95/PB5, 0.6	C3A206
INPUT	J410		nsp	nsp	CORD	SN95/PB5, 0.6	C3A206
INPUT	J411		nsp	nsp	CORD	SN95/PB5, 0.6	C3A206
INPUT	J412		nsp	nsp	CORD	SN95/PB5, 0.6	C3A206
INPUT	J414		nsp	nsp	CORD	SN95/PB5, 0.6	C3A206
INPUT	J415		nsp	nsp	CORD	SN95/PB5, 0.6	C3A206
INPUT	J416		nsp	nsp	CORD	SN95/PB5, 0.6	C3A206
INPUT	J417		nsp	nsp	CORD	SN95/PB5, 0.6	C3A206
INPUT	J418		nsp	nsp	CORD	SN95/PB5, 0.6	C3A206
INPUT	J419		nsp	nsp	CORD	SN95/PB5, 0.6	C3A206
INPUT	J501		nsp	nsp	CORD	SN95/PB5, 0.6	C3A206
INPUT	J502		nsp	nsp	CORD	SN95/PB5, 0.6	C3A206
INPUT	J503		nsp	nsp	CORD	SN95/PB5, 0.6	C3A206
INPUT	J504		nsp	nsp	CORD	SN95/PB5, 0.6	C3A206
INPUT	J505		nsp	nsp	CORD	SN95/PB5, 0.6	C3A206
INPUT	J506		nsp	nsp	CORD	SN95/PB5, 0.6	C3A206
INPUT	J507		nsp	nsp	CORD	SN95/PB5, 0.6	C3A206
INPUT	J508		nsp	nsp	CORD	SN95/PB5, 0.6	C3A206
INPUT	J509		nsp	nsp	CORD	SN95/PB5, 0.6	C3A206
INPUT	J510		nsp	nsp	CORD	SN95/PB5, 0.6	C3A206
INPUT	J511		nsp	nsp	CORD	SN95/PB5, 0.6	C3A206
INPUT	J512		nsp	nsp	CORD	SN95/PB5, 0.6	C3A206
INPUT	J513		nsp	nsp	CORD	SN95/PB5, 0.6	C3A206
INPUT	J514		nsp	nsp	CORD	SN95/PB5, 0.6	C3A206
INPUT	J515		nsp	nsp	CORD	SN95/PB5, 0.6	C3A206
INPUT	J516		nsp	nsp	CORD	SN95/PB5, 0.6	C3A206
INPUT	J517		nsp	nsp	CORD	SN95/PB5, 0.6	C3A206
INPUT	J518		nsp	nsp	CORD	SN95/PB5, 0.6	C3A206
INPUT	J519		nsp	nsp	CORD	SN95/PB5, 0.6	C3A206
INPUT	J520		nsp	nsp	CORD	SN95/PB5, 0.6	C3A206
INPUT	J521		nsp	nsp	CORD	SN95/PB5, 0.6	C3A206
INPUT	J522		nsp	nsp	CORD	SN95/PB5, 0.6	C3A206
INPUT	J523		nsp	nsp	CORD	SN95/PB5, 0.6	C3A206
INPUT	J524		nsp	nsp	CORD	SN95/PB5, 0.6	C3A206
INPUT	J525		nsp	nsp	CORD	SN95/PB5, 0.6	C3A206
INPUT	J526		nsp	nsp	CORD	SN95/PB5, 0.6	C3A206
INPUT	J527		nsp	nsp	CORD	SN95/PB5, 0.6	C3A206
INPUT	J601		nsp	nsp	CORD	SN95/PB5, 0.6	C3A206
INPUT	J602		nsp	nsp	CORD	SN95/PB5, 0.6	C3A206
INPUT	J603		nsp	nsp	CORD	SN95/PB5, 0.6	C3A206
INPUT	J604		nsp	nsp	CORD	SN95/PB5, 0.6	C3A206
INPUT	J605		nsp	nsp	CORD	SN95/PB5, 0.6	C3A206
INPUT	J606		nsp	nsp	CORD	SN95/PB5, 0.6	C3A206
INPUT	J607		nsp	nsp	CORD	SN95/PB5, 0.6	C3A206
INPUT	J608		nsp	nsp	CORD	SN95/PB5, 0.6	C3A206
INPUT	J609		nsp	nsp	CORD	SN95/PB5, 0.6	C3A206
INPUT	J610		nsp	nsp	CORD	SN95/PB5, 0.6	C3A206

NOTE : "nsp" PART IS LISTED FOR REFERENCE ONLY, MARANTZ WILL NOT SUPPLY THESE PARTS.

P.C.B. NAME	POS. NO.	VERS. COLOR	PART NO. (FOR EUR)	PART NO. (MZ)	PART NAME	DESCRIPTION	
INPUT	J611		nsp	nsp	CORD	SN95/PB5, 0.6	C3A206
INPUT	J612		nsp	nsp	CORD	SN95/PB5, 0.6	C3A206
INPUT	J613		nsp	nsp	CORD	SN95/PB5, 0.6	C3A206
INPUT	J614		nsp	nsp	CORD	SN95/PB5, 0.6	C3A206
INPUT	J615		nsp	nsp	CORD	SN95/PB5, 0.6	C3A206
INPUT	J616		nsp	nsp	CORD	SN95/PB5, 0.6	C3A206
INPUT	J617		nsp	nsp	CORD	SN95/PB5, 0.6	C3A206
INPUT	J618		nsp	nsp	CORD	SN95/PB5, 0.6	C3A206
INPUT	J619		nsp	nsp	CORD	SN95/PB5, 0.6	C3A206
INPUT	J620		nsp	nsp	CORD	SN95/PB5, 0.6	C3A206
INPUT	J701		nsp	nsp	CORD	SN95/PB5, 0.6	C3A206
INPUT	J702		nsp	nsp	CORD	SN95/PB5, 0.6	C3A206
INPUT	J703		nsp	nsp	CORD	SN95/PB5, 0.6	C3A206
INPUT	J704		nsp	nsp	CORD	SN95/PB5, 0.6	C3A206
INPUT	J705		nsp	nsp	CORD	SN95/PB5, 0.6	C3A206
INPUT	J706		nsp	nsp	CORD	SN95/PB5, 0.6	C3A206
INPUT	J707		nsp	nsp	CORD	SN95/PB5, 0.6	C3A206
INPUT	J708		nsp	nsp	CORD	SN95/PB5, 0.6	C3A206
INPUT	J709		nsp	nsp	CORD	SN95/PB5, 0.6	C3A206
INPUT	J710		nsp	nsp	CORD	SN95/PB5, 0.6	C3A206
INPUT	J712		nsp	nsp	CORD	SN95/PB5, 0.6	C3A206
INPUT	J713		nsp	nsp	CORD	SN95/PB5, 0.6	C3A206
INPUT	J714		nsp	nsp	CORD	SN95/PB5, 0.6	C3A206
INPUT	J715		nsp	nsp	CORD	SN95/PB5, 0.6	C3A206
INPUT	J716		nsp	nsp	CORD	SN95/PB5, 0.6	C3A206
INPUT	J801		nsp	nsp	CORD	SN95/PB5, 0.6	C3A206
INPUT	J803		nsp	nsp	CORD	SN95/PB5, 0.6	C3A206
INPUT	J804		nsp	nsp	CORD	SN95/PB5, 0.6	C3A206
INPUT	J806		nsp	nsp	CORD	SN95/PB5, 0.6	C3A206
INPUT	J807		nsp	nsp	CORD	SN95/PB5, 0.6	C3A206
INPUT	J808		nsp	nsp	CORD	SN95/PB5, 0.6	C3A206
INPUT	J901		nsp	nsp	CORD	SN95/PB5, 0.6	C3A206
INPUT	J902		nsp	nsp	CORD	SN95/PB5, 0.6	C3A206
INPUT	J903		nsp	nsp	CORD	SN95/PB5, 0.6	C3A206
INPUT	J904		nsp	nsp	CORD	SN95/PB5, 0.6	C3A206
INPUT	J905		nsp	nsp	CORD	SN95/PB5, 0.6	C3A206
INPUT	JK11	/N1B	90M-YT003110R	90M-YT003110R	TERMINAL	CINCH 2P (GOLD) AUDIO	CJJ4N060Z
INPUT	JK11	/N1S	90M-YT003110R	90M-YT003110R	TERMINAL	CINCH 2P (GOLD) AUDIO	CJJ4N060Z
INPUT	JK12	/N1B	90M-YT004520R	90M-YT004520R	TERMINAL	CINCH 4P AUDIO GOLD	CJJ4P058Z
INPUT	JK12	/N1S	90M-YT004520R	90M-YT004520R	TERMINAL	CINCH 4P AUDIO GOLD	CJJ4P058Z
INPUT	JK13	/N1B	90M-YT004520R	90M-YT004520R	TERMINAL	CINCH 4P AUDIO GOLD	CJJ4P058Z
INPUT	JK13	/N1S	90M-YT004520R	90M-YT004520R	TERMINAL	CINCH 4P AUDIO GOLD	CJJ4P058Z
INPUT	JK14	/N1B	90M-YT004520R	90M-YT004520R	TERMINAL	CINCH 4P AUDIO GOLD	CJJ4P058Z
INPUT	JK14	/N1S	90M-YT004520R	90M-YT004520R	TERMINAL	CINCH 4P AUDIO GOLD	CJJ4P058Z
INPUT	JK15	/N1B	90M-YT003110R	90M-YT003110R	TERMINAL	CINCH 2P (GOLD) AUDIO	CJJ4N060Z
INPUT	JK15	/N1S	90M-YT003110R	90M-YT003110R	TERMINAL	CINCH 2P (GOLD) AUDIO	CJJ4N060Z
INPUT	JK31		90M-YT002990R	90M-YT002990R	TERMINAL	8P SPEAKER	CJJ5Q006Z
INPUT	JW11		nsp	nsp	CORD		CWEH202080PP
INPUT	L101	/N1B	nsp	nsp	COIL	COIL, TOROIDAL	CLU9S004Z
INPUT	L101	/N1S	nsp	nsp	COIL	COIL, TOROIDAL	CLU9S004Z
INPUT	L102	/N1B	nsp	nsp	COIL	COIL, TOROIDAL	CLU9S004Z
INPUT	L102	/N1S	nsp	nsp	COIL	COIL, TOROIDAL	CLU9S004Z
INPUT	L363		90M-LC107310R	90M-LC107310R	COIL	0.5UH K	CLEY0R5KAK
INPUT	L364		90M-LC107310R	90M-LC107310R	COIL	0.5UH K	CLEY0R5KAK
INPUT	Q281		00MHT805501B0	00MHT805501B0	TRS.	KTC2874B	HVTKTC2874BT
INPUT	Q282		00MHT805501B0	00MHT805501B0	TRS.	KTC2874B	HVTKTC2874BT
INPUT	Q301		00MHT600121A0	00MHT600121A0	TRS.	KTA1268GR	HVTKTA1268GRT
INPUT	Q302		00MHT600121A0	00MHT600121A0	TRS.	KTA1268GR	HVTKTA1268GRT
INPUT	Q303		00MHT600121A0	00MHT600121A0	TRS.	KTA1268GR	HVTKTA1268GRT
INPUT	Q304		00MHT600121A0	00MHT600121A0	TRS.	KTA1268GR	HVTKTA1268GRT
INPUT	Q305		00MHT600121A0	00MHT600121A0	TRS.	KTA1268GR	HVTKTA1268GRT
INPUT	Q306		00MHT600121A0	00MHT600121A0	TRS.	KTA1268GR	HVTKTA1268GRT
INPUT	Q307		00MHT600121A0	00MHT600121A0	TRS.	KTA1268GR	HVTKTA1268GRT
INPUT	Q308		00MHT600121A0	00MHT600121A0	TRS.	KTA1268GR	HVTKTA1268GRT
INPUT	Q309		00MHT800931A0	00MHT800931A0	TRS.	KTC3200GR	HVTKTC3200GRT
INPUT	Q310		00MHT800931A0	00MHT800931A0	TRS.	KTC3200GR	HVTKTC3200GRT
INPUT	Q311		00MHT800931A0	00MHT800931A0	TRS.	KTC3200GR	HVTKTC3200GRT

NOTE : \*nsp\* PART IS LISTED FOR REFERENCE ONLY, MARANTZ WILL NOT SUPPLY THESE PARTS.

PM4001 OSE

P.C.B. NAME	POS. NO.	VERS. COLOR	PART NO. (FOR EUR)	PART NO. (MZ)	PART NAME	DESCRIPTION
INPUT	Q312		00MHT800931A0	00MHT800931A0	TRS.	KTC3200GR HVTKTC3200GRT
INPUT	Q325		90M-HT600030R	90M-HT600030R	TRS.	KTA1024Y HVTKTA1024YT
INPUT	Q326		90M-HT600030R	90M-HT600030R	TRS.	KTA1024Y HVTKTA1024YT
INPUT	Q335		00MHT800941B0	00MHT800941B0	TRS.	KTC3206Y HVTKTC3206YAT
INPUT	Q336		00MHT800941B0	00MHT800941B0	TRS.	KTC3206Y HVTKTC3206YAT
INPUT	Q345		00MHT334191Y0	00MHT334191Y0	TRS.	2SC3419Y HVT2SC3419Y
INPUT	Q346		00MHT334191Y0	00MHT334191Y0	TRS.	2SC3419Y HVT2SC3419Y
INPUT	Q347		00MHT800941B0	00MHT800941B0	TRS.	KTC3206Y HVTKTC3206YAT
INPUT	Q348		00MHT800941B0	00MHT800941B0	TRS.	KTC3206Y HVTKTC3206YAT
INPUT	Q349		90M-HT600030R	90M-HT600030R	TRS.	KTA1024Y HVTKTA1024YT
INPUT	Q350		90M-HT600030R	90M-HT600030R	TRS.	KTA1024Y HVTKTA1024YT
INPUT	Q351		90M-HT300940R	90M-HT300940R	TRS.	2SC4883A HVT2SC4883A
INPUT	Q352		90M-HT300940R	90M-HT300940R	TRS.	2SC4883A HVT2SC4883A
INPUT	Q353		90M-HT100690R	90M-HT100690R	TRS.	2SA1859A HVT2SA1859A
INPUT	Q354		90M-HT100690R	90M-HT100690R	TRS.	2SA1859A HVT2SA1859A
INPUT	▲ Q355		90M-HT300950R	90M-HT300950R	TRS.	! 2SC4467 HVT2SC4467-OKM
INPUT	▲ Q356		90M-HT300950R	90M-HT300950R	TRS.	! 2SC4467 HVT2SC4467-OKM
INPUT	▲ Q357		90M-HT100700R	90M-HT100700R	TRS.	! 2SA1694 HVT2SA1694-OKM
INPUT	▲ Q358		90M-HT100700R	90M-HT100700R	TRS.	! 2SA1694 HVT2SA1694-OKM
INPUT	Q371		00MHT327851H0	00MHT327851H0	TRS.	KSC2785Y KVTKSC2785YT
INPUT	Q372		00MHT327851H0	00MHT327851H0	TRS.	KSC2785Y KVTKSC2785YT
INPUT	Q379		90M-HT100390R	90M-HT100390R	TRS.	KSA1175Y KVTKSA1175YT
INPUT	Q385		00MHT327851H0	00MHT327851H0	TRS.	KSC2785Y KVTKSC2785YT
INPUT	Q386		90M-HT100390R	90M-HT100390R	TRS.	KSA1175Y KVTKSA1175YT
INPUT	Q391		90M-HT100390R	90M-HT100390R	TRS.	KSA1175Y KVTKSA1175YT
INPUT	Q392		00MHT327851H0	00MHT327851H0	TRS.	KSC2785Y KVTKSC2785YT
INPUT	Q393		00MHT327851H0	00MHT327851H0	TRS.	KSC2785Y KVTKSC2785YT
INPUT	Q394		00MHT327851H0	00MHT327851H0	TRS.	KSC2785Y KVTKSC2785YT
INPUT	▲ Q921		90M-HT800040R	90M-HT800040R	TRS.	! KSC2316Y HVTKSC2316YT
INPUT	Q922		90M-HT800050R	90M-HT800050R	TRS.	KTC3198Y HVTKTC3198YT
INPUT	Q923		90M-HT800050R	90M-HT800050R	TRS.	KTC3198Y HVTKTC3198YT
INPUT	Q924		90M-BA001450R	90M-BA001450R	TRS.	KRA107M HVTKRA107MT
INPUT	R101		nsp	nsp	RES.	330 OHM 1/5W J CRD20TJ331T
INPUT	R102		nsp	nsp	RES.	330 OHM 1/5W J CRD20TJ331T
INPUT	R103		nsp	nsp	RES.	100K OHM 1/5W J CRD20TJ104T
INPUT	R104		nsp	nsp	RES.	100K OHM 1/5W J CRD20TJ104T
INPUT	R105		nsp	nsp	RES.	100K OHM 1/5W J CRD20TJ104T
INPUT	R106		nsp	nsp	RES.	100K OHM 1/5W J CRD20TJ104T
INPUT	R109		nsp	nsp	RES.	100 OHM 1/5W J CRD20TJ101T
INPUT	R110		nsp	nsp	RES.	100 OHM 1/5W J CRD20TJ101T
INPUT	R111		nsp	nsp	RES.	100K OHM 1/5W J CRD20TJ104T
INPUT	R112		nsp	nsp	RES.	100K OHM 1/5W J CRD20TJ104T
INPUT	R113		nsp	nsp	RES.	100K OHM 1/5W J CRD20TJ104T
INPUT	R114		nsp	nsp	RES.	5.6K OHM 1/5W J CRD20TJ562T
INPUT	R115		nsp	nsp	RES.	5.6K OHM 1/5W J CRD20TJ562T
INPUT	R116		nsp	nsp	RES.	100 OHM 1/5W J CRD20TJ101T
INPUT	R117		nsp	nsp	RES.	100 OHM 1/5W J CRD20TJ101T
INPUT	R118		nsp	nsp	RES.	220 OHM 1/5W J CRD20TJ221T
INPUT	R119		nsp	nsp	RES.	220 OHM 1/5W J CRD20TJ221T
INPUT	R120		nsp	nsp	RES.	47K OHM 1/5W J CRD20TJ473T
INPUT	R121		nsp	nsp	RES.	47K OHM 1/5W J CRD20TJ473T
INPUT	R122		nsp	nsp	RES.	100 OHM 1/5W J CRD20TJ101T
INPUT	R123		nsp	nsp	RES.	100 OHM 1/5W J CRD20TJ101T
INPUT	R131		nsp	nsp	RES.	330 OHM 1/5W J CRD20TJ331T
INPUT	R132		nsp	nsp	RES.	330 OHM 1/5W J CRD20TJ331T
INPUT	R201		nsp	nsp	RES.	10 OHM 1/5W J CRD20TJ100T
INPUT	R202		nsp	nsp	RES.	10 OHM 1/5W J CRD20TJ100T
INPUT	R203		nsp	nsp	RES.	10 OHM 1/5W J CRD20TJ100T
INPUT	R204		nsp	nsp	RES.	10 OHM 1/5W J CRD20TJ100T
INPUT	R205		nsp	nsp	RES.	10 OHM 1/5W J CRD20TJ100T
INPUT	R206		nsp	nsp	RES.	10 OHM 1/5W J CRD20TJ100T
INPUT	R207		nsp	nsp	RES.	10 OHM 1/5W J CRD20TJ100T
INPUT	R208		nsp	nsp	RES.	10 OHM 1/5W J CRD20TJ100T
INPUT	R209		nsp	nsp	RES.	10 OHM 1/5W J CRD20TJ100T
INPUT	R210		nsp	nsp	RES.	10 OHM 1/5W J CRD20TJ100T
INPUT	R211		nsp	nsp	RES.	10 OHM 1/5W J CRD20TJ100T
INPUT	R212		nsp	nsp	RES.	10 OHM 1/5W J CRD20TJ100T
INPUT	R213		nsp	nsp	RES.	10 OHM 1/5W J CRD20TJ100T

NOTE : "nsp" PART IS LISTED FOR REFERENCE ONLY, MARANTZ WILL NOT SUPPLY THESE PARTS.



## PM4001 OSE

P.C.B. NAME	POS. NO.	VERS. COLOR	PART NO. (FOR EUR)	PART NO. (MZ)	PART NAME	DESCRIPTION
INPUT	R214		nsp	nsp	RES.	10 OHM 1/5W J CRD20TJ100T
INPUT	R221		nsp	nsp	RES.	1M OHM 1/5W J CRD20TJ105T
INPUT	R222		nsp	nsp	RES.	1M OHM 1/5W J CRD20TJ105T
INPUT	R223		nsp	nsp	RES.	1M OHM 1/5W J CRD20TJ105T
INPUT	R224		nsp	nsp	RES.	1M OHM 1/5W J CRD20TJ105T
INPUT	R225		nsp	nsp	RES.	1M OHM 1/5W J CRD20TJ105T
INPUT	R226		nsp	nsp	RES.	1M OHM 1/5W J CRD20TJ105T
INPUT	R227		nsp	nsp	RES.	1M OHM 1/5W J CRD20TJ105T
INPUT	R228		nsp	nsp	RES.	1M OHM 1/5W J CRD20TJ105T
INPUT	R229		nsp	nsp	RES.	1M OHM 1/5W J CRD20TJ105T
INPUT	R230		nsp	nsp	RES.	1M OHM 1/5W J CRD20TJ105T
INPUT	R231		nsp	nsp	RES.	1M OHM 1/5W J CRD20TJ105T
INPUT	R232		nsp	nsp	RES.	1M OHM 1/5W J CRD20TJ105T
INPUT	R233		nsp	nsp	RES.	1M OHM 1/5W J CRD20TJ105T
INPUT	R234		nsp	nsp	RES.	1M OHM 1/5W J CRD20TJ105T
INPUT	R235		nsp	nsp	RES.	1K OHM 1/5W J CRD20TJ102T
INPUT	R236		nsp	nsp	RES.	1K OHM 1/5W J CRD20TJ102T
INPUT	R237		nsp	nsp	RES.	1K OHM 1/5W J CRD20TJ102T
INPUT	R238		nsp	nsp	RES.	1K OHM 1/5W J CRD20TJ102T
INPUT	R251		nsp	nsp	RES.	120 OHM 1/5W J CRD20TJ121T
INPUT	R252		nsp	nsp	RES.	120 OHM 1/5W J CRD20TJ121T
INPUT	R253		nsp	nsp	RES.	120 OHM 1/5W J CRD20TJ121T
INPUT	R254		nsp	nsp	RES.	120 OHM 1/5W J CRD20TJ121T
INPUT	R255		nsp	nsp	RES.	10K OHM 1/5W J CRD20TJ103T
INPUT	R256		nsp	nsp	RES.	10K OHM 1/5W J CRD20TJ103T
INPUT	R258		nsp	nsp	RES.	10K OHM 1/5W J CRD20TJ103T
INPUT	R260		nsp	nsp	RES.	56K OHM 1/5W J CRD20TJ563T
INPUT	R261		nsp	nsp	RES.	56K OHM 1/5W J CRD20TJ563T
INPUT	R264		nsp	nsp	RES.	27K OHM 1/5W J CRD20TJ273T
INPUT	R265		nsp	nsp	RES.	27K OHM 1/5W J CRD20TJ273T
INPUT	R266		nsp	nsp	RES.	330 OHM 1/5W J CRD20TJ331T
INPUT	R267		nsp	nsp	RES.	330 OHM 1/5W J CRD20TJ331T
INPUT	R269		nsp	nsp	RES.	100 OHM 1/5W J CRD20TJ101T
INPUT	R270		nsp	nsp	RES.	100 OHM 1/5W J CRD20TJ101T
INPUT	R273		nsp	nsp	RES.	120 OHM 1/5W J CRD20TJ121T
INPUT	R274		nsp	nsp	RES.	120 OHM 1/5W J CRD20TJ121T
INPUT	R275		nsp	nsp	RES.	120 OHM 1/5W J CRD20TJ121T
INPUT	R280		nsp	nsp	RES.	10K OHM 1/5W J CRD20TJ103T
INPUT	R281		nsp	nsp	RES.	470K OHM 1/5W J CRD20TJ474T
INPUT	R282		nsp	nsp	RES.	470K OHM 1/5W J CRD20TJ474T
INPUT	R283		nsp	nsp	RES.	1M OHM 1/5W J CRD20TJ105T
INPUT	R284		nsp	nsp	RES.	100K OHM 1/5W J CRD20TJ104T
INPUT	R285		nsp	nsp	RES.	100K OHM 1/5W J CRD20TJ104T
INPUT	R286		nsp	nsp	RES.	470 OHM 1/5W J CRD20TJ471T
INPUT	R287		nsp	nsp	RES.	470 OHM 1/5W J CRD20TJ471T
INPUT	R288		nsp	nsp	RES.	680 OHM 1/5W J CRD20TJ681T
INPUT	R289		nsp	nsp	RES.	680 OHM 1/5W J CRD20TJ681T
INPUT	R290		nsp	nsp	RES.	5.6K OHM 1/5W J CRD20TJ562T
INPUT	R291		nsp	nsp	RES.	5.6K OHM 1/5W J CRD20TJ562T
INPUT	R292		nsp	nsp	RES.	5.6K OHM 1/5W J CRD20TJ562T
INPUT	R293		nsp	nsp	RES.	5.6K OHM 1/5W J CRD20TJ562T
INPUT	R294		nsp	nsp	RES.	1.5K OHM 1/5W J CRD20TJ152T
INPUT	R295		nsp	nsp	RES.	1.5K OHM 1/5W J CRD20TJ152T
INPUT	R296		nsp	nsp	RES.	1.5K OHM 1/5W J CRD20TJ152T
INPUT	R297		nsp	nsp	RES.	1.5K OHM 1/5W J CRD20TJ152T
INPUT	R298		nsp	nsp	RES.	270 OHM 1/5W J CRD20TJ271T
INPUT	R299		nsp	nsp	RES.	270 OHM 1/5W J CRD20TJ271T
INPUT	R300		nsp	nsp	RES.	33K OHM 1/5W J CRD20TJ333T
INPUT	R301		nsp	nsp	RES.	33K OHM 1/5W J CRD20TJ333T
INPUT	R302		nsp	nsp	RES.	4.7K OHM 1/5W J CRD20TJ472T
INPUT	R303		nsp	nsp	RES.	4.7K OHM 1/5W J CRD20TJ472T
INPUT	R304		nsp	nsp	RES.	330 OHM 1/5W J CRD20TJ331T
INPUT	R305		nsp	nsp	RES.	330 OHM 1/5W J CRD20TJ331T
INPUT	R306		nsp	nsp	RES.	100K OHM 1/5W J CRD20TJ104T
INPUT	R307		nsp	nsp	RES.	100K OHM 1/5W J CRD20TJ104T
INPUT	R308		nsp	nsp	RES.	470 OHM 1/5W J CRD20TJ471T
INPUT	R309		nsp	nsp	RES.	470 OHM 1/5W J CRD20TJ471T

NOTE : \*nsp\* PART IS LISTED FOR REFERENCE ONLY, MARANTZ WILL NOT SUPPLY THESE PARTS.

P.C.B. NAME	POS. NO.	VERS. COLOR	PART NO. (FOR EUR)	PART NO. (MZ)	PART NAME	DESCRIPTION
INPUT	R310		nsp	nsp	RES.	1K OHM 1/5W J CRD20TJ102T
INPUT	R311		nsp	nsp	RES.	1K OHM 1/5W J CRD20TJ102T
INPUT	R312		nsp	nsp	RES.	470 OHM 1/5W J CRD20TJ471T
INPUT	R313		nsp	nsp	RES.	470 OHM 1/5W J CRD20TJ471T
INPUT	R314		nsp	nsp	RES.	470 OHM 1/5W J CRD20TJ471T
INPUT	R315		nsp	nsp	RES.	470 OHM 1/5W J CRD20TJ471T
INPUT	R316		nsp	nsp	RES.	100 OHM 1/5W J CRD20TJ101T
INPUT	R317		nsp	nsp	RES.	100 OHM 1/5W J CRD20TJ101T
INPUT	R318		nsp	nsp	RES.	100 OHM 1/5W J CRD20TJ101T
INPUT	R319		nsp	nsp	RES.	100 OHM 1/5W J CRD20TJ101T
INPUT	R320		nsp	nsp	RES.	470 OHM 1/5W J CRD20TJ471T
INPUT	R321		nsp	nsp	RES.	470 OHM 1/5W J CRD20TJ471T
INPUT	R322		nsp	nsp	RES.	1M OHM 1/5W J CRD20TJ105T
INPUT	R323		nsp	nsp	RES.	1M OHM 1/5W J CRD20TJ105T
INPUT	R324		nsp	nsp	RES.	1M OHM 1/5W J CRD20TJ105T
INPUT	R325		nsp	nsp	RES.	1M OHM 1/5W J CRD20TJ105T
INPUT	R327		nsp	nsp	RES.	100 OHM 1/5W J CRD20TJ101T
INPUT	R328		nsp	nsp	RES.	100 OHM 1/5W J CRD20TJ101T
INPUT	R331		nsp	nsp	RES.	100 OHM 1/5W J CRD20TJ101T
INPUT	R332		nsp	nsp	RES.	100 OHM 1/5W J CRD20TJ101T
INPUT	R333		nsp	nsp	RES.	820 OHM 1/5W J CRD20TJ821T
INPUT	R334		nsp	nsp	RES.	820 OHM 1/5W J CRD20TJ821T
INPUT	R335		nsp	nsp	RES.	100 OHM 1/5W J CRD20TJ101T
INPUT	R336		nsp	nsp	RES.	100 OHM 1/5W J CRD20TJ101T
INPUT	R337		nsp	nsp	RES.	10 OHM 1/4W KRD25FJ100T
INPUT	R338		nsp	nsp	RES.	10 OHM 1/4W KRD25FJ100T
INPUT	R339		nsp	nsp	RES.	10 OHM 1/4W KRD25FJ100T
INPUT	R340		nsp	nsp	RES.	10 OHM 1/4W KRD25FJ100T
INPUT	R341		nsp	nsp	RES.	1K OHM 1/5W J CRD20TJ102T
INPUT	R342		nsp	nsp	RES.	1K OHM 1/5W J CRD20TJ102T
INPUT	R343		nsp	nsp	RES.	3.3K OHM 1/5W J CRD20TJ332T
INPUT	R344		nsp	nsp	RES.	3.3K OHM 1/5W J CRD20TJ332T
INPUT	R345		nsp	nsp	RES.	100 OHM 1/5W J CRD20TJ101T
INPUT	R346		nsp	nsp	RES.	100 OHM 1/5W J CRD20TJ101T
INPUT	R347		nsp	nsp	RES.	100 OHM 1/5W J CRD20TJ101T
INPUT	R348		nsp	nsp	RES.	100 OHM 1/5W J CRD20TJ101T
INPUT	R349		nsp	nsp	RES.	47 OHM 1/5W J CRD20TJ470T
INPUT	R350		nsp	nsp	RES.	47 OHM 1/5W J CRD20TJ470T
INPUT	R351		nsp	nsp	RES.	47 OHM 1/5W J CRD20TJ470T
INPUT	R352		nsp	nsp	RES.	47 OHM 1/5W J CRD20TJ470T
INPUT	R353		nsp	nsp	RES.	220 OHM 1/4W J CRD25TJ221T
INPUT	R354		nsp	nsp	RES.	220 OHM 1/4W J CRD25TJ221T
INPUT	R355		nsp	nsp	RES.	10 OHM 1/5W J CRD20TJ100T
INPUT	R356		nsp	nsp	RES.	10 OHM 1/5W J CRD20TJ100T
INPUT	R357		nsp	nsp	RES.	10 OHM 1/4W J CRD25TJ100T
INPUT	R358		nsp	nsp	RES.	10 OHM 1/5W J CRD20TJ100T
INPUT	R359		90M-GO000005R	90M-GO000005R	RES.	0.22 OHM 5W K CRF5EKR22H
INPUT	R360		90M-GO000005R	90M-GO000005R	RES.	0.22 OHM 5W K CRF5EKR22H
INPUT	R361		90M-GO000005R	90M-GO000005R	RES.	0.22 OHM 5W K CRF5EKR22H
INPUT	R362		90M-GO000005R	90M-GO000005R	RES.	0.22 OHM 5W K CRF5EKR22H
INPUT	R363		nsp	nsp	RES.	10 OHM 1/4W J CRD25TJ100T
INPUT	R364		nsp	nsp	RES.	10 OHM 1/4W J CRD25TJ100T
INPUT	R365		nsp	nsp	RES.	10 OHM 1/4W J CRD25TJ100T
INPUT	R366		nsp	nsp	RES.	10 OHM 1/4W J CRD25TJ100T
INPUT	R367		nsp	nsp	RES.	10 OHM CRG1ANJ100H
INPUT	R368		nsp	nsp	RES.	10 OHM CRG1ANJ100H
INPUT	R371		nsp	nsp	RES.	1K OHM 1/5W J CRD20TJ102T
INPUT	R372		nsp	nsp	RES.	1K OHM 1/5W J CRD20TJ102T
INPUT	R373		nsp	nsp	RES.	22K OHM 1/5W J CRD20TJ223T
INPUT	R374		nsp	nsp	RES.	22K OHM 1/5W J CRD20TJ223T
INPUT	R375		nsp	nsp	RES.	1.5K OHM 1/5W J CRD20TJ152T
INPUT	R376		nsp	nsp	RES.	1.5K OHM 1/5W J CRD20TJ152T
INPUT	R377		nsp	nsp	RES.	22K OHM 1/5W J CRD20TJ223T
INPUT	R378		nsp	nsp	RES.	22K OHM 1/5W J CRD20TJ223T
INPUT	R379		nsp	nsp	RES.	6.8K OHM 1/5W J CRD20TJ682T
INPUT	R381		nsp	nsp	RES.	33K OHM 1/5W J CRD20TJ333T
INPUT	R382		nsp	nsp	RES.	33K OHM 1/5W J CRD20TJ333T

NOTE : "nsp" PART IS LISTED FOR REFERENCE ONLY, MARANTZ WILL NOT SUPPLY THESE PARTS.

P.C.B. NAME	POS. NO.	VERS. COLOR	PART NO. (FOR EUR)	PART NO. (MZ)	PART NAME	DESCRIPTION
INPUT	R383		nsp	nsp	RES.	22K OHM 1/5W J CRD20TJ223T
INPUT	R385		nsp	nsp	RES.	10K OHM 1/5W J CRD20TJ103T
INPUT	R386		nsp	nsp	RES.	10K OHM 1/5W J CRD20TJ103T
INPUT	R387		nsp	nsp	RES.	10K OHM 1/5W J CRD20TJ103T
INPUT	R388		nsp	nsp	RES.	33K OHM 1/5W J CRD20TJ333T
INPUT	R389		nsp	nsp	RES.	33K OHM 1/5W J CRD20TJ333T
INPUT	R390		nsp	nsp	RES.	100 OHM 1/5W J CRD20TJ101T
INPUT	R391		nsp	nsp	RES.	33K OHM 1/5W J CRD20TJ333T
INPUT	R392		nsp	nsp	RES.	18K OHM 1/5W J CRD20TJ183T
INPUT	R393		nsp	nsp	RES.	10K OHM 1/5W J CRD20TJ103T
INPUT	R394		nsp	nsp	RES.	47K OHM 1/5W J CRD20TJ473T
INPUT	R395		nsp	nsp	RES.	10K OHM 1/5W J CRD20TJ103T
INPUT	R396		nsp	nsp	RES.	47K OHM 1/5W J CRD20TJ473T
INPUT	R397		nsp	nsp	RES.	10K OHM 1/5W J CRD20TJ103T
INPUT	R398		nsp	nsp	RES.	47K OHM 1/5W J CRD20TJ473T
INPUT	R399		nsp	nsp	RES.	100 OHM 1/5W J CRD20TJ101T
INPUT	R400		nsp	nsp	RES.	100 OHM 1/5W J CRD20TJ101T
INPUT	R691		nsp	nsp	RES.	330 OHM 1W CRG1ANJ331H
INPUT	R692		nsp	nsp	RES.	330 OHM 1W CRG1ANJ331H
INPUT	R901		nsp	nsp	RES.	4.7K OHM 1/4W J CRD25TJ472T
INPUT	R905		nsp	nsp	RES.	22K OHM 1/4W J CRD25TJ223T
INPUT	R906		nsp	nsp	RES.	22K OHM 1/4W J CRD25TJ223T
INPUT	▲ R911		90M-NH000080R	90M-NH000080R	FUSE RES.	! 0.47 OHM 1W J KRQ1AJR47H
INPUT	▲ R912		90M-NH000080R	90M-NH000080R	FUSE RES.	! 0.47 OHM 1W J KRQ1AJR47H
INPUT	R913		nsp	nsp	RES.	4.7K OHM 1/5W J CRD20TJ472T
INPUT	R914		nsp	nsp	RES.	22K OHM 1/5W J CRD20TJ223T
INPUT	R915		nsp	nsp	RES.	47K OHM 1/5W J CRD20TJ473T
INPUT	R919		nsp	nsp	RES.	22K OHM 1/5W J CRD20TJ223T
INPUT	R920		nsp	nsp	RES.	22K OHM 1/5W J CRD20TJ223T
INPUT	R921		nsp	nsp	RES.	1.2K OHM 1/5W J CRD20TJ122T
INPUT	R922		nsp	nsp	RES.	1K OHM 1/5W J CRD20TJ102T
INPUT	R923		nsp	nsp	RES.	33K OHM 1/5W J CRD20TJ333T
INPUT	R924		nsp	nsp	RES.	22K OHM 1/5W J CRD20TJ223T
INPUT	R925		nsp	nsp	RES.	22K OHM 1/5W J CRD20TJ223T
INPUT	R926		nsp	nsp	RES.	22K OHM 1/5W J CRD20TJ223T
INPUT	R927		nsp	nsp	RES.	10K OHM 1/5W J CRD20TJ103T
INPUT	R928		nsp	nsp	RES.	10K OHM 1/5W J CRD20TJ103T
INPUT	R929		nsp	nsp	RES.	10K OHM 1/5W J CRD20TJ103T
INPUT	RY31		90M-LY000330R	90M-LY000330R	RELAY	OSA-SS-212DM3 HSL4A004ZU
INPUT	RY32		90M-LY000330R	90M-LY000330R	RELAY	OSA-SS-212DM3 HSL4A004ZU
INPUT	RY33		90M-LY000330R	90M-LY000330R	RELAY	OSA-SS-212DM3 HSL4A004ZU
INPUT	VR31		90M-RA001080R	90M-RA001080R	TRIM. RES.	RH0638C-471 HVN1RA471B01T
INPUT	VR32		90M-RA001080R	90M-RA001080R	TRIM. RES.	RH0638C-471 HVN1RA471B01T
INPUT	VR33		90M-RA001140R	90M-RA001140R	TRIM. RES.	RH0638C-102 HVN1RA102B01T
INPUT	VR34		90M-RA001140R	90M-RA001140R	TRIM. RES.	RH0638C-102 HVN1RA102B01T
					<b>MAIN TRANSF. PWB (CUP11833-3)</b>	
MAIN-T	C910		nsp	nsp	FILM CAP.	0.01UF 50V J HCQ1H103JZT
MAIN-T	CN91		nsp	nsp	CONN.	6P ANGLE CJP06GB03ZY
MAIN-T	CN92		nsp	nsp	CONN.	4P ANGLE CJP04GB03ZY
MAIN-T	JW93		nsp	nsp	CORD	WIRE ASSY CWZAMC660JW52
					<b>MASTER VOLUME PWB (CUP11832-2)</b>	
M-VOL.	BN12		nsp	nsp	CORD	WIRE ASSY 2.5MM(04P) SHIELD CWZPM48BN33
M-VOL.	BN53		90M-YJ002920R	90M-YJ002920R	CONN.	6P ANGLE CJP06GB99ZY
M-VOL.	C527		nsp	nsp	CER. CAP.	0.01UF 50V Z HCBS1H103ZFT
M-VOL.	C543	/N1B	nsp	00MOA106035Z0	ELECT CAP.	10UF 35V ROS HCEA1VR100T
M-VOL.	C543	/N1S	nsp	00MOA106035Z0	ELECT CAP.	10UF 35V ROS HCEA1VR100T
M-VOL.	C544	/N1B	nsp	00MOA106035Z0	ELECT CAP.	10UF 35V ROS HCEA1VR100T
M-VOL.	C544	/N1S	nsp	00MOA106035Z0	ELECT CAP.	10UF 35V ROS HCEA1VR100T
M-VOL.	CB52		90M-YP100330R	90M-YP100330R	CONN.	7P ANGLE CJP07GF107ZY
M-VOL.	J116		nsp	nsp	CORD	SN95/PB5, 0.6 C3A206
M-VOL.	J303		nsp	nsp	CORD	SN95/PB5, 0.6 C3A206
M-VOL.	J306		nsp	nsp	CORD	SN95/PB5, 0.6 C3A206
M-VOL.	J327		nsp	nsp	CORD	SN95/PB5, 0.6 C3A206
M-VOL.	J501		nsp	nsp	CORD	SN95/PB5, 0.6 C3A206
M-VOL.	J503		nsp	nsp	CORD	SN95/PB5, 0.6 C3A206
M-VOL.	J506		nsp	nsp	CORD	SN95/PB5, 0.6 C3A206
M-VOL.	J901		nsp	nsp	CORD	SN95/PB5, 0.6 C3A206

NOTE : "nsp" PART IS LISTED FOR REFERENCE ONLY, MARANTZ WILL NOT SUPPLY THESE PARTS.

P.C.B. NAME	POS. NO.	VERS. COLOR	PART NO. (FOR EUR)	PART NO. (MZ)	PART NAME	DESCRIPTION
M-VOL.	J902		nsp	nsp	CORD	SN95/PB5, 0.6 C3A206
M-VOL.	JW52		nsp	nsp	CORD	ST710388-5298T CWZPM48JW52
M-VOL.	R527		nsp	nsp	RES.	330 OHM 1/5W J CRD20TJ331T
M-VOL.	R528		nsp	nsp	RES.	330 OHM 1/5W J CRD20TJ331T
M-VOL.	R539		nsp	nsp	RES.	56K OHM 1/5W J CRD20TJ563T
M-VOL.	R540		nsp	nsp	RES.	56K OHM 1/5W J CRD20TJ563T
M-VOL.	R548		nsp	nsp	RES.	330 OHM 1/5W J CRD20TJ331T
M-VOL.	R549		nsp	nsp	RES.	330 OHM 1/5W J CRD20TJ331T
M-VOL.	VR53		90M-RB000070R	90M-RB000070R	VAR. RES.	VR, MOTOR CVV9Y13B503Z
<b>POWER SW PWB (CUP11832-5)</b>						
P-SW	▲ C901		90M-DK100770R	90M-DK100770R	CER. CAP.	! 0.0047UF 2.5KV KCKDKS472ME
P-SW	JW96		nsp	nsp	CORD	WIRE ASSY CWZPM48JW96
P-SW	▲ SW91		90M-SP001250R	90M-SP001250R	SW	! JPP1197CSA64 KSH1A001ZV
<b>SPEAKER SW &amp; LOUDNESS PWB (CUP11832-3)</b>						
SPKR	BK62		nsp	nsp	BRACKET	BRACKET PWB CMD1A387
SPKR	BK63		nsp	nsp	BRACKET	BRACKET PWB CMD1A387
SPKR	BN35		nsp	nsp	CORD	CWB2B904400EN
SPKR	BN54		90M-YJ002920R	90M-YJ002920R	CONN.	6P ANGLE CJP06GB99ZY
SPKR	C523		nsp	nsp	FILM CAP.	0.1UF 50V J HCQ11H104JZT
SPKR	C524		nsp	nsp	FILM CAP.	0.1UF 50V J HCQ11H104JZT
SPKR	C525		nsp	nsp	FILM CAP.	1000PF 50V J HCQ11H102JZT
SPKR	C526		nsp	nsp	FILM CAP.	1000PF 50V J HCQ11H102JZT
SPKR	J310		nsp	nsp	CORD	SN95/PB5, 0.6 C3A206
SPKR	J311		nsp	nsp	CORD	SN95/PB5, 0.6 C3A206
SPKR	R523		nsp	nsp	RES.	5.6K OHM 1/5W J CRD20TJ562T
SPKR	R524		nsp	nsp	RES.	5.6K OHM 1/5W J CRD20TJ562T
SPKR	R525		nsp	nsp	RES.	3.3K OHM 1/5W J CRD20TJ332T
SPKR	R526		nsp	nsp	RES.	3.3K OHM 1/5W J CRD20TJ332T
SPKR	SW52		90M-SP001240R	90M-SP001240R	SW	SPUL19X1M071 HSH2B017Z
SPKR	SW61		90M-SP001240R	90M-SP001240R	SW	SPUL19X1M071 HSH2B017Z
SPKR	SW62		90M-SP001240R	90M-SP001240R	SW	SPUL19X1M071 HSH2B017Z
<b>SUB TRANSF. PWB (CUP11833-2)</b>						
SUB-T	C925		nsp	nsp	FILM CAP.	0.1UF 50V ZF CCFT1H104ZF
SUB-T	C930		nsp	90M-DK100780R	CER. CAP.	DE1310-610E472M HCKWKH472ME
SUB-T	C931		nsp	00MOA10802520	ELECT CAP.	1000UF 25V CCEA1EH102E
SUB-T	C932		nsp	00MOA10701620	ELECT CAP.	100UF 16V CCEA1CH101T
SUB-T	C933		nsp	nsp	CER. CAP.	0.01UF 50V ZF CCKT1H103ZF
SUB-T	C934		nsp	nsp	CER. CAP.	0.022UF 50V Z HCBS1H223ZFT
SUB-T	▲ C935		00MDF17104630	00MDF17104630	FILM CAP.	! 0.1UF 250V KD HCQE2E104KDE
SUB-T	C936		nsp	nsp	CER. CAP.	100PF 50V KB CCKT1H101KB
SUB-T	CN93		nsp	nsp	CONN.	5P STRAIGHT CJP05GA19ZY
SUB-T	CN96		90M-YP100250R	90M-YP100250R	CONN.	MOLEX35328-02 KJP02GA89ZM
SUB-T	D926		nsp	90M-HD201730R	DIODE	1N4003 KVD1N4003ST
SUB-T	D927		nsp	00MHD20015210	DIODE	1SS133T-77 HVD1SS133MT
SUB-T	D929		nsp	00MHD20015210	DIODE	1SS133T-77 HVD1SS133MT
SUB-T	F901		nsp	nsp	CONN.	HOLDER, FUSE KJCF5S
SUB-T	▲ IC94		90M-HC300490R	90M-HC300490R	IC	! KA7915-ABTU HVIMC7915C
SUB-T	▲ IC96		90M-HC300500R	90M-HC300500R	IC	! KA7805-ABTU HVIMC7805C
SUB-T	J320		nsp	nsp	CORD	SN95/PB5, 0.6 C3A206
SUB-T	J333	/N1B	nsp	nsp	CORD	SN95/PB5, 0.6 C3A206
SUB-T	J333	/N1S	nsp	nsp	CORD	SN95/PB5, 0.6 C3A206
SUB-T	J802	/N1B	nsp	nsp	CORD	SN95/PB5, 0.6 C3A206
SUB-T	J802	/N1S	nsp	nsp	CORD	SN95/PB5, 0.6 C3A206
SUB-T	JK91		90M-YT003120R	90M-YT003120R	TERMINAL	CINCH 2P (GOLD) REMOTE CJJ4N036Z
SUB-T	JW94		nsp	nsp	CORD	MOLEX-5298T BLACK CWEE202110VV
SUB-T	JW95		nsp	nsp	CORD	MOLEX-5298T RED CWEE212110VV
SUB-T	Q925		90M-HT900080R	90M-HT900080R	TRS.	KSD1021Y HVTKSD1021YT
SUB-T	R930		nsp	nsp	RES.	10K OHM 1/5W J CRD20TJ103T
SUB-T	R931		nsp	nsp	RES.	10 OHM 1/4W J CRD25TJ100T
SUB-T	R932		nsp	nsp	RES.	47K OHM 1/5W J CRD20TJ473T
SUB-T	R936		nsp	nsp	RES.	47 OHM 1/5W J CRD20TJ470T
SUB-T	▲ RY92		00MLY10090010	00MLY10090010	RELAY	! SDT-S-109DMR HSL1D016ZE
SUB-T	▲ TRS1	/N1B	90M-TS001940R	90M-TS001940R	TRANSF.	! SUB SR5400(6400)/N1 CLT5I002ZE
SUB-T	▲ TRS1	/N1S	90M-TS001940R	90M-TS001940R	TRANSF.	! SUB SR5400(6400)/N1 CLT5I002ZE
SUB-T	TW91		00MYP04000760	00MYP04000760	CONN.	7.92MM(YUNHO) CJP02KA060ZY
<b>U-PRO &amp; TONE PWB (CUP11832-1)</b>						
U-PRO	BN34		nsp	nsp	CORD	CWZPM4001BN34

NOTE : "nsp" PART IS LISTED FOR REFERENCE ONLY, MARANTZ WILL NOT SUPPLY THESE PARTS.

P.C.B. NAME	POS. NO.	VERS. COLOR	PART NO. (FOR EUR)	PART NO. (MZ)	PART NAME	DESCRIPTION	
U-PRO	BN52		90M-YJ002930R	90M-YJ002930R	CONN.	7P STRAIGHT	KJP07HA37ZM
U-PRO	BN93		nsp	nsp	CORD		CWB2B905280EN
U-PRO	BN95		nsp	nsp	CORD		CWB2B910300EN
U-PRO	C501		nsp	00MOA10605020	ELECT CAP.	10UF 50V	CCEA1HH100T
U-PRO	C502		nsp	00MOA10605020	ELECT CAP.	10UF 50V	CCEA1HH100T
U-PRO	C503		nsp	nsp	CER. CAP.	100PF 50V K	HCBS1H101KBT
U-PRO	C504		nsp	nsp	CER. CAP.	100PF 50V K	HCBS1H101KBT
U-PRO	C505		nsp	00MOA22605020	ELECT CAP.	22UF 50V	CCEA1HH220T
U-PRO	C506		nsp	00MOA22605020	ELECT CAP.	22UF 50V	CCEA1HH220T
U-PRO	C507		nsp	00MOA47601640	ELECT CAP.	47UF 16V	CCEA1CH470T
U-PRO	C508		nsp	00MOA47601640	ELECT CAP.	47UF 16V	CCEA1CH470T
U-PRO	C509		nsp	nsp	CER. CAP.	33PF 50V J	HCBS1H330JT
U-PRO	C510		nsp	nsp	CER. CAP.	33PF 50V J	HCBS1H330JT
U-PRO	C511		nsp	00MOA47505020	ELECT CAP.	4.7UF 50V	CCEA1HH4R7T
U-PRO	C512		nsp	00MOA47505020	ELECT CAP.	4.7UF 50V	CCEA1HH4R7T
U-PRO	C513		nsp	nsp	FILM CAP.	0.033UF 50V J	HCQI1H333JZT
U-PRO	C514		nsp	nsp	FILM CAP.	0.033UF 50V J	HCQI1H333JZT
U-PRO	C515		nsp	nsp	FILM CAP.	0.015UF 50V J	HCQI1H153JZT
U-PRO	C516		nsp	nsp	FILM CAP.	0.015UF 50V J	HCQI1H153JZT
U-PRO	C517		nsp	nsp	CER. CAP.	220PF 50V K	HCBS1H221KBT
U-PRO	C518		nsp	nsp	CER. CAP.	220PF 50V K	HCBS1H221KBT
U-PRO	C530	/N1B	nsp	00MOA22701620	ELECT CAP.	220UF 16V RA-2	HCEA1CRA221T
U-PRO	C530	/N1S	nsp	00MOA22701620	ELECT CAP.	220UF 16V RA-2	HCEA1CRA221T
U-PRO	C531	/N1B	nsp	00MOA22701620	ELECT CAP.	220UF 16V RA-2	HCEA1CRA221T
U-PRO	C531	/N1S	nsp	00MOA22701620	ELECT CAP.	220UF 16V RA-2	HCEA1CRA221T
U-PRO	C541		nsp	00MOA22605020	ELECT CAP.	22UF 25V	CCEA1EH220T
U-PRO	C542		nsp	00MOA22605020	ELECT CAP.	22UF 25V	CCEA1EH220T
U-PRO	C548		nsp	nsp	CER. CAP.	100PF 50V K	HCBS1H101KBT
U-PRO	C549		nsp	nsp	CER. CAP.	100PF 50V K	HCBS1H101KBT
U-PRO	C601		nsp	nsp	CER. CAP.	0.01UF 50V Z	HCBS1H103ZFT
U-PRO	C602		nsp	nsp	CER. CAP.	0.01UF 50V Z	HCBS1H103ZFT
U-PRO	C606		nsp	00MOA10605020	ELECT CAP.	10UF 50V	CCEA1HH100T
U-PRO	C611		nsp	00MOA22701620	ELECT CAP.	220UF 16V	CCEA1CH221T
U-PRO	C612		nsp	nsp	CER. CAP.	0.01UF 50V Z	HCBS1H103ZFT
U-PRO	C613		nsp	00MOA22701620	ELECT CAP.	220UF 16V	CCEA1CH221T
U-PRO	C617		nsp	nsp	CER. CAP.	100PF 50V K	HCBS1H101KBT
U-PRO	C618		nsp	nsp	CER. CAP.	0.01UF 50V Z	HCBS1H103ZFT
U-PRO	C619		nsp	00MOA10605020	ELECT CAP.	10UF 50V	CCEA1HH100T
U-PRO	C620		nsp	nsp	CER. CAP.	0.01UF 50V Z	HCBS1H103ZFT
U-PRO	C621		nsp	nsp	CER. CAP.	0.01UF 50V Z	HCBS1H103ZFT
U-PRO	C622		nsp	00MOA22701620	ELECT CAP.	220UF 16V	CCEA1CH221T
U-PRO	C623		nsp	00MOA10605020	ELECT CAP.	10UF 50V	CCEA1HH100T
U-PRO	C625		nsp	nsp	CER. CAP.	33PF 50V JC	CCCT1H330JC
U-PRO	C626		nsp	nsp	CER. CAP.	33PF 50V JC	CCCT1H330JC
U-PRO	C627		nsp	nsp	CER. CAP.	0.01UF 50V Z	HCBS1H103ZFT
U-PRO	C681		nsp	00MOA22701620	ELECT CAP.	220UF 16V	CCEA1CH221T
U-PRO	C687		nsp	00MOA10605020	ELECT CAP.	10UF 50V	CCEA1HH100T
U-PRO	C688		nsp	00MOA10605020	ELECT CAP.	10UF 50V	CCEA1HH100T
U-PRO	C693		nsp	nsp	CER. CAP.	0.01UF 50V Z	HCBS1H103ZFT
U-PRO	C694		nsp	nsp	CER. CAP.	0.01UF 50V Z	HCBS1H103ZFT
U-PRO	C695		nsp	nsp	CER. CAP.	0.1UF 50V Z	HCBS1H104ZFT
U-PRO	D601		nsp	00MHD20015210	DIODE	1SS133T-77	HVD1SS133MT
U-PRO	D606		nsp	00MHD20015210	DIODE	1SS133T-77	HVD1SS133MT
U-PRO	D613		nsp	00MHD20015210	DIODE	1SS133T-77	HVD1SS133MT
U-PRO	D621		nsp	00MHD20015210	DIODE	1SS133T-77	HVD1SS133MT
U-PRO	D622		nsp	00MHD20015210	DIODE	1SS133T-77	HVD1SS133MT
U-PRO	D623		nsp	00MHD20015210	DIODE	1SS133T-77	HVD1SS133MT
U-PRO	D651		90M-HI101040R	90M-HI101040R	L.E.D.	SLR342VCTB7T089	HVD342VCTB7T089
U-PRO	D652		90M-HI101040R	90M-HI101040R	L.E.D.	SLR342VCTB7T089	HVD342VCTB7T089
U-PRO	D653		90M-HI101040R	90M-HI101040R	L.E.D.	SLR342VCTB7T089	HVD342VCTB7T089
U-PRO	D654		90M-HI101040R	90M-HI101040R	L.E.D.	SLR342VCTB7T089	HVD342VCTB7T089
U-PRO	D655		90M-HI101040R	90M-HI101040R	L.E.D.	SLR342VCTB7T089	HVD342VCTB7T089
U-PRO	D656		90M-HI101040R	90M-HI101040R	L.E.D.	SLR342VCTB7T089	HVD342VCTB7T089
U-PRO	D657		90M-HI101040R	90M-HI101040R	L.E.D.	SLR342VCTB7T089	HVD342VCTB7T089
U-PRO	D675		90M-HI101040R	90M-HI101040R	L.E.D.	SLR342VCTB7T089	HVD342VCTB7T089
U-PRO	IC52	/N1B	90M-HC109460R	90M-HC109460R	IC	NJM2114M	HVINJM2114M
U-PRO	IC52	/N1S	90M-HC109460R	90M-HC109460R	IC	NJM2114M	HVINJM2114M

NOTE : \*nsp\* PART IS LISTED FOR REFERENCE ONLY, MARANTZ WILL NOT SUPPLY THESE PARTS.

PM4001 OSE

P.C.B. NAME	POS. NO.	VERS. COLOR	PART NO. (FOR EUR)	PART NO. (MZ)	PART NAME	DESCRIPTION
U-PRO	IC53		00MHC10102090	00MHC10102090	IC	NJM2068MD-TE1 HVINJM2068MDTE1
U-PRO	IC54		00MHC10102090	00MHC10102090	IC	NJM2068MD-TE1 HVINJM2068MDTE1
U-PRO	IC55		00MHC10102090	00MHC10102090	IC	NJM2068MD-TE1 HVINJM2068MDTE1
U-PRO	IC61		90M-HS44BWM0R	90M-HS44BWM0R	U-PRO	M37531E4FP PM4001 HVIANAM1368A
U-PRO	J101		nsp	nsp	CORD	SN95/PB5, 0.6 C3A206
U-PRO	J102		nsp	nsp	CORD	SN95/PB5, 0.6 C3A206
U-PRO	J103		nsp	nsp	CORD	SN95/PB5, 0.6 C3A206
U-PRO	J104		nsp	nsp	CORD	SN95/PB5, 0.6 C3A206
U-PRO	J105		nsp	nsp	CORD	SN95/PB5, 0.6 C3A206
U-PRO	J106		nsp	nsp	CORD	SN95/PB5, 0.6 C3A206
U-PRO	J107		nsp	nsp	CORD	SN95/PB5, 0.6 C3A206
U-PRO	J108		nsp	nsp	CORD	SN95/PB5, 0.6 C3A206
U-PRO	J109		nsp	nsp	CORD	SN95/PB5, 0.6 C3A206
U-PRO	J110		nsp	nsp	CORD	SN95/PB5, 0.6 C3A206
U-PRO	J111		nsp	nsp	CORD	SN95/PB5, 0.6 C3A206
U-PRO	J112		nsp	nsp	CORD	SN95/PB5, 0.6 C3A206
U-PRO	J113		nsp	nsp	CORD	SN95/PB5, 0.6 C3A206
U-PRO	J114		nsp	nsp	CORD	SN95/PB5, 0.6 C3A206
U-PRO	J115		nsp	nsp	CORD	SN95/PB5, 0.6 C3A206
U-PRO	J201		nsp	nsp	CORD	SN95/PB5, 0.6 C3A206
U-PRO	J202		nsp	nsp	CORD	SN95/PB5, 0.6 C3A206
U-PRO	J203		nsp	nsp	CORD	SN95/PB5, 0.6 C3A206
U-PRO	J204		nsp	nsp	CORD	SN95/PB5, 0.6 C3A206
U-PRO	J205		nsp	nsp	CORD	SN95/PB5, 0.6 C3A206
U-PRO	J206		nsp	nsp	CORD	SN95/PB5, 0.6 C3A206
U-PRO	J207		nsp	nsp	CORD	SN95/PB5, 0.6 C3A206
U-PRO	J209		nsp	nsp	CORD	SN95/PB5, 0.6 C3A206
U-PRO	J210		nsp	nsp	CORD	SN95/PB5, 0.6 C3A206
U-PRO	J211		nsp	nsp	CORD	SN95/PB5, 0.6 C3A206
U-PRO	J212		nsp	nsp	CORD	SN95/PB5, 0.6 C3A206
U-PRO	J213		nsp	nsp	CORD	SN95/PB5, 0.6 C3A206
U-PRO	J214		nsp	nsp	CORD	SN95/PB5, 0.6 C3A206
U-PRO	J215		nsp	nsp	CORD	SN95/PB5, 0.6 C3A206
U-PRO	J216		nsp	nsp	CORD	SN95/PB5, 0.6 C3A206
U-PRO	J217		nsp	nsp	CORD	SN95/PB5, 0.6 C3A206
U-PRO	J218		nsp	nsp	CORD	SN95/PB5, 0.6 C3A206
U-PRO	J219		nsp	nsp	CORD	SN95/PB5, 0.6 C3A206
U-PRO	J220		nsp	nsp	CORD	SN95/PB5, 0.6 C3A206
U-PRO	J221		nsp	nsp	CORD	SN95/PB5, 0.6 C3A206
U-PRO	J222		nsp	nsp	CORD	SN95/PB5, 0.6 C3A206
U-PRO	J223		nsp	nsp	CORD	SN95/PB5, 0.6 C3A206
U-PRO	J224		nsp	nsp	CORD	SN95/PB5, 0.6 C3A206
U-PRO	J225		nsp	nsp	CORD	SN95/PB5, 0.6 C3A206
U-PRO	J301		nsp	nsp	CORD	SN95/PB5, 0.6 C3A206
U-PRO	J302		nsp	nsp	CORD	SN95/PB5, 0.6 C3A206
U-PRO	J304		nsp	nsp	CORD	SN95/PB5, 0.6 C3A206
U-PRO	J305		nsp	nsp	CORD	SN95/PB5, 0.6 C3A206
U-PRO	J307		nsp	nsp	CORD	SN95/PB5, 0.6 C3A206
U-PRO	J308		nsp	nsp	CORD	SN95/PB5, 0.6 C3A206
U-PRO	J309		nsp	nsp	CORD	SN95/PB5, 0.6 C3A206
U-PRO	J312		nsp	nsp	CORD	SN95/PB5, 0.6 C3A206
U-PRO	J313		nsp	nsp	CORD	SN95/PB5, 0.6 C3A206
U-PRO	J314		nsp	nsp	CORD	SN95/PB5, 0.6 C3A206
U-PRO	J315		nsp	nsp	CORD	SN95/PB5, 0.6 C3A206
U-PRO	J316		nsp	nsp	CORD	SN95/PB5, 0.6 C3A206
U-PRO	J317		nsp	nsp	CORD	SN95/PB5, 0.6 C3A206
U-PRO	J318		nsp	nsp	CORD	SN95/PB5, 0.6 C3A206
U-PRO	J319		nsp	nsp	CORD	SN95/PB5, 0.6 C3A206
U-PRO	J320		nsp	nsp	CORD	SN95/PB5, 0.6 C3A206
U-PRO	J321		nsp	nsp	CORD	SN95/PB5, 0.6 C3A206
U-PRO	J322		nsp	nsp	CORD	SN95/PB5, 0.6 C3A206
U-PRO	J323		nsp	nsp	CORD	SN95/PB5, 0.6 C3A206
U-PRO	J324		nsp	nsp	CORD	SN95/PB5, 0.6 C3A206
U-PRO	J325		nsp	nsp	CORD	SN95/PB5, 0.6 C3A206
U-PRO	J326		nsp	nsp	CORD	SN95/PB5, 0.6 C3A206
U-PRO	J401		nsp	nsp	CORD	SN95/PB5, 0.6 C3A206
U-PRO	J402		nsp	nsp	CORD	SN95/PB5, 0.6 C3A206

NOTE : "nsp" PART IS LISTED FOR REFERENCE ONLY, MARANTZ WILL NOT SUPPLY THESE PARTS.

## PM4001 OSE

P.C.B. NAME	POS. NO.	VERS. COLOR	PART NO. (FOR EUR)	PART NO. (MZ)	PART NAME	DESCRIPTION
U-PRO	J403		nsp	nsp	CORD	SN95/PB5, 0.6 C3A206
U-PRO	J404		nsp	nsp	CORD	SN95/PB5, 0.6 C3A206
U-PRO	J405		nsp	nsp	CORD	SN95/PB5, 0.6 C3A206
U-PRO	J406		nsp	nsp	CORD	SN95/PB5, 0.6 C3A206
U-PRO	J407		nsp	nsp	CORD	SN95/PB5, 0.6 C3A206
U-PRO	J408		nsp	nsp	CORD	SN95/PB5, 0.6 C3A206
U-PRO	J409		nsp	nsp	CORD	SN95/PB5, 0.6 C3A206
U-PRO	J410		nsp	nsp	CORD	SN95/PB5, 0.6 C3A206
U-PRO	J411		nsp	nsp	CORD	SN95/PB5, 0.6 C3A206
U-PRO	J412		nsp	nsp	CORD	SN95/PB5, 0.6 C3A206
U-PRO	J413		nsp	nsp	CORD	SN95/PB5, 0.6 C3A206
U-PRO	J502		nsp	nsp	CORD	SN95/PB5, 0.6 C3A206
U-PRO	J504		nsp	nsp	CORD	SN95/PB5, 0.6 C3A206
U-PRO	J505		nsp	nsp	CORD	SN95/PB5, 0.6 C3A206
U-PRO	J507		nsp	nsp	CORD	SN95/PB5, 0.6 C3A206
U-PRO	J508		nsp	nsp	CORD	SN95/PB5, 0.6 C3A206
U-PRO	J509		nsp	nsp	CORD	SN95/PB5, 0.6 C3A206
U-PRO	J510		nsp	nsp	CORD	SN95/PB5, 0.6 C3A206
U-PRO	J511		nsp	nsp	CORD	SN95/PB5, 0.6 C3A206
U-PRO	J512		nsp	nsp	CORD	SN95/PB5, 0.6 C3A206
U-PRO	J513		nsp	nsp	CORD	SN95/PB5, 0.6 C3A206
U-PRO	J514		nsp	nsp	CORD	SN95/PB5, 0.6 C3A206
U-PRO	J601		nsp	nsp	CORD	SN95/PB5, 0.6 C3A206
U-PRO	J602		nsp	nsp	CORD	SN95/PB5, 0.6 C3A206
U-PRO	J701		nsp	nsp	CORD	SN95/PB5, 0.6 C3A206
U-PRO	J702		nsp	nsp	CORD	SN95/PB5, 0.6 C3A206
U-PRO	JW61		nsp	nsp	CORD	WIRE ASSY CWZAMC660JW52
U-PRO	Q603		00MHT327851H0	00MHT327851H0	TRS.	KSC2785Y KVTKSC2785YT
U-PRO	Q604		00MHT327851H0	00MHT327851H0	TRS.	KSC2785Y KVTKSC2785YT
U-PRO	Q605		00MHT327851H0	00MHT327851H0	TRS.	KSC2785Y KVTKSC2785YT
U-PRO	Q613		90M-HT100390R	90M-HT100390R	TRS.	KSA1175Y KVTKSA1175YT
U-PRO	Q617		00MHT327851H0	00MHT327851H0	TRS.	KSC2785Y KVTKSC2785YT
U-PRO	Q631		90M-BA001450R	90M-BA001450R	TRS.	KRA107M HVTKRA107MT
U-PRO	Q634		90M-BA001450R	90M-BA001450R	TRS.	KRA107M HVTKRA107MT
U-PRO	Q635		90M-BA001450R	90M-BA001450R	TRS.	KRA107M HVTKRA107MT
U-PRO	Q636		90M-BA001450R	90M-BA001450R	TRS.	KRA107M HVTKRA107MT
U-PRO	Q683		90M-HT900080R	90M-HT900080R	TRS.	KSD1021Y HVTKSD1021YT
U-PRO	Q684		90M-HT900080R	90M-HT900080R	TRS.	KSD1021Y HVTKSD1021YT
U-PRO	Q687		90M-HT700060R	90M-HT700060R	TRS.	KSB811Y HVTKSB811YT
U-PRO	Q688		90M-HT700060R	90M-HT700060R	TRS.	KSB811Y HVTKSB811YT
U-PRO	Q689		90M-BA001460R	90M-BA001460R	TRS.	KRC107M HVTKRC107MT
U-PRO	Q691		90M-BA001460R	90M-BA001460R	TRS.	KRC107M HVTKRC107MT
U-PRO	R501		nsp	nsp	RES.	100K OHM 1/5W J CRD20TJ104T
U-PRO	R502		nsp	nsp	RES.	100K OHM 1/5W J CRD20TJ104T
U-PRO	R503		nsp	nsp	RES.	2.7K OHM 1/5W J CRD20TJ272T
U-PRO	R504		nsp	nsp	RES.	2.7K OHM 1/5W J CRD20TJ272T
U-PRO	R505		nsp	nsp	RES.	100 OHM 1/5W J CRD20TJ101T
U-PRO	R506		nsp	nsp	RES.	100 OHM 1/5W J CRD20TJ101T
U-PRO	R507		nsp	nsp	RES.	2.7K OHM 1/5W J CRD20TJ272T
U-PRO	R508		nsp	nsp	RES.	2.7K OHM 1/5W J CRD20TJ272T
U-PRO	R509		nsp	nsp	RES.	100K OHM 1/5W J CRD20TJ104T
U-PRO	R510		nsp	nsp	RES.	100K OHM 1/5W J CRD20TJ104T
U-PRO	R511		nsp	nsp	RES.	1K OHM 1/5W J CRD20TJ102T
U-PRO	R512		nsp	nsp	RES.	1K OHM 1/5W J CRD20TJ102T
U-PRO	R513		nsp	nsp	RES.	33K OHM 1/5W J CRD20TJ333T
U-PRO	R514		nsp	nsp	RES.	33K OHM 1/5W J CRD20TJ333T
U-PRO	R515		nsp	nsp	RES.	1.2K OHM 1/5W J CRD20TJ122T
U-PRO	R516		nsp	nsp	RES.	1.2K OHM 1/5W J CRD20TJ122T
U-PRO	R517		nsp	nsp	RES.	33K OHM 1/5W J CRD20TJ333T
U-PRO	R518		nsp	nsp	RES.	33K OHM 1/5W J CRD20TJ333T
U-PRO	R519		nsp	nsp	RES.	220 OHM 1/5W J CRD20TJ221T
U-PRO	R520		nsp	nsp	RES.	220 OHM 1/5W J CRD20TJ221T
U-PRO	R530		nsp	nsp	RES.	100 OHM 1/5W J CRD20TJ101T
U-PRO	R531		nsp	nsp	RES.	100 OHM 1/5W J CRD20TJ101T
U-PRO	R541		nsp	nsp	RES.	2.7K OHM 1/5W J CRD20TJ272T
U-PRO	R542		nsp	nsp	RES.	2.7K OHM 1/5W J CRD20TJ272T
U-PRO	R543		nsp	nsp	RES.	470 OHM 1/5W J CRD20TJ471T

NOTE : \*nsp\* PART IS LISTED FOR REFERENCE ONLY, MARANTZ WILL NOT SUPPLY THESE PARTS.

P.C.B. NAME	POS. NO.	VERS. COLOR	PART NO. (FOR EUR)	PART NO. (MZ)	PART NAME	DESCRIPTION
U-PRO	R544		nsp	nsp	RES.	470 OHM 1/5W J CRD20TJ471T
U-PRO	R545		nsp	nsp	RES.	100K OHM 1/5W J CRD20TJ104T
U-PRO	R546		nsp	nsp	RES.	100K OHM 1/5W J CRD20TJ104T
U-PRO	R601		nsp	nsp	RES.	22K OHM 1/5W J CRD20TJ223T
U-PRO	R602		nsp	nsp	RES.	10K OHM 1/5W J CRD20TJ103T
U-PRO	R603		nsp	nsp	RES.	22K OHM 1/5W J CRD20TJ223T
U-PRO	R604		nsp	nsp	RES.	4.7K OHM 1/5W J CRD20TJ472T
U-PRO	R605		nsp	nsp	RES.	2.2K OHM 1/5W J CRD20TJ222T
U-PRO	R606		nsp	nsp	RES.	100 OHM 1/5W J CRD20TJ101T
U-PRO	R607		nsp	nsp	RES.	47K OHM 1/5W J CRD20TJ473T
U-PRO	R608		nsp	nsp	RES.	22K OHM 1/5W J CRD20TJ223T
U-PRO	R611		nsp	nsp	RES.	100 OHM 1/5W J CRD20TJ101T
U-PRO	R612		nsp	nsp	RES.	100 OHM 1/5W J CRD20TJ101T
U-PRO	R613		nsp	nsp	RES.	10K OHM 1/5W J CRD20TJ103T
U-PRO	R614		nsp	nsp	RES.	10K OHM 1/5W J CRD20TJ103T
U-PRO	R615		nsp	nsp	RES.	47K OHM 1/5W J CRD20TJ473T
U-PRO	R617		nsp	nsp	RES.	22K OHM 1/5W J CRD20TJ223T
U-PRO	R618		nsp	nsp	RES.	10 OHM 1/5W J CRD20TJ100T
U-PRO	R619		nsp	nsp	RES.	10K OHM 1/5W J CRD20TJ103T
U-PRO	R620		nsp	nsp	RES.	10 OHM 1/5W J CRD20TJ100T
U-PRO	R621		nsp	nsp	RES.	470K OHM 1/5W J CRD20TJ474T
U-PRO	R622		nsp	nsp	RES.	100 OHM 1/5W J CRD20TJ101T
U-PRO	R623		nsp	nsp	RES.	22K OHM 1/5W J CRD20TJ223T
U-PRO	R624		nsp	nsp	RES.	22K OHM 1/5W J CRD20TJ223T
U-PRO	R625		nsp	nsp	RES.	22K OHM 1/5W J CRD20TJ223T
U-PRO	R626		nsp	nsp	RES.	22K OHM 1/5W J CRD20TJ223T
U-PRO	R635		nsp	nsp	RES.	4.7K OHM 1/5W J CRD20TJ472T
U-PRO	R636		nsp	nsp	RES.	4.7K OHM 1/5W J CRD20TJ472T
U-PRO	R637		nsp	nsp	RES.	4.7K OHM 1/5W J CRD20TJ472T
U-PRO	R651		nsp	nsp	RES.	470K OHM 1/5W J CRD20TJ474T
U-PRO	R652		nsp	nsp	RES.	470K OHM 1/5W J CRD20TJ474T
U-PRO	R653		nsp	nsp	RES.	470K OHM 1/5W J CRD20TJ474T
U-PRO	R654		nsp	nsp	RES.	470K OHM 1/5W J CRD20TJ474T
U-PRO	R655		nsp	nsp	RES.	470K OHM 1/5W J CRD20TJ474T
U-PRO	R656		nsp	nsp	RES.	470K OHM 1/5W J CRD20TJ474T
U-PRO	R657		nsp	nsp	RES.	470K OHM 1/5W J CRD20TJ474T
U-PRO	R658		nsp	nsp	RES.	390 OHM 1/5W J CRD20TJ391T
U-PRO	R659		nsp	nsp	RES.	390 OHM 1/5W J CRD20TJ391T
U-PRO	R660		nsp	nsp	RES.	10K OHM 1/5W J CRD20TJ103T
U-PRO	R675		nsp	nsp	RES.	560 OHM 1/5W J CRD20TJ561T
U-PRO	R681		nsp	nsp	RES.	10 OHM 1/5W J CRD20TJ100T
U-PRO	R683		nsp	nsp	RES.	4.7K OHM 1/5W J CRD20TJ472T
U-PRO	R684		nsp	nsp	RES.	4.7K OHM 1/5W J CRD20TJ472T
U-PRO	R685		nsp	nsp	RES.	47K OHM 1/5W J CRD20TJ473T
U-PRO	R686		nsp	nsp	RES.	47K OHM 1/5W J CRD20TJ473T
U-PRO	R687		nsp	nsp	RES.	4.7K OHM 1/5W J CRD20TJ472T
U-PRO	R688		nsp	nsp	RES.	4.7K OHM 1/5W J CRD20TJ472T
U-PRO	R689		nsp	nsp	RES.	7.5K OHM 1/5W J CRD20TJ752T
U-PRO	R690		nsp	nsp	RES.	5.6K OHM 1/5W J CRD20TJ562T
U-PRO	R693		nsp	nsp	RES.	3.3K OHM 1/5W J CRD20TJ332T
U-PRO	R694		nsp	nsp	RES.	2.7K OHM 1/5W J CRD20TJ272T
U-PRO	R695		nsp	nsp	RES.	1.8K OHM 1/5W J CRD20TJ182T
U-PRO	R696		nsp	nsp	RES.	1.5K OHM 1/5W J CRD20TJ152T
U-PRO	R697		nsp	nsp	RES.	1K OHM 1/5W J CRD20TJ102T
U-PRO	R703		nsp	nsp	RES.	5.6K OHM 1/5W J CRD20TJ562T
U-PRO	RC61		00MHW10004210	00MHW10004210	PHOTO UNIT	RPM6936-V4 BRVRPM6936V4
U-PRO	SW31		90M-SR000290R	90M-SR000290R	ROTARY SW	CSR2A034Z
U-PRO	VR51		90M-RB000060R	90M-RB000060R	VAR. RES.	RES, VARIABLE(BALANCE) CVV2X11M203Z
U-PRO	VR54		90M-RB000050R	90M-RB000050R	VAR. RES.	RES, VARIABLE(TONE) CVV2X10B103Z
U-PRO	VR55		90M-RB000050R	90M-RB000050R	VAR. RES.	RES, VARIABLE(TONE) CVV2X10B103Z
U-PRO	VR65		90M-SR000250R	90M-SR000250R	ROTARY SW	SRBV18 HSR8A004Z
U-PRO	X621		90M-JX001030R	90M-JX001030R	X'TAL	8MHZ HOX08000E160C

NOTE : \*nsp\* PART IS LISTED FOR REFERENCE ONLY, MARANTZ WILL NOT SUPPLY THESE PARTS.