

Service Manual

74 PM52/00B/01B/02B
/02G/05B/07B

Integrated amplifier

This service manual explains them by extracting the different specifications from those of the model PM-50, based on the model PM-50. For both electrical and mechanical information on the after-sales service which is not stated, all information is described in the model PM-50 service manual (Codenummer 4822 725 50885).

The dispatch of the parts for after-sales service has to be referred to this service manual, with the first priority.

For this reason, please use this service manual with referring to the model PM-50 service manual, without fail.

1480

marantz®

model PM-52

First issue;1991
4822 725 50944

MZ 2892

MARANTZ DESIGN AND SERVICE

Using superior design and selected high grade components, MARANTZ company has created the ultimate in stereo sound. Only **original MARANTZ parts** can insure that your MARANTZ product will continue to perform to the specifications for which it is famous.

Parts for your MARANTZ equipment are generally available at our National Marantz Subsidiary or Agent.

MARANTZ EUROPE B.V.
P.O. Box 80002
Building SFF 2
5600 JB Eindhoven
The Netherlands
Phone : +31-40-732241
Fax : +31-40-735578

ORDERING PARTS

Parts can be ordered either by mail or by telex. In both cases, the correct part number has to be specified. The following information must be supplied to eliminate delays in processing your order:

1. Complete address
2. Complete part numbers and quantities required
3. Description of parts
4. Model number for which the part is required
5. Way of shipment
6. Signature: any order form or telex must be signed, otherwise such part order will be considered as null and void.

ADDRESSES

AUSTRIA
MARANTZ
Hietzinger Kai 137a
1130 Wien
Austria

FRANCE
MARANTZ FRANCE
4 Rue Bernard Palissy
92600 Asnières
France

ITALY
MARANTZ ITALIANA SPA
Piazza IV Novembre 3
20124 Milano
Italy

NORWAY
MARANTZ
Postboks 7034
Assiden
3007 Drammen
Norway

SPAIN
MARANTZ SPAIN
Martinez Villergas 2
Apartado 2065
Madrid 28027
Spain

BELGIUM
MARANTZ EUROPE B.V.
Div. Benelux
P.O.Box 80002
Building SFF 2
5600 JB Eindhoven
The Netherlands

GERMANY
MARANTZ GERMANY GmbH
Alexanderstrasse 1
2000 Hamburg
Germany

JAPAN
MARANTZ JAPAN INC.
35-1, 7-chome, Sagamiono
Sagamihara-shi, Kanagawa
Japan

PORTUGAL
COREL
Av. da Liberdade
211-2 Esq.
1200 Lisboa
Portugal

SWEDEN
MARANTZ
Box 1324
17125 Solna
Sweden

CHILE
MARANTZ DIVISION OF
PHILIPS S.A.
Av.Santa Maria 0760
Casilla 2687
Santiago
Chile

GREAT BRITAIN
MARANTZ HiFi UK Ltd.
Kingsbridge House
Padbury Oaks
575-583 Bath Road
Longford Middlesex UB7 0EH,
U.K.

KUWAIT
AL ALAMIAH ELECTRONICS
P.O.Box 8196
Salmiah
22052 Kuwait

SAUDI ARABIA
AL ALAMIAH ELECTRONICS
P.O.Box 5954
University Street
Riyadh 11432
Saudi Arabia

SWITZERLAND
MARANTZ SWITZERLAND
Postfach
8010 Zürich
Switzerland

DENMARK
MARANTZ
Horsvinget 5
2630 Tastrup
Denmark

GREECE
ADAMCO ELECTR. SA
P.O.Box 21025
Hippocrates Str. 188
Athens 11471
Greece

NETHERLANDS
MARANTZ EUROPE B.V.
Div. Benelux
P.O.Box 80002
Building SFF 2
5600 JB Eindhoven
The Netherlands

SOUTH AFRICA
MARANTZ S.A.
10 Bond Street
Randburg 2194
P.O. Box 7703
Johannesburg 2000
South Africa

TRADING
MARANTZ TRADING
P.O.Box 20008
Building SFF 2
5600 JB Eindhoven
The Netherlands

FINLAND
MARANTZ
Kuortanegatan 1
00520
Helsingfors 52
Finland

All of the above locations are fully equipped to take care of your total service needs or can advise you. Because various countries have differing configuration requirements, it is necessary that you contact the service facility in your particular country. In the event that there is no service location listed for your country, please contact the nearest facility for the necessary assistance.

In case of difficulties, do not hesitate to contact the Technical Department at above mentioned address.

Different Parts between model PM-50 and PM-52

PAGE	REF. DESIG.	PM-50	PM-52	DESCRIPTION	
13	001B	4822 425 40173	4822 447 50147	Front Panel Assembly (BLK) /00B/01B/02B/05B/07B	
	011B	4822 425 40174	4822 447 50148	Front Panel Assembly (GLD) /02G	
		4822 413 41582	4822 413 31582	Knob, Selector (GLD) /02G	
	001T	4822 736 20422	4822 736 21152	User Manual	
	▲ F001 ▲ F002 ▲ J021	4822 253 30027 4822 253 30191 4822 264 30266	4822 253 30191 4822 070 33152 4822 267 40663	Fuse, T1.6A 250V /01B Fuse, T3.15A 250V /01B Jack, AC Outlet /01B	
16	JW01	4822 267 31126	4822 267 31274	Jack, Headphone (BLK) /00B/01B/02B/05B/07B	
		4822 267 31119	4822 267 31365	Jack, Headphone (GLD) /02G	
17	▲ R707	—	4822 116 81748	330Ω ±2% 1/4W, Fusible /02B/02G/05B	
	▲ R708	—	4822 116 81748	330Ω ±2% 1/4W, Fusible /02B/02G/05B	
17	LV01	4822 280 20195	4822 280 20464	Relay	
	▲ C703	4822 121 51008	4822 121 51008	Film 10μF 50V /00B/01B/05B/07B	
	▲ C704	4822 121 51008	4822 121 51008	Film 10μF 50V /00B/01B/05B/07B	
	▲ R733	4822 116 60342	—		
	▲ R734	4822 116 60342	—		
	▲ R735	4822 116 52348	—		
	▲ R736	4822 116 52348	—		
	▲ RN17	4822 116 80648	4822 116 80648	330Ω 10μF 3W, Metal /00B/01B/07B	
	▲ RN22	—	4822 116 60338	4822 116 60338	150Ω 10μF 2W /02B/02G/05B
			4822 116 60447	4822 116 60447	180Ω 10μF 1/2W /02B/02G/05B
18	J701	4822 290 60837	4822 290 60837	Terminal, Speaker /00B/01B/05B/07B	
	J702	4822 290 60836	4822 290 60841	Terminal, Speaker /02B/02G	
			4822 290 60836	Terminal, Speaker /00B/01B/05B/07B	
	▲ R801	4822 116 52976	4822 290 60839	Terminal, Speaker /02B	
			4822 050 21008	1Ω ±5% 1/4W /00B/01B/07B	
	▲ R803	4822 116 53479	4822 050 22209	22Ω ±5% 1/4W /00B/01B/07B	
	▲ R805	4822 116 52976	4822 050 21008	1Ω ±5% 1/4W /00B/01B/07B	
	▲ R806	4822 116 53479	4822 050 22209	22Ω ±5% 1/4W /00B/01B/07B	
	▲ C853	4822 124 23081	4822 124 23762	Elect Cap. 8200μF 56V	
	▲ C854	4822 124 23081	4822 124 23762	Elect Cap. 8200μF 56V	
	▲ C855	—	4822 122 30043	Ceramic 0.01μF +80% -20% /02B	
	▲ C856	—	4822 122 30043	Ceramic 0.01μF +80% -20% /02B	
	Q707	4822 130 60525	—		
	Q708	4822 130 60525	—		
	Q709	4822 130 60524	—		
	Q710	4822 130 60524	—		
	Q711	4822 130 60116	4822 130 62738	Transistor 2SD2276 (P, Q)	
	Q712	4822 130 60116	4822 130 62738	Transistor 2SD2276 (P, Q)	
Q713	4822 130 60109	4822 130 62737	Transistor 2SB1503 (P, Q)		
Q714	4822 130 60109	4822 130 62737	Transistor 2SB1503 (P, Q)		

IDLING CURRENT ADJUSTMENT

- (1) Before switching the power ON, set the Master Volume control to the minimum position and the Balance and Tone controls to the center positions. Also set semi-fixed resistors R719 (L CH) and R720 (R CH) on PCB P701 to the center positions.
- (2) Each of the cement resistors R743 (L CH) and R744 (R CH) on the PCB P701 is provided with three test points. Connect a digital voltmeter, set for the DC voltage input, to the test points at the two extremities of the three test points of R743 or R744
- (3) After the setup above, switch the power ON and adjust semi-fixed resistor R719 (L CH) or R720 (R CH) on PCB P701 according to the digital voltmeter reading. The target setting value is 8 mV (22 mA) for both the L CH and R CH.

Please refer to the table below.

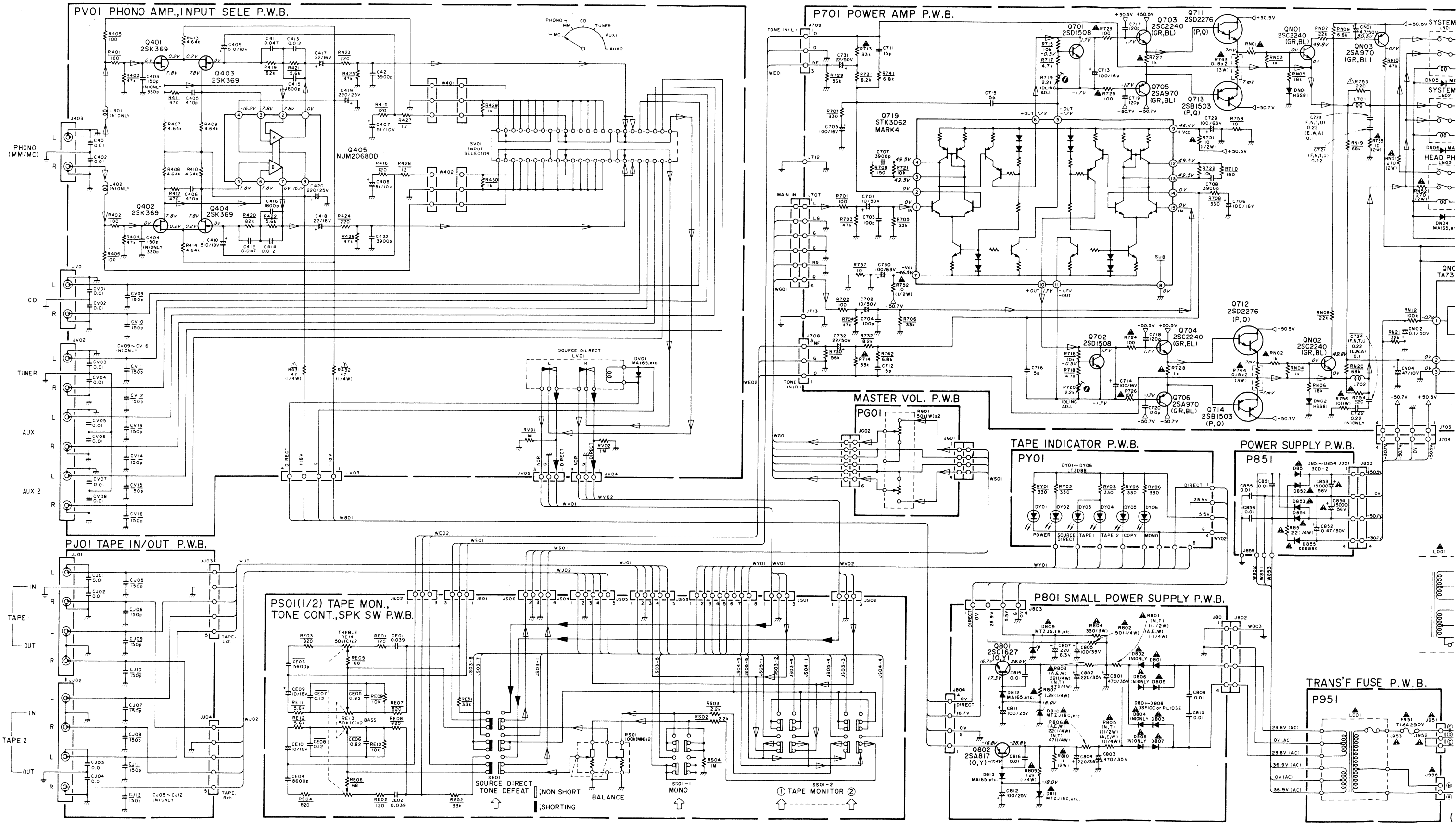
Elapsed time after power ON	Idling current setting value
30 sec. – 1 min.	7.5 mV
1 min. – 2 min.	8 mV
2 min. – 4 min.	8 mV
More than 4 min.	8 mV

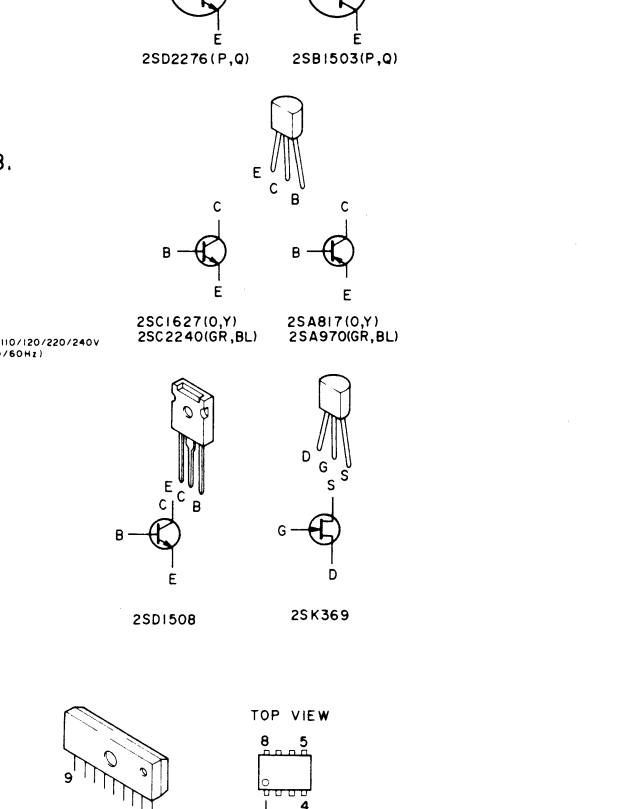
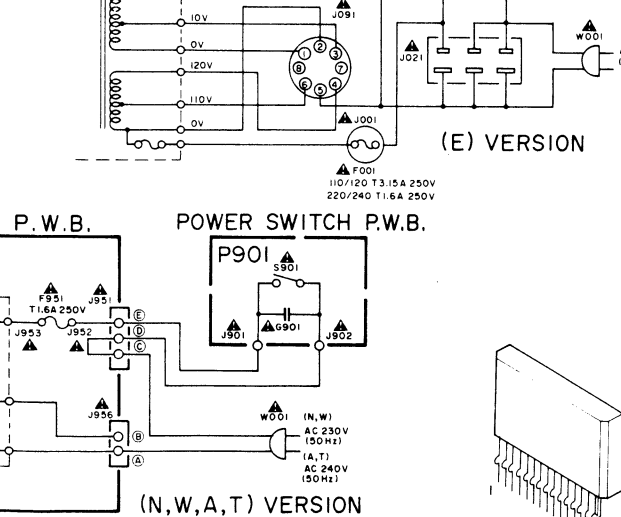
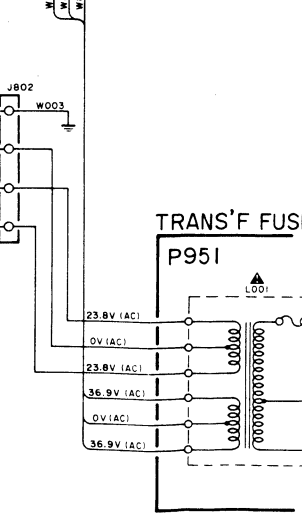
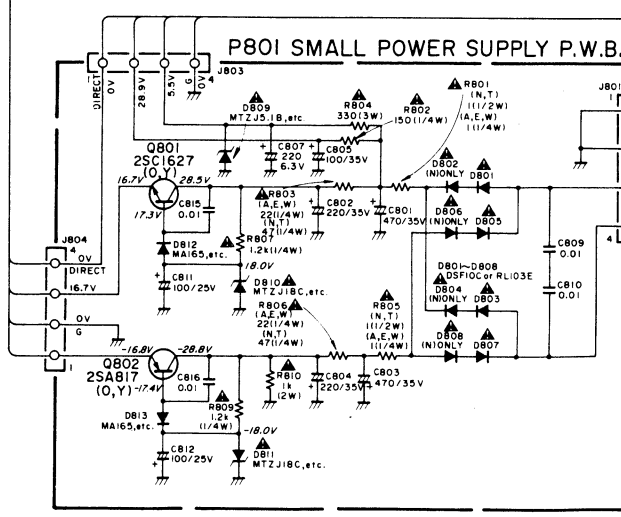
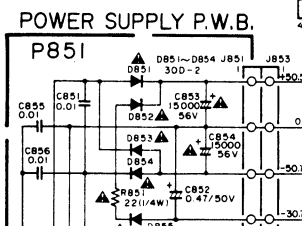
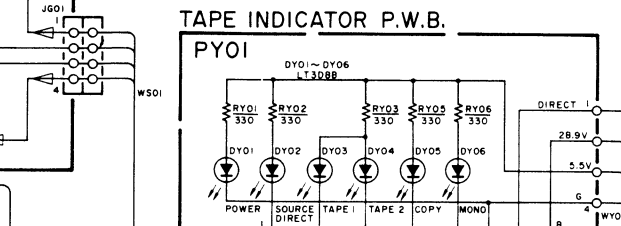
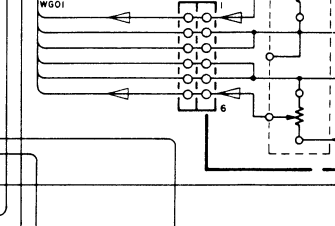
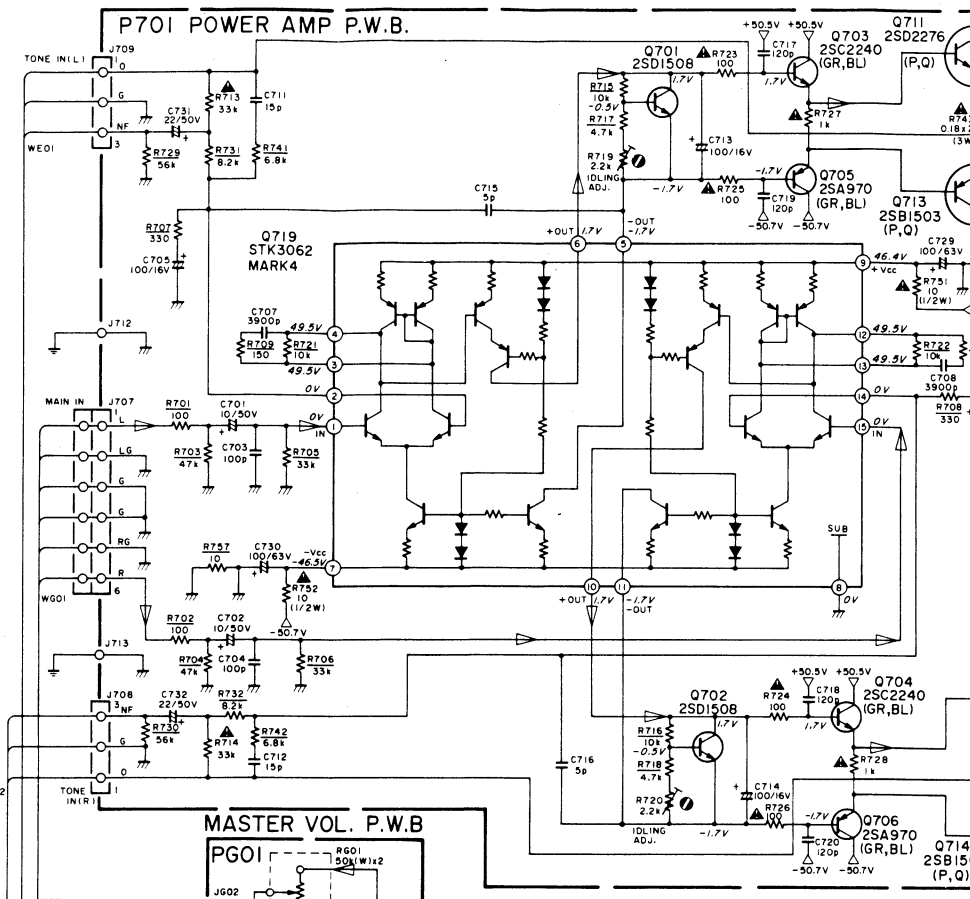
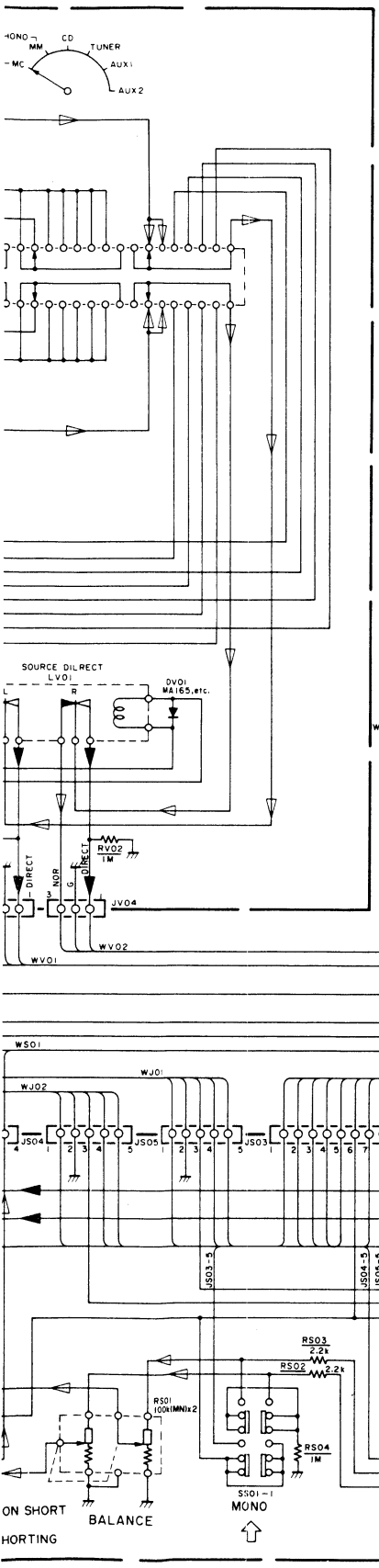
Note on Safety:

Symbol ▲ Fire or electrical shock hazard. Only original parts should be used to replace any part marked with symbol ▲. Any other component substitution (other than original type), may increase risk of fire or electrical shock hazard.

PM-52 SCHEMATIC DIAGRAM

606





NOTE
 ————▶ NORMAL SIGNAL
 ————▶ SOURCE DIRECT SIGNAL

MARA 00480

SERVICE
MANUAL

PM-50

4822 725 50885



marantz®

model PM-50

Integrated Amplifier

MARANTZ DESIGN AND SERVICE

Using superior design and selected high grade components, MARANTZ company has created the ultimate in stereo sound.

Only **original MARANTZ parts** can insure that your MARANTZ product will continue to perform to the specifications for which it is famous.

Parts for your MARANTZ equipment are generally available to our National Marantz Subsidiary or Agent.

ORDERING PARTS:

Parts can be ordered either by mail or by telex. In both cases, correct part number has to be specified. The following information must be supplied to eliminate delays in processing your order:

1. Complete address
2. Complete part numbers and quantities required
3. Description of parts
4. Model number for which part is required
5. Way of shipment
6. Signature: any order form or telex must be signed otherwise such part order will be considered as null and void.

PARTS ORDERING

Parts may be ordered at the following addresses:

AUSTRIA
HORNYPHON
Vertriebsgesellschaft GmbH
Wienerbergstrasse 1
A 1101 Wien
Austria
Telex: 132.332

FINLAND
MARANTZ
DIVISION OF OY PHILIPS Ab
Kaivokatu 8
00100 Helsinki
Finland
Telex: 124811

GREAT BRITAIN
MARANTZ AUDIO U.K. Ltd
Unit 15/16
Saxon Way Industrial Estate
Moor Lane
Harmondsworth UB7 OLW
Great Britain
Telex: 935196

SAUDI ARABIA
AL ALAMIAH ELECTRONICS
P.O.Box 5954
University Street
Riyadh 11432
Saudi Arabia
Telex: 401530

SWITZERLAND
DYNAVOX ELECTRONICS
Route de Villars 105
1701 Fribourg
Switzerland
Telex: 942377

BELGIUM
SVD DIVISION MARANTZ
Industrialaan 1
1720 Groot-Bijgaarden
Belgium
Telex: 24466

FRANCE
MARANTZ FRANCE
4 Rue Bernard Palissy
92600 Asnières
France
Telex: 611651

GREECE
SHERTON ELECTRONICS S.A.
P.O.Box 21025
Hippocrates Street 188
Athens 11471
Greece
Telex: 216.795

SOUTH AFRICA
MARANTZ
DIVISION OF PHILIPS S.A.
Main Road Martindale
P.O. Box. 58088
Newville 21114
South Africa

TURKEY
DOGRUOL Ltd.
I.M.C.
6 Blok N°6310
Unkapani
Istanbul
Turkey
Telex: 22085

CHILE
MARANTZ
DIVISION OF PHILIPS S.A.
AV. Santa Maria, 0760
Casilla 2687
Santiago
Telex: 240.239

GERMANY
MARANTZ GERMANY GmbH
Max-Planck-Strasse 22
6072 Dreieich 1
Germany
Telex: 529821

JAPAN
MARANTZ JAPAN, Inc.
35-1, 7-chome, Sagamiono
Sagamihara-shi, Kanagawa
Japan

SPAIN
PHONO S.A.
Ignacio Iglesias 10
Badalona (Barcelona)
Spain
Telex: 59355

MALTA
CACHIA & GALEA
Republic Street, 68D
Valetta
Telex: 1682

DENMARK
MARANTZ
DIVISION OF PHILIPS
SERVICE A/S
Prags Boulevard 80
Postbox 1919
DK-2300 København S
Denmark
Telex: 31201

THE NETHERLANDS
Elpro Marantz
Wint Hontlaan 28
3526 KV Utrecht
The Netherlands
Telex: 4748

KUWAIT
AL ALAMIAH ELECTRONICS
Ussama Building
Fahd al Saleem Street
P.O.Box 23781
Safat-Kuwait
Telex: 22694

SWEDEN
MARANTZ
DIVISION OF PHILIPS
Försäljning AB
Tegeluddsvägen 1
S-115 84 Stockholm
Sweden
Telex: 14060

PORTUGAL
MARANTZ
Divisao philips S.A. service
Ourelora-carnaxide
2795 LinDA-A-VELHA
Telex: 43906

NORWAY
MARANTZ
DIVISION OF PHILIPS A/S
Sandstuveien 40
0680 Oslo 6
Norway
Telex: 72640

ITALY
MARANTZ ITALIANA S.P.A.
Via Chiese, 74
20126 Milano
Italy

All of the above locations are fully equipped to take care of your total service needs. Because various countries have differing configuration requirements, it is necessary that you contact the service facility in your particular country. In the event that there is no service location listed for your country, please, contact the nearest facility for the necessary assistance.

In case of difficulties, do not hesitate to contact the Technical Department at abovementioned address.

MARANTZ INTERNATIONAL
Vestdijk 9
5600 MD Eindhoven
The Netherlands
Phone: +31/40.758290
Telefax: +31/40.75.82.99
Telex: 35000 PHTC NL routing IND NLMTFAT

MODEL PM-50 INTEGRATED AMPLIFIER

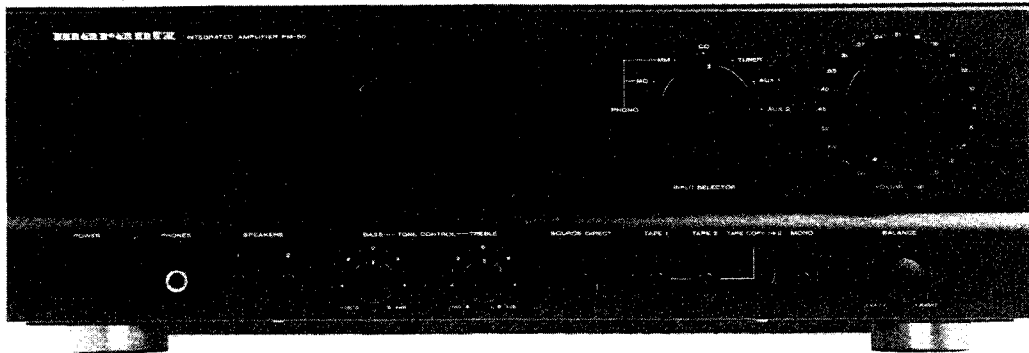


TABLE OF CONTENTS

Section	Page
1. BLOCK DIAGRAM	4
2. SCHEMATIC DIAGRAM	5
3. PARTS LOCATIONS (Pattern Side)	8
4. EXPLODED VIEW AND PARTS LIST	12
5. IDLING CURRENT ADJUSTMENT	14
6. HOW TO CHANGE THE SUPPLY VOLTAGE (A/N/T/W Version)	14
7. TEST EQUIPMENT REQUIRED FOR SERVICING	15
8. VOLTAGE CONVERSION	15
9. ELECTRICAL PARTS LIST	16

TECHNICAL SPECIFICATIONS (DIN)

Power Amplifier Section

IHF Dynamic Power		
2 ohms		: 240W
4 ohms		: 150W
8 ohms		: 95W
Power Output Per Channel		
DIN 4 ohms	1 kHz 1% THD	: 120W
RMS 4 ohms	1 kHz 0.06% THD	: 105W
DIN 8 ohms	1 kHz 1% THD	: 75W
RMS 8 ohms	1 kHz 0.06% THD	: 70W
FTC 4 ohms	20–20 kHz 0.06% THD	: 95W
FTC 8 ohms	20–20 kHz 0.03% THD	: 70W
Total Harmonic Distortion at 8 ohms		: 0.008%
I.M. Distortion at 8 ohms		: 0.008%
Damping Factor		: 100
Slew Rate		: 70 V/ μ s

Phono Amplifier Section

MM Cartridge Input		
Frequency Difference		: \pm 0.5 dB
Signal to Noise Ratio (A weighted)		: 86 dB
Input Sensitivity		: 2.5 mm
Input Impedance		: 47k Ohms
MC Cartridge Input		
Input Sensitivity		: 0.25 mV
Input Impedance		: 100 Ohms

Hight Level Section

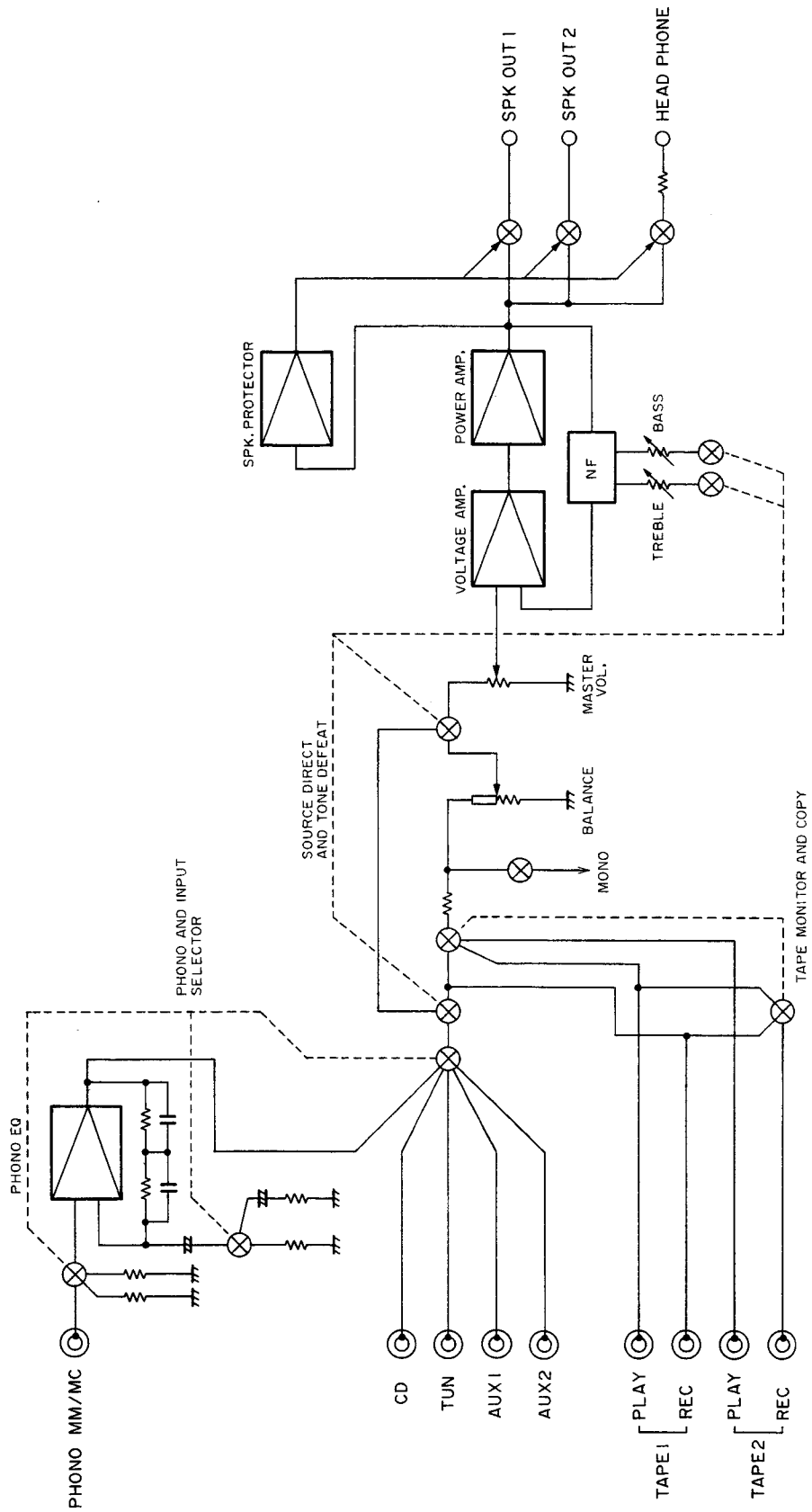
Frequency Response		: 10–70 kHz
Signal to Noise Ratio (A weighted)		: 86 dB
Input Sensitivity		: 150 mV
Input Impedance		: 33k Ohms
Tape Output Level [Phono (MM) 5 mV 1 kHz Input]		: 300 mV
Tape Output Impedance (Phono)		: 220 Ohms
Tone Control Action	100 Hz	: \pm 6 dB
	10 kHz	: \pm 6 dB
Channel Separation	(CD Input at 1 kHz)	: 75 dB
	(CD Input at 10 kHz)	: 65 dB

General

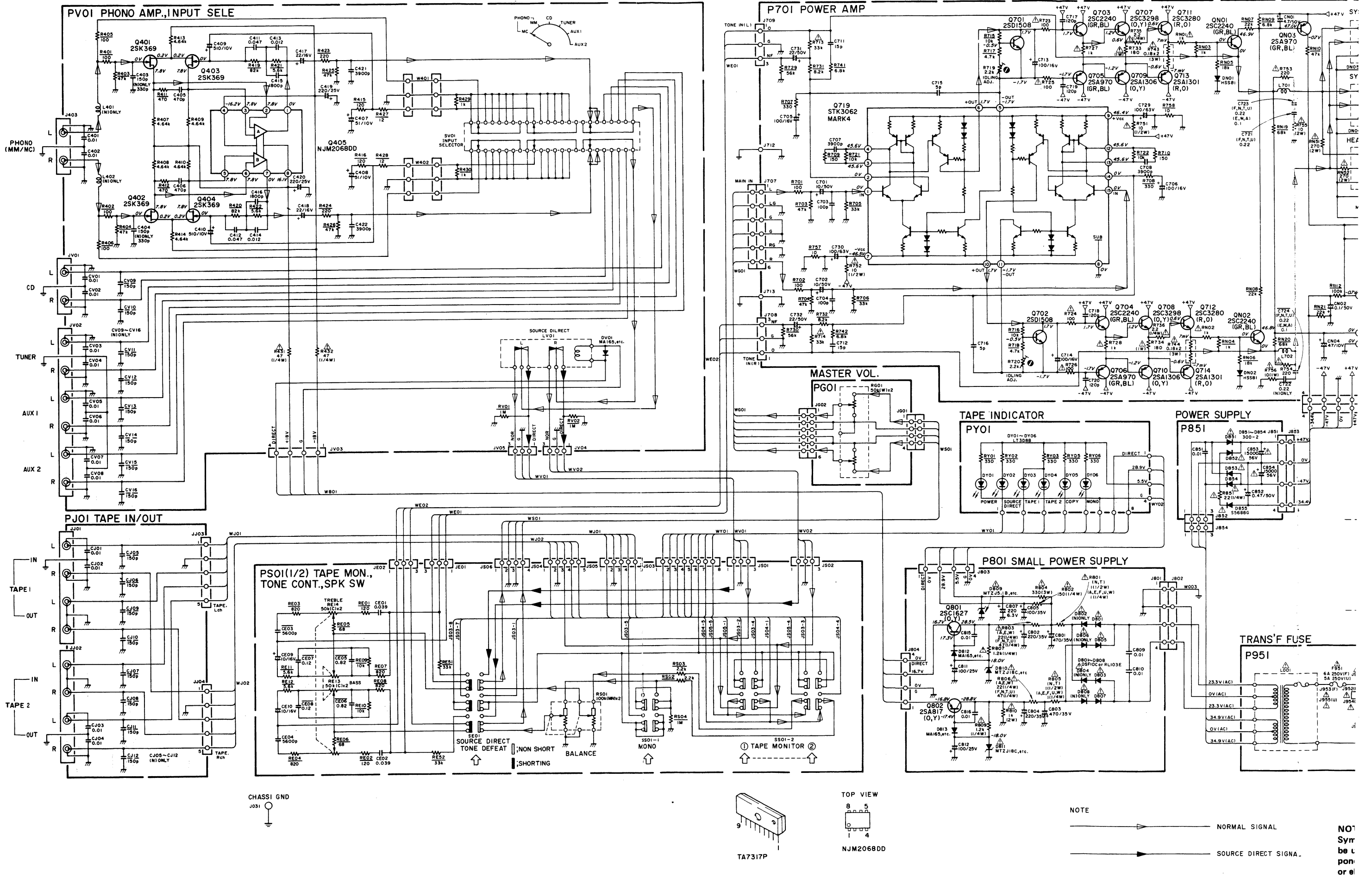
Power Requirements		
2 Voltage version		: 220V/240V
4 Voltage version		: 110V–240V
Power Consumption (Rated Power)		
AB Class Moode		: 300W
A Class Moode		: –
Dimensions		
Panel Width		: 420 mm
Panel Height		: 132 mm
Depth		: 334 mm
Weight		
Unit alone		: 10 kg

Specifications and appearance are subject to change for modification without notice.

1. BLOCK DIAGRAM

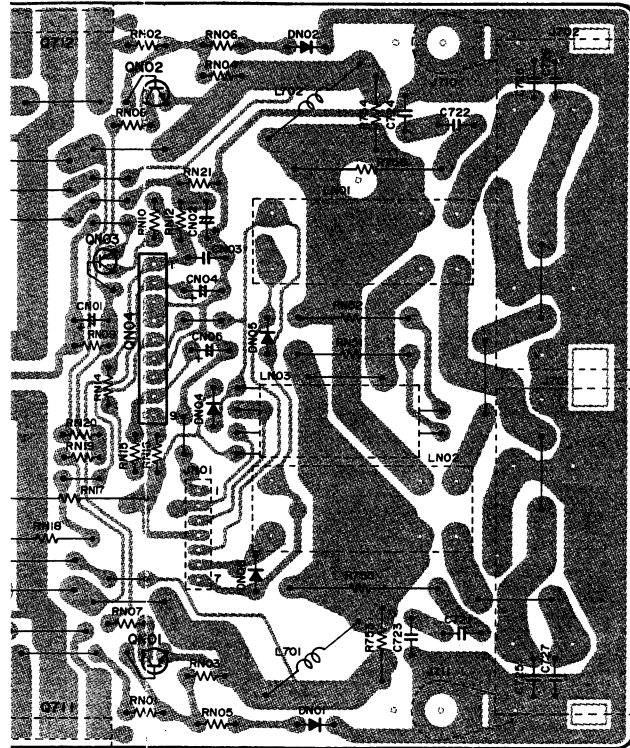


2. SCHEMATIC DIAGRAM

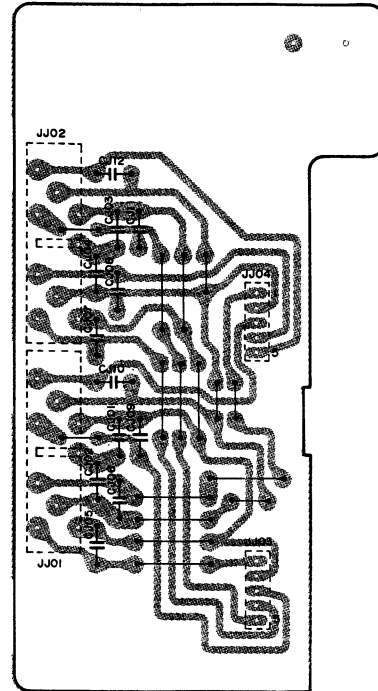


NO
Sym
be
u
pon
or
el

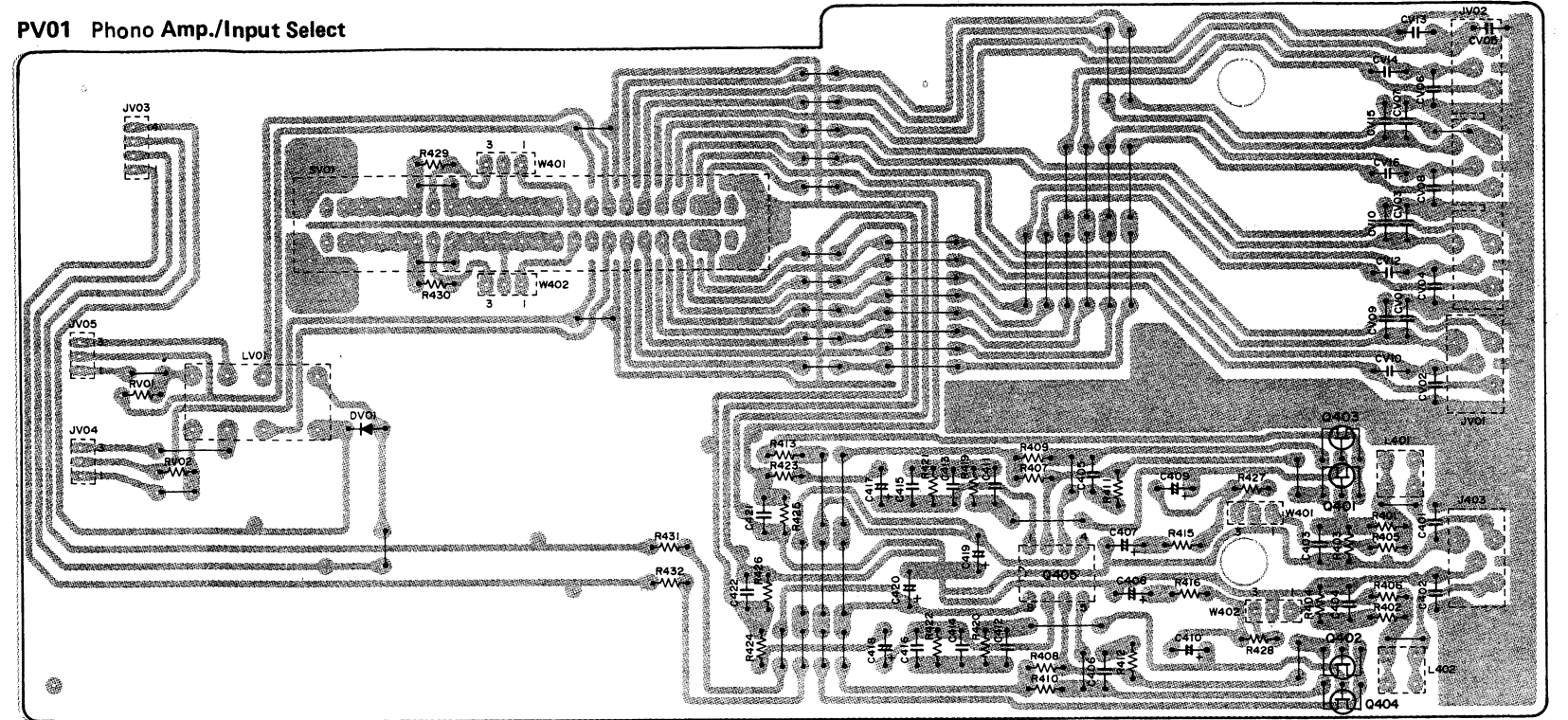
Q711 Q712 QN03 QN02 QN04 QN01



PJ01 Tape IN/OUT

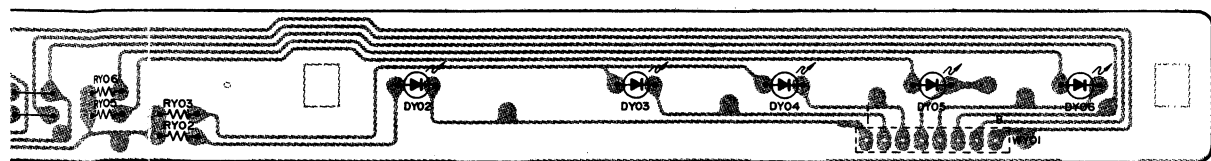
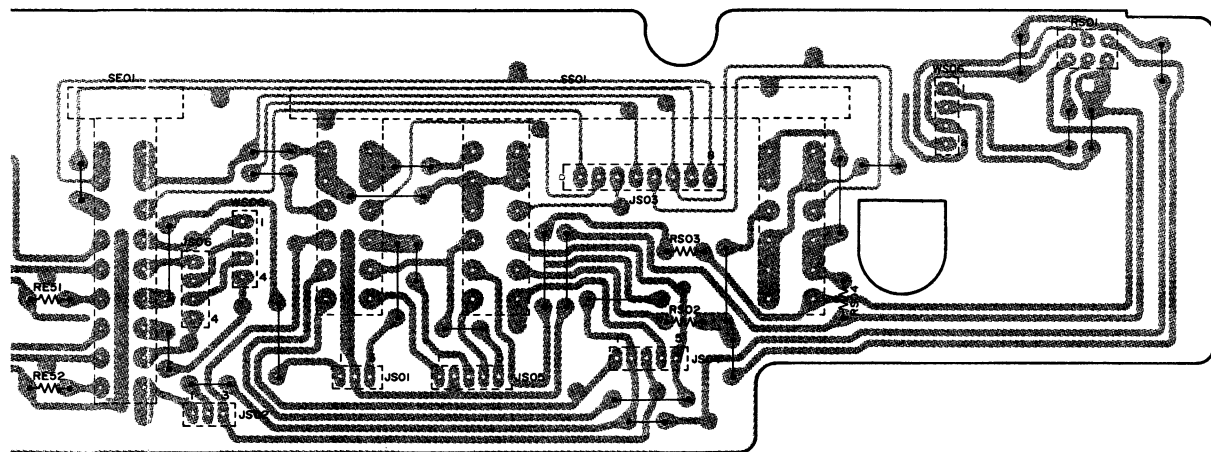


PV01 Phono Amp./Input Select

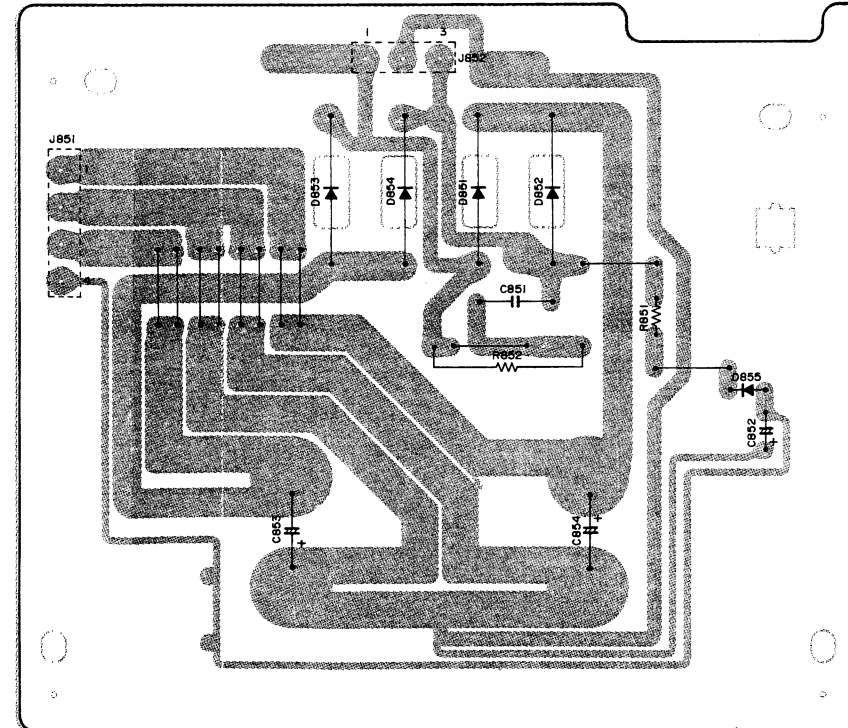


Q405

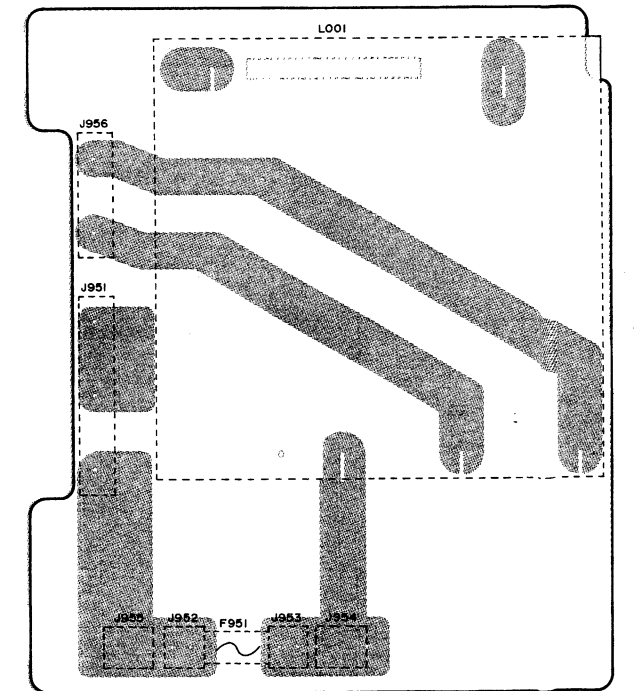
Q401~Q404



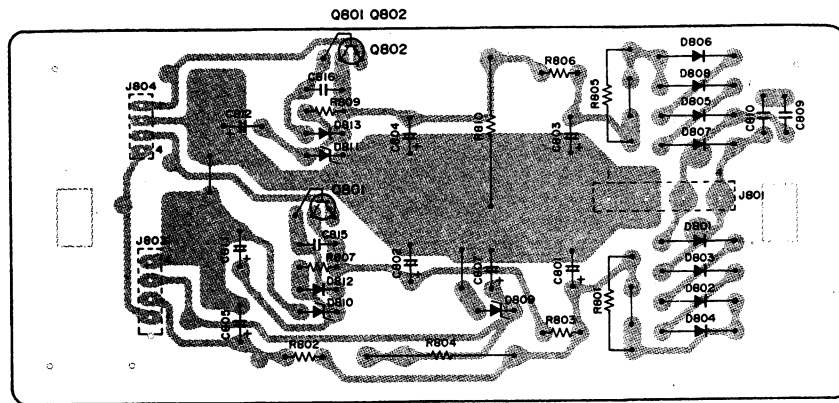
P851 Power Supply



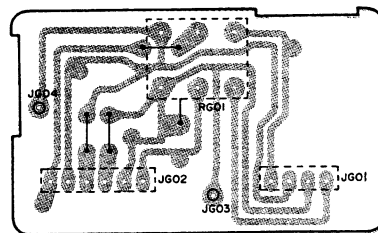
P951 Transformer/Fuse



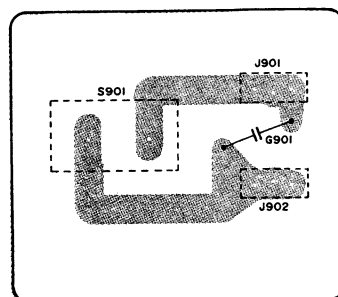
P801 Small Power Supply



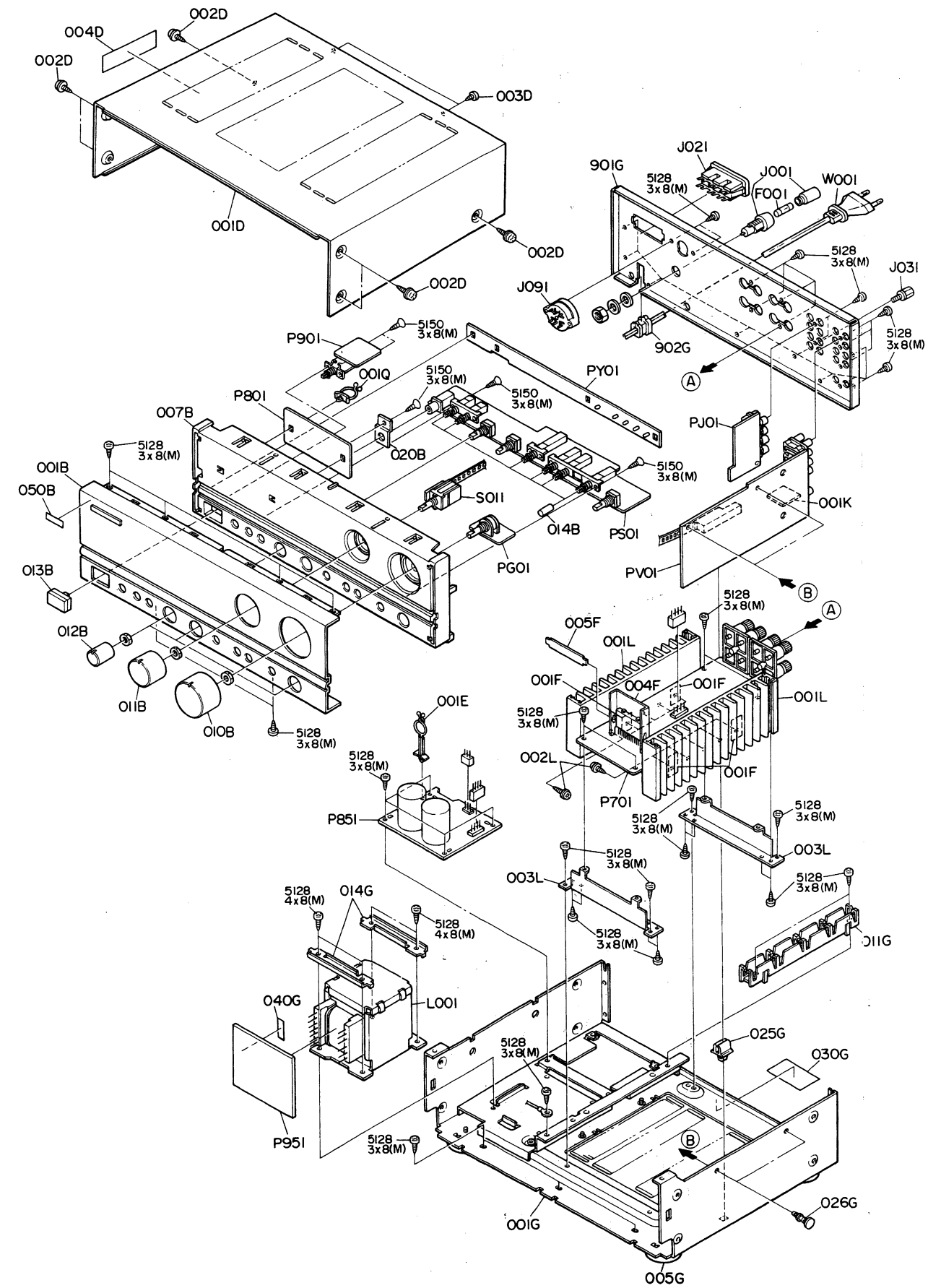
PG01 Master Volume



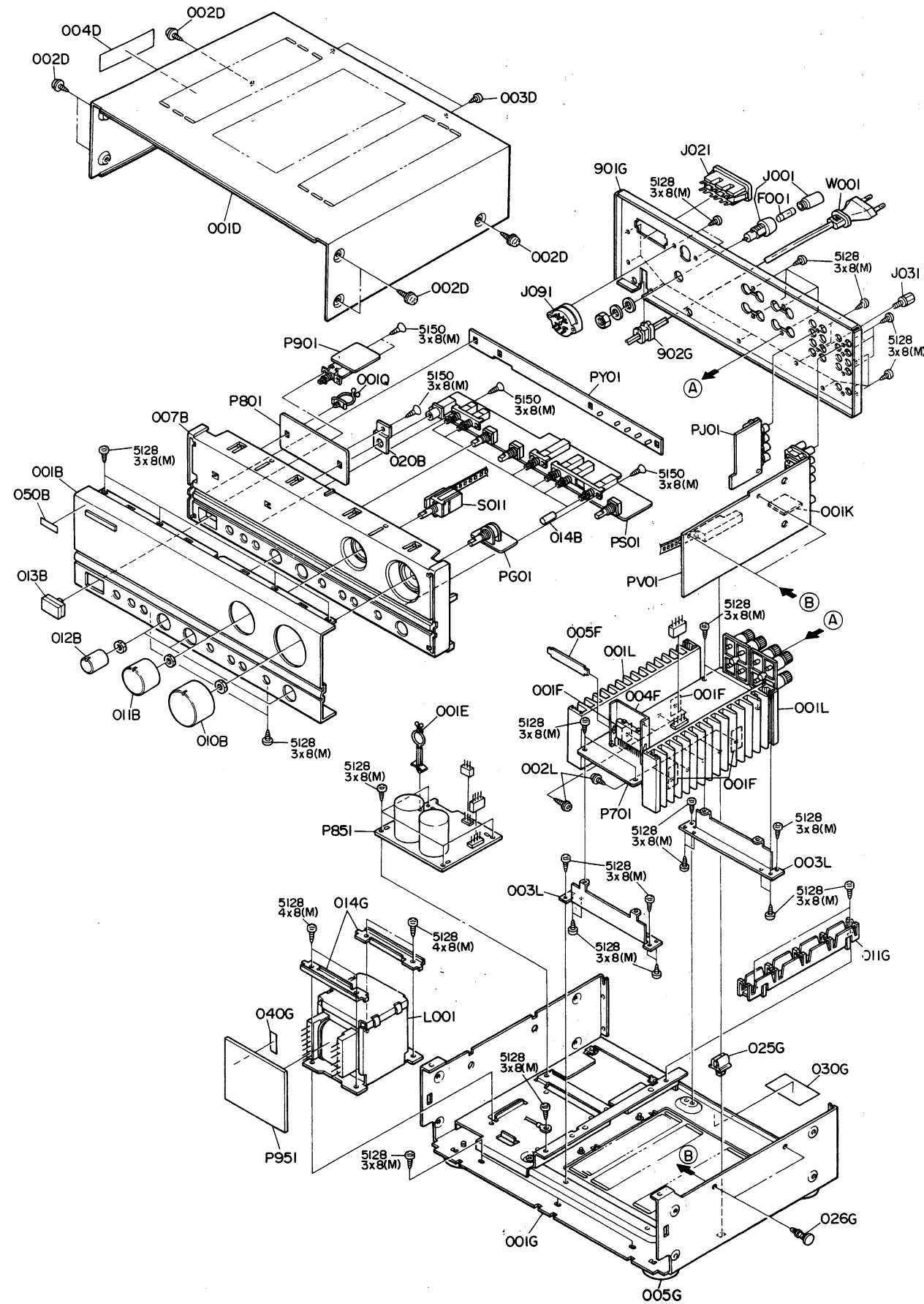
P901 Power Switch



4. EXPLODED VIEW AND PARTS LIST



4. EXPLODED VIEW AND PARTS LIST



REF. DESIG.	PART NO.	DESCRIPTION
001B	4822 425 40173	Front Panel Assembly (BLK)
	4822 425 40174	Front Panel Assembly (GLD)
010B	4822 413 41544	Knob, Volume (BLK)
	4822 413 41542	Knob, Volume (GLD)
011B	4822 413 41545	Knob, Selector (BLK)
	4822 413 41582	Knob, Selector (GLD)
012B	4822 413 31551	Knob, Tone Control (BLK)
	4822 411 10051	Knob, Tone Control (GLD)
013B	4822 410 60194	Button, Power (BLK)
	4822 410 60358	Button, Power (GLD)
014B	4822 410 60343	Button, Speaker (BLK)
	4822 410 60334	Button, Speaker (GLD)
001F	4822 466 92249	Insulator
005F	4822 492 63973	Spring (Q719)
005G	4822 462 41477	Leg
902G	4822 532 60948	Bushing, AC Cord
△ F001	4822 253 30027	Fuse, T3.15A 250V [E]
△ F002	4822 253 30191	Fuse, T1.6A 250V [E]
△ J001	4822 256 30233	Jack, Fuse Holder [E]
△ J021	4822 264 30266	Jack, AC Outlet [E]
J031	4822 290 40297	Terminal, GND
△ J091	4822 272 10227	Voltage Selector [E]
△ L001	4822 146 21457	Power Transformer [A N, T, W]
	4822 146 21471	Power Transformer [E]
S011	4822 273 10194	Rotary Switch, Selector
001T	4822 736 20422	User Manual

5. IDLING CURRENT ADJUSTMENT

- (1) Before switching the power ON, set the Master Volume control to the minimum position and the Balance and Tone controls to the center positions. Also set semi-fixed resistors R719 (L CH) and R720 (L CH) on PCB P701 to the center positions.
- (2) Each of the cement resistors R743 (L CH) and R744 (R CH) on the PCB P701 is provided with three test points. Connect a digital voltmeter, set for the DC voltage input, to the test points at the two extremities of the three test points of R743 or R744.
- (3) After the setup above, switch the power ON and adjust semi-fixed resistor R719 (L CH) or R720 (R CH) on PCB P701 according to the digital voltmeter reading. The target setting value is 14 mV (38.9 mA) for both the L CH and R CH.

Please refer to the table below.

Elapsed time after power ON	Idling current setting value
30 sec. - 1 min.	13 mV
1 min. - 2 min.	14 mV
2 min. - 4 min.	14.5 mV
More than 4 min.	14 mV

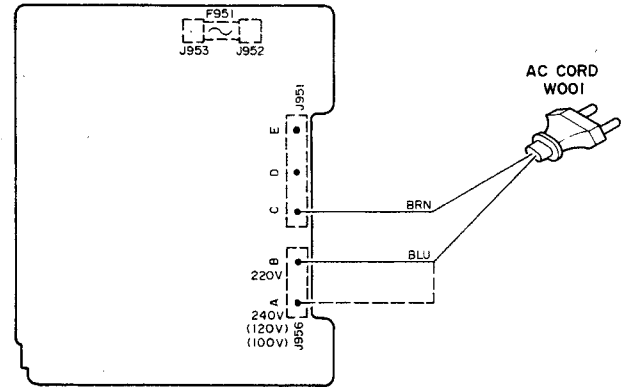
Note on Safety:

Symbol Δ Fire or electrical shock hazard. Only original parts should be used to replace any part marked with symbol Δ . Any other component substitution (other than original type), may increase risk of fire or electrical shock hazard.

6. HOW TO CHANGE THE SUPPLY VOLTAGE (A/N/T/W Versions)

With the PM-50 A and T Versions, the rated supply voltage of 240V can be changed to 220V. In the same way, the 220V rated supply voltage of the PM-50 N and W Versions can be changed to 240V.

Refer to the following diagram for the voltage change procedure.

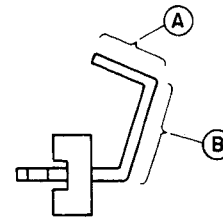


Soldered surface of P951

After binding solder around the terminal, bundle the brown wire and blue wire together and tighten them with a tightener.

Note on Terminals J951 and J956

Wrapping terminals J951 and J956 on the P951 PC board are critical components for the safety. Please observe the following caution when working these terminals.



Terminal side view

Wrapping shall be performed within range A .
When binding up solder, apply solder within range B .

7. TEST EQUIPMENT REQUIRED FOR SERVICING

This table lists the test equipment required for servicing the Model PM-55 Stereo Amplifier.

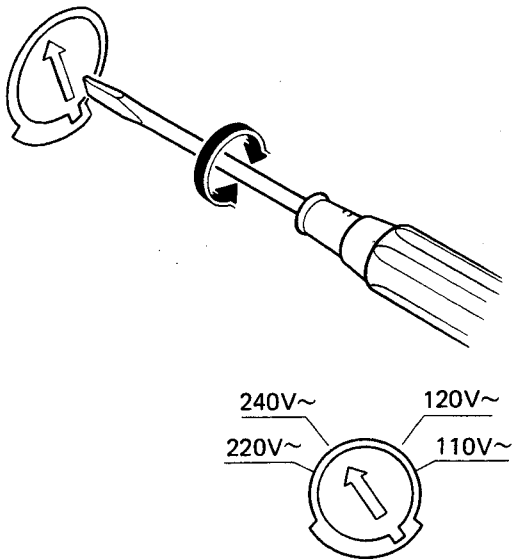
Item	Use
Distortion Analyzer	Distortion measurements
Audio Oscillator	Sinewave and squarewave signal source
ACVTVM	Voltage measurements (AC)
Oscilloscope	Waveform analysis and trouble shooting and ASO aignment
Circuit Tester	Trouble shooting
DCVTVM	Voltage measurements (DC)
AC Wattmeter	Monitors primary power to amplifier
Line Voltmeter	Monitors potential of primary power to amplifier
Variable Autotransformer	Adjust level of primery power to amplifier
Shorting Plug	Shorts amplifier input to eliminate noise pickup

8. VOLTAGE CONVERSION

• EUROPEAN MODEL ONLY

To convert the unit to a different power source voltage, change the position as illustrated in the drawing below.

VOLTAGE SELECTOR



CAUTION
DISCONNECT POWER SUPPLY CORD FROM AC
OUTLET BEFORE CONVERTING VOLTAGE.

9. ELECTRICAL PARTS LIST

ASSIGNMENT OF COMMON PARTS CODES.

RESISTOR

R***: (1) GD05 --- 140, Carbon film fixed resistor, $\pm 5\%$, 1/4W

R***: (2) GD05 --- 160, Carbon film fixed resistor, $\pm 5\%$, 1/6W

① — Resistance value

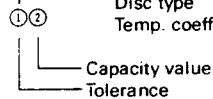
Examples

① Resistance value			
0.1 Ω ...001	10 Ω ...100	1k Ω ...102	100k Ω ...104
0.5 Ω ...005	18 Ω ...180	2.7k Ω ...272	680k Ω ...684
1 Ω ...010	100 Ω ...101	10k Ω ...103	1M Ω ...105
6.8 Ω ...068	390 Ω ...391	22k Ω ...223	4.7M Ω ...475

(Note) Please distinguish 1/4W from 1/6W by the shape of parts used actually.

C***: CERAMIC CAP.

(1) DD1 --- 370, Ceramic condenser
Disc type
Temp. coeff. P350 ~ N1000, 50V



Examples

① Tolerance (Capacity deviation)
 $\pm 0.25\text{pF}$...0
 $\pm 0.5\text{pF}$...1
 $\pm 5\%$...5

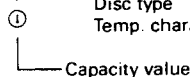
* Tolerance of COMMON PARTS handled here are as follows:

0.5pF ~ 5pF... $\pm 0.25\text{pF}$
6pF ~ 10pF... $\pm 0.5\text{pF}$
12pF ~ 560pF... $\pm 5\%$

② Capacity value
0.5pF...005 3pF...030 100pF...101
1pF...010 10pF...100 220pF...221
1.5pF...015 47pF...470 560pF...561

C***: CERAMIC CAP.

(1) DK16 --- 300, High dielectric constant ceramic condenser
Disc type
Temp. chara. 2B4, 50V

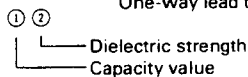


Example

② Capacity value
100pF...101 1000pF...102 10000pF...103
470pF...471 2200pF...222

C***: ELECTROLY CAP. (---), FILM CAP. (---)

(1) EA --- 10, Electrolytic condenser
One-way lead type, Tolerance $\pm 20\%$

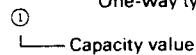


Examples

① Capacity value
0.1 μF ...104 4.7 μF ...475 100 μF ...107
0.33 μF ...334 10 μF ...106 330 μF ...337
1 μF ...105 22 μF ...226 1100 μF ...108
2200 μF ...228

② Working voltage
6.3V...006 25V...025
10V...010 35V...035
16V...016 50V...050

(2) DF15 --- 350, Plastic film condenser
One-way type, Mylar $\pm 5\%$ 50V



Examples

① Capacity value
0.001 μF (1000pF)...102 0.1 μF ...104
0.0018 μF ...182 0.56 μF ...564
0.01 μF ...103 1 μF ...105
0.015 μF ...153

REF. DESIG.	PART NO.	DESCRIPTION
		PG01-MASTER VOLUME CIRCUIT BOARD
RG01	4822 101 30653	Variable Resistor 50K Ω (W)x2
		PJ01-TAPE IN/OUT CIRCUIT BOARD
CJ01 ? CJ04	4822 122 32486	Ceramic Cap. 0.01 μF +80% -20%
JJ01 JJ02	4822 266 30284 4822 266 30284	Terminal, 4P; RCA Jack Terminal, 4P; RCA Jack
		PS01-TAPE MONI./TONE CONT./SPK. SW CIRCUIT BOARD
		PS01-CAPACITORS
CE01	4822 121 43133	Film 0.039 μF $\pm 5\%$
CE02	4822 121 43133	Film 0.039 μF $\pm 5\%$
CE03	4822 121 51389	Film 5600pF $\pm 5\%$
CE04	4822 121 51389	Film 5600pF $\pm 5\%$
CE09	4822 124 90352	Elect 10 μF 16V
CE10	4822 124 90352	Elect 10 μF 16V
CW01	4822 122 32486	Ceramic 0.01 μF +80% -20%[N]
CW02	4822 122 32486	Ceramic 0.01 μF +80% -20%[N]
		PS01-RESISTORS
RE13	4822 101 30654	50K Ω (C)x2, Variable; BUSS
RE14	4822 101 30654	50K Ω (C)x2, Variable; Treble
RS01	4822 101 30652	100K Ω (MN)x2, Variable; Balance
Δ RW01	4822 116 60331	1K Ω $\pm 5\%$ 1W
Δ RW02	4822 116 60331	1K Ω $\pm 5\%$ 1W
		PS01-MISCELLANEOUS
JW01	4822 267 31126 4822 267 31119	Jack, Headphone (BLK) Jack, Headphone (GLD)
SE01	4822 276 12658	Push Switch, Direct/Tone Defeat
SS01	4822 276 12657	Push Switch, Mono/Tape Monitor
SW01	4822 276 12428	Push Switch
		PV01-PHONO AMP./INPUT SELECT CIRCUIT BOARD
		PV01-CAPACITORS
C401	4822 122 32486	Ceramic 0.01 μF +80% -20%
C402	4822 122 32486	Ceramic 0.01 μF +80% -20%
C403	4822 121 51037	Film 150pF $\pm 5\%$ [A,E,T,W]
C404	4822 121 51037	Film 150pF $\pm 5\%$ [A,E,T,W]
C405	4822 121 41518	Film 470pF $\pm 5\%$
C406	4822 121 41518	Film 470pF $\pm 5\%$
C407	4822 124 22278	Elect 51 μF 10V
C408	4822 124 22278	Elect 51 μF 10V
C409	4822 124 22279	Elect 510 μF 10V
C410	4822 124 22279	Elect 510 μF 10V

REF. DESIG.	PART NO.	DESCRIPTION
C411	4822 121 42764	Film 0.047 μ F \pm 5%
C412	4822 121 42764	Film 0.047 μ F \pm 5%
C413	4822 121 42755	Film 0.012 μ F \pm 5%
C414	4822 121 42755	Film 0.012 μ F \pm 5%
C415	4822 121 42758	Film 1800pF \pm 5%
C416	4822 121 42758	Film 1800pF \pm 5%
C417	4822 124 90358	Elect 22 μ F 16V
C418	4822 124 90358	Elect 22 μ F 16V
C419	4822 124 90365	Elect 220 μ F 25V
C420	4822 124 90365	Elect 220 μ F 25V
C421	4822 121 42763	Film 3900pF \pm 5%
C422	4822 121 42763	Film 3900pF \pm 5%
CV01 }	4822 122 32486	Ceramic 0.01 μ F +80% -20%
CV08		
PV01-RESISTORS		
R407	4822 116 53691	4.64K Ω \pm 1% 1/6W
R408	4822 116 53691	4.64K Ω \pm 1% 1/6W
R409	4822 116 53691	4.64K Ω \pm 1% 1/6W
R410	4822 116 53691	4.64K Ω \pm 1% 1/6W
R413	4822 116 53691	4.64K Ω \pm 1% 1/6W
R414	4822 116 53691	4.64K Ω \pm 1% 1/6W
Δ R431	4822 111 90731	47 Ω \pm 2% 1/4W, Fuse
Δ R432	4822 111 90731	47 Ω \pm 2% 1/4W, Fuse
PV01-SEMICONDUCTORS		
DV01	4822 130 33305	Diode MA165, etc.
Q401	4822 130 42839	F.E.T. 2SK369(BL)
Q402	4822 130 42839	F.E.T. 2SK369(BL)
Q403	4822 130 42839	F.E.T. 2SK369(BL)
Q404	4822 130 42839	F.E.T. 2SK369(BL)
Q405	4822 209 73064	IC NJM2068DD
PV01-MISCELLANEOUS		
J403	4822 266 30282	Terminal, 2P; RCA Jack
JV01	4822 266 30282	Terminal, 2P; RCA Jack
JV02	4822 266 30285	Terminal, 6P; RCA Jack
L401	4822 156 11019	Choke Coil, 320 μ H [N]
L402	4822 156 11019	Choke Coil, 320 μ H [N]
LV01	4822 280 20195	Relay
SV01	4822 277 21352	Slide Switch
PY01-TAPE INDICATOR CIRCUIT BOARD		
DY01 }	4822 130 80326	L.E.D. LT3D8B
DY06		
P701-POWER AMP. CIRCUIT BOARD		
P701-CAPACITORS		
CN01	4822 124 22274	Elect 4.7 μ F 50V
CN02	4822 124 90351	Elect 0.1 μ F 50V
CN04	4822 124 22275	Elect 47 μ F 10V
CN05	4822 124 22275	Elect 47 μ F 10V

REF. DESIG.	PART NO.	DESCRIPTION
C701	4822 124 23082	Elect 10 μ F 50V
C702	4822 124 23082	Elect 10 μ F 50V
C703	4822 121 51008	Film 100pF \pm 5%
C704	4822 121 51008	Film 100pF \pm 5%
C705	4822 124 90354	Elect 100 μ F 16V
C706	4822 124 90354	Elect 100 μ F 16V
C707	4822 121 42763	Film 3900pF \pm 5%
C708	4822 121 42763	Film 3900pF \pm 5%
C711	4822 121 43129	Film 15pF \pm 10%
C712	4822 121 43129	Film 15pF \pm 10%
C713	4822 124 90354	Elect 100 μ F 16V
C714	4822 124 90354	Elect 100 μ F 16V
C715	4822 121 43127	Film 5pF \pm 10%
C716	4822 121 43127	Film 5pF \pm 10%
C717	4822 121 43126	Film 120pF \pm 5%
C718	4822 121 43126	Film 120pF \pm 5%
C719	4822 121 43126	Film 120pF \pm 5%
C720	4822 121 43126	Film 120pF \pm 5%
C725	4822 122 32486	Ceramic 0.01 μ F +80% -20% [N]
C726	4822 122 32486	Ceramic 0.01 μ F +80% -20% [N]
C727	4822 122 32486	Ceramic 0.01 μ F +80% -20% [N]
C728	4822 122 32486	Ceramic 0.01 μ F +80% -20% [N]
C729	4822 124 22572	Elect 100 μ F 63V
C730	4822 124 22572	Elect 100 μ F 63V
C731	4822 124 90362	Elect 22 μ F 50V
C732	4822 124 90362	Elect 22 μ F 50V
P701-RESISTORS		
Δ RN01	4822 111 91257	1K Ω \pm 5% 1/6W
Δ RN02	4822 111 91257	1K Ω \pm 5% 1/6W
Δ RN17	4822 116 80648	330 Ω \pm 5% 3W, Metal
Δ RN18	4822 116 52452	10K Ω \pm 5% 1/2W
Δ RN51	4822 116 60455	270 Ω \pm 5% 2W
Δ RN52	4822 116 60455	270 Ω \pm 5% 2W
Δ R713	4822 116 80647	33K Ω \pm 5% 1/2W
Δ R714	4822 116 80647	33K Ω \pm 5% 1/2W
R719	4822 100 20681	2.2K Ω , Trimming
R720	4822 100 20681	2.2K Ω , Trimming
Δ R723	4822 111 91285	100 Ω \pm 5% 1/6W
Δ R724	4822 111 91285	100 Ω \pm 5% 1/6W
Δ R725	4822 111 91285	100 Ω \pm 5% 1/6W
Δ R726	4822 111 91285	100 Ω \pm 5% 1/6W
Δ R727	4822 111 91257	1K Ω \pm 5% 1/6W
Δ R728	4822 111 91257	1K Ω \pm 5% 1/6W
Δ R733	4822 116 60342	180 Ω \pm 5% 1W
Δ R734	4822 116 60342	180 Ω \pm 5% 1W
Δ R735	4822 116 52348	2.2 Ω \pm 5% 1/4W
Δ R736	4822 116 52348	2.2 Ω \pm 5% 1/4W
Δ R743	4822 116 82049	0.18 Ω x2 \pm 10% 3W
Δ R744	4822 116 82049	0.18 Ω x2 \pm 10% 3W
Δ R751	4822 116 60313	10 Ω \pm 5% 1/2W, Fusible
Δ R752	4822 116 60313	10 Ω \pm 5% 1/2W, Fusible
Δ R753	4822 111 91405	220 Ω \pm 5% 1/6W
Δ R754	4822 111 91405	220 Ω \pm 5% 1/6W
Δ R755	4822 111 90726	10 Ω \pm 5% 2W
Δ R756	4822 111 90726	10 Ω \pm 5% 2W
P701-SEMICONDUCTORS		
DN01	4822 130 80837	Diode HSS81
DN02	4822 130 80837	Diode HSS81
DN04	4822 130 33305	Diode MA165, etc.
DN05	4822 130 33305	Diode MA165, etc.
DN06	4822 130 33305	Diode MA165, etc.

REF. DESIG.	PART NO.	DESCRIPTION
QN01	4822 130 43233	Transistor 2SC2240(GR, BL)
QN02	4822 130 43233	Transistor 2SC2240(GR, BL)
QN03	4822 130 42951	Transistor 2SA970(GR, BL)
QN04	4822 209 83312	IC TA7317P
Q701	4822 130 60526	Transistor 2SD1508
Q702	4822 130 60526	Transistor 2SD1508
Q703	4822 130 43233	Transistor 2SC2240(GR, BL)
Q704	4822 130 43233	Transistor 2SC2240(GR, BL)
Q705	4822 130 42951	Transistor 2SA970(GR, BL)
Q706	4822 130 42951	Transistor 2SA970(GR, BL)
Q707	4822 130 60525	Transistor 2SC3298(O, Y)
Q708	4822 130 60525	Transistor 2SC3298(O, Y)
Q709	4822 130 60524	Transistor 2SA1306(O, Y)
Q710	4822 130 60524	Transistor 2SA1306(O, Y)
Q711	4822 130 60116	Transistor 2SC3280(R, O)
Q712	4822 130 60116	Transistor 2SC3280(R, O)
Q713	4822 130 60109	Transistor 2SA1301(R, O)
Q714	4822 130 60109	Transistor 2SA1301(R, O)
Q719	4822 209 73065	IC STK3062 MARK4
P701-MISCELLANEOUS		
J701	4822 290 60837	Terminal, Speaker [A, E, T, W]
	4822 290 60841	Terminal, Speaker [N]
J702	4822 290 60836	Terminal, Speaker [A, E, T, W]
	4822 290 60839	Terminal, Speaker [N]
LN01	4822 280 20197	Relay
LN02	4822 280 20197	Relay
LN03	4822 280 20196	Relay
L701	4822 157 51739	Coil, Speaker
L702	4822 157 51739	Coil, Speaker
P801-SMALL POWER SUPPLY CIRCUIT BOARD		
P801-CAPACITORS		
C801	4822 124 41541	Elect 470 μ F 35V
C802	4822 124 41538	Elect 220 μ F 35V
C803	4822 124 41541	Elect 470 μ F 35V
C804	4822 124 41538	Elect 220 μ F 35V
C805	4822 124 41536	Elect 100 μ F 35V
C807	4822 124 41537	Elect 220 μ F 6.3V
C809	4822 122 32486	Ceramic 0.01 μ F +80% -20%
C810	4822 122 32486	Ceramic 0.01 μ F +80% -20% [N,T]
C811	4822 124 41535	Elect 100 μ F 25V
C812	4822 124 41535	Elect 100 μ F 25V
C815	4822 122 32486	Ceramic 0.01 μ F +80% -20%
C816	4822 122 32486	Ceramic 0.01 μ F +80% -20%
P801-RESISTORS		
Δ R801	4822 116 52976	1 Ω \pm 5% $\frac{1}{4}$ W [A, E, W]
	4822 116 60306	1 Ω \pm 5% $\frac{1}{2}$ W, Fusible [N,T]
Δ R802	4822 116 82051	150 Ω \pm 2% $\frac{1}{4}$ W, Fuse
Δ R803	4822 116 53479	22 Ω \pm 5% $\frac{1}{4}$ W [A, E, W]
	4822 111 90731	47 Ω \pm 2% $\frac{1}{4}$ W, Fuse [N, T]
Δ R804	4822 116 80648	330 Ω \pm 5% 3W, Metal
Δ R805	4822 116 52976	1 Ω \pm 5% $\frac{1}{4}$ W, [A, E, W]
	4822 116 60306	1 Ω \pm 5% $\frac{1}{2}$ W, Fusible [N,T]
Δ R806	4822 116 53479	22 Ω \pm 5% $\frac{1}{4}$ W
	4822 111 90731	47 Ω \pm 2% $\frac{1}{4}$ W, Fuse [N, T]
Δ R807	4822 111 91423	1.2K Ω \pm 5% $\frac{1}{4}$ W
Δ R809	4822 111 91423	1.2K Ω \pm 5% $\frac{1}{4}$ W
Δ R810	4822 116 60332	1K Ω \pm 5% 2W

REF. DESIG.	PART NO.	DESCRIPTION
P801-SEMICONDUCTORS		
Δ D801	4822 130 32508	Diode DSF10C, etc.
Δ D802	4822 130 32508	Diode DSF10C, etc. [N, T]
Δ D803	4822 130 32508	Diode DSF10C, etc.
Δ D804	4822 130 32508	Diode DSF10C, etc. [N, T]
Δ D805	4822 130 32508	Diode DSF10C, etc.
Δ D806	4822 130 32508	Diode DSF10C, etc. [N, T]
Δ D807	4822 130 32508	Diode DSF10C, etc.
Δ D808	4822 130 32508	Diode DSF10C, etc. [N, T]
Δ D809	4822 130 80317	Zener MTZJ5.1B, etc.
Δ D810	4822 130 80838	Zener MTZJ18C, etc.
Δ D811	4822 130 80838	Zener MTZJ18C, etc.
D812	4822 130 33305	Diode MA165, etc.
D813	4822 130 33305	Diode MA165, etc.
Q801	4822 130 60696	Transistor 2SC1627(O, Y)
Q802	4822 130 60693	Transistor 2SA817(O, Y)
P851-POWER SUPPLY CIRCUIT BOARD		
C851	4822 122 30043	Ceramic Cap. 0.01 μ F +80% -20%
C852	4822 124 22273	Elect Cap. 0.47 μ F 50V
Δ C853	4822 124 23081	Elect Cap. 15000 μ F 56V
Δ C854	4822 124 23081	Elect Cap. 15000 μ F 56V
Δ R851	4822 113 90119	Fuse Resistor 22 Ω \pm 2% $\frac{1}{4}$ W
Δ D851	4822 130 33864	Diode 30D-2
Δ D852	4822 130 33864	Diode 30D-2
Δ D853	4822 130 33864	Diode 30D-2
Δ D854	4822 130 33864	Diode 30D-2
Δ D855	4822 130 80839	Diode S5688G
P901-POWER SWITCH CIRCUIT BOARD		
Δ G901	4822 122 33276	Ceramic Cap. 0.01 μ F \pm 20%
Δ S901	4822 276 11798	Push Switch, Power
P951-TRANSFORMER/FUSE CIRCUIT BOARD [A, N, T, W]		
Δ F951	4822 253 30191	Fuse T1.6A 250V
Δ L001	4822 146 21457	Power Transformer

NOTE ON SAFETY:

Symbol Δ Fire or electrical shock hazard. Only original parts should be used to replace any part marked with symbol Δ . Any other component substitution (other than original type), may increase risk of fire or electrical shock hazard.



marantz®