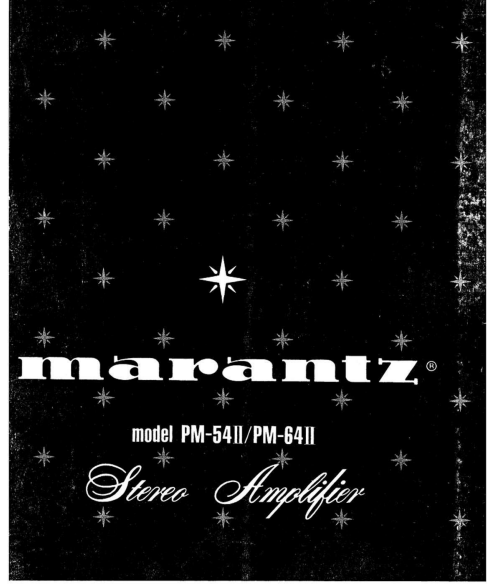


SERVICE
MANUAL PM54II/PM64II



marantz®

model PM-54II/PM-64II

Stereo Amplifier

MARANTZ DESIGN AND SERVICE

Using superior design and selected high grade components, MARANTZ company has created the ultimate in stereo sound. Only original MARANTZ parts can insure that your MARANTZ product will continue to perform to the specifications for which it is famous. Parts for your MARANTZ equipment are generally available to our National Marantz Subsidiary or Agent.

ORDERING PARTS:
Parts can be ordered either by mail or by telex. In both cases, correct part number has to be specified.

The following information must be supplied to eliminate delays in processing your order:
1. Complete address
2. Complete part numbers and quantities required
3. Description of parts
4. Model number for which part is required
5. Way of shipment
6. Signature: any order form or telex must be signed otherwise such part order will be considered as null and void.

TECHNICAL ASSISTANCE
Should you require any other technical support, do not hesitate to contact the Technical Department of MARANTZ INTERNATIONAL, Quality & Service Dept., 80, Rue des Deux Cèdres, B-1070 Brussels, Belgium.
Phone: 60.625.70.22 or 625.70.23
Telex: 62.625.6150
Telex: 23550 OR
61011 (FHEMB) routing: BELDMZT

PARTS ORDERING

Parts may be ordered at the following addresses:

AUSTRIA HORNBYRON Werkzeugmaschinen GmbH Haidmühlgasse 5 A 1101 Wien Austria Telex: 132.332	FRANCE MARANTZ FRANCE 4 Rue Serravallo 92000 Nanterre France Telex: 611651	GREAT BRITAIN MARANTZ AUDIO U.K. Ltd Unit 15/16 Sutton Way, Hounslow Estate Moor Lane Hounslow, Middlesex TW4 5LW Great Britain Telex: 550756	SAUDI ARABIA AL ALABAH ELECTRONICS P.O. Box 564 University Street Hayah 11430 Oms Arabia Telex: 20130	SWITZERLAND DYNAVOC ELECTRONICS Route de Vevey 105 CH 1721 Fribourg Switzerland Telex: 142271
AUSTRALIA MARANTZ AUSTRALIA PFL, Ltd. 18 Cleveland Road St Leonards, NSW 2100 Australia Telex: 24121	GERMANY MARANTZ GERMANY GmbH Max-Planck-Strasse 22 60323 Frankfurt 1 Germany Telex: 539621	GREECE SHERTON ELECTRONICS S.A. P.O. Box 21025 Nicosias Street 188 Athens 11471 Greece Telex: 216.735	SOUTH AFRICA MARANTZ DIVISION OF PHILIPS S.A. Burger Street Cnr. Orange St. Dorchester Johannesburg Telex: 483.456	TURKEY DOGRUOLU Ltd. 8 Bosphorus Ulusu Sultanahmet Istanbul Turkey Telex: 52985
BELGIUM SVO DIVISION MARANTZ Industriest. 1 1720 Groot-Bigardien Belgium Telex: 24499	THE NETHERLANDS EDIP 15 De Linde 3 4312 NB Yvelen The Netherlands Telex: 47078	JAPAN MARANTZ JAPAN, Inc. 35-1, 7-chome, Sagami-cho Sagamihara-shi, Kanagawa Japan	SPAIN PHONOS S.A. Orleans Street 18 Barrion de Salamanca Spain Telex: 65655	MALTA CACHIA & GALLIA L.L.C. Pavane Street, 48D Valletta Telex: 1562
CHILE MARANTZ DIVISION OF PHILIPS S.A. AV. Santa Maria, 0780 Casilla 2967 Santiago Telex: 243.239	NORWAY DIVISION OF PHILIPS A/S Sjøgata 49 Oslo 5 Norway Telex: 72640	KUWAIT AL ALABAH ELECTRONICS Uzama Building Fahd al Salem Street P.O. Box 2231 Salem-Kuwait Telex: 22684	SWEDEN MARANTZ DIVISION OF PHILIPS Föreningsgatan 1 S-115 84 Stockholm Sweden Telex: 14060	U.S.A. MARANTZ COMPANY, Inc. National Service Department P.O. Box 877 Oceanside, CA 91311 U.S.A.
DENMARK MARANTZ DIVISION OF PHILIPS SERVICE A/S Prags Boulevard 80 Postboks 1978 DK-2000 København 5 Denmark Telex: 31201	ITALY MARANTZ ITALIANA S.P.A. Via Chiesa, 74 20126 Milano Italy			

All of the above locations are fully equipped to take care of your total service needs. Because various countries have differing configuration requirements, it is necessary that you contact the service facility in your particular country. In the event that there is no service location listed for your country, please, contact the nearest facility for the necessary assistance.

In case of difficulties, do not hesitate to contact the Technical Department at abovementioned address.

SECTION	TABLE OF CONTENTS	PAGE
INTRODUCTION		1
1. P.W. BOARDS		1
2. TEST EQUIPMENT REQUIRED FOR SERVICING		2
3. ADJUSTMENT PROCEDURE		2
4. VOLTAGE CONVERSION		3
5. BLOCK DIAGRAM		4
6. SCHEMATIC DIAGRAM AND COMPONENT LOCATIONS		5
6.1 AVSS Assembly (PU01) Schematic Diagram and Component Locations (Model PM-541I)		5
6.2 Input Selector Display Assembly (PY01) Schematic Diagram and Component Locations (Model PM-541I)		5
6.3 Speaker Protector Assembly (PW01) Schematic Diagram and Component Locations (Model PM-541I)		5
6.4 Volume & Push Switch Assembly (PS01) Schematic Diagram and Component Locations (Model PM-541I)		6
6.5 Tone Volume Assembly (PE01) Schematic Diagram and Component Locations (Model PM-541I)		7
6.6 Tone Defeat Switch Assembly (PE01) Schematic Diagram and Component Locations (Model PM-541I)		7
6.7 Power Switch Assembly (PW01) Schematic Diagram and Component Locations (Model PM-541I)		7
6.8 Balance Volume Assembly (PB01) Schematic Diagram and Component Locations (Model PM-541I)		7
6.9 Diode Bridge Assembly (PB01) Schematic Diagram and Component Locations (Model PM-541I/PM-641I)		8
6.10 Tape Monitor Assembly (PU01) Schematic Diagram and Component Locations (Model PM-541I/PM-641I)		8
6.11 Main Amp Assembly (PA01) Schematic Diagram and Component Locations (Model PM-541I/PM-641I)		9
6.12 Speaker Switch/Phone Assembly (PWS1) Schematic Diagram and Component Locations (Model PM-541I/641I)		9
6.13 Power Supply Assembly (PSB1) Schematic Diagram and Component Locations (Model PM-541I/PM-641I)		12
6.14 Phone Input Selector Assembly (PV01) Schematic Diagram and Component Locations (Model PM-541I/641I)		12
6.15 Tone Defeat Switch Assembly (PE01) Schematic Diagram and Component Locations (Model PM-641I)		12
6.16 Tone Unit Assembly (PE01) Schematic Diagram and Component Locations (Model PM-641I)		14
6.17 Master Volume Assembly (PS02) Schematic Diagram and Component Locations (Model PM-641I)		15
6.18 Input Selector Display Assembly (PY01) Schematic Diagram and Component Locations (Model PM-641I)		15
6.19 Volume/Power Switch Assembly (PS01) Schematic Diagram and Component Locations (Model PM-641I)		16
6.20 Speaker Protector Relay Assembly (PW01) Schematic Diagram and Component Locations (Model PM-641I)		16
6.21 AVSS Assembly (PU01) Schematic Diagram and Component Locations (Model PM-541I)		17
6.22 Tone Volume (L) Assembly (PE01) Schematic Diagram and Component Locations (Model PM-641I)		17
6.23 Tone Volume (R) Assembly (PE02) Schematic Diagram and Component Locations (Model PM-641I)		17
7. EXPLODED VIEW AND PARTS LIST		18
8. ELECTRICAL PARTS LIST		26
9. TECHNICAL SPECIFICATIONS		35
10. SCHEMATIC DIAGRAM		38

How to use this service manual

- The "Common parts" which Marantz Japan, Inc. has established are eliminated from this service manual.
- These "Common parts" are applied to all models in the service manuals arranged and issued by M.J.
- To indicate clearly the common parts in the schematic diagram, a line is drawn above or under the Ref. Desig. No. of applicable parts.
- "Common parts" can be supplied from the Marantz service center as ever.

In case of ordering, please establish the parts number of 10 figures following the procedure mentioned in this service manual "How to establish the parts number for common parts".

(NOTE)
When you order parts to the Marantz parts center, please take notice of the following points.

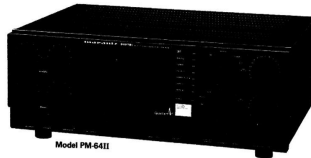
- 1) Please correctly write the parts number of 10 figures following the rule.
- 2) Since ordering parts by the Ref. Desig. No. or ratings indicated in the schematic diagram does not satisfy the above conditions, the Marantz parts supply system does not work properly.

As this case is apt to cause a trouble, please pay attention to it.

MODEL PM-54II/PM-64II STEREO AMPLIFIER



Model PM-54II



Model PM-64II

INTRODUCTION

This service manual was prepared for use by Authorized Warranty Stations and contains service information for the Marantz Model PM-54II/PM-64II Stereo Amplifier.

Service information and voltage data included in this manual are intended for use by knowledgeable and experienced personnel only. All instructions should be read carefully. No attempt should be made to proceed without a good understanding of circuitry operation.

The parts list furnishes complete ordering information. Most replacement parts should be ordered from the Marantz Company. However, a simple description is included for parts which can be obtained locally.

1. P.W. BOARDS

As can be seen from the circuit diagram the chassis of Model PM-54II/PM-64II consists of the following units. Each unit mounted on a printed circuit board is described within the square enclosed by a bold dotted line on the circuit diagram.

- (Model PM-54II)
- 1. Tone Volume mounted on P.W. Board PE01
 - 2. Tone Defeat Switch mounted on P.W. Board PE51
 - 3. Balance Volume mounted on P.W. Board PE51
 - 4. Tape Monitor mounted on P.W. Board PJ01
 - 5. Volume &
 - 6. Push Switch mounted on P.W. Board PS01
 - 6. AVSS mounted on P.W. Board PU01
 - 7. Phone
 - 8. Input Selector mounted on P.W. Board PV01
 - 8. Speaker Protector mounted on P.W. Board PW01
 - 9. Speaker Switch &
 - 10. Input Selector mounted on P.W. Board PWS1
 - 11. Display mounted on P.W. Board PY01
 - 11. Main Amp mounted on P.W. Board PZ01
 - 12. Power Supply (S&H) mounted on P.W. Board P801
 - 13. Power Supply mounted on P.W. Board P851
 - 14. Power Switch mounted on P.W. Board P901

2. TEST EQUIPMENT REQUIRED FOR SERVICING

This table lists the test equipment required for servicing the Model PM-54II/PM-64II Stereo Amplifier.

Item	Use
Distortion Analyzer	Distortion measurements
Audio Oscillator	Sinewave and squarewave signal source
AC VTVM	Voltage measurements (AC)
Oscilloscope	Waveform analysis and trouble shooting and ASO alignment
Circuit Tester	Trouble shooting
DC VTVM	Voltage measurements (DC)
AC Wattmeter	Monitors primary power to amplifier
Line Voltmeter	Monitors potential of primary power to amplifier
Variable Autotransformer (0 - 140V AC, 10A)	Adjust level of primary power to amplifier
Shorting Plug	Shorts amplifier input to eliminate noise pickup

3. ADJUSTMENT PROCEDURE

3.1 Idling Adjustment (Model PM-64II)

1. Connect DC digital voltmeter to test point R737 (L-CH) and R738 (R-CH) terminals.
2. Turn POWER SWITCH to ON, and adjust R719 (L-CH) and R720 (R-CH) to 6mV 30 sec. later, and to 7.5mV 1 min. later.

Note:
When adjusting, have output with no load, input to open, and volume on minimum.

3.2 Idling Adjustment (Model PM-64II)

1. Short-circuit the two pins in the AVSS board (PU01) marked CLASS A and CLASS B.
2. Adjust the main board (P701) semi-fixed resistors R719 and R720 so that the voltage between the ends of the emitter resistor is within 14 to 15 mA.
3. Immediately remove the short and adjust semi-fixed resistors RU35 and RU36 for a voltage of 100 mV between the ends of the emitter resistor.
(Do this in the shortest time possible.)
4. Short-circuit the two pins in the AVSS board (PU01) marked CLASS A-25W.
5. Adjust semi-fixed resistors RU33 and RU34 for a voltage of 174 mV between the ends of the emitter resistor.
6. Finally, remove the short.

(Model PM-64II)

1. Tone Volume (L) . . . mounted on P.W. Board PE01
2. Tone Volume (R) . . . mounted on P.W. Board PE02
3. Tone Unit mounted on P.W. Board PE50
4. Tone Defeat Switch . . . mounted on P.W. Board PE51
5. Tape Monitor mounted on P.W. Board PS01
6. Volume/Power Switch . . mounted on P.W. Board PS02
7. Master Volume mounted on P.W. Board PS02
8. AVSS mounted on P.W. Board PU01
9. Phono Input Selector . . mounted on P.W. Board PV01
10. Speaker Protector
11. Speaker Switch/Phone mounted on P.W. Board PW51
12. Input Selector
13. Display mounted on P.W. Board PY01
14. Main Amp mounted on P.W. Board PZ01
15. Diode Bridge mounted on P.W. Board PE01
16. Power Supply mounted on P.W. Board PE51

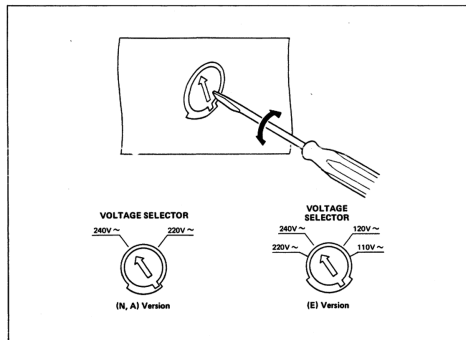
4. VOLTAGE CONVERSION

• EUROPEAN MODEL ONLY

To convert the unit to a different power source voltage, change the position as illustrated in the drawing below.

CAUTION
DISCONNECT POWER SUPPLY CORD FROM AC OUTLET BEFORE CONVERTING VOLTAGE.

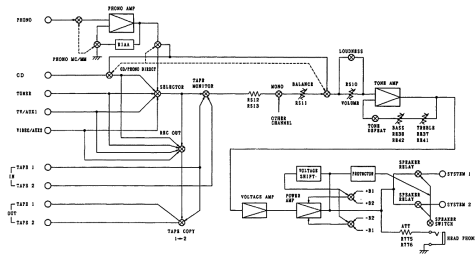
Voltage Conversion Chart



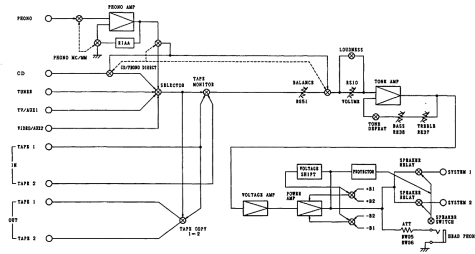
Note on safety: Symbol Δ : Fire or electrical shock hazard. Only original parts should be used to replace any part marked with symbol Δ . Any other component substitution (other than original type), may increase risk of fire or electrical shock hazard.

5. BLOCK DIAGRAM

(Model PM-6411)

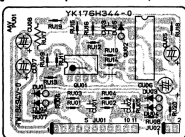
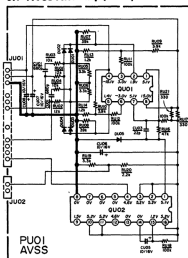


(Model PM-5411)

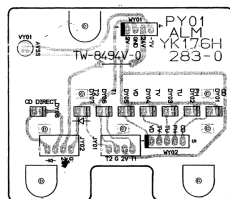
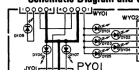


6. SCHEMATIC DIAGRAM AND COMPONENT LOCATIONS

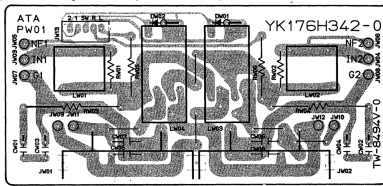
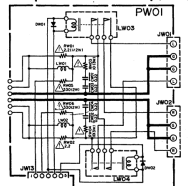
6.1 AVSS Assembly (PU01) Schematic Diagram and Component Locations (Model PM-54II)



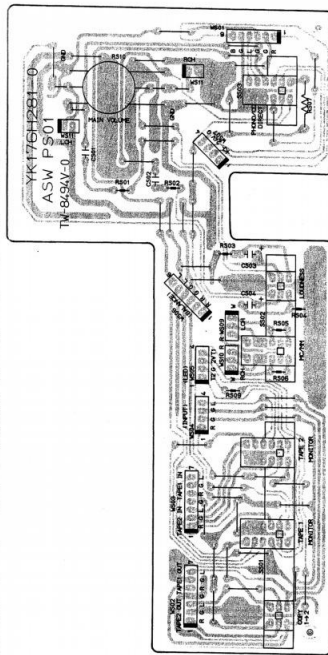
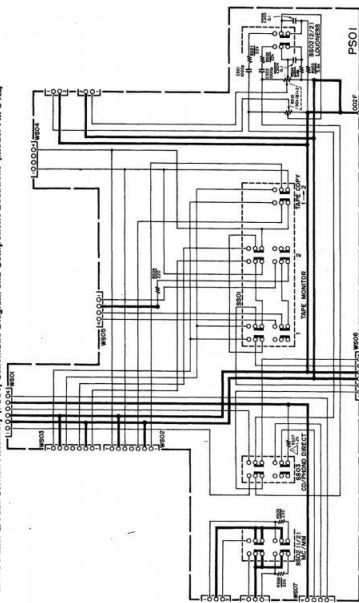
6.2 Input Selector Display Assembly (PY01) Schematic Diagram and Component Locations (Model PM-54II)



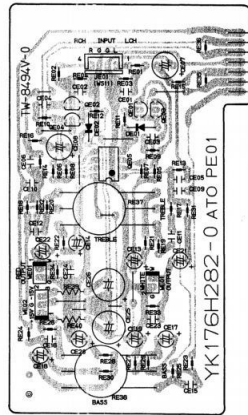
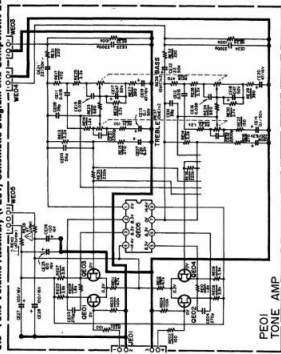
6.3 Speaker Protector Assembly (PW01) Schematic Diagram and Component Locations (Model PM-54II)



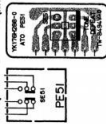
6.4 Volume & Push Switch Assembly (PS01) Schematic Diagram and Component Locations (Model PM-541D)



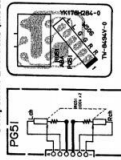
6.5 Tone Volume Assembly (PE01) Schematic Diagram and Component Locations (Model PM-541D)



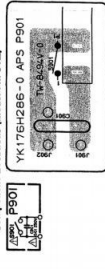
6.6 Tone Defeat Switch Assembly (PE01) Schematic Diagram and Component Locations (Model PM-541D)



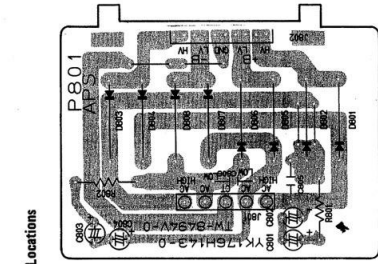
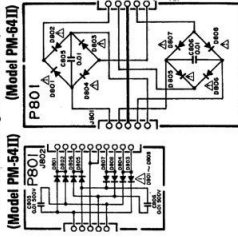
6.8 Balance Volume Assembly (PS01) Schematic Diagram and Component Locations (Model PM-541D)



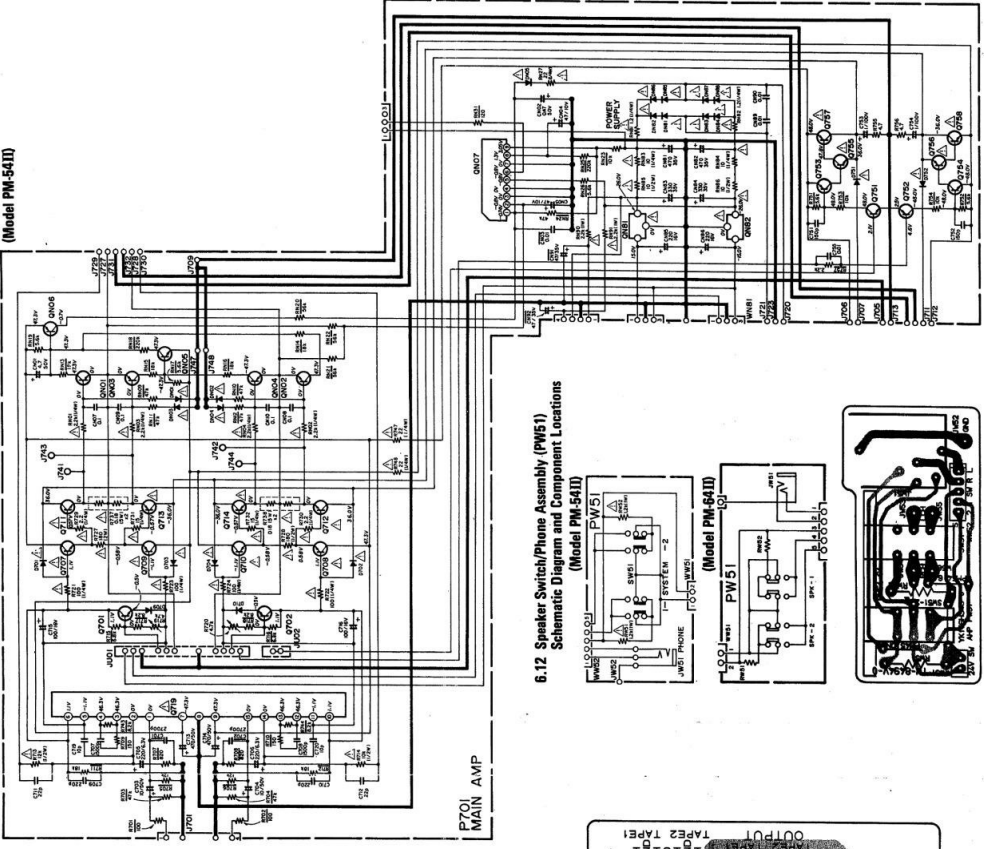
6.7 Power Switch Assembly (PS01) Schematic Diagram and Component Locations (Model PM-541D)



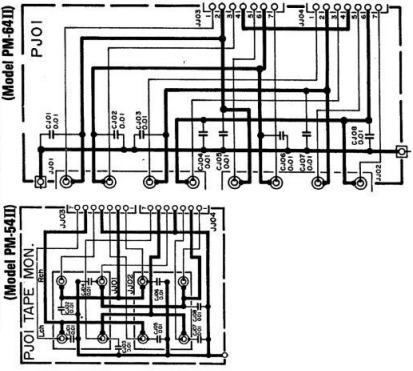
6.9 Diode Bridge Assembly (P801)
Schematic Diagram and Component Locations



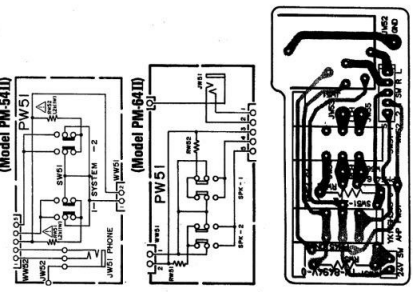
6.11 Main Amp Assembly (P701) Schematic Diagram and Component Locations

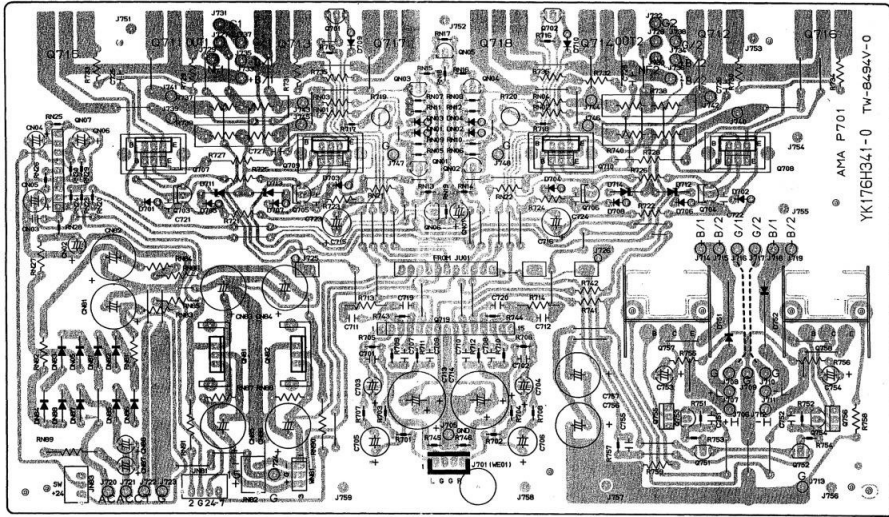


6.10 Tape Monitor Assembly (P101)
Schematic Diagram and Component Locations

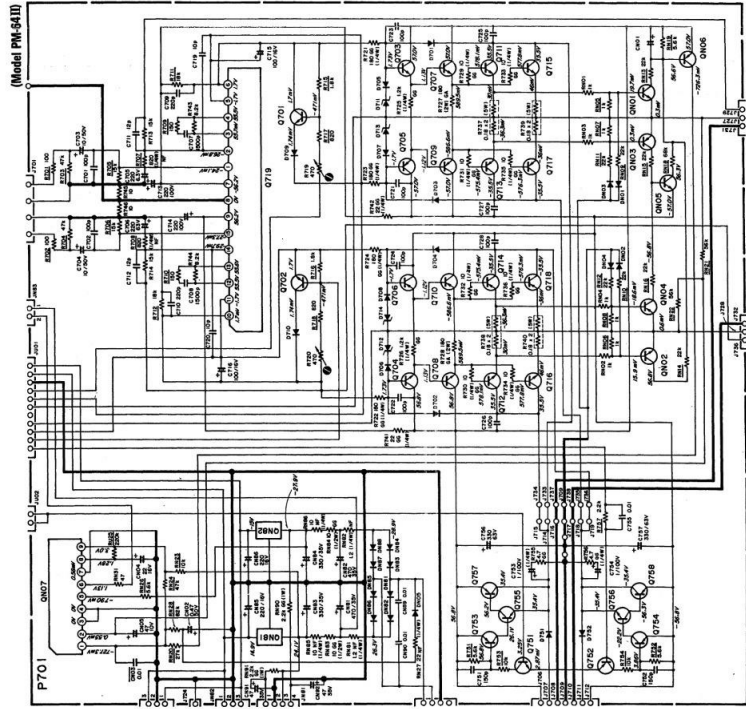


6.12 Speaker Switch/Phone Assembly (PW51)
Schematic Diagram and Component Locations





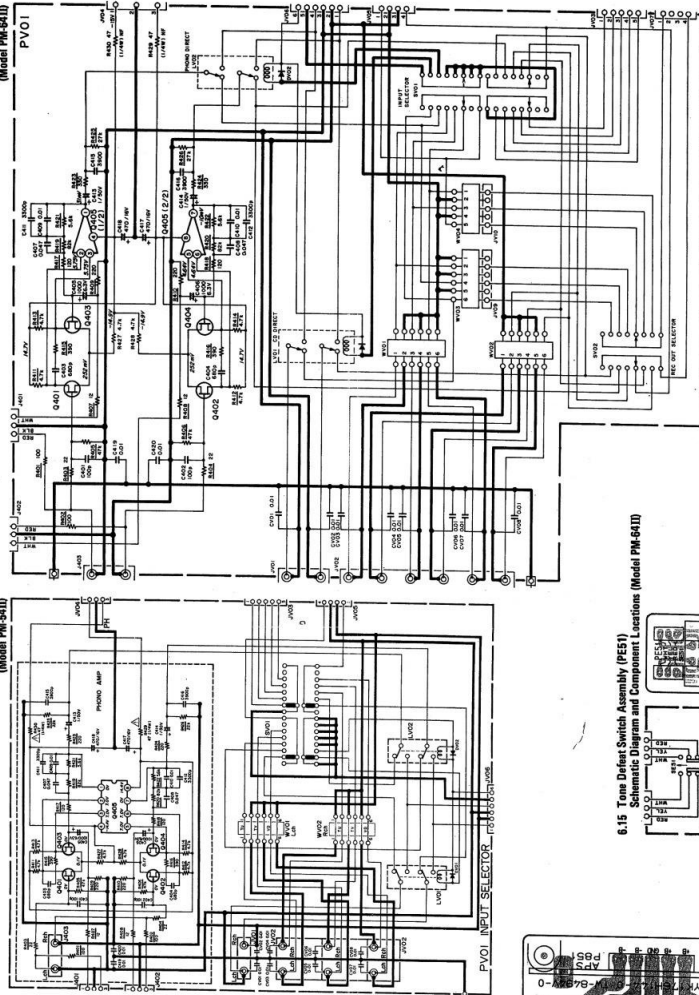
11



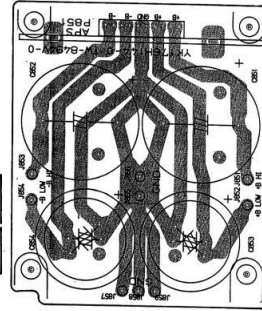
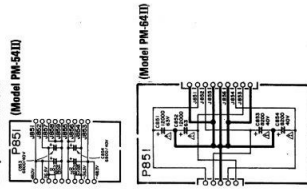
10

M.3551

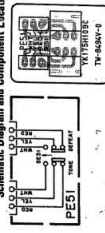
6.14 Photo Input Selector Assembly (PVOI) Schematic Diagram and Component Locations (Model PM-5410)

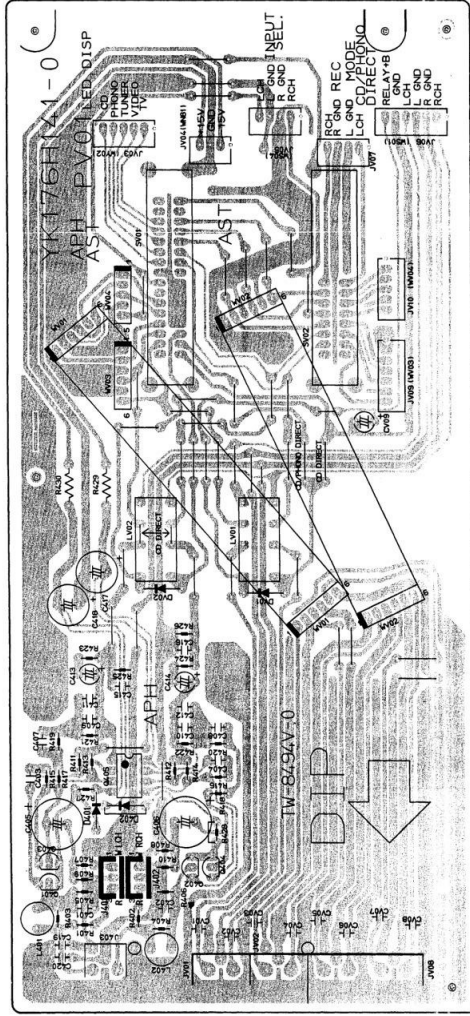


6.13 Power Supply Assembly (PES1) Schematic Diagram and Component Locations (Model PM-5410)

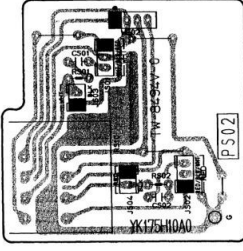
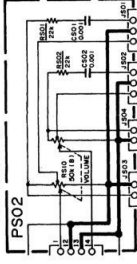


6.15 Tone Detect Switch Assembly (PES1) Schematic Diagram and Component Locations (Model PM-5410)

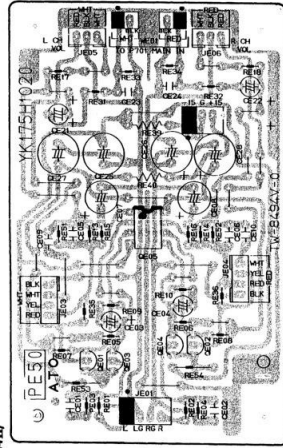
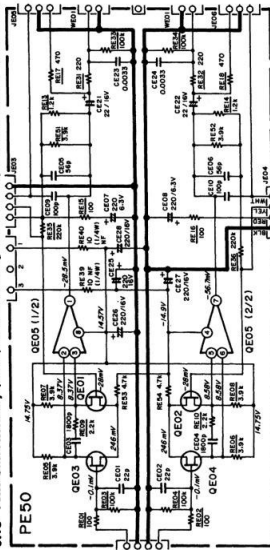




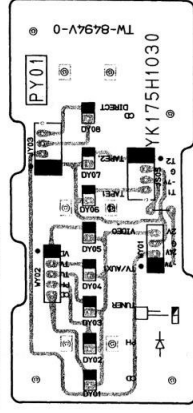
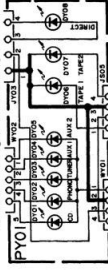
6.17 Master Volume Assembly (PS02) Schematic Diagram and Component Locations (Model PM-641D)

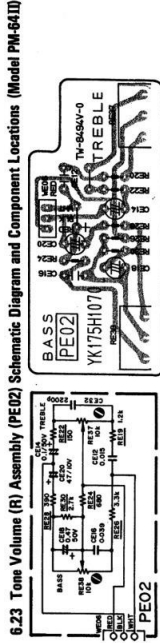
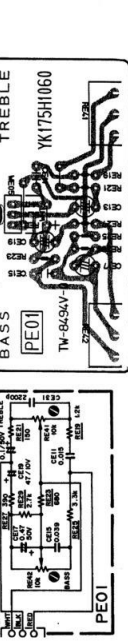
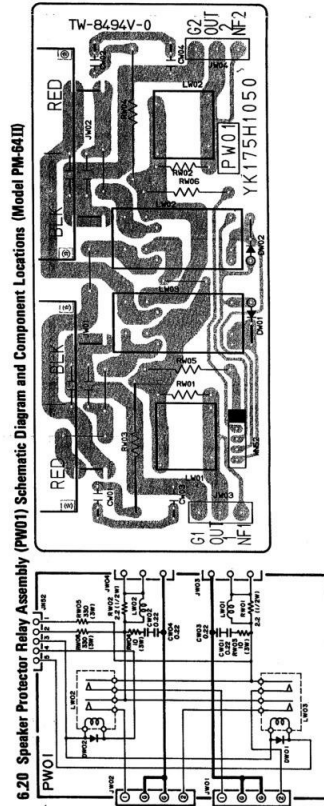
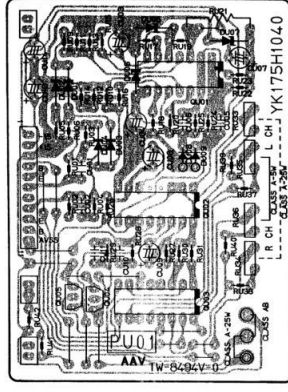
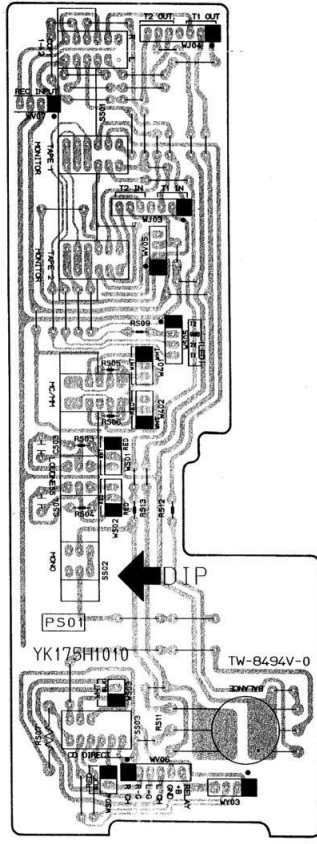
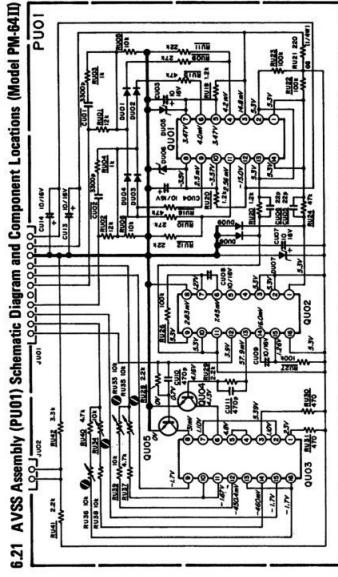
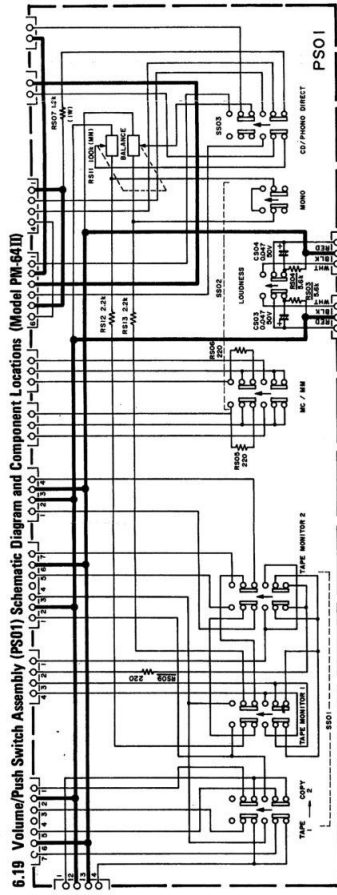


6.16 Tone Unit Assembly (PE50) Schematic Diagram and Component Locations (Model PM-641D)



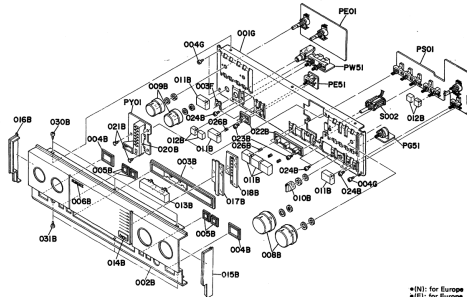
6.18 Input Selector Display Assembly (PY01) Schematic Diagram and Component Locations (Model PM-641D)





7. EXPLODED VIEW AND PARTS LIST (Model PM 541I)

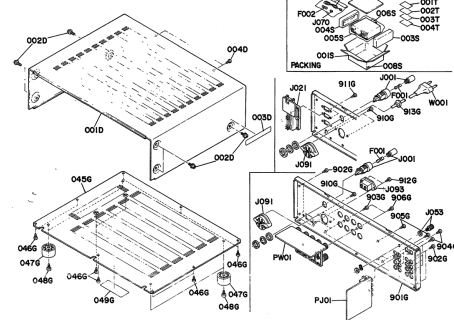
(C01-99) Front Panel and Chassis



*H1: for Europe
*E1: for Europe
*A1: for Australia
*F1: for Japan
*G1: for FX

REF. DESIG.	PART NO.	DESCRIPTION	REF. DESIG.	PART NO.	DESCRIPTION
A	182H248410	Front Panel Assembly (Gold)	009B	178H154010	Knob, Selector/Volume, Black
002B	182H248110	Front Panel	178H154110	Knob, Selector/Volume, Gold	
003B	178H259020	Bushing, Tone Defeat/Tape Cope	009B	178H154020	Knob, Tone Control, Black
004B	242H289020	Bushing, Power, CD, Phone Direct	178H154120	Knob, Tone Control, Gold	
005B	242H259030	Bushing, Speaker, Direct	010B	263H114130	Knob, Balance, Black
006B	274H259100	Badge, Marantz	263H114020	Knob, Balance, Gold	
013B	263H113100	Stud	011B	242H270110	Button, Black
014B	178H259110	Badge, AV/SS	242H270010	Button, Gold	
015B	178H259110	Cap, Front Side (R)	012B	242H270220	Button, Black
016B	178H259120	Cap, Front Side (L)	242H270020	Button, Gold	
017B	263H159010	Window	020B	178H271010	Holder, LED
018B	178H151010	Introducer	021B	271805000	Chassis
A	182H248400	Front Panel Assembly (Black)	022B	178H051010	Guide, Button
002B	182H248010	Front Panel	023B	511003000	B.H.M. Screw B3 x 6
003B	178H259010	Bushing, Tone Defeat/Tape Cope	024B	511003000	B.H.M. Screw B3 x 6
004B	242H259130	Bushing, Power, CD/Phone Direct	026B	78H110010	Spring, Button
005B	242H259130	Bushing, Speaker/Loudness	030B	512803000	B.H. Tapped Screw B3 x 8
006B	274H259100	Badge, Marantz	031B	512803000	B.H. Tapped Screw B3 x 8
013B	263H113110	Stud	035F	198F114010	Stopper, Headphone Jack
014B	178H259110	Badge, AV/SS	041G	178H150010	Chassis, Front
015B	178H259120	Cap, Right Side	042G	512803000	B.H. Tapped Screw B3 x 8
016B	178H259130	Cap, Left Side	S002	5R00050210	Rotary Switch, Input Selector
017B	263H158010	Window			
018B	178H151010	Introducer			

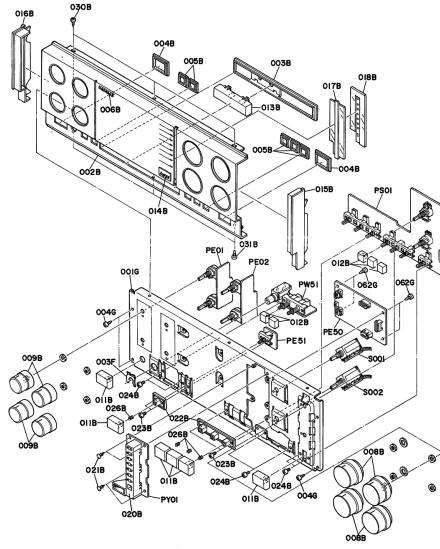
[00299] Lid and Packing Materials



REF. DESIG.	PART NO.	DESCRIPTION	REF. DESIG.	PART NO.	DESCRIPTION
0010	178H257010	Lid, Top Cover, Black	Δ J001	YJ06000290	Jack, Fuse Holder
0020	178H257020	Lid, Top Cover, Gold	Δ J002	YJ04000700	Jack, AC Outlet: 3P [E, G]
0030	51260408A0	B.T. Screw	0053	Y101010100	Terminal, GND
0040	29118611A0	Label, Caution	Δ J091	BV05030040	Voltage Selector [N, A]
	51280308A0	B.H. Tapped Screw	Δ J093	BV05080060	Voltage Selector [E, G]
0456	268H257020	Lid, Bottom Cover	Δ J099	YF04000610	Plug, AC Inlet [N, A]
0466	51280308A0	B.H. Tapped Screw	Δ W001	YC01800370	A.C. Power Cord [E, G]
0476	2789067010	B.H. Tapped Screw			
0486	51280308A0	B.H. Tapped Screw	0015	182H801010	PACKING
0496	2911861110	B.H. Tapped Screw		182H801020	Packing Case [N, A]
0466	51280308A0	B.H. Tapped Screw	0025	178H807010	Packing Case [E, G]
0476	182H250070	Label, Caution	0035	263H808010	Reinforcing [E, G]
0486	182H250070	Rear Panel [N, A]	0045	263H808020	Cushion, Right
9010	51280308A0	B.H. Tapped Screw	0055	908111020	Polyethylene Sheet
9020	51280308A0	B.H. Tapped Screw	0065	296H604010	Stress, AC Power Cord [E, G]
9030	51280308A0	B.H. Tapped Screw	0085	9626019050	Serial No. Card [G]
9040	51280308A0	B.H. Tapped Screw	0017	178H851310	User Manual
9050	51280308A0	B.H. Tapped Screw	0027	182H851220	User Manual, Spec
9060	51280308A0	B.H. Tapped Screw	0037	182H856010	Circuit Diagram [N, E]
9100	51280308A0	B.H. Tapped Screw	418H854010	Warranty Card [G]	
9110	51280308A0	B.H. Tapped Screw	0047	9631000900	Warranty Card [A]
9120	51280308A0	B.H. Tapped Screw	Δ F002	F510400890	Fuse
9130	1462209000	Building, AC Power Cord [E, G]	Δ A070	YJ04001240	Jack, AC Adapter [E, G]
Δ F001	F510160650	Fuse	Δ W001	ZC01806030	A.C. Power Cord [N]
	F510200850	Fuse		ZC02006030	A.C. Power Cord [A]

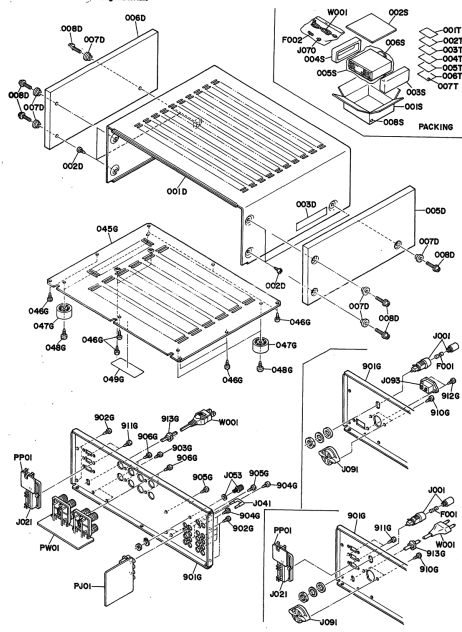
(Model FM-64II)

(C04-99) Front Panel and Chassis



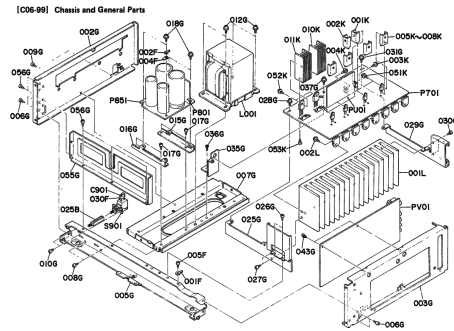
REF. DESIG.	PART NO.	DESCRIPTION	REF. DESIG.	PART NO.	DESCRIPTION
		FM-64MKII			
A	175H248400	Front Panel Assembly (Black)	0088	175H154010	Knob (Black)
A1	175H248410	Front Panel Assembly (Gold)		175H154020	Knob (Gold)
0028	175H248020	Front Panel (Black)	0088	175H154030	Knob (Black)
0038	175H248010	Front Panel (Gold)		175H154040	Knob (Gold)
0048	175H259020	Bushing, Tone Defeat/Tape Cope (Black)	0118	242H270110	Button (Black)
	242H259030	Bushing, Power/CD, Phono Direct (Black)	0128	242H270120	Button (Black)
	242H259020	Bushing, Power/CD, Phono Direct (Gold)	0208	242H270200	Button (Gold)
0058	242H259130	Bushing, Speaker/Loudness/etc. (Black)	0208	175H271010	Holder, LED
0068	242H259230	Bushing, Speaker/Loudness/etc. (Gold)	0218	51280308M0	B.T. Screw 83 x 8
0068	274H251020	Badge, Marantz	0228	175H081010	Guide, Button
0138	263H113110	Stud (Black)	0238	51100308M0	B.H.M. Screw 83 x 8
0148	263H113210	Stud (Gold)	0248	51100308M0	B.H.M. Screw 83 x 8
0148	175H251010	Badge, AV/BS	0268	175H119010	Spring, Button
0158	242H067110	Cap, Right Side (Black)	0008	51280308M0	B.H. Tapped Screw 83 x 8
0168	242H067120	Cap, Right Side (Gold)	0318	51280308M0	B.H. Tapped Screw 83 x 8
0168	242H067130	Cap, Left Side (Black)	003F	188T114010	Stopper, Headphone Jack
0178	242H067120	Cap, Left Side (Gold)	001G	175H105010	Chassis, Front
0178	242H158010	Window	004G	51280308M0	B.H. Tapped Screw 83 x 8
0188	175H151010	Introducer	002G	51280308M0	B.H. Tapped Screw 83 x 8
		FM-74D			
A	175H248420	Front Panel Assembly	5001	5R00050230	Rotary Switch, Function Selector
0028	175H248010	Front Panel	5002	5R00050090	Rotary Switch, Rec Selector
0038	175H259010	Bushing, Tone Defeat/Tape Cope			
0048	242H259120	Bushing, Power/CD, Phono Direct			
0058	242H259230	Bushing, Speaker/Loudness/etc.			
0068	274H251020	Badge, Marantz			
0138	263H113110	Stud			
0148	175H251010	Badge, AV/BS			
0158	242H067110	Cap, Right Side			
0168	242H067120	Cap, Right Side			
0178	242H158010	Window			
0188	175H151010	Introducer			

[025-99] Lid and Packing Materials



REF. DESIG.	PART NO.	DESCRIPTION	REF. DESIG.	PART NO.	DESCRIPTION
001D	175H257010	Lid, Top Cover (Black)	001B	175H801010	PACKING
	175H257020	Lid, Top Cover (Gold)		175H801020	Packing Case [F]
002D	5128040840	B.T. Screw 84 x 8 [N, A, E, G]		175H801030	Packing Case [N, A]
003D	2911881140	Label, Caution [N, A, E, G]	002B	175H801010	Packing Case [E, G]
006B	175H248110	Side Panel (R) [F]	003B	175H800910	Reinforcing [E, G]
006D	175H248120	Side Panel (L) [F]	004B	175H800920	Cushion, Right
007D	390K259010	Bushing [F]	006B	909111020	Cushion, Left
008D	5128043030	B.N. Tapped Screw [F]	006B	268849010	Polystyrene Sheet
046G	268H237020	Lid, Bottom Cover	008B	902901900	Slaves, AC Power Cord [E, G, F]
046G	5128030840	B.N. Tapped Screw 83 x 8			Serial No. Card [G]
047G	2759007010	Lag [N, A, E, G]	001T	175H851310	User Manual [N, F, A, G]
048G	5128041040	B.N. Tapped Screw 84 x 10		175H851320	User Manual [F]
049G	2911881110	Label, Caution [N, A, E, G]	002T	175H851330	User Manual, Spec [N, E, A, G]
901G	175H250020	Rear Panel [N, A]	003T	175H856010	Circuit Diagram [N, E]
	175H250030	Rear Panel [E, G]		416H454010	Warranty Card [G]
	175H250010	Rear Panel [F]	004T	9631000090	Warranty Card [A]
902D	5128030840	B.N. Tapped Screw 83 x 8	008T	128T354010	Warranty Card [F]
903B	5128030840	B.N. Tapped Screw 83 x 8	008T	9511000060	Warranty Card [F]
904G	5128030840	B.N. Tapped Screw 83 x 8	007T	9540000010	License [F]
905G	5128030840	B.N. Tapped Screw 83 x 8	Δ.F002	F510630950	Fuse T8.3A 250V [E, G]
906G	5128030840	B.N. Tapped Screw 83 x 8	Δ.J070	YJ04001240	Jack, AC Adapter [E, G]
910G	5128030840	B.N. Tapped Screw 83 x 8 [N, E, A, G]	Δ.W001	ZC01805020	A.C. Power Cord [N]
911G	5128030840	B.N. Tapped Screw 83 x 8 [E, G, F]		ZC02096020	A.C. Power Cord [A]
912G	5128030840	B.N. Tapped Screw 83 x 8 [N, A]			
913G	1455259090	Bushing, AC Power Cord [E, G, F]			
Δ.F001	F510318550	Fuse T3.15A 250V [E]			
	F510539550	Fuse T2.5A 250V [N, A, G]			
Δ.J001	YJ08000290	Jack, Fuse Holder [N, E, A, G]			
Δ.J021	YJ04000750	Jack, AC Outlet-3P [E, G, F]			
J053	Y701010150	Terminal, ON/OFF			
Δ.J091	BY05000440	Voltage Selector [N, A]			
	BY05000460	Voltage Selector [E, G]			
Δ.J093	YF04000610	Plug, AC Inlet [N, A]			
Δ.W001	YQ01800370	A.C. Power Cord [E, G, F]			
J041	YQ01900020	Shose Plug [F]			

[006-99] Chassis and General Parts



REF. DRWG.	PART NO.	DESCRIPTION	REF. DRWG.	PART NO.	DESCRIPTION
025B	178H125010	Joint, Power Switch	0380	178H104070	Retainer, Main P.W. Board
001F	62030049W0	Lug, Earth	0380	51260308M0	F.H. Tapping Screw F3 x 8
002F	62030049W0	Lug, Earth	0370	51260308M0	B.T. Screw 83 x 8
004F	62030049W0	Lug	0420	27926565G0	Clamp
005F	51290308M0	B.H. Tapped Screw 83 x 6	0555	178H109010	Shield
006F	1397120000	Insulator	0601	51290308M0	B.H. Tapped Screw 83 x 8
002C	178H105020	Chassis, Left Side	0611	174H267010	Heatshink, Main
002D	178H105020	Chassis, Right Side	0621	51260312M0	B.T. Screw 83 x 12
0095	178H126010	Stay, Center	061K	264H267020	Heatshink (QNB1)
0062	51290308M0	B.H. Tapped Screw 83 x 8	062K	264H267020	Heatshink (QNB2)
0070	178H160010	Bracket, Power Transformer	063K	51100308M0	B.H.M. Screw 83 x 8
0082	51290308M0	B.H. Tapped Screw 83 x 8	064K	51100308M0	B.H.M. Screw 83 x 8
0096	51290308M0	B.H. Tapped Screw 83 x 8	065K	178H267040	Heatshink (Q2701)
0101	51100308M0	B.H.M. Screw 83 x 6	066K	178H267040	Heatshink (Q2708)
0123	5170600520	Special Set Screw	067K	178H267040	Heatshink (Q2709)
0165	178H104050	Resistor, Rear	068K	178H267040	Heatshink (Q2710)
0170	51290308M0	B.H. Tapped Screw 83 x 8	010K	182H267010	Heatshink (Q2757)
0185	51290308M0	B.H. Tapped Screw 83 x 8	011K	182H267010	Heatshink (Q2758)
0282	178H104080	Retainer, Heatshink, Front	051K	51290308M0	B.H. Tapped Screw 83 x 6
0292	51290308M0	B.H. Tapped Screw 83 x 8	052K	51290308M0	B.H. Tapped Screw 83 x 8
0270	51290308M0	B.H. Tapped Screw 83 x 8	053K	51290308M0	B.H. Tapped Screw 83 x 8
0290	178H104090	Retainer, Heatshink, Rear	ΔL001	TS19628010	Power Transformer (N, A)
0300	51290308M0	B.H. Tapped Screw 83 x 8	TS19628200	Power Transformer (E, G)	
0310	51290308M0	B.H. Tapped Screw 83 x 8	TS19628200	Power Transformer (F)	
			DK18103840	Ceramic Cap. 0.01μF 250V	
			OK18103850	Ceramic Cap. 0.01μF 250V	
			SP01010520	Push Switch, Power	

ASSIGNMENT OF COMMON PARTS CODES.

RESISTOR

RES (1) $\overline{G00\overline{E}}$ —140 Carbon film fixed resistor, 25%, 1/4W
RES (2) $\overline{G00\overline{E}}$ —140 Carbon film fixed resistor, 25%, 1/8W

Examples
 Resistance value
 010...001 100 100 101 102 1000...104
 011...008 101 102 270...272 1000...684
 111...010 1000 101 102 100 1000...108
 681...008 3001 301 2001...222 47000...475

(Note) Please distinguish 1/4W from 1/8W by the shape of parts used actually.

CERAMIC CAP

(1) $\overline{C0\overline{0}}$ —350 Ceramic condenser
 Dim. type: P500—N1000, 50V
 Capacity value

Examples
 Tolerance (Capacity deviation)
 $\overline{10\overline{0}}\overline{5\overline{0}}$ 5
 $\overline{10\overline{0}}\overline{5\overline{0}}$ 5
 * Tolerance of ceramic parts listed here are as follows:
 50pF—100pF ±50%
 100pF—500pF ±25%
 500pF—1000pF ±25%
 1000pF—10000pF ±25%
 10000pF—100000pF ±25%

(2) $\overline{C1\overline{6}}$ —350 High dielectric constant ceramic condenser
 Dim. type: P500—N1000, 50V
 Capacity value

Examples
 Capacity value
 100pF...101 1000pF...102 10000pF...103
 470pF...471 2200pF...222

ELECTROLYTIC CAP (E & F) FILM CAP (F)
EFF (1) $\overline{E\overline{A}}$ —150 Electrolytic condenser
 One-way lead type, Tolerance ±30%
 Dielectric strength
 Capacity value

Examples
 Capacity value
 01uF...104 0.2uF...475 100uF...107
 0.2uF...224 10uF...106 220uF...321
 1uF...109 22uF...228 1100uF...128
 2200uF...228

(2) $\overline{F1\overline{6}}$ —350 Plastic film condenser
 One-way lead, MVA, ±5% 50V
 Capacity value

Examples
 Capacity value
 0.001uF...101 0.1uF...104
 0.001uF...102 0.04uF...684
 0.01uF...103 1uF...109
 0.01uF...103 1uF...109

8. ELECTRICAL PARTS LIST

*N1 for Europe
 *E1 for Europe
 *E1 for Australia
 *P1 for Japan
 *G1 for PC

REF. DESIGN	PART NO.	DESCRIPTION
P701	YK1704310 ZZ1820410 ZZ1820410	PTD MAIN AMP CIRCUIT BOARD P.W. Board, Main Amp P.W. Board Assembly (N, A) P.W. Board Assembly (E, G)
CN01	OA4740010	PDF-CAPACITORS Elect 4.7uF 50V
CN02	OA4740010	Elect 0.47uF 50V
CN03	OA4740010	Elect 4.7uF 10V
CN04	OA4700110	Elect 47uF 10V
CN05	OA4700110	Elect 470uF 35V
CN06	OA4700110	Elect 47uF 35V
CN07	OA2370310	Elect 230uF 35V
CN08	OA2370310	Elect 220uF 16V
CN09	DK1810300	Ceramic 0.01uF ±50%
CN10	DK1810300	Ceramic 0.01uF ±50%
CN11	EA4700110	Elect 4.7uF 35V
CN12	EA4700110	Elect 47uF 35V
C701	OF1827210	Film 270pF 25%
C702	OF1827210	Film 270pF 25%
C703	OA1060810	Elect 10uF 50V
C704	OA1060810	Elect 10uF 50V
C705	OA2270810	Elect 220pF 6.3V
C706	OA2270810	Elect 220pF 6.3V
C707	OF1810210	Film 1000pF 25%
C708	OF1810210	Film 1000pF 25%
C709	DF5221090	Film 220pF 25%
C710	DF5221090	Film 220pF 25%
C711	DF3110820	Film 10uF 25%
C712	DF3110820	Film 10uF 25%
C713	OA4770810	Elect 470pF 63V
C714	OA4770810	Elect 470pF 63V
C715	OA1070100	Elect 100uF 16V
C716	OA1070100	Elect 100uF 16V
C717	ED1110030	Ceramic 10pF 50V
C718	ED1110030	Ceramic 10pF 50V
C719	DR1810310	Ceramic 0.01uF ±50%
C720	DR1810310	Ceramic 0.01uF ±50%
C721	DR1810310	Ceramic 0.01uF ±50%
C722	DR1810310	Ceramic 0.01uF ±50%
C723	DR1810310	Ceramic 0.01uF ±50%
C724	DR1810310	Ceramic 0.01uF ±50%
C725	DF9818100	Film 100uF 25%
C726	DF9818100	Film 100uF 25%
C727	OA1081010	Elect 1uF 100V
C728	OA1081010	Elect 1uF 100V
C729	OF1810310	Film 100pF 25%
RN01	G00922140	PDF-RESISTORS (All Resistors are 25% and N1)
RN02	G00922140	25KΩ
RN03	G00922140	25KΩ
RN04	G00922140	25KΩ
RN05	NH0091340	22Ω, Fusible (N, A)
RN06	NH0091340	22Ω, Fusible (E, G)
RN07	NH0091340	1.2Ω, Fusible
RN08	NH0091340	1.2Ω, Fusible
RN09	NF0210140	10Ω 25%, Fuse
RN10	NF0210140	10Ω 25%, Fuse
RN11	G00910010	10Ω 25%
RN12	G00910010	10Ω 25%

REF. DESIG.	PART NO.	DESCRIPTION	REF. DESIG.	PART NO.	DESCRIPTION
RN86	GG05100120	100 1/4W	D711	HT332802AG	Transistor 2SC3280(O, R)
RN90	GA05222010	2.2KΩ 1W	D712	HT332802AG	Transistor 2SC3280(O, R)
RN91	GA05222010	2.2KΩ 1W	D713	HT113012AG	Transistor 2SA1301(O, R)
R713	GG05121120	12KΩ 1/4W	D714	HT113012AG	Transistor 2SA1301(O, R)
R714	GA04720750	4.7KΩ Trimming 1/4W	D715	HCI020A000	IC 87K-3003(MARK2)
R718	GA04720750	4.7KΩ Trimming 1/4W	D751	HT222401AG	Transistor 2SC2240(GR)
R720	GA04720750	4.7KΩ Trimming 1/4W	D752	HT109701AG	Transistor 2SA870(GR)
R721	GG05101140	100Ω	D753	HT109701AG	Transistor 2SA870(GR)
R722	GG05101140	100Ω	D754	HT222401AG	Transistor 2SC2240(GR)
R723	GG05101140	100Ω	D755	HT222401AG	Transistor 2SC2240(GR)
R724	GG05101140	100Ω	D756	HT112252AG	Transistor 2SA1225(O, Y)
R727	GA08181020	180Ω	D757	HT08222AG	Transistor 28822(O, G)
R728	GA08181020	180Ω	D758	HT412252AG	Transistor 2SD1225(O, R)
R729	NH05022140	2.2Ω, Pushbe (N, A)	JN61	YJ06002440	Jack, 4P
R730	GG05022140	2.2Ω (E, G)	JN62	YJ06002430	Jack, 3P
R731	GG05022140	2.2Ω (E, G)	JN63	YJ06002430	Jack, 3P
R732	GG05100140	10Ω	J701	YJ06003440	Plug, 4P
R733	GG05100140	10Ω	WN61	YJ00320280	Jumper Lead, 3P
R737	BW10000080	0.18Ω±2 ±10% SW	P801-MISCELLANEOUS		
R738	BW10000080	0.18Ω±2 ±10% SW	CIRCUIT BOARD		
R747	NF02220140	22Ω, Fuse (N, A)	P801-DIODE BRIDGE		
R748	NF02220140	22Ω, Fuse (N, A)	P801	YK175H1430	P.W. Board, Diode Bridge
R755	GG05047140	4.7Ω	ZZ182H1430		P.W. Board Assembly
R756	GG05047140	4.7Ω	CS05	DK18103580	Ceramic Cap. 0.01μF ±80% -20%
DN01	HD20014010	Diode 1S81	CS06	DK18103580	Ceramic Cap. 0.01μF ±80% -20%
DN02	HD20014010	Diode 1S81	P801-POWER SUPPLY		
DN03	HD20014010	Diode 1S81	CIRCUIT BOARD		
DN04	HD20014010	Diode 1S81	P.W. Board, Power Supply		
DN05	HD20022030	Diode DSP10C	P861	YK175H1440	P.W. Board, Power Supply
DN81	HD20022030	Diode DSP10C	ZZ182H1440		P.W. Board Assembly
DN88	HD20014010	Diode 1S81	ACB51	EB10905020	Elect. Cap. 10000μF 56V
D701	HD20014010	Diode 1S81	ACB52	EB10905020	Elect. Cap. 10000μF 56V
D702	HD20014010	Diode 1S81	ACB53	EB88804080	Elect. Cap. 6800μF 40V
D703	HD20014010	Diode 1S81	ACB54	EB88804080	Elect. Cap. 6800μF 40V
D704	HD20014010	Diode 1S81	P801-POWER SWITCH		
D709	HD00020000	Diode 1S8133, etc.	CIRCUIT BOARD		
D710	HD00020000	Diode 1S8133, etc.	P.W. Board, Power Switch		
D751	HD00020100	Diode 30CL2	P901	YK175H2860	P.W. Board, Power Switch
D752	HD00020100	Diode 30CL2	ZZ194H890		P.W. Board Assembly
DN01	HT222401AG	Transistor 2SC2240(GR)	ACB01	DK18103940	Ceramic Cap. 0.01μF 250V
DN02	HT222401AG	Transistor 2SC2240(GR)	ACB01	DP01011100	Push Switch, Power
DN03	HT109701AG	Transistor 2SA870(GR)	P801-POWER SWITCH		
DN04	HT109701AG	Transistor 2SA870(GR)	CIRCUIT BOARD		
DN05	HT222401AG	Transistor 2SC2240(GR)	P.W. Board, Power Switch		
DN06	HT109701AG	Transistor 2SA870(GR)	CIRCUIT BOARD		
DN07	HT08222AG	IC TA7171P	P.W. Board Assembly		
DN81	HC35815090	IC NJM79M15A	P801-POWER SWITCH		
DN82	HC35815090	IC NJM79M15A	CIRCUIT BOARD		
D701	HT31815100	Transistor 2SC1815(GRN)	P801-POWER SWITCH		
D702	HT31815100	Transistor 2SC1815(GRN)	CIRCUIT BOARD		
D703	HT332802AG	Transistor 2SC3280(O, Y)	P.W. Board, Power Switch		
D704	HT332802AG	Transistor 2SC3280(O, Y)	CIRCUIT BOARD		
D705	HT11306200	Transistor 2SA1306(O, Y)	P.W. Board, Power Switch		
D706	HT11306200	Transistor 2SA1306(O, Y)	CIRCUIT BOARD		
D710	HT11306200	Transistor 2SA1306(O, Y)	P.W. Board, Power Switch		
D711	HT11306200	Transistor 2SA1306(O, Y)	CIRCUIT BOARD		

REF. DESIG.	PART NO.	DESCRIPTION	REF. DESIG.	PART NO.	DESCRIPTION
		PE01 TONE VOLUME CIRCUIT BOARD			PE01 BALANCE VOLUME CIRCUIT BOARD
PE01	YK178H8820	P.W. Board, Tone Volume	PGS1	YK178H3840	P.W. Board, Balance Volume
		P.W. Board Assembly			P.W. Board Assembly
		PE01 CAPACITORS	RG51	RM01040890	Variable Resistor 100K(1MN)
CE03	DF6271090	Film 270F 55%			PE01 TAP MONITOR CIRCUIT BOARD
CE04	DF6271090	Film 270F 55%			
CE05	DF5960520	Mica 96F 55%			
CE06	DF5960520	Mica 96F 55%			
CE07	DA22700610	Elect 220F 6.3V	FJ01	YK178H1420	P.W. Board, Tap Monitor
CE08	DA22700610	Elect 220F 6.3V			P.W. Board Assembly
CE09	DF58380520	Mica 38F 55%			
CE10	DF58380520	Mica 38F 55%			
CE11	DF18153010	Film 0.015F 55%	CJ01	J	Ceramic Cap. 0.015F +50% -20%
CE12	DF18153010	Film 0.015F 55%	CJ02	DK18103310	Ceramic Cap. 0.015F +50% -20%
CE13	DA10406010	Elect 0.1F 50V			
CE14	DA10406010	Elect 0.1F 50V			
CE15	DF18330210	Film 0.033F 55%	JJ01	VT02040890	Terminal, 4P, RCA
CE16	DF18330210	Film 0.033F 55%	JJ02	VT02040890	Terminal, 4P, RCA
CE17	DA47405010	Elect 0.47F 50V	JJ03	YJ0002460	Jack, 3P
CE18	DA47405010	Elect 0.47F 50V	JJ04	YJ0002460	Jack, 3P
CE19	DA47601010	Elect 47F 10V			PE01 VOLUME/PUSH SWITCH CIRCUIT BOARD
CE20	DA47601010	Elect 47F 10V			
CE21	DA22601610	Elect 22F 16V	PS01	YK178H3810	P.W. Board, Volume/Push Switch
CE22	DA22601610	Elect 22F 16V			P.W. Board Assembly
CE23	DF15330110	Film 3300F 55%			
CE24	DF15330110	Film 3300F 55%	C501	DF15102010	Ceramic Cap. 1000F 50V
CE25	DA10701610	Elect 100F 16V	C502	DF15102010	Ceramic Cap. 1000F 50V
CE26	DA10701610	Elect 100F 16V	RS02	GA05123010	Resistor 1 2% 1/2W
CE27	DA10701610	Elect 100F 16V	RS10	RM05031255	Variable Resistor 50K(1B)
CE28	DA10701610	Elect 100F 16V			
CE29	DF15222250	Film 2200F 55%	SS01	SP04030360	Push Switch
CE32	DF15222250	Film 2200F 55%	SS02	SP04030360	Push Switch
		PE01 RESISTORS	SS03	SP04010220	Push Switch
RE37	RM01030310	10K(1C), Variable	WS01	VJ06140280	Jumper Lead, 6P
RE38	RM01030310	10K(1C), Variable	WS02	VJ07380280	Jumper Lead, 7P
RE39	NFG0470140	471J 5% 1/4W, Fuse	WS03	VJ07380280	Jumper Lead, 7P
RE40	NFG0470140	471J 5% 1/4W, Fuse	WS04	VJ04180280	Jumper Lead, 4P
		PE01 SEMICONDUCTORS	WS05	VJ04180280	Jumper Lead, 4P
DE01	HF20269180	F.E.T. 2SK369(BL)	WS06	VJ04120280	Jumper Lead, 4P
DE02	HF20269180	F.E.T. 2SK369	WS07	VJ04120280	Jumper Lead, 4P
DE03	HF20269180	F.E.T. 2SK369	WS08	YB00370050	Connective Cord, 3P
DE04	HF20269180	F.E.T. 2SK369	WS10	YB00370070	Connective Cord, 3P
DE05	HC10000990	IC N4805A 1DD	WS11	YB00280360	Connective Cord, 4P
		PE01 MISCELLANEOUS			
JE01	YF00003440	Plug, 4P			PU01 AVIS CIRCUIT BOARD
WE01	YB00280360	Connective Cord, 4P			
WE02	YU03360200	Jumper Lead, 3P	PU01	YK178H3440	P.W. Board, AVIS
WE06	YU03360200	Jumper Lead, 3P			P.W. Board Assembly
		PE01 TONE DEFEAT SWITCH CIRCUIT BOARD			PU01 CAPACITORS
PE01	YK178H8880	P.W. Board, Tone Defeat Switch	CU05	DA10601610	Elect 100F 16V
		P.W. Board Assembly	CU06	DA10601610	Elect 100F 16V
SE01	SP0201420	Push Switch, Tone Defeat	CU07	DA10601610	Elect 100F 16V
			CU08	DA10601610	Elect 100F 16V
					PU01 SEMICONDUCTORS
			DU01	HD20020000	Diode 1S5133, etc.
			DU02	HD20020000	Diode 1S5133, etc.
			DU03	HD20020000	Diode 1S5133, etc.
			DU04	HD20020000	Diode 1S5133, etc.
			DU05	HD20020000	Diode 1S5133, etc.
			QU01	HC10020280	IC N4805A
			QU02	HC712301AG	IC 74LS123P

REF. DESIG.	PART NO.	DESCRIPTION
JU01	YP07001810	PW01-MISCELLANEOUS
JU02	YP07001820	Plug, 1P
		Plug, 2P
PV01	YK178H1410	PW01-PHONE INPUT SELECTOR
	ZZ178H1410	P.W. Board, Phone Input Selector
		P.W. Board Assembly
		PW01-CAPACITORS
C401	DF58101510	Film 100pF 5%
C402	DF58101510	Film 100pF 5%
C403	DF58681510	Film 680pF 5%
C404	DF58681510	Film 680pF 5%
C406	OA10800610	Elect 1000pF 6.3V
C406	OA10800610	Elect 1000pF 6.3V
C407	OF19473010	Film 0.047uF 5%
C408	OF19473010	Film 0.047uF 5%
C409	OF15103010	Film 0.01uF 5%
C410	OF15103010	Film 0.01uF 5%
C411	OF15330010	Film 330pF 5%
C412	OF15330010	Film 330pF 5%
C413	OA10505010	Elect 1uF 50V
C414	OA10505010	Elect 1uF 50V
C415	OF15330010	Film 330pF 5%
C416	OF15330010	Film 330pF 5%
C417	OA44701510	Elect 47uF 15V
C418	OA44701510	Elect 47uF 15V
C419	DK18103310	Ceramic 0.01uF +80% -20%
C420	DK18103310	Ceramic 0.01uF +80% -20%
CV01	DK18103310	Ceramic 0.01uF +80% -20%
J		
CV08	DK18103310	Ceramic 0.01uF +80% -20%
		PW01-RESISTORS
R429	NF02070140	470 5% 1W Fuse
R430	NF02070140	470 5% 1W Fuse
		PW01-SEMICONDUCTORS
DV01	HC20001000	Diode 18155, etc.
DV02	HC20001000	Diode 18155, etc.
O401	HF20389180	F.E.T. 2SK3891BL
O404	HC10028090	IC NJM2041DD
		PW01-MISCELLANEOUS
J401	YP06003330	Plug, 3P
J402	YP06003330	Plug, 3P
J403	YT00020610	Terminal, 2P, RCA
JV01	YT00020280	Terminal, 2P, RCA
JV02	YT00020280	Terminal, 2P, RCA
JV03	YJ06002390	Jack, 6P
JV04	YJ06002450	Jack, 3P
JV05	YJ06002440	Jack, 4P
JV06	YJ06002450	Jack, 6P
LV01	LY20040230	Relay, CD Direct
LV02	LY20040230	Relay, Phone Direct
SV01	SS040600200	Slide Switch
WV01	YU06140280	Jumper Lead, 6P
WV02	YU06120280	Jumper Lead, 6P

(W01-69)	Assembly and Wiring
(T01-69)	Adjustment
(X01-00)	Correction

REF. DESIG.	PART NO.	DESCRIPTION
PW01	YK178H3420	PW01-SPEAKER PROTECTOR RELAY
	ZZ182H8420	P.W. Board, Speaker Protector Relay
		P.W. Board Assembly
		PW01-CAPACITORS
CW01	DF18240110	Film 0.22uF 5%
CW02	DF18240110	Film 0.22uF 5%
CW03	DF18240110	Film 0.22uF 5%
CW04	DF18240110	Film 0.22uF 5%
		PW01-RESISTORS
RW01	G06022120	2.2K 5% 1W
RW02	G06022120	2.2K 5% 1W
RW03	G06010030	10K 5% 1W
RW04	G06010030	10K 5% 1W
		PW01-SEMICONDUCTORS
DW01	HC00002000	Diode 1S8133, etc.
DW02	HC00002000	Diode 1S8133, etc.
		PW01-MISCELLANEOUS
JW01	YT01840310	Terminal, Speaker
JW02	YT01840320	Terminal, Speaker
JW03	YJ07001100	Jack, 5P
LW01	LL23805120	Choke Coil
LW02	LL23808120	Choke Coil
LW03	L20040280	Relay, Speaker
LW04	L20040280	Relay, Speaker
		PW01-SPEAKER SWITCH/PHONE
		CIRCUIT BOARD
PW01	YK178H3430	P.W. Board, Speaker Switch/Phone
	ZZ182H8430	P.W. Board Assembly
RW01	G060122010	Resistor 1.2K 5% 1W
RW02	G060122010	Resistor 1.2K 5% 1W
WV01	YU01002340	Jack, Handphone
WV02	YU01002340	Jack, Handphone
WV03	YU0220280	Jumper Lead, 2P
WV04	YU0220280	Jumper Lead, 2P
		PW01-INPUT SELECTOR DISPLAY
		CIRCUIT BOARD
PV01	YK178H2630	P.W. Board, Input Selector Display
	ZZ178H8230	P.W. Board Assembly
DY01	HI1008320	L.E.D. GL9HD4
J		
DY07	HI1008320	L.E.D. SLP281F-50U
DY08	HI1008300	L.E.D.
JV01	YJ07001090	Jack, 6P
JV02	YJ06002440	Jack, 4P
WV01	YU04400280	Jumper Lead, 4P
WV02	YU06160280	Jumper Lead, 6P

NOTE ON SAFETY:
 Symbol Δ: Fire or electrical shock hazard. Only original parts should be used to replace any part marked with symbol Δ.
 Any other component substitution (other than original type), may increase risk of fire or electrical shock hazard.

ASSIGNMENT OF COMMON PARTS CODES.

RESISTOR
 (1) G005 — 140, Carbon film fixed resistor, 25%, 1/4W
 (2) G005 — 160, Carbon film fixed resistor, 25%, 1/2W

⊖ — Resistance value
 Examples
 ⊖ Resistance value
 0.1k .05 100 100 140 100 100k 104
 0.5k .005 18k 180 2.7k 272 680k 484
 1k .010 100k 100 130k 100 18k 106
 6.8k .068 390k .391 22k 223 4.7Mk 475

(Note) Please distinguish 1/4W from 1/2W by the shape of parts used actually.

CERAMIC CAP.
 (1) D01 — 370, Ceramic condenser
 Die type
 Temp. coeff. P350 — N1000, 50V
 ⊖ Capacity value
 ⊖ Tolerance

Examples
 ⊖ Tolerance (Capacity deviation)
 ±25% 0
 ±10% -1
 ±5% 2
 * Tolerance of COMMON PARTS handled here are as follows:
 0.1μF — 5μF — ±20%
 5μF — 10μF — ±10%
 10μF — 500μF — ±5%
 ⊖ Capacity value
 0.1μF .005 1μF .030 100μF .101
 1μF .010 10μF .100 220μF .221
 15μF .015 470μF .470 500μF .501

CERAMIC CAP.
 (1) DK16 — 300, High dielectric constant ceramic condenser
 Die type
 Temp. chara. 284, 30V
 ⊖ Capacity value

Example
 ⊖ Capacity value
 100μF .101 1000μF .102 10000μF .103
 470μF .471 2200μF .222

ELECTROLYTIC CAP. (E), FILM CAP. (F)
 (1) E — 10, Electrolytic condenser
 ⊖ One-way lead type, Tolerance 20%
 ⊖ Electrolytic strength
 ⊖ Capacity value

Examples
 ⊖ Capacity value
 0.1μF .104 4.7μF .476 100μF .107
 0.33μF .334 10μF .106 330μF .337
 1μF .106 22μF .226 1100μF .108
 2200μF .208
 ⊖ Working voltage
 6.3V .008 25V .025
 15V .010 35V .038
 16V .016 50V .050

(2) DF15 — 350, Plastic film condenser
 Die-lead type, Mylar, 15%, 50V
 ⊖ Capacity value

Examples
 ⊖ Capacity value
 0.001μF (1000pF) .102 0.1μF .104
 0.001μF .102 0.68μF .684
 0.01μF .103 1μF .106
 0.01μF .103 1μF .106

(Model PM-541)

REF. DESIG.	PART NO.	DESCRIPTION
P701	YK176H3410 Z2176H8110 Z2176H7410	P701-MAIN AMP CIRCUIT BOARD P.W. Board, Main Amp P.W. Board Assembly [N, A] P.W. Board Assembly [E, G]
		P701-CAPACITORS
CN01	DA47605010	Elect 4.7μF 50V
CN02	DA47605010	Elect 4.7μF 50V
CN04	DA22601610	Elect 22μF 16V
CN05	DA22601610	Elect 22μF 16V
CN61	DA47703510	Elect 47μF 35V
CN62	DA47703510	Elect 47μF 35V
CN63	DA33703510	Elect 33μF 35V
CN64	DA33703510	Elect 33μF 35V
CN65	DA22701610	Elect 22μF 16V
CN66	DA22701610	Elect 22μF 16V
CN68	DK18103580	Ceramic 0.01μF [N, A]
CN90	DK18103580	Ceramic 0.01μF [N, A]
C701	DF15272010	Film 2700pF 55%
C702	DF15272010	Film 2700pF 55%
C703	DA10655010	Elect 10μF 50V
C704	DA10655010	Elect 10μF 50V
C706	DA22700610	Elect 22μF 6.3V
C707	DA22700610	Elect 22μF 6.3V
C708	DF15152010	Film 1500pF 55%
C709	DF15152010	Film 1500pF 55%
C708	DF55221510	Film 220pF 55%
C710	DF55221510	Film 220pF 55%
C711	DF3510520	Mica 12pF 55%
C712	DF3510520	Mica 12pF 55%
C713	DA22710010	Elect 220pF 100V
C714	DA22710010	Elect 220pF 100V
C715	DA10701610	Elect 100pF 16V
C716	DA10701610	Elect 100pF 16V
C717	DF35101520	Mica 150pF 55%
C718	DF35101520	Mica 150pF 55%
C719	DF31100520	Mica 10pF 50.5pF
C720	DF31100520	Mica 10pF 55%
C751	DF55151000	Film 150pF 55%
C752	DF55151000	Film 150pF 55%
C753	DA10610010	Elect 10μF 100V
C754	DA10610010	Elect 10μF 100V
C755	DF15103010	Film 0.01μF 55%
C756	DA33706310	Elect 330pF 63V
C757	DA33706310	Elect 330pF 63V
		P701-RESISTORS (All Resistors are 5% and 3W)
RN01	G006102140	1KΩ
RN02	G006102140	1KΩ
RN03	G006102140	1KΩ
RN04	G006102140	1KΩ
RN27	G006220140	22Ω (E, G)
RN28	NF0220140	22Ω, Fuse 52% [N, A]
RN81	NH0012140	1.2Ω, Fuseable
RN82	NH0012140	1.2Ω, Fuseable
RN83	G006100120	10Ω 3W
RN84	G006100120	10Ω 3W
RN85	NF02100140	10Ω, Fuse

REF. DESIG.	PART NO.	DESCRIPTION	REF. DESIG.	PART NO.	DESCRIPTION		
		P81-POWER SUPPLY CIRCUIT BOARD			P82-RESISTORS		
P81	YK178H1440 ZZ178H1440	F.W. Board, Power Supply F.W. Board Assembly	RE30	NF02100140	10Ω 25% 1/4W, Fuse		
Δ CB81	EB1200310	Elect. Cap. 1200μF 63V	RE40	NF02100140	10Ω 25% 1/4W, Fuse		
Δ CB82	EB1200310	Elect. Cap. 1200μF 63V			P83-SEMICONDUCTORS		
Δ CB83	EB82804010	Elect. Cap. 820μF 40V	D001	HD00001160	C.R. Diode E-652		
Δ CB84	EB82804010	Elect. Cap. 820μF 40V	D002	HD00001160	C.R. Diode E-652		
		P81-TONE VOLUME(L) CIRCUIT BOARD	O001	HF20389180	F.E.T. 2SK-369(8L)		
PE01	YK178H1090 ZZ178H1090	F.W. Board, Tone Volume(L) F.W. Board Assembly	O002	HF20389180	F.E.T. 2SK-369(8L)		
CE11	OF16153010	Film 0.01μF 5%	O003	HF20389180	F.E.T. 2SK-369(8L)		
CE13	OA10605010	Elect. 0.1μF 50V	O004	HF20389180	F.E.T. 2SK-369(8L)		
CE16	OF16153010	Film 0.01μF 5%	O005	HF20389180	F.E.T. 2SK-369(8L)		
CE17	OA47405010	Elect. 0.47μF 50V	O006	HC10020000	IC NA00204100		
CE18	OA47405010	Elect. 0.47μF 10V			P84-MISCELLANEOUS		
RE41	RK01030630	Variable Resistor 10K(10), Taper	JE02	YJ06002440	Jack, 4P		
RE42	RK01030630	Variable Resistor 10K(10), Bass	JE03	YJ06002440	Plug, 4P		
WE05	YB00202030	Connective Cord, 3P	JE04	YJ06003330	Plug, 4P		
		P82-TONE VOLUME(R) CIRCUIT BOARD	JE05	YJ06003330	Plug, 3P		
PE02	YK178H1030 ZZ178H8070	F.W. Board, Tone Volume(R) F.W. Board Assembly	JE06	YJ06003330	Plug, 3P		
CE12	OF16153010	Film Cap. 0.01μF 5%	WE01	YB00203080	Connective Cord, 2P		
CE14	OA10605010	Elect. Cap. 0.1μF 50V			P81-TONE DEFEAT SWITCH CIRCUIT BOARD		
CE16	OF16153010	Film Cap. 0.01μF 5%	PE51	YK178H1090 ZZ178H8090	F.W. Board, Tone Defeat Switch F.W. Board Assembly		
CE18	OA47405010	Elect. Cap. 0.47μF 50V	SE51	SP02011420	Push Switch, Tone Defeat		
CE20	OA47405010	Elect. Cap. 0.47μF 10V	WE02	YB00204150	Connective Cord, 4P		
RE37	RK01030630	Variable Resistor 10K(10), Taper	WE04	YB00202030	Connective Cord, 4P		
RE38	RK01030630	Variable Resistor 10K(10), Bass			P81-TAPE MONITOR CIRCUIT BOARD		
WE06	YB00160280	Connective Cord, 3P	PJ01	YK178H1420 ZZ178H1420	F.W. Board, Tape Monitor F.W. Board Assembly		
		P82-TONE UNIT CIRCUIT BOARD	CJ01	DK18103310	Ceramic Cap. 0.01μF +50% -20%		
PE50	YK178H1030 ZZ178H8020	F.W. Board, Tone Unit F.W. Board Assembly			J001	YT02040090	Terminal, 4P, RCA
		P83-CAPACITORS	J002	YT02040090	Terminal, 4P, RCA		
CE01	DF35220020	Mica 22pF 5%	J003	YJ06002440	Jack, 7P		
CE02	DF35220020	Mica 22pF 5%	J004	YJ06002440	Jack, 7P		
CE03	OF16153010	Film 180pF 5%			P81-BUREAC OUTLET CIRCUIT BOARD(P81-74D)		
CE04	OF16153010	Film 180pF 5%	FP01	YK178H1080	F.W. Board, Fuse/AC Outlet		
CE05	DF35660020	Mica 66pF 5%	Δ F001	FS10000000	Fuse 8A 250V (F)		
CE06	DF35660020	Mica 66pF 5%					
CE07	OA22700610	Elect. 220pF 6.3V	JF01	YJ06000370	Jack, Fuse Clip (F)		
CE08	OA22700610	Elect. 220pF 6.3V	JF02	YJ06000370	Jack, Fuse Clip (F)		
CE09	DF35101520	Mica 100pF 5%	JF03	YJ06003340	Plug, 2P (F)		
CE10	DF35101520	Mica 100pF 5%					
CE21	OA22801610	Elect. 22μF 16V					
CE22	OA22801610	Elect. 22μF 16V					
CE23	OF16153010	Film 330pF 5%					
CE24	OF16153010	Film 330pF 5%					
CE25	OA22701610	Elect. 220pF 16V					
CE26	OA22701610	Elect. 220pF 16V					
CE27	OA22701610	Elect. 220pF 16V					
CE28	OA22701610	Elect. 220pF 16V					

REF. DESIG.	PART NO.	DESCRIPTION	REF. DESIG.	PART NO.	DESCRIPTION
		FS01-VOLUME/PUSH SWITCH CIRCUIT BOARD			PV01-SEMICONDUCTORS
FS01	YK178H1010 ZZ178H8010	P.W. Board, Volume/Push Switch P.W. Board Assembly	DU01	HD20011090	Diode 1S1565
CS03	OA10409010	Elect. Cap. 0.1uF 50V	DU02	HD20011090	Diode 1S1565
CS04	OA10409010	Elect. Cap. 0.1uF 50V	DU03	HD20011090	Diode 1S1565
RS07	GA05122010	Resistor 1.2KΩ 25% 1W	DU04	HD20011090	Diode 1S1565
RS11	RM01040940	Variable Resistor 100KΩ(MN)	DU05	HD30001020	Zener MA1023
SS01	SP04030380	Push Switch	DU06	HD30001020	Zener MA1023
SS02	SP04030370	Push Switch	DU07	HD30004020	Zener MA1021
SS03	SP04010520	Push Switch	DU08	HD20002000	Diode 1S3133, etc.
WJ03	YU07402080	Jumper Lead, 7P	DU09	HD20002000	Diode 1S3133, etc.
WJ04	YU07402080	Jumper Lead, 7P	QU01	HC10009090	IC NJM2901
WJ01	YB00201370	Connective Cord, 3P	QU02	HCT12001A0	IC 74LS123P
WJ02	YB00201380	Connective Cord, 3P	QU03	HW10006030	Photo Unit PCB47
WJ03	YB00205080	Connective Cord, 2P	QU04	HT32785DC0	Transistor 2SC2785(HF, FF)
WJ04	YB00205080	Connective Cord, 2P	QU05	HT32785DC0	Transistor 2SC2785(HF, FF)
WJ05	YU04120280	Jumper Lead, 4P			PV01-MISCELLANEOUS
WJ06	YU04020280	Jumper Lead, 4P	JU01	YP07001010	Plug, 11P
WJ08	YU05140280	Jumper Lead, 8P	JU02	YP07001020	Plug, 2P
WJ07	YU04020280	Jumper Lead, 4P			PV01-PHONE INPUT SELECTOR CIRCUIT BOARD
WJ03	YU04090280	Jumper Lead, 4P	PV01	YK178H1410 ZZ178H1410	P.W. Board, Phone Input Selector P.W. Board Assembly
		FS02-MASTER VOLUME CIRCUIT BOARD			PV01-CAPACITORS
FS02	YK178H10A0 ZZ178H0A0	P.W. Board, Master Volume P.W. Board Assembly	C401	DF56101510	Film 100uF 25%
CS01	OF15102010	Film Cap. 1000uF 5%	C402	DF56101510	Film 100uF 25%
CS02	OF15102010	Film Cap. 1000uF 5%	C403	DF56881510	Film 880uF 25%
RS10	RM56031270	Variable Resistor 50KΩ(B)	C404	DF56881510	Film 880uF 25%
JS01	YP06003410	Plug, 2P	C405	DA28800610	Elect 2200uF 6.3V
JS02	YP06003410	Plug, 2P	C406	DA28800610	Elect 2200uF 6.3V
WE02	YU04070280	Jumper Lead, 4P	C407	OF18473010	Film 0.047uF 55%
		PV01-AVSS CIRCUIT BOARD	C408	OF18473010	Film 0.047uF 55%
PV01	YK178H10A0 ZZ178H80A0	P.W. Board, AVSS P.W. Board Assembly	C409	OF15102010	Film 0.01uF 25%
CU03	OA10601810	Elect 10uF 16V	C410	OF15102010	Film 0.01uF 25%
CU04	OA10601810	Elect 10uF 16V	C411	OF15322010	Film 3300uF 5%
CU07	OA10601810	Elect 10uF 16V	C412	OF15322010	Film 3300uF 5%
CU08	OA10601810	Elect 10uF 16V	C413	OA15601810	Elect 10uF 16V
CU09	OA10601810	Elect 10uF 16V	C414	OA15601810	Elect 10uF 16V
CU14	OA10601810	Elect 10uF 16V	C415	OF15322010	Film 3300uF 5%
		PV01-RESISTORS	C416	OF15322010	Film 3300uF 5%
RU21	RA01030780	220Ω 5% 1/4W	C417	DA47701810	Elect 470uF 16V
RU22	RA01030780	220Ω 5% 1/4W	C418	DA47701810	Elect 470uF 16V
RU23	RA01030780	10KΩ, Trimming	C419	DK18103310	Ceramic 0.01uF +80% -20%
RU24	RA01030780	10KΩ, Trimming	C420	DK18103310	Ceramic 0.01uF +80% -20%
RU25	RA01030780	10KΩ, Trimming			PV01-RESISTORS
RU26	RA01030780	10KΩ, Trimming	R420	NF02470140	47Ω 21% 1/4W, Fuse
		PV01-SEMICONDUCTORS	R430	NF02470140	47Ω 21% 1/4W, Fuse
DV01	HD20022030	Diode DSF10C	D401	HD60001160	C.R. Diode E-452
DV02	HD20022030	Diode DSF10C	D402	HD60001160	C.R. Diode E-452
O401	J	F.E.T. 2SK368(BL)			PV01-SEMICONDUCTORS
O404	HF20089180	F.E.T. 2SK368(BL)	DV01	HD20022030	Diode DSF10C
O405	HC10026090	IC NJM2041DD	DV02	HD20022030	Diode DSF10C

REF. DESIG.	PART NO.	DESCRIPTION	REF. DESIG.	PART NO.	DESCRIPTION
		PW01-MISCELLANEOUS			PW01-MISCELLANEOUS
J401	YF06003330	Plug, 3P	JW01	YF01040360	Terminal, Speaker
J402	YF06003330	Plug, 3P	JW02	YF01040370	Terminal, Speaker
J403	YT02020610	Terminal, 2P, RCA	JW03	YF06001040	Plug, 3P
JV01	YT02020280	Terminal, 2P, RCA	JW04	YF06001940	Plug, 3P
JV02	YT02020280	Terminal, 2P, RCA	JW13	YJ07001100	Jack, 5P
JV03	YJ06002390	Jack, 5P	LW01	LJ31115080	Choke Coil
JV04	YJ06002390	Jack, 5P	LW02	LJ31115080	Choke Coil
JV05	YJ06002440	Jack, 4P	LW03	LY20240190	Relay, Speaker
JV06	YJ06002440	Jack, 4P	LW04	LY20240190	Relay, Speaker
JV07	YJ06002440	Jack, 4P			
JV08	YJ06002440	Jack, 4P			
JV10	YJ06002390	Jack, 5P			
LV01	LV20240230	Relay, CD Direct			
LV02	LV20240230	Relay, Phone Direct			
SV01	SS04060020	Slide Switch			
SV02	SS04060010	Slide Switch			
W401	Y800370060	Connective Cord, 3P			
W402	Y800370070	Connective Cord, 3P			
WV01	YU06140280	Jumper Lead, 6P			
WV02	YU06120280	Jumper Lead, 6P			
WV04	YU06102280	Jumper Lead, 6P			
		PW01-SPEAKER PROTECTOR RELAY			PW01-SPEAKER SWITCHPHONE
		CIRCUIT BOARD			CIRCUIT BOARD
PW01	YK175H1050	P.W. Board, Speaker Protector Relay	PW51	YK175H0430	P.W. Board, Speaker Switch/Phone
		PW01-CAPACITORS			P.W. Board Assembly
CM01	OF15224010	Film 0.22uF 50%	RW51	GA06122010	Resistor 1.2KΩ 5% 1W
CM02	OF15224010	Film 0.22uF 50%	RW52	GA06122010	Resistor 1.2KΩ 5% 1W
CM03	OF15224010	Film 0.22uF 50%			
CM04	OF15224010	Film 0.22uF 50%			
		PW01-RESISTORS			PW01-INPUT SELECTOR DISPLAY
RW01	G506022120	2.2Ω 5% 1/4W			CIRCUIT BOARD
RW02	G506022120	2.2Ω 5% 1/4W	PY01	YK175H1030	P.W. Board, Input Selector Display
RW03	GA06100030	10Ω 5% 3W			P.W. Board Assembly
RW04	GA06100030	10Ω 5% 3W			
RW05	GA06310300	330Ω 5% 3W	DY01	HI1002820	L.E.D. GL9HD4
RW06	GA06310300	330Ω 5% 3W	DY02	HI1002820	L.E.D. GL9HD4
		PW01-SEMICONDUCTORS	DY08	HI1003800	L.E.D. SLP281F-50U
DW01	HD20022030	Diode DSF10C	J505	YJ06002440	Jack, 4P
DW02	HD20022030	Diode DSF10C	JY01	YJ07001090	Jack, 4P
			JY02	YJ06002440	Jack, 4P
			JY03	YJ06002440	Jack, 4P
			WY01	YU04400280	Jumper Lead, 4P
			WY02	YU06180280	Jumper Lead, 6P

(W01-09)	Assembly and Wiring
(T01-09)	Adjustment
(X01-00)	Correction

NOTE ON SAFETY:
 Symbol Δ, Fire or electrical shock hazard. Only original parts should be used to replace any part marked with symbol Δ.
 Any other component substitution (other than original type), may increase risk of fire or electrical shock hazard.

9. TECHNICAL SPECIFICATIONS

(Model PM-54II)

AUDIO SECTION

IHF Dynamic Power	
4 OHMS	140 W
8 OHMS	100 W

POWER OUTPUT PER CHANNEL

DIN 4 OHMS	100 W
RMS 4 OHMS (20 Hz - 20 kHz)	70 W
DIN 8 OHMS AT 1 kHz	80 W
RMS 8 OHMS (20 Hz - 20 kHz)	60 W
TOTAL HARMONIC DISTORTION AT RMS 8 OHMS	0.02 %
I.M. DISTORTION	
DAMPING FACTOR 8 OHMS (1 kHz)	100

MM CARTRIDGE INPUT

Frequency Response (IEC R1AA)	+0.5 dB
Signal-to-Noise Ratio (IEC A weighted)	86 dB
Input Impedance	47 k ohms
Input Capacitance	200 pF
Input Sensitivity	2.5 mV
Equivalent Input Noise	0.25 μ V
Dynamic Range	113 dB

MC CARTRIDGE INPUT

Input Sensitivity	250 μ V
Input Impedance	100 ohms

CD-TUNER-TAPE INPUT

Input Impedance	20 k ohms
Input Sensitivity	150 mV
Frequency Response +0, -1 dB	10 Hz - 70 kHz
Signal to Noise Ratio (IEC A weighted)	96 dB

OUTPUT VOLTAGE

Tape Out [PHONO (MM) 7.75 mV]	465 mV
-------------------------------	--------

OUTPUT IMPEDANCE

Tape Out	220 ohms
----------	----------

GENERAL

Power Requirements N and T versions	220/240 V AC, 50/60 Hz
E version	110/120/220/240 V AC, 50/60 Hz
Power Consumption at Rated Output, both Channels Operating	250 W
Dimensions	
Panel Width	416 mm
Panel Height	116 mm
Depth	334 mm
Weight	
Unit Alone	9.5 kg

(Model PM-64II)

AUDIO SECTION

IHF Dynamic Power
4 OHMS 225 W
8 OHMS 146 W

POWER OUTPUT PER CHANNEL
DIN 4 OHMS 160 W
RMS 4 OHMS (20 Hz - 20 kHz) 105 W
DIN 8 OHMS AT 1 kHz 115 W
RMS 8 OHMS (20 Hz - 20 kHz) 100 W
TOTAL HARMONIC DISTORTION AT RMS 8 OHMS 0.02 %
I.M. DISTORTION 0.02 %
DAMPING FACTOR 8 OHMS (1 kHz) 100

MM CARTRIDGE INPUT
Frequency Response (IEC RIAA) 40.5 dB
Signal-to-Noise Ratio (IEC A weighted) 86 dB
Input Impedance 47 k ohms
Input Capacitance 200 pF
Input Sensitivity 2.5 mV
Equivalent Input Noise 0.25 μ V
Dynamic Range 113 dB

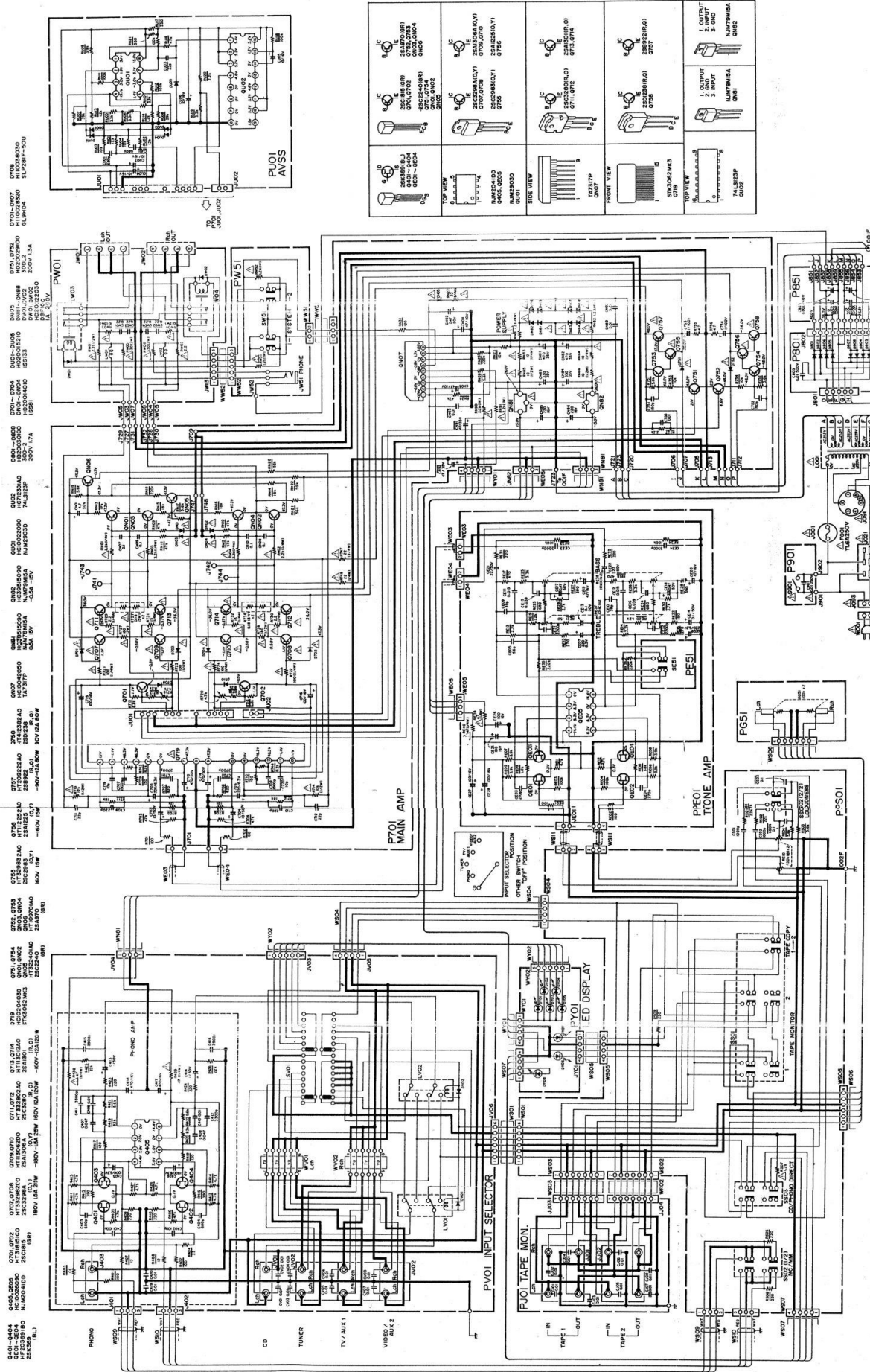
MC CARTRIDGE INPUT
Input Sensitivity 250 μ V
Input Impedance 100 ohms

CD-TUNER-TAPE INPUT
Input Impedance 20 k ohms
Input Sensitivity 150 mV
Frequency Response +0, -1 dB 10 Hz ~ 70 kHz
Signal to Noise Ratio (IEC A weighted) 96 dB

OUTPUT VOLTAGE
Tape Out [PHONO (MM) 7.75 mV] 465 mV

OUTPUT IMPEDANCE
Tape Out 220 ohms

GENERAL
Power Requirements N and T versions 220/240 V AC, 50/60 Hz
E version 110/120/220/240 V AC, 50/60 Hz
Power Consumption at Rated Output, both Channels Operating 380 W
Dimensions
Panel Width 416 mm
Panel Height 146 mm
Depth 354 mm
Weight
Unit Alone 12.5 kg



- F001 FS10200850 FUSE 2A 250V
- L001 TS18507850 POWER TRANSFORMER (N/A)
- R005 9R00050210 ROTARY SWITCH TREBLE
- R027 RG27 100K BASS
- RE39 RM01030310 VARIABLE 10KΩ BASS
- SE15 SP02011420 PUSH SWITCH DEFEAT
- RG51 RM01040890 VARIABLE 100KΩ BALANCE
- SS10 SP04020900 VARIABLE 50KΩ MAIN BALANCE
- SS02 SP04020900 PUSH SWITCH LOUDNESS
- SS03 SP04010520 PUSH SWITCH CD DIRECT
- LV01 LY20240230 RELAY PHONO DIRECT
- LV02 LY20240230 RELAY SPEAKER
- LV03 LY20240280 RELAY SPEAKER
- LV04 LY20240280 RELAY SPEAKER
- SW51 SP02020940 PUSH SWITCH SPEAKER
- R719 RA04720750 TRIMMING 4.7KΩ
- SP01 SP01011000 PUSH SWITCH POWER

NOTE ON SAFETY:
 Symbol Δ Fire or electrical shock hazard. Only original parts should be used to replace any part marked with symbol Δ . Any other component substitution (other than original type), may increase risk of fire or electrical shock hazard.

"SERVICE INFORMATION IS FOR USE BY QUALIFIED PERSONNEL ONLY - ANY MISADJUSTMENT OR MISALIGNMENT MAY BE TREATED AS A NON-WARRANTY REPAIR BY ANY MARANTZ SERVICE CENTRE."

Kind of Common Parts

- RESISTOR**
- E*** (1) GD05...140, Carbon film fixed resistor, $\pm 5\%$ 1/4W
 - E*** (2) GD05...160, Carbon film fixed resistor, $\pm 5\%$ 1/6W
 - C***: CERAMIC CAP.
 - (1) DD1...370, Ceramic condenser, disc type (titanium)
 - (2) DD1...370, Ceramic condenser, disc type (titanium)
 - C***: CERAMIC CAP.
 - (1) DK10...300, High dielectric constant ceramic condenser, disc type (titanium)
 - (2) DK10...300, High dielectric constant ceramic condenser, disc type (titanium)
- Temp. chara. 284 50V

*In case of ordering the common parts, please establish the correct parts number of 10 figures by the procedure "ASSIGNMENT OF COMMON PARTS CODES".

Components and wiring are subject to change for modification without notice.