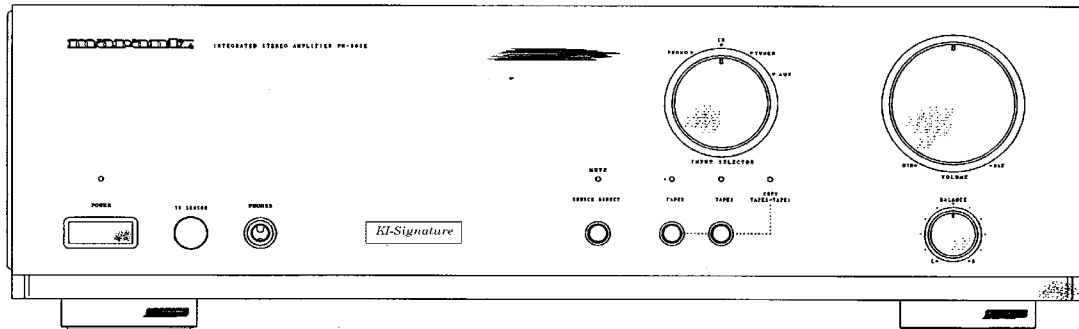


Service Manual

74PM66/ 92B/95B

Integrated Stereo Amplifier



REMARK :

This service manual explains the differences between the 74PM66/12B/15B and the 74PM66/92B/95B (KI). Only the electrical differences are listed. The mechanical differences are not available as spare part.

All other information is described in the service manual of the model 74PM66/12B/15B (Code number: 4822 725 51119). The dispatch of the parts for after sales service has to be referred to this service manual, with the first priority.

For this reason, please use this service manual with referring to the model PM66 service manual without fail.

PM66KI is electrically equal to PM66SE except the followings.

Position No.	Service code	Description
L001	4822 146 10788	Transformer 230 V
C703, C704	-	Removed
C705, C706	4822 124 80544	100uF 16V Silmic
C709, C710	4822 121 10672	100pF Blue SE cap
C753, C754, C755, C756	4822 121 10671	120pF Blue SE cap
C801, C802	4822 124 80995	12000uF 56V
C453, C454	4822 121 10669	220pF Blue SE cap
C455, C456 C467, C468	4822 124 80543	10uF 35V Silmic

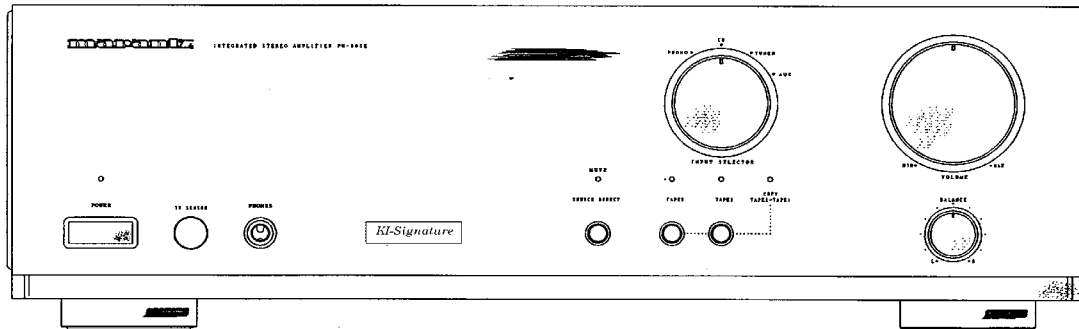
marantz®

model PM66KI

Service Manual

74PM66/ 92B/95B

Integrated Stereo Amplifier



REMARK :

This service manual explains the differences between the 74PM66/12B/15B and the 74PM66/92B/95B (KI). Only the electrical differences are listed. The mechanical differences are not available as spare part.

All other information is described in the service manual of the model 74PM66/12B/15B (Code number: 4822 725 51119). The dispatch of the parts for after sales service has to be referred to this service manual, with the first priority.

For this reason, please use this service manual with referring to the model PM66 service manual without fail.

PM66KI is electrically equal to PM66SE except the followings.

Position No.	Service code	Description
L001	4822 146 10788	Transformer 230 V
C703, C704	-	Removed
C705, C706	4822 124 80544	100uF 16V Silmic
C709, C710	4822 121 10672	100pF Blue SE cap
C753, C754, C755, C756	4822 121 10671	120pF Blue SE cap
C801, C802	4822 124 80995	12000uF 56V
C453, C454	4822 121 10669	220pF Blue SE cap
C455, C456 C467, C468	4822 124 80543	10uF 35V Silmic

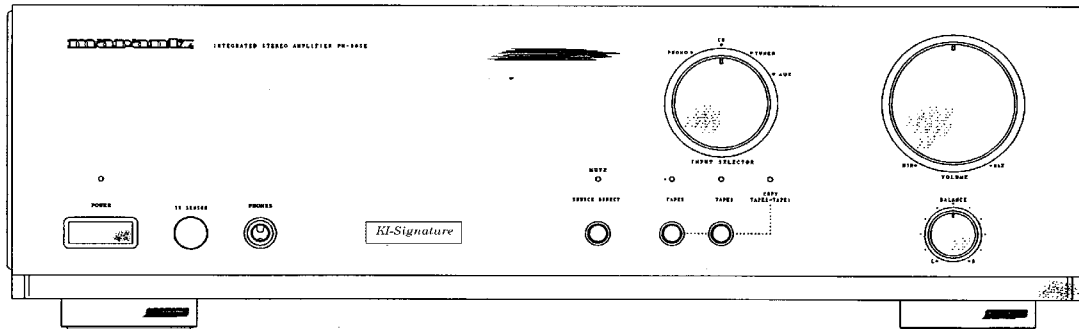
marantz®

model PM66KI

Service Manual

74PM66/ 92B/95B

Integrated Stereo Amplifier



REMARK :

This service manual explains the differences between the 74PM66/12B/15B and the 74PM66/92B/95B (KI). Only the electrical differences are listed. The mechanical differences are not available as spare part.

All other information is described in the service manual of the model 74PM66/12B/15B (Code number: 4822 725 51119). The dispatch of the parts for after sales service has to be referred to this service manual, with the first priority.

For this reason, please use this service manual with referring to the model PM66 service manual without fail.

PM66KI is electrically equal to PM66SE except the followings.

Position No.	Service code	Description
L001	4822 146 10788	Transformer 230 V
C703, C704	-	Removed
C705, C706	4822 124 80544	100uF 16V Silmic
C709, C710	4822 121 10672	100pF Blue SE cap
C753, C754, C755, C756	4822 121 10671	120pF Blue SE cap
C801, C802	4822 124 80995	12000uF 56V
C453, C454	4822 121 10669	220pF Blue SE cap
C455, C456 C467, C468	4822 124 80543	10uF 35V Silmic

marantz®

model PM66KI

74PM66

1. TECHNICAL SPECIFICATIONS

Power output

RMS 8 ohms / 4 ohms	50 / 70W
DIN 8 ohms / 4 ohms	55 / 75W

IHF dynamic power

8 ohms / 4 ohms	80 / 110W
THD at 8 ohms rated output	0.008 %
Intermodulation distortion	0.008 %
Damping factor	100

Magnetic cartridge input

Input sensitivity impedance	2.5 mV / 47 k ohm
Accuracy of frequency response to IEC RIAA	0.5 dB
Signal to noise ratio (IHF A weighted)	87 dB

Tuner / CD / Aux / Tape inputs

Input sensitivity impedance	150 mV / 33 k ohm
Signal to noise ratio (A weighted)	97 dB
Frequency response (-3 dB limits)	5 Hz - 70 kHz
Channel separation (1 kHz / 10 kHz)	> 85 dB / 65 dB

General

Power Requirements

/ 12, / 15 versions	230 V AC, 50 Hz
/ 11 version	110 / 120 / 220 / 240 V AC, 50 / 60 Hz
/ F version	100 V AC, 50 / 60 Hz

Dimensions (MAX)

Width	439 mm
Height	138 mm
Depth	343 mm

Weight

Unit alone	6.7 kg
------------------	--------

Specifications subject to change without prior notice.

2. TEST EQUIPMENT REQUIRED FOR SERVICING

This table lists the test equipment required for servicing

Item	Use
Distortion Analyzer	Distortion measurements
Audio Oscillator	Sinewave and squarewave signal source
ACVTVM	Voltage measurements (AC)
Oscilloscope	Waveform analysis and trouble shooting and ASO alignment
Circuit Tester	Trouble shooting
DCVTVM	Voltage measurements (DC)
AC Wattmeter	Monitors primary power to amplifier
Line Voltmeter	Monitors potential of primary power to amplifier
Variable Autotransformer	Adjust level of primery power to amplifier
Shorting Plug	Shorts amplifier input to eliminate noise pickup

3. IDLING CURRENT ADJUSTMENT

- Before switching the power ON, set the Master Volume control to the minimum position and the Balance to the center positions. Also set semi-fixed resistors R755 (L CH) and R756 (R CH) on PCB P701 to the center positions.
- Each of the cement resistors R767 (L CH) and R768 (R CH) on the PCB P701 is provided with three test points. Connect a digital voltmeter, set for the DC voltage input, to the test points at the two extremities of the three test points of R767 or R768.
- After the setup above, switch the power ON and adjust semi-fixed resistor R755 (L CH) or R756 (R CH) on PCB P701 according to the digital voltmeter reading. The target setting value is 14 mV (38.9mA) for both the L CH and R CH.

Please refer to the table below.

Elapsed time after power ON	Idling current setting value
30 sec. - 1 min.	5 mV
1 min. - 2 min.	8 mV
2 min. - 4 min.	10.5 mV
More than 6 min.	14 mV

Note on Safety :

Symbol **▲** Fire or electrical shock hazard. Only original parts should be used to replace any part marked with symbol **▲**. Any other component substitution (other than original type), may increase risk of fire or electrical shock hazard.

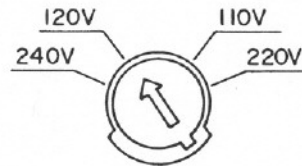
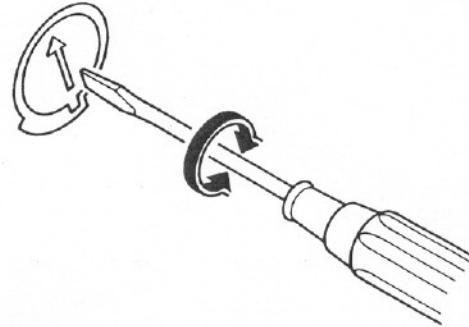
4. VOLTAGE CONVERSION

• /11B VERSION MODEL ONLY

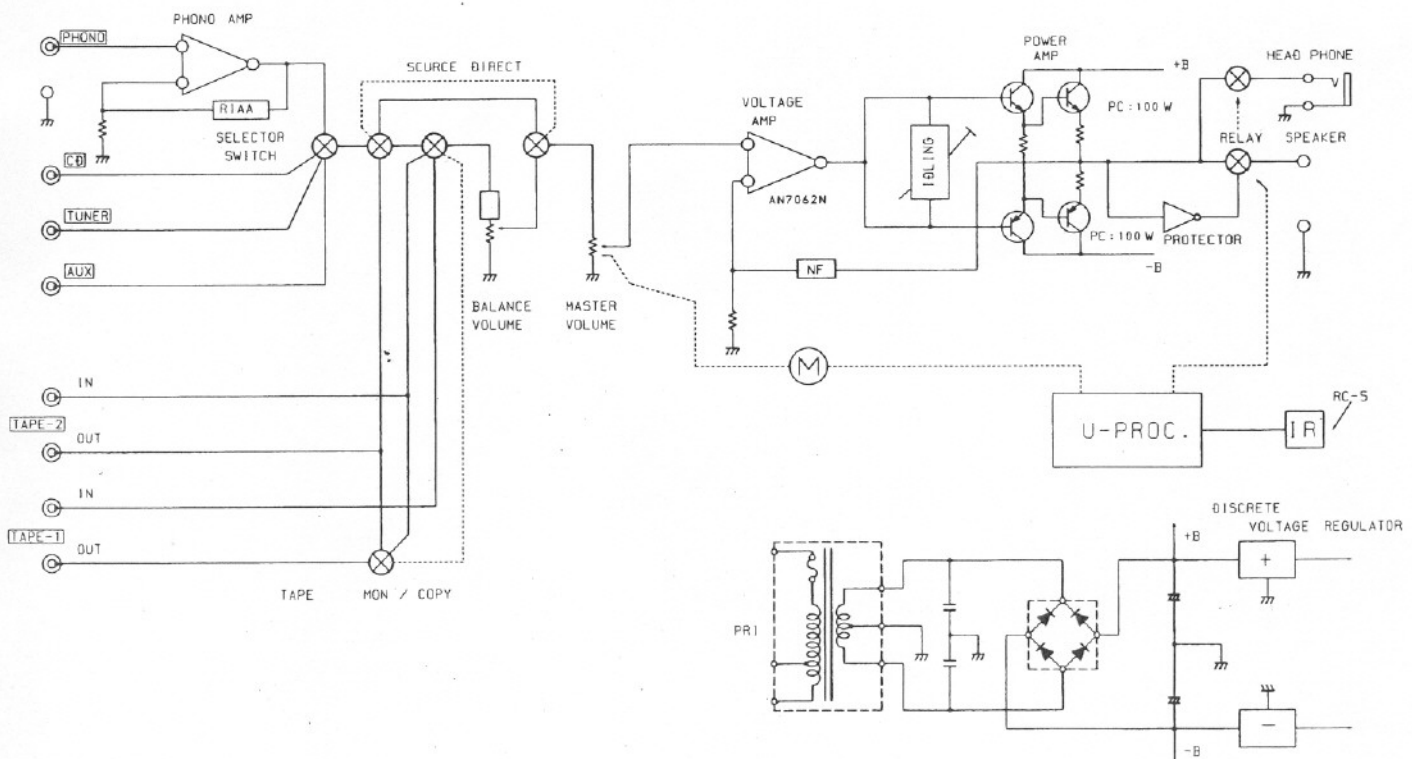
To convert the unit to a different power source voltage, change the position as illustrated in the drawing below.

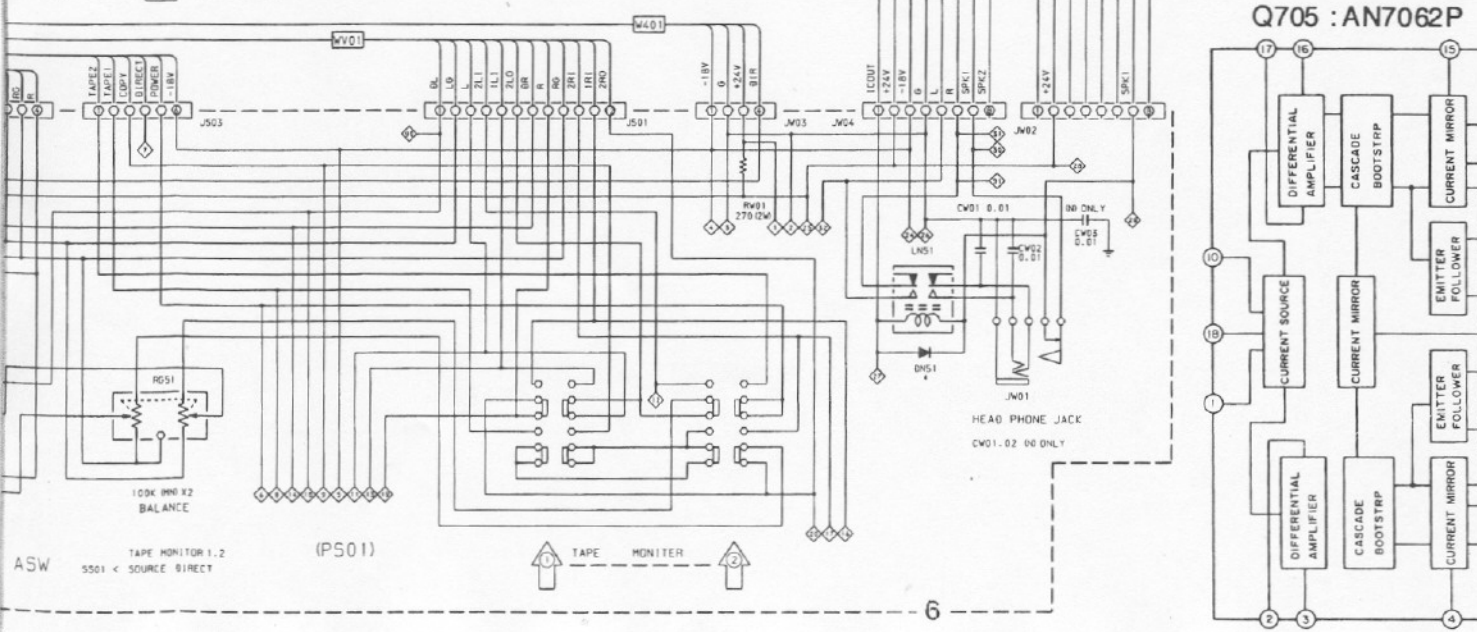
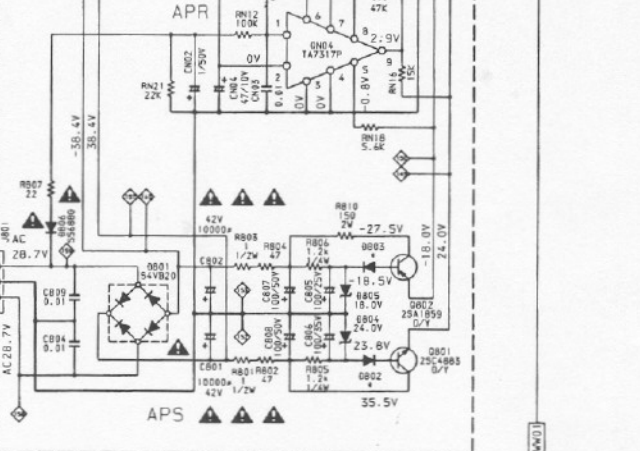
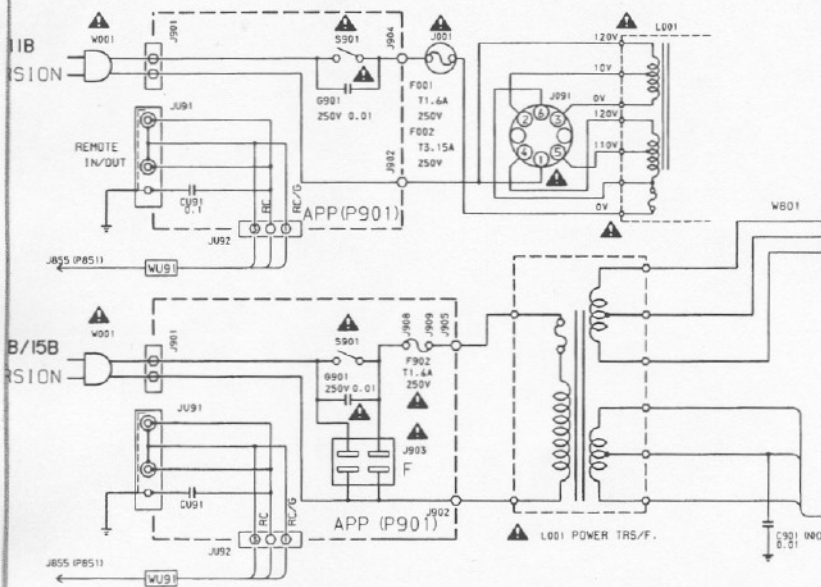
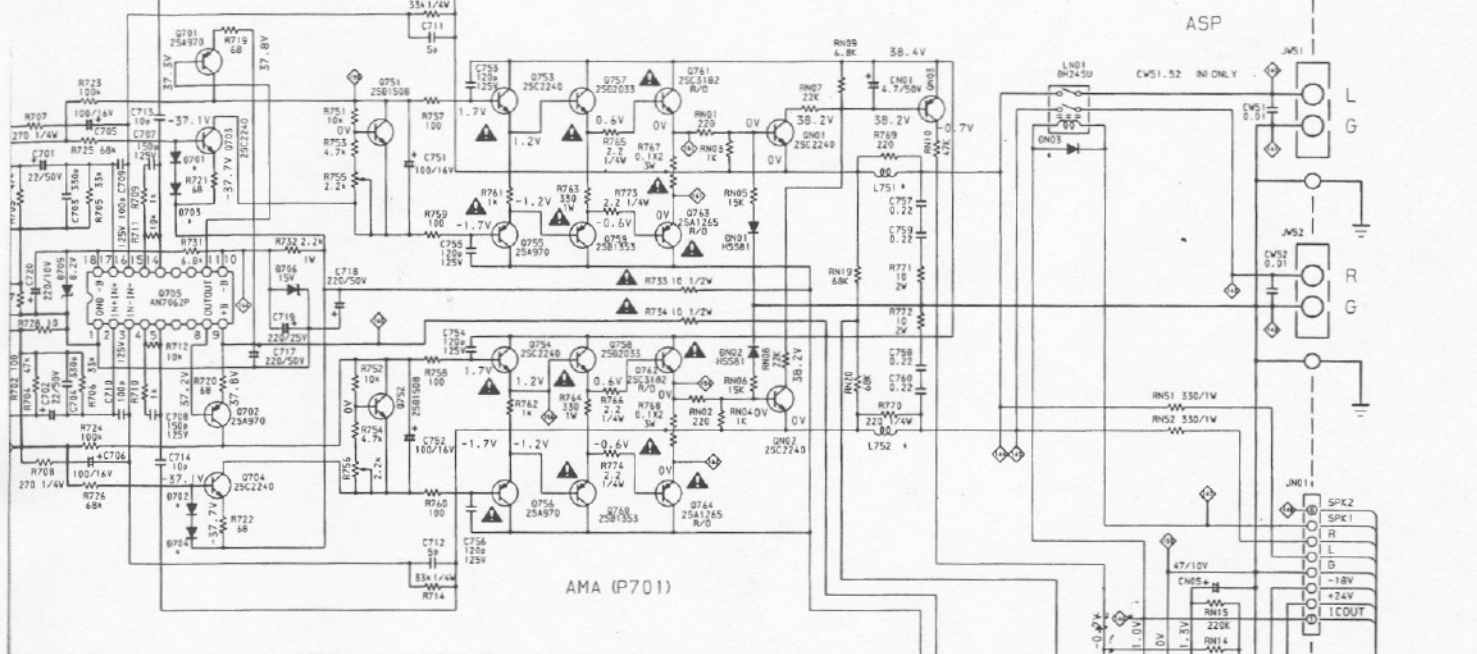
VOLTAGE SELECTOR

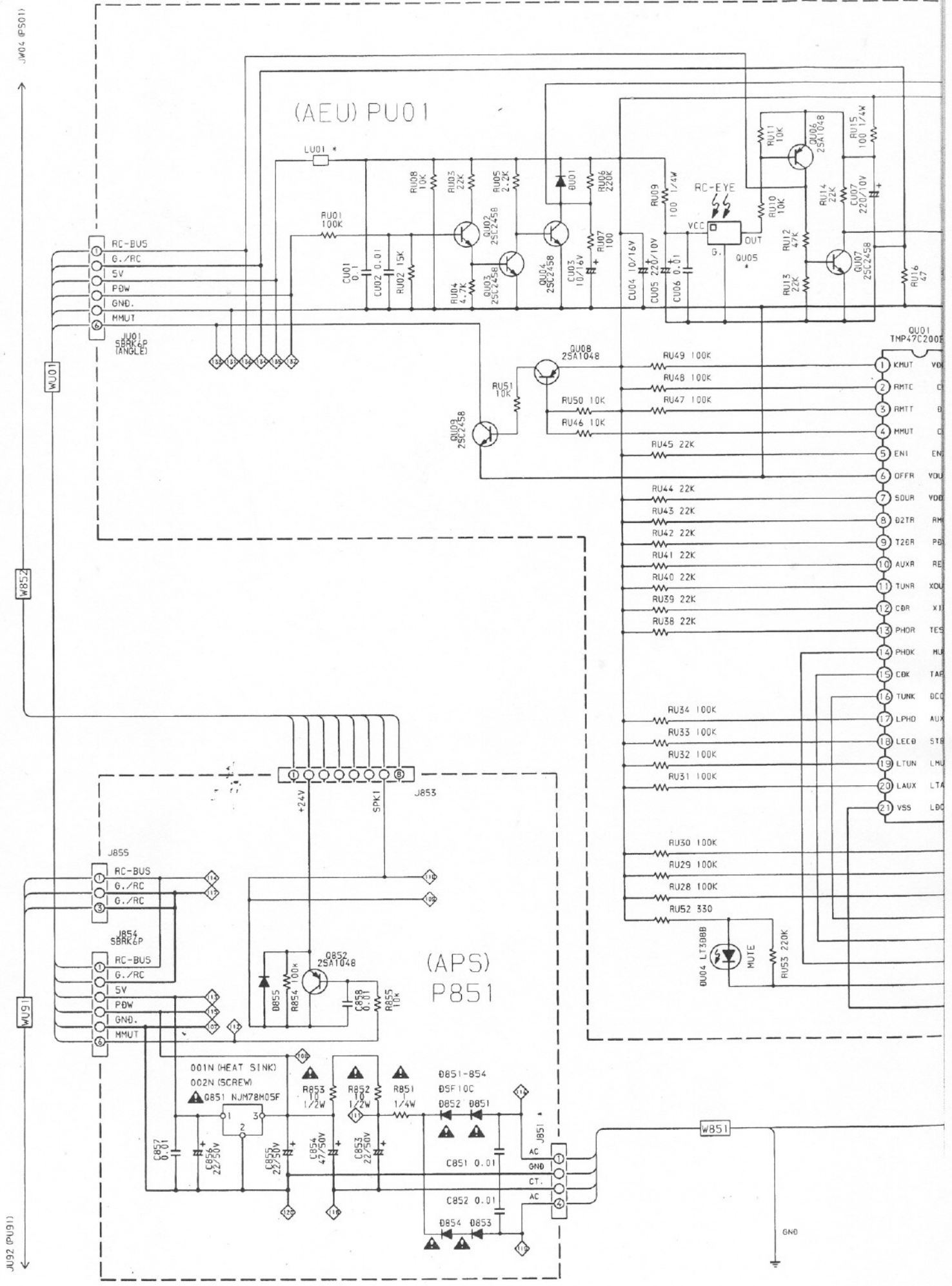
CAUTION
DISCONNECT POWER SUPPLY CORD FROM AC OUTLET BEFORE CONVERTING VOLTAGE.

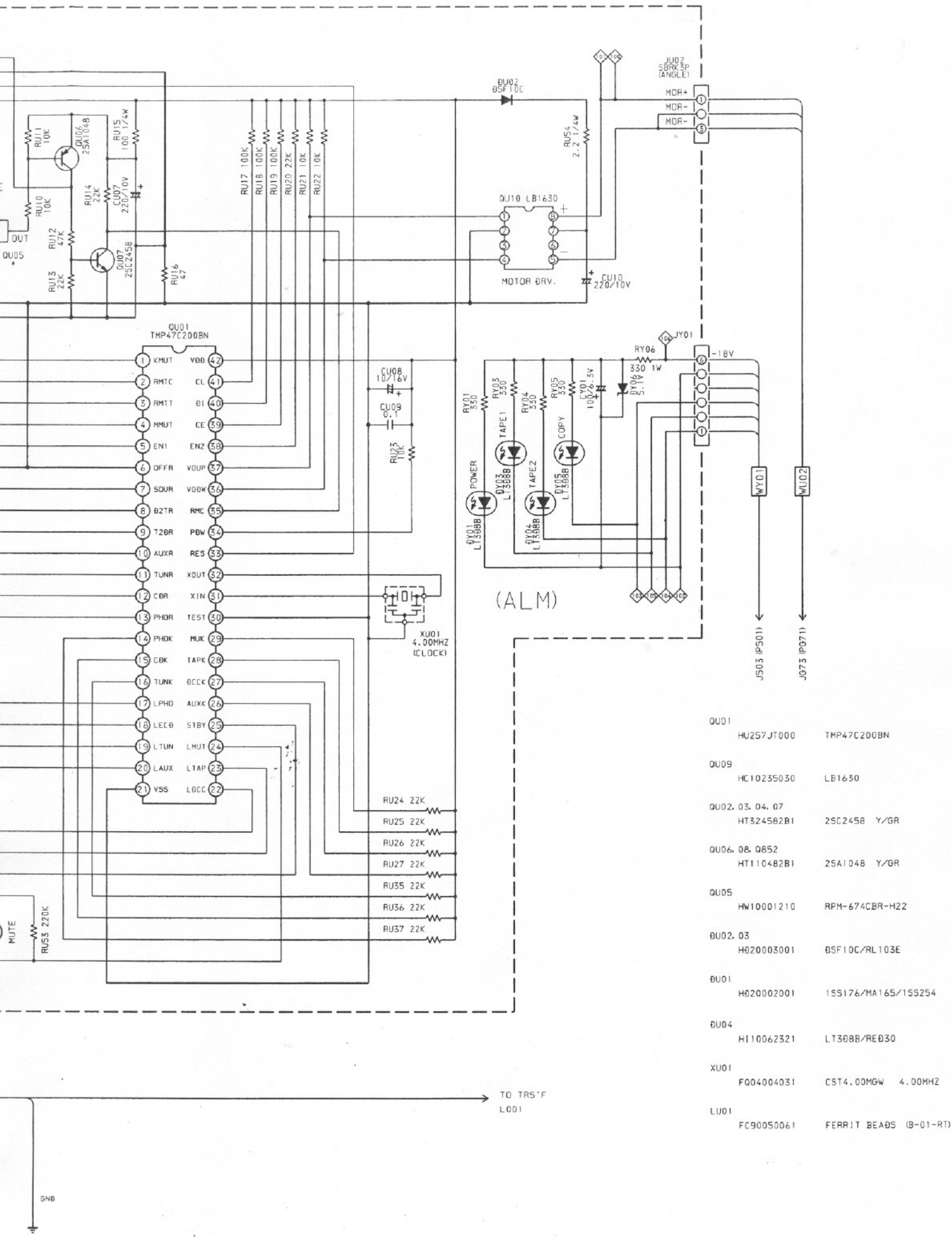


5. BLOCK DIAGRAM

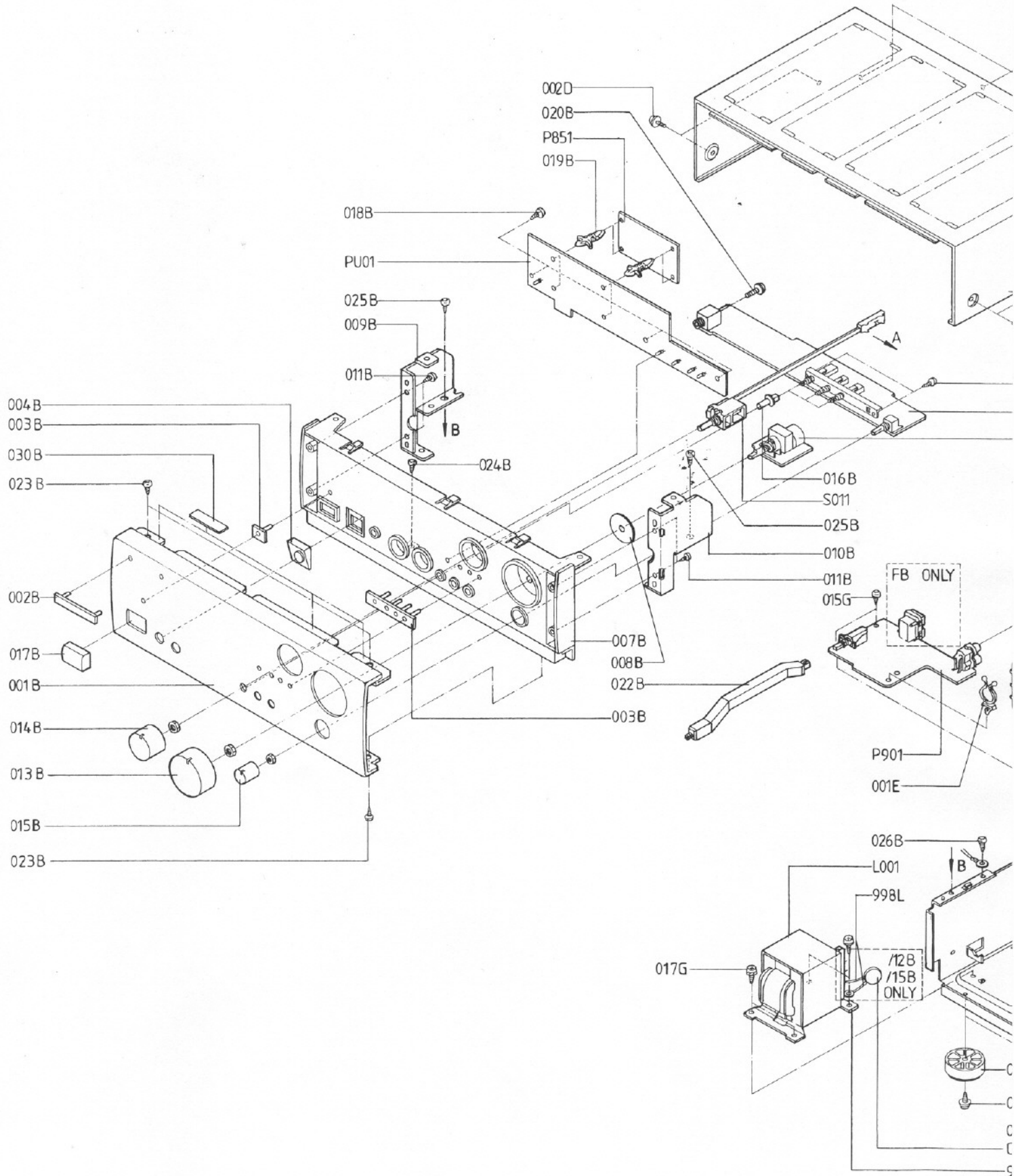








8. EXPLODED VIEW AND PARTS LIST



POS. NO.	VER. COLOR	PART NO. (PCS)	DESCRIPTION	PART NO. (MJI)
001B		4822 459 04257	FRONT AL PANEL (PM-66SE)	432W248010
002B		4822 454 12948	MARANTZ BADGE (BL)	185J251010
003B			LENS FOR LED	432W355010
004B		4822 381 11561	IR LENS	185J355010
007B			FRONT MOULD CHASSIS	432W105012
013B		4822 410 10559	VOLUME KNOB BLACK D=50	063J154080
014B		4822 410 10117	SELECTOR KNOB	064J154080
015B		4822 410 10561	KNOB	185J154010
016B		4822 410 60343	PUSH BUTTON BLACK	058J270030
017B		4822 462 72053	POWER BUTTON (BL)	285K270010
022B		4822 402 10517	LINK	185J121010
004G		4822 462 42129	LEG (GOLD HOT STAMP)	183J057010
005G		4822 462 42131	LEG (GOLD HOT STAMP) FOR REAR	183J057110
▲ F001	/11B	4822 070 31602	FUSE T1.60A IEC	OP07031602
▲ F002	/11B	4822 070 33152	FUSE T3.15A IEC	FS10315850
▲ J001	/11B	4822 256 30233	HOLDER FOR FUSES 5.2x10MM	YJ08000290
J031		4822 502 13921	SCREW PHONO GND	YL03010310
▲ J091	/11B		SELECTOR VOLTAGE	BY05060090
▲ L001	F		TRANSFORMER E176/45	* TS000570R
	/11B	4822 146 21743	TRANSFORMER E176/45 OVS	TS17650020
	/12B/15B	4822 146 21744	TRANSFORMER E176/45 IEC	TS17650010
▲ W001	F		MAINS CORD F/E	YC02000770
	/11B/12B	4822 321 10781	MAINS CORD IEC	YC01800440
	/15B	4822 321 10941	MAINS CORD UK 5A	YC02000700
001T	F		IFU PM-66SE (F)	432W851110
	/11B /12B/15B	4822 736 14585	IFU PM-66SE (N)	432W851310
Z001		4822 219 10067	REMOTO UNIT RC-66PM	ZK432W0010

POS. NO.	VER. COLOR	PART NO. (PCS)	DESCRIPTION	PART NO. (MJI)
			PG71-MASTER VOLUME CIRCUIT BOARD	
CG71		4822 124 22571	ELECT CAP. 10 μ F 50V	OA10605020
CG72		4822 124 22571	ELECT CAP. 10 μ F 50V	OA10605020
RG71		4822 101 30885	50K Ω MOTOR VARIABLE RES.	RY05030220
			PJ01-TAPE IN / OUT CIRCUIT BOARD	
JJ01		4822 266 30284	TERMINAL, 4P RCA JACK	YT02040690
JJ02		4822 266 30284	TERMINAL, 4P RCA JACK	YT02040690
			PS01-TAPE MON/TONE OUT./SPK. SW CIRCUIT BOARD	
RG51		4822 100 30138	100K Ω (MN), VARIABLE RES.	RM01041310
RW01		4822 116 60455	270 Ω \pm 5% 2W, METAL RES.	NK05271020
DN51		4822 130 32364	DIODE 1SS254	HD20022210
JW01		4822 267 31479	SOCKET HEADPHONE	QP26731479
LN51		4822 280 20501	RELAY 2P 24V 2A MR62-24SR	LY20240410
SS01		4822 276 12956	PUSH SWITCH SPUP30	SP06030240
			PU01-TAPE INDICATOR/ μ-COM CIRCUIT BOARD	
			PU01-CAPACITORS	
CU01		4822 122 40617	CER. 0.1 μ F +80% -20%	DD38104010
CU03		4822 124 22571	ELECT 10 μ F 50V	OA10605020
CU04		4822 124 22571	ELECT 10 μ F 50V	OA10605020
CU05		4822 124 90363	ELECT 220 μ F 10V	OA22701020
CU07		4822 124 90363	ELECT 220 μ F 10V	OA22701020
CU08		4822 124 22571	ELECT 10 μ F 50V	OA10605020
CU09		4822 122 40617	CER. 0.1 μ F +80% -20%	DD38104010
CU10		4822 124 90363	ELECT 220 μ F 10V	OA22701020
CU91		4822 122 40617	CER. 0.1 μ F +80% -20%	DD38104010
			PU01-RESISTORS	
RU09		4822 117 12425	100 Ω \pm 5% 1/4W	GG05101140
RU15		4822 117 12425	100 Ω \pm 5% 1/4W	GG05101140
▲RU54		4822 116 60309	2.2 Ω \pm 5% 1/4W, FUSIBLE	NH05022140
RY06		4822 116 60494	330 Ω \pm 5% 2W, METAL	NK05331020
			PU01-SEMICONDUCTORS	
DU01		4822 130 32362	DIODE 1SS254	HD20022210
DU02		4822 130 32508	DIODE RL103E	HD20003000
DU04		4822 130 80326	LED LT3D8D (RED)	HI10062320
DY01		4822 130 80326	LED LT3D8D (RED)	HI10062320
DY03		4822 130 80326	LED LT3D8D (RED)	HI10062320
DY04		4822 130 80326	LED LT3D8D (RED)	HI10062320
DY05		4822 130 80326	LED LT3D8D (RED)	HI10062320
DY06		4822 130 80317	ZENER MTZJ5.1B	HD30511000
QU01		4822 209 90571	μ -PRO TMP47C200BN-H347	HU257JT000
QU02		4822 130 60904	TRS. 2SC2458 (Y)	HT324581Y0
QU03		4822 130 60904	TRS. 2SC2458 (Y)	HT324581Y0
QU04		4822 130 60904	TRS. 2SC2458 (Y)	HT324581Y0
QU05		4822 130 83519	IR RECEIVER RPM674CBR-H22	HW10001210
QU06		4822 130 42372	TRS. 2SA1048 (Y)	HT110481Y0
QU07		4822 130 60904	TRS. 2SC2458 (Y)	HT324581Y0
QU09		4822 130 60904	TRS. 2SC2458 (Y)	HT324581Y0
QU10		4822 209 73287	IC LB1630	HC10235030

POS. NO.	VER. COLOR	PART NO. (PCS)	DESCRIPTION	PART NO. (MJI)
LU01		4822 158 60605	PU01-MISCELLANEOUS FERRITE BEAD	FC90050060
XU01		4822 242 72527	CERAMIC RESONATOR 4.000MHz	FO04004030
			PV01-INPUT SELECTOR CIRCUIT BOARD	
DV01		4822 130 32362	DIODE 1SS254	HD20022210
JV01		4822 266 30282	TERMINAL, 2P RCA JACK	YT02020610
JV02		4822 266 30284	TERMINAL, 4P RCA JACK	YT02040690
LV01		4822 280 20501	RELAY MR62-24SR	LY20240410
SV01		4822 277 21412	SLIDE SWITCH, SELECTOR	SS02040010
			P451-PHONO AMP. CIRCUIT BOARD	
			P451-CAPACITORS	
C455		4822 124 22571	ELECT 10 μ F 50V	OA10605020
C456		4822 124 22571	ELECT 10 μ F 50V	OA10605020
C457		4822 124 41539	ELECT 47 μ F 16V	OA47601620
C458		4822 124 41539	ELECT 47 μ F 16V	OA47601620
C467		4822 124 40244	ELECT 2.2 μ F 50V	OA22505020
C468		4822 124 40244	ELECT 2.2 μ F 50V	OA22505020
C469		4822 121 70198	FILM 3900PF \pm 10% 100V	OF15392530
C469		4822 121 70198	FILM 3900PF \pm 10% 100V	OF15392530
C471		4822 124 22238	ELECT 100 μ F 25V	OA10702550
C472		4822 124 22238	ELECT 100 μ F 25V	OA10702550
C473		4822 124 80293	ELECT 100 μ F 25V	OA10702520
			P451-RESISTORS	
▲R471		4822 111 90731	47 Ω \pm 2% 1/4W, FUSIBLE	NF02470140
▲R472		4822 052 10479	47 Ω \pm 5% 1/4W	GG05470140
			P451-SEMICONDUCTORS	
D451		4822 130 34268	ZENER BZX79-C16	QP13034268
Q451		4822 209 73064	IC NJM2068D	HC10053090
			P451-MISCELLANEOUS	
J452		4822 265 20355	TERMINAL, 2P RCA JACK	YT02020650
			P701-POWER AMP. CIRCUIT BOARD	
			P701-CAPACITORS	
CN01		4822 124 22274	ELECT 4.7 μ F 50V	OA47505020
CN02		4822 124 41543	ELECT 1 μ F 50V	OA10505020
CN04		4822 124 22698	ELECT 47 μ F 25V	OA47602520
CN05		4822 124 23417	ELECT 33 μ F 10V	OA33601020
C701		4822 124 80123	ELECT 220 μ F 16V	OA22701640
C702		4822 124 80123	ELECT 220 μ F 16V	OA22701640
C705		4822 124 80293	ELECT 100 μ F 25V	OA10702520
C706		4822 124 80293	ELECT 100 μ F 25V	OA10702520
C711		4822 123 30093	MICA 5PF \pm 0.5PF 500V	DF31050520
C712		4822 123 30093	MICA 5PF \pm 0.5PF 500V	DF31050520
C713		4822 123 30088	MICA 10PF \pm 0.5PF 250V	DF31100520
C714		4822 123 30088	MICA 10PF \pm 0.5PF 250V	DF31100520
C717		4822 124 90366	ELECT 220 μ F 50V	OA22705020
C718		4822 124 90366	ELECT 220 μ F 50V	OA22705020
C719		4822 124 41536	ELECT 220 μ F 25V	OA22702520
C720		4822 124 90363	ELECT 220 μ F 10V	OA22701020
C751		4822 124 80293	ELECT 100 μ F 25V	OA10702520
C752		4822 124 80293	ELECT 100 μ F 25V	OA10702520
C753		4822 130 83519	FILM 120PF \pm 5% 100V	OF15121550
C756				

POS. NO.	VER. COLOR	PART NO. (PCS)	DESCRIPTION	PART NO. (MJI)
▲C801		4822 124 80692	ELECT 1000µF 6V	OB10905610
▲C802		4822 124 80692	ELECT 1000µF 6V	OB10905610
C805		4822 124 80293	ELECT 100µF 25V	OA10702520
C806		4822 124 41536	ELECT 100µF 35V	OA10703520
C807		4822 124 90355	ELECT 100µF 50V	OA10705020
C808		4822 124 90355	ELECT 100µF 50V	OA10705020
P701-RESISTORS				
RN51		4822 053 10331	330 Ω ±5% 1W	GA05331010
RN52		4822 053 10331	330 Ω ±5% 1W	GA05331010
R713		4822 050 23303	33K Ω ±5% 1/4W	GG05333140
R714		4822 050 23303	33K Ω ±5% 1/4W	GG05333140
R719		4822 050 26809	68 Ω ±5% 1/6W	GG05680160
R722		4822 117 11859	2.2K Ω ±5% 2W, METAL	NK05222020
R733		4822 116 60313	10 Ω ±5% 1/2W, FUSIBLE	NH05100120
R734		4822 116 60313	10 Ω ±5% 1/2W, FUSIBLE	NH05100120
R755		4822 101 11166	2.2K Ω , TRIMMING	QP10111166
R756		4822 101 11166	2.2K Ω , TRIMMING	QP10111166
R757		4822 052 10101	100 Ω ±5% 1/6W	GG05101180
R760		4822 052 10102	1K Ω ±5% 1/6W	GG05102160
R761		4822 052 10102	1K Ω ±5% 1/6W	GG05102160
R763		4822 116 60494	330 Ω ±5% 2W, METAL	NK05331020
R764		4822 116 60494	330 Ω ±5% 2W, METAL	NK05331020
R765		4822 116 83963	2.2 Ω ±5% 1/4W	GG05022140
R766		4822 116 83963	2.2 Ω ±5% 1/4W	GG05022140
R767		4822 111 91402	0.1 Ω x 2 ±10% 3W	BZ10102010
R768		4822 111 91402	0.1 Ω x 2 ±10% 3W	BZ10102010
R769		4822 117 10028	220 Ω ±5% 1/4W	GG05221140
R770		4822 117 10028	220 Ω ±5% 1/4W	GG05221140
R771		4822 116 83353	10 Ω ±5% 3W, METAL	NK05100030
R772		4822 116 83353	10 Ω ±5% 3W, METAL	NK05100030
R773		4822 116 83963	2.2 Ω ±5% 1/4W	GG05022140
R774		4822 116 83963	2.2 Ω ±5% 1/4W	GG05022140
▲R801		4822 116 60306	1 Ω ±5% 1/2W, FUSIBLE	NH05010120
▲R802		4822 111 90731	47 Ω ±2% 1/4W, FUSIBLE	NF02470140
▲R803		4822 116 60306	1 Ω ±5% 1/2W, FUSIBLE	NH05010120
▲R804		4822 111 90731	47 Ω ±2% 1/4W, FUSIBLE	NF02470140
R805		4822 117 12426	1.2K Ω ±5% 1/4W	GG05122140
R806		4822 117 12426	1.2K Ω ±5% 1/4W	GG05122140
▲R807		4822 113 90119	22 Ω ±2% 1/4W, FUSIBLE	NF02220140
R810		4822 117 11858	150 Ω ±5% 3W, METAL	NK05151030
P701-SEMICONDUCTORS				
DN01		4822 130 80837	DIODE HSS81TD	HD20027010
DN02		4822 130 80837	DIODE HSS81TD	HD20027010
DN03		4822 130 32362	DIODE 1SS254	HD20022210
D701		4822 130 32362	DIODE 1SS254	HD20022210
D704		4822 130 80273	ZENER MTZJ8.2C	HD30821000
D705		4822 130 80322	ZENER MTZJ16A	HD31501000
D706		4822 130 31007	DIODE S4VB-20	HE20015290
▲D801		4822 130 32362	DIODE 1SS254	HD20022210
D802		4822 130 32362	DIODE 1SS254	HD20022210
D803		4822 130 32362	DIODE 1SS254	HD20022210
D804		4822 130 34398	ZENER BZX79-C24	QP13034398
D805		4822 130 31024	ZENER BZX79-C18	QP13031024
▲D806		4822 130 80839	DIODE S5688G	HD20029050
QN01		4822 130 10445	TRS. 2SC2240	HT322401A0
QN02		4822 130 10445	TRS. 2SC2240	HT322401A0
QN03		4822 130 42949	TRS. 2SA970	HT109701A0
QN04		4822 209 83312	IC TA7317P	HC10042050

POS. NO.	VER. COLOR	PART NO. (PCS)	DESCRIPTION	PART NO. (MJI)
Q701		4822 130 42949	TRS. 2SA970	HI109701A0
Q702		4822 130 42949	TRS. 2SA970	HI109701A0
Q703		4822 130 10445	TRS. 2SC2240	HT322401A0
Q704		4822 130 10445	TRS. 2SC2240	HT322401A0
Q705		4822 209 83732	IC AN7062P	HC10066020
Q751		4822 130 60526	TRS. 2SD1508	HT415080A0
Q752		4822 130 60526	TRS. 2SD1508	HT415080A0
▲Q753		4822 130 10445	TRS. 2SC2240	HT322401A0
▲Q754		4822 130 10445	TRS. 2SC2240	HT322401A0
▲Q755		4822 130 42949	TRS. 2SA970	HT109701A0
▲Q756		4822 130 42949	TRS. 2SA970	HT109701A0
▲Q757		4822 130 10446	TRS. 2SD2033 (E)	HT420331E0
▲Q758		4822 130 10446	TRS. 2SD2033 (E)	HT420331E0
▲Q759		4822 130 10447	TRS. 2SB1353 (E)	HT213531E0
▲Q760		4822 130 10447	TRS. 2SB1353 (E)	HT213531E0
▲Q761		4822 130 61747	TRS. 2SC3182 (R)	HT331821A0
▲Q762		4822 130 61747	TRS. 2SC3182 (R)	HT331821A0
▲Q763		4822 130 61746	TRS. 2SA1265 (R)	HT112651A0
▲Q764		4822 130 61746	TRS. 2SA1265 (R)	HT112651A0
Q801		4822 130 63312	TRS. 2SC4883 (Y)	HT348832A0
Q802		4822 130 63308	TRS. 2SA1859 (Y)	HT118592A0
P701-MISCELLANEOUS				
JW51		4822 290 81363	TERMINAL, SPEAKER	YT01020160
JW52		4822 290 81364	TERMINAL, SPEAKER	YT01020170
LN01		4822 280 20197	RELAY, VB24SMBU	LY20240260
L751		4822 157 63085	COIL, SPEAKER	ML08010010
L752		4822 157 63085	COIL, SPEAKER	ML08010010
P851-µ-COM / POWER SUPPLY CIRCUIT BOARD				
P851-CAPACITORS				
C853		4822 124 90355	ELECT 100µF 50V	OA10705020
C854		4822 124 90355	ELECT 100µF 50V	OA10705020
C855		4822 124 90362	ELECT 22µF 50V	OA22605020
C856		4822 124 90362	ELECT 22µF 50V	OA22605020
P851-RESISTORS				
▲R851		4822 117 10158	1 Ω ±5% 1/4W	GG05010140
▲R852		4822 116 60313	10 Ω ±5% 1/2W, FUSIBLE	NH05100120
▲R853		4822 116 60313	10 Ω ±5% 1/2W, FUSIBLE	NH05100120
P851-SEMICONDUCTORS				
▲D851		4822 130 32508	DIODE RL103E	HD20003000
▲D854		4822 130 32362	DIODE 1SS254	HD20022210
D855		4822 130 32362	DIODE 1SS254	HD20022210
▲Q851		4822 209 71903	IC NJM78M05FA	HC385050PF
Q852		4822 130 42372	TRS. 2SA1048 (Y)	HT110481Y0
P901-POWER SWITCH / FUSE CIRCUIT BOARD				
▲G901	/11B	4822 121 43732	CER. CAP. 0.01µF ±20% 250V	DK17103840
	/12B	4822 121 43732	FILM CAP. 0.01µF ±20% 250V	DF77103500
▲F901	F	4822 253 30415	FUSE 0.5A 125V	*FS000320R
▲F902	F	4822 253 30415	FUSE T1.6A 250V	FS10160850
JU91		4822 265 10651	TERMINAL, 2P RCA JACK	YT02020890
▲J903	F		AC OUTLET	*YT000970R
▲S901		4822 276 13772	PUSH SWITCH, POWER	SP01011540

marantz® SERVICE BULLETIN		Date: 6-Nov-98	Model: 74PM66/92B/95B
		Page: 1/1	REF.NBR: MZ98-026
Circulation:		Application:	
x for information customer complaint in case of service mandatory		Change of mains fuse specification	
		All products	
		Int.ref:	

[PHENOMENON]

Fuse F902 (1.6AT) will blow quite often.

[REASON]

Fuse F902 is not correct specified.

[SOLUTION]

Replace fuse F902 by a **2.5AT** version.
Spare parts number is **4822 070 32502** (FS10250850).

In production this is implemented from July 1997 onwards:

Approved by C. Miyayama Written by H. Tamura