



**PM 750DC**



**marantz<sup>®</sup>**

model PM750DC

*Stereo Console Amplifier*

## MARANTZ DESIGN AND SERVICE

Using superior design and selected high grade components, MARANTZ Company has created the ultimate in stereo sound. Only original MARANTZ parts can insure that your MARANTZ product will continue to perform to the specifications for which it is famous.

Parts for your MARANTZ stereo are generally available within 72 hours throughout the nation via a toll-free line to our National Parts Depot in California. The sales professionals who take your call immediately refer to their own desk top computer terminal and can quickly determine the availability and price information you require. If, for some reason, your order should exceed our available stock, we usually can instantly provide an alternate replacement part or current delivery information. When the order is placed and confirmed, the computer simultaneously generates "hard copy" orders at the distribution center. As hard copies come directly from the computer to the national parts depot, your requested stock is assembled and prepared for shipment and placed on the first available carrier for delivery to you.

### ORDERING PARTS

Phone orders will eliminate mail delays, and we encourage the use of this method. If you order by mail, use MARANTZ parts order forms which are available from our National Parts Depot located at the following address:

SUPERSCOPE NATIONAL PARTS DEPARTMENT  
20525 Nordhoff Street  
Chatsworth, California 91311  
Phone: 1-800-423-5108  
1-213-998-9333

The following information must be supplied to eliminate delays in processing your order:

1. Complete address.
2. Complete part numbers.
3. Complete description of parts.
4. Model number for which part is required (indicate MARANTZ).
5. Account number (for account customers only).

Direct consumers will be provided with the current retail price quotation on available parts in order to advise them of the cost of the parts and shipping.

### OVERSEAS PARTS ORDERING

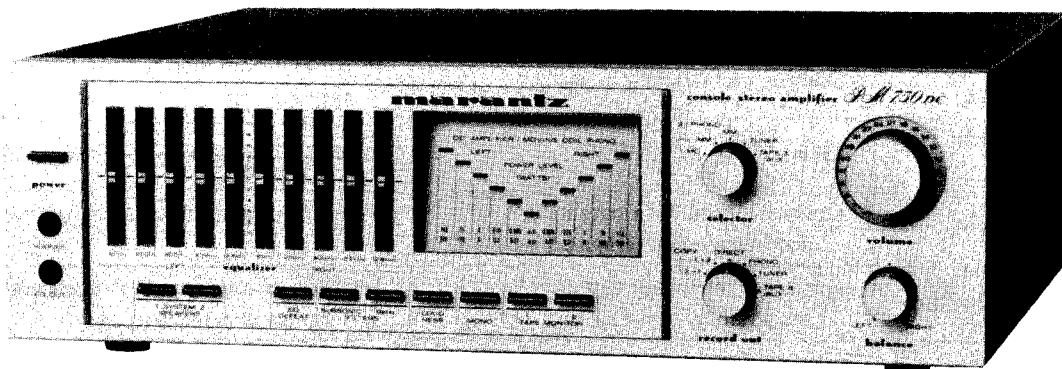
Parts may also be ordered from the following overseas addresses:

U.S.A.	CANADA	AUSTRALIA	JAPAN
Marantz Company, Inc. National Service Dept. P.O. Box 577 Chatsworth, CA 91311 U.S.A.	Superscope Canada, Ltd. 3710 Nashua Drive Mississauga Ontario, Canada L4V1M5	Marantz Australia 32 Cross Street Brookvale, NSW 2100 Australia	Marantz Japan, Inc. 3622 Kamitsuruma Sagamihara-shi Kanagawa, Japan
EUROPE			
Marantz Europe S.A. 326 Avenue Louise Bte 32 1050 Brussels Belgium	Marantz France 4 rue Bernard Palissy 92600 Asnieres France	Marantz Audio U.K., Ltd. 193 London Road Staines, Middlesex United Kingdom	Marantz Germany GMBH Max-Planck-Strasse 22 6072 Dreieich West Germany
Marantz Belgium 45 rue Auguste Van Zande 1080 Brussels Belgium	Marantz Svenska A.B. Franzengatan 6 10425 Stockholm Sweden	Marantz Norske A.S. Refstadalleen 13 Oslo 5 Norway	

All of the above locations are fully equipped to take care of your total service needs. Because various countries have differing configuration requirements, it is necessary that you contact the service facility in your particular country. In the event that there is no service location listed for your country, please contact the nearest facility for the necessary assistance.

## TABLE OF CONTENTS

1.	IDLING CURRENT ADJUSTMENT .....	1
2.	LED POWER LEVEL ADJUSTMENT .....	1
3.	VOLTAGE CONVERSION .....	2
4.	BLOCK DIAGRAM .....	3
5.	DIAGRAM AND COMPONENT LOCATIONS .....	4
5.1	Main Amp (P700) Schematic Diagram and Component Locations .....	4
5.2	Phono Amp (P400) Schematic Diagram and Component Locations .....	8
5.3	Tape In/Out (PV01) Schematic Diagram and Component Locations .....	8
5.4	LED Level Meter Drive (PX01) Schematic Diagram and Component Locations .....	8
5.5	Graphic Volume (PE00) .....	10
5.6	Graphic Connection (PE01) Schematic Diagram and Component Locations .....	10
5.7	Graphic Transistor (PE02) Schematic Diagram and Component Locations .....	10
5.8	Head Phone (PW01) Schematic Diagram and Component Locations .....	10
5.9	EQ Out (PW02) Schematic Diagram and Component Locations .....	10
5.10	Power Switch (PO00) Schematic Diagram and Component Locations .....	10
5.11	Volume Assembly (PG00) Schematic Diagram and Component Locations .....	10
6.	EXPLODED VIEWS AND PARTS LIST .....	12
7.	TECHNICAL SPECIFICATIONS .....	24
8.	SCHEMATIC DIAGRAM .....	26



## 1. LED POWER METER LEVEL ADJUSTMENT

Adjustment points:      L ch      R ch  
                                  RX07      RX08

1. Connect an 8Ω load to the speaker terminals and apply a 1 kHz signal to the AUX jacks.
2. Set the volume control to the maximum and adjust the input so that the output is 23.66 V.
3. Turn RX07 and RX08 until just before QX18 and QX19 light.
4. Decrease the input and increase it again to confirm that QX18 and QX19 light up when the output is 24.5 V.

**Note:** Care should be taken as hysteresis occurs when the LED lights up.

## 2. IDLING CURRENT ADJUSTMENT

Adjustments points:      L ch      R ch  
                                  R737      R738  
                                  TP1      TP2

Adjust so that the digital voltmeter reads 8 mV at TP1 and TP2 one minute after the power is on.

**Table 1. Test Equipment Required for Servicing**

Item	Manufacturer and Model No.	Use
Distortion Analyzer Audio Oscillator AC Voltmeter	Sound Technology Model 1700B	Distortion Measurements Sinewave and squarewave signal source voltage measurements (AC)
Oscilloscope	Tektronix Model T932 Philips Model 3232	Waveform analysis and trouble shooting and ASO alignment
Circuit Tester		Trouble shooting
DC Voltmeter	Fluke Model 8000 "Digital" Simpson Model 313, Triplet Model 801	Voltage measurements (DC)
AC Wattmeter	Simpson Model 1379	Monitors primary power to amplifier
AC Ammeter	Commercial Grade (1 ~ 10A)	Monitors amplifier output under short circuit condition
Line Voltmeter	Simpson Model 1359	Monitors potential of primary power to amplifier
Variable Autotransformer	Superior Electronic Co., Powerstet Model 116B-10A	Adjusts level of primary power to amplifier
Shorting Plug	Use phono plug with 600 ohm across center pin and shell	Shorts amplifier input to eliminate noise pickup
Output Load (8 ohms, ±0.5% 100W)	Commercial Grade	Provides 8-ohm load for amplifier output termination
Output Load (4 ohms, ±0.5% 100W)	Commercial Grade	Provides 4-ohm load for amplifier output termination
Output Load Capacitor (0.5 mfd)	Mylar	Provides capacitive load for instability checks
AC Power Control Box	Optional Item. Fabricate in accordance with Figure 1	Monitors and controls primary power for amplifier
Amplifier Output Load Box	Optional Item. Fabricate in accordance with Figure 2	Provides various amplifier loads and can monitor shorted output

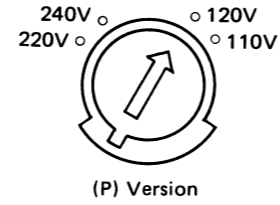
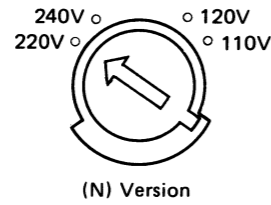
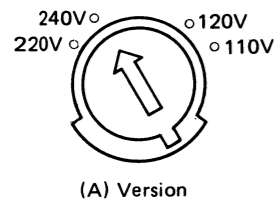
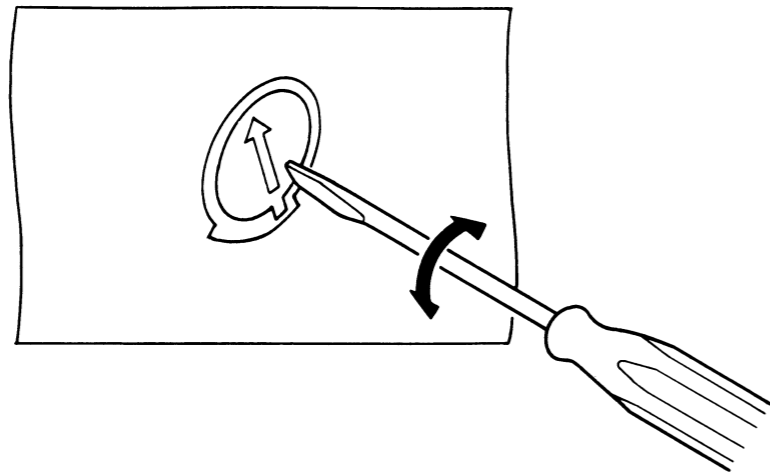
### 3. VOLTAGE CONVERSION

• EUROPEAN MODEL ONLY

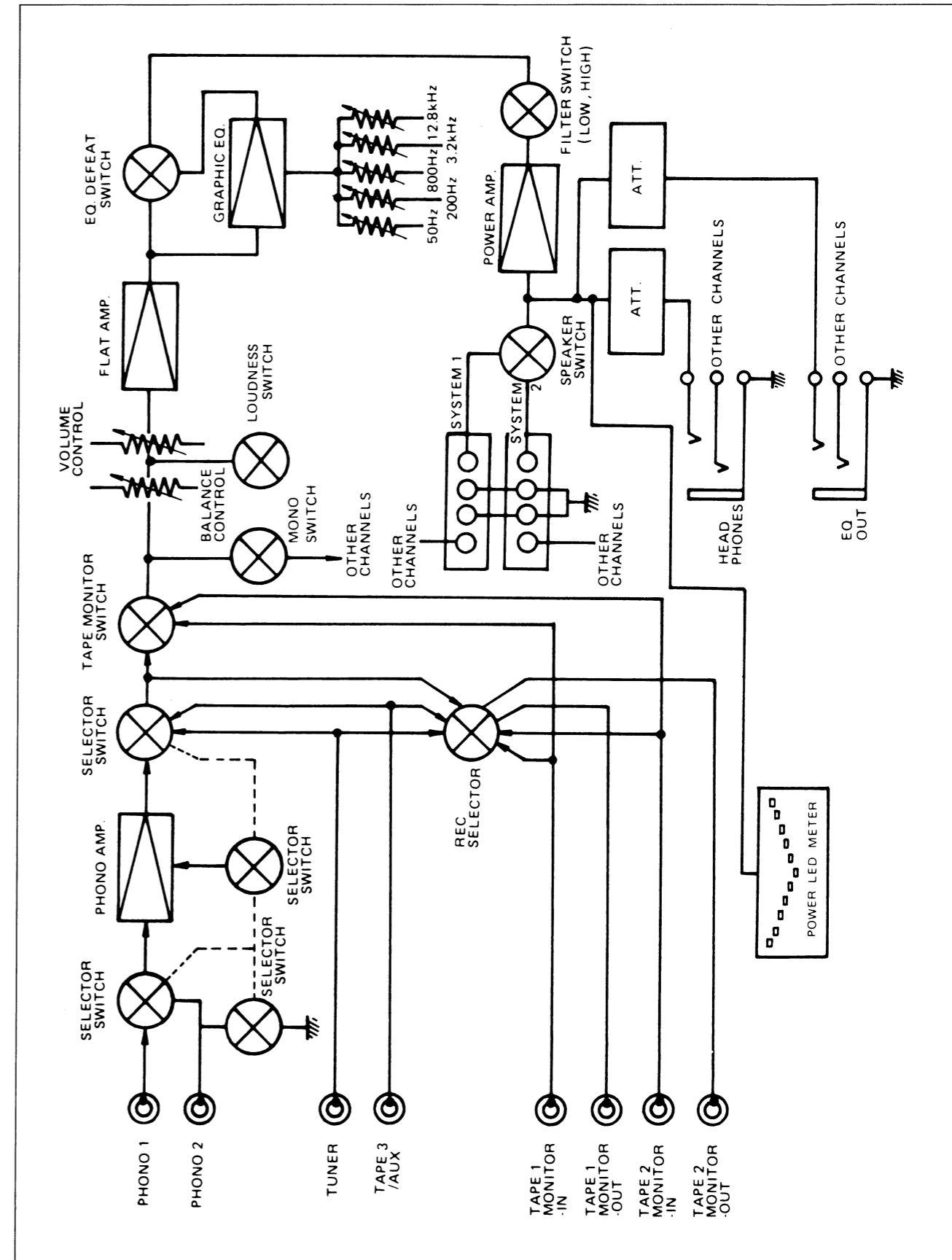
To convert the unit to a different power source voltage, change the position as illustrated in the drawing below.

**CAUTION**  
DISCONNECT POWER SUPPLY CORD FROM AC OUTLET BEFORE CONVERTING VOLTAGE.

Voltage Conversion Chart

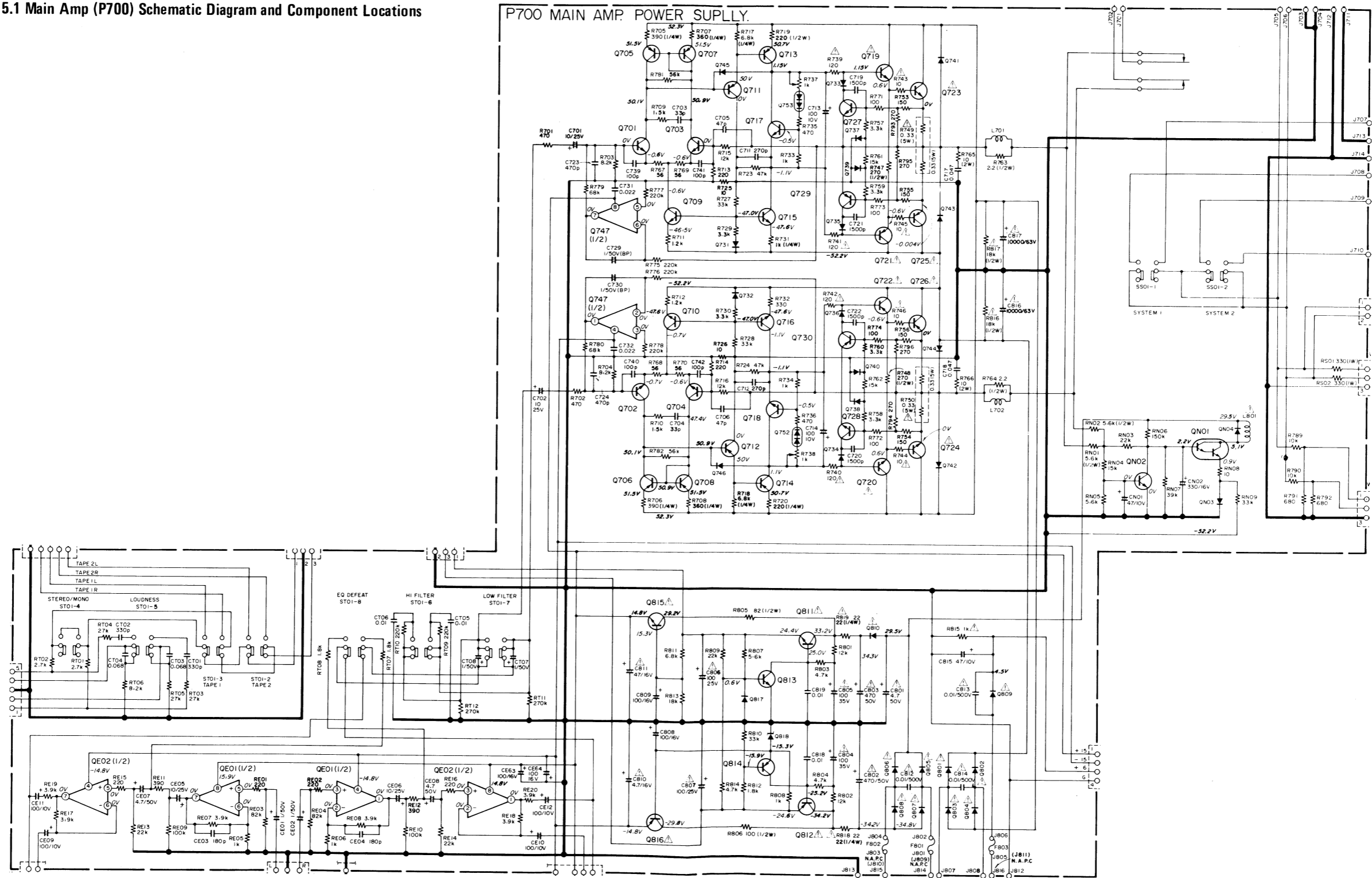


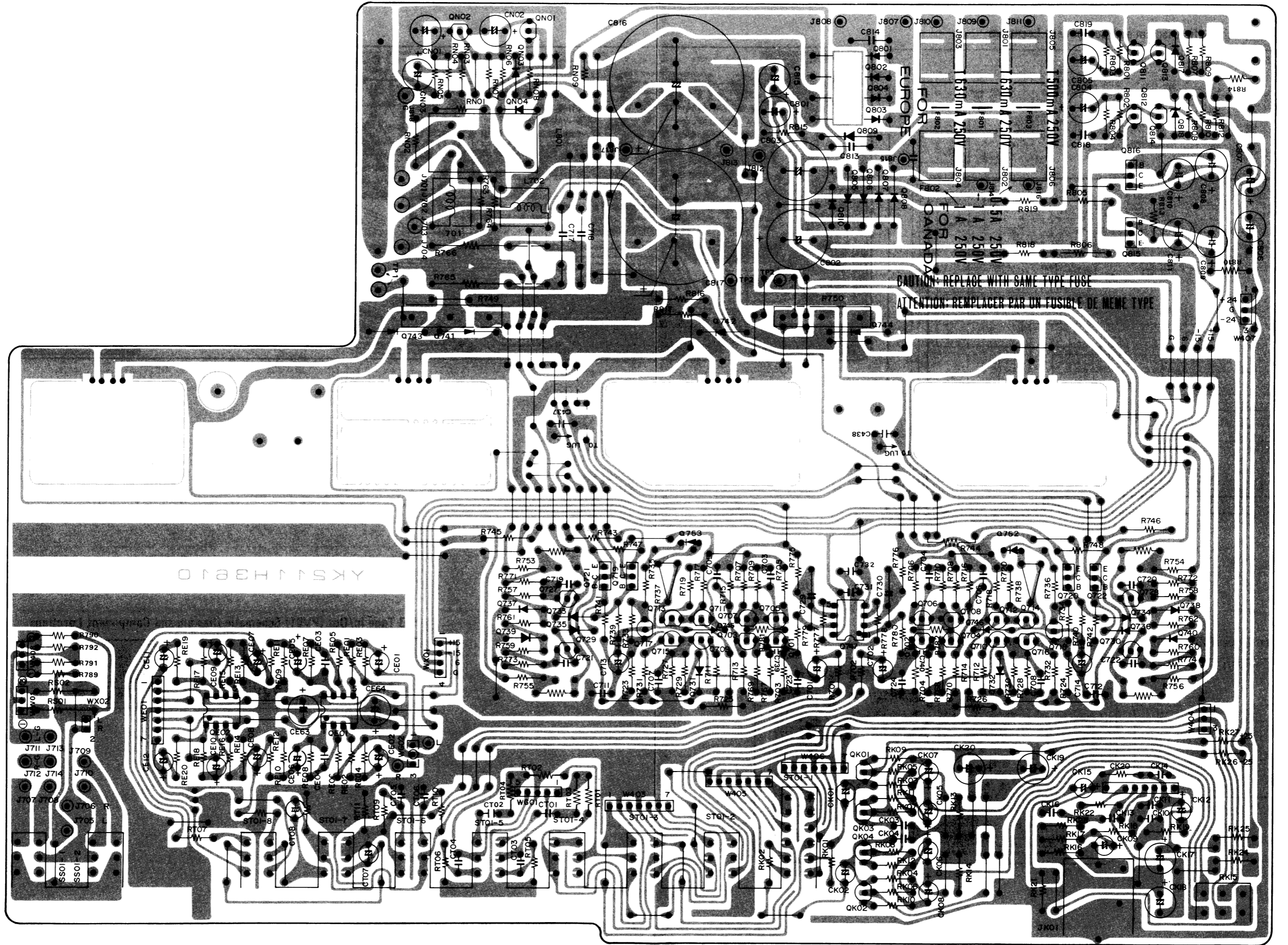
### 4. BLOCK DIAGRAM



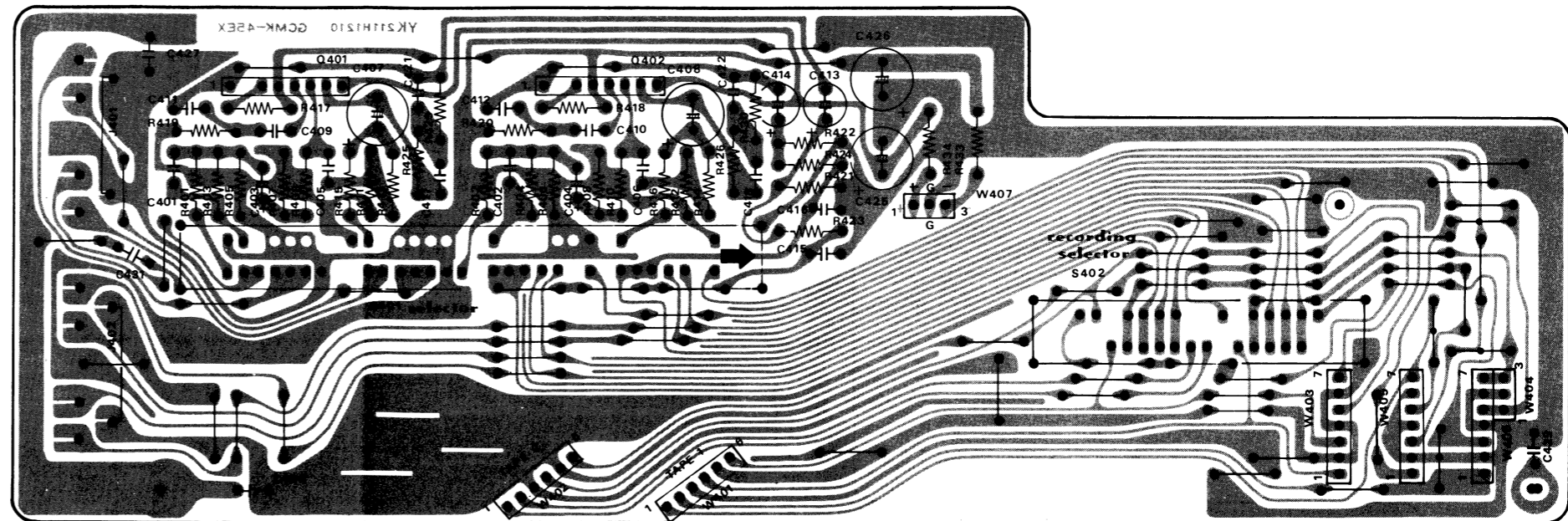
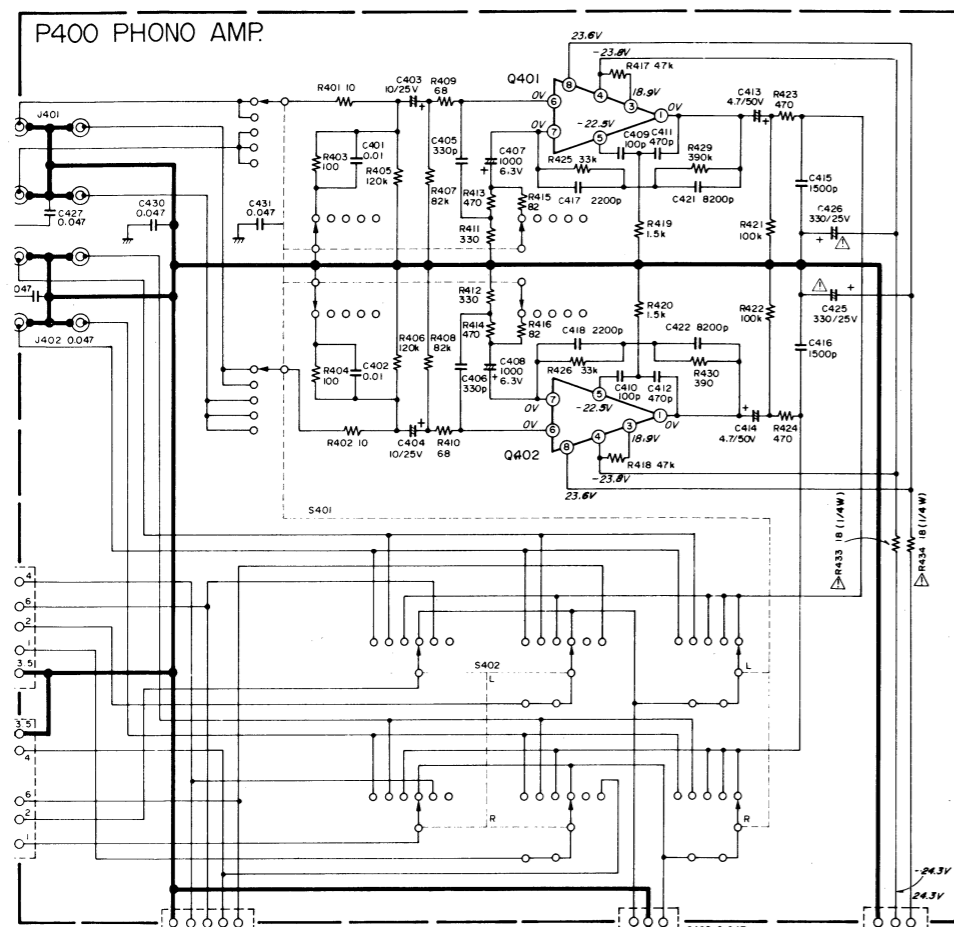
# 5. DIAGRAM AND COMPONENT LOCATIONS

## 5.1 Main Amp (P700) Schematic Diagram and Component Locations

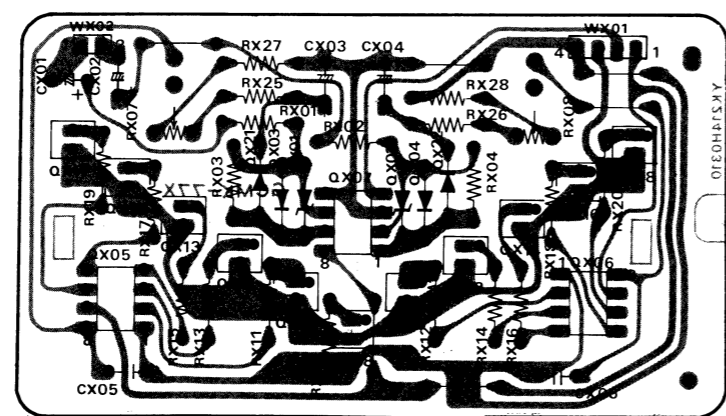
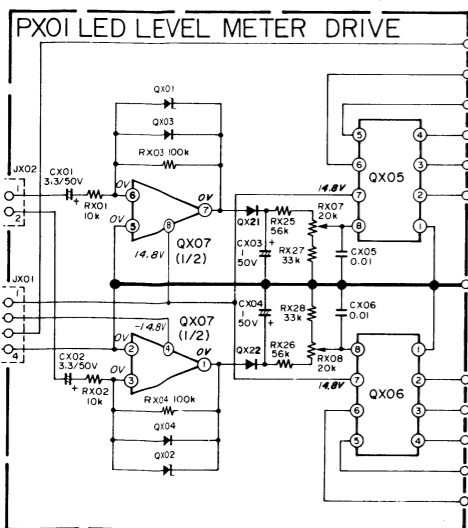




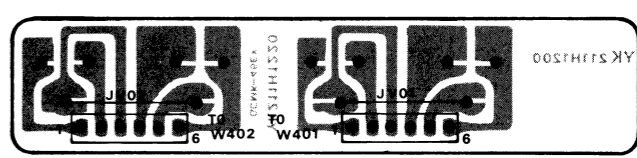
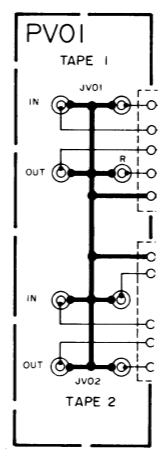
5.2 Phono Amp (P400) Schematic Diagram and Component Locations



5.4 LED Level Meter Drive (PX01) Schematic Diagram and Component Locations

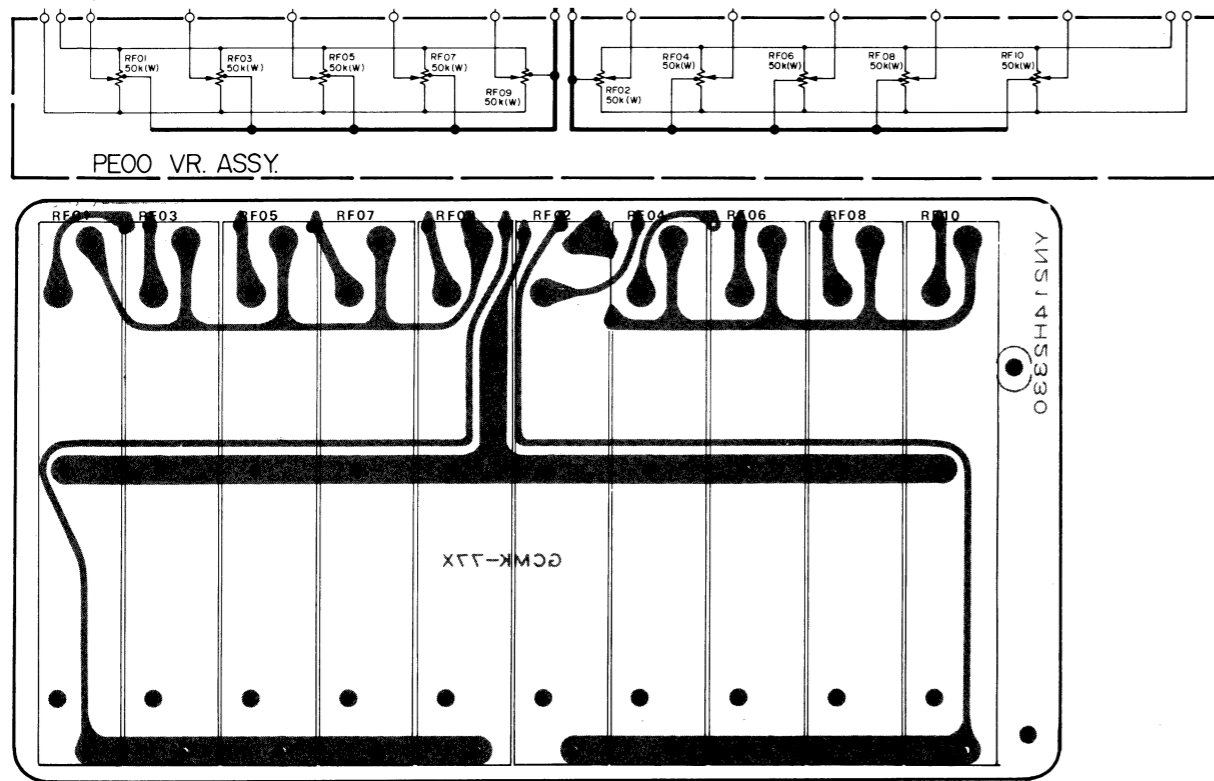


5.3 Tape In/Out (PV01) Schematic Diagram and Component Locations

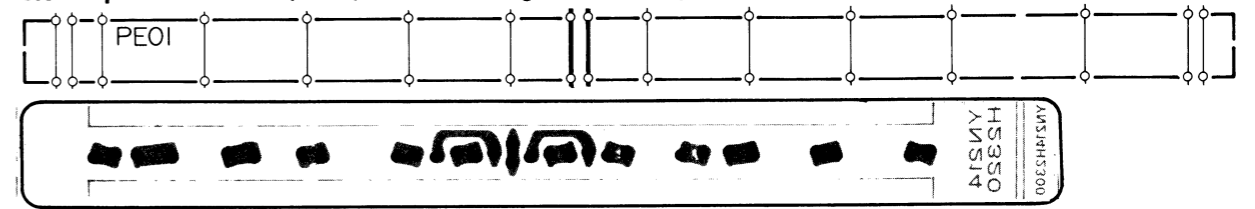




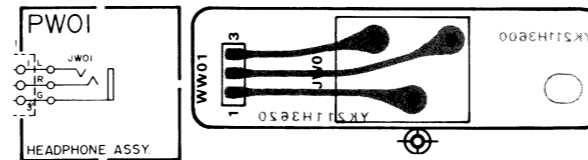
**5.5 Graphic Volume (PE00) Schematic Diagram and Component Locations**



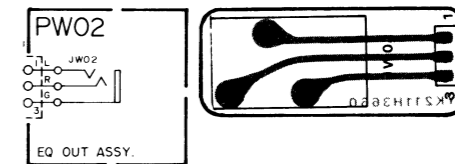
**5.6 Graphic Connection (PE01) Schematic Diagram and Component Locations**



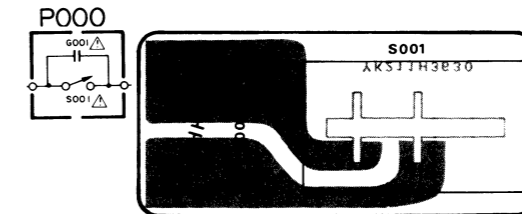
**5.8 Head Phone (PW01) Schematic Diagram and Component Locations**



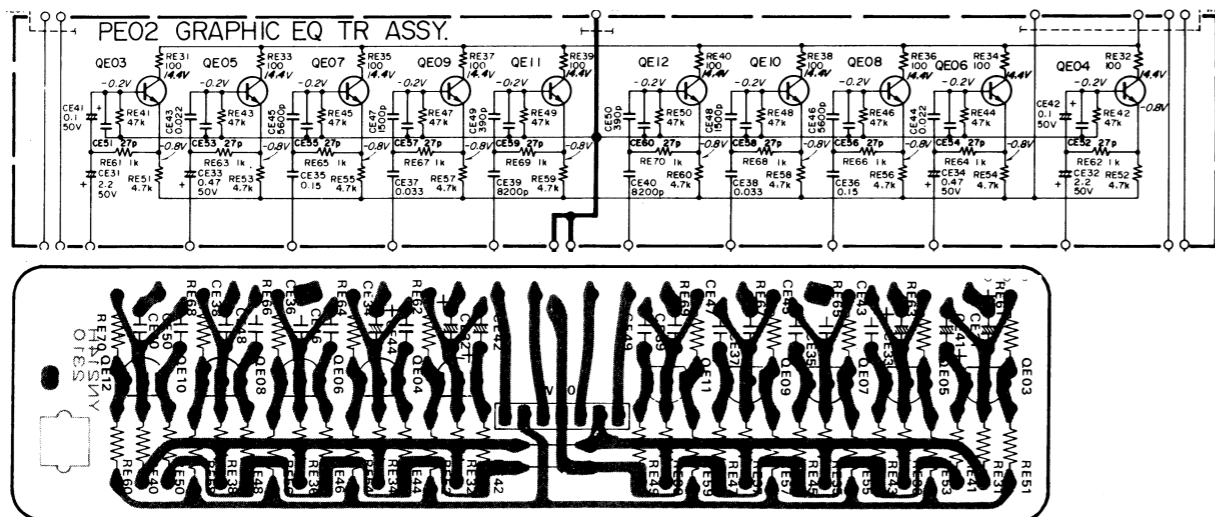
**5.9 EQ Out (PW02) Schematic Diagram and Component Locations**



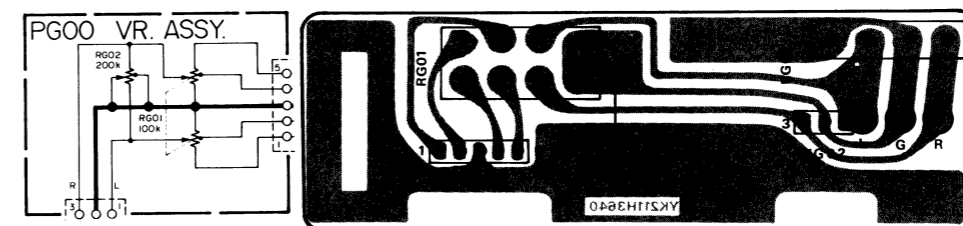
**5.10 Power Switch (P000) Schematic Diagram and Component Locations**



**5.7 Graphic Transistor (PE02) Schematic Diagram and Component Locations**

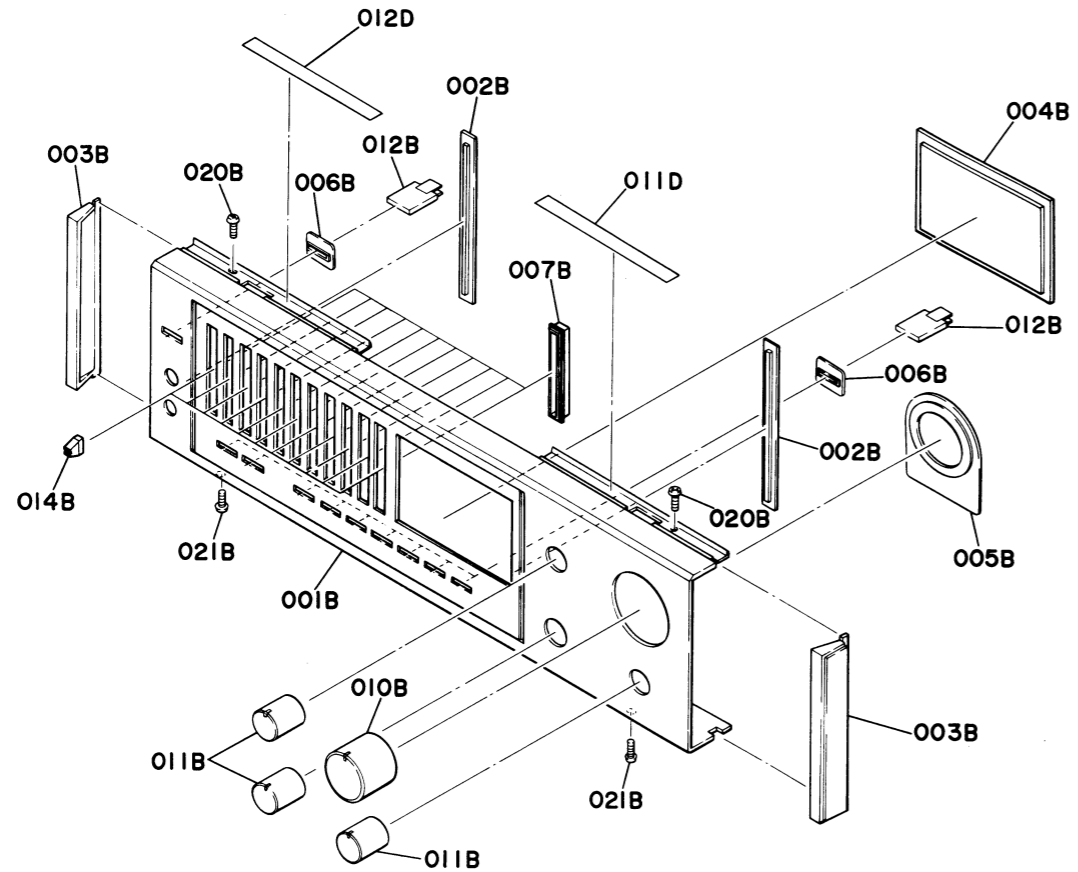


**5.11 Volume Assembly (PG00) Schematic Diagram and Component Locations**



6. EXPLODED VIEWS AND PARTS LIST

[C01-99] Front Panel

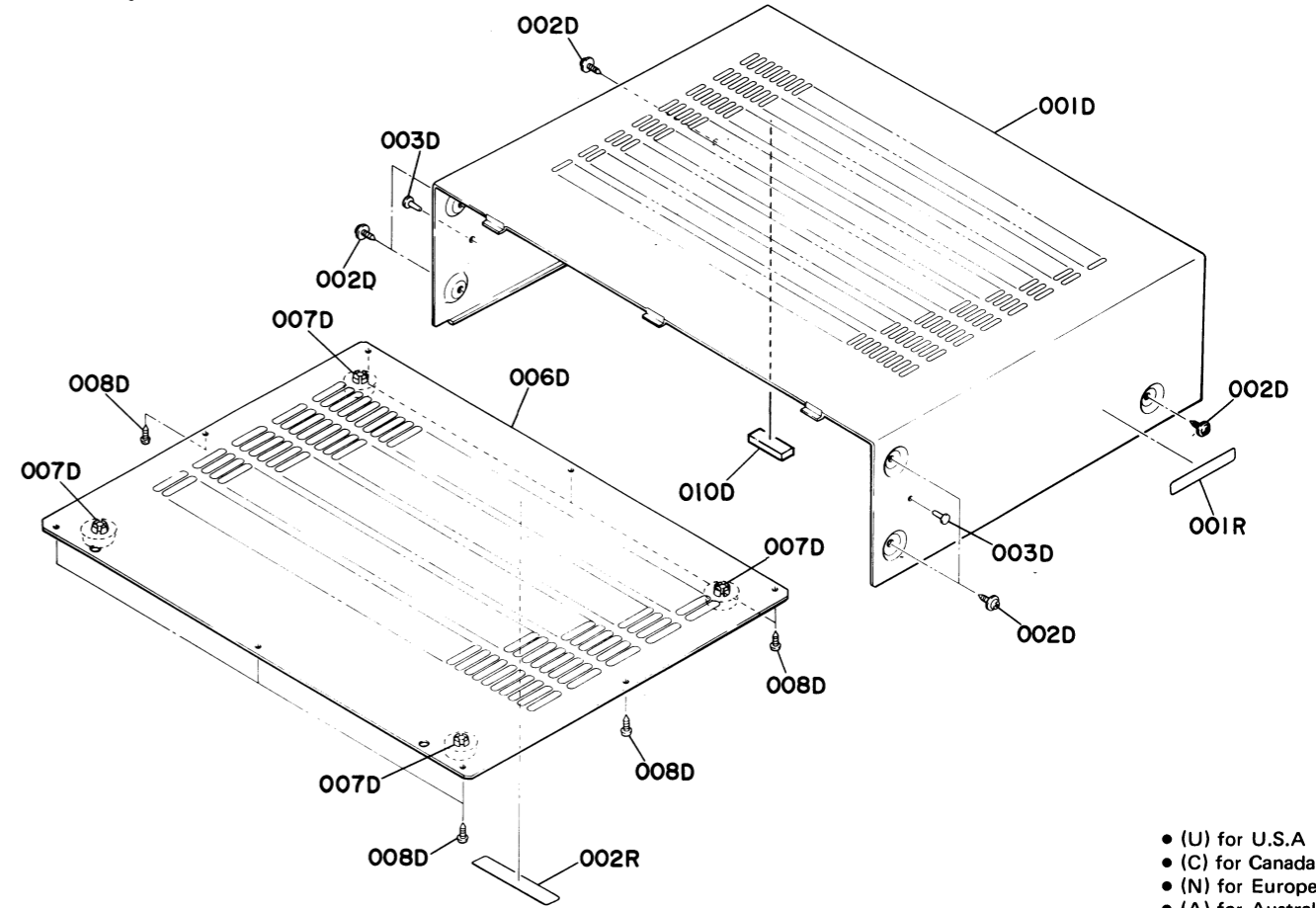


- (U) for U.S.A
- (C) for Canada
- (N) for Europe
- (A) for Australia
- (P) for PX

REF. DESIG.	Q'TY					PART NO.	DESCRIPTION
	U	C	N	A	P		
A	1	1	1	1	1	214H063400	Front Panel Assembly
001B	1	1	1	1	1	214H063010	Escutcheon, Front Panel
002B	2	2	2	2	2	211H063020	Escutcheon
003B	2	2	2	2	2	211H067010	Cap, Panel Side
004B	1	1	1	1	1	214H158010	Window, Power LED
005B	1	1	1	1	1	208H063020	Escutcheon, Volume
006B	10	10	10	10	10	208H259010	Bushing, Push Switch
007B	10	10	10	10	10	2129259020	Bushing, Slide Volume

REF. DESIG.	Q'TY					PART NO.	DESCRIPTION
	U	C	N	A	P		
010B	1	1				208H154110	Knob, Volume
010B			1	1	1	208H154010	Knob, Volume
011B	3	3				208H154120	Knob, Rotary Switch
011B	3	3	3	3	3	208H154020	Knob, Rotary Switch
012B	10	10	10	10	10	208H154060	Knob, Push
014B	10	10	10	10	10	208H154050	Knob, Slide Volume
020B	2	2	2	2	2	51280308B0	B.H. Tapped Screw B3 x 8
021B	2	2	2	2	2	51280308B0	B.H. Tapped Screw B3 x 8
011D	1	1	1	1	1	2965118010	Spacer
012D	1	1	1	1	1	211H118010	Spacer

[C02-99] Top Cover

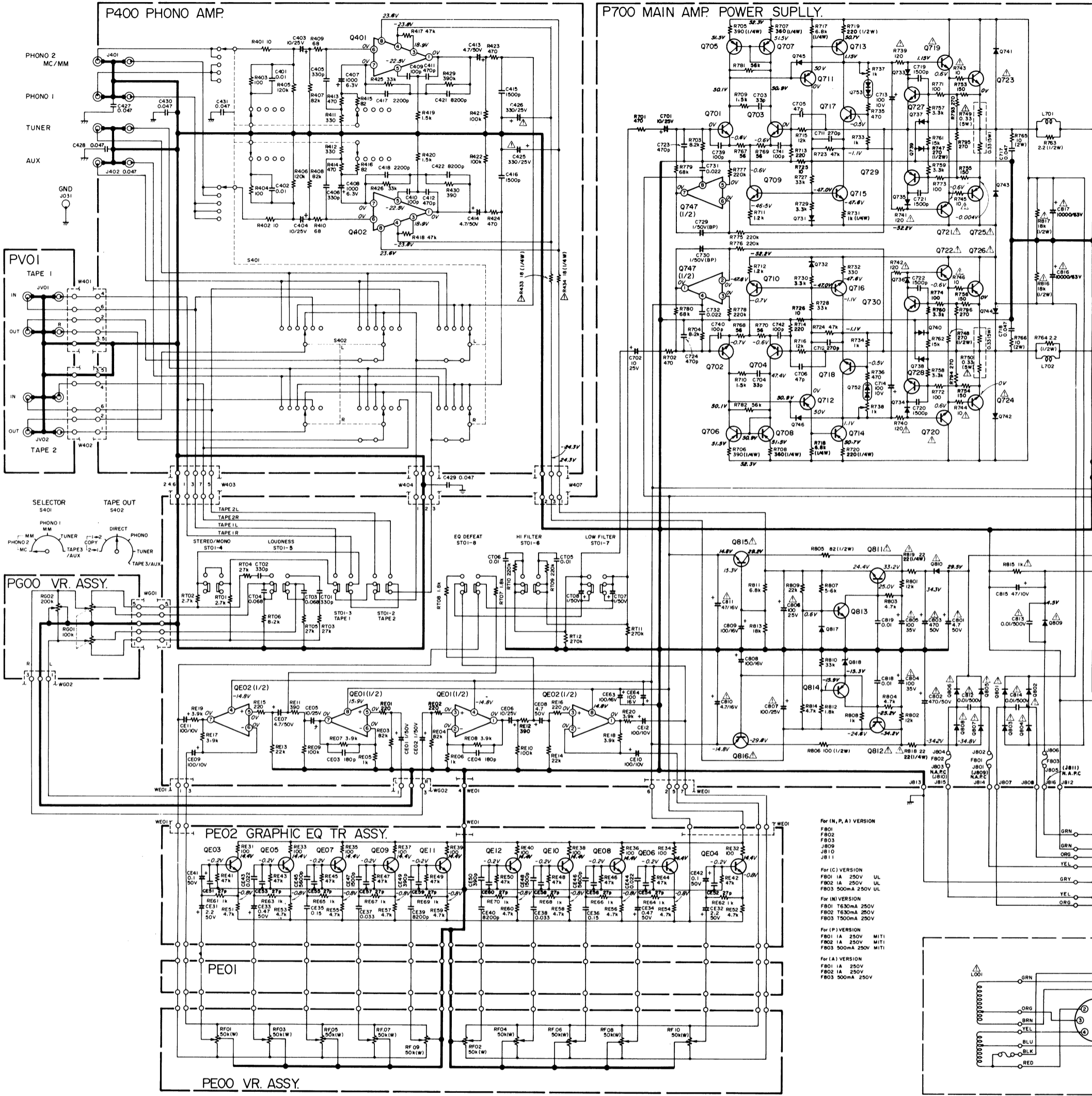


- (U) for U.S.A
- (C) for Canada
- (N) for Europe
- (A) for Australia
- (P) for PX

REF. DESIG.	Q'TY					PART NO.	DESCRIPTION
	U	C	N	A	P		
001D	1	1	1	1	1	211H257010	Lid, Top Cover
002D	6	6				51260408Z0	B.T. Screw B4 x 8
002D			6	6	6	51260408U0	B.T. Screw B4 x 8
003D	2	2	2	2	2	2991259010	Bushing
006D	1	1	1	1	1	211H257020	Lid, Bottom Cover
007D	4	4	4	4	4	403H057010	Leg
008D	8	8	8	8	8	51280308B0	B.H. Tapped Screw B3 x 8
010D			1	1	1	211H056020	Buffer

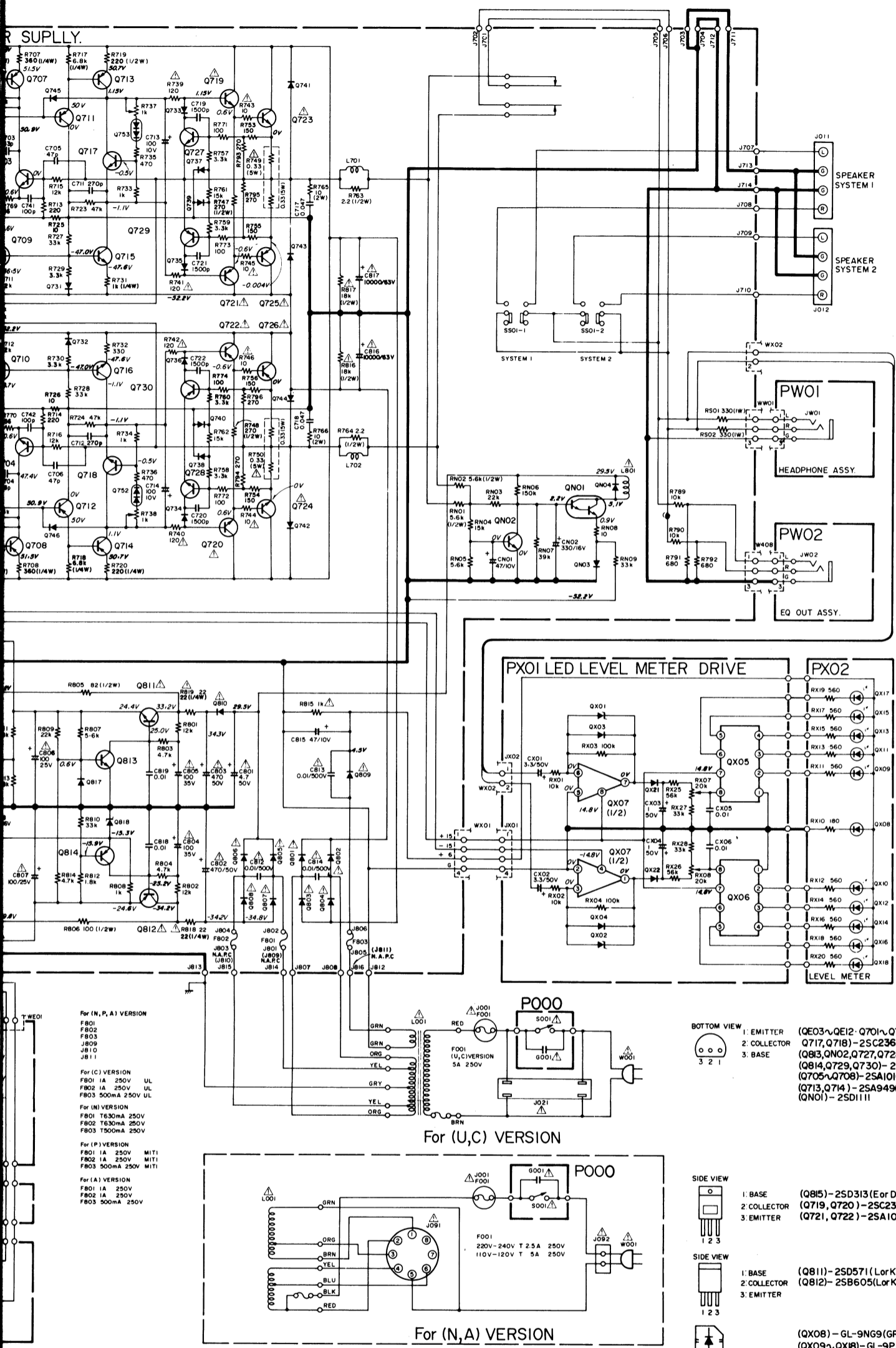
REF. DESIG.	Q'TY					PART NO.	DESCRIPTION
	U	C	N	A	P		
001R	1		1	1	1	2932861110	Label
002R	1		1	1	1	2578861010	Label

# 8. SCHEMATIC DIAGRAM

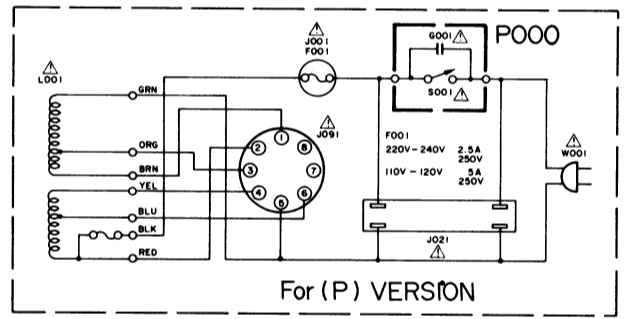


Note on safety: The parts marked with  $\triangle$  are important parts on the safety. Please use the parts having the designated parts number without fail.

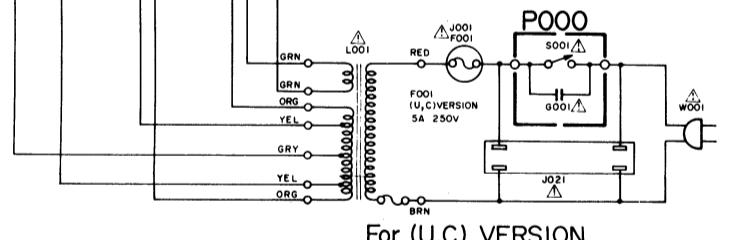
Components and wiring are subject to change for modification without notice.



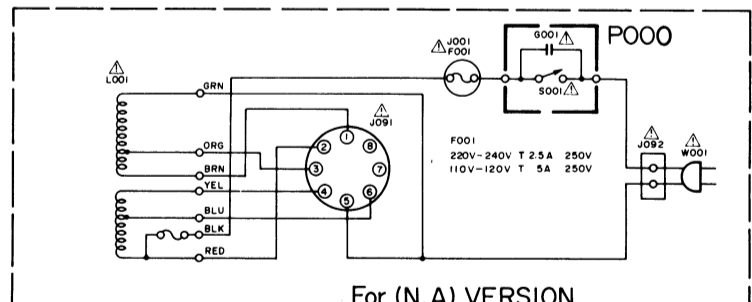
TRANSISTOR	DIODE	IC
Q401, Q402 HC10035010 HAI2017	Q814 HT107331P0 2SA733(P)	Q731~Q736 HD20001210 IS2473(C)
Q701~Q704 HT323622B0 25C2362(0orY)	Q815 HT403132A0 2SD313(EorD)	Q737~Q740 HD20002210 IS2472
Q705~Q708 HT110162B0 2SA1016(0orY)	Q816 HT205072A0 2SB507(EorD)	Q741~Q744 HD20005010 W06B
Q709, Q710 HT323622B0 25C2362(0orY)	QE03~QE12 HT314002A0 25C1400(E)	Q745, Q746 HD20008210 IS2471(F)
Q711, Q712 HT109701B0 2SA970(BL)	QE03~QE12 HT323622B0 25C2362(G or H)	Q801~Q804 HD20011290 S3V-20
Q713, Q714 HT109491B0 2SA949(BL)	QNO1 HT41111A0 2SD1111	Q805~Q810 HD20015030 DS-135
Q715, Q716 HT322292A0 25C2229(0orY)	QNO2 HT309451P0 25C945(P)	Q817 HD20001210 IS2473(C)
Q717, Q718 HT323622B0 25C2362(0orY)		Q818 HD30013010 HZ15A2L
Q719, Q720 HT323442A0 25C2344(DorE)		QNO3, QNO4 HD20002210 IS2472
Q721, Q722 HT110112A0 2SA1011(DorE)		QX01, QX02 HD30076090 WZ-038
Q723, Q724 HT328382B0 25C2838(0orY)		QX03, QX04 HD20001210 IS2473(C)
Q725, Q726 HT111872B0 2SA1187(0orY)		
Q727, Q728 HT313181R0 25C1318(R)		
Q729, Q730 HT107201R0 2SA720(R)		
Q811 HT405712B0 2SD571(LorK)		
Q812 HT206052B0 2SB605(LorK)		
Q813 HT309451P0 25C945(P)		



For (P) VERSION



For (U,C) VERSION



For (N,A) VERSION

**BOTTOM VIEW**

1: EMITTER (QE03~QE12: Q701~Q704: Q709~Q710  
Q717, Q718) - 25C2362(0 or Y)  
Q813, QNO2, Q727, Q728) - 25C945(P)  
Q814, Q729, Q730) - 2SA733(P)  
(Q705~Q708) - 2SA1016(0 or Y), (Q715, Q716) - 25C2229(0 or Y)  
(Q713, Q714) - 2SA949(BL), (Q711, Q712) - 2SA970,  
(QNO1) - 2SD1111

**SIDE VIEW**

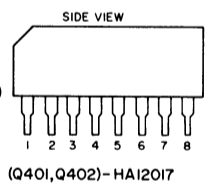
1: BASE (Q815) - 2SD313(EorD), (Q816) - 2SB507(EorD)  
2: COLLECTOR (Q719, Q720) - 25C2344(0 or P)  
3: EMITTER (Q721, Q722) - 2SA1011(0 or Y)

**SIDE VIEW**

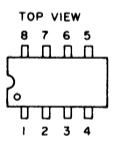
1: BASE (Q811) - 2SD571(LorK)  
2: COLLECTOR (Q812) - 2SB605(LorK)  
3: EMITTER

(QX08) - GL-9NG9(GREEN)  
(QX09~QX18) - GL-9PR9(RED)

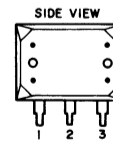
**LED**



(Q401, Q402) - HAI2017



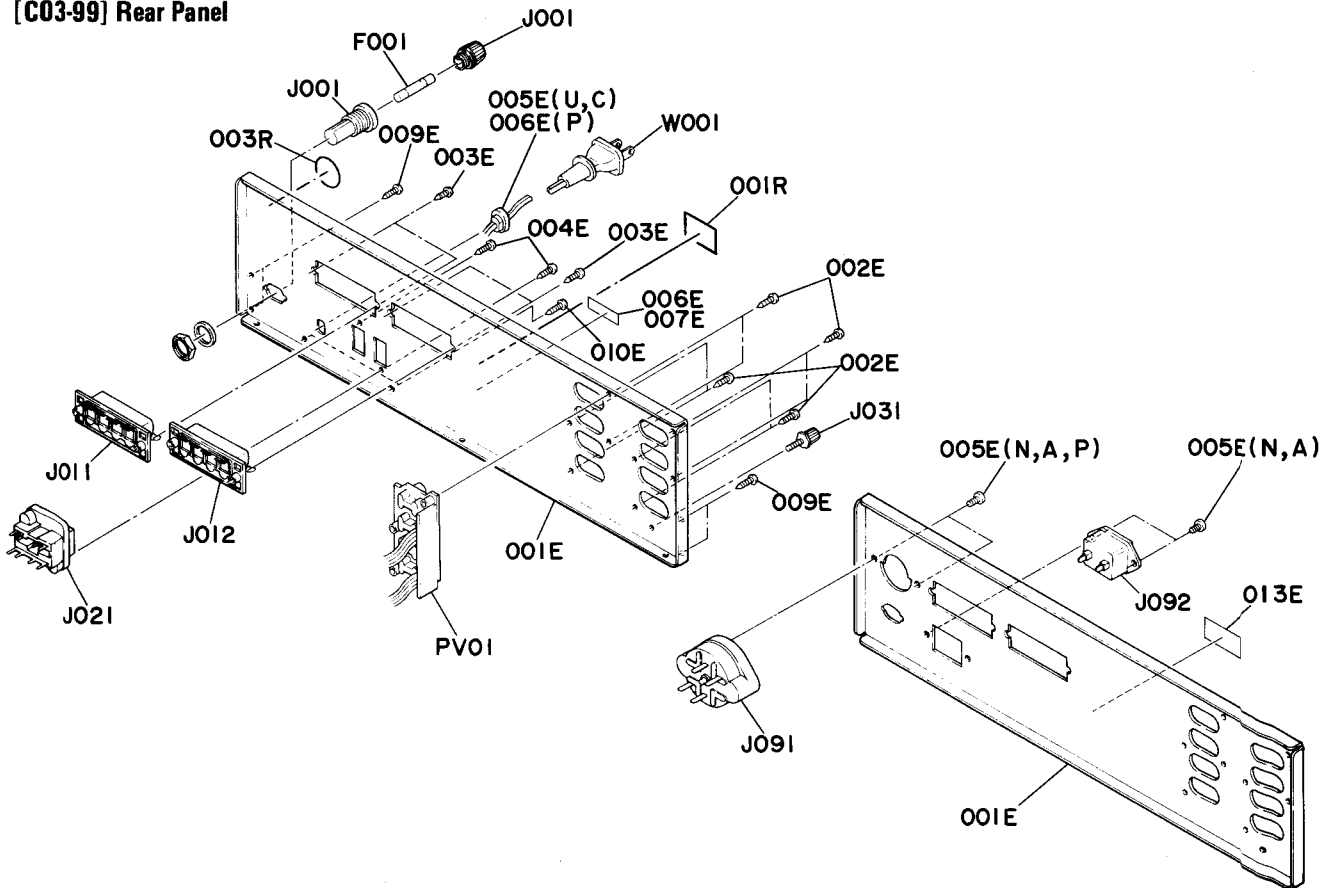
(Q743, QE01, QE02, QX07) - NJM4558D  
(QX05, QX06) - TL489C



(Q723, Q724) - 25C2838(0 or Y)  
(Q725, Q726) - 2SA1187(0 or Y)

Components and wiring are subject to change for modification without notice.

[C03-99] Rear Panel

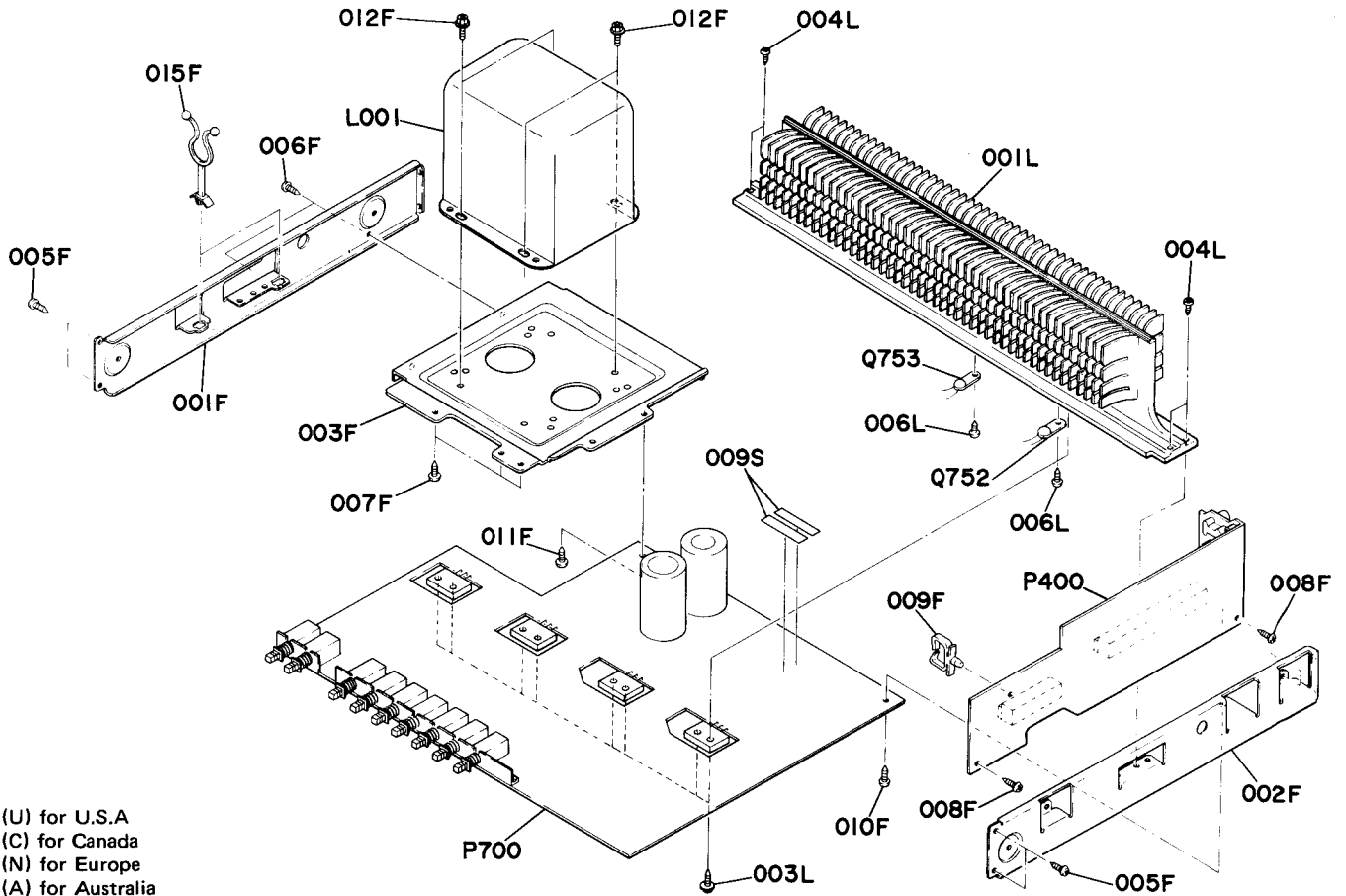


- (U) for U.S.A    • (A) for Australia
- (C) for Canada   • (P) for PX
- (N) for Europe

REF. DESIG.	Q'TY					PART NO.	DESCRIPTION
	U	C	N	A	P		
001E	1	1				214H160210	Bracket, Rear Panel
001E			1			214H160220	Bracket, Rear Panel
001E				1		214H160230	Bracket, Rear Panel
001E					1	214H160240	Bracket, Rear Panel
002E	8	8	8	8	8	51280308U0	B.H. Tapped Screw B3 x 8
003E	4	4	4	4	4	51280308U0	B.H. Tapped Screw B3 x 8
004E	2	2	2	2	2	51280308U0	B.H. Tapped Screw B3 x 8
005E	1	1				1455259030	Bushing, AC Cord
005E			2	2		51420308T0	O.C.H. Tapped Screw O3 x 8
005E			2	2	2	51280308U0	B.H. Tapped Screw B3 x 8
006E	1	1	1	1		2112265010	Indicator
006E					1	1455259030	Bushing, AC Cord
007E					1	2112265010	Indicator
009E	4	4	4	4	4	51280308U0	B.H. Tapped Screw B3 x 8
010E	2	2	2	2	2	51280308U0	B.H. Tapped Screw B3 x 8
013E			1			4581861010	Label
001R		1				2457861040	Label, CSA
003R	1					9511101070	Label, UL

REF. DESIG.	Q'TY					PART NO.	DESCRIPTION
	U	C	N	A	P		
ΔF001	1	1				FS10500500	Fuse 5A 250V
ΔF001			1	1		FS10250800	Fuse 2.5A 250V
ΔF001					1	FS10500600	Fuse 5A 250V
ΔJ001	1					YJ08000310	Jack, Fuse Holder
ΔJ001			1	1		YJ08000290	Jack, Fuse Holder
ΔJ001	1				1	YJ08000300	Jack, Fuse Holder
J011	1	1	1	1	1	YT03040200	Terminal, System 1
J012	1	1	1	1	1	YT03040200	Terminal, System 2
ΔJ021	1	1				YJ04000740	Jack, AC Outlet
ΔJ021					1	YJ04000750	Jack, AC Outlet
J031	1	1	1	1	1	YL03010250	Terminal, GND
ΔJ091		1	1	1		BY05080040	Voltage Selector
ΔJ092			1	1		YP04000590	Plug, AC Inlet
ΔW001	1	1				YC01900070	A.C. Power Cord
ΔW001					1	YC01800190	A.C. Power Cord

[P01-99] Main P.W. Board and General Parts

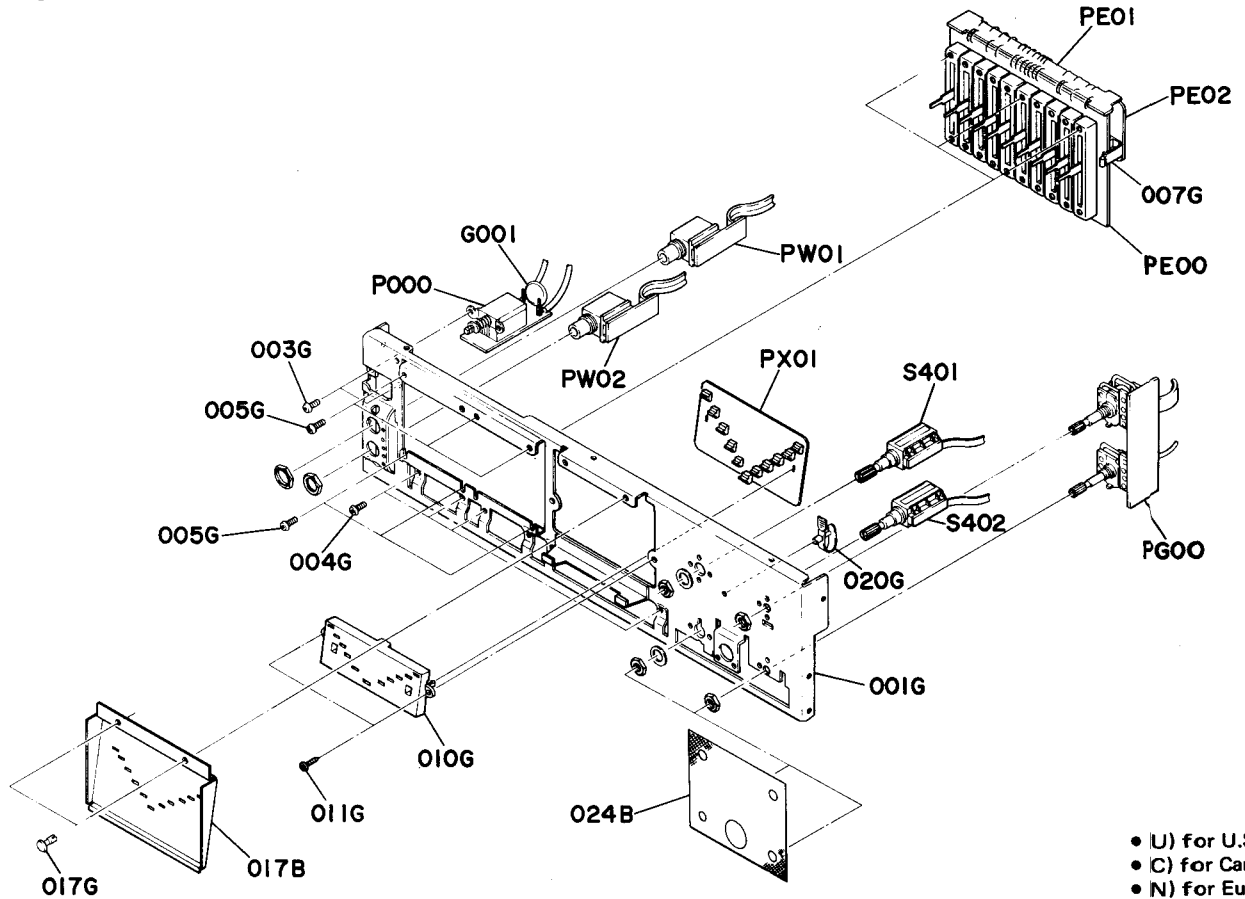


- (U) for U.S.A
- (C) for Canada
- (N) for Europe
- (A) for Australia
- (P) for PX

REF. DESIG.	Q'TY					PART NO.	DESCRIPTION
	U	C	N	A	P		
001F	1	1	1	1	1	211H126010	Stay, (L)
002F	1	1	1	1	1	211H126020	Stay, (R)
003F	1	1	1	1	1	214H105010	Chassis, Transformer
005F	4	4	4	4	4	51280308B0	B.H. Tapped Screw B3 x 8
006F	2	2	2	2	2	51280308B0	B.H. Tapped Screw B3 x 8
007F	3	3	3	3	3	51280408B0	B.H. Tapped Screw B4 x 8
008F	2	2	2	2	2	51280308B0	B.H. Tapped Screw B3 x 8
009F	1	1	1	1	1	2886005050	Clamper
010F	1	1	1	1	1	51280308B0	B.H. Tapped Screw B3 x 8
011F	1	1	1	1	1	51280308B0	B.H. Tapped Screw B3 x 8
012F	4	4	4	4	4	52040410A0	H. Head Bolt, S.F H4 x 10
015F	2	2	2	2	2	2139005010	Clamper

REF. DESIG.	Q'TY					PART NO.	DESCRIPTION
	U	C	N	A	P		
001L	1	1	1	1	1	214H267010	Heatsink
003L	4	4	4	4	4	51260312B0	B.T. Screw B3 x 12
004L	4	4	4	4	4	51280308B0	B.H. Tapped Screw B3 x 8
006L	2	2	2	2	2	51280308B0	B.H. Tapped Screw B3 x 8
009S					2	2112265010	Label
△L001	1					TS18505070	Power Transformer
△L001		1				TS18505080	Power Transformer
△L001			1	1	1	TS19619010	Power Transformer
Q752	1	1	1	1	1	HV00010120	Varistor, MV-11Y
Q753	1	1	1	1	1	HV00010120	Varistor, MV-11Y

[P02-99] Front Chassis and General Parts

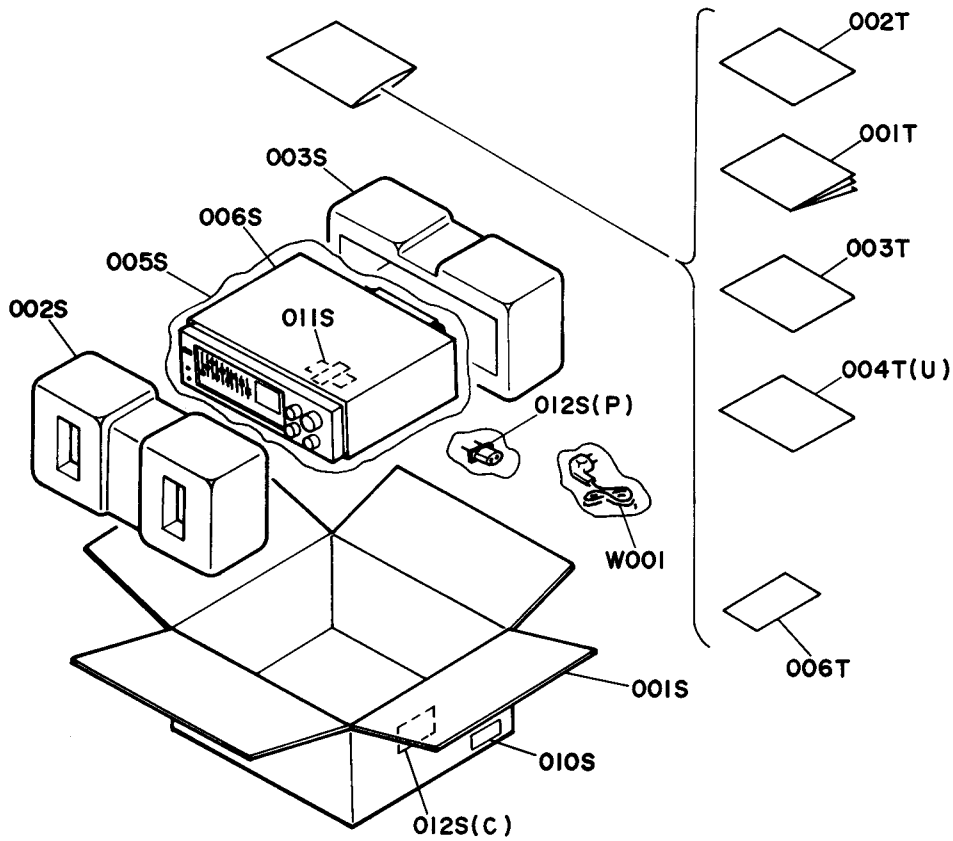


- U) for U.S.A
- C) for Canada
- N) for Europe
- A) for Australia
- P) for PX

REF. DESIG.	Q'TY					PART NO.	DESCRIPTION
	U	C	N	A	P		
017B	1	1	1	1	1	214H302010	Dial, Power Level
024B	1	1	1	1	1	211H303010	Mask
001G	1	1	1	1	1	214H160010	Bracket, Front Chassis
003G	2	2	2	2	2	51100306A9	B.H.M. Screw B3 x 6
004G	4	4	4	4	4	51100306A9	B.H.M. Screw B3 x 6
005G	6	6	6	6	6	51100306A9	B.H.M. Screw B3 x 6
007G	1	1	1	1	1	2139271020	Holder
010G	1	1	1	1	1	214H118010	Spacer
011G	2	2	2	2	2	51280308B0	B.H. Tapped Screw B3 x 8
017G	2	2	2	2	2	2276005050	Clamper
020G	1	1	1	1	1	2137005030	Clamper

REF. DEISG.	Q'TY					PART NO.	DESCRIPTION
	U	C	N	A	P		
ΔG001	1	1				DK18103530	Ceramic Cap. 0.01 μF 125V
ΔG001			1	1		DK18103840	Ceramic Cap. 0.01 μF 400V
ΔG001					1	DK18103850	Ceramic Cap. 0.01 μF 250V
S401	1	1	1	1	1	SR00050070	Rotary Switch
S402	1	1	1	1	1	SR00060020	Rotary Switch

[H01-99] Packing Materials



- (U) for U.S.A
- (C) for Canada
- (N) for Europe
- (A) for Australia
- (P) for PX

REF. DESIG.	Q'TY					PART NO.	DESCRIPTION
	U	C	N	A	P		
001S	1	1				214H801010	Packing Case
001S			1	1		214H801020	Packing Case
001S					1	214H801030	Packing Case
002S	1	1	1	1	1	211H809010	Cushion, Front
003S	1	1	1	1	1	211H809020	Cushion, Rear
005S	1	1	1	1	1	9090909040	Polyethylene Sheet
006S	1	1	1	1	1	2918107150	Sheet
010S	2					9526019010	Serial No. Card
010S		4				9526019020	Serial No. Card
010S			4			9526019060	Serial No. Card
010S				4		9526019030	Serial No. Card
010S					3	9526019050	Serial No. Card
011S			1			2731821010	Silicagel
012S					1	YJ04000240	Jack, AC Adaptor
012S		2				9510901020	Label

REF. DESIG.	Q'TY					PART NO.	DESCRIPTION
	U	C	N	A	P		
001T	1					214H851010	Instructions
001T		1	1	1	1	214H851310	Instructions
002T	1					214H851020	Instructions
002T		1				214H851220	Instructions
002T			1	1	1	214H851320	Instructions
003T	1					2818854020	Guarantee Card
003T		1				2818854040	Guarantee Card
003T			1			214H856010	Circuit Diagram
003T					1	2818854010	Guarantee Card
004T	1					2225813010	Envelope
004T				1		9631000090	Guarantee Card
006T		1				9650000050	S. Station Card
006T					1	9650000010	S. Station Card
ΔW001				1		ZC01805030	A.C. Power Cord
ΔW001					1	ZC02006030	A.C. Power Cord



- (U) for U.S.A
- (C) for Canada
- (N) for Europe
- (A) for Australia
- (P) for PX

REF. DESIG.	Q'TY					PART NO.	DESCRIPTION
	U	C	N	A	P		
P400	1	1	1	1	1	YK211H1210 ZZ211H1210	<b>P400-PHONO AMP. CIRCUIT BOARD</b> P.W. Board, Phono Amp. P.W. Board Assembly
<b>P400-CAPACITORS</b>							
C401	1	1	1	1	1	DF17103300	Film 0.01 $\mu$ F $\pm$ 20%
C402	1	1	1	1	1	DF17103300	Film 0.01 $\mu$ F $\pm$ 20%
C403	1	1	1	1	1	EA10602530	Elect 10 $\mu$ F 25V
C404	1	1	1	1	1	EA10602530	Elect 10 $\mu$ F 25V
C405	1	1	1	1	1	DK16331300	Ceramic 330pF $\pm$ 10%
C406	1	1	1	1	1	DK16331300	Ceramic 330pF $\pm$ 10%
C407	1	1	1	1	1	EA10800630	Elect 1000 $\mu$ F 6.3V
C408	1	1	1	1	1	EA10800630	Elect 1000 $\mu$ F 6.3V
C409	1	1	1	1	1	DK16101300	Ceramic 100pF $\pm$ 10%
C410	1	1	1	1	1	DK16101300	Ceramic 100pF $\pm$ 10%
C411	1	1	1	1	1	DK16471300	Ceramic 470pF $\pm$ 10%
C412	1	1	1	1	1	DK16471300	Ceramic 470pF $\pm$ 10%
C413	1	1	1	1	1	EA47505030	Elect 4.7 $\mu$ F 50V
C414	1	1	1	1	1	EA47505030	Elect 4.7 $\mu$ F 50V
C415	1	1	1	1	1	DF16152300	Film 1500pF $\pm$ 10%
C416	1	1	1	1	1	DF16152300	Film 1500pF $\pm$ 10%
C417	1	1	1	1	1	DF15222300	Film 2200pF $\pm$ 5%
C418	1	1	1	1	1	DF15222300	Film 2200pF $\pm$ 5%
C421	1	1	1	1	1	DF15822300	Film 8200pF $\pm$ 5%
C422	1	1	1	1	1	DF15822300	Film 8200pF $\pm$ 5%
△C425	1	1	1	1	1	EA33702530	Elect 330 $\mu$ F 25V
△C426	1	1	1	1	1	EA33702530	Elect 330 $\mu$ F 25V
C427	1	1	1	1	1	DK18473320	Ceramic 0.047 $\mu$ F
C428	1	1	1	1	1	DK18473320	Ceramic 0.047 $\mu$ F
C431	1	1	1	1	1	DK18473320	Ceramic 0.047 $\mu$ F
<b>P400-RESISTORS</b> (All Resistors are $\pm$ 5% & 1/4W)							
R401	1	1	1	1	1	GD05100140	10 $\Omega$
R402	1	1	1	1	1	GD05100140	10 $\Omega$
R403	1	1	1	1	1	GD05101140	100 $\Omega$
R404	1	1	1	1	1	GD05101140	100 $\Omega$
R405	1	1	1	1	1	GD05124140	120K $\Omega$
R406	1	1	1	1	1	GD05124140	120K $\Omega$
R407	1	1	1	1	1	GD05823140	82K $\Omega$
R408	1	1	1	1	1	GD05823140	82K $\Omega$
R409	1	1	1	1	1	GD05680140	68 $\Omega$
R410	1	1	1	1	1	GD05680140	68 $\Omega$
R411	1	1	1	1	1	GD05331140	330 $\Omega$
R412	1	1	1	1	1	GD05331140	330 $\Omega$
R413	1	1	1	1	1	GD05471140	470 $\Omega$
R414	1	1	1	1	1	GD05471140	470 $\Omega$
R415	1	1	1	1	1	GD05820140	82 $\Omega$
R416	1	1	1	1	1	GD05820140	82 $\Omega$
R417	1	1	1	1	1	GD05473140	47K $\Omega$
R418	1	1	1	1	1	GD05473140	47K $\Omega$
R419	1	1	1	1	1	GD05152140	1.5K $\Omega$
R420	1	1	1	1	1	GD05152140	1.5K $\Omega$
R421	1	1	1	1	1	GD05104140	100K $\Omega$
R422	1	1	1	1	1	GD05104140	100K $\Omega$
R423	1	1	1	1	1	GD05471140	470 $\Omega$
R424	1	1	1	1	1	GD05471140	470 $\Omega$
R425	1	1	1	1	1	GD05333140	33K $\Omega$
R426	1	1	1	1	1	GD05333140	33K $\Omega$
R429	1	1	1	1	1	GD05394140	390K $\Omega$
R430	1	1	1	1	1	GD05394140	390K $\Omega$
△R433	1	1	1	1	1	GG05180140	18 $\Omega$
△R434	1	1	1	1	1	GG05180140	18 $\Omega$

REF. DESIG.	Q'TY					PART NO.	DESCRIPTION
	U	C	N	A	P		
Q401	1	1	1	1	1	HC10035010	<b>P400-SEMICONDUCTORS</b> IC HA12017
Q402	1	1	1	1	1	HC10035010	IC HA12017
<b>P400-MISCELLANEOUS</b>							
J401	1	1				YT02040360	Terminal
J401			1	1	1	YT02040260	Terminal
J402	1	1	1	1	1	YT02040260	Terminal
S401	1	1	1	1	1	SR00050070	Rotary Switch, Remote
S402	1	1	1	1	1	SR00060020	Rotary Switch, Remote
S403	1	1	1	1	1	SS08060020	Slide Switch
S404	1	1	1	1	1	SS04060020	Slide Switch
W401	1	1	1	1	1	YU06180260	Jumper Lead
W402	1	1	1	1	1	YU06160260	Jumper Lead
W403	1	1	1	1	1	YU07240260	Jumper Lead
W404	1	1	1	1	1	YU03060260	Jumper Lead
W407	1	1	1	1	1	YU03080240	Jumper Lead
W408	1	1	1	1	1	YU03180260	Jumper Lead
<b>P700-MAIN AMP. CIRCUIT BOARD</b>							
P700	1	1	1	1	1	YK211H3610	P.W. Board, Main Amp.
						ZZ214H3610	P.W. Board Assembly
						ZZ214H5610	P.W. Board Assembly
						ZZ214H8610	P.W. Board Assembly
						ZZ214H7610	P.W. Board Assembly
						ZZ214H6610	P.W. Board Assembly
<b>P700-CAPACITORS</b>							
C701	1	1	1	1	1	EA10602530	Elect 10 $\mu$ F 25V
C702	1	1	1	1	1	EA10602530	Elect 10 $\mu$ F 25V
C703	1	1	1	1	1	DD15330370	Ceramic 33pF $\pm$ 5%
C704	1	1	1	1	1	DD15330330	Ceramic 33pF $\pm$ 5%
C705	1	1	1	1	1	DD15470300	Ceramic 47pF $\pm$ 5%
C706	1	1	1	1	1	DD15470300	Ceramic 47pF $\pm$ 5%
C711	1	1	1	1	1	DK16181300	Ceramic 180pF $\pm$ 10%
C712	1	1	1	1	1	DK16181300	Ceramic 180pF $\pm$ 10%
C713	1	1	1	1	1	EA10701030	Elect 10 $\mu$ F 10V
C714	1	1	1	1	1	EA10701030	Elect 10 $\mu$ F 10V
C717	1	1	1	1	1	DF17473520	Film 0.047 $\mu$ F $\pm$ 20%
C718	1	1	1	1	1	DF17473520	Film 0.047 $\mu$ F $\pm$ 20%
C719	1	1	1	1	1	DF16152300	Film 150pF $\pm$ 10%
C720	1	1	1	1	1	DF16152300	Film 150pF $\pm$ 10%
C721	1	1	1	1	1	DF16152300	Film 150pF $\pm$ 10%
C722	1	1	1	1	1	DF16152300	Film 150pF $\pm$ 10%
C723	1	1	1	1	1	DK16471300	Ceramic 47pF $\pm$ 10%
C724	1	1	1	1	1	DK16471300	Ceramic 47pF $\pm$ 10%
C729	1	1	1	1	1	EQ10505030	Elect 1 $\mu$ F 50V
C730	1	1	1	1	1	EQ10505030	Elect 1 $\mu$ F 50V
C731	1	1	1	1	1	DK18223320	Ceramic 0.02 $\mu$ F
C732	1	1	1	1	1	DK18223320	Ceramic 0.02 $\mu$ F
C739	1	1	1	1	1	DK16101300	Ceramic 10pF $\pm$ 10%
C740	1	1	1	1	1	DK16101300	Ceramic 10pF $\pm$ 10%
C741	1	1	1	1	1	DK16101300	Ceramic 10pF $\pm$ 10%
C742	1	1	1	1	1	DK16101300	Ceramic 10pF $\pm$ 10%

- (U) for U.S.A
- (C) for Canada
- (N) for Europe
- (A) for Australia
- (P) for PX

REF. DESIG.	Q'TY					PART NO.	DESCRIPTION
	U	C	N	A	P		
△C801	1	1	1	1	1	EA47505030	Elect 4.7μF 50V
△C802	1	1	1	1	1	EA47705030	Elect 470μF 50V
△C803	1	1	1	1	1	EA47705030	Elect 470μF 50V
△C804	1	1	1	1	1	EA10703530	Elect 100μF 35V
△C805	1	1	1	1	1	EA10703530	Elect 100μF 35V
△C806	1	1	1	1	1	EA10702530	Elect 100μF 25V
△C807	1	1	1	1	1	EA10702530	Elect 100μF 25V
C808	1	1	1	1	1	EA10701630	Elect 100μF 16V
C809	1	1	1	1	1	EA10701630	Elect 100μF 16V
△C810	1	1	1	1	1	EA47601630	Elect 47μF 16V
△C811	1	1	1	1	1	EA47601630	Elect 47μF 16V
C812	1	1	1	1	1	DK18103560	Ceramic 0.01μF
△C813	1	1	1	1	1	DK18103560	Ceramic 0.01μF
C814	1	1	1	1	1	DK18103560	Ceramic 0.01μF
C815	1	1	1	1	1	EA47601630	Elect 47μF 16V
△C816	1	1	1	1	1	EB10906330	Elect 10000μF 63V
△C817	1	1	1	1	1	EB10906330	Elect 10000μF 63V
C818	1	1	1	1	1	DF16103300	Film 0.01μF ±10%
C819	1	1	1	1	1	DF16103300	Film 0.01μF ±10%
CE01	1	1	1	1	1	EA10505030	Elect 1μF 50V
CE02	1	1	1	1	1	EA10505030	Elect 1μF 50V
CE03	1	1	1	1	1	DK16181300	Ceramic 180pF ±10%
CE04	1	1	1	1	1	DK16181300	Ceramic 180pF ±10%
CE05	1	1	1	1	1	EA10602530	Elect 10μF 25V
CE06	1	1	1	1	1	EA10602530	Elect 10μF 25V
CE07	1	1	1	1	1	EA47505030	Elect 4.7μF 50V
CE08	1	1	1	1	1	EA47505030	Elect 4.7μF 50V
CE09	1	1	1	1	1	EA10701030	Elect 100μF 10V
CE10	1	1	1	1	1	EA10701030	Elect 100μF 10V
CE11	1	1	1	1	1	EA10701030	Elect 100μF 10V
CE12	1	1	1	1	1	EA10701030	Elect 100μF 10V
CE63	1	1	1	1	1	EA10701630	Elect 100μF 16V
CE64	1	1	1	1	1	EA10701630	Elect 100μF 16V
CN01	1	1	1	1	1	EA47601630	Elect 47μF 16V
CN02	1	1	1	1	1	EA33701630	Elect 330μF 16V
CT01	1	1	1	1	1	DK16331300	Ceramic 330pF ±10%
CT02	1	1	1	1	1	DK16331300	Ceramic 330pF ±10%
CT03	1	1	1	1	1	DF16683300	Film 0.068μF ±10%
CT04	1	1	1	1	1	DF16683300	Film 0.068μF ±10%
CT05	1	1	1	1	1	DF16103300	Film 0.01μF ±10%
CT06	1	1	1	1	1	DF16103300	Film 0.01μF ±10%
CT07	1	1	1	1	1	EA10505030	Elect 1μF 50V
CT08	1	1	1	1	1	EA10505030	Elect 1μF 50V
<b>P700-RESISTORS</b> (All Resistors are ±5% & ¼W)							
R701	1	1	1	1	1	GD05471140	470Ω
R702	1	1	1	1	1	GD05471140	470Ω
R703	1	1	1	1	1	GD05822140	8.2KΩ
R704	1	1	1	1	1	GD05822140	8.2KΩ
R705	1	1	1	1	1	GG05391140	390Ω
R706	1	1	1	1	1	GG05391140	390Ω
R707	1	1	1	1	1	GG05361140	360Ω
R708	1	1	1	1	1	GG05361140	360Ω
R709	1	1	1	1	1	GD05152140	1.5KΩ
R710	1	1	1	1	1	GD05152140	1.5KΩ

REF. DESIG.	Q'TY					PART NO.	DESCRIPTION
	U	C	N	A	P		
R711	1	1	1	1	1	GD05122140	1.2KΩ
R712	1	1	1	1	1	GD05122140	1.2KΩ
R713	1	1	1	1	1	GD05221140	220Ω
R714	1	1	1	1	1	GD05221140	220Ω
R715	1	1	1	1	1	GD05123140	12KΩ
R716	1	1	1	1	1	GD05123140	12KΩ
R717	1	1	1	1	1	GG05682140	6.8KΩ
R718	1	1	1	1	1	GG05682140	6.8KΩ
R719	1	1	1	1	1	GG05221140	220Ω
R720	1	1	1	1	1	GG05221140	220Ω
R723	1	1	1	1	1	GD05473140	47KΩ
R724	1	1	1	1	1	GD05473140	47KΩ
R725	1	1	1	1	1	GG05100140	10Ω
R726	1	1	1	1	1	GG05100140	10Ω
R727	1	1	1	1	1	GD05333140	33KΩ
R728	1	1	1	1	1	GD05333140	33KΩ
R729	1	1	1	1	1	GD05332140	3.3KΩ
R730	1	1	1	1	1	GD05332140	3.3KΩ
R731	1	1	1	1	1	GG05102140	1KΩ
R732	1	1	1	1	1	GG05102140	1KΩ
R733	1	1	1	1	1	GD05102140	1KΩ
R734	1	1	1	1	1	GD05102140	1KΩ
R735	1	1	1	1	1	GD05471140	470Ω
R736	1	1	1	1	1	GD05471140	470Ω
R737	1	1	1	1	1	RA01020110	1KΩ, Trimming
R738	1	1	1	1	1	RA01020110	1KΩ, Trimming
△R739	1	1	1	1	1	RF05121140	120Ω, Fusible
△R740	1	1	1	1	1	RF05121140	120Ω, Fusible
△R741	1	1	1	1	1	RF05121140	120Ω, Fusible
△R742	1	1	1	1	1	RF05121140	120Ω, Fusible
△R743	1	1	1	1	1	RF05100120	10Ω, ½W Fusible
△R744	1	1	1	1	1	RF05100120	10Ω, ½W Fusible
△R745	1	1	1	1	1	RF05100120	10Ω, ½W Fusible
△R746	1	1	1	1	1	RF05100120	10Ω, ½W Fusible
R747	1	1	1	1	1	GG05271120	270Ω, ½W
R748	1	1	1	1	1	GG05271120	270Ω, ½W
△R749	1	1	1	1	1	BW10000020	0.33Ω, 5W x 2 Compo.
△R750	1	1	1	1	1	BW10000020	0.33Ω, 5W x 2 Compo.
R751	1	1	1	1	1	GD05151140	150Ω
R754	1	1	1	1	1	GD05151140	150Ω
R755	1	1	1	1	1	GD05151140	150Ω
R756	1	1	1	1	1	GD05151140	150Ω
R757	1	1	1	1	1	GD05332140	3.3KΩ
R758	1	1	1	1	1	GD05332140	3.3KΩ
R759	1	1	1	1	1	GD05332140	3.3KΩ
R760	1	1	1	1	1	GD05332140	3.3KΩ
R761	1	1	1	1	1	GD05158140	18KΩ
R762	1	1	1	1	1	GD05158140	18KΩ
R763	1	1	1	1	1	RC10022120	2.2Ω ±10% ¼W
R764	1	1	1	1	1	RC10022120	2.2Ω ±10% ¼W
R765	1	1	1	1	1	GA05100020	10Ω 2W
R766	1	1	1	1	1	GA05100020	10Ω 2W
R767	1	1	1	1	1	GD05560140	56Ω
R768	1	1	1	1	1	GD05560140	56Ω
R769	1	1	1	1	1	GD05560140	56Ω
R770	1	1	1	1	1	GD05560140	56Ω
R771	1	1	1	1	1	GG05101140	100Ω
R772	1	1	1	1	1	GG05101140	100Ω
R773	1	1	1	1	1	GG05101140	100Ω
R774	1	1	1	1	1	GG05101140	100Ω

- (U) for U.S.A
- (C) for Canada
- (N) for Europe
- (A) for Australia
- (P) for PX

REF. DESIG.	Q'TY					PART NO.	DESCRIPTION
	U	C	N	A	P		
R775	1	1	1	1	1	GD05224140	220KΩ
R776	1	1	1	1	1	GD05224140	220KΩ
R777	1	1	1	1	1	GD05224140	220KΩ
R778	1	1	1	1	1	GD05224140	220KΩ
R779	1	1	1	1	1	GD05683140	68KΩ
R780	1	1	1	1	1	GD05683140	68KΩ
R781	1	1	1	1	1	GD05563140	56KΩ
R782	1	1	1	1	1	GD05563140	56KΩ
R789	1	1	1	1	1	GD05103140	10KΩ
R790	1	1	1	1	1	GD05103140	10KΩ
R791	1	1	1	1	1	GD05681140	680Ω
R792	1	1	1	1	1	GD05681140	680Ω
R793	1	1	1	1	1	GD05271140	270Ω
R794	1	1	1	1	1	GD05271140	270Ω
R795	1	1	1	1	1	GD05271140	270Ω
R796	1	1	1	1	1	GD05271140	270Ω
R801	1	1	1	1	1	GD05123140	12KΩ
R802	1	1	1	1	1	GD05123140	12KΩ
R803	1	1	1	1	1	GD05472140	4.7KΩ
R804	1	1	1	1	1	GD05472140	4.7KΩ
R805	1	1	1	1	1	RF05820120	82Ω ½W Fusible
R806	1	1	1	1	1	RF05101120	100Ω ½W Fusible
R807	1	1	1	1	1	GD05562140	5.6KΩ
R808	1	1	1	1	1	GD05102140	1KΩ
R809	1	1	1	1	1	GD05223140	22KΩ
R810	1	1	1	1	1	GD05332140	3.3KΩ
R811	1	1	1	1	1	GD05682140	6.8KΩ
R812	1	1	1	1	1	GD05182140	1.8KΩ
R813	1	1	1	1	1	GD05183140	18KΩ
R814	1	1	1	1	1	GD05472140	4.7KΩ
△R815	1	1	1	1	1	GD05102140	1KΩ
△R816	1	1	1	1	1	GD05183140	18KΩ ½W
△R817	1	1	1	1	1	GG05183140	18KΩ ½W
△R818	1	1	1	1	1	RF05220140	22Ω Fusible
△R819	1	1	1	1	1	RF05220140	22Ω Fusible
RE01	1	1	1	1	1	GD05221140	220Ω
RE02	1	1	1	1	1	GD05221140	220Ω
RE03	1	1	1	1	1	GD05823140	82KΩ
RE04	1	1	1	1	1	GD05823140	82KΩ
RE05	1	1	1	1	1	GD05102140	1KΩ
RE06	1	1	1	1	1	GD05102140	1KΩ
RE07	1	1	1	1	1	GD05392140	3.9KΩ
RE08	1	1	1	1	1	GD05392140	3.9KΩ
RE09	1	1	1	1	1	GD05104140	100KΩ
RE10	1	1	1	1	1	GD05104140	100KΩ
RE11	1	1	1	1	1	GD05391140	390Ω
RE12	1	1	1	1	1	GD05391140	390Ω
RE13	1	1	1	1	1	GD05223140	22KΩ
RE14	1	1	1	1	1	GD05223140	22KΩ
RE15	1	1	1	1	1	GD05221140	220Ω
RE16	1	1	1	1	1	GD05221140	220Ω
RE17	1	1	1	1	1	GD05562140	5.6Ω
RE18	1	1	1	1	1	GD05562140	5.6Ω
RE19	1	1	1	1	1	GD05562140	5.6Ω
RE20	1	1	1	1	1	GD05562140	5.6Ω
RN01	1	1	1	1	1	GG05562120	5.6KΩ ½W
RN02	1	1	1	1	1	GG05562120	5.6KΩ ½W
RN03	1	1	1	1	1	GD05223140	22KΩ
RN04	1	1	1	1	1	GD05153140	15KΩ
RN05	1	1	1	1	1	GD05562140	5.6KΩ
RN06	1	1	1	1	1	GD05154140	150KΩ
RN07	1	1	1	1	1	GD05393140	39KΩ
RN08	1	1	1	1	1	GG05100140	10Ω
RN09	1	1	1	1	1	GD05333140	33KΩ

REF. DESIG.	Q'TY					PART NO.	DESCRIPTION
	U	C	N	A	P		
RS01	1	1	1	1	1	GA05331010	330Ω 1W
RS02	1	1	1	1	1	GA05331010	330Ω 1W
RT01	1	1	1	1	1	GD05272140	2.7KΩ
RT02	1	1	1	1	1	GD05272140	2.7KΩ
RT03	1	1	1	1	1	GD05273140	27KΩ
RT04	1	1	1	1	1	GD05273140	27KΩ
RT05	1	1	1	1	1	GD05822140	8.2KΩ
RT06	1	1	1	1	1	GD05822140	8.2KΩ
RT07	1	1	1	1	1	GD05222140	2.2KΩ
RT08	1	1	1	1	1	GD05222140	2.2KΩ
RT09	1	1	1	1	1	GD05224140	220KΩ
RT10	1	1	1	1	1	GD05224140	220KΩ
RT11	1	1	1	1	1	GD05274140	270KΩ
RT12	1	1	1	1	1	GD05274140	270KΩ
<b>P700-SEMICONDUCTORS</b>							
Q701	1	1	1	1	1	HT323622B0	Transistor 2SC2362(G or H)
Q702	1	1	1	1	1	HT323622B0	Transistor 2SC2362(G or H)
Q703	1	1	1	1	1	HT323622B0	Transistor 2SC2362(G or H)
Q704	1	1	1	1	1	HT323622B0	Transistor 2SC2362(G or H)
Q705	1	1	1	1	1	HT110162B0	Transistor 2SA1016(G or H)
Q706	1	1	1	1	1	HT110162B0	Transistor 2SA1016(G or H)
Q707	1	1	1	1	1	HT110162B0	Transistor 2SA1016(G or H)
Q708	1	1	1	1	1	HT110162B0	Transistor 2SA1016(G or H)
Q709	1	1	1	1	1	HT323622B0	Transistor 2SC2362(G or H)
Q710	1	1	1	1	1	HT323622B0	Transistor 2SC2362(G or H)
Q711	1	1	1	1	1	HT109701B0	Transistor 2SA970(BL)
Q712	1	1	1	1	1	HT109701B0	Transistor 2SA970(BL)
Q713	1	1	1	1	1	HT109701B0	Transistor 2SA970(BL)
Q714	1	1	1	1	1	HT109701B0	Transistor 2SA970(BL)
Q715	1	1	1	1	1	HT322292A0	Transistor 2SC2229(O or Y)
Q716	1	1	1	1	1	HT322292A0	Transistor 2SC2229(O or Y)
Q717	1	1	1	1	1	HT323622B0	Transistor 2SC2362(G or H)
Q718	1	1	1	1	1	HT323622B0	Transistor 2SC2362(G or H)
△Q719	1	1	1	1	1	HT323442A0	Transistor 2SC344(D or E)
△Q720	1	1	1	1	1	HT323442A0	Transistor 2SC344(D or E)
△Q721	1	1	1	1	1	HT110112A0	Transistor 2SA1011(D or E)
△Q722	1	1	1	1	1	HT110112A0	Transistor 2SA1011(D or E)
△Q723	1	1	1	1	1	HT328382B0	Transistor 2SC2838(O or Y)
△Q724	1	1	1	1	1	HT328382B0	Transistor 2SC2838(O or Y)
△Q725	1	1	1	1	1	HT111872B0	Transistor 2SA1187(O or Y)
△Q726	1	1	1	1	1	HT111872B0	Transistor 2SA1187(O or Y)
Q727	1	1	1	1	1	HT313181R0	Transistor 2SC3181(R)
Q728	1	1	1	1	1	HT313181R0	Transistor 2SC3181(R)
Q729	1	1	1	1	1	HT107201R0	Transistor 2SA120(R)
Q730	1	1	1	1	1	HT107201R0	Transistor 2SA120(R)
Q731	1	1	1	1	1	HD20001210	Diode 1S2473
Q732	1	1	1	1	1	HD20001210	Diode 1S2473
Q733	1	1	1	1	1	HD20001210	Diode 1S2473
Q734	1	1	1	1	1	HD20001210	Diode 1S2473
Q735	1	1	1	1	1	HD20001210	Diode 1S2473
Q736	1	1	1	1	1	HD20001210	Diode 1S2473
Q737	1	1	1	1	1	HD20002210	Diode 1S2472
Q738	1	1	1	1	1	HD20002210	Diode 1S2472
Q739	1	1	1	1	1	HD20002210	Diode 1S2472
Q740	1	1	1	1	1	HD20002210	Diode 1S2472
Q741	1	1	1	1	1	HD20005010	Diode W06B
Q742	1	1	1	1	1	HD20005010	Diode W06B
Q743	1	1	1	1	1	HD20005010	Diode W06B
Q744	1	1	1	1	1	HD20005010	Diode W06B
Q745	1	1	1	1	1	HD20008210	Diode 1S2471
Q746	1	1	1	1	1	HD20008210	Diode 1S2471
Q747	1	1	1	1	1	HC10003090	IC 4558D
Q752	1	1	1	1	1	HV00010120	Varistor MV-1Y
Q753	1	1	1	1	1	HV00010120	Varistor MV-1Y

- (U) for U.S.A
- (C) for Canada
- (N) for Europe
- (A) for Australia
- (P) for PX

REF. DESIG.	Q'TY					PART NO.	DESCRIPTION
	U	C	N	A	P		
△Q801	1	1	1	1	1	HD20011290	Diode S3V-20
△Q802	1	1	1	1	1	HD20011290	Diode S3V-20
△Q803	1	1	1	1	1	HD20011290	Diode S3V-20
△Q804	1	1	1	1	1	HD20011290	Diode S3V-20
△Q805	1	1	1	1	1	HD20015030	Diode DS-135
△Q806	1	1	1	1	1	HD20015030	Diode DS-135
△Q807	1	1	1	1	1	Hd20015030	Diode DS-135
△Q808	1	1	1	1	1	HD20015030	Diode DS-135
△Q809	1	1	1	1	1	HD20015030	Diode DS-135
△Q810	1	1	1	1	1	HD20015030	Diode DS-135
△Q811	1	1	1	1	1	HT405712B0	Transistor 2SD571(L or K)
△Q812	1	1	1	1	1	HT206052B0	Transistor 2SB605(L or K)
Q813	1	1	1	1	1	HT309451P0	Transistor 2SC945(P)
Q814	1	1	1	1	1	HT107331P0	Transistor 2SA733(P)
△Q815	1	1	1	1	1	HT403132A0	Transistor 2SD313(E or D)
△Q816	1	1	1	1	1	HT205072A0	Transistor 2SB507(E or D)
Q817	1	1	1	1	1	HD20001210	Diode 1S2473C
Q818	1	1	1	1	1	HD30013010	Zener HZ15-A2L
QE01	1	1	1	1	1	HC10003090	IC 4558D
QE02	1	1	1	1	1	HC10003090	IC 4558D
QN01	1	1	1	1	1	HT411111A0	Transistor 2SD1111
QN02	1	1	1	1	1	HT309451P0	Transistor 2SC945(P)
QN03	1	1	1	1	1	HD20002210	Diode 1S2472
QN04	1	1	1	1	1	HD20002210	Diode 1S2472
L701	1	1	1	1	1	LL23905120	Choke Coil
L702	1	1	1	1	1	LL23905120	Choke Coil
△L801	1	1	1	1	1	LY20240190	Relay, DC24V
SS01	1	1	1	1	1	SP02020520	Push Switch, Speaker
ST01	1	1	1	1	1	SP02070010	Push Switch, Speaker
△F801	1					FS10100500	Fuse 1A 250V
△F801		1				FS10063800	Fuse 0.68A 250V
△F801			1			FS10100900	Fuse 1A 250V
△F801				1		FS10100600	Fuse 1A 250V
△F802	1					FS10100500	Fuse 1A 250V
△F802		1				FS10063800	Fuse 0.68A 250V
△F802			1			FS10100900	Fuse 1A 250V
△F802				1		FS10100600	Fuse 1A 250V
△F803	1					FS10050500	Fuse 0.5A 250V
△F803		1				FS10050800	Fuse 0.5A 250V
△F803			1			FS10050900	Fuse 0.5A 250V
J801							
~		6		6		YJ08000270	Jack, Fuse Clip
J806							
J801							
~		6		6		YJ08000170	Jack, Fuse Clip
J806							

REF. DESIG.	Q'TY					PART NO.	DESCRIPTION
	U	C	N	A	P		
PE00	1	1	1	1	1	YN214H2310	<b>PE00-GRAPHIC VOLUME CIRCUIT BOARD</b>
	1	1	1	1	1	ZZ214H2310	P.W. Board, Graphic Volume
							P.W. Board Assembly
RF01	1	1	1	1	1	RX05030180	<b>PE00-RESISTORS</b>
RF02	1	1	1	1	1	RX05030180	50KΩ Variable
RF03	1	1	1	1	1	RX05030180	50KΩ Variable
RF04	1	1	1	1	1	RX05030180	50KΩ Variable
RF05	1	1	1	1	1	RX05030180	50KΩ Variable
RF06	1	1	1	1	1	RX05030180	50KΩ Variable
RF07	1	1	1	1	1	RX05030180	50KΩ Variable
RF08	1	1	1	1	1	RX05030180	50KΩ Variable
RF09	1	1	1	1	1	RX05030180	50KΩ Variable
RF10	1	1	1	1	1	RX05030180	50KΩ Variable
PE01	1	1	1	1	1	YN214H2320	<b>PE01-GRAPHIC CONNECTION CIRCUIT BOARD</b>
							P.W. Board, Graphic Connection
PE02	1	1	1	1	1	YN214H2330	<b>PE02-GRAPHIC TRANSISTOR CIRCUIT BOARD</b>
	1	1	1	1	1	ZZ214H2330	P.W. Board, Graphic Transistor
							P.W. Board Assembly
CE31	1	1	1	1	1	EA22505030	<b>PE02-CAPACITORS</b>
CE32	1	1	1	1	1	EA22505030	Elect 2.2μF 50V
CE33	1	1	1	1	1	EA47405030	Elect 2.2μF 50V
CE34	1	1	1	1	1	EA47405030	Elect 0.47μF 50V
CE35	1	1	1	1	1	DF17154300	Elect 0.47μF 50V
CE36	1	1	1	1	1	DF17154300	Film 0.15μF ±20%
CE37	1	1	1	1	1	DF17333300	Film 0.15μF ±20%
CE38	1	1	1	1	1	DF17333300	Film 0.033μF ±20%
CE39	1	1	1	1	1	DF17822300	Film 0.033μF ±20%
CE40	1	1	1	1	1	DF17822300	Film 8200pF ±20%
CE41	1	1	1	1	1	EA10405030	Elect 0.1μF 50V
CE42	1	1	1	1	1	EA10405030	Elect 0.1μF 50V
CE43	1	1	1	1	1	DF17223300	Film 0.022μF ±20%
CE44	1	1	1	1	1	DF17223300	Film 0.022μF ±20%
CE45	1	1	1	1	1	DF17562300	Film 5600pF ±20%
CE46	1	1	1	1	1	DF17562300	Film 5600pF ±20%
CE47	1	1	1	1	1	DF17152300	Film 1500pF ±20%
CE48	1	1	1	1	1	DF17152300	Film 1500pF ±20%
CE49	1	1	1	1	1	DK16391300	Ceramic 390pF ±10%
CE50	1	1	1	1	1	DK16391300	Ceramic 390pF ±10%
CE51	1	1	1	1	1	DD15220370	Ceramic 22pF ±5%
CE52	1	1	1	1	1	DD15220370	Ceramic 22pF ±5%
CE53	1	1	1	1	1	DD15220370	Ceramic 22pF ±5%
CE54	1	1	1	1	1	DD15220370	Ceramic 22pF ±5%
CE55	1	1	1	1	1	DD15220370	Ceramic 22pF ±5%
CE56	1	1	1	1	1	DD15220370	Ceramic 22pF ±5%
CE57	1	1	1	1	1	DD15220370	Ceramic 22pF ±5%
CE58	1	1	1	1	1	DD15220370	Ceramic 22pF ±5%
CE59	1	1	1	1	1	DD15220370	Ceramic 22pF ±5%
CE60	1	1	1	1	1	DD15220370	Ceramic 22pF ±5%

- (U) for U.S.A
- (C) for Canada
- (N) for Europe
- (A) for Australia
- (P) for PX

REF. DESIG.	Q'TY					PART NO.	DESCRIPTION
	U	C	N	A	P		
<b>PE02-RESISTORS</b> (All Resistors are ±5% & ¼W)							
RE31	1	1	1	1	1	GD05101140	100Ω
RE32	1	1	1	1	1	GD05101140	100Ω
RE33	1	1	1	1	1	GD05101140	100Ω
RE34	1	1	1	1	1	GD05101140	100Ω
RE35	1	1	1	1	1	GD05101140	100Ω
RE36	1	1	1	1	1	GD05101140	100Ω
RE37	1	1	1	1	1	GD05101140	100Ω
RE38	1	1	1	1	1	GD05101140	100Ω
RE39	1	1	1	1	1	GD05101140	100Ω
RE40	1	1	1	1	1	GD05101140	100Ω
RE41	1	1	1	1	1	GD05473140	47KΩ
RE42	1	1	1	1	1	GD05473140	47KΩ
RE43	1	1	1	1	1	GD05473140	47KΩ
RE44	1	1	1	1	1	GD05473140	47KΩ
RE45	1	1	1	1	1	GD05473140	47KΩ
RE46	1	1	1	1	1	GD05473140	47KΩ
RE47	1	1	1	1	1	GD05473140	47KΩ
RE48	1	1	1	1	1	GD05473140	47KΩ
RE49	1	1	1	1	1	GD05473140	47KΩ
RE50	1	1	1	1	1	GD05473140	47KΩ
RE51	1	1	1	1	1	GD05472140	4.7KΩ
RE52	1	1	1	1	1	GD05472140	4.7KΩ
RE53	1	1	1	1	1	GD05472140	4.7KΩ
RE54	1	1	1	1	1	GD05472140	4.7KΩ
RE55	1	1	1	1	1	GD05472140	4.7KΩ
RE56	1	1	1	1	1	GD05472140	4.7KΩ
RE57	1	1	1	1	1	GD05472140	4.7KΩ
RE58	1	1	1	1	1	GD05472140	4.7KΩ
RE59	1	1	1	1	1	GD05472140	4.7KΩ
RE60	1	1	1	1	1	GD05472140	4.7KΩ
RE61	1	1	1	1	1	GD05102140	1KΩ
RE62	1	1	1	1	1	GD05102140	1KΩ
RE63	1	1	1	1	1	GD05102140	1KΩ
RE64	1	1	1	1	1	GD05102140	1KΩ
RE65	1	1	1	1	1	GD05102140	1KΩ
RE66	1	1	1	1	1	GD05102140	1KΩ
RE67	1	1	1	1	1	GD05102140	1KΩ
RE68	1	1	1	1	1	GD05102140	1KΩ
RE69	1	1	1	1	1	GD05102140	1KΩ
RE70	1	1	1	1	1	GD05102140	1KΩ
<b>PE02-SEMICONDUCTORS</b>							
QE03	1	1	1	1	1	HT323622B0	Transistor 2SC2362(G or H)
QE04	1	1	1	1	1	HT323622B0	Transistor 2SC2362(G or H)
QE05	1	1	1	1	1	HT323622B0	Transistor 2SC2362(G or H)
QE06	1	1	1	1	1	HT323622B0	Transistor 2SC2362(G or H)
QE07	1	1	1	1	1	HT323622B0	Transistor 2SC2362(G or H)
QE08	1	1	1	1	1	HT323622B0	Transistor 2SC2362(G or H)
QE09	1	1	1	1	1	HT323622B0	Transistor 2SC2362(G or H)
QE10	1	1	1	1	1	HT323622B0	Transistor 2SC2362(G or H)
QE11	1	1	1	1	1	HT323622B0	Transistor 2SC2362(G or H)
QE12	1	1	1	1	1	HT323622B0	Transistor 2SC2362(G or H)
WE01	1	1	1	1	1	YU07120260	Jumper Lead

REF. DESIG.	Q'TY					PART NO.	DESCRIPTION
	U	C	N	A	P		
<b>PG00-VOLUME CIRCUIT BOARD</b>							
PG00	1	1	1	1	1	YK211H3640	P.W. Board Volume
	1	1	1	1	1	ZZ211H3640	P.W. Board Assembly
<b>PG00-RESISTORS</b>							
RG01	1	1	1	1	1	RM01040270	Variable, Volume
RG02	1	1	1	1	1	RK02040080	Variable, Balance
WG01	1	1	1	1	1	YU05260260	Jumper Lead
<b>PO00-POWER SWITCH CIRCUIT BOARD</b>							
PO00	1	1	1	1	1	YK211H3630	P.W. Board, Power Switch
	1	1		1	1	ZZ211H8630	P.W. Board Assembly
					1	ZZ211H7630	P.W. Board Assembly
△G001	1	1				DK18103530	Ceramic Cap. 0.1µF 125V
△G001			1	1		DK18103840	Ceramic Cap. 0.1µF 400V
△G001					1	DK18103850	Ceramic Cap. 0.1µF 250V
△S001	1					SP01010420	Push Switch, Power
△S001		1				SP01010240	Push Switch, Power
△S001			1	1		SP01010400	Push Switch, Power
△S001					1	SP01010290	Push Switch, Power
<b>PV01-TAPE IN/OUT CIRCUIT BOARD</b>							
PV01	1	1	1	1	1	YK211H1220	P.W. Board, Tape In/Out
	1	1	1	1	1	ZZ211H1220	P.W. Board Assembly
JV01	1	1	1	1	1	YT02040260	Terminal, Tape 1
JV02	1	1	1	1	1	YT02040260	Terminal, Tape 2
<b>PW01-HEAD PHONE CIRCUIT BOARD</b>							
PW01	1	1	1	1	1	YK211H3620	P.W. Board, Head Phone
	1	1	1	1	1	ZZ211H3620	P.W. Board Assembly
JW01	1	1	1	1	1	YJ01001400	Jack, Head Phone
WW01	1	1	1	1	1	YU03240260	Jumper Lead
<b>PW02-EQ OUT CIRCUIT BOARD</b>							
PW02	1	1	1	1	1	YK211H3660	P.W. Board, EQ Out
	1	1	1	1	1	ZZ211H3660	P.W. Board Assembly
JW02	1	1	1	1	1	YJ01001400	Jack, EQ Out

- (U) for U.S.A
- (C) for Canada
- (N) for Europe
- (A) for Australia
- (P) for PX

REF. DESIG.	Q'TY					PART NO.	DESCRIPTION
	U	C	N	A	P		
PX01	1	1	1	1	1	YK214H0300	<b>PX01-LED POWER METER CIRCUIT BOARD</b> P.W. Board, LED Power Meter Drive
	1	1	1	1	1	ZZ214H0300	P.W. Board Assembly
<b>PX01-CAPACITORS</b>							
CX01	1	1	1	1	1	EJ33505010	Elect 3.3 $\mu$ F 50V
CX02	1	1	1	1	1	EJ33505010	Elect 3.3 $\mu$ F 50V
CX03	1	1	1	1	1	EJ10505010	Elect 1 $\mu$ F 50V
CX04	1	1	1	1	1	EJ10505010	Elect 1 $\mu$ F 50V
CX05	1	1	1	1	1	DK18103320	Ceramic 0.01 $\mu$ F
CX06	1	1	1	1	1	DK18103320	Ceramic 0.01 $\mu$ F
<b>PX01-RESISTORS</b> (All Resistors are $\pm 5\%$ & $\frac{1}{4}W$ )							
RX01	1	1	1	1	1	GD05103140	10K $\Omega$
RX02	1	1	1	1	1	GD05103140	10K $\Omega$
RX03	1	1	1	1	1	GD05104140	100K $\Omega$
RX04	1	1	1	1	1	GD05104140	100K $\Omega$
RX07	1	1	1	1	1	RA02030060	20K $\Omega$ , Trimming
RX08	1	1	1	1	1	RA02030060	20K $\Omega$ , Trimming
RX10	1	1	1	1	1	GD05181140	180 $\Omega$
RX11	1	1	1	1	1	GD05561140	560 $\Omega$
RX12	1	1	1	1	1	GD05561140	560 $\Omega$
RX13	1	1	1	1	1	GD05561140	560 $\Omega$
RX14	1	1	1	1	1	GD05561140	560 $\Omega$
RX15	1	1	1	1	1	GD05561140	560 $\Omega$
RX16	1	1	1	1	1	GD05561140	560 $\Omega$
RX17	1	1	1	1	1	GD05561140	560 $\Omega$
RX18	1	1	1	1	1	GD05561140	560 $\Omega$
RX19	1	1	1	1	1	GD05561140	560 $\Omega$
RX20	1	1	1	1	1	GD05561140	560 $\Omega$
RX25	1	1	1	1	1	GD05563140	56K $\Omega$
RX26	1	1	1	1	1	GD05563140	56K $\Omega$
RX27	1	1	1	1	1	GD05333140	33K $\Omega$
RX28	1	1	1	1	1	GD05333140	33K $\Omega$

REF. DESIG.	Q'TY					PART NO.	DESCRIPTION
	U	C	N	A	P		
<b>PX01-SEMICONDUCTORS</b>							
QX01	1	1	1	1	1	HD30076090	Zener WZ038
QX02	1	1	1	1	1	HD30076090	Zener WZ038
QX03	1	1	1	1	1	HD20001210	Diode 1S2473
QX04	1	1	1	1	1	HD20001210	Diode 1S2473
QX05	1	1	1	1	1	HC10008370	IC TL489C
QX06	1	1	1	1	1	HC10008370	IC TL489C
QX07	1	1	1	1	1	HC10003090	IC 4558D
QX08	1	1	1	1	1	HI10006320	L.E.D. GL-9NG9, Green
QX09	1	1	1	1	1	HI10007320	L.E.D. GL-9PR9, Red
QX10	1	1	1	1	1	HI10007320	L.E.D. GL-9PR9, Red
QX11	1	1	1	1	1	HI10007320	L.E.D. GL-9PR9, Red
QX12	1	1	1	1	1	HI10007320	L.E.D. GL-9PR9, Red
QX13	1	1	1	1	1	HI10007320	L.E.D. GL-9PR9, Red
QX14	1	1	1	1	1	HI10007320	L.E.D. GL-9PR9, Red
QX15	1	1	1	1	1	HI10007320	L.E.D. GL-9PR9, Red
QX16	1	1	1	1	1	HI10007320	L.E.D. GL-9PR9, Red
QX17	1	1	1	1	1	HI10007320	L.E.D. GL-9PR9, Red
QX18	1	1	1	1	1	HI10007320	L.E.D. GL-9PR9, Red
QX21	1	1	1	1	1	HD20001210	Diode 1S2473
QX22	1	1	1	1	1	HD20001210	Diode 1S2473
<b>PX01-MISCELLANEOUS</b>							
WX01	1	1	1	1	1	YU04200260	Jumper Lead
WX02	1	1	1	1	1	YU02200260	Jumper Lead

(W01-99)	Assembly and Wiring
(T01-99)	Adjustment
(X01-00)	Correction

## 7. TECHNICAL SPECIFICATIONS

### AUDIO SECTION

#### POWER OUTPUT PER CHANNEL

DIN 4 OHMS 1kHz	115W
RMS 4 OHMS 1kHz	105W
DIN 8 OHMS 1kHz	85W
RMS 8 OHMS 1kHz	80W
TOTAL HARMONIC DISTORTION AT RMS 8 OHMS	0.03%
I.M. DISTORTION	0.03%
DAMPING FACTOR 8 OHMS (1kHz)	85
FREQUENCY RESPONSE	10Hz – 50kHz

#### MM CARTRIDGE INPUT

Frequency Response (RIAA)	±0.2dB
Signal-to-Noise Ratio	85dB
Input Impedance	47kohms
Input Capacitance	200pF
Input Sensitivity	2.8mV
Equivalent Input Noise	0.3μV
Dynamic Range	112dB

#### MC CARTRIDGE INPUT

Input Sensitivity	280μV
Input Impedance	100ohms

#### AUX. INPUT

Input Impedance	33kohms
Input Sensitivity	150mV
Frequency Response	5Hz – 75kHz
Signal-to-Noise Ratio	98dB

#### OUTPUT VOLTAGE

Tape Out	400mV
----------	-------

#### OUTPUT IMPEDANCE

Tape Out	470ohms
----------	---------

#### GENERAL

Power Requirements	220V AC, 50Hz
--------------------	---------------

(E and N versions are featuring external voltage selector.)

Other versions can be converted by a qualified technician to operate on 240V.)

Power Consumption at Rated Output, both Channels Driven	29W ± 20W
---	-----------

#### Dimensions

Panel Width	416mm
Panel Height	175mm
Depth	329mm

#### Weight

Unit Alone	9kg
------------	-----

**MEMORANDUM**