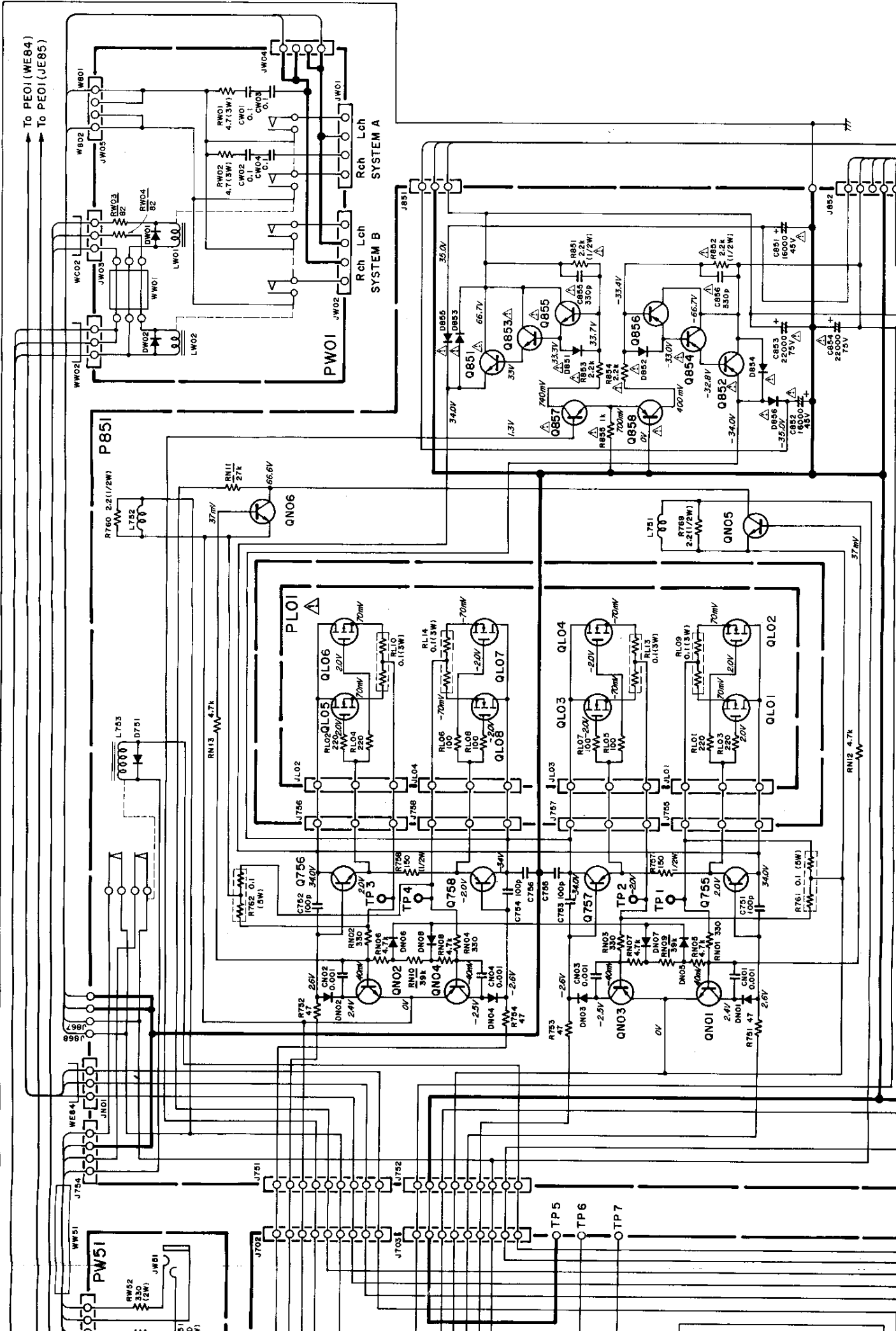
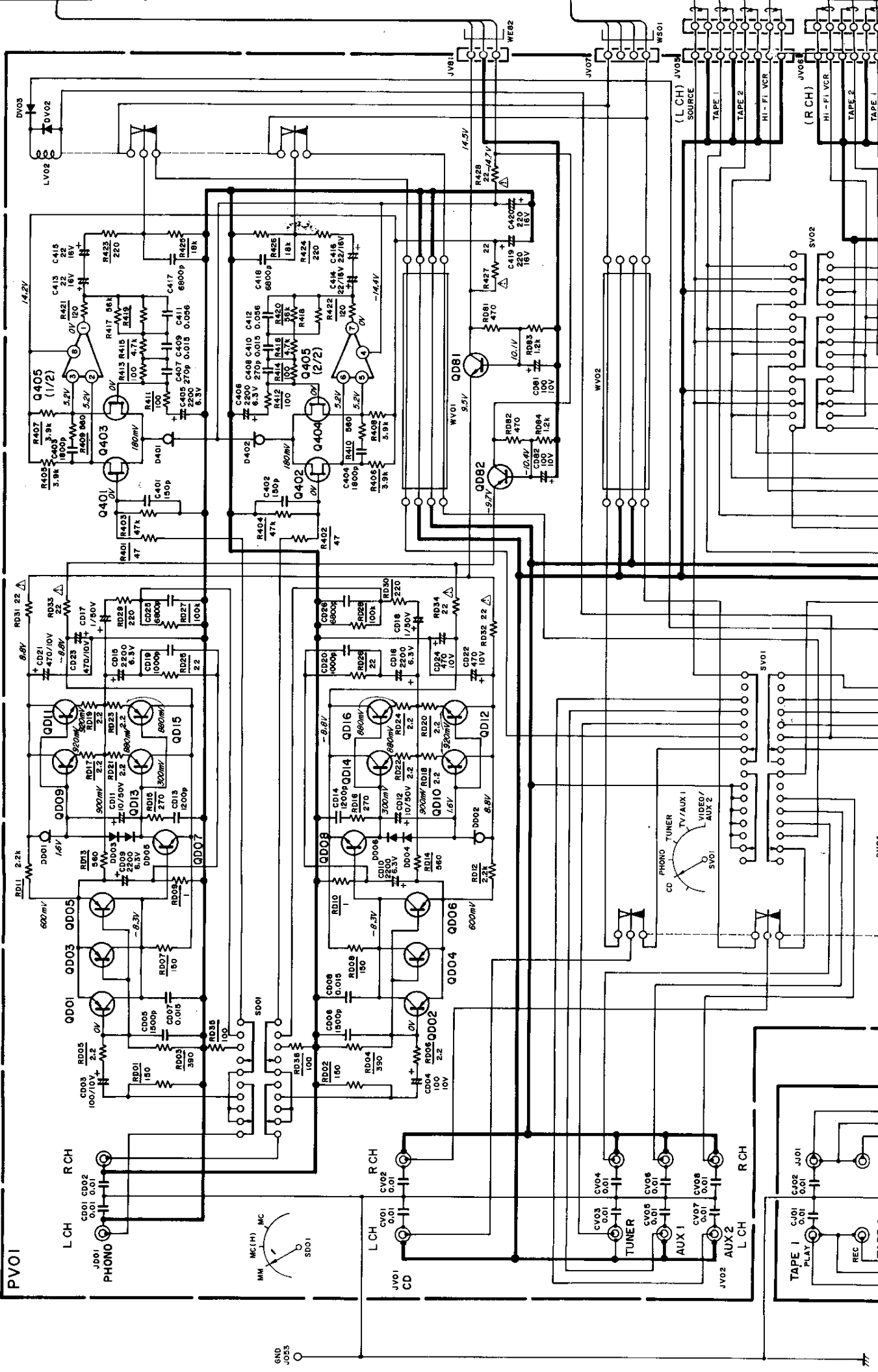
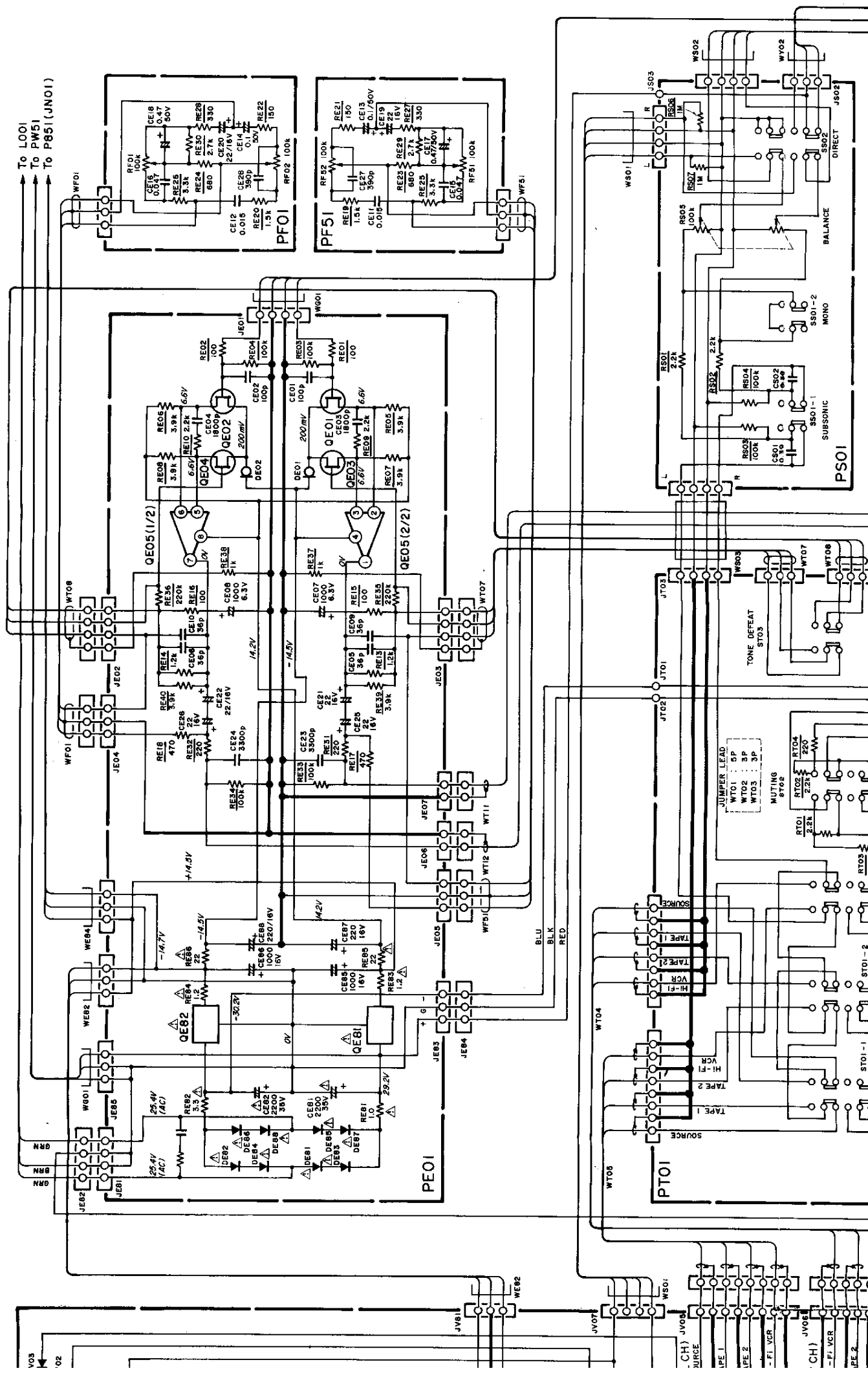
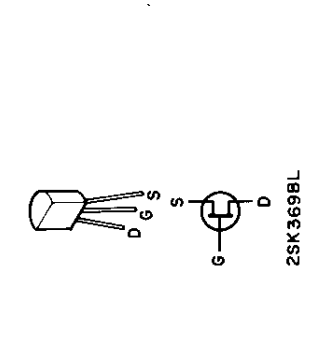
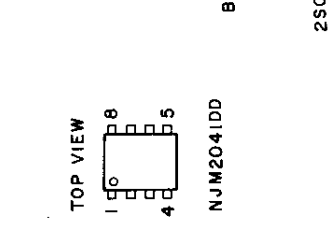
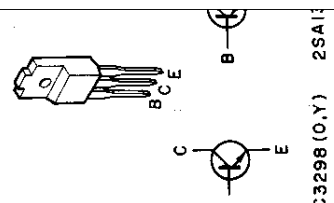
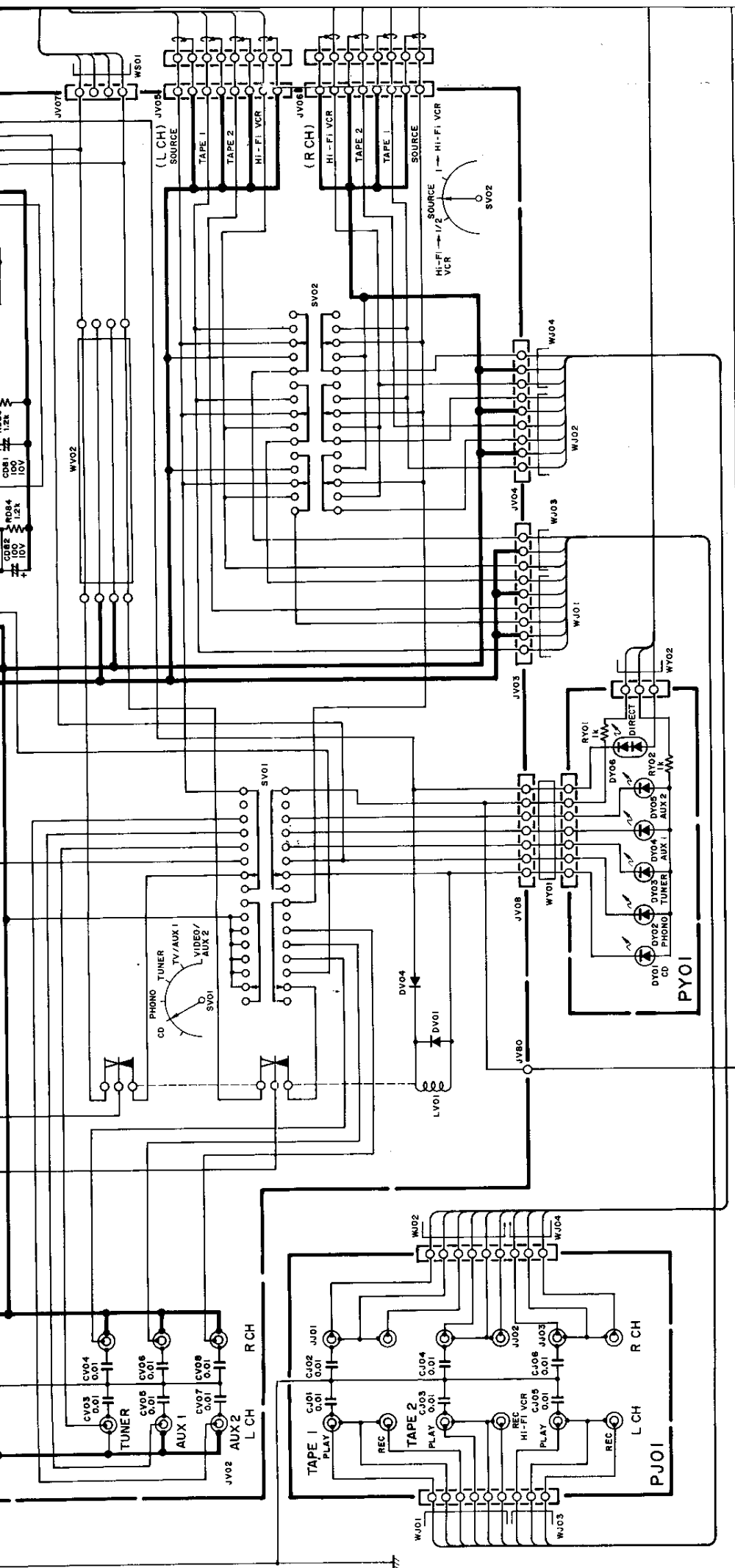


SCHEMATIC DIAGRAM FOR Model PM-84II



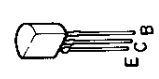
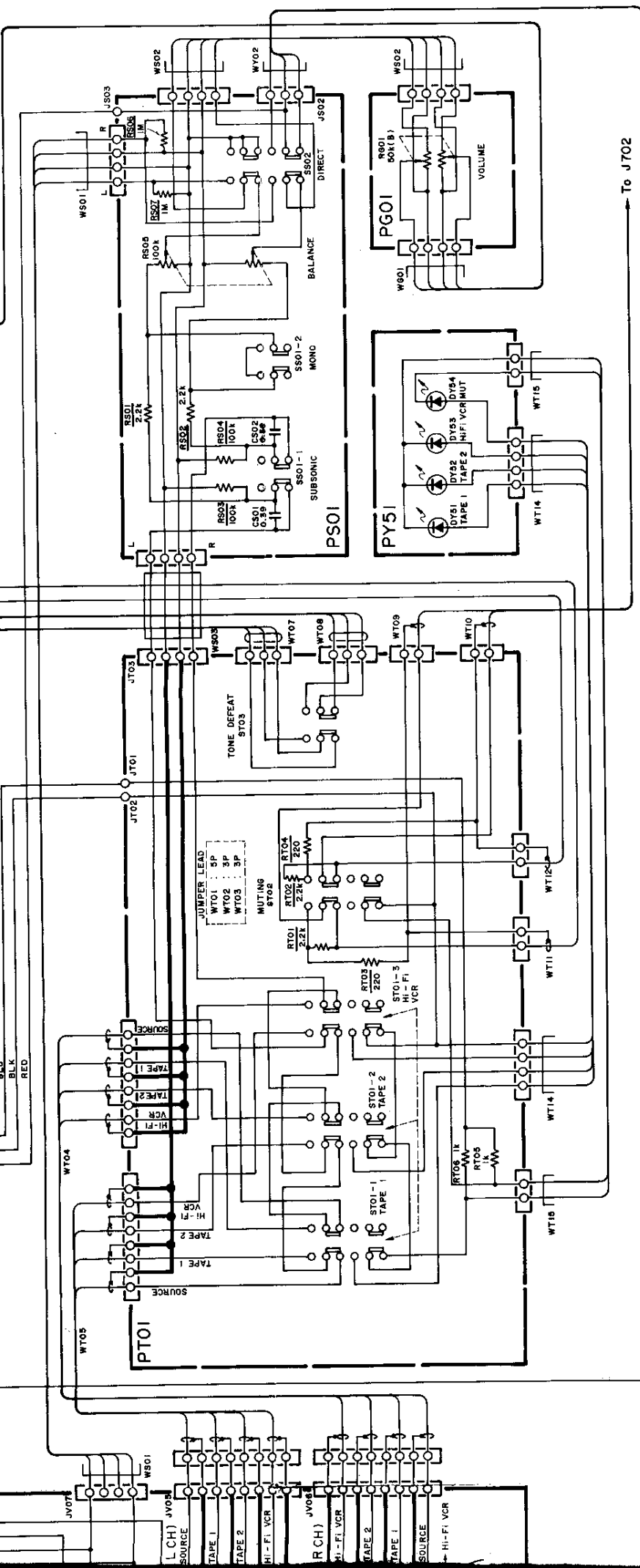




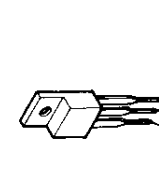


- Q401 ~ Q404
QE01 ~ QE04
HF203691B0
2SK3698L
- Q405, QE05
HC10026090
NJM2041DD
- QD01 ~ QD06, QD13 ~ QD16
HT113062DC
HT113162A0
2SA1316 (GR, BL)
- QD07 ~ QD12
HT333292A0
2SC3329 (GR, BL)
- QD81
HT333298D0
2SC3298 (O, Y)
- QD82
HT13062DC
2SA1306 (O, Y)
- QE81
HC38515090
NJM78M15A
- QE82
HC39515090
NJM79M15A
- D401, D402
DD01, DD02, DE01, DE02
HD60001160
C, R, D/4, 3MA
- D403 ~ DD06, DVO1 ~ DVO4
DD20002000
ISS133
- DE81 ~ DE88
HD20022030
DSF-10C
- DY01 ~ DY05
DY51 ~ DY53
HI10046320
LED GL-3HD7
- DY06, DY54
HI10037320
L, E, D LT-9200N
- DY01
CD PHONO TUNER, AUX. 1
DY02
TUNER, AUX. 2
DY03
TUNER, AUX. 2
DY04
TUNER, AUX. 2
DY05
TUNER, AUX. 2
DY06
DIRECT
- DY06, DY54
HI10037320
L, E, D LT-9200N

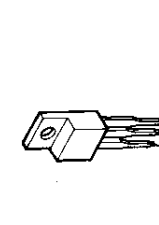
To J702



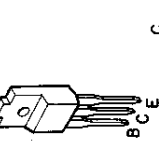
2SA1316 (GR BL)
2SC3329 (GR BL)



NUM79M15A



NUM78M15A



C B E



C B E

To 851 (GND)

To J702

2SC3298(O,Y) 2SA1306(O,Y)