

Service Manual

PMD511 /N1B
PMD511 U,F
Fully Independent Double Cassette Deck

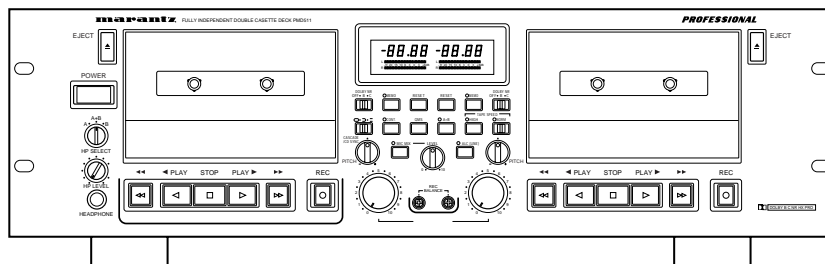


TABLE OF CONTENTS

SECTION	PAGE
1. TECHNICAL SPECIFICATIONS	1
2. BLOCK DIAGRAM	2
3. WIRING DIAGRAM AND ADJUSTMENT POINTS	3
4. SCHEMATIC DIAGRAM AND PARTS LOCATION (Pattern Side)	5
5. EXPLODED VIEW AND PARTS LIST	15
6. DISASSEMBLY	20
7. TEST EQUIPMENT REQUIRED FOR SERVICING	21
8. ELECTRICAL ADJUSTMENTS	22
9. MICROPROCESSOR AND IC DATA	27
10. ELECTRICAL PARTS LIST	28
11. XLR511PMD Kit	37

Please use this service manual with referring to the user guide (D.F.U) without fail.

修理の際は、必ず取扱説明書を準備し操作方法を確認の上作業を行って下さい。

marantz®

model PMD511

MARANTZ DESIGN AND SERVICE

Using superior design and selected high grade components, **MARANTZ** company has created the ultimate in stereo sound. Only original **MARANTZ** parts can insure that your **MARANTZ** product will continue to perform to the specifications for which it is famous.

Parts for your **MARANTZ** equipment are generally available to our National Marantz Subsidiary or Agent.

ORDERING PARTS :

Parts can be ordered either by mail or by Fax.. In both cases, the correct part number has to be specified.

The following information must be supplied to eliminate delays in processing your order :

1. Complete address
2. Complete part numbers and quantities required
3. Description of parts
4. Model number for which part is required
5. Way of shipment
6. Signature : any order form or Fax. must be signed, otherwise such part order will be considered as null and void.

USA

MARANTZ AMERICA, INC.
440 MEDINAH ROAD
ROSELLE, ILLINOIS 60172
USA
PHONE : 630 - 307 - 3100
FAX : 630 - 307 - 2687

EUROPE / TRADING

MARANTZ EUROPE B.V.
P.O.BOX 80002, BUILDING SFF2
5600 JB EINDHOVEN
THE NETHERLANDS
PHONE : +31 - 40 - 2732241
FAX : +31 - 40 - 2735578

BRAZIL

PHILIP DA AMAZONIA IND. ELET. ITDA
CENTRO DE INFORMACOES AO
CEP 04698-970
SAO PAULO, SP, BRAZIL
PHONE : 0800 - 123123(Discagem Direta Gratuita)
FAX : +55 11 534. 8988

PROFESSIONAL AMERICAS

SUPERSCOPE TECHNOLOGIES, INC.
MARANTZ PROFESSIONAL PRODUCTS
2640 WHITE OAK CIRCLE, SUITE A
AURORA, ILLINOIS 60504 USA
PHONE : 630 - 820 - 4800
FAX : 630 - 820 - 8103

CANADA

LENBROOK INDUSTRIES LIMITED
633 GRANITE COURT,
PICKERING, ONTARIO L1W 3K1
CANADA
PHONE : 905 - 831 - 6333
FAX : 905 - 831 - 6936

AUSTRALIA

JAMO AUSTRALIA PTY LTD
1 EXPO COURT, P.O. BOX 350
MT. WAVERLEY VIC 3149
AUSTRALIA
PHONE : +61 - 3 - 9543 - 1522
FAX : +61 - 3 - 9543 - 3677

THAILAND

MRZ STANDARD CO.,LTD
746 - 754 MAHACHAI ROAD.,
WANGBURAPAPIROM, PHRANAKORN,
BANGKOK, 10200 THAILAND
PHONE : +66 - 2 - 222 9181
FAX : +66 - 2 - 224 6795

SINGAPORE

WO KEE HONG (S) PTE LTD
WO KEE HONG CENTRE
NO.23, LORONG 8, TOA PAYOH
SINGAPORE 319257
PHONE : +65 2544555
FAX : +65 2502213

NEW ZEALAND

WILDASH AUDIO SYSTEMS NZ
14 MALVERN ROAD MT ALBERT
AUCKLAND NEW ZEALAND
PHONE : +64 - 9 - 8451958
FAX : +64 - 9 - 8463554

TAIWAN

PAI- YUING CO., LTD.
6 TH FL NO, 148 SUNG KIANG ROAD,
TAIPEI, 10429, TAIWAN R.O.C.
PHONE : +886 - 2 - 25221304
FAX : +886 - 2 - 25630415

MALAYSIA

WO KEE HONG ELECTRONICS SDN. BHD.
SUITE 8.1, LEVEL 8, MENARA GENESIS,
NO. 33, JALAN SULTAN ISMAIL,
50250 KUALA LUMPUR, MALAYSIA
PHONE : +60 3 - 2457677
FAX : +60 3 - 2458180

JAPAN *Technical*

MARANTZ JAPAN, INC.
35- 1, 7- CHOME, SAGAMIONO
SAGAMIHARA - SHI, KANAGAWA
JAPAN 228-8505
PHONE : +81 42 748 1013
FAX : +81 42 748 9190

日本マランツ株式会社

本社 〒228-8505
神奈川県相模原市相模大野7-35-1
営業本部 〒150-0022
東京都渋谷区恵比寿南1-11-9

KOREA

MK ENTERPRISES LTD.
ROOM 604/605, ELECTRO-OFFICETEL, 16-58,
3GA, HANGANG-RO, YONGSAN-KU, SEOUL
KOREA
PHONE : +822 - 3232 - 155
FAX : +822 - 3232 - 154

SHOCK, FIRE HAZARD SERVICE TEST :

CAUTION : After servicing this appliance and prior to returning to customer, measure the resistance between either primary AC cord connector pins (with unit NOT connected to AC mains and its Power switch ON), and the face or Front Panel of product and controls and chassis bottom.

Any resistance measurement less than 1 Megohms should cause unit to be repaired or corrected before AC power is applied, and verified before it is return to the user/customer.

Ref. UL Standard No. 813.

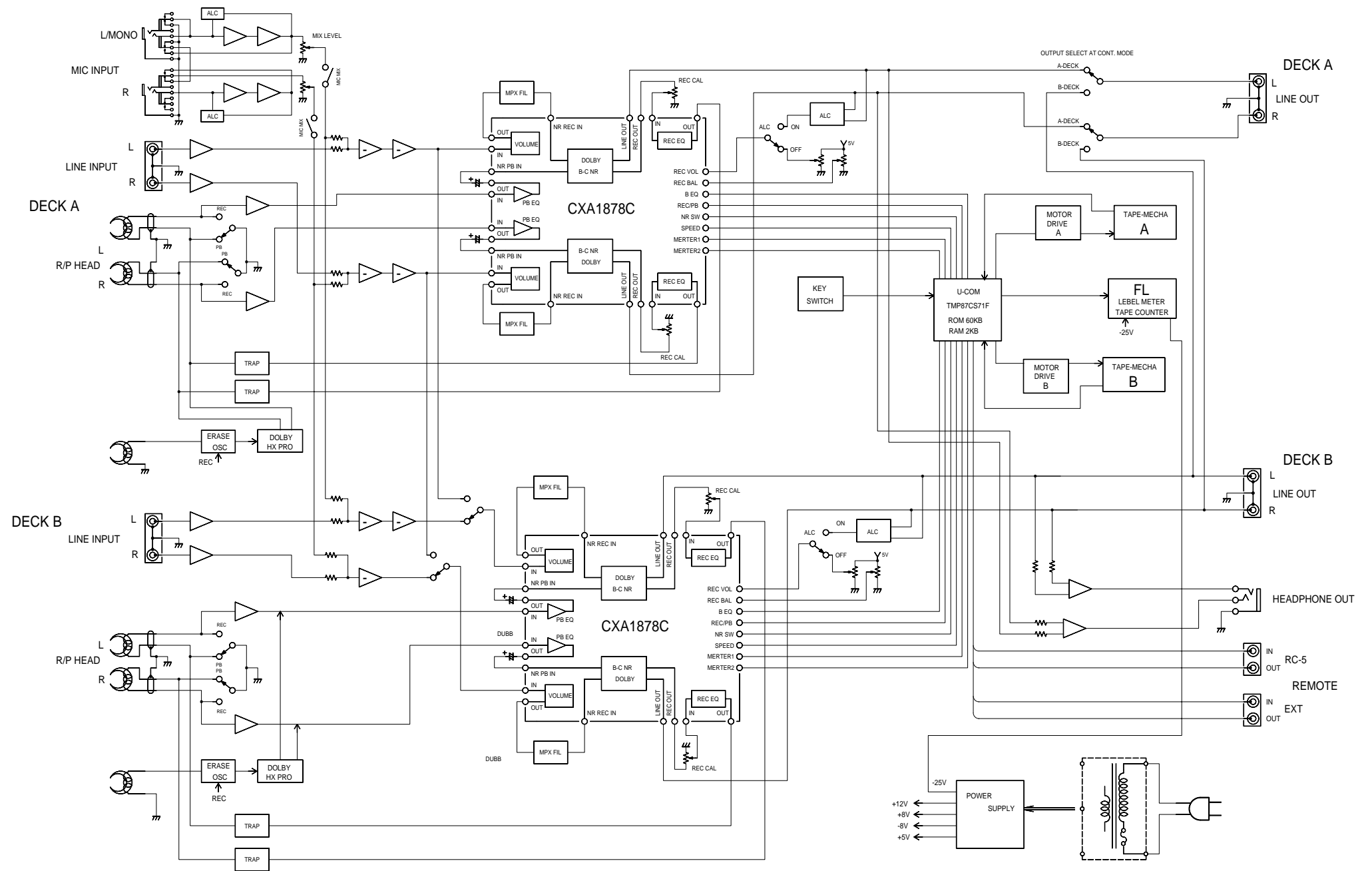
In case of difficulties, do not hesitate to contact the Technical Department at above mentioned address.

1. TECHNICAL SPECIFICATIONS

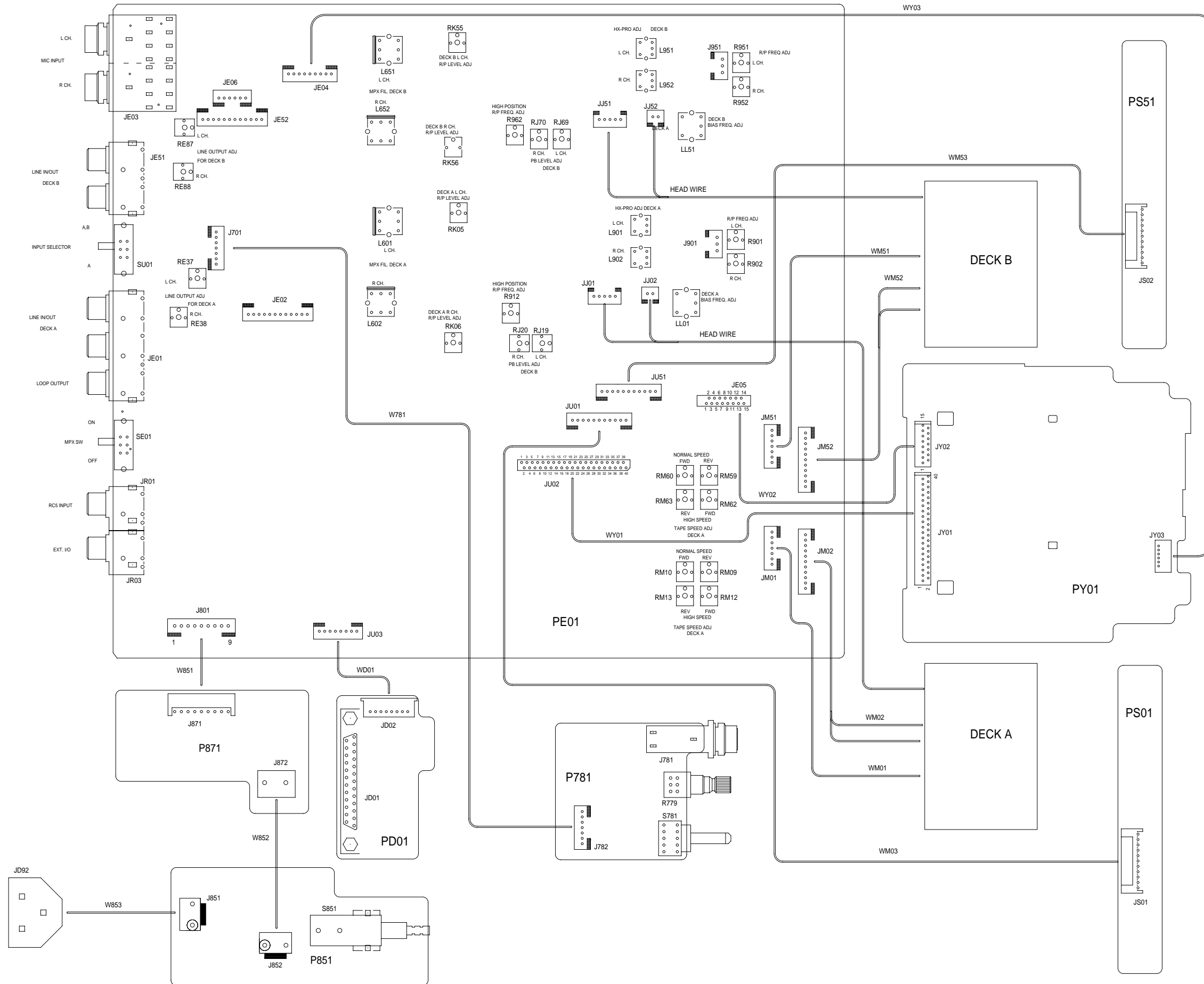
Track System	4 Track, 2 Channel	
Head System		
Rec Play Head	Hard Permalloy	
Erase Head	Dual Gap Ferrite	
Approx Head Life	1000H	
Recording/Erasure System	AC 105 kHz Bias	
Motor System		
Capstan	DC Servo Controlled Motor	
Reel	DC Motor	
Overall S/N, NR off, "A" weighted		
Normal	57dB	
High	58dB	
Metal	58dB	
Overall S/N, Dolby C NR, "A" weighted		
Normal	74dB	
High	75dB	
Metal	75dB	
Frequency Response, Rec/Play, NR off		
Normal	40Hz-16kHz	
High	40Hz-17kHz	
Metal	40Hz-18kHz	
Dolby NR effect, B/C, S/N improvement, CCIR/ARM weighted		B 8dB, C 17dB
Output		
Line	540mV	
Headphone	140mV (8 Ω Loaded)	
Output Impedance		
Line	1k Ω	
Headphone	120 Ω	
Input Sensitivity		
Line	100mV	
Input Impedance		
Line	47k Ω	
MIC input		
Sensitivity (REC Volume Center)	0.3mV	
Input Impedance	10k Ω	
Fine Speed Control	±15%	
Wow & Flutter		
W RMS	0.07% (Jis WTD)	
Power Supply		
Power Requirement U	120V AC 60Hz	
Power Requirement /N	230V AC 50Hz	
Power Requirement F	100V AC 50/60Hz	
Power Consumption	0.4A	
Dimensions		
Width	19 inches (483mm)	
Height	5 3/16 inches (132mm)	
Depth	13 3/8 inches (340mm)	
Net Weight	15.4 lbs. (7kg)	

Specifications subject to change without prior notice.

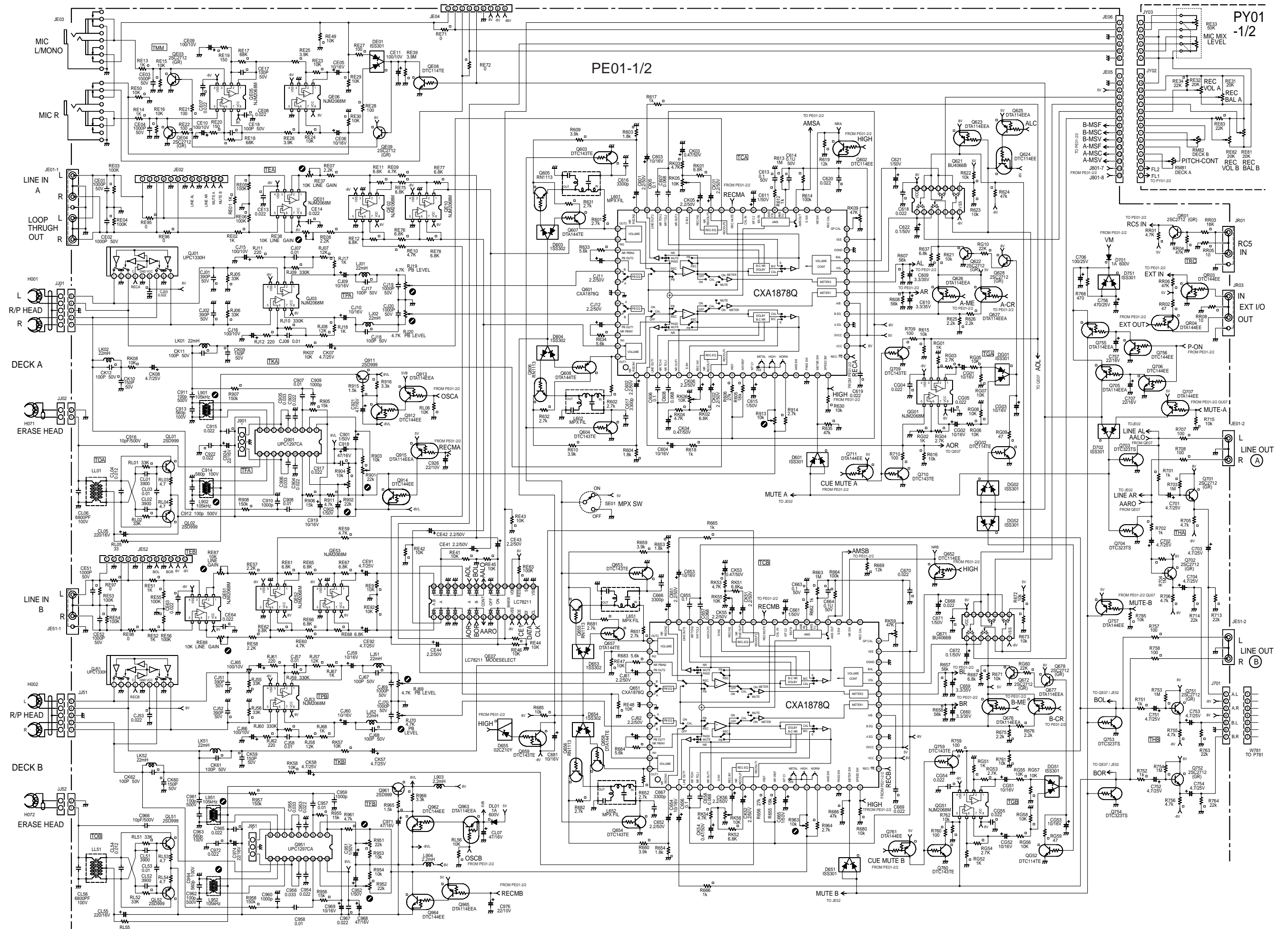
2. BLOCK DIAGRAM



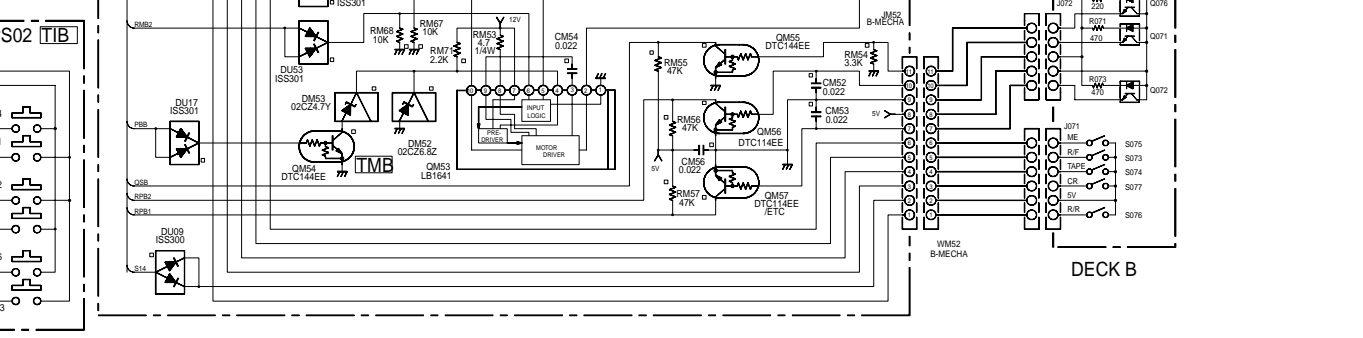
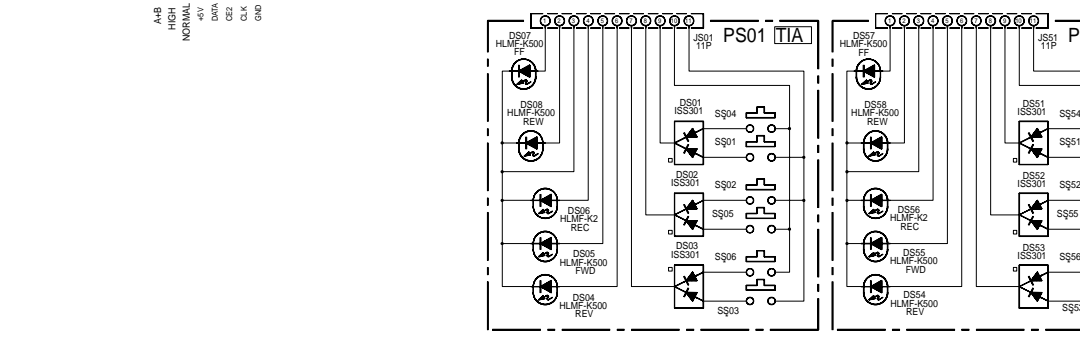
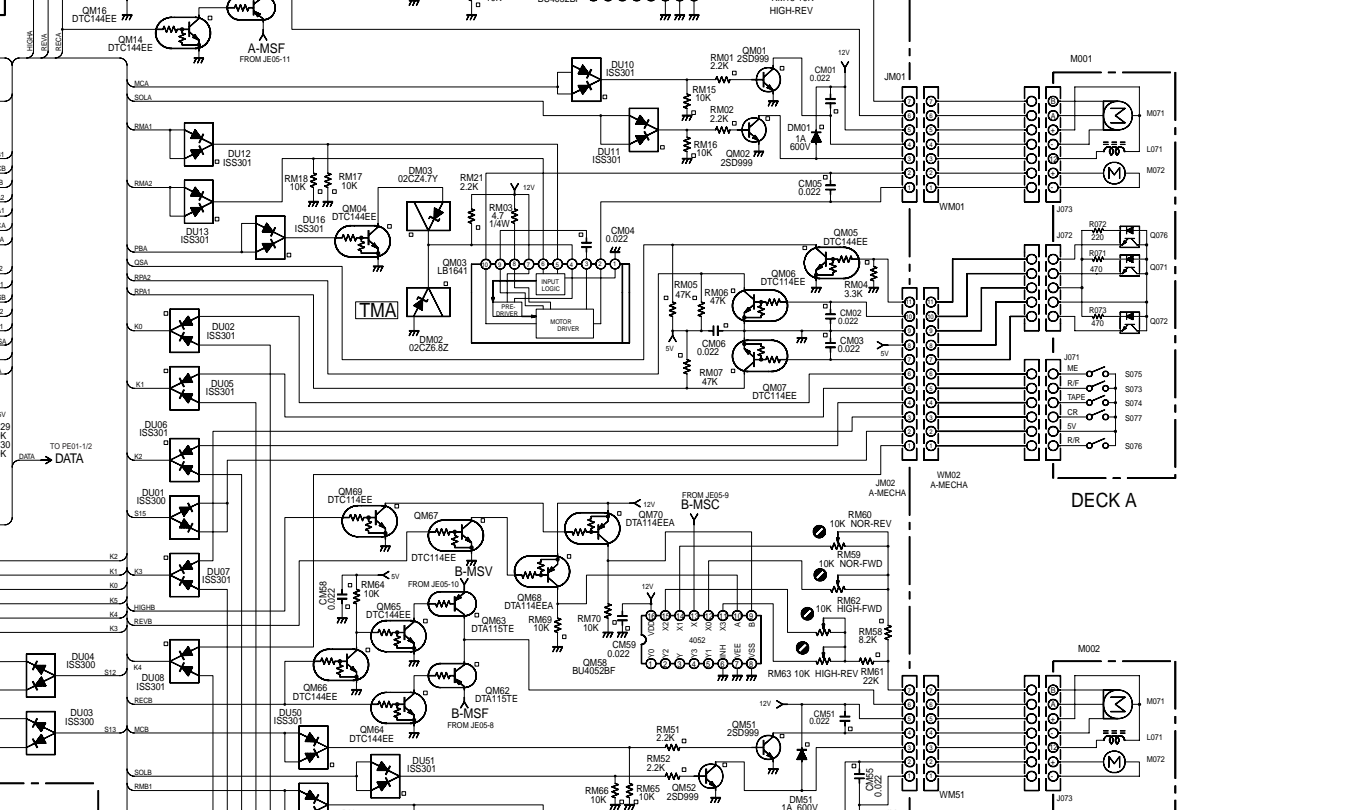
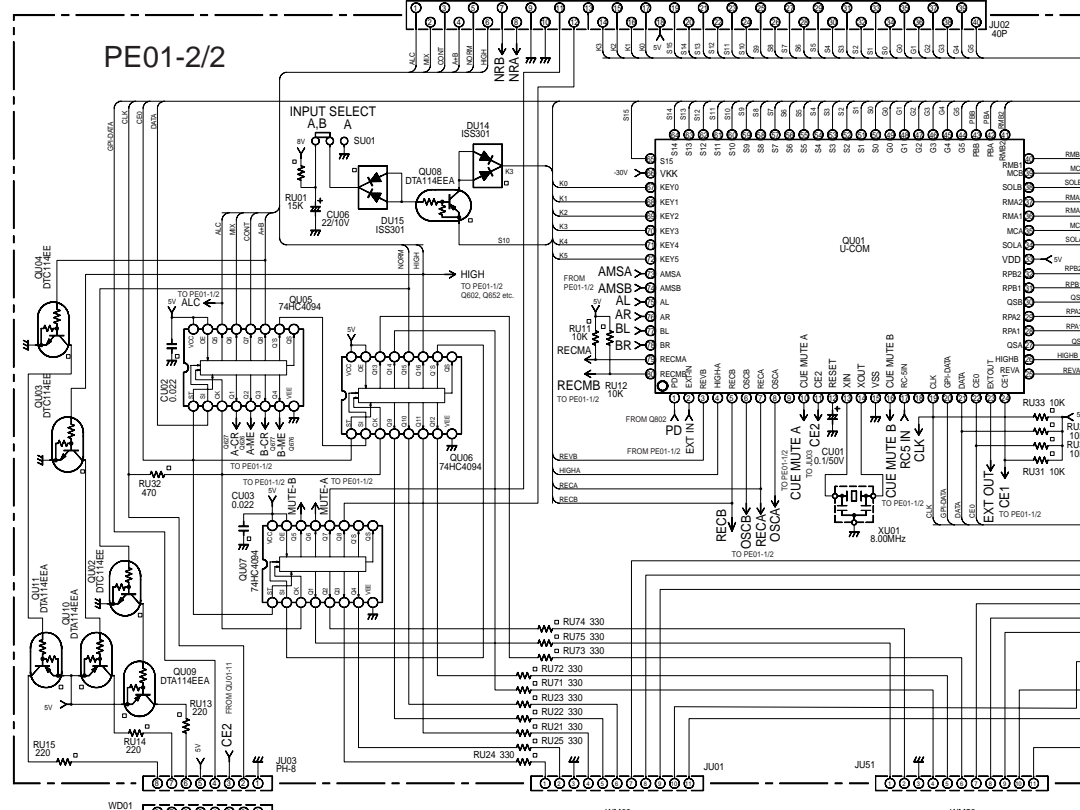
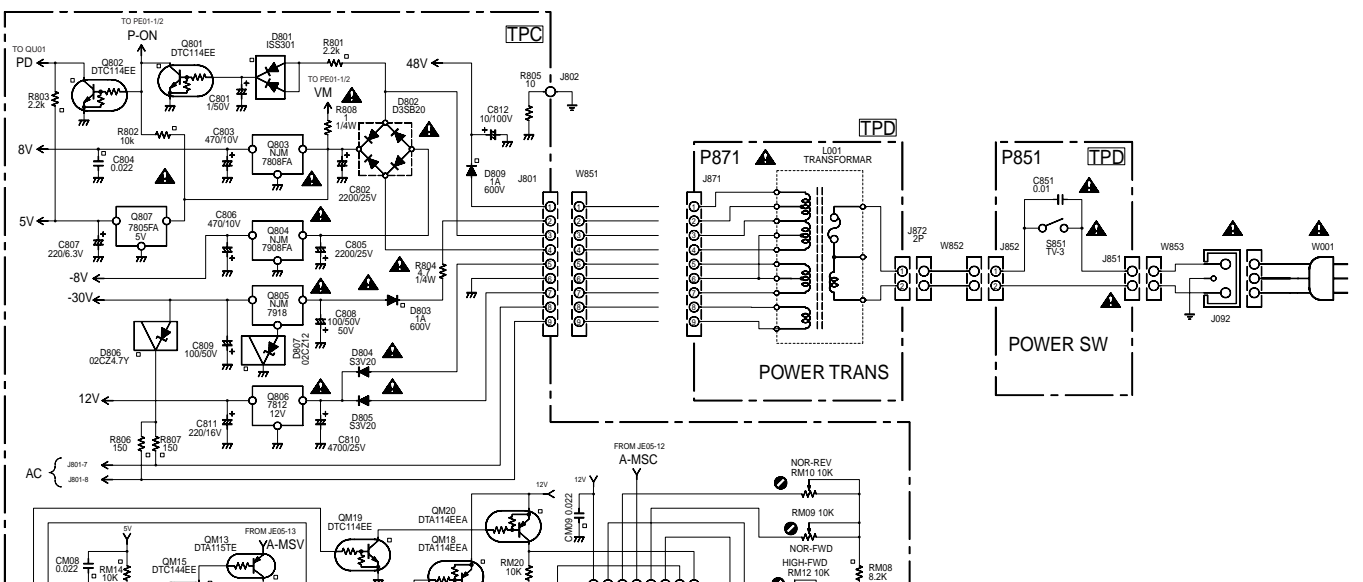
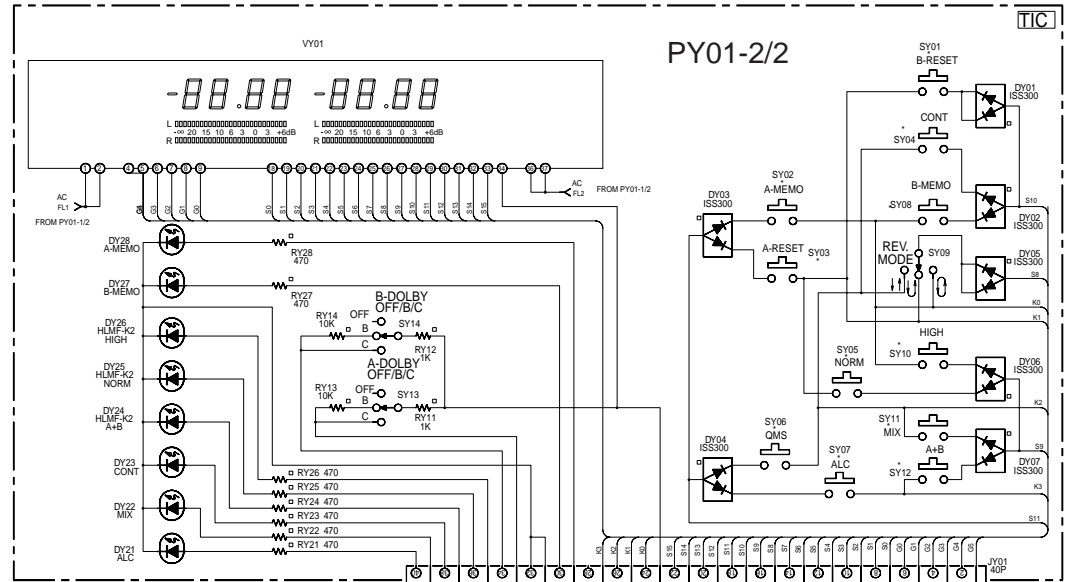
3. WIRING DIAGRAM

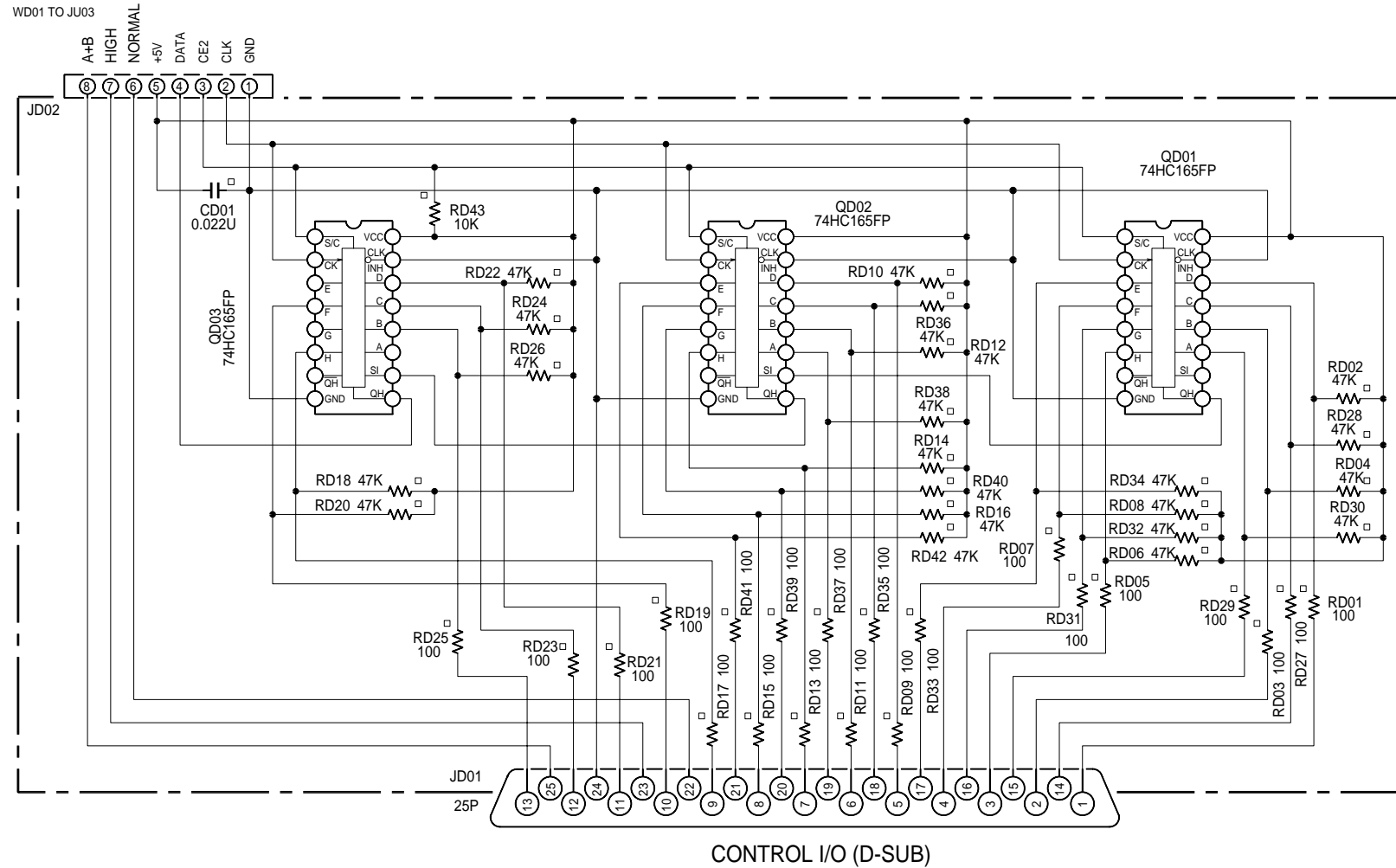


4. SCHEMATIC DIAGRAM AND PARTS LOCATION (Pattern Side)



PY01
-1/2





QJ01,QJ51 ():REC

PIN No.	1	2	3	4	5	6	7	8	9
V	0	0	0	0 (5)	0	0	0	0	0

QJ02,QJ52,QE01,QE02,QE05,QE06,QE10,QE51,QE52,QE53,QG01,QG51,

PIN No.	1	2	3	4	5	6	7	8
V	0	0	0	-8	0	0	0	8

Q901,Q951

PIN No.	1	2	3	4	5	6	7	8	9
V	-3.5	TAPE	-3.5	TAPE	TAPE	TAPE	6.3	6.3	-8
10	11	12	13	14	15	16	17	18	
-6.2	6.3	6.3	TAPE	TAPE	TAPE	-3.5	TAPE	8	

TAPE

PIN No.	2, 17	4, 15	5, 14	6, 13
NORMAL	-7	-6.4	-7	-6.1
HIGH	-6.7	-6.1	-6.7	-5.7
METAL	-5.7	-5.2	-5.7	-4.4

Q601,Q651 ():REC NOR/Hi/ME

PIN No.	1	2	3	4	5	6	7	8	9	10
V	0	0	-6.7	-6.9	0	0	0	0	0	-6.7
11	12	13	14	15	16	17	18	19	20	
-6.7	0	-6.7(ME)	-6.7(HI)	-6.7(NOR)	2.5	0	0	0	5 (0)	
21	22	23	24	25	26	27	28	29	30	
8	5	0	0/2.5/5	8	*1	*1	*2	*2	0	
31	32	33	34	35	36	37	38	39	40	
-8	2.5	2.5	*3	2.1	5	4.7	0	0	0	
41	42	43	44	45	46	47	48	49	50	
0	0 (5)	0	0	0	0	0	6.9	6.7	0	
51	52	53	54	55	56	57	58	59	60	
0	0	0	0	0	0	0	0	0	0	
61	62	63	64							
0	0	0	0							

Q621,Q671

PIN No.	1	2	3	4	5	6	7	8	9	10
V	*2	*2	*2	2	-8	-8	-8	2.5	*2	*2
11	12	13	14							
*2	8	8	8							

*1:According to input level(Level Meter output)
*2:According to Volume position
*3:According to NR switch OFF/B/C 0/2.6/4.8
High speed mode: 0

QE07

PIN No.	1	2	3	4	5	6	7	8	9	10
V	0	0	0	0	0	0	0	0	0	0
11	12	13	14	15	16	17	18	19	20	
0	-8	CE	DATA	CLK	0	0	8	8	0	
21	22	23	24	25	26	27	28	29	30	
0	0	0	0	0	0	0	0	0	0	

QM03,QM53 FWD/REV

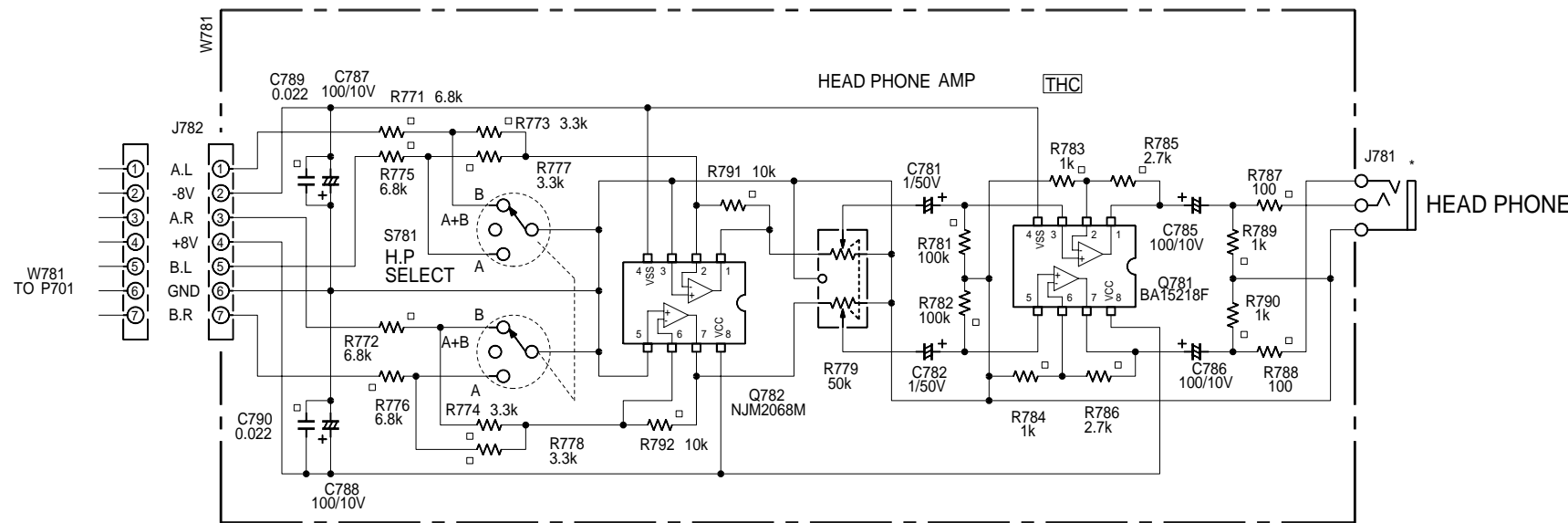
PIN No.	1	2	3	4	5	6	7	8	9	10
V	0	0/5	0.7/6.1	4.7	0/5	5/0	12	12	6.1/0.7	5/0

Q621,Q671 FWD/REV SPEED: NORMAL/HIGH

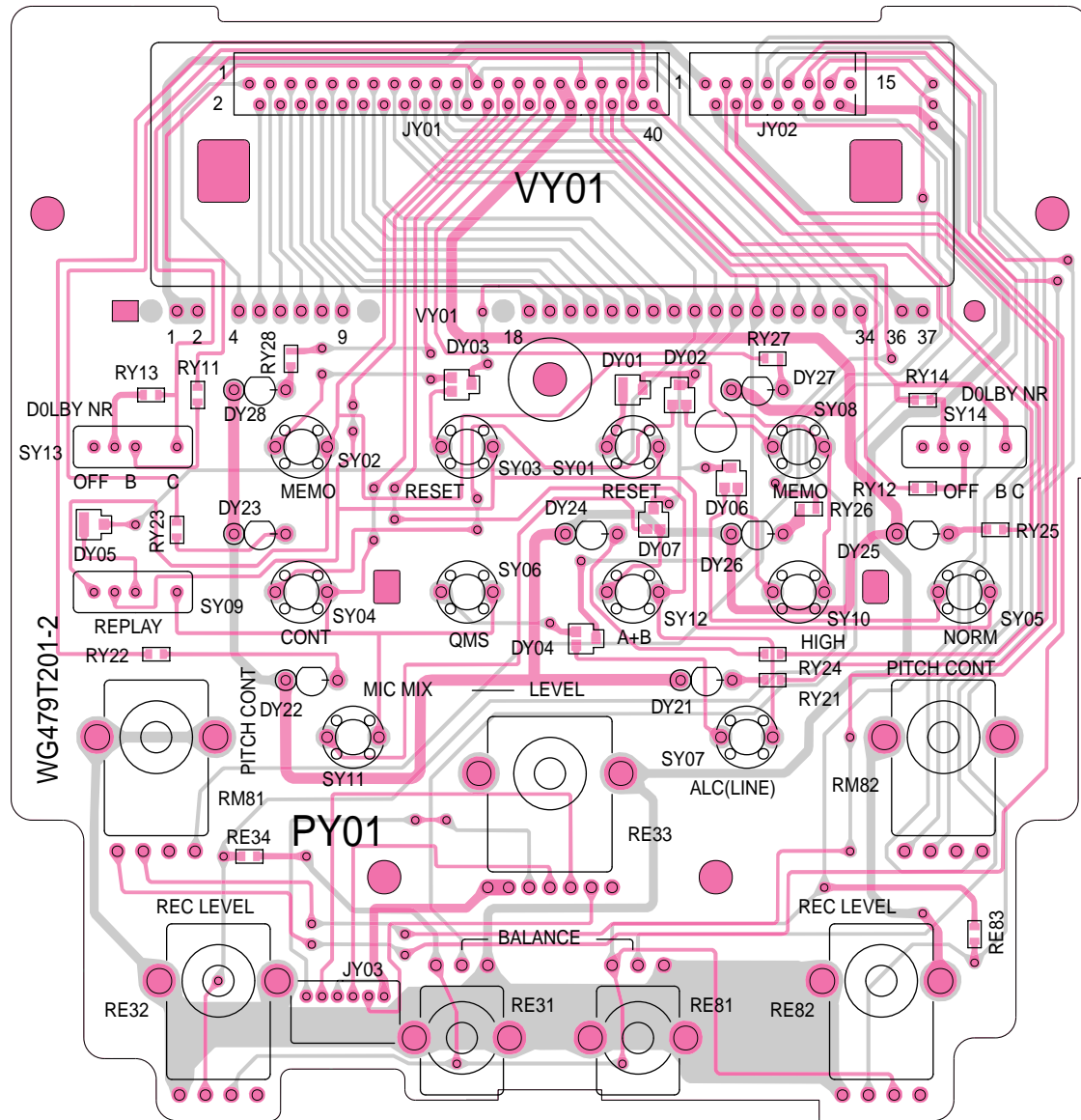
PIN No.	1	2	3	4	5	6	7	8	9	10
V	-	-	-	-	-	0	0	0	0/12	12/0
11	12	13	14	15	16					
10	12	12	12	10	12					

QU06,QU07,QU08

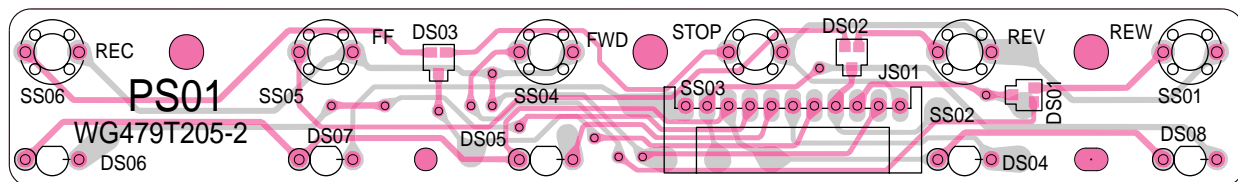
PIN No.	1	2	3	4	5	6	7	8	9	10
QU06	CE	DATA	CLK	A-HI	A-ME	B-HI	B-ME	0	-	DATA'
QU07	CE	DATA	CLK	A-FWD	A-REV	A-REC	B-FWD	0	-	DATA''
QU08	CE	DATA	CLK	B-FF	B-REW	A-FF	A-REW	0	-	-
11	12	13	14	15	16					
A+B	CONT	MIX	ALC	5	5					
HIGH SP	NOR SP	B-REC	B-REV	5	5					



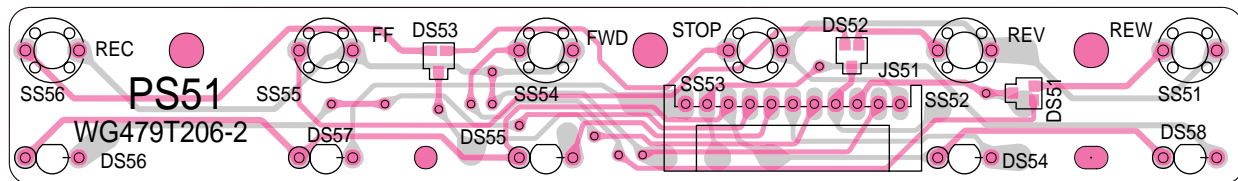
PY01



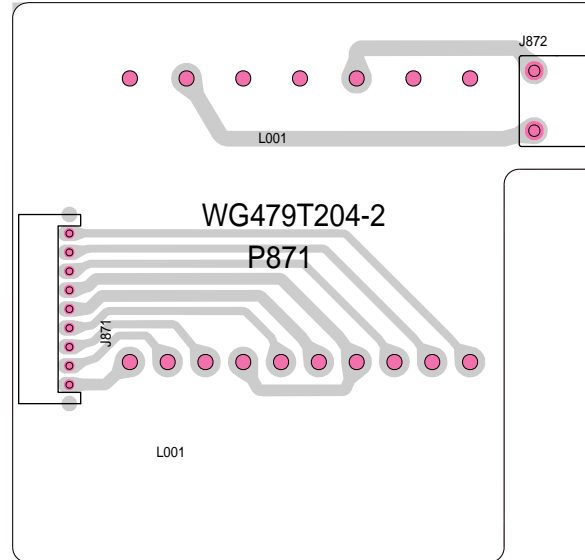
PS01



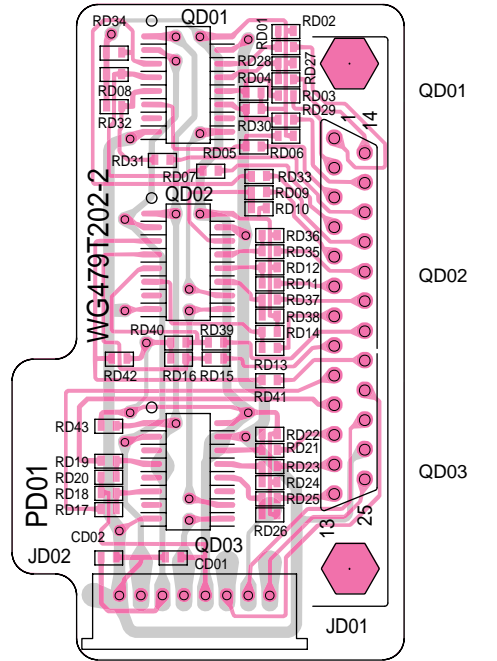
PS51



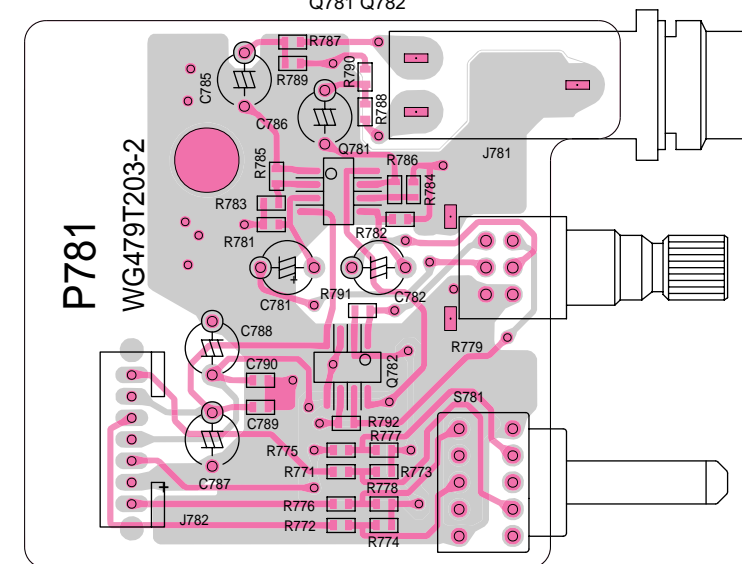
P871



PD01



P781



QE03-QE06
QE51 QE52 QE53
Q751-Q754
Q702 Q701 QE01 QE02 QE10
Q703-Q706 Q756 Q755
QR01 QR03 QR04 Q801-Q805

QE09 QE08
QE07

Q653-Q658 QG51
Q759-Q761
Q603-Q608 QG01
Q659
Q709-Q711 Q807
Q803

Q652 Q671 Q672
Q676-Q678 QG52
Q621-Q628 Q621
Q602
Q757 Q707
QU02-QU11 Q806

QJ53
QJ01
QJ03

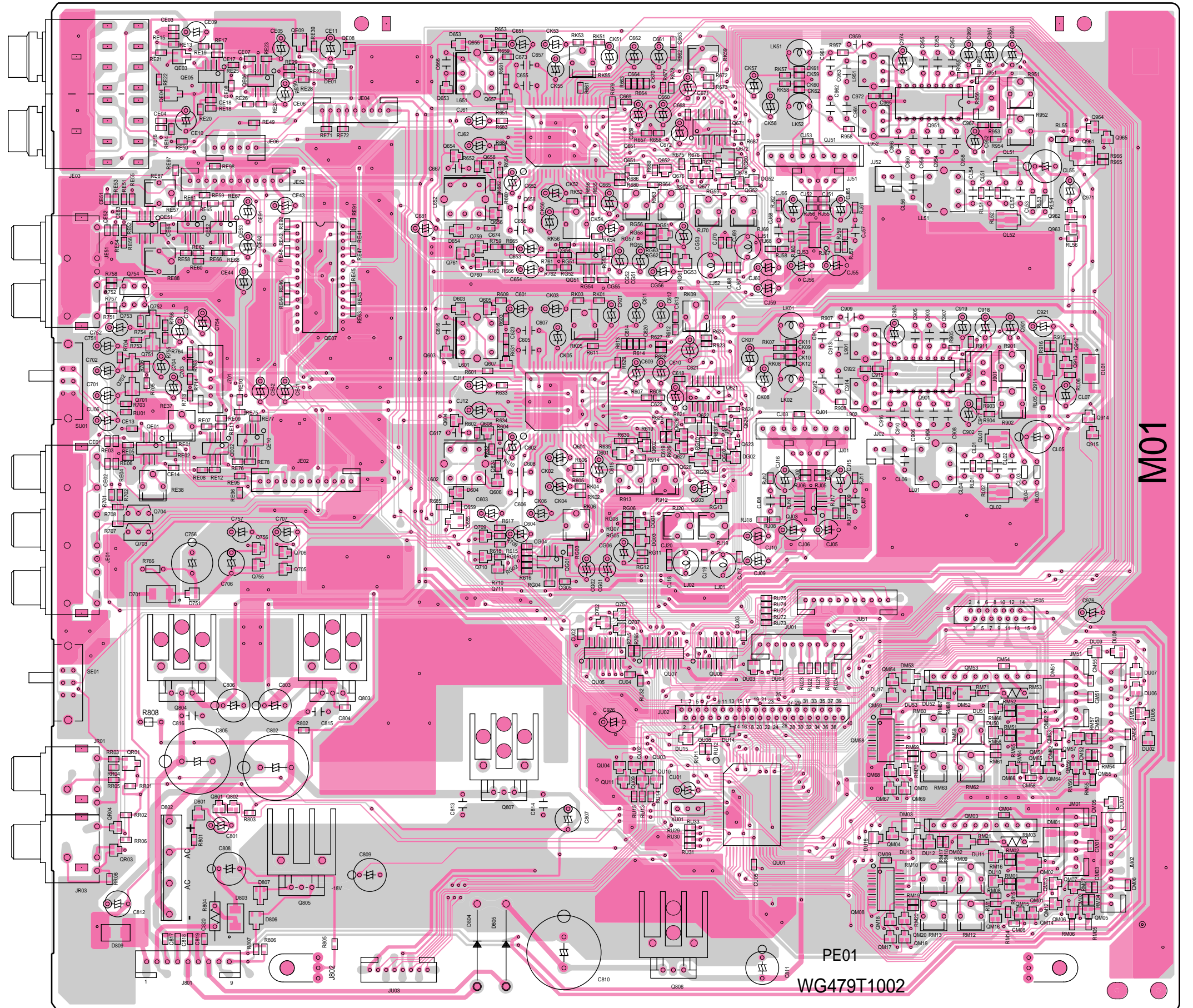
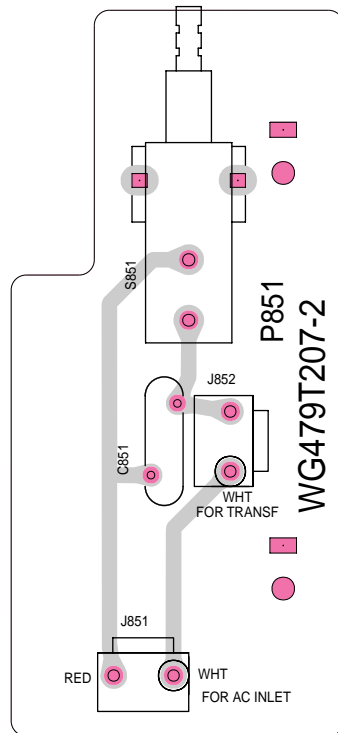
Q951
Q901

QL51
QL52
QL01
QL02

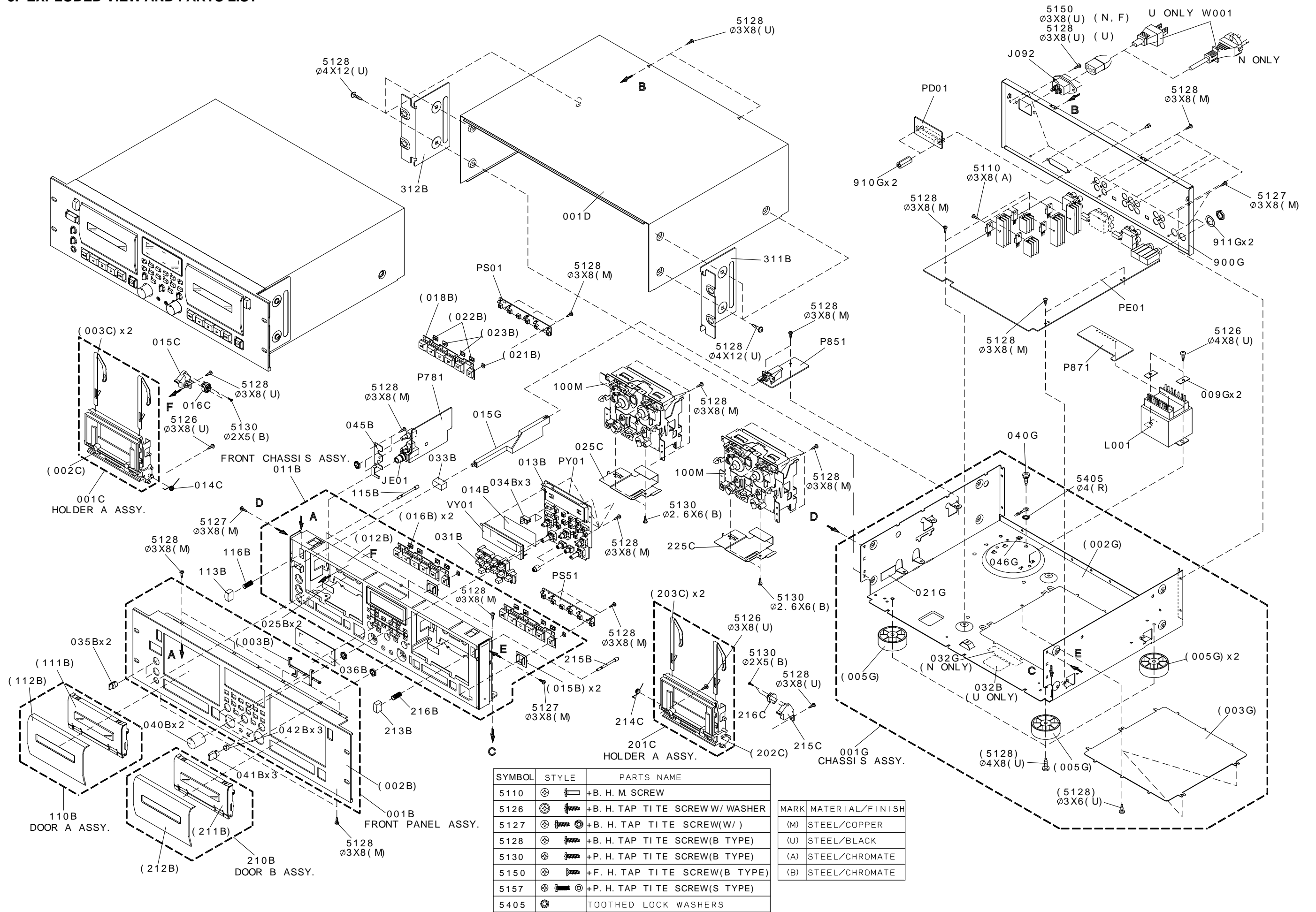
Q961-Q965
Q912-Q915
QM51-QM58 QM62-QM70
QM12-QM20 QM01-QM07

PE01

P851



5. EXPLODED VIEW AND PARTS LIST

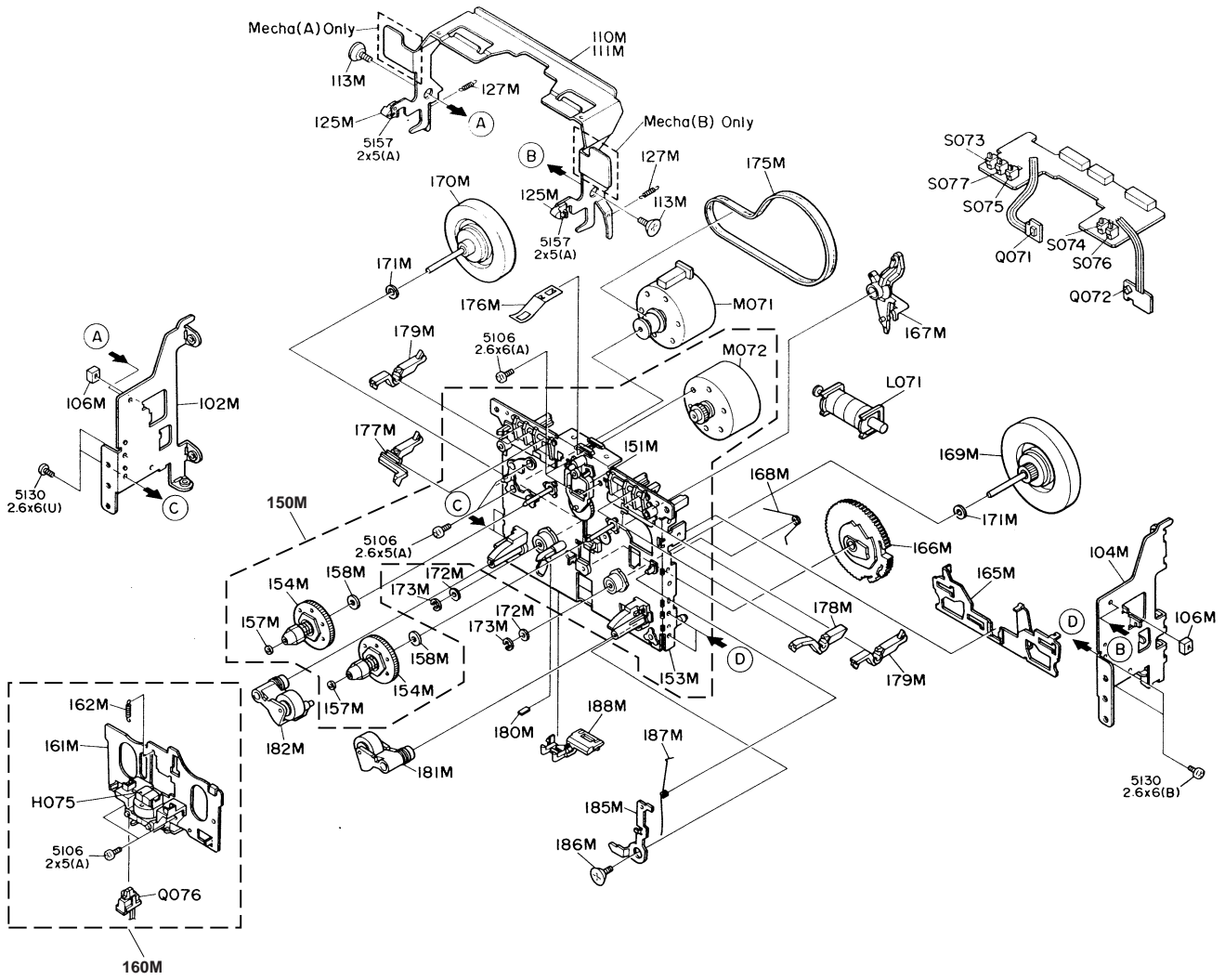


SYMBOL	STYLE	PARTS NAME
⊗	+	+B. H. M. SCREW
⊗	+	+B. H. TAP TITE SCREW W/ WASHER
⊗	+	+B. H. TAP TITE SCREW(W/)
⊗	+	+B. H. TAP TITE SCREW(B TYPE)
⊗	+	+P. H. TAP TITE SCREW(B TYPE)
⊗	+	+F. H. TAP TITE SCREW(B TYPE)
⊗	+	+P. H. TAP TITE SCREW(S TYPE)
⊗		TOOTHED LOCK WASHERS

MARK	MATERIAL/FINISH
(M)	STEEL/COPPER
(U)	STEEL/BLACK
(A)	STEEL/CHROMATE
(B)	STEEL/CHROMATE

POS. NO	VERS. COLOR	PART NO. (PCS)	DESCRIPTION	PART NO. (MJI)	POS. NO	VERS. COLOR	PART NO. (PCS)	DESCRIPTION	PART NO. (MJI)
001B		9965 000 01746	FRONT PANEL, ASSY	479T248510	021G			INSULATOR, FOR HP PCB	***
002B			FRONT PANEL, AL.	***	032G	N		LABEL	***
003B			LENS	***	040G	U		SCREW, FOR AC GND	371K010020
011B		9965 000 01747	CHASSIS, FRONT ASSY	479T105550				TOOTHED AC GND	
012B			CHASSIS, FRONT	***	900G	F		REAR PANEL (F)	***
013B			HOLDER, FL	418S271010	900G	N		REAR PANEL (N)	***
014B			STICKER, FL ADHESIVE	056J122010	900G	U		REAR PANEL (U)	***
015B			PROTECTOR, REC	***	910G			NUT	***
016B			BUTTON, MECHA	***	911G			WASHER	***
018B			BUTTON, MECHA	***					
021B			LENS, REC	***	100M		9965 000 01754	MECHANISM, ASSY (A)	456T304510
022B			LENS, FF&REW	***	100M		9965 000 01756	MECHANISM, ASSY (B)	456T304520
023B			LENS, PLAY	***	▲ J092	F	4822 265 11399	JACK AC INLET 2P SOT-16C	YJ04002360
025B			LABEL	***	▲ J092	N	4822 265 11399	JACK AC INLET 2P SOT-16C	YJ04002360
031B		9965 000 01748	BUTTON, MODE	479T270010	▲ J092	U		JACK AC INLET 3P	YJ04002160
032B	U		LABEL	***	▲ L001	F		POWER TRANSF. (F)	TS15725170
033B		4822 410 10644	BUTTON, POWER	023J270020	▲ L001	N	9965 000 01745	POWER TRANSF. (N)	TS15725160
034B		9965 000 01749	KNOB, DOLBY/REV.	479T154010	▲ L001	U		POWER TRANSF. (U)	TS15725150
035B		4822 411 20336	KNOB, HP S/L	284T154310					
036B		9965 000 01750	WINDOW, FL	418S158050	WY01			JUMPER LEAD, FFC 40P	YU40260010
040B		4822 413 41589	KNOB, REC LEVEL	090J154010	WY02			JY01-JU02	
041B		4822 410 60873	KNOB, PITCH	426T154010				JUMPER LEAD, FFC 15P	YU15170010
042B			SPRING	479T115010				JY02-JE05	
045B			BRACKET, HP	***	▲ W001	F		MAINS CORD, AC	ZC01802080
110B		9965 000 01751	COVER, CASSETTE	479T053510	▲ W001	N	4822 321 11439	MAINS CORD, AC	ZC01803080
111B			COVER, CASSETTE DOOR	***	▲ W001	U		MAINS CORD, AC	ZC02002080
112B			COVER, DOOR WINDOR FOR MECHA-A	***					
113B		9965 000 01752	BUTTON, EJECT MECHA-A	456T270030					
115B			SHAFT, EJECT (A)	456T112020					
116B		4822 492 33441	SPRING, SHAFT	456T115010					
210B		9965 000 01753	COVER, CASSETTE	479T053520					
211B			COVER, CASSETTE DOOR-B	***					
212B			COVER, DOOR WINDOR FOR MECHA-B MZ	***					
213B		9965 000 01752	BUTTON, EJECT MECHA-B	456T270030					
215B			SHAFT, EJECT (B)	456T112020					
216B		4822 492 33441	SPRING, SHAFT	456T115010					
311B			BRACKET, SIDE (R)	456T160110					
312B			BRACKET, SIDE (L)	456T160120					
001C		4822 256 91556	HOLDER, CASSETTE ASSY MECHA -A	416T271500	001T	F		PACKING USER GUIDE, PMD511 (F)	479T851100
002C			HOLDER, CASSETTE MECHA -A	415T271020	001T	N	9965 000 01757	USER GUIDE, PMD511 (N)	479T851310
003C			LEAF SPRING, CASSETTE HOLDER (A)	416T116020	001T	U		USER GUIDE, PMD511 (U)	479T851250
014C		4822 492 70617	SPRING, DOOR OPEN	420T115030				NOT STANDARD	
015C		4822 403 71092	BRACKET, DUMPER (A)	420T160020				SPEAR PARTS	
016C		4822 466 92367	DUMPER, SHIELD, MECHA HEAD	415T130010	001S			PACKING CASE, BL (PMD511)	479T801010
025C			HOLDER, CASSETTE ASSY MECHA -B	416T271510	002S			CUSHION (L & R)	456T809010
201C		4822 691 20583	HOLDER, CASSETTE MECHA -B	415T271030	002Z			CONNECTIVE CORD, RCA	ZD01000330
202C			HOLDER, CASSETTE MECHA -B	415T271030	003Z			STEREO PIN	
203C			LEAF SPRING, CASSETTE HOLDER	416T116020				CONNECTIVE CORD, RCA RC-5	ZD00900100
214C		4822 492 70616	SPRING, DOOR OPEN	420T115020					
215C		4822 403 71091	BRACKET, DUMPER (B)	420T160010					
216C		4822 466 92367	DUMPER, SHIELD, MECHA HEAD	415T130010					
225C				***					
001D			LID, TOP COVER (BLACK)	***					
001G			CHASSIS, MAIN ASSY	***					
002G			CHASSIS, MAIN	***					
003G			LID, BOTTOM	***					
005G		4822 462 10312	LEG	176H057040					
009G			CLAMPER, FOR TRANSF	***					
015G		4822 403 71086	LINK, FOR POWER SW.	011D121010					

NOTE : *** =PART IS LISTED FOR REFERENCE ONLY, MARANTZ WILL NOT SUPPLY THESE PARTS.

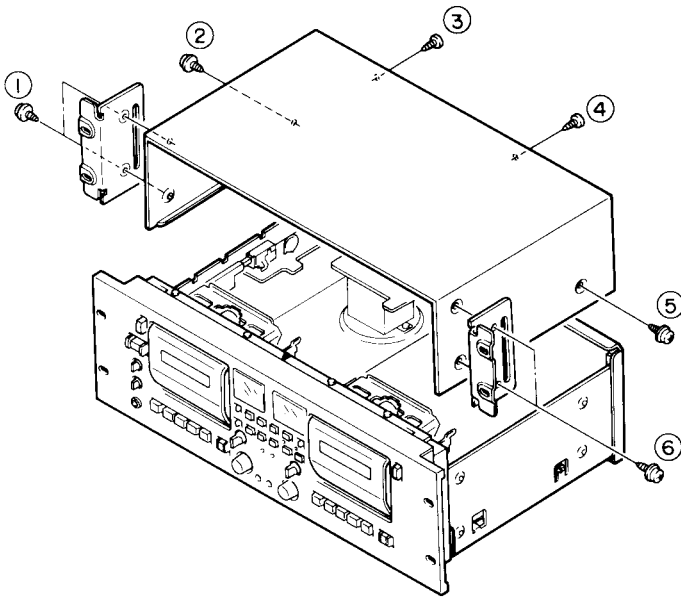


POS. NO	VERS. COLOR	PART NO. (PCS)	DESCRIPTION	PART NO. (MJI)	POS. NO	VERS. COLOR	PART NO. (PCS)	DESCRIPTION	PART NO. (MJI)
106M		4822 466 92366	STOPPER, EJECT HOOK LEVER	415T114010	H075		4822 249 10495	REC./PL-ER HEAD, ASSY [HADKH5560A]	*LH500030R
110M			HOOK, EJECT LEVER FOR MECHA-A	415T258110	L071		4822 281 50151	SOLENOID COIL, ASSY. [F765-263]	ME1035010R
111M			HOOK, EJECT LEVER FOR MECHA-B	415T258210	M071		4822 361 30311	D.C MOTOR, MAIN ASSY. [F525-256]	MM1120904R
113M		4822 502 14468	SCREW, EJECT HOOK LEVER [UG14M-31]	415T010010	M072		4822 361 30309	D.C MOTOR, REEL [F564-288]	MM0075002R
125M		4822 403 53891	HOOK, MOLD EJECT [FD35W-11]	415T258020	Q072		4822 130 63516	PHOTO UNIT, REEL SENSOR	*HW100180R
127M		4822 492 33444	SPRING, FOR EJECT HOOK LEVER	415T115030	Q076		4822 130 82207	PHOTO UNIT, QUICK SENSOR ASSY. [AZ13P-00]	HW1000020R
150M			CHASSIS, MECHA ASSY. [F511-568]	456T105700	S073				
151M		4822 528 11022	IDLER, [F517-049]	456T001050	{				
153M		4822 464 51021	CHASSIS, MECHA MAIN [F612-180]	456T105050	S077		4822 276 13475	PUSH SW. [UE16E-11]	*SP000130R
154M		4822 464 10184	REEL, BASE [F623-038]	420T352050					
157M		4822 532 12849	WASHER, REEL BASE [FJ111-17]	59163202G0					
158M		4822 532 12851	WASHER, REEL BASE [UJ12V-11]	59020802G0					
160M			BRACKET, HEAD BASE ASSY. [F513-550]	420T160070					
161M			BRACKET, HEAD BASE BR. [FC52E-37]	456T160050					
162M		4822 492 70671	SPRING, HEAD BR. [FK26N-14]	420T115070					
165M			SHIFTER, HEAD [FC52F-16]	456T110050					
166M		4822 522 33445	CAM, GEAR FOR REVERSE [FD45B-16]	456T054050					
167M		4822 403 70092	ARM, REVERSE [FD45G-12]	420T002050					
168M		4822 492 33443	SPRING, ARM [FK28R-12]	456T115060					
169M		4822 528 60417	FLYWHEEL, ASSY.(R) [FR22D-11]	456T273050					
170M		4822 528 60418	FLYWHEEL, ASSY. (L) [FR22E-13]	456T273060					
171M		4822 532 12852	WASHER, FLY-WHEEL ASSY. [FJ111-30]	59264702G0					
172M		4822 532 12853	WASHER, FLY-WHEEL + E-RING [FJ111-14]	59264705G0					
173M		4822 532 52213	RG RING E, FLY-WHEEL STOPPER [UG13U-15]	64001500L0					
175M		4822 358 30814	BELT, MAIN [FF17G-31]	456T264050					
176M		4822 492 70672	LEAF SPRING, CASEETTE STOPPER [FC52H-13]	420T116050					
177M		4822 402 10441	LEVER, METAL SEARCH [FD44V-12]	420T354070					
178M		4822 402 10442	LEVER, PACK SEARCH [FD44Y-12]	420T354060					
179M		4822 403 71093	LEVER, REC SEARCH [FD44T-14]	456T354050					
180M			REFLECTOR, TAPE [UT11R-11]	420T274050					
181M		4822 528 81515	ROLLER, PINCH (R) [FR20L-22]	456T358550					
182M		4822 528 81516	ROLLER, PINCH (L) [FR20M-41]	456T358560					
185M		4822 403 71089	ARM, ANTI EJECT [FC39M-68]	420T002060					
186M		9965 000 01755	SCREW, ANTI EJECT ARM STOPPER [UG15S-11]	420T010010					
187M		4822 492 33442	SPRING, 185M [FK28L-17]	456T115050					
188M		4822 256 91664	HOLDER, HEAD PCB [FD45H-15]	420T271050					

6. DISASSEMBLY

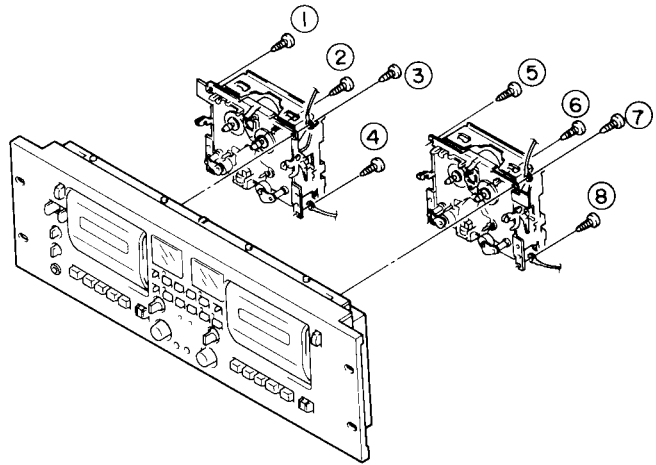
6.1 REMOVING THE TOP COVER

Remove the screws ① ~ ⑥ .



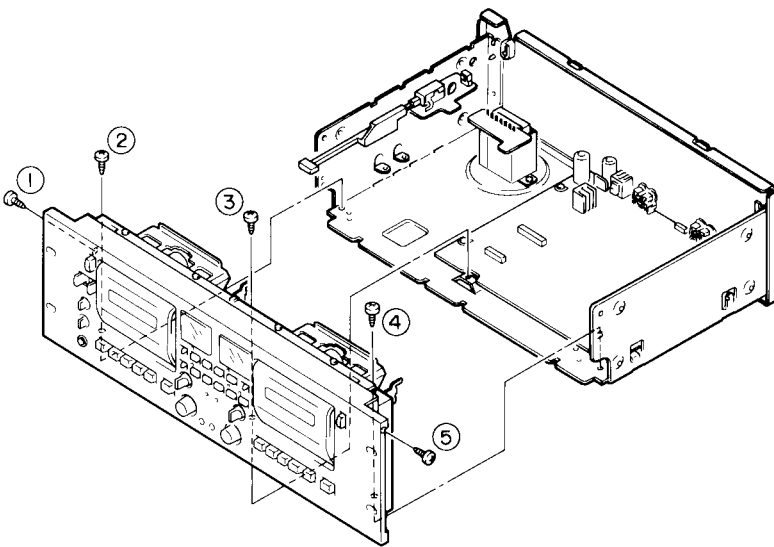
6.3 REMOVING THE MECHANISM

Remove the screws ① ~ ⑧ .



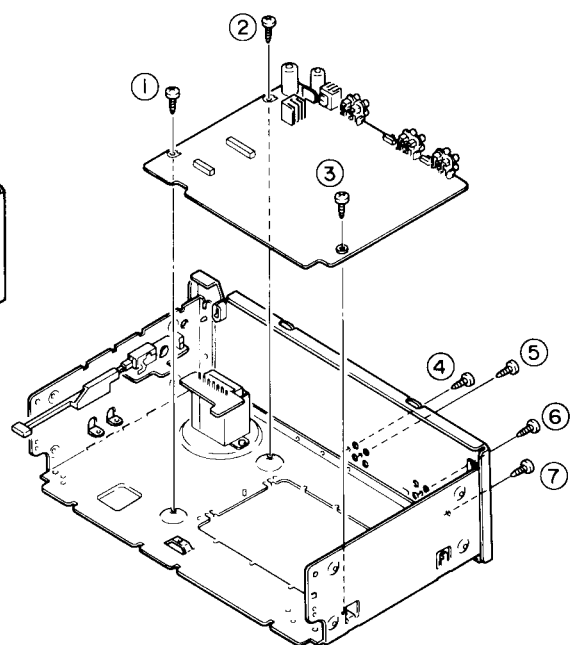
6.2 REMOVING THE FRONT PANEL

Remove the screws ① ~ ⑤ .



6.4 REMOVING THE MAIN P.W. BOARD

Remove the screws ① ~ ⑦ .



7. TEST EQUIPMENT REQUIRED FOR SERVICING

For measuring or checking your Cassette Deck, the following instruments and materials are necessary.

- Audio Oscillator (AF OSC)
- Attenuator (600 Ω)
- Audio signal meter
- Oscilloscope
- Wow and Flutter Meter
- Torque Meter (Cassette Type)
- Digital Frequency Counter
- Blank Tapes (Completely erased with bulk eraser)
AC-225 (Normal)
AC-514 (High Position)
AC-713 (Metal)

NOTE :

If any doubt is noted in a measured value, use new tape.

- Test Tape
TCC-112 MTT-111 Wow and Flutter, Tape Speed
TCC-120 MTT-212N Signal-to-Noise Ratio, Output Level
TCC-130 MTT-150 Dolby Level Adjustment
TCC-174A MTT-255M Azimuth adjustment (A-BEX) (TEAC)
- Mirror cassette 12 μm padless
TCC-902 MTT-902 Tape travel check
- Head and guide gauge (M-300)
THG-801

7. サービス時に必要な試験器材

- このModelを測定又はチェックするのに次のものが必ず必要です。
 - オーディオ発振器
 - アッテネータ (600 Ω)
 - オーディオシグナルメーター
 - オシロスコープ
 - ワウ、フラッターメーター
 - トルクメーター (カセット型)
 - デジタル周波数カウンター
 - ブランクテープ
(バルクイレーサーで完全に消去したもの)
AC-225 (Normal) AC-713 (Metal)
AC-514 (High Position)

注意 :

測定値の異常がテープに起因すると考えられる場合は新しいものと交換し再測定して下さい。

- テストテープ
TCC-112 MTT-111 ワウ・フラッタ、テープスピード
TCC-120 MTT-212N S/N比
TCC-130 MTT-150 出力レベル調整
TCC-174A MTT-255M アジマス調整
(TCC-**** : A-BEX/MTT-**** : TEAC)
- ミラーカセット 12 μm パッドなし
TCC-902 MTT-902 テープ走行チェック
- ヘッドおよびガイドゲージ (M-300)
THG-801 ヘッド、ガイド調整

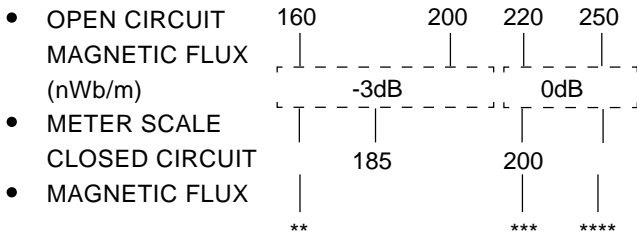
8. ELECTRICAL ADJUSTMENTS

(A) Remark for adjustment

- 1) Make sure tape paths are clean & de-magnetized.
- 2) Tools used for adjustment should not be magnetized.

(B) S.R.L./Standard Recording Level

1. The Standard Recording Level is a signal of 250nWb/m on a tape at *OPEN CIRCUIT MAGNETIC FLUX.
The relations between the recording level and test tape are as follows.



- (*): Open Circuit Magnetic Flux = Closed Circuit Magnetic Flux + Leak Magnetic Flux
 (**): O.R.L = Equivalent 4dB below S.R.L
 (***): TCC-130 (MTT-150) Dolby reference level
 (****): TCC-120 (MTT-212N) IEC reference level

2. S.R.L Setting

- 1) Apply a 1kHz, 100 mV to the LINE INPUT jacks.
- 2) Put the unit in RECORD mode and adjust the REC LEVEL control to obtain 388 mV of signal at the DOLBY test points CK01(L), CK02(R) (Deck A) and CK51(L), CK52(R) (Deck B).
- 3) Adjust the output of the audio oscillator applied to the LINE INPUT jacks to 112.2 mV (+1 dB). This is the rated recording condition for the STANDARD RECORDING LEVEL (S.R.L.).

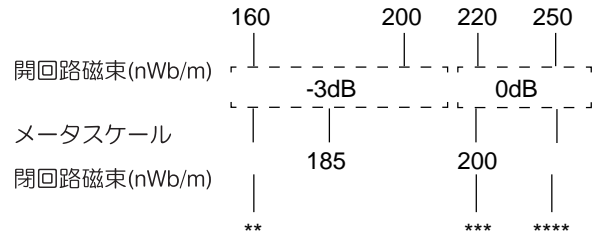
8. 回路の調整と測定

(A) 調整上の注意点

- 1) テストテープは減衰しやすいので、使用する前にヘッド、キャプスタン等をイレーザーで消磁すること。
- 2) 使用する工具は帯磁していないこと、時々パルクイレーサーで消磁すること。

(B) S.R.L. (Standard Recording Level) 基準録音レベル

1. テープ上に開回路磁束で、250nWb/mの磁束を記録出来るレベルのことであり、記録レベルとテストテープの関係は以下のとおりである。

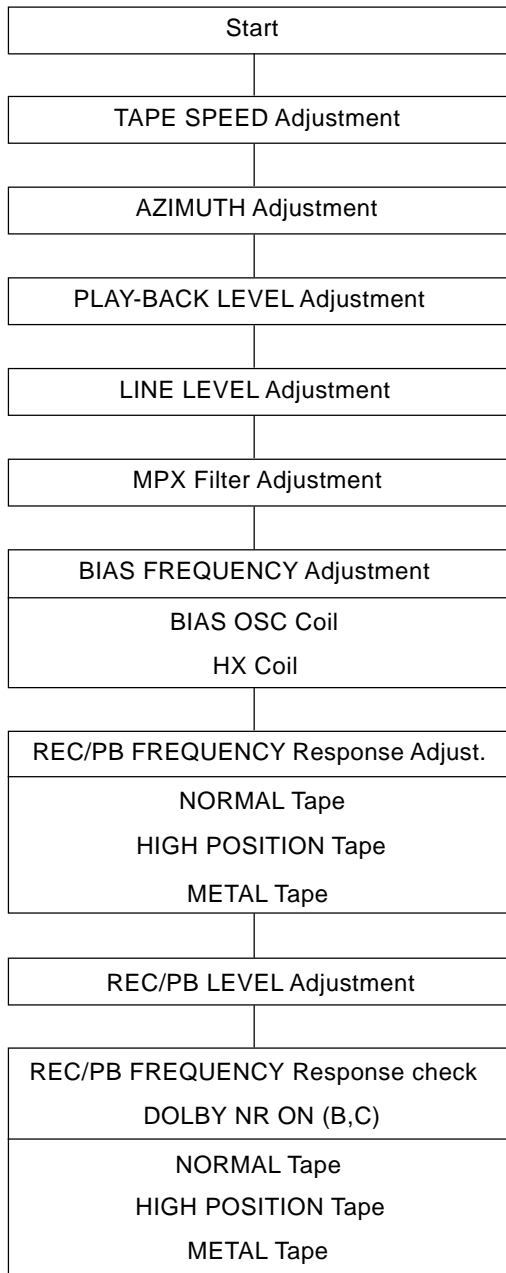


- (*): 開回路磁束 = 閉回路磁束 + 漏洩磁束
 (**): O.R.L = -4dB (0dB=S.R.L)
 (***): TCC-130 (MTT-150) ドルビー基準レベル
 (****): TCC-120 (MTT-212N) IEC基準レベル (S.R.L)

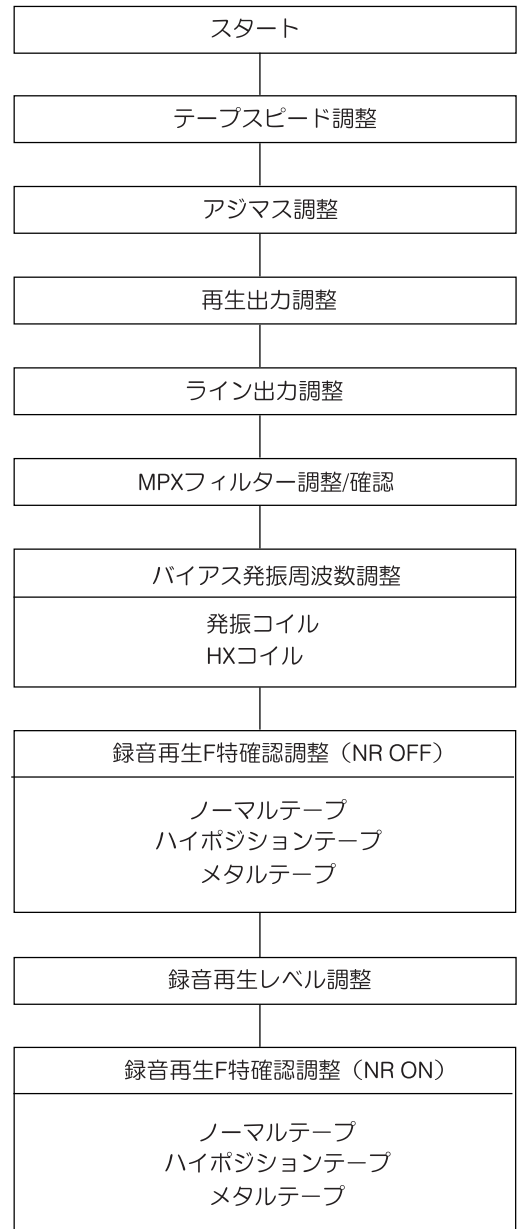
2. 基準録音状態のレベル調整

- 1) LINE入力に1kHz, 100mVの信号を加え録音状態とする。
- 2) RECボリュームを調整し、ドルビーテストポイントCK01(L), CK02(R) DECK A, CK51(L), CK52(R) DECK B,のレベルが388mVとなるようにする。
- 3) この状態から入力レベルを+1dBとした状態を基準録音レベル(S.R.L.)であり、この状態を規定録音状態とする。

ADJUSTMENT FLOW CHART



調整フローチャート



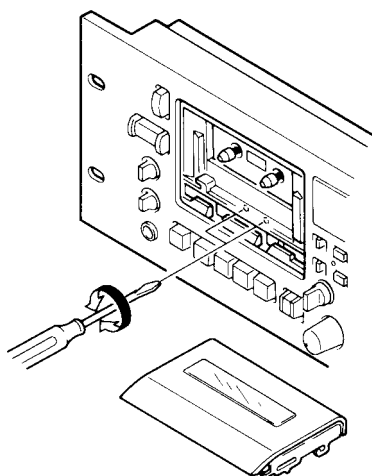
8.1 TAPE SPEED ADJUSTMENT

- 1) Playback the middle of the Wow and Flutter test tape. (TCC-112 or MTT-111)
- 2) Adjust the following semi-fixed resistor each direction.
Normal speed for 3000Hz(2990Hz - 3010Hz).
High speed for 6000Hz(5980 - 6020Hz)

	A normal	A high	B normal	B high
FWD	RM10	RM13	RM60	RM63
REV	RM09	RM12	RM59	RM62

8.2 HEAD AZIMUTH ADJUSTMENT and FREQUENCY RESPONSE CHECK

- 1) Playback the 12.5 kHz part of the Azimuth test tape.
- 2) Adjust the proper azimuth screw in both directions for maximum output at the LINE OUTPUT jacks.
- 3) In case the L/R peak points are different, adjust the lower channel for maximum.
- 4) Lock the azimuth screws with glue or bondlock.
- 5) Playback the 315 Hz part of the test tape and set a 0 dB ref., then playback the 12.5 kHz part of the test tape and confirm that the output is 0 dB, ± 3 dB.



8.3 PLAY-BACK LEVEL ADJUSTMENT

- 1) Playback the DOLBY test tape, adjust the following semi-fixed resistors for 388 mV at the test points;

CH.	TEST POINT	SEMI-FIXED RES.	MECHA.
L	CK01	RJ19	A
R	CK02	RJ20	A
L	CK51	RJ69	B
R	CK52	RJ70	B

- 2) After adjustment, replay and check it again.

Remarks:

In case of drifting output during replay, check that the tape running and the test tape, because they may be defective.

8.1 テープスピード調整

調整は、FWD (PLAY)で行い、REV (PLAY) 再生は、スペック内であることを確認する。

- 1) テープの中間を再生する。(TCC-112, MTT-111)
- 2) テープの再生方向に従って下表の半固定抵抗を次の値に調整する。
ノーマルスピード : 3000Hz(2990Hz - 3010Hz)
ハイスピード : 6000Hz(5980Hz - 6020Hz)

	A normal	A high	B normal	B high
FWD	RM10	RM13	RM60	RM63
REV	RM09	RM12	RM59	RM62

8.2 ヘッドアジマス調整/再生F特調整

- 1) アジマス調整用テープの、12.5kHzの信号を再生する。
アジマス調整ビスを回し、締め付け方向で出力最大点に合わせる。
- 2) L/Rピーク点が違う場合は、低いチャンネル側を最大にし、L/Rのバランスを取る。
- 3) 調整ビスをボンドロックする。
- 4) 次に、315Hzの信号を0dBとし、12.5kHzの信号のレベルを読む。0dB ± 3 dB以内であることを確認する。

8.3 再生出力調整

- 1) ドルビーレベルテストテープを再生し、テストポイントの電圧が388mVとなるように調整する。

CH.	TEST POINT	SEMI-FIXED RES.	MECHA.
L	CK01	RJ19	A
R	CK02	RJ20	A
L	CK51	RJ69	B
R	CK52	RJ70	B

- 2) 調整後再度再生し、再確認する。

8.4 LINE OUTPUT LEVEL ADJUSTMENT

- 1) Connect the audio oscillator to the LINE INPUT jacks.
- 2) Connect the VTVM to LINE OUTPUT jacks.
- 3) Set the REC Pause mode.
- 4) Set the REC volume to the center click position.
- 5) Supply 100 mV to the LINE INPUT jacks.
- 6) Adjust the following semi-fixed resistor to set 100 mV from the LINE OUTPUT jacks;

CH.	ADJUSTMENT POINT	MECHA.
L	RE37	A
R	RE38	A
L	RE87	B
R	RE88	B

8.5 MPX FILTER ADJUSTMENT

- 1) Set the REC control to the center click position.
- 2) Set the REC Pause mode.
- 3) Put unit in REC mode with a S.R.L. input.
- 4) Place the MPX filter switch ON and change the input frequency to 19 kHz (± 10 Hz).
- 5) Adjust L601 (L), L602 (R) (Deck A) and L651 (L), L652 (R) (Deck B) for minimum output at the LINE OUTPUT jacks.

8.6 RECORDING BIAS FREQUENCY AND HX COIL ADJUSTMENT

- 1) Put unit in REC mode.
- 2) Adjust the following bias-oscillator coils for 105 kHz bias-oscillator frequency;

TEST POINT	COIL	MECHA.
Q901 10pin	L903	A
Q951 10pin	L953	B

* May have to connect FREQUENCY COUNTER through AUDIO VOLT METER.

- 3) Next, connect an OSCILLOSCOPE to the HX test point.
- 4) Adjust the following HX coils for minimum.

TEST POINT	COIL	MECHA.
J901- 3	L901	A
J901- 1	L902	A
J951 - 3	L951	B
J951 - 1	L952	B

8.4 LINE出力レベル調整

- 1) 低周波発振器の出力をLINE入力へ接続する。
- 2) オーディオレベルメータをLINE出力へ接続する。
- 3) REC PAUSE状態にする。
- 4) 録音ボリュームをセンタークリックの位置に合わせる。
- 5) LINE入力のレベルを100mVにする。
- 6) 下表の半固定抵抗を調整してLINE出力のレベルが100mVになるようにする。

CH.	ADJUSTMENT POINT	MECHA.
L	RE37	A
R	RE38	A
L	RE87	B
R	RE88	B

8.5 MPXフィルター周波数調整/確認

- 1) 録音ボリュームをセンタークリックの位置に合わせる。
- 2) REC PAUSE状態にする。
- 3) LINE入力へのレベルを調整して基準録音状態に合わせる。
- 4) 入力信号周波数を19kHz(± 10 Hz以内)とし、MPXフィルタースイッチが「ON」にする。
- 5) L601(L),L602(R)(Deck A)とL651(L),L652(R)(Deck B)をおのおの出力が最小になるように調整する。

8.6 録音バイアス周波数及びHXコイル共振調整

- 1) 録音状態にする。
- 2) バイアス発振周波数を105kHzとなるよう発振コイルを調整する。

TEST POINT	COIL	MECHA.
Q901 10pin	L903	A
Q951 10pin	L953	B

* 周波数カウンタへの接続は、オーディオシグナルメータを通して行なう。

- 3) 次に、HXチェックポイントにオシロスコープを接続する。
- 4) HXチェックポイントの電圧が最小になる様にHXコイルを調整する。

TEST POINT	COIL	MECHA.
J901- 3	L901	A
J901- 1	L902	A
J951 - 3	L951	B
J951 - 1	L952	B

8.7 REC/PLAY-BACK FREQUENCY RESPONSE ADJUSTMENT

- 1) Insert the AC-225 tape in the holder.
- 2) Set the REC volume to the center position.
- 3) Supply 1kHz 30mV to the line input jacks.
- 4) Record the 400Hz and 12.5kHz signals by turns.
- 5) Playback the section just recorded, and adjust the following semi-fixed resistor so that the level of differences between 400Hz and 12.5kHz are within 1.0dB;

CH.	ADJUSTMENT POINT	MECHA.
L	R901	A
R	R902	A
L	R951	B
R	R952	B

- 6) HIGH position and METAL tapes the following Semi-fixed resistor so that the level of differences between 400Hz and 12.5kHz are within 1.0dB.

MECHA	HIGH	METAL
A	R913	-
B	R963	-

METAL tape: Check only.

8.8 REC/PLAY-BACK LEVEL ADJUSTMENT

- 1) Insert the AC-225 tape in the holder.
- 2) Set recording level at O.R.L and set a 0 dB. Reference level. Frequency: 400 Hz
- 3) Play back the section just recorded. and adjust following semi-fixed resistor so that the 400 Hz level is within ± 0.5 dB;

CH.	ADJUSTMENT POINT	MECHA.
L	RK05	A
R	RK06	A
L	RK55	B
R	RK56	B

- 4) Only check HIGH POSITION and METAL tapes.

8.9 REC/PLAY-BACK FREQUENCY RESPONSE CHECK DOLBY NR

- 1) Decrease the audio oscillator to 5.6 mV (-25 dB) from the rated recording condition. Record the following signals at DOLBY-B position. (NORMAL tape/position); 250 Hz, 1 kHz, 3 kHz, 6.3 kHz, 10 kHz, 12.5 kHz
- 2) Playback the section just recorded, and read difference levels are within the 3dB.
- 3) Do this same thing to DOLBY-C Position.
- 4) Do this same thing to HIGH POSITION and METAL tapes.

8.7 録音再生F特調整

- 1) AC-225(ノーマルテープ)を装着する。
- 2) 録音ボリュームをセンタークリックの位置に合わせる。
- 3) 入力に1kHz、30mVを加える。
- 4) 発振器の周波数を400Hz、12.5kHzに切り替えて録音する。
- 5) 巻き戻し再生し、400Hzと12.5kHzの信号のレベル差が、 ± 1.0 dB以内になるように半固定抵抗を調整する。

CH.	ADJUSTMENT POINT	MECHA.
L	R901	A
R	R902	A
L	R951	B
R	R952	B

- 6) 同様に400Hzと12.5kHzの信号のレベル差が、 ± 1.0 dB以内 High Positionは調整、METALテープは確認を行なう。

MECHA	HIGH	METAL
A	R913	-
B	R963	-

8.8 録音再生レベル調整

- 1) AC-225(ノーマルテープ)を装着する。
- 2) 規定録音状態から入力を4 dB減じ、周波数を400Hzにして録音する。
- 3) 巻き戻し再生し、録音モニターとのレベル差が ± 0.5 dB以内となるよう、半固定抵抗を調整する。

CH.	ADJUSTMENT POINT	MECHA.
L	RK05	A
R	RK06	A
L	RK55	B
R	RK56	B

- 4) High Position、METALでは確認のみを行なう。

8.9 DOLBY NR録音再生F特確認

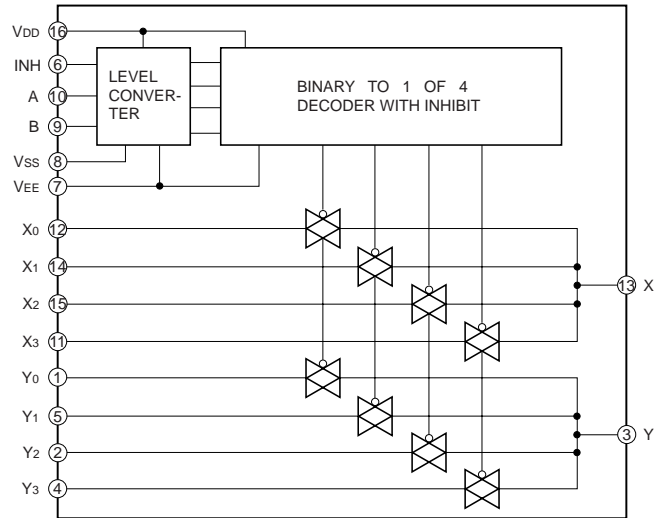
- 1) 規定録音状態から入力レベルを5mV (-26dB)に減じ、下記の信号をDolby-Bポジションで録音する。(NORMALテープ)250Hz、1kHz、3kHz、6.3kHz、10kHz、12.5kHz
- 2) 巻き戻し再生し、各周波数のレベル差が3dBの範囲となることを確認する。
- 3) Dolby-Cポジションでも同様に確認する。
- 4) High Position、METALテープでも同様に確認する。

9. MICROPROCESSOR AND IC DATA

QU01 : U-COM

Pin. No.	Port Name		Description	Active
1	PD	P10	Power down detect	High
2	EXT.IN	P11	Ext Remote input	Low
3	REVB	P12	Reverse play for B deck.	High
4	HIGH-A	P13	High speed mode motor control for A deck	High
5	RECB	P14	REC mode for B deck	High
6	OSCB	P15	Bias Oscillator switch for B deck	High
7	RECA	P16	REC mode for A deck	High
8	OSCA	P17	Bias Oscillator switch for A deck	High
9		TEST	Test for chip. Always Low.	
10	CUE MUTE A	P21	Cue mute output for A deck	Low
11	CE2	P22	GPI input load	
12	RESET	RESET		
13	XIN	XIN	X'tal	
14	XOUT	XOUT	X'tal	
15	VSS	VSS	GND	
16	CUE MUTE B	P20	Cue mute output for B deck	
17	RC5IN	P30	RC5 input	
18		P31	Not Used	
19	SCK	P32	Serial data clock	
20	SI	P33	GPI data input	
21	DATA(SO)	P34	Serial data output for QU05, QU06, QU07, QE07.	
22	CE0	P35	Chip enable for QU05, QU06, QU07.	
23	EXT.OUT	P36	Ext Remote output	Low
24	CE1	P37	Chip enable for QE07.	
25	REVA	P00	Reverse play for A deck.	High
26	HIGH-B	P01	High speed mode motor control for B deck	High
27	QSA	P02	Reverse sensor input for A deck	Low
28	RPA1	P03	Reel puls input 1 for A deck	High/Low
29	RPA2	P04	Reel puls input 2 for A deck	High/Low
30	QSB	P05	Reverse sensor input for B deck	Low
31	RPB1	P06	Reel puls input 1 for B deck	High/Low
32	RPB2	P07	Reel puls input 2 for B deck	High/Low
33	VDD	VDD	+5V	
34	SOLA	P60	Mecha solenoid control for A deck	High
35	MCA	P61	Capstan motor control for A deck	High
36	RMA1	P62	Reel motor direction control for A deck	
37	RMA2	P63	Reel motor direction control for A deck	
38	SOLB	P64	Mecha solenoid control for B deck	High
39	MCB	P65	Capstan motor control for B deck	High
40	RMB1	P66	Reel motor direction control for B deck	
41	RMB2	P67	Reel motor direction control for B deck	
42	PBA	P70	Reel motor speed control for A deck	High
43	PBB	P71	Reel motor speed control for B deck	High
44	G5	P72	FTD grid control output	High
45	G4	P73	FTD grid control output	High
46	G3	P74	FTD grid control output	High
47	G2	P75	FTD grid control output	High
48	G1	P76	FTD grid control output	High
49	G0	P77	FTD grid control output	High
50	S0	P80	FTD Segment output	High
51	S1	P81	FTD Segment output	High
52	S2	P82	FTD Segment output	High
53	S3	P83	FTD Segment output	High
54	S4	P84	FTD Segment output	High
55	S5	P85	FTD Segment output	High
56	S6	P86	FTD Segment output	High
57	S7	P87	FTD Segment output	High
58	S8	P90	FTD Segment output and key scan output	High
59	S9	P91	FTD Segment output and key scan output	High
60	S10	P92	FTD Segment output and key scan output	High
61	S11	P93	FTD Segment output and key scan output	High
62	S12	P94	FTD Segment output and key scan output	High
63	S13	P95	FTD Segment output and key scan output	High
64	S14	P96	FTD Segment output and key scan output	High
65	S15	P97	FTD Segment output and key scan output	High
66	VKK	VKK	Bias for FTD	
67	KEY0	P40	Key input	
68	KEY1	P41	Key input	
69	KEY2	P42	Key input	
70	KEY3	P43	Key input	
71	KEY4	P44	Key input	
72	KEY5	P45	Key input	
73	AMSA	P46	for QMS (Deck A)	Low
74	AMSB	P47	for QMS (Deck B)	Low
75	AL	P50	Lch. Level meter	
76	AR	P51	Rch. Level meter	
77	BL	P52	Lch. Level meter	
78	BR	P53	Rch. Level meter	
79	RECMA	P54	Rec mute A	High
80	RECMB	P55	Rec mute B	High

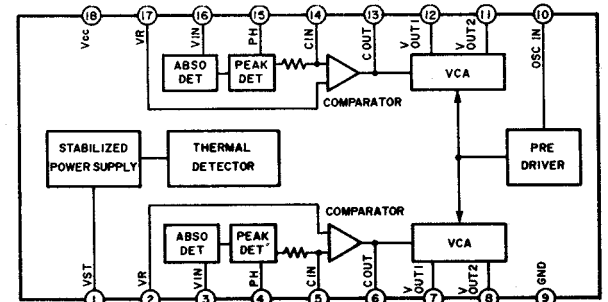
QM08, QM58 : BU4052BCF



INHIBIT	A	B	ON SWITCH
L	L	L	X0 Y0
L	H	L	X1 Y1
L	L	H	X2 Y2
L	H	H	X3 Y3
H	X	X	NONE

X : Don't Care

Q901, Q951 : UPC1297CA



10. ELECTRICAL PARTS LIST

ASSIGNMENT OF COMMON PARTS CODES.

RESISTORS

R*** : 1) GD05 x x x 140, Carbon film fixed resistor, ±5% 1/4W
 R*** : 2) GD05 x x x 160, Carbon film fixed resistor, ±5% 1/6W
 ① Resistance value

Examples
 ① Resistance value
 0.1Ω 001 10Ω 100 1kΩ 102 100kΩ 104
 0.5Ω 005 18Ω 180 2.7kΩ 272 680kΩ 684
 1Ω 010 100Ω 101 10kΩ 103 1MΩ 105
 6.8Ω 068 390Ω 391 22kΩ 223 4.7MΩ 475

Note : Please distinguish 1/4W from 1/6W by the shape of parts used actually.

CAPACITORS

C*** : CERAMIC CAP.

3) DD1 x x x x 370, Ceramic capacitor
 Disc type
 Temp. coeff. P350~N1000, 50V
 ③ Capacity value
 ② Tolerance

Examples
 ② Tolerance (Capacity deviation)
 ±0.25 pF 0
 ±0.5 pF 1
 ±5 % 5
 Tolerance of COMMON PARTS handled here are as follows :
 0.5 pF - 5 pF ± 0.25 pF
 6 pF - 10 pF ± 0.5 pF
 12 pF - 560 pF ± 5 %

③ Capacity value
 0.5 pF 005 3 pF 030 100 pF 101
 1 pF 010 10 pF 100 220 pF 221
 1.5 pF 015 47 pF 470 560 pF 561

C*** : CERAMIC CAP.

4) DK16 x x x 300, High dielectric constant ceramic capacitor
 Disc type
 Temp. chara. 2B4, 50V
 ④ Capacity value

Examples
 ④ Capacity value
 100 pF 101 1000 pF 102 10000 pF 103
 470 pF 471 2200 pF 222

C*** : 5) ELECTROLY CAP. (), 6) FILM CAP ()

5) EA x x x x x 10, Electrolytic capacitor
 One-way lead type, Tolerance ±20%
 ⑥ Working voltage
 ⑤ Capacity value

Examples
 ⑤ Capacity value
 0.1 μF 104 4.7 μF 475 100 μF 107
 0.33 μF 334 10 μF 106 330 μF 337
 1 μF 105 22 μF 226 1100 μF 118
 2200 μF 228
 ⑥ Working voltage
 6.3 V 006 25 V 025
 10 V 010 35 V 035
 16 V 016 50 V 050

6) DF15 x x x 350 → Plastic film capacitor
 DF15 x x x 310 → One-way type, Mylar ±5% 50V
 DF16 x x x 310 → Plastic film capacitor
 One-way type, Mylar ±10% 50V
 ⑦ Capacity value

Examples
 ⑦ Capacity value
 0.001 μF (1000 pF) 102 0.1 μF 104
 0.0018 μF 182 0.56 μF 564
 0.01 μF 103 1 μF 105
 0.015 μF 153

NOTE 1) The above CODES (R***, R***, C***, C*** and C***) are omitted on the schematic diagram in some case.
 2) On the occasion, be confirmed the common parts on the parts list.
 3) Refer to "Common Parts List" for the other common parts (RI05, DD4, DK4).

NOTE ON SAFETY FOR FUSIBLE RESISTOR :

The suppliers and their type numbers of fusible resistors are as follows ;

1. KOA Corporation
 Part No. (MJI) Type No. (KOA) Description
 NH05 x x x 140 RF25S x x x x Ω J ±5% (1/4W)
 NH05 x x x 120 RF50S x x x x Ω J ±5% (1/2W)
 NH85 x x x 110 RF73B2A x x x x Ω J ±5% (1/10W)
 NH95 x x x 140 RF73B2E x x x x Ω J ±5% (1/4W)
 * Resistance value Resistance value (0.1Ω - 10kΩ)



2. Matsushita Electronic Components Co., Ltd
 Part No. (MJI) Type No. (MEC) Description
 NF05 x x x 140 ERD-2FCJ x x x (±5% 1/4W)
 RF05 x x x 140 ERD-2FCG x x x (±2% 1/4W)
 NF02 x x x 140 ERD-2FCG x x x (±2% 1/4W)
 RF02 x x x 140 ERD-2FCG x x x (±2% 1/4W)
 * Resistance value

Examples
 * Resistance value
 0.1Ω 001 10Ω 100 1kΩ 102 100kΩ 104
 0.5Ω 005 18Ω 180 2.7kΩ 272 680kΩ 684
 1Ω 010 100Ω 101 10kΩ 103 1MΩ 105
 6.8Ω 068 390Ω 391 22kΩ 223 4.7MΩ 475


ABBREVIATION AND MARKS

ANT. : ANTENNA	BATT. : BATTERY
CAP. : CAPACITOR	CER. : CERAMIC
CONN. : CONNECTING	DIG. : DIGITAL
HP : HEADPHONE	MIC. : MICROPHONE
μ-PRO : MICROPROCESSOR	REC. : RECORDING
RES. : RESISTOR	SPK : SPEAKER
SW : SWITCH	TRANSF. : TRANSFORMER
TRIM. : TRIMMING	TRS. : TRANSISTOR
VAR. : VARIABLE	X' TAL : CRYSTAL

NOTE ON SAFETY:

Symbol  Fire or electrical shock hazard. Only original parts should be used to replaced any part marked with symbol  Any other component substitution (other than original type), may increase risk of fire or electrical shock hazard.

安全上の注意 :

 がついている部品は、安全上重要な部品です。必ず指定されている部品番号の部品を使用して下さい。

POS. NO	VERS. COLOR	PART NO. (PCS)	DESCRIPTION	PART NO. (MJI)	POS. NO	VERS. COLOR	PART NO. (PCS)	DESCRIPTION	PART NO. (MJI)
			PD01-SUB CIRCUIT BOARD						
			PD01-CAPACITORS						
CD01		4822 126 11704	CER. 0.022 µF +80%-20% 50V	DK98223300	CE08		4822 126 11704	CER. 0.022 µF +80%-20% 50V	DK98223300
CD02			CER. 220pF ±10% 50V	DK96221300	CE09		4822 124 90353	ELECT 100 µF 20% 10V	OA10701020
			PD01-RESISTORS		CE10		4822 124 90353	ELECT 100 µF ±20% 10V	OA10701020
RD01		4822 051 30101	CHIP 100 Ω ±5% 1/16W	NN05101610	CE11		4822 124 90353	ELECT 100 µF 10V	OA10701020
RD02		4822 117 12925	CHIP 47k Ω ±5% 1/16W	NN05473610	CE13		4822 126 11704	CER. 0.022 µF +80%-20% 50V	DK98223300
RD03		4822 051 30101	CHIP 100 Ω ±5% 1/16W	NN05101610	CE14		4822 126 11704	CER. 0.022 µF +80%-20% 50V	DK98223300
RD04		4822 117 12925	CHIP 47k Ω ±5% 1/16W	NN05473610	CE17		4822 122 31765	CER. 100pF ±5% 50V	DD95101300
RD05		4822 051 30101	CHIP 100 Ω ±5% 1/16W	NN05101610	CE18		4822 122 31765	CER. 100pF ±5% 50V	DD95101300
RD06		4822 117 12925	CHIP 47k Ω ±5% 1/16W	NN05473610	CE41				
RD07		4822 051 30101	CHIP 100 Ω ±5% 1/16W	NN05101610	}			ELECT 2.2 µF ±20% 50V	EJ22505010
RD08		4822 117 12925	CHIP 47k Ω ±5% 1/16W	NN05473610	CE44				
RD09		4822 051 30101	CHIP 100 Ω ±5% 1/16W	NN05101610	CE51		5322 126 11578	CER. 1000pF ±10% 50V	DK96102300
RD10		4822 117 12925	CHIP 47k Ω ±5% 1/16W	NN05473610	CE52		5322 126 11578	CER. 1000pF ±10% 50V	DK96102300
RD11		4822 051 30101	CHIP 100 Ω ±5% 1/16W	NN05101610	CE63		4822 126 11704	CER. 0.022 µF +80%-20% 50V	DK98223300
RD12		4822 117 12925	CHIP 47k Ω ±5% 1/16W	NN05473610	CE64		4822 126 11704	CER. 0.022 µF +80%-20% 50V	DK98223300
RD13		4822 051 30101	CHIP 100 Ω ±5% 1/16W	NN05101610	CE91			ELECT 4.7 µF 25V	EJ47502510
RD14		4822 117 12925	CHIP 47k Ω ±5% 1/16W	NN05473610	CE92			ELECT 4.7 µF 25V	EJ47502510
RD15		4822 051 30101	CHIP 100 Ω ±5% 1/16W	NN05101610	CG01			ELECT 10 µF 16V	EJ10601610
RD16		4822 117 12925	CHIP 47k Ω ±5% 1/16W	NN05473610	CG02			ELECT 10 µF 16V	EJ10601610
RD17		4822 051 30101	CHIP 100 Ω ±5% 1/16W	NN05101610	CG03			ELECT 10 µF ±20% 16V	EJ10601610
RD18		4822 117 12925	CHIP 47k Ω ±5% 1/16W	NN05473610	CG04		4822 126 11704	CER. 0.022 µF +80%-20% 50V	DK98223300
RD19		4822 051 30101	CHIP 100 Ω ±5% 1/16W	NN05101610	CG05		4822 126 11704	CER. 0.022 µF +80%-20% 50V	DK98223300
RD20		4822 117 12925	CHIP 47k Ω ±5% 1/16W	NN05473610	CG06		4822 124 90353	ELECT 100 µF 10V	OA10701020
RD21		4822 051 30101	CHIP 100 Ω ±5% 1/16W	NN05101610	CG51			ELECT 10 µF ±20% 16V	EJ10601610
RD22		4822 117 12925	CHIP 47k Ω ±5% 1/16W	NN05473610	CG52			ELECT 10 µF ±20% 16V	EJ10601610
RD23		4822 051 30101	CHIP 100 Ω ±5% 1/16W	NN05101610	CG53			ELECT 10 µF ±20% 16V	EJ10601610
RD24		4822 117 12925	CHIP 47k Ω ±5% 1/16W	NN05473610	CG54		4822 126 11704	CER. 0.022 µF +80%-20% 50V	DK98223300
RD25		4822 051 30101	CHIP 100 Ω ±5% 1/16W	NN05101610	CG55		4822 126 11704	CER. 0.022 µF +80%-20% 50V	DK98223300
					CG56		4822 124 90353	ELECT 100 µF 10V	OA10701020
RD26		4822 117 12925	CHIP 47k Ω ±5% 1/16W	NN05473610	CJ01		4822 126 14315	CER. 390pF ±5%	DD95391370
RD27		4822 051 30101	CHIP 100 Ω ±5% 1/16W	NN05101610	CJ02		4822 126 14315	CER. 390pF ±5%	DD95391370
RD28		4822 117 12925	CHIP 47k Ω ±5% 1/16W	NN05473610	CJ03		4822 126 11704	CER. 0.022 µF +80%-20% 50V	DK98223300
RD29		4822 051 30101	CHIP 100 Ω ±5% 1/16W	NN05101610	CJ07			FILM 0.01 µF ±5% 50V	DF15103350
RD30		4822 117 12925	CHIP 47k Ω ±5% 1/16W	NN05473610	CJ08			FILM 0.01 µF ±5% 50V	DF15103350
RD31		4822 051 30101	CHIP 100 Ω ±5% 1/16W	NN05101610	CJ09			ELECT 10 µF 16V	EJ10601610
RD32		4822 117 12925	CHIP 47k Ω ±5% 1/16W	NN05473610	CJ10			ELECT 10 µF 16V	EJ10601610
RD33		4822 051 30101	CHIP 100 Ω ±5% 1/16W	NN05101610	CJ11			ELECT 2.2 µF 50V	EJ22505010
RD34		4822 117 12925	CHIP 47k Ω ±5% 1/16W	NN05473610	CJ12			ELECT 2.2 µF 50V	EJ22505010
RD35		4822 051 30101	CHIP 100 Ω ±5% 1/16W	NN05101610	CJ15		4822 124 90353	ELECT 100 µF ±20% 10V	OA10701020
RD36		4822 117 12925	CHIP 47k Ω ±5% 1/16W	NN05473610	CJ16		4822 124 90353	ELECT 1000 µF ±20% 10V	OA10701020
RD37		4822 051 30101	CHIP 100 Ω ±5% 1/16W	NN05101610	CJ17		4822 122 31765	CER. 100pF ±5% 50V	DD95101300
RD38		4822 117 12925	CHIP 47k Ω ±5% 1/16W	NN05473610	CJ18		4822 122 31765	CER. 100pF ±5% 50V	DD95101300
RD39		4822 051 30101	CHIP 100 Ω ±5% 1/16W	NN05101610	CJ19		5322 126 11578	CER. 1000pF ±10% 50V	DK96102300
RD40		4822 117 12925	CHIP 47k Ω ±5% 1/16W	NN05473610	CJ20		5322 126 11578	CER. 1000pF ±10% 50V	DK96102300
RD41		4822 051 30101	CHIP 100 Ω ±5% 1/16W	NN05101610	CJ51		4822 126 14315	CER. 390pF ±5%	DD95391370
RD42		4822 117 12925	CHIP 47k Ω ±5% 1/16W	NN05473610	CJ52		4822 126 14315	CER. 390pF 5%	DD95391370
RD43		4822 051 30103	CHIP 10k Ω ±5% 1/16W	NN05103610	CJ53		4822 126 11704	CER. 0.022 µF +80%-20% 50V	DK98223300
			PD01-SEMICONDUCTORS		CJ57			FILM 0.01 µF ±5% 50V	DF15103350
QD01		4822 209 17428	IC 74HC165	HC716500R0	CJ58			FILM 0.01 µF ±5% 50V	DF15103350
QD02		4822 209 17428	IC 74HC165	HC716500R0	CJ59			ELECT 10 µF 16V	EJ10601610
QD03		4822 209 17428	IC 74HC165	HC716500R0	CJ60			ELECT 10 µF 16V	EJ10601610
			PD01-MISCELLANEOUS		CJ61			ELECT 2.2 µF 50V	EJ22505010
JD01			PLUG D-SUB (GPI) 25P CDS2025-01	YP11000190	CJ62			ELECT 2.2 µF 50V	EJ22505010
			PE01-MAIN CIRCUIT BOARD		CJ65		4822 124 90353	ELECT 100 µF ±20% 10V	OA10701020
			PE01-CAPACITORS		CJ66		4822 124 90353	ELECT 100 µF ±20% 10V	OA10701020
CE01		5322 126 11578	CER. 1000pF ±10% 50V	DK96102300	CJ67		4822 122 31765	CER. 100pF ±5% 50V	DD95101300
}					CJ68		4822 122 31765	CER. 100pF ±5% 50V	DD95101300
CE04			ELECT 10 µF 16V	EJ10601610	CJ69		5322 126 11578	CER. 1000pF ±10% 50V	DK96102300
CE05			ELECT 10 µF 16V	EJ10601610	CJ70		5322 126 11578	CER. 1000pF ±10% 50V	DK96102300
CE06		4822 126 11704	CER. 0.022 µF +80%-20% 50V	DK98223300	CK01			ELECT 2.2 µF 50V	EJ22505010
CE07					CK02			ELECT 2.2 µF 50V	EJ22505010
					CK03		4822 124 23054	ELECT 0.47 µF 50V	EJ47405010
					CK04		4822 124 23054	ELECT 0.47 µF 50V	EJ47405010
					CK05			ELECT 2.2 µF 50V	EJ22505010
					CK06			ELECT 2.2 µF 50V	EJ22505010
					CK07			ELECT 4.7 µF 25V	EJ47502510

POS. NO	VERS. COLOR	PART NO. (PCS)	DESCRIPTION	PART NO. (MJI)	POS. NO	VERS. COLOR	PART NO. (PCS)	DESCRIPTION	PART NO. (MJI)
CK08			ELECT 4.7 μ F 25V	EJ47502510	C653			ELECT 10 μ F 16V	EJ10601610
CK09		4822 122 33753	CER. 150pF \pm 5%	DD95151300	C654			ELECT 10 μ F 16V	EJ10601610
CK10		4822 122 33753	CER. 150pF \pm 5%	DD95151300	C655			FILM 0.1 μ F \pm 5% 50V	DF15104350
CK11		4822 122 31765	CER. 100pF \pm 5%	DD95101300	C656			FILM 0.1 μ F \pm 5% 50V	DF15104350
CK12		4822 122 31765	CER. 100pF \pm 5%	DD95101300	C657			FILM 0.068 μ F \pm 5% 50V	DF15683350
CK51			ELECT 2.2 μ F 50V	EJ22505010	C658			FILM 0.068 μ F \pm 5% 50V	DF15683350
CK52			ELECT 2.2 μ F 50V	EJ22505010	C659			ELECT 3.3 μ F 35V	EJ33503510
CK53		4822 124 23054	ELECT 0.47 μ F 50V	EJ47405010	C660			ELECT 3.3 μ F 35V	EJ33503510
CK54		4822 124 23054	ELECT 0.47 μ F 50V	EJ47405010	C661			ELECT 1 μ F 50V	EJ10505010
CK55			ELECT 2.2 μ F 50V	EJ22505010	C663		4822 126 13837	CER. 0.1 μ F \pm 10% 10V	DK96104200
CK56			ELECT 2.2 μ F 50V	EJ22505010	C664		4822 126 13837	CER. 0.1 μ F \pm 10% 10V	DK96104200
CK57			ELECT 4.7 μ F 25V	EJ47502510	C665			ELECT 1 μ F 50V	EJ10505010
CK58			ELECT 4.7 μ F 25V	EJ47502510	C666			FILM 3300pF \pm 5% 50V	DF15332350
CK59		4822 122 33753	CER. 150pF \pm 5%	DD95151300	C667			FILM 3300pF \pm 5% 50V	DF15332350
CK60		4822 122 33753	CER. 150pF \pm 5%	DD95151300	C668		4822 126 11704	CER. 0.022 μ F +80%-20% 50V	DK98223300
CK61		4822 122 31765	CER. 100pF \pm 5%	DD95101300	C669		4822 126 11704	CER. 0.022 μ F +80%-20% 50V	DK98223300
CK62		4822 122 31765	CER. 100pF \pm 5%	DD95101300	C670		4822 126 11704	CER. 0.022 μ F +80%-20% 50V	DK98223300
CL01			FILM 0.0039 μ F \pm 5% 50V	DF15392350	C671			ELECT 1 μ F \pm 20% 50V	EJ10505010
CL02			FILM 0.0039 μ F \pm 5% 50V	DF15392350	C672		5322 124 41473	ELECT 0.1 μ F \pm 20% 50V	EJ10405010
CL03			FILM 0.01 μ F \pm 5% 50V	DF15103350	C681			ELECT 10 μ F 16V	EJ10601610
CL04			FILM 0.012 μ F \pm 5% 50V	DF15123350	C701				
CL05		4822 124 12404	ELECT 220 μ F 16V	OA22701620	C704			ELECT 4.7 μ F 25V	EJ47502510
CL06		4822 126 14536	FILM 6800pF \pm 5% 200V		C706		4822 124 41535	ELECT 100 μ F \pm 20% 25V	OA10702520
CL07			ELECT 47 μ F \pm 20% 16V	OA47601620	C707			ELECT 22 μ F 16V	EJ22601610
CL51			FILM 0.0039 μ F \pm 5% 50V	DF15392350	C751				
CL52			FILM 0.0039 μ F \pm 5% 50V	DF15392350	C754			ELECT 4.7 μ F 25V	EJ47502510
CL53			FILM 0.01 μ F \pm 5% 50V	DF15103350	C756		4822 124 23649	ELECT 470 μ F \pm 20% 25V	OA47702520
CL54			FILM 0.012 μ F \pm 5% 50V	DF15123350	C757			ELECT 22 μ F 16V	EJ22601610
CL55		4822 124 12404	ELECT 220 μ F 16V	OA22701620	C801			ELECT 1 μ F 50V	EJ10505010
CL56		4822 126 14536	FILM 6800pF \pm 5% 200V	DF15682580	C802		4822 124 21511	ELECT 2200 μ F 25V	OA22802520
CM01					C803		4822 124 90371	ELECT 470 μ F \pm 20% 10V RA-2	OA47701020
CM06		4822 126 11704	CER. 0.022 μ F +80%-20% 50V	DK98223300	C804		4822 126 11704	CER. 0.022 μ F +80%-20% 50V	DK98223300
CM08		4822 126 11704	CER. 0.022 μ F +80%-20% 50V	DK98223300	C805		4822 124 21511	ELECT 2200 μ F 25V	OA22802520
CM09		4822 126 11704	CER. 0.022 μ F +80%-20% 50V	DK98223300	C806		4822 124 90371	ELECT 470 μ F \pm 20% 10V	OA47701020
CM51					C807		4822 124 41537	ELECT 220 μ F 6V	OA22700620
CM56					C808		4822 124 90355	ELECT 100 μ F 50V	OA10705020
CM58		4822 126 11704	CER. 0.022 μ F +80%-20% 50V	DK98223300	C809		4822 124 90355	ELECT 100 μ F 50V	OA10705020
CM59		4822 126 11704	CER. 0.022 μ F +80%-20% 50V	DK98223300	C810		4822 124 81133	ELECT 4700 μ F 25V	OA47802520
CU01		5322 124 41473	ELECT 0.1 μ F 50V	EJ10405010	C811		4822 124 12404	ELECT 220 μ F 16V	OA22701620
CU02		4822 126 11704	CER. 0.022 μ F +80%-20% 50V	DK98223300	C812		4822 124 23562	ELECT 10 μ F 100V	OA10610020
CU03		4822 126 11704	CER. 0.022 μ F +80%-20% 50V	DK98223300	C814			CER. 0.1 μ F +80%-20% 50V	DD38104010
CU06			ELECT 22 μ F 16V	EJ22601610	C901			ELECT 1 μ F 50V	EJ10505010
C601			ELECT 2.2 μ F 50V	EJ22505010	C902			ELECT 1 μ F 50V	EJ10505010
C602			ELECT 2.2 μ F 50V	EJ22505010	C903			FILM 0.022 μ F \pm 5% 50V	DF15223350
C603			ELECT 10 μ F 16V	EJ10601610	C904			FILM 0.022 μ F \pm 5% 50V	DF15223350
C604			ELECT 10 μ F 16V	EJ10601610	C905			FILM 0.033 μ F \pm 5% 50V	DF15333310
C605			FILM 0.1 μ F \pm 5% 50V	DF15104350	C906			FILM 0.033 μ F \pm 5% 50V	DF15333310
C606			FILM 0.1 μ F \pm 5% 50V	DF15104350	C907			FILM 0.01 μ F \pm 5% 50V	DF15103350
C607			FILM 0.068 μ F \pm 5% 50V	DF15683350	C908			FILM 0.01 μ F \pm 5% 50V	DF15103350
C608			FILM 0.068 μ F \pm 5% 50V	DF15683350	C909			FILM 0.001 μ F \pm 5% 50V	DF15102350
C609			ELECT 3.3 μ F 35V	EJ33503510	C910			FILM 0.001 μ F \pm 5% 50V	DF15102350
C610			ELECT 3.3 μ F 35V	EJ33503510	C911			CER. 100pF \pm 5% 500V	DD15101560
C611			ELECT 1 μ F 50V	EJ10505010	C912			CER. 100pF \pm 5% 500V	DD15101560
C613		4822 126 13837	CER. 0.1 μ F \pm 10% 10V	DK96104200	C913			FILM 560pF \pm 5% 100V	DF15561550
C614		4822 126 13837	CER. 0.1 μ F \pm 10% 10V	DK96104200	C914			FILM 560pF \pm 5% 100V	DF15561550
C615			ELECT 1 μ F 50V	EJ10505010	C915		4822 126 11704	CER. 0.022 μ F +80%-20% 50V	DK98223300
C616			FILM 3300pF \pm 5% 50V	DF15332350	C916			CER. 10pF \pm 0.5pF 500V	DD11100560
C617			FILM 3300pF 5% 50V	DF15332350	C917		4822 126 11704	CER. 0.022 μ F +80%-20% 50V	DK98223300
C618		4822 126 11704	CER. 0.022 μ F +80%-20% 50V	DK98223300	C918		4822 124 41539	ELECT 47 μ F 16V	OA47601620
C619		4822 126 11704	CER. 0.022 μ F +80 -20% 50V	DK98223300	C919			ELECT 10 μ F 16V	EJ10601610
C620		4822 126 11704	CER. 0.022 μ F +80%-20% 50V	DK98223300	C921		4822 124 41539	ELECT 47 μ F 16V	OA47601620
C621			ELECT 1 μ F \pm 20% 50V	EJ10505010	C922		4822 126 11704	CER. 0.022 μ F +80%-20% 50V	DK98223300
C622		5322 124 41473	ELECT 0.1 μ F \pm 20% 50V	EJ10405010	C924			ELECT 22 μ F 16V	EJ22601610
C651			ELECT 2.2 μ F 50V	EJ22505010	C926			ELECT 22 μ F 16V	EJ22601610
C652			ELECT 2.2 μ F 50V	EJ22505010	C951			ELECT 1 μ F 50V	EJ10505010
					C952			ELECT 1 μ F 50V	EJ10505010
					C953			FILM 0.022 μ F \pm 5% 50V	DF15223350

POS. NO	VERS. COLOR	PART NO. (PCS)	DESCRIPTION	PART NO. (MJI)	POS. NO	VERS. COLOR	PART NO. (PCS)	DESCRIPTION	PART NO. (MJI)
C954			FILM 0.022 μ F \pm 5% 50V	DF15223350	RE65				
C955			FILM 0.033 μ F \pm 5% 50V	DF15333310	}		4822 051 30682	CHIP 6.8k Ω \pm 5% 1/16W	NN05682610
C956			FILM 0.033 μ F \pm 5% 50V	DF15333310	RE68				
C957			FILM 0.01 μ F \pm 5% 50V	DF15103350	RE71		4822 116 82487	CHIP 0 Ω \pm 5% 1/16W	NN05000610
C958			FILM 0.01 μ F \pm 5% 50V	DF15103350	RE72		4822 116 82487	CHIP 0 Ω \pm 5% 1/16W	NN05000610
C959			FILM 0.001 μ F \pm 5% ,50V	DF15102350	RE75				
C960			FILM 0.001 μ F \pm 5% ,50V	DF15102350	}		4822 051 30682	CHIP 6.8k Ω \pm 5% 1/16W	NN05682610
C961			CER. 100pF \pm 5% 500V	DD15101560	RE78				
C962			CER. 100pF \pm 5% 500V	DD15101560	RE87		4822 100 11351	TRIMMING 10k Ω	RA01030780
C963			FILM 560pF \pm 5% 100V	DF15561550	RE88		4822 100 11351	TRIMMING 10k Ω	RA01030780
C964			FILM 560pF \pm 5% 100V	DF15561550	RE91		4822 051 30103	CHIP 10k Ω \pm 5% 1/16W	NN05103610
C965		4822 126 11704	CER. 0.022 μ F +80%-20% 50V	DK98223300	RE92		4822 051 30103	CHIP 10k Ω \pm 5% 1/16W	NN05103610
C966			CER. 10pF \pm 0.5pF 500V	DD11100560	RE95				
C967		4822 126 11704	CER. 0.022 μ F +80%-20% 50V	DK98223300	}		4822 116 82487	CHIP 0 Ω \pm 5% 1/16W	NN05000610
C968		4822 124 41539	ELECT 47 μ F 16V	OA47601620	RE98				
C969			ELECT 10 μ F 16V	EJ10601610	RG01		4822 051 30102	CHIP 1k Ω \pm 5% 1/16W	NN05102610
C971		4822 124 41539	ELECT 47 μ F 16V	OA47601620	RG02		4822 051 30102	CHIP 1k Ω \pm 5 1/16W	NN05102610
C972		4822 126 11704	CER. 0.022 μ F +80%-20% 50V	DK98223300	RG03		4822 051 30272	CHIP 2.7k Ω \pm 5% 1/16W	NN05272610
C974			ELECT 22 μ F 16V	EJ22601610	RG04		4822 051 30272	CHIP 2.7k Ω \pm 5% 1/16W	NN05272610
C976			ELECT 22 μ F 16V	EJ22601610	RG05				
			PE01-RESISTORS		}		4822 051 30103	CHIP 10k Ω \pm 5% 1/16W	NN05103610
RE01		4822 051 30102	CHIP 1k Ω \pm 5% 1/16W	NN05102610	RG08				
RE02		4822 051 30102	CHIP 1k Ω \pm 5% 1/16W	NN05102610	RG09		4822 051 30479	CHIP 47 Ω \pm 5% 1/16W	NN05470610
RE03					RG10		4822 051 30223	CHIP 22k Ω \pm 5% 1/16W	NN05223610
}		4822 117 13632	CHIP 100k Ω \pm 5% 1/16W	NN05104610	RG11		4822 117 12902	CHIP 8.2k Ω \pm 5% 1/16W	NN05822610
RE06					RG12		4822 051 30105	CHIP 1M Ω \pm 5% 1/16W	NN05105610
RE07		4822 051 30222	CHIP 2.2k Ω \pm 5% 1/16W	NN05222610	RG51		4822 051 30102	CHIP 1k Ω \pm 5% 1/16W	NN05102610
RE08		4822 051 30222	CHIP 2.2k Ω \pm 5% 1/16W	NN05222610	RG52		4822 051 30102	CHIP 1k Ω \pm 5% 1/16W	NN05102610
RE09		4822 051 30472	CHIP 4.7k Ω \pm 5% 1/16W	NN05472610	RG53		4822 051 30272	CHIP 2.7k Ω \pm 5% 1/16W	NN05272610
RE10		4822 051 30472	CHIP 4.7k Ω \pm 5% 1/16W	NN05472610	RG54		4822 051 30272	CHIP 2.7k Ω \pm 5% 1/16W	NN05272610
RE11		4822 051 30682	CHIP 6.8k Ω \pm 5% 1/16W	NN05682610	RG55		4822 051 30103	CHIP 2.7k Ω \pm 5% 1/16W	NN05103610
RE12		4822 051 30682	CHIP 6.8k Ω \pm 5% 1/16W	NN05682610	RG56		4822 051 30103	CHIP 10k Ω \pm 5% 1/16W	NN05103610
RE13		4822 051 30102	CHIP 1k Ω \pm 5% 1/16W	NN05102610	RG57		4822 051 30103	CHIP 10k Ω \pm 5% 1/16W	NN05103610
RE14		4822 051 30102	CHIP 1k Ω \pm 5% 1/16W	NN05102610	RG58		4822 051 30103	CHIP 10k Ω \pm 5% 1/16W	NN05103610
RE15		4822 051 30103	CHIP 10k Ω \pm 5% 1/16W	NN05103610	RG59		4822 051 30479	CHIP 47 Ω \pm 5% 1/16W	NN05470610
RE16		4822 051 30103	CHIP 10k Ω \pm 5% 1/16W	NN05103610	RG60		4822 051 30223	CHIP 22k Ω \pm 5% 1/16W	NN05223610
RE17		4822 051 30683	CHIP 68k Ω \pm 5% 1/16W	NN05683610	RG61		4822 117 12902	CHIP 8.2k Ω \pm 5% 1/16W	NN05822610
RE18		4822 051 30683	CHIP 68k Ω \pm 5% 1/16W	NN05683610	RG62		4822 051 30105	CHIP 1M Ω \pm 5% 1/16W	NN05105610
RE19		4822 051 30151	CHIP 150 Ω \pm 5% 1/16W	NN05151610	RJ05		4822 051 30333	CHIP 33k Ω \pm 5% 1/16W	NN05333610
RE20		4822 051 30151	CHIP 150 Ω \pm 5% 1/16W	NN05151610	RJ06		4822 051 30333	CHIP 33k Ω \pm 5% 1/16W	NN05333610
RE21		4822 051 30101	CHIP 100 Ω \pm 5% 1/16W	NN05101610	RJ07		4822 051 30123	CHIP 12k Ω \pm 5% 1/16W	NN05123610
RE22		4822 051 30101	CHIP 100 Ω \pm 5% 1/16W	NN05101610	RJ08		4822 051 30123	CHIP 12k Ω \pm 5% 1/16W	NN05123610
RE23		4822 051 30103	CHIP 10k Ω \pm 5% 1/16W	NN05103610	RJ09		4822 051 30334	CHIP 330k Ω \pm 5% 1/16W	NN05334610
RE24		4822 051 30103	CHIP 10k Ω \pm 5% 1/16W	NN05103610	RJ10		4822 051 30334	CHIP 33k Ω \pm 5% 1/16W	NN05334610
RE25		4822 051 30392	CHIP 3.9k Ω \pm 5% 1/16W	NN05392610	RJ11		4822 051 30221	CHIP 220 Ω \pm 5% 1/16W	NN05221610
RE26		4822 051 30392	CHIP 3.9k Ω \pm 5% 1/16W	NN05392610	RJ12		4822 051 30221	CHIP 220 Ω \pm 5% 1/16W	NN05221610
RE27		4822 051 30101	CHIP 100 Ω \pm 5% 1/16W	NN05101610	RJ17		4822 051 30102	CHIP 1k Ω \pm 5% 1/16W	NN05102610
RE28		4822 051 30101	CHIP 100 Ω \pm 5% 1/16W	NN05101610	RJ18		4822 051 30102	CHIP 1k Ω \pm 5% 1/16W	NN05102610
RE29		4822 051 30103	CHIP 10k Ω \pm 5% 1/16W	NN05103610	RJ19		4822 100 11373	TRIMMING 4.7k Ω	RA04720780
RE30		4822 051 30103	CHIP 10k Ω \pm 5% 1/16W	NN05103610	RJ20		4822 100 11373	TRIMMING 4.7k Ω	RA04720780
RE37		4822 100 11351	TRIMMING 10k Ω	RA01030780	RJ55		4822 051 30333	CHIP 33k Ω \pm 5% 1/16W	NN05333610
RE38		4822 100 11351	TRIMMING 10k Ω	RA01030780	RJ56		4822 051 30333	CHIP 33k Ω \pm 5% 1/16W	NN05333610
RE39			CHIP 3.9M Ω \pm 5% 1/16W	NN05395610	RJ57		4822 051 30123	CHIP 12k Ω \pm 5% 1/16W	NN05123610
RE41					RJ58		4822 051 30123	CHIP 12k Ω \pm 5% 1/16W	NN05123610
}		4822 051 30103	CHIP 10k Ω \pm 5% 1/16W	NN05103610	RJ59		4822 051 30334	CHIP 330k Ω \pm 5% 1/16W	NN05334610
RE50					RJ60		4822 051 30334	CHIP 330k Ω \pm 5% 1/16W	NN05334610
RE51		4822 051 30102	CHIP 1k Ω \pm 5% 1/16W	NN05102610	RJ61		4822 051 30221	CHIP 220 Ω \pm 5% 1/16W	NN05221610
RE52		4822 051 30102	CHIP 1k Ω \pm 5% 1/16W	NN05102610	RJ62		4822 051 30221	CHIP 220 Ω \pm 5% 1/16W	NN05221610
RE53					RJ67		4822 051 30102	CHIP 1k Ω \pm 5% 1/16W	NN05102610
}		4822 117 13632	CHIP 100k Ω \pm 5% 1/16W	NN05104610	RJ68		4822 051 30102	CHIP 1k Ω \pm 5% 1/16W	NN05102610
RE56					RJ69		4822 100 11373	TRIMMING 4.7k Ω	RA04720780
RE57		4822 051 30222	CHIP 2.2k Ω \pm 5% 1/16W	NN05222610	RJ70		4822 100 11373	TRIMMING 4.7k Ω	RA04720780
RE58		4822 051 30222	CHIP 2.2k Ω \pm 5% 1/16W	NN05222610					
RE59		4822 051 30472	CHIP 4.7k Ω \pm 5% 1/16W	NN05472610	RK01		4822 051 30682	CHIP 6.8k Ω \pm 5% 1/16W	NN05682610
RE60		4822 051 30472	CHIP 4.7k Ω \pm 5% 1/16W	NN05472610	RK02		4822 051 30682	CHIP 6.8k Ω \pm 5% 1/16W	NN05682610
RE61		4822 051 30682	CHIP 6.8k Ω \pm 5% 1/16W	NN05682610	RK03		4822 051 30472	CHIP 4.7k Ω \pm 5% 1/16W	NN05472610
RE62		4822 051 30682	CHIP 6.8k Ω \pm 5% 1/16W	NN05682610	RK04		4822 051 30472	CHIP 4.7k Ω \pm 5% 1/16W	NN05472610
RE63		4822 117 13632	CHIP 100k Ω \pm 5% 1/16W	NN05104610	RK05		4822 100 11351	TRIMMING 10k Ω	RA01030780

POS. NO	VERS. COLOR	PART NO. (PCS)	DESCRIPTION	PART NO. (MJI)	POS. NO	VERS. COLOR	PART NO. (PCS)	DESCRIPTION	PART NO. (MJI)
RK06		4822 100 11351	TRIMMING 10k Ω	RA01030780	RU13		4822 051 30221	CHIP 220 Ω ±5% 1/16W	NN05221610
RK07		4822 051 30103	CHIP 10k Ω ±5% 1/16W	NN05103610	RU14		4822 051 30221	CHIP 220 Ω ±5% 1/16W	NN05221610
RK08		4822 051 30103	CHIP 10k Ω ±5% 1/16W	NN05103610	RU15		4822 051 30221	CHIP 220 Ω ±5% 1/16W	NN05221610
RK51		4822 051 30682	CHIP 6.8k Ω ±5% 1/16W	NN05682610	RU21				
RK52		4822 051 30682	CHIP 6.8k Ω ±5% 1/16W	NN05682610	∫		4822 051 30331	CHIP 330 Ω ±5% 1/16W	NN05331610
RK53		4822 051 30472	CHIP 4.7k Ω ±5% 1/16W	NN05472610	RU25				
RK54		4822 051 30472	CHIP 4.7k Ω ±5% 1/16W	NN05472610	RU29		4822 051 30103	CHIP 10k Ω ±5% 1/16W	NN05103610
RK55		4822 100 11351	TRIMMING 10k Ω	RA01030780	RU30		4822 051 30103	CHIP 10k Ω ±5% 1/16W	NN05103610
RK56		4822 100 11351	TRIMMING 10k Ω	RA01030780	RU31		4822 051 30103	CHIP 10k Ω ±5% 1/16W	NN05103610
RK57		4822 051 30103	CHIP 10k Ω ±5% 1/16W	NN05103610	RU32		4822 051 30471	CHIP 470 Ω ±5% 1/16W	NN05471610
RK58		4822 051 30103	CHIP 10k Ω ±5% 1/16W	NN05103610	RU33		4822 051 30272	CHIP 2.7k Ω ±5% 1/16W	NN05272610
					RU71				
RL01		4822 051 30333	CHIP 33k Ω ±5% 1/16W	NN05333610	∫		4822 051 30331	CHIP 330 Ω ±5% 1/16W	NN05331610
RL02		4822 051 30333	CHIP 33k Ω ±5% 1/16W	NN05333610	RU75				
RL03			4.7 Ω ±5% 1/6 W	GG05047160	R601		4822 051 30272	CHIP 2.7k Ω ±5% 1/16W	NN05272610
RL04			4.7 Ω ±5% 1/6 W	GG05047160	R602		4822 051 30272	CHIP 2.7k Ω ±5% 1/16W	NN05272610
RL05			33 Ω ±5% 1/6W	GG05330160	R603		4822 116 83211	CHIP 1.8k Ω ±5% 1/16W	NN05182610
RL06		4822 051 30103	CHIP 10k Ω ±5% 1/16W	NN05103610	R604		4822 116 83211	CHIP 1.8k Ω ±5% 1/16W	NN05182610
RL51		4822 051 30333	CHIP 33k Ω ±5% 1/16W	NN05333610	R605		4822 116 83819	CHIP 18k Ω ±5% 1/16W	NN05183610
RL52		4822 051 30333	CHIP 33k Ω ±5% 1/16W	NN05333610	R606		4822 051 30273	CHIP 27k Ω ±5% 1/16W	NN05273610
RL53			4.7 Ω ±5% 1/6 W	GG05047160	R607		4822 051 30563	CHIP 56k Ω ±5% 1/16W	NN05563610
RL54			4.7 Ω ±5% 1/6 W	GG05047160	R608		4822 051 30563	CHIP 56k Ω ±5% 1/16W	NN05563610
RL55			33 Ω ±5% 1/6W	GG05330160	R609		4822 051 30392	CHIP 3.9k Ω ±5% 1/16W	NN05392610
RL56		4822 051 30103	CHIP 10k Ω ±5% 1/16W	NN05103610	R610		4822 051 30392	CHIP 3.9k Ω ±5% 1/16W	NN05392610
					R612		4822 051 30102	CHIP 1k Ω ±5% 1/16W	NN05102610
RM01		4822 051 30222	CHIP 2.2k Ω ±5% 1/16W	NN05222610	R613		4822 051 30105	CHIP 1M Ω ±5% 1/16W	NN05105610
RM02		4822 051 30222	CHIP 2.2k Ω ±5% 1/16W	NN05222610	R614		4822 117 13632	CHIP 100k Ω ±5% 1/16W	NN05104610
RM03		4822 111 90967	FUSE 4.7 Ω ±5% 1/4W	NF05047140	R615		4822 051 30103	CHIP 10k Ω ±5% 1/16W	NN05103610
RM04		4822 051 30272	CHIP 2.7k Ω ±5% 1/16W	NN05272610	R616		4822 051 30103	CHIP 10k Ω ±5% 1/16W	NN05103610
RM05		4822 117 12925	CHIP 47k Ω ±5% 1/16W	NN05473610	R617		4822 051 30102	CHIP 1k Ω ±5% 1/16W	NN05102610
RM06		4822 117 12925	CHIP 47k Ω ±5% 1/16W	NN05473610	R618		4822 051 30102	CHIP 1k Ω ±5% 1/16W	NN05102610
RM07		4822 117 12925	CHIP 47k Ω ±5% 1/16W	NN05473610	R619		4822 051 30123	CHIP 12k Ω ±5% 1/16W	NN05123610
RM08		4822 117 12902	CHIP 8.2k Ω ±5% 1/16W	NN05822610	R621		4822 051 30103	CHIP 10k Ω ±5% 1/16W	NN05103610
RM09		4822 100 11351	TRIMMING 10k Ω	RA01030780	R622		4822 051 30103	CHIP 10k Ω ±5% 1/16W	NN05103610
RM10		4822 100 11351	TRIMMING 10k Ω	RA01030780	R623		4822 051 30103	CHIP 10k Ω ±5% 1/16W	NN05103610
RM11		4822 051 30223	CHIP 22k Ω ±5% 1/16W	NN05223610	R624		4822 117 12925	CHIP 47k Ω ±5% 1/16W	NN05473610
RM12		4822 100 11351	TRIMMING 10k Ω	RA01030780	R625		4822 051 30222	CHIP 2.2k Ω ±5% 1/16W	NN05222610
RM13		4822 100 11351	TRIMMING 10k Ω	RA01030780	R626		4822 051 30222	CHIP 2.2k Ω ±5% 1/16W	NN05222610
RM14					R630		4822 051 30103	CHIP 10k Ω ±5% 1/16W	NN05103610
∫		4822 051 30103	CHIP 10k Ω ±5% 1/16W	NN05103610	R631		4822 051 30272	CHIP 2.7k Ω ±5% 1/16W	NN05272610
RM20					R632		4822 051 30272	CHIP 2.7k Ω ±5% 1/16W	NN05272610
RM21		4822 051 30222	CHIP 2.2k Ω ±5% 1/16W	NN05222610	R633		4822 051 30562	CHIP 5.5k Ω ±5% 1/16W	NN05562610
RM51		4822 051 30222	CHIP 2.2k Ω ±5% 1/16W	NN05222610	R634		4822 051 30562	CHIP 5.6k Ω ±5% 1/16W	NN05562610
RM52		4822 051 30222	CHIP 2.2k Ω ±5% 1/16W	NN05222610	R635		4822 117 12925	CHIP 47k Ω ±5% 1/16W	NN05473610
RM53		4822 111 90967	FUSE 4.7 Ω ±5% 1/4W	NF05047140	R637		4822 051 30682	CHIP 6.8k Ω ±5% 1/16W	NN05682610
RM54		4822 051 30272	CHIP 2.7k Ω ±5% 1/16W	NN05272610					
RM55		4822 117 12925	CHIP 47k Ω ±5% 1/16W	NN05473610	R651		4822 051 30272	CHIP 2.7k Ω ±5% 1/16W	NN05272610
RM56		4822 117 12925	CHIP 47k Ω ±5% 1/16W	NN05473610	R652		4822 051 30272	CHIP 2.7k Ω ±5% 1/16W	NN05272610
RM57		4822 117 12925	CHIP 47k Ω ±5% 1/16W	NN05473610	R653		4822 116 83211	CHIP 1.8k Ω ±5% 1/16W	NN05182610
RM58		4822 117 12902	CHIP 8.2k Ω ±5% 1/16W	NN05822610	R654		4822 116 83211	CHIP 1.8k Ω ±5% 1/16W	NN05182610
RM59		4822 100 11351	TRIMMING 10k Ω	RA01030780	R655		4822 116 83819	CHIP 18k Ω ±5% 1/16W	NN05183610
RM60		4822 100 11351	TRIMMING 10k Ω	RA01030780	R656		4822 051 30273	CHIP 27k Ω ±5% 1/16W	NN05273610
RM61		4822 051 30223	CHIP 22k Ω ±5% 1/16W	NN05223610	R657		4822 051 30563	CHIP 56k Ω ±5% 1/16W	NN05563610
RM62		4822 100 11351	TRIMMING 10k Ω	RA01030780	R658		4822 051 30563	CHIP 56k Ω ±5% 1/16W	NN05563610
RM63		4822 100 11351	TRIMMING 10k Ω	RA01030780	R659		4822 051 30392	CHIP 3.9k Ω ±5% 1/16W	NN05392610
RM64					R660		4822 051 30392	CHIP 3.9k Ω ±5% 1/16W	NN05392610
∫		4822 051 30103	CHIP 10k Ω ±5% 1/16W	NN05103610	R662		4822 051 30102	CHIP 1k Ω ±5% 1/16W	NN05102610
RM70					R663		4822 051 30105	CHIP 1M Ω ±5% 1/16W	NN05105610
RM71		4822 051 30222	CHIP 2.2k Ω ±5% 1/16W	NN05222610	R664		4822 117 13632	CHIP 100k Ω ±5% 1/16W	NN05104610
RR01		4822 051 30472	CHIP 4.7k Ω ±5% 1/16W	NN05472610	R665		4822 051 30102	CHIP 1k Ω ±5% 1/16W	NN05102610
RR02		4822 051 30479	CHIP 47 Ω ±5% 1/16W	NN05470610	R666		4822 051 30102	CHIP 1k Ω ±5% 1/16W	NN05102610
RR03		4822 116 83819	CHIP 18k Ω ±5% 1/16W	NN05183610	R669		4822 051 30123	CHIP 12k Ω ±5% 1/16W	NN05123610
RR04		4822 117 12925	CHIP 47k Ω ±5% 1/16W	NN05473610	R671		4822 051 30103	CHIP 10k Ω ±5% 1/16W	NN05103610
RR05		4822 051 30109	CHIP 10 Ω ±5% 1/16W	NN05100610	R672		4822 051 30103	CHIP 10k Ω ±5% 1/16W	NN05103610
RR06		4822 117 12925	CHIP 47k Ω ±5% 1/16W	NN05473610	R673		4822 051 30103	CHIP 10k Ω ±5% 1/16W	NN05103610
RR08		4822 051 30109	CHIP 10 Ω ±5% 1/16W	NN05100610	R675		4822 051 30222	CHIP 2.2k Ω ±5% 1/16W	NN05222610
RU01		4822 051 30223	CHIP 22k Ω ±5% 1/16W	NN05223610	R676		4822 051 30222	CHIP 2.2k Ω ±5% 1/16W	NN05222610
RU11		4822 051 30103	CHIP 10k Ω ±5% 1/16W	NN05103610	R680		4822 051 30103	CHIP 10k Ω ±5% 1/16W	NN05103610
RU12		4822 051 30103	CHIP 10k Ω ±5% 1/16W	NN05103610	R681		4822 051 30272	CHIP 2.7k Ω ±5% 1/16W	NN05272610

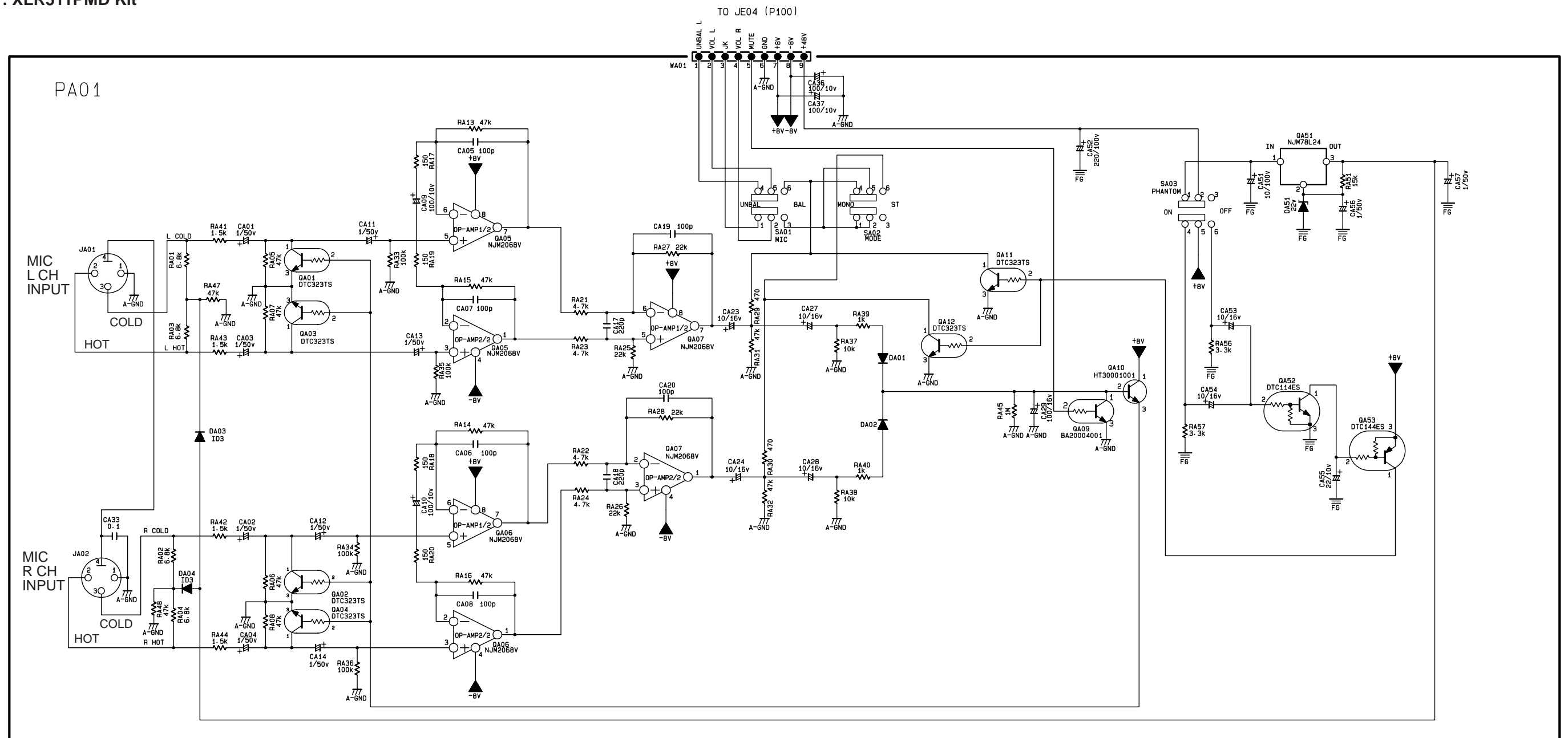
POS. NO	VERS. COLOR	PART NO. (PCS)	DESCRIPTION	PART NO. (MJI)	POS. NO	VERS. COLOR	PART NO. (PCS)	DESCRIPTION	PART NO. (MJI)
R682		4822 051 30272	CHIP 2.7k Ω ±5% 1/16W	NN05272610				PE01-SEMICONDUCTORS	
R683		4822 051 30562	CHIP 5.6k Ω ±5% 1/16W	NN05562610	DE01		4822 130 83715	CHIP DIODE DAN202U 1SS301	HZ21005000
R684		4822 051 30562	CHIP 5.6k Ω ±5% 1/16W	NN05562610	DG01		4822 130 83715	CHIP DIODE DAN202U 1SS301	HZ21005000
R685		4822 051 30103	CHIP 10k Ω ±5% 1/16W	NN05103610	DG02		4822 130 83715	CHIP DIODE DAN202U 1SS301	HZ21005000
R686		4822 117 12925	CHIP 47k Ω ±5% 1/16W	NN05473610	DG03		4822 130 83715	CHIP DIODE DAN202U 1SS301	HZ21005000
R687		4822 051 30682	CHIP 6.8k Ω ±5% 1/16W	NN05682610	DG51		4822 130 83715	CHIP DIODE DAN202U 1SS301	HZ21005000
R701		4822 051 30102	CHIP 1k Ω ±5% 1/16W	NN05102610	DG52		4822 130 83715	CHIP DIODE DAN202U 1SS301	HZ21005000
R702		4822 051 30102	CHIP 1k Ω ±5% 1/16W	NN05102610	DG53		4822 130 83715	CHIP DIODE DAN202U 1SS301	HZ21005000
R703		4822 051 30105	CHIP 1M Ω ±5% 1/16W	NN05105610	DL01		4822 130 10092	CHIP DIODE DIF60-4063	HZ20001290
R704		4822 051 30105	CHIP 1M Ω ±5% 1/16W	NN05105610					
R705		4822 051 30472	CHIP 4.7k Ω ±5% 1/16W	NN05472610	DM01		4822 130 10092	CHIP DIODE DIF60-4063	HZ20001290
R706		4822 051 30472	CHIP 4.7k Ω ±5% 1/16W	NN05472610	DM02		9965 000 01739	CHIP ZENER 02CZ6.8-Z 6.8V	HZ30015050
R707					DM03		4822 130 11514	CHIP ZENER 02CZ4.7-Z 4.7V	HZ30017050
∫		4822 051 30101	CHIP 100 Ω ±5% 1/16W	NN05101610	DM51		4822 130 10092	CHIP DIODE DIF60-4063	HZ20001290
R710					DM52		9965 000 01739	CHIP ZENER 02CZ6.8-Z 6.8V	HZ30015050
R713		4822 051 30223	CHIP 22k Ω ±5% 1/16W	NN05223610	DM53		4822 130 11514	CHIP ZENER 02CZ4.7-Z 4.7V	HZ30017050
R714		4822 051 30223	CHIP 22k Ω ±5% 1/16W	NN05223610	DU01		4822 130 80522	CHIP DIODE DAP202U 1SS300	HZ21006000
R715		4822 051 30103	CHIP 10k Ω ±5% 1/16W	NN05103610	DU02		4822 130 83715	CHIP DIODE DAN202U 1SS301	HZ21005000
R751		4822 051 30102	CHIP 1k Ω ±5% 1/16W	NN05102610	DU03		4822 130 80522	CHIP DIODE DAP202U 1SS300	HZ21006000
R752		4822 051 30102	CHIP 1k Ω ±5% 1/16W	NN05102610	DU04		4822 130 80522	CHIP DIODE DAP202U 1SS300	HZ21006000
R753		4822 051 30105	CHIP 1M Ω ±5% 1/16W	NN05105610	DU05				
R754		4822 051 30105	CHIP 1M Ω ±5% 1/16W	NN05105610	∫		4822 130 83715	CHIP DIODE DAN202U 1SS301	HZ21005000
R755		4822 051 30472	CHIP 4.7k Ω ±5% 1/16W	NN05472610	DU08				
R756		4822 051 30472	CHIP 4.7k Ω ±5% 1/16W	NN05472610	DU09		4822 130 80522	CHIP DIODE DAP202U 1SS300	HZ21006000
R757					DU10				
∫		4822 051 30101	CHIP 100 Ω ±5% 1/16W	NN05101610	∫		4822 130 83715	CHIP DIODE 1SS301 DAN202U	HZ21005000
R760					DU17				
R761		4822 051 30103	CHIP 10k Ω ±5% 1/16W	NN05103610	DU50				
R762		4822 051 30103	CHIP 10k Ω ±5% 1/16W	NN05103610	∫		4822 130 83715	CHIP DIODE DAN202U 1SS301	HZ21005000
R763		4822 051 30223	CHIP 22k Ω ±5% 1/16W	NN05223610	DU53				
R764		4822 051 30223	CHIP 22k Ω ±5% 1/16W	NN05223610	D601		4822 130 83715	CHIP DIODE 1SS301 DAN202U	HZ21005000
R765		4822 051 30103	CHIP 10k Ω ±5% 1/16W	NN05103610	D603		4822 130 81324	CHIP DIODE 1SS302	HZ20018050
R766					D604		4822 130 81324	CHIP DIODE 1SS302	HZ20018050
R801		4822 051 30222	CHIP 2.2k Ω ±5% 1/16W	NN05222610	D651		4822 130 83715	CHIP DIODE 1SS301 DAN202U	HZ21005000
R802		4822 051 30103	CHIP 10k Ω ±5% 1/16W	NN05103610	D653		4822 130 81324	CHIP DIODE 1SS302	HZ20018050
R803		4822 051 30222	CHIP 2.2k Ω ±5% 1/16W	NN05222610	D654		4822 130 81324	CHIP DIODE 1SS302	HZ20018050
▲ R804		4822 111 90967	FUSE 4.7 Ω 1/4W	NF05047140	D655		9965 000 01734	CHIP ZENER 02CZ10Y 10V	HZ30025050
R805		4822 051 30109	CHIP 10 Ω ±5% 1/16W	NN05100610	D701		4822 130 10092	CHIP DIODE DIF60-4063	HZ20001290
R806		4822 051 30151	CHIP 150 Ω ±5% 1/16W	NN05151610	D702		4822 130 83715	CHIP DIODE 1SS301 DAN202U	HZ21005000
R807		4822 051 30151	CHIP 150 Ω ±5% 1/16W	NN05151610	D751		4822 130 83715	CHIP DIODE 1SS301 DAN202U	HZ21005000
R808		4822 116 60307	FUSIBLE 1 Ω ±5% 1/4W	NH05010140	D801		4822 130 83715	CHIP DIODE 1SS301 DAN202U	HZ21005000
					▲ D802		4822 130 83067	DIODE D3SB20 3A 200V	HE20020290
R901		4822 100 11352	TRIMMING 22k Ω	RA02230780	D803		4822 130 10092	CHIP DIODE 1A DIF60-4063	HZ20001290
R902		4822 100 11352	TRIMMING 22k Ω	RA02230780	▲ D804		4822 130 33063	DIODE S3V20 3.5A 200V	HD20011290
R903		4822 051 30103	CHIP 10k Ω ±5% 1/16W	NN05103610	▲ D805		4822 130 33063	DIODE S3V20 3.5A 200V	HD20011290
R904		4822 051 30103	CHIP 10k Ω ±5% 1/16W	NN05103610	D806		4822 130 11514	CHIP ZENER 02CZ4.7-Z 4.7V	HZ30017050
R905		4822 051 30153	CHIP 15k Ω ±5% 1/16W	NN05153610	D807		9965 000 01743	CHIP ZENER 02CZ12-Y 12V	HZ30027050
R906		4822 051 30153	CHIP 15k Ω ±5% 1/16W	NN05153610	D809		4822 130 10092	CHIP DIODE 1A DIF60-4063	HZ20001290
R907		4822 051 30154	CHIP 150k Ω ±5% 1/16W	NN05154610	QE01		4822 209 17155	IC NJM2068M	HC10102090
R908		4822 051 30154	CHIP 150k Ω ±5% 1/16W	NN05154610	QE02		4822 209 17155	IC NJM2068M	HC10102090
R911		4822 051 30472	CHIP 4.7k Ω ±5% 1/16W	NN05472610	QE03		4822 130 43398	CHIP TRS. 2SC2712 (G)	HX327121A0
R913		4822 100 11351	TRIMMING 10k Ω	RA01030780	QE04		4822 130 43398	CHIP TRS. 2SC2712 (G)	HX327121A0
R914		4822 051 30272	CHIP 2.7k Ω ±5% 1/16W	NN05272610	QE05		4822 209 17155	IC NJM2068M	HC10102090
R915		4822 051 30152	CHIP 1.5k Ω ±5% 1/16W	NN05152610	QE06		4822 209 17155	IC NJM2068M	HC10102090
R916		4822 051 30332	CHIP 3.3k Ω ±5% 1/16W	NN05332610	QE07		4822 209 32552	IC LC78211 MODE SELECT	HC10308030
R951		4822 100 11352	TRIMMING 22k Ω	RA02230780	QE08		9965 000 01659	DIG. TRS. DTC114TE RN1111	BA21111000
R952		4822 100 11352	TRIMMING 22k Ω	RA02230780	QE09		4822 130 43398	CHIP TRS. 2SC2712(G)	HX327121A0
R953		4822 051 30103	CHIP 10k Ω ±5% 1/16W	NN05103610	QE10		4822 209 17155	IC NJM2068M	HC10102090
R954		4822 051 30103	CHIP 10k Ω ±5% 1/16W	NN05103610	QE51		4822 209 17155	IC NJM2068M	HC10102090
R955		4822 051 30153	CHIP 15k Ω ±5% 1/16W	NN05153610	QE52		4822 209 17155	IC NJM2068M	HC10102090
R956		4822 051 30153	CHIP 15k Ω ±5% 1/16W	NN05153610	QE53		4822 209 17155	IC NJM2068M	HC10102090
R957		4822 051 30154	CHIP 150k Ω ±5% 1/16W	NN05154610	QG01		4822 209 17155	IC NJM2068M	HC10102090
R958		4822 051 30154	CHIP 150k Ω ±5% 1/16W	NN05154610	QG02		9965 000 01659	DIG. TRS. DTC114 E.RN1111	BA21111000
R961		4822 051 30472	CHIP 4.7k Ω ±5% 1/16W	NN05472610	QG51		4822 209 17155	IC NJM2068M	HC10102090
R963		4822 100 11351	TRIMMING 10k Ω	RA01030780	QG52		9965 000 01659	DIG. TRS. DTC114TE RN1111	BA21111000
R964		4822 051 30272	CHIP 2.7k Ω ±5% 1/16W	NN05272610	QJ01		4822 209 61667	IC μPC1330HA HEAD SW.	HC10206060
R965		4822 051 30152	CHIP 1.5k Ω ±5% 1/16W	NN05152610	QJ03		4822 209 17155	IC NJM2068M	HC10102090
R966		4822 051 30332	CHIP 3.3k Ω ±5% 1/16W	NN05332610	QJ51		4822 209 61667	IC μPC1330HA HEAD SW.	HC10206060

POS. NO	VERS. COLOR	PART NO. (PCS)	DESCRIPTION	PART NO. (MJI)	POS. NO	VERS. COLOR	PART NO. (PCS)	DESCRIPTION	PART NO. (MJI)
QJ53		4822 209 17155	IC NJM2068M	HC10102090	QU03		4822 130 62601	DIG. TRS. DTC114EE RN1102	BA21102000
QL01		4822 130 43954	CHIP TRS. 2SD999 CM CL	HX409992A0				10K-10K	
QL02		4822 130 43954	CHIP TRS. 2SD999 CM CL	HX409992A0	QU04		4822 130 62601	DIG. TRS. DTC114EE RN1102	BA21102000
QL51		4822 130 43954	CHIP TRS. 2SD999 CM CL	HX409992A0				10K-10K	
QL52		4822 130 43954	CHIP TRS. 2SD999 CM CL	HX409992A0	QU05		9965 000 01596	IC 74HC4094BT HIGH SPEED	HC809449R0
QM01		4822 130 43954	CHIP TRS. 2SD999 1A 2W	HX409992A0	QU06		9965 000 01596	IC 74HC4094BT HIGH SPEED	HC809449R0
QM02		4822 130 43954	CHIP TRS. 2SD999 1A 2W	HX409992A0	QU07		9965 000 01596	IC 74HC4094BT HIGH SPEED	HC809449R0
QM03		4822 209 30193	IC LB1641 MOTOR DRIVER	HC10279030	QU08		4822 130 62597	DIG. TRS. RN2102 DTA114EEA	BA12102000
QM04		4822 130 62662	DIG. TRS. DTC144EE RN1104	BA21104000	QU09		4822 130 62597	DIG. TRS. DTA114EE RN2102	BA12102000
			47K-47K					10K-10K	
QM05		4822 130 62601	DIG. TRS. DTC144EE RN1102	BA21102000	QU10		4822 130 62597	DIG. TRS. DTA114EE RN2102	BA12102000
			10K-10K					10K-10K	
QM06		4822 130 62601	DIG. TRS. DTC114EE RN1102	BA21102000	QU11		4822 130 62597	DIG. TRS. DTA114EE RN2102	BA12102000
			10K-10K					10K-10K	
QM07		4822 130 62601	DIG. TRS. DTC114EE RN1102	BA21102000	Q601		9965 000 01693	IC CXA1878Q DOLBY B/C	HC10066250
			10K-10K		Q602		4822 130 62601	DIG. TRS. DTC114EE RN1102	BA21102000
QM08		9965 000 01740	IC BU4052BCF MOTER	HC40522110				10K-10K	
QM12		9965 000 01741	DIG. TRS. DTA115TE 100K	BA10071210	Q603		9965 000 01656	DIG. TRS. DTC143TE RN1110	BA21110000
QM13		9965 000 01741	DIG. TRS. DTA115TE 100K	BA10071210				4.7K	
QM14		4822 130 62662	DIG. TRS. DTC144EE RN1104	BA21104000	Q604		9965 000 01656	DIG. TRS. DTC143TE RN1110	BA21110000
			47K-47K					4.7K	
QM15		4822 130 62662	DIG. TRS. DTC144EE RN1104	BA21104000	Q605		9965 000 01658	DIG. TRS. RN1113	BA21113050
			47K-47K		Q606		9965 000 01658	DIG. TRS. RN1113	BA21113050
QM16		4822 130 62662	DIG. TRS. DTC144EE RN1104	BA21104000	Q607		9965 000 01657	DIG. TRS. DTA144TE RN2123	BA12113000
			47K-47K					UN9110	
QM17		4822 130 62601	DIG. TRS. DTC114EE RN1102	BA21102000	Q608		9965 000 01657	DIG. TRS. DTA144TE RN2123	BA12113000
			10K-10K					UN9110	
QM18		4822 130 62597	DIG. TRS. DTA114EE RN2102	BA12102000	Q621		9965 000 01694	IC BU4066BCF ANALOG SW	HC406621Z0
			10K-10K		Q622		4822 130 43398	CHIP TRS. 2SC2712(G)	HX327121A0
QM19		4822 130 62601	DIG. TRS. DTC114EE RN1102	BA21102000	Q623		4822 130 62597	DIG. TRS. DTA114EE RN2102	BA12102000
			10K-10K					10K-10K	
QM20		4822 130 62597	DIG. TRS. DTA114EE RN2102	BA12102000	Q624		4822 130 62601	DIG. TRS. DTC114EE RN1102	BA21102000
			10K-10K					10K-10K	
QM51		4822 130 43954	CHIP TRS. 2SD999 1A 2W	HX409992A0	Q625		4822 130 62597	DIG. TRS. DTA114EE RN2102	BA12102000
QM52		4822 130 43954	CHIP TRS. 2SD999 1A 2W	HX409992A0				10K-10K	
QM53		4822 209 30193	IC LB1641 MOTOR DRIVER	HC10279030	Q626		4822 130 62597	DIG. TRS. DTA114EE RN2102	BA12102000
QM54		4822 130 62662	DIG. TRS. DTC144EE RN1104	BA21104000				10K-10K	
			47K-47K		Q627		4822 130 62597	DIG. TRS. DTA114EE RN2102	BA12102000
QM55		4822 130 62601	DIG. TRS. DTC144EE RN1102	BA21102000				10K-10K	
			10K-10K		Q628		4822 130 43398	CHIP TRS. 2SC2712(G)	HX327121A0
QM56		4822 130 62601	DIG. TRS. DTC114EE RN1102	BA21102000	Q651		9965 000 01693	IC CXA1878Q DOLBY B/C	HC10066250
			10K-10K		Q652		4822 130 62601	DIG. TRS. DTC114EE RN1102	BA21102000
QM57		4822 130 62601	DIG. TRS. DTC114EE RN1102	BA21102000				10K-10K	
			10K-10K		Q653		9965 000 01656	DIG. TRS. DTC143TE RN1110	BA21110000
QM58		9965 000 01740	IC BU4052BCF MOTER	HC40522110				4.7K	
QM62		9965 000 01741	DIG. TRS. DTA115TE 100K	BA10071210	Q654		9965 000 01656	DIG. TRS. DTC143TE RN1110	BA21110000
QM63		9965 000 01741	DIG. TRS. DTA115TE 100K	BA10071210				4.7K	
QM64		4822 130 62662	DIG. TRS. DTC144EE RN1104	BA21104000	Q655		9965 000 01658	DIG. TRS. RN1113	BA21113050
			47K-47K		Q656		9965 000 01658	DIG. TRS. RN1113	BA21113050
QM65		4822 130 62662	DIG. TRS. DTC144EE RN1104	BA21104000	Q657		9965 000 01657	DIG. TRS. DTA144TE RN2123	BA12113000
			47K-47K					UN9110	
QM66		4822 130 62662	DIG. TRS. DTC144EE RN1104	BA21104000	Q658		9965 000 01657	DIG. TRS. DTA144TE RN2123	BA12113000
			47K-47K					UN9110	
QM67		4822 130 62601	DIG. TRS. DTC114EE RN1102	BA21102000	Q659		9965 000 01656	DIG. TRS. RN1110 DTC143TE	BA21110000
			10K-10K		Q671		9965 000 01694	IC BU4066BCF ANALOG SW	HC406621Z0
QM68		4822 130 62597	DIG. TRS. DTA114EE RN2102	BA12102000	Q672		4822 130 43398	CHIP TRS. 2SC2712(G)	HX327121A0
			10K-10K		Q676		4822 130 62597	DIG. TRS. DTA114EE RN2102	BA12102000
QM69		4822 130 62601	DIG. TRS. DTC114EE RN1102	BA21102000				10K-10K	
			10K-10K		Q677		4822 130 62597	DIG. TRS. DTA114EE RN2102	BA12102000
QM70		4822 130 62597	DIG. TRS. DTA114EE RN2102	BA12102000				10K-10K	
			10K-10K		Q678		4822 130 43398	CHIP TRS. 2SC2712	HX327121A0
QR01		4822 130 43398	CHIP TRS. 2SC2712	HX327121A0	Q701		4822 130 43398	CHIP TRS. 2SC2712	HX327121A0
QR03		4822 130 62662	DIG. TRS. DTC144EE RN1104	BA21104000	Q702		4822 130 43398	CHIP TRS. 2SC2712	HX327121A0
			47K-47K		Q703		4822 130 61723	DIG. TRS. DTC323TS 2.2K	BA20028210
QR04		4822 130 62599	DIG. TRS. DTA144EE RN2104	BA12104000	Q704		4822 130 61723	DIG. TRS. DTC323TS 2.2K	BA20028210
			47K-47K		Q705		4822 130 62597	DIG. TRS. DTA144EE RN2102	BA12102000
QU01		9965 000 01738	IC TMP87CS1F MAIN μ -COM	HU479TT00F				10K-10K	
QU02		4822 130 62601	DIG. TRS. DTC114EE RN1102	BA21102000	Q706		4822 130 62662	DIG. TRS. DTC144EE RN1104	BA21104000
			10K-10K					47K-47K	

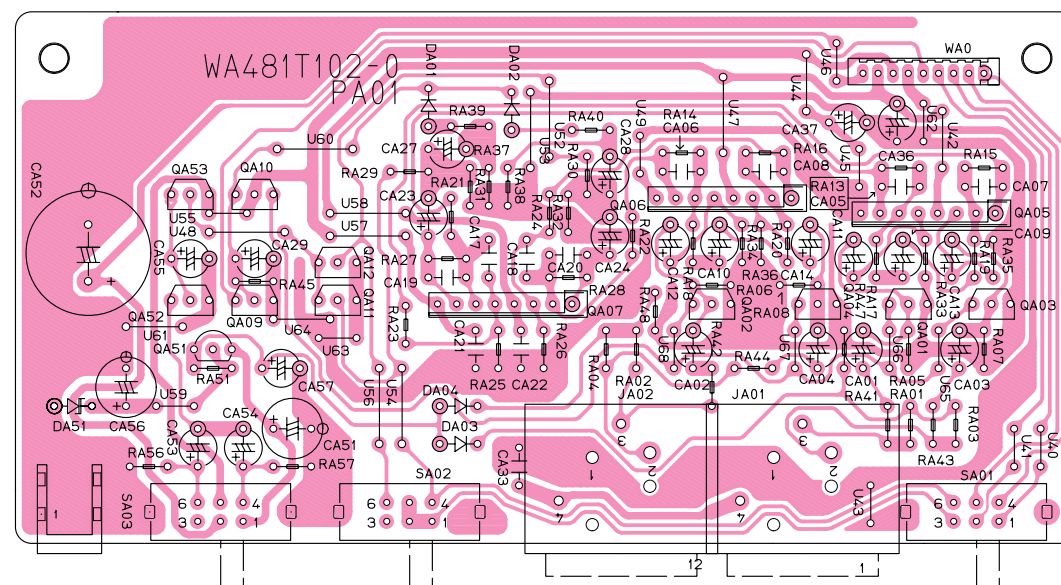
POS. NO	VERS. COLOR	PART NO. (PCS)	DESCRIPTION	PART NO. (MJI)	POS. NO	VERS. COLOR	PART NO. (PCS)	DESCRIPTION	PART NO. (MJI)
Q707		4822 130 62599	DIG. TRS. DTA144EE RN2104 47K-47K	BA12104000	L951		4822 157 63829	OSC TRANSF. BIAS 105KHz	TC10110030
Q709		9965 000 01656	DIG. TRS. RN1110 DTC143TE	BA21110000	L952		4822 157 63829	OSC TRANSF. BIAS 105KHz	TC10110030
Q710		9965 000 01656	DIG. TRS. RN1110 DTC143TE	BA21110000	SE01		4822 277 21559	SLIDE SW. MPX ON/OFF	SS02021150
Q711		4822 130 62599	DIG. TRS. DTA144EE RN2104	BA12104000	SU01		4822 277 21559	SLIDE SW. INPUT SELECT	SS02021150
Q751		4822 130 43398	CHIP TRS. 2SC2712	HX327121A0	XU01		4822 242 72066	SERAMVIB. CERALOCK CST 8.00MHz	FQ08004010
Q752		4822 130 43398	CHIP TRS. 2SC2712	HX327121A0					
Q753		4822 130 61723	DIG. TRS. DTC323TS 2.2K	BA20028210					
Q754		4822 130 61723	DIG. TRS. DTC323TS 2.2K	BA20028210					
Q755		4822 130 62597	DIG. TRS. DTA144EE RN2102 10K-10K	BA12102000					
Q756		4822 130 62662	DIG. TRS. DTC144EE RN1104 47K-47K	BA21104000	DS01		4822 130 83715	CHIP DIODE DAN202U 1SS301	HZ21005000
Q757		4822 130 62599	DIG. TRS. DTA144EE RN2104 47K-47K	BA12104000	DS02		4822 130 83715	CHIP DIODE DAN202U 1SS301	HZ21005000
Q759		9965 000 01656	DIG. TRS. RN1110/DTC143TE	BA21110000	DS03		4822 130 83715	CHIP DIODE DAN202U 1SS301	HZ21005000
Q760		9965 000 01656	DIG. TRS. RN1110/DTC143TE	BA21110000	DS04		9965 000 01660	L.E.D. HLMF-K500 GRN A-REV	HI10008340
Q761		4822 130 62599	DIG. TRS. DTA144EE RN2104	BA12104000	DS05		9965 000 01660	L.E.D. HLMF-K500 GRN A-FWD	HI10008340
Q801		4822 130 62601	DIG. TRS. DTC114EE RN1102 10K-10K	BA21102000	DS06		4822 130 11569	L.E.D. HLMF-K200 RED A+B	HI10005340
Q802		4822 130 62601	DIG. TRS. DTC114EE RN1102 10K-10K	BA21102000	DS07		9965 000 01660	L.E.D. HLMF-K500 GRN A-FF	HI10008340
▲ Q803		4822 209 32676	IC NJM7808FA 8V 1A	HC38908090	DS08		9965 000 01660	L.E.D. HLMF-K500 GRN A-REW	HI10008340
▲ Q804		9965 000 01744	IC NJM7908FA -8V	HC39908090					
▲ Q805		4822 209 83829	IC NJM79M18FA -18V	HC39518090	SS01				
▲ Q806		4822 209 32104	IC UPC2412HF 12V	HC36912060	SS06		9965 000 00373	PUSH SW., TACT	SP01013370
▲ Q807		4822 209 83824	IC NJM7805FA 5V	HC38905090					
Q901		4822 209 72874	IC μ PC1297CA DOLBY	HC10200060					
Q911		4822 130 43954	CHIP TRS. 2SD999 1A 2W	HX409992A0	DS51		4822 130 83715	CHIP DIODE DAN202U 1SS301	HZ21005000
Q912		4822 130 62662	DIG. TRS. DTC144EE RN1104	BA21104000	DS52		4822 130 83715	CHIP DIODE DAN202U 1SS301	HZ21005000
Q913		4822 130 62597	DIG. TRS. DTA114EEK RN2102	BA12102000	DS53		4822 130 83715	CHIP DIODE DAN202U 1SS301	HZ21005000
Q914		4822 130 62662	DIG. TRS. DTC144EE RN1104	BA21104000					
Q915		4822 130 62597	DIG. TRS. DTA114EEK RN2102	BA12102000	DS54		9965 000 01660	L.E.D. HLMF-K500 GRN A-REV	HI10008340
Q951		4822 209 72874	IC μ PC1297CA DOLBY	HC10200060	DS55		9965 000 01660	L.E.D. HLMF-K500 GRN A-FWD	HI10008340
Q961		4822 130 43954	CHIP TRS. 2SD999 1A 2W	HX409992A0	DS56		4822 130 11569	L.E.D. HLMF-K200 RED A+B	HI10005340
Q962		4822 130 62662	DIG. TRS. DTC144EE RN1104	BA21104000	DS57		9965 000 01660	L.E.D. HLMF-K500 GRN A-FF	HI10008340
Q963		4822 130 62597	DIG. TRS. DTA114EEK RN2102	BA12102000	DS58		9965 000 01660	L.E.D. HLMF-K500 GRN A-REW	HI10008340
Q964		4822 130 62662	DIG. TRS. DTC144EE RN1104	BA21104000	JS51			JACK 11P A-CH MECA CONT	YJ06006510
Q965		4822 130 62597	DIG. TRS. DTA114EEK RN2102	BA12102000					
JE01		4822 265 10748	PE01-MISCELLANEOUS TERMINAL A-CH LINE IN/OUT LOOP-THROUGH	YT02060460	SS51		9965 000 00373	PUSH SW., TACT	SP01013370
JE03		9965 000 01742	JACK MJACK HLJ2335-01-3010	YJ01004610	SS56				
JE05			JACK FFC 15P 1MM TOP	YJ07004500					
JE51		4822 267 31823	TERMINAL B-CH LINE IN/OUT RCA-4PIN	YT02040940					
JR01		4822 267 41009	TERMINAL RC-5 IN/OUT ORG	YT02020890	RE31		9965 000 01735	VAR. A-CH REC BAL	RK02031070
JR03		4822 265 20542	TERMINAL EXT IN/OUT GRN	YT02020970	RE32		9965 000 01736	VAR. A-CH REC LEVEL	RK02031080
JU02			JACK 40FMN-BTK TOP DIP	YJ07019230	RE33		9965 000 01737	VAR. A/B CH MMIX LEVEL	RM02030540
LJ01		4822 157 53521	CHOKE COIL TL-8 223J	LC22260710	RE34		4822 051 30223	CHIP 22k Ω \pm 5% 1/16W	NN05223610
LJ02		4822 157 53521	CHOKE COIL TL-8 223J	LC22260710	RE81		9965 000 01735	VAR. B-CH REC BAL	RK02031070
LJ51		4822 157 53521	CHOKE COIL TL-8 223J	LC22260710	RE82		9965 000 01736	VAR. B-CH REC LEVEL	RK02031080
LJ52		4822 157 53521	CHOKE COIL TL-8 223J	LC22260710	RE83		4822 051 30223	CHIP 22k Ω \pm 5% 1/16W	NN05223610
LK01		4822 157 53521	CHOKE COIL 22 mH TL-8 223J	LC22260710	RM81			VAR. PITCH CONT RK11K114 W-CLIK/TAP	RK05020560
LK02		4822 157 53521	CHOKE COIL 22 mH TL-8 223J	LC22260710	RM82			VAR. PITCH CONT RK11K114 W-CLIK/TAP	RK05020560
LK51		4822 157 53521	CHOKE COIL 22 mH TL-8 223J	LC22260710					
LK52		4822 157 53521	CHOKE COIL 22 mH TL-8 223J	LC22260710					
LL01		4822 157 11818	OSC TRANSF. ERASE	TC10140450	RY11		4822 051 30102	CHIP 1k Ω \pm 5% 1/16W	NN05102610
LL51		4822 157 11818	OSC TRANSF. ERASE	TC10140450	RY12		4822 051 30102	CHIP 1k Ω \pm 5% 1/16W	NN05102610
L601			M.P.X. COIL LPF FXD-245	LS10295060	RY13		4822 051 30103	CHIP 10k Ω \pm 5% 1/16W	NN05103610
L602			M.P.X. COIL LPF FXD-245	LS10295060	RY14		4822 051 30103	CHIP 10k Ω \pm 5% 1/16W	NN05103610
L651			M.P.X. COIL LPF FXD-245	LS10295060	RY21				
L652			M.P.X. COIL LPF FXD-245	LS10295060	RY28		4822 051 30471	CHIP 470 Ω \pm 5% 1/16W	NN05471610
L901		4822 157 63829	OSC TRANSF. BIAS 105KHz	TC10110030					
L902		4822 157 63829	OSC TRANSF. BIAS 105KHz	TC10110030					

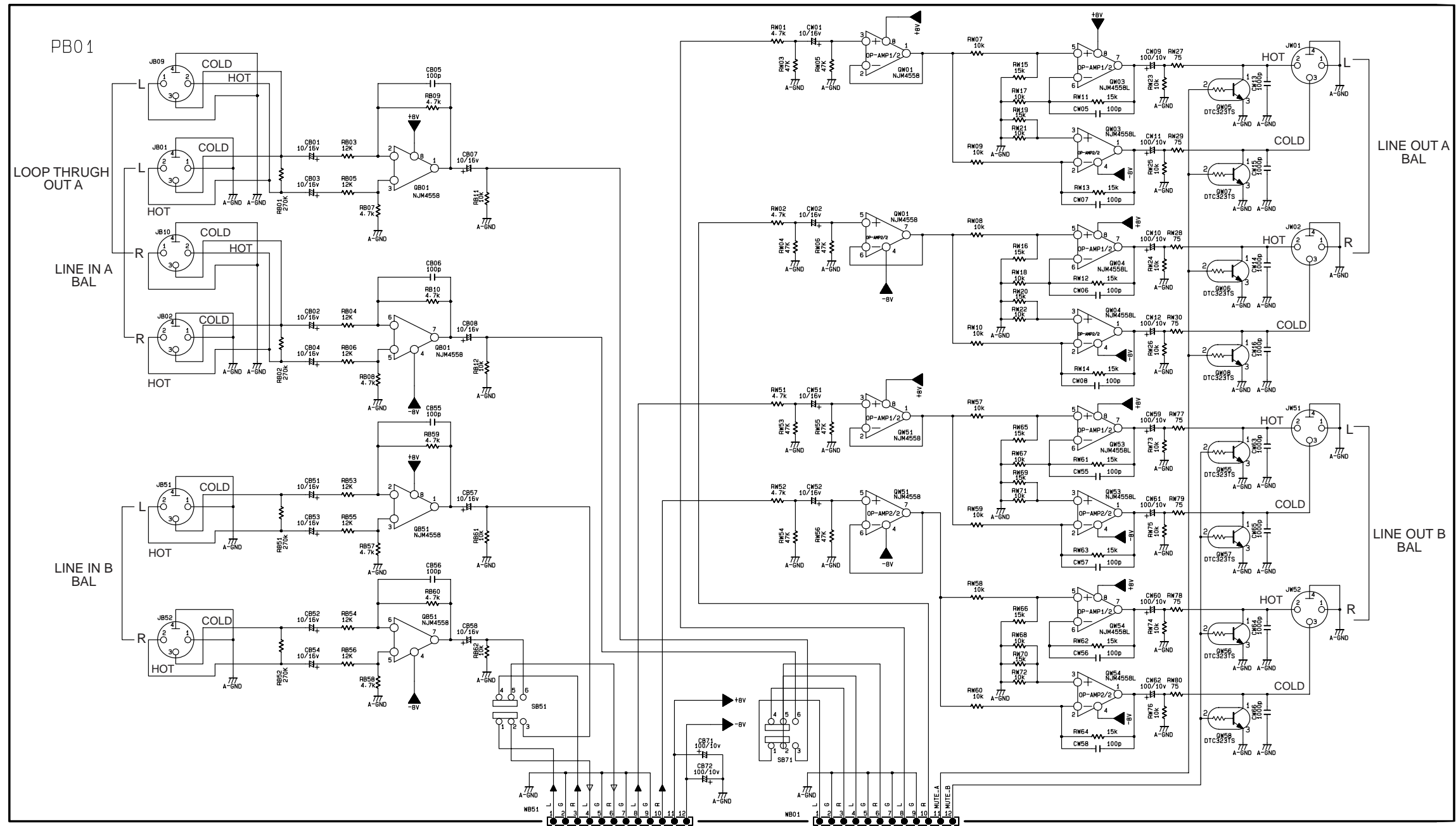
POS. NO	VERS. COLOR	PART NO. (PCS)	DESCRIPTION	PART NO. (MJI)	POS. NO	VERS. COLOR	PART NO. (PCS)	DESCRIPTION	PART NO. (MJI)
DY01 }		4822 130 80522	PY01-SEMICONDUCTORS CHIP DIODE DAP202U 1SS300	HZ21006000	Q781 Q782		4822 209 61187 4822 209 17155	P781-SEMICONDUCTORS IC BA15218F DUAL OPE AMP IC NJM2068M	HC10088210 HC10102090
DY07 DY21 DY22 DY23 DY24 DY25 DY26 DY27 DY28		9965 000 01660 9965 000 01660 9965 000 01660 4822 130 11569 4822 130 11569 4822 130 11569 9965 000 01660 9965 000 01660	L.E.D. HLMF-K500 GRN ALC L.E.D. HLMF-K500 GRN ALC L.E.D. HLMF-K500 GRN CONT L.E.D. HLMF-K200 RED A+B L.E.D. HLMF-K200 RED A+B L.E.D. HLMF-K200 RED A+B L.E.D. HLMF-K500 GRN ALC L.E.D. HLMF-K500 GRN ALC	HI10008340 HI10008340 HI10008340 HI10005340 HI10005340 HI10005340 HI10008340 HI10008340	J781 S781		4822 267 31126 4822 273 10281	P781-MISCELLANEOUS JACK HEAD PHONE ROTARY SW. A - A+B - B CH SELECT	YJ01003020 SR02030200
JY01 JY02			PY01-MISCELLANEOUS JACK 40FMN-STK 40PIN DIP JACK 15FMN-STK 15PIN DIP	YJ07019220 YJ07014070	▲ C851		4822 122 33276	P851-POWER SW CIRCUIT BOARD P851-CAPACITOR CER. 0.1µF ±20%	DK17103840
SY01 }		9965 000 00373	PUSH SW., TACT	SP01013370	▲ J851 ▲ J852 ▲ S851		4822 276 13242	P851-MISCELLANEOUS PLUG 2P TOP B3P-VH PLUG 2P TOP B3P-VH PUSH SW. SDDL B TV-3 POWER	YP04000760 YP04000760 SP01011830
SY08 SY09		4822 277 21728	SLIDE SW. REV-MODE REPEAT	SS01030110				P871-POWER TRANSF CONNECT CIRCUIT BOARD P871-MISCELLANEOUS POWER TRANSF. (F) POWER TRANSF. (N) POWER TRANSF. (U)	TS15725170 TS15725160 TS15725150
SY10 SY11 SY12 SY13		9965 000 00373 9965 000 00373 9965 000 00373 4822 277 21728	PUSH SW., TACT PUSH SW., TACT PUSH SW., TACT SLIDE SW. B-CH DOLBY OFF-B-C	SP01013370 SP01013370 SP01013370 SS01030110	▲ L001 ▲ L001 ▲ L001	F N U	9965 000 01745		
SY14		4822 277 21728	SLIDE SW. A-CH DOLBY OFF-B-C	SS01030110					
VY01		4822 135 00243	DISPLAY UNIT FL FIP10CAM6	HQ30605060					
C781 C782 C785 C786 C787 C788 C789 C790		4822 124 41543 4822 124 41543 4822 124 90353 4822 124 90353 4822 124 90353 4822 124 90353 4822 126 11704 4822 126 11704	P781-HEAD PHONE AMP CIRCUIT BOARD P781-CAPACITORS ELECT 1µF ±20% 50V ELECT 1µF ±20% 50V ELECT 100µF 10V ELECT 100µF 10V ELECT 100µF ±20% 10V ELECT 100µF ±20% 10V CER. 0.022µF +80%-20% 50V CER. 0.022µF +80%-20% 50V	OA10505020 OA10505020 OA10701020 OA10701020 OA10701020 OA10701020 DK98223300 DK98223300					
R771 R772 R773 R774 R775 R776 R777 R778 R779		4822 051 30682 4822 051 30682 4822 051 30332 4822 051 30332 4822 051 30682 4822 051 30682 4822 051 30332 4822 051 30332 4822 101 30839	P781-RESISTORS CHIP 6.8kΩ ±5% 1/16W CHIP 6.8kΩ ±5% 1/16W CHIP 3.3kΩ ±5% 1/16W CHIP 3.3kΩ ±5% 1/16W CHIP 6.8kΩ ±5% 1/16W CHIP 6.8kΩ ±5% 1/16W CHIP 3.3kΩ ±5% 1/16W CHIP 3.3kΩ ±5% 1/16W VAR. HEAD PHONE VOL	NN05682610 NN05682610 NN05332610 NN05332610 NN05682610 NN05682610 NN05332610 NN05332610 RM05032010					
R781 R782 R783 R784 R785 R786 R787 R788 R789 R790 R791 R792		4822 117 13632 4822 117 13632 4822 051 30102 4822 051 30102 4822 051 30272 4822 051 30272 4822 051 30101 4822 051 30101 4822 051 30102 4822 051 30102 4822 051 30103 4822 051 30103	CHIP 100kΩ ±5% 1/16W CHIP 100kΩ ±5% 1/16W CHIP 1kΩ ±5% 1/16W CHIP 1kΩ ±5% 1/16W CHIP 2.7kΩ ±5% 1/16W CHIP 2.7kΩ ±5% 1/16W CHIP 100Ω ±5% 1/16W CHIP 100Ω ±5% 1/16W CHIP 1kΩ ±5% 1/16W CHIP 1kΩ ±5% 1/16W CHIP 10kΩ ±5% 1/16W CHIP 10kΩ ±5% 1/16W	NN05104610 NN05104610 NN05102610 NN05102610 NN05272610 NN05272610 NN05101610 NN05101610 NN05102610 NN05102610 NN05103610 NN05103610					

11. XLR511PMD Kit

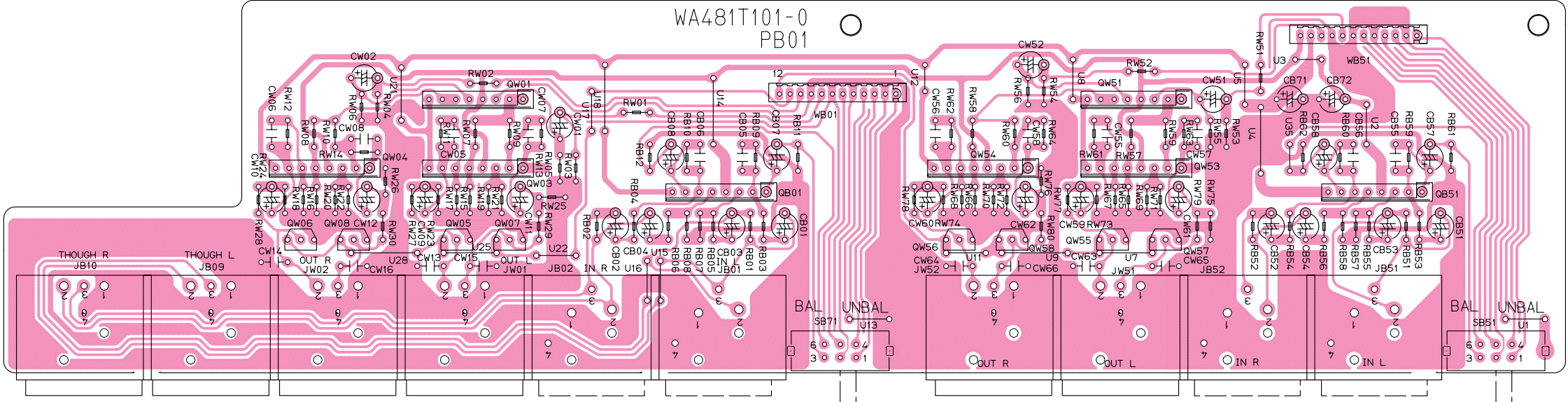


- QA53
- QA10
- QA12
- QA06
- QA02
- QA04
- QA01
- QA05
- QA52
- QA09
- QA11
- QA07
- QA03





QW06 QW08 QW04 QW05 QW07 QW03 QB01 QW56 QW54 QW58 QW51 QW53 QB51
 QW01 QW02 QW03 QW04 QW05 QW06 QW07 QW08 QW09 QW10 QW11 QW12 QW13 QW14 QW15 QW16 QW17 QW18 QW19 QW20 QW21 QW22 QW23 QW24 QW25 QW26 QW27 QW28 QW29 QW30 QW31 QW32 QW33 QW34 QW35 QW36 QW37 QW38 QW39 QW40 QW41 QW42 QW43 QW44 QW45 QW46 QW47 QW48 QW49 QW50 QW51 QW52 QW53 QW54 QW55 QW56 QW57 QW58 QW59 QW60 QW61 QW62 QW63 QW64 QW65 QW66 QW67 QW68 QW69 QW70 QW71 QW72 QW73 QW74 QW75 QW76 QW77 QW78 QW79 QW80 QW81 QW82 QW83 QW84 QW85 QW86 QW87 QW88 QW89 QW90 QW91 QW92 QW93 QW94 QW95 QW96 QW97 QW98 QW99 QW00



POS. NO	VERS. COLOR	PART NO. (PCS)	DESCRIPTION	PART NO. (MJI)	POS. NO	VERS. COLOR	PART NO. (PCS)	DESCRIPTION	PART NO. (MJI)
PA01-XLR MIC CIRCUIT BOARD PA01-CAPACITORS					SA01 4822 277 21559 SLIDE SW. BAL/UNBAL SS02021150 SA02 4822 277 21559 SLIDE SW. PHANTOM SS02021150 SA03 4822 277 21559 SLIDE SW. MONO/ST SS02021150				
CA01		4822 124 23053	ELECT 1μF 50V	EJ10505010	PB01-XLR LINE CIRCUIT BOARD PB01-CAPACITORS CB01 4822 124 21894 ELECT 10μF 16V EJ10601610 CB04 4822 124 21894 ELECT 10μF 16V EJ10601610 CB07 4822 124 21894 ELECT 10μF 16V EJ10601610 CB08 4822 124 21894 ELECT 10μF 16V EJ10601610 CB51 4822 124 21894 ELECT 10μF 16V EJ10601610 CB54 4822 124 21894 ELECT 10μF 16V EJ10601610 CB57 4822 124 21894 ELECT 10μF 16V EJ10601610 CB58 4822 124 21894 ELECT 10μF 16V EJ10601610 CB71 4822 124 90353 ELECT 100μF 10V ±20% RA-2 OA10701020 CB72 4822 124 90353 ELECT 100μF 10V ±20% RA-2 OA10701020 CW01 4822 124 21894 ELECT 10μF 16V EJ10601610 CW02 4822 124 21894 ELECT 10μF 16V EJ10601610 CW09 4822 124 90353 ELECT 100μF 10V ±20% RA-2 OA10701020 CW12 4822 124 21894 ELECT 10μF 16V EJ10601610 CW51 4822 124 21894 ELECT 10μF 16V EJ10601610 CW52 4822 124 21894 ELECT 10μF 16V EJ10601610 CW59 4822 124 90353 ELECT.,100μF ±20% 10V RA-2 OA10701020 CW62				
CA04									
CA09		4822 124 90353	ELECT 100μF 10V ±20% RA-2	OA10701020					
CA10		4822 124 90353	ELECT 100μF 10V ±20% RA-2	OA10701020					
CA11									
CA14		4822 124 23053	ELECT 1μF 50V	EJ10505010					
CA23		4822 124 21894	ELECT 10μF 16V	EJ10601610					
CA24		4822 124 21894	ELECT 10μF 16V	EJ10601610					
CA27		4822 124 21894	ELECT 10μF 16V	EJ10601610					
CA28		4822 124 21894	ELECT 10μF 16V	EJ10601610					
CA29		4822 124 90353	ELECT 100μF 10V ±20% RA-2	OA10701020					
CA33		4822 122 40617	CER. 0.1μF +80 -20% 50V DC	DD38104010					
CA36		4822 124 90353	ELECT 100μF 10V ±20% RA-2	OA10701020					
CA37		4822 124 90353	ELECT 100μF 10V ±20% RA-2	OA10701020					
CA51		4822 124 23562	ELECT 10μF 100V	OA10610020					
CA52			ELECT 220μF 100V	OA22710020					
CA53		4822 124 21894	ELECT 10μF 16V	EJ10601610					
CA54		4822 124 21894	ELECT 10μF 16V	EJ10601610					
CA55		4822 124 23055	ELECT 22μF 10V	EJ22601010					
CA56		4822 124 23053	ELECT 1μF 50V	EJ10505010					
CA57		4822 124 23053	ELECT 1μF 50V	EJ10505010					
C***			PA01-CAPACITORS (COMMON) HIGH DIELECTRIC CONSTANT CERAMIC CAPACITORS, ±10% 50V: CA05-CA08 CA17-CA20		C***				
R***			PA01-RESISTORS (COMMON) CARBON FILM FIXED RES. ±5% 1/6W: RA01-RA08 RA13-RA45 RA47 RA48 RA51 RA56 RA57		C***			PB01-CAPACITORS (COMMON) HIGH DIELECTRIC CONSTANT CERAMIC CAPACITORS, ±10% 50V: CB05 CB06 CB55 CB56 CW05-CW08 CW13-CW16 CW55-CW58 CW63 CW66	
DA01		4822 130 32362	DIODE 1SS176 MA165 1SS133 30V 0.1A	HD20002000	RW27		4822 111 41355	75Ω ±5% 1/6W	GD05750160
DA02		4822 130 32362	DIODE 1SS176 MA165 1SS133 30V 0.1A	HD20002000	RW30				
DA03		4822 130 82421	DIODE 1D3	HD20002710	RW77		4822 111 41355	75Ω ±5% 1/6W	GD05750160
DA04		4822 130 82421	DIODE 1D3	HD20002710	RW80				
DA51		4822 130 80598	ZENER DIODE 22V	HD32201000					
QA01		4822 130 61723	DIG.TRS. DTC323TS	BA20028210	R***			PB01-RESISTORS (COMMON) CARBON FILM FIXED RES. ±5% 1/6W: RB01-RB12 RB51-RB62 RW01-RW26 RW51-RW76	
QA04									
QA05		4822 209 32315	IC NJM-2068L-D	HC10152090			4822 209 30182	IC NJM4558L OP-AMP	HC10076090
QA06		4822 209 32315	IC NJM-2068L-D	HC10152090	QB51		4822 209 30182	IC NJM4558L OP-AMP	HC10076090
QA07		4822 209 32315	IC NJM-2068L-D	HC10152090			4822 209 30182	IC NJM4558L OP-AMP	HC10076090
QA09		4822 130 61189	DIG.TRS. DTC114TS UN4215 KRC111M	BA20004000			4822 130 61723	DIG.TRS. DTC323TS 2.2k	BA20028210
QA10		4822 130 41947	TRS. 2SC2458 2SC1740S 2SC3199	HT30001000	QW01		4822 209 30182	IC NJM4558L OP-AMP	HC10076090
QA11		4822 130 61723	DIG.TRS. DTC323TS	BA20028210	QW03		4822 209 30182	IC NJM4558L OP-AMP	HC10076090
QA12		4822 130 61723	DIG.TRS. DTC323TS	BA20028210	QW04		4822 209 30182	IC NJM4558L OP-AMP	HC10076090
QA51			IC NJM78L24	HC38124090	QW05				
QA52		4822 130 60588	DIG.TRS. DTC114ES UN4211 KRC102M	BA20001000			4822 130 61723	DIG.TRS. DTC323TS 2.2k	BA20028210
QA53		4822 130 42682	DIG.TRS. DTA144ES UN4113 KRA104M	BA10002000	QW08		4822 209 30182	IC NJM4558L OP-AMP	HC10076090
JA01			PA01-MISCELLANEOUS JACK NC3FAH2 4P CANON	YJ01004340	QW51		4822 209 30182	IC NJM4558L OP-AMP	HC10076090
JA02			JACK NC3FAH2 4P CANON	YJ01004340	QW53		4822 209 30182	IC NJM4558L OP-AMP	HC10076090
					QW54		4822 209 30182	IC NJM4558L OP-AMP	HC10076090
					QW55		4822 130 61723	DIG.TRS. DTC323TS 2.2k	BA20028210
					QW58				

SPECIFICATIONS

POS. NO	VERS. COLOR	PART NO. (PCS)	DESCRIPTION	PART NO. (MJ)
JB01			PB01-MISCELLANEOUS	
JB02			JACK,NC3FAH2 4P CANON	YJ01004340
JB09			JACK,NC3FAH2 4P CANON	YJ01004340
JB10			JACK,NC3MAH 3P CANNON	YJ01004070
JB51			JACK,NC3MAH 3P CANNON	YJ01004070
JB52			JACK,NC3FAH2 4P CANON	YJ01004340
JW01			JACK,NC3FAH2 4P CANON	YJ01004340
JW02			JACK,NC3MAH 3P CANNON	YJ01004070
JW51			JACK,NC3MAH 3P CANNON	YJ01004070
JW52			JACK,NC3MAH 3P CANNON	YJ01004070
SB01		4822 277 21559	SLIDE SW. BAL/UNBAL	SS02021150
SB51		4822 277 21559	SLIDE SW. BAL/UNBAL	SS02021150
			NOT STANDARD SPEAR PARTS	
002G	F		REAR PANEL	479T250060
002G	U		REAR PANEL	479T250040
002G	N		REAR PANEL	479T250050
002S			PACKING CASE	481T801010
002T	F		CARD,USERS GUIDE	481T865030
002T	U/N		CARD,USERS GUIDE	481T865010

Rated output +4 dBu
Output impedance 150Ω
Input sensitivity +4 dBu
Input impedance 22 kΩ
Max. output level +16 dBu
Pin assignment 1: GND 2: HOT 3: COLD