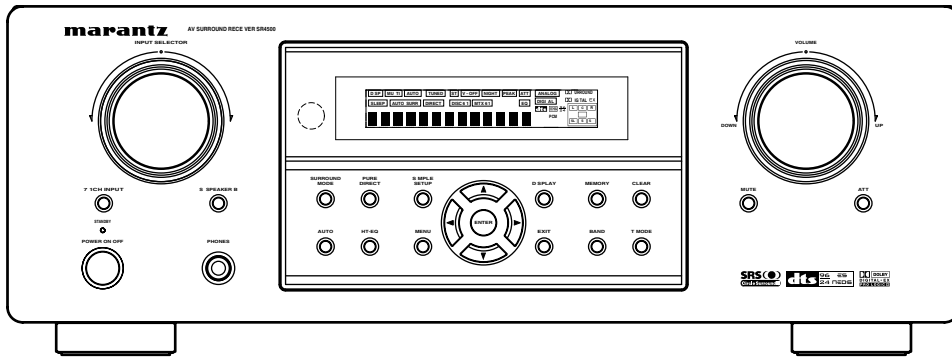


Service Manual

SR4500 / A1B/N1B/U1B
K1G/L1G/N1G
A1S/N1S/U1S
AV Surround Receiver

PS4500 / F1N
AV Surround Amplifier



PS4500

SR4500

TABLE OF CONTENTS

SECTION	PAGE
1. TECHNICAL SPECIFICATIONS	1
2. TECHNICAL DESCRIPTION	4
3. WIRING DIAGRAM	7
4. BLOCK DIAGRAM	9
5. SCHEMATIC DIAGRAM	11
6. PARTS LOCATION	27
7. IC DATA	38
8. EXPLODED VIEW AND PARTS LIST	45
9. POWER AMPLIFIER ADJUSTMENT	52
10. SERVICE MODE	53
11. SYSTEM ERROR	55
12. UPDATE FIRMWARE	56
13. ELECTRICAL PARTS LIST	58

Please use this service manual with referring to the user guide (D.F.U) without fail.
修理の際は、必ず取扱説明書を準備し操作方法を確認の上作業を行ってください。

marantz®

SR4500 / PS4500

Part no. 90M07BW855010
First Issue 2004.06
ecm

MARANTZ DESIGN AND SERVICE

Using superior design and selected high grade components, **MARANTZ** company has created the ultimate in stereo sound. Only original **MARANTZ** parts can insure that your **MARANTZ** product will continue to perform to the specifications for which it is famous.

Parts for your **MARANTZ** equipment are generally available to our National Marantz Subsidiary or Agent.

ORDERING PARTS :

Parts can be ordered either by mail or by Fax.. In both cases, the correct part number has to be specified.

The following information must be supplied to eliminate delays in processing your order :

1. Complete address
2. Complete part numbers and quantities required
3. Description of parts
4. Model number for which part is required
5. Way of shipment
6. Signature : any order form or Fax. must be signed, otherwise such part order will be considered as null and void.

<p>USA</p> <p>MARANTZ AMERICA, INC 1100 MAPLEWOOD DRIVE ITASCA, IL. 60143 USA PHONE : 630 - 741 - 0300 FAX : 630 - 741 - 0301</p>	<p>EUROPE / TRADING</p> <p>MARANTZ EUROPE B.V. P. O. BOX 8744, BUILDING SILVERPOINT BEEMDSTRAAT 11, 5653 MA EINDHOVEN THE NETHERLANDS PHONE : +31 - 40 - 2507844 FAX : +31 - 40 - 2507860</p>	<p>CANADA</p> <p>MARANTZ CANADA INC. 5-505 APPLE CREEK BLVD. MARKHAM, ONTARIO L3R 5B1 CANADA PHONE : 905 - 415 - 9292 FAX : 905 - 475 - 4159</p>
<p>PROFESSIONAL AMERICAS</p> <p>SUPERSCOPE TECHNOLOGIES, INC. MARANTZ PROFESSIONAL PRODUCTS 2640 WHITE OAK CIRCLE, SUITE A AURORA, ILLINOIS 60504 USA PHONE : 630 - 820 - 4800 FAX : 630 - 820 - 8103</p>	<p>PROFESSIONAL AUSTRALIA</p> <p>TECHNICAL AUDIO GROUP PTY, LTD 43-53 Bridge Rd., STANMORE NSW 2048 AUSTRALIA PHONE : +61 - (0)2 - 9519 - 0900 FAX : +61 - (0)2 - 9519 - 0600</p>	<p>PROFESSIONAL HONG KONG</p> <p>Jolly ProAudio Broadcast Engineering Ltd. UNIT 2, 10F, WAH HUNG CENTRE, 41 HUNG TO ROAD, KWUN TONG, KLN., HONG KONG PHONE : 852 - 21913660 FAX : 852 - 21913990</p>
<p>AUSTRALIA</p> <p>QualiFi Pty Ltd, 24 LIONEL ROAD, MT. WAVERLEY VIC 3149 AUSTRALIA PHONE : +61 - (0)3 - 9543 - 1522 FAX : +61 - (0)3 - 9543 - 3677</p>	<p>THAILAND</p> <p>MRZ STANDARD CO., LTD 746 - 754 MAHACHAI ROAD., WANGBURAPAPIROM, PHRANAKORN, BANGKOK, 10200 THAILAND PHONE : +66 - 2 - 222 9181 FAX : +66 - 2 - 224 6795</p>	<p>SINGAPORE</p> <p>WO KEE HONG DISTRIBUTION PTE LTD No.1 JALAN KILANG TIMOR #08-03 PACIFIC TECH CENTRE SINGAPORE 159303 PHONE : +65 6376 0338 FAX : +65 6376 0166</p>
<p>NEW ZEALAND</p> <p>WILDASH AUDIO SYSTEMS NZ 14 MALVERN ROAD MT ALBERT AUCKLAND NEW ZEALAND PHONE : +64 - 9 - 8451958 FAX : +64 - 9 - 8463554</p>	<p>TAIWAN</p> <p>PAI- YUING CO., LTD. 6 TH FL NO, 148 SUNG KIANG ROAD, TAIPEI, 10429, TAIWAN R.O.C. PHONE : +886 - 2 - 25221304 FAX : +886 - 2 - 25630415</p>	<p>MALAYSIA</p> <p>WO KEE HONG ELECTRONICS SDN. BHD. 2ND FLOOR BANGUNAN INFINITE CENTRE LOT 1, JALAN 13/6, 46200 PETALING JAYA SELANGOR DARUL EHSAN, MALAYSIA PHONE : +60 - 3 - 7954 8088 FAX : +60 - 3 - 7954 7088</p>
<p>JAPAN Technical</p> <p>MARANTZ JAPAN, INC. 35- 1, 7- CHOME, SAGAMIONO SAGAMIHARA - SHI, KANAGAWA JAPAN 228-8505 PHONE : +81 42 748 1013 FAX : +81 42 741 9190</p>	<p style="text-align: center;">日本マランツ株式会社</p> <p style="text-align: center;">本社 〒228-8505 神奈川県相模原市相模大野7-35-1</p>	<p>KOREA</p> <p>MK ENTERPRISES LTD. ROOM 604/605, ELECTRO-OFFICETEL, 16-58, 3GA, HANGANG-RO, YONGSAN-KU, SEOUL KOREA PHONE : +822 - 3232 - 155 FAX : +822 - 3232 - 154</p>

SHOCK, FIRE HAZARD SERVICE TEST :

CAUTION : After servicing this appliance and prior to returning to customer, measure the resistance between either primary AC cord connector pins (with unit NOT connected to AC mains and its Power switch ON), and the face or Front Panel of product and controls and chassis bottom.

Any resistance measurement less than 1 Megohms should cause unit to be repaired or corrected before AC power is applied, and verified before it is return to the user/customer.

Ref. UL Standard No. 6500.

In case of difficulties, do not hesitate to contact the Technical Department at above mentioned address.

1. TECHNICAL SPECIFICATIONS

FM TUNER SECTION

Frequency Range 87.5 - 108.0 MHz
Usable Sensitivity IHF 1.8 μ V/16.4 dBf
Signal to Noise Ratio Mono/Stereo 75/70 dB
Distortion Mono/Stereo 0.2/0.3 %
Stereo Separation 1 kHz 45 dB
Alternate Channel Selectivity \pm 300 kHz 60 dB
Image Rejection 98 MHz 70 dB
Tuner Output Level 1 kHz, \pm 75 kHz Dev 800 mV

AM TUNER SECTION [SR4500]

Frequency Range 531 - 1602 kHz [/K /N]
..... 520 - 1710 kHz [/L /U]
Signal to Noise Ratio 50 dB
Usable Sensitivity Loop 400mV/m
Distortion 400Hz, 30 % Mod. 0.5 %
Selectivity \pm 18 kHz 70 dB

AUDIO SECTION

Power Output (20 Hz - 20 kHz/THD=0.08%)

Front L&R 8 ohms 80 W / Ch
Center 8 ohms 80 W / Ch
Surround L&R 8 ohms 80 W / Ch
Surround Back L&R 8 ohms 80 W / Ch

Front L&R 6 ohms 105 W / Ch
Center 6 ohms 105 W / Ch
Surround L&R 6 ohms 105 W / Ch
Surround Back L&R 6 ohms 105 W / Ch

Input Sensitivity/Impedance 168 mV/ 47 Kohms

Signal to Noise Ratio

(Analog Input / Source Direct) 105 dB

Frequency Response

(Analog Input / Source Direct) 8 Hz - 100 kHz (\pm 3 dB)

(Digital Input / 96 kHz PCM) 8 Hz - 45 kHz (\pm 3 dB)

VIDEO SECTION

Television Format NTSC/PAL

Input Level/Impedance 1 Vp-p/75 ohms

Output Level/Impedance 1 Vp-p/75 ohms

Video Frequency Response 5 Hz to 8 MHz ($-$ 1 dB)

Video Frequency (Component) 5 Hz to 80 MHz ($-$ 1 dB)

S/N 60 dB

GENERAL

Power Requirement AC 230 V 50 Hz [/A /N]

..... AC 220 V 50/60 Hz [/K]

..... AC 110 V 60 Hz [/L]

..... AC 120 V 60 Hz [/U]

Power Consumption 388 W

Weight 12.0 Kg

ACCESSORIES

Remote Control Unit RC5500SR 1

AAA-size batteries 2

FM Antenna [SR4500] 1

AM Loop Antenna [SR4500] 1

AC Power Cord 1

The relation between the selected surround mode and the input signal

The surround mode is selected with the surround mode selector on SR4500 or the remote control unit. However, the sound you hear is subject to the relationship between the selected surround mode and input signal. That relationship is as follows;

SR4500

Surround Mode	Input Signal	Decoding	Output Channel					Front information display	
			L/R	C	SL SR	SBL SBR	SubW	Signal format indicators	Channel status
AUTO	Dolby Surr. EX	Dolby Digital EX	○	○	○	○	○	DD DIGITAL	L, C, R, SL, SR, S, LFE
	Dolby D (5.1ch)	Dolby Digital 5.1	○	○	○	-	○	DD DIGITAL	L, C, R, SL, SR, LFE
	Dolby D(2ch)	Dolby Digital 2.0	○	-	-	-	-	DD DIGITAL	L, R
	Dolby D (2ch Surr)	Pro Logic IIx movie	○	○	○	○	-	DD DIGITAL , DD SURROUND	L, R, S
	DTS-ES	DTS-ES	○	○	○	○	○	dtS, ES	L, C, R, SL, SR, S, LFE
	DTS 96/24	DTS 96/24	○	○	○	-	○	dtS 96/24	L, C, R, SL, SR, LFE
	DTS (5.1ch)	DTS 5.1	○	○	○	-	○	dtS	L, C, R, SL, SR, LFE
	PCM(Audio)	PCM (Stereo)	○	-	-	-	-	PCM	L, R
	PCM 96kHz	PCM (96kHz Stereo)	○	-	-	-	-	PCM	L, R
	Analog	Stereo	○	-	-	-	-	ANALOG	-
PURE-DIRECT	Dolby D Surr. EX	Dolby Digital EX	○	○	○	○	○	DD DIGITAL	L, C, R, SL, SR, S, LFE
	Dolby D (5.1ch)	Dolby Digital 5.1	○	○	○	-	○	DD DIGITAL	L, C, R, SL, SR, LFE
	Dolby D (2ch)	Dolby Digital 2.0	○	-	-	-	-	DD DIGITAL	L, R
	Dolby D (2ch Surr)	Pro Logic IIx movie	○	○	○	○	-	DD DIGITAL , DD SURROUND	L, R, S
	DTS-ES	DTS-ES	○	○	○	○	○	dtS, ES	L, C, R, SL, SR, S, LFE
	DTS 96/24	DTS 96/24	○	○	○	-	○	dtS 96/24	L, C, R, SL, SR, LFE
	DTS (5.1ch)	DTS 5.1	○	○	○	-	○	dtS	L, C, R, SL, SR, LFE
	PCM (Audio)	PCM (Stereo)	○	-	-	-	-	PCM	L, R
	PCM 96kHz	PCM (96kHz Stereo)	○	-	-	-	-	PCM	L, R
	Analog	Stereo	○	-	-	-	-	ANALOG	-
EX/ES	Dolby D Surr. EX	Dolby Digital EX	○	○	○	○	○	DD DIGITAL	L, C, R, SL, SR, S, LFE
	Dolby D (5.1ch)	Dolby Digital EX	○	○	○	○	○	DD DIGITAL	L, C, R, SL, SR, LFE
	DTS-ES	DTS-ES	○	○	○	○	○	dtS , ES	L, C, R, SL, SR, S, LFE
	DTS(5.1ch)	DTS-ES	○	○	○	○	○	dtS	L, C, R, SL, SR, LFE
DOLBY (PL IIx movie) (PL IIx music) (PL IIx game) (Pro Logic)	Dolby D Surr. EX	Dolby Digital 5.1	○	○	○	○	○	DD DIGITAL	L, C, R, SL, SR, S, LFE
	Dolby D (5.1ch)	Dolby Digital 5.1	○	○	○	○	○	DD DIGITAL	L, C, R, SL, SR, LFE
	Dolby D (2ch)	Pro Logic IIx	○	○	○	○	-	DD DIGITAL	L, R
	Dolby D (2ch Surr)	Pro Logic IIx	○	○	○	○	-	DD DIGITAL , DD SURROUND	L, R, S
	PCM (Audio)	Pro Logic IIx	○	○	○	○	-	PCM	L, R
	Analog	Pro Logic IIx	○	○	○	○	-	ANALOG	-
	DTS-ES	DTS 5.1	○	○	○	-	○	dtS, ES	L, C, R, SL, SR, S, LFE
DTS (Neo:6 Cinema) (Neo:6 Music)	DTS 96/24	DTS 96/24	○	○	○	-	○	dtS 96/24	L, C, R, SL, SR, LFE
	DTS (5.1ch)	DTS 5.1	○	○	○	-	○	dtS	L, C, R, SL, SR, LFE
	PCM (Audio)	Neo:6	○	○	○	○	-	PCM	L, R
	Analog	Neo:6	○	○	○	○	-	ANALOG	-
	Dolby D (2ch)	Neo:6	○	○	○	○	-	DD DIGITAL	L, R
	Dolby D (2ch Surr)	Neo:6	○	○	○	○	-	DD DIGITAL , DD SURROUND	L, R, S
	PCM (Audio)	CS II	○	○	○	○	○	PCM	L, R
CS II Cinema CS II Music CS II Mono	Analog	CS II	○	○	○	○	○	ANALOG	-
	Dolby D (2ch)	CS II	○	○	○	○	○	DD DIGITAL	L, R
	Dolby D (2ch Surr)	CS II	○	○	○	○	○	DD DIGITAL , DD SURROUND	L, R, S
STEREO	Dolby Surr. EX	Stereo	○	-	-	-	○	DD DIGITAL	L, C, R, SL, SR, S, LFE
	Dolby D (5.1ch)	Stereo	○	-	-	-	○	DD DIGITAL	L, C, R, SL, SR, LFE
	Dolby D (2ch)	Stereo	○	-	-	-	-	DD DIGITAL	L, R
	Dolby D (2ch Surr)	Stereo	○	-	-	-	-	DD DIGITAL , DD SURROUND	L, R, S
	DTS-ES	Stereo	○	-	-	-	○	dtS, ES	L, C, R, SL, SR, S, LFE
	DTS 96/24	Stereo	○	-	-	-	○	dtS 96/24	L, C, R, SL, SR, LFE
	DTS (5.1ch)	Stereo	○	-	-	-	○	dtS	L, C, R, SL, SR, LFE
	PCM (Audio)	Stereo	○	-	-	-	-	PCM	L, R
	PCM 96kHz	Stereo	○	-	-	-	-	PCM	L, R
	Analog	Stereo	○	-	-	-	-	ANALOG	-
Virtual	Dolby Surr. EX	Virtual	○	-	-	-	-	DD DIGITAL	L, C, R, SL, SR, S, LFE
	Dolby D (5.1ch)	Virtual	○	-	-	-	-	DD DIGITAL	L, C, R, SL, SR, LFE
	Dolby D (2ch)	Virtual	○	-	-	-	-	DD DIGITAL	L, R
	Dolby D (2ch Surr)	Virtual	○	-	-	-	-	DD DIGITAL , DD SURROUND	L, R, S
	DTS-ES	Virtual	○	-	-	-	-	dtS, ES	L, C, R, SL, SR, S, LFE
	DTS (5.1ch)	Virtual	○	-	-	-	-	dtS	L, C, R, SL, SR, LFE
	PCM (Audio)	Virtual	○	-	-	-	-	PCM	L, R
Analog	Virtual	○	-	-	-	-	ANALOG	-	
Multi Ch. Stereo	Dolby Surr. EX	Dolby Digital EX	○	○	○	○	○	DD DIGITAL	L, C, R, SL, SR, S, LFE
	Dolby D (5.1ch)	Dolby Digital 5.1	○	○	○	-	○	DD DIGITAL	L, C, R, SL, SR, LFE
	Dolby D (2ch)	Multi Channel Stereo	○	○	○	○	-	DD DIGITAL	L, R
	Dolby D (2ch Surr)	Multi Channel Stereo	○	○	○	○	-	DD DIGITAL , DD SURROUND	L, R, S
	DTS-ES	DTS-ES	○	○	○	○	-	dtS, ES	L, C, R, SL, SR, S, LFE
	DTS (5.1ch)	DTS 5.1	○	○	○	-	○	dtS	L, C, R, SL, SR, LFE
	PCM (Audio)	Multi Channel Stereo	○	○	○	○	-	PCM	L, R
Analog	Multi Channel Stereo	○	○	○	○	-	ANALOG	-	

Notes :

- Dolby Digital (2 ch: Lt/Rt): signal with Dolby Surround flag Speakers are full set.
- No sound outputs from the surround speaker, center speaker and subwoofer if the DVD disc has no surround data.

Abbreviations

- L/R = Front speakers
- C = Center speaker
- SL/SR = Surround speakers
- SBL/SBR = Surround Back speakers
- SW = Sub woofer speaker

PS4500

サラウンドモード	入力信号	再生	出力チャンネル					前面表示		
			L/R	C	SL SR	SBL SBR	SubW	信号フォーマット表示	プログラムチャンネル表示	
AUTO	Dolby Surr. EX	Dolby Digital EX	○	○	○	○	○	□□ DIGITAL	L, C, R, SL, SR, S, LFE	
	Dolby D (5.1ch)	Dolby Digital 5.1	○	○	○	-	○	□□ DIGITAL	L, C, R, SL, SR, LFE	
	Dolby D(2ch)	Dolby Digital 2.0	○	-	-	-	-	□□ DIGITAL	L, R	
	Dolby D (2ch Surr)	Pro Logic IIx movie	○	○	○	○	*	□□ DIGITAL, □□ SURROUND	L, R, S	
	DTS-ES	DTS-ES	○	○	○	○	○	dts, ES	L, C, R, SL, SR, S, LFE	
	DTS 96/24	DTS 96/24	○	○	○	-	○	dts 96/24	L, C, R, SL, SR, LFE	
	DTS (5.1ch)	DTS 5.1	○	○	○	-	○	dts	L, C, R, SL, SR, LFE	
	PCM(Audio)	PCM (Stereo)	○	-	-	-	-	PCM	L, R	
	PCM 96kHz	PCM (96kHz Stereo)	○	-	-	-	-	PCM	L, R	
	AAC (5.1ch)	AAC 5.1	○	○	○	-	○	AAC	L, C, R, SL, SR, LFE	
	AAC (2ch)	AAC 2.0	○	-	-	-	-	AAC	L, R	
	Analog	Stereo	○	-	-	-	-	ANALOG	-	
	S-DIRECT	Dolby D Surr. EX	Dolby Digital EX	○	○	○	○	○	□□ DIGITAL	L, C, R, SL, SR, S, LFE
		Dolby D (5.1ch)	Dolby Digital 5.1	○	○	○	-	○	□□ DIGITAL	L, C, R, SL, SR, LFE
Dolby D (2ch)		Dolby Digital 2.0	○	-	-	-	-	□□ DIGITAL	L, R	
Dolby D (2ch Surr)		Pro Logic IIx movie	○	○	○	○	*	□□ DIGITAL, □□ SURROUND	L, R, S	
DTS-ES		DTS-ES	○	○	○	○	○	dts, ES	L, C, R, SL, SR, S, LFE	
DTS 96/24		DTS 96/24	○	○	○	-	○	dts 96/24	L, C, R, SL, SR, LFE	
DTS (5.1ch)		DTS 5.1	○	○	○	-	○	dts	L, C, R, SL, SR, LFE	
PCM (Audio)		PCM (Stereo)	○	-	-	-	-	PCM	L, R	
PCM 96kHz		PCM (96kHz Stereo)	○	-	-	-	-	PCM	L, R	
AAC (5.1ch)		AAC 5.1	○	○	○	-	○	AAC	L, C, R, SL, SR, LFE	
AAC (2ch)		AAC 2.0	○	-	-	-	-	AAC	L, R	
Analog		Stereo	○	-	-	-	-	ANALOG	-	
EX/ES		Dolby D Surr. EX	Dolby Digital EX	○	○	○	○	○	□□ DIGITAL	L, C, R, SL, SR, S, LFE
		Dolby D (5.1ch)	Dolby Digital EX	○	○	○	○	○	□□ DIGITAL	L, C, R, SL, SR, LFE
	DTS-ES	DTS-ES	○	○	○	○	○	dts, ES	L, C, R, SL, SR, S, LFE	
	DTS(5.1ch)	DTS-ES	○	○	○	○	○	dts	L, C, R, SL, SR, LFE	
	AAC (5.1ch)	AAC EX	○	○	○	-	○	AAC	L, C, R, SL, SR, LFE	
	DOLBY (PL IIx movie) (PL IIx music) (PL IIx game) (Pro Logic)	Dolby D Surr. EX	Dolby Digital 5.1	○	○	○	○	○	□□ DIGITAL	L, C, R, SL, SR, S, LFE
DTS (Neo:6 Cinema) (Neo:6 Music)	Dolby D (5.1ch)	Dolby Digital 5.1	○	○	○	-	○	□□ DIGITAL	L, C, R, SL, SR, LFE	
	Dolby D (2ch)	Pro Logic IIx	○	○	○	○	*	□□ DIGITAL	L, R	
	Dolby D (2ch Surr)	Pro Logic IIx	○	○	○	○	*	□□ DIGITAL, □□ SURROUND	L, R, S	
	PCM (Audio)	Pro Logic IIx	○	○	○	○	*	PCM	L, R	
	AAC (2ch)	Pro Logic IIx	○	○	○	○	*	AAC	L, R	
	Analog	Pro Logic IIx	○	○	○	○	*	ANALOG	-	
	DTS-ES	DTS 5.1	○	○	○	-	○	dts, ES	L, C, R, SL, SR, S, LFE	
	DTS 96/24	DTS 96/24	○	○	○	-	○	dts 96/24	L, C, R, SL, SR, LFE	
	DTS (5.1ch)	DTS 5.1	○	○	○	-	○	dts	L, C, R, SL, SR, LFE	
	PCM (Audio)	Neo:6	○	○	○	○	*	PCM	L, R	
	Analog	Neo:6	○	○	○	○	*	ANALOG	-	
	Dolby D (2ch)	Neo:6	○	○	○	○	*	□□ DIGITAL	L, R	
	Dolby D (2ch Surr)	Neo:6	○	○	○	○	*	□□ DIGITAL, 2 SURROUND	L, R, S	
	AAC (2ch)	Neo:6	○	○	○	○	*	AAC	L, R	
CS II Cinema CS II Music CS II Mono	PCM (Audio)	CS II	○	○	○	○	○	PCM	L, R	
	Analog	CS II	○	○	○	○	○	ANALOG	-	
	Dolby D (2ch)	CS II	○	○	○	○	○	□□ DIGITAL	L, R	
	Dolby D (2ch Surr)	CS II	○	○	○	○	○	□□ DIGITAL, 2 SURROUND	L, R, S	
	AAC (2ch)	CS II	○	○	○	○	○	AAC	L, R	
STEREO	Dolby Surr. EX	Stereo	○	-	-	-	○	□□ DIGITAL	L, C, R, SL, SR, S, LFE	
	Dolby D (5.1ch)	Stereo	○	-	-	-	○	□□ DIGITAL	L, C, R, SL, SR, LFE	
	Dolby D (2ch)	Stereo	○	-	-	-	*	□□ DIGITAL	L, R	
	Dolby D (2ch Surr)	Stereo	○	-	-	-	*	□□ DIGITAL, □□ SURROUND	L, R, S	
	DTS-ES	Stereo	○	-	-	-	○	dts, ES	L, C, R, SL, SR, S, LFE	
	DTS 96/24	Stereo	○	-	-	-	○	dts 96/24	L, C, R, SL, SR, LFE	
	DTS (5.1ch)	Stereo	○	-	-	-	○	dts	L, C, R, SL, SR, LFE	
	PCM (Audio)	Stereo	○	-	-	-	*	PCM	L, R	
	PCM 96kHz	Stereo	○	-	-	-	*	PCM	L, R	
	AAC (5.1ch)	Stereo	○	-	-	-	○	AAC	L, C, R, SL, SR, LFE	
	AAC (2ch)	Stereo	○	-	-	-	*	AAC	L, R	
	Analog	Stereo	○	-	-	-	*	ANALOG	-	
	Virtual	Dolby Surr. EX	Virtual	○	-	-	-	-	□□ DIGITAL	L, C, R, SL, SR, S, LFE
		Dolby D (5.1ch)	Virtual	○	-	-	-	-	□□ DIGITAL	L, C, R, SL, SR, LFE
Dolby D (2ch)		Virtual	○	-	-	-	-	□□ DIGITAL	L, R	
Dolby D (2ch Surr)		Virtual	○	-	-	-	-	□□ DIGITAL, □□ SURROUND	L, R, S	
DTS-ES		Virtual	○	-	-	-	-	dts, ES	L, C, R, SL, SR, S, LFE	
DTS (5.1ch)		Virtual	○	-	-	-	-	dts	L, C, R, SL, SR, LFE	
PCM (Audio)		Virtual	○	-	-	-	-	PCM	L, R	
AAC (5.1ch)		Virtual	○	-	-	-	-	AAC	L, C, R, SL, SR, LFE	
AAC (2ch)		Virtual	○	-	-	-	-	AAC	L, R	
Analog		Virtual	○	-	-	-	-	ANALOG	-	
Multi Ch. Stereo		Dolby Surr. EX	Dolby Digital EX	○	○	○	○	○	□□ DIGITAL	L, C, R, SL, SR, S, LFE
	Dolby D (5.1ch)	Dolby Digital 5.1	○	○	○	-	○	□□ DIGITAL	L, C, R, SL, SR, LFE	
	Dolby D (2ch)	Multi Channel Stereo	○	○	○	○	*	□□ DIGITAL	L, R	
	Dolby D (2ch Surr)	Multi Channel Stereo	○	○	○	○	*	□□ DIGITAL, □□ SURROUND	L, R, S	
	DTS-ES	DTS-ES	○	○	○	○	○	dts, ES	L, C, R, SL, SR, S, LFE	
	DTS (5.1ch)	DTS 5.1	○	○	○	-	○	dts	L, C, R, SL, SR, LFE	
	PCM (Audio)	Multi Channel Stereo	○	○	○	○	*	PCM	L, R	
	AAC (5.1ch)	AAC 5.1	○	○	○	-	○	AAC	L, C, R, SL, SR, LFE	
	AAC (2ch)	Multi Channel	○	○	○	○	*	AAC	L, R	
	Analog	Multi Channel Stereo	○	○	○	○	*	ANALOG	-	

- ・ Dolby Digital (2 ch: Lt/Rt): ドルビーサラウンド処理されたドルビーデジタル2ch信号
- ・ * サブウーファー 他のスピーカーのLarge/Smallによってサブウーファー出力は異なります。

L/R = フロントスピーカー
 C = センタースピーカー
 SL/SR = サラウンドスピーカー
 SBL/SBR = サラウンドバックスピーカー
 SubW = サブウーファースピーカー

2. TECHNICAL DESCRIPTION



DTS was introduced in 1994 to provide 5.1 channels of discrete digital audio into home theater systems.

DTS brings you premium quality discrete multichannel digital sound to both movies and music.

DTS is a multichannel sound system designed to create full range digital sound reproduction.

The no compromise DTS digital process sets the standard of quality for cinema sound by delivering an exact copy of the studio master recordings to neighborhood and home theaters.

Now, every moviegoer can hear the sound exactly as the moviemaker intended.

DTS can be enjoyed in the home for either movies or music on DVD's, LD's, and CD's.

"DTS" and "DTS Digital Surround" are registered trademarks of Digital Theater Systems, Inc.



The advantages of discrete multichannel systems over matrix are well known.

But even in homes equipped for discrete multichannel, there remains a need for high-quality matrix decoding. This is because of the large library of matrix surround motion pictures available on disc and on VHS tape; and analog television broadcasts.

The typical matrix decoder of today derives a center channel and a mono surround channel from two-channel matrix stereo material. It is better than a simple matrix in that it includes steering logic to improve separation, but because of its mono, band-limited surround it can be disappointing to users accustomed to discrete multichannel.

Neo:6 offers several important improvements as follow,

- Neo:6 provides up to six full-band channels of matrix decoding from stereo matrix material. Users with 6.1 and 5.1 systems will derive six and five separate channels, respectively, corresponding to the standard home-theater speaker layouts.
- Neo:6 technology allows various sound elements within a channel or channels to be steered separately, and in a way which follows naturally from the original presentation.
- Neo:6 offers a music mode to expand stereo nonmatrix recordings into the five- or six-channel layout, in a way which does not diminish the subtlety and integrity of the original stereo recording.



DTS-ES Extended Surround is a new multichannel digital signal format developed by Digital Theater Systems Inc. While offering high compatibility with the conventional DTS Digital Surround format, DTS-ES Extended Surround greatly improves the 360-degree surround impression and space expression thanks to further expanded surround signals. This format has been used professionally in movie theaters since 1999.

In addition to the 5.1 surround channels (FL, FR, C, SL, SR and LFE), DTS-ES Extended Surround also offers the SB (Surround Back) channel for surround playback with a total of 6.1 channels. DTS-ES Extended Surround includes two signal formats with different surround signal recording methods, as DTS-ES Discrete 6.1 and DTS-ES Matrix 6.1.

"DTS", "DTS-ES" and "Neo:6" are trademarks of Digital Theater Systems, Inc.



The stereo CD is a 16-bit medium with sampling at 44.1 kHz. Professional audio has been 20- or 24-bit for some time, and there is increasing interest in higher sampling rates both for recording and for delivery into the home. Greater bit depths provide extended dynamic range. Higher sampling rates allow wider frequency response and the use of anti-alias and reconstruction filters with more favorable aural characteristics.

DTS 96/24 allows for 5.1 channel sound tracks to be encoded at a rate of 96kHz/24bits on DVD-Video titles.

When DVD-video appeared, it became possible to deliver 24-bit, 96 kHz audio into the home, but only in two channels, and with serious limitations on picture. This capability has had little use.

DVD-audio allows 96/24 in six channels, but a new player is needed, and only analog outputs are provided, necessitating the use of the D/A converters and analog electronics provided in the player.

DTS 96/24 offers the following:

1. Sound quality transparent to the original 96/24 master.
2. Full backward compatibility with all existing decoders. (Existing decoders will output a 48 kHz signal)
3. No new player required: DTS 96/24 can be carried on DVD-video, or in the video zone of DVD-audio, accessible to all DVD players.
4. 96/24 5.1-channel sound with full-quality full-motion video, for music programs and motion picture soundtracks on DVD-video.

"DTS" and "DTS 96/24" are trademarks of Digital Theater Systems, Inc.



Dolby Digital identifies the use of Dolby Digital audio coding for such consumer formats as DVD and DTV. As with film sound, Dolby Digital can provide up to five full-range channels for left, center, and right screen channels, independent left and right surround channels, and a sixth (".1") channel for low-frequency effects.

Dolby Surround Pro Logic II is an improved matrix decoding technology that provides better spatiality and directionality on Dolby Surround program material; provides a convincing three-dimensional soundfield on conventional stereo music recordings; and is ideally suited to bring the surround experience to automotive sound. While conventional surround programming is fully compatible with Dolby Surround Pro Logic II decoders, soundtracks will be able to be encoded specifically to take full advantage of Pro Logic II playback, including separate left and right surround channels. (Such material is also compatible with conventional Pro Logic decoders.)

Dolby Digital EX creates six full-bandwidth output channels from 5.1-channel sources. This is done using a matrix decoder that drives three surround channels from the two in the original recording. For best results, Dolby Digital EX should be used with movies soundtracks recorded with Dolby Digital Surround EX.

About Dolby Pro Logic IIx

Dolby Pro Logic IIx technology delivers a natural and immersing 7.1-channel listening experience to the home theater environment. A product of Dolby's expertise in surround sound and matrix decoding technologies, Dolby Pro Logic IIx is a complete surround sound solution that maximizes the entertainment experience from stereo as well as 5.1-channel encoded sources.


Dolby Pro Logic IIx is fully compatible with Dolby Surround Pro Logic technology and can optimally decode the thousands of commercially available Dolby Surround encoded video cassettes and television programs with enhanced depth and spatiality. It can also process any high-quality stereo or Advanced Resolution 5.1-channel music content into a seamless 6.1- or 7.1-channel listening experience.

Manufactured under license from Dolby Laboratories. "Dolby", "Pro Logic", and the double-D symbol are trademarks of Dolby Laboratories.



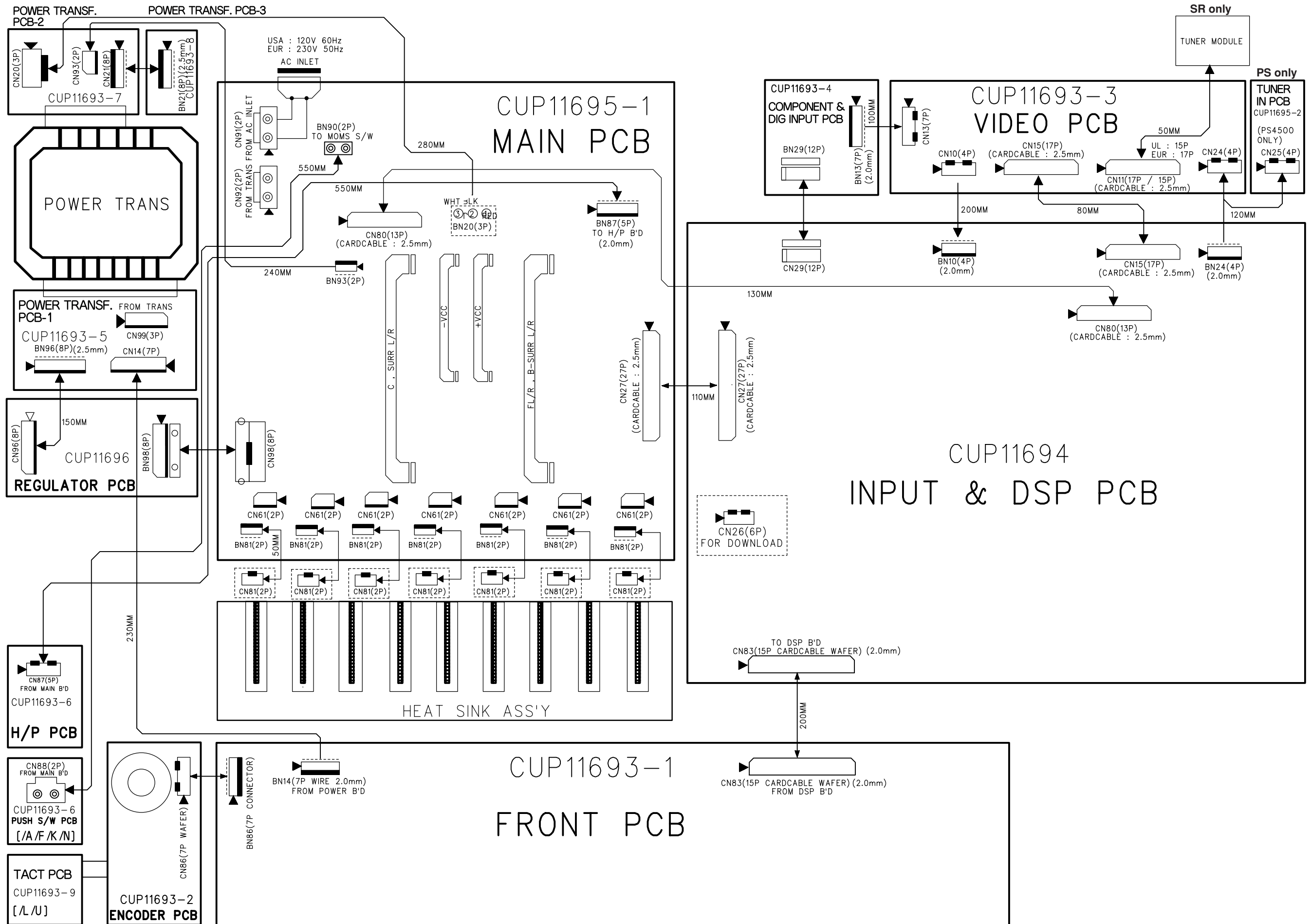
Circle Surround II (CS-II) is a powerful and versatile multichannel technology. CS-II is designed to enable up to 6.1 multichannel surround sound playback from mono, stereo, CS encoded sources and other matrix encoded sources. In all cases the decoder extends it into 6 channels of surround audio and a LFE/subwoofer signal. The CS-II decoder creates a listening environment that places the listener "inside" music performances and dramatically improves both hi-fi audio conventional surround-encoded video material. CS-II provides composite stereo rear channels to greatly improve separation and image positioning – adding a heightened sense of realism to both audio and A/V productions.

CS-II is packed with other useful feature like dialog clarity (SRS Dialog) for movies and cinema-like bass enrichment (TruBass). CS-II can enable the dialog to become clearer and more discernable in movies and it enables the bass frequencies contained in the original programming to more closely achieve low frequencies – overcoming the low frequency limitations of the speakers by full octave.

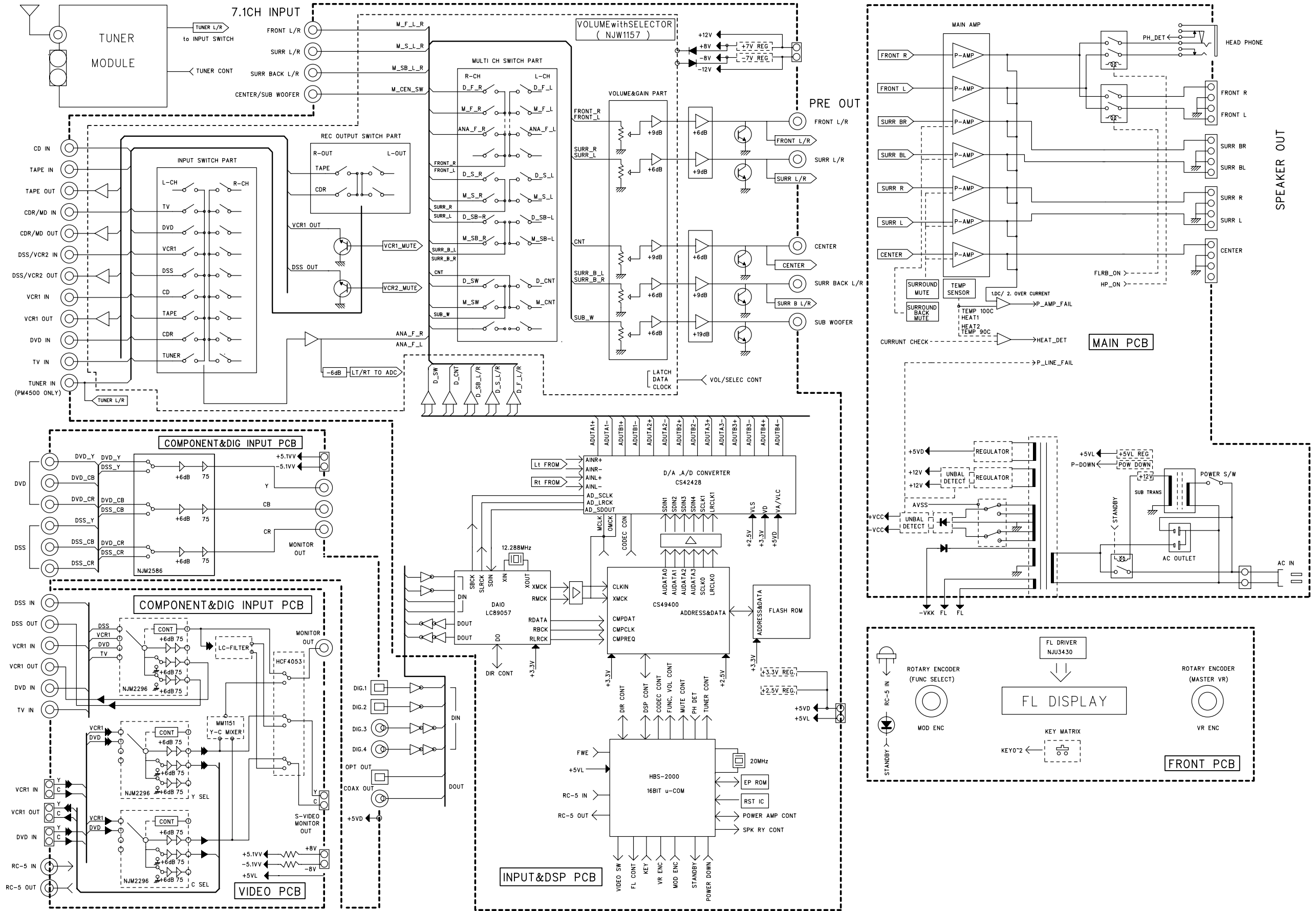
Circle Surround II, Dialog Clarity, TruBass, SRS and  symbol are trademarks of SRS Labs, Inc.

Circle Surround II, Dialog Clarity and TruBass technology are incorporated under license from SRS Labs, Inc.

3. WIRING DIAGRAM

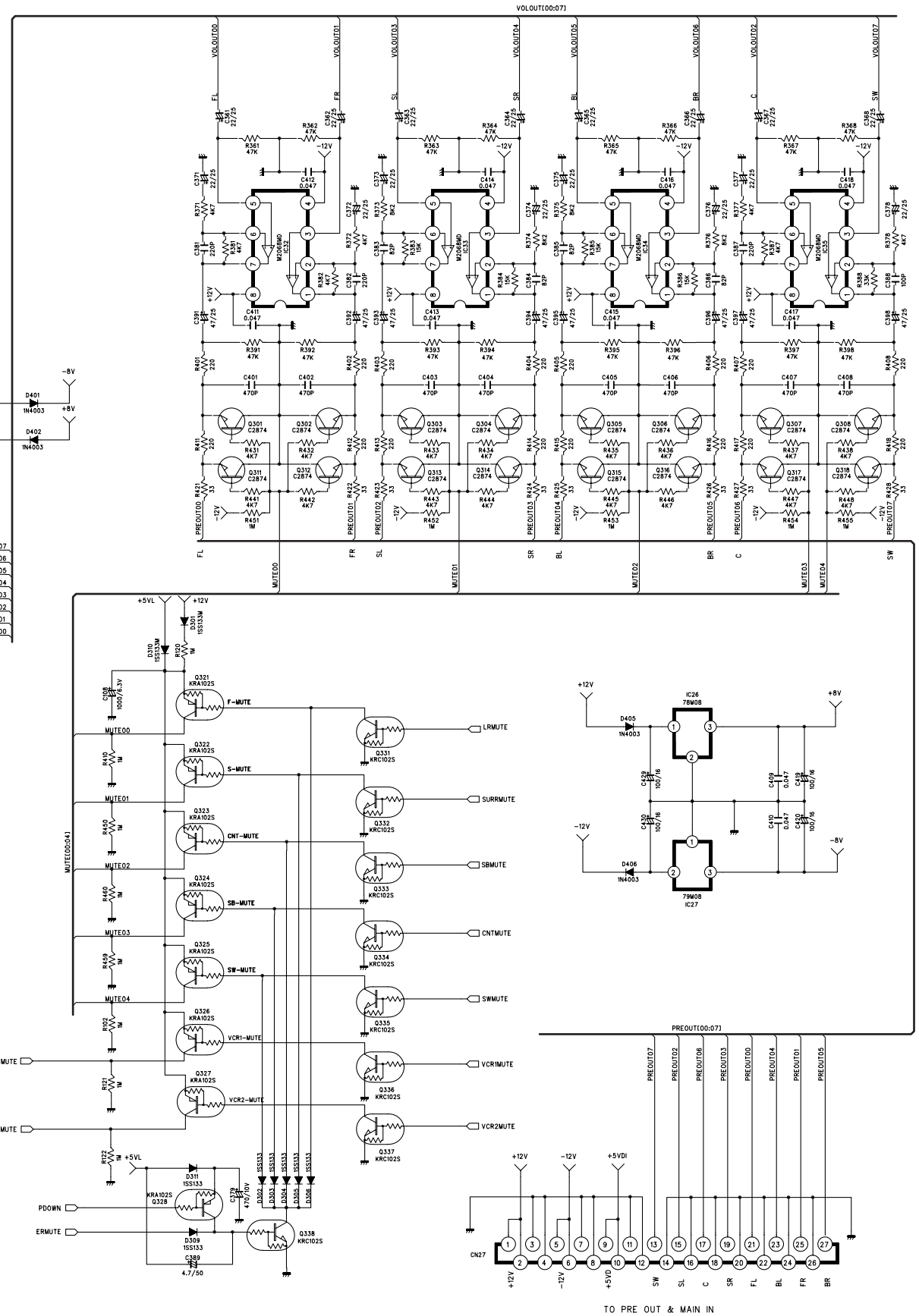
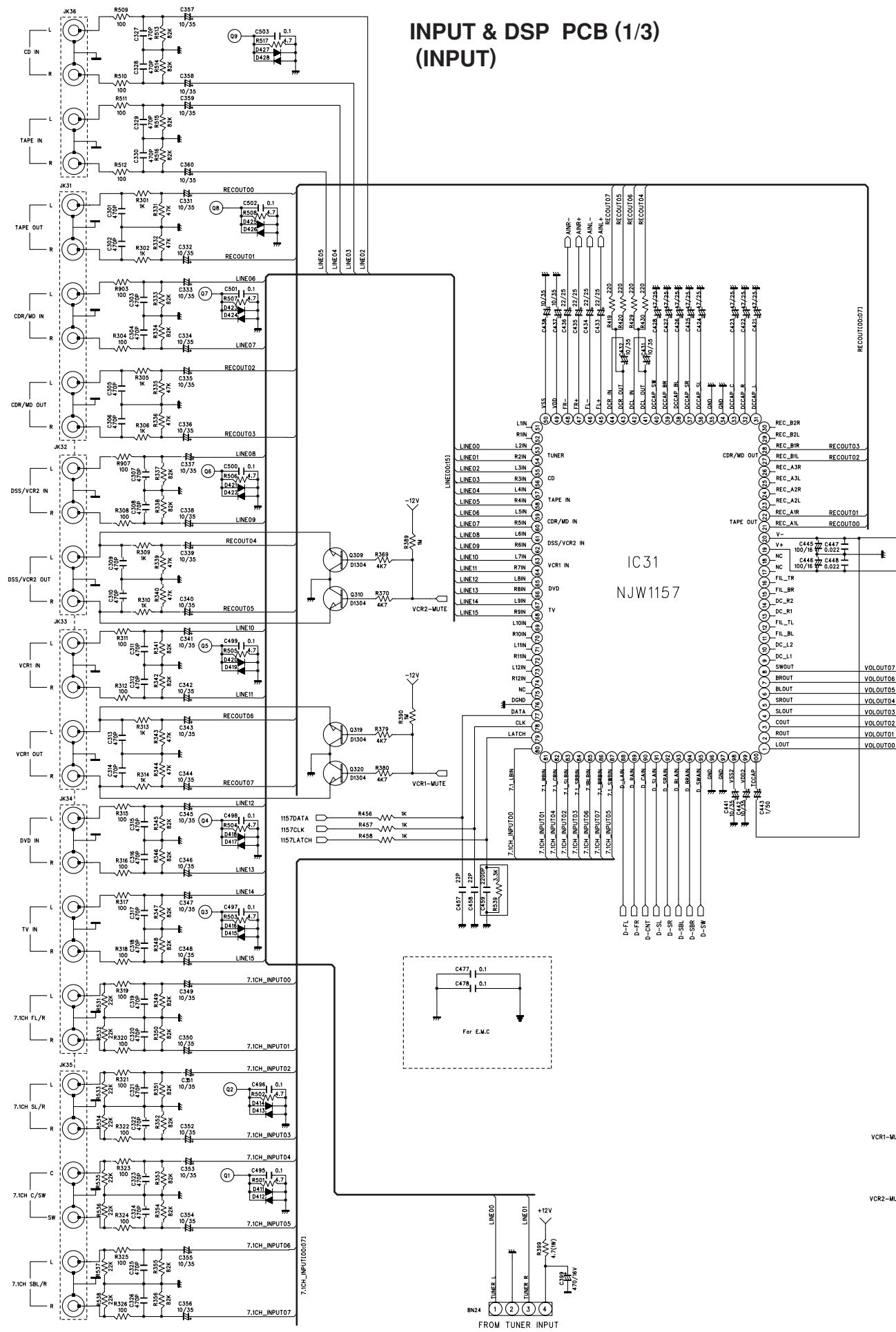


4. BLOCK DIAGRAM

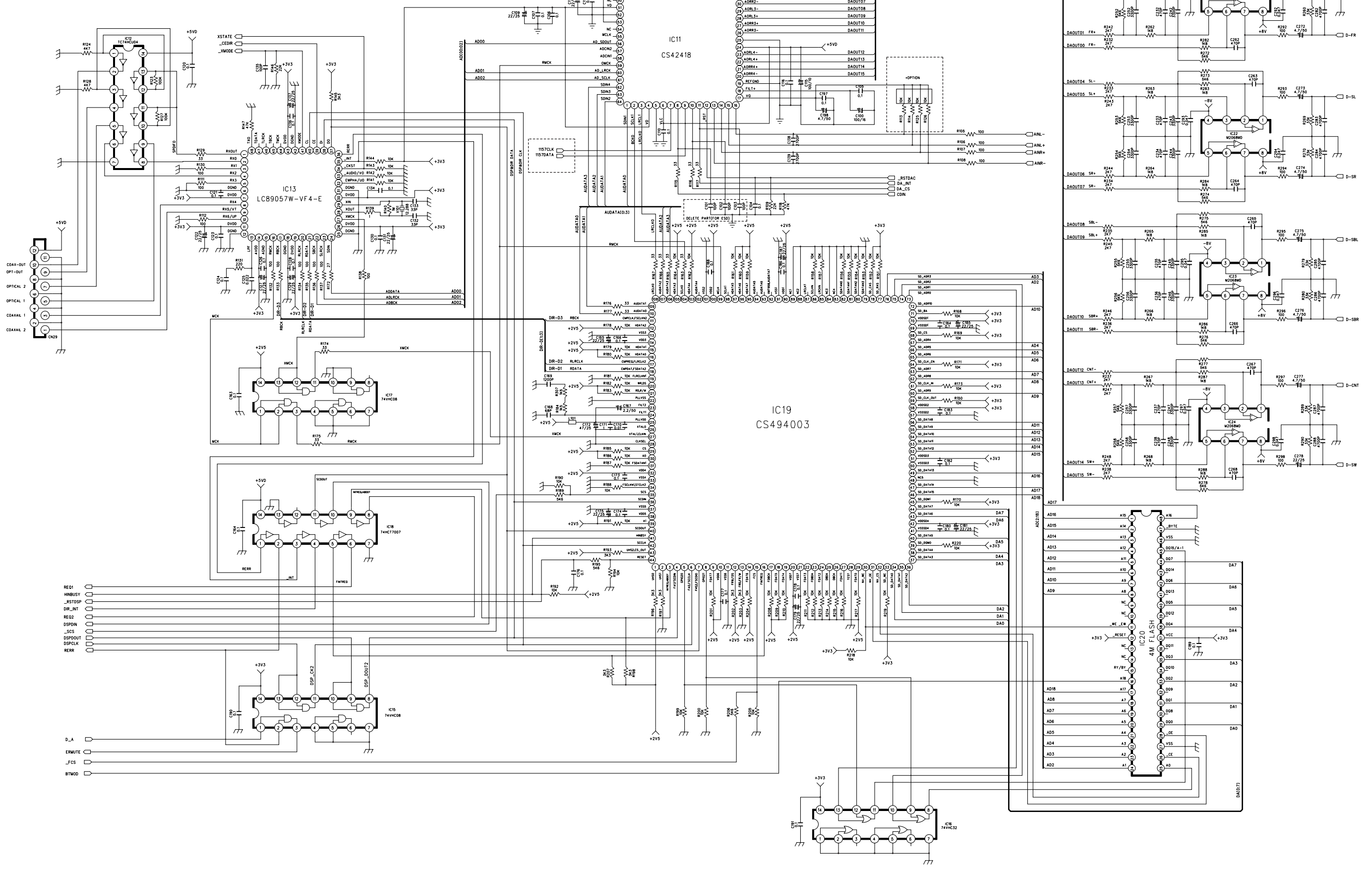


5. SCHEMATIC DIAGRAM

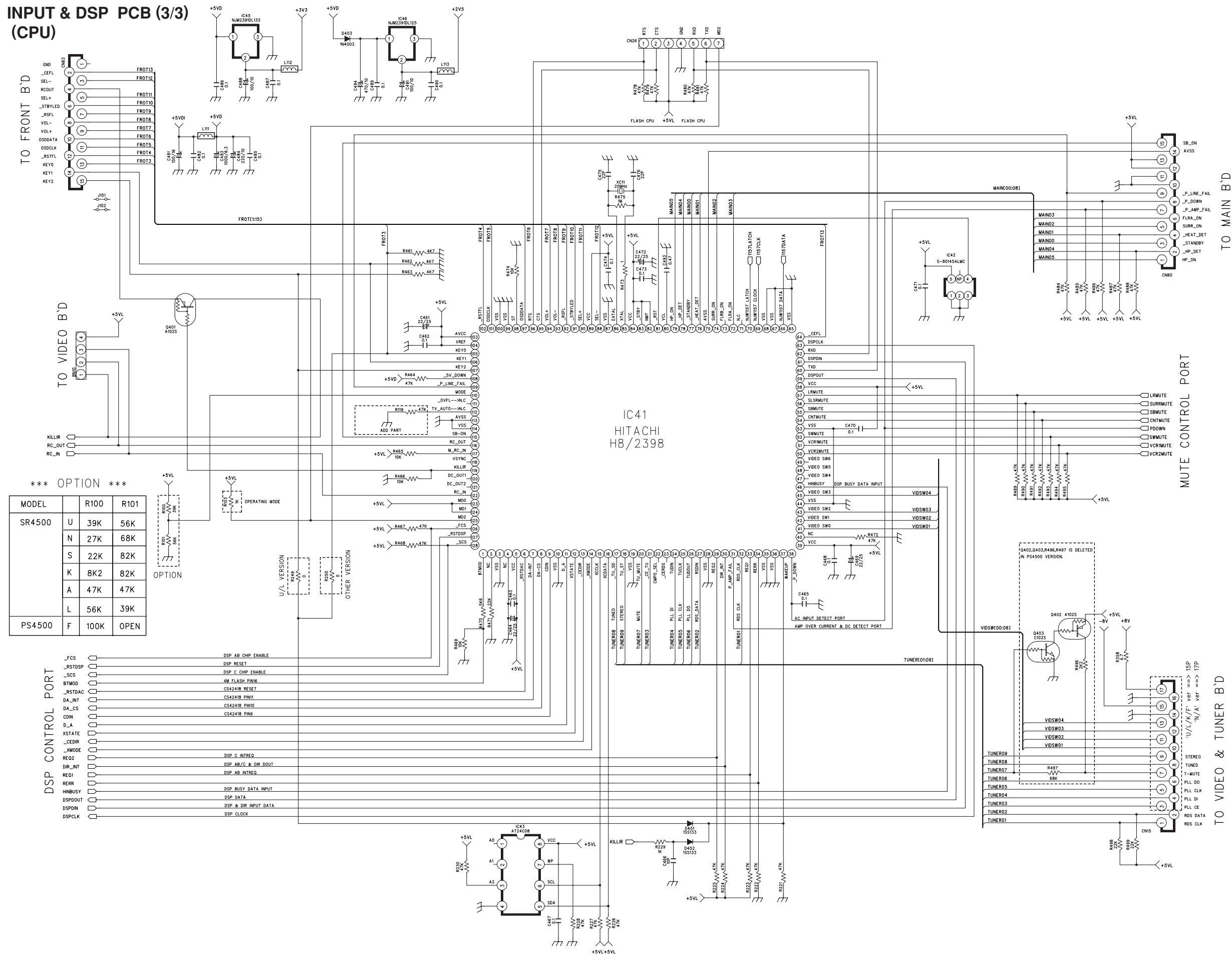
INPUT & DSP PCB (1/3) (INPUT)

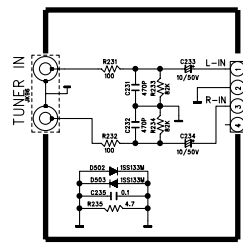
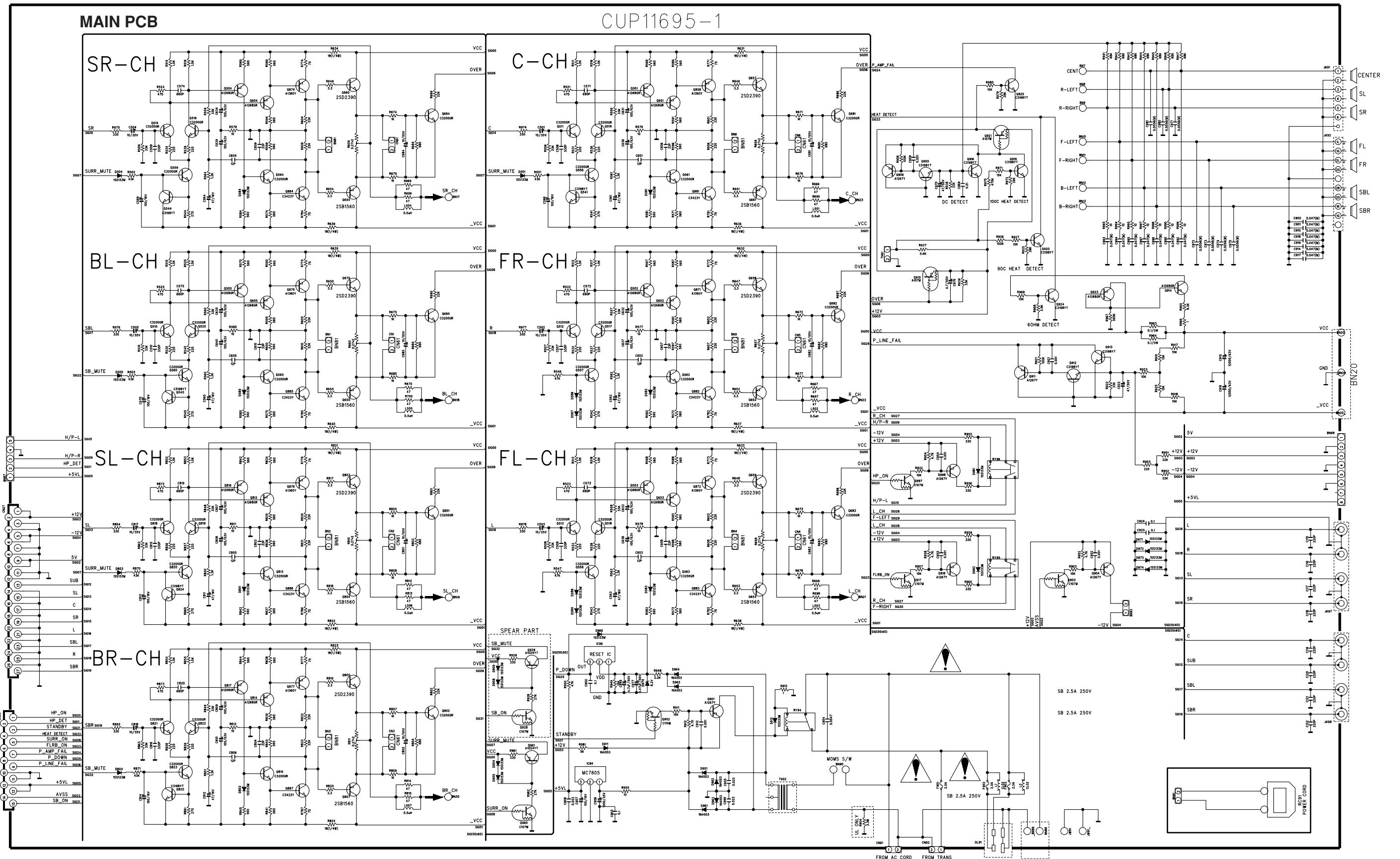


INPUT & DSP PCB (2/3) (DSP)



**INPUT & DSP PCB (3/3)
(CPU)**

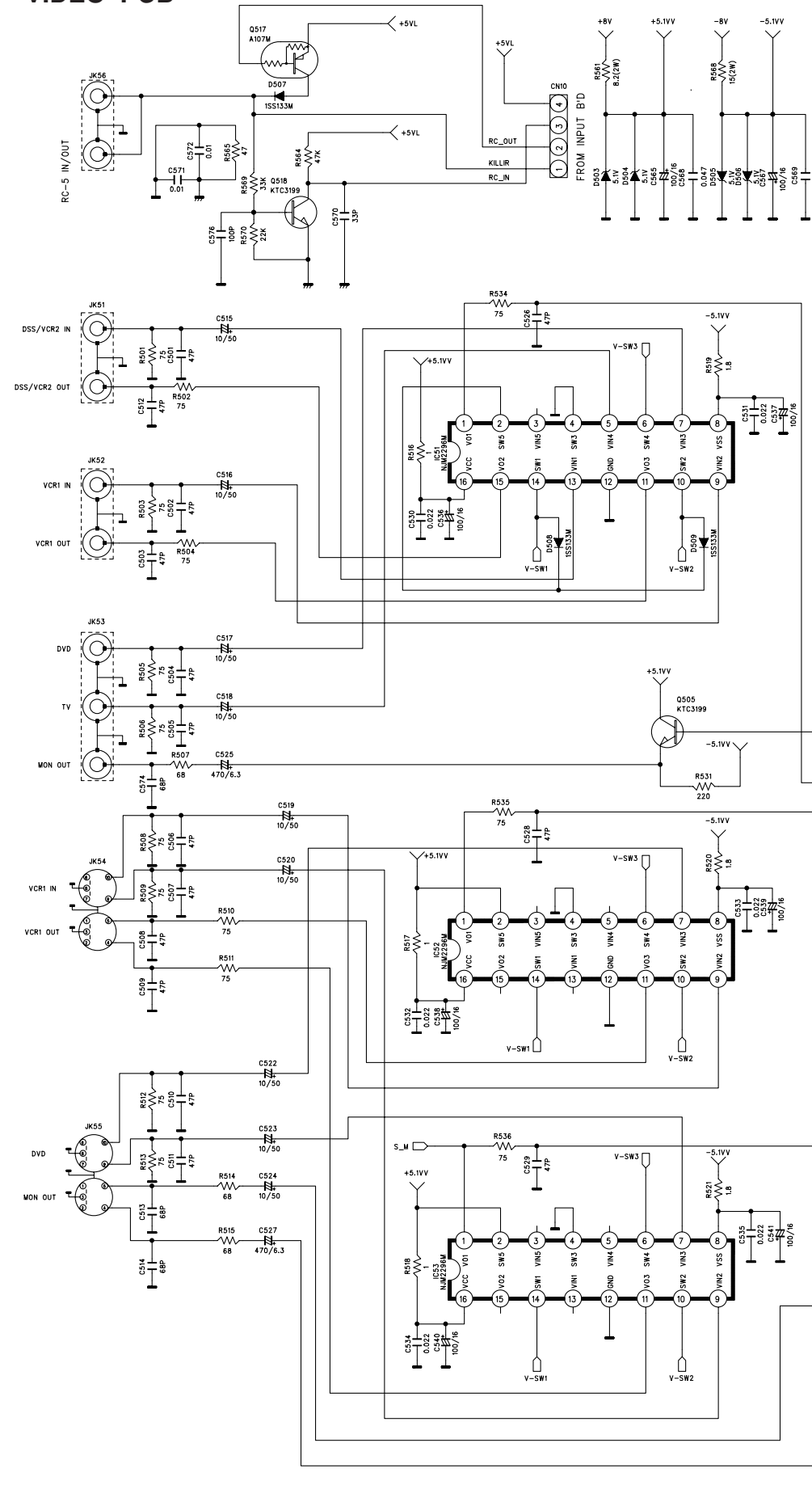




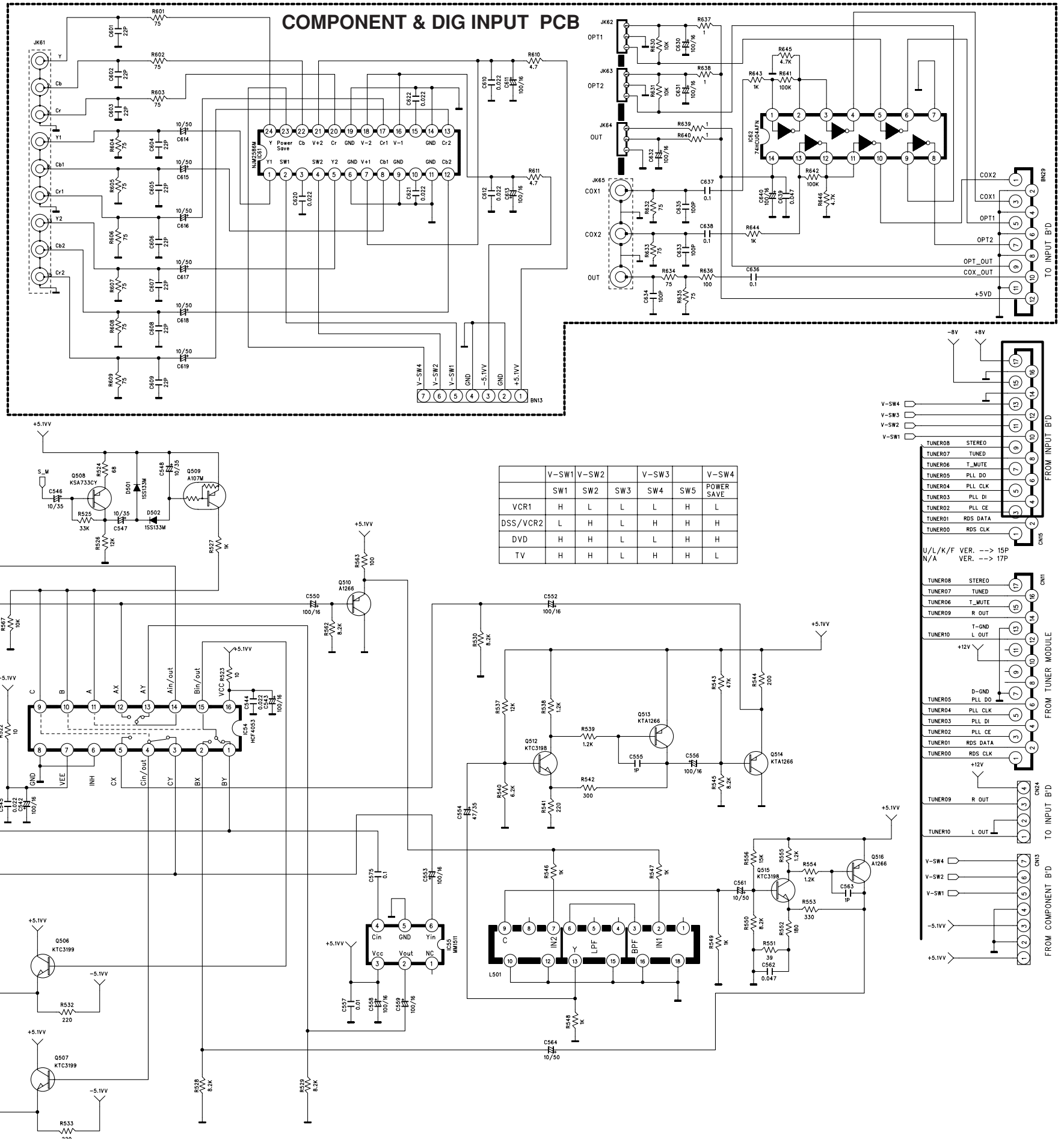
TUNER PCB

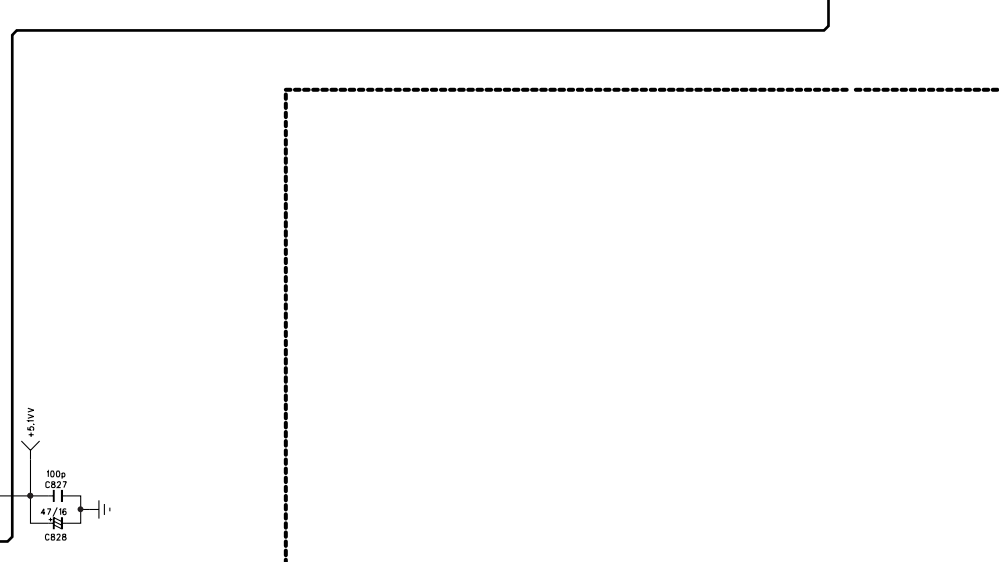
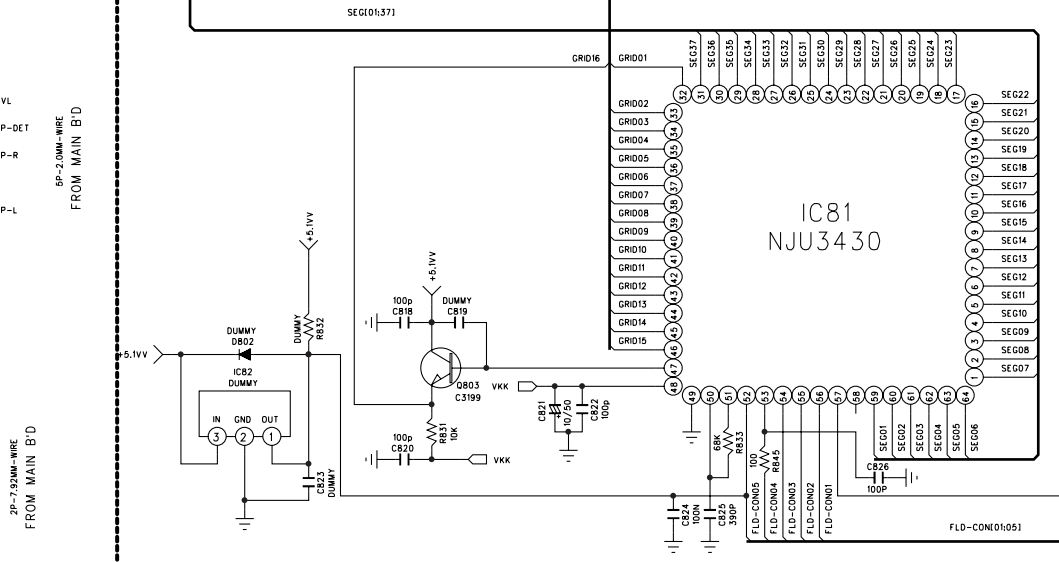
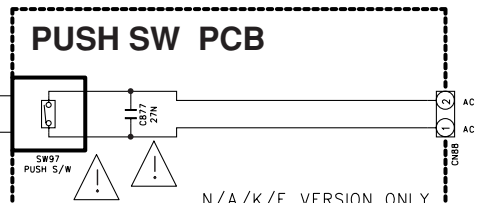
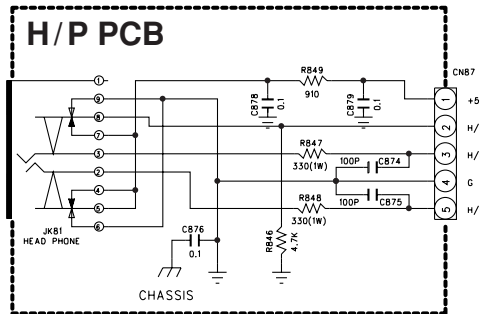
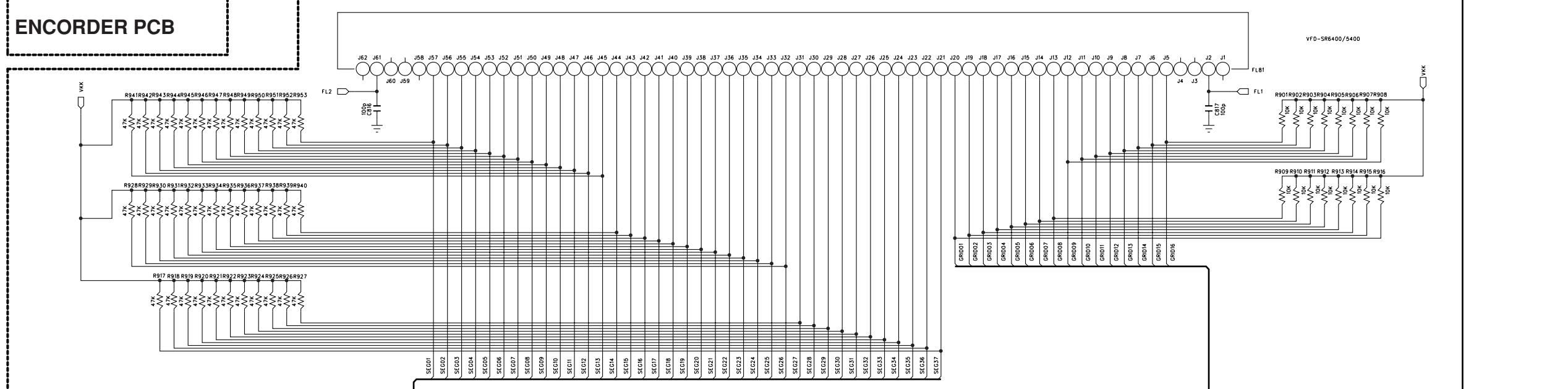
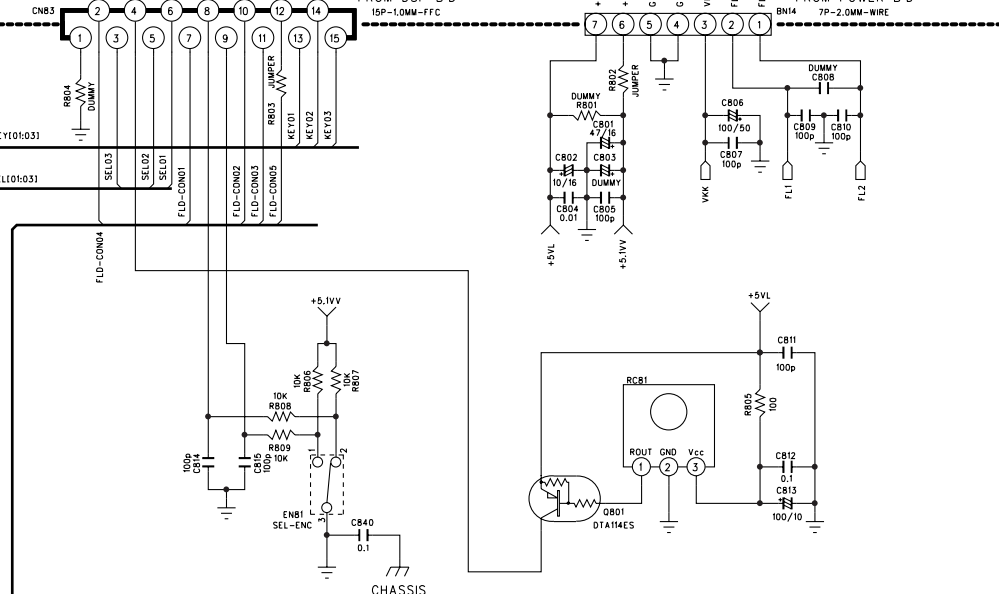
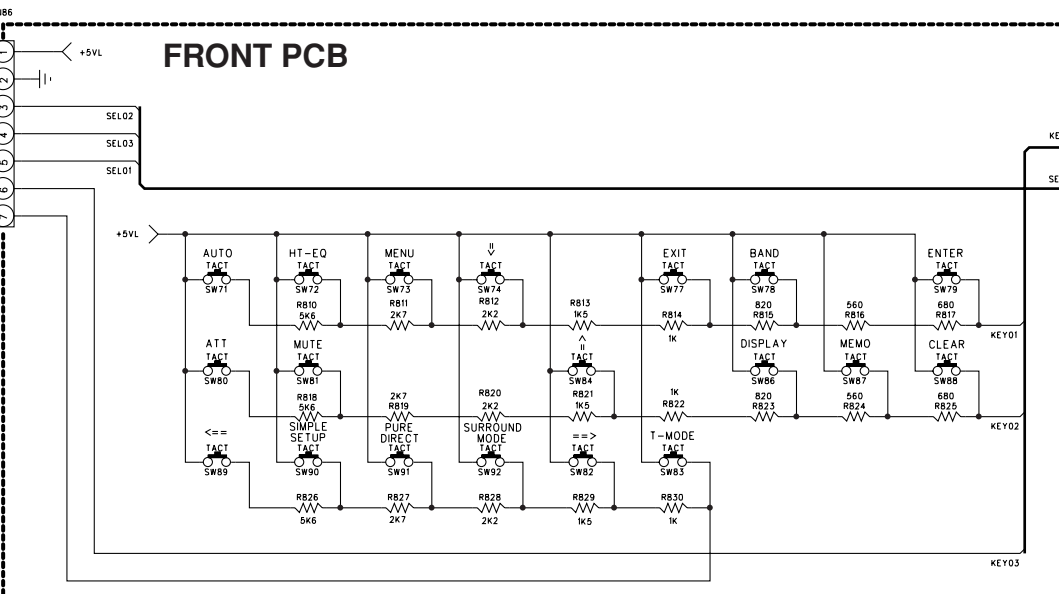
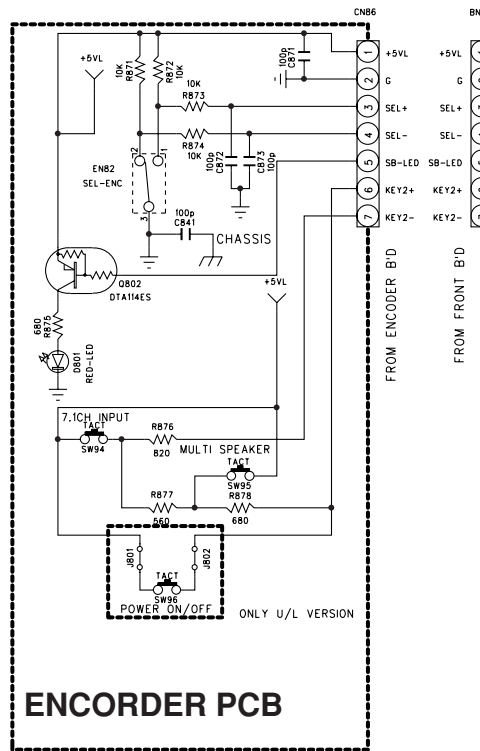
- IMPORNTAT SAFETY NOTICE.
- INPORTANT FOR SAFETY WHEN REPLACING ANY OF THESE COMPONENTS USE ONLY MANUFACTURE'S SPECIFIED PARTS.
- THE UNIT OF RESISTANCE IS OHM.
K=1000 OHM, M=1000 KOHM.
- THE UNIT OF CAPACITANCE IS MICROFARAD (uF)
pF = 10⁻⁶ uF
- THIS SCHEMATIC DIAGRAM MAY MODIFIED AT ANY TIME WIHE THE IMPROVEMENT OF PERFORMANCE

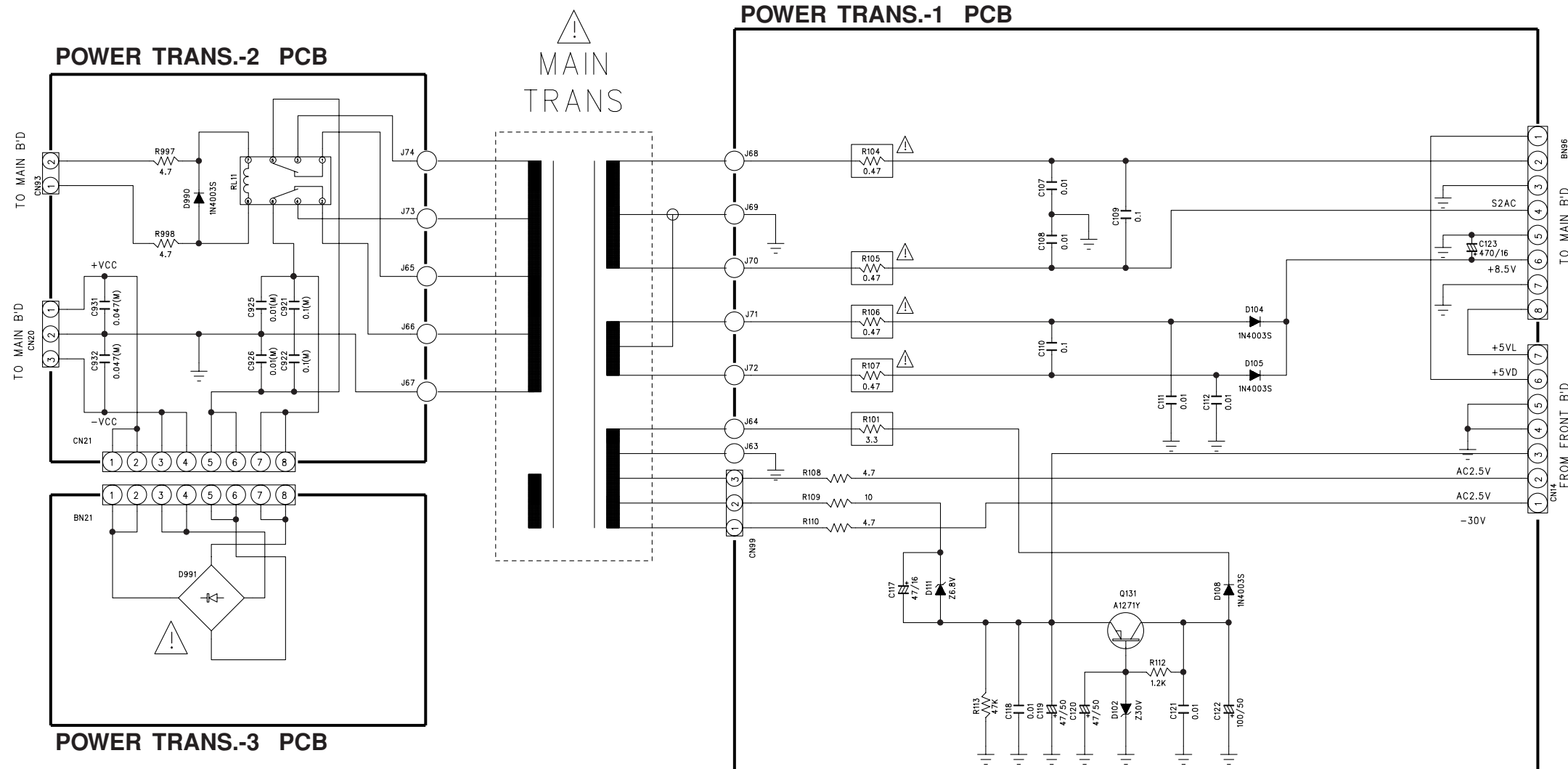
VIDEO PCB



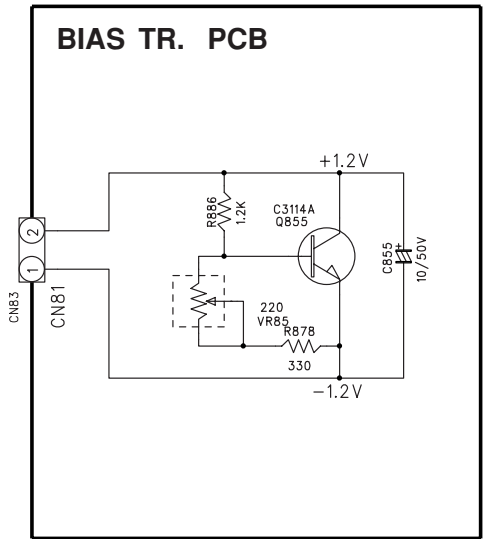
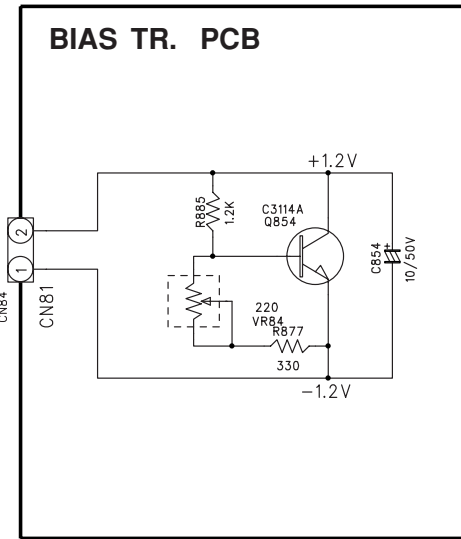
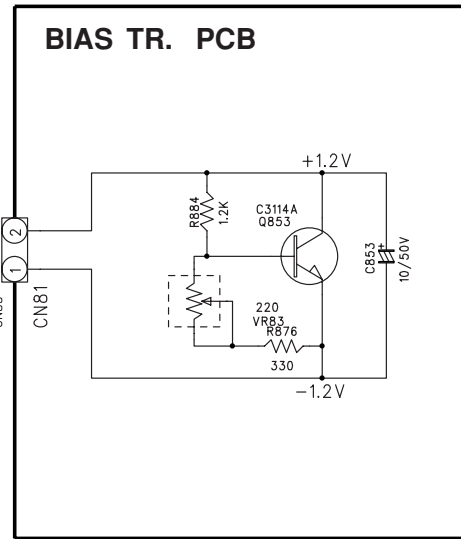
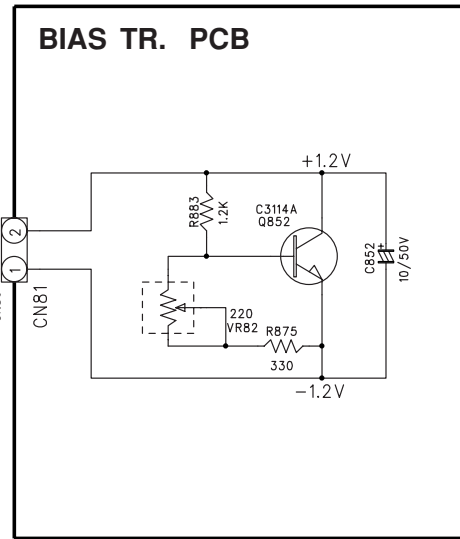
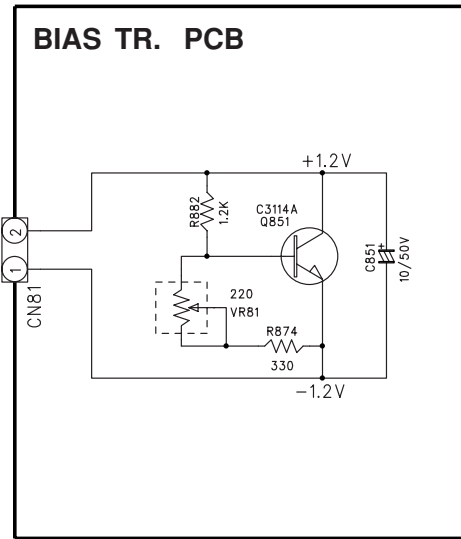
COMPONENT & DIG INPUT PCB



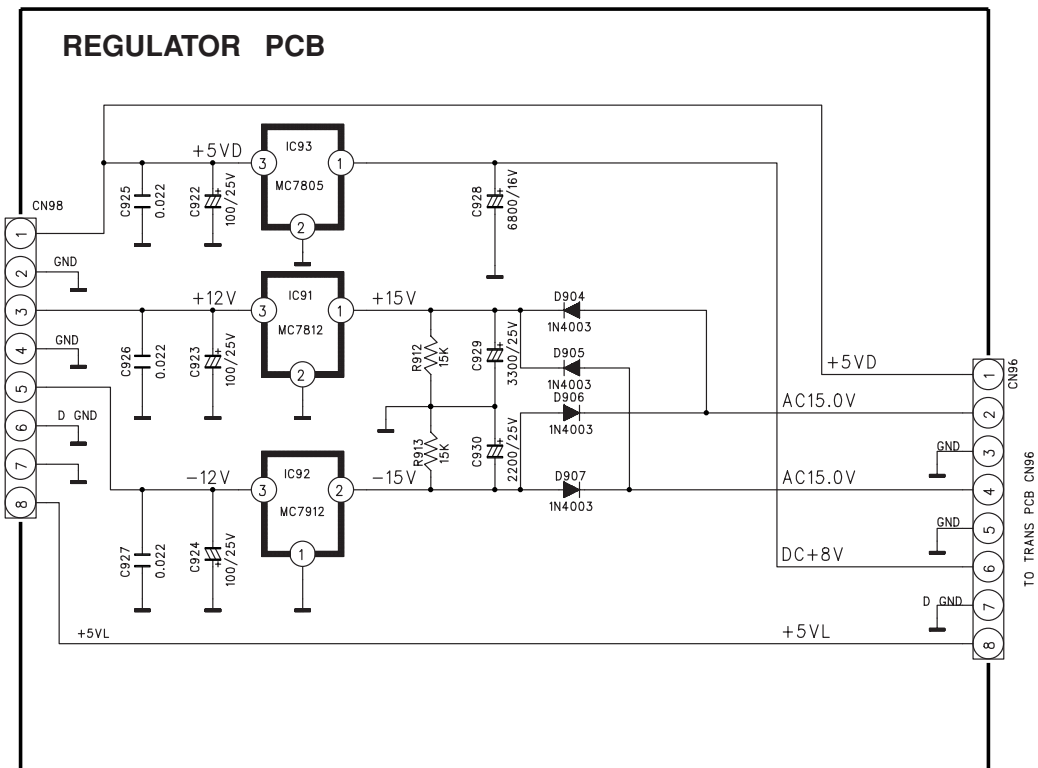
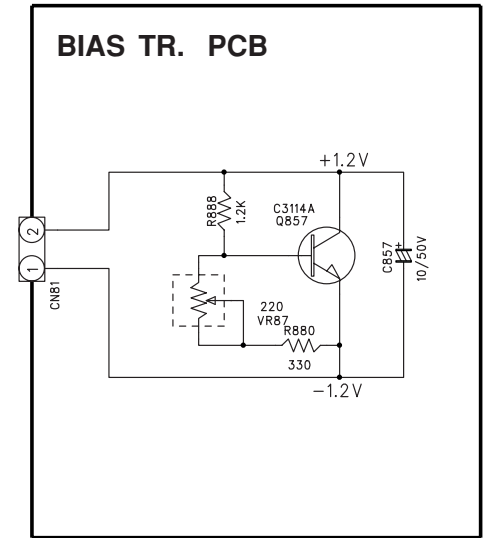
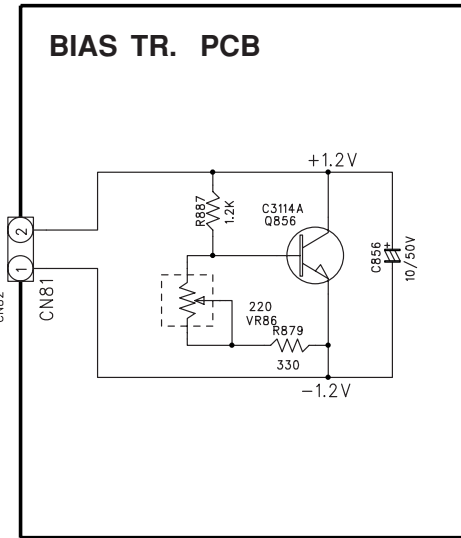




- ** IMPORTANT SAFETY NOTICES.
 COMPONENTS IDENTIFIED BY \triangle MARK HAVE SPECIAL CHARACTERISTICS.
 IMPORTANT FOR SAFETY. WHEN REPLACING ANY OF THESE COMPONENTS
 USE ONLY MANUFACTURER'S SPECIFIED PARTS.
- ** THE UNIT OF RESISTANCE IS OHM.
 K=1000 OHM , M=1000 KOHM
- ** THE UNIT OF CAPACITANCE IS MICROFARAD. (uF)
 $\mu F = 10^{-6}$ uF
- ** THIS SCHEMATIC DIAGRAM MAY MODIFIED AT ANY TIME WITH THE
 IMPROVEMENT OF PERFORMANCE.

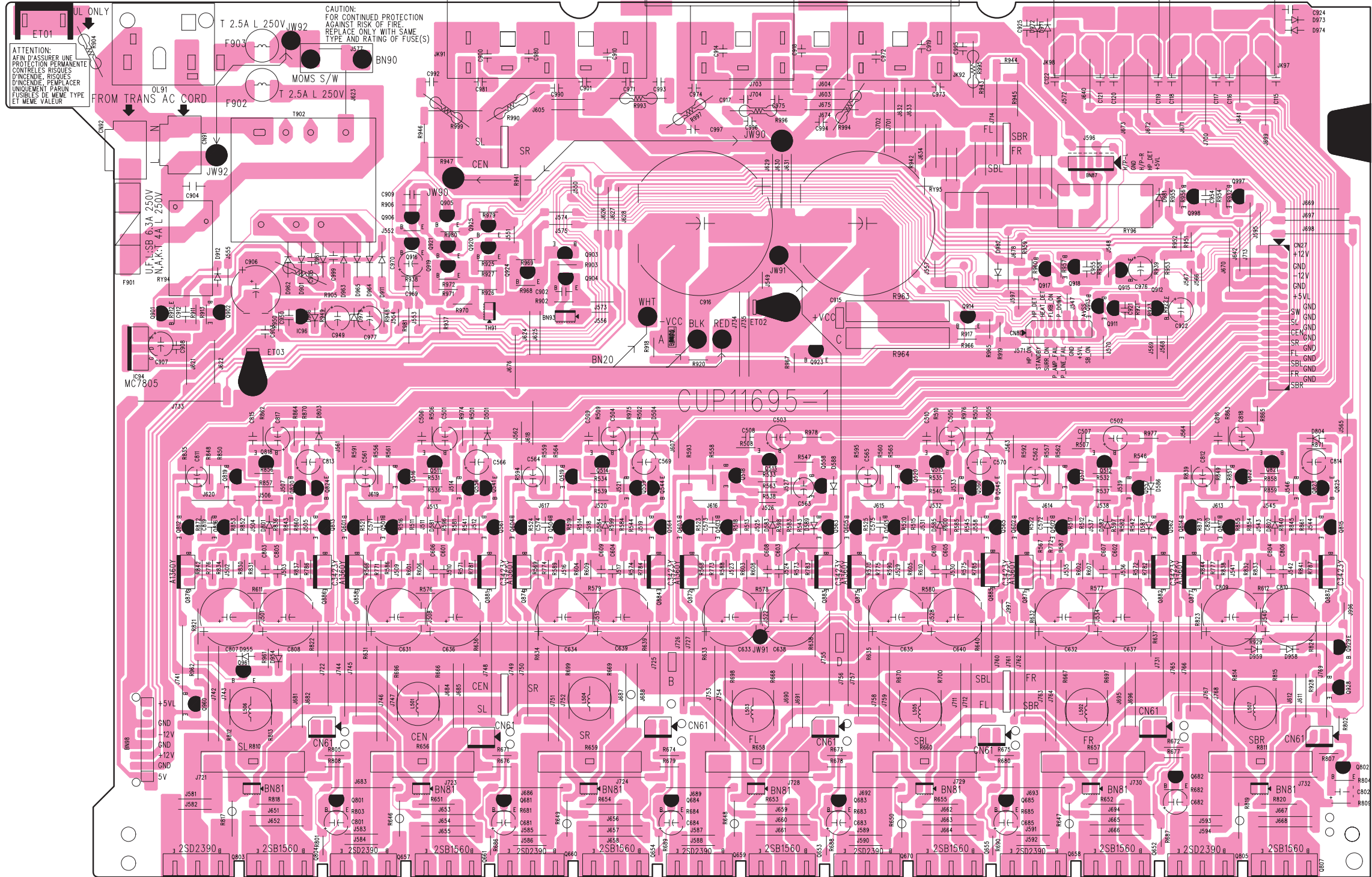


**** IMPORAT SAFETY NOTICE.**
 COMPONENT IDENTIFIED BY MARK HAVE SPECIAL CHARACTERISTICS.
 IMPORTANT FOR SAFETY. WHEN REPLACING ANY OF THESE COMPONENTS
 USE ONLY MANUFACTURER'S SPECIFIED PARTS.
 ** THE UNIT OF RESISTANCE IS OHM.
 K = 1000 OHM. M = 1000KOHM.
 ** THE UNIT OF CAPACITANCE IS MICROFARAD(uf)
 pF = 10⁻⁶ uF
 ** THIS SCHEMATIC DIAGRAM MAY MODIFIED AT ANY TIME WITH THE
 IMPROVEMENT OF PERFORMANCE.



6. PARTS LOCATION

MAIN PCB
CPU11695-1

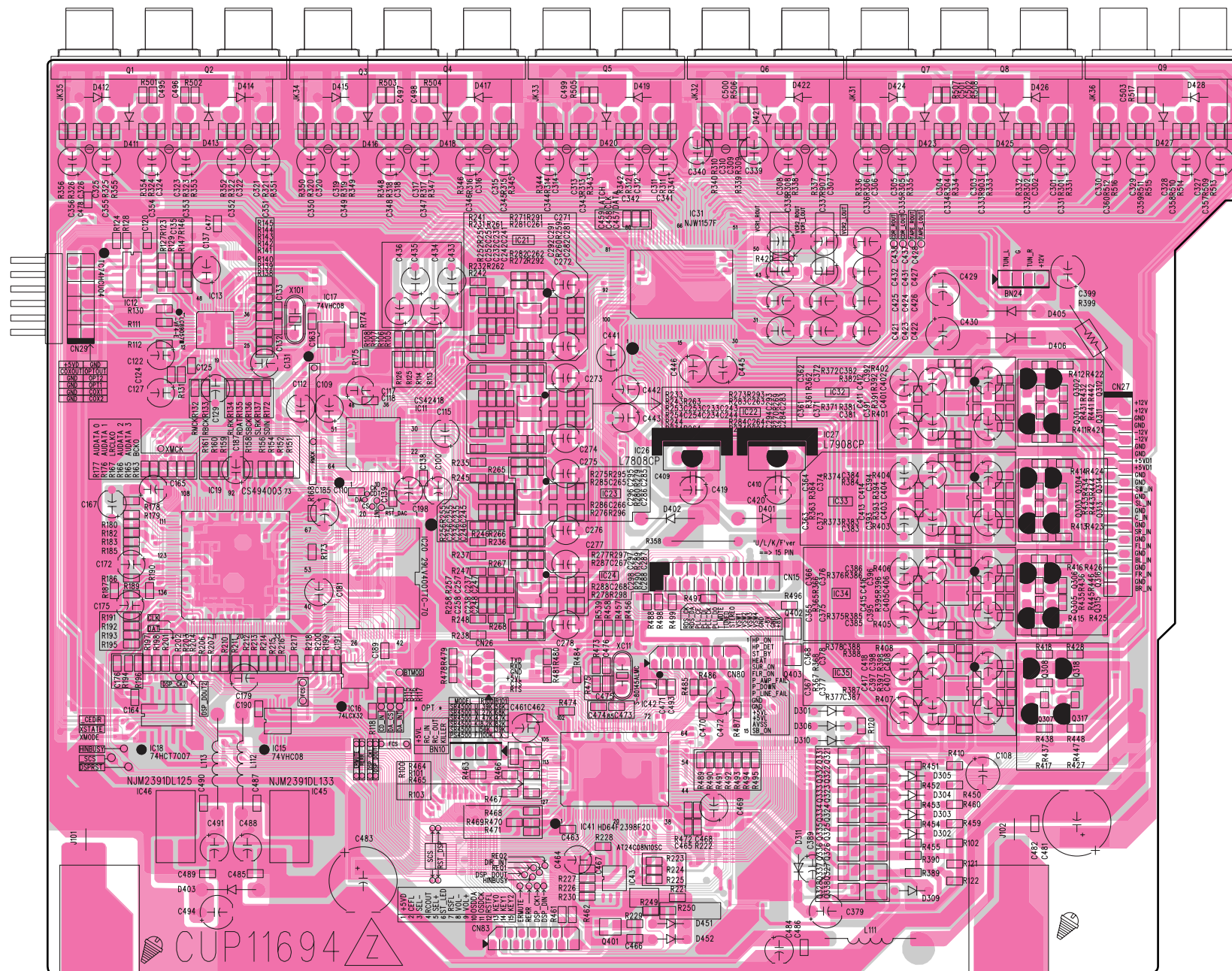


- | | | | | | | | | | | | | | | | | | | | | | | | | | | | |
|------|------|------|------|------|------|------|------|------|------|------|------|------|------|------|------|------|------|------|------|------|------|------|------|------|------|--|--|
| Q901 | Q902 | Q906 | Q905 | Q925 | Q903 | Q998 | Q997 | | | | | | | | | | | | | | | | | | | | |
| IC94 | | Q916 | Q921 | Q920 | Q904 | | | | | | | | | | | | | | | | | | | | | | |
| | | Q919 | Q924 | Q904 | | Q917 | Q918 | Q915 | | | | | | | | | | | | | | | | | | | |
| | IC96 | | | | | | | | | | | | | | | | | | | | | | | | | | |
| Q819 | Q818 | Q820 | Q824 | Q516 | Q511 | Q556 | Q541 | Q519 | Q514 | Q559 | Q544 | Q518 | Q513 | Q558 | Q520 | Q515 | Q560 | Q545 | Q517 | Q512 | Q557 | Q822 | Q821 | Q823 | Q825 | | |
| Q901 | Q816 | Q813 | Q601 | Q501 | Q561 | Q604 | Q504 | Q564 | Q603 | Q503 | Q563 | Q605 | Q505 | Q565 | Q602 | Q502 | Q562 | Q814 | Q817 | Q562 | Q814 | Q817 | Q815 | | | | |
| Q876 | Q960 | Q961 | Q886 | Q858 | Q881 | Q874 | Q884 | Q872 | Q883 | Q875 | Q885 | Q871 | Q882 | Q877 | Q887 | Q929 | Q928 | | | | | | | | | | |
| Q803 | Q804 | Q801 | Q657 | Q661 | Q681 | Q660 | Q654 | Q684 | Q659 | Q653 | Q683 | Q670 | Q655 | Q685 | Q658 | Q652 | Q682 | Q805 | Q807 | Q802 | | | | | | | |

IC12 IC13 IC17 IC21 IC26 IC27 Q331 Q338 Q302 Q312
 IC19 IC16 IC11 IC22 IC22 IC27 Q321 Q328 IC32 Q301 Q311
 IC18 IC15 IC20 IC23 IC23 IC27 IC33 Q304 Q314
 IC46 IC45 IC24 IC41 IC43 IC34 Q303 Q313
 IC35 Q306 Q316
 Q402 Q305 Q315
 Q403 Q308 Q318
 Q307 Q317

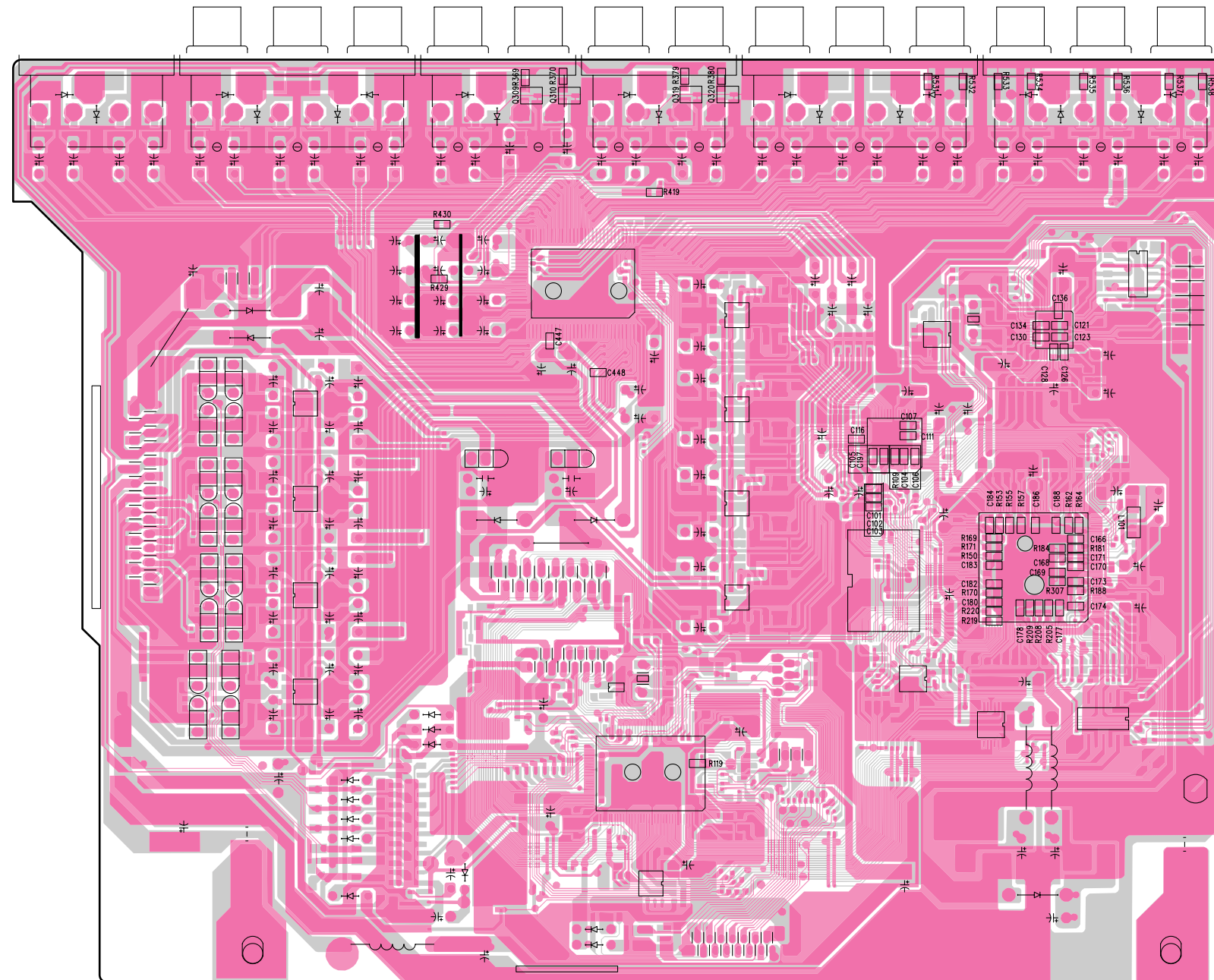
**INPUT & DSP PCB – TOP
CUP11694**

Q401
DIPPING



Q309 Q310 Q319 Q320

INPUT & DSP PCB – BOTTOM
CUP11694

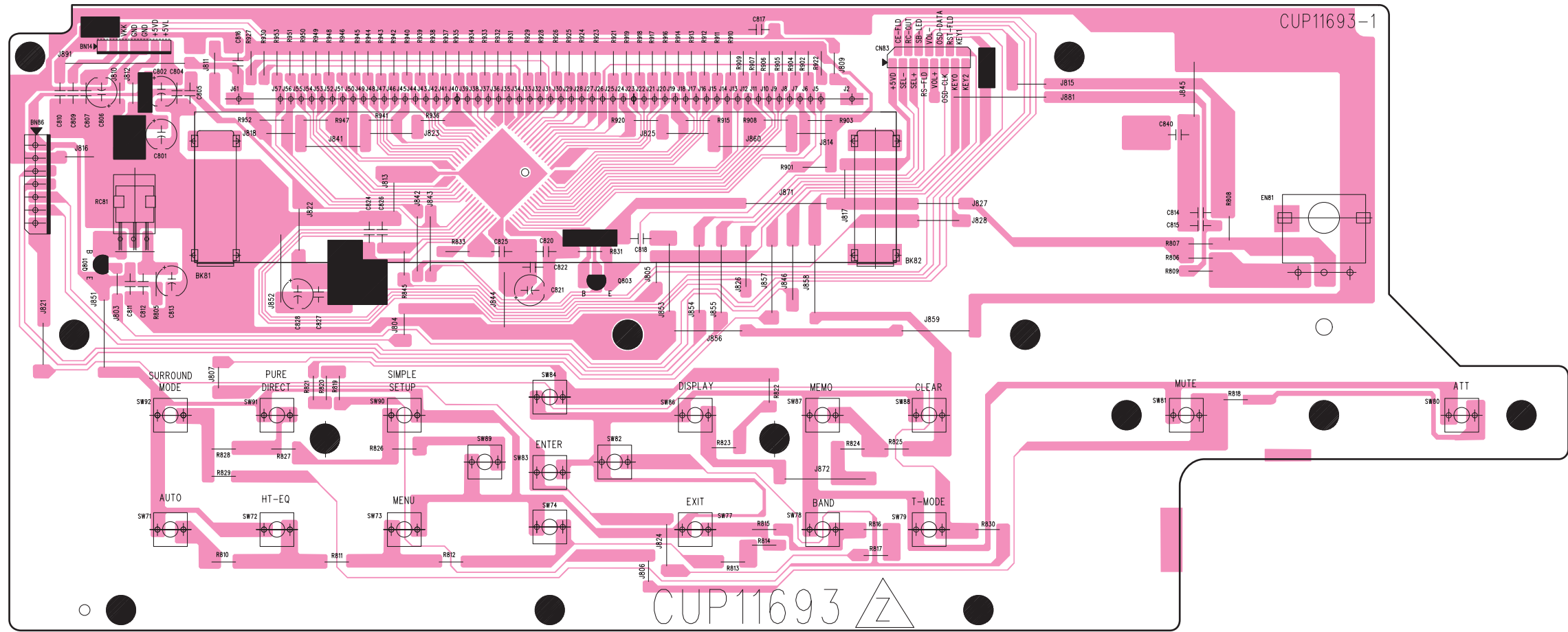


Q801

IC81

Q803

FRONT PCB
CUP11693-1



Q512

Q513

Q514

Q509

Q508

Q510

Q515

Q516

IC54

IC52

IC53

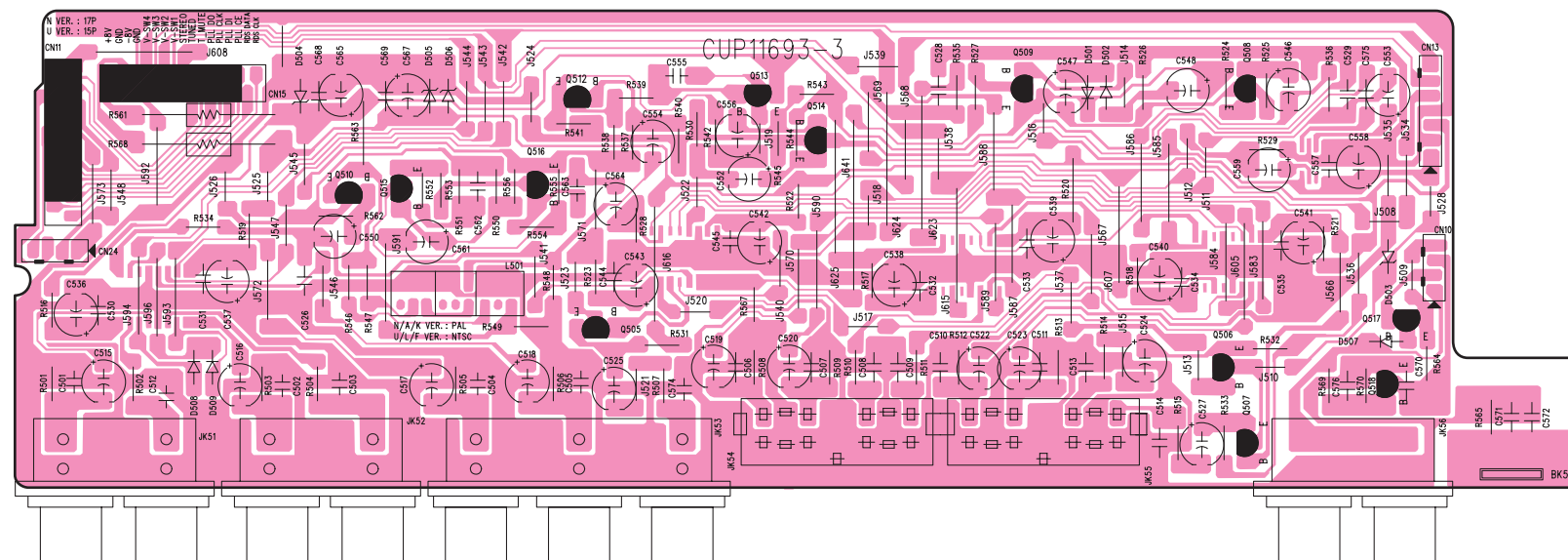
Q506

IC55

Q517

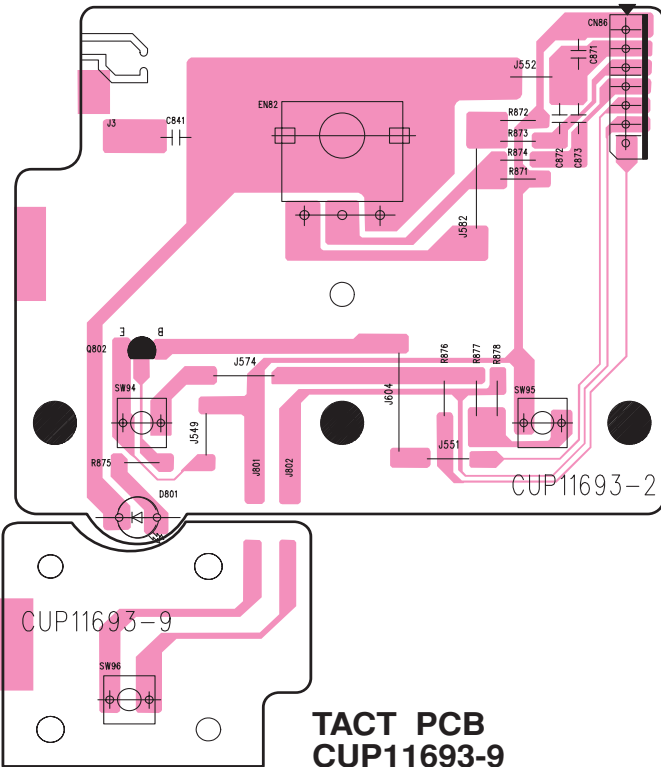
Q518

VIDEO PCB
CUP11693-3



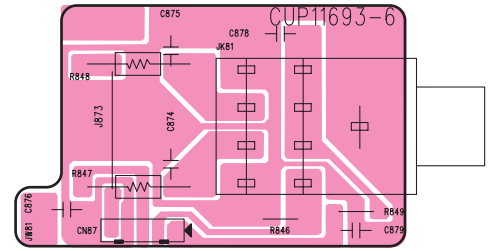
Q802

ENCODER PCB CUP11693-2

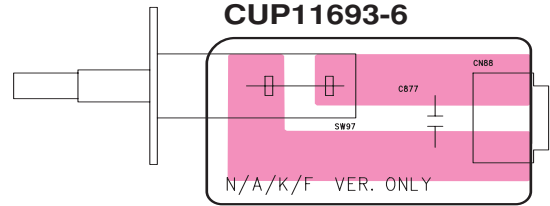


TACT PCB CUP11693-9

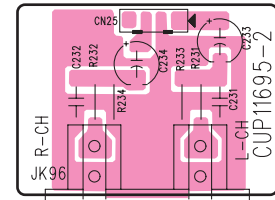
H/P PCB CUP11693-6



PUSH SW PCB CUP11693-6



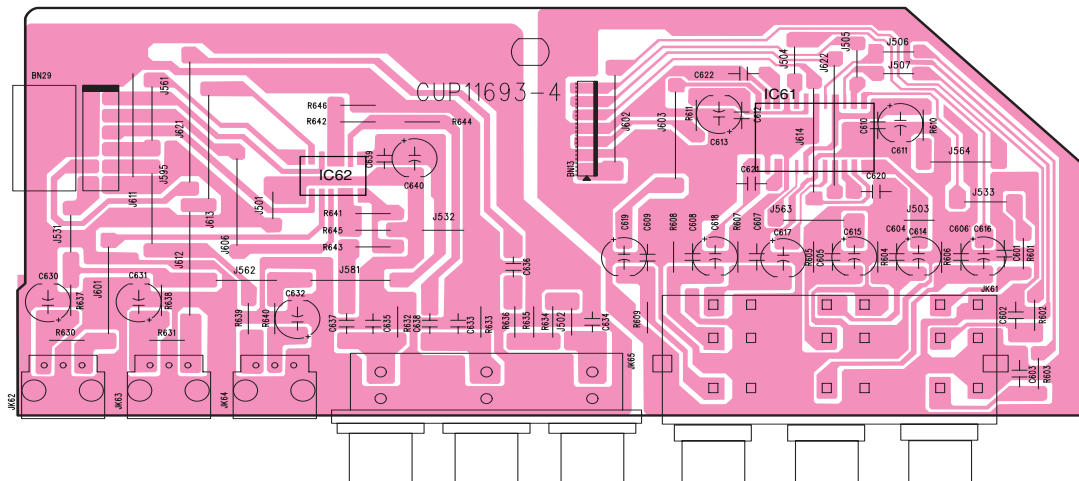
TUNER IN PCB CPU11695-2



IC61

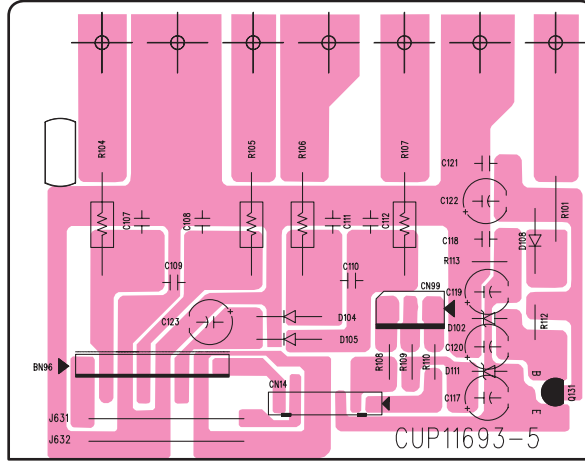
IC62

COMPONENT & DIGITAL INPUT PCB CUP11693-4

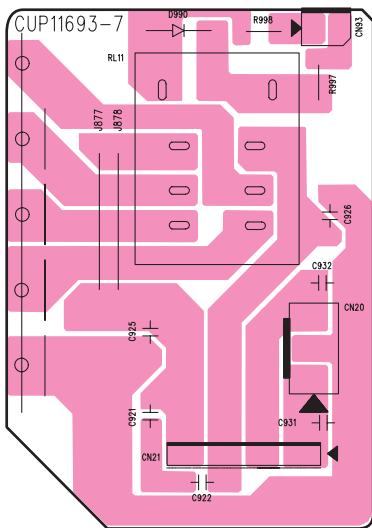


**POWER TRANS. PCB-1
CUP11693-5**

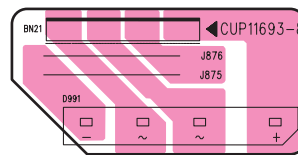
Q131



**POWER TRANS PCB-2
CUP11693-7**



**POWER TRANS. PCB-3
CUP11693-8**

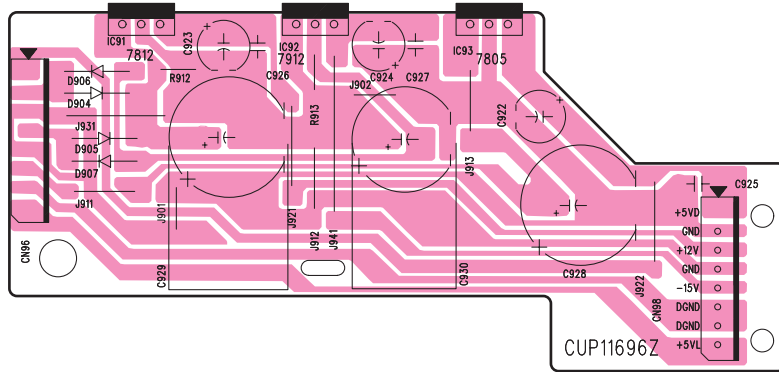


IC91

IC92

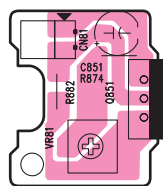
IC93

REGULATOR PCB CUP11696Z



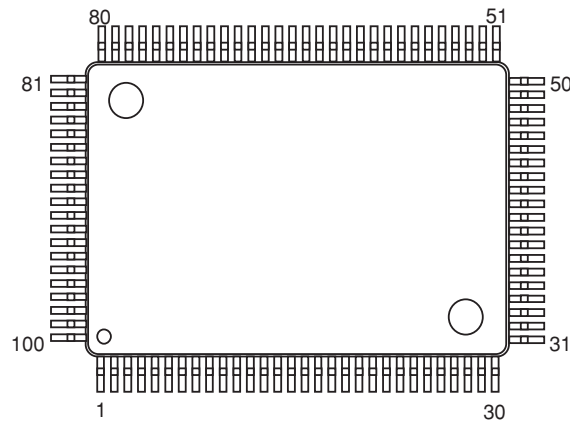
BIAS TR PCB

Q851



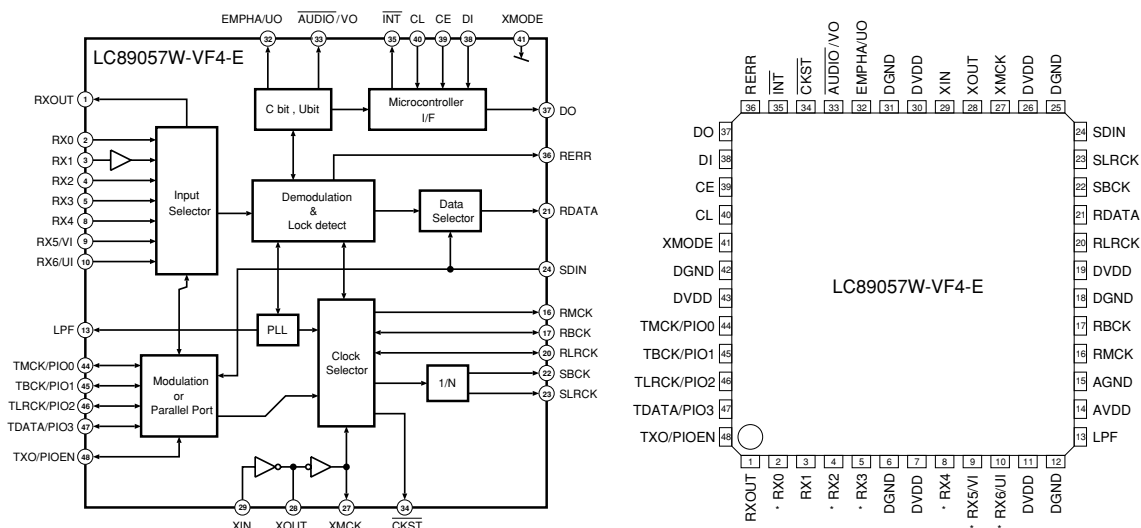
7. IC DATA

IC31 : NJW1157



No.	SYMBOL	FUNCTION	No.	SYMBOL	FUNCTION
1	LOUT	Lch output	51	L1IN	"Input selector" Lch input 1
2	ROUT	Rch output	52	R1IN	"Input selector" Rch input 1
3	COUT	Cch output	53	L2IN	"Input selector" Lch input 2
4	LSOUT	LSch output	54	R2IN	"Input selector" Rch input 2
5	RSOUT	RSch output	55	L3IN	"Input selector" Lch input 3
6	LBOUT	LBch output	56	R3IN	"Input selector" Rch input 3
7	RBOUT	RBch output	57	L4IN	"Input selector" Lch input 4
8	SWOUT	SWch output	58	R4IN	"Input selector" Rch input 4
9	DC L1	Lch Bass filter DC cut capacitor input terminal	59	L5IN	"Input selector" Lch input 5
10	DC L2	Lch Bass filter DC cut capacitor output terminal	60	R5IN	"Input selector" Rch input 5
11	FIL_BL	Lch Bass filter terminal	61	L6IN	"Input selector" Lch input 6
12	FIL_TL	Lch Treble filter terminal	62	R6IN	"Input selector" Rch input 6
13	DC R1	Rch Bass filter DC cut capacitor input terminal	63	L7IN	"Input selector" Lch input 7
14	DC R2	Rch Bass filter DC cut capacitor output terminal	64	R7IN	"Input selector" Rch input 7
15	FIL_BR	Rch Bass filter terminal	65	L8IN	"Input selector" Lch input 8
16	FIL_TR	Rch Treble filter terminal	66	R8IN	"Input selector" Rch input 8
17	N.C.	No Connect	67	L9IN	"Input selector" Lch input 9
18	N.C.	No Connect	68	R9IN	"Input selector" Rch input 9
19	V+	+ Power supply voltage input	69	L10IN	"Input selector" Lch input 10
20	V-	- Power supply voltage input	70	R10IN	"Input selector" Rch input 10
21	REC A1L	"Input selector" Lch REC output A1	71	L11IN	"Input selector" Lch input 11
22	REC A1R	"Input selector" Rch REC output A1	72	R11IN	"Input selector" Rch input 11
23	REC A2L	"Input selector" Lch REC output A2	73	L12IN	"Input selector" Lch input 12
24	REC A2R	"Input selector" Rch REC output A2	74	R12IN	"Input selector" Rch input 12
25	REC A3L	"Input selector" Lch REC output A3	75	N.C.	No Connect
26	REC A3R	"Input selector" Rch REC output A3	76	DGND	Digital Ground
27	REC B1L	"Input selector" Lch REC output B1	77	DATA	Control data signal input
28	REC B1R	"Input selector" Rch REC output B1	78	CLOCK	Clock signal input
29	REC B2L	"Input selector" Lch REC output B2	79	LATCH	Latch signal input
30	REC B2R	"Input selector" Rch REC output B2	80	LAIN	Multi-channel Lch input A
31	DCCAP L	Switching noise rejection capacitor	81	RAIN	Multi-channel Rch input A
32	DCCAP R	Switching noise rejection capacitor	82	CAIN	Multi-channel Cch input A
33	DCCAP C	Switching noise rejection capacitor	83	LSAIN	Multi-channel LSch input A
34	GND	Ground	84	RSAIN	Multi-channel RSch input A
35	GND	Ground	85	LBAIN	Multi-channel LBch input A
36	DCCAP LS	Switching noise rejection capacitor	86	RBAIN	Multi-channel RBch input A
37	DCCAP RS	Switching noise rejection capacitor	87	SWAIN	Multi-channel SWch input A
38	DCCAP LB	Switching noise rejection capacitor	88	LBIN	Multi-channel Lch input B
39	DCCAP RB	Switching noise rejection capacitor	89	RBIN	Multi-channel Rch input B
40	DCCAP SW	Switching noise rejection capacitor	90	CBIN	Multi-channel Cch input B
41	DCL OUT	"Input selector" Lch output	91	LSBIN	Multi-channel LSch input B
42	DCL IN	"Multi-channel selector" Lch input	92	RSBIN	Multi-channel RSch input B
43	DCR OUT	"Input selector" Rch output	93	LBBIN	Multi-channel LBch input B
44	DCR IN	"Multi-channel selector" Rch input	94	RBBIN	Multi-channel RBch input B
45	FL+	"Input selector gain control" Lch no-inverted output	95	SWBIN	Multi-channel SWch input B
46	FL-	"Input selector gain control" Lch inverted output	96	GND	Ground
47	FR+	"Input selector gain control" Rch no-inverted output	97	GND	Ground
48	FR-	"Input selector gain control" Rch inverted output	98	VSS2	Internal Digital -Power Supply Output 2
49	VDD	Internal Digital +Power Supply Output	99	VDD2	Internal Digital +Power Supply Output 2
50	VSS	Internal Digital -Power Supply Output	100	TCCAP	Switching noise rejection capacitor

IC13 : LC89057W



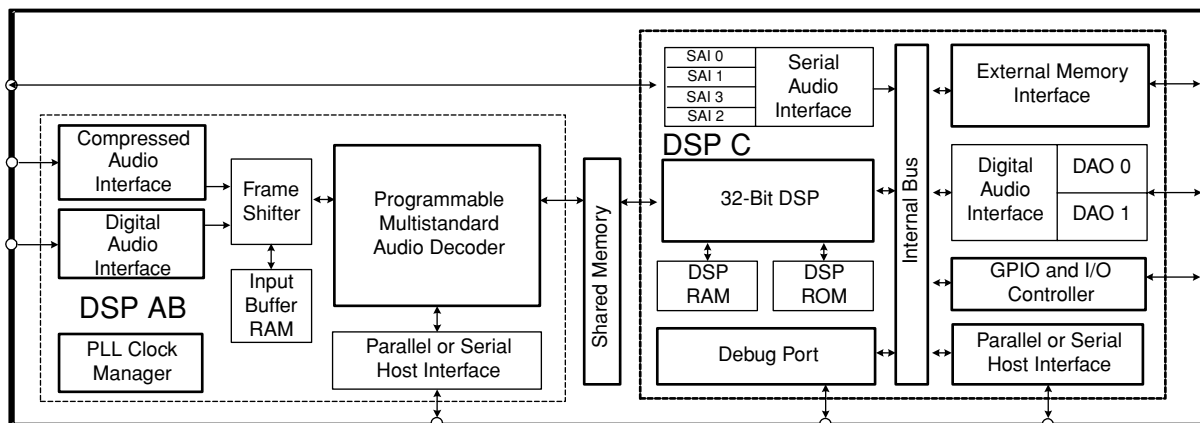
LC89057W

No.	Port name	I/O	Description
1	RXOUT	O	Data Output
2	RX0	I	Digital data Input (TTL)
3	RX1	I	Digital data Input (Coaxial)
4	RX2	I	Digital data Input (TTL)
5	RX3	I	Digital data Input (TTL)
6	DGND		Digital GND
7	DVDD		Digital VDD
8	RX4	I	Digital data Input (TTL)
9	RX5/VI	I	Digital data Input (TTL)
10	RX6/UI	I	Digital data Input (TTL)
11	DVDD		Digital GND for PLL
12	DGND		Digital VDD for PLL
13	LPF	O	Loop filter for PLL
14	AVDD		Analog VDD for PLL
15	AGND		Analog GND for PLL
16	RMCK	O	System clock Output for R (256fs, 512fs, XIN, VCO)
17	RBCK	O/I	Bit clock Output for R (64fs)
18	DGND		Digital GND
19	DVDD		Digital VDD
20	RLRCK	O/I	LR clock Input/Output for R
21	RDATA	O	Serial Audio data Input
22	SBCK	O	Bit clock Output for S (32fs, 64fs, 128fs)
23	SLRCK	O	LR clock Output for S (fs/2, fs, 2fs)
24	SDIN	I	Serial Audio data Input
25	DGND		Digital GND
26	DVDD		Digital VDD
27	XMCK	O	Oscillation amplifier
28	XOUT	O	XOUT
29	XIN	I	XIN or External clock Input (24.576MHz or 12.288MHz)
30	DVDD		Digital VDD
31	DGND		Digital GND
32	EMPHA/UO	I/O	Emphasis Information / U data Output / Set for chip address
33	AUDIO/VO	I/O	Detected non-PCM / V flag Output / Set for chip address
34	CKST	I/O	Clock timing Output / Switch to master or slave for demodulation
35	INT	I/O	Interrupt Output / Switch to Modulation or general-purpose I/O
36	RERR	O	Error Output (PLL lock, data error)
37	DO	O	IF, Read out data Output
38	DI	I	IF, Write data Input
39	CE	I	IF, Chip enable Input
40	CL	I	IF, Clock Input
41	XMODE	I	System reset Input
42	DGND		Digital GND
43	DVDD		Digital VDD
44	TMCK/PIO0	I/O	256fs system-clock Input for modulation / General-purpose I/O input/output
45	TBCK/PIO1	I/O	64fs bit-clock Input for modulation / General-purpose I/O input/output
46	TLRCK/PIO2	I/O	Fs clock Input for modulation / General-purpose I/O input/output
47	TDATA/PIO3	I/O	Serial audio data for modulation / General-purpose I/O input/output
48	TXO/PIOEN	O/I	Modulation data Output / General-purpose I/O enable input

IC19 : CS49400

Pin No.	I/O	Function	Description
1	I/O	UHS0, GPIO18	Mode Select Bit 0, General Purpose I/O
2	I/O	UHS1, GPIO19	Mode Select Bit 1, General Purpose I/O
3		INTREQ	Control Port Interrupt Request
4	I	FA1, FSCDIN	Host Address Bit One or SPI Serial Control Data Input
5	I/O	GPIO20	General Purpose I/O
6	I	FA0, FSCCLK	Host Parallel Address Bit Zero or Serial Control Port Clock
7	I/O	FHS2, FSCDIO, FSCDOUT	Mode Select Bit 2 or Serial Control Port Data Input and Output, Parallel Port Type Select
8	I/O	GPIO21	General Purpose I/O
9		FDAT7	DSP AB Bidirectional Data Bus
10		VDD6	2.5V Supply Voltage
11		VSS6	2.5V Ground
12		FHS0, FWR, FDS	Mode Select Bit 0 or Host Write Strobe or Host Data Strobe
13	O	FHS1, FRD, FRW	Mode Select Bit 1 or Host Parallel Output Enable or Host Parallel R/W
14		FDAT6	DSP AB Bidirectional Data Bus
15	I	FCS	Host Parallel Chip Select, Host Serial SPI Chip Select
16	O	FINTRREQ	Control Port Interrupt Request
17		FDBCK	Reserved
18		FDAT5	DSP AB Bidirectional Data Bus
19		FDAT4	DSP AB Bidirectional Data Bus
20		VDD7	2.5V Supply Voltage
21		VSS7	2.5V Ground
22		FDAT3	DSP AB Bidirectional Data Bus
23		FDBDA	Reserved
24		FDAT2	DSP AB Bidirectional Data Bus
25		DBDA	Debug Data
26		DBCK	Debug Clock
27		FDAT1	DSP AB Bidirectional Data Bus
28		TEST	Reserved
29		FDAT0	DSP AB Bidirectional Data Bus
30	I/O	NV_WE, GPIO16	SRAM Write Enable, General Purpose I/O
31	I/O	NV_OE, GPIO15	SRAM Output Enable, General Purpose I/O
32	I/O	NV_CS, GPIO14	SRAM Chip Select, General Purpose I/O
33		SD_WE	SDRAM Write Enable
34		SD_DATA0, EXT0	SDRAM Data Bus, SRAM External Data Bus
35		SD_DATA1, EXT1	SDRAM Data Bus, SRAM External Data Bus
36		SD_DATA2, EXT2	SDRAM Data Bus, SRAM External Data Bus
37		SD_DATA3, EXT3	SDRAM Data Bus, SRAM External Data Bus
38		SD_DATA4, EXT4	SDRAM Data Bus, SRAM External Data Bus
39		SD_DQM0	SDRAM Data Mask 2
40		SD_DATA5, EXT5	SDRAM Data Bus, SRAM External Data Bus
41		VSSSD4	3.3V SDRAM/SRAM/EPROM Interface Ground
42		VDDSD4	3.3V SDRAM/SRAM/EPROM Interface Supply
43		SD_DATA6, EXT6	SDRAM Data Bus, SRAM External Data Bus
44		SD_DATA7, EXT7	SDRAM Data Bus, SRAM External Data Bus
45		SD_DQM1	SDRAM Data Mask 1
46		SD_DATA15, EXTA18	SDRAM Data Bus, SRAM External Address Bus
47		SD_DATA14, EXTA17	SDRAM Data Bus, SRAM External Address Bus
48		NC5	No Connect
49		SD_DATA13, EXTA16	SDRAM Data Bus, SRAM External Address Bus
50		VSSSD3	3.3V SDRAM/SRAM/EPROM Interface Ground
51		VDDSD3	3.3V SDRAM/SRAM/EPROM Interface Supply
52		SD_DATA12, EXTA15	SDRAM Data Bus, SRAM External Address Bus

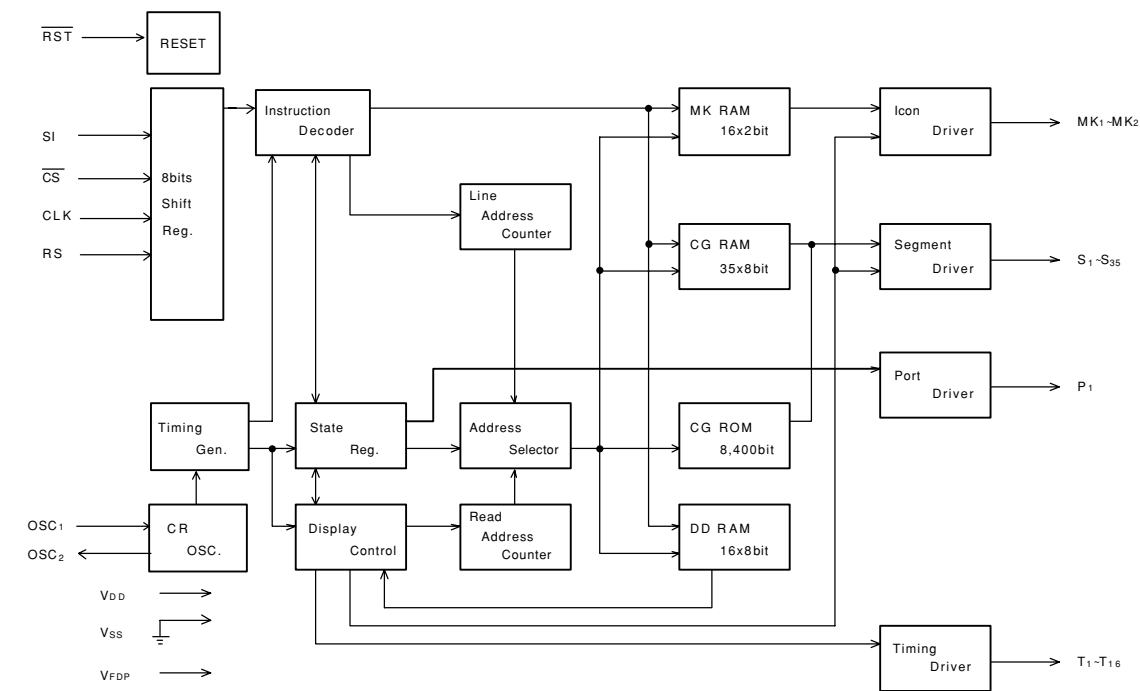
53		SD_DATA11, EXTA14	SDRAM Data Bus, SRAM External Address Bus
54		SD_DATA10, EXTA13	SDRAM Data Bus, SRAM External Address Bus
55		SD_DATA9, EXTA12	SDRAM Data Bus, SRAM External Address Bus
56		SD_DATA8, EXTA11	SDRAM Data Bus, SRAM External Address Bus
57		VSSSD2	3.3V SDRAM/SRAM/EPROM Interface Ground
58		VDDSD2	3.3V SDRAM/SRAM/EPROM Interface Supply
59	O	SD_CLK_OUT	SDRAM Clock Output
60		SD_ADDR9, EXTA9	SDRAM Address Bus, SRAM External Address Bus
61	I	SD_CLK_IN	SDRAM Re-timing Clock Input
62		SD_ADDR8, EXTA8	SDRAM Address Bus, SRAM External Address Bus
63		SD_ADDR7, EXTA7	SDRAM Address Bus, SRAM External Address Bus
64		SD_CLK_EN	SDRAM Clock Enable
65		SD_ADDR6, EXTA6	SDRAM Address Bus, SRAM External Address Bus
66		SD_ADDR5, EXTA5	SDRAM Address Bus, SRAM External Address Bus
67		SD_ADDR4, EXTA4	SDRAM Address Bus, SRAM External Address Bus
68		SD_CS	SDRAM Chip Select
69		VSSSD1	3.3V SDRAM/SRAM/EPROM Interface Ground
70		VDDSD1	3.3V SDRAM/SRAM/EPROM Interface Supply
71		SD_BA, EXTA19	SDRAM Bank Address Select, SRAM External Address Bus
72		SD_ADDR10, EXTA10	SDRAM Address Bus, SRAM External Address Bus
73		SD_ADDR0, EXTA0	SDRAM Address Bus, SRAM External Address Bus
74		SD_ADDR1, EXTA1	SDRAM Address Bus, SRAM External Address Bus
75		SD_ADDR2, EXTA2	SDRAM Address Bus, SRAM External Address Bus
76		SD_ADDR3, EXTA3	SDRAM Address Bus, SRAM External Address Bus
77		SD_RAS	SDRAM Row Address Strobe
78		SD_CAS	SDRAM Column Address Strobe
79	I/O	SDATAN3, GPIO27	PCM Audio Input Data, General Purpose I/O
80	I/O	SDATAN2, GPIO26	PCM Audio Input Data, General Purpose I/O
81	I/O	SDATAN1, GPIO25	PCM Audio Input Data, General Purpose I/O
82	I/O	SDATAN0, GPIO24	PCM Audio Input Data, General Purpose I/O
83		NC4	No Connect
84		NC3	No Connect
85	I/O	LRCLKN, GPIO23	PCM Audio Input Sample Rate Clock, General Purpose I/O
86	I/O	SCLKN, GPIO22	PCM Audio Input Bit Clock, General Purpose I/O
87	O	LRCLK1	Audio Output Sample Rate Clock
88		NC2	No Connect
89		NC1	No Connect
90		VDD1	2.5V Supply Voltage
91		VSS1	2.5V Ground
92	I/O	AUDATA7, XMT958B, GPIO31	Digital Audio Output 7, S/PDIF Transmitter, General Purpose I/O
93	I/O	AUDATA6, GPIO30	Digital Audio Output 6, General Purpose I/O
94	I/O	AUDATA5, GPIO29	Digital Audio Output 5, General Purpose I/O
95	I/O	HDATA7, GPIO7	DSP C Bidirectional Data Bus, General Purpose I/O
96	I/O	HDATA6, GPIO6	DSP C Bidirectional Data Bus, General Purpose I/O
97	I/O	HDATA5, GPIO5	DSP C Bidirectional Data Bus, General Purpose I/O
98	O	SCLK1	Audio Output Bit Clock



99	MCLK	Audio Master Clock
100	VDD2	2.5V Supply Voltage
101	VSS2	2.5V Ground
102	I/O	AUDATA4, GPIO28 Digital Audio Output 4, General Purpose I/O
103	I/O	HDATA4, GPIO4 DSP C Bidirectional Data Bus, General Purpose I/O
104	O	SCLK0 Audio Output Bit Clock
105	I/O	HDATA3, GPIO3 DSP C Bidirectional Data Bus, General Purpose I/O
106	O	AUDATA3, XMT958A Digital Audio Output 3, S/PDIF Transmitter
107	O	AUDATA2 Digital Audio Output 2
108	O	LRCLK0 Audio Output Sample Rate Clock
109	O	AUDATA1 Digital Audio Output 1
110	O	AUDATA0 Digital Audio Output 0
111	I	CMPCCLK, FSCLKN2 PCM Audio Input Bit Clock
112	I/O	HDATA2, GPIO2 DSP C Bidirectional Data Bus, General Purpose I/O
113	VSS3	2.5V Ground
114	VDD3	2.5V Supply Voltage
115	I/O	HDATA1, GPIO1 DSP C Bidirectional Data Bus, General Purpose I/O
116	I/O	HDATA0, GPIO0 DSP C Bidirectional Data Bus, General Purpose I/O
117	O	CMPPREQ, FLRCLKN2 Frame Clock Data Request Out
118	I	CMPPDAT, FSDATAN2 PCM Audio Data Input Number Two
119	I	FLRCLKN1 PCM Audio Input Sample Rate Clock
120	I/O	WR, DS, GPIO10 Host Write Strobe, Host Data Strobe, General Purpose I/O
121	I/O	RD, R/W, GPIO11 Host Parallel Output Enable, Host Parallel R/W, General Purpose I/O
122	PLL	VSS PLL Ground Voltage
123	FILT2	Phase Locked Loop Filter
124	FILT1	Phase-Locked Loop Filter
125	PLL	VDD PLL Supply Voltage
126	O	CLKOUT, XTALO Crystal Oscillator Output
127	I	CLKIN, XTALI External Clock Input/Crystal Oscillator Input
128	CLK	SEL DSP Clock Select
129	I/O	CS, GPIO9 Host Parallel Chip Select, General Purpose I/O
130	I/O	A0, GPIO13 Host Parallel Address Bit 0, General Purpose I/O
131	I	FSDATAN1 PCM Audio Data Input One
132	VDD4	2.5V Supply Voltage
133	VSS4	2.5V Ground
134	I	FSCLKN1, STCCLK2 PCM Audio Input Bit Clock
135	CS	Host Serial SPI Chip Select
136	I	SCDIN SPI Serial Control Data Input
137	VSS5	2.5V Ground
138	VDD5	2.5V Supply Voltage
139	I/O	A1, GPIO12 Host Address Bit 1, General Purpose I/O
140	I/O	SCDOUT, SCDIO Serial Control Port Data Input and Output
141	I/O	HINBSY, GPIO8 Input Host Message Status, General Purpose I/O
142	SC	CLK Serial Control Port Clock
143	I/O	UHS2, CS_OUT, GPIO17 Mode Select Bit 2, External Serial Memory Chip Select, General Purpose I/O
144	I	RESET Master Reset Input

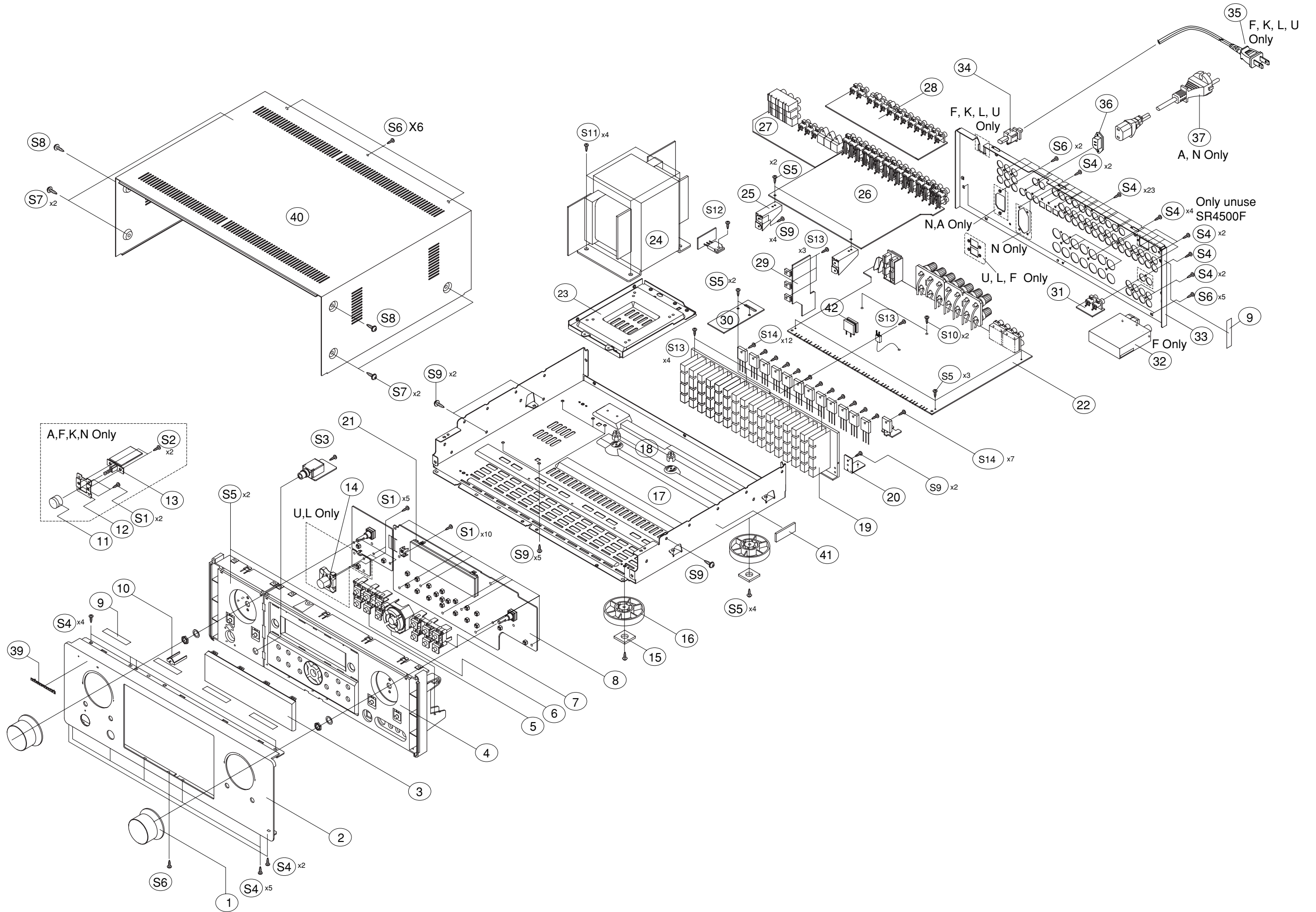
pin	port	I/O	Name	STBY	Port Setting			Note
	mode = 7			set	use	Act.	init	
1	PG3	I/O	BTMOD	—	O	L	L	FLASH ROM Address (A18)
2	PG4	I/O	N.C.	—	I	—	—	Pull Down
3	VSS	I	VSS	—	—	—	—	GND
4	VSSNC	BI	N.C.	—	—	—	—	GND
5	VCC	I	Vcc	—	—	—	—	+5V
6	PC0	I/O	RSTDAC	—	O	L	L	CS42418 Reset
7	PC1	I/O	DA INT	—	I	—	—	CS42418 Interrupt Status Input
8	PC2	I/O	DA CS	—	O	L	H	CS42418 Chip Select
9	PC3	I/O	CDIN	—	I	—	—	CS42418 Data Out
10	VSS	I	VSS	—	—	—	—	GND
11	PC4	I/O	D A	—	O	—	L	DIR: H, ADC :L
12	PC5	I/O	XSTATE	—	I	—	—	DIR XSTATE
13	PC6	I/O	CEDIR	—	O	L	L	DIR Chip Enable
14	PC7	I/O	XMODE	—	O	L	L	DIR Reset
15	PB0	I/O	IICCLK	H	O	—	H	IIC for EEPROM (CLK)
16	PB1	I/O	IICDATA	H	I/O	—	H	IIC for EEPROM (DATA)
17	PB2	I/O	TU SD	—	I	L	—	Tuned
18	PB3	I/O	TU ST	—	I	H	—	Stereo/ Mono
19	VSS	I	VSS	—	—	—	—	GND
20	PB4	I/O	TU MUTE	—	O	H	H	Tuner Mute
21	PB5	I/O	CE TU	—	O	L	L	Tuner Chip Enable
22	PB6	I/O	N.C.	—	O	L	L	Open
23	PB7	I/O	N.C.	—	O	L	L	Open
24	PA0	I/O	TUDOUT	—	O	—	L	Tuner Data Out
25	PA1	I/O	TUCLK	—	O	—	L	Tuner CLK
26	PA2	I/O	TUDIN	—	I	—	—	Tuner Data IN
27	PA3	I/O	RDSDIN	—	I	—	—	Tuner RDS Data
28	VSS	I	VSS	—	—	—	—	GND
29	PA4/ IRQ4	I/O	REQ2	—	INT	L	—	DSP FINTR EQ
30	PA5/ IRQ5	I/O	DIR INT	—	INT/I	—	—	DIR INT Output
31	PA6/ IRQ6	I/O	P AMP FAIL	—	INT	L	—	Power amp Detect
32	PA7/ IRQ7	I/O	RDS CLK	—	INT	—	—	Tuner RDS Clock
33	P67/ IRQ3	I/O	REQ1	—	INT	L	—	DSP Inter Q
34	P66/ IRQ2	I/O	REERR	—	INT	H	—	DIR Error
35	VSS	I	VSS	—	—	—	—	GND
36	VSS	I	VSS	—	—	—	—	GND
37	P65/ IRQ1	I/O	WAKEUP	—	INT	↑	—	Standby Mode Release
38	P64/ IRQ0	I/O	P DOWN	—	INT	L	—	Power Down Detect
39	VCC	I	Vcc	—	—	—	—	+5VL
40	PE0	I/O	N.C.	—	I	L	L	Pull Down 47k
41	PE1	I/O	VIDEO SW0	—	O	L	L	Video Switch 1
42	PE2	I/O	VIDEO SW1	—	O	L	L	Video Switch 2
43	PE3	I/O	VIDEO SW2	—	O	L	L	Video Switch 3
44	VSS	I	VSS	—	—	—	—	GND
45	PE4	I/O	VIDEO SW3	—	O	L	L	Video Switch 4
46	PE5	I/O	HINBSY	—	I	—	—	DSP Busy Signal
47	PE6	I/O	N.C.	—	O	—	L	Open
48	PE7	I/O	N.C.	—	O	—	L	Open
49	PD0	I/O	N.C.	—	O	—	L	Open
50	PD1	I/O	VCR2MUTE	—	O	H	H	VCR2 Audio Rec Output Mute
51	PD2	I/O	VCR1MUTE	—	O	H	H	VCR1 Audio Rec Output Mute
52	PD3	I/O	SWMUTE	—	O	H	H	Sub Woofer Mute
53	VSS	I	VSS	—	—	—	—	GND
54	PD4	I/O	CNTMUTE	—	O	H	H	Center Speaker Mute
55	PD5	I/O	SBMUTE	—	O	H	H	Surround Back Mute
56	PD6	I/O	SL/SRMUTE	—	O	H	H	Surround L/R Mute
57	PD7	I/O	L/RMUTE	—	O	H	H	Front L/R Mute
58	VCC	I	Vcc	—	—	—	—	+5VL
59	P30/TxD0	I/O	DSPDOUT	—	SO	—	—	DSP DIR Control Data Output UART for RS232C Flash WR need Pull Up
60	P31/TxD1	I/O	TXD	H	SO	—	H	DSP DIR Control Data Input
61	P32/RxD0	I/O	DSPDIN	—	SI	—	—	UART for RS232C Flash WR. need Pull Up.
62	P33/RxD1	I/O	RXD	—	SI	—	—	DSP DIR Control Clock
63	P34/SCK0	I/O	DSPCLK	—	SC	—	—	FL Driver chip sel
64	P35/SCK1	I/O	CEFL	—	O	L	L	

pin	port mode = 7	I/O	Name	STBY				Note
				set	use	Act.	init	
65	VSS	I	VSS	-	-	-	-	GND
66	P60/ DREQ0	I/O	NJW1157DATA	-	O	-	L	NJW1157/CS42418 Data Input
67	VSS	I	VSS	-	-	-	-	GND
68	VSS	I	VSS	-	-	-	-	GND
69	P61/ TEND0	I/O	NJW1157CLK	-	O	-	L	NJW1157/CS42418 Clock Input
70	P62/ DREQ1	I/O	NJW1157LATCH	-	O	-	L	NJW1157 Latch Input
71	P63/ TEND1	I/O	N.C.	-	O	L	L	Open
72	P27/PO7/TIOCB5/ TMO1	I/O	FLRA_ON	-	O	H	L	Front Speaker On/Off
73	P26/PO6/TIOCA5/ TMO0	I/O	N.C.	-	O	-	L	Open
74	P25/PO5/TIOCB4/ TMC11	I/O	SURR_ON	-	O	H	L	SURR/CNT Speaker On/Off
75	P24/PO4/TIOCA4/ TMR11	I/O	AVSS	-	O	H	L	Power Amp±B_L_Sel
76	P23/PO3/TIOCD3/ TMC10	I/O	_HEAT_DET	-	I	H	-	Power Amp Heat sink TempDetect
77	P22/PO2/TIOCC3/ TMR10	I/O	_STANDBY	-	O	L	L	Standby Power
78	P21/PO1/TIOCB3	I/O	HP_DET	-	I	L	-	HP Jack Detect
79	P20/PO0/TIOCA3	I/O	HP_ON	-	O	H	L	Head Phone On
80	VCL	I	VCL	-	-	-	-	
81	RES	I	RST	-	-	L	-	Reset
82	NMI	I	NMI	-	-	-	-	Fix H(At the time of the un-use)
83	STBY	I	STBY	-	-	L	H	FixH
84	VCC	I	Vcc	-	-	-	-	+5V
85	XTAL	I	XTAL	-	-	-	-	Xtal(20M)
86	EXTAL	I	EXTAL	-	-	-	-	Xtal(20M)
87	VSS	I	VSS	-	-	-	-	GND
88	PF7/<B	I/O	SEL-	-	I	-	-	Front Select. Encoder
89	VCC	I	Vcc	-	-	-	-	+5V
90	PF6	I/O	SEL+	-	I	-	-	Front Select. Encoder
91	PF5	I/O	STBY LED	L	O	L	H	Standby LED On
92	PF4	I/O	RSFL	-	O	L	L	Front FL Driver
93	PF3	I/O	VOL-	-	I	-	-	Front Vol. Encoder
94	PF2	I/O	VOL+	-	I	-	-	Front Vol. Encoder
95	PF1	I/O	CTS	-	I	-	-	UART
96	PF0	I/O	RTS	H	O	-	H	UART
97	P50/TxD2/ IRQ4	I/O	OSDDATA	-	O	-	L	NJU3430 Data Input
98	P51/RxD2/ IRQ5	I	N.C.	-	I	-	-	Pull Down 10k
99	VSS	I	VSS	-	-	-	-	GND
100	VSS	I	VSS	-	-	-	-	GND
101	P52/SCK2/ IRQ6	I/O	OSDCLK	-	O	-	L	NJU3430 Clock Input
102	P53/_ADTRG/ IRQ7	I/O	_RSTFL	-	O	L	L	Reset FL Driver
103	AVCC	I	AVCC	-	-	-	-	+5V
104	Vref	I	VREF	-	-	-	-	+5V
105	P40/AN0	I	KEY0	-	AD	-	-	Front Key
106	P41/AN1	I	KEYBO	-	AD	-	-	Front Key
107	P42/AN2	I	KEY2	-	AD	-	-	Front Key
108	P43/AN3	I	N.C.	-	I	-	-	Pull Up 47k
109	P44/AN4	I	P LINE FAIL	-	AD	-	-	Emergency Protection
110	P45/AN5	I	MODE	-	AD	-	-	CPU mode
111	P46/AN6/DA0	I	N.C.	-	I	-	-	Open
112	P47/AN7/DA1	I	N.C.	-	AD	-	-	Pull Down 47k
113	AVSS	I	VSS	-	-	-	-	GND
114	VSS	I	VSS	-	-	-	-	GND
115	P17/PO15/TIOCB2/ TCLKD	I/O	SB_ON	-	O	H	L	Surroud Back On: H / Off: L
116	P16/PO14/ TIOCA2	I/O	RC_OUT	-	O	-	L	RC BUS Output
117	P15/PO13/TIOCB1/ TCLKC	I/O	N.C.	-	O	-	-	Pull Up 47k
118	P14/PO12/ TIOCA1	I/O	N.C.	-	O	-	L	Open
119	P13/PO11/TIOCD0/ TCLKB	I/O	KILLIR	L	O	H	L	Kill to IR input signal.
120	P12/PO10/TIOCC0/ TCLKA	I/O	N.C.	-	O	-	L	Open
121	P11/PO9/TIOCB0/ DACK1	I/O	N.C.	-	O	-	L	Open
122	P10/PO8/TIOCA0/ DACK0	I/O	RC_IN	-	T_IN	↑ ↓	-	IR In for RC-5
123	MD0	I	MD0	-	YES	-	-	+5VL
124	MD1	I	MD1	-	YES	-	-	Fix H
125	MD2	I	MD2	-	YES	-	-	Normal :H, Boot :L
126	PG0	I/O	FCS	-	O	L	H	DSP Chip Enable
127	PG1	I/O	RSTDSP	-	O	L	L	DSP Reset
128	PG2	I/O	SCS	-	O	L	H	DSP Chip Enable



No.	SYMBOL	I/O	F U N C T I O N
57	VDD	-	Power Source : VDD=+3.0 to 5.5V
49	VSS	-	GND : VSS=0V
48	VFDP	-	VFD Driving Power Source VDD-20V to VDD-45V
50	OSC1	I	CR Oscillation Terminal External R and C connect to these terminals. (Target fOSC=360kHz)
51	OSC2	O	
54	CLK	I	Serial Clock Input Terminal The serial data input synchronizing the rise edge of this terminal.
53	CS	I	Chip Select Terminal When the CS terminal is "H" the serial data input is not available.
55	SI	I	Serial Data Input Terminal The data input is MSB first.
56	RS	I	Register Selection Signal Input Terminal RS="0" : Instruction Register RS="1" : Data Register
52	RST	I	Reset Terminal RST="L" : Reset -Each Address : (00)H -Each RAM Data : Unfixed -Display Digits : 16-digit -Contrast Control : 8/16 Dury -All Display Off -All Outputs are "L"
61 to 64, 1 to 31	S1 to S35	O	Segment Output Terminals (Internal Pull-down Resistance)
32 to 47	T1 to T16	O	Timing Output Terminals (Internal Pull-down Resistance)
60 59	MK1 MK2	O	Icon Output Terminals (Internal Pull-down Resistance)
58	P1	O	Output Port Terminal This terminal is suitable for LED.

8. EXPLODED VIEW AND PARTS LIST



P.C.B NAME	POS.NO.	VERS. COLOR	PART NO. (FOR EUR)	PART NO. (MJI)	PART NAME	DESCRIPTION	
	1	/A1B	nsp	00M28AW154010	KNOB	VOLUME KNOB ASS'Y	HGK1A089YA
	1	/A1S	nsp	00M28AW154030	KNOB	VOLUME KNOB ASS'Y	HGK1A089XA
	1	/F1N	nsp	00M28AW154020	KNOB	VOLUME KNOB ASS'Y	HGK1A089ZA
	1	/K1G	nsp	00M28AW154020	KNOB	VOLUME KNOB ASS'Y	HGK1A089ZA
	1	/L1G	nsp	00M28AW154020	KNOB	VOLUME KNOB ASS'Y	HGK1A089ZA
	1	/N1B	00M28AW154010	00M28AW154010	KNOB	VOLUME KNOB ASS'Y	HGK1A089YA
	1	/N1G	00M28AW154020	00M28AW154020	KNOB	VOLUME KNOB ASS'Y	HGK1A089ZA
	1	/N1S	00M28AW154030	00M28AW154030	KNOB	VOLUME KNOB ASS'Y	HGK1A089XA
	1	/U1B	nsp	00M28AW154010	KNOB	VOLUME KNOB ASS'Y	HGK1A089YA
	1	/U1S	nsp	00M28AW154030	KNOB	VOLUME KNOB ASS'Y	HGK1A089XA
	2	/A1B	nsp	00M07BW248010	PANEL	PANEL , AL	CKM3A134ZC23
	2	/A1S	nsp	00M07BW248210	PANEL	PANEL , AL	CKM3A134ZC40
	2	/F1N	nsp	00M07BW248130	PANEL	PANEL , FRONT(AL)	CKM3A134UC24
	2	/K1G	nsp	00M07BW248110	PANEL	PANEL , AL	CKM3A134ZC24
	2	/L1G	nsp	00M07BW248110	PANEL	PANEL , AL	CKM3A134ZC24
	2	/N1B	00M07BW248010	00M07BW248010	PANEL	PANEL , AL	CKM3A134ZC23
	2	/N1G	00M07BW248110	00M07BW248110	PANEL	PANEL , AL	CKM3A134ZC24
	2	/N1S	00M07BW248210	00M07BW248210	PANEL	PANEL , AL	CKM3A134ZC40
	2	/U1B	nsp	00M07BW248020	PANEL	PANEL , AL	CKM3A134YC23
	2	/U1S	nsp	00M07BW248220	PANEL	PANEL , FRONT(AL)	CKM3A134YC40
	3		00M07BW158010	00M07BW158010	WINDOW	WINDOW , FIP	CGU1A346
	4	/A1B	nsp	00M07BW105020	PANEL	PANEL , SUB	CGW1A382R4ZK92
	4	/A1S	nsp	00M07BW105220	PANEL	PANEL , SUB	CGW1A382R6ZG13
	4	/F1N	nsp	00M07BW105120	PANEL	PANEL , SUB	CGW1A382RFZD4
	4	/K1G	nsp	00M07BW105120	PANEL	PANEL , SUB	CGW1A382RFZD4
	4	/L1G	nsp	00M07BW105120	PANEL	PANEL , SUB	CGW1A382RFZD4
	4	/N1B	00M07BW105020	00M07BW105020	PANEL	PANEL , SUB	CGW1A382R4ZK92
	4	/N1G	00M07BW105120	00M07BW105120	PANEL	PANEL , SUB	CGW1A382RFZD4
	4	/N1S	00M07BW105220	00M07BW105220	PANEL	PANEL , SUB	CGW1A382R6ZG13
	4	/U1B	nsp	00M07BW105020	PANEL	PANEL , SUB	CGW1A382R4ZK92
	4	/U1S	nsp	00M07BW105220	PANEL	PANEL , SUB	CGW1A382R6ZG13
	5	/A1B	nsp	00M07BW270020	BUTTON	KNOB , FUNCTION(L)	CBT1A940K92
	5	/A1S	nsp	00M07BW270220	BUTTON	KNOB , FUNCTION(L)	CBT1A940R6G13
	5	/F1N	nsp	00M07BW270120	BUTTON	KNOB , FUNCTION(L)	CBT1A940RFD4
	5	/K1G	nsp	00M07BW270120	BUTTON	KNOB , FUNCTION(L)	CBT1A940RFD4
	5	/L1G	nsp	00M07BW270120	BUTTON	KNOB , FUNCTION(L)	CBT1A940RFD4
	5	/N1B	00M07BW270020	00M07BW270020	BUTTON	KNOB , FUNCTION(L)	CBT1A940K92
	5	/N1G	00M07BW270120	00M07BW270120	BUTTON	KNOB , FUNCTION(L)	CBT1A940RFD4
	5	/N1S	00M07BW270220	00M07BW270220	BUTTON	KNOB , FUNCTION(L)	CBT1A940R6G13
	5	/U1B	nsp	00M07BW270020	BUTTON	KNOB , FUNCTION(L)	CBT1A940K92
	5	/U1S	nsp	00M07BW270220	BUTTON	KNOB , FUNCTION(L)	CBT1A940R6G13
	6	/A1B	nsp	00M07BW270010	BUTTON	KNOB , PLAY	CBT1A939ZK92
	6	/A1S	nsp	00M07BW270210	BUTTON	KNOB , PLAY	CBT1A939R6ZG13
	6	/F1N	nsp	00M07BW270110	BUTTON	KNOB , PLAY	CBT1A939RFZD4
	6	/K1G	nsp	00M07BW270110	BUTTON	KNOB , PLAY	CBT1A939RFZD4
	6	/L1G	nsp	00M07BW270110	BUTTON	KNOB , PLAY	CBT1A939RFZD4
	6	/N1B	00M07BW270010	00M07BW270010	BUTTON	KNOB , PLAY	CBT1A939ZK92
	6	/N1G	00M07BW270110	00M07BW270110	BUTTON	KNOB , PLAY	CBT1A939RFZD4
	6	/N1S	00M07BW270210	00M07BW270210	BUTTON	KNOB , PLAY	CBT1A939R6ZG13
	6	/U1B	nsp	00M07BW270010	BUTTON	KNOB , PLAY	CBT1A939ZK92
	6	/U1S	nsp	00M07BW270210	BUTTON	KNOB , PLAY	CBT1A939R6ZG13
	7	/A1B	nsp	00M07BW270030	BUTTON	KNOB , FUNCTION(R)	CBT1A941K92
	7	/A1S	nsp	00M07BW270230	BUTTON	KNOB , FUNCTION(R)	CBT1A941R6G13
	7	/F1N	nsp	00M07BW270130	BUTTON	KNOB , FUNCTION(R)	CBT1A941RFD4
	7	/K1G	nsp	00M07BW270130	BUTTON	KNOB , FUNCTION(R)	CBT1A941RFD4
	7	/L1G	nsp	00M07BW270130	BUTTON	KNOB , FUNCTION(R)	CBT1A941RFD4
	7	/N1B	00M07BW270030	00M07BW270030	BUTTON	KNOB , FUNCTION(R)	CBT1A941K92
	7	/N1G	00M07BW270130	00M07BW270130	BUTTON	KNOB , FUNCTION(R)	CBT1A941RFD4
	7	/N1S	00M07BW270230	00M07BW270230	BUTTON	KNOB , FUNCTION(R)	CBT1A941R6G13
	7	/U1B	nsp	00M07BW270030	BUTTON	KNOB , FUNCTION(R)	CBT1A941K92
	7	/U1S	nsp	00M07BW270230	BUTTON	KNOB , FUNCTION(R)	CBT1A941R6G13
	8	/A1B	nsp	nsp	PCB ASSY	FRONT PCB ASS'Y	COP11693D

NOTE : "nsp" PARTS IS LISTED FOR REFERENCE ONLY, MARANTZ WILL NOT SUPPLY THESE PARTS.

P.C.B NAME	POS.NO.	VERS. COLOR	PART NO. (FOR EUR)	PART NO. (MJI)	PART NAME	DESCRIPTION	
	8	/A1S	nsp	nsp	PCB ASSY	FRONT PCB ASS'Y	COP11693D
	8	/F1N	nsp	nsp	PCB ASSY	FRONT PCB ASS'Y	COP11693F
	8	/K1G	nsp	nsp	PCB ASSY	FRONT PCB ASS'Y	COP11693E
	8	/L1G	nsp	nsp	PCB ASSY	FRONT PCB ASS'Y	COP11693G
	8	/N1B	nsp	nsp	PCB ASSY	FRONT PCB ASS'Y	COP11693C
	8	/N1G	nsp	nsp	PCB ASSY	FRONT PCB ASS'Y	COP11693C
	8	/N1S	nsp	nsp	PCB ASSY	FRONT PCB ASS'Y	COP11693C
	8	/U1B	nsp	nsp	PCB ASSY	FRONT PCB ASS'Y	COP11693B
	8	/U1S	nsp	nsp	PCB ASSY	FRONT PCB ASS'Y	COP11693B
	9		nsp	nsp	BUFFER	TAPE , HEMELON	KHS1A032
	10		00M27AW355010	00M27AW355010	LENS	INDICATOR , POWER	CGL1A216
	11	/A1B	nsp	00M27AW270040	BUTTON	KNOB , POWER	CBC1A146K92
	11	/A1S	nsp	00M27AW270240	BUTTON	KNOB , POWER	CBC1A146R6G13
	11	/F1N	nsp	00M27AW270140	BUTTON	KNOB , POWER	CBC1A146RFD4
	11	/K1G	nsp	00M27AW270140	BUTTON	KNOB , POWER	CBC1A146RFD4
	11	/N1B	00M27AW270040	00M27AW270040	BUTTON	KNOB , POWER	CBC1A146K92
	11	/N1G	00M27AW270140	00M27AW270140	BUTTON	KNOB , POWER	CBC1A146RFD4
	11	/N1S	00M27AW270240	00M27AW270240	BUTTON	KNOB , POWER	CBC1A146R6G13
	12	/A1B	nsp	nsp	BRACKET	BRACKET , POWER	CMD1A493
	12	/A1S	nsp	nsp	BRACKET	BRACKET , POWER	CMD1A493
	12	/F1N	nsp	nsp	BRACKET	BRACKET , POWER	CMD1A493
	12	/K1G	nsp	nsp	BRACKET	BRACKET , POWER	CMD1A493
	12	/N1B	nsp	nsp	BRACKET	BRACKET , POWER	CMD1A493
	12	/N1G	nsp	nsp	BRACKET	BRACKET , POWER	CMD1A493
	12	/N1S	nsp	nsp	BRACKET	BRACKET , POWER	CMD1A493
	14	/L1G	nsp	00M27AW270140	BUTTON	KNOB , POWER	CBT1A877RFD4
	14	/U1B	nsp	00M27AW270030	BUTTON	KNOB , POWER	CBT1A877K92
	14	/U1S	nsp	00M27AW270230	BUTTON	KNOB , POWER	CBT1A877R6G13
	15		nsp	nsp	BUFFER	RUBBER , CUSHION	KHG1A050
	16	/A1B	nsp	00M243W057010	LEG	FOOT , FRONT	CKL2A042H11
	16	/A1S	nsp	00M243W057210	LEG	FOOT , FRONT	CKL2A042H46
	16	/F1N	nsp	00M243W057010	LEG	FOOT , FRONT	CKL2A042H11
	16	/K1G	nsp	00M243W057010	LEG	FOOT , FRONT	CKL2A042H11
	16	/L1G	nsp	00M243W057010	LEG	FOOT , FRONT	CKL2A042H11
	16	/N1B	00M243W057010	00M243W057010	LEG	FOOT , FRONT	CKL2A042H11
	16	/N1G	00M243W057010	00M243W057010	LEG	FOOT , FRONT	CKL2A042H11
	16	/N1S	00M243W057210	00M243W057210	LEG	FOOT , FRONT	CKL2A042H46
	16	/U1B	nsp	00M243W057010	LEG	FOOT , FRONT	CKL2A042H11
	16	/U1S	nsp	00M243W057210	LEG	FOOT , FRONT	CKL2A042H46
	17		nsp	nsp	CHASSIS	CHASSIS , BOTTOM	CUA1A247
	18		nsp	nsp	HOLDER	HOLDER , PCB	CHE170
	22	/A1B	nsp	nsp	PCB ASSY	MAIN PCB ASS'Y	COP11695D
	22	/A1S	nsp	nsp	PCB ASSY	MAIN PCB ASS'Y	COP11695D
	22	/F1N	nsp	nsp	PCB ASSY	MAIN PCB ASS'Y	COP11695F
	22	/K1G	nsp	nsp	PCB ASSY	MAIN PCB ASS'Y	COP11695E
	22	/L1G	nsp	nsp	PCB ASSY	MAIN PCB ASS'Y	COP11695G
	22	/N1B	nsp	nsp	PCB ASSY	MAIN PCB ASS'Y	COP11695C
	22	/N1G	nsp	nsp	PCB ASSY	MAIN PCB ASS'Y	COP11695C
	22	/N1S	nsp	nsp	PCB ASSY	MAIN PCB ASS'Y	COP11695C
	22	/U1B	nsp	nsp	PCB ASSY	MAIN PCB ASS'Y	COP11695B
	22	/U1S	nsp	nsp	PCB ASSY	MAIN PCB ASS'Y	COP11695B
	23		nsp	nsp	BRACKET	BRACKET , TRANS	CMD1A487
	24	/A1B	nsp	90M-TS002200R	TRANSF.	TRANS , POWER SR4500/N T901	CLT5W014ZE
	24	/A1S	nsp	90M-TS002200R	TRANSF.	TRANS , POWER SR4500/N T901	CLT5W014ZE
	24	/F1N	nsp	90M-TS002250R	TRANSF.	TRANS , POWER SR4500/F T901	CLT5W014ZJ
	24	/K1G	nsp	90M-TS002260R	TRANSF.	TRANS , POWER SR4500/K T901	CLT5W014ZH
	24	/L1G	nsp	90M-TS002270R	TRANSF.	TRANS , POWER SR4500/L T901	CLT5W014ZS
	24	/N1B	90M-TS002200R	90M-TS002200R	TRANSF.	TRANS , POWER SR4500/N T901	CLT5W014ZE
	24	/N1G	90M-TS002200R	90M-TS002200R	TRANSF.	TRANS , POWER SR4500/N T901	CLT5W014ZE
	24	/N1S	90M-TS002200R	90M-TS002200R	TRANSF.	TRANS , POWER SR4500/N T901	CLT5W014ZE
	24	/U1B	nsp	90M-TS002180R	TRANSF.	TRANS , POWER SR4500/U T901	CLT5W014ZU
	24	/U1S	nsp	90M-TS002180R	TRANSF.	TRANS , POWER SR4500/U T901	CLT5W014ZU

NOTE : "nsp" PARTS IS LISTED FOR REFERENCE ONLY, MARANTZ WILL NOT SUPPLY THESE PARTS.

P.C.B NAME	POS.NO.	VERS. COLOR	PART NO. (FOR EUR)	PART NO. (MJI)	PART NAME	DESCRIPTION		
	26	/A1B	nsp	nsp	PCB ASSY	INPUT PCB ASS'Y	COP11694D	
	26	/A1S	nsp	nsp	PCB ASSY	INPUT PCB ASS'Y	COP11694D	
	26	/F1N	nsp	nsp	PCB ASSY	INPUT PCB ASS'Y	COP11694F	
	26	/K1G	nsp	nsp	PCB ASSY	INPUT PCB ASS'Y	COP11694E	
	26	/L1G	nsp	nsp	PCB ASSY	INPUT PCB ASS'Y	COP11694G	
	26	/N1B	nsp	nsp	PCB ASSY	INPUT PCB ASS'Y	COP11694C	
	26	/N1G	nsp	nsp	PCB ASSY	INPUT PCB ASS'Y	COP11694C	
	26	/N1S	nsp	nsp	PCB ASSY	INPUT PCB ASS'Y	COP11694C	
	26	/U1B	nsp	nsp	PCB ASSY	INPUT PCB ASS'Y	COP11694B	
	26	/U1S	nsp	nsp	PCB ASSY	INPUT PCB ASS'Y	COP11694B	
	32	/A1B	nsp	90M-AV000400R	TUNER	TUNER MODULE(EUR)	CNVMB114MA18L	
	32	/A1S	nsp	90M-AV000400R	TUNER	TUNER MODULE(EUR)	CNVMB114MA18L	
	32	/K1G	nsp	90M-AV000420R	TUNER	MODULE , TUNER (CHINA)	CNVMB014MA18L	
	32	/L1G	nsp	90M-AV000410R	TUNER	MODULE , TUNER (USA)	CNVMB014MA08L	
	32	/N1B	90M-AV000400R	90M-AV000400R	TUNER	TUNER MODULE(EUR)	CNVMB114MA18L	
	32	/N1G	90M-AV000400R	90M-AV000400R	TUNER	TUNER MODULE(EUR)	CNVMB114MA18L	
	32	/N1S	90M-AV000400R	90M-AV000400R	TUNER	TUNER MODULE(EUR)	CNVMB114MA18L	
	32	/U1B	nsp	90M-AV000410R	TUNER	MODULE , TUNER (USA)	CNVMB014MA08L	
	32	/U1S	nsp	90M-AV000410R	TUNER	MODULE , TUNER (USA)	CNVMB014MA08L	
	33	/A1B	nsp	nsp	PANEL	PANEL , REAR SR4500/A	CKF2A281Z	
	33	/A1S	nsp	nsp	PANEL	PANEL , REAR SR4500/A	CKF2A281Z	
	33	/F1N	nsp	nsp	PANEL	PANEL , REAR SR4500/F	CKF6A281Z	
	33	/K1G	nsp	nsp	PANEL	PANEL , REAR SR4500/K	CKF5A281Z	
	33	/L1G	nsp	nsp	PANEL	PANEL , REAR SR4500/L	CKF3A281Y	
	33	/N1B	nsp	nsp	PANEL	PANEL , REAR SR4500/N	CKF1A281Z	
	33	/N1G	nsp	nsp	PANEL	PANEL , REAR SR4500/N	CKF1A281Z	
	33	/N1S	nsp	nsp	PANEL	PANEL , REAR SR4500/N	CKF1A281Z	
	33	/U1B	nsp	nsp	PANEL	PANEL , REAR SR4500/U	CKF3A281Z	
	33	/U1S	nsp	nsp	PANEL	PANEL , REAR SR4500/U	CKF3A281Z	
	34	/U1B	nsp	00M24AW259020	BUSHING	BUSHING , AC CORD	KHR1A028	
	34	/U1S	nsp	00M24AW259020	BUSHING	BUSHING , AC CORD	KHR1A028	
	▲	35	/K1G	nsp	90M-YC000850R	MAINS CORD	CJA2N047ZA	
	▲	35	/F1N	nsp	90M-YC000800R	MAINS CORD	CJA2J049ZA	
	▲	35	/L1G	nsp	90M-YC000860R	MAINS CORD	CJA2L072Z	
	▲	35	/U1B	nsp	90M-YC000780R	MAINS CORD	CJA523FBYA	
	▲	35	/U1S	nsp	90M-YC000780R	MAINS CORD	CJA523FBYA	
	▲	36	/A1B	nsp	90M-YJ002690R	INLET	AC(10A/250V/EUR)RC91	HJ8A001Z
	▲	36	/A1S	nsp	90M-YJ002690R	INLET	AC(10A/250V/EUR)RC91	HJ8A001Z
	▲	36	/N1B	90M-YJ002690R	90M-YJ002690R	INLET	AC(10A/250V/EUR)RC91	HJ8A001Z
	▲	36	/N1G	90M-YJ002690R	90M-YJ002690R	INLET	AC(10A/250V/EUR)RC91	HJ8A001Z
	▲	36	/N1S	90M-YJ002690R	90M-YJ002690R	INLET	AC(10A/250V/EUR)RC91	HJ8A001Z
		39	/A1B	nsp	00M24AW251010	BADGE	BADGE , MARANTZ	CGB1A117
		39	/A1S	nsp	00M24AW251020	BADGE	BADGE , MARANTZ	CGB1A117G
		39	/F1N	nsp	00M24AW251010	BADGE	BADGE , MARANTZ	CGB1A117
		39	/K1G	nsp	00M24AW251010	BADGE	BADGE , MARANTZ	CGB1A117
		39	/L1G	nsp	00M24AW251010	BADGE	BADGE , MARANTZ	CGB1A117
		39	/N1B	00M24AW251010	00M24AW251010	BADGE	BADGE , MARANTZ	CGB1A117
		39	/N1G	00M24AW251010	00M24AW251010	BADGE	BADGE , MARANTZ	CGB1A117
		39	/N1S	00M24AW251020	00M24AW251020	BADGE	BADGE , MARANTZ	CGB1A117G
		39	/U1B	nsp	00M24AW251010	BADGE	BADGE , MARANTZ	CGB1A117
		39	/U1S	nsp	00M24AW251020	BADGE	BADGE , MARANTZ	CGB1A117G
		41		nsp	nsp	BUFFER	CUSHION , SUPPORT	CHG1A305
		42		nsp	nsp	BUFFER	CUSHION	CHG1A306
	CB11	/A1B	nsp	90M-YU001700R	FPC	CARD , CABLE	CWC1C4A17B050B	
	CB11	/A1S	nsp	90M-YU001700R	FPC	CARD , CABLE	CWC1C4A17B050B	
	CB11	/K1G	nsp	90M-YU001710R	FPC	CARD , CABLE	CWC1C4A15B050B	
	CB11	/L1G	nsp	90M-YU001710R	FPC	CARD , CABLE	CWC1C4A15B050B	
	CB11	/N1B	nsp	90M-YU001700R	FPC	CARD , CABLE	CWC1C4A17B050B	
	CB11	/N1G	nsp	90M-YU001700R	FPC	CARD , CABLE	CWC1C4A17B050B	
	CB11	/N1S	nsp	90M-YU001700R	FPC	CARD , CABLE	CWC1C4A17B050B	
	CB11	/U1B	nsp	90M-YU001710R	FPC	CARD , CABLE	CWC1C4A15B050B	
	CB11	/U1S	nsp	90M-YU001710R	FPC	CARD , CABLE	CWC1C4A15B050B	

NOTE : "nsp" PARTS IS LISTED FOR REFERENCE ONLY, MARANTZ WILL NOT SUPPLY THESE PARTS.

P.C.B NAME	POS.NO.	VERS. COLOR	PART NO. (FOR EUR)	PART NO. (MJJ)	PART NAME	DESCRIPTION
	CB15	/A1B	nsp	90M-YU001570R	FPC	CARD , CABLE PITCH 1.25 CWC1C4A17B080B
	CB15	/A1S	nsp	90M-YU001570R	FPC	CARD , CABLE PITCH 1.25 CWC1C4A17B080B
	CB15	/F1N	nsp	90M-YU001260R	FPC	CARD , CABLE HTS-3000 CWC1C4A15B080B
	CB15	/K1G	nsp	90M-YU001260R	FPC	CARD , CABLE HTS-3000 CWC1C4A15B080B
	CB15	/L1G	nsp	90M-YU001260R	FPC	CARD , CABLE HTS-3000 CWC1C4A15B080B
	CB15	/N1B	nsp	90M-YU001570R	FPC	CARD , CABLE PITCH 1.25 CWC1C4A17B080B
	CB15	/N1G	nsp	90M-YU001570R	FPC	CARD , CABLE PITCH 1.25 CWC1C4A17B080B
	CB15	/N1S	nsp	90M-YU001570R	FPC	CARD , CABLE PITCH 1.25 CWC1C4A17B080B
	CB15	/U1B	nsp	90M-YU001260R	FPC	CARD , CABLE HTS-3000 CWC1C4A15B080B
	CB15	/U1S	nsp	90M-YU001260R	FPC	CARD , CABLE HTS-3000 CWC1C4A15B080B
	CB27		nsp	90M-YU001690R	FPC	CARD , CABLE CWC1C4A27B110B
	CB80		nsp	90M-YU001670R	FPC	CARD , CABLE CWC1B2A15A200B
	CB83		nsp	90M-YU001680R	FPC	CARD , CABLE CWC1B2A15A220B
	BN91	/A1B	nsp	nsp	CONNECTIVE CODE	WIRE ASS'Y CWZSR5400BN92
	BN91	/A1S	nsp	nsp	CONNECTIVE CODE	WIRE ASS'Y CWZSR5400BN92
	BN91	/N1B	nsp	nsp	CONNECTIVE CODE	WIRE ASS'Y CWZSR5400BN92
	BN91	/N1G	nsp	nsp	CONNECTIVE CODE	WIRE ASS'Y CWZSR5400BN92
	BN91	/N1S	nsp	nsp	CONNECTIVE CODE	WIRE ASS'Y CWZSR5400BN92
	▲ F901	/A1B	nsp	90M-FS001200R	FUSE	FUSE KBA2C4000TLEZ
	▲ F901	/A1S	nsp	90M-FS001200R	FUSE	FUSE KBA2C4000TLEZ
	▲ F901	/F1N	nsp	90M-FS001190R	FUSE	FUSE KBA2C6300TLUZ
	▲ F901	/K1G	nsp	90M-FS001200R	FUSE	FUSE KBA2C4000TLEZ
	▲ F901	/L1G	nsp	90M-FS001190R	FUSE	FUSE KBA2C6300TLUZ
	▲ F901	/N1B	90M-FS001200R	90M-FS001200R	FUSE	FUSE KBA2C4000TLEZ
	▲ F901	/N1G	90M-FS001200R	90M-FS001200R	FUSE	FUSE KBA2C4000TLEZ
	▲ F901	/N1S	90M-FS001200R	90M-FS001200R	FUSE	FUSE KBA2C4000TLEZ
	▲ F901	/U1B	nsp	90M-FS001190R	FUSE	FUSE KBA2C6300TLUZ
	▲ F901	/U1S	nsp	90M-FS001190R	FUSE	FUSE KBA2C6300TLUZ
			90M-FC500030R	90M-FC500030R	FERRITE CORE	FERRITE , RING 29X7.7X19 CLZ9W003Z
			90M-FC500040R	90M-FC500040R	FERRITE CORE	FERRITE CORE(21.2X6.4X12.7) K5C T CLZ92028Z
			nsp	nsp	PCB ASSY	BIAS T.R PCB ASS'Y COP11696B
PACKING						
		/A1B	nsp	00M07BW851270	USER GUIDE	MANUAL , INSTRUCTION SR4500/ CQX1A942Z
		/A1S	nsp	00M07BW851270	USER GUIDE	MANUAL , INSTRUCTION SR4500/ CQX1A942Z
		/F1N	nsp	00M07BW851110	USER GUIDE	MANUAL , INSTRUCTION SR4500/F CQX1A944Z
		/K1G	nsp	00M07BW851350	USER GUIDE	MANUAL , INSTRUCTION SR4500/ CQX1A943Z
		/L1G	nsp	00M07BW851350	USER GUIDE	MANUAL , INSTRUCTION SR4500/ CQX1A943Z
		/N1B	00M07BW851310	00M07BW851310	USER GUIDE	MANUAL , INSTRUCTION SR4500/N CQX1A917Z
		/N1G	00M07BW851310	00M07BW851310	USER GUIDE	MANUAL , INSTRUCTION SR4500/N CQX1A917Z
		/N1S	00M07BW851310	00M07BW851310	USER GUIDE	MANUAL , INSTRUCTION SR4500/N CQX1A917Z
		/U1B	nsp	00M07BW851250	USER GUIDE	MANUAL , INSTRUCTION SR4500/U CQX1A915Z
		/U1S	nsp	00M07BW851250	USER GUIDE	MANUAL , INSTRUCTION SR4500/U CQX1A915Z
			00MZK08BW0010	00MZK08BW0010	UNIT KIT	REMOTE CONTROL UNIT(RC5500SR) HARTSR5500
	▲ 37	/A1B	nsp	90M-ZC000250R	MAINS CORD	DETACHABLE AUSTRALIA(2PIN) CJA2H001Z
	▲ 37	/A1S	nsp	90M-ZC000250R	MAINS CORD	DETACHABLE AUSTRALIA(2PIN) CJA2H001Z
	▲ 37	/N1B	90M-ZC000320R	90M-ZC000320R	MAINS CORD	2WIRE 10A/250V (DETACHABLE/EUR) CJA2B054Z
	▲ 37	/N1G	90M-ZC000320R	90M-ZC000320R	MAINS CORD	2WIRE 10A/250V (DETACHABLE/EUR) CJA2B054Z
	▲ 37	/N1S	90M-ZC000320R	90M-ZC000320R	MAINS CORD	2WIRE 10A/250V (DETACHABLE/EUR) CJA2B054Z
NOT STANDARD SPARE PART						
		/N1B	nsp	00M07BW805010	MASS CARTON	BOX , MASTER CPG1A766Z
		/N1G	nsp	00M07BW805010	MASS CARTON	BOX , MASTER CPG1A766Z
		/N1S	nsp	00M07BW805010	MASS CARTON	BOX , MASTER CPG1A766Z
		/A1B	nsp	00M07BW801010	CARTON BOX	BOX , OUT CARTON CPG1A765Z
		/A1S	nsp	00M07BW801010	CARTON BOX	BOX , OUT CARTON CPG1A765Z
		/F1N	nsp	00M07BW801030	CARTON BOX	BOX , OUT CARTON CPG1A765X
		/K1G	nsp	00M07BW801020	CARTON BOX	BOX , OUT CARTON CPG1A765Y
		/L1G	nsp	00M07BW801020	CARTON BOX	BOX , OUT CARTON CPG1A765Y
		/N1B	nsp	00M07BW801010	CARTON BOX	BOX , OUT CARTON CPG1A765Z
		/N1G	nsp	00M07BW801010	CARTON BOX	BOX , OUT CARTON CPG1A765Z
		/N1S	nsp	00M07BW801010	CARTON BOX	BOX , OUT CARTON CPG1A765Z
		/U1B	nsp	00M07BW801010	CARTON BOX	BOX , OUT CARTON CPG1A765Z
		/U1S	nsp	00M07BW801010	CARTON BOX	BOX , OUT CARTON CPG1A765Z

NOTE : "nsp" PARTS IS LISTED FOR REFERENCE ONLY, MARANTZ WILL NOT SUPPLY THESE PARTS.

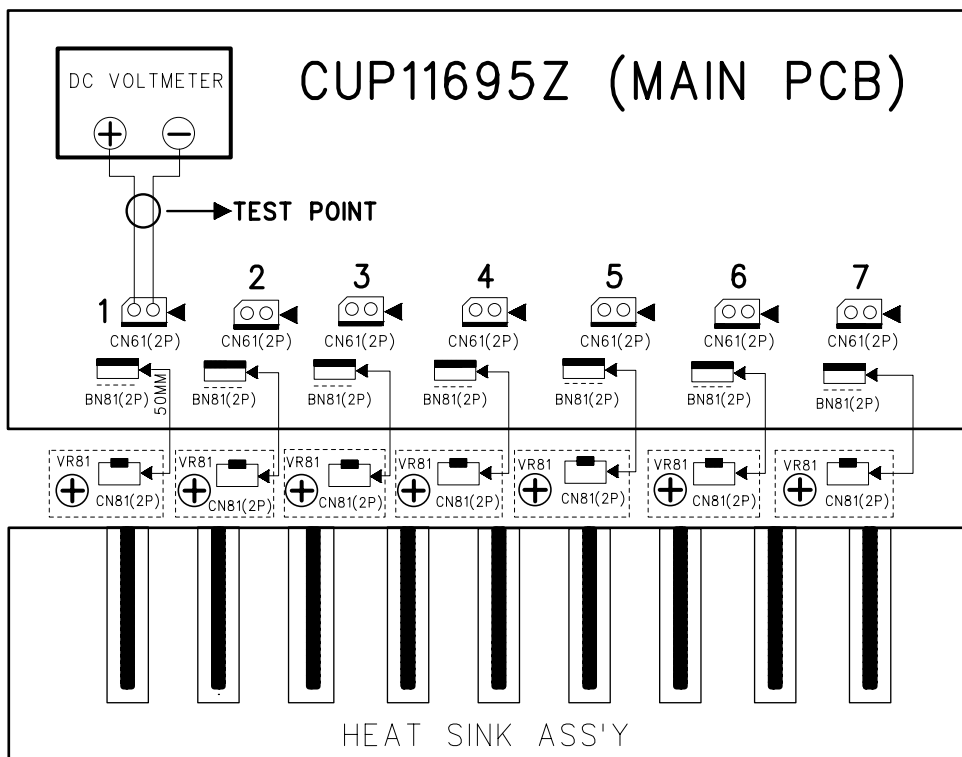
9. POWER AMPLIFIER ADJUSTMENT

Idling Current Alignment

1. Each of the measurement points are provided with the two test points. Set a digital Voltage meter to DC voltage input, connect the meter to the test points at both contact points.
2. After the setup above, turn on the main switch.
3. Adjust variable resistors (VR81) according to the digital voltmeter readings. The target setting value is the following table for each channels.

Settings :

- Master Volume — Minimum
- Speaker out — No Load
- Top lid — OPEN



DC voltmeter.....Connect to CN61

No.	Channel	Measurement Point	Alignment Point
1	Surround Left	CN61	VR81
2	Center	CN61	VR81
3	Surround Right	CN61	VR81
4	Front Left	CN61	VR81
5	Surroun Back Left	CN61	VR81
6	Front Right	CN61	VR81
7	Surroun Back Right	CN61	VR81

Time Table of Idling Current Rise

After Turning ON	Measurement Voltage (CN61)
5 min	12.0 mV \pm 0.5 mV
10 min	13.0 mV \pm 0.5 mV
20 min	13.0 mV \pm 0.5 mV
30 min	13.2 mV \pm 0.5 mV
40 min	13.4 mV \pm 0.5 mV
50 min	13.5 mV \pm 0.5 mV
60 min	13.5 mV \pm 0.5 mV

10. SERVICE MODE

Microprocessor (IC41), DSP ROM(IC20)Version and FLD Segment Check Mode.

1. While the power is on, **ATT**, **EXIT** and **7.1CH INPUT** buttons simultaneously more than 3 seconds.

The FL display shows "SERVICE" for 2 seconds then shows the model name.

S	E	R	V	I	C	E		M	O	D	E	
---	---	---	---	---	---	---	--	---	---	---	---	--

			S	R	4	5	0	0				
--	--	--	---	---	---	---	---	---	--	--	--	--

2. Press **ENTER** button, The software version of the microprocessor (IC41) is displayed in the format below.

V	0	3	1	0	2	7		I	U			
└─ Year ─┘			└─ Month ─┘		└─ Date ─┘			└─ Dest. ─┘				
											(Dest. : Destination)	

3. Press **ENTER** button again, The software Type Number is displayed.

S	O	F	T		T	Y	P	E			X	X
(XX is displayed in Hex)												

4. Press **ENTER** button again, The Code Group Type Number is displayed.

C	O	D	E		T	Y	P	E	X	X	X	X
(XXXX is displayed in Hex)												

5. Press **ENTER** button again, The left half, right half and center of the label area in the FLD light on and off each other.
6. Press **ENTER** button again, The segments of the character area in the FLD flick in checker pattern.
7. Press **ENTER** button again, All the FL segments turns off.
8. Press **ENTER** button again. Every time **ENTER** button is pressed, DSP code is indicated in turn from NO.1 to NO.10.

C	D	0	1		0	1	0	2	0	1	0	1
└─ No. ─┘		└─ Dev. ─┘		└─ SIG ─┘		└─ TYP ─┘		└─ Ver. ─┘				

No. : DISP CODE ID Dev. : Device ID SIG. : CODE SIG ID
TYP. : CODE TYPE ID Ver. : Version

9. Press **ENTER** button again to quit this mode.

Microprocessor (IC41), DSP ROM(IC20)の Version 表示及びFL点燈を確認するモードです。

1. セットの電源を入れます。**ATT**, **EXIT**, **7.1CH INPUT**のボタンを同時に約3秒以上押します。

"SERVICE"と表示が出ます。更に約2秒後に機種名が表示されます。

S	E	R	V	I	C	E		M	O	D	E	
---	---	---	---	---	---	---	--	---	---	---	---	--

			S	R	4	5	0	0				
--	--	--	---	---	---	---	---	---	--	--	--	--

2. ENTER ボタンを押します。マイコン (IC41) のバージョンが次のように表示されます。

V	0	3	1	0	2	7		I	U			
└─ Year ─┘			└─ Month ─┘		└─ Date ─┘			└─ Dest. ─┘				
											(Dest. : Destination)	

3. ENTER ボタンを押します。マイコン (IC28) の Software Typeが表示されます

S	O	F	T		T	Y	P	E			X	X
(XX is displayed in Hex)												

4. ENTER ボタンを押します。Code Group Typeが表示されます

C	O	D	E		T	Y	P	E	X	X	X	X
(XXXX is displayed in Hex)												

5. ENTER ボタンを押します。FL表示の右、左、中央部分が交互に点燈を繰り返します。
6. ENTER ボタンを押します。FLのCharacter部分が点滅します。
7. ENTER ボタンを押します。FLが全消灯します
8. ENTER ボタンを押します。ENTERボタンを押す度に DSP Code IDがNO.1からNO.10まで順に表示されます

C	D	0	1		0	1	0	2	0	1	0	1
└─ No. ─┘		└─ Dev. ─┘		└─ SIG ─┘		└─ TYP ─┘		└─ Ver. ─┘				

No. : DISP CODE ID Dev. : Device ID SIG. : CODE SIG ID
TYP. : CODE TYPE ID Ver. : Version

9. ENTER ボタンを押します。サービスモードは解除されず。

11. SYSTEM ERROR

When the microcomputer detects a trouble, the following information is displayed on the FLD.

- After the error contents indication, Surround Mode is initialized and returned Factory mode.
- The contents of the ERROR indication are the followings.

1. Trouble in DSP.

If communication with DSP is troubled more than 2 seconds

C	H	E	C	K		D	S	P				
---	---	---	---	---	--	---	---	---	--	--	--	--

Indication is keep and sound is mute.

2. Trouble in DSP Code.

The trouble of DSP Code was found.

C	H	E	C	K		D	S	P		R	O	M
---	---	---	---	---	--	---	---	---	--	---	---	---

3. Trouble in EEP-ROM IF

If communication with EEPROM is troubled more than 2 seconds.

C	H	E	C	K		E	2	P		I	F	
---	---	---	---	---	--	---	---	---	--	---	---	--

製品内部での異常発生時に処理、表示を行います。

- ・ ERROR 内容を表示後、Surround Mode は初期化され工場出荷の状態に戻ります。
- ・ ERROR 表示の内容は下記です。

1. DSP 異常検出表示。

DSP との通信上の不具合を約 2 秒検出した時。

C	H	E	C	K		D	S	P				
---	---	---	---	---	--	---	---	---	--	--	--	--

表示状態はそのまま音声は Mute 状態

2. DSP Code 異常検出表示。

DSP Code の異常を検出した時。

C	H	E	C	K		D	S	P		R	O	M
---	---	---	---	---	--	---	---	---	--	---	---	---

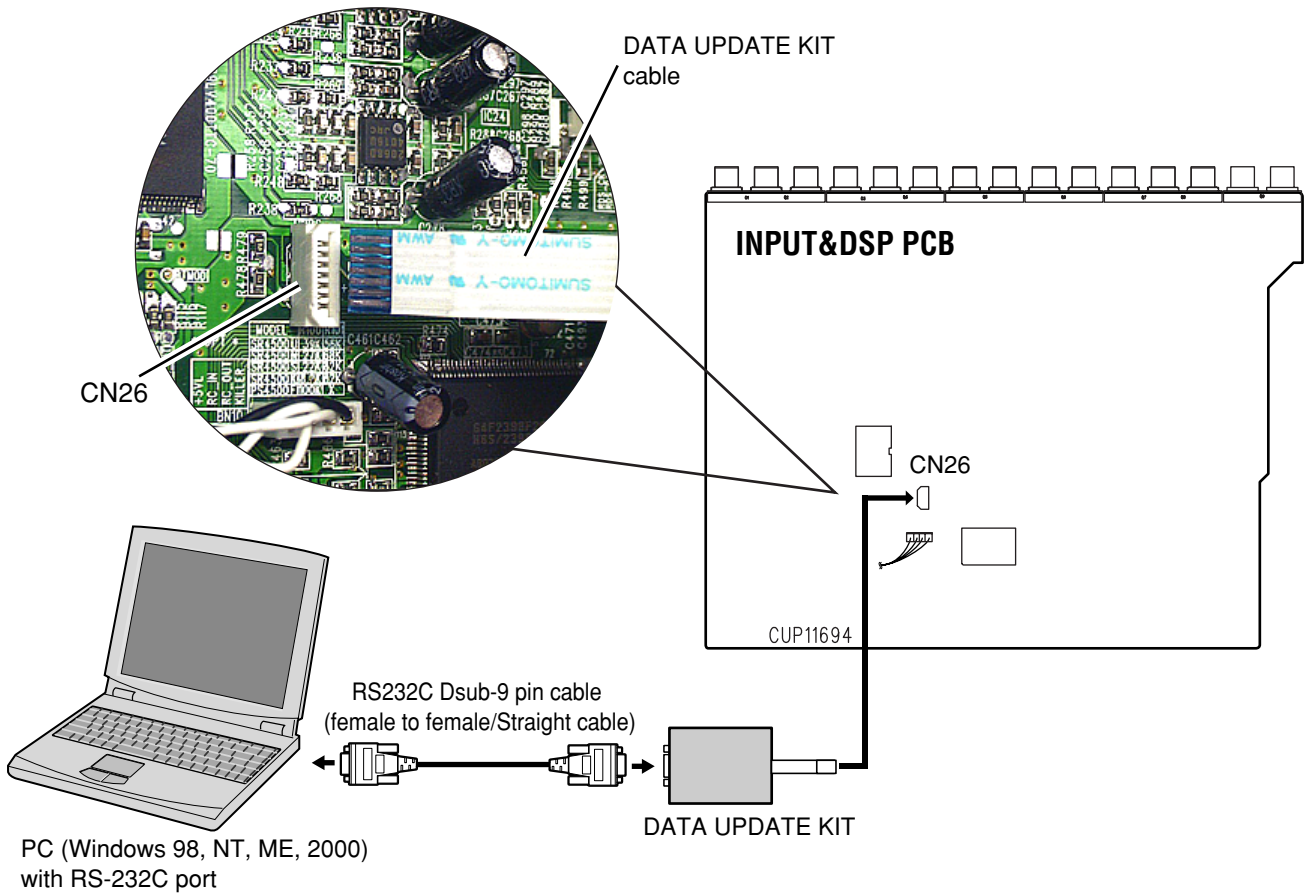
3. EEP-ROM IF 異常検出表示。

EEP-ROM との通信不具合が約 2 秒以上生じた時。

C	H	E	C	K		E	2	P		I	F	
---	---	---	---	---	--	---	---	---	--	---	---	--

12. UPDATE FIRMWARE

Software for CPU and DSP can be updated.
Have 90M-SR4500CDR update disc.



PC (Windows 98, NT, ME, 2000)
with RS-232C port

The following items are required for updating.

- RS232C Dsub-9 pin cable (female to female/Straight cable)
- PC (Windows 98, NT, ME, 2000) with RS-232C port
- DATA UPDATE KIT (part no. 90M-SR4500JIG)
- Upgrade software to CPU
- Upgrade software to DSP

1. Use RS232C Dsub-9 pin cable (female to female/Straight type) to connect PC and the unit.
2. COM port on PC needs to be set by dialog box for each program. COM port can be set from COM1 to COM5.

There are two mode of download, regarding to the target of software as bellow.

Mode 1:

- Download DSP's software to 4M Flash-ROM.
- This mode is to update the software for DSP.
- The target devise is 4M Flash-ROM (IC20) on CUP11694 (DSP PCB).
- SR4500 need to be set download condition, by three front keys.
 - SR4500/A /K /L /N /U : ENTER, MUTE, T-MODE
 - SR4500/F : ENTER, MUTE, V-OFF

Mode 2:

- Download CPU's software to internal Flash-ROM.
- This mode is to update the software for DSP.
- The target devise is internal flash ROM of CPU (IC41) on CUP11694 (DSP PCB).

Personal notes:

Download Firmware for DSP (Mode 1)

1. Put the “DSP upgrade” folder into anywhere on your PC’s hard disc.
2. Connect PC and DATA UPDATE KIT with RS232C cable.
3. Connect Flat wire between DATA UPDATE KIT and the service connector (CN26) on the DSP Circuit Board of the Unit.
4. Turn on the unit.
5. Press ENTER, MUTE and T-MODE buttons simultaneously more than 5 seconds to turn the unit into Loading Mode.
6. “LOADING MODE” will be shown on FLD.
7. Launch “UpgradeDSP.exe” on PC.
8. Set the Baud Rate to 38400 then click Start **communication button**. If the connection is made successfully, a dialog box saying “Success to connect” appears and “CONNECTED” is displayed on FLD.
9. Click **Send the DSP codes** button on the dialog box. Progress status of downloading will be shown on PC and LOADING is displayed on FLD.
10. If downloading is completed successfully, “COMPLETED” is displayed on FLD. And a dialog box saying “Finished the DSP code transmitting” appears. Click **OK** and then click **CLOSE** to close the application.
11. Turn off the unit.

Download Firmware for CPU (Mode 2)

1. Put the “CPU upgrade” folder into anywhere on your PC’s hard disc.
2. Connect PC and DATA UPDATE KIT with RS232C cable.
3. Connect Flat wire between DATA UPDATE KIT and the service connector (CN26) on the DSP Circuit Board of the Unit.
4. Press **POWER** button to turn on the unit. The unit is in the boot mode. (FLD and STANDBY LED on the front panel disappear.)
5. Launch “H8Download.exe” on PC.
6. Click **other files...** button in the dialog box to specify the file (XXXX.mot) to be upload.
7. Click **Connect** button. If the connection with the H8 μ -com is successfully made, a dialogue box saying “Success to the H8 micro processor connection” appears. If the connection fails, error message will appear.
8. Click **Send** button to start update.
9. If the firmware is updated successfully, a dialog box saying “Finished the firmware program sending” appears.
10. Click **CLOSE** button to close the application.
11. Disconnect Mains power cord.
12. Disconnect Flat wire from the service connector (CN26) on the DSP Circuit Board of the Unit.
13. Turn on the unit.

Firmware Version Check

To check the versions of the firmware, see “Microprocessor (CPU), DSP Version and FLD Segment Check Mode” in “SERVICE PROGRAM” section.

Personal notes:

13. ELECTRICAL PARTS LIST

PARTS INFORMATION

RESISTORS

- 1) 00MGD05xxx140, Carbon film fixed resistor, ±5% 1/4W
- 2) 00MGD05xxx160, Carbon film fixed resistor, ±5% 1/6W

① Resistance value

Examples ;

- ① Resistance value
- | | | | |
|----------------|----------------|-----------------|-----------------|
| 0.1 Ω 001 | 10 Ω 100 | 1 kΩ 102 | 100 kΩ 104 |
| 0.5 Ω 005 | 18 Ω 180 | 2.7 kΩ 272 | 680 kΩ 684 |
| 1 Ω 010 | 100 Ω 101 | 10 kΩ 103 | 1 MΩ 105 |
| 6.8 Ω 068 | 390 Ω 391 | 22 kΩ 223 | 4.7 MΩ 475 |

Note : Please distinguish 1/4W from 1/6W by the shape of parts used actually.

CAPACITORS

CERAMIC CAP.

- 3) 00MDD1xxx370 Ceramic capacitor
Disc type
Temp.coeff.P350 ~ N1000, 50V
- ② Capacity value
③ Tolerance

Examples ;

- ② Tolerance (Capacity deviation)
- ±0.25 pF 0
 - ±0.5 pF 1
 - ±5% 5

* Tolerance of COMMON PARTS handled here are as follows :

- 0.5 pF ~ 5 pF ±0.25 pF
- 6 pF ~ 10 pF ±0.5 pF
- 12 pF ~ 560 pF ±5%

③ Capacity value

- | | | |
|-----------------|----------------|-----------------|
| 0.5 pF 005 | 3 pF 030 | 100 pF 101 |
| 1 pF 010 | 10 pF 100 | 220 pF 221 |
| 1.5 pF 015 | 47 pF 470 | 560 pF 561 |

CERAMIC CAP.

- 4) 00MDK16xxx300, High dielectric constant ceramic capacitor
Disc type
Temp.chara. 2B4, 50V
- ④ Capacity value

Examples ;

- ④ Capacity value
- | | | |
|-----------------|------------------|-------------------|
| 100 pF 101 | 1000 pF 102 | 10000 pF 103 |
| 470 pF 471 | 2200 pF 222 | |

ELECTROLY CAP. ()

- 5) 00MEAxxx10, Electrolytic capacitor
One-way lead type, Tolerance ±20%
- ⑤ Capacity value
⑥ Working voltage

Examples ;

- ⑤ Capacity value
- | | | |
|------------------|-----------------|------------------|
| 0.1 μF 104 | 4.7 μF 475 | 100 μF 107 |
| 0.33 μF 334 | 10 μF 106 | 330 μF 337 |
| 1 μF 105 | 22 μF 226 | 1100 μF 118 |
| | | 2200 μF 228 |
- ⑥ Working voltage
- | | |
|---------------|--------------|
| 6.3V 006 | 25V 025 |
| 10V 010 | 35V 035 |
| 16V 016 | 50V 050 |

FILM CAP. ()

- 6) 00MDF15xxx350 Plastic film capacitor
One-way type, Mylar ±5% 50V
 - 00MDF15xxx310 Plastic film capacitor
One-way type, Mylar ±5% 50V
 - 00MDF16xxx310 Plastic film capacitor
One-way type, Mylar ±10% 50V
- ⑦ Capacity value

Examples ;

- ⑦ Capacity value
- | | |
|------------------------------|------------------|
| 0.001 μF (1000 pF) 102 | 0.1 μF 104 |
| 0.0018 μF 182 | 0.56 μF 564 |
| 0.01 μF 103 | 1 μF 105 |
| 0.015 μF 153 | |

NOTE ON SAFETY FOR FUSIBLE RESISTOR :

The suppliers and their type numbers of fusible resistors are as follows;

1. KOA Corporation

- | Part No. (MJI) | Type No. (KOA) | Description |
|-----------------|------------------|-------------|
| 00MNH05 xxx 140 | RF25S xxx x ΩJ | (±5% 1/4W) |
| 00MNH05 xxx 120 | RF50S xxx x ΩJ | (±5% 1/2W) |
| 00MNH85 xxx 110 | RF73B2A xxx x ΩJ | (±5% 1/10W) |
| 00MNH95 xxx 140 | RF73B2E xxx x ΩJ | (±5% 1/4W) |
- * Resistance value * Resistance value (0.1 Ω - 10 kΩ)

2. Matsushita Electronic Components Co., Ltd

- | Part No. (MJI) | Type No. (MEC) | Description |
|-----------------|----------------|-------------|
| 00MNF05 xxx 140 | ERD-2FCJ xxx | (±5% 1/4W) |
| 00MRF05 xxx 140 | | |
| 00MNF02 xxx 140 | ERD-2FCG xxx | (±2% 1/4W) |
| 00MRF02 xxx 140 | | |
- * Resistance value * Resistance value

Examples ;

- * Resistance value
- | | | | |
|----------------|----------------|-----------------|-----------------|
| 0.1 Ω 001 | 10 Ω 100 | 1 kΩ 102 | 100 kΩ 104 |
| 0.5 Ω 005 | 18 Ω 180 | 2.7 kΩ 272 | 680 kΩ 684 |
| 1 Ω 010 | 100 Ω 101 | 10 kΩ 103 | 1 MΩ 105 |
| 6.8 Ω 068 | 390 Ω 391 | 22 kΩ 223 | 4.7 MΩ 475 |



ABBREVIATION AND MARKS

ANT. : ANTENNA	BATT. : BATTERY
CAP. : CAPACITOR	CER. : CERAMIC
CONN. : CONNECTING	DIG. : DIGITAL
HP : HEADPHONE	MIC. : MICROPHONE
μ-PRO : MICROPROCESSOR	REC. : RECORDING
RES. : RESISTOR	SPK : SPEAKER
SW : SWITCH	TRANSF. : TRANSFORMER
TRIM. : TRIMMING	TRS. : TRANSISTOR
VAR. : VARIABLE	X'TAL : CRYSTAL


NOTE ON FUSE :

Regarding to all parts of parts code 00MFS20xxx2xx, replace only with Wickmann-Werke GmbH, Type 372 non glass type fuse.

NOTE ON SAFETY :

Symbol  Fire or electrical shock hazard. Only original parts should be used to replaced any part marked with symbol . Any other component substitution (other than original type), may increase risk of fire or electrical shock hazard.

安全上の注意 :

 がついている部品は、安全上重要な部品です。必ず指定されている部品番号の部品を使用して下さい。

P.C.B. NAME	POS.NO.	VERS. COLOR	PART NO. (FOR EUR)	PART NO. (MJI)	PART NAME	DESCRIPTION
COMPONENT DIG INPUT PCB (CUP11693-4)						
COMPO IN	BN13		nsp	nsp	CONNECTIVE CORD	CWB2B907100EN
COMPO IN	BN29		90M-YJ002800R	90M-YJ002800R	JACK	3011 - DR12 - G KJP12GB143ZP
COMPO IN	C601		nsp	nsp	CERAMIC CAP.	22PF 50V J HCBS1H220JCT
COMPO IN	C602		nsp	nsp	CERAMIC CAP.	22PF 50V J HCBS1H220JCT
COMPO IN	C603		nsp	nsp	CERAMIC CAP.	22PF 50V J HCBS1H220JCT
COMPO IN	C604		nsp	nsp	CERAMIC CAP.	22PF 50V J HCBS1H220JCT
COMPO IN	C605		nsp	nsp	CERAMIC CAP.	22PF 50V J HCBS1H220JCT
COMPO IN	C606		nsp	nsp	CERAMIC CAP.	22PF 50V J HCBS1H220JCT
COMPO IN	C607		nsp	nsp	CERAMIC CAP.	22PF 50V J HCBS1H220JCT
COMPO IN	C608		nsp	nsp	CERAMIC CAP.	22PF 50V J HCBS1H220JCT
COMPO IN	C609		nsp	nsp	CERAMIC CAP.	22PF 50V J HCBS1H220JCT
COMPO IN	C610		nsp	nsp	CERAMIC CAP.	0.022UF 50V Z HCBS1H223ZFT
COMPO IN	C611		nsp	00MOA10701620	ELECT CAP.	100UF 16V ZF CCEA1CH101T
COMPO IN	C612		nsp	nsp	CERAMIC CAP.	0.022UF 50V Z HCBS1H223ZFT
COMPO IN	C613		nsp	00MOA10701620	ELECT CAP.	100UF 16V ZF CCEA1CH101T
COMPO IN	C614		nsp	00MOA10605020	ELECT CAP.	10UF 50V ZF CCEA1HH100T
COMPO IN	C615		nsp	00MOA10605020	ELECT CAP.	10UF 50V ZF CCEA1HH100T
COMPO IN	C616		nsp	00MOA10605020	ELECT CAP.	10UF 50V ZF CCEA1HH100T
COMPO IN	C617		nsp	00MOA10605020	ELECT CAP.	10UF 50V ZF CCEA1HH100T
COMPO IN	C618		nsp	00MOA10605020	ELECT CAP.	10UF 50V ZF CCEA1HH100T
COMPO IN	C619		nsp	00MOA10605020	ELECT CAP.	10UF 50V ZF CCEA1HH100T
COMPO IN	C620		nsp	nsp	CERAMIC CAP.	0.022UF 50V Z HCBS1H223ZFT
COMPO IN	C621		nsp	nsp	CERAMIC CAP.	0.022UF 50V Z HCBS1H223ZFT
COMPO IN	C622		nsp	nsp	CERAMIC CAP.	0.022UF 50V Z HCBS1H223ZFT
COMPO IN	C630		nsp	00MOA10701620	ELECT CAP.	100UF 16V ZF CCEA1CH101T
COMPO IN	C631		nsp	00MOA10701620	ELECT CAP.	100UF 16V ZF CCEA1CH101T
COMPO IN	C632		nsp	00MOA10701620	ELECT CAP.	100UF 16V ZF CCEA1CH101T
COMPO IN	C633		nsp	nsp	CERAMIC CAP.	100PF 50V KB CCKT1H101KB
COMPO IN	C634		nsp	nsp	CERAMIC CAP.	100PF 50V KB CCKT1H101KB
COMPO IN	C635		nsp	nsp	CERAMIC CAP.	100PF 50V KB CCKT1H101KB
COMPO IN	C636		nsp	nsp	CERAMIC CAP.	0.1UF 50V ZF CCFT1H104ZF
COMPO IN	C637		nsp	nsp	CERAMIC CAP.	0.1UF 50V ZF CCFT1H104ZF
COMPO IN	C638		nsp	nsp	CERAMIC CAP.	0.1UF 50V ZF CCFT1H104ZF
COMPO IN	C639		nsp	nsp	CERAMIC CAP.	0.047UF 50V ZF CCKT1H473ZF
COMPO IN	C640		nsp	00MOA10701620	ELECT CAP.	100UF 16V ZF CCEA1CH101T
COMPO IN	IC61		90M-HC108940R	90M-HC108940R	IC	NJM2586M HVINJM2586MTE1
COMPO IN	IC62		00MHC700400Z0	00MHC700400Z0	IC	TC74HCU04AFN HVITC74HCU04AFN
COMPO IN	J501		nsp	nsp	CONNECTIVE CORD	SN95/PB5 , 0.6 C3A206
COMPO IN	J502		nsp	nsp	CONNECTIVE CORD	SN95/PB5 , 0.6 C3A206
COMPO IN	J503		nsp	nsp	CONNECTIVE CORD	SN95/PB5 , 0.6 C3A206
COMPO IN	J504		nsp	nsp	CONNECTIVE CORD	SN95/PB5 , 0.6 C3A206
COMPO IN	J505		nsp	nsp	CONNECTIVE CORD	SN95/PB5 , 0.6 C3A206
COMPO IN	J506		nsp	nsp	CONNECTIVE CORD	SN95/PB5 , 0.6 C3A206
COMPO IN	J507		nsp	nsp	CONNECTIVE CORD	SN95/PB5 , 0.6 C3A206
COMPO IN	J531		nsp	nsp	CONNECTIVE CORD	SN95/PB5 , 0.6 C3A206
COMPO IN	J532		nsp	nsp	CONNECTIVE CORD	SN95/PB5 , 0.6 C3A206
COMPO IN	J533		nsp	nsp	CONNECTIVE CORD	SN95/PB5 , 0.6 C3A206
COMPO IN	J561		nsp	nsp	CONNECTIVE CORD	SN95/PB5 , 0.6 C3A206
COMPO IN	J562		nsp	nsp	CONNECTIVE CORD	SN95/PB5 , 0.6 C3A206
COMPO IN	J563		nsp	nsp	CONNECTIVE CORD	SN95/PB5 , 0.6 C3A206
COMPO IN	J564		nsp	nsp	CONNECTIVE CORD	SN95/PB5 , 0.6 C3A206
COMPO IN	J581		nsp	nsp	CONNECTIVE CORD	SN95/PB5 , 0.6 C3A206
COMPO IN	J595		nsp	nsp	CONNECTIVE CORD	SN95/PB5 , 0.6 C3A206
COMPO IN	J601		nsp	nsp	CONNECTIVE CORD	SN95/PB5 , 0.6 C3A206
COMPO IN	J602		nsp	nsp	CONNECTIVE CORD	SN95/PB5 , 0.6 C3A206
COMPO IN	J603		nsp	nsp	CONNECTIVE CORD	SN95/PB5 , 0.6 C3A206
COMPO IN	J606		nsp	nsp	CONNECTIVE CORD	SN95/PB5 , 0.6 C3A206
COMPO IN	J611		nsp	nsp	CONNECTIVE CORD	SN95/PB5 , 0.6 C3A206
COMPO IN	J612		nsp	nsp	CONNECTIVE CORD	SN95/PB5 , 0.6 C3A206
COMPO IN	J613		nsp	nsp	CONNECTIVE CORD	SN95/PB5 , 0.6 C3A206
COMPO IN	J614		nsp	nsp	CONNECTIVE CORD	SN95/PB5 , 0.6 C3A206
COMPO IN	J621		nsp	nsp	CONNECTIVE CORD	SN95/PB5 , 0.6 C3A206

NOTE : "nsp" PARTS IS LISTED FOR REFERENCE ONLY, MARANTZ WILL NOT SUPPLY THESE PARTS.

P.C.B. NAME	POS.NO.	VERS. COLOR	PART NO. (FOR EUR)	PART NO. (MJI)	PART NAME	DESCRIPTION
COMPO IN	J622		nsp	nsp	CONNECTIVE CORD	SN95/PB5 , 0.6 C3A206
COMPO IN	JK61		90M-YT003980R	90M-YT003980R	TERMINAL	RCA-902AA-16 CJJ4L007Z
COMPO IN	JK62		90M-YJ002680R	90M-YJ002680R	OPT. CONNECTOR	TORX179L HJSTORX179L
COMPO IN	JK63		90M-YJ002680R	90M-YJ002680R	OPT. CONNECTOR	TORX179L HJSTORX179L
COMPO IN	JK64		90M-YJ002670R	90M-YJ002670R	OPT. CONNECTOR	TOTX179L HJSTOTX179L
COMPO IN	JK65		90M-YT003290R	90M-YT003290R	TERMINAL	B/B/B , N-PLATE CJJ4S018Z
COMPO IN	R601		nsp	nsp	RESISTOR	75 OHM 1/5W J CRD20TJ750T
COMPO IN	R602		nsp	nsp	RESISTOR	75 OHM 1/5W J CRD20TJ750T
COMPO IN	R603		nsp	nsp	RESISTOR	75 OHM 1/5W J CRD20TJ750T
COMPO IN	R604		nsp	nsp	RESISTOR	75 OHM 1/5W J CRD20TJ750T
COMPO IN	R605		nsp	nsp	RESISTOR	75 OHM 1/5W J CRD20TJ750T
COMPO IN	R606		nsp	nsp	RESISTOR	75 OHM 1/5W J CRD20TJ750T
COMPO IN	R607		nsp	nsp	RESISTOR	75 OHM 1/5W J CRD20TJ750T
COMPO IN	R608		nsp	nsp	RESISTOR	75 OHM 1/5W J CRD20TJ750T
COMPO IN	R609		nsp	nsp	RESISTOR	75 OHM 1/5W J CRD20TJ750T
COMPO IN	R610		nsp	nsp	RESISTOR	4.7 OHM 1/5W J CRD20TJ4R7T
COMPO IN	R611		nsp	nsp	RESISTOR	4.7 OHM 1/5W J CRD20TJ4R7T
COMPO IN	R630		nsp	nsp	RESISTOR	10K OHM 1/5W J CRD20TJ103T
COMPO IN	R631		nsp	nsp	RESISTOR	10K OHM 1/5W J CRD20TJ103T
COMPO IN	R632		nsp	nsp	RESISTOR	75 OHM 1/5W J CRD20TJ750T
COMPO IN	R633		nsp	nsp	RESISTOR	75 OHM 1/5W J CRD20TJ750T
COMPO IN	R634		nsp	nsp	RESISTOR	75 OHM 1/5W J CRD20TJ750T
COMPO IN	R635		nsp	nsp	RESISTOR	75 OHM 1/5W J CRD20TJ750T
COMPO IN	R636		nsp	nsp	RESISTOR	100 OHM 1/5W J CRD20TJ101T
COMPO IN	R637		nsp	nsp	RESISTOR	1 OHM 1/5W J CRD20TJ1R0T
COMPO IN	R638		nsp	nsp	RESISTOR	1 OHM 1/5W J CRD20TJ1R0T
COMPO IN	R639		nsp	nsp	RESISTOR	1 OHM 1/5W J CRD20TJ1R0T
COMPO IN	R640		nsp	nsp	RESISTOR	1 OHM 1/5W J CRD20TJ1R0T
COMPO IN	R641		nsp	nsp	RESISTOR	100K OHM 1/5W J CRD20TJ104T
COMPO IN	R642		nsp	nsp	RESISTOR	100K OHM 1/5W J CRD20TJ104T
COMPO IN	R643		nsp	nsp	RESISTOR	1K OHM 1/5W J CRD20TJ102T
COMPO IN	R644		nsp	nsp	RESISTOR	1K OHM 1/5W J CRD20TJ102T
COMPO IN	R645		nsp	nsp	RESISTOR	4.7K OHM 1/5W J CRD20TJ472T
COMPO IN	R646		nsp	nsp	RESISTOR	4.7K OHM 1/5W J CRD20TJ472T
					ENCORDER PCB (CUP11693-2)	
ENCORDER	C841		nsp	nsp	CERAMIC CAP.	100PF 50V K HCBS1H101KBT
ENCORDER	C871		nsp	nsp	CERAMIC CAP.	100PF 50V K HCBS1H101KBT
ENCORDER	C872		nsp	nsp	CERAMIC CAP.	100PF 50V K HCBS1H101KBT
ENCORDER	C873		nsp	nsp	CERAMIC CAP.	100PF 50V K HCBS1H101KBT
ENCORDER	CN86		90M-YJ002790R	90M-YJ002790R	JACK	7P KJP07GB144ZP
ENCORDER	D801		90M-HI101040R	90M-HI101040R	L.E.D.	SLR342VCTB7T089 HVD342VCTB7T089
ENCORDER	EN82		90M-SR000270R	90M-SR000270R	ROTARY SWITCH	EC16B12S0AD4ZZZ HSR2A032Z
ENCORDER	J549		nsp	nsp	CONNECTIVE CORD	SN95/PB5 , 0.6 C3A206
ENCORDER	J551		nsp	nsp	CONNECTIVE CORD	SN95/PB5 , 0.6 C3A206
ENCORDER	J552		nsp	nsp	CONNECTIVE CORD	SN95/PB5 , 0.6 C3A206
ENCORDER	J574		nsp	nsp	CONNECTIVE CORD	SN95/PB5 , 0.6 C3A206
ENCORDER	J582		nsp	nsp	CONNECTIVE CORD	SN95/PB5 , 0.6 C3A206
ENCORDER	J604		nsp	nsp	CONNECTIVE CORD	SN95/PB5 , 0.6 C3A206
ENCORDER	J801	/L1G	nsp	nsp	CONNECTIVE CORD	SN95/PB5 , 0.6 C3A206
ENCORDER	J801	/U1B	nsp	nsp	CONNECTIVE CORD	SN95/PB5 , 0.6 C3A206
ENCORDER	J801	/U1S	nsp	nsp	CONNECTIVE CORD	SN95/PB5 , 0.6 C3A206
ENCORDER	J802	/L1G	nsp	nsp	CONNECTIVE CORD	SN95/PB5 , 0.6 C3A206
ENCORDER	J802	/U1B	nsp	nsp	CONNECTIVE CORD	SN95/PB5 , 0.6 C3A206
ENCORDER	J802	/U1S	nsp	nsp	CONNECTIVE CORD	SN95/PB5 , 0.6 C3A206
ENCORDER	Q802		00MBA10004000	00MBA10004000	TRANSISTOR	KRA111M HVTKRA111MT
ENCORDER	R871		nsp	nsp	RESISTOR	10K OHM 1/5W J CRD20TJ103T
ENCORDER	R872		nsp	nsp	RESISTOR	10K OHM 1/5W J CRD20TJ103T
ENCORDER	R873		nsp	nsp	RESISTOR	10K OHM 1/5W J CRD20TJ103T
ENCORDER	R874		nsp	nsp	RESISTOR	10K OHM 1/5W J CRD20TJ103T
ENCORDER	R875		nsp	nsp	RESISTOR	680 OHM 1/5W J CRD20TJ681T
ENCORDER	R876		nsp	nsp	RESISTOR	820 OHM 1/5W J CRD20TJ821T
ENCORDER	R877		nsp	nsp	RESISTOR	560 OHM 1/5W J CRD20TJ561T
ENCORDER	R878		nsp	nsp	RESISTOR	680 OHM 1/5W J CRD20TJ681T

NOTE : "nsp" PARTS IS LISTED FOR REFERENCE ONLY, MARANTZ WILL NOT SUPPLY THESE PARTS.

P.C.B. NAME	POS.NO.	VERS. COLOR	PART NO. (FOR EUR)	PART NO. (MJI)	PART NAME	DESCRIPTION
ENCORDER	SW94		90M-SP001210R	90M-SP001210R	SWITCH	00802-0005 CST1A012ZT
ENCORDER	SW95		90M-SP001210R	90M-SP001210R	SWITCH	00802-0005 CST1A012ZT
					FRONT PCB (CUP11693-1)	
FRONT	BN14		nsp	nsp	CONNECTIVE CORD	CWB1B907230EN
FRONT	BN86		90M-YP100220R	90M-YP100220R	JACK	KJP07GB145ZP
FRONT	C801		nsp	00MOA47601640	ELECT CAP.	47UF 16V ZF CCEA1CH470T
FRONT	C802		nsp	00MOA10601620	ELECT CAP.	10UF 16V ZF CCEA1CH100T
FRONT	C804		nsp	nsp	CERAMIC CAP.	0.01UF 50V Z HCBS1H103ZFT
FRONT	C805		nsp	nsp	CERAMIC CAP.	100PF 50V K HCBS1H101KBT
FRONT	C806		nsp	00MOA10705020	ELECT CAP.	100UF 50V ZF CCEA1HH101T
FRONT	C807		nsp	nsp	CERAMIC CAP.	100PF 50V K HCBS1H101KBT
FRONT	C809		nsp	nsp	CERAMIC CAP.	100PF 50V K HCBS1H101KBT
FRONT	C810		nsp	nsp	CERAMIC CAP.	100PF 50V K HCBS1H101KBT
FRONT	C811		nsp	nsp	CERAMIC CAP.	100PF 50V K HCBS1H101KBT
FRONT	C812		nsp	nsp	CERAMIC CAP.	0.1UF 50V Z HCBS1H104ZFT
FRONT	C813		nsp	00MOA10701020	ELECT CAP.	100UF 10V ZF CCEA1AH101T
FRONT	C814		nsp	nsp	CERAMIC CAP.	100PF 50V K HCBS1H101KBT
FRONT	C815		nsp	nsp	CERAMIC CAP.	100PF 50V K HCBS1H101KBT
FRONT	C816		nsp	nsp	CERAMIC CAP.	100PF 50V K HCBS1H101KBT
FRONT	C817		nsp	nsp	CERAMIC CAP.	100PF 50V K HCBS1H101KBT
FRONT	C818		nsp	nsp	CERAMIC CAP.	100PF 50V K HCBS1H101KBT
FRONT	C820		nsp	nsp	CERAMIC CAP.	100PF 50V K HCBS1H101KBT
FRONT	C821		nsp	00MOA10605020	ELECT CAP.	10UF 50V ZF CCEA1HH100T
FRONT	C822		nsp	nsp	CERAMIC CAP.	100PF 50V K HCBS1H101KBT
FRONT	C824		nsp	nsp	CERAMIC CAP.	0.1UF 50V Z HCBS1H104ZFT
FRONT	C825		nsp	nsp	CERAMIC CAP.	390PF 50V K HCBS1H391KBT
FRONT	C826		nsp	nsp	CERAMIC CAP.	100PF 50V K HCBS1H101KBT
FRONT	C827		nsp	nsp	CERAMIC CAP.	100PF 50V KB CCKT1H101KB
FRONT	C828		nsp	00MOA47601640	ELECT CAP.	47UF 16V ZF CCEA1CH470T
FRONT	CN83		nsp	nsp	JACK	CJP15GA117ZY
FRONT	EN81		90M-SR000240R	90M-SR000240R	ROTARY SWITCH	EC16B243040HB HSR2A004Z
FRONT	FIP1		90M-HQ300620R	90M-HQ300620R	DISPLAY	16-BT-110GNK HFL16BT110GNK
FRONT	IC81		00MHC10220090	00MHC10220090	IC	HVINJU3430F
FRONT	J803		nsp	nsp	CONNECTIVE CORD	SN95/PB5 , 0.6 C3A206
FRONT	J804		nsp	nsp	CONNECTIVE CORD	SN95/PB5 , 0.6 C3A206
FRONT	J805		nsp	nsp	CONNECTIVE CORD	SN95/PB5 , 0.6 C3A206
FRONT	J806		nsp	nsp	CONNECTIVE CORD	SN95/PB5 , 0.6 C3A206
FRONT	J807		nsp	nsp	CONNECTIVE CORD	SN95/PB5 , 0.6 C3A206
FRONT	J809		nsp	nsp	CONNECTIVE CORD	SN95/PB5 , 0.6 C3A206
FRONT	J810		nsp	nsp	CONNECTIVE CORD	SN95/PB5 , 0.6 C3A206
FRONT	J811		nsp	nsp	CONNECTIVE CORD	SN95/PB5 , 0.6 C3A206
FRONT	J812		nsp	nsp	CONNECTIVE CORD	SN95/PB5 , 0.6 C3A206
FRONT	J813		nsp	nsp	CONNECTIVE CORD	SN95/PB5 , 0.6 C3A206
FRONT	J814		nsp	nsp	CONNECTIVE CORD	SN95/PB5 , 0.6 C3A206
FRONT	J815		nsp	nsp	CONNECTIVE CORD	SN95/PB5 , 0.6 C3A206
FRONT	J816		nsp	nsp	CONNECTIVE CORD	SN95/PB5 , 0.6 C3A206
FRONT	J817		nsp	nsp	CONNECTIVE CORD	SN95/PB5 , 0.6 C3A206
FRONT	J818		nsp	nsp	CONNECTIVE CORD	SN95/PB5 , 0.6 C3A206
FRONT	J821		nsp	nsp	CONNECTIVE CORD	SN95/PB5 , 0.6 C3A206
FRONT	J822		nsp	nsp	CONNECTIVE CORD	SN95/PB5 , 0.6 C3A206
FRONT	J823		nsp	nsp	CONNECTIVE CORD	SN95/PB5 , 0.6 C3A206
FRONT	J824		nsp	nsp	CONNECTIVE CORD	SN95/PB5 , 0.6 C3A206
FRONT	J825		nsp	nsp	CONNECTIVE CORD	SN95/PB5 , 0.6 C3A206
FRONT	J826		nsp	nsp	CONNECTIVE CORD	SN95/PB5 , 0.6 C3A206
FRONT	J827		nsp	nsp	CONNECTIVE CORD	SN95/PB5 , 0.6 C3A206
FRONT	J828		nsp	nsp	CONNECTIVE CORD	SN95/PB5 , 0.6 C3A206
FRONT	J841		nsp	nsp	CONNECTIVE CORD	SN95/PB5 , 0.6 C3A206
FRONT	J842		nsp	nsp	CONNECTIVE CORD	SN95/PB5 , 0.6 C3A206
FRONT	J843		nsp	nsp	CONNECTIVE CORD	SN95/PB5 , 0.6 C3A206
FRONT	J844		nsp	nsp	CONNECTIVE CORD	SN95/PB5 , 0.6 C3A206
FRONT	J845		nsp	nsp	CONNECTIVE CORD	SN95/PB5 , 0.6 C3A206
FRONT	J846		nsp	nsp	CONNECTIVE CORD	SN95/PB5 , 0.6 C3A206
FRONT	J851		nsp	nsp	CONNECTIVE CORD	SN95/PB5 , 0.6 C3A206

NOTE : "nsp" PARTS IS LISTED FOR REFERENCE ONLY, MARANTZ WILL NOT SUPPLY THESE PARTS.

P.C.B. NAME	POS.NO.	VERS. COLOR	PART NO. (FOR EUR)	PART NO. (MJI)	PART NAME	DESCRIPTION
FRONT	J852		nsp	nsp	CONNECTIVE CORD	SN95/PB5 , 0.6 C3A206
FRONT	J853		nsp	nsp	CONNECTIVE CORD	SN95/PB5 , 0.6 C3A206
FRONT	J854		nsp	nsp	CONNECTIVE CORD	SN95/PB5 , 0.6 C3A206
FRONT	J855		nsp	nsp	CONNECTIVE CORD	SN95/PB5 , 0.6 C3A206
FRONT	J856		nsp	nsp	CONNECTIVE CORD	SN95/PB5 , 0.6 C3A206
FRONT	J857		nsp	nsp	CONNECTIVE CORD	SN95/PB5 , 0.6 C3A206
FRONT	J858		nsp	nsp	CONNECTIVE CORD	SN95/PB5 , 0.6 C3A206
FRONT	J859		nsp	nsp	CONNECTIVE CORD	SN95/PB5 , 0.6 C3A206
FRONT	J860		nsp	nsp	CONNECTIVE CORD	SN95/PB5 , 0.6 C3A206
FRONT	J871		nsp	nsp	CONNECTIVE CORD	SN95/PB5 , 0.6 C3A206
FRONT	J872		nsp	nsp	CONNECTIVE CORD	SN95/PB5 , 0.6 C3A206
FRONT	J881		nsp	nsp	CONNECTIVE CORD	SN95/PB5 , 0.6 C3A206
FRONT	J891		nsp	nsp	CONNECTIVE CORD	SN95/PB5 , 0.6 C3A206
FRONT	JW81		nsp	nsp	CONNECTIVE CORD	CWE8102050RV
FRONT	Q801		00MBA10004000	00MBA10004000	TRANSISTOR	KRA111M HVTKRA111MT
FRONT	Q803		00MHT30001000	00MHT30001000	TRANSISTOR	KTC3199 HVTKTC3199YT
FRONT	R805		nsp	nsp	RESISTOR	100 OHM 1/5W J CRD20TJ101T
FRONT	R806		nsp	nsp	RESISTOR	10K OHM 1/5W J CRD20TJ103T
FRONT	R807		nsp	nsp	RESISTOR	10K OHM 1/5W J CRD20TJ103T
FRONT	R808		nsp	nsp	RESISTOR	10K OHM 1/5W J CRD20TJ103T
FRONT	R809		nsp	nsp	RESISTOR	10K OHM 1/5W J CRD20TJ103T
FRONT	R810		nsp	nsp	RESISTOR	5.6K OHM 1/5W J CRD20TJ562T
FRONT	R811		nsp	nsp	RESISTOR	2.7K OHM 1/5W J CRD20TJ272T
FRONT	R812		nsp	nsp	RESISTOR	2.2K OHM 1/5W J CRD20TJ222T
FRONT	R813		nsp	nsp	RESISTOR	1.5K OHM 1/5W J CRD20TJ152T
FRONT	R814		nsp	nsp	RESISTOR	1K OHM 1/5W J CRD20TJ102T
FRONT	R815		nsp	nsp	RESISTOR	820 OHM 1/5W J CRD20TJ821T
FRONT	R816		nsp	nsp	RESISTOR	560 OHM 1/5W J CRD20TJ561T
FRONT	R817		nsp	nsp	RESISTOR	680 OHM 1/5W J CRD20TJ681T
FRONT	R818		nsp	nsp	RESISTOR	5.6K OHM 1/5W J CRD20TJ562T
FRONT	R819		nsp	nsp	RESISTOR	2.7K OHM 1/5W J CRD20TJ272T
FRONT	R820		nsp	nsp	RESISTOR	2.2K OHM 1/5W J CRD20TJ222T
FRONT	R821		nsp	nsp	RESISTOR	1.5K OHM 1/5W J CRD20TJ152T
FRONT	R822		nsp	nsp	RESISTOR	1K OHM 1/5W J CRD20TJ102T
FRONT	R823		nsp	nsp	RESISTOR	820 OHM 1/5W J CRD20TJ821T
FRONT	R824		nsp	nsp	RESISTOR	560 OHM 1/5W J CRD20TJ561T
FRONT	R825		nsp	nsp	RESISTOR	680 OHM 1/5W J CRD20TJ681T
FRONT	R826		nsp	nsp	RESISTOR	5.6K OHM 1/5W J CRD20TJ562T
FRONT	R827		nsp	nsp	RESISTOR	2.7K OHM 1/5W J CRD20TJ272T
FRONT	R828		nsp	nsp	RESISTOR	2.2K OHM 1/5W J CRD20TJ222T
FRONT	R829		nsp	nsp	RESISTOR	1.5K OHM 1/5W J CRD20TJ152T
FRONT	R830		nsp	nsp	RESISTOR	1K OHM 1/5W J CRD20TJ102T
FRONT	R831		nsp	nsp	RESISTOR	10K OHM 1/5W J CRD20TJ103T
FRONT	R833		nsp	nsp	RESISTOR	68K OHM 1/5W J CRD20TJ683T
FRONT	R845		nsp	nsp	RESISTOR	100 OHM 1/5W J CRD20TJ101T
FRONT	R901		nsp	nsp	RESISTOR	10K OHM 1/5W J CRD20TJ103T
FRONT	R902		nsp	nsp	RESISTOR	10K OHM 1/5W J CRD20TJ103T
FRONT	R903		nsp	nsp	RESISTOR	10K OHM 1/5W J CRD20TJ103T
FRONT	R904		nsp	nsp	RESISTOR	10K OHM 1/5W J CRD20TJ103T
FRONT	R905		nsp	nsp	RESISTOR	10K OHM 1/5W J CRD20TJ103T
FRONT	R906		nsp	nsp	RESISTOR	10K OHM 1/5W J CRD20TJ103T
FRONT	R907		nsp	nsp	RESISTOR	10K OHM 1/5W J CRD20TJ103T
FRONT	R908		nsp	nsp	RESISTOR	10K OHM 1/5W J CRD20TJ103T
FRONT	R909		nsp	nsp	RESISTOR	10K OHM 1/5W J CRD20TJ103T
FRONT	R910		nsp	nsp	RESISTOR	10K OHM 1/5W J CRD20TJ103T
FRONT	R911		nsp	nsp	RESISTOR	10K OHM 1/5W J CRD20TJ103T
FRONT	R912		nsp	nsp	RESISTOR	10K OHM 1/5W J CRD20TJ103T
FRONT	R913		nsp	nsp	RESISTOR	10K OHM 1/5W J CRD20TJ103T
FRONT	R914		nsp	nsp	RESISTOR	10K OHM 1/5W J CRD20TJ103T
FRONT	R915		nsp	nsp	RESISTOR	10K OHM 1/5W J CRD20TJ103T
FRONT	R916		nsp	nsp	RESISTOR	10K OHM 1/5W J CRD20TJ103T
FRONT	R917		nsp	nsp	RESISTOR	47K OHM 1/5W J CRD20TJ473T
FRONT	R918		nsp	nsp	RESISTOR	47K OHM 1/5W J CRD20TJ473T

NOTE : "nsp" PARTS IS LISTED FOR REFERENCE ONLY, MARANTZ WILL NOT SUPPLY THESE PARTS.

P.C.B. NAME	POS.NO.	VERS. COLOR	PART NO. (FOR EUR)	PART NO. (MJI)	PART NAME	DESCRIPTION
FRONT	R919		nsp	nsp	RESISTOR	47K OHM 1/5W J CRD20TJ473T
FRONT	R920		nsp	nsp	RESISTOR	47K OHM 1/5W J CRD20TJ473T
FRONT	R921		nsp	nsp	RESISTOR	47K OHM 1/5W J CRD20TJ473T
FRONT	R922		nsp	nsp	RESISTOR	47K OHM 1/5W J CRD20TJ473T
FRONT	R923		nsp	nsp	RESISTOR	47K OHM 1/5W J CRD20TJ473T
FRONT	R924		nsp	nsp	RESISTOR	47K OHM 1/5W J CRD20TJ473T
FRONT	R925		nsp	nsp	RESISTOR	47K OHM 1/5W J CRD20TJ473T
FRONT	R926		nsp	nsp	RESISTOR	47K OHM 1/5W J CRD20TJ473T
FRONT	R927		nsp	nsp	RESISTOR	47K OHM 1/5W J CRD20TJ473T
FRONT	R928		nsp	nsp	RESISTOR	47K OHM 1/5W J CRD20TJ473T
FRONT	R929		nsp	nsp	RESISTOR	47K OHM 1/5W J CRD20TJ473T
FRONT	R930		nsp	nsp	RESISTOR	47K OHM 1/5W J CRD20TJ473T
FRONT	R931		nsp	nsp	RESISTOR	47K OHM 1/5W J CRD20TJ473T
FRONT	R932		nsp	nsp	RESISTOR	47K OHM 1/5W J CRD20TJ473T
FRONT	R933		nsp	nsp	RESISTOR	47K OHM 1/5W J CRD20TJ473T
FRONT	R934		nsp	nsp	RESISTOR	47K OHM 1/5W J CRD20TJ473T
FRONT	R935		nsp	nsp	RESISTOR	47K OHM 1/5W J CRD20TJ473T
FRONT	R936		nsp	nsp	RESISTOR	47K OHM 1/5W J CRD20TJ473T
FRONT	R937		nsp	nsp	RESISTOR	47K OHM 1/5W J CRD20TJ473T
FRONT	R938		nsp	nsp	RESISTOR	47K OHM 1/5W J CRD20TJ473T
FRONT	R939		nsp	nsp	RESISTOR	47K OHM 1/5W J CRD20TJ473T
FRONT	R940		nsp	nsp	RESISTOR	47K OHM 1/5W J CRD20TJ473T
FRONT	R941		nsp	nsp	RESISTOR	47K OHM 1/5W J CRD20TJ473T
FRONT	R942		nsp	nsp	RESISTOR	47K OHM 1/5W J CRD20TJ473T
FRONT	R943		nsp	nsp	RESISTOR	47K OHM 1/5W J CRD20TJ473T
FRONT	R944		nsp	nsp	RESISTOR	47K OHM 1/5W J CRD20TJ473T
FRONT	R945		nsp	nsp	RESISTOR	47K OHM 1/5W J CRD20TJ473T
FRONT	R946		nsp	nsp	RESISTOR	47K OHM 1/5W J CRD20TJ473T
FRONT	R947		nsp	nsp	RESISTOR	47K OHM 1/5W J CRD20TJ473T
FRONT	R948		nsp	nsp	RESISTOR	47K OHM 1/5W J CRD20TJ473T
FRONT	R949		nsp	nsp	RESISTOR	47K OHM 1/5W J CRD20TJ473T
FRONT	R950		nsp	nsp	RESISTOR	47K OHM 1/5W J CRD20TJ473T
FRONT	R951		nsp	nsp	RESISTOR	47K OHM 1/5W J CRD20TJ473T
FRONT	R952		nsp	nsp	RESISTOR	47K OHM 1/5W J CRD20TJ473T
FRONT	R953		nsp	nsp	RESISTOR	47K OHM 1/5W J CRD20TJ473T
FRONT	RC81		90M-HW100700R	90M-HW100700R	PHOTO UNIT	NJL64H360A HRVNJL64H360A
FRONT	SW71		90M-SP001210R	90M-SP001210R	SWITCH	00802-0005 CST1A012ZT
FRONT	SW72		90M-SP001210R	90M-SP001210R	SWITCH	00802-0005 CST1A012ZT
FRONT	SW73		90M-SP001210R	90M-SP001210R	SWITCH	00802-0005 CST1A012ZT
FRONT	SW74		90M-SP001210R	90M-SP001210R	SWITCH	00802-0005 CST1A012ZT
FRONT	SW77		90M-SP001210R	90M-SP001210R	SWITCH	00802-0005 CST1A012ZT
FRONT	SW78		90M-SP001210R	90M-SP001210R	SWITCH	00802-0005 CST1A012ZT
FRONT	SW79		90M-SP001210R	90M-SP001210R	SWITCH	00802-0005 CST1A012ZT
FRONT	SW80		90M-SP001210R	90M-SP001210R	SWITCH	00802-0005 CST1A012ZT
FRONT	SW81		90M-SP001210R	90M-SP001210R	SWITCH	00802-0005 CST1A012ZT
FRONT	SW82		90M-SP001210R	90M-SP001210R	SWITCH	00802-0005 CST1A012ZT
FRONT	SW83		90M-SP001210R	90M-SP001210R	SWITCH	00802-0005 CST1A012ZT
FRONT	SW84		90M-SP001210R	90M-SP001210R	SWITCH	00802-0005 CST1A012ZT
FRONT	SW86		90M-SP001210R	90M-SP001210R	SWITCH	00802-0005 CST1A012ZT
FRONT	SW87		90M-SP001210R	90M-SP001210R	SWITCH	00802-0005 CST1A012ZT
FRONT	SW88		90M-SP001210R	90M-SP001210R	SWITCH	00802-0005 CST1A012ZT
FRONT	SW89		90M-SP001210R	90M-SP001210R	SWITCH	00802-0005 CST1A012ZT
FRONT	SW90		90M-SP001210R	90M-SP001210R	SWITCH	00802-0005 CST1A012ZT
FRONT	SW91		90M-SP001210R	90M-SP001210R	SWITCH	00802-0005 CST1A012ZT
FRONT	SW92		90M-SP001210R	90M-SP001210R	SWITCH	00802-0005 CST1A012ZT
					H/P PCB (CUP11693-6)	
H/P	C874		nsp	nsp	CERAMIC CAP.	100PF 50V K HCBS1H101KBT
H/P	C875		nsp	nsp	CERAMIC CAP.	100PF 50V K HCBS1H101KBT
H/P	C876		nsp	nsp	CERAMIC CAP.	0.1UF 50V Z HCBS1H104ZFT
H/P	C878		nsp	nsp	CERAMIC CAP.	0.1UF 50V Z HCBS1H104ZFT
H/P	C879		nsp	nsp	CERAMIC CAP.	0.1UF 50V Z HCBS1H104ZFT
H/P	CN87		nsp	nsp	JACK	5P STRAIGHT CJP05GA19ZY
H/P	J873		nsp	nsp	CONNECTIVE CORD	SN95/PB5 , 0.6 C3A206

NOTE : "nsp" PARTS IS LISTED FOR REFERENCE ONLY, MARANTZ WILL NOT SUPPLY THESE PARTS.

P.C.B. NAME	POS.NO.	VERS. COLOR	PART NO. (FOR EUR)	PART NO. (MJI)	PART NAME	DESCRIPTION
H/P	JK81		90M-YT003160R	90M-YT003160R	TERMINAL	CJJ2E020Z
H/P	R846		nsp	nsp	RESISTOR	4.7K OHM 1/5W J CRD20TJ472T
H/P	R847		nsp	nsp	RESISTOR	330 OHM 1W J CRG1ANJ331H
H/P	R848		nsp	nsp	RESISTOR	330 OHM 1W J CRG1ANJ331H
H/P	R849		nsp	nsp	RESISTOR	910 OHM 1/5W J CRD20TJ911T
					PUSH S/W PCB	
PUSH S/W	▲ C877	/A1B	nsp	90M-DK100800R	CERAMIC CAP.	DKS471ME KCKDKS471ME
PUSH S/W	▲ C877	/A1S	nsp	90M-DK100800R	CERAMIC CAP.	DKS471ME KCKDKS471ME
PUSH S/W	▲ C877	/F1N	nsp	90M-DK100800R	CERAMIC CAP.	DKS471ME KCKDKS471ME
PUSH S/W	▲ C877	/K1G	nsp	90M-DK100800R	CERAMIC CAP.	DKS471ME KCKDKS471ME
PUSH S/W	▲ C877	/N1B	90M-DK100800R	90M-DK100800R	CERAMIC CAP.	DKS471ME KCKDKS471ME
PUSH S/W	▲ C877	/N1G	90M-DK100800R	90M-DK100800R	CERAMIC CAP.	DKS471ME KCKDKS471ME
PUSH S/W	▲ C877	/N1S	90M-DK100800R	90M-DK100800R	CERAMIC CAP.	DKS471ME KCKDKS471ME
PUSH S/W	CN88	/A1B	nsp	90M-YP100250R	JACK	MOLEX35328-02 KJP02GA89ZM
PUSH S/W	CN88	/A1S	nsp	90M-YP100250R	JACK	MOLEX35328-02 KJP02GA89ZM
PUSH S/W	CN88	/F1N	nsp	90M-YP100250R	JACK	MOLEX35328-02 KJP02GA89ZM
PUSH S/W	CN88	/K1G	nsp	90M-YP100250R	JACK	MOLEX35328-02 KJP02GA89ZM
PUSH S/W	CN88	/N1B	90M-YP100250R	90M-YP100250R	JACK	MOLEX35328-02 KJP02GA89ZM
PUSH S/W	CN88	/N1G	90M-YP100250R	90M-YP100250R	JACK	MOLEX35328-02 KJP02GA89ZM
PUSH S/W	CN88	/N1S	90M-YP100250R	90M-YP100250R	JACK	MOLEX35328-02 KJP02GA89ZM
PUSH S/W	▲ SW97	/A1B	nsp	90M-SP000850R	SWITCH	JPP1197CSA64 KSH1A001ZV
PUSH S/W	▲ SW97	/A1S	nsp	90M-SP000850R	SWITCH	JPP1197CSA64 KSH1A001ZV
PUSH S/W	▲ SW97	/N1B	90M-SP000850R	90M-SP000850R	SWITCH	JPP1197CSA64 KSH1A001ZV
PUSH S/W	▲ SW97	/N1G	90M-SP000850R	90M-SP000850R	SWITCH	JPP1197CSA64 KSH1A001ZV
PUSH S/W	▲ SW97	/N1S	90M-SP000850R	90M-SP000850R	SWITCH	JPP1197CSA64 KSH1A001ZV
					POWER TRANSF. PCB.1 (CUP11693-5)	
TRNSF. 1	BN96		nsp	nsp	CONNECTIVE CORD	CWB1C908150BM
TRNSF. 1	C107		nsp	nsp	CERAMIC CAP.	0.01UF 50V ZF CCT1H103ZF
TRNSF. 1	C108		nsp	nsp	CERAMIC CAP.	0.01UF 50V ZF CCT1H103ZF
TRNSF. 1	C109		nsp	nsp	CERAMIC CAP.	0.01UF 50V ZF CCT1H103ZF
TRNSF. 1	C110		nsp	nsp	CERAMIC CAP.	0.01UF 50V ZF CCT1H103ZF
TRNSF. 1	C111		nsp	nsp	CERAMIC CAP.	0.01UF 50V ZF CCT1H103ZF
TRNSF. 1	C112		nsp	nsp	CERAMIC CAP.	0.01UF 50V ZF CCT1H103ZF
TRNSF. 1	C117		nsp	00MOA47601640	ELECT CAP.	47UF 16V ZF CCEA1CH470T
TRNSF. 1	C118		nsp	nsp	CERAMIC CAP.	0.01UF 50V ZF CCT1H103ZF
TRNSF. 1	C119		nsp	00MOA47605020	ELECT CAP.	47UF 50V ZF CCEA1HH470T
TRNSF. 1	C120		nsp	00MOA47605020	ELECT CAP.	47UF 50V ZF CCEA1HH470T
TRNSF. 1	C121		nsp	nsp	CERAMIC CAP.	0.01UF 50V ZF CCT1H103ZF
TRNSF. 1	C122		nsp	00MOA10705020	ELECT CAP.	100UF 50V ZF CCEA1HH101T
TRNSF. 1	C123		nsp	00MOA47701620	ELECT CAP.	470UF 16V ZF CCEA1CH471T
TRNSF. 1	CN14		nsp	nsp	JACK	7P STRAIGHT CJP07GA19ZY
TRNSF. 1	CN99		nsp	nsp	JACK	3P STRAIGHT CJP03GA01ZY
TRNSF. 1	D102		90M-HD302190R	90M-HD302190R	ZENER DIODE	30V HVDMTZJ30BT
TRNSF. 1	D104		nsp	90M-HD201730R	DIODE	1N4003 KVD1N4003ST
TRNSF. 1	D105		nsp	90M-HD201730R	DIODE	1N4003 KVD1N4003ST
TRNSF. 1	D108		nsp	90M-HD201730R	DIODE	1N4003 KVD1N4003ST
TRNSF. 1	D111		90M-HD302150R	90M-HD302150R	ZENER DIODE	6.8V HVDMTZJ6.8BT
TRNSF. 1	J631		nsp	nsp	CONNECTIVE CORD	SN95/PB5 , 0.6 C3A206
TRNSF. 1	J632		nsp	nsp	CONNECTIVE CORD	SN95/PB5 , 0.6 C3A206
TRNSF. 1	Q131		00MHT600141B0	00MHT600141B0	TRANSISTOR	KTA1271Y HVTKTA1271YT
TRNSF. 1	R101		nsp	nsp	RESISTOR	3.3 OHM KR25FJ3R3T
TRNSF. 1	▲ R104		90M-NH000080R	90M-NH000080R	FUSE RESISTOR	0.47 OHM 1W J KRQ1AJR47H
TRNSF. 1	▲ R105		90M-NH000080R	90M-NH000080R	FUSE RESISTOR	0.47 OHM 1W J KRQ1AJR47H
TRNSF. 1	▲ R106		90M-NH000080R	90M-NH000080R	FUSE RESISTOR	0.47 OHM 1W J KRQ1AJR47H
TRNSF. 1	▲ R107		90M-NH000080R	90M-NH000080R	FUSE RESISTOR	0.47 OHM 1W J KRQ1AJR47H
TRNSF. 1	R108		nsp	nsp	RESISTOR	4.7 OHM 1/5W J CRD20TJ4R7T
TRNSF. 1	R109		nsp	nsp	RESISTOR	10 OHM 1/5W J CRD20TJ100T
TRNSF. 1	R110		nsp	nsp	RESISTOR	4.7 OHM 1/5W J CRD20TJ4R7T
TRNSF. 1	R112		nsp	nsp	RESISTOR	1.2K OHM 1/5W J CRD20TJ122T
TRNSF. 1	R113		nsp	nsp	RESISTOR	47K OHM 1/5W J CRD20TJ473T
					POWER TRANSF. PCB.2 (CUP11693-7)	
TRNSF. 2	C921		nsp	nsp	FILM CAP	0.1UF 50V J HCQ1H104JZT
TRNSF. 2	C922		nsp	nsp	FILM CAP	0.1UF 50V J HCQ1H104JZT

NOTE : "nsp" PARTS IS LISTED FOR REFERENCE ONLY, MARANTZ WILL NOT SUPPLY THESE PARTS.

P.C.B. NAME	POS.NO.	VERS. COLOR	PART NO. (FOR EUR)	PART NO. (MJI)	PART NAME	DESCRIPTION
TRNSF. 2	C925		nsp	nsp	FILM CAP	0.01UF 50V J HCQ1H103JZT
TRNSF. 2	C926		nsp	nsp	FILM CAP	0.01UF 50V J HCQ1H103JZT
TRNSF. 2	C931		nsp	nsp	FILM CAP	0.047UF 50V J HCQ1H473JZT
TRNSF. 2	C932		nsp	nsp	FILM CAP	0.047UF 50V J HCQ1H473JZT
TRNSF. 2	CN20		nsp	nsp	JACK	MOLEX35313-0310 KJP03GA90ZM
TRNSF. 2	CN93		nsp	nsp	JACK	2P STRAIGHT CJP02GA01ZY
TRNSF. 2	D990		nsp	90M-HD201730R	DIODE	1N4003 KVD1N4003ST
TRNSF. 2	J877		nsp	nsp	CONNECTIVE CORD	SN95/PB5 , 0.6 C3A206
TRNSF. 2	J878		nsp	nsp	CONNECTIVE CORD	SN95/PB5 , 0.6 C3A206
TRNSF. 2	R997		nsp	nsp	RESISTOR	4.7 OHM 1/5W J CRD20TJ4R7T
TRNSF. 2	R998		nsp	nsp	RESISTOR	4.7 OHM 1/5W J CRD20TJ4R7T
TRNSF. 2	▲ RL11		00MLY20240520	00MLY20240520	RELAY	PCLH-203D1SP HSL4B018ZU
POWER TRANSF. PCB.3 (CUP11693-8)						
TRNSF. 3	BN21		nsp	nsp	CONNECTIVE CORD	CWB1E908070MM
TRNSF. 3	▲ D991		90M-HE200250R	90M-HE200250R	DIODE	GBJ1504 HVDGBJ1504
TRNSF. 3	J875		nsp	nsp	CONNECTIVE CORD	SN95/PB5 , 0.6 C3A206
TRNSF. 3	J876		nsp	nsp	CONNECTIVE CORD	SN95/PB5 , 0.6 C3A206
TACT PCB (CUP11693-9)						
TACT	SW96	/L1G	nsp	90M-SP001210R	SWITCH	00802-0005 CST1A012ZT
TACT	SW96	/U1B	nsp	90M-SP001210R	SWITCH	00802-0005 CST1A012ZT
TACT	SW96	/U1S	nsp	90M-SP001210R	SWITCH	00802-0005 CST1A012ZT
VIDEO PCB (CUP11693-3)						
VIDEO	C501		nsp	nsp	CERAMIC CAP.	47PF 50V JC CCCT1H470JC
VIDEO	C502		nsp	nsp	CERAMIC CAP.	47PF 50V JC CCCT1H470JC
VIDEO	C503		nsp	nsp	CERAMIC CAP.	47PF 50V JC CCCT1H470JC
VIDEO	C504		nsp	nsp	CERAMIC CAP.	47PF 50V JC CCCT1H470JC
VIDEO	C505		nsp	nsp	CERAMIC CAP.	47PF 50V JC CCCT1H470JC
VIDEO	C506		nsp	nsp	CERAMIC CAP.	47PF 50V J HCBS1H470JT
VIDEO	C507		nsp	nsp	CERAMIC CAP.	47PF 50V J HCBS1H470JT
VIDEO	C508		nsp	nsp	CERAMIC CAP.	47PF 50V J HCBS1H470JT
VIDEO	C509		nsp	nsp	CERAMIC CAP.	47PF 50V J HCBS1H470JT
VIDEO	C510		nsp	nsp	CERAMIC CAP.	47PF 50V J HCBS1H470JT
VIDEO	C511		nsp	nsp	CERAMIC CAP.	47PF 50V J HCBS1H470JT
VIDEO	C512		nsp	nsp	CERAMIC CAP.	47PF 50V JC CCCT1H470JC
VIDEO	C513		nsp	nsp	CERAMIC CAP.	68PF 50V J HCBS1H680JT
VIDEO	C514		nsp	nsp	CERAMIC CAP.	68PF 50V J HCBS1H680JT
VIDEO	C515		nsp	00MOA10605020	ELECT CAP.	10UF 50V ZF CCEA1HH100T
VIDEO	C516		nsp	00MOA10605020	ELECT CAP.	10UF 50V ZF CCEA1HH100T
VIDEO	C517		nsp	00MOA10605020	ELECT CAP.	10UF 50V ZF CCEA1HH100T
VIDEO	C518		nsp	00MOA10605020	ELECT CAP.	10UF 50V ZF CCEA1HH100T
VIDEO	C519		nsp	00MOA10605020	ELECT CAP.	10UF 50V ZF CCEA1HH100T
VIDEO	C520		nsp	00MOA10605020	ELECT CAP.	10UF 50V ZF CCEA1HH100T
VIDEO	C522		nsp	00MOA10605020	ELECT CAP.	10UF 50V ZF CCEA1HH100T
VIDEO	C523		nsp	00MOA10605020	ELECT CAP.	10UF 50V ZF CCEA1HH100T
VIDEO	C524		nsp	00MOA10605020	ELECT CAP.	10UF 50V ZF CCEA1HH100T
VIDEO	C525		nsp	00MOA47700620	ELECT CAP.	470UF 6.3V ZF CCEA0JH471T
VIDEO	C526		nsp	nsp	CERAMIC CAP.	47PF 50V J HCBS1H470JT
VIDEO	C527		nsp	00MOA47700620	ELECT CAP.	470UF 6.3V ZF CCEA0JH471T
VIDEO	C528		nsp	nsp	CERAMIC CAP.	47PF 50V J HCBS1H470JT
VIDEO	C529		nsp	nsp	CERAMIC CAP.	47PF 50V J HCBS1H470JT
VIDEO	C530		nsp	nsp	CERAMIC CAP.	0.022UF 50V Z HCBS1H223ZFT
VIDEO	C531		nsp	nsp	CERAMIC CAP.	0.022UF 50V Z HCBS1H223ZFT
VIDEO	C532		nsp	nsp	CERAMIC CAP.	0.022UF 50V Z HCBS1H223ZFT
VIDEO	C533		nsp	nsp	CERAMIC CAP.	0.022UF 50V Z HCBS1H223ZFT
VIDEO	C534		nsp	nsp	CERAMIC CAP.	0.022UF 50V Z HCBS1H223ZFT
VIDEO	C535		nsp	nsp	CERAMIC CAP.	0.022UF 50V Z HCBS1H223ZFT
VIDEO	C536		nsp	00MOA10701620	ELECT CAP.	100UF 16V ZF CCEA1CH101T
VIDEO	C537		nsp	00MOA10701620	ELECT CAP.	100UF 16V ZF CCEA1CH101T
VIDEO	C538		nsp	00MOA10701620	ELECT CAP.	100UF 16V ZF CCEA1CH101T
VIDEO	C539		nsp	00MOA10701620	ELECT CAP.	100UF 16V ZF CCEA1CH101T
VIDEO	C540		nsp	00MOA10701620	ELECT CAP.	100UF 16V ZF CCEA1CH101T
VIDEO	C541		nsp	00MOA10701620	ELECT CAP.	100UF 16V ZF CCEA1CH101T
VIDEO	C542		nsp	00MOA10701620	ELECT CAP.	100UF 16V ZF CCEA1CH101T

NOTE : "nsp" PARTS IS LISTED FOR REFERENCE ONLY, MARANTZ WILL NOT SUPPLY THESE PARTS.

P.C.B. NAME	POS.NO.	VERS. COLOR	PART NO. (FOR EUR)	PART NO. (MJI)	PART NAME	DESCRIPTION
VIDEO	C543		nsp	00MOA10701620	ELECT CAP.	100UF 16V ZF CCEA1CH101T
VIDEO	C544		nsp		CERAMIC CAP.	0.022UF 50V Z HCBS1H223ZF
VIDEO	C545		nsp	nsp	CERAMIC CAP.	0.022UF 50V ZF CCT1H223ZF
VIDEO	C546		nsp	00MOA10603540	ELECT CAP.	10UF 35V CCEA1VH100T
VIDEO	C547		nsp	00MOA10603540	ELECT CAP.	10UF 35V CCEA1VH100T
VIDEO	C548		nsp	00MOA10603540	ELECT CAP.	10UF 35V CCEA1VH100T
VIDEO	C550		nsp	00MOA10701620	ELECT CAP.	100UF 16V ZF CCEA1CH101T
VIDEO	C552		nsp	00MOA10701620	ELECT CAP.	100UF 16V ZF CCEA1CH101T
VIDEO	C553		nsp	00MOA10701620	ELECT CAP.	100UF 16V ZF CCEA1CH101T
VIDEO	C554		nsp	00MOA47605020	ELECT CAP.	47UF 50V ZF CCEA1HH470T
VIDEO	C555		nsp	nsp	CERAMIC CAP.	1PF 50V CC CCT1H010CC
VIDEO	C556		nsp	00MOA10701620	ELECT CAP.	100UF 16V ZF CCEA1CH101T
VIDEO	C557		nsp	nsp	CERAMIC CAP.	0.01UF 50V ZF CCT1H103ZF
VIDEO	C558		nsp	00MOA10701620	ELECT CAP.	100UF 16V ZF CCEA1CH101T
VIDEO	C559		nsp	00MOA10701620	ELECT CAP.	100UF 16V ZF CCEA1CH101T
VIDEO	C561		nsp	00MOA10605020	ELECT CAP.	10UF 50V ZF CCEA1HH100T
VIDEO	C562		nsp	nsp	CERAMIC CAP.	0.047UF 50V Z HCBS1H473ZF
VIDEO	C563		nsp	nsp	CERAMIC CAP.	1PF 50V CC CCT1H010CC
VIDEO	C564		nsp	00MOA10605020	ELECT CAP.	10UF 50V ZF CCEA1HH100T
VIDEO	C565		nsp	00MOA10701620	ELECT CAP.	100UF 16V ZF CCEA1CH101T
VIDEO	C567		nsp	00MOA10701620	ELECT CAP.	100UF 16V ZF CCEA1CH101T
VIDEO	C568		nsp	nsp	CERAMIC CAP.	0.047UF 50V Z HCBS1H473ZF
VIDEO	C569		nsp	nsp	CERAMIC CAP.	0.022UF 50V Z HCBS1H223ZF
VIDEO	C570		nsp	nsp	CERAMIC CAP.	33PF 50V J HCBS1H330JT
VIDEO	C571		nsp	nsp	CERAMIC CAP.	0.01UF 50V Z HCBS1H103ZF
VIDEO	C572		nsp	nsp	CERAMIC CAP.	0.01UF 50V Z HCBS1H103ZF
VIDEO	C574		nsp	nsp	CERAMIC CAP.	68PF 50V JC CCT1H680JC
VIDEO	C575		nsp	nsp	CERAMIC CAP.	0.1UF 50V Z HCBS1H104ZF
VIDEO	C576		nsp	nsp	CERAMIC CAP.	100PF 50V K HCBS1H101KBT
VIDEO	CN10		nsp	nsp	JACK	00906-0027 4P CJP04GA19ZY
VIDEO	CN11	/A1B	nsp	nsp	JACK	CJP17GA115ZY
VIDEO	CN11	/A1S	nsp	nsp	JACK	CJP17GA115ZY
VIDEO	CN11	/K1G	nsp	nsp	JACK	CJP15GA115ZY
VIDEO	CN11	/L1G	nsp	nsp	JACK	CJP15GA115ZY
VIDEO	CN11	/N1B	nsp	nsp	JACK	CJP17GA115ZY
VIDEO	CN11	/N1G	nsp	nsp	JACK	CJP17GA115ZY
VIDEO	CN11	/N1S	nsp	nsp	JACK	CJP17GA115ZY
VIDEO	CN11	/U1B	nsp	nsp	JACK	CJP15GA115ZY
VIDEO	CN11	/U1S	nsp	nsp	JACK	CJP15GA115ZY
VIDEO	CN13		nsp	nsp	JACK	7P STRAIGHT CJP07GA19ZY
VIDEO	CN15	/A1B	nsp	nsp	JACK	CJP17GA115ZY
VIDEO	CN15	/A1S	nsp	nsp	JACK	CJP17GA115ZY
VIDEO	CN15	/F1N	nsp	nsp	JACK	CJP15GA115ZY
VIDEO	CN15	/K1G	nsp	nsp	JACK	CJP17GA115ZY
VIDEO	CN15	/L1G	nsp	nsp	JACK	CJP15GA115ZY
VIDEO	CN15	/N1B	nsp	nsp	JACK	CJP17GA115ZY
VIDEO	CN15	/N1G	nsp	nsp	JACK	CJP17GA115ZY
VIDEO	CN15	/N1S	nsp	nsp	JACK	CJP17GA115ZY
VIDEO	CN15	/U1B	nsp	nsp	JACK	CJP15GA115ZY
VIDEO	CN15	/U1S	nsp	nsp	JACK	CJP15GA115ZY
VIDEO	CN24	/A1B	nsp	nsp	JACK	00906-0027 4P CJP04GA19ZY
VIDEO	CN24	/A1S	nsp	nsp	JACK	00906-0027 4P CJP04GA19ZY
VIDEO	CN24	/F1N	nsp	nsp	JACK	00906-0027 4P CJP04GA19ZY
VIDEO	CN24	/K1G	nsp	nsp	JACK	00906-0027 4P CJP04GA19ZY
VIDEO	CN24	/N1B	nsp	nsp	JACK	00906-0027 4P CJP04GA19ZY
VIDEO	CN24	/N1G	nsp	nsp	JACK	00906-0027 4P CJP04GA19ZY
VIDEO	CN24	/N1S	nsp	nsp	JACK	00906-0027 4P CJP04GA19ZY
VIDEO	CN24	/U1B	nsp	nsp	JACK	00906-0027 4P CJP04GA19ZY
VIDEO	CN24	/U1S	nsp	nsp	JACK	00906-0027 4P CJP04GA19ZY
VIDEO	D501		nsp	00MHD20015210	DIODE	1SS133T-77 HVD1SS133MT
VIDEO	D502		nsp	00MHD20015210	DIODE	1SS133T-77 HVD1SS133MT
VIDEO	D503		00MHD30511000	00MHD30511000	ZENER DIODE	5.1V HVDMTZJ5.1BT
VIDEO	D504		00MHD30511000	00MHD30511000	ZENER DIODE	5.1V HVDMTZJ5.1BT

NOTE : "nsp" PARTS IS LISTED FOR REFERENCE ONLY, MARANTZ WILL NOT SUPPLY THESE PARTS.

P.C.B. NAME	POS.NO.	VERS. COLOR	PART NO. (FOR EUR)	PART NO. (MJI)	PART NAME	DESCRIPTION
VIDEO	D505		00MHD30511000	00MHD30511000	ZENER DIODE	5.1V HVDMTZJ5.1BT
VIDEO	D506		00MHD30511000	00MHD30511000	ZENER DIODE	5.1V HVDMTZJ5.1BT
VIDEO	D507		nsp	00MHD20015210	DIODE	1SS133T-77 HVD1SS133MT
VIDEO	D508		nsp	00MHD20015210	DIODE	1SS133T-77 HVD1SS133MT
VIDEO	D509		nsp	00MHD20015210	DIODE	1SS133T-77 HVD1SS133MT
VIDEO	IC51		00MHC10210090	00MHC10210090	IC	NJM2296M HVINJM2296M
VIDEO	IC52		00MHC10210090	00MHC10210090	IC	NJM2296M HVINJM2296M
VIDEO	IC53		00MHC10210090	00MHC10210090	IC	NJM2296M HVINJM2296M
VIDEO	IC54		90M-HC108890R	90M-HC108890R	IC	HVIHCF4053M013T
VIDEO	IC55		90M-HC108850R	90M-HC108850R	IC	HVIMM1511XNRE
VIDEO	J508		nsp	nsp	CONNECTIVE CORD	SN95/PB5 , 0.6 C3A206
VIDEO	J509		nsp	nsp	CONNECTIVE CORD	SN95/PB5 , 0.6 C3A206
VIDEO	J510		nsp	nsp	CONNECTIVE CORD	SN95/PB5 , 0.6 C3A206
VIDEO	J511		nsp	nsp	CONNECTIVE CORD	SN95/PB5 , 0.6 C3A206
VIDEO	J512		nsp	nsp	CONNECTIVE CORD	SN95/PB5 , 0.6 C3A206
VIDEO	J513		nsp	nsp	CONNECTIVE CORD	SN95/PB5 , 0.6 C3A206
VIDEO	J514		nsp	nsp	CONNECTIVE CORD	SN95/PB5 , 0.6 C3A206
VIDEO	J515		nsp	nsp	CONNECTIVE CORD	SN95/PB5 , 0.6 C3A206
VIDEO	J516		nsp	nsp	CONNECTIVE CORD	SN95/PB5 , 0.6 C3A206
VIDEO	J517		nsp	nsp	CONNECTIVE CORD	SN95/PB5 , 0.6 C3A206
VIDEO	J518		nsp	nsp	CONNECTIVE CORD	SN95/PB5 , 0.6 C3A206
VIDEO	J519		nsp	nsp	CONNECTIVE CORD	SN95/PB5 , 0.6 C3A206
VIDEO	J520		nsp	nsp	CONNECTIVE CORD	SN95/PB5 , 0.6 C3A206
VIDEO	J521		nsp	nsp	CONNECTIVE CORD	SN95/PB5 , 0.6 C3A206
VIDEO	J522		nsp	nsp	CONNECTIVE CORD	SN95/PB5 , 0.6 C3A206
VIDEO	J523		nsp	nsp	CONNECTIVE CORD	SN95/PB5 , 0.6 C3A206
VIDEO	J524		nsp	nsp	CONNECTIVE CORD	SN95/PB5 , 0.6 C3A206
VIDEO	J525		nsp	nsp	CONNECTIVE CORD	SN95/PB5 , 0.6 C3A206
VIDEO	J526		nsp	nsp	CONNECTIVE CORD	SN95/PB5 , 0.6 C3A206
VIDEO	J528		nsp	nsp	CONNECTIVE CORD	SN95/PB5 , 0.6 C3A206
VIDEO	J534		nsp	nsp	CONNECTIVE CORD	SN95/PB5 , 0.6 C3A206
VIDEO	J535		nsp	nsp	CONNECTIVE CORD	SN95/PB5 , 0.6 C3A206
VIDEO	J536		nsp	nsp	CONNECTIVE CORD	SN95/PB5 , 0.6 C3A206
VIDEO	J537		nsp	nsp	CONNECTIVE CORD	SN95/PB5 , 0.6 C3A206
VIDEO	J538		nsp	nsp	CONNECTIVE CORD	SN95/PB5 , 0.6 C3A206
VIDEO	J539		nsp	nsp	CONNECTIVE CORD	SN95/PB5 , 0.6 C3A206
VIDEO	J540		nsp	nsp	CONNECTIVE CORD	SN95/PB5 , 0.6 C3A206
VIDEO	J541		nsp	nsp	CONNECTIVE CORD	SN95/PB5 , 0.6 C3A206
VIDEO	J542		nsp	nsp	CONNECTIVE CORD	SN95/PB5 , 0.6 C3A206
VIDEO	J543		nsp	nsp	CONNECTIVE CORD	SN95/PB5 , 0.6 C3A206
VIDEO	J544		nsp	nsp	CONNECTIVE CORD	SN95/PB5 , 0.6 C3A206
VIDEO	J545		nsp	nsp	CONNECTIVE CORD	SN95/PB5 , 0.6 C3A206
VIDEO	J546		nsp	nsp	CONNECTIVE CORD	SN95/PB5 , 0.6 C3A206
VIDEO	J547		nsp	nsp	CONNECTIVE CORD	SN95/PB5 , 0.6 C3A206
VIDEO	J548		nsp	nsp	CONNECTIVE CORD	SN95/PB5 , 0.6 C3A206
VIDEO	J566		nsp	nsp	CONNECTIVE CORD	SN95/PB5 , 0.6 C3A206
VIDEO	J567		nsp	nsp	CONNECTIVE CORD	SN95/PB5 , 0.6 C3A206
VIDEO	J568		nsp	nsp	CONNECTIVE CORD	SN95/PB5 , 0.6 C3A206
VIDEO	J569		nsp	nsp	CONNECTIVE CORD	SN95/PB5 , 0.6 C3A206
VIDEO	J570		nsp	nsp	CONNECTIVE CORD	SN95/PB5 , 0.6 C3A206
VIDEO	J571		nsp	nsp	CONNECTIVE CORD	SN95/PB5 , 0.6 C3A206
VIDEO	J572		nsp	nsp	CONNECTIVE CORD	SN95/PB5 , 0.6 C3A206
VIDEO	J573		nsp	nsp	CONNECTIVE CORD	SN95/PB5 , 0.6 C3A206
VIDEO	J583		nsp	nsp	CONNECTIVE CORD	SN95/PB5 , 0.6 C3A206
VIDEO	J584		nsp	nsp	CONNECTIVE CORD	SN95/PB5 , 0.6 C3A206
VIDEO	J585		nsp	nsp	CONNECTIVE CORD	SN95/PB5 , 0.6 C3A206
VIDEO	J586		nsp	nsp	CONNECTIVE CORD	SN95/PB5 , 0.6 C3A206
VIDEO	J587		nsp	nsp	CONNECTIVE CORD	SN95/PB5 , 0.6 C3A206
VIDEO	J588		nsp	nsp	CONNECTIVE CORD	SN95/PB5 , 0.6 C3A206
VIDEO	J589		nsp	nsp	CONNECTIVE CORD	SN95/PB5 , 0.6 C3A206
VIDEO	J590		nsp	nsp	CONNECTIVE CORD	SN95/PB5 , 0.6 C3A206
VIDEO	J591		nsp	nsp	CONNECTIVE CORD	SN95/PB5 , 0.6 C3A206
VIDEO	J592		nsp	nsp	CONNECTIVE CORD	SN95/PB5 , 0.6 C3A206

NOTE : "nsp" PARTS IS LISTED FOR REFERENCE ONLY, MARANTZ WILL NOT SUPPLY THESE PARTS.

P.C.B. NAME	POS.NO.	VERS. COLOR	PART NO. (FOR EUR)	PART NO. (MJI)	PART NAME	DESCRIPTION
VIDEO	J593		nsp	nsp	CONNECTIVE CORD	SN95/PB5 , 0.6 C3A206
VIDEO	J594		nsp	nsp	CONNECTIVE CORD	SN95/PB5 , 0.6 C3A206
VIDEO	J596		nsp	nsp	CONNECTIVE CORD	SN95/PB5 , 0.6 C3A206
VIDEO	J605		nsp	nsp	CONNECTIVE CORD	SN95/PB5 , 0.6 C3A206
VIDEO	J607		nsp	nsp	CONNECTIVE CORD	SN95/PB5 , 0.6 C3A206
VIDEO	J608		nsp	nsp	CONNECTIVE CORD	SN95/PB5 , 0.6 C3A206
VIDEO	J615		nsp	nsp	CONNECTIVE CORD	SN95/PB5 , 0.6 C3A206
VIDEO	J616		nsp	nsp	CONNECTIVE CORD	SN95/PB5 , 0.6 C3A206
VIDEO	J623		nsp	nsp	CONNECTIVE CORD	SN95/PB5 , 0.6 C3A206
VIDEO	J624		nsp	nsp	CONNECTIVE CORD	SN95/PB5 , 0.6 C3A206
VIDEO	J625		nsp	nsp	CONNECTIVE CORD	SN95/PB5 , 0.6 C3A206
VIDEO	J641		nsp	nsp	CONNECTIVE CORD	SN95/PB5 , 0.6 C3A206
VIDEO	JK51		90M-YT002950R	90M-YT002950R	TERMINAL	CJJ4N043Z
VIDEO	JK52		90M-YT002950R	90M-YT002950R	TERMINAL	CJJ4N043Z
VIDEO	JK53		90M-YT002940R	90M-YT002940R	TERMINAL	CJJ4S010Z
VIDEO	JK54		90M-YT003250R	90M-YT003250R	TERMINAL	S-VIDEO (2P/H) CJJ9N001Z
VIDEO	JK55		90M-YT003250R	90M-YT003250R	TERMINAL	S-VIDEO (2P/H) CJJ9N001Z
VIDEO	JK56		90M-YT003950R	90M-YT003950R	TERMINAL	CJJ4N029Z
VIDEO	L501	/A1B	nsp	90M-FF300220R	L.C. FLITTER	5N3-101 CLZ9Z043Z
VIDEO	L501	/A1S	nsp	90M-FF300220R	L.C. FLITTER	5N3-101 CLZ9Z043Z
VIDEO	L501	/F1N	nsp	90M-FF300210R	L.C. FLITTER	5N3-100 CLZ9Z042Z
VIDEO	L501	/K1G	nsp	90M-FF300220R	L.C. FLITTER	5N3-101 CLZ9Z043Z
VIDEO	L501	/L1G	nsp	90M-FF300210R	L.C. FLITTER	5N3-100 CLZ9Z042Z
VIDEO	L501	/N1B	90M-FF300220R	90M-FF300220R	L.C. FLITTER	5N3-101 CLZ9Z043Z
VIDEO	L501	/N1G	90M-FF300220R	90M-FF300220R	L.C. FLITTER	5N3-101 CLZ9Z043Z
VIDEO	L501	/N1S	90M-FF300220R	90M-FF300220R	L.C. FLITTER	5N3-101 CLZ9Z043Z
VIDEO	L501	/U1B	nsp	90M-FF300210R	L.C. FLITTER	5N3-100 CLZ9Z042Z
VIDEO	L501	/U1S	nsp	90M-FF300210R	L.C. FLITTER	5N3-100 CLZ9Z042Z
VIDEO	Q505		00MHT30001000	00MHT30001000	TRANSISTOR	KTC3199 HVTKTC3199YT
VIDEO	Q506		00MHT30001000	00MHT30001000	TRANSISTOR	KTC3199 HVTKTC3199YT
VIDEO	Q507		00MHT30001000	00MHT30001000	TRANSISTOR	KTC3199 HVTKTC3199YT
VIDEO	Q508		90M-HT100420R	90M-HT100420R	TRANSISTOR	A733 HVTKSA733CYT
VIDEO	Q509		90M-BA001450R	90M-BA001450R	TRANSISTOR	KRA107M HVTKRA107MT
VIDEO	Q510		90M-HT600010R	90M-HT600010R	TRANSISTOR	TKTA1266YT HVTKTA1266YT
VIDEO	Q512		90M-HT800050R	90M-HT800050R	TRANSISTOR	KTC3198YT HVTKTC3198YT
VIDEO	Q513		90M-HT600010R	90M-HT600010R	TRANSISTOR	TKTA1266YT HVTKTA1266YT
VIDEO	Q514		90M-HT600010R	90M-HT600010R	TRANSISTOR	TKTA1266YT HVTKTA1266YT
VIDEO	Q515		90M-HT800050R	90M-HT800050R	TRANSISTOR	KTC3198YT HVTKTC3198YT
VIDEO	Q516		90M-HT600010R	90M-HT600010R	TRANSISTOR	TKTA1266YT HVTKTA1266YT
VIDEO	Q517		90M-BA001450R	90M-BA001450R	TRANSISTOR	KRA107M HVTKRA107MT
VIDEO	Q518		00MHT30001000	00MHT30001000	TRANSISTOR	KTC3199 HVTKTC3199YT
VIDEO	R501		nsp	nsp	RESISTOR	75 OHM 1/5W J CRD20TJ750T
VIDEO	R502		nsp	nsp	RESISTOR	75 OHM 1/5W J CRD20TJ750T
VIDEO	R503		nsp	nsp	RESISTOR	75 OHM 1/5W J CRD20TJ750T
VIDEO	R504		nsp	nsp	RESISTOR	75 OHM 1/5W J CRD20TJ750T
VIDEO	R505		nsp	nsp	RESISTOR	75 OHM 1/5W J CRD20TJ750T
VIDEO	R506		nsp	nsp	RESISTOR	75 OHM 1/5W J CRD20TJ750T
VIDEO	R507		nsp	nsp	RESISTOR	68 OHM 1/5W J CRD20TJ680T
VIDEO	R508		nsp	nsp	RESISTOR	75 OHM 1/5W J CRD20TJ750T
VIDEO	R509		nsp	nsp	RESISTOR	75 OHM 1/5W J CRD20TJ750T
VIDEO	R510		nsp	nsp	RESISTOR	75 OHM 1/5W J CRD20TJ750T
VIDEO	R511		nsp	nsp	RESISTOR	75 OHM 1/5W J CRD20TJ750T
VIDEO	R512		nsp	nsp	RESISTOR	75 OHM 1/5W J CRD20TJ750T
VIDEO	R513		nsp	nsp	RESISTOR	75 OHM 1/5W J CRD20TJ750T
VIDEO	R514		nsp	nsp	RESISTOR	68 OHM 1/5W J CRD20TJ680T
VIDEO	R515		nsp	nsp	RESISTOR	68 OHM 1/5W J CRD20TJ680T
VIDEO	R516		nsp	nsp	RESISTOR	1 OHM 1/5W J CRD20TJ1R0T
VIDEO	R517		nsp	nsp	RESISTOR	1 OHM 1/5W J CRD20TJ1R0T
VIDEO	R518		nsp	nsp	RESISTOR	1 OHM 1/5W J CRD20TJ1R0T
VIDEO	R519		nsp	nsp	RESISTOR	1.8 OHM 1/5W J CRD20TJ1R8T
VIDEO	R520		nsp	nsp	RESISTOR	1.8 OHM 1/4W J CRD25TJ1R8T
VIDEO	R521		nsp	nsp	RESISTOR	1.8 OHM 1/5W J CRD20TJ1R8T
VIDEO	R522		nsp	nsp	RESISTOR	10 OHM 1/5W J CRD20TJ100T

NOTE : "nsp" PARTS IS LISTED FOR REFERENCE ONLY, MARANTZ WILL NOT SUPPLY THESE PARTS.

P.C.B. NAME	POS.NO.	VERS. COLOR	PART NO. (FOR EUR)	PART NO. (MJI)	PART NAME	DESCRIPTION
VIDEO	R523		nsp	nsp	RESISTOR	10 OHM 1/5W J CRD20TJ100T
VIDEO	R524		nsp	nsp	RESISTOR	68 OHM 1/5W J CRD20TJ680T
VIDEO	R525		nsp	nsp	RESISTOR	33K OHM 1/5W J CRD20TJ333T
VIDEO	R526		nsp	nsp	RESISTOR	12K OHM 1/5W J CRD20TJ123T
VIDEO	R527		nsp	nsp	RESISTOR	1K OHM 1/5W J CRD20TJ102T
VIDEO	R528		nsp	nsp	RESISTOR	8.2K OHM 1/5W J CRD20TJ822T
VIDEO	R529		nsp	nsp	RESISTOR	8.2K OHM 1/5W J CRD20TJ822T
VIDEO	R530		nsp	nsp	RESISTOR	8.2K OHM 1/5W J CRD20TJ822T
VIDEO	R531		nsp	nsp	RESISTOR	220 OHM 1/5W J CRD20TJ221T
VIDEO	R532		nsp	nsp	RESISTOR	220 OHM 1/5W J CRD20TJ221T
VIDEO	R533		nsp	nsp	RESISTOR	220 OHM 1/5W J CRD20TJ221T
VIDEO	R534		nsp	nsp	RESISTOR	75 OHM 1/5W J CRD20TJ750T
VIDEO	R535		nsp	nsp	RESISTOR	75 OHM 1/5W J CRD20TJ750T
VIDEO	R536		nsp	nsp	RESISTOR	75 OHM 1/5W J CRD20TJ750T
VIDEO	R537		nsp	nsp	RESISTOR	12K OHM 1/5W J CRD20TJ123T
VIDEO	R538		nsp	nsp	RESISTOR	1.2K OHM 1/5W J CRD20TJ122T
VIDEO	R539		nsp	nsp	RESISTOR	1.2K OHM 1/5W J CRD20TJ122T
VIDEO	R540		nsp	nsp	RESISTOR	6.2K OHM 1/5W J CRD20TJ622T
VIDEO	R541		nsp	nsp	RESISTOR	220 OHM 1/5W J CRD20TJ221T
VIDEO	R542		nsp	nsp	RESISTOR	300 OHM 1/5W J CRD20TJ301T
VIDEO	R543		nsp	nsp	RESISTOR	47K OHM 1/5W J CRD20TJ473T
VIDEO	R544		nsp	nsp	RESISTOR	200 OHM 1/5 W CRD20TJ201T
VIDEO	R545		nsp	nsp	RESISTOR	8.2K OHM 1/5W J CRD20TJ822T
VIDEO	R546		nsp	nsp	RESISTOR	1K OHM 1/5W J CRD20TJ102T
VIDEO	R547		nsp	nsp	RESISTOR	1K OHM 1/5W J CRD20TJ102T
VIDEO	R548		nsp	nsp	RESISTOR	1K OHM 1/5W J CRD20TJ102T
VIDEO	R549		nsp	nsp	RESISTOR	1K OHM 1/5W J CRD20TJ102T
VIDEO	R550		nsp	nsp	RESISTOR	8.2K OHM 1/5W J CRD20TJ822T
VIDEO	R551		nsp	nsp	RESISTOR	39 OHM 1/5W J CRD20TJ390T
VIDEO	R552		nsp	nsp	RESISTOR	180 OHM 1/5W J CRD20TJ181T
VIDEO	R553		nsp	nsp	RESISTOR	330 OHM 1/5W J CRD20TJ331T
VIDEO	R554		nsp	nsp	RESISTOR	1.2K OHM 1/5W J CRD20TJ122T
VIDEO	R555		nsp	nsp	RESISTOR	1.2K OHM 1/5W J CRD20TJ122T
VIDEO	R556		nsp	nsp	RESISTOR	15K OHM 1/5W J CRD20TJ153T
VIDEO	R561		nsp	nsp	RESISTOR	8.2 OHM 2W J CRG2ANJ8R2H
VIDEO	R562		nsp	nsp	RESISTOR	8.2K OHM 1/5W J CRD20TJ822T
VIDEO	R563		nsp	nsp	RESISTOR	100 OHM 1/4W CRD25TJ101T
VIDEO	R564		nsp	nsp	RESISTOR	47K OHM 1/5W J CRD20TJ473T
VIDEO	R565		nsp	nsp	RESISTOR	47 OHM 1/5W J CRD20TJ470T
VIDEO	R567		nsp	nsp	RESISTOR	10K OHM 1/5W J CRD20TJ103T
VIDEO	R568		nsp	nsp	RESISTOR	15 OHM 2W J CRG2ANJ150H
VIDEO	R569		nsp	nsp	RESISTOR	33K OHM 1/5W J CRD20TJ333T
VIDEO	R570		nsp	nsp	RESISTOR	22K OHM 1/5W J CRD20TJ223T
INPUT & DSP PCB (CUP11694Z)						
INPUT	BN10		nsp	nsp	CONNECTIVE CORD	CWB2B904200EN
INPUT	BN24		nsp	nsp	CONNECTIVE CORD	CWZSR4500BN24
INPUT	C100		nsp	00MOA10701620	ELECT CAP.	100UF 16V CCEA1CH101T
INPUT	C104		nsp	00MDK96104300	CERAMIC CAP.	0.1uF HCUS1H104ZF
INPUT	C105		nsp	00MDK96104300	CERAMIC CAP.	0.1uF HCUS1H104ZF
INPUT	C106		nsp	00MDK96104300	CERAMIC CAP.	0.1uF HCUS1H104ZF
INPUT	C107		nsp	00MDK96104300	CERAMIC CAP.	0.1uF HCUS1H104ZF
INPUT	C108		nsp	00MOA10800620	ELECT CAP.	1000UF 6.3V CCEA0JH102T
INPUT	C109		nsp	00MOA22605020	ELECT CAP.	22UF/25V CCEA1EH220T
INPUT	C110		nsp	00MDK96104300	CERAMIC CAP.	0.1uF HCUS1H104ZF
INPUT	C111		nsp	00MDK96104300	CERAMIC CAP.	0.1uF HCUS1H104ZF
INPUT	C112		nsp	00MOA22605020	ELECT CAP.	22UF/25V CCEA1EH220T
INPUT	C115		nsp	00MOA10701020	ELECT CAP.	100UF 10V CCEA1AH101T
INPUT	C116		nsp	00MDK96104300	CERAMIC CAP.	0.1uF HCUS1H104ZF
INPUT	C117		nsp	00MOA10701020	ELECT CAP.	100UF 10V CCEA1AH101T
INPUT	C118		nsp	00MDK96104300	CERAMIC CAP.	0.1uF HCUS1H104ZF
INPUT	C120		nsp	00MDK96104300	CERAMIC CAP.	0.1uF HCUS1H104ZF
INPUT	C121		nsp	00MDK96104300	CERAMIC CAP.	0.1uF HCUS1H104ZF
INPUT	C122		nsp	00MOA22605020	ELECT CAP.	22UF/25V CCEA1EH220T

NOTE : "nsp" PARTS IS LISTED FOR REFERENCE ONLY, MARANTZ WILL NOT SUPPLY THESE PARTS.

P.C.B. NAME	POS.NO.	VERS. COLOR	PART NO. (FOR EUR)	PART NO. (MJI)	PART NAME	DESCRIPTION
INPUT	C123		nsp	00MDK96104300	CERAMIC CAP.	0.1uF HCUS1H104ZF
INPUT	C124		nsp	00MDK96104300	CERAMIC CAP.	0.1uF HCUS1H104ZF
INPUT	C125		nsp	00MDK98223300	CERAMIC CAP.	0.022uF HCUS1H223KC
INPUT	C126		nsp	00MDK96104300	CERAMIC CAP.	0.1uF HCUS1H104ZF
INPUT	C127		nsp	00MOA22605020	ELECT CAP.	22UF/25V CCEA1EH220T
INPUT	C128		nsp	00MDK96104300	CERAMIC CAP.	0.1uF HCUS1H104ZF
INPUT	C129		nsp	00MOA22605020	ELECT CAP.	22UF/25V CCEA1EH220T
INPUT	C130		nsp	00MDK96104300	CERAMIC CAP.	0.1uF HCUS1H104ZF
INPUT	C131		nsp	00MOA22605020	ELECT CAP.	22UF/25V CCEA1EH220T
INPUT	C132		nsp	00MDD95330300	CERAMIC CAP.	33pF HCUS1H330JA
INPUT	C133		nsp	00MDD95330300	CERAMIC CAP.	33pF HCUS1H330JA
INPUT	C134		nsp	00MDK96104300	CERAMIC CAP.	0.1uF HCUS1H104ZF
INPUT	C135		nsp	00MDD95101300	CERAMIC CAP.	100pF HCUS1H101JA
INPUT	C136		nsp	00MDK96104300	CERAMIC CAP.	0.1uF HCUS1H104ZF
INPUT	C137		nsp	00MOA22605020	ELECT CAP.	22UF/25V CCEA1EH220T
INPUT	C138		nsp	00MDK96272300	CERAMIC CAP.	2700pF HCUS1H272KC
INPUT	C139		nsp	00MDK96272300	CERAMIC CAP.	2700pF HCUS1H272KC
INPUT	C163		nsp	00MDK96104300	CERAMIC CAP.	0.1uF HCUS1H104ZF
INPUT	C164		nsp	00MDK96104300	CERAMIC CAP.	0.1uF HCUS1H104ZF
INPUT	C165		nsp	00MOA22605020	ELECT CAP.	22UF/25V CCEA1EH220T
INPUT	C166		nsp	00MDK96104300	CERAMIC CAP.	0.1uF HCUS1H104ZF
INPUT	C167		nsp	00MOA22505020	ELECT CAP.	2.2UF/50V CCEA1HH2R2T
INPUT	C168		nsp	00MDD95680300	CERAMIC CAP.	68pF HCUS1H680JA
INPUT	C169		nsp	00MDK96122300	CERAMIC CAP.	1200pF HCUS1H122KC
INPUT	C170		nsp	00MDK96103300	CERAMIC CAP.	0.01uF HCUS1H103KC
INPUT	C171		nsp	00MDK98105200	CERAMIC CAP.	1uF HCUS1C105ZF
INPUT	C172		nsp	00MOA47602520	ELECT CAP.	47UF 25V CCEA1EH470T
INPUT	C173		nsp	00MDK96104300	CERAMIC CAP.	0.1uF HCUS1H104ZF
INPUT	C174		nsp	00MDK96104300	CERAMIC CAP.	0.1uF HCUS1H104ZF
INPUT	C175		nsp	00MOA22605020	ELECT CAP.	22UF/25V CCEA1EH220T
INPUT	C176		nsp	00MDK96104300	CERAMIC CAP.	0.1uF HCUS1H104ZF
INPUT	C177		nsp	00MDK96104300	CERAMIC CAP.	0.1uF HCUS1H104ZF
INPUT	C178		nsp	00MDK96104300	CERAMIC CAP.	0.1uF HCUS1H104ZF
INPUT	C179		nsp	00MOA22605020	ELECT CAP.	22UF/25V CCEA1EH220T
INPUT	C180		nsp	00MDK96104300	CERAMIC CAP.	0.1uF HCUS1H104ZF
INPUT	C181		nsp	00MOA22605020	ELECT CAP.	22UF/25V CCEA1EH220T
INPUT	C182		nsp	00MDK96104300	CERAMIC CAP.	0.1uF HCUS1H104ZF
INPUT	C183		nsp	00MDK96104300	CERAMIC CAP.	0.1uF HCUS1H104ZF
INPUT	C184		nsp	00MDK96104300	CERAMIC CAP.	0.1uF HCUS1H104ZF
INPUT	C185		nsp	00MOA22605020	ELECT CAP.	22UF/25V CCEA1EH220T
INPUT	C186		nsp	00MDK96104300	CERAMIC CAP.	0.1uF HCUS1H104ZF
INPUT	C187		nsp	00MOA22605020	ELECT CAP.	22UF/25V CCEA1EH220T
INPUT	C188		nsp	00MDK96104300	CERAMIC CAP.	0.1uF HCUS1H104ZF
INPUT	C189		nsp	00MDK96104300	CERAMIC CAP.	0.1uF HCUS1H104ZF
INPUT	C190		nsp	00MDK96104300	CERAMIC CAP.	0.1uF HCUS1H104ZF
INPUT	C191		nsp	00MDK96104300	CERAMIC CAP.	0.1uF HCUS1H104ZF
INPUT	C197		nsp	00MDK96104300	CERAMIC CAP.	0.1uF HCUS1H104ZF
INPUT	C198		nsp	00MOA47505020	ELECT CAP.	4.7UF 50V CCEA1HH4R7T
INPUT	C231		nsp	00MDD95471300	CERAMIC CAP.	470pF HCUS1H471JA
INPUT	C232		nsp	00MDD95471300	CERAMIC CAP.	470pF HCUS1H471JA
INPUT	C233		nsp	00MDD95471300	CERAMIC CAP.	470pF HCUS1H471JA
INPUT	C234		nsp	00MDD95471300	CERAMIC CAP.	470pF HCUS1H471JA
INPUT	C235		nsp	00MDD95471300	CERAMIC CAP.	470pF HCUS1H471JA
INPUT	C236		nsp	00MDD95471300	CERAMIC CAP.	470pF HCUS1H471JA
INPUT	C237		nsp	00MDD95471300	CERAMIC CAP.	470pF HCUS1H471JA
INPUT	C238		nsp	00MDD95471300	CERAMIC CAP.	470pF HCUS1H471JA
INPUT	C241		nsp	00MDK96332300	CERAMIC CAP.	3300pF HCUS1H332KC
INPUT	C242		nsp	00MDK96332300	CERAMIC CAP.	3300pF HCUS1H332KC
INPUT	C243		nsp	00MDK96332300	CERAMIC CAP.	3300pF HCUS1H332KC
INPUT	C244		nsp	00MDK96332300	CERAMIC CAP.	3300pF HCUS1H332KC
INPUT	C245		nsp	00MDK96332300	CERAMIC CAP.	3300pF HCUS1H332KC
INPUT	C246		nsp	00MDK96332300	CERAMIC CAP.	3300pF HCUS1H332KC
INPUT	C247		nsp	00MDK96332300	CERAMIC CAP.	3300pF HCUS1H332KC

NOTE : "nsp" PARTS IS LISTED FOR REFERENCE ONLY, MARANTZ WILL NOT SUPPLY THESE PARTS.

P.C.B. NAME	POS.NO.	VERS. COLOR	PART NO. (FOR EUR)	PART NO. (MJI)	PART NAME	DESCRIPTION
INPUT	C248		nsp	00MDK96332300	CERAMIC CAP.	3300pF HCUS1H332KC
INPUT	C251		nsp	00MDK96332300	CERAMIC CAP.	3300pF HCUS1H332KC
INPUT	C252		nsp	00MDK96332300	CERAMIC CAP.	3300pF HCUS1H332KC
INPUT	C253		nsp	00MDK96332300	CERAMIC CAP.	3300pF HCUS1H332KC
INPUT	C254		nsp	00MDK96332300	CERAMIC CAP.	3300pF HCUS1H332KC
INPUT	C255		nsp	00MDK96332300	CERAMIC CAP.	3300pF HCUS1H332KC
INPUT	C256		nsp	00MDK96332300	CERAMIC CAP.	3300pF HCUS1H332KC
INPUT	C257		nsp	00MDK96332300	CERAMIC CAP.	3300pF HCUS1H332KC
INPUT	C258		nsp	00MDK96332300	CERAMIC CAP.	3300pF HCUS1H332KC
INPUT	C261		nsp	00MDD95471300	CERAMIC CAP.	470pF HCUS1H471JA
INPUT	C262		nsp	00MDD95471300	CERAMIC CAP.	470pF HCUS1H471JA
INPUT	C263		nsp	00MDD95471300	CERAMIC CAP.	470pF HCUS1H471JA
INPUT	C264		nsp	00MDD95471300	CERAMIC CAP.	470pF HCUS1H471JA
INPUT	C265		nsp	00MDD95471300	CERAMIC CAP.	470pF HCUS1H471JA
INPUT	C266		nsp	00MDD95471300	CERAMIC CAP.	470pF HCUS1H471JA
INPUT	C267		nsp	00MDD95471300	CERAMIC CAP.	470pF HCUS1H471JA
INPUT	C268		nsp	00MDD95471300	CERAMIC CAP.	470pF HCUS1H471JA
INPUT	C271		nsp	00MOA47505020	ELECT CAP.	4.7UF 50V CCEA1HH4R7T
INPUT	C272		nsp	00MOA47505020	ELECT CAP.	4.7UF 50V CCEA1HH4R7T
INPUT	C273		nsp	00MOA47505020	ELECT CAP.	4.7UF 50V CCEA1HH4R7T
INPUT	C274		nsp	00MOA47505020	ELECT CAP.	4.7UF 50V CCEA1HH4R7T
INPUT	C275		nsp	00MOA47505020	ELECT CAP.	4.7UF 50V CCEA1HH4R7T
INPUT	C276		nsp	00MOA47505020	ELECT CAP.	4.7UF 50V CCEA1HH4R7T
INPUT	C277		nsp	00MOA47505020	ELECT CAP.	4.7UF 50V CCEA1HH4R7T
INPUT	C278		nsp	00MOA47505020	ELECT CAP.	4.7UF 50V CCEA1HH4R7T
INPUT	C281		nsp	00MDK96472300	CERAMIC CAP.	4700pF HCUS1H472KC
INPUT	C282		nsp	00MDK96472300	CERAMIC CAP.	4700pF HCUS1H472KC
INPUT	C283		nsp	00MDK96472300	CERAMIC CAP.	4700pF HCUS1H472KC
INPUT	C284		nsp	00MDK96472300	CERAMIC CAP.	4700pF HCUS1H472KC
INPUT	C285		nsp	00MDK96472300	CERAMIC CAP.	4700pF HCUS1H472KC
INPUT	C286		nsp	00MDK96472300	CERAMIC CAP.	4700pF HCUS1H472KC
INPUT	C287		nsp	00MDK96472300	CERAMIC CAP.	4700pF HCUS1H472KC
INPUT	C288		nsp	00MDK96472300	CERAMIC CAP.	4700pF HCUS1H472KC
INPUT	C291		nsp	00MDK98473300	CERAMIC CAP.	0.047uF HCUS1H473ZF
INPUT	C292		nsp	00MDK98473300	CERAMIC CAP.	0.047uF HCUS1H473ZF
INPUT	C293		nsp	00MDK98473300	CERAMIC CAP.	0.047uF HCUS1H473ZF
INPUT	C294		nsp	00MDK98473300	CERAMIC CAP.	0.047uF HCUS1H473ZF
INPUT	C295		nsp	00MDK98473300	CERAMIC CAP.	0.047uF HCUS1H473ZF
INPUT	C296		nsp	00MDK98473300	CERAMIC CAP.	0.047uF HCUS1H473ZF
INPUT	C297		nsp	00MDK98473300	CERAMIC CAP.	0.047uF HCUS1H473ZF
INPUT	C298		nsp	00MDK98473300	CERAMIC CAP.	0.047uF HCUS1H473ZF
INPUT	C301		nsp	00MDD95471300	CERAMIC CAP.	470pF HCUS1H471JA
INPUT	C302		nsp	00MDD95471300	CERAMIC CAP.	470pF HCUS1H471JA
INPUT	C303		nsp	00MDD95471300	CERAMIC CAP.	470pF HCUS1H471JA
INPUT	C304		nsp	00MDD95471300	CERAMIC CAP.	470pF HCUS1H471JA
INPUT	C305		nsp	00MDD95471300	CERAMIC CAP.	470pF HCUS1H471JA
INPUT	C306		nsp	00MDD95471300	CERAMIC CAP.	470pF HCUS1H471JA
INPUT	C307		nsp	00MDD95471300	CERAMIC CAP.	470pF HCUS1H471JA
INPUT	C308		nsp	00MDD95471300	CERAMIC CAP.	470pF HCUS1H471JA
INPUT	C309		nsp	00MDD95471300	CERAMIC CAP.	470pF HCUS1H471JA
INPUT	C310		nsp	00MDD95471300	CERAMIC CAP.	470pF HCUS1H471JA
INPUT	C311		nsp	00MDD95471300	CERAMIC CAP.	470pF HCUS1H471JA
INPUT	C312		nsp	00MDD95471300	CERAMIC CAP.	470pF HCUS1H471JA
INPUT	C313		nsp	00MDD95471300	CERAMIC CAP.	470pF HCUS1H471JA
INPUT	C314		nsp	00MDD95471300	CERAMIC CAP.	470pF HCUS1H471JA
INPUT	C315		nsp	00MDD95471300	CERAMIC CAP.	470pF HCUS1H471JA
INPUT	C316		nsp	00MDD95471300	CERAMIC CAP.	470pF HCUS1H471JA
INPUT	C317		nsp	00MDD95471300	CERAMIC CAP.	470pF HCUS1H471JA
INPUT	C318		nsp	00MDD95471300	CERAMIC CAP.	470pF HCUS1H471JA
INPUT	C319		nsp	00MDD95471300	CERAMIC CAP.	470pF HCUS1H471JA
INPUT	C320		nsp	00MDD95471300	CERAMIC CAP.	470pF HCUS1H471JA
INPUT	C321		nsp	00MDD95471300	CERAMIC CAP.	470pF HCUS1H471JA
INPUT	C322		nsp	00MDD95471300	CERAMIC CAP.	470pF HCUS1H471JA

NOTE : "nsp" PARTS IS LISTED FOR REFERENCE ONLY, MARANTZ WILL NOT SUPPLY THESE PARTS.

P.C.B. NAME	POS.NO.	VERS. COLOR	PART NO. (FOR EUR)	PART NO. (MJI)	PART NAME	DESCRIPTION
INPUT	C323		nsp	00MDD95471300	CERAMIC CAP.	470pF HCUS1H471JA
INPUT	C324		nsp	00MDD95471300	CERAMIC CAP.	470pF HCUS1H471JA
INPUT	C325		nsp	00MDD95471300	CERAMIC CAP.	470pF HCUS1H471JA
INPUT	C326		nsp	00MDD95471300	CERAMIC CAP.	470pF HCUS1H471JA
INPUT	C327		nsp	00MDD95471300	CERAMIC CAP.	470pF HCUS1H471JA
INPUT	C328		nsp	00MDD95471300	CERAMIC CAP.	470pF HCUS1H471JA
INPUT	C329		nsp	00MDD95471300	CERAMIC CAP.	470pF HCUS1H471JA
INPUT	C330		nsp	00MDD95471300	CERAMIC CAP.	470pF HCUS1H471JA
INPUT	C331		nsp	00MOA10603540	ELECT CAP.	10UF 35V CCEA1VH100T
INPUT	C332		nsp	00MOA10603540	ELECT CAP.	10UF 35V CCEA1VH100T
INPUT	C333		nsp	00MOA10603540	ELECT CAP.	10UF 35V CCEA1VH100T
INPUT	C334		nsp	00MOA10603540	ELECT CAP.	10UF 35V CCEA1VH100T
INPUT	C335		nsp	00MOA10603540	ELECT CAP.	10UF 35V CCEA1VH100T
INPUT	C336		nsp	00MOA10603540	ELECT CAP.	10UF 35V CCEA1VH100T
INPUT	C337		nsp	00MOA10603540	ELECT CAP.	10UF 35V CCEA1VH100T
INPUT	C338		nsp	00MOA10603540	ELECT CAP.	10UF 35V CCEA1VH100T
INPUT	C339		nsp	00MOA10603540	ELECT CAP.	10UF 35V CCEA1VH100T
INPUT	C340		nsp	00MOA10603540	ELECT CAP.	10UF 35V CCEA1VH100T
INPUT	C341		nsp	00MOA10603540	ELECT CAP.	10UF 35V CCEA1VH100T
INPUT	C342		nsp	00MOA10603540	ELECT CAP.	10UF 35V CCEA1VH100T
INPUT	C343		nsp	00MOA10603540	ELECT CAP.	10UF 35V CCEA1VH100T
INPUT	C344		nsp	00MOA10603540	ELECT CAP.	10UF 35V CCEA1VH100T
INPUT	C345		nsp	00MOA10603540	ELECT CAP.	10UF 35V CCEA1VH100T
INPUT	C346		nsp	00MOA10603540	ELECT CAP.	10UF 35V CCEA1VH100T
INPUT	C347		nsp	00MOA10603540	ELECT CAP.	10UF 35V CCEA1VH100T
INPUT	C348		nsp	00MOA10603540	ELECT CAP.	10UF 35V CCEA1VH100T
INPUT	C349		nsp	00MOA10603540	ELECT CAP.	10UF 35V CCEA1VH100T
INPUT	C350		nsp	00MOA10603540	ELECT CAP.	10UF 35V CCEA1VH100T
INPUT	C351		nsp	00MOA10603540	ELECT CAP.	10UF 35V CCEA1VH100T
INPUT	C352		nsp	00MOA10603540	ELECT CAP.	10UF 35V CCEA1VH100T
INPUT	C353		nsp	00MOA10603540	ELECT CAP.	10UF 35V CCEA1VH100T
INPUT	C354		nsp	00MOA10603540	ELECT CAP.	10UF 35V CCEA1VH100T
INPUT	C355		nsp	00MOA10603540	ELECT CAP.	10UF 35V CCEA1VH100T
INPUT	C356		nsp	00MOA10603540	ELECT CAP.	10UF 35V CCEA1VH100T
INPUT	C357		nsp	00MOA10603540	ELECT CAP.	10UF 35V CCEA1VH100T
INPUT	C358		nsp	00MOA10603540	ELECT CAP.	10UF 35V CCEA1VH100T
INPUT	C359		nsp	00MOA10603540	ELECT CAP.	10UF 35V CCEA1VH100T
INPUT	C360		nsp	00MOA10603540	ELECT CAP.	10UF 35V CCEA1VH100T
INPUT	C361		nsp	00MOA22605020	ELECT CAP.	22UF/25V CCEA1EH220T
INPUT	C362		nsp	00MOA22605020	ELECT CAP.	22UF/25V CCEA1EH220T
INPUT	C363		nsp	00MOA22605020	ELECT CAP.	22UF/25V CCEA1EH220T
INPUT	C364		nsp	00MOA22605020	ELECT CAP.	22UF/25V CCEA1EH220T
INPUT	C365		nsp	00MOA22605020	ELECT CAP.	22UF/25V CCEA1EH220T
INPUT	C366		nsp	00MOA22605020	ELECT CAP.	22UF/25V CCEA1EH220T
INPUT	C367		nsp	00MOA22605020	ELECT CAP.	22UF/25V CCEA1EH220T
INPUT	C368		nsp	00MOA22605020	ELECT CAP.	22UF/25V CCEA1EH220T
INPUT	C371		nsp	00MOA22605020	ELECT CAP.	22UF/25V CCEA1EH220T
INPUT	C372		nsp	00MOA22605020	ELECT CAP.	22UF/25V CCEA1EH220T
INPUT	C373		nsp	00MOA22605020	ELECT CAP.	22UF/25V CCEA1EH220T
INPUT	C374		nsp	00MOA22605020	ELECT CAP.	22UF/25V CCEA1EH220T
INPUT	C375		nsp	00MOA22605020	ELECT CAP.	22UF/25V CCEA1EH220T
INPUT	C376		nsp	00MOA22605020	ELECT CAP.	22UF/25V CCEA1EH220T
INPUT	C377		nsp	00MOA22605020	ELECT CAP.	22UF/25V CCEA1EH220T
INPUT	C378		nsp	00MOA22605020	ELECT CAP.	22UF/25V CCEA1EH220T
INPUT	C379		nsp	00MOA47701020	ELECT CAP.	470uF/10V CCEA1AH471T
INPUT	C381		nsp	00MDD95221300	CERAMIC CAP.	220pF HCUS1H221JA
INPUT	C382		nsp	00MDD95221300	CERAMIC CAP.	220pF HCUS1H221JA
INPUT	C383		nsp	00MDD95820300	CERAMIC CAP.	82pF HCUS1H820JA
INPUT	C384		nsp	00MDD95820300	CERAMIC CAP.	82pF HCUS1H820JA
INPUT	C385		nsp	00MDD95820300	CERAMIC CAP.	82pF HCUS1H820JA
INPUT	C386		nsp	00MDD95820300	CERAMIC CAP.	82pF HCUS1H820JA
INPUT	C387		nsp	00MDD95221300	CERAMIC CAP.	220pF HCUS1H221JA
INPUT	C388		nsp	00MDD95101300	CERAMIC CAP.	100pF HCUS1H101JA

NOTE : "nsp" PARTS IS LISTED FOR REFERENCE ONLY, MARANTZ WILL NOT SUPPLY THESE PARTS.

P.C.B. NAME	POS.NO.	VERS. COLOR	PART NO. (FOR EUR)	PART NO. (MJI)	PART NAME	DESCRIPTION
INPUT	C389		nsp	00MOA47505020	ELECT CAP.	4.7UF 50V CCEA1HH4R7T
INPUT	C391		nsp	00MOA47602520	ELECT CAP.	47UF 25V CCEA1EH470T
INPUT	C392		nsp	00MOA47602520	ELECT CAP.	47UF 25V CCEA1EH470T
INPUT	C393		nsp	00MOA47602520	ELECT CAP.	47UF 25V CCEA1EH470T
INPUT	C394		nsp	00MOA47602520	ELECT CAP.	47UF 25V CCEA1EH470T
INPUT	C395		nsp	00MOA47602520	ELECT CAP.	47UF 25V CCEA1EH470T
INPUT	C396		nsp	00MOA47602520	ELECT CAP.	47UF 25V CCEA1EH470T
INPUT	C397		nsp	00MOA47602520	ELECT CAP.	47UF 25V CCEA1EH470T
INPUT	C398		nsp	00MOA47602520	ELECT CAP.	47UF 25V CCEA1EH470T
INPUT	C399		nsp	00MOA47701620	ELECT CAP.	470uF/16V CCEA1CH471T
INPUT	C401		nsp	00MDD95471300	CERAMIC CAP.	470pF HCUS1H471JA
INPUT	C402		nsp	00MDD95471300	CERAMIC CAP.	470pF HCUS1H471JA
INPUT	C403		nsp	00MDD95471300	CERAMIC CAP.	470pF HCUS1H471JA
INPUT	C404		nsp	00MDD95471300	CERAMIC CAP.	470pF HCUS1H471JA
INPUT	C405		nsp	00MDD95471300	CERAMIC CAP.	470pF HCUS1H471JA
INPUT	C406		nsp	00MDD95471300	CERAMIC CAP.	470pF HCUS1H471JA
INPUT	C407		nsp	00MDD95471300	CERAMIC CAP.	470pF HCUS1H471JA
INPUT	C408		nsp	00MDD95471300	CERAMIC CAP.	470pF HCUS1H471JA
INPUT	C409		nsp	nsp	CERAMIC CAP.	0.047UF 50V Z HCBS1H473ZFT
INPUT	C410		nsp	nsp	CERAMIC CAP.	0.047UF 50V Z HCBS1H473ZFT
INPUT	C411		nsp	00MDK98473300	CERAMIC CAP.	0.047uF HCUS1H473ZF
INPUT	C412		nsp	00MDK98473300	CERAMIC CAP.	0.047uF HCUS1H473ZF
INPUT	C413		nsp	00MDK98473300	CERAMIC CAP.	0.047uF HCUS1H473ZF
INPUT	C414		nsp	00MDK98473300	CERAMIC CAP.	0.047uF HCUS1H473ZF
INPUT	C415		nsp	00MDK98473300	CERAMIC CAP.	0.047uF HCUS1H473ZF
INPUT	C416		nsp	00MDK98473300	CERAMIC CAP.	0.047uF HCUS1H473ZF
INPUT	C417		nsp	00MDK98473300	CERAMIC CAP.	0.047uF HCUS1H473ZF
INPUT	C418		nsp	00MDK98473300	CERAMIC CAP.	0.047uF HCUS1H473ZF
INPUT	C419		nsp	00MOA10701620	ELECT CAP.	100UF 16V CCEA1CH101T
INPUT	C420		nsp	00MOA10701620	ELECT CAP.	100UF 16V CCEA1CH101T
INPUT	C421		nsp	00MOA47602520	ELECT CAP.	47UF 25V CCEA1EH470T
INPUT	C422		nsp	00MOA47602520	ELECT CAP.	47UF 25V CCEA1EH470T
INPUT	C423		nsp	00MOA47602520	ELECT CAP.	47UF 25V CCEA1EH470T
INPUT	C424		nsp	00MOA47602520	ELECT CAP.	47UF 25V CCEA1EH470T
INPUT	C425		nsp	00MOA47602520	ELECT CAP.	47UF 25V CCEA1EH470T
INPUT	C426		nsp	00MOA47602520	ELECT CAP.	47UF 25V CCEA1EH470T
INPUT	C427		nsp	00MOA47602520	ELECT CAP.	47UF 25V CCEA1EH470T
INPUT	C428		nsp	00MOA47602520	ELECT CAP.	47UF 25V CCEA1EH470T
INPUT	C429		nsp	00MOA10701620	ELECT CAP.	100UF 16V CCEA1CH101T
INPUT	C430		nsp	00MOA10701620	ELECT CAP.	100UF 16V CCEA1CH101T
INPUT	C431		nsp	00MOA10603540	ELECT CAP.	10UF 35V CCEA1VH100T
INPUT	C432		nsp	00MOA10603540	ELECT CAP.	10UF 35V CCEA1VH100T
INPUT	C433		nsp	00MOA22605020	ELECT CAP.	22UF/25V CCEA1EH220T
INPUT	C434		nsp	00MOA22605020	ELECT CAP.	22UF/25V CCEA1EH220T
INPUT	C435		nsp	00MOA22605020	ELECT CAP.	22UF/25V CCEA1EH220T
INPUT	C436		nsp	00MOA22605020	ELECT CAP.	22UF/25V CCEA1EH220T
INPUT	C437		nsp	00MOA10603540	ELECT CAP.	10UF 35V CCEA1VH100T
INPUT	C438		nsp	00MOA10603540	ELECT CAP.	10UF 35V CCEA1VH100T
INPUT	C441		nsp	00MOA10603540	ELECT CAP.	10UF 35V CCEA1VH100T
INPUT	C442		nsp	00MOA10603540	ELECT CAP.	10UF 35V CCEA1VH100T
INPUT	C443		nsp	00MOA10505020	ELECT CAP.	1UF 50V CCEA1HH1R0T
INPUT	C445		nsp	00MOA10701620	ELECT CAP.	100UF 16V CCEA1CH101T
INPUT	C446		nsp	00MOA10701620	ELECT CAP.	100UF 16V CCEA1CH101T
INPUT	C447		nsp	00MDK98223300	CERAMIC CAP.	0.022uF HCUS1H223KC
INPUT	C448		nsp	00MDK98223300	CERAMIC CAP.	0.022uF HCUS1H223KC
INPUT	C457		nsp	00MDD95220300	CERAMIC CAP.	22pF HCUS1H220JA
INPUT	C458		nsp	00MDD95220300	CERAMIC CAP.	22pF HCUS1H220JA
INPUT	C459		nsp	00MDK96222300	CERAMIC CAP.	2200F HCUS1H222KC
INPUT	C461		nsp	00MOA22605020	ELECT CAP.	22UF/25V CCEA1EH220T
INPUT	C462		nsp	00MDK96104300	CERAMIC CAP.	0.1uF HCUS1H104ZF
INPUT	C463		nsp	00MDK96104300	CERAMIC CAP.	0.1uF HCUS1H104ZF
INPUT	C464		nsp	00MOA22605020	ELECT CAP.	22UF/25V CCEA1EH220T
INPUT	C465		nsp	00MDK96104300	CERAMIC CAP.	0.1uF HCUS1H104ZF

NOTE : "nsp" PARTS IS LISTED FOR REFERENCE ONLY, MARANTZ WILL NOT SUPPLY THESE PARTS.

P.C.B. NAME	POS.NO.	VERS. COLOR	PART NO. (FOR EUR)	PART NO. (MJI)	PART NAME	DESCRIPTION
INPUT	C466		nsp	00MDD91100300	CERAMIC CAP.	100pF HCUS1H100JA
INPUT	C467		nsp	00MDK96104300	CERAMIC CAP.	0.1uF HCUS1H104ZF
INPUT	C468		nsp	00MDK96104300	CERAMIC CAP.	0.1uF HCUS1H104ZF
INPUT	C469		nsp	00MOA22605020	ELECT CAP.	22UF/25V CCEA1EH220T
INPUT	C470		nsp	00MDK96104300	CERAMIC CAP.	0.1uF HCUS1H104ZF
INPUT	C471		nsp	00MDK96104300	CERAMIC CAP.	0.1uF HCUS1H104ZF
INPUT	C472		nsp	00MOA22605020	ELECT CAP.	22UF/25V CCEA1EH220T
INPUT	C473		nsp	00MDK96104300	CERAMIC CAP.	0.1uF HCUS1H104ZF
INPUT	C474		nsp	00MDK96104300	CERAMIC CAP.	0.1uF HCUS1H104ZF
INPUT	C475		nsp	00MDD95220300	CERAMIC CAP.	22pF HCUS1H220JA
INPUT	C476		nsp	00MDD95220300	CERAMIC CAP.	22pF HCUS1H220JA
INPUT	C477		nsp	00MDK96104300	CERAMIC CAP.	0.1uF HCUS1H104ZF
INPUT	C478		nsp	00MDK96104300	CERAMIC CAP.	0.1uF HCUS1H104ZF
INPUT	C481		nsp	00MOA10701620	ELECT CAP.	00107-1003 CCEA1GH101T
INPUT	C482		nsp	00MDK96104300	CERAMIC CAP.	0.1uF HCUS1H104ZF
INPUT	C483		nsp	00MOA10800620	ELECT CAP.	1000UF 6.3V CCEA0JH102T
INPUT	C484		nsp	00MOA22701020	ELECT CAP.	220UF/10V CCEA1AH221T
INPUT	C485		nsp	00MDK96104300	CERAMIC CAP.	0.1uF HCUS1H104ZF
INPUT	C486		nsp	00MDK96104300	CERAMIC CAP.	0.1uF HCUS1H104ZF
INPUT	C487		nsp	00MDK96104300	CERAMIC CAP.	0.1uF HCUS1H104ZF
INPUT	C488		nsp	00MOA10701020	ELECT CAP.	100UF 10V CCEA1AH101T
INPUT	C489		nsp	00MDK96104300	CERAMIC CAP.	0.1uF HCUS1H104ZF
INPUT	C490		nsp	00MDK96104300	CERAMIC CAP.	0.1uF HCUS1H104ZF
INPUT	C491		nsp	00MOA10701020	ELECT CAP.	100UF 10V CCEA1AH101T
INPUT	C493		nsp	00MDK98474200	CERAMIC CAP.	0.47uF HCUS1C474ZF
INPUT	C494		nsp	00MOA47701020	ELECT CAP.	470UF 10V CCEA1AH471T
INPUT	C496		nsp	00MDK96104300	CERAMIC CAP.	0.1uF HCUS1H104ZF
INPUT	C497		nsp	00MDK96104300	CERAMIC CAP.	0.1uF HCUS1H104ZF
INPUT	C498		nsp	00MDK96104300	CERAMIC CAP.	0.1uF HCUS1H104ZF
INPUT	C499		nsp	00MDK96104300	CERAMIC CAP.	0.1uF HCUS1H104ZF
INPUT	C500		nsp	00MDK96104300	CERAMIC CAP.	0.1uF HCUS1H104ZF
INPUT	C501		nsp	00MDK96104300	CERAMIC CAP.	0.1uF HCUS1H104ZF
INPUT	C502		nsp	00MDK96104300	CERAMIC CAP.	0.1uF HCUS1H104ZF
INPUT	C503		nsp	00MDK96104300	CERAMIC CAP.	0.1uF HCUS1H104ZF
INPUT	CN15	/A1B	nsp	nsp	JACK	CJP17GA115ZY
INPUT	CN15	/A1S	nsp	nsp	JACK	CJP17GA115ZY
INPUT	CN15	/F1N	nsp	nsp	JACK	CJP15GA115ZY
INPUT	CN15	/K1G	nsp	nsp	JACK	CJP17GA115ZY
INPUT	CN15	/L1G	nsp	nsp	JACK	CJP15GA115ZY
INPUT	CN15	/N1B	nsp	nsp	JACK	CJP17GA115ZY
INPUT	CN15	/N1G	nsp	nsp	JACK	CJP17GA115ZY
INPUT	CN15	/N1S	nsp	nsp	JACK	CJP17GA115ZY
INPUT	CN15	/U1B	nsp	nsp	JACK	CJP15GA115ZY
INPUT	CN15	/U1S	nsp	nsp	JACK	CJP15GA115ZY
INPUT	CN26		nsp	nsp	JACK	GF102-07S-TS KJP07GA117ZG
INPUT	CN27		nsp	nsp	JACK	CJP27GA115ZY
INPUT	CN29		90M-YP100230R	90M-YP100230R	JACK	2110 - DR12 - G KJP12GB142ZP
INPUT	CN80		nsp	nsp	JACK	CJP15GA117ZY
INPUT	CN83		nsp	nsp	JACK	CJP15GA117ZY
INPUT	D301		nsp	00MHD20015210	DIODE	1SS133T-77 HVD1SS133MT
INPUT	D302		nsp	00MHD20015210	DIODE	1SS133T-77 HVD1SS133MT
INPUT	D303		nsp	00MHD20015210	DIODE	1SS133T-77 HVD1SS133MT
INPUT	D304		nsp	00MHD20015210	DIODE	1SS133T-77 HVD1SS133MT
INPUT	D305		nsp	00MHD20015210	DIODE	1SS133T-77 HVD1SS133MT
INPUT	D306		nsp	00MHD20015210	DIODE	1SS133T-77 HVD1SS133MT
INPUT	D309		nsp	00MHD20015210	DIODE	1SS133T-77 HVD1SS133MT
INPUT	D310		nsp	00MHD20015210	DIODE	1SS133T-77 HVD1SS133MT
INPUT	D311		nsp	00MHD20015210	DIODE	1SS133T-77 HVD1SS133MT
INPUT	D401		nsp	90M-HD201730R	DIODE	1N4003 KVD1N4003ST
INPUT	D402		nsp	90M-HD201730R	DIODE	1N4003 KVD1N4003ST
INPUT	D403		nsp	90M-HD201730R	DIODE	1N4003 KVD1N4003ST
INPUT	D405		nsp	90M-HD201730R	DIODE	1N4003 KVD1N4003ST
INPUT	D406		nsp	90M-HD201730R	DIODE	1N4003 KVD1N4003ST

NOTE : "nsp" PARTS IS LISTED FOR REFERENCE ONLY, MARANTZ WILL NOT SUPPLY THESE PARTS.

P.C.B. NAME	POS.NO.	VERS. COLOR	PART NO. (FOR EUR)	PART NO. (MJI)	PART NAME	DESCRIPTION
INPUT	D411		nsp	00MHD20015210	DIODE	1SS133T-77 HVD1SS133MT
INPUT	D412		nsp	00MHD20015210	DIODE	1SS133T-77 HVD1SS133MT
INPUT	D413		nsp	00MHD20015210	DIODE	1SS133T-77 HVD1SS133MT
INPUT	D414		nsp	00MHD20015210	DIODE	1SS133T-77 HVD1SS133MT
INPUT	D415		nsp	00MHD20015210	DIODE	1SS133T-77 HVD1SS133MT
INPUT	D416		nsp	00MHD20015210	DIODE	1SS133T-77 HVD1SS133MT
INPUT	D417		nsp	00MHD20015210	DIODE	1SS133T-77 HVD1SS133MT
INPUT	D418		nsp	00MHD20015210	DIODE	1SS133T-77 HVD1SS133MT
INPUT	D419		nsp	00MHD20015210	DIODE	1SS133T-77 HVD1SS133MT
INPUT	D420		nsp	00MHD20015210	DIODE	1SS133T-77 HVD1SS133MT
INPUT	D421		nsp	00MHD20015210	DIODE	1SS133T-77 HVD1SS133MT
INPUT	D422		nsp	00MHD20015210	DIODE	1SS133T-77 HVD1SS133MT
INPUT	D423		nsp	00MHD20015210	DIODE	1SS133T-77 HVD1SS133MT
INPUT	D424		nsp	00MHD20015210	DIODE	1SS133T-77 HVD1SS133MT
INPUT	D425		nsp	00MHD20015210	DIODE	1SS133T-77 HVD1SS133MT
INPUT	D426		nsp	00MHD20015210	DIODE	1SS133T-77 HVD1SS133MT
INPUT	D427		nsp	00MHD20015210	DIODE	1SS133T-77 HVD1SS133MT
INPUT	D428		nsp	00MHD20015210	DIODE	1SS133T-77 HVD1SS133MT
INPUT	D451		nsp	00MHD20015210	DIODE	1SS133T-77 HVD1SS133MT
INPUT	D452		nsp	00MHD20015210	DIODE	1SS133T-77 HVD1SS133MT
INPUT	IC11		90M-HC108920R	90M-HC108920R	IC	CS42428-CQ HVICS42428CQ
INPUT	IC12		00MHC700400Z0	00MHC700400Z0	IC	TC74HCU04AFN HVITC74HCU04AFN
INPUT	IC13		00MHC10418030	00MHC10418030	IC	LC89057W-VF4-E HVILC89057WVF4E
INPUT	IC15		90M-HC108910R	90M-HC108910R	IC	74VHC08 HVI74VHC08TTR
INPUT	IC16		90M-HC108930R	90M-HC108930R	IC	74LCX32 HVI74LCX32TTR
INPUT	IC17		90M-HC108910R	90M-HC108910R	IC	74VHC08 HVI74VHC08TTR
INPUT	IC18		90M-HC108430R	90M-HC108430R	IC	TC74HC7007AFEL HVITC74HC7007F
INPUT	IC19		00MHC10014880	00MHC10014880	IC	CS49400-CQ HVICS49400-CQ
INPUT	IC20		90M-HS27AWX0R	90M-HS27AWX0R	IC	MX29LV400TTC-70 HVIMX29LV400TTC
INPUT	IC21		00MHC10102090	00MHC10102090	IC	NJM2068MD-TE1 HVINJM2068MDTE1
INPUT	IC22		00MHC10102090	00MHC10102090	IC	NJM2068MD-TE1 HVINJM2068MDTE1
INPUT	IC23		00MHC10102090	00MHC10102090	IC	NJM2068MD-TE1 HVINJM2068MDTE1
INPUT	IC24		00MHC10102090	00MHC10102090	IC	NJM2068MD-TE1 HVINJM2068MDTE1
INPUT	IC26		90M-HC300670R	90M-HC300670R	IC	REGULATOR +8V HVIL7808CP
INPUT	IC27		00MHC3990809F	00MHC3990809F	IC	REGULATOR HVINJM7908FA
INPUT	IC31		90M-HC108900R	90M-HC108900R	IC	NJW1157 HVINJW1157FC2
INPUT	IC32		00MHC10102090	00MHC10102090	IC	NJM2068MD-TE1 HVINJM2068MDTE1
INPUT	IC33		00MHC10102090	00MHC10102090	IC	NJM2068MD-TE1 HVINJM2068MDTE1
INPUT	IC34		00MHC10102090	00MHC10102090	IC	NJM2068MD-TE1 HVINJM2068MDTE1
INPUT	IC35		00MHC10102090	00MHC10102090	IC	NJM2068MD-TE1 HVINJM2068MDTE1
INPUT	IC41		90M-HS07BWH0R	90M-HS07BWH0R	IC	HD64F2398F20 HVIH64F2398F20
INPUT	IC42		00MHC10099540	00MHC10099540	IC	S-80145ALMC HVIS-80145ALMC
INPUT	IC43		90M-HC108390R	90M-HC108390R	IC	AT24C08N10SC2.7 HVIAT24C08N10SC
INPUT	IC45		90M-HC900070R	90M-HC900070R	IC	+3.3V HVINJM2391DL133
INPUT	IC46		90M-HC900060R	90M-HC900060R	IC	+2.5V HVINJM2391DL125
INPUT	J101		nsp	nsp	CONNECTIVE CORD	SN95/PB5 , 0.6 C3A206
INPUT	J102		nsp	nsp	CONNECTIVE CORD	SN95/PB5 , 0.6 C3A206
INPUT	JK31		90M-YT004010R	90M-YT004010R	TERMINAL	6P AUDIO CJJ4R019W
INPUT	JK32		90M-YT003970R	90M-YT003970R	TERMINAL	CJJ4P014W
INPUT	JK33		90M-YT003970R	90M-YT003970R	TERMINAL	CJJ4P014W
INPUT	JK34		90M-YT004010R	90M-YT004010R	TERMINAL	6P AUDIO CJJ4R019W
INPUT	JK35		90M-YT003960R	90M-YT003960R	TERMINAL	CJJ4R037W
INPUT	JK36		90M-YT003970R	90M-YT003970R	TERMINAL	CJJ4P014W
INPUT	L101		90M-FC900340R	90M-FC900340R	FERRITE CORE	HU-1H4516-600JT HLZ9Z014Z
INPUT	L111		90M-FN000090R	90M-FN000090R	EMI FILTER	KLZ9H001Z
INPUT	L112		90M-FN000090R	90M-FN000090R	EMI FILTER	KLZ9H001Z
INPUT	L113		90M-FN000090R	90M-FN000090R	EMI FILTER	KLZ9H001Z
INPUT	Q301		00MHT805501B0	00MHT805501B0	TRANSISTOR	KTC2874B HVTKTC2874BT
INPUT	Q302		00MHT805501B0	00MHT805501B0	TRANSISTOR	KTC2874B HVTKTC2874BT
INPUT	Q303		00MHT805501B0	00MHT805501B0	TRANSISTOR	KTC2874B HVTKTC2874BT
INPUT	Q304		00MHT805501B0	00MHT805501B0	TRANSISTOR	KTC2874B HVTKTC2874BT
INPUT	Q305		00MHT805501B0	00MHT805501B0	TRANSISTOR	KTC2874B HVTKTC2874BT
INPUT	Q306		00MHT805501B0	00MHT805501B0	TRANSISTOR	KTC2874B HVTKTC2874BT

NOTE : "nsp" PARTS IS LISTED FOR REFERENCE ONLY, MARANTZ WILL NOT SUPPLY THESE PARTS.

P.C.B. NAME	POS.NO.	VERS. COLOR	PART NO. (FOR EUR)	PART NO. (MJI)	PART NAME	DESCRIPTION
INPUT	Q307		00MHT805501B0	00MHT805501B0	TRANSISTOR	KTC2874B HVTKTC2874BT
INPUT	Q308		00MHT805501B0	00MHT805501B0	TRANSISTOR	KTC2874B HVTKTC2874BT
INPUT	Q309		90M-HX900010R	90M-HX900010R	TRANSISTOR	KTD1304 HVTKTD1304T
INPUT	Q310		90M-HX900010R	90M-HX900010R	TRANSISTOR	KTD1304 HVTKTD1304T
INPUT	Q311		00MHT805501B0	00MHT805501B0	TRANSISTOR	KTC2874B HVTKTC2874BT
INPUT	Q312		00MHT805501B0	00MHT805501B0	TRANSISTOR	KTC2874B HVTKTC2874BT
INPUT	Q313		00MHT805501B0	00MHT805501B0	TRANSISTOR	KTC2874B HVTKTC2874BT
INPUT	Q314		00MHT805501B0	00MHT805501B0	TRANSISTOR	KTC2874B HVTKTC2874BT
INPUT	Q315		00MHT805501B0	00MHT805501B0	TRANSISTOR	KTC2874B HVTKTC2874BT
INPUT	Q316		00MHT805501B0	00MHT805501B0	TRANSISTOR	KTC2874B HVTKTC2874BT
INPUT	Q317		00MHT805501B0	00MHT805501B0	TRANSISTOR	KTC2874B HVTKTC2874BT
INPUT	Q318		00MHT805501B0	00MHT805501B0	TRANSISTOR	KTC2874B HVTKTC2874BT
INPUT	Q319		90M-HX900010R	90M-HX900010R	TRANSISTOR	KTD1304 HVTKTD1304T
INPUT	Q320		90M-HX900010R	90M-HX900010R	TRANSISTOR	KTD1304 HVTKTD1304T
INPUT	Q321		90M-HX600010R	90M-HX600010R	TRANSISTOR	KRA102S HVTKRA102S
INPUT	Q322		90M-HX600010R	90M-HX600010R	TRANSISTOR	KRA102S HVTKRA102S
INPUT	Q323		90M-HX600010R	90M-HX600010R	TRANSISTOR	KRA102S HVTKRA102S
INPUT	Q324		90M-HX600010R	90M-HX600010R	TRANSISTOR	KRA102S HVTKRA102S
INPUT	Q325		90M-HX600010R	90M-HX600010R	TRANSISTOR	KRA102S HVTKRA102S
INPUT	Q326		90M-HX600010R	90M-HX600010R	TRANSISTOR	KRA102S HVTKRA102S
INPUT	Q327		90M-HX600010R	90M-HX600010R	TRANSISTOR	KRA102S HVTKRA102S
INPUT	Q328		90M-HX600010R	90M-HX600010R	TRANSISTOR	KRA102S HVTKRA102S
INPUT	Q331		90M-HX800010R	90M-HX800010R	TRANSISTOR	KRC102S HVTKRC102S
INPUT	Q332		90M-HX800010R	90M-HX800010R	TRANSISTOR	KRC102S HVTKRC102S
INPUT	Q333		90M-HX800010R	90M-HX800010R	TRANSISTOR	KRC102S HVTKRC102S
INPUT	Q334		90M-HX800010R	90M-HX800010R	TRANSISTOR	KRC102S HVTKRC102S
INPUT	Q335		90M-HX800010R	90M-HX800010R	TRANSISTOR	KRC102S HVTKRC102S
INPUT	Q336		90M-HX800010R	90M-HX800010R	TRANSISTOR	KRC102S HVTKRC102S
INPUT	Q337		90M-HX800010R	90M-HX800010R	TRANSISTOR	KRC102S HVTKRC102S
INPUT	Q338		90M-HX800010R	90M-HX800010R	TRANSISTOR	KRC102S HVTKRC102S
INPUT	Q401		90M-HX600010R	90M-HX600010R	TRANSISTOR	KRA102S HVTKRA102S
INPUT	Q402		90M-HX600010R	90M-HX600010R	TRANSISTOR	KRA102S HVTKRA102S
INPUT	Q403		90M-HX800010R	90M-HX800010R	TRANSISTOR	KRC102S HVTKRC102S
INPUT	R100	/A1B	nsp	00MNN05473610	RESISTOR	47 KOHM CRJ10DJ473T
INPUT	R100	/A1S	nsp	00MNN05473610	RESISTOR	47 KOHM CRJ10DJ473T
INPUT	R100	/F1N	nsp	00MNN05104610	RESISTOR	100 KOHM CRJ10DJ104T
INPUT	R100	/K1G	nsp	00MNN05822610	RESISTOR	8.2 KOHM CRJ10DJ822T
INPUT	R100	/L1G	nsp	00MNN05563610	RESISTOR	56 KOHM CRJ10DJ563T
INPUT	R100	/N1B	nsp	00MNN05273610	RESISTOR	27 KOHM CRJ10DJ273T
INPUT	R100	/N1G	nsp	00MNN05273610	RESISTOR	27 KOHM CRJ10DJ273T
INPUT	R100	/N1S	nsp	00MNN05273610	RESISTOR	27 KOHM CRJ10DJ273T
INPUT	R100	/U1B	nsp	00MNN05393610	RESISTOR	39 KOHM CRJ10DJ393T
INPUT	R100	/U1S	nsp	00MNN05393610	RESISTOR	39 KOHM CRJ10DJ393T
INPUT	R101	/A1B	nsp	00MNN05473610	RESISTOR	47 KOHM CRJ10DJ473T
INPUT	R101	/A1S	nsp	00MNN05473610	RESISTOR	47 KOHM CRJ10DJ473T
INPUT	R101	/K1G	nsp	00MNN05832610	RESISTOR	82 KOHM CRJ10DJ823T
INPUT	R101	/L1G	nsp	00MNN05393610	RESISTOR	39 KOHM CRJ10DJ393T
INPUT	R101	/N1B	nsp	00MNN05683610	RESISTOR	68 KOHM CRJ10DJ683T
INPUT	R101	/N1G	nsp	00MNN05683610	RESISTOR	68 KOHM CRJ10DJ683T
INPUT	R101	/N1S	nsp	00MNN05683610	RESISTOR	68 KOHM CRJ10DJ683T
INPUT	R101	/U1B	nsp	00MNN05563610	RESISTOR	56 KOHM CRJ10DJ563T
INPUT	R101	/U1S	nsp	00MNN05563610	RESISTOR	56 KOHM CRJ10DJ563T
INPUT	R102		nsp	00MNN05105610	RESISTOR	1 MOHM CRJ10DJ105T
INPUT	R103		nsp	00MNN05102610	RESISTOR	1 KOHM CRJ10DJ102T
INPUT	R105		nsp	00MNN05101610	RESISTOR	100 OHM CRJ10DJ101T
INPUT	R106		nsp	00MNN05101610	RESISTOR	100 OHM CRJ10DJ101T
INPUT	R107		nsp	00MNN05101610	RESISTOR	100 OHM CRJ10DJ101T
INPUT	R108		nsp	00MNN05101610	RESISTOR	100 OHM CRJ10DJ101T
INPUT	R109		nsp	00MNN05223610	RESISTOR	22 KOHM CRJ10DJ223T
INPUT	R111		nsp	00MNN05101610	RESISTOR	100 OHM CRJ10DJ101T
INPUT	R112		nsp	00MNN05101610	RESISTOR	100 OHM CRJ10DJ101T
INPUT	R113		nsp	00MNN05103610	RESISTOR	10 KOHM CRJ10DJ103T
INPUT	R114		nsp	00MNN05103610	RESISTOR	10 KOHM CRJ10DJ103T

NOTE : "nsp" PARTS IS LISTED FOR REFERENCE ONLY, MARANTZ WILL NOT SUPPLY THESE PARTS.

P.C.B. NAME	POS.NO.	VERS. COLOR	PART NO. (FOR EUR)	PART NO. (MJI)	PART NAME	DESCRIPTION
INPUT	R115		nsp	00MNN05330610	RESISTOR	33 OHM CRJ10DJ330T
INPUT	R116		nsp	00MNN05330610	RESISTOR	33 OHM CRJ10DJ330T
INPUT	R117		nsp	00MNN05330610	RESISTOR	33 OHM CRJ10DJ330T
INPUT	R118		nsp	00MNN05473610	RESISTOR	47 KOHM CRJ10DJ473T
INPUT	R119		nsp	00MNN05473610	RESISTOR	47 KOHM CRJ10DJ473T
INPUT	R120		nsp	00MNN05105610	RESISTOR	1 MOHM CRJ10DJ105T
INPUT	R121		nsp	00MNN05105610	RESISTOR	1 MOHM CRJ10DJ105T
INPUT	R122		nsp	00MNN05105610	RESISTOR	1 MOHM CRJ10DJ105T
INPUT	R123		nsp	00MNN05104610	RESISTOR	100 KOHM CRJ10DJ104T
INPUT	R124		nsp	00MNN05472610	RESISTOR	4.7 KOHM CRJ10DJ472T
INPUT	R125		nsp	00MNN05103610	RESISTOR	10 KOHM CRJ10DJ103T
INPUT	R126		nsp	00MNN05103610	RESISTOR	10 KOHM CRJ10DJ103T
INPUT	R127		nsp	00MNN05104610	RESISTOR	100 KOHM CRJ10DJ104T
INPUT	R128		nsp	00MNN05472610	RESISTOR	4.7 KOHM CRJ10DJ472T
INPUT	R129		nsp	00MNN05330610	RESISTOR	33 OHM CRJ10DJ330T
INPUT	R130		nsp	00MNN05101610	RESISTOR	100 OHM CRJ10DJ101T
INPUT	R131		nsp	00MNN05221610	RESISTOR	220 OHM CRJ10DJ221T
INPUT	R132		nsp	00MNN05101610	RESISTOR	100 OHM CRJ10DJ101T
INPUT	R133		nsp	00MNN05101610	RESISTOR	100 OHM CRJ10DJ101T
INPUT	R134		nsp	00MNN05101610	RESISTOR	100 OHM CRJ10DJ101T
INPUT	R135		nsp	00MNN05101610	RESISTOR	100 OHM CRJ10DJ101T
INPUT	R136		nsp	00MNN05101610	RESISTOR	100 OHM CRJ10DJ101T
INPUT	R137		nsp	00MNN05101610	RESISTOR	100 OHM CRJ10DJ101T
INPUT	R138		nsp	00MNN05101610	RESISTOR	100 OHM CRJ10DJ101T
INPUT	R139		nsp	00MNN05010610	RESISTOR	1 OHM CRJ10DJ1R0T
INPUT	R140		nsp	00MNN05105610	RESISTOR	1 MOHM CRJ10DJ105T
INPUT	R141		nsp	00MNN05103610	RESISTOR	10 KOHM CRJ10DJ103T
INPUT	R142		nsp	00MNN05103610	RESISTOR	10 KOHM CRJ10DJ103T
INPUT	R143		nsp	00MNN05103610	RESISTOR	10 KOHM CRJ10DJ103T
INPUT	R144		nsp	00MNN05103610	RESISTOR	10 KOHM CRJ10DJ103T
INPUT	R145		nsp	00MNN05332610	RESISTOR	3.3 KOHM CRJ10DJ332T
INPUT	R146		nsp	00MNN05223610	RESISTOR	22 KOHM CRJ10DJ223T
INPUT	R147		nsp	00MNN05473610	RESISTOR	47 KOHM CRJ10DJ473T
INPUT	R150		nsp	00MNN05103610	RESISTOR	10 KOHM CRJ10DJ103T
INPUT	R151		nsp	00MNN05103610	RESISTOR	10 KOHM CRJ10DJ103T
INPUT	R152		nsp	00MNN05103610	RESISTOR	10 KOHM CRJ10DJ103T
INPUT	R153		nsp	00MNN05103610	RESISTOR	10 KOHM CRJ10DJ103T
INPUT	R154		nsp	00MNN05103610	RESISTOR	10 KOHM CRJ10DJ103T
INPUT	R155		nsp	00MNN05103610	RESISTOR	10 KOHM CRJ10DJ103T
INPUT	R156		nsp	00MNN05103610	RESISTOR	10 KOHM CRJ10DJ103T
INPUT	R157		nsp	00MNN05103610	RESISTOR	10 KOHM CRJ10DJ103T
INPUT	R158		nsp	00MNN05103610	RESISTOR	10 KOHM CRJ10DJ103T
INPUT	R159		nsp	00MNN05103610	RESISTOR	10 KOHM CRJ10DJ103T
INPUT	R160		nsp	00MNN05103610	RESISTOR	10 KOHM CRJ10DJ103T
INPUT	R161		nsp	00MNN05103610	RESISTOR	10 KOHM CRJ10DJ103T
INPUT	R162		nsp	00MNN05103610	RESISTOR	10 KOHM CRJ10DJ103T
INPUT	R163		nsp	00MNN05330610	RESISTOR	33 OHM CRJ10DJ330T
INPUT	R164		nsp	00MNN05103610	RESISTOR	10 KOHM CRJ10DJ103T
INPUT	R165		nsp	00MNN05330610	RESISTOR	33 OHM CRJ10DJ330T
INPUT	R166		nsp	00MNN05330610	RESISTOR	33 OHM CRJ10DJ330T
INPUT	R167		nsp	00MNN05330610	RESISTOR	33 OHM CRJ10DJ330T
INPUT	R168		nsp	00MNN05103610	RESISTOR	10 KOHM CRJ10DJ103T
INPUT	R169		nsp	00MNN05103610	RESISTOR	10 KOHM CRJ10DJ103T
INPUT	R170		nsp	00MNN05103610	RESISTOR	10 KOHM CRJ10DJ103T
INPUT	R171		nsp	00MNN05103610	RESISTOR	10 KOHM CRJ10DJ103T
INPUT	R172		nsp	00MNN05270610	RESISTOR	27 OHM CRJ10DJ270T
INPUT	R173		nsp	00MNN05103610	RESISTOR	10 KOHM CRJ10DJ103T
INPUT	R174		nsp	00MNN05330610	RESISTOR	33 OHM CRJ10DJ330T
INPUT	R175		nsp	00MNN05330610	RESISTOR	33 OHM CRJ10DJ330T
INPUT	R176		nsp	00MNN05330610	RESISTOR	33 OHM CRJ10DJ330T
INPUT	R177		nsp	00MNN05330610	RESISTOR	33 OHM CRJ10DJ330T
INPUT	R178		nsp	00MNN05103610	RESISTOR	10 KOHM CRJ10DJ103T
INPUT	R179		nsp	00MNN05103610	RESISTOR	10 KOHM CRJ10DJ103T

NOTE : "nsp" PARTS IS LISTED FOR REFERENCE ONLY, MARANTZ WILL NOT SUPPLY THESE PARTS.

P.C.B. NAME	POS.NO.	VERS. COLOR	PART NO. (FOR EUR)	PART NO. (MJI)	PART NAME	DESCRIPTION
INPUT	R180		nsp	00MNN05103610	RESISTOR	10 KOHM CRJ10DJ103T
INPUT	R181		nsp	00MNN05103610	RESISTOR	10 KOHM CRJ10DJ103T
INPUT	R182		nsp	00MNN05103610	RESISTOR	10 KOHM CRJ10DJ103T
INPUT	R183		nsp	00MNN05103610	RESISTOR	10 KOHM CRJ10DJ103T
INPUT	R184		nsp	00MNN05152610	RESISTOR	1.5 KOHM CRJ10DJ152T
INPUT	R185		nsp	00MNN05103610	RESISTOR	10 KOHM CRJ10DJ103T
INPUT	R186		nsp	00MNN05103610	RESISTOR	10 KOHM CRJ10DJ103T
INPUT	R187		nsp	00MNN05103610	RESISTOR	10 KOHM CRJ10DJ103T
INPUT	R188		nsp	00MNN05103610	RESISTOR	10 KOHM CRJ10DJ103T
INPUT	R189		nsp	00MNN05562610	RESISTOR	5.6 KOHM CRJ10DJ562T
INPUT	R190		nsp	00MNN05103610	RESISTOR	10 KOHM CRJ10DJ103T
INPUT	R191		nsp	00MNN05103610	RESISTOR	10 KOHM CRJ10DJ103T
INPUT	R192		nsp	00MNN05103610	RESISTOR	10 KOHM CRJ10DJ103T
INPUT	R193		nsp	00MNN05332610	RESISTOR	3.3 KOHM CRJ10DJ332T
INPUT	R194		nsp	00MNN05103610	RESISTOR	10 KOHM CRJ10DJ103T
INPUT	R195		nsp	00MNN05562610	RESISTOR	5.6 KOHM CRJ10DJ562T
INPUT	R196		nsp	00MNN05332610	RESISTOR	3.3 KOHM CRJ10DJ332T
INPUT	R197		nsp	00MNN05332610	RESISTOR	3.3 KOHM CRJ10DJ332T
INPUT	R198		nsp	00MNN05332610	RESISTOR	3.3 KOHM CRJ10DJ332T
INPUT	R199		nsp	00MNN05103610	RESISTOR	10 KOHM CRJ10DJ103T
INPUT	R200		nsp	00MNN05103610	RESISTOR	10 KOHM CRJ10DJ103T
INPUT	R201		nsp	00MNN05103610	RESISTOR	10 KOHM CRJ10DJ103T
INPUT	R202		nsp	00MNN05332610	RESISTOR	3.3 KOHM CRJ10DJ332T
INPUT	R203		nsp	00MNN05332610	RESISTOR	3.3 KOHM CRJ10DJ332T
INPUT	R204		nsp	00MNN05103610	RESISTOR	10 KOHM CRJ10DJ103T
INPUT	R205		nsp	00MNN05103610	RESISTOR	10 KOHM CRJ10DJ103T
INPUT	R206		nsp	00MNN05562610	RESISTOR	5.6 KOHM CRJ10DJ562T
INPUT	R207		nsp	00MNN05332610	RESISTOR	3.3 KOHM CRJ10DJ332T
INPUT	R208		nsp	00MNN05103610	RESISTOR	10 KOHM CRJ10DJ103T
INPUT	R209		nsp	00MNN05103610	RESISTOR	10 KOHM CRJ10DJ103T
INPUT	R210		nsp	00MNN05103610	RESISTOR	10 KOHM CRJ10DJ103T
INPUT	R211		nsp	00MNN05103610	RESISTOR	10 KOHM CRJ10DJ103T
INPUT	R212		nsp	00MNN05103610	RESISTOR	10 KOHM CRJ10DJ103T
INPUT	R213		nsp	00MNN05103610	RESISTOR	10 KOHM CRJ10DJ103T
INPUT	R214		nsp	00MNN05103610	RESISTOR	10 KOHM CRJ10DJ103T
INPUT	R215		nsp	00MNN05103610	RESISTOR	10 KOHM CRJ10DJ103T
INPUT	R216		nsp	00MNN05103610	RESISTOR	10 KOHM CRJ10DJ103T
INPUT	R217		nsp	00MNN05103610	RESISTOR	10 KOHM CRJ10DJ103T
INPUT	R218		nsp	00MNN05103610	RESISTOR	10 KOHM CRJ10DJ103T
INPUT	R219		nsp	00MNN05103610	RESISTOR	10 KOHM CRJ10DJ103T
INPUT	R220		nsp	00MNN05103610	RESISTOR	10 KOHM CRJ10DJ103T
INPUT	R221		nsp	00MNN05473610	RESISTOR	47 KOHM CRJ10DJ473T
INPUT	R222		nsp	00MNN05473610	RESISTOR	47 KOHM CRJ10DJ473T
INPUT	R223		nsp	00MNN05473610	RESISTOR	47 KOHM CRJ10DJ473T
INPUT	R224		nsp	00MNN05473610	RESISTOR	47 KOHM CRJ10DJ473T
INPUT	R225		nsp	00MNN05473610	RESISTOR	47 KOHM CRJ10DJ473T
INPUT	R226		nsp	00MNN05473610	RESISTOR	47 KOHM CRJ10DJ473T
INPUT	R227		nsp	00MNN05473610	RESISTOR	47 KOHM CRJ10DJ473T
INPUT	R228		nsp	00MNN05473610	RESISTOR	47 KOHM CRJ10DJ473T
INPUT	R229		nsp	00MNN05102610	RESISTOR	1 KOHM CRJ10DJ102T
INPUT	R230		nsp	00MNN05473610	RESISTOR	47 KOHM CRJ10DJ473T
INPUT	R231		nsp	00MNN05272610	RESISTOR	2.7 KOHM CRJ10DJ272T
INPUT	R232		nsp	00MNN05272610	RESISTOR	2.7 KOHM CRJ10DJ272T
INPUT	R233		nsp	00MNN05272610	RESISTOR	2.7 KOHM CRJ10DJ272T
INPUT	R234		nsp	00MNN05272610	RESISTOR	2.7 KOHM CRJ10DJ272T
INPUT	R235		nsp	00MNN05272610	RESISTOR	2.7 KOHM CRJ10DJ272T
INPUT	R236		nsp	00MNN05272610	RESISTOR	2.7 KOHM CRJ10DJ272T
INPUT	R237		nsp	00MNN05272610	RESISTOR	2.7 KOHM CRJ10DJ272T
INPUT	R238		nsp	00MNN05272610	RESISTOR	2.7 KOHM CRJ10DJ272T
INPUT	R241		nsp	00MNN05272610	RESISTOR	2.7 KOHM CRJ10DJ272T
INPUT	R242		nsp	00MNN05272610	RESISTOR	2.7 KOHM CRJ10DJ272T
INPUT	R243		nsp	00MNN05272610	RESISTOR	2.7 KOHM CRJ10DJ272T
INPUT	R244		nsp	00MNN05272610	RESISTOR	2.7 KOHM CRJ10DJ272T

NOTE : "nsp" PARTS IS LISTED FOR REFERENCE ONLY, MARANTZ WILL NOT SUPPLY THESE PARTS.

P.C.B. NAME	POS.NO.	VERS. COLOR	PART NO. (FOR EUR)	PART NO. (MJI)	PART NAME	DESCRIPTION
INPUT	R245		nsp	00MNN05272610	RESISTOR	2.7 KOHM CRJ10DJ272T
INPUT	R246		nsp	00MNN05272610	RESISTOR	2.7 KOHM CRJ10DJ272T
INPUT	R247		nsp	00MNN05272610	RESISTOR	2.7 KOHM CRJ10DJ272T
INPUT	R248		nsp	00MNN05272610	RESISTOR	2.7 KOHM CRJ10DJ272T
INPUT	R249	/L1G	nsp	00MNN05000610	RESISTOR	0 OHM CRJ10DJ0R0T
INPUT	R249	/U1B	nsp	00MNN05000610	RESISTOR	0 OHM CRJ10DJ0R0T
INPUT	R249	/U1S	nsp	00MNN05000610	RESISTOR	0 OHM CRJ10DJ0R0T
INPUT	R250	/A1B	nsp	00MNN05000610	RESISTOR	0 OHM CRJ10DJ0R0T
INPUT	R250	/A1S	nsp	00MNN05000610	RESISTOR	0 OHM CRJ10DJ0R0T
INPUT	R250	/F1N	nsp	00MNN05000610	RESISTOR	0 OHM CRJ10DJ0R0T
INPUT	R250	/K1G	nsp	00MNN05000610	RESISTOR	0 OHM CRJ10DJ0R0T
INPUT	R250	/N1B	nsp	00MNN05000610	RESISTOR	0 OHM CRJ10DJ0R0T
INPUT	R250	/N1G	nsp	00MNN05000610	RESISTOR	0 OHM CRJ10DJ0R0T
INPUT	R250	/N1S	nsp	00MNN05000610	RESISTOR	0 OHM CRJ10DJ0R0T
INPUT	R251		nsp	00MNN05562610	RESISTOR	5.6 KOHM CRJ10DJ562T
INPUT	R252		nsp	00MNN05562610	RESISTOR	5.6 KOHM CRJ10DJ562T
INPUT	R253		nsp	00MNN05562610	RESISTOR	5.6 KOHM CRJ10DJ562T
INPUT	R254		nsp	00MNN05562610	RESISTOR	5.6 KOHM CRJ10DJ562T
INPUT	R255		nsp	00MNN05562610	RESISTOR	5.6 KOHM CRJ10DJ562T
INPUT	R256		nsp	00MNN05562610	RESISTOR	5.6 KOHM CRJ10DJ562T
INPUT	R257		nsp	00MNN05562610	RESISTOR	5.6 KOHM CRJ10DJ562T
INPUT	R258		nsp	00MNN05562610	RESISTOR	5.6 KOHM CRJ10DJ562T
INPUT	R259		nsp	00MNN05333610	RESISTOR	33 KOHM CRJ10DJ333T
INPUT	R260		nsp	00MNN05333610	RESISTOR	33 KOHM CRJ10DJ333T
INPUT	R261		nsp	00MNN05182610	RESISTOR	1.8 KOHM CRJ10DJ182T
INPUT	R262		nsp	00MNN05182610	RESISTOR	1.8 KOHM CRJ10DJ182T
INPUT	R263		nsp	00MNN05182610	RESISTOR	1.8 KOHM CRJ10DJ182T
INPUT	R264		nsp	00MNN05182610	RESISTOR	1.8 KOHM CRJ10DJ182T
INPUT	R265		nsp	00MNN05182610	RESISTOR	1.8 KOHM CRJ10DJ182T
INPUT	R266		nsp	00MNN05182610	RESISTOR	1.8 KOHM CRJ10DJ182T
INPUT	R267		nsp	00MNN05182610	RESISTOR	1.8 KOHM CRJ10DJ182T
INPUT	R268		nsp	00MNN05182610	RESISTOR	1.8 KOHM CRJ10DJ182T
INPUT	R269		nsp	00MNN05333610	RESISTOR	33 KOHM CRJ10DJ333T
INPUT	R270		nsp	00MNN05333610	RESISTOR	33 KOHM CRJ10DJ333T
INPUT	R271		nsp	00MNN05562610	RESISTOR	5.6 KOHM CRJ10DJ562T
INPUT	R272		nsp	00MNN05562610	RESISTOR	5.6 KOHM CRJ10DJ562T
INPUT	R273		nsp	00MNN05562610	RESISTOR	5.6 KOHM CRJ10DJ562T
INPUT	R274		nsp	00MNN05562610	RESISTOR	5.6 KOHM CRJ10DJ562T
INPUT	R275		nsp	00MNN05562610	RESISTOR	5.6 KOHM CRJ10DJ562T
INPUT	R276		nsp	00MNN05562610	RESISTOR	5.6 KOHM CRJ10DJ562T
INPUT	R277		nsp	00MNN05562610	RESISTOR	5.6 KOHM CRJ10DJ562T
INPUT	R278		nsp	00MNN05562610	RESISTOR	5.6 KOHM CRJ10DJ562T
INPUT	R279		nsp	00MNN05333610	RESISTOR	33 KOHM CRJ10DJ333T
INPUT	R280		nsp	00MNN05333610	RESISTOR	33 KOHM CRJ10DJ333T
INPUT	R281		nsp	00MNN05182610	RESISTOR	1.8 KOHM CRJ10DJ182T
INPUT	R282		nsp	00MNN05182610	RESISTOR	1.8 KOHM CRJ10DJ182T
INPUT	R283		nsp	00MNN05182610	RESISTOR	1.8 KOHM CRJ10DJ182T
INPUT	R284		nsp	00MNN05182610	RESISTOR	1.8 KOHM CRJ10DJ182T
INPUT	R285		nsp	00MNN05182610	RESISTOR	1.8 KOHM CRJ10DJ182T
INPUT	R286		nsp	00MNN05182610	RESISTOR	1.8 KOHM CRJ10DJ182T
INPUT	R287		nsp	00MNN05182610	RESISTOR	1.8 KOHM CRJ10DJ182T
INPUT	R288		nsp	00MNN05182610	RESISTOR	1.8 KOHM CRJ10DJ182T
INPUT	R289		nsp	00MNN05333610	RESISTOR	33 KOHM CRJ10DJ333T
INPUT	R290		nsp	00MNN05333610	RESISTOR	33 KOHM CRJ10DJ333T
INPUT	R291		nsp	00MNN05101610	RESISTOR	100 OHM CRJ10DJ101T
INPUT	R292		nsp	00MNN05101610	RESISTOR	100 OHM CRJ10DJ101T
INPUT	R293		nsp	00MNN05101610	RESISTOR	100 OHM CRJ10DJ101T
INPUT	R294		nsp	00MNN05101610	RESISTOR	100 OHM CRJ10DJ101T
INPUT	R295		nsp	00MNN05101610	RESISTOR	100 OHM CRJ10DJ101T
INPUT	R296		nsp	00MNN05101610	RESISTOR	100 OHM CRJ10DJ101T
INPUT	R297		nsp	00MNN05101610	RESISTOR	100 OHM CRJ10DJ101T
INPUT	R298		nsp	00MNN05101610	RESISTOR	100 OHM CRJ10DJ101T
INPUT	R301		nsp	00MNN05102610	RESISTOR	1 KOHM CRJ10DJ102T

NOTE : "nsp" PARTS IS LISTED FOR REFERENCE ONLY, MARANTZ WILL NOT SUPPLY THESE PARTS.

P.C.B. NAME	POS.NO.	VERS. COLOR	PART NO. (FOR EUR)	PART NO. (MJI)	PART NAME	DESCRIPTION
INPUT	R302		nsp	00MNN05102610	RESISTOR	1 KOHM CRJ10DJ102T
INPUT	R304		nsp	00MNN05101610	RESISTOR	100 OHM CRJ10DJ101T
INPUT	R305		nsp	00MNN05102610	RESISTOR	1 KOHM CRJ10DJ102T
INPUT	R306		nsp	00MNN05102610	RESISTOR	1 KOHM CRJ10DJ102T
INPUT	R307		nsp	00MNN05152610	RESISTOR	1.5 KOHM CRJ10DJ152T
INPUT	R308		nsp	00MNN05101610	RESISTOR	100 OHM CRJ10DJ101T
INPUT	R309		nsp	00MNN05102610	RESISTOR	1 KOHM CRJ10DJ102T
INPUT	R310		nsp	00MNN05102610	RESISTOR	1 KOHM CRJ10DJ102T
INPUT	R311		nsp	00MNN05101610	RESISTOR	100 OHM CRJ10DJ101T
INPUT	R312		nsp	00MNN05101610	RESISTOR	100 OHM CRJ10DJ101T
INPUT	R313		nsp	00MNN05102610	RESISTOR	1 KOHM CRJ10DJ102T
INPUT	R314		nsp	00MNN05102610	RESISTOR	1 KOHM CRJ10DJ102T
INPUT	R315		nsp	00MNN05101610	RESISTOR	100 OHM CRJ10DJ101T
INPUT	R316		nsp	00MNN05101610	RESISTOR	100 OHM CRJ10DJ101T
INPUT	R317		nsp	00MNN05101610	RESISTOR	100 OHM CRJ10DJ101T
INPUT	R318		nsp	00MNN05101610	RESISTOR	100 OHM CRJ10DJ101T
INPUT	R319		nsp	00MNN05101610	RESISTOR	100 OHM CRJ10DJ101T
INPUT	R320		nsp	00MNN05101610	RESISTOR	100 OHM CRJ10DJ101T
INPUT	R321		nsp	00MNN05101610	RESISTOR	100 OHM CRJ10DJ101T
INPUT	R322		nsp	00MNN05101610	RESISTOR	100 OHM CRJ10DJ101T
INPUT	R323		nsp	00MNN05101610	RESISTOR	100 OHM CRJ10DJ101T
INPUT	R324		nsp	00MNN05101610	RESISTOR	100 OHM CRJ10DJ101T
INPUT	R325		nsp	00MNN05101610	RESISTOR	100 OHM CRJ10DJ101T
INPUT	R326		nsp	00MNN05101610	RESISTOR	100 OHM CRJ10DJ101T
INPUT	R331		nsp	00MNN05473610	RESISTOR	47 KOHM CRJ10DJ473T
INPUT	R332		nsp	00MNN05473610	RESISTOR	47 KOHM CRJ10DJ473T
INPUT	R333		nsp	00MNN05832610	RESISTOR	82 KOHM CRJ10DJ823T
INPUT	R334		nsp	00MNN05832610	RESISTOR	82 KOHM CRJ10DJ823T
INPUT	R335		nsp	00MNN05473610	RESISTOR	47 KOHM CRJ10DJ473T
INPUT	R336		nsp	00MNN05473610	RESISTOR	47 KOHM CRJ10DJ473T
INPUT	R337		nsp	00MNN05832610	RESISTOR	82 KOHM CRJ10DJ823T
INPUT	R338		nsp	00MNN05832610	RESISTOR	82 KOHM CRJ10DJ823T
INPUT	R339		nsp	00MNN05473610	RESISTOR	47 KOHM CRJ10DJ473T
INPUT	R340		nsp	00MNN05473610	RESISTOR	47 KOHM CRJ10DJ473T
INPUT	R341		nsp	00MNN05832610	RESISTOR	82 KOHM CRJ10DJ823T
INPUT	R342		nsp	00MNN05832610	RESISTOR	82 KOHM CRJ10DJ823T
INPUT	R343		nsp	00MNN05473610	RESISTOR	47 KOHM CRJ10DJ473T
INPUT	R344		nsp	00MNN05473610	RESISTOR	47 KOHM CRJ10DJ473T
INPUT	R345		nsp	00MNN05832610	RESISTOR	82 KOHM CRJ10DJ823T
INPUT	R346		nsp	00MNN05832610	RESISTOR	82 KOHM CRJ10DJ823T
INPUT	R347		nsp	00MNN05832610	RESISTOR	82 KOHM CRJ10DJ823T
INPUT	R348		nsp	00MNN05832610	RESISTOR	82 KOHM CRJ10DJ823T
INPUT	R349		nsp	00MNN05832610	RESISTOR	82 KOHM CRJ10DJ823T
INPUT	R350		nsp	00MNN05832610	RESISTOR	82 KOHM CRJ10DJ823T
INPUT	R351		nsp	00MNN05832610	RESISTOR	82 KOHM CRJ10DJ823T
INPUT	R352		nsp	00MNN05832610	RESISTOR	82 KOHM CRJ10DJ823T
INPUT	R353		nsp	00MNN05832610	RESISTOR	82 KOHM CRJ10DJ823T
INPUT	R354		nsp	00MNN05832610	RESISTOR	82 KOHM CRJ10DJ823T
INPUT	R355		nsp	00MNN05832610	RESISTOR	82 KOHM CRJ10DJ823T
INPUT	R356		nsp	00MNN05832610	RESISTOR	82 KOHM CRJ10DJ823T
INPUT	R358		nsp	nsp	RESISTOR	2.2 OHM 1W CRG1ANJ2R2H
INPUT	R361		nsp	00MNN05473610	RESISTOR	47 KOHM CRJ10DJ473T
INPUT	R362		nsp	00MNN05473610	RESISTOR	47 KOHM CRJ10DJ473T
INPUT	R363		nsp	00MNN05473610	RESISTOR	47 KOHM CRJ10DJ473T
INPUT	R364		nsp	00MNN05473610	RESISTOR	47 KOHM CRJ10DJ473T
INPUT	R365		nsp	00MNN05473610	RESISTOR	47 KOHM CRJ10DJ473T
INPUT	R366		nsp	00MNN05473610	RESISTOR	47 KOHM CRJ10DJ473T
INPUT	R367		nsp	00MNN05473610	RESISTOR	47 KOHM CRJ10DJ473T
INPUT	R368		nsp	00MNN05473610	RESISTOR	47 KOHM CRJ10DJ473T
INPUT	R369		nsp	00MNN05472610	RESISTOR	4.7 KOHM CRJ10DJ472T
INPUT	R370		nsp	00MNN05472610	RESISTOR	4.7 KOHM CRJ10DJ472T
INPUT	R371		nsp	00MNN05472610	RESISTOR	4.7 KOHM CRJ10DJ472T
INPUT	R372		nsp	00MNN05472610	RESISTOR	4.7 KOHM CRJ10DJ472T

NOTE : "nsp" PARTS IS LISTED FOR REFERENCE ONLY, MARANTZ WILL NOT SUPPLY THESE PARTS.

P.C.B. NAME	POS.NO.	VERS. COLOR	PART NO. (FOR EUR)	PART NO. (MJI)	PART NAME	DESCRIPTION
INPUT	R373		nsp	00MNN05822610	RESISTOR	8.2 KOHM CRJ10DJ822T
INPUT	R374		nsp	00MNN05822610	RESISTOR	8.2 KOHM CRJ10DJ822T
INPUT	R375		nsp	00MNN05822610	RESISTOR	8.2 KOHM CRJ10DJ822T
INPUT	R376		nsp	00MNN05822610	RESISTOR	8.2 KOHM CRJ10DJ822T
INPUT	R377		nsp	00MNN05472610	RESISTOR	4.7 KOHM CRJ10DJ472T
INPUT	R378		nsp	00MNN05472610	RESISTOR	4.7 KOHM CRJ10DJ472T
INPUT	R379		nsp	00MNN05472610	RESISTOR	4.7 KOHM CRJ10DJ472T
INPUT	R380		nsp	00MNN05472610	RESISTOR	4.7 KOHM CRJ10DJ472T
INPUT	R381		nsp	00MNN05472610	RESISTOR	4.7 KOHM CRJ10DJ472T
INPUT	R382		nsp	00MNN05472610	RESISTOR	4.7 KOHM CRJ10DJ472T
INPUT	R383		nsp	00MNN05153610	RESISTOR	15 KOHM CRJ10DJ153T
INPUT	R384		nsp	00MNN05153610	RESISTOR	15 KOHM CRJ10DJ153T
INPUT	R385		nsp	00MNN05153610	RESISTOR	15 KOHM CRJ10DJ153T
INPUT	R386		nsp	00MNN05153610	RESISTOR	15 KOHM CRJ10DJ153T
INPUT	R387		nsp	00MNN05472610	RESISTOR	4.7 KOHM CRJ10DJ472T
INPUT	R388		nsp	00MNN05333610	RESISTOR	33 KOHM CRJ10DJ333T
INPUT	R389		nsp	00MNN05105610	RESISTOR	1 MOHM CRJ10DJ105T
INPUT	R390		nsp	00MNN05105610	RESISTOR	1 MOHM CRJ10DJ105T
INPUT	R391		nsp	00MNN05473610	RESISTOR	47 KOHM CRJ10DJ473T
INPUT	R392		nsp	00MNN05473610	RESISTOR	47 KOHM CRJ10DJ473T
INPUT	R393		nsp	00MNN05473610	RESISTOR	47 KOHM CRJ10DJ473T
INPUT	R394		nsp	00MNN05473610	RESISTOR	47 KOHM CRJ10DJ473T
INPUT	R395		nsp	00MNN05473610	RESISTOR	47 KOHM CRJ10DJ473T
INPUT	R396		nsp	00MNN05473610	RESISTOR	47 KOHM CRJ10DJ473T
INPUT	R397		nsp	00MNN05473610	RESISTOR	47 KOHM CRJ10DJ473T
INPUT	R398		nsp	00MNN05473610	RESISTOR	47 KOHM CRJ10DJ473T
INPUT	R399		nsp	nsp	RESISTOR	4.7 OHM 2W , 5% CRG1ANJ4R7H
INPUT	R401		nsp	00MNN05221610	RESISTOR	220 OHM CRJ10DJ221T
INPUT	R402		nsp	00MNN05221610	RESISTOR	220 OHM CRJ10DJ221T
INPUT	R403		nsp	00MNN05221610	RESISTOR	220 OHM CRJ10DJ221T
INPUT	R404		nsp	00MNN05221610	RESISTOR	220 OHM CRJ10DJ221T
INPUT	R405		nsp	00MNN05221610	RESISTOR	220 OHM CRJ10DJ221T
INPUT	R406		nsp	00MNN05221610	RESISTOR	220 OHM CRJ10DJ221T
INPUT	R407		nsp	00MNN05221610	RESISTOR	220 OHM CRJ10DJ221T
INPUT	R408		nsp	00MNN05221610	RESISTOR	220 OHM CRJ10DJ221T
INPUT	R410		nsp	00MNN05105610	RESISTOR	1 MOHM CRJ10DJ105T
INPUT	R411		nsp	00MNN05221610	RESISTOR	220 OHM CRJ10DJ221T
INPUT	R412		nsp	00MNN05221610	RESISTOR	220 OHM CRJ10DJ221T
INPUT	R413		nsp	00MNN05221610	RESISTOR	220 OHM CRJ10DJ221T
INPUT	R414		nsp	00MNN05221610	RESISTOR	220 OHM CRJ10DJ221T
INPUT	R415		nsp	00MNN05221610	RESISTOR	220 OHM CRJ10DJ221T
INPUT	R416		nsp	00MNN05221610	RESISTOR	220 OHM CRJ10DJ221T
INPUT	R417		nsp	00MNN05221610	RESISTOR	220 OHM CRJ10DJ221T
INPUT	R418		nsp	00MNN05221610	RESISTOR	220 OHM CRJ10DJ221T
INPUT	R419		nsp	00MNN05221610	RESISTOR	220 OHM CRJ10DJ221T
INPUT	R420		nsp	00MNN05221610	RESISTOR	220 OHM CRJ10DJ221T
INPUT	R421		nsp	00MNN05330610	RESISTOR	33 OHM CRJ10DJ330T
INPUT	R422		nsp	00MNN05330610	RESISTOR	33 OHM CRJ10DJ330T
INPUT	R423		nsp	00MNN05330610	RESISTOR	33 OHM CRJ10DJ330T
INPUT	R424		nsp	00MNN05330610	RESISTOR	33 OHM CRJ10DJ330T
INPUT	R425		nsp	00MNN05330610	RESISTOR	33 OHM CRJ10DJ330T
INPUT	R426		nsp	00MNN05330610	RESISTOR	33 OHM CRJ10DJ330T
INPUT	R427		nsp	00MNN05330610	RESISTOR	33 OHM CRJ10DJ330T
INPUT	R428		nsp	00MNN05330610	RESISTOR	33 OHM CRJ10DJ330T
INPUT	R429		nsp	00MNN05221610	RESISTOR	220 OHM CRJ10DJ221T
INPUT	R430		nsp	00MNN05221610	RESISTOR	220 OHM CRJ10DJ221T
INPUT	R431		nsp	00MNN05472610	RESISTOR	4.7 KOHM CRJ10DJ472T
INPUT	R432		nsp	00MNN05472610	RESISTOR	4.7 KOHM CRJ10DJ472T
INPUT	R433		nsp	00MNN05472610	RESISTOR	4.7 KOHM CRJ10DJ472T
INPUT	R434		nsp	00MNN05472610	RESISTOR	4.7 KOHM CRJ10DJ472T
INPUT	R435		nsp	00MNN05472610	RESISTOR	4.7 KOHM CRJ10DJ472T
INPUT	R436		nsp	00MNN05472610	RESISTOR	4.7 KOHM CRJ10DJ472T
INPUT	R437		nsp	00MNN05472610	RESISTOR	4.7 KOHM CRJ10DJ472T

NOTE : "nsp" PARTS IS LISTED FOR REFERENCE ONLY, MARANTZ WILL NOT SUPPLY THESE PARTS.

P.C.B. NAME	POS.NO.	VERS. COLOR	PART NO. (FOR EUR)	PART NO. (MJI)	PART NAME	DESCRIPTION
INPUT	R438		nsp	00MNN05472610	RESISTOR	4.7 KOHM CRJ10DJ472T
INPUT	R441		nsp	00MNN05472610	RESISTOR	4.7 KOHM CRJ10DJ472T
INPUT	R442		nsp	00MNN05472610	RESISTOR	4.7 KOHM CRJ10DJ472T
INPUT	R443		nsp	00MNN05472610	RESISTOR	4.7 KOHM CRJ10DJ472T
INPUT	R444		nsp	00MNN05472610	RESISTOR	4.7 KOHM CRJ10DJ472T
INPUT	R445		nsp	00MNN05472610	RESISTOR	4.7 KOHM CRJ10DJ472T
INPUT	R446		nsp	00MNN05472610	RESISTOR	4.7 KOHM CRJ10DJ472T
INPUT	R447		nsp	00MNN05472610	RESISTOR	4.7 KOHM CRJ10DJ472T
INPUT	R448		nsp	00MNN05472610	RESISTOR	4.7 KOHM CRJ10DJ472T
INPUT	R450		nsp	00MNN05105610	RESISTOR	1 MOHM CRJ10DJ105T
INPUT	R451		nsp	00MNN05105610	RESISTOR	1 MOHM CRJ10DJ105T
INPUT	R452		nsp	00MNN05105610	RESISTOR	1 MOHM CRJ10DJ105T
INPUT	R453		nsp	00MNN05105610	RESISTOR	1 MOHM CRJ10DJ105T
INPUT	R454		nsp	00MNN05105610	RESISTOR	1 MOHM CRJ10DJ105T
INPUT	R455		nsp	00MNN05105610	RESISTOR	1 MOHM CRJ10DJ105T
INPUT	R456		nsp	00MNN05102610	RESISTOR	1 KOHM CRJ10DJ102T
INPUT	R457		nsp	00MNN05102610	RESISTOR	1 KOHM CRJ10DJ102T
INPUT	R458		nsp	00MNN05102610	RESISTOR	1 KOHM CRJ10DJ102T
INPUT	R459		nsp	00MNN05105610	RESISTOR	1 MOHM CRJ10DJ105T
INPUT	R460		nsp	00MNN05105610	RESISTOR	1 MOHM CRJ10DJ105T
INPUT	R461		nsp	00MNN05472610	RESISTOR	4.7 KOHM CRJ10DJ472T
INPUT	R462		nsp	00MNN05472610	RESISTOR	4.7 KOHM CRJ10DJ472T
INPUT	R463		nsp	00MNN05472610	RESISTOR	4.7 KOHM CRJ10DJ472T
INPUT	R464		nsp	00MNN05473610	RESISTOR	47 KOHM CRJ10DJ473T
INPUT	R465		nsp	00MNN05103610	RESISTOR	10 KOHM CRJ10DJ103T
INPUT	R466		nsp	00MNN05103610	RESISTOR	10 KOHM CRJ10DJ103T
INPUT	R467		nsp	00MNN05473610	RESISTOR	47 KOHM CRJ10DJ473T
INPUT	R468		nsp	00MNN05473610	RESISTOR	47 KOHM CRJ10DJ473T
INPUT	R469		nsp	00MNN05103610	RESISTOR	10 KOHM CRJ10DJ103T
INPUT	R470		nsp	00MNN05562610	RESISTOR	5.6 KOHM CRJ10DJ562T
INPUT	R471		nsp	00MNN05223610	RESISTOR	22 KOHM CRJ10DJ223T
INPUT	R472		nsp	00MNN05473610	RESISTOR	47 KOHM CRJ10DJ473T
INPUT	R473		nsp	00MNN05010610	RESISTOR	1 OHM CRJ10DJ1R0T
INPUT	R474		nsp	00MNN05103610	RESISTOR	10 KOHM CRJ10DJ103T
INPUT	R475		nsp	00MNN05105610	RESISTOR	1 MOHM CRJ10DJ105T
INPUT	R478		nsp	00MNN05473610	RESISTOR	47 KOHM CRJ10DJ473T
INPUT	R479		nsp	00MNN05473610	RESISTOR	47 KOHM CRJ10DJ473T
INPUT	R480		nsp	00MNN05473610	RESISTOR	47 KOHM CRJ10DJ473T
INPUT	R481		nsp	00MNN05473610	RESISTOR	47 KOHM CRJ10DJ473T
INPUT	R484		nsp	00MNN05473610	RESISTOR	47 KOHM CRJ10DJ473T
INPUT	R485		nsp	00MNN05473610	RESISTOR	47 KOHM CRJ10DJ473T
INPUT	R486		nsp	00MNN05473610	RESISTOR	47 KOHM CRJ10DJ473T
INPUT	R487		nsp	00MNN05473610	RESISTOR	47 KOHM CRJ10DJ473T
INPUT	R488		nsp	00MNN05473610	RESISTOR	47 KOHM CRJ10DJ473T
INPUT	R489		nsp	00MNN05473610	RESISTOR	47 KOHM CRJ10DJ473T
INPUT	R490		nsp	00MNN05473610	RESISTOR	47 KOHM CRJ10DJ473T
INPUT	R491		nsp	00MNN05473610	RESISTOR	47 KOHM CRJ10DJ473T
INPUT	R492		nsp	00MNN05473610	RESISTOR	47 KOHM CRJ10DJ473T
INPUT	R493		nsp	00MNN05473610	RESISTOR	47 KOHM CRJ10DJ473T
INPUT	R494		nsp	00MNN05473610	RESISTOR	47 KOHM CRJ10DJ473T
INPUT	R495		nsp	00MNN05473610	RESISTOR	47 KOHM CRJ10DJ473T
INPUT	R496		nsp	00MNN05222610	RESISTOR	2.2 KOHM CRJ10DJ222T
INPUT	R497		nsp	00MNN05683610	RESISTOR	68 KOHM CRJ10DJ683T
INPUT	R498	/A1B	nsp	00MNN05223610	RESISTOR	22 KOHM CRJ10DJ223T
INPUT	R498	/A1S	nsp	00MNN05223610	RESISTOR	22 KOHM CRJ10DJ223T
INPUT	R498	/K1G	nsp	00MNN05223610	RESISTOR	22 KOHM CRJ10DJ223T
INPUT	R498	/N1B	nsp	00MNN05223610	RESISTOR	22 KOHM CRJ10DJ223T
INPUT	R498	/N1G	nsp	00MNN05223610	RESISTOR	22 KOHM CRJ10DJ223T
INPUT	R498	/N1S	nsp	00MNN05223610	RESISTOR	22 KOHM CRJ10DJ223T
INPUT	R499	/A1B	nsp	00MNN05223610	RESISTOR	22 KOHM CRJ10DJ223T
INPUT	R499	/A1S	nsp	00MNN05223610	RESISTOR	22 KOHM CRJ10DJ223T
INPUT	R499	/K1G	nsp	00MNN05223610	RESISTOR	22 KOHM CRJ10DJ223T
INPUT	R499	/N1B	nsp	00MNN05223610	RESISTOR	22 KOHM CRJ10DJ223T

NOTE : "nsp" PARTS IS LISTED FOR REFERENCE ONLY, MARANTZ WILL NOT SUPPLY THESE PARTS.

P.C.B. NAME	POS.NO.	VERS. COLOR	PART NO. (FOR EUR)	PART NO. (MJI)	PART NAME	DESCRIPTION
INPUT	R499	/N1G	nsp	00MNN05223610	RESISTOR	22 KOHM CRJ10DJ223T
INPUT	R499	/N1S	nsp	00MNN05223610	RESISTOR	22 KOHM CRJ10DJ223T
INPUT	R501		nsp	00MNN05047610	RESISTOR	4.7 OHM CRJ10DJ4R7T
INPUT	R502		nsp	00MNN05047610	RESISTOR	4.7 OHM CRJ10DJ4R7T
INPUT	R503		nsp	00MNN05047610	RESISTOR	4.7 OHM CRJ10DJ4R7T
INPUT	R504		nsp	00MNN05047610	RESISTOR	4.7 OHM CRJ10DJ4R7T
INPUT	R505		nsp	00MNN05047610	RESISTOR	4.7 OHM CRJ10DJ4R7T
INPUT	R506		nsp	00MNN05047610	RESISTOR	4.7 OHM CRJ10DJ4R7T
INPUT	R507		nsp	00MNN05047610	RESISTOR	4.7 OHM CRJ10DJ4R7T
INPUT	R508		nsp	00MNN05047610	RESISTOR	4.7 OHM CRJ10DJ4R7T
INPUT	R509		nsp	00MNN05101610	RESISTOR	100 OHM CRJ10DJ101T
INPUT	R510		nsp	00MNN05101610	RESISTOR	100 OHM CRJ10DJ101T
INPUT	R511		nsp	00MNN05101610	RESISTOR	100 OHM CRJ10DJ101T
INPUT	R512		nsp	00MNN05101610	RESISTOR	100 OHM CRJ10DJ101T
INPUT	R513		nsp	00MNN05832610	RESISTOR	82 KOHM CRJ10DJ823T
INPUT	R514		nsp	00MNN05832610	RESISTOR	82 KOHM CRJ10DJ823T
INPUT	R515		nsp	00MNN05832610	RESISTOR	82 KOHM CRJ10DJ823T
INPUT	R516		nsp	00MNN05832610	RESISTOR	82 KOHM CRJ10DJ823T
INPUT	R517		nsp	00MNN05047610	RESISTOR	4.7 OHM CRJ10DJ4R7T
INPUT	R531		nsp	00MNN05223610	RESISTOR	22 KOHM CRJ10DJ223T
INPUT	R532		nsp	00MNN05223610	RESISTOR	22 KOHM CRJ10DJ223T
INPUT	R533		nsp	00MNN05223610	RESISTOR	22 KOHM CRJ10DJ223T
INPUT	R534		nsp	00MNN05223610	RESISTOR	22 KOHM CRJ10DJ223T
INPUT	R535		nsp	00MNN05223610	RESISTOR	22 KOHM CRJ10DJ223T
INPUT	R536		nsp	00MNN05223610	RESISTOR	22 KOHM CRJ10DJ223T
INPUT	R537		nsp	00MNN05223610	RESISTOR	22 KOHM CRJ10DJ223T
INPUT	R538		nsp	00MNN05223610	RESISTOR	22 KOHM CRJ10DJ223T
INPUT	R539		nsp	00MNN05332610	RESISTOR	3.3 KOHM CRJ10DJ332T
INPUT	R903		nsp	00MNN05101610	RESISTOR	100 OHM CRJ10DJ101T
INPUT	R907		nsp	00MNN05101610	RESISTOR	100 OHM CRJ10DJ101T
INPUT	X101		90M-JX001180R	90M-JX001180R	CRYSTAL	12288HZ HOX12288E320TF
INPUT	XC11		90M-JX001190R	90M-JX001190R	CRYSTAL	20MHZ HOX20000E220TF
MAIN PCB (CUP11695-1)						
MAIN	BN20		nsp	nsp	CONNECTIVE CORD	CWB3FB03280UP
MAIN	BN81		nsp	nsp	CONNECTIVE CORD	CWB1C902050EN
MAIN	BN87		nsp	nsp	CONNECTIVE CORD	CWB2B905550EN
MAIN	BN90	/A1B	nsp	nsp	CONNECTIVE CORD	CWB4F232550PU
MAIN	BN90	/A1S	nsp	nsp	CONNECTIVE CORD	CWB4F232550PU
MAIN	BN90	/F1N	nsp	nsp	CONNECTIVE CORD	CWB4F232550PU
MAIN	BN90	/K1G	nsp	nsp	CONNECTIVE CORD	CWB4F232550PU
MAIN	BN90	/N1B	nsp	nsp	CONNECTIVE CORD	CWB4F232550PU
MAIN	BN90	/N1G	nsp	nsp	CONNECTIVE CORD	CWB4F232550PU
MAIN	BN90	/N1S	nsp	nsp	CONNECTIVE CORD	CWB4F232550PU
MAIN	BN93		nsp	nsp	CONNECTIVE CORD	CWB1C902250BM
MAIN	BN98		90M-YJ002810R	90M-YJ002810R	JACK	8P BJP08GA130ZK
MAIN	C115		nsp	nsp	CERAMIC CAP.	220PF 50V KB CCKT1H221KB
MAIN	C116		nsp	nsp	CERAMIC CAP.	220PF 50V KB CCKT1H221KB
MAIN	C117		nsp	nsp	CERAMIC CAP.	220PF 50V KB CCKT1H221KB
MAIN	C118		nsp	nsp	CERAMIC CAP.	220PF 50V KB CCKT1H221KB
MAIN	C119		nsp	nsp	CERAMIC CAP.	220PF 50V KB CCKT1H221KB
MAIN	C120		nsp	nsp	CERAMIC CAP.	220PF 50V KB CCKT1H221KB
MAIN	C121		nsp	nsp	CERAMIC CAP.	220PF 50V KB CCKT1H221KB
MAIN	C122		nsp	nsp	CERAMIC CAP.	220PF 50V KB CCKT1H221KB
MAIN	C501		nsp	00MOA10603540	ELECT CAP.	10UF 35V CCEA1VH100T
MAIN	C502		nsp	00MOA10603540	ELECT CAP.	10UF 35V CCEA1VH100T
MAIN	C503		nsp	00MOA10603540	ELECT CAP.	10UF 35V CCEA1VH100T
MAIN	C504		nsp	00MOA10603540	ELECT CAP.	10UF 35V CCEA1VH100T
MAIN	C505		nsp	00MOA10603540	ELECT CAP.	10UF 35V CCEA1VH100T
MAIN	C506		nsp	nsp	CERAMIC CAP.	330PF 50V KB CCKT1H331KB
MAIN	C507		nsp	nsp	CERAMIC CAP.	330PF 50V KB CCKT1H331KB
MAIN	C508		nsp	nsp	CERAMIC CAP.	330PF 50V KB CCKT1H331KB
MAIN	C509		nsp	nsp	CERAMIC CAP.	330PF 50V KB CCKT1H331KB
MAIN	C510		nsp	nsp	CERAMIC CAP.	330PF 50V KB CCKT1H331KB

NOTE : "nsp" PARTS IS LISTED FOR REFERENCE ONLY, MARANTZ WILL NOT SUPPLY THESE PARTS.

P.C.B. NAME	POS.NO.	VERS. COLOR	PART NO. (FOR EUR)	PART NO. (MJI)	PART NAME	DESCRIPTION
MAIN	C561		nsp	00MOA47601640	ELECT CAP.	470UF/16V CCEA1CH470T
MAIN	C562		nsp	00MOA47601640	ELECT CAP.	470UF/16V CCEA1CH470T
MAIN	C563		nsp	00MOA47601640	ELECT CAP.	470UF/16V CCEA1CH470T
MAIN	C564		nsp	00MOA47601640	ELECT CAP.	470UF/16V CCEA1CH470T
MAIN	C565		nsp	00MOA47601640	ELECT CAP.	470UF/16V CCEA1CH470T
MAIN	C566		nsp	00MOA10701620	ELECT CAP.	100UF/16V CCEA1CH101T
MAIN	C569		nsp	00MOA10701620	ELECT CAP.	100UF/16V CCEA1CH101T
MAIN	C570		nsp	00MOA10701620	ELECT CAP.	100UF/16V CCEA1CH101T
MAIN	C571		nsp	nsp	CERAMIC CAP.	680PF 50V KB HCBS1H681KBT
MAIN	C572		nsp	nsp	CERAMIC CAP.	680PF 50V KB HCBS1H681KBT
MAIN	C573		nsp	nsp	CERAMIC CAP.	680PF 50V KB HCBS1H681KBT
MAIN	C574		nsp	nsp	CERAMIC CAP.	680PF 50V KB HCBS1H681KBT
MAIN	C575		nsp	nsp	CERAMIC CAP.	680PF 50V KB HCBS1H681KBT
MAIN	C601		nsp	nsp	CERAMIC CAP.	12PF 50V JC CCCT1H120JC
MAIN	C602		nsp	nsp	CERAMIC CAP.	12PF 50V JC CCCT1H120JC
MAIN	C603		nsp	nsp	CERAMIC CAP.	12PF 50V JC CCCT1H120JC
MAIN	C604		nsp	nsp	CERAMIC CAP.	12PF 50V JC CCCT1H120JC
MAIN	C605		nsp	nsp	CERAMIC CAP.	12PF 50V JC CCCT1H120JC
MAIN	C606		nsp	nsp	CERAMIC CAP.	33PF 50V JC CCCT1H330JC
MAIN	C607		nsp	nsp	CERAMIC CAP.	33PF 50V JC CCCT1H330JC
MAIN	C608		nsp	nsp	CERAMIC CAP.	33PF 50V JC CCCT1H330JC
MAIN	C609		nsp	nsp	CERAMIC CAP.	33PF 50V JC CCCT1H330JC
MAIN	C610		nsp	nsp	CERAMIC CAP.	33PF 50V JC CCCT1H330JC
MAIN	C631		nsp	00MOA10706320	ELECT CAP.	100UF 63V CCEA1JH101E
MAIN	C632		nsp	00MOA10706320	ELECT CAP.	100UF 63V CCEA1JH101E
MAIN	C633		nsp	00MOA10706320	ELECT CAP.	100UF 63V CCEA1JH101E
MAIN	C634		nsp	00MOA10706320	ELECT CAP.	100UF 63V CCEA1JH101E
MAIN	C635		nsp	00MOA10706320	ELECT CAP.	100UF 63V CCEA1JH101E
MAIN	C636		nsp	00MOA10706320	ELECT CAP.	100UF 63V CCEA1JH101E
MAIN	C637		nsp	00MOA10706320	ELECT CAP.	100UF 63V CCEA1JH101E
MAIN	C638		nsp	00MOA10706320	ELECT CAP.	100UF 63V CCEA1JH101E
MAIN	C639		nsp	00MOA10706320	ELECT CAP.	100UF 63V CCEA1JH101E
MAIN	C640		nsp	00MOA10706320	ELECT CAP.	100UF 63V CCEA1JH101E
MAIN	C681		nsp	00MOA10605020	ELECT CAP.	10UF/50V CCEA1HH100T
MAIN	C682		nsp	00MOA10605020	ELECT CAP.	10UF/50V CCEA1HH100T
MAIN	C683		nsp	00MOA10605020	ELECT CAP.	10UF/50V CCEA1HH100T
MAIN	C684		nsp	00MOA10605020	ELECT CAP.	10UF/50V CCEA1HH100T
MAIN	C685		nsp	00MOA10605020	ELECT CAP.	10UF/50V CCEA1HH100T
MAIN	C801		nsp	00MOA10605020	ELECT CAP.	10UF/50V CCEA1HH100T
MAIN	C802		nsp	00MOA10605020	ELECT CAP.	10UF/50V CCEA1HH100T
MAIN	C803		nsp	nsp	CERAMIC CAP.	33PF 50V JC CCCT1H330JC
MAIN	C804		nsp	nsp	CERAMIC CAP.	33PF 50V JC CCCT1H330JC
MAIN	C805		nsp	nsp	CERAMIC CAP.	12PF 50V JC CCCT1H120JC
MAIN	C806		nsp	nsp	CERAMIC CAP.	12PF 50V JC CCCT1H120JC
MAIN	C807		nsp	00MOA10706320	ELECT CAP.	100UF 63V CCEA1JH101E
MAIN	C808		nsp	00MOA10706320	ELECT CAP.	100UF 63V CCEA1JH101E
MAIN	C809		nsp	00MOA10706320	ELECT CAP.	100UF 63V CCEA1JH101E
MAIN	C810		nsp	00MOA10706320	ELECT CAP.	100UF 63V CCEA1JH101E
MAIN	C811		nsp	00MOA47601640	ELECT CAP.	47UF/16V CCEA1CH470T
MAIN	C812		nsp	00MOA47601640	ELECT CAP.	47UF/16V CCEA1CH470T
MAIN	C813		nsp	00MOA10701620	ELECT CAP.	100UF/16V CCEA1CH101T
MAIN	C814		nsp	00MOA10701620	ELECT CAP.	100UF/16V CCEA1CH101T
MAIN	C815		nsp	nsp	CERAMIC CAP.	330PF 50V KB CCKT1H331KB
MAIN	C816		nsp	nsp	CERAMIC CAP.	330PF 50V KB CCKT1H331KB
MAIN	C817		nsp	00MOA10603540	ELECT CAP.	10UF 35V CCEA1VH100T
MAIN	C818		nsp	00MOA10603540	ELECT CAP.	10UF 35V CCEA1VH100T
MAIN	C819		nsp	nsp	CERAMIC CAP.	680PF 50V KB HCBS1H681KBT
MAIN	C820		nsp	nsp	CERAMIC CAP.	680PF 50V KB HCBS1H681KBT
MAIN	C900		nsp	nsp	FILM CAP	0.047UF 50V J HCQ1H473JZT
MAIN	C901		nsp	nsp	FILM CAP	0.047UF 50V J HCQ1H473JZT
MAIN	C902		nsp	nsp	CERAMIC CAP.	1000PF 50V B HCBS1H102KBT
MAIN	C903		nsp	nsp	CERAMIC CAP.	0.1UF 50V ZF CCCT1H104ZF
MAIN	C904		90M-DK100770R	90M-DK100770R	CERAMIC CAP.	0.0047UF/2.5KV KCKDKS472ME

NOTE : "nsp" PARTS IS LISTED FOR REFERENCE ONLY, MARANTZ WILL NOT SUPPLY THESE PARTS.

P.C.B. NAME	POS.NO.	VERS. COLOR	PART NO. (FOR EUR)	PART NO. (MJI)	PART NAME	DESCRIPTION	
MAIN	C905		nsp	nsp	CERAMIC CAP.	0.022UF 50V ZF	CCKT1H223ZF
MAIN	C906		nsp	00MOA10802520	ELECT CAP.	1000UF 25V	CCEA1EH102E
MAIN	C907		nsp	00MOA10701620	ELECT CAP.	100UF/16V	CCEA1CH101T
MAIN	C908		nsp	nsp	CERAMIC CAP.	0.022UF 50V ZF	CCKT1H223ZF
MAIN	C909		nsp	nsp	CERAMIC CAP.	1000PF 50V B	HCBS1H102KBT
MAIN	C910		nsp	nsp	FILM CAP	0.047UF 50V J	HCQ1H473JZT
MAIN	C912		nsp	nsp	CERAMIC CAP.	1000PF 50V B	HCBS1H102KBT
MAIN	C914		nsp	nsp	FILM CAP	0.047UF 50V J	HCQ1H473JZT
MAIN	C915		00MEB12906330	00MEB12906330	ELECT CAP.	12000UF/63V	HCET63VDL123N
MAIN	C916		00MEB12906330	00MEB12906330	ELECT CAP.	12000UF/63V	HCET63VDL123N
MAIN	C917		nsp	nsp	FILM CAP	0.047UF 50V J	HCQ1H473JZT
MAIN	C918		nsp	nsp	FILM CAP	0.047UF 50V J	HCQ1H473JZT
MAIN	C919		nsp	nsp	FILM CAP	0.047UF 50V J	HCQ1H473JZT
MAIN	C921		nsp	nsp	CERAMIC CAP.	1000PF 50V B	HCBS1H102KBT
MAIN	C922		nsp	00MOA47605020	ELECT CAP.	47UF/50V	CCEA1HH470T
MAIN	C924		nsp	nsp	CERAMIC CAP.	0.1UF 50V Z	HCBS1H104ZFT
MAIN	C925		nsp	nsp	CERAMIC CAP.	0.1UF 50V Z	HCBS1H104ZFT
MAIN	C949		nsp	00MOA47505020	ELECT CAP.	4.7UF/50V	CCEA1HH4R7T
MAIN	C950		nsp	nsp	CERAMIC CAP.	0.1UF 50V Z	HCBS1H104ZFT
MAIN	C954		nsp	nsp	CERAMIC CAP.	1000PF 50V B	HCBS1H102KBT
MAIN	C955		nsp	nsp	CERAMIC CAP.	1000PF 50V B	HCBS1H102KBT
MAIN	C969		nsp	nsp	CERAMIC CAP.	0.01UF 50V Z	HCBS1H103ZFT
MAIN	C970		nsp	00MOA47605020	ELECT CAP.	47UF/50V	CCEA1HH470T
MAIN	C971		nsp	nsp	FILM CAP	5600PF 50V J	HCQ1H562JZT
MAIN	C972		nsp	nsp	FILM CAP	5600PF 50V J	HCQ1H562JZT
MAIN	C973		nsp	nsp	FILM CAP	5600PF 50V J	HCQ1H562JZT
MAIN	C974		nsp	nsp	FILM CAP	5600PF 50V J	HCQ1H562JZT
MAIN	C975		nsp	nsp	FILM CAP	5600PF 50V J	HCQ1H562JZT
MAIN	C976		nsp	00MOA47505020	ELECT CAP.	4.7UF/50V	CCEA1HH4R7T
MAIN	C977		nsp	00MOA47405020	ELECT CAP.	4.7UF/50V	CCEA1HHR47T
MAIN	C980		nsp	nsp	FILM CAP	5600PF 50V J	HCQ1H562JZT
MAIN	C981		nsp	nsp	FILM CAP	5600PF 50V J	HCQ1H562JZT
MAIN	C990		nsp	nsp	FILM CAP	0.047UF 50V J	HCQ1H473JZT
MAIN	C992		nsp	nsp	FILM CAP	0.047UF 50V J	HCQ1H473JZT
MAIN	C993		nsp	nsp	FILM CAP	0.047UF 50V J	HCQ1H473JZT
MAIN	C994		nsp	nsp	FILM CAP	0.047UF 50V J	HCQ1H473JZT
MAIN	C995		nsp	nsp	FILM CAP	0.047UF 50V J	HCQ1H473JZT
MAIN	C996		nsp	nsp	FILM CAP	0.047UF 50V J	HCQ1H473JZT
MAIN	C997		nsp	nsp	FILM CAP	0.047UF 50V J	HCQ1H473JZT
MAIN	C999		nsp	nsp	CERAMIC CAP.	0.022UF 50V ZF	CCKT1H223ZF
MAIN	CN27		nsp	nsp	JACK		CJP27GA115ZY
MAIN	CN61		nsp	nsp	JACK	2P STRAIGHT	CJP02GA01ZY
MAIN	CN80		nsp	nsp	JACK		CJP15GA117ZY
MAIN	CN91	/A1B	nsp	90M-YP100250R	JACK	MOLEX35328-02	KJP02GA89ZM
MAIN	CN91	/A1S	nsp	90M-YP100250R	JACK	MOLEX35328-02	KJP02GA89ZM
MAIN	CN91	/F1N	nsp	00MYP04000760	JACK	7.92MM(YUNHO)	KJP02KA060ZY
MAIN	CN91	/K1G	nsp	00MYP04000760	JACK	7.92MM(YUNHO)	KJP02KA060ZY
MAIN	CN91	/L1G	nsp	00MYP04000760	JACK	7.92MM(YUNHO)	KJP02KA060ZY
MAIN	CN91	/N1B	90M-YP100250R	90M-YP100250R	JACK	MOLEX35328-02	KJP02GA89ZM
MAIN	CN91	/N1G	90M-YP100250R	90M-YP100250R	JACK	MOLEX35328-02	KJP02GA89ZM
MAIN	CN91	/N1S	90M-YP100250R	90M-YP100250R	JACK	MOLEX35328-02	KJP02GA89ZM
MAIN	CN91	/U1B	nsp	00MYP04000760	JACK	7.92MM(YUNHO)	KJP02KA060ZY
MAIN	CN91	/U1S	nsp	00MYP04000760	JACK	7.92MM(YUNHO)	KJP02KA060ZY
MAIN	CN92		90M-YP100250R	90M-YP100250R	JACK	MOLEX35328-02	KJP02GA89ZM
MAIN	D501		nsp	00MHD20015210	DIODE	1SS133T-77	HVD1SS133MT
MAIN	D504		nsp	00MHD20015210	DIODE	1SS133T-77	HVD1SS133MT
MAIN	D505		nsp	00MHD20015210	DIODE	1SS133T-77	HVD1SS133MT
MAIN	D581		nsp	00MHD20015210	DIODE	1SS133T-77	HVD1SS133MT
MAIN	D582		nsp	00MHD20015210	DIODE	1SS133T-77	HVD1SS133MT
MAIN	D583		nsp	00MHD20015210	DIODE	1SS133T-77	HVD1SS133MT
MAIN	D584		nsp	00MHD20015210	DIODE	1SS133T-77	HVD1SS133MT
MAIN	D585		nsp	00MHD20015210	DIODE	1SS133T-77	HVD1SS133MT
MAIN	D586		nsp	00MHD20015210	DIODE	1SS133T-77	HVD1SS133MT

NOTE : "nsp" PARTS IS LISTED FOR REFERENCE ONLY, MARANTZ WILL NOT SUPPLY THESE PARTS.

P.C.B. NAME	POS.NO.	VERS. COLOR	PART NO. (FOR EUR)	PART NO. (MJI)	PART NAME	DESCRIPTION
MAIN	D587		nsp	00MHD20015210	DIODE	1SS133T-77 HVD1SS133MT
MAIN	D588		nsp	00MHD20015210	DIODE	1SS133T-77 HVD1SS133MT
MAIN	D589		nsp	00MHD20015210	DIODE	1SS133T-77 HVD1SS133MT
MAIN	D801		nsp	00MHD20015210	DIODE	1SS133T-77 HVD1SS133MT
MAIN	D802		nsp	00MHD20015210	DIODE	1SS133T-77 HVD1SS133MT
MAIN	D803		nsp	00MHD20015210	DIODE	1SS133T-77 HVD1SS133MT
MAIN	D804		nsp	00MHD20015210	DIODE	1SS133T-77 HVD1SS133MT
MAIN	D901		nsp	90M-HD201730R	DIODE	1N4003 KVD1N4003ST
MAIN	D911		nsp	90M-HD201730R	DIODE	1N4003 KVD1N4003ST
MAIN	D912		nsp	00MHD20015210	DIODE	1SS133T-77 HVD1SS133MT
MAIN	D954		nsp	00MHD20015210	DIODE	1SS133T-77 HVD1SS133MT
MAIN	D955		nsp	00MHD20015210	DIODE	1SS133T-77 HVD1SS133MT
MAIN	D961		nsp	90M-HD201730R	DIODE	1N4003 KVD1N4003ST
MAIN	D962		nsp	90M-HD201730R	DIODE	1N4003 KVD1N4003ST
MAIN	D963		nsp	90M-HD201730R	DIODE	1N4003 KVD1N4003ST
MAIN	D964		nsp	90M-HD201730R	DIODE	1N4003 KVD1N4003ST
MAIN	D965		nsp	90M-HD201730R	DIODE	1N4003 KVD1N4003ST
MAIN	D966		nsp	00MHD20015210	DIODE	1SS133T-77 HVD1SS133MT
MAIN	D971		nsp	00MHD20015210	DIODE	1SS133T-77 HVD1SS133MT
MAIN	D972		nsp	00MHD20015210	DIODE	1SS133T-77 HVD1SS133MT
MAIN	D973		nsp	00MHD20015210	DIODE	1SS133T-77 HVD1SS133MT
MAIN	D974		nsp	00MHD20015210	DIODE	1SS133T-77 HVD1SS133MT
MAIN	D979		00MHD30821000	00MHD30821000	ZENER DIODE	8.2V 1/2W HVDMTZJ8.2BT
MAIN	D981		nsp	00MHD20015210	DIODE	1SS133T-77 HVD1SS133MT
MAIN	D982		nsp	00MHD20015210	DIODE	1SS133T-77 HVD1SS133MT
MAIN	▲ F901		nsp	nsp	FUSE HOLDER	KJCF5S
MAIN	▲ F902	/F1N	nsp	90M-FS001070R	FUSE	2.5A KBA2D2500TLET
MAIN	▲ F902	/L1G	nsp	90M-FS001070R	FUSE	2.5A KBA2D2500TLET
MAIN	▲ F902	/N1B	90M-FS001070R	90M-FS001070R	FUSE	2.5A KBA2D2500TLET
MAIN	▲ F902	/N1G	90M-FS001070R	90M-FS001070R	FUSE	2.5A KBA2D2500TLET
MAIN	▲ F902	/N1S	90M-FS001070R	90M-FS001070R	FUSE	2.5A KBA2D2500TLET
MAIN	▲ F902	/U1B	nsp	90M-FS001070R	FUSE	2.5A KBA2D2500TLET
MAIN	▲ F902	/U1S	nsp	90M-FS001070R	FUSE	2.5A KBA2D2500TLET
MAIN	▲ F903	/F1N	nsp	90M-FS001070R	FUSE	2.5A KBA2D2500TLET
MAIN	▲ F903	/L1G	nsp	90M-FS001070R	FUSE	2.5A KBA2D2500TLET
MAIN	▲ F903	/U1B	nsp	90M-FS001070R	FUSE	2.5A KBA2D2500TLET
MAIN	▲ F903	/U1S	nsp	90M-FS001070R	FUSE	2.5A KBA2D2500TLET
MAIN	IC94		90M-HC300500R	90M-HC300500R	IC	KA7805-ABTU HVIMC7805C
MAIN	IC96		90M-HC108410R	90M-HC108410R	IC	S-80842CNY-X HVIS-80842CNY-X
MAIN	J501		nsp	nsp	CONNECTIVE CORD	SN95/PB5 , 0.6 C3A206
MAIN	J502		nsp	nsp	CONNECTIVE CORD	SN95/PB5 , 0.6 C3A206
MAIN	J503		nsp	nsp	CONNECTIVE CORD	SN95/PB5 , 0.6 C3A206
MAIN	J504		nsp	nsp	CONNECTIVE CORD	SN95/PB5 , 0.6 C3A206
MAIN	J505		nsp	nsp	CONNECTIVE CORD	SN95/PB5 , 0.6 C3A206
MAIN	J506		nsp	nsp	CONNECTIVE CORD	SN95/PB5 , 0.6 C3A206
MAIN	J507		nsp	nsp	CONNECTIVE CORD	SN95/PB5 , 0.6 C3A206
MAIN	J508		nsp	nsp	CONNECTIVE CORD	SN95/PB5 , 0.6 C3A206
MAIN	J509		nsp	nsp	CONNECTIVE CORD	SN95/PB5 , 0.6 C3A206
MAIN	J510		nsp	nsp	CONNECTIVE CORD	SN95/PB5 , 0.6 C3A206
MAIN	J511		nsp	nsp	CONNECTIVE CORD	SN95/PB5 , 0.6 C3A206
MAIN	J512		nsp	nsp	CONNECTIVE CORD	SN95/PB5 , 0.6 C3A206
MAIN	J513		nsp	nsp	CONNECTIVE CORD	SN95/PB5 , 0.6 C3A206
MAIN	J514		nsp	nsp	CONNECTIVE CORD	SN95/PB5 , 0.6 C3A206
MAIN	J515		nsp	nsp	CONNECTIVE CORD	SN95/PB5 , 0.6 C3A206
MAIN	J516		nsp	nsp	CONNECTIVE CORD	SN95/PB5 , 0.6 C3A206
MAIN	J517		nsp	nsp	CONNECTIVE CORD	SN95/PB5 , 0.6 C3A206
MAIN	J518		nsp	nsp	CONNECTIVE CORD	SN95/PB5 , 0.6 C3A206
MAIN	J519		nsp	nsp	CONNECTIVE CORD	SN95/PB5 , 0.6 C3A206
MAIN	J520		nsp	nsp	CONNECTIVE CORD	SN95/PB5 , 0.6 C3A206
MAIN	J521		nsp	nsp	CONNECTIVE CORD	SN95/PB5 , 0.6 C3A206
MAIN	J522		nsp	nsp	CONNECTIVE CORD	SN95/PB5 , 0.6 C3A206
MAIN	J523		nsp	nsp	CONNECTIVE CORD	SN95/PB5 , 0.6 C3A206
MAIN	J524		nsp	nsp	CONNECTIVE CORD	SN95/PB5 , 0.6 C3A206

NOTE : "nsp" PARTS IS LISTED FOR REFERENCE ONLY, MARANTZ WILL NOT SUPPLY THESE PARTS.

P.C.B. NAME	POS.NO.	VERS. COLOR	PART NO. (FOR EUR)	PART NO. (MJI)	PART NAME	DESCRIPTION
MAIN	J751		nsp	nsp	CONNECTIVE CORD	SN95/PB5 , 0.6 C3A206
MAIN	J752		nsp	nsp	CONNECTIVE CORD	SN95/PB5 , 0.6 C3A206
MAIN	J753		nsp	nsp	CONNECTIVE CORD	SN95/PB5 , 0.6 C3A206
MAIN	J754		nsp	nsp	CONNECTIVE CORD	SN95/PB5 , 0.6 C3A206
MAIN	J755		nsp	nsp	CONNECTIVE CORD	SN95/PB5 , 0.6 C3A206
MAIN	J756		nsp	nsp	CONNECTIVE CORD	SN95/PB5 , 0.6 C3A206
MAIN	J757		nsp	nsp	CONNECTIVE CORD	SN95/PB5 , 0.6 C3A206
MAIN	J758		nsp	nsp	CONNECTIVE CORD	SN95/PB5 , 0.6 C3A206
MAIN	J759		nsp	nsp	CONNECTIVE CORD	SN95/PB5 , 0.6 C3A206
MAIN	J760		nsp	nsp	CONNECTIVE CORD	SN95/PB5 , 0.6 C3A206
MAIN	J761		nsp	nsp	CONNECTIVE CORD	SN95/PB5 , 0.6 C3A206
MAIN	J762		nsp	nsp	CONNECTIVE CORD	SN95/PB5 , 0.6 C3A206
MAIN	J763		nsp	nsp	CONNECTIVE CORD	SN95/PB5 , 0.6 C3A206
MAIN	J764		nsp	nsp	CONNECTIVE CORD	SN95/PB5 , 0.6 C3A206
MAIN	J765		nsp	nsp	CONNECTIVE CORD	SN95/PB5 , 0.6 C3A206
MAIN	J766		nsp	nsp	CONNECTIVE CORD	SN95/PB5 , 0.6 C3A206
MAIN	J767		nsp	nsp	CONNECTIVE CORD	SN95/PB5 , 0.6 C3A206
MAIN	J768		nsp	nsp	CONNECTIVE CORD	SN95/PB5 , 0.6 C3A206
MAIN	J769		nsp	nsp	CONNECTIVE CORD	SN95/PB5 , 0.6 C3A206
MAIN	J997		nsp	nsp	CONNECTIVE CORD	SN95/PB5 , 0.6 C3A206
MAIN	JK91		90M-YT003530R	90M-YT003530R	TERMINAL	8P SPEAKER CJJ5R006Z
MAIN	JK92		90M-YT004020R	90M-YT004020R	TERMINAL	6P SPEAKER CJJ5Q012Z
MAIN	JK97		90M-YT003990R	90M-YT003990R	TERMINAL	CJJ4P041W
MAIN	JK98		90M-YT004000R	90M-YT004000R	TERMINAL	CJJ4P042W
MAIN	JW90		nsp	nsp	CONNECTIVE CORD	CWEE212120VV
MAIN	JW91		nsp	nsp	CONNECTIVE CORD	CWE8202150AA
MAIN	JW92		nsp	nsp	CONNECTIVE CORD	CWEE212080VV
MAIN	L501		90M-LC107310R	90M-LC107310R	COIL	0.5UH K CLEY0R5KAK
MAIN	L502		90M-LC107310R	90M-LC107310R	COIL	0.5UH K CLEY0R5KAK
MAIN	L503		90M-LC107310R	90M-LC107310R	COIL	0.5UH K CLEY0R5KAK
MAIN	L504		90M-LC107310R	90M-LC107310R	COIL	0.5UH K CLEY0R5KAK
MAIN	L505		90M-LC107310R	90M-LC107310R	COIL	0.5UH K CLEY0R5KAK
MAIN	L506		90M-LC107310R	90M-LC107310R	COIL	0.5UH K CLEY0R5KAK
MAIN	L507		90M-LC107310R	90M-LC107310R	COIL	0.5UH K CLEY0R5KAK
MAIN	OL91	/F1N	nsp	90M-YT002430R	OUTLET	A204D0041P AC(UL/2P/SEP) KJJ7A022Z
MAIN	OL91	/K1G	nsp	90M-YT002410R	OUTLET	A302D0061P AC(EUR/1P) KJJ7A015Z
MAIN	OL91	/L1G	nsp	90M-YT002430R	OUTLET	A204D0041P AC(UL/2P/SEP) KJJ7A022Z
MAIN	OL91	/N1B	90M-YT002410R	90M-YT002410R	OUTLET	A302D0061P AC(EUR/1P) KJJ7A015Z
MAIN	OL91	/N1G	90M-YT002410R	90M-YT002410R	OUTLET	A302D0061P AC(EUR/1P) KJJ7A015Z
MAIN	OL91	/N1S	90M-YT002410R	90M-YT002410R	OUTLET	A302D0061P AC(EUR/1P) KJJ7A015Z
MAIN	OL91	/U1B	nsp	90M-YT002430R	OUTLET	A204D0041P AC(UL/2P/SEP) KJJ7A022Z
MAIN	OL91	/U1S	nsp	90M-YT002430R	OUTLET	A204D0041P AC(UL/2P/SEP) KJJ7A022Z
MAIN	Q501		90M-HT600020R	90M-HT600020R	TRANSISTOR	KTA1268GR HVTKTA1268GRT
MAIN	Q502		90M-HT600020R	90M-HT600020R	TRANSISTOR	KTA1268GR HVTKTA1268GRT
MAIN	Q503		90M-HT600020R	90M-HT600020R	TRANSISTOR	KTA1268GR HVTKTA1268GRT
MAIN	Q504		90M-HT600020R	90M-HT600020R	TRANSISTOR	KTA1268GR HVTKTA1268GRT
MAIN	Q505		90M-HT600020R	90M-HT600020R	TRANSISTOR	KTA1268GR HVTKTA1268GRT
MAIN	Q511		90M-HT800060R	90M-HT800060R	TRANSISTOR	KTC3200GR HVTKTC3200GRT
MAIN	Q512		90M-HT800060R	90M-HT800060R	TRANSISTOR	KTC3200GR HVTKTC3200GRT
MAIN	Q513		90M-HT800060R	90M-HT800060R	TRANSISTOR	KTC3200GR HVTKTC3200GRT
MAIN	Q514		90M-HT800060R	90M-HT800060R	TRANSISTOR	KTC3200GR HVTKTC3200GRT
MAIN	Q515		90M-HT800060R	90M-HT800060R	TRANSISTOR	KTC3200GR HVTKTC3200GRT
MAIN	Q516		90M-HT800060R	90M-HT800060R	TRANSISTOR	KTC3200GR HVTKTC3200GRT
MAIN	Q517		90M-HT800060R	90M-HT800060R	TRANSISTOR	KTC3200GR HVTKTC3200GRT
MAIN	Q518		90M-HT800060R	90M-HT800060R	TRANSISTOR	KTC3200GR HVTKTC3200GRT

NOTE : "nsp" PARTS IS LISTED FOR REFERENCE ONLY, MARANTZ WILL NOT SUPPLY THESE PARTS.

P.C.B. NAME	POS.NO.	VERS. COLOR	PART NO. (FOR EUR)	PART NO. (MJI)	PART NAME	DESCRIPTION
MAIN	Q519		90M-HT800060R	90M-HT800060R	TRANSISTOR	KTC3200GR HVTKTC3200GRT
MAIN	Q520		90M-HT800060R	90M-HT800060R	TRANSISTOR	KTC3200GR HVTKTC3200GRT
MAIN	Q541		90M-HT800050R	90M-HT800050R	TRANSISTOR	KTC3198YT HVTKTC3198YT
MAIN	Q544		90M-HT800050R	90M-HT800050R	TRANSISTOR	KTC3198YT HVTKTC3198YT
MAIN	Q545		90M-HT800050R	90M-HT800050R	TRANSISTOR	KTC3198YT HVTKTC3198YT
MAIN	Q556		90M-HT800060R	90M-HT800060R	TRANSISTOR	KTC3200GR HVTKTC3200GRT
MAIN	Q557		90M-HT800060R	90M-HT800060R	TRANSISTOR	KTC3200GR HVTKTC3200GRT
MAIN	Q558		90M-HT800060R	90M-HT800060R	TRANSISTOR	KTC3200GR HVTKTC3200GRT
MAIN	Q559		90M-HT800060R	90M-HT800060R	TRANSISTOR	KTC3200GR HVTKTC3200GRT
MAIN	Q560		90M-HT800060R	90M-HT800060R	TRANSISTOR	KTC3200GR HVTKTC3200GRT
MAIN	Q561		90M-HT800060R	90M-HT800060R	TRANSISTOR	KTC3200GR HVTKTC3200GRT
MAIN	Q562		90M-HT800060R	90M-HT800060R	TRANSISTOR	KTC3200GR HVTKTC3200GRT
MAIN	Q563		90M-HT800060R	90M-HT800060R	TRANSISTOR	KTC3200GR HVTKTC3200GRT
MAIN	Q564		90M-HT800060R	90M-HT800060R	TRANSISTOR	KTC3200GR HVTKTC3200GRT
MAIN	Q565		90M-HT800060R	90M-HT800060R	TRANSISTOR	KTC3200GR HVTKTC3200GRT
MAIN	Q601		90M-HT600020R	90M-HT600020R	TRANSISTOR	KTA1268GR HVTKTA1268GRT
MAIN	Q602		90M-HT600020R	90M-HT600020R	TRANSISTOR	KTA1268GR HVTKTA1268GRT
MAIN	Q603		90M-HT600020R	90M-HT600020R	TRANSISTOR	KTA1268GR HVTKTA1268GRT
MAIN	Q604		90M-HT600020R	90M-HT600020R	TRANSISTOR	KTA1268GR HVTKTA1268GRT
MAIN	Q605		90M-HT600020R	90M-HT600020R	TRANSISTOR	KTA1268GR HVTKTA1268GRT
MAIN	Q652		90M-HT200440R	90M-HT200440R	TRANSISTOR	2SB1560 BVT2SB1560
MAIN	Q653		90M-HT200441R	90M-HT200441R	TRANSISTOR	2SB1560 BVT2SB1560
MAIN	Q654		90M-HT200442R	90M-HT200442R	TRANSISTOR	2SB1560 BVT2SB1560
MAIN	Q655		90M-HT200443R	90M-HT200443R	TRANSISTOR	2SB1560 BVT2SB1560
MAIN	Q657		90M-HT400490R	90M-HT400490R	TRANSISTOR	2SD2390 BVT2SD2390
MAIN	Q658		90M-HT400490R	90M-HT400490R	TRANSISTOR	2SD2390 BVT2SD2390
MAIN	Q659		90M-HT400490R	90M-HT400490R	TRANSISTOR	2SD2390 BVT2SD2390
MAIN	Q660		90M-HT400490R	90M-HT400490R	TRANSISTOR	2SD2390 BVT2SD2390
MAIN	Q661		90M-HT200444R	90M-HT200444R	TRANSISTOR	2SB1560 BVT2SB1560
MAIN	Q670		90M-HT400490R	90M-HT400490R	TRANSISTOR	2SD2390 BVT2SD2390
MAIN	Q681		90M-HT800060R	90M-HT800060R	TRANSISTOR	KTC3200GR HVTKTC3200GRT
MAIN	Q682		90M-HT800060R	90M-HT800060R	TRANSISTOR	KTC3200GR HVTKTC3200GRT
MAIN	Q683		90M-HT800060R	90M-HT800060R	TRANSISTOR	KTC3200GR HVTKTC3200GRT
MAIN	Q684		90M-HT800060R	90M-HT800060R	TRANSISTOR	KTC3200GR HVTKTC3200GRT
MAIN	Q685		90M-HT800060R	90M-HT800060R	TRANSISTOR	KTC3200GR HVTKTC3200GRT
MAIN	Q801		90M-HT800060R	90M-HT800060R	TRANSISTOR	KTC3200GR HVTKTC3200GRT
MAIN	Q802		90M-HT800060R	90M-HT800060R	TRANSISTOR	KTC3200GR HVTKTC3200GRT
MAIN	Q803		90M-HT400490R	90M-HT400490R	TRANSISTOR	2SD2390 BVT2SD2390
MAIN	Q804		90M-HT200445R	90M-HT200445R	TRANSISTOR	2SB1560 BVT2SB1560
MAIN	Q805		90M-HT400490R	90M-HT400490R	TRANSISTOR	2SD2390 BVT2SD2390
MAIN	Q807		90M-HT200446R	90M-HT200446R	TRANSISTOR	2SB1560 BVT2SB1560
MAIN	Q812		90M-HT600020R	90M-HT600020R	TRANSISTOR	KTA1268GR HVTKTA1268GRT
MAIN	Q813		90M-HT800060R	90M-HT800060R	TRANSISTOR	KTC3200GR HVTKTC3200GRT
MAIN	Q814		90M-HT600020R	90M-HT600020R	TRANSISTOR	KTA1268GR HVTKTA1268GRT
MAIN	Q815		90M-HT800060R	90M-HT800060R	TRANSISTOR	KTC3200GR HVTKTC3200GRT
MAIN	Q816		90M-HT600020R	90M-HT600020R	TRANSISTOR	KTA1268GR HVTKTA1268GRT
MAIN	Q817		90M-HT600020R	90M-HT600020R	TRANSISTOR	KTA1268GR HVTKTA1268GRT
MAIN	Q818		90M-HT800060R	90M-HT800060R	TRANSISTOR	KTC3200GR HVTKTC3200GRT
MAIN	Q819		90M-HT800060R	90M-HT800060R	TRANSISTOR	KTC3200GR HVTKTC3200GRT
MAIN	Q820		90M-HT800060R	90M-HT800060R	TRANSISTOR	KTC3200GR HVTKTC3200GRT
MAIN	Q821		90M-HT800060R	90M-HT800060R	TRANSISTOR	KTC3200GR HVTKTC3200GRT
MAIN	Q822		90M-HT800060R	90M-HT800060R	TRANSISTOR	KTC3200GR HVTKTC3200GRT
MAIN	Q823		90M-HT800060R	90M-HT800060R	TRANSISTOR	KTC3200GR HVTKTC3200GRT
MAIN	Q824		90M-HT800050R	90M-HT800050R	TRANSISTOR	KTC3198YT HVTKTC3198YT
MAIN	Q825		90M-HT800050R	90M-HT800050R	TRANSISTOR	KTC3198YT HVTKTC3198YT
MAIN	Q858		90M-HT100540R	90M-HT100540R	TRANSISTOR	KTA1360Y HVTKTA1360Y
MAIN	Q871		90M-HT100540R	90M-HT100540R	TRANSISTOR	KTA1360Y HVTKTA1360Y
MAIN	Q872		90M-HT100540R	90M-HT100540R	TRANSISTOR	KTA1360Y HVTKTA1360Y
MAIN	Q874		90M-HT100540R	90M-HT100540R	TRANSISTOR	KTA1360Y HVTKTA1360Y
MAIN	Q875		90M-HT100540R	90M-HT100540R	TRANSISTOR	KTA1360Y HVTKTA1360Y
MAIN	Q876		90M-HT100540R	90M-HT100540R	TRANSISTOR	KTA1360Y HVTKTA1360Y
MAIN	Q877		90M-HT100540R	90M-HT100540R	TRANSISTOR	KTA1360Y HVTKTA1360Y
MAIN	Q881		90M-HT300820R	90M-HT300820R	TRANSISTOR	KTC3423Y HVTKTC3423Y

NOTE : "nsp" PARTS IS LISTED FOR REFERENCE ONLY, MARANTZ WILL NOT SUPPLY THESE PARTS.

P.C.B. NAME	POS.NO.	VERS. COLOR	PART NO. (FOR EUR)	PART NO. (MJI)	PART NAME	DESCRIPTION
MAIN	Q882		90M-HT300820R	90M-HT300820R	TRANSISTOR	KTC3423Y HVTKTC3423Y
MAIN	Q883		90M-HT300820R	90M-HT300820R	TRANSISTOR	KTC3423Y HVTKTC3423Y
MAIN	Q884		90M-HT300820R	90M-HT300820R	TRANSISTOR	KTC3423Y HVTKTC3423Y
MAIN	Q885		90M-HT300820R	90M-HT300820R	TRANSISTOR	KTC3423Y HVTKTC3423Y
MAIN	Q886		90M-HT300820R	90M-HT300820R	TRANSISTOR	KTC3423Y HVTKTC3423Y
MAIN	Q887		90M-HT300820R	90M-HT300820R	TRANSISTOR	KTC3423Y HVTKTC3423Y
MAIN	Q901		90M-HT600040R	90M-HT600040R	TRANSISTOR	KTA1267YT HVTKTA1267YT
MAIN	Q902		90M-BA001530R	90M-BA001530R	TRANSISTOR	KTC114M HVTKRC114MT
MAIN	Q903		90M-BA001460R	90M-BA001460R	TRANSISTOR	KRC107M HVTKRC107MT
MAIN	Q904		90M-HT600040R	90M-HT600040R	TRANSISTOR	KTA1267YT HVTKTA1267YT
MAIN	Q905		90M-HT800050R	90M-HT800050R	TRANSISTOR	KTC3198YT HVTKTC3198YT
MAIN	Q906		90M-HT600040R	90M-HT600040R	TRANSISTOR	KTA1267YT HVTKTA1267YT
MAIN	Q911		90M-HT600040R	90M-HT600040R	TRANSISTOR	KTA1267YT HVTKTA1267YT
MAIN	Q912		90M-HT800050R	90M-HT800050R	TRANSISTOR	KTC3198YT HVTKTC3198YT
MAIN	Q913		90M-HT800050R	90M-HT800050R	TRANSISTOR	KTC3198YT HVTKTC3198YT
MAIN	Q914		90M-HT600020R	90M-HT600020R	TRANSISTOR	KTA1268GR HVTKTA1268GRT
MAIN	Q915		90M-BA001450R	90M-BA001450R	TRANSISTOR	KRA107M HVTKRA107MT
MAIN	Q916		90M-HT800050R	90M-HT800050R	TRANSISTOR	KTC3198YT HVTKTC3198YT
MAIN	Q917		90M-BA001460R	90M-BA001460R	TRANSISTOR	KRC107M HVTKRC107MT
MAIN	Q918		90M-HT600040R	90M-HT600040R	TRANSISTOR	KTA1267YT HVTKTA1267YT
MAIN	Q919		90M-HT800050R	90M-HT800050R	TRANSISTOR	KTC3198YT HVTKTC3198YT
MAIN	Q920		90M-HT800050R	90M-HT800050R	TRANSISTOR	KTC3198YT HVTKTC3198YT
MAIN	Q921		90M-BA001450R	90M-BA001450R	TRANSISTOR	KRA107M HVTKRA107MT
MAIN	Q923		90M-HT600020R	90M-HT600020R	TRANSISTOR	KTA1268GR HVTKTA1268GRT
MAIN	Q924		90M-HT800050R	90M-HT800050R	TRANSISTOR	KTC3198YT HVTKTC3198YT
MAIN	Q925		90M-HT800050R	90M-HT800050R	TRANSISTOR	KTC3198YT HVTKTC3198YT
MAIN	Q960		90M-BA001460R	90M-BA001460R	TRANSISTOR	KRC107M HVTKRC107MT
MAIN	Q961		90M-HT600030R	90M-HT600030R	TRANSISTOR	KTA1024YT HVTKTA1024YT
MAIN	Q997		90M-BA001460R	90M-BA001460R	TRANSISTOR	KRC107M HVTKRC107MT
MAIN	Q998		90M-HT600040R	90M-HT600040R	TRANSISTOR	KTA1267YT HVTKTA1267YT
MAIN	R501		nsp	nsp	RESISTOR	43K OHM 1/5W J CRD20TJ433T
MAIN	R502		nsp	nsp	RESISTOR	43K OHM 1/5W J CRD20TJ433T
MAIN	R503		nsp	nsp	RESISTOR	43K OHM 1/5W J CRD20TJ433T
MAIN	R506		nsp	nsp	RESISTOR	33K OHM 1/5W J CRD20TJ333T
MAIN	R507		nsp	nsp	RESISTOR	33K OHM 1/5W J CRD20TJ333T
MAIN	R508		nsp	nsp	RESISTOR	33K OHM 1/5W J CRD20TJ333T
MAIN	R509		nsp	nsp	RESISTOR	33K OHM 1/5W J CRD20TJ333T
MAIN	R510		nsp	nsp	RESISTOR	33K OHM 1/5W J CRD20TJ333T
MAIN	R511		nsp	nsp	RESISTOR	1.5K OHM 1/5W J CRD20TJ152T
MAIN	R512		nsp	nsp	RESISTOR	1.5K OHM 1/5W J CRD20TJ152T
MAIN	R513		nsp	nsp	RESISTOR	1.5K OHM 1/5W J CRD20TJ152T
MAIN	R514		nsp	nsp	RESISTOR	1.5K OHM 1/5W J CRD20TJ152T
MAIN	R515		nsp	nsp	RESISTOR	1.5K OHM 1/5W J CRD20TJ152T
MAIN	R516		nsp	nsp	RESISTOR	1.5K OHM 1/5W J CRD20TJ152T
MAIN	R517		nsp	nsp	RESISTOR	1.5K OHM 1/5W J CRD20TJ152T
MAIN	R518		nsp	nsp	RESISTOR	1.5K OHM 1/5W J CRD20TJ152T
MAIN	R519		nsp	nsp	RESISTOR	1.5K OHM 1/5W J CRD20TJ152T
MAIN	R520		nsp	nsp	RESISTOR	1.5K OHM 1/5W J CRD20TJ152T
MAIN	R521		nsp	nsp	RESISTOR	470 OHM 1/5W J CRD20TJ471T
MAIN	R522		nsp	nsp	RESISTOR	470 OHM 1/5W J CRD20TJ471T
MAIN	R523		nsp	nsp	RESISTOR	470 OHM 1/5W J CRD20TJ471T
MAIN	R524		nsp	nsp	RESISTOR	470 OHM 1/5W J CRD20TJ471T
MAIN	R525		nsp	nsp	RESISTOR	470 OHM 1/5W J CRD20TJ471T
MAIN	R531		nsp	nsp	RESISTOR	220 OHM 1/5W J CRD20TJ221T
MAIN	R532		nsp	nsp	RESISTOR	220 OHM 1/5W J CRD20TJ221T
MAIN	R533		nsp	nsp	RESISTOR	220 OHM 1/5W J CRD20TJ221T
MAIN	R534		nsp	nsp	RESISTOR	220 OHM 1/5W J CRD20TJ221T
MAIN	R535		nsp	nsp	RESISTOR	220 OHM 1/5W J CRD20TJ221T
MAIN	R536		nsp	nsp	RESISTOR	220 OHM 1/5W J CRD20TJ221T
MAIN	R537		nsp	nsp	RESISTOR	220 OHM 1/5W J CRD20TJ221T
MAIN	R538		nsp	nsp	RESISTOR	220 OHM 1/5W J CRD20TJ221T
MAIN	R539		nsp	nsp	RESISTOR	220 OHM 1/5W J CRD20TJ221T
MAIN	R540		nsp	nsp	RESISTOR	220 OHM 1/5W J CRD20TJ221T

NOTE : "nsp" PARTS IS LISTED FOR REFERENCE ONLY, MARANTZ WILL NOT SUPPLY THESE PARTS.

P.C.B. NAME	POS.NO.	VERS. COLOR	PART NO. (FOR EUR)	PART NO. (MJI)	PART NAME	DESCRIPTION
MAIN	R541		nsp	nsp	RESISTOR	270 OHM 1/5W J CRD20TJ271T
MAIN	R542		nsp	nsp	RESISTOR	270 OHM 1/5W J CRD20TJ271T
MAIN	R543		nsp	nsp	RESISTOR	270 OHM 1/5W J CRD20TJ271T
MAIN	R544		nsp	nsp	RESISTOR	270 OHM 1/5W J CRD20TJ271T
MAIN	R545		nsp	nsp	RESISTOR	270 OHM 1/5W J CRD20TJ271T
MAIN	R546		nsp	nsp	RESISTOR	47K OHM 1/5W J CRD20TJ473T
MAIN	R547		nsp	nsp	RESISTOR	47K OHM 1/5W J CRD20TJ473T
MAIN	R556		nsp	nsp	RESISTOR	33K OHM 1/5W J CRD20TJ333T
MAIN	R557		nsp	nsp	RESISTOR	33K OHM 1/5W J CRD20TJ333T
MAIN	R558		nsp	nsp	RESISTOR	33K OHM 1/5W J CRD20TJ333T
MAIN	R559		nsp	nsp	RESISTOR	33K OHM 1/5W J CRD20TJ333T
MAIN	R560		nsp	nsp	RESISTOR	33K OHM 1/5W J CRD20TJ333T
MAIN	R561		nsp	nsp	RESISTOR	1.3K OHM 1/5W CRD20TJ132T
MAIN	R562		nsp	nsp	RESISTOR	1.3K OHM 1/5W CRD20TJ132T
MAIN	R563		nsp	nsp	RESISTOR	1.3K OHM 1/5W CRD20TJ132T
MAIN	R564		nsp	nsp	RESISTOR	1.3K OHM 1/5W CRD20TJ132T
MAIN	R565		nsp	nsp	RESISTOR	1.3K OHM 1/5W CRD20TJ132T
MAIN	R566		nsp	nsp	RESISTOR	560 OHM 1/5W J CRD20TJ561T
MAIN	R567		nsp	nsp	RESISTOR	560 OHM 1/5W J CRD20TJ561T
MAIN	R568		nsp	nsp	RESISTOR	560 OHM 1/5W J CRD20TJ561T
MAIN	R569		nsp	nsp	RESISTOR	560 OHM 1/5W J CRD20TJ561T
MAIN	R570		nsp	nsp	RESISTOR	560 OHM 1/5W J CRD20TJ561T
MAIN	R571		nsp	nsp	RESISTOR	560 OHM 1/5W J CRD20TJ561T
MAIN	R572		nsp	nsp	RESISTOR	560 OHM 1/5W J CRD20TJ561T
MAIN	R573		nsp	nsp	RESISTOR	560 OHM 1/5W J CRD20TJ561T
MAIN	R574		nsp	nsp	RESISTOR	560 OHM 1/5W J CRD20TJ561T
MAIN	R575		nsp	nsp	RESISTOR	560 OHM 1/5W J CRD20TJ561T
MAIN	R576		nsp	nsp	RESISTOR	10 OHM 1/5W J CRD20TJ100T
MAIN	R577		nsp	nsp	RESISTOR	10 OHM 1/5W J CRD20TJ100T
MAIN	R578		nsp	nsp	RESISTOR	10 OHM 1/5W J CRD20TJ100T
MAIN	R579		nsp	nsp	RESISTOR	10 OHM 1/5W J CRD20TJ100T
MAIN	R580		nsp	nsp	RESISTOR	10 OHM 1/5W J CRD20TJ100T
MAIN	R581		nsp	nsp	RESISTOR	560 OHM 1/5W J CRD20TJ561T
MAIN	R582		nsp	nsp	RESISTOR	560 OHM 1/5W J CRD20TJ561T
MAIN	R583		nsp	nsp	RESISTOR	560 OHM 1/5W J CRD20TJ561T
MAIN	R584		nsp	nsp	RESISTOR	560 OHM 1/5W J CRD20TJ561T
MAIN	R585		nsp	nsp	RESISTOR	560 OHM 1/5W J CRD20TJ561T
MAIN	R586		nsp	nsp	RESISTOR	560 OHM 1/5W J CRD20TJ561T
MAIN	R587		nsp	nsp	RESISTOR	560 OHM 1/5W J CRD20TJ561T
MAIN	R588		nsp	nsp	RESISTOR	560 OHM 1/5W J CRD20TJ561T
MAIN	R589		nsp	nsp	RESISTOR	560 OHM 1/5W J CRD20TJ561T
MAIN	R590		nsp	nsp	RESISTOR	560 OHM 1/5W J CRD20TJ561T
MAIN	R591		nsp	nsp	RESISTOR	560 OHM 1/5W J CRD20TJ561T
MAIN	R592		nsp	nsp	RESISTOR	560 OHM 1/5W J CRD20TJ561T
MAIN	R593		nsp	nsp	RESISTOR	560 OHM 1/5W J CRD20TJ561T
MAIN	R594		nsp	nsp	RESISTOR	560 OHM 1/5W J CRD20TJ561T
MAIN	R595		nsp	nsp	RESISTOR	560 OHM 1/5W J CRD20TJ561T
MAIN	R596		nsp	nsp	RESISTOR	560 OHM 1/5W J CRD20TJ561T
MAIN	R597		nsp	nsp	RESISTOR	560 OHM 1/5W J CRD20TJ561T
MAIN	R598		nsp	nsp	RESISTOR	560 OHM 1/5W J CRD20TJ561T
MAIN	R599		nsp	nsp	RESISTOR	560 OHM 1/5W J CRD20TJ561T
MAIN	R600		nsp	nsp	RESISTOR	560 OHM 1/5W J CRD20TJ561T
MAIN	R601		nsp	nsp	RESISTOR	22K OHM 1/5W J CRD20TJ223T
MAIN	R602		nsp	nsp	RESISTOR	22K OHM 1/5W J CRD20TJ223T
MAIN	R603		nsp	nsp	RESISTOR	22K OHM 1/5W J CRD20TJ223T
MAIN	R604		nsp	nsp	RESISTOR	22K OHM 1/5W J CRD20TJ223T
MAIN	R605		nsp	nsp	RESISTOR	22K OHM 1/5W J CRD20TJ223T
MAIN	R606		nsp	nsp	RESISTOR	22K OHM 1/5W J CRD20TJ223T
MAIN	R607		nsp	nsp	RESISTOR	22K OHM 1/5W J CRD20TJ223T
MAIN	R608		nsp	nsp	RESISTOR	22K OHM 1/5W J CRD20TJ223T
MAIN	R609		nsp	nsp	RESISTOR	22K OHM 1/5W J CRD20TJ223T
MAIN	R610		nsp	nsp	RESISTOR	22K OHM 1/5W J CRD20TJ223T
MAIN	R611		nsp	nsp	RESISTOR	10 OHM 1/5W J CRD20TJ100T

NOTE : "nsp" PARTS IS LISTED FOR REFERENCE ONLY, MARANTZ WILL NOT SUPPLY THESE PARTS.

P.C.B. NAME	POS.NO.	VERS. COLOR	PART NO. (FOR EUR)	PART NO. (MJI)	PART NAME	DESCRIPTION
MAIN	R612		nsp	nsp	RESISTOR	10 OHM 1/5W J CRD20TJ100T
MAIN	R631		nsp	nsp	RESISTOR	18 OHM KRD25FJ180T
MAIN	R632		nsp	nsp	RESISTOR	18 OHM KRD25FJ180T
MAIN	R633		nsp	nsp	RESISTOR	18 OHM KRD25FJ180T
MAIN	R634		nsp	nsp	RESISTOR	18 OHM KRD25FJ180T
MAIN	R635		nsp	nsp	RESISTOR	18 OHM KRD25FJ180T
MAIN	R636		nsp	nsp	RESISTOR	18 OHM KRD25FJ180T
MAIN	R637		nsp	nsp	RESISTOR	18 OHM KRD25FJ180T
MAIN	R638		nsp	nsp	RESISTOR	18 OHM KRD25FJ180T
MAIN	R639		nsp	nsp	RESISTOR	18 OHM KRD25FJ180T
MAIN	R640		nsp	nsp	RESISTOR	18 OHM KRD25FJ180T
MAIN	R646		nsp	nsp	RESISTOR	3.3 OHM KRD25FJ3R3T
MAIN	R647		nsp	nsp	RESISTOR	3.3 OHM KRD25FJ3R3T
MAIN	R648		nsp	nsp	RESISTOR	3.3 OHM KRD25FJ3R3T
MAIN	R649		nsp	nsp	RESISTOR	3.3 OHM KRD25FJ3R3T
MAIN	R650		nsp	nsp	RESISTOR	3.3 OHM KRD25FJ3R3T
MAIN	R651		nsp	nsp	RESISTOR	3.3 OHM KRD25FJ3R3T
MAIN	R652		nsp	nsp	RESISTOR	3.3 OHM KRD25FJ3R3T
MAIN	R653		nsp	nsp	RESISTOR	3.3 OHM KRD25FJ3R3T
MAIN	R654		nsp	nsp	RESISTOR	3.3 OHM KRD25FJ3R3T
MAIN	R655		nsp	nsp	RESISTOR	3.3 OHM KRD25FJ3R3T
MAIN	R656		90M-GO000013R	90M-GO000013R	RESISTOR	0.27OHM(*2) ,5W CRF5EKR27HX2K
MAIN	R657		90M-GO000013R	90M-GO000013R	RESISTOR	0.27OHM(*2) ,5W CRF5EKR27HX2K
MAIN	R658		90M-GO000013R	90M-GO000013R	RESISTOR	0.27OHM(*2) ,5W CRF5EKR27HX2K
MAIN	R659		90M-GO000013R	90M-GO000013R	RESISTOR	0.27OHM(*2) ,5W CRF5EKR27HX2K
MAIN	R660		90M-GO000013R	90M-GO000013R	RESISTOR	0.27OHM(*2) ,5W CRF5EKR27HX2K
MAIN	R666		nsp	nsp	RESISTOR	47 OHM 1/4W J CRD25TJ470T
MAIN	R667		nsp	nsp	RESISTOR	47 OHM 1/4W J CRD25TJ470T
MAIN	R668		nsp	nsp	RESISTOR	47 OHM 1/4W J CRD25TJ470T
MAIN	R669		nsp	nsp	RESISTOR	47 OHM 1/4W J CRD25TJ470T
MAIN	R670		nsp	nsp	RESISTOR	47 OHM 1/4W J CRD25TJ470T
MAIN	R671		nsp	nsp	RESISTOR	1K OHM 1/5W J CRD20TJ102T
MAIN	R672		nsp	nsp	RESISTOR	1K OHM 1/5W J CRD20TJ102T
MAIN	R673		nsp	nsp	RESISTOR	1K OHM 1/5W J CRD20TJ102T
MAIN	R674		nsp	nsp	RESISTOR	1K OHM 1/5W J CRD20TJ102T
MAIN	R675		nsp	nsp	RESISTOR	1K OHM 1/5W J CRD20TJ102T
MAIN	R676		nsp	nsp	RESISTOR	1K OHM 1/5W J CRD20TJ102T
MAIN	R677		nsp	nsp	RESISTOR	1K OHM 1/5W J CRD20TJ102T
MAIN	R678		nsp	nsp	RESISTOR	1K OHM 1/5W J CRD20TJ102T
MAIN	R679		nsp	nsp	RESISTOR	1K OHM 1/5W J CRD20TJ102T
MAIN	R680		nsp	nsp	RESISTOR	1K OHM 1/5W J CRD20TJ102T
MAIN	R681		nsp	nsp	RESISTOR	680 OHM 1/5W J CRD20TJ681T
MAIN	R682		nsp	nsp	RESISTOR	680 OHM 1/5W J CRD20TJ681T
MAIN	R683		nsp	nsp	RESISTOR	680 OHM 1/5W J CRD20TJ681T
MAIN	R684		nsp	nsp	RESISTOR	680 OHM 1/5W J CRD20TJ681T
MAIN	R685		nsp	nsp	RESISTOR	680 OHM 1/5W J CRD20TJ681T
MAIN	R686		nsp	nsp	RESISTOR	22K OHM 1/5W J CRD20TJ223T
MAIN	R687		nsp	nsp	RESISTOR	22K OHM 1/5W J CRD20TJ223T
MAIN	R688		nsp	nsp	RESISTOR	22K OHM 1/5W J CRD20TJ223T
MAIN	R689		nsp	nsp	RESISTOR	22K OHM 1/5W J CRD20TJ223T
MAIN	R690		nsp	nsp	RESISTOR	22K OHM 1/5W J CRD20TJ223T
MAIN	R696		nsp	nsp	RESISTOR	47 OHM 1/4W J CRD25TJ470T
MAIN	R697		nsp	nsp	RESISTOR	47 OHM 1/4W J CRD25TJ470T
MAIN	R698		nsp	nsp	RESISTOR	47 OHM 1/4W J CRD25TJ470T
MAIN	R699		nsp	nsp	RESISTOR	47 OHM 1/4W J CRD25TJ470T
MAIN	R700		nsp	nsp	RESISTOR	47 OHM 1/4W J CRD25TJ470T
MAIN	R771		nsp	nsp	RESISTOR	75 OHM 1/5W J CRD20TJ750T
MAIN	R772		nsp	nsp	RESISTOR	75 OHM 1/5W J CRD20TJ750T
MAIN	R773		nsp	nsp	RESISTOR	75 OHM 1/5W J CRD20TJ750T
MAIN	R774		nsp	nsp	RESISTOR	75 OHM 1/5W J CRD20TJ750T
MAIN	R775		nsp	nsp	RESISTOR	75 OHM 1/5W J CRD20TJ750T
MAIN	R776		nsp	nsp	RESISTOR	75 OHM 1/5W J CRD20TJ750T
MAIN	R777		nsp	nsp	RESISTOR	75 OHM 1/5W J CRD20TJ750T

NOTE : "nsp" PARTS IS LISTED FOR REFERENCE ONLY, MARANTZ WILL NOT SUPPLY THESE PARTS.

P.C.B. NAME	POS.NO.	VERS. COLOR	PART NO. (FOR EUR)	PART NO. (MJI)	PART NAME	DESCRIPTION
MAIN	R781		nsp	nsp	RESISTOR	75 OHM 1/5W J CRD20TJ750T
MAIN	R782		nsp	nsp	RESISTOR	75 OHM 1/5W J CRD20TJ750T
MAIN	R783		nsp	nsp	RESISTOR	75 OHM 1/5W J CRD20TJ750T
MAIN	R784		nsp	nsp	RESISTOR	75 OHM 1/5W J CRD20TJ750T
MAIN	R785		nsp	nsp	RESISTOR	75 OHM 1/5W J CRD20TJ750T
MAIN	R786		nsp	nsp	RESISTOR	75 OHM 1/5W J CRD20TJ750T
MAIN	R787		nsp	nsp	RESISTOR	75 OHM 1/5W J CRD20TJ750T
MAIN	R801		nsp	nsp	RESISTOR	22K OHM 1/5W J CRD20TJ223T
MAIN	R802		nsp	nsp	RESISTOR	22K OHM 1/5W J CRD20TJ223T
MAIN	R803		nsp	nsp	RESISTOR	680 OHM 1/5W J CRD20TJ681T
MAIN	R804		nsp	nsp	RESISTOR	680 OHM 1/5W J CRD20TJ681T
MAIN	R805		nsp	nsp	RESISTOR	1K OHM 1/5W J CRD20TJ102T
MAIN	R807		nsp	nsp	RESISTOR	1K OHM 1/5W J CRD20TJ102T
MAIN	R808		nsp	nsp	RESISTOR	1K OHM 1/5W J CRD20TJ102T
MAIN	R809		nsp	nsp	RESISTOR	1K OHM 1/5W J CRD20TJ102T
MAIN	R810		90M-GO000013R	90M-GO000013R	RESISTOR	0.27OHM(*2) .5W CRF5EKR27HX2K
MAIN	R811		90M-GO000013R	90M-GO000013R	RESISTOR	0.27OHM(*2) .5W CRF5EKR27HX2K
MAIN	R812		nsp	nsp	RESISTOR	47 OHM 1/4W J CRD25TJ470T
MAIN	R813		nsp	nsp	RESISTOR	47 OHM 1/4W J CRD25TJ470T
MAIN	R814		nsp	nsp	RESISTOR	47 OHM 1/4W J CRD25TJ470T
MAIN	R815		nsp	nsp	RESISTOR	47 OHM 1/4W J CRD25TJ470T
MAIN	R817		nsp	nsp	RESISTOR	3.3 OHM KRD25FJ3R3T
MAIN	R818		nsp	nsp	RESISTOR	3.3 OHM KRD25FJ3R3T
MAIN	R819		nsp	nsp	RESISTOR	3.3 OHM KRD25FJ3R3T
MAIN	R820		nsp	nsp	RESISTOR	3.3 OHM KRD25FJ3R3T
MAIN	R821		nsp	nsp	RESISTOR	18 OHM KRD25FJ180T
MAIN	R822		nsp	nsp	RESISTOR	18 OHM KRD25FJ180T
MAIN	R823		nsp	nsp	RESISTOR	18 OHM KRD25FJ180T
MAIN	R824		nsp	nsp	RESISTOR	18 OHM KRD25FJ180T
MAIN	R830		nsp	nsp	RESISTOR	22K OHM 1/5W J CRD20TJ223T
MAIN	R831		nsp	nsp	RESISTOR	22K OHM 1/5W J CRD20TJ223T
MAIN	R832		nsp	nsp	RESISTOR	22K OHM 1/5W J CRD20TJ223T
MAIN	R833		nsp	nsp	RESISTOR	22K OHM 1/5W J CRD20TJ223T
MAIN	R834		nsp	nsp	RESISTOR	560 OHM 1/5W J CRD20TJ561T
MAIN	R835		nsp	nsp	RESISTOR	560 OHM 1/5W J CRD20TJ561T
MAIN	R836		nsp	nsp	RESISTOR	560 OHM 1/5W J CRD20TJ561T
MAIN	R837		nsp	nsp	RESISTOR	560 OHM 1/5W J CRD20TJ561T
MAIN	R838		nsp	nsp	RESISTOR	560 OHM 1/5W J CRD20TJ561T
MAIN	R839		nsp	nsp	RESISTOR	560 OHM 1/5W J CRD20TJ561T
MAIN	R840		nsp	nsp	RESISTOR	560 OHM 1/5W J CRD20TJ561T
MAIN	R841		nsp	nsp	RESISTOR	560 OHM 1/5W J CRD20TJ561T
MAIN	R842		nsp	nsp	RESISTOR	560 OHM 1/5W J CRD20TJ561T
MAIN	R843		nsp	nsp	RESISTOR	560 OHM 1/5W J CRD20TJ561T
MAIN	R844		nsp	nsp	RESISTOR	560 OHM 1/5W J CRD20TJ561T
MAIN	R845		nsp	nsp	RESISTOR	560 OHM 1/5W J CRD20TJ561T
MAIN	R848		nsp	nsp	RESISTOR	33K OHM 1/5W J CRD20TJ333T
MAIN	R849		nsp	nsp	RESISTOR	33K OHM 1/5W J CRD20TJ333T
MAIN	R850		nsp	nsp	RESISTOR	1.3K OHM 1/5W CRD20TJ132T
MAIN	R851		nsp	nsp	RESISTOR	1.3K OHM 1/5W CRD20TJ132T
MAIN	R852		nsp	nsp	RESISTOR	1.5K OHM 1/5W J CRD20TJ152T
MAIN	R853		nsp	nsp	RESISTOR	1.5K OHM 1/5W J CRD20TJ152T
MAIN	R854		nsp	nsp	RESISTOR	1.5K OHM 1/5W J CRD20TJ152T
MAIN	R855		nsp	nsp	RESISTOR	1.5K OHM 1/5W J CRD20TJ152T
MAIN	R856		nsp	nsp	RESISTOR	220 OHM 1/5W J CRD20TJ221T
MAIN	R857		nsp	nsp	RESISTOR	220 OHM 1/5W J CRD20TJ221T
MAIN	R858		nsp	nsp	RESISTOR	220 OHM 1/5W J CRD20TJ221T
MAIN	R859		nsp	nsp	RESISTOR	220 OHM 1/5W J CRD20TJ221T
MAIN	R860		nsp	nsp	RESISTOR	270 OHM 1/5W J CRD20TJ271T
MAIN	R861		nsp	nsp	RESISTOR	270 OHM 1/5W J CRD20TJ271T
MAIN	R862		nsp	nsp	RESISTOR	33K OHM 1/5W J CRD20TJ333T
MAIN	R863		nsp	nsp	RESISTOR	33K OHM 1/5W J CRD20TJ333T
MAIN	R864		nsp	nsp	RESISTOR	330 OHM 1/5W J CRD20TJ331T
MAIN	R865		nsp	nsp	RESISTOR	330 OHM 1/5W J CRD20TJ331T

NOTE : "nsp" PARTS IS LISTED FOR REFERENCE ONLY, MARANTZ WILL NOT SUPPLY THESE PARTS.

P.C.B. NAME	POS.NO.	VERS. COLOR	PART NO. (FOR EUR)	PART NO. (MJI)	PART NAME	DESCRIPTION
MAIN	R870		nsp	nsp	RESISTOR	43K OHM 1/5W J CRD20TJ433T
MAIN	R871		nsp	nsp	RESISTOR	43K OHM 1/5W J CRD20TJ433T
MAIN	R872		nsp	nsp	RESISTOR	470 OHM 1/5W J CRD20TJ471T
MAIN	R873		nsp	nsp	RESISTOR	470 OHM 1/5W J CRD20TJ471T
MAIN	R902		nsp	nsp	RESISTOR	4.7K OHM 1/5W J CRD20TJ472T
MAIN	R903		nsp	nsp	RESISTOR	10K OHM 1/5W J CRD20TJ103T
MAIN	R904	/F1N	nsp	90M-GG000010R	RESISTOR	BRDERC12UGK335T
MAIN	R904	/L1G	nsp	90M-GG000010R	RESISTOR	BRDERC12UGK335T
MAIN	R904	/U1B	nsp	90M-GG000010R	RESISTOR	BRDERC12UGK335T
MAIN	R904	/U1S	nsp	90M-GG000010R	RESISTOR	BRDERC12UGK335T
MAIN	R905		nsp	nsp	RESISTOR	10 OHM 1W CRG1ANJ100H
MAIN	R906		nsp	nsp	RESISTOR	100K OHM 1/5W J CRD20TJ104T
MAIN	R911		nsp	nsp	RESISTOR	10K OHM 1/5W J CRD20TJ103T
MAIN	R912		nsp	nsp	RESISTOR	4.7K OHM 1/5W J CRD20TJ472T
MAIN	R913		nsp	nsp	RESISTOR	1 OHM 1/5W J CRD20TJ1R0T
MAIN	R917		nsp	nsp	RESISTOR	15K OHM 1/5W J CRD20TJ153T
MAIN	R918		nsp	nsp	RESISTOR	15K OHM 1/5W J CRD20TJ153T
MAIN	R919		nsp	nsp	RESISTOR	15K OHM 1/5W J CRD20TJ153T
MAIN	R920		nsp	nsp	RESISTOR	15K OHM 1/5W J CRD20TJ153T
MAIN	R921		nsp	nsp	RESISTOR	100K OHM 1/5W J CRD20TJ104T
MAIN	R922		nsp	nsp	RESISTOR	33K OHM 1/5W J CRD20TJ333T
MAIN	R923		nsp	nsp	RESISTOR	10K OHM 1/5W J CRD20TJ103T
MAIN	R925		nsp	nsp	RESISTOR	39K OHM 1/5W CRD20TJ393T
MAIN	R926		nsp	nsp	RESISTOR	150K OHM 1/5W CRD20TJ154T
MAIN	R927		nsp	nsp	RESISTOR	15K OHM 1/5W J CRD20TJ153T
MAIN	R932		nsp	nsp	RESISTOR	10K OHM 1/5W J CRD20TJ103T
MAIN	R937		nsp	nsp	RESISTOR	5.6K OHM 1/5W J CRD20TJ562T
MAIN	R938		nsp	nsp	RESISTOR	33K OHM 1/5W J CRD20TJ333T
MAIN	R939		nsp	nsp	RESISTOR	33K OHM 1/5W J CRD20TJ333T
MAIN	R941		nsp	nsp	RESISTOR	68K OHM 1/4W J CRD25TJ683T
MAIN	R942		nsp	nsp	RESISTOR	68K OHM 1/5W J CRD20TJ683T
MAIN	R943		nsp	nsp	RESISTOR	68K OHM 1/5W J CRD20TJ683T
MAIN	R944		nsp	nsp	RESISTOR	68K OHM 1/5W J CRD20TJ683T
MAIN	R945		nsp	nsp	RESISTOR	68K OHM 1/4W J CRD25TJ683T
MAIN	R946		nsp	nsp	RESISTOR	68K OHM 1/5W J CRD20TJ683T
MAIN	R947		nsp	nsp	RESISTOR	68K OHM 1/4W J CRD25TJ683T
MAIN	R948		nsp	nsp	RESISTOR	2.2K OHM 1/5W J CRD20TJ222T
MAIN	R949		nsp	nsp	RESISTOR	15K OHM 1/5W J CRD20TJ153T
MAIN	R950		nsp	nsp	RESISTOR	47K OHM 1/5W J CRD20TJ473T
MAIN	R951		nsp	nsp	RESISTOR	22K OHM 1/5W J CRD20TJ223T
MAIN	R952		nsp	nsp	RESISTOR	22K OHM 1/5W J CRD20TJ223T
MAIN	R953		nsp	nsp	RESISTOR	22K OHM 1/5W J CRD20TJ223T
MAIN	R954		nsp	nsp	RESISTOR	4.7K OHM 1/5W J CRD20TJ472T
MAIN	R955		nsp	nsp	RESISTOR	4.7 OHM 1/5W J CRD20TJ4R7T
MAIN	R956		nsp	nsp	RESISTOR	4.7 OHM 1/5W J CRD20TJ4R7T
MAIN	R957		nsp	nsp	RESISTOR	10K OHM 1/5W J CRD20TJ103T
MAIN	R958		nsp	nsp	RESISTOR	4.7K OHM 1/5W J CRD20TJ472T
MAIN	R959		nsp	nsp	RESISTOR	4.7 OHM 1/5W J CRD20TJ4R7T
MAIN	R960		nsp	nsp	RESISTOR	4.7 OHM 1/5W J CRD20TJ4R7T
MAIN	R961		nsp	nsp	RESISTOR	330 OHM 1/5W J CRD20TJ331T
MAIN	R962		nsp	nsp	RESISTOR	27K OHM 1/5W J CRD20TJ273T
MAIN	R963		90M-GO000012R	90M-GO000012R	RESISTOR	0.1 OHM 5W CRF5EKR10H
MAIN	R964		90M-GO000012R	90M-GO000012R	RESISTOR	0.1 OHM 5W CRF5EKR10H
MAIN	R965		nsp	nsp	RESISTOR	8.2K OHM 1/5W J CRD20TJ822T
MAIN	R966		nsp	nsp	RESISTOR	1 OHM 1/5W J CRD20TJ1R0T
MAIN	R967		nsp	nsp	RESISTOR	560K OHM 1/5W J CRD20TJ564T
MAIN	R968		nsp	nsp	RESISTOR	3.9K OHM 1/5W CRD20TJ392T
MAIN	R969		nsp	nsp	RESISTOR	15K OHM 1/5W J CRD20TJ153T
MAIN	R970		nsp	nsp	RESISTOR	470K OHM 1/5W CRD20TJ474T
MAIN	R971		nsp	nsp	RESISTOR	15K OHM 1/5W J CRD20TJ153T
MAIN	R972		nsp	nsp	RESISTOR	39K OHM 1/5W CRD20TJ393T
MAIN	R974		nsp	nsp	RESISTOR	330 OHM 1/5W J CRD20TJ331T
MAIN	R975		nsp	nsp	RESISTOR	330 OHM 1/5W J CRD20TJ331T

NOTE : "nsp" PARTS IS LISTED FOR REFERENCE ONLY, MARANTZ WILL NOT SUPPLY THESE PARTS.

P.C.B. NAME	POS.NO.	VERS. COLOR	PART NO. (FOR EUR)	PART NO. (MJI)	PART NAME	DESCRIPTION
MAIN	R976		nsp	nsp	RESISTOR	330 OHM 1/5W J CRD20TJ331T
MAIN	R977		nsp	nsp	RESISTOR	330 OHM 1/5W J CRD20TJ331T
MAIN	R978		nsp	nsp	RESISTOR	330 OHM 1/5W J CRD20TJ331T
MAIN	R979		nsp	nsp	RESISTOR	39K OHM 1/5W CRD20TJ393T
MAIN	R980		nsp	nsp	RESISTOR	15K OHM 1/5W J CRD20TJ153T
MAIN	R981		nsp	nsp	RESISTOR	56 OHM 1/4W J CRD25TJ560T
MAIN	R990		nsp	nsp	RESISTOR	10 OHM 1W CRG1ANJ100H
MAIN	R993		nsp	nsp	RESISTOR	10 OHM 1W CRG1ANJ100H
MAIN	R994		nsp	nsp	RESISTOR	10 OHM 1W CRG1ANJ100H
MAIN	R995		nsp	nsp	RESISTOR	10 OHM 1W CRG1ANJ100H
MAIN	R996		nsp	nsp	RESISTOR	10 OHM 1W CRG1ANJ100H
MAIN	R997		nsp	nsp	RESISTOR	10 OHM 1W CRG1ANJ100H
MAIN	R999		nsp	nsp	RESISTOR	10 OHM 1W CRG1ANJ100H
MAIN	RY94		90M-LY000340R	90M-LY000340R	RELAY	SDT-S-112DMR HSL1A008ZE
MAIN	RY95		00MLY20240490	00MLY20240490	RELAY	5GPA-28 DC24 HSL3B013ZE
MAIN	RY96		00MLY20240490	00MLY20240490	RELAY	5GPA-28 DC24 HSL3B013ZE
MAIN	▲ T902	/A1B	nsp	90M-TS002210R	MAINS TRANSF.	SR4500/N1 CLT5I004ZE
MAIN	▲ T902	/A1S	nsp	90M-TS002210R	MAINS TRANSF.	SR4500/N1 CLT5I004ZE
MAIN	▲ T902	/F1N	nsp	90M-TS002230R	MAINS TRANSF.	SR4500/F1 CLT5I004ZJ
MAIN	▲ T902	/K1G	nsp	90M-TS002220R	MAINS TRANSF.	SR4500/K1 CLT5I004ZH
MAIN	▲ T902	/L1G	nsp	90M-TS002240R	MAINS TRANSF.	SR4500/L1 CLT5I004ZS
MAIN	▲ T902	/N1B	90M-TS002210R	90M-TS002210R	MAINS TRANSF.	SR4500/N1 CLT5I004ZE
MAIN	▲ T902	/N1G	90M-TS002210R	90M-TS002210R	MAINS TRANSF.	SR4500/N1 CLT5I004ZE
MAIN	▲ T902	/N1S	90M-TS002210R	90M-TS002210R	MAINS TRANSF.	SR4500/N1 CLT5I004ZE
MAIN	▲ T902	/U1B	nsp	90M-TS002190R	MAINS TRANSF.	SR4500/U1 CLT5I004ZU
MAIN	▲ T902	/U1S	nsp	90M-TS002190R	MAINS TRANSF.	SR4500/U1 CLT5I004ZU
MAIN	TH91		90M-HP000060R	90M-HP000060R	TERMINAL	P42T7D330BW20 KRTP42T7D330B
					TUNER IN PCB (CUP11695-2)	
TUNER IN	C231	/F1N	nsp	nsp	CERAMIC CAP.	470PF 50V KB HCBS1H471KBT
TUNER IN	C232	/F1N	nsp	nsp	CERAMIC CAP.	470PF 50V KB HCBS1H471KBT
TUNER IN	C233	/F1N	nsp	00MOA10605020	ELECT CAP.	10UF 50V CCEA1HH100T
TUNER IN	C234	/F1N	nsp	00MOA10605020	ELECT CAP.	10UF 50V CCEA1HH100T
TUNER IN	CN25	/F1N	nsp	nsp	JACK	4P KJP04GA19ZM
TUNER IN	JK96	/F1N	nsp	90M-YT003180R	TERMINAL	CJJ4N063Z
TUNER IN	R231	/F1N	nsp	nsp	RESISTOR	100 OHM 1/5W J CRD20TJ101T
TUNER IN	R232	/F1N	nsp	nsp	RESISTOR	100 OHM 1/5W J CRD20TJ101T
TUNER IN	R233	/F1N	nsp	nsp	RESISTOR	82K OHM 1/5W J CRD20TJ823T
TUNER IN	R234	/F1N	nsp	nsp	RESISTOR	82K OHM 1/5W J CRD20TJ823T
					BIAS T.R PCB	
BIAS TR	C851		nsp	00MOA10605020	ELECT CAP.	10UF 50V CCEA1HH100T
BIAS TR	CN81		nsp	nsp	JACK	2P ANGLE CJP02GB46ZY
BIAS TR	Q851		90M-HT800120R	90M-HT800120R	TRANSISTOR	KTC3114A HVTKTC3114A
BIAS TR	R874		nsp	nsp	RESISTOR	330 OHM 1/5W J CRD20TJ331T
BIAS TR	R882		nsp	nsp	RESISTOR	1.2K OHM 1/5W J CRD20TJ122T
BIAS TR	VR81		90M-RA001100R	90M-RA001100R	TRIMMING RESIST	220 OHM HVN1RA221B01T
					REGULATOR PCB (CUP11696Z)	
REGULATOR	C922		nsp	00MOA10702520	ELECT CAP.	100UF 25V CCEA1EH101T
REGULATOR	C923		nsp	00MOA10702520	ELECT CAP.	100UF 25V CCEA1EH101T
REGULATOR	C924		nsp	00MOA10702520	ELECT CAP.	100UF 25V CCEA1EH101T
REGULATOR	C925		nsp	nsp	CERAMIC CAP.	0.022UF 50V ZF CCKT1H223ZF
REGULATOR	C926		nsp	nsp	CERAMIC CAP.	0.022UF 50V ZF CCKT1H223ZF
REGULATOR	C927		nsp	nsp	CERAMIC CAP.	0.022UF 50V ZF CCKT1H223ZF
REGULATOR	C928		nsp	00MOA68801620	ELECT CAP.	6800UF 16V CCEA1CH682E
REGULATOR	C929		nsp	00MOA22802520	ELECT CAP.	2200UF 25V CCEA1EH222E
REGULATOR	C930		nsp	00MOA22802520	ELECT CAP.	2200UF 25V CCEA1EH222E
REGULATOR	CN96		nsp	nsp	JACK	8P STRAIGHT CJP08GA01ZY
REGULATOR	CN98		90M-YP100240R	90M-YP100240R	JACK	8P BJP08GB131ZK
REGULATOR	D904		nsp	90M-HD201730R	DIODE	1N4003 KVD1N4003ST
REGULATOR	D905		nsp	90M-HD201730R	DIODE	1N4003 KVD1N4003ST
REGULATOR	D906		nsp	90M-HD201730R	DIODE	1N4003 KVD1N4003ST
REGULATOR	D907		nsp	90M-HD201730R	DIODE	1N4003 KVD1N4003ST
REGULATOR	IC91		90M-HC300650R	90M-HC300650R	IC	REGULATOR +12V HVIL7812CP
REGULATOR	IC92		90M-HC300660R	90M-HC300660R	IC	REGULATOR -12V HVIL7912CP

NOTE : "nsp" PARTS IS LISTED FOR REFERENCE ONLY, MARANTZ WILL NOT SUPPLY THESE PARTS.

