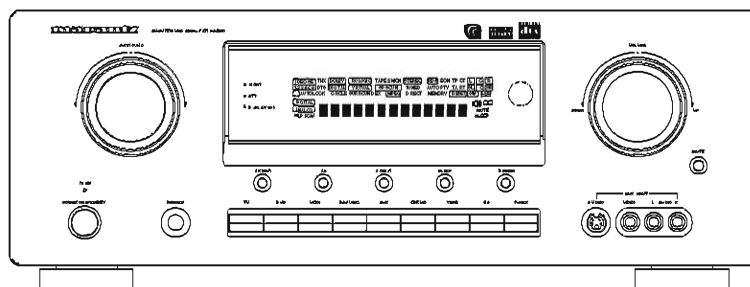


Service Manual

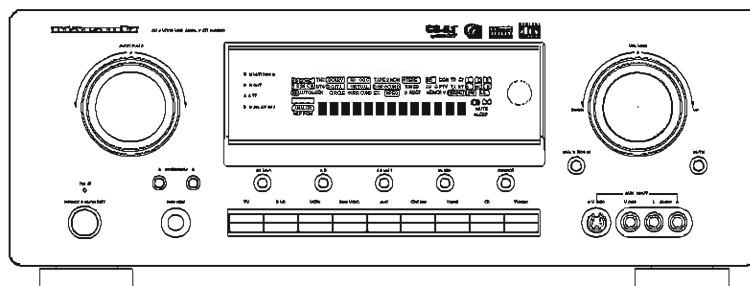
PS5200 / F1N, F2N
PS7200 / F1N, F2N

AV Surround Amplifier

PS5200



PS7200



CS-5.1
by SRS (C)



DOLBY
DIGITAL
PRO LOGIC II

DIGITAL
dts
SURROUND

PS5200 / PS7200

TABLE OF CONTENTS

| | |
|---------------------------------------|----|
| 1. TECHNICAL SPECIFICATIONS | 1 |
| 2. WIRING DIAGRAM | 5 |
| 3. BLOCK DIAGRAM | 7 |
| 4. SCHEMATIC DIAGRAM | 9 |
| 5. PARTS LOCATION | 27 |
| 6. IC DATA | 40 |
| 7. EXPLODED VIEW AND PARTS LIST | 43 |
| 8. ELECTRICAL PARTS LIST | 50 |

Please use this service manual with referring to the user guide (D.F.U.) without fail.
修理の際は、必ず取扱説明書を準備し操作方法を確認の上作業を行ってください。

marantz®

R100
資源配合率100%再生紙を使用しています
Printed on 100% Recycled Paper

PS5200 / PS7200

MARANTZ DESIGN AND SERVICE

Using superior design and selected high grade components, **MARANTZ** company has created the ultimate in stereo sound. Only original **MARANTZ** parts can insure that your **MARANTZ** product will continue to perform to the specifications for which it is famous.

Parts for your **MARANTZ** equipment are generally available to our National Marantz Subsidiary or Agent.

ORDERING PARTS :

Parts can be ordered either by mail or by Fax.. In both cases, the correct part number has to be specified.

The following information must be supplied to eliminate delays in processing your order :

1. Complete address
2. Complete part numbers and quantities required
3. Description of parts
4. Model number for which part is required
5. Way of shipment
6. Signature : any order form or Fax. must be signed, otherwise such part order will be considered as null and void.

USA

MARANTZ AMERICA, INC
1100 MAPLEWOOD DRIVE
ITASCA, IL. 60143
USA
PHONE : 630 - 741 - 0300
FAX : 630 - 741 - 0301

EUROPE / TRADING

MARANTZ EUROPE B.V.
P. O. BOX 8744, BUILDING SILVERPOINT
BEEMDSTRAAT 11, 5653 MA EINDHOVEN
THE NETHERLANDS
PHONE : +31 - 40 - 2507844
FAX : +31 - 40 - 2507860

BRAZIL

PHILIPS DA AMAZONIA IND. ELET. ITDA
CENTRO DE INFORMACOES AO
CEP 04698-970
SAO PAULO, SP, BRAZIL
PHONE : 0800 - 123123 (Discagem Direta Gratuita)
FAX : +55 11 534. 8988

PROFESSIONAL AMERICAS

SUPERSCOPE TECHNOLOGIES, INC.
MARANTZ PROFESSIONAL PRODUCTS
2640 WHITE OAK CIRCLE, SUITE A
AURORA, ILLINOIS 60504 USA
PHONE : 630 - 820 - 4800
FAX : 630 - 820 - 8103

PROFESSIONAL AUSTRALIA

TECHNICAL AUDIO GROUP PTY, LTD
558 DARLING STREET,
BALMAIN, NSW 2041,
AUSTRALIA
PHONE : 61 - 2 - 9810 - 5300
FAX : 61 - 2 - 9810 - 5355

CANADA

LENBROOK INDUSTRIES LIMITED
633 GRANITE COURT,
PICKERING, ONTARIO L1W 3K1
CANADA
PHONE : 905 - 831 - 6333
FAX : 905 - 831 - 6936

AUSTRALIA

QualiFi Pty Ltd,
24 LIONEL ROAD,
MT. WAVERLEY VIC 3149
AUSTRALIA
PHONE : +61 - (0)3 - 9543 - 1522
FAX : +61 - (0)3 - 9543 - 3677

THAILAND

MRZ STANDARD CO., LTD
746 - 754 MAHACHAI ROAD.,
WANGBURAPAPIROM, PHRANAKORN,
BANGKOK, 10200 THAILAND
PHONE : +66 - 2 - 222 9181
FAX : +66 - 2 - 224 6795

SINGAPORE

WO KEE HONG DISTRIBUTION PTE LTD
130 JOO SENG ROAD
#03-02 OLIVINE BUILDING
SINGAPORE 368357
PHONE : +65 858 5535 / +65 381 8621
FAX : +65 858 6078

NEW ZEALAND

WILDASH AUDIO SYSTEMS NZ
14 MALVERN ROAD MT ALBERT
AUCKLAND NEW ZEALAND
PHONE : +64 - 9 - 8451958
FAX : +64 - 9 - 8463554

TAIWAN

PAI-YUING CO., LTD.
6 TH FL NO. 148 SUNG KIANG ROAD,
TAIPEI, 10429, TAIWAN R.O.C.
PHONE : +886 - 2 - 25221304
FAX : +886 - 2 - 25630415

MALAYSIA

WO KEE HONG ELECTRONICS SDN. BHD.
SUITE 8.1, LEVEL 8, MENARA GENESIS,
NO. 33, JALAN SULTAN ISMAIL,
50250 KUALA LUMPUR, MALAYSIA
PHONE : +60 3 - 2457677
FAX : +60 3 - 2458180

JAPAN Technical

MARANTZ JAPAN, INC.
35- 1, 7- CHOME, SAGAMIONO
SAGAMIHARA - SHI, KANAGAWA
JAPAN 228-8505
PHONE : +81 42 748 1013
FAX : +81 42 741 9190

日本マランツ株式会社

本社 〒228-8505
神奈川県相模原市相模大野7-35-1
営業本部 〒150-0022
東京都渋谷区恵比寿南1-11-9

KOREA

MK ENTERPRISES LTD.
ROOM 604/605, ELECTRO-OFFICETEL, 16-58,
3GA, HANGANG-RO, YONGSAN-KU, SEOUL
KOREA
PHONE : +822 - 3232 - 155
FAX : +822 - 3232 - 154

SHOCK, FIRE HAZARD SERVICE TEST :

CAUTION : After servicing this appliance and prior to returning to customer, measure the resistance between either primary AC cord connector pins (with unit NOT connected to AC mains and its Power switch ON), and the face or Front Panel of product and controls and chassis bottom.

Any resistance measurement less than 1 Megohms should cause unit to be repaired or corrected before AC power is applied, and verified before it is return to the user/customer.

Ref. UL Standard No. 1492.

In case of difficulties, do not hesitate to contact the Technical Department at above mentioned address.

1. TECHNICAL SPECIFICATIONS

PS5200

AMPLIFIER SECTION

| | |
|---|------|
| Maximum Power Output (6 ohms / EIAJ) | |
| Front | 135W |
| Center | 135W |
| Surround | 135W |

| | |
|--|---------------|
| Continuous Power Output (8 ohms / 20 Hz - 20 kHz) | |
| Front | 90 W |
| Center | 90 W |
| Surround | 90 W |
| THD Front (20 Hz - 20 kHz) | 8 ohms 0.05 % |

| | |
|------------------------------------|-------------------|
| Input Sensitivity/Impedance | |
| Linear | 340 mV / 47 kohms |

| | |
|------------------------------|--------|
| Signal to Noise Ratio | |
| Linear | 105 dB |

DECORDER SECTION

| | |
|--|------------------------|
| Applicable Signal Format | |
| PCM Audio (fs=32kHz, 44.1kHz, 48kHz, 96kHz), | |
| Dolby Digital, DTS, Mpeg2 AAC | |
| Frequency Range | |
| (Analog Input / Source Direct) | 8 Hz - 100 kHz (±3 dB) |
| (Digital Input / 96kHz PCM) | 8 Hz - 45 kHz (±3 dB) |

VIDEO SECTION

| | |
|--------------------------------|-----------------------|
| Television Format | NTSC |
| Input Level/Impedance | 1 Vp-p / 75 ohms |
| Output Level/Impedance | 1 Vp-p / 75 ohms |
| Video Frequency Response | 5 Hz to 8 MHz (-1 dB) |
| S/N | 60 dB |

GENERAL

| | |
|-------------------------|-------------------|
| Power Requirement | AC 100 V 50/60 Hz |
| Power Consumption | 310 W |

Dimensions (MAX)

| | |
|--------------|---------|
| Width | 440 mm |
| Height | 164 mm |
| Depth | 425 mm |
| Weight | 12.9 kg |

ACCESSORIES

| | |
|------------------------------------|---|
| Remote Control Unit RC5200SR | 1 |
| AAA-size batteries | 2 |

PS7200

AMPLIFIER SECTION

| | |
|---|------|
| Maximum Power Output (6 ohms / EIAJ) | |
| Front | 160W |
| Center | 160W |
| Surround | 160W |

| | |
|--|---------------|
| Continuous Power Output (8 ohms / 20 Hz - 20 kHz) | |
| Front | 110W |
| Center | 110W |
| Surround | 110W |
| THD Front (20 Hz - 20 kHz) | 8 ohms 0.05 % |

| | |
|------------------------------------|-------------------|
| Input Sensitivity/Impedance | |
| Linear | 340 mV / 47 kohms |

| | |
|------------------------------|--------|
| Signal to Noise Ratio | |
| Linear | 105 dB |

DECORDER SECTION

| | |
|--|------------------------|
| Applicable Signal Format | |
| PCM Audio (fs=32kHz, 44.1kHz, 48kHz, 96kHz), | |
| Dolby Digital, DTS, Mpeg2 AAC | |
| Frequency Range | |
| (Analog Input / Source Direct) | 8 Hz - 100 kHz (±3 dB) |
| (Digital Input / 96kHz PCM) | 8 Hz - 45 kHz (±3 dB) |

VIDEO SECTION

| | |
|--------------------------------|-----------------------|
| Television Format | NTSC |
| Input Level/Impedance | 1 Vp-p / 75 ohms |
| Output Level/Impedance | 1 Vp-p / 75 ohms |
| Video Frequency Response | 5 Hz to 8 MHz (-1 dB) |
| S/N | 60 dB |

GENERAL

| | |
|-------------------------|-------------------|
| Power Requirement | AC 100 V 50/60 Hz |
| Power Consumption | 350 W |

Dimensions (MAX)

| | |
|--------------|---------|
| Width | 440 mm |
| Height | 164 mm |
| Depth | 425 mm |
| Weight | 14.9 kg |

ACCESSORIES

| | |
|------------------------------------|---|
| Remote Control Unit RC7200SR | 1 |
| AAA-size batteries | 2 |

The relation between the selected surround mode and the input signal

The surround mode is selected with the surround mode selector knob of the PS5200 / PS7200 or the remote control unit. However, the sound from the speakers depends upon the relationship between the selected surround mode and the input signal. They are as follows;

PS7200

| Surround Mode | Input Signal | Output | | | | | Input Indicator | Format Status & Surround Mode | Fluorescent Indicator | Temporary Display Status | Ch. Status |
|---------------------------|----------------------------|--------|-------|---|----|----|-----------------|---------------------------------|-----------------------------|--------------------------|----------------------|
| | | L/R | SL/SR | C | SC | SW | | | | | |
| Auto | Dolby Digital (5.1ch) | ○ | ○ | ○ | - | ○ | DIGITAL | DOLBY, DIGITAL, AUTO | >AUTO> | | L, C, R, SL, SR, LFE |
| | Dolby Digital (2ch) | ○ | - | - | - | ○ | DIGITAL | DOLBY, DIGITAL, AUTO | >AUTO> | | L, R |
| | Dolby Digital (2ch: Lf/Rt) | ○ | ○ | ○ | - | ○ | DIGITAL | DOLBY, DIGITAL, PRO LOGIC, AUTO | >AUTO> | | L, R, SC |
| | 96kHz PCM | ○ | - | - | - | - | DIGITAL | PCM, STEREO, AUTO | >AUTO>96kHz> | | L, R |
| | PCM(Audio) | ○ | - | - | - | ○ | DIGITAL | PCM, STEREO, AUTO | >AUTO> | | L, R |
| | Analog | ○ | - | - | - | ○ | ANALOG | STEREO, AUTO | >AUTO> | | - |
| | DTS (5.1ch) | ○ | ○ | ○ | - | ○ | DIGITAL | DTS, AUTO | >AUTO> | | L, C, R, SL, SR, LFE |
| | AAc(5.1) | ○ | ○ | ○ | - | ○ | DIGITAL | MPEG, AUTO | >AUTO> | | L, C, R, SL, SR, LFE |
| | AAc(2.0) | ○ | - | - | - | ○ | DIGITAL | MPEG, STEREO, AUTO | >AUTO> | | L, R |
| Stereo | Dolby Digital (5.1ch) | ○ | - | - | - | ○ | DIGITAL | DOLBY, DIGITAL, STEREO | >STEREO> | | L, C, R, SL, SR, LFE |
| | Dolby Digital (2ch) | ○ | - | - | - | ○ | DIGITAL | DOLBY, DIGITAL, STEREO | >STEREO> | | L, R |
| | Dolby Digital (2ch: Lf/Rt) | ○ | - | - | - | ○ | DIGITAL | DOLBY, DIGITAL, STEREO | >STEREO> | | L, R, SC |
| | 96kHz PCM | ○ | - | - | - | - | DIGITAL | PCM, STEREO | >STEREO>96kHz> | | L, R |
| | PCM(Audio) | ○ | - | - | - | ○ | DIGITAL | PCM, STEREO | >STEREO> | | L, R |
| | Analog | ○ | - | - | - | ○ | ANALOG | STEREO | >STEREO> | | - |
| | DTS (5.1ch) | ○ | - | - | - | ○ | DIGITAL | DTS, STEREO | >STEREO> | | L, C, R, SL, SR, LFE |
| | AAc(5.1) | ○ | - | - | - | ○ | DIGITAL | MPEG, STEREO | >STEREO> | | L, C, R, SL, SR, LFE |
| | AAc(2.0) | ○ | - | - | - | ○ | DIGITAL | MPEG, STEREO | >STEREO> | | L, R |
| Movie | Dolby Digital (5.1ch) | ○ | ○ | ○ | - | ○ | DIGITAL | DOLBY, DIGITAL | >DOLBY D> | | L, C, R, SL, SR, LFE |
| | Dolby Digital (2ch) | ○ | ○ | ○ | - | ○ | DIGITAL | DOLBY, DIGITAL, PRO LOGIC | >PLII MOVIE> | | L, R |
| | Dolby Digital (2ch: Lf/Rt) | ○ | ○ | ○ | - | ○ | DIGITAL | DOLBY, DIGITAL, PRO LOGIC | >PLII MOVIE> | | L, R, SC |
| | 96kHz PCM | - | - | - | - | - | DIGITAL | (PCM), DOLBY, PRO LOGIC | >PLII MOVIE>96kHz> | | - |
| | PCM(Audio) | ○ | ○ | ○ | - | ○ | DIGITAL | PCM, DOLBY, PRO LOGIC | >PLII MOVIE> | | L, R |
| | Analog | ○ | ○ | ○ | - | ○ | ANALOG | DOLBY, PRO LOGIC | >PLII MOVIE> | | - |
| | DTS (5.1ch) | - | - | - | - | - | DIGITAL | (DTS), DOLBY, PRO LOGIC | >PLII MOVIE> | | - |
| | AAc(5.1) | ○ | ○ | ○ | - | ○ | DIGITAL | MPEG | >PLII MOVIE> | | L, C, R, SL, SR, LFE |
| | AAc(2.0) | ○ | ○ | ○ | - | ○ | DIGITAL | MPEG, PRO LOGIC | >PLII MOVIE> | | L, R |
| Music | Dolby Digital (5.1ch) | ○ | ○ | ○ | - | ○ | DIGITAL | DOLBY, DIGITAL | >DOLBY D> | | L, C, R, SL, SR, LFE |
| | Dolby Digital (2ch) | ○ | ○ | ○ | - | ○ | DIGITAL | DOLBY, DIGITAL, PRO LOGIC | >PLII MUSIC> | | L, R |
| | Dolby Digital (2ch: Lf/Rt) | ○ | ○ | ○ | - | ○ | DIGITAL | DOLBY, DIGITAL, PRO LOGIC | >PLII MUSIC> | | L, R, SC |
| | 96kHz PCM | - | - | - | - | - | DIGITAL | (PCM), DOLBY, PRO LOGIC | >PLII MUSIC>96kHz> | | - |
| | PCM(Audio) | ○ | ○ | ○ | - | ○ | DIGITAL | PCM, DOLBY, PRO LOGIC | >PLII MUSIC> | | L, R |
| | Analog | ○ | ○ | ○ | - | ○ | ANALOG | DOLBY, PRO LOGIC | >PLII MUSIC> | | - |
| | DTS (5.1ch) | - | - | - | - | - | DIGITAL | (DTS), DOLBY, PRO LOGIC | >PLII MUSIC> | | - |
| | AAc(5.1) | ○ | ○ | ○ | - | ○ | DIGITAL | MPEG | >PLII MUSIC> | | L, C, R, SL, SR, LFE |
| | AAc(2.0) | ○ | ○ | ○ | - | ○ | DIGITAL | MPEG, PRO LOGIC | >PLII MUSIC> | | L, R |
| Pro Logic | Dolby Digital (5.1ch) | ○ | ○ | ○ | - | ○ | DIGITAL | DOLBY, DIGITAL | >DOLBY D> | | L, C, R, SL, SR, LFE |
| | Dolby Digital (2ch) | ○ | ○ | ○ | - | ○ | DIGITAL | DOLBY, DIGITAL, PRO LOGIC | >PRO LOGIC> | | L, R |
| | Dolby Digital (2ch: Lf/Rt) | ○ | ○ | ○ | - | ○ | DIGITAL | DOLBY, DIGITAL, PRO LOGIC | >PRO LOGIC> | | L, R, SC |
| | 96kHz PCM | - | - | - | - | - | DIGITAL | (PCM), DOLBY, PRO LOGIC | >PRO LOGIC>96kHz> | | - |
| | PCM(Audio) | ○ | ○ | ○ | - | ○ | DIGITAL | PCM, DOLBY, PRO LOGIC | >PRO LOGIC> | | L, R |
| | Analog | ○ | ○ | ○ | - | ○ | ANALOG | DOLBY, PRO LOGIC | >PRO LOGIC> | | - |
| | DTS (5.1ch) | - | - | - | - | - | DIGITAL | (DTS), DOLBY, PRO LOGIC | >PRO LOGIC> | | - |
| | AAc(5.1) | ○ | ○ | ○ | - | ○ | DIGITAL | MPEG | >PRO LOGIC> | | L, C, R, SL, SR, LFE |
| | AAc(2.0) | ○ | ○ | ○ | - | ○ | DIGITAL | MPEG, PRO LOGIC | >PRO LOGIC> | | L, R |
| DTS | Dolby Digital (5.1ch) | - | - | - | - | - | DIGITAL | (DOLBY, DIGITAL), DTS | >DTS> | | - |
| | Dolby Digital (2ch) | - | - | - | - | - | DIGITAL | (DOLBY, DIGITAL), DTS | >DTS> | | - |
| | Dolby Digital (2ch: Lf/Rt) | - | - | - | - | - | DIGITAL | (DOLBY, DIGITAL), DTS | >DTS> | | - |
| | 96kHz PCM | - | - | - | - | - | DIGITAL | (PCM), DTS | >DTS>96kHz> | | - |
| | PCM(Audio) | - | - | - | - | - | DIGITAL | (PCM), DTS | >DTS> | | - |
| | Analog | - | - | - | - | - | (ANALOG) | DTS | >DTS> | | - |
| | DTS (5.1ch) | ○ | ○ | ○ | - | ○ | DIGITAL | DTS | >DTS> | | L, C, R, SL, SR, LFE |
| | AAc(5.1) | - | - | - | - | - | DIGITAL | (MPEG), DTS | >DTS> | | - |
| | AAc(2.0) | - | - | - | - | - | DIGITAL | (MPEG), DTS | >DTS> | | - |
| 6.1Ch Surround | Dolby Digital (5.1ch) | ○ | ○ | ○ | ○ | ○ | DIGITAL | DOLBY, DIGITAL | >6.1 CH SURROUND> | | L, C, R, SL, SR, LFE |
| | Dolby Digital (2ch) | - | - | - | - | - | DIGITAL | (DOLBY, DIGITAL) | >6.1 CH SURROUND> | | - |
| | Dolby Digital (2ch: Lf/Rt) | - | - | - | - | - | DIGITAL | (DOLBY, DIGITAL) | >6.1 CH SURROUND> | | - |
| | 96kHz PCM | - | - | - | - | - | DIGITAL | (PCM) | >6.1 CH SURROUND>96kHz> | | - |
| | PCM(Audio) | - | - | - | - | - | DIGITAL | (PCM) | >6.1 CH SURROUND> | | - |
| | Analog | - | - | - | - | - | (ANALOG) | | >6.1 CH SURROUND> | | - |
| | DTS (5.1ch) | ○ | ○ | ○ | ○ | ○ | DIGITAL | DTS | >6.1 CH SURROUND> | | L, C, R, SL, SR, LFE |
| | AAc(5.1) | - | - | - | - | - | DIGITAL | (MPEG) | >6.1 CH SURROUND> | | - |
| | AAc(2.0) | - | - | - | - | - | DIGITAL | (MPEG) | >6.1 CH SURROUND> | | - |
| Movie Hall Stadium Matrix | Dolby Digital (5.1ch) | - | - | - | - | - | DIGITAL | (DOLBY, DIGITAL), DSP SOUND | >MOVIE/HALL/STADIUM/MATRIX> | | - |
| | Dolby Digital (2ch) | - | - | - | - | - | DIGITAL | (DOLBY, DIGITAL), DSP SOUND | >MOVIE/HALL/STADIUM/MATRIX> | | - |
| | Dolby Digital (2ch: Lf/Rt) | - | - | - | - | - | DIGITAL | (DOLBY, DIGITAL), DSP SOUND | >MOVIE/HALL/STADIUM/MATRIX> | | - |
| | 96kHz PCM | - | - | - | - | - | DIGITAL | (PCM), DSP SOUND | >MOVIE/HALL/STADIUM/MATRIX> | | - |
| | PCM(Audio) | ○ | ○ | ○ | - | ○ | DIGITAL | PCM, DSP SOUND | >MOVIE/HALL/STADIUM/MATRIX> | | L, R |
| | Analog | ○ | ○ | ○ | - | ○ | ANALOG | DSP SOUND | >MOVIE/HALL/STADIUM/MATRIX> | | - |
| | DTS (5.1ch) | - | - | - | - | - | DIGITAL | (DTS), DSP SOUND | >MOVIE/HALL/STADIUM/MATRIX> | | - |
| | AAc(5.1) | - | - | - | - | - | DIGITAL | (MPEG), DSP SOUND | >MOVIE/HALL/STADIUM/MATRIX> | | - |
| | AAc(2.0) | - | - | - | - | - | DIGITAL | (MPEG), DSP SOUND | >MOVIE/HALL/STADIUM/MATRIX> | | - |

| Surround Mode | Input Signal | Output | | | | | Input Indicator | Fluorescent Indicator | | |
|---------------|----------------------------|--------|-------|---|----|----|-----------------|-----------------------------------|--------------------------|----------------------|
| | | L/R | SL/SR | C | SC | SW | | Format Status & Surround Mode | Temporary Display Status | Ch. Status |
| Virtual | Dolby Digital (5.1ch) | ○ | - | - | - | - | DIGITAL | DOLBY, DIGITAL, VIRTUAL | >VIRTUAL> | L, C, R, SL, SR, LFE |
| | Dolby Digital (2ch) | ○ | - | - | - | - | DIGITAL | DOLBY, DIGITAL, PROLOGIC, VIRTUAL | >VIRTUAL> | L, R |
| | Dolby Digital (2ch: Lt/Rt) | ○ | - | - | - | - | DIGITAL | DOLBY, DIGITAL, PROLOGIC, VIRTUAL | >VIRTUAL> | L, R, SC |
| | 96kHz PCM | - | - | - | - | - | DIGITAL | (PCM), DOLBY, VIRTUAL | >VIRTUAL>96kHz> | - |
| | PCM(Audio) | ○ | - | - | - | - | DIGITAL | PCM, DOLBY, PROLOGIC, VIRTUAL | >VIRTUAL> | L, R |
| | Analog | ○ | - | - | - | - | ANALOG | DOLBY, PROLOGIC, VIRTUAL | >VIRTUAL> | - |
| | DTS (5.1ch) | - | - | - | - | - | DIGITAL | (DTS), DOLBY, VIRTUAL | >VIRTUAL> | - |
| | AAC(5.1) | - | - | - | - | - | DIGITAL | (MPEG), DOLBY, VIRTUAL | >VIRTUAL> | - |
| | AAC(2.0) | - | - | - | - | - | DIGITAL | (MPEG), DOLBY, VIRTUAL | >VIRTUAL> | - |
| CS5.1 | Dolby Digital (5.1ch) | - | - | - | - | - | DIGITAL | (DOLBY DIGITAL), CIRCLE SURROUND | >CS5.1> | - |
| | Dolby Digital (2ch) | - | - | - | - | - | DIGITAL | (DOLBY DIGITAL), CIRCLE SURROUND | >CS5.1> | - |
| | Dolby Digital (2ch: Lt/Rt) | - | - | - | - | - | DIGITAL | (DOLBY DIGITAL), CIRCLE SURROUND | >CS5.1> | - |
| | 96kHz PCM | - | - | - | - | - | DIGITAL | (PCM), CIRCLE SURROUND | >CS5.1>96kHz> | - |
| | PCM(Audio) | ○ | ○ | ○ | - | ○ | DIGITAL | PCM, CIRCLE SURROUND | >CS5.1> | L, R |
| | Analog | ○ | ○ | ○ | - | ○ | ANALOG | | >CS5.1> | - |
| | DTS (5.1ch) | - | - | - | - | - | DIGITAL | (DTS), CIRCLE SURROUND | >CS5.1> | - |
| | AAC(5.1) | - | - | - | - | - | DIGITAL | (MPEG), CIRCLE SURROUND | >CS5.1> | - |
| | AAC(2.0) | - | - | - | - | - | DIGITAL | (MPEG), CIRCLE SURROUND | >CS5.1> | - |
| 8CH Stereo | Dolby Digital (5.1ch) | ○ | ○ | ○ | - | ○ | DIGITAL | DOLBY, DIGITAL | >8CH STEREO> | L, C, R, SL, SR, LFE |
| | Dolby Digital (2ch) | ○ | ○ | ○ | ○ | ○ | DIGITAL | DOLBY, DIGITAL | >8CH STEREO> | L, R |
| | Dolby Digital (2ch: Lt/Rt) | ○ | ○ | ○ | ○ | ○ | DIGITAL | DOLBY, DIGITAL | >8CH STEREO> | L, R, SC |
| | 96kHz PCM | - | - | - | - | - | DIGITAL | (PCM) | >8CH STEREO>96kHz> | - |
| | PCM(Audio) | ○ | ○ | ○ | ○ | ○ | DIGITAL | PCM | >8CH STEREO> | L, R |
| | Analog | ○ | ○ | ○ | ○ | ○ | ANALOG | | >8CH STEREO> | - |
| | DTS (5.1ch) | ○ | ○ | ○ | - | ○ | DIGITAL | DTS | >8CH STEREO> | L, C, R, SL, SR, LFE |
| | AAC(5.1) | ○ | ○ | ○ | - | ○ | DIGITAL | MPEG | >8CH STEREO> | L, C, R, SL, SR, LFE |
| | AAC(2.0) | ○ | ○ | ○ | ○ | ○ | DIGITAL | MPEG | >8CH STEREO> | L, R |

L/R : Front speaker
SL/SR : Surround speaker
C : Center speaker
SC : Surround center speaker
SW : Sub woofer speaker

() : The indicator blinks

L : Left
R : Right
C : Center
SL : Surround Left
SR : Surround Right
SC : Mono Surround
LFE : Low Frequency Effect

NOTES:

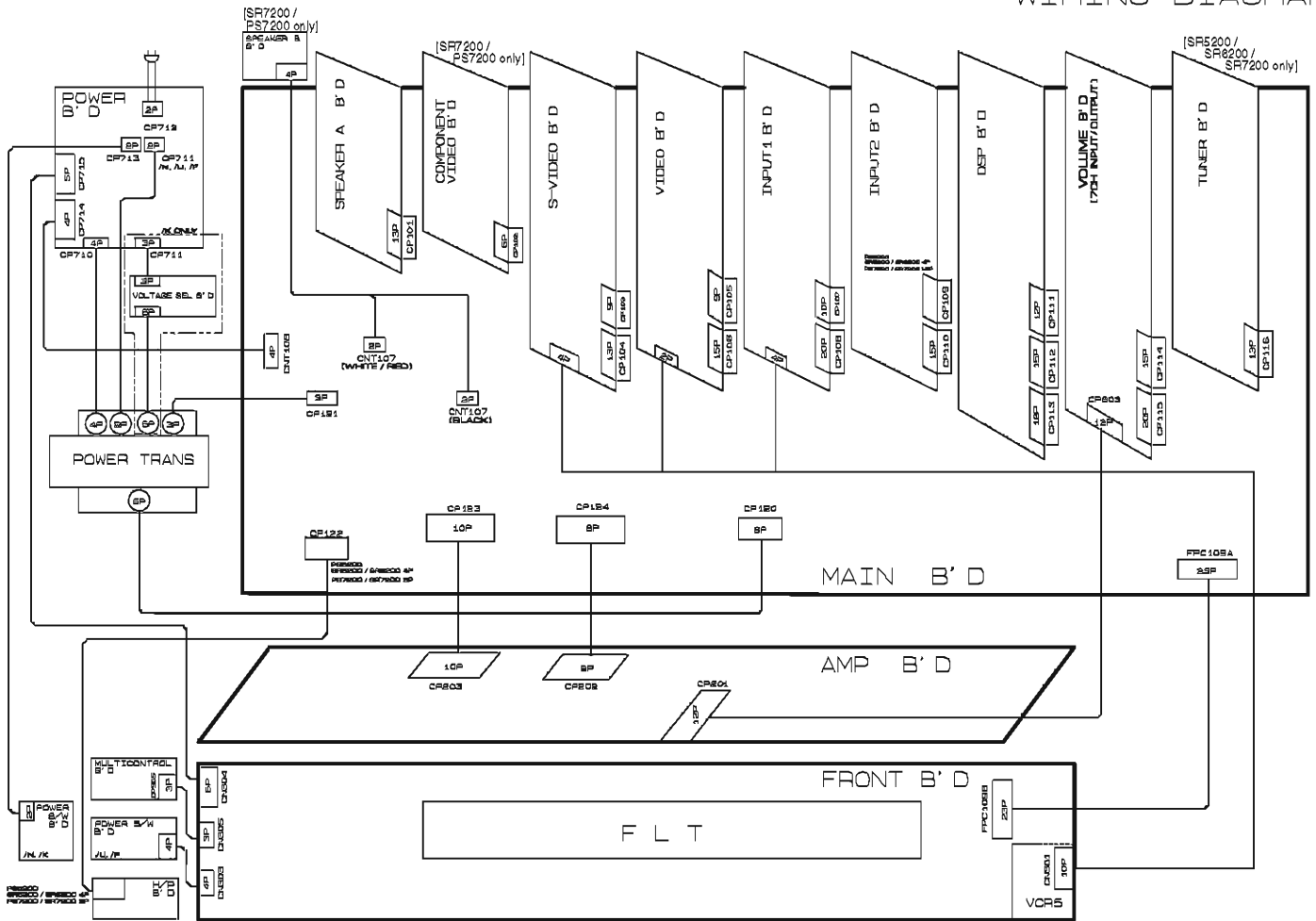
- Dolby Digital (2 ch: Lt/Rt): signal with Dolby Surround flag Speakers are full set.
- When DOLBY DIGITAL, DTS, PCM or ANALOG is blinking, the selected surround mode is unavailable for input signal. Select the other appropriate surround mode to playback.
- No sound outputs from the surround speaker, center speaker and subwoofer if the DVD disc has no surround data.

PS5200

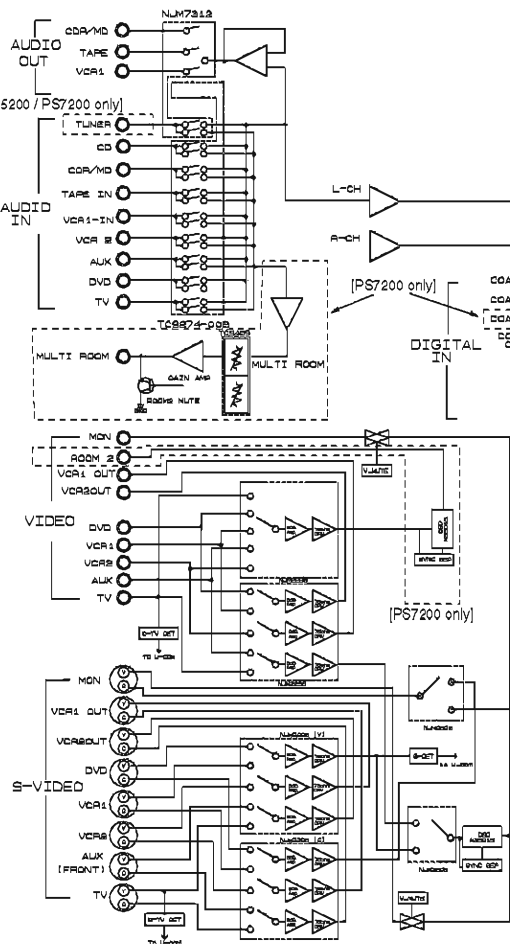
| Surround Mode | Input Signal | Output | | | | | Fluorescent Indicator | | | |
|---------------------------|----------------------------|--------|------|---|----|----|-----------------------|------------------------------------|-----------------------------|----------------------|
| | | L/R | S/VS | C | SC | SW | Input Indicator | Format Status & Surround Mode | Temporary Display Status | Ch. Status |
| Auto | Dolby Digital (5.1ch) | 0 | 0 | 0 | - | 0 | DIGITAL | DOLBY, DIGITAL, AUTO | >AUTO> | L, C, R, SL, SR, LFE |
| | Dolby Digital (2ch) | 0 | - | - | - | 0 | DIGITAL | DOLBY, DIGITAL, AUTO | >AUTO> | L, R |
| | Dolby Digital (2ch: Lf/Rt) | 0 | 0 | 0 | - | 0 | DIGITAL | DOLBY, DIGITAL, PRO LOGIC, AUTO | >AUTO> | L, R, SC |
| | 96kHz PCM | 0 | - | - | - | - | DIGITAL | PCM, STEREO, AUTO | >AUTO>96kHz> | L, R |
| | PCM(Audio) | 0 | - | - | - | 0 | DIGITAL | PCM, STEREO, AUTO | >AUTO> | L, R |
| | Analog | 0 | - | - | - | 0 | ANALOG | STEREO, AUTO | >AUTO> | - |
| | DTS (5.1ch) | 0 | 0 | 0 | - | 0 | DIGITAL | DTS, AUTO | >AUTO> | L, C, R, SL, SR, LFE |
| | AAC(5.1) | 0 | 0 | 0 | - | 0 | DIGITAL | MPEG, AUTO | >AUTO> | L, C, R, SL, SR, LFE |
| | AAC(2.0) | 0 | - | - | - | 0 | DIGITAL | MPEG, STEREO, AUTO | >AUTO> | L, R |
| Stereo | Dolby Digital (5.1ch) | 0 | - | - | - | 0 | DIGITAL | DOLBY, DIGITAL, STEREO | >STEREO> | L, C, R, SL, SR, LFE |
| | Dolby Digital (2ch) | 0 | - | - | - | 0 | DIGITAL | DOLBY, DIGITAL, STEREO | >STEREO> | L, R |
| | Dolby Digital (2ch: Lf/Rt) | 0 | - | - | - | 0 | DIGITAL | DOLBY, DIGITAL, STEREO | >STEREO> | L, R, SC |
| | 96kHz PCM | 0 | - | - | - | - | DIGITAL | PCM, STEREO | >STEREO>96kHz> | L, R |
| | PCM(Audio) | 0 | - | - | - | 0 | DIGITAL | PCM, STEREO | >STEREO> | L, R |
| | Analog | 0 | - | - | - | 0 | ANALOG | STEREO | >STEREO> | - |
| | DTS (5.1ch) | 0 | - | - | - | 0 | DIGITAL | DTS, STEREO | >STEREO> | L, C, R, SL, SR, LFE |
| | AAC(5.1) | 0 | - | - | - | 0 | DIGITAL | MPEG, STEREO | >STEREO> | L, C, R, SL, SR, LFE |
| | AAC(2.0) | 0 | - | - | - | 0 | DIGITAL | MPEG, STEREO | >STEREO> | L, R |
| Movie | Dolby Digital (5.1ch) | 0 | 0 | 0 | - | 0 | DIGITAL | DOLBY, DIGITAL | >DOLBY D> | L, C, R, SL, SR, LFE |
| | Dolby Digital (2ch) | 0 | 0 | 0 | - | 0 | DIGITAL | DOLBY, DIGITAL, PRO LOGIC | >PLII MOVIE> | L, R |
| | Dolby Digital (2ch: Lf/Rt) | 0 | 0 | 0 | - | 0 | DIGITAL | DOLBY, DIGITAL, PRO LOGIC | >PLII MOVIE> | L, R, SC |
| | 96kHz PCM | - | - | - | - | - | DIGITAL | (PCM), DOLBY, PRO LOGIC | >PLII MOVIE>96kHz> | - |
| | PCM(Audio) | 0 | 0 | 0 | - | 0 | DIGITAL | PCM, DOLBY, PRO LOGIC | >PLII MOVIE> | L, R |
| | Analog | 0 | 0 | 0 | - | 0 | ANALOG | DOLBY, PRO LOGIC | >PLII MOVIE> | - |
| | DTS (5.1ch) | - | - | - | - | - | DIGITAL | (DTS), DOLBY, PRO LOGIC | >PLII MOVIE> | - |
| | AAC(5.1) | 0 | 0 | 0 | - | 0 | DIGITAL | MPEG | >PLII MOVIE> | L, C, R, SL, SR, LFE |
| | AAC(2.0) | 0 | 0 | 0 | - | 0 | DIGITAL | MPEG, PRO LOGIC | >PLII MOVIE> | L, R |
| Music | Dolby Digital (5.1ch) | 0 | 0 | 0 | - | 0 | DIGITAL | DOLBY, DIGITAL | >DOLBY D> | L, C, R, SL, SR, LFE |
| | Dolby Digital (2ch) | 0 | 0 | 0 | - | 0 | DIGITAL | DOLBY, DIGITAL, PRO LOGIC | >PLII MUSIC> | L, R |
| | Dolby Digital (2ch: Lf/Rt) | 0 | 0 | 0 | - | 0 | DIGITAL | DOLBY, DIGITAL, PRO LOGIC | >PLII MUSIC> | L, R, SC |
| | 96kHz PCM | - | - | - | - | - | DIGITAL | (PCM), DOLBY, PRO LOGIC | >PLII MUSIC>96kHz> | - |
| | PCM(Audio) | 0 | 0 | 0 | - | 0 | DIGITAL | PCM, DOLBY, PRO LOGIC | >PLII MUSIC> | L, R |
| | Analog | 0 | 0 | 0 | - | 0 | ANALOG | DOLBY, PRO LOGIC | >PLII MUSIC> | - |
| | DTS (5.1ch) | - | - | - | - | - | DIGITAL | (DTS), DOLBY, PRO LOGIC | >PLII MUSIC> | - |
| | AAC(5.1) | 0 | 0 | 0 | - | 0 | DIGITAL | MPEG | >PLII MUSIC> | L, C, R, SL, SR, LFE |
| | AAC(2.0) | 0 | 0 | 0 | - | 0 | DIGITAL | MPEG, PRO LOGIC | >PLII MUSIC> | L, R |
| Pro Logic | Dolby Digital (5.1ch) | 0 | 0 | 0 | - | 0 | DIGITAL | DOLBY, DIGITAL | >DOLBY D> | L, C, R, SL, SR, LFE |
| | Dolby Digital (2ch) | 0 | 0 | 0 | - | 0 | DIGITAL | DOLBY, DIGITAL, PRO LOGIC | >PRO LOGIC> | L, R |
| | Dolby Digital (2ch: Lf/Rt) | 0 | 0 | 0 | - | 0 | DIGITAL | DOLBY, DIGITAL, PRO LOGIC | >PRO LOGIC> | L, R, SC |
| | 96kHz PCM | - | - | - | - | - | DIGITAL | (PCM), DOLBY, PRO LOGIC | >PRO LOGIC>96kHz> | - |
| | PCM(Audio) | 0 | 0 | 0 | - | 0 | DIGITAL | PCM, DOLBY, PRO LOGIC | >PRO LOGIC> | L, R |
| | Analog | 0 | 0 | 0 | - | 0 | ANALOG | DOLBY, PRO LOGIC | >PRO LOGIC> | - |
| | DTS (5.1ch) | - | - | - | - | - | DIGITAL | (DTS), DOLBY, PRO LOGIC | >PRO LOGIC> | - |
| | AAC(5.1) | 0 | 0 | 0 | - | 0 | DIGITAL | MPEG | >PRO LOGIC> | L, C, R, SL, SR, LFE |
| | AAC(2.0) | 0 | 0 | 0 | - | 0 | DIGITAL | MPEG, PRO LOGIC | >PRO LOGIC> | L, R |
| DTS | Dolby Digital (5.1ch) | - | - | - | - | - | DIGITAL | (DOLBY, DIGITAL), DTS | >DTS> | - |
| | Dolby Digital (2ch) | - | - | - | - | - | DIGITAL | (DOLBY, DIGITAL), DTS | >DTS> | - |
| | Dolby Digital (2ch: Lf/Rt) | - | - | - | - | - | DIGITAL | (DOLBY, DIGITAL), DTS | >DTS> | - |
| | 96kHz PCM | - | - | - | - | - | DIGITAL | (PCM), DTS | >DTS>96kHz> | - |
| | PCM(Audio) | - | - | - | - | - | DIGITAL | (PCM), DTS | >DTS> | - |
| | Analog | - | - | - | - | - | (ANALOG) | DTS | >DTS> | - |
| | DTS (5.1ch) | 0 | 0 | 0 | - | 0 | DIGITAL | DTS | >DTS> | L, C, R, SL, SR, LFE |
| | AAC(5.1) | - | - | - | - | - | DIGITAL | (MPEG), DTS | >DTS> | - |
| | AAC(2.0) | - | - | - | - | - | DIGITAL | (MPEG), DTS | >DTS> | - |
| 6.1Ch Surround | Dolby Digital (5.1ch) | 0 | 0 | 0 | 0 | 0 | DIGITAL | DOLBY, DIGITAL | >6.1 CH SURROUND> | L, C, R, SL, SR, LFE |
| | Dolby Digital (2ch) | - | - | - | - | - | DIGITAL | (DOLBY, DIGITAL) | >6.1 CH SURROUND> | - |
| | Dolby Digital (2ch: Lf/Rt) | - | - | - | - | - | DIGITAL | (DOLBY, DIGITAL) | >6.1 CH SURROUND> | - |
| | 96kHz PCM | - | - | - | - | - | DIGITAL | (PCM) | >6.1 CH SURROUND>96kHz> | - |
| | PCM(Audio) | - | - | - | - | - | DIGITAL | (PCM) | >6.1 CH SURROUND> | - |
| | Analog | - | - | - | - | - | (ANALOG) | | >6.1 CH SURROUND> | - |
| | DTS (5.1ch) | 0 | 0 | 0 | 0 | 0 | DIGITAL | DTS | >6.1 CH SURROUND> | L, C, R, SL, SR, LFE |
| | AAC(5.1) | - | - | - | - | - | DIGITAL | (MPEG) | >6.1 CH SURROUND> | - |
| | AAC(2.0) | - | - | - | - | - | DIGITAL | (MPEG) | >6.1 CH SURROUND> | - |
| Movie Hall Stadium Matrix | Dolby Digital (5.1ch) | - | - | - | - | - | DIGITAL | (DOLBY, DIGITAL), DSP SOUND | >MOVIE/HALL/STADIUM/MATRIX> | - |
| | Dolby Digital (2ch) | - | - | - | - | - | DIGITAL | (DOLBY, DIGITAL), DSP SOUND | >MOVIE/HALL/STADIUM/MATRIX> | - |
| | Dolby Digital (2ch: Lf/Rt) | - | - | - | - | - | DIGITAL | (DOLBY, DIGITAL), DSP SOUND | >MOVIE/HALL/STADIUM/MATRIX> | - |
| | 96kHz PCM | - | - | - | - | - | DIGITAL | (PCM), DSP SOUND | >MOVIE/HALL/STADIUM/MATRIX> | - |
| | PCM(Audio) | 0 | 0 | 0 | - | 0 | DIGITAL | PCM, DSP SOUND | >MOVIE/HALL/STADIUM/MATRIX> | L, R |
| | Analog | 0 | 0 | 0 | - | 0 | ANALOG | DSP SOUND | >MOVIE/HALL/STADIUM/MATRIX> | - |
| | DTS (5.1ch) | - | - | - | - | - | DIGITAL | (DTS), DSP SOUND | >MOVIE/HALL/STADIUM/MATRIX> | - |
| | AAC(5.1) | - | - | - | - | - | DIGITAL | (MPEG), DSP SOUND | >MOVIE/HALL/STADIUM/MATRIX> | - |
| | AAC(2.0) | - | - | - | - | - | DIGITAL | (MPEG), DSP SOUND | >MOVIE/HALL/STADIUM/MATRIX> | - |
| Virtual | Dolby Digital (5.1ch) | 0 | - | - | - | - | DIGITAL | DOLBY, DIGITAL, VIRTUAL | >VIRTUAL> | L, C, R, SL, SR, LFE |
| | Dolby Digital (2ch) | 0 | - | - | - | - | DIGITAL | DOLBY, DIGITAL, PRO LOGIC, VIRTUAL | >VIRTUAL> | L, R |
| | Dolby Digital (2ch: Lf/Rt) | 0 | - | - | - | - | DIGITAL | DOLBY, DIGITAL, PRO LOGIC, VIRTUAL | >VIRTUAL> | L, R, SC |
| | 96kHz PCM | - | - | - | - | - | DIGITAL | (PCM), DOLBY, VIRTUAL | >VIRTUAL>96kHz> | - |
| | PCM(Audio) | 0 | - | - | - | - | DIGITAL | PCM, DOLBY, PRO LOGIC, VIRTUAL | >VIRTUAL> | L, R |
| | Analog | 0 | - | - | - | - | ANALOG | DOLBY, PRO LOGIC, VIRTUAL | >VIRTUAL> | - |
| | DTS (5.1ch) | - | - | - | - | - | DIGITAL | (DTS), DOLBY, VIRTUAL | >VIRTUAL> | - |
| | AAC(5.1) | - | - | - | - | - | DIGITAL | (MPEG), DOLBY, VIRTUAL | >VIRTUAL> | - |
| | AAC(2.0) | - | - | - | - | - | DIGITAL | (MPEG), DOLBY, VIRTUAL | >VIRTUAL> | - |
| 6CH Stereo | Dolby Digital (5.1ch) | 0 | 0 | 0 | - | 0 | DIGITAL | DOLBY, DIGITAL | >6CH STEREO> | L, C, R, SL, SR, LFE |
| | Dolby Digital (2ch) | 0 | 0 | 0 | - | 0 | DIGITAL | DOLBY, DIGITAL | >6CH STEREO> | L, R |
| | Dolby Digital (2ch: Lf/Rt) | 0 | 0 | 0 | - | 0 | DIGITAL | DOLBY, DIGITAL | >6CH STEREO> | L, R, SC |
| | 96kHz PCM | - | - | - | - | - | DIGITAL | (PCM) | >6CH STEREO>96kHz> | - |
| | PCM(Audio) | 0 | 0 | 0 | - | 0 | DIGITAL | PCM | >6CH STEREO> | L, R |
| | Analog | 0 | 0 | 0 | - | 0 | ANALOG | | >6CH STEREO> | - |
| | DTS (5.1ch) | 0 | 0 | 0 | - | 0 | DIGITAL | DTS | >6CH STEREO> | L, C, R, SL, SR, LFE |
| | AAC(5.1) | 0 | 0 | 0 | - | 0 | DIGITAL | MPEG | >6CH STEREO> | L, C, R, SL, SR, LFE |
| | AAC(2.0) | 0 | 0 | 0 | - | 0 | DIGITAL | MPEG | >6CH STEREO> | L, R |

2. WIRING DIAGRAM

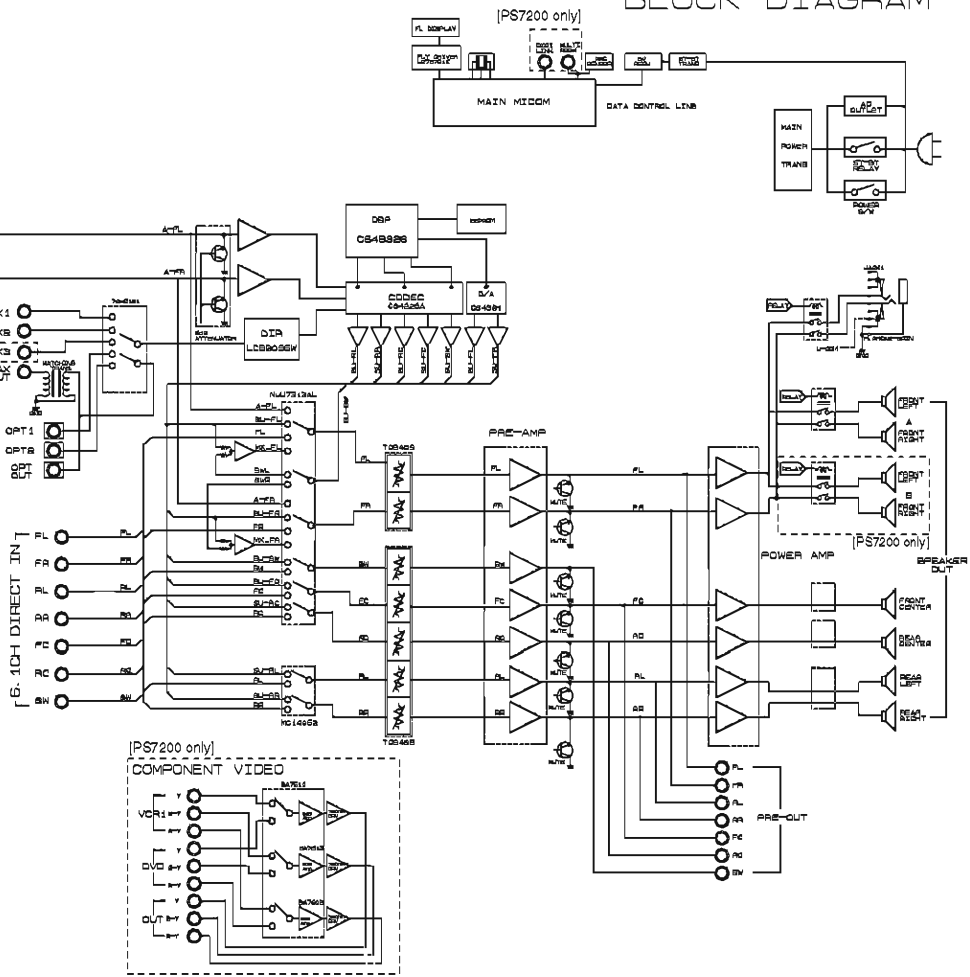
WIRING DIAGRAM



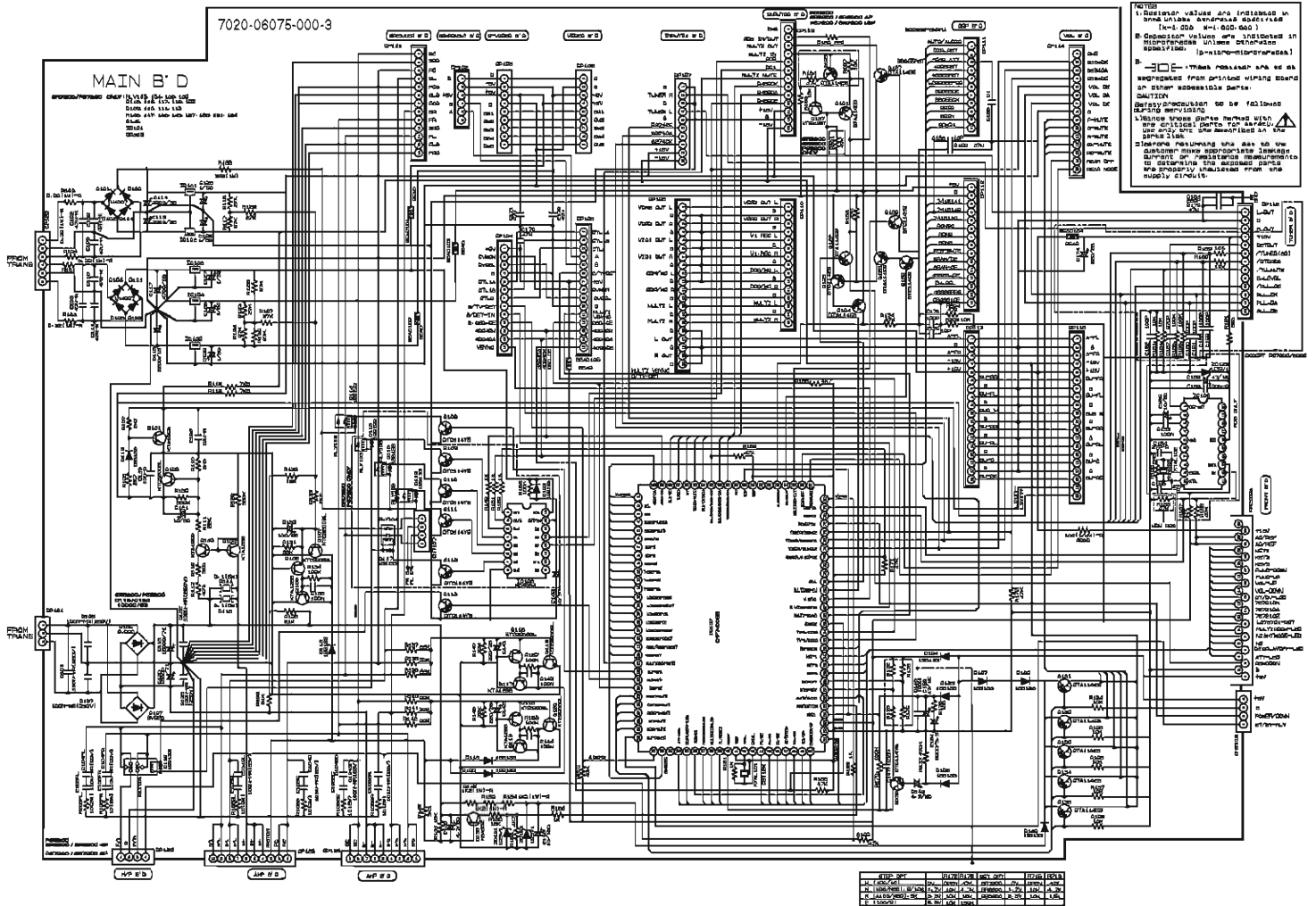
3. BLOCK DIAGRAM



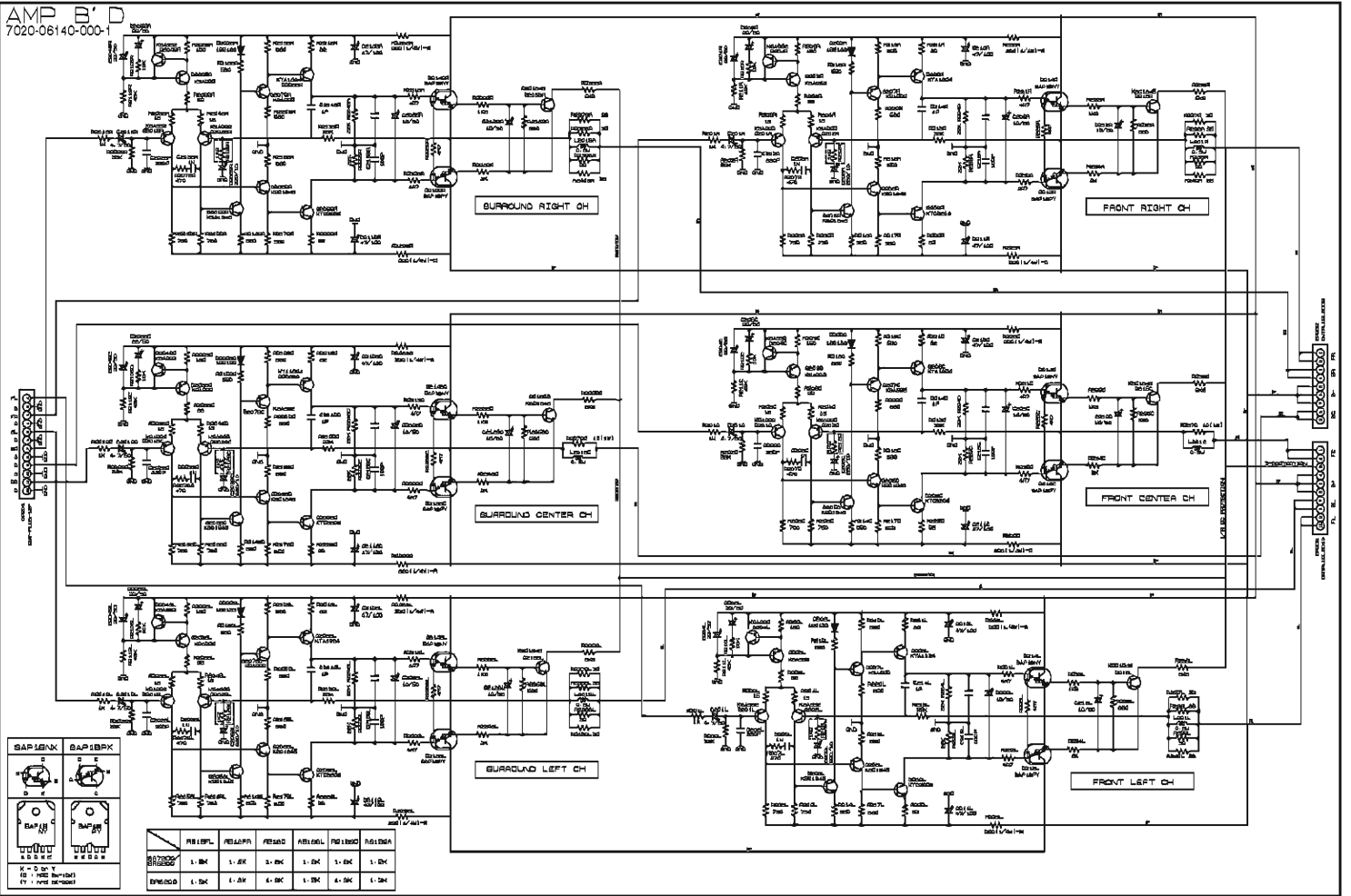
BLOCK DIAGRAM

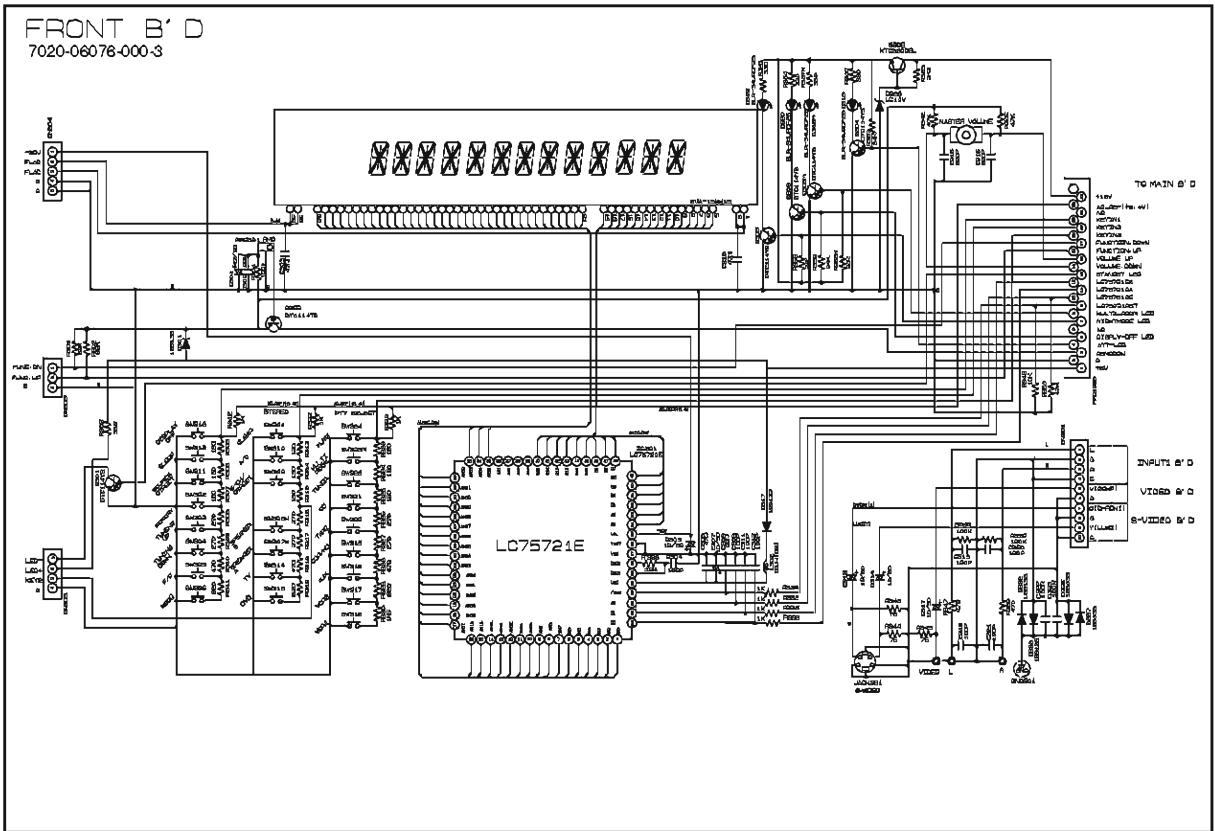
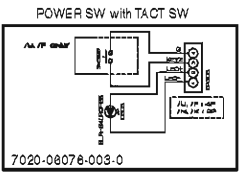
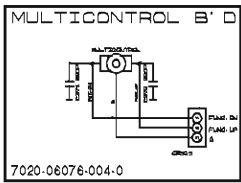
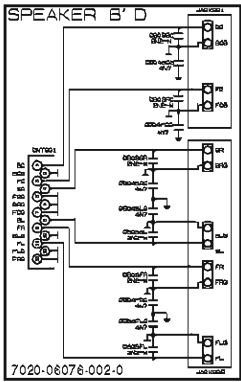


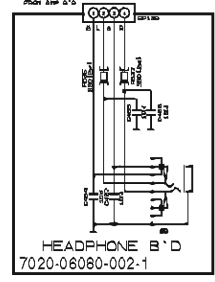
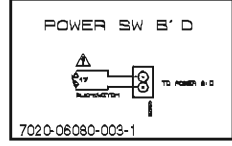
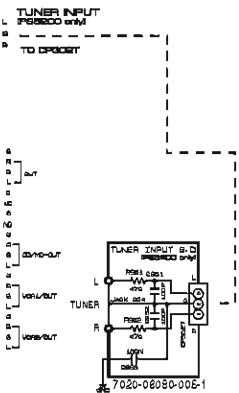
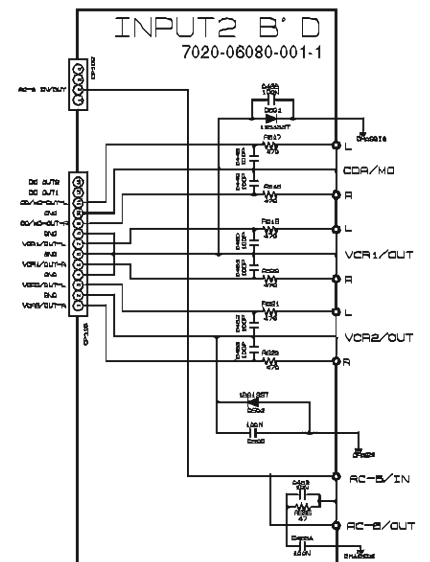
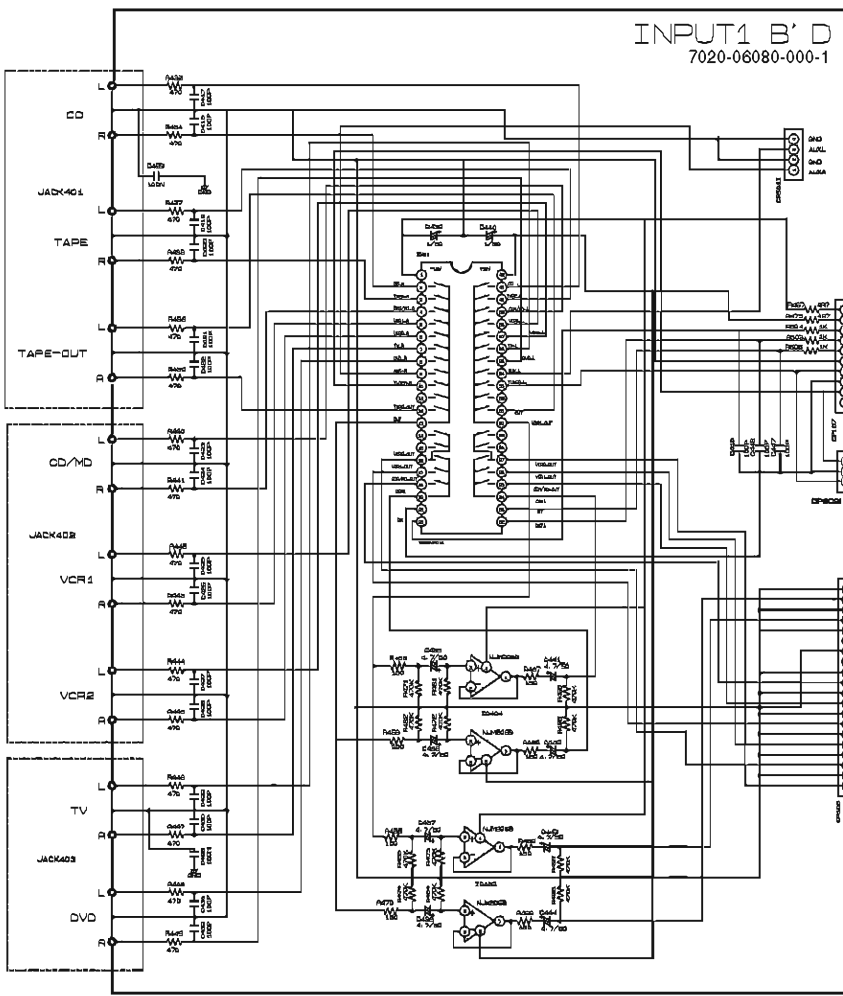
4. SCHEMATIC DIAGRAM

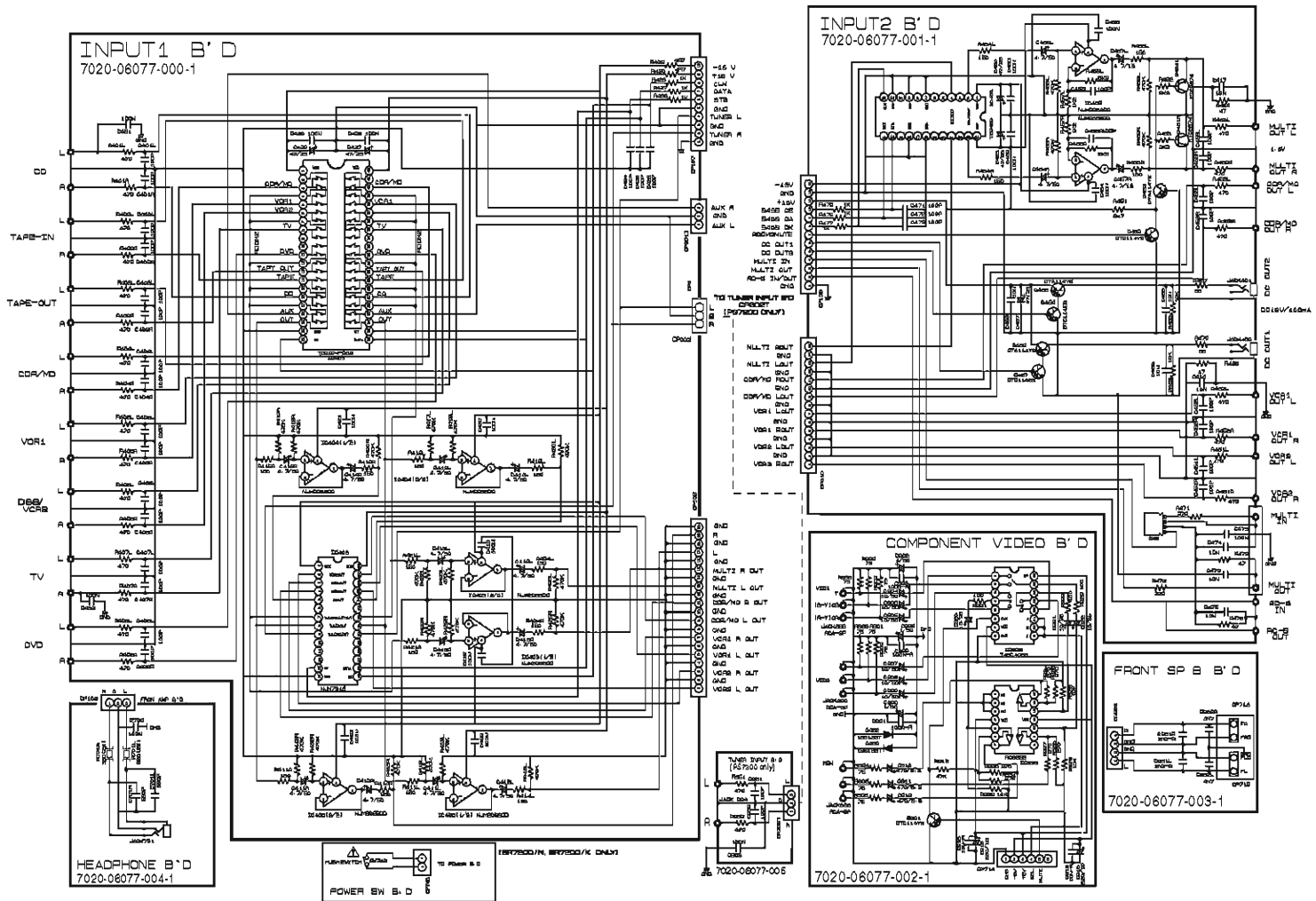


AMP B'D
7020-06140-000-1



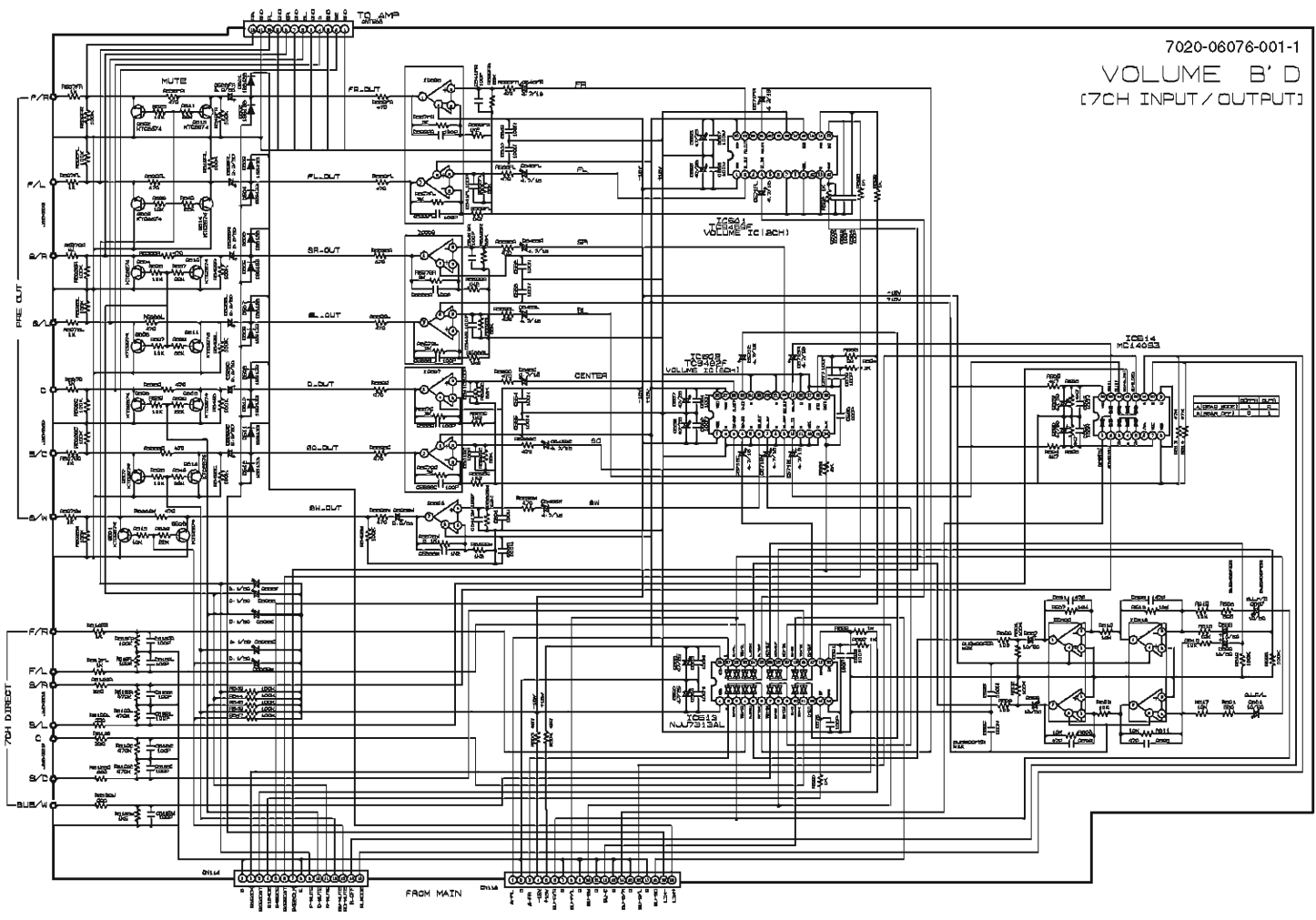


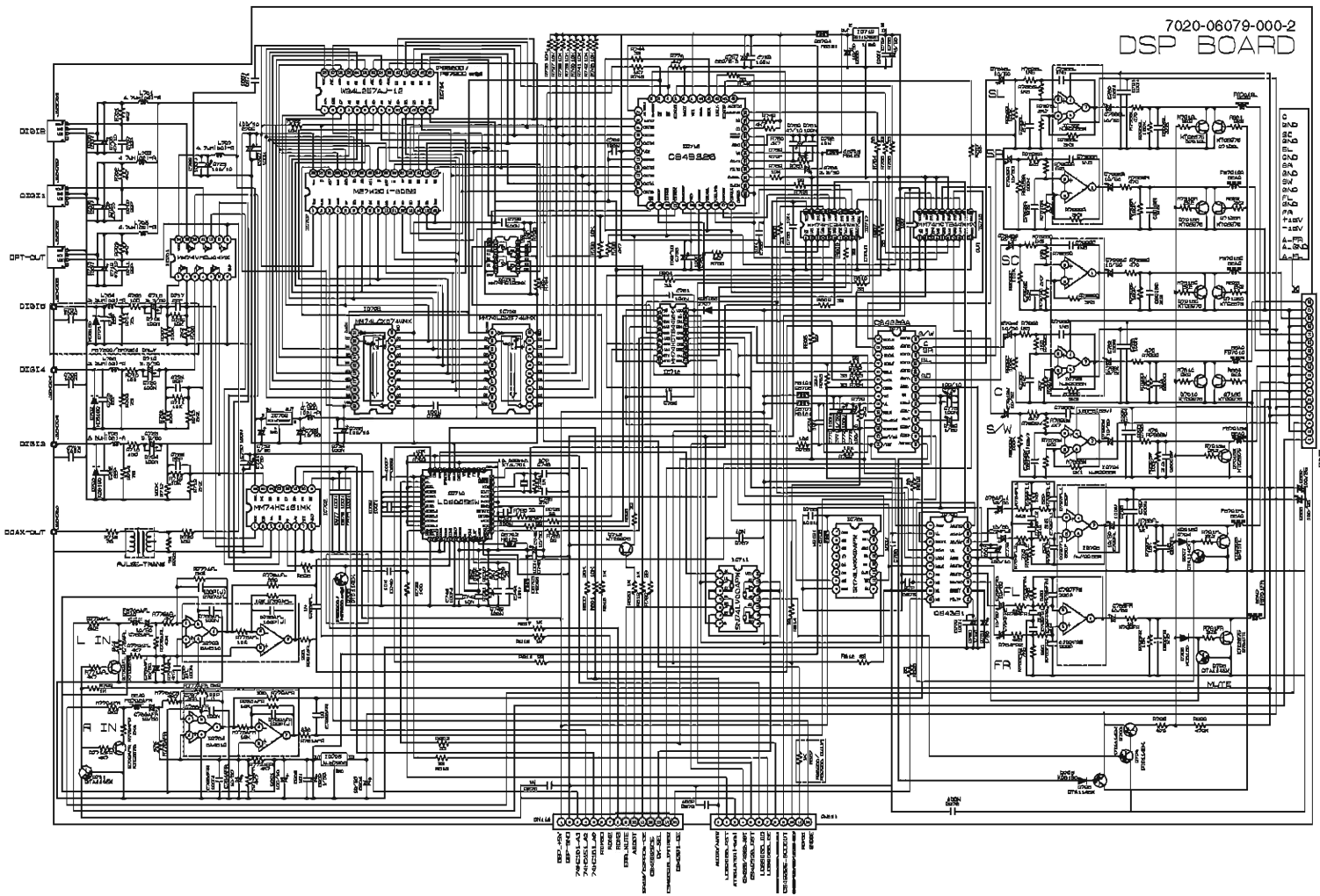




7020-06076-001-1

VOLUME B' D
(7CH INPUT/OUTPUT)

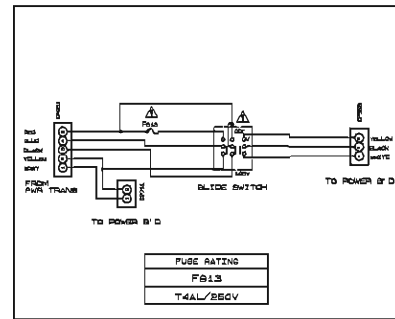
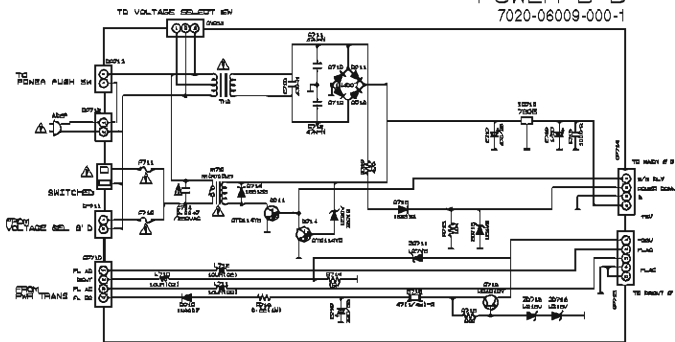




[/K ONLY]

POWER B' D
7020-06009-000-1

VOLTAGE SEL B' D
7020-06106-001-0



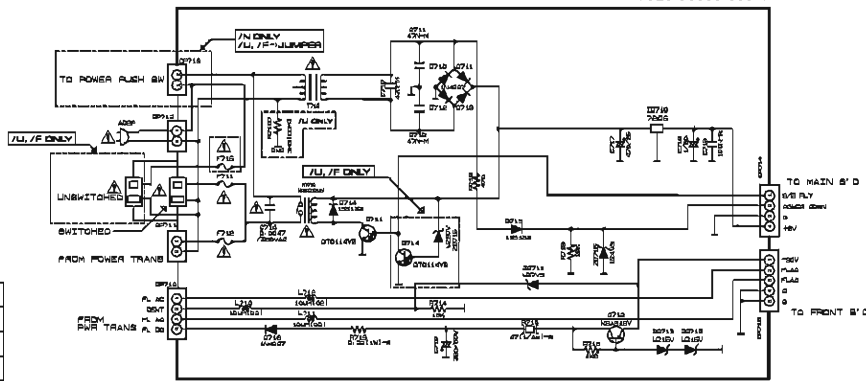
| FUSE RATING | |
|-------------|-------------|
| F711 | F718 |
| T8. 6A/250V | T6. 3A/250V |

| FUSE RATING | |
|-------------|----------|
| F613 | T4A/250V |

NOTES
1. Resistor values are indicated in ohms unless otherwise specified (K=1,000 M=1,000,000)
2. Capacitor values are indicated in microfarads unless otherwise specified (p=picofarads)
3. These Resistor are to be assigned from printed wiring board or other accessible parts.
CAUTION
Safety Precaution to be followed during servicing:
1. Before working on this unit, disconnect the power supply and remove the fuses.
2. Before working on the unit, be sure the unit is properly grounded.
3. Before working on the unit, be sure the unit is properly grounded.
4. Before working on the unit, be sure the unit is properly grounded.

[/N, /U, /F ONLY]

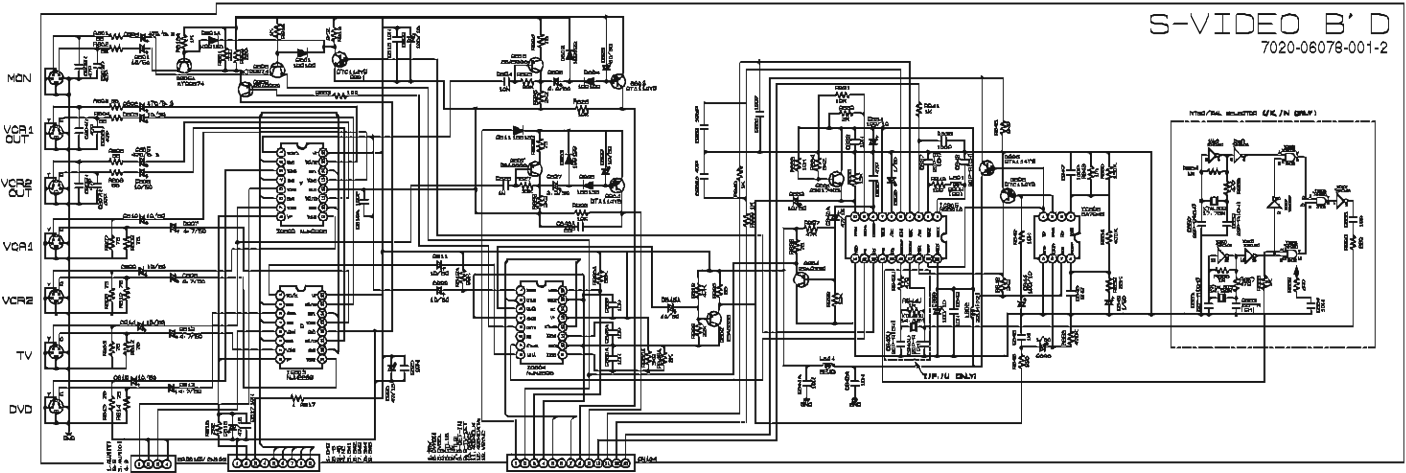
POWER B' D
7020-06088-000-1



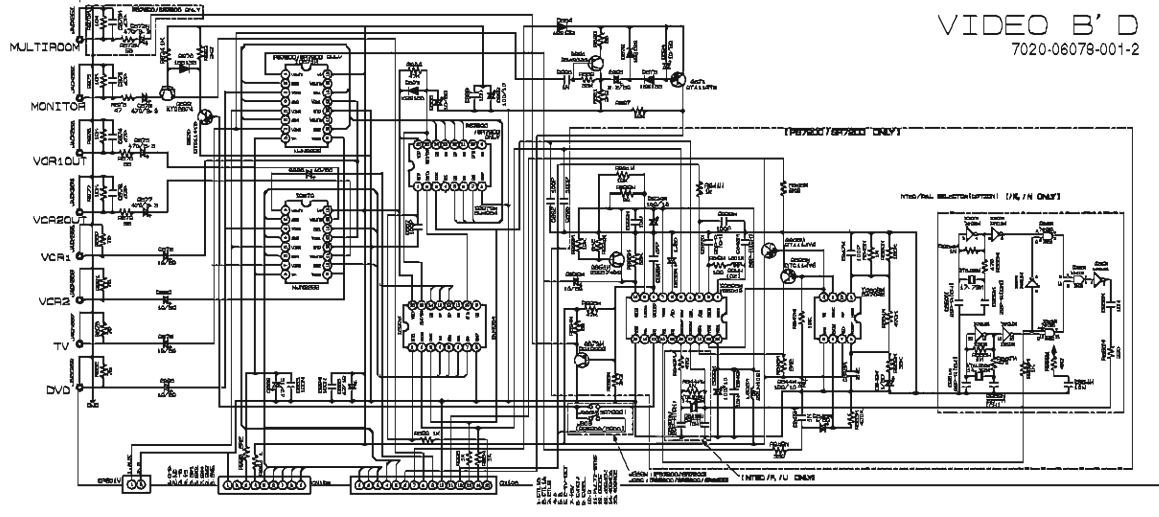
| | EUROPE [/N] | U.S.A. /U JAPAN /F |
|------|-------------|-----------------------|
| F711 | T8. 6A/250V | S8. 6A/250V |
| F718 | T8. 2A/250V | S8A/250V |
| F719 | | S8. 6A/250V |

NOTES
1. Resistor values are indicated in ohms unless otherwise specified (K=1,000 M=1,000,000)
2. Capacitor values are indicated in microfarads unless otherwise specified (p=picofarads)
3. These Resistor are to be assigned from printed wiring board or other accessible parts.
CAUTION
Safety Precaution to be followed during servicing:
1. Before working on this unit, disconnect the power supply and remove the fuses.
2. Before working on the unit, be sure the unit is properly grounded.
3. Before working on the unit, be sure the unit is properly grounded.
4. Before working on the unit, be sure the unit is properly grounded.

S-VIDEO B' D
7020-06078-001-2



VIDEO B' D
7020-06078-001-2

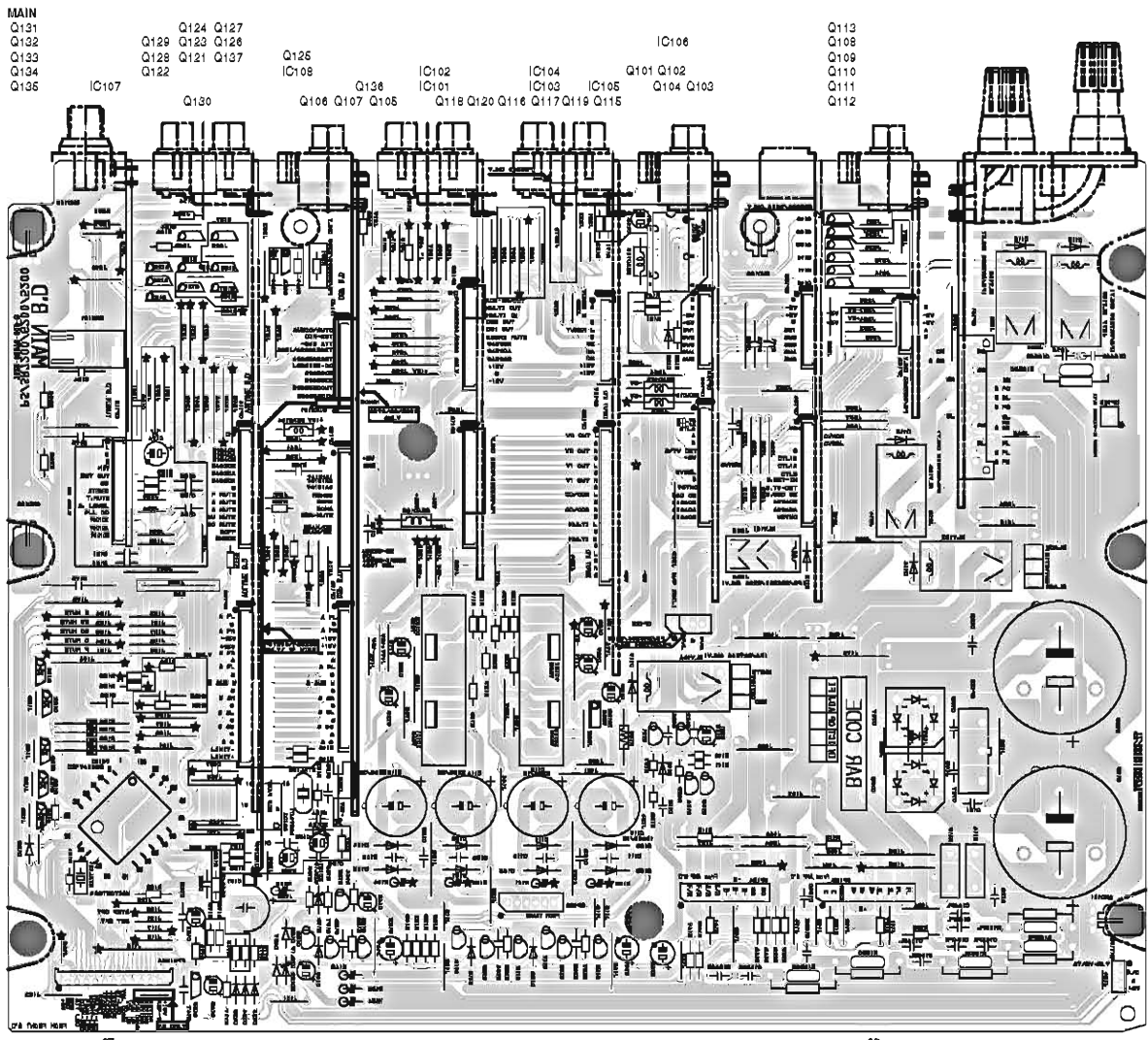


NOTES

1. Resistor values are indicated in ohms unless otherwise specified (K=1,000 W=1,000,000)
2. Capacitor values are indicated in microfarads unless otherwise specified (p=picofarads)
3. These resistors are to be bypassed from printed wiring board on other selectable items.

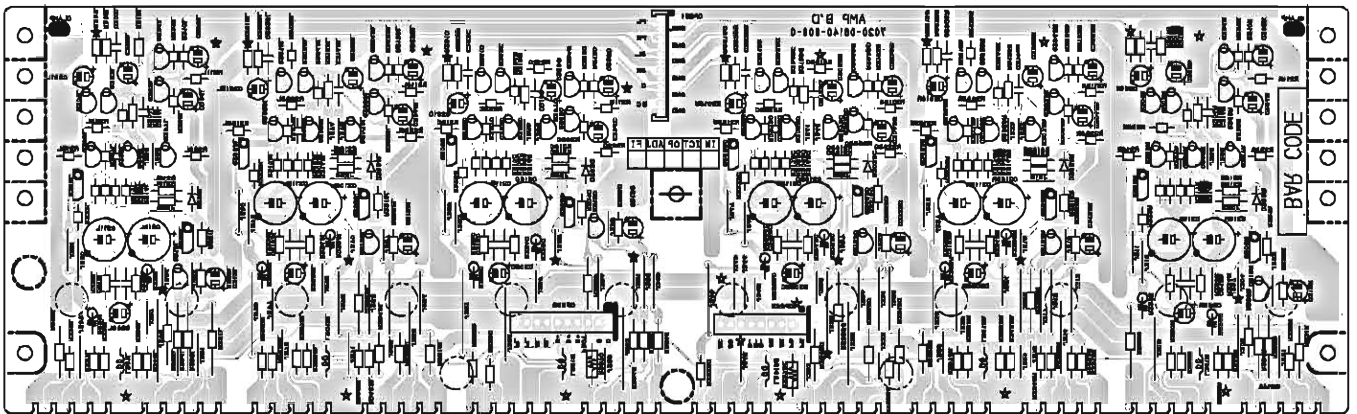
CAUTION
During production to be followed during servicing:
1. Solder bridge parts marked with this label parts referred are only use and sometimes in the parts list.
2. Check polarity the job is the custom need attention labels current or resistance measurements to determine the missing parts are properly insulated from the supply source.

5. PARTS LOCATION

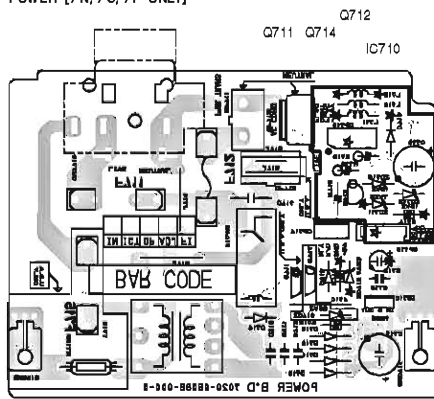


AMP

| | | | | | | | | | | | | | | | | | | | |
|-------|-------|-------|-------|--------|--------|--------|--------|-------|-------|-------|--------|--------|--------|--------|--------|--------|-------|-------|-------|
| Q201L | Q202L | Q203L | Q204L | Q201SL | Q202SL | Q203SL | Q204SL | Q201C | Q202C | Q204C | Q201SC | Q202SC | Q204SC | Q201SR | Q202SR | Q204SR | Q201R | Q202R | Q204R |
| Q205L | Q206L | Q207L | Q208L | Q205SL | Q206SL | Q207SL | Q208SL | Q205C | Q206C | Q207C | Q205SC | Q206SC | Q207SC | Q205SR | Q206SR | Q207SR | Q205R | Q206R | Q207R |
| Q209L | | | | Q209SL | | | | Q209C | | | Q209SC | | | Q209SR | | | Q209R | | |
| | Q208L | | | Q208SL | | | | Q208C | | | Q208SC | | | Q208SR | | | Q208R | | |
| | Q215L | | | Q215SL | | | | Q215C | | | Q215SC | | | Q215SR | | | Q215R | | |



POWER [/N, /U, /F ONLY]



POWER B.D. 1050-8898-020-1

| | | |
|-----|---------|-----|
| REV | DATE | BY |
| 1 | 12-5-71 | 257 |
| 2 | 12-5-71 | 257 |
| 3 | 12-5-71 | 257 |

FRONT

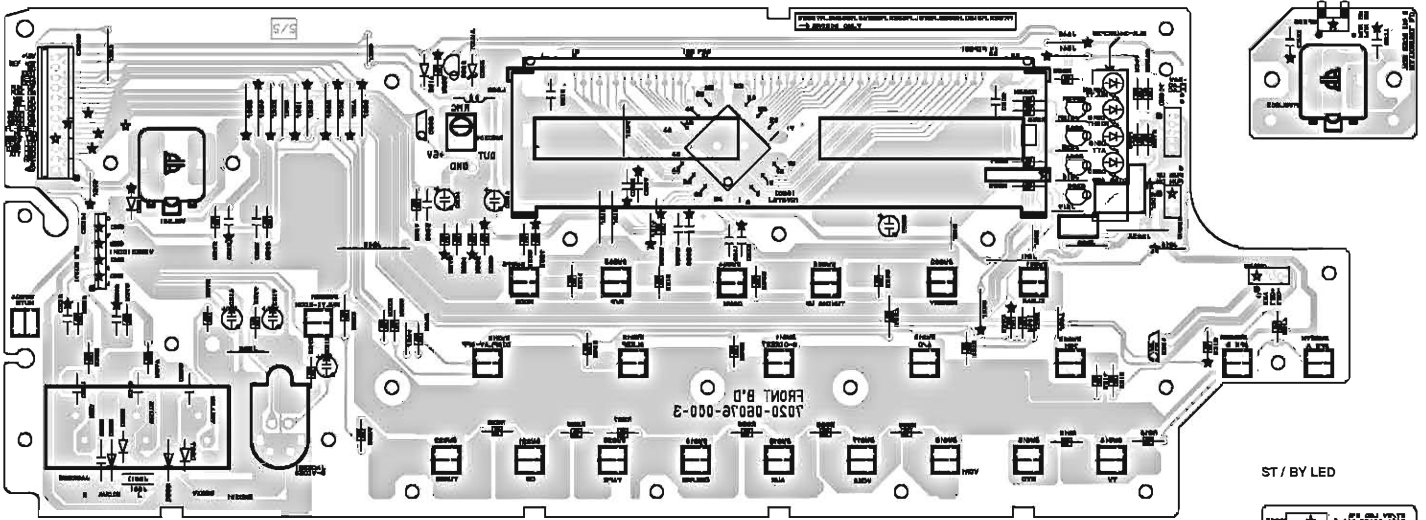
Q309
Q302

IC301

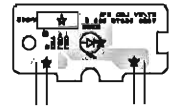
Q303M
Q305
Q304
Q306

Q301

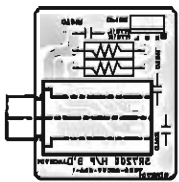
MULTICONTROL



ST / BY LED

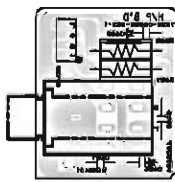


H / P



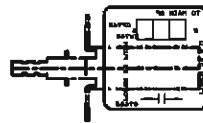
PS7200
SR7200

H / P



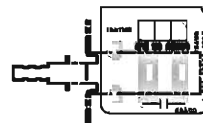
PS5200
SR5200
SR6200

POWER SW



SR7200 / K
SR7200 / N

POWER SW



SR5200 / K
SR5200 / N
SR6200 / K
SR6200 / N

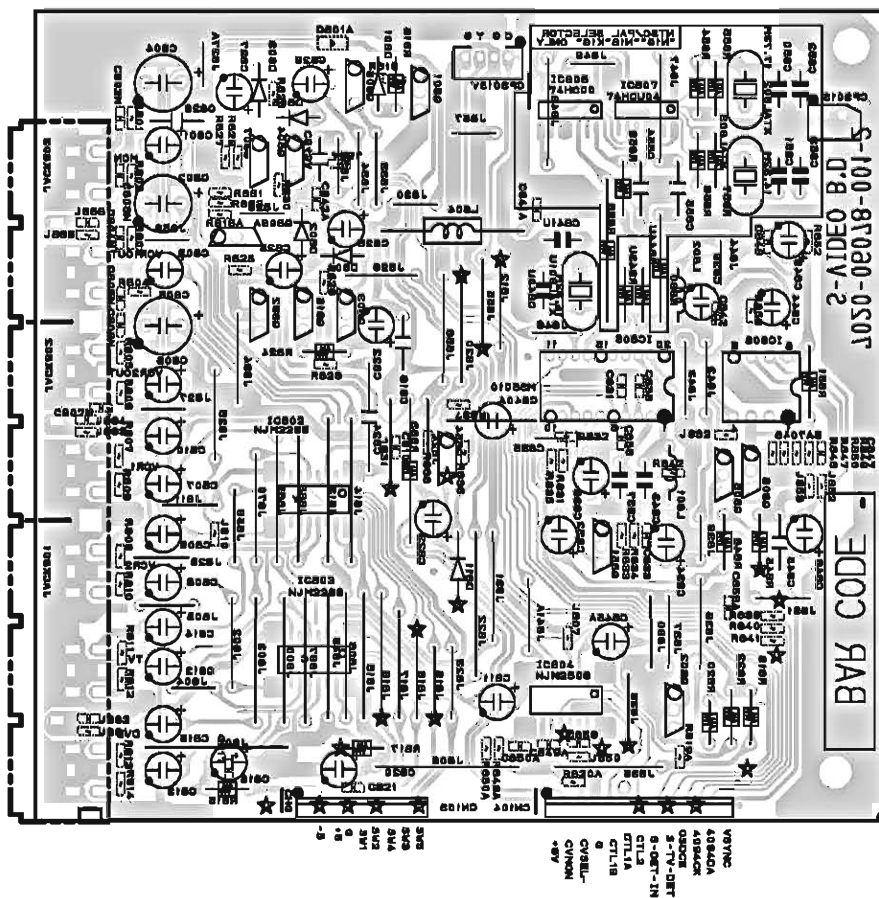
POWER SW



PS5200 / F
PS7200 / F
SR8200 / U
SR6200 / U
SR7200 / U

SVIDEO

Q806 Q801 IC808 IC807
Q807 Q804
Q806A IC805 IC806
Q852 Q816 Q803
IC802 Q854 Q851 Q805 Q808
IC803 IC804 Q802

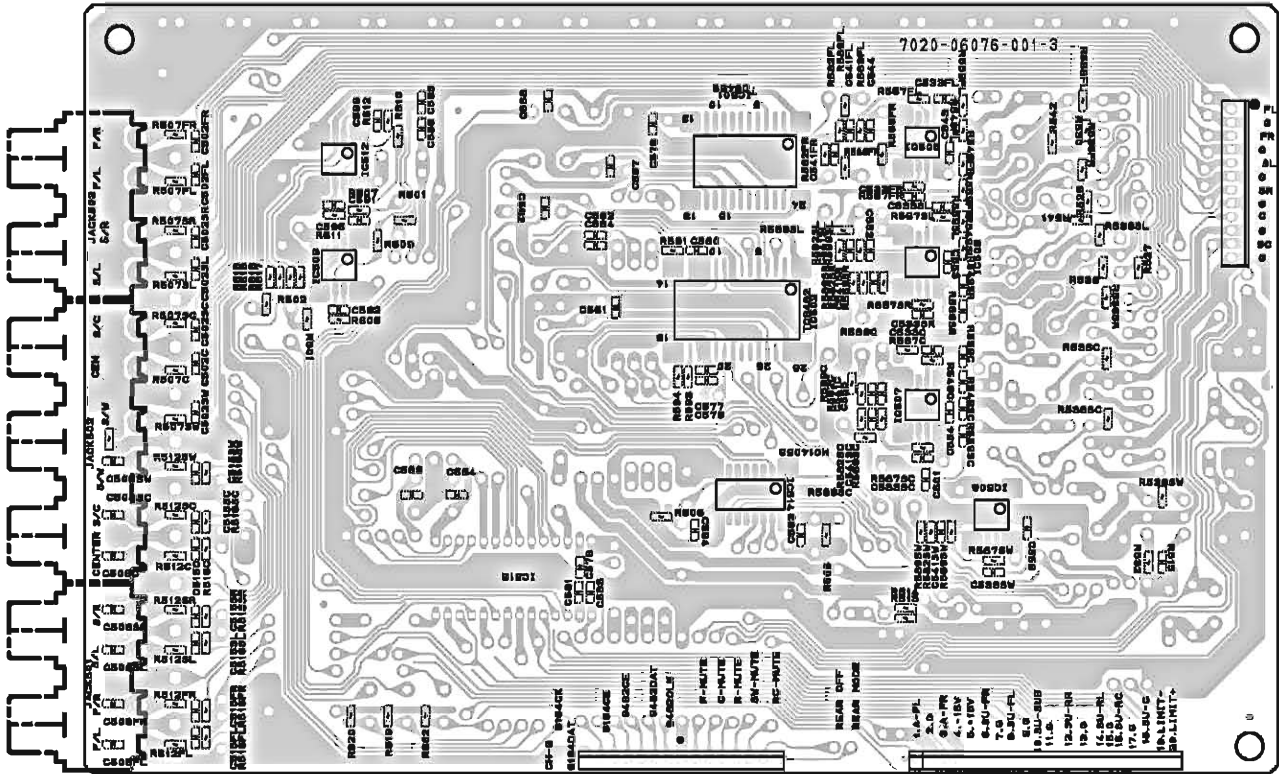


VOLUME
(7CH INPUT / OUTPUT)

IC512
IC509

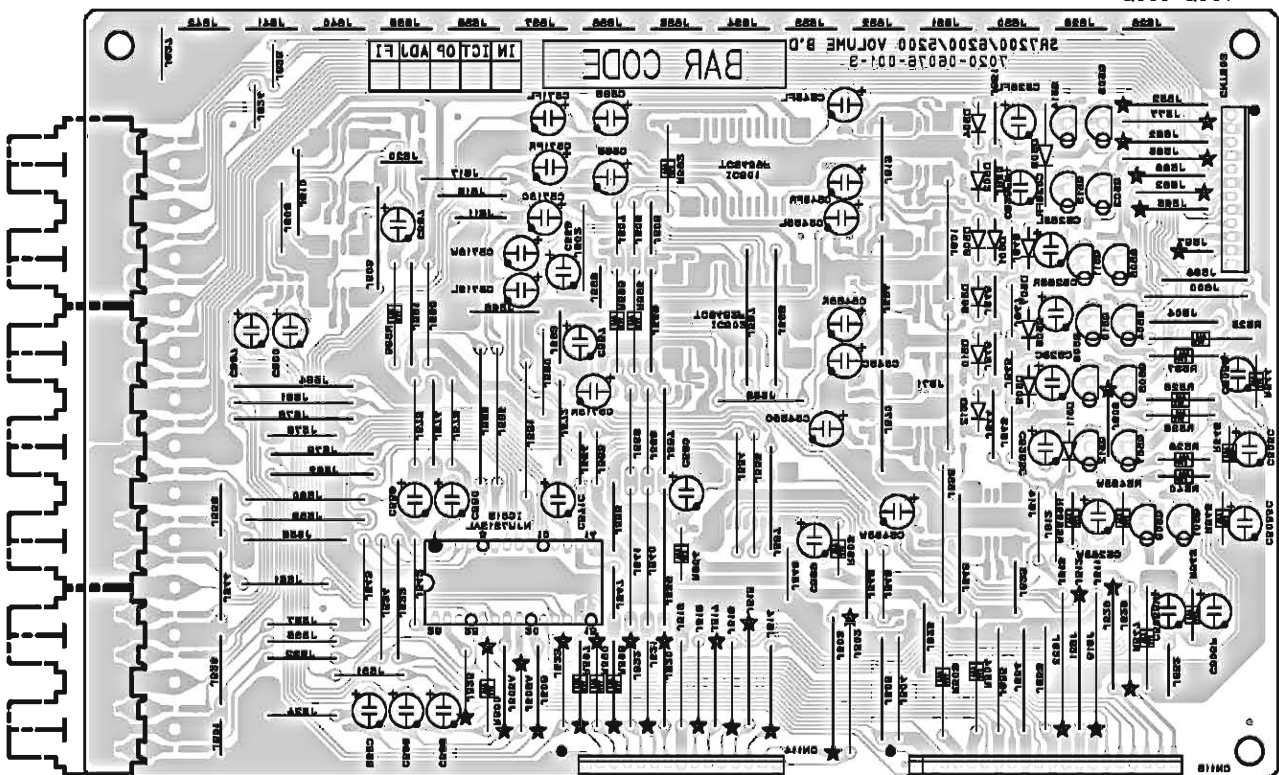
IC501
IC502
IC514

IC505
IC506
IC507
IC508



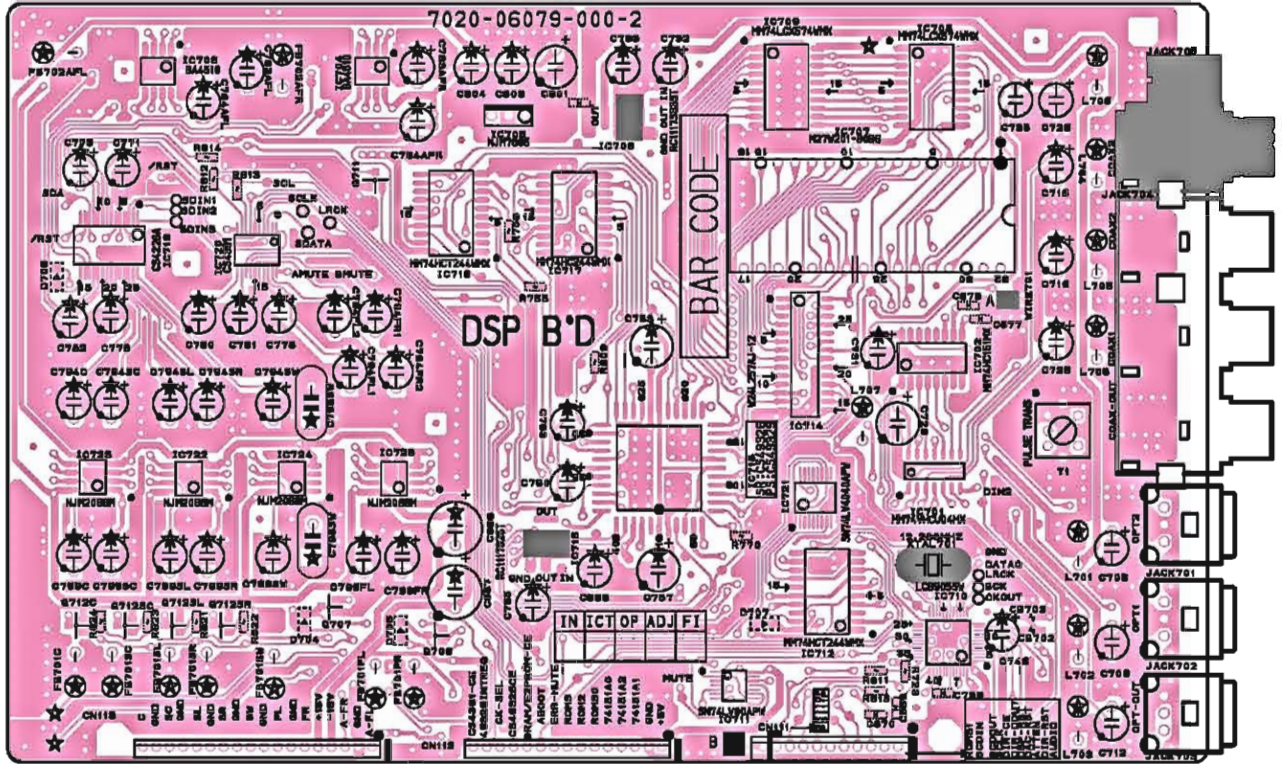
IC513

Q514 Q503
Q513 Q502
Q511 Q505
Q510 Q504
Q508 Q506
Q512 Q507
Q509 Q501

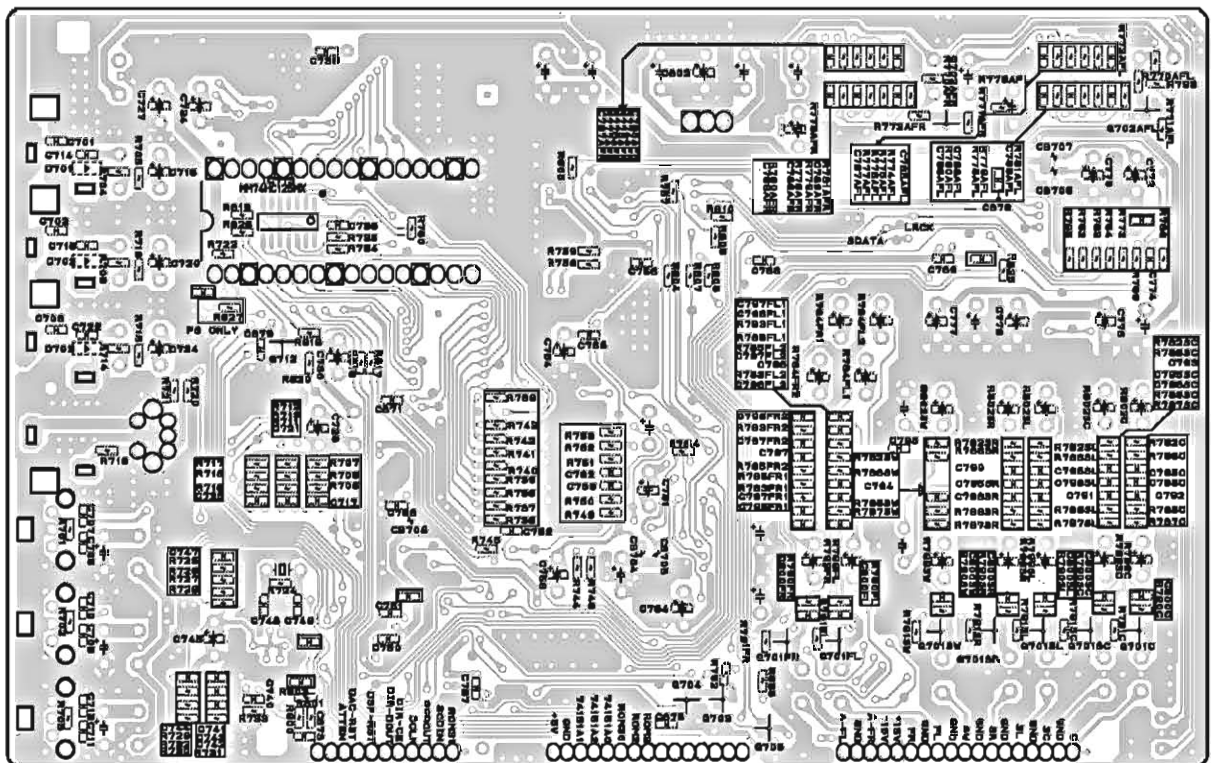


DSP

| | | | | |
|--------------------------------------|-------|------------|-------|-------|
| IC703 | IC704 | Q712 | IC709 | IC708 |
| IC719 | IC720 | Q711 IC718 | IC714 | IC707 |
| IC723 IC722 IC724 IC725 | IC715 | IC721 | IC702 | IC701 |
| Q712C Q712SC Q712SL Q712SR Q707 Q708 | IC711 | IC712 | IC710 | |



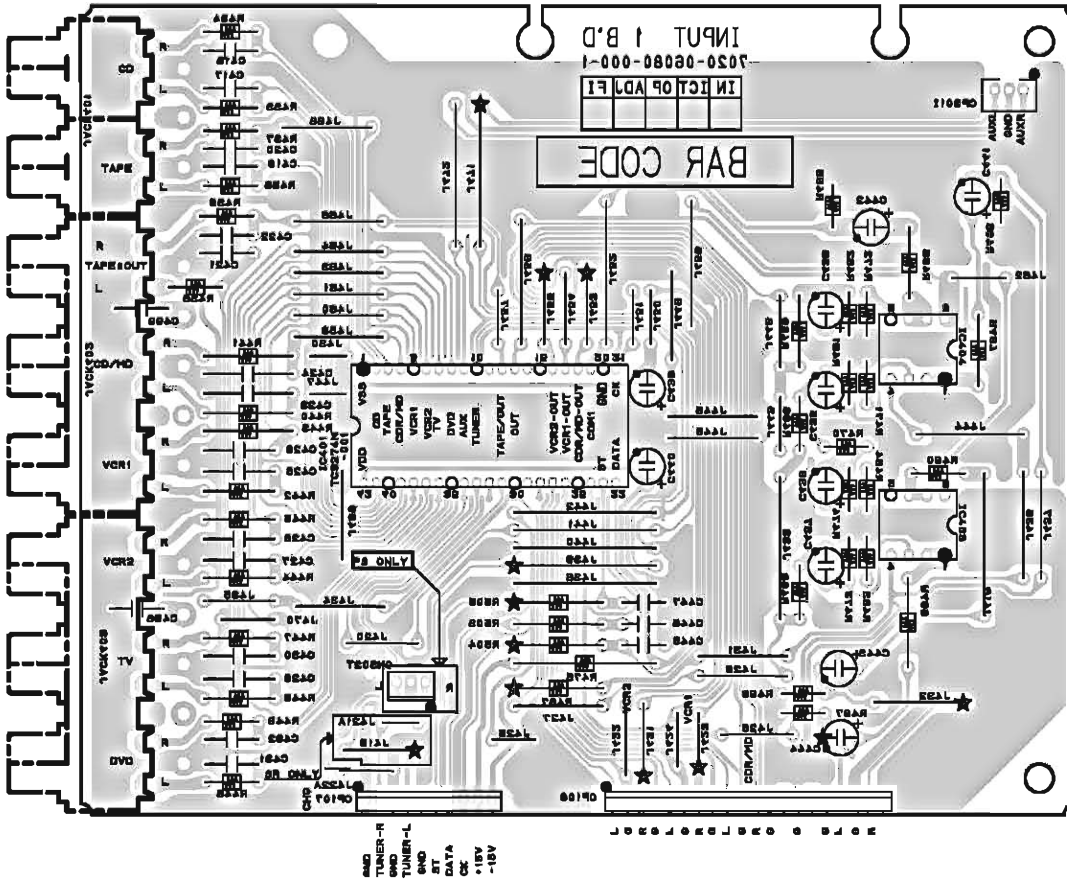
| | | |
|-------|---|---------|
| IC713 | Q702AFR | Q702AFL |
| Q712 | Q701FR Q701FL Q701SW Q701SR Q701SL Q701SC Q701C | |
| | Q704 | Q703 |
| | | Q705 |



INPUT 1

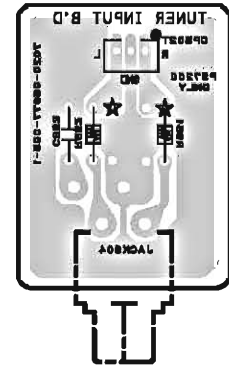
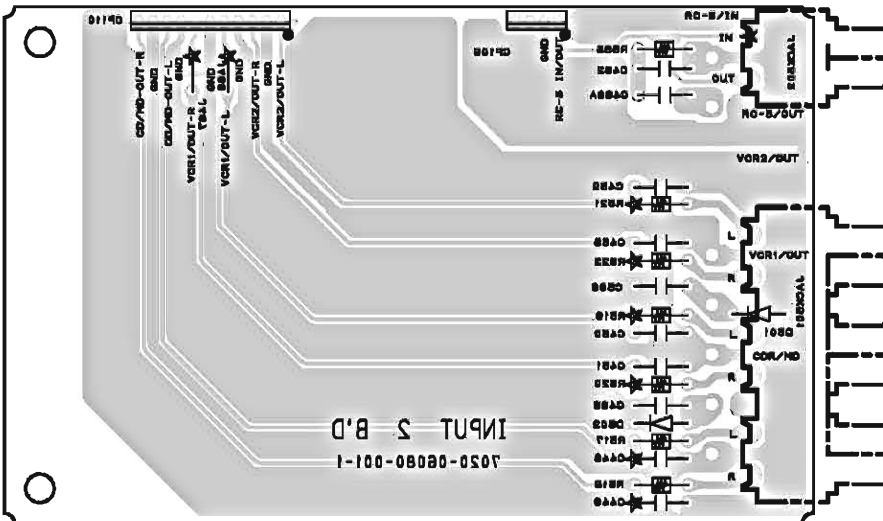
IC401

IC404
IC403



INPUT 2

TUNER INPUT



[PS200 ONLY]

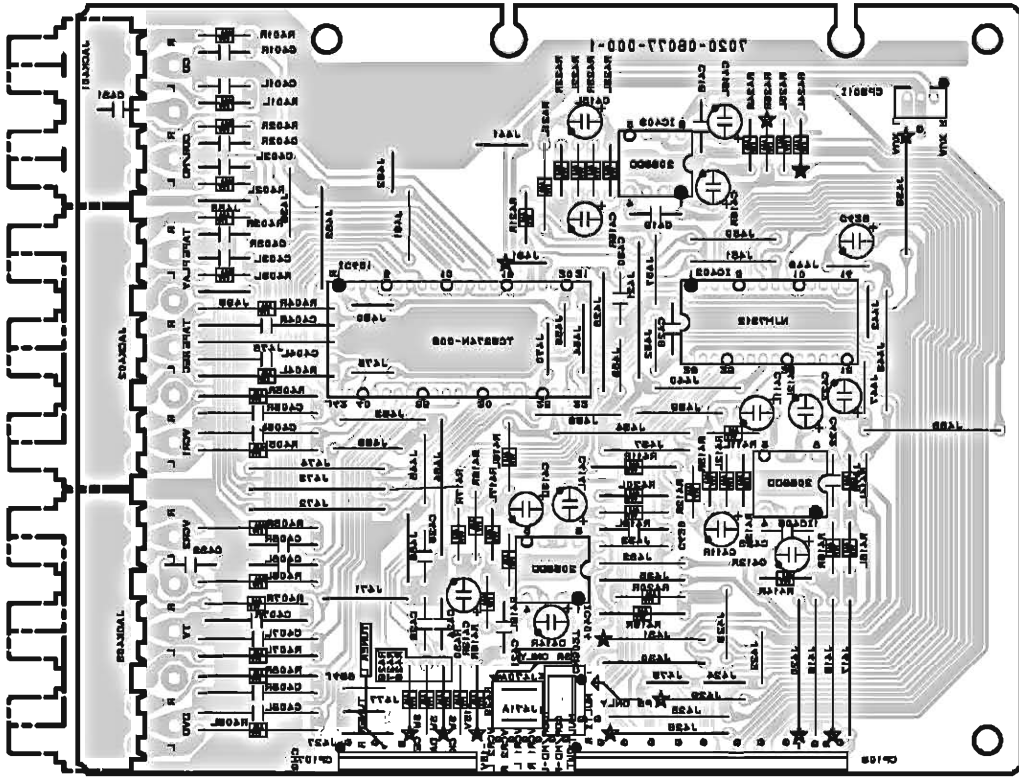
INPUT 1

IC401

IC403

IC402

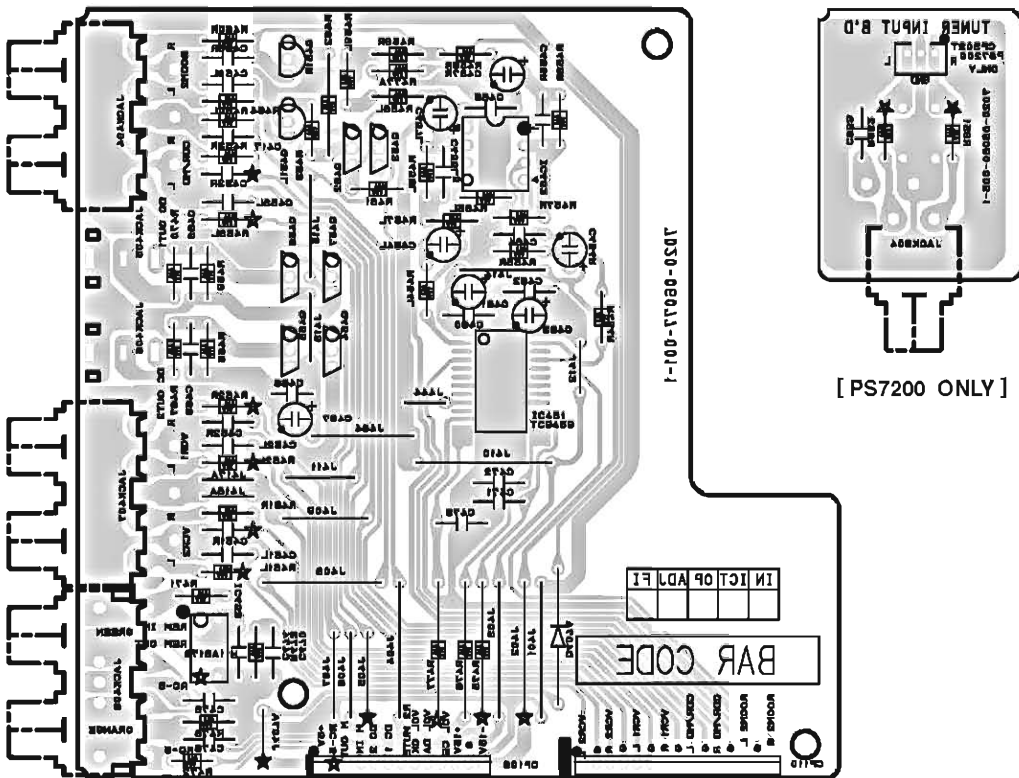
IC404



INPUT 2

Q451R
 Q451L Q452 Q453 IC452
 Q458 Q457
 Q455 Q454 IC451

TUNER INPUT

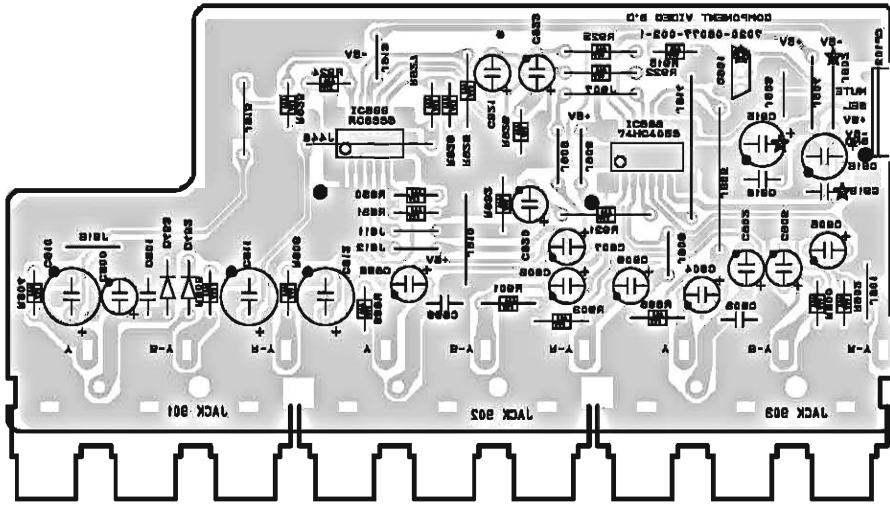


COMPONENT VIDEO [PS7200 / SR7200 ONLY]

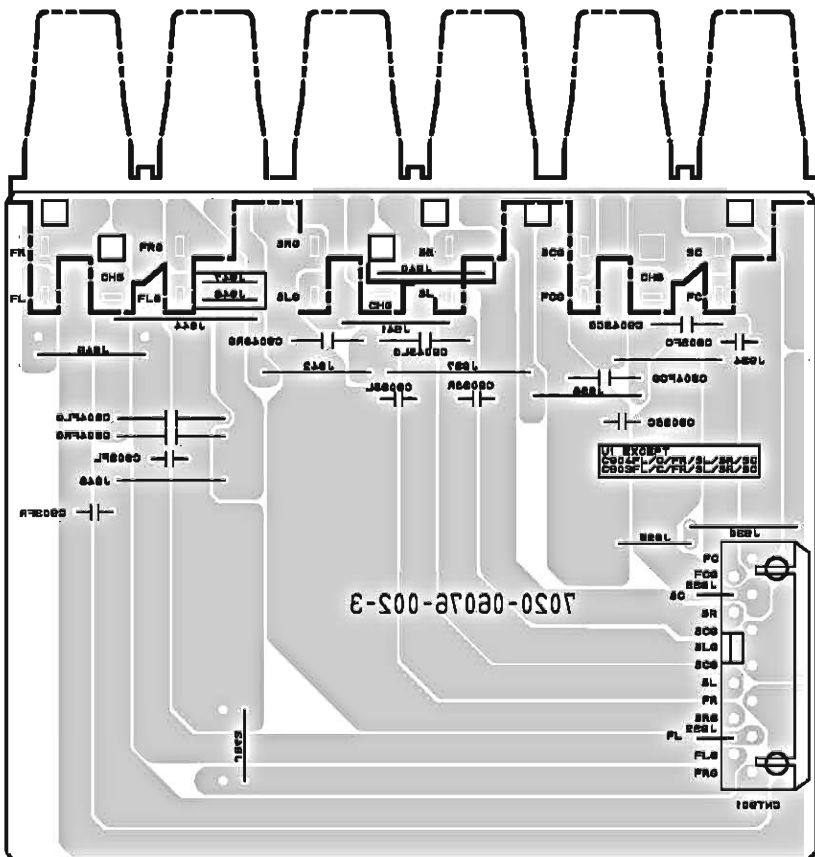
IC899

IC898

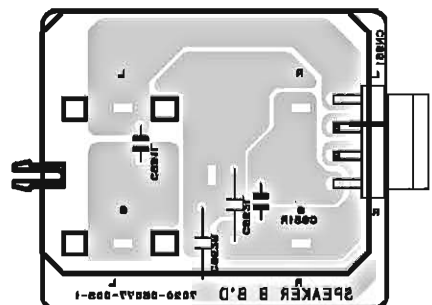
Q901



SPEAKER A



SPEAKER B
[PS7200 / SR7200 ONLY]



VIDEO

Q873M

Q822 Q870

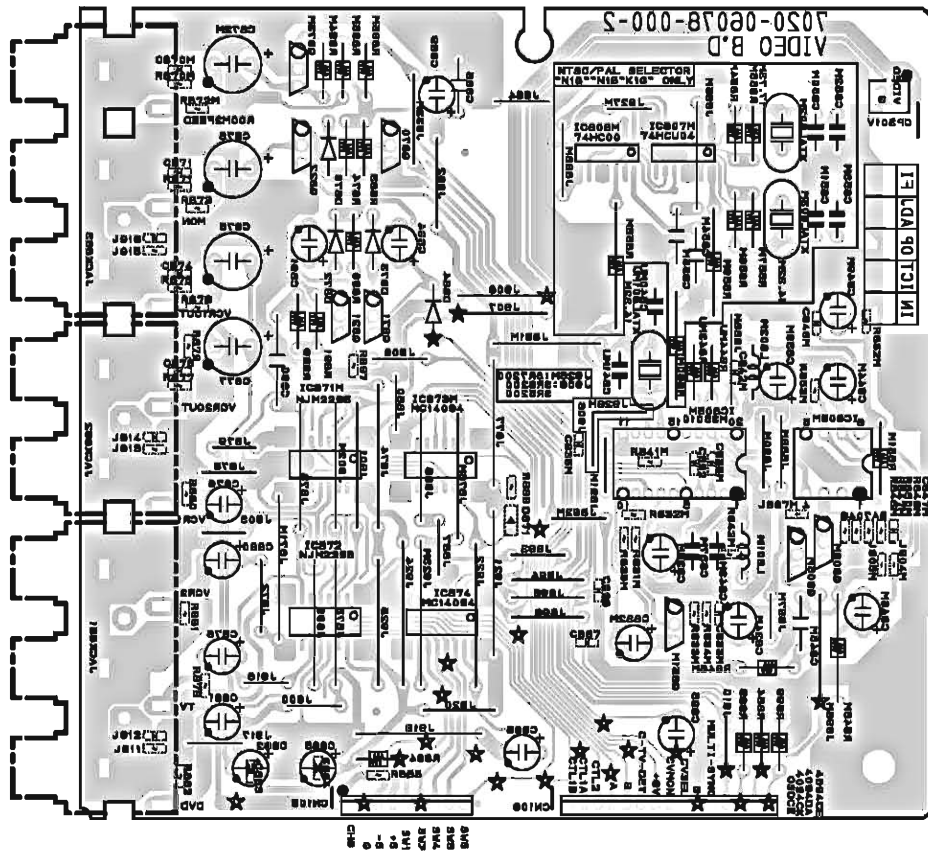
Q821 Q871

IC805M

IC806M

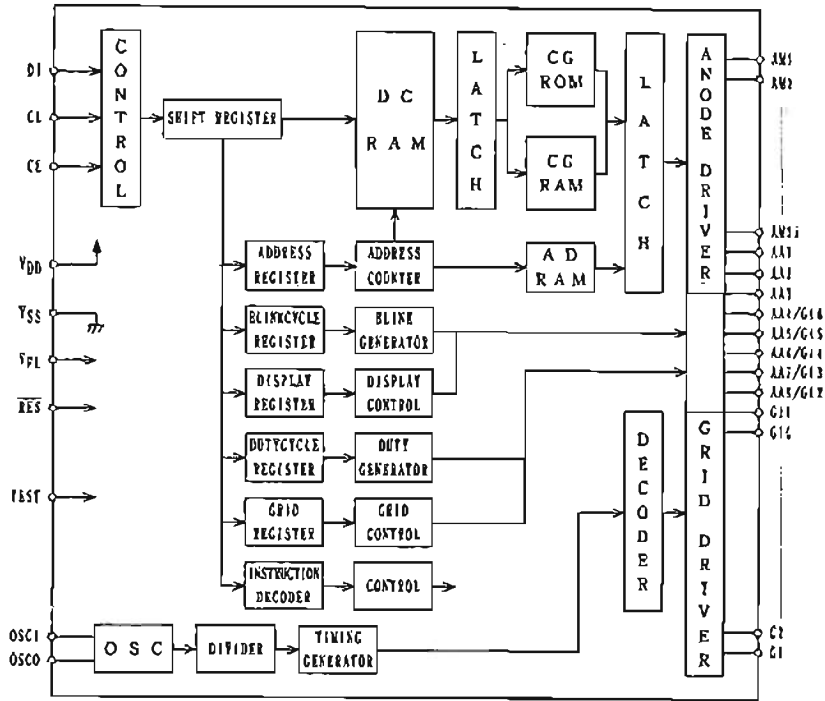
Q805M Q806M

Q851M

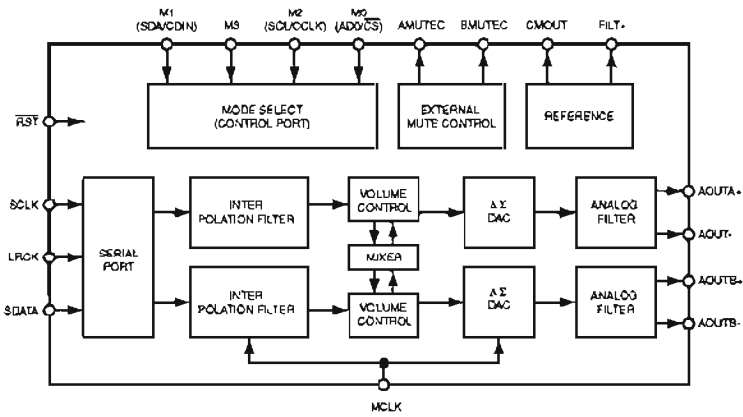


6. IC DATA

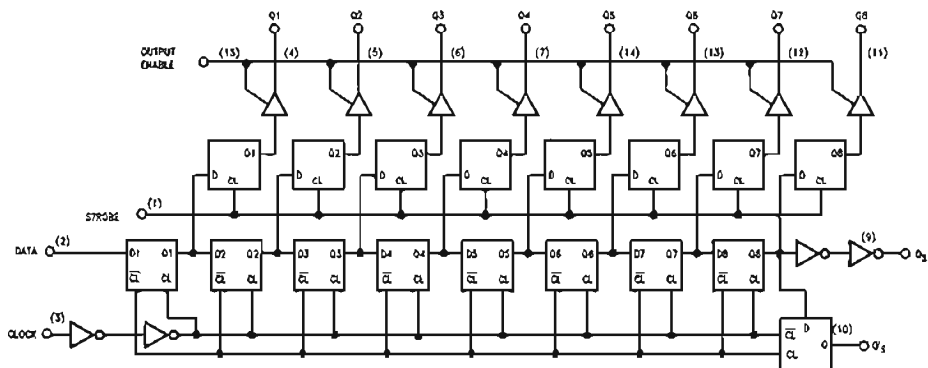
IC301 LC75721E



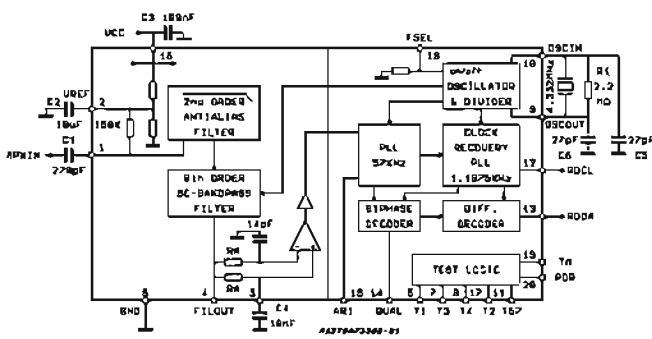
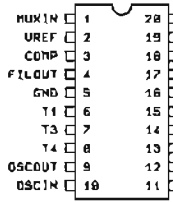
IC720 CS4391



IC106 CD4094BC



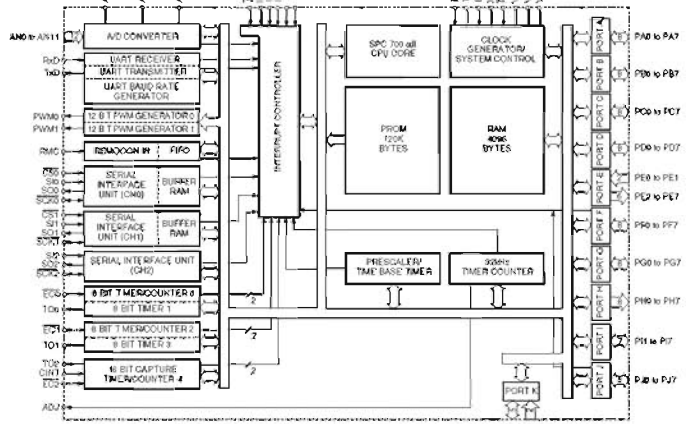
IC108 TDA7330



PIN FUNCTION

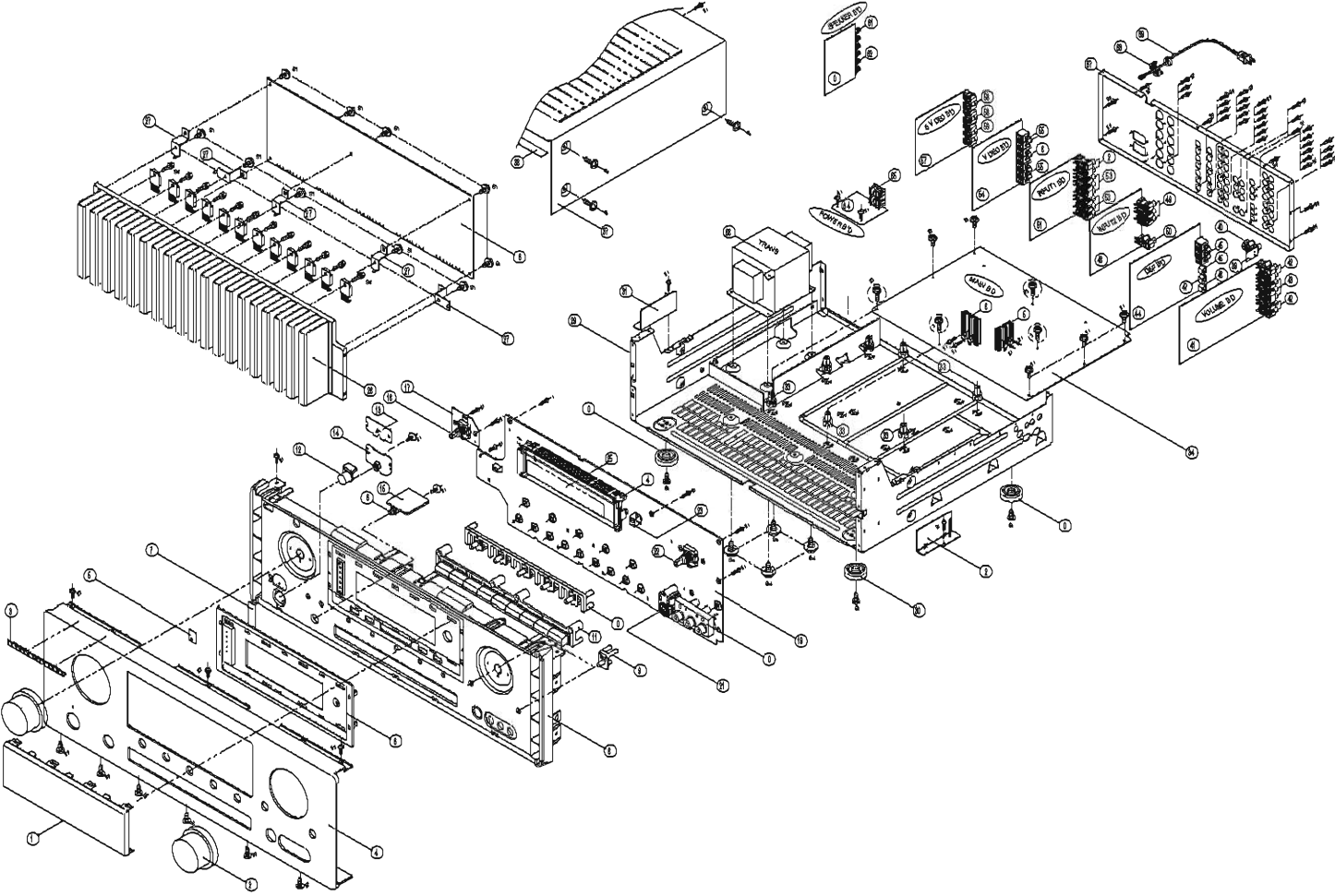
| Nr. | Name | Description |
|-----|---------|---|
| 1 | MUX IN | RDS input signal |
| 2 | UREF | Reference voltage |
| 3 | COMP | Not inverting comparator input (smoothing filter) |
| 4 | FIL OUT | Filter Output |
| 5 | GND | Ground |
| 6 | T1 | Testing output pin (not to be used) |
| 7 | T3 | Testing output pin (not to be used) |
| 8 | T4 | Testing output pin (not to be used) |
| 9 | OSC OUT | Oscillator output |
| 10 | OSC IN | Oscillator Input |
| 11 | T57 | Testing output pin: 57kHz clock output |
| 12 | RDCL | RDS clock output (1187.5kHz) |
| 13 | RODA | RDS data output |
| 14 | QUAL | Output for signal quality indication (High = good) |
| 15 | ARI | Output for ARI indication (High when RDS + ARI signals are present) (High when only ARI is present) (Low when only RDS is present) (Undefined when no signal is present) |
| 16 | Vcc | Supply Voltage |
| 17 | T2 | Testing output pin (not to be used) |
| 18 | FSEL | Frequency selector pin: open = 4.332MHz, closed to Vcc = 5.664MHz |
| 19 | TM | Test mode pin: open = normal RUN, closed to Vcc = Test mode |
| 20 | PDR | Reset Input for testing (active high) |

IC107 CXP740095



| Pin No. | Pin Name | Device Pin | IO | Level | ACTV | Full | Pin No. | Pin Name | Device Pin | IO | Level | ACTV | Full |
|---------|----------|--------------------|----|-------|------|------|---------|----------|--------------------|----|-------|------|------|
| 1 | RST | RESET | IO | 1 | | | 42 | UCC | AVCC | | | | |
| 2 | UCC | VCC | | | | | 43 | TM | TEST | I | | | |
| 3 | COMP | COMPARATOR INPUT | IO | | | | 44 | UREF | REFERENCE | I | | | |
| 4 | FIL OUT | FILTER OUTPUT | IO | | | | 45 | OSC IN | OSCILLATOR INPUT | I | | | |
| 5 | GND | GROUND | | | | | 46 | OSC OUT | OSCILLATOR OUTPUT | O | | | |
| 6 | T1 | TEST OUTPUT | IO | | | | 47 | OSC DIV | OSCILLATOR DIVIDER | O | | | |
| 7 | T3 | TEST OUTPUT | IO | | | | 48 | V REF | REFERENCE | I | | | |
| 8 | T4 | TEST OUTPUT | IO | | | | 49 | MUX IN | MUX INPUT | I | | | |
| 9 | OSC OUT | OSCILLATOR OUTPUT | O | | | | 50 | ARI | ARI OUTPUT | O | | | |
| 10 | OSC IN | OSCILLATOR INPUT | I | | | | 51 | RODA | RDS DATA OUTPUT | O | | | |
| 11 | T57 | TEST OUTPUT | IO | | | | 52 | RDCL | RDS CLOCK OUTPUT | O | | | |
| 12 | RDCL | RDS CLOCK OUTPUT | O | | | | 53 | QUAL | QUALITY INDICATION | O | | | |
| 13 | RODA | RDS DATA OUTPUT | O | | | | 54 | TM | TEST MODE | I | | | |
| 14 | QUAL | QUALITY INDICATION | O | | | | 55 | PDR | RESET INPUT | I | | | |
| 15 | ARI | ARI OUTPUT | O | | | | 56 | | | | | | |

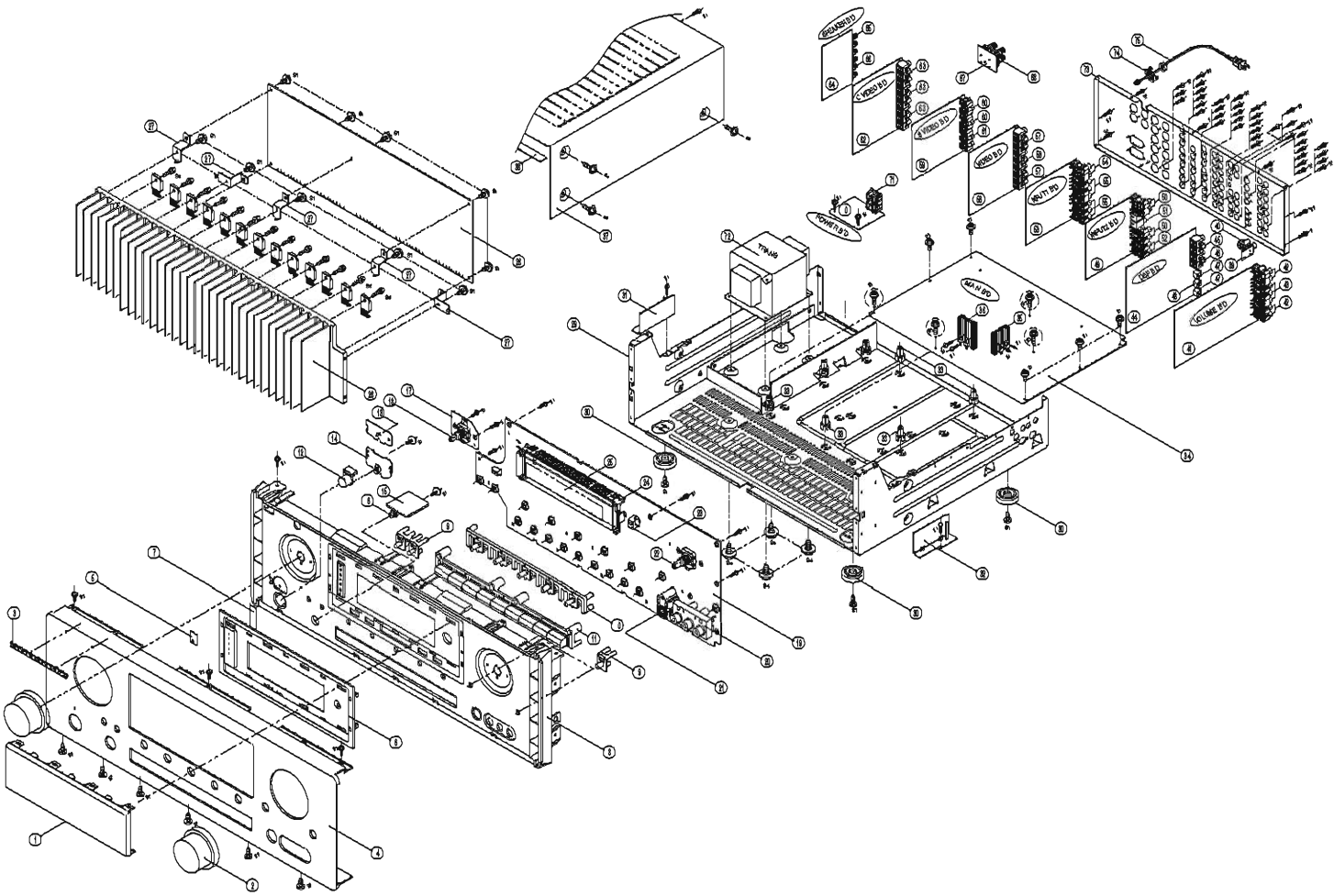
7. EXPLODED VIEW AND PARTS LIST
 PS5200



PS5200

| POS. NO. | VERS. COLOR | PART NO. (FOR P.C.S) | DESCRIPTION | PART NO. (MUJ) | POS. NO. | VERS. COLOR | PART NO. (FOR P.C.S) | DESCRIPTION | PART NO. (MUJ) |
|----------|-------------|----------------------|---------------------------------------|----------------|----------|-------------|---|-------------|----------------|
| 1 | | | WINDOW WINDOW FL | 322W168220 | 02 | | TER RCA 4PIN, | *YT001800R | |
| 2 | | | KNOB VOLUME AL(GOLD) | 313W154510 | | | CIN JACK J00400480N | | |
| 3 | | | BADGE(MARANTZ) | 188W251010 | 03 | | TER RCA 6PIN, | *YT002640R | |
| 4 | | | PANEL FRONT AL(GOLD) | 341W248010 | | | CIN JACK J00600480N | | |
| 5 | | | INDICATOR ACRYL MILK | 322W365010 | 04 | | P.C.B SUB ASSY,C-VIDEO | nsp | |
| 6 | | | CAP FRONT(GOLD) | 322W053120 | 05 | | TER RCA 3PIN, | *YT002830R | |
| 7 | | | FILTER COVER LED | 322W303010 | | | CIN JACK J0030012FN | | |
| 8 | | | PANEL FRONT MOLD(GOLD) | nsp | 06 | | TER RCA 2PIN, | *YT002810R | |
| 9 | | | BUTTON MUTE(GOLD) | 322W270140 | | | CIN JACK J00200095N | | |
| 10 | | | BUTTON SKEY(GOLD) | 322W270160 | 07 | | P.C.B SUB ASSY,S-VIDEO | nsp | |
| 11 | | | BUTTON SKEY(GOLD) | 322W270160 | 08 | | JACK D6,S, | *YT002640R | |
| 12 | | | BUTTON POWER(GOLD) | 322W270110 | | | JACK S-VIDEO YKF51 6516 | | |
| 13 | | | P.C.B SUB ASSY, STAND-BY LED | nsp | 09 | | JACK D N, | *YT002680R | |
| 14 | | | P.C.B SUB ASSY,POWER SW | nsp | 10 | | JACK S-VIDEO YKF51 6512 | nsp | |
| 15 | | | P.C.B SUB ASSY,HEADPHONE | nsp | 11 | | P.C.B SUB ASSY,SPEAKER | *YT001290R | |
| 16 | | | P.C.B SUB ASSY,HEADPHONE | nsp | 12 | | TER BOARD SCREW 6P, | | |
| 18 | | | HEAD PHONE JACK D6,S,HTJ064-068(S) | *YT002650R | 13 | | SPEAKER TERMINAL SH0410380P | | |
| 17 | | | P.C.B SUB ASSY,CONTROL | nsp | 14 | | TER BOARD SCREW 4P, | *YT002690R | |
| 18 | | | SW ENCODER, EC16812800D4-ZZZ | *SR000190R | 15 | | SPEAKER TERMINAL SH0410270P | nsp | |
| 19 | | | P.C.B SUB ASSY,FRONT | nsp | 16 | | P.C.B SUB ASSY,POWER SOCKET POWER RECEPTA, | *YT000910R | |
| 20 | | | TER RCA 2PIN,CIN JACK 3P | *YT000870R | 17 | | AC OUTLET CC11304-0212 | | |
| 21 | | | ACK D6,S,C40180260N | *YT002630R | 18 | | TRANSF. MAINS FOR F | *TS001830R | |
| 22 | | | SW ENCODER, EC16824101D4-ZZZ | *SR000200R | 19 | | PANEL REAR FOR F | nsp | |
| 23 | | | REMOTE MODULE RPM6936-H4 | *HW100030P | 20 | | CORD HOLDER DA-1 | 322W269030 | |
| 24 | | | HOLDER FL TUBE | nsp | 21 | | MAINS CORD ASSY WITH CORE FOR F | *ZC000170R | |
| 25 | | | FL TUBE HNA-16MM19 | *HG300510R | 22 | | SCREW TAP TITE, +28 3/8 B-TYPE ZNY/BH | nsp | |
| 26 | | | P.C.B SUB ASSY,AMP | nsp | 23 | | SCREW TAP TITE, +28 3/8 B-TYPE BKH/FH | nsp | |
| 27 | | | BRACKET FOR HEAT SINK | nsp | 24 | | SCREW TAP TITE, SCREW 2X18 B-TYPE ZNY/BH | nsp | |
| 28 | | | HEAT SINK ASSY, FOR POWER | nsp | 25 | | SCREW TAP TITE ASSY, +38 4"10P+S-WASHER ZNY/BH | nsp | |
| 29 | | | CHASSIS ASSY | nsp | 26 | | SCREW TAP TITE, +28 4"8 B-TYPE Bsbm/6H | nsp | |
| 30 | | | FOOT HOT STAMPING | 322W067010 | 27 | | SCREW,+28 3"18 P +S-WASHER ZNY/HH | nsp | |
| 31 | | | P.C.B SUB ASSY,GUIDE LEFT | nsp | 28 | | SCREW TAP TITE, +28 3"10B-TYPE(DO T)BH Bsbm | nsp | |
| 32 | | | P.C.B SUB ASSY,GUIDE RIGHT | nsp | 29 | | SCREW ASSY, +28 3/8 P119 B-TYPE ZNY | nsp | |
| 33 | | | KNOB SPACER | nsp | 30 | | PACKING | | |
| 34 | | | P.C.B SUB ASSY,MAIN | nsp | 31 | | USER GUIDE | 341W851110 | |
| 35 | | | HEAT SINK FOR TR. | nsp | 32 | | REMOTE CONTROLLER (RC 6200R) | ZK320W0010 | |
| 36 | | | HEAT SINK FOR TR. | nsp | 33 | | | | |
| 37 | | | TOP COVER(GOLD) | nsp | 34 | | | | |
| 38 | | | CUSHION,BUFFER RS-717 | nsp | 35 | | | | |
| 39 | | | P.C.B SUB ASSY,TUNER INPUT | nsp | 36 | | | | |
| 40 | | | TER RCA 2PIN, CIN JACK J00200431N | *YT002790R | 37 | | | | |
| 41 | | | P.C.B SUB ASSY,VOLUME | nsp | 38 | | | | |
| 42 | | | TER RCA 4PIN, CIN JACK J00400480N | *YT001800R | 39 | | | | |
| 43 | | | TER RCA 6PIN, CIN JACK J00600480N | *YT002650R | 40 | | | | |
| 44 | | | P.C.B SUB ASSY,DSP | nsp | 41 | | | | |
| 45 | | | TER RCA 3PIN, CIN JACK J0030012ZN | *YT002820R | 42 | | | | |
| 46 | | | MODULE,GP1FA602TZ / OPTICAL RX | *YT002670R | 43 | | | | |
| 47 | | | MODULE,GP1FA602TZ / OPTICAL TX | *YT002680R | 44 | | | | |
| 48 | | | P.C.B SUB ASSY,INPUT2 | nsp | 45 | | NOT STANDARD SPARE PARTS | | |
| 49 | | | TER RCA 6PIN, CIN JACK J00600480N | *YT002640R | 46 | | BATTERY DRY,RCGNE AAA | nsp | |
| 50 | | | TER RCA 2PIN, CIN JACK J0020044HN | *YT002800R | 47 | | BOX INNER CARTON, PACKING CASE | nsp | |
| 51 | | | P.C.B SUB ASSY,INPUT1 | nsp | 48 | | CUSHION SNOW | nsp | |
| | | | | | 49 | | PE SHEET,FILM SOFT PE | nsp | |

NOTE: THE PART ELBETED FOR REFERENCE ONLY, MARANTZ WILL NOT SUPPLY THESE PARTS



PS7200

| POS. NO | VERS. COLOR | PART NO. (FOR PCS) | DESCRIPTION | PART NO. (MJI) | POS. NO | VERS. COLOR | PART NO. (FOR PCS) | DESCRIPTION | PART NO. (MJI) |
|---------|-------------|--------------------|--------------------------------|----------------|---------|-------------|--------------------|---|----------------|
| 1 | | | WINDOW-FL | 322W158220 | 56 | | | P.C.B SUB ASSY, V-COMPOSITE | nsp |
| 2 | | | KNOB VOLUME AL(GOLD) | 313W154510 | 57 | | | CINCH JACK JC030012FN | *YT002630R |
| 3 | | | BADGE(MARANTZ) | 168W251010 | 58 | | | CINCH JACK JC0200095N | *YT002610R |
| 4 | | | PANEL FRONT AL(GOLD) | 342W248010 | 59 | | | P.C.B SUB ASSY,S-VIDEO | nsp |
| 5 | | | INDICATOR ACRYL MILK | 322W355010 | 60 | | | JACK S-VIDEO YKF51-5516 | *YT002540R |
| 6 | | | CAP FRONT(GOLD) | 322W053120 | 61 | | | JACK S-VIDEO YKF51-5512 | *YT002560R |
| 7 | | | FILTER COVER LED | 322W303010 | 62 | | | P.C.B SUB ASSY,C-VIDEO | nsp |
| 8 | | | PANEL FRONT MOLD(GOLD) | nsp | 63 | | | CINCH JACK JC030012LN | *YT002770R |
| 9 | | | BUTTON MUTE(GOLD) | 322W270140 | 64 | | | P.C.B SUB ASSY,SPEAKER | nsp |
| 10 | | | BUTTON 5KEY(GOLD) | 322W270150 | 65 | | | SPEAKER TERMINAL, SH0810360P | *YT001290R |
| 11 | | | BUTTON 9KEY(GOLD) | 322W270160 | 66 | | | SPEAKER TERMINAL, SH0410370P | *YT002590R |
| 12 | | | BUTTON POWER(GOLD) | 322W270110 | 67 | | | P.C.B SUB ASSY,SPEAKER B | nsp |
| 13 | | | P.C.B SUB ASSY, STAND-BY LED | nsp | 68 | | | SPEAKER TERMINAL, SH0410770P | *YT002780R |
| 14 | | | P.C.B BY POWER ASSY, BY SW | nsp | 70 | | | P.C.B SUB ASSY,POWER | nsp |
| 15 | | | P.C.B SUB ASSY,HEAD PHONE | nsp | 71 | ▲ | | AC OUTLET CCT1304-0212 | *YT000910R |
| 16 | | | HEADPHONE JACK, H20380060G | *YT002750R | 72 | ▲ | | TRANSF. MAINS FOR F | *TS001620R |
| 17 | | | P.C.B SUB ASSY,M-CONTROL | nsp | 73 | | | PANEL REAR FOR F | nsp |
| 18 | | | SW ENCODER, EC16B12S00D4-ZZZ | *SR000190R | 74 | | | CORD HOLDER DACH-1 | 323W259030 |
| 19 | | | P.C.B SUB ASSY,FRONT | nsp | 75 | ▲ | | MAINS CORD ASSY WITH CORE FOR F | *ZC000170R |
| 20 | | | CINCH JACK 3P | *YT000870R | S1 | | | SCREW TAP TITE, +2S 3*8 B-TYPE ZNY/BH | nsp |
| 21 | | | JACK D6.5,C40160250N | *YT002530R | S2 | | | SCREW TAP TITE, +2S 3*8 B-TYPE BK/FH | nsp |
| 22 | | | SW ENCODER, EC16B24T01D4-ZZZ | *SR000200R | S3 | | | SCREW TAP TITE, SCREW 3X18 B-TYPE ZNY/BH | nsp |
| 23 | | | REMOTE MODULE, RPM6936-H4 | *HW100530R | S4 | | | SCREW TAP TITE ASSY, +3S4*10P+S-WASHER ZNY/BH | nsp |
| 24 | | | HOLDER FL TUBE | nsp | S5 | | | SCREW TAP TITE, +2S 4*8 B-TYPE Bsbm/BH | nsp |
| 25 | | | FL TUBE HNA-15MM19 | *HQ300510R | S6 | | | SCREW, +2S3*16P+S-WASHER ZNY/HH | nsp |
| 26 | | | P.C.B SUB ASSY,AMP | nsp | S7 | | | SCREW TAP TITE, +2S3*10B-TYPE(DOT)BH Bsbm | nsp |
| 27 | | | BRACKET FOR HEAT SINK | nsp | S8 | | | SCREW ASSY, +2S 3*8 PH9 B-TYPE ZNY | nsp |
| 28 | | | HEAT SINK POWER | nsp | - | | | PACKING | |
| 29 | | | CHASSIS ASSY | nsp | 001Z | | | USER GUIDE | 342W851110 |
| 30 | | | FOOT HOT STAMPING | 322W057010 | | | | REMOTE CONTROLLER, RC7200SR | ZK322W0010 |
| 31 | | | P.C.B SUB ASSY,GUIDE LEFT | nsp | | | | | |
| 32 | | | P.C.B SUB ASSY,GUIDE RIGHT | nsp | | | | | |
| 33 | | | KNOB SPACER | nsp | | | | | |
| 34 | | | P.C.B SUB ASSY,MAIN | nsp | | | | | |
| 35 | | | HEAT SINK FOR TR. | nsp | | | | | |
| 36 | | | HEAT SINK FOR TR. | nsp | | | | | |
| 37 | | | TOP COVER(GOLD) | nsp | | | | | |
| 38 | | | BUFFER RS-717 | nsp | | | | | |
| 39 | | | P.C.B SUBASSY,TUNER INPUT | nsp | | | | | |
| 40 | | | CINCH JACK 2P | *YT002790R | | | | | |
| 41 | | | P.C.B SUB ASSY,VOLUME | nsp | | | | | |
| 42 | | | CINCH JACK JK0400450N | *YT001600R | | | | | |
| 43 | | | CINCH JACK JK060046EN | *YT002650R | | | | | |
| 44 | | | P.C.B SUB ASSY, DSP FOR PS7200 | nsp | | | | | |
| 45 | | | CINCH JACK JC020009XN | *YT002730R | | | | | |
| 46 | | | CINCH JACK JC020009UN | *YT002720R | | | | | |
| 47 | | | MODULE, GP1FA502RZ /OPTICAL RX | *YT002570R | | | | | |
| 48 | | | MODULE, GP1FA502TZ /OPTICAL TX | *YT002580R | | | | | |
| 49 | | | P.C.B SUB ASSY,INPUT2 | nsp | | | | | |
| 50 | | | CINCH JACK JK0400450N | *YT001600R | | | | NOT STANDARD SPARE PARTS | |
| 51 | | | CINCH JACK LGY6501-0600C | *YT002760R | - | | | BATTERY DRY,R03NE AAA | nsp |
| 52 | | | CINCH JACK JE040060MN | *YT002740R | - | | | BOX INNECARTON, | nsp |
| 53 | | | P.C.B SUB ASSY,INPUT1 | nsp | - | | | PACKING CASE | |
| 54 | | | CINCH JACK JK0400450N | *YT001600R | - | | | CUSHION SNOW | nsp |
| 55 | | | CINCH JACK JK060046CN | *YT002640R | - | | | PE SHEET,FILM SOFT PE | nsp |

NOTE : *nsp* PART IS LISTED FOR REFERENCE ONLY, MARANTZ WILL NOT SUPPLY THESE PARTS.

9. ELECTRICAL PARTS LIST

ASSIGNMENT OF COMMON PARTS CODES.

RESISTORS

R***: 1) GD05xxx140, Carbon film fixed resistor, ±5% 1/4W
R***: 2) GD05xxx160, Carbon film fixed resistor, ±5% 1/6W

① — Resistance value

Examples ;

① Resistance value

0.1 Ω 001 10 Ω 100 1 kΩ 102 100 kΩ 104
 0.5 Ω 005 18 Ω 180 2.7 kΩ 272 680 kΩ 684
 1 Ω 010 100 Ω 101 10 kΩ 103 1 MΩ 105
 6.8 Ω 068 390 Ω 391 22 kΩ 223 4.7 MΩ 475

Note : Please distinguish 1/4W from 1/6W by the shape of parts used actually.

CAPACITORS

C***: CERAMIC CAP.

3) DD1xxx370, Ceramic capacitor
 Disc type
 Temp.coeff.P350 ~N1000, 50V

② — Tolerance
 ③ — Capacity value
 — Tolerance

Examples ;

② Tolerance (Capacity deviation)

±0.25 pF 0
 ±0.5 pF 1
 ±5% 5

* Tolerance of COMMON PARTS handled here are as follows :

0.5 pF ~ 5 pF ±0.25 pF
 6 pF ~ 10 pF ±0.5 pF
 12 pF ~ 560 pF ±5%

③ Capacity value

0.5 pF 005 3 pF 030 100 pF 101
 1 pF 010 10 pF 100 220 pF 221
 1.5 pF 015 47 pF 470 560 pF 561

C*** : CERAMIC CAP.

4) DK16xxx300, High dielectric constant ceramic capacitor
 Disc type
 Temp.chara. 2B4, 50V

④ — Capacity value

Examples ;

④ Capacity value

100 pF 101 1000 pF 102 10000 pF 103
 470 pF 471 2200 pF 222

C*** : 5) ELECTROLY CAP. ($\frac{\text{ZZ}}{\text{—}}$), 6) FILM CAP. ($\frac{\text{—}}{\text{—}}$)

5) EAxxx10, Electrolytic capacitor
 One-way lead type, Tolerance ±20%

⑤ — Working voltage
 ⑥ — Capacity value

Examples ;

⑤ Capacity value

0.1 μF 104 4.7 μF 475 100 μF 107
 0.33 μF 334 10 μF 106 330 μF 337
 1 μF 105 22 μF 226 1100 μF 118
 2200 μF 228

⑥ Working voltage

6.3V 006 25V 025
 10V 010 35V 035
 16V 016 50V 050

6) DF15xxx350 — Plastic film capacitor
 DF15xxx310 — One-way type, Mylar ±5% 50V
 DF16xxx310 — Plastic film capacitor
 One-way type, Mylar ±10% 50V

⑦ — Capacity value

Examples ;

⑦ Capacity value

0.001 μF (1000 pF) 102 0.1 μF 104
 0.0018 μF 182 0.56 μF 564
 0.01 μF 103 1 μF 105
 0.015 μF 153

NOTE : 1) The above CODES (**R*****, **R*****, **C*****, **C***** and **C*****) are omitted on the schematic diagram in some case.

2) On the occasion, be confirmed the common parts on the parts list.

3) Refer to "Common Parts List" for the other common parts (RI05, DD4, DK4).

NOTE ON SAFETY FOR FUSIBLE RESISTOR :

The suppliers and their type numbers of fusible resistors are as follows;

1. KOA Corporation

| Part No. (MJI) | Type No. (KOA) | Description |
|----------------|----------------|-------------|
| NH05xxx140 | RF25SxxxxΩJ | (±5% 1/4W) |
| NH05xxx120 | RF50SxxxxΩJ | (±5% 1/2W) |
| NH85xxx110 | RF73B2AxxxxΩJ | (±5% 1/10W) |
| NH95xxx140 | RF73B2ExxxxΩJ | (±5% 1/4W) |

* Resistance value Resistance value
 (0.1 Ω – 10 kΩ)

2. Matsushita Electronic Components Co., Ltd

| Part No. (MJI) | Type No. (MEC) | Description |
|----------------|----------------|-------------|
| NF05xxx140 | ERD-2FCJxxx | (±5% 1/4W) |
| RF05xxx140 | | |
| NF02xxx140 | ERD-2FCGxxx | (±2% 1/4W) |
| RF02xxx140 | | |

* Resistance value * Resistance value

Examples ;

* Resistance value

0.1 Ω 001 10 Ω 100 1 kΩ 102 100 kΩ 104
 0.5 Ω 005 18 Ω 180 2.7 kΩ 272 680 kΩ 684
 1 Ω 010 100 Ω 101 10 kΩ 103 1 MΩ 105
 6.8 Ω 068 390 Ω 391 22 kΩ 223 4.7 MΩ 475



ABBREVIATION AND MARKS

| | |
|------------------------|----------------------|
| ANT. : ANTENNA | BATT. : BATTERY |
| CAP. : CAPACITOR | CER. : CERAMIC |
| CONN. : CONNECTING | DIG. : DIGITAL |
| HP : HEADPHONE | MIC. : MICROPHONE |
| μ-PRO : MICROPROCESSOR | REC. : RECORDING |
| RES. : RESISTOR | SPK : SPEAKER |
| SW : SWITCH | TRANSF : TRANSFORMER |
| TRIM. : TRIMMING | TRS. : TRANSISTOR |
| VAR. : VARIABLE | X'TAL : CRYSTAL |


NOTE ON FUSE :

Regarding to all parts of parts code FS20xxx2xx, replace only with Wickmann-Werke GmbH, Type 372 non glass type fuse.

NOTE ON SAFETY :

Symbol  Fire or electrical shock hazard. Only original parts should be used to replaced any part marked with symbol . Any other component substitution (other than original type), may increase risk of fire or electrical shock hazard.

安全上の注意 :

 がついている部品は、安全上重要な部品です。必ず指定されている部品番号の部品を使用して下さい。

PS5200

| POS. NO | VERS. COLOR | PART NO. (FOR PCS) | DESCRIPTION | PART NO. (MJI) | POS. NO | VERS. COLOR | PART NO. (FOR PCS) | DESCRIPTION | PART NO. (MJI) |
|---------|-------------|--------------------|----------------------------|----------------|---------|-------------|--------------------|------------------|----------------|
| | | | MAIN CIRCUIT BOARD | | | | | MAIN - RESISTORS | |
| | | | MAIN - CAPACITORS | | R101 | | | 0.22-J 1W | *GA000200R |
| C101 | | | FILM,0.1µF-K/250V | nsp | ∫ | | | | |
| C102 | | | FILM,0.047µF-J/100V | nsp | R104 | | | | |
| C103 | | | FILM,0.047µF-J/100V | nsp | R105C | | 10-J 2W | GA05100020 | |
| C104C | | | FILM,0.1µF-K/63V | nsp | R105FL | | 10-J 2W | GA05100020 | |
| C104FL | | | FILM,0.1µF-K/63V | nsp | R105FR | | 10-J 2W | GA05100020 | |
| C104FR | | | FILM,0.1µF-K/63V | nsp | R105SC | | 10-J 2W | GA05100020 | |
| C104SC | | | FILM,0.1µF-K/63V | nsp | R105SL | | 10-J 2W | GA05100020 | |
| C104SL | | | FILM,0.1µF-K/63V | nsp | R105SR | | 10-J 2W | GA05100020 | |
| C104SR | | | FILM,0.1µF-K/63V | nsp | R107 | | 2.7K-J 1/6W | nsp | |
| C105C | | | FILM,0.1µF-K/63V | nsp | R108 | | 2.7K-J 1/6W | nsp | |
| C105FL | | | FILM,0.1µF-K/63V | nsp | R109 | | 560K-J 1/6W | nsp | |
| C105FR | | | FILM,0.1µF-K/63V | nsp | R110 | | 3.6K-J 1/6W | nsp | |
| C105SC | | | FILM,0.1µF-K/63V | nsp | R111 | | 22K-J 1/6W | nsp | |
| C105SL | | | FILM,0.1µF-K/63V | nsp | R112 | | 910-J 1/6W | nsp | |
| C105SR | | | FILM,0.1µF-K/63V | nsp | R113 | | 1K-J 1/6W | nsp | |
| C106 | | | FILM,0.1µF-K/250V | nsp | R114 | | 0.1-J/5W W14*H17 | *GO000011R | |
| C107 | | | FILM,0.1µF-K/250V | nsp | R115 | | 0.1-J/5W W14*H17 | *GO000011R | |
| C108 | | | | | R116 | | 27K-J 1/6W | nsp | |
| ∫ | | | FILM,0.047µF-J/100V | nsp | R117 | | 27K-J 1/6W | nsp | |
| C111 | | | | | R118 | | 2.2K-J 1/6W | nsp | |
| C114 | | | ELECT,2200µF-M/35V 16*32 | nsp | R119 | | 2.2K-J 1/6W | nsp | |
| C115 | | | ELECT,2200µF-M/35V 16*32 | nsp | R120 | | 560K-J 1/6W | nsp | |
| C116 | | | CER.,0.01µF-K/50V | nsp | R122 | | | | |
| C117 | | | ELECT,10000µF-M/16V 18*35 | nsp | ∫ | | 27K-J 1/6W | nsp | |
| C118 | | | ELECT,2200µF-M/16V 12.5*20 | nsp | R127 | | | | |
| C119 | | | ELECT,10000µF-M/63V 30*50 | *OA000050R | R128 | | 51K-J 1/6W | nsp | |
| C120 | | | ELECT,10000µF-M/63V 30*50 | *OA000050R | R129 | | 51K-J 1/6W | nsp | |
| C121 | | | ELECT,10µF-M/50V 5*11 | nsp | R130 | | 15K-J 1/6W | nsp | |
| C122 | | | FILM,0.1µF-K/250V | nsp | R131 | | 33K-J 1/6W | nsp | |
| C123 | | | FILM,0.1µF-K/250V | nsp | R133 | | 2.2K-J 1/6W | nsp | |
| C124 | | | CER.,0.01µF-K/50V | nsp | R134 | | 100K-J 1/6W | nsp | |
| C125 | | | | | R137 | | | | |
| ∫ | | | ELECT,1µF-M/50V 5*11 | nsp | ∫ | | 22K-J 1/6W | nsp | |
| C129 | | | | | R142 | | | | |
| C132 | | | ELECT,100µF-M/25V 6.3*11 | nsp | R143 | | 3.3K-J 1/6W | nsp | |
| C135 | | | CER.,0.1µF-Z/50V | nsp | R144 | | 15K-J 1/6W | nsp | |
| C140 | | | ELECT,4.7µF-M/50V 5*11 | nsp | R146 | | 1.2K-J 1W | nsp | |
| C141 | | | ELECT,470µF-M/16V,8*11.5 | nsp | R147 | | 22K-J 1/6W | nsp | |
| C142 | | | ELECT,470µF-M/16V,8*11.5 | nsp | R148 | | 22K-J 1/6W | nsp | |
| C143 | | | CER.,0.1µF-Z/50V | nsp | R150 | | 18K-J 1/6W | nsp | |
| C144 | | | CER.,0.1µF-Z/50V | nsp | R152 | | 1.2K-J 1W | nsp | |
| C145 | | | ELECT,10µF-M/100V 6.3*11 | *EA001080R | R154 | | 1.2K-J 1W | nsp | |
| C147 | | | CER.,0.1µF-Z/50V | nsp | R155 | | 4.7K-J 1/6W | nsp | |
| C148 | | | CER.,0.1µF-Z/50V | nsp | R157 | | 100K-J 1/6W | nsp | |
| C149 | | | ELECT,4.7µF-M/50V 5*11 | nsp | R158 | | 100K-J 1/6W | nsp | |
| C150 | | | ELECT,47µF-M/16V 5*11 | nsp | R159 | | 1K-J 1/6W | nsp | |
| C151 | | | ELECT,8200µF-M/5.5V | *EX000080R | R161 | | 1M-J 1/6W | nsp | |
| C152 | | | CER.,100pF-K/50V | nsp | R162 | | 47K-J 1/6W | nsp | |
| C160 | | | | | R165 | | 4.7K-J 1/6W | nsp | |
| ∫ | | | CER.,100pF-K/50V | nsp | R166 | | 47K-J 1/6W | nsp | |
| C164 | | | | | R168 | | 47K-J 1/6W | nsp | |
| C164 | | | CER.,220pF-K/50V | nsp | R169 | | 220-J 1/6W | nsp | |
| C165 | | | CER.,0.001µF-K/50V | nsp | R170 | | 100K-J 1/6W | nsp | |
| C168 | | | CER.,10pF-J/50V | nsp | R172 | | 10K-J 1/6W | nsp | |
| C169 | | | | | R173 | | 150K-J 1/6W | nsp | |
| ∫ | | | CER.,0.047µF-Z/50V | nsp | R174 | | 47K-J 1/6W | nsp | |
| C173 | | | | | R175 | | 10K-J 1/6W | nsp | |
| C175 | | | CER.,47pF-J/50V | nsp | R176 | | 15K-J 1/6W | nsp | |
| C176 | | | CER.,10pF-J/50V | nsp | R177 | | 470K-J 1/6W | nsp | |
| | | | | | R178 | | 100-J 1/6W | nsp | |
| | | | | | R179 | | 47K-J 1/6W | nsp | |

NOTE : *nsp* PART IS LISTED FOR REFERENCE ONLY, MARANTZ WILL NOT SUPPLY THESE PARTS.

PS5200

| POS. NO | VERS. COLOR | PART NO. (FOR PCS) | DESCRIPTION | PART NO. (MJI) | POS. NO | VERS. COLOR | PART NO. (FOR PCS) | DESCRIPTION | PART NO. (MJI) |
|---------|-------------|--------------------|------------------------------|----------------|---------|-------------|--------------------|-----------------------------|----------------|
| R181 | | | 10K-J 1/6W | nsp | Q186 | | | TRS.2SA,KSA992F TO92 | *HT100590R |
| R183 | | | 47K-J 1/6W | nsp | ZD121 | | | D ZENER,MTZJ5.1B | HD30511000 |
| R184 | | | 10K-J 1/6W | nsp | ZD122 | | | D ZENER,MTZJ5.1B | HD30511000 |
| R185 | | | 100K-J 1/6W | nsp | | | | | |
| R186 | | | 100K-J 1/6W | nsp | | | | | |
| R189 | | | 10K-J 1/6W | nsp | BEAD101 | | | MAIN - MISCELLANEOUS | |
| R190 | | | 10K-J 1/6W | nsp | § | | | BEAD COIL, | nsp |
| R192 | | | 47K-J 1/6W | nsp | | | | BAS3580T0 3.5PHI*8 | |
| R193 | | | 3.3-J 1W | nsp | BEAD105 | | | | |
| R194 | | | | | CNT108 | | | CN WIRE,420MM/4P | nsp |
| § | | | 10K-J 1/6W | nsp | CP101 | | | CN.WAFER 2.5MM, | nsp |
| R198 | | | | | | | | 53421-1317 ST ZIP | |
| R199 | | | 1K-J 1/6W | nsp | CP103 | | | CN.WAFER 2.0MM, | nsp |
| R200 | | | 47K-J 1/6W | nsp | | | | TUC-P09P-B1 9P WAFER ST | |
| R201 | | | 47K-J 1/6W | nsp | CP104 | | | CN.WAFER 2.0MM, | nsp |
| R202 | | | 100-J 1/4W | nsp | | | | 35336-1310 13P | |
| R203 | | | 10K-J 1/6W | nsp | CP105 | | | CN.WAFER 2.0MM, | nsp |
| R204 | | | 47K-J 1/6W | nsp | | | | TUC-P09P-B1 9P WAFER ST | |
| | | | MAIN - SEMICONDUCTORS | | CP106 | | | CN.WAFER 2.0MM, | nsp |
| D101 | | | | | | | | TUC-P15P-B1 WAFER ST | |
| § | | | DIODE,IN4007 | *HD201570R | CP107 | | | CN.WAFER 2.0MM, | nsp |
| D105 | | | | | | | | TUC-P10P-B1 10P WAFER ST | |
| D106 | | | D RECTIFIER BRIDGE, | *HE200300R | CP108 | | | CN.WAFER 2.0MM, | nsp |
| | | | KBPC604 6A | | | | | TUC-P20P-B1 WAFER ST | |
| D107 | | | D RECTIFIER BRIDGE, | *HE200300R | CP109 | | | CN.WAFER 2.0MM, | nsp |
| | | | KBPC604 6A | | | | | TUC-P04P-B1 4P WAFER ST | |
| D108 | | | DIODE,IN4007 | *HD201570R | CP110 | | | CN.WAFER 2.0MM, | nsp |
| D109 | | | DIODE,IN4007 | *HD201570R | | | | TUC-P11P-B1 11P WAFER ST | |
| D110 | | | DIODE,1SS133T | HD20015210 | CP111 | | | CN.WAFER 2.0MM, | nsp |
| D111 | | | DIODE,IN4007 | *HD201570R | | | | TUC-P12P-B1 12P WAFER ST | |
| D112 | | | | | CP112 | | | CN.WAFER 2.0MM, | nsp |
| § | | | DIODE,1SS133T | HD20015210 | | | | TUC-P15P-B1 WAFER ST | |
| D129 | | | | | CP113 | | | CN.WAFER 2.0MM, | nsp |
| IC101 | | | IC,KA7815/IL7815CV | *HC300150R | | | | TUC-P18P-B1 WAFER ST | |
| IC102 | | | IC,KIA7915PI TO220IS | *HC300200R | CP114 | | | CN.WAFER 2.0MM, | nsp |
| IC103 | | | IC,KA7805 | *HC300140R | | | | TUC-P15P-B1 WAFER ST | |
| IC104 | | | IC,KA7805 | *HC300140R | CP115 | | | CN.WAFER 2.0MM, | nsp |
| IC105 | | | IC,KIA7905PI TO220IS | *HC300190R | | | | TUC-P20P-B1 WAFER ST | |
| IC107 | | | IC,CXP740010-149Q QFP100 | *HU100570R | CP120 | | | CN.WAFER 2.5MM,5267-06A 6P | nsp |
| Q101 | | | TRS.2SA,KTA1268BL TO92 | *HT100340R | CP121 | | | CN.WAFER 396MM,35328-0310 | nsp |
| Q102 | | | TRS.2SC,KTC3200BL TO92 | HT322402A0 | CP122 | | | CN.WAFER 2.5MM,5267-04A 4P | nsp |
| Q103 | | | TRS.2SA,KTA1268BL TO92 | *HT100340R | | | | CN.WAFER 2.5MM, | nsp |
| Q104 | | | TRS.2SA,KTA1268BL TO92 | *HT100340R | CP123 | | | 5267-10A 10P | |
| Q105 | | | TRS.2SC,KTC3200BL TO92 | HT322402A0 | | | | CN.WAFER 2.5MM,5267-09A 9P | nsp |
| Q106 | | | TRS.2SA,KTA1268BL TO92 | *HT100340R | CP124 | | | CN.WAFER 2.5MM,5267-09A 9P | nsp |
| Q107 | | | TRS.2SC,KTC3200BL TO92 | HT322402A0 | CP150 | | | CN WIRE,200MM/2P | nsp |
| Q108 | | | TRS.RC,KRC107M TO92M | *BA001190R | FPC109 | | | CABLE FLAT CARD | *YU000930R |
| Q113 | | | TRS.RC,KRC107M TO92M | *BA001190R | FPC109A | | | CN.FP1.25MM, | nsp |
| Q115 | | | TRS.2SC,KTC3200BL TO92 | HT322402A0 | | | | 52045-2345 23P ST | |
| Q116 | | | TRS.2SC,KTC3200BL TO92 | HT322402A0 | GND101 | | | | |
| Q117 | | | TRS.2SA,KTA1268BL TO92 | *HT100340R | § | | | TERMINAL, | nsp |
| Q118 | | | TRS.2SA,KTA1268BL TO92 | *HT100340R | | | | ALL PBST/GND PLATE | |
| Q119 | | | TRS.2SC,KTC3200BL TO92 | HT322402A0 | GND105 | | | | |
| Q120 | | | TRS.2SC,KTC3200BL TO92 | HT322402A0 | RLY102 | | | RELAY,G5PA-28 24V 5A | LY20240490 |
| Q122 | | | TRS.RA,KRA102M TO92M | *BA001210R | RLY104 | | | RELAY,RSB24S 24V 2A30VDC | *LY000290R |
| Q123 | | | TRS.RC,KRC102M TO92M | *BA001180R | W101 | | | WIRE LEAD 1007 80C, | nsp |
| Q124 | | | TRS.RA,KRA102M TO92M | *BA001210R | | | | BK 5-160-5 | |
| Q128 | | | TRS.RA,KRA102M TO92M | *BA001210R | WIRE102 | | | WIRE LEAD 1007 80C, | nsp |
| Q129 | | | TRS.RC,KRC102M TO92M | *BA001180R | | | | BK 5-50-5 | |
| Q130 | | | TRS.RC,KRC107M TO92M | *BA001190R | XTAL101 | | | RESONATOR CERAMIC, | *FQ000530R |
| Q131 | | | | | | | | CST12.0MTW-T01 | |
| § | | | TRS.RA,KRA102M TO92M | *BA001210R | | | | AMP CIRCUIT BOARD | |
| Q135 | | | | | C201C | | | AMP - CAPACITORS | |
| | | | | | | | | ELECT,4.7µF-M/50V 5*11 | nsp |
| | | | | | C201L | | | ELECT,4.7µF-M/50V 5*11 | nsp |
| | | | | | C201R | | | ELECT,4.7µF-M/50V 5*11 | nsp |

NOTE : *nsp* PART IS LISTED FOR REFERENCE ONLY, MARANTZ WILL NOT SUPPLY THESE PARTS.

PS5200

| POS. NO | VERS. COLOR | PART NO. (FOR PCS) | DESCRIPTION | PART NO. (MJI) | POS. NO | VERS. COLOR | PART NO. (FOR PCS) | DESCRIPTION | PART NO. (MJI) |
|---------|-------------|--------------------|---------------------------|----------------|---------|-------------|--------------------|------------------------|----------------|
| C201SC | | | ELECT,4.7µF-M/50V 5*11 | nsp | C214SL | | | CER.,1pF-K/50V | nsp |
| C201SL | | | ELECT,4.7µF-M/50V 5*11 | nsp | C214SR | | | CER.,1pF-K/50V | nsp |
| C201SR | | | ELECT,4.7µF-M/50V 5*11 | nsp | C215C | | | CER.,100pF-K/50V | nsp |
| C202C | | | CER.,330pF-K/50V | nsp | C215L | | | CER.,100pF-K/50V | nsp |
| C202L | | | CER.,330pF-K/50V | nsp | C215R | | | CER.,100pF-K/50V | nsp |
| C202R | | | CER.,330pF-K/50V | nsp | C215SC | | | CER.,100pF-K/50V | nsp |
| C202SC | | | CER.,330pF-K/50V | nsp | C215SL | | | CER.,100pF-K/50V | nsp |
| C202SL | | | CER.,330pF-K/50V | nsp | C215SR | | | CER.,100pF-K/50V | nsp |
| C202SR | | | CER.,330pF-K/50V | nsp | | | | | |
| C203C | | | CER.,0.001µF-K/50V | nsp | | | | AMP - RESISTORS | |
| C203L | | | CER.,0.001µF-K/50V | nsp | R201C | | | 1K-J 1/6W | nsp |
| C203R | | | CER.,0.001µF-K/50V | nsp | R201L | | | 1K-J 1/6W | nsp |
| C203SC | | | CER.,0.001µF-K/50V | nsp | R201R | | | 1K-J 1/6W | nsp |
| C203SL | | | CER.,0.001µF-K/50V | nsp | R201SC | | | 1K-J 1/6W | nsp |
| C203SR | | | CER.,0.001µF-K/50V | nsp | R201SL | | | 1K-J 1/6W | nsp |
| | | | | | R201SR | | | 1K-J 1/6W | nsp |
| C204C | | | ELECT,22µF-M/50V 6*11 | nsp | R202C | | | 33K-J 1/6W | nsp |
| C204L | | | ELECT,22µF-M/50V 6*11 | nsp | R202L | | | 33K-J 1/6W | nsp |
| C204R | | | ELECT,22µF-M/50V 6*11 | nsp | R202R | | | 33K-J 1/6W | nsp |
| C204SC | | | ELECT,22µF-M/50V 6*11 | nsp | R202SC | | | 33K-J 1/6W | nsp |
| C204SL | | | ELECT,22µF-M/50V 6*11 | nsp | R202SL | | | 33K-J 1/6W | nsp |
| C204SR | | | ELECT,22µF-M/50V 6*11 | nsp | R202SR | | | 33K-J 1/6W | nsp |
| C205C | | | ELECT,22µF-M/50V 6*11 | nsp | R203C | | | 15-J 1/6W | nsp |
| C205L | | | ELECT,22µF-M/50V 6*11 | nsp | R203L | | | 15-J 1/6W | nsp |
| C205R | | | ELECT,22µF-M/50V 6*11 | nsp | R203R | | | 15-J 1/6W | nsp |
| C205SC | | | ELECT,22µF-M/50V 6*11 | nsp | R203SC | | | 15-J 1/6W | nsp |
| C205SL | | | ELECT,22µF-M/50V 6*11 | nsp | R203SL | | | 15-J 1/6W | nsp |
| C205SR | | | ELECT,22µF-M/50V 6*11 | nsp | R203SR | | | 15-J 1/6W | nsp |
| C206C | | | ELECT,220µF-M/10V 6.3*11 | nsp | R204C | | | 15-J 1/6W | nsp |
| C206L | | | ELECT,220µF-M/10V 6.3*11 | nsp | R204L | | | 15-J 1/6W | nsp |
| C206R | | | ELECT,220µF-M/10V 6.3*11 | nsp | R204R | | | 15-J 1/6W | nsp |
| C206SC | | | ELECT,220µF-M/10V 6.3*11 | nsp | R204SC | | | 15-J 1/6W | nsp |
| C206SL | | | ELECT,220µF-M/10V 6.3*11 | nsp | R204SL | | | 15-J 1/6W | nsp |
| C206SR | | | ELECT,220µF-M/10V 6.3*11 | nsp | R204SR | | | 15-J 1/6W | nsp |
| C209C | | | ELECT,10µF-M/50V 5*11 | nsp | | | | | |
| C209L | | | ELECT,10µF-M/50V 5*11 | nsp | R205C | | | 750-J 1/6W | nsp |
| C209R | | | ELECT,10µF-M/50V 5*11 | nsp | R205L | | | 750-J 1/6W | nsp |
| C209SC | | | ELECT,10µF-M/50V 5*11 | nsp | R205R | | | 750-J 1/6W | nsp |
| C209SL | | | ELECT,10µF-M/50V 5*11 | nsp | R205SC | | | 750-J 1/6W | nsp |
| C209SR | | | ELECT,10µF-M/50V 5*11 | nsp | R205SL | | | 750-J 1/6W | nsp |
| | | | | | R205SR | | | 750-J 1/6W | nsp |
| C210C | | | ELECT,47µF-M/100V 10*12.5 | *EA001090R | R206C | | | 750-J 1/6W | nsp |
| C210L | | | ELECT,47µF-M/100V 10*12.5 | *EA001090R | R206L | | | 750-J 1/6W | nsp |
| C210R | | | ELECT,47µF-M/100V 10*12.5 | *EA001090R | R206R | | | 750-J 1/6W | nsp |
| C210SC | | | ELECT,47µF-M/100V 10*12.5 | *EA001090R | R206SC | | | 750-J 1/6W | nsp |
| C210SL | | | ELECT,47µF-M/100V 10*12.5 | *EA001090R | R206SL | | | 750-J 1/6W | nsp |
| C210SR | | | ELECT,47µF-M/100V 10*12.5 | *EA001090R | R206SR | | | 750-J 1/6W | nsp |
| C211C | | | ELECT,47µF-M/100V 10*12.5 | *EA001090R | R207C | | | 470-J 1/6W | nsp |
| C211L | | | ELECT,47µF-M/100V 10*12.5 | *EA001090R | R207L | | | 470-J 1/6W | nsp |
| C211R | | | ELECT,47µF-M/100V 10*12.5 | *EA001090R | R207R | | | 470-J 1/6W | nsp |
| C211SC | | | ELECT,47µF-M/100V 10*12.5 | *EA001090R | R207SC | | | 470-J 1/6W | nsp |
| C211SL | | | ELECT,47µF-M/100V 10*12.5 | *EA001090R | R207SL | | | 470-J 1/6W | nsp |
| C211SR | | | ELECT,47µF-M/100V 10*12.5 | *EA001090R | R207SR | | | 470-J 1/6W | nsp |
| C212C | | | ELECT,10µF-M/50V 5*11 | nsp | R208C | | | 68-J 1/6W | nsp |
| C212L | | | ELECT,10µF-M/50V 5*11 | nsp | R208L | | | 68-J 1/6W | nsp |
| C212R | | | ELECT,10µF-M/50V 5*11 | nsp | R208R | | | 68-J 1/6W | nsp |
| C212SC | | | ELECT,10µF-M/50V 5*11 | nsp | R208SC | | | 68-J 1/6W | nsp |
| C212SL | | | ELECT,10µF-M/50V 5*11 | nsp | R208SL | | | 68-J 1/6W | nsp |
| C212SR | | | ELECT,10µF-M/50V 5*11 | nsp | R208SR | | | 68-J 1/6W | nsp |
| C214C | | | CER.,1pF-K/50V | nsp | R209C | | | 150-J 1/6W | nsp |
| C214L | | | CER.,1pF-K/50V | nsp | R209L | | | 150-J 1/6W | nsp |
| C214R | | | CER.,1pF-K/50V | nsp | R209R | | | 150-J 1/6W | nsp |
| C214SC | | | CER.,1pF-K/50V | nsp | R209SC | | | 150-J 1/6W | nsp |

NOTE : *nsp* PART IS LISTED FOR REFERENCE ONLY, MARANTZ WILL NOT SUPPLY THESE PARTS.

PS5200

| POS. NO | VERS. COLOR | PART NO. (FOR PCS) | DESCRIPTION | PART NO. (MJI) | POS. NO | VERS. COLOR | PART NO. (FOR PCS) | DESCRIPTION | PART NO. (MJI) |
|---------|-------------|--------------------|-------------|----------------|---------|-------------|--------------------|-------------|----------------|
| R209SL | | | 150-J 1/6W | nsp | R220SR | | | 560-J 1/6W | nsp |
| R209SR | | | 150-J 1/6W | nsp | R221C | | | 82-J 1/6W | nsp |
| R210C | | | 10K-J 1/6W | nsp | R221L | | | 82-J 1/6W | nsp |
| R210L | | | 10K-J 1/6W | nsp | R221R | | | 82-J 1/6W | nsp |
| R210R | | | 10K-J 1/6W | nsp | R221SC | | | 82-J 1/6W | nsp |
| R210SC | | | 10K-J 1/6W | nsp | R221SL | | | 82-J 1/6W | nsp |
| R210SL | | | 10K-J 1/6W | nsp | R221SR | | | 82-J 1/6W | nsp |
| R210SR | | | 10K-J 1/6W | nsp | R222C | | | 82-J 1/6W | nsp |
| R211C | | | 43K-J 1/6W | nsp | R222L | | | 82-J 1/6W | nsp |
| R211L | | | 43K-J 1/6W | nsp | R222R | | | 82-J 1/6W | nsp |
| R211R | | | 43K-J 1/6W | nsp | R222SC | | | 82-J 1/6W | nsp |
| R211SC | | | 43K-J 1/6W | nsp | R222SL | | | 82-J 1/6W | nsp |
| R211SL | | | 43K-J 1/6W | nsp | R222SR | | | 82-J 1/6W | nsp |
| R211SR | | | 43K-J 1/6W | nsp | R223C | | | 22K-J 1/6W | nsp |
| R212C | | | 1.3K-J,1/6W | nsp | R223L | | | 22K-J 1/6W | nsp |
| R212L | | | 1.3K-J,1/6W | nsp | R223R | | | 22K-J 1/6W | nsp |
| R212R | | | 1.3K-J,1/6W | nsp | R223SC | | | 22K-J 1/6W | nsp |
| R212SC | | | 1.3K-J,1/6W | nsp | R223SL | | | 22K-J 1/6W | nsp |
| R212SL | | | 1.3K-J,1/6W | nsp | R223SR | | | 22K-J 1/6W | nsp |
| R212SR | | | 1.3K-J,1/6W | nsp | | | | | |
| R213C | | | 33K-J 1/6W | nsp | R224C | | | 22K-J 1/6W | nsp |
| R213L | | | 33K-J 1/6W | nsp | R224L | | | 22K-J 1/6W | nsp |
| R213R | | | 33K-J 1/6W | nsp | R224R | | | 22K-J 1/6W | nsp |
| R213SC | | | 33K-J 1/6W | nsp | R224SC | | | 22K-J 1/6W | nsp |
| R213SL | | | 33K-J 1/6W | nsp | R224SL | | | 22K-J 1/6W | nsp |
| R213SR | | | 33K-J 1/6W | nsp | R224SR | | | 22K-J 1/6W | nsp |
| R213SR | | | 33K-J 1/6W | nsp | R225C | | | 4.7-J 1/6W | nsp |
| R214C | | | 560-J 1/6W | nsp | R225L | | | 4.7-J 1/6W | nsp |
| R214L | | | 560-J 1/6W | nsp | R225R | | | 4.7-J 1/6W | nsp |
| R214R | | | 560-J 1/6W | nsp | R225SC | | | 4.7-J 1/6W | nsp |
| R214SC | | | 560-J 1/6W | nsp | R225SL | | | 4.7-J 1/6W | nsp |
| R214SL | | | 560-J 1/6W | nsp | R225SR | | | 4.7-J 1/6W | nsp |
| R214SR | | | 560-J 1/6W | nsp | R228C | | | 220-J 1/4W | nsp |
| R216C | | | 560-J 1/6W | nsp | R228L | | | 220-J 1/4W | nsp |
| R216L | | | 560-J 1/6W | nsp | R228R | | | 220-J 1/4W | nsp |
| R216R | | | 560-J 1/6W | nsp | R228SC | | | 220-J 1/4W | nsp |
| R216SC | | | 560-J 1/6W | nsp | R228SL | | | 220-J 1/4W | nsp |
| R216SL | | | 560-J 1/6W | nsp | R228SR | | | 220-J 1/4W | nsp |
| R216SR | | | 560-J 1/6W | nsp | R229C | | | 220-J 1/4W | nsp |
| R217C | | | 560-J 1/6W | nsp | R229L | | | 220-J 1/4W | nsp |
| R217L | | | 560-J 1/6W | nsp | R229R | | | 220-J 1/4W | nsp |
| R217R | | | 560-J 1/6W | nsp | R229SC | | | 220-J 1/4W | nsp |
| R217SC | | | 560-J 1/6W | nsp | R229SL | | | 220-J 1/4W | nsp |
| R217SL | | | 560-J 1/6W | nsp | R229SR | | | 220-J 1/4W | nsp |
| R217SR | | | 560-J 1/6W | nsp | | | | | |
| R218C | | | 560-J 1/6W | nsp | R231C | | | 4.7-J 1/6W | nsp |
| R218L | | | 560-J 1/6W | nsp | R231L | | | 4.7-J 1/6W | nsp |
| R218R | | | 560-J 1/6W | nsp | R231R | | | 4.7-J 1/6W | nsp |
| R218SC | | | 560-J 1/6W | nsp | R231SC | | | 4.7-J 1/6W | nsp |
| R218SL | | | 560-J 1/6W | nsp | R231SL | | | 4.7-J 1/6W | nsp |
| R218SR | | | 560-J 1/6W | nsp | R231SR | | | 4.7-J 1/6W | nsp |
| R219C | | | 560-J 1/6W | nsp | R232C | | | 4.7-J 1/6W | nsp |
| R219L | | | 560-J 1/6W | nsp | R232L | | | 4.7-J 1/6W | nsp |
| R219R | | | 560-J 1/6W | nsp | R232R | | | 4.7-J 1/6W | nsp |
| R219SC | | | 560-J 1/6W | nsp | R232SC | | | 4.7-J 1/6W | nsp |
| R219SL | | | 560-J 1/6W | nsp | R232SL | | | 4.7-J 1/6W | nsp |
| R219SR | | | 560-J 1/6W | nsp | R232SR | | | 4.7-J 1/6W | nsp |
| R220C | | | 560-J 1/6W | nsp | R233C | | | 1.8K-J 1/6W | nsp |
| R220L | | | 560-J 1/6W | nsp | R233L | | | 1.8K-J 1/6W | nsp |
| R220R | | | 560-J 1/6W | nsp | R233R | | | 1.8K-J 1/6W | nsp |
| R220SC | | | 560-J 1/6W | nsp | R233SC | | | 1.8K-J 1/6W | nsp |
| R220SL | | | 560-J 1/6W | nsp | R233SL | | | 1.8K-J 1/6W | nsp |
| | | | | | R233SR | | | 1.8K-J 1/6W | nsp |

NOTE : *nsp* PART IS LISTED FOR REFERENCE ONLY, MARANTZ WILL NOT SUPPLY THESE PARTS.

PS5200

| POS. NO | VERS. COLOR | PART NO. (FOR PCS) | DESCRIPTION | PART NO. (MJI) | POS. NO | VERS. COLOR | PART NO. (FOR PCS) | DESCRIPTION | PART NO. (MJI) |
|---------|-------------|--------------------|-----------------------------|----------------|---------|-------------|--------------------|---|----------------|
| R234C | | | 2.0K-J 1/6W | nsp | Q204C | | | TRS.2SA,KSA992F T092 | *HT100590R |
| R234L | | | 2.0K-J 1/6W | nsp | Q204L | | | TRS.2SA,KSA992F T092 | *HT100590R |
| R234R | | | 2.0K-J 1/6W | nsp | Q204R | | | TRS.2SA,KSA992F T092 | *HT100590R |
| R234SC | | | 2.0K-J 1/6W | nsp | Q204SC | | | TRS.2SA,KSA992F T092 | *HT100590R |
| R234SL | | | 2.0K-J 1/6W | nsp | Q204SL | | | TRS.2SA,KSA992F T092 | *HT100590R |
| R234SR | | | 2.0K-J 1/6W | nsp | Q204SR | | | TRS.2SA,KSA992F T092 | *HT100590R |
| R235C | | | 910-J 1/6W | nsp | Q205C | | | TRS.2SC,KSC1845F T092 | *HT300860R |
| R235L | | | 910-J 1/6W | nsp | Q205L | | | TRS.2SC,KSC1845F T092 | *HT300860R |
| R235R | | | 910-J 1/6W | nsp | Q205R | | | TRS.2SC,KSC1845F T092 | *HT300860R |
| R235SC | | | 910-J 1/6W | nsp | Q205SC | | | TRS.2SC,KSC1845F T092 | *HT300860R |
| R235SL | | | 910-J 1/6W | nsp | Q205SL | | | TRS.2SC,KSC1845F T092 | *HT300860R |
| R235SR | | | 910-J 1/6W | nsp | Q205SR | | | TRS.2SC,KSC1845F T092 | *HT300860R |
| R236C | | | 6.8K-J 1/6W | nsp | Q206C | | | TRS.2SC,KSC1845F T092 | *HT300860R |
| R236L | | | 6.8K-J 1/6W | nsp | Q206L | | | TRS.2SC,KSC1845F T092 | *HT300860R |
| R236R | | | 6.8K-J 1/6W | nsp | Q206R | | | TRS.2SC,KSC1845F T092 | *HT300860R |
| R236SC | | | 6.8K-J 1/6W | nsp | Q206SC | | | TRS.2SC,KSC1845F T092 | *HT300860R |
| R236SL | | | 6.8K-J 1/6W | nsp | Q206SL | | | TRS.2SC,KSC1845F T092 | *HT300860R |
| R236SR | | | 6.8K-J 1/6W | nsp | Q206SR | | | TRS.2SC,KSC1845F T092 | *HT300860R |
| R237C | | | RES MF 10Ω 1W | GA05100010 | Q207C | | | TRS.2SA,KSA992F T092 | *HT100590R |
| R237L | | | 39-J 1/6W | nsp | Q207L | | | TRS.2SA,KSA992F T092 | *HT100590R |
| R237R | | | 39-J 1/6W | nsp | Q207R | | | TRS.2SA,KSA992F T092 | *HT100590R |
| R237SC | | | RES MF 10Ω 1W | GA05100010 | Q207SC | | | TRS.2SA,KSA992F T092 | *HT100590R |
| R237SL | | | 39-J 1/6W | nsp | Q207SL | | | TRS.2SA,KSA992F T092 | *HT100590R |
| R237SR | | | 39-J 1/6W | nsp | Q207SR | | | TRS.2SA,KSA992F T092 | *HT100590R |
| R238L | | | 39-J 1/6W | nsp | Q208C | | | TRS.2SA,KTA1024Y T092L | HT112082A0 |
| R238R | | | 39-J 1/6W | nsp | Q208L | | | TRS.2SA,KTA1024Y T092L | HT112082A0 |
| R238SL | | | 39-J 1/6W | nsp | Q208R | | | TRS.2SA,KTA1024Y T092L | HT112082A0 |
| R238SR | | | 39-J 1/6W | nsp | Q208SC | | | TRS.2SA,KTA1024Y T092L | HT112082A0 |
| R239L | | | 39-J 1/6W | nsp | Q208SL | | | TRS.2SA,KTA1024Y T092L | HT112082A0 |
| R239R | | | 39-J 1/6W | nsp | Q208SR | | | TRS.2SA,KTA1024Y T092L | HT112082A0 |
| R239SL | | | 39-J 1/6W | nsp | Q209C | | | TRS.2SC,KTC3206Y T092L | HT322292A0 |
| R239SR | | | 39-J 1/6W | nsp | Q209L | | | TRS.2SC,KTC3206Y T092L | HT322292A0 |
| R240L | | | 39-J 1/6W | nsp | Q209R | | | TRS.2SC,KTC3206Y T092L | HT322292A0 |
| R240R | | | 39-J 1/6W | nsp | Q209SC | | | TRS.2SC,KTC3206Y T092L | HT322292A0 |
| R240SL | | | 39-J 1/6W | nsp | Q209SL | | | TRS.2SC,KTC3206Y T092L | HT322292A0 |
| R240SR | | | 39-J 1/6W | nsp | Q209SR | | | TRS.2SC,KTC3206Y T092L | HT322292A0 |
| D202C | | | AMP - SEMICONDUCTORS | | Q219C | | | TRS.2SB,SAP16P | *HT200410R |
| D202L | | | DIODE,1SS133T | HD20015210 | Q219FL | | | TRS.2SB,SAP16P | *HT200410R |
| D202R | | | DIODE,1SS133T | HD20015210 | Q219FR | | | TRS.2SB,SAP16P | *HT200410R |
| D202SC | | | DIODE,1SS133T | HD20015210 | Q219SC | | | TRS.2SB,SAP16P | *HT200410R |
| D202SL | | | DIODE,1SS133T | HD20015210 | Q219SL | | | TRS.2SB,SAP16P | *HT200410R |
| D202SR | | | DIODE,1SS133T | HD20015210 | Q219SR | | | TRS.2SB,SAP16P | *HT200410R |
| Q201C | | | TRS.2SA,KSA992F T092 | *HT100590R | Q214C | | | TRS.2SD,SAP16N | *HT400480R |
| Q201L | | | TRS.2SA,KSA992F T092 | *HT100590R | Q214FL | | | TRS.2SD,SAP16N | *HT400480R |
| Q201R | | | TRS.2SA,KSA992F T092 | *HT100590R | Q214FR | | | TRS.2SD,SAP16N | *HT400480R |
| Q201SC | | | TRS.2SA,KSA992F T092 | *HT100590R | Q214SC | | | TRS.2SD,SAP16N | *HT400480R |
| Q201SL | | | TRS.2SA,KSA992F T092 | *HT100590R | Q214SL | | | TRS.2SD,SAP16N | *HT400480R |
| Q201SR | | | TRS.2SA,KSA992F T092 | *HT100590R | Q214SR | | | TRS.2SD,SAP16N | *HT400480R |
| Q202C | | | TRS.2SA,KSA992F T092 | *HT100590R | Q215C | | | TRS.2SC,KSC1845F T092 | *HT300860R |
| Q202L | | | TRS.2SA,KSA992F T092 | *HT100590R | Q215L | | | TRS.2SC,KSC1845F T092 | *HT300860R |
| Q202R | | | TRS.2SA,KSA992F T092 | *HT100590R | Q215R | | | TRS.2SC,KSC1845F T092 | *HT300860R |
| Q202SC | | | TRS.2SA,KSA992F T092 | *HT100590R | Q215SC | | | TRS.2SC,KSC1845F T092 | *HT300860R |
| Q202SL | | | TRS.2SA,KSA992F T092 | *HT100590R | Q215SL | | | TRS.2SC,KSC1845F T092 | *HT300860R |
| Q202SR | | | TRS.2SA,KSA992F T092 | *HT100590R | Q215SR | | | TRS.2SC,KSC1845F T092 | *HT300860R |
| Q203C | | | TRS.2SA,KSA992F T092 | *HT100590R | | | | AMP - MISCELLANEOUS | |
| Q203L | | | TRS.2SA,KSA992F T092 | *HT100590R | CP201 | | | CN WAFER 2.0MM, GIL-S-12P-S2T2-EF | nsp |
| Q203R | | | TRS.2SA,KSA992F T092 | *HT100590R | L201C | | | COIL FILTER-INDUCTOR, INDUCTOR COIL J9000031 | *LC106490R |
| Q203SC | | | TRS.2SA,KSA992F T092 | *HT100590R | L201L | | | COIL FILTER-INDUCTOR, INDUCTOR COIL J9000031 | *LC106490R |
| Q203SL | | | TRS.2SA,KSA992F T092 | *HT100590R | | | | | |
| Q203SR | | | TRS.2SA,KSA992F T092 | *HT100590R | | | | | |

NOTE : *nsp* PART IS LISTED FOR REFERENCE ONLY, MARANTZ WILL NOT SUPPLY THESE PARTS.

PS5200

| POS. NO | VERS. COLOR | PART NO. (FOR PCS) | DESCRIPTION | PART NO. (MJI) | POS. NO | VERS. COLOR | PART NO. (FOR PCS) | DESCRIPTION | PART NO. (MJI) |
|---------|-------------|--------------------|--|----------------|---------|-------------|--------------------|----------------------------|----------------|
| L201R | | | COIL FILTER-INDUCTOR, INDUCTOR COIL J9000031 | *LC106490R | R329 | | | 820-J 1/6W | nsp |
| L201SC | | | COIL FILTER-INDUCTOR, INDUCTOR COIL J9000031 | *LC106490R | R330 | | | 1.5K-J 1/6W | nsp |
| L201SL | | | COIL FILTER-INDUCTOR, INDUCTOR COIL J9000031 | *LC106490R | R332 | | | 1K-J 1/6W | nsp |
| L201SR | | | COIL FILTER-INDUCTOR, INDUCTOR COIL J9000031 | *LC106490R | R333 | | | 10K-J 1/6W | nsp |
| | | | | | R334 | | | | |
| | | | | | § | | | 1K-J 1/6W | nsp |
| | | | | | R338 | | | | |
| | | | | | R340 | | | 330-J 1/6W | nsp |
| | | | | | R341 | | | 330-J 1/6W | nsp |
| | | | | | R342 | | | 47K-J 1/6W | nsp |
| | | | | | R343 | | | 75-J 1/6W | nsp |
| C301 | | | ELECT,47µF-M/10V 5*11 | nsp | R344 | | | 75-J 1/6W | nsp |
| C302 | | | CER.,0.022µF-Z/25V | nsp | R345 | | | 75-J 1/6W | nsp |
| C303 | | | CER.,0.047µF-Z/50V | nsp | R346 | | | 47K-J 1/6W | nsp |
| C304 | | | CER.,100pF-K/50V | nsp | R347 | | | 470-J 1/6W | nsp |
| C305 | | | ELECT,10µF-M/50V 5*11 | nsp | R348 | | | 100K-J 1/6W | nsp |
| C306 | | | CER.,0.047µF-Z/50V | nsp | R349 | | | 10K-J 1/6W | nsp |
| C307 | | | ELECT,10µF-M/50V 5*11 | nsp | R350 | | | 100K-J 1/6W | nsp |
| C308 | | | CER.,0.022µF-Z/25V | nsp | R351 | | | 47K-J 1/6W | nsp |
| C309 | | | CER.,100pF-K/50V | nsp | R352 | | | 470-J 1/6W | nsp |
| C310 | | | CER.,0.047µF-Z/50V | nsp | R353 | | | 2.2K-J 1/6W | nsp |
| C311 | | | CER.,100pF-K/50V | nsp | R354 | | | 330-J 1/6W | nsp |
| C312 | | | CER.,100pF-K/50V | nsp | R356 | | | 24K-J 1/6W | nsp |
| C313 | | | ELECT,10µF-M/50V 5*11 | nsp | R357 | | | 24K-J 1/6W | nsp |
| C314 | | | ELECT,10µF-M/50V 5*11 | nsp | R359 | | | 24K-J 1/6W | nsp |
| C315 | | | CER.,B820pF-K/50V | nsp | | | | | |
| C316 | | | CER.,B820pF-K/50V | nsp | | | | | |
| C317 | | | ELECT,10µF-M/50V 5*11 | nsp | | | | | |
| C318 | | | | | | | | | |
| § | | | | | D301 | | | FRONT - SEMICONDUCTORS | |
| | | | | | D317 | | | DIODE,1SS133T | HD20015210 |
| C321 | | | CER.,100pF-K/50V | nsp | D318 | | | DIODE,1SS133T | HD20015210 |
| C322 | | | | | D319 | | | LED ROUND,R-34URCF25 | *HI100710R |
| C323 | | | CER.,0.1µF-Z/50V | nsp | D320 | | | LED ROUND,R-34URCF25 | *HI100710R |
| C381SC | | | CN WIRE1P,JUMPER(0.6/52MM) | nsp | D328 | | | LED ROUND,R-34URCF25 | *HI100710R |
| C381SY | | | CN WIRE1P,JUMPER(0.6/52MM) | nsp | D332 | | | D ZENER,MTZJ11B | *HD301990R |
| | | | | | § | | | | |
| | | | | | D337 | | | DIODE,1SS133T | HD20015210 |
| | | | | | IC301 | | | IC,LC75721E QIP64 | *HC107290R |
| R301 | | | FRONT - RESISTORS | | Q301 | | | TRS.RC,KRC107M TO92M | *BA001190R |
| R302 | | | 68K-J 1/6W | nsp | Q302 | | | TRS.RA,KRA111M TO92M | *BA001200R |
| R303 | | | 68K-J 1/6W | nsp | Q304 | | | TRS.RC,KRC107M TO92M | *BA001190R |
| R304 | | | 330-J 1/6W | nsp | Q305 | | | TRS.RC,KRC107M TO92M | *BA001190R |
| R305 | | | 100-J 1/6W | nsp | Q306 | | | TRS.RC,KRC107M TO92M | *BA001190R |
| R306 | | | 120-J 1/6W | nsp | Q309 | | | TRS.2SC,KTC3200BL TO92 | HT322402A0 |
| R307 | | | 150-J 1/6W | nsp | | | | | |
| R308 | | | 150-J 1/6W | nsp | | | | | |
| R309 | | | 270-J 1/6W | nsp | | | | | |
| R310 | | | 270-J 1/6W | nsp | CN301 | | | FRONT - MISCELLANEOUS | |
| R311 | | | 470-J 1/6W | nsp | CN303 | | | CN WIRE,450/9P | nsp |
| R312 | | | 820-J 1/6W | nsp | CN304 | | | CN WIRE,100MM/4P | nsp |
| R313 | | | 1K-J 1/6W | nsp | CN305 | | | CN WIRE,470MM/5P | nsp |
| R314 | | | 120-J 1/6W | nsp | FPC109B | | | CN WIRE,80/3P | nsp |
| R315 | | | 150-J 1/6W | nsp | L302 | | | CN.FP1.25MM,52492-2320 23P | nsp |
| R316 | | | 150-J 1/6W | nsp | | | | COIL FILTER-INDUCTOR, | nsp |
| R317 | | | 270-J 1/6W | nsp | | | | 10UH-Q40/24M 02TB | |
| R318 | | | 270-J 1/6W | nsp | SILD | | | SUPPORTER,FRONT GND | nsp |
| R319 | | | 470-J 1/6W | nsp | SW309 | | | | |
| R322 | | | 820-J 1/6W | nsp | § | | | | |
| R323 | | | 1K-J 1/6W | nsp | | | | SW TACT, | *SP00900R |
| R324 | | | 120-J 1/6W | nsp | SW324 | | | SKHV10920A 5MM/260G | |
| R325 | | | 150-J 1/6W | nsp | | | | | |
| R326 | | | 150-J 1/6W | nsp | | | | | |
| R327 | | | 270-J 1/6W | nsp | | | | | |
| R328 | | | 270-J 1/6W | nsp | | | | | |
| | | | 470-J 1/6W | nsp | | | | | |
| | | | | | C371 | | | ST-BY LED CIRCUIT BOARD | |
| | | | | | C372 | | | ST-BY LED - CAPACITORS | |
| | | | | | | | | CER.,B820pF-K/50V | nsp |
| | | | | | | | | CER.,B820pF-K/50V | nsp |

NOTE : *nsp* PART IS LISTED FOR REFERENCE ONLY, MARANTZ WILL NOT SUPPLY THESE PARTS.

PS5200

| POS. NO | VERS. COLOR | PART NO. (FOR PCS) | DESCRIPTION | PART NO. (MJI) | POS. NO | VERS. COLOR | PART NO. (FOR PCS) | DESCRIPTION | PART NO. (MJI) |
|-----------|-------------|--------------------|--|----------------|---------|-------------|--------------------|---|----------------|
| D303 | | | ST-BY LED - SEMICONDUCTORS LED ROUND,R-34URCF25 | *HI100710R | CN107 | | | INPUT 1 - MISCELLANEOUS CN.WAFER 2.0MM, TUC-P10X-B1 HOUSING ST | nsp |
| CP305 | | | ST-BY LED - MISCELLANEOUS CN.WAFER 2.0MM, G1L-S-03P-S2L2-EF | nsp | CN108 | | | CN.WAFER 2.0MM, TUC-P20X-B1 HOUSING ST | nsp |
| SW325 | | | SW TACT, SKHV10920A 5MM/260G | *SP000900R | CN302T | | | CN WIRE,250MM/3P | nsp |
| | | | | | CP301I | | | CN.WAFER 2.0MM, G1L-S-3P-S2T2-EF | nsp |
| CLAMP 101 | | | GUIDE CIRCUIT BOARD GUIDE - MISCELLANEOUS CLAMP,HMX9800 DARA-2 | nsp | C462 | | | INPUT 2 CIRCUIT BOARD INPUT 2 - CAPACITORS CER.,0.01µF-M/16V | nsp |
| CLAMP 102 | | | CLAMP,HMX9800 DARA-2 | nsp | C463A | | | CER.,0.1µF-Z/50V | nsp |
| | | | | | C468 | | | CER.,0.1µF-Z/50V | nsp |
| | | | | | C599 | | | CER.,0.1µF-Z/50V | nsp |
| C435 | | | INPUT 1 CIRCUIT BOARD INPUT 1 - CAPACITORS | | R517 | | | INPUT 2 - RESISTORS | |
| § | | | ELECT,4.7µF-M/50V 5*11 | nsp | § | | | 470-J 1/6W | nsp |
| C438 | | | | | R522 | | | | |
| C439 | | | ELECT,1µF-M/50V 5*11 | nsp | R535 | | | 47-J 1/6W | nsp |
| C440 | | | ELECT,1µF-M/50V 5*11 | nsp | | | | | |
| C441 | | | | | D501 | | | INPUT 2 - SEMICONDUCTORS | |
| § | | | ELECT,4.7µF-M/50V 5*11 | nsp | D502 | | | DIODE,1SS133T | HD20015210 |
| C444 | | | | | | | | DIODE,1SS133T | HD20015210 |
| C445 | | | CER.,100pF-K/50V | nsp | | | | | |
| C446 | | | CER.,100pF-K/50V | nsp | CN109 | | | INPUT 2 - MISCELLANEOUS CN.WAFER 2.0MM, TUC-P04X-B1 4P HOUSING ST | nsp |
| C447 | | | CER.,100pF-K/50V | nsp | CN110 | | | CN.WAFER 2.0MM, TUC-P11X-B1 HOUSING ST | nsp |
| C498 | | | CER.,0.1µF-Z/50V | nsp | | | | | |
| C499 | | | CER.,0.1µF-Z/50V | nsp | | | | HEAD PHONE CIRCUIT BOARD HEAD PHONE - CAPACITORS | |
| | | | INPUT 1 - RESISTORS | | C464 | | | CER.,0.01µF-M/16V | nsp |
| R433 | | | 470-J 1/6W | nsp | § | | | | |
| R448 | | | | | C467 | | | | |
| R449 | | | 470-J 1/6W | nsp | | | | HEAD PHONE - RESISTORS | |
| R466 | | | 150-J 1/6W | nsp | R536 | | | RES MF 330 2W 5% | nsp |
| R467 | | | 4.7-J 1/6W | nsp | R537 | | | RES MF 330 2W 5% | nsp |
| R468 | | | 150-J 1/6W | nsp | | | | | |
| R469 | | | 150-J 1/6W | nsp | | | | | |
| R470 | | | 150-J 1/6W | nsp | | | | HEAD PHONE-MISCELLANEOUS | |
| R471 | | | | | CP130 | | | CN WIRE,570MM/4P | nsp |
| § | | | 470K-J 1/6W | nsp | WIRE401 | | | RING TER WIRE,200MM/1P | nsp |
| R474 | | | | | | | | | |
| R475 | | | 4.7-J 1/6W | nsp | | | | VOLUME CIRCUIT BOARD | |
| R481 | | | | | | | | VOLUME - CAPACITORS | |
| § | | | 470K-J 1/6W | nsp | C502C | | | CER.CHIP,100pF-J/50V-1608 | nsp |
| R484 | | | | | C502FL | | | CER.CHIP,100pF-J/50V-1608 | nsp |
| R487 | | | | | C502FR | | | CER.CHIP,100pF-J/50V-1608 | nsp |
| § | | | 150-J 1/6W | nsp | C502SC | | | CER.CHIP,100pF-J/50V-1608 | nsp |
| R490 | | | | | C502SL | | | CER.CHIP,100pF-J/50V-1608 | nsp |
| R495 | | | | | C502SP | | | CER.CHIP,100pF-J/50V-1608 | nsp |
| § | | | 470K-J 1/6W | nsp | C502SW | | | CER.CHIP,100pF-J/50V-1608 | nsp |
| R498 | | | | | C503FL | | | CER.CHIP,100pF-J/50V-1608 | nsp |
| R503 | | | 1K-J 1/6W | nsp | C505C | | | ELECT,0.1µF-M/50V 5*11 | nsp |
| R504 | | | 1K-J 1/6W | nsp | C505F | | | ELECT,0.1µF-M/50V 5*11 | nsp |
| R505 | | | 1K-J 1/6W | nsp | C505S | | | ELECT,0.1µF-M/50V 5*11 | nsp |
| | | | INPUT 1 - SEMICONDUCTORS | | C505SC | | | ELECT,0.1µF-M/50V 5*11 | nsp |
| IC401 | | | IC,TC9274N-011 SDIP42 | *HC107320R | C505SW | | | ELECT,0.1µF-M/50V 5*11 | nsp |
| IC403 | | | IC,NJM2068DD DIP8P | HC10053090 | C515C | | | CER.CHIP,100pF-J/50V-1608 | nsp |
| IC404 | | | IC,NJM2068DD DIP8P | HC10053090 | C515FL | | | CER.CHIP,100pF-J/50V-1608 | nsp |
| | | | | | C515FR | | | CER.CHIP,100pF-J/50V-1608 | nsp |

NOTE : *nsp* PART IS LISTED FOR REFERENCE ONLY, MARANTZ WILL NOT SUPPLY THESE PARTS.

PS5200

| POS. NO | VERS. COLOR | PART NO. (FOR PCS) | DESCRIPTION | PART NO. (MJI) | POS. NO | VERS. COLOR | PART NO. (FOR PCS) | DESCRIPTION | PART NO. (MJI) |
|---------|-------------|--------------------|----------------------------|----------------|---------|-------------|--------------------|----------------------------|----------------|
| C515SC | | | CER.CHIP,100pF-J/50V-1608 | nsp | C588 | | | ELECT,10µF-M/50V 5*11 | nsp |
| C515SL | | | CER.CHIP,100pF-J/50V-1608 | nsp | C589 | | | ELECT,47µF-M/50V 6.3*11 | nsp |
| C515SR | | | CER.CHIP,100pF-J/50V-1608 | nsp | C590 | | | ELECT,47µF-M/50V 6.3*11 | nsp |
| C515SW | | | CER.CHIP,100pF-J/50V-1608 | nsp | C591 | | | CER.CHIP,47pF-J/50V-1608 | nsp |
| C528C | | | ELECT,4.7µF-M/16V 5*11 | nsp | C592 | | | CER.CHIP,47pF-J/50V-1608 | nsp |
| C528FL | | | ELECT,4.7µF-M/16V 5*11 | nsp | C593 | | | CER.CHIP,0.1µF-Z/50V-1608 | nsp |
| C528FR | | | ELECT,4.7µF-M/16V 5*11 | nsp | C594 | | | CER.CHIP,0.1µF-Z/50V-1608 | nsp |
| C528SC | | | ELECT,4.7µF-M/16V 5*11 | nsp | C595 | | | CER.CHIP,47pF-J/50V-1608 | nsp |
| C528SL | | | ELECT,4.7µF-M/16V 5*11 | nsp | C596 | | | CER.CHIP,47pF-J/50V-1608 | nsp |
| C528SR | | | ELECT,4.7µF-M/16V 5*11 | nsp | C597 | | | | |
| C528SW | | | ELECT,4.7µF-M/16V 5*11 | nsp | 5 | | | ELECT,10µF-M/50V 5*11 | nsp |
| C533C | | | CER.CHIP,100pF-J/50V-1608 | nsp | C600 | | | | |
| C533FL | | | CER.CHIP,100pF-J/50V-1608 | nsp | C601 | | | CER.CHIP,0.1µF-Z/50V-1608 | nsp |
| C533FR | | | CER.CHIP,100pF-J/50V-1608 | nsp | | | | | |
| C533SC | | | CER.CHIP,100pF-J/50V-1608 | nsp | | | | VOLUME - RESISTORS | |
| C533SL | | | CER.CHIP,100pF-J/50V-1608 | nsp | R501 | | | CHIP,560-J 1/16W-1608 | nsp |
| C533SR | | | CER.CHIP,100pF-J/50V-1608 | nsp | R502 | | | CHIP,560-J 1/16W-1608 | nsp |
| C533SW | | | CER.CHIP,1200pF-K/50V-1608 | nsp | R503 | | | 4.7-J 1/6W | nsp |
| | | | | | R504 | | | 4.7-J 1/6W | nsp |
| C541C | | | CER.CHIP,100pF-J/50V-1608 | nsp | R505 | | | CNWIREFIP,JUMPER(0.6/52MM) | nsp |
| C541FL | | | CER.CHIP,100pF-J/50V-1608 | nsp | R506 | | | CNWIREFIP,JUMPER(0.6/52MM) | nsp |
| C541FR | | | CER.CHIP,100pF-J/50V-1608 | nsp | R507C | | | CHIP,1K-J 1/16W-1608 | nsp |
| C541SC | | | CER.CHIP,100pF-J/50V-1608 | nsp | R507FL | | | CHIP,1K-J 1/16W-1608 | nsp |
| C541SL | | | CER.CHIP,100pF-J/50V-1608 | nsp | R507FR | | | CHIP,1K-J 1/16W-1608 | nsp |
| C541SR | | | CER.CHIP,100pF-J/50V-1608 | nsp | R507SC | | | CHIP,1K-J 1/16W-1608 | nsp |
| C541SW | | | CER.CHIP,100pF-J/50V-1608 | nsp | R507SL | | | CHIP,1K-J 1/16W-1608 | nsp |
| C543 | | | CER.CHIP,0.1µF-Z/50V-1608 | nsp | R507SR | | | CHIP,1K-J 1/16W-1608 | nsp |
| C544 | | | CER.CHIP,0.1µF-Z/50V-1608 | nsp | R507SW | | | CHIP,1K-J 1/16W-1608 | nsp |
| C545A | | | CER.CHIP,1000pF-K/50V-1608 | nsp | R512C | | | CHIP,220-J 1/16W-1608 | nsp |
| C545C | | | ELECT,4.7µF-M/16V 5*11 | nsp | R512FL | | | CHIP,1K-J 1/16W-1608 | nsp |
| C545FL | | | ELECT,4.7µF-M/16V 5*11 | nsp | R512FR | | | CHIP,1K-J 1/16W-1608 | nsp |
| C545FR | | | ELECT,4.7µF-M/16V 5*11 | nsp | R512SC | | | CHIP,220-J 1/16W-1608 | nsp |
| C545SC | | | ELECT,4.7µF-M/16V 5*11 | nsp | R512SL | | | CHIP,220-J 1/16W-1608 | nsp |
| C545SL | | | ELECT,4.7µF-M/16V 5*11 | nsp | R512SR | | | CHIP,220-J 1/16W-1608 | nsp |
| C545SR | | | ELECT,4.7µF-M/16V 5*11 | nsp | R512SW | | | CHIP,220-J 1/16W-1608 | nsp |
| C545SW | | | ELECT,4.7µF-M/16V 5*11 | nsp | | | | | |
| C546A | | | CER.CHIP,1000pF-K/50V-1608 | nsp | R515 | | | CHIP,10K-J 1/16W-1608 | nsp |
| C552 | | | | | R516C | | | CHIP,470K-J 1/16W-1608 | nsp |
| 5 | | | CER.CHIP,0.1µF-Z/50V-1608 | nsp | R516FL | | | CHIP,100K-J 1/16W-1608 | nsp |
| C556 | | | | | R516FR | | | CHIP,100K-J 1/16W-1608 | nsp |
| C557 | | | | | R516SC | | | CHIP,470K-J 1/16W-1608 | nsp |
| 5 | | | ELECT,47µF-M/25V 5*11 | nsp | R516SL | | | CHIP,470K-J 1/16W-1608 | nsp |
| C560 | | | | | R516SR | | | CHIP,470K-J 1/16W-1608 | nsp |
| C561 | | | | | R516SW | | | CHIP,1.5K-J 1/16W-1608 | nsp |
| 5 | | | CER.CHIP,0.1µF-Z/50V-1608 | nsp | R525 | | | 10K-J 1/6W | nsp |
| C564 | | | | | R526 | | | 10K-J 1/6W | nsp |
| C565 | | | ELECT,47µF-M/25V 5*11 | nsp | R527 | | | CHIP,10K-J 1/16W-1608 | nsp |
| C566 | | | ELECT,47µF-M/25V 5*11 | nsp | R528 | | | 10K-J 1/6W | nsp |
| C567 | | | CER.CHIP,0.1µF-Z/50V-1608 | nsp | R529 | | | CHIP,10K-J 1/16W-1608 | nsp |
| C568 | | | CER.CHIP,0.1µF-Z/50V-1608 | nsp | R530 | | | CHIP,10K-J 1/16W-1608 | nsp |
| C571C | | | ELECT,4.7µF-M/16V 5*11 | nsp | R532 | | | CHIP,22K-J 1/16W-1608 | nsp |
| C571FL | | | ELECT,4.7µF-M/16V 5*11 | nsp | R536C | | | CHIP,470-J 1/16W-1608 | nsp |
| C571FR | | | ELECT,4.7µF-M/16V 5*11 | nsp | R536FL | | | CHIP,470-J 1/16W-1608 | nsp |
| C571SC | | | ELECT,4.7µF-M/16V 5*11 | nsp | R536FR | | | CHIP,470-J 1/16W-1608 | nsp |
| C571SL | | | ELECT,4.7µF-M/16V 5*11 | nsp | R536SC | | | CHIP,470-J 1/16W-1608 | nsp |
| C571SR | | | ELECT,4.7µF-M/16V 5*11 | nsp | R536SL | | | CHIP,470-J 1/16W-1608 | nsp |
| C571SW | | | ELECT,4.7µF-M/16V 5*11 | nsp | R536SR | | | CHIP,470-J 1/16W-1608 | nsp |
| C576 | | | | | R536SW | | | CHIP,470-J 1/16W-1608 | nsp |
| 5 | | | CER.CHIP,100pF-J/50V-1608 | nsp | R537 | | | 22K-J 1/6W | nsp |
| C584 | | | | | R538 | | | CHIP,22K-J 1/16W-1608 | nsp |
| C585 | | | CER.CHIP,0.1µF-Z/50V-1608 | nsp | R539 | | | 22K-J 1/6W | nsp |
| C586 | | | CER.CHIP,0.1µF-Z/50V-1608 | nsp | R540 | | | 22K-J 1/6W | nsp |
| C587 | | | ELECT,10µF-M/50V 5*11 | nsp | R541 | | | CHIP,22K-J 1/16W-1608 | nsp |

NOTE : *nsp* PART IS LISTED FOR REFERENCE ONLY, MARANTZ WILL NOT SUPPLY THESE PARTS.

PS5200

| POS. NO | VERS. COLOR | PART NO. (FOR PCS) | DESCRIPTION | PART NO. (MJI) | POS. NO | VERS. COLOR | PART NO. (FOR PCS) | DESCRIPTION | PART NO. (MJI) |
|---------|-------------|--------------------|------------------------|----------------|---------|-------------|--------------------|---------------------------|----------------|
| R542 | | | CHIP,22K-J 1/16W-1608 | nsp | R606 | | | CHIP,4.7K-J 1/16W-1608 | nsp |
| R543 | | | | | R607 | | | | |
| 5 | | | 100K-J 1/6W | nsp | 5 | | | CHIP,10K-J 1/16W-1608 | nsp |
| R547 | | | | | R612 | | | | |
| R549C | | | CHIP,470K-J 1/16W-1608 | nsp | R613 | | | CHIP,47K-J 1/16W-1608 | nsp |
| R549FL | | | CHIP,470K-J 1/16W-1608 | nsp | R614 | | | CHIP,47K-J 1/16W-1608 | nsp |
| R549FR | | | CHIP,470K-J 1/16W-1608 | nsp | R615 | | | | |
| R549SC | | | CHIP,470K-J 1/16W-1608 | nsp | 5 | | | CHIP,10K-J 1/16W-1608 | nsp |
| R549SL | | | CHIP,470K-J 1/16W-1608 | nsp | R618 | | | | |
| R549SR | | | CHIP,470K-J 1/16W-1608 | nsp | R619 | | | CHIP,100K-J 1/16W-1608 | nsp |
| R549SW | | | 470K-J 1/6W | nsp | R620 | | | CHIP,100K-J 1/16W-1608 | nsp |
| R559C | | | CHIP,470-J 1/16W-1608 | nsp | | | | | |
| R559FL | | | CHIP,470-J 1/16W-1608 | nsp | | | | VOLUME - SEMICONDUCTORS | |
| R559FR | | | CHIP,470-J 1/16W-1608 | nsp | D501 | | | | |
| R559SC | | | CHIP,470-J 1/16W-1608 | nsp | 5 | | | DIODE,1SS133T | HD20015210 |
| R559SL | | | CHIP,470-J 1/16W-1608 | nsp | D512 | | | | |
| R559SR | | | CHIP,470-J 1/16W-1608 | nsp | IC501 | | | IC,KIC9459F SOP24P | HC10449050 |
| R559SW | | | CHIP,470-J 1/16W-1608 | nsp | IC502 | | | IC,KIC9482F FLP28 | *HC107280R |
| R567C | | | CHIP,3K-J 1/16W-1608 | nsp | IC505 | | | | |
| R567FL | | | CHIP,3K-J 1/16W-1608 | nsp | 5 | | | IC,NJM2068M SOP8P | HC10102090 |
| R567FR | | | CHIP,3K-J 1/16W-1608 | nsp | IC512 | | | | |
| R567SC | | | CHIP,3K-J 1/16W-1608 | nsp | IC513 | | | IC,NJU7313AL SDIP28P | HC10125090 |
| R567SL | | | CHIP,3K-J 1/16W-1608 | nsp | IC514 | | | IC,BU4053BCF SOP16P | HC405321Z0 |
| R567SR | | | CHIP,3K-J 1/16W-1608 | nsp | Q501 | | | | |
| R567SW | | | CHIP,5.1K-J 1/16W-1608 | nsp | 5 | | | TRS.2SC,KTC2874B TO92 | *HT300880R |
| | | | | | Q514 | | | | |
| R569C | | | CHIP,1.2K-J 1/16W-1608 | nsp | | | | | |
| R569FL | | | CHIP,1.2K-J 1/16W-1608 | nsp | | | | VOLUME - MISCELLANEOUS | |
| R569FR | | | CHIP,1.2K-J 1/16W-1608 | nsp | CN114 | | | CN.WAFER 2.0MM, | nsp |
| R569SC | | | CHIP,1.2K-J 1/16W-1608 | nsp | | | | TUC-P15X-B1 HOUSING ST | |
| R569SL | | | CHIP,1.2K-J 1/16W-1608 | nsp | CN115 | | | CN.WAFER 2.0MM, | nsp |
| R569SR | | | CHIP,1.2K-J 1/16W-1608 | nsp | | | | TUC-P20X-B1 HOUSING ST | |
| R569SW | | | CHIP,1.2K-J 1/16W-1608 | nsp | CP503 | | | CN WIRE,220MM/12P | nsp |
| R582C | | | CHIP,470K-J 1/16W-1608 | nsp | | | | | |
| R582FL | | | CHIP,470K-J 1/16W-1608 | nsp | | | | DSP CIRCUIT BOARD | |
| R582FR | | | CHIP,470K-J 1/16W-1608 | nsp | | | | DSP - CAPACITORS | |
| R582SC | | | CHIP,470K-J 1/16W-1608 | nsp | C701 | | | | |
| R582SL | | | CHIP,470K-J 1/16W-1608 | nsp | 5 | | | CER.CHIP,0.1µF-K/50V-1608 | nsp |
| R582SR | | | CHIP,470K-J 1/16W-1608 | nsp | C705 | | | | |
| R582SW | | | CHIP,470K-J 1/16W-1608 | nsp | C706 | | | ELECT,47µF-M/10V 5*11 | nsp |
| R589C | | | CHIP,470-J 1/16W-1608 | nsp | C707 | | | CER.CHIP,22pF-J/50V-1608 | nsp |
| R589FL | | | CHIP,470-J 1/16W-1608 | nsp | C708 | | | CER.CHIP,0.1µF-K/50V-1608 | nsp |
| R589FR | | | CHIP,470-J 1/16W-1608 | nsp | C709 | | | ELECT,47µF-M/10V 5*11 | nsp |
| R589SC | | | CHIP,470-J 1/16W-1608 | nsp | C710 | | | CER.CHIP,22pF-J/50V-1608 | nsp |
| R589SL | | | CHIP,470-J 1/16W-1608 | nsp | C711 | | | CER.CHIP,22pF-J/50V-1608 | nsp |
| R589SR | | | CHIP,470-J 1/16W-1608 | nsp | C712 | | | ELECT,47µF-M/10V 5*11 | nsp |
| R589SW | | | CHIP,470-J 1/16W-1608 | nsp | C713 | | | CER.CHIP,0.1µF-K/50V-1608 | nsp |
| | | | | | C718 | | | CER.CHIP,22pF-J/50V-1608 | nsp |
| R590 | | | 1K-J 1/6W | nsp | C719 | | | ELECT,3.3µF-M/50V 5*11 | nsp |
| R591 | | | CHIP,2K-J 1/16W-1608 | nsp | C720 | | | CER.CHIP,0.1µF-K/50V-1608 | nsp |
| R592 | | | 1K-J 1/6W | nsp | C721 | | | CER.CHIP,22pF-J/50V-1608 | nsp |
| R593 | | | CHIP,2K-J 1/16W-1608 | nsp | C722 | | | CER.CHIP,22pF-J/50V-1608 | nsp |
| R594 | | | CHIP,2K-J 1/16W-1608 | nsp | C723 | | | ELECT,3.3µF-M/50V 5*11 | nsp |
| R595 | | | | | C724 | | | CER.CHIP,0.1µF-K/50V-1608 | nsp |
| 5 | | | | | C725 | | | CER.CHIP,22pF-J/50V-1608 | nsp |
| R598 | | | 1K-J 1/6W | nsp | C726 | | | ELECT,100µF-M/10V 5*11 | nsp |
| R599 | | | 100-J 1/6W | nsp | C727 | | | CER.CHIP,0.1µF-K/50V-1608 | nsp |
| R600 | | | 100-J 1/6W | nsp | C728 | | | CER.CHIP,0.1µF-K/50V-1608 | nsp |
| R601 | | | CHIP,100K-J 1/16W-1608 | nsp | C729 | | | ELECT,100µF-M/10V 5*11 | nsp |
| R602 | | | CHIP,100K-J 1/16W-1608 | nsp | C730 | | | CER.CHIP,0.1µF-K/50V-1608 | nsp |
| R603 | | | 4.7K-J 1/6W | nsp | C731 | | | ELECT,1µF-M/50V 5*11 | nsp |
| R604 | | | 4.7K-J 1/6W | nsp | C732 | | | ELECT,1µF-M/50V 5*11 | nsp |
| R605 | | | CHIP,4.7K-J 1/16W-1608 | nsp | C733 | | | ELECT,10µF-M/50V 5*11 | nsp |
| | | | | | C734 | | | CER.CHIP,0.1µF-K/50V-1608 | nsp |

NOTE : *nsp* PART IS LISTED FOR REFERENCE ONLY, MARANTZ WILL NOT SUPPLY THESE PARTS.

PS5200

| POS. NO | VERS. COLOR | PART NO. (FOR PCS) | DESCRIPTION | PART NO. (MJI) | POS. NO | VERS. COLOR | PART NO. (FOR PCS) | DESCRIPTION | PART NO. (MJI) |
|---------|-------------|--------------------|----------------------------|----------------|---------|-------------|--------------------|----------------------------|----------------|
| C735 | | | ELECT,100µF-M/10V 5*11 | nsp | C790 | | | | |
| C736 | | | CER.CHIP,0.1µF-K/50V-1608 | nsp | 5 | | | CER.CHIP,0.1µF-K/50V-1608 | nsp |
| C738 | | | CER.CHIP,0.1µF-K/50V-1608 | nsp | C794 | | | | |
| C739 | | | CER.CHIP,0.1µF-K/50V-1608 | nsp | C794C | | | ELECT,10µF-M/50V 5*11 | nsp |
| C740 | | | CER.CHIP,0.01µF-Z/50V-1608 | nsp | C794FL1 | | | ELECT,10µF-M/50V 5*11 | nsp |
| C741 | | | CER.CHIP,0.1µF-K/50V-1608 | nsp | C794FL2 | | | ELECT,10µF-M/50V 5*11 | nsp |
| C742 | | | CER.CHIP,0.01µF-Z/50V-1608 | nsp | C794FR1 | | | ELECT,10µF-M/50V 5*11 | nsp |
| C743 | | | CER.CHIP,0.1µF-K/50V-1608 | nsp | C794FR2 | | | ELECT,10µF-M/50V 5*11 | nsp |
| C744 | | | CER.CHIP,0.01µF-Z/50V-1608 | nsp | C794SC | | | ELECT,10µF-M/50V 5*11 | nsp |
| C745 | | | CER.CHIP,0.1µF-K/50V-1608 | nsp | C794SL | | | ELECT,10µF-M/50V 5*11 | nsp |
| C746 | | | ELECT,10µF-M/50V 5*11 | nsp | C794SR | | | ELECT,10µF-M/50V 5*11 | nsp |
| C747 | | | CER.CHIP,0.1µF-K/50V-1608 | nsp | C794SW | | | ELECT,10µF-M/50V 5*11 | nsp |
| C748 | | | CER.CHIP,27pF-J/50V-1608 | nsp | C795 | | | CER.CHIP,0.1µF-K/50V-1608 | nsp |
| C749 | | | CER.CHIP,27pF-J/50V-1608 | nsp | C795C | | | CER.CHIP,2200pF-K/50V-1608 | nsp |
| C750 | | | CER.CHIP,1000pF-K/50V-1608 | nsp | C795SC | | | CER.CHIP,2200pF-K/50V-1608 | nsp |
| C751 | | | CER.CHIP,0.1µF-K/50V-1608 | nsp | C795SL | | | CER.CHIP,2200pF-K/50V-1608 | nsp |
| C752 | | | CER.CHIP,0.1µF-K/50V-1608 | nsp | C795SR | | | CER.CHIP,2200pF-K/50V-1608 | nsp |
| C753 | | | ELECT,100µF-M/10V 5*11 | nsp | C795SW | | | FILM,0.15µF-K/63V | nsp |
| C754 | | | CER.CHIP,0.1µF-K/50V-1608 | nsp | | | | | |
| C755 | | | CER.CHIP,0.01µF-Z/50V-1608 | nsp | C796 | | | CER.CHIP,0.1µF-K/50V-1608 | nsp |
| C756 | | | CER.CHIP,0.01µF-Z/50V-1608 | nsp | C796FL1 | | | CER.CHIP,3300pF-K/50V-1608 | nsp |
| C757 | | | ELECT,220µF-M/6.3V 6.3*1 | nsp | C796FL2 | | | CER.CHIP,3300pF-K/50V-1608 | nsp |
| C758 | | | CER.CHIP,0.1µF-K/50V-1608 | nsp | C796FR1 | | | CER.CHIP,3300pF-K/50V-1608 | nsp |
| C759 | | | CER.CHIP,470pF-J/50V-1608 | nsp | C796FR2 | | | CER.CHIP,3300pF-K/50V-1608 | nsp |
| C760 | | | ELECT,47µF-M/10V 5*11 | nsp | C797 | | | CER.CHIP,0.1µF-K/50V-1608 | nsp |
| | | | | | C797FL1 | | | CER.CHIP,390pF-J/50V-1608 | nsp |
| C761 | | | CER.CHIP,0.1µF-K/50V-1608 | nsp | C797FL2 | | | CER.CHIP,390pF-J/50V-1608 | nsp |
| C762 | | | CER.CHIP,0.01µF-Z/50V-1608 | nsp | C797FR1 | | | CER.CHIP,390pF-J/50V-1608 | nsp |
| C763 | | | ELECT,2.2µF-M/50V 5*11 | nsp | C797FR2 | | | CER.CHIP,390pF-J/50V-1608 | nsp |
| C764 | | | CER.CHIP,0.1µF-K/50V-1608 | nsp | C798C | | | CER.CHIP,1500pF-K/50V-1608 | nsp |
| C765 | | | ELECT,1µF-M/50V 5*11 | nsp | C798SC | | | CER.CHIP,1500pF-K/50V-1608 | nsp |
| C766 | | | CER.CHIP,0.01µF-Z/50V-1608 | nsp | C798SL | | | CER.CHIP,1500pF-K/50V-1608 | nsp |
| C767 | | | CER.CHIP,0.01µF-Z/50V-1608 | nsp | C798SR | | | CER.CHIP,1500pF-K/50V-1608 | nsp |
| C768 | | | CER.CHIP,0.1µF-K/50V-1608 | nsp | C798SW | | | FILM,0.018µF-K/63V | nsp |
| C769 | | | CER.CHIP,0.1µF-K/50V-1608 | nsp | C799C | | | ELECT,10µF-M/50V 5*11 | nsp |
| C770 | | | CER.CHIP,0.1µF-K/50V-1608 | nsp | C799FL | | | ELECT,10µF-M/50V 5*11 | nsp |
| C771 | | | ELECT,1µF-M/50V 5*11 | nsp | C799FR | | | ELECT,10µF-M/50V 5*11 | nsp |
| C772 | | | CER.CHIP,0.1µF-K/50V-1608 | nsp | C799SC | | | ELECT,10µF-M/50V 5*11 | nsp |
| C773 | | | ELECT,100µF-M/10V 5*11 | nsp | C799SL | | | ELECT,10µF-M/50V 5*11 | nsp |
| C774 | | | CER.CHIP,0.01µF-Z/50V-1608 | nsp | C799SR | | | ELECT,10µF-M/50V 5*11 | nsp |
| C775 | | | CER.CHIP,0.1µF-K/50V-1608 | nsp | C799SW | | | ELECT,10µF-M/50V 5*11 | nsp |
| C776 | | | ELECT,100µF-M/10V 5*11 | nsp | | | | | |
| C777 | | | CER.CHIP,0.1µF-K/50V-1608 | nsp | C800C | | | CER.CHIP,3300pF-K/50V-1608 | nsp |
| C778 | | | ELECT,100µF-M/10V 5*11 | nsp | C800FL | | | CER.CHIP,1500pF-K/50V-1608 | nsp |
| C779 | | | CER.CHIP,0.1µF-K/50V-1608 | nsp | C800FR | | | CER.CHIP,1500pF-K/50V-1608 | nsp |
| C780 | | | ELECT,1µF-M/50V 5*11 | nsp | C800SC | | | CER.CHIP,3300pF-K/50V-1608 | nsp |
| C782 | | | ELECT,1µF-M/50V 5*11 | nsp | C800SL | | | CER.CHIP,3300pF-K/50V-1608 | nsp |
| | | | | | C800SR | | | CER.CHIP,3300pF-K/50V-1608 | nsp |
| | | | | | C800SW | | | CER.CHIP,3300pF-K/50V-1608 | nsp |
| C783AFL | | | ELECT,10µF-M/50V 5*11 | nsp | C801 | | | ELECT,100µF-M/10V 5*11 | nsp |
| C783AFR | | | ELECT,10µF-M/50V 5*11 | nsp | C802 | | | CER.CHIP,0.01µF-Z/50V-1608 | nsp |
| C784AFL | | | ELECT,10µF-M/50V 5*11 | nsp | C803 | | | ELECT,1µF-M/50V 5*11 | nsp |
| C784AFR | | | ELECT,10µF-M/50V 5*11 | nsp | C804 | | | ELECT,10µF-M/50V 5*11 | nsp |
| C785AFL | | | CER.CHIP,0.1µF-K/50V-1608 | nsp | C866 | | | ELECT,100µF-M/25V 6.3*11 | nsp |
| C785AFR | | | CER.CHIP,0.1µF-K/50V-1608 | nsp | C867 | | | ELECT,100µF-M/25V 6.3*11 | nsp |
| C786AFL | | | CER.CHIP,0.1µF-K/50V-1608 | nsp | C868 | | | ELECT,10µF-M/50V 5*11 | nsp |
| C786AFR | | | CER.CHIP,0.1µF-K/50V-1608 | nsp | C869 | | | CER.CHIP,100pF-J/50V-1608 | nsp |
| C787AFL | | | CER.CHIP,100pF-J/50V-1608 | nsp | C870 | | | CER.CHIP,1000pF-K/50V-1608 | nsp |
| C787AFR | | | CER.CHIP,100pF-J/50V-1608 | nsp | C873 | | | CER.CHIP,150pF-J/50V-1608 | nsp |
| C788AFL | | | CER.CHIP,100pF-J/50V-1608 | nsp | C875 | | | CER.CHIP,0.1µF-K/50V-1608 | nsp |
| C788AFR | | | CER.CHIP,100pF-J/50V-1608 | nsp | C876 | | | CER.CHIP,27pF-J/50V-1608 | nsp |
| C789AFL | | | CER.CHIP,1000pF-K/50V-1608 | nsp | C877 | | | CER.CHIP,0.1µF-K/50V-1608 | nsp |
| C789AFR | | | CER.CHIP,1000pF-K/50V-1608 | nsp | C878 | | | CER.CHIP,0.1µF-K/50V-1608 | nsp |

NOTE : *nsp* PART IS LISTED FOR REFERENCE ONLY, MARANTZ WILL NOT SUPPLY THESE PARTS.

PS5200

| POS. NO | VERS. COLOR | PART NO. (FOR PCS) | DESCRIPTION | PART NO. (MJI) | POS. NO | VERS. COLOR | PART NO. (FOR PCS) | DESCRIPTION | PART NO. (MJI) |
|---------|-------------|--------------------|---------------------------|----------------|---------|-------------|--------------------|------------------------|----------------|
| C879 | | | CER.CHIP,0.1μF-K/50V-1608 | nsp | R775AFL | | | CHIP,47K-J 1/16W-1608 | nsp |
| | | | DSP - RESISTORS | | R775AFP | | | CHIP,47K-J 1/16W-1608 | nsp |
| R701 | | | CHIP,4.7K-J 1/16W-1608 | nsp | R776AFL | | | CHIP,4.7K-J 1/16W-1608 | nsp |
| R702 | | | CHIP,4.7K-J 1/16W-1608 | nsp | R776AFP | | | CHIP,4.7K-J 1/16W-1608 | nsp |
| R703 | | | CHIP,4.7K-J 1/16W-1608 | nsp | R777AFL | | | CHIP,5.6K-J 1/16W-1608 | nsp |
| R709 | | | CHIP,75-J 1/16W-1608 | nsp | R777AFP | | | CHIP,5.6K-J 1/16W-1608 | nsp |
| R710 | | | CHIP,100-J 1/16W-1608 | nsp | R778AFL | | | CHIP,10K-J 1/16W-1608 | nsp |
| R711 | | | CHIP,10K-J 1/16W-1608 | nsp | R778AFP | | | CHIP,10K-J 1/16W-1608 | nsp |
| R712 | | | CHIP,100K-J 1/16W-1608 | nsp | R779AFL | | | CHIP,330-J 1/16W-1608 | nsp |
| R713 | | | CHIP,2.2K-J 1/16W-1608 | nsp | R779AFP | | | CHIP,330-J 1/16W-1608 | nsp |
| R714 | | | CHIP,75-J 1/16W-1608 | nsp | R780AFL | | | CHIP,10K-J 1/16W-1608 | nsp |
| R715 | | | CHIP,100-J 1/16W-1608 | nsp | R780AFP | | | CHIP,10K-J 1/16W-1608 | nsp |
| R716 | | | CHIP,10K-J 1/16W-1608 | nsp | R781AFL | | | CHIP,330-J 1/16W-1608 | nsp |
| R717 | | | CHIP,100K-J 1/16W-1608 | nsp | R781AFP | | | CHIP,330-J 1/16W-1608 | nsp |
| R718 | | | CHIP,2.2K-J 1/16W-1608 | nsp | R782C | | | CHIP,1.5K-J 1/16W-1608 | nsp |
| R719 | | | CHIP,75-J 1/16W-1608 | nsp | R782SC | | | CHIP,1.5K-J 1/16W-1608 | nsp |
| R720 | | | CHIP,180-J 1/16W-1608 | nsp | R782SL | | | CHIP,1.5K-J 1/16W-1608 | nsp |
| R721 | | | CHIP,91-J 1/16W-1608 | nsp | R782SR | | | CHIP,1.5K-J 1/16W-1608 | nsp |
| R723 | | | CHIP,10K-J 1/16W-1608 | nsp | R782SW | | | CHIP,4.7K-J 1/16W-1608 | nsp |
| R724 | | | CHIP,1M-J 1/16W-1608 | nsp | | | | | |
| R725 | | | | | R783FL1 | | | CHIP,7.5K-J 1/16W-1608 | nsp |
| § | | | CHIP,33-J 1/16W-1608 | nsp | R783FL2 | | | CHIP,7.5K-J 1/16W-1608 | nsp |
| R728 | | | | | R783FR1 | | | CHIP,7.5K-J 1/16W-1608 | nsp |
| R729 | | | CHIP,75-J 1/16W-1608 | nsp | R783FR2 | | | CHIP,7.5K-J 1/16W-1608 | nsp |
| R730 | | | CHIP,5.1K-J 1/16W-1608 | nsp | R784FL1 | | | CHIP,4.3K-J 1/16W-1608 | nsp |
| R731 | | | CHIP,3K-J 1/16W-1608 | nsp | R784FL2 | | | CHIP,4.3K-J 1/16W-1608 | nsp |
| R732 | | | CHIP,8.2K-J 1/16W-1608 | nsp | R784FR1 | | | CHIP,4.3K-J 1/16W-1608 | nsp |
| R733 | | | CHIP,100-J 1/16W-1608 | nsp | R784FR2 | | | CHIP,4.3K-J 1/16W-1608 | nsp |
| R734 | | | | | R785FL1 | | | CHIP,820-J 1/16W-1608 | nsp |
| § | | | CHIP,10K-J 1/16W-1608 | nsp | R785FL2 | | | CHIP,820-J 1/16W-1608 | nsp |
| R743 | | | | | R785FR1 | | | CHIP,820-J 1/16W-1608 | nsp |
| R744 | | | CHIP,33-J 1/16W-1608 | nsp | R785FR2 | | | CHIP,820-J 1/16W-1608 | nsp |
| R745 | | | CHIP,4.7K-J 1/16W-1608 | nsp | R786C | | | CHIP,1.5K-J 1/16W-1608 | nsp |
| R748 | | | CHIP,33-J 1/16W-1608 | nsp | R786SC | | | CHIP,1.5K-J 1/16W-1608 | nsp |
| R749 | | | CHIP,4.7K-J 1/16W-1608 | nsp | R786SL | | | CHIP,1.5K-J 1/16W-1608 | nsp |
| R750 | | | CHIP,4.7K-J 1/16W-1608 | nsp | R786SR | | | CHIP,1.5K-J 1/16W-1608 | nsp |
| R751 | | | CHIP,33K-J 1/16W-1608 | nsp | R786SW | | | CHIP,4.7K-J 1/16W-1608 | nsp |
| R752 | | | CHIP,10K-J 1/16W-1608 | nsp | R787C | | | CHIP,2.7K-J 1/16W-1608 | nsp |
| R753 | | | | | R787SC | | | CHIP,2.7K-J 1/16W-1608 | nsp |
| § | | | CHIP,33-J 1/16W-1608 | nsp | R787SL | | | CHIP,2.7K-J 1/16W-1608 | nsp |
| R757 | | | | | R787SR | | | CHIP,2.7K-J 1/16W-1608 | nsp |
| R758 | | | CHIP,10K-J 1/16W-1608 | nsp | R787SW | | | CHIP,1.2K-J 1/16W-1608 | nsp |
| R759 | | | CHIP,4.7K-J 1/16W-1608 | nsp | | | | | |
| R760 | | | | | R788C | | | CHIP,3.3K-J 1/16W-1608 | nsp |
| § | | | CHIP,33-J 1/16W-1608 | nsp | R788SC | | | CHIP,3.3K-J 1/16W-1608 | nsp |
| R764 | | | | | R788SL | | | CHIP,3.3K-J 1/16W-1608 | nsp |
| R765 | | | CHIP,33K-J 1/16W-1608 | nsp | R788SR | | | CHIP,3.3K-J 1/16W-1608 | nsp |
| R766 | | | CHIP,4.7K-J 1/16W-1608 | nsp | R788SW | | | CHIP,9.1K-J 1/16W-1608 | nsp |
| R768 | | | CHIP,100-J 1/16W-1608 | nsp | R790C | | | CHIP,180K-J 1/16W-1608 | nsp |
| R769 | | | CHIP,10K-J 1/16W-1608 | nsp | R790FL | | | CHIP,15K-J 1/16W-1608 | nsp |
| R770 | | | CHIP,4.7K-J 1/16W-1608 | nsp | R790FR | | | CHIP,15K-J 1/16W-1608 | nsp |
| R770AFL | | | CHIP,6.2K-J 1/16W-1608 | nsp | R790SC | | | CHIP,180K-J 1/16W-1608 | nsp |
| R770AFP | | | CHIP,6.2K-J 1/16W-1608 | nsp | R790SL | | | CHIP,180K-J 1/16W-1608 | nsp |
| R771AFL | | | CHIP,4.7K-J 1/16W-1608 | nsp | R790SR | | | CHIP,180K-J 1/16W-1608 | nsp |
| R771AFP | | | CHIP,4.7K-J 1/16W-1608 | nsp | R790SW | | | CHIP,100K-J 1/16W-1608 | nsp |
| R772 | | | CHIP,2.2K-J 1/16W-1608 | nsp | R791C | | | CHIP,2.2K-J 1/16W-1608 | nsp |
| R772AFL | | | CHIP,2.4K-J 1/16W-1608 | nsp | R791FL | | | CHIP,2.2K-J 1/16W-1608 | nsp |
| R772AFP | | | CHIP,2.4K-J 1/16W-1608 | nsp | R791FR | | | CHIP,2.2K-J 1/16W-1608 | nsp |
| R773AFL | | | CHIP,4.7K-J 1/16W-1608 | nsp | R791SC | | | CHIP,2.2K-J 1/16W-1608 | nsp |
| R773AFP | | | CHIP,4.7K-J 1/16W-1608 | nsp | R791SL | | | CHIP,2.2K-J 1/16W-1608 | nsp |
| R774AFL | | | CHIP,4.7K-J 1/16W-1608 | nsp | R791SR | | | CHIP,2.2K-J 1/16W-1608 | nsp |
| R774AFP | | | CHIP,4.7K-J 1/16W-1608 | nsp | R791SW | | | CHIP,2.2K-J 1/16W-1608 | nsp |
| | | | | | R792 | | | CHIP,470-J 1/16W-1608 | nsp |

NOTE : "nsp" PART IS LISTED FOR REFERENCE ONLY, MARANTZ WILL NOT SUPPLY THESE PARTS.

PS5200

| POS. NO | VERS. COLOR | PART NO. (FOR PCS) | DESCRIPTION | PART NO. (MJI) | POS. NO | VERS. COLOR | PART NO. (FOR PCS) | DESCRIPTION | PART NO. (MJI) |
|---------|-------------|--------------------|---------------------------------|----------------|----------|-------------|--------------------|---|----------------|
| R799 | | | CHIP,1M-J 1/16W-1608 | nsp | Q701SC | | | TRS.CHIP 2SC, KTC2875B SOT23 | *HT300870R |
| R799C | | | CHIP,470-J 1/16W-1608 | nsp | Q701SL | | | TRS.CHIP 2SC, KTC2875B SOT23 | *HT300870R |
| R799FL | | | CHIP,1K-J 1/16W-1608 | nsp | Q701SR | | | TRS.CHIP 2SC, KTC2875B SOT23 | *HT300870R |
| R799FR | | | CHIP,1K-J 1/16W-1608 | nsp | Q701SW | | | TRS.CHIP 2SC, KTC2875B SOT23 | *HT300870R |
| R799SC | | | CHIP,470-J 1/16W-1608 | nsp | Q702AFL | | | TRS.CHIP 2SC, KTC2875B SOT23 | *HT300870R |
| R799SL | | | CHIP,470-J 1/16W-1608 | nsp | Q702AFR | | | TRS.CHIP 2SC, KTC2875B SOT23 | *HT300870R |
| R799SR | | | CHIP,470-J 1/16W-1608 | nsp | Q703 | | | TRS.CHIP 2SA,KRA102S | *BA001230R |
| R799SW | | | CHIP,470-J 1/16W-1608 | nsp | Q704 | | | TRS.CHIP 2SC,KRC102S | *BA001220R |
| R800 | | | CHIP,20K-J 1/16W-1608 | nsp | Q705 | | | TRS.CHIP 2SA,KRA102S | *BA001230R |
| R801 | | | CHIP,10K-J 1/16W-1608 | nsp | Q706 | | | TRS.CHIP 2SC,KRC102S | *BA001220R |
| R802C | | | CHIP,100K-J 1/16W-1608 | nsp | Q707 | | | TRS.CHIP 2SA,KRA102S | *BA001230R |
| R802SC | | | CHIP,100K-J 1/16W-1608 | nsp | Q708 | | | TRS.CHIP 2SA,KRA102S | *BA001230R |
| R802SL | | | CHIP,100K-J 1/16W-1608 | nsp | Q711 | | | TRS.CHIP 2SA,KRA102S | *BA001230R |
| R802SR | | | CHIP,100K-J 1/16W-1608 | nsp | Q712 | | | TRS.CHIP 2SC, KTC2875B SOT23 | *HT300870R |
| R802SW | | | CHIP,100K-J 1/16W-1608 | nsp | Q712C | | | TRS.CHIP 2SC, KTC2875B SOT23 | *HT300870R |
| R803 | | | | | Q712SC | | | TRS.CHIP 2SC, KTC2875B SOT23 | *HT300870R |
| S | | | CHIP,33-J 1/16W-1608 | nsp | Q712SL | | | TRS.CHIP 2SC, KTC2875B SOT23 | *HT300870R |
| R815 | | | | | Q712SR | | | TRS.CHIP 2SC, KTC2875B SOT23 | *HT300870R |
| R816 | | | CHIP,1K-J 1/16W-1608 | nsp | | | | | |
| S | | | | | CB702 | | | DSP - MISCELLANEOUS | |
| R820 | | | | | | | | BEAD COIL CHIP, HB-IT2012-121JT 2012 | nsp |
| R821 | | | CHIP,2.2K-J 1/16W-1608 | nsp | CB708 | | | | |
| R824 | | | | | CN111 | | | CN.WAFER 2.0MM, TUC-P12X-B1 HOUSING ST | nsp |
| R825 | | | CHIP,33-J 1/16W-1608 | nsp | CN112 | | | CN.WAFER 2.0MM, TUC-P15X-B1 HOUSING ST | nsp |
| R826 | | | CHIP,33-J 1/16W-1608 | nsp | CN113 | | | CN.WAFER 2.0MM, TUC-P18X-B1 HOUSING ST | nsp |
| R827 | | | CHIP,1K-J 1/16W-1608 | nsp | FB701C | | | BEAD COIL, BRS3550T0 3.5PHI*5 | nsp |
| R828 | | | CHIP,1K-J 1/16W-1608 | nsp | FB701FL | | | BEAD COIL, BRS3550T0 3.5PHI*5 | nsp |
| R838 | | | CHIP,470K-J 1/16W-1608 | nsp | FB701FR | | | BEAD COIL, BRS3550T0 3.5PHI*5 | nsp |
| | | | DSP - SEMICONDUCTORS | | FB701SC | | | BEAD COIL, BRS3550T0 3.5PHI*5 | nsp |
| D702 | | | DIODE CHIP,KDS160 | *HD201560R | FB701SL | | | BEAD COIL, BRS3550T0 3.5PHI*5 | nsp |
| S | | | | | FB701SR | | | BEAD COIL, BRS3550T0 3.5PHI*5 | nsp |
| D707 | | | | | FB701SW | | | BEAD COIL, BRS3550T0 3.5PHI*5 | nsp |
| IC701 | | | IC,74VHCU04 SOP14 | *HC700300R | FB702AFL | | | BEAD COIL, BRS3550T0 3.5PHI*5 | nsp |
| IC702 | | | IC,MM74HC151MX SOP16 | *HC700330R | FB702AFR | | | BEAD COIL, BRS3550T0 3.5PHI*5 | nsp |
| IC703 | | | IC,BA4510F-T1 SOP | HC10159210 | L701 | | | COIL FILTER-INDUCTOR, 4.7UH-Q50/56M LAL03VB | nsp |
| IC704 | | | IC,BA4510F-T1 SOP | HC10159210 | L702 | | | COIL FILTER-INDUCTOR, 4.7UH-Q50/56M LAL03VB | nsp |
| IC705 | | | IC,NJM7805FA T0220F | HC3890509F | L703 | | | COIL FILTER-INDUCTOR, 4.7UH-Q50/56M LAL03VB | nsp |
| IC706 | | | IC,RC1117S33ST SOT23 | *HC900020R | L705 | | | COIL FILTER-INDUCTOR, 2.2UH-Q50/110M LAL03VB | nsp |
| IC707 | | | IC,M27W401-80B6 PDIP32 | *HC107760R | | | | | |
| IC708 | | | IC,MM74LCX574WMX SOP20 | *HC700360R | | | | | |
| IC709 | | | IC,MM74LCX574WMX SOP20 | *HC700360R | | | | | |
| IC710 | | | IC,LC89055W(ES4) | HC10405030 | | | | | |
| IC711 | | | IC,SN74LV00APW | *HC700370R | | | | | |
| IC712 | | | IC,MM74HCT244WMX SOP20 | *HC700350R | | | | | |
| IC713 | | | IC,MM74HC125MX SOP14 | *HC700320R | | | | | |
| IC714 | | | IC,IS61LV256-12J SOJ28P | *HC107770R | | | | | |
| IC715 | | | IC,CS49329-CL PLCC44P | *HC107780R | | | | | |
| IC716 | | | IC,RC1117S25T SOT23 | *HC900010R | | | | | |
| IC717 | | | IC,MM74HC244WMX SOIC20 | *HC700340R | | | | | |
| IC718 | | | IC,MM74HCT244WMX SOP20 | *HC700350R | | | | | |
| IC719 | | | IC,CS4228A-KS SSOP28 | *HC107240R | | | | | |
| IC720 | | | IC,CS4391 TSSOP20 | *HC107250R | | | | | |
| IC721 | | | IC,SN74LV4040APWR SOP16 | *HC700380R | | | | | |
| IC722 | | | | | | | | | |
| S | | | IC,NJM2068M SOP8P | HC10102090 | | | | | |
| IC725 | | | | | | | | | |
| Q701C | | | TRS.CHIP 2SC, KTC2875B SOT23 | *HT300870R | | | | | |
| Q701FL | | | TRS.CHIP 2SC, KTC2875B SOT23 | *HT300870R | | | | | |
| Q701FR | | | TRS.CHIP 2SC, KTC2875B SOT23 | *HT300870R | | | | | |

NOTE : *nsp* PART IS LISTED FOR REFERENCE ONLY, MARANTZ WILL NOT SUPPLY THESE PARTS.

PS5200

| POS. NO | VERS. COLOR | PART NO. (FOR PCS) | DESCRIPTION | PART NO. (MJI) | POS. NO | VERS. COLOR | PART NO. (FOR PCS) | DESCRIPTION | PART NO. (MJI) |
|---------|-------------|--------------------|---|----------------|---------|-------------|--------------------|---|----------------|
| L706 | | | COIL FILTER-INDUCTOR, 2.2UH-Q50/110M LAL03VB | nsp | ▲F712 | | | FUSE (5.2*20),250V-S8A | *FS000900R |
| L707 | | | COIL FILTER-INDUCTOR, 4.7UH-Q50/56M LAL03VB | nsp | FC715 | | | HOLDER FUSE CLIP, | nsp |
| L708 | | | COIL FILTER-INDUCTOR, 2.2UH-Q50/110M LAL03VB | nsp | F715 | | | FUSE (5.2*20),250V-S2.5A | *FS000890R |
| T1 | | | COIL CHOKER, | *LC107290R | GND711 | | | TERMINAL, | nsp |
| WIREF01 | | | COIL TRANS MATING WIRE LEAD 1007 80C, GREEN 5-100-5 | nsp | GND712 | | | ALL PBST/GND PLATE | nsp |
| WIREF02 | | | WIRE LEAD 1007 80C, GR 5-80-5 | nsp | L710 | | | TERMINAL, | nsp |
| XTAL701 | | | CRYSTAL, 12.288MHZ HC49U-CL | *JX000770R | L711 | | | ALL PBST/GND PLATE | nsp |
| | | | POWER CIRCUIT BOARD | | L712 | | | COIL FILTER-INDUCTOR, 10UH-Q40/24M 02TB | nsp |
| | | | POWER - CAPACITORS | | | | | COIL FILTER-INDUCTOR, 10UH-Q40/24M 02TB | nsp |
| C710 | | | FILM,0.047µF-J/100V | nsp | ▲RY710 | | | COIL FILTER-INDUCTOR, 10UH-Q40/24M 02TB | nsp |
| C711 | | | FILM,0.047µF-J/100V | nsp | ▲T710 | | | RELAY,HR-CR7-DC12V/10A | *LY000200R |
| C712 | | | FILM,0.047µF-J/100V | nsp | | | | TRANSF. SUB FOR F | *TS001610R |
| C713 | | | CER.,0.1µF-Z/50V P16 | nsp | | | | S-VIDEO CIRCUIT BOARD | |
| ▲C714 | | | CER.(SAFETY), DE2F3KH108MN4A | nsp | | | | S-VIDEO - CAPACITORS | |
| C717 | | | ELECT,470µF-M/25V 10*12.5 | nsp | C801 | | | ELECT,10µF-M/50V 5*11 | nsp |
| C718 | | | ELECT,1µF-M/50V 5*11 | nsp | C802 | | | ELECT,470µF-M/6.3V 8*11.5 | nsp |
| C719 | | | ELECT,220µF-M/50V 10*12.5 | nsp | C802N | | | CER.CHIP,47pF-J/50V-1608 | nsp |
| | | | POWER - RESISTORS | | C803 | | | ELECT,10µF-M/50V 5*11 | nsp |
| R710D | | | ERC-12UGK335 | RC05471010 | C803N | | | CER.CHIP,47pF-J/50V-1608 | nsp |
| R712 | | | 470-J 1/6W | nsp | C804 | | | ELECT,470µF-M/6.3V 8*11.5 | nsp |
| R713 | | | 10K-J 1/6W | nsp | C804N | | | CER.CHIP,47pF-J/50V-1608 | nsp |
| R714 | | | 15K-J 1/6W | nsp | C805 | | | ELECT,470µF-M/6.3V 8*11.5 | nsp |
| R716 | | | 47-J 1/4W | nsp | C805N | | | CER.CHIP,47pF-J/50V-1608 | nsp |
| R718 | | | 1.8K-J 1/6W | nsp | C806 | | | ELECT,10µF-M/50V 5*11 | nsp |
| R719 | | | 0.22-J 1W | *GA000200R | C806N | | | CER.CHIP,47pF-J/50V-1608 | nsp |
| | | | POWER - SEMICONDUCTORS | | C807 | | | ELECT,4.7µF-M/50V 5*11 | nsp |
| D710 | | | DIODE,IN4007 | *HD201570R | C807N | | | CER.CHIP,47pF-J/50V-1608 | nsp |
| D713 | | | DIODE,1SS133T | HD20015210 | C808 | | | ELECT,4.7µF-M/50V 5*11 | nsp |
| D714 | | | DIODE,1SS133T | HD20015210 | C809 | | | ELECT,10µF-M/50V 5*11 | nsp |
| D715 | | | DIODE,IN4007 | *HD201570R | C810 | | | ELECT,10µF-M/50V 5*11 | nsp |
| D719 | | | IC,KA7806 | *HC300120R | C810A | | | CER.CHIP,100pF-J/50V-1608 | nsp |
| IC710 | | | TRS.RC,KRC107M TO92M | *BA001190R | C811 | | | ELECT,10µF-M/50V 5*11 | nsp |
| Q711 | | | TRS.2SA,KSA816Y TO92L | *HT100600R | C812 | | | ELECT,4.7µF-M/50V 5*11 | nsp |
| Q712 | | | TRS.RC,KRC107M TO92M | *BA001190R | C813 | | | ELECT,4.7µF-M/50V 5*11 | nsp |
| Q714 | | | D ZENER,MTZJ7.5B | *HD301980R | C814 | | | ELECT,10µF-M/50V 5*11 | nsp |
| ZD711 | | | D ZENER,MTZJ15B | *HD302000R | C815 | | | ELECT,10µF-M/50V 5*11 | nsp |
| ZD712 | | | D ZENER,MTZJ15B | *HD302000R | C816 | | | ELECT,47µF-M/16V 5*11 | nsp |
| ZD713 | | | D ZENER,MTZJ4.3B | HD30431000 | C817 | | | CER.CHIP,0.01µF-Z/50V-1608 | nsp |
| ZD715 | | | D ZENER,MTZJ20B | *HD301950R | C818 | | | CER.,0.01µF-M/16V | nsp |
| ZD716 | | | POWER - MISCELLANEOUS | | | | | ELECT,47µF-M/16V 5*11 | nsp |
| CP710 | | | CN.WAFER 2.5MM,5267-04A 4P | nsp | C820 | | | CER.CHIP,0.01µF-Z/50V-1608 | nsp |
| CP711 | | | CN.WAFER 3.96MM,35328-0210 | nsp | C821 | | | ELECT,100µF-M/10V 5*11 | nsp |
| CP712 | | | CN.WAFER 7.92MM, YW396-32V 2P | nsp | C822 | | | ELECT,10µF-M/50V 5*11 | nsp |
| CP714 | | | CN.WAFER 2.0MM, G1L-S-4P-S2T2-EF | nsp | C823 | | | CER.,0.01µF-M/16V | nsp |
| CP715 | | | CN.WAFER 2.0MM, G1L-S-5P-S2T2-EF | nsp | C824 | | | ELECT,2.2µF-M/50V 5*11 | nsp |
| FC711 | | | HOLDER FUSE CLIP, | nsp | C825 | | | CER.,0.001µF-K/50V | nsp |
| ▲F711 | | | FUSE (5.2*20),250V-S2.5A | *FS000890R | C826 | | | ELECT,2.2µF-M/50V 5*11 | nsp |
| FC712 | | | HOLDER FUSE CLIP, | nsp | C827 | | | ELECT,10µF-M/50V 5*11 | nsp |
| | | | | | C828 | | | ELECT,10µF-M/50V 5*11 | nsp |
| | | | | | C829 | | | ELECT,10µF-M/50V 5*11 | nsp |
| | | | | | C831 | | | CER.CHIP,100pF-J/50V-1608 | nsp |
| | | | | | C832 | | | ELECT,10µF-M/50V 5*11 | nsp |
| | | | | | C833 | | | CER.CHIP,0.01µF-Z/50V-1608 | nsp |
| | | | | | C834 | | | ELECT,100µF-M/10V 5*11 | nsp |
| | | | | | C835 | | | CER.,47pF-J/50V | nsp |
| | | | | | C836 | | | ELECT,1µF-M/50V 5*11 | nsp |
| | | | | | C837 | | | CER.,20pF-J/50V | nsp |
| | | | | | C838 | | | CER.CHIP,100pF-J/50V-1608 | nsp |
| | | | | | C839 | | | ELECT,100µF-M/10V 5*11 | nsp |
| | | | | | C840A | | | ELECT,47µF-M/16V 5*11 | nsp |

NOTE : *nsp* PART IS LISTED FOR REFERENCE ONLY, MARANTZ WILL NOT SUPPLY THESE PARTS.

PS5200

| POS. NO | VERS. COLOR | PART NO. (FOR PCS) | DESCRIPTION | PART NO. (MJI) | POS. NO | VERS. COLOR | PART NO. (FOR PCS) | DESCRIPTION | PART NO. (MJI) |
|---------|-------------|--------------------|----------------------------|----------------|---------|-------------|--------------------|---------------------------|----------------|
| C840U | | | CER.,20pF-J/50V | nsp | R846 | | | CHIP,2.2K-J 1/16W-1608 | nsp |
| C841A | | | CER.CHIP,0.01µF-Z/50V-1608 | nsp | R847 | | | CHIP,10K-J 1/16W-1608 | nsp |
| C841U | | | CER.,20pF-J/50V | nsp | R848 | | | 330-J 1/6W | nsp |
| C842 | | | CER.CHIP,0.01µF-Z/50V-1608 | nsp | R849 | | | CHIP,1M-J 1/16W-1608 | nsp |
| C842A | | | CER.CHIP,0.01µF-Z/50V-1608 | nsp | R849A | | | CHIP,3K-J 1/16W-1608 | nsp |
| C843 | | | CER.,20pF-J/50V | nsp | R850 | | | CHIP,150K-J 1/16W-1608 | nsp |
| C843A | | | CER.,22pF-J/50V | nsp | R850A | | | CHIP,3.9K-J 1/16W-1608 | nsp |
| C844 | | | ELECT,100µF-M/10V 5*11 | nsp | R851 | | | 470K-J 1/6W | nsp |
| C845 | | | CER.,0.001µF-K/50V | nsp | R852 | | | CHIP,33K-J 1/16W-1608 | nsp |
| C845A | | | ELECT,10µF-M/50V 5*11 | nsp | R853 | | | CHIP,470K-J 1/16W-1608 | nsp |
| C846 | | | ELECT,1µF-M/50V 5*11 | nsp | R861 | | | CHIP,220-J 1/16W-1608 | nsp |
| C847 | | | CER.CHIP,100pF-J/50V-1608 | nsp | R862 | | | CHIP,220-J 1/16W-1608 | nsp |
| C848 | | | CER.CHIP,2200pF-K/50V-1608 | nsp | R863 | | | 100-J 1/6W | nsp |
| C849 | | | ELECT,1µF-M/50V 5*11 | nsp | | | | | |
| C849A | | | CER.CHIP,0.01µF-Z/50V-1608 | nsp | | | | S-VIDEO - SEMICONDUCTORS | |
| C850A | | | CER.CHIP,0.01µF-Z/50V-1608 | nsp | D801 | | | DIODE,1SS133T | HD20015210 |
| C858 | | | CER.CHIP,100pF-J/50V-1608 | nsp | D801A | | | DIODE CHIP,KDS160 | *HD201560R |
| C858A | | | CER.CHIP,47pF-J/50V-1608 | nsp | D802 | | | | |
| C859 | | | CER.CHIP,0.01µF-Z/50V-1608 | nsp | § | | | DIODE,1SS133T | HD20015210 |
| | | | S-VIDEO - RESISTORS | | D805 | | | | |
| R801 | | | | | D811 | | | DIODE,1SS133T | HD20015210 |
| § | | | CHIP,56-J 1/16W-1608 | nsp | IC802 | | | IC,NJM2296M SOP16 | HC10210090 |
| R806 | | | | | IC803 | | | IC,NJM2296M SOP16 | HC10210090 |
| R807 | | | | | IC804 | | | IC,NJM2506 SOP16 | *HC107270R |
| § | | | CHIP,75-J 1/16W-1608 | nsp | IC805 | | | IC,M35010-001SP DIP20 | *HC107310R |
| R814 | | | | | IC806 | | | IC,BA7046 DIP8 | *HC107230R |
| R815 | | | 2.2-J 1/6W | nsp | Q801 | | | TRS.RC,KRC107M TO92M | *BA001190R |
| R816 | | | 1K-J 1/6W | nsp | Q802 | | | TRS.2SA933S TO92M | *HT100610R |
| R816A | | | CHIP,1K-J 1/16W-1608 | nsp | Q803 | | | TRS.RB,KRA107M | *BA000190R |
| R817 | | | 1-J 1/6W | nsp | Q804 | | | TRS.RB,KRA107M | *BA000190R |
| R818 | | | CHIP,2.2K-J 1/16W-1608 | nsp | Q805 | | | TRS.RB,KRA107M | *BA000190R |
| R819 | | | 47K-J 1/6W | nsp | Q806 | | | TRS.2SC,KTC2874B TO92 | *HT300880R |
| R819A | | | CHIP,68K-J 1/16W-1608 | nsp | Q806A | | | TRS.2SC,KTC2874B TO92 | *HT300880R |
| R820 | | | 68-J 1/6W | nsp | Q807 | | | TRS.2SA933S TO92M | *HT100610R |
| R820A | | | CHIP,68K-J 1/16W-1608 | nsp | Q808 | | | TRS.RC,KRC107M TO92M | *BA001190R |
| R822 | | | 22K-J 1/6W | nsp | Q816 | | | TRS.2SA933S TO92M | *HT100610R |
| R823 | | | CHIP,33K-J 1/16W-1608 | nsp | Q851 | | | TRS.2SC3199-GR/KTC3199-GR | *HT300880R |
| R824 | | | 75-J 1/6W | nsp | Q852 | | | TRS.2SA933S TO92M | *HT100610R |
| R825 | | | CHIP,2.2K-J 1/16W-1608 | nsp | Q854 | | | TRS.2SA933S TO92M | *HT100610R |
| R826 | | | CHIP,10K-J 1/16W-1608 | nsp | | | | S-VIDEO - MISCELLANEOUS | |
| R827 | | | CHIP,33K-J 1/16W-1608 | nsp | CP301S | | | CN.WAFER 2.5MM,5287-02A2P | nsp |
| R828 | | | CHIP,75-J 1/16W-1608 | nsp | CP301SV | | | CN.WAFER | nsp |
| R829 | | | CHIP,2.2K-J 1/16W-1608 | nsp | | | | 2.0MM,G1L-S-4P-S2T2-EF | |
| R830 | | | CHIP,10K-J 1/16W-1608 | nsp | J807 | | | CHIP,0-J 1/16W-1608 | nsp |
| R831 | | | CHIP,10K-J 1/16W-1608 | nsp | J810 | | | CHIP,0-J 1/16W-1608 | nsp |
| R832 | | | CHIP,2K-J 1/16W-1608 | nsp | J850 | | | CHIP,0-J 1/16W-1608 | nsp |
| R833 | | | CHIP,10K-J 1/16W-1608 | nsp | J852 | | | CHIP,0-J 1/16W-1608 | nsp |
| R834 | | | CHIP,8.2K-J 1/16W-1608 | nsp | J853 | | | CHIP,0-J 1/16W-1608 | nsp |
| R835 | | | CHIP,15K-J 1/16W-1608 | nsp | J854 | | | CHIP,0-J 1/16W-1608 | nsp |
| R836 | | | CHIP,75-J 1/16W-1608 | nsp | J861 | | | | |
| R837 | | | CHIP,47K-J 1/16W-1608 | nsp | § | | | CHIP,0-J 1/16W-1608 | nsp |
| R838 | | | CHIP,12K-J 1/16W-1608 | nsp | J866 | | | | |
| R839 | | | CHIP,1K-J 1/16W-1608 | nsp | J932 | | | CHIP,0-J 1/16W-1608 | nsp |
| R840 | | | CHIP,1K-J 1/16W-1608 | nsp | L801 | | | COIL FILTER-INDUCTOR, | nsp |
| R841 | | | CHIP,1K-J 1/16W-1608 | nsp | | | | 22UH-Q40/17M 02TB | |
| R842 | | | CHIP,100-J 1/16W-1608 | nsp | L802 | | | COIL FILTER-INDUCTOR, | nsp |
| R843U | | | 470-J 1/6W | nsp | | | | 22UH-Q40/17M 02TB | |
| R844U | | | 1M-J 1/6W | nsp | L804 | | | BEAD COIL, | nsp |
| R845 | | | 2.2K-J 1/6W | nsp | | | | BAS3580T0 3.5PHI*8 | |
| | | | | | XTAL801 | | | CRYSTAL, | *JX000780R |
| | | | | | | | | 14.31818MHZ HC49U-CL | |

NOTE : *nsp* PART IS LISTED FOR REFERENCE ONLY, MARANTZ WILL NOT SUPPLY THESE PARTS.

PS5200

| POS. NO | VERS. COLOR | PART NO. (FOR PCS) | DESCRIPTION | PART NO. (MJI) | POS. NO | VERS. COLOR | PART NO. (FOR PCS) | DESCRIPTION | PART NO. (MJI) |
|---------|-------------|--------------------|---------------------------|----------------|---------|-------------|--------------------|---------------------------------------|----------------|
| | | | VIDEO CIRCUIT BOARD | | | | | VIDEO - MISCELLANEOUS | |
| C871 | | | VIDEO - CAPACITORS | | CP301V | | | CN.WAFER 2.0MM, GIL-S-2P-S2T2-EF | nsp |
| C873 | | | CER.CHIP,47pF-J/50V-1608 | nsp | J911 | | | | |
| C874 | | | ELECT,470µF-M/6.3V 8*11.5 | nsp | J916 | | | CHIP,0-J 1/16W-1608 | nsp |
| C875 | | | CER.CHIP,47pF-J/50V-1608 | nsp | | | | | |
| C876 | | | ELECT,470µF-M/6.3V 8*11.5 | nsp | | | | | |
| C877 | | | CER.CHIP,47pF-J/50V-1608 | nsp | | | | | |
| C878 | | | ELECT,470µF-M/6.3V 8*11.5 | nsp | | | | | |
| C881 | | | ELECT,10µF-M/50V 5*11 | nsp | CN101 | | | SPEAKER CIRCUIT BOARD | |
| C882 | | | ELECT,47µF-M/16V 5*11 | nsp | | | | SPEAKER - MISCELLANEOUS | |
| C883 | | | CER.CHIP,0.1µF-K/50V-1608 | nsp | | | | CN.WAFER 2.5MM, 52668-1317 ANG ZIP | nsp |
| C884 | | | CER.CHIP,0.1µF-K/50V-1608 | nsp | | | | | |
| C885 | | | ELECT,47µF-M/16V 5*11 | nsp | | | | TUNER INPUT | |
| C886 | | | ELECT,10µF-M/50V 5*11 | nsp | C953 | | | CIRCUIT BOARD | |
| C887 | | | CER.CHIP,100pF-J/50V-1608 | nsp | | | | TUNER INPUT - CAPACITORS | |
| C888 | | | CER.,0.01µF-M/16V | nsp | | | | CER.,0.1µF-Z/50V | nsp |
| C889 | | | ELECT,100µF-M/10V 5*11 | nsp | R951 | | | TUNER INPUT - RESISTORS | |
| C890 | | | CER.,0.001µF-K/50V | nsp | R952 | | | 470-J 1/6W | nsp |
| C891 | | | ELECT,2.2µF-M/50V 5*11 | nsp | | | | 470-J 1/6W | nsp |
| C892 | | | CER.CHIP,100pF-J/50V-1608 | nsp | | | | | |
| C894 | | | ELECT,10µF-M/50V 5*11 | nsp | CP302T | | | TUNER INPUT-MISCELLANEOUS | |
| C895 | | | ELECT,10µF-M/50V 5*11 | nsp | | | | CN.WAFER 2.0MM, G1L-S-3P-S2T2-EF | nsp |
| C896 | | | CER.CHIP,100pF-J/50V-1608 | nsp | | | | | |
| | | | VIDEO - RESISTORS | | | | | | |
| R864 | | | 1K-J 1/6W | nsp | | | | | |
| R865 | | | 1K-J 1/6W | nsp | | | | | |
| R871 | | | CHIP,10K-J 1/16W-1608 | nsp | | | | | |
| R873 | | | CHIP,47-J 1/16W-1608 | nsp | | | | | |
| R874 | | | 1K-J 1/6W | nsp | | | | | |
| R875 | | | CHIP,10K-J 1/16W-1608 | nsp | | | | | |
| R876 | | | CHIP,56-J 1/16W-1608 | nsp | | | | | |
| R877 | | | CHIP,10K-J 1/16W-1608 | nsp | | | | | |
| R878 | | | CHIP,75-J 1/16W-1608 | nsp | | | | | |
| R879 | | | CHIP,56-J 1/16W-1608 | nsp | | | | | |
| R880 | | | CHIP,75-J 1/16W-1608 | nsp | | | | | |
| R881 | | | CHIP,75-J 1/16W-1608 | nsp | | | | | |
| R882 | | | CHIP,75-J 1/16W-1608 | nsp | | | | | |
| R883 | | | 2.2K-J 1/6W | nsp | | | | | |
| R884 | | | 1-J 1/6W | nsp | | | | | |
| R885 | | | CHIP,2.2-J 1/16W-1608 | nsp | | | | | |
| R886 | | | CHIP,47K-J 1/16W-1608 | nsp | | | | | |
| R889 | | | 33K-J 1/6W | nsp | | | | | |
| R890 | | | 68-J 1/6W | nsp | | | | | |
| R891 | | | 2.2K-J 1/6W | nsp | | | | | |
| R897 | | | CHIP,10K-J 1/16W-1608 | nsp | | | | | |
| R899 | | | 1K-J 1/6W | nsp | | | | | |
| | | | VIDEO - SEMICONDUCTORS | | | | | | |
| D870 | | | DIODE,1SS133T | HD20015210 | | | | | |
| D871 | | | DIODE CHIP,KDS160 | *HD201560R | | | | | |
| D872 | | | DIODE,1SS133T | HD20015210 | | | | | |
| D873 | | | DIODE,1SS133T | HD20015210 | | | | | |
| D884 | | | DIODE,1SS133T | HD20015210 | | | | | |
| IC872 | | | IC,NJM2296M SOP16 | HC10210090 | | | | | |
| IC874 | | | IC,BU4094BCF-E2 SOP16 | *HC400010R | | | | | |
| Q821 | | | TRS.2SA933S TO92M | *HT100610R | | | | | |
| Q822 | | | TRS.2SC,KTC2874B TO92 | *HT300880R | | | | | |
| Q870 | | | TRS.RC,KRC107M TO92M | *BA001190R | | | | | |
| Q871 | | | TRS.RB,KRA107M | *BA000190R | | | | | |

NOTE : *nsp PART IS LISTED FOR REFERENCE ONLY, MARANTZ WILL NOT SUPPLY THESE PARTS.

PS7200

| POS. NO | VERS. COLOR | PART NO. (FOR PCS) | DESCRIPTION | PART NO. (MJI) | POS. NO | VERS. COLOR | PART NO. (FOR PCS) | DESCRIPTION | PART NO. (MJI) |
|---------|-------------|--------------------|----------------------------|----------------|---------|-------------|-------------------------|-------------------------|----------------|
| | | | MAIN CIRCUIT BOARD | | | | | MAIN - RESISTORS | |
| | | | MAIN - CAPACITORS | | R101 | | | | |
| C101 | | | FILM,0.1µF-K/250V | nsp | ∫ | | 0.22-J 1W | | *GA000200R |
| C102 | | | FILM,0.047µF-J/100V | nsp | R104 | | | | |
| C103 | | | FILM,0.047µF-J/100V | nsp | R105C | | 10-J 2W | | GA05100020 |
| C104C | | | FILM,0.1µF-K/63V | nsp | R105FL | | 10-J 2W | | GA05100020 |
| C104FL | | | FILM,0.1µF-K/63V | nsp | R105FR | | 10-J 2W | | GA05100020 |
| C104FR | | | FILM,0.1µF-K/63V | nsp | R105SC | | 10-J 2W | | GA05100020 |
| C104SC | | | FILM,0.1µF-K/63V | nsp | R105SL | | 10-J 2W | | GA05100020 |
| C104SL | | | FILM,0.1µF-K/63V | nsp | R105SR | | 10-J 2W | | GA05100020 |
| C104SR | | | FILM,0.1µF-K/63V | nsp | R107 | | 2.7K-J 1/6W | | nsp |
| C105C | | | FILM,0.1µF-K/63V | nsp | R108 | | 2.7K-J 1/6W | | nsp |
| C105FL | | | FILM,0.1µF-K/63V | nsp | R109 | | 560K-J 1/6W | | nsp |
| C105FR | | | FILM,0.1µF-K/63V | nsp | R110 | | 3.6K-J 1/6W | | nsp |
| C105SC | | | FILM,0.1µF-K/63V | nsp | R111 | | 22K-J 1/6W | | nsp |
| C105SL | | | FILM,0.1µF-K/63V | nsp | R112 | | 910-J 1/6W | | nsp |
| C105SR | | | FILM,0.1µF-K/63V | nsp | R113 | | 1K-J 1/6W | | nsp |
| C106 | | | FILM,0.1µF-K/250V | nsp | R114 | | CEMENT,0.1-J/5W W14*H17 | | *GO000011R |
| C107 | | | FILM,0.1µF-K/250V | nsp | R115 | | CEMENT,0.1-J/5W W14*H17 | | *GO000011R |
| C108 | | | | | R116 | | 27K-J 1/6W | | nsp |
| ∫ | | | FILM,0.047µF-J/100V | nsp | R117 | | 27K-J 1/6W | | nsp |
| C111 | | | | | R118 | | 2.2K-J 1/6W | | nsp |
| C114 | | | ELECT,2200µF-M/35V 18*35.5 | nsp | R119 | | 2.2K-J 1/6W | | nsp |
| C115 | | | ELECT,2200µF-M/35V 18*35.5 | nsp | R120 | | 560K-J 1/6W | | nsp |
| C116 | | | CER.,0.01µF-K/50V | nsp | R122 | | | | |
| C117 | | | ELECT,10000µF-M/16V 18*35 | nsp | ∫ | | 27K-J 1/6W | | nsp |
| C118 | | | ELECT,2200µF-M/16V 12.5*20 | nsp | R127 | | | | |
| C119 | | | ELECT,15000µF-M/71V 35*75 | *EA001140R | R128 | | 51K-J 1/6W | | nsp |
| C120 | | | ELECT,15000µF-M/71V 35*75 | *EA001140R | R129 | | 51K-J 1/6W | | nsp |
| C121 | | | ELECT,10µF-M/50V 5*11 | nsp | R130 | | 15K-J 1/6W | | nsp |
| C122 | | | FILM,0.1µF-K/250V | nsp | R131 | | 33K-J 1/6W | | nsp |
| C123 | | | FILM,0.1µF-K/250V | nsp | R133 | | 2.2K-J 1/6W | | nsp |
| C124 | | | CER.,0.01µF-K/50V | nsp | R134 | | 100K-J 1/6W | | nsp |
| C125 | | | | | R137 | | | | |
| ∫ | | | ELECT,1µF-M/50V 5*11 | nsp | ∫ | | 22K-J 1/6W | | nsp |
| C129 | | | | | R142 | | | | |
| C132 | | | ELECT,100µF-M/25V 6.3*11 | nsp | R143 | | 3.3K-J 1/6W | | nsp |
| C135 | | | CER.,0.1µF-Z/50V | nsp | R144 | | 15K-J 1/6W | | nsp |
| C140 | | | ELECT,4.7µF-M/50V 5*11 | nsp | R146 | | 1.2K-J 1W | | nsp |
| C141 | | | ELECT,470µF-M/16V,8*11.5 | nsp | R147 | | 22K-J 1/6W | | nsp |
| C142 | | | ELECT,470µF-M/16V,8*11.5 | nsp | R148 | | 22K-J 1/6W | | nsp |
| C143 | | | CER.,0.1µF-Z/50V | nsp | R149 | | 1K-J 1/6W | | nsp |
| C144 | | | CER.,0.1µF-Z/50V | nsp | R150 | | 18K-J 1/6W | | nsp |
| C145 | | | ELECT,10µF-M/100V 6.3*11 | *EA001080R | R151 | | 1K-J 1/6W | | nsp |
| C146 | | | ELECT,10µF-M/50V 5*11 | nsp | R152 | | 1.2K-J 1W | | nsp |
| C147 | | | CER.,0.1µF-Z/50V | nsp | R153 | | 1K-J 1/6W | | nsp |
| C148 | | | CER.,0.1µF-Z/50V | nsp | R154 | | 1.2K-J 1W | | nsp |
| C149 | | | ELECT,4.7µF-M/50V 5*11 | nsp | R155 | | 4.7K-J 1/6W | | nsp |
| C150 | | | ELECT,47µF-M/16V 5*11 | nsp | R156 | | 100K-J 1/6W | | nsp |
| C151 | | | ELECT,8200µF-M/5.5V | *EX000080R | R157 | | 100K-J 1/6W | | nsp |
| C152 | | | CER.,100pF-K/50V | nsp | R158 | | 100K-J 1/6W | | nsp |
| C160 | | | CER.,100pF-K/50V | nsp | R159 | | 1K-J 1/6W | | nsp |
| C161 | | | CER.,100pF-K/50V | nsp | R161 | | 1M-J 1/6W | | nsp |
| C164 | | | CER.,220pF-K/50V | nsp | R162 | | 47K-J 1/6W | | nsp |
| C165 | | | CER.,0.001µF-K/50V | nsp | R163 | | 18K-J 1/6W | | nsp |
| C166 | | | CER.,0.01µF-M/16V | nsp | R164 | | 47K-J 1/6W | | nsp |
| C168 | | | CER.,10pF-J/50V | nsp | R165 | | 4.7K-J 1/6W | | nsp |
| C169 | | | | | R166 | | 47K-J 1/6W | | nsp |
| ∫ | | | CER.,0.047µF-Z/50V | nsp | R167 | | 10K-J 1/6W | | nsp |
| C173 | | | | | R168 | | 47K-J 1/6W | | nsp |
| C175 | | | CER.,47pF-J/50V | nsp | R169 | | 220-J 1/6W | | nsp |
| | | | | | R170 | | 100K-J 1/6W | | nsp |
| | | | | | R171 | | 47K-J 1/6W | | nsp |

NOTE : *nsp* PART IS LISTED FOR REFERENCE ONLY, MARANTZ WILL NOT SUPPLY THESE PARTS.

PS7200

| POS. NO | VERS. COLOR | PART NO. (FOR PCS) | DESCRIPTION | PART NO. (MJI) | POS. NO | VERS. COLOR | PART NO. (FOR PCS) | DESCRIPTION | PART NO. (MJI) |
|---------|-------------|--------------------|------------------------------|----------------|---------|-------------|--------------------|--------------------------------|----------------|
| R172 | | | 10K-J 1/6W | nsp | Q126 | | | TRS.RC,KRC107M TO92M | *BA001190R |
| R173 | | | 150K-J 1/6W | nsp | Q127 | | | TRS.RA,KRA102M TO92M | *BA001210R |
| R174 | | | 47K-J 1/6W | nsp | Q128 | | | TRS.RA,KRA102M TO92M | *BA001210R |
| R176 | | | 47K-J 1/6W | nsp | Q129 | | | TRS.RC,KRC102M TO92M | *BA001180R |
| R177 | | | 470K-J 1/6W | nsp | Q130 | | | TRS.RC,KRC107M TO92M | *BA001190R |
| R178 | | | 100-J 1/6W | nsp | Q131 | | | | |
| R179 | | | 47K-J 1/6W | nsp | § | | | TRS.RA,KRA102M TO92M | *BA001210R |
| R183 | | | 47K-J 1/6W | nsp | Q135 | | | | |
| R185 | | | 100K-J 1/6W | nsp | Q136 | | | TRS.2SA,KSA992F TO92 | *HT100590R |
| R186 | | | 100K-J 1/6W | nsp | Q137 | | | TRS.2SC,KTC3198Y TO92 | *HT300900R |
| R192 | | | 47K-J 1/6W | nsp | ZD121 | | | D ZENER,MTZJ5.1B | HD30511000 |
| R193 | | | 3.3-J 1W | nsp | ZD122 | | | D ZENER,MTZJ5.1B | HD30511000 |
| R194 | | | | | | | | | |
| § | | | 10K-J 1/6W | nsp | | | | MAIN - MISCELLANEOUS | |
| R198 | | | | | BEAD101 | | | | |
| R199 | | | 1K-J 1/6W | nsp | § | | | BEAD COIL, | nsp |
| R200 | | | 47K-J 1/6W | nsp | | | | BAS3580T0 3.5PHI*8 | |
| R202 | | | 100-J 1/4W | nsp | BEAD105 | | | | |
| R203 | | | 10K-J 1/6W | nsp | CN107 | | | CN WIRE,250MM/4P | nsp |
| R204 | | | 47K-J 1/6W | nsp | CNT108 | | | CN WIRE,420MM/4P | nsp |
| | | | | | CP101 | | | CN.WAFE2.5MM, | nsp |
| | | | | | | | | 53421-1317 ST ZIP | |
| | | | MAIN - SEMICONDUCTORS | | CP102 | | | CN.WAFE2.0MM, | nsp |
| D101 | | | | | | | | TUC-P06P-B1 6P WAFER ST | |
| § | | | DIODE,IN4007 | *HD201570R | CP103 | | | CN.WAFE2.0MM, | nsp |
| D105 | | | | | | | | TUC-P09P-B1 9P WAFER ST | |
| D106 | | | D RECTIFIEBRIDGE, KBPC604 6A | *HE200300R | CP104 | | | CN.WAFE2.0MM, | nsp |
| | | | | | | | | 35336-1310 13P | |
| D107 | | | D RECTIFIEBRIDGE, KBPC604 6A | *HE200300R | CP105 | | | CN.WAFE2.0MM, | nsp |
| | | | | | | | | TUC-P09P-B1 9P WAFER ST | |
| D108 | | | DIODE,IN4007 | *HD201570R | CP106 | | | CN.WAFE2.0MM, | nsp |
| D109 | | | DIODE,IN4007 | *HD201570R | | | | TUC-P15P-B1 WAFER ST | |
| D110 | | | DIODE,1SS133T | HD20015210 | CP108 | | | CN.WAFE2.0MM, | nsp |
| D111 | | | DIODE,IN4007 | *HD201570R | | | | TUC-P20P-B1 WAFER ST | |
| D113 | | | | | CP109 | | | CN.WAFE2.0MM, | nsp |
| § | | | DIODE,1SS133T | HD20015210 | | | | 35336-1310 13P | |
| D129 | | | | | CP110 | | | CN.WAFE2.0MM, | nsp |
| IC101 | | | IC,KA7815/IL7815CV | *HC300150R | | | | TUC-P15P-B1 WAFER ST | |
| IC102 | | | IC,KIA7915PI TO220IS | *HC300200R | CP111 | | | CN.WAFE2.0MM, | nsp |
| IC103 | | | IC,KA7805 | *HC300140R | | | | TUC-P12P-B1 12P WAFER ST | |
| IC104 | | | IC,KA7805 | *HC300140R | CP112 | | | CN.WAFE2.0MM, | nsp |
| IC105 | | | IC,KIA7905PI TO220IS | *HC300190R | | | | TUC-P15P-B1 WAFER ST | |
| IC106 | | | IC,CD4094BCN DIP16 | *HC400020R | CP113 | | | CN.WAFE2.0MM, | nsp |
| IC107 | | | IC,CXP740010-149Q QFP100 | *HU100570R | | | | TUC-P18P-B1 WAFER ST | |
| Q101 | | | TRS.2SA,KA1268BL TO92 | *HT100340R | CP114 | | | CN.WAFE2.0MM, | nsp |
| Q102 | | | TRS.2SC,KTC3200BL TO92 | HT322402A0 | | | | TUC-P15P-B1 WAFER ST | |
| Q103 | | | TRS.2SA,KA1268BL TO92 | *HT100340R | CP115 | | | CN.WAFE2.0MM, | nsp |
| Q104 | | | TRS.2SA,KA1268BL TO92 | *HT100340R | | | | TUC-P20P-B1 WAFER ST | |
| Q105 | | | TRS.2SC,KTC3200BL TO92 | HT322402A0 | CP120 | | | CN.WAFE2.5MM,5267-06A 6P | nsp |
| Q106 | | | TRS.2SA,KA1268BL TO92 | *HT100340R | CP121 | | | CN.WAFE3.96MM,35328-0310 | nsp |
| Q107 | | | TRS.2SC,KTC3200BL TO92 | HT322402A0 | CP122 | | | CN.WAFE2.5MM,5267-03A 3P | nsp |
| Q108 | | | | | CP123 | | | CN.WAFE2.5MM,5267-10A 10P | nsp |
| § | | | TRS.RC,KRC107M TO92M | *BA001190R | CP124 | | | CN.WAFE2.5MM,5267-09A 9P | nsp |
| Q112 | | | | | CP150 | | | CN WIRE,200MM/2P | nsp |
| Q115 | | | TRS.2SC,KTC3200BL TO92 | HT322402A0 | FPC109 | | | CABLE,FLAT CARD | *YU000930R |
| Q116 | | | TRS.2SC,KTC3200BL TO92 | HT322402A0 | FPC109A | | | CN.FP1.25MM, | nsp |
| Q117 | | | TRS.2SA,KA1268BL TO92 | *HT100340R | | | | 52045-2345 23P ST | |
| Q118 | | | TRS.2SA,KA1268BL TO92 | *HT100340R | GND101 | | | | nsp |
| Q119 | | | TRS.2SC,KTC3200BL TO92 | HT322402A0 | § | | | TERMINAL, | |
| Q120 | | | TRS.2SC,KTC3200BL TO92 | HT322402A0 | | | | ALL PBST/GND PLATE | |
| Q121 | | | TRS.RA,KRA102M TO92M | *BA001210R | GND105 | | | | |
| Q122 | | | TRS.RA,KRA102M TO92M | *BA001210R | RLY102 | | | | |
| Q123 | | | TRS.RC,KRC102M TO92M | *BA001180R | § | | | RELAY,G5PA-28 24V 5A | LY20240490 |
| Q124 | | | TRS.RA,KRA102M TO92M | *BA001210R | RLY106 | | | | |
| Q125 | | | TRS.RA,KRA102M TO92M | *BA001210R | W101 | | | WIRE LEAD 1007 80C, BK 5-160-5 | nsp |

NOTE : *nsp* PART IS LISTED FOR REFERENCE ONLY, MARANTZ WILL NOT SUPPLY THESE PARTS.

PS7200

| POS. NO | VERS. COLOR | PART NO. (FOR PCS) | DESCRIPTION | PART NO. (MJI) | POS. NO | VERS. COLOR | PART NO. (FOR PCS) | DESCRIPTION | PART NO. (MJI) |
|---------|-------------|--------------------|------------------------------------|----------------|---------|-------------|--------------------|------------------------|----------------|
| WIRE102 | | | WIRE LEAD 1007 80C,BK5-50-5 | nsp | C212R | | | ELECT,10µF-M/50V 5*11 | nsp |
| XTAL101 | | | RESONATOR CERAMIC, CST12.0MTW-TF01 | *FQ000530R | C212SC | | | ELECT,10µF-M/50V 5*11 | nsp |
| | | | AMP CIRCUIT BOARD | | C212SL | | | ELECT,10µF-M/50V 5*11 | nsp |
| | | | AMP - CAPACITORS | | C212SR | | | ELECT,10µF-M/50V 5*11 | nsp |
| C201C | | | ELECT,4.7µF-M/50V 5*11 | nsp | C214C | | | CER.,1pF-K/50V | nsp |
| C201L | | | ELECT,4.7µF-M/50V 5*11 | nsp | C214L | | | CER.,1pF-K/50V | nsp |
| C201R | | | ELECT,4.7µF-M/50V 5*11 | nsp | C214R | | | CER.,1pF-K/50V | nsp |
| C201SC | | | ELECT,4.7µF-M/50V 5*11 | nsp | C214SC | | | CER.,1pF-K/50V | nsp |
| C201SL | | | ELECT,4.7µF-M/50V 5*11 | nsp | C214SL | | | CER.,1pF-K/50V | nsp |
| C201SR | | | ELECT,4.7µF-M/50V 5*11 | nsp | C214SR | | | CER.,1pF-K/50V | nsp |
| C202C | | | CER.,330pF-K/50V | nsp | C215C | | | CER.,100pF-K/50V | nsp |
| C202L | | | CER.,330pF-K/50V | nsp | C215L | | | CER.,100pF-K/50V | nsp |
| C202R | | | CER.,330pF-K/50V | nsp | C215R | | | CER.,100pF-K/50V | nsp |
| C202SC | | | CER.,330pF-K/50V | nsp | C215SC | | | CER.,100pF-K/50V | nsp |
| C202SL | | | CER.,330pF-K/50V | nsp | C215SL | | | CER.,100pF-K/50V | nsp |
| C202SR | | | CER.,330pF-K/50V | nsp | C215SR | | | CER.,100pF-K/50V | nsp |
| C203C | | | CER.,0.001µF-K/50V | nsp | | | | AMP - RESISTORS | |
| C203L | | | CER.,0.001µF-K/50V | nsp | R201C | | | 1K-J 1/6W | nsp |
| C203R | | | CER.,0.001µF-K/50V | nsp | R201L | | | 1K-J 1/6W | nsp |
| C203SC | | | CER.,0.001µF-K/50V | nsp | R201R | | | 1K-J 1/6W | nsp |
| C203SL | | | CER.,0.001µF-K/50V | nsp | R201SC | | | 1K-J 1/6W | nsp |
| C203SR | | | CER.,0.001µF-K/50V | nsp | R201SL | | | 1K-J 1/6W | nsp |
| | | | | | R201SR | | | 1K-J 1/6W | nsp |
| C204C | | | ELECT,22µF-M/50V 6*11 | nsp | R202C | | | 33K-J 1/6W | nsp |
| C204L | | | ELECT,22µF-M/50V 6*11 | nsp | R202L | | | 33K-J 1/6W | nsp |
| C204R | | | ELECT,22µF-M/50V 6*11 | nsp | R202R | | | 33K-J 1/6W | nsp |
| C204SC | | | ELECT,22µF-M/50V 6*11 | nsp | R202SC | | | 33K-J 1/6W | nsp |
| C204SL | | | ELECT,22µF-M/50V 6*11 | nsp | R202SL | | | 33K-J 1/6W | nsp |
| C204SR | | | ELECT,22µF-M/50V 6*11 | nsp | R202SR | | | 33K-J 1/6W | nsp |
| C205C | | | ELECT,22µF-M/50V 6*11 | nsp | R203C | | | 15-J 1/6W | nsp |
| C205L | | | ELECT,22µF-M/50V 6*11 | nsp | R203L | | | 15-J 1/6W | nsp |
| C205R | | | ELECT,22µF-M/50V 6*11 | nsp | R203R | | | 15-J 1/6W | nsp |
| C205SC | | | ELECT,22µF-M/50V 6*11 | nsp | R203SC | | | 15-J 1/6W | nsp |
| C205SL | | | ELECT,22µF-M/50V 6*11 | nsp | R203SL | | | 15-J 1/6W | nsp |
| C205SR | | | ELECT,22µF-M/50V 6*11 | nsp | R203SR | | | 15-J 1/6W | nsp |
| C206C | | | ELECT,220µF-M/10V 6.3*11 | nsp | R204C | | | 15-J 1/6W | nsp |
| C206L | | | ELECT,220µF-M/10V 6.3*11 | nsp | R204L | | | 15-J 1/6W | nsp |
| C206R | | | ELECT,220µF-M/10V 6.3*11 | nsp | R204R | | | 15-J 1/6W | nsp |
| C206SC | | | ELECT,220µF-M/10V 6.3*11 | nsp | R204SC | | | 15-J 1/6W | nsp |
| C206SL | | | ELECT,220µF-M/10V 6.3*11 | nsp | R204SL | | | 15-J 1/6W | nsp |
| C206SR | | | ELECT,220µF-M/10V 6.3*11 | nsp | R204SR | | | 15-J 1/6W | nsp |
| C209C | | | ELECT,10µF-M/50V 5*11 | nsp | R205C | | | 750-J 1/6W | nsp |
| C209L | | | ELECT,10µF-M/50V 5*11 | nsp | R205L | | | 750-J 1/6W | nsp |
| C209R | | | ELECT,10µF-M/50V 5*11 | nsp | R205R | | | 750-J 1/6W | nsp |
| C209SC | | | ELECT,10µF-M/50V 5*11 | nsp | R205SC | | | 750-J 1/6W | nsp |
| C209SL | | | ELECT,10µF-M/50V 5*11 | nsp | R205SL | | | 750-J 1/6W | nsp |
| C209SR | | | ELECT,10µF-M/50V 5*11 | nsp | R205SR | | | 750-J 1/6W | nsp |
| | | | | | R206C | | | 750-J 1/6W | nsp |
| C210C | | | ELECT,47µF-M/100V 10*12.5 | *EA001090R | R206L | | | 750-J 1/6W | nsp |
| C210L | | | ELECT,47µF-M/100V 10*12.5 | *EA001090R | R206R | | | 750-J 1/6W | nsp |
| C210R | | | ELECT,47µF-M/100V 10*12.5 | *EA001090R | R206SC | | | 750-J 1/6W | nsp |
| C210SC | | | ELECT,47µF-M/100V 10*12.5 | *EA001090R | R206SL | | | 750-J 1/6W | nsp |
| C210SL | | | ELECT,47µF-M/100V 10*12.5 | *EA001090R | R206SR | | | 750-J 1/6W | nsp |
| C210SR | | | ELECT,47µF-M/100V 10*12.5 | *EA001090R | R207C | | | 470-J 1/6W | nsp |
| C211C | | | ELECT,47µF-M/100V 10*12.5 | *EA001090R | R207L | | | 470-J 1/6W | nsp |
| C211L | | | ELECT,47µF-M/100V 10*12.5 | *EA001090R | R207R | | | 470-J 1/6W | nsp |
| C211R | | | ELECT,47µF-M/100V 10*12.5 | *EA001090R | R207SC | | | 470-J 1/6W | nsp |
| C211SC | | | ELECT,47µF-M/100V 10*12.5 | *EA001090R | R207SL | | | 470-J 1/6W | nsp |
| C211SL | | | ELECT,47µF-M/100V 10*12.5 | *EA001090R | R207SR | | | 470-J 1/6W | nsp |
| C211SR | | | ELECT,47µF-M/100V 10*12.5 | *EA001090R | R208C | | | 68-J 1/6W | nsp |
| C212C | | | ELECT,10µF-M/50V 5*11 | nsp | R208L | | | 68-J 1/6W | nsp |
| C212L | | | ELECT,10µF-M/50V 5*11 | nsp | | | | | |

NOTE : *nsp* PART IS LISTED FOR REFERENCE ONLY, MARANTZ WILL NOT SUPPLY THESE PARTS.

PS7200

| POS. NO | VERS. COLOR | PART NO. (FOR PCS) | DESCRIPTION | PART NO. (MJI) | POS. NO | VERS. COLOR | PART NO. (FOR PCS) | DESCRIPTION | PART NO. (MJI) |
|---------|-------------|--------------------|-------------|----------------|---------|-------------|--------------------|-------------|----------------|
| R208R | | | 68-J 1/6W | nsp | R219SC | | | 560-J 1/6W | nsp |
| R208SC | | | 68-J 1/6W | nsp | R219SL | | | 560-J 1/6W | nsp |
| R208SL | | | 68-J 1/6W | nsp | R219SR | | | 560-J 1/6W | nsp |
| R208SR | | | 68-J 1/6W | nsp | R220C | | | 560-J 1/6W | nsp |
| R209C | | | 150-J 1/6W | nsp | R220L | | | 560-J 1/6W | nsp |
| R209L | | | 150-J 1/6W | nsp | R220R | | | 560-J 1/6W | nsp |
| R209R | | | 150-J 1/6W | nsp | R220SC | | | 560-J 1/6W | nsp |
| R209SC | | | 150-J 1/6W | nsp | R220SL | | | 560-J 1/6W | nsp |
| R209SL | | | 150-J 1/6W | nsp | R220SR | | | 560-J 1/6W | nsp |
| R209SR | | | 150-J 1/6W | nsp | R221C | | | 82-J 1/6W | nsp |
| R210C | | | 10K-J 1/6W | nsp | R221L | | | 82-J 1/6W | nsp |
| R210L | | | 10K-J 1/6W | nsp | R221R | | | 82-J 1/6W | nsp |
| R210R | | | 10K-J 1/6W | nsp | R221SC | | | 82-J 1/6W | nsp |
| R210SC | | | 10K-J 1/6W | nsp | R221SL | | | 82-J 1/6W | nsp |
| R210SL | | | 10K-J 1/6W | nsp | R221SR | | | 82-J 1/6W | nsp |
| R210SR | | | 10K-J 1/6W | nsp | R222C | | | 82-J 1/6W | nsp |
| R211C | | | 43K-J 1/6W | nsp | R222L | | | 82-J 1/6W | nsp |
| R211L | | | 43K-J 1/6W | nsp | R222R | | | 82-J 1/6W | nsp |
| R211R | | | 43K-J 1/6W | nsp | R222SC | | | 82-J 1/6W | nsp |
| R211SC | | | 43K-J 1/6W | nsp | R222SL | | | 82-J 1/6W | nsp |
| R211SL | | | 43K-J 1/6W | nsp | R222SR | | | 82-J 1/6W | nsp |
| R211SR | | | 43K-J 1/6W | nsp | | | | | |
| | | | | | R223C | | | 22K-J 1/6W | nsp |
| R212C | | | 1.2K-J 1/6W | nsp | R223L | | | 22K-J 1/6W | nsp |
| R212L | | | 1.2K-J 1/6W | nsp | R223R | | | 22K-J 1/6W | nsp |
| R212R | | | 1.2K-J 1/6W | nsp | R223SC | | | 22K-J 1/6W | nsp |
| R212SC | | | 1.2K-J 1/6W | nsp | R223SL | | | 22K-J 1/6W | nsp |
| R212SL | | | 1.2K-J 1/6W | nsp | R223SR | | | 22K-J 1/6W | nsp |
| R212SR | | | 1.2K-J 1/6W | nsp | R224C | | | 22K-J 1/6W | nsp |
| R213C | | | 33K-J 1/6W | nsp | R224L | | | 22K-J 1/6W | nsp |
| R213L | | | 33K-J 1/6W | nsp | R224R | | | 22K-J 1/6W | nsp |
| R213R | | | 33K-J 1/6W | nsp | R224SC | | | 22K-J 1/6W | nsp |
| R213SC | | | 33K-J 1/6W | nsp | R224SL | | | 22K-J 1/6W | nsp |
| R213SL | | | 33K-J 1/6W | nsp | R224SR | | | 22K-J 1/6W | nsp |
| R213SR | | | 33K-J 1/6W | nsp | R225C | | | 4.7-J 1/6W | nsp |
| R214C | | | 560-J 1/6W | nsp | R225L | | | 4.7-J 1/6W | nsp |
| R214L | | | 560-J 1/6W | nsp | R225R | | | 4.7-J 1/6W | nsp |
| R214R | | | 560-J 1/6W | nsp | R225SC | | | 4.7-J 1/6W | nsp |
| R214SC | | | 560-J 1/6W | nsp | R225SL | | | 4.7-J 1/6W | nsp |
| R214SL | | | 560-J 1/6W | nsp | R225SR | | | 4.7-J 1/6W | nsp |
| R214SR | | | 560-J 1/6W | nsp | | | | | |
| | | | | | R228C | | | 220-J 1/4W | nsp |
| R216C | | | 560-J 1/6W | nsp | R228L | | | 220-J 1/4W | nsp |
| R216L | | | 560-J 1/6W | nsp | R228R | | | 220-J 1/4W | nsp |
| R216R | | | 560-J 1/6W | nsp | R228SC | | | 220-J 1/4W | nsp |
| R216SC | | | 560-J 1/6W | nsp | R228SL | | | 220-J 1/4W | nsp |
| R216SL | | | 560-J 1/6W | nsp | R228SR | | | 220-J 1/4W | nsp |
| R216SR | | | 560-J 1/6W | nsp | R229C | | | 220-J 1/4W | nsp |
| R217C | | | 560-J 1/6W | nsp | R229L | | | 220-J 1/4W | nsp |
| R217L | | | 560-J 1/6W | nsp | R229R | | | 220-J 1/4W | nsp |
| R217R | | | 560-J 1/6W | nsp | R229SC | | | 220-J 1/4W | nsp |
| R217SC | | | 560-J 1/6W | nsp | R229SL | | | 220-J 1/4W | nsp |
| R217SL | | | 560-J 1/6W | nsp | R229SR | | | 220-J 1/4W | nsp |
| R217SR | | | 560-J 1/6W | nsp | R231C | | | 4.7-J 1/6W | nsp |
| R218C | | | 560-J 1/6W | nsp | R231L | | | 4.7-J 1/6W | nsp |
| R218L | | | 560-J 1/6W | nsp | R231R | | | 4.7-J 1/6W | nsp |
| R218R | | | 560-J 1/6W | nsp | R231SC | | | 4.7-J 1/6W | nsp |
| R218SC | | | 560-J 1/6W | nsp | R231SL | | | 4.7-J 1/6W | nsp |
| R218SL | | | 560-J 1/6W | nsp | R231SR | | | 4.7-J 1/6W | nsp |
| R218SR | | | 560-J 1/6W | nsp | R232C | | | 4.7-J 1/6W | nsp |
| R219C | | | 560-J 1/6W | nsp | R232L | | | 4.7-J 1/6W | nsp |
| R219L | | | 560-J 1/6W | nsp | R232R | | | 4.7-J 1/6W | nsp |
| R219R | | | 560-J 1/6W | nsp | R232SC | | | 4.7-J 1/6W | nsp |

NOTE : *nsp* PART IS LISTED FOR REFERENCE ONLY, MARANTZ WILL NOT SUPPLY THESE PARTS.

PS7200

| POS. NO | VERS. COLOR | PART NO. (FORPCS) | DESCRIPTION | PART NO. (MJI) | POS. NO | VERS. COLOR | PART NO. (FORPCS) | DESCRIPTION | PART NO. (MJI) |
|-----------------------------|-------------|-------------------|----------------------|----------------|---------|-------------|-------------------|------------------------|----------------|
| R232SL | | | 4.7-J 1/6W | nsp | Q202SL | | | TRS.2SA,KSA992F TO92 | *HT100590R |
| R232SR | | | 4.7-J 1/6W | nsp | Q202SR | | | TRS.2SA,KSA992F TO92 | *HT100590R |
| R233C | | | 1.8K-J 1/6W | nsp | Q203C | | | TRS.2SA,KSA992F TO92 | *HT100590R |
| R233L | | | 1.8K-J 1/6W | nsp | Q203L | | | TRS.2SA,KSA992F TO92 | *HT100590R |
| R233R | | | 1.8K-J 1/6W | nsp | Q203R | | | TRS.2SA,KSA992F TO92 | *HT100590R |
| R233SC | | | 1.8K-J 1/6W | nsp | Q203SC | | | TRS.2SA,KSA992F TO92 | *HT100590R |
| R233SL | | | 1.8K-J 1/6W | nsp | Q203SL | | | TRS.2SA,KSA992F TO92 | *HT100590R |
| R233SR | | | 1.8K-J 1/6W | nsp | Q203SR | | | TRS.2SA,KSA992F TO92 | *HT100590R |
| R234C | | | 2.0K-J 1/6W | nsp | Q204C | | | TRS.2SA,KSA992F TO92 | *HT100590R |
| R234L | | | 2.0K-J 1/6W | nsp | Q204L | | | TRS.2SA,KSA992F TO92 | *HT100590R |
| R234R | | | 2.0K-J 1/6W | nsp | Q204R | | | TRS.2SA,KSA992F TO92 | *HT100590R |
| R234SC | | | 2.0K-J 1/6W | nsp | Q204SC | | | TRS.2SA,KSA992F TO92 | *HT100590R |
| R234SL | | | 2.0K-J 1/6W | nsp | Q204SL | | | TRS.2SA,KSA992F TO92 | *HT100590R |
| R234SR | | | 2.0K-J 1/6W | nsp | Q204SR | | | TRS.2SA,KSA992F TO92 | *HT100590R |
| R235C | | | 910-J 1/6W | nsp | Q205C | | | TRS.2SC,KSC1845F TO92 | *HT300860R |
| R235L | | | 910-J 1/6W | nsp | Q205L | | | TRS.2SC,KSC1845F TO92 | *HT300860R |
| R235R | | | 910-J 1/6W | nsp | Q205R | | | TRS.2SC,KSC1845F TO92 | *HT300860R |
| R235SC | | | 910-J 1/6W | nsp | Q205SC | | | TRS.2SC,KSC1845F TO92 | *HT300860R |
| R235SL | | | 910-J 1/6W | nsp | Q205SL | | | TRS.2SC,KSC1845F TO92 | *HT300860R |
| R235SR | | | 910-J 1/6W | nsp | Q205SR | | | TRS.2SC,KSC1845F TO92 | *HT300860R |
| R236C | | | 6.8K-J 1/6W | nsp | Q206C | | | TRS.2SC,KSC1845F TO92 | *HT300860R |
| R236L | | | 6.8K-J 1/6W | nsp | Q206L | | | TRS.2SC,KSC1845F TO92 | *HT300860R |
| R236R | | | 6.8K-J 1/6W | nsp | Q206R | | | TRS.2SC,KSC1845F TO92 | *HT300860R |
| R236SC | | | 6.8K-J 1/6W | nsp | Q206SC | | | TRS.2SC,KSC1845F TO92 | *HT300860R |
| R236SL | | | 6.8K-J 1/6W | nsp | Q206SL | | | TRS.2SC,KSC1845F TO92 | *HT300860R |
| R236SR | | | 6.8K-J 1/6W | nsp | Q206SR | | | TRS.2SC,KSC1845F TO92 | *HT300860R |
| R237C | | | RES MF 10Ω 1W | GA05100010 | Q207C | | | TRS.2SA,KSA992F TO92 | *HT100590R |
| R237L | | | 39-J 1/6W | nsp | Q207L | | | TRS.2SA,KSA992F TO92 | *HT100590R |
| R237R | | | 39-J 1/6W | nsp | Q207R | | | TRS.2SA,KSA992F TO92 | *HT100590R |
| R237SC | | | RES MF 10Ω 1W | GA05100010 | Q207SC | | | TRS.2SA,KSA992F TO92 | *HT100590R |
| R237SL | | | 39-J 1/6W | nsp | Q207SL | | | TRS.2SA,KSA992F TO92 | *HT100590R |
| R237SR | | | 39-J 1/6W | nsp | Q207SR | | | TRS.2SA,KSA992F TO92 | *HT100590R |
| R238L | | | 39-J 1/6W | nsp | Q208C | | | TRS.2SA,KTA1024Y TO92L | HT112082A0 |
| R238R | | | 39-J 1/6W | nsp | Q208L | | | TRS.2SA,KTA1024Y TO92L | HT112082A0 |
| R238SL | | | 39-J 1/6W | nsp | Q208R | | | TRS.2SA,KTA1024Y TO92L | HT112082A0 |
| R238SR | | | 39-J 1/6W | nsp | Q208SC | | | TRS.2SA,KTA1024Y TO92L | HT112082A0 |
| R239L | | | 39-J 1/6W | nsp | Q208SL | | | TRS.2SA,KTA1024Y TO92L | HT112082A0 |
| R239R | | | 39-J 1/6W | nsp | Q208SR | | | TRS.2SA,KTA1024Y TO92L | HT112082A0 |
| R239SL | | | 39-J 1/6W | nsp | Q209C | | | TRS.2SC,KTC3206Y TO92L | HT322292A0 |
| R239SR | | | 39-J 1/6W | nsp | Q209L | | | TRS.2SC,KTC3206Y TO92L | HT322292A0 |
| R240L | | | 39-J 1/6W | nsp | Q209R | | | TRS.2SC,KTC3206Y TO92L | HT322292A0 |
| R240R | | | 39-J 1/6W | nsp | Q209SC | | | TRS.2SC,KTC3206Y TO92L | HT322292A0 |
| R240SL | | | 39-J 1/6W | nsp | Q209SL | | | TRS.2SC,KTC3206Y TO92L | HT322292A0 |
| R240SR | | | 39-J 1/6W | nsp | Q209SR | | | TRS.2SC,KTC3206Y TO92L | HT322292A0 |
| AMP - SEMICONDUCTORS | | | | | Q213C | | | TRS.2SB,SAP16P | *HT200410R |
| D202C | | | DIODE,1SS133T | HD20015210 | Q213FL | | | TRS.2SB,SAP16P | *HT200410R |
| D202L | | | DIODE,1SS133T | HD20015210 | Q213FR | | | TRS.2SB,SAP16P | *HT200410R |
| D202R | | | DIODE,1SS133T | HD20015210 | Q213SC | | | TRS.2SB,SAP16P | *HT200410R |
| D202SC | | | DIODE,1SS133T | HD20015210 | Q213SL | | | TRS.2SB,SAP16P | *HT200410R |
| D202SL | | | DIODE,1SS133T | HD20015210 | Q213SR | | | TRS.2SB,SAP16P | *HT200410R |
| D202SR | | | DIODE,1SS133T | HD20015210 | Q214C | | | TRS.2SD,SAP16N | *HT400480R |
| Q201C | | | TRS.2SA,KSA992F TO92 | *HT100590R | Q214FL | | | TRS.2SD,SAP16N | *HT400480R |
| Q201L | | | TRS.2SA,KSA992F TO92 | *HT100590R | Q214FR | | | TRS.2SD,SAP16N | *HT400480R |
| Q201R | | | TRS.2SA,KSA992F TO92 | *HT100590R | Q214SC | | | TRS.2SD,SAP16N | *HT400480R |
| Q201SC | | | TRS.2SA,KSA992F TO92 | *HT100590R | Q214SL | | | TRS.2SD,SAP16N | *HT400480R |
| Q201SL | | | TRS.2SA,KSA992F TO92 | *HT100590R | Q214SR | | | TRS.2SD,SAP16N | *HT400480R |
| Q201SR | | | TRS.2SA,KSA992F TO92 | *HT100590R | Q215C | | | TRS.2SC,KSC1845F TO92 | *HT300860R |
| Q202C | | | TRS.2SA,KSA992F TO92 | *HT100590R | Q215L | | | TRS.2SC,KSC1845F TO92 | *HT300860R |
| Q202L | | | TRS.2SA,KSA992F TO92 | *HT100590R | Q215R | | | TRS.2SC,KSC1845F TO92 | *HT300860R |
| Q202R | | | TRS.2SA,KSA992F TO92 | *HT100590R | Q215SC | | | TRS.2SC,KSC1845F TO92 | *HT300860R |
| Q202SL | | | TRS.2SA,KSA992F TO92 | *HT100590R | Q215SL | | | TRS.2SC,KSC1845F TO92 | *HT300860R |

NOTE : *nsp* PART IS LISTED FOR REFERENCE ONLY, MARANTZ WILL NOT SUPPLY THESE PARTS.

PS7200

| POS. NO | VERS. COLOR | PART NO. (FOR PCS) | DESCRIPTION | PART NO. (MJI) | POS. NO | VERS. COLOR | PART NO. (FOR PCS) | DESCRIPTION | PART NO. (MJI) |
|---------|-------------|--------------------|---|----------------|---------|-------------|--------------------|------------------------|----------------|
| Q215SR | | | TRS.2SC,KSC1845F TO92 | *HT300860R | R319 | | | 820-J 1/6W | nsp |
| CP201 | | | AMP - MISCELLANEOUS CN.WAFE2.0MM, GIL-S-12P-S2T2-EF | nsp | R322 | | | 1K-J 1/6W | nsp |
| L201C | | | COIL FILTER-INDUCTOR, J9000031 | *LC106490R | R323 | | | 120-J 1/6W | nsp |
| L201L | | | COIL FILTER-INDUCTOR, J9000031 | *LC106490R | R324 | | | 150-J 1/6W | nsp |
| L201R | | | COIL FILTER-INDUCTOR, J9000031 | *LC106490R | R325 | | | 150-J 1/6W | nsp |
| L201SC | | | COIL FILTER-INDUCTOR, J9000031 | *LC106490R | R326 | | | 270-J 1/6W | nsp |
| L201SL | | | COIL FILTER-INDUCTOR, J9000031 | *LC106490R | R327 | | | 270-J 1/6W | nsp |
| L201SR | | | COIL FILTER-INDUCTOR, J9000031 | *LC106490R | R328 | | | 470-J 1/6W | nsp |
| | | | FRONT CIRCUIT BOARD | | R329 | | | 820-J 1/6W | nsp |
| | | | FRONT - CAPACITORS | | R330 | | | 1.5K-J 1/6W | nsp |
| C301 | | | ELECT,47µF-M/10V 5*11 | nsp | R332 | | | 1K-J 1/6W | nsp |
| C302 | | | CER.,0.022µF-Z/25V | nsp | R333 | | | 10K-J 1/6W | nsp |
| C303 | | | CER.,0.047µF-Z/50V | nsp | R334 | | | 1K-J 1/6W | nsp |
| C304 | | | CER.,100pF-K/50V | nsp | R335 | | | 1K-J 1/6W | nsp |
| C305 | | | ELECT,10µF-M/50V 5*11 | nsp | R336 | | | 1K-J 1/6W | nsp |
| C306 | | | CER.,0.047µF-Z/50V | nsp | R337 | | | 330-J 1/6W | nsp |
| C307 | | | ELECT,10µF-M/50V 5*11 | nsp | R338 | | | 1K-J 1/6W | nsp |
| C308 | | | CER.,0.022µF-Z/25V | nsp | R340 | | | 330-J 1/6W | nsp |
| C309 | | | CER.,100pF-K/50V | nsp | R341 | | | 330-J 1/6W | nsp |
| C310 | | | CER.,0.047µF-Z/50V | nsp | R342 | | | 47K-J 1/6W | nsp |
| C311 | | | CER.,100pF-K/50V | nsp | R343 | | | 75-J 1/6W | nsp |
| C312 | | | CER.,100pF-K/50V | nsp | R344 | | | 75-J 1/6W | nsp |
| C313 | | | ELECT,10µF-M/50V 5*11 | nsp | R345 | | | 75-J 1/6W | nsp |
| C314 | | | ELECT,10µF-M/50V 5*11 | nsp | R346 | | | 47K-J 1/6W | nsp |
| C315 | | | CER.,820pF-K/50V | nsp | R347 | | | 470-J 1/6W | nsp |
| C316 | | | CER.,820pF-K/50V | nsp | R348 | | | 100K-J 1/6W | nsp |
| C317 | | | ELECT,10µF-M/50V 5*11 | nsp | R349 | | | 10K-J 1/6W | nsp |
| C318 | | | CER.,100pF-K/50V | nsp | R350 | | | 100K-J 1/6W | nsp |
| C321 | | | CER.,0.1µF-Z/50V | nsp | R351 | | | 47K-J 1/6W | nsp |
| C322 | | | CER.,0.1µF-Z/50V | nsp | R352 | | | 470-J 1/6W | nsp |
| C323 | | | CN WIRE 1P, JUMPER(0.6/52MM) | nsp | R353 | | | 2.2K-J 1/6W | nsp |
| C381SC | | | CN WIRE 1P, JUMPER 0.6/52MM) | nsp | R354 | | | 330-J 1/6W | nsp |
| C381SY | | | | nsp | R355M | | | 24K-J 1/6W | nsp |
| | | | FRONT - RESISTORS | | R356 | | | 24K-J 1/6W | nsp |
| R301 | | | 68K-J 1/6W | nsp | R357 | | | 24K-J 1/6W | nsp |
| R302 | | | 68K-J 1/6W | nsp | R359 | | | 24K-J 1/6W | nsp |
| R303 | | | 330-J 1/6W | nsp | | | | | |
| R304 | | | 100-J 1/6W | nsp | D301 | | | FRONT - SEMICONDUCTORS | |
| R305 | | | 120-J 1/6W | nsp | D316M | | | DIODE,1SS133T | HD20015210 |
| R306 | | | 150-J 1/6W | nsp | D317 | | | LED ROUND,SLR-34URCF25 | *HI100710R |
| R307 | | | 150-J 1/6W | nsp | D318 | | | DIODE,1SS133T | HD20015210 |
| R308 | | | 270-J 1/6W | nsp | D319 | | | LED ROUND,SLR-34URCF25 | *HI100710R |
| R309 | | | 270-J 1/6W | nsp | D320 | | | LED ROUND,SLR-34URCF25 | *HI100710R |
| R310 | | | 470-J 1/6W | nsp | D322 | | | D ZENER,MTZJ11B | *HD301890R |
| R311 | | | 820-J 1/6W | nsp | D328 | | | | |
| R312 | | | 1K-J 1/6W | nsp | D332 | | | DIODE,1SS133T | HD20015210 |
| R313 | | | 120-J 1/6W | nsp | | | | | |
| R314 | | | 150-J 1/6W | nsp | D337 | | | | |
| R315 | | | 150-J 1/6W | nsp | IC301 | | | IC,LC75721E QIP64 | *HC107290R |
| R316 | | | 270-J 1/6W | nsp | Q301 | | | TRS.RC,KRC107M TO92M | *BA001190R |
| R317 | | | 270-J 1/6W | nsp | Q302 | | | TRS.RA,KRA111M TO92M | *BA001200R |
| R318 | | | 470-J 1/6W | nsp | Q303M | | | TRS.RC,KRC107M TO92M | *BA001190R |
| | | | | | Q304 | | | TRS.RC,KRC107M TO92M | *BA001190R |
| | | | | | Q305 | | | TRS.RC,KRC107M TO92M | *BA001190R |
| | | | | | Q306 | | | TRS.RC,KRC107M TO92M | *BA001190R |
| | | | | | Q309 | | | TRS.2SC,KTC3200BL TO92 | HT322402A0 |
| | | | | | | | | FRONT - MISCELLANEOUS | |
| | | | | | CN301 | | | CN WIRE,450/9P | nsp |
| | | | | | CN303 | | | CN WIRE,100MM/4P | nsp |
| | | | | | CN304 | | | CN WIRE,470MM/5P | nsp |
| | | | | | CN305 | | | CN WIRE,80/3P | nsp |

NOTE : *nsp PART IS LISTED FOR REFERENCE ONLY, MARANTZ WILL NOT SUPPLY THESE PARTS.

PS7200

| POS. NO | VERS. COLOR | PART NO. (FOR PCS) | DESCRIPTION | PART NO. (MJI) | POS. NO | VERS. COLOR | PART NO. (FOR PCS) | DESCRIPTION | PART NO. (MJI) |
|-----------------|-------------|--------------------|----------------------------|----------------|---------|-------------|--------------------|--------------------------|----------------|
| FPC109B L302 | | | CN.FP1.25MM,52492-2320 23P | nsp | R403R | | | 470-J 1/6W | nsp |
| | | | COIL FILTER-INDUCTOR, | nsp | R404L | | | 470-J 1/6W | nsp |
| | | | 10UH-Q40/24M 02TB | | R404R | | | 470-J 1/6W | nsp |
| SILD | | | SUPPORTER,FRONT GND | nsp | R405L | | | 470-J 1/6W | nsp |
| SW307M | | | SW TACT, | *SP000900R | R405R | | | 470-J 1/6W | nsp |
| | | | SKHV10920A 5MM/260G | | R406L | | | 470-J 1/6W | nsp |
| SW308M | | | SW TACT, | *SP000900R | R406R | | | 470-J 1/6W | nsp |
| | | | SKHV10920A 5MM/260G | | R407L | | | 470-J 1/6W | nsp |
| SW309 | | | | | R407R | | | 470-J 1/6W | nsp |
| S | | | SW TACT, | *SP000900R | R408L | | | 470-J 1/6W | nsp |
| | | | SKHV10920A 5MM/260G | | R408R | | | 470-J 1/6W | nsp |
| SW322 | | | | | R411L | | | 150-J 1/6W | nsp |
| SW323M | | | SW TACT, | *SP000900R | R411R | | | 150-J 1/6W | nsp |
| | | | SKHV10920A 5MM/260G | | R412L | | | 470K-J 1/6W | nsp |
| SW324 | | | SW TACT, | *SP000900R | R412R | | | 470K-J 1/6W | nsp |
| | | | SKHV10920A 5MM/260G | | R413L | | | 470K-J 1/6W | nsp |
| | | | ST-BY LED CIRCUIT BOARD | | R413R | | | 470K-J 1/6W | nsp |
| | | | ST-BY LED - CAPACITORS | | | | | | |
| C371 | | | CER.,820pF-K/50V | nsp | R414L | | | 150-J 1/6W | nsp |
| C372 | | | CER.,820pF-K/50V | nsp | R414R | | | 150-J 1/6W | nsp |
| CP305 | | | CN.WAFE2.0MM, | nsp | R415L | | | 470K-J 1/6W | nsp |
| | | | GIL-S-03P-S2L2-EF | | R415R | | | 470K-J 1/6W | nsp |
| | | | ST-BY LED - SEMICONDUCTORS | | R416L | | | 150-J 1/6W | nsp |
| D303 | | | LED ROUND,SLR-34URCF25 | *HI100710R | R416R | | | 150-J 1/6W | nsp |
| | | | ST-BY LED - MISCELLANEOUS | | R417L | | | 470K-J 1/6W | nsp |
| SW325 | | | SW TACT, | *SP000900R | R417R | | | 470K-J 1/6W | nsp |
| | | | SKHV10920A 5MM/260G | | R418L | | | 470K-J 1/6W | nsp |
| | | | INPUT 1 CIRCUIT BOARD | | R418R | | | 470K-J 1/6W | nsp |
| | | | INPUT 1 - CAPACITORS | | R419L | | | 150-J 1/6W | nsp |
| C411L | | | ELECT,4.7uF-M/50V 5*11 | nsp | R419R | | | 150-J 1/6W | nsp |
| C411R | | | ELECT,4.7uF-M/50V 5*11 | nsp | R420L | | | 470K-J 1/6W | nsp |
| C412L | | | ELECT,4.7uF-M/50V 5*11 | nsp | R420R | | | 470K-J 1/6W | nsp |
| C412R | | | ELECT,4.7uF-M/50V 5*11 | nsp | R421L | | | 150-J 1/6W | nsp |
| C413L | | | ELECT,4.7uF-M/50V 5*11 | nsp | R421R | | | 150-J 1/6W | nsp |
| C413R | | | ELECT,4.7uF-M/50V 5*11 | nsp | R422L | | | 470K-J 1/6W | nsp |
| C414L | | | ELECT,4.7uF-M/50V 5*11 | nsp | R422R | | | 470K-J 1/6W | nsp |
| C414R | | | ELECT,4.7uF-M/50V 5*11 | nsp | R423L | | | 470K-J 1/6W | nsp |
| C415L | | | ELECT,4.7uF-M/50V 5*11 | nsp | R423R | | | 470K-J 1/6W | nsp |
| C415R | | | ELECT,4.7uF-M/50V 5*11 | nsp | R424L | | | 150-J 1/6W | nsp |
| C416L | | | ELECT,4.7uF-M/50V 5*11 | nsp | R424R | | | 150-J 1/6W | nsp |
| C416R | | | ELECT,4.7uF-M/50V 5*11 | nsp | R425L | | | 470K-J 1/6W | nsp |
| C418 | | | | | R425R | | | 470K-J 1/6W | nsp |
| S | | | CER.,0.1uF-Z/50V | nsp | R426 | | | 1K-J 1/6W | nsp |
| C423 | | | | | R427 | | | 1K-J 1/6W | nsp |
| C424 | | | CER.,100pF-K/50V | nsp | R428 | | | 1K-J 1/6W | nsp |
| C425 | | | CER.,100pF-K/50V | nsp | R429 | | | 4.7-J 1/6W | nsp |
| C426 | | | CER.,100pF-K/50V | nsp | R430 | | | 4.7-J 1/6W | nsp |
| C427 | | | ELECT,47uF-M/25V 5*11 | nsp | | | | | |
| C428 | | | CER.,0.1uF-Z/50V | nsp | IC401 | | | INPUT 1 - SEMICONDUCTORS | |
| C429 | | | ELECT,47uF-M/25V 5*11 | nsp | IC402 | | | IC,TC9274N-008 DIP42 | *HC107590R |
| C430 | | | CER.,0.1uF-Z/50V | nsp | IC403 | | | IC,NJU7312AL SDIP28P | HC10124090 |
| C431 | | | CER.,0.1uF-Z/50V | nsp | IC404 | | | IC,NJM2068DD DIP8P | HC10053090 |
| C432 | | | CER.,0.1uF-Z/50V | nsp | IC405 | | | IC,NJM2068DD DIP8P | HC10053090 |
| | | | INPUT 1 - RESISTORS | | | | | INPUT 1 - MISCELLANEOUS | |
| R401L | | | 470-J 1/6W | nsp | CN107 | | | CN.WAFE2.0MM, | nsp |
| R401R | | | 470-J 1/6W | nsp | CN108 | | | TUC-P10X-B1 HOUSING ST | nsp |
| R402L | | | 470-J 1/6W | nsp | | | | CN.WAFE2.0MM, | nsp |
| R402R | | | 470-J 1/6W | nsp | CN302T | | | TUC-P20X-B1 HOUSING ST | nsp |
| R403L | | | 470-J 1/6W | nsp | CP301I | | | CN WIRE,250MM/3P | nsp |
| | | | | | | | | CN.WAFE2.0MM, | nsp |
| | | | | | | | | G1L-S-3P-S2T2-EF | nsp |

NOTE : *nsp* PART IS LISTED FOR REFERENCE ONLY, MARANTZ WILL NOT SUPPLY THESE PARTS.

PS7200

| POS. NO | VERS. COLOR | PART NO. (FOR PCS) | DESCRIPTION | PART NO. (MJI) | POS. NO | VERS. COLOR | PART NO. (FOR PCS) | DESCRIPTION | PART NO. (MJI) |
|---------|-------------|--------------------|------------------------|----------------|---------|-------------|---|-------------|----------------|
| | | | INPUT 2 CIRCUIT BOARD | | R477A | | 4.7K-J 1/6W | | nsp |
| | | | INPUT 2 - CAPACITORS | | R478 | | 47-J 1/6W | | nsp |
| C417 | | | CER.,0.01µF-M/16V | nsp | | | INPUT 2 - SEMICONDUCTORS | | |
| C454L | | | ELECT,4.7µF-M/50V 5*11 | nsp | D407A | | DIODE,1SS133T | HD20015210 | |
| C454R | | | ELECT,4.7µF-M/50V 5*11 | nsp | IC451 | | IC,K1C9459F SOP24P | HC10449050 | |
| C455L | | | CER.,100pF-K/50V | nsp | IC452 | | IC,NJM2068DD DIP8P | HC10053090 | |
| C455R | | | CER.,100pF-K/50V | nsp | IC453 | | PHOTO COUPLER, H11A817B DIP4 | *HC200140R | |
| C457L | | | ELECT,1µF-M/50V 5*11 | nsp | Q451L | | TRS.2SC,KTC2874B TO92 | *HT300880R | |
| C457R | | | ELECT,1µF-M/50V 5*11 | nsp | Q451R | | TRS.2SC,KTC2874B TO92 | *HT300880R | |
| C460 | | | CER.,0.1µF-Z/50V | nsp | Q452 | | TRS.RB,KRA107M | *BA000190R | |
| C461 | | | ELECT,47µF-M/25V 5*11 | nsp | Q453 | | TRS.RC,KRC107M TO92M | *BA001190R | |
| C462 | | | CER.,0.1µF-Z/50V | nsp | Q454 | | TRS.RC,KRC102M TO92M | *BA001180R | |
| C463 | | | ELECT,47µF-M/25V 5*11 | nsp | Q455 | | TRS.RB,KRA107M | *BA000190R | |
| C464 | | | CER.,0.1µF-Z/50V | nsp | Q457 | | TRS.RC,KRC102M TO92M | *BA001180R | |
| C465 | | | CER.,0.1µF-Z/50V | nsp | Q458 | | TRS.RB,KRA107M | *BA000190R | |
| C466 | | | CER.,0.01µF-M/16V | nsp | | | INPUT 2 - MISCELLANEOUS | | |
| C467 | | | ELECT,47µF-M/25V 5*11 | nsp | CN109 | | CN.WAFE2.0MM, 35237-1310 13P | nsp | |
| C468 | | | CER.,0.01µF-M/16V | nsp | CN110 | | CN.WAFE2.0MM, TUC-P15X-B1 HOUSING ST | nsp | |
| C469 | | | CER.,0.01µF-M/16V | nsp | | | VOLUME CIRCUIT BOARD | | |
| C470 | | | CER.,0.01µF-M/16V | nsp | | | VOLUME - CAPACITORS | | |
| C471 | | | CER.,100pF-K/50V | nsp | C502C | | CER.CHIP,100pF-J/50V-1608 | nsp | |
| C472 | | | CER.,100pF-K/50V | nsp | C502FL | | CER.CHIP,100pF-J/50V-1608 | nsp | |
| C473 | | | CER.,100pF-K/50V | nsp | C502FR | | CER.CHIP,100pF-J/50V-1608 | nsp | |
| C474 | | | CER.,0.01µF-M/16V | nsp | C502SC | | CER.CHIP,100pF-J/50V-1608 | nsp | |
| C475 | | | CER.,0.1µF-Z/50V | nsp | C502SL | | CER.CHIP,100pF-J/50V-1608 | nsp | |
| C476 | | | CER.,0.01µF-M/16V | nsp | C502SR | | CER.CHIP,100pF-J/50V-1608 | nsp | |
| | | | INPUT 2 - RESISTORS | | C502SW | | CER.CHIP,100pF-J/50V-1608 | nsp | |
| R451L | | | 470-J 1/6W | nsp | C503FL | | CER.CHIP,100pF-J/50V-1608 | nsp | |
| R451R | | | 470-J 1/6W | nsp | C505C | | ELECT,0.1µF-M/50V 5*11 | nsp | |
| R452L | | | 470-J 1/6W | nsp | C505F | | ELECT,0.1µF-M/50V 5*11 | nsp | |
| R452R | | | 470-J 1/6W | nsp | C505S | | ELECT,0.1µF-M/50V 5*11 | nsp | |
| R453L | | | 470-J 1/6W | nsp | C505SC | | ELECT,0.1µF-M/50V 5*11 | nsp | |
| R453R | | | 470-J 1/6W | nsp | C505SW | | ELECT,0.1µF-M/50V 5*11 | nsp | |
| R454L | | | 150-J 1/6W | nsp | C515C | | CER.CHIP,100pF-J/50V-1608 | nsp | |
| R454R | | | 150-J 1/6W | nsp | C515FL | | CER.CHIP,100pF-J/50V-1608 | nsp | |
| R455L | | | 470K-J 1/6W | nsp | C515FR | | CER.CHIP,100pF-J/50V-1608 | nsp | |
| R455R | | | 470K-J 1/6W | nsp | C515SC | | CER.CHIP,100pF-J/50V-1608 | nsp | |
| R456L | | | 5.6K-J 1/6W | nsp | C515SL | | CER.CHIP,100pF-J/50V-1608 | nsp | |
| R456R | | | 5.6K-J 1/6W | nsp | C515SR | | CER.CHIP,100pF-J/50V-1608 | nsp | |
| R457L | | | 1.2K-J 1/6W | nsp | C515SW | | CER.CHIP,100pF-J/50V-1608 | nsp | |
| R457R | | | 1.2K-J 1/6W | nsp | | | ELECT,4.7µF-M/16V 5*11 | nsp | |
| R458L | | | 1K-J 1/6W | nsp | C528C | | ELECT,4.7µF-M/16V 5*11 | nsp | |
| R458R | | | 1K-J 1/6W | nsp | C528FL | | ELECT,4.7µF-M/16V 5*11 | nsp | |
| R459L | | | 470K-J 1/6W | nsp | C528FR | | ELECT,4.7µF-M/16V 5*11 | nsp | |
| R459R | | | 470K-J 1/6W | nsp | C528SC | | ELECT,4.7µF-M/16V 5*11 | nsp | |
| R460L | | | 470-J 1/6W | nsp | C528SL | | ELECT,4.7µF-M/16V 5*11 | nsp | |
| R460R | | | 470-J 1/6W | nsp | C528SR | | ELECT,4.7µF-M/16V 5*11 | nsp | |
| | | | | | C528SW | | ELECT,4.7µF-M/16V 5*11 | nsp | |
| R461 | | | 2.7K-J 1/6W | nsp | C533C | | CER.CHIP,100pF-J/50V-1608 | nsp | |
| R462 | | | 2.2K-J 1/6W | nsp | C533FL | | CER.CHIP,100pF-J/50V-1608 | nsp | |
| R463 | | | 2.2K-J 1/6W | nsp | C533FR | | CER.CHIP,100pF-J/50V-1608 | nsp | |
| R464 | | | 47-J 1/6W | nsp | C533SC | | CER.CHIP,100pF-J/50V-1608 | nsp | |
| R466 | | | 10K-J 1/6W | nsp | C533SL | | CER.CHIP,100pF-J/50V-1608 | nsp | |
| R467 | | | 68-J 1/6W | nsp | C533SR | | CER.CHIP,100pF-J/50V-1608 | nsp | |
| R469 | | | 10K-J 1/6W | nsp | C533SW | | CER.CHIP,1200pF-K/50V-1608 | nsp | |
| R470 | | | 68-J 1/6W | nsp | C541C | | CER.CHIP,100pF-J/50V-1608 | nsp | |
| R471 | | | 270-J 1/6W | nsp | C541FL | | CER.CHIP,100pF-J/50V-1608 | nsp | |
| R472 | | | 220-J 1/6W | nsp | C541FR | | CER.CHIP,100pF-J/50V-1608 | nsp | |
| R473 | | | 47-J 1/6W | nsp | | | | | |
| R475 | | | 1K-J 1/6W | nsp | | | | | |
| R476 | | | 1K-J 1/6W | nsp | | | | | |
| R477 | | | 1K-J 1/6W | nsp | | | | | |

NOTE : *nsp* PART IS LISTED FOR REFERENCE ONLY, MARANTZ WILL NOT SUPPLY THESE PARTS.

PS7200

| POS. NO | VERS. COLOR | PART NO. (FOR PCS) | DESCRIPTION | PART NO. (MJI) | POS. NO | VERS. COLOR | PART NO. (FOR PCS) | DESCRIPTION | PART NO. (MJI) |
|---------|-------------|--------------------|----------------------------|----------------|---------|-------------|--------------------|------------------------|----------------|
| C541SC | | | CER.CHIP,100pF-J/50V-1608 | nsp | R507FL | | | CHIP,1K-J 1/16W-1608 | nsp |
| C541SL | | | CER.CHIP,100pF-J/50V-1608 | nsp | R507FR | | | CHIP,1K-J 1/16W-1608 | nsp |
| C541SR | | | CER.CHIP,100pF-J/50V-1608 | nsp | R507SC | | | CHIP,1K-J 1/16W-1608 | nsp |
| C541SW | | | CER.CHIP,100pF-J/50V-1608 | nsp | R507SL | | | CHIP,1K-J 1/16W-1608 | nsp |
| C543 | | | CER.CHIP,0.1µF-Z/50V-1608 | nsp | R507SR | | | CHIP,1K-J 1/16W-1608 | nsp |
| C544 | | | CER.CHIP,0.1µF-Z/50V-1608 | nsp | R507SW | | | CHIP,1K-J 1/16W-1608 | nsp |
| C545A | | | CER.CHIP,1000pF-K/50V-1608 | nsp | R512C | | | CHIP,220-J 1/16W-1608 | nsp |
| C545C | | | ELECT,4.7µF-M/16V 5*11 | nsp | R512FL | | | CHIP,1K-J 1/16W-1608 | nsp |
| C545FL | | | ELECT,4.7µF-M/16V 5*11 | nsp | R512FR | | | CHIP,1K-J 1/16W-1608 | nsp |
| C545FR | | | ELECT,4.7µF-M/16V 5*11 | nsp | R512SC | | | CHIP,220-J 1/16W-1608 | nsp |
| C545SC | | | ELECT,4.7µF-M/16V 5*11 | nsp | R512SL | | | CHIP,220-J 1/16W-1608 | nsp |
| C545SL | | | ELECT,4.7µF-M/16V 5*11 | nsp | R512SR | | | CHIP,220-J 1/16W-1608 | nsp |
| C545SR | | | ELECT,4.7µF-M/16V 5*11 | nsp | R512SW | | | CHIP,220-J 1/16W-1608 | nsp |
| C545SW | | | ELECT,4.7µF-M/16V 5*11 | nsp | R515 | | | CHIP,10K-J 1/16W-1608 | nsp |
| C546A | | | CER.CHIP,1000pF-K/50V-1608 | nsp | R516C | | | CHIP,470K-J 1/16W-1608 | nsp |
| C552 | | | | | R516FL | | | CHIP,100K-J 1/16W-1608 | nsp |
| } | | | CER.CHIP,0.1µF-Z/50V-1608 | nsp | R516FR | | | CHIP,100K-J 1/16W-1608 | nsp |
| C556 | | | | | R516SC | | | CHIP,470K-J 1/16W-1608 | nsp |
| C557 | | | | | R516SL | | | CHIP,470K-J 1/16W-1608 | nsp |
| } | | | ELECT,47µF-M/25V 5*11 | nsp | R516SR | | | CHIP,470K-J 1/16W-1608 | nsp |
| C560 | | | | | R516SW | | | CHIP,1.5K-J 1/16W-1608 | nsp |
| C561 | | | | | | | | | |
| } | | | CER.CHIP,0.1µF-Z/50V-1608 | nsp | R525 | | | 10K-J 1/6W | nsp |
| C564 | | | | | R526 | | | 10K-J 1/6W | nsp |
| C565 | | | ELECT,47µF-M/25V 5*11 | nsp | R527 | | | CHIP,10K-J 1/16W-1608 | nsp |
| C566 | | | ELECT,47µF-M/25V 5*11 | nsp | R528 | | | 10K-J 1/6W | nsp |
| C567 | | | CER.CHIP,0.1µF-Z/50V-1608 | nsp | R529 | | | CHIP,10K-J 1/16W-1608 | nsp |
| C568 | | | CER.CHIP,0.1µF-Z/50V-1608 | nsp | R530 | | | CHIP,10K-J 1/16W-1608 | nsp |
| C571C | | | ELECT,4.7µF-M/16V 5*11 | nsp | R532 | | | CHIP,22K-J 1/16W-1608 | nsp |
| C571FL | | | ELECT,4.7µF-M/16V 5*11 | nsp | R536C | | | CHIP,470-J 1/16W-1608 | nsp |
| C571FR | | | ELECT,4.7µF-M/16V 5*11 | nsp | R536FL | | | CHIP,470-J 1/16W-1608 | nsp |
| C571SC | | | ELECT,4.7µF-M/16V 5*11 | nsp | R536FR | | | CHIP,470-J 1/16W-1608 | nsp |
| C571SL | | | ELECT,4.7µF-M/16V 5*11 | nsp | R536SC | | | CHIP,470-J 1/16W-1608 | nsp |
| C571SR | | | ELECT,4.7µF-M/16V 5*11 | nsp | R536SL | | | CHIP,470-J 1/16W-1608 | nsp |
| C571SW | | | ELECT,4.7µF-M/16V 5*11 | nsp | R536SR | | | CHIP,470-J 1/16W-1608 | nsp |
| C576 | | | | | R536SW | | | CHIP,470-J 1/16W-1608 | nsp |
| } | | | CER.CHIP,100pF-J/50V-1608 | nsp | R537 | | | 22K-J 1/6W | nsp |
| C584 | | | | | R538 | | | CHIP,22K-J 1/16W-1608 | nsp |
| C585 | | | CER.CHIP,0.1µF-Z/50V-1608 | nsp | R539 | | | 22K-J 1/6W | nsp |
| C586 | | | CER.CHIP,0.1µF-Z/50V-1608 | nsp | R540 | | | 22K-J 1/6W | nsp |
| C587 | | | ELECT,10µF-M/50V 5*11 | nsp | R541 | | | CHIP,22K-J 1/16W-1608 | nsp |
| C588 | | | ELECT,10µF-M/50V 5*11 | nsp | R542 | | | CHIP,22K-J 1/16W-1608 | nsp |
| C589 | | | ELECT,47µF-M/50V 6.3*11 | nsp | R543 | | | | |
| C590 | | | ELECT,47µF-M/50V 6.3*11 | nsp | } | | | 100K-J 1/6W | nsp |
| C591 | | | CER.CHIP,47pF-J/50V-1608 | nsp | R547 | | | | |
| C592 | | | CER.CHIP,47pF-J/50V-1608 | nsp | R549C | | | CHIP,470K-J 1/16W-1608 | nsp |
| C593 | | | CER.CHIP,0.1µF-Z/50V-1608 | nsp | R549FL | | | CHIP,470K-J 1/16W-1608 | nsp |
| C594 | | | CER.CHIP,0.1µF-Z/50V-1608 | nsp | R549FR | | | CHIP,470K-J 1/16W-1608 | nsp |
| C595 | | | CER.CHIP,47pF-J/50V-1608 | nsp | R549SC | | | CHIP,470K-J 1/16W-1608 | nsp |
| C596 | | | CER.CHIP,47pF-J/50V-1608 | nsp | R549SL | | | CHIP,470K-J 1/16W-1608 | nsp |
| C597 | | | | | R549SR | | | CHIP,470K-J 1/16W-1608 | nsp |
| } | | | ELECT,10µF-M/50V 5*11 | nsp | R549SW | | | 470K-J 1/6W | nsp |
| C600 | | | | | R559C | | | CHIP,470-J 1/16W-1608 | nsp |
| C601 | | | CER.CHIP,0.1µF-Z/50V-1608 | nsp | R559FL | | | CHIP,470-J 1/16W-1608 | nsp |
| | | | VOLUME - RESISTORS | | R559FR | | | CHIP,470-J 1/16W-1608 | nsp |
| R501 | | | CHIP,560-J 1/16W-1608 | nsp | R559SC | | | CHIP,470-J 1/16W-1608 | nsp |
| R502 | | | CHIP,560-J 1/16W-1608 | nsp | R559SL | | | CHIP,470-J 1/16W-1608 | nsp |
| R503 | | | 4.7-J 1/6W | nsp | R559SR | | | CHIP,470-J 1/16W-1608 | nsp |
| R504 | | | 4.7-J 1/6W | nsp | R559SW | | | CHIP,470-J 1/16W-1608 | nsp |
| R505 | | | CNWIRE1P,JUMPER(0.6/52MM) | nsp | R567C | | | CHIP,3K-J 1/16W-1608 | nsp |
| R506 | | | CNWIRE1P,JUMPER(0.6/52MM) | nsp | R567FL | | | CHIP,3K-J 1/16W-1608 | nsp |
| R507C | | | CHIP,1K-J 1/16W-1608 | nsp | R567FR | | | CHIP,3K-J 1/16W-1608 | nsp |
| | | | | | R567SC | | | CHIP,3K-J 1/16W-1608 | nsp |

NOTE : *nsp* PART IS LISTED FOR REFERENCE ONLY, MARANTZ WILL NOT SUPPLY THESE PARTS.

PS7200

| POS. NO | VERS. COLOR | PART NO. (FOR PCS) | DESCRIPTION | PART NO. (MJI) | POS. NO | VERS. COLOR | PART NO. (FOR PCS) | DESCRIPTION | PART NO. (MJI) |
|---------|-------------|--------------------|-------------------------|----------------|---------|-------------|--------------------|----------------------------|----------------|
| R567SL | | | CHIP,3K-J 1/16W-1608 | nsp | Q501 | | | | |
| R567SR | | | CHIP,3K-J 1/16W-1608 | nsp | Q514 | | | TRS.2SC,KTC2874B TO92 | *HT300880R |
| R567SW | | | CHIP,5.1K-J 1/16W-1608 | nsp | | | | | |
| R569C | | | CHIP,1.2K-J 1/16W-1608 | nsp | | | | | |
| R569FL | | | CHIP,1.2K-J 1/16W-1608 | nsp | CN114 | | | VOLUME - MISCELLANEOUS | nsp |
| R569FR | | | CHIP,1.2K-J 1/16W-1608 | nsp | | | | CN.WAFE2.0MM, | |
| R569SC | | | CHIP,1.2K-J 1/16W-1608 | nsp | | | | TUC-P15X-B1 HOUSING ST | nsp |
| R569SL | | | CHIP,1.2K-J 1/16W-1608 | nsp | CN115 | | | CN.WAFE2.0MM, | |
| R569SR | | | CHIP,1.2K-J 1/16W-1608 | nsp | | | | TUC-P20X-B1 HOUSING ST | nsp |
| R569SW | | | CHIP,1.2K-J 1/16W-1608 | nsp | CP503 | | | CN WIRE,220MM/12P | nsp |
| R582C | | | CHIP,470K-J 1/16W-1608 | nsp | | | | | |
| R582FL | | | CHIP,470K-J 1/16W-1608 | nsp | | | | DSP CIRCUIT BOARD | |
| R582FR | | | CHIP,470K-J 1/16W-1608 | nsp | | | | DSP - CAPACITORS | |
| R582SC | | | CHIP,470K-J 1/16W-1608 | nsp | C701 | | | | |
| R582SL | | | CHIP,470K-J 1/16W-1608 | nsp | | | | CER.CHIP,0.1µF-K/50V-1608 | nsp |
| R582SR | | | CHIP,470K-J 1/16W-1608 | nsp | | | | | |
| R582SW | | | CHIP,470K-J 1/16W-1608 | nsp | | | | | |
| R589C | | | CHIP,470-J 1/16W-1608 | nsp | C705 | | | | |
| R589FL | | | CHIP,470-J 1/16W-1608 | nsp | C706 | | | ELECT,47µF-M/10V 5*11 | nsp |
| R589FR | | | CHIP,470-J 1/16W-1608 | nsp | C707 | | | CER.CHIP,22pF-J/50V-1608 | nsp |
| R589SC | | | CHIP,470-J 1/16W-1608 | nsp | C708 | | | CER.CHIP,0.1µF-K/50V-1608 | nsp |
| R589SL | | | CHIP,470-J 1/16W-1608 | nsp | C709 | | | ELECT,47µF-M/10V 5*11 | nsp |
| R589SR | | | CHIP,470-J 1/16W-1608 | nsp | C710 | | | CER.CHIP,22pF-J/50V-1608 | nsp |
| R589SW | | | CHIP,470-J 1/16W-1608 | nsp | C711 | | | CER.CHIP,22pF-J/50V-1608 | nsp |
| R590 | | | 1K-J 1/6W | nsp | C712 | | | ELECT,47µF-M/10V 5*11 | nsp |
| R591 | | | CHIP,2K-J 1/16W-1608 | nsp | C713 | | | CER.CHIP,0.1µF-K/50V-1608 | nsp |
| R592 | | | 1K-J 1/6W | nsp | C714 | | | CER.CHIP,22pF-J/50V-1608 | nsp |
| R593 | | | CHIP,2K-J 1/16W-1608 | nsp | C715 | | | ELECT,3.3µF-M/50V 5*11 | nsp |
| R594 | | | CHIP,2K-J 1/16W-1608 | nsp | C716 | | | CER.CHIP,0.1µF-K/50V-1608 | nsp |
| R595 | | | | | C717 | | | CER.CHIP,22pF-J/50V-1608 | nsp |
| Q | | | 1K-J 1/6W | nsp | C718 | | | CER.CHIP,22pF-J/50V-1608 | nsp |
| R598 | | | | | C719 | | | ELECT,3.3µF-M/50V 5*11 | nsp |
| R599 | | | 100-J 1/6W | nsp | C720 | | | CER.CHIP,0.1µF-K/50V-1608 | nsp |
| R600 | | | 100-J 1/6W | nsp | C721 | | | CER.CHIP,22pF-J/50V-1608 | nsp |
| R601 | | | CHIP,100K-J 1/16W-1608 | nsp | C722 | | | CER.CHIP,22pF-J/50V-1608 | nsp |
| R602 | | | CHIP,100K-J 1/16W-1608 | nsp | C723 | | | ELECT,3.3µF-M/50V 5*11 | nsp |
| R603 | | | 4.7K-J 1/6W | nsp | C724 | | | CER.CHIP,0.1µF-K/50V-1608 | nsp |
| R604 | | | 4.7K-J 1/6W | nsp | C725 | | | CER.CHIP,22pF-J/50V-1608 | nsp |
| R605 | | | CHIP,4.7K-J 1/16W-1608 | nsp | C726 | | | ELECT,100µF-M/10V 5*11 | nsp |
| R606 | | | CHIP,4.7K-J 1/16W-1608 | nsp | C727 | | | CER.CHIP,0.1µF-K/50V-1608 | nsp |
| R607 | | | | | C728 | | | CER.CHIP,0.1µF-K/50V-1608 | nsp |
| Q | | | CHIP,10K-J 1/16W-1608 | nsp | C729 | | | ELECT,100µF-M/10V 5*11 | nsp |
| R612 | | | | | C730 | | | CER.CHIP,0.1µF-K/50V-1608 | nsp |
| R613 | | | CHIP,47K-J 1/16W-1608 | nsp | C731 | | | ELECT,1µF-M/50V 5*11 | nsp |
| R614 | | | CHIP,47K-J 1/16W-1608 | nsp | C732 | | | ELECT,1µF-M/50V 5*11 | nsp |
| R615 | | | | | C733 | | | ELECT,10µF-M/50V 5*11 | nsp |
| Q | | | CHIP,10K-J 1/16W-1608 | nsp | C734 | | | CER.CHIP,0.1µF-K/50V-1608 | nsp |
| R618 | | | | | C735 | | | ELECT,100µF-M/10V 5*11 | nsp |
| R619 | | | CHIP,100K-J 1/16W-1608 | nsp | C736 | | | CER.CHIP,0.1µF-K/50V-1608 | nsp |
| R620 | | | CHIP,100K-J 1/16W-1608 | nsp | C738 | | | CER.CHIP,0.1µF-K/50V-1608 | nsp |
| D501 | | | | | C739 | | | CER.CHIP,0.1µF-K/50V-1608 | nsp |
| Q | | | VOLUME - SEMICONDUCTORS | | C740 | | | CER.CHIP,0.01µF-Z/50V-1608 | nsp |
| D512 | | | DIODE,1SS133T | HD20015210 | C741 | | | CER.CHIP,0.1µF-K/50V-1608 | nsp |
| IC501 | | | IC,KIC9459F SOP24P | HC10449050 | C742 | | | CER.CHIP,0.01µF-Z/50V-1608 | nsp |
| IC502 | | | IC,KIC9482F FLP28 | *HC107280R | C743 | | | CER.CHIP,0.1µF-K/50V-1608 | nsp |
| IC505 | | | | | C744 | | | CER.CHIP,0.01µF-Z/50V-1608 | nsp |
| Q | | | IC,NJM2068M SOP8P | HC10102090 | C745 | | | CER.CHIP,0.1µF-K/50V-1608 | nsp |
| IC512 | | | | | C746 | | | ELECT,10µF-M/50V 5*11 | nsp |
| IC513 | | | IC,NJU7313AL SDIP28P | HC10125090 | C747 | | | CER.CHIP,0.1µF-K/50V-1608 | nsp |
| IC514 | | | IC,BU4053BCF SOP16P | HC405321Z0 | C748 | | | CER.CHIP,27pF-J/50V-1608 | nsp |
| | | | | | C749 | | | CER.CHIP,27pF-J/50V-1608 | nsp |
| | | | | | C750 | | | CER.CHIP,1000pF-K/50V-1608 | nsp |
| | | | | | C751 | | | CER.CHIP,0.1µF-K/50V-1608 | nsp |
| | | | | | C752 | | | CER.CHIP,0.1µF-K/50V-1608 | nsp |
| | | | | | C753 | | | ELECT,100µF-M/10V 5*11 | nsp |

NOTE : *nsp PART IS LISTED FOR REFERENCE ONLY, MARANTZ WILL NOT SUPPLY THESE PARTS.

PS7200

| POS. NO | VERS. COLOR | PART NO. (FOR PCS) | DESCRIPTION | PART NO. (MJI) | POS. NO | VERS. COLOR | PART NO. (FOR PCS) | DESCRIPTION | PART NO. (MJI) |
|---------|-------------|--------------------|----------------------------|----------------|---------|-------------|--------------------|----------------------------|----------------|
| C754 | | | CER.CHIP,0.1µF-K/50V-1608 | nsp | C796FL2 | | | CER.CHIP,3300pF-K/50V-1608 | nsp |
| C755 | | | CER.CHIP,0.01µF-Z/50V-1608 | nsp | C796FR1 | | | CER.CHIP,3300pF-K/50V-1608 | nsp |
| C756 | | | CER.CHIP,0.01µF-Z/50V-1608 | nsp | C796FR2 | | | CER.CHIP,3300pF-K/50V-1608 | nsp |
| C757 | | | ELECT,220µF-M/6.3V 6.3*1 | nsp | C797 | | | CER.CHIP,0.1µF-K/50V-1608 | nsp |
| C758 | | | CER.CHIP,0.1µF-K/50V-1608 | nsp | C797FL1 | | | CER.CHIP,390pF-J/50V-1608 | nsp |
| C759 | | | CER.CHIP,470pF-J/50V-1608 | nsp | C797FL2 | | | CER.CHIP,390pF-J/50V-1608 | nsp |
| C760 | | | ELECT,47µF-M/10V 5*11 | nsp | C797FR1 | | | CER.CHIP,390pF-J/50V-1608 | nsp |
| C761 | | | CER.CHIP,0.1µF-K/50V-1608 | nsp | C797FR2 | | | CER.CHIP,390pF-J/50V-1608 | nsp |
| C762 | | | CER.CHIP,0.01µF-Z/50V-1608 | nsp | C798C | | | CER.CHIP,1500pF-K/50V-1608 | nsp |
| C763 | | | ELECT,2.2µF-M/50V 5*11 | nsp | C798SC | | | CER.CHIP,1500pF-K/50V-1608 | nsp |
| C764 | | | CER.CHIP,0.1µF-K/50V-1608 | nsp | C798SL | | | CER.CHIP,1500pF-K/50V-1608 | nsp |
| C765 | | | ELECT,1µF-M/50V 5*11 | nsp | C798SR | | | CER.CHIP,1500pF-K/50V-1608 | nsp |
| C766 | | | CER.CHIP,0.01µF-Z/50V-1608 | nsp | C798SW | | | FILM,0.018µF-K/63V | nsp |
| C767 | | | CER.CHIP,0.01µF-Z/50V-1608 | nsp | C799C | | | ELECT,10µF-M/50V 5*11 | nsp |
| C768 | | | CER.CHIP,0.1µF-K/50V-1608 | nsp | C799FL | | | ELECT,10µF-M/50V 5*11 | nsp |
| C769 | | | CER.CHIP,0.1µF-K/50V-1608 | nsp | C799FR | | | ELECT,10µF-M/50V 5*11 | nsp |
| C770 | | | CER.CHIP,0.1µF-K/50V-1608 | nsp | C799SC | | | ELECT,10µF-M/50V 5*11 | nsp |
| C771 | | | ELECT,1µF-M/50V 5*11 | nsp | C799SL | | | ELECT,10µF-M/50V 5*11 | nsp |
| C772 | | | CER.CHIP,0.1µF-K/50V-1608 | nsp | C799SR | | | ELECT,10µF-M/50V 5*11 | nsp |
| C773 | | | ELECT,100µF-M/10V 5*11 | nsp | C799SW | | | ELECT,10µF-M/50V 5*11 | nsp |
| C774 | | | CER.CHIP,0.01µF-Z/50V-1608 | nsp | C800C | | | CER.CHIP,3300pF-K/50V-1608 | nsp |
| C775 | | | CER.CHIP,0.1µF-K/50V-1608 | nsp | C800FL | | | CER.CHIP,1500pF-K/50V-1608 | nsp |
| C776 | | | ELECT,100µF-M/10V 5*11 | nsp | C800FR | | | CER.CHIP,1500pF-K/50V-1608 | nsp |
| C777 | | | CER.CHIP,0.1µF-K/50V-1608 | nsp | C800SC | | | CER.CHIP,3300pF-K/50V-1608 | nsp |
| C778 | | | ELECT,100µF-M/10V 5*11 | nsp | C800SL | | | CER.CHIP,3300pF-K/50V-1608 | nsp |
| C779 | | | CER.CHIP,0.1µF-K/50V-1608 | nsp | C800SR | | | CER.CHIP,3300pF-K/50V-1608 | nsp |
| C780 | | | ELECT,1µF-M/50V 5*11 | nsp | C800SW | | | CER.CHIP,3300pF-K/50V-1608 | nsp |
| C782 | | | ELECT,1µF-M/50V 5*11 | nsp | C801 | | | ELECT,100µF-M/10V 5*11 | nsp |
| C783AFL | | | ELECT,10µF-M/50V 5*11 | nsp | C802 | | | CER.CHIP,0.01µF-Z/50V-1608 | nsp |
| C783AFR | | | ELECT,10µF-M/50V 5*11 | nsp | C803 | | | ELECT,1µF-M/50V 5*11 | nsp |
| C784AFL | | | ELECT,10µF-M/50V 5*11 | nsp | C804 | | | ELECT,10µF-M/50V 5*11 | nsp |
| C784AFR | | | ELECT,10µF-M/50V 5*11 | nsp | C866 | | | ELECT,100µF-M/25V 6.3*11 | nsp |
| C785AFL | | | CER.CHIP,0.1µF-K/50V-1608 | nsp | C867 | | | ELECT,100µF-M/25V 6.3*11 | nsp |
| C785AFR | | | CER.CHIP,0.1µF-K/50V-1608 | nsp | C868 | | | ELECT,10µF-M/50V 5*11 | nsp |
| C786AFL | | | CER.CHIP,0.1µF-K/50V-1608 | nsp | C869 | | | CER.CHIP,100pF-J/50V-1608 | nsp |
| C786AFR | | | CER.CHIP,0.1µF-K/50V-1608 | nsp | C870 | | | CER.CHIP,1000pF-K/50V-1608 | nsp |
| C787AFL | | | CER.CHIP,100pF-J/50V-1608 | nsp | C873 | | | CER.CHIP,150pF-J/50V-1608 | nsp |
| C787AFR | | | CER.CHIP,100pF-J/50V-1608 | nsp | C875 | | | CER.CHIP,0.1µF-K/50V-1608 | nsp |
| C788AFL | | | CER.CHIP,100pF-J/50V-1608 | nsp | C876 | | | CER.CHIP,27pF-J/50V-1608 | nsp |
| C788AFR | | | CER.CHIP,100pF-J/50V-1608 | nsp | C877 | | | CER.CHIP,0.1µF-K/50V-1608 | nsp |
| C789AFL | | | CER.CHIP,1000pF-K/50V-1608 | nsp | C878 | | | CER.CHIP,0.1µF-K/50V-1608 | nsp |
| C789AFR | | | CER.CHIP,1000pF-K/50V-1608 | nsp | C879 | | | CER.CHIP,0.1µF-K/50V-1608 | nsp |
| C790 | | | | | | | | | |
| S | | | | | | | | | |
| C794 | | | CER.CHIP,0.1µF-K/50V-1608 | nsp | | | | DSP - RESISTORS | |
| C794C | | | ELECT,10µF-M/50V 5*11 | nsp | R701 | | | CHIP,4.7K-J 1/16W-1608 | nsp |
| C794FL1 | | | ELECT,10µF-M/50V 5*11 | nsp | R702 | | | CHIP,4.7K-J 1/16W-1608 | nsp |
| C794FL2 | | | ELECT,10µF-M/50V 5*11 | nsp | R703 | | | CHIP,4.7K-J 1/16W-1608 | nsp |
| C794FR1 | | | ELECT,10µF-M/50V 5*11 | nsp | R704 | | | CHIP,75-J 1/16W-1608 | nsp |
| C794FR2 | | | ELECT,10µF-M/50V 5*11 | nsp | R705 | | | CHIP,100-J 1/16W-1608 | nsp |
| C794SC | | | ELECT,10µF-M/50V 5*11 | nsp | R706 | | | CHIP,10K-J 1/16W-1608 | nsp |
| C794SL | | | ELECT,10µF-M/50V 5*11 | nsp | R707 | | | CHIP,100K-J 1/16W-1608 | nsp |
| C794SR | | | ELECT,10µF-M/50V 5*11 | nsp | R708 | | | CHIP,2.2K-J 1/16W-1608 | nsp |
| C794SW | | | ELECT,10µF-M/50V 5*11 | nsp | R709 | | | CHIP,75-J 1/16W-1608 | nsp |
| C795 | | | CER.CHIP,0.1µF-K/50V-1608 | nsp | R710 | | | CHIP,100-J 1/16W-1608 | nsp |
| C795C | | | CER.CHIP,2200pF-K/50V-1608 | nsp | R711 | | | CHIP,10K-J 1/16W-1608 | nsp |
| C795SC | | | CER.CHIP,2200pF-K/50V-1608 | nsp | R712 | | | CHIP,100K-J 1/16W-1608 | nsp |
| C795SL | | | CER.CHIP,2200pF-K/50V-1608 | nsp | R713 | | | CHIP,2.2K-J 1/16W-1608 | nsp |
| C795SR | | | CER.CHIP,2200pF-K/50V-1608 | nsp | R714 | | | CHIP,75-J 1/16W-1608 | nsp |
| C795SW | | | FILM,0.15µF-K/63V | nsp | R715 | | | CHIP,100-J 1/16W-1608 | nsp |
| C796 | | | CER.CHIP,0.1µF-K/50V-1608 | nsp | R716 | | | CHIP,10K-J 1/16W-1608 | nsp |
| C796FL1 | | | CER.CHIP,3300pF-K/50V-1608 | nsp | R717 | | | CHIP,100K-J 1/16W-1608 | nsp |
| | | | | | R718 | | | CHIP,2.2K-J 1/16W-1608 | nsp |

NOTE : *nsp* PART IS LISTED FOR REFERENCE ONLY, MARANTZ WILL NOT SUPPLY THESE PARTS.

PS7200

| POS. NO | VERS. COLOR | PART NO. (FOR PCS) | DESCRIPTION | PART NO. (MJI) | POS. NO | VERS. COLOR | PART NO. (FOR PCS) | DESCRIPTION | PART NO. (MJI) |
|---------|-------------|--------------------|------------------------|----------------|---------|-------------|--------------------|------------------------|----------------|
| R719 | | | CHIP,75-J 1/16W-1608 | nsp | R782SC | | | CHIP,1.5K-J 1/16W-1608 | nsp |
| R720 | | | CHIP,180-J 1/16W-1608 | nsp | R782SL | | | CHIP,1.5K-J 1/16W-1608 | nsp |
| R721 | | | CHIP,91-J 1/16W-1608 | nsp | R782SP | | | CHIP,1.5K-J 1/16W-1608 | nsp |
| R723 | | | CHIP,10K-J 1/16W-1608 | nsp | R782SW | | | CHIP,4.7K-J 1/16W-1608 | nsp |
| R724 | | | CHIP,1M-J 1/16W-1608 | nsp | R783FL1 | | | CHIP,7.5K-J 1/16W-1608 | nsp |
| R725 | | | | | R783FL2 | | | CHIP,7.5K-J 1/16W-1608 | nsp |
| § | | | CHIP,33-J 1/16W-1608 | nsp | R783FR1 | | | CHIP,7.5K-J 1/16W-1608 | nsp |
| R728 | | | | | R783FR2 | | | CHIP,7.5K-J 1/16W-1608 | nsp |
| R729 | | | CHIP,75-J 1/16W-1608 | nsp | R784FL1 | | | CHIP,4.3K-J 1/16W-1608 | nsp |
| R730 | | | CHIP,5.1K-J 1/16W-1608 | nsp | R784FL2 | | | CHIP,4.3K-J 1/16W-1608 | nsp |
| R731 | | | CHIP,3K-J 1/16W-1608 | nsp | R784FR1 | | | CHIP,4.3K-J 1/16W-1608 | nsp |
| R732 | | | CHIP,8.2K-J 1/16W-1608 | nsp | R784FR2 | | | CHIP,4.3K-J 1/16W-1608 | nsp |
| R733 | | | CHIP,100-J 1/16W-1608 | nsp | R785FL1 | | | CHIP,820-J 1/16W-1608 | nsp |
| R734 | | | | | R785FL2 | | | CHIP,820-J 1/16W-1608 | nsp |
| § | | | CHIP,10K-J 1/16W-1608 | nsp | R785FR1 | | | CHIP,820-J 1/16W-1608 | nsp |
| R743 | | | | | R785FR2 | | | CHIP,820-J 1/16W-1608 | nsp |
| R744 | | | CHIP,33-J 1/16W-1608 | nsp | | | | | |
| R745 | | | CHIP,4.7K-J 1/16W-1608 | nsp | R786C | | | CHIP,1.5K-J 1/16W-1608 | nsp |
| R748 | | | CHIP,33-J 1/16W-1608 | nsp | R786SC | | | CHIP,1.5K-J 1/16W-1608 | nsp |
| R749 | | | CHIP,4.7K-J 1/16W-1608 | nsp | R786SL | | | CHIP,1.5K-J 1/16W-1608 | nsp |
| R750 | | | CHIP,4.7K-J 1/16W-1608 | nsp | R786SR | | | CHIP,1.5K-J 1/16W-1608 | nsp |
| R751 | | | CHIP,33K-J 1/16W-1608 | nsp | R786SW | | | CHIP,4.7K-J 1/16W-1608 | nsp |
| R752 | | | CHIP,10K-J 1/16W-1608 | nsp | R787C | | | CHIP,2.7K-J 1/16W-1608 | nsp |
| R753 | | | | | R787SC | | | CHIP,2.7K-J 1/16W-1608 | nsp |
| § | | | CHIP,33-J 1/16W-1608 | nsp | R787SL | | | CHIP,2.7K-J 1/16W-1608 | nsp |
| R757 | | | | | R787SR | | | CHIP,2.7K-J 1/16W-1608 | nsp |
| R758 | | | CHIP,10K-J 1/16W-1608 | nsp | R787SW | | | CHIP,1.2K-J 1/16W-1608 | nsp |
| R759 | | | CHIP,4.7K-J 1/16W-1608 | nsp | R788C | | | CHIP,3.3K-J 1/16W-1608 | nsp |
| R760 | | | | | R788SC | | | CHIP,3.3K-J 1/16W-1608 | nsp |
| § | | | CHIP,33-J 1/16W-1608 | nsp | R788SL | | | CHIP,3.3K-J 1/16W-1608 | nsp |
| R764 | | | | | R788SR | | | CHIP,3.3K-J 1/16W-1608 | nsp |
| R765 | | | CHIP,33K-J 1/16W-1608 | nsp | R788SW | | | CHIP,9.1K-J 1/16W-1608 | nsp |
| R766 | | | CHIP,4.7K-J 1/16W-1608 | nsp | R790C | | | CHIP,180K-J 1/16W-1608 | nsp |
| R768 | | | CHIP,100-J 1/16W-1608 | nsp | R790FL | | | CHIP,15K-J 1/16W-1608 | nsp |
| R769 | | | CHIP,10K-J 1/16W-1608 | nsp | R790FR | | | CHIP,15K-J 1/16W-1608 | nsp |
| R770 | | | CHIP,4.7K-J 1/16W-1608 | nsp | R790SC | | | CHIP,180K-J 1/16W-1608 | nsp |
| R770AFL | | | CHIP,6.2K-J 1/16W-1608 | nsp | R790SL | | | CHIP,180K-J 1/16W-1608 | nsp |
| R770AFR | | | CHIP,6.2K-J 1/16W-1608 | nsp | R790SR | | | CHIP,180K-J 1/16W-1608 | nsp |
| R771AFL | | | CHIP,4.7K-J 1/16W-1608 | nsp | R790SW | | | CHIP,100K-J 1/16W-1608 | nsp |
| R771AFR | | | CHIP,4.7K-J 1/16W-1608 | nsp | R791C | | | CHIP,2.2K-J 1/16W-1608 | nsp |
| R772 | | | CHIP,2.2K-J 1/16W-1608 | nsp | R791FL | | | CHIP,2.2K-J 1/16W-1608 | nsp |
| R772AFL | | | CHIP,2.4K-J 1/16W-1608 | nsp | R791FR | | | CHIP,2.2K-J 1/16W-1608 | nsp |
| R772AFR | | | CHIP,2.4K-J 1/16W-1608 | nsp | R791SC | | | CHIP,2.2K-J 1/16W-1608 | nsp |
| R773AFL | | | CHIP,4.7K-J 1/16W-1608 | nsp | R791SL | | | CHIP,2.2K-J 1/16W-1608 | nsp |
| R773AFR | | | CHIP,4.7K-J 1/16W-1608 | nsp | R791SR | | | CHIP,2.2K-J 1/16W-1608 | nsp |
| R774AFL | | | CHIP,4.7K-J 1/16W-1608 | nsp | R791SW | | | CHIP,2.2K-J 1/16W-1608 | nsp |
| R774AFR | | | CHIP,4.7K-J 1/16W-1608 | nsp | | | | | |
| R775AFL | | | CHIP,47K-J 1/16W-1608 | nsp | R792 | | | CHIP,470-J 1/16W-1608 | nsp |
| R775AFR | | | CHIP,47K-J 1/16W-1608 | nsp | R793 | | | CHIP,1M-J 1/16W-1608 | nsp |
| R776AFL | | | CHIP,4.7K-J 1/16W-1608 | nsp | R799C | | | CHIP,470-J 1/16W-1608 | nsp |
| R776AFR | | | CHIP,4.7K-J 1/16W-1608 | nsp | R799FL | | | CHIP,1K-J 1/16W-1608 | nsp |
| R777AFL | | | CHIP,5.6K-J 1/16W-1608 | nsp | R799FR | | | CHIP,1K-J 1/16W-1608 | nsp |
| R777AFR | | | CHIP,5.6K-J 1/16W-1608 | nsp | R799SC | | | CHIP,470-J 1/16W-1608 | nsp |
| R778AFL | | | CHIP,10K-J 1/16W-1608 | nsp | R799SL | | | CHIP,470-J 1/16W-1608 | nsp |
| R778AFR | | | CHIP,10K-J 1/16W-1608 | nsp | R799SR | | | CHIP,470-J 1/16W-1608 | nsp |
| R779AFL | | | CHIP,330-J 1/16W-1608 | nsp | R799SW | | | CHIP,470-J 1/16W-1608 | nsp |
| R779AFR | | | CHIP,330-J 1/16W-1608 | nsp | R800 | | | CHIP,20K-J 1/16W-1608 | nsp |
| R780AFL | | | CHIP,10K-J 1/16W-1608 | nsp | R801 | | | CHIP,10K-J 1/16W-1608 | nsp |
| R780AFR | | | CHIP,10K-J 1/16W-1608 | nsp | R802C | | | CHIP,100K-J 1/16W-1608 | nsp |
| R781AFL | | | CHIP,330-J 1/16W-1608 | nsp | R802SC | | | CHIP,100K-J 1/16W-1608 | nsp |
| R781AFR | | | CHIP,330-J 1/16W-1608 | nsp | R802SL | | | CHIP,100K-J 1/16W-1608 | nsp |
| R782C | | | CHIP,1.5K-J 1/16W-1608 | nsp | R802SR | | | CHIP,100K-J 1/16W-1608 | nsp |
| | | | | | R802SW | | | CHIP,100K-J 1/16W-1608 | nsp |

NOTE : "nsp" PART IS LISTED FOR REFERENCE ONLY, MARANTZ WILL NOT SUPPLY THESE PARTS.

PS7200

| POS. NO | VERS. COLOR | PART NO. (FOR PCS) | DESCRIPTION | PART NO. (MJI) | POS. NO | VERS. COLOR | PART NO. (FOR PCS) | DESCRIPTION | PART NO. (MJI) |
|---------|-------------|--------------------|---------------------------------|----------------|----------|-------------|--------------------|---|----------------|
| R803 | | | CHIP,33-J 1/16W-1608 | nsp | Q707 | | | TRS.CHIP 2SA,KRA102S | *BA001230R |
| R815 | | | | | Q708 | | | TRS.CHIP 2SA,KRA102S | *BA001230R |
| R816 | | | | | Q711 | | | TRS.CHIP 2SA,KRA102S | *BA001230R |
| R820 | | | CHIP,1K-J 1/16W-1608 | nsp | Q712 | | | TRS.CHIP 2SC, KTC2875B SOT23 | *HT300870R |
| R821 | | | | | Q712C | | | TRS.CHIP 2SC, KTC2875B SOT23 | *HT300870R |
| R824 | | | CHIP,2.2K-J 1/16W-1608 | nsp | Q712SC | | | TRS.CHIP 2SC, KTC2875B SOT23 | *HT300870R |
| R825 | | | CHIP,33-J 1/16W-1608 | nsp | Q712SL | | | TRS.CHIP 2SC, KTC2875B SOT23 | *HT300870R |
| R826 | | | CHIP,33-J 1/16W-1608 | nsp | Q712SR | | | TRS.CHIP 2SC, KTC2875B SOT23 | *HT300870R |
| R827 | | | CHIP,1K-J 1/16W-1608 | nsp | | | | | |
| R828 | | | CHIP,1K-J 1/16W-1608 | nsp | | | | | |
| R838 | | | CHIP,470K-J 1/16W-1608 | nsp | | | | | |
| | | | DSP - SEMICONDUCTORS | | | | | DSP - MISCELLANEOUS | |
| D701 | | | DIODE CHIP,KDS160 | *HD201560R | CB702 | | | BEAD COIL CHIP, HB-IT2012-121JT 2012 | nsp |
| D707 | | | | | CB708 | | | | |
| IC701 | | | IC,74VHCU04 SOP14 | *HC700300R | CN111 | | | CN.WAFE2.0MM, TUC-P12X-B1 HOUSING ST | nsp |
| IC702 | | | IC,MM74HC151MX SOP16 | *HC700330R | CN112 | | | CN.WAFE2.0MM, TUC-P15X-B1 HOUSING ST | nsp |
| IC703 | | | IC,BA4510F-T1 SOP | HC10159210 | CN113 | | | CN.WAFE2.0MM, TUC-P18X-B1 HOUSING ST | nsp |
| IC704 | | | IC,BA4510F-T1 SOP | HC10159210 | FB701C | | | BEAD COIL, BRS3550T0 3.5PHI*5 | nsp |
| IC705 | | | IC,NJM7805FA T0220F | HC3890509F | FB701FL | | | BEAD COIL, BRS3550T0 3.5PHI*5 | nsp |
| IC706 | | | IC,RC1117S33ST SOT223 | *HC900020R | FB701FR | | | BEAD COIL, BRS3550T0 3.5PHI*5 | nsp |
| IC707 | | | IC,M27W401-80B6 PDIP32 | *HC107760R | FB701SC | | | BEAD COIL, BRS3550T0 3.5PHI*5 | nsp |
| IC708 | | | IC,MM74LCX574WMX SOP20 | *HC700360R | FB701SL | | | BEAD COIL, BRS3550T0 3.5PHI*5 | nsp |
| IC709 | | | IC,MM74LCX574WMX SOP20 | *HC700360R | FB701SP | | | BEAD COIL, BRS3550T0 3.5PHI*5 | nsp |
| IC710 | | | IC,LC89055W(ES4) | HC10405030 | FB701SW | | | BEAD COIL, BRS3550T0 3.5PHI*5 | nsp |
| IC711 | | | IC,SN74LV00APW | *HC700370R | FB702AFL | | | BEAD COIL, BRS3550T0 3.5PHI*5 | nsp |
| IC712 | | | IC,MM74HCT244WMX SOP20 | *HC700350R | FB702AFR | | | BEAD COIL, BRS3550T0 3.5PHI*5 | nsp |
| IC713 | | | IC,MM74HC125MX SOP14 | *HC700320R | L701 | | | COIL FILTER-INDUCTOR, 4.7UH-Q50/56M LAL03VB | nsp |
| IC714 | | | IC,IS61LV256-12J SOJ28P | *HC107770R | L702 | | | COIL FILTER-INDUCTOR, 4.7UH-Q50/56M LAL03VB | nsp |
| IC715 | | | IC,CS49329-CL PLCC44P | *HC107780R | L703 | | | COIL FILTER-INDUCTOR, 4.7UH-Q50/56M LAL03VB | nsp |
| IC716 | | | IC,RC1117S25T SOT223 | *HC900010R | L704 | | | COIL FILTER-INDUCTOR, 4.7UH-Q50/56M LAL03VB | nsp |
| IC717 | | | IC,MM74HC244WMX SOIC20 | *HC700340R | L705 | | | COIL FILTER-INDUCTOR, 2.2UH-Q50/110M LAL03VB | nsp |
| IC718 | | | IC,MM74HCT244WMX SOP20 | *HC700350R | L706 | | | COIL FILTER-INDUCTOR, 2.2UH-Q50/110M LAL03VB | nsp |
| IC719 | | | IC,CS4228A-KS SSOP28 | *HC107240R | L707 | | | COIL FILTER-INDUCTOR, 4.7UH-Q50/56M LAL03VB | nsp |
| IC720 | | | IC,CS4391 TSSOP20 | *HC107250R | L708 | | | COIL FILTER-INDUCTOR, 2.2UH-Q50/110M LAL03VB | nsp |
| IC721 | | | IC,SN74LV4040APWR SOP16 | *HC700380R | T1 | | | COIL CHOKE, TRANS MATCHING | *LC107290R |
| IC722 | | | | | WIRE701 | | | WIRE LEAD 1007 80C, GREEN 5-100-5 | nsp |
| IC725 | | | IC,NJM2068M SOP8P | HC10102090 | WIRE702 | | | WIRE LEAD 1007 80C, GR 5-80-5 | nsp |
| Q701C | | | TRS.CHIP 2SC, KTC2875B SOT23 | *HT300870R | XTAL701 | | | CRYSTAL, 12.288MHZ HC49U-CL | *JX000770R |
| Q701FL | | | TRS.CHIP 2SC, KTC2875B SOT23 | *HT300870R | | | | | |
| Q701FR | | | TRS.CHIP 2SC, KTC2875B SOT23 | *HT300870R | | | | | |
| Q701SC | | | TRS.CHIP 2SC, KTC2875B SOT23 | *HT300870R | | | | | |
| Q701SL | | | TRS.CHIP 2SC, KTC2875B SOT23 | *HT300870R | | | | | |
| Q701SR | | | TRS.CHIP 2SC, KTC2875B SOT23 | *HT300870R | | | | | |
| Q701SW | | | TRS.CHIP 2SC, KTC2875B SOT23 | *HT300870R | | | | | |
| Q702AFL | | | TRS.CHIP 2SC, KTC2875B SOT23 | *HT300870R | | | | | |
| Q702AFR | | | TRS.CHIP 2SC, KTC2875B SOT23 | *HT300870R | | | | | |
| Q703 | | | TRS.CHIP 2SA,KRA102S | *BA001230R | | | | | |
| Q704 | | | TRS.CHIP 2SC,KRC102S | *BA001220R | | | | | |
| Q705 | | | TRS.CHIP 2SA,KRA102S | *BA001230R | | | | | |
| Q706 | | | TRS.CHIP 2SC,KRC102S | *BA001220R | | | | | |

NOTE : *nsp* PART IS LISTED FOR REFERENCE ONLY, MARANTZ WILL NOT SUPPLY THESE PARTS.

PS7200

| POS. NO | VERS. COLOR | PART NO. (FOR PCS) | DESCRIPTION | PART NO. (MJI) | POS. NO | VERS. COLOR | PART NO. (FOR PCS) | DESCRIPTION | PART NO. (MJI) |
|---------|-------------|--------------------|---------------------------|----------------|---------|-------------|--------------------|----------------------------|----------------|
| C701L | | | HEAD PHONE CIRCUIT BOARD | | ▲F712 | | | FUSE (5.2*20),250V-S8A | *FS000900R |
| C701R | | | HEAD PHONE - CAPACITORS | | FC715 | | | HOLDER,FUSE CLIP | nsp |
| C702 | | | CER.,560pF-K/50V | nsp | ▲F715 | | | FUSE (5.2*20),250V-S2.5A | *FS000890R |
| CP103 | | | CER.,560pF-K/50V | nsp | GND711 | | | TERMINAL, | nsp |
| | | | CER.,0.1µF-Z/50V | nsp | | | | ALL PBST/GND PLATE | nsp |
| | | | CN WIRE,570MM/3P | nsp | GND712 | | | TERMINAL, | nsp |
| | | | | | | | | ALL PBST/GND PLATE | nsp |
| R701L | | | HEAD PHONE - RESISTORS | | L710 | | | COIL FILTER-INDUCTOR, | nsp |
| R701R | | | RES MF 330 2W 5% | GA05331010 | L711 | | | 10UH-Q40/24M 02TB | nsp |
| | | | RES MF 330 2W 5% | GA05331010 | L712 | | | COIL FILTER-INDUCTOR, | nsp |
| WIRE701 | | | HEAD PHONE-MISCELLANEOUS | | | | | 10UH-Q40/24M 02TB | nsp |
| | | | RING TEWIRE,200MM/1P | nsp | ▲RY710 | | | RELAY,HR-CR7-DC12V/10A | *LY000200R |
| | | | | | ▲T710 | | | TRANSF. SUB FOR F | *TS001610R |
| | | | POWER CIRCUIT BOARD | | | | | S-VIDEO CIRCUIT BOARD | |
| | | | POWER - CAPACITORS | | | | | S-VIDEO - CAPACITORS | |
| C710 | | | FILM,0.047µF-J/100V | nsp | C801 | | | ELECT,10µF-M/50V 5*11 | nsp |
| C711 | | | FILM,0.047µF-J/100V | nsp | C802 | | | ELECT,470µF-M/6.3V 8*11.5 | nsp |
| C712 | | | FILM,0.047µF-J/100V | nsp | C802N | | | CER.CHIP,47pF-J/50V-1608 | nsp |
| C713 | | | CER.,0.1µF-Z/50V P16 | nsp | C803 | | | ELECT,10µF-M/50V 5*11 | nsp |
| ▲C714 | | | CER.(SAFETY),DE2F3KH108MM | nsp | C803N | | | CER.CHIP,47pF-J/50V-1608 | nsp |
| | | | 4A | | C804 | | | ELECT,470µF-M/6.3V 8*11.5 | nsp |
| C717 | | | ELECT,470µF-M/25V 10*12.5 | nsp | C804N | | | CER.CHIP,47pF-J/50V-1608 | nsp |
| C718 | | | ELECT,1µF-M/50V 5*11 | nsp | C805 | | | ELECT,470µF-M/6.3V 8*11.5 | nsp |
| C719 | | | ELECT,220µF-M/50V 10*12.5 | nsp | C805N | | | CER.CHIP,47pF-J/50V-1608 | nsp |
| | | | | | C806 | | | ELECT,10µF-M/50V 5*11 | nsp |
| | | | POWER - RESISTORS | | C806N | | | CER.CHIP,47pF-J/50V-1608 | nsp |
| R710D | | | ERC-12UGK335 | RC05471010 | C807 | | | ELECT,4.7µF-M/50V 5*11 | nsp |
| R712 | | | 470-J 1/6W | nsp | C807N | | | CER.CHIP,47pF-J/50V-1608 | nsp |
| R713 | | | 10K-J 1/6W | nsp | C808 | | | ELECT,4.7µF-M/50V 5*11 | nsp |
| R714 | | | 15K-J 1/6W | nsp | C809 | | | ELECT,10µF-M/50V 5*11 | nsp |
| R716 | | | 47-J 1/4W | nsp | | | | ELECT,10µF-M/50V 5*11 | nsp |
| R718 | | | 1.8K-J 1/6W | nsp | | | | ELECT,100pF-J/50V-1608 | nsp |
| R719 | | | 0.22-J 1W | *GA000200R | | | | ELECT,10µF-M/50V 5*11 | nsp |
| | | | | | C810 | | | CER.CHIP,100pF-J/50V-1608 | nsp |
| | | | POWER - SEMICONDUCTORS | | C810A | | | ELECT,10µF-M/50V 5*11 | nsp |
| D710 | | | | | C811 | | | ELECT,4.7µF-M/50V 5*11 | nsp |
| S | | | DIODE,IN4007 | *HD201570R | C812 | | | ELECT,4.7µF-M/50V 5*11 | nsp |
| D713 | | | | | C813 | | | ELECT,4.7µF-M/50V 5*11 | nsp |
| D714 | | | DIODE,1SS133T | HD20015210 | C814 | | | ELECT,10µF-M/50V 5*11 | nsp |
| D715 | | | DIODE,1SS133T | HD20015210 | C815 | | | ELECT,10µF-M/50V 5*11 | nsp |
| D719 | | | DIODE,IN4007 | *HD201570R | C816 | | | ELECT,47µF-M/16V 5*11 | nsp |
| IC710 | | | IC,KA7806 | *HC300120R | C817 | | | CER.CHIP,0.01µF-Z/50V-1608 | nsp |
| Q711 | | | TRS.RC,KRC107M TO92M | *BA001190R | C818 | | | CER.,0.01µF-M/16V | nsp |
| Q712 | | | TRS.2SA,KSA816Y TO92L | *HT100600R | C820 | | | ELECT,47µF-M/16V 5*11 | nsp |
| Q714 | | | TRS.RC,KRC107M TO92M | *BA001190R | C821 | | | CER.CHIP,0.01µF-Z/50V-1608 | nsp |
| ZD711 | | | D ZENER,MTZJ7.5B | *HD301980R | C822 | | | ELECT,100µF-M/10V 5*11 | nsp |
| ZD712 | | | D ZENER,MTZJ15B | *HD302000R | C823 | | | ELECT,10µF-M/50V 5*11 | nsp |
| ZD713 | | | D ZENER,MTZJ15B | *HD302000R | C824 | | | CER.,0.01µF-M/16V | nsp |
| ZD715 | | | D ZENER,MTZJ4.3B | HD30431000 | C825 | | | ELECT,2.2µF-M/50V 5*11 | nsp |
| ZD716 | | | D ZENER,MTZJ20B | *HD301950R | C826 | | | CER.,0.001µF-K/50V | nsp |
| | | | | | C827 | | | ELECT,2.2µF-M/50V 5*11 | nsp |
| | | | POWER - MISCELLANEOUS | | C828 | | | ELECT,10µF-M/50V 5*11 | nsp |
| CP710 | | | CN.WAFE2.5MM,5267-04A 4P | nsp | C829 | | | ELECT,10µF-M/50V 5*11 | nsp |
| CP711 | | | CN.WAFE3.96MM,35328-0210 | nsp | | | | CER.CHIP,100pF-J/50V-1608 | nsp |
| CP712 | | | CN.WAFE7.92MM, | nsp | C831 | | | ELECT,10µF-M/50V 5*11 | nsp |
| | | | YW396-32V 2P | | C832 | | | CER.CHIP,0.01µF-Z/50V-1608 | nsp |
| CP714 | | | CN.WAFE2.0MM, | nsp | C833 | | | ELECT,100µF-M/10V 5*11 | nsp |
| | | | G1L-S-4P-S2T2-EF | | C834 | | | CER.,47pF-J/50V | nsp |
| CP715 | | | CN.WAFE2.0MM, | nsp | C835 | | | ELECT,1µF-M/50V 5*11 | nsp |
| | | | G1L-S-5P-S2T2-EF | | C836 | | | CER.,20pF-J/50V | nsp |
| FC711 | | | HOLDER,FUSE CLIP | nsp | C837 | | | CER.CHIP,100pF-J/50V-1608 | nsp |
| ▲F711 | | | FUSE (5.2*20),250V-S2.5A | *FS000890R | C838 | | | ELECT,100µF-M/10V 5*11 | nsp |
| FC712 | | | HOLDER,FUSE CLIP | nsp | C839 | | | | nsp |

NOTE : *nsp* PART IS LISTED FOR REFERENCE ONLY, MARANTZ WILL NOT SUPPLY THESE PARTS.

PS7200

| POS. NO | VERS. COLOR | PART NO. (FOR PCS) | DESCRIPTION | PART NO. (MJI) | POS. NO | VERS. COLOR | PART NO. (FOR PCS) | DESCRIPTION | PART NO. (MJI) |
|---------|-------------|--------------------|----------------------------|----------------|---------|-------------|--------------------|---------------------------|----------------|
| C840A | | | ELECT,47µF-M/16V 5*11 | nsp | R846 | | | CHIP,2.2K-J 1/16W-1608 | nsp |
| C840U | | | CER.,20pF-J/50V | nsp | R847 | | | CHIP,10K-J 1/16W-1608 | nsp |
| C841A | | | CER.CHIP,0.01µF-Z/50V-1608 | nsp | R848 | | | 330-J 1/6W | nsp |
| C841U | | | CER.,20pF-J/50V | nsp | R849 | | | CHIP,1M-J 1/16W-1608 | nsp |
| C842 | | | CER.CHIP,0.01µF-Z/50V-1608 | nsp | R849A | | | CHIP,3K-J 1/16W-1608 | nsp |
| C842A | | | CER.CHIP,0.01µF-Z/50V-1608 | nsp | R850 | | | CHIP,150K-J 1/16W-1608 | nsp |
| C843 | | | CER.,20pF-J/50V | nsp | R850A | | | CHIP,3.9K-J 1/16W-1608 | nsp |
| C843A | | | CER.,22pF-J/50V | nsp | R851 | | | 470K-J 1/6W | nsp |
| C844 | | | ELECT,100µF-M/10V 5*11 | nsp | R852 | | | CHIP,33K-J 1/16W-1608 | nsp |
| C845 | | | CER.,0.001µF-K/50V | nsp | R853 | | | CHIP,470K-J 1/16W-1608 | nsp |
| C845A | | | ELECT,10µF-M/50V 5*11 | nsp | R861 | | | CHIP,220-J 1/16W-1608 | nsp |
| C846 | | | ELECT,1µF-M/50V 5*11 | nsp | R862 | | | CHIP,220-J 1/16W-1608 | nsp |
| C847 | | | CER.CHIP,100pF-J/50V-1608 | nsp | R863 | | | 100-J 1/6W | nsp |
| C848 | | | CER.CHIP,220pF-K/50V-1608 | nsp | | | | | |
| C849 | | | ELECT,1µF-M/50V 5*11 | nsp | | | | S-VIDEO - SEMICONDUCTORS | |
| C849A | | | CER.CHIP,0.01µF-Z/50V-1608 | nsp | D801 | | | DIODE,1SS133T | HD20015210 |
| C850A | | | CER.CHIP,0.01µF-Z/50V-1608 | nsp | D801A | | | DIODE CHIP,KDS160 | *HD201560R |
| C858 | | | CER.CHIP,100pF-J/50V-1608 | nsp | D802 | | | | |
| C858A | | | CER.CHIP,47pF-J/50V-1608 | nsp | § | | | DIODE,1SS133T | HD20015210 |
| C859 | | | CER.CHIP,0.01µF-Z/50V-1608 | nsp | D805 | | | | |
| | | | S-VIDEO - RESISTORS | | D811 | | | DIODE,1SS133T | HD20015210 |
| R801 | | | | | IC802 | | | IC,NJM2296M SOP16 | HC10210090 |
| § | | | CHIP,56-J 1/16W-1608 | nsp | IC803 | | | IC,NJM2296M SOP16 | HC10210090 |
| R806 | | | | | IC804 | | | IC,NJM2506 SOP16 | *HC107270R |
| R807 | | | | | IC805 | | | IC,M35010-001SP DIP20 | *HC107310R |
| § | | | CHIP,75-J 1/16W-1608 | nsp | IC806 | | | IC,BA7046 DIP8 | *HC107230R |
| R814 | | | | | Q801 | | | TRS.RC,KRC107M TO92M | *BA001190R |
| R815 | | | 2.2-J 1/6W | nsp | Q802 | | | TRS.2SA933S TO92M | *HT100610R |
| R816 | | | 1K-J 1/6W | nsp | Q803 | | | TRS.RB,KRA107M | *BA000190R |
| R816A | | | CHIP,1K-J 1/16W-1608 | nsp | Q804 | | | TRS.RB,KRA107M | *BA000190R |
| R817 | | | 1-J 1/6W | nsp | Q805 | | | TRS.RB,KRA107M | *BA000190R |
| R818 | | | CHIP,2.2K-J 1/16W-1608 | nsp | Q806 | | | TRS.2SC,KTC2874B TO92 | *HT300880R |
| R819 | | | 47K-J 1/6W | nsp | Q806A | | | TRS.2SC,KTC2874B TO92 | *HT300880R |
| R819A | | | CHIP,68K-J 1/16W-1608 | nsp | Q807 | | | TRS.2SA933S TO92M | *HT100610R |
| R820 | | | 68-J 1/6W | nsp | Q808 | | | TRS.RC,KRC107M TO92M | *BA001190R |
| R820A | | | CHIP,68K-J 1/16W-1608 | nsp | Q816 | | | TRS.2SA933S TO92M | *HT100610R |
| R822 | | | 22K-J 1/6W | nsp | Q851 | | | TRS.2SC3199-GR/KTC3199-GR | *HT300880R |
| R823 | | | CHIP,33K-J 1/16W-1608 | nsp | Q852 | | | TRS.2SA933S TO92M | *HT100610R |
| R824 | | | 75-J 1/6W | nsp | Q854 | | | TRS.2SA933S TO92M | *HT100610R |
| R825 | | | CHIP,2.2K-J 1/16W-1608 | nsp | | | | S-VIDEO - MISCELLANEOUS | |
| R826 | | | CHIP,10K-J 1/16W-1608 | nsp | CP801S | | | CN.WAFE2.5MM,5287-02A 2P | nsp |
| R827 | | | CHIP,33K-J 1/16W-1608 | nsp | CP801SV | | | CN.WAFE2.0MM, | nsp |
| R828 | | | CHIP,75-J 1/16W-1608 | nsp | J807 | | | G1L-S-4P-S2T2-EF | |
| R829 | | | CHIP,2.2K-J 1/16W-1608 | nsp | J810 | | | CHIP,0-J 1/16W-1608 | nsp |
| | | | | | J810 | | | CHIP,0-J 1/16W-1608 | nsp |
| R830 | | | CHIP,10K-J 1/16W-1608 | nsp | J850 | | | CHIP,0-J 1/16W-1608 | nsp |
| R831 | | | CHIP,10K-J 1/16W-1608 | nsp | J852 | | | CHIP,0-J 1/16W-1608 | nsp |
| R832 | | | CHIP,2K-J 1/16W-1608 | nsp | J853 | | | CHIP,0-J 1/16W-1608 | nsp |
| R833 | | | CHIP,10K-J 1/16W-1608 | nsp | J854 | | | CHIP,0-J 1/16W-1608 | nsp |
| R834 | | | CHIP,8.2K-J 1/16W-1608 | nsp | J861 | | | | |
| R835 | | | CHIP,15K-J 1/16W-1608 | nsp | § | | | CHIP,0-J 1/16W-1608 | nsp |
| R836 | | | CHIP,75-J 1/16W-1608 | nsp | J866 | | | | |
| R837 | | | CHIP,47K-J 1/16W-1608 | nsp | J932 | | | CHIP,0-J 1/16W-1608 | nsp |
| R838 | | | CHIP,12K-J 1/16W-1608 | nsp | L801 | | | COIL FILTER-INDUCTOR, | nsp |
| R839 | | | CHIP,1K-J 1/16W-1608 | nsp | | | | 22UH-Q40/17M 02TB | |
| R840 | | | CHIP,1K-J 1/16W-1608 | nsp | L802 | | | COIL FILTER-INDUCTOR, | nsp |
| R841 | | | CHIP,1K-J 1/16W-1608 | nsp | | | | 22UH-Q40/17M 02TB | |
| R842 | | | CHIP,100-J 1/16W-1608 | nsp | L804 | | | BEAD COIL, | nsp |
| R843U | | | 470-J 1/6W | nsp | | | | BAS3580T0 3.5PHI*8 | |
| R844U | | | 1M-J 1/6W | nsp | XTAL801 | | | CRYSTAL,14.31818MHZ | *JX000780R |
| R845 | | | 2.2K-J 1/6W | nsp | | | | HC49U-CL | |

NOTE : *nsp* PART IS LISTED FOR REFERENCE ONLY, MARANTZ WILL NOT SUPPLY THESE PARTS.

PS7200

| POS. NO | VERS. COLOR | PART NO. (FOR PCS) | DESCRIPTION | PART NO. (MJI) | POS. NO | VERS. COLOR | PART NO. (FOR PCS) | DESCRIPTION | PART NO. (MJI) |
|---------|-------------|--------------------|----------------------------|----------------|---------|-------------|--------------------|---------------------------|----------------|
| | | | VIDEO CIRCUIT BOARD | | R852M | | | CHIP,33K-J 1/16W-1608 | nsp |
| | | | VIDEO - CAPACITORS | | R853M | | | CHIP,470K-J 1/16W-1608 | nsp |
| C832M | | | ELECT,10µF-M/50V 5*11 | nsp | R864 | | | 1K-J 1/6W | nsp |
| C833M | | | CER.CHIP,0.01µF-Z/50V-1608 | nsp | R865 | | | 1K-J 1/6W | nsp |
| C834M | | | ELECT,100µF-M/10V 5*11 | nsp | R870M | | | CHIP,10K-J 1/16W-1608 | nsp |
| C835M | | | CER.CHIP,47pF-J/50V-1608 | nsp | R871 | | | CHIP,10K-J 1/16W-1608 | nsp |
| C836M | | | ELECT,1µF-M/50V 5*11 | nsp | R872M | | | CHIP,56-J 1/16W-1608 | nsp |
| C837M | | | CER.,20pF-J/50V | nsp | R873 | | | CHIP,47-J 1/16W-1608 | nsp |
| C838M | | | CER.CHIP,100pF-J/50V-1608 | nsp | R874 | | | 1K-J 1/6W | nsp |
| C839M | | | ELECT,100µF-M/10V 5*11 | nsp | R875 | | | CHIP,10K-J 1/16W-1608 | nsp |
| C840MU | | | CER.,20pF-J/50V | nsp | R876 | | | CHIP,56-J 1/16W-1608 | nsp |
| C841MU | | | CER.,20pF-J/50V | nsp | R877 | | | CHIP,10K-J 1/16W-1608 | nsp |
| C842M | | | CER.CHIP,0.01µF-Z/50V-1608 | nsp | R878 | | | CHIP,75-J 1/16W-1608 | nsp |
| C843M | | | CER.,20pF-J/50V | nsp | R879 | | | CHIP,56-J 1/16W-1608 | nsp |
| C844M | | | ELECT,100µF-M/10V 5*11 | nsp | R880 | | | CHIP,75-J 1/16W-1608 | nsp |
| C845M | | | CER.,0.001µF-K/50V | nsp | R881 | | | CHIP,75-J 1/16W-1608 | nsp |
| C846M | | | ELECT,1µF-M/50V 5*11 | nsp | R882 | | | CHIP,75-J 1/16W-1608 | nsp |
| C847M | | | CER.CHIP,100pF-J/50V-1608 | nsp | R883 | | | 2.2K-J 1/6W | nsp |
| C848M | | | CER.CHIP,2200pF-K/50V-1608 | nsp | R884 | | | 1-J 1/6W | nsp |
| C849M | | | ELECT,1µF-M/50V 5*11 | nsp | R885 | | | CHIP,2.2-J 1/16W-1608 | nsp |
| C870M | | | CER.CHIP,47pF-J/50V-1608 | nsp | R886 | | | CHIP,47K-J 1/16W-1608 | nsp |
| C871 | | | CER.CHIP,47pF-J/50V-1608 | nsp | R889 | | | 33K-J 1/6W | nsp |
| C872M | | | ELECT,470µF-M/6.3V 8*11.5 | nsp | R890 | | | 68-J 1/6W | nsp |
| C873 | | | ELECT,470µF-M/6.3V 8*11.5 | nsp | R891 | | | 2.2K-J 1/6W | nsp |
| C874 | | | CER.CHIP,47pF-J/50V-1608 | nsp | R894M | | | 68-J 1/6W | nsp |
| C875 | | | ELECT,470µF-M/6.3V 8*11.5 | nsp | R895M | | | 47K-J 1/6W | nsp |
| C876 | | | CER.CHIP,47pF-J/50V-1608 | nsp | R896M | | | 3.3K-J 1/6W | nsp |
| C877 | | | ELECT,470µF-M/6.3V 8*11.5 | nsp | R897 | | | CHIP,10K-J 1/16W-1608 | nsp |
| C878 | | | | | R899 | | | 1K-J 1/6W | nsp |
| 5 | | | ELECT,10µF-M/50V 5*11 | nsp | | | | | |
| C881 | | | | | | | | VIDEO - SEMICONDUCTORS | |
| C882 | | | ELECT,47µF-M/16V 5*11 | nsp | D870 | | | DIODE,1SS133T | HD20015210 |
| C883 | | | CER.CHIP,0.1µF-K/50V-1608 | nsp | D871 | | | DIODE CHIP,KDS160 | *HD201560R |
| C884 | | | CER.CHIP,0.1µF-K/50V-1608 | nsp | D872 | | | DIODE,1SS133T | HD20015210 |
| C885 | | | ELECT,47µF-M/16V 5*11 | nsp | D873 | | | DIODE,1SS133T | HD20015210 |
| C886 | | | ELECT,10µF-M/50V 5*11 | nsp | D884 | | | DIODE,1SS133T | HD20015210 |
| C887 | | | CER.CHIP,100pF-J/50V-1608 | nsp | IC805M | | | IC,M35010-001SP DIP20 | *HC107310R |
| C888 | | | CER.,0.01µF-M/16V | nsp | IC806M | | | IC,BA7046 DIP8 | *HC107230R |
| C889 | | | ELECT,100µF-M/10V 5*11 | nsp | IC871M | | | IC,NJM2296M SOP16 | HC10210090 |
| C890 | | | CER.,0.001µF-K/50V | nsp | IC872 | | | IC,NJM2296M SOP16 | HC10210090 |
| C891 | | | ELECT,2.2µF-M/50V 5*11 | nsp | IC873M | | | IC,BU4094BCF-E2 SOP16 | *HC400010R |
| C892 | | | CER.CHIP,100pF-J/50V-1608 | nsp | IC874 | | | IC,BU4094BCF-E2 SOP16 | *HC400010R |
| C894 | | | ELECT,10µF-M/50V 5*11 | nsp | Q805M | | | TRS.RB,KRA107M | *BA000190R |
| C895 | | | ELECT,10µF-M/50V 5*11 | nsp | Q808M | | | TRS.RC,KRC107M TO92M | *BA001190R |
| C896 | | | CER.CHIP,100pF-J/50V-1608 | nsp | Q821 | | | TRS.2SA933S TO92M | *HT100610R |
| | | | VIDEO - RESISTORS | | Q822 | | | TRS.2SC,KTC2874B TO92 | *HT300880R |
| R831M | | | CHIP,10K-J 1/16W-1608 | nsp | Q851M | | | TRS.2SC3199-GR/KTC3199-GR | *HT300890R |
| R832M | | | CHIP,2K-J 1/16W-1608 | nsp | Q870 | | | TRS.RC,KRC107M TO92M | *BA001190R |
| R833M | | | CHIP,10K-J 1/16W-1608 | nsp | Q871 | | | TRS.RB,KRA107M | *BA000190R |
| R834M | | | CHIP,8.2K-J 1/16W-1608 | nsp | Q873M | | | TRS.2SA933S TO92M | *HT100610R |
| R835M | | | CHIP,68K-J 1/16W-1608 | nsp | | | | | |
| R841M | | | CHIP,1K-J 1/16W-1608 | nsp | CP301V | | | VIDEO - MISCELLANEOUS | |
| R842M | | | CHIP,100-J 1/16W-1608 | nsp | | | | CN.WAFE2.0MM, | nsp |
| R843MU | | | 470-J 1/6W | nsp | J887M | | | GIL-S-2P-S2T2-EF | |
| R844MU | | | 1M-J 1/6W | nsp | J904M | | | CHIP,0-J 1/16W-1608 | nsp |
| R845M | | | 2.2K-J 1/6W | nsp | J905M | | | CHIP,0-J 1/16W-1608 | nsp |
| R846M | | | CHIP,2.2K-J 1/16W-1608 | nsp | J911 | | | | |
| R847M | | | CHIP,10K-J 1/16W-1608 | nsp | 5 | | | CHIP,0-J 1/16W-1608 | nsp |
| R848M | | | 330-J 1/6W | nsp | J916 | | | | |
| R849M | | | CHIP,1M-J 1/16W-1608 | nsp | L801M | | | COIL FILTER-INDUCTOR, | nsp |
| R850M | | | CHIP,150K-J 1/16W-1608 | nsp | | | | 22UH-Q40/17M 02TB | |
| R851M | | | 470K-J 1/6W | nsp | L802M | | | COIL FILTER-INDUCTOR, | nsp |
| | | | | | | | | 22UH-Q40/17M 02TB | |

NOTE : *nsp* PART IS LISTED FOR REFERENCE ONLY, MARANTZ WILL NOT SUPPLY THESE PARTS.

PS7200

| POS. NO | VERS. COLOR | PART NO. (FOR PCS) | DESCRIPTION | PART NO. (MJI) | POS. NO | VERS. COLOR | PART NO. (FOR PCS) | DESCRIPTION | PART NO. (MJI) |
|--------------|-------------|--------------------|--|----------------|---------|-------------|--------------------|--|----------------|
| XTAL&01M | | | CRYSTAL,14.31818MHZ HC49U-CL | *JX000780R | | | | SPEAKER A CIRCUIT BOARD SPEAKER A - MISCELLANEOUS CN.WAFE2.5MM,52668-1317 ANG ZIP | nsp |
| C898 | | | COMPONENT VIDEO CIRCUIT BOARD C VIDEO - CAPACITORS ELECT,1µF-M/50V 5*11 | nsp | CN101 | | | | |
| C899 | | | CER.,0.1µF-Z/50V P16 | nsp | | | | SPEAKER B CIRCUIT BOARD SPEAKER B - CAPACITORS CER.,0.0047µF-K/16V | nsp |
| C900 | | | ELECT,1µF-M/50V 5*11 | nsp | C952L | | | CER.,0.0047µF-K/16V | nsp |
| C901 | | | CER.,0.1µF-Z/50V P16 | nsp | C952R | | | | nsp |
| C902 | | | ELECT,1µF-M/50V 5*11 | nsp | | | | SPEAKER B - MISCELLANEOUS CN.WAFE3.96MM,JE202A2T4 ANG4P | nsp |
| C903 | | | CER.,0.1µF-Z/50V P16 | nsp | CN951 | | | | |
| C904 | | | ELECT,10µF-M/50V 5*11 | nsp | | | | TUNER INPUT CIRCUIT BOARD TUNER INPUT - CAPACITORS CER.,0.1µF-Z/50V | nsp |
| C909 | | | ELECT,470µF-M/6.3V 8*11.5 | nsp | C953 | | | | |
| C910 | | | ELECT,470µF-M/6.3V 8*11.5 | nsp | | | | TUNER INPUT - RESISTORS 470-J 1/6W | nsp |
| C911 | | | ELECT,470µF-M/6.3V 8*11.5 | nsp | R951 | | | 470-J 1/6W | nsp |
| C912 | | | ELECT,220µF-M/10V 6.3*11 | nsp | R952 | | | | nsp |
| C915 | | | ELECT,220µF-M/10V 6.3*11 | nsp | | | | TUNER INPUT-MISCELLANEOUS CN.WAFE2.0MM, G1L-S-3P-S2T2-EF | nsp |
| C916 | | | ELECT,220µF-M/10V 6.3*11 | nsp | CP302T | | | | |
| C918 | | | CER.,0.01µF-K/50V | nsp | | | | | |
| C919 | | | CER.,0.01µF-K/50V | nsp | | | | | |
| C920 | | | ELECT,10µF-M/35V 5*11 | nsp | | | | | |
| C921 | | | ELECT,10µF-M/35V 5*11 | nsp | | | | | |
| C922 | | | ELECT,10µF-M/35V 5*11 | nsp | | | | | |
| | | | C VIDEO - RESISTORS | | | | | | |
| R898 | | | 75-J 1/6W | nsp | | | | | |
| R906 | | | 47K-J 1/6W | nsp | | | | | |
| R915 | | | 100-J 1/6W | nsp | | | | | |
| R921 | | | 100-J 1/6W | nsp | | | | | |
| R922 | | | 100-J 1/6W | nsp | | | | | |
| R923 | | | 100-J 1/6W | nsp | | | | | |
| R924 | | | 270-J 1/6W | nsp | | | | | |
| R925 | | | 270-J 1/6W | nsp | | | | | |
| R926 | | | 10K-J 1/6W | nsp | | | | | |
| R927 | | | 270-J 1/6W | nsp | | | | | |
| R928 | | | 270-J 1/6W | nsp | | | | | |
| R929 | | | 10K-J 1/6W | nsp | | | | | |
| R930 | | | 270-J 1/6W | nsp | | | | | |
| R931 | | | 270-J 1/6W | nsp | | | | | |
| R932 | | | 10K-J 1/6W | nsp | | | | | |
| | | | C VIDEO - SEMICONDUCTORS | | | | | | |
| D452 | | | DIODE,1SS133T | HD20015210 | | | | | |
| D453 | | | DIODE,1SS133T | HD20015210 | | | | | |
| IC898 | | | IC,MM74HC4053MX SOP16 | *HC800010R | | | | | |
| IC899 | | | IC,RC6333 SOP14 | *HC107580R | | | | | |
| Q901 | | | TRS.RC,KRC107M TO92M | *BA001190R | | | | | |
| | | | C VIDEO - MISCELLANEOUS CN.WAFE2.0MM, TUC-P06X-B1 HOUSING ST | nsp | | | | | |
| | | | GUIDE CIRCUIT BOARD GUIDE - MISCELLANEOUS CLAMP,HMX9800 DARA-2 | nsp | | | | | |
| CLAMP 101 | | | CLAMP,HMX9800 DARA-2 | nsp | | | | | |
| CLAMP 102 | | | CLAMP,HMX9800 DARA-2 | nsp | | | | | |

NOTE : *nsp PART IS LISTED FOR REFERENCE ONLY, MARANTZ WILL NOT SUPPLY THESE PARTS.