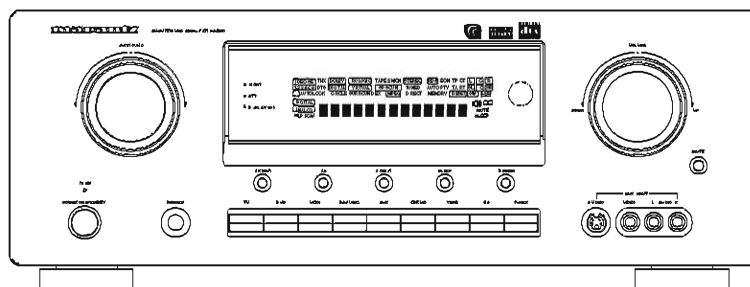


# Service Manual

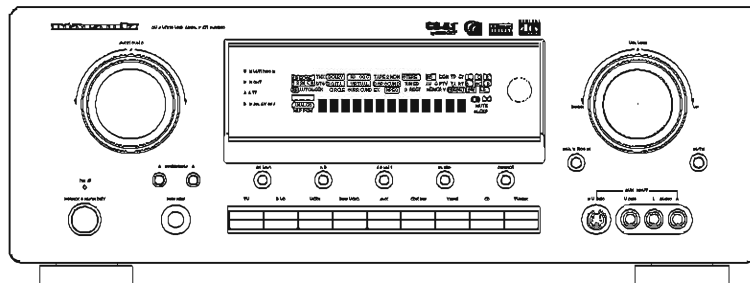
PS5200 / F1N, F2N  
PS7200 / F1N, F2N

AV Surround Amplifier

PS5200



PS7200



**CS-5.1**  
by SRS (C)



**DOLBY**  
**DIGITAL**  
**PRO LOGIC II**

**DIGITAL**  
**dts**  
**SURROUND**

PS5200 / PS7200

## TABLE OF CONTENTS

1. TECHNICAL SPECIFICATIONS .....	1
2. WIRING DIAGRAM .....	5
3. BLOCK DIAGRAM .....	7
4. SCHEMATIC DIAGRAM .....	9
5. PARTS LOCATION .....	27
6. IC DATA .....	40
7. EXPLODED VIEW AND PARTS LIST .....	43
8. ELECTRICAL PARTS LIST .....	50

Please use this service manual with referring to the user guide ( D.F.U. ) without fail.  
修理の際は、必ず取扱説明書を準備し操作方法を確認の上作業を行ってください。

# marantz®

**R100**  
資源配合率100%再生紙を使用しています  
Printed on 100% Recycled Paper

## PS5200 / PS7200

## MARANTZ DESIGN AND SERVICE

Using superior design and selected high grade components, **MARANTZ** company has created the ultimate in stereo sound. Only original **MARANTZ** parts can insure that your **MARANTZ** product will continue to perform to the specifications for which it is famous.

Parts for your **MARANTZ** equipment are generally available to our National Marantz Subsidiary or Agent.

### ORDERING PARTS :

Parts can be ordered either by mail or by Fax.. In both cases, the correct part number has to be specified.

The following information must be supplied to eliminate delays in processing your order :

1. Complete address
2. Complete part numbers and quantities required
3. Description of parts
4. Model number for which part is required
5. Way of shipment
6. Signature : any order form or Fax. must be signed, otherwise such part order will be considered as null and void.

#### USA

**MARANTZ AMERICA, INC**  
1100 MAPLEWOOD DRIVE  
ITASCA, IL. 60143  
USA  
PHONE : 630 - 741 - 0300  
FAX : 630 - 741 - 0301

#### EUROPE / TRADING

**MARANTZ EUROPE B.V.**  
P. O. BOX 8744, BUILDING SILVERPOINT  
BEEMDSTRAAT 11, 5653 MA EINDHOVEN  
THE NETHERLANDS  
PHONE : +31 - 40 - 2507844  
FAX : +31 - 40 - 2507860

#### BRAZIL

**PHILIPS DA AMAZONIA IND. ELET. ITDA**  
CENTRO DE INFORMACOES AO  
CEP 04698-970  
SAO PAULO, SP, BRAZIL  
PHONE : 0800 - 123123 (Discagem Direta Gratuita)  
FAX : +55 11 534. 8988

#### PROFESSIONAL AMERICAS

**SUPERSCOPE TECHNOLOGIES, INC.**  
MARANTZ PROFESSIONAL PRODUCTS  
2640 WHITE OAK CIRCLE, SUITE A  
AURORA, ILLINOIS 60504 USA  
PHONE : 630 - 820 - 4800  
FAX : 630 - 820 - 8103

#### PROFESSIONAL AUSTRALIA

**TECHNICAL AUDIO GROUP PTY, LTD**  
558 DARLING STREET,  
BALMAIN, NSW 2041,  
AUSTRALIA  
PHONE : 61 - 2 - 9810 - 5300  
FAX : 61 - 2 - 9810 - 5355

#### CANADA

**LENBROOK INDUSTRIES LIMITED**  
633 GRANITE COURT,  
PICKERING, ONTARIO L1W 3K1  
CANADA  
PHONE : 905 - 831 - 6333  
FAX : 905 - 831 - 6936

#### AUSTRALIA

**QualiFi Pty Ltd,**  
24 LIONEL ROAD,  
MT. WAVERLEY VIC 3149  
AUSTRALIA  
PHONE : +61 - (0)3 - 9543 - 1522  
FAX : +61 - (0)3 - 9543 - 3677

#### THAILAND

**MRZ STANDARD CO., LTD**  
746 - 754 MAHACHAI ROAD.,  
WANGBURAPAPIROM, PHRANAKORN,  
BANGKOK, 10200 THAILAND  
PHONE : +66 - 2 - 222 9181  
FAX : +66 - 2 - 224 6795

#### SINGAPORE

**WO KEE HONG DISTRIBUTION PTE LTD**  
130 JOO SENG ROAD  
#03-02 OLIVINE BUILDING  
SINGAPORE 368357  
PHONE : +65 858 5535 / +65 381 8621  
FAX : +65 858 6078

#### NEW ZEALAND

**WILDASH AUDIO SYSTEMS NZ**  
14 MALVERN ROAD MT ALBERT  
AUCKLAND NEW ZEALAND  
PHONE : +64 - 9 - 8451958  
FAX : +64 - 9 - 8463554

#### TAIWAN

**PAI-YUING CO., LTD.**  
6 TH FL NO. 148 SUNG KIANG ROAD,  
TAIPEI, 10429, TAIWAN R.O.C.  
PHONE : +886 - 2 - 25221304  
FAX : +886 - 2 - 25630415

#### MALAYSIA

**WO KEE HONG ELECTRONICS SDN. BHD.**  
SUITE 8.1, LEVEL 8, MENARA GENESIS,  
NO. 33, JALAN SULTAN ISMAIL,  
50250 KUALA LUMPUR, MALAYSIA  
PHONE : +60 3 - 2457677  
FAX : +60 3 - 2458180

#### JAPAN Technical

**MARANTZ JAPAN, INC.**  
35- 1, 7- CHOME, SAGAMIONO  
SAGAMIHARA - SHI, KANAGAWA  
JAPAN 228-8505  
PHONE : +81 42 748 1013  
FAX : +81 42 741 9190

#### 日本マランツ株式会社

本社 〒228-8505  
神奈川県相模原市相模大野7-35-1  
営業本部 〒150-0022  
東京都渋谷区恵比寿南1-11-9

#### KOREA

**MK ENTERPRISES LTD.**  
ROOM 604/605, ELECTRO-OFFICETEL, 16-58,  
3GA, HANGANG-RO, YONGSAN-KU, SEOUL  
KOREA  
PHONE : +822 - 3232 - 155  
FAX : +822 - 3232 - 154

### SHOCK, FIRE HAZARD SERVICE TEST :

**CAUTION :** After servicing this appliance and prior to returning to customer, measure the resistance between either primary AC cord connector pins ( with unit NOT connected to AC mains and its Power switch ON ), and the face or Front Panel of product and controls and chassis bottom.

Any resistance measurement less than 1 Megohms should cause unit to be repaired or corrected before AC power is applied, and verified before it is return to the user/customer.

Ref. UL Standard No. 1492.

In case of difficulties, do not hesitate to contact the Technical Department at above mentioned address.

# 1. TECHNICAL SPECIFICATIONS

## PS5200

### AMPLIFIER SECTION

<b>Maximum Power Output (6 ohms / EIAJ)</b>	
Front .....	135W
Center .....	135W
Surround .....	135W

<b>Continuous Power Output (8 ohms / 20 Hz - 20 kHz)</b>	
Front .....	90 W
Center .....	90 W
Surround .....	90 W
THD Front (20 Hz - 20 kHz) .....	8 ohms 0.05 %

<b>Input Sensitivity/Impedance</b>	
Linear .....	340 mV / 47 kohms

<b>Signal to Noise Ratio</b>	
Linear .....	105 dB

### DECORDER SECTION

Applicable Signal Format .....	
..... PCM Audio (fs=32kHz, 44.1kHz, 48kHz, 96kHz),	
..... Dolby Digital, DTS, Mpeg2 AAC	
Frequency Range	
(Analog Input / Source Direct) .....	8 Hz - 100 kHz (±3 dB)
(Digital Input / 96kHz PCM) .....	8 Hz - 45 kHz (±3 dB)

### VIDEO SECTION

Television Format .....	NTSC
Input Level/Impedance .....	1 Vp-p / 75 ohms
Output Level/Impedance .....	1 Vp-p / 75 ohms
Video Frequency Response .....	5 Hz to 8 MHz (-1 dB)
S/N .....	60 dB

### GENERAL

Power Requirement .....	AC 100 V 50/60 Hz
Power Consumption .....	310 W

### Dimensions (MAX)

Width .....	440 mm
Height .....	164 mm
Depth .....	425 mm
Weight .....	12.9 kg

### ACCESSORIES

Remote Control Unit RC5200SR .....	1
AAA-size batteries .....	2

## PS7200

### AMPLIFIER SECTION

<b>Maximum Power Output (6 ohms / EIAJ)</b>	
Front .....	160W
Center .....	160W
Surround .....	160W

<b>Continuous Power Output (8 ohms / 20 Hz - 20 kHz)</b>	
Front .....	110W
Center .....	110W
Surround .....	110W
THD Front (20 Hz - 20 kHz) .....	8 ohms 0.05 %

<b>Input Sensitivity/Impedance</b>	
Linear .....	340 mV / 47 kohms

<b>Signal to Noise Ratio</b>	
Linear .....	105 dB

### DECORDER SECTION

Applicable Signal Format .....	
..... PCM Audio (fs=32kHz, 44.1kHz, 48kHz, 96kHz),	
..... Dolby Digital, DTS, Mpeg2 AAC	
Frequency Range	
(Analog Input / Source Direct) .....	8 Hz - 100 kHz (±3 dB)
(Digital Input / 96kHz PCM) .....	8 Hz - 45 kHz (±3 dB)

### VIDEO SECTION

Television Format .....	NTSC
Input Level/Impedance .....	1 Vp-p / 75 ohms
Output Level/Impedance .....	1 Vp-p / 75 ohms
Video Frequency Response .....	5 Hz to 8 MHz (-1 dB)
S/N .....	60 dB

### GENERAL

Power Requirement .....	AC 100 V 50/60 Hz
Power Consumption .....	350 W

### Dimensions (MAX)

Width .....	440 mm
Height .....	164 mm
Depth .....	425 mm
Weight .....	14.9 kg

### ACCESSORIES

Remote Control Unit RC7200SR .....	1
AAA-size batteries .....	2

**The relation between the selected surround mode and the input signal**

The surround mode is selected with the surround mode selector knob of the PS5200 / PS7200 or the remote control unit. However, the sound from the speakers depends upon the relationship between the selected surround mode and the input signal. They are as follows;

**PS7200**

Surround Mode	Input Signal	Output					Input Indicator	Format Status & Surround Mode	Fluorescent Indicator	Temporary Display Status	Ch. Status
		L/R	SL/SR	C	SC	SW					
Auto	Dolby Digital (5.1ch)	○	○	○	-	○	DIGITAL	DOLBY, DIGITAL, AUTO	>AUTO>		L, C, R, SL, SR, LFE
	Dolby Digital (2ch)	○	-	-	-	○	DIGITAL	DOLBY, DIGITAL, AUTO	>AUTO>		L, R
	Dolby Digital (2ch: Lf/Rt)	○	○	○	-	○	DIGITAL	DOLBY, DIGITAL, PRO LOGIC, AUTO	>AUTO>		L, R, SC
	96kHz PCM	○	-	-	-	-	DIGITAL	PCM, STEREO, AUTO	>AUTO>96kHz>		L, R
	PCM(Audio)	○	-	-	-	○	DIGITAL	PCM, STEREO, AUTO	>AUTO>		L, R
	Analog	○	-	-	-	○	ANALOG	STEREO, AUTO	>AUTO>		-
	DTS (5.1ch)	○	○	○	-	○	DIGITAL	DTS, AUTO	>AUTO>		L, C, R, SL, SR, LFE
	AAc(5.1)	○	○	○	-	○	DIGITAL	MPEG, AUTO	>AUTO>		L, C, R, SL, SR, LFE
	AAc(2.0)	○	-	-	-	○	DIGITAL	MPEG, STEREO, AUTO	>AUTO>		L, R
Stereo	Dolby Digital (5.1ch)	○	-	-	-	○	DIGITAL	DOLBY, DIGITAL, STEREO	>STEREO>		L, C, R, SL, SR, LFE
	Dolby Digital (2ch)	○	-	-	-	○	DIGITAL	DOLBY, DIGITAL, STEREO	>STEREO>		L, R
	Dolby Digital (2ch: Lf/Rt)	○	-	-	-	○	DIGITAL	DOLBY, DIGITAL, STEREO	>STEREO>		L, R, SC
	96kHz PCM	○	-	-	-	-	DIGITAL	PCM, STEREO	>STEREO>96kHz>		L, R
	PCM(Audio)	○	-	-	-	○	DIGITAL	PCM, STEREO	>STEREO>		L, R
	Analog	○	-	-	-	○	ANALOG	STEREO	>STEREO>		-
	DTS (5.1ch)	○	-	-	-	○	DIGITAL	DTS, STEREO	>STEREO>		L, C, R, SL, SR, LFE
	AAc(5.1)	○	-	-	-	○	DIGITAL	MPEG, STEREO	>STEREO>		L, C, R, SL, SR, LFE
	AAc(2.0)	○	-	-	-	○	DIGITAL	MPEG, STEREO	>STEREO>		L, R
Movie	Dolby Digital (5.1ch)	○	○	○	-	○	DIGITAL	DOLBY, DIGITAL	>DOLBY D>		L, C, R, SL, SR, LFE
	Dolby Digital (2ch)	○	○	○	-	○	DIGITAL	DOLBY, DIGITAL, PRO LOGIC	>PLII MOVIE>		L, R
	Dolby Digital (2ch: Lf/Rt)	○	○	○	-	○	DIGITAL	DOLBY, DIGITAL, PRO LOGIC	>PLII MOVIE>		L, R, SC
	96kHz PCM	-	-	-	-	-	DIGITAL	(PCM), DOLBY, PRO LOGIC	>PLII MOVIE>96kHz>		-
	PCM(Audio)	○	○	○	-	○	DIGITAL	PCM, DOLBY, PRO LOGIC	>PLII MOVIE>		L, R
	Analog	○	○	○	-	○	ANALOG	DOLBY, PRO LOGIC	>PLII MOVIE>		-
	DTS (5.1ch)	-	-	-	-	-	DIGITAL	(DTS), DOLBY, PRO LOGIC	>PLII MOVIE>		-
	AAc(5.1)	○	○	○	-	○	DIGITAL	MPEG	>PLII MOVIE>		L, C, R, SL, SR, LFE
	AAc(2.0)	○	○	○	-	○	DIGITAL	MPEG, PRO LOGIC	>PLII MOVIE>		L, R
Music	Dolby Digital (5.1ch)	○	○	○	-	○	DIGITAL	DOLBY, DIGITAL	>DOLBY D>		L, C, R, SL, SR, LFE
	Dolby Digital (2ch)	○	○	○	-	○	DIGITAL	DOLBY, DIGITAL, PRO LOGIC	>PLII MUSIC>		L, R
	Dolby Digital (2ch: Lf/Rt)	○	○	○	-	○	DIGITAL	DOLBY, DIGITAL, PRO LOGIC	>PLII MUSIC>		L, R, SC
	96kHz PCM	-	-	-	-	-	DIGITAL	(PCM), DOLBY, PRO LOGIC	>PLII MUSIC>96kHz>		-
	PCM(Audio)	○	○	○	-	○	DIGITAL	PCM, DOLBY, PRO LOGIC	>PLII MUSIC>		L, R
	Analog	○	○	○	-	○	ANALOG	DOLBY, PRO LOGIC	>PLII MUSIC>		-
	DTS (5.1ch)	-	-	-	-	-	DIGITAL	(DTS), DOLBY, PRO LOGIC	>PLII MUSIC>		-
	AAc(5.1)	○	○	○	-	○	DIGITAL	MPEG	>PLII MUSIC>		L, C, R, SL, SR, LFE
	AAc(2.0)	○	○	○	-	○	DIGITAL	MPEG, PRO LOGIC	>PLII MUSIC>		L, R
Pro Logic	Dolby Digital (5.1ch)	○	○	○	-	○	DIGITAL	DOLBY, DIGITAL	>DOLBY D>		L, C, R, SL, SR, LFE
	Dolby Digital (2ch)	○	○	○	-	○	DIGITAL	DOLBY, DIGITAL, PRO LOGIC	>PRO LOGIC>		L, R
	Dolby Digital (2ch: Lf/Rt)	○	○	○	-	○	DIGITAL	DOLBY, DIGITAL, PRO LOGIC	>PRO LOGIC>		L, R, SC
	96kHz PCM	-	-	-	-	-	DIGITAL	(PCM), DOLBY, PRO LOGIC	>PRO LOGIC>96kHz>		-
	PCM(Audio)	○	○	○	-	○	DIGITAL	PCM, DOLBY, PRO LOGIC	>PRO LOGIC>		L, R
	Analog	○	○	○	-	○	ANALOG	DOLBY, PRO LOGIC	>PRO LOGIC>		-
	DTS (5.1ch)	-	-	-	-	-	DIGITAL	(DTS), DOLBY, PRO LOGIC	>PRO LOGIC>		-
	AAc(5.1)	○	○	○	-	○	DIGITAL	MPEG	>PRO LOGIC>		L, C, R, SL, SR, LFE
	AAc(2.0)	○	○	○	-	○	DIGITAL	MPEG, PRO LOGIC	>PRO LOGIC>		L, R
DTS	Dolby Digital (5.1ch)	-	-	-	-	-	DIGITAL	(DOLBY, DIGITAL), DTS	>DTS>		-
	Dolby Digital (2ch)	-	-	-	-	-	DIGITAL	(DOLBY, DIGITAL), DTS	>DTS>		-
	Dolby Digital (2ch: Lf/Rt)	-	-	-	-	-	DIGITAL	(DOLBY, DIGITAL), DTS	>DTS>		-
	96kHz PCM	-	-	-	-	-	DIGITAL	(PCM), DTS	>DTS>96kHz>		-
	PCM(Audio)	-	-	-	-	-	DIGITAL	(PCM), DTS	>DTS>		-
	Analog	-	-	-	-	-	(ANALOG)	DTS	>DTS>		-
	DTS (5.1ch)	○	○	○	-	○	DIGITAL	DTS	>DTS>		L, C, R, SL, SR, LFE
	AAc(5.1)	-	-	-	-	-	DIGITAL	(MPEG), DTS	>DTS>		-
	AAc(2.0)	-	-	-	-	-	DIGITAL	(MPEG), DTS	>DTS>		-
6.1Ch Surround	Dolby Digital (5.1ch)	○	○	○	○	○	DIGITAL	DOLBY, DIGITAL	>6.1 CH SURROUND>		L, C, R, SL, SR, LFE
	Dolby Digital (2ch)	-	-	-	-	-	DIGITAL	(DOLBY, DIGITAL)	>6.1 CH SURROUND>		-
	Dolby Digital (2ch: Lf/Rt)	-	-	-	-	-	DIGITAL	(DOLBY, DIGITAL)	>6.1 CH SURROUND>		-
	96kHz PCM	-	-	-	-	-	DIGITAL	(PCM)	>6.1 CH SURROUND>96kHz>		-
	PCM(Audio)	-	-	-	-	-	DIGITAL	(PCM)	>6.1 CH SURROUND>		-
	Analog	-	-	-	-	-	(ANALOG)		>6.1 CH SURROUND>		-
	DTS (5.1ch)	○	○	○	○	○	DIGITAL	DTS	>6.1 CH SURROUND>		L, C, R, SL, SR, LFE
	AAc(5.1)	-	-	-	-	-	DIGITAL	(MPEG)	>6.1 CH SURROUND>		-
	AAc(2.0)	-	-	-	-	-	DIGITAL	(MPEG)	>6.1 CH SURROUND>		-
Movie Hall Stadium Matrix	Dolby Digital (5.1ch)	-	-	-	-	-	DIGITAL	(DOLBY, DIGITAL), DSP SOUND	>MOVIE/HALL/STADIUM/MATRIX>		-
	Dolby Digital (2ch)	-	-	-	-	-	DIGITAL	(DOLBY, DIGITAL), DSP SOUND	>MOVIE/HALL/STADIUM/MATRIX>		-
	Dolby Digital (2ch: Lf/Rt)	-	-	-	-	-	DIGITAL	(DOLBY, DIGITAL), DSP SOUND	>MOVIE/HALL/STADIUM/MATRIX>		-
	96kHz PCM	-	-	-	-	-	DIGITAL	(PCM), DSP SOUND	>MOVIE/HALL/STADIUM/MATRIX>		-
	PCM(Audio)	○	○	○	-	○	DIGITAL	PCM, DSP SOUND	>MOVIE/HALL/STADIUM/MATRIX>		L, R
	Analog	○	○	○	-	○	ANALOG	DSP SOUND	>MOVIE/HALL/STADIUM/MATRIX>		-
	DTS (5.1ch)	-	-	-	-	-	DIGITAL	(DTS), DSP SOUND	>MOVIE/HALL/STADIUM/MATRIX>		-
	AAc(5.1)	-	-	-	-	-	DIGITAL	(MPEG), DSP SOUND	>MOVIE/HALL/STADIUM/MATRIX>		-
	AAc(2.0)	-	-	-	-	-	DIGITAL	(MPEG), DSP SOUND	>MOVIE/HALL/STADIUM/MATRIX>		-

Surround Mode	Input Signal	Output					Input Indicator	Fluorescent Indicator		
		L/R	SL/SR	C	SC	SW		Format Status & Surround Mode	Temporary Display Status	Ch. Status
Virtual	Dolby Digital (5.1ch)	○	-	-	-	-	DIGITAL	DOLBY, DIGITAL, VIRTUAL	>VIRTUAL>	L, C, R, SL, SR, LFE
	Dolby Digital (2ch)	○	-	-	-	-	DIGITAL	DOLBY, DIGITAL, PROLOGIC, VIRTUAL	>VIRTUAL>	L, R
	Dolby Digital (2ch: Lt/Rt)	○	-	-	-	-	DIGITAL	DOLBY, DIGITAL, PROLOGIC, VIRTUAL	>VIRTUAL>	L, R, SC
	96kHz PCM	-	-	-	-	-	DIGITAL	(PCM), DOLBY, VIRTUAL	>VIRTUAL>96kHz>	-
	PCM(Audio)	○	-	-	-	-	DIGITAL	PCM, DOLBY, PROLOGIC, VIRTUAL	>VIRTUAL>	L, R
	Analog	○	-	-	-	-	ANALOG	DOLBY, PROLOGIC, VIRTUAL	>VIRTUAL>	-
	DTS (5.1ch)	-	-	-	-	-	DIGITAL	(DTS), DOLBY, VIRTUAL	>VIRTUAL>	-
	AAC(5.1)	-	-	-	-	-	DIGITAL	(MPEG), DOLBY, VIRTUAL	>VIRTUAL>	-
	AAC(2.0)	-	-	-	-	-	DIGITAL	(MPEG), DOLBY, VIRTUAL	>VIRTUAL>	-
CS5.1	Dolby Digital (5.1ch)	-	-	-	-	-	DIGITAL	(DOLBY DIGITAL), CIRCLE SURROUND	>CS5.1>	-
	Dolby Digital (2ch)	-	-	-	-	-	DIGITAL	(DOLBY DIGITAL), CIRCLE SURROUND	>CS5.1>	-
	Dolby Digital (2ch: Lt/Rt)	-	-	-	-	-	DIGITAL	(DOLBY DIGITAL), CIRCLE SURROUND	>CS5.1>	-
	96kHz PCM	-	-	-	-	-	DIGITAL	(PCM), CIRCLE SURROUND	>CS5.1>96kHz>	-
	PCM(Audio)	○	○	○	-	○	DIGITAL	PCM, CIRCLE SURROUND	>CS5.1>	L, R
	Analog	○	○	○	-	○	ANALOG		>CS5.1>	-
	DTS (5.1ch)	-	-	-	-	-	DIGITAL	(DTS), CIRCLE SURROUND	>CS5.1>	-
	AAC(5.1)	-	-	-	-	-	DIGITAL	(MPEG), CIRCLE SURROUND	>CS5.1>	-
	AAC(2.0)	-	-	-	-	-	DIGITAL	(MPEG), CIRCLE SURROUND	>CS5.1>	-
8CH Stereo	Dolby Digital (5.1ch)	○	○	○	-	○	DIGITAL	DOLBY, DIGITAL	>8CH STEREO>	L, C, R, SL, SR, LFE
	Dolby Digital (2ch)	○	○	○	○	○	DIGITAL	DOLBY, DIGITAL	>8CH STEREO>	L, R
	Dolby Digital (2ch: Lt/Rt)	○	○	○	○	○	DIGITAL	DOLBY, DIGITAL	>8CH STEREO>	L, R, SC
	96kHz PCM	-	-	-	-	-	DIGITAL	(PCM)	>8CH STEREO>96kHz>	-
	PCM(Audio)	○	○	○	○	○	DIGITAL	PCM	>8CH STEREO>	L, R
	Analog	○	○	○	○	○	ANALOG		>8CH STEREO>	-
	DTS (5.1ch)	○	○	○	-	○	DIGITAL	DTS	>8CH STEREO>	L, C, R, SL, SR, LFE
	AAC(5.1)	○	○	○	-	○	DIGITAL	MPEG	>8CH STEREO>	L, C, R, SL, SR, LFE
	AAC(2.0)	○	○	○	○	○	DIGITAL	MPEG	>8CH STEREO>	L, R

L/R : Front speaker ( ) : The indicator blinks  
 SL/SR : Surround speaker  
 C : Center speaker  
 SC : Surround center speaker  
 SW : Sub woofer speaker

L : Left  
 R : Right  
 C : Center  
 SL : Surround Left  
 SR : Surround Right  
 SC : Mono Surround  
 LFE : Low Frequency Effect

**NOTES:**

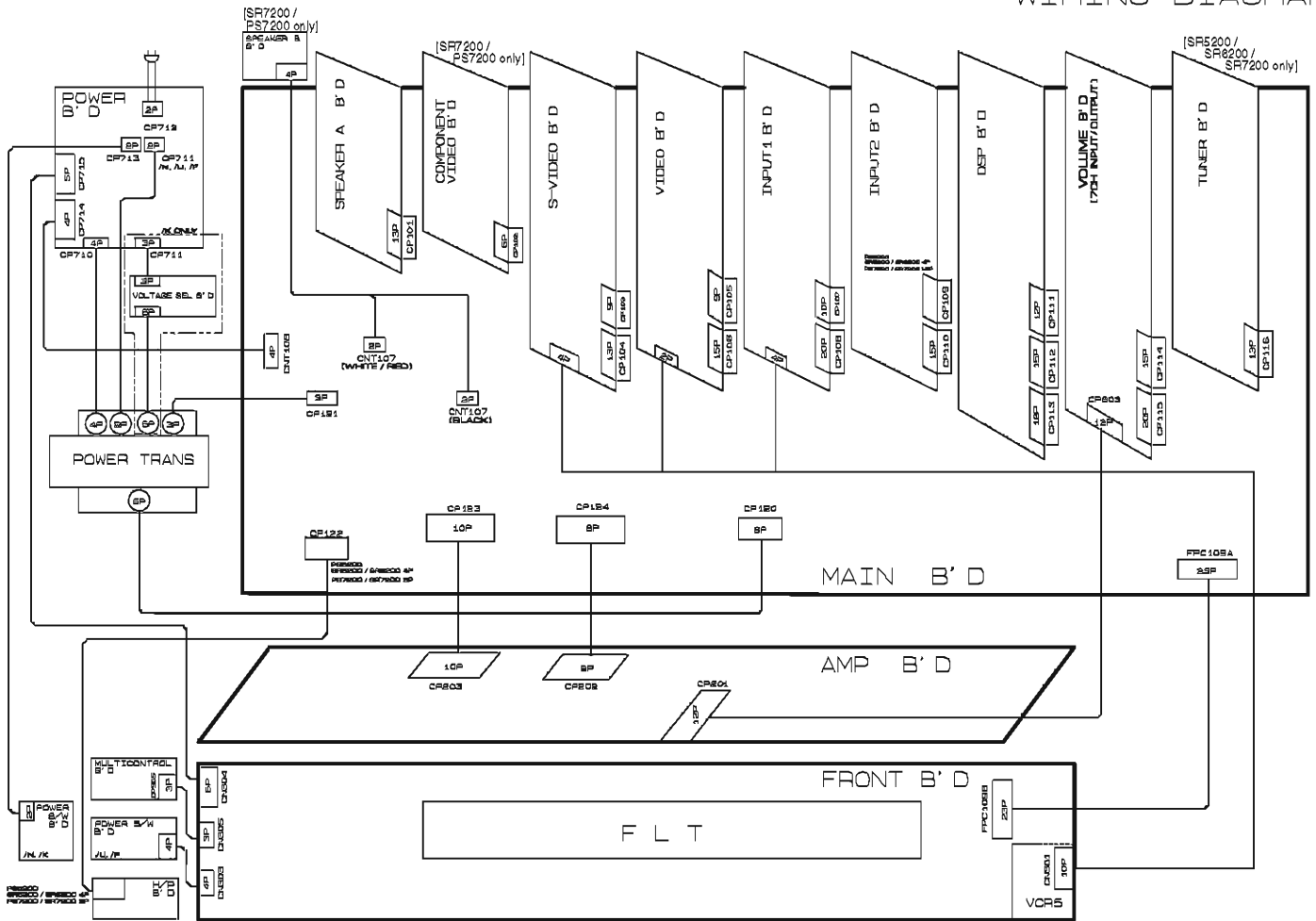
- Dolby Digital (2 ch: Lt/Rt): signal with Dolby Surround flag Speakers are full set.
- When DOLBY DIGITAL, DTS, PCM or ANALOG is blinking, the selected surround mode is unavailable for input signal. Select the other appropriate surround mode to playback.
- No sound outputs from the surround speaker, center speaker and subwoofer if the DVD disc has no surround data.

PS5200

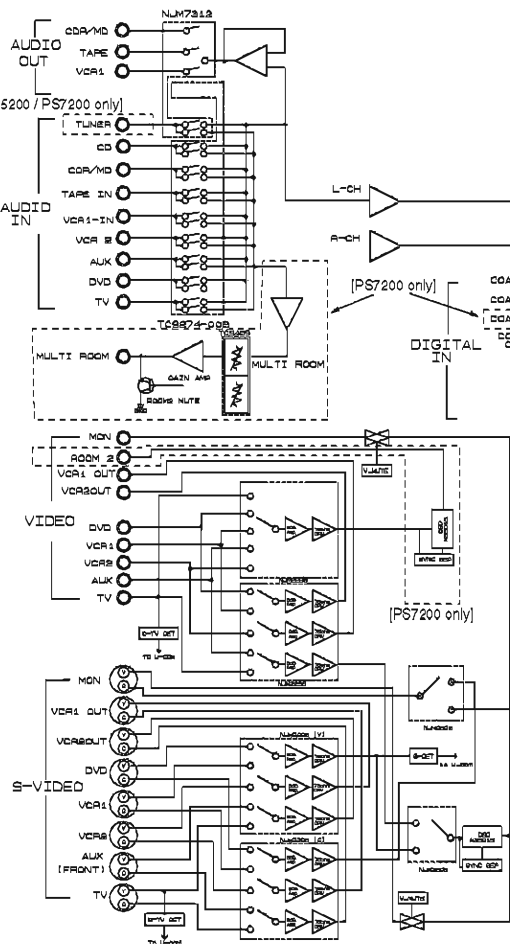
Surround Mode	Input Signal	Output					Fluorescent Indicator			
		L/R	S/VS	C	SC	SW	Input Indicator	Format Status & Surround Mode	Temporary Display Status	Ch. Status
Auto	Dolby Digital (5.1ch)	0	0	0	-	0	DIGITAL	DOLBY, DIGITAL, AUTO	>AUTO>	L, C, R, SL, SR, LFE
	Dolby Digital (2ch)	0	-	-	-	0	DIGITAL	DOLBY, DIGITAL, AUTO	>AUTO>	L, R
	Dolby Digital (2ch: Lf/Rt)	0	0	0	-	0	DIGITAL	DOLBY, DIGITAL, PRO LOGIC, AUTO	>AUTO>	L, R, SC
	96kHz PCM	0	-	-	-	-	DIGITAL	PCM, STEREO, AUTO	>AUTO>96kHz>	L, R
	PCM(Audio)	0	-	-	-	0	DIGITAL	PCM, STEREO, AUTO	>AUTO>	L, R
	Analog	0	-	-	-	0	ANALOG	STEREO, AUTO	>AUTO>	-
	DTS (5.1ch)	0	0	0	-	0	DIGITAL	DTS, AUTO	>AUTO>	L, C, R, SL, SR, LFE
	AAC(5.1)	0	0	0	-	0	DIGITAL	MPEG, AUTO	>AUTO>	L, C, R, SL, SR, LFE
	AAC(2.0)	0	-	-	-	0	DIGITAL	MPEG, STEREO, AUTO	>AUTO>	L, R
Stereo	Dolby Digital (5.1ch)	0	-	-	-	0	DIGITAL	DOLBY, DIGITAL, STEREO	>STEREO>	L, C, R, SL, SR, LFE
	Dolby Digital (2ch)	0	-	-	-	0	DIGITAL	DOLBY, DIGITAL, STEREO	>STEREO>	L, R
	Dolby Digital (2ch: Lf/Rt)	0	-	-	-	0	DIGITAL	DOLBY, DIGITAL, STEREO	>STEREO>	L, R, SC
	96kHz PCM	0	-	-	-	-	DIGITAL	PCM, STEREO	>STEREO>96kHz>	L, R
	PCM(Audio)	0	-	-	-	0	DIGITAL	PCM, STEREO	>STEREO>	L, R
	Analog	0	-	-	-	0	ANALOG	STEREO	>STEREO>	-
	DTS (5.1ch)	0	-	-	-	0	DIGITAL	DTS, STEREO	>STEREO>	L, C, R, SL, SR, LFE
	AAC(5.1)	0	-	-	-	0	DIGITAL	MPEG, STEREO	>STEREO>	L, C, R, SL, SR, LFE
	AAC(2.0)	0	-	-	-	0	DIGITAL	MPEG, STEREO	>STEREO>	L, R
Movie	Dolby Digital (5.1ch)	0	0	0	-	0	DIGITAL	DOLBY, DIGITAL	>DOLBY D>	L, C, R, SL, SR, LFE
	Dolby Digital (2ch)	0	0	0	-	0	DIGITAL	DOLBY, DIGITAL, PRO LOGIC	>PLII MOVIE>	L, R
	Dolby Digital (2ch: Lf/Rt)	0	0	0	-	0	DIGITAL	DOLBY, DIGITAL, PRO LOGIC	>PLII MOVIE>	L, R, SC
	96kHz PCM	-	-	-	-	-	DIGITAL	(PCM), DOLBY, PRO LOGIC	>PLII MOVIE>96kHz>	-
	PCM(Audio)	0	0	0	-	0	DIGITAL	PCM, DOLBY, PRO LOGIC	>PLII MOVIE>	L, R
	Analog	0	0	0	-	0	ANALOG	DOLBY, PRO LOGIC	>PLII MOVIE>	-
	DTS (5.1ch)	-	-	-	-	-	DIGITAL	(DTS), DOLBY, PRO LOGIC	>PLII MOVIE>	-
	AAC(5.1)	0	0	0	-	0	DIGITAL	MPEG	>PLII MOVIE>	L, C, R, SL, SR, LFE
	AAC(2.0)	0	0	0	-	0	DIGITAL	MPEG, PRO LOGIC	>PLII MOVIE>	L, R
Music	Dolby Digital (5.1ch)	0	0	0	-	0	DIGITAL	DOLBY, DIGITAL	>DOLBY D>	L, C, R, SL, SR, LFE
	Dolby Digital (2ch)	0	0	0	-	0	DIGITAL	DOLBY, DIGITAL, PRO LOGIC	>PLII MUSIC>	L, R
	Dolby Digital (2ch: Lf/Rt)	0	0	0	-	0	DIGITAL	DOLBY, DIGITAL, PRO LOGIC	>PLII MUSIC>	L, R, SC
	96kHz PCM	-	-	-	-	-	DIGITAL	(PCM), DOLBY, PRO LOGIC	>PLII MUSIC>96kHz>	-
	PCM(Audio)	0	0	0	-	0	DIGITAL	PCM, DOLBY, PRO LOGIC	>PLII MUSIC>	L, R
	Analog	0	0	0	-	0	ANALOG	DOLBY, PRO LOGIC	>PLII MUSIC>	-
	DTS (5.1ch)	-	-	-	-	-	DIGITAL	(DTS), DOLBY, PRO LOGIC	>PLII MUSIC>	-
	AAC(5.1)	0	0	0	-	0	DIGITAL	MPEG	>PLII MUSIC>	L, C, R, SL, SR, LFE
	AAC(2.0)	0	0	0	-	0	DIGITAL	MPEG, PRO LOGIC	>PLII MUSIC>	L, R
Pro Logic	Dolby Digital (5.1ch)	0	0	0	-	0	DIGITAL	DOLBY, DIGITAL	>DOLBY D>	L, C, R, SL, SR, LFE
	Dolby Digital (2ch)	0	0	0	-	0	DIGITAL	DOLBY, DIGITAL, PRO LOGIC	>PRO LOGIC>	L, R
	Dolby Digital (2ch: Lf/Rt)	0	0	0	-	0	DIGITAL	DOLBY, DIGITAL, PRO LOGIC	>PRO LOGIC>	L, R, SC
	96kHz PCM	-	-	-	-	-	DIGITAL	(PCM), DOLBY, PRO LOGIC	>PRO LOGIC>96kHz>	-
	PCM(Audio)	0	0	0	-	0	DIGITAL	PCM, DOLBY, PRO LOGIC	>PRO LOGIC>	L, R
	Analog	0	0	0	-	0	ANALOG	DOLBY, PRO LOGIC	>PRO LOGIC>	-
	DTS (5.1ch)	-	-	-	-	-	DIGITAL	(DTS), DOLBY, PRO LOGIC	>PRO LOGIC>	-
	AAC(5.1)	0	0	0	-	0	DIGITAL	MPEG	>PRO LOGIC>	L, C, R, SL, SR, LFE
	AAC(2.0)	0	0	0	-	0	DIGITAL	MPEG, PRO LOGIC	>PRO LOGIC>	L, R
DTS	Dolby Digital (5.1ch)	-	-	-	-	-	DIGITAL	(DOLBY, DIGITAL), DTS	>DTS>	-
	Dolby Digital (2ch)	-	-	-	-	-	DIGITAL	(DOLBY, DIGITAL), DTS	>DTS>	-
	Dolby Digital (2ch: Lf/Rt)	-	-	-	-	-	DIGITAL	(DOLBY, DIGITAL), DTS	>DTS>	-
	96kHz PCM	-	-	-	-	-	DIGITAL	(PCM), DTS	>DTS>96kHz>	-
	PCM(Audio)	-	-	-	-	-	DIGITAL	(PCM), DTS	>DTS>	-
	Analog	-	-	-	-	-	(ANALOG)	DTS	>DTS>	-
	DTS (5.1ch)	0	0	0	-	0	DIGITAL	DTS	>DTS>	L, C, R, SL, SR, LFE
	AAC(5.1)	-	-	-	-	-	DIGITAL	(MPEG), DTS	>DTS>	-
	AAC(2.0)	-	-	-	-	-	DIGITAL	(MPEG), DTS	>DTS>	-
6.1Ch Surround	Dolby Digital (5.1ch)	0	0	0	0	0	DIGITAL	DOLBY, DIGITAL	>6.1 CH SURROUND>	L, C, R, SL, SR, LFE
	Dolby Digital (2ch)	-	-	-	-	-	DIGITAL	(DOLBY, DIGITAL)	>6.1 CH SURROUND>	-
	Dolby Digital (2ch: Lf/Rt)	-	-	-	-	-	DIGITAL	(DOLBY, DIGITAL)	>6.1 CH SURROUND>	-
	96kHz PCM	-	-	-	-	-	DIGITAL	(PCM)	>6.1 CH SURROUND>96kHz>	-
	PCM(Audio)	-	-	-	-	-	DIGITAL	(PCM)	>6.1 CH SURROUND>	-
	Analog	-	-	-	-	-	(ANALOG)		>6.1 CH SURROUND>	-
	DTS (5.1ch)	0	0	0	0	0	DIGITAL	DTS	>6.1 CH SURROUND>	L, C, R, SL, SR, LFE
	AAC(5.1)	-	-	-	-	-	DIGITAL	(MPEG)	>6.1 CH SURROUND>	-
	AAC(2.0)	-	-	-	-	-	DIGITAL	(MPEG)	>6.1 CH SURROUND>	-
Movie Hall Stadium Matrix	Dolby Digital (5.1ch)	-	-	-	-	-	DIGITAL	(DOLBY, DIGITAL), DSP SOUND	>MOVIE/HALL/STADIUM/MATRIX>	-
	Dolby Digital (2ch)	-	-	-	-	-	DIGITAL	(DOLBY, DIGITAL), DSP SOUND	>MOVIE/HALL/STADIUM/MATRIX>	-
	Dolby Digital (2ch: Lf/Rt)	-	-	-	-	-	DIGITAL	(DOLBY, DIGITAL), DSP SOUND	>MOVIE/HALL/STADIUM/MATRIX>	-
	96kHz PCM	-	-	-	-	-	DIGITAL	(PCM), DSP SOUND	>MOVIE/HALL/STADIUM/MATRIX>	-
	PCM(Audio)	0	0	0	-	0	DIGITAL	PCM, DSP SOUND	>MOVIE/HALL/STADIUM/MATRIX>	L, R
	Analog	0	0	0	-	0	ANALOG	DSP SOUND	>MOVIE/HALL/STADIUM/MATRIX>	-
	DTS (5.1ch)	-	-	-	-	-	DIGITAL	(DTS), DSP SOUND	>MOVIE/HALL/STADIUM/MATRIX>	-
	AAC(5.1)	-	-	-	-	-	DIGITAL	(MPEG), DSP SOUND	>MOVIE/HALL/STADIUM/MATRIX>	-
	AAC(2.0)	-	-	-	-	-	DIGITAL	(MPEG), DSP SOUND	>MOVIE/HALL/STADIUM/MATRIX>	-
Virtual	Dolby Digital (5.1ch)	0	-	-	-	-	DIGITAL	DOLBY, DIGITAL, VIRTUAL	>VIRTUAL>	L, C, R, SL, SR, LFE
	Dolby Digital (2ch)	0	-	-	-	-	DIGITAL	DOLBY, DIGITAL, PRO LOGIC, VIRTUAL	>VIRTUAL>	L, R
	Dolby Digital (2ch: Lf/Rt)	0	-	-	-	-	DIGITAL	DOLBY, DIGITAL, PRO LOGIC, VIRTUAL	>VIRTUAL>	L, R, SC
	96kHz PCM	-	-	-	-	-	DIGITAL	(PCM), DOLBY, VIRTUAL	>VIRTUAL>96kHz>	-
	PCM(Audio)	0	-	-	-	-	DIGITAL	PCM, DOLBY, PRO LOGIC, VIRTUAL	>VIRTUAL>	L, R
	Analog	0	-	-	-	-	ANALOG	DOLBY, PRO LOGIC, VIRTUAL	>VIRTUAL>	-
	DTS (5.1ch)	-	-	-	-	-	DIGITAL	(DTS), DOLBY, VIRTUAL	>VIRTUAL>	-
	AAC(5.1)	-	-	-	-	-	DIGITAL	(MPEG), DOLBY, VIRTUAL	>VIRTUAL>	-
	AAC(2.0)	-	-	-	-	-	DIGITAL	(MPEG), DOLBY, VIRTUAL	>VIRTUAL>	-
6CH Stereo	Dolby Digital (5.1ch)	0	0	0	-	0	DIGITAL	DOLBY, DIGITAL	>6CH STEREO>	L, C, R, SL, SR, LFE
	Dolby Digital (2ch)	0	0	0	-	0	DIGITAL	DOLBY, DIGITAL	>6CH STEREO>	L, R
	Dolby Digital (2ch: Lf/Rt)	0	0	0	-	0	DIGITAL	DOLBY, DIGITAL	>6CH STEREO>	L, R, SC
	96kHz PCM	-	-	-	-	-	DIGITAL	(PCM)	>6CH STEREO>96kHz>	-
	PCM(Audio)	0	0	0	-	0	DIGITAL	PCM	>6CH STEREO>	L, R
	Analog	0	0	0	-	0	ANALOG		>6CH STEREO>	-
	DTS (5.1ch)	0	0	0	-	0	DIGITAL	DTS	>6CH STEREO>	L, C, R, SL, SR, LFE
	AAC(5.1)	0	0	0	-	0	DIGITAL	MPEG	>6CH STEREO>	L, C, R, SL, SR, LFE
	AAC(2.0)	0	0	0	-	0	DIGITAL	MPEG	>6CH STEREO>	L, R

2. WIRING DIAGRAM

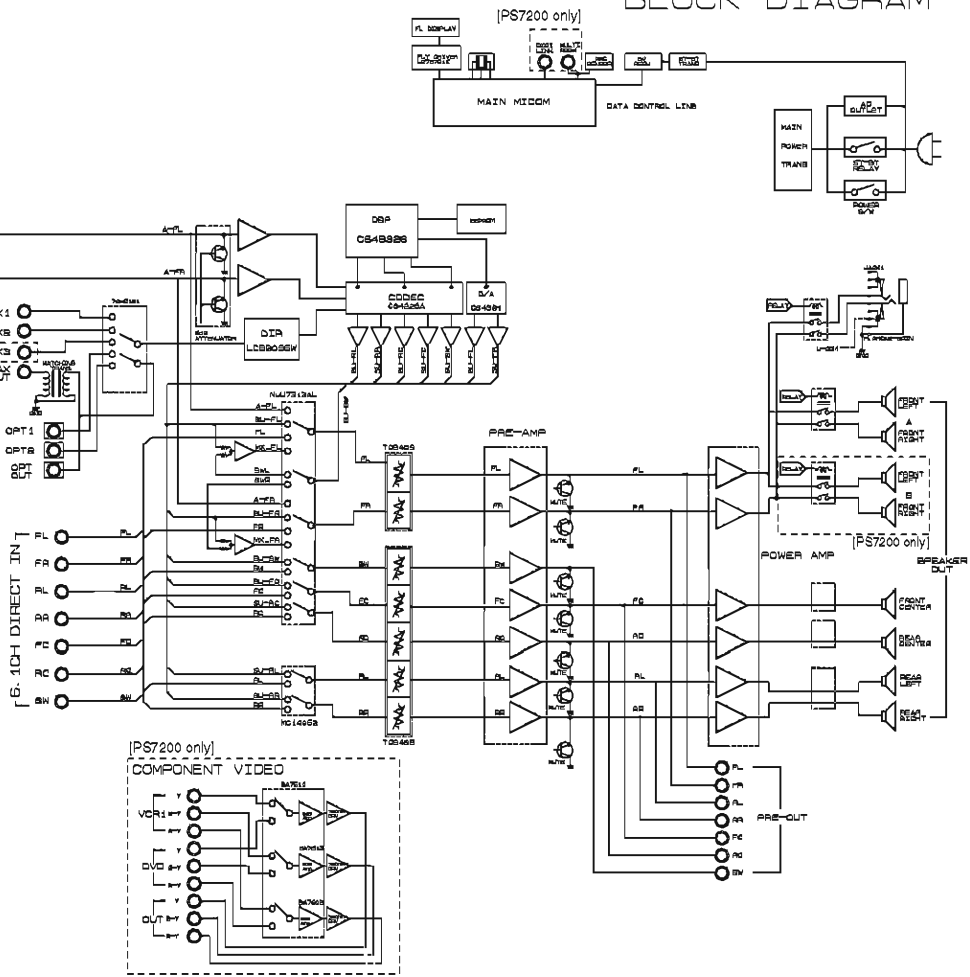
WIRING DIAGRAM



3. BLOCK DIAGRAM

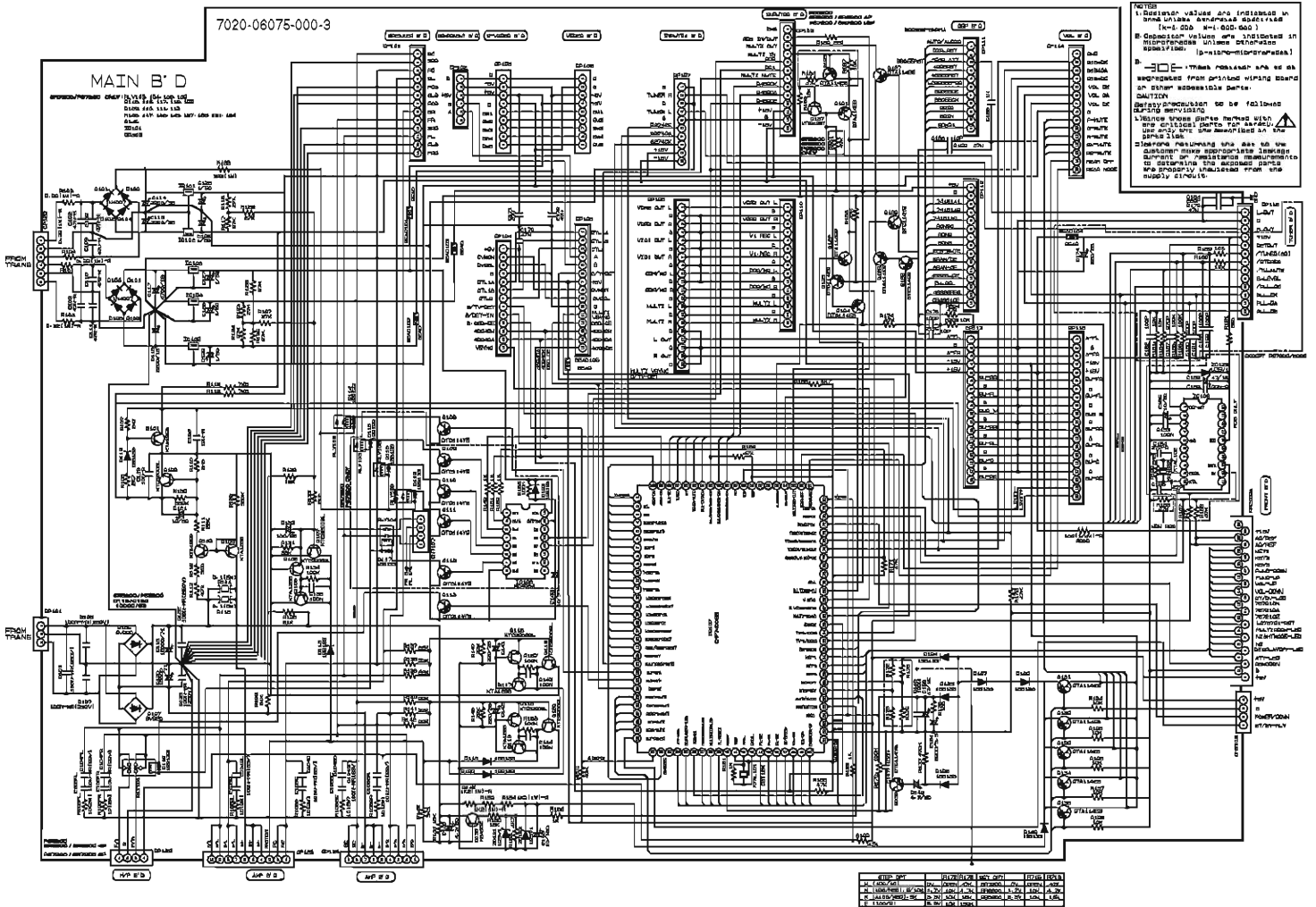


BLOCK DIAGRAM

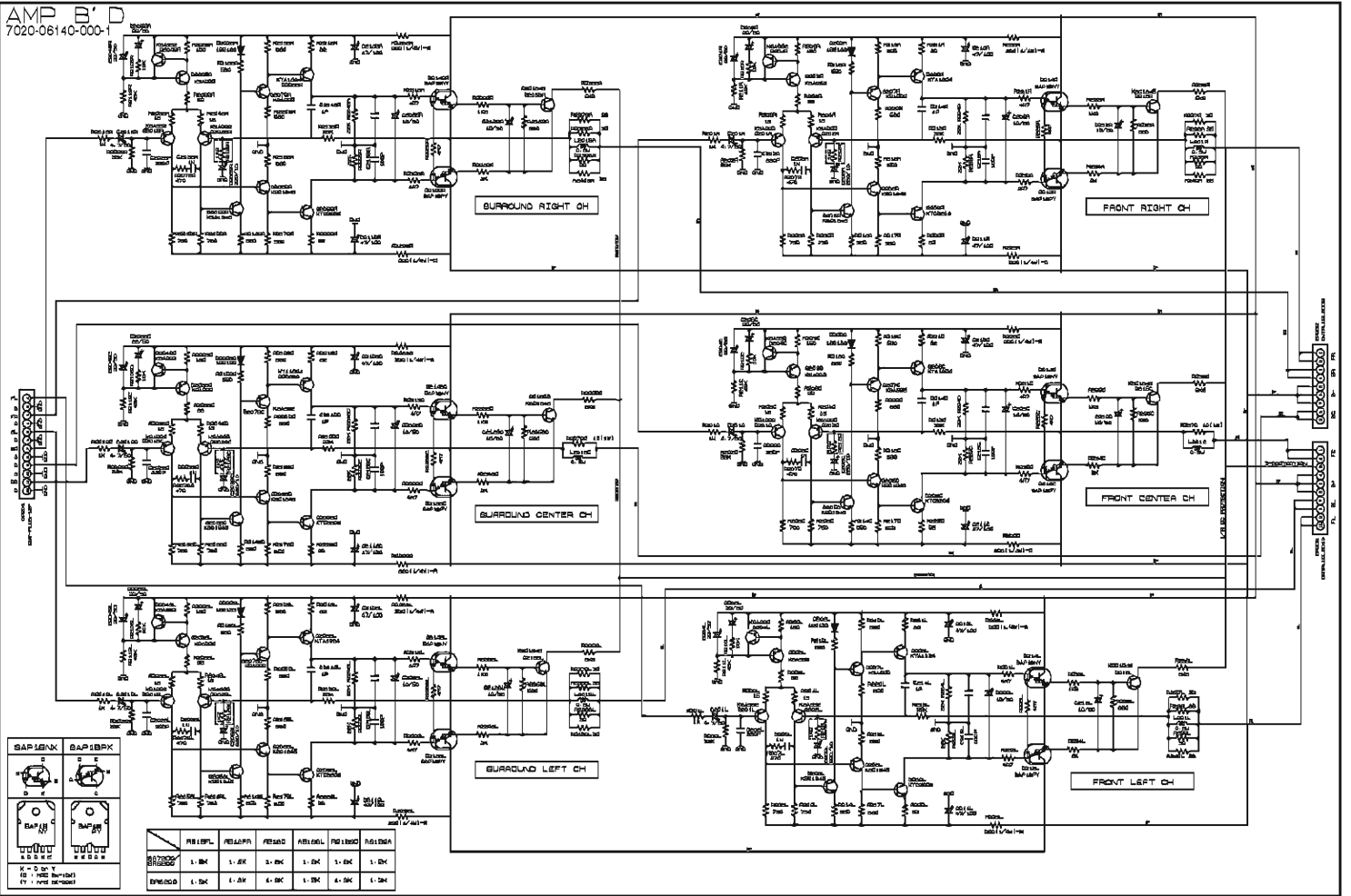


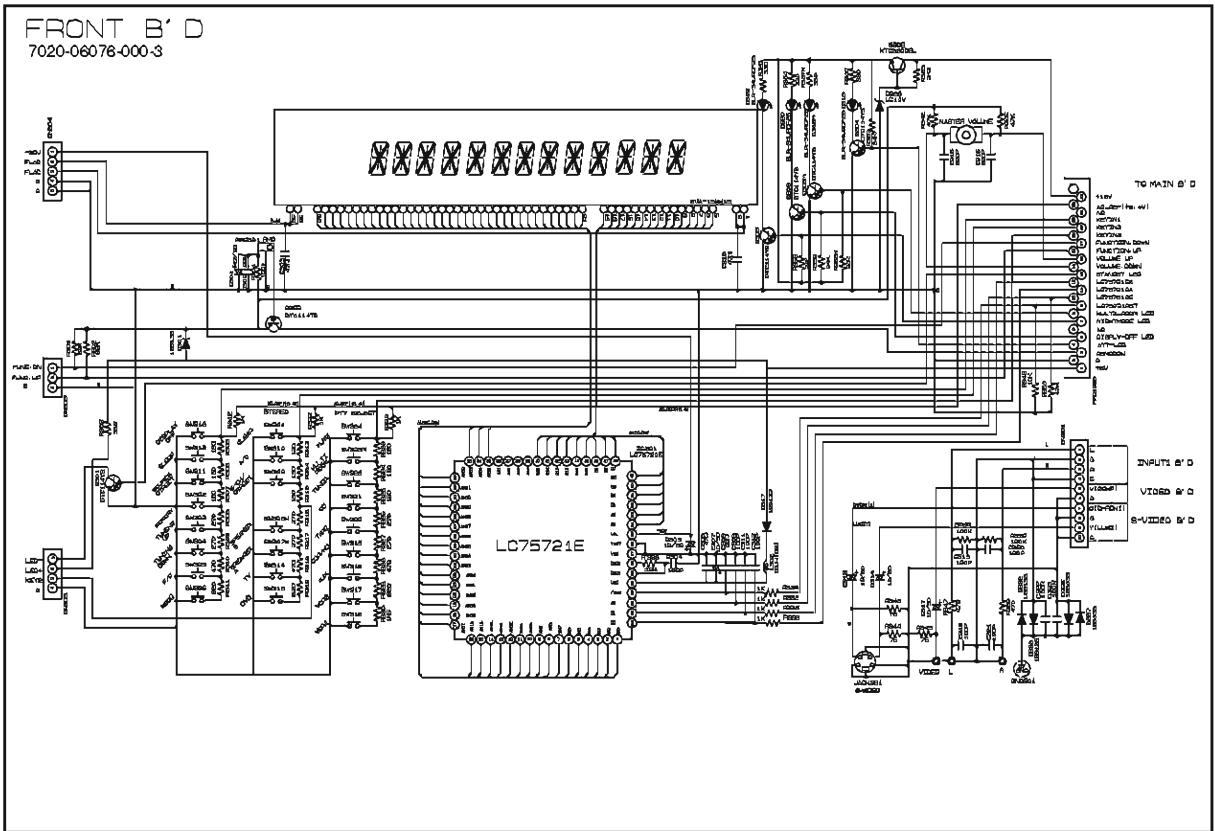
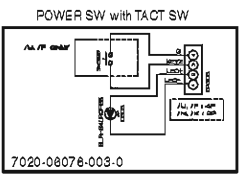
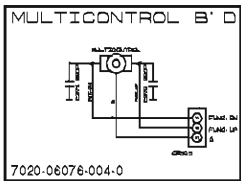
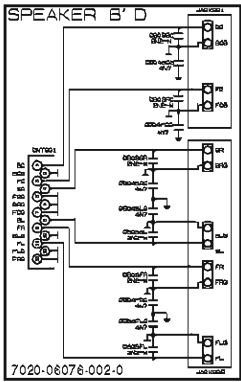


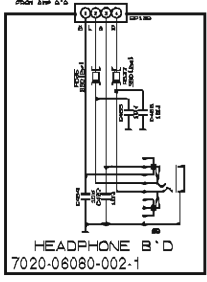
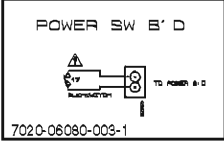
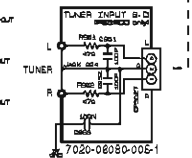
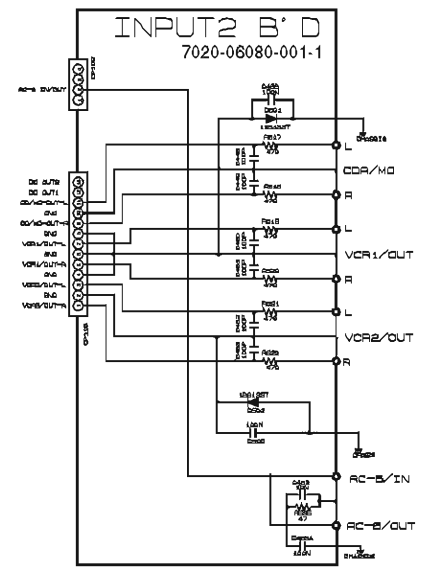
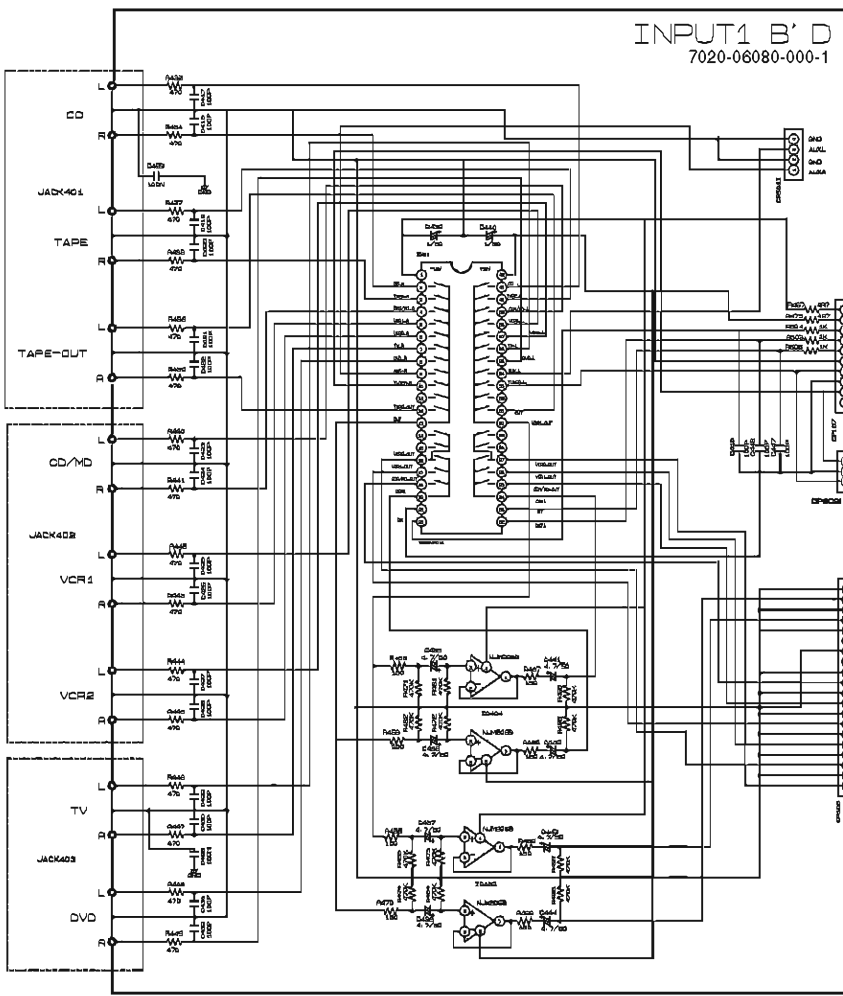
4. SCHEMATIC DIAGRAM

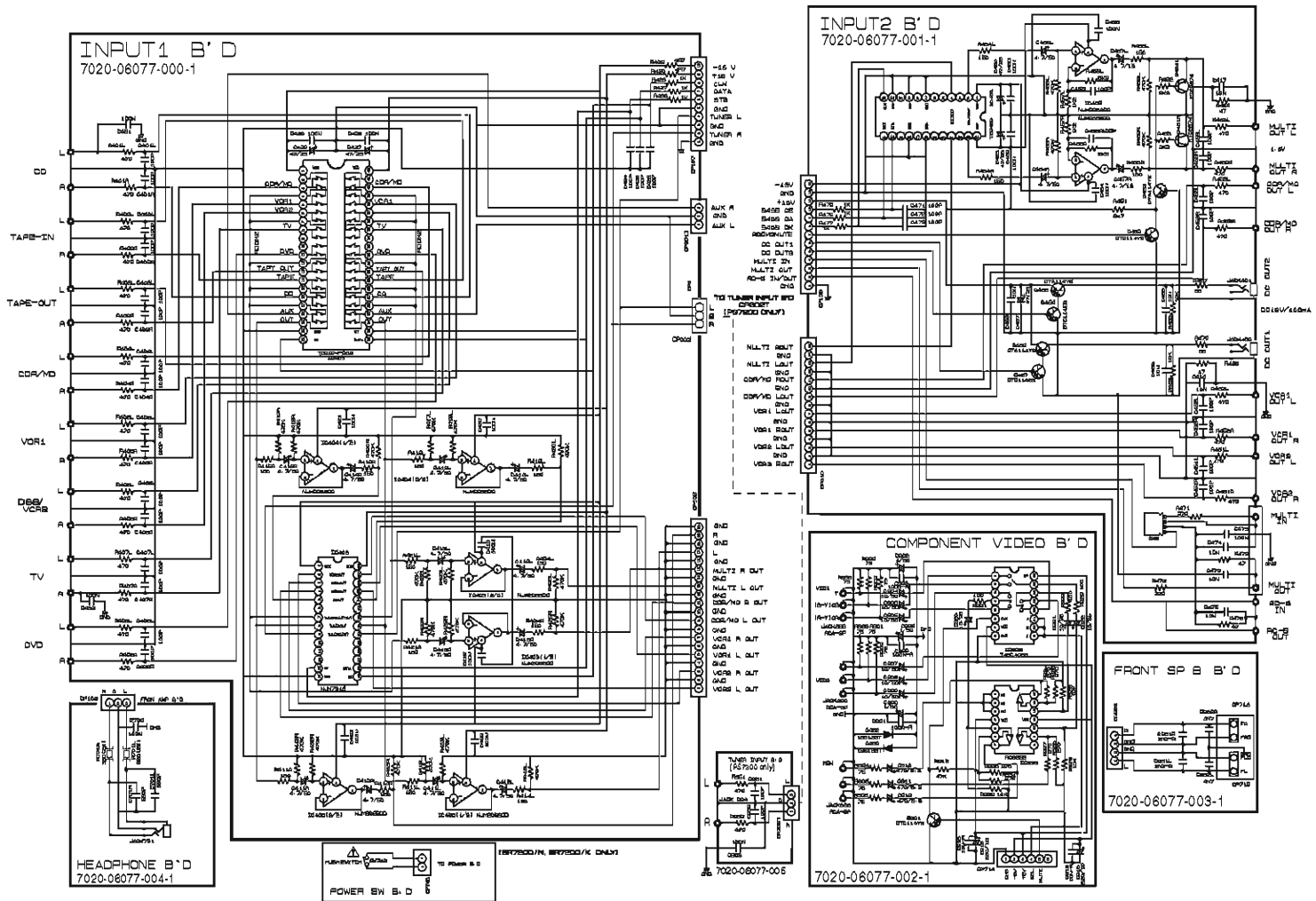


AMP B'D  
7020-06140-000-1



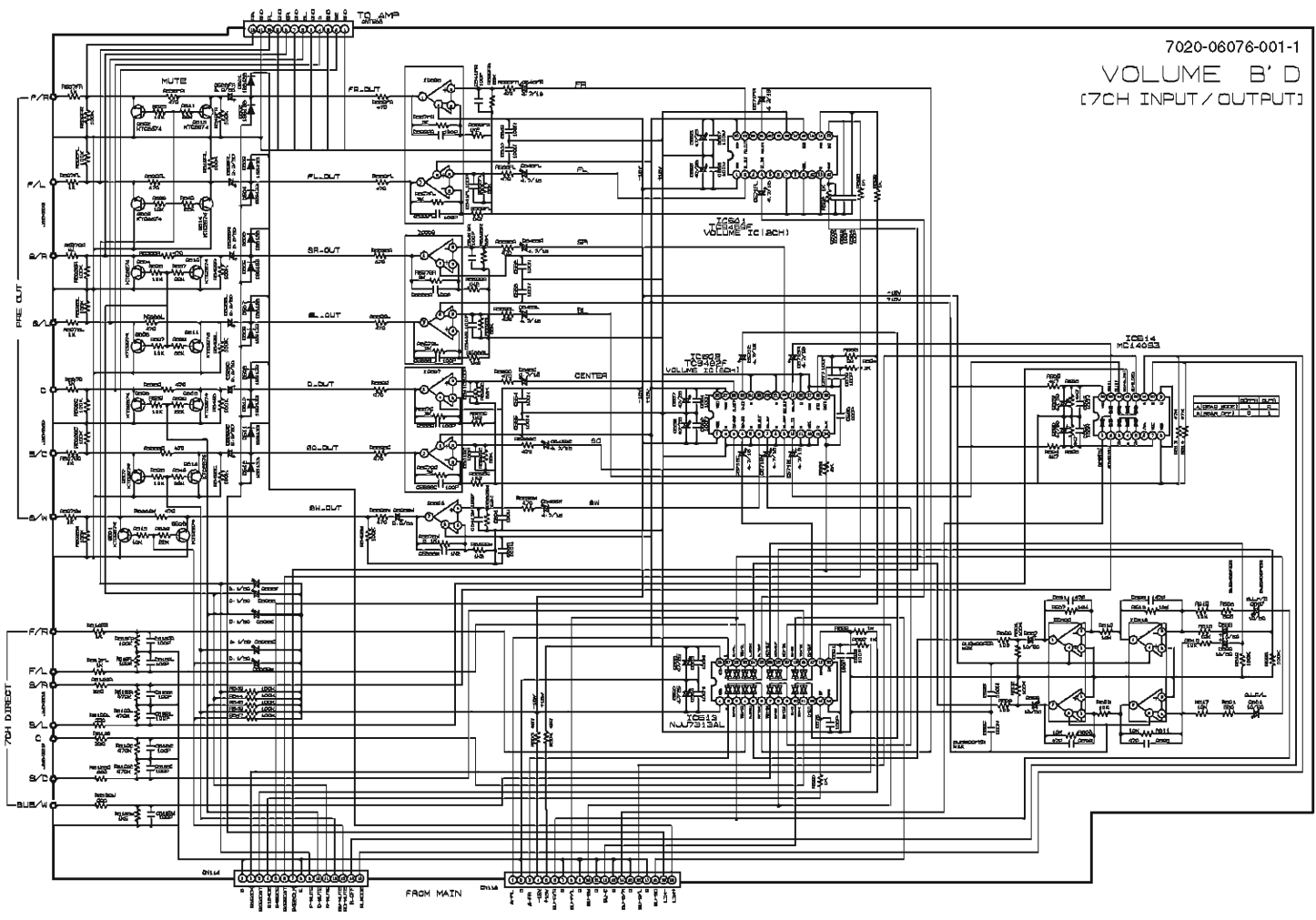


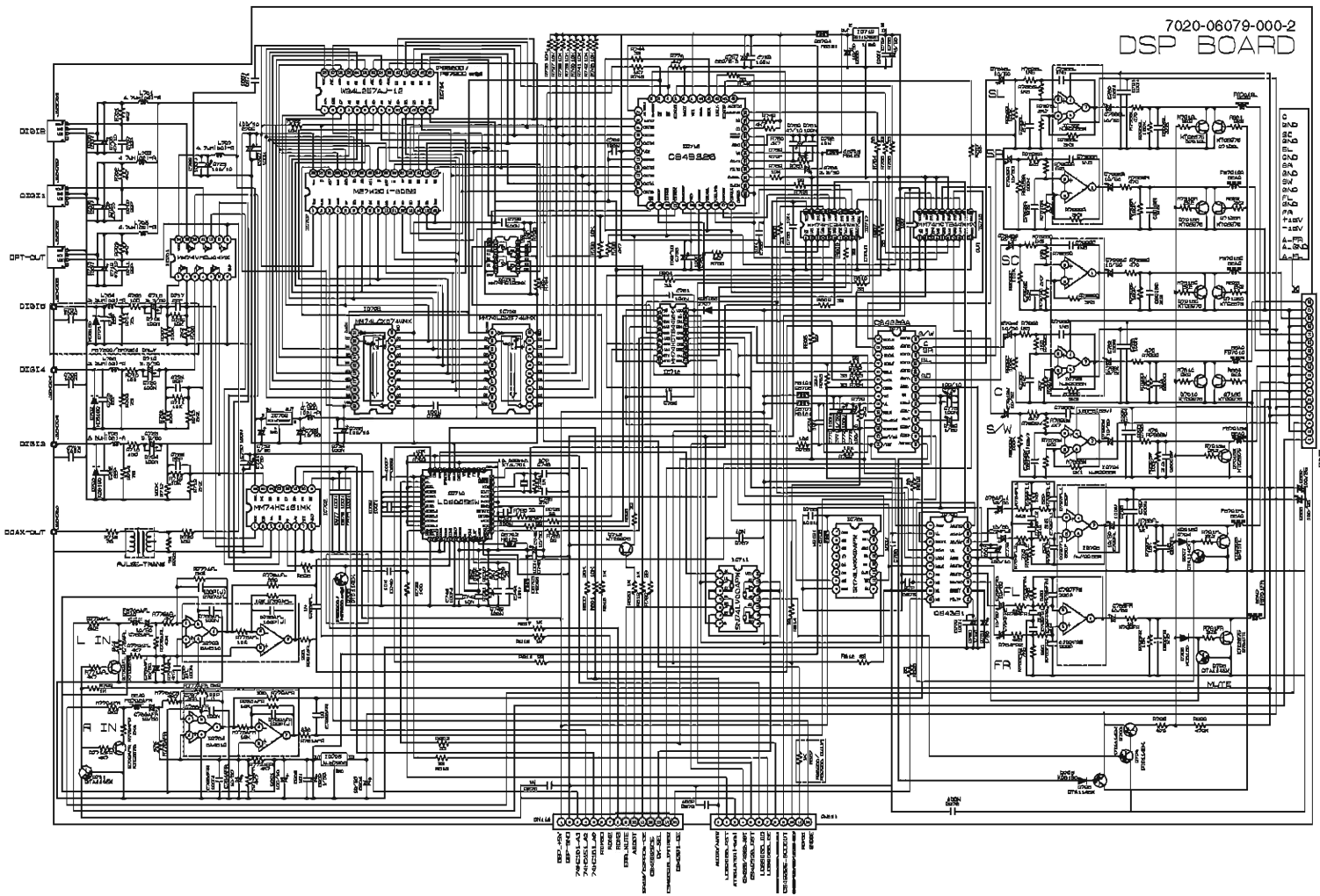




7020-06076-001-1

VOLUME B' D  
(7CH INPUT/OUTPUT)

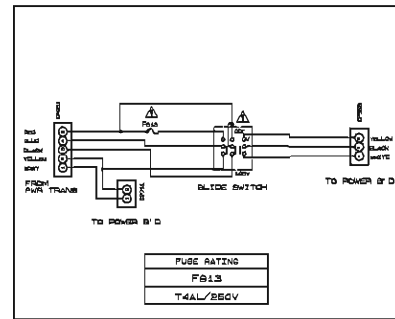
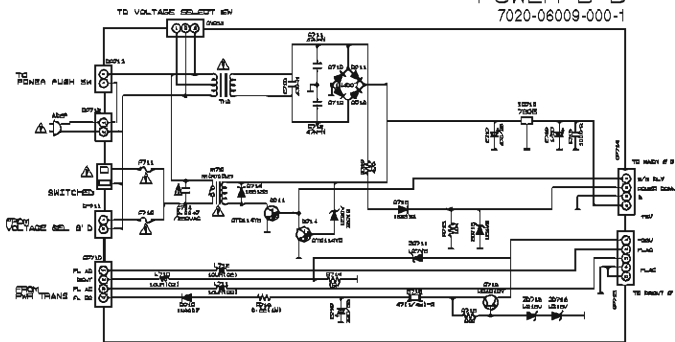




[/K ONLY]

POWER B' D  
7020-06009-000-1

VOLTAGE SEL B' D  
7020-06106-001-0



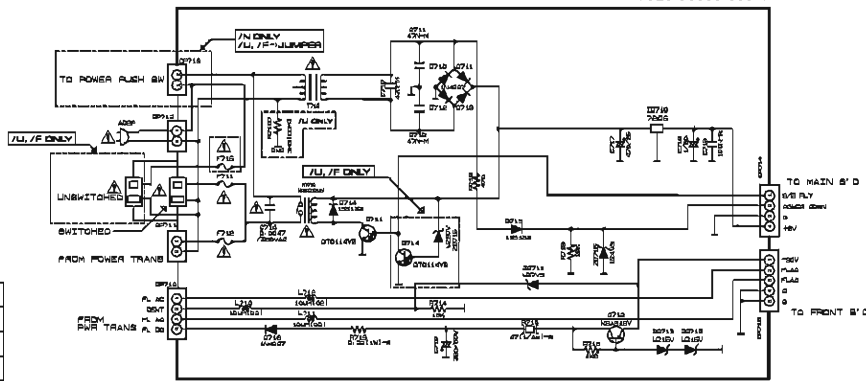
FUSE RATING	
F711	F718
T8. 6A/250V	T6. 3A/250V

FUSE RATING	
F613	T4A/250V

NOTES  
1. Resistor values are indicated in ohms unless otherwise specified (K=1,000 M=1,000,000)  
2. Capacitor values are indicated in microfarads unless otherwise specified (microfarads)  
3. These Resistor are to be assigned from printed wiring board or other accessible parts.  
CAUTION  
Safety Precaution to be followed during servicing:  
1. Before working on this unit, disconnect the power supply and remove the fuses.  
2. Before working on the unit, be sure the power supply is disconnected from the main circuit.  
3. Before working on the unit, be sure the power supply is disconnected from the main circuit.

[/N, /U, /F ONLY]

POWER B' D  
7020-06088-000-1

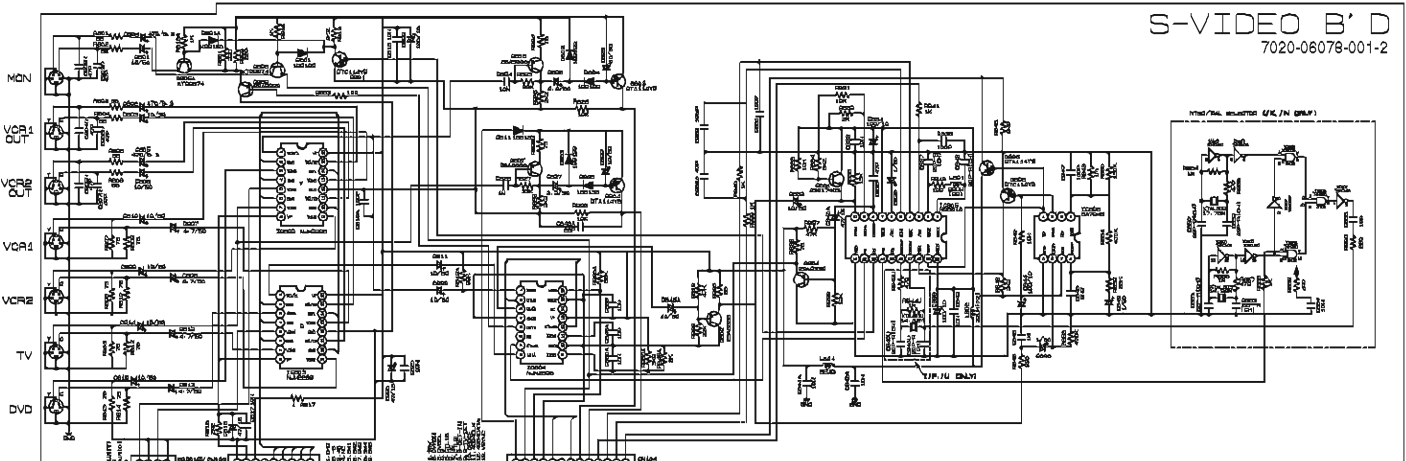


	EUROPE [/N]	U.S.A. / U / JAPAN [/F]
F711	T8. 6A/250V	S8. 6A/250V
F718	T8. 2A/250V	S8A/250V
F719		S8. 6A/250V

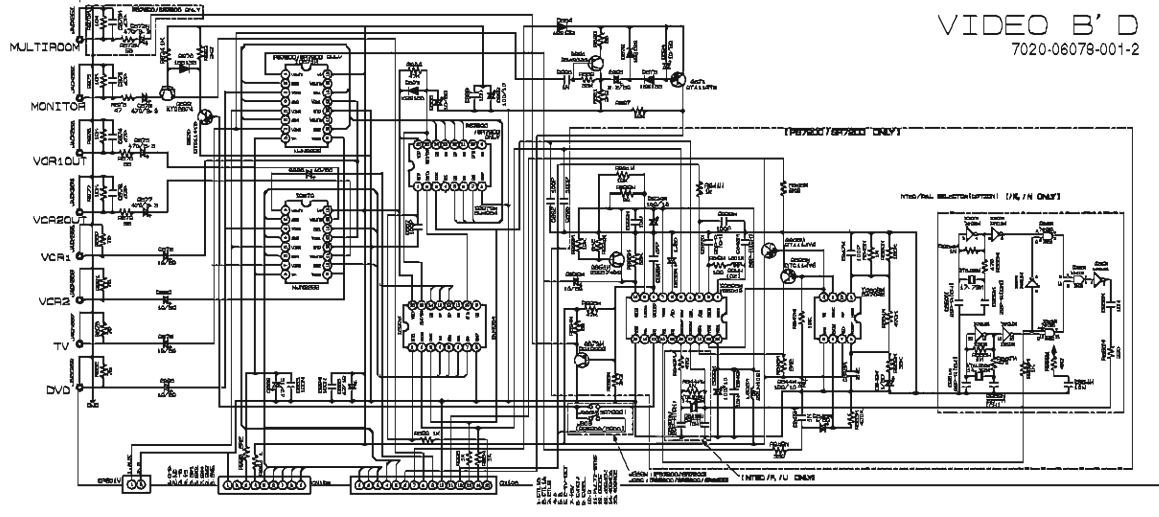
NOTES  
1. Resistor values are indicated in ohms unless otherwise specified (K=1,000 M=1,000,000)  
2. Capacitor values are indicated in microfarads unless otherwise specified (microfarads)  
3. These Resistor are to be assigned from printed wiring board or other accessible parts.  
CAUTION  
Safety Precaution to be followed during servicing:  
1. Before working on this unit, disconnect the power supply and remove the fuses.  
2. Before working on the unit, be sure the power supply is disconnected from the main circuit.  
3. Before working on the unit, be sure the power supply is disconnected from the main circuit.



S-VIDEO B' D  
7020-06078-001-2



VIDEO B' D  
7020-06078-001-2



**NOTES**

1. Resistor values are indicated in ohms unless otherwise specified (K=1,000; M=1,000,000)
2. Capacitor values are indicated in microfarads unless otherwise specified (p=picofarads)
3. These resistors are to be bypassed from printed wiring board on other selectable items.

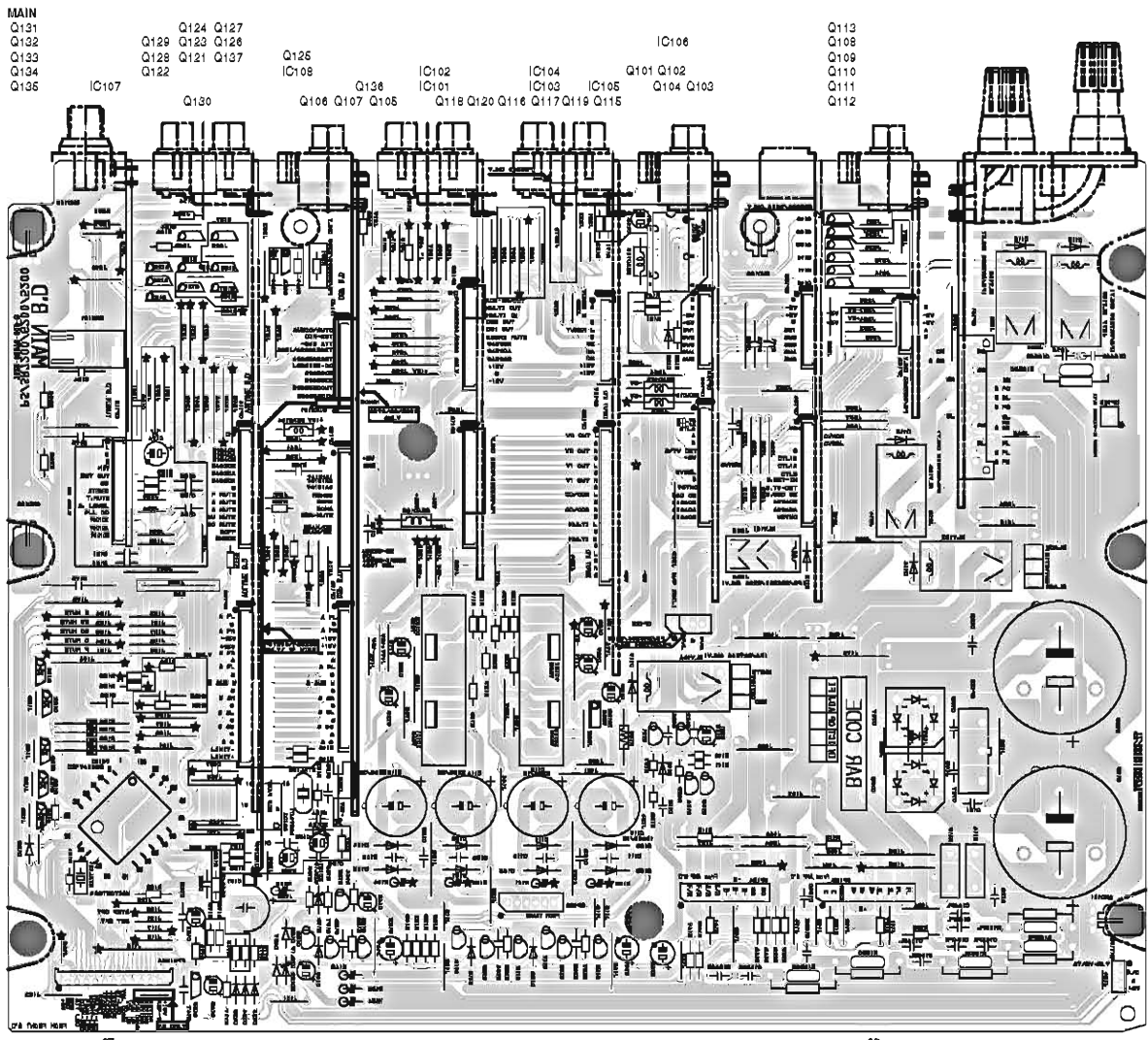
**CAUTION**

During production to be followed during servicing:

1. Solder bridge parts marked with this label parts are critical parts for service use only and are shown in the parts list.

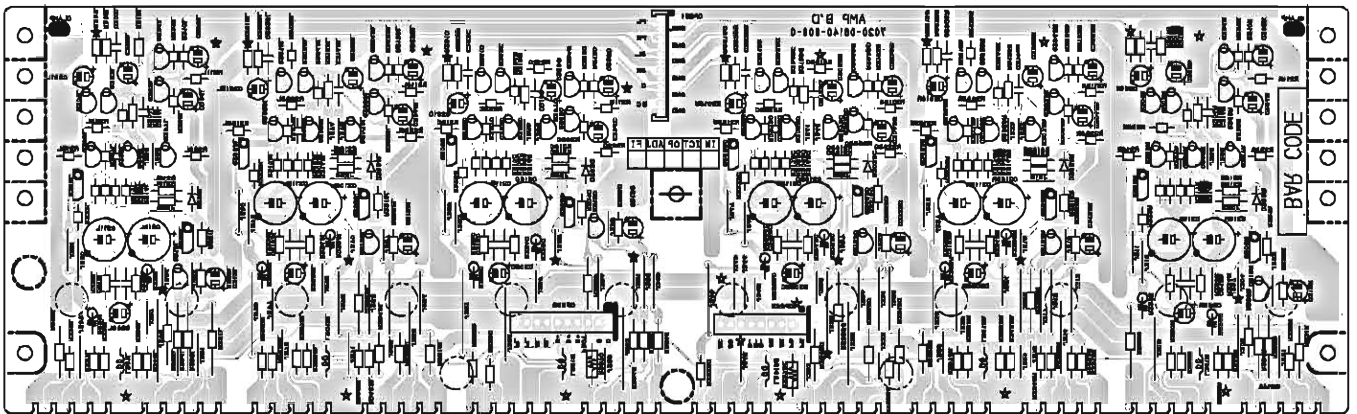
2. Service personnel who do it the customer need appropriate knowledge current or resistance measurements to determine the missing parts are properly insulated from the supply circuit.

5. PARTS LOCATION

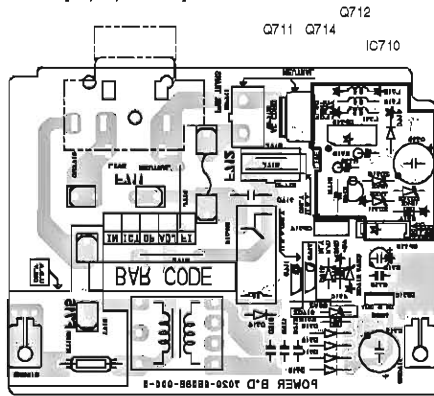


AMP

Q201L	Q202L	Q203L	Q204L	Q201SL	Q202SL	Q203SL	Q204SL	Q201C	Q202C	Q204C	Q201SC	Q202SC	Q204SC	Q201SR	Q202SR	Q204SR	Q201R	Q202R	Q204R
Q205L	Q206L	Q207L	Q208L	Q205SL	Q206SL	Q207SL	Q208SL	Q205C	Q206C	Q207C	Q205SC	Q206SC	Q207SC	Q205SR	Q206SR	Q207SR	Q205R	Q206R	Q207R
Q209L				Q209SL				Q209C			Q209SC			Q209SR			Q209R		
	Q208L			Q208SL				Q208C			Q208SC			Q208SR			Q208R		
	Q215L			Q215SL				Q215C			Q215SC			Q215SR			Q215R		



POWER [/N, /U, /F ONLY]



POWER B.D. 1050-8898-020-1

REV	DATE	BY
1	12-11-77	WJ
2	12-11-77	WJ
3	12-11-77	WJ

FRONT

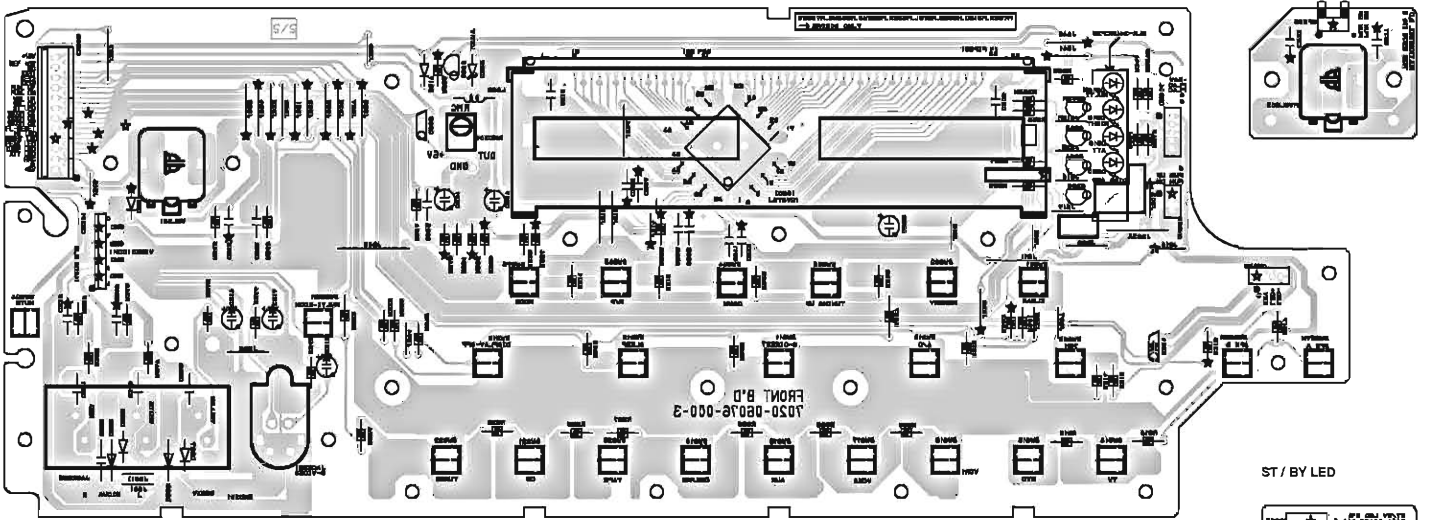
Q309  
Q302

IC301

Q303M  
Q305  
Q304  
Q306

Q301

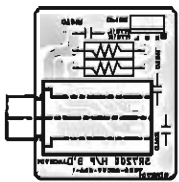
MULTICONTROL



ST / BY LED

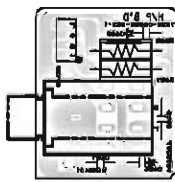


H / P



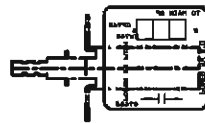
PS7200  
SR7200

H / P



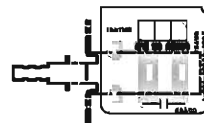
PS5200  
SR5200  
SR6200

POWER SW



SR7200 / K  
SR7200 / N

POWER SW



SR5200 / K  
SR5200 / N  
SR6200 / K  
SR6200 / N

POWER SW



PS5200 / F  
PS7200 / F  
SR8200 / U  
SR6200 / U  
SR7200 / U

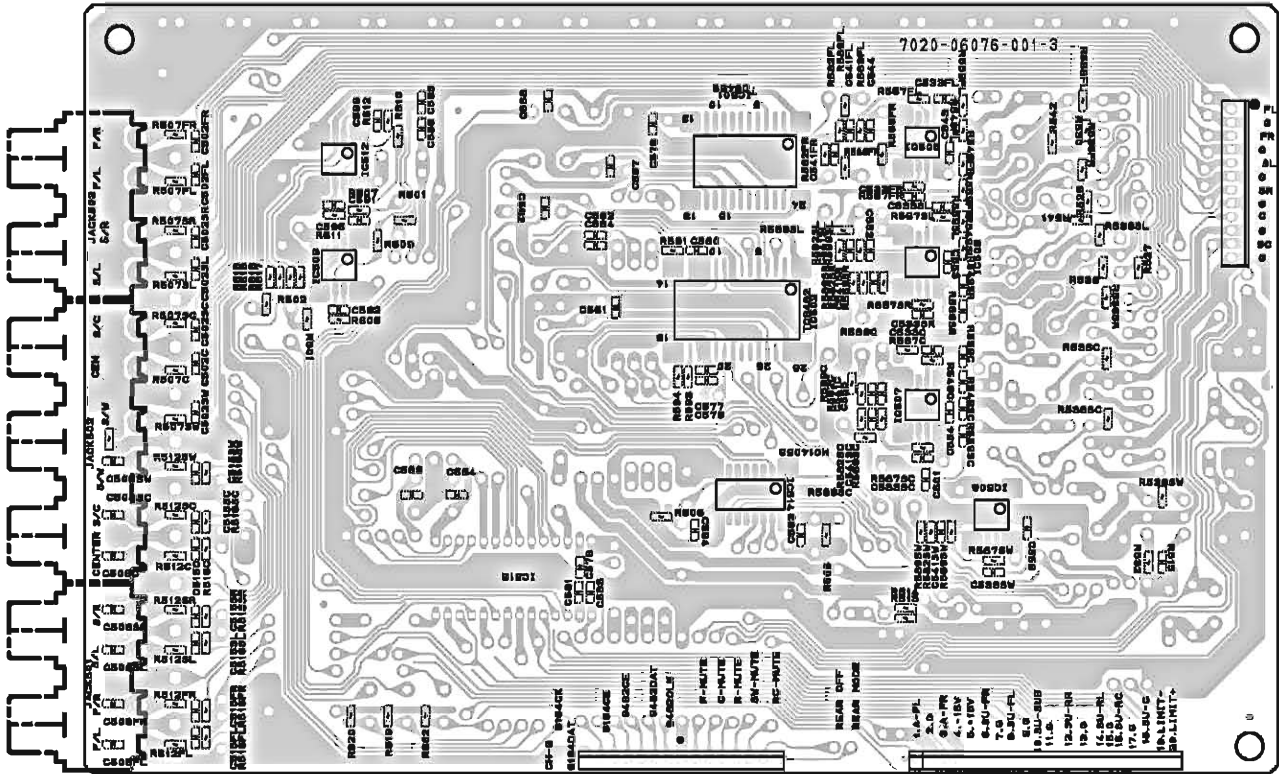


VOLUME  
(7CH INPUT / OUTPUT)

IC512  
IC509

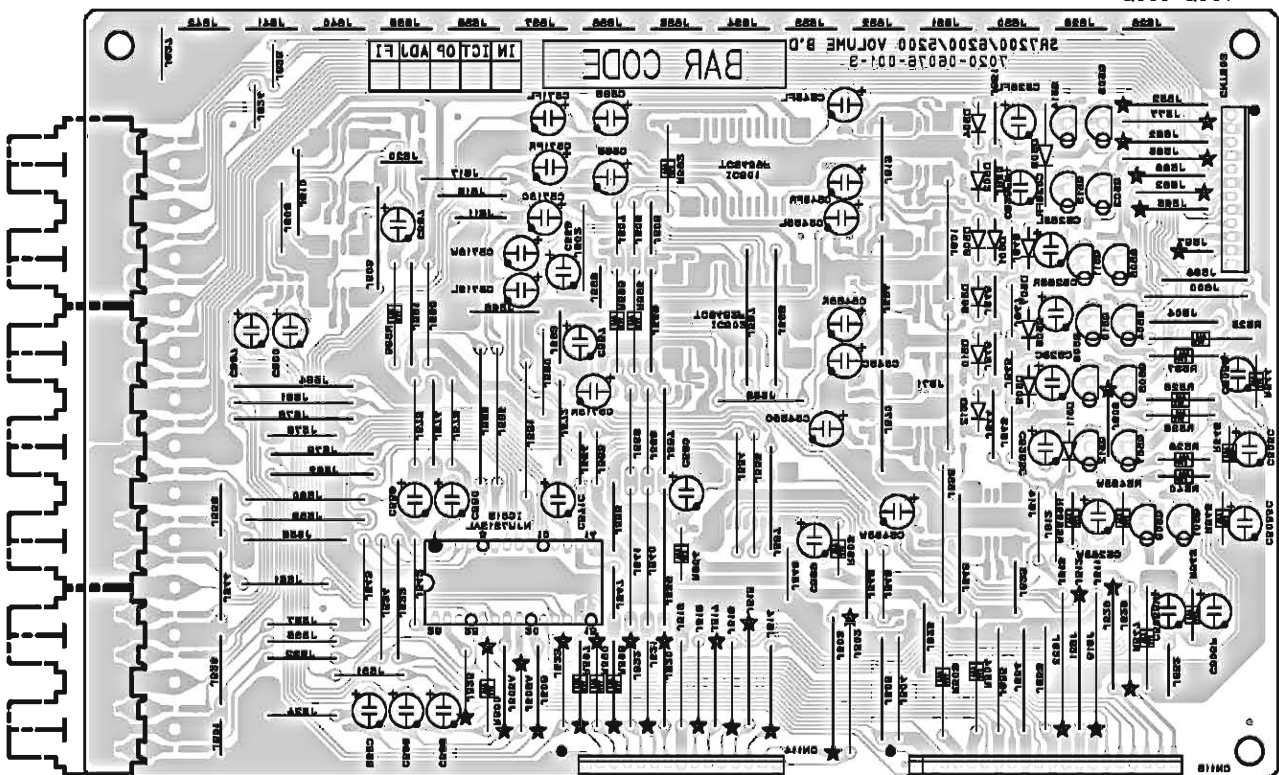
IC501  
IC502  
IC514

IC505  
IC506  
IC507  
IC508



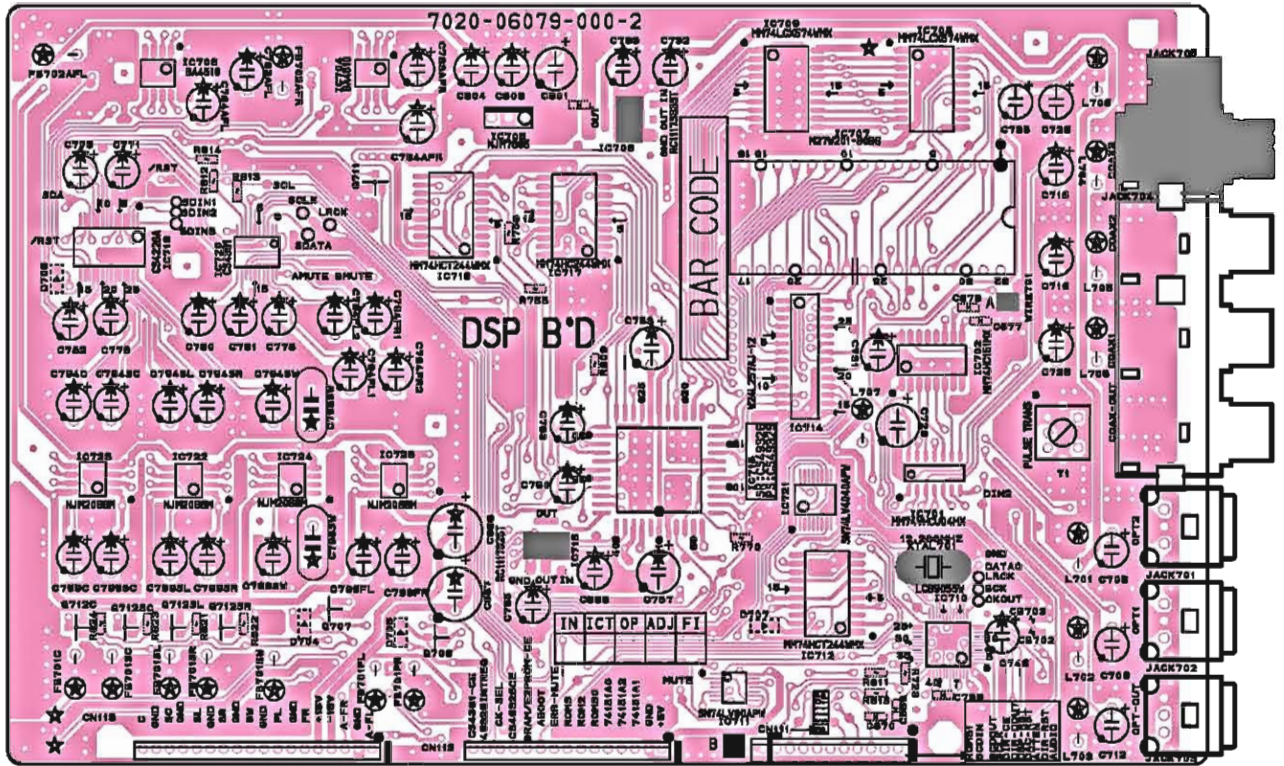
IC513

Q514 Q503  
Q513 Q502  
Q511 Q505  
Q510 Q504  
Q508 Q506  
Q512 Q507  
Q509 Q501

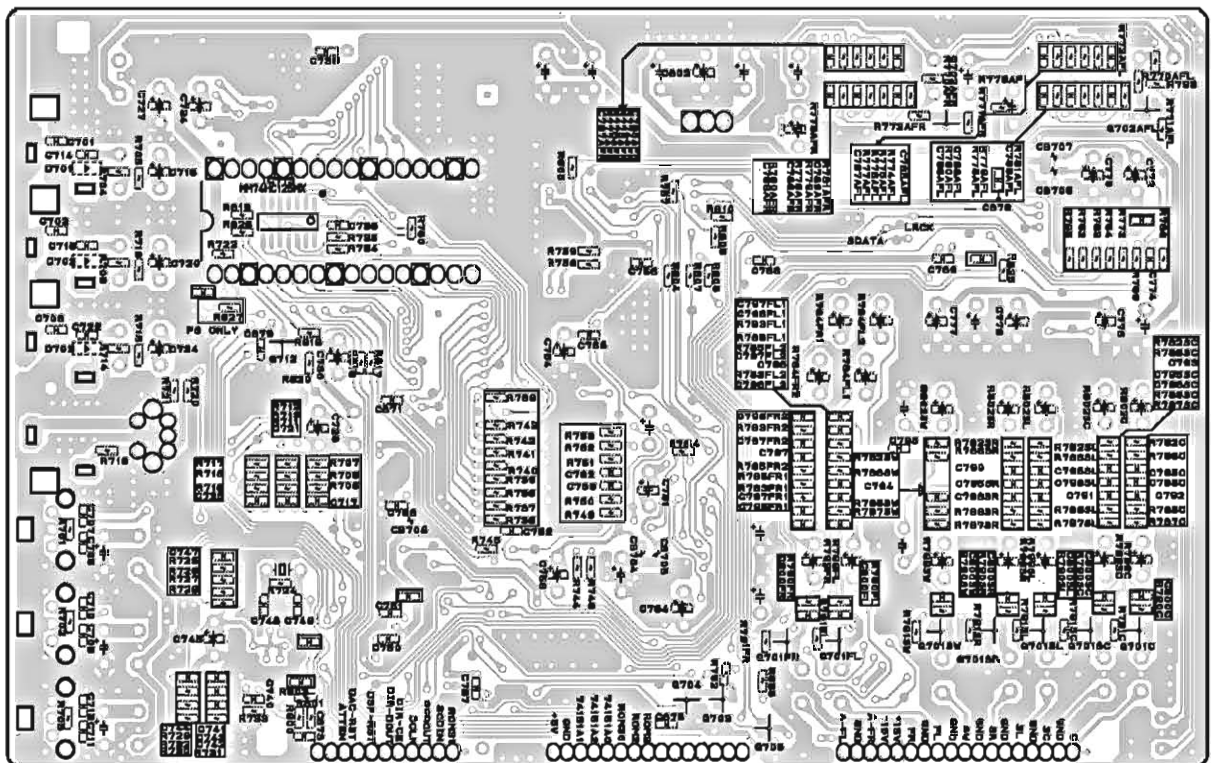


DSP

IC703	IC704	Q712	IC709	IC708
IC719	IC720	Q711 IC718	IC714	IC707
IC723 IC722 IC724 IC725	IC715	IC721	IC702	IC701
Q712C Q712SC Q712SL Q712SR Q707 Q708	IC711	IC712	IC710	



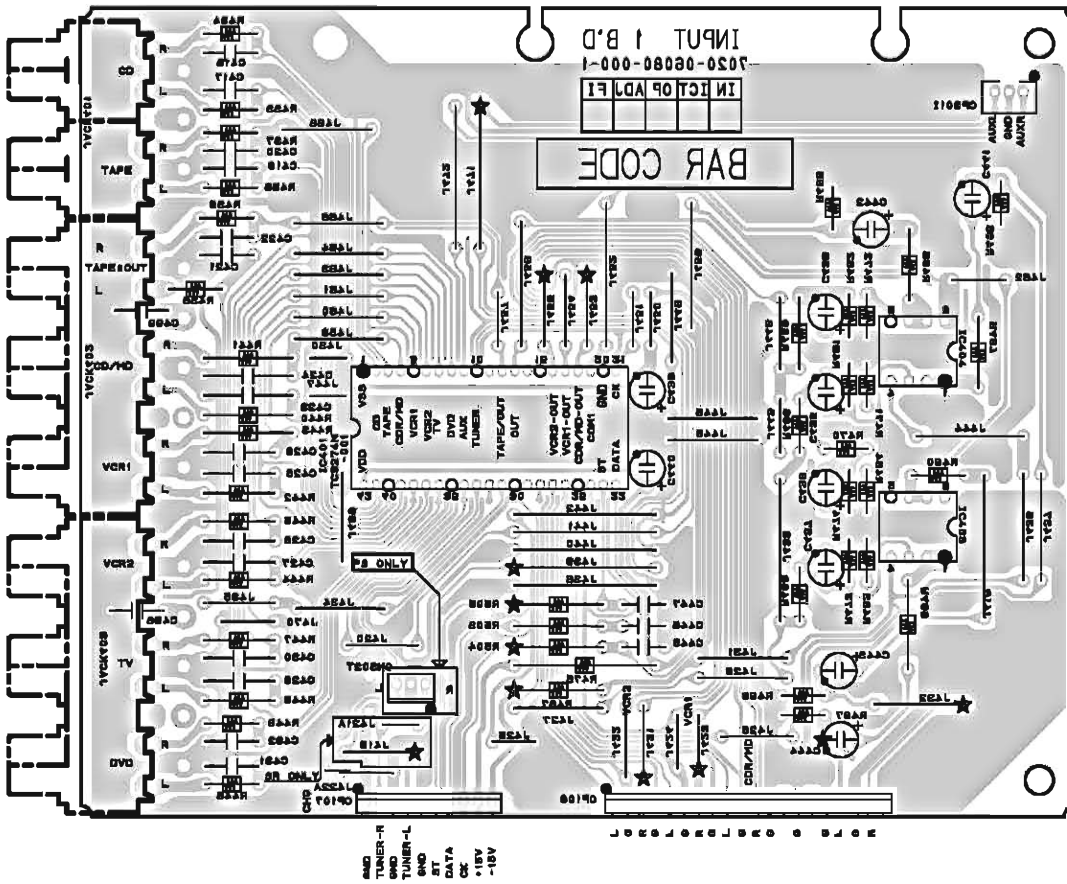
IC713	Q702AFR	Q702AFL
Q712	Q701FR Q701FL Q701SW Q701SR Q701SL Q701SC Q701C	
	Q704	Q703
		Q705



INPUT 1

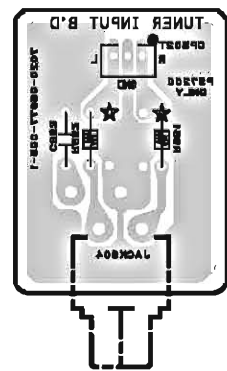
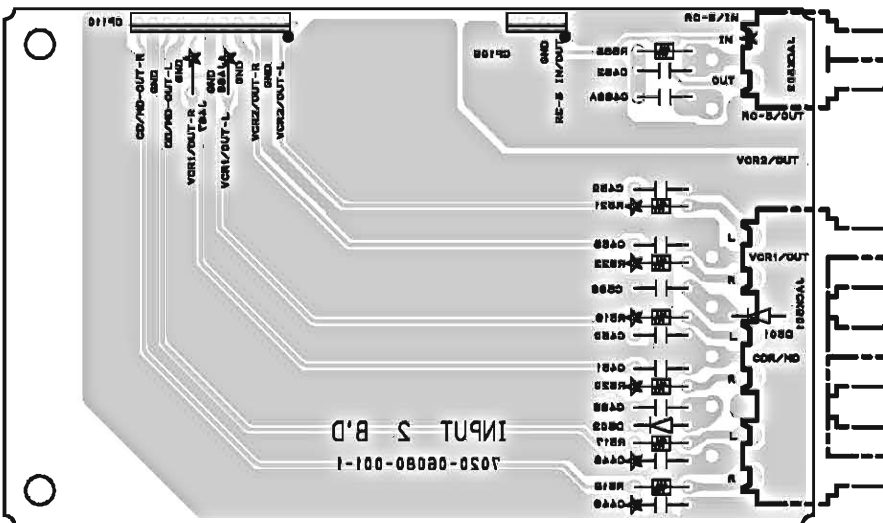
IC401

IC404  
IC403



INPUT 2

TUNER INPUT

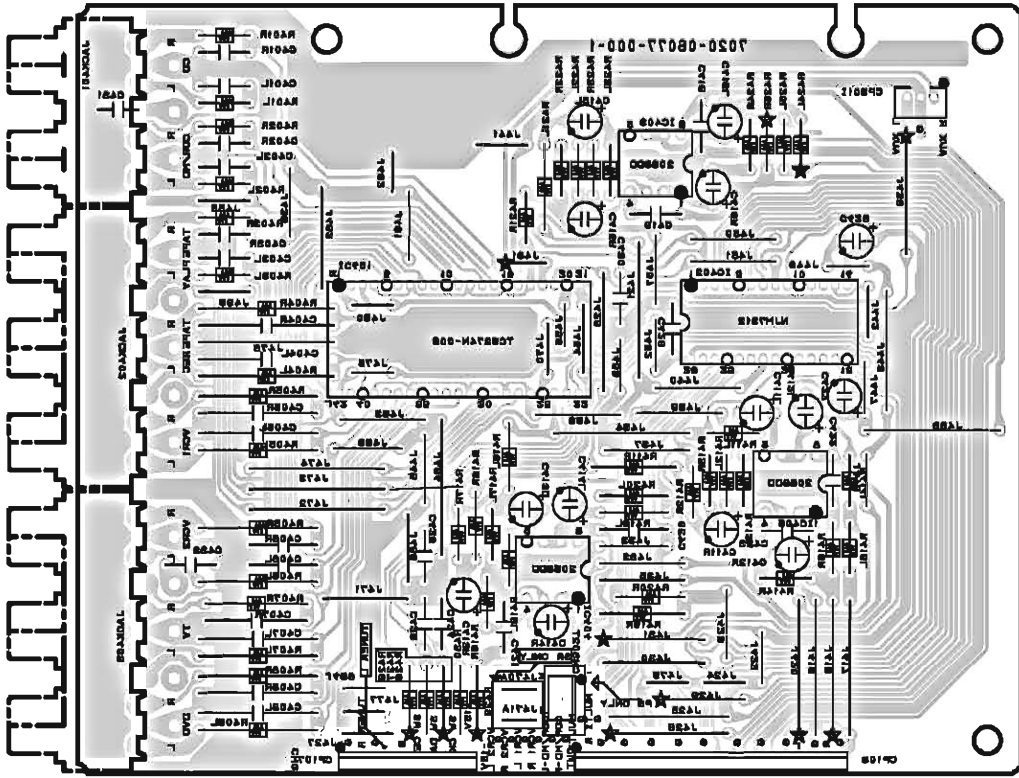


[ PS5200 ONLY ]



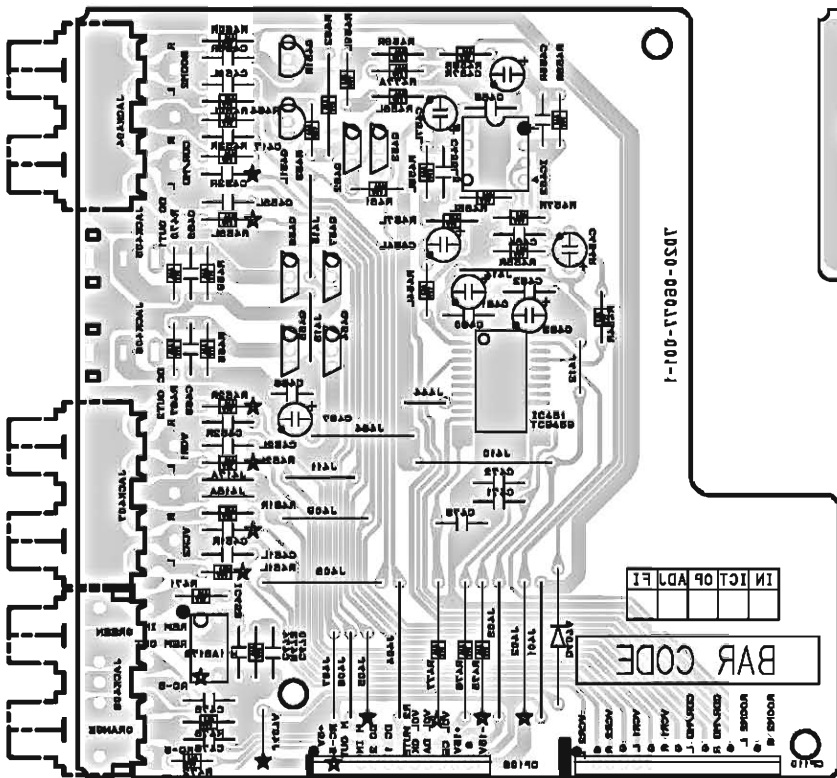
INPUT 1

IC401 IC403 IC402  
IC404

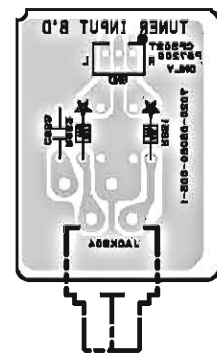


INPUT 2

Q451R  
Q451L Q452 Q453 IC452  
Q458 Q457  
Q455 Q454 IC451



TUNER INPUT



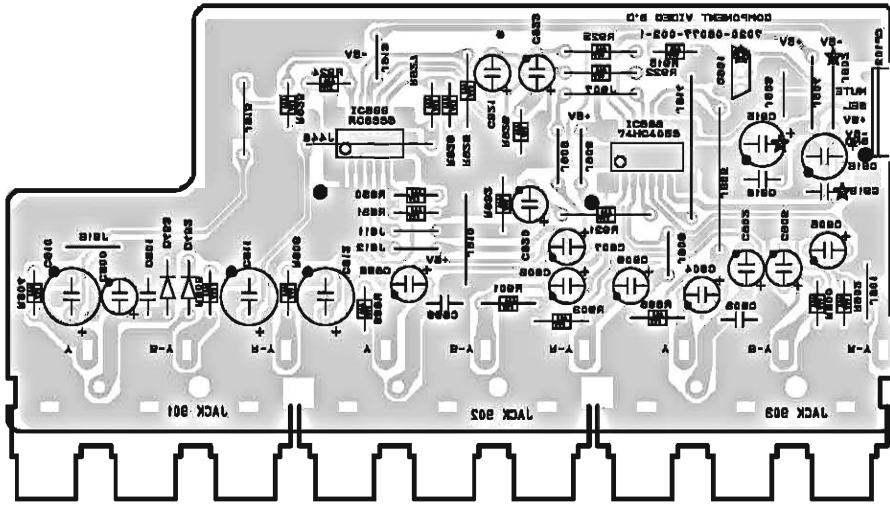
[ PS7200 ONLY ]

COMPONENT VIDEO [ PS7200 / SR7200 ONLY ]

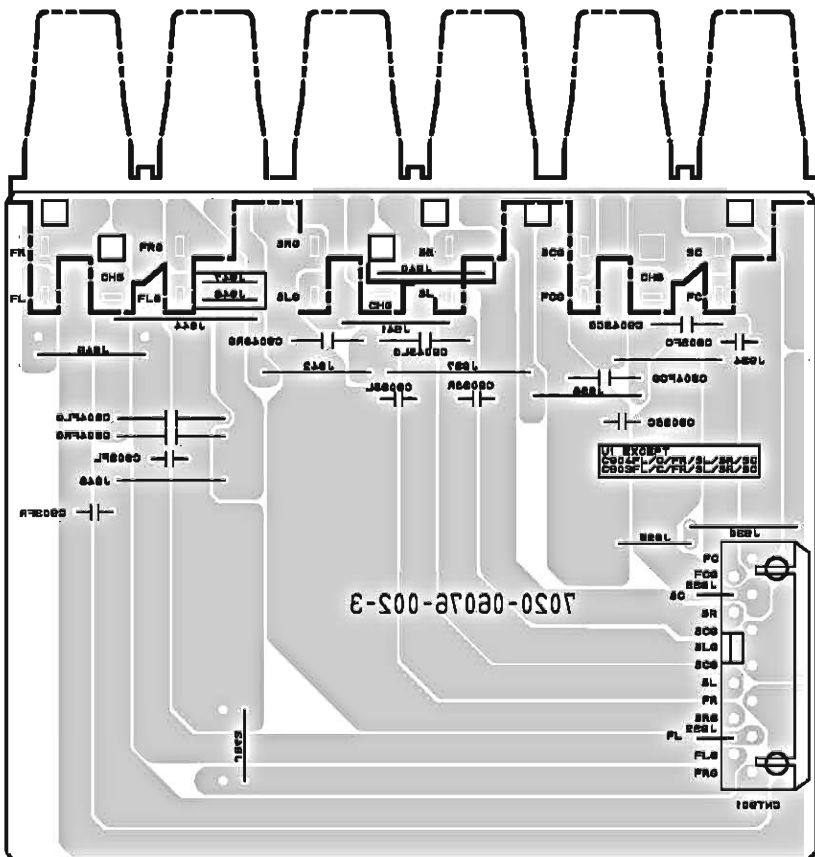
IC899

IC898

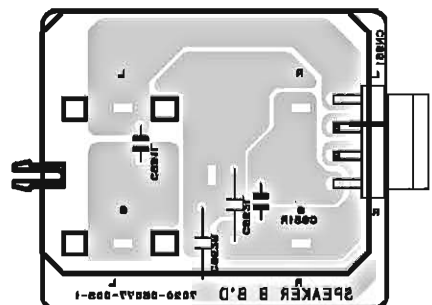
Q901



SPEAKER A



SPEAKER B  
[ PS7200 / SR7200 ONLY ]



VIDEO

Q873M

Q822 Q870

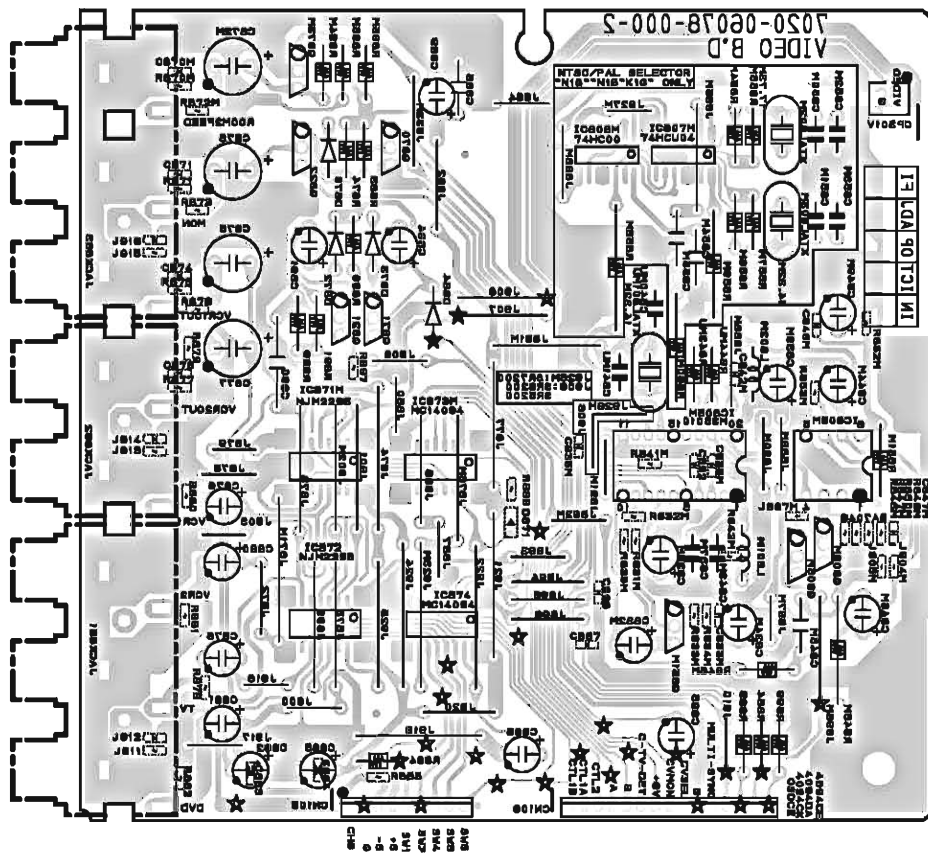
Q821 Q871

IC805M

IC806M

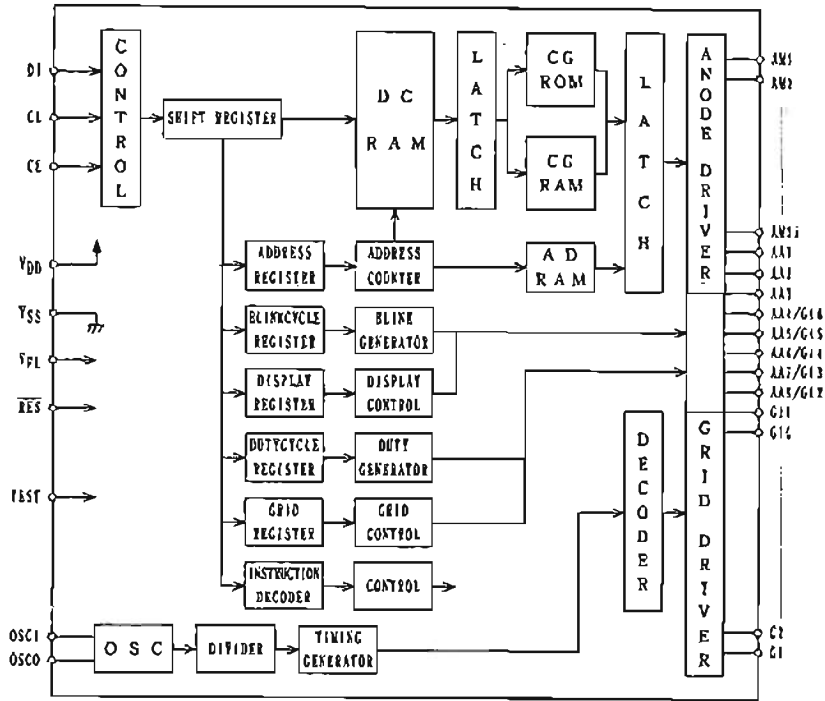
Q805M Q806M

Q851M

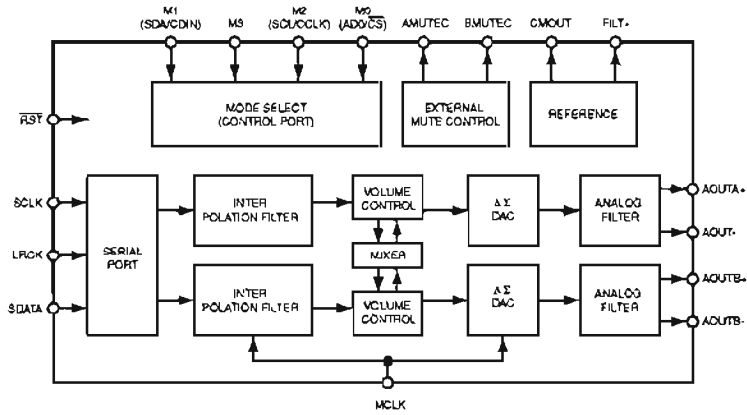


## 6. IC DATA

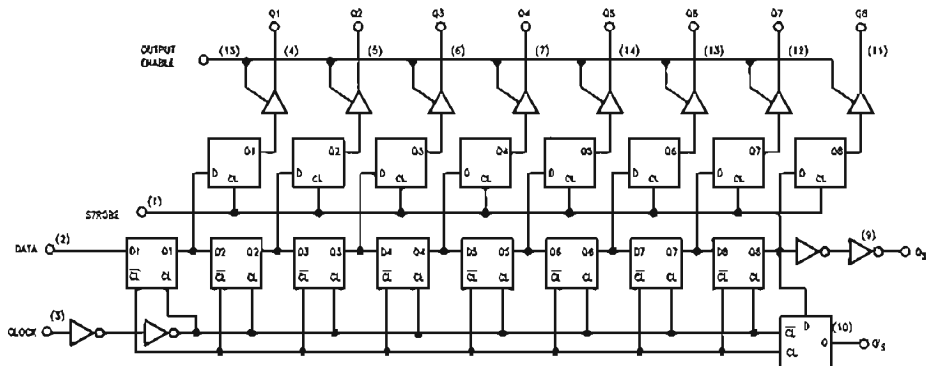
IC301 LC75721E



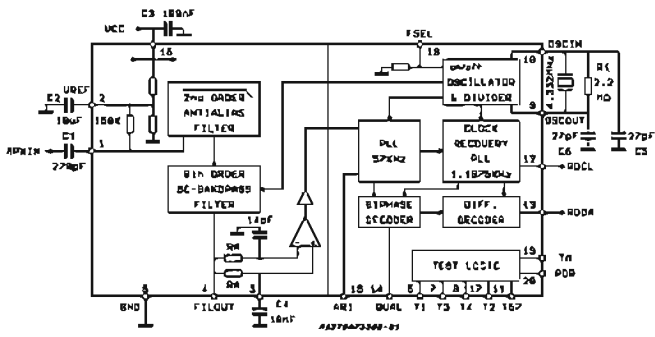
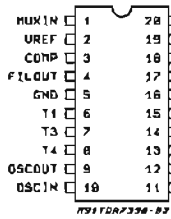
IC720 CS4391



IC106 CD4094BC



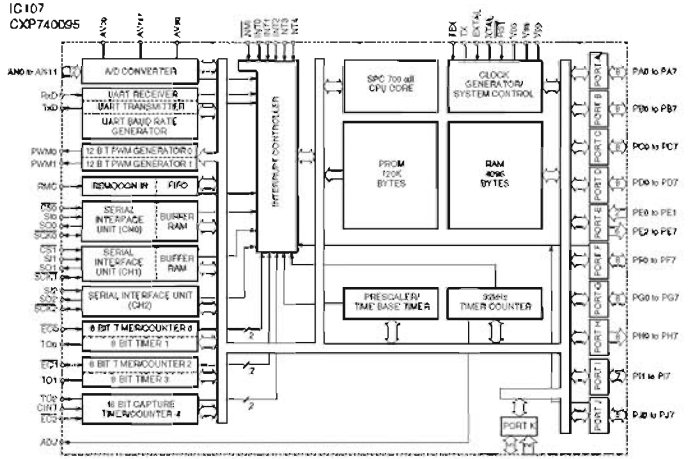
IC108 TDA7330



PIN FUNCTION

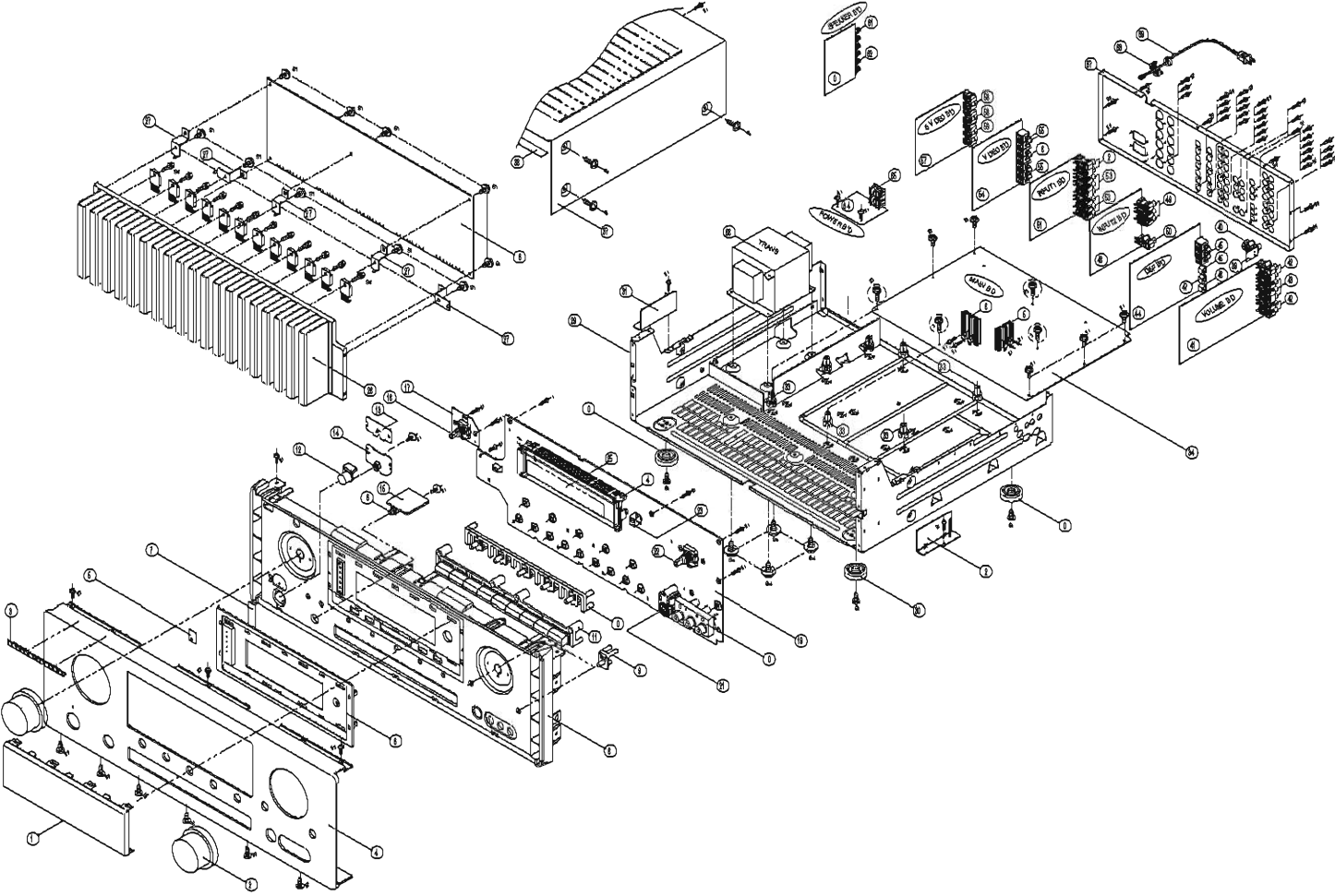
Nr.	Name	Description
1	MUXIN	RDS input signal
2	UREF	Reference voltage
3	COMP	Not inverting comparator input (smoothing filter)
4	FILCOUT	Filter Output
5	GND	Ground
6	T1	Testing output pin (not to be used)
7	T3	Testing output pin (not to be used)
8	T4	Testing output pin (not to be used)
9	OSC OUT	Oscillator output
10	OSC IN	Oscillator Input
11	T5	Testing output pin: 57KHz clock output
12	RDCL	RDS clock output (1187.5kHz)
13	RDDA	RDS data output
14	QUAL	Output for signal quality Indication (High = good)
15	ARI	Output for ARI indication (High when RDS + ARI signals are present) (High when only ARI is present) (Low when only RDS is present) (Indefinite when no signal is present)
16	Vcc	Supply Voltage
17	T2	Testing output pin (not to be used)
18	FSEL	Frequency selector pin: open = 4.332MHz, closed to Vcc = 5.664MHz
19	TM	Test mode pin (open = normal RUN) (closed to Vcc = Test mode)
20	POR	Reset Input for testing (active high)

IC107  
CXP740095



Pin No.	Pin Name	Device Pin No.	IOCT	MODE	ACTV LEVEL	PULL UP/DOWN	Pin No.	Pin Name	Device Pin No.	IOCT	MODE	ACTV LEVEL	PULL UP/DOWN
1	REF IN (Digital)	REF IN (Digital)	IO	1			42	CLK	42	IO	1		
2	REF VDD	REF VDD	IO	1			43	REF	43	IO	1		
3	REF GND	REF GND	IO	1			44	REF	44	IO	1		
4	REF CLK	REF CLK	IO	1			45	REF	45	IO	1		
5	REF DATA	REF DATA	IO	1			46	REF	46	IO	1		
6	REF MCLK	REF MCLK	IO	1			47	REF	47	IO	1		
7	REF MCLK	REF MCLK	IO	1			48	REF	48	IO	1		
8	REF MCLK	REF MCLK	IO	1			49	REF	49	IO	1		
9	REF MCLK	REF MCLK	IO	1			50	REF	50	IO	1		
10	REF MCLK	REF MCLK	IO	1			51	REF	51	IO	1		
11	REF MCLK	REF MCLK	IO	1			52	REF	52	IO	1		
12	REF MCLK	REF MCLK	IO	1			53	REF	53	IO	1		
13	REF MCLK	REF MCLK	IO	1			54	REF	54	IO	1		
14	REF MCLK	REF MCLK	IO	1			55	REF	55	IO	1		
15	REF MCLK	REF MCLK	IO	1			56	REF	56	IO	1		
16	REF MCLK	REF MCLK	IO	1			57	REF	57	IO	1		
17	REF MCLK	REF MCLK	IO	1			58	REF	58	IO	1		
18	REF MCLK	REF MCLK	IO	1			59	REF	59	IO	1		
19	REF MCLK	REF MCLK	IO	1			60	REF	60	IO	1		
20	REF MCLK	REF MCLK	IO	1			61	REF	61	IO	1		
21	REF MCLK	REF MCLK	IO	1			62	REF	62	IO	1		
22	REF MCLK	REF MCLK	IO	1			63	REF	63	IO	1		
23	REF MCLK	REF MCLK	IO	1			64	REF	64	IO	1		
24	REF MCLK	REF MCLK	IO	1			65	REF	65	IO	1		
25	REF MCLK	REF MCLK	IO	1			66	REF	66	IO	1		
26	REF MCLK	REF MCLK	IO	1			67	REF	67	IO	1		
27	REF MCLK	REF MCLK	IO	1			68	REF	68	IO	1		
28	REF MCLK	REF MCLK	IO	1			69	REF	69	IO	1		
29	REF MCLK	REF MCLK	IO	1			70	REF	70	IO	1		
30	REF MCLK	REF MCLK	IO	1			71	REF	71	IO	1		
31	REF MCLK	REF MCLK	IO	1			72	REF	72	IO	1		
32	REF MCLK	REF MCLK	IO	1			73	REF	73	IO	1		
33	REF MCLK	REF MCLK	IO	1			74	REF	74	IO	1		
34	REF MCLK	REF MCLK	IO	1			75	REF	75	IO	1		
35	REF MCLK	REF MCLK	IO	1			76	REF	76	IO	1		
36	REF MCLK	REF MCLK	IO	1			77	REF	77	IO	1		
37	REF MCLK	REF MCLK	IO	1			78	REF	78	IO	1		
38	REF MCLK	REF MCLK	IO	1			79	REF	79	IO	1		
39	REF MCLK	REF MCLK	IO	1			80	REF	80	IO	1		
40	REF MCLK	REF MCLK	IO	1			81	REF	81	IO	1		
41	REF MCLK	REF MCLK	IO	1			82	REF	82	IO	1		
42	REF MCLK	REF MCLK	IO	1			83	REF	83	IO	1		
43	REF MCLK	REF MCLK	IO	1			84	REF	84	IO	1		
44	REF MCLK	REF MCLK	IO	1			85	REF	85	IO	1		
45	REF MCLK	REF MCLK	IO	1			86	REF	86	IO	1		
46	REF MCLK	REF MCLK	IO	1			87	REF	87	IO	1		
47	REF MCLK	REF MCLK	IO	1			88	REF	88	IO	1		
48	REF MCLK	REF MCLK	IO	1			89	REF	89	IO	1		
49	REF MCLK	REF MCLK	IO	1			90	REF	90	IO	1		
50	REF MCLK	REF MCLK	IO	1			91	REF	91	IO	1		
51	REF MCLK	REF MCLK	IO	1			92	REF	92	IO	1		
52	REF MCLK	REF MCLK	IO	1			93	REF	93	IO	1		
53	REF MCLK	REF MCLK	IO	1			94	REF	94	IO	1		
54	REF MCLK	REF MCLK	IO	1			95	REF	95	IO	1		
55	REF MCLK	REF MCLK	IO	1			96	REF	96	IO	1		
56	REF MCLK	REF MCLK	IO	1			97	REF	97	IO	1		
57	REF MCLK	REF MCLK	IO	1			98	REF	98	IO	1		
58	REF MCLK	REF MCLK	IO	1			99	REF	99	IO	1		
59	REF MCLK	REF MCLK	IO	1			100	REF	100	IO	1		

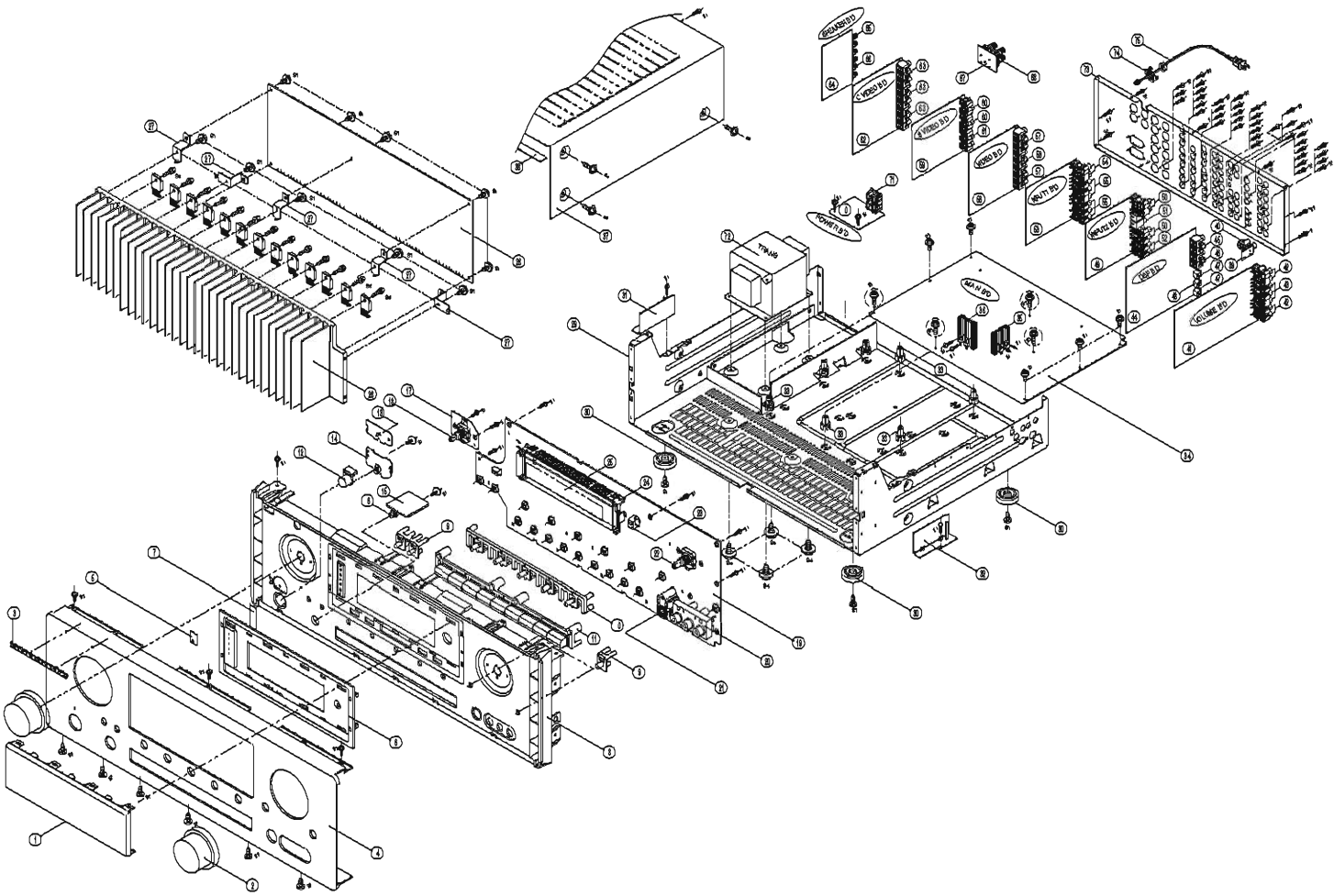
7. EXPLODED VIEW AND PARTS LIST  
 PS5200



PS5200

POS. NO	VERS. COLOR	PART NO. (FOR P.C.S)	DESCRIPTION	PART NO. (MUJ)	POS. NO	VERS. COLOR	PART NO. (FOR P.C.S)	DESCRIPTION	PART NO. (MUJ)
1			WINDOW WINDOW FL	322W168220	02			TER RCA 4PIN,	*YT001800R
2			KNOB VOLUME AL(GOLD)	313W154510			CIN JACK J00400480N		
3			BADGE(MARANTZ)	188W251010	03		TER RCA 8PIN,	*YT002640R	
4			PANEL FRONT AL(GOLD)	341W248010			CIN JACK J00600480N		
5			INDICATOR ACRYL MILK	322W365010	04		P.C.B SUB ASSY,C-VIDEO	nsp	
6			CAP FRONT(GOLD)	322W053120	05		TER RCA 3PIN,	*YT002830R	
7			FILTER COVER LED	322W303010			CIN JACK J0030012FN		
8			PANEL FRONT MOLD(GOLD)	nsp	06		TER RCA 2PIN,	*YT002810R	
9			BUTTON MUTE(GOLD)	322W270140			CIN JACK J00200095N		
10			BUTTON SKEY(GOLD)	322W270160	07		P.C.B SUB ASSY,S-VIDEO	nsp	
11			BUTTON SKEY(GOLD)	322W270160	08		JACK D6.5,	*YT002640R	
12			BUTTON POWER(GOLD)	322W270110	09		JACK S-VIDEO YKF51 65 16		
13			P.C.B SUB ASSY, STAND-BY LED	nsp	10		JACK D N,	*YT002680R	
14			P.C.B SUB ASSY,POWER SW	nsp	11		JACK S-VIDEO YKF51 65 12	nsp	
15			P.C.B SUB ASSY,HEADPHONE	nsp	12		P.C.B SUB ASSY,SPEAKER	nsp	
16			P.C.B SUB ASSY,HEADPHONE	nsp	13		TER BOARD SCREW 8P,	*YT001290R	
17			HEAD PHONE JACK D6.5,HTJ064-068(S)	*YT002550R	14		SPEAKER TERMINAL SH04 10380P		
18			P.C.B SUB ASSY,MCONTROL	nsp	15		TER BOARD SCREW 4P,	*YT002590R	
19			SW ENCODER, EC168 12800D4-ZZZ	*SR000190R	16		SPEAKER TERMINAL SH04 10270P	nsp	
20			P.C.B SUB ASSY,FRONT	nsp	17		P.C.B SUB ASSY,POWER SOCKET POWER RECEP.TA,	*YT000910R	
21			TER RCA 2PIN,CIN JACK 3P	*YT000870R	18		AC OUTLET CC11304-0212		
22			ACK D6.5,C40180260N	*YT002630R	19		TRANSF. MAINS FOR F	*TS001830R	
23			SW ENCODER, EC168 2101D4-ZZZ	*SR000200R	20		PANEL REAR FOR F	nsp	
24			REMOTE MODULE RPI6836-H4	*HW100030P	21		CORD HOLDER DA-1	322W269030	
25			HOLDER FL TUBE	nsp	22		MAINS CORD ASSY WITH CORE FOR F	*ZC000170R	
26			FL TUBE HNA-16MM19	*HG300510R	23		SCREW TAP TITE	nsp	
27			P.C.B SUB ASSY,AMP	nsp	24		+28 3/8 B-TYPE ZNY/BH	nsp	
28			BRACKET FOR HEAT SINK	nsp	25		SCREW TAP TITE	nsp	
29			HEAT SINK ASSY, FOR POWER	nsp	26		+28 3/8 B-TYPE BKH/FH	nsp	
30			CHASSIS ASSY	nsp	27		SCREW TAP TITE	nsp	
31			FOOT HOT STAMPING	322W067010	28		SCREW 2X18 B-TYPE ZNY/BH	nsp	
32			P.C.B SUB ASSY,GUIDE LEFT	nsp	29		SCREW TAP TITE ASSY,	nsp	
33			P.C.B SUB ASSY,GUIDE RIGHT	nsp	30		+38 4*10P+S-WASHER ZNY/BH	nsp	
34			KNOB SPACER	nsp	31		SCREW TAP TITE,	nsp	
35			P.C.B SUB ASSY,MAIN	nsp	32		+28 4*8 B-TYPE Bsbm/6H	nsp	
36			HEAT SINK FOR TR.	nsp	33		SCREW,+28 3*18 P	nsp	
37			HEAT SINK FOR TR.	nsp	34		+S-WASHER ZNY/HH	nsp	
38			TOP COVER(GOLD)	nsp	35		SCREW TAP TITE	nsp	
39			CUSHION,BUFFER RS-717	nsp	36		+28 3*10B-TYPE(DO T)BH Bsbm	nsp	
40			P.C.B SUB ASSY,TUNER INPUT	nsp	37		SCREW ASSY,	nsp	
41			TER RCA 2PIN,	*YT002790R	38		+28 3/8 P119 B-TYPE ZNY	nsp	
42			CIN JACK J00200431N	nsp	39		PACKING		
43			P.C.B SUB ASSY,VOLUME	nsp	40		USER GUIDE	341W851110	
44			TER RCA 4PIN,	*YT001800R	41		REMOTE CONTROLLER (RC 8200R)	ZK320W0010	
45			CIN JACK J00400480N	*YT002650R					
46			TER RCA 8PIN,	nsp					
47			CIN JACK J00600480N	nsp					
48			P.C.B SUB ASSY,DSP	*YT002820R					
49			TER RCA 3PIN,	nsp					
50			CIN JACK J0030012FN	*YT002570R					
51			MODULE,GP1FAE02TZ / OPTICAL RX	*YT002580R					
			MODULE,GP1FAE02TZ / OPTICAL TX	nsp					
			P.C.B SUB ASSY,INPUT2	nsp					
			TER RCA 8PIN,	*YT002640R					
			CIN JACK J00600480N	nsp					
			TER RCA 2PIN,	*YT002800R					
			CIN JACK J0020044HN	nsp					
			P.C.B SUB ASSY,INPUT1	nsp					

NOTE: THIS PART IS LISTED FOR REFERENCE ONLY, MARANTZ WILL NOT SUPPLY THESE PARTS





PS7200

POS. NO	VERS. COLOR	PART NO. (FOR PCS)	DESCRIPTION	PART NO. (MJI)	POS. NO	VERS. COLOR	PART NO. (FOR PCS)	DESCRIPTION	PART NO. (MJI)
1			WINDOW-FL	322W158220	56			P.C.B SUB ASSY, V-COMPOSITE	nsp
2			KNOB VOLUME AL(GOLD)	313W154510	57			CINCH JACK JC030012FN	*YT002630R
3			BADGE(MARANTZ)	168W251010	58			CINCH JACK JC0200095N	*YT002610R
4			PANEL FRONT AL(GOLD)	342W248010	59			P.C.B SUB ASSY,S-VIDEO	nsp
5			INDICATOR ACRYL MILK	322W355010	60			JACK S-VIDEO YKF51-5516	*YT002540R
6			CAP FRONT(GOLD)	322W053120	61			JACK S-VIDEO YKF51-5512	*YT002560R
7			FILTER COVER LED	322W303010	62			P.C.B SUB ASSY,C-VIDEO	nsp
8			PANEL FRONT MOLD(GOLD)	nsp	63			CINCH JACK JC030012LN	*YT002770R
9			BUTTON MUTE(GOLD)	322W270140	64			P.C.B SUB ASSY,SPEAKER	nsp
10			BUTTON 5KEY(GOLD)	322W270150	65			SPEAKER TERMINAL, SH0810360P	*YT001290R
11			BUTTON 9KEY(GOLD)	322W270160	66			SPEAKER TERMINAL, SH0410370P	*YT002590R
12			BUTTON POWER(GOLD)	322W270110	67			P.C.B SUB ASSY,SPEAKER B	nsp
13			P.C.B SUB ASSY, STAND-BY LED	nsp	68			SPEAKER TERMINAL, SH0410770P	*YT002780R
14			P.C.B BY POWER ASSY, BY SW	nsp	70			P.C.B SUB ASSY,POWER	nsp
15			P.C.B SUB ASSY,HEAD PHONE	nsp	71	▲		AC OUTLET CCT1304-0212	*YT000910R
16			HEADPHONE JACK, H20380060G	*YT002750R	72	▲		TRANSF. MAINS FOR F	*TS001620R
17			P.C.B SUB ASSY,M-CONTROL	nsp	73			PANEL REAR FOR F	nsp
18			SW ENCODER, EC16B12S00D4-ZZZ	*SR000190R	74			CORD HOLDER DACH-1	323W259030
19			P.C.B SUB ASSY,FRONT	nsp	75	▲		MAINS CORD ASSY WITH CORE FOR F	*ZC000170R
20			CINCH JACK 3P	*YT000870R	S1			SCREW TAP TITE, +2S 3*8 B-TYPE ZNY/BH	nsp
21			JACK D6.5,C40160250N	*YT002530R	S2			SCREW TAP TITE, +2S 3*8 B-TYPE BK/FH	nsp
22			SW ENCODER, EC16B24T01D4-ZZZ	*SR000200R	S3			SCREW TAP TITE, SCREW 3X18 B-TYPE ZNY/BH	nsp
23			REMOTE MODULE, RPM6936-H4	*HW100530R	S4			SCREW TAP TITE ASSY, +3S4*10P+S-WASHER ZNY/BH	nsp
24			HOLDER FL TUBE	nsp	S5			SCREW TAP TITE, +2S 4*8 B-TYPE Bsbm/BH	nsp
25			FL TUBE HNA-15MM19	*HQ300510R	S6			SCREW, +2S3*16P+S-WASHER ZNY/HH	nsp
26			P.C.B SUB ASSY,AMP	nsp	S7			SCREW TAP TITE, +2S3*10B-TYPE(DOT)BH Bsbm	nsp
27			BRACKET FOR HEAT SINK	nsp	S8			SCREW ASSY, +2S 3*8 PH9 B-TYPE ZNY	nsp
28			HEAT SINK POWER	nsp	-			PACKING	
29			CHASSIS ASSY	nsp	001Z			USER GUIDE	342W851110
30			FOOT HOT STAMPING	322W057010				REMOTE CONTROLLER, RC7200SR	ZK322W0010
31			P.C.B SUB ASSY,GUIDE LEFT	nsp					
32			P.C.B SUB ASSY,GUIDE RIGHT	nsp					
33			KNOB SPACER	nsp					
34			P.C.B SUB ASSY,MAIN	nsp					
35			HEAT SINK FOR TR.	nsp					
36			HEAT SINK FOR TR.	nsp					
37			TOP COVER(GOLD)	nsp					
38			BUFFER RS-717	nsp					
39			P.C.B SUBASSY,TUNER INPUT	nsp					
40			CINCH JACK 2P	*YT002790R					
41			P.C.B SUB ASSY,VOLUME	nsp					
42			CINCH JACK JK0400450N	*YT001600R					
43			CINCH JACK JK060046EN	*YT002650R					
44			P.C.B SUB ASSY, DSP FOR PS7200	nsp					
45			CINCH JACK JC020009XN	*YT002730R					
46			CINCH JACK JC020009UN	*YT002720R					
47			MODULE, GP1FA502RZ /OPTICAL RX	*YT002570R					
48			MODULE, GP1FA502TZ /OPTICAL TX	*YT002580R					
49			P.C.B SUB ASSY,INPUT2	nsp					
50			CINCH JACK JK0400450N	*YT001600R				NOT STANDARD SPARE PARTS	
51			CINCH JACK LGY6501-0600C	*YT002760R	-			BATTERY DRY,R03NE AAA	nsp
52			CINCH JACK JE040060MN	*YT002740R	-			BOX INNECARTON,	nsp
53			P.C.B SUB ASSY,INPUT1	nsp	-			PACKING CASE	nsp
54			CINCH JACK JK0400450N	*YT001600R	-			CUSHION SNOW	nsp
55			CINCH JACK JK060046CN	*YT002640R	-			PE SHEET,FILM SOFT PE	nsp

NOTE : \*nsp\* PART IS LISTED FOR REFERENCE ONLY, MARANTZ WILL NOT SUPPLY THESE PARTS.

## 9. ELECTRICAL PARTS LIST

### ASSIGNMENT OF COMMON PARTS CODES.

#### RESISTORS

**R\*\*\***: 1) GD05xxx140, Carbon film fixed resistor, ±5% 1/4W  
**R\*\*\***: 2) GD05xxx160, Carbon film fixed resistor, ±5% 1/6W

① — Resistance value

Examples ;

① Resistance value

0.1 Ω .... 001    10 Ω .... 100    1 kΩ .... 102    100 kΩ .... 104  
 0.5 Ω .... 005    18 Ω .... 180    2.7 kΩ .... 272    680 kΩ .... 684  
 1 Ω .... 010    100 Ω .... 101    10 kΩ .... 103    1 MΩ .... 105  
 6.8 Ω .... 068    390 Ω .... 391    22 kΩ .... 223    4.7 MΩ .... 475

**Note** : Please distinguish 1/4W from 1/6W by the shape of parts used actually.

#### CAPACITORS

**C\*\*\***: CERAMIC CAP.

3) DD1xxx370, Ceramic capacitor  
 Disc type  
 Temp.coeff.P350 ~N1000, 50V

② — Tolerance  
 ③ — Capacity value  
 — Tolerance

Examples ;

② Tolerance (Capacity deviation)

±0.25 pF .... 0  
 ±0.5 pF .... 1  
 ±5% .... 5

\* Tolerance of COMMON PARTS handled here are as follows :

0.5 pF ~ 5 pF .... ±0.25 pF  
 6 pF ~ 10 pF .... ±0.5 pF  
 12 pF ~ 560 pF .... ±5%

③ Capacity value

0.5 pF .... 005    3 pF .... 030    100 pF .... 101  
 1 pF .... 010    10 pF .... 100    220 pF .... 221  
 1.5 pF .... 015    47 pF .... 470    560 pF .... 561

**C\*\*\*** : CERAMIC CAP.

4) DK16xxx300, High dielectric constant ceramic capacitor  
 Disc type  
 Temp.chara. 2B4, 50V

④ — Capacity value

Examples ;

④ Capacity value

100 pF .... 101    1000 pF .... 102    10000 pF .... 103  
 470 pF .... 471    2200 pF .... 222

**C\*\*\*** : 5) ELECTROLY CAP. (  $\frac{||}{|}$  ), 6) FILM CAP. (  $\frac{||}{|}$  )

5) EAxxx10, Electrolytic capacitor  
 One-way lead type, Tolerance ±20%

⑤ — Working voltage  
 ⑥ — Capacity value

Examples ;

⑤ Capacity value

0.1 μF .... 104    4.7 μF .... 475    100 μF .... 107  
 0.33 μF .... 334    10 μF .... 106    330 μF .... 337  
 1 μF .... 105    22 μF .... 226    1100 μF .... 118  
 2200 μF .... 228

⑥ Working voltage

6.3V .... 006    25V .... 025  
 10V .... 010    35V .... 035  
 16V .... 016    50V .... 050

6) DF15xxx350 — Plastic film capacitor  
 DF15xxx310 — One-way type, Mylar ±5% 50V  
 DF16xxx310 — Plastic film capacitor  
 One-way type, Mylar ±10% 50V

⑦ — Capacity value

Examples ;

⑦ Capacity value

0.001 μF (1000 pF) ..... 102    0.1 μF .... 104  
 0.0018 μF ..... 182    0.56 μF .... 564  
 0.01 μF ..... 103    1 μF .... 105  
 0.015 μF ..... 153

**NOTE** : 1) The above CODES ( **R\*\*\***, **R\*\*\***, **C\*\*\***, **C\*\*\*** and **C\*\*\*** ) are omitted on the schematic diagram in some case.

2) On the occasion, be confirmed the common parts on the parts list.

3) Refer to "Common Parts List" for the other common parts (RI05, DD4, DK4).

### NOTE ON SAFETY FOR FUSIBLE RESISTOR :

The suppliers and their type numbers of fusible resistors are as follows;

1. KOA Corporation

Part No. (MJI)	Type No. (KOA)	Description
NH05xxx140	RF25SxxxxΩJ	(±5% 1/4W)
NH05xxx120	RF50SxxxxΩJ	(±5% 1/2W)
NH85xxx110	RF73B2AxxxxΩJ	(±5% 1/10W)
NH95xxx140	RF73B2ExxxxΩJ	(±5% 1/4W)

\* Resistance value      Resistance value  
 (0.1 Ω – 10 kΩ)

2. Matsushita Electronic Components Co., Ltd

Part No. (MJI)	Type No. (MEC)	Description
NF05xxx140	ERD-2FCJxxx	(±5% 1/4W)
RF05xxx140		
NF02xxx140	ERD-2FCGxxx	(±2% 1/4W)
RF02xxx140		

\* Resistance value      \* Resistance value

Examples ;

\* Resistance value

0.1 Ω .... 001    10 Ω .... 100    1 kΩ .... 102    100 kΩ .... 104  
 0.5 Ω .... 005    18 Ω .... 180    2.7 kΩ .... 272    680 kΩ .... 684  
 1 Ω .... 010    100 Ω .... 101    10 kΩ .... 103    1 MΩ .... 105  
 6.8 Ω .... 068    390 Ω .... 391    22 kΩ .... 223    4.7 MΩ .... 475



### ABBREVIATION AND MARKS

ANT. : ANTENNA	BATT. : BATTERY
CAP. : CAPACITOR	CER. : CERAMIC
CONN. : CONNECTING	DIG. : DIGITAL
HP : HEADPHONE	MIC. : MICROPHONE
μ-PRO : MICROPROCESSOR	REC. : RECORDING
RES. : RESISTOR	SPK : SPEAKER
SW : SWITCH	TRANSF : TRANSFORMER
TRIM. : TRIMMING	TRS. : TRANSISTOR
VAR. : VARIABLE	X'TAL : CRYSTAL


### NOTE ON FUSE :

Regarding to all parts of parts code FS20xxx2xx, replace only with Wickmann-Werke GmbH, Type 372 non glass type fuse.

### NOTE ON SAFETY :

Symbol  Fire or electrical shock hazard. Only original parts should be used to replaced any part marked with symbol . Any other component substitution (other than original type), may increase risk of fire or electrical shock hazard.

### 安全上の注意 :

 がついている部品は、安全上重要な部品です。必ず指定されている部品番号の部品を使用して下さい。

PS5200

POS. NO	VERS. COLOR	PART NO. (FOR PCS)	DESCRIPTION	PART NO. (MJI)	POS. NO	VERS. COLOR	PART NO. (FOR PCS)	DESCRIPTION	PART NO. (MJI)
			MAIN CIRCUIT BOARD					MAIN - RESISTORS	
			MAIN - CAPACITORS		R101			0.22-J 1W	*GA000200R
C101			FILM,0.1µF-K/250V	nsp	∫				
C102			FILM,0.047µF-J/100V	nsp	R104				
C103			FILM,0.047µF-J/100V	nsp	R105C		10-J 2W	GA05100020	
C104C			FILM,0.1µF-K/63V	nsp	R105FL		10-J 2W	GA05100020	
C104FL			FILM,0.1µF-K/63V	nsp	R105FR		10-J 2W	GA05100020	
C104FR			FILM,0.1µF-K/63V	nsp	R105SC		10-J 2W	GA05100020	
C104SC			FILM,0.1µF-K/63V	nsp	R105SL		10-J 2W	GA05100020	
C104SL			FILM,0.1µF-K/63V	nsp	R105SR		10-J 2W	GA05100020	
C104SR			FILM,0.1µF-K/63V	nsp	R107		2.7K-J 1/6W	nsp	
C105C			FILM,0.1µF-K/63V	nsp	R108		2.7K-J 1/6W	nsp	
C105FL			FILM,0.1µF-K/63V	nsp	R109		560K-J 1/6W	nsp	
C105FR			FILM,0.1µF-K/63V	nsp	R110		3.6K-J 1/6W	nsp	
C105SC			FILM,0.1µF-K/63V	nsp	R111		22K-J 1/6W	nsp	
C105SL			FILM,0.1µF-K/63V	nsp	R112		910-J 1/6W	nsp	
C105SR			FILM,0.1µF-K/63V	nsp	R113		1K-J 1/6W	nsp	
C106			FILM,0.1µF-K/250V	nsp	R114		0.1-J/5W W14*H17	*GO000011R	
C107			FILM,0.1µF-K/250V	nsp	R115		0.1-J/5W W14*H17	*GO000011R	
C108					R116		27K-J 1/6W	nsp	
∫			FILM,0.047µF-J/100V	nsp	R117		27K-J 1/6W	nsp	
C111					R118		2.2K-J 1/6W	nsp	
C114			ELECT,2200µF-M/35V 16*32	nsp	R119		2.2K-J 1/6W	nsp	
C115			ELECT,2200µF-M/35V 16*32	nsp	R120		560K-J 1/6W	nsp	
C116			CER.,0.01µF-K/50V	nsp	R122				
C117			ELECT,10000µF-M/16V 18*35	nsp	∫		27K-J 1/6W	nsp	
C118			ELECT,2200µF-M/16V 12.5*20	nsp	R127				
C119			ELECT,10000µF-M/63V 30*50	*OA000050R	R128		51K-J 1/6W	nsp	
C120			ELECT,10000µF-M/63V 30*50	*OA000050R	R129		51K-J 1/6W	nsp	
C121			ELECT,10µF-M/50V 5*11	nsp	R130		15K-J 1/6W	nsp	
C122			FILM,0.1µF-K/250V	nsp	R131		33K-J 1/6W	nsp	
C123			FILM,0.1µF-K/250V	nsp	R133		2.2K-J 1/6W	nsp	
C124			CER.,0.01µF-K/50V	nsp	R134		100K-J 1/6W	nsp	
C125					R137				
∫			ELECT,1µF-M/50V 5*11	nsp	∫		22K-J 1/6W	nsp	
C129					R142				
C132			ELECT,100µF-M/25V 6.3*11	nsp	R143		3.3K-J 1/6W	nsp	
C135			CER.,0.1µF-Z/50V	nsp	R144		15K-J 1/6W	nsp	
C140			ELECT,4.7µF-M/50V 5*11	nsp	R146		1.2K-J 1W	nsp	
C141			ELECT,470µF-M/16V,8*11.5	nsp	R147		22K-J 1/6W	nsp	
C142			ELECT,470µF-M/16V,8*11.5	nsp	R148		22K-J 1/6W	nsp	
C143			CER.,0.1µF-Z/50V	nsp	R150		18K-J 1/6W	nsp	
C144			CER.,0.1µF-Z/50V	nsp	R152		1.2K-J 1W	nsp	
C145			ELECT,10µF-M/100V 6.3*11	*EA001080R	R154		1.2K-J 1W	nsp	
C147			CER.,0.1µF-Z/50V	nsp	R155		4.7K-J 1/6W	nsp	
C148			CER.,0.1µF-Z/50V	nsp	R157		100K-J 1/6W	nsp	
C149			ELECT,4.7µF-M/50V 5*11	nsp	R158		100K-J 1/6W	nsp	
C150			ELECT,47µF-M/16V 5*11	nsp	R159		1K-J 1/6W	nsp	
C151			ELECT,8200µF-M/5.5V	*EX000080R	R161		1M-J 1/6W	nsp	
C152			CER.,100pF-K/50V	nsp	R162		47K-J 1/6W	nsp	
C160					R165		4.7K-J 1/6W	nsp	
∫			CER.,100pF-K/50V	nsp	R166		47K-J 1/6W	nsp	
C164					R168		47K-J 1/6W	nsp	
C164			CER.,220pF-K/50V	nsp	R169		220-J 1/6W	nsp	
C165			CER.,0.001µF-K/50V	nsp	R170		100K-J 1/6W	nsp	
C168			CER.,10pF-J/50V	nsp	R172		10K-J 1/6W	nsp	
C169					R173		150K-J 1/6W	nsp	
∫			CER.,0.047µF-Z/50V	nsp	R174		47K-J 1/6W	nsp	
C173					R175		10K-J 1/6W	nsp	
C175			CER.,47pF-J/50V	nsp	R176		15K-J 1/6W	nsp	
C176			CER.,10pF-J/50V	nsp	R177		470K-J 1/6W	nsp	
					R178		100-J 1/6W	nsp	
					R179		47K-J 1/6W	nsp	

NOTE : \*nsp\* PART IS LISTED FOR REFERENCE ONLY, MARANTZ WILL NOT SUPPLY THESE PARTS.

PS5200

POS. NO	VERS. COLOR	PART NO. (FOR PCS)	DESCRIPTION	PART NO. (MJI)	POS. NO	VERS. COLOR	PART NO. (FOR PCS)	DESCRIPTION	PART NO. (MJI)
R181			10K-J 1/6W	nsp	Q186			TRS.2SA,KSA992F TO92	*HT100590R
R183			47K-J 1/6W	nsp	ZD121			D ZENER,MTZJ5.1B	HD30511000
R184			10K-J 1/6W	nsp	ZD122			D ZENER,MTZJ5.1B	HD30511000
R185			100K-J 1/6W	nsp					
R186			100K-J 1/6W	nsp					
R189			10K-J 1/6W	nsp	BEAD101			<b>MAIN - MISCELLANEOUS</b>	
R190			10K-J 1/6W	nsp	§			BEAD COIL,	nsp
R192			47K-J 1/6W	nsp				BAS3580T0 3.5PHI*8	
R193			3.3-J 1W	nsp	BEAD105				
R194					CNT108			CN WIRE,420MM/4P	nsp
§			10K-J 1/6W	nsp	CP101			CN.WAFER 2.5MM,	nsp
R198								53421-1317 ST ZIP	
R199			1K-J 1/6W	nsp	CP103			CN.WAFER 2.0MM,	nsp
R200			47K-J 1/6W	nsp				TUC-P09P-B1 9P WAFER ST	
R201			47K-J 1/6W	nsp	CP104			CN.WAFER 2.0MM,	nsp
R202			100-J 1/4W	nsp				35336-1310 13P	
R203			10K-J 1/6W	nsp	CP105			CN.WAFER 2.0MM,	nsp
R204			47K-J 1/6W	nsp				TUC-P09P-B1 9P WAFER ST	
			<b>MAIN - SEMICONDUCTORS</b>		CP106			CN.WAFER 2.0MM,	nsp
D101								TUC-P15P-B1 WAFER ST	
§			DIODE,IN4007	*HD201570R	CP107			CN.WAFER 2.0MM,	nsp
D105								TUC-P10P-B1 10P WAFER ST	
D106			D RECTIFIER BRIDGE,	*HE200300R	CP108			CN.WAFER 2.0MM,	nsp
			KBPC604 6A					TUC-P20P-B1 WAFER ST	
D107			D RECTIFIER BRIDGE,	*HE200300R	CP109			CN.WAFER 2.0MM,	nsp
			KBPC604 6A					TUC-P04P-B1 4P WAFER ST	
D108			DIODE,IN4007	*HD201570R	CP110			CN.WAFER 2.0MM,	nsp
D109			DIODE,IN4007	*HD201570R				TUC-P11P-B1 11P WAFER ST	
D110			DIODE,1SS133T	HD20015210	CP111			CN.WAFER 2.0MM,	nsp
D111			DIODE,IN4007	*HD201570R				TUC-P12P-B1 12P WAFER ST	
D112					CP112			CN.WAFER 2.0MM,	nsp
§			DIODE,1SS133T	HD20015210				TUC-P15P-B1 WAFER ST	
D129					CP113			CN.WAFER 2.0MM,	nsp
IC101			IC,KA7815/IL7815CV	*HC300150R				TUC-P18P-B1 WAFER ST	
IC102			IC,KIA7915PI TO220IS	*HC300200R	CP114			CN.WAFER 2.0MM,	nsp
IC103			IC,KA7805	*HC300140R				TUC-P15P-B1 WAFER ST	
IC104			IC,KA7805	*HC300140R	CP115			CN.WAFER 2.0MM,	nsp
IC105			IC,KIA7905PI TO220IS	*HC300190R				TUC-P20P-B1 WAFER ST	
IC107			IC,CXP740010-149Q QFP100	*HU100570R	CP120			CN.WAFER 2.5MM,5267-06A 6P	nsp
Q101			TRS.2SA,KTA1268BL TO92	*HT100340R	CP121			CN.WAFER 396MM,35328-0310	nsp
Q102			TRS.2SC,KTC3200BL TO92	HT322402A0	CP122			CN.WAFER 2.5MM,5267-04A 4P	nsp
Q103			TRS.2SA,KTA1268BL TO92	*HT100340R				CN.WAFER 2.5MM,	nsp
Q104			TRS.2SA,KTA1268BL TO92	*HT100340R	CP123			5267-10A 10P	
Q105			TRS.2SC,KTC3200BL TO92	HT322402A0				CN.WAFER 2.5MM,5267-09A 9P	nsp
Q106			TRS.2SA,KTA1268BL TO92	*HT100340R	CP124			CN.WAFER 2.5MM,5267-09A 9P	nsp
Q107			TRS.2SC,KTC3200BL TO92	HT322402A0	CP150			CN WIRE,200MM/2P	nsp
Q108			TRS.RC,KRC107M TO92M	*BA001190R	FPC109			CABLE FLAT CARD	*YU000930R
Q113			TRS.RC,KRC107M TO92M	*BA001190R	FPC109A			CN.FP1.25MM,	nsp
Q115			TRS.2SC,KTC3200BL TO92	HT322402A0				52045-2345 23P ST	
Q116			TRS.2SC,KTC3200BL TO92	HT322402A0	GND101				
Q117			TRS.2SA,KTA1268BL TO92	*HT100340R	§			TERMINAL,	nsp
Q118			TRS.2SA,KTA1268BL TO92	*HT100340R				ALL PBST/GND PLATE	
Q119			TRS.2SC,KTC3200BL TO92	HT322402A0	GND105				
Q120			TRS.2SC,KTC3200BL TO92	HT322402A0	RLY102			RELAY,G5PA-28 24V 5A	LY20240490
Q122			TRS.RA,KRA102M TO92M	*BA001210R	RLY104			RELAY,RSB24S 24V 2A30VDC	*LY000290R
Q123			TRS.RC,KRC102M TO92M	*BA001180R	W101			WIRE LEAD 1007 80C,	nsp
Q124			TRS.RA,KRA102M TO92M	*BA001210R				BK 5-160-5	
Q128			TRS.RA,KRA102M TO92M	*BA001210R	WIRE102			WIRE LEAD 1007 80C,	nsp
Q129			TRS.RC,KRC102M TO92M	*BA001180R				BK 5-50-5	
Q130			TRS.RC,KRC107M TO92M	*BA001190R	XTAL101			RESONATOR CERAMIC,	*FQ000530R
Q131								CST12.0MTW-T01	
§			TRS.RA,KRA102M TO92M	*BA001210R				<b>AMP CIRCUIT BOARD</b>	
Q135								<b>AMP - CAPACITORS</b>	
					C201C			ELECT,4.7µF-M/50V 5*11	nsp
					C201L			ELECT,4.7µF-M/50V 5*11	nsp
					C201R			ELECT,4.7µF-M/50V 5*11	nsp

NOTE : \*nsp\* PART IS LISTED FOR REFERENCE ONLY, MARANTZ WILL NOT SUPPLY THESE PARTS.

PS5200

POS. NO	VERS. COLOR	PART NO. (FOR PCS)	DESCRIPTION	PART NO. (MJI)	POS. NO	VERS. COLOR	PART NO. (FOR PCS)	DESCRIPTION	PART NO. (MJI)
C201SC			ELECT,4.7µF-M/50V 5*11	nsp	C214SL			CER.,1pF-K/50V	nsp
C201SL			ELECT,4.7µF-M/50V 5*11	nsp	C214SR			CER.,1pF-K/50V	nsp
C201SR			ELECT,4.7µF-M/50V 5*11	nsp	C215C			CER.,100pF-K/50V	nsp
C202C			CER.,330pF-K/50V	nsp	C215L			CER.,100pF-K/50V	nsp
C202L			CER.,330pF-K/50V	nsp	C215R			CER.,100pF-K/50V	nsp
C202R			CER.,330pF-K/50V	nsp	C215SC			CER.,100pF-K/50V	nsp
C202SC			CER.,330pF-K/50V	nsp	C215SL			CER.,100pF-K/50V	nsp
C202SL			CER.,330pF-K/50V	nsp	C215SR			CER.,100pF-K/50V	nsp
C202SR			CER.,330pF-K/50V	nsp					
C203C			CER.,0.001µF-K/50V	nsp				<b>AMP - RESISTORS</b>	
C203L			CER.,0.001µF-K/50V	nsp	R201C			1K-J 1/6W	nsp
C203R			CER.,0.001µF-K/50V	nsp	R201L			1K-J 1/6W	nsp
C203SC			CER.,0.001µF-K/50V	nsp	R201R			1K-J 1/6W	nsp
C203SL			CER.,0.001µF-K/50V	nsp	R201SC			1K-J 1/6W	nsp
C203SR			CER.,0.001µF-K/50V	nsp	R201SL			1K-J 1/6W	nsp
					R201SR			1K-J 1/6W	nsp
C204C			ELECT,22µF-M/50V 6*11	nsp	R202C			33K-J 1/6W	nsp
C204L			ELECT,22µF-M/50V 6*11	nsp	R202L			33K-J 1/6W	nsp
C204R			ELECT,22µF-M/50V 6*11	nsp	R202R			33K-J 1/6W	nsp
C204SC			ELECT,22µF-M/50V 6*11	nsp	R202SC			33K-J 1/6W	nsp
C204SL			ELECT,22µF-M/50V 6*11	nsp	R202SL			33K-J 1/6W	nsp
C204SR			ELECT,22µF-M/50V 6*11	nsp	R202SR			33K-J 1/6W	nsp
C205C			ELECT,22µF-M/50V 6*11	nsp	R203C			15-J 1/6W	nsp
C205L			ELECT,22µF-M/50V 6*11	nsp	R203L			15-J 1/6W	nsp
C205R			ELECT,22µF-M/50V 6*11	nsp	R203R			15-J 1/6W	nsp
C205SC			ELECT,22µF-M/50V 6*11	nsp	R203SC			15-J 1/6W	nsp
C205SL			ELECT,22µF-M/50V 6*11	nsp	R203SL			15-J 1/6W	nsp
C205SR			ELECT,22µF-M/50V 6*11	nsp	R203SR			15-J 1/6W	nsp
C206C			ELECT,220µF-M/10V 6.3*11	nsp	R204C			15-J 1/6W	nsp
C206L			ELECT,220µF-M/10V 6.3*11	nsp	R204L			15-J 1/6W	nsp
C206R			ELECT,220µF-M/10V 6.3*11	nsp	R204R			15-J 1/6W	nsp
C206SC			ELECT,220µF-M/10V 6.3*11	nsp	R204SC			15-J 1/6W	nsp
C206SL			ELECT,220µF-M/10V 6.3*11	nsp	R204SL			15-J 1/6W	nsp
C206SR			ELECT,220µF-M/10V 6.3*11	nsp	R204SR			15-J 1/6W	nsp
C209C			ELECT,10µF-M/50V 5*11	nsp					
C209L			ELECT,10µF-M/50V 5*11	nsp	R205C			750-J 1/6W	nsp
C209R			ELECT,10µF-M/50V 5*11	nsp	R205L			750-J 1/6W	nsp
C209SC			ELECT,10µF-M/50V 5*11	nsp	R205R			750-J 1/6W	nsp
C209SL			ELECT,10µF-M/50V 5*11	nsp	R205SC			750-J 1/6W	nsp
C209SR			ELECT,10µF-M/50V 5*11	nsp	R205SL			750-J 1/6W	nsp
					R205SR			750-J 1/6W	nsp
C210C			ELECT,47µF-M/100V 10*12.5	*EA001090R	R206C			750-J 1/6W	nsp
C210L			ELECT,47µF-M/100V 10*12.5	*EA001090R	R206L			750-J 1/6W	nsp
C210R			ELECT,47µF-M/100V 10*12.5	*EA001090R	R206R			750-J 1/6W	nsp
C210SC			ELECT,47µF-M/100V 10*12.5	*EA001090R	R206SC			750-J 1/6W	nsp
C210SL			ELECT,47µF-M/100V 10*12.5	*EA001090R	R206SL			750-J 1/6W	nsp
C210SR			ELECT,47µF-M/100V 10*12.5	*EA001090R	R206SR			750-J 1/6W	nsp
C211C			ELECT,47µF-M/100V 10*12.5	*EA001090R	R207C			470-J 1/6W	nsp
C211L			ELECT,47µF-M/100V 10*12.5	*EA001090R	R207L			470-J 1/6W	nsp
C211R			ELECT,47µF-M/100V 10*12.5	*EA001090R	R207R			470-J 1/6W	nsp
C211SC			ELECT,47µF-M/100V 10*12.5	*EA001090R	R207SC			470-J 1/6W	nsp
C211SL			ELECT,47µF-M/100V 10*12.5	*EA001090R	R207SL			470-J 1/6W	nsp
C211SR			ELECT,47µF-M/100V 10*12.5	*EA001090R	R207SR			470-J 1/6W	nsp
C212C			ELECT,10µF-M/50V 5*11	nsp	R208C			68-J 1/6W	nsp
C212L			ELECT,10µF-M/50V 5*11	nsp	R208L			68-J 1/6W	nsp
C212R			ELECT,10µF-M/50V 5*11	nsp	R208R			68-J 1/6W	nsp
C212SC			ELECT,10µF-M/50V 5*11	nsp	R208SC			68-J 1/6W	nsp
C212SL			ELECT,10µF-M/50V 5*11	nsp	R208SL			68-J 1/6W	nsp
C212SR			ELECT,10µF-M/50V 5*11	nsp	R208SR			68-J 1/6W	nsp
C214C			CER.,1pF-K/50V	nsp	R209C			150-J 1/6W	nsp
C214L			CER.,1pF-K/50V	nsp	R209L			150-J 1/6W	nsp
C214R			CER.,1pF-K/50V	nsp	R209R			150-J 1/6W	nsp
C214SC			CER.,1pF-K/50V	nsp	R209SC			150-J 1/6W	nsp

NOTE : \*nsp\* PART IS LISTED FOR REFERENCE ONLY, MARANTZ WILL NOT SUPPLY THESE PARTS.

PS5200

POS. NO	VERS. COLOR	PART NO. (FOR PCS)	DESCRIPTION	PART NO. (MJI)	POS. NO	VERS. COLOR	PART NO. (FOR PCS)	DESCRIPTION	PART NO. (MJI)
R209SL			150-J 1/6W	nsp	R220SR			560-J 1/6W	nsp
R209SR			150-J 1/6W	nsp	R221C			82-J 1/6W	nsp
R210C			10K-J 1/6W	nsp	R221L			82-J 1/6W	nsp
R210L			10K-J 1/6W	nsp	R221R			82-J 1/6W	nsp
R210R			10K-J 1/6W	nsp	R221SC			82-J 1/6W	nsp
R210SC			10K-J 1/6W	nsp	R221SL			82-J 1/6W	nsp
R210SL			10K-J 1/6W	nsp	R221SR			82-J 1/6W	nsp
R210SR			10K-J 1/6W	nsp	R222C			82-J 1/6W	nsp
R211C			43K-J 1/6W	nsp	R222L			82-J 1/6W	nsp
R211L			43K-J 1/6W	nsp	R222R			82-J 1/6W	nsp
R211R			43K-J 1/6W	nsp	R222SC			82-J 1/6W	nsp
R211SC			43K-J 1/6W	nsp	R222SL			82-J 1/6W	nsp
R211SL			43K-J 1/6W	nsp	R222SR			82-J 1/6W	nsp
R211SR			43K-J 1/6W	nsp	R223C			22K-J 1/6W	nsp
R212C			1.3K-J,1/6W	nsp	R223L			22K-J 1/6W	nsp
R212L			1.3K-J,1/6W	nsp	R223R			22K-J 1/6W	nsp
R212R			1.3K-J,1/6W	nsp	R223SC			22K-J 1/6W	nsp
R212SC			1.3K-J,1/6W	nsp	R223SL			22K-J 1/6W	nsp
R212SL			1.3K-J,1/6W	nsp	R223SR			22K-J 1/6W	nsp
R212SR			1.3K-J,1/6W	nsp					
R213C			33K-J 1/6W	nsp	R224C			22K-J 1/6W	nsp
R213L			33K-J 1/6W	nsp	R224L			22K-J 1/6W	nsp
R213R			33K-J 1/6W	nsp	R224R			22K-J 1/6W	nsp
R213SC			33K-J 1/6W	nsp	R224SC			22K-J 1/6W	nsp
R213SL			33K-J 1/6W	nsp	R224SL			22K-J 1/6W	nsp
R213SR			33K-J 1/6W	nsp	R224SR			22K-J 1/6W	nsp
R213SR			33K-J 1/6W	nsp	R225C			4.7-J 1/6W	nsp
R214C			560-J 1/6W	nsp	R225L			4.7-J 1/6W	nsp
R214L			560-J 1/6W	nsp	R225R			4.7-J 1/6W	nsp
R214R			560-J 1/6W	nsp	R225SC			4.7-J 1/6W	nsp
R214SC			560-J 1/6W	nsp	R225SL			4.7-J 1/6W	nsp
R214SL			560-J 1/6W	nsp	R225SR			4.7-J 1/6W	nsp
R214SR			560-J 1/6W	nsp	R228C			220-J 1/4W	nsp
R216C			560-J 1/6W	nsp	R228L			220-J 1/4W	nsp
R216L			560-J 1/6W	nsp	R228R			220-J 1/4W	nsp
R216R			560-J 1/6W	nsp	R228SC			220-J 1/4W	nsp
R216SC			560-J 1/6W	nsp	R228SL			220-J 1/4W	nsp
R216SL			560-J 1/6W	nsp	R228SR			220-J 1/4W	nsp
R216SR			560-J 1/6W	nsp	R229C			220-J 1/4W	nsp
R217C			560-J 1/6W	nsp	R229L			220-J 1/4W	nsp
R217L			560-J 1/6W	nsp	R229R			220-J 1/4W	nsp
R217R			560-J 1/6W	nsp	R229SC			220-J 1/4W	nsp
R217SC			560-J 1/6W	nsp	R229SL			220-J 1/4W	nsp
R217SL			560-J 1/6W	nsp	R229SR			220-J 1/4W	nsp
R217SR			560-J 1/6W	nsp					
R218C			560-J 1/6W	nsp	R231C			4.7-J 1/6W	nsp
R218L			560-J 1/6W	nsp	R231L			4.7-J 1/6W	nsp
R218R			560-J 1/6W	nsp	R231R			4.7-J 1/6W	nsp
R218SC			560-J 1/6W	nsp	R231SC			4.7-J 1/6W	nsp
R218SL			560-J 1/6W	nsp	R231SL			4.7-J 1/6W	nsp
R218SR			560-J 1/6W	nsp	R231SR			4.7-J 1/6W	nsp
R219C			560-J 1/6W	nsp	R232C			4.7-J 1/6W	nsp
R219L			560-J 1/6W	nsp	R232L			4.7-J 1/6W	nsp
R219R			560-J 1/6W	nsp	R232R			4.7-J 1/6W	nsp
R219SC			560-J 1/6W	nsp	R232SC			4.7-J 1/6W	nsp
R219SL			560-J 1/6W	nsp	R232SL			4.7-J 1/6W	nsp
R219SR			560-J 1/6W	nsp	R232SR			4.7-J 1/6W	nsp
R220C			560-J 1/6W	nsp	R233C			1.8K-J 1/6W	nsp
R220L			560-J 1/6W	nsp	R233L			1.8K-J 1/6W	nsp
R220R			560-J 1/6W	nsp	R233R			1.8K-J 1/6W	nsp
R220SC			560-J 1/6W	nsp	R233SC			1.8K-J 1/6W	nsp
R220SL			560-J 1/6W	nsp	R233SL			1.8K-J 1/6W	nsp
R220SR			560-J 1/6W	nsp	R233SR			1.8K-J 1/6W	nsp

NOTE : \*nsp\* PART IS LISTED FOR REFERENCE ONLY, MARANTZ WILL NOT SUPPLY THESE PARTS.

PS5200

POS. NO	VERS. COLOR	PART NO. (FOR PCS)	DESCRIPTION	PART NO. (MJI)	POS. NO	VERS. COLOR	PART NO. (FOR PCS)	DESCRIPTION	PART NO. (MJI)
R234C			2.0K-J 1/6W	nsp	Q204C			TRS.2SA,KSA992F T092	*HT100590R
R234L			2.0K-J 1/6W	nsp	Q204L			TRS.2SA,KSA992F T092	*HT100590R
R234R			2.0K-J 1/6W	nsp	Q204R			TRS.2SA,KSA992F T092	*HT100590R
R234SC			2.0K-J 1/6W	nsp	Q204SC			TRS.2SA,KSA992F T092	*HT100590R
R234SL			2.0K-J 1/6W	nsp	Q204SL			TRS.2SA,KSA992F T092	*HT100590R
R234SR			2.0K-J 1/6W	nsp	Q204SR			TRS.2SA,KSA992F T092	*HT100590R
R235C			910-J 1/6W	nsp	Q205C			TRS.2SC,KSC1845F T092	*HT300860R
R235L			910-J 1/6W	nsp	Q205L			TRS.2SC,KSC1845F T092	*HT300860R
R235R			910-J 1/6W	nsp	Q205R			TRS.2SC,KSC1845F T092	*HT300860R
R235SC			910-J 1/6W	nsp	Q205SC			TRS.2SC,KSC1845F T092	*HT300860R
R235SL			910-J 1/6W	nsp	Q205SL			TRS.2SC,KSC1845F T092	*HT300860R
R235SR			910-J 1/6W	nsp	Q205SR			TRS.2SC,KSC1845F T092	*HT300860R
R236C			6.8K-J 1/6W	nsp	Q206C			TRS.2SC,KSC1845F T092	*HT300860R
R236L			6.8K-J 1/6W	nsp	Q206L			TRS.2SC,KSC1845F T092	*HT300860R
R236R			6.8K-J 1/6W	nsp	Q206R			TRS.2SC,KSC1845F T092	*HT300860R
R236SC			6.8K-J 1/6W	nsp	Q206SC			TRS.2SC,KSC1845F T092	*HT300860R
R236SL			6.8K-J 1/6W	nsp	Q206SL			TRS.2SC,KSC1845F T092	*HT300860R
R236SR			6.8K-J 1/6W	nsp	Q206SR			TRS.2SC,KSC1845F T092	*HT300860R
R237C			RES MF 10Ω 1W	GA05100010	Q207C			TRS.2SA,KSA992F T092	*HT100590R
R237L			39-J 1/6W	nsp	Q207L			TRS.2SA,KSA992F T092	*HT100590R
R237R			39-J 1/6W	nsp	Q207R			TRS.2SA,KSA992F T092	*HT100590R
R237SC			RES MF 10Ω 1W	GA05100010	Q207SC			TRS.2SA,KSA992F T092	*HT100590R
R237SL			39-J 1/6W	nsp	Q207SL			TRS.2SA,KSA992F T092	*HT100590R
R237SR			39-J 1/6W	nsp	Q207SR			TRS.2SA,KSA992F T092	*HT100590R
R238L			39-J 1/6W	nsp	Q208C			TRS.2SA,KTA1024Y T092L	HT112082A0
R238R			39-J 1/6W	nsp	Q208L			TRS.2SA,KTA1024Y T092L	HT112082A0
R238SL			39-J 1/6W	nsp	Q208R			TRS.2SA,KTA1024Y T092L	HT112082A0
R238SR			39-J 1/6W	nsp	Q208SC			TRS.2SA,KTA1024Y T092L	HT112082A0
R239L			39-J 1/6W	nsp	Q208SL			TRS.2SA,KTA1024Y T092L	HT112082A0
R239R			39-J 1/6W	nsp	Q208SR			TRS.2SA,KTA1024Y T092L	HT112082A0
R239SL			39-J 1/6W	nsp	Q209C			TRS.2SC,KTC3206Y T092L	HT322292A0
R239SR			39-J 1/6W	nsp	Q209L			TRS.2SC,KTC3206Y T092L	HT322292A0
R240L			39-J 1/6W	nsp	Q209R			TRS.2SC,KTC3206Y T092L	HT322292A0
R240R			39-J 1/6W	nsp	Q209SC			TRS.2SC,KTC3206Y T092L	HT322292A0
R240SL			39-J 1/6W	nsp	Q209SL			TRS.2SC,KTC3206Y T092L	HT322292A0
R240SR			39-J 1/6W	nsp	Q209SR			TRS.2SC,KTC3206Y T092L	HT322292A0
D202C			<b>AMP - SEMICONDUCTORS</b>		Q219C			TRS.2SB,SAP16P	*HT200410R
D202L			DIODE,1SS133T	HD20015210	Q213FL			TRS.2SB,SAP16P	*HT200410R
D202R			DIODE,1SS133T	HD20015210	Q213FR			TRS.2SB,SAP16P	*HT200410R
D202SC			DIODE,1SS133T	HD20015210	Q213SC			TRS.2SB,SAP16P	*HT200410R
D202SL			DIODE,1SS133T	HD20015210	Q213SL			TRS.2SB,SAP16P	*HT200410R
D202SR			DIODE,1SS133T	HD20015210	Q213SR			TRS.2SB,SAP16P	*HT200410R
Q201C			TRS.2SA,KSA992F T092	*HT100590R	Q214C			TRS.2SD,SAP16N	*HT400480R
Q201L			TRS.2SA,KSA992F T092	*HT100590R	Q214FL			TRS.2SD,SAP16N	*HT400480R
Q201R			TRS.2SA,KSA992F T092	*HT100590R	Q214FR			TRS.2SD,SAP16N	*HT400480R
Q201SC			TRS.2SA,KSA992F T092	*HT100590R	Q214SC			TRS.2SD,SAP16N	*HT400480R
Q201SL			TRS.2SA,KSA992F T092	*HT100590R	Q214SL			TRS.2SD,SAP16N	*HT400480R
Q201SR			TRS.2SA,KSA992F T092	*HT100590R	Q214SR			TRS.2SD,SAP16N	*HT400480R
Q202C			TRS.2SA,KSA992F T092	*HT100590R	Q215C			TRS.2SC,KSC1845F T092	*HT300860R
Q202L			TRS.2SA,KSA992F T092	*HT100590R	Q215L			TRS.2SC,KSC1845F T092	*HT300860R
Q202R			TRS.2SA,KSA992F T092	*HT100590R	Q215R			TRS.2SC,KSC1845F T092	*HT300860R
Q202SC			TRS.2SA,KSA992F T092	*HT100590R	Q215SC			TRS.2SC,KSC1845F T092	*HT300860R
Q202SL			TRS.2SA,KSA992F T092	*HT100590R	Q215SL			TRS.2SC,KSC1845F T092	*HT300860R
Q202SR			TRS.2SA,KSA992F T092	*HT100590R	Q215SR			TRS.2SC,KSC1845F T092	*HT300860R
Q203C			TRS.2SA,KSA992F T092	*HT100590R	CP201			<b>AMP - MISCELLANEOUS</b>	nsp
Q203L			TRS.2SA,KSA992F T092	*HT100590R	L201C			CN WAFER 2.0MM, GIL-S-12P-S2T2-EF	*LC106490R
Q203R			TRS.2SA,KSA992F T092	*HT100590R	L201L			COIL FILTER-INDUCTOR, INDUCTOR COIL J9000031	*LC106490R
Q203SC			TRS.2SA,KSA992F T092	*HT100590R				COIL FILTER-INDUCTOR, INDUCTOR COIL J9000031	*LC106490R
Q203SL			TRS.2SA,KSA992F T092	*HT100590R					
Q203SR			TRS.2SA,KSA992F T092	*HT100590R					

NOTE : \*nsp\* PART IS LISTED FOR REFERENCE ONLY, MARANTZ WILL NOT SUPPLY THESE PARTS.

PS5200

POS. NO	VERS. COLOR	PART NO. (FOR PCS)	DESCRIPTION	PART NO. (MJI)	POS. NO	VERS. COLOR	PART NO. (FOR PCS)	DESCRIPTION	PART NO. (MJI)
L201R			COIL FILTER-INDUCTOR, INDUCTOR COIL J9000031	*LC106490R	R329			820-J 1/6W	nsp
L201SC			COIL FILTER-INDUCTOR, INDUCTOR COIL J9000031	*LC106490R	R330			1.5K-J 1/6W	nsp
L201SL			COIL FILTER-INDUCTOR, INDUCTOR COIL J9000031	*LC106490R	R332			1K-J 1/6W	nsp
L201SR			COIL FILTER-INDUCTOR, INDUCTOR COIL J9000031	*LC106490R	R333			10K-J 1/6W	nsp
					R334				
					§			1K-J 1/6W	nsp
					R338				
					R340			330-J 1/6W	nsp
					R341			330-J 1/6W	nsp
					R342			47K-J 1/6W	nsp
					R343			75-J 1/6W	nsp
C301			ELECT,47µF-M/10V 5*11	nsp	R344			75-J 1/6W	nsp
C302			CER.,0.022µF-Z/25V	nsp	R345			75-J 1/6W	nsp
C303			CER.,0.047µF-Z/50V	nsp	R346			47K-J 1/6W	nsp
C304			CER.,100pF-K/50V	nsp	R347			470-J 1/6W	nsp
C305			ELECT,10µF-M/50V 5*11	nsp	R348			100K-J 1/6W	nsp
C306			CER.,0.047µF-Z/50V	nsp	R349			10K-J 1/6W	nsp
C307			ELECT,10µF-M/50V 5*11	nsp	R350			100K-J 1/6W	nsp
C308			CER.,0.022µF-Z/25V	nsp	R351			47K-J 1/6W	nsp
C309			CER.,100pF-K/50V	nsp	R352			470-J 1/6W	nsp
C310			CER.,0.047µF-Z/50V	nsp	R353			2.2K-J 1/6W	nsp
C311			CER.,100pF-K/50V	nsp	R354			330-J 1/6W	nsp
C312			CER.,100pF-K/50V	nsp	R356			24K-J 1/6W	nsp
C313			ELECT,10µF-M/50V 5*11	nsp	R357			24K-J 1/6W	nsp
C314			ELECT,10µF-M/50V 5*11	nsp	R359			24K-J 1/6W	nsp
C315			CER.,B820pF-K/50V	nsp					
C316			CER.,B820pF-K/50V	nsp					
C317			ELECT,10µF-M/50V 5*11	nsp					
C318									
§					D301			FRONT - SEMICONDUCTORS	
					D317			DIODE,1SS133T	HD20015210
C321			CER.,100pF-K/50V	nsp	D318			DIODE,1SS133T	HD20015210
C322					D319			LED ROUND,R-34URCF25	*HI100710R
C323			CER.,0.1µF-Z/50V	nsp	D320			LED ROUND,R-34URCF25	*HI100710R
C381SC			CN WIRE1P,JUMPER(0.6/52MM)	nsp	D328			LED ROUND,R-34URCF25	*HI100710R
C381SY			CN WIRE1P,JUMPER(0.6/52MM)	nsp	D332			D ZENER,MTZJ11B	*HD301990R
					§				
					D337			DIODE,1SS133T	HD20015210
					IC301			IC,LC75721E QIP64	*HC107290R
R301			FRONT - RESISTORS		Q301			TRS.RC,KRC107M TO92M	*BA001190R
R302			68K-J 1/6W	nsp	Q302			TRS.RA,KRA111M TO92M	*BA001200R
R303			68K-J 1/6W	nsp	Q304			TRS.RC,KRC107M TO92M	*BA001190R
R304			330-J 1/6W	nsp	Q305			TRS.RC,KRC107M TO92M	*BA001190R
R305			100-J 1/6W	nsp	Q306			TRS.RC,KRC107M TO92M	*BA001190R
R306			120-J 1/6W	nsp	Q309			TRS.2SC,KTC3200BL TO92	HT322402A0
R307			150-J 1/6W	nsp					
R308			150-J 1/6W	nsp					
R309			270-J 1/6W	nsp					
R310			270-J 1/6W	nsp	CN301			FRONT - MISCELLANEOUS	
R311			470-J 1/6W	nsp	CN303			CN WIRE,450/9P	nsp
R312			820-J 1/6W	nsp	CN304			CN WIRE,100MM/4P	nsp
R313			1K-J 1/6W	nsp	CN305			CN WIRE,470MM/5P	nsp
R314			120-J 1/6W	nsp	FPC109B			CN WIRE,80/3P	nsp
R315			150-J 1/6W	nsp	L302			CN.FP1.25MM,52492-2320 23P	nsp
R316			150-J 1/6W	nsp				COIL FILTER-INDUCTOR,	nsp
R317			270-J 1/6W	nsp	SILD			10UH-Q40/24M 02TB	
R318			270-J 1/6W	nsp	SW309			SUPPORTER,FRONT GND	nsp
R319			470-J 1/6W	nsp	§				
R322			820-J 1/6W	nsp	SW324			SW TACT,	*SP00900R
R323			1K-J 1/6W	nsp				SKHV10920A 5MM/260G	
R324			120-J 1/6W	nsp					
R325			150-J 1/6W	nsp					
R326			150-J 1/6W	nsp					
R327			270-J 1/6W	nsp					
R328			270-J 1/6W	nsp	C371			ST-BY LED CIRCUIT BOARD	
			470-J 1/6W	nsp	C372			ST-BY LED - CAPACITORS	
								CER.,B820pF-K/50V	nsp
								CER.,B820pF-K/50V	nsp

NOTE : \*nsp\* PART IS LISTED FOR REFERENCE ONLY, MARANTZ WILL NOT SUPPLY THESE PARTS.



PS5200

POS. NO	VERS. COLOR	PART NO. (FOR PCS)	DESCRIPTION	PART NO. (MJI)	POS. NO	VERS. COLOR	PART NO. (FOR PCS)	DESCRIPTION	PART NO. (MJI)
D303			ST-BY LED - SEMICONDUCTORS LED ROUND,R-34URCF25	*HI100710R	CN107			INPUT 1 - MISCELLANEOUS CN.WAFER 2.0MM, TUC-P10X-B1 HOUSING ST	nsp
CP305			ST-BY LED - MISCELLANEOUS CN.WAFER 2.0MM, G1L-S-03P-S2L2-EF	nsp	CN108			CN.WAFER 2.0MM, TUC-P20X-B1 HOUSING ST	nsp
SW325			SW TACT, SKHV10920A 5MM/260G	*SP000900R	CN302T CP301I			CN WIRE,250MM/3P CN.WAFER 2.0MM, G1L-S-3P-S2T2-EF	nsp nsp
CLAMP 101			GUIDE CIRCUIT BOARD GUIDE - MISCELLANEOUS CLAMP,HMX9800 DARA-2	nsp	C462 C463A C468 C589			INPUT 2 CIRCUIT BOARD INPUT 2 - CAPACITORS CER.,0.01µF-M/16V CER.,0.1µF-Z/50V CER.,0.1µF-Z/50V CER.,0.1µF-Z/50V	nsp nsp nsp nsp
CLAMP 102			CLAMP,HMX9800 DARA-2	nsp				INPUT 2 - RESISTORS	
C435			INPUT 1 CIRCUIT BOARD INPUT 1 - CAPACITORS		R517 S R522 R535			470-J 1/6W 47-J 1/6W	nsp nsp
S			ELECT,4.7µF-M/50V 5*11	nsp					
C438									
C439			ELECT,1µF-M/50V 5*11	nsp					
C440			ELECT,1µF-M/50V 5*11	nsp					
C441								INPUT 2 - SEMICONDUCTORS	
S			ELECT,4.7µF-M/50V 5*11	nsp	D501 D502			DIODE,1SS133T DIODE,1SS133T	HD20015210 HD20015210
C444									
C445			CER.,100pF-K/50V	nsp				INPUT 2 - MISCELLANEOUS	
C446			CER.,100pF-K/50V	nsp	CN109			CN.WAFER 2.0MM, TUC-P04X-B1 4P HOUSING ST	nsp
C447			CER.,100pF-K/50V	nsp				CN.WAFER 2.0MM, TUC-P11X-B1 HOUSING ST	nsp
C498			CER.,0.1µF-Z/50V	nsp	CN110				
C499			CER.,0.1µF-Z/50V	nsp				HEAD PHONE CIRCUIT BOARD HEAD PHONE - CAPACITORS	
R433			INPUT 1 - RESISTORS						
S			470-J 1/6W	nsp	C464 S C467			CER.,0.01µF-M/16V	nsp
R448									
R449			470-J 1/6W	nsp				HEAD PHONE - RESISTORS	
R466			150-J 1/6W	nsp				RES MF 330 2W 5%	nsp
R467			4.7-J 1/6W	nsp	R536 R537			RES MF 330 2W 5%	nsp
R468			150-J 1/6W	nsp					
R469			150-J 1/6W	nsp				HEAD PHONE-MISCELLANEOUS	
R470			150-J 1/6W	nsp				CN WIRE,570MM/4P RING TER WIRE,200MM/1P	nsp nsp
R471									
S			470K-J 1/6W	nsp	CP130 WIRE401				
R474									
R475			4.7-J 1/6W	nsp					
R481								VOLUME CIRCUIT BOARD VOLUME - CAPACITORS	
S			470K-J 1/6W	nsp	C502C C502FL C502FR C502SC C502SL C502SR C502SW C503FL C505C C505F C505S C505SC C505SW C515C C515FL C515FR			CER.CHIP,100pF-J/50V-1608 CER.CHIP,100pF-J/50V-1608 CER.CHIP,100pF-J/50V-1608 CER.CHIP,100pF-J/50V-1608 CER.CHIP,100pF-J/50V-1608 CER.CHIP,100pF-J/50V-1608 CER.CHIP,100pF-J/50V-1608 CER.CHIP,100pF-J/50V-1608 ELECT,0.1µF-M/50V 5*11 ELECT,0.1µF-M/50V 5*11 ELECT,0.1µF-M/50V 5*11 ELECT,0.1µF-M/50V 5*11 ELECT,0.1µF-M/50V 5*11 ELECT,0.1µF-M/50V 5*11 ELECT,0.1µF-M/50V 5*11 CER.CHIP,100pF-J/50V-1608 CER.CHIP,100pF-J/50V-1608 CER.CHIP,100pF-J/50V-1608	nsp nsp
R484									
R487			150-J 1/6W	nsp					
S									
R490									
R495			470K-J 1/6W	nsp					
S									
R498									
R503			1K-J 1/6W	nsp					
R504			1K-J 1/6W	nsp					
R505			1K-J 1/6W	nsp					
IC401			INPUT 1 - SEMICONDUCTORS IC,TC9274N-011 SDIP42	*HC107320R					
IC403			IC,NJM2068DD DIP8P	HC10053090					
IC404			IC,NJM2068DD DIP8P	HC10053090					

NOTE : \*nsp\* PART IS LISTED FOR REFERENCE ONLY, MARANTZ WILL NOT SUPPLY THESE PARTS.

PS5200

POS. NO	VERS. COLOR	PART NO. (FOR PCS)	DESCRIPTION	PART NO. (MJI)	POS. NO	VERS. COLOR	PART NO. (FOR PCS)	DESCRIPTION	PART NO. (MJI)
C515SC			CER.CHIP,100pF-J/50V-1608	nsp	C588			ELECT,10µF-M/50V 5*11	nsp
C515SL			CER.CHIP,100pF-J/50V-1608	nsp	C589			ELECT,47µF-M/50V 6.3*11	nsp
C515SR			CER.CHIP,100pF-J/50V-1608	nsp	C590			ELECT,47µF-M/50V 6.3*11	nsp
C515SW			CER.CHIP,100pF-J/50V-1608	nsp	C591			CER.CHIP,47pF-J/50V-1608	nsp
C528C			ELECT,4.7µF-M/16V 5*11	nsp	C592			CER.CHIP,47pF-J/50V-1608	nsp
C528FL			ELECT,4.7µF-M/16V 5*11	nsp	C593			CER.CHIP,0.1µF-Z/50V-1608	nsp
C528FR			ELECT,4.7µF-M/16V 5*11	nsp	C594			CER.CHIP,0.1µF-Z/50V-1608	nsp
C528SC			ELECT,4.7µF-M/16V 5*11	nsp	C595			CER.CHIP,47pF-J/50V-1608	nsp
C528SL			ELECT,4.7µF-M/16V 5*11	nsp	C596			CER.CHIP,47pF-J/50V-1608	nsp
C528SR			ELECT,4.7µF-M/16V 5*11	nsp	C597				
C528SW			ELECT,4.7µF-M/16V 5*11	nsp	5			ELECT,10µF-M/50V 5*11	nsp
C533C			CER.CHIP,100pF-J/50V-1608	nsp	C600				
C533FL			CER.CHIP,100pF-J/50V-1608	nsp	C601			CER.CHIP,0.1µF-Z/50V-1608	nsp
C533FR			CER.CHIP,100pF-J/50V-1608	nsp					
C533SC			CER.CHIP,100pF-J/50V-1608	nsp				VOLUME - RESISTORS	
C533SL			CER.CHIP,100pF-J/50V-1608	nsp	R501			CHIP,560-J 1/16W-1608	nsp
C533SR			CER.CHIP,100pF-J/50V-1608	nsp	R502			CHIP,560-J 1/16W-1608	nsp
C533SW			CER.CHIP,1200pF-K/50V-1608	nsp	R503			4.7-J 1/6W	nsp
					R504			4.7-J 1/6W	nsp
C541C			CER.CHIP,100pF-J/50V-1608	nsp	R505			CNWIREFIP,JUMPER(0.6/52MM)	nsp
C541FL			CER.CHIP,100pF-J/50V-1608	nsp	R506			CNWIREFIP,JUMPER(0.6/52MM)	nsp
C541FR			CER.CHIP,100pF-J/50V-1608	nsp	R507C			CHIP,1K-J 1/16W-1608	nsp
C541SC			CER.CHIP,100pF-J/50V-1608	nsp	R507FL			CHIP,1K-J 1/16W-1608	nsp
C541SL			CER.CHIP,100pF-J/50V-1608	nsp	R507FR			CHIP,1K-J 1/16W-1608	nsp
C541SR			CER.CHIP,100pF-J/50V-1608	nsp	R507SC			CHIP,1K-J 1/16W-1608	nsp
C541SW			CER.CHIP,100pF-J/50V-1608	nsp	R507SL			CHIP,1K-J 1/16W-1608	nsp
C543			CER.CHIP,0.1µF-Z/50V-1608	nsp	R507SR			CHIP,1K-J 1/16W-1608	nsp
C544			CER.CHIP,0.1µF-Z/50V-1608	nsp	R507SW			CHIP,1K-J 1/16W-1608	nsp
C545A			CER.CHIP,1000pF-K/50V-1608	nsp	R512C			CHIP,220-J 1/16W-1608	nsp
C545C			ELECT,4.7µF-M/16V 5*11	nsp	R512FL			CHIP,1K-J 1/16W-1608	nsp
C545FL			ELECT,4.7µF-M/16V 5*11	nsp	R512FR			CHIP,1K-J 1/16W-1608	nsp
C545FR			ELECT,4.7µF-M/16V 5*11	nsp	R512SC			CHIP,220-J 1/16W-1608	nsp
C545SC			ELECT,4.7µF-M/16V 5*11	nsp	R512SL			CHIP,220-J 1/16W-1608	nsp
C545SL			ELECT,4.7µF-M/16V 5*11	nsp	R512SR			CHIP,220-J 1/16W-1608	nsp
C545SR			ELECT,4.7µF-M/16V 5*11	nsp	R512SW			CHIP,220-J 1/16W-1608	nsp
C545SW			ELECT,4.7µF-M/16V 5*11	nsp					
C546A			CER.CHIP,1000pF-K/50V-1608	nsp	R515			CHIP,10K-J 1/16W-1608	nsp
C552					R516C			CHIP,470K-J 1/16W-1608	nsp
5			CER.CHIP,0.1µF-Z/50V-1608	nsp	R516FL			CHIP,100K-J 1/16W-1608	nsp
C556					R516FR			CHIP,100K-J 1/16W-1608	nsp
C557					R516SC			CHIP,470K-J 1/16W-1608	nsp
5			ELECT,47µF-M/25V 5*11	nsp	R516SL			CHIP,470K-J 1/16W-1608	nsp
C560					R516SR			CHIP,470K-J 1/16W-1608	nsp
C561					R516SW			CHIP,1.5K-J 1/16W-1608	nsp
5			CER.CHIP,0.1µF-Z/50V-1608	nsp	R525			10K-J 1/6W	nsp
C564					R526			10K-J 1/6W	nsp
C565			ELECT,47µF-M/25V 5*11	nsp	R527			CHIP,10K-J 1/16W-1608	nsp
C566			ELECT,47µF-M/25V 5*11	nsp	R528			10K-J 1/6W	nsp
C567			CER.CHIP,0.1µF-Z/50V-1608	nsp	R529			CHIP,10K-J 1/16W-1608	nsp
C568			CER.CHIP,0.1µF-Z/50V-1608	nsp	R530			CHIP,10K-J 1/16W-1608	nsp
C571C			ELECT,4.7µF-M/16V 5*11	nsp	R532			CHIP,22K-J 1/16W-1608	nsp
C571FL			ELECT,4.7µF-M/16V 5*11	nsp	R536C			CHIP,470-J 1/16W-1608	nsp
C571FR			ELECT,4.7µF-M/16V 5*11	nsp	R536FL			CHIP,470-J 1/16W-1608	nsp
C571SC			ELECT,4.7µF-M/16V 5*11	nsp	R536FR			CHIP,470-J 1/16W-1608	nsp
C571SL			ELECT,4.7µF-M/16V 5*11	nsp	R536SC			CHIP,470-J 1/16W-1608	nsp
C571SR			ELECT,4.7µF-M/16V 5*11	nsp	R536SL			CHIP,470-J 1/16W-1608	nsp
C571SW			ELECT,4.7µF-M/16V 5*11	nsp	R536SR			CHIP,470-J 1/16W-1608	nsp
C576					R536SW			CHIP,470-J 1/16W-1608	nsp
5			CER.CHIP,100pF-J/50V-1608	nsp	R537			22K-J 1/6W	nsp
C584					R538			CHIP,22K-J 1/16W-1608	nsp
C585			CER.CHIP,0.1µF-Z/50V-1608	nsp	R539			22K-J 1/6W	nsp
C586			CER.CHIP,0.1µF-Z/50V-1608	nsp	R540			22K-J 1/6W	nsp
C587			ELECT,10µF-M/50V 5*11	nsp	R541			CHIP,22K-J 1/16W-1608	nsp

NOTE : \*nsp\* PART IS LISTED FOR REFERENCE ONLY, MARANTZ WILL NOT SUPPLY THESE PARTS.

PS5200

POS. NO	VERS. COLOR	PART NO. (FOR PCS)	DESCRIPTION	PART NO. (MJI)	POS. NO	VERS. COLOR	PART NO. (FOR PCS)	DESCRIPTION	PART NO. (MJI)
R542			CHIP,22K-J 1/16W-1608	nsp	R606			CHIP,4.7K-J 1/16W-1608	nsp
R543					R607				
5			100K-J 1/6W	nsp	5			CHIP,10K-J 1/16W-1608	nsp
R547					R612				
R549C			CHIP,470K-J 1/16W-1608	nsp	R613			CHIP,47K-J 1/16W-1608	nsp
R549FL			CHIP,470K-J 1/16W-1608	nsp	R614			CHIP,47K-J 1/16W-1608	nsp
R549FR			CHIP,470K-J 1/16W-1608	nsp	R615				
R549SC			CHIP,470K-J 1/16W-1608	nsp	5			CHIP,10K-J 1/16W-1608	nsp
R549SL			CHIP,470K-J 1/16W-1608	nsp	R618				
R549SR			CHIP,470K-J 1/16W-1608	nsp	R619			CHIP,100K-J 1/16W-1608	nsp
R549SW			470K-J 1/6W	nsp	R620			CHIP,100K-J 1/16W-1608	nsp
R559C			CHIP,470-J 1/16W-1608	nsp					
R559FL			CHIP,470-J 1/16W-1608	nsp				VOLUME - SEMICONDUCTORS	
R559FR			CHIP,470-J 1/16W-1608	nsp	D501				
R559SC			CHIP,470-J 1/16W-1608	nsp	5			DIODE,1SS133T	HD20015210
R559SL			CHIP,470-J 1/16W-1608	nsp	D512				
R559SR			CHIP,470-J 1/16W-1608	nsp	IC501			IC,KIC9459F SOP24P	HC10449050
R559SW			CHIP,470-J 1/16W-1608	nsp	IC502			IC,KIC9482F FLP28	*HC107280R
R567C			CHIP,3K-J 1/16W-1608	nsp	IC505				
R567FL			CHIP,3K-J 1/16W-1608	nsp	5			IC,NJM2068M SOP8P	HC10102090
R567FR			CHIP,3K-J 1/16W-1608	nsp	IC512				
R567SC			CHIP,3K-J 1/16W-1608	nsp	IC513			IC,NJU7313AL SDIP28P	HC10125090
R567SL			CHIP,3K-J 1/16W-1608	nsp	IC514			IC,BU4053BCF SOP16P	HC405321Z0
R567SR			CHIP,3K-J 1/16W-1608	nsp	Q501				
R567SW			CHIP,5.1K-J 1/16W-1608	nsp	5			TRS.2SC,KTC2874B TO92	*HT300880R
					Q514				
R569C			CHIP,1.2K-J 1/16W-1608	nsp					
R569FL			CHIP,1.2K-J 1/16W-1608	nsp				VOLUME - MISCELLANEOUS	
R569FR			CHIP,1.2K-J 1/16W-1608	nsp	CN114			CN.WAFER 2.0MM,	nsp
R569SC			CHIP,1.2K-J 1/16W-1608	nsp				TUC-P15X-B1 HOUSING ST	
R569SL			CHIP,1.2K-J 1/16W-1608	nsp	CN115			CN.WAFER 2.0MM,	nsp
R569SR			CHIP,1.2K-J 1/16W-1608	nsp				TUC-P20X-B1 HOUSING ST	
R569SW			CHIP,1.2K-J 1/16W-1608	nsp	CP503			CN WIRE,220MM/12P	nsp
R582C			CHIP,470K-J 1/16W-1608	nsp					
R582FL			CHIP,470K-J 1/16W-1608	nsp				DSP CIRCUIT BOARD	
R582FR			CHIP,470K-J 1/16W-1608	nsp				DSP - CAPACITORS	
R582SC			CHIP,470K-J 1/16W-1608	nsp	C701				
R582SL			CHIP,470K-J 1/16W-1608	nsp	5			CER.CHIP,0.1µF-K/50V-1608	nsp
R582SR			CHIP,470K-J 1/16W-1608	nsp	C705				
R582SW			CHIP,470K-J 1/16W-1608	nsp	C706			ELECT,47µF-M/10V 5*11	nsp
R589C			CHIP,470-J 1/16W-1608	nsp	C707			CER.CHIP,22pF-J/50V-1608	nsp
R589FL			CHIP,470-J 1/16W-1608	nsp	C708			CER.CHIP,0.1µF-K/50V-1608	nsp
R589FR			CHIP,470-J 1/16W-1608	nsp	C709			ELECT,47µF-M/10V 5*11	nsp
R589SC			CHIP,470-J 1/16W-1608	nsp	C710			CER.CHIP,22pF-J/50V-1608	nsp
R589SL			CHIP,470-J 1/16W-1608	nsp	C711			CER.CHIP,22pF-J/50V-1608	nsp
R589SR			CHIP,470-J 1/16W-1608	nsp	C712			ELECT,47µF-M/10V 5*11	nsp
R589SW			CHIP,470-J 1/16W-1608	nsp	C713			CER.CHIP,0.1µF-K/50V-1608	nsp
					C718			CER.CHIP,22pF-J/50V-1608	nsp
R590			1K-J 1/6W	nsp	C719			ELECT,3.3µF-M/50V 5*11	nsp
R591			CHIP,2K-J 1/16W-1608	nsp	C720			CER.CHIP,0.1µF-K/50V-1608	nsp
R592			1K-J 1/6W	nsp	C721			CER.CHIP,22pF-J/50V-1608	nsp
R593			CHIP,2K-J 1/16W-1608	nsp	C722			CER.CHIP,22pF-J/50V-1608	nsp
R594			CHIP,2K-J 1/16W-1608	nsp	C723			ELECT,3.3µF-M/50V 5*11	nsp
R595					C724			CER.CHIP,0.1µF-K/50V-1608	nsp
5					C725			CER.CHIP,22pF-J/50V-1608	nsp
R598			1K-J 1/6W	nsp	C726			ELECT,100µF-M/10V 5*11	nsp
R599			100-J 1/6W	nsp	C727			CER.CHIP,0.1µF-K/50V-1608	nsp
R600			100-J 1/6W	nsp	C728			CER.CHIP,0.1µF-K/50V-1608	nsp
R601			CHIP,100K-J 1/16W-1608	nsp	C729			ELECT,100µF-M/10V 5*11	nsp
R602			CHIP,100K-J 1/16W-1608	nsp	C730			CER.CHIP,0.1µF-K/50V-1608	nsp
R603			4.7K-J 1/6W	nsp	C731			ELECT,1µF-M/50V 5*11	nsp
R604			4.7K-J 1/6W	nsp	C732			ELECT,1µF-M/50V 5*11	nsp
R605			CHIP,4.7K-J 1/16W-1608	nsp	C733			ELECT,10µF-M/50V 5*11	nsp
					C734			CER.CHIP,0.1µF-K/50V-1608	nsp

NOTE : \*nsp\* PART IS LISTED FOR REFERENCE ONLY, MARANTZ WILL NOT SUPPLY THESE PARTS.

PS5200

POS. NO	VERS. COLOR	PART NO. (FOR PCS)	DESCRIPTION	PART NO. (MJI)	POS. NO	VERS. COLOR	PART NO. (FOR PCS)	DESCRIPTION	PART NO. (MJI)
C735			ELECT,100µF-M/10V 5*11	nsp	C790				
C736			CER.CHIP,0.1µF-K/50V-1608	nsp	5			CER.CHIP,0.1µF-K/50V-1608	nsp
C738			CER.CHIP,0.1µF-K/50V-1608	nsp	C794				
C739			CER.CHIP,0.1µF-K/50V-1608	nsp	C794C			ELECT,10µF-M/50V 5*11	nsp
C740			CER.CHIP,0.01µF-Z/50V-1608	nsp	C794FL1			ELECT,10µF-M/50V 5*11	nsp
C741			CER.CHIP,0.1µF-K/50V-1608	nsp	C794FL2			ELECT,10µF-M/50V 5*11	nsp
C742			CER.CHIP,0.01µF-Z/50V-1608	nsp	C794FR1			ELECT,10µF-M/50V 5*11	nsp
C743			CER.CHIP,0.1µF-K/50V-1608	nsp	C794FR2			ELECT,10µF-M/50V 5*11	nsp
C744			CER.CHIP,0.01µF-Z/50V-1608	nsp	C794SC			ELECT,10µF-M/50V 5*11	nsp
C745			CER.CHIP,0.1µF-K/50V-1608	nsp	C794SL			ELECT,10µF-M/50V 5*11	nsp
C746			ELECT,10µF-M/50V 5*11	nsp	C794SR			ELECT,10µF-M/50V 5*11	nsp
C747			CER.CHIP,0.1µF-K/50V-1608	nsp	C794SW			ELECT,10µF-M/50V 5*11	nsp
C748			CER.CHIP,27pF-J/50V-1608	nsp	C795			CER.CHIP,0.1µF-K/50V-1608	nsp
C749			CER.CHIP,27pF-J/50V-1608	nsp	C795C			CER.CHIP,2200pF-K/50V-1608	nsp
C750			CER.CHIP,1000pF-K/50V-1608	nsp	C795SC			CER.CHIP,2200pF-K/50V-1608	nsp
C751			CER.CHIP,0.1µF-K/50V-1608	nsp	C795SL			CER.CHIP,2200pF-K/50V-1608	nsp
C752			CER.CHIP,0.1µF-K/50V-1608	nsp	C795SR			CER.CHIP,2200pF-K/50V-1608	nsp
C753			ELECT,100µF-M/10V 5*11	nsp	C795SW			FILM,0.15µF-K/63V	nsp
C754			CER.CHIP,0.1µF-K/50V-1608	nsp					
C755			CER.CHIP,0.01µF-Z/50V-1608	nsp	C796			CER.CHIP,0.1µF-K/50V-1608	nsp
C756			CER.CHIP,0.01µF-Z/50V-1608	nsp	C796FL1			CER.CHIP,3300pF-K/50V-1608	nsp
C757			ELECT,220µF-M/6.3V 6.3*1	nsp	C796FL2			CER.CHIP,3300pF-K/50V-1608	nsp
C758			CER.CHIP,0.1µF-K/50V-1608	nsp	C796FR1			CER.CHIP,3300pF-K/50V-1608	nsp
C759			CER.CHIP,470pF-J/50V-1608	nsp	C796FR2			CER.CHIP,3300pF-K/50V-1608	nsp
C760			ELECT,47µF-M/10V 5*11	nsp	C797			CER.CHIP,0.1µF-K/50V-1608	nsp
					C797FL1			CER.CHIP,390pF-J/50V-1608	nsp
C761			CER.CHIP,0.1µF-K/50V-1608	nsp	C797FL2			CER.CHIP,390pF-J/50V-1608	nsp
C762			CER.CHIP,0.01µF-Z/50V-1608	nsp	C797FR1			CER.CHIP,390pF-J/50V-1608	nsp
C763			ELECT,2.2µF-M/50V 5*11	nsp	C797FR2			CER.CHIP,390pF-J/50V-1608	nsp
C764			CER.CHIP,0.1µF-K/50V-1608	nsp	C798C			CER.CHIP,1500pF-K/50V-1608	nsp
C765			ELECT,1µF-M/50V 5*11	nsp	C798SC			CER.CHIP,1500pF-K/50V-1608	nsp
C766			CER.CHIP,0.01µF-Z/50V-1608	nsp	C798SL			CER.CHIP,1500pF-K/50V-1608	nsp
C767			CER.CHIP,0.01µF-Z/50V-1608	nsp	C798SR			CER.CHIP,1500pF-K/50V-1608	nsp
C768			CER.CHIP,0.1µF-K/50V-1608	nsp	C798SW			FILM,0.018µF-K/63V	nsp
C769			CER.CHIP,0.1µF-K/50V-1608	nsp	C799C			ELECT,10µF-M/50V 5*11	nsp
C770			CER.CHIP,0.1µF-K/50V-1608	nsp	C799FL			ELECT,10µF-M/50V 5*11	nsp
C771			ELECT,1µF-M/50V 5*11	nsp	C799FR			ELECT,10µF-M/50V 5*11	nsp
C772			CER.CHIP,0.1µF-K/50V-1608	nsp	C799SC			ELECT,10µF-M/50V 5*11	nsp
C773			ELECT,100µF-M/10V 5*11	nsp	C799SL			ELECT,10µF-M/50V 5*11	nsp
C774			CER.CHIP,0.01µF-Z/50V-1608	nsp	C799SR			ELECT,10µF-M/50V 5*11	nsp
C775			CER.CHIP,0.1µF-K/50V-1608	nsp	C799SW			ELECT,10µF-M/50V 5*11	nsp
C776			ELECT,100µF-M/10V 5*11	nsp					
C777			CER.CHIP,0.1µF-K/50V-1608	nsp	C800C			CER.CHIP,3300pF-K/50V-1608	nsp
C778			ELECT,100µF-M/10V 5*11	nsp	C800FL			CER.CHIP,1500pF-K/50V-1608	nsp
C779			CER.CHIP,0.1µF-K/50V-1608	nsp	C800FR			CER.CHIP,1500pF-K/50V-1608	nsp
C780			ELECT,1µF-M/50V 5*11	nsp	C800SC			CER.CHIP,3300pF-K/50V-1608	nsp
C782			ELECT,1µF-M/50V 5*11	nsp	C800SL			CER.CHIP,3300pF-K/50V-1608	nsp
					C800SR			CER.CHIP,3300pF-K/50V-1608	nsp
					C800SW			CER.CHIP,3300pF-K/50V-1608	nsp
C783AFL			ELECT,10µF-M/50V 5*11	nsp	C801			ELECT,100µF-M/10V 5*11	nsp
C783AFR			ELECT,10µF-M/50V 5*11	nsp	C802			CER.CHIP,0.01µF-Z/50V-1608	nsp
C784AFL			ELECT,10µF-M/50V 5*11	nsp	C803			ELECT,1µF-M/50V 5*11	nsp
C784AFR			ELECT,10µF-M/50V 5*11	nsp	C804			ELECT,10µF-M/50V 5*11	nsp
C785AFL			CER.CHIP,0.1µF-K/50V-1608	nsp	C866			ELECT,100µF-M/25V 6.3*11	nsp
C785AFR			CER.CHIP,0.1µF-K/50V-1608	nsp	C867			ELECT,100µF-M/25V 6.3*11	nsp
C786AFL			CER.CHIP,0.1µF-K/50V-1608	nsp	C868			ELECT,10µF-M/50V 5*11	nsp
C786AFR			CER.CHIP,0.1µF-K/50V-1608	nsp	C869			CER.CHIP,100pF-J/50V-1608	nsp
C787AFL			CER.CHIP,100pF-J/50V-1608	nsp	C870			CER.CHIP,1000pF-K/50V-1608	nsp
C787AFR			CER.CHIP,100pF-J/50V-1608	nsp	C873			CER.CHIP,150pF-J/50V-1608	nsp
C788AFL			CER.CHIP,100pF-J/50V-1608	nsp	C875			CER.CHIP,0.1µF-K/50V-1608	nsp
C788AFR			CER.CHIP,100pF-J/50V-1608	nsp	C876			CER.CHIP,27pF-J/50V-1608	nsp
C789AFL			CER.CHIP,1000pF-K/50V-1608	nsp	C877			CER.CHIP,0.1µF-K/50V-1608	nsp
C789AFR			CER.CHIP,1000pF-K/50V-1608	nsp	C878			CER.CHIP,0.1µF-K/50V-1608	nsp

NOTE : \*nsp\* PART IS LISTED FOR REFERENCE ONLY, MARANTZ WILL NOT SUPPLY THESE PARTS.

PS5200

POS. NO	VERS. COLOR	PART NO. (FOR PCS)	DESCRIPTION	PART NO. (MJI)	POS. NO	VERS. COLOR	PART NO. (FOR PCS)	DESCRIPTION	PART NO. (MJI)
C879			CER.CHIP,0.1µF-K/50V-1608	nsp	R775AFL			CHIP,47K-J 1/16W-1608	nsp
			DSP - RESISTORS		R775AFP			CHIP,47K-J 1/16W-1608	nsp
R701			CHIP,4.7K-J 1/16W-1608	nsp	R776AFL			CHIP,4.7K-J 1/16W-1608	nsp
R702			CHIP,4.7K-J 1/16W-1608	nsp	R776AFP			CHIP,4.7K-J 1/16W-1608	nsp
R703			CHIP,4.7K-J 1/16W-1608	nsp	R777AFL			CHIP,5.6K-J 1/16W-1608	nsp
R709			CHIP,75-J 1/16W-1608	nsp	R777AFP			CHIP,5.6K-J 1/16W-1608	nsp
R710			CHIP,100-J 1/16W-1608	nsp	R778AFL			CHIP,10K-J 1/16W-1608	nsp
R711			CHIP,10K-J 1/16W-1608	nsp	R778AFP			CHIP,10K-J 1/16W-1608	nsp
R712			CHIP,100K-J 1/16W-1608	nsp	R779AFL			CHIP,330-J 1/16W-1608	nsp
R713			CHIP,2.2K-J 1/16W-1608	nsp	R779AFP			CHIP,330-J 1/16W-1608	nsp
R714			CHIP,75-J 1/16W-1608	nsp	R780AFL			CHIP,10K-J 1/16W-1608	nsp
R715			CHIP,100-J 1/16W-1608	nsp	R780AFP			CHIP,10K-J 1/16W-1608	nsp
R716			CHIP,10K-J 1/16W-1608	nsp	R781AFL			CHIP,330-J 1/16W-1608	nsp
R717			CHIP,100K-J 1/16W-1608	nsp	R781AFP			CHIP,330-J 1/16W-1608	nsp
R718			CHIP,2.2K-J 1/16W-1608	nsp	R782C			CHIP,1.5K-J 1/16W-1608	nsp
R719			CHIP,75-J 1/16W-1608	nsp	R782SC			CHIP,1.5K-J 1/16W-1608	nsp
R720			CHIP,180-J 1/16W-1608	nsp	R782SL			CHIP,1.5K-J 1/16W-1608	nsp
R721			CHIP,91-J 1/16W-1608	nsp	R782SR			CHIP,1.5K-J 1/16W-1608	nsp
R723			CHIP,10K-J 1/16W-1608	nsp	R782SW			CHIP,4.7K-J 1/16W-1608	nsp
R724			CHIP,1M-J 1/16W-1608	nsp					
R725					R783FL1			CHIP,7.5K-J 1/16W-1608	nsp
§			CHIP,33-J 1/16W-1608	nsp	R783FL2			CHIP,7.5K-J 1/16W-1608	nsp
R728					R783FR1			CHIP,7.5K-J 1/16W-1608	nsp
R729			CHIP,75-J 1/16W-1608	nsp	R783FR2			CHIP,7.5K-J 1/16W-1608	nsp
R730			CHIP,5.1K-J 1/16W-1608	nsp	R784FL1			CHIP,4.3K-J 1/16W-1608	nsp
R731			CHIP,3K-J 1/16W-1608	nsp	R784FL2			CHIP,4.3K-J 1/16W-1608	nsp
R732			CHIP,8.2K-J 1/16W-1608	nsp	R784FR1			CHIP,4.3K-J 1/16W-1608	nsp
R733			CHIP,100-J 1/16W-1608	nsp	R784FR2			CHIP,4.3K-J 1/16W-1608	nsp
R734					R785FL1			CHIP,820-J 1/16W-1608	nsp
§			CHIP,10K-J 1/16W-1608	nsp	R785FL2			CHIP,820-J 1/16W-1608	nsp
R743					R785FR1			CHIP,820-J 1/16W-1608	nsp
R744			CHIP,33-J 1/16W-1608	nsp	R785FR2			CHIP,820-J 1/16W-1608	nsp
R745			CHIP,4.7K-J 1/16W-1608	nsp	R786C			CHIP,1.5K-J 1/16W-1608	nsp
R748			CHIP,33-J 1/16W-1608	nsp	R786SC			CHIP,1.5K-J 1/16W-1608	nsp
R749			CHIP,4.7K-J 1/16W-1608	nsp	R786SL			CHIP,1.5K-J 1/16W-1608	nsp
R750			CHIP,4.7K-J 1/16W-1608	nsp	R786SR			CHIP,1.5K-J 1/16W-1608	nsp
R751			CHIP,33K-J 1/16W-1608	nsp	R786SW			CHIP,4.7K-J 1/16W-1608	nsp
R752			CHIP,10K-J 1/16W-1608	nsp	R787C			CHIP,2.7K-J 1/16W-1608	nsp
R753					R787SC			CHIP,2.7K-J 1/16W-1608	nsp
§			CHIP,33-J 1/16W-1608	nsp	R787SL			CHIP,2.7K-J 1/16W-1608	nsp
R757					R787SR			CHIP,2.7K-J 1/16W-1608	nsp
R758			CHIP,10K-J 1/16W-1608	nsp	R787SW			CHIP,1.2K-J 1/16W-1608	nsp
R759			CHIP,4.7K-J 1/16W-1608	nsp					
R760					R788C			CHIP,3.3K-J 1/16W-1608	nsp
§			CHIP,33-J 1/16W-1608	nsp	R788SC			CHIP,3.3K-J 1/16W-1608	nsp
R764					R788SL			CHIP,3.3K-J 1/16W-1608	nsp
R765			CHIP,33K-J 1/16W-1608	nsp	R788SR			CHIP,3.3K-J 1/16W-1608	nsp
R766			CHIP,4.7K-J 1/16W-1608	nsp	R788SW			CHIP,9.1K-J 1/16W-1608	nsp
R768			CHIP,100-J 1/16W-1608	nsp	R790C			CHIP,180K-J 1/16W-1608	nsp
R769			CHIP,10K-J 1/16W-1608	nsp	R790FL			CHIP,15K-J 1/16W-1608	nsp
R770			CHIP,4.7K-J 1/16W-1608	nsp	R790FR			CHIP,15K-J 1/16W-1608	nsp
R770AFL			CHIP,6.2K-J 1/16W-1608	nsp	R790SC			CHIP,180K-J 1/16W-1608	nsp
R770AFP			CHIP,6.2K-J 1/16W-1608	nsp	R790SL			CHIP,180K-J 1/16W-1608	nsp
R771AFL			CHIP,4.7K-J 1/16W-1608	nsp	R790SR			CHIP,180K-J 1/16W-1608	nsp
R771AFP			CHIP,4.7K-J 1/16W-1608	nsp	R790SW			CHIP,100K-J 1/16W-1608	nsp
R772			CHIP,2.2K-J 1/16W-1608	nsp	R791C			CHIP,2.2K-J 1/16W-1608	nsp
R772AFL			CHIP,2.4K-J 1/16W-1608	nsp	R791FL			CHIP,2.2K-J 1/16W-1608	nsp
R772AFP			CHIP,2.4K-J 1/16W-1608	nsp	R791FR			CHIP,2.2K-J 1/16W-1608	nsp
R773AFL			CHIP,4.7K-J 1/16W-1608	nsp	R791SC			CHIP,2.2K-J 1/16W-1608	nsp
R773AFP			CHIP,4.7K-J 1/16W-1608	nsp	R791SL			CHIP,2.2K-J 1/16W-1608	nsp
R774AFL			CHIP,4.7K-J 1/16W-1608	nsp	R791SR			CHIP,2.2K-J 1/16W-1608	nsp
R774AFP			CHIP,4.7K-J 1/16W-1608	nsp	R791SW			CHIP,2.2K-J 1/16W-1608	nsp
					R792			CHIP,470-J 1/16W-1608	nsp

NOTE : "nsp" PART IS LISTED FOR REFERENCE ONLY, MARANTZ WILL NOT SUPPLY THESE PARTS.

PS5200

POS. NO	VERS. COLOR	PART NO. (FOR PCS)	DESCRIPTION	PART NO. (MJI)	POS. NO	VERS. COLOR	PART NO. (FOR PCS)	DESCRIPTION	PART NO. (MJI)
R799			CHIP,1M-J 1/16W-1608	nsp	Q701SC			TRS.CHIP 2SC, KTC2875B SOT23	*HT300870R
R799C			CHIP,470-J 1/16W-1608	nsp	Q701SL			TRS.CHIP 2SC, KTC2875B SOT23	*HT300870R
R799FL			CHIP,1K-J 1/16W-1608	nsp	Q701SP			TRS.CHIP 2SC, KTC2875B SOT23	*HT300870R
R799FR			CHIP,1K-J 1/16W-1608	nsp	Q701SW			TRS.CHIP 2SC, KTC2875B SOT23	*HT300870R
R799SC			CHIP,470-J 1/16W-1608	nsp	Q702AFL			TRS.CHIP 2SC, KTC2875B SOT23	*HT300870R
R799SL			CHIP,470-J 1/16W-1608	nsp	Q702AFR			TRS.CHIP 2SC, KTC2875B SOT23	*HT300870R
R799SR			CHIP,470-J 1/16W-1608	nsp	Q703			TRS.CHIP 2SA,KRA102S	*BA001230R
R799SW			CHIP,470-J 1/16W-1608	nsp	Q704			TRS.CHIP 2SC,KRC102S	*BA001220R
R800			CHIP,20K-J 1/16W-1608	nsp	Q705			TRS.CHIP 2SA,KRA102S	*BA001230R
R801			CHIP,10K-J 1/16W-1608	nsp	Q706			TRS.CHIP 2SC,KRC102S	*BA001220R
R802C			CHIP,100K-J 1/16W-1608	nsp	Q707			TRS.CHIP 2SA,KRA102S	*BA001230R
R802SC			CHIP,100K-J 1/16W-1608	nsp	Q708			TRS.CHIP 2SA,KRA102S	*BA001230R
R802SL			CHIP,100K-J 1/16W-1608	nsp	Q711			TRS.CHIP 2SA,KRA102S	*BA001230R
R802SR			CHIP,100K-J 1/16W-1608	nsp	Q712			TRS.CHIP 2SC, KTC2875B SOT23	*HT300870R
R802SW			CHIP,100K-J 1/16W-1608	nsp	Q712C			TRS.CHIP 2SC, KTC2875B SOT23	*HT300870R
R803					Q712SC			TRS.CHIP 2SC, KTC2875B SOT23	*HT300870R
S			CHIP,33-J 1/16W-1608	nsp	Q712SL			TRS.CHIP 2SC, KTC2875B SOT23	*HT300870R
R815					Q712SR			TRS.CHIP 2SC, KTC2875B SOT23	*HT300870R
R816									
S			CHIP,1K-J 1/16W-1608	nsp					
R820									
R821									
S			CHIP,2.2K-J 1/16W-1608	nsp					
R824									
R825			CHIP,33-J 1/16W-1608	nsp					
R826			CHIP,33-J 1/16W-1608	nsp					
R827			CHIP,1K-J 1/16W-1608	nsp					
R828			CHIP,1K-J 1/16W-1608	nsp					
R838			CHIP,470K-J 1/16W-1608	nsp					
			DSP - SEMICONDUCTORS		CB702			DSP - MISCELLANEOUS	
D702								BEAD COIL CHIP, HB-IT2012-121JT 2012	nsp
S			DIODE CHIP,KDS160	*HD201560R	CB708				
D707					CN111			CN.WAFER 2.0MM, TUC-P12X-B1 HOUSING ST	nsp
IC701			IC,74VHCU04 SOP14	*HC700300R	CN112			CN.WAFER 2.0MM, TUC-P15X-B1 HOUSING ST	nsp
IC702			IC,MM74HC151MX SOP16	*HC700330R	CN113			CN.WAFER 2.0MM, TUC-P18X-B1 HOUSING ST	nsp
IC703			IC,BA4510F-T1 SOP	HC10159210					
IC704			IC,BA4510F-T1 SOP	HC10159210	FB701C			BEAD COIL, BRS3550T0 3.5PHI*5	nsp
IC705			IC,NJM7805FA T0220F	HC3890509F	FB701FL			BEAD COIL, BRS3550T0 3.5PHI*5	nsp
IC706			IC,RC1117S33ST SOT223	*HC900020R	FB701FR			BEAD COIL, BRS3550T0 3.5PHI*5	nsp
IC707			IC,M27W401-80B6 PDIP32	*HC107760R	FB701SC			BEAD COIL, BRS3550T0 3.5PHI*5	nsp
IC708			IC,MM74LCX574WMX SOP20	*HC700360R	FB701SL			BEAD COIL, BRS3550T0 3.5PHI*5	nsp
IC709			IC,MM74LCX574WMX SOP20	*HC700360R	FB701SR			BEAD COIL, BRS3550T0 3.5PHI*5	nsp
IC710			IC,LC89055W(ES4)	HC10405030	FB701SW			BEAD COIL, BRS3550T0 3.5PHI*5	nsp
IC711			IC,SN74LV00APW	*HC700370R	FB702AFL			BEAD COIL, BRS3550T0 3.5PHI*5	nsp
IC712			IC,MM74HCT244WMX SOP20	*HC700350R	FB702AFR			BEAD COIL, BRS3550T0 3.5PHI*5	nsp
IC713			IC,MM74HC125MX SOP14	*HC700320R	L701			COIL FILTER-INDUCTOR, 4.7UH-Q50/56M LAL03VB	nsp
IC714			IC,IS61LV256-12J SOJ28P	*HC107770R	L702			COIL FILTER-INDUCTOR, 4.7UH-Q50/56M LAL03VB	nsp
IC715			IC,CS49329-CL PLCC44P	*HC107780R	L703			COIL FILTER-INDUCTOR, 4.7UH-Q50/56M LAL03VB	nsp
IC716			IC,RC1117S25T SOT223	*HC900010R	L705			COIL FILTER-INDUCTOR, 2.2UH-Q50/110M LAL03VB	nsp
IC717			IC,MM74HC244WMX SOIC20	*HC700340R					
IC718			IC,MM74HCT244WMX SOP20	*HC700350R					
IC719			IC,CS4228A-KS SSOP28	*HC107240R					
IC720			IC,CS4391 TSSOP20	*HC107250R					
IC721			IC,SN74LV4040APWR SOP16	*HC700380R					
IC722									
S			IC,NJM2068M SOP8P	HC10102090					
IC725									
Q701C			TRS.CHIP 2SC, KTC2875B SOT23	*HT300870R					
Q701FL			TRS.CHIP 2SC, KTC2875B SOT23	*HT300870R					
Q701FR			TRS.CHIP 2SC, KTC2875B SOT23	*HT300870R					

NOTE : \*nsp\* PART IS LISTED FOR REFERENCE ONLY, MARANTZ WILL NOT SUPPLY THESE PARTS.

PS5200

POS. NO	VERS. COLOR	PART NO. (FOR PCS)	DESCRIPTION	PART NO. (MJI)	POS. NO	VERS. COLOR	PART NO. (FOR PCS)	DESCRIPTION	PART NO. (MJI)
L706			COIL FILTER-INDUCTOR, 2.2UH-Q50/110M LAL03VB	nsp	▲F712			FUSE (5.2*20),250V-S8A	*FS000900R
L707			COIL FILTER-INDUCTOR, 4.7UH-Q50/56M LAL03VB	nsp	FC715			HOLDER FUSE CLIP,	nsp
L708			COIL FILTER-INDUCTOR, 2.2UH-Q50/110M LAL03VB	nsp	F715			FUSE (5.2*20),250V-S2.5A	*FS000890R
T1			COIL CHOKE,	*LC107290R	GND711			TERMINAL,	nsp
WIREF01			COIL TRANS MATING WIRE LEAD 1007 80C, GREEN 5-100-5	nsp	GND712			ALL PBST/GND PLATE	nsp
WIREF02			WIRE LEAD 1007 80C, GR 5-80-5	nsp	L710			TERMINAL,	nsp
XTAL701			CRYSTAL, 12.288MHZ HC49U-CL	*JX000770R	L711			ALL PBST/GND PLATE	nsp
			POWER CIRCUIT BOARD		L712			COIL FILTER-INDUCTOR, 10UH-Q40/24M 02TB	nsp
			POWER - CAPACITORS					COIL FILTER-INDUCTOR, 10UH-Q40/24M 02TB	nsp
C710			FILM,0.047µF-J/100V	nsp	▲RY710			COIL FILTER-INDUCTOR, 10UH-Q40/24M 02TB	nsp
C711			FILM,0.047µF-J/100V	nsp	▲T710			RELAY,HR-CR7-DC12V/10A	*LY000200R
C712			FILM,0.047µF-J/100V	nsp				TRANSF. SUB FOR F	*TS001610R
C713			CER.,0.1µF-Z/50V P16	nsp				S-VIDEO CIRCUIT BOARD	
▲C714			CER.(SAFETY), DE2F3KH108MN4A	nsp				S-VIDEO - CAPACITORS	
C717			ELECT,470µF-M/25V 10*12.5	nsp	C801			ELECT,10µF-M/50V 5*11	nsp
C718			ELECT,1µF-M/50V 5*11	nsp	C802			ELECT,470µF-M/6.3V 8*11.5	nsp
C719			ELECT,220µF-M/50V 10*12.5	nsp	C802N			CER.CHIP,47pF-J/50V-1608	nsp
			POWER - RESISTORS		C803			ELECT,10µF-M/50V 5*11	nsp
R710D			ERC-12UGK335	RC05471010	C803N			CER.CHIP,47pF-J/50V-1608	nsp
R712			470-J 1/6W	nsp	C804			ELECT,470µF-M/6.3V 8*11.5	nsp
R713			10K-J 1/6W	nsp	C804N			CER.CHIP,47pF-J/50V-1608	nsp
R714			15K-J 1/6W	nsp	C805			ELECT,470µF-M/6.3V 8*11.5	nsp
R716			47-J 1/4W	nsp	C805N			CER.CHIP,47pF-J/50V-1608	nsp
R718			1.8K-J 1/6W	nsp	C806			ELECT,10µF-M/50V 5*11	nsp
R719			0.22-J 1W	*GA000200R	C806N			CER.CHIP,47pF-J/50V-1608	nsp
			POWER - SEMICONDUCTORS		C807			ELECT,4.7µF-M/50V 5*11	nsp
D710			DIODE,IN4007	*HD201570R	C807N			CER.CHIP,47pF-J/50V-1608	nsp
D713			DIODE,1SS133T	HD20015210	C808			ELECT,4.7µF-M/50V 5*11	nsp
D714			DIODE,1SS133T	HD20015210	C809			ELECT,10µF-M/50V 5*11	nsp
D715			DIODE,IN4007	*HD201570R	C810			ELECT,10µF-M/50V 5*11	nsp
D719			IC,KA7806	*HC300120R	C810A			CER.CHIP,100pF-J/50V-1608	nsp
IC710			TRS.RC,KRC107M TO92M	*BA001190R	C811			ELECT,10µF-M/50V 5*11	nsp
Q711			TRS.2SA,KSA816Y TO92L	*HT100600R	C812			ELECT,4.7µF-M/50V 5*11	nsp
Q712			TRS.RC,KRC107M TO92M	*BA001190R	C813			ELECT,4.7µF-M/50V 5*11	nsp
Q714			D ZENER,MTZJ7.5B	*HD301980R	C814			ELECT,10µF-M/50V 5*11	nsp
ZD711			D ZENER,MTZJ15B	*HD302000R	C815			ELECT,10µF-M/50V 5*11	nsp
ZD712			D ZENER,MTZJ15B	*HD302000R	C816			ELECT,47µF-M/16V 5*11	nsp
ZD713			D ZENER,MTZJ4.3B	HD30431000	C817			CER.CHIP,0.01µF-Z/50V-1608	nsp
ZD715			D ZENER,MTZJ20B	*HD301950R	C818			CER.,0.01µF-M/16V	nsp
ZD716			POWER - MISCELLANEOUS					ELECT,47µF-M/16V 5*11	nsp
CP710			CN.WAFER 2.5MM,5267-04A 4P	nsp	C820			CER.CHIP,0.01µF-Z/50V-1608	nsp
CP711			CN.WAFER 3.96MM,35328-0210	nsp	C821			ELECT,100µF-M/10V 5*11	nsp
CP712			CN.WAFER 7.92MM, YW396-32V 2P	nsp	C822			ELECT,10µF-M/50V 5*11	nsp
CP714			CN.WAFER 2.0MM, G1L-S-4P-S2T2-EF	nsp	C823			CER.,0.01µF-M/16V	nsp
CP715			CN.WAFER 2.0MM, G1L-S-5P-S2T2-EF	nsp	C824			ELECT,2.2µF-M/50V 5*11	nsp
FC711			HOLDER FUSE CLIP,	nsp	C825			CER.,0.001µF-K/50V	nsp
▲F711			FUSE (5.2*20),250V-S2.5A	*FS000890R	C826			ELECT,2.2µF-M/50V 5*11	nsp
FC712			HOLDER FUSE CLIP,	nsp	C827			ELECT,10µF-M/50V 5*11	nsp
					C828			ELECT,10µF-M/50V 5*11	nsp
					C829			ELECT,10µF-M/50V 5*11	nsp
					C831			CER.CHIP,100pF-J/50V-1608	nsp
					C832			ELECT,10µF-M/50V 5*11	nsp
					C833			CER.CHIP,0.01µF-Z/50V-1608	nsp
					C834			ELECT,100µF-M/10V 5*11	nsp
					C835			CER.,47pF-J/50V	nsp
					C836			ELECT,1µF-M/50V 5*11	nsp
					C837			CER.,20pF-J/50V	nsp
					C838			CER.CHIP,100pF-J/50V-1608	nsp
					C839			ELECT,100µF-M/10V 5*11	nsp
					C840A			ELECT,47µF-M/16V 5*11	nsp

NOTE : \*nsp\* PART IS LISTED FOR REFERENCE ONLY, MARANTZ WILL NOT SUPPLY THESE PARTS.

PS5200

POS. NO	VERS. COLOR	PART NO. (FOR PCS)	DESCRIPTION	PART NO. (MJI)	POS. NO	VERS. COLOR	PART NO. (FOR PCS)	DESCRIPTION	PART NO. (MJI)
C840U			CER.,20pF-J/50V	nsp	R846			CHIP,2.2K-J 1/16W-1608	nsp
C841A			CER.CHIP,0.01µF-Z/50V-1608	nsp	R847			CHIP,10K-J 1/16W-1608	nsp
C841U			CER.,20pF-J/50V	nsp	R848			330-J 1/6W	nsp
C842			CER.CHIP,0.01µF-Z/50V-1608	nsp	R849			CHIP,1M-J 1/16W-1608	nsp
C842A			CER.CHIP,0.01µF-Z/50V-1608	nsp	R849A			CHIP,3K-J 1/16W-1608	nsp
C843			CER.,20pF-J/50V	nsp	R850			CHIP,150K-J 1/16W-1608	nsp
C843A			CER.,22pF-J/50V	nsp	R850A			CHIP,3.9K-J 1/16W-1608	nsp
C844			ELECT,100µF-M/10V 5*11	nsp	R851			470K-J 1/6W	nsp
C845			CER.,0.001µF-K/50V	nsp	R852			CHIP,33K-J 1/16W-1608	nsp
C845A			ELECT,10µF-M/50V 5*11	nsp	R853			CHIP,470K-J 1/16W-1608	nsp
C846			ELECT,1µF-M/50V 5*11	nsp	R861			CHIP,220-J 1/16W-1608	nsp
C847			CER.CHIP,100pF-J/50V-1608	nsp	R862			CHIP,220-J 1/16W-1608	nsp
C848			CER.CHIP,2200pF-K/50V-1608	nsp	R863			100-J 1/6W	nsp
C849			ELECT,1µF-M/50V 5*11	nsp					
C849A			CER.CHIP,0.01µF-Z/50V-1608	nsp				S-VIDEO - SEMICONDUCTORS	
C850A			CER.CHIP,0.01µF-Z/50V-1608	nsp	D801			DIODE,1SS133T	HD20015210
C858			CER.CHIP,100pF-J/50V-1608	nsp	D801A			DIODE CHIP,KDS160	*HD201560R
C858A			CER.CHIP,47pF-J/50V-1608	nsp	D802				
C859			CER.CHIP,0.01µF-Z/50V-1608	nsp	§			DIODE,1SS133T	HD20015210
					D805				
			S-VIDEO - RESISTORS		D811			DIODE,1SS133T	HD20015210
R801					IC802			IC,NJM2296M SOP16	HC10210090
§			CHIP,56-J 1/16W-1608	nsp	IC803			IC,NJM2296M SOP16	HC10210090
R806					IC804			IC,NJM2506 SOP16	*HC107270R
R807					IC805			IC,M35010-001SP DIP20	*HC107310R
§			CHIP,75-J 1/16W-1608	nsp	IC806			IC,BA7046 DIP8	*HC107230R
R814					Q801			TRS.RC,KRC107M TO92M	*BA001190R
R815			2.2-J 1/6W	nsp	Q802			TRS.2SA933S TO92M	*HT100610R
R816			1K-J 1/6W	nsp	Q803			TRS.RB,KRA107M	*BA000190R
R816A			CHIP,1K-J 1/16W-1608	nsp	Q804			TRS.RB,KRA107M	*BA000190R
R817			1-J 1/6W	nsp	Q805			TRS.RB,KRA107M	*BA000190R
R818			CHIP,2.2K-J 1/16W-1608	nsp	Q806			TRS.2SC,KTC2874B TO92	*HT300880R
R819			47K-J 1/6W	nsp	Q806A			TRS.2SC,KTC2874B TO92	*HT300880R
R819A			CHIP,68K-J 1/16W-1608	nsp	Q807			TRS.2SA933S TO92M	*HT100610R
R820			68-J 1/6W	nsp	Q808			TRS.RC,KRC107M TO92M	*BA001190R
R820A			CHIP,68K-J 1/16W-1608	nsp	Q816			TRS.2SA933S TO92M	*HT100610R
R822			22K-J 1/6W	nsp	Q851			TRS.2SC3199-GR/KTC3199-GR	*HT300880R
R823			CHIP,33K-J 1/16W-1608	nsp	Q852			TRS.2SA933S TO92M	*HT100610R
R824			75-J 1/6W	nsp	Q854			TRS.2SA933S TO92M	*HT100610R
R825			CHIP,2.2K-J 1/16W-1608	nsp					
R826			CHIP,10K-J 1/16W-1608	nsp				S-VIDEO - MISCELLANEOUS	
R827			CHIP,33K-J 1/16W-1608	nsp	CP301S			CN.WAFER 2.5MM,5287-02A2P	nsp
R828			CHIP,75-J 1/16W-1608	nsp	CP301SV			CN.WAFER	nsp
R829			CHIP,2.2K-J 1/16W-1608	nsp				2.0MM,G1L-S-4P-S2T2-EF	
					J807			CHIP,0-J 1/16W-1608	nsp
R830			CHIP,10K-J 1/16W-1608	nsp	J810			CHIP,0-J 1/16W-1608	nsp
R831			CHIP,10K-J 1/16W-1608	nsp	J850			CHIP,0-J 1/16W-1608	nsp
R832			CHIP,2K-J 1/16W-1608	nsp	J852			CHIP,0-J 1/16W-1608	nsp
R833			CHIP,10K-J 1/16W-1608	nsp	J853			CHIP,0-J 1/16W-1608	nsp
R834			CHIP,8.2K-J 1/16W-1608	nsp	J854			CHIP,0-J 1/16W-1608	nsp
R835			CHIP,15K-J 1/16W-1608	nsp	J861				
R836			CHIP,75-J 1/16W-1608	nsp	§			CHIP,0-J 1/16W-1608	nsp
R837			CHIP,47K-J 1/16W-1608	nsp	J866				
R838			CHIP,12K-J 1/16W-1608	nsp	J932			CHIP,0-J 1/16W-1608	nsp
R839			CHIP,1K-J 1/16W-1608	nsp	L801			COIL FILTER-INDUCTOR,	nsp
R840			CHIP,1K-J 1/16W-1608	nsp				22UH-Q40/17M 02TB	
R841			CHIP,1K-J 1/16W-1608	nsp	L802			COIL FILTER-INDUCTOR,	nsp
R842			CHIP,100-J 1/16W-1608	nsp				22UH-Q40/17M 02TB	
R843U			470-J 1/6W	nsp	L804			BEAD COIL,	nsp
R844U			1M-J 1/6W	nsp				BAS3580T0 3.5PHI*8	
R845			2.2K-J 1/6W	nsp	XTAL801			CRYSTAL,	*JX000780R
								14.31818MHZ HC49U-CL	

NOTE : \*nsp\* PART IS LISTED FOR REFERENCE ONLY, MARANTZ WILL NOT SUPPLY THESE PARTS.



PS5200

POS. NO	VERS. COLOR	PART NO. (FOR PCS)	DESCRIPTION	PART NO. (MJI)	POS. NO	VERS. COLOR	PART NO. (FOR PCS)	DESCRIPTION	PART NO. (MJI)
			VIDEO CIRCUIT BOARD					VIDEO - MISCELLANEOUS	
C871			VIDEO - CAPACITORS		CP301V			CN.WAFER 2.0MM, GIL-S-2P-S2T2-EF	nsp
C873			CER.CHIP,47pF-J/50V-1608	nsp	J911				
C874			ELECT,470µF-M/6.3V 8*11.5	nsp	J916			CHIP,0-J 1/16W-1608	nsp
C875			CER.CHIP,47pF-J/50V-1608	nsp					
C876			ELECT,470µF-M/6.3V 8*11.5	nsp					
C877			CER.CHIP,47pF-J/50V-1608	nsp					
C878			ELECT,470µF-M/6.3V 8*11.5	nsp					
C881			ELECT,10µF-M/50V 5*11	nsp	CN101			SPEAKER CIRCUIT BOARD	
C882			ELECT,47µF-M/16V 5*11	nsp				SPEAKER - MISCELLANEOUS	
C883			CER.CHIP,0.1µF-K/50V-1608	nsp				CN.WAFER 2.5MM, 52668-1317 ANG ZIP	nsp
C884			CER.CHIP,0.1µF-K/50V-1608	nsp					
C885			ELECT,47µF-M/16V 5*11	nsp				TUNER INPUT	
C886			ELECT,10µF-M/50V 5*11	nsp	C953			CIRCUIT BOARD	
C887			CER.CHIP,100pF-J/50V-1608	nsp				TUNER INPUT - CAPACITORS	
C888			CER.,0.01µF-M/16V	nsp				CER.,0.1µF-Z/50V	nsp
C889			ELECT,100µF-M/10V 5*11	nsp	R951			TUNER INPUT - RESISTORS	
C890			CER.,0.001µF-K/50V	nsp	R952			470-J 1/6W	nsp
C891			ELECT,2.2µF-M/50V 5*11	nsp				470-J 1/6W	nsp
C892			CER.CHIP,100pF-J/50V-1608	nsp					
C894			ELECT,10µF-M/50V 5*11	nsp	CP302T			TUNER INPUT-MISCELLANEOUS	
C895			ELECT,10µF-M/50V 5*11	nsp				CN.WAFER 2.0MM, G1L-S-3P-S2T2-EF	nsp
C896			CER.CHIP,100pF-J/50V-1608	nsp					
			VIDEO - RESISTORS						
R864			1K-J 1/6W	nsp					
R865			1K-J 1/6W	nsp					
R871			CHIP,10K-J 1/16W-1608	nsp					
R873			CHIP,47-J 1/16W-1608	nsp					
R874			1K-J 1/6W	nsp					
R875			CHIP,10K-J 1/16W-1608	nsp					
R876			CHIP,56-J 1/16W-1608	nsp					
R877			CHIP,10K-J 1/16W-1608	nsp					
R878			CHIP,75-J 1/16W-1608	nsp					
R879			CHIP,56-J 1/16W-1608	nsp					
R880			CHIP,75-J 1/16W-1608	nsp					
R881			CHIP,75-J 1/16W-1608	nsp					
R882			CHIP,75-J 1/16W-1608	nsp					
R883			2.2K-J 1/6W	nsp					
R884			1-J 1/6W	nsp					
R885			CHIP,2.2-J 1/16W-1608	nsp					
R886			CHIP,47K-J 1/16W-1608	nsp					
R889			33K-J 1/6W	nsp					
R890			68-J 1/6W	nsp					
R891			2.2K-J 1/6W	nsp					
R897			CHIP,10K-J 1/16W-1608	nsp					
R899			1K-J 1/6W	nsp					
			VIDEO - SEMICONDUCTORS						
D870			DIODE,1SS133T	HD20015210					
D871			DIODE CHIP,KDS160	*HD201560R					
D872			DIODE,1SS133T	HD20015210					
D873			DIODE,1SS133T	HD20015210					
D884			DIODE,1SS133T	HD20015210					
IC872			IC,NJM2296M SOP16	HC10210090					
IC874			IC,BU4094BCF-E2 SOP16	*HC400010R					
Q821			TRS.2SA933S TO92M	*HT100610R					
Q822			TRS.2SC,KTC2874B TO92	*HT300880R					
Q870			TRS.RC,KRC107M TO92M	*BA001190R					
Q871			TRS.RB,KRA107M	*BA000190R					

NOTE : \*nsp PART IS LISTED FOR REFERENCE ONLY, MARANTZ WILL NOT SUPPLY THESE PARTS.

PS7200

POS. NO	VERS. COLOR	PART NO. (FOR PCS)	DESCRIPTION	PART NO. (MJI)	POS. NO	VERS. COLOR	PART NO. (FOR PCS)	DESCRIPTION	PART NO. (MJI)
			MAIN CIRCUIT BOARD					MAIN - RESISTORS	
			MAIN - CAPACITORS		R101				
C101			FILM,0.1µF-K/250V	nsp	∫		0.22-J 1W		*GA000200R
C102			FILM,0.047µF-J/100V	nsp	R104				
C103			FILM,0.047µF-J/100V	nsp	R105C		10-J 2W		GA05100020
C104C			FILM,0.1µF-K/63V	nsp	R105FL		10-J 2W		GA05100020
C104FL			FILM,0.1µF-K/63V	nsp	R105FR		10-J 2W		GA05100020
C104FR			FILM,0.1µF-K/63V	nsp	R105SC		10-J 2W		GA05100020
C104SC			FILM,0.1µF-K/63V	nsp	R105SL		10-J 2W		GA05100020
C104SL			FILM,0.1µF-K/63V	nsp	R105SR		10-J 2W		GA05100020
C104SR			FILM,0.1µF-K/63V	nsp	R107		2.7K-J 1/6W		nsp
C105C			FILM,0.1µF-K/63V	nsp	R108		2.7K-J 1/6W		nsp
C105FL			FILM,0.1µF-K/63V	nsp	R109		560K-J 1/6W		nsp
C105FR			FILM,0.1µF-K/63V	nsp	R110		3.6K-J 1/6W		nsp
C105SC			FILM,0.1µF-K/63V	nsp	R111		22K-J 1/6W		nsp
C105SL			FILM,0.1µF-K/63V	nsp	R112		910-J 1/6W		nsp
C105SR			FILM,0.1µF-K/63V	nsp	R113		1K-J 1/6W		nsp
C106			FILM,0.1µF-K/250V	nsp	R114		CEMENT,0.1-J/5W W14*H17		*GO000011R
C107			FILM,0.1µF-K/250V	nsp	R115		CEMENT,0.1-J/5W W14*H17		*GO000011R
C108					R116		27K-J 1/6W		nsp
∫			FILM,0.047µF-J/100V	nsp	R117		27K-J 1/6W		nsp
C111					R118		2.2K-J 1/6W		nsp
C114			ELECT,2200µF-M/35V 18*35.5	nsp	R119		2.2K-J 1/6W		nsp
C115			ELECT,2200µF-M/35V 18*35.5	nsp	R120		560K-J 1/6W		nsp
C116			CER.,0.01µF-K/50V	nsp	R122				
C117			ELECT,10000µF-M/16V 18*35	nsp	∫		27K-J 1/6W		nsp
C118			ELECT,2200µF-M/16V 12.5*20	nsp	R127				
C119			ELECT,15000µF-M/71V 35*75	*EA001140R	R128		51K-J 1/6W		nsp
C120			ELECT,15000µF-M/71V 35*75	*EA001140R	R129		51K-J 1/6W		nsp
C121			ELECT,10µF-M/50V 5*11	nsp	R130		15K-J 1/6W		nsp
C122			FILM,0.1µF-K/250V	nsp	R131		33K-J 1/6W		nsp
C123			FILM,0.1µF-K/250V	nsp	R133		2.2K-J 1/6W		nsp
C124			CER.,0.01µF-K/50V	nsp	R134		100K-J 1/6W		nsp
C125					R137				
∫			ELECT,1µF-M/50V 5*11	nsp	∫		22K-J 1/6W		nsp
C129					R142				
C132			ELECT,100µF-M/25V 6.3*11	nsp	R143		3.3K-J 1/6W		nsp
C135			CER.,0.1µF-Z/50V	nsp	R144		15K-J 1/6W		nsp
C140			ELECT,4.7µF-M/50V 5*11	nsp	R146		1.2K-J 1W		nsp
C141			ELECT,470µF-M/16V,8*11.5	nsp	R147		22K-J 1/6W		nsp
C142			ELECT,470µF-M/16V,8*11.5	nsp	R148		22K-J 1/6W		nsp
C143			CER.,0.1µF-Z/50V	nsp	R149		1K-J 1/6W		nsp
C144			CER.,0.1µF-Z/50V	nsp	R150		18K-J 1/6W		nsp
C145			ELECT,10µF-M/100V 6.3*11	*EA001080R	R151		1K-J 1/6W		nsp
C146			ELECT,10µF-M/50V 5*11	nsp	R152		1.2K-J 1W		nsp
C147			CER.,0.1µF-Z/50V	nsp	R153		1K-J 1/6W		nsp
C148			CER.,0.1µF-Z/50V	nsp	R154		1.2K-J 1W		nsp
C149			ELECT,4.7µF-M/50V 5*11	nsp	R155		4.7K-J 1/6W		nsp
C150			ELECT,47µF-M/16V 5*11	nsp	R156		100K-J 1/6W		nsp
C151			ELECT,8200µF-M/5.5V	*EX000080R	R157		100K-J 1/6W		nsp
C152			CER.,100pF-K/50V	nsp	R158		100K-J 1/6W		nsp
C160			CER.,100pF-K/50V	nsp	R159		1K-J 1/6W		nsp
C161			CER.,100pF-K/50V	nsp	R161		1M-J 1/6W		nsp
C164			CER.,220pF-K/50V	nsp	R162		47K-J 1/6W		nsp
C165			CER.,0.001µF-K/50V	nsp	R163		18K-J 1/6W		nsp
C166			CER.,0.01µF-M/16V	nsp	R164		47K-J 1/6W		nsp
C168			CER.,10pF-J/50V	nsp	R165		4.7K-J 1/6W		nsp
C169					R166		47K-J 1/6W		nsp
∫			CER.,0.047µF-Z/50V	nsp	R167		10K-J 1/6W		nsp
C173					R168		47K-J 1/6W		nsp
C175			CER.,47pF-J/50V	nsp	R169		220-J 1/6W		nsp
					R170		100K-J 1/6W		nsp
					R171		47K-J 1/6W		nsp

NOTE : \*nsp\* PART IS LISTED FOR REFERENCE ONLY, MARANTZ WILL NOT SUPPLY THESE PARTS.

PS7200

POS. NO	VERS. COLOR	PART NO. (FOR PCS)	DESCRIPTION	PART NO. (MJI)	POS. NO	VERS. COLOR	PART NO. (FOR PCS)	DESCRIPTION	PART NO. (MJI)
R172			10K-J 1/6W	nsp	Q126			TRS.RC,KRC107M TO92M	*BA001190R
R173			150K-J 1/6W	nsp	Q127			TRS.RA,KRA102M TO92M	*BA001210R
R174			47K-J 1/6W	nsp	Q128			TRS.RA,KRA102M TO92M	*BA001210R
R176			47K-J 1/6W	nsp	Q129			TRS.RC,KRC102M TO92M	*BA001180R
R177			470K-J 1/6W	nsp	Q130			TRS.RC,KRC107M TO92M	*BA001190R
R178			100-J 1/6W	nsp	Q131				
R179			47K-J 1/6W	nsp	§			TRS.RA,KRA102M TO92M	*BA001210R
R183			47K-J 1/6W	nsp	Q135				
R185			100K-J 1/6W	nsp	Q136			TRS.2SA,KSA992F TO92	*HT100590R
R186			100K-J 1/6W	nsp	Q137			TRS.2SC,KTC3198Y TO92	*HT300900R
R192			47K-J 1/6W	nsp	ZD121			D ZENER,MTZJ5.1B	HD30511000
R193			3.3-J 1W	nsp	ZD122			D ZENER,MTZJ5.1B	HD30511000
R194									
§			10K-J 1/6W	nsp				<b>MAIN - MISCELLANEOUS</b>	
R198					BEAD101				
R199			1K-J 1/6W	nsp	§			BEAD COIL,	nsp
R200			47K-J 1/6W	nsp				BAS3580T0 3.5PHI*8	
R202			100-J 1/4W	nsp	BEAD105				
R203			10K-J 1/6W	nsp	CN107			CN WIRE,250MM/4P	nsp
R204			47K-J 1/6W	nsp	CNT108			CN WIRE,420MM/4P	nsp
					CP101			CN.WAFE2.5MM,	nsp
								53421-1317 ST ZIP	
			<b>MAIN - SEMICONDUCTORS</b>		CP102			CN.WAFE2.0MM,	nsp
D101								TUC-P06P-B1 6P WAFER ST	
§			DIODE,IN4007	*HD201570R	CP103			CN.WAFE2.0MM,	nsp
D105								TUC-P09P-B1 9P WAFER ST	
D106			D RECTIFIEBRIDGE, KBPC604 6A	*HE200300R	CP104			CN.WAFE2.0MM,	nsp
								35336-1310 13P	
D107			D RECTIFIEBRIDGE, KBPC604 6A	*HE200300R	CP105			CN.WAFE2.0MM,	nsp
								TUC-P09P-B1 9P WAFER ST	
D108			DIODE,IN4007	*HD201570R	CP106			CN.WAFE2.0MM,	nsp
D109			DIODE,IN4007	*HD201570R				TUC-P15P-B1 WAFER ST	
D110			DIODE,1SS133T	HD20015210	CP108			CN.WAFE2.0MM,	nsp
D111			DIODE,IN4007	*HD201570R				TUC-P20P-B1 WAFER ST	
D113					CP109			CN.WAFE2.0MM,	nsp
§			DIODE,1SS133T	HD20015210				35336-1310 13P	
D129					CP110			CN.WAFE2.0MM,	nsp
IC101			IC,KA7815/IL7815CV	*HC300150R				TUC-P15P-B1 WAFER ST	
IC102			IC,KIA7915PI TO220IS	*HC300200R	CP111			CN.WAFE2.0MM,	nsp
IC103			IC,KA7805	*HC300140R				TUC-P12P-B1 12P WAFER ST	
IC104			IC,KA7805	*HC300140R	CP112			CN.WAFE2.0MM,	nsp
IC105			IC,KIA7905PI TO220IS	*HC300190R				TUC-P15P-B1 WAFER ST	
IC106			IC,CD4094BCN DIP16	*HC400020R	CP113			CN.WAFE2.0MM,	nsp
IC107			IC,CXP740010-149Q QFP100	*HU100570R				TUC-P18P-B1 WAFER ST	
Q101			TRS.2SA,KA1268BL TO92	*HT100340R	CP114			CN.WAFE2.0MM,	nsp
Q102			TRS.2SC,KTC3200BL TO92	HT322402A0				TUC-P15P-B1 WAFER ST	
Q103			TRS.2SA,KA1268BL TO92	*HT100340R	CP115			CN.WAFE2.0MM,	nsp
Q104			TRS.2SA,KA1268BL TO92	*HT100340R				TUC-P20P-B1 WAFER ST	
Q105			TRS.2SC,KTC3200BL TO92	HT322402A0	CP120			CN.WAFE2.5MM,5267-06A 6P	nsp
Q106			TRS.2SA,KA1268BL TO92	*HT100340R	CP121			CN.WAFE3.96MM,35328-0310	nsp
Q107			TRS.2SC,KTC3200BL TO92	HT322402A0	CP122			CN.WAFE2.5MM,5267-03A 3P	nsp
Q108					CP123			CN.WAFE2.5MM,5267-10A 10P	nsp
§			TRS.RC,KRC107M TO92M	*BA001190R	CP124			CN.WAFE2.5MM,5267-09A 9P	nsp
Q112					CP150			CN WIRE,200MM/2P	nsp
Q115			TRS.2SC,KTC3200BL TO92	HT322402A0	FPC109			CABLE,FLAT CARD	*YU000930R
Q116			TRS.2SC,KTC3200BL TO92	HT322402A0	FPC109A			CN.FP1.25MM,	nsp
Q117			TRS.2SA,KA1268BL TO92	*HT100340R				52045-2345 23P ST	
Q118			TRS.2SA,KA1268BL TO92	*HT100340R	GND101				nsp
Q119			TRS.2SC,KTC3200BL TO92	HT322402A0	§			TERMINAL,	
Q120			TRS.2SC,KTC3200BL TO92	HT322402A0				ALL PBST/GND PLATE	
Q121			TRS.RA,KRA102M TO92M	*BA001210R	GND105				
Q122			TRS.RA,KRA102M TO92M	*BA001210R	RLY102				
Q123			TRS.RC,KRC102M TO92M	*BA001180R	§			RELAY,G5PA-28 24V 5A	LY20240490
Q124			TRS.RA,KRA102M TO92M	*BA001210R	RLY106				
Q125			TRS.RA,KRA102M TO92M	*BA001210R	W101			WIRE LEAD 1007 80C, BK 5-160-5	nsp

NOTE : \*nsp\* PART IS LISTED FOR REFERENCE ONLY, MARANTZ WILL NOT SUPPLY THESE PARTS.

PS7200

POS. NO	VERS. COLOR	PART NO. (FOR PCS)	DESCRIPTION	PART NO. (MJI)	POS. NO	VERS. COLOR	PART NO. (FOR PCS)	DESCRIPTION	PART NO. (MJI)
WIRE102			WIRE LEAD 1007 80C,BK5-50-5	nsp	C212R			ELECT,10µF-M/50V 5*11	nsp
XTAL101			RESONATOR CERAMIC, CST12.0MTW-TF01	*FQ000530R	C212SC			ELECT,10µF-M/50V 5*11	nsp
			<b>AMP CIRCUIT BOARD</b>		C212SL			ELECT,10µF-M/50V 5*11	nsp
			<b>AMP - CAPACITORS</b>		C212SR			ELECT,10µF-M/50V 5*11	nsp
C201C			ELECT,4.7µF-M/50V 5*11	nsp	C214C			CER.,1pF-K/50V	nsp
C201L			ELECT,4.7µF-M/50V 5*11	nsp	C214L			CER.,1pF-K/50V	nsp
C201R			ELECT,4.7µF-M/50V 5*11	nsp	C214R			CER.,1pF-K/50V	nsp
C201SC			ELECT,4.7µF-M/50V 5*11	nsp	C214SC			CER.,1pF-K/50V	nsp
C201SL			ELECT,4.7µF-M/50V 5*11	nsp	C214SL			CER.,1pF-K/50V	nsp
C201SR			ELECT,4.7µF-M/50V 5*11	nsp	C214SR			CER.,1pF-K/50V	nsp
C202C			CER.,330pF-K/50V	nsp	C215C			CER.,100pF-K/50V	nsp
C202L			CER.,330pF-K/50V	nsp	C215L			CER.,100pF-K/50V	nsp
C202R			CER.,330pF-K/50V	nsp	C215R			CER.,100pF-K/50V	nsp
C202SC			CER.,330pF-K/50V	nsp	C215SC			CER.,100pF-K/50V	nsp
C202SL			CER.,330pF-K/50V	nsp	C215SL			CER.,100pF-K/50V	nsp
C202SR			CER.,330pF-K/50V	nsp	C215SR			CER.,100pF-K/50V	nsp
C203C			CER.,0.001µF-K/50V	nsp				<b>AMP - RESISTORS</b>	
C203L			CER.,0.001µF-K/50V	nsp	R201C			1K-J 1/6W	nsp
C203R			CER.,0.001µF-K/50V	nsp	R201L			1K-J 1/6W	nsp
C203SC			CER.,0.001µF-K/50V	nsp	R201R			1K-J 1/6W	nsp
C203SL			CER.,0.001µF-K/50V	nsp	R201SC			1K-J 1/6W	nsp
C203SR			CER.,0.001µF-K/50V	nsp	R201SL			1K-J 1/6W	nsp
					R201SR			1K-J 1/6W	nsp
C204C			ELECT,22µF-M/50V 6*11	nsp	R202C			33K-J 1/6W	nsp
C204L			ELECT,22µF-M/50V 6*11	nsp	R202L			33K-J 1/6W	nsp
C204R			ELECT,22µF-M/50V 6*11	nsp	R202R			33K-J 1/6W	nsp
C204SC			ELECT,22µF-M/50V 6*11	nsp	R202SC			33K-J 1/6W	nsp
C204SL			ELECT,22µF-M/50V 6*11	nsp	R202SL			33K-J 1/6W	nsp
C204SR			ELECT,22µF-M/50V 6*11	nsp	R202SR			33K-J 1/6W	nsp
C205C			ELECT,22µF-M/50V 6*11	nsp	R203C			15-J 1/6W	nsp
C205L			ELECT,22µF-M/50V 6*11	nsp	R203L			15-J 1/6W	nsp
C205R			ELECT,22µF-M/50V 6*11	nsp	R203R			15-J 1/6W	nsp
C205SC			ELECT,22µF-M/50V 6*11	nsp	R203SC			15-J 1/6W	nsp
C205SL			ELECT,22µF-M/50V 6*11	nsp	R203SL			15-J 1/6W	nsp
C205SR			ELECT,22µF-M/50V 6*11	nsp	R203SR			15-J 1/6W	nsp
C206C			ELECT,220µF-M/10V 6.3*11	nsp	R204C			15-J 1/6W	nsp
C206L			ELECT,220µF-M/10V 6.3*11	nsp	R204L			15-J 1/6W	nsp
C206R			ELECT,220µF-M/10V 6.3*11	nsp	R204R			15-J 1/6W	nsp
C206SC			ELECT,220µF-M/10V 6.3*11	nsp	R204SC			15-J 1/6W	nsp
C206SL			ELECT,220µF-M/10V 6.3*11	nsp	R204SL			15-J 1/6W	nsp
C206SR			ELECT,220µF-M/10V 6.3*11	nsp	R204SR			15-J 1/6W	nsp
C209C			ELECT,10µF-M/50V 5*11	nsp	R205C			750-J 1/6W	nsp
C209L			ELECT,10µF-M/50V 5*11	nsp	R205L			750-J 1/6W	nsp
C209R			ELECT,10µF-M/50V 5*11	nsp	R205R			750-J 1/6W	nsp
C209SC			ELECT,10µF-M/50V 5*11	nsp	R205SC			750-J 1/6W	nsp
C209SL			ELECT,10µF-M/50V 5*11	nsp	R205SL			750-J 1/6W	nsp
C209SR			ELECT,10µF-M/50V 5*11	nsp	R205SR			750-J 1/6W	nsp
					R206C			750-J 1/6W	nsp
C210C			ELECT,47µF-M/100V 10*12.5	*EA001090R	R206L			750-J 1/6W	nsp
C210L			ELECT,47µF-M/100V 10*12.5	*EA001090R	R206R			750-J 1/6W	nsp
C210R			ELECT,47µF-M/100V 10*12.5	*EA001090R	R206SC			750-J 1/6W	nsp
C210SC			ELECT,47µF-M/100V 10*12.5	*EA001090R	R206SL			750-J 1/6W	nsp
C210SL			ELECT,47µF-M/100V 10*12.5	*EA001090R	R206SR			750-J 1/6W	nsp
C210SR			ELECT,47µF-M/100V 10*12.5	*EA001090R	R207C			470-J 1/6W	nsp
C211C			ELECT,47µF-M/100V 10*12.5	*EA001090R	R207L			470-J 1/6W	nsp
C211L			ELECT,47µF-M/100V 10*12.5	*EA001090R	R207R			470-J 1/6W	nsp
C211R			ELECT,47µF-M/100V 10*12.5	*EA001090R	R207SC			470-J 1/6W	nsp
C211SC			ELECT,47µF-M/100V 10*12.5	*EA001090R	R207SL			470-J 1/6W	nsp
C211SL			ELECT,47µF-M/100V 10*12.5	*EA001090R	R207SR			470-J 1/6W	nsp
C211SR			ELECT,47µF-M/100V 10*12.5	*EA001090R	R208C			68-J 1/6W	nsp
C212C			ELECT,10µF-M/50V 5*11	nsp	R208L			68-J 1/6W	nsp
C212L			ELECT,10µF-M/50V 5*11	nsp					

NOTE : \*nsp\* PART IS LISTED FOR REFERENCE ONLY, MARANTZ WILL NOT SUPPLY THESE PARTS.

PS7200

POS. NO	VERS. COLOR	PART NO. (FOR PCS)	DESCRIPTION	PART NO. (MJI)	POS. NO	VERS. COLOR	PART NO. (FOR PCS)	DESCRIPTION	PART NO. (MJI)
R208R			68-J 1/6W	nsp	R219SC			560-J 1/6W	nsp
R208SC			68-J 1/6W	nsp	R219SL			560-J 1/6W	nsp
R208SL			68-J 1/6W	nsp	R219SR			560-J 1/6W	nsp
R208SR			68-J 1/6W	nsp	R220C			560-J 1/6W	nsp
R209C			150-J 1/6W	nsp	R220L			560-J 1/6W	nsp
R209L			150-J 1/6W	nsp	R220R			560-J 1/6W	nsp
R209R			150-J 1/6W	nsp	R220SC			560-J 1/6W	nsp
R209SC			150-J 1/6W	nsp	R220SL			560-J 1/6W	nsp
R209SL			150-J 1/6W	nsp	R220SR			560-J 1/6W	nsp
R209SR			150-J 1/6W	nsp	R221C			82-J 1/6W	nsp
R210C			10K-J 1/6W	nsp	R221L			82-J 1/6W	nsp
R210L			10K-J 1/6W	nsp	R221R			82-J 1/6W	nsp
R210R			10K-J 1/6W	nsp	R221SC			82-J 1/6W	nsp
R210SC			10K-J 1/6W	nsp	R221SL			82-J 1/6W	nsp
R210SL			10K-J 1/6W	nsp	R221SR			82-J 1/6W	nsp
R210SR			10K-J 1/6W	nsp	R222C			82-J 1/6W	nsp
R211C			43K-J 1/6W	nsp	R222L			82-J 1/6W	nsp
R211L			43K-J 1/6W	nsp	R222R			82-J 1/6W	nsp
R211R			43K-J 1/6W	nsp	R222SC			82-J 1/6W	nsp
R211SC			43K-J 1/6W	nsp	R222SL			82-J 1/6W	nsp
R211SL			43K-J 1/6W	nsp	R222SR			82-J 1/6W	nsp
R211SR			43K-J 1/6W	nsp					
					R223C			22K-J 1/6W	nsp
R212C			1.2K-J 1/6W	nsp	R223L			22K-J 1/6W	nsp
R212L			1.2K-J 1/6W	nsp	R223R			22K-J 1/6W	nsp
R212R			1.2K-J 1/6W	nsp	R223SC			22K-J 1/6W	nsp
R212SC			1.2K-J 1/6W	nsp	R223SL			22K-J 1/6W	nsp
R212SL			1.2K-J 1/6W	nsp	R223SR			22K-J 1/6W	nsp
R212SR			1.2K-J 1/6W	nsp	R224C			22K-J 1/6W	nsp
R213C			33K-J 1/6W	nsp	R224L			22K-J 1/6W	nsp
R213L			33K-J 1/6W	nsp	R224R			22K-J 1/6W	nsp
R213R			33K-J 1/6W	nsp	R224SC			22K-J 1/6W	nsp
R213SC			33K-J 1/6W	nsp	R224SL			22K-J 1/6W	nsp
R213SL			33K-J 1/6W	nsp	R224SR			22K-J 1/6W	nsp
R213SR			33K-J 1/6W	nsp	R225C			4.7-J 1/6W	nsp
R214C			560-J 1/6W	nsp	R225L			4.7-J 1/6W	nsp
R214L			560-J 1/6W	nsp	R225R			4.7-J 1/6W	nsp
R214R			560-J 1/6W	nsp	R225SC			4.7-J 1/6W	nsp
R214SC			560-J 1/6W	nsp	R225SL			4.7-J 1/6W	nsp
R214SL			560-J 1/6W	nsp	R225SR			4.7-J 1/6W	nsp
R214SR			560-J 1/6W	nsp					
					R228C			220-J 1/4W	nsp
R216C			560-J 1/6W	nsp	R228L			220-J 1/4W	nsp
R216L			560-J 1/6W	nsp	R228R			220-J 1/4W	nsp
R216R			560-J 1/6W	nsp	R228SC			220-J 1/4W	nsp
R216SC			560-J 1/6W	nsp	R228SL			220-J 1/4W	nsp
R216SL			560-J 1/6W	nsp	R228SR			220-J 1/4W	nsp
R216SR			560-J 1/6W	nsp	R229C			220-J 1/4W	nsp
R217C			560-J 1/6W	nsp	R229L			220-J 1/4W	nsp
R217L			560-J 1/6W	nsp	R229R			220-J 1/4W	nsp
R217R			560-J 1/6W	nsp	R229SC			220-J 1/4W	nsp
R217SC			560-J 1/6W	nsp	R229SL			220-J 1/4W	nsp
R217SL			560-J 1/6W	nsp	R229SR			220-J 1/4W	nsp
R217SR			560-J 1/6W	nsp	R231C			4.7-J 1/6W	nsp
R218C			560-J 1/6W	nsp	R231L			4.7-J 1/6W	nsp
R218L			560-J 1/6W	nsp	R231R			4.7-J 1/6W	nsp
R218R			560-J 1/6W	nsp	R231SC			4.7-J 1/6W	nsp
R218SC			560-J 1/6W	nsp	R231SL			4.7-J 1/6W	nsp
R218SL			560-J 1/6W	nsp	R231SR			4.7-J 1/6W	nsp
R218SR			560-J 1/6W	nsp	R232C			4.7-J 1/6W	nsp
R219C			560-J 1/6W	nsp	R232L			4.7-J 1/6W	nsp
R219L			560-J 1/6W	nsp	R232R			4.7-J 1/6W	nsp
R219R			560-J 1/6W	nsp	R232SC			4.7-J 1/6W	nsp

NOTE : \*nsp\* PART IS LISTED FOR REFERENCE ONLY, MARANTZ WILL NOT SUPPLY THESE PARTS.

PS7200

POS. NO	VERS. COLOR	PART NO. (FORPCS)	DESCRIPTION	PART NO. (MJI)	POS. NO	VERS. COLOR	PART NO. (FORPCS)	DESCRIPTION	PART NO. (MJI)
R232SL			4.7-J 1/6W	nsp	Q202SL			TRS.2SA,KSA992F TO92	*HT100590R
R232SR			4.7-J 1/6W	nsp	Q202SR			TRS.2SA,KSA992F TO92	*HT100590R
R233C			1.8K-J 1/6W	nsp	Q203C			TRS.2SA,KSA992F TO92	*HT100590R
R233L			1.8K-J 1/6W	nsp	Q203L			TRS.2SA,KSA992F TO92	*HT100590R
R233R			1.8K-J 1/6W	nsp	Q203R			TRS.2SA,KSA992F TO92	*HT100590R
R233SC			1.8K-J 1/6W	nsp	Q203SC			TRS.2SA,KSA992F TO92	*HT100590R
R233SL			1.8K-J 1/6W	nsp	Q203SL			TRS.2SA,KSA992F TO92	*HT100590R
R233SR			1.8K-J 1/6W	nsp	Q203SR			TRS.2SA,KSA992F TO92	*HT100590R
R234C			2.0K-J 1/6W	nsp	Q204C			TRS.2SA,KSA992F TO92	*HT100590R
R234L			2.0K-J 1/6W	nsp	Q204L			TRS.2SA,KSA992F TO92	*HT100590R
R234R			2.0K-J 1/6W	nsp	Q204R			TRS.2SA,KSA992F TO92	*HT100590R
R234SC			2.0K-J 1/6W	nsp	Q204SC			TRS.2SA,KSA992F TO92	*HT100590R
R234SL			2.0K-J 1/6W	nsp	Q204SL			TRS.2SA,KSA992F TO92	*HT100590R
R234SR			2.0K-J 1/6W	nsp	Q204SR			TRS.2SA,KSA992F TO92	*HT100590R
R235C			910-J 1/6W	nsp	Q205C			TRS.2SC,KSC1845F TO92	*HT300860R
R235L			910-J 1/6W	nsp	Q205L			TRS.2SC,KSC1845F TO92	*HT300860R
R235R			910-J 1/6W	nsp	Q205R			TRS.2SC,KSC1845F TO92	*HT300860R
R235SC			910-J 1/6W	nsp	Q205SC			TRS.2SC,KSC1845F TO92	*HT300860R
R235SL			910-J 1/6W	nsp	Q205SL			TRS.2SC,KSC1845F TO92	*HT300860R
R235SR			910-J 1/6W	nsp	Q205SR			TRS.2SC,KSC1845F TO92	*HT300860R
R236C			6.8K-J 1/6W	nsp	Q206C			TRS.2SC,KSC1845F TO92	*HT300860R
R236L			6.8K-J 1/6W	nsp	Q206L			TRS.2SC,KSC1845F TO92	*HT300860R
R236R			6.8K-J 1/6W	nsp	Q206R			TRS.2SC,KSC1845F TO92	*HT300860R
R236SC			6.8K-J 1/6W	nsp	Q206SC			TRS.2SC,KSC1845F TO92	*HT300860R
R236SL			6.8K-J 1/6W	nsp	Q206SL			TRS.2SC,KSC1845F TO92	*HT300860R
R236SR			6.8K-J 1/6W	nsp	Q206SR			TRS.2SC,KSC1845F TO92	*HT300860R
R237C			RES MF 10Ω 1W	GA05100010	Q207C			TRS.2SA,KSA992F TO92	*HT100590R
R237L			39-J 1/6W	nsp	Q207L			TRS.2SA,KSA992F TO92	*HT100590R
R237R			39-J 1/6W	nsp	Q207R			TRS.2SA,KSA992F TO92	*HT100590R
R237SC			RES MF 10Ω 1W	GA05100010	Q207SC			TRS.2SA,KSA992F TO92	*HT100590R
R237SL			39-J 1/6W	nsp	Q207SL			TRS.2SA,KSA992F TO92	*HT100590R
R237SR			39-J 1/6W	nsp	Q207SR			TRS.2SA,KSA992F TO92	*HT100590R
R238L			39-J 1/6W	nsp	Q208C			TRS.2SA,KTA1024Y TO92L	HT112082A0
R238R			39-J 1/6W	nsp	Q208L			TRS.2SA,KTA1024Y TO92L	HT112082A0
R238SL			39-J 1/6W	nsp	Q208R			TRS.2SA,KTA1024Y TO92L	HT112082A0
R238SR			39-J 1/6W	nsp	Q208SC			TRS.2SA,KTA1024Y TO92L	HT112082A0
R239L			39-J 1/6W	nsp	Q208SL			TRS.2SA,KTA1024Y TO92L	HT112082A0
R239R			39-J 1/6W	nsp	Q208SR			TRS.2SA,KTA1024Y TO92L	HT112082A0
R239SL			39-J 1/6W	nsp	Q209C			TRS.2SC,KTC3206Y TO92L	HT322292A0
R239SR			39-J 1/6W	nsp	Q209L			TRS.2SC,KTC3206Y TO92L	HT322292A0
R240L			39-J 1/6W	nsp	Q209R			TRS.2SC,KTC3206Y TO92L	HT322292A0
R240R			39-J 1/6W	nsp	Q209SC			TRS.2SC,KTC3206Y TO92L	HT322292A0
R240SL			39-J 1/6W	nsp	Q209SL			TRS.2SC,KTC3206Y TO92L	HT322292A0
R240SR			39-J 1/6W	nsp	Q209SR			TRS.2SC,KTC3206Y TO92L	HT322292A0
<b>AMP - SEMICONDUCTORS</b>					Q213C			TRS.2SB,SAP16P	*HT200410R
D202C			DIODE,1SS133T	HD20015210	Q213FL			TRS.2SB,SAP16P	*HT200410R
D202L			DIODE,1SS133T	HD20015210	Q213FR			TRS.2SB,SAP16P	*HT200410R
D202R			DIODE,1SS133T	HD20015210	Q213SC			TRS.2SB,SAP16P	*HT200410R
D202SC			DIODE,1SS133T	HD20015210	Q213SL			TRS.2SB,SAP16P	*HT200410R
D202SL			DIODE,1SS133T	HD20015210	Q213SR			TRS.2SB,SAP16P	*HT200410R
D202SR			DIODE,1SS133T	HD20015210	Q214C			TRS.2SD,SAP16N	*HT400480R
Q201C			TRS.2SA,KSA992F TO92	*HT100590R	Q214FL			TRS.2SD,SAP16N	*HT400480R
Q201L			TRS.2SA,KSA992F TO92	*HT100590R	Q214FR			TRS.2SD,SAP16N	*HT400480R
Q201R			TRS.2SA,KSA992F TO92	*HT100590R	Q214SC			TRS.2SD,SAP16N	*HT400480R
Q201SC			TRS.2SA,KSA992F TO92	*HT100590R	Q214SL			TRS.2SD,SAP16N	*HT400480R
Q201SL			TRS.2SA,KSA992F TO92	*HT100590R	Q214SR			TRS.2SD,SAP16N	*HT400480R
Q201SR			TRS.2SA,KSA992F TO92	*HT100590R	Q215C			TRS.2SC,KSC1845F TO92	*HT300860R
Q202C			TRS.2SA,KSA992F TO92	*HT100590R	Q215L			TRS.2SC,KSC1845F TO92	*HT300860R
Q202L			TRS.2SA,KSA992F TO92	*HT100590R	Q215R			TRS.2SC,KSC1845F TO92	*HT300860R
Q202R			TRS.2SA,KSA992F TO92	*HT100590R	Q215SC			TRS.2SC,KSC1845F TO92	*HT300860R
Q202SL			TRS.2SA,KSA992F TO92	*HT100590R	Q215SL			TRS.2SC,KSC1845F TO92	*HT300860R

NOTE : \*nsp\* PART IS LISTED FOR REFERENCE ONLY, MARANTZ WILL NOT SUPPLY THESE PARTS.

PS7200

POS. NO	VERS. COLOR	PART NO. (FOR PCS)	DESCRIPTION	PART NO. (MJI)	POS. NO	VERS. COLOR	PART NO. (FOR PCS)	DESCRIPTION	PART NO. (MJI)
Q215SR			TRS.2SC,KSC1845F TO92	*HT300860R	R319			820-J 1/6W	nsp
CP201			AMP - MISCELLANEOUS CN.WAFE2.0MM, GIL-S-12P-S2T2-EF	nsp	R322			1K-J 1/6W	nsp
L201C			COIL FILTER-INDUCTOR, J9000031	*LC106490R	R323			120-J 1/6W	nsp
L201L			COIL FILTER-INDUCTOR, J9000031	*LC106490R	R324			150-J 1/6W	nsp
L201R			COIL FILTER-INDUCTOR, J9000031	*LC106490R	R325			150-J 1/6W	nsp
L201SC			COIL FILTER-INDUCTOR, J9000031	*LC106490R	R326			270-J 1/6W	nsp
L201SL			COIL FILTER-INDUCTOR, J9000031	*LC106490R	R327			270-J 1/6W	nsp
L201SR			COIL FILTER-INDUCTOR, J9000031	*LC106490R	R328			470-J 1/6W	nsp
			FRONT CIRCUIT BOARD		R329			820-J 1/6W	nsp
			FRONT - CAPACITORS		R330			1.5K-J 1/6W	nsp
C301			ELECT,47µF-M/10V 5*11	nsp	R332			1K-J 1/6W	nsp
C302			CER.,0.022µF-Z/25V	nsp	R333			10K-J 1/6W	nsp
C303			CER.,0.047µF-Z/50V	nsp	R334			1K-J 1/6W	nsp
C304			CER.,100pF-K/50V	nsp	R335			1K-J 1/6W	nsp
C305			ELECT,10µF-M/50V 5*11	nsp	R336			1K-J 1/6W	nsp
C306			CER.,0.047µF-Z/50V	nsp	R337			330-J 1/6W	nsp
C307			ELECT,10µF-M/50V 5*11	nsp	R338			1K-J 1/6W	nsp
C308			CER.,0.022µF-Z/25V	nsp	R340			330-J 1/6W	nsp
C309			CER.,100pF-K/50V	nsp	R341			330-J 1/6W	nsp
C310			CER.,0.047µF-Z/50V	nsp	R342			47K-J 1/6W	nsp
C311			CER.,100pF-K/50V	nsp	R343			75-J 1/6W	nsp
C312			CER.,100pF-K/50V	nsp	R344			75-J 1/6W	nsp
C313			ELECT,10µF-M/50V 5*11	nsp	R345			75-J 1/6W	nsp
C314			ELECT,10µF-M/50V 5*11	nsp	R346			47K-J 1/6W	nsp
C315			CER.,820pF-K/50V	nsp	R347			470-J 1/6W	nsp
C316			CER.,820pF-K/50V	nsp	R348			100K-J 1/6W	nsp
C317			ELECT,10µF-M/50V 5*11	nsp	R349			10K-J 1/6W	nsp
C318			CER.,100pF-K/50V	nsp	R350			100K-J 1/6W	nsp
C321			CER.,0.1µF-Z/50V	nsp	R351			47K-J 1/6W	nsp
C322			CER.,0.1µF-Z/50V	nsp	R352			470-J 1/6W	nsp
C323			CN WIRE 1P, JUMPER(0.6/52MM)	nsp	R353			2.2K-J 1/6W	nsp
C381SC			CN WIRE 1P, JUMPER 0.6/52MM)	nsp	R354			330-J 1/6W	nsp
C381SY				nsp	R355M			24K-J 1/6W	nsp
			FRONT - RESISTORS		R356			24K-J 1/6W	nsp
R301			68K-J 1/6W	nsp	R357			24K-J 1/6W	nsp
R302			68K-J 1/6W	nsp	R359			24K-J 1/6W	nsp
R303			330-J 1/6W	nsp					
R304			100-J 1/6W	nsp					
R305			120-J 1/6W	nsp					
R306			150-J 1/6W	nsp					
R307			150-J 1/6W	nsp					
R308			270-J 1/6W	nsp					
R309			270-J 1/6W	nsp					
R310			470-J 1/6W	nsp					
R311			820-J 1/6W	nsp					
R312			1K-J 1/6W	nsp					
R313			120-J 1/6W	nsp					
R314			150-J 1/6W	nsp					
R315			150-J 1/6W	nsp					
R316			270-J 1/6W	nsp					
R317			270-J 1/6W	nsp					
R318			470-J 1/6W	nsp					
								FRONT - SEMICONDUCTORS	
					D301			DIODE,1SS133T	HD20015210
					D316M			LED ROUND,SLR-34URCF25	*HI100710R
					D317			DIODE,1SS133T	HD20015210
					D318			LED ROUND,SLR-34URCF25	*HI100710R
					D319			LED ROUND,SLR-34URCF25	*HI100710R
					D320			LED ROUND,SLR-34URCF25	*HI100710R
					D328			D ZENER,MTZJ11B	*HD301890R
					D332				
					∫			DIODE,1SS133T	HD20015210
					D337				
					IC301			IC,LC75721E QIP64	*HC107290R
					Q301			TRS.RC,KRC107M TO92M	*BA001190R
					Q302			TRS.RA,KRA111M TO92M	*BA001200R
					Q303M			TRS.RC,KRC107M TO92M	*BA001190R
					Q304			TRS.RC,KRC107M TO92M	*BA001190R
					Q305			TRS.RC,KRC107M TO92M	*BA001190R
					Q306			TRS.RC,KRC107M TO92M	*BA001190R
					Q309			TRS.2SC,KTC3200BL TO92	HT322402A0
								FRONT - MISCELLANEOUS	
					CN301			CN WIRE,450/9P	nsp
					CN303			CN WIRE,100MM/4P	nsp
					CN304			CN WIRE,470MM/5P	nsp
					CN305			CN WIRE,80/3P	nsp

NOTE : \*nsp PART IS LISTED FOR REFERENCE ONLY, MARANTZ WILL NOT SUPPLY THESE PARTS.

PS7200

POS. NO	VERS. COLOR	PART NO. (FOR PCS)	DESCRIPTION	PART NO. (MJI)	POS. NO	VERS. COLOR	PART NO. (FOR PCS)	DESCRIPTION	PART NO. (MJI)
FPC109B L302			CN.FP1.25MM,52492-2320 23P	nsp	R403R			470-J 1/6W	nsp
SILD			COIL FILTER-INDUCTOR, 10UH-Q40/24M 02TB	nsp	R404L			470-J 1/6W	nsp
SW307M			SUPPORTER,FRONT GND	nsp	R404R			470-J 1/6W	nsp
SW308M			SW TACT, SKHV10920A 5MM/260G	*SP000900R	R405L			470-J 1/6W	nsp
SW309			SW TACT, SKHV10920A 5MM/260G	*SP000900R	R405R			470-J 1/6W	nsp
S			SW TACT, SKHV10920A 5MM/260G	*SP000900R	R406L			470-J 1/6W	nsp
SW322			SW TACT, SKHV10920A 5MM/260G	*SP000900R	R406R			470-J 1/6W	nsp
SW323M			SW TACT, SKHV10920A 5MM/260G	*SP000900R	R407L			470-J 1/6W	nsp
SW324			SW TACT, SKHV10920A 5MM/260G	*SP000900R	R407R			470-J 1/6W	nsp
			ST-BY LED CIRCUIT BOARD		R408L			470-J 1/6W	nsp
			ST-BY LED - CAPACITORS		R408R			470-J 1/6W	nsp
C371			CER.,820pF-K/50V	nsp	R411L			150-J 1/6W	nsp
C372			CER.,820pF-K/50V	nsp	R411R			150-J 1/6W	nsp
CP305			CN.WAFE2.0MM, GIL-S-03P-S2L2-EF	nsp	R412L			470K-J 1/6W	nsp
			ST-BY LED - SEMICONDUCTORS		R412R			470K-J 1/6W	nsp
D303			LED ROUND,SLR-34URCF25	*HI100710R	R413L			470K-J 1/6W	nsp
			ST-BY LED - MISCELLANEOUS		R413R			470K-J 1/6W	nsp
SW325			SW TACT, SKHV10920A 5MM/260G	*SP000900R	R414L			150-J 1/6W	nsp
			INPUT 1 CIRCUIT BOARD		R414R			150-J 1/6W	nsp
			INPUT 1 - CAPACITORS		R415L			470K-J 1/6W	nsp
C411L			ELECT,4.7uF-M/50V 5*11	nsp	R415R			470K-J 1/6W	nsp
C411R			ELECT,4.7uF-M/50V 5*11	nsp	R416L			150-J 1/6W	nsp
C412L			ELECT,4.7uF-M/50V 5*11	nsp	R416R			150-J 1/6W	nsp
C412R			ELECT,4.7uF-M/50V 5*11	nsp	R417L			470K-J 1/6W	nsp
C413L			ELECT,4.7uF-M/50V 5*11	nsp	R417R			470K-J 1/6W	nsp
C413R			ELECT,4.7uF-M/50V 5*11	nsp	R418L			470K-J 1/6W	nsp
C414L			ELECT,4.7uF-M/50V 5*11	nsp	R418R			470K-J 1/6W	nsp
C414R			ELECT,4.7uF-M/50V 5*11	nsp	R419L			150-J 1/6W	nsp
C415L			ELECT,4.7uF-M/50V 5*11	nsp	R419R			150-J 1/6W	nsp
C415R			ELECT,4.7uF-M/50V 5*11	nsp	R420L			470K-J 1/6W	nsp
C416L			ELECT,4.7uF-M/50V 5*11	nsp	R420R			470K-J 1/6W	nsp
C416R			ELECT,4.7uF-M/50V 5*11	nsp	R421L			150-J 1/6W	nsp
C418					R421R			150-J 1/6W	nsp
S			CER.,0.1uF-Z/50V	nsp	R422L			470K-J 1/6W	nsp
C423					R422R			470K-J 1/6W	nsp
C424			CER.,100pF-K/50V	nsp	R423L			470K-J 1/6W	nsp
C425			CER.,100pF-K/50V	nsp	R423R			470K-J 1/6W	nsp
C426			CER.,100pF-K/50V	nsp	R424L			150-J 1/6W	nsp
C427			ELECT,47uF-M/25V 5*11	nsp	R424R			150-J 1/6W	nsp
C428			CER.,0.1uF-Z/50V	nsp	R425L			470K-J 1/6W	nsp
C429			ELECT,47uF-M/25V 5*11	nsp	R425R			470K-J 1/6W	nsp
C430			CER.,0.1uF-Z/50V	nsp	R426			1K-J 1/6W	nsp
C431			CER.,0.1uF-Z/50V	nsp	R427			1K-J 1/6W	nsp
C432			CER.,0.1uF-Z/50V	nsp	R428			1K-J 1/6W	nsp
			INPUT 1 - RESISTORS		R429			4.7-J 1/6W	nsp
R401L			470-J 1/6W	nsp	R430			4.7-J 1/6W	nsp
R401R			470-J 1/6W	nsp					
R402L			470-J 1/6W	nsp	IC401			INPUT 1 - SEMICONDUCTORS	
R402R			470-J 1/6W	nsp	IC402			IC,TC9274N-008 DIP42	*HC107590R
R403L			470-J 1/6W	nsp	IC403			IC,NJU7312AL SDIP28P	HC10124090
					IC404			IC,NJM2068DD DIP8P	HC10053090
					IC405			IC,NJM2068DD DIP8P	HC10053090
								INPUT 1 - MISCELLANEOUS	
					CN107			CN.WAFE2.0MM, TUC-P10X-B1 HOUSING ST	nsp
					CN108			CN.WAFE2.0MM, TUC-P20X-B1 HOUSING ST	nsp
					CN302T			CN WIRE,250MM/3P	nsp
					CP301I			CN.WAFE2.0MM, G1L-S-3P-S2T2-EF	nsp

NOTE : \*nsp\* PART IS LISTED FOR REFERENCE ONLY, MARANTZ WILL NOT SUPPLY THESE PARTS.



PS7200

POS. NO	VERS. COLOR	PART NO. (FOR PCS)	DESCRIPTION	PART NO. (MJI)	POS. NO	VERS. COLOR	PART NO. (FOR PCS)	DESCRIPTION	PART NO. (MJI)
			INPUT 2 CIRCUIT BOARD		R477A		4.7K-J 1/6W		nsp
			INPUT 2 - CAPACITORS		R478		47-J 1/6W		nsp
C417			CER.,0.01µF-M/16V	nsp			INPUT 2 - SEMICONDUCTORS		
C454L			ELECT,4.7µF-M/50V 5*11	nsp	D407A		DIODE,1SS133T	HD20015210	
C454R			ELECT,4.7µF-M/50V 5*11	nsp	IC451		IC,K1C9459F SOP24P	HC10449050	
C455L			CER.,100pF-K/50V	nsp	IC452		IC,NJM2068DD DIP8P	HC10053090	
C455R			CER.,100pF-K/50V	nsp	IC453		PHOTO COUPLER, H11A817B DIP4	*HC200140R	
C457L			ELECT,1µF-M/50V 5*11	nsp	Q451L		TRS.2SC,KTC2874B TO92	*HT300880R	
C457R			ELECT,1µF-M/50V 5*11	nsp	Q451R		TRS.2SC,KTC2874B TO92	*HT300880R	
C460			CER.,0.1µF-Z/50V	nsp	Q452		TRS.RB,KRA107M	*BA000190R	
C461			ELECT,47µF-M/25V 5*11	nsp	Q453		TRS.RC,KRC107M TO92M	*BA001190R	
C462			CER.,0.1µF-Z/50V	nsp	Q454		TRS.RC,KRC102M TO92M	*BA001180R	
C463			ELECT,47µF-M/25V 5*11	nsp	Q455		TRS.RB,KRA107M	*BA000190R	
C464			CER.,0.1µF-Z/50V	nsp	Q457		TRS.RC,KRC102M TO92M	*BA001180R	
C465			CER.,0.1µF-Z/50V	nsp	Q458		TRS.RB,KRA107M	*BA000190R	
C466			CER.,0.01µF-M/16V	nsp			INPUT 2 - MISCELLANEOUS		
C467			ELECT,47µF-M/25V 5*11	nsp	CN109		CN.WAFE2.0MM, 35237-1310 13P	nsp	
C468			CER.,0.01µF-M/16V	nsp	CN110		CN.WAFE2.0MM, TUC-P15X-B1 HOUSING ST	nsp	
C469			CER.,0.01µF-M/16V	nsp			VOLUME CIRCUIT BOARD		
C470			CER.,0.01µF-M/16V	nsp			VOLUME - CAPACITORS		
C471			CER.,100pF-K/50V	nsp	C502C		CER.CHIP,100pF-J/50V-1608	nsp	
C472			CER.,100pF-K/50V	nsp	C502FL		CER.CHIP,100pF-J/50V-1608	nsp	
C473			CER.,100pF-K/50V	nsp	C502FR		CER.CHIP,100pF-J/50V-1608	nsp	
C474			CER.,0.01µF-M/16V	nsp	C502SC		CER.CHIP,100pF-J/50V-1608	nsp	
C475			CER.,0.1µF-Z/50V	nsp	C502SL		CER.CHIP,100pF-J/50V-1608	nsp	
C476			CER.,0.01µF-M/16V	nsp	C502SR		CER.CHIP,100pF-J/50V-1608	nsp	
			INPUT 2 - RESISTORS		C502SW		CER.CHIP,100pF-J/50V-1608	nsp	
R451L			470-J 1/6W	nsp	C503FL		CER.CHIP,100pF-J/50V-1608	nsp	
R451R			470-J 1/6W	nsp	C505C		ELECT,0.1µF-M/50V 5*11	nsp	
R452L			470-J 1/6W	nsp	C505F		ELECT,0.1µF-M/50V 5*11	nsp	
R452R			470-J 1/6W	nsp	C505S		ELECT,0.1µF-M/50V 5*11	nsp	
R453L			470-J 1/6W	nsp	C505SC		ELECT,0.1µF-M/50V 5*11	nsp	
R453R			470-J 1/6W	nsp	C505SW		ELECT,0.1µF-M/50V 5*11	nsp	
R454L			150-J 1/6W	nsp	C515C		CER.CHIP,100pF-J/50V-1608	nsp	
R454R			150-J 1/6W	nsp	C515FL		CER.CHIP,100pF-J/50V-1608	nsp	
R455L			470K-J 1/6W	nsp	C515FR		CER.CHIP,100pF-J/50V-1608	nsp	
R455R			470K-J 1/6W	nsp	C515SC		CER.CHIP,100pF-J/50V-1608	nsp	
R456L			5.6K-J 1/6W	nsp	C515SL		CER.CHIP,100pF-J/50V-1608	nsp	
R456R			5.6K-J 1/6W	nsp	C515SR		CER.CHIP,100pF-J/50V-1608	nsp	
R457L			1.2K-J 1/6W	nsp	C515SW		CER.CHIP,100pF-J/50V-1608	nsp	
R457R			1.2K-J 1/6W	nsp			ELECT,4.7µF-M/16V 5*11	nsp	
R458L			1K-J 1/6W	nsp	C528C		ELECT,4.7µF-M/16V 5*11	nsp	
R458R			1K-J 1/6W	nsp	C528FL		ELECT,4.7µF-M/16V 5*11	nsp	
R459L			470K-J 1/6W	nsp	C528FR		ELECT,4.7µF-M/16V 5*11	nsp	
R459R			470K-J 1/6W	nsp	C528SC		ELECT,4.7µF-M/16V 5*11	nsp	
R460L			470-J 1/6W	nsp	C528SL		ELECT,4.7µF-M/16V 5*11	nsp	
R460R			470-J 1/6W	nsp	C528SR		ELECT,4.7µF-M/16V 5*11	nsp	
					C528SW		ELECT,4.7µF-M/16V 5*11	nsp	
R461			2.7K-J 1/6W	nsp	C533C		CER.CHIP,100pF-J/50V-1608	nsp	
R462			2.2K-J 1/6W	nsp	C533FL		CER.CHIP,100pF-J/50V-1608	nsp	
R463			2.2K-J 1/6W	nsp	C533FR		CER.CHIP,100pF-J/50V-1608	nsp	
R464			47-J 1/6W	nsp	C533SC		CER.CHIP,100pF-J/50V-1608	nsp	
R466			10K-J 1/6W	nsp	C533SL		CER.CHIP,100pF-J/50V-1608	nsp	
R467			68-J 1/6W	nsp	C533SR		CER.CHIP,100pF-J/50V-1608	nsp	
R469			10K-J 1/6W	nsp	C533SW		CER.CHIP,1200pF-K/50V-1608	nsp	
R470			68-J 1/6W	nsp	C541C		CER.CHIP,100pF-J/50V-1608	nsp	
R471			270-J 1/6W	nsp	C541FL		CER.CHIP,100pF-J/50V-1608	nsp	
R472			220-J 1/6W	nsp	C541FR		CER.CHIP,100pF-J/50V-1608	nsp	
R473			47-J 1/6W	nsp					
R475			1K-J 1/6W	nsp					
R476			1K-J 1/6W	nsp					
R477			1K-J 1/6W	nsp					

NOTE : \*nsp\* PART IS LISTED FOR REFERENCE ONLY, MARANTZ WILL NOT SUPPLY THESE PARTS.

PS7200

POS. NO	VERS. COLOR	PART NO. (FOR PCS)	DESCRIPTION	PART NO. (MJI)	POS. NO	VERS. COLOR	PART NO. (FOR PCS)	DESCRIPTION	PART NO. (MJI)
C541SC			CER.CHIP,100pF-J/50V-1608	nsp	R507FL			CHIP,1K-J 1/16W-1608	nsp
C541SL			CER.CHIP,100pF-J/50V-1608	nsp	R507FR			CHIP,1K-J 1/16W-1608	nsp
C541SR			CER.CHIP,100pF-J/50V-1608	nsp	R507SC			CHIP,1K-J 1/16W-1608	nsp
C541SW			CER.CHIP,100pF-J/50V-1608	nsp	R507SL			CHIP,1K-J 1/16W-1608	nsp
C543			CER.CHIP,0.1µF-Z/50V-1608	nsp	R507SR			CHIP,1K-J 1/16W-1608	nsp
C544			CER.CHIP,0.1µF-Z/50V-1608	nsp	R507SW			CHIP,1K-J 1/16W-1608	nsp
C545A			CER.CHIP,1000pF-K/50V-1608	nsp	R512C			CHIP,220-J 1/16W-1608	nsp
C545C			ELECT,4.7µF-M/16V 5*11	nsp	R512FL			CHIP,1K-J 1/16W-1608	nsp
C545FL			ELECT,4.7µF-M/16V 5*11	nsp	R512FR			CHIP,1K-J 1/16W-1608	nsp
C545FR			ELECT,4.7µF-M/16V 5*11	nsp	R512SC			CHIP,220-J 1/16W-1608	nsp
C545SC			ELECT,4.7µF-M/16V 5*11	nsp	R512SL			CHIP,220-J 1/16W-1608	nsp
C545SL			ELECT,4.7µF-M/16V 5*11	nsp	R512SR			CHIP,220-J 1/16W-1608	nsp
C545SR			ELECT,4.7µF-M/16V 5*11	nsp	R512SW			CHIP,220-J 1/16W-1608	nsp
C545SW			ELECT,4.7µF-M/16V 5*11	nsp	R515			CHIP,10K-J 1/16W-1608	nsp
C546A			CER.CHIP,1000pF-K/50V-1608	nsp	R516C			CHIP,470K-J 1/16W-1608	nsp
C552					R516FL			CHIP,100K-J 1/16W-1608	nsp
}			CER.CHIP,0.1µF-Z/50V-1608	nsp	R516FR			CHIP,100K-J 1/16W-1608	nsp
C556					R516SC			CHIP,470K-J 1/16W-1608	nsp
C557					R516SL			CHIP,470K-J 1/16W-1608	nsp
}			ELECT,47µF-M/25V 5*11	nsp	R516SR			CHIP,470K-J 1/16W-1608	nsp
C560					R516SW			CHIP,1.5K-J 1/16W-1608	nsp
C561									
}			CER.CHIP,0.1µF-Z/50V-1608	nsp	R525			10K-J 1/6W	nsp
C564					R526			10K-J 1/6W	nsp
C565			ELECT,47µF-M/25V 5*11	nsp	R527			CHIP,10K-J 1/16W-1608	nsp
C566			ELECT,47µF-M/25V 5*11	nsp	R528			10K-J 1/6W	nsp
C567			CER.CHIP,0.1µF-Z/50V-1608	nsp	R529			CHIP,10K-J 1/16W-1608	nsp
C568			CER.CHIP,0.1µF-Z/50V-1608	nsp	R530			CHIP,10K-J 1/16W-1608	nsp
C571C			ELECT,4.7µF-M/16V 5*11	nsp	R532			CHIP,22K-J 1/16W-1608	nsp
C571FL			ELECT,4.7µF-M/16V 5*11	nsp	R536C			CHIP,470-J 1/16W-1608	nsp
C571FR			ELECT,4.7µF-M/16V 5*11	nsp	R536FL			CHIP,470-J 1/16W-1608	nsp
C571SC			ELECT,4.7µF-M/16V 5*11	nsp	R536FR			CHIP,470-J 1/16W-1608	nsp
C571SL			ELECT,4.7µF-M/16V 5*11	nsp	R536SC			CHIP,470-J 1/16W-1608	nsp
C571SR			ELECT,4.7µF-M/16V 5*11	nsp	R536SL			CHIP,470-J 1/16W-1608	nsp
C571SW			ELECT,4.7µF-M/16V 5*11	nsp	R536SR			CHIP,470-J 1/16W-1608	nsp
C576					R536SW			CHIP,470-J 1/16W-1608	nsp
}			CER.CHIP,100pF-J/50V-1608	nsp	R537			22K-J 1/6W	nsp
C584					R538			CHIP,22K-J 1/16W-1608	nsp
C585			CER.CHIP,0.1µF-Z/50V-1608	nsp	R539			22K-J 1/6W	nsp
C586			CER.CHIP,0.1µF-Z/50V-1608	nsp	R540			22K-J 1/6W	nsp
C587			ELECT,10µF-M/50V 5*11	nsp	R541			CHIP,22K-J 1/16W-1608	nsp
C588			ELECT,10µF-M/50V 5*11	nsp	R542			CHIP,22K-J 1/16W-1608	nsp
C589			ELECT,47µF-M/50V 6.3*11	nsp	R543				
C590			ELECT,47µF-M/50V 6.3*11	nsp	}			100K-J 1/6W	nsp
C591			CER.CHIP,47pF-J/50V-1608	nsp	R547				
C592			CER.CHIP,47pF-J/50V-1608	nsp	R549C			CHIP,470K-J 1/16W-1608	nsp
C593			CER.CHIP,0.1µF-Z/50V-1608	nsp	R549FL			CHIP,470K-J 1/16W-1608	nsp
C594			CER.CHIP,0.1µF-Z/50V-1608	nsp	R549FR			CHIP,470K-J 1/16W-1608	nsp
C595			CER.CHIP,47pF-J/50V-1608	nsp	R549SC			CHIP,470K-J 1/16W-1608	nsp
C596			CER.CHIP,47pF-J/50V-1608	nsp	R549SL			CHIP,470K-J 1/16W-1608	nsp
C597					R549SR			CHIP,470K-J 1/16W-1608	nsp
}			ELECT,10µF-M/50V 5*11	nsp	R549SW			470K-J 1/6W	nsp
C600					R559C			CHIP,470-J 1/16W-1608	nsp
C601			CER.CHIP,0.1µF-Z/50V-1608	nsp	R559FL			CHIP,470-J 1/16W-1608	nsp
			VOLUME - RESISTORS		R559FR			CHIP,470-J 1/16W-1608	nsp
R501			CHIP,560-J 1/16W-1608	nsp	R559SC			CHIP,470-J 1/16W-1608	nsp
R502			CHIP,560-J 1/16W-1608	nsp	R559SL			CHIP,470-J 1/16W-1608	nsp
R503			4.7-J 1/6W	nsp	R559SR			CHIP,470-J 1/16W-1608	nsp
R504			4.7-J 1/6W	nsp	R559SW			CHIP,470-J 1/16W-1608	nsp
R505			CNWIRE1P,JUMPER(0.6/52MM)	nsp	R567C			CHIP,3K-J 1/16W-1608	nsp
R506			CNWIRE1P,JUMPER(0.6/52MM)	nsp	R567FL			CHIP,3K-J 1/16W-1608	nsp
R507C			CHIP,1K-J 1/16W-1608	nsp	R567FR			CHIP,3K-J 1/16W-1608	nsp
					R567SC			CHIP,3K-J 1/16W-1608	nsp

NOTE : \*nsp\* PART IS LISTED FOR REFERENCE ONLY, MARANTZ WILL NOT SUPPLY THESE PARTS.

PS7200

POS. NO	VERS. COLOR	PART NO. (FOR PCS)	DESCRIPTION	PART NO. (MJI)	POS. NO	VERS. COLOR	PART NO. (FOR PCS)	DESCRIPTION	PART NO. (MJI)
R567SL			CHIP,3K-J 1/16W-1608	nsp	Q501				
R567SR			CHIP,3K-J 1/16W-1608	nsp	5			TRS.2SC,KTC2874B TO92	*HT300880R
R567SW			CHIP,5.1K-J 1/16W-1608	nsp	Q514				
R569C			CHIP,1.2K-J 1/16W-1608	nsp					
R569FL			CHIP,1.2K-J 1/16W-1608	nsp				VOLUME - MISCELLANEOUS	
R569FR			CHIP,1.2K-J 1/16W-1608	nsp	CN114			CN.WAFE2.0MM,	nsp
R569SC			CHIP,1.2K-J 1/16W-1608	nsp				TUC-P15X-B1 HOUSING ST	
R569SL			CHIP,1.2K-J 1/16W-1608	nsp	CN115			CN.WAFE2.0MM,	nsp
R569SR			CHIP,1.2K-J 1/16W-1608	nsp				TUC-P20X-B1 HOUSING ST	
R569SW			CHIP,1.2K-J 1/16W-1608	nsp	CP503			CN WIRE,220MM/12P	nsp
R582C			CHIP,470K-J 1/16W-1608	nsp				DSP CIRCUIT BOARD	
R582FL			CHIP,470K-J 1/16W-1608	nsp				DSP - CAPACITORS	
R582FR			CHIP,470K-J 1/16W-1608	nsp					
R582SC			CHIP,470K-J 1/16W-1608	nsp	C701				
R582SL			CHIP,470K-J 1/16W-1608	nsp	5			CER.CHIP,0.1µF-K/50V-1608	nsp
R582SR			CHIP,470K-J 1/16W-1608	nsp	C705				
R582SW			CHIP,470K-J 1/16W-1608	nsp	C706				
R589C			CHIP,470-J 1/16W-1608	nsp	C707			ELECT,47µF-M/10V 5*11	nsp
R589FL			CHIP,470-J 1/16W-1608	nsp	C708			CER.CHIP,22pF-J/50V-1608	nsp
R589FR			CHIP,470-J 1/16W-1608	nsp	C709			CER.CHIP,0.1µF-K/50V-1608	nsp
R589SC			CHIP,470-J 1/16W-1608	nsp	C710			ELECT,47µF-M/10V 5*11	nsp
R589SL			CHIP,470-J 1/16W-1608	nsp	C711			CER.CHIP,22pF-J/50V-1608	nsp
R589SR			CHIP,470-J 1/16W-1608	nsp	C712			CER.CHIP,22pF-J/50V-1608	nsp
R589SW			CHIP,470-J 1/16W-1608	nsp	C713			ELECT,47µF-M/10V 5*11	nsp
R590			1K-J 1/6W	nsp	C714			CER.CHIP,0.1µF-K/50V-1608	nsp
R591			CHIP,2K-J 1/16W-1608	nsp	C715			CER.CHIP,22pF-J/50V-1608	nsp
R592			1K-J 1/6W	nsp	C716			ELECT,3.3µF-M/50V 5*11	nsp
R593			CHIP,2K-J 1/16W-1608	nsp	C717			CER.CHIP,0.1µF-K/50V-1608	nsp
R594			CHIP,2K-J 1/16W-1608	nsp	C718			CER.CHIP,22pF-J/50V-1608	nsp
R595				nsp	C719			CER.CHIP,22pF-J/50V-1608	nsp
5				nsp	C720			ELECT,3.3µF-M/50V 5*11	nsp
R598			1K-J 1/6W	nsp	C721			CER.CHIP,0.1µF-K/50V-1608	nsp
R599			100-J 1/6W	nsp	C722			CER.CHIP,22pF-J/50V-1608	nsp
R600			100-J 1/6W	nsp	C723			CER.CHIP,22pF-J/50V-1608	nsp
R601			CHIP,100K-J 1/16W-1608	nsp	C724			ELECT,3.3µF-M/50V 5*11	nsp
R602			CHIP,100K-J 1/16W-1608	nsp	C725			CER.CHIP,0.1µF-K/50V-1608	nsp
R603			4.7K-J 1/6W	nsp	C726			CER.CHIP,22pF-J/50V-1608	nsp
R604			4.7K-J 1/6W	nsp	C727			ELECT,100µF-M/10V 5*11	nsp
R605			CHIP,4.7K-J 1/16W-1608	nsp	C728			CER.CHIP,0.1µF-K/50V-1608	nsp
R606			CHIP,4.7K-J 1/16W-1608	nsp	C729			CER.CHIP,0.1µF-K/50V-1608	nsp
R607				nsp				ELECT,100µF-M/10V 5*11	nsp
5				nsp	C730			CER.CHIP,0.1µF-K/50V-1608	nsp
R612			CHIP,10K-J 1/16W-1608	nsp	C731			ELECT,1µF-M/50V 5*11	nsp
R613			CHIP,47K-J 1/16W-1608	nsp	C732			ELECT,1µF-M/50V 5*11	nsp
R614			CHIP,47K-J 1/16W-1608	nsp	C733			ELECT,10µF-M/50V 5*11	nsp
R615				nsp	C734			CER.CHIP,0.1µF-K/50V-1608	nsp
5				nsp	C735			ELECT,100µF-M/10V 5*11	nsp
R618			CHIP,10K-J 1/16W-1608	nsp	C736			CER.CHIP,0.1µF-K/50V-1608	nsp
R619			CHIP,100K-J 1/16W-1608	nsp	C738			CER.CHIP,0.1µF-K/50V-1608	nsp
R620			CHIP,100K-J 1/16W-1608	nsp	C739			CER.CHIP,0.1µF-K/50V-1608	nsp
				nsp	C740			CER.CHIP,0.01µF-Z/50V-1608	nsp
				nsp	C741			CER.CHIP,0.1µF-K/50V-1608	nsp
			VOLUME - SEMICONDUCTORS		C742			CER.CHIP,0.01µF-Z/50V-1608	nsp
D501			DIODE,1SS133T	HD20015210	C743			CER.CHIP,0.1µF-K/50V-1608	nsp
5					C744			CER.CHIP,0.01µF-Z/50V-1608	nsp
D512					C745			CER.CHIP,0.1µF-K/50V-1608	nsp
IC501			IC,KIC9459F SOP24P	HC10449050	C746			ELECT,10µF-M/50V 5*11	nsp
IC502			IC,KIC9482F FLP28	*HC107280R	C747			CER.CHIP,0.1µF-K/50V-1608	nsp
IC505					C748			CER.CHIP,27pF-J/50V-1608	nsp
5					C749			CER.CHIP,27pF-J/50V-1608	nsp
IC512			IC,NJM2068M SOP8P	HC10102090	C750			CER.CHIP,1000pF-K/50V-1608	nsp
IC513			IC,NJU7313AL SDIP28P	HC10125090	C751			CER.CHIP,0.1µF-K/50V-1608	nsp
IC514			IC,BU4053BCF SOP16P	HC405321Z0	C752			CER.CHIP,0.1µF-K/50V-1608	nsp
					C753			ELECT,100µF-M/10V 5*11	nsp

NOTE : \*nsp PART IS LISTED FOR REFERENCE ONLY, MARANTZ WILL NOT SUPPLY THESE PARTS.

PS7200

POS. NO	VERS. COLOR	PART NO. (FOR PCS)	DESCRIPTION	PART NO. (MJI)	POS. NO	VERS. COLOR	PART NO. (FOR PCS)	DESCRIPTION	PART NO. (MJI)
C754			CER.CHIP,0.1µF-K/50V-1608	nsp	C796FL2			CER.CHIP,3300pF-K/50V-1608	nsp
C755			CER.CHIP,0.01µF-Z/50V-1608	nsp	C796FR1			CER.CHIP,3300pF-K/50V-1608	nsp
C756			CER.CHIP,0.01µF-Z/50V-1608	nsp	C796FR2			CER.CHIP,3300pF-K/50V-1608	nsp
C757			ELECT,220µF-M/6.3V 6.3*1	nsp	C797			CER.CHIP,0.1µF-K/50V-1608	nsp
C758			CER.CHIP,0.1µF-K/50V-1608	nsp	C797FL1			CER.CHIP,390pF-J/50V-1608	nsp
C759			CER.CHIP,470pF-J/50V-1608	nsp	C797FL2			CER.CHIP,390pF-J/50V-1608	nsp
C760			ELECT,47µF-M/10V 5*11	nsp	C797FR1			CER.CHIP,390pF-J/50V-1608	nsp
C761			CER.CHIP,0.1µF-K/50V-1608	nsp	C797FR2			CER.CHIP,390pF-J/50V-1608	nsp
C762			CER.CHIP,0.01µF-Z/50V-1608	nsp	C798C			CER.CHIP,1500pF-K/50V-1608	nsp
C763			ELECT,2.2µF-M/50V 5*11	nsp	C798SC			CER.CHIP,1500pF-K/50V-1608	nsp
C764			CER.CHIP,0.1µF-K/50V-1608	nsp	C798SL			CER.CHIP,1500pF-K/50V-1608	nsp
C765			ELECT,1µF-M/50V 5*11	nsp	C798SR			CER.CHIP,1500pF-K/50V-1608	nsp
C766			CER.CHIP,0.01µF-Z/50V-1608	nsp	C798SW			FILM,0.018µF-K/63V	nsp
C767			CER.CHIP,0.01µF-Z/50V-1608	nsp	C799C			ELECT,10µF-M/50V 5*11	nsp
C768			CER.CHIP,0.1µF-K/50V-1608	nsp	C799FL			ELECT,10µF-M/50V 5*11	nsp
C769			CER.CHIP,0.1µF-K/50V-1608	nsp	C799FR			ELECT,10µF-M/50V 5*11	nsp
C770			CER.CHIP,0.1µF-K/50V-1608	nsp	C799SC			ELECT,10µF-M/50V 5*11	nsp
C771			ELECT,1µF-M/50V 5*11	nsp	C799SL			ELECT,10µF-M/50V 5*11	nsp
C772			CER.CHIP,0.1µF-K/50V-1608	nsp	C799SR			ELECT,10µF-M/50V 5*11	nsp
C773			ELECT,100µF-M/10V 5*11	nsp	C799SW			ELECT,10µF-M/50V 5*11	nsp
C774			CER.CHIP,0.01µF-Z/50V-1608	nsp	C800C			CER.CHIP,3300pF-K/50V-1608	nsp
C775			CER.CHIP,0.1µF-K/50V-1608	nsp	C800FL			CER.CHIP,1500pF-K/50V-1608	nsp
C776			ELECT,100µF-M/10V 5*11	nsp	C800FR			CER.CHIP,1500pF-K/50V-1608	nsp
C777			CER.CHIP,0.1µF-K/50V-1608	nsp	C800SC			CER.CHIP,3300pF-K/50V-1608	nsp
C778			ELECT,100µF-M/10V 5*11	nsp	C800SL			CER.CHIP,3300pF-K/50V-1608	nsp
C779			CER.CHIP,0.1µF-K/50V-1608	nsp	C800SR			CER.CHIP,3300pF-K/50V-1608	nsp
C780			ELECT,1µF-M/50V 5*11	nsp	C800SW			CER.CHIP,3300pF-K/50V-1608	nsp
C782			ELECT,1µF-M/50V 5*11	nsp	C801			ELECT,100µF-M/10V 5*11	nsp
C783AFL			ELECT,10µF-M/50V 5*11	nsp	C802			CER.CHIP,0.01µF-Z/50V-1608	nsp
C783AFR			ELECT,10µF-M/50V 5*11	nsp	C803			ELECT,1µF-M/50V 5*11	nsp
C784AFL			ELECT,10µF-M/50V 5*11	nsp	C804			ELECT,10µF-M/50V 5*11	nsp
C784AFR			ELECT,10µF-M/50V 5*11	nsp	C866			ELECT,100µF-M/25V 6.3*11	nsp
C785AFL			CER.CHIP,0.1µF-K/50V-1608	nsp	C867			ELECT,100µF-M/25V 6.3*11	nsp
C785AFR			CER.CHIP,0.1µF-K/50V-1608	nsp	C868			ELECT,10µF-M/50V 5*11	nsp
C786AFL			CER.CHIP,0.1µF-K/50V-1608	nsp	C869			CER.CHIP,100pF-J/50V-1608	nsp
C786AFR			CER.CHIP,0.1µF-K/50V-1608	nsp	C870			CER.CHIP,1000pF-K/50V-1608	nsp
C787AFL			CER.CHIP,100pF-J/50V-1608	nsp	C873			CER.CHIP,150pF-J/50V-1608	nsp
C787AFR			CER.CHIP,100pF-J/50V-1608	nsp	C875			CER.CHIP,0.1µF-K/50V-1608	nsp
C788AFL			CER.CHIP,100pF-J/50V-1608	nsp	C876			CER.CHIP,27pF-J/50V-1608	nsp
C788AFR			CER.CHIP,100pF-J/50V-1608	nsp	C877			CER.CHIP,0.1µF-K/50V-1608	nsp
C789AFL			CER.CHIP,1000pF-K/50V-1608	nsp	C878			CER.CHIP,0.1µF-K/50V-1608	nsp
C789AFR			CER.CHIP,1000pF-K/50V-1608	nsp	C879			CER.CHIP,0.1µF-K/50V-1608	nsp
C790									
S									
C794			CER.CHIP,0.1µF-K/50V-1608	nsp				DSP - RESISTORS	
C794C			ELECT,10µF-M/50V 5*11	nsp	R701			CHIP,4.7K-J 1/16W-1608	nsp
C794FL1			ELECT,10µF-M/50V 5*11	nsp	R702			CHIP,4.7K-J 1/16W-1608	nsp
C794FL2			ELECT,10µF-M/50V 5*11	nsp	R703			CHIP,4.7K-J 1/16W-1608	nsp
C794FR1			ELECT,10µF-M/50V 5*11	nsp	R704			CHIP,75-J 1/16W-1608	nsp
C794FR2			ELECT,10µF-M/50V 5*11	nsp	R705			CHIP,100-J 1/16W-1608	nsp
C794SC			ELECT,10µF-M/50V 5*11	nsp	R706			CHIP,10K-J 1/16W-1608	nsp
C794SL			ELECT,10µF-M/50V 5*11	nsp	R707			CHIP,100K-J 1/16W-1608	nsp
C794SR			ELECT,10µF-M/50V 5*11	nsp	R708			CHIP,2.2K-J 1/16W-1608	nsp
C794SW			ELECT,10µF-M/50V 5*11	nsp	R709			CHIP,75-J 1/16W-1608	nsp
C795			CER.CHIP,0.1µF-K/50V-1608	nsp	R710			CHIP,100-J 1/16W-1608	nsp
C795C			CER.CHIP,2200pF-K/50V-1608	nsp	R711			CHIP,10K-J 1/16W-1608	nsp
C795SC			CER.CHIP,2200pF-K/50V-1608	nsp	R712			CHIP,100K-J 1/16W-1608	nsp
C795SL			CER.CHIP,2200pF-K/50V-1608	nsp	R713			CHIP,2.2K-J 1/16W-1608	nsp
C795SR			CER.CHIP,2200pF-K/50V-1608	nsp	R714			CHIP,75-J 1/16W-1608	nsp
C795SW			FILM,0.15µF-K/63V	nsp	R715			CHIP,100-J 1/16W-1608	nsp
C796			CER.CHIP,0.1µF-K/50V-1608	nsp	R716			CHIP,10K-J 1/16W-1608	nsp
C796FL1			CER.CHIP,3300pF-K/50V-1608	nsp	R717			CHIP,100K-J 1/16W-1608	nsp
					R718			CHIP,2.2K-J 1/16W-1608	nsp

NOTE : \*nsp\* PART IS LISTED FOR REFERENCE ONLY, MARANTZ WILL NOT SUPPLY THESE PARTS.

PS7200

POS. NO	VERS. COLOR	PART NO. (FOR PCS)	DESCRIPTION	PART NO. (MJI)	POS. NO	VERS. COLOR	PART NO. (FOR PCS)	DESCRIPTION	PART NO. (MJI)
R719			CHIP,75-J 1/16W-1608	nsp	R782SC			CHIP,1.5K-J 1/16W-1608	nsp
R720			CHIP,180-J 1/16W-1608	nsp	R782SL			CHIP,1.5K-J 1/16W-1608	nsp
R721			CHIP,91-J 1/16W-1608	nsp	R782SP			CHIP,1.5K-J 1/16W-1608	nsp
R723			CHIP,10K-J 1/16W-1608	nsp	R782SW			CHIP,4.7K-J 1/16W-1608	nsp
R724			CHIP,1M-J 1/16W-1608	nsp	R783FL1			CHIP,7.5K-J 1/16W-1608	nsp
R725					R783FL2			CHIP,7.5K-J 1/16W-1608	nsp
§			CHIP,33-J 1/16W-1608	nsp	R783FR1			CHIP,7.5K-J 1/16W-1608	nsp
R728					R783FR2			CHIP,7.5K-J 1/16W-1608	nsp
R729			CHIP,75-J 1/16W-1608	nsp	R784FL1			CHIP,4.3K-J 1/16W-1608	nsp
R730			CHIP,5.1K-J 1/16W-1608	nsp	R784FL2			CHIP,4.3K-J 1/16W-1608	nsp
R731			CHIP,3K-J 1/16W-1608	nsp	R784FR1			CHIP,4.3K-J 1/16W-1608	nsp
R732			CHIP,8.2K-J 1/16W-1608	nsp	R784FR2			CHIP,4.3K-J 1/16W-1608	nsp
R733			CHIP,100-J 1/16W-1608	nsp	R785FL1			CHIP,820-J 1/16W-1608	nsp
R734					R785FL2			CHIP,820-J 1/16W-1608	nsp
§			CHIP,10K-J 1/16W-1608	nsp	R785FR1			CHIP,820-J 1/16W-1608	nsp
R743					R785FR2			CHIP,820-J 1/16W-1608	nsp
R744			CHIP,33-J 1/16W-1608	nsp					
R745			CHIP,4.7K-J 1/16W-1608	nsp	R786C			CHIP,1.5K-J 1/16W-1608	nsp
R748			CHIP,33-J 1/16W-1608	nsp	R786SC			CHIP,1.5K-J 1/16W-1608	nsp
R749			CHIP,4.7K-J 1/16W-1608	nsp	R786SL			CHIP,1.5K-J 1/16W-1608	nsp
R750			CHIP,4.7K-J 1/16W-1608	nsp	R786SR			CHIP,1.5K-J 1/16W-1608	nsp
R751			CHIP,33K-J 1/16W-1608	nsp	R786SW			CHIP,4.7K-J 1/16W-1608	nsp
R752			CHIP,10K-J 1/16W-1608	nsp	R787C			CHIP,2.7K-J 1/16W-1608	nsp
R753					R787SC			CHIP,2.7K-J 1/16W-1608	nsp
§			CHIP,33-J 1/16W-1608	nsp	R787SL			CHIP,2.7K-J 1/16W-1608	nsp
R757					R787SR			CHIP,2.7K-J 1/16W-1608	nsp
R758			CHIP,10K-J 1/16W-1608	nsp	R787SW			CHIP,1.2K-J 1/16W-1608	nsp
R759			CHIP,4.7K-J 1/16W-1608	nsp	R788C			CHIP,3.3K-J 1/16W-1608	nsp
R760					R788SC			CHIP,3.3K-J 1/16W-1608	nsp
§			CHIP,33-J 1/16W-1608	nsp	R788SL			CHIP,3.3K-J 1/16W-1608	nsp
R764					R788SR			CHIP,3.3K-J 1/16W-1608	nsp
R765			CHIP,33K-J 1/16W-1608	nsp	R788SW			CHIP,9.1K-J 1/16W-1608	nsp
R766			CHIP,4.7K-J 1/16W-1608	nsp	R790C			CHIP,180K-J 1/16W-1608	nsp
R768			CHIP,100-J 1/16W-1608	nsp	R790FL			CHIP,15K-J 1/16W-1608	nsp
R769			CHIP,10K-J 1/16W-1608	nsp	R790FR			CHIP,15K-J 1/16W-1608	nsp
R770			CHIP,4.7K-J 1/16W-1608	nsp	R790SC			CHIP,180K-J 1/16W-1608	nsp
R770AFL			CHIP,6.2K-J 1/16W-1608	nsp	R790SL			CHIP,180K-J 1/16W-1608	nsp
R770AFR			CHIP,6.2K-J 1/16W-1608	nsp	R790SR			CHIP,180K-J 1/16W-1608	nsp
R771AFL			CHIP,4.7K-J 1/16W-1608	nsp	R790SW			CHIP,100K-J 1/16W-1608	nsp
R771AFR			CHIP,4.7K-J 1/16W-1608	nsp	R791C			CHIP,2.2K-J 1/16W-1608	nsp
R772			CHIP,2.2K-J 1/16W-1608	nsp	R791FL			CHIP,2.2K-J 1/16W-1608	nsp
R772AFL			CHIP,2.4K-J 1/16W-1608	nsp	R791FR			CHIP,2.2K-J 1/16W-1608	nsp
R772AFR			CHIP,2.4K-J 1/16W-1608	nsp	R791SC			CHIP,2.2K-J 1/16W-1608	nsp
R773AFL			CHIP,4.7K-J 1/16W-1608	nsp	R791SL			CHIP,2.2K-J 1/16W-1608	nsp
R773AFR			CHIP,4.7K-J 1/16W-1608	nsp	R791SR			CHIP,2.2K-J 1/16W-1608	nsp
R774AFL			CHIP,4.7K-J 1/16W-1608	nsp	R791SW			CHIP,2.2K-J 1/16W-1608	nsp
R774AFR			CHIP,4.7K-J 1/16W-1608	nsp					
R775AFL			CHIP,47K-J 1/16W-1608	nsp	R792			CHIP,470-J 1/16W-1608	nsp
R775AFR			CHIP,47K-J 1/16W-1608	nsp	R793			CHIP,1M-J 1/16W-1608	nsp
R776AFL			CHIP,4.7K-J 1/16W-1608	nsp	R799C			CHIP,470-J 1/16W-1608	nsp
R776AFR			CHIP,4.7K-J 1/16W-1608	nsp	R799FL			CHIP,1K-J 1/16W-1608	nsp
R777AFL			CHIP,5.6K-J 1/16W-1608	nsp	R799FR			CHIP,1K-J 1/16W-1608	nsp
R777AFR			CHIP,5.6K-J 1/16W-1608	nsp	R799SC			CHIP,470-J 1/16W-1608	nsp
R778AFL			CHIP,10K-J 1/16W-1608	nsp	R799SL			CHIP,470-J 1/16W-1608	nsp
R778AFR			CHIP,10K-J 1/16W-1608	nsp	R799SR			CHIP,470-J 1/16W-1608	nsp
R779AFL			CHIP,330-J 1/16W-1608	nsp	R799SW			CHIP,470-J 1/16W-1608	nsp
R779AFR			CHIP,330-J 1/16W-1608	nsp	R800			CHIP,20K-J 1/16W-1608	nsp
R780AFL			CHIP,10K-J 1/16W-1608	nsp	R801			CHIP,10K-J 1/16W-1608	nsp
R780AFR			CHIP,10K-J 1/16W-1608	nsp	R802C			CHIP,100K-J 1/16W-1608	nsp
R781AFL			CHIP,330-J 1/16W-1608	nsp	R802SC			CHIP,100K-J 1/16W-1608	nsp
R781AFR			CHIP,330-J 1/16W-1608	nsp	R802SL			CHIP,100K-J 1/16W-1608	nsp
R782C			CHIP,1.5K-J 1/16W-1608	nsp	R802SR			CHIP,100K-J 1/16W-1608	nsp
					R802SW			CHIP,100K-J 1/16W-1608	nsp

NOTE : "nsp" PART IS LISTED FOR REFERENCE ONLY, MARANTZ WILL NOT SUPPLY THESE PARTS.

PS7200

POS. NO	VERS. COLOR	PART NO. (FOR PCS)	DESCRIPTION	PART NO. (MJI)	POS. NO	VERS. COLOR	PART NO. (FOR PCS)	DESCRIPTION	PART NO. (MJI)
R803			CHIP,33-J 1/16W-1608	nsp	Q707			TRS.CHIP 2SA,KRA102S	*BA001230R
R815					Q708			TRS.CHIP 2SA,KRA102S	*BA001230R
R816			CHIP,1K-J 1/16W-1608	nsp	Q711			TRS.CHIP 2SA,KRA102S	*BA001230R
R820					Q712			TRS.CHIP 2SC, KTC2875B SOT23	*HT300870R
R821			CHIP,2.2K-J 1/16W-1608	nsp	Q712C			TRS.CHIP 2SC, KTC2875B SOT23	*HT300870R
R824					Q712SC			TRS.CHIP 2SC, KTC2875B SOT23	*HT300870R
R825			CHIP,33-J 1/16W-1608	nsp	Q712SL			TRS.CHIP 2SC, KTC2875B SOT23	*HT300870R
R826			CHIP,33-J 1/16W-1608	nsp	Q712SR			TRS.CHIP 2SC, KTC2875B SOT23	*HT300870R
R827			CHIP,1K-J 1/16W-1608	nsp				DSP - MISCELLANEOUS	
R828			CHIP,1K-J 1/16W-1608	nsp	CB702			BEAD COIL CHIP, HB-IT2012-121JT 2012	nsp
R838			CHIP,470K-J 1/16W-1608	nsp					
			DSP - SEMICONDUCTORS						
D701			DIODE CHIP,KDS160	*HD201560R	CB708				
D707					CN111			CN.WAFE2.0MM, TUC-P12X-B1 HOUSING ST	nsp
IC701			IC,74VHCU04 SOP14	*HC700300R	CN112			CN.WAFE2.0MM, TUC-P15X-B1 HOUSING ST	nsp
IC702			IC,MM74HC151MX SOP16	*HC700330R	CN113			CN.WAFE2.0MM, TUC-P18X-B1 HOUSING ST	nsp
IC703			IC,BA4510F-T1 SOP	HC10159210	FB701C			BEAD COIL, BRS3550T0 3.5PHI*5	nsp
IC704			IC,BA4510F-T1 SOP	HC10159210	FB701FL			BEAD COIL, BRS3550T0 3.5PHI*5	nsp
IC705			IC,NJM7805FA T0220F	HC3890509F	FB701FR			BEAD COIL, BRS3550T0 3.5PHI*5	nsp
IC706			IC,RC1117S33ST SOT223	*HC900020R	FB701SC			BEAD COIL, BRS3550T0 3.5PHI*5	nsp
IC707			IC,M27W401-80B6 PDIP32	*HC107760R	FB701SL			BEAD COIL, BRS3550T0 3.5PHI*5	nsp
IC708			IC,MM74LCX574WMX SOP20	*HC700360R	FB701SP			BEAD COIL, BRS3550T0 3.5PHI*5	nsp
IC709			IC,MM74LCX574WMX SOP20	*HC700360R	FB701SW			BEAD COIL, BRS3550T0 3.5PHI*5	nsp
IC710			IC,LC89055W(ES4)	HC10405030	FB702AFL			BEAD COIL, BRS3550T0 3.5PHI*5	nsp
IC711			IC,SN74LV00APW	*HC700370R	FB702AFR			BEAD COIL, BRS3550T0 3.5PHI*5	nsp
IC712			IC,MM74HCT244WMX SOP20	*HC700350R	L701			COIL FILTER-INDUCTOR, 4.7UH-Q50/56M LAL03VB	nsp
IC713			IC,MM74HC125MX SOP14	*HC700320R	L702			COIL FILTER-INDUCTOR, 4.7UH-Q50/56M LAL03VB	nsp
IC714			IC,IS61LV256-12J SOJ28P	*HC107770R	L703			COIL FILTER-INDUCTOR, 4.7UH-Q50/56M LAL03VB	nsp
IC715			IC,CS49329-CL PLCC44P	*HC107780R	L704			COIL FILTER-INDUCTOR, 4.7UH-Q50/56M LAL03VB	nsp
IC716			IC,RC1117S25T SOT223	*HC900010R	L705			COIL FILTER-INDUCTOR, 2.2UH-Q50/110M LAL03VB	nsp
IC717			IC,MM74HC244WMX SOIC20	*HC700340R	L706			COIL FILTER-INDUCTOR, 2.2UH-Q50/110M LAL03VB	nsp
IC718			IC,MM74HCT244WMX SOP20	*HC700350R	L707			COIL FILTER-INDUCTOR, 4.7UH-Q50/56M LAL03VB	nsp
IC719			IC,CS4228A-KS SSOP28	*HC107240R	L708			COIL FILTER-INDUCTOR, 2.2UH-Q50/110M LAL03VB	nsp
IC720			IC,CS4391 TSSOP20	*HC107250R	T1			COIL CHOKE, TRANS MATCHING	*LC107290R
IC721			IC,SN74LV4040APWR SOP16	*HC700380R	WIRE701			WIRE LEAD 1007 80C, GREEN 5-100-5	nsp
IC722					WIRE702			WIRE LEAD 1007 80C, GR 5-80-5	nsp
IC725			IC,NJM2068M SOP8P	HC10102090	XTAL701			CRYSTAL, 12.288MHZ HC49U-CL	*JX000770R
Q701C			TRS.CHIP 2SC, KTC2875B SOT23	*HT300870R					
Q701FL			TRS.CHIP 2SC, KTC2875B SOT23	*HT300870R					
Q701FR			TRS.CHIP 2SC, KTC2875B SOT23	*HT300870R					
Q701SC			TRS.CHIP 2SC, KTC2875B SOT23	*HT300870R					
Q701SL			TRS.CHIP 2SC, KTC2875B SOT23	*HT300870R					
Q701SR			TRS.CHIP 2SC, KTC2875B SOT23	*HT300870R					
Q701SW			TRS.CHIP 2SC, KTC2875B SOT23	*HT300870R					
Q702AFL			TRS.CHIP 2SC, KTC2875B SOT23	*HT300870R					
Q702AFR			TRS.CHIP 2SC, KTC2875B SOT23	*HT300870R					
Q703			TRS.CHIP 2SA,KRA102S	*BA001230R					
Q704			TRS.CHIP 2SC,KRC102S	*BA001220R					
Q705			TRS.CHIP 2SA,KRA102S	*BA001230R					
Q706			TRS.CHIP 2SC,KRC102S	*BA001220R					

NOTE : \*nsp\* PART IS LISTED FOR REFERENCE ONLY, MARANTZ WILL NOT SUPPLY THESE PARTS.

PS7200

POS. NO	VERS. COLOR	PART NO. (FOR PCS)	DESCRIPTION	PART NO. (MJI)	POS. NO	VERS. COLOR	PART NO. (FOR PCS)	DESCRIPTION	PART NO. (MJI)
C701L			HEAD PHONE CIRCUIT BOARD		▲F712			FUSE (5.2*20),250V-S8A	*FS000900R
C701R			HEAD PHONE - CAPACITORS		FC715			HOLDER,FUSE CLIP	nsp
C702			CER.,560pF-K/50V	nsp	▲F715			FUSE (5.2*20),250V-S2.5A	*FS000890R
CP103			CER.,560pF-K/50V	nsp	GND711			TERMINAL,	nsp
			CER.,0.1µF-Z/50V	nsp				ALL PBST/GND PLATE	nsp
			CN WIRE,570MM/3P	nsp	GND712			TERMINAL,	nsp
								ALL PBST/GND PLATE	nsp
R701L			HEAD PHONE - RESISTORS		L710			COIL FILTER-INDUCTOR,	nsp
R701R			RES MF 330 2W 5%	GA05331010	L711			10UH-Q40/24M 02TB	nsp
			RES MF 330 2W 5%	GA05331010	L712			COIL FILTER-INDUCTOR,	nsp
WIRE701			HEAD PHONE-MISCELLANEOUS					10UH-Q40/24M 02TB	nsp
			RING TEWIRE,200MM/1P	nsp	▲RY710			RELAY,HR-CR7-DC12V/10A	*LY000200R
					▲T710			TRANSF. SUB FOR F	*TS001610R
			POWER CIRCUIT BOARD					S-VIDEO CIRCUIT BOARD	
			POWER - CAPACITORS					S-VIDEO - CAPACITORS	
C710			FILM,0.047µF-J/100V	nsp	C801			ELECT,10µF-M/50V 5*11	nsp
C711			FILM,0.047µF-J/100V	nsp	C802			ELECT,470µF-M/6.3V 8*11.5	nsp
C712			FILM,0.047µF-J/100V	nsp	C802N			CER.CHIP,47pF-J/50V-1608	nsp
C713			CER.,0.1µF-Z/50V P16	nsp	C803			ELECT,10µF-M/50V 5*11	nsp
▲C714			CER.(SAFETY),DE2F3KH108MM	nsp	C803N			CER.CHIP,47pF-J/50V-1608	nsp
			4A		C804			ELECT,470µF-M/6.3V 8*11.5	nsp
C717			ELECT,470µF-M/25V 10*12.5	nsp	C804N			CER.CHIP,47pF-J/50V-1608	nsp
C718			ELECT,1µF-M/50V 5*11	nsp	C805			ELECT,470µF-M/6.3V 8*11.5	nsp
C719			ELECT,220µF-M/50V 10*12.5	nsp	C805N			CER.CHIP,47pF-J/50V-1608	nsp
					C806			ELECT,10µF-M/50V 5*11	nsp
			POWER - RESISTORS		C806N			CER.CHIP,47pF-J/50V-1608	nsp
R710D			ERC-12UGK335	RC05471010	C807			ELECT,4.7µF-M/50V 5*11	nsp
R712			470-J 1/6W	nsp	C807N			CER.CHIP,47pF-J/50V-1608	nsp
R713			10K-J 1/6W	nsp	C808			ELECT,4.7µF-M/50V 5*11	nsp
R714			15K-J 1/6W	nsp	C809			ELECT,10µF-M/50V 5*11	nsp
R716			47-J 1/4W	nsp					
R718			1.8K-J 1/6W	nsp					
R719			0.22-J 1W	*GA000200R					
			POWER - SEMICONDUCTORS						
D710					C810			ELECT,10µF-M/50V 5*11	nsp
S			DIODE,IN4007	*HD201570R	C810A			CER.CHIP,100pF-J/50V-1608	nsp
D713					C811			ELECT,10µF-M/50V 5*11	nsp
D714			DIODE,1SS133T	HD20015210	C812			ELECT,4.7µF-M/50V 5*11	nsp
D715			DIODE,1SS133T	HD20015210	C813			ELECT,4.7µF-M/50V 5*11	nsp
D719			DIODE,IN4007	*HD201570R	C814			ELECT,10µF-M/50V 5*11	nsp
IC710			IC,KA7806	*HC300120R	C815			ELECT,10µF-M/50V 5*11	nsp
Q711			TRS.RC,KRC107M TO92M	*BA001190R	C816			ELECT,47µF-M/16V 5*11	nsp
Q712			TRS.2SA,KSA816Y TO92L	*HT100600R	C817			CER.CHIP,0.01µF-Z/50V-1608	nsp
Q714			TRS.RC,KRC107M TO92M	*BA001190R	C818			CER.,0.01µF-M/16V	nsp
ZD711			D ZENER,MTZJ7.5B	*HD301980R	C820			ELECT,47µF-M/16V 5*11	nsp
ZD712			D ZENER,MTZJ15B	*HD302000R	C821			CER.CHIP,0.01µF-Z/50V-1608	nsp
ZD713			D ZENER,MTZJ15B	*HD302000R	C822			ELECT,100µF-M/10V 5*11	nsp
ZD715			D ZENER,MTZJ4.3B	HD30431000	C823			ELECT,10µF-M/50V 5*11	nsp
ZD716			D ZENER,MTZJ20B	*HD301950R	C824			CER.,0.01µF-M/16V	nsp
					C825			ELECT,2.2µF-M/50V 5*11	nsp
					C826			CER.,0.001µF-K/50V	nsp
			POWER - MISCELLANEOUS		C827			ELECT,2.2µF-M/50V 5*11	nsp
CP710			CN.WAFE2.5MM,5267-04A 4P	nsp	C828			ELECT,10µF-M/50V 5*11	nsp
CP711			CN.WAFE3.96MM,35328-0210	nsp	C829			ELECT,10µF-M/50V 5*11	nsp
CP712			CN.WAFE7.92MM,	nsp					
			YW396-32V 2P		C831			CER.CHIP,100pF-J/50V-1608	nsp
CP714			CN.WAFE2.0MM,	nsp	C832			ELECT,10µF-M/50V 5*11	nsp
			G1L-S-4P-S2T2-EF		C833			CER.CHIP,0.01µF-Z/50V-1608	nsp
CP715			CN.WAFE2.0MM,	nsp	C834			ELECT,100µF-M/10V 5*11	nsp
			G1L-S-5P-S2T2-EF		C835			CER.,47pF-J/50V	nsp
FC711			HOLDER,FUSE CLIP	nsp	C836			ELECT,1µF-M/50V 5*11	nsp
▲F711			FUSE (5.2*20),250V-S2.5A	*FS000890R	C837			CER.,20pF-J/50V	nsp
FC712			HOLDER,FUSE CLIP	nsp	C838			CER.CHIP,100pF-J/50V-1608	nsp
					C839			ELECT,100µF-M/10V 5*11	nsp

NOTE : \*nsp\* PART IS LISTED FOR REFERENCE ONLY, MARANTZ WILL NOT SUPPLY THESE PARTS.

PS7200

POS. NO	VERS. COLOR	PART NO. (FOR PCS)	DESCRIPTION	PART NO. (MJI)	POS. NO	VERS. COLOR	PART NO. (FOR PCS)	DESCRIPTION	PART NO. (MJI)
C840A			ELECT,47µF-M/16V 5*11	nsp	R846			CHIP,2.2K-J 1/16W-1608	nsp
C840U			CER.,20pF-J/50V	nsp	R847			CHIP,10K-J 1/16W-1608	nsp
C841A			CER.CHIP,0.01µF-Z/50V-1608	nsp	R848			330-J 1/6W	nsp
C841U			CER.,20pF-J/50V	nsp	R849			CHIP,1M-J 1/16W-1608	nsp
C842			CER.CHIP,0.01µF-Z/50V-1608	nsp	R849A			CHIP,3K-J 1/16W-1608	nsp
C842A			CER.CHIP,0.01µF-Z/50V-1608	nsp	R850			CHIP,150K-J 1/16W-1608	nsp
C843			CER.,20pF-J/50V	nsp	R850A			CHIP,3.9K-J 1/16W-1608	nsp
C843A			CER.,22pF-J/50V	nsp	R851			470K-J 1/6W	nsp
C844			ELECT,100µF-M/10V 5*11	nsp	R852			CHIP,33K-J 1/16W-1608	nsp
C845			CER.,0.001µF-K/50V	nsp	R853			CHIP,470K-J 1/16W-1608	nsp
C845A			ELECT,10µF-M/50V 5*11	nsp	R861			CHIP,220-J 1/16W-1608	nsp
C846			ELECT,1µF-M/50V 5*11	nsp	R862			CHIP,220-J 1/16W-1608	nsp
C847			CER.CHIP,100pF-J/50V-1608	nsp	R863			100-J 1/6W	nsp
C848			CER.CHIP,220pF-K/50V-1608	nsp					
C849			ELECT,1µF-M/50V 5*11	nsp				S-VIDEO - SEMICONDUCTORS	
C849A			CER.CHIP,0.01µF-Z/50V-1608	nsp	D801			DIODE,1SS133T	HD20015210
C850A			CER.CHIP,0.01µF-Z/50V-1608	nsp	D801A			DIODE CHIP,KDS160	*HD201560R
C858			CER.CHIP,100pF-J/50V-1608	nsp	D802				
C858A			CER.CHIP,47pF-J/50V-1608	nsp	∫			DIODE,1SS133T	HD20015210
C859			CER.CHIP,0.01µF-Z/50V-1608	nsp	D805				
			S-VIDEO - RESISTORS		D811			DIODE,1SS133T	HD20015210
R801					IC802			IC,NJM2296M SOP16	HC10210090
∫			CHIP,56-J 1/16W-1608	nsp	IC803			IC,NJM2296M SOP16	HC10210090
R806					IC804			IC,NJM2506 SOP16	*HC107270R
R807					IC805			IC,M35010-001SP DIP20	*HC107310R
∫			CHIP,75-J 1/16W-1608	nsp	IC806			IC,BA7046 DIP8	*HC107230R
R814					Q801			TRS.RC,KRC107M TO92M	*BA001190R
R815			2.2-J 1/6W	nsp	Q802			TRS.2SA933S TO92M	*HT100610R
R816			1K-J 1/6W	nsp	Q803			TRS.RB,KRA107M	*BA000190R
R816A			CHIP,1K-J 1/16W-1608	nsp	Q804			TRS.RB,KRA107M	*BA000190R
R817			1-J 1/6W	nsp	Q805			TRS.RB,KRA107M	*BA000190R
R818			CHIP,2.2K-J 1/16W-1608	nsp	Q806			TRS.2SC,KTC2874B TO92	*HT300880R
R819			47K-J 1/6W	nsp	Q806A			TRS.2SC,KTC2874B TO92	*HT300880R
R819A			CHIP,68K-J 1/16W-1608	nsp	Q807			TRS.2SA933S TO92M	*HT100610R
R820			68-J 1/6W	nsp	Q808			TRS.RC,KRC107M TO92M	*BA001190R
R820A			CHIP,68K-J 1/16W-1608	nsp	Q816			TRS.2SA933S TO92M	*HT100610R
R822			22K-J 1/6W	nsp	Q851			TRS.2SC3199-GR/KTC3199-GR	*HT300880R
R823			CHIP,33K-J 1/16W-1608	nsp	Q852			TRS.2SA933S TO92M	*HT100610R
R824			75-J 1/6W	nsp	Q854			TRS.2SA933S TO92M	*HT100610R
R825			CHIP,2.2K-J 1/16W-1608	nsp				S-VIDEO - MISCELLANEOUS	
R826			CHIP,10K-J 1/16W-1608	nsp	CP801S			CN.WAFE2.5MM,5287-02A 2P	nsp
R827			CHIP,33K-J 1/16W-1608	nsp	CP801SV			CN.WAFE2.0MM,	nsp
R828			CHIP,75-J 1/16W-1608	nsp				G1L-S-4P-S2T2-EF	
R829			CHIP,2.2K-J 1/16W-1608	nsp	J807			CHIP,0-J 1/16W-1608	nsp
					J810			CHIP,0-J 1/16W-1608	nsp
R830			CHIP,10K-J 1/16W-1608	nsp	J850			CHIP,0-J 1/16W-1608	nsp
R831			CHIP,10K-J 1/16W-1608	nsp	J852			CHIP,0-J 1/16W-1608	nsp
R832			CHIP,2K-J 1/16W-1608	nsp	J853			CHIP,0-J 1/16W-1608	nsp
R833			CHIP,10K-J 1/16W-1608	nsp	J854			CHIP,0-J 1/16W-1608	nsp
R834			CHIP,8.2K-J 1/16W-1608	nsp	J861				
R835			CHIP,15K-J 1/16W-1608	nsp	∫			CHIP,0-J 1/16W-1608	nsp
R836			CHIP,75-J 1/16W-1608	nsp	J866				
R837			CHIP,47K-J 1/16W-1608	nsp	J932			CHIP,0-J 1/16W-1608	nsp
R838			CHIP,12K-J 1/16W-1608	nsp	L801			COIL FILTER-INDUCTOR,	nsp
R839			CHIP,1K-J 1/16W-1608	nsp				22UH-Q40/17M 02TB	
R840			CHIP,1K-J 1/16W-1608	nsp	L802			COIL FILTER-INDUCTOR,	nsp
R841			CHIP,1K-J 1/16W-1608	nsp				22UH-Q40/17M 02TB	
R842			CHIP,100-J 1/16W-1608	nsp	L804			BEAD COIL,	nsp
R843U			470-J 1/6W	nsp				BAS3580T0 3.5PHI*8	
R844U			1M-J 1/6W	nsp	XTAL801			CRYSTAL,14.31818MHZ	*JX000780R
R845			2.2K-J 1/6W	nsp				HC49U-CL	

NOTE : \*nsp\* PART IS LISTED FOR REFERENCE ONLY, MARANTZ WILL NOT SUPPLY THESE PARTS.



PS7200

POS. NO	VERS. COLOR	PART NO. (FOR PCS)	DESCRIPTION	PART NO. (MJI)	POS. NO	VERS. COLOR	PART NO. (FOR PCS)	DESCRIPTION	PART NO. (MJI)
			VIDEO CIRCUIT BOARD		R852M			CHIP,33K-J 1/16W-1608	nsp
			VIDEO - CAPACITORS		R853M			CHIP,470K-J 1/16W-1608	nsp
C832M			ELECT,10µF-M/50V 5*11	nsp	R864			1K-J 1/6W	nsp
C833M			CER.CHIP,0.01µF-Z/50V-1608	nsp	R865			1K-J 1/6W	nsp
C834M			ELECT,100µF-M/10V 5*11	nsp	R870M			CHIP,10K-J 1/16W-1608	nsp
C835M			CER.CHIP,47pF-J/50V-1608	nsp	R871			CHIP,10K-J 1/16W-1608	nsp
C836M			ELECT,1µF-M/50V 5*11	nsp	R872M			CHIP,56-J 1/16W-1608	nsp
C837M			CER.,20pF-J/50V	nsp	R873			CHIP,47-J 1/16W-1608	nsp
C838M			CER.CHIP,100pF-J/50V-1608	nsp	R874			1K-J 1/6W	nsp
C839M			ELECT,100µF-M/10V 5*11	nsp	R875			CHIP,10K-J 1/16W-1608	nsp
C840MU			CER.,20pF-J/50V	nsp	R876			CHIP,56-J 1/16W-1608	nsp
C841MU			CER.,20pF-J/50V	nsp	R877			CHIP,10K-J 1/16W-1608	nsp
C842M			CER.CHIP,0.01µF-Z/50V-1608	nsp	R878			CHIP,75-J 1/16W-1608	nsp
C843M			CER.,20pF-J/50V	nsp	R879			CHIP,56-J 1/16W-1608	nsp
C844M			ELECT,100µF-M/10V 5*11	nsp	R880			CHIP,75-J 1/16W-1608	nsp
C845M			CER.,0.001µF-K/50V	nsp	R881			CHIP,75-J 1/16W-1608	nsp
C846M			ELECT,1µF-M/50V 5*11	nsp	R882			CHIP,75-J 1/16W-1608	nsp
C847M			CER.CHIP,100pF-J/50V-1608	nsp	R883			2.2K-J 1/6W	nsp
C848M			CER.CHIP,2200pF-K/50V-1608	nsp	R884			1-J 1/6W	nsp
C849M			ELECT,1µF-M/50V 5*11	nsp	R885			CHIP,2.2-J 1/16W-1608	nsp
C870M			CER.CHIP,47pF-J/50V-1608	nsp	R886			CHIP,47K-J 1/16W-1608	nsp
C871			CER.CHIP,47pF-J/50V-1608	nsp	R889			33K-J 1/6W	nsp
C872M			ELECT,470µF-M/6.3V 8*11.5	nsp	R890			68-J 1/6W	nsp
C873			ELECT,470µF-M/6.3V 8*11.5	nsp	R891			2.2K-J 1/6W	nsp
C874			CER.CHIP,47pF-J/50V-1608	nsp	R894M			68-J 1/6W	nsp
C875			ELECT,470µF-M/6.3V 8*11.5	nsp	R895M			47K-J 1/6W	nsp
C876			CER.CHIP,47pF-J/50V-1608	nsp	R896M			3.3K-J 1/6W	nsp
C877			ELECT,470µF-M/6.3V 8*11.5	nsp	R897			CHIP,10K-J 1/16W-1608	nsp
C878					R899			1K-J 1/6W	nsp
5			ELECT,10µF-M/50V 5*11	nsp					
C881								VIDEO - SEMICONDUCTORS	
C882			ELECT,47µF-M/16V 5*11	nsp	D870			DIODE,1SS133T	HD20015210
C883			CER.CHIP,0.1µF-K/50V-1608	nsp	D871			DIODE CHIP,KDS160	*HD201560R
C884			CER.CHIP,0.1µF-K/50V-1608	nsp	D872			DIODE,1SS133T	HD20015210
C885			ELECT,47µF-M/16V 5*11	nsp	D873			DIODE,1SS133T	HD20015210
C886			ELECT,10µF-M/50V 5*11	nsp	D884			DIODE,1SS133T	HD20015210
C887			CER.CHIP,100pF-J/50V-1608	nsp	IC805M			IC,M35010-001SP DIP20	*HC107310R
C888			CER.,0.01µF-M/16V	nsp	IC806M			IC,BA7046 DIP8	*HC107230R
C889			ELECT,100µF-M/10V 5*11	nsp	IC871M			IC,NJM2296M SOP16	HC10210090
C890			CER.,0.001µF-K/50V	nsp	IC872			IC,NJM2296M SOP16	HC10210090
C891			ELECT,2.2µF-M/50V 5*11	nsp	IC873M			IC,BU4094BCF-E2 SOP16	*HC400010R
C892			CER.CHIP,100pF-J/50V-1608	nsp	IC874			IC,BU4094BCF-E2 SOP16	*HC400010R
C894			ELECT,10µF-M/50V 5*11	nsp	Q805M			TRS.RB,KRA107M	*BA000190R
C895			ELECT,10µF-M/50V 5*11	nsp	Q808M			TRS.RC,KRC107M TO92M	*BA001190R
C896			CER.CHIP,100pF-J/50V-1608	nsp	Q821			TRS.2SA933S TO92M	*HT100610R
			VIDEO - RESISTORS		Q822			TRS.2SC,KTC2874B TO92	*HT300880R
R831M			CHIP,10K-J 1/16W-1608	nsp	Q851M			TRS.2SC3199-GR/KTC3199-GR	*HT300890R
R832M			CHIP,2K-J 1/16W-1608	nsp	Q870			TRS.RC,KRC107M TO92M	*BA001190R
R833M			CHIP,10K-J 1/16W-1608	nsp	Q871			TRS.RB,KRA107M	*BA000190R
R834M			CHIP,8.2K-J 1/16W-1608	nsp	Q873M			TRS.2SA933S TO92M	*HT100610R
R835M			CHIP,68K-J 1/16W-1608	nsp				VIDEO - MISCELLANEOUS	
R841M			CHIP,1K-J 1/16W-1608	nsp	CP301V			CN.WAFE2.0MM,	nsp
R842M			CHIP,100-J 1/16W-1608	nsp				GIL-S-2P-S2T2-EF	
R843MU			470-J 1/6W	nsp	J887M			CHIP,0-J 1/16W-1608	nsp
R844MU			1M-J 1/6W	nsp	J904M			CHIP,0-J 1/16W-1608	nsp
R845M			2.2K-J 1/6W	nsp	J905M			CHIP,0-J 1/16W-1608	nsp
R846M			CHIP,2.2K-J 1/16W-1608	nsp	J911				
R847M			CHIP,10K-J 1/16W-1608	nsp	5			CHIP,0-J 1/16W-1608	nsp
R848M			330-J 1/6W	nsp	J916				
R849M			CHIP,1M-J 1/16W-1608	nsp	L801M			COIL FILTER-INDUCTOR,	nsp
R850M			CHIP,150K-J 1/16W-1608	nsp				22UH-Q40/17M 02TB	
R851M			470K-J 1/6W	nsp	L802M			COIL FILTER-INDUCTOR,	nsp
								22UH-Q40/17M 02TB	

NOTE : \*nsp\* PART IS LISTED FOR REFERENCE ONLY, MARANTZ WILL NOT SUPPLY THESE PARTS.

PS7200

POS. NO	VERS. COLOR	PART NO. (FOR PCS)	DESCRIPTION	PART NO. (MJI)	POS. NO	VERS. COLOR	PART NO. (FOR PCS)	DESCRIPTION	PART NO. (MJI)
XTAL&G1M			CRYSTAL,14.31818MHZ HC49U-CL	*JX000780R				SPEAKER A CIRCUIT BOARD SPEAKER A - MISCELLANEOUS CN.WAFE2.5MM,52668-1317 ANG ZIP	nsp
C898			COMPONENT VIDEO CIRCUIT BOARD C VIDEO - CAPACITORS ELECT,1µF-M/50V 5*11	nsp	CN101				
C899			CER.,0.1µF-Z/50V P16	nsp				SPEAKER B CIRCUIT BOARD SPEAKER B - CAPACITORS CER.,0.0047µF-K/16V	nsp
C900			ELECT,1µF-M/50V 5*11	nsp	C952L			CER.,0.0047µF-K/16V	nsp
C901			CER.,0.1µF-Z/50V P16	nsp	C952R				nsp
C902			ELECT,1µF-M/50V 5*11	nsp				SPEAKER B - MISCELLANEOUS CN.WAFE3.96MM,JE202A2T4 ANG4P	nsp
C903			CER.,0.1µF-Z/50V P16	nsp	CN951				
C904			ELECT,10µF-M/50V 5*11	nsp				TUNER INPUT CIRCUIT BOARD TUNER INPUT - CAPACITORS CER.,0.1µF-Z/50V	nsp
C909			ELECT,470µF-M/6.3V 8*11.5	nsp	C953				
C910			ELECT,470µF-M/6.3V 8*11.5	nsp				TUNER INPUT - RESISTORS 470-J 1/6W	nsp
C911			ELECT,470µF-M/6.3V 8*11.5	nsp	R951			470-J 1/6W	nsp
C912			ELECT,220µF-M/10V 6.3*11	nsp	R952				nsp
C915			ELECT,220µF-M/10V 6.3*11	nsp				TUNER INPUT-MISCELLANEOUS CN.WAFE2.0MM, G1L-S-3P-S2T2-EF	nsp
C916			ELECT,220µF-M/10V 6.3*11	nsp	CP302T				
C918			CER.,0.01µF-K/50V	nsp					
C919			CER.,0.01µF-K/50V	nsp					
C920			ELECT,10µF-M/35V 5*11	nsp					
C921			ELECT,10µF-M/35V 5*11	nsp					
C922			ELECT,10µF-M/35V 5*11	nsp					
			C VIDEO - RESISTORS						
R898			75-J 1/6W	nsp					
R906			47K-J 1/6W	nsp					
R915			100-J 1/6W	nsp					
R921			100-J 1/6W	nsp					
R922			100-J 1/6W	nsp					
R923			100-J 1/6W	nsp					
R924			270-J 1/6W	nsp					
R925			270-J 1/6W	nsp					
R926			10K-J 1/6W	nsp					
R927			270-J 1/6W	nsp					
R928			270-J 1/6W	nsp					
R929			10K-J 1/6W	nsp					
R930			270-J 1/6W	nsp					
R931			270-J 1/6W	nsp					
R932			10K-J 1/6W	nsp					
			C VIDEO - SEMICONDUCTORS						
D452			DIODE,1SS133T	HD20015210					
D453			DIODE,1SS133T	HD20015210					
IC898			IC,MM74HC4053MX SOP16	*HC800010R					
IC899			IC,RC6333 SOP14	*HC107580R					
Q901			TRS.RC,KRC107M TO92M	*BA001190R					
			C VIDEO - MISCELLANEOUS CN.WAFE2.0MM, TUC-P06X-B1 HOUSING ST	nsp					
			GUIDE CIRCUIT BOARD GUIDE - MISCELLANEOUS CLAMP,HMX9800 DARA-2	nsp					
CLAMP 101			CLAMP,HMX9800 DARA-2	nsp					
CLAMP 102			CLAMP,HMX9800 DARA-2	nsp					

NOTE : \*nsp PART IS LISTED FOR REFERENCE ONLY, MARANTZ WILL NOT SUPPLY THESE PARTS.