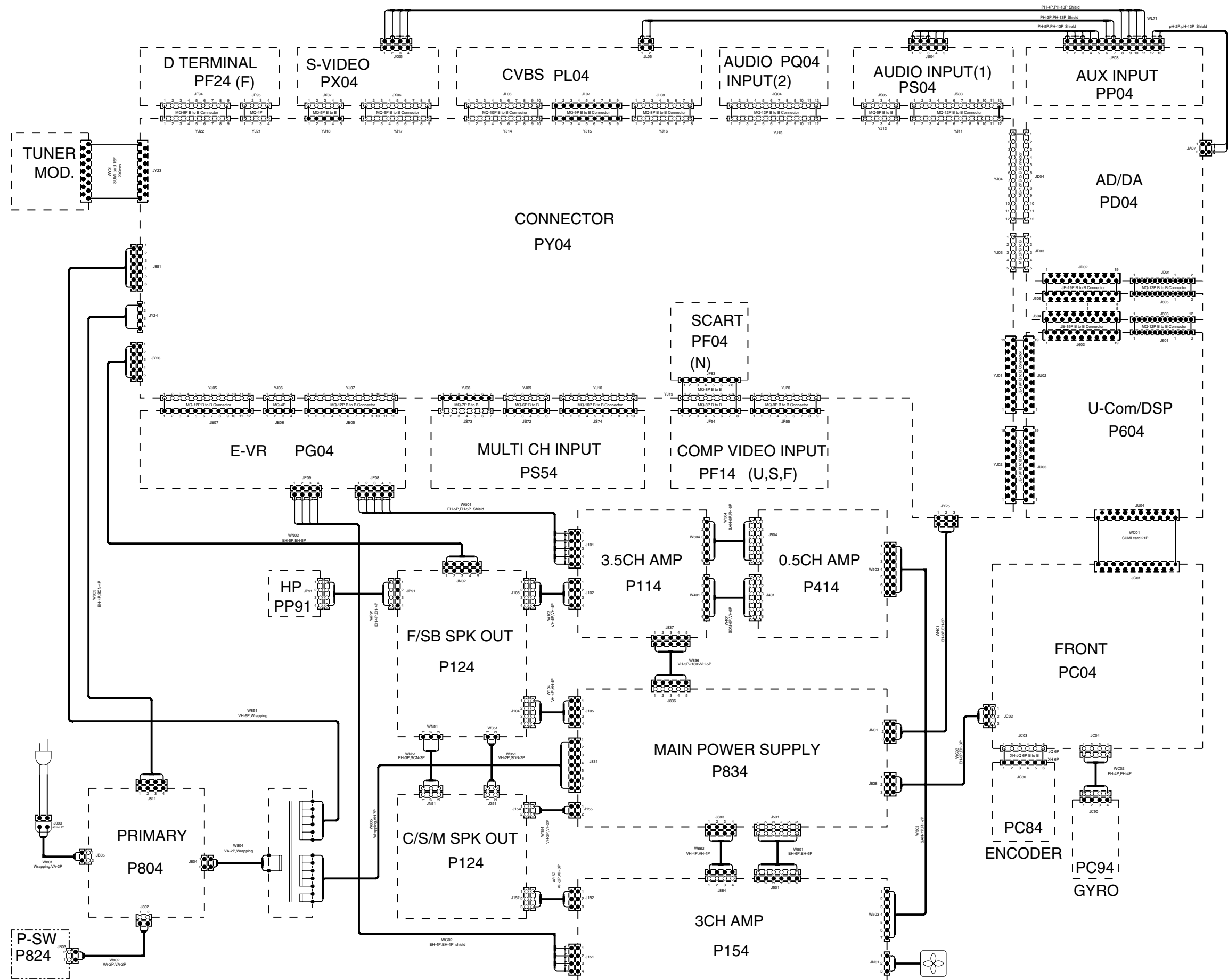
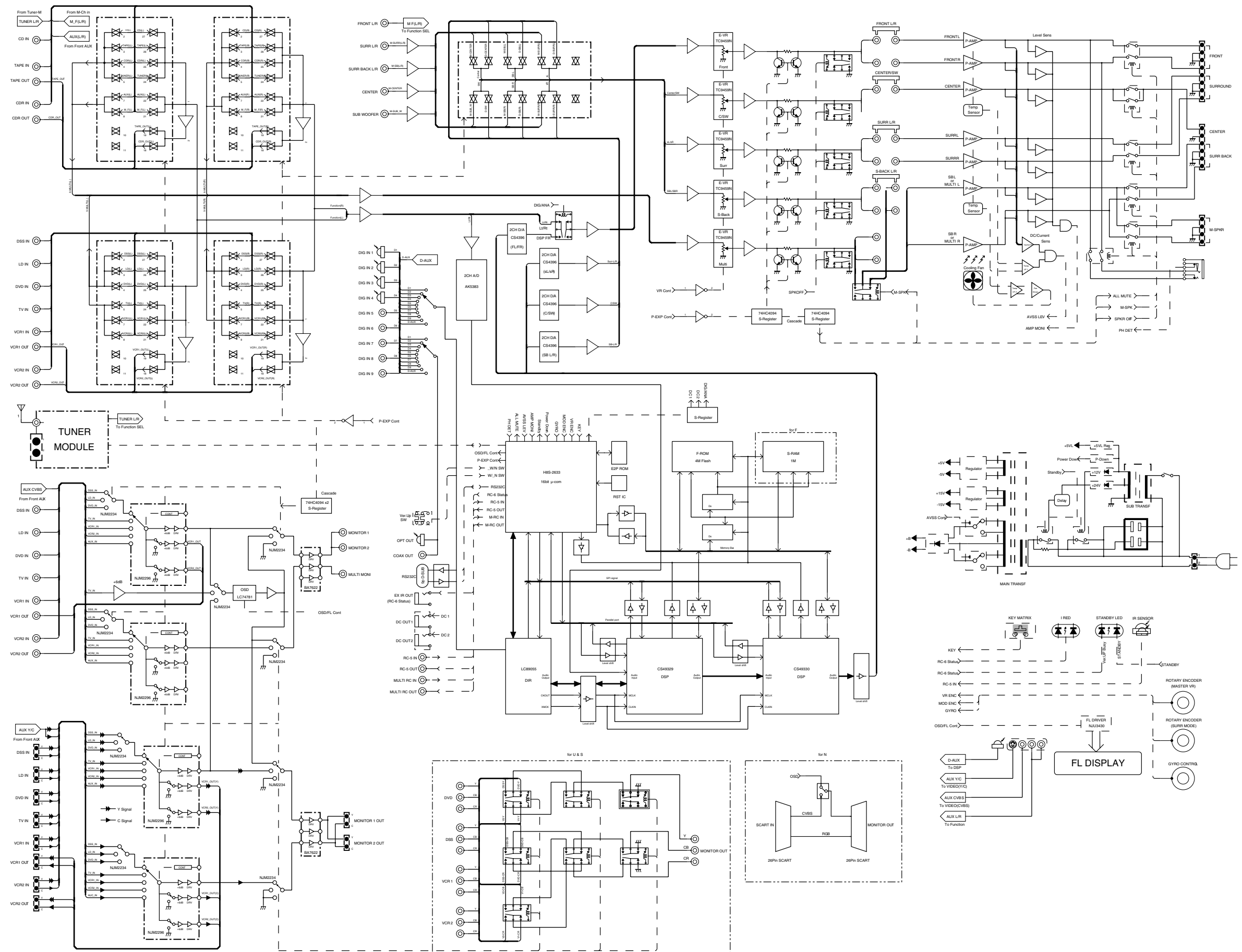


## 2. WIRING DIAGRAM

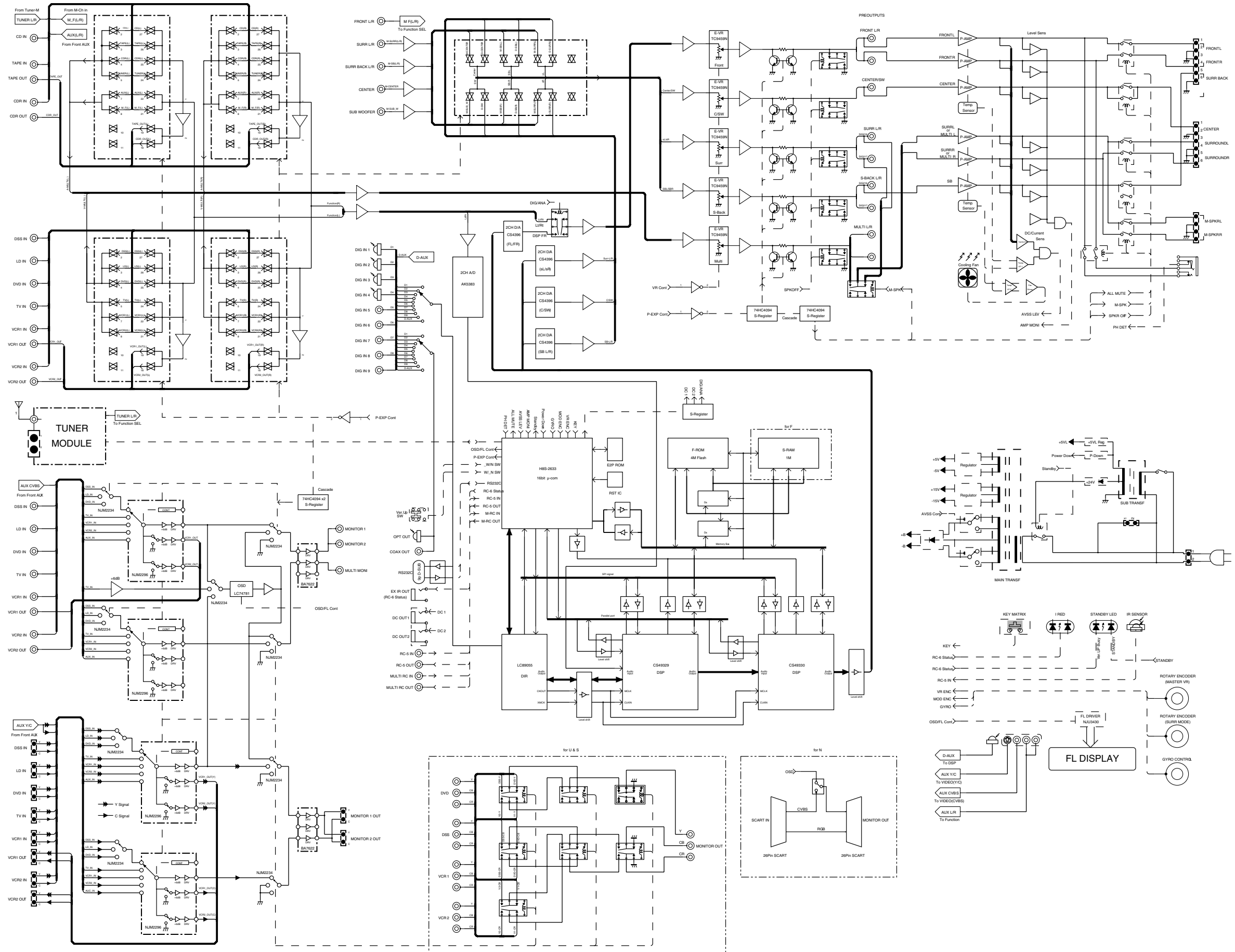


### 3. BLOCK DIAGRAM

#### SR9200 / PS9200

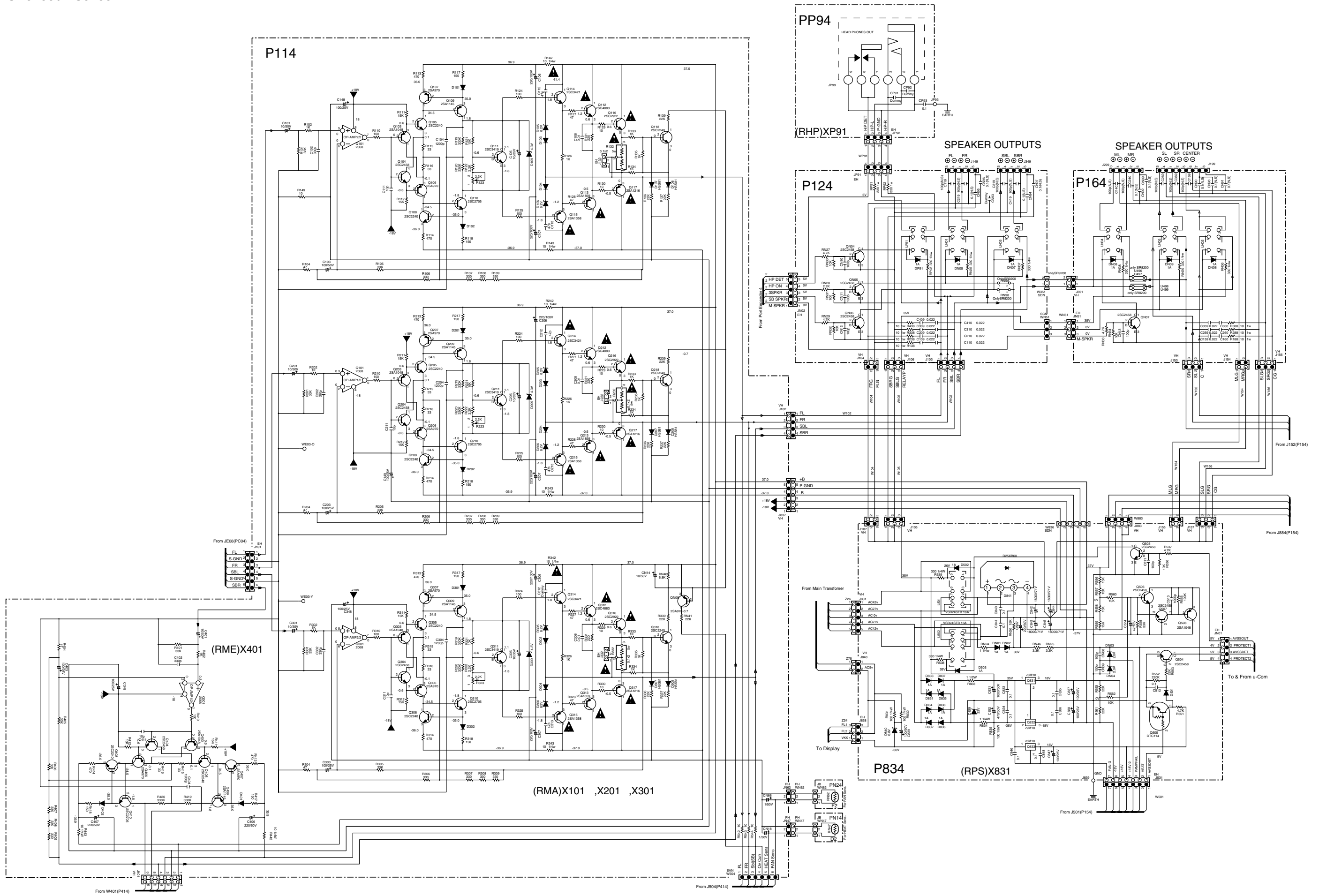


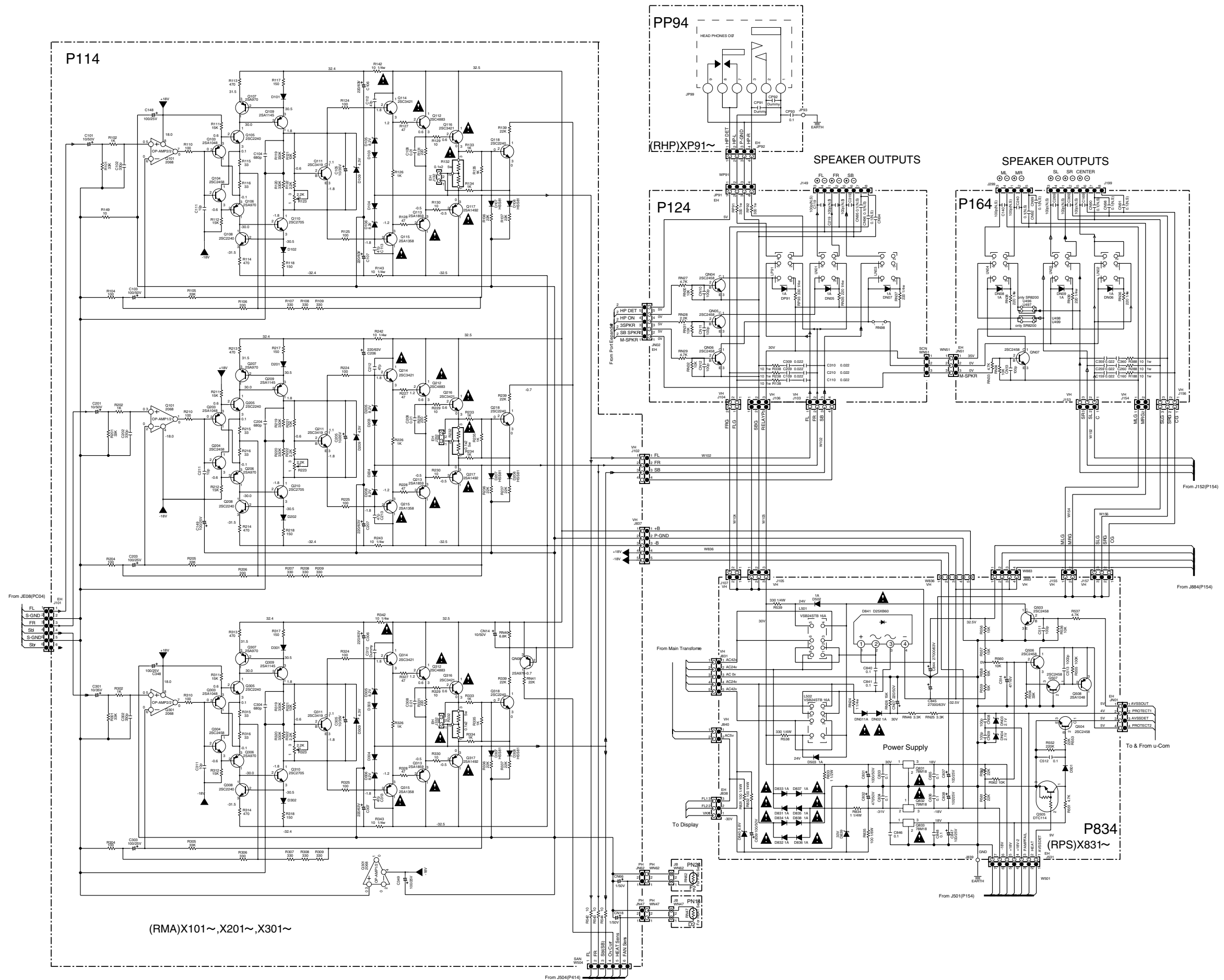
SR8200

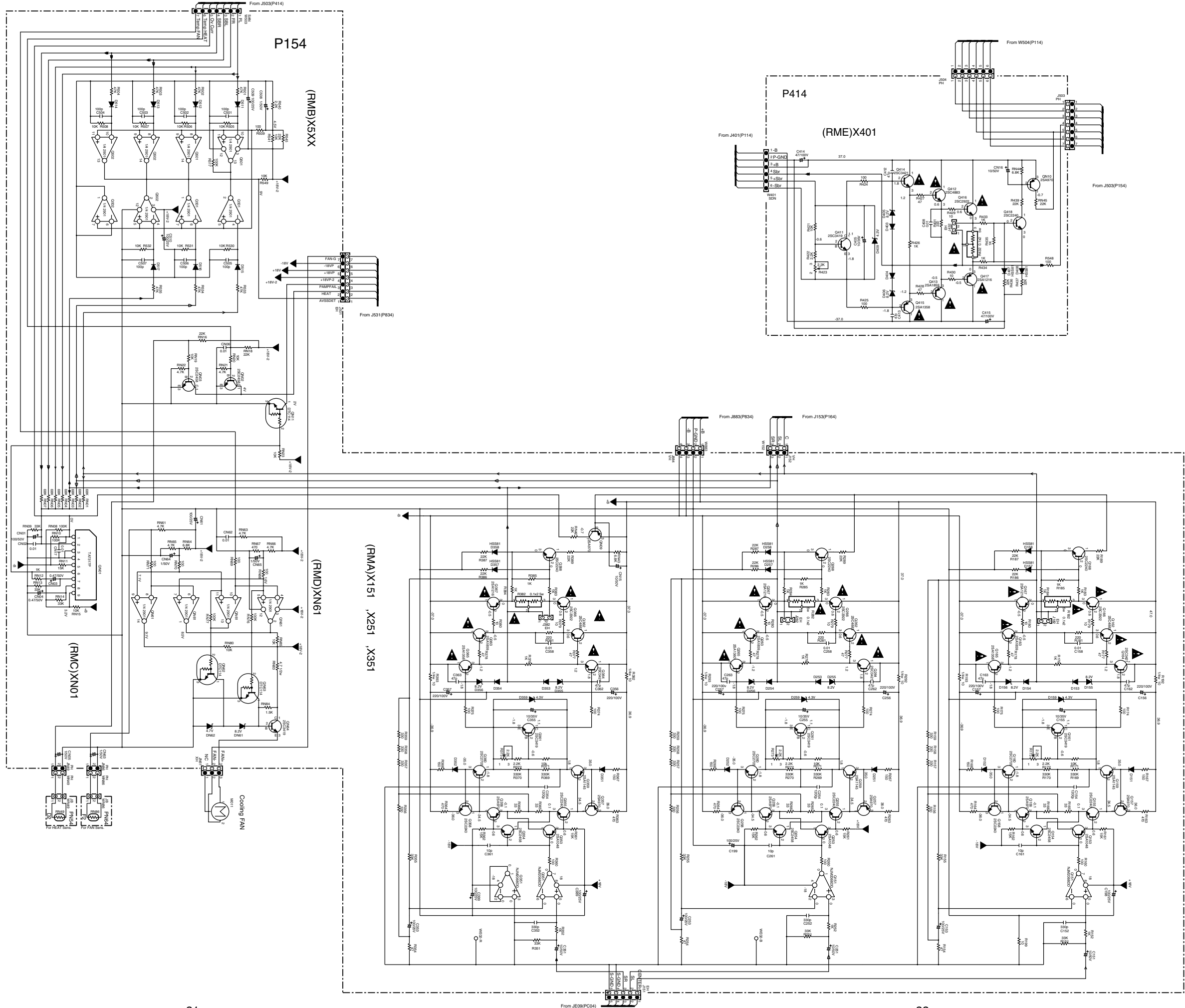


# 4. SCHEMATIC DIAGRAM

SR9200 / PS9200



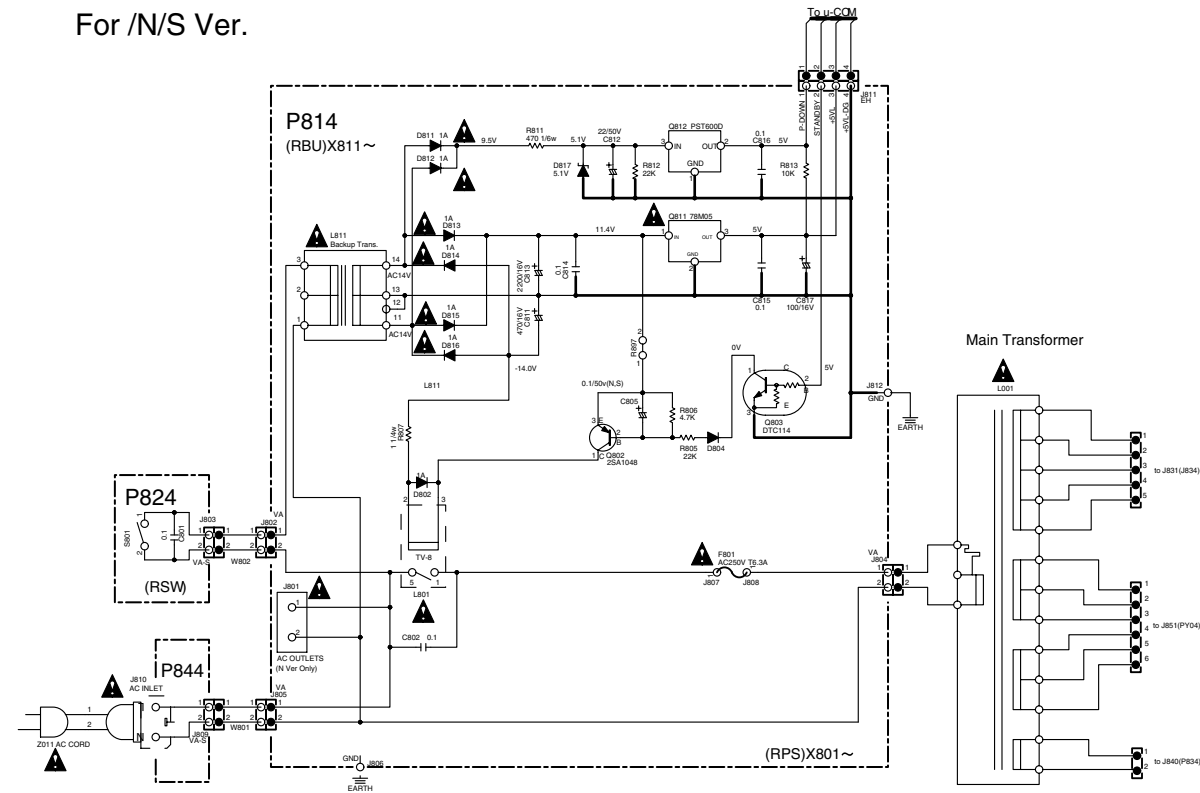




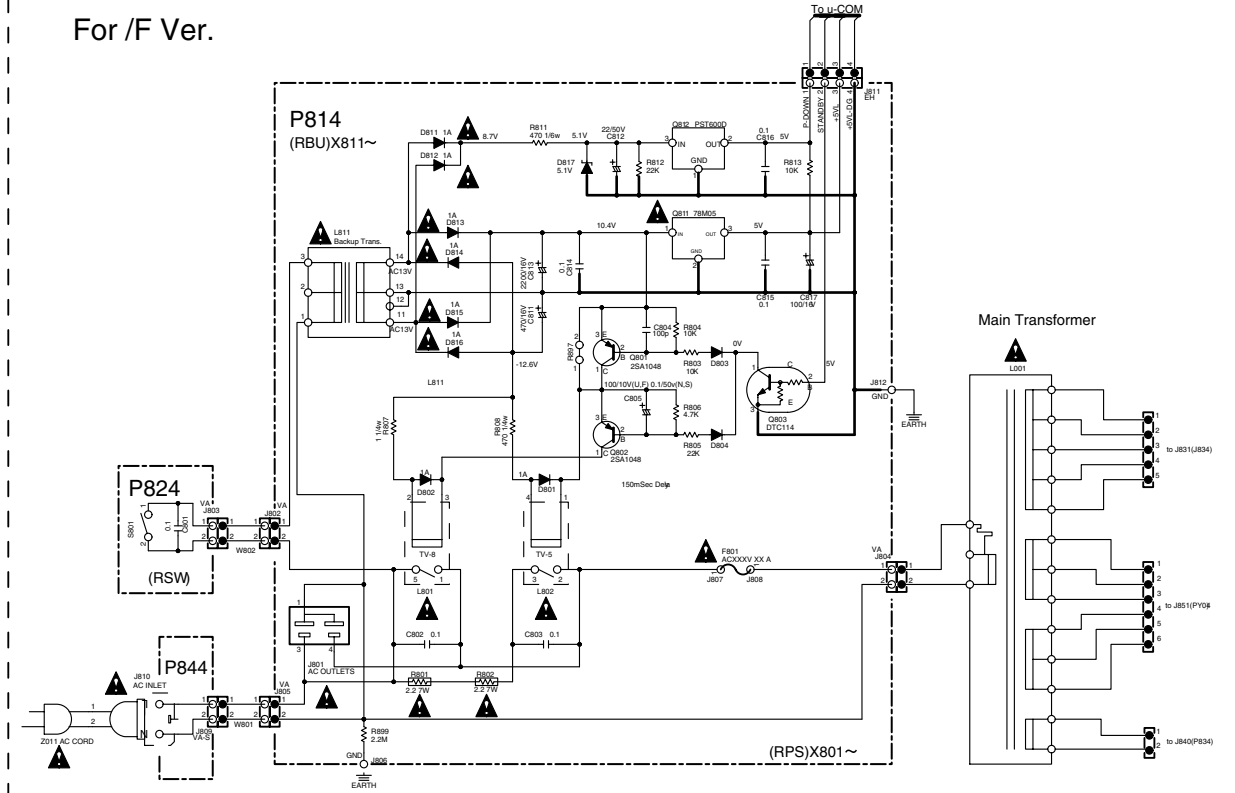


SR9200 / PS9200

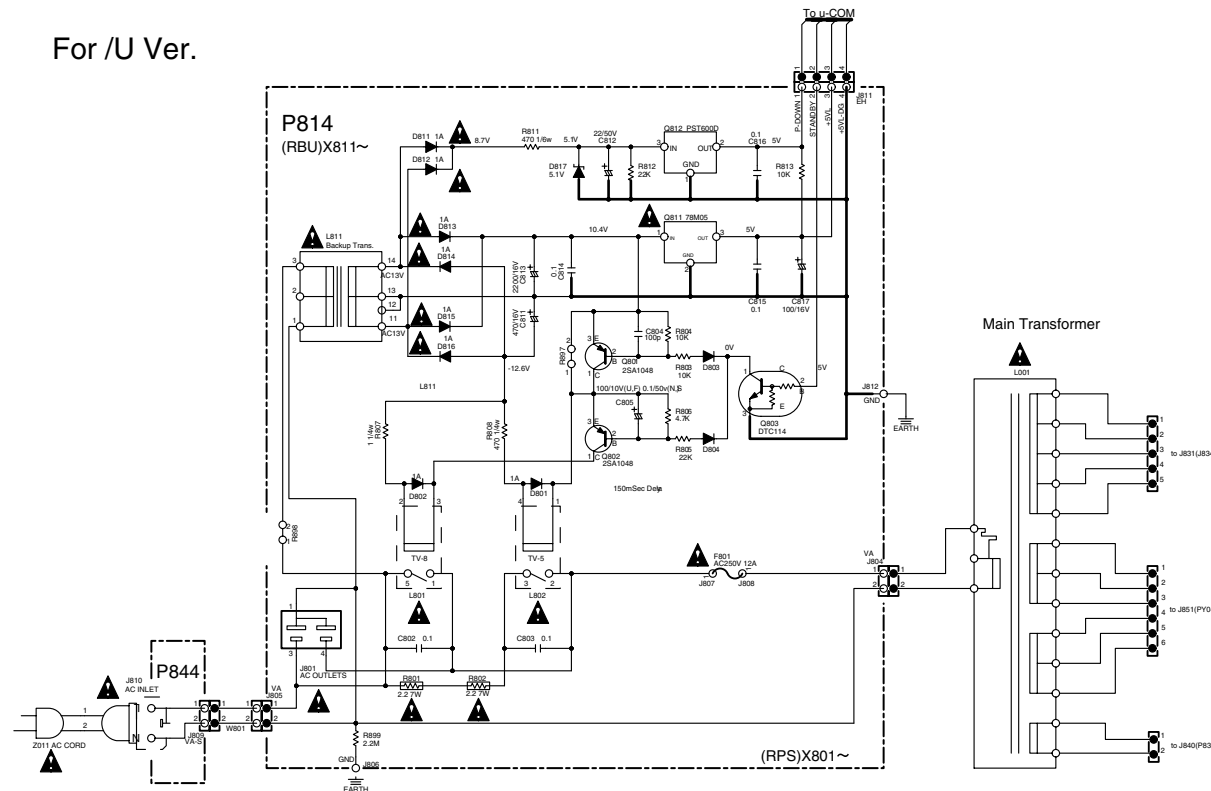
For /N/S Ver.



For /F Ver.



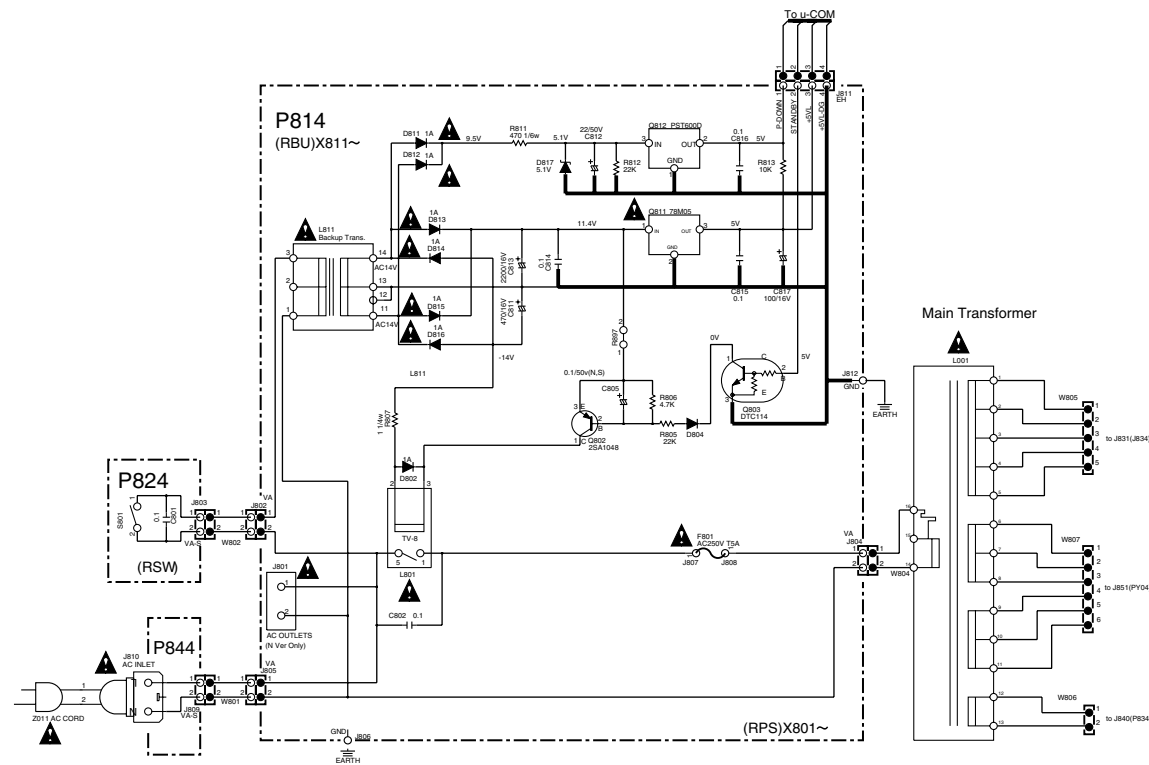
For /U Ver.



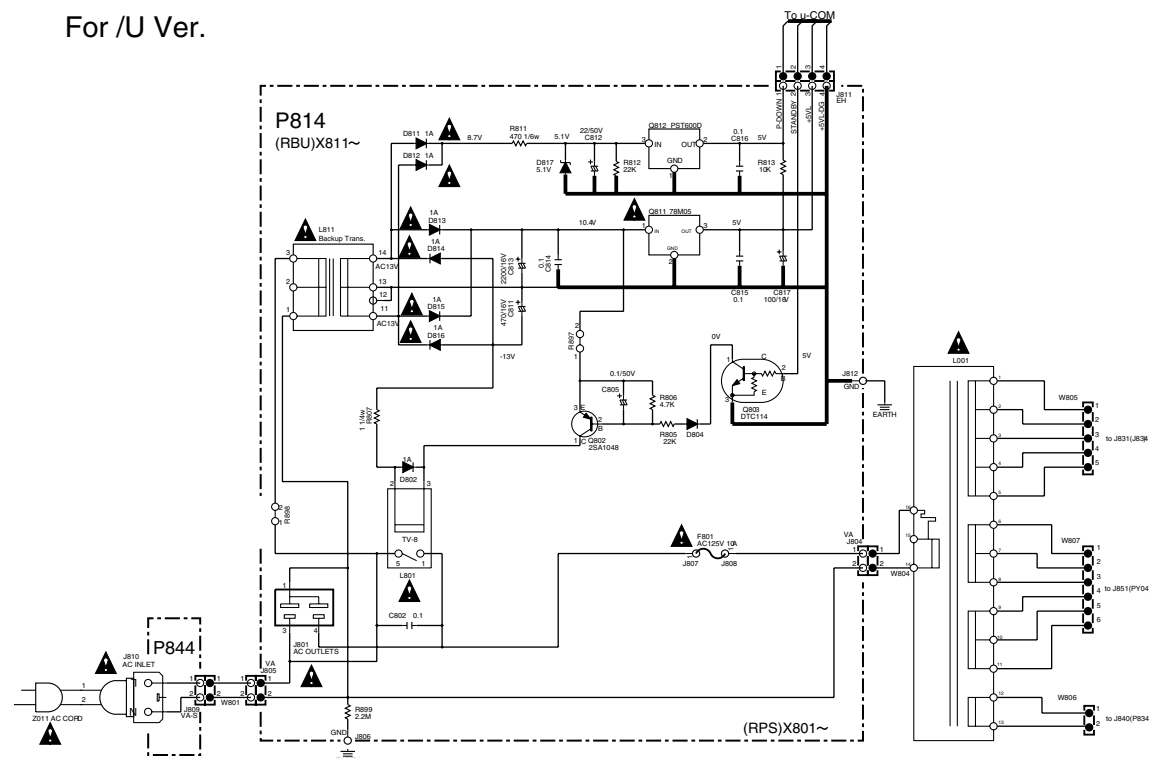


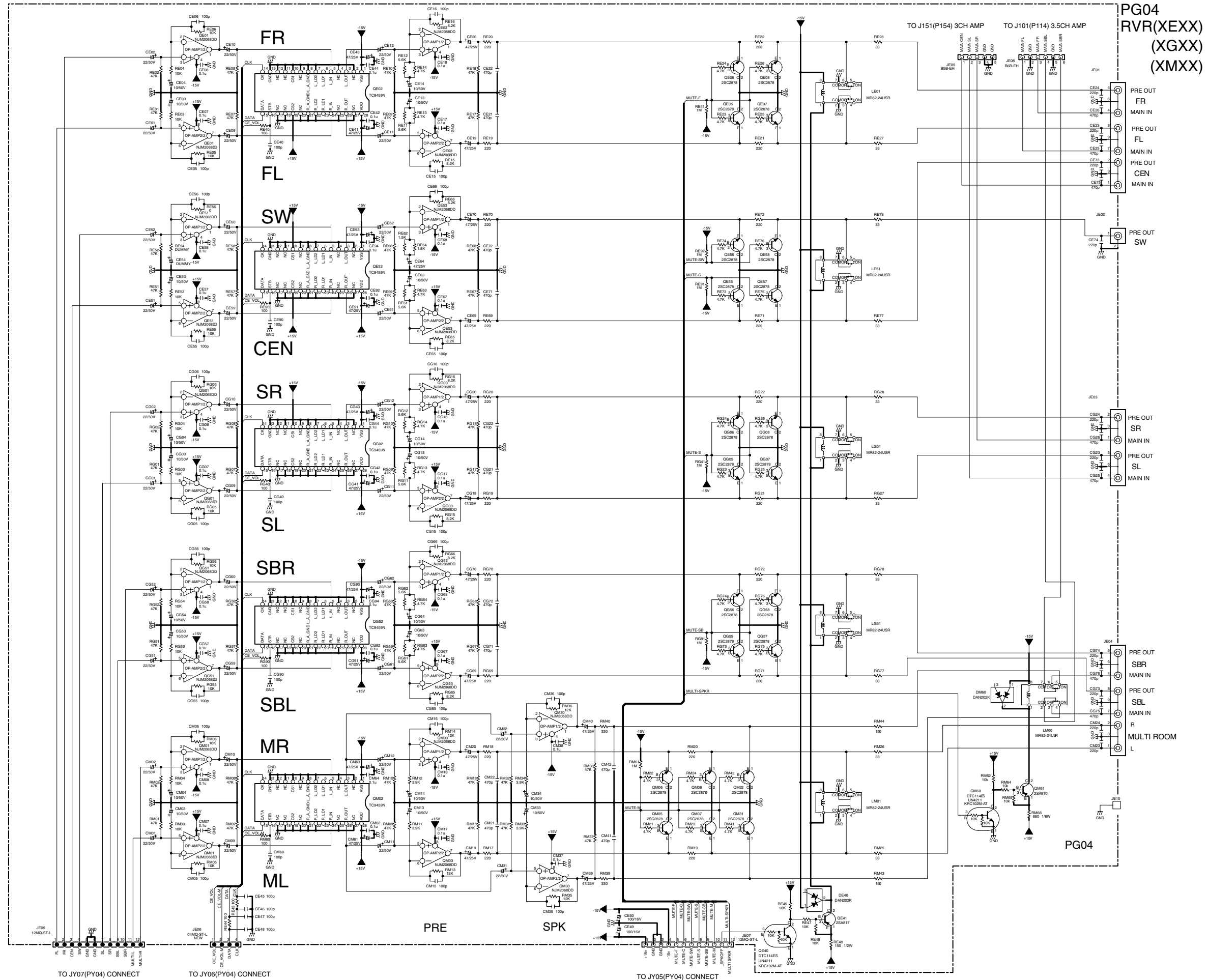
SR8200

For /N/S Ver.



For /U Ver.





PG04  
RVR(XEXX)  
(XGXX)  
(XMXX)

PRE OUT  
FR  
MAIN IN

PRE OUT  
FL  
MAIN IN

PRE OUT  
CEN  
MAIN IN

PRE OUT  
SW

PRE OUT  
SR  
MAIN IN

PRE OUT  
SL  
MAIN IN

PRE OUT  
SBR  
MAIN IN

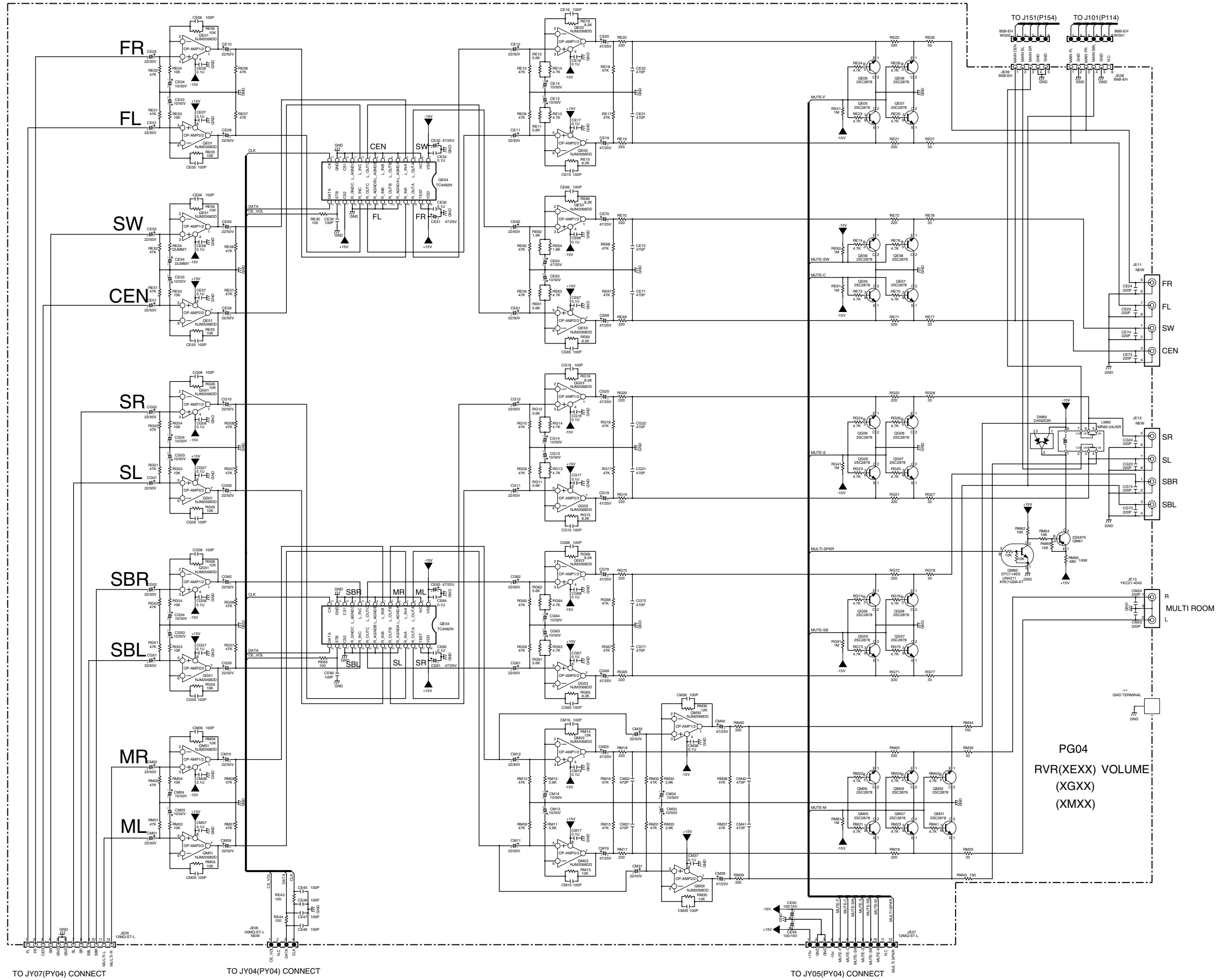
PRE OUT  
SBL  
MAIN IN

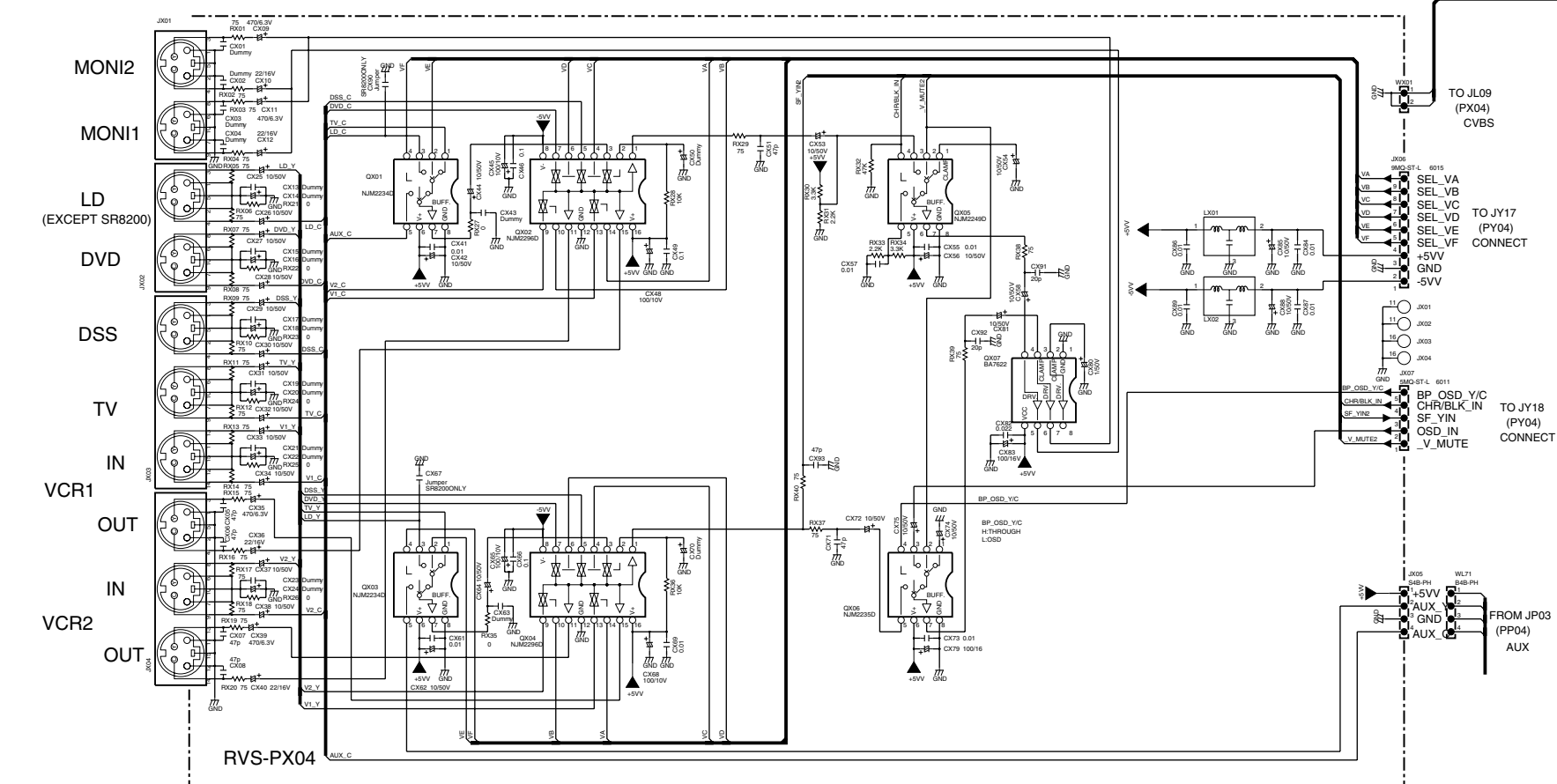
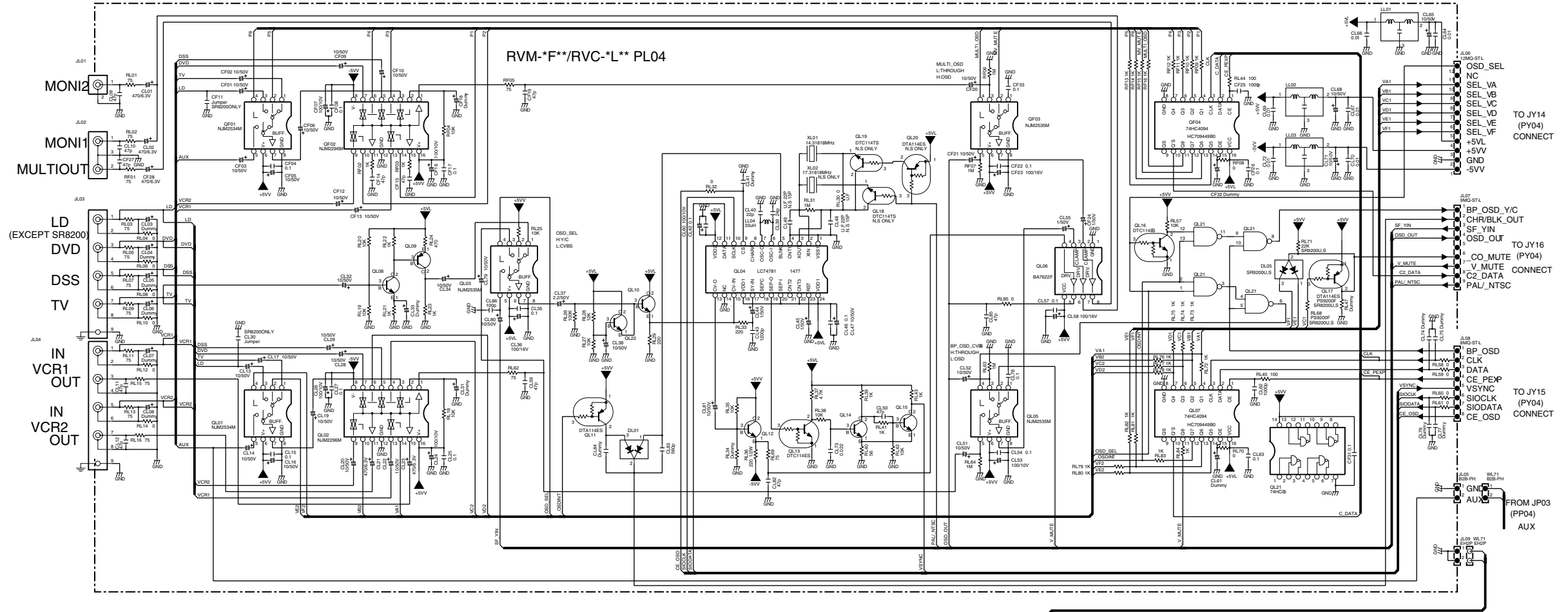
R  
MULTI ROOM  
L

TO JY07(PY04) CONNECT

TO JY06(PY04) CONNECT

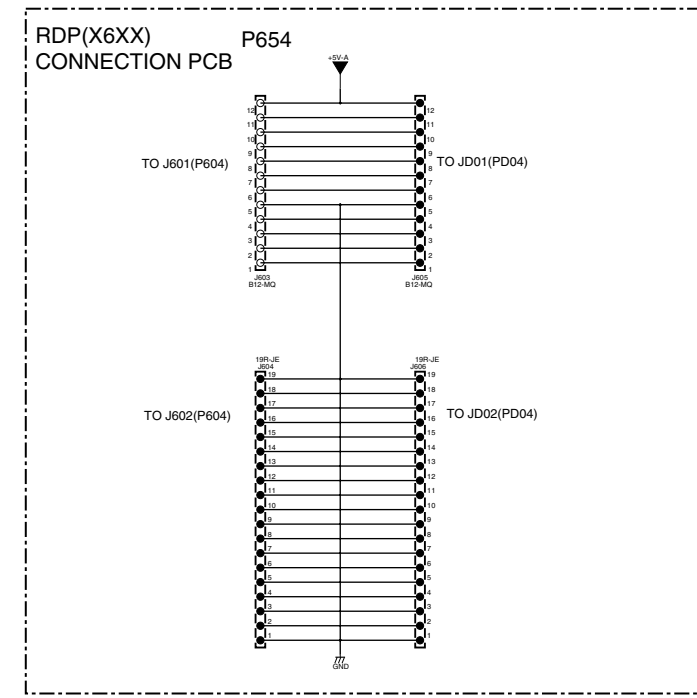
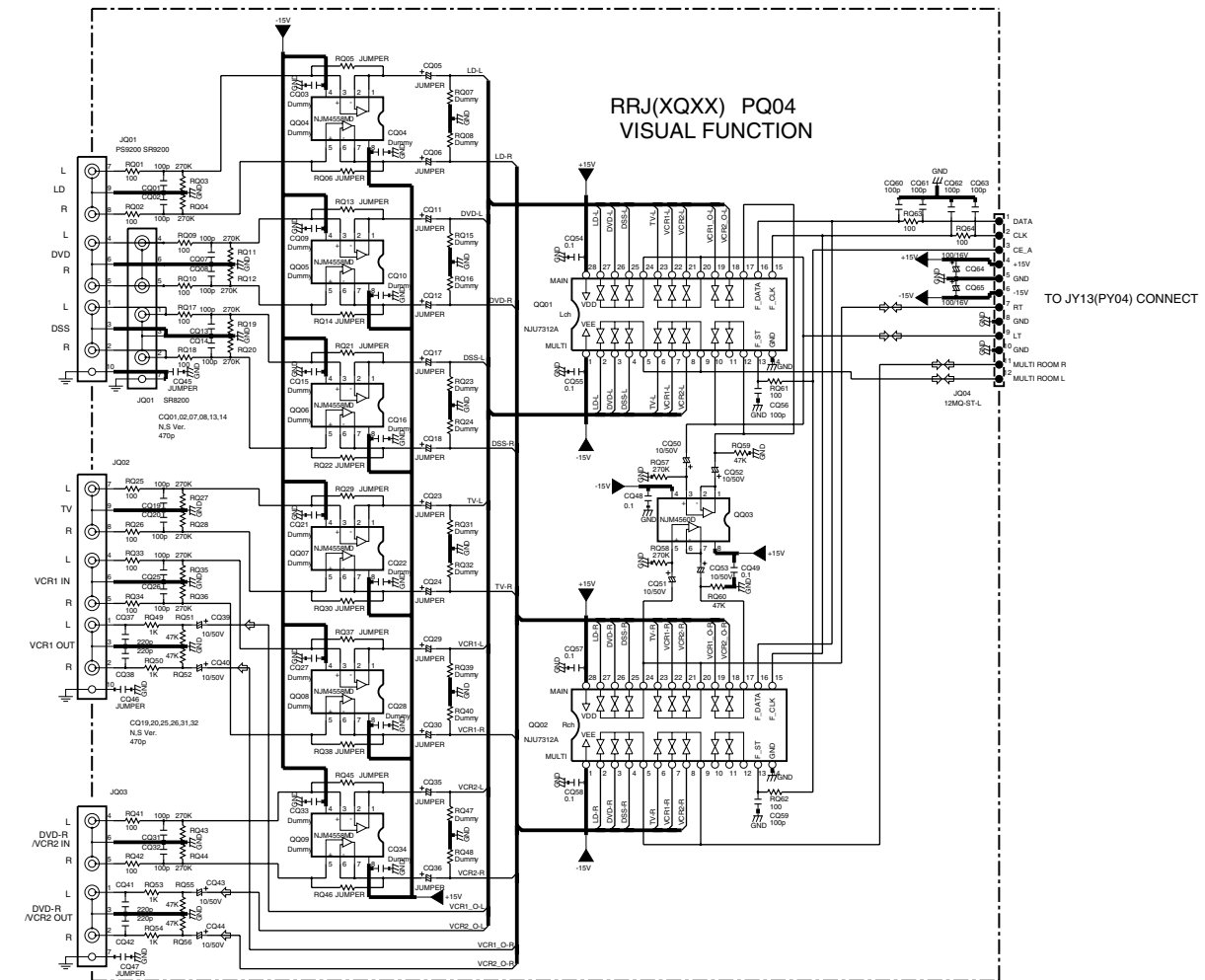
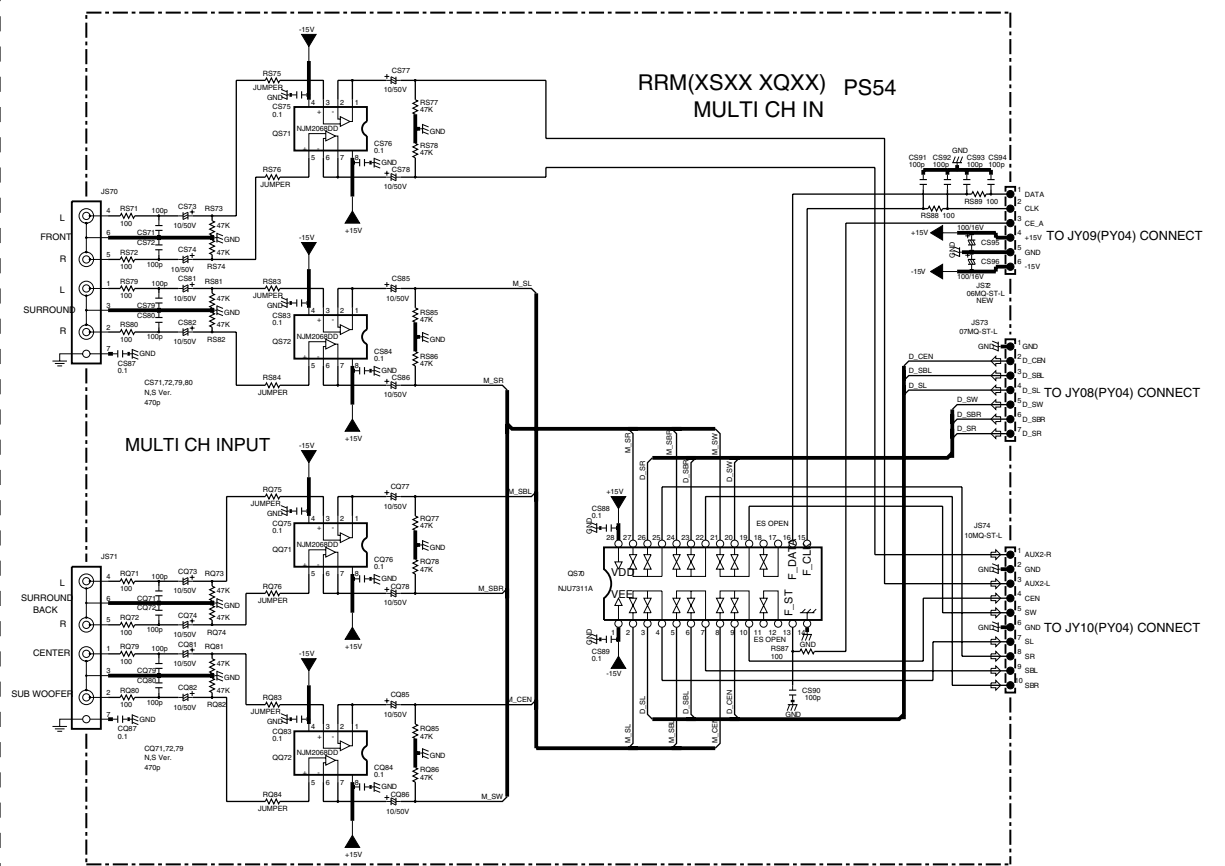
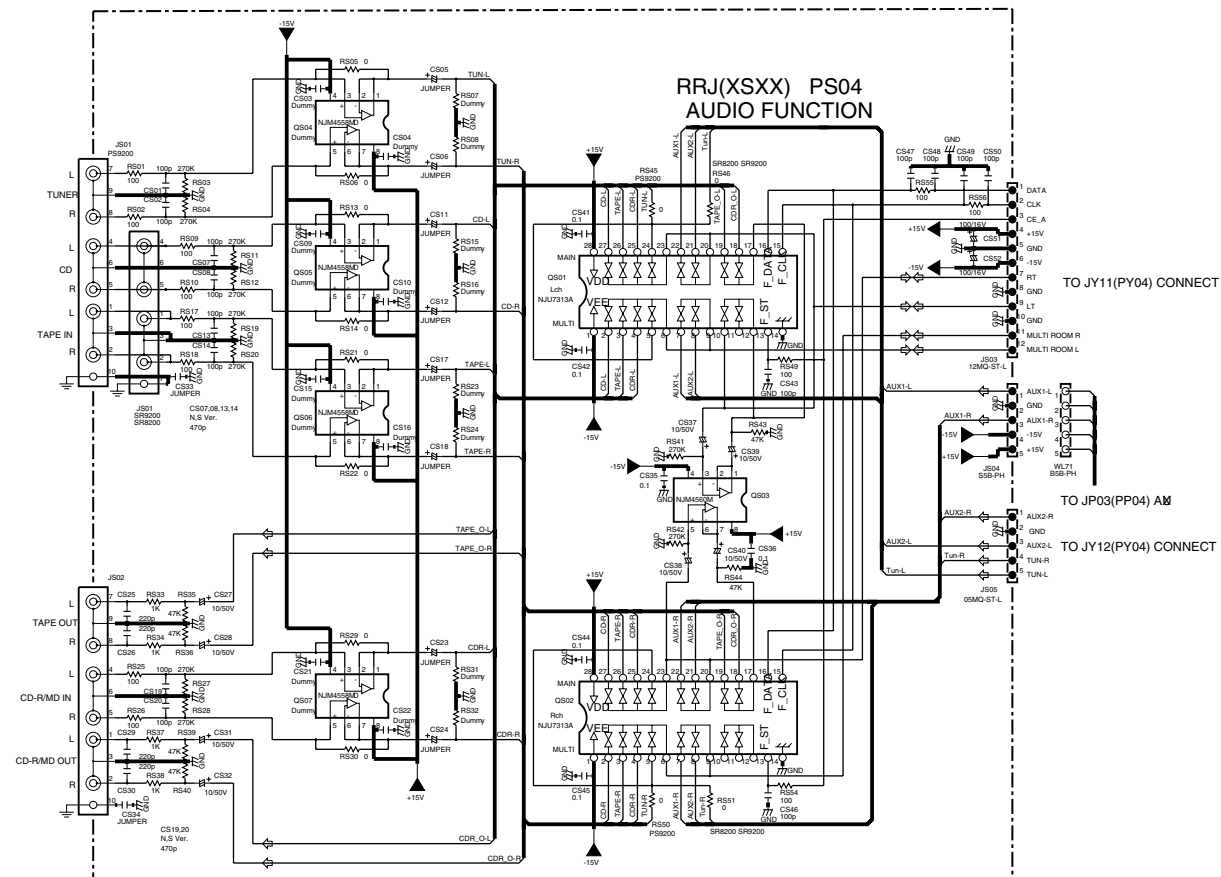
TO JY05(PY04) CONNECT

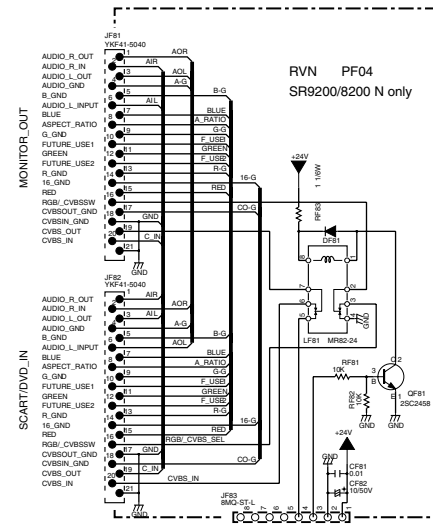
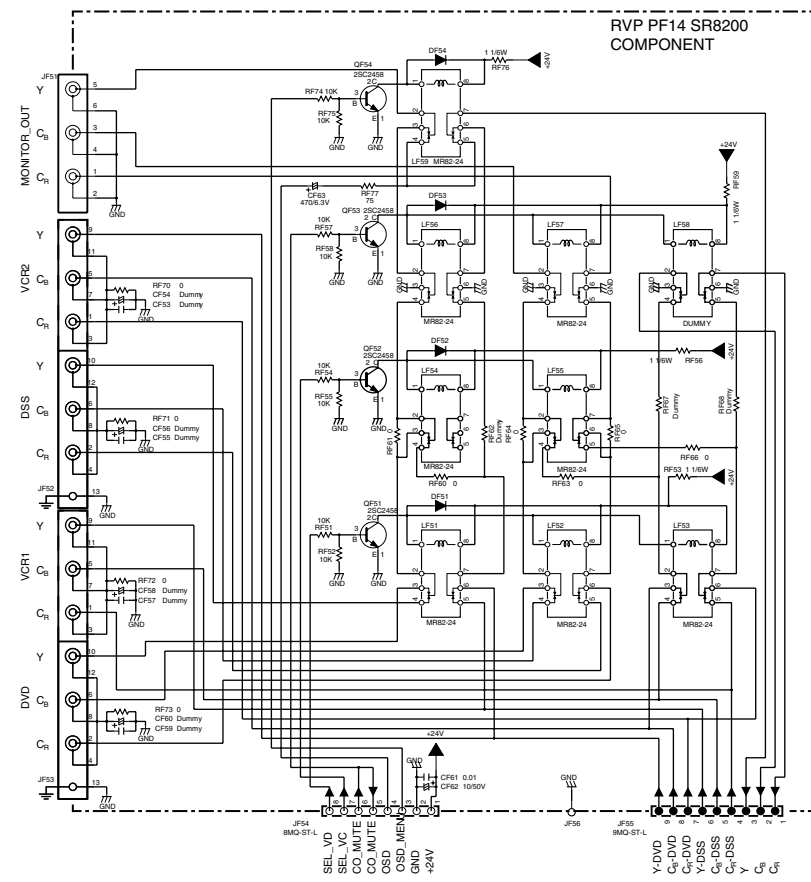
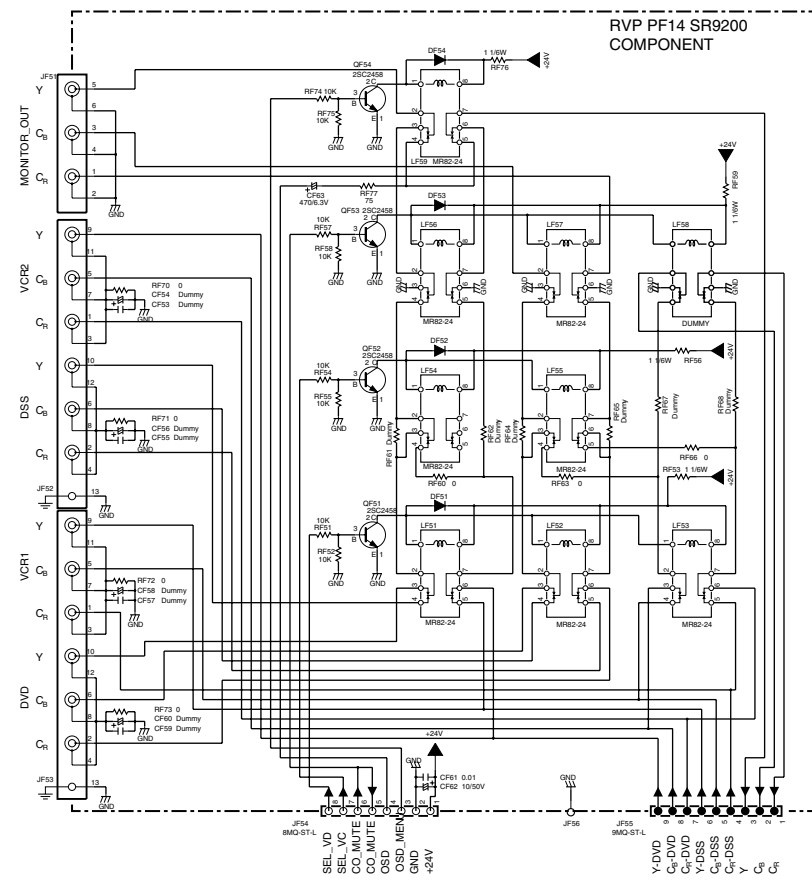
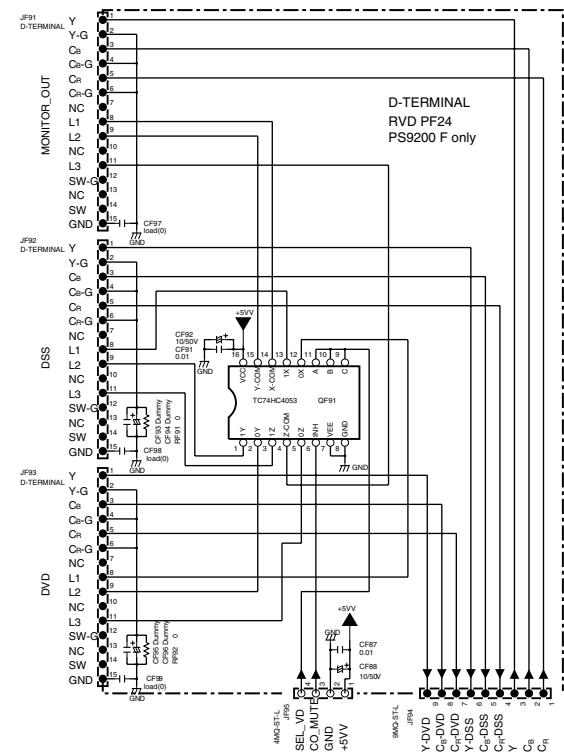
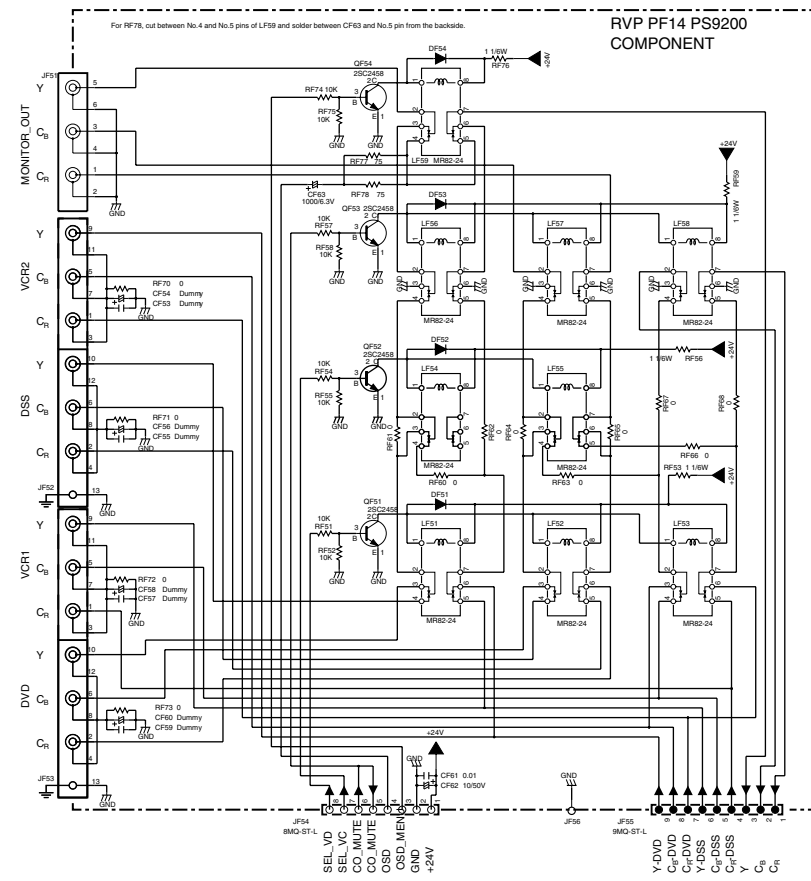
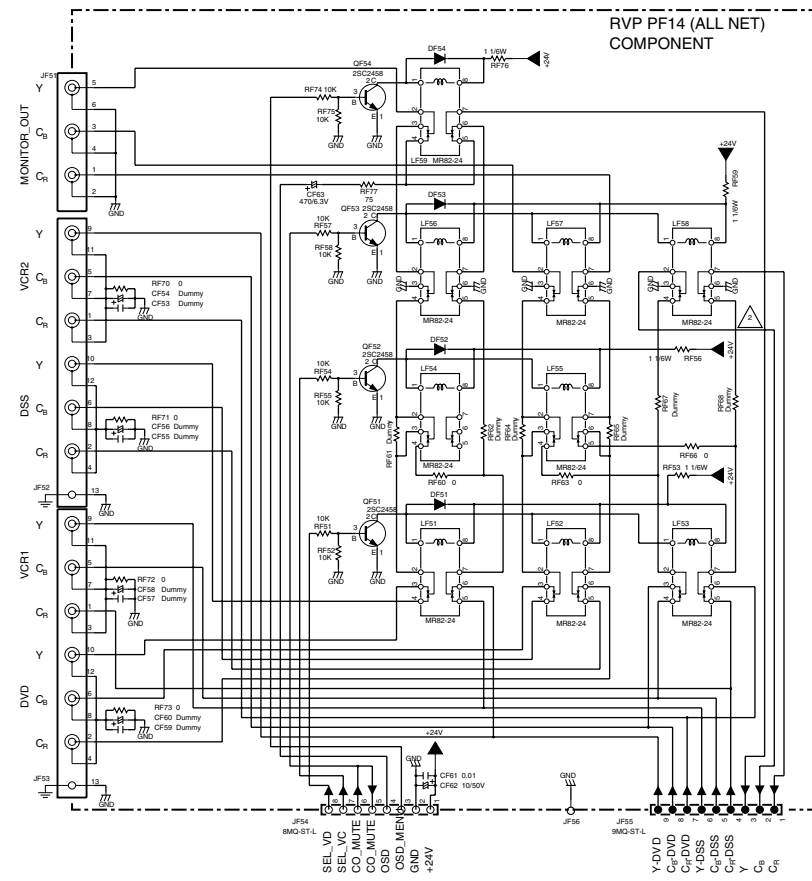




MAIN ROOM CONTROL							MULTI ROOM CONTROL						
	VA	VB	VC	VD	VE	VF		VA	VB	VC	VD	VE	VF
TV	H	H	H	H	L	L	TV	H	H	H	H	L	L
DVD	H	H	L	L	H	H	DVD	H	H	L	L	*	*
LD	H	H	H	H	H	L	LD	H	H	H	H	H	L
VCR1	L	H	H	H	H	H	VCR1	L	L	L	L	*	*
VCR2	H	L	L	L	H	H	VCR2	H	L	L	L	*	*
DSS	H	H	L	H	H	H	DSS	H	H	L	H	*	*
AUX	H	H	H	H	L	H	AUX	H	H	H	H	H	H

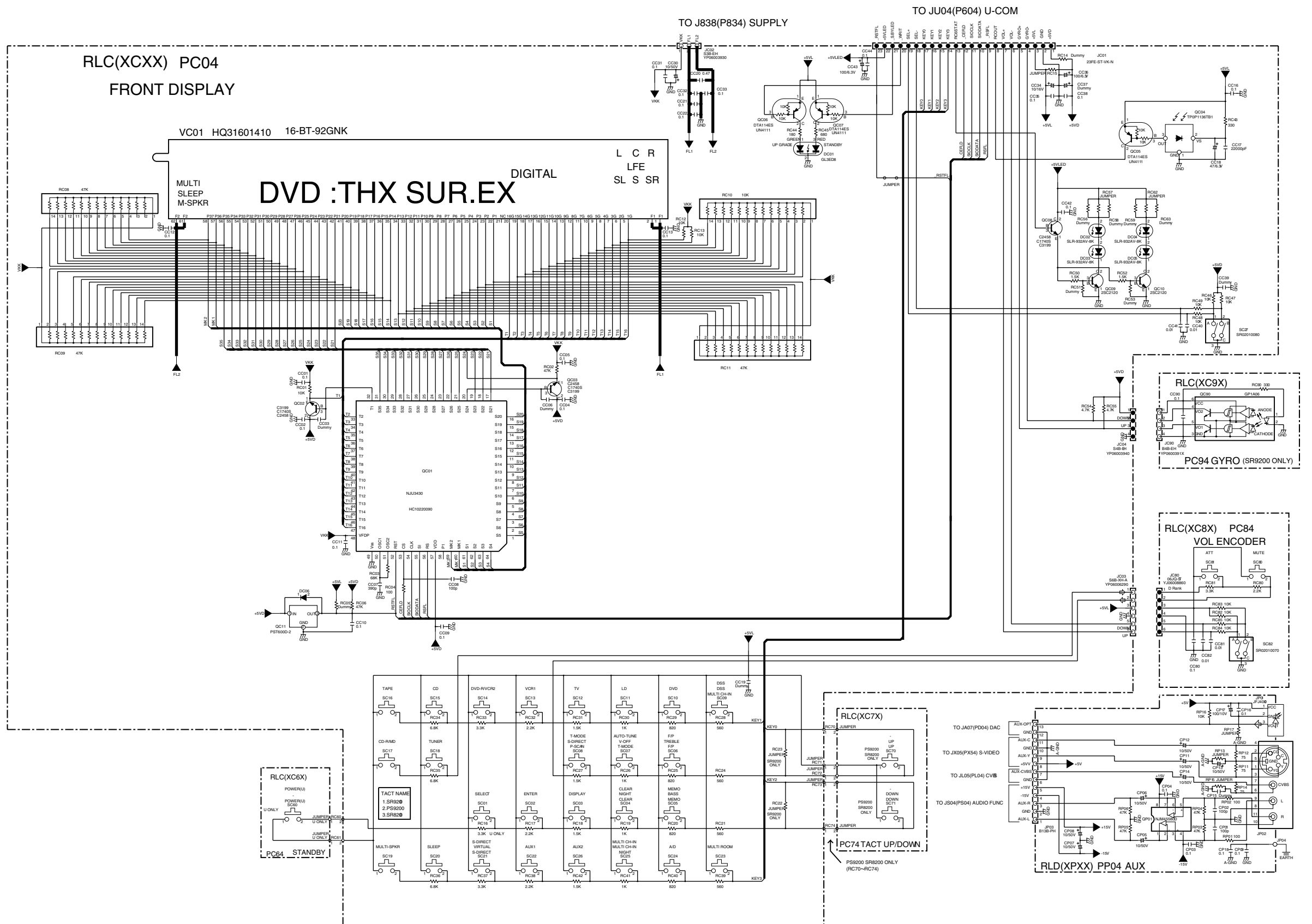
\*DONT CARE

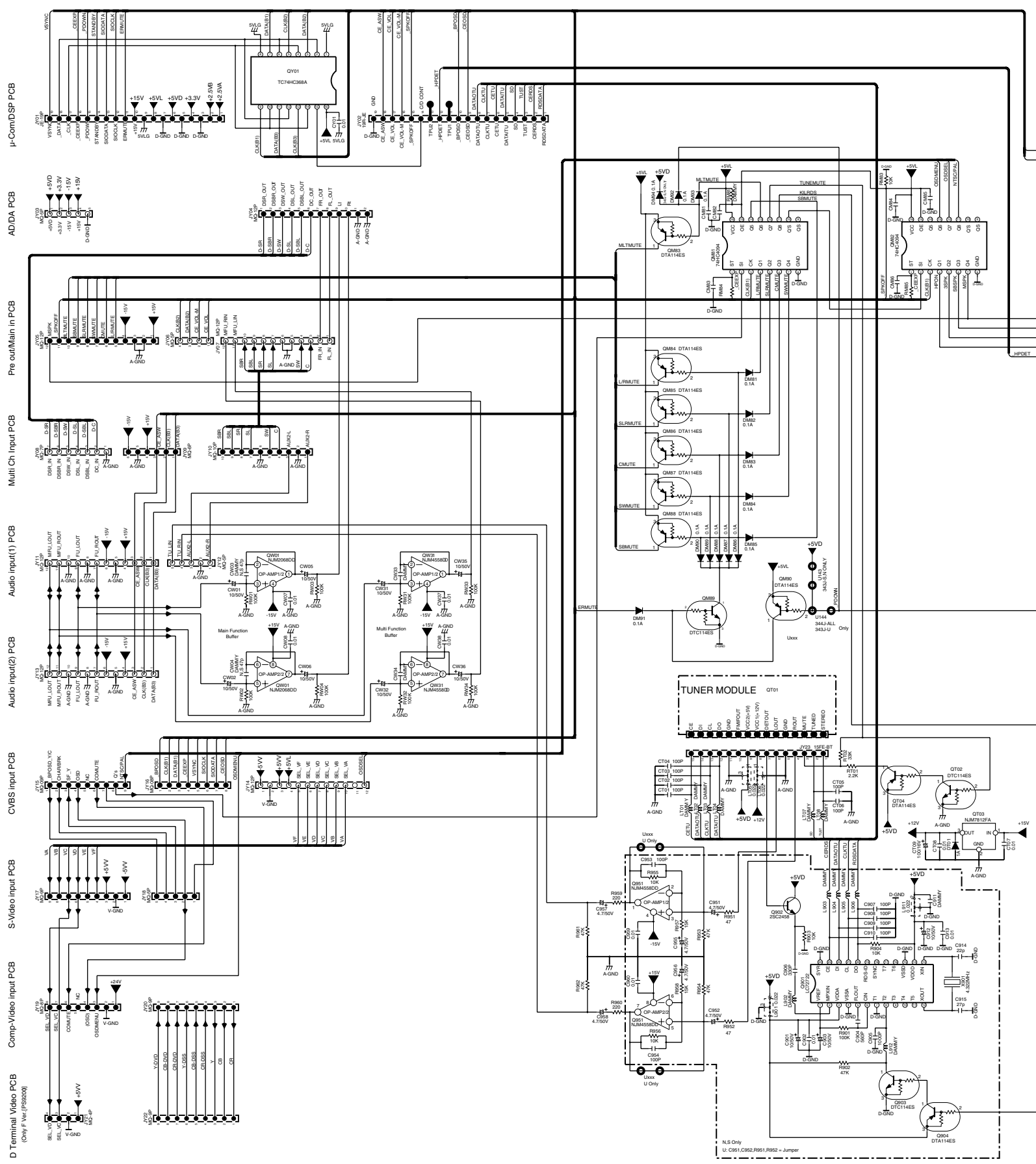




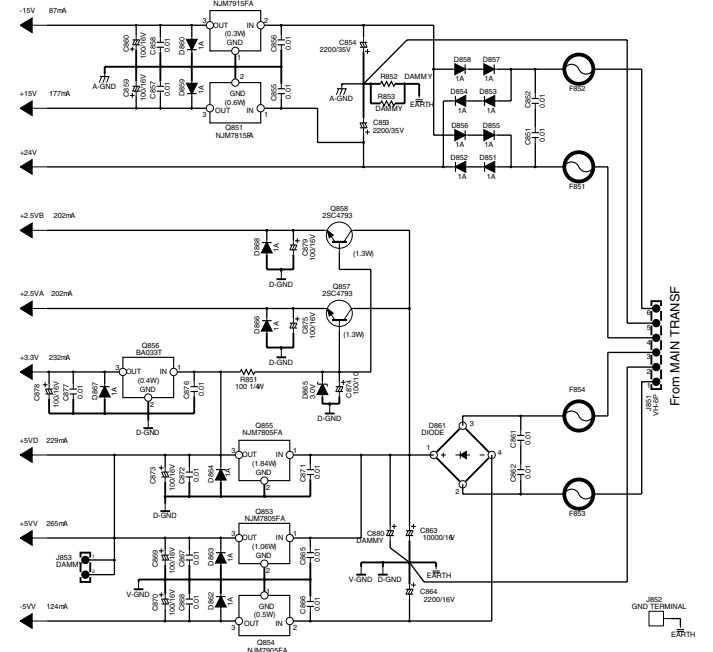
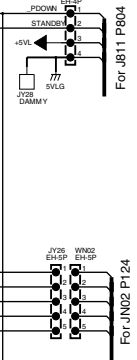
COMPONENT CONTROL

	VC	VD
DVD	L	L
VCR1	H	H
VCR2	H	L
DSS	L	H

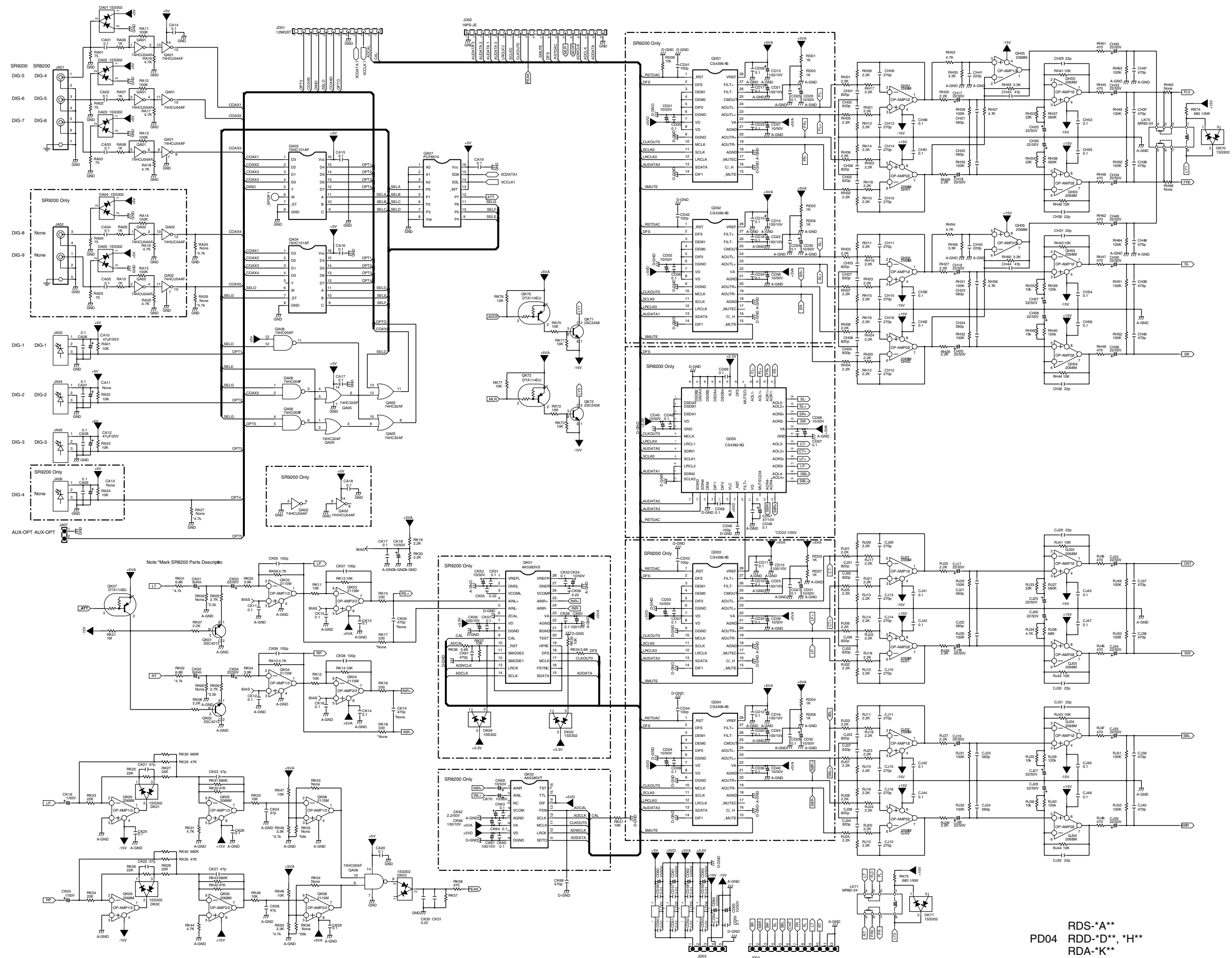




PY04  
 RCN-\*Y\*\*/RVR-\*M,W\*\*/RTU-\*T\*\*  
 RTR-\*9\*\*/RPS-\*8\*\*

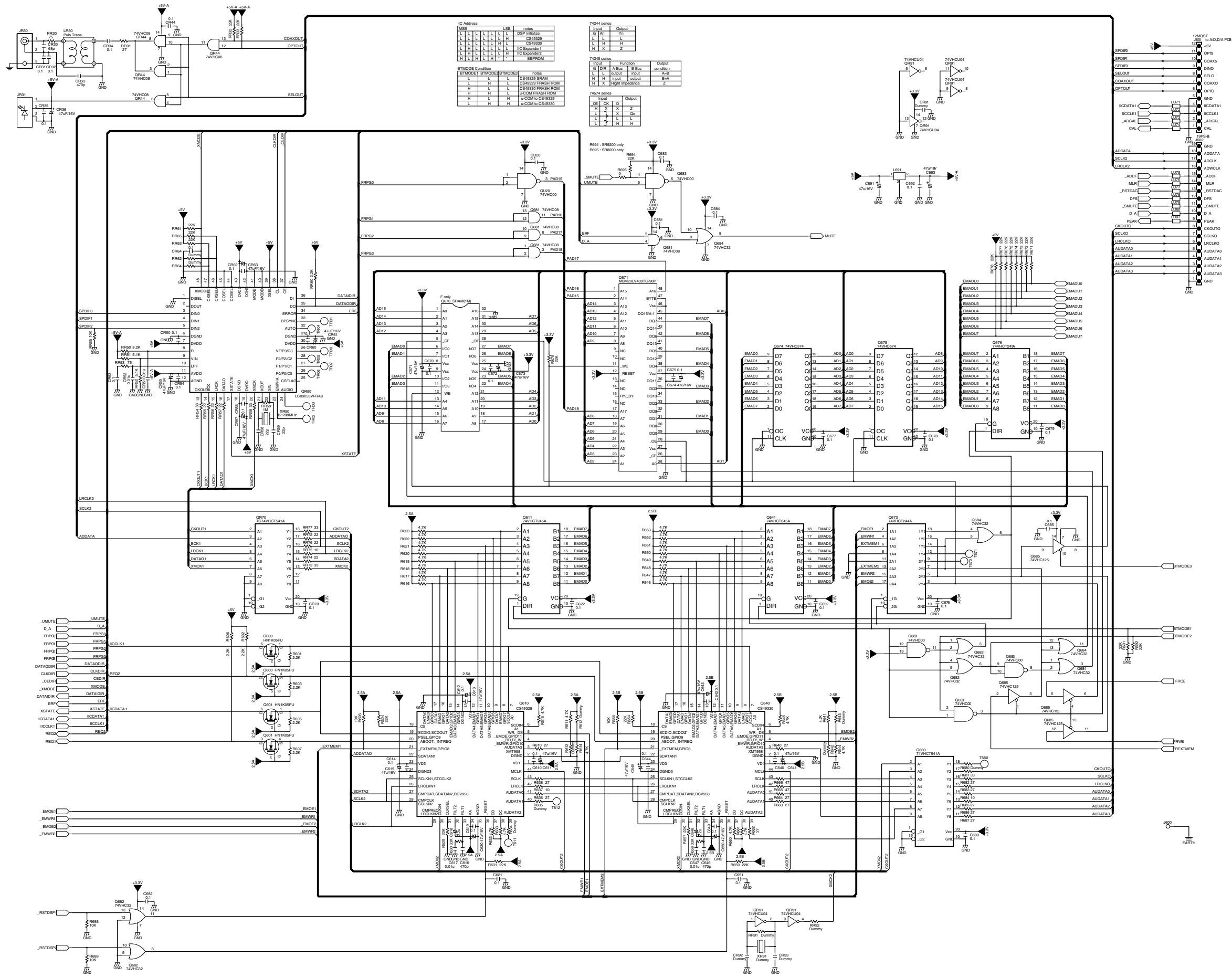


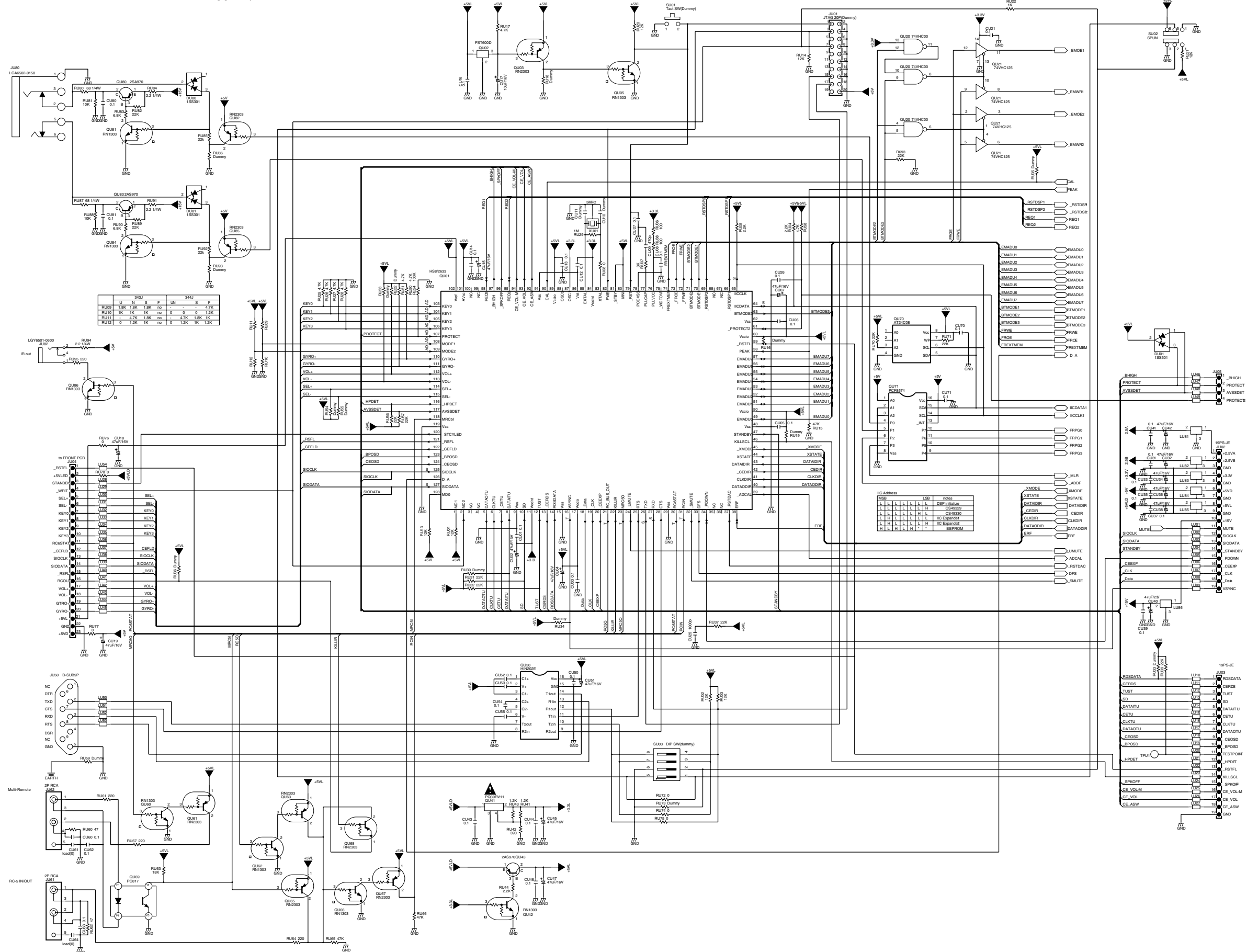




Note: Mark SR8200 Parts Description

RDS-\*A\*\*  
 PD04 RDD-\*D\*\* \*H\*\*  
 RDA-\*K\*\*





U	N	F	LN	S	F
R103	1.8K	1.8K	no	0	4.7K
R110	1K	1K	no	0	1.2K
R111	4.7K	1.8K	no	0	4.7K 1.8K 1K
R112	0	1.2K	1K	no	0 1.2K 1K 1.2K

IC Address	MSB	LSB	Notes
L L L L L L L L L L	L	L	EEPROM
L L L L L L L L L L	L	L	EEPROM
L L L L L L L L L L	L	L	IC Expansion
L L L L L L L L L L	L	L	IC Expansion
L L L L L L L L L L	L	L	EEPROM