

D&M

D&M Holdings Inc.

100 Corporate Drive Mahwah, NJ 07430

marantz®

Service Bulletin

No. : MZ05-021

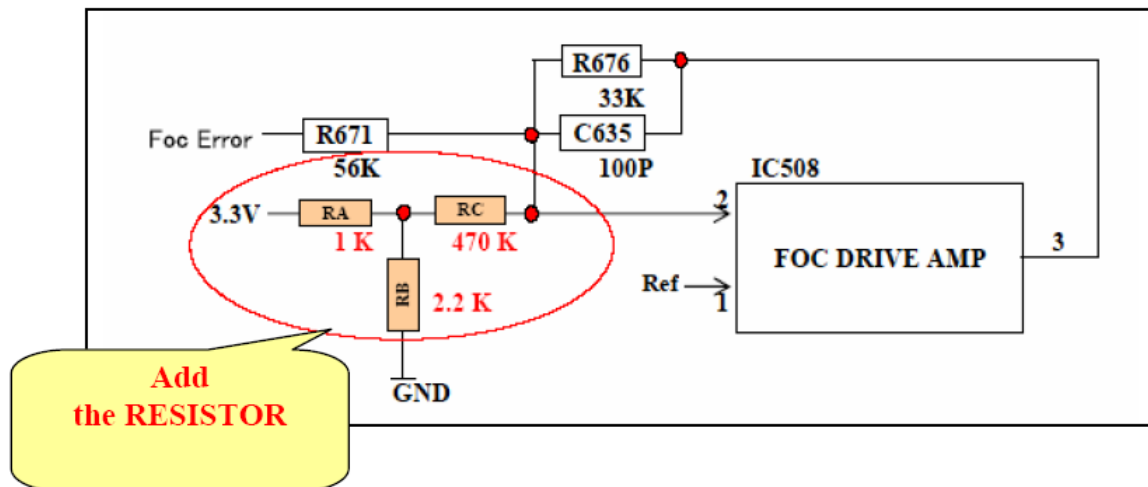
Date: January 8, 2007

Model: SA8400, SA-11S1, SA-15S1

Subject: Improvement of playability with CD and CD-R.

Symptom: Can not playback a CD and CD-R, "ERROR" is indicated on the display of the Unit.

Solution: Add resistors outlined in the parts section to the Super Audio CD PCB Module.



CONFIDENTIALITY NOTICE:

The information contained in this document is intended for the exclusive use by MARANTZ Authorized Service Centers and their employees. This document may contain information that is privileged, confidential and may be protected from disclosure under applicable laws and terms of the MARANTZ Service Agreement. Any distribution, disclosure, dissemination or copying of this document and the information it contains is prohibited. No responsibility will be accepted by MARANTZ for any damage, injury or loss resulting from the misuse of the information contained in this document.

Parts:

Ref#	Description	Part Number
NA	1 k OHM +-5% 1/6W	00MGD05102160
NA	2.2 k OHM +-5% 1/6W	00MGD05222160
NA	470 k OHM +-5% 1/6W	00MGD05474160

Serial Number Range:

This problem applies to the following week code.

SA8400 applies to 20000527xxxxxx and earlier. This improvement has done 20000528xxxxxx and later.

SA-15S1 applies to 20000529xxxxxx and earlier. This improvement has done 20000530xxxxxx and later.

SA-11S1 applies to 20000524xxxxxx and earlier. This improvement has done 20000525xxxxxx and later.

CONFIDENTIALITY NOTICE:

The information contained in this document is intended for the exclusive use by MARANTZ Authorized Service Centers and their employees. This document may contain information that is privileged, confidential and may be protected from disclosure under applicable laws and terms of the MARANTZ Service Agreement. Any distribution, disclosure, dissemination or copying of this document and the information it contains is prohibited. No responsibility will be accepted by MARANTZ for any damage, injury or loss resulting from the misuse of the information contained in this document.