

780Y

SD9000

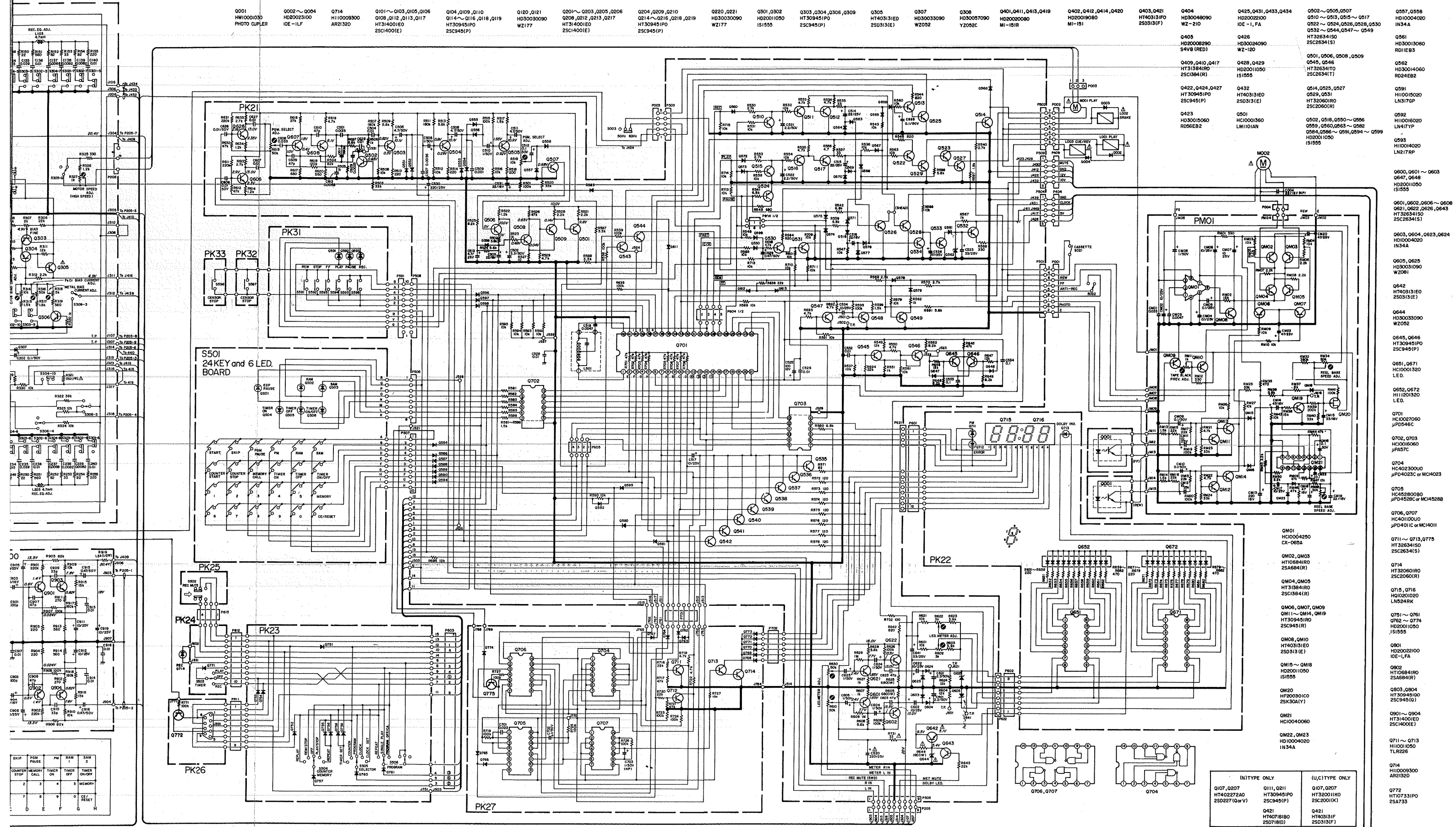
1. This Service Manual is prepared for "N" version of SD 9000.
2. The parts not included in the Manual are for common use with those for "U" and "C" versions. Therefore, for such parts not included in the Manual, use the service manual (available under the Part No. 4280855010) for "U" and "C" versions of SD 9000.
3. The parts for "U" and "C" versions, listed in the Manual are:
 - (1) Those which have newly been added
 - (2) Those whose part numbers have been changed
 - (3) Different parts between "U" and "N" versions or between "C" and "N" versions
 - (4) Others

marantz®

model SD9000

Stereo Cassette Deck

78



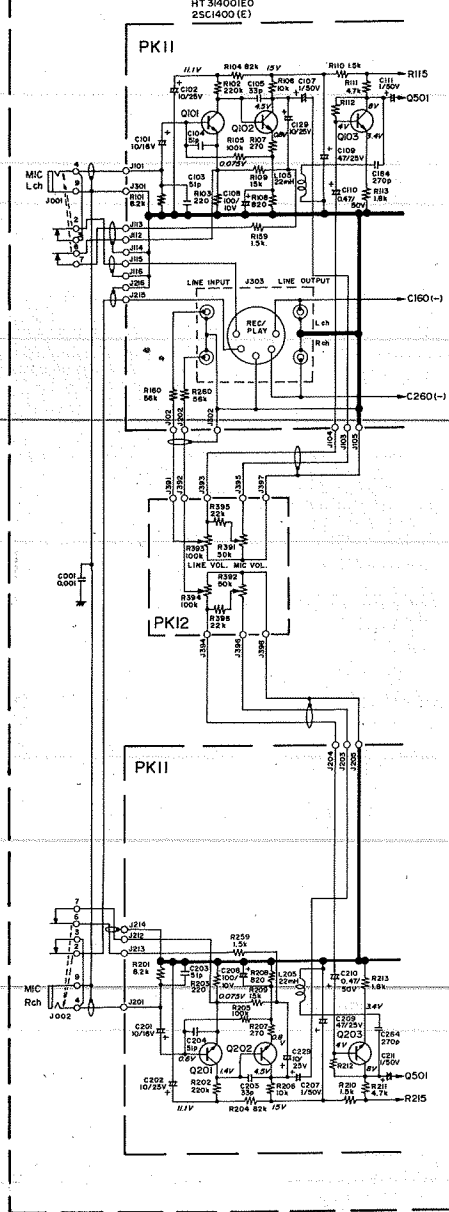
SWITCHES

S301: TAPE SELECTOR (NORMAL)	S304: TAPE SELECTOR (Metal)
S302: TAPE SELECTOR (Special/CrO)	S305: TAPE SPEED SWITCH (STANDARD)
S303: TAPE SELECTOR (FeCr)	

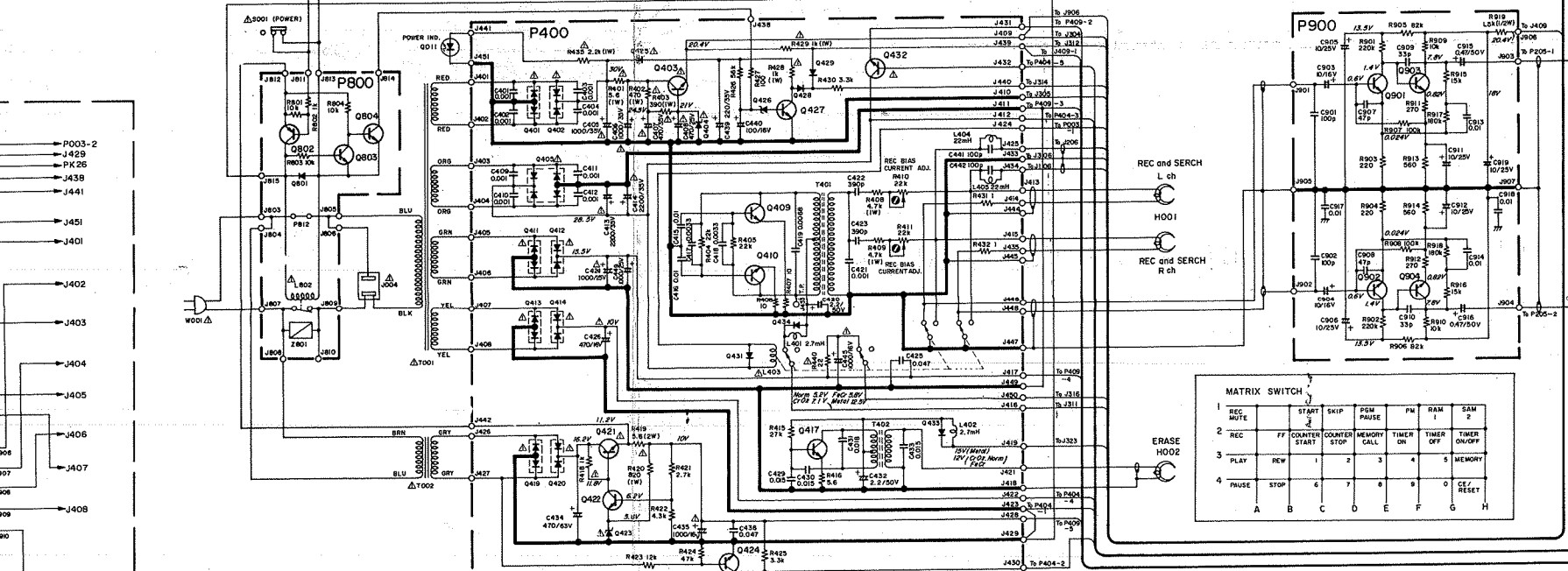
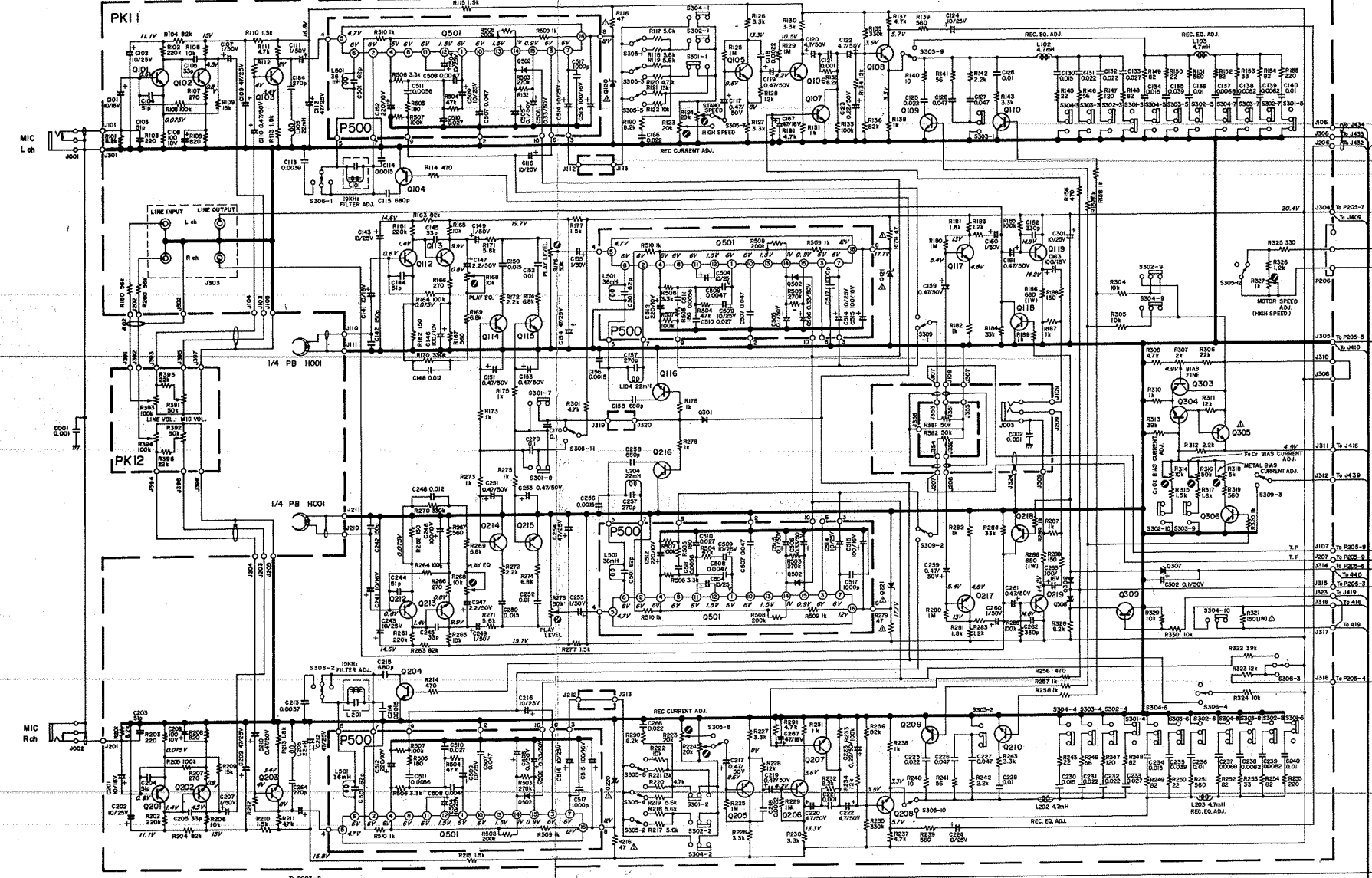
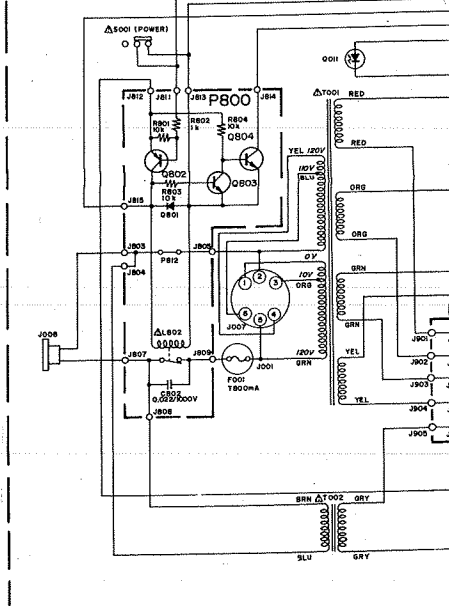
(N)TYPE ONLY		(U,C)TYPE ONLY	
Q107, Q207 HT402272A0 25D227(10xV)	Q111, Q211 HT309451P0 25C945(P)	Q107, Q207 HT320011K0 25C200(K)	
Q421 HT407181B0 25D718(O)	Q421 HT403131F 25D313(F)		

Q001 HW10001030 PHOTO COUPLER	Q002~Q004 HD20023100 IDE-ILF	Q714 HI10009300 AR2132D	Q101~Q103, Q105, Q106 Q108, Q112, Q113, Q117 HT314001E0 25C1400(E)	Q104, Q109, Q110 Q114~Q116, Q118, Q119 HT309451P0 25C945(P)	Q120, Q121 HD30030090 WZ177	Q201~Q203, Q205, Q206 Q208, Q212, Q213, Q217 HT314001E0 25C1400(E)	Q204, Q209, Q210 Q214~Q216, Q218, Q219 HT309451P0 25C945(P)	Q220, Q221 HD30030090 WZ177	Q301, Q302 HD20011050 IS1555	Q303, Q304, Q306, Q309 HT309451P0 25C945(P)	Q305 HT403131E0 25D313(E)	Q307 HD30030090 WZ052	Q308 HD30007090 YZ092C	Q401, Q411, Q413, Q419 HD20019080 MI-151R	Q402, Q412, Q414, Q420 HD20019080 MI-151	Q403, Q421 HT403131F0 25D313(F)	Q404 HD30048090 WZ-210	Q405 HD30008290 54VB (REP)	Q406 HD30024090 WZ-120	Q409, Q410, Q417 HT313841R0 25C1384(R)	Q428, Q429 HD20011050 IS1555	Q422, Q424, Q427 HT309451P0 25C945(P)	Q432 HT403131E0 25D313(E)	Q433 HD30015060 RD56E2	Q501 HC1001360 LM101AN	Q502~Q505, Q507 Q510~Q513, Q515~Q517 Q522~Q544, Q526, Q528, Q530 HT326341S0 25C2634(S)	Q501, Q506, Q508, Q509 Q545, Q546 HT326341T0 25C2634(T)	Q514, Q525, Q527 Q529, Q531 HT320601R0 25C2060(R)	Q502, Q518, Q550~Q556 Q559, Q560, Q563~Q582 Q584, Q586~Q591, Q594~Q599 HD20011050 IS1555	Q591 HI10015020 LN3175P	Q592 HI10016020 LN4177P	Q593 HI10014020 LN2177P	Q600, Q601~Q603 Q647, Q648 HD20011050 IS1555	Q601, Q602, Q606~Q608 Q621, Q622, Q626, Q643 HT326341S0 25C2634(S)	Q603, Q604, Q623, Q624 HI10004020 IN34A	Q605, Q625 HD30031090 WZ061	Q642 HT403131E0 25D313(E)	Q644 HD30033090 WZ052	Q645, Q646 HT309451P0 25C945(P)	Q651, Q671 HC1001320 LED.	Q652, Q672 HI11201320 LED.	Q701 HC10027060 JPD546C	Q702, Q703 HC10010600 JPA57C	Q704 HC402300U0 JPD4023C or MC4023	Q705 HC452800B0 JPD4528C or MC4528B	Q706, Q707 HC401100U0 JPD4011C or MC4011	Q711~Q713, Q775 HT326341S0 25C2634(S)	Q714 HT320601R0 25C2060(R)	Q715, Q716 HD30021020 LN524RK	Q751~Q751 Q762~Q774 HD20011050 IS1555	Q801 HD20022100 IDE-1, FA	Q802 HT106841R0 25A684(R)	Q803, Q804 HT309451P0 25C945(P)	Q901~Q904 HT314001E0 25C1400(E)	Q711~Q713 HI10011050 TLR226	Q714 HI10009300 AR2132D	Q772 HT107331P0 25A733
-------------------------------------	------------------------------------	-------------------------------	---	--	-----------------------------------	---	--	-----------------------------------	------------------------------------	---	---------------------------------	-----------------------------	------------------------------	---	--	---------------------------------------	------------------------------	----------------------------------	------------------------------	--	------------------------------------	---	---------------------------------	------------------------------	------------------------------	--	--	--	--	-------------------------------	-------------------------------	-------------------------------	---	---	---	-----------------------------------	---------------------------------	-----------------------------	---------------------------------------	---------------------------------	----------------------------------	-------------------------------	------------------------------------	--	---	--	---	----------------------------------	-------------------------------------	--	---------------------------------	---------------------------------	---------------------------------------	---------------------------------------	-----------------------------------	-------------------------------	------------------------------

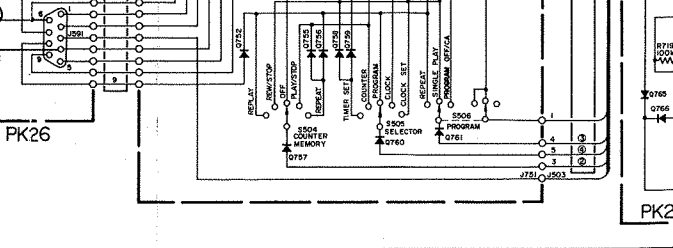
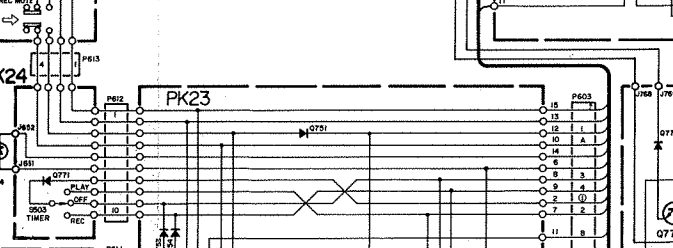
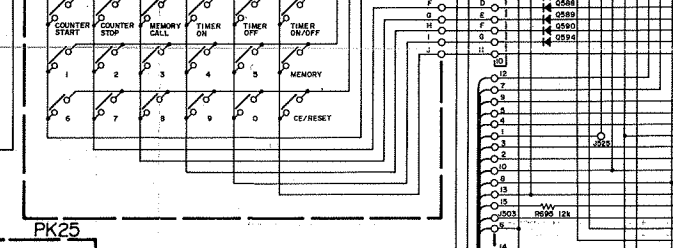
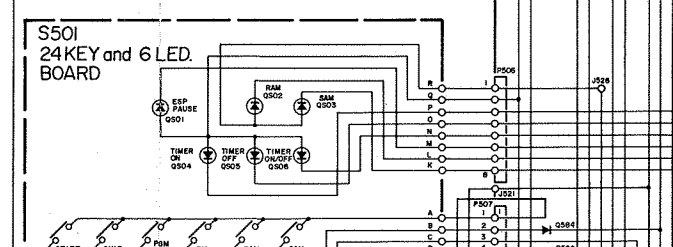
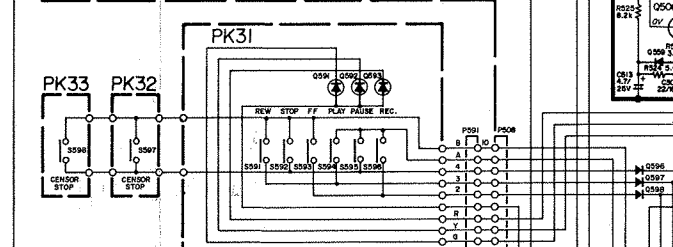
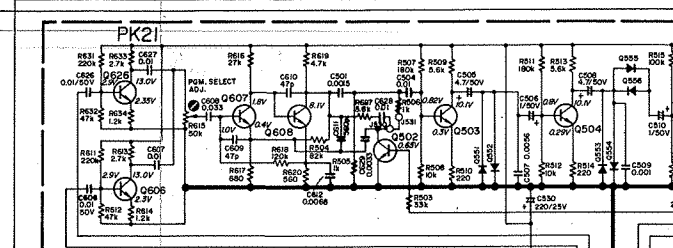
For (N) TYPE



For (N) TYPE



Q001 HW100030 PHOTO COUPLER
 Q002 ~ Q004 HD20023100 IOE - ILF
 Q714 H11009300 AR1232D
 Q101 ~ Q103, Q105, Q106 HT34001E
 Q108, Q112, Q113, Q117 HT34001E
 Q104, Q109, Q110, Q114 ~ Q116, Q118, Q119 HT309451F0 25C14001E
 25C9451P1



SWITCHES
 S301: TAPE SELECTOR (NORMAL)
 S302: TAPE SELECTOR (Special/CR O)
 S303: TAPE SELECTOR (FeCr)
 S304:
 S305:

Note on safety: The parts marked with Δ are important parts on the safety. Please use the parts