

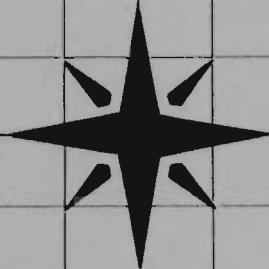


marantz®

**SERVICE
DATA**

SC-7
CONTROL STEREO CONSOLE

SM-7
STEREO POWER AMPLIFIER



SO-7 目次

| | |
|--|------|
| 規格 | 2 |
| 分解図およびパーツリスト | 3 |
| [C01-99] FRONT PANEL | 3 |
| [C02-99] TOP COVER | 4 |
| [C03-99] REAR PANEL | 5 |
| [P01-99] FRONT CHASSIS AND GENERAL PARTS | 6 |
| [P02-99] MAIN CHASSIS AND OTHER PARTS | 7 |
| [H01-99] PACKING MATERIALS | 8 |
| 電気部品リスト | 9~16 |

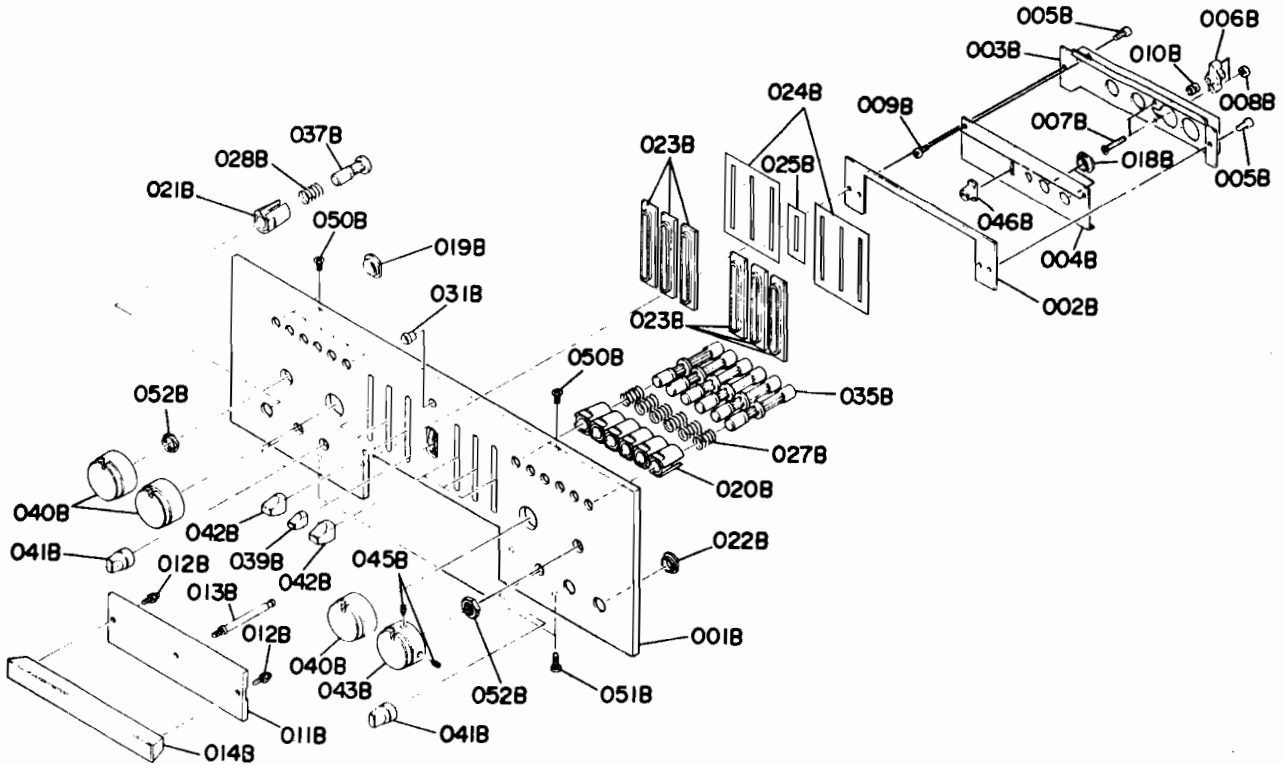
SO-7 規格

| | |
|----------------------------|--------------------------|
| 定格出力及びインピーダンス (PRE OUT) | 1.5V/100Ω |
| (TAPE OUT) | 150mV/250Ω |
| 入力感度及びインピーダンス | |
| フォノ 1・2 (MM) | 2mV/1k/10k/27k/47k/100kΩ |
| フォノ 1 (MC) | 200μV/10/47/100/220Ω |
| 高レベル | 150mV/40kΩ |
| 全高調波歪率 | 0.004%以下 |
| 混変調歪率 | 0.004%以下 |
| 周波数特性 (RIAA 偏差、20Hz~20kHz) | ±0.2dB |
| (高レベル 20Hz~20kHz) | +0, -0.1dB |
| (高レベル +0, -1dB) | 4Hz~120kHz |
| 入力等化雑音 (フォノ IHF-A) | 0.24μV |
| ダイナミックレンジ | 120dB |
| フォノ最大入力 (MM 1kHz) | 250mV |
| (MC 1kHz) | 25mV |
| トーンコントロール (低域 100Hz) | ±10dB |
| (中域 800Hz) | ±6dB |
| (高域 10kHz) | ±10dB |
| フィルター特性 (HI) | 9kHz/18dB oct. |
| (LOW) | 15Hz/18dB oct. |
| その他 | |
| 電 源 | 100V 50/60Hz |
| 消費電力 | 45W |
| 外形寸法 (W・H・D) | 416×146×244mm |
| 重 量 (セット単体) | 10kg |

*本機の規格および外観は改良のため予告なく変更することがありますが、ご了承ください。

分解図およびパーツリスト

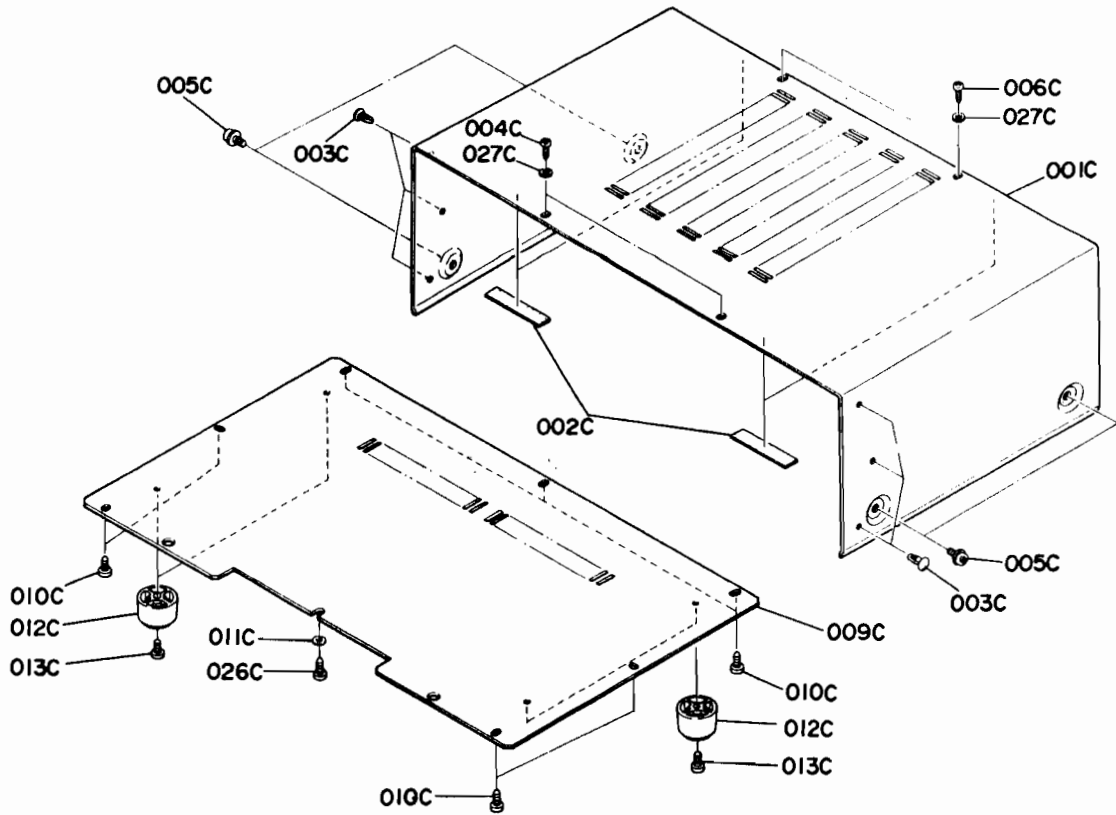
[C01-99] FRONT PANEL



| REF. DESIG. | Q'TY | PART NO. | DESCRIPTION |
|-------------|------|------------|------------------------|
| | F | | |
| A | 1 | 2462063400 | Front Panel Assembly |
| 001B | 1 | 2462063010 | Escutcheon |
| 002B | 1 | 2461063030 | Escutcheon |
| 003B | 1 | 2462160020 | Bracket |
| 004B | 1 | 2462063020 | Escutcheon |
| 005B | 2 | 51100306A9 | B.H.M. Screw B3 x 6 |
| 006B | 1 | 2461271010 | Holder |
| 007B | 2 | 51042610A0 | F.H.M. Screw F2.6 x 10 |
| 008B | 2 | 53112603A0 | Hexagon Nut |
| 009B | 2 | 51100204E9 | B.H.M. Screw B2 x 4 |
| 010B | 1 | 1143259010 | Bushing |
| 018B | 2 | 2491259010 | Bushing |
| 019B | 6 | 2491259010 | Bushing |
| 020B | 6 | 2979259010 | Bushing |
| 021B | 1 | 2979259010 | Bushing, Phono 1 |
| 022B | 1 | 2978259010 | Bushing, Power Switch |
| 023B | 6 | 2970259010 | Bushing, Tone VR |
| 024B | 2 | 2462303010 | Mask, Tone VR |
| 025B | 1 | 2462303020 | Mask, Tape EQ |
| 027B | 6 | 2979115010 | Spring |
| 028B | 1 | 2979115010 | Spring |
| 031B | 1 | 2462259010 | Bushing, LED |
| 035B | 6 | 2462154010 | Knob |
| 037B | 1 | 2462154030 | Knob, Phono 1 |

| REF. DESIG. | Q'TY | PART NO. | DESCRIPTION |
|-------------|------|------------|------------------------|
| | F | | |
| B | 1 | 2461063410 | Pocket Cover Assembly |
| 011B | 1 | 2461063050 | Escutcheon |
| 012B | 2 | 2461254010 | Pin |
| 013B | 1 | 2461254020 | Pin |
| 014B | 1 | 2461253010 | Handle |
| 039B | 1 | 2462154050 | Knob, Tape EQ |
| 040B | 3 | 2462154060 | Knob, |
| 041B | 3 | 2462154070 | Knob |
| 042B | 6 | 2462154080 | Knob, Tone VR |
| 043B | 1 | 2462154090 | Knob, Volume |
| 045B | 2 | 51690306Q9 | Socket Screw, HP 3 x 6 |
| 046B | 1 | 2462154100 | Knob |
| 050B | 2 | 51340305B0 | F.H.M. Screw F3 x 5 |
| 051B | 2 | 51280360B0 | B.H.M. Screw B3 x 6 |
| 052B | 2 | 53118129G0 | Hexagon Nut |

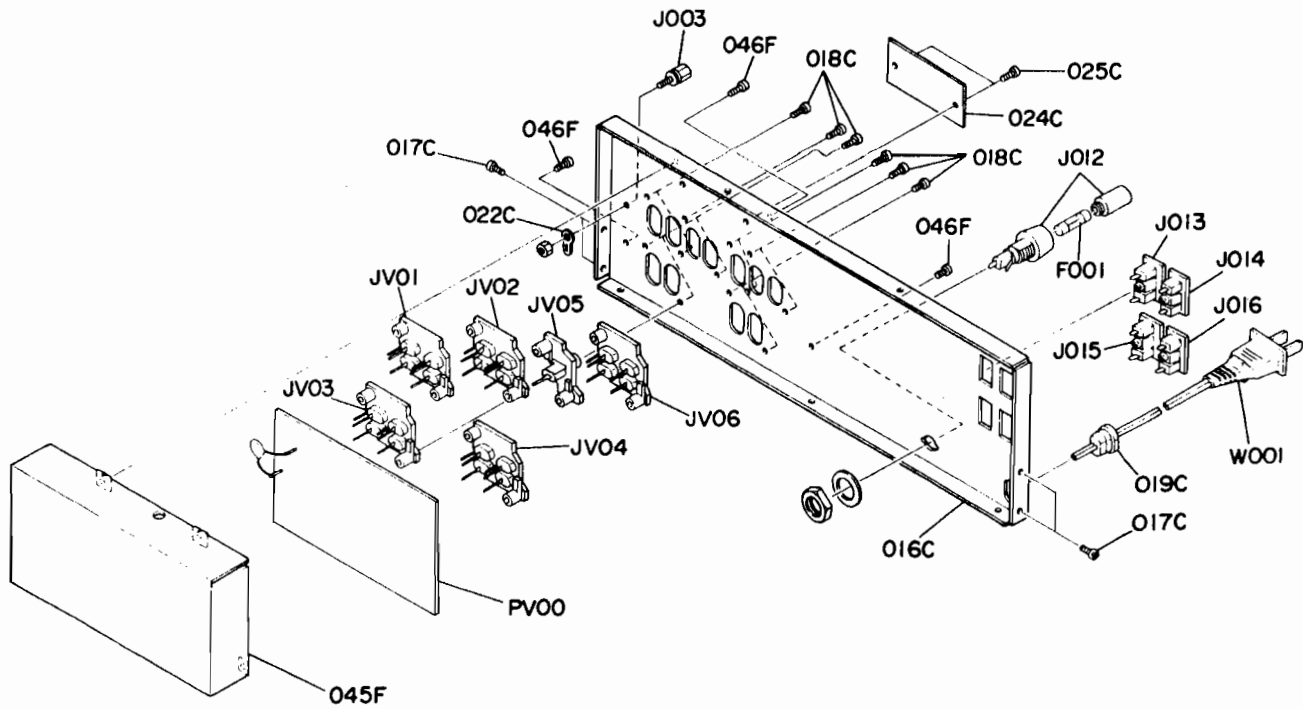
[C02-99] TOP COVER



| REF. DESIG. | QTY | PART NO. | DESCRIPTION |
|-------------|-----|------------|--------------------------|
| | F | | |
| 001C | 1 | 2462257010 | Lid, Top Cover |
| 002C | 4 | 2965118010 | Spacer |
| 003C | 6 | 2991259010 | Bushing |
| 004C | 2 | 51280308U0 | B.H. Tapped Screw B3 x 8 |
| 005C | 4 | 51480406S9 | F. Washer Screw F4 x 6 |
| 006C | 2 | 51280308U0 | B.H. Tapped Screw B3 x 8 |
| 009C | 1 | 2462257020 | Lid, Bottom Cover |
| 010C | 7 | 51280408U0 | B.H. Tapped Screw B4 x 8 |
| 011C | 1 | 59040808P1 | Washer |
| 012C | 4 | 2932057010 | Leg |

| REF. DESIG. | QTY | PART NO. | DESCRIPTION |
|-------------|-----|------------|--------------------------|
| | F | | |
| 013C | 4 | 51570410S0 | P. TAPT. Screw P4 x 10 |
| 026C | 1 | 51280406S0 | B.H. Tapped Screw B4 x 6 |
| 027C | 4 | 59030805P1 | Washer |

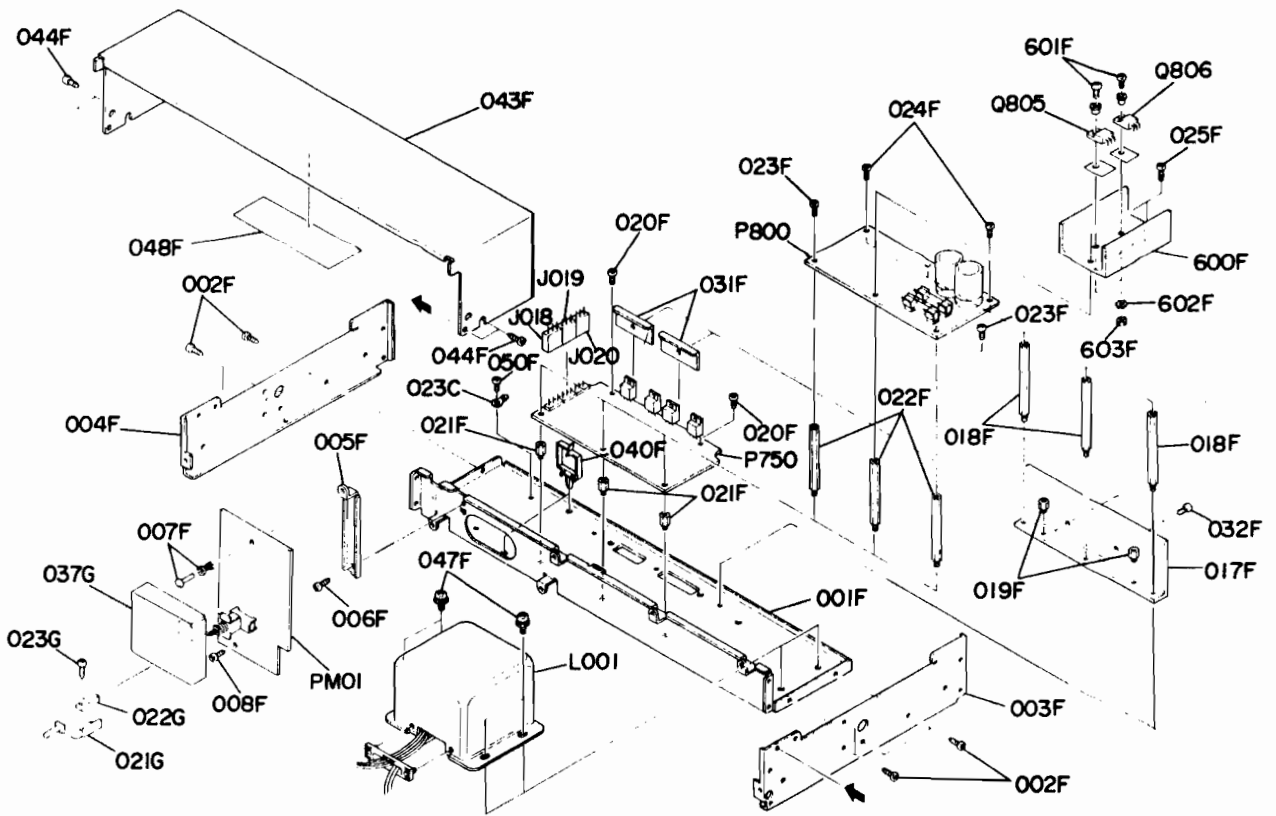
[C03-99] REAR PANEL



| REF. DESIG. | Q'TY | PART NO. | DESCRIPTION |
|-------------|------|------------|--------------------------|
| | F | | |
| 016C | 1 | 2462160210 | Bracket, Rear Panel |
| 017C | 4 | 51280306U0 | B.H. Tapped Screw 83 x 6 |
| 018C | 12 | 51280308U0 | B.H. Tapped Screw 83 x 8 |
| 019C | 1 | 1455259090 | Bushing |
| 022C | 1 | 62040029W0 | Lug |
| 024C | 1 | 2462265010 | Indicator |
| 025C | 2 | 51760306B0 | OS Tapped Screw |
| 045F | 1 | 2990053020 | Cover |
| 046F | 4 | 51280306U0 | B.H. Tapped Screw 83 x 6 |
| F001 | 1 | FS10100090 | Fuse 1A 250V |
| J003 | 1 | YT01010050 | Terminal, Ground |
| J012 | 1 | YJ08000230 | Jack, Fuse Holder |
| J013 | 1 | YJ04000560 | Jack, AC Outlet |
| J014 | 1 | YJ04000560 | Jack, AC Outlet |
| J015 | 1 | YJ04000560 | Jack, AC Outlet |
| J016 | 1 | YJ04000560 | Jack, AC Outlet |
| W001 | 1 | YC02400180 | A.C. Power Cord |

| REF. DESIG. | Q'TY | PART NO. | DESCRIPTION |
|-------------|------|------------|--------------------------|
| | F | | |
| PV00 | 1 | YF29780020 | P.W. Board, RCA Pin Jack |
| JV01 | 1 | YT02040290 | Terminal, Phono 1, 2 |
| JV02 | 1 | YT02040200 | Terminal, Tuner 1 Aux |
| JV03 | 1 | YT02040200 | Terminal, Tape Monitor 1 |
| JV04 | 1 | YT02040200 | Terminal, Tape Monitor 2 |
| JV05 | 1 | YT02020190 | Terminal, Scope Out |
| JV06 | 1 | YT02040200 | Terminal, Pre Out |

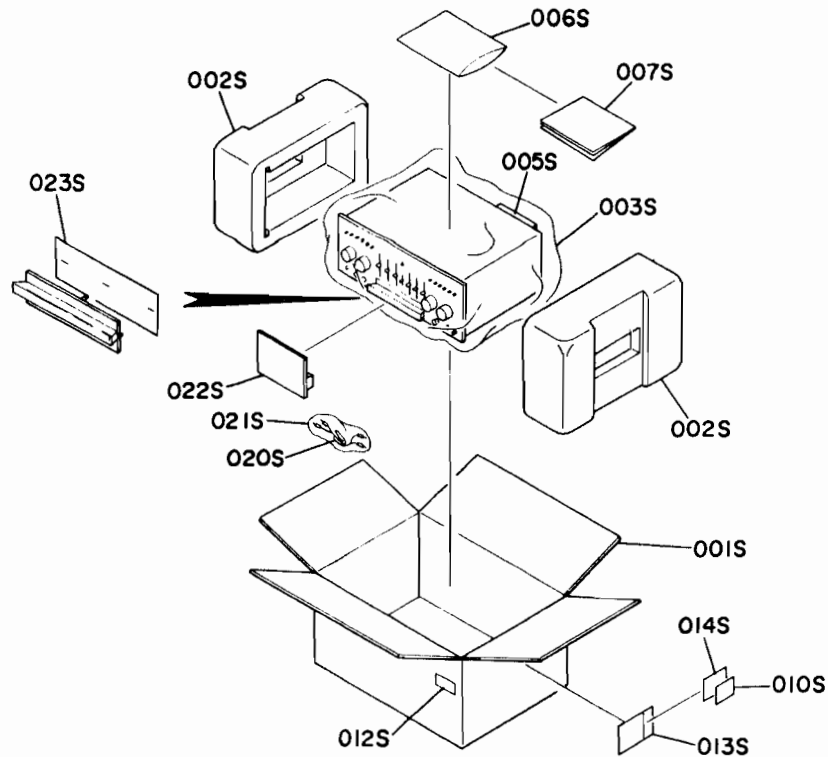
[P02-99] MAIN CHASSIS AND OTHER PARTS



| REF. DESIG. | Q'TY | PART NO. | DESCRIPTION |
|-------------|------|------------|--------------------------|
| | F | | |
| 001F | 1 | 2462105010 | Chassis, Main |
| 002F | 8 | 51280308B0 | B.H. Tapped Screw B3 x 8 |
| 003F | 1 | 2978160030 | Bracket, (R) |
| 004F | 1 | 2978160040 | Bracket, (L) |
| 005F | 1 | 2978104050 | Retainer |
| 006F | 1 | 51280306B0 | B.H. Tapped Screw B3 x 6 |
| 007F | 1 | 2276005050 | Clamper |
| 008F | 1 | 51280306B0 | B.H. Tapped Screw B3 x 6 |
| 017F | 1 | 2462267010 | Heatsink |
| 018F | 3 | 2462101010 | Support |
| 019F | 2 | 2730101040 | Support |
| 020F | 2 | 51100306A9 | B.H.M. Screw B3 x 6 |
| 021F | 3 | 2838101010 | Support |
| 022F | 3 | 2462101020 | Support |
| 023F | 2 | 51100306A9 | B.H.M. Screw B3 x 6 |
| 024F | 2 | 51100306A9 | B.H.M. Screw B3 x 6 |
| 025F | 2 | 51100308A9 | B.H.M. Screw B3 x 8 |
| 031F | 2 | 2462005010 | Clamper |
| 032F | 2 | 51100310A9 | B.H.M. Screw B3 x 10 |
| 040F | 2 | 2886005010 | Clamper |
| 043F | 1 | 2978053010 | Cover |
| 044F | 4 | 51280306U0 | B.H. Tapped Screw B3 x 6 |
| 047F | 4 | 51490408A9 | L. Washer Screw L4 x 8 |
| 048F | 1 | 2978120010 | Insulator |
| 050F | 1 | 51280306B0 | B.H. Tapped Screw B3 x 6 |

| REF. DESIG. | Q'TY | PART NO. | DESCRIPTION |
|-------------|------|------------|----------------------------|
| | F | | |
| 600F | 1 | 2978267050 | Heatsink |
| 601F | 2 | 51100308E9 | B.H.M. Screw B3 x 8 |
| 602F | 2 | 54050300R0 | T.L. Washer OR |
| 603F | 2 | 53110303E9 | Hexagon Nut |
| 023C | 1 | 62030049W0 | Lug |
| 021G | 1 | 2462354010 | Lever |
| 022G | 1 | 2891271010 | Holder |
| 023G | 1 | 51100304A9 | B.H.M. Screw B3 x 4 |
| 037G | 1 | 2978053050 | Cover |
| J018 | 1 | YJ06001240 | Jack, (3P) |
| J019 | 1 | YJ06001240 | Jack, (3P) |
| J020 | 1 | YJ06001240 | Jack, (3P) |
| L001 | 1 | TS16617010 | Power Transformer |
| P750 | 1 | YF24620010 | P.W. Board, Headphone Amp. |
| P800 | 1 | YF29780010 | P.W. Board, Power Supply |
| Q805 | 1 | HT403132P0 | Transistor 2SD313(D or E) |
| Q806 | 1 | HT205072P0 | Transistor 2SB507(D or E) |
| PM01 | 1 | YK29780210 | P.W. Board, MC Amp. |

[H01-99] PACKING MATERIALS



| REF. DESIG. | Q'TY | PART NO. | DESCRIPTION |
|-------------|------|------------|----------------|
| | F | | |
| 001S | 1 | 2462801010 | Packing Case |
| 002S | 2 | 2970809010 | Cushion |
| 003S | 1 | 9014335330 | Polyethy Bag |
| 005S | 1 | 2864804010 | Sleeve |
| 006S | 1 | 9013025010 | Polyethy Bag |
| 007S | 1 | 2462851110 | Instructions |
| 010S | 1 | 9641000020 | Register Card |
| 012S | 2 | 9526019040 | Serial NO Card |
| 013S | 1 | 2976813010 | Envelope |
| 014S | 1 | 2976851040 | Instructions |

| REF. DESIG. | Q'TY | PART NO. | DESCRIPTION |
|-------------|------|------------|-----------------|
| | F | | |
| 020S | 1 | ZD01200080 | Connective Cord |
| 021S | 1 | 9011325010 | Polyethy Bag |
| 022S | 1 | 2462809010 | Cushion |
| 023S | 1 | 2461107010 | Sheet |

電気部品リスト

| REF. DESIG. | Q'TY F | PART NO. | DESCRIPTION |
|--------------------------------|--------|------------|-------------------------|
| P400 | 1 | YG29780020 | P.W. Board, Phono Amp. |
| P400-CAPACITORS | | | |
| C403 | 1 | DF55681090 | Film 680pF ±5% |
| C404 | 1 | DF55681090 | Film 680pF ±5% |
| C405 | 1 | DF55681090 | Film 680pF ±5% |
| C406 | 1 | DF55681090 | Film 680pF ±5% |
| C407 | 1 | DF55681090 | Film 680pF ±5% |
| C408 | 1 | DF55681090 | Film 680pF ±5% |
| C409 | 1 | EA47503590 | Elect 4.7μF 35V |
| C410 | 1 | EA47503590 | Elect 4.7μF 35V |
| C411 | 1 | EQ10603510 | Elect 10μF 35V |
| C412 | 1 | EQ10603510 | Elect 10μF 35V |
| C413 | 1 | DF74103010 | Film 0.01μF ±2% |
| C414 | 1 | DF74103010 | Film 0.01μF ±2% |
| C415 | 1 | DF74333010 | Film 0.033μF ±2% |
| C416 | 1 | DF74333010 | Film 0.033μF ±2% |
| C417 | 1 | EA22703590 | Elect 220μF 35V |
| C418 | 1 | EA22703590 | Elect 220μF 35V |
| C419 | 1 | DF17474510 | Film 0.47μF ±20% 250V |
| C420 | 1 | DF17474510 | Film 0.47μF ±20% 250V |
| C421 | 1 | DF15222300 | Film 0.0022μF ±5% |
| C422 | 1 | DF15222300 | Film 0.0022μF ±5% |
| C423 | 1 | EA22701090 | Elect 220μF 10V |
| C424 | 1 | EA22701090 | Elect 220μF 10V |
| C425 | 1 | DF15103300 | Film 0.01μF ±5% |
| C426 | 1 | DF15103300 | Film 0.01μF ±5% |
| C427 | 1 | DF15103300 | Film 0.01μF ±5% |
| C428 | 1 | DF15103300 | Film 0.01μF ±5% |
| C431 | 1 | DF15332300 | Film 0.0033μF ±5% |
| C432 | 1 | DF15332300 | Film 0.0033μF ±5% |
| C433 | 1 | DD15470300 | Ceramic 47pF ±5% |
| C434 | 1 | DD15470300 | Ceramic 47pF ±5% |
| C435 | 1 | DD15470300 | Ceramic 47pF ±5% |
| C436 | 1 | DD15470300 | Ceramic 47pF ±5% |
| C437 | 1 | DK18473310 | Ceramic 0.047μF +100%-0 |
| C438 | 1 | DK18473310 | Ceramic 0.047μF +100%-0 |
| P400-RESISTORS | | | |
| (All Resistors are ±5% and ¼W) | | | |
| R401 | 1 | GD05101140 | 100Ω |
| R402 | 1 | GD05101140 | 100Ω |
| R403 | 1 | GD05104140 | 100KΩ |
| R404 | 1 | GD05104140 | 100KΩ |
| R405 | 1 | GM21426710 | 2.67KΩ ±2% |
| R406 | 1 | GM21426710 | 2.67KΩ ±2% |
| R407 | 1 | GM21426710 | 2.67KΩ ±2% |
| R408 | 1 | GM21426710 | 2.67KΩ ±2% |
| R409 | 1 | GD05471140 | 470Ω |
| R410 | 1 | GD05471140 | 470Ω |
| R411 | 1 | GD05471140 | 470Ω |
| R412 | 1 | GD05471140 | 470Ω |
| R413 | 1 | GD05621140 | 620Ω |
| R414 | 1 | GD05621140 | 620Ω |
| R415 | 1 | GD05272140 | 2.7KΩ |
| R416 | 1 | GD05272140 | 2.7KΩ |
| R417 | 1 | GD05272140 | 2.7KΩ |
| R418 | 1 | GD05272140 | 2.7KΩ |
| R419 | 1 | GD05122140 | 1.2KΩ |
| R420 | 1 | GD05122140 | 1.2KΩ |

| REF. DESIG. | Q'TY F | PART NO. | DESCRIPTION |
|----------------------------|--------|------------|-----------------------------|
| R421 | 1 | GD05122140 | 1.2KΩ |
| R422 | 1 | GD05122140 | 1.2KΩ |
| R423 | 1 | GD05680140 | 68Ω |
| R424 | 1 | GD05680140 | 68Ω |
| R425 | 1 | GD05680140 | 68Ω |
| R426 | 1 | GD05680140 | 68Ω |
| R427 | 1 | GD05101140 | 100Ω |
| R428 | 1 | GD05101140 | 100Ω |
| R429 | 1 | GD05100140 | 10Ω |
| R430 | 1 | GD05100140 | 10Ω |
| R431 | 1 | GD05100140 | 10Ω |
| R432 | 1 | GD05100140 | 10Ω |
| R433 | 1 | GD05273140 | 27KΩ |
| R434 | 1 | GD05273140 | 27KΩ |
| R435 | 1 | GM21413000 | 130Ω ±2% |
| R436 | 1 | GM21413000 | 130Ω ±2% |
| R437 | 1 | GM21475010 | 7.5KΩ ±2% |
| R438 | 1 | GM21475010 | 7.5KΩ ±2% |
| R439 | 1 | GD05101140 | 100Ω |
| R440 | 1 | GD05101140 | 100Ω |
| R441 | 1 | GM21490920 | 90.9KΩ ±2% |
| R442 | 1 | GM21490920 | 90.9KΩ ±2% |
| R443 | 1 | GD05472140 | 4.7KΩ |
| R444 | 1 | GD05472140 | 4.7KΩ |
| R445 | 1 | GD05241140 | 240Ω |
| R446 | 1 | GD05241140 | 240Ω |
| R447 | 1 | GD05104140 | 100KΩ |
| R448 | 1 | GD05104140 | 100KΩ |
| R449 | 1 | GG05470140 | 47Ω |
| R450 | 1 | GG05470140 | 47Ω |
| R451 | 1 | GD05224140 | 220KΩ |
| R452 | 1 | GD05224140 | 220KΩ |
| R453 | 1 | GD05683140 | 68KΩ |
| R454 | 1 | GD05683140 | 68KΩ |
| R455 | 1 | GD05222140 | 2.2KΩ |
| R456 | 1 | GD05222140 | 2.2KΩ |
| P400-SEMICONDUCTORS | | | |
| Q401 | 1 | HF201301M0 | F.E.T. 2SK130A(M) |
| Q402 | 1 | HF201301M0 | F.E.T. 2SK130A(M) |
| Q403 | 1 | HF201301M0 | F.E.T. 2SK130A(M) |
| Q404 | 1 | HF201301M0 | F.E.T. 2SK130A(M) |
| Q405 | 1 | HT322401B0 | Transistor 2SC2240(BL) |
| Q406 | 1 | HT322401B0 | Transistor 2SC2240(BL) |
| Q407 | 1 | HT109701B0 | Transistor 2SA970(BL) |
| Q408 | 1 | HT109701B0 | Transistor 2SA970(BL) |
| Q409 | 1 | HT109701B0 | Transistor 2SA970(BL) |
| Q410 | 1 | HT109701B0 | Transistor 2SA970(BL) |
| Q411 | 1 | HT322401A0 | Transistor 2SC2240(GR) |
| Q412 | 1 | HT322401A0 | Transistor 2SC2240(GR) |
| Q413 | 1 | HT108722D0 | Transistor 2SA872A(D or E) |
| Q414 | 1 | HT108722D0 | Transistor 2SA872A(D or E) |
| Q415 | 1 | HT317752D0 | Transistor 2SC1775A(D or E) |
| Q416 | 1 | HT317752D0 | Transistor 2SC1775A(D or E) |
| Q417 | 1 | HT317752D0 | Transistor 2SC1775A(D or E) |
| Q418 | 1 | HT317752D0 | Transistor 2SC1775A(D or E) |
| Q419 | 1 | HT108722D0 | Transistor 2SA872A(D or E) |
| Q420 | 1 | HT108722D0 | Transistor 2SA872A(D or E) |

| REF. DESIG. | Q'TY | PART NO. | DESCRIPTION | |
|---|------|------------|-------------|-----------------------------|
| | F | | | |
| Q421 | 1 | HT407571C0 | Transistor | 2SD757(C) |
| Q422 | 1 | HT407571C0 | Transistor | 2SD757(C) |
| Q423 | 1 | HT207171C0 | Transistor | 2SB717(C) |
| Q424 | 1 | HT207171C0 | Transistor | 2SB717(C) |
| Q425 | 1 | HV00002060 | Varistor | VD1212 |
| Q426 | 1 | HV00002060 | Varistor | VD1212 |
| Q427 | 1 | HD20003210 | Diode | 1S2471 |
| Q428 | 1 | HD20003210 | Diode | 1S2471 |
| Q429 | 1 | HD20003210 | Diode | 1S2471 |
| Q430 | 1 | HD20003210 | Diode | 1S2471 |
| Q431 | 1 | HD20003210 | Diode | 1S2471 |
| Q432 | 1 | HD20003210 | Diode | 1S2471 |
| Q433 | 1 | HV00006120 | Varistor | MV203(Y) |
| Q434 | 1 | HV00006120 | Varistor | MV203(Y) |
| Q435 | 1 | HV00004060 | Varistor | VD1210 |
| Q436 | 1 | HV00004060 | Varistor | VD1210 |
| Q437 | 1 | HD20003210 | Diode | 1S2471 |
| Q439 | 1 | HT322401B0 | Transistor | 2SC2240(BL) |
| Q440 | 1 | HT322401B0 | Transistor | 2SC2240(BL) |
| Q441 | 1 | HT322401B0 | Transistor | 2SC2240(BL) |
| Q442 | 1 | HT322401B0 | Transistor | 2SC2240(BL) |
| P400-MISCELLANEOUS | | | | |
| J401 | 1 | YP06001650 | Plug | (10P) |
| J402 | 1 | YP06001650 | Plug | (6P) |
| L401 | 1 | LY20240120 | Relay | |
| P750 | 1 | YF24620010 | P.W. Board, | Headphone Amp. |
| P750-CAPACITORS | | | | |
| C751 | 1 | DF17224010 | Film | 0.22 μ F \pm 20% |
| C752 | 1 | DF17224010 | Film | 0.22 μ F \pm 20% |
| C755 | 1 | EA10702590 | Elect | 100 μ F 25V |
| C757 | 1 | EA10801690 | Elect | 1000 μ F 16V |
| C758 | 1 | EA10801690 | Elect | 1000 μ F 16V |
| C759 | 1 | DK18103510 | Ceramic | 0.01 μ F |
| C760 | 1 | EB33803530 | Elect | 3300 μ F 35V |
| C761 | 1 | DF16104300 | Film | 0.1 μ F \pm 10% |
| C762 | 1 | DF16104300 | Film | 0.1 μ F \pm 10% |
| C763 | 1 | DF16104300 | Film | 0.1 μ F \pm 10% |
| C764 | 1 | DF16104300 | Film | 0.1 μ F \pm 10% |
| P750-RESISTORS (All Resistors are \pm 5% and $\frac{1}{2}$ W) | | | | |
| R751 | 1 | GD05102140 | | 1K Ω |
| R752 | 1 | GD05102140 | | 1K Ω |
| R753 | 1 | GD05224140 | | 220K Ω |
| R754 | 1 | GD05224140 | | 220K Ω |
| R755 | 1 | GD05224140 | | 220K Ω |
| R756 | 1 | GD05224140 | | 220K Ω |
| R757 | 1 | GD05221140 | | 220 Ω |
| R758 | 1 | GD05221140 | | 220 Ω |
| R759 | 1 | GD05221140 | | 220 Ω |
| R760 | 1 | GD05221140 | | 220 Ω |
| R761 | 1 | GD05273140 | | 27K Ω |
| R762 | 1 | GD05273140 | | 27K Ω |
| R763 | 1 | GG05102120 | | 1K Ω $\frac{1}{2}$ W |
| R765 | 1 | GD05102140 | | 1K Ω |
| R766 | 1 | GD05102140 | | 1K Ω |

| REF. DESIG. | Q'TY | PART NO. | DESCRIPTION | |
|----------------------------|------|------------|---------------|-----------------------------|
| | F | | | |
| R767 | 1 | GG05056120 | 5.6 Ω | $\frac{1}{2}$ W |
| R768 | 1 | GG05056120 | 5.6 Ω | $\frac{1}{2}$ W |
| R769 | 1 | GG05056120 | 5.6 Ω | $\frac{1}{2}$ W |
| R770 | 1 | GG05056120 | 5.6 Ω | $\frac{1}{2}$ W |
| R771 | 1 | GD05331140 | 330 Ω | |
| R772 | 1 | GD05331140 | 330 Ω | |
| R773 | 1 | GD05474140 | 470K Ω | |
| R774 | 1 | GD05474140 | 470K Ω | |
| R775 | 1 | GD05330140 | 33 Ω | |
| R776 | 1 | GD05330140 | 33 Ω | |
| P750-SEMICONDUCTORS | | | | |
| Q751 | 1 | HT107501B0 | Transistor | 2SA750(E) |
| Q752 | 1 | HT107501B0 | Transistor | 2SA750(E) |
| Q753 | 1 | HT314001E0 | Transistor | 2SC1400(E) |
| Q754 | 1 | HT314001E0 | Transistor | 2SC1400(E) |
| Q755 | 1 | HT107501B0 | Transistor | 2SA750(E) |
| Q756 | 1 | HT107501B0 | Transistor | 2SA750(E) |
| Q757 | 1 | HT314001E0 | Transistor | 2SC1400(E) |
| Q758 | 1 | HT314001E0 | Transistor | 2SC1400(E) |
| Q759 | 1 | HV00006120 | Varistor | MV203(Y) |
| Q760 | 1 | HV00006120 | Varistor | MV203(Y) |
| Q761 | 1 | HV00006120 | Varistor | MV203(Y) |
| Q762 | 1 | HV00006120 | Varistor | MV203(Y) |
| Q763 | 1 | HV00002060 | Varistor | VD1212 |
| Q764 | 1 | HV00002060 | Varistor | VD1212 |
| Q765 | 1 | HV00002060 | Varistor | VD1212 |
| Q766 | 1 | HV00002060 | Varistor | VD1212 |
| Q767 | 1 | HT314001E0 | Transistor | 2SC1400(E) |
| Q768 | 1 | HT314001E0 | Transistor | 2SC1400(E) |
| Q769 | 1 | HT107501B0 | Transistor | 2SA750(E) |
| Q770 | 1 | HT107501B0 | Transistor | 2SA750(E) |
| Q771 | 1 | HT403132P0 | Transistor | 2SD313(D or E) |
| Q772 | 1 | HT403132P0 | Transistor | 2SD313(D or E) |
| Q773 | 1 | HT205072P0 | Transistor | 2SB507(D or E) |
| Q774 | 1 | HT205072P0 | Transistor | 2SB507(D or E) |
| Q775 | 1 | HE20001080 | Diode | RB-152 |
| Q776 | 1 | HD30030090 | Zener | WZ177 |
| P750-PLUG | | | | |
| J751 | 1 | YP06001070 | Plug, | (9P) |
| P800 | 1 | YF29780010 | P.W. Board, | Power Supply |
| P800-CAPACITORS | | | | |
| C801 | 1 | DK18103510 | Ceramic | 0.01 μ F 500V |
| C802 | 1 | DK18103510 | Ceramic | 0.01 μ F 500V |
| C803 | 1 | DF17474510 | Film | 0.47 μ F \pm 20% 250V |
| C804 | 1 | DF17474510 | Film | 0.47 μ F \pm 20% 250V |
| C805 | 1 | EB10805060 | Elect | 1000 μ F 50V |
| C806 | 1 | EB10805060 | Elect | 1000 μ F 50V |
| C807 | 1 | DF15103350 | Film | 0.01 μ F \pm 5% |
| C808 | 1 | DF15103350 | Film | 0.01 μ F \pm 5% |
| C809 | 1 | EA10701090 | Elect | 100 μ F 10V |
| C810 | 1 | EA47503590 | Elect | 4.7 μ F 35V |

| REF. DESIG. | Q'TY F | PART NO. | DESCRIPTION |
|--------------------------------|--------|------------|------------------------------|
| C811 | 1 | EA47503590 | Elect 4.7μF 35V |
| C812 | 1 | EA10803590 | Elect 1000μF 35V |
| C813 | 1 | EA10803590 | Elect 1000μF 35V |
| C814 | 1 | DF17474510 | Film 0.47μF ±20% 250V |
| C815 | 1 | DF17474510 | Film 0.47μF ±20% 250V |
| P800-RESISTORS | | | |
| (All Resistors are ±5% and ¼W) | | | |
| R803 | 1 | GD05102140 | 1KΩ |
| R804 | 1 | GD05102140 | 1KΩ |
| R807 | 1 | GG05682120 | 6.8KΩ ¼W |
| R808 | 1 | GD05473140 | 47KΩ |
| R809 | 1 | GD05103140 | 10KΩ |
| R810 | 1 | RA04720050 | 4.7KΩ (B) Trimming |
| R811 | 1 | GD05473140 | 47KΩ |
| R812 | 1 | GD05473140 | 47KΩ |
| R813 | 1 | GD05162140 | 1.6KΩ |
| R814 | 1 | GG05151140 | 150Ω |
| R815 | 1 | GG05151140 | 150Ω |
| P800-SEMICONDUCTORS | | | |
| Q801 | 1 | HF200301C0 | F.E.T. 2SK30A(Y) |
| Q802 | 1 | HF200301C0 | F.E.T. 2SK30A(Y) |
| Q803 | 1 | HT315091Q0 | Transistor 2SC1509(Q) |
| Q804 | 1 | HT107771Q0 | Transistor 2SA777(Q) |
| Q805 | 1 | HT403132P0 | Transistor 2SD313(D or E) |
| Q806 | 1 | HT205072P0 | Transistor 2SB507(D or E) |
| Q807 | 1 | HT322402A0 | Transistor 2SC2240(GR or BL) |
| Q808 | 1 | HT109702A0 | Transistor 2SA970(GR or BL) |
| Q809 | 1 | HE10001030 | Diode DS133B-L |
| Q810 | 1 | HE10001030 | Diode DS133B-L |
| Q811 | 1 | HD30008010 | Zener HZ-6L(B) |
| P800-MISCELLANEOUS | | | |
| F801 | 1 | FS10100080 | Fuse 1A 250V |
| F802 | 1 | FS10100080 | Fuse 1A 250V |
| J801 | 4 | YJ08000170 | Jack, Fuse Holder |
| J804 | | | |
| PE00 | 1 | YN29782210 | P.W. Board, Pre Amp. |
| PE00-CAPACITORS | | | |
| CD01 | 1 | DF16103300 | Film 0.01μF ±10% |
| CD03 | 1 | EA10701090 | Elect 100μF 10V |
| CE01 | 1 | DD15330370 | Ceramic 33pF ±5% |
| CE02 | 1 | DD15330370 | Ceramic 33pF ±5% |
| CE03 | 1 | DF15152350 | Film 0.0015μF ±5% |
| CE04 | 1 | DF15152350 | Film 0.0015μF ±5% |
| CE05 | 1 | EA22701090 | Elect 220μF 10V |
| CE06 | 1 | EA22701090 | Elect 220μF 10V |
| CE07 | 1 | DF15152350 | Film 0.0015μF ±5% |
| CE08 | 1 | DF15152350 | Film 0.0015μF ±5% |
| CE09 | 1 | EA10601690 | Elect 10μF 16V |
| CE10 | 1 | EA10601690 | Elect 10μF 16V |

| REF. DESIG. | Q'TY F | PART NO. | DESCRIPTION |
|-------------|--------|------------|-------------------|
| CE11 | 1 | DD15360300 | Ceramic 36pF ±5% |
| CE12 | 1 | DD15360300 | Ceramic 36pF ±5% |
| CE13 | 1 | EQ10603510 | Elect 10μF 35V |
| CE14 | 1 | EQ10603510 | Elect 10μF 35V |
| CE15 | 1 | DD15330330 | Ceramic 33pF ±5% |
| CE16 | 1 | DD15330300 | Ceramic 33pF ±5% |
| CE17 | 1 | EA10703590 | Elect 100μF 35V |
| CE18 | 1 | EA10703590 | Elect 100μF 35V |
| CE19 | 1 | DF17474510 | Film 0.47μF ±20% |
| CE20 | 1 | DF17474510 | Film 0.47μF ±20% |
| CE23 | 1 | DF15152350 | Film 0.0015μF ±5% |
| CE24 | 1 | DF15152350 | Film 0.0015μF ±5% |
| CE25 | 1 | DF15152350 | Film 0.0015μF ±5% |
| CE26 | 1 | DF15152350 | Film 0.0015μF ±5% |
| CE27 | 1 | DD15360300 | Ceramic 36pF ±5% |
| CE28 | 1 | DD15360300 | Ceramic 36pF ±5% |
| CE29 | 1 | EA10601690 | Elect 10μF 16V |
| CE30 | 1 | EA10601690 | Elect 10μF 16V |
| CE31 | 1 | EQ10603510 | Elect 10μF 35V |
| CE32 | 1 | EQ10603510 | Elect 10μF 35V |
| CE33 | 1 | DD15330300 | Ceramic 33pF ±5% |
| CE34 | 1 | DD15330300 | Ceramic 33pF ±5% |
| CH01 | 1 | DF16104300 | Film 0.1μF ±10% |
| CH02 | 1 | DF16104300 | Film 0.1μF ±10% |
| CH03 | 1 | EA47503590 | Elect 4.7μF 35V |
| CH04 | 1 | EA47503590 | Elect 4.7μF 35V |
| CH05 | 1 | EA33603590 | Elect 33μF 35V |
| CH06 | 1 | EA33603590 | Elect 33μF 35V |
| CH07 | 1 | EA10703590 | Elect 100μF 35V |
| CH08 | 1 | EA10703590 | Elect 100μF 35V |
| CH09 | 1 | DF17474510 | Film 0.47μF ±20% |
| CH10 | 1 | DF17474510 | Film 0.47μF ±20% |
| CH11 | 1 | DF15224300 | Film 0.22μF ±5% |
| CH12 | 1 | DF15224300 | Film 0.22μF ±5% |
| CH13 | 1 | DF15224300 | Film 0.22μF ±5% |
| CH14 | 1 | DF15224300 | Film 0.22μF ±5% |
| CH15 | 1 | DF15224300 | Film 0.22μF ±5% |
| CH16 | 1 | DF15224300 | Film 0.22μF ±5% |
| CH17 | 1 | DF15152350 | Film 0.0015μF ±5% |
| CH18 | 1 | DF15152350 | Film 0.0015μF ±5% |
| CH19 | 1 | DF15222350 | Film 0.0022μF ±5% |
| CH20 | 1 | DF15222350 | Film 0.0022μF ±5% |
| CH21 | 1 | DF55391090 | Film 390pF ±5% |
| CH22 | 1 | DF55391090 | Film 390pF ±5% |
| CH23 | 1 | DF15683300 | Film 0.068μF ±5% |
| CH24 | 1 | DF15683300 | Film 0.068μF ±5% |
| CH25 | 1 | DF15683300 | Film 0.068μF ±5% |
| CH26 | 1 | DF15683300 | Film 0.068μF ±5% |
| CH27 | 1 | DF15182350 | Film 0.0018μF ±5% |
| CH28 | 1 | DF15182350 | Film 0.0018μF ±5% |

| REF. DESIG. | QTY | PART NO. | DESCRIPTION |
|--|-----|------------|------------------|
| | F | | |
| PE00-RESISTORS (All Resistors are $\pm 5\%$ and $\frac{1}{4}W$) | | | |
| RD01 | 1 | GA05472010 | 4.7K Ω 1W |
| RD04 | 1 | GD05103140 | 10K Ω |
| RD05 | 1 | GD05394140 | 390K Ω |
| RD06 | 1 | GD05104140 | 100K Ω |
| RD07 | 1 | GD05753140 | 75K Ω |
| RD08 | 1 | GD05103140 | 10K Ω |
| RD09 | 1 | GD05153140 | 15K Ω |
| RD10 | 1 | GD05182140 | 1.8K Ω |
| RD11 | 1 | GD05101140 | 100 Ω |
| RE01 | 1 | GD05331140 | 330 Ω |
| RE02 | 1 | GD05331140 | 330 Ω |
| RE03 | 1 | GD05224140 | 220K Ω |
| RE04 | 1 | GD05224140 | 220K Ω |
| RE05 | 1 | GD05222140 | 2.2K Ω |
| RE06 | 1 | GD05222140 | 2.2K Ω |
| RE07 | 1 | GD05222140 | 2.2K Ω |
| RE08 | 1 | GD05222140 | 2.2K Ω |
| RE09 | 1 | GD05101140 | 100 Ω |
| RE10 | 1 | GD05101140 | 100 Ω |
| RE11 | 1 | GD05101140 | 100 Ω |
| RE12 | 1 | GD05101140 | 100 Ω |
| RE13 | 1 | GD05223140 | 22K Ω |
| RE14 | 1 | GD05223140 | 22K Ω |
| RE15 | 1 | GD05560140 | 56 Ω |
| RE16 | 1 | GD05560140 | 56 Ω |
| RE17 | 1 | GD05182140 | 1.8K Ω |
| RE18 | 1 | GD05182140 | 1.8K Ω |
| RE19 | 1 | GD05222140 | 2.2K Ω |
| RE20 | 1 | GD05222140 | 2.2K Ω |
| RE21 | 1 | GD05222140 | 2.2K Ω |
| RE22 | 1 | GD05222140 | 2.2K Ω |
| RE23 | 1 | GD05151140 | 150 Ω |
| RE24 | 1 | GD05151140 | 150 Ω |
| RE25 | 1 | GD05151140 | 150 Ω |
| RE26 | 1 | GD05151140 | 150 Ω |
| RE27 | 1 | GD05473140 | 47K Ω |
| RE28 | 1 | GD05473140 | 47K Ω |
| RE29 | 1 | GD05473140 | 47K Ω |
| RE30 | 1 | GD05473140 | 47K Ω |
| RE31 | 1 | GD05560140 | 56 Ω |
| RE32 | 1 | GD05560140 | 56 Ω |
| RE33 | 1 | GD05102140 | 1K Ω |
| RE34 | 1 | GD05102140 | 1K Ω |
| RE35 | 1 | GG05270140 | 27 Ω |
| RE36 | 1 | GG05270140 | 27 Ω |
| RE37 | 1 | GG05270140 | 27 Ω |
| RE38 | 1 | GG05270140 | 27 Ω |
| RE39 | 1 | GD05047140 | 4.7 Ω |
| RE40 | 1 | GD05047140 | 4.7 Ω |
| RE41 | 1 | GD05104140 | 100K Ω |
| RE42 | 1 | GD05104140 | 100K Ω |
| RE43 | 1 | GD05183140 | 18K Ω |
| RE44 | 1 | GD05183140 | 18K Ω |
| RE45 | 1 | GD05331140 | 330 Ω |
| RE46 | 1 | GD05331140 | 330 Ω |
| RE49 | 1 | GD05222140 | 2.2K Ω |
| RE50 | 1 | GD05222140 | 2.2K Ω |
| RE51 | 1 | GD05222140 | 2.2K Ω |
| RE52 | 1 | GD05222140 | 2.2K Ω |

| REF. DESIG. | QTY | PART NO. | DESCRIPTION |
|-------------|-----|------------|----------------|
| | F | | |
| RE53 | 1 | GD05101140 | 100 Ω |
| RE54 | 1 | GD05101140 | 100 Ω |
| RE55 | 1 | GD05101140 | 100 Ω |
| RE56 | 1 | GD05101140 | 100 Ω |
| RE57 | 1 | GD05223140 | 22K Ω |
| RE58 | 1 | GD05223140 | 22K Ω |
| RE59 | 1 | GD05222140 | 2.2K Ω |
| RE60 | 1 | GD05222140 | 2.2K Ω |
| RE61 | 1 | GD05222140 | 2.2K Ω |
| RE62 | 1 | GD05222140 | 2.2K Ω |
| RE63 | 1 | GD05560140 | 56 Ω |
| RE64 | 1 | GD05560140 | 56 Ω |
| RE65 | 1 | GD05560140 | 56 Ω |
| RE66 | 1 | GD05560140 | 56 Ω |
| RE67 | 1 | GD05473140 | 47K Ω |
| RE68 | 1 | GD05473140 | 47K Ω |
| RE69 | 1 | GD05473140 | 47K Ω |
| RE70 | 1 | GD05473140 | 47K Ω |
| RE71 | 1 | GD05151140 | 150 Ω |
| RE72 | 1 | GD05151140 | 150 Ω |
| RE73 | 1 | GD05151140 | 150 Ω |
| RE74 | 1 | GD05151140 | 150 Ω |
| RE75 | 1 | GD05102140 | 1K Ω |
| RE76 | 1 | GD05102140 | 1K Ω |
| RE77 | 1 | GG05270140 | 27 Ω |
| RE78 | 1 | GG05270140 | 27 Ω |
| RE79 | 1 | GG05270140 | 27 Ω |
| RE80 | 1 | GG05270140 | 27 Ω |
| RE83 | 1 | GD05104140 | 100K Ω |
| RE84 | 1 | GD05104140 | 100K Ω |
| RE85 | 1 | GD05105140 | 1M Ω |
| RE86 | 1 | GD05105140 | 1M Ω |
| RE87 | 1 | GA05680010 | 68 Ω 1W |
| RE88 | 1 | GA05680010 | 68 Ω 1W |
| RH01 | 1 | GD05331140 | 330 Ω |
| RH02 | 1 | GD05331140 | 330 Ω |
| RH03 | 1 | GD05471140 | 470 Ω |
| RH04 | 1 | GD05471140 | 470 Ω |
| RH05 | 1 | GD05471140 | 470 Ω |
| RH06 | 1 | GD05471140 | 470 Ω |
| RH07 | 1 | GD05332140 | 3.3K Ω |
| RH08 | 1 | GD05332140 | 3.3K Ω |
| RH09 | 1 | GD05332140 | 3.3K Ω |
| RH10 | 1 | GD05332140 | 3.3K Ω |
| RH11 | 1 | GD05104140 | 100K Ω |
| RH12 | 1 | GD05104140 | 100K Ω |
| RH13 | 1 | GD05101140 | 100 Ω |
| RH14 | 1 | GD05101140 | 100 Ω |
| RH15 | 1 | GD05101140 | 100 Ω |
| RH16 | 1 | GD05101140 | 100 Ω |
| RH17 | 1 | GG05047140 | 4.7 Ω |
| RH18 | 1 | GG05047140 | 4.7 Ω |
| RH19 | 1 | GG05047140 | 4.7 Ω |
| RH20 | 1 | GG05047140 | 4.7 Ω |

| REF. DESIG. | Q'TY | PART NO. | DESCRIPTION | |
|-------------|------|------------|---------------|------------------|
| | F | | | |
| RH21 | 1 | GD05105140 | 1M Ω | |
| RH22 | 1 | GD05105140 | 1M Ω | |
| RH23 | 1 | GD05104140 | 100K Ω | |
| RH24 | 1 | GD05104140 | 100K Ω | |
| RH25 | 1 | GA05680010 | 68 Ω | 1W |
| RH26 | 1 | GA05680010 | 68 Ω | 1W |
| RH27 | 1 | GD05393140 | 39K Ω | |
| RH28 | 1 | GD05393140 | 39K Ω | |
| RH29 | 1 | GD05153140 | 15K Ω | |
| RH30 | 1 | GD05153140 | 15K Ω | |
| RH31 | 1 | GD05304140 | 300K Ω | |
| RH32 | 1 | GD05304140 | 300K Ω | |
| RH33 | 1 | GD05113140 | 11K Ω | |
| RH34 | 1 | GD05113140 | 11K Ω | |
| RH35 | 1 | GD05113140 | 11K Ω | |
| RH36 | 1 | GD05113140 | 11K Ω | |
| RH37 | 1 | GD05113140 | 11K Ω | |
| RH38 | 1 | GD05113140 | 11K Ω | |
| RH39 | 1 | GD05182140 | 1.8K Ω | |
| RH40 | 1 | GD05182140 | 1.8K Ω | |
| RH41 | 1 | GD05153140 | 15K Ω | |
| RH42 | 1 | GD05153140 | 15K Ω | |
| RH43 | 1 | GD05224140 | 220K Ω | |
| RH44 | 1 | GD05224140 | 220K Ω | |
| RH45 | 1 | GD05101140 | 100 Ω | |
| RH46 | 1 | GD05101140 | 100 Ω | |
| RH47 | 1 | GD05150140 | 15 Ω | |
| RH48 | 1 | GD05150140 | 15 Ω | |
| RH49 | 1 | GD05150140 | 15 Ω | |
| RH50 | 1 | GD05150140 | 15 Ω | |
| QD01 | 1 | HT110152A0 | Transistor | 2SA1015(O or Y) |
| QD02 | 1 | HT318152A0 | Transistor | 2SC1815(O or Y) |
| QD03 | 1 | HT318152A0 | Transistor | 2SC1815(O or Y) |
| QD05 | 1 | HD20003210 | Diode | 1S2471 |
| QD06 | 1 | HD20003210 | Diode | 1S2471 |
| QE01 | 1 | HF201172B0 | F.E.T. | 2SK117(Y or GR) |
| QE02 | 1 | HF201172B0 | F.E.T. | 2SK117(Y or GR) |
| QE03 | 1 | HF201172B0 | F.E.T. | 2SK117(Y or GR) |
| QE04 | 1 | HF201172B0 | F.E.T. | 2SK117(Y or GR) |
| QE05 | 1 | HT108722D0 | Transistor | 2SA872A(D or E) |
| QE06 | 1 | HT108722D0 | Transistor | 2SA872A(D or E) |
| QE07 | 1 | HT108722D0 | Transistor | 2SA872A(D or E) |
| QE08 | 1 | HT108722D0 | Transistor | 2SA872A(D or E) |
| QE09 | 1 | HT317752D0 | Transistor | 2SC1775A(D or E) |
| QE10 | 1 | HT317752D0 | Transistor | 2SC1775A(D or E) |
| QE11 | 1 | HT406661C0 | Transistor | 2SD666(C) |
| QE12 | 1 | HT406661C0 | Transistor | 2SD666(C) |
| QE13 | 1 | HT206461C0 | Transistor | 2SB646(C) |
| QE14 | 1 | HT206461C0 | Transistor | 2SB646(C) |
| QE15 | 1 | HF201172B0 | F.E.T. | 2SK117(Y or GR) |
| QE16 | 1 | HF201172B0 | F.E.T. | 2SK117(Y or GR) |
| QE17 | 1 | HF201172B0 | F.E.T. | 2SK117(Y or GR) |
| QE18 | 1 | HF201172B0 | F.E.T. | 2SK117(Y or GR) |
| QE19 | 1 | HT108722D0 | Transistor | 2SA872A(D or E) |
| QE20 | 1 | HT108722D0 | Transistor | 2SA872A(D or E) |

PE00-SEMICONDUCTORS

Transistor 2SA1015(O or Y)
 Transistor 2SC1815(O or Y)
 Transistor 2SC1815(O or Y)
 Diode 1S2471
 Diode 1S2471

F.E.T. 2SK117(Y or GR)
 F.E.T. 2SK117(Y or GR)
 F.E.T. 2SK117(Y or GR)
 F.E.T. 2SK117(Y or GR)
 Transistor 2SA872A(D or E)
 Transistor 2SA872A(D or E)
 Transistor 2SA872A(D or E)
 Transistor 2SA872A(D or E)
 Transistor 2SA872A(D or E)
 Transistor 2SC1775A(D or E)
 Transistor 2SC1775A(D or E)

Transistor 2SD666(C)
 Transistor 2SD666(C)
 Transistor 2SB646(C)
 Transistor 2SB646(C)
 F.E.T. 2SK117(Y or GR)
 F.E.T. 2SK117(Y or GR)
 F.E.T. 2SK117(Y or GR)
 F.E.T. 2SK117(Y or GR)
 Transistor 2SA872A(D or E)
 Transistor 2SA872A(D or E)

| REF. DESIG. | Q'TY | PART NO. | DESCRIPTION | |
|-------------|------|------------|--|------------------|
| | F | | | |
| QE21 | 1 | HT108722D0 | Transistor | 2SA872A(D or E) |
| QE22 | 1 | HT108722D0 | Transistor | 2SA872A(D or E) |
| QE23 | 1 | HT317752D0 | Transistor | 2SC1775A(D or E) |
| QE24 | 1 | HT317752D0 | Transistor | 2SC1775A(D or E) |
| QE25 | 1 | HT406661C0 | Transistor | 2SD666(C) |
| QE26 | 1 | HT406661C0 | Transistor | 2SD666(C) |
| QE27 | 1 | HT206461C0 | Transistor | 2SB646(C) |
| QE28 | 1 | HT206461C0 | Transistor | 2SB646(C) |
| QE29 | 1 | HD20003210 | Diode | 1S2471 |
| QE30 | 1 | HD20003210 | Diode | 1S2471 |
| QE31 | 1 | HV00009120 | Varistor | MV103(W) |
| QE32 | 1 | HV00009120 | Varistor | MV103(W) |
| QE33 | 1 | HD20003210 | Diode | 1S2471 |
| QE34 | 1 | HD20003210 | Diode | 1S2471 |
| QE35 | 1 | HV00009120 | Varistor | MV103(W) |
| QE36 | 1 | HV00009120 | Varistor | MV103(W) |
| QH01 | 1 | HT108722D0 | Transistor | 2SA872(D or E) |
| QH02 | 1 | HT108722D0 | Transistor | 2SA872(D or E) |
| QH03 | 1 | HT317752D0 | Transistor | 2SC1775(D or E) |
| QH04 | 1 | HT317752D0 | Transistor | 2SC1775(D or E) |
| QH05 | 1 | HT322401A0 | Transistor | 2SC2240(GR) |
| QH06 | 1 | HT322401A0 | Transistor | 2SC2240(GR) |
| QH07 | 1 | HT109701A0 | Transistor | 2SA970(GR) |
| QH08 | 1 | HT109701A0 | Transistor | 2SA970(GR) |
| QH09 | 1 | HT406661C0 | Transistor | 2SD666(C) |
| QH10 | 1 | HT406661C0 | Transistor | 2SD666(C) |
| QH11 | 1 | HT206461C0 | Transistor | 2SB646(C) |
| QH12 | 1 | HT206461C0 | Transistor | 2SB646(C) |
| LD01 | 1 | LY20240120 | PE00-MISCELLANEOUS Relay | |
| JH01 | 1 | YP06901160 | Plug, (12P) | |
| JH02 | 1 | YP06901140 | Plug, (7P) | |
| JH03 | 1 | YP06901140 | Plug, (7P) | |
| SH01 | 1 | SP04060090 | Push Switch | |
| PF00 | 2 | YN29782240 | P.W. Board, Tone VR. | |
| CF01 | 2 | DF15153300 | PE00-CAPACITORS Film 0.015 μ F \pm 5% | |
| CF02 | 2 | DF15153300 | Film 0.015 μ F \pm 5% | |
| CF03 | 2 | DF15562300 | Film 0.0056 μ F \pm 5% | |
| CF04 | 2 | DF15331370 | Ceramic 330pF \pm 5% | |
| CF05 | 2 | DF15562300 | Film 0.0056 μ F \pm 5% | |
| CF06 | 2 | DF15103300 | Film 0.01 μ F \pm 5% | |
| CF07 | 2 | DF15103300 | Film 0.01 μ F \pm 5% | |
| CF08 | 2 | DD15221370 | Ceramic 220pF \pm 5% | |
| RF01 | 2 | RX01040040 | PF00-RESISTORS (All Resistors are \pm 5% and 1/4W) Variable, Bass 100K Ω | |
| RF02 | 2 | RX01040040 | Variable, Mid 100K Ω | |
| RF03 | 2 | RX01040040 | Variable, Treble 100K Ω | |

| REF. DESIG. | Q'TY | PART NO. | DESCRIPTION |
|---|------|------------|--------------------------------|
| | F | | |
| RF04 | 2 | GD05183140 | 18K Ω |
| RF05 | 2 | GD05183140 | 18K Ω |
| RF06 | 2 | GD05273140 | 27K Ω |
| RF07 | 2 | GD05273140 | 27K Ω |
| RF08 | 2 | GD05562140 | 5.6K Ω |
| RF09 | 2 | GD05562140 | 5.6K Ω |
| RF11 | 2 | GD05392140 | 3.9K Ω |
| RF12 | 2 | GD05562140 | 5.6K Ω |
| RF13 | 2 | GD05562140 | 5.6K Ω |
| PF00-JACK | | | |
| JF01 | 2 | YJ06000400 | Jack, (10P) |
| PF01 | 2 | YN29782220 | P.W. Board, Tone VR. Connector |
| JF02 | 2 | YP06000400 | Plug, (10P) |
| PG00 | 1 | YN29782230 | P.W. Board, Volume Buffer Amp. |
| PG00-CAPACITORS | | | |
| CG01 | 1 | DF16104300 | Film 0.1 μ F \pm 10% |
| CG02 | 1 | DF16104300 | Film 0.1 μ F \pm 10% |
| CG05 | 1 | EA33603590 | Elect 33 μ F 35V |
| CG06 | 1 | EA33603590 | Elect 33 μ F 35V |
| PG00-RESISTORS (All Resistors are \pm 5% and $\frac{1}{4}$ W) | | | |
| RG01 | 1 | RG05030070 | 50K Ω x 4 Variable |
| RG03 | 1 | GD05471140 | 470 Ω |
| RG04 | 1 | GD05471140 | 470 Ω |
| RG05 | 1 | GD05471140 | 470 Ω |
| RG06 | 1 | GD05471140 | 470 Ω |
| RG07 | 1 | GD05332140 | 3.3K Ω |
| RG08 | 1 | GD05332140 | 3.3K Ω |
| RG09 | 1 | GD05332140 | 3.3K Ω |
| RG10 | 1 | GD05332140 | 3.3K Ω |
| RG11 | 1 | GD05104140 | 100K Ω |
| RG12 | 1 | GD05104140 | 100K Ω |
| RG13 | 1 | GD05101140 | 100 Ω |
| RG14 | 1 | GD05101140 | 100 Ω |
| RG15 | 1 | GD05101140 | 100 Ω |
| RG16 | 1 | GD05101140 | 100 Ω |
| RG17 | 1 | GG05047140 | 4.7 Ω |
| RG18 | 1 | GG05047140 | 4.7 Ω |
| RG19 | 1 | GG05047140 | 4.7 Ω |
| RG20 | 1 | GG05047140 | 4.7 Ω |
| RG21 | 1 | GD05224140 | 220K Ω |
| RG22 | 1 | GD05224140 | 220K Ω |
| RG23 | 1 | GD05224140 | 220K Ω |
| RG24 | 1 | GD05224140 | 220K Ω |
| RG25 | 1 | GD05331140 | 330 Ω |
| RG26 | 1 | GD05331140 | 330 Ω |
| RG27 | 1 | GD05102140 | 1K Ω |
| RG28 | 1 | GD05102140 | 1K Ω |
| RG29 | 1 | GD05150140 | 15 Ω |

| REF. DESIG. | Q'TY | PART NO. | DESCRIPTION |
|---|------|------------|-----------------------------|
| | F | | |
| RG30 | 1 | GD05150140 | 15 Ω |
| RG31 | 1 | GD05150140 | 15 Ω |
| RG32 | 1 | GD05150140 | 15 Ω |
| RG33 | 1 | GD05332140 | 3.3K Ω |
| RG34 | 1 | GD05332140 | 3.3K Ω |
| PG00-SEMICONDUCTORS | | | |
| QG01 | 1 | HT108722D0 | Transistor 2SA872A(D or E) |
| QG02 | 1 | HT108722D0 | Transistor 2SA872A(D or E) |
| QG03 | 1 | HT317752D0 | Transistor 2SC1775A(D or E) |
| QG04 | 1 | HT317752D0 | Transistor 2SC1775A(D or E) |
| QG05 | 1 | HT322401A0 | Transistor 2SC2240(GR) |
| QG06 | 1 | HT322401A0 | Transistor 2SC2240(GR) |
| QG07 | 1 | HT109701A0 | Transistor 2SA970(GR) |
| QG08 | 1 | HT109701A0 | Transistor 2SA970(GR) |
| QG09 | 1 | HT406661C0 | Transistor 2SD666(C) |
| QG10 | 1 | HT406661C0 | Transistor 2SD666(C) |
| QG11 | 1 | HT206461C0 | Transistor 2SB646(C) |
| QG12 | 1 | HT206461C0 | Transistor 2SB646(C) |
| PG00-MISCELLANEOUS | | | |
| JG01 | 1 | YJ06901660 | Jack, (7P) |
| JG02 | 1 | YJ06901660 | Jack, (7P) |
| SG01 | 1 | SR04050180 | Rotary Switch |
| PG00 | 1 | YF29780030 | P.W. Board, Selector Switch |
| CJ01 | 1 | EA47503590 | Elect Cap. 4.7 μ F 35V |
| PJ00-MISCELLANEOUS | | | |
| JJ01 | 1 | YJ06901970 | Jack, (10P) |
| JJ02 | 1 | YJ06901980 | Jack, (6P) |
| JJ03 | 1 | YJ06901680 | Jack, (12P) |
| SJ01 | 1 | SP06060100 | Push Switch, Input |
| SJ02 | 1 | SR04050170 | Rotary Switch, Record, 1 |
| SJ03 | 1 | SR04050170 | Rotary Switch, Record, 2 |
| PK00 | 1 | YF29780040 | P.W. Board, Tape EQ |
| PK00-CAPACITORS | | | |
| CK03 | 1 | EA10603590 | Elect 10 μ F 35V |
| CK04 | 1 | EA10603590 | Elect 10 μ F 35V |
| CK05 | 1 | EA10605090 | Elect 10 μ F 50V |
| CK06 | 1 | EA10605090 | Elect 10 μ F 50V |
| CK08 | 1 | EA10703590 | Elect 100 μ F 35V |
| CK09 | 1 | EA10703590 | Elect 100 μ F 35V |
| CK13 | 1 | DD15471370 | Ceramic 470pF \pm 5% |
| CK14 | 1 | DD15471370 | Ceramic 470pF \pm 5% |
| PK00-RESISTORS (All Resistors are \pm 5% and $\frac{1}{4}$ W) | | | |
| RK01 | 1 | GD05221140 | 220 Ω |
| RK02 | 1 | GD05221140 | 220 Ω |
| RK03 | 1 | GD05273140 | 27K Ω |
| RK04 | 1 | GD05273140 | 27K Ω |
| RK05 | 1 | GD05273140 | 27K Ω |

| REF. DESIG. | Q'TY | PART NO. | DESCRIPTION |
|----------------------------|------|------------|-----------------------------|
| | F | | |
| RK06 | 1 | GD05273140 | 27K Ω |
| RK13 | 1 | GD05101140 | 100 Ω |
| RK14 | 1 | GD05101140 | 100 Ω |
| RK15 | 1 | GD05101140 | 100 Ω |
| RK16 | 1 | GD05101140 | 100 Ω |
| RK17 | 1 | GD05047140 | 4.7 Ω |
| RK18 | 1 | GD05047140 | 4.7 Ω |
| RK19 | 1 | GD05047140 | 4.7 Ω |
| RK20 | 1 | GD05047140 | 4.7 Ω |
| RK21 | 1 | GD05047140 | 4.7 Ω |
| RK22 | 1 | GD05047140 | 4.7 Ω |
| RK23 | 1 | GD05104140 | 100K Ω |
| RK24 | 1 | GD05104140 | 100K Ω |
| RK25 | 1 | GF05151120 | 150 Ω $\frac{1}{2}W$ |
| RK26 | 1 | GF05151120 | 150 Ω $\frac{1}{2}W$ |
| RK27 | 1 | GD05224140 | 220K Ω |
| RK28 | 1 | GD05224140 | 220K Ω |
| RK29 | 1 | GD05150140 | 15 Ω |
| RK30 | 1 | GD05150140 | 15 Ω |
| RK31 | 1 | GD05150140 | 15 Ω |
| RK32 | 1 | GD05150140 | 15 Ω |
| RK33 | 1 | GD05221140 | 220 Ω |
| RK34 | 1 | GD05221140 | 220 Ω |
| PK00-SEMICONDUCTORS | | | |
| QK01 | 1 | HT108722D0 | Transistor 2SA872A(D or E) |
| QK02 | 1 | HT108722D0 | Transistor 2SA872A(D or E) |
| QK03 | 1 | HT317752D0 | Transistor 2SC1775A(D or E) |
| QK04 | 1 | HT317752D0 | Transistor 2SC1775A(D or E) |
| QK09 | 1 | HT406661C0 | Transistor 2SD666(C) |
| QK10 | 1 | HT406661C0 | Transistor 2SD666(C) |
| QK11 | 1 | HT206461C0 | Transistor 2SB646(C) |
| QK12 | 1 | HT206461C0 | Transistor 2SB646(C) |
| PK00-MISCELLANEOUS | | | |
| JK01 | 1 | YP06901580 | Plug, (12P) |
| JK02 | 1 | YJ06901680 | Jack, (12P) |
| SK01 | 1 | SC00030010 | Switch |
| SK02 | 1 | SB11000010 | Switch Band, Flx |
| SK03 | 1 | SS10040010 | Slide Switch |

| REF. DESIG. | Q'TY | PART NO. | DESCRIPTION |
|---|------|------------|-------------------------------|
| | F | | |
| PL00 | 1 | YH24621210 | P.W. Board, Cartridge Load |
| PL00-RESISTORS | | | |
| (All Resistors are $\pm 5\%$ and $\frac{1}{2}W$) | | | |
| RL01 | 1 | GD05181140 | 180 Ω |
| RL02 | 1 | GD05181140 | 180 Ω |
| RL03 | 1 | GD05560140 | 56 Ω |
| RL04 | 1 | GD05560140 | 56 Ω |
| RL05 | 1 | GD05100140 | 10 Ω |
| RL06 | 1 | GD05100140 | 10 Ω |
| RL07 | 1 | GD05104140 | 100K Ω |
| RL08 | 1 | GD05104140 | 100K Ω |
| RL09 | 1 | GD05393140 | 39K Ω |
| RL10 | 1 | GD05393140 | 39K Ω |
| RL11 | 1 | GD05123140 | 12K Ω |
| RL12 | 1 | GD05123140 | 12K Ω |
| RL13 | 1 | GD05102140 | 1K Ω |
| RL14 | 1 | GD05102140 | 1K Ω |
| RL15 | 1 | GD05104140 | 100K Ω |
| RL16 | 1 | GD05104140 | 100K Ω |
| RL17 | 1 | GD05393140 | 39K Ω |
| RL18 | 1 | GD05393140 | 39K Ω |
| RL19 | 1 | GD05123140 | 12K Ω |
| RL20 | 1 | GD05123140 | 12K Ω |
| RL21 | 1 | GD05102140 | 1K Ω |
| RL22 | 1 | GD05102140 | 1K Ω |
| PL00-SWITCH | | | |
| SL01 | 1 | SR04040140 | Rotary Switch |
| SL02 | 1 | SR04050190 | Rotary Switch |
| PM01 | 1 | YK29780210 | P.W. Board, MC Amp. |
| PM01-CAPACITORS | | | |
| CM01 | 1 | DD15101300 | Ceramic 100pF $\pm 5\%$ |
| CM02 | 1 | DD15101300 | Ceramic 100pF $\pm 5\%$ |
| CM03 | 1 | DF15152350 | Film 0.0015 μF $\pm 5\%$ |
| CM04 | 1 | DF15152350 | Film 0.0015 μF $\pm 5\%$ |
| CM05 | 1 | EA47700690 | Elect 470 μF 6V |
| CM06 | 1 | EA47700690 | Elect 470 μF 6V |
| CM07 | 1 | EA47503590 | Elect 4.7 μF 35V |
| CM08 | 1 | EA47503590 | Elect 4.7 μF 35V |
| CM09 | 1 | DD15560300 | Ceramic 56pF $\pm 5\%$ |
| CM10 | 1 | DD15560300 | Ceramic 56pF $\pm 5\%$ |

| REF. DESIG. | Q'TY | PART NO. | DESCRIPTION | | |
|---|------|------------|-------------|-------------------------|------|
| | F | | | | |
| CM11 | 1 | EA47700690 | Elect | 470 μ F | 6.3V |
| CM12 | 1 | EA47700690 | Elect | 470 μ F | 6.3V |
| CM13 | 1 | DF15102300 | Film | 0.001 μ F \pm 5% | |
| CM14 | 1 | DF15102300 | Film | 0.001 μ F \pm 5% | |
| CM15 | 1 | EQ10603510 | Elect | 10 μ F | 35V |
| CM16 | 1 | EQ10603510 | Elect | 10 μ F | 35V |
| CM17 | 1 | DF17474510 | Film | 0.47 μ F \pm 20% | |
| CM18 | 1 | DF17474510 | Film | 0.47 μ F \pm 20% | |
| CM19 | 1 | EA47601690 | Elect | 47 μ F | 16V |
| CM20 | 1 | EA47601690 | Elect | 47 μ F | 16V |
| CM21 | 1 | EA22701690 | Elect | 220 μ F | 16V |
| CM22 | 1 | EA22701690 | Elect | 220 μ F | 16V |
| PM01-RESISTORS (All Resistors are \pm 5% and $\frac{1}{4}$ W) | | | | | |
| RM01 | 1 | GD05033140 | | 3.3 Ω | |
| RM02 | 1 | GD05033140 | | 3.3 Ω | |
| RM03 | 1 | GD05221140 | | 220 Ω | |
| RM04 | 1 | GD05221140 | | 220 Ω | |
| RM05 | 1 | GM21422110 | | 2.21K Ω \pm 2% | |
| RM06 | 1 | GM21422110 | | 2.21K Ω \pm 2% | |
| RM07 | 1 | GD05163140 | | 16K Ω | |
| RM08 | 1 | GD05163140 | | 16K Ω | |
| RM09 | 1 | GD05220140 | | 22 Ω | |
| RM10 | 1 | GD05220140 | | 22 Ω | |
| RM11 | 1 | GD05152140 | | 1.5K Ω | |
| RM12 | 1 | GD05152140 | | 1.5K Ω | |
| RM13 | 1 | GD05121140 | | 120 Ω | |
| RM14 | 1 | GD05121140 | | 120 Ω | |
| RM15 | 1 | GD05153140 | | 15K Ω | |
| RM16 | 1 | GD05153140 | | 15K Ω | |
| RM17 | 1 | GD05152140 | | 1.5K Ω | |
| RM18 | 1 | GD05152140 | | 1.5K Ω | |
| RM19 | 1 | GG05220140 | | 22 Ω | |
| RM20 | 1 | GG05220140 | | 22 Ω | |
| RM21 | 1 | GG05220140 | | 22 Ω | |
| RM22 | 1 | GG05220140 | | 22 Ω | |
| RM23 | 1 | GD05471140 | | 470 Ω | |
| RM24 | 1 | GD05471140 | | 470 Ω | |
| RM25 | 1 | GD05103140 | | 10K Ω | |
| RM26 | 1 | GD05103140 | | 10K Ω | |
| RM27 | 1 | GD05470140 | | 47 Ω | |
| RM28 | 1 | GD05470140 | | 47 Ω | |
| RM29 | 1 | GD05470140 | | 47 Ω | |
| RM30 | 1 | GD05470140 | | 47 Ω | |
| RM31 | 1 | GD05223140 | | 22K Ω | |
| RM32 | 1 | GD05223140 | | 22K Ω | |
| RM33 | 1 | GD05273140 | | 27K Ω | |
| RM34 | 1 | GD05273140 | | 27K Ω | |

| REF. DESIG. | Q'TY | PART NO. | DESCRIPTION | |
|----------------------------|------|------------|-------------------------------|----------------|
| | F | | | |
| PM01-SEMICONDUCTORS | | | | |
| QM01 | 1 | HF201472A0 | F.E.T. | 2SK147(GR, BL) |
| QM02 | 1 | HF201472A0 | F.E.T. | 2SK147(GR, BL) |
| QM03 | 1 | HT109701A0 | Transistor | 2SA970(GR) |
| QM04 | 1 | HT109701A0 | Transistor | 2SA970(GR) |
| QM05 | 1 | HT406661C0 | Transistor | 2SD666(C) |
| QM06 | 1 | HT406661C0 | Transistor | 2SD666(C) |
| QM07 | 1 | HT206461C0 | Transistor | 2SB646(C) |
| QM08 | 1 | HT206461C0 | Transistor | 2SB646(C) |
| QM09 | 1 | HV00006120 | Varistor | MV203(Y) |
| QM10 | 1 | HV00006120 | Varistor | MV203(Y) |
| QM11 | 1 | HT403132P0 | Transistor | 2SD313(D or E) |
| QM12 | 1 | HT205072P0 | Transistor | 2SB507(D or E) |
| PM01 SWITCH | | | | |
| SM01 | 1 | SP04010300 | Push Switch | |
| PV00 | 1 | YF29780020 | P.W. Board, RCA Pin | |
| PV00-CAPACITOR | | | | |
| CV01 | 1 | DK18473320 | Ceramic 0.047 μ F +100%—0 | |
| PV00-JACK | | | | |
| JV01 | 1 | YT02040290 | Terminal, | Phono 1, 2 |
| JV02 | 1 | YT02040200 | Terminal, | Tuner/Aux |
| JV03 | 1 | YT02040200 | Terminal, | Tape Monitor 1 |
| JV04 | 1 | YT02040200 | Terminal, | Tape Monitor 2 |
| JV05 | 1 | YT02020190 | Terminal, | Scope Out |
| JV06 | 1 | YT02040200 | Terminal, | Pre Out |
| PW00 | 1 | YH24621220 | P.W. Board, Output Switch | |
| PW00-SWITCHES | | | | |
| SW01 | 1 | SP02010380 | Push Switch, | Output 1 |
| SW02 | 1 | SP02010380 | Push Switch, | Output 2 |

| | |
|----------|---------------------|
| (W01-99) | Assembly and Wiring |
| (T01-99) | Adjustment |
| (X01-00) | Correction |

Sm-7目次

| | |
|---|---------|
| 規格 | 17 |
| 分解図およびパーツリスト | 18 |
| [C01-99] FRONT PANEL | 18 |
| [C02-99] TOP COVER | 19 |
| [C03-99] REAR PANEL | 20 |
| [P01-99] FRONT CHASSIS AND GENERAL PARTS | 21 |
| [P02-99] MAIN CHASSIS AND OTHER PARTS | 22 |
| [P03-99] MAIN AMP P.W. BOARD AND HEATSINK | 23 |
| [H01-99] PACKING MATERIALS | 24 |
| 電気部品リスト | 25 - 27 |

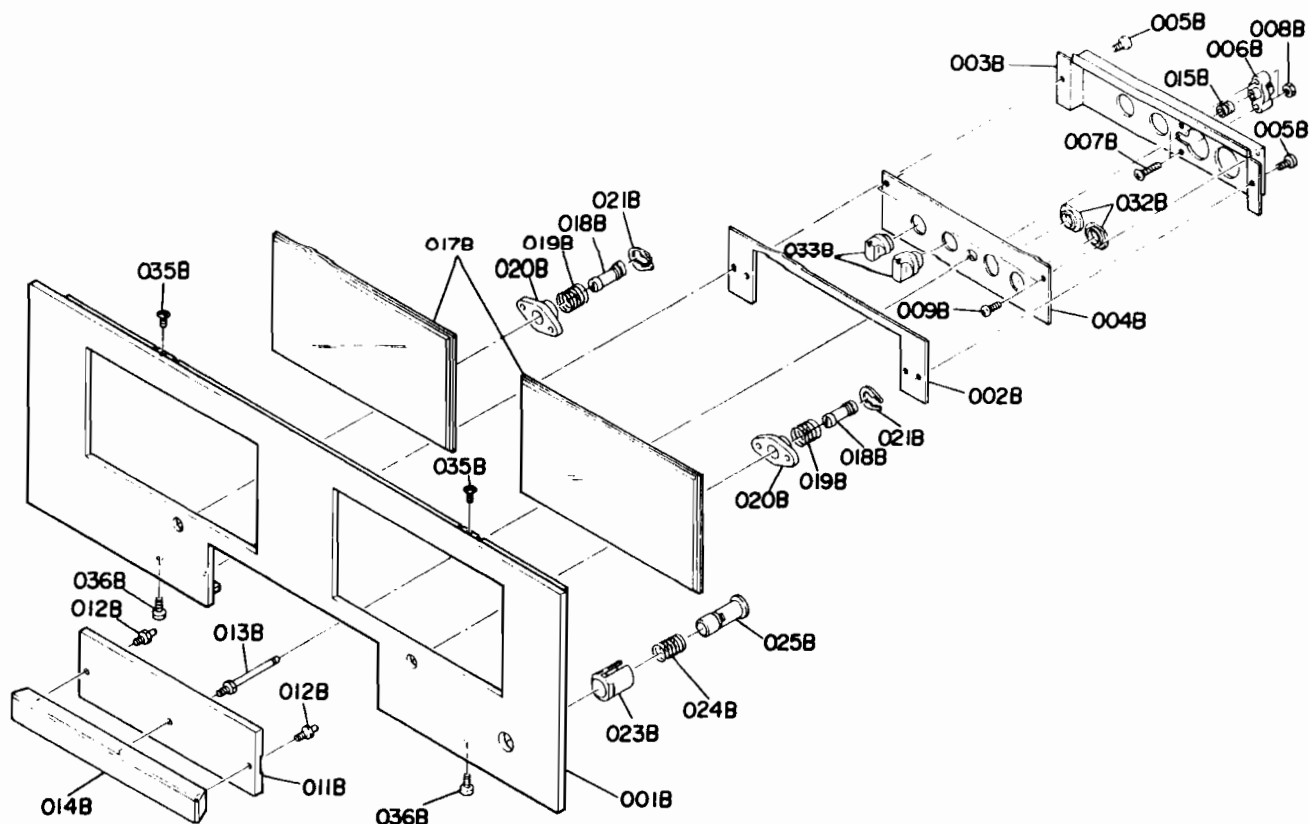
Sm-7規格

| | |
|-----------------------------|------------------------------|
| 定格出力(20Hz ~ 20kHz, 両ch同時駆動) | 150W × 2(8Ω) 190W × 2(4Ω) |
| 出力帯域幅(8Ω負荷, THD0.05%) | 5Hz ~ 100kHz |
| 全高調波歪率(20Hz ~ 20kHz, 8Ω負荷) | 0.01%以下 |
| 混変調歪率 | 0.01%以下 |
| 周波数特性(20Hz ~ 20kHz) | +0, -0.2dB |
| (+0, -1dB) | DC ~ 100kHz |
| 入力感度及びインピーダンス | 1.5V/30kΩ |
| ダンピングファクター(8Ω負荷) | 100以上 |
| 残留雑音(IHF-Aカーブ) | 0.034mV |
| その他 | |
| 電 源 | 100V 50/60Hz |
| 消費電力(最大出力時) | 850W |
| (電気用品取締法) | 400W |
| 外形寸法(W・H・D) | 416 × 146 × 332mm |
| 重 量(セット単体) | 22kg |

*本機の規格および外観は改良のため予告なく変更することがありますが、ご了承ください。

分解図およびパーツリスト

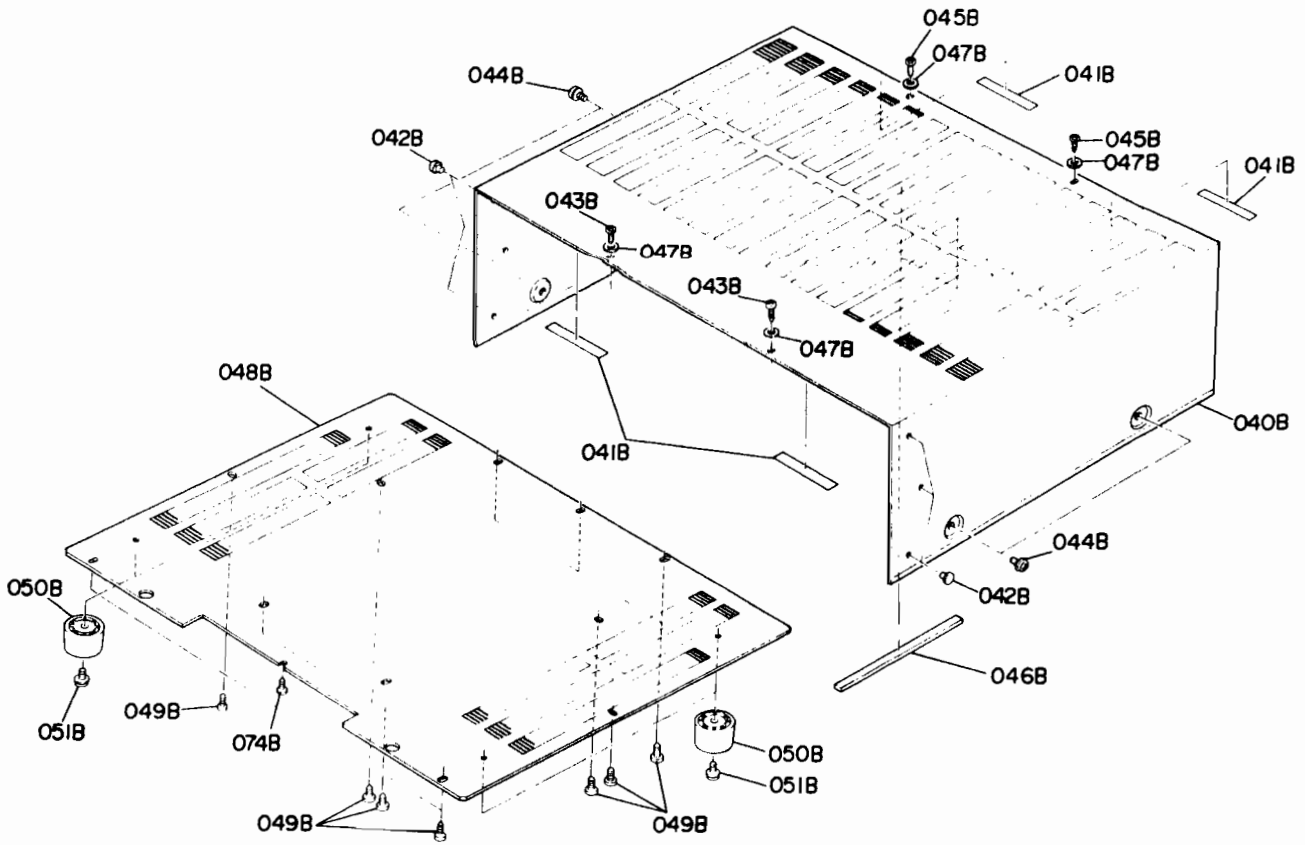
[C01-99] FRONT PANEL



| REF. DESIG. | Q'TY F | PART NO. | DESCRIPTION |
|-------------|--------|------------|------------------------|
| A | 1 | 2461063400 | Front Panel Assembly |
| 001B | 1 | 2461063010 | Escutcheon |
| 002B | 1 | 2461063030 | Escutcheon |
| 003B | 1 | 2461160020 | Bracket |
| 004B | 1 | 2461063020 | Escutcheon |
| 005B | 2 | 51100306A9 | B.H.M. Screw B3 x 6 |
| 006B | 1 | 2461271010 | Holder |
| 007B | 2 | 51042610A0 | F.H.M. Screw F2.6 x 10 |
| 008B | 2 | 53112603A0 | Hexagon Nut |
| 009B | 2 | 51100203E0 | B.H.M. Screw B2 x 3 |
| 015B | 1 | 1143259010 | Bushing |
| 017B | 2 | 2461158010 | Window |
| 018B | 2 | 2461164010 | Adjuster |
| 019B | 2 | 2979115010 | Spring |
| 020B | 2 | 2204106010 | Sustainer |
| 021B | 2 | 64040500R0 | RG Ring, U Type |
| 023B | 1 | 2979259010 | Bushing |
| 024B | 1 | 2979115010 | Spring |
| 025B | 1 | 2462154030 | Knob, Power Switch |
| 032B | 2 | 2978259012 | Bushing |

| REF. DESIG. | Q'TY F | PART NO. | DESCRIPTION |
|-------------|--------|------------|--------------------------|
| B | 1 | 2461063410 | Pocket Cover Assembly |
| 011B | 1 | 2461063050 | Escutcheon |
| 012B | 2 | 2461254010 | Pin |
| 013B | 1 | 2461254020 | Pin |
| 014B | 1 | 2461253010 | Handle |
| 033B | 2 | 2461154010 | Knob, Gain VR |
| 035B | 2 | 51340305B0 | F.H. Tapped Screw F3 x 5 |
| 036B | 2 | 51280306U0 | B.H. Tapped Screw B3 x 6 |

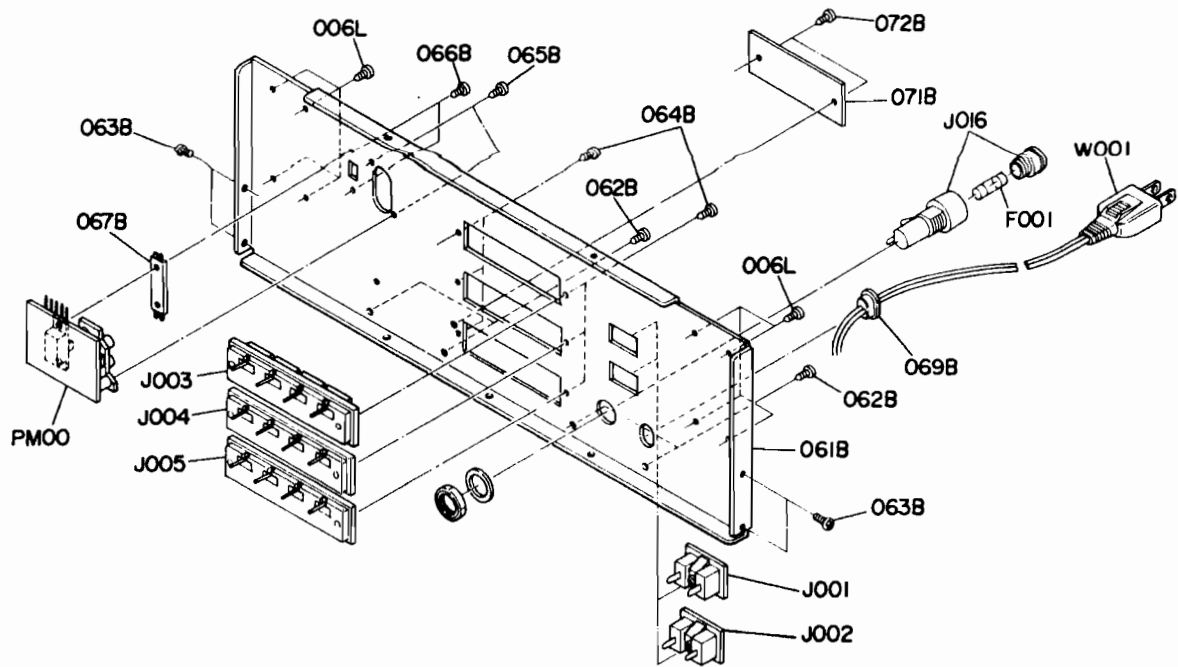
[C02-99] TOP COVER



| REF. DESIG. | Q'TY | PART NO. | DESCRIPTION |
|-------------|------|------------|---------------------------|
| | F | | |
| 040B | 1 | 2461257010 | Lid, Top Cover |
| 041B | 4 | 2965118010 | Spacer |
| 042B | 6 | 2991259010 | Bushing |
| 043B | 2 | 51280308U0 | B.H. Tapped Screw B3 x 8 |
| 044B | 4 | 51480406S9 | F. Washer Screw F4 x 6 |
| 045B | 2 | 51280308U0 | B.H. Tapped Screw B3 x 8 |
| 046B | 2 | 2979056010 | Buffer |
| 047B | 4 | 59030805P1 | Washer |
| 048B | 1 | 2461257020 | Lid, Bottom Cover |
| 049B | 11 | 51280410U0 | B.H. Tapped Screw B3 x 10 |

| REF. DESIG. | Q'TY | PART NO. | DESCRIPTION |
|-------------|------|------------|--------------------------|
| | F | | |
| 050B | 4 | 2759057010 | Leg |
| 051B | 4 | 51570410S0 | P. Tapped Screw P4 x 10 |
| 074B | 1 | 51280406U0 | B.H. Tapped Screw B4 x 6 |

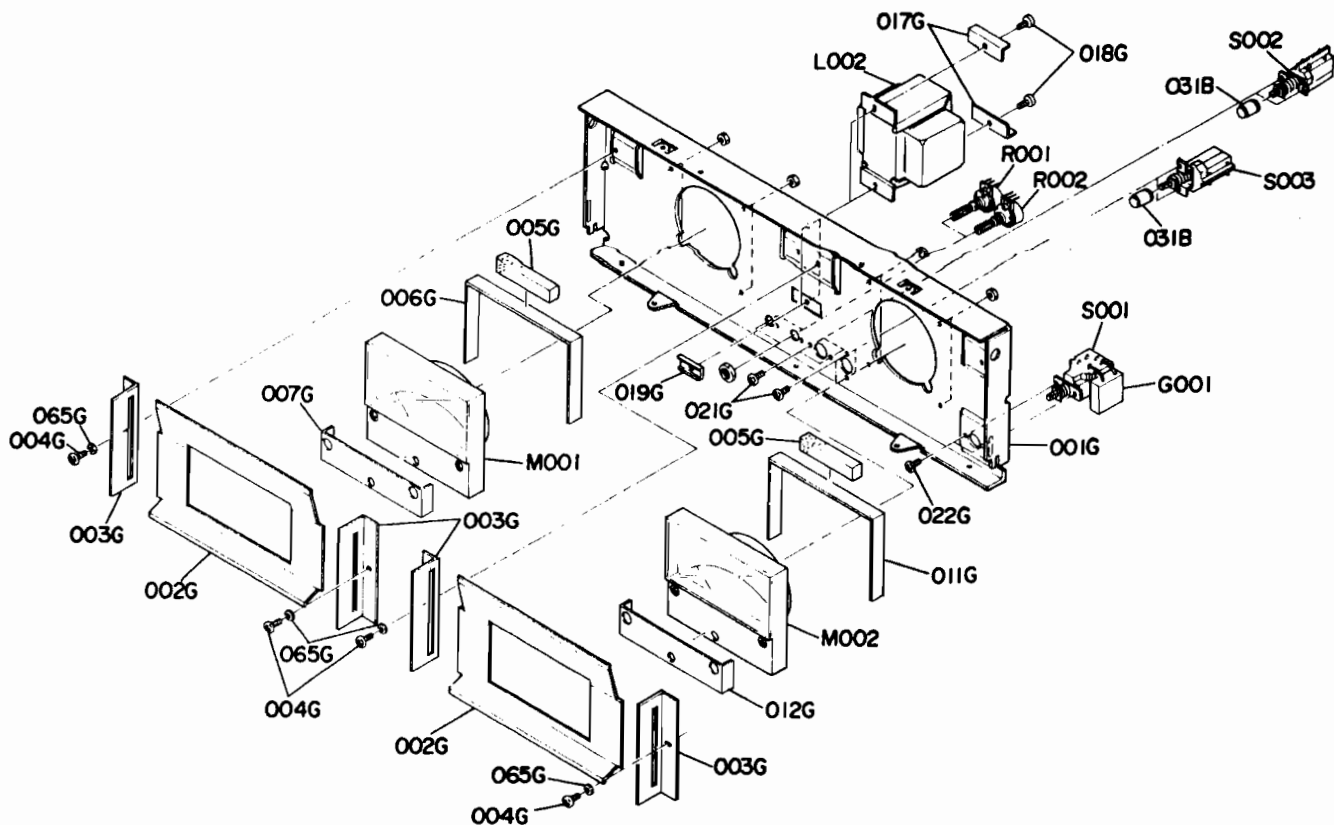
[C03-99] REAR PANEL



| REF. DESIG. | QTY | PART NO. | DESCRIPTION |
|-------------|-----|------------|--------------------------|
| | F | | |
| 061B | 1 | 2461160210 | Bracket, Rear Panel |
| 062B | 4 | 51280408U0 | B.H. Tapped Screw B4 x 8 |
| 063B | 4 | 51100304S9 | B.H.M. Screw B3 x 4 |
| 064B | 6 | 51280308U0 | B.H. Tapped Screw B3 x 8 |
| 065B | 2 | 51280308U0 | B.H. Tapped Screw B3 x 8 |
| 066B | 2 | 51100308S9 | B.H.M. Screw B3 x 8 |
| 067B | 1 | 2979160100 | Bracket |
| 069B | 1 | 1455259090 | Bushing |
| 071B | 1 | 2461265010 | Indicator |
| 072B | 2 | 51760306B0 | OS Tapped Screw 3 x 6 |
| 006L | 8 | 51280308U0 | B.H. Tapped Screw B3 x 8 |

| REF. DESIG. | QTY | PART NO. | DESCRIPTION |
|-------------|-----|------------|------------------------------|
| | F | | |
| F001 | 1 | FS11000030 | Fuse 10A |
| J001 | 1 | YJ04000560 | Jack, AC Outlet |
| J002 | 1 | YJ04000560 | Jack, AC Outlet |
| J003 | 1 | YT03040160 | Terminal, Speaker |
| J004 | 1 | YT03040160 | Terminal, Speaker |
| J005 | 1 | YT03040160 | Terminal, Speaker |
| J016 | 1 | YJ08000230 | Jack, Fuse Holder |
| W001 | 1 | YC02400180 | A.C. Power Cord |
| PM00 | 1 | YF29790010 | P.W. Board, RCA Pin Terminal |

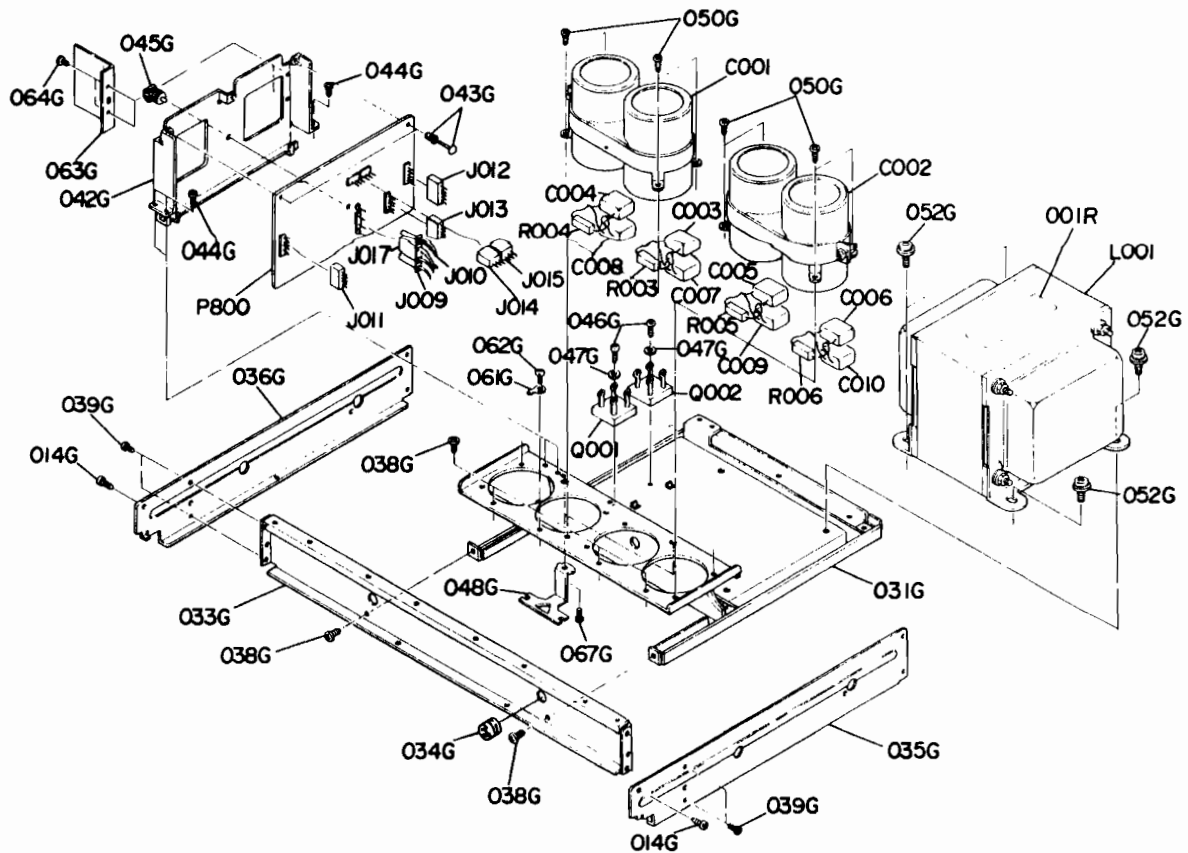
[P01-99] FRONT CHASSIS AND GENERAL PARTS



| REF. DESIG. | Q'TY | PART NO. | DESCRIPTION |
|-------------|------|------------|--------------------------|
| | F | | |
| 001G | 1 | 2461160010 | Bracket, Front Chassis |
| 002G | 2 | 2461063040 | Escutcheon, Meter |
| 003G | 4 | 2461053010 | Cover |
| 004G | 4 | 51280306B0 | B.H. Tapped Screw B3 x 6 |
| 005G | 2 | 2873118020 | Spacer |
| 006G | 1 | 2461053020 | Cover |
| 007G | 1 | 2461053030 | Cover |
| 011G | 1 | 2461053020 | Cover |
| 012G | 1 | 2461053030 | Cover |
| 017G | 2 | 2979005010 | Clamper |
| 018G | 2 | 51100408A9 | B.H.M. Screw B4 x 8 |
| 019G | 2 | 2922005010 | Clamper |
| 021G | 4 | 51100306A9 | B.H.M. Screw B3 x 6 |
| 022G | 2 | 51100306A9 | B.H.M. Screw B3 x 6 |
| 065G | 4 | 59030805P0 | Washer |

| REF. DESIG. | Q'TY | PART NO. | DESCRIPTION |
|-------------|------|------------|---|
| | F | | |
| 031B | 2 | 2462154020 | Knob |
| G001 | 1 | BF10400040 | Spark Killer 0.1 μ F + 120 Ω |
| L002 | 1 | TS15708040 | Power Transformer |
| M001 | 1 | IM11100010 | D.C. Meter |
| M002 | 1 | IM11100010 | D.C. Meter |
| R001 | 1 | RK05030150 | Variable Resistor 50K Ω (B) |
| R002 | 1 | RK05030150 | Variable Resistor 50K Ω (B) |
| S001 | 1 | SP02010450 | Push Switch, Power |
| S002 | 1 | SP02010390 | Push Switch, Speaker |
| S003 | 1 | SP02010390 | Push Switch, Speaker |

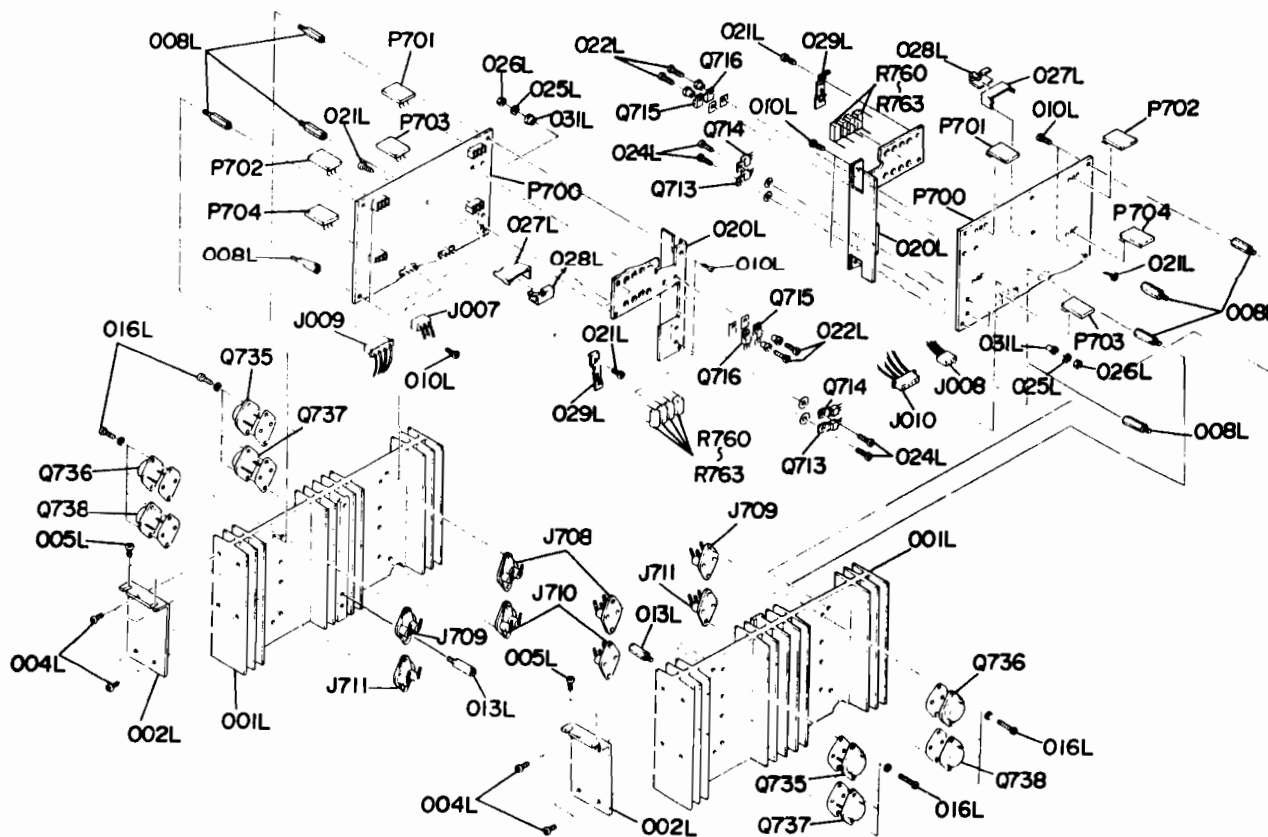
[P02-99] MAIN CHASSIS AND OTHER PARTS



| REF. DESIG. | QTY F | PART NO. | DESCRIPTION |
|-------------|-------|------------|---------------------------|
| 014G | 2 | 51280306B0 | B.H. Tapped Screw B3 x 6 |
| 031G | 1 | 2461105010 | Chassis, Main |
| 033G | 1 | 2979126010 | Stay |
| 034G | 1 | 2461259010 | Bushing |
| 035G | 1 | 2979105020 | Chassis, (R) |
| 036G | 1 | 2979105030 | Chassis, (L) |
| 038G | 8 | 51280408B0 | B.H. Tapped Screw B4 x 8 |
| 039G | 4 | 51280306B0 | B.H. Tapped Screw B3 x 6 |
| 042G | 1 | 2461160020 | Bracket |
| 043G | 2 | 2965005010 | Clamper |
| 044G | 3 | 51280306B0 | B.H. Tapped Screw B3 x 6 |
| 045G | 1 | 3896101010 | Support |
| 046G | 2 | 51280314B0 | B.H. Tapped Screw B3 x 14 |
| 047G | 2 | 54040302N0 | Spring Washer |
| 048G | 2 | 2979160040 | Bracket |
| 050G | 8 | 51280306B0 | B.H. Tapped Screw B3 x 6 |
| 052G | 4 | 51490612A9 | L. Washer Screw L6 x 12 |
| 061G | 1 | 62030049W0 | Lug |
| 062G | 1 | 51280306B0 | B.H. Tapped Screw B3 x 6 |
| 063G | 1 | 2461109010 | Shield |
| 064G | 2 | 51280306B0 | B.H. Tapped Screw B3 x 6 |
| 067G | 2 | 51280306B0 | B.H. Tapped Screw B3 x 6 |
| 001R | 1 | 2213861010 | Label |

| REF. DESIG. | QTY F | PART NO. | DESCRIPTION |
|-------------|-------|------------|---------------------------------------|
| C001 | 1 | E115908020 | Elect Cap. 1500 μ F x 2 |
| C002 | 1 | E115908020 | Elect Cap. 1500 μ F x 2 |
| C003 | 1 | DF17105550 | Film Cap. 1 μ F \pm 20% |
| C004 | 1 | DF17105550 | Film Cap. 1 μ F \pm 20% |
| C005 | 1 | DF17105550 | Film Cap. 1 μ F \pm 20% |
| C006 | 1 | DF17105550 | Film Cap. 1 μ F \pm 20% |
| C007 | 1 | DF17105550 | Film Cap. 1 μ F \pm 20% |
| C008 | 1 | DF17105550 | Film Cap. 1 μ F \pm 20% |
| C009 | 1 | DF17105550 | Film Cap. 1 μ F \pm 20% |
| C010 | 1 | DF17105550 | Film Cap. 1 μ F \pm 20% |
| J009 | 1 | YJ06002000 | Jack, Wiring Connector |
| J010 | 1 | YJ06002000 | Jack, Wiring Connector |
| J011 | 1 | YJ06001050 | Jack, (5P) |
| J012 | 1 | YJ06001050 | Jack, (5P) |
| J013 | 1 | YJ06001050 | Jack, (5P) |
| J014 | 1 | YJ06001050 | Jack, (5P) |
| J015 | 1 | YJ06001050 | Jack, (5P) |
| J017 | 1 | YJ06002010 | Jack, (2P) |
| L001 | 1 | TS63303060 | Power Transformer |
| Q001 | 1 | HD20004290 | Diode S5VB-20 |
| Q002 | 1 | HD20004290 | Diode S5VB-20 |
| R003 | 1 | GS10222030 | Resistor 2.2K Ω \pm 10% 2.5W |
| R004 | 1 | GS10222030 | Resistor 2.2K Ω \pm 10% 2.5W |
| R005 | 1 | GS10222030 | Resistor 2.2K Ω \pm 10% 2.5W |
| R006 | 1 | GS10222030 | Resistor 2.2K Ω \pm 10% 2.5W |
| P800 | 1 | YG24610010 | P.W. Board, Power Supply |

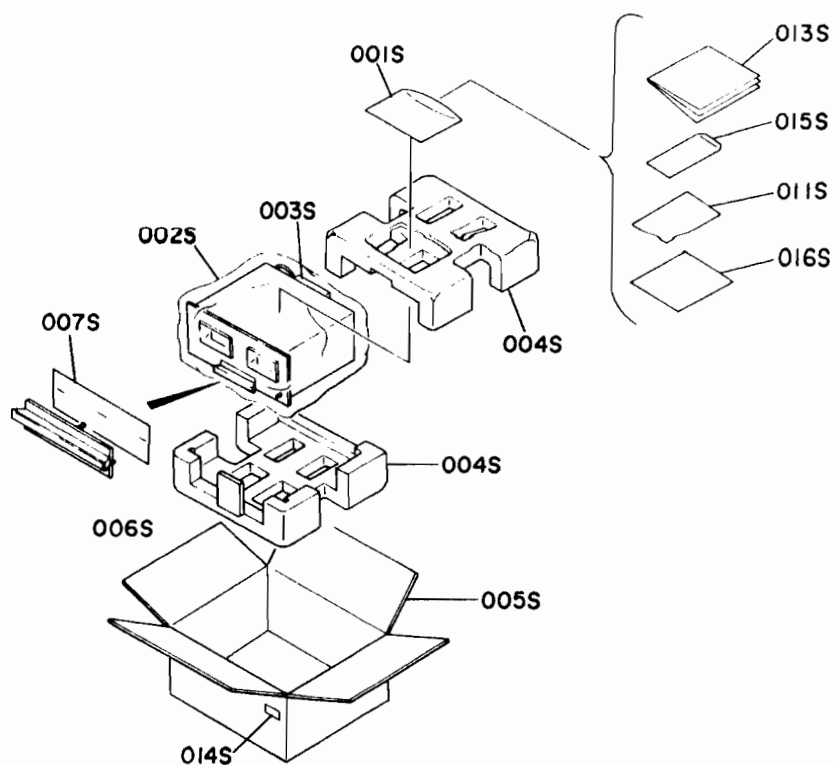
[P03-99] MAIN AMP. P.W. BOARD AND HEATSINK



| REF. DESIG. | Q'TY F | PART NO. | DESCRIPTION |
|-------------|--------|------------|--------------------------|
| O01L | 2 | 2461267010 | Heatsink |
| O02L | 2 | 2979160020 | Bracket |
| O04L | 8 | 51280308B0 | B.H. Tapped Screw B3 x 8 |
| O05L | 4 | 51280306B0 | B.H. Tapped Screw B3 x 6 |
| O08L | 8 | 2463101010 | Support |
| O10L | 10 | 51100308A9 | B.H.M. Screw B3 x 8 |
| O13L | 2 | 2891101030 | Support |
| O16L | 16 | 51100318E9 | B.H.M. Screw B3 x 18 |
| O20L | 2 | 2990267030 | Heatsink |
| O21L | 4 | 51280306B0 | B.H. Tapped Screw B3 x 6 |
| O22L | 4 | 51100308E9 | B.H.M. Screw B3 x 8 |
| O24L | 4 | 51100312E9 | B.H.M. Screw B3 x 12 |
| O25L | 4 | 54050300R0 | T.L. Washer OR |
| O26L | 4 | 53110303E9 | Hexagon Nut |
| O27L | 2 | 2990267080 | Heatsink |
| O28L | 2 | 2990115020 | Spring |
| O29L | 2 | 2990115010 | Spring |
| O31L | 4 | 2219259030 | Bushing |
| J007 | 1 | YJ06001040 | Jack (3P) |
| J008 | 1 | YJ06001040 | Jack (3P) |

| REF. DESIG. | Q'TY F | PART NO. | DESCRIPTION |
|-------------|--------|------------|------------------------------|
| P700 | 2 | YK29901610 | P.W. Board, Main Amp. |
| R760 | 2 | GW10272050 | Resistor 0.27Ω ±10% 5W |
| R761 | 2 | GW10272050 | Resistor 0.27Ω ±10% 5W |
| R762 | 2 | GW10272050 | Resistor 0.27Ω ±10% 5W |
| R763 | 2 | GW10272050 | Resistor 0.27Ω ±10% 5W |
| Q713 | 2 | HT407571C0 | Transistor 2SD757(C) |
| Q714 | 2 | HT207171C0 | Transistor 2SB717(C) |
| Q715 | 2 | HT322381C0 | Transistor 2SC2238B(O or Y) |
| Q716 | 2 | HT109681C0 | Transistor 2SA968B(O or Y) |
| Q735 | 2 | HT325893A0 | Transistor 2SC2589(Q.R or S) |
| Q736 | 2 | HT111093A0 | Transistor 2SA1109(Q.R or S) |
| Q737 | 2 | HT325893A0 | Transistor 2SC2589(Q.R or S) |
| Q738 | 2 | HT111093A0 | Transistor 2SA1109(Q.R or S) |
| J708 | 2 | YJ05000260 | Jack, Transistor Socket |
| J709 | 2 | YJ05000260 | Jack, Transistor Socket |
| J710 | 2 | YJ05000260 | Jack, Transistor Socket |
| J711 | 2 | YJ05000260 | Jack, Transistor Socket |

[H01-99] PACKING MATERIALS



| REF. DESIG. | Q'TY | PART NO. | DESCRIPTION |
|-------------|------|------------|--------------|
| | F | | |
| 001S | 1 | 9013025010 | Polyethy Bag |
| 002S | 1 | 9014538350 | Polyethy Bag |
| 003S | 1 | 2864804010 | Sleeve |
| 004S | 2 | 2461809010 | Cushion |
| 005S | 1 | 2461801010 | Packing Case |
| 006S | 1 | 2461809020 | Cushion |

| REF. DESIG. | Q'TY | PART NO. | DESCRIPTION |
|-------------|------|------------|----------------|
| | F | | |
| 007S | 1 | 2461107010 | Sheet |
| 011S | 1 | 9641000020 | Register Card |
| 013S | 1 | 2461851110 | Instructions |
| 014S | 2 | 9526019040 | Serial NO Card |
| 015S | 1 | 2976813010 | Envelope |
| 016S | 1 | 2976851040 | Instructions |

電気部品リスト

| REF. DESIG. | Q'TY | PART NO. | DESCRIPTION |
|--|------|------------|-------------------------------|
| | F | | |
| P700 | 2 | YK29901610 | P.W. Board, Main Amp |
| P700-CAPACITORS | | | |
| C702 | 2 | EA10602590 | Elect 10 μ F 25V |
| C703 | 2 | EA10602590 | Elect 10 μ F 25V |
| C704 | 2 | DK16101500 | Ceramic 100pF \pm 10% |
| C705 | 2 | DK16101500 | Ceramic 100pF \pm 10% |
| C708 | 2 | DD15100500 | Ceramic 10pF \pm 5% |
| C709 | 2 | EA10605090 | Elect 10 μ F 50V |
| C710 | 2 | DF17104540 | Film 0.1 μ F \pm 20% |
| C711 | 2 | DF17104540 | Film 0.1 μ F \pm 20% |
| C712 | 2 | DF17104540 | Film 0.1 μ F \pm 20% |
| C713 | 2 | DF17104540 | Film 0.1 μ F \pm 20% |
| C714 | 2 | DF16472350 | Film 0.0047 μ F \pm 10% |
| C715 | 2 | DF16472350 | Film 0.0047 μ F \pm 10% |
| C716 | 2 | EA33502590 | Elect 3.3 μ F 25V |
| C717 | 2 | EA33502590 | Elect 3.3 μ F 25V |
| C718 | 2 | DF17103510 | Film 0.01 μ F \pm 20% |
| C719 | 2 | DF17104520 | Film 0.1 μ F \pm 20% |
| C720 | 2 | DF17474510 | Film 0.47 μ F \pm 20% |
| C721 | 2 | DF17474510 | Film 0.47 μ F \pm 20% |
| C722 | 2 | EA10710010 | Elect 100 μ F 100V |
| C723 | 2 | EA10710010 | Elect 100 μ F 100V |
| C725 | 2 | DF16104300 | Film 0.1 μ F \pm 10% |
| P700-RESISTORS | | | |
| (All Resistors are \pm 5% and $\frac{1}{4}$ W) | | | |
| R702 | 2 | GD05471140 | 470 Ω |
| R703 | 2 | GD05104140 | 100K Ω |
| R704 | 2 | GD05561140 | 560 Ω |
| R705 | 2 | GD05561140 | 560 Ω |
| R708 | 2 | GD05203140 | 20K Ω |
| R709 | 2 | GD05102140 | 1K Ω |
| R710 | 2 | GD05181140 | 180 Ω |
| R711 | 2 | GD05102140 | 1K Ω |
| R712 | 2 | GD05222140 | 2.2K Ω |
| R713 | 2 | GD05222140 | 2.2K Ω |
| R714 | 2 | GD05391140 | 390 Ω |
| R715 | 2 | GD05104140 | 100K Ω |
| R716 | 2 | GD05822140 | 8.2K Ω |
| R717 | 2 | GD05822140 | 8.2K Ω |
| R718 | 2 | GD05272140 | 2.7K Ω |
| R719 | 2 | GD05272140 | 2.7K Ω |
| R720 | 2 | RA02230050 | 22K Ω (B) Trimming |
| R721 | 2 | GA05562010 | 5.6K Ω 1W |
| R722 | 2 | GA05472010 | 4.7K Ω 1W |
| R723 | 2 | GD05222140 | 2.2K Ω |
| R724 | 2 | GD05222140 | 2.2K Ω |
| R725 | 2 | GD05222140 | 2.2K Ω |
| R726 | 2 | GD05222140 | 2.2K Ω |
| R727 | 2 | GD05563140 | 56K Ω |
| R728 | 2 | GD05563140 | 56K Ω |
| R729 | 2 | GD05331140 | 330 Ω |
| R730 | 2 | GD05331140 | 330 Ω |
| R731 | 2 | GD05332140 | 3.3K Ω |
| R732 | 2 | GD05681140 | 680 Ω |
| R733 | 2 | RA01020270 | 1K Ω (B) Trimming |

| REF. DESIG. | Q'TY | PART NO. | DESCRIPTION |
|----------------------------|------|------------|------------------------------|
| | F | | |
| R734 | 2 | GD05821140 | 820 Ω |
| R735 | 2 | GG05330140 | 33 Ω |
| R736 | 2 | GG05330140 | 33 Ω |
| R739 | 2 | GD05122140 | 1.2K Ω |
| R740 | 2 | GD05273140 | 27K Ω |
| R741 | 2 | GD05331140 | 330 Ω |
| R742 | 2 | GD05331140 | 330 Ω |
| R743 | 2 | GD05682140 | 6.8K Ω |
| R744 | 2 | GD05682140 | 6.8K Ω |
| R745 | 2 | GD05911140 | 910 Ω |
| R746 | 2 | GD05911140 | 910 Ω |
| R747 | 2 | GD05911140 | 910 Ω |
| R748 | 2 | GD05911140 | 910 Ω |
| R749 | 2 | GD05203140 | 20K Ω |
| R750 | 2 | GG05331120 | 330 Ω $\frac{1}{4}$ W |
| R751 | 2 | GA05560010 | 56 Ω 1W |
| R752 | 2 | GG05100120 | 10 Ω $\frac{1}{4}$ W |
| R753 | 2 | GG05100120 | 10 Ω $\frac{1}{4}$ W |
| R754 | 2 | GG05100120 | 10 Ω $\frac{1}{4}$ W |
| R755 | 2 | GG05100120 | 10 Ω $\frac{1}{4}$ W |
| R756 | 2 | GG05047140 | 4.7 Ω |
| R757 | 2 | GG05047140 | 4.7 Ω |
| R758 | 2 | GG05047140 | 4.7 Ω |
| R759 | 2 | GG05047140 | 4.7 Ω |
| R760 | 2 | GW10272050 | 0.27 Ω \pm 10% 5W |
| R761 | 2 | GW10272050 | 0.27 Ω \pm 10% 5W |
| R762 | 2 | GW10272050 | 0.27 Ω \pm 10% 5W |
| R763 | 2 | GW10272050 | 0.27 Ω \pm 10% 5W |
| R764 | 2 | GA05100030 | 10 Ω 3W |
| R765 | 2 | GA05022020 | 2.2 Ω 2W |
| R766 | 2 | GA05100010 | 10 Ω 1W |
| P700-SEMICONDUCTORS | | | |
| Q701 | 2 | HC10043050 | IC Dual FET |
| Q702 | 2 | HT322592F0 | Transistor 2SC2259(F or G) |
| Q703 | 2 | HT109701J0 | Transistor 2SA970(GR) |
| Q704 | 2 | HT322401J0 | Transistor 2SC2240(GR) |
| Q705 | 2 | HT109701J0 | Transistor 2SA970(GR) |
| Q706 | 2 | HT109701J0 | Transistor 2SA970(GR) |
| Q707 | 2 | HT322401J0 | Transistor 2SC2240(RG) |
| Q708 | 2 | HT109491B0 | Transistor 2SA949(Y) |
| Q709 | 2 | HT322291B0 | Transistor 2SC2229(Y) |
| Q710 | 2 | HT109701B0 | Transistor 2SA970(BL) |
| Q711 | 2 | HT318152A0 | Transistor 2SC1815(O or Y) |
| Q712 | 2 | HT110152A0 | Transistor 2SA1015(O or Y) |
| Q713 | 2 | HT407571C0 | Transistor 2SD757(C) |
| Q714 | 2 | HT207171C0 | Transistor 2SB717(C) |
| Q715 | 2 | HT322381C0 | Transistor 2SC2238B(O or Y) |
| Q716 | 2 | HT109681C0 | Transistor 2SA968B(O or Y) |
| Q717 | 2 | HD30025090 | Zener WZ150 |
| Q718 | 2 | HD30025090 | Zener WZ150 |
| Q719 | 2 | HD20003210 | Diode 1S2471 |
| Q720 | 2 | HD20003210 | Diode 1S2471 |

| REF. DESIG. | Q'TY | PART NO. | DESCRIPTION |
|---------------------------|------|------------|-------------------------------|
| | F | | |
| Q721 | 2 | HD20003210 | Diode 1S2471 |
| Q722 | 2 | HD20003210 | Diode 1S2471 |
| Q723 | 2 | HD20010210 | Diode 1S2471G |
| Q724 | 2 | HD20010210 | Diode 1S2471G |
| Q725 | 2 | HV00002120 | Varistor SV-3A |
| Q726 | 2 | HD20001210 | Diode 1S2473 |
| Q727 | 2 | HD20001210 | Diode 1S2473 |
| Q728 | 2 | HD20003210 | Diode 1S2471 |
| Q729 | 2 | HD20003210 | Diode 1S2471 |
| Q730 | 2 | HD20003210 | Diode 1S2471 |
| Q731 | 2 | HD20003210 | Diode 1S2471 |
| Q732 | 2 | HD20011010 | Diode W06C |
| Q733 | 2 | HD20011010 | Diode W06C |
| Q734 | 2 | HT315681S0 | Transistor 2SC1568(S) |
| Q735 | 2 | HT325893A0 | Transistor 2SC2589(Q, R or S) |
| Q736 | 2 | HT111093A0 | Transistor 2SA1109(Q, R or S) |
| Q737 | 2 | HT325893A0 | Transistor 2SC2589(Q, R or S) |
| Q738 | 2 | HT111039A0 | Transistor 2SA1109(Q, R or S) |
| Q739 | 2 | HD20001210 | Diode 1S2473 |
| Q740 | 2 | HD20001210 | Diode 1S2473 |
| P700-MISCELLANEOUS | | | |
| J701 | 2 | YP06001040 | Plug, (3P) |
| J702 | 2 | YP06000540 | Plug, (3P) |
| J704 | 2 | YJ06001960 | Jack, (3P) |
| J705 | 2 | YJ06001960 | Jack, (3P) |
| J706 | 2 | YJ06001960 | Jack, (3P) |
| J707 | 2 | YJ06001960 | Jack, (3P) |
| J708 | 2 | YJ05000260 | Jack, Transistor Socket |
| J709 | 2 | YJ05000260 | Jack, Transistor Socket |
| J710 | 2 | YJ05000260 | Jack, Transistor Socket |
| J711 | 2 | YJ05000260 | Jack, Transistor Socket |
| L701 | 2 | LJ28007090 | Choke Coil |
| P701 | 2 | YK29901620 | P.W. Board, Power TR. Socket |
| J712 | 2 | YP06001640 | Plug, (3P) |
| P702 | 2 | YK29901630 | P.W. Board, Power TR. Socket |
| J713 | 2 | YP06001640 | Plug, (3P) |
| P703 | 2 | YK29901640 | P.W. Board, Power TR. Socket |
| J714 | 2 | YP06001640 | Plug, (3P) |
| P704 | 2 | YK29901650 | P.W. Board, Power TR. Socket |
| J715 | 2 | YP06001640 | Plug, (3P) |

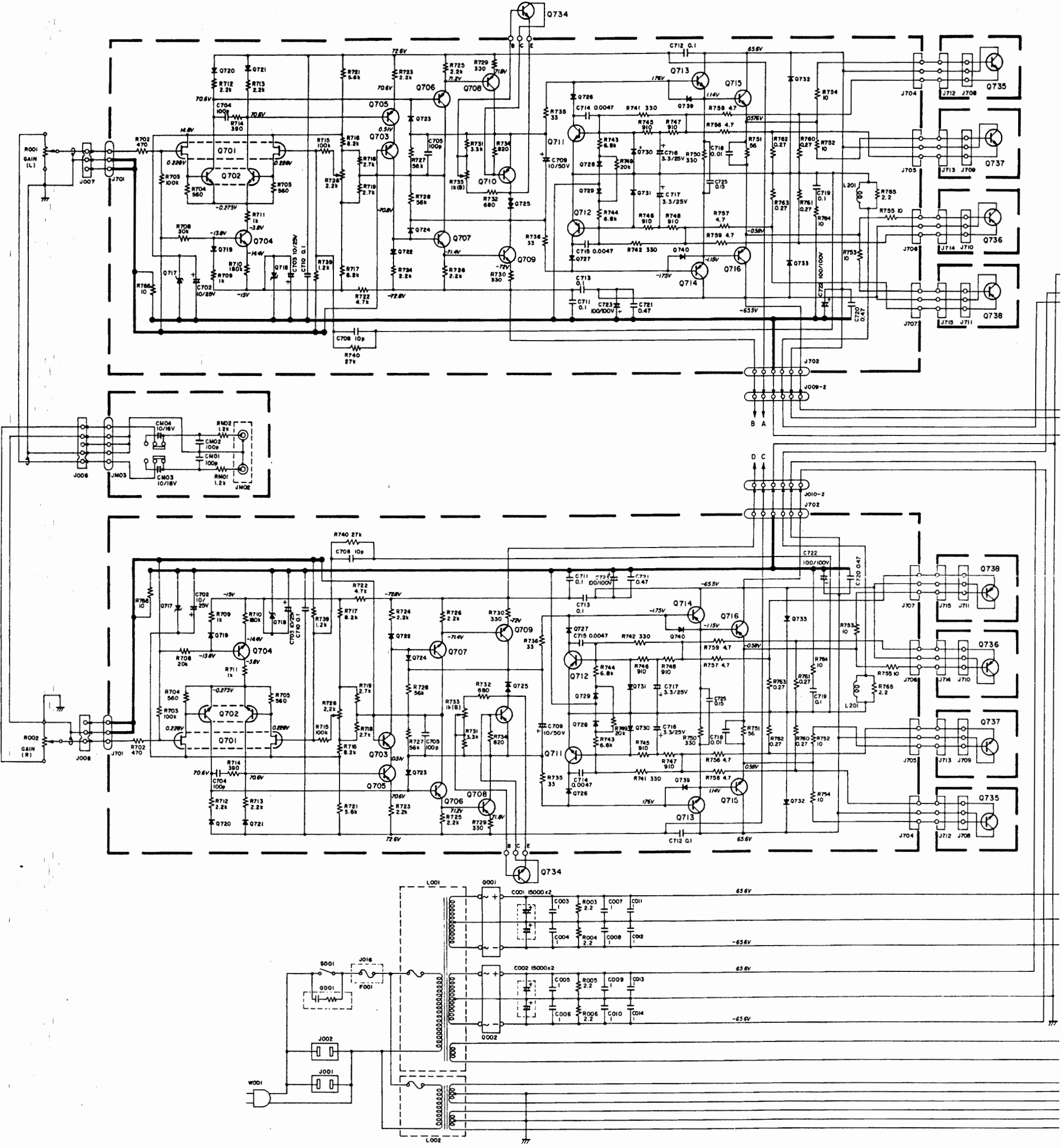
| REF. DESIG. | Q'TY | PART NO. | DESCRIPTION |
|--|------|------------|------------------------------------|
| | F | | |
| P800 | 1 | YG24610010 | P.W. Board, Power Supply/Protector |
| P800-CAPACITORS | | | |
| C801 | 1 | EA22710090 | Elect 220 μ F 100V |
| C802 | 1 | EA22710090 | Elect 220 μ F 100V |
| C803 | 1 | EA22710090 | Elect 220 μ F 100V |
| C804 | 1 | EA22710090 | Elect 220 μ F 100V |
| C805 | 1 | EA22610090 | Elect 22 μ F 100V |
| C806 | 1 | EA22610090 | Elect 22 μ F 100V |
| C807 | 1 | EA22610090 | Elect 22 μ F 100V |
| C808 | 1 | EA22610090 | Elect 22 μ F 100V |
| C809 | 1 | EA10702590 | Elect 100 μ F 25V |
| C810 | 1 | EA10702590 | Elect 100 μ F 25V |
| C811 | 1 | EA10702590 | Elect 100 μ F 25V |
| C812 | 1 | EA10702590 | Elect 100 μ F 25V |
| C813 | 1 | EA47603590 | Elect 47 μ F 35V |
| C814 | 1 | EA47603590 | Elect 47 μ F 35V |
| C815 | 1 | EE10505040 | Elect 1 μ F 50V |
| C816 | 1 | EE10505040 | Elect 1 μ F 50V |
| C817 | 1 | EA10510090 | Elect 1 μ F 100V |
| C818 | 1 | EA10510090 | Elect 1 μ F 100V |
| C819 | 1 | DK18103510 | Ceramic 0.01 μ F |
| C820 | 1 | DK18103510 | Ceramic 0.01 μ F |
| C821 | 1 | DK18103510 | Ceramic 0.01 μ F |
| C822 | 1 | DK18103510 | Ceramic 0.01 μ F |
| C823 | 1 | DF17474510 | Film 0.47 μ F \pm 20% |
| C824 | 1 | DF17474510 | Film 0.47 μ F \pm 20% |
| C825 | 1 | DF17474510 | Film 0.47 μ F \pm 20% |
| C826 | 1 | DF17474510 | Film 0.47 μ F \pm 20% |
| C831 | 1 | DF17105550 | Film 1 μ F \pm 20% |
| C832 | 1 | DF17105550 | Film 1 μ F \pm 20% |
| C833 | 1 | DF17105550 | Film 1 μ F \pm 20% |
| C834 | 1 | DF17105550 | Film 1 μ F \pm 20% |
| CN01 | 1 | EA47601690 | Elect 47 μ F 16V |
| CN02 | 1 | EA47601690 | Elect 47 μ F 16V |
| CN03 | 1 | EA10505090 | Elect 1 μ F 50V |
| CN04 | 1 | EA10701090 | Elect 100 μ F 10V |
| CN05 | 1 | EE22601640 | Elect 22 μ F 16V |
| CN07 | 1 | DF15103010 | Film 0.01 μ F \pm 5% |
| CN08 | 1 | DF15103010 | Film 0.01 μ F \pm 5% |
| P800-RESISTORS | | | |
| (All Resistors are \pm 5% and $\frac{1}{4}$ W) | | | |
| R801 | 1 | GG05100140 | 10 Ω |
| R802 | 1 | GG05100140 | 10 Ω |
| R803 | 1 | GG05100140 | 10 Ω |
| R804 | 1 | GG05100140 | 10 Ω |
| R805 | 1 | GD05562140 | 5.6K Ω |
| R806 | 1 | GD05562140 | 5.6K Ω |
| R807 | 1 | GD05562140 | 5.6K Ω |
| R808 | 1 | GD05562140 | 5.6K Ω |
| R809 | 1 | GD05562140 | 5.6K Ω |
| R810 | 1 | GD05562140 | 5.6K Ω |

| REF. DESIG. | QTY | PART NO. | DESCRIPTION | |
|----------------------------|-----|------------|------------------|------------------|
| | F | | | |
| R811 | 1 | GD05562140 | 5.6K Ω | |
| R812 | 1 | GD05562140 | 5.6K Ω | |
| R813 | 1 | GG05682120 | 6.8K Ω | 1/2W |
| R814 | 1 | GG05682120 | 6.8K Ω | 1/2W |
| R815 | 1 | GD05433140 | 43K Ω | |
| R816 | 1 | GD05433140 | 43K Ω | |
| R817 | 1 | GD05272140 | 2.7K Ω | |
| R818 | 1 | GD05272140 | 2.7K Ω | |
| R819 | 1 | GD05243140 | 24K Ω | |
| R820 | 1 | GD05243140 | 24K Ω | |
| R821 | 1 | GD05683140 | 68K Ω | |
| R822 | 1 | GD05683140 | 68K Ω | |
| R823 | 1 | GD05623140 | 62K Ω | |
| R824 | 1 | GD05623140 | 62K Ω | |
| R825 | 1 | GD05562140 | 5.6K Ω | |
| R826 | 1 | GD05562140 | 5.6K Ω | |
| RN01 | 1 | GA05432020 | 4.3K Ω | 2W |
| RN02 | 1 | GA05432020 | 4.3K Ω | 2W |
| RN03 | 1 | GD05333140 | 33K Ω | |
| RN04 | 1 | GD05333140 | 33K Ω | |
| RN05 | 1 | GD05101140 | 100 Ω | |
| RN06 | 1 | GD05101140 | 100 Ω | |
| RN07 | 1 | RA03310010 | 330 Ω (B) | Trimming |
| RN08 | 1 | RA03310010 | 330 Ω (B) | Trimming |
| RN09 | 1 | GA05102010 | 1K Ω | 1W |
| RN10 | 1 | GG05183120 | 18K Ω | 1/2W |
| RN11 | 1 | GG05163120 | 16K Ω | 1/2W |
| RN12 | 1 | GD05473140 | 47K Ω | |
| RN14 | 1 | GD05564140 | 560K Ω | |
| RN16 | 1 | GD05393140 | 39K Ω | |
| RN17 | 1 | GD05104140 | 100K Ω | |
| RN18 | 1 | GD05562140 | 5.6K Ω | |
| RN19 | 1 | GD05823140 | 82K Ω | |
| RN20 | 1 | GD05823140 | 82K Ω | |
| P800-SEMICONDUCTORS | | | | |
| Q801 | 1 | HD20013030 | Diode | DS133B |
| Q802 | 1 | HD20013030 | Diode | DS133B |
| Q803 | 1 | HD20013030 | Diode | DS133B |
| Q804 | 1 | HD20013030 | Diode | DS133B |
| Q805 | 1 | HT407162A0 | Transistor | 2SD716(R or O) |
| Q806 | 1 | HT407162A0 | Transistor | 2SD716(R or O) |
| Q807 | 1 | HT206862A0 | Transistor | 2SB686(R or O) |
| Q808 | 1 | HT206862A0 | Transistor | 2SB686(R or O) |
| Q809 | 1 | HT317752D0 | Transistor | 2SC1775A(D or E) |
| Q810 | 1 | HT317752D0 | Transistor | 2SC1775A(D or E) |

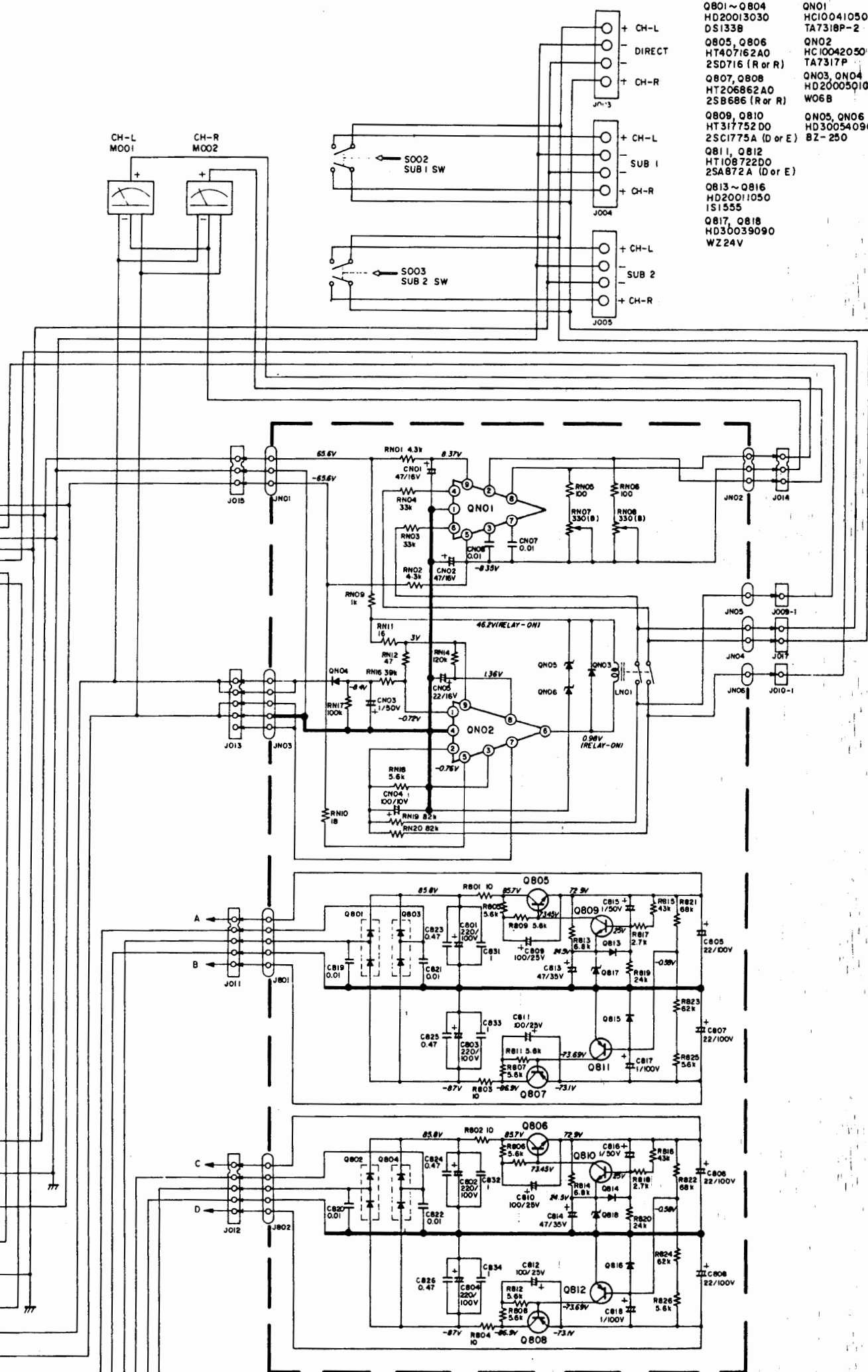
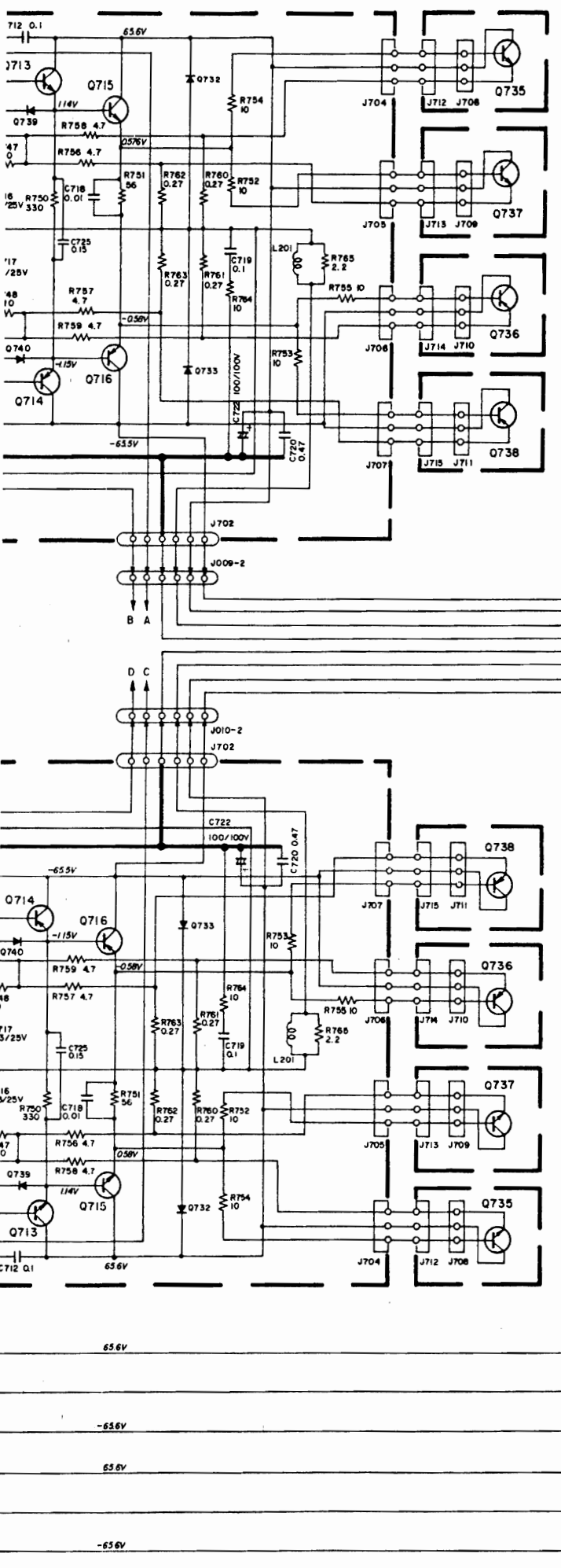
| REF. DESIG. | QTY | PART NO. | DESCRIPTION | |
|---------------------------|-----|------------|---------------|------------------|
| | F | | | |
| Q811 | 1 | HT108722D0 | Transistor | 2SA872A(D or E) |
| Q812 | 1 | HT108722D0 | Transistor | 2SA872A(D or E) |
| Q813 | 1 | HD20011050 | Diode | 1S1555 |
| Q814 | 1 | HD20011050 | Diode | 1S1555 |
| Q815 | 1 | HD20011050 | Diode | 1S1555 |
| Q816 | 1 | HD20011050 | Diode | 1S1555 |
| Q817 | 1 | HD30039090 | Zener | WZ24V |
| Q818 | 1 | HD30039090 | Zener | WZ24V |
| QN01 | 1 | HC10041050 | IC | TA7318P-2 |
| QN02 | 1 | HC10042050 | IC | TA7317P |
| QN03 | 1 | HD20005010 | Diode | W06B |
| QN04 | 1 | HD20005010 | Diode | W06B |
| QN05 | 1 | HD30054090 | Zener | BZ-250 |
| QN06 | 1 | HD30054090 | Zener | BZ-250 |
| P800-MISCELLANEOUS | | | | |
| JN01 | 1 | YP06001040 | Plug, | (3P) |
| JN02 | 1 | YP06001040 | Plug, | (3P) |
| JN03 | 1 | YP06001050 | Plug, | (5P) |
| JN04 | 1 | YP06001710 | Plug, | (2P) |
| JN05 | 1 | YP06001720 | Plug, | (1P) |
| JN06 | 1 | YP06001720 | Plug, | (1P) |
| LN01 | 1 | LY20480020 | Relay | MSJ2 48V |
| PM00 | 1 | YF29790010 | P.W. Board, | RCA Pin Terminal |
| PM00-CAPACITORS | | | | |
| CM01 | 1 | DF65101010 | Film | 100pF \pm 5% |
| CM02 | 1 | DF65101010 | Film | 100pF \pm 5% |
| CM03 | 1 | EQ10601610 | Elect | 10 μ F 16V |
| CM04 | 1 | EQ10601610 | Elect | 10 μ F 16V |
| PM00-RESISTORS | | | | |
| RM01 | 1 | GD05122140 | 1.2K Ω | \pm 5% 1/2W |
| RM02 | 1 | GD05122140 | 1.2K Ω | \pm 5% 1/2W |
| PM00-MISCELLANEOUS | | | | |
| JM02 | 1 | YT02020190 | Terminal, | (2P) |
| JM03 | 1 | YP06000580 | Plug | |
| SM01 | 1 | SS02020380 | Slide Switch | |

| | |
|----------|---------------------|
| (W01-99) | Assembly and Wiring |
| (T01-99) | Adjustment |
| (X01-00) | Correction |

- | | | | | | | | | | | | | | |
|--------------------------------|---|---|------------------------------------|----------------------------------|-----------------------------------|-----------------------------------|--|--|----------------------------------|----------------------------------|---|--|-----------------------|
| Q701 HC10043050 DUAL FET | Q702, Q707 HT322592FO 2SC2259 (For G) | Q703, Q705, Q706 HT109701JO 2SA970 (GR) | Q704 HT322401JO 2SC2240 (GR) | Q708 HT109491BO 2SA949 (Y) | Q709 HT322291BO 2SC2229 (Y) | Q710 HT109701BO 2SA970 (BL) | Q711 HT318152AO 2SC1815 (O or Y) | Q712 HT110152AO 2SA1015 (O or Y) | Q713 HT407571CO 2SD757 (C) | Q714 HT207171CO 2SB717 (C) | Q715 HT322381CO 2SC2238B (O or Y) | Q716 HT109681CO 2SA968B (O or Y) | Q717, H03, W21: |
|--------------------------------|---|---|------------------------------------|----------------------------------|-----------------------------------|-----------------------------------|--|--|----------------------------------|----------------------------------|---|--|-----------------------|



- | | | | | | | | | | | | | |
|--|----------------------------------|----------------------------------|---|--|-----------------------------------|--|-------------------------------------|-------------------------------------|--|----------------------------------|--------------------------------|---|
| Q712 1T110152AO 2SA1015 (O or Y) | Q713 HT407571CO 2SD757 (C) | Q714 HT207171CO 2SB717 (C) | Q715 HT322381CO 2SC2238B (O or Y) | Q716 HT109681CO 2SA968B (O or Y) | Q717, Q718 HD30025090 WZ150 | Q719~Q722, Q728~Q731 HD20003210 IS2471 | Q723, Q724 HD20010210 IS2471G | Q725 HV00002120 SV-3A (BLACK) | Q726, Q727, Q739, Q740 HD20001210 IS2473 | Q732, Q733 HD20011010 W06C | Q734 HT315681S0 2SC1568S | Q735, Q737 HT325893AO 2SC2589 (O, R or S) |
|--|----------------------------------|----------------------------------|---|--|-----------------------------------|--|-------------------------------------|-------------------------------------|--|----------------------------------|--------------------------------|---|



- | | | | | | | | | | | |
|-----------------------------------|---|---|---|--|-----------------------------------|-----------------------------------|---------------------------------|-------------------------------|----------------------------------|------------------------------------|
| Q801~Q804 HD20013030 DS133B | Q805, Q806 HT407162AO 2SD716 (R or R) | Q807, Q808 HT206862AO 2SB686 (R or R) | Q809, Q810 HT317752D0 2SC1775A (D or E) | Q811, Q812 HT108722D0 2SA872A (D or E) | Q813~Q816 HD20011050 IS1555 | Q817, Q818 HD30039090 WZ24V | Q801 HC10041050 TA7318P-2 | Q802 HC10042050 TA7317P | Q803, Q804 HD20005010 W06B | Q805, Q806 HD30054090 BZ-250 |
|-----------------------------------|---|---|---|--|-----------------------------------|-----------------------------------|---------------------------------|-------------------------------|----------------------------------|------------------------------------|

| | | | | | | | | | | | |
|--------------------------------|--|--|---|--|--|--|--|--|------------------------------------|---|-----------------|
| Q001 HI10004030 SLP-1328 | Q401 ~ Q404 HF201301M0 2SK130A (M) | Q405, Q406 Q439 ~ Q442 HT322401B0 2SC2240(BL) | Q407 ~ Q410 HT109701B0 2SA970(BL) | Q411, Q412 HT322401A0 2SC2240(G,R) | Q413, Q414, Q419, Q420 HT108722D0 2SA872A (D or E) | Q415 ~ Q418 HT317752D0 2SC1775A (D or E) | Q421, Q422 HT407571C0 2SD757 (C) | Q423, Q424 HT207171C0 2SB717 (C) | Q425, Q426 HV00002060 VD1212 | Q427 ~ Q432, Q437 HD20003210 IS2471 | Q433 H1 M |
|--------------------------------|--|--|---|--|--|--|--|--|------------------------------------|---|-----------------|

QM01, QM02
HF201472A0
2SK147 (GR, BL)

QM05, QM06
HT406661C0
2SD666 (C)

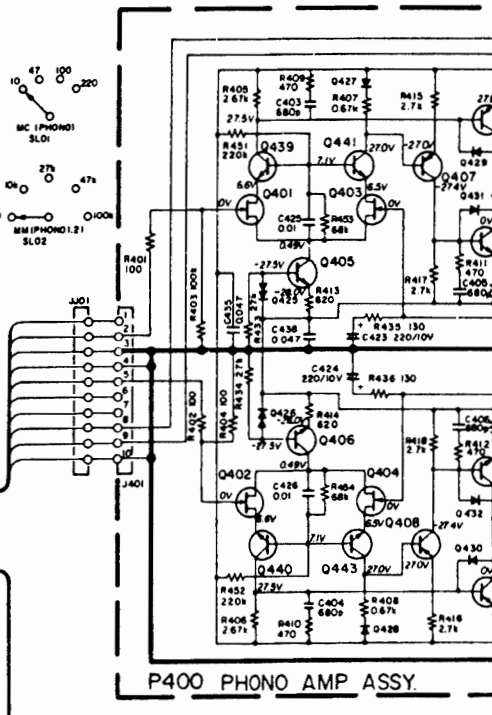
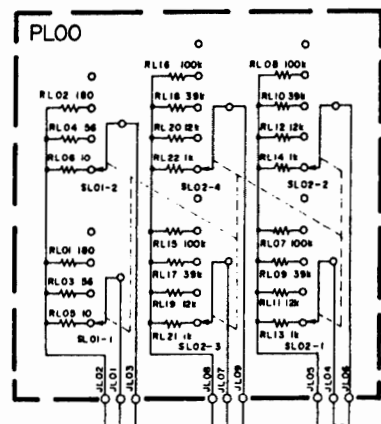
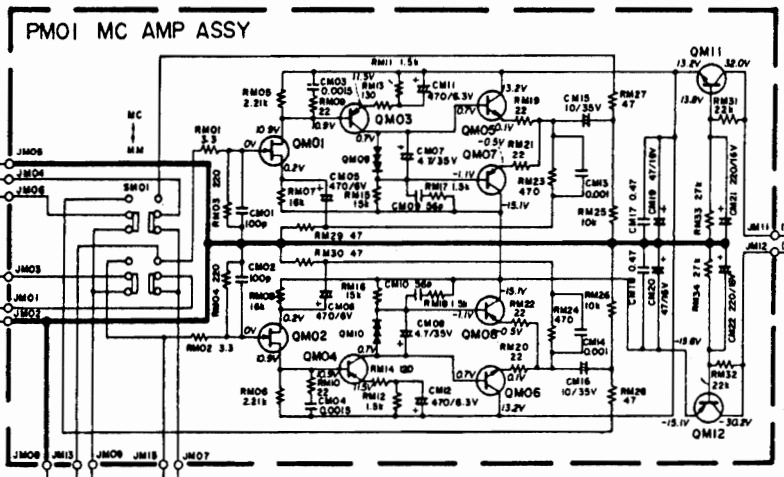
QM09, QM10
HV00006120
MV203 (Y)

QM12
HT205072P0
2SB507 (D or E)

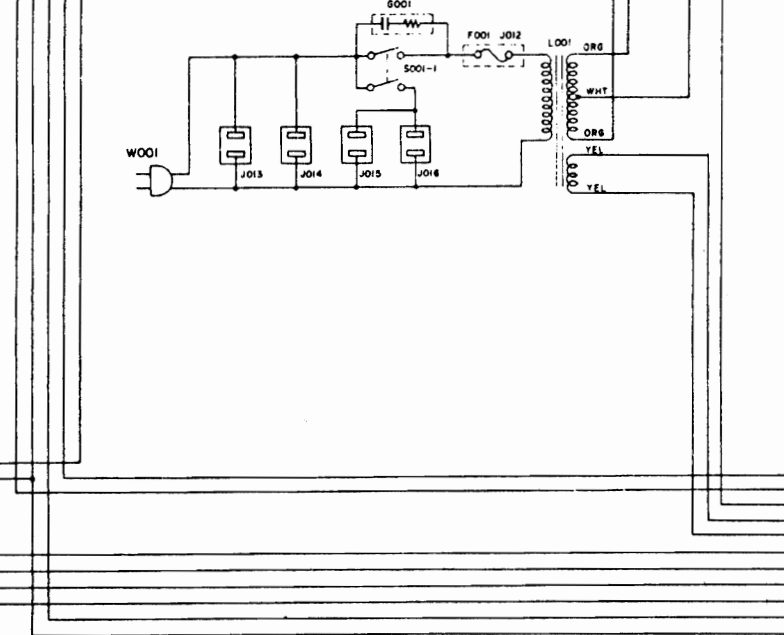
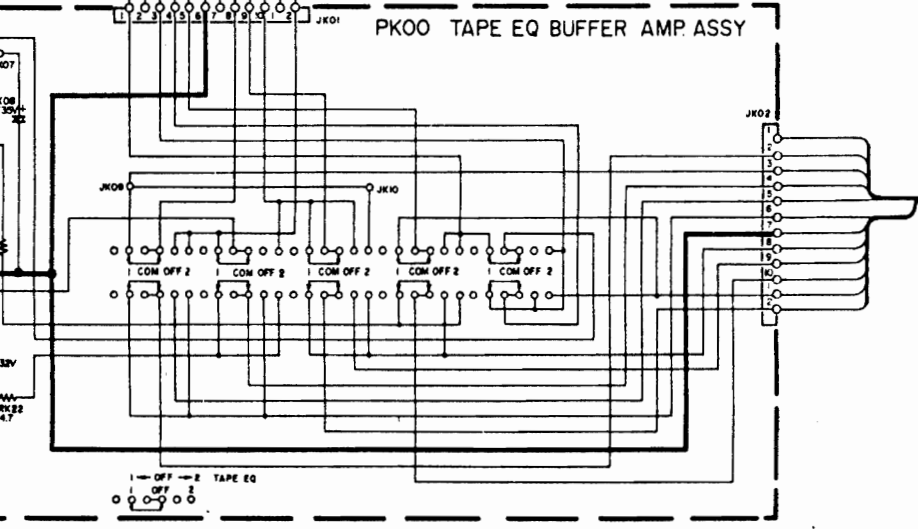
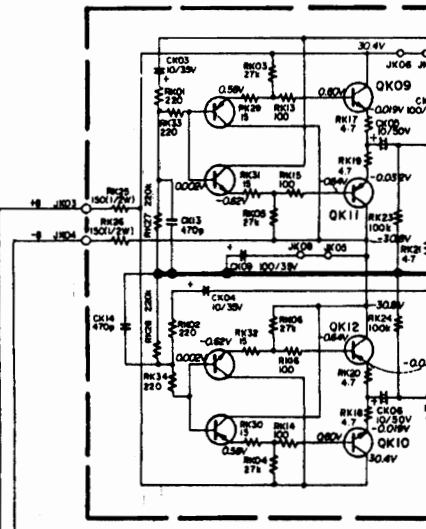
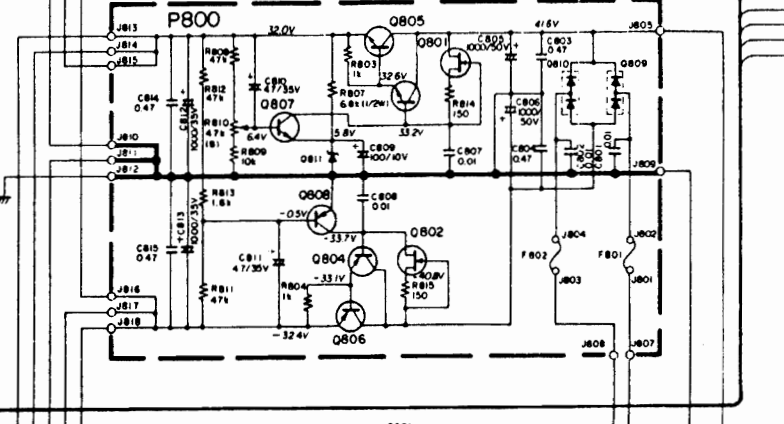
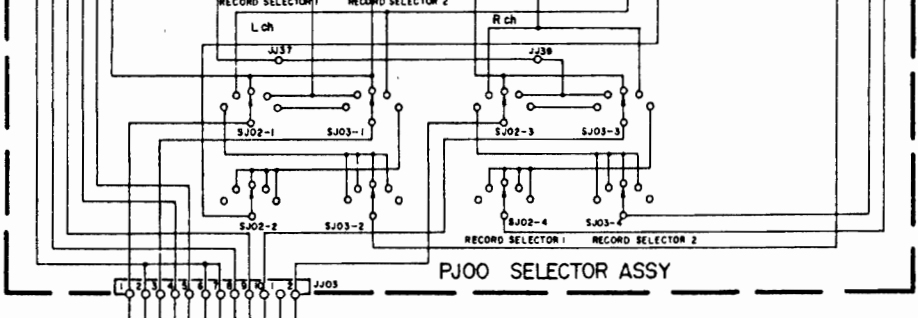
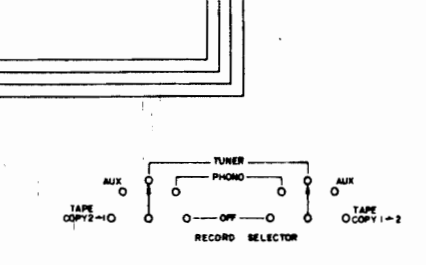
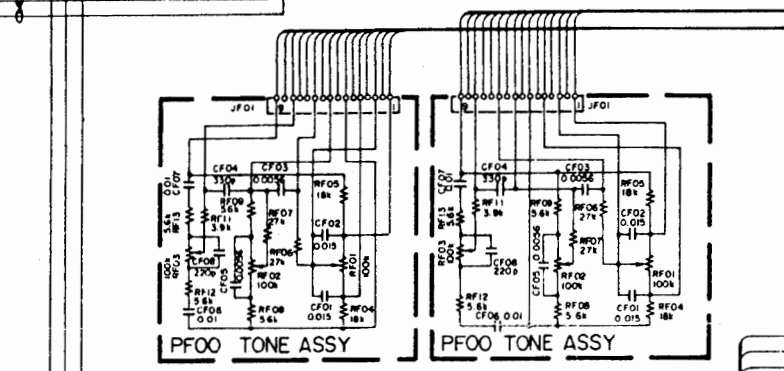
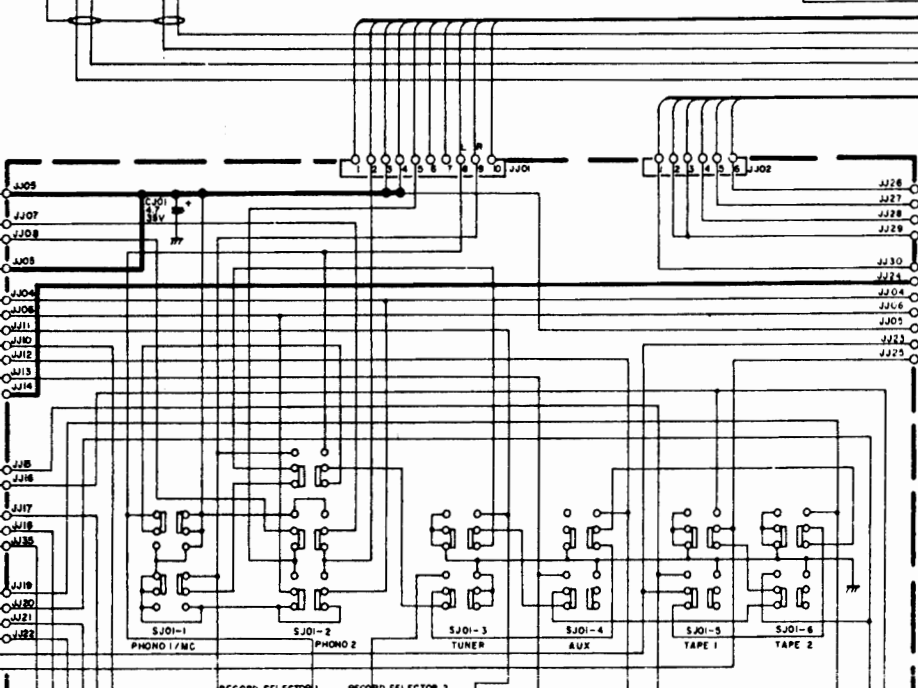
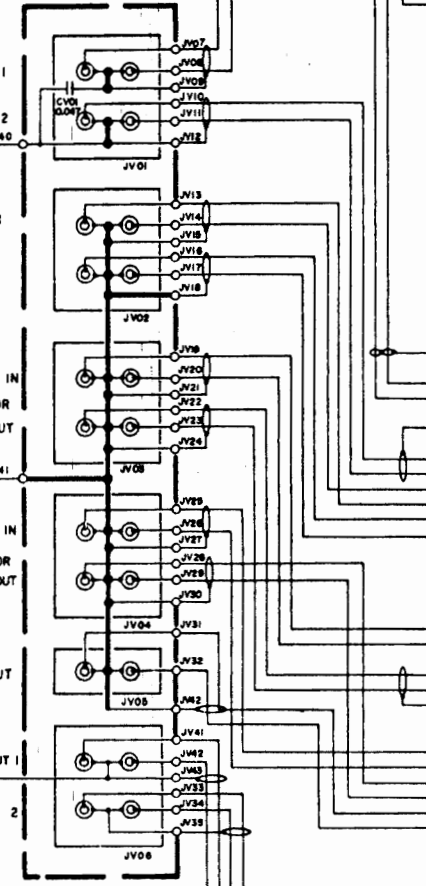
QM03, QM04
HT109701A0
2SA970 (GR)

QM07, QM08
HT206461C0
2SB646 (C)

QM11
HT403132P0
2SD313
(D or E)



PV00 REAR PANNEL ASSY



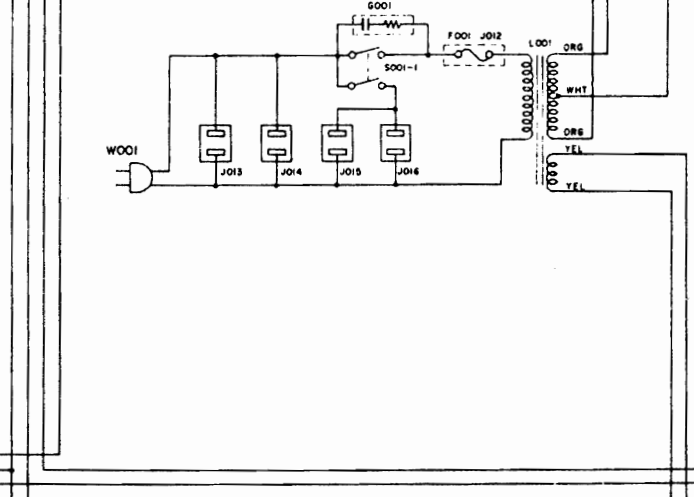
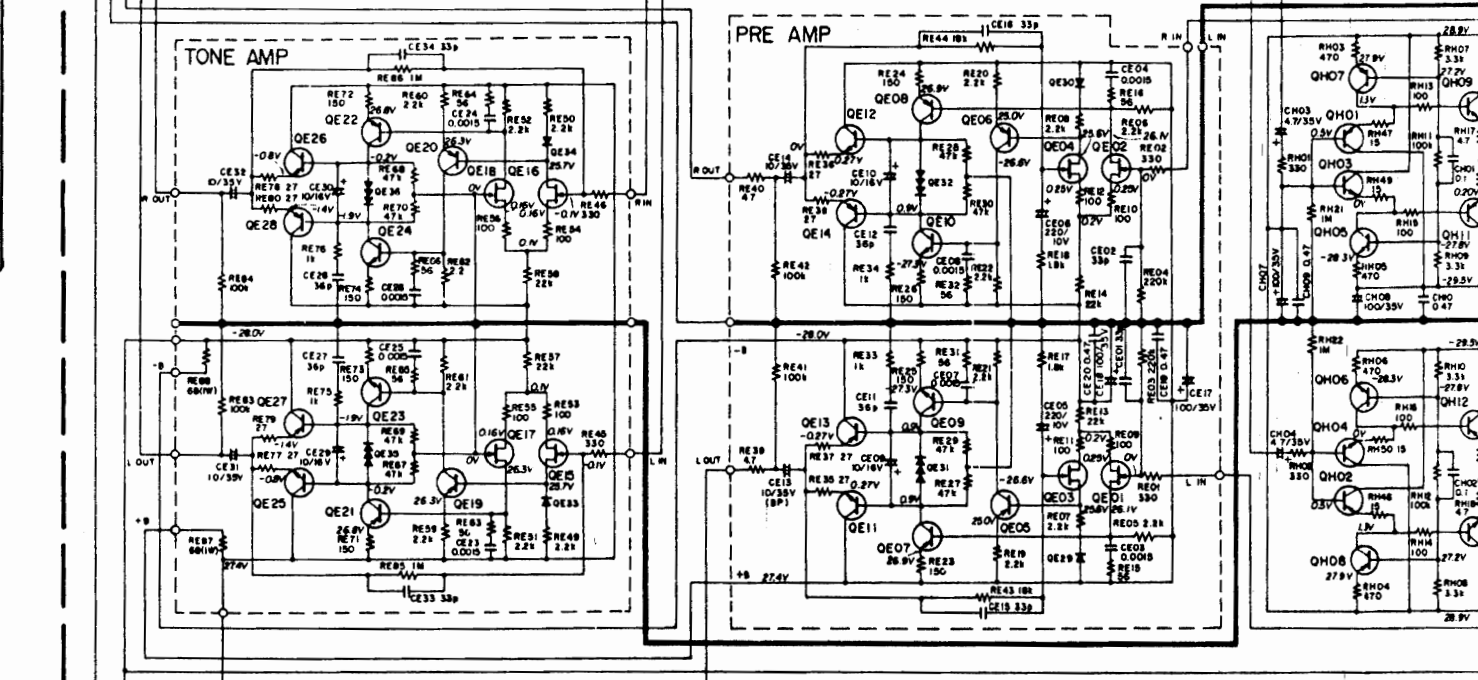
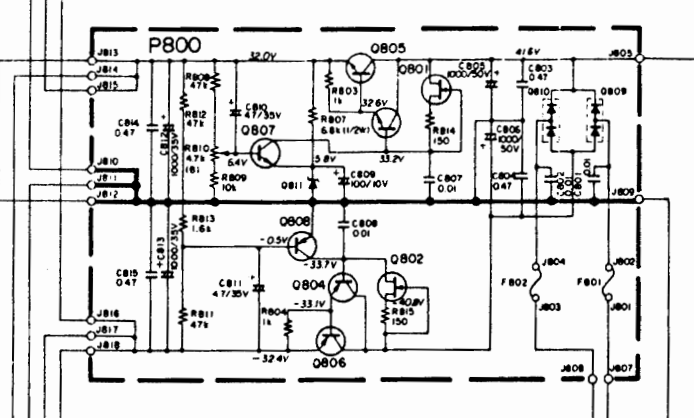
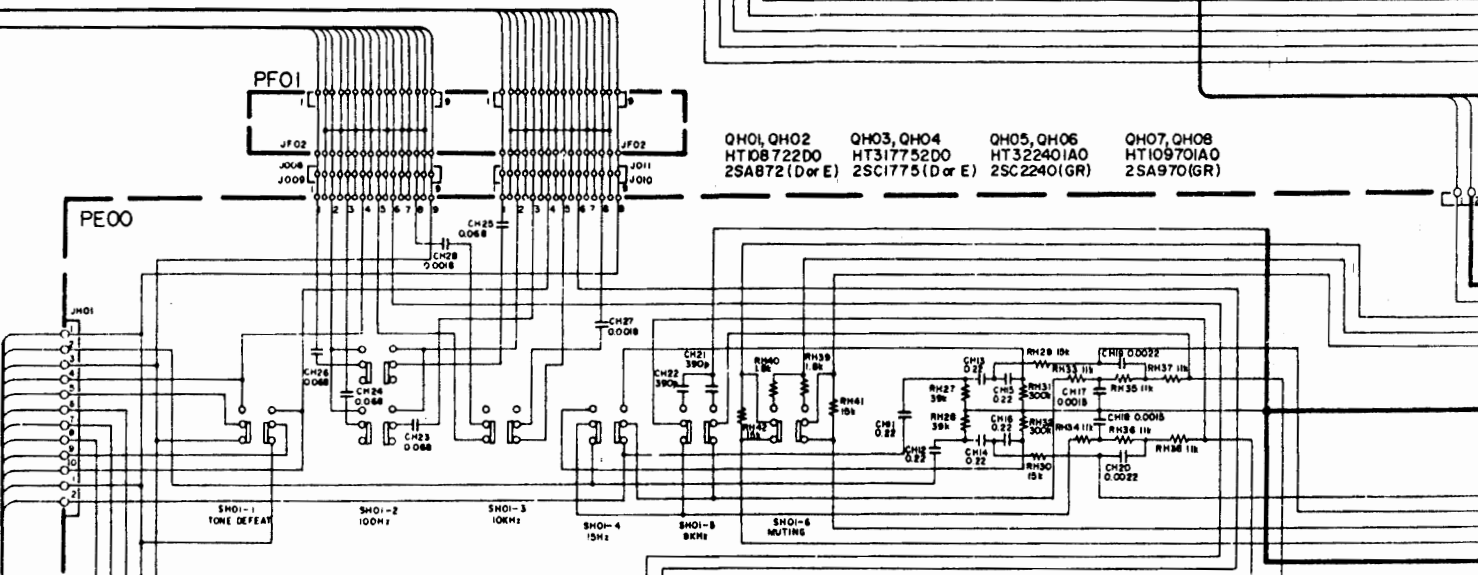
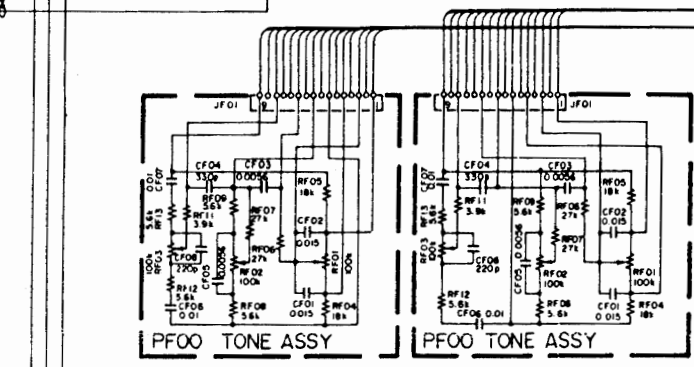
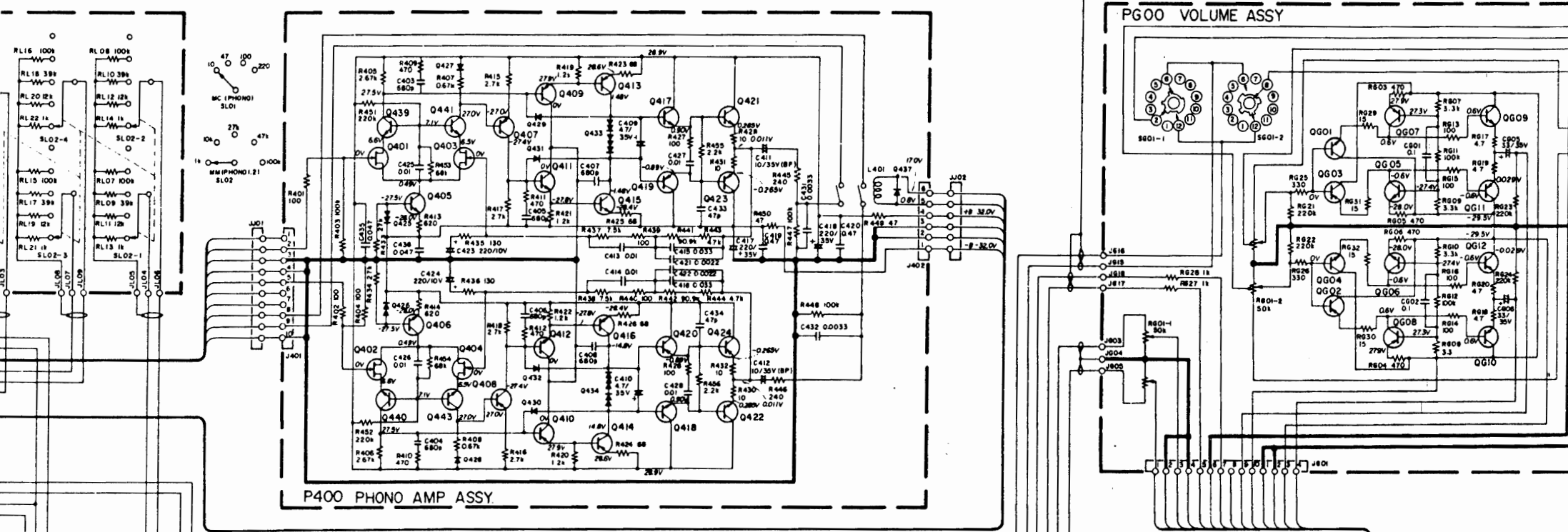
QK01, QK02
HT108722D0
2SA872A (D or E)

QK03, QK04
HT317752D0
2SC1775A (D or E)

QK09, QK10
HT406661C0
2SD666 (C)

QK11, QK12
HT206461C0
2SB646 (C)

Q421, Q422 HT40757(C) 25D757(C) Q423, Q424 HT20717(C) 25B717(C) Q425, Q426 HV00002060 VD1212 Q427~Q432, Q437 HD20003210 IS2471 Q433, Q434 HV00006120 MV203(Y) Q435, Q436 HV00004060 VD1210 Q751, Q752, Q755 Q756, Q769, Q770 HT107501B0 25A750(E) Q753, Q754, Q757 Q758, Q767, Q768 HT314001E0 25C1400(E) Q759~Q762 HV00006120 MV203(Y) Q763~Q766 HV00002060 VD1212 Q771, Q772 HT403132P0 25D313(D or E) Q773, Q774 HT205072P0 25B507(D or E) Q775 HE20001080 RB-152 Q776 HD30030090 WZ177 Q801, HF20 25K3



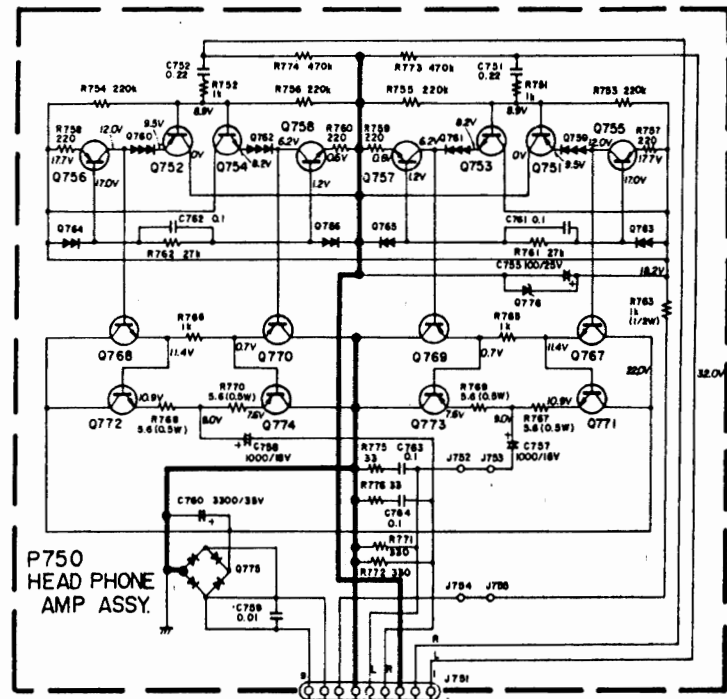
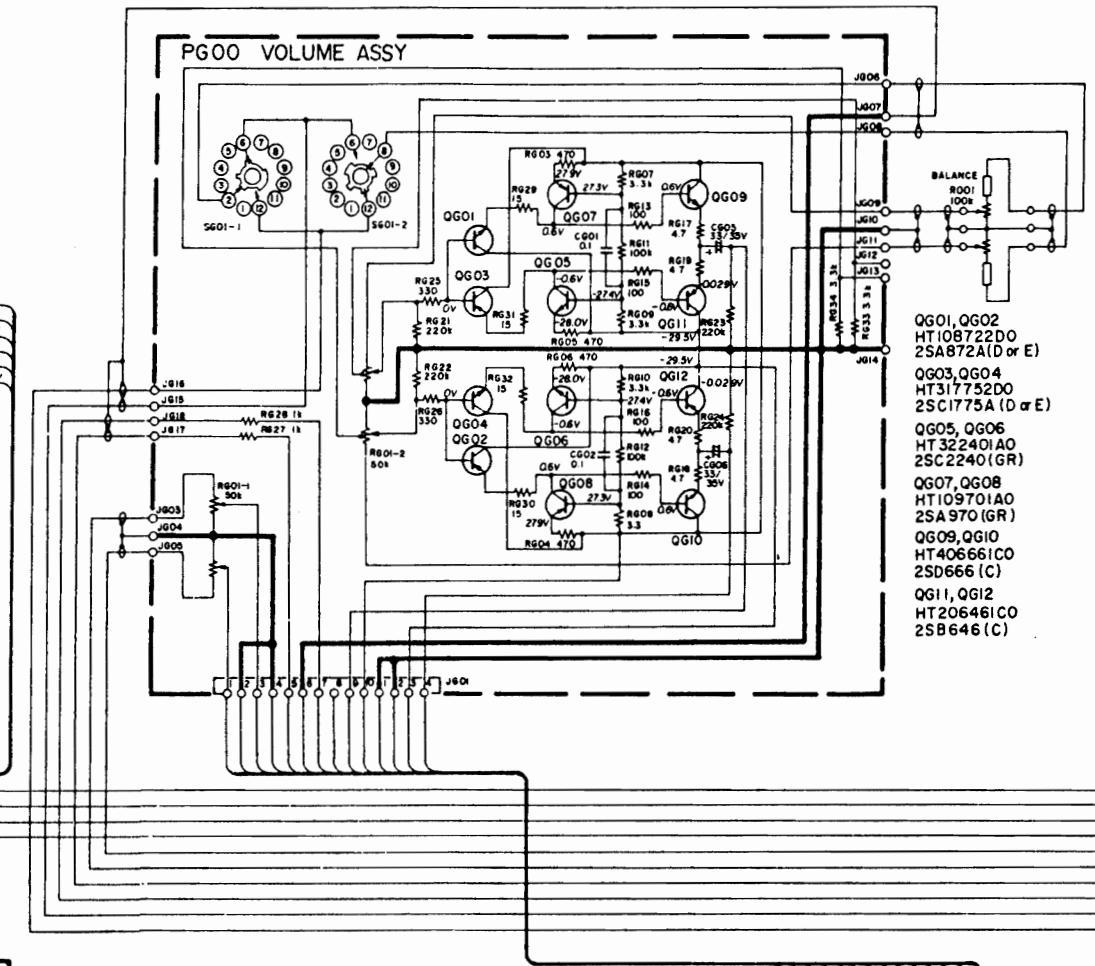
QH01, QH02 HT08722D0 25A872(D or E) QH03, QH04 HT317752D0 25C1775(D or E) QH05, QH06 HT322401A0 25C2240(GR) QH07, QH08 HT109701A0 25A970(GR) QE01~QE04 QE15~QE18 QE05~QE08 QE19~QE22 QE09, QE10 QE23, QE24 QE11, QE12 QE25, QE26 QE13, QE14 QE27, QE28

- 59~Q762 /00006120 /203(Y)
- Q763~Q766 HV00002060 VD1212
- Q771,Q772 HT403132P0 2SD313(D or E)
- Q773,Q774 HT205072P0 2SB507(D or E)
- Q775 HE20001080 RB-152
- Q776 HD30030090 WZ177
- Q801,Q802 HF200301C0 2SK30A(Y)
- Q803 HT315091Q0 2SC1509(Q)
- Q804 HT107771Q0 2SA777(Q)
- Q805 HT403132P0 2SD313(D or E)
- Q806 HT205072P0 2SB507(D or E)
- Q807 HT322402A0 2SC2240(GR or BL)
- Q808 HT109702A0 2SA970(GR or BL)
- Q809,Q810 HE10001030 DS133B-L
- Q811 HD30008010 HZ-6L(B)

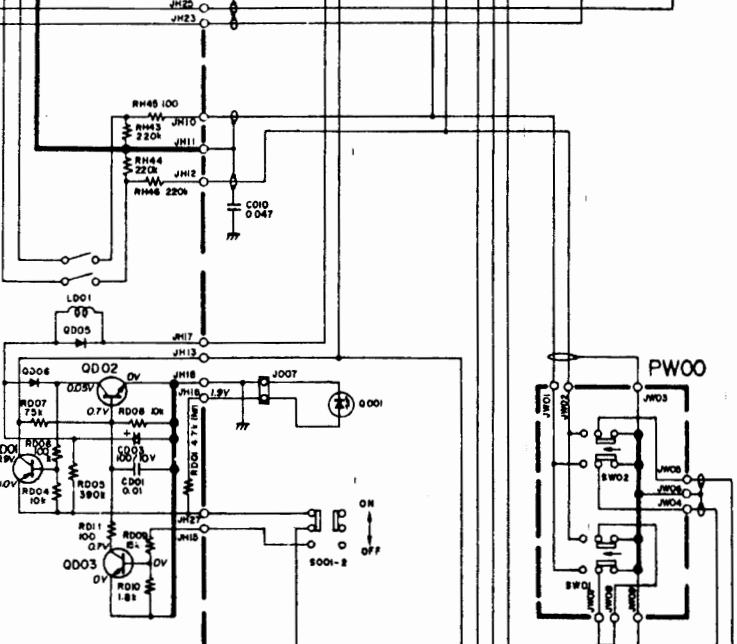
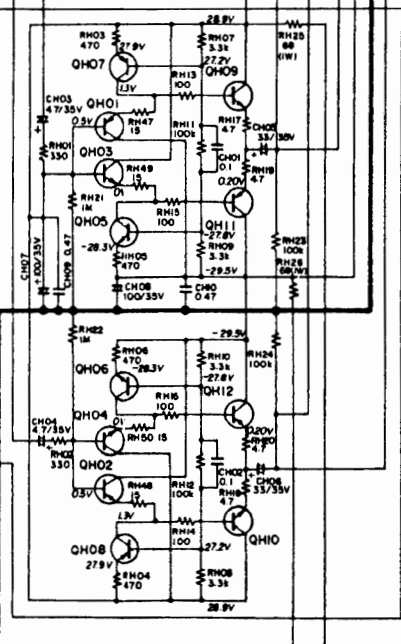
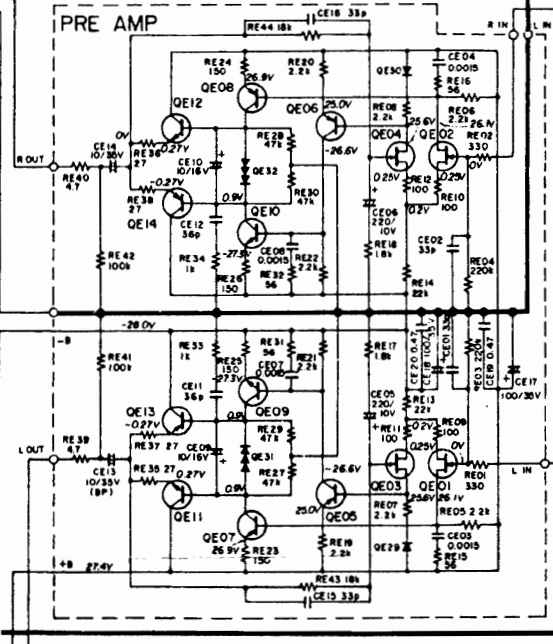
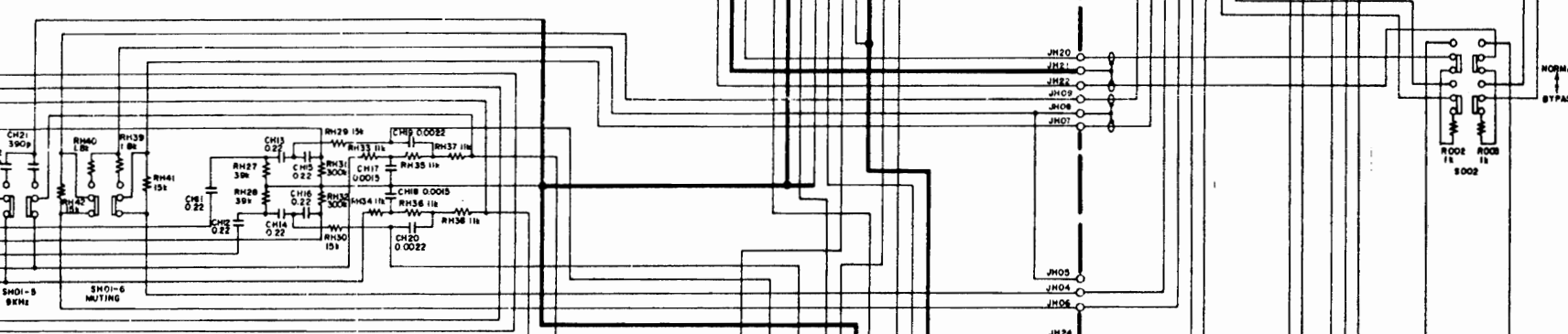
QD01 HT110152A0 2SA1015(O or Y)

QD02,QD03 HT318152A0 2SC1815(O or Y)

QD05,QD06 HD20003210 IS2471



- QH01,QH02 HT108722D0 2SA872(D or E)
- QH03,QH04 HT317752D0 2SC1775(D or E)
- QH05,QH06 HT322401A0 2SC2240(GR)
- QH07,QH08 HT109701A0 2SA970(GR)
- QH09,QH10 HT406661C0 2SD666(C)
- QH11,QH12 HT206461C0 2SB646(C)



- QE01~QE04 HF201172B0 2SK117(Y or GR)
- QE05~QE08 HT108722D0 2SA872A(D or E)
- QE09,QE10 QE23,QE24 HT317752D0 2SC1775A(D or E)
- QE11,QE12 QE25,QE26 HT406661C0 2SD666(C)
- QE13,QE14 QE27,QE28 HT206461C0 2SB646(C)
- QE29,QE30 QE33,QE34 HD20003210 IS2471
- QE31,QE32 QE35,QE36 HV00009120 MV103(W)