

Service Manual

SR14A /N1G, /S1G, /U1G, /U1B
 SR18A /K1G, /S1G, /U1G, /U1B
 SR17A /F1N
 AV Surround Receiver

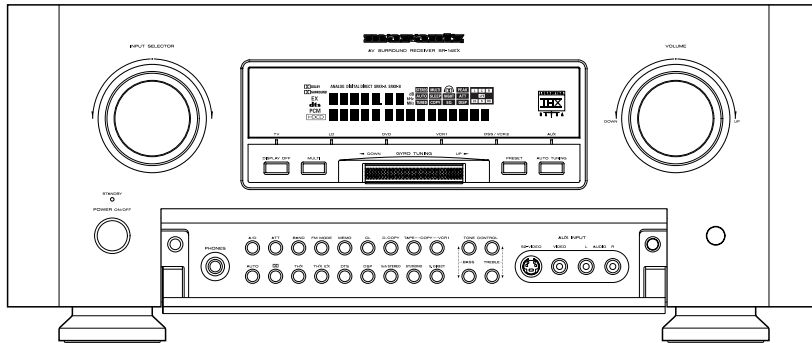


TABLE OF CONTENTS

SECTION	PAGE
1. TECHNICAL SPECIFICATIONS	1
2. WIRING DIAGRAM	3
3. BLOCK DIAGRAM	5
4. SCHEMATIC DIAGRAM	7
5. PARTS LOCATION (Pattern Side)	31
6. IC DATA	51
7. EXPLODED VIEW AND PARTS LIST	61
8. SERVICE PROGRAM	67
9. ELECTRICAL ADJUSTMENTS	69
10. ALIGNMENT PROCEDURES	71
11. TROUBLE SHOOTING	73
12. TECHNICAL DESCRIPTION FOR DECODER	76
13. ELECTRICAL PARTS LIST	78

SR-14EX/SR-14mkII
 SR-17EX/SR-18EX

Please use this service manual with referring to the user guide (D.F.U.) without fail.

marantz®

SR-14EX/SR-14mkII SR-17EX/SR-18EX

MARANTZ DESIGN AND SERVICE

Using superior design and selected high grade components, **MARANTZ** company has created the ultimate in stereo sound. Only original **MARANTZ** parts can insure that your **MARANTZ** product will continue to perform to the specifications for which it is famous.

Parts for your **MARANTZ** equipment are generally available to our National Marantz Subsidiary or Agent.

ORDERING PARTS :

Parts can be ordered either by mail or by Fax.. In both cases, the correct part number has to be specified.

The following information must be supplied to eliminate delays in processing your order :

1. Complete address
2. Complete part numbers and quantities required
3. Description of parts
4. Model number for which part is required
5. Way of shipment
6. Signature : any order form or Fax. must be signed, otherwise such part order will be considered as null and void.

USA

MARANTZ AMERICA, INC.
440 MEDINAH ROAD
ROSELLE, ILLINOIS 60172
USA
PHONE : 630 - 307 - 3100
FAX : 630 - 307 - 2687

EUROPE / TRADING

MARANTZ EUROPE B.V.
P.O.BOX 80002, BUILDING SFF2
5600 JB EINDHOVEN
THE NETHERLANDS
PHONE : +31 - 40 - 2732241
FAX : +31 - 40 - 2735578

BRAZIL

PHILIPS DA AMAZONIA IND. ELET. ITDA
CENTRO DE INFORMACOES AO
CEP 04698-970
SAO PAULO, SP, BRAZIL
PHONE : 0800 - 123123(Discagem Direta Gratuita)
FAX : +55 11 534. 8988

PROFESSIONAL AMERICAS **SUPERSCOPE TECHNOLOGIES, INC.**

MARANTZ PROFESSIONAL PRODUCTS
2640 WHITE OAK CIRCLE, SUITE A
AURORA, ILLINOIS 60504 USA
PHONE : 630 - 820 - 4800
FAX : 630 - 820 - 8103

PROFESSIONAL AUSTRALIA **TECHNICAL AUDIO GROUP PTY, LTD**

558 DARLING STREET,
BALMAIN, NSW 2041,
AUSTRALIA
PHONE : 61 - 2 - 9810 - 5300
FAX : 61 - 2 - 9810 - 5355

CANADA

LENBROOK INDUSTRIES LIMITED
633 GRANITE COURT,
PICKERING, ONTARIO L1W 3K1
CANADA
PHONE : 905 - 831 - 6333
FAX : 905 - 831 - 6936

AUSTRALIA

QualIFI Pty Ltd,
24 LIONEL ROAD,
MT. WAVERLEY VIC 3149
AUSTRALIA
PHONE : +61 - (0)3 - 9543 - 1522
FAX : +61 - (0)3 - 9543 - 3677

THAILAND

MRZ STANDARD CO.,LTD
746 - 754 MAHACHAI ROAD.,
WANGBURAPAPIROM, PHRANAKORN,
BANGKOK, 10200 THAILAND
PHONE : +66 - 2 - 222 9181
FAX : +66 - 2 - 224 6795

SINGAPORE

WO KEE HONG DISTRIBUTION PTE LTD
130 JOO SENG ROAD
#03-02 OLIVINE BUILDING
SINGAPORE 368357
PHONE : +65 858 5535 / +65 381 8621
FAX : +65 858 6078

NEW ZEALAND

WILDASH AUDIO SYSTEMS NZ
14 MALVERN ROAD MT ALBERT
AUCKLAND NEW ZEALAND
PHONE : +64 - 9 - 8451958
FAX : +64 - 9 - 8463554

TAIWAN

PAI- YUING CO., LTD.
6 TH FL NO, 148 SUNG KIANG ROAD,
TAIPEI, 10429, TAIWAN R.O.C.
PHONE : +886 - 2 - 25221304
FAX : +886 - 2 - 25630415

MALAYSIA

WO KEE HONG ELECTRONICS SDN. BHD.
SUITE 8.1, LEVEL 8, MENARA GENESIS,
NO. 33, JALAN SULTAN ISMAIL,
50250 KUALA LUMPUR, MALAYSIA
PHONE : +60 3 - 2457677
FAX : +60 3 - 2458180

JAPAN *Technical*

MARANTZ JAPAN, INC.
35- 1, 7- CHOME, SAGAMIONO
SAGAMIHARA - SHI, KANAGAWA
JAPAN 228-8505
PHONE : +81 42 748 1013
FAX : +81 42 741 9190

日本マランツ株式会社

本社 〒228-8505
神奈川県相模原市相模大野7-35-1
営業本部 〒150-0022
東京都渋谷区恵比寿南1-11-9

KOREA

MK ENTERPRISES LTD.
ROOM 604/605, ELECTRO-OFFICETEL, 16-58,
3GA, HANGANG-RO, YONGSAN-KU, SEOUL
KOREA
PHONE : +822 - 3232 - 155
FAX : +822 - 3232 - 154

SHOCK, FIRE HAZARD SERVICE TEST :

CAUTION : After servicing this appliance and prior to returning to customer, measure the resistance between either primary AC cord connector pins (with unit NOT connected to AC mains and its Power switch ON), and the face or Front Panel of product and controls and chassis bottom.

Any resistance measurement less than 1 Megohms should cause unit to be repaired or corrected before AC power is applied, and verified before it is return to the user/customer.

Ref. UL Standard No. 1492.

In case of difficulties, do not hesitate to contact the Technical
Department at above mentioned address.

1. TECHNICAL SPECIFICATIONS

FM TUNER SECTION

Frequency Range 87.5 – 108.0 MHz (K, N, S, U version)
76.0 – 90.0 MHz (F version)
Usable Sensitivity IHF 1.8 μ V / 16.4 dBf
Signal to Noise Ratio Mono / Stereo 76 / 72 dB
Distortion Mono / Stereo 0.2 / 0.3 %
Stereo Separation 1 kHz 45 dB
Alternate Channel Selectivity \pm 400 kHz 60 dB (F, U version)
 \pm 300 kHz 60 dB (K, N, S version)
Image Rejection 98 MHz 70 dB
Tuner Output Level .. 1 kHz, 75 kHz Dev 800 mV (F, U version)
1 kHz, 40 kHz Dev 800 mV (K, N, S version)

AM/LW TUNER SECTION

Frequency Range AM(MW) : 520 – 1710 kHz (U version)
531 – 1602 or 520 – 1710 kHz (K version)
531 – 1602 kHz (F, N, S version)
LW : 152 – 282 kHz (N version)
Signal to Noise Ratio 50 dB
Usable Sensitivity Loop 400 μ V
Distortion 400 Hz, 30 % Mod. 0.5 %
Selectivity \pm 20 kHz 70 dB (U version)
 \pm 18 kHz 70 dB (K, N, S version)

AUDIO SECTION

Rated Power
FRONT (20 Hz – 20 kHz) 8 ohms 140W / Ch
Center (20 Hz – 20 kHz) 8 ohms 140W / Ch
Surround (20 Hz – 20 kHz) 8 ohms 140W / Ch
THD Front (20 Hz – 20 kHz) 8 ohms 0.05%
Input Sensitivity / Impedance
Linear 350 mV / 47 kohms
Signal to Noise Rate (IHF A)
Linear 106 dB
Frequency Response
(Analog Input / Source Direct) 8 Hz - 80 kHz (\pm 3 dB)
(Digital Input / 96 kHz PCM) 8 Hz - 45 kHz (\pm 3 dB)

VIDEO

Television Format NTSC (F, U version)
PAL/NTSC (K, N, S version)
Input Level / Impedance 1 Vp-p / 75 ohms
Output Level / Impedance 1 Vp-p / 75 ohms
Video Frequency Response 5 Hz to 8 MHz (- 1 dB)
S/N 60 dB

GENERAL

Power Requirement AC 120V 60 Hz (U version)
AC 220V 50 / 60 Hz (K version)
AC 100V 50 / 60 Hz (F version)
AC 230V 50 Hz (N, S version)
Power Consumption 530W
Dimension (MAX)
Width 18 inches (458 mm)
Height 7- $\frac{1}{2}$ inches (190 mm)
Depth 19- $\frac{1}{2}$ inches (496 mm)
Weight (SR14A) 58.4 lds. (26.5 kg)
Weight (SR17A) 56.4 lds. (25.2 kg)
Weight (SR18A) 53.9 lds. (24.5 kg)

ACCESSORIES

Remote Control Unit
RC5000i (SR14A) 1
RC-18SR (SR18A / SR17) 1

Dolby Digital(AC-3) SECTION

Output Level (Master Volume is set 0dB)
Front L / R, CENTER, SURROUND L/R
1 kHz, 20 dB FS INPUT 0.24V
SUBWOOFER
40 Hz, 0 dB FS INPUT 7.5V

Frequency Response

Front L / R, CENTER, SURROUND L / R (LARGE)
20 Hz – 20 kHz -0.5 dB

Total Harmonic Distortion

Front L / R, CENTER, SURROUND L / R and
SBL / SB (1 kHz) 0.01% or less
SUBWOOFER (40 Hz) 0.07% or less
Signal to Noise Ratio (IHF-A) 80 dB
Channel Separation (1 kHz) 95 dB

Specifications subject to change without prior notice.

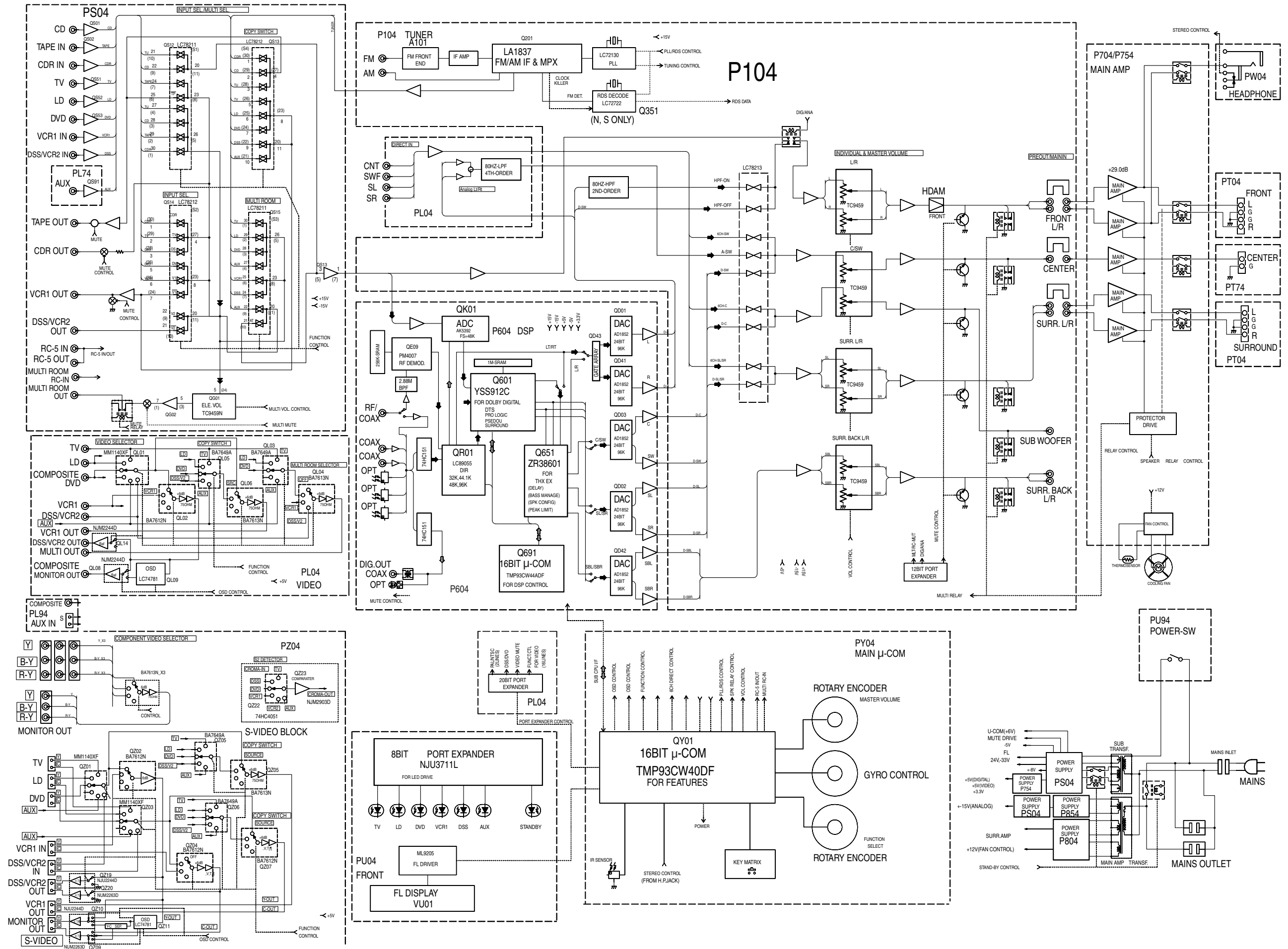
Remark : Bass signal output from Sub Woofer terminal for SR-14EX/SR-14mkII/SR-17EX/SR18-EX.

Sub woofer output is not active while all surround modes. Please refer to the following table.

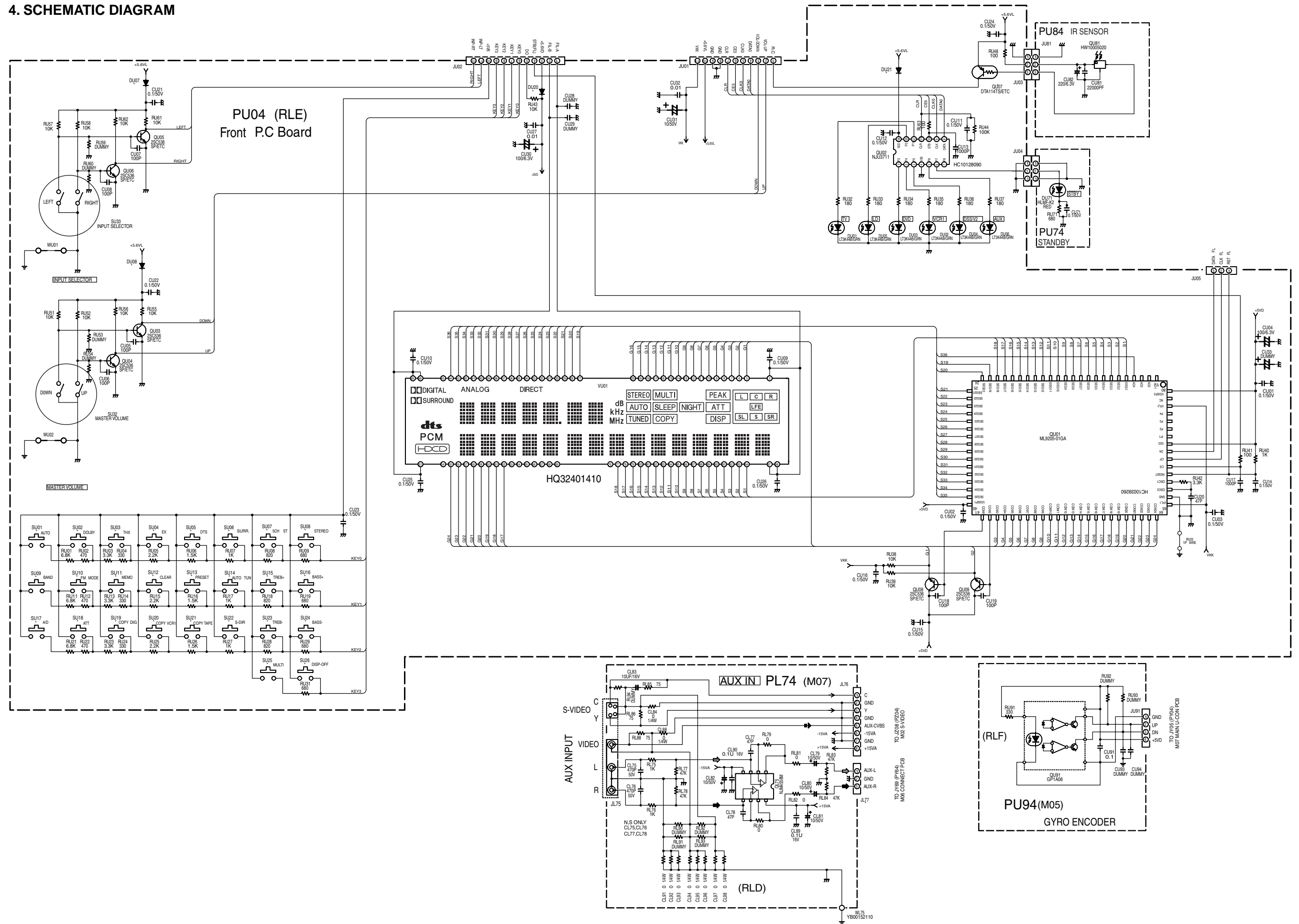
SPK SETUP for SR-14EX/SR-14mkII/SR-17EX/SR18-EX

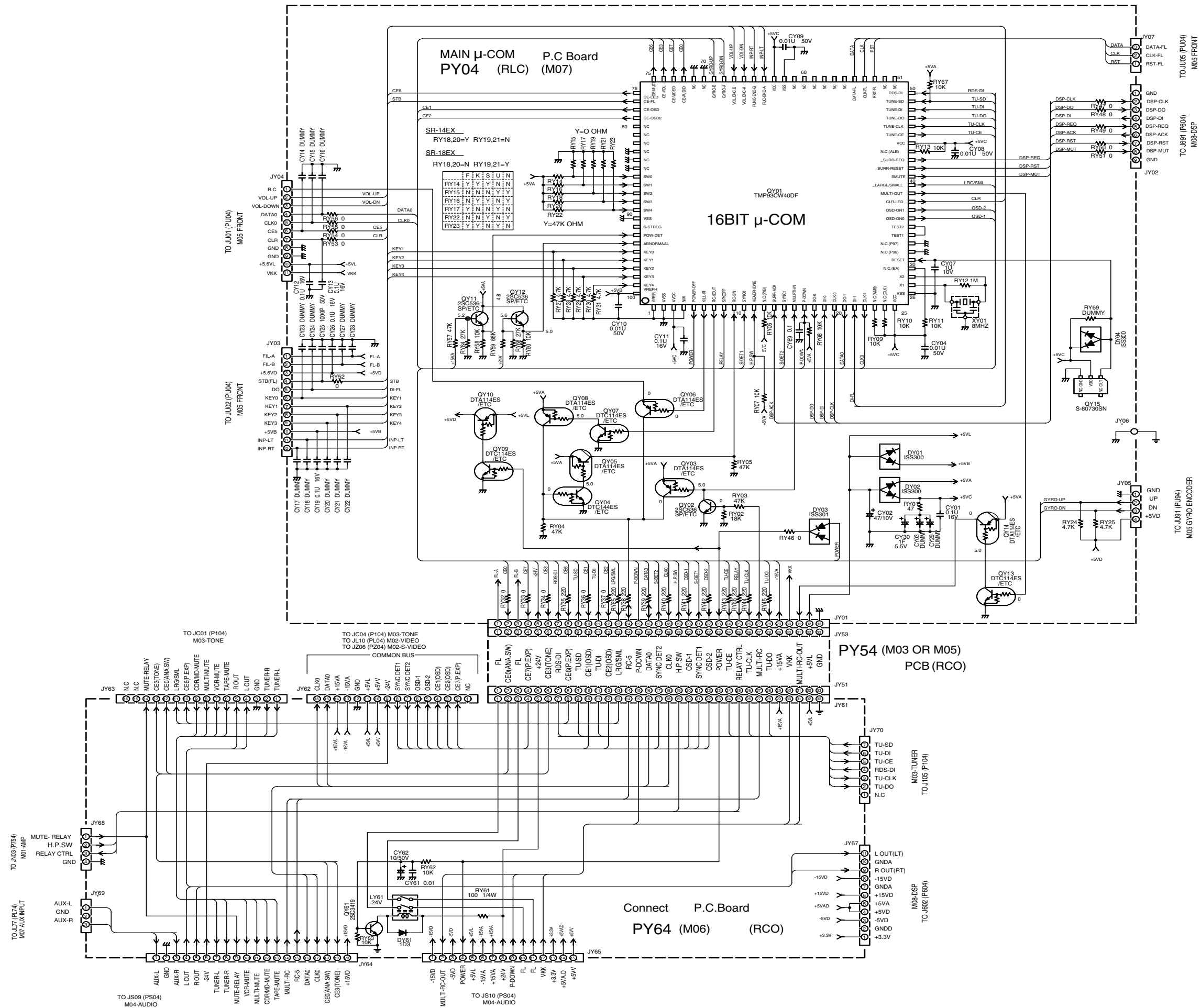
Sub Woofer	SPK setup				ZR39601 Bass CFG #	SubWoofer Output by Surround mode						NOTES	No.			
	Front	Center	Surr. L/R	Surr.B (L/R)		THX Surr EX	THX5.1, Dolby-D, DTS	THX4.0, Logic	Pro	Stereo	AUTO (PCM, Ana)			AUTO(AC-3,DTS)	(AC-3:2ch,karaoke)	
ON	Large	Large	Large	Large	1	LFE	LFE	none		L+R	LFE	L+R		1		
			Small	Large	14	LFE+Sb	LFE									
			Small	Large	3	LFE+SL+SR	LFE+SL+SR	none		L+R	LFE+SL+SR	L+R			2	
			Small	Small	16	LFE+SL+SR+Sb	LFE+SL+SR									
			None	(prohibit)	1	LFE	LFE	none		L+R	LFE	L+R			3	
			Large	Large	5	LFE+C	LFE+C	C		L+R	LFE+C	L+R			4	
		Small	Large	Small	18	LFE+C+Sb	LFE+C									
			Small	Large	8	LFE+C+SL+SR	LFE+C+SL+SR	C		L+R	LFE+C+SL+SR	L+R			5	
			Small	Small	21	LFE+C+SL+SR+Sb	LFE+C+SL+SR									
			None	(prohibit)	5	LFE+C	LFE+C	C		L+R	LFE+C	L+R			6	
			Large	Large	1	LFE	LFE	none		L+R	LFE	L+R			7	
			Small	Small	14	LFE+Sb	LFE									
		None	Large	Large	3	LFE+SL+SR	LFE+SL+SR	none		L+R	LFE+SL+SR	L+R			8	
			Small	Small	16	LFE+SL+SR+Sb	LFE+SL+SR									
			None	(prohibit)	1	LFE	LFE	none		L+R	LFE	L+R			9	
			Large	Large	12	LFE+L+R	LFE+L+R	L+R		L+R	LFE+L+R	L+R			10	
			Small	Small	25	LFE+L+R+Sb	LFE+L+R									
			Small	Large	11	LFE+L+R+SL+SR	LFE+L+R+SL+SR	L+R		L+R	LFE+L+R+SL+SR	L+R			11	
Small	Large	Small	24	LFE+L+R+SL+SR+Sb	LFE+L+R+SL+SR											
	None	(prohibit)	12	LFE+L+R	LFE+L+R	L+R		L+R	LFE+L+R	L+R			12			
	Large	Large	10	LFE+L+R+C	LFE+L+R+C	L+R+C		L+R	LFE+L+R+C	L+R			13			
	Small	Small	23	LFE+L+R+C+Sb	LFE+L+R+C											
	Large	Large	0	LFE+L+R+C+SL+SR	LFE+L+R+C+SL+SR	L+R+C		L+R	LFE+L+R+C+SL+SR	L+R			14			
	Small	Small	13	LFE+L+R+C+SL+SR+Sb	LFE+L+R+C	L+R+C		L+R	LFE+L+R+C	L+R			15			
	None	(prohibit)	10	LFE+L+R+C	LFE+L+R+C	L+R+C		L+R	LFE+L+R+C	L+R			16			
	Large	Large	12	LFE+L+R	LFE+L+R	L+R		L+R	LFE+L+R	L+R			17			
	Small	Small	25	LFE+L+R+Sb	LFE+L+R											
	Large	Large	11	LFE+SL+SR	LFE+SL+SR	L+R		L+R	LFE+SL+SR	L+R			17			
	Small	Small	24	LFE+SL+SR+Sb	LFE+SL+SR											
	None	(prohibit)	12	LFE+L+R	LFE+L+R	L+R		L+R	LFE+L+R	L+R			18			
OFF						No output to subW										

3. BLOCK DIAGRAM

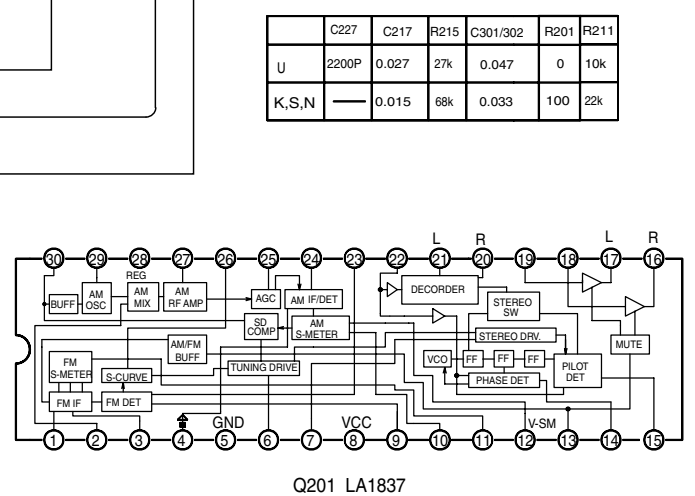
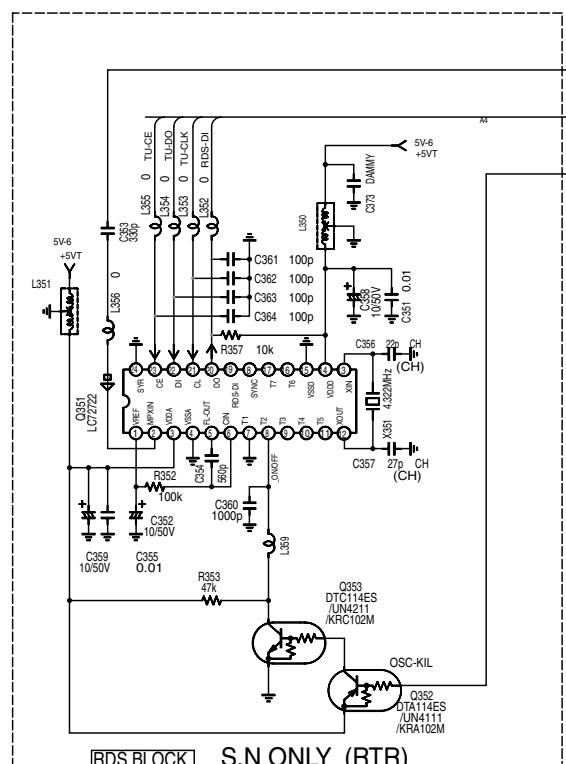
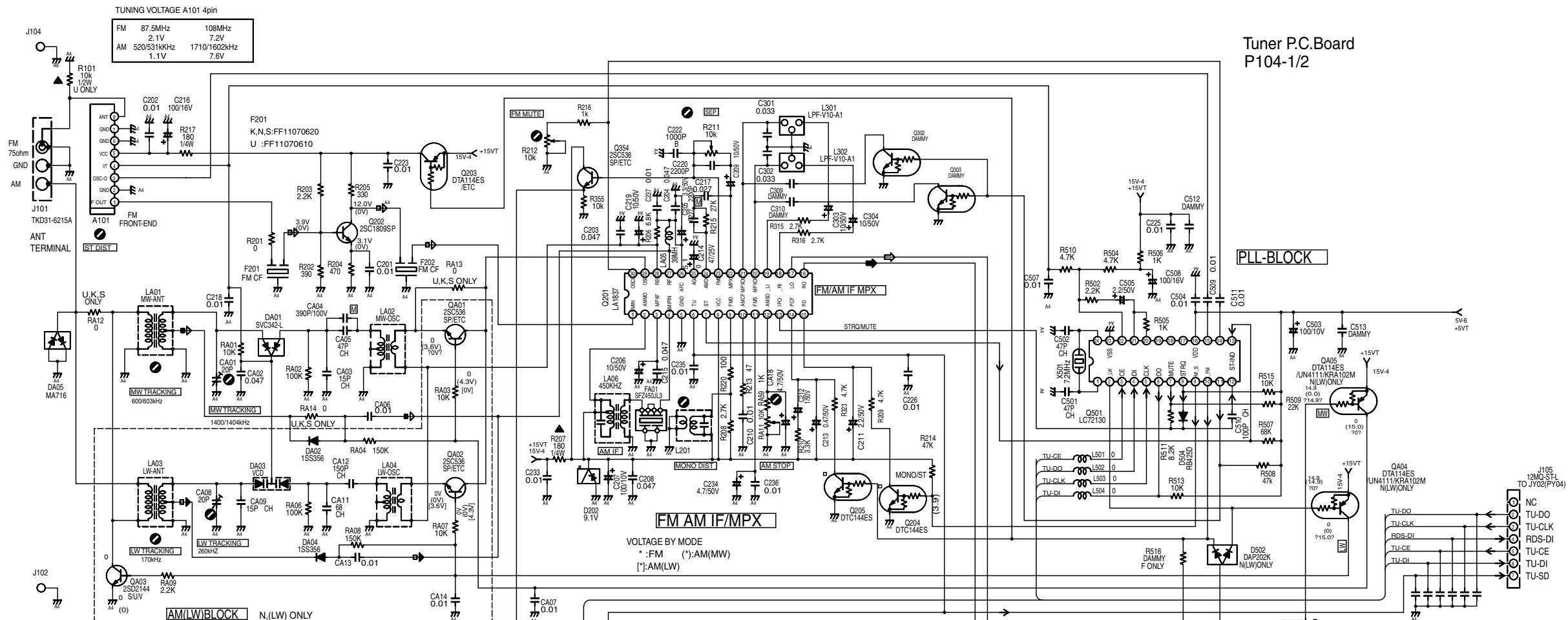


4. SCHEMATIC DIAGRAM

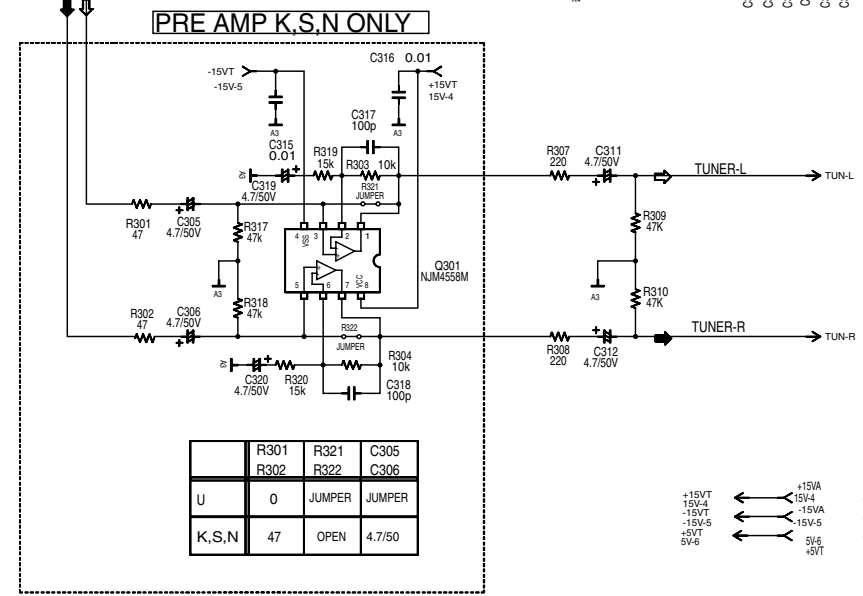




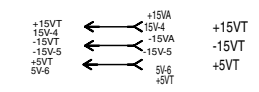
Tuner P.C.Board
P104-1/2

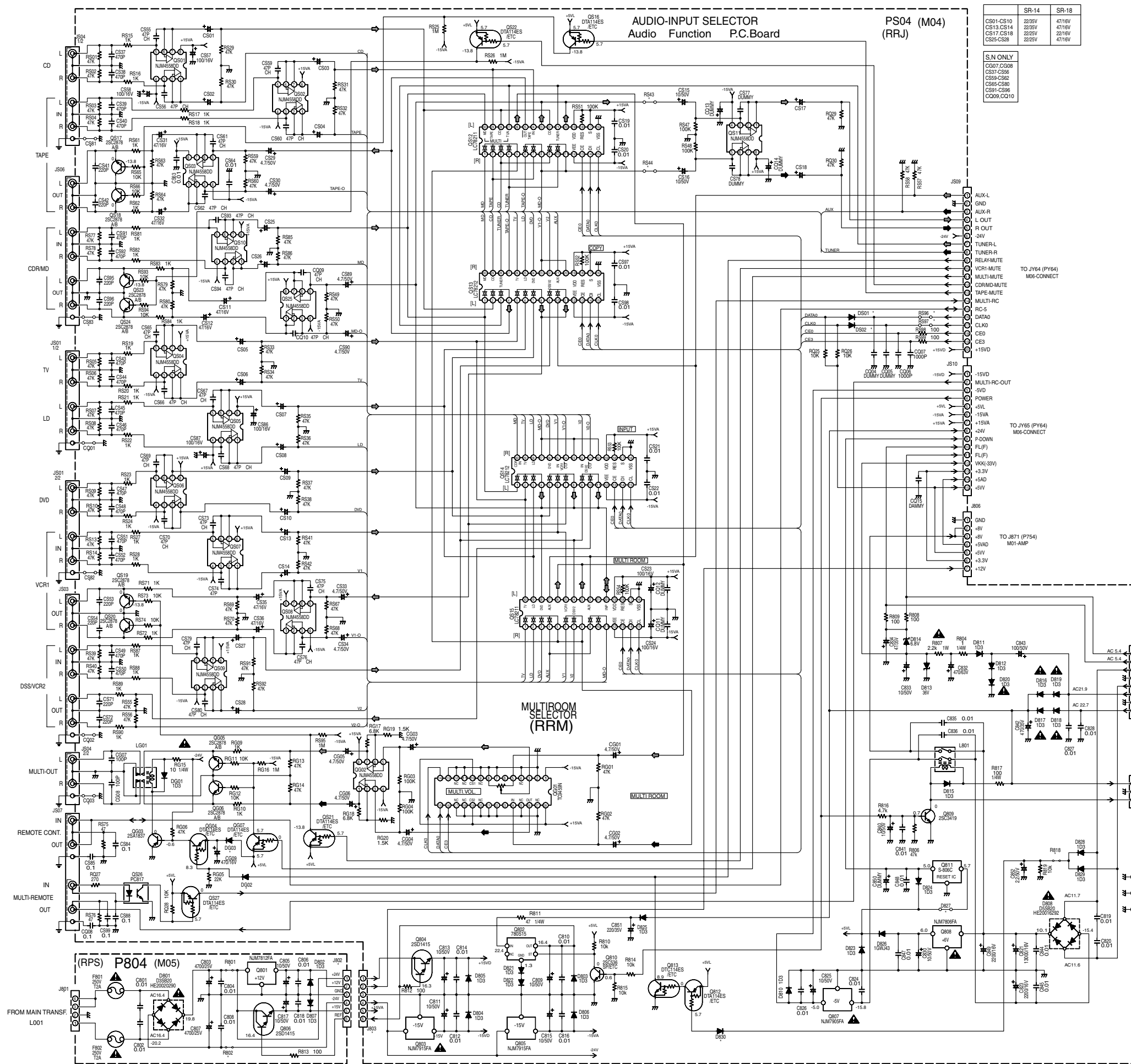


	C227	C217	R215	C301/302	R201	R211
U	2200P	0.027	27k	0.047	0	10k
K,S,N	—	0.015	68k	0.033	100	22k



	R301	R321	C305
U	0	JUMPER	JUMPER
K,S,N	47	OPEN	4.7/50

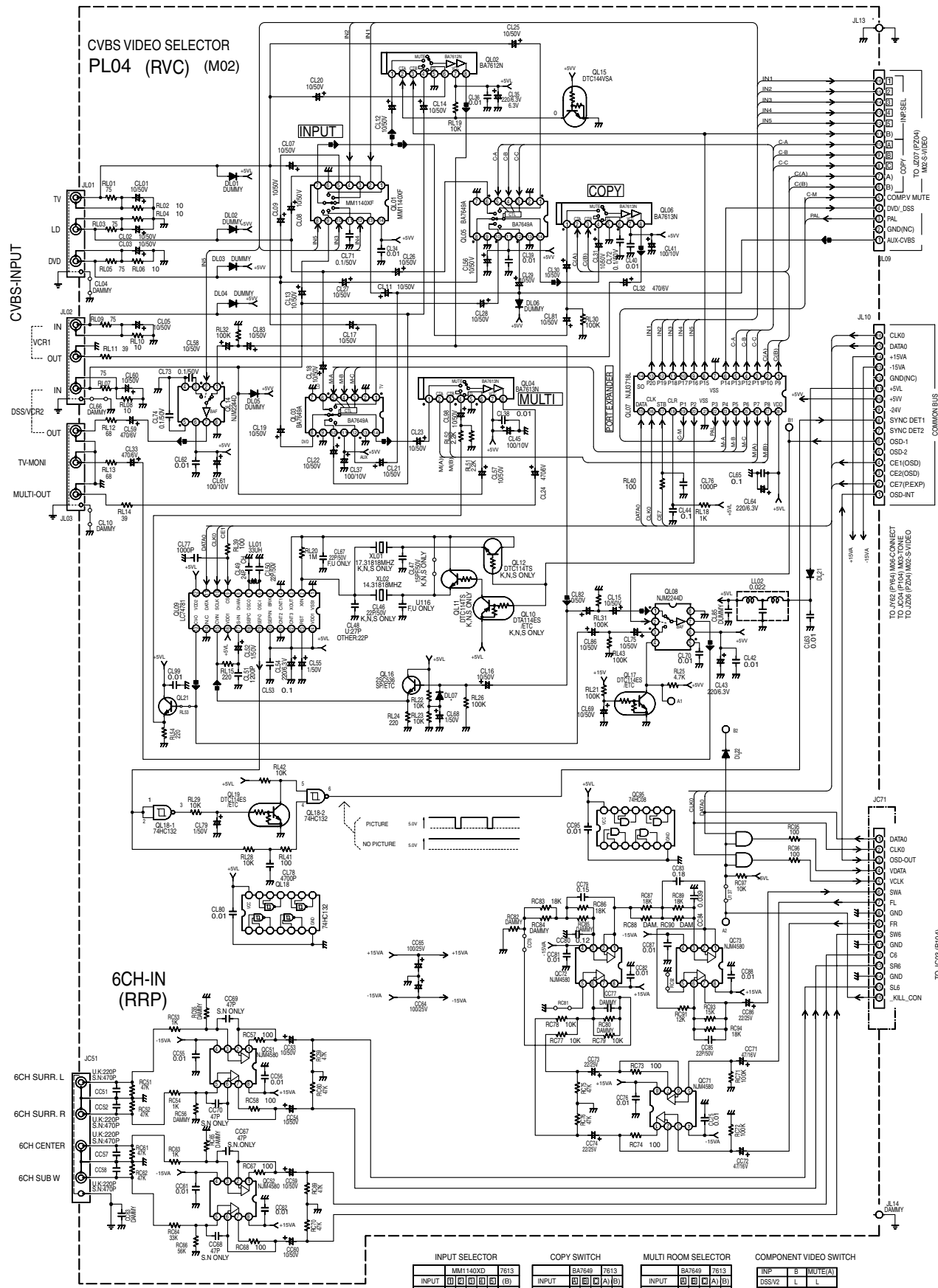




	SR-14	SR-18
CS01-CS10	225V	4718V
CS13-CS14	225V	4718V
CS17-CS18	225V	2218V
CS25-CS28	225V	4718V

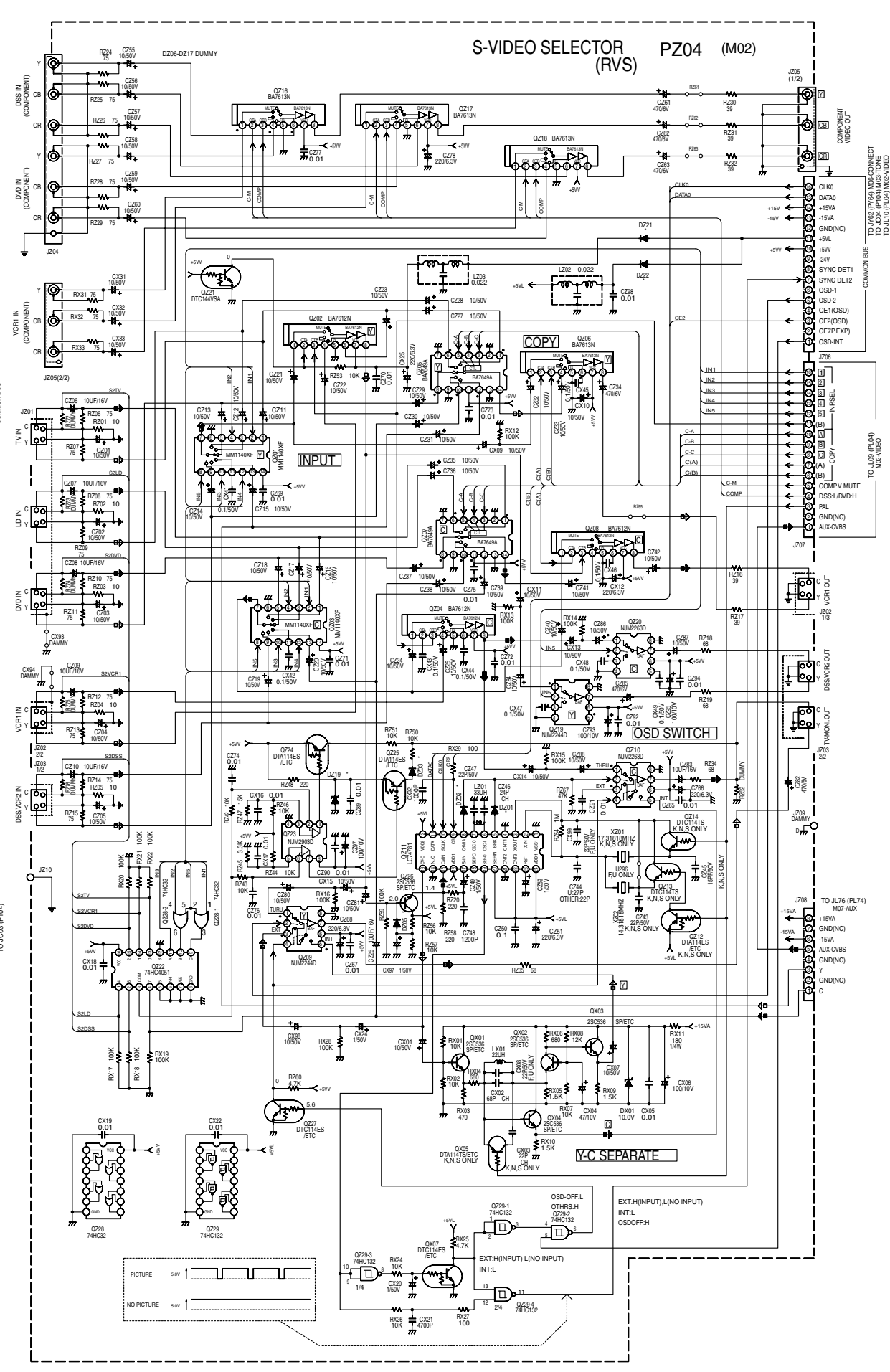
S.N ONLY	
CS07-CS08	
CS37-CS38	
CS59-CS62	
CS86-CS89	
CS91-CS96	
CQ09-CQ10	

- AUX-L
 - GND
 - AUX-R
 - L OUT
 - R OUT
 - 24V
 - TUNER-L
 - TUNER-R
 - RELAX-MUTE
 - VCR1-MUTE
 - MULTI-MUTE
 - CD/MD-MUTE
 - TAPE-MUTE
 - MULTI-RC
 - RC-5
 - DATA0
 - CLK0
 - CE0
 - CE3
 - +15VD
 - 15VD
 - MULTI-RC-OUT
 - 5V
 - POWER
 - 5V
 - 15V
 - +15V
 - 24V
 - P-DOWN
 - FL(F)
 - FL(F)
 - WKL(33V)
 - 3.3V
 - +5AD
 - 5V
 - +12V
- TO JY64 (PY64)
M06-CONNECT
- TO JY65 (PY64)
M06-CONNECT
- TO JB71 (P754)
M01-AMP
- FROM SUB TRANSF. L002
- TO JB04 (PB04)-U/F
TO JB54 (PB54)-K/S
M04-PRIMARY BLOCK



INPUT SELECTOR		COPY SWITCH		MULTI ROOM SELECTOR		COMPONENT VIDEO SWITCH	
INPUT	MM11400D 7613	INPUT	BA7649 7613	INPUT	BA7649 7613	INP	MUTE(A)
TV	L L L L L L	TV	L L L L L H	TV	L L L L L L	DSSV2	L L
LD	L L L L L L	LD	L L L L L H	LD	L L L L L L	DVD	H L
DVD	L L L L L L	DVD	L L L L L H	DVD	L L L L L L	OTHERS	H H
AUX	L L L L L L	AUX	L L L L L H	AUX	L L L L L L	OTHERS:TV/VCR1/LD/AUX	
DSSV2	L L L L L L	DSSVCR2	L L L L L H	DSSVCR2	L L L L L L	OSD SWITCH (NM2244D/NM2263D)	
VCR1	L L L L L L	SOURCE	L L L L L H	VCR1	L L L L L L	THRU	Z 4
STANDBY	L L L L L L	STANDBY	L L L L L H	MULTI-OFF	L L L L L L	OSD(EXT)	H L
						OSD(INT)	HL H

INPUT SELECTOR AND COPY SWITCH
-SAME DATA BETWEEN CVBS VIDEO AND S-VIDEO.
BA7612N/BA7613N
-SAME DATA BETWEEN BA7612N AND BA7613N

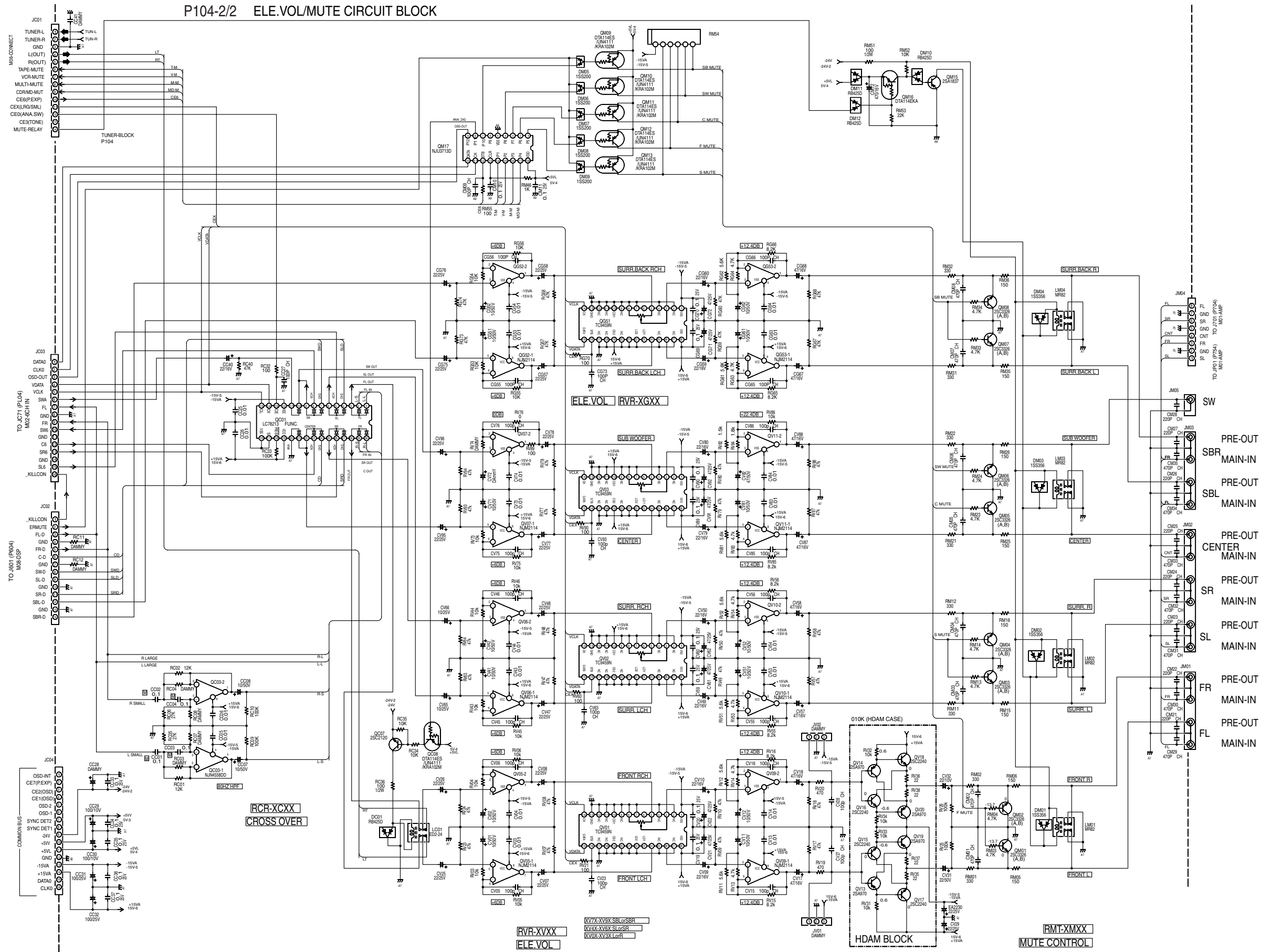


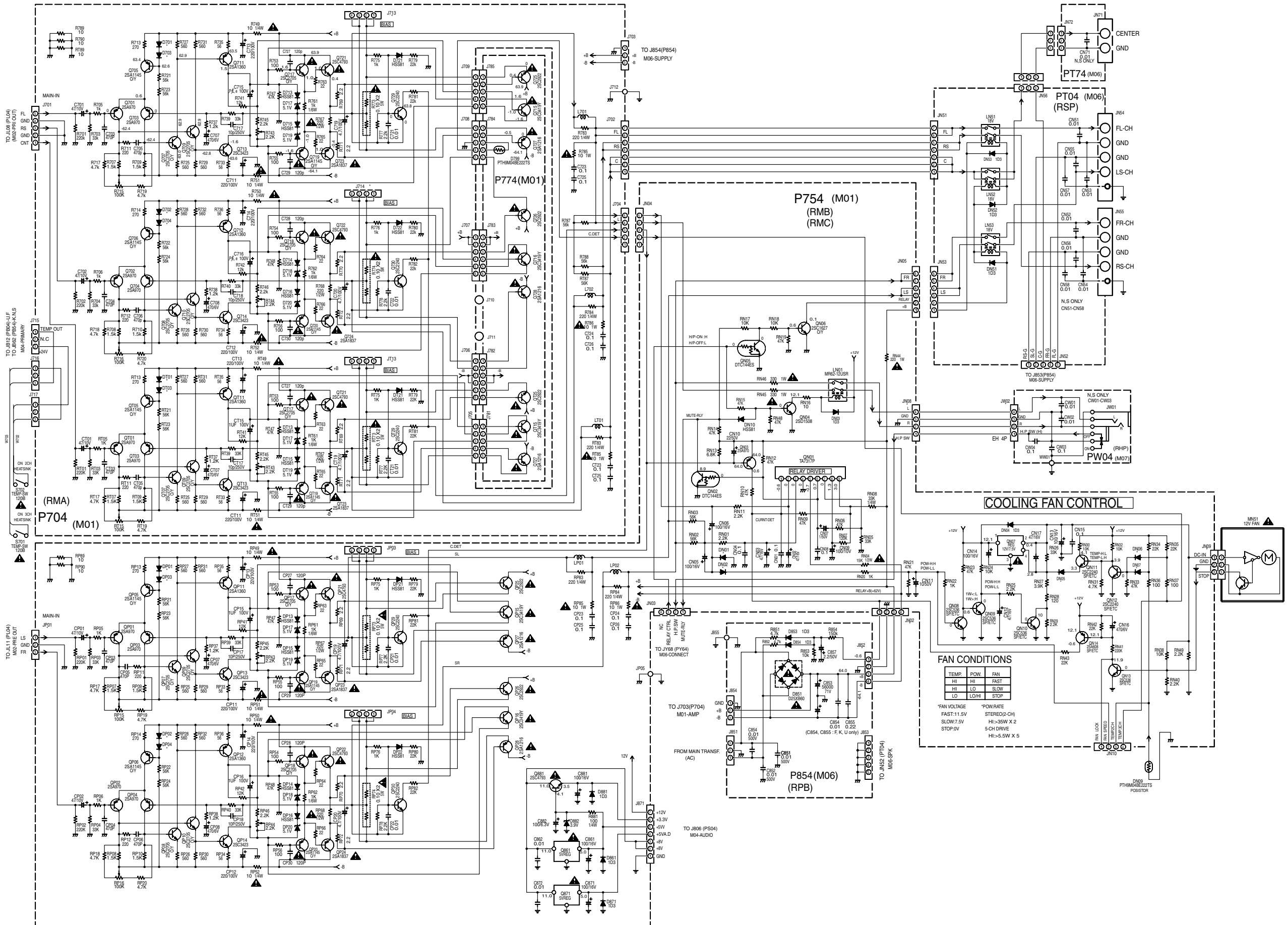
TO JY62 (PY64) M06-CONNECT
TO J04 (P104) M03-TONE
TO JL10 (P104) M02-VIDEO
TO J26 (P204) M02-S-VIDEO

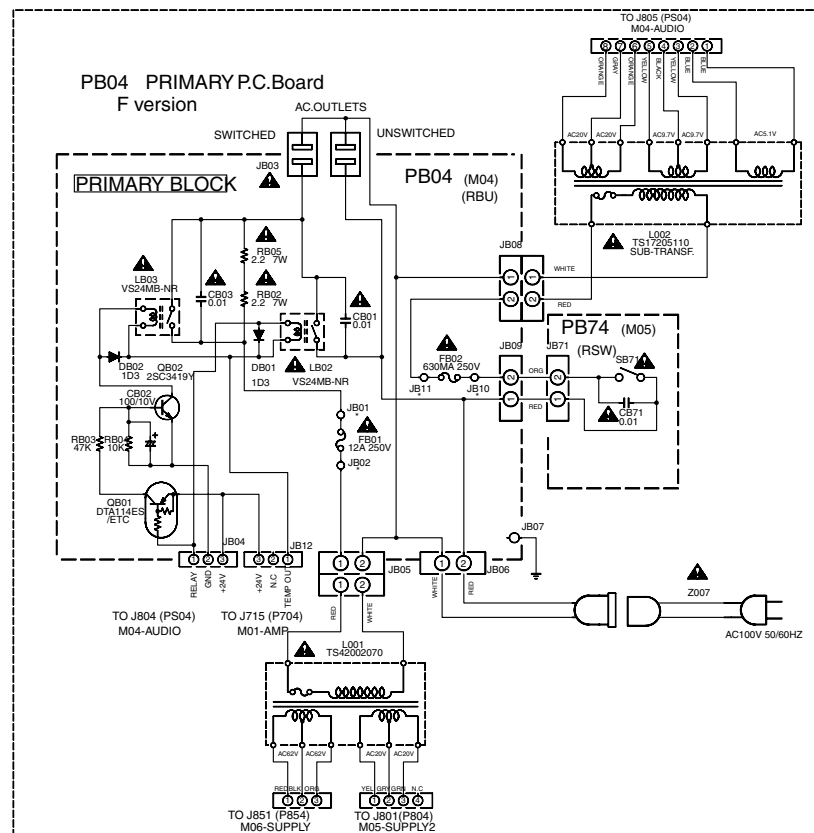
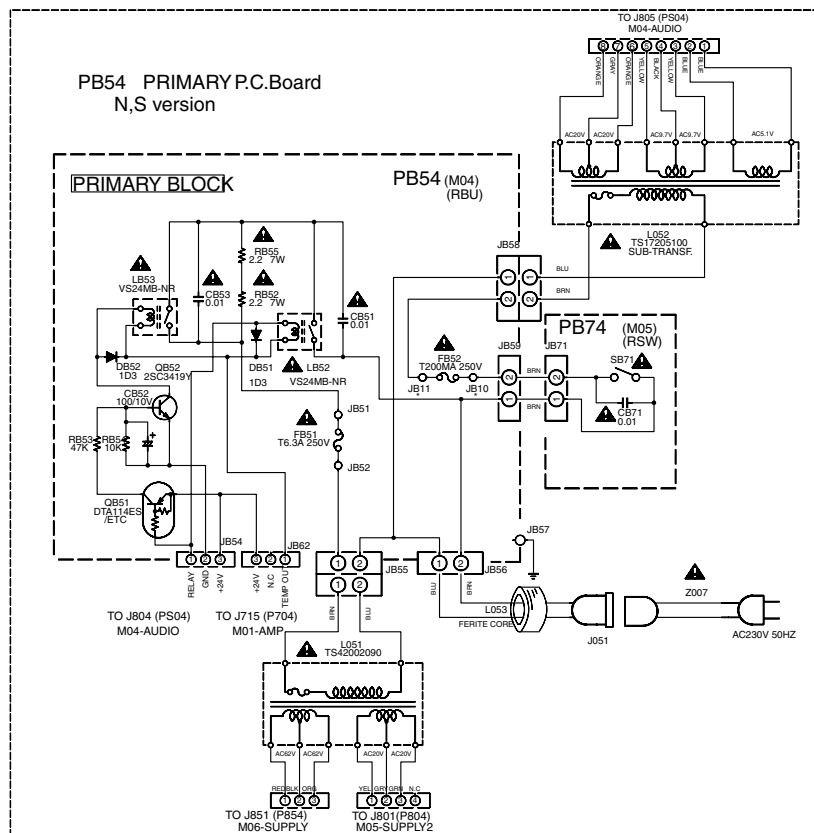
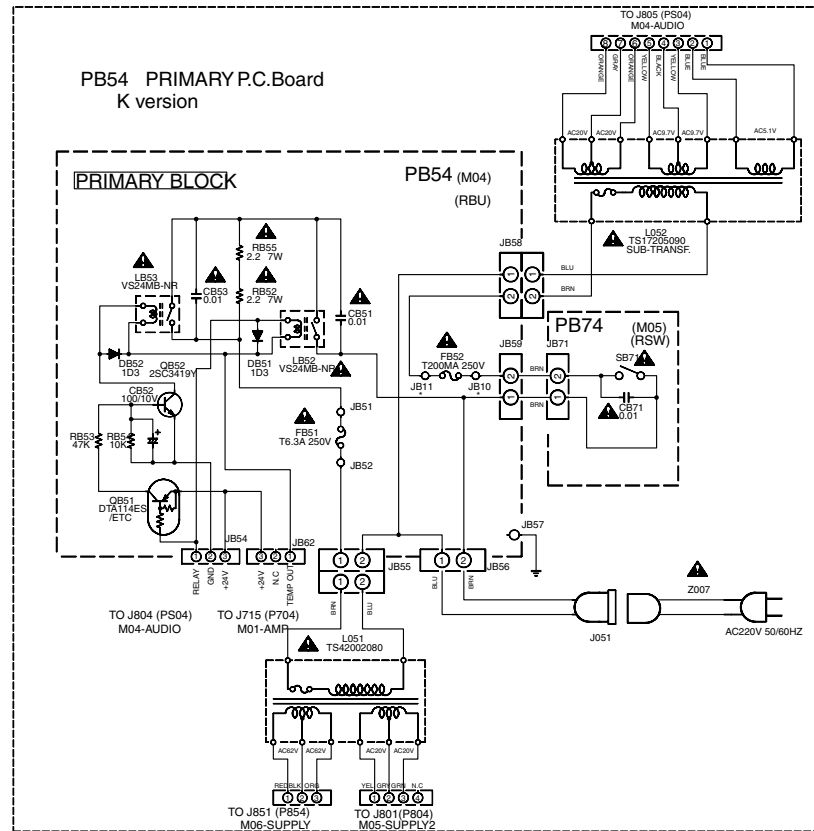
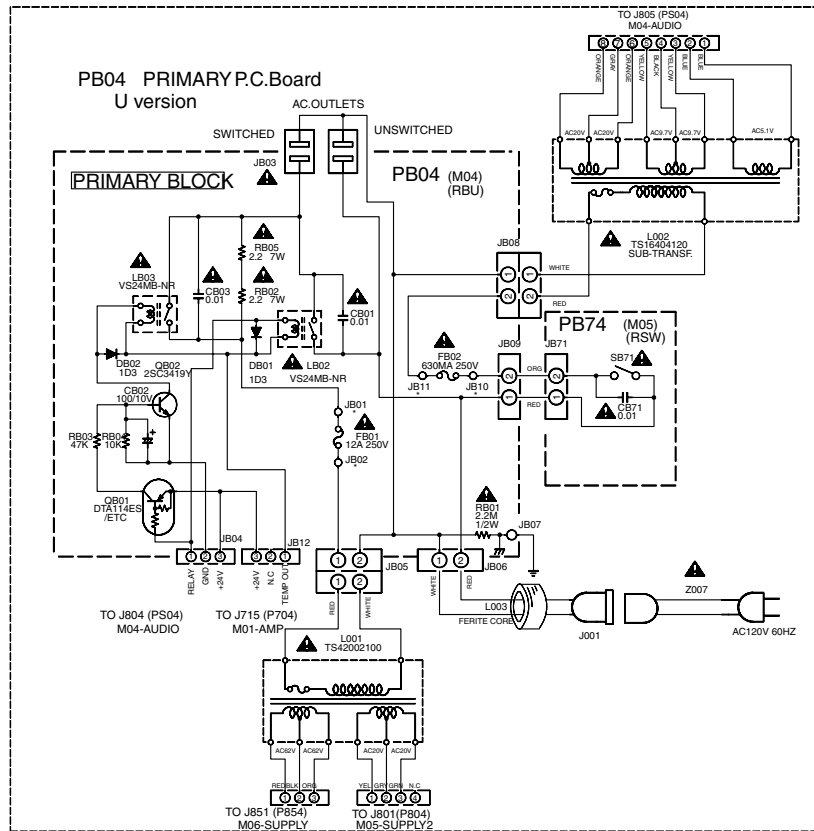
TO JY62 (PY64) M06-CONNECT
TO JL10 (P104) M02-VIDEO

TO JL76 (PL74)
M07-AUX
+15VA
GND(NC)
-15VA
AUX-CVBS
GND(NC)
Y
GND(NC)
C

P104-2/2 ELE.VOL/MUTE CIRCUIT BLOCK

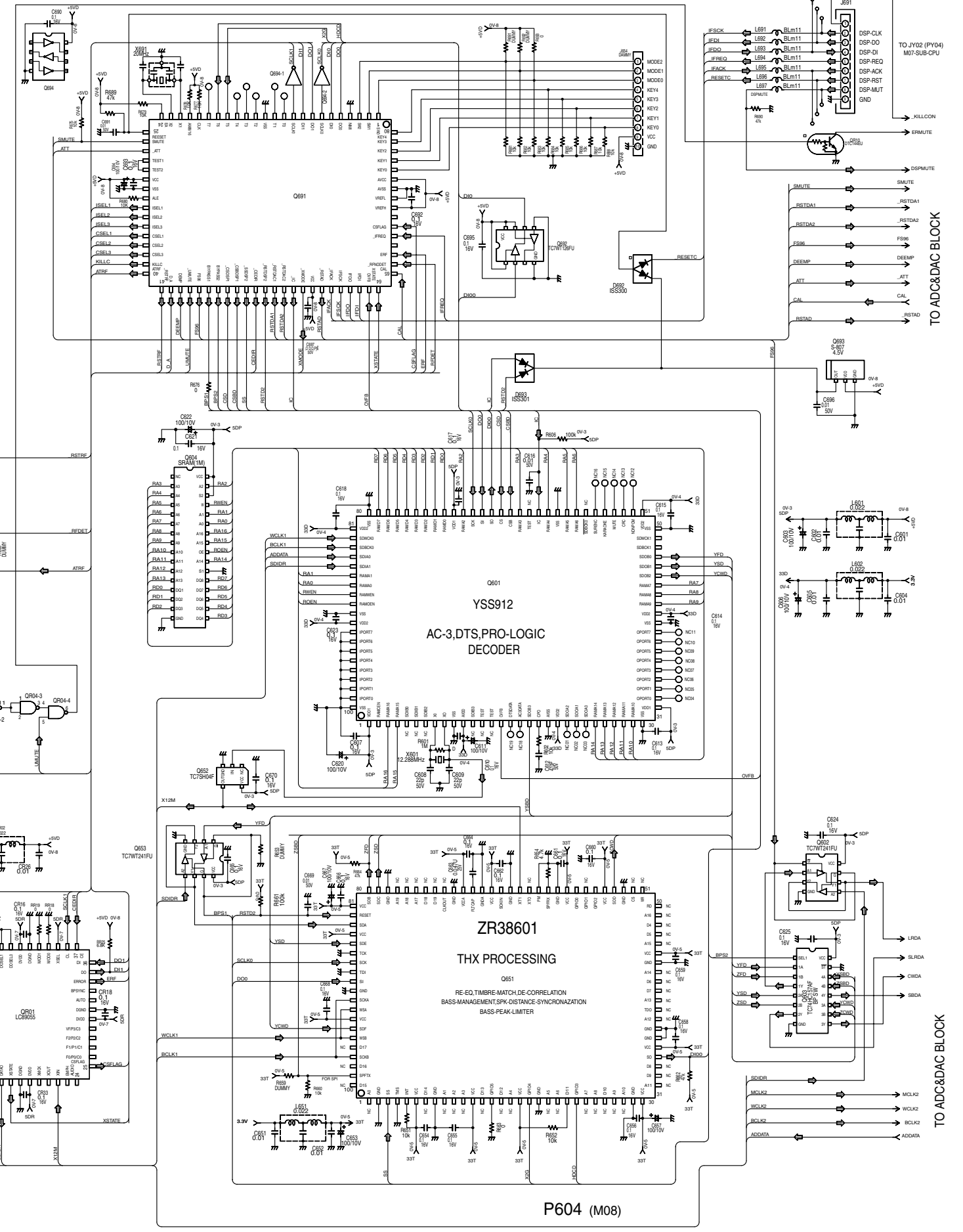
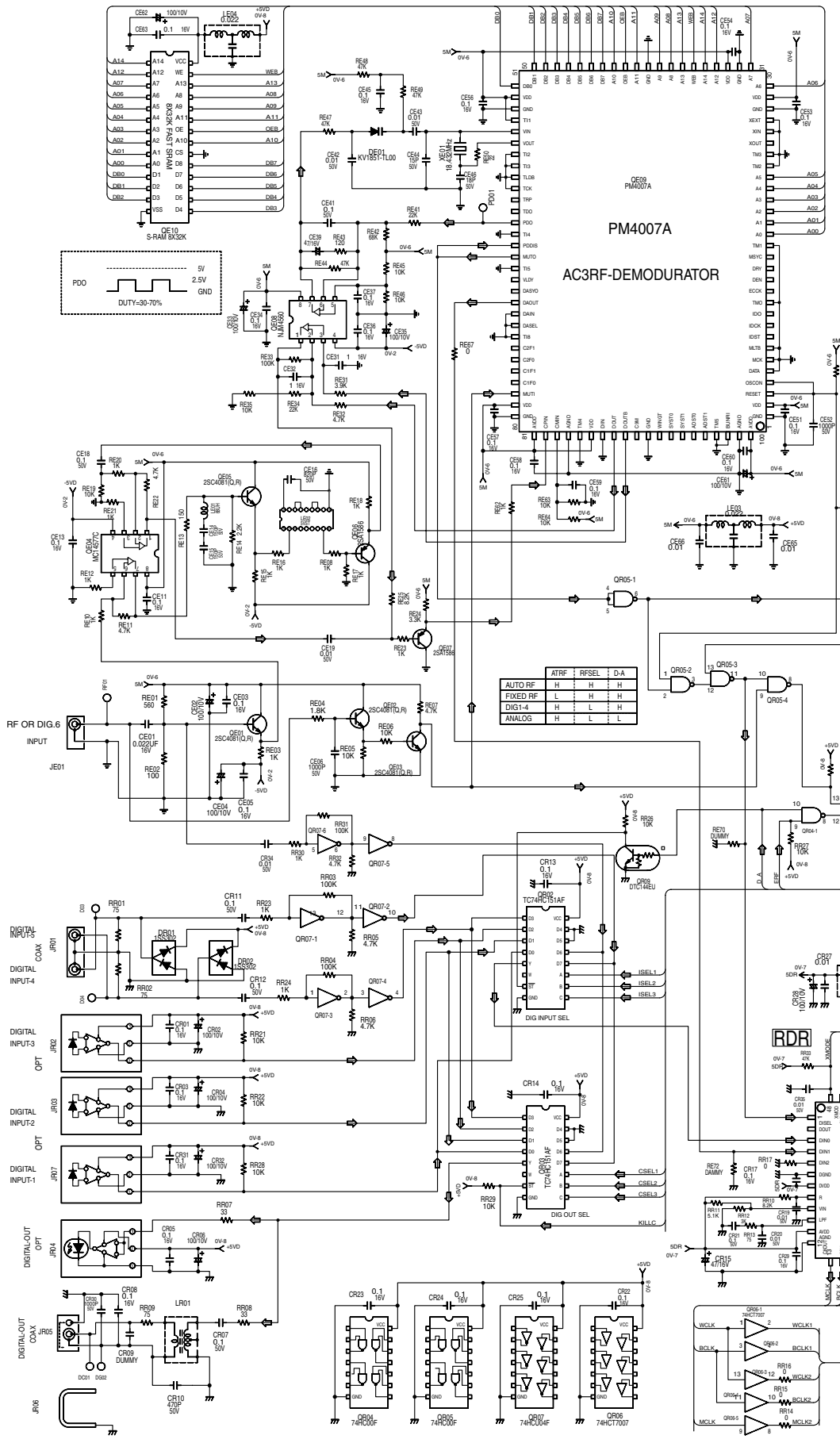


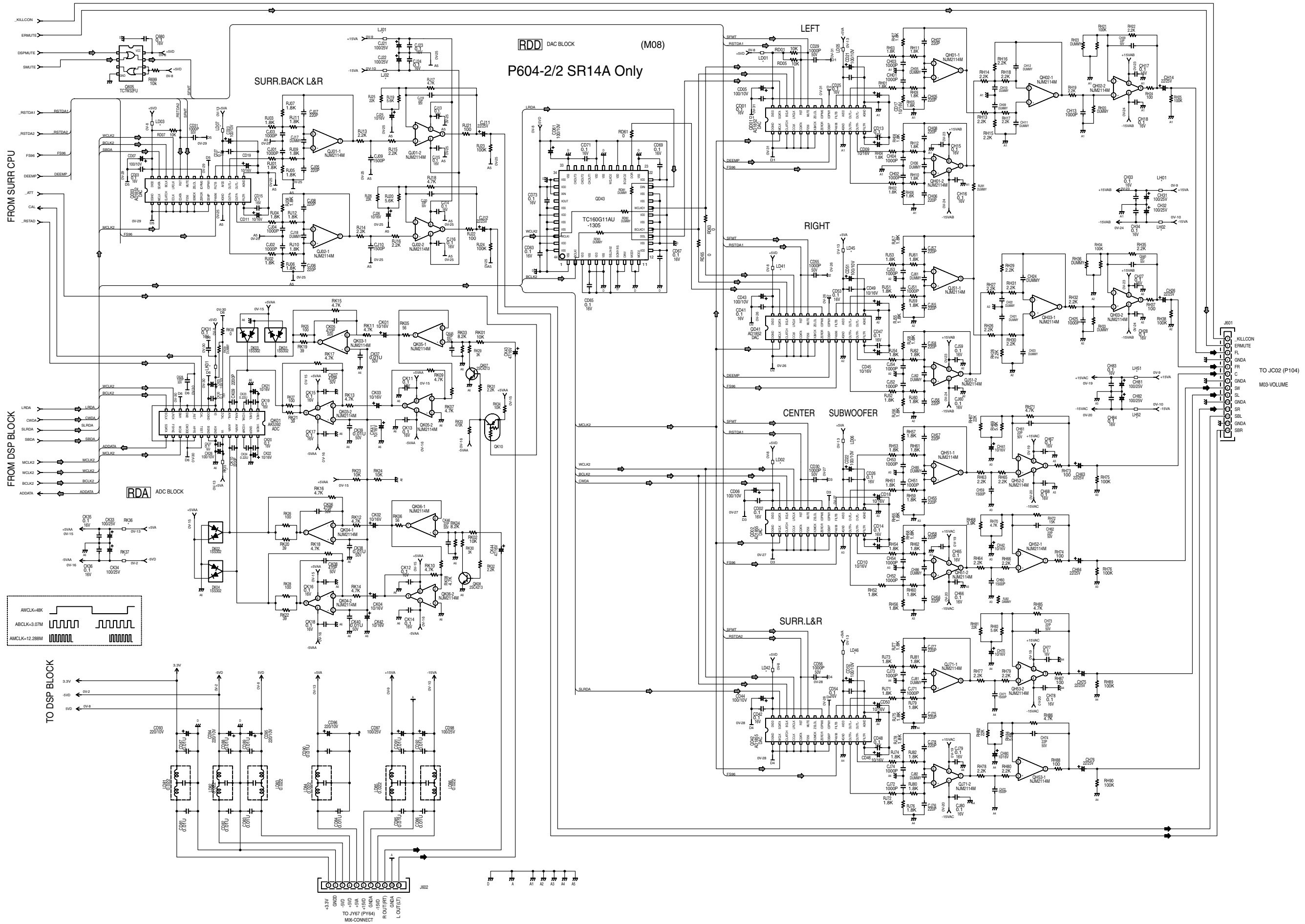




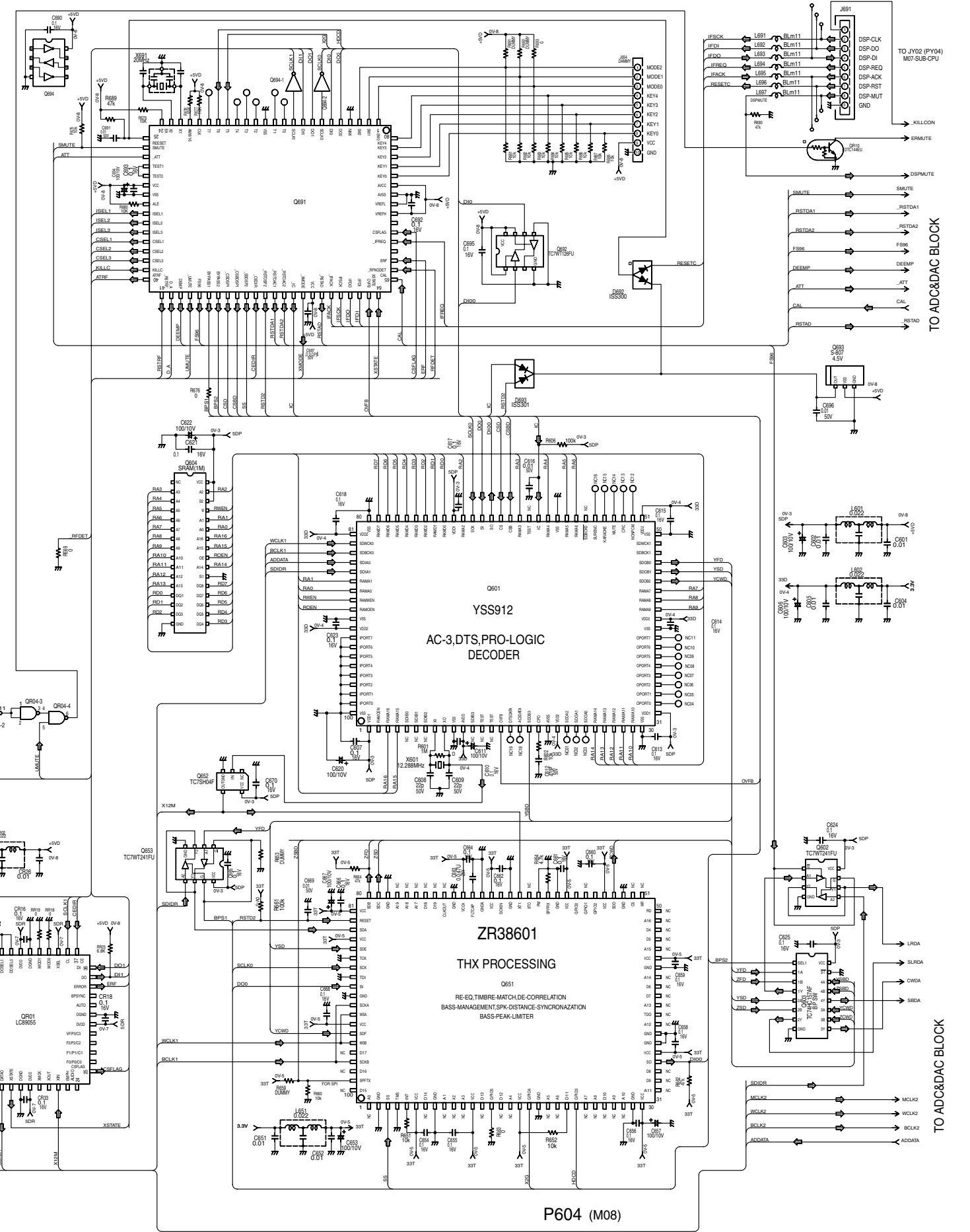
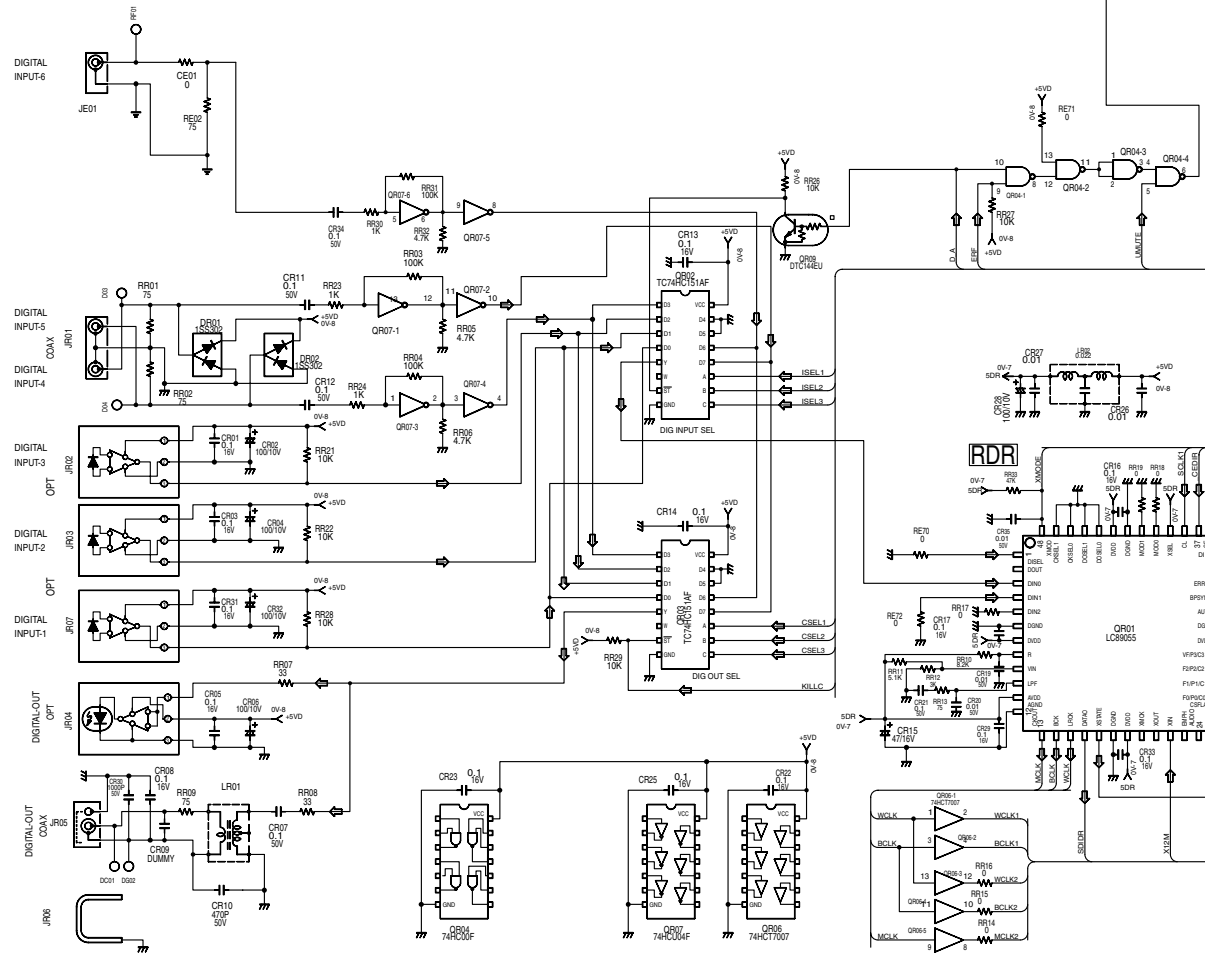
P604-1/2 SR14A Only

RDM DEMODURATOR BLOCK

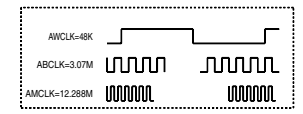
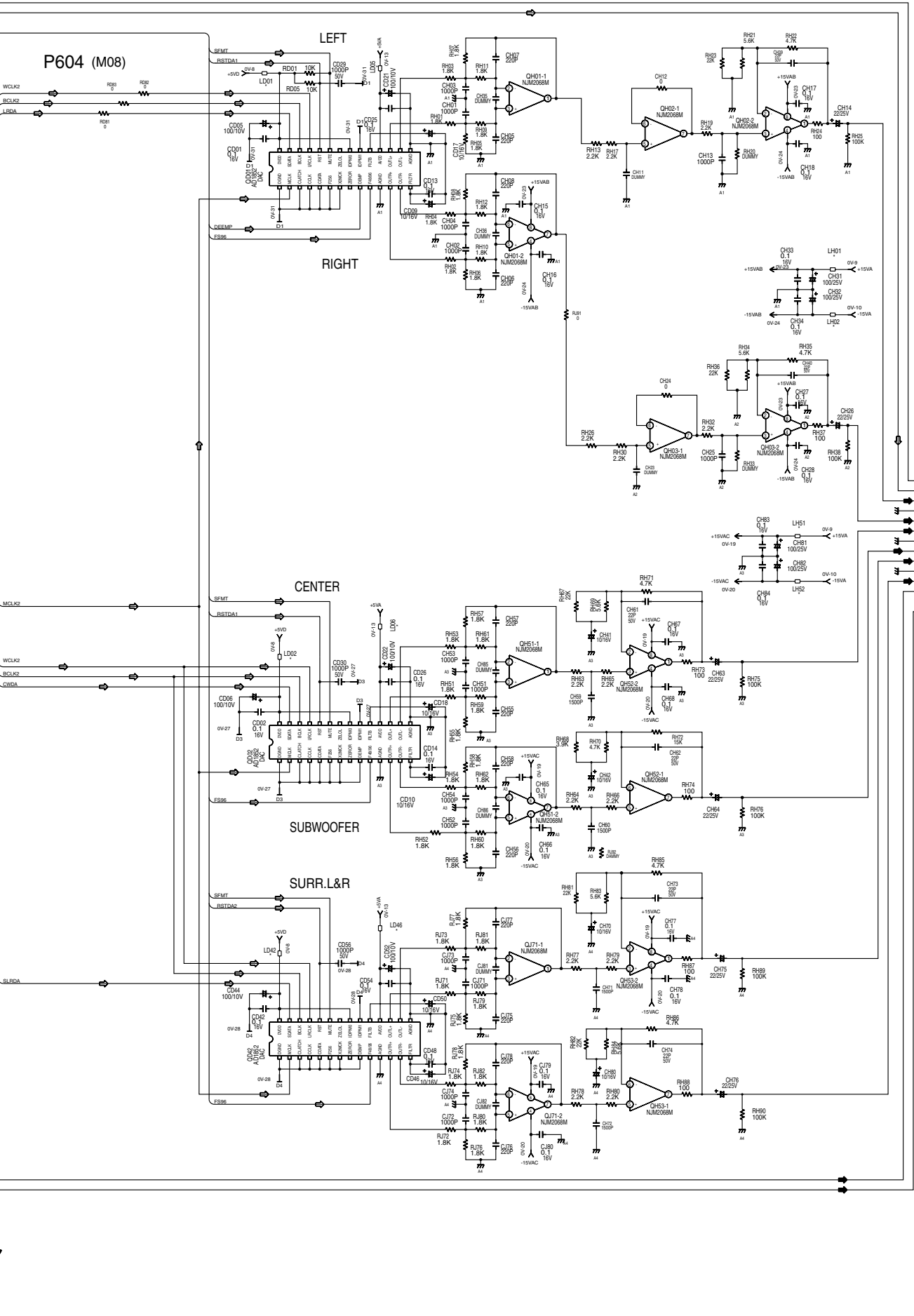
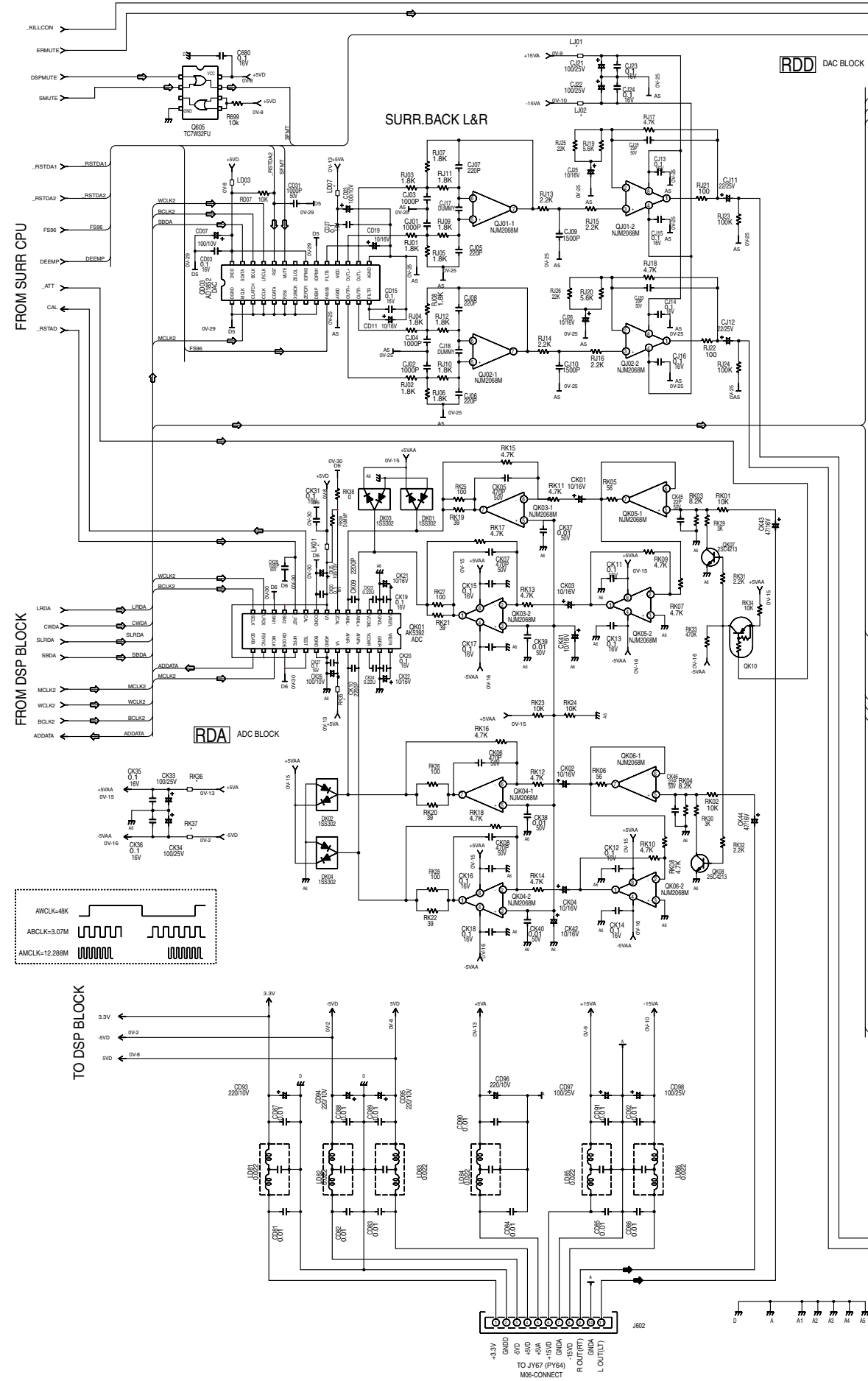




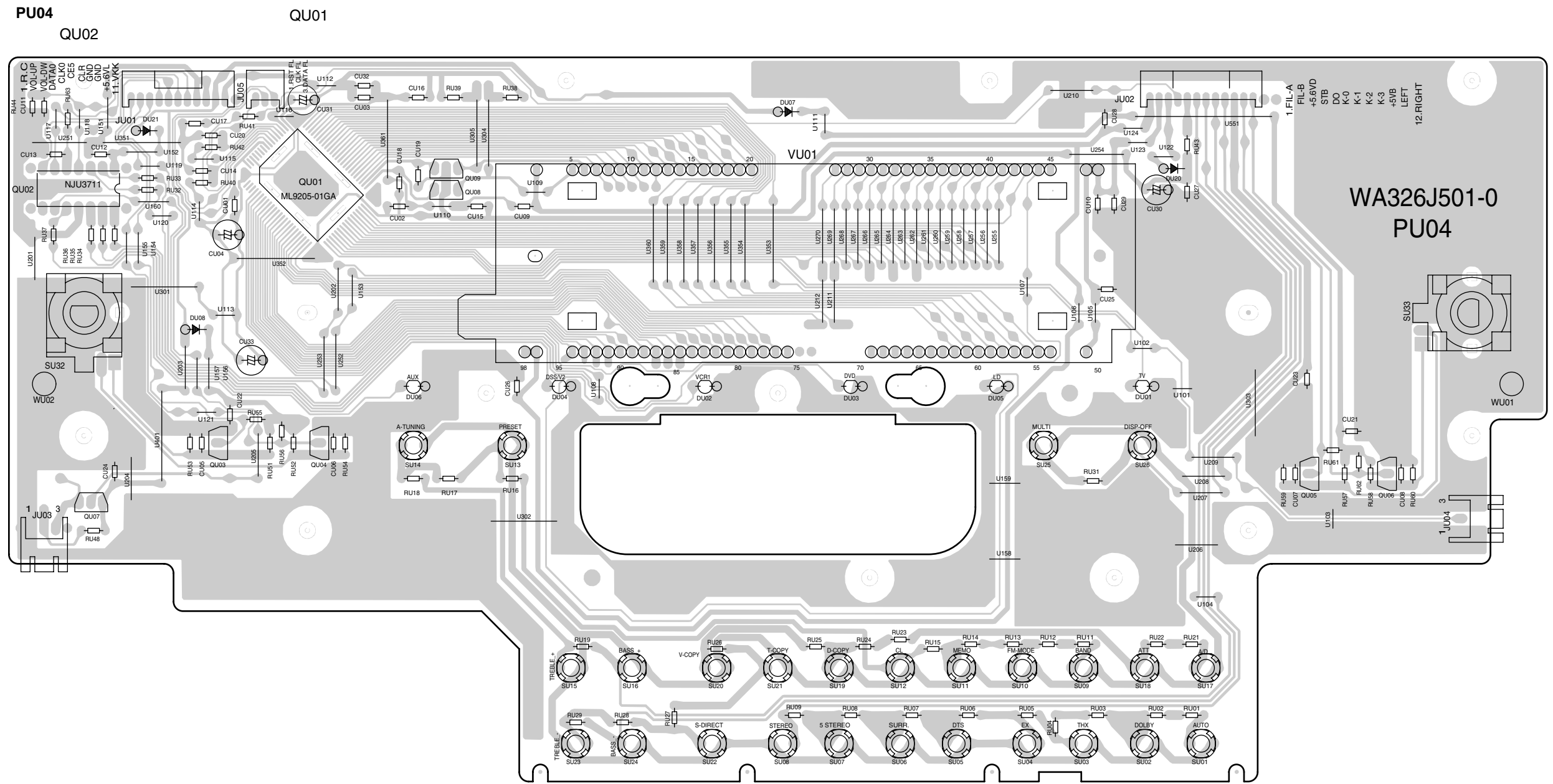
P604 -1/2 SR18A / SR17 only



P604 -2/2 SR18A / SR17 only

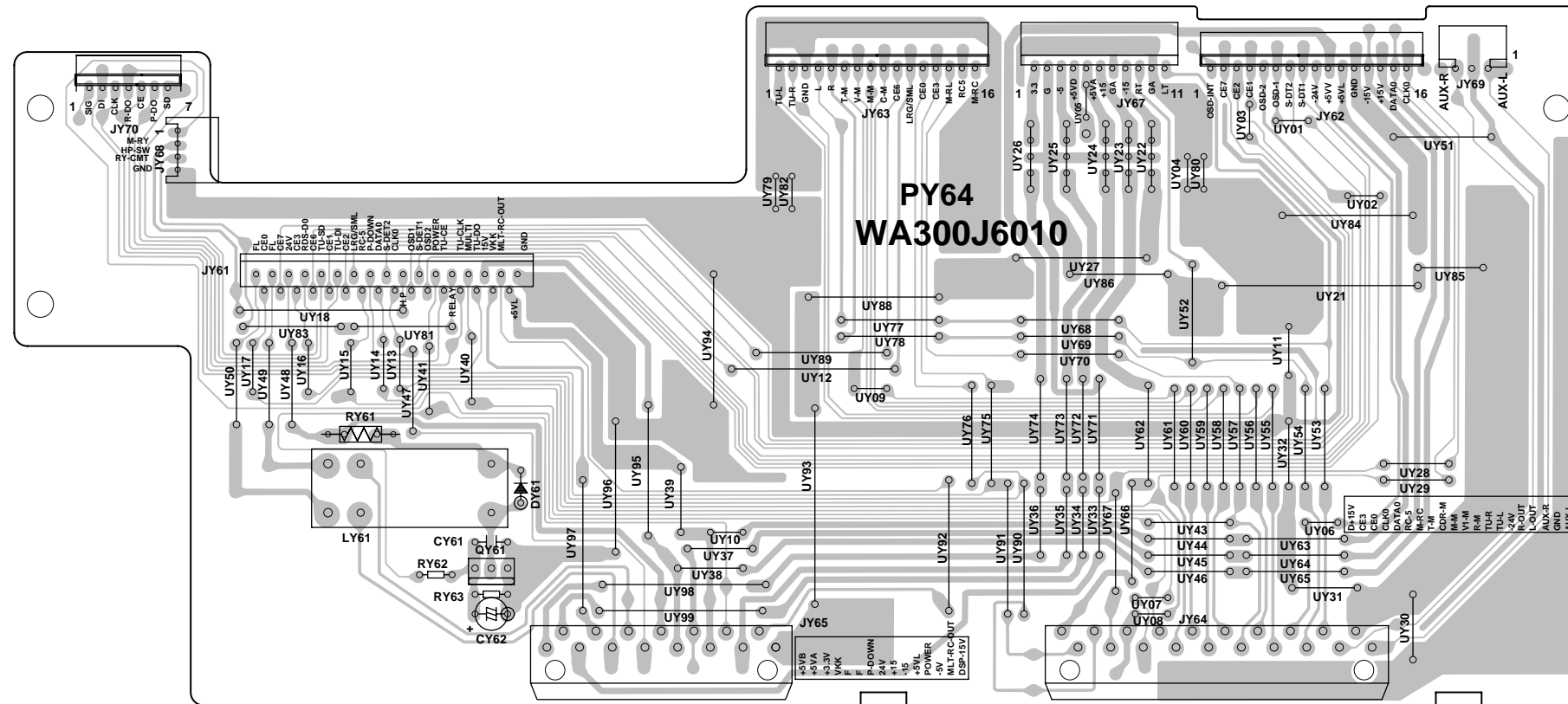


5. PARTS LOCATION (Pattern Side)



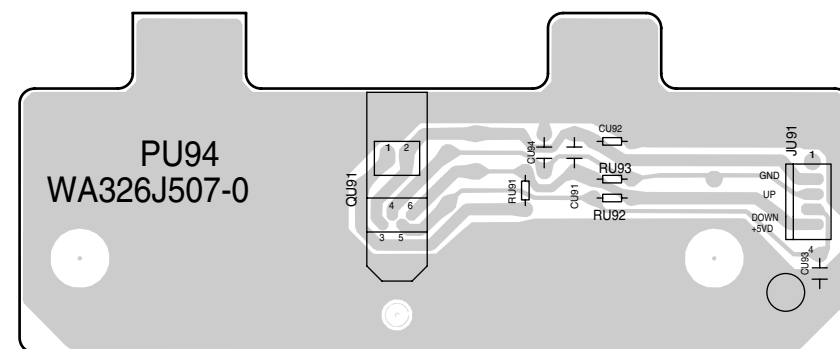
PY64

QY61

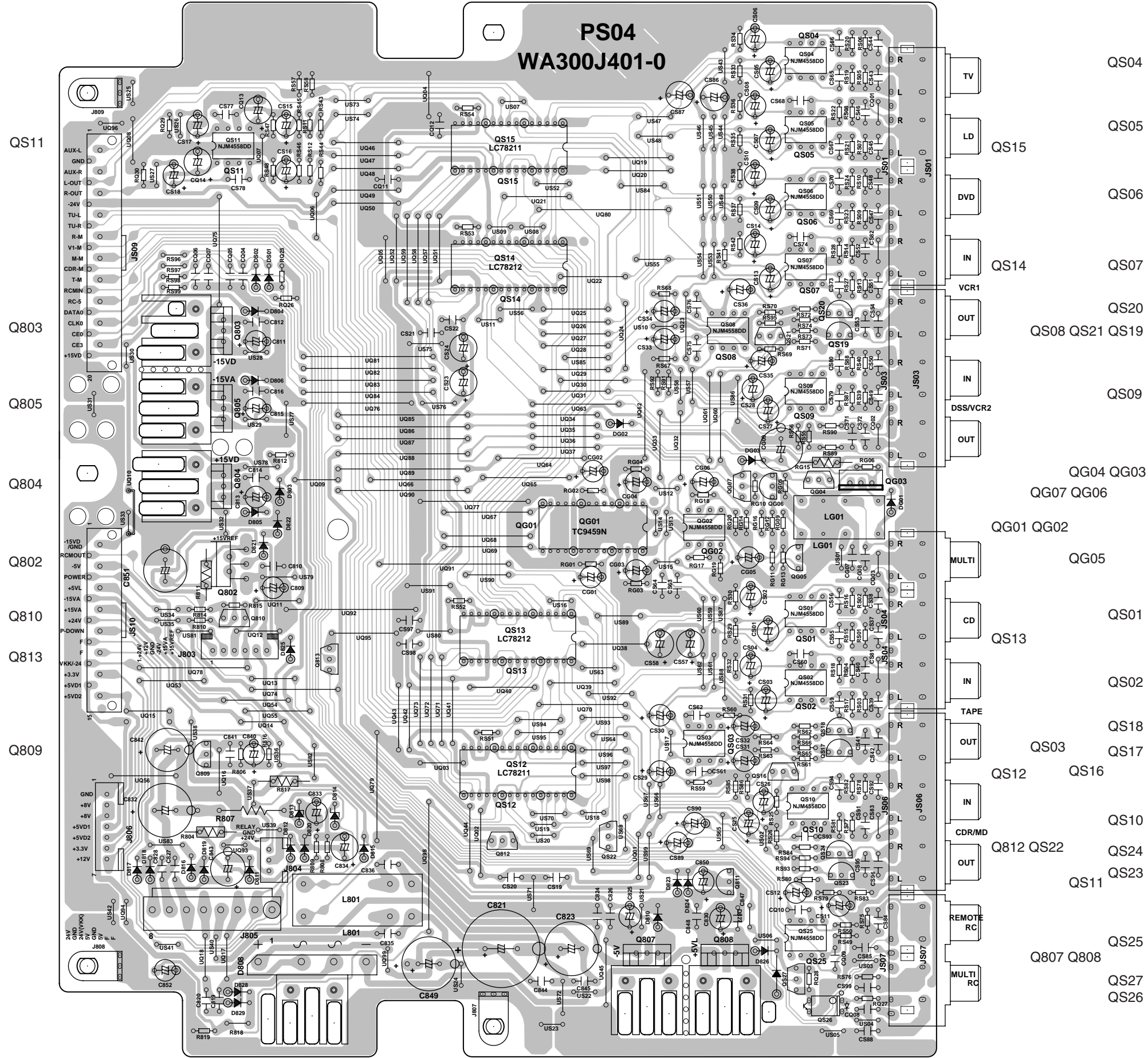


PU94

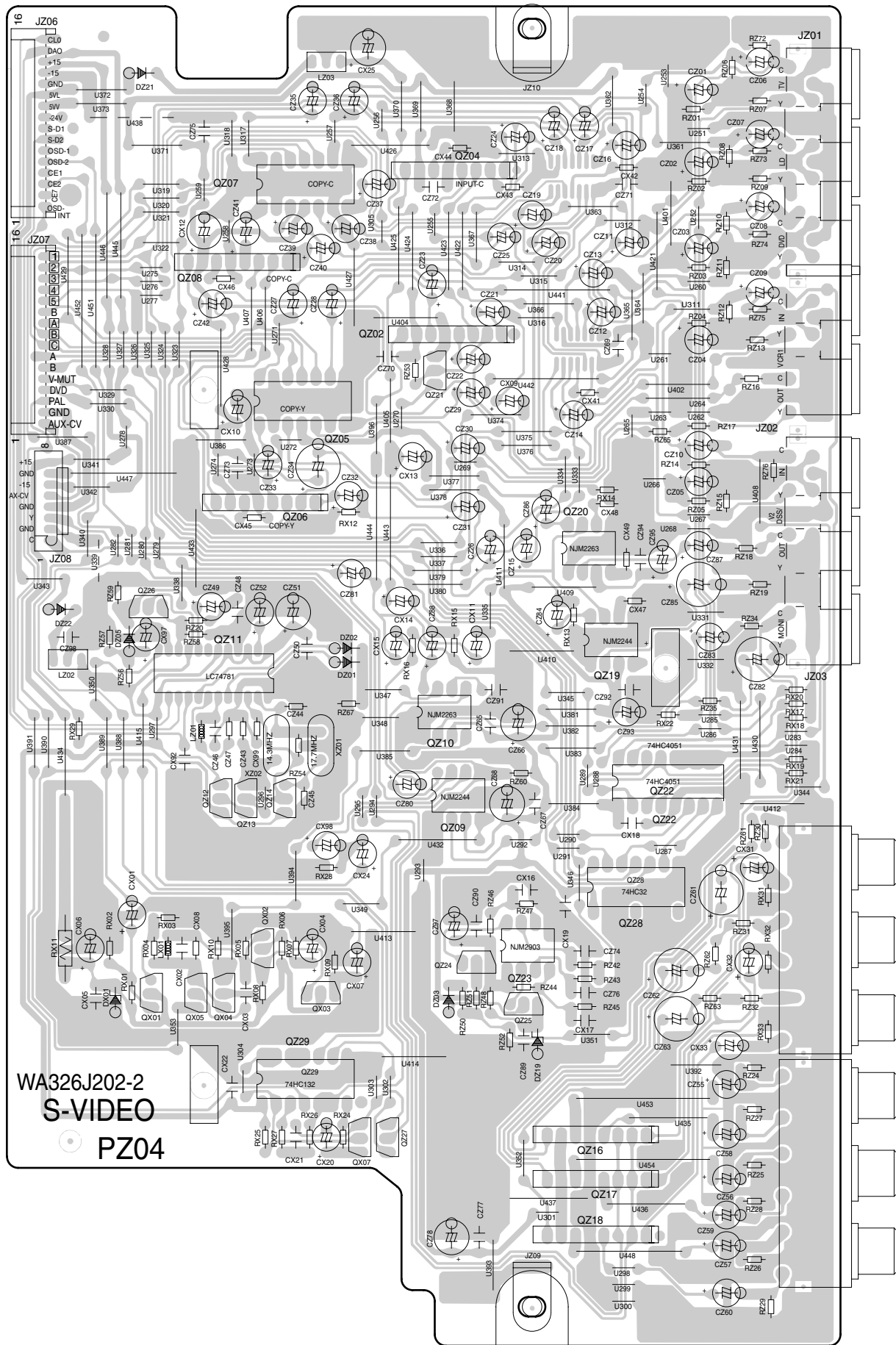
QU91



PS04
WA300J401-0



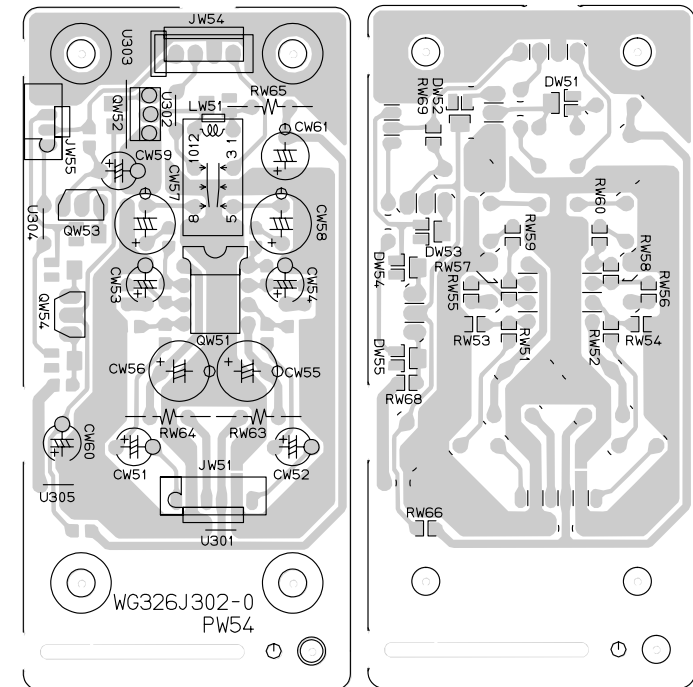
PZ04



- QZ07 QZ04
- QZ08
- QZ02
- QZ21
- QZ05
- QZ06
- QZ20
- QZ26
- QZ19
- QZ11
- QZ10
- QZ22
- QZ12 QZ13 QZ14 QZ09
- QZ28
- QX02 QZ19
- QX03 QZ24
- QX01 QX05 QX04 QZ25
- QZ29
- QX07 QX27 QZ16
- QZ17
- QZ18

PW54

- QW52
- QW53
- QW54 QW51



P104

Q205 Q203

Q501

Q353 - Q351

Q202

Q202

Q204

Q354

Q301

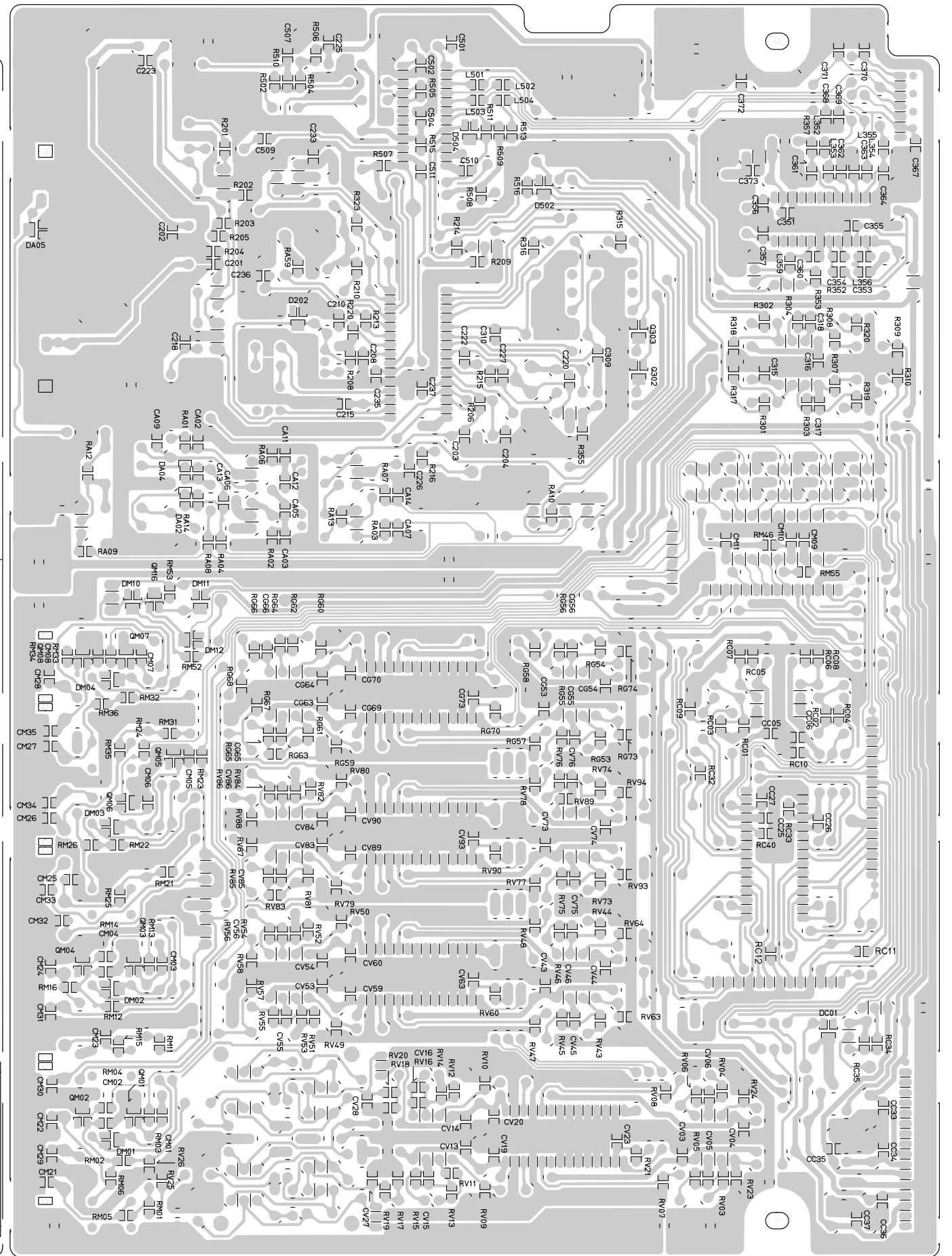
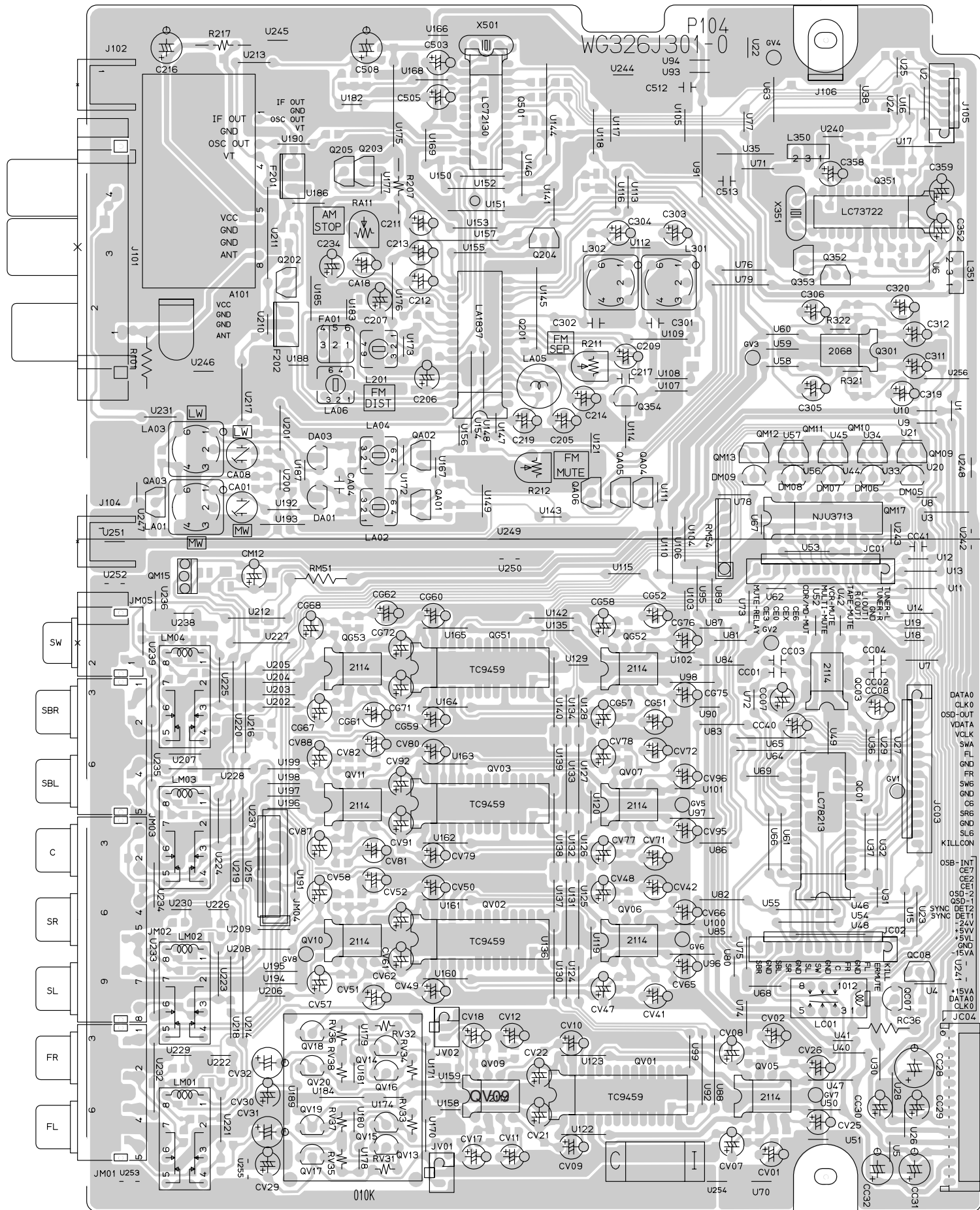
QA03

QA02 QA01

QA06 - QA04

QM13 - QM11 - QM09

QM17



QM15

QG53

QG51

QG52

QC03

QV11

QV03

QV07

QC01

QV20 - QV13

QV02

QV06

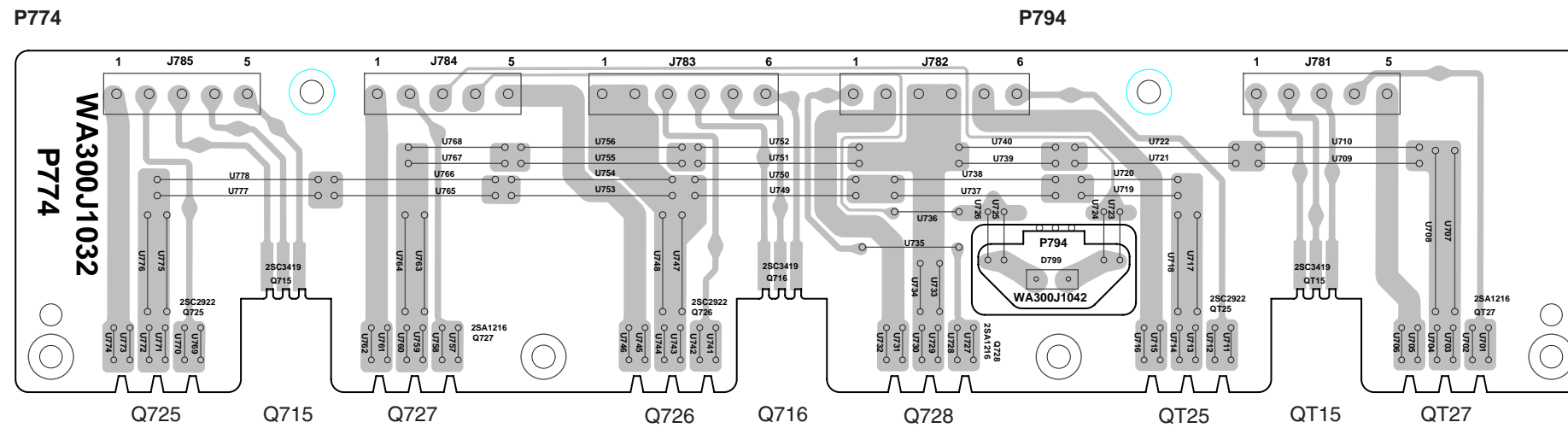
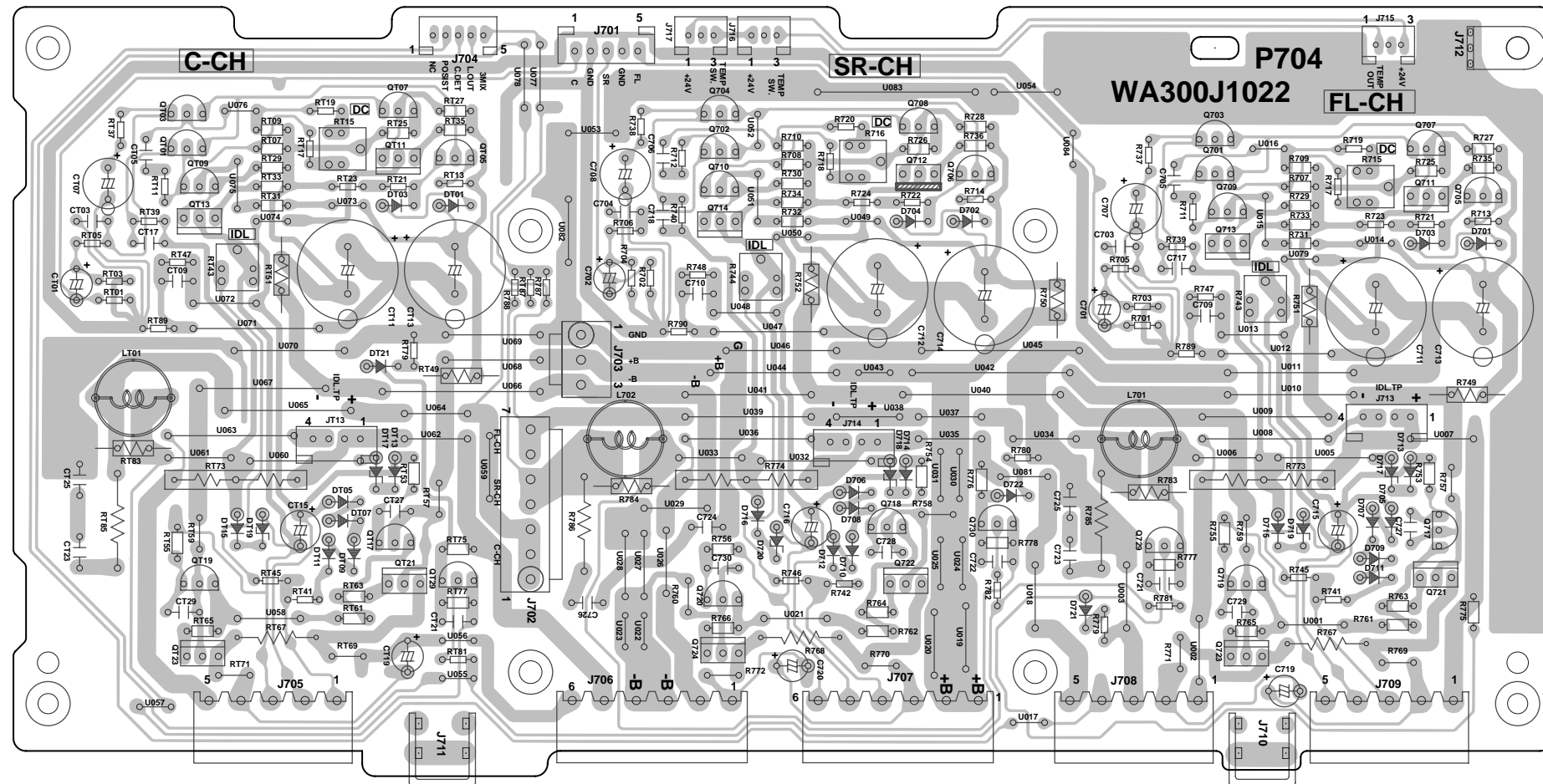
QC07 QC08

41

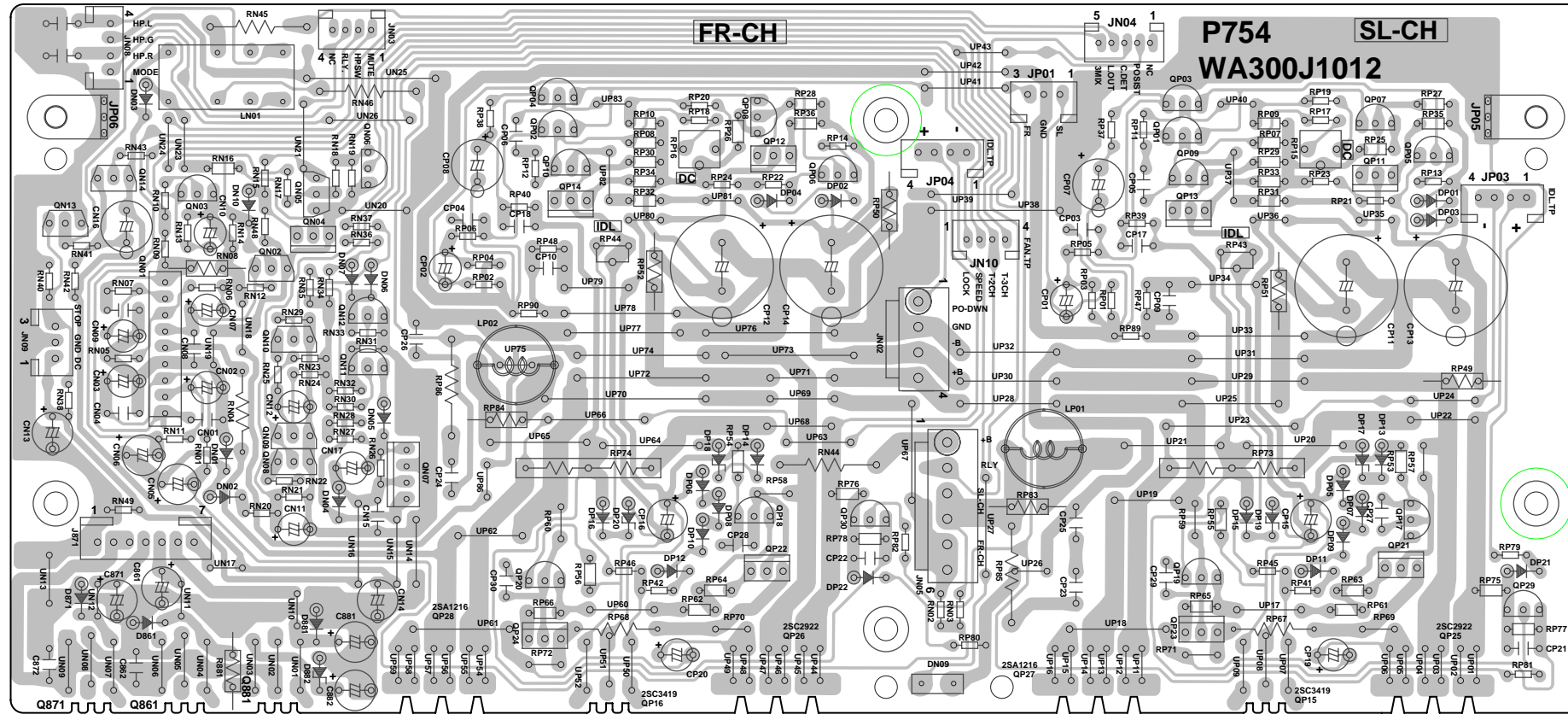
QV01

QV05

P704	QT03 QT01 QT09 QT13 QT19 QT23	QT07 QT11 QT05 QT17 QT21 QT29	Q704 Q702 Q710 Q714 Q720 Q724	Q708 Q712 Q706 Q718 Q722 Q730	Q703 Q701 Q709 Q713 Q728 Q719	Q707 Q711 Q705 Q717 Q721
------	-------------------------------------	-------------------------------------	-------------------------------------	-------------------------------------	-------------------------------------	--------------------------------

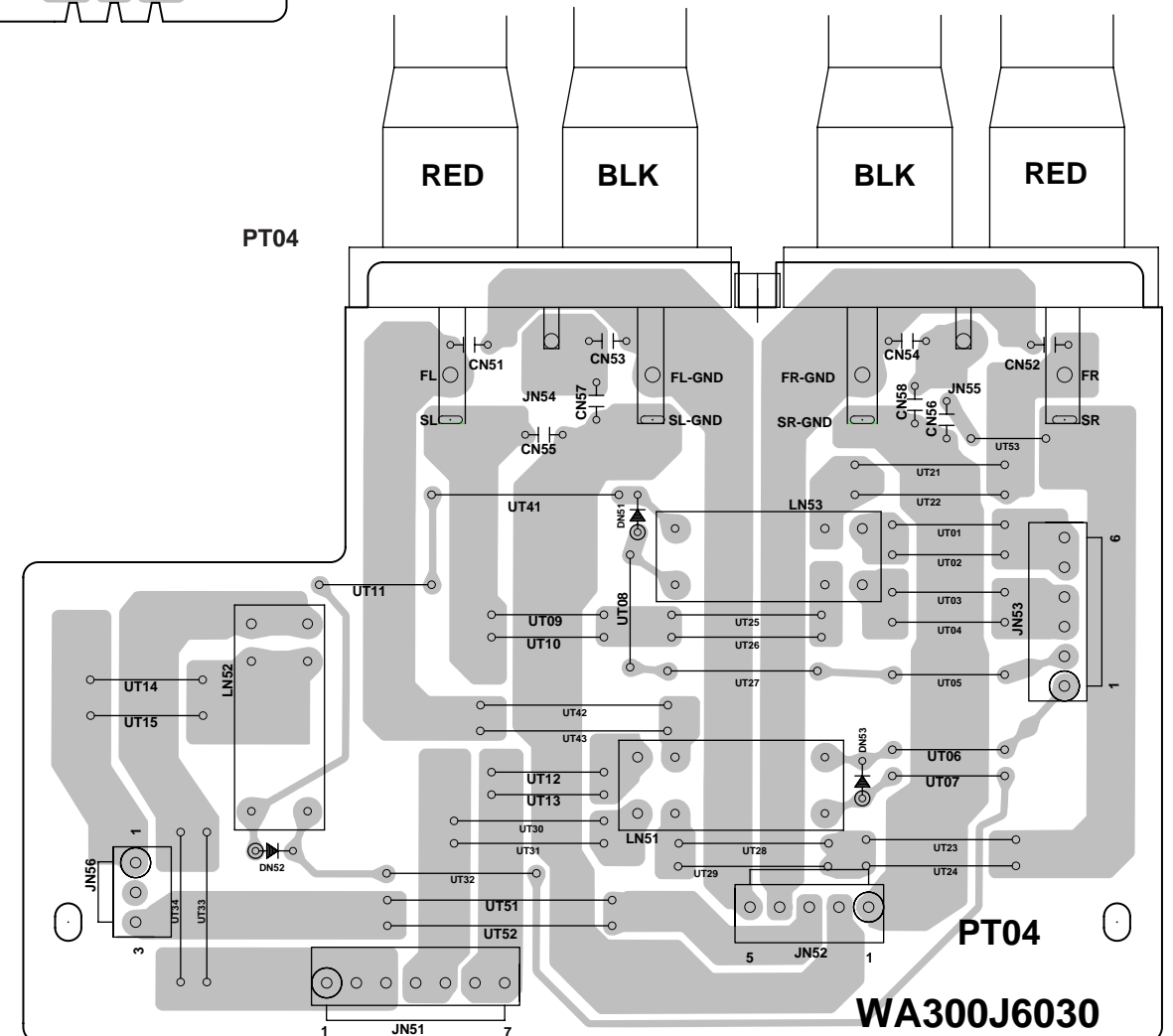


P754 QN14 QN05 QN04 QN06 QP04 QP02 QP08 QP03 QP01 QP07
 QN13 QN03 QN02 QN10 QN12 QN11 QP10 QP14 QP12 QP06 QP09 QP13 QP11 QP05

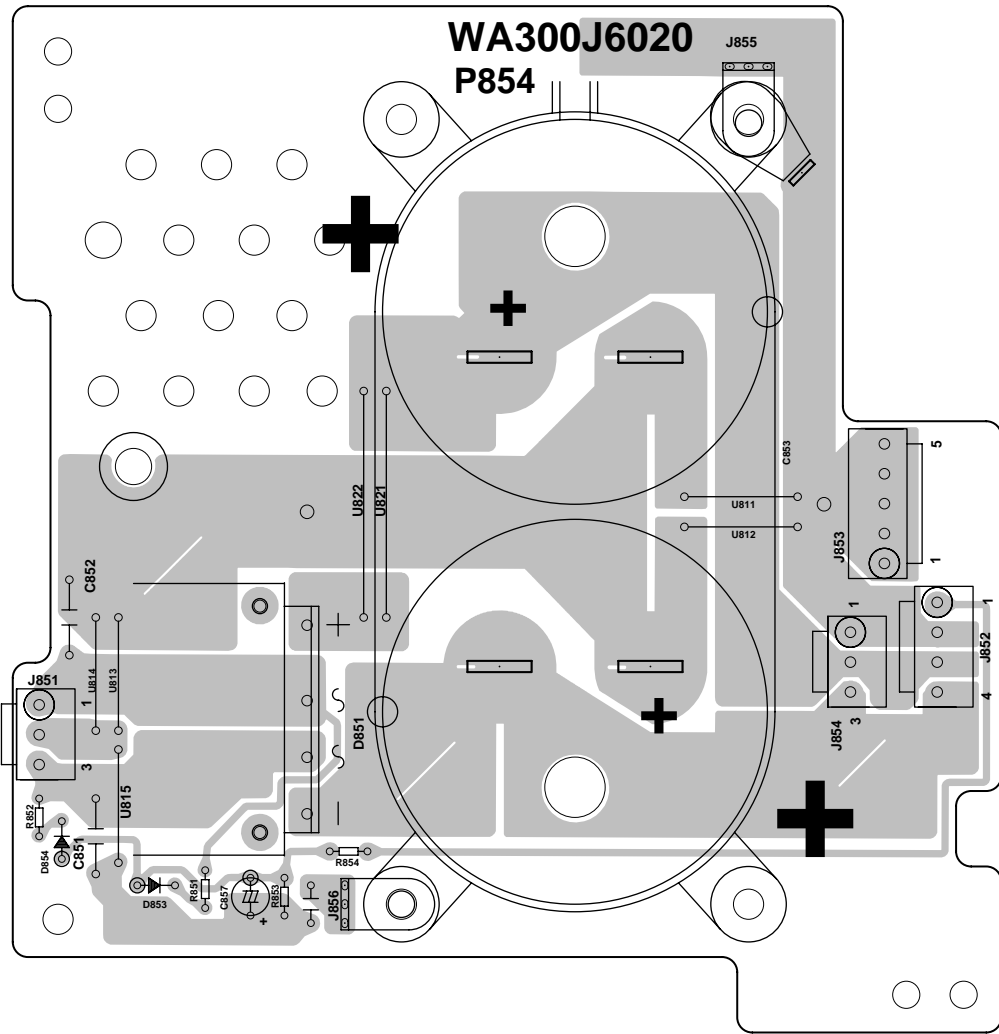


Q871 Q861 Q881 QP28 QP20 QP24 QP16 QP18 QP22 QP30 QP27 QP19 QP23 QP15

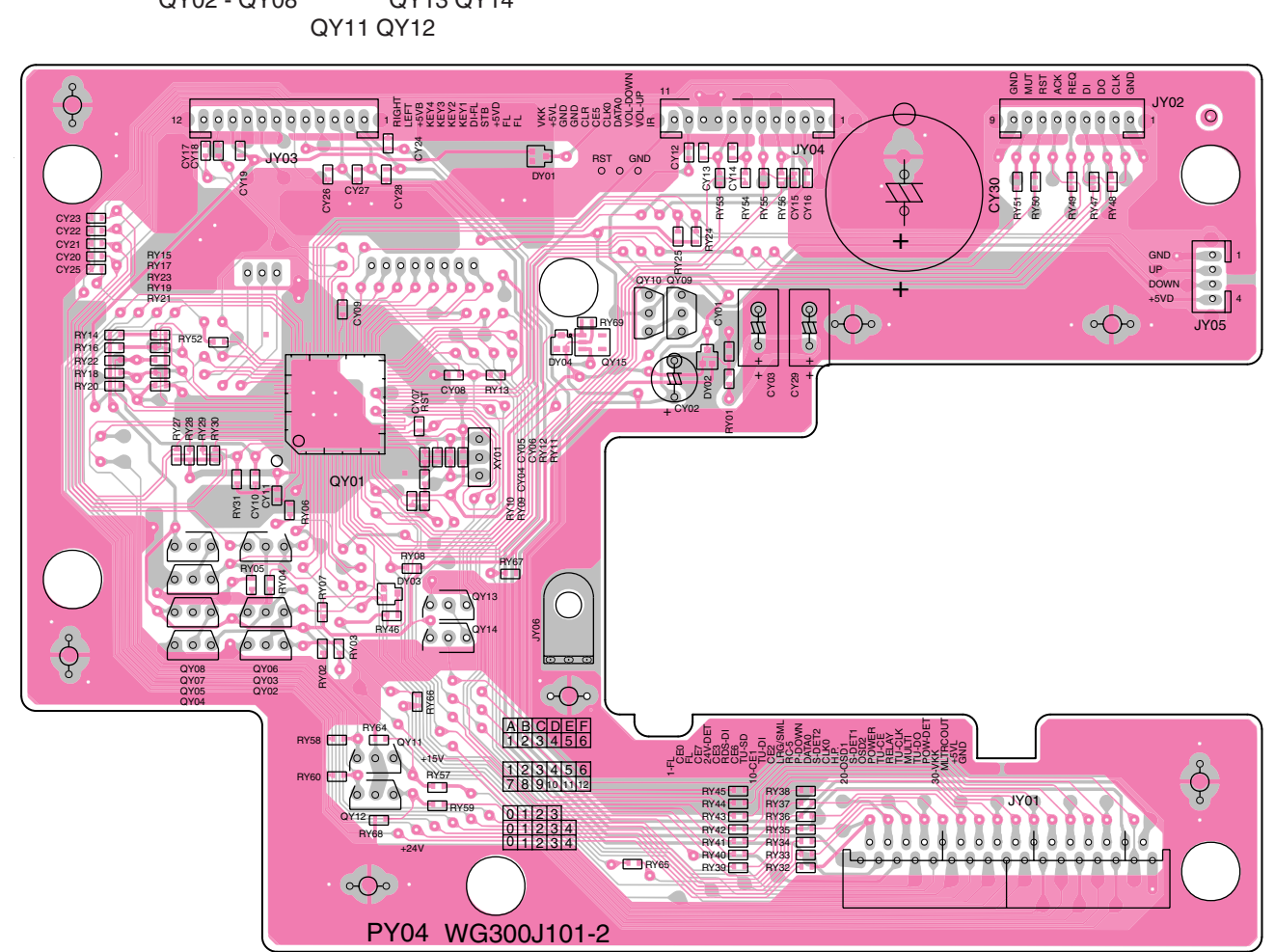
PT04



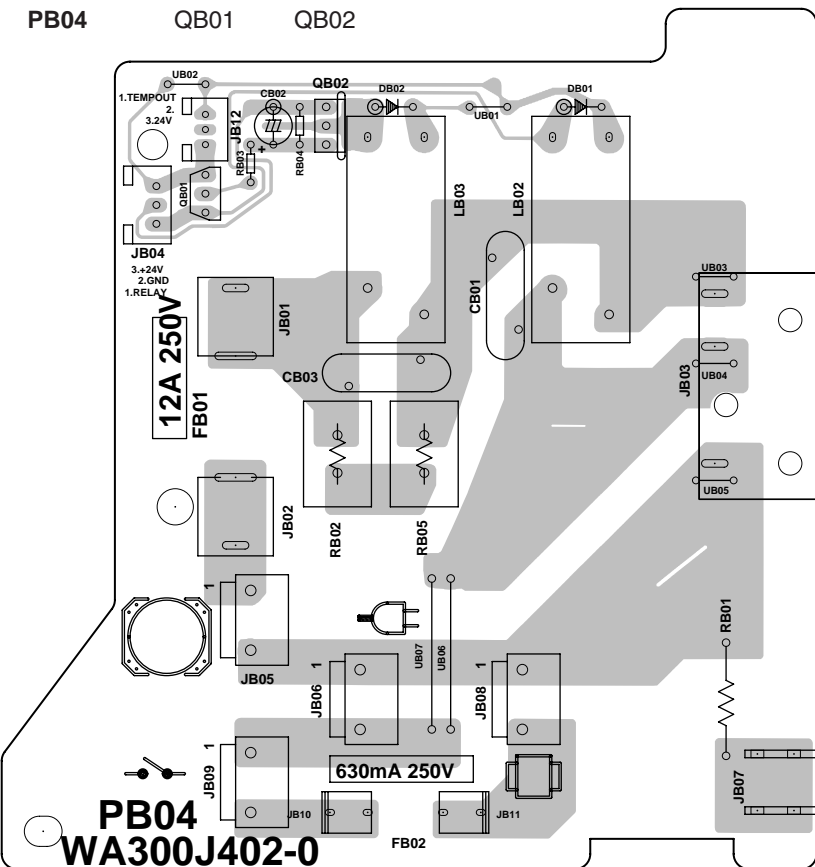
P854



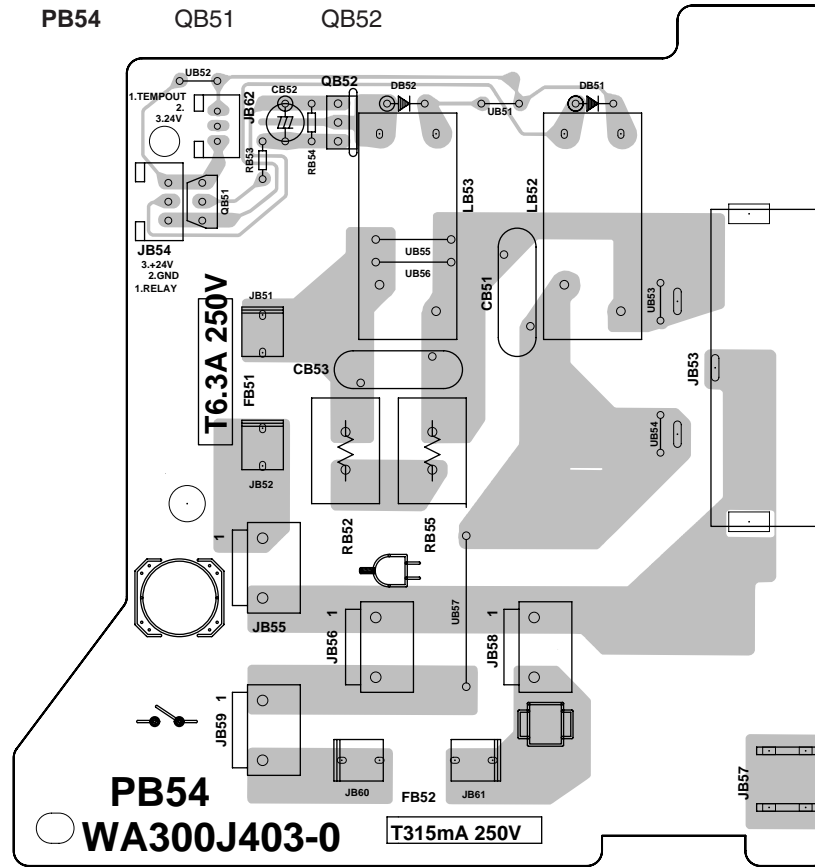
PY04



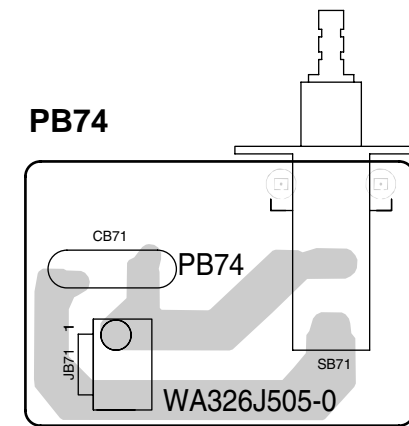
PB04



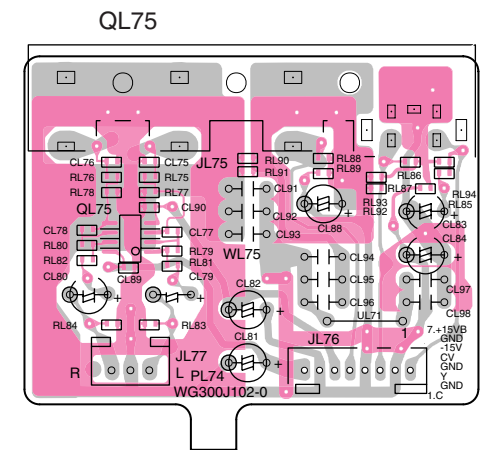
PB54



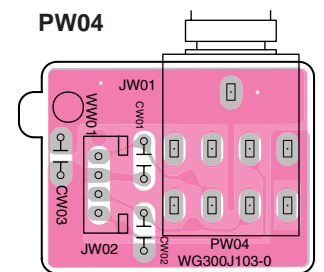
PB74



PL74



PW04



P604

QK05
QK03
QK01

QK06
QK04

QJ01

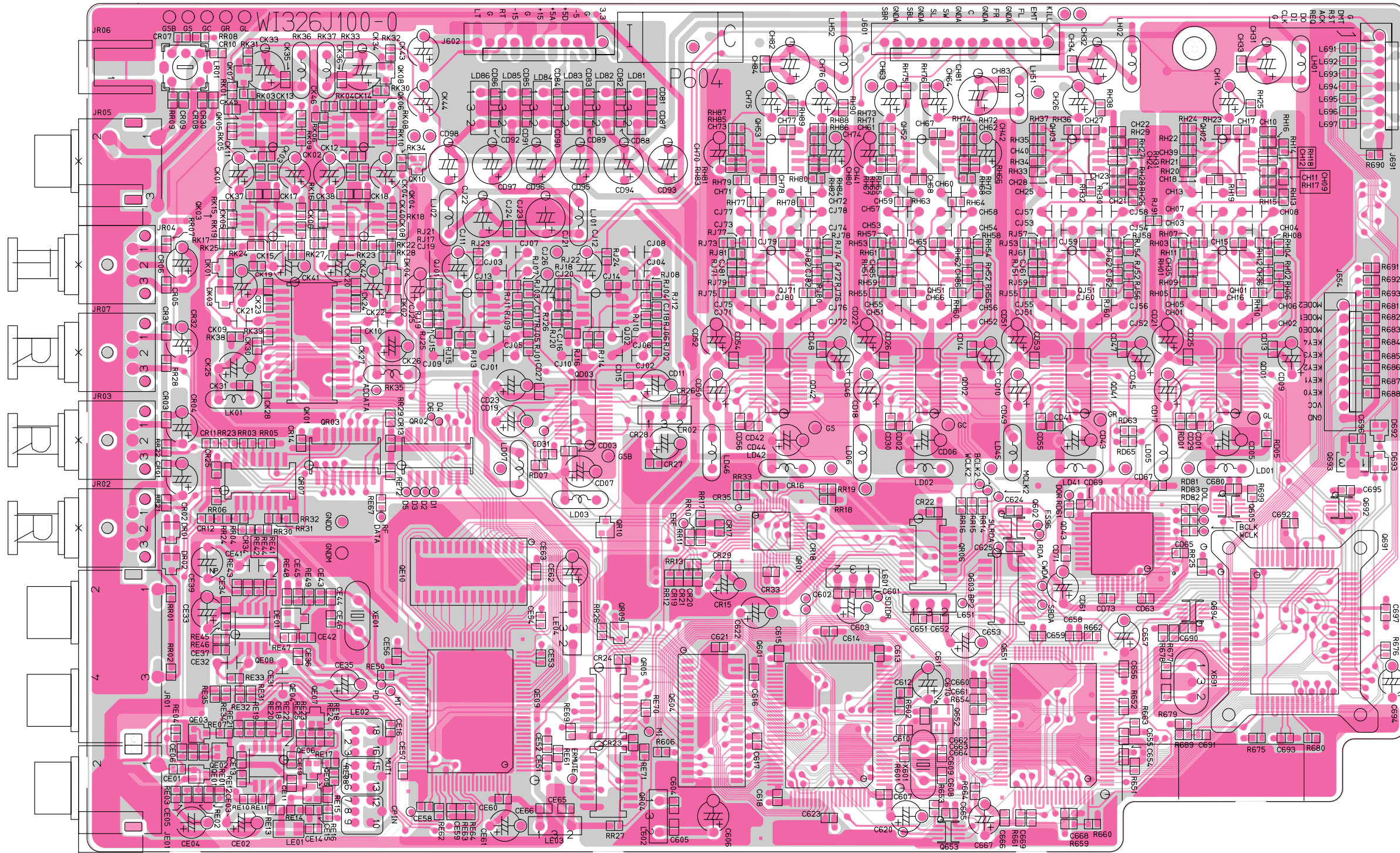
QJ02
QD03

QH53
QJ71
QD42

QH52
QH51
QD02

QH03
QJ51
QD41

QH02
QH01
QD01



QR07
QE01 - QE04 - QE07

QR03
QE08 QE01

QR02
QE10
QE09

QR10 QR09
QR05
QR04

Q604

QR01

Q601

QR06
Q652 Q653

Q603 Q602
Q651

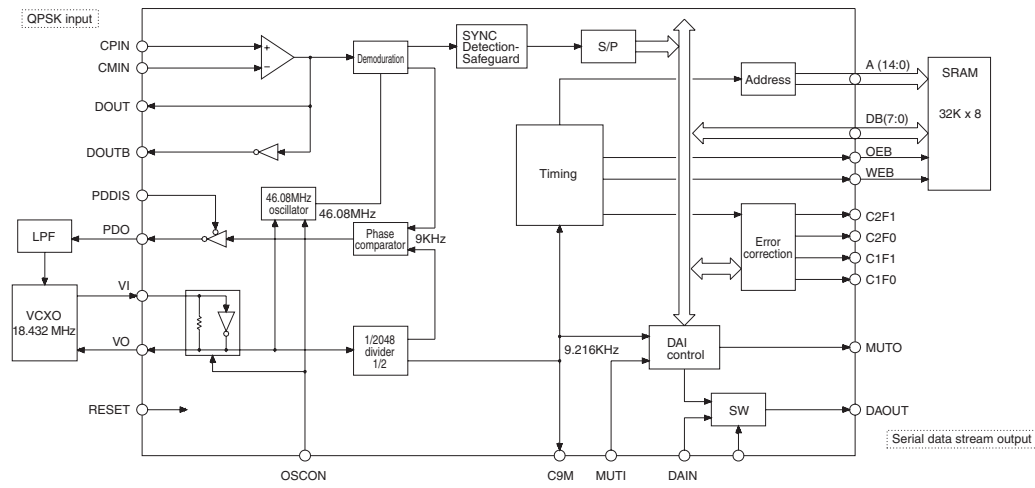
QD43

Q605
Q694

Q693 Q692
Q691

6. IC DATA

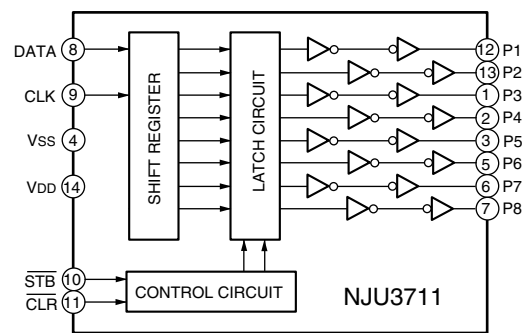
QE09:PM4007A



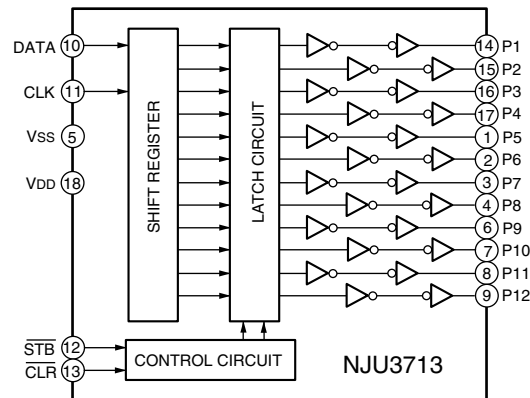
No.	Name	I/O	Function
1	GND	-	GND
2	VDD	-	+5V
3	RESET	I	System Reset At "L" reset
4	OSCON	I	Oscillator control At "H" during normal operation At "L" during standby
5	DATA	I	TEST
6	MCK	I	TEST
7	MLTB	I	TEST
8	IDST	O	TEST
9	IDCK	O	TEST
10	IDO	O	TEST
11	TM0	I	TEST
12	ECCK	O	TEST
13	DEN	O	TEST
14	DRY	O	TEST
15	MSYC	O	TEST
16	TM1	I	TEST
17	A0	O	RAM A0
18	A1	O	RAM A1
19	A2	O	RAM A2
20	A3	O	RAM A3
21	A4	O	RAM A4
22	A5	O	RAM A5
23	TM2	I	TEST
24	TM3	I	TEST
25	XOUT	O	TEST
26	XIN	I	TEST
27	XEXT	I	TEST
28	GND	-	GND
29	VDD	-	+5V
30	A6	O	RAM A6
31	A7	O	RAM A7
32	GND	-	GND
33	VDD	-	+5V
34	A12	O	RAM A12
35	A14	O	RAM A14
36	WEB	O	RAM WEB
37	A13	O	RAM A13
38	A8	O	RAM A8
39	A9	O	RAM A9
40	GND	-	GND
41	A11	O	RAM A11
42	OEB	O	RAM OE
43	A10	O	RAM A10
44	DB7	B	RAM D7
45	DB6	B	RAM D6
46	DB5	B	RAM D5
47	DB4	B	RAM D4
48	DB3	B	RAM D3
49	DB2	B	RAM D2
50	DB1	B	RAM D1

No.	Name	I/O	Function
51	DB0	B	RAM D0
52	VDD	-	+5V
53	GND	-	GND
54	T11	I	TEST
55	VIN	I	VCXO input
56	VOOUT	O	VCXO output
57	T12	I	TEST
58	T13	I	TEST
59	TLDB	I	TEST
60	TCK	I	TEST
61	TRP	O	TEST
62	TDO	O	TEST
63	PDO	O	Phase comparator output (3-state)
64	T14	I	TEST
65	PDDIS	I	Control input for PDO out At "L" Output ON
66	MUTO	O	Muting output. Mutes at "H". Sets to "H" when MUTI = H or the AC-3 period cannot be received.
67	T15	I	TEST
68	VLDY	O	TEST
69	DASYO	O	TEST
70	DAOUT	O	Digital OUT (serial data stream output)
71	DAIN	I	Digital external input : Sets to DAOUT when DASEL is at "H"
72	DASEL	I	Selects digital OUT
73	T18	I	TEST
74	C2F1	O	N.C.
75	C2F0	O	N.C.
76	C1F1	O	N.C.
77	C1F0	O	Displays C1 correction error status. Outputs error count at C1.
78	MUTI	I	Muting input. Mutes at "H".
79	VDD	-	+5V
80	GND	-	GND
81	AVDD	I	+5V
82	CPIN	I	Analog converter inverted input
83	CMIN	I	Analog converter inverted input
84	AGND	-	GND
85	TM4	I	TEST
86	VDD	-	+5V
87	DIN	I	TEST
88	DOUT	O	Analog converter inverted output
89	DOUTB	O	Analog converter inverted reverse output
90	C9M	O	N.C.
91	GND	-	GND
92	WINGT	O	TEST
93	SYST0	O	TEST
94	SYST1	O	TEST
95	ADST0	O	TEST
96	ADST1	O	TEST
97	TM5	I	TEST
98	BUNRI	I	TEST
99	AGND	-	GND
100	AVDD	-	+5V

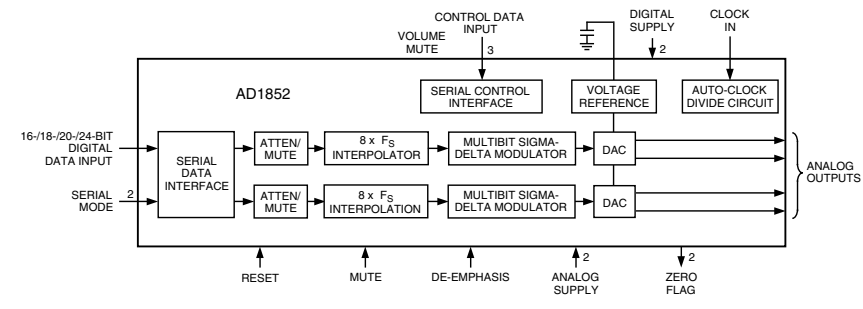
QU02:NJU3711



QM07:NJU3713D



QD01-QD03,QD41-QD43:AD1855

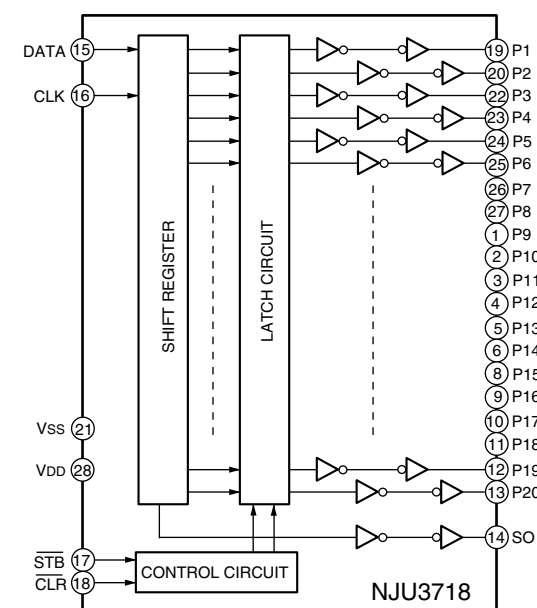


Pin	In/Out	Pin Name	Description
1	I	DGND	Digital Ground.
2	I	MCLK	Master Clock Input. Connect to an external clock source at either 256 F _s , 384 F _s , 512 F _s , 768 F _s , or 1024 F _s .
3	I	CLATCH	Latch Input for Control Data. This input is rising-edge sensitive.
4	I	CCLK	Control Clock Input for Control Data. Control input data must be valid on the rising edge of CCLK. CCLK may be continuous or gated.
5	I	CDATA	Serial Control Input, MSB first, containing 16 bits of unsigned data per channel. Used for specifying channel-specific attenuation and mute.
6	NC	NC	No Connect.
7	I	192/48	Selects 48 kHz (LO) or 192 kHz Sample Frequency.
8	O	ZEROR	Right Channel Zero Flag Output. This pin goes HI when Right Channel has no signal input for more than 1024 LR Clock Cycles.
9	I	DEEMP	De-Emphasis. Digital de-emphasis is enabled when this input signal is HI. This is used to impose a 50µs/15µs response characteristic on the output audio spectrum at an assumed 44.1 kHz sample rate. Curves for 32 kHz and 48 kHz sample rates may be selected via SPI control register.
10	I	96/48	Selects 48 kHz (LO) or 96 kHz Sample Frequency.
11, 15	I	AGND	Analog Ground.
12	O	OUTR+	Right Channel Positive Line Level Analog Output.
13	O	OUTR-	Right Channel Negative Line Level Analog Output.
14	O	FILTR	Voltage Reference Filter Capacitor Connection. Bypass and decouple the voltage reference with parallel 10µF and 0.1µF capacitors to the AGND.
16	O	OUTL-	Left Channel Negative Line Level Analog Output.
17	O	OUTL+	Left Channel Positive Line Level Analog Output.
18	I	AVDD	Analog Power Supply. Connect to Analog 5 V Supply.
19	I	FILTB	Filter Capacitor Connection. Connect 10µF capacitor to AGND (Pin 15).
20	I	IDPM1	Input Serial Data Port Mode Control One. With IDPM0, defines 1 of 4 serial modes.
21	I	IDPM0	Input Serial Data Port Mode Control Zero. With IDPM1, defines 1 of 4 serial modes.
22	O	ZEROL	Left Channel Zero Flag Output. This pin goes HI when Left Channel has no signal input for more than 1024 LR Clock Cycles.
23	I	MUTE	Mute. Assert HI to mute both stereo analog outputs. Deassert LO for normal operation.
24	I	RESET	Reset. The AD1852 is reset on the rising edge of this signal. The serial control port registers are reset to the default values. Connect HI for normal operation.
25	I	L/RCLK	Left/Right Clock Input for Input Data. Must run continuously.
26	I	BCLK	Bit Clock Input for Input Data. Need not run continuously; may be gated or used in a burst fashion.
27	I	SDATA	Serial Input, MSB first, containing two channels of 16, 18, 20, and 24 bits of two's complement data per channel.
28	I	DVDD	Digital Power Supply Connect to digital 5 V supply.

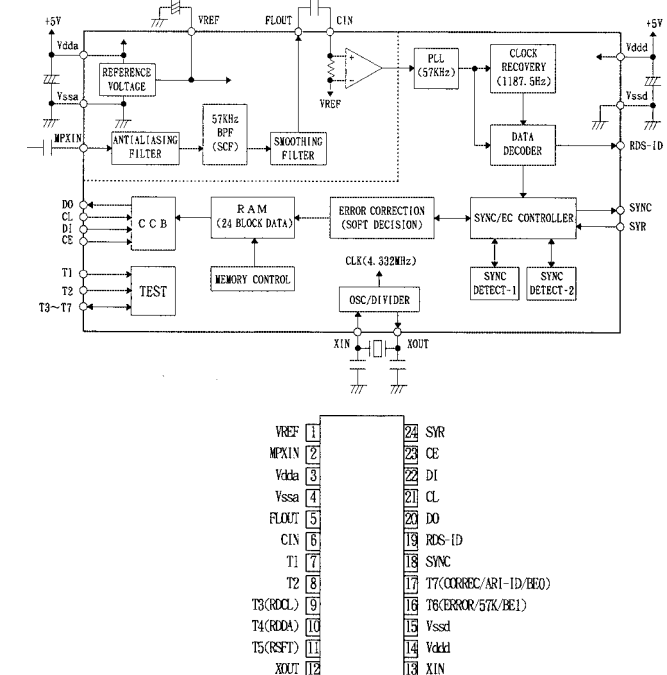
Table 1. Serial Data Input Mode

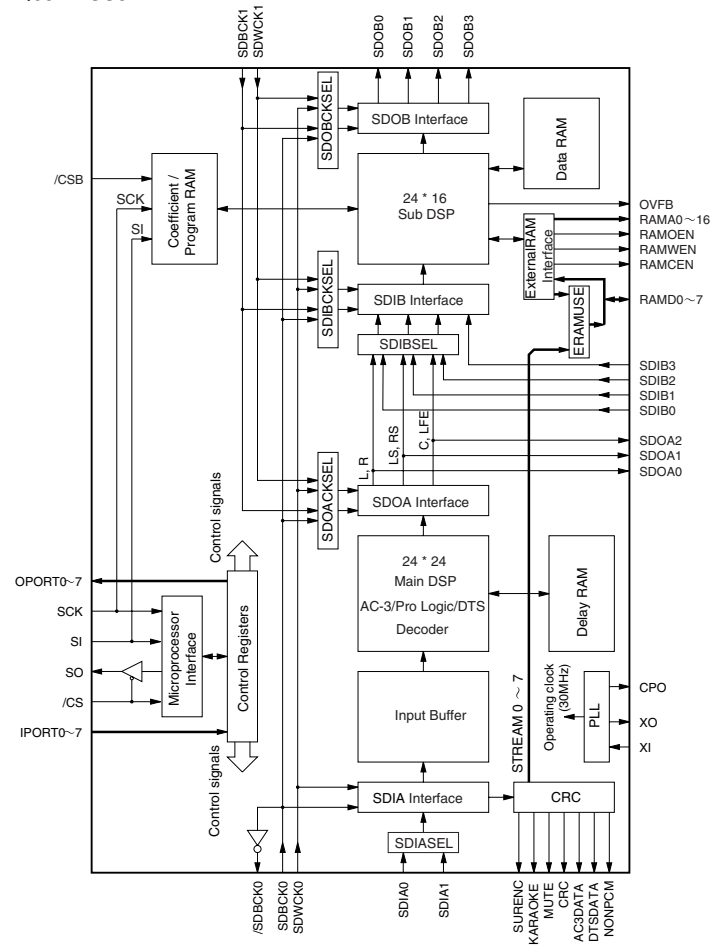
IDPM1 (Pin 20)	IDPM0 (Pin 21)	Serial Data Input Format
0	0	Right-Justified
0	1	I ² S-Compatible
1	0	Left-Justified
1	1	DSP

QL07:NJU3718

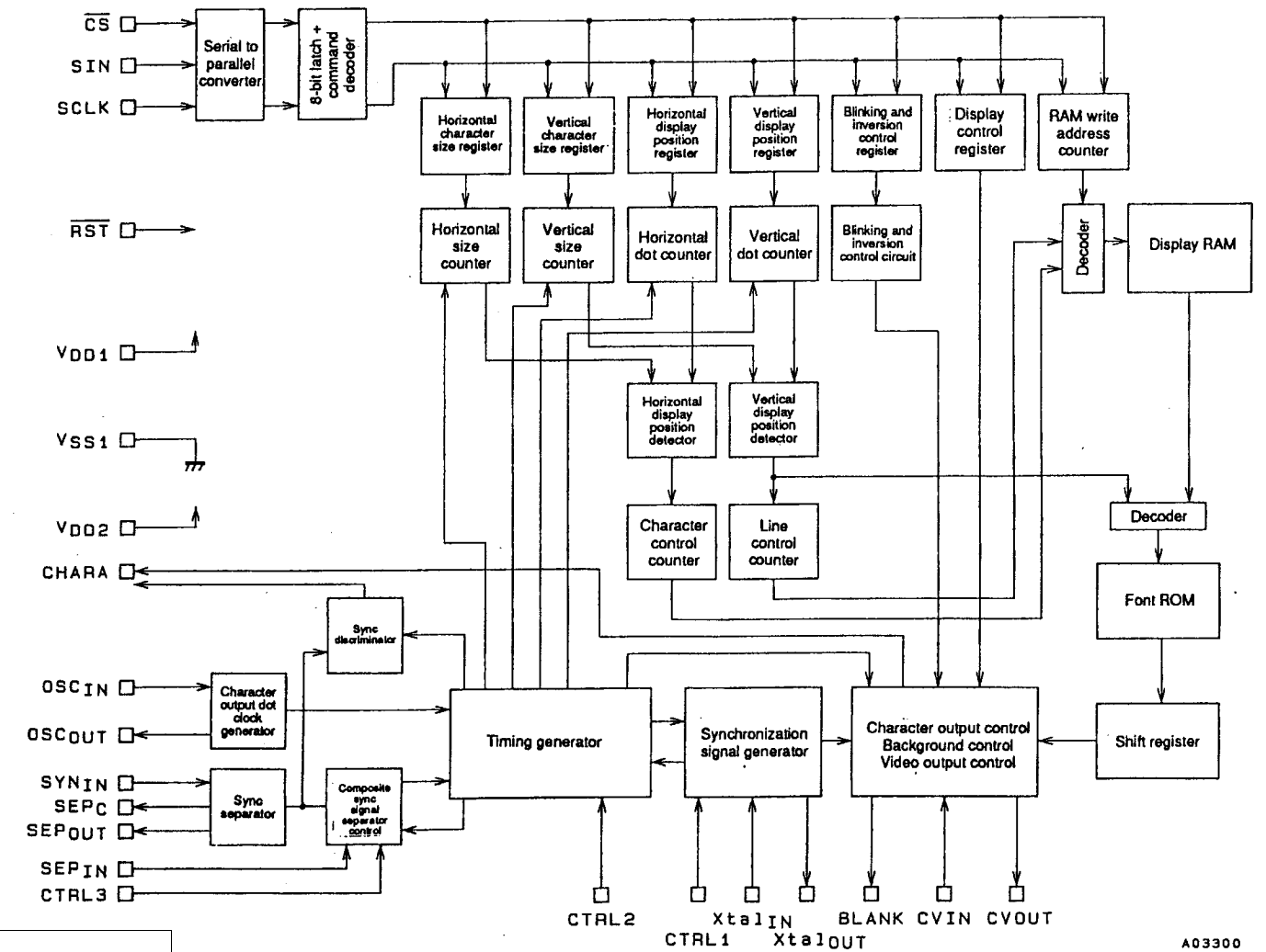


Q351:LC72720



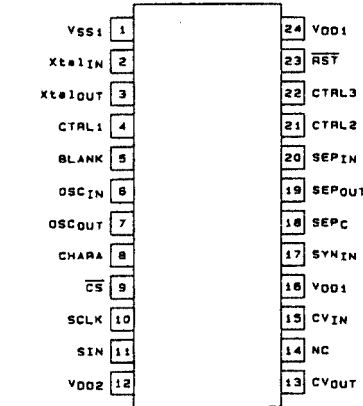


No.	NAME	I/O	FUNCTION
1	VDD1	-	+5V power supply (for I/Os)
2	RAMCEN	O	External SRAM Interface /CE
3	RAMA16	O	External SRAM Interface address 16
4	RAMA15	O	External SRAM Interface address 15
5	SDIB0	I+	PCM input 0 to Sub DSP
6	SDIB1	I+	PCM input 1 to Sub DSP
7	SDIB2	I+	PCM input 2 to Sub DSP
8	XI	I	Crystal oscillator connection or input external clock (12.288 MHz)
9	XO	O	Crystal oscillator connection
10	VSS	-	Ground
11	AVDD	-	+3.3V power supply (for PLL circuit)
12	SDIB3	I+	PCM input 3 to Sub DSP
13	TEST	O	Test terminal (to be open in normal use)
14	TEST	O	Test terminal (to be open in normal use)
15	OVFB	O	Detection of overflow at Sub DSP
16	DTSDATA	O	DTS data detection (Refer to "Status Register")
17	AC3DATA	O	AC-3 data detection (Refer to "Status Register")
18	SDOB3	O	PCM output from Sub DSP
19	CPO	A	Output terminal for PLL, to be connected to ground through the external analog filter circuit. (Refer to "External Circuit for PLL")
20	AVSS	-	Ground (for PLL circuit)
21	VDD2	-	+3.3V power supply (for core logic)
22	SDOA2	O	PCM output from Main DSP (C, LFE)
23	SDOA1	O	PCM output from Main DSP (LS, RS)
24	SDOA0	O	PCM output from Main DSP (L, R)
25	RAMA14	O	External SRAM Interface address 14
26	RAMA13	O	External SRAM Interface address 13
27	RAMA12	O	External SRAM Interface address 12
28	RAMA11	O	External SRAM Interface address 11
29	RAMA10	O	External SRAM Interface address 10
30	VSS	-	Ground
31	VDD1	-	+5V power supply (for I/Os)
32	OPORT0	O	Output port for general purpose. (Refer to "OPORT Register")
33	OPORT1	O	Output port for general purpose. (Refer to "OPORT Register")
34	OPORT2	O	Output port for general purpose. (Refer to "OPORT Register")
35	OPORT3	O	Output port for general purpose. (Refer to "OPORT Register")
36	OPORT4	O	Output port for general purpose. (Refer to "OPORT Register")
37	OPORT5	O	Output port for general purpose. (Refer to "OPORT Register")
38	OPORT6	O	Output port for general purpose. (Refer to "OPORT Register")
39	OPORT7	O	Output port for general purpose. (Refer to "OPORT Register")
40	VSS	-	Ground
41	VDD2	-	+3.3V power supply (for core logic)
42	RAMA9	O	External SRAM interface address 9
43	RAMA8	O	External SRAM interface address 8
44	RAMA7	O	External SRAM interface address 7
45	SDOB2	O	PCM output from Sub DSP
46	SDOB1	O	PCM output from Sub DSP
47	SDOB0	O	PCM output from Sub DSP
48	SDBCK1	I+	Bit clock input for SDOA, SDIB, SDOB. (Refer to "SDOA, SDIB, SDOB Register")
49	SDWCK1	I+	Word clock input for SDOA, SDIB, SDOB. (Refer to "SDOA, SDIB, SDOB Register")
50	VSS	-	Ground



No.	NAME	I/O	FUNCTION
51	VDD2	-	+3.3V power supply (for core logic)
52	NONPCM	O	Detection of non PCM data. (Refer to "Status Register")
53	CRC	O	Detection of AC-3 CRC error. (Refer to "Status Register")
54	MUTE	O	Detection of auto-mute. (Refer to "Status Register")
55	KARAOKE	O	Detection of AC-3 karaoke data. (Refer to "Status Register")
56	SURENC	O	Detection of AC-3 2/0 mode Dolby surround encoded input (Refer to "Status Register")
57	SDBCK0	O	Inverted SDBCK0 clock output (refer to "Block diagram")
58	RAMA6	O	External SRAM Interface address 6
59	RAMA5	O	External SRAM Interface address 5
60	VSS	-	Ground
61	RAMA4	O	External SRAM Interface address 4
62	/IC	Is	Initial clear
63	TEST	O	Test terminal (to be open in normal use)
64	RAMA3	O	External SRAM Interface address 3
65	/CSB	Is+	Sub DSP Chip select
66	/CS	Is	Microprocessor interface Chip select
67	SO	Ot	Microprocessor interface Serial data output
68	SI	Is	Microprocessor interface/Sub DSP Serial data input
69	SCK	Is	Microprocessor interface/Sub DSP clock input
70	RAMA2	O	External SRAM Interface address 2
71	VDD1	-	+5V power supply (for I/Os)
72	RAMD0	I+/O	External SRAM Interface data (STREAM 0 output when External SRAM is not in use)
73	RAMD1	I+/O	External SRAM Interface data (STREAM 1 output when External SRAM is not in use)
74	RAMD2	I+/O	External SRAM Interface data (STREAM 2 output when External SRAM is not in use)
75	RAMD3	I+/O	External SRAM Interface data (STREAM 3 output when External SRAM is not in use)
76	RAMD4	I+/O	External SRAM Interface data (STREAM 4 output when External SRAM is not in use)
77	RAMD5	I+/O	External SRAM Interface data (STREAM 5 output when External SRAM is not in use)
78	RAMD6	I+/O	External SRAM Interface data (STREAM 6 output when External SRAM is not in use)
79	RAMD7	I+/O	External SRAM Interface data (STREAM 7 output when External SRAM is not in use)
80	VSS	-	Ground
81	VDD2	-	+3.3V power supply (for core logic)
82	SDWCK0	I	Word clock input for SDIA, SDOA, SDIB, SDOB (Refer to "SDIA, SDOA, SDIB, SDOB Register")
83	SDBCK0	I	Bit clock input for SDIA SDOA SDIB SDOB (Refer to "SDIA, SDOA, SDIB, SDOB Register")
84	SDIA	I	AC-3/DTS bitstream (or PCM) data input for Main DSP (Refer to "SDIA Register")
85	SDIA1	I	AC-3/DTS bitstream (or PCM) data input for Main DSP (Refer to "SDIA Register")
86	RAMA1	O	External SRAM Interface address 1
87	RAMA0	O	External SRAM Interface address 0
88	RAMWEN	O	External SRAM Interface /WE
89	RAMOEN	O	External SRAM Interface /OE
90	VSS	-	Ground
91	VDD2	-	+3.3V power supply (for core logic)
92	IPORT7	I+	Input port for general purpose (Refer to "IPORT Register")
93	IPORT6	I+	Input port for general purpose (Refer to "IPORT Register")
94	IPORT5	I+	Input port for general purpose (Refer to "IPORT Register")
95	IPORT4	I+	Input port for general purpose (Refer to "IPORT Register")
96	IPORT3	I+	Input port for general purpose (Refer to "IPORT Register")
97	IPORT2	I+	Input port for general purpose (Refer to "IPORT Register")
98	IPORT1	I+	Input port for general purpose (Refer to "IPORT Register")
99	IPORT0	I+	Input port for general purpose (Refer to "IPORT Register")
100	VSS	-	Ground

Note) Is : Schmidt trigger input terminal
 I+ : Input terminal with a pull-up resistor
 O : Digital output terminal
 Ot : Tri-state digital output terminal
 A : Analog terminal

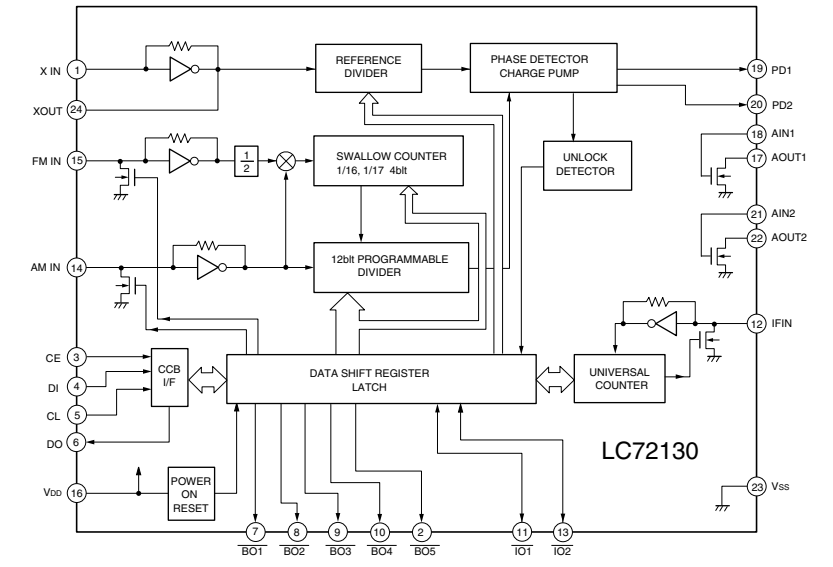


Q691:TMP93CW44ADF

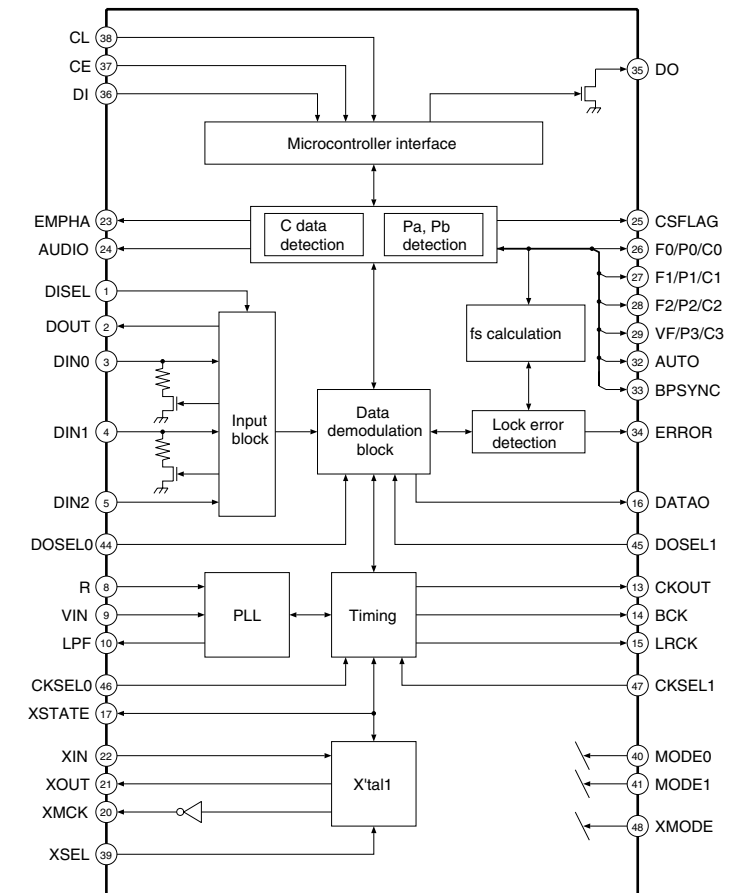
pin	port name	I/O	use	Name	Act.	Note
1	P55/AN5	I		MODE_SW0	-	Link Host or _Stand alone
2	P56/AN6	I		MODE_SW1	-	_HDCD available
3	P57/AN7	I		MODE_SW2	-	_RF available
4	NMI	I	-	-	-	to GND
5	P60/TXD0	I/O	O	DO0		Data out to DSP1&2
6	P61/RXD0	I/O	I	DI0		Data In from DSP1&2
7	P62/SCLK0	I/O	O	SCLK0		Clock Out to DSP1&2
8	P63/TXD1	I/O	O	DO1		Data out to DIR
9	P64/RXD1	I/O	I	DI1		Data In from DIR
10	P65/SCLK1	I/O	O	SCLK1		Clock Out to DIR
11	P70/WAIT	I/O	O	T0	L	to check LED
12	P71	I/O	O	T1	L	to check LED
13	Vss	I	Vss	GND	-	GND
14	P72	I/O	O	T2	L	to check LED
15	P73	I/O	O	T3	L	to check LED
16	P74	I/O	O	T4	L	to check LED
17	P75	I/O	O	X2GAIN	L	HDCD PE
18	P76	I/O	I	HDCD	H	detect HDCD
19	P77	I/O	O	K_TEST	L	to check LED
20	CLK	O	-	n.c.	-	pull μ P
21	AM8/16	I	-	n.c.	-	pull μ P
22	X1	I	X1	20MHz	-	

pin	port name	I/O	use	Name	Act.	Note
41	P10/AD8	I/O	O	_RSTRF	L	Reset RF demodulate
42	P11/AD9	I/O	O	D_A	-	Digital / Analog select
43	P12/AD10	I/O	O	DEMP	H	Emphasis to S-Direct
44	P13/AD11	I/O	O	_UMUTE	L	Hard Mute for Tr
45	P14/AD12	I/O	O	FS96	H	96kHz fs
46	P15/AD13	I/O	O	BYPASS 1	H	Bypass DSP1
47	P16/AD14	I/O	O	_BYPASS 2	L	Bypass DSP2
48	P17/AD15	I/O	O	_CS_DSP1	L	_CS_DSP1(main DSP)
49	P20/A0	I/O	O	_CSB_DSP1	L	_CS_DSP1(sub DSP)
50	P21/A1	I/O	O	_SS_DSP2	L	_SS_DSP2(Zoran)
51	P22/A2	I/O	O	_CE_DIR	L	_CE for DIR
52	P23/A3	I/O	O	_RSTDSP2	L	Reset DSP2
53	P24/A4	I/O	O	_RSTDA1	L	Reset DAC for L/R
54	P25/A5	I/O	O	_RSTDA2	L	Reset DAC except L/R
55	P26/A6	I/O	O	_IC	L	Reset DSP1
56	P27/A7	I/O	O	_XMODE	L	_Reset DIR
57	Vcc	I	Vcc	+5VD	-	Vcc
58	P30/RD	O	O	_RSTAD	L	Reset & Cal for ADC
59	P31/WR	O	O	_IFACK	L	Ack to main CPU
60	P32/SCK	I/O	I	_IFSCK	-	Clock from main CPU
61	P33/SO	I/O	O	_IFDO	-	Data to main CPU
62	P34/SI	I/O	I	_IFDI	-	Data from main CPU
63	P35/INT0	I/O	INT	OVFB	H	Over Level (sub DSP)
64	P40/INT1	I/O	INT	XSTATE	H	MCLK status(L:/unstable)
65	P41/TO3	I/O	I	CAL	H	ADC Calibration
66	P42/INT4	I/O	INT	_RFNODET	L	_No RF signal
67	P43/INT5	I/O	INT	ERF	H	DIR Error
68	P44/TO4	I/O	O	-	-	-
69	P45/INT6	I/O	INT	_IFREQ	L	Request from main CPU
70	P46/INT7	I/O	I	CSFLAG	H	Ch. Status(fall edge DIR)
71	P47/TO6	I/O	O	-	-	-
72	VrefH	I	VrefH	+5VD	-	ref High voltage for int. AD
73	VrefL	I	VrefL	GND	-	ref Low voltage for int. AD
74	Avss	I	Avss	GND	-	GND for Int. AD
75	Avcc	I	Avcc	+5VD	-	Vcc for Int. AD
76	P50/AN0	I	AN	KEY_INPUT0	-	Optional 8 key input 0
77	P51/AN1	I	AN	KEY_INPUT1	-	Optional 8 key input 1
78	P52/AN2	I	AN	KEY_INPUT2	-	Optional 8 key input 2
79	P53/AN3	I	AN	KEY_INPUT3	-	Optional 8 key input 3
80	P54/AN4	I	AN	KEY_INPUT4	-	Optional 8 key input 4

Q501:LC72130



QR01:LC89055Q



QY01:TMP93PW40DF

no	port name	I/O	USE	Sig. Name	act.	Description
1	VREFL	I	-	-	-	A/D VREFL.
2	AVSS	I	-	-	-	A/D VSS
3	AVCC	I	-	-	-	A/D VCC
4	NMI	I	NMI	-	-	Pull Up
5	P70/TI0	I/O	O	_POWER OFF	L	
6	P71/TO1	I/O	O	KILL IR	H	
7	P72/TO2	I/O	O	RC-5 OUT	H	
8	P73/TO3	I/O	O	SPEAKER OFF	H	SPK RELAY
9	P80/INT4/	I/O	I	RC-5 IN	H	Both Edge
10	P81/INT5/	I/O	I	SYNC0	H	Rising Edge
11	P82/TO4	I/O	I	_HEAD PHONE	L	
12	P83/TO5	I/O	I	-	-	Pull Up
13	P84/INT6/	I/O	I	_SURR. ACK	L	Both Edge
14	P85/INT7/	I/O	I	SYNC1	H	Rising Edge
15	P86/TO6	I/O	I	MULTI RC-5 IN	L	
16	P87/INT0	I/O	I	_POWER DOWN	L	
17	P90/TXD0	I/O	TXD	DO0	-	I/F to SURR. μP
18	P91/RXD0	I/O	RXD	DI0	-	I/F to SURR. μP
19	P92/SCLK0	I/O	CLK	CLK0	-	I/F to SURR. μP
20	P93/TXD1	I/O	O	DO1	-	I/F to ICs
21	P94/RXD1	I/O			-	
22	P95/SCLK1	I/O	O	CLK1	-	I/F to ICs
23	AM8/_16	I	-	-	-	Pull Up
24	CLK	O	-	-	-	Pull Up
25	VCC	I	-	-	-	Pull Up
26	VSS	I	-	-	-	to VSS
27	X1	I	-	-	-	20MHz
28	X2	O	-	-	-	20MHz
29	EA	I	-	-	-	Pull Up
30	RESET	I	-	-	-	
31	P96/XT1	I/O	I	-	-	to VSS
32	P97/XT2	I/O	I	-	-	to VSS
33	TEST1	I	-	-	-	to TEST2
34	TEST2	I	-	-	-	to TEST1
35	PA0	I/O	O	OSD ON0	H	
36	PA1	I/O	O	OSD ON1	H	
37	PA2	I/O	O	_CLR LED	L	NJU3718 CLR
38	PA3	I/O	O	MULTI RC-5 OUT	H	
39	PA4	I/O	O	_CE8 (Volume 8ch)	L	
40	PA5	I/O	O	SMUTE	H	

no	port name	I/O	USE	Sig. Name	act.	Description
41	PA6	I/O	O	_RST SURR	L	
42	PA7/SCOUT	I/O	O	_REQ SURR	L	I/F to SURR. μP
43	ALE	O	-	-	-	Pull Up
44	VCC	I	-	-	-	to VCC
45	P00	I/O	O	TU_CE(TUNER)	H	
46	P01	I/O	O	CLK(TUNER)	-	
47	P02	I/O	O	DO(TUNER)	-	
48	P03	I/O	I	DI(TUNER)	-	
49	P04	I/O	I	SD(TUNER)	L	
50	P05	I/O	I	DI(RDS)	-	
51	P06	I/O	O	_KILL CON	L	
52	P07	I/O	O	-	-	
53	P10	I/O	O	-CLKFL	-	
54	P11	I/O	O	-DATAFL	-	
55	P12	I/O	O	-	-	
56	P13	I/O	O	-	-	
57	P14	I/O	O	-	-	
58	P15	I/O	O	-	-	
59	P16	I/O	O	-	-	
60	P17	I/O	O	-	-	
61	WDTOUT	O	-	-	-	N.C
62	VSS	I	-	-	-	to VSS
63	VCC	I	-	-	-	to VCC
64	P20	I/O	I	FUNC. ENC. A	-	
65	P21	I/O	I	FUNC. ENC. B	-	
66	P22	I/O	I	VOL. ENC. A	-	
67	P23	I/O	I	VOL. ENC. B	-	
68	P24	I/O	I	GYRO A	-	
69	P25	I/O	I	GYRO B	-	
70	P26	I/O	I	-	-	to VSS
71	P27	I/O	I	-	-	to VSS
72	P30	I/O	O	CE0(AUDIO)	H	
73	P31	I/O	O	_CE7(VIDEO)	L	
74	P32	I/O	O	CE3(Multi Vol.)	H	
75	P33	I/O	O	_CE6(MUTE)	L	
76	P34	I/O	O	_CE5(LED)	L	
77	P35	I/O	O	_CE4(FL)	L	
78	P36	I/O	O	_CE1(OSD C)	L	
79	P37	I/O	O	_CE2(OSD S)	L	
80	P40	I/O	O	(RESERVED)	-	

no	port name	I/O	USE	Sig. Name	act.	Description
81	P41	I/O	O	(RESERVED)	-	
82	P42	I/O	O	(RESERVED)	-	
83	P60/	I/O	I	(RESERVED)	-	to VSS
84	P61/	I/O	I	(RESERVED)	-	to VSS
85	P62/	I/O	I	(RESERVED)	-	to VSS
86	P63/	I/O	I	SWITCH0	-	
87	P64/	I/O	I	SWITCH1	-	
88	P65/	I/O	I	SWITCH2	-	
89	P66/	I/O	I	SWITCH3	-	
90	P67/	I/O	I	SWITCH4	-	
91	VSS	I	-	-	-	to VSS
92	P50/AN0	I	AN	-	-	pull down
93	P51/AN1	I	AN	POWER DET.	-	see below
94	P52/AN2	I	AN	ABNORMAL	-	see below
95	P53/AN3	I	AN	KEY IN0	-	
96	P54/AN4	I	AN	KEY IN1	-	
97	P55/AN5	I	AN	KEY IN2	-	
98	P56/AN6	I	AN	KEY IN3	-	
99	P57/AN7	I	AN	KEY IN4	-	
100	VREFH	I	-	-	-	A/D VREFH

POS. NO	VERS. COLOR	PART NO. (FOR PCS)	DESCRIPTION	PART NO. (MJI)
001B	14A /K, /S /UG		FRONT AL PANEL KIT GL	326J248510
001B	14A /NG		FRONT AL PANEL KIT GL N	326J248530
001B	14A /UB		FRONT AL PANEL KIT BL	326J248500
002B	14A /K, /S /UG		FRONT AL PANEL GL	326J248110
002B	14A /NG	9965 000 06309	FRONT AL PANEL GL N	326J248120
002B	14A /UB		FRONT AL PANEL BL	326J248010
001B	17 F		FRONT AL PANEL KIT HAIR GL	336J248510
002B	17 F		FRONT AL PANEL HAIR GL	336J248110
001B	18A GOLD		FRONT AL PANEL KIT GL	331J248510
001B	18A BLACK		FRONT AL PANEL KIT BL	331J248500
002B	18A GOLD		FRONT AL PANEL GL	331J248110
002B	18A BLACK		FRONT AL PANEL BL	331J248010
003B	GOLD	9965 000 06310	FRONT MOULD PANEL GL	300J248160
003B	BLACK		FRONT MOULD PANEL BL	300J248060
005B	GOLD	9965 000 06311	FL WINDOW GL	326J158110
005B	BLACK		FL WINDOW BL	326J158010
006B		9965 000 01794	LENS FUNCTION LED LENS	300J355010
007B	GOLD	9965 000 01795	BUTTON GYRO SIDE FUNCTION GL	300J270120
007B	BLACK		BUTTON GYRO SIDE FUNCTION BL	300J270020
008B	14A,17 GOLD	9965 000 01796	ESCUTCHEON CORNER L SIDE GL	322J063110
008B	14A BLACK		ESCUTCHEON CORNER L SIDE BL	322J063010
010B	14A,17 GOLD	9965 000 01797	ESCUTCHEON CORNER R SIDE GL	322J063120
010B	14A BLACK		ESCUTCHEON CORNER R SIDE BL	322J063020
008B	18A GOLD		ESCUTCHEON CORNER L SIDE GL	300J063110
008B	18A BLACK		ESCUTCHEON CORNER L SIDE BL	300J063010
010B	18A GOLD		ESCUTCHEON CORNER R SIDE GL	300J063120
010B	18A BLACK		ESCUTCHEON CORNER R SIDE BL	300J063020
012B	GOLD	4822 381 12016	IR LENS GL	256J355030
012B	BLACK	4822 381 12015	IR LENS BL	256J355040
013B		4822 381 11677	POWER LED LENS	230K355020
014B		4822 462 10955	BUFFER DOOR BUFFER	446T056010
015B	GOLD	9965 000 01798	BUTTON FUNCTION BLOCK GL	300J270110
015B	BLACK		BUTTON FUNCTION BLOCK BL	300J270010
016B	GOLD	9965 000 01799	ARM DOOR HINGE L SIDE GL	300J002110
016B	BLACK		ARM DOOR HINGE L SIDE BL	300J002010
017B	GOLD	9965 000 01800	ARM DOOR HINGE R SIDE GL	300J002120
017B	BLACK		ARM DOOR HINGE R SIDE BL	300J002020
018B		9965 000 01801	SHAFT DOOR SHAFT	300J112010
021B		4822 529 10215	DAMPER DOOR DUMPPER	391H130030

POS. NO	VERS. COLOR	PART NO. (FOR PCS)	DESCRIPTION	PART NO. (MJI)
023B	17 /F		DOOR PANEL HAIR GL	336J162110
023B	GOLD	9965 000 06312	DOOR PANEL GL	326J162110
023B	BLACK		DOOR PANEL GL	326J162010
026B		4822 526 20213	DOOR MAGNET	271K305500
028B			WINDOW MASK SHEET L	300J303010
029B			WINDOW MASK SHEET R	300J303020
030B		9965 000 01803	SPRING DOOR ESD	300J115010
040B	14A,17 GOLD	9965 000 01804	KNOB MASTER GL	300J154210
040B	18A GOLD		KNOB MASTER GL	300J154110
040B	BLACK		KNOB MASTER BL	300J154010
041B	GOLD	4822 410 11276	BUTTON POWER GL	176J270150
041B	BLACK	4822 410 11275	BUTTON POWER BL	176J270050
042B		4822 404 21012	JOINT POWER BUTTON	025J125010
043B		4822 256 92097	FL HOLDER	183J271020
044B		4822 459 11158	FL ADHESIVE TAPE	056J122010
049B		4822 532 21196	FLAT WASHER L. VIDEO TURMINAL MASK IR	54110149A0
057B	GOLD		ESCUTCHEON	300J303030
058B	14A,17 GOLD		TOPCOVER SPACER GL	322J063130
058B	14A BLACK		TOPCOVER SPACER BL	322J063030
060B	GOLD	9965 000 01554	BADGE MARANTZ GL	313J251110
060B	BLACK	9965 000 01553	BADGE MARANTZ BL	313J251010
001C	GOLD	4822 410 11676	ESCUTCHEON GYRO. UP & DOWN:GL	290J063110
001C	BLACK	4822 410 11675	ESCUTCHEON GYRO. UP & DOWN:BL	290J063010
002C	GOLD	9965 000 01396	RUBBER RING GYRO GL	290J066110
002C	BLACK		RUBBER RING GYRO BL	290J066010
003C		9965 000 01397	FLYWHEEL GYRO BASE	290J273110
006C		9965 000 01398	SHAFT GYRO MAIN	290J112010
009C			RETAINER GYRO UPPER	290J104050
014C		9965 000 01805	SHAFT GYRO SUSTAINER UNDER WASHER FOR UNDER SIDE	300J112020
015C			WASHER FOR UNDER SIDE	59071102G0
001D	14A,17 GOLD	9965 000 01806	LID TOPCOVER GL	322J257110
001D	14A BLACK		LID TOPCOVER BL	322J257010
002D	14A,17 GOLD	9965 000 06313	SCREW TOPCOVER GL	323S010040
002D	14A BLACK		SCREW TOPCOVER BL	323S010050
003D	14A,17 GOLD	4822 502 14613	SCREW SIDE GL	258S010020
003D	14A BLACK	4822 502 14612	SCREW SODE BL	258S010010
004D	14A,17 GOLD	9965 000 01807	SIDEPANEL L GL	322J249110
004D	14A BLACK		SIDEPANEL L BL	322J249010
001D	18A GOLD		LID TOPCOVER GL	300J257050
001D	18A BLACK		LID TOPCOVER BL	300J257010
002D	18A GOLD		B.T.SCREW(W/W)	51260408M0
002D	18A BLACK		B.T.SCREW(W/W)	51260408U0
003D	18A GOLD		B.H.M. SCREW	51100408M0
003D	18A BLACK		B.H.M. SCREW	51100408U0
004D	18A BLACK		B.T.SCREW(W/W)	51260308M0

POS. NO	VERS. COLOR	PART NO. (FOR PCS)	DESCRIPTION	PART NO. (MJI)
005D	14A,17 GOLD	9965 000 01808	SIDEPANEL R GL	322J249120
005D	14A BLACK		SIDEPANEL R BL	322J249020
006D	14A,17 GOLD	9965 000 01809	PERFORATED SIDE NET GL	322J003110
006D	14A BLACK		PERFORATED SIDE NET BL9	322J003010
055G	14A	4822 462 42134	LEGS FRONT GOLD AL CAP	291K057010
056G	14A	4822 462 42134	LEGS REAR GOLD AL CAP	291K057010
055G	17		LEGS FRONT GOLD AL CAP	405K057010
056G	17		LEGS REAR GOLD AL CAP	405K057010
055G	18A		LEGS FRONT GOLD PAINT	264J057040
056G	18A		LEGS REAR GOLD PAINT	264J057140
089G			T.L. WASHER OR	54050400M0
G96G	14A, 17		SHIELD VIDEO PCB UPPER	300J109010
G97G	14A, 17		SUPPORT VIDEO PCB SHIELD	415T101010
JL21				
JL22				
JL25				
JL25		4822 264 10111	SHOTE PLUG SHORT PIN WITH COVER	YQ01000080
▲ J001		9965 000 01313	JACK 2P AC INLET PWI1910-H	YJ04002440
▲ L001	/K		MAINS TRANSF. 220V 50Hz	TS42002080
▲ L001	/N,/S	9965 000 07545	MAINS TRANSF. 230V 50Hz	TS42002170
▲ L001	/U		MAINS TRANSF. 120V 60Hz	TS42002100
▲ L002	/K		MAINS TRANSF. 220V 50/60Hz	TS17205090
▲ L002	/N,/S	9965 000 01779	MAINS TRANSF. 230V 50/60Hz	TS17205100
▲ L002	/U		MAINS TRANSF. 120V 60Hz	TS16404120
L003			FERRITE CORE TFCK-23B -11-14	FC50230010
L005		4822 526 10691	FERRITE CORE TFCK-16-8-13 FOR WY04	FC50160030
WY05		9965 000 06308	JUMPER LEAD SMCD-33X100 FROM JY01 TO JY51	YU33100500
WY51		4822 321 62312	JUMPER LEAD SMCD-33X200 FROM JY51 TO JY61	YU33200510

POS. NO	VERS. COLOR	PART NO. (FOR PCS)	DESCRIPTION	PART NO. (MJI)
001T	14A /K, /S		PACKING USER GUIDE FOR K	326J851350
001T	14A /N	9965 000 06314	USER GUIDE FOR N	326J851310
001T	14A /U		USER GUIDE FOR U	326J851250
001T	17 /F		USER GUIDE FOR F	336J851110
001T	18A /K, /S		USER GUIDE FOR K	331J851350
001T	18A /U		USER GUIDE FOR U	331J851250
Z001	14A		REMOTE COMMANDER RC5000i	ZK326J0010
Z001	17 18A		REMOTE COMMANDER RC18SR	ZK300J0010
▲ Z007	/K		MAINS CORD CCEE 2.5A 250V	ZC01803090
▲ Z007	/F		MAINS CORD CCEE 12A 125V	ZC01802080
▲ Z007	/U		MAINS CORD 125V13A UL/CSA	ZC01802100
▲ Z008	/N	4822 321 11439	MAINS CORD 2P 10A 250V CLASSONG	ZC01803080
▲ Z008	/S		MAINS CORD 10A250V/UK VOLEX	ZC01804100
001S	14A		NOT STANDARD SPARE PARTS PACKING CASE	326J801010
001S	17		PACKING CASE	336J801010
001S	18A		PACKING CASE	326J801010
002S			CUTSION L SIDE	300J809010
003S			CUTSION R SIDE	300J809020
Z003	/K, /N /S		FM ANTENNA 931222R	ZA02800020
Z003	/F, /U	4822 303 30314	FM EXT ANT	ZA02000070
Z004		4822 157 63083	LOOP ANT. LA-700HB	LA00055010
Z005	/F, /U	4822 264 30265	ANT ADAPTOR	YP90000310
Z006	/K	4822 265 10092	JACK AC ADAPTER SMK S-16116	YJ04001240

8. SERVICE PROGRAM

REMARK

If these service programs are set, All user preset memories will be cleared.

1. FACTORY mode (Tracking point memory)

This **FACTORY mode** can be use for measurement of the tuner circuit.

When the product is POWER ON, press both [**MEMO**] and [**DISPLAY OFF**] buttons simultaneously over 3 seconds.

FLD shows "**FACTORY**" for 3 seconds. Press [**PRESET**] button, FLD shows "**PRESET SEL**".

The tuning frequencies are memorized as follows.

Band	VERSION	P1	P2	P3	P4
FM AUTO [MHz]	U, K, N, S	90.0	98.0	106.0	87.5
	F	78.0	83.0	88.0	76.0

Band	SCAN STEP	P5	P6	P7	P8	P9	P10	P11	P12
AM [kHz]	10 kHz(U)	600	1000	1400	520				
	9kHz(F, K, S)	603	999	1404	531				
	MW/LW(N)	603	999	1404	171	207	270	152	531

2. Version of microprocessor (CPU) and FLD segment check mode

This mode is available to confirm the version of each CPU and to check all luminous segments by the following steps.

1. When the product is FACTORY mode (Refer to the above mentioned "1. **FACTORY mode**"), press [**DISPLAY OFF**] button. FLD shows "**MARANTZ SR-14EX**".
2. Press [**DISPLAY OFF**] button. FLD shows the version of program code for QU01(main CPU).
3. Press [**DISPLAY OFF**] button. FLD shows the version of program code for Q961(SURROUND CPU).
4. Press [**DISPLAY OFF**] button. All segments turn off and LED's (TV, LD, DVD, VCR1, DSS/VCR2, AUX, STANDBY) light up.
5. Press [**DISPLAY OFF**] button. G1 and G2 segments light up step by step.
6. Press [**DISPLAY OFF**] button. Segments of checker pattern light up step by step.
7. Press [**DISPLAY OFF**] button. All segment of FLD and LED's turn off.
8. Press [**DISPLAY OFF**] button. It will return to 1. (FLD shows "**MARANTZ SR-14EX**".)

3. Input and output test mode

This mode is available for the functions as shown in Fig 1 by the following steps.

1. When the product is FACTORY mode (Refer to above mentioned "1. **FACTORY mode**"), press both [**MEMO**] and [**TREBLE▼**] buttons simultaneously.
2. FLD shows "**AUTO CD**". By pressing both [**MEMO**] and [**TREBLE ▼**] buttons simultaneously each time, the mode is changed in the following order.

Fig 1 Input and output test mode

ORDER	INDICATION for FLD	MODE FUNCTION
1	AUTO CD	Input selection mode (without using system setup menu)
2	ALL CH CD	5 or 6 channels output mode (This mode is available for 2 channels input)

3.1. Input selection mode (without setting to system setup menu)

This mode is available to select the input without setting to system setup menu by the following steps.

1. When FLD shows "AUTO CD" (Refer to "4. Input and output test mode"), the input can be shifted by pressing [**MODE**] button for the remote commander only each time as shown in Fig 2. ([**MODE**] button is in page4 of **AMP** function for RC-18SR*)

Fig 2. Input selection order by pressing [**MODE**] button each time

ORDER	INDICATION for FLD	INPUT STATUS
1	AUTO D1	DIG. 1 IN
2	AUTO D2	DIG. 2 IN
3	AUTO D3	DIG. 3 IN
4	AUTO D4	DIG. 4 IN
5	AUTO D5	DIG. 5 IN
6	AUTO D6	DIG. 6 IN
7	AUTO CD	CD IN (Analog)

Note: Surround mode is fixed "AUTO" mode automatically.

3.2. 5.1 channels output mode

This mode is available to output the same signal from 5 channels, even though 2 channels audio signal comes in.

As the result, all channels output can be confirmed by using analog stereo signal or PCM audio signal.

AC-3 or DTS source is not necessary to output from any channel in this mode.

1. When FLD shows "ALL CH CD" (Refer to "4. Input and output test mode"), the input can be shifted by pressing [**MODE**] button for the remote commander only each time as shown in Fig 3. ([**MODE**] button is in page4 of **AMP** function for RC-18SR*)
2. Supply to 2 channels PCM signal for digital input or 2 channels analog signal for analog input. But, Left channel and Right channel of input signal should be equal.
3. Then each output from the product is the same as the input signal. (Subwoofer channel is respond to lower than 80Hz signal)

Fig 3. Input selection order by pressing [**MODE**] button each time

ORDER	INDICATION for FLD	INPUT STATUS
1	ALL CH D1	DIG. 1 IN
2	ALL CH D2	DIG. 2 IN
3	ALL CH D3	DIG. 3 IN
4	ALL CH D4	DIG. 4 IN
5	ALL CH D5	DIG. 5 IN
6	ALL CH D6	DIG. 6 IN
7	ALL CH CD	CD IN (Analog)

4. Transistor MUTE mode

In mute situation on the product, output signal is muted by Volume control IC and muting transistor.

But, this mode is available to work the muting transistor only by the following steps.

1. When the product is FACTORY mode (Refer to "1. FACTORY mode"), press [**MUTE**] button for remote commander only.
2. FLD shows "TrMUTE ON", then muting transistor circuit is active only.

5. How to reset the product

When the product is POWER ON, press both [**CL**] and [**DISPLAY OFF**] buttons simultaneously.

FLD shows "DEFAULT" for 3 seconds, then all memories are cleared.

Note

* : The remote controller RC2000mkII is available instead of RC-18SR for [**MODE**] button.

9. ELECTRICAL ADJUSTMENTS

1. DC offset adjustment

Master Volume : Minimum, Speaker out : non Load

Step	Power	Channel	Adjustment Point	Test Point	Adjustment Vaule
1	on	Front L	R715	Speaker Output Terminal	± 20mV
		Center	RT15		
		Front R	RP16		
		Surr. L	RP15		
		Surr. R	R716		

Note : If the measured value is not exceed ±20mV, no need to adjust the DC offset.

2. Idling current adjustment

Master Volume : Minimum, Speaker out : non Load

Step	Power	Channel	Adjustment Point	Test Point	Adjustment Vaule
1	Power on	Front L	R743	J713 or R773	within 1 minute 0.4mV
		Center	RT43	JT13 or RT73	
		Front R	RP44	JP04 or RP74	
		Surr. L	RP43	JP03 or RP73	
2	after 4 minutes	Surr. R	R744	J714 or R774	see table for adjustment vaule
				J***:4P Connector [between 1p-4p] R***:Emitter Resister [0.1Ω x 2 (0.18Ω x 2)]	

Time since power on	Idling current adjust.	Time since power on	Idling current adjust.
4-4 minutes 30 seconds	5.6mV	11-12 minutes	8.0mV
4m30s-5 minutes	6.4mV	12-14 minutes	7.6mV
5-5 minutes 30 seconds	7.2mV	14-16 minutes	7.2mV
5m30s-6 minutes	7.7mV	16-18 minutes	6.5mV
6-7 minutes	8.2mV	18-22 minutes	5.6mV
7-8 minutes	8.6mV	22-26 minutes	4.9mV
8-9 minutes	8.8mV	26-30 minutes	4.4mV
9-10 minutes	8.6mV	more than 30 minutes	4.0mV
10-11 minutes	8.4mV		The taget is 4.0mV

3. Thermostat circuit confirmation

- 1) When the product is POWER ON, remove the wire W701 from the connector J715 (P704).
- 2) FLD shows "ERROR PWR1".
- 3) Confirm the product is POWER OFF after 3 seconds.
- 4) Connect the wire W701 to the connector J715 (on P704).
- 5) Confirm the product is standby status.

4. Cooling fan confirmation

4.1 Fan failure sensor confirmation

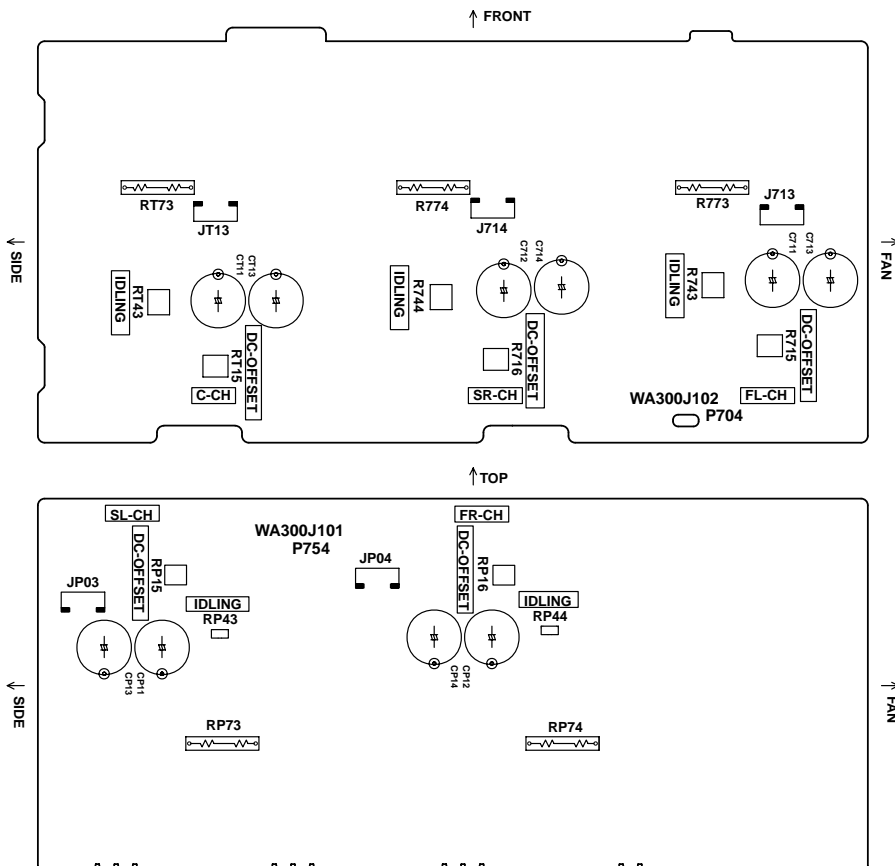
- 1) Set to be SPK output 1W from the front channel.
- 2) Connect the 1pin (LOCK) of the connector JN10 (on P754) to chassis (GND level) by a wire.
- 3) After 6 seconds the SPK relay works, and the SPK output isn't output.

4.2 Temperature sensor confirmation

- 1) Connect a resistor (470ohms 1W) between JN10 3pin (T-2CH) and DC +12Voltage.
- 2) Confirm the cooling fan starts working. (Status : JN09 between 1pin and 2pin = **+7.5Voltage**, Fan speed = **Low**)
- 3) Remove the resistor.
- 4) Confirm the cooling fan stops.
- 5) Connect the resistor between JN10 4pin (T-3CH) and DC +12Voltage.
- 6) Confirm the cooling fan starts working again.
- 7) Remove the resistor.
- 8) Confirm the cooling fan stops.
- 9) Connect the resistor between JN10 3pin (T-2CH) and DC +12Voltage. And then connect another resistor between JN10 4pin (T-3CH) and DC +12Voltage.
- 10) Confirm the cooling fan starts working.
- 11) And then connect the resistor between JN10 2pin (SPEED) and DC +12Voltage.
- 12) Confirm the cooling fan changes to work with high speed. (Status : JN09 between 1pin and 2pin = **+11.5Voltage**, Fan speed = **High**)

4.3 Fan catching a foreign body sensor confirmation

- 1) Connect the resistor (470ohms 1W) between JN10 3pin (T-3CH) and DC +12Voltage.
 - 2) Confirm the cooling fan starts working. (Status : JN09 between 1pin and 2pin=**+7.5Voltage**, Fan speed = **Low**)
 - 3) Set to be SPK output 1W from the front channel.
 - 4) Hold the cooling fan by hand and stop it.
- Notes: Take care of wound in the hand!**
- 5) After 6 seconds the SPK relay works and the SPK output isn't output.



10. ALIGNMENT PROCEDURES

1. AM IF Adjustment

Step	Input Signal Source Connection	Signal Frequency	Source Signal Output Level and Modulation	Reception Frequency	Adjustment Point	Adjustment Value
1	Signal generator output to transmission *loop antenna. (*:Standard required loop)	999 kHz (K, N, S, F) 1000 kHz (U)	Level 300 μ V/m (50dB/m) Mod. 400 Hz 30%	Tuning point	LA06	Output level (L or R) Maximum at TAPE-OUT

REMARK: For receiving antenna, the adapted one is available.

This adjustment is not necessary normally, because the coil LA06 is preset by the original supplier.

It is necessary when the incorrect usable sense and frequency response.

2. AM (MW) Tracking Adjustment

Step	**Input Signal Source Connection	Signal Frequency	Source Signal Output Level and Modulation	Reception Frequency	Adjustment Point	Adjustment Value
1	Signal generator output to transmission *loop antenna. (*:Standard required loop)	603 kHz (K, N, S, F) 600 kHz (U)	Level 300 - 400 μ V/m Mod. 400 Hz 30%	603 kHz (K, N, S, F) 600 kHz (U)	LA01	Output level (L or R) Maximum at TAPE-OUT
2		1404 kHz (K, N, S, F) 1400 kHz (U)	Level 300 - 400 μ V/m Mod. 400 Hz 30%	1404 kHz (K, N, S, F) 1400 kHz (U)	CA01	Output level (L or R) Maximum at TAPE-OUT
3	Repeat step 1 and 2 until sensitivity be maximized.					

3. AM (LW) Tracking Adjustment [N version]

Step	**Input Signal Source Connection	Signal Frequency	Source Signal Output Level and Modulation	Reception Frequency	Adjustment Point	Adjustment Value
1	Signal generator output to transmission *loop antenna. (*:Standard required loop)	171 kHz	Level 300 - 400 μ V/m Mod. 400 Hz 30%	171 kHz	LA03	Output level (L or R) Maximum at TAPE-OUT
2		270 kHz	Level 300 - 400 μ V/m Mod. 400 Hz 30%	270 kHz	CA08	Output level (L or R) Maximum at TAPE-OUT
3	Repeat step 1 and 2 until sensitivity be maximized.					

4. AM auto stop Adjustment

Step	Input Signal Source Connection	Signal Frequency	Source Signal Output Level and Modulation	Reception Frequency	Adjustment Point	Adjustment Value
1	Signal generator output to transmission *loop antenna. (*:Standard required loop)	999 kHz (K, N, S, F) 1000 kHz (U)	500 μ V/m (54 dB/m)	999 kHz (K, N, S, F) 1000 kHz (U)	RA11	"TUNED" indicate on FLD
2			1000 μ V/m (60 dB/m)	AUTO SCAN	Only Confirm	"TUNED" indicate on FLD

5. FM MONO. Distortion Adjustment

Step	Input Signal Source Connection	Signal Frequency	Source Signal Output Level and Modulation	Reception Frequency	Adjustment Point	Adjustment Value
1	Signal generator output to FM antenna terminal. (75 Ω)	98 MHz (K, N, S, U) 83 MHz (F)	500 μ V (54 dB) MONO 1 kHz / Dev.40kHz 53.3% (K, N, S) MONO 1 kHz / Dev. 75 kHz 100% (U, F)	98 MHz (P2)	L201	Distortion level Minimum at TAPE-OUT

6. FM Muting Level Adjustment

Turn the variable resistor R212 to no indication ("TUNED") point. And return that valuable resistor in opposite to the "TUNED" indicate point.

Step	Input Signal Source Connection	Signal Frequency	Source Signal Output Level and Modulation	Reception Frequency	Adjustment Point	Adjustment Value
1	Signal generator output to FM antenna terminal. (75 Ω)	98 MHz (K, N, S, U) 83 MHz (F)	10 μV (20 dB) MONO 1 kHz / Dev.40 kHz 53.3% (K, N, S) MONO 1 kHz / Dev. 75 kHz 100% (U,F)	98 MHz (K, N, S, U) 83 MHz (F)	R212	"TUNED" indicate on FLD
2			Over mentioned level +3 dB	AUTO SCAN	Only Confirm	"TUNED" indicate on FLD

7. FM STEREO Distortion Adjustment

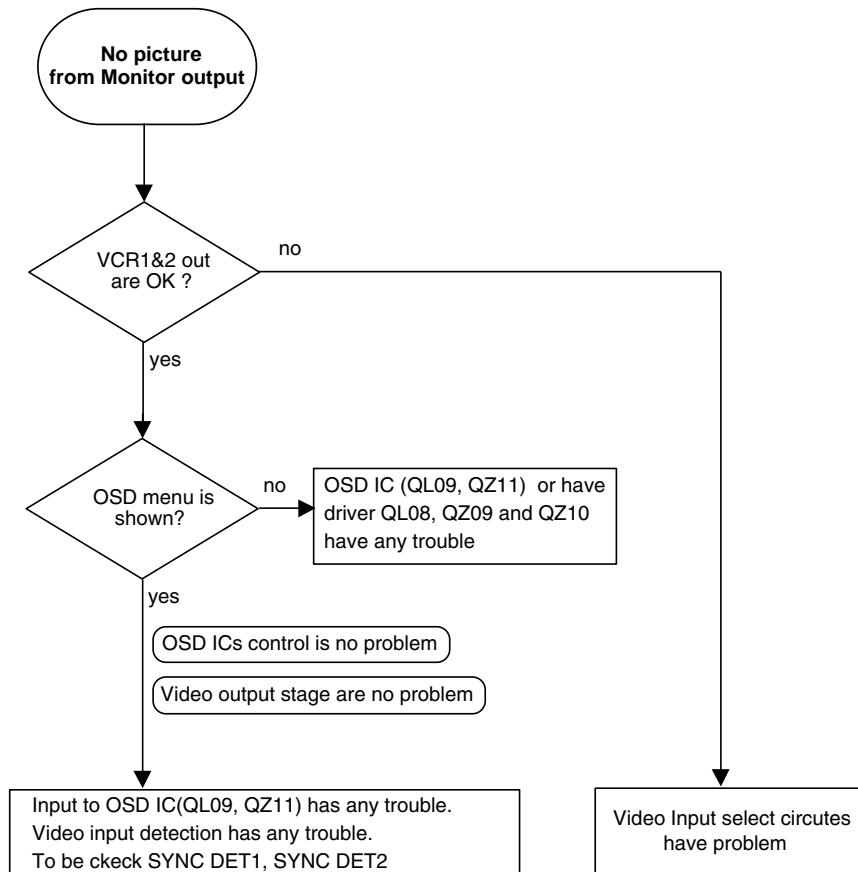
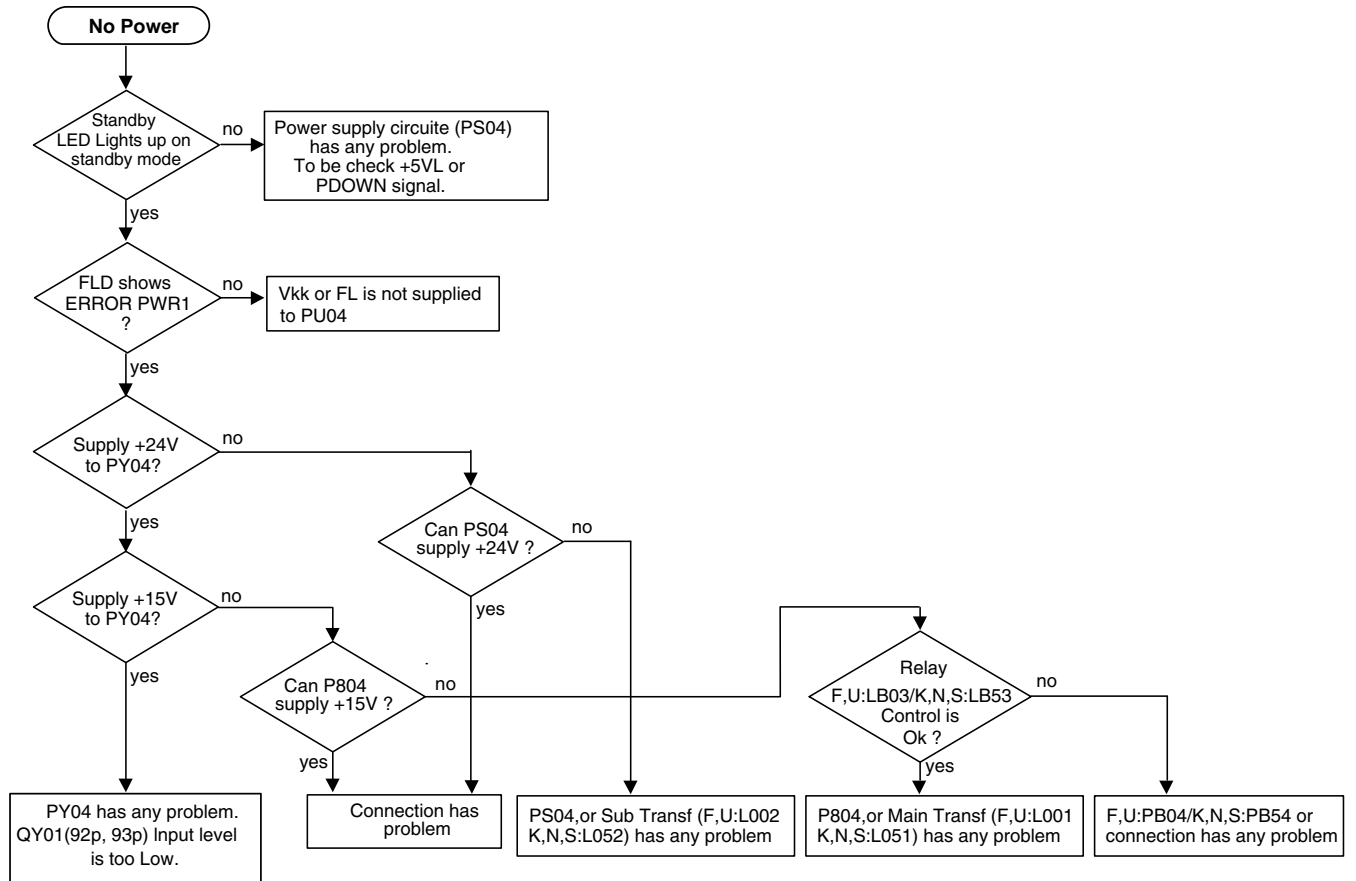
Adjust the **L channel** with the RF signal modulated only **L channel** first and confirm the **R channel** with the RF signal modulated only **R channel**.

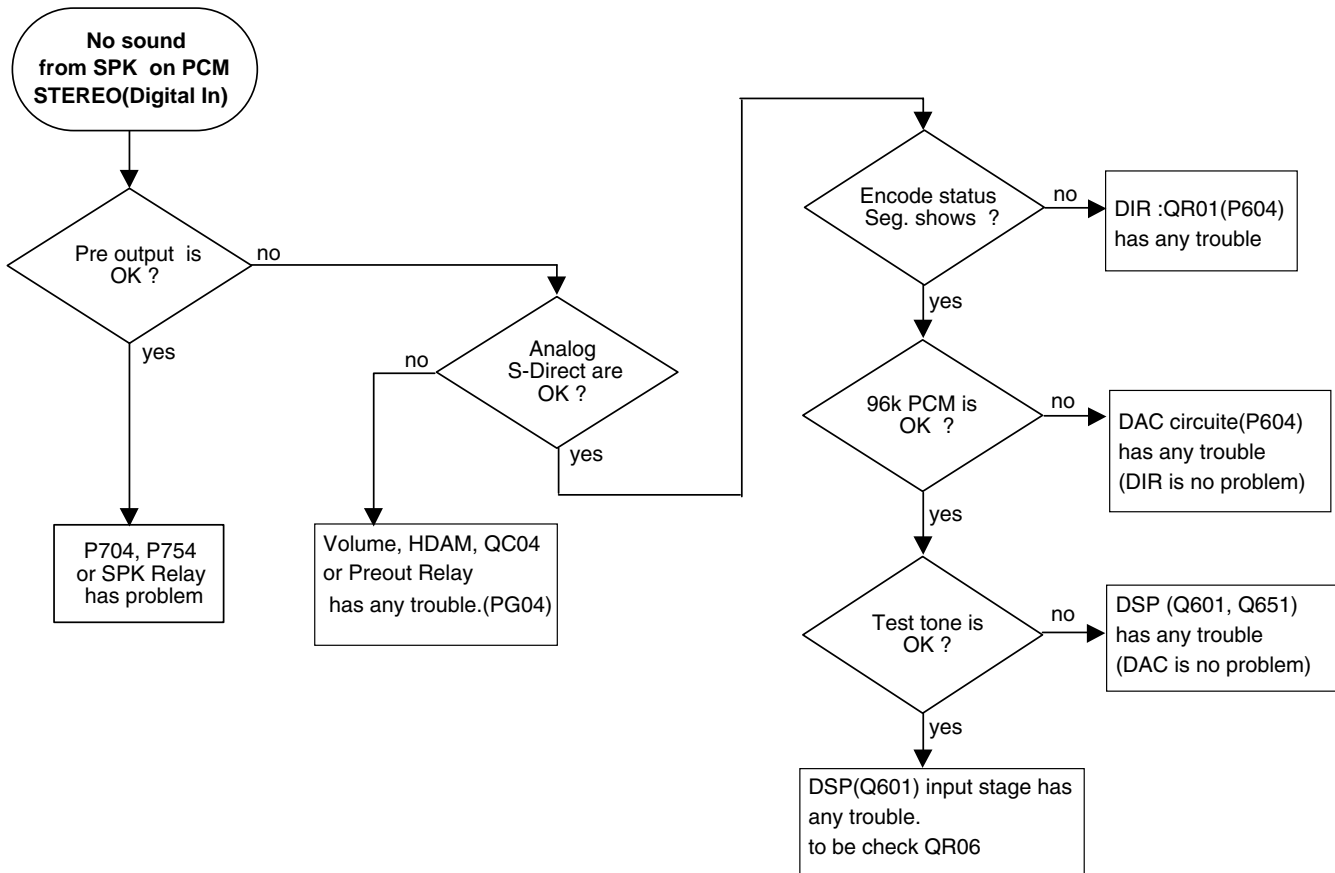
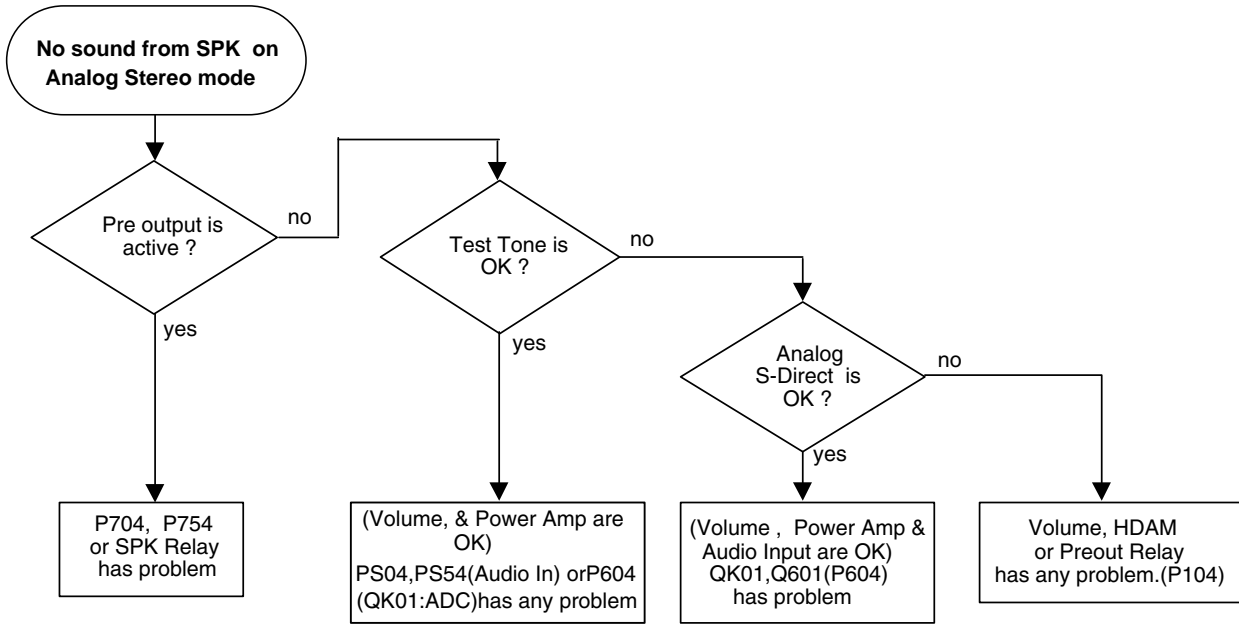
Step	Input Signal Source Connection	Signal Frequency	Source Signal Output Level and Modulation	Reception Frequency	Adjustment Point	Adjustment Value
1	Signal generator output to FM antenna terminal. (75 Ω)	98 MHz (K, N, S, U) 83 MHz (F)	500 μV (54 dB) L or R 1 kHz / Dev. 40 kHz 53.3% PILOT 19 kHz / Dev. 6 kHz 8% (K, N, S)	98 MHz (K, N, S, U) 83 MHz (F)	IF COIL in FRONT END	Distortion level Minimum at TAPE-OUT
2			L or R 1 kHz / Dev. 67.5 kHz 90% PILOT 19 kHz / Dev. 6.75 kHz 9% (U, F)		Only Confirm	Distortion level Simimilar as L ch. at TAPE-OUT R ch.

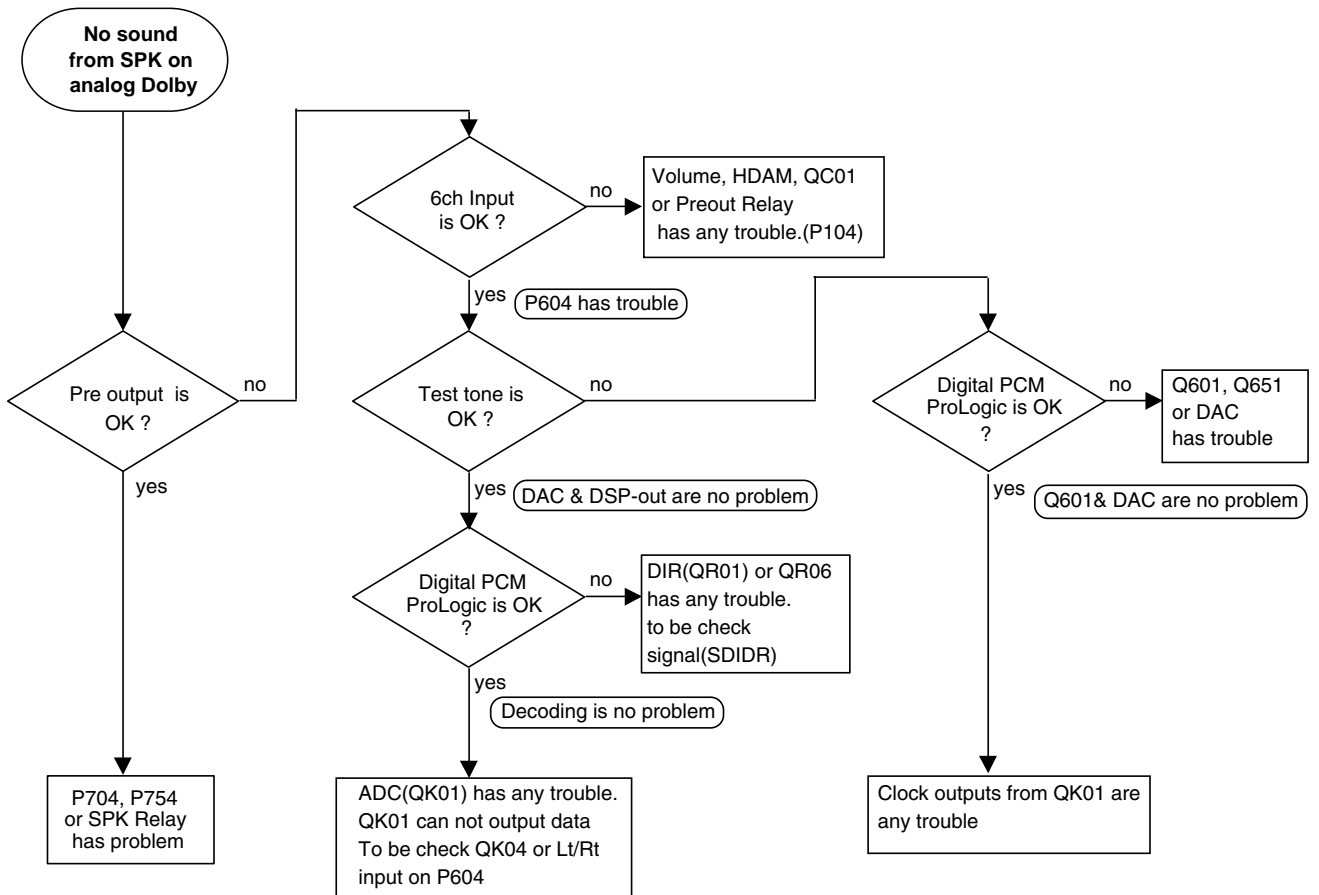
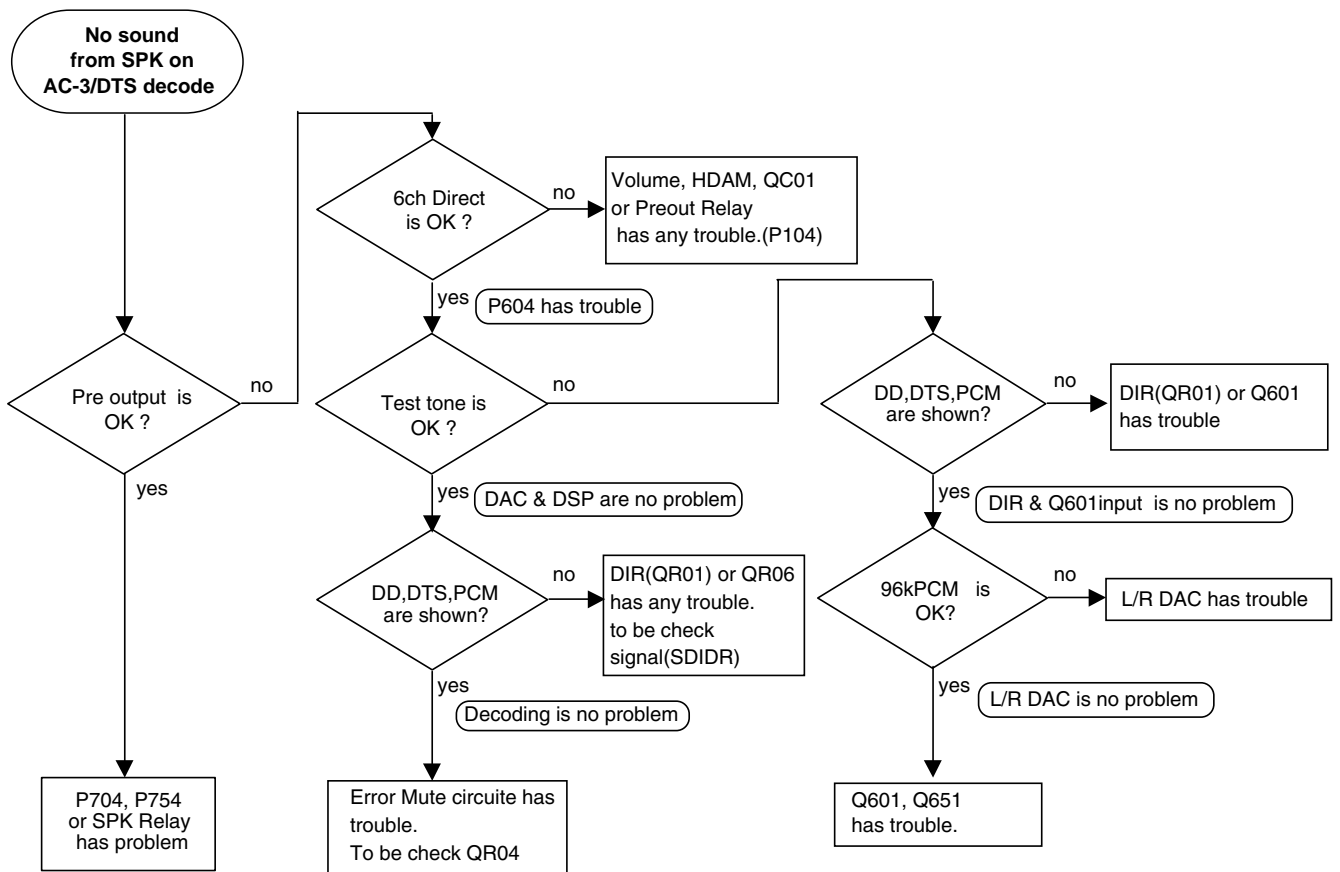
8. FM STEREO Separation Adjustment

Step	Input Signal Source Connection	Signal Frequency	Source Signal Output Level and Modulation	Reception Frequency	Adjustment Point	Adjustment Value
1	Signal generator output to FM antenna terminal. (75 Ω)	98 MHz (K, N, S, U) 83 MHz (F)	same specification as FM STEREO distortion adjustment. Input only L channel.	98 MHz (K, N, S, U) 83 MHz (F)	R211	Output level Minimum at TAPE-OUT channel R
2		98 MHz (K, N, S, U) 83 MHz (F)	same specification as FM STEREO distortion adjustment. Input only R channel.	98 MHz (K, N, S, U) 83 MHz (F)	R211	Output level Similar as Rch at TAPE-OUT channel L

11. TROUBLE SHOOTING







12. TECHNICAL DESCRIPTION

This product has two DSP ICs, one is for Dolby Digital (AC-3) decoding or DTS (Digital Theater System) decoding, another is for THX processing.

Multi channel sound is reproduced by connecting with DVD player or LD player.

Also Dolby Pro Logic decode is available to analog audio and PCM digital audio.

Additionally, 96kHz PCM stereo audio playback is possible.

Decoding circuit is consist of 13 ICs (DIR, two DSP, ADC, five DAC, AC-3 RF demodulator, two data separator and CPU).

DOLBY DIGITAL (AC-3)

Dolby Digital delivers six totally separate (discrete) channels of sound. Like Dolby Surround Pro Logic, it includes Left, Center and Right channels across the front of the room. Dolby Surround Pro Logic provides a single limited-bandwidth (100 Hz to 7,000 Hz) surround channel which is typically played back in the home through two channels of amplification and two speakers. In comparison, Dolby Digital provides separate (discrete) left surround and right surround channels, for more precise localization of sounds and a more convincing, realistic ambience. And, with Dolby Digital, all five main channels are full range (3 Hz to 20,000 Hz). A subwoofer could be added to each channel, if desired.

The sixth channel, the Low Frequency Effects Channel, will, at times, contain additional bass information to maximize the impact of scenes such as explosions, crashes, etc. Because this channel has only a limited frequency response (3 Hz to 120 Hz), it is sometimes referred to as the “.1” channel. When added to the 5 full range channels, the Dolby Digital system is sometimes referred to as having “5.1” channels.

DTS

An amazing new technology for surround-sound entertainment, DTS Digital Surround is an encode/decode system that delivers six channels (5.1) of master-quality, 20-bit audio. In the encoding process, the DTS algorithm encrypts six channels of 20-bit digital audio information in the space previously allotted for only two channels of 16-bit linear PCM. Then during playback, the DTS decoder reconstructs the original six channels of 20-bit digital audio. Each of these six channels is audibly superior to the 16-bit linear PCM audio found on conventional compact discs.

THX ULTRA

Home THX Controller Technologies : Dubbing stages (where soundtracks are created) and movie theatres do not change their acoustics, equipment, or system equalization when mixing or playing back 5.1 channel sound tracks. They merely divide the surround array of speakers into two symmetrical arrays (hence the term “split surround”). All of the remaining system equalization and setup remains the same. The Home THX Technologies of Re-Equalization, Timbre Matching, and Decorrelation, as well as the Home THX Crossover are still necessary for 5.1 channel formats. Because of the nature of the split surround soundtrack, Home THX Timbre Matching and Decorrelation technologies have been altered to provide correct surround sound balance and spaciousness. Here is a representation of how Home THX Controller Technologies work with the various surround sound formats.

THX SURROUND EX

THX Surround EX - Dolby Digital Surround EX is a joint development of Dolby Laboratories and the THX division of Lucasfilm Ltd.

In a movie theater, film soundtracks that have been encoded with Dolby Digital Surround EX technology are able to reproduce an extra channel which has been added during the mixing of the program.

This channel, called Surround Back, places sounds behind the listener in addition to the currently available front left, front center, front right, surround right, surround left and subwoofer channels.

This additional channel provides the opportunity for more detailed imaging behind the listener and brings more depth, spacious ambience and sound localization than ever before.

Movies that were created using the Dolby Digital Surround EX technology when released into the home consumer market may exhibit a Dolby Digital Surround EX logo on the packaging.

A list of movies created using this technology can be found on the Dolby web site at

<http://www.dolby.com>.

“SURROUND EX™” is a trademark of Dolby Laboratories. Used under authorization.

THX SURROUND EX

DIR (Digital audio Interface Receiver : QR01 / LC89055)

This circuit extract synchronized clock signals and data from SPDIF signal input. QR01(LC89055) generates these signals, this chip supports 96kHz sample rate.

1st DSP (Digital Signal Processor for Dolby Digital, Pro Logic, DTS : Q601 / YSS912)

Q601(YSS912) decodes 6 channels audio from encoded data signal input. Some effects are processed in addition to multi channel decoding on HALL, MATRIX, and MOVIE mode.

2nd DSP (Digital Signal Processor for THX processing : Q651 / ZR38601)

Q651(ZR38601) has the THX 5.1 processing functions. These functions include **Re-equalization, Surround Timbre-Matching, Adaptive Decorrelation, Bass Management, Bass Peak Level Manager, and Loudspeaker Position Time Synchronization.**

Re-equalization takes the edginess or “brightness” out of your home cinema sound, compensating for the fact that sound mixed for theatres will sound too bright when played back through flat response speakers in your home.

Timbre Matching matches the tone of your front speakers to your surrounds to compensate for the fact that only two surround speakers are used in a typical Home Theatre system instead of a full array as in a movie theatre.

Adaptive Decorrelation gives a stereo “feel” when your surrounds are playing mono and automatically switches off when they are playing stereo.

Bass Management Electronic Crossover allows you to use more compact, easier-to-place speakers, while sending bass to a subwoofer system, improving frequency response, lowering distortion and increasing dynamic range.

Bass Peak Level Manager protects your subwoofer from overloading due to the great amount of bass a 5.1 soundtrack delivers.

Loudspeaker Position Time Synchronization lets you easily set up your system for an optimum listening position, which is difficult to achieve within the space constraints of most homes.

ADC (Analog to Digital Converter : QK01 / AK5392)

AK5392 is a complete analog-to-digital converter for stereo digital audio systems. it performs sampling, analog-to-digital conversion and anti-alias filtering, generating 24 bit values for both left and right inputs in serial form.

DAC (Digital to Analog Converter : QD01, QD02, QD03 : QD41, QD42 / AD1852)

The AD1852 is a high performance, single-chip stereo, audio DAC. There are five AD1855 chips on the board. Four chips are used for L, R, C, and Sub woofer channel individually. Another chip is used for Surround Left & Right.

CPU (Q691 / TMP93CW44ADF)

This chip controls some ICs in P604 and communicates with QU01. Connect to QU01 with serial interface lines.

13. ELECTRICAL PARTS LIST

ASSIGNMENT OF COMMON PARTS CODES.

RESISTORS

- R***: 1) GD05xxx140, Carbon film fixed resistor, ±5% 1/4W
 R***: 2) GD05xxx160, Carbon film fixed resistor, ±5% 1/6W

① — Resistance value

Examples ;

- ① Resistance value
 0.1 Ω 001 10 Ω 100 1 kΩ 102 100 kΩ 104
 0.5 Ω 005 18 Ω 180 2.7 kΩ 272 680 kΩ 684
 1 Ω 010 100 Ω 101 10 kΩ 103 1 MΩ 105
 6.8 Ω 068 390 Ω 391 22 kΩ 223 4.7 MΩ 475

Note : Please distinguish 1/4W from 1/6W by the shape of parts used actually.

CAPACITORS

C***: CERAMIC CAP.

- 3) DD1xxx370, Ceramic capacitor
 Disc type
 Temp.coeff.P350 ~ N1000, 50V
 ② — Capacity value
 ③ — Tolerance

Examples ;

- ② Tolerance (Capacity deviation)
 ±0.25 pF 0
 ±0.5 pF 1
 ±5% 5

* Tolerance of COMMON PARTS handled here are as follows :

- 0.5 pF ~ 5 pF ±0.25 pF
 6 pF ~ 10 pF ±0.5 pF
 12 pF ~ 560 pF ±5%

③ Capacity value

- 0.5 pF 005 3 pF 030 100 pF 101
 1 pF 010 10 pF 100 220 pF 221
 1.5 pF 015 47 pF 470 560 pF 561

C*** : CERAMIC CAP.

- 4) DK16xxx300, High dielectric constant ceramic capacitor
 Disc type
 Temp.chara. 2B4, 50V
 ④ — Capacity value

Examples ;

- ④ Capacity value
 100 pF 101 1000 pF 102 10000 pF 103
 470 pF 471 2200 pF 222

C*** : 5) ELECTROLY CAP. (⏏), 6) FILM CAP. (⏏)

- 5) EAxxx10, Electrolytic capacitor
 One-way lead type, Tolerance ±20%
 ⑤ — Working voltage
 ⑥ — Capacity value

Examples ;

- ⑤ Capacity value
 0.1 μF 104 4.7 μF 475 100 μF 107
 0.33 μF 334 10 μF 106 330 μF 337
 1 μF 105 22 μF 226 1100 μF 118
 2200 μF 228
- ⑥ Working voltage
 6.3V 006 25V 025
 10V 010 35V 035
 16V 016 50V 050

- 6) DF15xxx350 — Plastic film capacitor
 DF15xxx310 — One-way type, Mylar ±5% 50V
 DF16xxx310 — Plastic film capacitor
 One-way type, Mylar ±10% 50V
 ⑦ — Capacity value

Examples ;

- ⑦ Capacity value
 0.001 μF (1000 pF) 102 0.1 μF 104
 0.0018 μF 182 0.56 μF 564
 0.01 μF 103 1 μF 105
 0.015 μF 153

NOTE : 1) The above CODES (R***, R***, C***, C*** and C***) are omitted on the schematic diagram in some case.

- 2) On the occasion, be confirmed the common parts on the parts list.
 3) Refer to "Common Parts List" for the other common parts (RI05, DD4, DK4).

NOTE ON SAFETY FOR FUSIBLE RESISTOR :

The suppliers and their type numbers of fusible resistors are as follows;

1. KOA Corporation

- | Part No. (MJI) | Type No. (KOA) | Description |
|----------------|----------------|-------------|
| NH05xxx140 | RF25SxxxxΩJ | (±5% 1/4W) |
| NH05xxx120 | RF50SxxxxΩJ | (±5% 1/2W) |
| NH85xxx110 | RF73B2AxxxxΩJ | (±5% 1/10W) |
| NH95xxx140 | RF73B2ExxxxΩJ | (±5% 1/4W) |

* Resistance value * Resistance value
 (0.1 Ω - 10 kΩ)

2. Matsushita Electronic Components Co., Ltd

- | Part No. (MJI) | Type No. (MEC) | Description |
|----------------|----------------|-------------|
| NF05xxx140 | ERD-2FCJxxx | (±5% 1/4W) |
| RF05xxx140 | | |
| NF02xxx140 | ERD-2FCGxxx | (±2% 1/4W) |
| RF02xxx140 | | |

* Resistance value * Resistance value

Examples ;

- * Resistance value
 0.1 Ω 001 10 Ω 100 1 kΩ 102 100 kΩ 104
 0.5 Ω 005 18 Ω 180 2.7 kΩ 272 680 kΩ 684
 1 Ω 010 100 Ω 101 10 kΩ 103 1 MΩ 105
 6.8 Ω 068 390 Ω 391 22 kΩ 223 4.7 MΩ 475

ABBREVIATION AND MARKS

ANT. : ANTENNA	BATT. : BATTERY
CAP. : CAPACITOR	CER. : CERAMIC
CONN. : CONNECTING	DIG. : DIGITAL
HP : HEADPHONE	MIC. : MICROPHONE
μ-PRO : MICROPROCESSOR	REC. : RECORDING
RES. : RESISTOR	SPK : SPEAKER
SW : SWITCH	TRANSF. : TRANSFORMER
TRIM. : TRIMMING	TRS. : TRANSISTOR
VAR. : VARIABLE	X'TAL : CRYSTAL

NOTE ON SAFETY :

Symbol \blacktriangle Fire or electrical shock hazard. Only original parts should be used to replaced any part marked with symbol \blacktriangle . Any other component substitution (other than original type), may increase risk of fire or electrical shock hazard.

安全上の注意 :

\blacktriangle がついている部品は、安全上重要な部品です。必ず指定されている部品番号の部品を使用して下さい。

POS. NO	VERS. COLOR	PART NO. (FOR PCS)	DESCRIPTION	PART NO. (MJI)	POS. NO	VERS. COLOR	PART NO. (FOR PCS)	DESCRIPTION	PART NO. (MJI)
			P104-7CH ELE.VOL. TUNER CIRCUIT BOARD		CM12		4822 124 22277	ELECT. 470µF 16V M RA-2	OA47701620
			P104-CAPACITORS		CM21		4822 122 33575	CER.CHIP 220pF	DD55221300
CA01		4822 125 50384	TRIM. 20pF VCT51E	CT12000200	CM28				
CA02			CER.CHIP 0.047µF B 50V	DK56473300	CM29				
CA03		4822 122 33204	CER.CHIP 15pF	DD55150300	}				
CA04		4822 121 42466	FILM 390pF 100V ECQ-P	DF15391550		CM35			
CA05		5322 122 32452	CER.CHIP 47pF CH	DD55470300			CER.CHIP 470pF	DD55471300	
CA06		5322 122 34098	CER.CHIP 0.01µF	DK56103300	CV01	5322 124 21731	ELECT. 10µF M 50V RA-2	OA10605020	
CA07	/N	5322 122 34098	CER.CHIP 0.01µF Z 50V	DK56103300	CV02	5322 124 21731	ELECT. 10µF M 50V RA-2	OA10605020	
CA08	/N	4822 125 50384	TRIM. 20pF VCT51E	CT12000200	CV03	5322 122 34098	CER.CHIP 0.01µF	DK56103300	
CA09	/N	4822 122 33204	CER.CHIP 15pF J CH 50V BLK	DD55150300	CV04	5322 122 34098	CER.CHIP 0.01µF	DK56103300	
CA11	/N	4822 122 33514	CER.CHIP 68pF J CH 50V BLK	DD55680300	CV05	5322 122 32531	CER.CHIP 100pF	DD55101300	
CA12	/N	5322 122 33538	CER.CHIP 150pF J CH 50V BLK	DD55151300	CV06	5322 122 32531	CER.CHIP 100pF	DD55101300	
CA13	/N	5322 122 34098	CER.CHIP 0.01µF Z 50V	DK56103300	CV07	9965 000 06288	ELECT. 22µF 25V	EA22602520	
CA14	/N	5322 122 34098	CER.CHIP 0.01µF Z 50V	DK56103300	CV08	9965 000 06288	ELECT. 22µF 25V	EA22602520	
CA18		4822 124 80067	ELECT. 4.7µF M 50V RA-2	OA47505020	CV09	4822 124 41796	ELECT. 22µF M 16V RA-2	OA22601620	
					CV10	4822 124 41796	ELECT. 22µF M 16V RA-2	OA22601620	
CC05		5322 122 34098	CER.CHIP 0.01µF	DK56103300	CV11	5322 124 21731	ELECT. 10µF M 50V RA-2	OA10605020	
CC06		5322 122 34098	CER.CHIP 0.01µF	DK56103300	CV12	5322 124 21731	ELECT. 10µF M 50V RA-2	OA10605020	
CC07		5322 124 21731	ELECT. 10µF M 50V RA-2	OA10605020	CV13	5322 122 34098	CER.CHIP 0.01µF	DK56103300	
CC08		5322 124 21731	ELECT. 10µF M 50V RA-2	OA10605020	CV14	5322 122 34098	CER.CHIP 0.01µF	DK56103300	
CC25		5322 122 34098	CER.CHIP 0.01µF	DK56103300	CV15	5322 122 32531	CER.CHIP 100pF	DD55101300	
CC26		5322 122 34098	CER.CHIP 0.01µF	DK56103300	CV16	5322 122 32531	CER.CHIP 100pF	DD55101300	
CC27		5322 122 32531	CER.CHIP 100pF	DD55101300	CV17	9965 000 06289	ELECT. 47µ! 16V	EA47601620	
CC29		4822 124 90353	ELECT. 100µF M 10V RA-2	OA10701020	CV17	/F	ELECT. 47µF M 25V ARS	OA47601640	
CC30		4822 124 90353	ELECT. 100µF M 10V RA-2	OA10701020	CV18	9965 000 06289	ELECT. 47µ! 16V	EA47601620	
CC31		4822 124 41535	ELECT. 100µF M 25V RA-2	OA10702520	CV18	/F	ELECT. 47µF M 25V ARS	OA47601640	
CC32		4822 124 41535	ELECT. 100µF M 25V RA-2	OA10702520	CV19	4822 126 12061	CER.CHIP 0.1µF B 25V	DK56104200	
CC33					CV20	4822 126 12061	CER.CHIP 0.1µF B 25V	DK56104200	
CC37		4822 126 12061	CER.CHIP 0.1µF B 25V	DK56104200	CV21	4822 124 22698	ELECT. 47µF M 25V RA-2	OA47602520	
CC40		4822 124 41796	ELECT. 22µF M 16V RA-2	OA22601620	CV22	4822 124 22698	ELECT. 47µF M 25V RA-2	OA47602520	
CG51		5322 124 21731	ELECT. 10µF M 50V RA-2	OA10605020	CV23	5322 122 32531	CER.CHIP 100pF	DD55101300	
CG52		5322 124 21731	ELECT. 10µF M 50V RA-2	OA10605020	CV25	9965 000 06288	ELECT. 22µF 25V	EA22602520	
CG53		5322 122 34098	CER.CHIP 0.01µF	DK56103300	CV26	9965 000 06288	ELECT. 22µF 25V	EA22602520	
CG54		5322 122 34098	CER.CHIP 0.01µF	DK56103300	CV27	5322 122 32531	CER.CHIP 100pF	DD55101300	
CG55		5322 122 32531	CER.CHIP 100pF	DD55101300	CV28	5322 122 32531	CER.CHIP 100pF	DD55101300	
CG56		5322 122 32531	CER.CHIP 100pF	DD55101300	CV29	9965 000 06288	ELECT. 22µF 25V	EA22602520	
CG57		9965 000 06288	ELECT. 22µF 25V	EA22602520	CV30	9965 000 06288	ELECT. 22µF 25V	EA22602520	
CG58		9965 000 06288	ELECT. 22µF 25V	EA22602520	CV31	4822 124 90362	ELECT. 22µF M 50V RA-2	OA22605020	
CG59		4822 124 41796	ELECT. 22µF M 16V RA-2	OA22601620	CV31	/F	ELECT. 22µF M 35V ARS	OA22603540	
CG59	/F		ELECT. 22µF M 25V ARS	OA22602540	CV32	4822 124 90362	ELECT. 22µF M 50V RA-2	OA22605020	
CG60	/F	4822 124 41796	ELECT. 22µF M 16V RA-2	OA22601620	CV32	/F	ELECT. 22µF M 35V ARS	OA22603540	
CG60	/F		ELECT. 22µF M 25V ARS	OA22602540	CV41	5322 124 21731	ELECT. 10µF M 50V RA-2	OA10605020	
CG61		5322 124 21731	ELECT. 10µF M 50V RA-2	OA10605020	CV42	5322 124 21731	ELECT. 10µF M 50V RA-2	OA10605020	
CG62		5322 124 21731	ELECT. 10µF M 50V RA-2	OA10605020	CV43	5322 122 34098	CER.CHIP 0.01µF	DK56103300	
CG63		5322 122 34098	CER.CHIP 0.01µF	DK56103300	CV44	5322 122 34098	CER.CHIP 0.01µF	DK56103300	
CG64		5322 122 34098	CER.CHIP 0.01µF	DK56103300	CV45	5322 122 32531	CER.CHIP 100pF	DD55101300	
CG65		5322 122 32531	CER.CHIP 100pF	DD55101300	CV46	5322 122 32531	CER.CHIP 100pF	DD55101300	
CG66		5322 122 32531	CER.CHIP 100pF	DD55101300	CV47	9965 000 06288	ELECT. 22µF 25V	EA22602520	
CG67		9965 000 06289	ELECT. 47µ! 16V	EA47601620	CV48	9965 000 06288	ELECT. 22µF 25V	EA22602520	
CG67	/F		ELECT. 47µF M 16V ARS	OA47601640	CV49	4822 124 41796	ELECT. 22µF M 16V RA-2	OA22601620	
CG68	/F	9965 000 06289	ELECT. 47µ! 16V	EA47601620	CV49	/F	ELECT. 22µF M 25V ARS	OA22602540	
CG68	/F		ELECT. 47µF M 16V ARS	OA47601640	CV50	4822 124 41796	ELECT. 22µF M 16V RA-2	OA22601620	
CG69		4822 126 12061	CER.CHIP 0.1µF B 25V	DK56104200	CV50	/F	ELECT. 22µF M 25V ARS	OA22602540	
CG70		4822 126 12061	CER.CHIP 0.1µF B 25V	DK56104200	CV51	5322 124 21731	ELECT. 10µF M 50V RA-2	OA10605020	
CG71		4822 124 22698	ELECT. 47µF M 25V RA-2	OA47602520	CV52	5322 124 21731	ELECT. 10µF M 50V RA-2	OA10605020	
CG72		4822 124 22698	ELECT. 47µF M 25V RA-2	OA47602520	CV53	5322 122 34098	CER.CHIP 0.01µF	DK56103300	
CG73		5322 122 32531	CER.CHIP 100pF	DD55101300	CV54	5322 122 34098	CER.CHIP 0.01µF	DK56103300	
CG75		9965 000 06288	ELECT. 22µF 25V	EA22602520	CV55	5322 122 32531	CER.CHIP 100pF	DD55101300	
CG76		9965 000 06288	ELECT. 22µF 25V	EA22602520	CV56	5322 122 32531	CER.CHIP 100pF	DD55101300	
CM01					CV57	9965 000 06289	ELECT. 47µ! 16V	EA47601620	
CM08			CER.CHIP 470pF	DD55471300	CV57	/F	ELECT. 47µF M 16V ARS	OA47601640	
CM09		5322 122 32531	CER.CHIP 100pF	DD55101300	CV58	9965 000 06289	ELECT. 47µ! 16V	EA47601620	
CM10		4822 126 12061	CER.CHIP 0.1µF B 25V	DK56104200	CV58	/F	ELECT. 47µF M 16V ARS	OA47601640	
CM11		4822 126 12061	CER.CHIP 0.1µF B 25V	DK56104200	CV59	4822 126 12061	CER.CHIP 0.1µF B 25V	DK56104200	
					CV60	4822 126 12061	CER.CHIP 0.1µF B 25V	DK56104200	
					CV61	4822 124 22698	ELECT. 47µF M 25V RA-2	OA47602520	
					CV62	4822 124 22698	ELECT. 47µF M 25V RA-2	OA47602520	

POS. NO	VERS. COLOR	PART NO. (FOR PCS)	DESCRIPTION	PART NO. (MJI)	POS. NO	VERS. COLOR	PART NO. (FOR PCS)	DESCRIPTION	PART NO. (MJI)
RG53					RV25		4822 111 90896	CHIP 100kΩ ±5% 1/10W	NI05104110
RG56		4822 117 10833	CHIP 10kΩ ±5% 1/10W	NI05103110	RV26		4822 111 90896	CHIP 100kΩ ±5% 1/10W	NI05104110
RG57		4822 117 10834	CHIP 47kΩ ±5% 1/10W	NI05473110	RV31				
RG58		4822 117 10834	CHIP 47kΩ ±5% 1/10W	NI05473110	RV34		4822 052 10103	RES. 10kΩ ±5% 1/6W	GG05103160
RG59		4822 117 10834	CHIP 47kΩ ±5% 1/10W	NI05473110	RV35				
RG60		4822 117 10834	CHIP 47kΩ ±5% 1/10W	NI05473110	RV38		4822 052 10229	RES. 22Ω ±5% 1/6W	GG05220160
RG61		4822 051 20562	CHIP 5.6kΩ ±5% 1/10W	NI05562110	RV43				
RG62		4822 051 20562	CHIP 5.6kΩ ±5% 1/10W	NI05562110	RV46		4822 117 10833	CHIP 10kΩ ±5% 1/10W	NI05103110
RG63		4822 111 90918	CHIP 4.7kΩ ±5% 1/10W	NI05472110	RV47		4822 117 10834	CHIP 47kΩ ±5% 1/10W	NI05473110
RG64		4822 111 90918	CHIP 4.7kΩ ±5% 1/10W	NI05472110	RV48		4822 117 10834	CHIP 47kΩ ±5% 1/10W	NI05473110
RG65		4822 051 20822	CHIP 8.2kΩ ±5% 1/10W	NI05822110	RV49		4822 117 10834	CHIP 47kΩ ±5% 1/10W	NI05473110
RG66		4822 051 20822	CHIP 8.2kΩ ±5% 1/10W	NI05822110	RV50		4822 117 10834	CHIP 47kΩ ±5% 1/10W	NI05473110
RG67		4822 117 10834	CHIP 47kΩ ±5% 1/10W	NI05473110	RV51		4822 051 20562	CHIP 5.6kΩ ±5% 1/10W	NI05562110
RG68		4822 117 10834	CHIP 47kΩ ±5% 1/10W	NI05473110	RV52		4822 051 20562	CHIP 5.6kΩ ±5% 1/10W	NI05562110
RG70		4822 051 20101	CHIP 100Ω ±5% 1/10W	NI05101110	RV53		4822 111 90918	CHIP 4.7kΩ ±5% 1/10W	NI05472110
RG73		4822 117 10834	CHIP 47kΩ ±5% 1/10W	NI05473110	RV54		4822 111 90918	CHIP 4.7kΩ ±5% 1/10W	NI05472110
RG74		4822 117 10834	CHIP 47kΩ ±5% 1/10W	NI05473110	RV55		4822 051 20822	CHIP 8.2kΩ ±5% 1/10W	NI05822110
RM01		4822 051 20331	CHIP 330Ω ±5% 1/10W	NI05331110	RV56		4822 051 20822	CHIP 8.2kΩ ±5% 1/10W	NI05822110
RM02		4822 051 20331	CHIP 330Ω ±5% 1/10W	NI05331110	RV57		4822 117 10834	CHIP 47kΩ ±5% 1/10W	NI05473110
RM03		4822 111 90918	CHIP 4.7kΩ ±5% 1/10W	NI05472110	RV58		4822 117 10834	CHIP 47kΩ ±5% 1/10W	NI05473110
RM04		4822 111 90918	CHIP 4.7kΩ ±5% 1/10W	NI05472110					
RM05		4822 116 90503	CHIP 150Ω ±5% 1/10W	NI05151110	RV60		4822 051 20101	CHIP 100Ω ±5% 1/10W	NI05101110
RM06		4822 116 90503	CHIP 150Ω ±5% 1/10W	NI05151110	RV63		4822 117 10834	CHIP 47kΩ ±5% 1/10W	NI05473110
RM11		4822 051 20331	CHIP 330Ω ±5% 1/10W	NI05331110	RV64		4822 117 10834	CHIP 47kΩ ±5% 1/10W	NI05473110
RM12		4822 051 20331	CHIP 330Ω ±5% 1/10W	NI05331110	RV73		4822 117 10833	CHIP 10kΩ ±5% 1/10W	NI05103110
RM13		4822 111 90918	CHIP 4.7kΩ ±5% 1/10W	NI05472110	RV75		4822 117 10833	CHIP 10kΩ ±5% 1/10W	NI05103110
RM14		4822 111 90918	CHIP 4.7kΩ ±5% 1/10W	NI05472110	RV76		4822 111 90892	CHIP 0Ω ±5% 1/10W	NI05000110
RM15		4822 116 90503	CHIP 150Ω ±5% 1/10W	NI05151110	RV77		4822 117 10834	CHIP 47kΩ ±5% 1/10W	NI05473110
RM16		4822 116 90503	CHIP 150Ω ±5% 1/10W	NI05151110	RV78		4822 117 10834	CHIP 47kΩ ±5% 1/10W	NI05473110
RM21		4822 051 20331	CHIP 330Ω ±5% 1/10W	NI05331110	RV79		4822 117 10834	CHIP 47kΩ ±5% 1/10W	NI05473110
RM22		4822 051 20331	CHIP 330Ω ±5% 1/10W	NI05331110	RV80		4822 117 10834	CHIP 47kΩ ±5% 1/10W	NI05473110
RM23		4822 111 90918	CHIP 4.7kΩ ±5% 1/10W	NI05472110	RV81		4822 051 20562	CHIP 5.6kΩ ±5% 1/10W	NI05562110
RM24		4822 111 90918	CHIP 4.7kΩ ±5% 1/10W	NI05472110	RV82		4822 117 11139	CHIP 1.5kΩ ±5% 1/10W	NI05152110
RM25		4822 116 90503	CHIP 150Ω ±5% 1/10W	NI05151110	RV83		4822 111 90918	CHIP 4.7kΩ ±5% 1/10W	NI05472110
RM26		4822 116 90503	CHIP 150Ω ±5% 1/10W	NI05151110	RV84		4822 051 20182	CHIP 1.8kΩ ±5% 1/10W	NI05182110
RM31		4822 051 20331	CHIP 330Ω ±5% 1/10W	NI05331110	RV85		4822 051 20822	CHIP 8.2kΩ ±5% 1/10W	NI05822110
RM32		4822 051 20331	CHIP 330Ω ±5% 1/10W	NI05331110	RV86		4822 117 10833	CHIP 10kΩ ±5% 1/10W	NI05103110
RM33		4822 111 90918	CHIP 4.7kΩ ±5% 1/10W	NI05472110	RV87		4822 117 10834	CHIP 47kΩ ±5% 1/10W	NI05473110
RM34		4822 111 90918	CHIP 4.7kΩ ±5% 1/10W	NI05472110	RV88		4822 117 10834	CHIP 47kΩ ±5% 1/10W	NI05473110
RM35		4822 116 90503	CHIP 150Ω ±5% 1/10W	NI05151110	RV89		4822 051 20101	CHIP 100Ω ±5% 1/10W	NI05101110
RM36		4822 116 90503	CHIP 150Ω ±5% 1/10W	NI05151110	RV90		4822 051 20101	CHIP 100Ω ±5% 1/10W	NI05101110
RM46		4822 051 20102	CHIP 1kΩ ±5% 1/10W	NI05102110	RV93		4822 117 10834	CHIP 47kΩ ±5% 1/10W	NI05473110
RM51		4822 050 21021	RES. 100Ω ±5% 1/2W	GG05101120	RV94		4822 117 10834	CHIP 47kΩ ±5% 1/10W	NI05473110
RM52		4822 117 10833	CHIP 10kΩ ±5% 1/10W	NI05103110					
RM53		4822 051 20223	CHIP 22kΩ ±5% 1/10W	NI05223110	▲ R101	/U	4822 050 21003	RES. 10kΩ ±5% 1/2W	GG05103120
RM54		9965 000 06285	RES. COMPO. RKL5105J	BW05105020	R201	/K,/N,/S	4822 051 20101	CHIP 100Ω ±5% 1/10W	NI05101110
RM55		4822 051 20101	CHIP 100Ω ±5% 1/10W	NI05101110	R201	/U	4822 111 90892	CHIP 0Ω ±5% 1/10W	NI05000110
RV03					R202		4822 051 20391	CHIP 390Ω ±5% 1/10W	NI05391110
RV06		4822 117 10833	CHIP 10kΩ ±5% 1/10W	NI05103110	R203		4822 117 11449	CHIP 2.2kΩ ±5% 1/10W	NI05222110
RV07		4822 117 10834	CHIP 47kΩ ±5% 1/10W	NI05473110	R204		4822 111 91192	CHIP 470Ω ±5% 1/10W	NI05471110
RV08		4822 117 10834	CHIP 47kΩ ±5% 1/10W	NI05473110	R205		4822 051 20331	CHIP 330Ω ±5% 1/10W	NI05331110
RV09		4822 117 10834	CHIP 47kΩ ±5% 1/10W	NI05473110	R206		4822 111 91139	CHIP 6.8kΩ ±5% 1/10W	NI05682110
RV10		4822 117 10834	CHIP 47kΩ ±5% 1/10W	NI05473110	▲ R207		4822 050 21801	RES. 180Ω ±5% 1/4W	GG05181140
RV11		4822 051 20562	CHIP 5.6kΩ ±5% 1/10W	NI05562110	R208		9965 000 03405	CHIP 2.7kΩ ±5% 1/6W	NI05272110
RV12		4822 051 20562	CHIP 5.6kΩ ±5% 1/10W	NI05562110	R209		4822 111 90918	CHIP 4.7kΩ ±5% 1/6W	NI05472110
RV13		4822 111 90918	CHIP 4.7kΩ ±5% 1/10W	NI05472110	R210		4822 051 20332	CHIP 3.3kΩ ±5% 1/6W	NI05332110
RV14		4822 111 90918	CHIP 4.7kΩ ±5% 1/10W	NI05472110	R211	/K,/N,/S	4822 100 11352	TRIM.RES. 22kΩ RH0638C4JR	RA02230780
RV15		4822 051 20822	CHIP 8.2kΩ ±5% 1/10W	NI05822110	R211	/U	4822 100 11351	TRIM.RES. 10kΩ RH0638C14R	RA01030780
RV16		4822 051 20822	CHIP 8.2kΩ ±5% 1/10W	NI05822110	R212		4822 100 11351	TRIM.RES. 10kΩ RH0638C3SR	RA01030780
RV17		4822 117 10834	CHIP 47kΩ ±5% 1/10W	NI05473110	R213		4822 051 20479	CHIP 47Ω ±5% 1/6W	NI05470110
RV18		4822 117 10834	CHIP 47kΩ ±5% 1/10W	NI05473110	R214		4822 117 10834	CHIP 47kΩ ±5% 1/6W	NI05473110
RV19		4822 111 91192	CHIP 470Ω ±5% 1/10W	NI05471110	R215	/K,/N,/S	4822 111 90925	CHIP 68kΩ ±5% 1/6W	NI05683110
RV20		4822 111 91192	CHIP 470Ω ±5% 1/10W	NI05471110	R215	/U	4822 051 20273	CHIP 27kΩ ±5% 1/10W	NI05273110
RV21		4822 051 20101	CHIP 100Ω ±5% 1/10W	NI05101110	R216		4822 051 20102	CHIP 1kΩ ±5% 1/10W	NI05102110
RV23		4822 117 10834	CHIP 47kΩ ±5% 1/10W	NI05473110	▲ R217		4822 050 21801	RES. 180Ω ±5% 1/4W	GG05181140
RV24		4822 117 10834	CHIP 47kΩ ±5% 1/10W	NI05473110	R220		4822 051 20101	CHIP 100Ω ±5% 1/10W	NI05101110
					R301	/K,/N,/S	4822 051 20479	CHIP 47Ω ±5% 1/10W	NI05470110

POS. NO	VERS. COLOR	PART NO. (FOR PCS)	DESCRIPTION	PART NO. (MJI)
R301	/U	4822 111 90892	CHIP 0Ω ±5% 1/10W	NI05000110
R302	/K,/N,/S	4822 051 20479	CHIP 47Ω ±5% 1/10W	NI05470110
R302	/U	4822 111 90892	CHIP 0Ω ±5% 1/10W	NI05000110
R303	/K,/N,/S	4822 117 10833	CHIP 10kΩ ±5% 1/10W	NI05103110
R304	/K,/N,/S	4822 117 10833	CHIP 10kΩ ±5% 1/10W	NI05103110
R307		4822 051 20153	CHIP 220Ω ±5% 1/10W	NI05221110
R308		4822 051 20153	CHIP 220Ω ±5% 1/10W	NI05221110
R309		4822 117 10834	CHIP 47kΩ ±5% 1/10W	NI05473110
R310		4822 117 10834	CHIP 47kΩ ±5% 1/10W	NI05473110
R315		9965 000 03405	CHIP 2.7kΩ ±5% 1/10W	NI05272110
R316		9965 000 03405	CHIP 2.7kΩ ±5% 1/10W	NI05272110
R317	/K,/N,/S	4822 117 10834	CHIP 47kΩ ±5% 1/10W	NI05473110
R318	/K,/N,/S	4822 117 10834	CHIP 47kΩ ±5% 1/10W	NI05473110
R319	/K,/N,/S	4822 116 83933	CHIP 15kΩ ±5% 1/10W	NI05153110
R320	/K,/N,/S	4822 116 83933	CHIP 15kΩ ±5% 1/10W	NI05153110
R321	/U		JUMPER	75060501P0
R322	/U		JUMPER	75060501P0
R323		4822 111 90918	CHIP 4.7kΩ ±5%	NI05472110
R352	/N, /S	4822 111 90896	CHIP 100kΩ ±5% 1/10W	NI05104110
R353	/N, /S	4822 117 10834	CHIP 47kΩ ±5% 1/10W	NI05473110
R355	/N, /S	4822 117 10833	CHIP 10kΩ ±5% 1/10W	NI05103110
R357	/N, /S	4822 117 10833	CHIP 10kΩ ±5% 1/10W	NI05103110
R502		4822 117 11449	CHIP 2.2kΩ ±5% 1/10W	NI05222110
R504		4822 111 90918	CHIP 4.7kΩ ±5% 1/10W	NI05472110
R505		4822 051 20102	CHIP 1kΩ ±5% 1/10W	NI05102110
R506		4822 051 20102	CHIP 1kΩ ±5% 1/10W	NI05102110
R507		4822 111 90925	CHIP 68kΩ ±5% 1/10W	NI05683110
R508		4822 117 10834	CHIP 47kΩ ±5% 1/10W	NI05473110
R509		4822 051 20223	CHIP 22kΩ ±5% 1/10W	NI05223110
R510		4822 111 90918	CHIP 4.7kΩ ±5% 1/10W	NI05472110
R511		4822 051 20822	CHIP 8.2kΩ ±5% 1/10W	NI05822110
R513		4822 117 10833	CHIP 10kΩ ±5% 1/10W	NI05103110
R515		4822 117 10833	CHIP 10kΩ ±5% 1/10W	NI05103110
P104-SEMICONDUCTORS				
DA01		4822 125 50416	VARICAP DIODE SVC342-L	HD40009030
DA02	/N	9965 000 03402	CHIP DIODE 1SS356	HZ21302210
DA03	/N	4822 125 50416	VARICAP DIODE SVC342-L	HD40009030
DA04	/N	9965 000 03402	CHIP DIODE 1SS356	HZ21302210
DA05		9965 000 03400	CHIP DIODE MA716	HZ20030020
DC01		9965 000 03401	CHIP DIODE RB425D	HZ20030210
DM01				
DM04		4822 130 33944	CHIP DIODE DAN202K	HZ20002210
DM05				
DM09		9965 000 06298	DIODE 1SS200	HE10202050
DM10		9965 000 03401	CHIP DIODE RB425D	HZ20030210
DM11		9965 000 03401	CHIP DIODE RB425D	HZ20030210
DM12		9965 000 03401	CHIP DIODE RB425D	HZ20030210
D202		9965 000 03403	CHIP ZENER DIODE 02CZ9.1-X	HZ30031050
D502	/N	4822 130 80522	CHIP DIODE DAP202K	HZ20001210
D504		9965 000 03401	CHIP DIODE RB425D	HZ20030210
QA01	/N	4822 130 41947	TRS. 2SC2458 2SC1740S 2SC3199 ETC	HT30001000
QA02	/N	4822 130 41947	TRS. 2SC2458 2SC1740S 2SC3199 ETC	HT30001000
QA03	/N	4822 130 61892	TRS. 2SD2144S U OR V	HT421442A0
QA04	/N	4822 130 61227	DIG.TRS. DTA114ES UN4111 10k 10k	BA10001000
QA05	/N	4822 130 61227	DIG.TRS. DTA114ES UN4111 10k 10k	BA10001000
QA06	/N	4822 130 60588	DIG.TRS. DTC114ES UN4211 10k 10k	BA20001000
QC01		4822 209 32554	IC LC78213	HC10310030
QC03		4822 209 73953	IC NJM4580DD	HC10112090
QC07		4822 130 42292	TRS. 2SC2120 O	HT321201A0

POS. NO	VERS. COLOR	PART NO. (FOR PCS)	DESCRIPTION	PART NO. (MJI)
QC08		4822 130 61227	DIG.TRS. DTA114ES UN4111 10k 10k	BA10001000
QG51		9965 000 01358	IC TC9459N ELE.VOLUME	HC10443050
QG52	14A	4822 209 31153	IC NJM2114D	HC10111090
QG53	14A	4822 209 31153	DUAL LOW NOISE OP-AMP IC NJM2114D	HC10111090
QG52	18A	482220973064	DUAL LOW NOISE OP-AMP IC NJM-2068-DD OP AMP	HC10053090
QG53	18A	482220973064	DUAL LOW NOISE OP-AMP IC NJM-2068-DD OP AMP	HC10053090
QM01				
		4822 130 11511	CHIP TR. 2SC3326 A OR B	HX333262A0
QM08				
QM09				
QM13		4822 130 61227	DIG.TRS. DTA114ES UN4111 10k 10k	BA10001000
QM15		4822 130 63634	TRS. 2SA1837 O OR Y	HT118372A0
QM16			DIG.TRS. RN2402 CHIP	BA1000605R
QM17		4822 209 90532	IC NJU3713D	HC10161090
QV01		9965 000 01358	IC TC9459N ELE.VOLUME	HC10443050
QV02		9965 000 01358	IC TC9459N ELE.VOLUME	HC10443050
QV03		9965 000 01358	IC TC9459N ELE.VOLUME	HC10443050
QV05		4822 209 31153	IC NJM2114D	HC10111090
QV06	14A	4822 209 31153	DUAL LOW NOISE OP-AMP IC NJM2114D	HC10111090
QV07	14A	4822 209 31153	DUAL LOW NOISE OP-AMP IC NJM2114D	HC10111090
QV09	14A	4822 209 31153	DUAL LOW NOISE OP-AMP IC NJM2114D	HC10111090
QV10	14A	4822 209 31153	DUAL LOW NOISE OP-AMP IC NJM2114D	HC10111090
QV11	14A	4822 209 31153	DUAL LOW NOISE OP-AMP IC NJM2114D	HC10111090
QV06	18A	482220973064	DUAL LOW NOISE OP-AMP IC NJM-2068-DD OP AMP	HC10053090
QV07	18A	482220973064	DUAL LOW NOISE OP-AMP IC NJM-2068-DD OP AMP	HC10053090
QV09	18A	482220973064	DUAL LOW NOISE OP-AMP IC NJM-2068-DD OP AMP	HC10053090
QV10	18A	482220973064	DUAL LOW NOISE OP-AMP IC NJM-2068-DD OP AMP	HC10053090
QV13		4822 130 42949	TRS. 2SA970 GR OR BL	HT109702A0
QV14		4822 130 42949	TRS. 2SA970 GR OR BL	HT109702A0
QV15				
QV18		4822 130 43233	TRS. 2SC2240 GR OR BL	HT322402A0
QV19		4822 130 42949	TRS. 2SA970 GR OR BL	HT109702A0
QV20		4822 130 42949	TRS. 2SA970 GR OR BL	HT109702A0
Q201		9965 000 01369	IC LA1837 FM/AM IF MPX IC	HC10384030
Q202		4822 130 62294	TRS. 2SC1809S P 150MW 500MHz	HT318091P0
Q203				
		4822 130 42594	DIG.TRS.	BA20002000
Q205			DTC144ES UN4213 47K 47K	BA
Q301	/K	4822 209 73064	IC NJM-2068-DD	HC10053090
Q301	/N	4822 209 73064	IC NJM-2068-DD	HC10053090
Q301	/S	4822 209 73064	IC NJM-2068-DD	HC10053090
Q351	/N	9965 000 06293	IC LC72722 RDS DECODER	HC10404030
Q351	/S	9965 000 06293	IC LC72723 RDS DECODER	HC10404030
Q352	/N, /S	4822 130 61227	DIG.TRS. DTA114ES UN4111 10k 10k	BA10001000
Q353	/N, /S	4822 130 60588	DIG.TRS. DTC114ES UN4211 10k 10k	BA20001000
Q354	/N, /S	4822 130 41947	TRS. 2SC2458.2SC1740S. 2SC3199.ETC	HT30001000
Q501		9965 000 01370	IC LC72130	HC10394030
P104-MISCELLANEOUS				
A101		9965 000 01368	VHF TUNER TFFJ4E	AV00903010
FA01			CERAMIC FILTER SFZ450JL3 CERAFIL 451K	FF10045410

POS. NO	VERS. COLOR	PART NO. (FOR PCS)	DESCRIPTION	PART NO. (MJI)	POS. NO	VERS. COLOR	PART NO. (FOR PCS)	DESCRIPTION	PART NO. (MJI)
F201	/K,N,S	4822 242 70665	CERAMIC FILTER SFE10.7MS3-A	FF11070620	CD41	14A	4822 126 11687	CER.CHIP 0.1μF +80%-20%	DK98104200
F201	/U	4822 242 70911	CERAMIC FILTER SFF10.7MA8-A	FF11070610	CD42		4822 126 11687	CER.CHIP 0.1μF +80%-20%	DK98104200
F202		4822 242 70665	CERAMIC FILTER SFE10.7MS3-A	FF11070620	CD43	14A	4822 124 90353	ELECT. 100μF M 10V RA-2	OA10701020
JM01		4822 265 10731	TERMINAL YKC21-3778	YT02041170	CD44		4822 124 90353	ELECT. 100μF M 10V RA-2	OA10701020
JM02		9965 000 06307	TERMINAL YKC21-3777	YT02060550	CD45	14A	4822 124 21894	ELECT. 10μ! 16V	EJ10601610
JM03		4822 265 10731	TERMINAL YKC21-3778	YT02041170	CD46		4822 124 21894	ELECT. 10μ! 16V	EJ10601610
JM05		4822 267 10603	TERMINAL YKC21-3707	YT02011030	CD47	14A	4822 126 11687	CER.CHIP 0.1μF +80%-20%	DK98104200
J101		4822 290 81632	TERMINAL YKD31-0215A FM/AM ANT PAL	YT03030020	CD48		4822 126 11687	CER.CHIP 0.1μF +80%-20%	DK98104200
LA01		4822 157 63084	ANT COIL MW ANT 280μH	LA10295170	CD49	14A	4822 124 21894	ELECT. 10μ! 16V	EJ10601610
LA02		4822 157 70779	OSC. COIL MW	LA10295160	CD50		4822 124 21894	ELECT. 10μ! 16V	EJ10601610
LA03	/N	4822 157 52714	ANT COIL LW ANT	LA10295160	CD51	14A	4822 124 90353	ELECT. 100μF M 10V RA-2	OA10701020
LA04	/N	4822 157 70781	OSC. COIL LW	LO70013020	CD52		4822 124 90353	ELECT. 100μF M 10V RA-2	OA10701020
LA05		4822 157 53589	CHOKO COIL TL-8 393J	LC23960710	CD53	14A	4822 126 11687	CER.CHIP 0.1μF +80%-20%	DK98104200
LA06		4822 148 81095	I.F.T. COIL AM IFT K7-H5 FOR SFP450D	LI70033510	CD54		4822 126 11687	CER.CHIP 0.1μF +80%-20%	DK98104200
LC01		9965 000 01570	RELAY ED2-24	LY20240470	CD55	14A	5322 126 11578	CER.CHIP 1000pF B 50V	DK96102300
LM01		9965 000 01576	RELAY MR82-24USR	LY20240480	CD56		5322 126 11578	CER.CHIP 1000pF B 50V	DK96102300
LM04					CD61	14A	4822 124 90353	ELECT. 100μF M 10V RA-2	OA10701020
L201		4822 157 63904	I.F.T. COIL FM DET M292BEAS-5968Z	LI70376010	CD63				
L301		4822 157 71731	M.P.X. COIL LPF-V10-A1 19/38kHz	LS10293020	CD69	14A	4822 126 11687	CER.CHIP 0.1μF +80%-20%	DK98104200
L302		4822 157 71731	M.P.X. COIL LPF-V10-A1 19/38kHz	LS10293020	CD71	14A	4822 126 11687	CER.CHIP 0.1μF +80%-20%	DK98104200
L350	/N, /S	4822 242 73843	EMI FILTER DSS306-91-F-223	FM12223010	CD73	14A	4822 126 11687	CER.CHIP 0.1μF +80%-20%	DK98104200
L351	/N, /S	4822 242 73843	EMI FILTER DSS306-91-F-233Z	FM12223010	CD81				
L352							4822 126 11703	CER.CHIP 0.01μF +80%-20%	DK98103300
L356	/N, /S	4822 111 90892	CHIP 0Ω ±5% 1/10W	NI05000110	CD92				
L359	/N, /S	4822 111 90892	CHIP 0Ω ±5% 1/10W	NI05000110	CD93		9965 000 01318	ELECT. 220μF M 10V RA-2	OA22701020
L501					CD94		9965 000 01318	ELECT. 220μF M 10V RA-2	OA22701020
L504		4822 111 90892	CHIP 0Ω ±5% 1/10W	NI05000110	CD95		9965 000 01318	ELECT. 220μF M 10V RA-2	OA22701020
X351	/N, /S	4822 242 10857	CRYSTAL 4.332MHz AT-49	JX04003260	CD96		9965 000 01318	ELECT. 220μF M 10V RA-2	OA22701020
X501		4822 242 72333	CRYSTAL AD0618CTB 7.2MHz	JX07001260	CD97		4822 124 41535	ELECT. 100μF M 25V RA-2	OA10702520
			P604-AC-2 DTS&THX EX DECODE CIRCUIT BOARD P604-CAPACITORS		CD98		4822 124 41535	ELECT. 100μF M 25V RA-2	OA10702520
CD01		4822 126 11687	CER.CHIP 0.1μF +80%-20%	DK98104200	CE01	14A	5322 122 32654	CER.CHIP 0.022μF ±10% XTR	DK96223200
CD02		4822 126 11687	CER.CHIP 0.1μF +80%-20%	DK98104200	CE01	18A	482211682487	CHIP RES. 0ohM ±5% 1/16W	NN05000610
CD03		4822 126 11687	CER.CHIP 0.1μF +80%-20%	DK98104200	CE02	14A	4822 124 90353	ELECT. 100μF M 10V RA-2	OA10701020
CD05		4822 124 90353	ELECT. 100μF M 10V RA-2	OA10701020	CE03	14A	4822 126 11687	CER.CHIP 0.1μF +80%-20%	DK98104200
CD06		4822 124 90353	ELECT. 100μF M 10V RA-2	OA10701020	CE04	14A	4822 124 90353	ELECT. 100μF M 10V RA-2	OA10701020
CD07		4822 124 90353	ELECT. 100μF M 10V RA-2	OA10701020	CE05	14A	4822 126 11687	CER.CHIP 0.1μF +80%-20%	DK98104200
CD09		4822 124 21894	ELECT. 10μ! 16V	EJ10601610	CE06	14A	5322 126 11578	CER.CHIP 1000pF ±10% B 50V	DK96102300
CD10		4822 124 21894	ELECT. 10μ! 16V	EJ10601610	CE11	14A	4822 126 11687	CER.CHIP 0.1μF +80%-20%	DK98104200
CD11		4822 124 21894	ELECT. 10μ! 16V	EJ10601610	CE13	14A	4822 126 11687	CER.CHIP 0.1μF +80%-20%	DK98104200
CD13		4822 126 11687	CER.CHIP 0.1μF +80%-20%	DK98104200	CE14	14A	4822 122 33753	CER.CHIP 150pF ±5% CG 50V	DD95151300
CD14		4822 126 11687	CER.CHIP 0.1μF +80%-20%	DK98104200	CE15	14A	4822 122 33753	CER.CHIP 150pF ±5% CG 50V	DD95151300
CD15		4822 126 11687	CER.CHIP 0.1μF +80%-20%	DK98104200	CE16	14A	4822 126 12502	CER.CHIP 820pF ± 10%	DK96821300
CD17		4822 124 21894	ELECT. 10μ! 16V	EJ10601610	CE18	14A	4822 126 13837	CER.CHIP 0.1μF ±10% B 10V	DK96104200
CD18		4822 124 21894	ELECT. 10μ! 16V	EJ10601610	CE19	14A	4822 126 14417	CER.CHIP 0.01μF ±10% 50V	DK96103300
CD19		4822 124 21894	ELECT. 10μ! 16V	EJ10601610	CE33	14A	4822 124 90353	ELECT. 100μF M 10V RA-2	OA10701020
CD21		4822 124 90353	ELECT. 100μF M 10V RA-2	OA10701020	CE34	14A	4822 126 11687	CER.CHIP 0.1μF +80%-20%	DK98104200
CD22		4822 124 90353	ELECT. 100μF M 10V RA-2	OA10701020	CE35	14A	4822 124 90353	ELECT. 100μF M 10V RA-2	OA10701020
CD23		4822 124 90353	ELECT. 100μF M 10V RA-2	OA10701020	CE36	14A	4822 126 11687	CER.CHIP 0.1μF +80%-20%	DK98104200
CD25		4822 126 11687	CER.CHIP 0.1μF +80%-20%	DK98104200	CE37	14A	4822 126 11687	CER.CHIP 0.1μF +80%-20%	DK98104200
CD26		4822 126 11687	CER.CHIP 0.1μF +80%-20%	DK98104200	CE39	14A	4822 124 12389	ELECT. 47μ! 16V BP	EQ47601630
CD27		4822 126 11687	CER.CHIP 0.1μF +80%-20%	DK98104200	CE42	14A	4822 126 14417	CER.CHIP 0.01μF ±10% 50V	DK96103300
CD29		5322 126 11578	CER.CHIP 1000pF B 50V	DK96102300	CE43	14A	4822 126 14417	CER.CHIP 0.01μF ±10% 50V	DK96103300
CD30		5322 126 11578	CER.CHIP 1000pF B 50V	DK96102300	CE44	14A	4822 122 33753	CER.CHIP 18pF 50V ±5%	DD95150300
CD31		5322 126 11578	CER.CHIP 1000pF B 50V	DK96102300	CE45	14A	4822 126 11687	CER.CHIP 0.1μF +80%-20%	DK98104200
					CE46	14A	4822 126 13689	CER.CHIP 18pF	DD95180300
					CE51	14A	4822 126 11687	CER.CHIP 0.1μF +80%-20%	DK98104200
					CE52	14A	5322 126 11578	CER.CHIP 1000pF B 50V	DK96102300
					CE53	14A	4822 126 11687	CER.CHIP 0.1μF +80%-20%	DK98104200
					CE54	14A	4822 126 11687	CER.CHIP 0.1μF +80%-20%	DK98104200
					CE56				
						14A	4822 126 11687	CER.CHIP 0.1μF +80%-20%	DK98104200
					CE60				
					CE61	14A	4822 124 90353	ELECT. 100μF M 10V RA-2	OA10701020
					CE62	14A	4822 124 90353	ELECT. 100μF M 10V RA-2	OA10701020
					CE63	14A	4822 126 11687	CER.CHIP 0.1μF +80%-20%	DK98104200
					CE65	14A	4822 126 11703	CER.CHIP 0.01μF	DK98103300
					CE66	14A	4822 126 11703	CER.CHIP 0.01μF	DK98103300

POS. NO	VERS. COLOR	PART NO. (FOR PCS)	DESCRIPTION	PART NO. (MJI)	POS. NO	VERS. COLOR	PART NO. (FOR PCS)	DESCRIPTION	PART NO. (MJI)
CH05					CJ23		4822 126 11687	CER.CHIP 0.1μF +80%-20%	DK98104200
CH08		4822 121 10792	FILM 220pF 100V PP APSV	OF15221540	CJ24		4822 126 11687	CER.CHIP 0.1μF +80%-20%	DK98104200
CH12	18A	482211682487	CHIP RES. 0Ω +- 5% 1/16W	NN05000610	CJ25		4822 124 90352	ELECT. 10μF M 16V RA-2	OA10601620
CH14	14A	4822 124 81151	ELECT. 22μF M 25V ARA	OA22602550	CJ26		4822 124 90352	ELECT. 10μF M 16V RA-2	OA10601620
CH14	/F		ELECT. 22μF M 25V ARS	OA22602540	CJ55				
CH14	18A	996500001581	ELECT. 22μF M 25V RA-2	OA22602520	14A		4822 121 10792	FILM 220pF 100V PP APSV	OF15221540
CH15					CJ58				
CH18		4822 126 11687	CER.CHIP 0.1μF +80%-20%	DK98104200	CJ59	14A	4822 126 11687	CER.CHIP 0.1μF +80%-20%	DK98104200
CH24	18A	482211682487	CHIP RES. 0Ω +- 5% 1/16W	NN05000610	CJ60	14A	4822 126 11687	CER.CHIP 0.1μF +80%-20%	DK98104200
CH26	14A	4822 124 81151	ELECT. 22μF M 25V ARA	OA22602550	CJ75				
CH26	/F		ELECT. 22μF M 25V ARS	OA22602540	14A		4822 121 10792	FILM 220pF 100V PP APSV	OF15221540
CH26	18A	996500001581	ELECT. 22μF M 25V RA-2	OA22602520	CJ78				
CH27		4822 126 11687	CER.CHIP 0.1μF +80%-20%	DK98104200	CJ79		4822 126 11687	CER.CHIP 0.1μF +80%-20%	DK98104200
CH28		4822 126 11687	CER.CHIP 0.1μF +80%-20%	DK98104200	CJ80		4822 126 11687	CER.CHIP 0.1μF +80%-20%	DK98104200
CH31		4822 124 41535	ELECT. 100μF M 25V RA-2	OA10702520	CK01				
CH32		4822 124 41535	ELECT. 100μF M 25V RA-2	OA10702520	14A		4822 124 90352	ELECT. 10μF M 16V RA-2	OA10601620
CH33		4822 126 11687	CER.CHIP 0.1μF +80%-20%	DK98104200	CK04				
CH34		4822 126 11687	CER.CHIP 0.1μF +80%-20%	DK98104200	CK05				
CH39		4822 122 33761	CER.CHIP 22pF ±5% CG50V	DD95220300	CK08		9965 000 06286	CER.CHIP 470pF ± 5% J SL	DD95471370
CH40		4822 122 33761	CER.CHIP 22pF ±5% CG50V	DD95220300	CK11				
CH41		4822 124 90352	ELECT. 10μF M 16V RA-2	OA10601620	14A		4822 126 11687	CER.CHIP 0.1μF +80%-20%	DK98104200
CH42		4822 124 90352	ELECT. 10μF M 16V RA-2	OA10601620	CK20				
CH55					CK21		4822 124 90352	ELECT. 10μF M 16V RA-2	OA10601620
CH58		4822 121 10792	FILM 220pF 100V PP APSV	OF15221540	CK22		4822 124 90352	ELECT. 10μF M 16V RA-2	OA10601620
CH61		4822 122 33761	CER.CHIP 22pF ±5% CG50V	DD95220300	CK23		9965 000 06287	CER.CHIP 0.22μF +80%-20%	DK98224200
CH62		4822 122 33761	CER.CHIP 22pF ±5% CG50V	DD95220300	CK24		9965 000 06287	CER.CHIP 0.22μF +80%-20%	DK98224200
CH63	14A	4822 124 81151	ELECT. 22μF 25V ARA	OA22602550	CK25		4822 124 90353	ELECT. 100μF M 10V RA-2	OA10701020
CH63	/F		ELECT. 22μF M 25V ARS	OA22602540	CK26		4822 124 90353	ELECT. 100μF M 10V RA-2	OA10701020
CH63	18A	996500001581	ELECT. 22μF M 25V RA-2	OA22602520	CK27		4822 126 11687	CER.CHIP 0.1μF +80%-20%	DK98104200
CH64	14A	4822 124 81151	ELECT. 22μF M 25V ARA	OA22602550	CK28		4822 122 31765	CER.CHIP 100pF ±5% CG 50V	DD95101300
CH64	17, 18A	996500001581	ELECT. 22μF M 25V RA-2	OA22602520	CK30		4822 126 11687	CER.CHIP 0.1μF +80%-20%	DK98104200
CH65		4822 126 11687	CER.CHIP 0.1μF +80%-20%	DK98104200	CK31		4822 126 11687	CER.CHIP 0.1μF +80%-20%	DK98104200
CH68					CK33		4822 124 41535	ELECT. 100μF M 25V RA-2	OA10702520
CH70		4822 124 90352	ELECT. 10μF M 16V RA-2	OA10601620	CK34		4822 124 41535	ELECT. 100μF M 25V RA-2	OA10702520
CH73		4822 122 33761	CER.CHIP 22pF ±5% CG50V	DD95220300	CK35		4822 126 11687	CER.CHIP 0.1μF +80%-20%	DK98104200
CH74		4822 122 33761	CER.CHIP 22pF ±5% CG50V	DD95220300	CK36		4822 126 11687	CER.CHIP 0.1μF +80%-20%	DK98104200
CH75	14A	4822 124 81151	ELECT. 22μF 25V ARA	OA22602550	CK37		5322 126 11583	CER.CHIP 0.01μF ±10% B 25V	DK96103200
CH75	/F		ELECT. 22μF M 25V ARS	OA22602540	CK40				
CH75	18A	996500001581	ELECT. 22μF M 25V RA-2	OA22602520	CK41		4822 124 21894	ELECT. 10μF 16V	EJ10601610
CH76	14A	4822 124 81151	ELECT. 22μF 25V ARA	OA22602550	CK42		4822 124 21894	ELECT. 10μF 16V	EJ10601610
CH76	/F		ELECT. 22μF M 25V ARS	OA22602540	CK43		4822 124 41539	ELECT. 47μF M 16V RA-2	OA47601620
CH76	18A	996500001581	ELECT. 22μF M 25V RA-2	OA22602520	CK44		4822 124 41539	ELECT. 47μF M 16V RA-2	OA47601620
CH77		4822 126 11687	CER.CHIP 0.1μF +80%-20%	DK98104200	CK45		4822 122 33761	CER.CHIP 22pF ±5% CG50V	DD95220300
CH78		4822 126 11687	CER.CHIP 0.1μF +80%-20%	DK98104200	CK46		4822 122 33761	CER.CHIP 22pF ±5% CG50V	DD95220300
CH80		4822 124 90352	ELECT. 10μF M 16V RA-2	OA10601620	CR01		4822 126 11687	CER.CHIP 0.1μF +80%-20%	DK98104200
CH81		4822 124 41535	ELECT. 100μF M 25V RA-2	OA10702520	CR02		4822 124 90353	ELECT. 100μF M 10V RA-2	OA10701020
CH82		4822 124 41535	ELECT. 100μF M 25V RA-2	OA10702520	CR03		4822 126 11687	CER.CHIP 0.1μF +80%-20%	DK98104200
CH83		4822 126 11687	CER.CHIP 0.1μF +80%-20%	DK98104200	CR04		4822 124 90353	ELECT. 100μF M 10V RA-2	OA10701020
CH84		4822 126 11687	CER.CHIP 0.1μF +80%-20%	DK98104200	CR05		4822 126 11687	CER.CHIP 0.1μF +80%-20%	DK98104200
CJ05					CR06		4822 124 90353	ELECT. 100μF M 10V RA-2	OA10701020
CJ08		4822 121 10792	FILM 220pF 100V PP APSV	OF15221540	CR07		4822 126 13837	CER.CHIP 0.1μF ±10% B 10V	DK96104200
CJ11	14A	4822 124 81151	ELECT. 22μF M 25V ARA	OA22602550	CR08		4822 126 11687	CER.CHIP 0.1μF +80%-20%	DK98104200
CJ11	/F		ELECT. 22μF M 25V ARS	OA22602540	CR10		4822 126 11568	CER.CHIP 470pF	DK96471300
CJ11	18A	996500001581	ELECT. 22μF M 25V RA-2	OA22602520	CR11		4822 126 13837	CER.CHIP 0.1μF ±10% B 10V	DK96104200
CJ12	14A	4822 124 81151	ELECT. 22μF M 25V ARA	OA22602550	CR12		4822 126 13837	CER.CHIP 0.1μF ±10% B 10V	DK96104200
CJ12	/F		ELECT. 22μF M 25V ARS	OA22602540	CR13		4822 126 11687	CER.CHIP 0.1μF +80%-20%	DK98104200
CJ12	18A	996500001581	ELECT. 22μF M 25V RA-2	OA22602520	CR14		4822 126 11687	CER.CHIP 0.1μF +80%-20%	DK98104200
CJ13		4822 126 11687	CER.CHIP 0.1μF +80%-20%	DK98104200	CR15		4822 124 41539	ELECT. 47μF M 16V RA-2	OA47601620
CJ16					CR16		4822 126 11687	CER.CHIP 0.1μF +80%-20%	DK98104200
CJ19		4822 122 33761	CER.CHIP 22pF ±5% CG50V	DD95220300	CR17		4822 126 11687	CER.CHIP 0.1μF +80%-20%	DK98104200
CJ20		4822 122 33761	CER.CHIP 22pF ±5% CG50V	DD95220300	CR18		4822 126 11687	CER.CHIP 0.1μF +80%-20%	DK98104200
CJ21		4822 124 41535	ELECT. 100μF M 25V RA-2	OA10702520	CR19		5322 126 11583	CER.CHIP 0.01μF ±10% B 25V	DK96103200
CJ22		4822 124 41535	ELECT. 100μF M 25V RA-2	OA10702520	CR20		5322 126 11583	CER.CHIP 0.01μF ±10% B 25V	DK96103200
					CR21		4822 126 13837	CER.CHIP 0.1μF ±10% B 10V	DK96104200
					CR22		4822 126 11687	CER.CHIP 0.1μF +80%-20%	DK98104200
					CR23		4822 126 11687	CER.CHIP 0.1μF +80%-20%	DK98104200

POS. NO	VERS. COLOR	PART NO. (FOR PCS)	DESCRIPTION	PART NO. (MJI)	POS. NO	VERS. COLOR	PART NO. (FOR PCS)	DESCRIPTION	PART NO. (MJI)	
CR24	14A	4822 126 11687	CER.CHIP 0.1μF +80%-20%	DK98104200				P604-CAPACITORS (COMMON) PLASTIC FILM CAPACITOR ±5% 50V : CE31 CE32 CE41 CH01-CH04 CH13 CH25 CH51 CH52-CH54 CH59 CH60 CH71 CH72 C.J02-C.J04 C.J09 C.J10 C.J51- C.J54 C.J71-C.J74 CK09 CK10		
CR25		4822 126 11687	CER.CHIP 0.1μF +80%-20%	DK98104200						
CR26		4822 126 11703	CER.CHIP 0.01μF	DK98103300						
CR27		4822 126 11703	CER.CHIP 0.01μF	DK98103300						
CR28		4822 124 90353	ELECT. 100μF M 10V RA-2	OA10701020						
CR29		4822 126 11687	CER.CHIP 0.1μF +80%-20%	DK98104200						
CR30		5322 126 11578	CER.CHIP 1000pF ±10% B 50V	DK96102300						
CR31		4822 126 11687	CER.CHIP 0.1μF +80%-20%	DK98104200						
CR32		4822 124 90353	ELECT. 100μF M 10V RA-2	OA10701020						
CR33		4822 126 11687	CER.CHIP 0.1μF +80%-20%	DK98104200						
CR34	14A	5322 126 11583	CER.CHIP 0.01μF ±10% B 25V	DK96103200	RD01	14A	4822 051 30103		CHIP 10kΩ ±5% 1/16W	NN05103610
CR34	18A	482212613837	CER.CHIP 0.1μF ±10% B 10V	DK96104200	RD05	14A	4822 051 30103		CHIP 10kΩ ±5% 1/16W	NN05103610
CR35		5322 126 11583	CER.CHIP 0.01μF ±10% B 25V	DK96103200	RD07	14A	4822 051 30103		CHIP 10kΩ ±5% 1/16W	NN05103610
C601		4822 126 11703	CER.CHIP 0.01μF	DK98103300	RD81	18A	482211682487		CHIP 0Ω ±5% 1/16W	NN05000610
C602		4822 126 11703	CER.CHIP 0.01μF	DK98103300	RD82	18A	482211682487		CHIP 0Ω ±5% 1/16W	NN05000610
C603		4822 124 90353	ELECT. 100μF M 10V RA-2	OA10701020	RD83	18A	482211682487	CHIP 0Ω ±5% 1/16W	NN05000610	
C604		4822 126 11703	CER.CHIP 0.01μF	DK98103300	RD61	14A	4822 116 82487	CHIP 0Ω ±5% 1/16W	NN05000610	
C605		4822 126 11703	CER.CHIP 0.01μF	DK98103300	RD63	14A	4822 116 82487	CHIP 0Ω ±5% 1/16W	NN05000610	
C606		4822 124 90353	ELECT. 100μF M 10V RA-2	OA10701020	RD65	14A	4822 116 82487	CHIP 0Ω ±5% 1/16W	NN05000610	
C607		4822 126 11687	CER.CHIP 0.1μF +80%-20%	DK98104200	RE01	14A	4822 051 30561	CHIP 560Ω ±5% 1/16W	NN05561610	
C608		4822 122 33761	CER.CHIP 22pF ±5% CG 50V	DD95220300	RE02	14A	4822 051 30101	CHIP 100Ω ±5% 1/16W	NN05101610	
C609		4822 122 33761	CER.CHIP 22pF ±5% CG 50V	DD95220300	RE03	14A	4822 051 30102	CHIP 1kΩ ±5% 1/16W	NN05102610	
C610		4822 126 11687	CER.CHIP 0.1μF +80%-20%	DK98104200	RE04	14A	4822 116 83211	CHIP 1.8kΩ ±5% 1/16W	NN05182610	
C611		4822 124 90353	ELECT. 100μF M 10V RA-2	OA10701020	RE05	14A	4822 051 30103	CHIP 10kΩ ±5% 1/16W	NN05103610	
C612		4822 126 11568	CER.CHIP 470pF	DK96471300	RE06	14A	4822 051 30103	CHIP 10kΩ ±5% 1/16W	NN05103610	
C613		4822 126 11687	CER.CHIP 0.1μF +80%-20%	DK98104200	RE07	14A	4822 051 30472	CHIP 4.7kΩ ±5% 1/16W	NN05472610	
C614		4822 126 11687	CER.CHIP 0.1μF +80%-20%	DK98104200	RE08	14A	4822 051 30102	CHIP 1kΩ ±5% 1/16W	NN05102610	
C615		4822 126 11687	CER.CHIP 0.1μF +80%-20%	DK98104200	RE10	14A	4822 051 30102	CHIP 1kΩ ±5% 1/16W	NN05102610	
C616		5322 126 11583	CER.CHIP 0.01μF ±10% B 25V	DK96103200	RE11	14A	4822 051 30472	CHIP 4.7kΩ ±5% 1/16W	NN05472610	
C617		4822 126 11687	CER.CHIP 0.1μF +80%-20%	DK98104200	RE12	14A	4822 051 30102	CHIP 1kΩ ±5% 1/16W	NN05102610	
C618		4822 126 11687	CER.CHIP 0.1μF +80%-20%	DK98104200	RE13	14A	4822 051 30151	CHIP 150Ω ±5% 1/16W	NN05151610	
C620		4822 124 90353	ELECT. 100μF M 10V RA-2	OA10701020	RE14	14A	4822 051 30222	CHIP 2.2kΩ ±5% 1/16W	NN05222610	
C621		4822 126 11687	CER.CHIP 0.1μF +80%-20%	DK98104200	RE15					
C622		4822 124 90353	ELECT. 100μF M 10V RA-2	OA10701020	RE18	14A	4822 051 30102	CHIP 1kΩ ±5% 1/16W	NN05102610	
C623		4822 126 11687	CER.CHIP 0.1μF +80%-20%	DK98104200	RE19	14A	4822 051 30103	CHIP 10kΩ ±5% 1/16W	NN05103610	
C624		4822 126 11687	CER.CHIP 0.1μF +80%-20%	DK98104200	RE20	14A	4822 051 30102	CHIP 1kΩ ±5% 1/16W	NN05102610	
C625		4822 126 11687	CER.CHIP 0.1μF +80%-20%	DK98104200	RE21	14A	4822 051 30102	CHIP 1kΩ ±5% 1/16W	NN05102610	
C651		4822 126 11703	CER.CHIP 0.01μF	DK98103300	RE22	14A	4822 051 30472	CHIP 4.7kΩ ±5% 1/16W	NN05472610	
C652		4822 126 11703	CER.CHIP 0.01μF	DK98103300	RE23	14A	4822 051 30102	CHIP 1kΩ ±5% 1/16W	NN05102610	
C653		4822 124 90353	ELECT. 100μF M 10V RA-2	OA10701020	RE24	14A	4822 051 30332	CHIP 3.3kΩ ±5% 1/16W	NN05332610	
C654		4822 126 11687	CER.CHIP 0.1μF +80%-20%	DK98104200	RE25	14A	4822 117 12902	CHIP 8.2kΩ ±5% 1/16W	NN05822610	
C655		4822 126 11687	CER.CHIP 0.1μF +80%-20%	DK98104200	RE31	14A	4822 051 30392	CHIP 3.9kΩ ±5% 1/16W	NN05392610	
C656		4822 126 11687	CER.CHIP 0.1μF +80%-20%	DK98104200	RE32	14A	4822 051 30472	CHIP 4.7kΩ ±5% 1/16W	NN05472610	
C657		4822 124 90353	ELECT. 100μF M 10V RA-2	OA10701020	RE33	14A	4822 117 13632	CHIP 100kΩ ±5% 1/16W	NN05104610	
C658					RE34	14A	4822 051 30223	CHIP 22kΩ ±5% 1/16W	NN05223610	
C662		4822 126 11687	CER.CHIP 0.1μF +80%-20%	DK98104200	RE35	14A	4822 051 30103	CHIP 10kΩ ±5% 1/16W	NN05103610	
C663		4822 126 13396	CER.CHIP 0.047μF ±10% X7R	DK96473200	RE41	14A	4822 051 30223	CHIP 22kΩ ±5% 1/16W	NN05223610	
C664		4822 126 11687	CER.CHIP 0.1μF +80%-20%	DK98104200	RE42	14A	4822 051 30683	CHIP 68kΩ ±5% 1/16W	NN05683610	
C665		4822 126 11687	CER.CHIP 0.1μF +80%-20%	DK98104200	RE43	14A	4822 051 30121	CHIP 120Ω ±5% 1/16W	NN05121610	
C666		4822 126 11687	CER.CHIP 0.1μF +80%-20%	DK98104200	RE44	14A	4822 117 12925	CHIP 47kΩ ±5% 1/16W	NN05473610	
C667		4822 124 90353	ELECT. 100μF M 10V RA-2	OA10701020	RE45	14A	4822 051 30103	CHIP 10kΩ ±5% 1/16W	NN05103610	
C668		4822 126 11687	CER.CHIP 0.1μF +80%-20%	DK98104200	RE46	14A	4822 051 30103	CHIP 10kΩ ±5% 1/16W	NN05103610	
C669		4822 126 14417	CER.CHIP 0.01μF B 50V	DK96103300	RE47	14A	4822 117 12925	CHIP 47kΩ ±5% 1/16W	NN05473610	
C670		4822 126 11687	CER.CHIP 0.1μF +80%-20%	DK98104200	RE48	14A	4822 117 12925	CHIP 47kΩ ±5% 1/16W	NN05473610	
C680		4822 126 11687	CER.CHIP 0.1μF +80%-20%	DK98104200	RE49	14A	4822 117 12925	CHIP 47kΩ ±5% 1/16W	NN05473610	
C690		4822 126 11687	CER.CHIP 0.1μF +80%-20%	DK98104200	RE50	14A	4822 117 12139	CHIP 22Ω ±5% 1/16W	NN05220610	
C691		4822 126 14417	CER.CHIP 0.01μF B 50V	DK96103300	RE61	14A	4822 117 13632	CHIP 100kΩ ±5% 1/16W	NN05104610	
C692		4822 126 11687	CER.CHIP 0.1μF +80%-20%	DK98104200	RE62	14A	4822 051 30102	CHIP 1kΩ ±5% 1/16W	NN05102610	
C693		4822 126 11687	CER.CHIP 0.1μF +80%-20%	DK98104200	RE63	14A	4822 051 30103	CHIP 10kΩ ±5% 1/16W	NN05103610	
C694		4822 124 90353	ELECT. 100μF M 10V RA-2	OA10701020	RE64	14A	4822 051 30103	CHIP 10kΩ ±5% 1/16W	NN05103610	
C695		4822 126 11687	CER.CHIP 0.1μF +80%-20%	DK98104200	RE67	14A	4822 116 82487	CHIP 0Ω ±5% 1/16W	NN05000610	
C696		5322 126 11583	CER.CHIP 0.01μF ±10% B 25V	DK96103200	RE69					
C697		5322 126 11583	CER.CHIP 0.01μF ±10% B 25V	DK96103200	RE72	18A	482211682487	CHIP 0Ω ±5% 1/16W	NN05000610	
					RH01					
					RH12		4822 116 83211	CHIP 1.8kΩ ±5% 1/16W	NN05182610	

POS. NO	VERS. COLOR	PART NO. (FOR PCS)	DESCRIPTION	PART NO. (MJI)	POS. NO	VERS. COLOR	PART NO. (FOR PCS)	DESCRIPTION	PART NO. (MJI)
RH13		4822 051 30222	CHIP 2.2kΩ ±5% 1/16W	NN05222610	RJ25		4822 051 30223	CHIP 22kΩ ±5% 1/6W	NN05223610
RH14		4822 051 30222	CHIP 2.2kΩ ±5% 1/16W	NN05222610	RJ26		4822 051 30223	CHIP 22kΩ ±5% 1/16W	NN05223610
RH15	14A	4822 051 30222	CHIP 2.2kΩ ±5% 1/16W	NN05222610	RJ51				
RH16	14A	4822 051 30222	CHIP 2.2kΩ ±5% 1/16W	NN05222610	}	14A	4822 116 83211	CHIP 1.8kΩ ±5% 1/16W	NN05182610
RH17		4822 051 30222	CHIP 2.2kΩ ±5% 1/16W	NN05222610	RJ62				
RH18	14A	4822 051 30222	CHIP 2.2kΩ ±5% 1/16W	NN05222610	RJ71				
RH19		4822 051 30222	CHIP 2.2kΩ ±5% 1/16W	NN05222610	}		4822 116 83211	CHIP 1.8kΩ ±5% 1/16W	NN05182610
RH21		4822 117 13632	CHIP 100kΩ ±5% 1/16W	NN05104610	RJ82				
RH22		4822 051 30222	CHIP 2.2kΩ ±5% 1/16W	NN05222610	RJ91	18A	4822 116 82487	CHIP 0Ω ±5% 1/16W	NN05000610
RH24		4822 051 30101	CHIP 100Ω ±5% 1/16W	NN05101610					
RH21	18A	482211683215	CHIP 5.6kΩ ±5% 1/16W	NN05562610	RK01		4822 051 30103	CHIP 10kΩ ±5% 1/16W	NN05103610
RH22	18A	482205130472	CHIP 4.7kΩ ±5% 1/16W	NN05222610	RK02		4822 051 30103	CHIP 10kΩ ±5% 1/16W	NN05103610
RH23	18A	482205130223	CHIP 22kΩ ±5% 1/16W	NN05101610	RK03		4822 117 12902	CHIP 8.2kΩ ±5% 1/16W	NN05822610
RH25		4822 117 13632	CHIP 100kΩ ±5% 1/16W	NN05104610	RK04		4822 117 12902	CHIP 8.2kΩ ±5% 1/16W	NN05822610
RH26		4822 051 30222	CHIP 2.2kΩ ±5% 1/16W	NN05222610	RK05		9965 000 03187	CHIP 56Ω ±5% 1/16W	NN05560610
RH27					RK06		9965 000 03187	CHIP 56Ω ±5% 1/16W	NN05560610
}	14A	4822 051 30222	CHIP 2.2kΩ ±5% 1/16W	NN05222610	RK07				
RH31					}		4822 051 30472	CHIP 4.7kΩ ±5% 1/16W	NN05472610
RH32		4822 051 30222	CHIP 2.2kΩ ±5% 1/16W	NN05222610	RK18				
RH34		4822 117 13632	CHIP 100kΩ ±5% 1/16W	NN05104610	RK19				
RH35		4822 051 30222	CHIP 2.2kΩ ±5% 1/16W	NN05222610	}		9965 000 05009	CHIP 39Ω ±5% 1/16W	NN05390610
RH34	18A	482211683215	CHIP 5.6kΩ ±5% 1/16W	NN05562610	RK22				
RH35	18A	482205130472	CHIP 4.7kΩ ±5% 1/16W	NN05222610	RK23				
RH36	18A	482205130223	CHIP 22kΩ ±5% 1/16W	NN05101610	}		4822 051 30101	CHIP 100Ω ±5% 1/16W	NN05101610
RH37		4822 051 30101	CHIP 100Ω ±5% 1/16W	NN05101610	RK28				
RH38		4822 117 13632	CHIP 100kΩ ±5% 1/16W	NN05104610	RK29		4822 051 30302	CHIP 3kΩ ±5% 1/16W	NN05302610
RH51					RK30		4822 051 30302	CHIP 3kΩ ±5% 1/16W	NN05302610
}		4822 116 83211	CHIP 1.8kΩ ±5% 1/16W	NN05182610	RK31		4822 051 30222	CHIP 2.2kΩ ±5% 1/16W	NN05222610
RH62					RK32		4822 051 30222	CHIP 2.2kΩ ±5% 1/16W	NN05222610
RH63					RK33		4822 051 30474	CHIP 470kΩ ±5% 1/16W	NN05474610
}		4822 051 30222	CHIP 2.2kΩ ±5% 1/16W	NN05222610	RK34		4822 051 30103	CHIP 10kΩ ±5% 1/16W	NN05103610
RH66					RK35				
RH67		4822 051 30223	CHIP 22kΩ ±5% 1/16W	NN05223610	}		4822 526 10584	FERRITE CORE	FC90090010
RH68		4822 051 30392	CHIP 3.9kΩ ±5% 1/16W	NN05392610	RK37			ZBF503D-00TA	
RH69		4822 051 30562	CHIP 5.6kΩ ±5% 1/16W	NN05562610	RK38		4822 116 82487	CHIP 0Ω ±5% 1/16W	NN05000610
RH70		4822 051 30472	CHIP 4.7kΩ ±5% 1/16W	NN05472610					
RH71		4822 051 30472	CHIP 4.7kΩ ±5% 1/16W	NN05472610	RR01		4822 051 30759	CHIP 75Ω ±5% 1/16W	NN05750610
RH72		4822 051 30153	CHIP 15kΩ ±5% 1/16W	NN05153610	RR02		4822 051 30759	CHIP 75Ω ±5% 1/16W	NN05750610
RH73		4822 051 30101	CHIP 100Ω ±5% 1/16W	NN05101610	RR03		4822 117 13632	CHIP 100kΩ ±5% 1/16W	NN05104610
RH74		4822 051 30101	CHIP 100Ω ±5% 1/16W	NN05101610	RR04		4822 117 13632	CHIP 100kΩ ±5% 1/16W	NN05104610
RH75		4822 117 13632	CHIP 100kΩ ±5% 1/16W	NN05104610	RR05		4822 051 30472	CHIP 4.7kΩ ±5% 1/16W	NN05472610
RH76		4822 117 13632	CHIP 100kΩ ±5% 1/16W	NN05104610	RR06		4822 051 30472	CHIP 4.7kΩ ±5% 1/16W	NN05472610
RH77					RR07		4822 051 30339	CHIP 33Ω ±5% 1/16W	NN05330610
}		4822 051 30222	CHIP 2.2kΩ ±5% 1/16W	NN05222610	RR08		4822 051 30339	CHIP 33Ω ±5% 1/16W	NN05330610
RH80					RR09		4822 051 30759	CHIP 75Ω ±5% 1/16W	NN05750610
RH81		4822 051 30223	CHIP 22kΩ ±5% 1/16W	NN05223610	RR10		4822 117 12902	CHIP 8.2kΩ ±5% 1/16W	NN05822610
RH82		4822 051 30223	CHIP 22kΩ ±5% 1/16W	NN05223610	RR11		9965 000 06300	CHIP 5.1kΩ ±5% 1/16W	NN0551261R
RH83		4822 051 30562	CHIP 5.6kΩ ±5% 1/16W	NN05562610	RR12		4822 051 30302	CHIP 3kΩ ±5% 1/16W	NN05302610
RH84		4822 051 30562	CHIP 5.6kΩ ±5% 1/16W	NN05562610	RR13		4822 051 30759	CHIP 75Ω ±5% 1/16W	NN05750610
RH85		4822 051 30472	CHIP 4.7kΩ ±5% 1/16W	NN05472610	RR14				
RH86		4822 051 30472	CHIP 4.7kΩ ±5% 1/16W	NN05472610	}		4822 116 82487	CHIP 0Ω ±5% 1/16W	NN05000610
RH87		4822 051 30101	CHIP 100Ω ±5% 1/16W	NN05101610	RR19				
RH88		4822 051 30101	CHIP 100Ω ±5% 1/16W	NN05101610	RR21		4822 051 30103	CHIP 10kΩ ±5% 1/16W	NN05103610
RH89		4822 117 13632	CHIP 100kΩ ±5% 1/16W	NN05104610	RR22		4822 051 30103	CHIP 10kΩ ±5% 1/16W	NN05103610
RH90		4822 117 13632	CHIP 100kΩ ±5% 1/16W	NN05104610	RR23		4822 051 30102	CHIP 1kΩ ±5% 1/16W	NN05102610
RJ01					RR24		4822 051 30102	CHIP 1kΩ ±5% 1/16W	NN05102610
}		4822 116 83211	CHIP 1.8kΩ ±5% 1/16W	NN05182610	RR25		4822 051 30682	CHIP 6.8kΩ ±5% 1/16W	NN05682610
RJ12					RR26				
RJ13					}		4822 051 30103	CHIP 10kΩ ±5% 1/16W	NN05103610
}		4822 051 30222	CHIP 2.2kΩ ±5% 1/16W	NN05222610	RR29				
RJ16					RR30		4822 051 30102	CHIP 1kΩ ±5% 1/16W	NN05102610
RJ17		4822 051 30472	CHIP 4.7kΩ ±5% 1/16W	NN05472610	RR31		4822 117 13632	CHIP 100kΩ ±5% 1/16W	NN05104610
RJ18		4822 051 30472	CHIP 4.7kΩ ±5% 1/16W	NN05472610	RR32		4822 051 30472	CHIP 4.7kΩ ±5% 1/16W	NN05472610
RJ19		4822 051 30562	CHIP 5.6kΩ ±5% 1/16W	NN05562610	RR33		4822 117 12925	CHIP 47kΩ ±5% 1/16W	NN05473610
RJ20		4822 051 30562	CHIP 5.6kΩ ±5% 1/16W	NN05562610					
RJ21		4822 051 30101	CHIP 100Ω ±5% 1/16W	NN05101610	R601		4822 051 30105	CHIP 1MΩ ±5% 1/16W	NN05105610
RJ22		4822 051 30101	CHIP 100Ω ±5% 1/16W	NN05101610	R602		4822 051 30103	CHIP 10kΩ ±5% 1/16W	NN05103610
RJ23		4822 117 13632	CHIP 100kΩ ±5% 1/16W	NN05104610	R606		4822 117 13632	CHIP 100kΩ ±5% 1/16W	NN05104610
RJ24		4822 117 13632	CHIP 100kΩ ±5% 1/16W	NN05104610	R651		4822 051 30103	CHIP 10kΩ ±5% 1/16W	NN05103610
					R652		4822 051 30103	CHIP 10kΩ ±5% 1/16W	NN05103610

POS. NO	VERS. COLOR	PART NO. (FOR PCS)	DESCRIPTION	PART NO. (MJI)	POS. NO	VERS. COLOR	PART NO. (FOR PCS)	DESCRIPTION	PART NO. (MJI)
R654		4822 051 30472	CHIP 4.7kΩ ±5% 1/16W	NN05472610	QK03				
R660		4822 051 30103	CHIP 10kΩ ±5% 1/16W	NN05103610	QK06	14A	4822 209 91175	IC NJM2114M OP AMP	HC10175090
R661		4822 117 13632	CHIP 100kΩ ±5% 1/16W	NN05104610	QK03				
R662		4822 117 12925	CHIP 47kΩ ±5% 1/16W	NN05473610	QK06	18A	482220973064	IC NJM-2068-DD OP AMP	HC10053090
R664		4822 117 12925	CHIP 47kΩ ±5% 1/16W	NN05473610	QK07		4822 130 63601	CHIP TR. 2SC4213	HX342132A0
R675		4822 051 30103	CHIP 10kΩ ±5% 1/16W	NN05103610	QK08		4822 130 63601	CHIP TR. 2SC4213	HX342132A0
R676		4822 116 82487	CHIP 0Ω ±5% 1/16W	NN05000610	QK10		4822 130 61903	DIG.TRS. DTA114EU	BA10026210
R677									
R688		4822 051 30103	CHIP 10kΩ ±5% 1/16W	NN05103610	QR01		9965 000 06294	IC LC89055Q	HC10405030
R689		4822 117 12925	CHIP 47kΩ ±5% 1/16W	NN05473610	QR02		9965 000 01342	SPDIF RECEIVER	
R690		4822 117 12925	CHIP 47kΩ ±5% 1/16W	NN05473610	QR03		9965 000 01342	IC TC74HC151AF	HC715100Z0
R693		4822 116 82487	CHIP 0Ω ±5% 1/16W	NN05000610	QR04		4822 209 30426	IC CMOS 74HC00	HC700000Z0
R699		4822 051 30103	CHIP 10kΩ ±5% 1/16W	NN05103610	QR05		4822 209 30426	IC CMOS 74HC00	HC700000Z0
			P604-SEMICONDUCTORS		QR06		4822 209 13267	IC TC74HCT7007AF	HC800705Q0
DE01	14A	4822 130 10683	CHIP DIODE KV1851-TL00	HZ40003420	QR07		4822 209 31568	IC 74HCU04 CMOS	HC700400Z0
DK01					QR09		4822 130 60856	DIG.TRS. DTC144EC	BA20021210
DK04		4822 130 81324	CHIP DIODE 1SS302	HZ20018050	QR10		4822 130 60856	DIG.TRS. DTC144EC	BA20021210
DR01		4822 130 81324	CHIP DIODE 1SS302	HZ20018050	Q601		9965 000 01321	IC YSS912	HC10014640
DR02		4822 130 81324	CHIP DIODE 1SS302	HZ20018050	Q602		9965 000 01322	DTS/AC-3 DECODER	
D692		4822 130 80522	CHIP DIODE 1SS300 DAP202U	HZ21006000	Q603		4822 209 15598	IC TC7WT241FU	HC007405K0
D693		4822 130 83715	CHIP DIODE 1SS301 DAN202U	HZ21005000	Q604		9965 000 01324	IC 74HCT157 PACK	HC715705Q0
QD01		9965 000 06290	IC AD1852 DAC 24BIT 96kHz	HC10014840	Q605		9965 000 01324	IC 1M SRAM 8X128K 15NS	HC10088000
QD02		9965 000 06290	IC AD1852 DAC 24BIT 96kHz	HC10014840	Q606		9965 000 01326	IC TCW32FU OR *2	HC10419050
QD03		9965 000 06290	IC AD1852 DAC 24BIT 96kHz	HC10014840	Q651		9965 000 06292	IC ZR38601	HC10102990
QD41	14A	9965 000 06290	IC AD1852 DAC 24BIT 96kHz	HC10014840	Q652		9965 000 01338	THX5.1 EX DECODE	
QD42		9965 000 06290	IC AD1852 DAC 24BIT 96kHz	HC10014840	Q653		9965 000 01322	IC TC7SET04F	HC007205K0
QD43	14A	4822 209 17526	IC TC160G11AU-1305	HC10438050	Q691		9965 000 06296	IC TC7WT241FU	HC007405K0
QE01					Q692		9965 000 01323	MICROPROCESSOR	HU326JT10F
QE03	14A	4822 130 60669	CHIP TR.	HX300012A0	Q693		4822 209 32921	TMP93CW44ADF SURR CPU	
QE04	14A	4822 209 14876	2SC4081 Q R 2SC4116 Y GR	HC10065170	Q694		4822 209 33521	IC TC7WT126FU	HC007305K0
QE05	14A	4822 130 60669	IC MC14577C SOP	HX300012A0				IC S-80745AN	HC10048530
QE06	14A	4822 130 10698	CHIP TR.	HX100012A0				IC TC7W04FU	HC10382050
QE07	14A	4822 130 10698	2SC4081 Q R 2SC4116 Y GR	HX100012A0					
QE08	14A	4822 209 83357	SA1586 Y GR 2SA1576A Q R	HC10029090	JE01		4822 267 10603	TERMINAL YKC21-3707	YT02011030
QE09	14A	4822 209 17162	CHIP TR.	HC10016660	JR01		9965 000 01340	TERMINAL RCA 2P AU BL	YT02021540
QE10	14A	4822 209 14864	AC-3 RF DEMODULATOR	HC10076000	JR02		4822 218 11487	OPTICAL RECIVER GP1F32R	YJ15000150
QH01	14A	4822 209 91175	IC 8X32K SRAM <35NS SOJ	HC10076000	JR03		4822 218 11487	OPTICAL RECIVER GP1F32R	YJ15000150
QH02	14A	4822 209 91175			JR04		4822 267 31369	OPTICAL OUTPUT GP1F32T	YJ15000090
QH03	14A	4822 209 91175			JR05		4822 290 81638	TERMINAL 14X14 RCA 1L1P	YT02010790
QH01	18A	482220973064	IC NJM-2068-DD OP AMP	HC10053090	JR06			TERMINAL GND TERMINAL M3	YL01010140
QH02	18A	482220973064	IC NJM-2068-DD OP AMP	HC10053090	JR07		4822 218 11487	OPTICAL RECIVER	YJ15000150
QH03	18A	482220973064	IC NJM-2068-DD OP AMP	HC10053090	LD01				
QH51	14A	4822 209 91175	IC NJM2114M OP AMP	HC10175090	LD03		4822 526 10584	FERRITE	FC90090010
QH52	14A	4822 209 91175	IC NJM2114M OP AMP	HC10175090	LD05			ZBF503D-00TA	
QH53	14A	4822 209 91175	IC NJM2114M OP AMP	HC10175090	LD07		4822 526 10584	FERRITE	FC90090010
QH51	18A	482220973064	IC NJM-2068-DD OP AMP	HC10053090	LD41	14A	4822 526 10584	ZBF503D-00TA	
QH52	18A	482220973064	IC NJM-2068-DD OP AMP	HC10053090	LD42		4822 526 10584	FERRITE CORE	FC90090010
QH53	18A	482220973064	IC NJM-2068-DD OP AMP	HC10053090	LD44		4822 526 10584	ZBF503D-00TA	
QJ01	14A	4822 209 91175	IC NJM2114M OP AMP	HC10175090	LD45	14A	4822 526 10584	FERRITE CORE	FC90090010
QJ02	14A	4822 209 91175	IC NJM2114M OP AMP	HC10175090	LD46		4822 526 10584	ZBF503D-00TA	
QJ01	18A	482220973064	IC NJM-2068-DD OP AMP	HC10053090	LD81			FERRITE CORE	FC90090010
QJ02	18A	482220973064	IC NJM-2068-DD OP AMP	HC10053090	LD86		4822 242 73843	ZBF503D-00TA	
QJ51		4822 209 91175	IC NJM2114M OP AMP	HC10175090	LE01	14A	4822 157 70681	EMI FILTER DSS306-91-F-223Z	FM12223010
QJ71	14A	4822 209 91175	IC NJM2114M OP AMP	HC10175090	LE02	14A		CHIP INDUCTANCE	LU12683010
QJ71	18A	482220973064	IC NJM-2068-DD OP AMP	HC10053090	LE03	14A	4822 242 73843	68μH NL322522-680K	
QK01		9965 000 06291	IC AK5392 2CH.ADC 24BIT	HC10028480	LE04	14A	4822 242 73843	L.C. FILTER 2.88MHz B.P.F	FF32884010
					LH01		4822 526 10584	EMI FILTER DSS306-91-F-223Z	FM12223010
								FERRITE CORE	FC90090010
								ZBF503D-00TA	

POS. NO	VERS. COLOR	PART NO. (FOR PCS)	DESCRIPTION	PART NO. (MUJ)	POS. NO	VERS. COLOR	PART NO. (FOR PCS)	DESCRIPTION	PART NO. (MUJ)
LH02		4822 526 10584	FERRITE CORE ZBF503D-00TA	FC90090010				P704-RESISTORS	
LH51		4822 526 10584	FERRITE CORE ZBF503D-00TA	FC90090010	▲ R707		4822 050 21502	1.5kΩ ±5% 1/6W	GG05152160
LH52		4822 526 10584	FERRITE CORE ZBF503D-00TA	FC90090010	▲ R710				
LJ01		4822 526 10584	FERRITE CORE ZBF503D-00TA	FC90090010	R715		4822 100 12159	TRIM. 100kΩ RH0638CJ4R	RA01040780
LJ02		4822 526 10584	FERRITE CORE ZBF503D-00TA	FC90090010	R716		4822 100 12159	TRIM. 100kΩ RH0638CJ4R	RA01040780
LK01		4822 526 10584	FERRITE CORE ZBF503D-00TA	FC90090010	▲ R725		4822 052 10569	56Ω 1/6W	GG05560160
LR01		4822 142 60422	PULSE TRANSF. TPS247MN-0386AN	TP41042030	▲ R736		4822 100 20681	TRIM. 2.2kΩ RH0638CJ3R	RA02220780
LR02		4822 242 73843	EMI FILTER DSS306-91-F-223Z	FM12223010	R743		4822 100 20681	TRIM. 2.2kΩ RH0638CJ3R	RA02220780
L601		4822 242 73843	EMI FILTER DSS306-91-F-223Z	FM12223010	R744				
L602		4822 242 73843	EMI FILTER DSS306-91-F-223Z	FM12223010	▲ R749		4822 052 10109	10Ω ±5% 1/4W	GG05100140
L651		4822 242 73843	EMI FILTER DSS306-91-F-223Z	FM12223010	▲ R752				
L691					▲ R753		4822 052 10101	100Ω 1/6W	GG05101160
L697		4822 157 10884	EMI FILTER BLM11A221S	FN31000010	▲ R756				
XE01		9965 000 01320	CRYSTAL 18.432MHz AT-49	JX18001260	R757			JUMPER	75060501P0
X601		4822 242 10851	CRYSTAL 12.288MHz AT-49	JX12013260	▲ R760		4822 052 10102	1kΩ ±5% 1/6W	GG05102160
X691		9965 000 01346	SERAMIC VIB. CST20 00MXW	FQ02005030	▲ R762		4822 052 10102	1kΩ ±5% 1/6W	GG05102160
			P704-3CH POWER-AMP. CIRCUIT BOARD		▲ R763		4822 052 10229	22Ω 1/6W	GG05220160
			P704-CAPACITORS		▲ R766				
CT01	14A	4822 124 90058	ELECT. 47μF M 25V ARA	OA47602550	▲ R767		4822 116 60319	FUSIBLE 220Ω ±5% 1/2W	NH05221120
CT01	18A	482212422275	ELECT. 47μF M 10V RA-2	OA47601020	▲ R768		4822 116 60319	FUSIBLE 220Ω ±5% 1/2W	NH05221120
CT03		9965 000 05891	FILM 470pF J 100V APSV	OF15471540	R769		4822 052 10228	2.2Ω ±5% 1/6W	GG05022160
CT05		9965 000 05891	FILM 470pF 100V PP APSV	OF15471540	R772				
CT07		9965 000 01040	ELECT. 470μF M 6.3V RA-2	OA47700620	▲ R773		9965 000 01764	0.10Ω K 5W X2 RGC55 W/TP	BZ10102020
CT11		9965 000 02644	ELECT. 220μF M 100V RA2	OA22710020	▲ R774		9965 000 01764	0.10Ω K 5W X2 RGC55 W/TP	BZ10102020
CT13		9965 000 02644	ELECT. 220μF M 100V RA2	OA22710020	▲ R775		4822 052 10102	1kΩ 1/6W	GG05102160
CT15		4822 124 11533	ELECT. 1μF M 100V RA2	OA10510020	▲ R776		4822 052 10102	1kΩ 1/6W	GG05102160
CT17		9965 000 01561	MICA 10pF 250V FE	DF31100520	▲ R777		4822 050 22202	2.2kΩ ±5% 1/6W	GG05222160
CT19		9965 000 05892	ELECT. 4.7μF M 100V	EA47510010	▲ R778		4822 050 22202	2.2kΩ ±5% 1/6W	GG05222160
CT27		9965 000 00438	FILM 120pF J 100V APSV	OF15121540	▲ R783		4822 116 83929	220Ω ±5% 1/4W	GG05221140
CT29		9965 000 00438	FILM 120pF J 100V APSV	OF15121540	▲ R784		4822 116 83929	220Ω ±5% 1/4W	GG05221140
C701	14A	4822 124 90058	ELECT. 47μF M 25V ARA	OA47602550	▲ R785		4822 053 10109	10Ω 1W	GA05100010
C702	14A	4822 124 90058	ELECT. 47μF M 25V ARA	OA47602550	▲ R786		4822 053 10109	10Ω 1W	GA05100010
C701	18A	482212422275	ELECT. 47μF M 10V RA-2	OA47601020	▲ RT07		4822 050 21502	1.5kΩ ±5% 1/6W	GG05152160
C702	18A	482212422275	ELECT. 47μF M 10V RA-2	OA47601020	▲ RT09		4822 050 21502	1.5kΩ ±5% 1/6W	GG05152160
C703					RT15		4822 100 12159	TRIM. 100kΩ RH0638CJ4R	RA01040780
C706		9965 000 05891	FILM 470pF 100V PP APSV	OF15471540	▲ RT25		4822 052 10561	560Ω 1/6W	GG05561160
C707		9965 000 01040	ELECT. 470μF M 6.3V RA-2	OA47700620	▲ RT27		4822 052 10561	560Ω 1/6W	GG05561160
C708		9965 000 01040	ELECT. 470μF M 6.3V RA-2	OA47700620	▲ RT29		4822 052 10561	560Ω 1/6W	GG05561160
C711					▲ RT31		4822 052 10561	560Ω 1/6W	GG05561160
C714		9965 000 02644	ELECT. 220μF M 100V RA2	OA22710020	▲ RT33		4822 052 10569	56Ω 1/6W	GG05560160
C715		4822 124 11533	ELECT. 1μF M 100V RA2	OA10510020	▲ RT35		4822 052 10569	56Ω 1/6W	GG05560160
C716		4822 124 11533	ELECT. 1μF M 100V RA2	OA10510020	RT43		4822 100 20681	TRIM. 2.2kΩ RH0638CJ3R	RA02220780
C717		9965 000 01561	MICA 10pF 250V FE	DF31100520	▲ RT49		4822 052 10109	10Ω ±5% 1/4W	GG05100140
C718		9965 000 01561	MICA 10pF 250V FE	DF31100520	▲ RT51		4822 052 10109	10Ω ±5% 1/4W	GG05100140
C719		9965 000 05892	ELECT. 4.7μF M 100V RE3	EA47510010	▲ RT53		4822 052 10101	100Ω 1/6W	GG05101160
C720		9965 000 05892	ELECT. 4.7μF M 100V	EA47510010	▲ RT55		4822 052 10101	100Ω 1/6W	GG05101160
C727					RT57			JUMPER	75060501P0
C730		9965 000 00438	FILM 120pF J 100V APSV	OF15121540	RT59			JUMPER	75060501P0
			P704-CAPACITORS (COMMON)		▲ RT61		4822 052 10102	1kΩ ±5% 1/6W	GG05102160
			PLASTIC FILM CAPACITOR ±5% 50V :		▲ RT63		4822 052 10229	22Ω 1/6W	GG05220160
			C721-C726 CT21 CT23 CT25		▲ RT65		4822 052 10229	22Ω 1/6W	GG05220160
					▲ RT67		4822 116 60319	FUSIBLE 220Ω ±5% 1/2W	NH05221120
					RT69		4822 052 10228	2.2Ω ±5% 1/6W	GG05022160
					RT71		4822 052 10228	2.2Ω ±5% 1/6W	GG05022160
					▲ RT73		9965 000 01764	0.10Ω K 5W X2 RGC55 W/TP	BZ10102020
					▲ RT75		4822 052 10102	1kΩ 1/6W	GG05102160
					▲ RT77		4822 050 22202	2.2kΩ ±5% 1/6W	GG05222160
					▲ RT83		4822 116 83929	220Ω ±5% 1/4W	GG05221140
					▲ RT85		4822 053 10109	10Ω 1W	GA05100010

POS. NO	VERS. COLOR	PART NO. (FOR PCS)	DESCRIPTION	PART NO. (MJI)	POS. NO	VERS. COLOR	PART NO. (FOR PCS)	DESCRIPTION	PART NO. (MJI)
			P704-RESISTORS (COMMON) CARBON FILM FIXED RES. ±5% 1/6W : R701-R706 R711-R714 R717-R724 R737-R742 R745-R748 R779-R782 R787-R790 RT01 RT03 RT05 RT11 RT13 RT17 RT19 RT21 RT23 RT37 RT39 RT41 RT45 RT47 RT79 RT81 RT87 RT89		▲ Q723		4822 130 63634	TRS. 2SA1837 O OR Y	HT118372A0
					▲ Q724		4822 130 63634	TRS. 2SA1837 O OR Y	HT118372A0
					Q729		4822 130 43233	TRS. 2SC2240	HT322402A0
					Q730		4822 130 43233	TRS. 2SC2240	HT322402A0
					QT01		4822 130 42949	TRS. 2SA970	HT109702A0
					QT03		4822 130 42949	TRS. 2SA970	HT109702A0
					QT05		4822 130 42999	TRS. 2SA1145 O OR Y	HT111452A0
					QT07		4822 130 43283	TRS. 2SC2705 O OR Y	HT327052A0
					QT09		4822 130 43283	TRS. 2SC2705 O OR Y	HT327052A0
					▲ QT11		5322 130 61728	TRS. 2SA1360 O OR Y	HT113602A0
					▲ QT13		5322 130 61737	TRS. 2SC3423 O OR Y	HT334232A0
					QT17		4822 130 43283	TRS. 2SC2705 O OR Y	HT327052A0
					QT19		4822 130 42999	TRS. 2SA1145 O OR Y	HT111452A0
					▲ QT21		4822 130 63635	TRS. 2SC4793 O OR Y	HT347932A0
					▲ QT23		4822 130 63634	TRS. 2SA1837 O OR Y	HT118372A0
					QT29		4822 130 43233	TRS. 2SC2240	HT322402A0
								P704-MISCELLANEOUS	
					L701		4822 157 70022	AIR COIL SPK CHOCK COIL	ML08010030
					L702		4822 157 70022	AIR COIL SPK CHOCK COIL	ML08010030
					L701		4822 157 70022	AIR COIL SPK CHOCK COIL	ML08010030
					▲ S701		9965 000 01765	CIRCUIT BREAKER TEMP-SW 120DEG. OHD3-120B	FR31200020
					▲ S702		9965 000 01765	CIRCUIT BREAKER TEMP-SW 120DEG. OHD3-120B	FR31200020
								P754- 2CH POWER-AMP. CIRCUIT BOARD	
								P754-CAPACITORS	
					C861		4822 124 90354	ELECT. 100µF 16V	OA10701620
					C862		4822 122 30043	CER. 0.01µF +80%-20% Z 50V	DK18103310
					C871		4822 124 90354	ELECT. 100µF 16V	OA10701620
					C872		4822 122 30043	CER. 0.01µF +80%-20% Z 50V	DK18103310
					C881		4822 124 90354	ELECT. 100µF 16V	OA10701620
					C882		4822 126 10935	ELECT. 100µF M 6.3V	EJ10700610
					CN01		4822 122 40617	CER. 0.1µF +80%-20% 50V DC	DD38104010
					CN02		4822 124 41539	ELECT. 47µF M 16V RA-2	OA47601620
					CN03		4822 124 41539	ELECT. 47µF M 16V RA-2	OA47601620
					CN04		4822 122 40617	CER. 0.1µF +80%-20% 50V DC	DD38104010
					CN05		4822 124 90354	ELECT. 100µF 16V	OA10701620
					CN06		4822 124 90354	ELECT. 100µF 16V	OA10701620
					CN07		4822 124 41543	ELECT. 1µF 50V	OA10505020
					CN08		4822 122 40617	CER. 0.1µF +80%-20% 50V DC	DD38104010
					CN09		4822 124 90353	ELECT. 100µF 10V	OA10701020
					CN10		4822 124 90362	ELECT. 22µF 50V	OA22605020
					CN11		5322 124 21731	ELECT. 10µF 50V	OA10605020
					CN12		4822 124 41539	ELECT. 47µF 16V	OA47601620
					CN13		4822 124 90354	ELECT. 100µF 16V	OA10701620
					CN14		4822 124 90354	ELECT. 100µF M 16V RA-2	OA10701620
					CN15		4822 122 40617	CER. 0.1µF +80%-20% 50V DC	DD38104010
					CN16		9965 000 01040	ELECT. 470µF M 6.3V RA-2	OA47700620
					CN17		4822 124 12389	ELECT. BP 47µF M 16V	EQ47601630
					CP01		4822 124 90058	ELECT. 47µF M 25V ARA	OA47602550
					CP02		4822 124 90058	ELECT. 47µF M 25V ARA	OA47602550
					CP03				
					}		9965 000 05891	FILM CAP 470pF ±5% 100V	OF15471540
					CP06				
					CP07		9965 000 01040	ELECT. 470µF M 6.3V RA-2	OA47700620
					CP08		9965 000 01040	ELECT. 470µF M 6.3V RA-2	OA47700620
					CP11				
					}		9965 000 02644	ELECT. 220µF M 100V RA-2	OA22710020
					CP14				
					CP15		4822 124 11533	ELECT. 1µF M 100V RA2	OA10510020
					CP16		4822 124 11533	ELECT. 1µF M 100V RA2	OA10510020
					CP17		4822 123 30088	MICA 10pF ±0.5pF 250V FE	DF31100520
					CP18		4822 123 30088	MICA 10pF ±0.5pF 250V FE	DF31100520
R***									
D701									
{									
D704		4822 130 32362	DIODE 1SS176 MA165 1SS254 30V 0.1A JUMPER	HD20002000 75060501P0					
{									
D712									
D713									
{									
D716		4822 130 80837	DIODE HSS81	HD20027010					
D717									
{									
D720		4822 130 80317	ZENER DIODE 5.1V RD5.1JB2 MTZJ5.1B	HD30511000					
D721		4822 130 80837	DIODE HSS81	HD20027010					
D722		4822 130 80837	DIODE HSS81	HD20027010					
DT01		4822 130 32362	DIODE 1SS176 MA165 1SS254 30V 0.1A	HD20002000					
DT03		4822 130 32362	DIODE 1SS176 MA165 1SS254 30V 0.1A	HD20002000					
DT05			JUMPER	75060501P0					
DT07			JUMPER	75060501P0					
DT09			JUMPER	75060501P0					
DT11			JUMPER	75060501P0					
DT13		4822 130 80837	DIODE HSS81	HD20027010					
DT15		4822 130 80837	DIODE HSS81	HD20027010					
DT17		4822 130 80317	ZENER DIODE 5.1V RD5.1JB2 MTZJ5.1B	HD30511000					
DT19		4822 130 80317	ZENER DIODE 5.1V RD5.1JB2 MTZJ5.1B	HD30511000					
DT21		4822 130 80837	DIODE HSS81	HD20027010					
▲ K761									
{									
▲ K763			TRS. KIT 2SA1360 2SC3423 PAIR O OR Y	HK136019C0					
▲ K766									
{									
▲ K768			TRS. KIT 2SA1837 2SC4793 MJI RANK	HK183719C0					
▲ K771									
{									
▲ K773		4822 130 11394	TRS. KIT 2SA1216 2SC2922 O OR Y PAIR	HK121619F0					
Q701									
{									
Q704		4822 130 42949	TRS. 2SA970	HT109702A0					
Q705		4822 130 42999	TRS. 2SA1145 O OR Y	HT111452A0					
Q706		4822 130 42999	TRS. 2SA1145 O OR Y	HT111452A0					
Q707									
{									
Q710									
▲ Q711		5322 130 61728	TRS. 2SA1360 O OR Y	HT113602A0					
▲ Q712		5322 130 61728	TRS. 2SA1360 O OR Y	HT113602A0					
▲ Q713		5322 130 61737	TRS. 2SC3423 O OR Y	HT334232A0					
▲ Q714		5322 130 61737	TRS. 2SC3423 O OR Y	HT334232A0					
Q717		4822 130 43283	TRS. 2SC2705 O OR Y	HT327052A0					
Q718		4822 130 43283	TRS. 2SC2705 O OR Y	HT327052A0					
Q719		4822 130 42999	TRS. 2SA1145 O OR Y	HT111452A0					
Q720		4822 130 42999	TRS. 2SA1145 O OR Y	HT111452A0					
▲ Q721		4822 130 63635	TRS. 2SC4793 O OR Y	HT347932A0					
▲ Q722		4822 130 63635	TRS. 2SC4793 O OR Y	HT347932A0					

POS. NO	VERS. COLOR	PART NO. (FOR PCS)	DESCRIPTION	PART NO. (MJI)	POS. NO	VERS. COLOR	PART NO. (FOR PCS)	DESCRIPTION	PART NO. (MJI)	
CP19		9965 000 05892	ELECT. 4.7μF M 100V	EA47510010				P754-SEMICONDUCTORS		
CP20		9965 000 05892	ELECT. 4.7μF M 100V	EA47510010	D861		4822 130 82421		DIODE 1D3	HD20002710
CP27					D871		4822 130 82421		DIODE 1D3	HD20002710
∩		9965 000 00438	FILM CAP 120pF ±5% 100V	OF15121540	D881		4822 130 82421		DIODE 1D3	HD20002710
CP30					D882		4822 130 80132		ZENER DIODE 3.9V	HD30391000
									RD3.9ESB1 MTZJ3.9A	
C***			P754-CAPACITORS (COMMON) PLASTIC FILM CAPACITOR ±5% 50V : CP21-CP26		DN01		4822 130 32362		DIODE 1SS176 MA165 1SS254 30V 0.1A	HD20002000
			P754-RESISTORS		DN02		4822 130 32362		DIODE 1SS176 MA165 1SS254 30V 0.1A	HD20002000
▲ R881		4822 050 21021	100Ω ±5% 1/4W	GG05101140	DN03		4822 130 82421		DIODE 1D3	HD20002710
▲ RN04		4822 050 21503	15kΩ ±5% 1/2W	GG05153120	DN04		4822 130 82421		DIODE 1D3	HD20002710
▲ RN08		4822 050 23303	33kΩ ±5% 1/4W	GG05333140	DN05					
▲ RN16		4822 052 10109	10Ω ±5% 1/6W	GG05100160	∩		4822 130 32362	DIODE 1SS176 MA165 1SS254 30V 0.1A	HD20002000	
▲ RN44		4822 053 10221	220Ω ±5% 1W	GA05221010	DN07					
▲ RN45		4822 053 10331	330Ω ±5% 1W	GA05331010	DN09		4822 116 21235	VARIATOR	HP00004230	
▲ RN46		4822 053 10331	330Ω ±5% 1W	GA05331010	DN10		4822 130 80837	DIODE HSS81	HD20027010	
▲ RP07										
∩			1.5kΩ ±5% 1/6W	GG05152160	DP01					
▲ RP10					∩		4822 130 32362	DIODE 1SS176 MA165 1SS254 30V 0.1A	HD20002000	
RP15		9965 000 01766	TRIM. 100kΩ	RA01040760	DP04					
RP16		9965 000 01766	TRIM. 100kΩ	RA01040760	DP05					
▲ RP25					∩			JUMPER	75060501P0	
∩		4822 052 10561	560Ω 1/6W	GG05561160	DP12					
▲ RP32					DP13					
▲ RP33					∩		4822 130 80837	DIODE HSS81	HD20027010	
∩		4822 052 10569	56Ω 1/6W	GG05560160	DP16					
▲ RP36					DP17					
RP43		9965 000 01566	TRIM. 2.2kΩ	RA02220760	∩		4822 130 80317	ZENER DIODE 5.1V	HD30511000	
RP44		9965 000 01566	TRIM. 2.2kΩ	RA02220760	DP20			RD5.1JB2 MTZJ5.1B		
▲ RP49					DP21		4822 130 80837	DIODE HSS81	HD20027010	
∩		4822 052 10109	10Ω ±5% 1/4W	GG05100140	DP22		4822 130 80837	DIODE HSS81	HD20027010	
▲ RP52										
▲ RP53					▲ K764			TRS. KIT 2SA1360 2SC3423 PAIR O OR Y	HK136019C0	
∩		4822 052 10101	100Ω 1/6W	GG05101160	▲ K765			TRS. KIT 2SA1360 2SC3423 O OR Y	HK136019C0	
▲ RP56					▲ K769			TRS. KIT 2SA1837 2SC4793 MJI RANK	HK183719C0	
RP57										
∩			JUMPER	75060501P0	▲ K770			TRS. KIT 2SA1837 2SC4793 MJI RANK	HK183719C0	
RP60					▲ K774		4822 130 11394	TRS. KIT 2SA1216 2SC2922 O OR Y PAIR	HK121619F0	
▲ RP61		4822 052 10102	1kΩ ±5% 1/6W	GG05102160	▲ K775		4822 130 11394	TRS. KIT 2SA1216 2SC2922 O OR Y PAIR	HK121619F0	
▲ RP62		4822 052 10102	1kΩ ±5% 1/6W	GG05102160						
▲ RP63					▲ Q861		4822 209 83824	IC NJM7805FA +5V	HC38905090	
∩		4822 052 10229	22Ω 1/6W	GG05220160	▲ Q871		4822 209 83824	IC NJM7805FA +5V	HC38905090	
▲ RP66					▲ Q881		4822 130 63635	TRS. 2SC4793 O OR Y	HT347932A0	
▲ RP67		4822 116 60319	FUSIBLE 220Ω ±5% 1/2W	NH05221120						
▲ RP68		4822 116 60319	FUSIBLE 220Ω ±5% 1/2W	NH05221120	QN01		4822 209 83312	IC TA7317P	HC10042050	
RP69					QN02		4822 130 42594	DIG. TRS. DTC144ES	BA20002000	
∩		4822 052 10228	2.2Ω ±5% 1/6W	GG05022160	QN03		4822 130 42949	TRS. 2SA970	HT109702A0	
RP72					QN04		4822 130 60526	TRS. 2SD1508 HFE>4000	HT415080A0	
▲ RP73		9965 000 01764	0.10Ω K 5W X2 RGC55 W/TP	BZ10102020	QN05		4822 130 42594	DIG. TRS. DTC144ES	BA20002000	
▲ RP74		9965 000 01764	0.10Ω K 5W X2 RGC55 W/TP	BZ10102020	QN06		4822 130 60696	TRS. 2SC1627 O OR Y	HT316272B0	
▲ RP75		4822 052 10102	1kΩ 1/6W	GG05102160	▲ QN07		9965 000 01771	IC PQ30RV11	HC36930320	
▲ RP76		4822 052 10102	1kΩ 1/6W	GG05102160	QN08		4822 130 41947	TRS. 2SC536SP 2SC2458 2SC3311 2SC1740S	HT30001000	
▲ RP77		4822 050 22202	2.2kΩ ±5% 1/6W	GG05222160	QN09		4822 130 41947	TRS. 2SC536SP 2SC2458 2SC3311 2SC1740S	HT30001000	
▲ RP78		4822 050 22202	2.2kΩ ±5% 1/6W	GG05222160	QN10		4822 130 41947	TRS. 2SC536SP 2SC2458 2SC3311 2SC1740S	HT30001000	
▲ RP83		4822 116 83929	220Ω ±5% 1/4W	GG05221140	QN11		4822 130 43233	TRS. 2SC2240	HT322402A0	
▲ RP84		4822 116 83929	220Ω ±5% 1/4W	GG05221140	QN12		4822 130 43233	TRS. 2SC2240	HT322402A0	
▲ RP85		4822 053 10109	10Ω ±5% 1W	GA05100010	QN13		4822 130 41947	TRS. 2SC536SP 2SC2458 2SC3311 2SC1740S	HT30001000	
▲ RP86		4822 053 10109	10Ω ±5% 1W	GA05100010	QN14		4822 130 42715	TRS. 2SA608SP ETC	HT10001000	
			P754-RESISTORS (COMMON) CARBON FILM FIXED RES. ±5% 1/6W : RN01-RN03 RN05-RN07 RN09-RN15 RN17-RN43 RN48 RN49 RP01-RP06 RP11-RP14 RP17-RP24 RP37-RP42 RP45-RP48 RP79-RP82 RP89 RP90							
R***										

POS. NO	VERS. COLOR	PART NO. (FOR PCS)	DESCRIPTION	PART NO. (MJI)	POS. NO	VERS. COLOR	PART NO. (FOR PCS)	DESCRIPTION	PART NO. (MJI)
QP01		4822 130 42949	TRS. 2SA970	HT109702A0	R801			P804-RESISTORS	
QP04					R802			JUMPER	75060501P0
QP05		4822 130 42999	TRS. 2SA1145 O OR Y	HT111452A0	R813			JUMPER	75060501P0
QP06		4822 130 42999	TRS. 2SA1145 O OR Y	HT111452A0				100Ω ±5% 1/6W	GD05101160
QP07								P804-SEMICONDUCTORS	
QP10		4822 130 43283	TRS. 2SC2705 O OR Y	HT327052A0	▲ D801		4822 130 83067	DIODE D3SB 20 V=200V IO=3.0A	HE20020290
▲ QP11		5322 130 61728	TRS. 2SA1360 O OR Y	HT113602A0	D802		4822 130 82421	DIODE 1D3 1A 200V	HD20002710
▲ QP12		5322 130 61728	TRS. 2SA1360 O OR Y	HT113602A0	D807		4822 130 82421	DIODE 1D3 1A 200V	HD20002710
▲ QP13		5322 130 61737	TRS. 2SC3423 O OR Y	HT334232A0					
▲ QP14		5322 130 61737	TRS. 2SC3423 O OR Y	HT334232A0	▲ Q801		4822 209 70084	IC NJM7812FA +12V 1A	HC38912090
QP15		4822 130 60117	TRS. 2SC3419 Y	HT334191Y0	▲ Q806		4822 130 11605	TRS. 2SD1415	HT41415100
QP16		4822 130 60117	TRS. 2SC3419 Y	HT334191Y0					
QP17		4822 130 43283	TRS. 2SC2705 O OR Y	HT327052A0					
QP18		4822 130 43283	TRS. 2SC2705 O OR Y	HT327052A0	▲ F801	/K,/N,/S	4822 117 10158	P804-MISCELLANEOUS 1Ω ±5% 1/4W	GG05010140
QP19		4822 130 42999	TRS. 2SA1145 O OR Y	HT111452A0	▲ F801	/F		FUSE T2A 125V UL CSA	FS20200220
QP20		4822 130 42999	TRS. 2SA1145 O OR Y	HT111452A0	▲ F801	/U		FUSE T2A 250V TR5 NO.19374	FS20200210
▲ QP21		4822 130 63635	TRS. 2SC4793 O OR Y	HT347932A0	▲ F802	/K,/N,/S	4822 117 10158	1Ω ±5% 1/4W	GG05010140
▲ QP22		4822 130 63635	TRS. 2SC4793 O OR Y	HT347932A0	▲ F802	/F		FUSE T2A 125V UL CSA	FS20200220
▲ QP23		4822 130 63634	TRS. 2SA1837 O OR Y	HT118372A0	▲ F802	/U		FUSE T2A 250V TR5 NO 19374	FS20200210
▲ QP24		4822 130 63634	TRS. 2SA1837 O OR Y	HT118372A0					
▲ QP25		9965 000 01762	TRS. 2SC2922 O OR Y	HT329222A0					
▲ QP26		9965 000 01762	TRS. 2SC2922 O OR Y	HT329222A0					
▲ QP27		9965 000 01763	TRS. 2SA1216 O OR Y	HT112162A0					
▲ QP28		9965 000 01763	TRS. 2SA1216 O OR Y	HT112162A0					
QP29		4822 130 43233	TRS. 2SC2240	HT322402A0	C851		4822 122 30043	CER. 0.01μF +80%-20% E 500V	DK18103560
QP30		4822 130 43233	TRS. 2SC2240	HT322402A0	C852		4822 126 12453	CER. 0.01μF +80%-20% E 500V	DK18103560
					▲ C853	/K,/N, /S,/U	9965 000 01773	ELECT. 56000μF 71V x2	EI56907120
			P754-MISCELLANEOUS		▲ C853	/F		ELECT. 56000μF 71V x2	OB56907120
LN01		9965 000 01343	RELAY RELAY MR62-12SR	LY20120510	▲ C854	/F,/K,/U	4822 126 12453	CER. 0.01μF +80%-20% E 500V	DK18103560
LP01		4822 157 70022	AIR COIL SPK CHOCK COIL	ML08010030	▲ C855	/F,/K,/U	4822 121 43363	FILM 0.22μF ±20% ECQ-U	DF17224800
LP02		4822 157 70022	AIR COIL SPK CHOCK COIL	ML08010030				250V AC UL CSA VDE	
▲ MN51		9965 000 01770	D.C MOTOR FBA08A12H0 DC FAN 12V	MM01200320	C857		4822 124 40763	ELECT. 2.2μF M 50V RA-2	OA22505020
					R***			P854-RESISTORS (COMMON) CARBON FILM FIXED RES. ±5% 1/6W : R851-R854	
			P774-PO-AMP.TR-BLOCK 3CH CIRCUIT BOARD		▲ D851		9965 000 01578	P854-SEMICONDUCTORS DIODE D25XB60 BRIDGE	HE20029290
			P774-SEMICONDUCTORS		D853		4822 130 82421	DIODE 1D3	HD20002710
D799		4822 116 21235	VARIATOR PTH9M04BE222TS2F333	HP00004230	D854		4822 130 82421	DIODE 1D3	HD20002710
Q715		4822 130 60117	TRS. 2SC3419 Y	HT334191Y0				PB04-PRIMARY CIRCUIT BOARD [F, U] VERSION	
Q716		4822 130 60117	TRS. 2SC3419 Y	HT334191Y0				PB04-CAPACITORS	
▲ Q725		9965 000 01762	TRS. 2SC2922 O OR Y	HT329222A0	CB01	/F	4822 122 33276	CER. 0.01μF ±20% DE1610 F SPARK KILLER	DK17103900
▲ Q726		9965 000 01762	TRS. 2SC2922 O OR Y	HT329222A0	CB01	/U	4822 122 33276	CER. 0.01μF ±20% DE7150 F SPARK KILLER	DK17103840
▲ Q727		9965 000 01763	TRS. 2SA1216 O OR Y	HT112162A0	CB02	/F	4822 122 33276	CER. 0.01μF ±20% DE1610 F SPARK KILLER	DK17103900
▲ Q728		9965 000 01763	TRS. 2SA1216 O OR Y	HT112162A0	CB02	/U	4822 124 90353	ELECT. 100μF M 10V RA-2	OA10701020
					CB03	/U	4822 122 33276	CER. 0.01μF ±20% DE7150 F SPARK KILLER	DK17103840
QT15		4822 130 60117	TRS. 2SC3419 Y	HT334191Y0					
▲ QT25		9965 000 01762	TRS. 2SC2922 O OR Y	HT329222A0					
▲ QT27		9965 000 01763	TRS. 2SA1216 O OR Y	HT112162A0					
			P804-POWER SUPPLY ±15V CIRCUIT BOARD		RB01	/U		PB04-RESISTORS 2.2MΩ ±10% 1/2W FOR UL	RC10225820
C801		4822 122 30043	CER. 0.01μF +80%-20% Z 50V	DK18103310	▲ RB02	/U	9965 000 01761	ROTOR 2.2Ω 7W W/TEMP.FUSE	NQ15022070
C802		4822 122 30043	CER. 0.01μF +80%-20% Z 50V	DK18103310					
C803		4822 124 81133	ELECT. 4700μF 25V	OA47802520	▲ RB05	/U	9965 000 01761	ROTOR 2.2Ω 7W W/TEMP.FUSE	NQ15022070
C804		4822 122 30043	CER. 0.01μF +80%-20% Z 50V	DK18103310					
C805		5322 124 21731	ELECT. 10μF M 50V RA-2	OA10605020					
C806		4822 122 30043	CER. 0.01μF +80%-20% Z 50V	DK18103310					
C807		4822 124 81133	ELECT. 4700μF 25V	OA47802520					
C808		4822 122 30043	CER. 0.01μF +80%-20% Z 50V	DK18103310					
C817		5322 124 21731	ELECT. 10μF M 50V	OA10605020					
C818		4822 122 30043	CER. 0.01μF +80%-20% Z 50V	DK18103310					
					R***			PB04-RESISTORS (COMMON) CARBON FILM FIXED RES. ±5% 1/6W : RB03 RB04	

POS. NO	VERS. COLOR	PART NO. (FOR PCS)	DESCRIPTION	PART NO. (MJ)	POS. NO	VERS. COLOR	PART NO. (FOR PCS)	DESCRIPTION	PART NO. (MJ)
DB01	/U	4822 130 82421	PB04-SEMICONDUCTORS DIODE 1D3 1A 200V	HD20002710				PL04-CVBS VIDEO SELECTOR	
DB02	/U	4822 130 82421	DIODE 1D3 1A 200V	HD20002710				CIRCUIT BOARD	
QB01	/U	4822 130 42682	DIG.TRS. DTA144ES UN4113 47k 47k	BA10002000				PL04-CAPACITORS	
QB02	/U	4822 130 60117	TRS. 2SC3419 O OR Y 40V 0.8A PC=1.2W 5W	HT334192A0	CC53		5322 124 21731	ELECT. 10µF M 50V RA-2	OA10605020
▲ FB01	/F		PB04-MISCELLANEOUS FUSE 15A 250V UL CSA MITI	FS11500440	CC54		5322 124 21731	ELECT. 10µF M 50V RA-2	OA10605020
▲ FB01	/U		FUSE 12A 250V UL CSA MITI NO.314	FS11200440	CC55		4822 122 30043	CER. 0.01µF Z 50V	DK18103310
▲ FB02	/F		FUSE 15A 250V UL CSA MITI	FS11500440	CC56		4822 122 30043	CER. 0.01µF Z 50V	DK18103310
▲ FB02	/U		FUSE 630mA 250V UL CSA FBM	FS10063360	CC59		5322 124 21731	ELECT. 10µF M 50V RA-2	OA10605020
JB03	/U		JACK 2P AC OUTLET CCT1304-0212	YJ04002040	CC60		5322 124 21731	ELECT. 10µF M 50V RA-2	OA10605020
LB02	/U	4822 280 80773	RELAY VS24MB-NR TV-8 SEMKO LISTED	LY10240240	CC61		4822 122 30043	CER. 0.01µF Z 50V	DK18103310
LB03	/U	4822 280 80773	RELAY VS24MB-NR TV-8 SEMKO LISTED	LY10240240	CC62		4822 122 30043	CER. 0.01µF Z 50V	DK18103310
			PB54-PRIMARY CIRCUIT BOARD [K, N, /S] VERSION		CC64		4822 124 41535	ELECT. 100µF M 25V RA-2	OA10702520
CB51	/K,/N,/S	4822 122 33276	PB54-CAPACITORS CER. 0.01µF ±20% DE7150 F SPARK KILLER	DK17103840	CC65		4822 124 41535	ELECT. 100µF M 25V RA-2	OA10702520
CB52	/K,/N,/S	4822 124 90353	ELECT. 100µF M 10V RA-2	OA10701020	CC67	/N, /S	4822 122 31205	CER. 47pF J CH 50V BLK	DD15470300
CB53	/K,/N,/S	4822 122 33276	CER. 0.01µF ±20% DE7150 F SPARK KILLER	DK17103840	CC70				
▲ RB52	/K,/N,/S	9965 000 01761	PB54-RESISTORS ROTOR 2.2Ω 7W W/TEMP FUSE	NQ15022070	CC73		9965 000 06288	ELECT. 22µF 25V	EA22602520
▲ RB55	/K,/N,/S	9965 000 01761	ROTOR 2.2Ω 7W W/TEMP.FUSE	NQ15022070	CC74		9965 000 06288	ELECT. 22µF 25V	EA22602520
R***			PB54-RESISTORS (COMMON) CARBON FILM FIXED RES. ±5% 1/6W : RB53 RB54		CC75		4822 122 30043	CER. 0.01µF Z 50V	DK18103310
DB51	/K,/N,/S	4822 130 82421	PB54-SEMICONDUCTORS DIODE 1D3 1A 200V	HD20002710	CC76		4822 122 30043	CER. 0.01µF Z 50V	DK18103310
DB52	/K,/N,/S	4822 130 82421	DIODE 1D3 1A 200V	HD20002710	CC78			JUMPER	75060501P0
QB51	/K,/N,/S	4822 130 42682	DIG.TRS. DTA144ES UN4113 47k 47k	BA10002000	CC81		4822 122 30043	CER. 0.01µF Z 50V	DK18103310
QB52	/K,/N,/S	4822 130 60117	TRS. 2SC3419 O OR Y 40V 0.8A PC=1.2W	HT334192A0	CC82		4822 122 30043	CER. 0.01µF Z 50V	DK18103310
▲ FB51	/K,/N,/S	4822 070 36302	PB54-MISCELLANEOUS FUSE T6.3A 250V BS LISTED	FS10630850	CC85		4822 126 10362	CER. 22pF	DA15220110
▲ FB52	/K,/N,/S	4822 070 32001	FUSE T200mA 250V BS LISTED	FS10020850	CC86		9965 000 06288	ELECT. 22µF 25V	EA22602520
LB52	/K,/N,/S	4822 280 80773	RELAY VS24MB-NR TV-8 SEMKO LISTED	LY10240240	CC87		4822 122 30043	CER. 0.01µF Z 50V	DK18103310
LB53	/K,/N,/S	4822 280 80773	RELAY VS24MB-NR TV-8 SEMKO LISTED	LY10240240	CC88		4822 122 30043	CER. 0.01µF Z 50V	DK18103310
CB71	/K,/N, /S,/U	4822 122 33276	PB74- POWER SW CIRCUIT BOARD CER. 0.01µF ±20% DE7150 F SPARK KILLER	DK17103840	CC89		4822 122 30043	CER. 0.01µF Z 50	DK18103310
CB71	/F	4822 122 33276	CER. 0.01µF ±20% DE7150 F SPARK KILLER	DK17103900	CL01		5322 124 21731	ELECT. 10µF M 50V RA-2	OA10605020
▲ SB71		9965 000 01777	PUSH SWITCH SDDL B1 POWER TV-5	SP01012460	CL02		5322 124 21731	ELECT. 10µF M 50V RA-2	OA10605020
					CL03		5322 124 21731	ELECT. 10µF M 50V RA-2	OA10605020
					CL05		5322 124 21731	ELECT. 10µF M 50V RA-2	OA10605020
					CL07		5322 124 21731	ELECT. 10µF M 50V RA-2	OA10605020
					CL08		5322 124 21731	ELECT. 10µF M 50V RA-2	OA10605020
					CL09		5322 124 21731	ELECT. 10µF M 50V RA-2	OA10605020
					CL11		5322 124 21731	ELECT. 10µF M 50V RA-2	OA10605020
					CL23		5322 124 21731	ELECT. 10µF M 50V RA-2	OA10605020
					CL24		9965 000 01040	ELECT. 470µF M 6.3V RA-2	OA47700620
					CL25		5322 124 21731	ELECT. 10µF M 50V RA-2	OA10605020
					CL31		9965 000 01040	ELECT. 470µF M 6.3V RA-2	OA47700620
					CL32		9965 000 01040	ELECT. 470µF M 6.3V RA-2	OA47700620
					CL33		4822 122 30043	CER. 0.01µF Z 50V	DK18103310
					CL34		4822 124 41537	ELECT. 220 µF M 6.3V RA-2	OA22700620
					CL35		4822 122 30043	CER. 0.01µF Z 50V	DK18103310
					CL36		4822 124 90353	ELECT. 100µF M 10V RA-2	OA10701020
					CL37		4822 122 30043	CER. 0.01µF Z 50V	DK18103310
					CL38		4822 122 30043	CER. 0.01µF Z 50V	DK18103310
					CL39		4822 122 30043	CER. 0.01µF Z 50V	DK18103310
					CL40		4822 122 30043	CER. 0.01µF Z 50V	DK18103310
					CL41		4822 124 90353	ELECT. 100µF M 10V RA-2	OA10701020
					CL42		4822 122 30043	CER. 0.01µF Z 50V	DK18103310
					CL43		4822 124 41537	ELECT. 220µF M 6.3V RA-2	OA22700620
					CL44		4822 122 40617	CER. 0.1µF 50V	DD38104010
					CL45		4822 124 90353	ELECT. 100µF M 10V	OA10701020
					CL46	/K, /N /S	4822 126 10362	CER. 22pF	DA15220110
					CL47	/K, /N /S	4822 126 11553	CER. 15pF	DA15150120
					CL48	/K, /N /S	4822 126 10362	CER. 22pF	DA15220110
					CL48	/U	4822 122 33638	CER. 27pF	DA15270110
					CL49		4822 126 11591	CER. 24pF J CH 50V BLK	DD15240300
					CL50		4822 126 10362	CER. 22pF	DA15220110
					CL52		4822 124 41543	ELECT. 1µF M 50V RA-2	OA10505020
					CL53		4822 122 40617	CER. 0.1µF 50V	DD38104010
					CL54		4822 124 41537	ELECT. 220 µF M 6.3V RA-2	OA22700620

POS. NO	VERS. COLOR	PART NO. (FOR PCS)	DESCRIPTION	PART NO. (MJI)	POS. NO	VERS. COLOR	PART NO. (FOR PCS)	DESCRIPTION	PART NO. (MJI)
RL79		4822 116 82487	CHIP 0Ω ±5% 1/16W	NN05000610	CS59		4822 122 31205	CER. 47pF J CH 50V BLK	DD15470300
RL82					CS62	/N, /S			
RL83		4822 117 12925	CHIP 47kΩ ±5% 1/16W	NN05473610	CS63		4822 122 30043	CER. 0.01μF Z 50V	DK18103310
RL84		4822 117 12925	CHIP 47kΩ ±5% 1/16W	NN05473610	CS64		4822 122 30043	CER. 0.01μF Z 50V	DK18103310
RL85		4822 051 30759	CHIP 75Ω ±5% 1/16W	NN05750610	CS65				
RL86		4822 051 30759	CHIP 75Ω ±5% 1/16W	NN05750610	CS65	/N, /S	4822 122 31205	CER. 47pF J CH 50V BLK	DD15470300
RL88		4822 051 30759	CHIP 75Ω ±5% 1/16W	NN05750610	CS70				
			PL74-SEMICONDUCTORS		CS73				
QL75		4822 209 71451	IC NJM4558M Y	HC10011090	CS73	/N, /S	4822 122 31205	CER. 47pF J CH 50V BLK	DD15470300
			PL74-MISCELLANEOUS		CS76				
JL75		9965 000 01347	TERMINAL RCA JACK 3P + S-TERMINAL AUX	BY04040030	CS79	/N, /S	4822 122 31205	CER. 47pF J CH 50V BLK	DD15470300
			PS04-A-FUNC/PRE SUPPLY CIRCUIT BOARD KIT		CS80	/N, /S	4822 122 31205	CER. 47pF J CH 50V BLK	DD15470300
			PS04-CAPACITORS		CS81			JUMPER	75060501P0
CG01		4822 124 80067	ELECT. 4.7μF M 50V RA-2	OA47505020	CS82			JUMPER	75060501P0
CG06					CS83			JUMPER	75060501P0
CG09		4822 124 22277	ELECT. 470μF M 16V	OA47701620	CS84		4822 122 40617	CER. 0.1μF +80%-20% 50V DC	DD38104010
CQ01					CS85		4822 122 40617	CER. 0.1μF +80%-20% 50V DC	DD38104010
CQ02					CS86		4822 124 90354	ELECT. 100μF M 16V RA-2	OA10701620
CQ03					CS87		4822 124 90354	ELECT. 100μF M 16V RA-2	OA10701620
CQ08		4822 122 40617	CER. 0.1μF 50V	DD38104010	CS88		4822 122 40617	CER. 0.1μF +80%-20% 50V DC	DD38104010
CQ09	/N, /S	4822 122 31205	CER. 47pF J CH 50V BLK	DD15470300	CS89		4822 124 80067	ELECT. 4.7μF M 50V RA-2	OA47505020
CQ10	/N, /S	4822 122 31205	CER. 47pF J CH 50V BLK	DD15470300	CS90		4822 124 80067	ELECT. 4.7μF M 50V RA-2	OA47505020
CS01		9965 000 06301	ELECT. 22μF M 35V ARS	OA22603540	CS93	/N, /S	4822 122 31205	CER. 47pF J CH 50V BLK	DD15470300
CS10	14A				CS94	/N, /S	4822 122 31205	CER. 47pF J CH 50V BLK	DD15470300
CS01		482212441539	ELECT. 47μF M 16V RA-2	OA47601620	CS97		4822 122 30043	CER. 0.01μF Z 50V	DK18103310
CS10	18A				CS98		4822 122 30043	CER. 0.01μF Z 50V	DK18103310
CS11		4822 124 41539	ELECT. 47μF M 16V RA-2	OA47601620	CS99		4822 122 40617	CER. 0.1μF 50V	DD38104010
CS12		4822 124 41539	ELECT. 47μF M 16V RA-2	OA47601620	C809		5322 124 21731	ELECT. 10μF M 50V RA-2	OA10605020
CS13	14A	9965 000 06301	ELECT. 22μF M 35V ARS	OA22603540	C810		4822 122 30043	CER. 0.01μF Z 50V	DK18103310
CS14	14A	9965 000 06301	ELECT. 22μF M 35V ARS	OA22603540	C811		5322 124 21731	ELECT. 10μF M 50V RA-2	OA10605020
CS13	18A	482212441539	ELECT. 47μF M 16V RA-2	OA47601620	C812		4822 122 30043	CER. 0.01μF Z 50V	DK18103310
CS14	18A	482212441539	ELECT. 47μF M 16V RA-2	OA47601620	C813		5322 124 21731	ELECT. 10μF M 50V RA-2	OA10605020
CS15		5322 124 21731	ELECT. 10μF M 16V RA-2	OA10605020	C814		4822 122 30043	CER. 0.01μF Z 50V	DK18103310
CS16		5322 124 21731	ELECT. 10μF M 16V RA-2	OA10605020	C815		5322 124 21731	ELECT. 10μF M 50V RA-2	OA10605020
CS17	14A	9965 000 06301	ELECT. 22μF M 35V ARS	OA22603540	C816		4822 122 30043	CER. 0.01μF Z 50V	DK18103310
CS18	14A	9965 000 06301	ELECT. 22μF M 35V ARS	OA22603540	C819		4822 122 30043	CER. 0.01μF Z 50V	DK18103310
CS17	18A	482212441539	ELECT. 47μF M 16V RA-2	OA47601620	C820		4822 122 30043	CER. 0.01μF Z 50V	DK18103310
CS18	18A	482212441539	ELECT. 47μF M 16V RA-2	OA47601620	C821		9965 000 01351	ELECT. 13000μF M 16V RE3	EA13901670
CS19		4822 122 30043	CER. 0.01μF Z 50V	DK18103310	C824		4822 122 30043	CER. 0.01μF Z 50V	DK18103310
CS22		4822 124 90354	ELECT. 100μF M 16V RA-2	OA10701620	C825		5322 124 21731	ELECT. 10μF M 50V RA-2	OA10605020
CS23		4822 124 90354	ELECT. 100μF M 16V RA-2	OA10701620	C826		4822 122 30043	CER. 0.01μF Z 50V	DK18103310
CS24		4822 124 90354	ELECT. 100μF M 16V RA-2	OA10701620	C827		4822 122 30043	CER. 0.01μF Z 50V	DK18103310
CS25		9965 000 02015	ELECT. 22μF M 25V ARS	OA22602540	C828		4822 122 30043	CER. 0.01μF Z 50V	DK18103310
CS28	14A				C830		5322 124 21731	ELECT. 10μF M 50V RA-2	OA10605020
CS25		482212441539	ELECT. 47μF M 16V RA-2	OA47601620	C832		9965 000 01352	ELECT. 470μF 63V	EA47706310
CS28	18A				C833		5322 124 21731	ELECT. 10μF M 50V RA-2	OA10605020
CS29		4822 124 80067	ELECT. 4.7μF M 50V RA-2	OA47505020	C834		4822 124 80772	ELECT. 47μF M 35V RA-2	OA47603520
CS34		4822 124 41539	ELECT. 47μF M 16V RA-2	OA47601620	C835		4822 122 30043	CER. 0.01μF Z 50V	DK18103310
CS35		4822 124 41539	ELECT. 47μF M 16V RA-2	OA47601620	C836		4822 122 30043	CER. 0.01μF Z 50V	DK18103310
CS36		4822 124 41539	ELECT. 47μF M 16V RA-2	OA47601620	C840		5322 124 21731	ELECT. 10μF M 50V RA-2	OA10605020
CS55	/N, /S	4822 122 31205	CER. 47pF J CH 50V BLK	DD15470300	C841		4822 122 30043	CER. 0.01μF Z 50V	DK18103310
CS56	/N, /S	4822 122 31205	CER. 47pF J CH 50V BLK	DD15470300	C843		4822 124 90355	ELECT. 100μF M 50V RA-2	OA10705020
CS57		4822 124 90354	ELECT. 100μF M 16V RA-2	OA10701620	C844		4822 122 30043	CER. 0.01μF Z 50V	DK18103310
CS58		4822 124 90354	ELECT. 100μF M 16V RA-2	OA10701620	C845		4822 122 30043	CER. 0.01μF Z 50V	DK18103310
					C847		4822 122 30043	CER. 0.01μF Z 50V	DK18103310
					C848		4822 122 30043	CER. 0.01μF Z 50V	DK18103310
					C851		4822 124 41538	ELECT. 220μF 35V	OA22703520
					C852		4822 124 40763	ELECT. 2.2μF 50V	OA22505020
								PS04-CAPACITORS (COMMON)	
								HIGH DIELECTRIC CONSTANT	
								CER. CAPACITOR ±10% 50V :	
								CG07- CG08[/N, /S]	
								CQ06 CQ07	
								CS37-CS54[/N, /S]	
								CS71-CS72[/N, /S]	
								CS91-CS92[/N, /S]	
								CS95-CS96[/N, /S]	

POS. NO	VERS. COLOR	PART NO. (FOR PCS)	DESCRIPTION	PART NO. (MJI)	POS. NO	VERS. COLOR	PART NO. (FOR PCS)	DESCRIPTION	PART NO. (MJI)
C***			ELECTROLYTIC CAPACITOR ±20% : C823 C842 C849		QS14		4822 209 32553	IC LC78212	HC10309030
▲ RG15		4822 115 90166	FUSE RES. 10Ω ±2% 1/4W	NF02100140	QS15		4822 209 32552	IC LC78211	HC10308030
RS43			JUMPER	75060501P0	QS16		4822 130 61227	DIG.TRS. DTA114ES UN4111 10k 10k	BA10001000
RS44			JUMPER	75060501P0	QS17				
RS96			JUMPER	75060501P0	}		4822 130 43818	TRS. 2SC2878 A OR BRANK	HT328782A0
RS97			JUMPER	75060501P0	QS20				
▲ R804		4822 117 10158	RES. 1Ω ±5% 1/4W	GG05010140	QS21		4822 130 61227	DIG.TRS. DTA114ES UN4111 10k 10k	BA10001000
R807		4822 053 10222	RES. 2.2kΩ ±5% 1W	GA05222010	QS22		4822 130 61227	DIG.TRS. DTA114ES UN4111 10k 10k	BA10001000
▲ R811		4822 111 90731	FUSE RES. 47Ω ±2% 1/4W	NF02470140	QS23		4822 130 43818	TRS. 2SC2878 A OR BRANK	HT328782A0
▲ R817		4822 115 90167	FUSE RES. 100Ω ±2% 1/4W	NF02101140	QS24		4822 130 43818	TRS. 2SC2878 A OR BRANK	HT328782A0
R818			JUMPER	75060501P0	QS25		4822 209 83631	IC NJM4558D-D	HC10008090
			PS04-RESISTORS (COMMON)		QS26		4822 130 90347	PHOTO UNIT PC-817 PHOTO CUPLER 1PAIR	HW10006320
R***			CARBON FILM FIXED RES. ±5% 1/6W : R806 R808 R810 R812 R814-R816 R819 RG01-RG06 RG09-RG14 RG16-RG20 RQ25-RQ30 RS01-RS10 RS13-RS42 RS47-RS99 RU01-RU09 RU11-RU19 RU21-RU29 RU31-RU44 RY48 RU51 RU52 RU55-RU58 RU61-RU63		QS27		4822 130 61227	DIG.TRS. DTA114ES UN4111 10k 10k	BA10001000
DG01		4822 130 82421	DIODE 1D3 1A 200V	HD20002710	▲ Q802		9965 000 01354	IC L780S15 +15V 1A	HC38915030
DG02		4822 130 32362	DIODE 1S176 MA165 1SS254 30V 0.1A	HD20002000	▲ Q803		4822 209 61256	IC NJM7915FA -15V 1A	HC39915090
DG03		4822 130 32362	DIODE 1S176 MA165 1SS254 30V 0.1A	HD20002000	▲ Q804		4822 130 11605	TRS. 2SD1415	HT41415100
DS01		4822 130 32362	DIODE 1S176 MA165 1SS254 30V 0.1A	HD20002000	▲ Q805		4822 209 61256	IC NJM7915FA -15V 1A	HC39915090
DS02		4822 130 32362	DIODE 1S176 MA165 1SS254 30V 0.1A	HD20002000	▲ Q807		4822 209 30258	IC NJM7905FA -5V 1A	HC39905090
D803					▲ Q808		4822 209 73674	IC NJM7806FA +6V	HC38906090
}		4822 130 82421	DIODE 1D3 1A 200V	HD20002710	Q809		4822 130 60117	TRS. 2S2SC3419 O OR Y 40V 0.8A PC=1.2W 5W	HT334192A0
D806					Q810		4822 130 41947	TRS. 2SC2458 2SC1704S 2SC3199 ETC.	HT30001000
▲ D808		4822 130 83438	DIODE D5SB-20 5A 200V	HE20016290	Q811		4822 209 14883	IC S-806C 4.55V V-SENSOR	HC10075530
D810		4822 130 82421	DIODE 1D3 1A 200V	HD20002710	Q812		4822 130 61227	DIG.TRS. DTA114ES ETC	BA10001000
D811		4822 130 82421	DIODE 1D3 1A 200V	HD20002710	Q813		4822 130 60588	DIG.TRS. DTC114ES ETC	BA20001000
D812		4822 130 82421	DIODE 1D3 1A 200V	HD20002710	JS01		4822 265 10729	PS04-MISCELLANEOUS TERMINAL 8P RCA PIN JACK WHITE/RED AU	YT02080130
D813		9965 000 06297	ZENER DIODE MTZJ36D	HD33601000	JS03		4822 290 61244	TERMINAL 6P RCA PIN JACK WHITE/RED AU	YT02060490
D814		4822 130 80318	ZENER DIODE 6.8V	HD30681000	JS04		4822 290 61244	TERMINAL 6P RCA PIN JACK WHITE/RED AU	YT02060490
D815					JS06		4822 290 61244	TERMINAL 6P RCA PIN JACK WHITE/RED AU	YT02060490
}		4822 130 82421	DIODE 1D3 1A 200V	HD20002710	JS07		9965 000 01355	TERMINAL 4P RCA RC- 51MULTI RC	YT02041260
D825					LG01		9965 000 01576	RELAY MR82-24USR	LY20240480
▲ D826		4822 130 81247	DIODE 1GWJ43	HD20031050	▲ L801		9965 000 01353	RELAY FTR-F1AA024T	LY20240460
D827			JUMPER	75060501P0				PT04-SPK. TERMINAL CIRCUIT BOARD PT04-CAPACITORS	
D828		4822 130 82421	DIODE 1D3 1A 200V	HD20002710	CN51	/N, /S	4822 122 30043	CER. 0.01μF Z 50V	DK18103310
D829		4822 130 82421	DIODE 1D3 1A 200V	HD20002710	CN58			PT04-SEMICONDUCTORS	
D830		4822 130 32362	DIODE 1S133	HD20002000	DN51		4822 130 82421	DIODE 1D3	HD20002710
QG01		9965 000 01358	IC ELE.VOL.TC9459N	HC10443050	DN52		4822 130 82421	DIODE 1D3	HD20002710
QG02		4822 209 83631	IC NJM4558D-D	HC10008090	DN53		4822 130 82421	DIODE 1D3	HD20002710
QG03		4822 130 63634	TRS. 2SA1837 Q.Y	HT118372A0				PT04-MISCELLANEOUS	
QG04		4822 130 61227	DIG.TRS. DTA114ES UN4111 10k 10k	BA10001000	JN54	/K,/N,/S	9965 000 01774	TERMINAL SPK. 4P RR/BB IEC	YT01040830
QG05		4822 130 43818	TRS. 2SC2878 A OR BRANK	HT328782A0	JN54	/U		TERMINAL SPK. 4P RR/BB	YT01040860
QG06		4822 130 43818	TRS. 2SC2878 A OR BRANK	HT328782A0	JN55	/K,/N,/S	9965 000 01775	TERMINAL SPK. 4P BB/RR IEC	YT01040840
QG07		4822 130 61227	DIG.TRS. DTA114ES UN4111 10k 10k	BA10001000	JN55	/U		TERMINAL SPK 4P BB/RR	YT01040850
QS01					LN51		4822 280 10305	RELAY VB-18MBU-565-UL3	LY20180020
}		4822 209 83631	IC NJM4558D-D	HC10008090	LN52		4822 280 10305	RELAY VB-18MBU-565-UL3	LY20180020
QS11					LN53		4822 280 10305	RELAY VB-18MBU-565-UL3	LY20180020
QS12		4822 209 32552	IC LC78211	HC10308030					
QS13		4822 209 32553	IC LC78212	HC10309030					

POS. NO	VERS. COLOR	PART NO. (FOR PCS)	DESCRIPTION	PART NO. (MJI)	POS. NO	VERS. COLOR	PART NO. (FOR PCS)	DESCRIPTION	PART NO. (MJI)
			PT74-CENTER SPEAKER TERMINAL CIRCUIT BOARD					PU74-STANDBY LED CIRCUIT BOARD	
CN71	/N, /S	4822 122 30043	CER. 0.01µF Z 50V	DK18103310	CU71		4822 122 40617	CER. 0.1µF 50V URAZUKE	DD38104010
JN71	/K,/N,/S	9965 000 01776	TERMINAL T6976 2P SPK. N B-R	YT01020390	CU81		4822 122 40588	CER. 0.022µF TP050F223Z	DA17223110
JN71	/U		TERMINAL 2P SPK B/R	YT01020410	CU82		4822 124 80087	ELECT. 220µF 6.3V	EJ22700610
					DU71		4822 130 11569	L.E.D. HLMF-K200 #2UL RED H=9 3MM RES. 680Ω ±5% 1/6W	HI10005340
			PU04-FRONT/FL DISPLAY/SW. CIRCUIT BOARD					PU84-IR SENSOR CIRCUIT BOARD	
			PU04-CAPACITORS					PU94-GYRO ENCODER CIRCUIT BOARD	
CU01		4822 126 11558	CER. 0.1µF 50V	DA17104110	QU81		4822 209 16157	PHOTO UNIT PNA4655M00XB IR SENSOR	HW10005020
CU02		4822 126 11558	CER. 0.1µF 50V	DA17104110					
CU03		4822 126 11558	CER. 0.1µF 50V	DA17104110					
CU04		4822 126 10935	ELECT. 100µF M 6.3V	EJ10700610					
CU05					CU91		4822 122 40617	CER. 0.1µF +80%-20% 50V DC	DD38104010
CU08		4822 126 10364	CER. 100pF 50V	DA16101110	QU91		4822 130 11143	PHOTO UNIT GP1A06 2PHASE PHOTOINTERRUPTER RES. 330Ω ±5% 1/6W	HW10033320
CU09					RU91				GD05331160
CU12		4822 126 11558	CER. 0.1µF 50V	DA17104110					
CU13		4822 122 33639	CER. 1000pF 50V	DA16102110					
CU14		4822 126 11558	CER. 0.1µF 50V	DA17104110					
CU15		4822 126 11558	CER. 0.1µF 50V	DA17104110	CW01		4822 122 40586	CER. 0.01µF	DA17103110
CU16		4822 126 11558	CER. 0.1µF 50V	DA17104110	CW02		4822 122 40586	CER. 0.01µF	DA17103110
CU17		4822 122 33639	CER. 1000pF 50V	DA16102110	CW03		4822 122 40617	CER. 0.1µF 50V	DD38104010
CU18		4822 126 10364	CER. 100pF 50V	DA16101110	CW04		4822 122 40617	CER. 0.1µF 50V	DD38104010
CU19		4822 126 10364	CER. 100pF 50V	DA16101110					
CU20		4822 126 10513	CER. 47pF 50V	DA15470110					
CU21					JW01	GOLD	4822 265 11525	JACK HLJ2307-01-3163 H.P.	YJ01004330
CU26		4822 126 11558	CER. 0.1µF 50V	DA17104110	JW01	BLACK	4822 265 10685	JACK HLJ2307-01-3160 H.P.	YJ01004240
CU27		4822 122 40586	CER. 0.01µF	DA17103110					
CU30		4822 126 10935	ELECT. 100µF M 6.3V	EJ10700610					
CU31		4822 124 80665	ELECT. 100µF M 6.3V	EJ10605010	CY01		4822 126 11687	CER.CHIP 0.1µF +80%-20%	DK98104200
CU32		4822 122 40586	CER. 0.01µF	DA17103110	CY02		4822 124 23056	ELECT. 47µ 10V	EJ47601010
					CY04		5322 126 11583	CER.CHIP 0.01µF ±10% B 25V	DK96103200
					CY07		4822 126 13303	CER.CHIP 1µF 10V F	DK98105200
					CY08		5322 126 11583	CER.CHIP 0.01µF ±10% B 25V	DK96103200
					CY09		5322 126 11583	CER.CHIP 0.01µF ±10% B 25V	DK96103200
					CY10		5322 126 11583	CER.CHIP 0.01µF ±10% B 25V	DK96103200
DU01		4822 130 11363	L.E.D. LT3K44B GREEN 30MA	HI10095320	CY11		4822 126 11687	CER.CHIP 0.1µF +80%-20%	DK98104200
DU06					CY12		4822 126 11687	CER.CHIP 0.1µF +80%-20%	DK98104200
DU07		4822 130 32362	DIODE SUBSTITUTE	HD20002000	CY13		4822 126 11687	CER.CHIP 0.1µF +80%-20%	DK98104200
DU08		4822 130 32362	DIODE SUBSTITUTE	HD20002000	CY19		4822 126 11687	CER.CHIP 0.1µF +80%-20%	DK98104200
DU20		4822 130 32362	DIODE SUBSTITUTE	HD20002000	CY25		5322 126 11578	CER.CHIP 1000pF ±10% B 50V	DK96102300
DU21		4822 130 32362	DIODE SUBSTITUTE	HD20002000	CY26		4822 126 11687	CER.CHIP 0.1µF +80%-20%	DK98104200
QU01		9965 000 03868	IC ML9205-01GA FL DRIVER	HC10039260	CY30		4822 124 11879	BIG ELECT. 1F 5.5V	EX10500530
QU02		4822 209 32695	IC NJU3711D	HC10128090				DB-5R5D105	
QU03									
QU06		4822 130 41947	TRS. 2SC536SP ETC	HT30001000					
QU07		4822 130 63211	DIG.TRS. DTA114TS UN415	BA10004000	RY01		4822 051 30479	CHIP 47Ω ±5% 1/16W	NN05470610
QU08		4822 130 41947	TRS. 2SC536SP ETC	HT30001000	RY02		4822 116 83819	CHIP 18kΩ ±5% 1/16W	NN05183610
QU09		4822 130 41947	TRS. 2SC536SP ETC	HT30001000	RY03		4822 117 12925	CHIP 47kΩ ±5% 1/16W	NN05473610
					RY04		4822 117 12925	CHIP 47kΩ ±5% 1/16W	NN05473610
					RY05		4822 117 12925	CHIP 47kΩ ±5% 1/16W	NN05473610
					RY06				
SU01		9965 000 00373	PUSH SW. EVQ11L05R H/5MM 160GF	SP01013370	RY06		4822 051 30103	CHIP 10kΩ ±5% 1/16W	NN05103610
SU26					RY11				
SU32		9965 000 01348	ROTARY SW. ROTALY ENCODER 36PULSE EC16B	SR02010070	RY12		4822 051 30105	CHIP 1MΩ ±5% 1/16W	NN05105610
					RY13		4822 051 30103	CHIP 10kΩ ±5% 1/16W	NN05103610
SU33		9965 000 01349	ROTARY SW. ROT ENCOD EC16B 16PLS 16CLICK	SR02010080	RY14	/K,/F,/S	4822 117 12925	CHIP 47kΩ ±5% 1/16W	NN05473610
					RY15	/K,/U	4822 116 82487	CHIP 0Ω ±5% 1/16W	NN05000610
VU01		9965 000 06299	DISPLAY UNIT 24-BT-12GN FL	HQ32401410	RY16	/K,/N,/S	4822 117 12925	CHIP 47kΩ ±5% 1/16W	NN05473610
					RY17	/U	4822 116 82487	CHIP 0Ω ±5% 1/16W	NN05000610
					RY18	14A	4822 117 12925	CHIP 47kΩ ±5% 1/16W	NN05473610
					RY19	/F	4822 116 82487	CHIP 0Ω ±5% 1/16W	NN05000610
					RY19	18A	4822 117 12925	CHIP 47kΩ ±5% 1/16W	NN05473610
					RY20	14A	4822 117 12925	CHIP 47kΩ ±5% 1/16W	NN05473610

POS. NO	VERS. COLOR	PART NO. (FOR PCS)	DESCRIPTION	PART NO. (MJI)	POS. NO	VERS. COLOR	PART NO. (FOR PCS)	DESCRIPTION	PART NO. (MJI)
RY21	/F	4822 116 82487	CHIP 0Ω ±5% 1/16W	NN05000610				PY04-MISCELLANEOUS	
RY21	18A	4822 117 12925	CHIP 47kΩ ±5% 1/16W	NN05473610	JY01			JACK 33PIN ANGLE	YJ07020290
RY22	/N, /S	4822 117 12925	CHIP 47kΩ ±5% 1/16W	NN05473610				FFC33FE-ST-VK-N	
RY23	/K, /U	4822 116 82487	CHIP 0Ω ±5% 1/16W	NN05000610					
RY24		4822 051 30472	CHIP 4.7kΩ ±5% 1/16W	NN05472610	XY01		9965 000 01346	SERAMIC VIB.	FQ02005030
RY25		4822 051 30472	CHIP 4.7kΩ ±5% 1/16W	NN05472610				CST20.00MXW0H1 / 20MHz+C	
RY27									
		4822 051 30472	CHIP 4.7kΩ ±5% 1/16W	NN05472610				PY54-CONNECT	
RY31								CIRCUIT BOARD	
RY32		4822 116 82487	CHIP 0Ω ±5% 1/16W	NN05000610	JY51			JACK 33FE-BT-VK-N 33PIN	YJ07020660
RY33		4822 116 82487	CHIP 0Ω ±5% 1/16W	NN05000610				STRAIGHT	
RY34		4822 116 82487	CHIP 0Ω ±5% 1/16W	NN05000610	JY53			JACK 33FE-BT-VK-N 33PIN	YJ07020660
RY35		4822 051 30221	CHIP 220Ω ±5% 1/16W	NN05221610				STRAIGHT	
RY36		4822 116 82487	CHIP 0Ω ±5% 1/16W	NN05000610					
RY37		4822 116 82487	CHIP 0Ω ±5% 1/16W	NN05000610				PY64-CONNECT-0	
RY38								CIRCUIT BOARD	
		4822 051 30221	CHIP 220Ω ±5% 1/16W	NN05221610	CY61		4822 122 30043	CER. 0.01μF Z 50V	DK18103310
RY45					CY62		5322 124 21731	ELECT. 10μF M 50V	OA10605020
RY46									
		4822 116 82487	CHIP 0Ω ±5% 1/16W	NN05000610	DY61		4822 130 82421	DIODE 1D3 1A 200V	HD20002710
RY56					JY61			JACK 33PIN ANGLEB	YJ07020290
RY57		4822 117 12925	CHIP 47kΩ ±5% 1/16W	NN05473610				FFC33FE-ST-VK-N	
RY58		4822 051 30103	CHIP 10kΩ ±5% 1/16W	NN05103610	▲ LY61		9965 000 01353	RELAY FTR-F1AA024T	LY20240460
RY59		4822 051 30683	CHIP 68kΩ ±5% 1/16W	NN05683610				FOR FIL.SW	
RY60		4822 051 30103	CHIP 10kΩ ±5% 1/16W	NN05103610					
RY64		4822 051 30273	CHIP 27kΩ ±5% 1/16W	NN05273610	QY61		4822 130 60117	TRS. 2SC3419	HT334192A0
RY65		4822 051 30221	CHIP 220Ω ±5% 1/16W	NN05221610					
RY66		4822 051 30221	CHIP 220Ω ±5% 1/16W	NN05221610	▲ RY61		4822 115 90167	FUSE RES. 100Ω G 1/4W	NF02101140
RY67		4822 051 30103	CHIP 10kΩ ±5% 1/16W	NN05103610	RY62			RES. 10kΩ ±5% 1/6W	GD05103160
RY68		4822 051 30273	CHIP 27kΩ ±5% 1/16W	NN05273610	RY63			RES. 10kΩ ±5% 1/6W	GD05103160
RY69		4822 122 40617	CER. 0.1μF 50V URAZUKE	DD38104010					
			PY04-SEMICONDUCTORS					PZ04-S-VIDEO SELECTOR	
DY01		4822 130 80522	CHIP DIODE 1SS300 DAP202U	HZ21006000				CIRCUIT BOARD	
DY02		4822 130 80522	CHIP DIODE 1SS300 DAP202U	HZ21006000	CX01		5322 124 21731	ELECT. 10μF M 50V RA-2	OA10605020
DY03		4822 130 83715	CHIP DIODE 1SS301 DAN202U	HZ21005000	CX02		4822 122 31349	CER. 68pF J 50V	DD15680300
DY04		4822 130 80522	CHIP DIODE 1SS300 DAP202U	HZ21006000	CX03	/K, /N, /S	5322 122 32143	CER. 22pF J 50V	DD15220300
					CX04		4822 124 22275	ELECT. 47μF M 10V RA-2	OA47601020
QY01		9965 000 06295	MICROPROCESSOR 16BIT	HU326JT00F	CX05		4822 122 30043	CER. 0.01μF Z 50V	DK18103310
			TMP93CW40DF MAIN CPU		CX06		4822 124 90353	ELECT. 100μF M 10V RA-2	OA10701020
QY02		4822 130 41947	TRS. 2SC2458 2SC1740S	HT30001000	CX07		5322 124 21731	ELECT. 10μF M 50V RA-2	OA10605020
			2SC3199 ETC		CX08	/U	4822 126 10362	CER. 22pF J 50V	DA15220110
QY03		4822 130 61227	DIG.TRS.	BA10001000	CX09		5322 124 21731	ELECT. 10μF M 50V RA-2	OA10605020
			DTA114ES UN4111 10k 10k		CX10		5322 124 21731	ELECT. 10μF M 50V RA-2	OA10605020
QY04		4822 130 42594	DIG.TRS.	BA20002000	CX11		5322 124 21731	ELECT. 10μF M 50V RA-2	OA10605020
			DTC114ES UN4213 47K 47K		CX12		4822 124 41537	ELECT. 220μF M 6.3V RA-2	OA22700620
QY05		4822 130 61227	DIG.TRS.	BA10001000	CX13		5322 124 21731	ELECT. 10μF M 50V RA-2	OA10605020
			DTA114ES UN4111 10k 10k		CX14		5322 124 21731	ELECT. 10μF M 50V RA-2	OA10605020
QY06		4822 130 61227	DIG.TRS.	BA10001000	CX15		5322 124 21731	ELECT. 10μF M 50V RA-2	OA10605020
			DTA114ES UN4111 10k 10k		CX16				
QY07		4822 130 60588	DIG.TRS.	BA20001000			4822 122 30043	CER. 0.01μF Z 50V	DK18103310
			DTC114ES UN4211 10k 10k		CX19				
QY08		4822 130 61227	DIG.TRS.	BA10001000	CX20		4822 124 41543	ELECT. 1μF M 50V RA-2	OA10505020
			DTA114ES UN4111 10k 10k		CX21			FILM 4700pF	DF15472350
QY09		4822 130 60588	DIG.TRS.	BA20001000	CX22		4822 122 30043	CER. 0.01μF Z 50V	DK18103310
			DTC114ES UN4211 10k 10k		CX24		4822 124 41543	ELECT. 1μF 50V RA-2	OA10505020
QY10		4822 130 61227	DIG.TRS.	BA10001000	CX25		4822 124 41537	ELECT. 220μF M 6.3V RA-2	OA22700620
			DTA114ES UN4111 10k 10k		CX31		5322 124 21731	ELECT. 10μF M 50V RA-2	OA10605020
QY11		4822 130 41947	TRS. 2SC2458 2SC1740S	HT30001000	CX32		5322 124 21731	ELECT. 10μF M 50V RA-2	OA10605020
			2SC3199 ETC		CX33		5322 124 21731	ELECT. 10μF M 50V RA-2	OA10605020
QY12		4822 130 41947	TRS. 2SC2458 2SC1740S	HT30001000	CX41				
			2SC3199 ETC				4822 126 11558	CER. 0.1μF 50V	DA17104110
QY13		4822 130 60588	DIG.TRS.	BA20001000	CX49				
			DTC114ES UN4211/KRC102M		CX92			CER. 1000pF K 50V	DK16102300
QY14		4822 130 61227	DIG.TRS.	BA10001000	CX97		4822 124 41543	ELECT. 1μF M 50V RA-2	OA10505020
			DTA114ES UN4111 10k 10k		CX98		5322 124 21731	ELECT. 10μF M 50V RA-2	OA10605020
QY15		4822 209 12845	IC S-80730SN-DT-X RESET IC	HC10054530	CX99	/U	4822 126 10362	CER. 22pF	DA15220110
					CZ01				
							5322 124 21731	ELECT. 10μF M 50V RA-2	OA10605020
					CZ05				

POS. NO	VERS. COLOR	PART NO. (FOR PCS)	DESCRIPTION	PART NO. (MJI)	POS. NO	VERS. COLOR	PART NO. (FOR PCS)	DESCRIPTION	PART NO. (MJI)
CZ06		4822 124 11947	ELECT. 10µF 16V	EQ10601630	RZ24		4822 111 41355	RES. 75Ω ±5% 1/6W	GD05750160
CZ10					RZ29				
CZ11		5322 124 21731	ELECT. 10µF M 50V RA-2	OA10605020	RZ61			JUMPER	
CZ25					RZ62			JUMPER	
CZ26		4822 124 11947	ELECT. 10µ! 16V	EQ10601630	RZ63			JUMPER	
CZ27					RZ65			JUMPER	
CZ33		5322 124 21731	ELECT. 10µF M 50V RA-2	OA10605020				PZ04-RESISTORS (COMMON)	
CZ34		9965 000 01040	ELECT. 470µF M 6.3V RA-2	OA47700620				CARBON FILM FIXED RES.	
CZ35								±5% 1/6W : RX01-RX10	
CZ42		5322 124 21731	ELECT. 10µF M 50V RA-2	OA10605020				RX12-RX22 RX24-RX29	
CZ43	/K,/N,/S	4822 126 10362	CER. 22pF	DA15220110				RZ01-RZ05 RZ16-RZ20	
CZ44	/K,/N,/S	4822 126 10362	CER. 22pF	DA15220110				RZ30-RZ35 RZ42-RZ48	
CZ44	/U	4822 122 33638	CER. 27pF	DA15270110				RZ50-RZ54 RZ56-RZ60 RZ67	
CZ45	/K,/N,/S	4822 126 11553	CER. 15pF	DA15150120	DX01		4822 130 80321	ZENER DIODE 10V	HD31001000
CZ46		4822 126 11591	CER. 24pF J CH 50V BLK	DD15240300	DZ01				
CZ47		4822 126 10362	CER. 22pF	DA15220110			4822 130 32362	DIODE 1SS176 MA165 1SS254 30V 0.1A	HD20002000
CX98			CER. 1200pF K 50V	DK16122300	DZ03			DIODE 1SS176 MA165 1SS254 30V 0.1A	HD20002000
CZ49		4822 124 41543	ELECT. 1µF M 50V RA-2	OA10505020	DZ05		4822 130 32362	DIODE 1SS176 MA165 1SS254 30V 0.1A	HD20002000
CZ50		4822 122 40617	CER. 0.1µF 50V	DD38104010	DZ19		9965 000 01374	ZENER DIODE MTZ 2.7B 2.7V	HD30271000
CZ51		4822 124 41537	ELECT. 220µF M 6.3V RA-2	OA22700620	DZ21		4822 130 32362	DIODE 1SS176 MA165 1SS254 30V 0.1A	HD20002000
CZ52		4822 124 41543	ELECT. 1µF M 50V RA-2	OA10505020				DIODE 1SS176 MA165 1SS254 30V 0.1A	HD20002000
CZ55					DZ22		4822 130 32362	DIODE 1SS176 MA165 1SS254 30V 0.1A	HD20002000
CZ60		5322 124 21731	ELECT. 10µF M 50V RA-2	OA10605020					
CZ61		9965 000 01040	ELECT. 470µF M 6.3V RA-2	OA47700620	QX01				
CZ62		9965 000 01040	ELECT. 470µF M 6.3V RA-2	OA47700620			4822 130 41947	TRS. 2SC536SP ETC	HT30001000
CZ63		9965 000 01040	ELECT. 470µF M 6.3V RA-2	OA47700620	QX04				
CZ65		4822 122 30043	CER. 0.01µF Z 50V	DK18103310	QX05	/K,/N,/S	4822 130 63211	DIG.TRS. DTA114TS UN4115 10k	BA10004000
CZ66		4822 124 41537	ELECT. 220µF M 6.3V	OA22700620				DIG.TRS. DTC114ES UN4211 10k 10k	BA20001000
CZ67		4822 122 30043	CER. 0.01µF Z 50V	DK18103310	QX07		4822 130 60588	DIG.TRS. DTC114ES UN4211 10k 10k	BA20001000
CZ68		4822 124 41537	ELECT. 220µF M 6.3V RA-2	OA22700620				IC MM1140XF	HC10083550
CZ69					QZ01		9965 000 01371	IC BA7612N	HC10201210
CZ77		4822 122 30043	CER. 0.01µF Z 50V	DK18103310	QZ02		4822 209 32928	IC MM1140XF	HC10083550
CZ78		4822 124 41537	ELECT. 220µF M 6.3V RA-2	OA22700620	QZ03		9965 000 01371	IC MM1140XF	HC10201210
CZ80		5322 124 21731	ELECT. 10µF M 50V RA-2	OA10605020	QZ04		4822 209 32928	IC BA7612N	HC10179210
CZ81		5322 124 21731	ELECT. 10µF M 50V RA-2	OA10605020	QZ05		9965 000 01372	IC BA7649A G-1 VIDEO SW	HC10179210
CZ82		9965 000 01040	ELECT. 470µF M 6.3V RA-2	OA47700620	QZ06		4822 209 31527	IC BA7613N	HC10202210
CZ83		4822 124 11947	ELECT. 10µ! 16V	EQ10601630	QZ07		9965 000 01372	IC BA7649A G-1 VIDEO SW	HC10179210
CZ84		5322 124 21731	ELECT. 10µF M 50V RA-2	OA10605020	QZ08		4822 209 32928	IC BA7612N	HC10201210
CZ85		9965 000 01040	ELECT. 470µF M 6.3V RA-2	OA47700620	QZ09		4822 209 32246	IC NJM2244 3IN SW 75Ω DRIVER	HC1019090
CZ86		5322 124 21731	ELECT. 10µF M 50V RA-2	OA10605020	QZ10		9965 000 01379	IC NJM2263D	HC10198090
CZ87		5322 124 21731	ELECT. 10µF M 50V RA-2	OA10605020	QZ11		4822 209 15524	IC LC74781 OSD	HC10377030
CZ88		5322 124 21731	ELECT. 10µF M 50V RA-2	OA10605020	QZ12	/K,/N,/S	4822 130 61227	DIG.TRS. DTA114ES ETC	BA10001000
CZ89					QZ13	/K,/N,/S	4822 130 61189	DIG.TRS. DTC114TS UN4215 10k	BA20004000
CZ92		4822 122 30043	CER. 0.01µF Z 50V	DK18103310	QZ14	/K,/N,/S	4822 130 61189	DIG.TRS. DTC114TS UN4215 10k	BA20004000
CZ93		4822 124 90353	ELECT. 100µF M 10V RA-2	OA10701020	QZ16		4822 209 31527	IC BA7613N	HC10202210
CZ94		4822 122 30043	CER. 0.01µF Z 50V	DK18103310	QZ17		4822 209 31527	IC BA7613N	HC10202210
CZ95		4822 124 90353	ELECT. 100µF M 10V RA-2	OA10701020	QZ18		4822 209 31527	IC BA7613N	HC10202210
CZ97		4822 124 90353	ELECT. 100µF M 10V RA-2	OA10701020	QZ19		4822 209 32246	IC NJM2244 3IN SW 75Ω DRIVER	HC1019090
CZ98		4822 122 30043	CER. 0.01µF Z 50V	DK18103310					
			PZ04-RESISTORS		QZ20		9965 000 01379	IC NJM2263D	HC10198090
▲ RX11		4822 050 21801	RES. 180Ω ±5% 1/4W	GG05181140	QZ21		9965 000 06284	DIG.TRS. DTC144VSA 47k 10k	BA20068210
RX31		4822 111 41355	RES. 75Ω ±5% 1/6W	GD05750160	QZ22		9965 000 01380	IC 74HC4051 DIP	HC705100B0
RX32		4822 111 41355	RES. 75Ω ±5% 1/6W	GD05750160	QZ23		4822 209 83088	IC NJM2903D DUAL COMPARATOR	HC10022090
RX33		4822 111 41355	RES. 75Ω ±5% 1/6W	GD05750160				DIG.TRS. DTA114ES ETC	BA10001000
RZ06					QZ24		4822 130 61227	DIG.TRS. DTA114ES ETC	BA10001000
RZ11		4822 111 41355	RES. 75Ω ±5% 1/6W	GD05750160	QZ25		4822 130 61227	DIG.TRS. DTA114ES ETC	BA10001000
RZ12					QZ26		4822 130 41947	TRS. 2SC2458 2SC1740S 2SC3199 ETC	HT30001000
RZ15		4822 111 41355	RES. 75Ω ±5% 1/6W	GD05750160	QZ27		4822 130 60588	DIG.TRS. DTC114ES UN4211 10k 10k	BA20001000

POS. NO	VERS. COLOR	PART NO. (FOR PCS)	DESCRIPTION	PART NO. (MJI)
QZ28		9965 000 01381	IC 74HC32 DIP	HC703200B0
QZ29		5322 209 71773	IC TC74HC132AP	HC713205D0
PZ04-MISCELLANEOUS				
JZ01		9965 000 01375	TERMINAL 3P S-TERM.GOLD	YT02030550
JZ02		9965 000 01376	TERMINAL 2P S-TERM.GOLD	YT02021520
JZ03		9965 000 01375	TERMINAL 3P S-TERM.GOLD	YT02030550
JZ04		9965 000 01377	TERMINAL 6P RCA	YT02060640
JZ05		9965 000 01377	COMP.VIDEO GOLD G/B/R TERMINAL 6P RCA	YT02060640
LX01		4822 157 62909	CHOKO COIL 22μH	LC12233800
LZ01		4822 157 62922	CHOKO COIL CHOKO 33μH J	LC13333800
LZ02		4822 242 73843	EMI FILTER DSS306-91-F-223Z	FM12223010
LZ03		4822 242 73843	EMI FILTER DSS306-91-F-233Z	FM12223010
XZ01	/K. /N /S	4822 242 73903	CRYSTAL AT49 17.7MHz	JX17001260
XZ02		4822 242 80288	CRYSTAL AT49 14.31818MHz	JX14001260