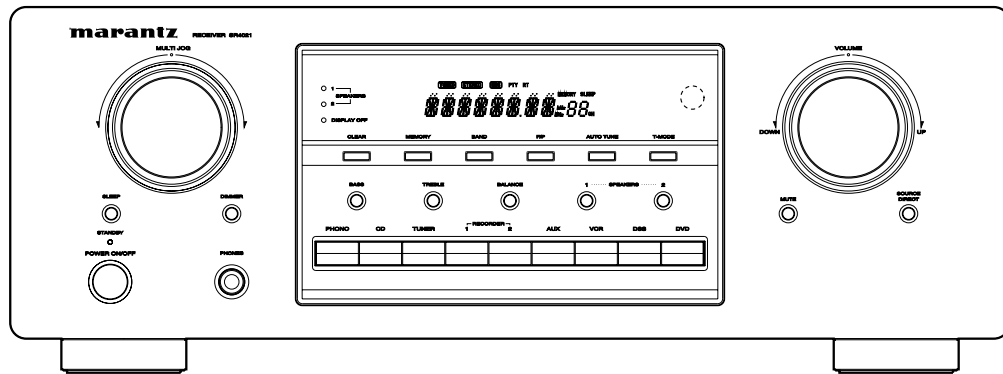


# Service Manual

SR4021 /N1B/N1S/U1B

Receiver



## TABLE OF CONTENTS

SECTION	PAGE
1. TECHNICAL SPECIFICATIONS .....	1
2. SOFTWARE VERSION CHECK .....	2
3. ABOUT REPLACE THE MICROPROCESSOR WITH A NEW ONE .....	2
4. WIRING DIAGRAM .....	3
5. BLOCK DIAGRAM .....	5
6. SCHEMATIC DIAGRAM .....	7
7. PARTS LOCATION .....	11
8. MICROPROCESSOR AND IC DATA.....	21
9. EXPLODED VIEW AND PARTS LIST .....	25
10. SERVICE PROCEDURE .....	29
11. ELECTRICAL PARTS LIST .....	30

Please use this service manual with referring to the user guide ( D.F.U. ) without fail.  
 修理の際は、必ず取扱説明書を準備し操作方法を確認の上作業を行ってください。

# marantz®

## SR4021

## MARANTZ DESIGN AND SERVICE

Using superior design and selected high grade components, **MARANTZ** company has created the ultimate in stereo sound. Only original **MARANTZ** parts can insure that your **MARANTZ** product will continue to perform to the specifications for which it is famous.

Parts for your **MARANTZ** equipment are generally available to our National Marantz Subsidiary or Agent.

### ORDERING PARTS :

Parts can be ordered either by mail or by Fax.. In both cases, the correct part number has to be specified.

The following information must be supplied to eliminate delays in processing your order :

1. Complete address
2. Complete part numbers and quantities required
3. Description of parts
4. Model number for which part is required
5. Way of shipment
6. Signature : any order form or Fax. must be signed, otherwise such part order will be considered as null and void.

#### USA

**MARANTZ AMERICA, INC**  
100 CORPORATE DRIVE  
MAHWAH, NEW JERSEY 07430  
USA

#### EUROPE / TRADING

**MARANTZ EUROPE B.V.**  
P. O. BOX 8744, BUILDING SILVERPOINT  
BEEMDSTRAAT 11, 5653 MA EINDHOVEN  
THE NETHERLANDS  
PHONE : +31 - 40 - 2507844  
FAX : +31 - 40 - 2507860

#### CANADA

**MARANTZ CANADA INC.**  
5-505 APPLE CREEK BLVD.  
MARKHAM, ONTARIO L3R 5B1  
CANADA  
PHONE : 905 - 415 - 9292  
FAX : 905 - 475 - 4159

#### AUSTRALIA

**QualiFi Pty Ltd,**  
24 LIONEL ROAD,  
MT. WAVERLEY VIC 3149  
AUSTRALIA  
PHONE : +61 - (0)3 - 9543 - 1522  
FAX : +61 - (0)3 - 9543 - 3677

#### THAILAND

**MRZ STANDARD CO., LTD**  
746 - 754 MAHACHAI ROAD.,  
WANGBURAPAPIROM, PHRANAKORN,  
BANGKOK, 10200 THAILAND  
PHONE : +66 - 2 - 222 9181  
FAX : +66 - 2 - 224 6795

#### SINGAPORE

**WO KEE HONG DISTRIBUTION PTE LTD**  
No.1 JALAN KILANG TIMOR  
#08-03 PACIFIC TECH CENTRE  
SINGAPORE 159303  
PHONE : +65 6376 0338  
FAX : +65 6376 0166

#### NEW ZEALAND

**WILDASH AUDIO SYSTEMS NZ**  
14 MALVERN ROAD MT ALBERT  
AUCKLAND NEW ZEALAND  
PHONE : +64 - 9 - 8451958  
FAX : +64 - 9 - 8463554

#### TAIWAN

**PAI- YUING CO., LTD.**  
6 TH FL NO, 148 SUNG KIANG ROAD,  
TAIPEI, 10429, TAIWAN R.O.C.  
PHONE : +886 - 2 - 25221304  
FAX : +886 - 2 - 25630415

#### MALAYSIA

**WO KEE HONG ELECTRONICS SDN. BHD.**  
2ND FLOOR BANGUNAN INFINITE CENTRE  
LOT 1, JALAN 13/6, 46200 PETALING JAYA  
SELANGOR DARUL EHSAN, MALAYSIA  
PHONE : +60 - 3 - 7954 8088  
FAX : +60 - 3 - 7954 7088

#### JAPAN

**D&M Holdings Inc.**  
D&M BUILDING, 2-1 NISSHIN-CHO,  
KAWASAKI-KU, KAWASAKI-SHI,  
KANAGAWA, 210-8569 JAPAN

株式会社 ディーアンドエムホールディングス  
本社 〒210-8569  
神奈川県川崎市川崎区日進町2-1 D&Mビル

#### KOREA

**MARANTZ KOREA CO., LTD.**  
ROOM 604, ELECTRO OFFICE, 16-58,  
HANGGANG-RO 3GA, YONGSAN-KU,  
SEOUL, 140-013, KOREA  
PHONE : +82 - 2 - 323 - 2155  
FAX : +82 - 2 - 323 - 2154

#### CHINA

**MARANTZ SHANGHAI TRADING LTD.**  
ROOM.506 SHANGHAI LIGHT INDUSTRY MANSION  
1578 NANJING (WEST) ROAD SHANGHAI  
CHINA  
TEL : 021 - 6248 - 1064  
FAX : 021 - 6248 - 3565

### SHOCK, FIRE HAZARD SERVICE TEST :

**CAUTION :** After servicing this appliance and prior to returning to customer, measure the resistance between either primary AC cord connector pins ( with unit NOT connected to AC mains and its Power switch ON ), and the face or Front Panel of product and controls and chassis bottom.

Any resistance measurement less than 1 Megohms should cause unit to be repaired or corrected before AC power is applied, and verified before it is return to the user/customer.

Ref. UL Standard No. 1492.

In case of difficulties, do not hesitate to contact the Technical Department at above mentioned address.

# 1. TECHNICAL SPECIFICATIONS

## FM TUNER SECTION

Frequency Range ..... 87.5 - 108.0 MHz  
 Usable Sensitivity ..... IHF 2.0  $\mu$ V/17.3 dB  
 Signal to Noise Ratio ..... Mono/Stereo 70/65 dB  
 Distortion ..... Mono/Stereo 0.2/0.3 %  
 Stereo Separation ..... 1 kHz 40 dB  
 Alternate Channel Selectivity .....  $\pm$  300 kHz 50 dB  
 Image Rejection ..... 98 MHz 70 dB  
 Tuner Output Level ..... 1 kHz,  $\pm$  40 kHz Dev 500 mV

## AM TUNER SECTION

Frequency Range ..... 531 - 1602 kHz [ /N ]  
 ..... 520 - 1710 kHz [ /U ]  
 Signal to Noise Ratio ..... 50 dB  
 Usable Sensitivity ..... Loop 400  $\mu$ V  
 Distortion ..... 400Hz, 30 % Mod. 1.0 %  
 Selectivity .....  $\pm$  9 kHz 40 dB

## AUDIO SECTION

Rated Power (20 Hz - 20 kHz)  
 8 ohms ..... 80 W / Ch  
 6 ohms ..... 100 W / Ch  
 THD(20 Hz - 20 kHz) 8ohms ..... 0.08 %  
 Input Sensitivity/Impedance  
 Linear ..... 200 mV/ 47 kohms  
 Signal to Noise Ratio  
 Linear ..... 95 dB

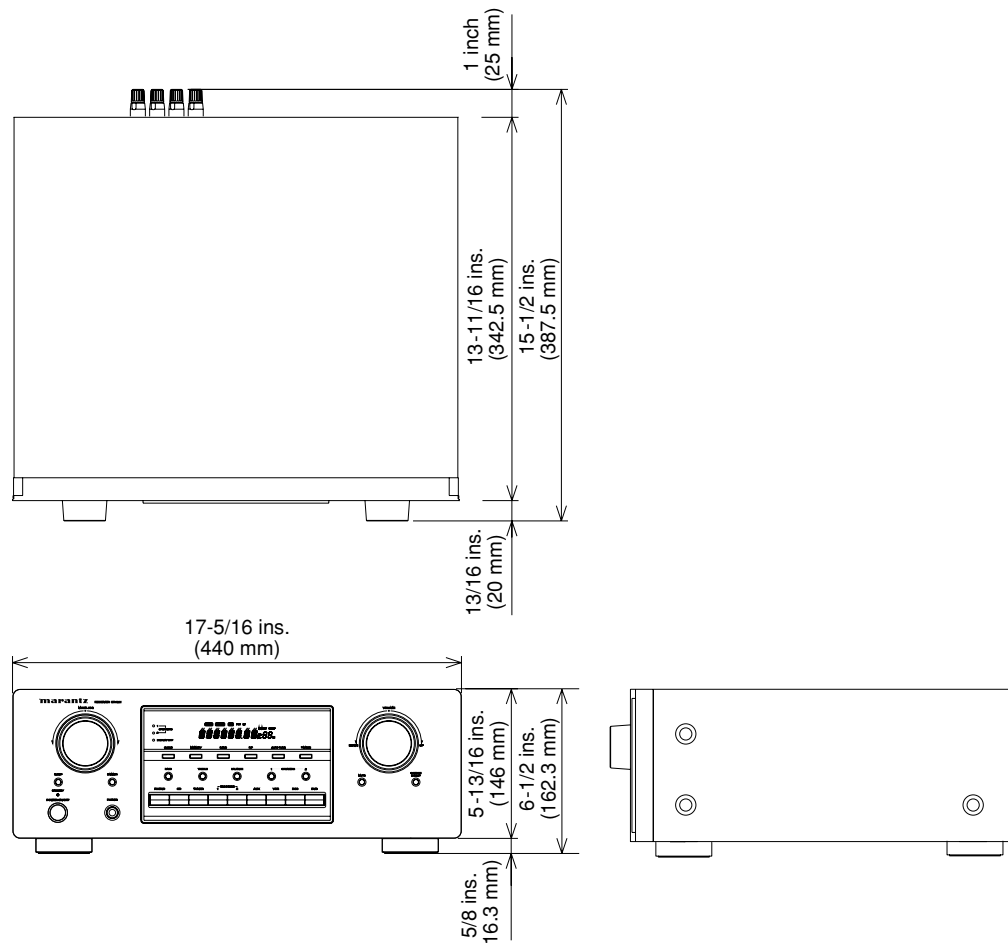
## GENERAL

Power Requirement ..... AC 230 V 50/60 Hz [ /N ]  
 ..... AC 120 V 60 Hz [ /U ]  
 Power Consumption ..... 220 W [ /N ]  
 ..... 2.3 A [ /U ]  
 Weight ..... 11.7 kg (25.8 lbs)

## ACCESSORIES

Remote Control Unit RC4021SR ..... 1  
 AAA-size batteries ..... 2  
 FM Antenna ..... 1  
 AM Loop Antenna ..... 1  
 AC Power Cable ..... 1

## DIMENSIONS



## 2. SOFTWARE VERSION CHECK

A version of microprocessor is confirmed by the following.

1. Press the **POWER ON/STANDBY** button to turn on the unit.
2. Press **MUTE** and the **SOURCEDIRECT** buttons more than 3 seconds, while pressing the **SLEEP** button.
3. The front display shows "yymmdd-x" of software version for 4 seconds, while press those buttons.

**REMARK** : yy is two digits of year. mm is month. dd is date. x is version of release date.

**INDICATION EXAMPLE** : 060419-1

## 3. ABOUT REPLACE THE MICROPROCESSOR WITH A NEW ONE

When replaced of the U-PRO (Microprocessor) or the Flash ROM, confirm contents of the following.

PWB Name	Pos. No.	Description	After replaced	Remark
FRONT	IC91	TMP87PM78FG, SR4021	<b>A</b>	OTP

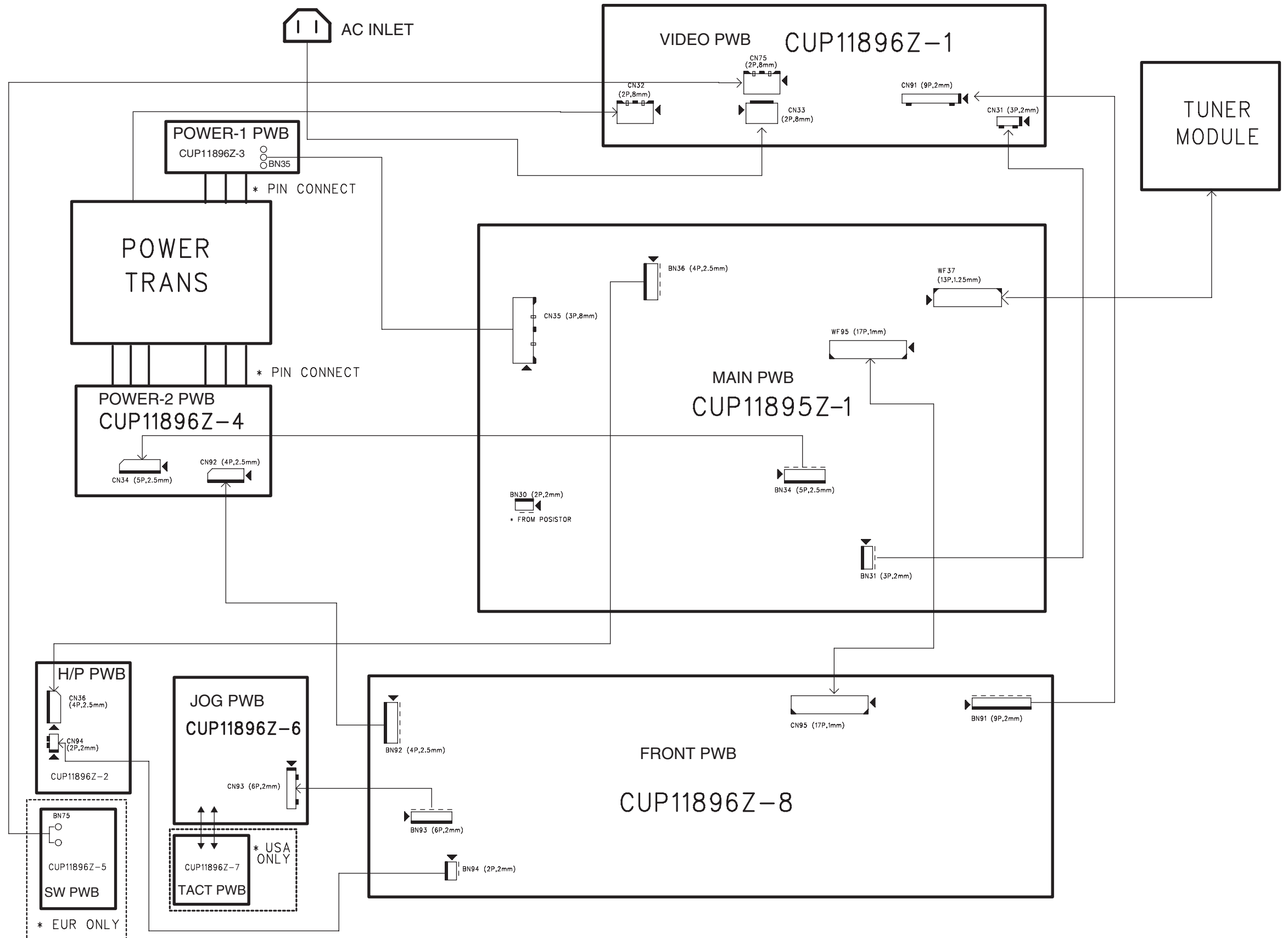
After replaced

**A** : Mask ROM (With software). No need write-in of software to the microprocessor.

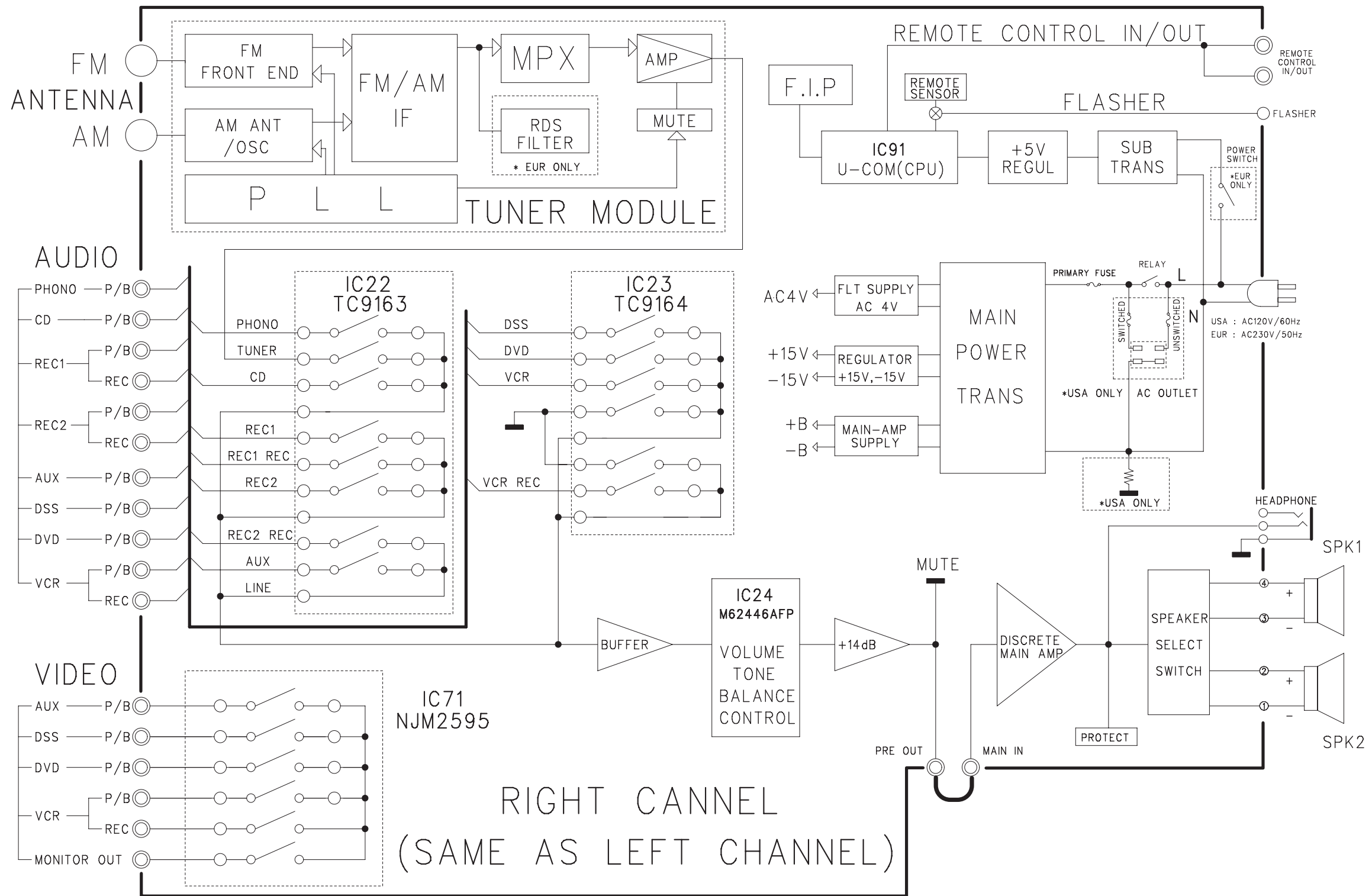
**B** : Flash ROM (With software). Usually, no need write-in of software. But, when the software was updated, you should be write-in of the new software to the microprocessor or flash ROM. Please check the software version.

**C** : Empty Flash ROM (Without software). You should be write-in of the software to the microprocessor or flash ROM. Refer to "Update procedure" or "writing procedure", when you should be write-in the software.

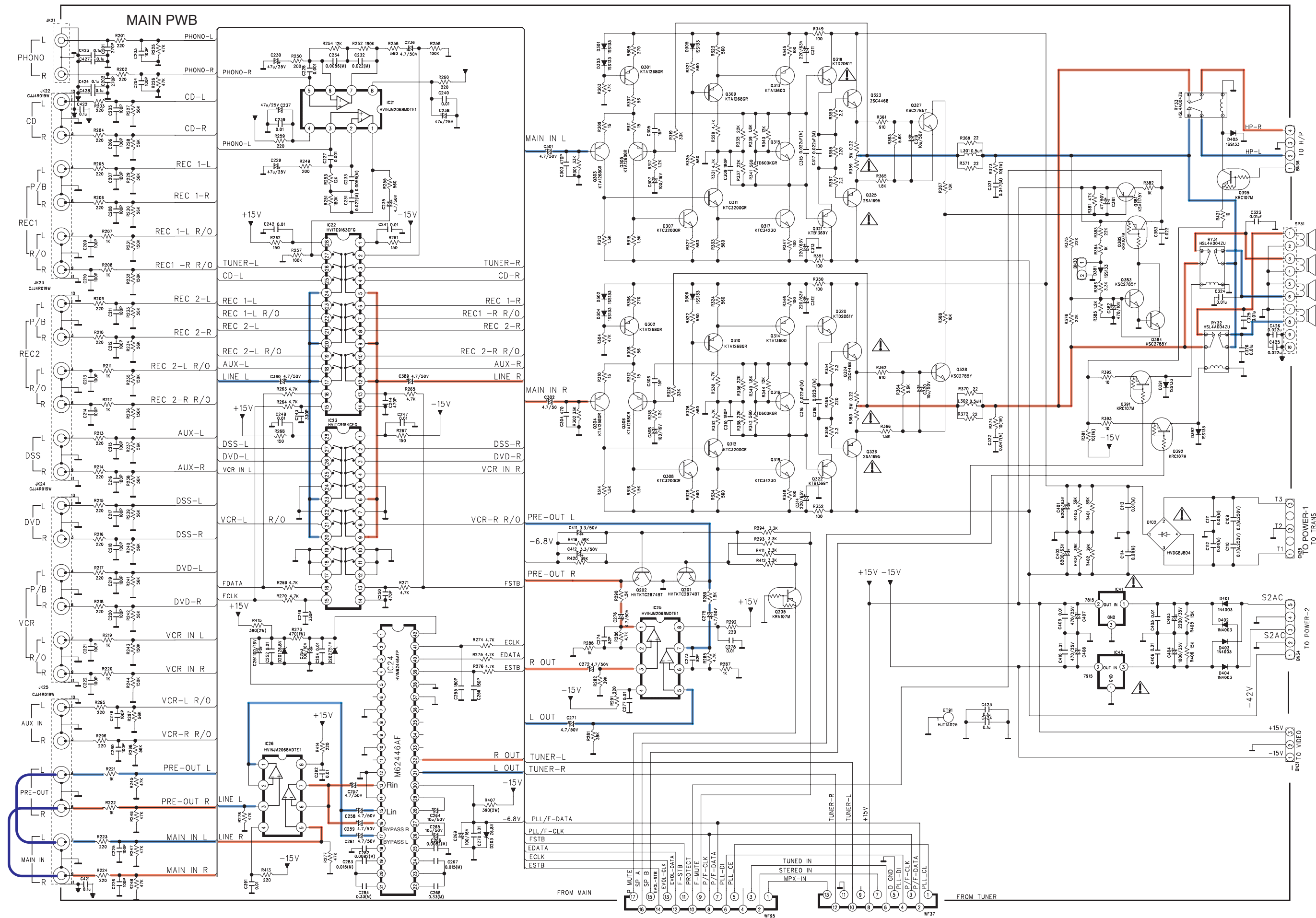
#### 4. WIRING DIAGRAM

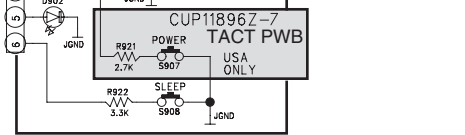
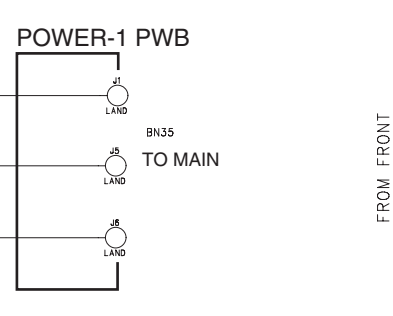
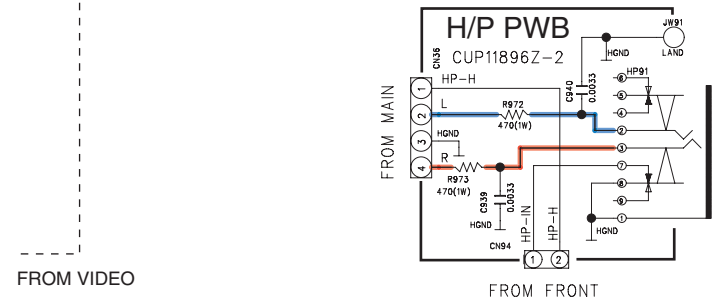
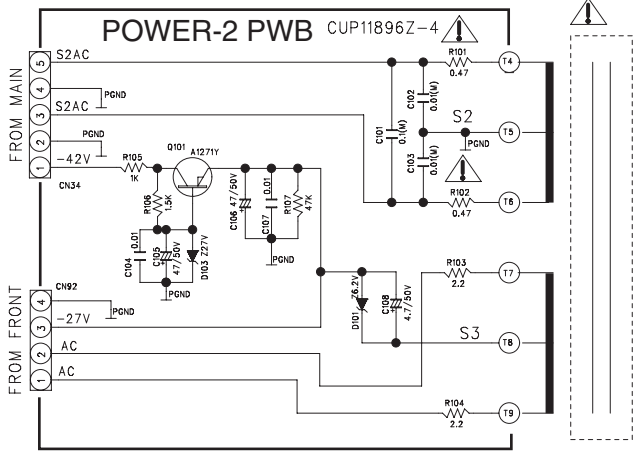
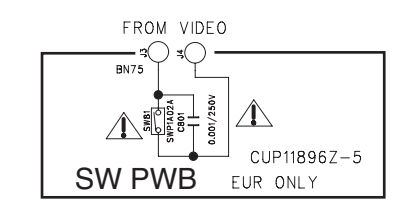
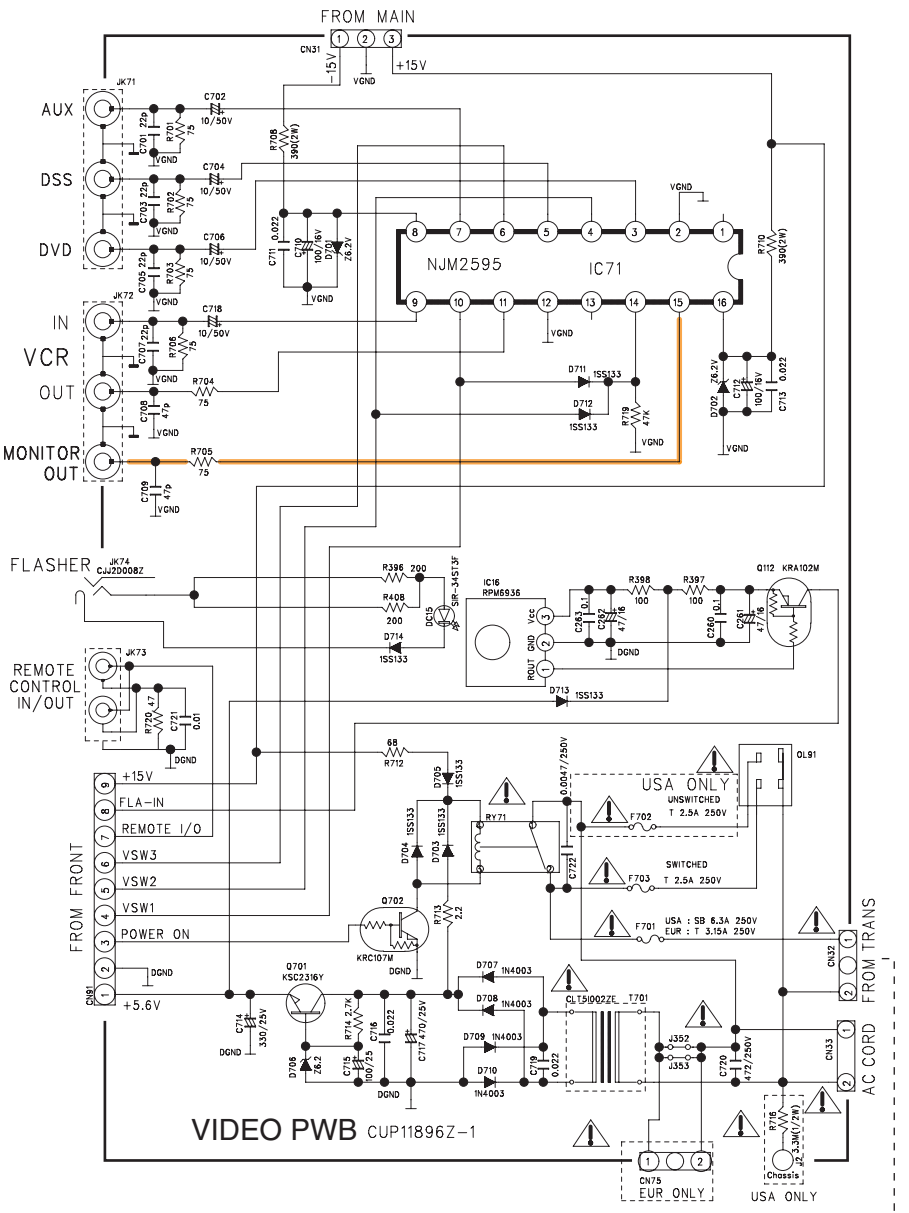
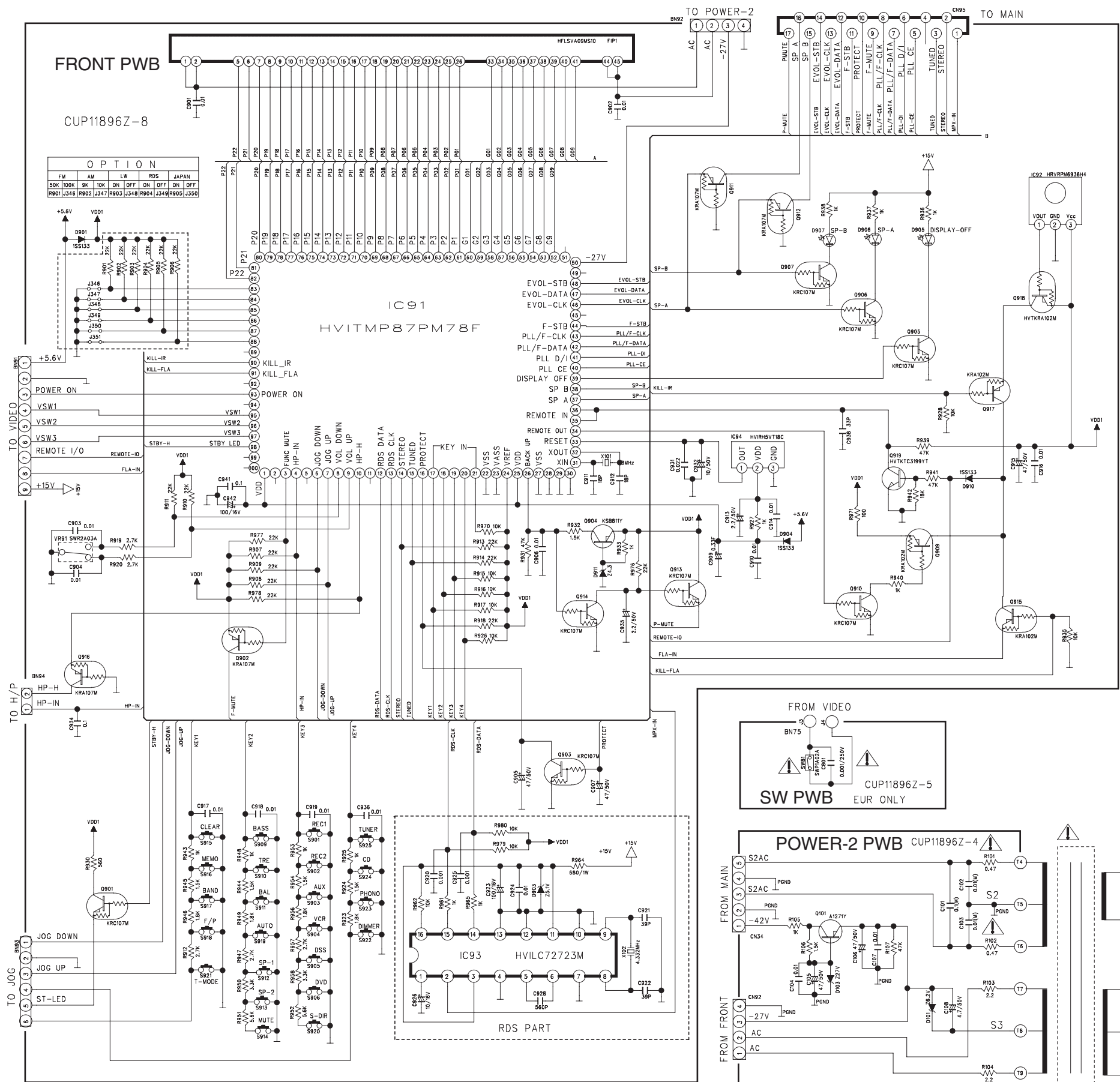


5. BLOCK DIAGRAM



# 6. SCHEMATIC DIAGRAM

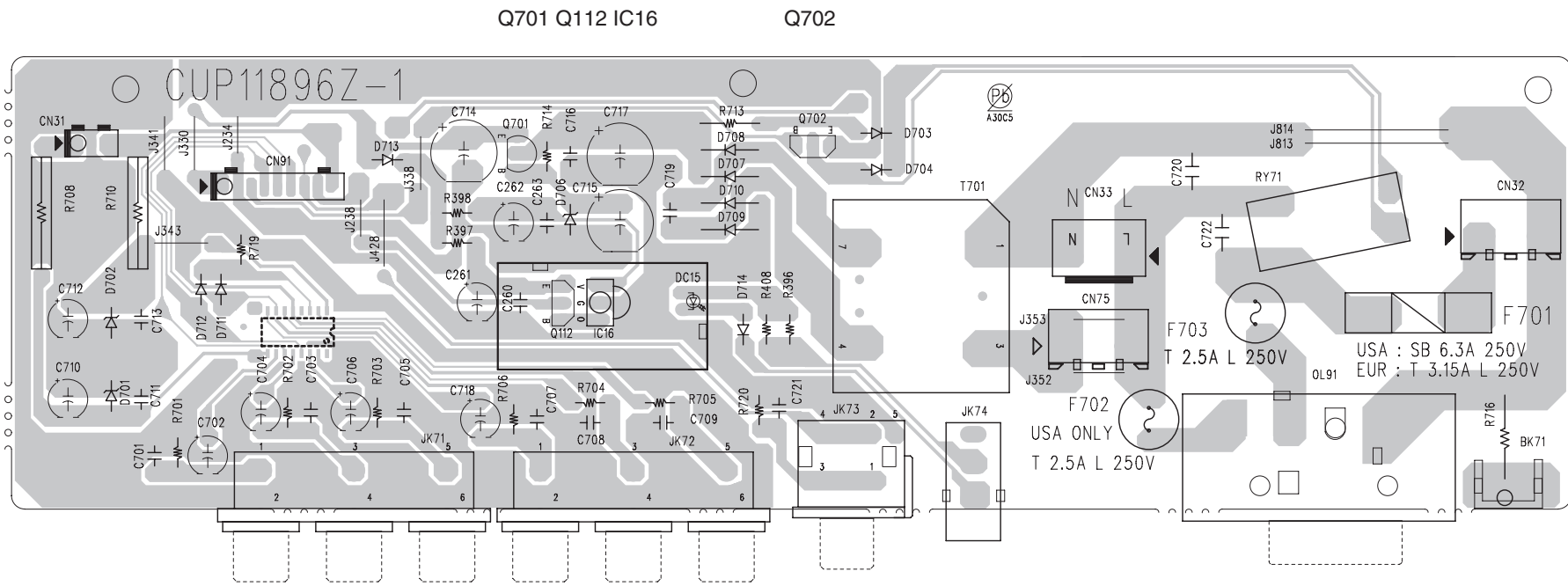




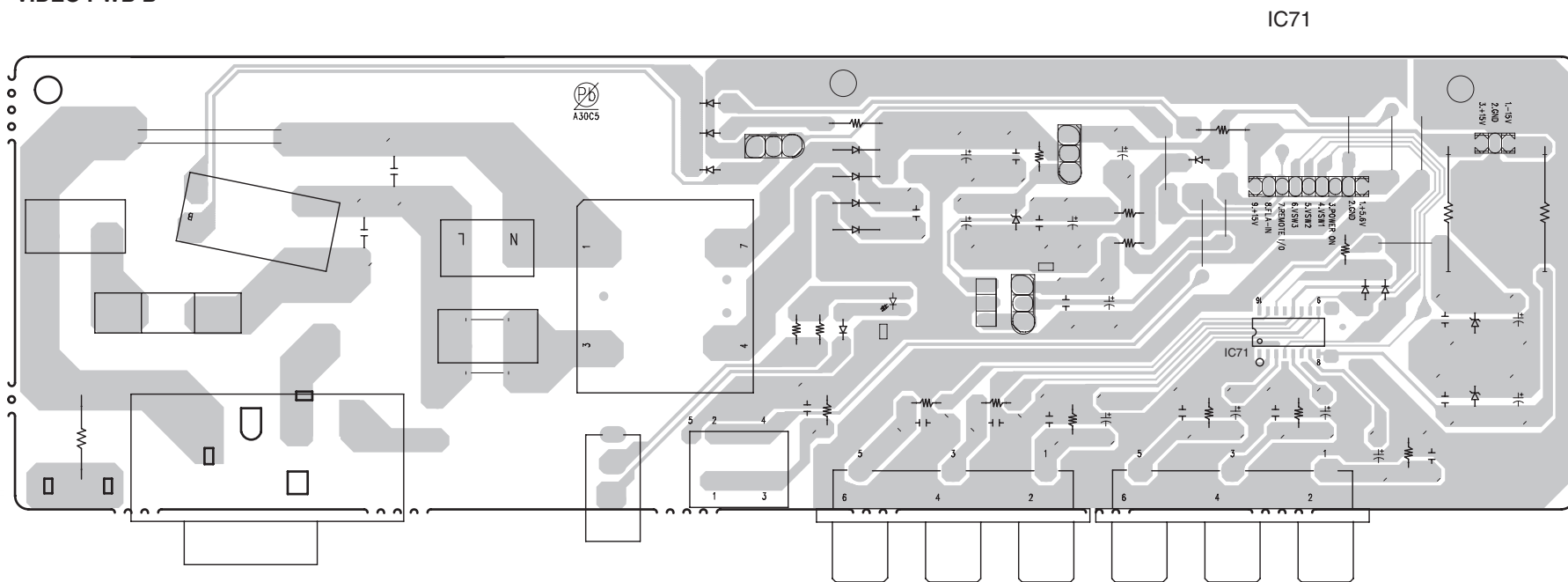


## 7. PARTS LOCATION

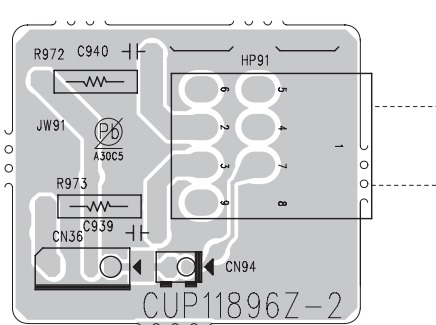
### VIDEO PWB A



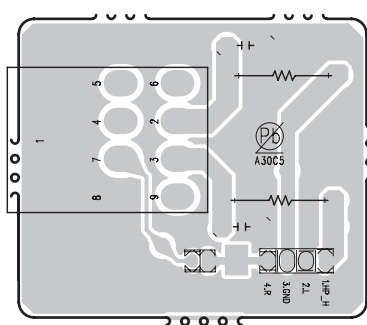
### VIDEO PWB B



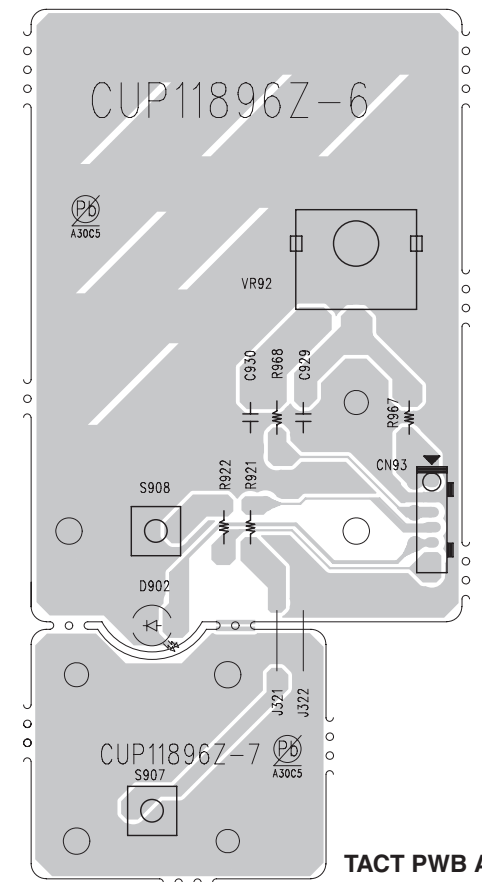
### H / P PWB A



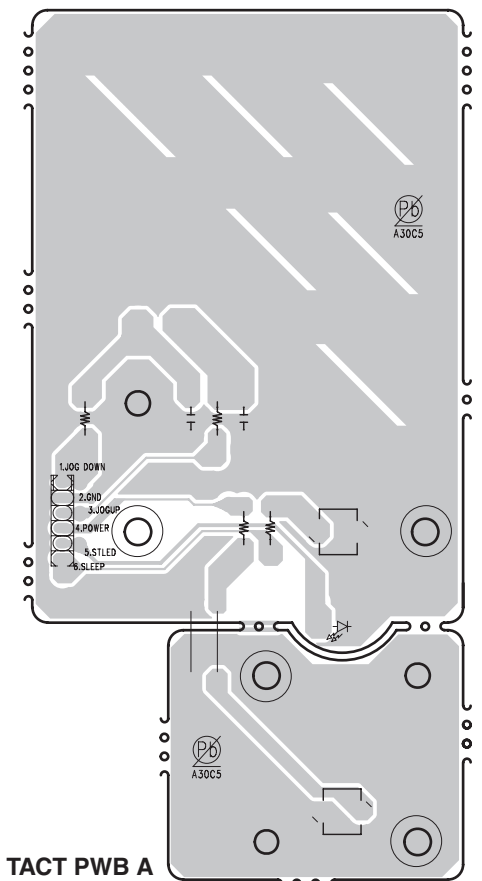
### P / H PWB B



### JOG PWB A

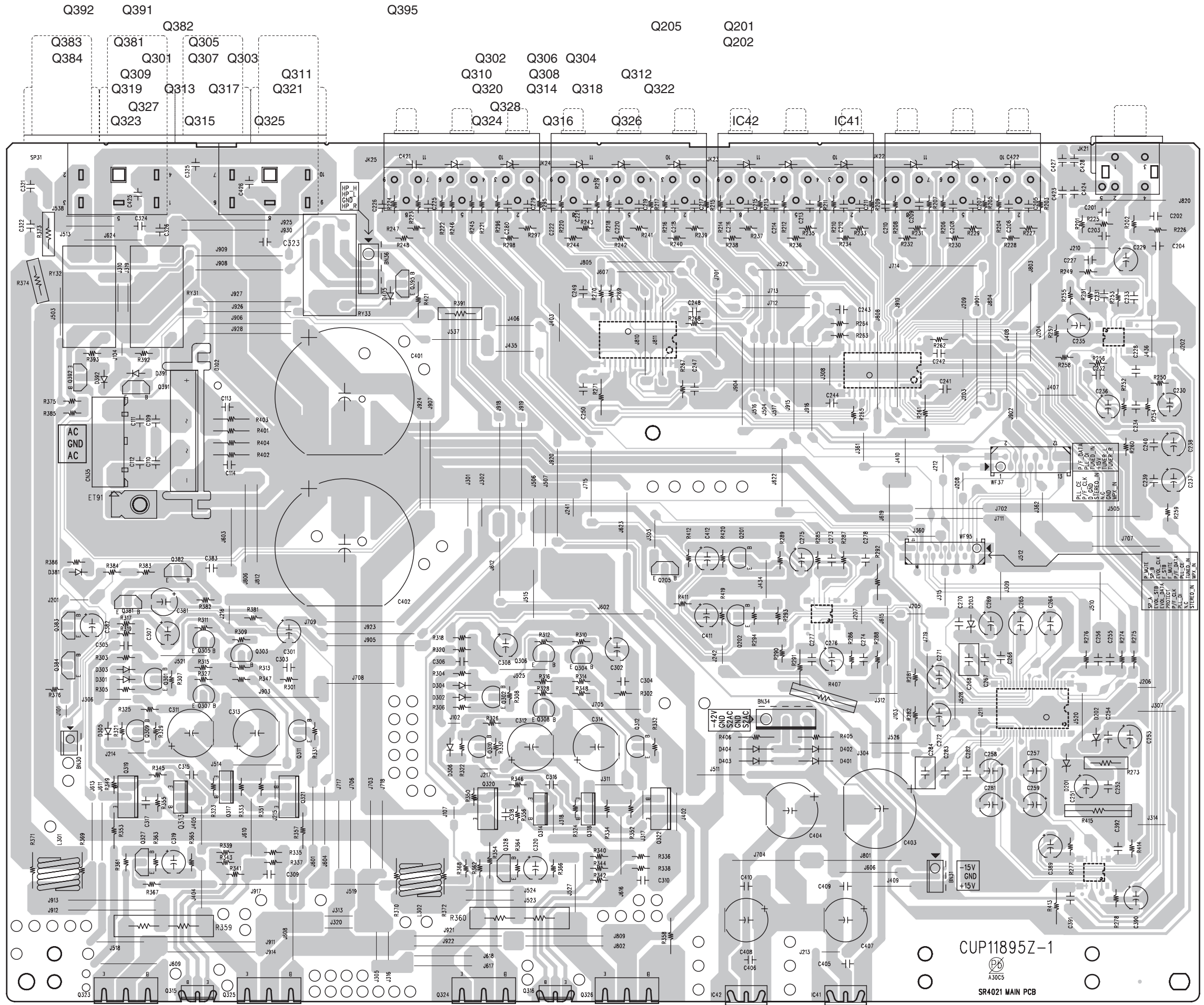


### JOG PWB B



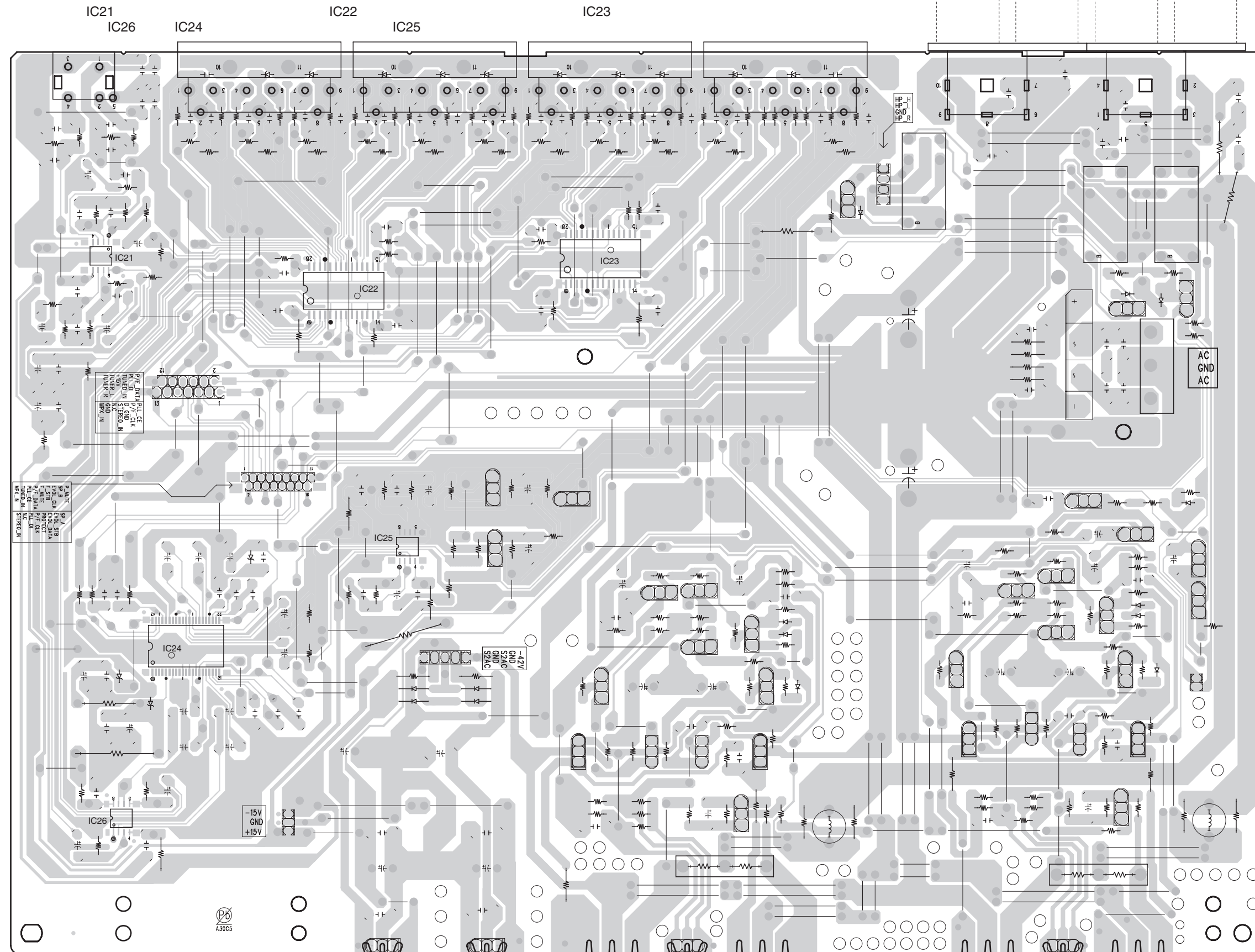
**Lead-free Solder**  
When soldering, use the Lead-free Solder (Sn-Ag-Cu).

MAIN PWB A



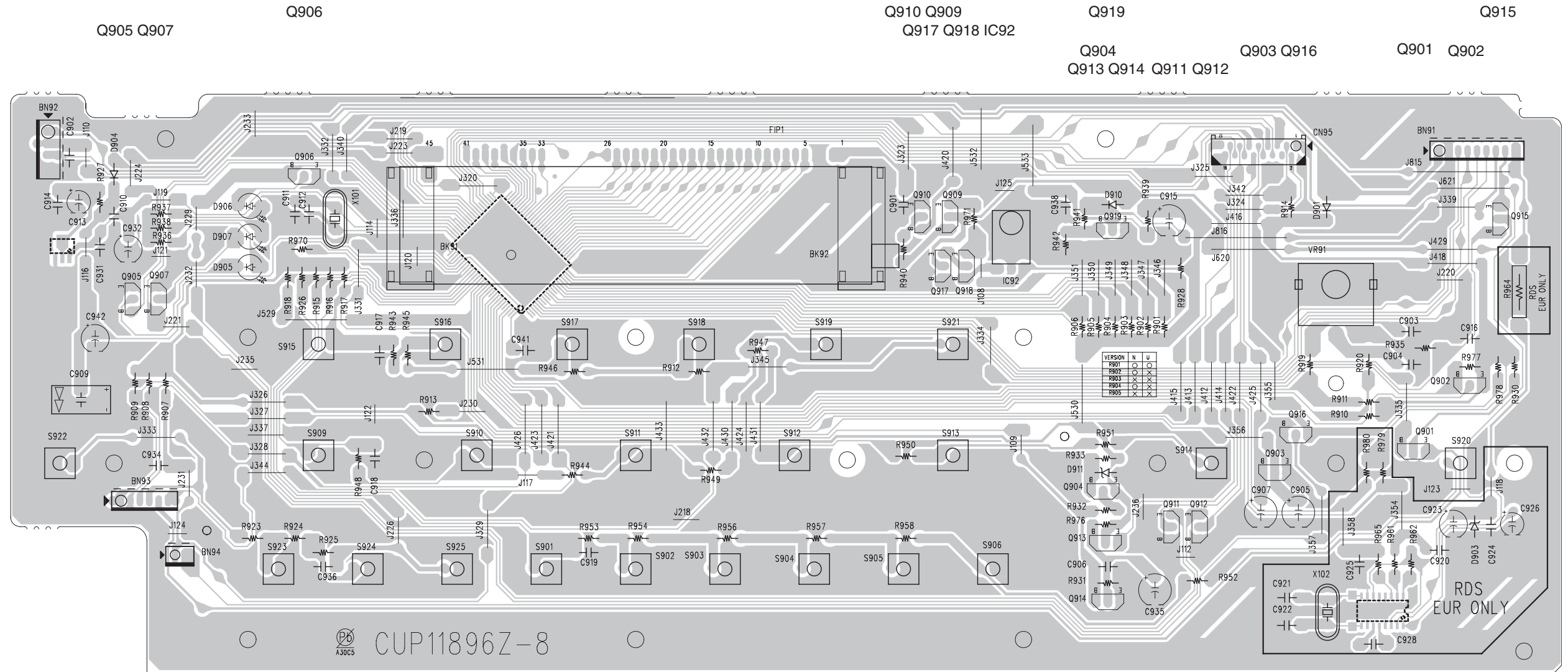
**Lead-free Solder**  
When soldering, use the Lead-free Solder (Sn-Ag-Cu).

MAIN PWB B

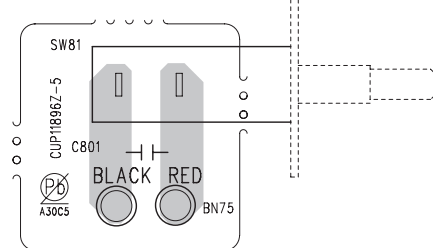


**Lead-free Solder**  
 When soldering, use the Lead-free Solder (Sn-Ag-Cu).

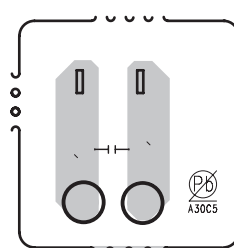
FRONT PWB A



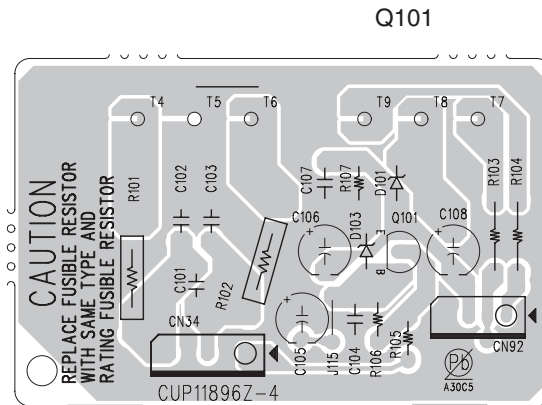
SW PWB A



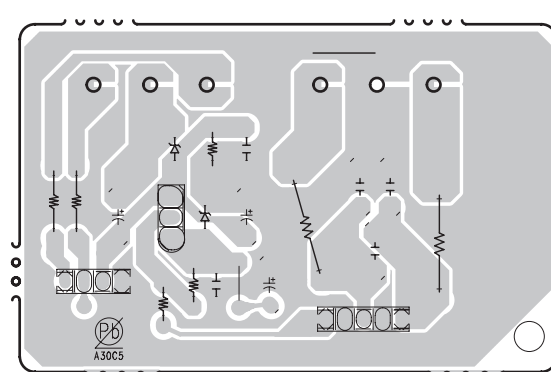
SW PWB B



POWER-2 PWB A

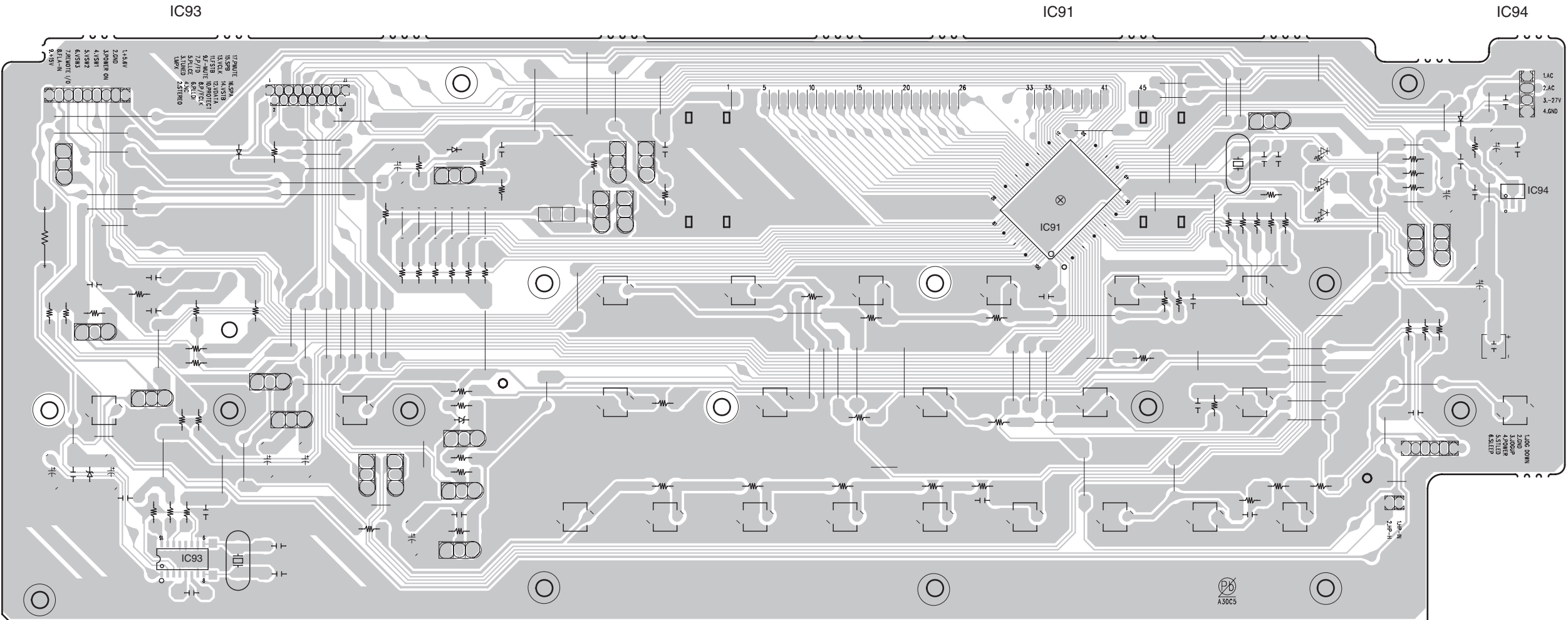


POWER-2 PWB B

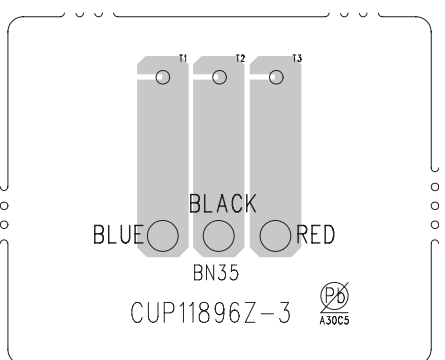


**Lead-free Solder**  
When soldering, use the Lead-free Solder (Sn-Ag-Cu).

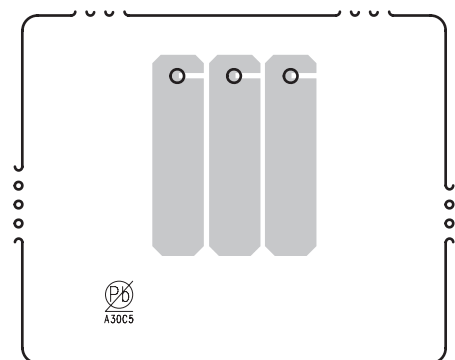
FRONT PWB B



POWER-1 PWB A



POWER-1 PWB B

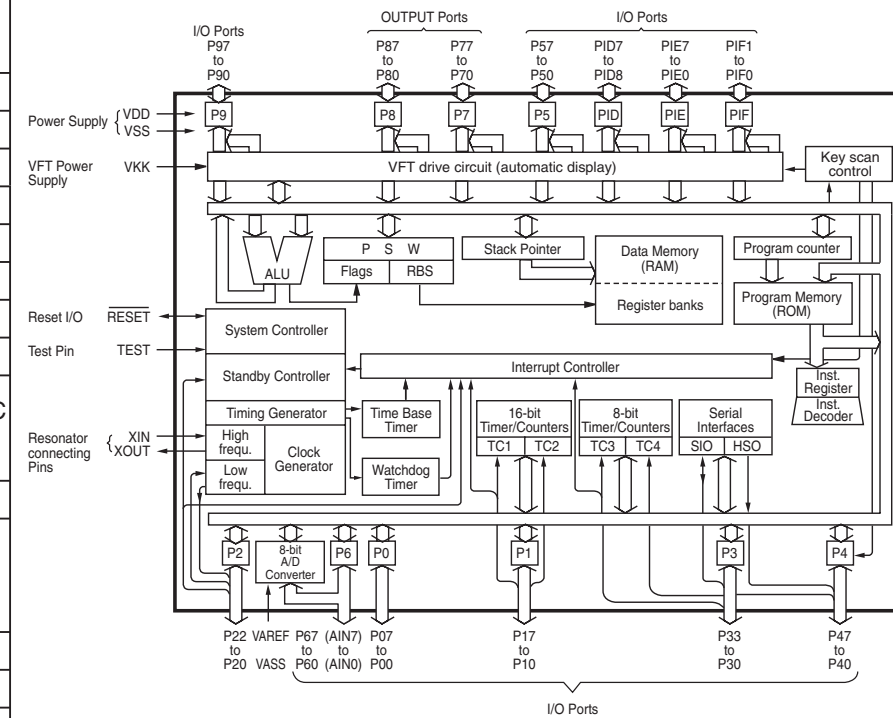
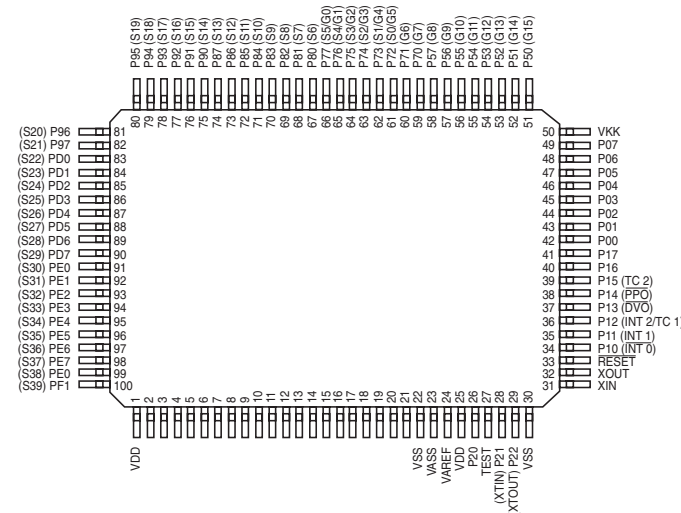


**Lead-free Solder**  
When soldering, use the Lead-free Solder (Sn-Ag-Cu).

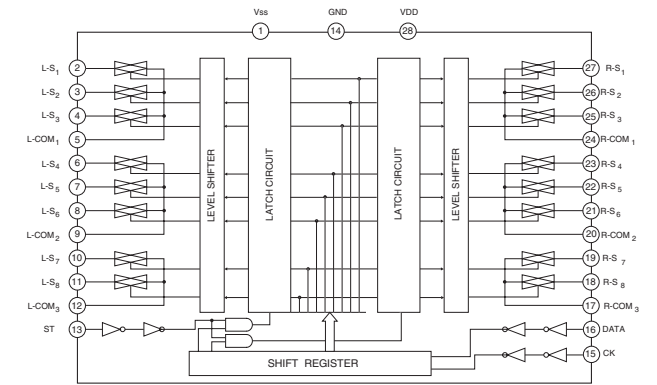
## 8. MICROPROCESSOR AND IC DATA

### IC91 : TMP87PM78F

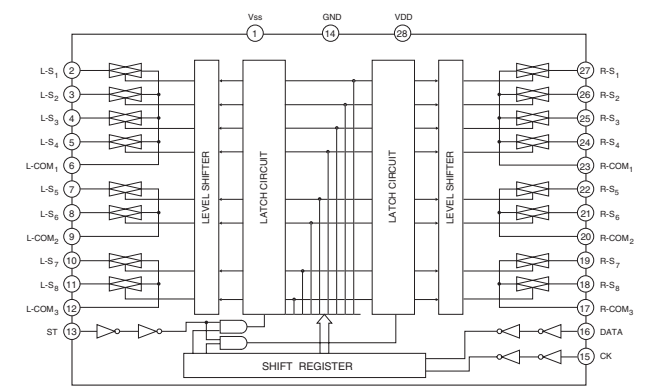
PIN No.	SYMBOL	I/O	DESCRIPTION
1,25	VDD	-	Power Supply Port(+5V)
3	POWER MUTE	O	Power Mute Control Port("L")
4	HP-IN	I	Headphone Detective Input Port(Active"H")
6	JOG-DOWN	I	Balance, Tone Up/Down Control Port
7	JOG-UP	I	
8	VOLUME-DOWN	I	Master Volume Up/Down Control Port("H")
9	VOLUME-UP	I	
10	HP-H	O	Headphone Detective Output Port(Active"H")
12	RDS-DATA	I/O	RDS IC DATA Port
13	RDS-CLK	I/O	RDS IC CLK Port
14	STEREO IN	I	Stereo Display Control Port(Active "H")
15	TUNED IN	I	Tuned Display Control Port(Active "H")
16	PROTECT IN	I	Protect Input Port
17~21	KEY MATRIX	I	Key Control Input Port
22,23,27,30	VSS	-	GND
26	Back Up	I	Back Up Mode port
31	X IN	I	8MHz Crystal Connection Port
32	X OUT	O	
33	RESET	I	Reset Input Port(Active "L")
34	REMOTE OUT	O	Remote Control Data Output Port
35,36	REMOTE IN	I	Remote Control Data Input Port
37	SP A	O	Speaker "A" Relay and LED Control Port("H")
38	SP B	O	SPeaker "B" Relay and LED Control Port("H")
39	DISPLAY OFF	O	Display Off LED Control Port("H")
40	PLL CE	O	PLL IC(LC72131,on the Tuner Module) Enable Control Port
41	PLL DATA IN	I	PLL IC(LC72131,on the Tuner Module) Data Input Port
42	PLL/FUNCTION DATA	O	PLL IC(LC72131,on the Tuner Module) and Function IC (TC9163/TC9164) Data/CLK Output Port
43	PLL/FUNCTION CLK	O	
44	FUNCTION STB	O	Function IC(TC9163/TC9164) STB Output Port
46	E-VOLUME CLK	O	Electronic Vol.IC(M62446AFP) Data/CLK/STB Port
47	E-VOLUME DATA	O	
48	E-VOLUME STB	O	
50	VKK	-	FIP Power Supply Port(-27V)
52~60	FIP GRID	O	FIP Grid Control Port
61~82	FIP SEGMENT	O	FIP Segment Control Port
83~88	OPTION	I	Option Control Port
91	KILL-IR	O	KILL IR Port (Active"H")
92	KILL-FLA	O	KILL Flasher Port(Active"H")
93	POWER ON	O	Power Relay On/Off Control Port("H")
95	VIDEO SW 1	O	Video IC(NJM2595M) Control Port
96	VIDEO SW 2	O	
97	VIDEO SW 3	O	
98	STBY LED	O	Standgy LED Control Port("H")



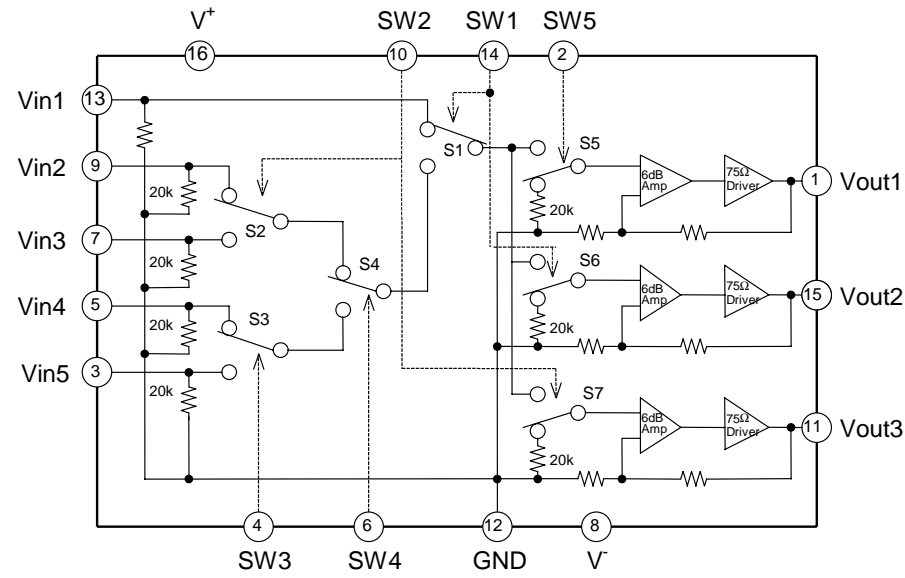
### IC22: TC9163AF



### IC23: TC9164AF



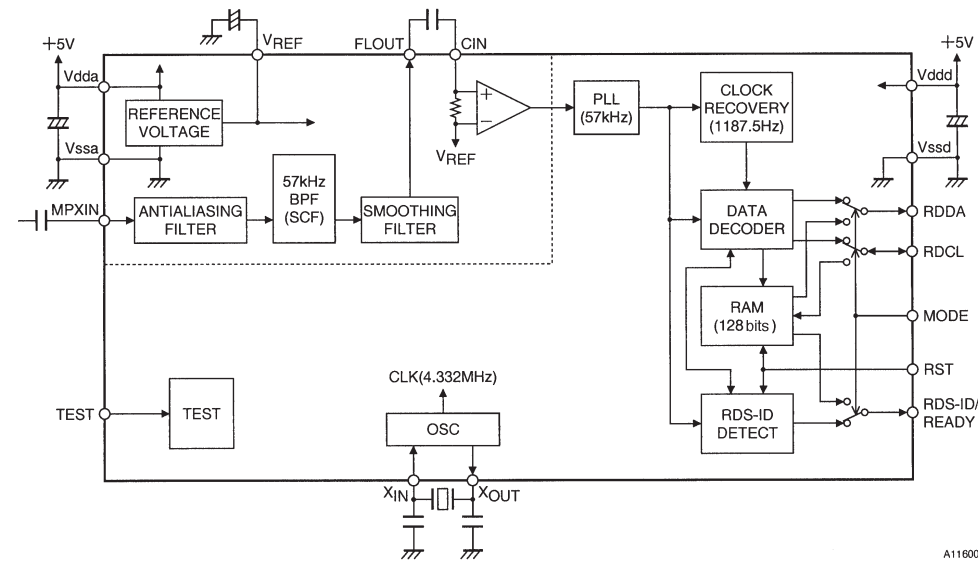
IC71 : NJM2595M



■ Control Signal vs. Output Signal (L=V<sub>CL</sub>, H=V<sub>CH</sub>, X=L or H)

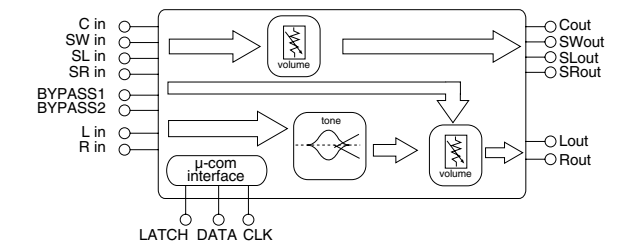
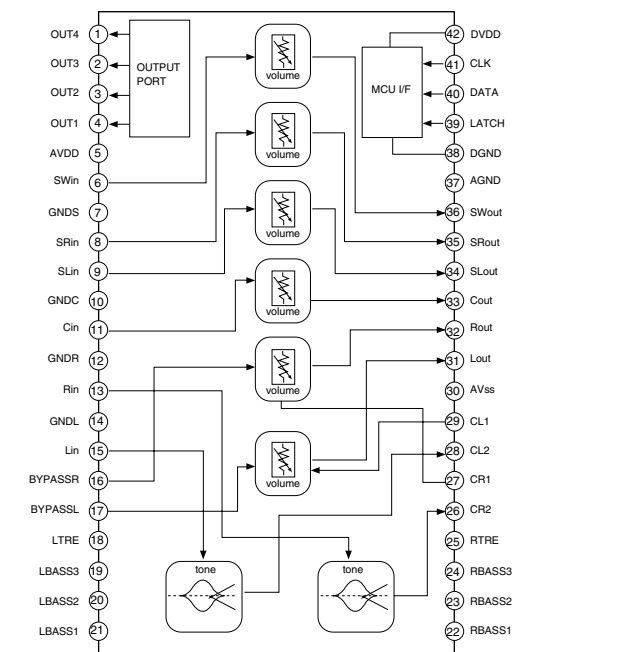
SW1	SW2	SW3	SW4	SW5	Vout1	Vout2	Vout3
L	H	X	X	H	Vin1	MUTE	Vin1
	L			Vin1	MUTE	MUTE	
	H			MUTE	MUTE	Vin1	
H	L	X	L	H	Vin2	Vin2	MUTE
	L			MUTE	Vin2	MUTE	
H	H	X	L	H	Vin3	Vin3	Vin3
	L			MUTE	Vin3	Vin3	
H	H	L	H	H	Vin4	Vin4	Vin4
	L			MUTE	Vin4	MUTE	
	H			Vin4	MUTE	MUTE	
H	H	H	H	H	Vin5	Vin5	Vin5
	L			MUTE	Vin5	MUTE	
	H			Vin5	MUTE	MUTE	
L	L	X	X	L	MUTE	MUTE	MUTE

IC93 : L72723M



Pin No.	Pin	Function	I/O	Pin circuit type
1	VREF	Reference voltage output (Vdda/2)	Output	
2	MPXIN	Base band (multiplex) signal input	Input	
5	FLOUT	Subcarrier output (filter output)	Output	
6	CIN	Subcarrier input (comparator input)	Input	
3	Vdda	Analog system power supply (+5 V)	-	-
4	Vssa	Analog system ground	-	-
8	XOUT	Crystal element output (4.332 MHz)	Output	
9	XIN	Crystal element input (or external reference signal input)	Input	
7	TEST	Test input	Input	
12	MODE	Readout mode setting (0: master, 1: slave)	Input	
13	RST	RDS ID and RAM reset (Active high logic)	Input	
14	RDDA	RDS data output	Output	
15	RDCL	RDS clock output (master mode) RDS clock input (slave mode)	I/O	
16	RDS-ID/READY	RDS ID/ready output (Active low)	Output	
11	Vddd	Digital system power supply (+5 V)	-	-
10	Vssd	Digital system ground	-	-

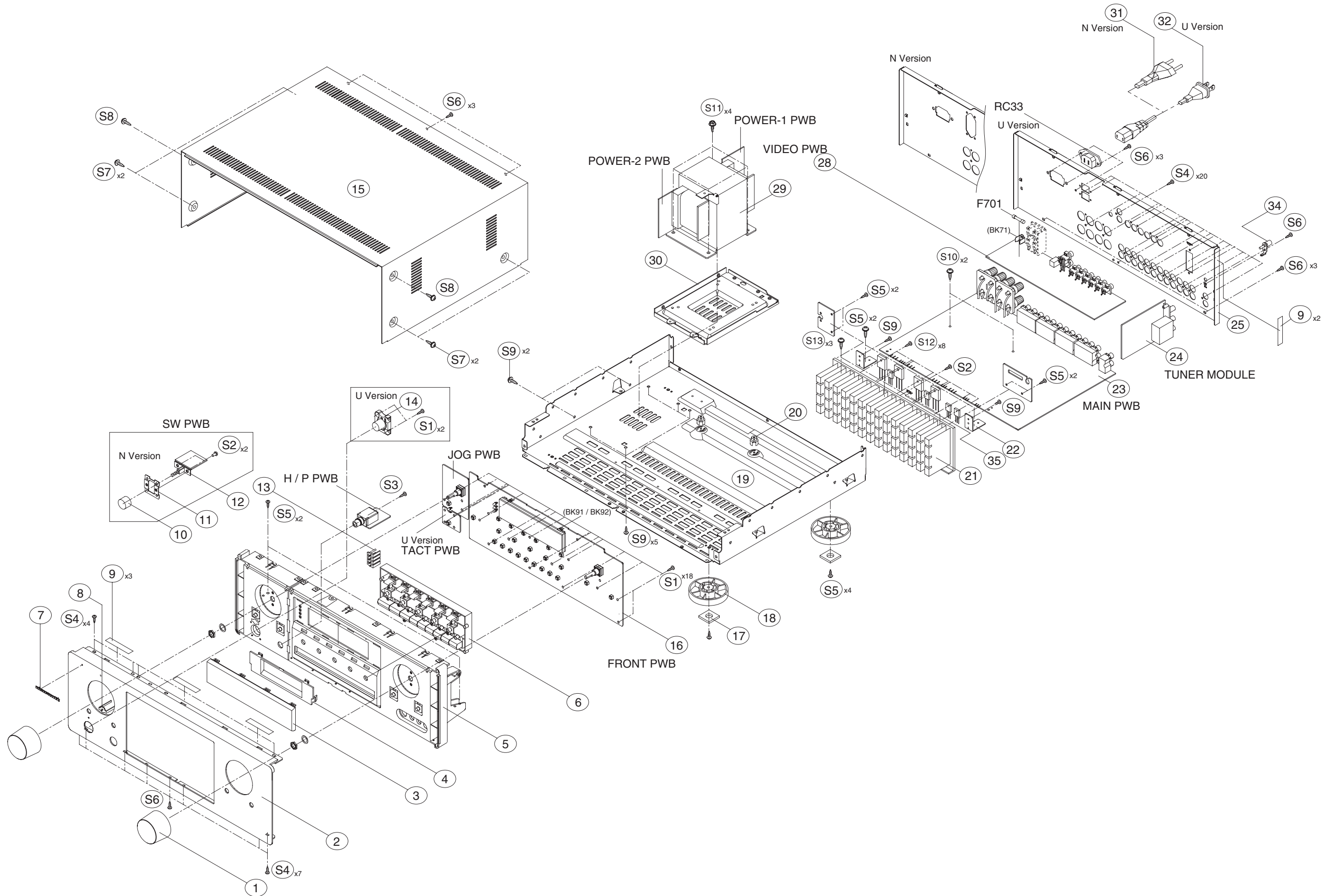
IC24 : M62446AFP



IC24 : M62446AFP  
PIN FUNCTIONS

PIN No.	SYMBOL	I/O	DESCRIPTION
1	OUT4	O	
2	OUT3	O	Port Output
3	OUT2	O	
4	OUT1	O	
5	AVDD	-	Analog Positive Power Supply Port(+6.8V)
7	GNDS	-	
10	GNDC	-	Connect to analog GND
12	GNDR	-	
14	GNDL	-	
6	SW IN	I	Volume Input Port
8	SR IN	I	
9	SL IN	I	
11	C IN	I	
36	SW OUT	O	Volume Output Port
35	SR OUT	O	
34	SL OUT	O	
33	C OUT	O	
13	R IN	I	Tone Input Port
15	L IN	I	
16	BYPASS R	I	L,R Volume Input Port(in Bypass Mode)
17	BYPASS L	I	
31	L OUT	O	L Output Port
32	R OUT	O	R Output Port
18	LTRE	-	Tone Treble Cycle Control Port
25	RTRE	-	
19	LBASS3	-	
24	RBASS3	-	Tone Bass Cycle Control Port
20	LBASS2	-	
23	RBASS2	-	
21	LBASS1	-	
26	RBASS1	-	
22	CR2	O	Tone Output Port
28	CL2	O	
27	CR1	I	L,R Volume Input Port
29	CL1	I	
31	LOUT	O	L Output Port
32	ROUT	O	R Output Port
30	AVSS	-	Analog Negative Power Supply Port(-6.8V)
37	AGND	-	Analog GND
38	DGND	-	Digital GND
39	LATCH	I	Latch Input Port
40	DATA	I	Data Input Port
41	CLK	I	Clock Input Port
42	DVDD	-	Digital Power Supply Port(+5V)

9. EXPLODED VIEW AND PARTS LIST





P.C.B. NAME	POS. NO.	VERS. COLOR	PART NO. (FOR EUR)	PART NO. (MZ)	PART NAME	DESCRIPTION		
	1	/N1B	00M27AW154010	00M27AW154010	KNOB	MASTER KNOB (BLACK)	HGK1A089YA	
	1	/N1S	00M27AW154030	00M27AW154030	KNOB	MASTER KNOB (SILVER)	HGK1A089XA	
	1	/U1B	nsp	00M27AW154010	KNOB	MASTER KNOB (BLACK)	HGK1A089YA	
	2	/N1B	00M13CW248010	00M13CW248010	PANEL	FRONT AL PANEL SR4021N BL	CKM3A134RC23	
	2	/N1S	00M13CW248210	00M13CW248210	PANEL	FRONT AL PANEL SR4021N SL	CKM3A134RC40	
	2	/U1B	nsp	00M13CW248020	PANEL	FRONT AL PANEL SR4021U BL	CKM3A134QC23	
	3	/N1B	00M13CW158010	00M13CW158010	WINDOW	FIP WINDOW BL	CGU1A306V	
	3	/N1S	00M13CW158210	00M13CW158210	WINDOW	FIP WINDOW SL	CGU1A306U	
	3	/U1B	nsp	00M13CW158010	WINDOW	FIP WINDOW BL	CGU1A306V	
	4		00M13CW259010	00M13CW259010	BUSHING	FIP ORNAMENT	CMH1A257	
	5	/N1B	00M13CW105020	00M13CW105020	CHASSIS	MOLD CHASSIS BL	CGW2A358R4ZK92	
	5	/N1S	00M13CW105220	00M13CW105220	CHASSIS	MOLD CHASSIS SL	CGW2A358R6ZG13	
	5	/U1B	nsp	00M13CW105020	CHASSIS	MOLD CHASSIS BL	CGW2A358R4ZK92	
	6	/N1B	00M27AW270010	00M27AW270010	BUTTON	FUNCTION BUTTON (BLACK)	CBT1A876K92	
	6	/N1S	00M27AW270210	00M27AW270210	BUTTON	FUNCTION BUTTON (SILVER)	CBT1A876R6G13	
	6	/U1B	nsp	00M27AW270010	BUTTON	FUNCTION BUTTON (BLACK)	CBT1A876K92	
	7	/N1B	00M24AW251010	00M24AW251010	BADGE	NEW MZ BADGE	CGB1A117	
	7	/N1S	00M24AW251020	00M24AW251020	BADGE	NEW MZ BADGE SILVER	CGB1A117G	
	7	/U1B	nsp	00M24AW251010	BADGE	NEW MZ BADGE	CGB1A117	
	8		00M27AW355010	00M27AW355010	LENS	STANDBY LENS	CGL1A216	
	9		nsp	nsp	TAPE	TAPE HEMELON	KHS1A032	
	10	/N1B	00M27AW270040	00M27AW270040	BUTTON	POWER SW BUTTON (BLACK)	CBC1A146K92	
	10	/N1S	00M27AW270240	00M27AW270240	BUTTON	POWER SW BUTTON (SILVER)	CBC1A146R6G13	
	11	/N1B	nsp	nsp	BRACKET	POWER SW BRACKET	CMD1A493	
	11	/N1S	nsp	nsp	BRACKET	POWER SW BRACKET	CMD1A493	
	13		00M13CW255010	00M13CW255010	LENS	INDICATOR FOR FUNCTION LED	CGL1A192	
	14	/U1B	nsp	00M27AW270030	BUTTON	POWER SW BUTTON TACT (BLACK)	CBT1A877K92	
	15	/N1B	00M07BW257010	00M07BW257010	LID	TOP COVER (BLACK)	CKC1A155K117	
	15	/N1S	00M07BW257210	00M07BW257210	LID	TOP COVER (SILVER)	CKC1A155G14	
	15	/U1B	nsp	00M07BW257010	LID	TOP COVER (BLACK)	CKC1A155K117	
	16	/N1B	nsp	nsp	PWB ASSY	FRONT PWB ASSY	COP11896B	
	16	/N1S	nsp	nsp	PWB ASSY	FRONT PWB ASSY	COP11896C	
	16	/U1B	nsp	nsp	PWB ASSY	FRONT PWB ASSY	COP11896D	
	17		00M11BW056010	00M11BW056010	BUFFER	RUBBER CUSHION	KHG1A050	
	18	/N1B	00M243W057010	00M243W057010	LEG	LEG GOLD/BLACK	CKL2A042H11	
	18	/N1S	00M243W057210	00M243W057210	LEG	LEG FOR SILVER	CKL2A042H46	
	18	/U1B	nsp	00M243W057010	LEG	LEG GOLD/BLACK	CKL2A042H11	
	19		nsp	nsp	CHASSIS	BOTTOM CHASSIS	CUA3A247	
	20		nsp	nsp	HOLDER	HOLDER PWB	CHE170	
	21		nsp	nsp	HEATSINK	MAIN HEATSINK	CMY2A198	
	22		nsp	nsp	BRACKET	BRACKET PWB AG-D8900	CMD1A417	
	23		nsp	nsp	PWB ASSY	MAIN PWB ASSY	COP11895B	
	24	/N1B	90M-AV000520R	90M-AV000520R	TUNER	TUNER MODULE(EUR)	CNVKSTM9014MS17	
	24	/N1S	90M-AV000520R	90M-AV000520R	TUNER	TUNER MODULE(EUR)	CNVKSTM9014MS17	
	24	/U1B	nsp	90M-AV000530R	TUNER	TUNER MODULE(USA)	CNVKSTM9014MS07	
	25	/N1B	nsp	nsp	PANEL	REAR PANEL SR4021 N	CKF3A313Z	
	25	/N1S	nsp	nsp	PANEL	REAR PANEL SR4021 N	CKF3A313Z	
	25	/U1B	nsp	nsp	PANEL	REAR PANEL SR4021 U	CKF4A313Z	
	28	/N1B	nsp	nsp	PWB ASSY	VIDEO PWB ASSY	COP11896B	
	28	/N1S	nsp	nsp	PWB ASSY	VIDEO PWB ASSY	COP11896C	
	28	/U1B	nsp	nsp	PWB ASSY	VIDEO PWB ASSY	COP11896D	
	▲	29	/N1B	90M-TS002800R	90M-TS002800R	TRANSF.	# TRANS, POWER(ROHS) FOR N	CLT5U020YE
	▲	29	/N1S	90M-TS002800R	90M-TS002800R	TRANSF.	# TRANS, POWER(ROHS) FOR N	CLT5U020YE
	▲	29	/U1B	nsp	90M-TS002810R	TRANSF.	# TRANS, POWER(ROHS) FOR U	CLT5U020YU
		30		nsp	BRACKET	BRACKET , TRANS	CMD1A487	
	▲	31	/N1B	90M-ZC000320R	90M-ZC000320R	MAINS CORD	! MAINS CORD 2WIRE 10A/250V	CJA2B054Z
	▲	31	/N1S	90M-ZC000320R	90M-ZC000320R	MAINS CORD	! MAINS CORD 2WIRE 10A/250V	CJA2B054Z
	▲	32	/U1B	nsp	90M-ZC000310R	MAINS CORD	! MAINS CORD UL 032508/12	CJA2A070Z
		34		nsp	TERMINAL	TERMINAL , GROUND	KMA1A006	
		35		00M10BW104010	00M10BW104010	RETAINER	BRACKET_BASE	CMD1A542
		BN33		nsp	CORD	WIRE, ASSY	CWZSR4021BN33A	
	▲	F701	/N1B	90M-FS001420R	90M-FS001420R	FUSE	# 3.15A/250V(EUR)	KBA2C3150TLEY
	▲	F701	/N1S	90M-FS001420R	90M-FS001420R	FUSE	# 3.15A/250V(EUR)	KBA2C3150TLEY
	▲	F701	/U1B	nsp	90M-FS001430R	FUSE	# SB 6.3A 250V	KBA2C6300TLEY
	▲	RC33		90M-YJ002690R	90M-YJ002690R	TERMINAL	! R-301(187-2P) 10A/250V	HJJ8A001Z
				90M-FC500030R	90M-FC500030R	FERRITE CORE	FERRITE RING 29X7.7X19	CLZ9W003Z
				nsp	nsp	CORD	WIRE, ASSY	CWZSR4021BN33

NOTE : \*nsp\* PART IS LISTED FOR REFERENCE ONLY, MARANTZ WILL NOT SUPPLY THESE PARTS.

P.C.B. NAME	POS. NO.	VERS. COLOR	PART NO. (FOR EUR)	PART NO. (MZ)	PART NAME	DESCRIPTION
			nsp	90M-YU002230R	FPC	17P FPC 280MM CWC1B2A17A280B
			nsp	90M-YU002240R	FPC	13P FPC 150MM CWC1C4A13B150B
<b>PACKING</b>						
		/N1B	00M13CW851310	00M13CW851310	USER GUIDE	USER GUIDE SR4021 N CQX1A1098Z
		/N1S	00M13CW851310	00M13CW851310	USER GUIDE	USER GUIDE SR4021 N CQX1A1098Z
		/U1B	nsp	00M13CW851250	USER GUIDE	USER GUIDE SR4021 U CQX1A1099Z
			00MZK13CW0010	00MZK13CW0010	UNIT KIT	REMOTE CONTROLLER RC4021SR CARTSR4021
<b>NOT STANDARD SPARE PART</b>						
			nsp	00M13CW801010	PACKING CASE	PACKING CASE SR4021 CPG1A765P
			nsp	00M07BW809010	CUSHION	PAD , SNOW(L) CPS1A671
			nsp	00M07BW809020	CUSHION	PAD , SNOW(R) CPS1A672
			nsp	90M-ZA000200R	ANTENNA	AM LOOP ANTENNA ASSY CSA3A012Z
		/N1B	nsp	90M-ZA000220R	ANTENNA	FM 1 POLE ANT CSA1A018Z
		/N1S	nsp	90M-ZA000220R	ANTENNA	FM 1 POLE ANT CSA1A018Z
		/U1B	nsp	90M-ZA000230R	ANTENNA	FM 1 POLE ANT(UL) CSA1A019Z
			nsp	00MYQ01000080	SHORT PLUG	PIN , SHORT CJT1A020

NOTE : "nsp" PART IS LISTED FOR REFERENCE ONLY, MARANTZ WILL NOT SUPPLY THESE PARTS.

## 10. SERVICE PROCEDURE

### TUNER ALIGNMENT INSTRUCTIONS

#### Necessary Equipments

- AM Signal Generator
- FM Signal Generator
- Oscilloscope
- VTVM (AC,DC)
- Test loop antenna (AM Adjustment)
- Dummy antenna (FM Adjustment)
- Distortion analyzer

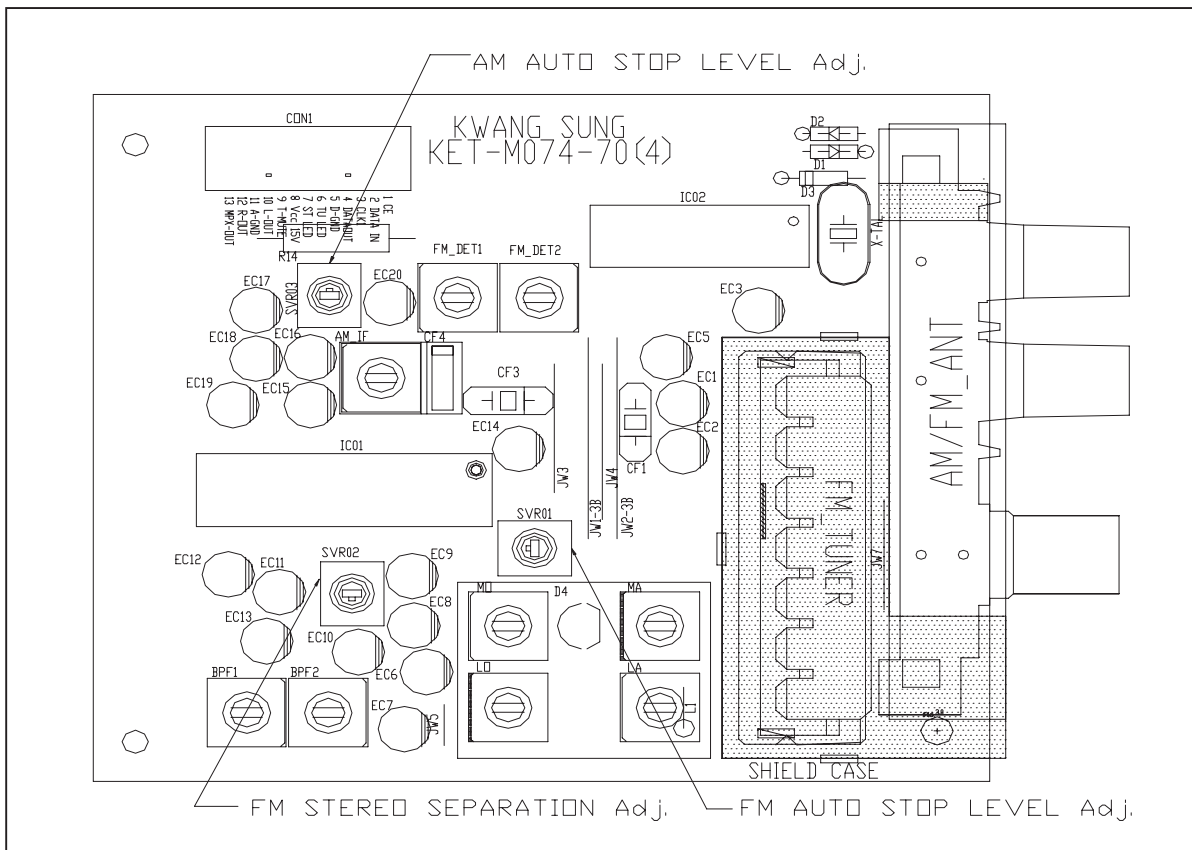
#### Alignment Procedure

1. Check the power-source voltage.
2. Set the function switch to the band to be aligned.
3. Keep the input signal as low as possible to adjust accurately.
4. Align the modulation and modulation frequency.

Item Band	Modulation	Modulation frequency
AM	30%	400Hz
FM	100%(40kHz Dev.) (/A) 100%(75kHz Dev.) (/U)	400Hz

#### Alignment Points

#### TUNER MODULE



KST-M9014MS1(0)-70

# 11. ELECTRICAL PARTS LIST

## PARTS INFORMATION

### RESISTORS

- 1) 00MGD05 × × × 140, Carbon film fixed resistor, ±5% 1/4W
- 2) 00MGD05 × × × 160, Carbon film fixed resistor, ±5% 1/6W

① Resistance value

Examples ;

- ① Resistance value
  - 0.1Ω .... 001    10Ω .... 100    1kΩ .... 102    100kΩ .... 104
  - 0.5Ω .... 005    18Ω .... 180    2.7kΩ .... 272    680kΩ .... 684
  - 1Ω .... 010    100Ω .... 101    10kΩ .... 103    1MΩ .... 105
  - 6.8Ω .... 068    390Ω .... 391    22kΩ .... 223    4.7MΩ .... 475

**Note :** Please distinguish 1/4W from 1/6W by the shape of parts used actually.

### CAPACITORS

#### CERAMIC CAP.

- 3) 00MDD1 × × × × 370, Ceramic capacitor  
Disc type  
Temp.coeff.P350 ~ N1000, 50V
- ② Capacity value  
③ Tolerance

Examples ;

- ② Tolerance (Capacity deviation)
  - ±0.25pF.....0
  - ±0.5pF.....1
  - ±5%.....5

\* Tolerance of COMMON PARTS handled here are as follows :

- 0.5pF ~ 5pF .... ±0.25pF
- 6pF ~ 10pF .... ±0.5pF
- 12pF ~ 560pF .... ±5%

③ Capacity value

- 0.5pF .... 005    3pF .... 030    100pF .... 101
- 1pF .... 010    10pF .... 100    220pF .... 221
- 1.5pF .... 015    47pF .... 470    560pF .... 561

#### CERAMIC CAP.

- 4) 00MDK16 × × × 300, High dielectric constant ceramic capacitor  
Disc type  
Temp.chara. 2B4, 50V
- ④ Capacity value

Examples ;

- ④ Capacity value
  - 100pF .... 101    1000pF .... 102    10000pF .... 103
  - 470pF .... 471    2200pF .... 222

#### ELECTROLY CAP. ( $\text{⏏}$ )

- 5) 00MEA × × × × × 10, Electrolytic capacitor  
One-way lead type, Tolerance ±20%
- ⑤ Working voltage  
⑥ Capacity value

Examples ;

- ⑤ Capacity value
  - 0.1μF .... 104    4.7μF .... 475    100μF ... 107
  - 0.33μF .... 334    10μF .... 106    330μF ... 337
  - 1μF .... 105    22μF .... 226    1100μF ... 118
  - 2200μF ... 228
- ⑥ Working voltage
  - 6.3V .... 006    25V .... 025
  - 10V .... 010    35V .... 035
  - 16V .... 016    50V .... 050

#### FILM CAP. ( $\text{⏏}$ )

- 6) 00MDF15 × × × 350 Plastic film capacitor  
One-way type, Mylar ±5% 50V
  - 00MDF15 × × × 310 Plastic film capacitor  
One-way type, Mylar ±10% 50V
  - 00MDF16 × × × 310 Plastic film capacitor  
One-way type, Mylar ±10% 50V
- ⑦ Capacity value

Examples ;

- ⑦ Capacity value
  - 0.001μF (1000pF) ..... 102    0.1μF .... 104
  - 0.0018μF ..... 182    0.56μF .... 564
  - 0.01μF ..... 103    1μF .... 105
  - 0.015μF ..... 153

## NOTE ON SAFETY FOR FUSIBLE RESISTOR :

The suppliers and their type numbers of fusible resistors are as follows;

1. KOA Corporation

- | Part No. (MJI)    | Type No. (KOA)     | Description |
|-------------------|--------------------|-------------|
| 00MNH05 × × × 140 | RF25S × × × × ΩJ   | (±5% 1/4W)  |
| 00MNH05 × × × 120 | RF50S × × × × ΩJ   | (±5% 1/2W)  |
| 00MNH85 × × × 110 | RF73B2A × × × × ΩJ | (±5% 1/10W) |
| 00MNH95 × × × 140 | RF73B2E × × × × ΩJ | (±5% 1/4W)  |

\* Resistance value    Resistance value  
(0.1 – 10kΩ)

2. Matsushita Electronic Components Co., Ltd

- | Part No. (MJI)    | Type No. (MEC) | Description |
|-------------------|----------------|-------------|
| 00MNF05 × × × 140 | ERD-2FCJ × × × | (±5% 1/4W)  |
| 00MRF05 × × × 140 |                |             |
| 00MNF02 × × × 140 | ERD-2FCG × × × | (±2% 1/4W)  |
| 00MRF02 × × × 140 |                |             |

\* Resistance value    \* Resistance value

Examples ;

- \* Resistance value
  - 0.1Ω .... 001    10Ω .... 100    1kΩ .... 102    100kΩ .... 104
  - 0.5Ω .... 005    18Ω .... 180    2.7kΩ .... 272    680kΩ .... 684
  - 1Ω .... 010    100Ω .... 101    10kΩ .... 103    1MΩ .... 105
  - 6.8Ω .... 068    390Ω .... 391    22kΩ .... 223    4.7MΩ .... 475

## ABBREVIATION AND MARKS

ANT. : ANTENNA	BATT. : BATTERY
CAP. : CAPACITOR	CER. : CERAMIC
CONN. : CONNECTING	DIG. : DIGITAL
HP : HEADPHONE	MIC. : MICROPHONE
μ-PRO : MICROPROCESSOR	REC. : RECORDING
RES. : RESISTOR	SPK : SPEAKER
SW : SWITCH	TRANSF. : TRANSFORMER
TRIM. : TRIMMING	TRS. : TRANSISTOR
VAR. : VARIABLE	X'TAL : CRYSTAL

## NOTE ON FUSE :

Regarding to all parts of parts code 00MFS20xxx2xx, replace only with Wickmann-Werke GmbH, Type 372 non glass type fuse.

## NOTE ON SAFETY :

Symbol  $\text{⚠}$  Fire or electrical shock hazard. Only original parts should be used to replaced any part marked with symbol  $\text{⚠}$ . Any other component substitution (other than original type), may increase risk of fire or electrical shock hazard.

## 安全上の注意 :

$\text{⚠}$ がついている部品は、安全上重要な部品です。必ず指定されている部品番号の部品を使用して下さい。

P.C.B. NAME	POS. NO.	VERS. COLOR	PART NO. (FOR EUR)	PART NO. (MZ)	PART NAME	DESCRIPTION
					<b>FRONT PWB (CUP11896Z-8)</b>	CUP11896Z
FRONT	BK91		nsp	nsp	BRACKET	BRACKET FLT CMD1A468
FRONT	BK92		nsp	nsp	BRACKET	BRACKET FLT CMD1A468
FRONT	BN91		nsp	nsp	CORD	WIRE ASS'Y CWB2B909370EN
FRONT	BN92		nsp	nsp	CORD	WIRE, ASS'Y CWB1C904220BM
FRONT	BN93		nsp	nsp	CORD	WIRE ASS'Y CWB2B906070EN
FRONT	BN94		nsp	nsp	CORD	WIRE ASS'Y CWB2B902080EN
FRONT	C901		nsp	nsp	CER. CAP.	0.01UF 50V Z HCBS1H103ZFT
FRONT	C902		nsp	nsp	CER. CAP.	0.01UF 50V Z HCBS1H103ZFT
FRONT	C903		nsp	nsp	CER. CAP.	0.01UF 50V Z HCBS1H103ZFT
FRONT	C904		nsp	nsp	CER. CAP.	0.01UF 50V Z HCBS1H103ZFT
FRONT	C905		nsp	00MOA47605020	ELECT CAP.	47UF 50V CCEA1HH470T
FRONT	C906		nsp	nsp	CER. CAP.	0.01UF 50V Z HCBS1H103ZFT
FRONT	C907		nsp	00MOA47605020	ELECT CAP.	47UF 50V CCEA1HH470T
FRONT	C909		90M-EX000210R	90M-EX000210R	BIG ELECT CAP.	0.33UF CCESDX5R5V334U
FRONT	C910		nsp	nsp	CER. CAP.	0.01UF 50V Z HCBS1H103ZFT
FRONT	C911		nsp	nsp	CER. CAP.	18PF 50V JC HCBS1H180JCT
FRONT	C912		nsp	nsp	CER. CAP.	18PF 50V JC HCBS1H180JCT
FRONT	C913		nsp	00MOA22505020	ELECT CAP.	2.2UF 50V CCEA1HH2R2T
FRONT	C914		nsp	nsp	CER. CAP.	0.01UF 50V Z HCBS1H103ZFT
FRONT	C915		nsp	00MOA47605020	ELECT CAP.	47UF 50V CCEA1HH470T
FRONT	C916		nsp	nsp	CER. CAP.	0.01UF 50V Z HCBS1H103ZFT
FRONT	C917		nsp	nsp	CER. CAP.	0.01UF 50V Z HCBS1H103ZFT
FRONT	C918		nsp	nsp	CER. CAP.	0.01UF 50V Z HCBS1H103ZFT
FRONT	C919		nsp	nsp	CER. CAP.	0.01UF 50V Z HCBS1H103ZFT
FRONT	C920	/N1B	nsp	nsp	CER. CAP.	1000PF 50V B HCBS1H102KBT
FRONT	C920	/N1S	nsp	nsp	CER. CAP.	1000PF 50V B HCBS1H102KBT
FRONT	C921	/N1B	nsp	nsp	CER. CAP.	39PF 50V J HCBS1H390JT
FRONT	C921	/N1S	nsp	nsp	CER. CAP.	39PF 50V J HCBS1H390JT
FRONT	C922	/N1B	nsp	nsp	CER. CAP.	39PF 50V J HCBS1H390JT
FRONT	C922	/N1S	nsp	nsp	CER. CAP.	39PF 50V J HCBS1H390JT
FRONT	C923	/N1B	nsp	00MOA10701620	ELECT CAP.	100UF 16V CCEA1CH101T
FRONT	C923	/N1S	nsp	00MOA10701620	ELECT CAP.	100UF 16V CCEA1CH101T
FRONT	C924	/N1B	nsp	nsp	CER. CAP.	0.01UF 50V Z HCBS1H103ZFT
FRONT	C924	/N1S	nsp	nsp	CER. CAP.	0.01UF 50V Z HCBS1H103ZFT
FRONT	C925	/N1B	nsp	nsp	CER. CAP.	1000PF 50V B HCBS1H102KBT
FRONT	C925	/N1S	nsp	nsp	CER. CAP.	1000PF 50V B HCBS1H102KBT
FRONT	C926	/N1B	nsp	00MOA10601620	ELECT CAP.	10UF 16V CCEA1CH100T
FRONT	C926	/N1S	nsp	00MOA10601620	ELECT CAP.	10UF 16V CCEA1CH100T
FRONT	C928	/N1B	nsp	nsp	CER. CAP.	560PF 50V KB HCBS1H561KBT
FRONT	C928	/N1S	nsp	nsp	CER. CAP.	560PF 50V KB HCBS1H561KBT
FRONT	C931		nsp	nsp	CER. CAP.	0.022UF 50V Z HCBS1H223ZFT
FRONT	C932		nsp	00MOA10605020	ELECT CAP.	10UF 50V CCEA1HH100T
FRONT	C934		nsp	nsp	CER. CAP.	0.1UF 50V Z HCBS1H104ZFT
FRONT	C935		nsp	00MOA22505020	ELECT CAP.	2.2UF 50V CCEA1HH2R2T
FRONT	C936		nsp	nsp	CER. CAP.	0.01UF 50V Z HCBS1H103ZFT
FRONT	C938		nsp	nsp	CER. CAP.	33PF 50V J HCBS1H330JT
FRONT	C941		nsp	nsp	CER. CAP.	0.1UF 50V Z HCBS1H104ZFT
FRONT	C942		nsp	00MOA10701620	ELECT CAP.	100UF 16V CCEA1CH101T
FRONT	CN95		nsp	nsp	CONN.	17P WAFER CARD CABLE CJP17GA117ZY
FRONT	D901		nsp	00MHD20015210	DIODE	1SS133T-77 CVD1SS133MT
FRONT	D903	/N1B	00MHD30511000	00MHD30511000	ZENER DIODE	MTZJ5.1B CVDZJ5.1BT
FRONT	D903	/N1S	00MHD30511000	00MHD30511000	ZENER DIODE	MTZJ5.1B CVDZJ5.1BT
FRONT	D904		nsp	00MHD20015210	DIODE	1SS133T-77 CVD1SS133MT
FRONT	D905		90M-HI101040R	90M-HI101040R	L.E.D.	SLR342VCTB7T089 HVD342VCTB7T089
FRONT	D906		90M-HI101040R	90M-HI101040R	L.E.D.	SLR342VCTB7T089 HVD342VCTB7T089
FRONT	D907		90M-HI101040R	90M-HI101040R	L.E.D.	SLR342VCTB7T089 HVD342VCTB7T089
FRONT	D910		nsp	00MHD20015210	DIODE	1SS133T-77 CVD1SS133MT
FRONT	D911		00MHD30431000	00MHD30431000	ZENER DIODE	MTZJ4.3B HVDMTZJ4.3BT
FRONT	ET71		nsp	nsp	BRACKET	BRACKET SHIELD CMD1A512
FRONT	ET72		nsp	nsp	BUFFER	STOPPER IR SENSOR CHG1A262
FRONT	FIP1		90M-HQ300350R	90M-HQ300350R	DISPLAY	FLD SVA09MS10 HFLSVA09MS10
FRONT	IC71		90M-HC109700R	90M-HC109700R	IC	NJM2595M VIDEO SW CVINJM2595MTE1
FRONT	IC91		90M-HS13CWT0R	90M-HS13CWT0R	U-PRO	TMP87PM78FG, SR4021 CVITMP87PM78FG
FRONT	IC92		90M-HW100650R	90M-HW100650R	PHOTO UNIT	RPM6936-H4 HRVRPM6936H4
FRONT	IC93	/N1B	90M-HC109710R	90M-HC109710R	IC	LC72723M PLL (RDS) HVILC72723M
FRONT	IC93	/N1S	90M-HC109710R	90M-HC109710R	IC	LC72723M PLL (RDS) HVILC72723M

NOTE : "nsp" PART IS LISTED FOR REFERENCE ONLY, MARANTZ WILL NOT SUPPLY THESE PARTS.

P.C.B. NAME	POS. NO.	VERS. COLOR	PART NO. (FOR EUR)	PART NO. (MZ)	PART NAME	DESCRIPTION
FRONT	IC94		90M-HC109100R	90M-HC109100R	IC	RH5VT18C HVIRH5VT18C
FRONT	J108		nsp	nsp	CORD	SN95/PB5, 0.6 C3A206
FRONT	J109		nsp	nsp	CORD	SN95/PB5, 0.6 C3A206
FRONT	J110		nsp	nsp	CORD	SN95/PB5, 0.6 C3A206
FRONT	J112		nsp	nsp	CORD	SN95/PB5, 0.6 C3A206
FRONT	J114		nsp	nsp	CORD	SN95/PB5, 0.6 C3A206
FRONT	J116		nsp	nsp	CORD	SN95/PB5, 0.6 C3A206
FRONT	J117		nsp	nsp	CORD	SN95/PB5, 0.6 C3A206
FRONT	J118		nsp	nsp	CORD	SN95/PB5, 0.6 C3A206
FRONT	J119		nsp	nsp	CORD	SN95/PB5, 0.6 C3A206
FRONT	J120		nsp	nsp	CORD	SN95/PB5, 0.6 C3A206
FRONT	J121		nsp	nsp	CORD	SN95/PB5, 0.6 C3A206
FRONT	J122		nsp	nsp	CORD	SN95/PB5, 0.6 C3A206
FRONT	J123		nsp	nsp	CORD	SN95/PB5, 0.6 C3A206
FRONT	J124		nsp	nsp	CORD	SN95/PB5, 0.6 C3A206
FRONT	J125		nsp	nsp	CORD	SN95/PB5, 0.6 C3A206
FRONT	J218		nsp	nsp	CORD	SN95/PB5, 0.6 C3A206
FRONT	J219		nsp	nsp	CORD	SN95/PB5, 0.6 C3A206
FRONT	J220		nsp	nsp	CORD	SN95/PB5, 0.6 C3A206
FRONT	J221		nsp	nsp	CORD	SN95/PB5, 0.6 C3A206
FRONT	J223		nsp	nsp	CORD	SN95/PB5, 0.6 C3A206
FRONT	J224		nsp	nsp	CORD	SN95/PB5, 0.6 C3A206
FRONT	J226		nsp	nsp	CORD	SN95/PB5, 0.6 C3A206
FRONT	J229		nsp	nsp	CORD	SN95/PB5, 0.6 C3A206
FRONT	J230		nsp	nsp	CORD	SN95/PB5, 0.6 C3A206
FRONT	J231		nsp	nsp	CORD	SN95/PB5, 0.6 C3A206
FRONT	J232		nsp	nsp	CORD	SN95/PB5, 0.6 C3A206
FRONT	J233		nsp	nsp	CORD	SN95/PB5, 0.6 C3A206
FRONT	J235		nsp	nsp	CORD	SN95/PB5, 0.6 C3A206
FRONT	J236		nsp	nsp	CORD	SN95/PB5, 0.6 C3A206
FRONT	J320		nsp	nsp	CORD	SN95/PB5, 0.6 C3A206
FRONT	J323		nsp	nsp	CORD	SN95/PB5, 0.6 C3A206
FRONT	J324		nsp	nsp	CORD	SN95/PB5, 0.6 C3A206
FRONT	J325		nsp	nsp	CORD	SN95/PB5, 0.6 C3A206
FRONT	J326		nsp	nsp	CORD	SN95/PB5, 0.6 C3A206
FRONT	J327		nsp	nsp	CORD	SN95/PB5, 0.6 C3A206
FRONT	J328		nsp	nsp	CORD	SN95/PB5, 0.6 C3A206
FRONT	J329		nsp	nsp	CORD	SN95/PB5, 0.6 C3A206
FRONT	J331		nsp	nsp	CORD	SN95/PB5, 0.6 C3A206
FRONT	J332		nsp	nsp	CORD	SN95/PB5, 0.6 C3A206
FRONT	J333		nsp	nsp	CORD	SN95/PB5, 0.6 C3A206
FRONT	J334		nsp	nsp	CORD	SN95/PB5, 0.6 C3A206
FRONT	J335		nsp	nsp	CORD	SN95/PB5, 0.6 C3A206
FRONT	J336		nsp	nsp	CORD	SN95/PB5, 0.6 C3A206
FRONT	J337		nsp	nsp	CORD	SN95/PB5, 0.6 C3A206
FRONT	J339		nsp	nsp	CORD	SN95/PB5, 0.6 C3A206
FRONT	J340		nsp	nsp	CORD	SN95/PB5, 0.6 C3A206
FRONT	J342		nsp	nsp	CORD	SN95/PB5, 0.6 C3A206
FRONT	J344		nsp	nsp	CORD	SN95/PB5, 0.6 C3A206
FRONT	J345		nsp	nsp	CORD	SN95/PB5, 0.6 C3A206
FRONT	J347	/U1B	nsp	nsp	CORD	SN95/PB5, 0.6 C3A206
FRONT	J348		nsp	nsp	CORD	SN95/PB5, 0.6 C3A206
FRONT	J349	/U1B	nsp	nsp	CORD	SN95/PB5, 0.6 C3A206
FRONT	J350		nsp	nsp	CORD	SN95/PB5, 0.6 C3A206
FRONT	J354		nsp	nsp	CORD	SN95/PB5, 0.6 C3A206
FRONT	J355		nsp	nsp	CORD	SN95/PB5, 0.6 C3A206
FRONT	J356		nsp	nsp	CORD	SN95/PB5, 0.6 C3A206
FRONT	J357		nsp	nsp	CORD	SN95/PB5, 0.6 C3A206
FRONT	J358		nsp	nsp	CORD	SN95/PB5, 0.6 C3A206
FRONT	J412		nsp	nsp	CORD	SN95/PB5, 0.6 C3A206
FRONT	J413		nsp	nsp	CORD	SN95/PB5, 0.6 C3A206
FRONT	J414		nsp	nsp	CORD	SN95/PB5, 0.6 C3A206
FRONT	J415		nsp	nsp	CORD	SN95/PB5, 0.6 C3A206
FRONT	J416		nsp	nsp	CORD	SN95/PB5, 0.6 C3A206
FRONT	J418		nsp	nsp	CORD	SN95/PB5, 0.6 C3A206
FRONT	J420		nsp	nsp	CORD	SN95/PB5, 0.6 C3A206
FRONT	J421		nsp	nsp	CORD	SN95/PB5, 0.6 C3A206

NOTE : "nsp" PART IS LISTED FOR REFERENCE ONLY, MARANTZ WILL NOT SUPPLY THESE PARTS.

P.C.B. NAME	POS. NO.	VERS. COLOR	PART NO. (FOR EUR)	PART NO. (MZ)	PART NAME	DESCRIPTION	
FRONT	J422		nsp	nsp	CORD	SN95/PB5, 0.6	C3A206
FRONT	J423		nsp	nsp	CORD	SN95/PB5, 0.6	C3A206
FRONT	J424		nsp	nsp	CORD	SN95/PB5, 0.6	C3A206
FRONT	J425		nsp	nsp	CORD	SN95/PB5, 0.6	C3A206
FRONT	J426		nsp	nsp	CORD	SN95/PB5, 0.6	C3A206
FRONT	J429		nsp	nsp	CORD	SN95/PB5, 0.6	C3A206
FRONT	J430		nsp	nsp	CORD	SN95/PB5, 0.6	C3A206
FRONT	J431		nsp	nsp	CORD	SN95/PB5, 0.6	C3A206
FRONT	J432		nsp	nsp	CORD	SN95/PB5, 0.6	C3A206
FRONT	J433		nsp	nsp	CORD	SN95/PB5, 0.6	C3A206
FRONT	J529		nsp	nsp	CORD	SN95/PB5, 0.6	C3A206
FRONT	J530		nsp	nsp	CORD	SN95/PB5, 0.6	C3A206
FRONT	J531		nsp	nsp	CORD	SN95/PB5, 0.6	C3A206
FRONT	J532		nsp	nsp	CORD	SN95/PB5, 0.6	C3A206
FRONT	J533		nsp	nsp	CORD	SN95/PB5, 0.6	C3A206
FRONT	J620		nsp	nsp	CORD	SN95/PB5, 0.6	C3A206
FRONT	J621	/N1B	nsp	nsp	CORD	SN95/PB5, 0.6	C3A206
FRONT	J621	/N1S	nsp	nsp	CORD	SN95/PB5, 0.6	C3A206
FRONT	J815		nsp	nsp	CORD	SN95/PB5, 0.6	C3A206
FRONT	J816		nsp	nsp	CORD	SN95/PB5, 0.6	C3A206
FRONT	Q901		90M-BA001460R	90M-BA001460R	TRS.	KRC107M	HVTKRC107MT
FRONT	Q902		90M-BA001450R	90M-BA001450R	TRS.	KRA107M	HVTKRA107MT
FRONT	Q903		90M-BA001460R	90M-BA001460R	TRS.	KRC107M	HVTKRC107MT
FRONT	Q904		90M-HT700060R	90M-HT700060R	TRS.	KSB811Y	HVTKSB811YT
FRONT	Q905		90M-BA001460R	90M-BA001460R	TRS.	KRC107M	HVTKRC107MT
FRONT	Q906		90M-BA001460R	90M-BA001460R	TRS.	KRC107M	HVTKRC107MT
FRONT	Q907		90M-BA001460R	90M-BA001460R	TRS.	KRC107M	HVTKRC107MT
FRONT	Q909		00MBA10001000	00MBA10001000	TRS.	KRA102M	HVTKRA102MT
FRONT	Q910		90M-BA001460R	90M-BA001460R	TRS.	KRC107M	HVTKRC107MT
FRONT	Q911		90M-BA001450R	90M-BA001450R	TRS.	KRA107M	HVTKRA107MT
FRONT	Q912		90M-BA001450R	90M-BA001450R	TRS.	KRA107M	HVTKRA107MT
FRONT	Q913		90M-BA001460R	90M-BA001460R	TRS.	KRC107M	HVTKRC107MT
FRONT	Q914		90M-BA001460R	90M-BA001460R	TRS.	KRC107M	HVTKRC107MT
FRONT	Q915		00MBA10001000	00MBA10001000	TRS.	KRA102M	HVTKRA102MT
FRONT	Q916		90M-BA001450R	90M-BA001450R	TRS.	KRA107M	HVTKRA107MT
FRONT	Q917		00MBA10001000	00MBA10001000	TRS.	KRA102M	HVTKRA102MT
FRONT	Q918		00MBA10001000	00MBA10001000	TRS.	KRA102M	HVTKRA102MT
FRONT	Q919		00MHT30001000	00MHT30001000	TRS.	KTC3199Y	HVTKTC3199YT
FRONT	R901		nsp	nsp	RES.	22K OHM 1/5W J	CRD20TJ223T
FRONT	R902	/N1B	nsp	nsp	RES.	22K OHM 1/5W J	CRD20TJ223T
FRONT	R902	/N1S	nsp	nsp	RES.	22K OHM 1/5W J	CRD20TJ223T
FRONT	R904	/N1B	nsp	nsp	RES.	22K OHM 1/5W J	CRD20TJ223T
FRONT	R904	/N1S	nsp	nsp	RES.	22K OHM 1/5W J	CRD20TJ223T
FRONT	R906		nsp	nsp	RES.	22K OHM 1/5W J	CRD20TJ223T
FRONT	R907		nsp	nsp	RES.	22K OHM 1/5W J	CRD20TJ223T
FRONT	R908		nsp	nsp	RES.	22K OHM 1/5W J	CRD20TJ223T
FRONT	R909		nsp	nsp	RES.	22K OHM 1/5W J	CRD20TJ223T
FRONT	R910		nsp	nsp	RES.	22K OHM 1/5W J	CRD20TJ223T
FRONT	R911		nsp	nsp	RES.	22K OHM 1/5W J	CRD20TJ223T
FRONT	R912		nsp	nsp	RES.	2.7K OHM 1/5W J	CRD20TJ272T
FRONT	R913		nsp	nsp	RES.	22K OHM 1/5W J	CRD20TJ223T
FRONT	R914		nsp	nsp	RES.	22K OHM 1/5W J	CRD20TJ223T
FRONT	R915		nsp	nsp	RES.	10K OHM 1/5W J	CRD20TJ103T
FRONT	R916		nsp	nsp	RES.	10K OHM 1/5W J	CRD20TJ103T
FRONT	R917		nsp	nsp	RES.	10K OHM 1/5W J	CRD20TJ103T
FRONT	R918		nsp	nsp	RES.	22K OHM 1/5W J	CRD20TJ223T
FRONT	R919		nsp	nsp	RES.	2.7K OHM 1/5W J	CRD20TJ272T
FRONT	R920		nsp	nsp	RES.	2.7K OHM 1/5W J	CRD20TJ272T
FRONT	R923		nsp	nsp	RES.	1.8K OHM 1/5W J	CRD20TJ182T
FRONT	R924		nsp	nsp	RES.	1.5K OHM 1/5W J	CRD20TJ152T
FRONT	R925		nsp	nsp	RES.	1K OHM 1/5W J	CRD20TJ102T
FRONT	R926		nsp	nsp	RES.	10K OHM 1/5W J	CRD20TJ103T
FRONT	R927		nsp	nsp	RES.	1K OHM 1/5W J	CRD20TJ102T
FRONT	R928		nsp	nsp	RES.	10K OHM 1/5W J	CRD20TJ103T
FRONT	R930		nsp	nsp	RES.	560 OHM 1/5W J	CRD20TJ561T
FRONT	R931		nsp	nsp	RES.	47K OHM 1/5W J	CRD20TJ473T
FRONT	R932		nsp	nsp	RES.	1.5K OHM 1/5W J	CRD20TJ152T

NOTE : \*nsp\* PART IS LISTED FOR REFERENCE ONLY, MARANTZ WILL NOT SUPPLY THESE PARTS.

P.C.B. NAME	POS. NO.	VERS. COLOR	PART NO. (FOR EUR)	PART NO. (MZ)	PART NAME	DESCRIPTION
FRONT	R933		nsp	nsp	RES.	1K OHM 1/5W J CRD20TJ102T
FRONT	R935		nsp	nsp	RES.	10K OHM 1/5W J CRD20TJ103T
FRONT	R936		nsp	nsp	RES.	1K OHM 1/5W J CRD20TJ102T
FRONT	R937		nsp	nsp	RES.	1K OHM 1/5W J CRD20TJ102T
FRONT	R938		nsp	nsp	RES.	1K OHM 1/5W J CRD20TJ102T
FRONT	R939		nsp	nsp	RES.	47K OHM 1/5W J CRD20TJ473T
FRONT	R940		nsp	nsp	RES.	1K OHM 1/5W J CRD20TJ102T
FRONT	R941		nsp	nsp	RES.	47K OHM 1/5W J CRD20TJ473T
FRONT	R942		nsp	nsp	RES.	18K OHM 1/5W J CRD20TJ183T
FRONT	R943		nsp	nsp	RES.	1K OHM 1/5W J CRD20TJ102T
FRONT	R944		nsp	nsp	RES.	1.5K OHM 1/5W J CRD20TJ152T
FRONT	R945		nsp	nsp	RES.	1.5K OHM 1/5W J CRD20TJ152T
FRONT	R946		nsp	nsp	RES.	1.8K OHM 1/5W J CRD20TJ182T
FRONT	R947		nsp	nsp	RES.	2.7K OHM 1/5W J CRD20TJ272T
FRONT	R948		nsp	nsp	RES.	1K OHM 1/5W J CRD20TJ102T
FRONT	R949		nsp	nsp	RES.	1.8K OHM 1/5W J CRD20TJ182T
FRONT	R950		nsp	nsp	RES.	3.3K OHM 1/5W J CRD20TJ332T
FRONT	R951		nsp	nsp	RES.	5.6K OHM 1/5W J CRD20TJ562T
FRONT	R952		nsp	nsp	RES.	5.6K OHM 1/5W J CRD20TJ562T
FRONT	R953		nsp	nsp	RES.	1K OHM 1/5W J CRD20TJ102T
FRONT	R954		nsp	nsp	RES.	1.5K OHM 1/5W J CRD20TJ152T
FRONT	R956		nsp	nsp	RES.	1.8K OHM 1/5W J CRD20TJ182T
FRONT	R957		nsp	nsp	RES.	2.7K OHM 1/5W J CRD20TJ272T
FRONT	R958		nsp	nsp	RES.	3.3K OHM 1/5W J CRD20TJ332T
FRONT	R961	/N1B	nsp	nsp	RES.	1K OHM 1/5W J CRD20TJ102T
FRONT	R961	/N1S	nsp	nsp	RES.	1K OHM 1/5W J CRD20TJ102T
FRONT	R962	/N1B	nsp	nsp	RES.	10K OHM 1/5W J CRD20TJ103T
FRONT	R962	/N1S	nsp	nsp	RES.	10K OHM 1/5W J CRD20TJ103T
FRONT	R964	/N1B	nsp	nsp	RES.	680 OHM 1W CRG1ANJ681H
FRONT	R964	/N1S	nsp	nsp	RES.	680 OHM 1W CRG1ANJ681H
FRONT	R965	/N1B	nsp	nsp	RES.	1K OHM 1/5W J CRD20TJ102T
FRONT	R965	/N1S	nsp	nsp	RES.	1K OHM 1/5W J CRD20TJ102T
FRONT	R970		nsp	nsp	RES.	10K OHM 1/5W J CRD20TJ103T
FRONT	R971		nsp	nsp	RES.	100 OHM 1/5W J CRD20TJ101T
FRONT	R976		nsp	nsp	RES.	22K OHM 1/5W J CRD20TJ223T
FRONT	R977		nsp	nsp	RES.	22K OHM 1/5W J CRD20TJ223T
FRONT	R978		nsp	nsp	RES.	22K OHM 1/5W J CRD20TJ223T
FRONT	R979	/N1B	nsp	nsp	RES.	22K OHM 1/5W J CRD20TJ223T
FRONT	R979	/N1S	nsp	nsp	RES.	22K OHM 1/5W J CRD20TJ223T
FRONT	R980	/N1B	nsp	nsp	RES.	22K OHM 1/5W J CRD20TJ223T
FRONT	R980	/N1S	nsp	nsp	RES.	22K OHM 1/5W J CRD20TJ223T
FRONT	S901		90M-SP001210R	90M-SP001210R	SW	SKHV10910G TACT CST1A012ZT
FRONT	S902		90M-SP001210R	90M-SP001210R	SW	SKHV10910G TACT CST1A012ZT
FRONT	S903		90M-SP001210R	90M-SP001210R	SW	SKHV10910G TACT CST1A012ZT
FRONT	S904		90M-SP001210R	90M-SP001210R	SW	SKHV10910G TACT CST1A012ZT
FRONT	S905		90M-SP001210R	90M-SP001210R	SW	SKHV10910G TACT CST1A012ZT
FRONT	S906		90M-SP001210R	90M-SP001210R	SW	SKHV10910G TACT CST1A012ZT
FRONT	S909		90M-SP001210R	90M-SP001210R	SW	SKHV10910G TACT CST1A012ZT
FRONT	S910		90M-SP001210R	90M-SP001210R	SW	SKHV10910G TACT CST1A012ZT
FRONT	S911		90M-SP001210R	90M-SP001210R	SW	SKHV10910G TACT CST1A012ZT
FRONT	S912		90M-SP001210R	90M-SP001210R	SW	SKHV10910G TACT CST1A012ZT
FRONT	S913		90M-SP001210R	90M-SP001210R	SW	SKHV10910G TACT CST1A012ZT
FRONT	S914		90M-SP001210R	90M-SP001210R	SW	SKHV10910G TACT CST1A012ZT
FRONT	S915		90M-SP001210R	90M-SP001210R	SW	SKHV10910G TACT CST1A012ZT
FRONT	S916		90M-SP001210R	90M-SP001210R	SW	SKHV10910G TACT CST1A012ZT
FRONT	S917		90M-SP001210R	90M-SP001210R	SW	SKHV10910G TACT CST1A012ZT
FRONT	S918		90M-SP001210R	90M-SP001210R	SW	SKHV10910G TACT CST1A012ZT
FRONT	S919		90M-SP001210R	90M-SP001210R	SW	SKHV10910G TACT CST1A012ZT
FRONT	S920		90M-SP001210R	90M-SP001210R	SW	SKHV10910G TACT CST1A012ZT
FRONT	S921		90M-SP001210R	90M-SP001210R	SW	SKHV10910G TACT CST1A012ZT
FRONT	S922		90M-SP001210R	90M-SP001210R	SW	SKHV10910G TACT CST1A012ZT
FRONT	S923		90M-SP001210R	90M-SP001210R	SW	SKHV10910G TACT CST1A012ZT
FRONT	S924		90M-SP001210R	90M-SP001210R	SW	SKHV10910G TACT CST1A012ZT
FRONT	S925		90M-SP001210R	90M-SP001210R	SW	SKHV10910G TACT CST1A012ZT
FRONT	VR91		90M-SR000330R	90M-SR000330R	ROTARY SW	VR , ENCODER VOLUME CSR2A038Z
FRONT	X101		90M-JX001030R	90M-JX001030R	X'TAL	8MHZ HOX08000E160C
FRONT	X102	/N1B	90M-JX001310R	90M-JX001310R	X'TAL	4.332MHZ HOX04332E200C

NOTE : "nsp" PART IS LISTED FOR REFERENCE ONLY, MARANTZ WILL NOT SUPPLY THESE PARTS.



P.C.B. NAME	POS. NO.	VERS. COLOR	PART NO. (FOR EUR)	PART NO. (MZ)	PART NAME	DESCRIPTION
FRONT	X102	/N1S	90M-JX001310R	90M-JX001310R	X'TAL	4.332MHZ HOX04332E200C
					<b>H/P PWB (CUP11896Z-2)</b>	
H/P	C939		nsp	nsp	FILM CAP.	3300PF 50V J HCQ11H332JZT
H/P	C940		nsp	nsp	FILM CAP.	3300PF 50V J HCQ11H332JZT
H/P	CN36		nsp	nsp	CONN.	STRAIGHT 4PIN CJP04GA01ZY
H/P	CN94		nsp	nsp	CONN.	2PIN CJP02GA19ZY CJP02GA19ZY
H/P	HP91	/N1B	90M-YT003160R	90M-YT003160R	TERMINAL	HTJ-064-05NG HEADPHONE JACK CJJ2E020Z
H/P	HP91	/N1S	90M-YT004500R	90M-YT004500R	TERMINAL	JACK HEADPHONE(SILVER) CJJ2E026Z
H/P	HP91	/U1B	nsp	90M-YT003160R	TERMINAL	HTJ-064-05NG HEADPHONE JACK CJJ2E020Z
H/P	JW91		nsp	nsp	CORD	WIRE ASSY CWE8202110RV
H/P	R972		nsp	nsp	RES.	METAL OXIDE FILM 470 OHM 1W CRG1ANJ471H
H/P	R973		nsp	nsp	RES.	METAL OXIDE FILM 470 OHM 1W CRG1ANJ471H
					<b>JOG PWB (CUP11896Z-6)</b>	
JOG	C929		nsp	nsp	CER. CAP.	100PF 50V K HCBS1H101KBT
JOG	C930		nsp	nsp	CER. CAP.	100PF 50V K HCBS1H101KBT
JOG	CN93		nsp	nsp	CONN.	6P STRAIGHT CJP06GA19ZY
JOG	D902		90M-HI101040R	90M-HI101040R	L.E.D.	SLR342VCTB7T089 HVD342VCTB7T089
JOG	R921	/U1B	nsp	nsp	RES.	2.7K OHM 1/5W J CRD20TJ272T
JOG	R922		nsp	nsp	RES.	3.3K OHM 1/5W J CRD20TJ332T
JOG	R967		nsp	nsp	RES.	2.7K OHM 1/5W J CRD20TJ272T
JOG	R968		nsp	nsp	RES.	2.7K OHM 1/5W J CRD20TJ272T
JOG	S908		90M-SP001210R	90M-SP001210R	SW	SKHV10910G TACT CST1A012ZT
JOG	VR92		90M-SR000340R	90M-SR000340R	ROTARY SW	ENCODER MULTI JOG CSR2A041Z
					<b>MAIN PWB (CUP11895Z)</b>	
MAIN	BN30		90M-HP000060R	90M-HP000060R	VARISTOR	P42T7D330BW20 KRTP42T7D330B
MAIN	BN31		nsp	nsp	CORD	WIRE ASS'Y CWB2B903180EN
MAIN	BN34		nsp	nsp	CORD	WIRE ASS'Y CWB1C905350BM
MAIN	BN36		nsp	nsp	CORD	WIRE, ASS'Y CWB1C904380BM
MAIN	C109		90M-OF100490R	90M-OF100490R	FILM CAP.	0.1UF 250V KCME2E104JP04T
MAIN	C110		90M-OF100490R	90M-OF100490R	FILM CAP.	0.1UF 250V KCME2E104JP04T
MAIN	C111		nsp	nsp	FILM CAP.	0.01UF 50V J HCQ11H103JZT
MAIN	C112		nsp	nsp	FILM CAP.	0.01UF 50V J HCQ11H103JZT
MAIN	C113		nsp	nsp	FILM CAP.	0.01UF 50V J HCQ11H103JZT
MAIN	C114		nsp	nsp	FILM CAP.	0.01UF 50V J HCQ11H103JZT
MAIN	C201		nsp	nsp	CER. CAP.	270PF 50V KB CCKT1H271KB
MAIN	C202		nsp	nsp	CER. CAP.	270PF 50V KB CCKT1H271KB
MAIN	C203		nsp	nsp	CER. CAP.	100PF 50V KB CCKT1H101KB
MAIN	C204		nsp	nsp	CER. CAP.	100PF 50V KB CCKT1H101KB
MAIN	C205		nsp	nsp	CER. CAP.	100PF 50V KB CCKT1H101KB
MAIN	C206		nsp	nsp	CER. CAP.	100PF 50V KB CCKT1H101KB
MAIN	C207		nsp	nsp	CER. CAP.	100PF 50V KB CCKT1H101KB
MAIN	C208		nsp	nsp	CER. CAP.	100PF 50V KB CCKT1H101KB
MAIN	C209		nsp	nsp	CER. CAP.	100PF 50V KB CCKT1H101KB
MAIN	C210		nsp	nsp	CER. CAP.	100PF 50V KB CCKT1H101KB
MAIN	C211		nsp	nsp	CER. CAP.	100PF 50V KB CCKT1H101KB
MAIN	C212		nsp	nsp	CER. CAP.	100PF 50V KB CCKT1H101KB
MAIN	C213		nsp	nsp	CER. CAP.	100PF 50V KB CCKT1H101KB
MAIN	C214		nsp	nsp	CER. CAP.	100PF 50V KB CCKT1H101KB
MAIN	C215		nsp	nsp	CER. CAP.	100PF 50V KB CCKT1H101KB
MAIN	C216		nsp	nsp	CER. CAP.	100PF 50V KB CCKT1H101KB
MAIN	C217		nsp	nsp	CER. CAP.	100PF 50V KB CCKT1H101KB
MAIN	C218		nsp	nsp	CER. CAP.	100PF 50V KB CCKT1H101KB
MAIN	C219		nsp	nsp	CER. CAP.	100PF 50V KB CCKT1H101KB
MAIN	C220		nsp	nsp	CER. CAP.	100PF 50V KB CCKT1H101KB
MAIN	C221		nsp	nsp	CER. CAP.	100PF 50V KB CCKT1H101KB
MAIN	C222		nsp	nsp	CER. CAP.	100PF 50V KB CCKT1H101KB
MAIN	C225		nsp	nsp	CER. CAP.	100PF 50V KB CCKT1H101KB
MAIN	C226		nsp	nsp	CER. CAP.	100PF 50V KB CCKT1H101KB
MAIN	C227		nsp	nsp	CER. CAP.	1000PF 50V KB CCKT1H102KB
MAIN	C228		nsp	nsp	CER. CAP.	1000PF 50V KB CCKT1H102KB
MAIN	C229		nsp	00MOA47602520	ELECT CAP.	47UF 25V CCEA1EH470T
MAIN	C230		nsp	00MOA47602520	ELECT CAP.	47UF 25V CCEA1EH470T
MAIN	C231		90M-OF100370R	90M-OF100370R	FILM CAP.	0.022UF 50V J HCQ11H223JZT
MAIN	C232		90M-OF100370R	90M-OF100370R	FILM CAP.	0.022UF 50V J HCQ11H223JZT
MAIN	C233		nsp	nsp	FILM CAP.	5600PF 50V J HCQ11H562JZT
MAIN	C234		nsp	nsp	FILM CAP.	5600PF 50V J HCQ11H562JZT
MAIN	C235		nsp	00MOA47505020	ELECT CAP.	4.7UF 50V CCEA1HH4R7T

NOTE : \*nsp\* PART IS LISTED FOR REFERENCE ONLY, MARANTZ WILL NOT SUPPLY THESE PARTS.

P.C.B. NAME	POS. NO.	VERS. COLOR	PART NO. (FOR EUR)	PART NO. (MZ)	PART NAME	DESCRIPTION
MAIN	C236		nsp	00MOA47505020	ELECT CAP.	4.7UF 50V CCEA1HH4R7T
MAIN	C237		nsp	00MOA47602520	ELECT CAP.	47UF 25V CCEA1EH470T
MAIN	C238		nsp	00MOA47602520	ELECT CAP.	47UF 25V CCEA1EH470T
MAIN	C239		nsp	nsp	CER. CAP.	0.01UF 50V Z CCFT1H103ZF
MAIN	C240		nsp	nsp	CER. CAP.	0.01UF 50V Z CCFT1H103ZF
MAIN	C241		nsp	nsp	CER. CAP.	0.01UF 50V Z CCFT1H103ZF
MAIN	C242		nsp	nsp	CER. CAP.	0.01UF 50V Z CCFT1H103ZF
MAIN	C243		nsp	nsp	CER. CAP.	330PF 50V KB CCKT1H331KB
MAIN	C244		nsp	nsp	CER. CAP.	470PF 50V KB CCKT1H471KB
MAIN	C247		nsp	nsp	CER. CAP.	0.01UF 50V Z CCFT1H103ZF
MAIN	C248		nsp	nsp	CER. CAP.	0.01UF 50V Z CCFT1H103ZF
MAIN	C249		nsp	nsp	CER. CAP.	330PF 50V KB CCKT1H331KB
MAIN	C250		nsp	nsp	CER. CAP.	470PF 50V KB CCKT1H471KB
MAIN	C251		nsp	00MOA10701620	ELECT CAP.	100UF 16V CCEA1CH101T
MAIN	C252		nsp	nsp	CER. CAP.	0.01UF 50V Z CCFT1H103ZF
MAIN	C253		nsp	00MOA10701620	ELECT CAP.	100UF 16V CCEA1CH101T
MAIN	C254		nsp	nsp	CER. CAP.	0.01UF 50V Z CCFT1H103ZF
MAIN	C255		nsp	nsp	CER. CAP.	180PF 50V KB CCKT1H181KB
MAIN	C256		nsp	nsp	CER. CAP.	180PF 50V KB CCKT1H181KB
MAIN	C257		nsp	00MOA47505020	ELECT CAP.	4.7UF 50V CCEA1HH4R7T
MAIN	C258		nsp	00MOA47505020	ELECT CAP.	4.7UF 50V CCEA1HH4R7T
MAIN	C259		nsp	00MOA47505020	ELECT CAP.	4.7UF 50V CCEA1HH4R7T
MAIN	C264		nsp	00MOA10605020	ELECT CAP.	10UF 50V CCEA1HH100T
MAIN	C265		nsp	00MOA10605020	ELECT CAP.	10UF 50V CCEA1HH100T
MAIN	C266		nsp	nsp	FILM CAP.	8200PF 50V J HCQI1H822JZT
MAIN	C267		nsp	nsp	FILM CAP.	0.015UF 50V J HCQI1H153JZT
MAIN	C268		90M-DF100340R	90M-DF100340R	FILM CAP.	0.33UF 63V J KCFE1J334JBT
MAIN	C269		nsp	00MOA10701620	ELECT CAP.	100UF 16V CCEA1CH101T
MAIN	C270		nsp	nsp	CER. CAP.	0.01UF 50V Z CCFT1H103ZF
MAIN	C271		nsp	00MOA47505020	ELECT CAP.	4.7UF 50V CCEA1HH4R7T
MAIN	C272		nsp	00MOA47505020	ELECT CAP.	4.7UF 50V CCEA1HH4R7T
MAIN	C273		nsp	nsp	CER. CAP.	82PF 50V JC CCCT1H820JC
MAIN	C274		nsp	nsp	CER. CAP.	82PF 50V JC CCCT1H820JC
MAIN	C275		nsp	00MOA47505020	ELECT CAP.	4.7UF 50V CCEA1HH4R7T
MAIN	C276		nsp	00MOA47505020	ELECT CAP.	4.7UF 50V CCEA1HH4R7T
MAIN	C277		nsp	nsp	CER. CAP.	0.01UF 50V Z CCFT1H103ZF
MAIN	C278		nsp	nsp	CER. CAP.	0.01UF 50V Z CCFT1H103ZF
MAIN	C279		nsp	nsp	CER. CAP.	100PF 50V KB CCKT1H101KB
MAIN	C280		nsp	nsp	CER. CAP.	100PF 50V KB CCKT1H101KB
MAIN	C281		nsp	00MOA47505020	ELECT CAP.	4.7UF 50V CCEA1HH4R7T
MAIN	C282		nsp	nsp	FILM CAP.	8200PF 50V J HCQI1H822JZT
MAIN	C283		nsp	nsp	FILM CAP.	0.015UF 50V J HCQI1H153JZT
MAIN	C284		90M-DF100340R	90M-DF100340R	FILM CAP.	0.33UF 63V J KCFE1J334JBT
MAIN	C301		nsp	00MOA47505020	ELECT CAP.	4.7UF 50V CCEA1HH4R7T
MAIN	C302		nsp	00MOA47505020	ELECT CAP.	4.7UF 50V CCEA1HH4R7T
MAIN	C303		nsp	nsp	CER. CAP.	470PF 50V KB CCKT1H471KB
MAIN	C304		nsp	nsp	CER. CAP.	470PF 50V KB CCKT1H471KB
MAIN	C305		nsp	nsp	CER. CAP.	15PF 50V JC CCCT1H150JC
MAIN	C306		nsp	nsp	CER. CAP.	15PF 50V JC CCCT1H150JC
MAIN	C307		nsp	00MOA10701620	ELECT CAP.	100UF 16V CCEA1CH101T
MAIN	C308		nsp	00MOA10701620	ELECT CAP.	100UF 16V CCEA1CH101T
MAIN	C309		nsp	nsp	CER. CAP.	180PF 50V KB CCKT1H181KB
MAIN	C310		nsp	nsp	CER. CAP.	180PF 50V KB CCKT1H181KB
MAIN	C311		nsp	00MOA22706320	ELECT CAP.	220UF 63V CCEA1JH221E
MAIN	C312		nsp	00MOA22706320	ELECT CAP.	220UF 63V CCEA1JH221E
MAIN	C313		nsp	00MOA22706320	ELECT CAP.	220UF 63V CCEA1JH221E
MAIN	C314		nsp	00MOA22706320	ELECT CAP.	220UF 63V CCEA1JH221E
MAIN	C315		90M-OF100370R	90M-OF100370R	FILM CAP.	0.022UF 50V J HCQI1H223JZT
MAIN	C316		90M-OF100370R	90M-OF100370R	FILM CAP.	0.022UF 50V J HCQI1H223JZT
MAIN	C317		90M-OF100370R	90M-OF100370R	FILM CAP.	0.022UF 50V J HCQI1H223JZT
MAIN	C318		90M-OF100370R	90M-OF100370R	FILM CAP.	0.022UF 50V J HCQI1H223JZT
MAIN	C319		nsp	00MOA10605020	ELECT CAP.	10UF 50V CCEA1HH100T
MAIN	C320		nsp	00MOA10605020	ELECT CAP.	10UF 50V CCEA1HH100T
MAIN	C321		nsp	nsp	FILM CAP.	0.047UF 50V J HCQI1H473JZT
MAIN	C322		nsp	nsp	FILM CAP.	0.047UF 50V J HCQI1H473JZT
MAIN	C323		nsp	nsp	FILM CAP.	0.01UF 50V J HCQI1H103JZT
MAIN	C324		nsp	nsp	FILM CAP.	0.01UF 50V J HCQI1H103JZT

NOTE : "nsp" PART IS LISTED FOR REFERENCE ONLY, MARANTZ WILL NOT SUPPLY THESE PARTS.

P.C.B. NAME	POS. NO.	VERS. COLOR	PART NO. (FOR EUR)	PART NO. (MZ)	PART NAME	DESCRIPTION	
MAIN	C325		nsp	nsp	FILM CAP.	0.01UF 50V J	HCQ1H103JZT
MAIN	C326		nsp	nsp	FILM CAP.	0.01UF 50V J	HCQ1H103JZT
MAIN	C381		nsp	00MOA47605020	ELECT CAP.	47UF 50V	CCEA1HH470T
MAIN	C382		nsp	00MOA47701020	ELECT CAP.	470UF 10V	CCEA1AH471T
MAIN	C383		nsp	nsp	CER. CAP.	0.022UF 50V Z	CCFT1H223ZF
MAIN	C389		nsp	00MOA47505020	ELECT CAP.	4.7UF 50V	CCEA1HH4R7T
MAIN	C390		nsp	00MOA47505020	ELECT CAP.	4.7UF 50V	CCEA1HH4R7T
MAIN	C391		nsp	nsp	CER. CAP.	0.01UF 50V Z	CCFT1H103ZF
MAIN	C392		nsp	nsp	CER. CAP.	0.01UF 50V Z	CCFT1H103ZF
MAIN	C401		90M-EX000230R	90M-EX000230R	ELECT CAP.	8200UF 63V	HCET63VSMH822NN
MAIN	C402		90M-EX000230R	90M-EX000230R	ELECT CAP.	8200UF 63V	HCET63VSMH822NN
MAIN	C403		nsp	00MOA22803520	ELECT CAP.	2200UF 35V	CCEA1VH222E
MAIN	C404		nsp	00MOA10803520	ELECT CAP.	1000UF 35V	CCEA1VH102E
MAIN	C405		nsp	nsp	CER. CAP.	0.01UF 50V Z	CCFT1H103ZF
MAIN	C406		nsp	nsp	CER. CAP.	0.01UF 50V Z	CCFT1H103ZF
MAIN	C407		nsp	00MOA47702520	ELECT CAP.	470UF/25V	CCEA1EH471E
MAIN	C408		nsp	00MOA47702520	ELECT CAP.	470UF/25V	CCEA1EH471E
MAIN	C409		nsp	nsp	CER. CAP.	0.01UF 50V Z	CCFT1H103ZF
MAIN	C410		nsp	nsp	CER. CAP.	0.01UF 50V Z	CCFT1H103ZF
MAIN	C411		nsp	00MOA33505020	ELECT CAP.	3.3UF 50V	CCEA1HH3R3T
MAIN	C412		nsp	00MOA33505020	ELECT CAP.	3.3UF 50V	CCEA1HH3R3T
MAIN	C421		nsp	nsp	CER. CAP.	0.1UF 50V Z	HCBS1H104ZFT
MAIN	C422		nsp	nsp	CER. CAP.	0.1UF 50V Z	HCBS1H104ZFT
MAIN	C423		nsp	nsp	FILM CAP.	0.1UF 50V ZF	CCFT1H104ZF
MAIN	C424		nsp	nsp	FILM CAP.	0.1UF 50V ZF	CCFT1H104ZF
MAIN	C425		90M-OF100370R	90M-OF100370R	FILM CAP.	0.022UF 50V J	HCQ1H223JZT
MAIN	C426		90M-OF100370R	90M-OF100370R	FILM CAP.	0.022UF 50V J	HCQ1H223JZT
MAIN	C427		nsp	nsp	FILM CAP.	0.1UF 50V ZF	CCFT1H104ZF
MAIN	C428		nsp	nsp	FILM CAP.	0.1UF 50V ZF	CCFT1H104ZF
MAIN	CN35		nsp	nsp	CONN.	WAFER	CJP03GA89ZY
MAIN	▲ D102		90M-HE200340R	90M-HE200340R	DIODE	! GBJ804	HVDGBJ804
MAIN	D201		90M-HD302360R	90M-HD302360R	ZENER DIODE	ZJ6.8B 1/2W	CVDZJ6.8BT
MAIN	D202		00MHD30511000	00MHD30511000	ZENER DIODE	MTZJ5.1B	CVDZJ5.1BT
MAIN	D203		90M-HD302360R	90M-HD302360R	ZENER DIODE	ZJ6.8B 1/2W	CVDZJ6.8BT
MAIN	D301		nsp	00MHD20015210	DIODE	1SS133T-77	CVD1SS133MT
MAIN	D302		nsp	00MHD20015210	DIODE	1SS133T-77	CVD1SS133MT
MAIN	D303		nsp	00MHD20015210	DIODE	1SS133T-77	CVD1SS133MT
MAIN	D304		nsp	00MHD20015210	DIODE	1SS133T-77	CVD1SS133MT
MAIN	D305		nsp	00MHD20015210	DIODE	1SS133T-77	CVD1SS133MT
MAIN	D306		nsp	00MHD20015210	DIODE	1SS133T-77	CVD1SS133MT
MAIN	D381		nsp	00MHD20015210	DIODE	1SS133T-77	CVD1SS133MT
MAIN	D391		nsp	00MHD20015210	DIODE	1SS133T-77	CVD1SS133MT
MAIN	D392		nsp	00MHD20015210	DIODE	1SS133T-77	CVD1SS133MT
MAIN	D401		nsp	90M-HD201730R	DIODE	1N4003	CVD1N4003ST
MAIN	D402		nsp	90M-HD201730R	DIODE	1N4003	CVD1N4003ST
MAIN	D403		nsp	90M-HD201730R	DIODE	1N4003	CVD1N4003ST
MAIN	D404		nsp	90M-HD201730R	DIODE	1N4003	CVD1N4003ST
MAIN	D405		nsp	00MHD20015210	DIODE	1SS133T-77	CVD1SS133MT
MAIN	ET91		nsp	nsp	TERMINAL	MET37-0002	HJT1A025
MAIN	IC21		00MHC10102090	00MHC10102090	IC	NJM2068MD-TE1	HVINJM2068MDTE1
MAIN	IC22		90M-HC109720R	90M-HC109720R	IC	TC9163CFG FUNCTION SW	HVITC9163CFG
MAIN	IC23		90M-HC109730R	90M-HC109730R	IC	TC9164CFG FUNCTION SW	HVITC9164CFG
MAIN	IC24		90M-HC108220R	90M-HC108220R	IC	M62446AFP	HVIM62446AFP
MAIN	IC25		00MHC10102090	00MHC10102090	IC	NJM2068MD-TE1	HVINJM2068MDTE1
MAIN	IC26		00MHC10102090	00MHC10102090	IC	NJM2068MD-TE1	HVINJM2068MDTE1
MAIN	▲ IC41		90M-HC300900R	90M-HC300900R	IC	! L7815CP	HVIL7815CP
MAIN	▲ IC42		90M-HC300900R	90M-HC300900R	IC	! L7815CP	HVIL7915CP
MAIN	J101		nsp	nsp	CORD	SN95/PB5, 0.6	C3A206
MAIN	J102		nsp	nsp	CORD	SN95/PB5, 0.6	C3A206
MAIN	J103		nsp	nsp	CORD	SN95/PB5, 0.6	C3A206
MAIN	J104		nsp	nsp	CORD	SN95/PB5, 0.6	C3A206
MAIN	J107		nsp	nsp	CORD	SN95/PB5, 0.6	C3A206
MAIN	J201		nsp	nsp	CORD	SN95/PB5, 0.6	C3A206
MAIN	J202		nsp	nsp	CORD	SN95/PB5, 0.6	C3A206
MAIN	J203		nsp	nsp	CORD	SN95/PB5, 0.6	C3A206
MAIN	J204		nsp	nsp	CORD	SN95/PB5, 0.6	C3A206
MAIN	J205		nsp	nsp	CORD	SN95/PB5, 0.6	C3A206

NOTE : \*nsp\* PART IS LISTED FOR REFERENCE ONLY, MARANTZ WILL NOT SUPPLY THESE PARTS.

P.C.B. NAME	POS. NO.	VERS. COLOR	PART NO. (FOR EUR)	PART NO. (MZ)	PART NAME	DESCRIPTION
MAIN	J206		nsp	nsp	CORD	SN95/PB5, 0.6 C3A206
MAIN	J207		nsp	nsp	CORD	SN95/PB5, 0.6 C3A206
MAIN	J208		nsp	nsp	CORD	SN95/PB5, 0.6 C3A206
MAIN	J209		nsp	nsp	CORD	SN95/PB5, 0.6 C3A206
MAIN	J210		nsp	nsp	CORD	SN95/PB5, 0.6 C3A206
MAIN	J211		nsp	nsp	CORD	SN95/PB5, 0.6 C3A206
MAIN	J212		nsp	nsp	CORD	SN95/PB5, 0.6 C3A206
MAIN	J213		nsp	nsp	CORD	SN95/PB5, 0.6 C3A206
MAIN	J214		nsp	nsp	CORD	SN95/PB5, 0.6 C3A206
MAIN	J215		nsp	nsp	CORD	SN95/PB5, 0.6 C3A206
MAIN	J216		nsp	nsp	CORD	SN95/PB5, 0.6 C3A206
MAIN	J217		nsp	nsp	CORD	SN95/PB5, 0.6 C3A206
MAIN	J241		nsp	nsp	CORD	SN95/PB5, 0.6 C3A206
MAIN	J242		nsp	nsp	CORD	SN95/PB5, 0.6 C3A206
MAIN	J301		nsp	nsp	CORD	SN95/PB5, 0.6 C3A206
MAIN	J302		nsp	nsp	CORD	SN95/PB5, 0.6 C3A206
MAIN	J303		nsp	nsp	CORD	SN95/PB5, 0.6 C3A206
MAIN	J304		nsp	nsp	CORD	SN95/PB5, 0.6 C3A206
MAIN	J305		nsp	nsp	CORD	SN95/PB5, 0.6 C3A206
MAIN	J306		nsp	nsp	CORD	SN95/PB5, 0.6 C3A206
MAIN	J307		nsp	nsp	CORD	SN95/PB5, 0.6 C3A206
MAIN	J308		nsp	nsp	CORD	SN95/PB5, 0.6 C3A206
MAIN	J309		nsp	nsp	CORD	SN95/PB5, 0.6 C3A206
MAIN	J310		nsp	nsp	CORD	SN95/PB5, 0.6 C3A206
MAIN	J311		nsp	nsp	CORD	SN95/PB5, 0.6 C3A206
MAIN	J312		nsp	nsp	CORD	SN95/PB5, 0.6 C3A206
MAIN	J313		nsp	nsp	CORD	SN95/PB5, 0.6 C3A206
MAIN	J314		nsp	nsp	CORD	SN95/PB5, 0.6 C3A206
MAIN	J315		nsp	nsp	CORD	SN95/PB5, 0.6 C3A206
MAIN	J316		nsp	nsp	CORD	SN95/PB5, 0.6 C3A206
MAIN	J317		nsp	nsp	CORD	SN95/PB5, 0.6 C3A206
MAIN	J318		nsp	nsp	CORD	SN95/PB5, 0.6 C3A206
MAIN	J319		nsp	nsp	CORD	SN95/PB5, 0.6 C3A206
MAIN	J320		nsp	nsp	CORD	SN95/PB5, 0.6 C3A206
MAIN	J360		nsp	nsp	CORD	SN95/PB5, 0.6 C3A206
MAIN	J361		nsp	nsp	CORD	SN95/PB5, 0.6 C3A206
MAIN	J362		nsp	nsp	CORD	SN95/PB5, 0.6 C3A206
MAIN	J402		nsp	nsp	CORD	SN95/PB5, 0.6 C3A206
MAIN	J403		nsp	nsp	CORD	SN95/PB5, 0.6 C3A206
MAIN	J404		nsp	nsp	CORD	SN95/PB5, 0.6 C3A206
MAIN	J405		nsp	nsp	CORD	SN95/PB5, 0.6 C3A206
MAIN	J406		nsp	nsp	CORD	SN95/PB5, 0.6 C3A206
MAIN	J407		nsp	nsp	CORD	SN95/PB5, 0.6 C3A206
MAIN	J408		nsp	nsp	CORD	SN95/PB5, 0.6 C3A206
MAIN	J409		nsp	nsp	CORD	SN95/PB5, 0.6 C3A206
MAIN	J410		nsp	nsp	CORD	SN95/PB5, 0.6 C3A206
MAIN	J434		nsp	nsp	CORD	SN95/PB5, 0.6 C3A206
MAIN	J435		nsp	nsp	CORD	SN95/PB5, 0.6 C3A206
MAIN	J436		nsp	nsp	CORD	SN95/PB5, 0.6 C3A206
MAIN	J503		nsp	nsp	CORD	SN95/PB5, 0.6 C3A206
MAIN	J504		nsp	nsp	CORD	SN95/PB5, 0.6 C3A206
MAIN	J505		nsp	nsp	CORD	SN95/PB5, 0.6 C3A206
MAIN	J506		nsp	nsp	CORD	SN95/PB5, 0.6 C3A206
MAIN	J507		nsp	nsp	CORD	SN95/PB5, 0.6 C3A206
MAIN	J510		nsp	nsp	CORD	SN95/PB5, 0.6 C3A206
MAIN	J511		nsp	nsp	CORD	SN95/PB5, 0.6 C3A206
MAIN	J512		nsp	nsp	CORD	SN95/PB5, 0.6 C3A206
MAIN	J513		nsp	nsp	CORD	SN95/PB5, 0.6 C3A206
MAIN	J514		nsp	nsp	CORD	SN95/PB5, 0.6 C3A206
MAIN	J515		nsp	nsp	CORD	SN95/PB5, 0.6 C3A206
MAIN	J516		nsp	nsp	CORD	SN95/PB5, 0.6 C3A206
MAIN	J517		nsp	nsp	CORD	SN95/PB5, 0.6 C3A206
MAIN	J518		nsp	nsp	CORD	SN95/PB5, 0.6 C3A206
MAIN	J519		nsp	nsp	CORD	SN95/PB5, 0.6 C3A206
MAIN	J520		nsp	nsp	CORD	SN95/PB5, 0.6 C3A206
MAIN	J521		nsp	nsp	CORD	SN95/PB5, 0.6 C3A206
MAIN	J522		nsp	nsp	CORD	SN95/PB5, 0.6 C3A206

NOTE : "nsp" PART IS LISTED FOR REFERENCE ONLY, MARANTZ WILL NOT SUPPLY THESE PARTS.

P.C.B. NAME	POS. NO.	VERS. COLOR	PART NO. (FOR EUR)	PART NO. (MZ)	PART NAME	DESCRIPTION	
MAIN	J523		nsp	nsp	CORD	SN95/PB5, 0.6	C3A206
MAIN	J524		nsp	nsp	CORD	SN95/PB5, 0.6	C3A206
MAIN	J525		nsp	nsp	CORD	SN95/PB5, 0.6	C3A206
MAIN	J526		nsp	nsp	CORD	SN95/PB5, 0.6	C3A206
MAIN	J527		nsp	nsp	CORD	SN95/PB5, 0.6	C3A206
MAIN	J528		nsp	nsp	CORD	SN95/PB5, 0.6	C3A206
MAIN	J537		nsp	nsp	CORD	SN95/PB5, 0.6	C3A206
MAIN	J538		nsp	nsp	CORD	SN95/PB5, 0.6	C3A206
MAIN	J601		nsp	nsp	CORD	SN95/PB5, 0.6	C3A206
MAIN	J602		nsp	nsp	CORD	SN95/PB5, 0.6	C3A206
MAIN	J603		nsp	nsp	CORD	SN95/PB5, 0.6	C3A206
MAIN	J604		nsp	nsp	CORD	SN95/PB5, 0.6	C3A206
MAIN	J606		nsp	nsp	CORD	SN95/PB5, 0.6	C3A206
MAIN	J607		nsp	nsp	CORD	SN95/PB5, 0.6	C3A206
MAIN	J608		nsp	nsp	CORD	SN95/PB5, 0.6	C3A206
MAIN	J609		nsp	nsp	CORD	SN95/PB5, 0.6	C3A206
MAIN	J610		nsp	nsp	CORD	SN95/PB5, 0.6	C3A206
MAIN	J611		nsp	nsp	CORD	SN95/PB5, 0.6	C3A206
MAIN	J612		nsp	nsp	CORD	SN95/PB5, 0.6	C3A206
MAIN	J613		nsp	nsp	CORD	SN95/PB5, 0.6	C3A206
MAIN	J615		nsp	nsp	CORD	SN95/PB5, 0.6	C3A206
MAIN	J616		nsp	nsp	CORD	SN95/PB5, 0.6	C3A206
MAIN	J617		nsp	nsp	CORD	SN95/PB5, 0.6	C3A206
MAIN	J618		nsp	nsp	CORD	SN95/PB5, 0.6	C3A206
MAIN	J619		nsp	nsp	CORD	SN95/PB5, 0.6	C3A206
MAIN	J622		nsp	nsp	CORD	SN95/PB5, 0.6	C3A206
MAIN	J623		nsp	nsp	CORD	SN95/PB5, 0.6	C3A206
MAIN	J624		nsp	nsp	CORD	SN95/PB5, 0.6	C3A206
MAIN	J701		nsp	nsp	CORD	SN95/PB5, 0.6	C3A206
MAIN	J702		nsp	nsp	CORD	SN95/PB5, 0.6	C3A206
MAIN	J703		nsp	nsp	CORD	SN95/PB5, 0.6	C3A206
MAIN	J704		nsp	nsp	CORD	SN95/PB5, 0.6	C3A206
MAIN	J705		nsp	nsp	CORD	SN95/PB5, 0.6	C3A206
MAIN	J706		nsp	nsp	CORD	SN95/PB5, 0.6	C3A206
MAIN	J707		nsp	nsp	CORD	SN95/PB5, 0.6	C3A206
MAIN	J708		nsp	nsp	CORD	SN95/PB5, 0.6	C3A206
MAIN	J709		nsp	nsp	CORD	SN95/PB5, 0.6	C3A206
MAIN	J711		nsp	nsp	CORD	SN95/PB5, 0.6	C3A206
MAIN	J712		nsp	nsp	CORD	SN95/PB5, 0.6	C3A206
MAIN	J713		nsp	nsp	CORD	SN95/PB5, 0.6	C3A206
MAIN	J714		nsp	nsp	CORD	SN95/PB5, 0.6	C3A206
MAIN	J715		nsp	nsp	CORD	SN95/PB5, 0.6	C3A206
MAIN	J717		nsp	nsp	CORD	SN95/PB5, 0.6	C3A206
MAIN	J718		nsp	nsp	CORD	SN95/PB5, 0.6	C3A206
MAIN	J719		nsp	nsp	CORD	SN95/PB5, 0.6	C3A206
MAIN	J801		nsp	nsp	CORD	SN95/PB5, 0.6	C3A206
MAIN	J802		nsp	nsp	CORD	SN95/PB5, 0.6	C3A206
MAIN	J803		nsp	nsp	CORD	SN95/PB5, 0.6	C3A206
MAIN	J804		nsp	nsp	CORD	SN95/PB5, 0.6	C3A206
MAIN	J805		nsp	nsp	CORD	SN95/PB5, 0.6	C3A206
MAIN	J806		nsp	nsp	CORD	SN95/PB5, 0.6	C3A206
MAIN	J808		nsp	nsp	CORD	SN95/PB5, 0.6	C3A206
MAIN	J809		nsp	nsp	CORD	SN95/PB5, 0.6	C3A206
MAIN	J810		nsp	nsp	CORD	SN95/PB5, 0.6	C3A206
MAIN	J811		nsp	nsp	CORD	SN95/PB5, 0.6	C3A206
MAIN	J812		nsp	nsp	CORD	SN95/PB5, 0.6	C3A206
MAIN	J820		nsp	nsp	CORD	SN95/PB5, 0.6	C3A206
MAIN	J901		nsp	nsp	CORD	SN95/PB5, 0.6	C3A206
MAIN	J902		nsp	nsp	CORD	SN95/PB5, 0.6	C3A206
MAIN	J903		nsp	nsp	CORD	SN95/PB5, 0.6	C3A206
MAIN	J904		nsp	nsp	CORD	SN95/PB5, 0.6	C3A206
MAIN	J905		nsp	nsp	CORD	SN95/PB5, 0.6	C3A206
MAIN	J906		nsp	nsp	CORD	SN95/PB5, 0.6	C3A206
MAIN	J907		nsp	nsp	CORD	SN95/PB5, 0.6	C3A206
MAIN	J908		nsp	nsp	CORD	SN95/PB5, 0.6	C3A206
MAIN	J909		nsp	nsp	CORD	SN95/PB5, 0.6	C3A206
MAIN	J910		nsp	nsp	CORD	SN95/PB5, 0.6	C3A206

NOTE : \*nsp\* PART IS LISTED FOR REFERENCE ONLY, MARANTZ WILL NOT SUPPLY THESE PARTS.

P.C.B. NAME	POS. NO.	VERS. COLOR	PART NO. (FOR EUR)	PART NO. (MZ)	PART NAME	DESCRIPTION	
MAIN	J911		nsp	nsp	CORD	SN95/PB5, 0.6	C3A206
MAIN	J912		nsp	nsp	CORD	SN95/PB5, 0.6	C3A206
MAIN	J913		nsp	nsp	CORD	SN95/PB5, 0.6	C3A206
MAIN	J914		nsp	nsp	CORD	SN95/PB5, 0.6	C3A206
MAIN	J915		nsp	nsp	CORD	SN95/PB5, 0.6	C3A206
MAIN	J916		nsp	nsp	CORD	SN95/PB5, 0.6	C3A206
MAIN	J917		nsp	nsp	CORD	SN95/PB5, 0.6	C3A206
MAIN	J918		nsp	nsp	CORD	SN95/PB5, 0.6	C3A206
MAIN	J919		nsp	nsp	CORD	SN95/PB5, 0.6	C3A206
MAIN	J920		nsp	nsp	CORD	SN95/PB5, 0.6	C3A206
MAIN	J921		nsp	nsp	CORD	SN95/PB5, 0.6	C3A206
MAIN	J922		nsp	nsp	CORD	SN95/PB5, 0.6	C3A206
MAIN	J923		nsp	nsp	CORD	SN95/PB5, 0.6	C3A206
MAIN	J924		nsp	nsp	CORD	SN95/PB5, 0.6	C3A206
MAIN	J925		nsp	nsp	CORD	SN95/PB5, 0.6	C3A206
MAIN	J926		nsp	nsp	CORD	SN95/PB5, 0.6	C3A206
MAIN	J927		nsp	nsp	CORD	SN95/PB5, 0.6	C3A206
MAIN	J928		nsp	nsp	CORD	SN95/PB5, 0.6	C3A206
MAIN	J930		nsp	nsp	CORD	SN95/PB5, 0.6	C3A206
MAIN	JK21		90M-YT003130R	90M-YT003130R	TERMINAL	CINCH 2P AUDIO	CJJ4N034Z
MAIN	JK22		90M-YT004010R	90M-YT004010R	TERMINAL	6P AUDIO	CJJ4R019W
MAIN	JK23		90M-YT004010R	90M-YT004010R	TERMINAL	6P AUDIO	CJJ4R019W
MAIN	JK24		90M-YT004010R	90M-YT004010R	TERMINAL	6P AUDIO	CJJ4R019W
MAIN	JK25		90M-YT004010R	90M-YT004010R	TERMINAL	6P AUDIO	CJJ4R019W
MAIN	L301		90M-LC107310R	90M-LC107310R	COIL	0.5UH K	CLEY0R5KAK
MAIN	L302		90M-LC107310R	90M-LC107310R	COIL	0.5UH K	CLEY0R5KAK
MAIN	Q201		00MHT805501B0	00MHT805501B0	TRS.	KTC2874B	HVTKTC2874BT
MAIN	Q202		00MHT805501B0	00MHT805501B0	TRS.	KTC2874B	HVTKTC2874BT
MAIN	Q205		90M-BA001450R	90M-BA001450R	TRS.	KRA107M	HVTKRA107MT
MAIN	Q301		00MHT600121A0	00MHT600121A0	TRS.	KTA1268GR	HVTKTA1268GRT
MAIN	Q302		00MHT600121A0	00MHT600121A0	TRS.	KTA1268GR	HVTKTA1268GRT
MAIN	Q303		00MHT600121A0	00MHT600121A0	TRS.	KTA1268GR	HVTKTA1268GRT
MAIN	Q304		00MHT600121A0	00MHT600121A0	TRS.	KTA1268GR	HVTKTA1268GRT
MAIN	Q305		00MHT600121A0	00MHT600121A0	TRS.	KTA1268GR	HVTKTA1268GRT
MAIN	Q306		00MHT600121A0	00MHT600121A0	TRS.	KTA1268GR	HVTKTA1268GRT
MAIN	Q307		00MHT800931A0	00MHT800931A0	TRS.	KTC3200GR	HVTKTC3200GRT
MAIN	Q308		00MHT800931A0	00MHT800931A0	TRS.	KTC3200GR	HVTKTC3200GRT
MAIN	Q309		00MHT600121A0	00MHT600121A0	TRS.	KTA1268GR	HVTKTA1268GRT
MAIN	Q310		00MHT600121A0	00MHT600121A0	TRS.	KTA1268GR	HVTKTA1268GRT
MAIN	Q311		00MHT800931A0	00MHT800931A0	TRS.	KTC3200GR	HVTKTC3200GRT
MAIN	Q312		00MHT800931A0	00MHT800931A0	TRS.	KTC3200GR	HVTKTC3200GRT
MAIN	Q313		90M-HT100540R	90M-HT100540R	TRS.	KTA1360Y	HVTKTA1360Y
MAIN	Q314		90M-HT100540R	90M-HT100540R	TRS.	KTA1360Y	HVTKTA1360Y
MAIN	Q315		90M-HT900100R	90M-HT900100R	TRS.	KTD600KGR	HVTKTD600KGR
MAIN	Q316		90M-HT900100R	90M-HT900100R	TRS.	KTD600KGR	HVTKTD600KGR
MAIN	Q317		90M-HT300820R	90M-HT300820R	TRS.	KTC3423Y	HVTKTC3423Y
MAIN	Q318		90M-HT300820R	90M-HT300820R	TRS.	KTC3423Y	HVTKTC3423Y
MAIN	Q319		90M-HT900110R	90M-HT900110R	TRS.	KTD2061Y	HVTKTD2061Y
MAIN	Q320		90M-HT900110R	90M-HT900110R	TRS.	KTD2061Y	HVTKTD2061Y
MAIN	Q321		90M-HT700080R	90M-HT700080R	TRS.	KTB1369Y	HVTKTB1369Y
MAIN	Q322		90M-HT700080R	90M-HT700080R	TRS.	KTB1369Y	HVTKTB1369Y
MAIN	▲ Q323		90M-HT300930R	90M-HT300930R	TRS.	! 2SC4468	HVT2SC4468
MAIN	▲ Q324		90M-HT300930R	90M-HT300930R	TRS.	! 2SC4468	HVT2SC4468
MAIN	▲ Q325		90M-HT100680R	90M-HT100680R	TRS.	! 2SA1695	HVT2SA1695
MAIN	▲ Q326		90M-HT100680R	90M-HT100680R	TRS.	! 2SA1695	HVT2SA1695
MAIN	Q327		00MHT327851H0	00MHT327851H0	TRS.	KSC2785Y	HVTKSC2785YT
MAIN	Q328		00MHT327851H0	00MHT327851H0	TRS.	KSC2785Y	HVTKSC2785YT
MAIN	Q381		90M-HT100390R	90M-HT100390R	TRS.	KSA1175Y	HVTKSA1175YT
MAIN	Q382		90M-BA001450R	90M-BA001450R	TRS.	KRA107M	HVTKRA107MT
MAIN	Q383		00MHT327851H0	00MHT327851H0	TRS.	KSC2785Y	HVTKSC2785YT
MAIN	Q384		00MHT327851H0	00MHT327851H0	TRS.	KSC2785Y	HVTKSC2785YT
MAIN	Q391		90M-BA001460R	90M-BA001460R	TRS.	KRC107M	HVTKRC107MT
MAIN	Q392		90M-BA001460R	90M-BA001460R	TRS.	KRC107M	HVTKRC107MT
MAIN	Q395		90M-BA001460R	90M-BA001460R	TRS.	KRC107M	HVTKRC107MT
MAIN	R201		nsp	nsp	RES.	220 OHM 1/5W J	CRD20TJ221T
MAIN	R202		nsp	nsp	RES.	220 OHM 1/5W J	CRD20TJ221T
MAIN	R203		nsp	nsp	RES.	220 OHM 1/5W J	CRD20TJ221T

NOTE : "nsp" PART IS LISTED FOR REFERENCE ONLY, MARANTZ WILL NOT SUPPLY THESE PARTS.

P.C.B. NAME	POS. NO.	VERS. COLOR	PART NO. (FOR EUR)	PART NO. (MZ)	PART NAME	DESCRIPTION	
MAIN	R204		nsp	nsp	RES.	220 OHM 1/5W J	CRD20TJ221T
MAIN	R205		nsp	nsp	RES.	220 OHM 1/5W J	CRD20TJ221T
MAIN	R206		nsp	nsp	RES.	220 OHM 1/5W J	CRD20TJ221T
MAIN	R207		nsp	nsp	RES.	1K OHM 1/5W J	CRD20TJ102T
MAIN	R208		nsp	nsp	RES.	1K OHM 1/5W J	CRD20TJ102T
MAIN	R209		nsp	nsp	RES.	220 OHM 1/5W J	CRD20TJ221T
MAIN	R210		nsp	nsp	RES.	220 OHM 1/5W J	CRD20TJ221T
MAIN	R211		nsp	nsp	RES.	1K OHM 1/5W J	CRD20TJ102T
MAIN	R212		nsp	nsp	RES.	1K OHM 1/5W J	CRD20TJ102T
MAIN	R213		nsp	nsp	RES.	220 OHM 1/5W J	CRD20TJ221T
MAIN	R214		nsp	nsp	RES.	220 OHM 1/5W J	CRD20TJ221T
MAIN	R215		nsp	nsp	RES.	220 OHM 1/5W J	CRD20TJ221T
MAIN	R216		nsp	nsp	RES.	220 OHM 1/5W J	CRD20TJ221T
MAIN	R217		nsp	nsp	RES.	220 OHM 1/5W J	CRD20TJ221T
MAIN	R218		nsp	nsp	RES.	220 OHM 1/5W J	CRD20TJ221T
MAIN	R219		nsp	nsp	RES.	1K OHM 1/5W J	CRD20TJ102T
MAIN	R220		nsp	nsp	RES.	1K OHM 1/5W J	CRD20TJ102T
MAIN	R221		nsp	nsp	RES.	1K OHM 1/5W J	CRD20TJ102T
MAIN	R222		nsp	nsp	RES.	1K OHM 1/5W J	CRD20TJ102T
MAIN	R223		nsp	nsp	RES.	220 OHM 1/5W J	CRD20TJ221T
MAIN	R224		nsp	nsp	RES.	220 OHM 1/5W J	CRD20TJ221T
MAIN	R225		nsp	nsp	RES.	47K OHM 1/5W J	CRD20TJ473T
MAIN	R226		nsp	nsp	RES.	47K OHM 1/5W J	CRD20TJ473T
MAIN	R227		nsp	nsp	RES.	56K OHM 1/5W J	CRD20TJ563T
MAIN	R228		nsp	nsp	RES.	56K OHM 1/5W J	CRD20TJ563T
MAIN	R229		nsp	nsp	RES.	56K OHM 1/5W J	CRD20TJ563T
MAIN	R230		nsp	nsp	RES.	56K OHM 1/5W J	CRD20TJ563T
MAIN	R231		nsp	nsp	RES.	150K OHM 1/5W	CRD20TJ154T
MAIN	R232		nsp	nsp	RES.	150K OHM 1/5W	CRD20TJ154T
MAIN	R233		nsp	nsp	RES.	56K OHM 1/5W J	CRD20TJ563T
MAIN	R234		nsp	nsp	RES.	56K OHM 1/5W J	CRD20TJ563T
MAIN	R235		nsp	nsp	RES.	150K OHM 1/5W	CRD20TJ154T
MAIN	R236		nsp	nsp	RES.	150K OHM 1/5W	CRD20TJ154T
MAIN	R237		nsp	nsp	RES.	56K OHM 1/5W J	CRD20TJ563T
MAIN	R238		nsp	nsp	RES.	56K OHM 1/5W J	CRD20TJ563T
MAIN	R239		nsp	nsp	RES.	56K OHM 1/5W J	CRD20TJ563T
MAIN	R240		nsp	nsp	RES.	56K OHM 1/5W J	CRD20TJ563T
MAIN	R241		nsp	nsp	RES.	56K OHM 1/5W J	CRD20TJ563T
MAIN	R242		nsp	nsp	RES.	56K OHM 1/5W J	CRD20TJ563T
MAIN	R243		nsp	nsp	RES.	150K OHM 1/5W	CRD20TJ154T
MAIN	R244		nsp	nsp	RES.	150K OHM 1/5W	CRD20TJ154T
MAIN	R245		nsp	nsp	RES.	47K OHM 1/5W J	CRD20TJ473T
MAIN	R246		nsp	nsp	RES.	47K OHM 1/5W J	CRD20TJ473T
MAIN	R247		nsp	nsp	RES.	47K OHM 1/5W J	CRD20TJ473T
MAIN	R248		nsp	nsp	RES.	47K OHM 1/5W J	CRD20TJ473T
MAIN	R249		nsp	nsp	RES.	200 OHM 1/5 W	CRD20TJ201T
MAIN	R250		nsp	nsp	RES.	200 OHM 1/5 W	CRD20TJ201T
MAIN	R251		nsp	nsp	RES.	180K OHM 1/6W J	CRD20TJ184T
MAIN	R252		nsp	nsp	RES.	180K OHM 1/6W J	CRD20TJ184T
MAIN	R253		nsp	nsp	RES.	12K OHM 1/5W J	CRD20TJ123T
MAIN	R254		nsp	nsp	RES.	12K OHM 1/5W J	CRD20TJ123T
MAIN	R255		nsp	nsp	RES.	560 OHM 1/5W J	CRD20TJ561T
MAIN	R256		nsp	nsp	RES.	560 OHM 1/5W J	CRD20TJ561T
MAIN	R257		nsp	nsp	RES.	100K OHM 1/5W J	CRD20TJ104T
MAIN	R258		nsp	nsp	RES.	100K OHM 1/5W J	CRD20TJ104T
MAIN	R259		nsp	nsp	RES.	220 OHM 1/5W J	CRD20TJ221T
MAIN	R260		nsp	nsp	RES.	220 OHM 1/5W J	CRD20TJ221T
MAIN	R261		nsp	nsp	RES.	150 OHM 1/4W J	CRD25TJ151T
MAIN	R262		nsp	nsp	RES.	150 OHM 1/6W J	CRD20TJ151T
MAIN	R263		nsp	nsp	RES.	4.7K OHM 1/5W J	CRD20TJ472T
MAIN	R264		nsp	nsp	RES.	4.7K OHM 1/5W J	CRD20TJ472T
MAIN	R265		nsp	nsp	RES.	4.7K OHM 1/5W J	CRD20TJ472T
MAIN	R267		nsp	nsp	RES.	150 OHM 1/6W J	CRD20TJ151T
MAIN	R268		nsp	nsp	RES.	150 OHM 1/6W J	CRD20TJ151T
MAIN	R269		nsp	nsp	RES.	4.7K OHM 1/5W J	CRD20TJ472T
MAIN	R270		nsp	nsp	RES.	4.7K OHM 1/5W J	CRD20TJ472T
MAIN	R271		nsp	nsp	RES.	4.7K OHM 1/4W J	CRD25TJ472T

NOTE : \*nsp\* PART IS LISTED FOR REFERENCE ONLY, MARANTZ WILL NOT SUPPLY THESE PARTS.

P.C.B. NAME	POS. NO.	VERS. COLOR	PART NO. (FOR EUR)	PART NO. (MZ)	PART NAME	DESCRIPTION	
MAIN	R273		nsp	nsp	RES.	METAL OXIDE FILM 470 OHM 1W	CRG1ANJ471H
MAIN	R274		nsp	nsp	RES.	4.7K OHM 1/5W J	CRD20TJ472T
MAIN	R275		nsp	nsp	RES.	4.7K OHM 1/5W J	CRD20TJ472T
MAIN	R276		nsp	nsp	RES.	4.7K OHM 1/5W J	CRD20TJ472T
MAIN	R277		nsp	nsp	RES.	47K OHM 1/5W J	CRD20TJ473T
MAIN	R278		nsp	nsp	RES.	47K OHM 1/5W J	CRD20TJ473T
MAIN	R281		nsp	nsp	RES.	39K OHM 1/5W J	CRD20TJ393T
MAIN	R282		nsp	nsp	RES.	39K OHM 1/5W J	CRD20TJ393T
MAIN	R285		nsp	nsp	RES.	4.7K OHM 1/5W J	CRD20TJ472T
MAIN	R286		nsp	nsp	RES.	4.7K OHM 1/5W J	CRD20TJ472T
MAIN	R287		nsp	nsp	RES.	1K OHM 1/5W J	CRD20TJ102T
MAIN	R288		nsp	nsp	RES.	1K OHM 1/5W J	CRD20TJ102T
MAIN	R289		nsp	nsp	RES.	1.5K OHM 1/5W J	CRD20TJ152T
MAIN	R290		nsp	nsp	RES.	1.5K OHM 1/5W J	CRD20TJ152T
MAIN	R291		nsp	nsp	RES.	220 OHM 1/4W J	CRD25TJ221T
MAIN	R292		nsp	nsp	RES.	220 OHM 1/4W J	CRD25TJ221T
MAIN	R293		nsp	nsp	RES.	3.3K OHM 1/5W J	CRD20TJ332T
MAIN	R294		nsp	nsp	RES.	3.3K OHM 1/5W J	CRD20TJ332T
MAIN	R295		nsp	nsp	RES.	220 OHM 1/5W J	CRD20TJ221T
MAIN	R296		nsp	nsp	RES.	220 OHM 1/5W J	CRD20TJ221T
MAIN	R297		nsp	nsp	RES.	56K OHM 1/5W J	CRD20TJ563T
MAIN	R298		nsp	nsp	RES.	56K OHM 1/5W J	CRD20TJ563T
MAIN	R301		nsp	nsp	RES.	33K OHM 1/5W J	CRD20TJ333T
MAIN	R302		nsp	nsp	RES.	33K OHM 1/5W J	CRD20TJ333T
MAIN	R303		nsp	nsp	RES.	47K OHM 1/5W J	CRD20TJ473T
MAIN	R304		nsp	nsp	RES.	47K OHM 1/5W J	CRD20TJ473T
MAIN	R305		nsp	nsp	RES.	270 OHM 1/5W J	CRD20TJ271T
MAIN	R306		nsp	nsp	RES.	270 OHM 1/5W J	CRD20TJ271T
MAIN	R307		nsp	nsp	RES.	56 OHM 1/5W J	CRD20TJ560T
MAIN	R308		nsp	nsp	RES.	56 OHM 1/5W J	CRD20TJ560T
MAIN	R309		nsp	nsp	RES.	15 OHM 1/6W J	CRD20TJ150T
MAIN	R310		nsp	nsp	RES.	15 OHM 1/6W J	CRD20TJ150T
MAIN	R311		nsp	nsp	RES.	15 OHM 1/6W J	CRD20TJ150T
MAIN	R312		nsp	nsp	RES.	15 OHM 1/6W J	CRD20TJ150T
MAIN	R313		nsp	nsp	RES.	1.5K OHM 1/5W J	CRD20TJ152T
MAIN	R314		nsp	nsp	RES.	1.5K OHM 1/5W J	CRD20TJ152T
MAIN	R315		nsp	nsp	RES.	1.5K OHM 1/5W J	CRD20TJ152T
MAIN	R316		nsp	nsp	RES.	1.5K OHM 1/5W J	CRD20TJ152T
MAIN	R317		nsp	nsp	RES.	1.2K OHM 1/5W J	CRD20TJ122T
MAIN	R318		nsp	nsp	RES.	1.2K OHM 1/5W J	CRD20TJ122T
MAIN	R319		nsp	nsp	RES.	33K OHM 1/5W J	CRD20TJ333T
MAIN	R320		nsp	nsp	RES.	33K OHM 1/5W J	CRD20TJ333T
MAIN	R321		nsp	nsp	RES.	560 OHM 1/5W J	CRD20TJ561T
MAIN	R322		nsp	nsp	RES.	560 OHM 1/5W J	CRD20TJ561T
MAIN	R323		nsp	nsp	RES.	560 OHM 1/5W J	CRD20TJ561T
MAIN	R324		nsp	nsp	RES.	560 OHM 1/5W J	CRD20TJ561T
MAIN	R325		nsp	nsp	RES.	560 OHM 1/5W J	CRD20TJ561T
MAIN	R326		nsp	nsp	RES.	560 OHM 1/5W J	CRD20TJ561T
MAIN	R327		nsp	nsp	RES.	560 OHM 1/5W J	CRD20TJ561T
MAIN	R328		nsp	nsp	RES.	560 OHM 1/5W J	CRD20TJ561T
MAIN	R329		nsp	nsp	RES.	4.7K OHM 1/5W J	CRD20TJ472T
MAIN	R330		nsp	nsp	RES.	4.7K OHM 1/5W J	CRD20TJ472T
MAIN	R331		nsp	nsp	RES.	4.7K OHM 1/5W J	CRD20TJ472T
MAIN	R332		nsp	nsp	RES.	4.7K OHM 1/5W J	CRD20TJ472T
MAIN	R333		nsp	nsp	RES.	560 OHM 1/5W J	CRD20TJ561T
MAIN	R334		nsp	nsp	RES.	560 OHM 1/5W J	CRD20TJ561T
MAIN	R335		nsp	nsp	RES.	22K OHM 1/5W J	CRD20TJ223T
MAIN	R336		nsp	nsp	RES.	22K OHM 1/5W J	CRD20TJ223T
MAIN	R337		nsp	nsp	RES.	22K OHM 1/5W J	CRD20TJ223T
MAIN	R338		nsp	nsp	RES.	22K OHM 1/5W J	CRD20TJ223T
MAIN	R339		nsp	nsp	RES.	1.8K OHM 1/5W J	CRD20TJ182T
MAIN	R340		nsp	nsp	RES.	1.8K OHM 1/5W J	CRD20TJ182T
MAIN	R341		nsp	nsp	RES.	560 OHM 1/5W J	CRD20TJ561T
MAIN	R342		nsp	nsp	RES.	560 OHM 1/5W J	CRD20TJ561T
MAIN	R343		nsp	nsp	RES.	10K OHM 1/5W J	CRD20TJ103T
MAIN	R344		nsp	nsp	RES.	10K OHM 1/5W J	CRD20TJ103T
MAIN	R345		nsp	nsp	RES.	100 OHM 1/5W J	CRD20TJ101T

NOTE : "nsp" PART IS LISTED FOR REFERENCE ONLY, MARANTZ WILL NOT SUPPLY THESE PARTS.



P.C.B. NAME	POS. NO.	VERS. COLOR	PART NO. (FOR EUR)	PART NO. (MZ)	PART NAME	DESCRIPTION
MAIN	R346		nsp	nsp	RES.	100 OHM 1/5W J CRD20TJ101T
MAIN	R347		nsp	nsp	RES.	100 OHM 1/5W J CRD20TJ101T
MAIN	R348		nsp	nsp	RES.	100 OHM 1/5W J CRD20TJ101T
MAIN	R349		nsp	nsp	RES.	100 OHM 1/5W J CRD20TJ101T
MAIN	R350		nsp	nsp	RES.	100 OHM 1/5W J CRD20TJ101T
MAIN	R351		nsp	nsp	RES.	100 OHM 1/5W J CRD20TJ101T
MAIN	R352		nsp	nsp	RES.	100 OHM 1/5W J CRD20TJ101T
MAIN	R353		nsp	nsp	RES.	2.2 OHM 1/4W J CRD25TJ2R2T
MAIN	R354		nsp	nsp	RES.	2.2 OHM 1/4W J CRD25TJ2R2T
MAIN	R355		nsp	nsp	RES.	220 OHM 1/5W J CRD20TJ221T
MAIN	R356		nsp	nsp	RES.	220 OHM 1/5W J CRD20TJ221T
MAIN	R357		nsp	nsp	RES.	2.2 OHM 1/4W J CRD25TJ2R2T
MAIN	R358		nsp	nsp	RES.	2.2 OHM 1/4W J CRD25TJ2R2T
MAIN	▲ R359		90M-GW000020R	90M-GW000020R	RES.	! 0.22OHM(*2), 5W CRF5EKR22HX2
MAIN	▲ R360		90M-GW000020R	90M-GW000020R	RES.	! 0.22OHM(*2), 5W CRF5EKR22HX2
MAIN	R361		nsp	nsp	RES.	910 OHM 1/5W J CRD20TJ911T
MAIN	R362		nsp	nsp	RES.	910 OHM 1/5W J CRD20TJ911T
MAIN	R363		nsp	nsp	RES.	5.6K OHM 1/5W J CRD20TJ562T
MAIN	R364		nsp	nsp	RES.	5.6K OHM 1/5W J CRD20TJ562T
MAIN	R365		nsp	nsp	RES.	1.8K OHM 1/5W J CRD20TJ182T
MAIN	R366		nsp	nsp	RES.	1.8K OHM 1/5W J CRD20TJ182T
MAIN	R367		nsp	nsp	RES.	10K OHM 1/5W J CRD20TJ103T
MAIN	R368		nsp	nsp	RES.	10K OHM 1/5W J CRD20TJ103T
MAIN	R369		nsp	nsp	RES.	22 OHM 1/4W J CRD25TJ220T
MAIN	R370		nsp	nsp	RES.	22 OHM 1/4W J CRD25TJ220T
MAIN	R371		nsp	nsp	RES.	22 OHM 1/4W J CRD25TJ220T
MAIN	R372		nsp	nsp	RES.	22 OHM 1/4W J CRD25TJ220T
MAIN	R373		nsp	nsp	RES.	METAL OXIDE FILM 10 OHM 1W CRG1ANJ100H
MAIN	R374		nsp	nsp	RES.	METAL OXIDE FILM 10 OHM 1W CRG1ANJ100H
MAIN	R375		nsp	nsp	RES.	22K OHM 1/5W J CRD20TJ223T
MAIN	R376		nsp	nsp	RES.	22K OHM 1/5W J CRD20TJ223T
MAIN	R381		nsp	nsp	RES.	47K OHM 1/5W J CRD20TJ473T
MAIN	R382		nsp	nsp	RES.	1K OHM 1/5W J CRD20TJ102T
MAIN	R383		nsp	nsp	RES.	22K OHM 1/5W J CRD20TJ223T
MAIN	R384		nsp	nsp	RES.	1K OHM 1/5W J CRD20TJ102T
MAIN	R385		nsp	nsp	RES.	1.2K OHM 1/5W J CRD20TJ122T
MAIN	R386		nsp	nsp	RES.	3.3K OHM 1/5W J CRD20TJ332T
MAIN	R391		nsp	nsp	RES.	METAL OXIDE FILM 10 OHM 1W CRG1ANJ100H
MAIN	R392		nsp	nsp	RES.	10 OHM 1/5W J CRD20TJ100T
MAIN	R393		nsp	nsp	RES.	10 OHM 1/5W J CRD20TJ100T
MAIN	R401		nsp	nsp	RES.	39K OHM 1/4W J CRD25TJ393T
MAIN	R402		nsp	nsp	RES.	39K OHM 1/4W J CRD25TJ393T
MAIN	R403		nsp	nsp	RES.	39K OHM 1/4W J CRD25TJ393T
MAIN	R404		nsp	nsp	RES.	39K OHM 1/4W J CRD25TJ393T
MAIN	R405		nsp	nsp	RES.	15K OHM 1/4W J CRD25TJ153T
MAIN	R406		nsp	nsp	RES.	15K OHM 1/4W J CRD25TJ153T
MAIN	R407		nsp	nsp	RES.	METAL OXIDE FILM 390 OHM 2W CRG2ANJ391H
MAIN	R411		nsp	nsp	RES.	3.3K OHM 1/5W J CRD20TJ332T
MAIN	R412		nsp	nsp	RES.	3.3K OHM 1/5W J CRD20TJ332T
MAIN	R413		nsp	nsp	RES.	220 OHM 1/4W J CRD25TJ221T
MAIN	R414		nsp	nsp	RES.	220 OHM 1/5W J CRD20TJ221T
MAIN	R415		nsp	nsp	RES.	METAL OXIDE FILM 390 OHM 2W CRG2ANJ391H
MAIN	R419		nsp	nsp	RES.	39K OHM 1/5W J CRD20TJ393T
MAIN	R420		nsp	nsp	RES.	39K OHM 1/5W J CRD20TJ393T
MAIN	R421		nsp	nsp	RES.	10 OHM 1/4W J CRD25TJ100T
MAIN	RY31		90M-LY000330R	90M-LY000330R	RELAY	OSA-SS-212DM3 HSL4A004ZU
MAIN	RY32		90M-LY000330R	90M-LY000330R	RELAY	OSA-SS-212DM3 HSL4A004ZU
MAIN	RY33		90M-LY000330R	90M-LY000330R	RELAY	OSA-SS-212DM3 HSL4A004ZU
MAIN	SP31		90M-YT002990R	90M-YT002990R	TERMINAL	8P SPEAKER CJJ5Q006Z
MAIN	WF37		nsp	nsp	CONN.	13P WAFER CARD CABLE CJP13GA115ZY
MAIN	WF95		nsp	nsp	CONN.	17P WAFER CARD CABLE CJP17GA117ZY
					<b>POWER 1 PWB (CUP11896Z-3)</b>	
POWER1	BN35		nsp	nsp	CORD	WIRE ASS'Y CWB3FB53150UP
					<b>POWER 2 PWB (CUP11896Z-2)</b>	
POWER2	C101		00MOF15104040	00MOF15104040	FILM CAP.	0.1UF 50V J HCQ1H104JZT
POWER2	C102		nsp	nsp	FILM CAP.	0.01UF 50V J HCQ1H103JZT
POWER2	C103		nsp	nsp	FILM CAP.	0.01UF 50V J HCQ1H103JZT

NOTE : "nsp" PART IS LISTED FOR REFERENCE ONLY, MARANTZ WILL NOT SUPPLY THESE PARTS.

P.C.B. NAME	POS. NO.	VERS. COLOR	PART NO. (FOR EUR)	PART NO. (MZ)	PART NAME	DESCRIPTION
POWER2	C104		nsp	nsp	CER. CAP.	0.01UF 50V Z HCBS1H103ZFT
POWER2	C105		nsp	00MOA47605020	ELECT CAP.	47UF 50V CCEA1HH470T
POWER2	C106		nsp	00MOA47605020	ELECT CAP.	47UF 50V CCEA1HH470T
POWER2	C107		nsp	nsp	CER. CAP.	0.01UF 50V Z HCBS1H103ZFT
POWER2	C108		nsp	00MOA47505020	ELECT CAP.	4.7UF 50V CCEA1HH4R7T
POWER2	CN34		nsp	nsp	CONN.	STRAIGHT 5PIN YMW025-05R CJP05GA01ZY
POWER2	CN92		nsp	nsp	CONN.	STRAIGHT 4PIN CJP04GA01ZY
POWER2	D101		00MHD30621000	00MHD30621000	ZENER DIODE	MTZJ6.2B CVDZJ6.2BT
POWER2	D103		90M-HD302350R	90M-HD302350R	ZENER DIODE	ZJ27B 1/2W CVDZJ27BT
POWER2	J115		nsp	nsp	CORD	SN95/PB5, 0.6 C3A206
POWER2	Q101		00MHT600141B0	00MHT600141B0	TRS.	KTA1271Y HVTKTA1271YT
POWER2	▲ R101		90M-NH000080R	90M-NH000080R	FUSE RES.	! 0.47 OHM 1W J CRQ1AJR47H
POWER2	▲ R102		90M-NH000080R	90M-NH000080R	FUSE RES.	! 0.47 OHM 1W J CRQ1AJR47H
POWER2	R103		nsp	nsp	RES.	2.2 OHM 1/4W J CRD25TJ2R2T
POWER2	R104		nsp	nsp	RES.	2.2 OHM 1/4W J CRD25TJ2R2T
POWER2	R105		nsp	nsp	RES.	1K OHM 1/5W J CRD20TJ102T
POWER2	R106		nsp	nsp	RES.	1.5K OHM 1/5W J CRD20TJ152T
POWER2	R107		nsp	nsp	RES.	47K OHM 1/5W J CRD20TJ473T
<b>S/W PWB (CUP11896Z-5)</b>						
S/W	BN75	/N1B	nsp	nsp	CORD	WIRE ASS'Y CWB4DA32550UP
S/W	BN75	/N1S	nsp	nsp	CORD	WIRE ASS'Y CWB4DA32550UP
S/W	▲ C801	/N1B	90M-DK100930R	90M-DK100930R	CER. CAP.	# CAP , CERAMIC (400V Y-CAP) CCKDHS102ME
S/W	▲ C801	/N1S	90M-DK100930R	90M-DK100930R	CER. CAP.	# CAP , CERAMIC (400V Y-CAP) CCKDHS102ME
S/W	▲ SW81	/N1B	90M-SP001250R	90M-SP001250R	SW	! JPP1197CSA64 KSH1A001ZV
S/W	▲ SW81	/N1S	90M-SP001250R	90M-SP001250R	SW	! JPP1197CSA64 KSH1A001ZV
<b>TACT PWB (CUP11896Z-7)</b>						
TACT	J321	/U1B	nsp	nsp	CORD	SN95/PB5, 0.6 C3A206
TACT	J322	/U1B	nsp	nsp	CORD	SN95/PB5, 0.6 C3A206
TACT	S907	/U1B	nsp	90M-SP001210R	SW	SKHV10910G TACT CST1A012ZT
<b>VIDEO PWB (CUP11896Z-1)</b>						
VIDEO	BK71		nsp	nsp	BRACKET	BRACKET FOR PWB CMD1A569
VIDEO	C260		nsp	nsp	FILM CAP.	0.1UF 50V ZF CCFT1H104ZF
VIDEO	C261		nsp	00MOA47601640	ELECT CAP.	47UF 16V CCEA1CH470T
VIDEO	C262		nsp	00MOA47601640	ELECT CAP.	47UF 16V CCEA1CH470T
VIDEO	C263		nsp	nsp	FILM CAP.	0.1UF 50V ZF CCFT1H104ZF
VIDEO	C701		nsp	nsp	CER. CAP.	22PF 50V JC CCCT1H220JC
VIDEO	C702		nsp	00MOA10605020	ELECT CAP.	10UF 50V CCEA1HH100T
VIDEO	C703		nsp	nsp	CER. CAP.	22PF 50V JC CCCT1H220JC
VIDEO	C704		nsp	00MOA10605020	ELECT CAP.	10UF 50V CCEA1HH100T
VIDEO	C705		nsp	nsp	CER. CAP.	22PF 50V JC CCCT1H220JC
VIDEO	C706		nsp	00MOA10605020	ELECT CAP.	10UF 50V CCEA1HH100T
VIDEO	C707		nsp	nsp	CER. CAP.	22PF 50V JC CCCT1H220JC
VIDEO	C708		nsp	nsp	CER. CAP.	47PF 50V JC CCCT1H470JC
VIDEO	C709		nsp	nsp	CER. CAP.	47PF 50V JC CCCT1H470JC
VIDEO	C710		nsp	00MOA10701620	ELECT CAP.	100UF 16V CCEA1CH101T
VIDEO	C711		nsp	nsp	CER. CAP.	0.022UF 50V Z CCFT1H223ZF
VIDEO	C712		nsp	00MOA10701620	ELECT CAP.	100UF 16V CCEA1CH101T
VIDEO	C713		nsp	nsp	CER. CAP.	0.022UF 50V Z CCFT1H223ZF
VIDEO	C714		nsp	00MOA33702520	ELECT CAP.	330UF 25V CCEA1EH331T
VIDEO	C715		nsp	00MOA10702520	ELECT CAP.	100UF 25V CCEA1EH101T
VIDEO	C716		nsp	nsp	CER. CAP.	0.022UF 50V Z CCFT1H223ZF
VIDEO	C717		nsp	00MOA47702520	ELECT CAP.	470UF 25V CCEA1EH471T
VIDEO	C718		nsp	00MOA10605020	ELECT CAP.	10UF 50V CCEA1HH100T
VIDEO	C719		nsp	nsp	CER. CAP.	0.022UF 50V Z CCFT1H223ZF
VIDEO	▲ C720		90M-DK100770R	90M-DK100770R	CER. CAP.	! 0.0047UF 2.5KV KCKDKS472ME
VIDEO	C721		nsp	nsp	CER. CAP.	0.01UF 50V Z CCFT1H103ZF
VIDEO	▲ C722		90M-DK100770R	90M-DK100770R	CER. CAP.	! 0.0047UF 2.5KV KCKDKS472ME
VIDEO	CN31		nsp	nsp	CONN.	STRAIGHT, 3PIN CJP03GA19ZY
VIDEO	CN32		nsp	nsp	CONN.	2P WAFER CJP02GA89ZY
VIDEO	CN33		nsp	nsp	CONN.	7.92MM(YUNHO) CJP02KA060ZY
VIDEO	CN75	/N1B	nsp	nsp	CONN.	2P WAFER CJP02GA89ZY
VIDEO	CN75	/N1S	nsp	nsp	CONN.	2P WAFER CJP02GA89ZY
VIDEO	CN91		nsp	nsp	CONN.	9P STRAIGHT CJP09GA19ZY
VIDEO	D701		00MHD30621000	00MHD30621000	ZENER DIODE	MTZJ6.2B CVDZJ6.2BT
VIDEO	D702		00MHD30621000	00MHD30621000	ZENER DIODE	MTZJ6.2B CVDZJ6.2BT
VIDEO	D703		nsp	00MHD20015210	DIODE	1SS133T-77 CVD1SS133MT
VIDEO	D704		nsp	00MHD20015210	DIODE	1SS133T-77 CVD1SS133MT

NOTE : \*nsp\* PART IS LISTED FOR REFERENCE ONLY, MARANTZ WILL NOT SUPPLY THESE PARTS.

P.C.B. NAME	POS. NO.	VERS. COLOR	PART NO. (FOR EUR)	PART NO. (MZ)	PART NAME	DESCRIPTION	
VIDEO	D706		00MHD30621000	00MHD30621000	ZENER DIODE	MTZJ6.2B	CVDZJ6.2BT
VIDEO	D707		nsp	90M-HD201730R	DIODE	1N4003	CVD1N4003ST
VIDEO	D708		nsp	90M-HD201730R	DIODE	1N4003	CVD1N4003ST
VIDEO	D709		nsp	90M-HD201730R	DIODE	1N4003	CVD1N4003ST
VIDEO	D710		nsp	90M-HD201730R	DIODE	1N4003	CVD1N4003ST
VIDEO	D711		nsp	00MHD20015210	DIODE	1SS133T-77	CVD1SS133MT
VIDEO	D712		nsp	00MHD20015210	DIODE	1SS133T-77	CVD1SS133MT
VIDEO	D713		nsp	00MHD20015210	DIODE	1SS133T-77	CVD1SS133MT
VIDEO	D714		nsp	00MHD20015210	DIODE	1SS133T-77	CVD1SS133MT
VIDEO	DC15		90M-HI200020R	90M-HI200020R	L.E.D.	SIR-34ST3F	BVDSIR34ST3F
VIDEO	F701		nsp	nsp	CONN.	HOLDER, FUSE	KJCFCS5
VIDEO	▲ F702	/U1B	nsp	90M-FS001070R	FUSE	! AC250V T2.5AL	KBA2D2500TLET
VIDEO	▲ F703		90M-FS001070R	90M-FS001070R	FUSE	! AC250V T2.5AL	KBA2D2500TLET
VIDEO	IC16		90M-HW100690R	90M-HW100690R	PHOTO UNIT	RPM674CBR-S	BRVRPM6936
VIDEO	J234		nsp	nsp	CORD	SN95/PB5, 0.6	C3A206
VIDEO	J238		nsp	nsp	CORD	SN95/PB5, 0.6	C3A206
VIDEO	J330		nsp	nsp	CORD	SN95/PB5, 0.6	C3A206
VIDEO	J338		nsp	nsp	CORD	SN95/PB5, 0.6	C3A206
VIDEO	J341		nsp	nsp	CORD	SN95/PB5, 0.6	C3A206
VIDEO	J343		nsp	nsp	CORD	SN95/PB5, 0.6	C3A206
VIDEO	J352	/U1B	nsp	nsp	CORD	SN95/PB5, 0.6	C3A206
VIDEO	J353	/U1B	nsp	nsp	CORD	SN95/PB5, 0.6	C3A206
VIDEO	J428		nsp	nsp	CORD	SN95/PB5, 0.6	C3A206
VIDEO	J813		nsp	nsp	CORD	SN95/PB5, 0.6	C3A206
VIDEO	J814		nsp	nsp	CORD	SN95/PB5, 0.6	C3A206
VIDEO	JK71		90M-YT002940R	90M-YT002940R	TERMINAL	CINCH 3P YELLOW SILVER	CJJ4S010Z
VIDEO	JK72		90M-YT002940R	90M-YT002940R	TERMINAL	CINCH 3P YELLOW SILVER	CJJ4S010Z
VIDEO	JK73		90M-YT003120R	90M-YT003120R	TERMINAL	CINCH 2P (GOLD) REMOTE	CJJ4N036Z
VIDEO	JK74		90M-YT004860R	90M-YT004860R	TERMINAL	3.5MM JACK STEREO	CJJ2D008Z
VIDEO	▲ OL91	/N1B	90M-YT002430R	90M-YT002430R	TERMINAL	! A302D0061P AC(EUR/1P)	KJJ7A022Z
VIDEO	▲ OL91	/N1S	90M-YT002430R	90M-YT002430R	TERMINAL	! A302D0061P AC(EUR/1P)	KJJ7A022Z
VIDEO	▲ OL91	/U1B	nsp	90M-YT002410R	TERMINAL	! A204D0041P AC(UL/2P/SEP)	KJJ7A015Z
VIDEO	Q112		00MBA10001000	00MBA10001000	TRS.	KRA102M	HVTKRA102MT
VIDEO	▲ Q701		90M-HT800040R	90M-HT800040R	TRS.	! KSC2316Y	HVTKSC2316YT
VIDEO	Q702		90M-BA001460R	90M-BA001460R	TRS.	KRC107M	HVTKRC107MT
VIDEO	R396		nsp	nsp	RES.	200 OHM 1/5 W	CRD20TJ201T
VIDEO	R397		nsp	nsp	RES.	100 OHM 1/5W J	CRD20TJ101T
VIDEO	R398		nsp	nsp	RES.	100 OHM 1/5W J	CRD20TJ101T
VIDEO	R408		nsp	nsp	RES.	200 OHM 1/5 W	CRD20TJ201T
VIDEO	R701		nsp	nsp	RES.	75 OHM 1/5W J	CRD20TJ750T
VIDEO	R702		nsp	nsp	RES.	75 OHM 1/5W J	CRD20TJ750T
VIDEO	R703		nsp	nsp	RES.	75 OHM 1/5W J	CRD20TJ750T
VIDEO	R704		nsp	nsp	RES.	75 OHM 1/5W J	CRD20TJ750T
VIDEO	R705		nsp	nsp	RES.	75 OHM 1/5W J	CRD20TJ750T
VIDEO	R706		nsp	nsp	RES.	75 OHM 1/5W J	CRD20TJ750T
VIDEO	R708		nsp	nsp	RES.	390 OHM	CRG2ANJ391H
VIDEO	R710		nsp	nsp	RES.	390 OHM	CRG2ANJ391H
VIDEO	R713		nsp	nsp	RES.	2.2 OHM 1/4W J	CRD25J2R2T
VIDEO	R714		nsp	nsp	RES.	2.7K OHM 1/5W J	CRD20TJ272T
VIDEO	▲ R716	/U1B	nsp	90M-GG000010R	RES.	! 3.3M OHM 1/10W J	HRDERC12UGK335T
VIDEO	R719		nsp	nsp	RES.	47K OHM 1/5W J	CRD20TJ473T
VIDEO	R720		nsp	nsp	RES.	47 OHM 1/5W J	CRD20TJ470T
VIDEO	▲ RY71		00MLY10090010	00MLY10090010	RELAY	! SDT-S-109DMR	HSL1D016ZE
VIDEO	▲ T701	/N1B	90M-TS001940R	90M-TS001940R	TRANSF.	! SUB SR5400(6400)/N1	CLT5I002ZE
VIDEO	▲ T701	/N1S	90M-TS001940R	90M-TS001940R	TRANSF.	! SUB SR5400(6400)/N1	CLT5I002ZE
VIDEO	▲ T701	/U1B	nsp	90M-TS001970R	TRANSF.	! SUB SR5400(6400)/U1	CLT5I002ZU

NOTE : \*nsp\* PART IS LISTED FOR REFERENCE ONLY, MARANTZ WILL NOT SUPPLY THESE PARTS.