

marantz® SERVICE BULLETIN		Date: 30-June-2003	Model: SR4300,SR4400
		Page: 1 / 1	REF.NBR: MZ03-023
Circulation:		Subject:	
Application:		The sound is interrupted, when the playback DIGITAL of CD-R/RW of the SCMS signal.	
x for information customer complaint in case of service mandatory	See Below	Int.ref:	

[PHENOMENON]

When the playback CD-R/RW of Digital that SCMS(Serial Copy Management System) signal was recorded, The sound is interrupted

[SOLUTION]

Replace MICRO PROCESSOR(Flash) **ICS18** on the **DIGITAL/AUDIO PCB**.

[NECESSARY PART]

1. SR4300

POS.NO **ICS18** Part no. ***HS09AWH0R** New version no: **VER .030527**

(H8/3026F Flash Ver.030527 wrote FACTORY PART No. **OICH83026F43SV0527**)

[OLD part no. *HU100620R FACTORY PART No. OICH83026F]

2. SR4400

POS.NO **ICS18** Part no. ***HS26AWH0R** New version no: **VER .030515**

(HD6433026D04F Mask Ver.030515 FACTORY PART No. **OICHD6433026D04F**)

[OLD part no. *HU100620R FACTORY PART No. OICH83026F]

Version no can be confirmed with SERVICE MODE, Refer to service manual of SR4300 page56 or SR4400 page52.

[REMARKS]

The countermeasure apply to this claim only.

This improvement has been done in the production the serial no.XE000323xxxxxx and after (SR4300) the serial no.XE000322xxxxxx and after (SR4400/N1B/N1S)

SR4400/A1B/A1S/K1S/K1G/U1B have used New MICRO PROCESSOR. Therefore, this problem doesn't occur.

Approved by **S.NAGAO**

Written by

marantz® SERVICE BULLETIN		Date: 31-Oct.-2003	Model: SR4300/SR4400
		Page: 1 / 3	REF.NBR: MZ03-047
Circulation:		Subject:	
Application:		The problem of the Speaker protection circuit.	
x for information customer complaint in case of service mandatory			
		Service code XE00 XE00xxxxxxxxxx	

[PHENOMENON]

- 1) The protection circuit does not work when the power transistor was damaged.
- 2) When the power transistor was damaged, about 40 V outputs to speaker out.
- 3) The protection circuit function does not operate, then the unit will not be in POWER STANDBY mode and the speaker output RELAY does not work.

[REASON]

- 1) When the transistor is damaged before turn on the unit, the micro processor can not detect protection signal (Protect2).
- 2) Turn on the unit, the down edge of a protection signal (Protect2) is undetectable for about 2 seconds after the micro processor reset

[SOLUTION]

The protection output signal of Protection IC is added to the "SPK MUTE" signal in hard, and Speaker MUTE is always set to "ON" when abnormal occur protection

1.SR4300

DIGITAL/AUDIO PCB

- 1) Chip Resistor **LS850** (100 ohm 1/16W part no. NN05101610) is changed to **Silicon Diode (Part no. *HD201810R--- 1SS400 POHM: EMD2, EIAJ: SC-79, JEDEC: SOD-523)**.

MAIN PCB

- 2) Chip Resistor **DN601(Part no.HD20002000---Silicon Diode 1SS254 ROHM)** is added between BASE of QN606 SEMICOM.COMP and No.5 pin of JFN101 Connector

2.SR4400

DIGITAL/AUDIO PCB

- 1) Chip Resistor **RS928** (100 ohm 1/16W part no. NN05101610) is changed to **Silicon Diode (Part no. *HD201810R--- 1SS400 POHM: EMD2, EIAJ: SC-79, JEDEC: SOD-523)**.

MAIN PCB

- 2) Chip Resistor **DN601(Part no.HD20002000---Silicon Diode 1SS254 ROHM)** is added between BASE of QN606 SEMICOM.COMP and No.5 pin of JFN101 Connector

As for the details, Please see page2/3 and 3/3

[REMARKS]

The countermeasure apply to this claim only.

This problem apply to the Service code number XE00xxxxxxxxxx.

This improvement has been done in the production the Service code number XE01xxxxxxxxxx and after.

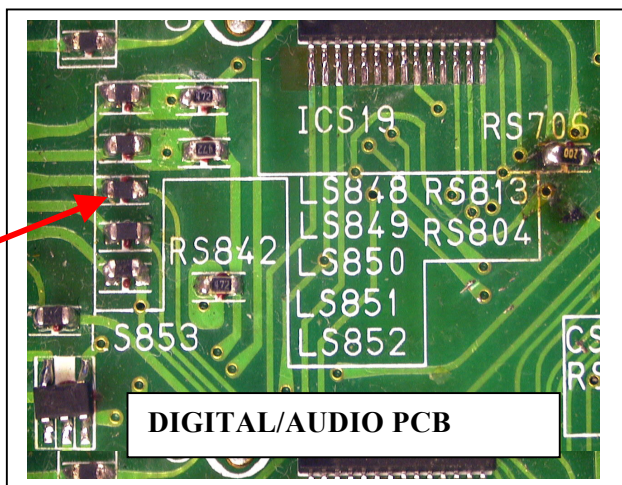
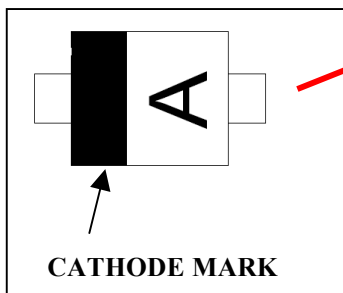
Approved by **S.NAGAO**

Written by

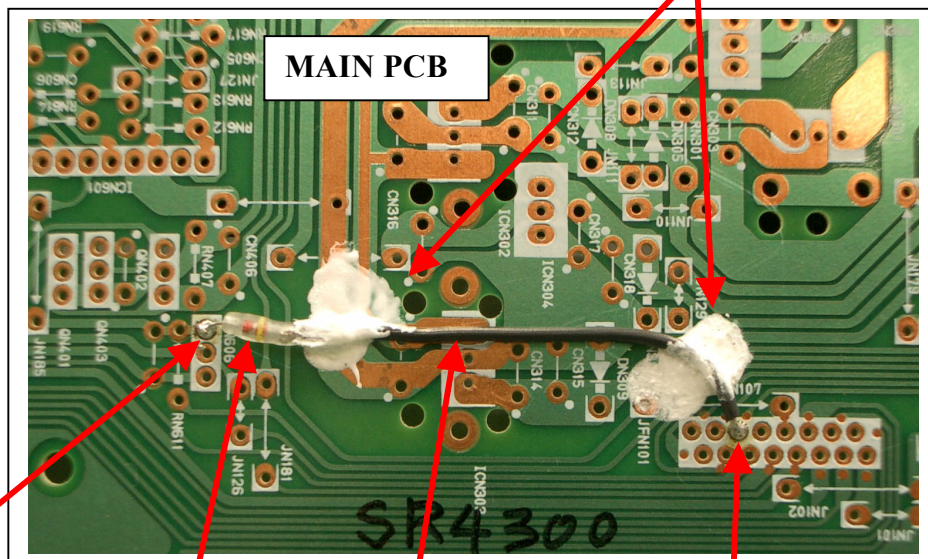
SR4300

LS850 is changed to
Part no. *HD201810R

Caution
JFS08 (FPC CONNECTOR) side is
CATHODE

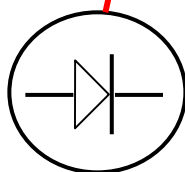


Adhesives:
SC608LVZ (Sony Chemical Corp. – Self-extinguishing adhesive) or the equivalent



BASE of QN606

DN601
Part no. HD20002000



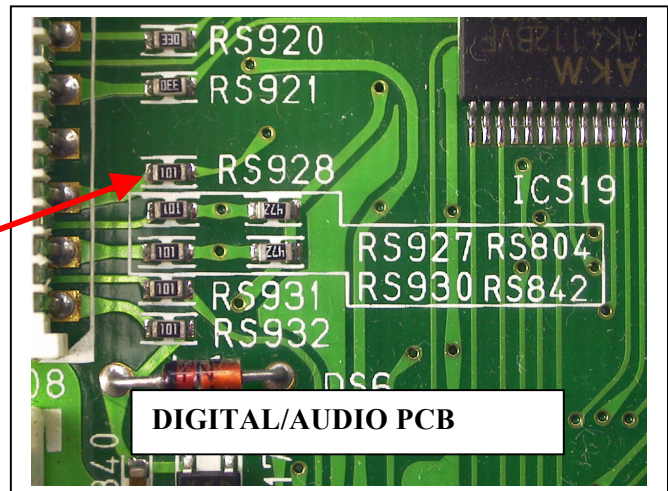
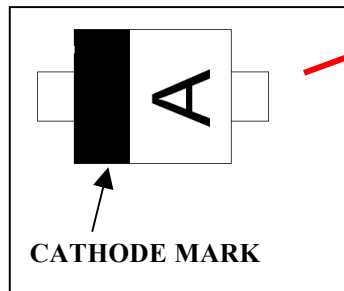
No.5 pin of JFN101

Insulation tube is used

SR4400

RS928 is changed to
Part no. *HD201810R

Caution
JFS08 (FPC CONNECTOR) side is
CATHODE



Adhesives:
SC608LVZ (Sony Chemical Corp. – Self-extinguishing adhesive) or the equivalent

BASE of QN606

MAIN PCB

SR4400

No.5 pin of JFN101

Insulation tube is used

DN601
Part no. HD20002000

marantz® SERVICE BULLETIN		Date: 30-June-2003	Model: SR4300,SR4400
		Page: 1 / 1	REF.NBR: MZ03-025
Circulation:		Application:	
x for information customer complaint in case of service mandatory		See Below	
		Subject: FM(with RDS) signal is received, Frequency Indication becomes the setup of default by the remote control operation . (only N and A version occurs)	
		Int.ref:	

[PHENOMENON]

The problem occurs in the following operation.

1. First, RDS(Radio Data System) in the FM signal is received.
 2. Then preset memory newly.
 3. Then press the POWER button on the remote controller , the unit became Standby mode.
 4. Again, press the POWER button on the remote controller, the volume level becomes “ -∞ ” and Frequency indication becomes the setup of default.
- (This problem occurs only SR4300/N1B/N1G/A1B/A1G and SR4400/N1B/N1S/A1B/A1S)

[SOLUTION]

Replace MICRO PROCESSOR(Flash) **ICS18** on the **DIGITAL/AUDIO PCB**.

[NECESSARY PART]

1. SR4300

POS.NO **ICS18** Part no. ***HS09AWH0R** New version no: **VER .030527**

(H8/3026F Flash Ver.030527 wrote FACTORY PART No. **OICH83026F43SV0527**)

[OLD part no. *HU100620R FACTORY PART No. OICH83026F]

2. SR4400

POS.NO **ICS18** Part no. ***HS26AWH0R** New version no: **VER .030515**

(HD6433026D04F Mask Ver.030515 FACTORY PART No. **OICHD6433026D04F**)

[OLD part no. *HU100620R FACTORY PART No. OICH83026F]

Version no can be confirmed with SERVICE MODE, Refer to service manual of SR4300 page56 or SR4400 page52.

[REMARKS]

1. The countermeasure apply to this claim only.
2. This improvement has been done in the production the serial no.XE000322xxxxxx and after (SR4400)
3. The production of SR4300/N1B/N1G/A1B/A1G has been finished.

Approved by **S.NAGAO**

Written by