

Service Manual

SR4320 /A1B/N1B/U1B
/N1G

Receiver

2nd EDITION

- The model no.SR4320/N1B/N1G was added in this service manual.

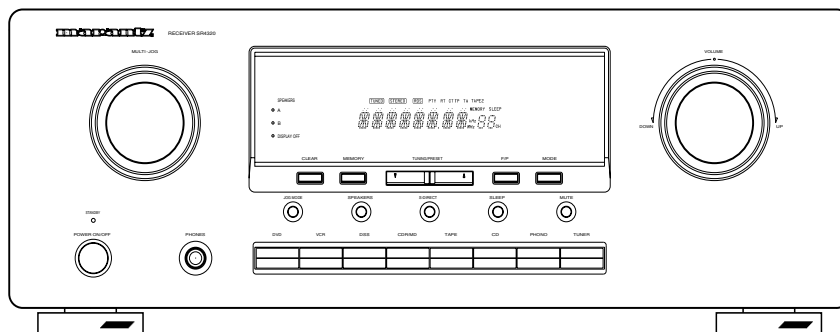


TABLE OF CONTENTS

SECTION	PAGE
1. TECHNICAL SPECIFICATIONS	1
2. WIRING DIAGRAM	3
3. BLOCK DIAGRAM	5
4. SCHEMATIC DIAGRAM	7
5. PARTS LOCATION	11
6. IC DATA	21
7. EXPLODED VIEW AND PARTS LIST	25
8. SERVICE PROCEDURE	29
9. ELECTRICAL PARTS LIST	30

Please use this service manual with referring to the user guide (D.F.U.) without fail.
修理の際は、必ず取扱説明書を準備し操作方法を確認の上作業を行ってください。

marantz®

SR4320

MARANTZ DESIGN AND SERVICE

Using superior design and selected high grade components, **MARANTZ** company has created the ultimate in stereo sound. Only original **MARANTZ** parts can insure that your **MARANTZ** product will continue to perform to the specifications for which it is famous.

Parts for your **MARANTZ** equipment are generally available to our National Marantz Subsidiary or Agent.

ORDERING PARTS :

Parts can be ordered either by mail or by Fax.. In both cases, the correct part number has to be specified.

The following information must be supplied to eliminate delays in processing your order :

1. Complete address
2. Complete part numbers and quantities required
3. Description of parts
4. Model number for which part is required
5. Way of shipment
6. Signature : any order form or Fax. must be signed, otherwise such part order will be considered as null and void.

USA

MARANTZ AMERICA, INC
1100 MAPLEWOOD DRIVE
ITASCA, IL. 60143
USA
PHONE : 630 - 741 - 0300
FAX : 630 - 741 - 0301

EUROPE / TRADING

MARANTZ EUROPE B.V.
P. O. BOX 8744, BUILDING SILVERPOINT
BEEMDSTRAAT 11, 5653 MA EINDHOVEN
THE NETHERLANDS
PHONE : +31 - 40 - 2507844
FAX : +31 - 40 - 2507860

CANADA

LENBROOK INDUSTRIES LIMITED
633 GRANITE COURT,
PICKERING, ONTARIO L1W 3K1
CANADA
PHONE : 905 - 831 - 6333
FAX : 905 - 831 - 6936

PROFESSIONAL AMERICAS

SUPERSCOPE TECHNOLOGIES, INC.
MARANTZ PROFESSIONAL PRODUCTS
2640 WHITE OAK CIRCLE, SUITE A
AURORA, ILLINOIS 60504 USA
PHONE : 630 - 820 - 4800
FAX : 630 - 820 - 8103

PROFESSIONAL AUSTRALIA

TECHNICAL AUDIO GROUP PTY, LTD
43-53 Bridge Rd.,
STANMORE NSW 2048
AUSTRALIA
PHONE : +61 - (0)2 - 9519 - 0900
FAX : +61 - (0)2 - 9519 - 0600

PROFESSIONAL HONG KONG

Jolly ProAudio Broadcast Engineering Ltd.
UNIT 2, 10F, WAH HUNG CENTRE,
41 HUNG TO ROAD, KWUN TONG, KLN.,
HONG KONG
PHONE : 852 - 21913660
FAX : 852 - 21913990

AUSTRALIA

QualiFi Pty Ltd,
24 LIONEL ROAD,
MT. WAVERLEY VIC 3149
AUSTRALIA
PHONE : +61 - (0)3 - 9543 - 1522
FAX : +61 - (0)3 - 9543 - 3677

THAILAND

MRZ STANDARD CO., LTD
746 - 754 MAHACHAI ROAD.,
WANGBURAPAPIROM, PHRANAKORN,
BANGKOK, 10200 THAILAND
PHONE : +66 - 2 - 222 9181
FAX : +66 - 2 - 224 6795

SINGAPORE

WO KEE HONG DISTRIBUTION PTE LTD
130 JOO SENG ROAD
#03-02 OLIVINE BUILDING
SINGAPORE 368357
PHONE : +65 6858 5535 / +65 6381 8621
FAX : +65 6858 6078

NEW ZEALAND

WILDASH AUDIO SYSTEMS NZ
14 MALVERN ROAD MT ALBERT
AUCKLAND NEW ZEALAND
PHONE : +64 - 9 - 8451958
FAX : +64 - 9 - 8463554

TAIWAN

PAI- YUING CO., LTD.
6 TH FL NO, 148 SUNG KIANG ROAD,
TAIPEI, 10429, TAIWAN R.O.C.
PHONE : +886 - 2 - 25221304
FAX : +886 - 2 - 25630415

MALAYSIA

WO KEE HONG ELECTRONICS SDN. BHD.
2ND FLOOR BANGUNAN INFINITE CENTRE
LOT 1, JALAN 13/6, 46200 PETALING JAYA
SELANGOR DARUL EHSAN, MALAYSIA
PHONE : +60 - 3 - 7954 8088
FAX : +60 - 3 - 7954 7088

JAPAN *Technical*

MARANTZ JAPAN, INC.
35- 1, 7- CHOME, SAGAMIONO
SAGAMIHARA - SHI, KANAGAWA
JAPAN 228-8505
PHONE : +81 42 748 1013
FAX : +81 42 741 9190

日本マランツ株式会社

本社 〒228-8505
神奈川県相模原市相模大野7-35-1

KOREA

MK ENTERPRISES LTD.
ROOM 604/605, ELECTRO-OFFICETEL, 16-58,
3GA, HANGANG-RO, YONGSAN-KU, SEOUL
KOREA
PHONE : +822 - 3232 - 155
FAX : +822 - 3232 - 154

SHOCK, FIRE HAZARD SERVICE TEST :

CAUTION : After servicing this appliance and prior to returning to customer, measure the resistance between either primary AC cord connector pins (with unit NOT connected to AC mains and its Power switch ON), and the face or Front Panel of product and controls and chassis bottom.

Any resistance measurement less than 1 Megohms should cause unit to be repaired or corrected before AC power is applied, and verified before it is return to the user/customer.

Ref. UL Standard No. 1492.

In case of difficulties, do not hesitate to contact the Technical Department at above mentioned address.

1. TECHNICAL SPECIFICATIONS

FM Tuner Section

Frequency Range	87.5 - 108.0 MHz
Usable Sensitivity	IHF 2.0 μ V/17.3 dBf
Signal to Noise Ratio	Mono/Stereo 70/65 dB
Distortion	Mono/Stereo 0.2/0.3%
Stereo Separation.....	1 kHz 40 dB
A.C.S	\pm 400 kHz 50 dB
Image Rejection.....	98.1 MHz 70 dB
Tuner Output Level	1 kHz, \pm 75 kHz Dev 500 mV

AM Tuner Section

Frequency Range	531 - 1602 kHz [/A/N]
.....	520 - 1710 kHz [/U]
Usable Sensitivity	Loop 400 μ V
Signal to Noise Ratio	50 dB
Distortion 1 kHz, 30% Mod. 1.0%	
Selectivity	\pm 10 kHz 40 dB

Audio Section

Rated Power	40 Hz - 20 kHz 8 W 80 W/Ch
.....	40 Hz - 20 kHz 6 W 100 W/Ch
THD	40 Hz - 20 kHz 8 W 0.08%
Input Sensitivity/Impedance	
Linear	200 mV/47 kW
Signal to Noise Ratio (IHF A)	
Linear	95 dB

Others

Power Supply.....	AC 230 V 50 Hz [/A/N]
.....	AC 120 V 60 Hz [/U]
Power Consumption	250 W [/A/N]
.....	2.3 A [/U]

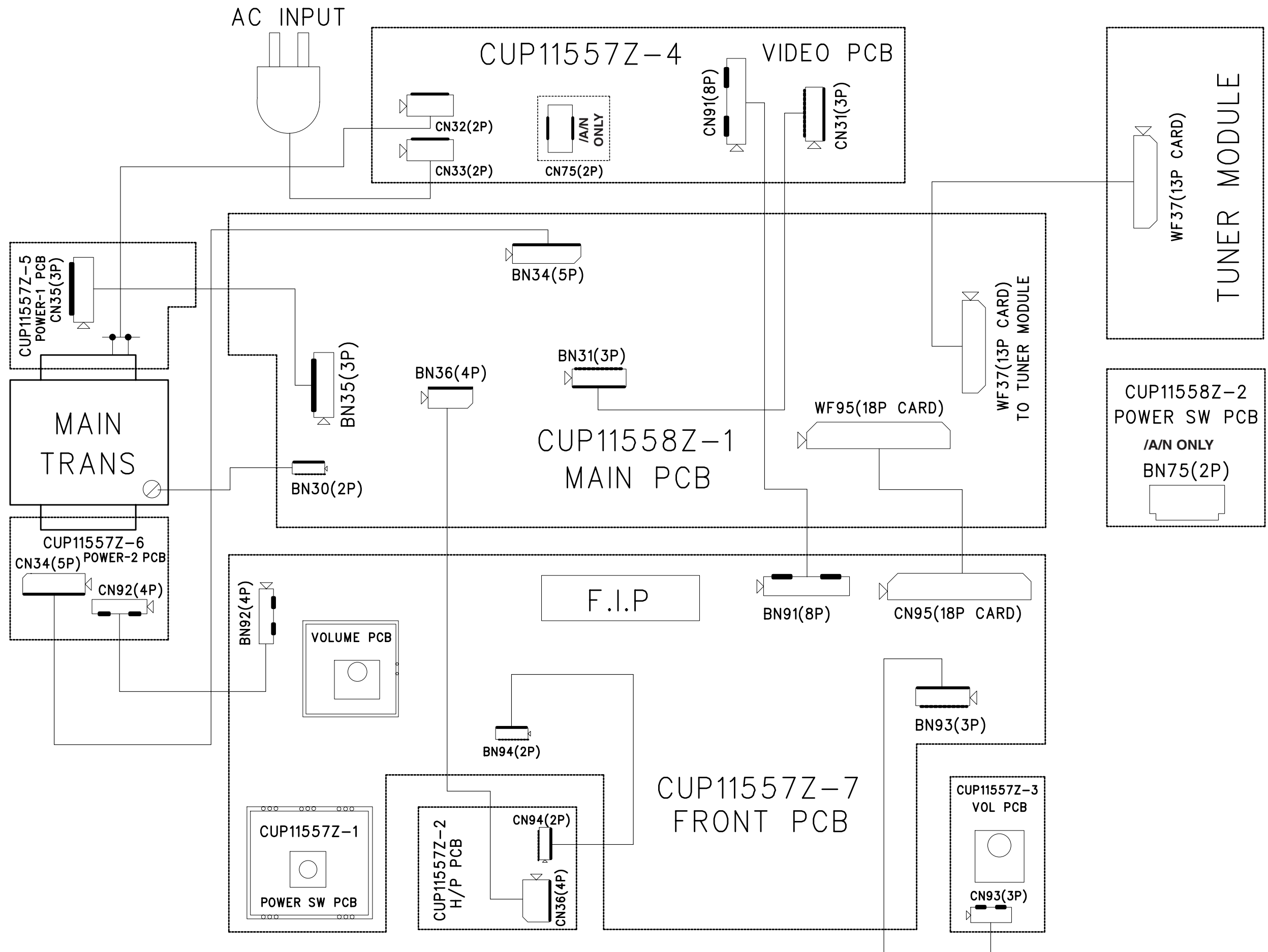
Dimensions (MAX)

Width	440 mm (17-5/16 in)
Height	164 mm (6-7/16 in)
Depth	365 mm (14-3/8 in)
Weight	8.4 kg (18.5 lbs)

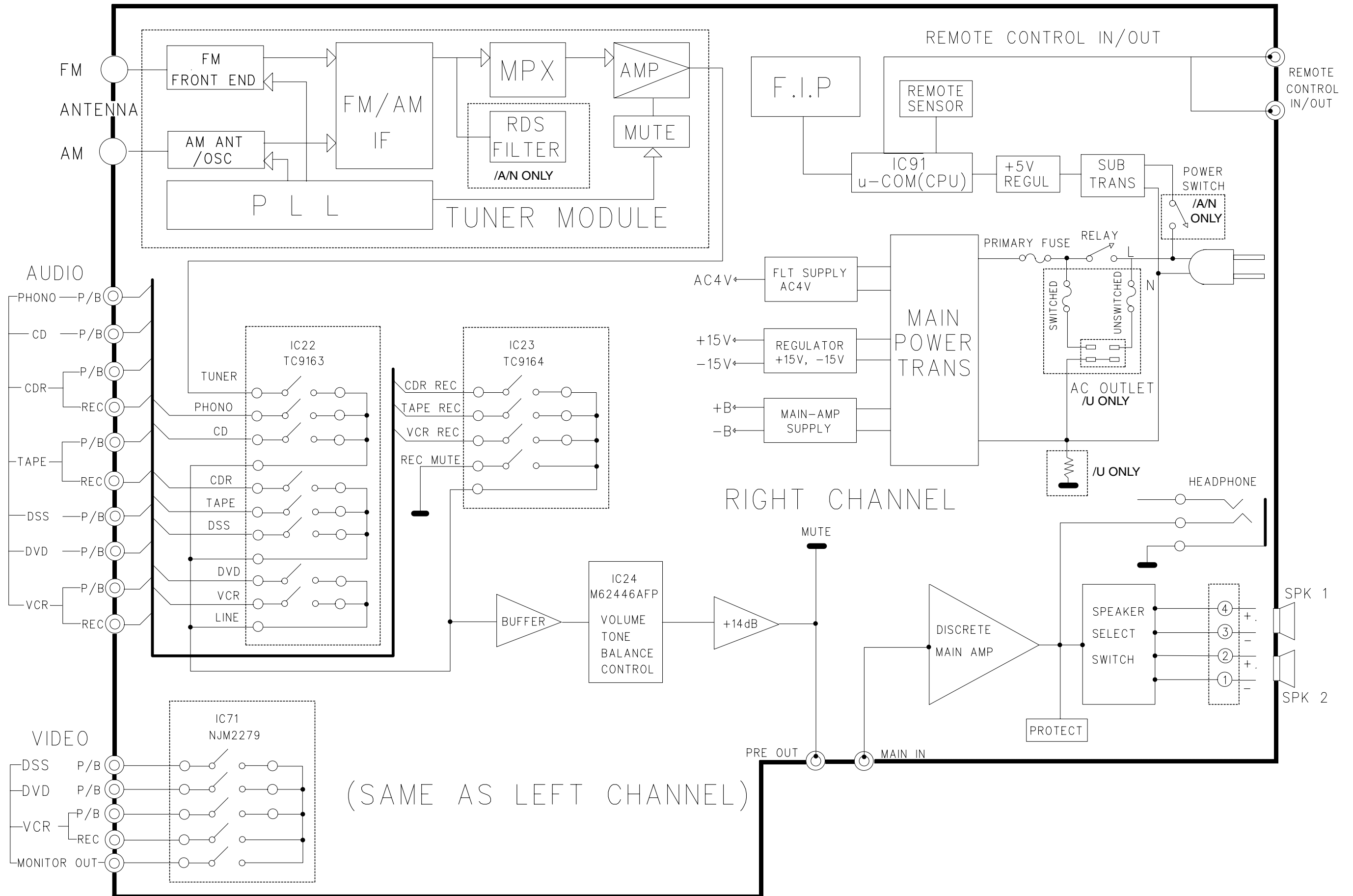
Accessories

Remote Control Unit RC4320SR	1
FM Feeder Antenna	1
AM Loop Antenna	1
AC Power Cord [/A/N].....	1
AAA-Size Batteries	2
Warranty Card[/N/U]	1
User Guide	1

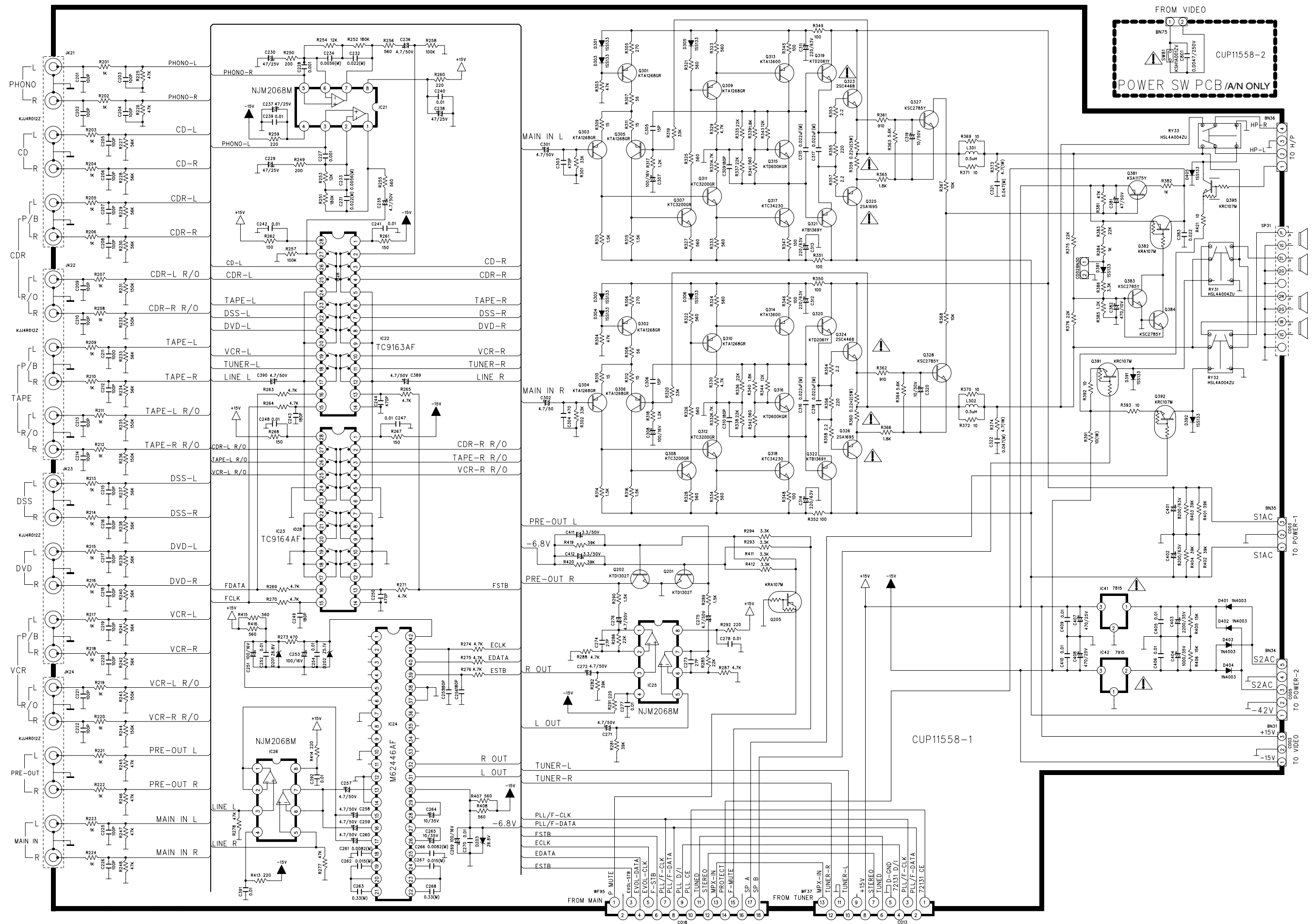
3. WIRING DIAGRAM

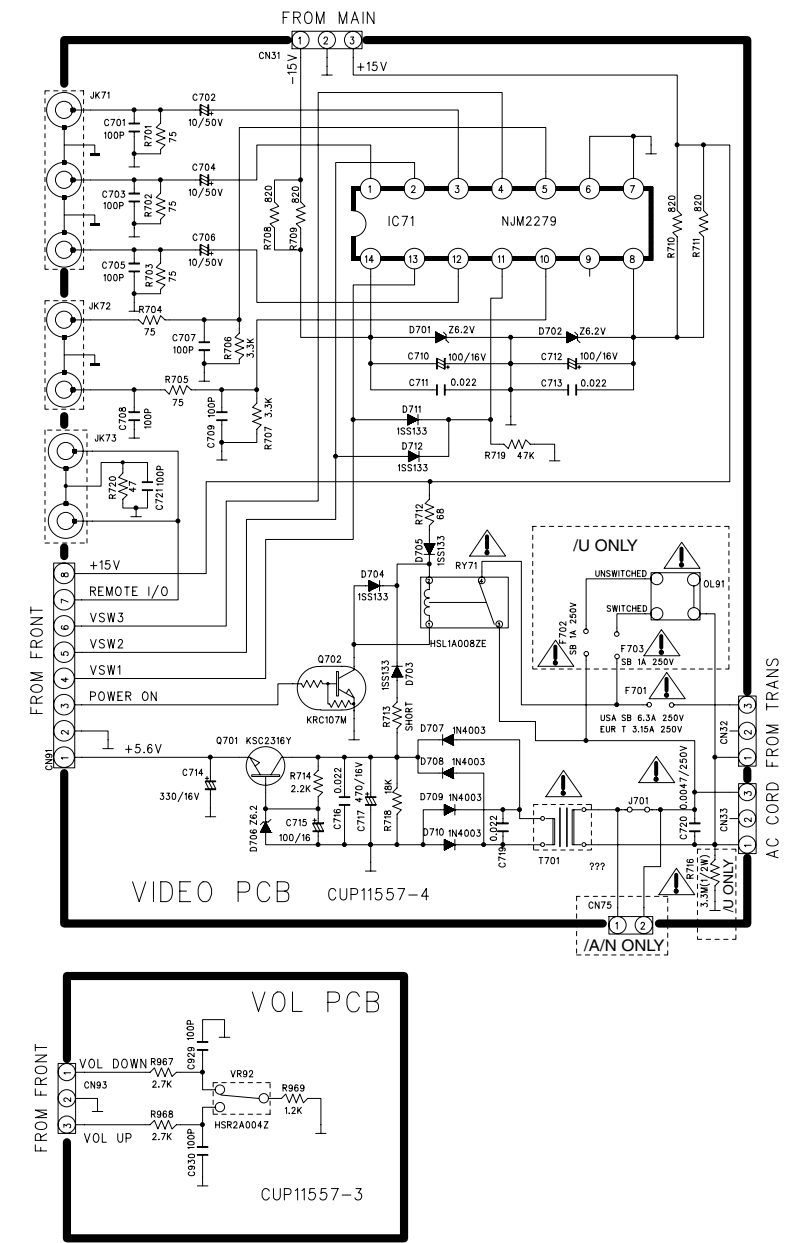
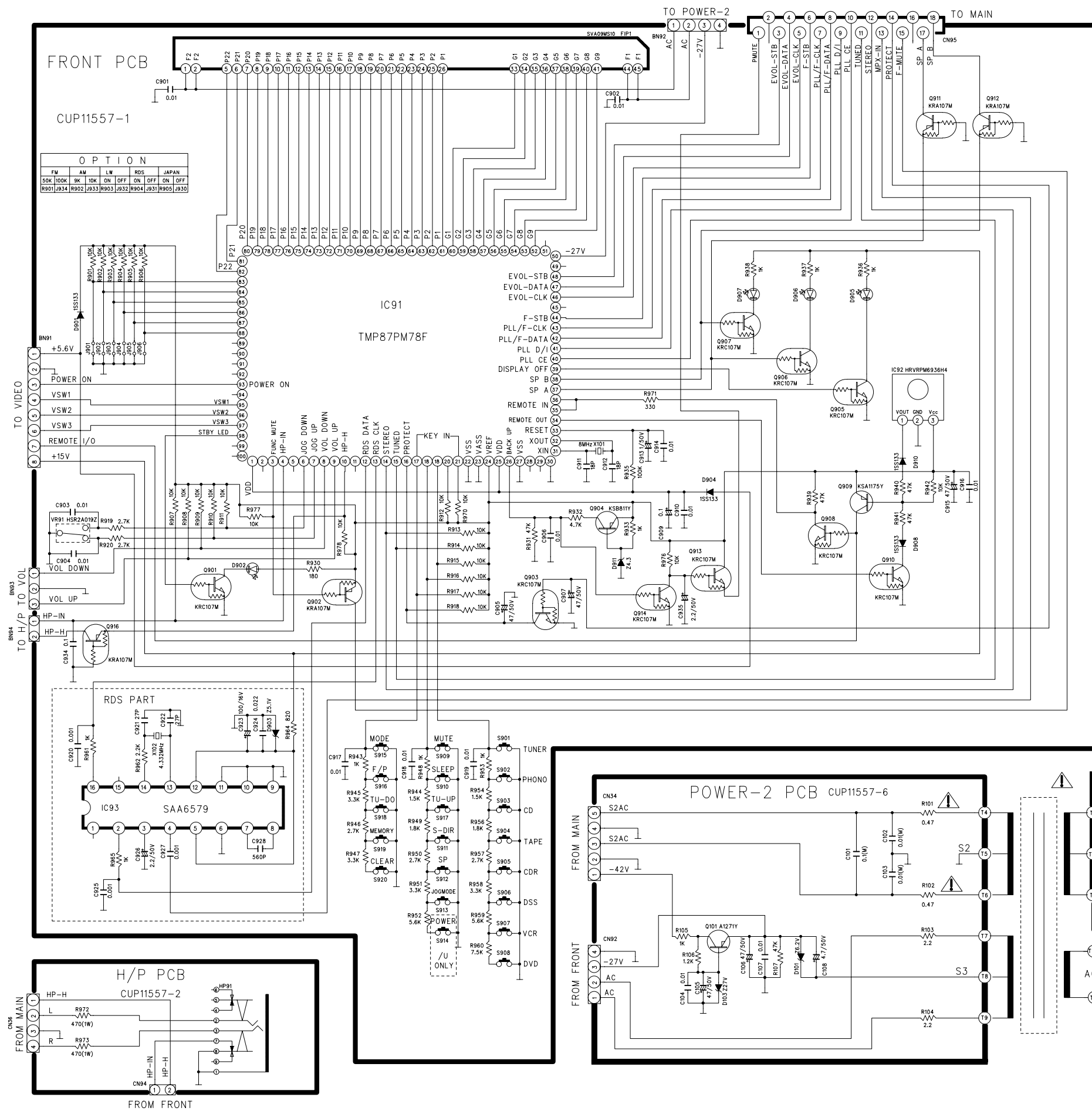


4. BLOCK DIAGRAM



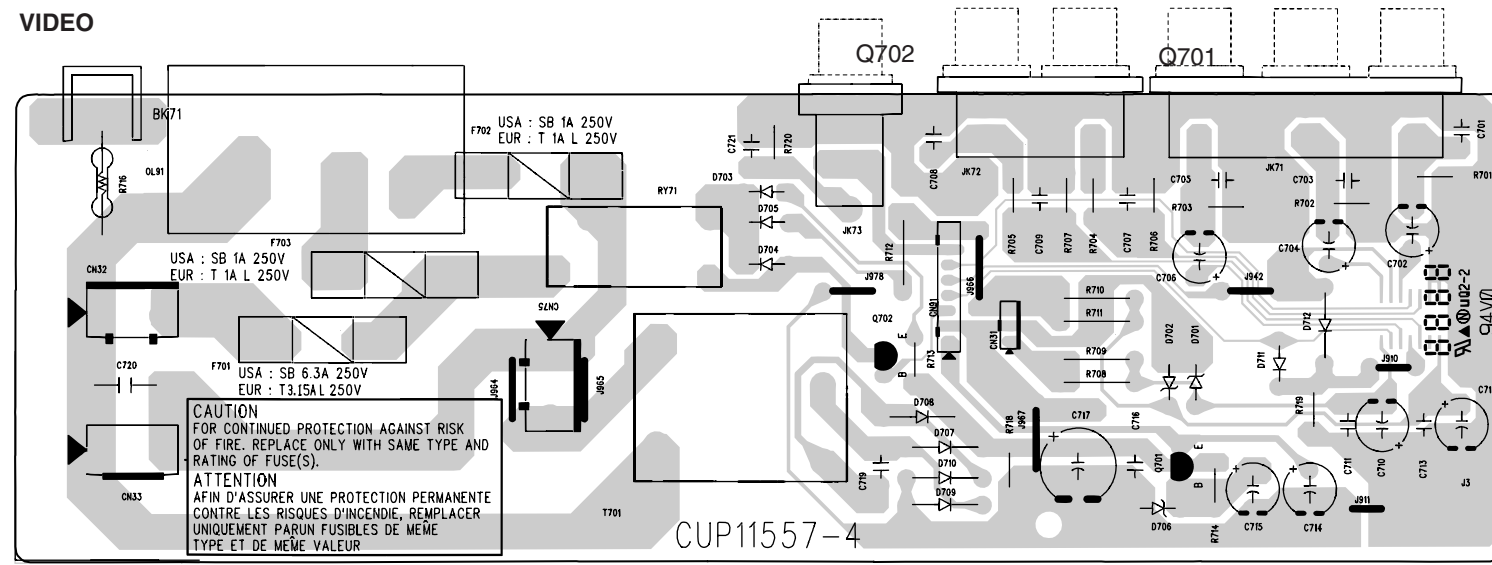
5. SCHEMATIC DIAGRAM



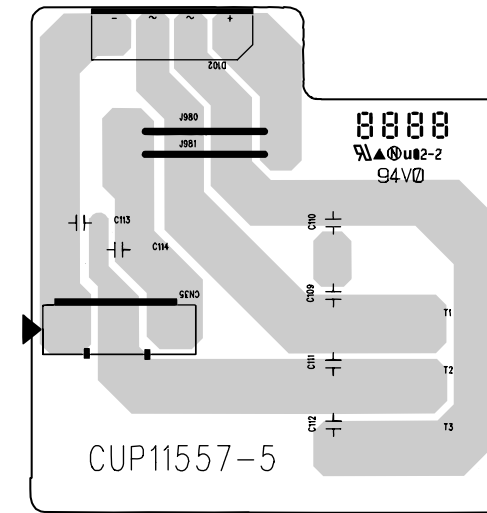


5. PARTS LOCATION

VIDEO

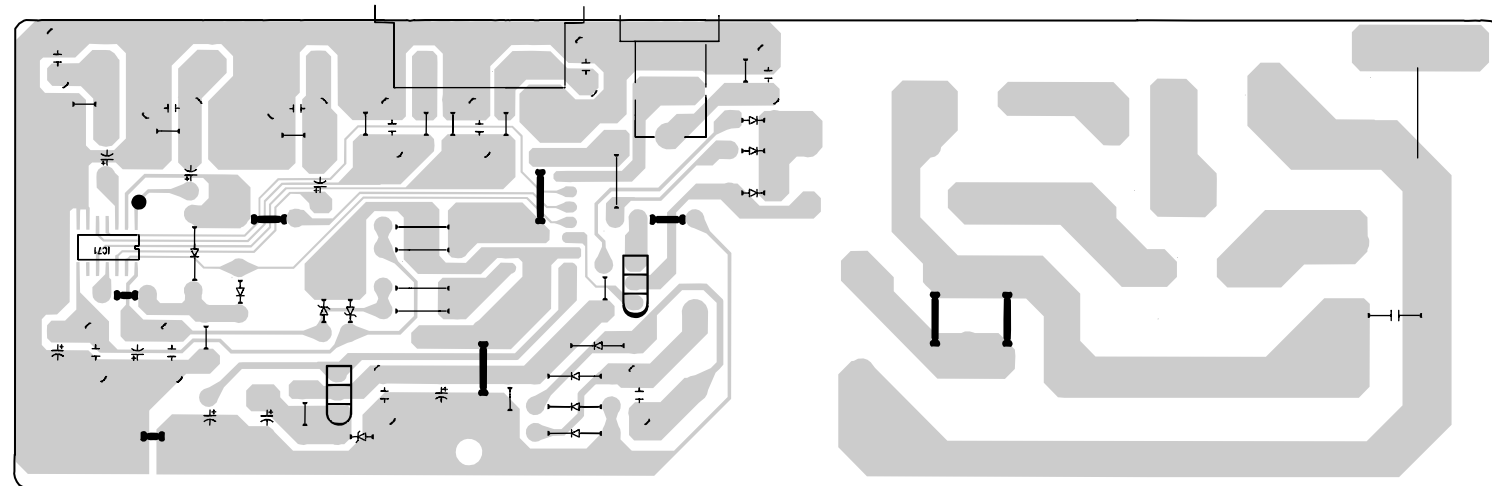


POWER-1



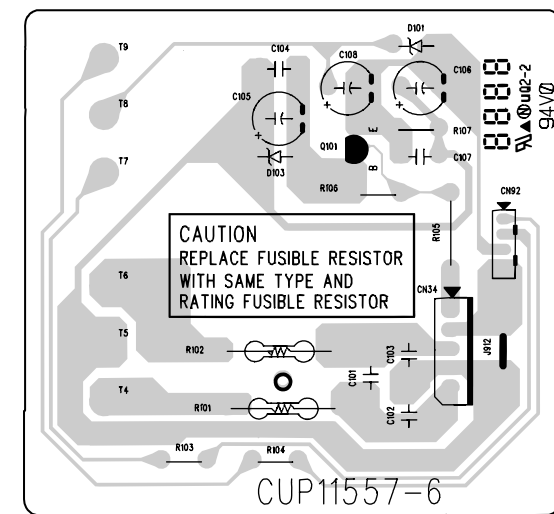
VIDEO

IC71

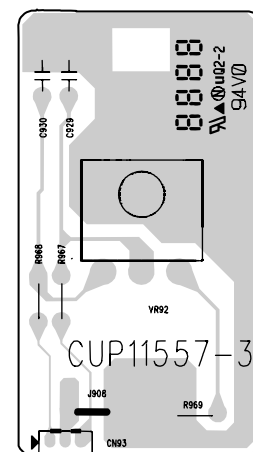


POWER-2

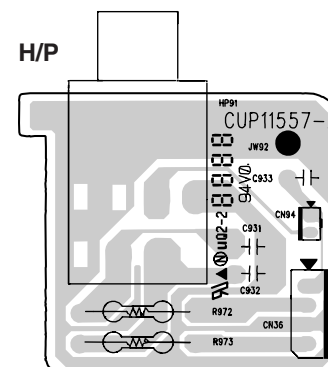
Q101



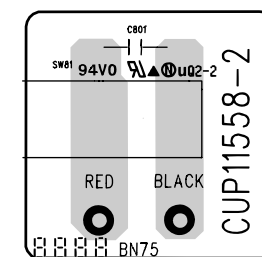
VOL



H/P



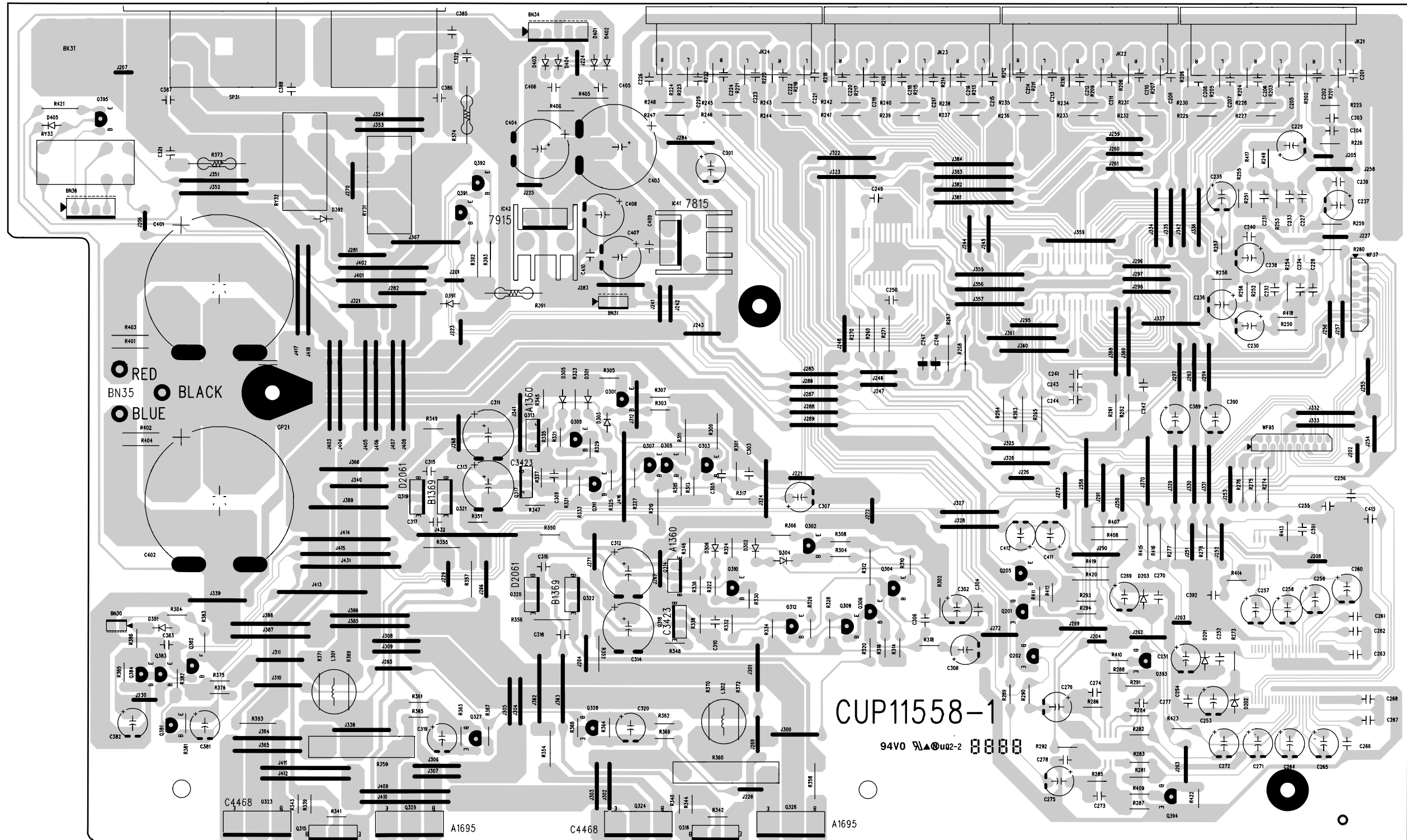
POWER SW



MAIN

Q395

Q391 Q392 IC42 IC41
 Q319 Q321 Q317 Q313 Q309 Q311 Q301 Q307 Q305 Q303 Q302
 Q320 Q322 Q314 Q318 Q310 Q312 Q308 Q306 Q304
 Q384 - Q381 Q323 Q315 Q325 Q327 Q328 Q324 Q316 Q326
 Q205 Q201 Q202 Q393 Q304

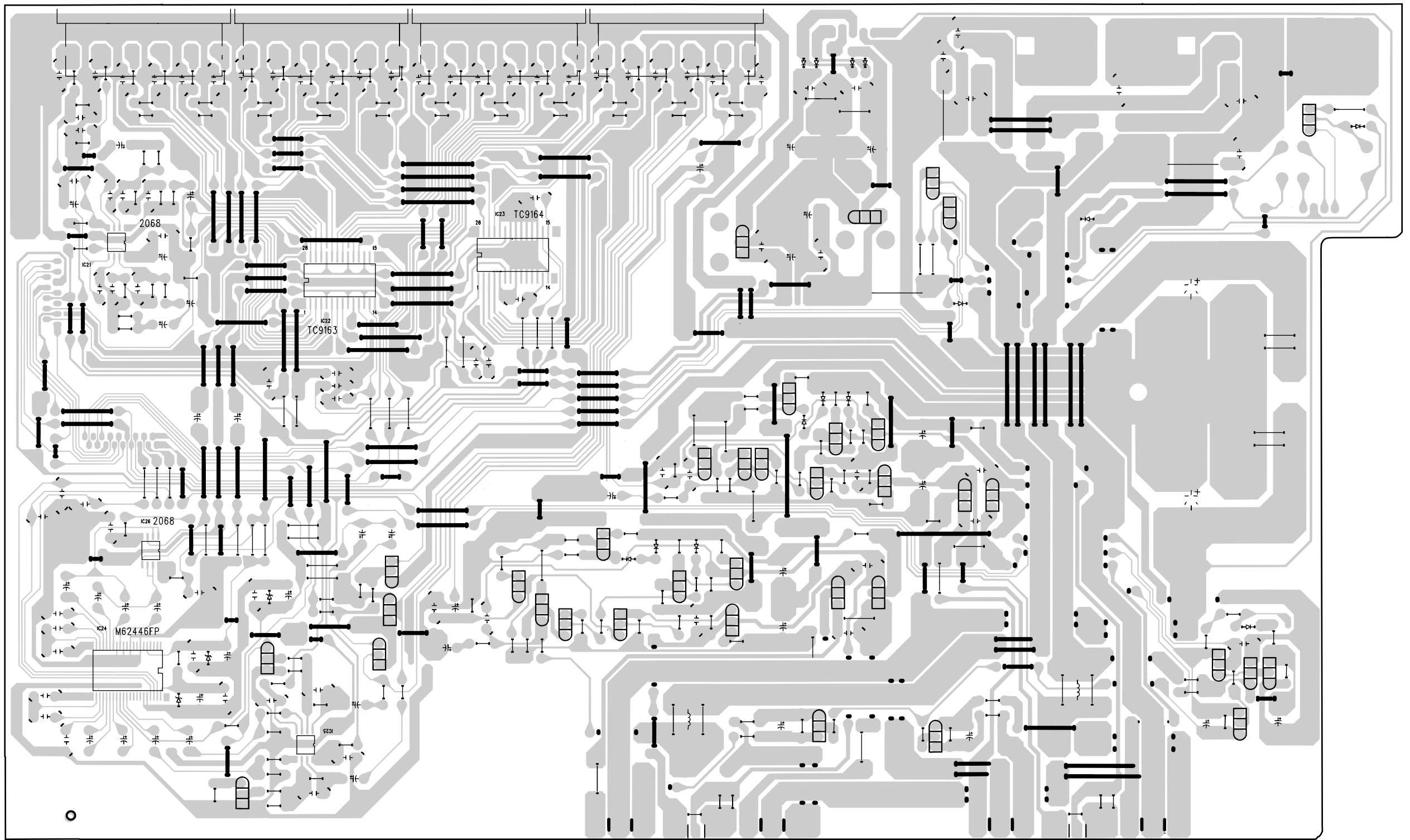


MAIN

IC21
IC24 IC26

IC22
IC25

IC23



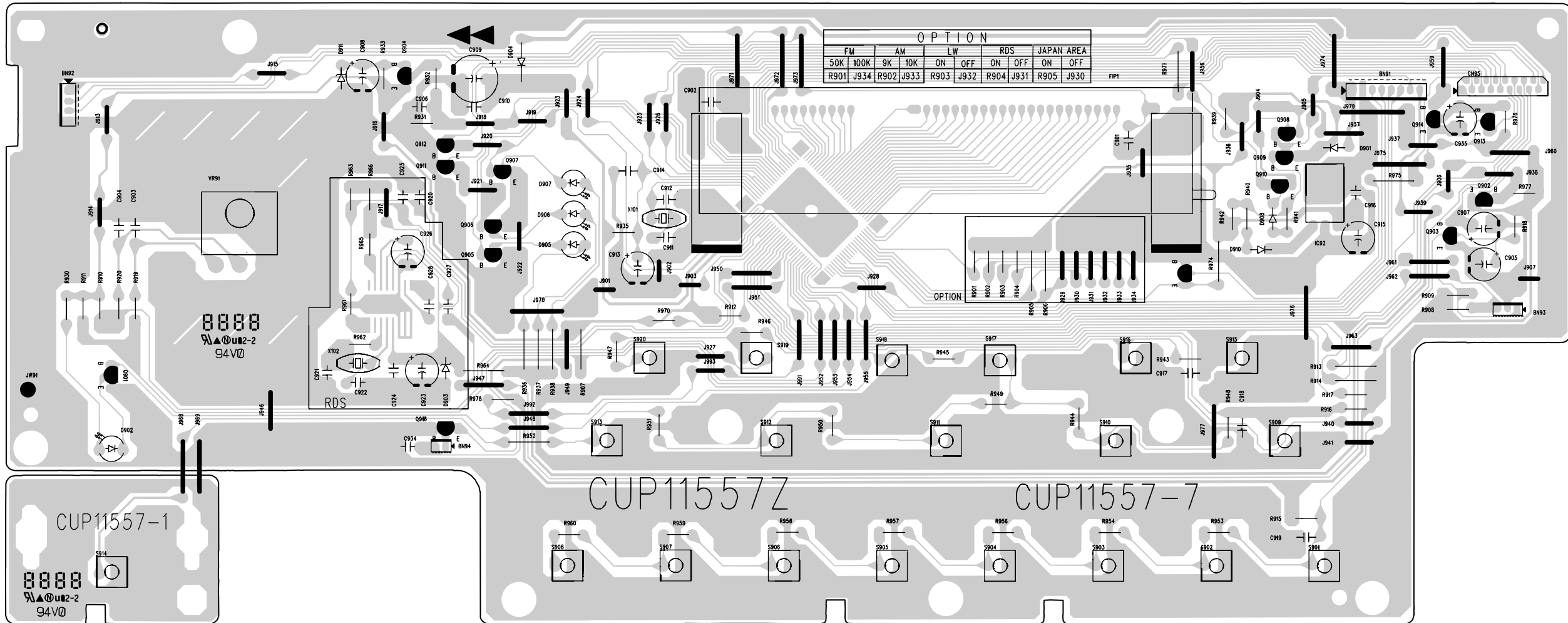
FRONT

Q904 Q912 Q911 Q907
Q906 Q905
Q916

Q910 - Q908

Q914 Q913
Q903 Q902

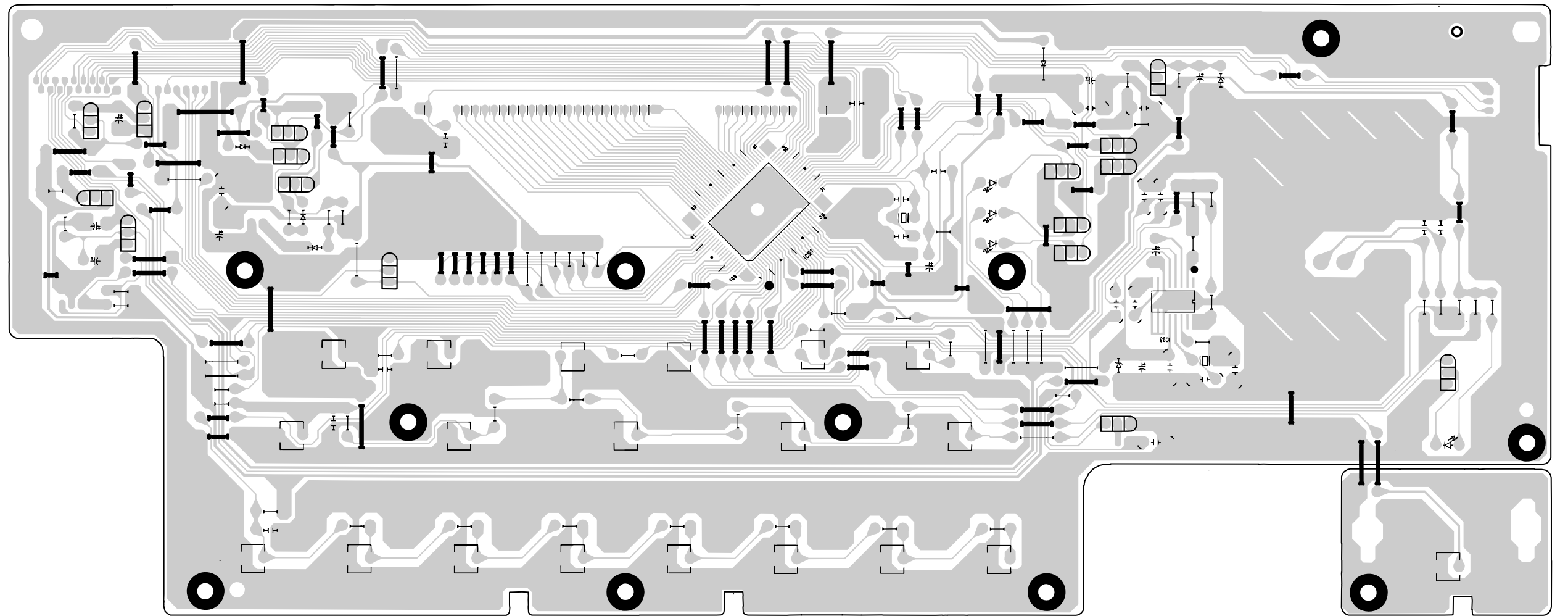
Q901



FRONT

IC91

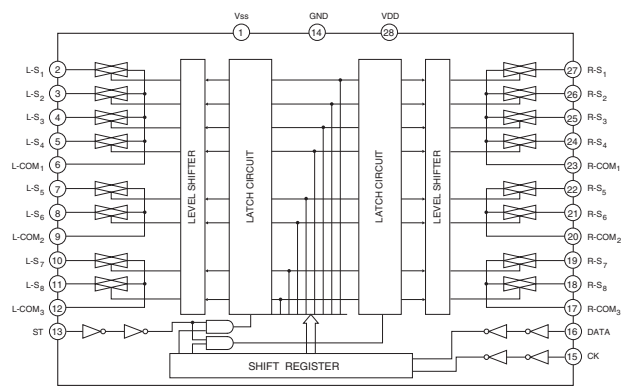
IC93



6. IC DATA

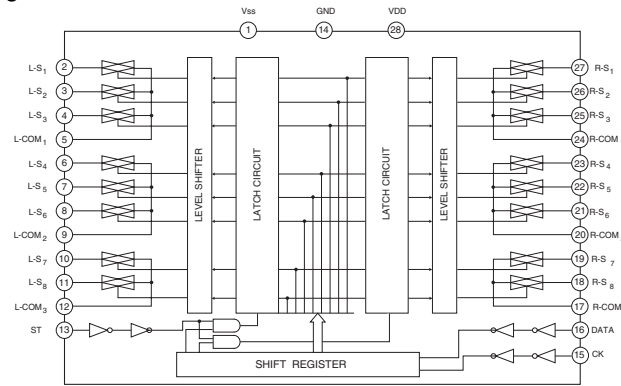
IC22:TC9164AF

Block Diagram



IC23:TC9163AF

Block Diagram

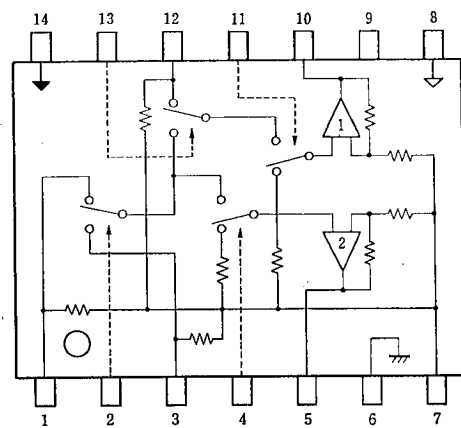


IC71:NJM2279

Pin Assignment

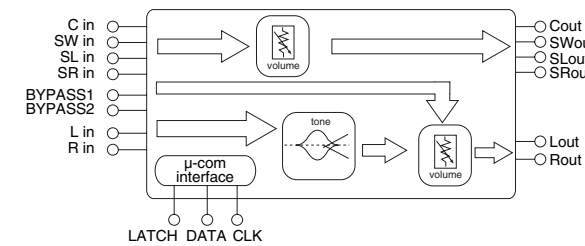
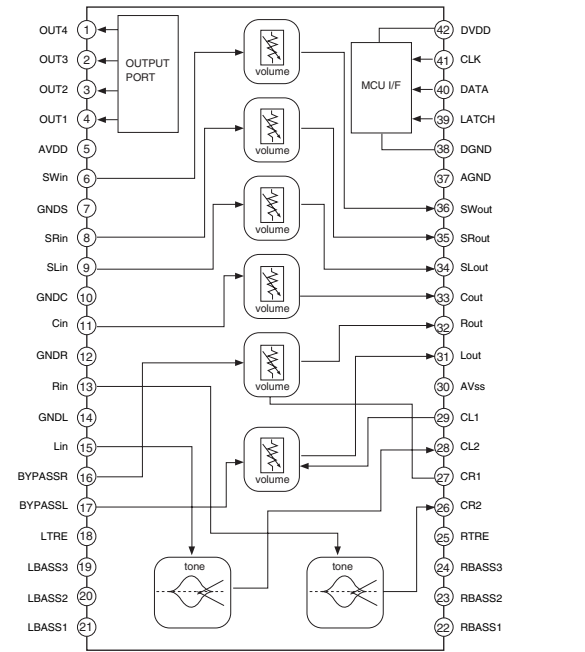
- | | |
|----------|-----------|
| 1. Vin3 | 8. V* |
| 2. SW1 | 9. N.C. |
| 3. Vin2 | 10. Vout1 |
| 4. MUTE2 | 11. MUTE1 |
| 5. Vout2 | 12. Vin1 |
| 6. GND2 | 13. SW2 |
| 7. GND1 | 14. V- |

Block Diagram



IC24:M62446AFP

Block Diagram

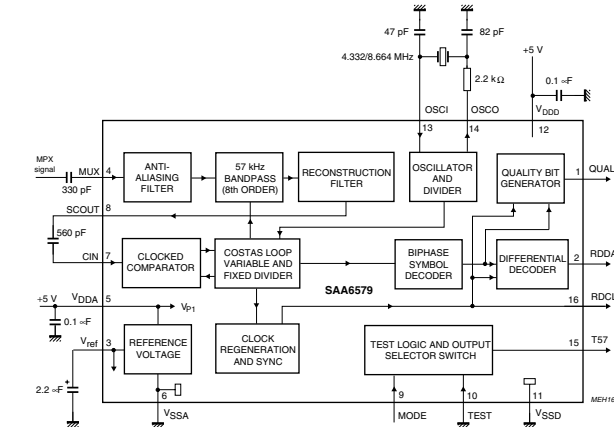


Pin Function

PIN No.	SYMBOL	I/O	DESCRIPTION
1	OUT4	O	
2	OUT3	O	Port Output
3	OUT2	O	
4	OUT1	O	
5	AVDD	-	Analog Positive Power Supply Port(+6.8V)
7	GNDS	-	
10	GNDC	-	Connect to analog GND
12	GNDR	-	
14	GNDL	-	
6	SW IN	I	
8	SR IN	I	Volume Input Port
9	SL IN	I	
11	C IN	I	
36	SW OUT	O	
35	SR OUT	O	Volume Output Port
34	SL OUT	O	
33	C OUT	O	
13	R IN	I	Tone Input Port
15	L IN	I	
16	BYPASS R	I	L,R Volume Input Port(in Bypass Mode)
17	BYPASS L	I	
31	L OUT	O	L Output Port
32	R OUT	O	R Output Port
18	LTRE	-	Tone Treble Cycle Control Port
25	RTRE	-	
19	LBASS3	-	
24	RBASS3	-	
20	LBASS2	-	Tone Bass Cycle Control Port
23	RBASS2	-	
21	LBASS1	-	
22	RBASS1	-	
26	RBASS1	-	
27	CR2	O	Tone Output Port
28	CL2	O	
27	CR1	I	L,R Volume Input Port
29	CL1	I	
31	LOUT	O	L Output Port
32	ROUT	O	R Output Port
30	AVSS	-	Analog Negative Power Supply Port(-6.8V)
37	AGND	-	Analog GND
38	DGND	-	Digital GND
39	LATCH	I	Latch Input Port
40	DATA	I	Data Input Port
41	CLK	I	Clock Input Port
42	DVDD	-	Digital Power Supply Port(+5V)

IC63:SAA6579

Block Diagram



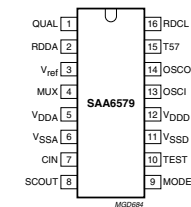
Via pin MODE two different crystal frequencies can be used.

MODE	CRYSTAL CLOCK
LOW	4.332 MHz
HIGH	8.664 MHz

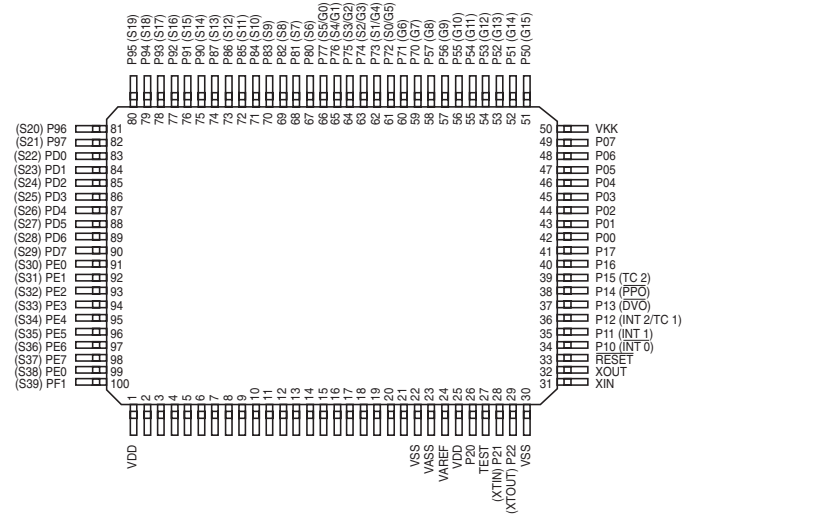
Pin Function

SYMBOL	PIN	DESCRIPTION
QUAL	1	quality indication output
RDDA	2	RDS data output
Vref	3	reference voltage output (0.5VDDA)
MUX	4	multiplex signal input
VDDA	5	+5 V supply voltage for analog part
VSSA	6	ground for analog part (0 V)
CIN	7	subcarrier input to comparator
SCOUT	8	subcarrier output of reconstruction filter
MODE	9	oscillator mode/test control input
TEST	10	test enable input
VSSD	11	ground for digital part (0 V)
VDDD	12	+5 V supply voltage for digital part
OSCI	13	oscillator input
OSCO	14	oscillator output
T57	15	57 kHz clock signal output
RDCL	16	RDS clock output

Pin Assignment



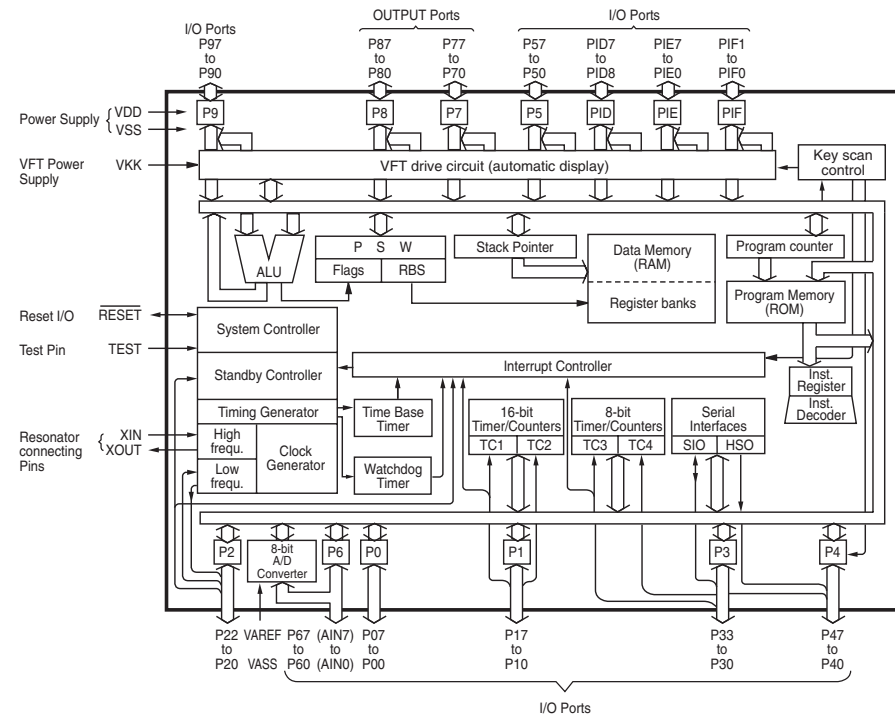
Pin Assignment



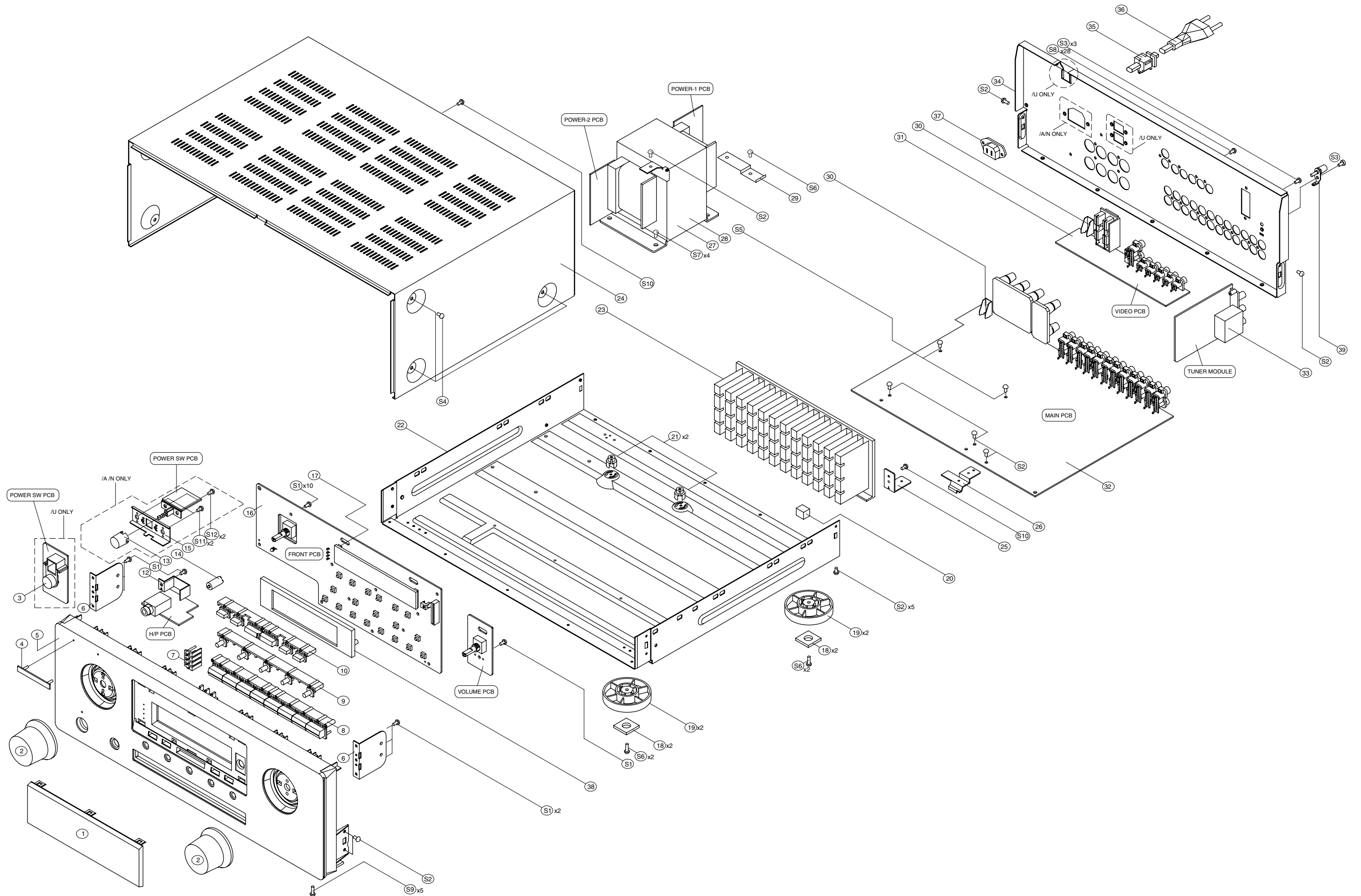
Pin Function

PIN No.	SYMBOL	I/O	DESCRIPTION
1,25	VDD/VCC	-	Power Supply Port(+5V)
3	POWER MUTE	O	Power Mute Control Port("L")
4	HP-IN	I	Headphone Detective Input Port(Active"H")
6	JOG-DOWN	I	Balance, Tone Up/Down Control Port
7	JOG-UP	I	
8	VOLUME-DOWN	I	Master Volume Up/Down Control Port
9	VOLUME-UP	I	
10	HP-H	O	Headphone Detective Output Port("H")
12	RDS-DATA	I/O	RDS IC CLK/DATA Port
13	RDS-CLK	I/O	
14	STEREO IN	I	Stereo Display Control Port(Active "H")
15	TUNED IN	I	Tuned Display Control Port(Active "H")
16	PROTECT IN	I	Protect Input Port(Active "H")
17~21	KEY MATRIX	I	Key Control Input Port
22,23,27,30	VSS	-	GND
31	X IN	I	8MHz Crystal Connection Port
32	X OUT	O	
33	RESET	I	Reset Input Port(Active "L")
34	REMOTE OUT	O	Remote Control Data Output Port
35,36	REMOTE IN	I	Remote Control Data Input Port
37	SP A	O	Speaker"A" Relay and LED Control Port("H")
38	SP B	O	Speaker"B" Relay and LED Control Port("H")
39	DISPLAY OFF	O	Display Off LED Control Port("H")
40	PLL CE	O	PLL IC(LC72131,on the Tuner Module) Enable Control Port
41	PLL DATA IN	I	PLL IC(LC72131,on the Tuner Module) Data Input Port
42	PLL/FUNCTION DATA	O	PLL IC(LC72131,on the Tuner Module) and Function IC
43	PLL/FUNCTION CLK	O	(TC9163/TC9164) Data/CLK Output Port
44	FUNCTION STB	O	Function IC(TC9163/TC9164) STB Output Port
46	E-VOLUME CLK	O	
47	E-VOLUME DATA	O	Electronic Vol.IC(M62446AFP) Data/CLK/STB Port
48	E-VOLUME STB	O	
50	VKK	-	FIP Power Supply Port(-27V)
52~60	FIP GRID	O	FIP Grid Control Port
61~82	FIP SEGMENT	O	FIP Segment Control Port
83~88	OPTION	I	Option Control Port
93	POWER ON	O	Power Relay On/Off Control Port("H")
95	VIDEO SW 1	O	
96	VIDEO SW 2	O	Video IC(NJM2279) Control Port
97	VIDEO SW 3	O	
98	STBY LED	O	Standby LED Control Port("H")

Block Diagram



7. EXPLODED VIEW AND PARTS LIST



POS. NO	VERS. COLOR	PART NO. (FOR EUR)	PART NO. (MJI)	DESCRIPTION
				EXPLODED VIEW PART
1		319W158020	319W158020	WINDOW, FIP CGU1A262Y
2	BLACK	313W154500	313W154500	KNOB VOLUME / MULTI-JOG HGX2A298YA
2	GOLD	313W154510	313W154510	KNOB VOLUME / MULTI-JOG HGX2A298ZA
3	/U	nsp	281W270010	BUTTON POWER CBT1A658K92
4		185J251010	185J251010	BADGE, MARANTZ KGB1A087
5	/A/N1B	19AW248020	19AW248020	PANEL, BLACK FRONT(POWER ON/OFF) CGW1A315R4UH10
5	/N1G	19AW248120	19AW248120	PANEL, GOLD FRONT(POWER ON/OFF) CGW1A315RFUH40
5	/U	nsp	19AW248010	PANEL, BLACK FRONT(POWER ON/STANDBY) CGW1A315R4VH10
6		nsp	nsp	BRACKET, SIDE CMD1A443
7		319W355010	319W355010	INDICATOR(SPEAKERS/DISPLAY OFF) CGL1A192
8	BLACK	319W270010	319W270010	BUTTON FUNCTION SELECTOR CBT1A769K92
8	GOLD	319W270110	319W270110	BUTTON FUNCTION SELECTOR CBT1A769RFD4
9	BLACK	319W270030	319W270030	BUTTON(JOG MODE/SPK/S-DIRECT/SLEEP/MUTE) CBT1A770K92
9	GOLD	319W270130	319W270130	BUTTON(JOG MODE/SPK/S-DIRECT/SLEEP/MUTE) CBT1A770RFD4
10	BLACK	319W270020	319W270020	BUTTON(CLEAR/MEMORY/TUNING/FP/MODE) CBT1A771ZK92
10	GOLD	319W270120	319W270120	BUTTON(CLEAR/MEMORY/TUNING/FP/MODE) CBT1A771RFZD4
12		nsp	nsp	BRACKET, PCB CMK1A010
13	/A/N1B	285W270010	285W270010	BUTTON POWER CBC1A122K92
13	/N1G	285W270110	285W270110	BUTTON POWER CBC1A122RFD4
14		285W355010	285W355010	INDICATOR CGL1A170
15	/A/N	nsp	nsp	BRACKET, POWER A4-96-2441 KMD1A334
16	/A/N	nsp	nsp	FRONT PCB ASSY SR4320/A1B COP11557C
16	/U	nsp	nsp	FRONT PCB ASSY SR4320/U1B COP11557B
17		nsp	nsp	BRACKET, FLT CMD1A374
18		nsp	nsp	RUBBER, CUSHION KHG1A050
19		243W057010	243W057010	FOOT, FRONT/REAR CKL2A042H11
20		nsp	nsp	RUBBER, CUSHION A4-94-2139 KHG1A104
21		nsp	nsp	HOLDER, PCB CHE170
22		nsp	nsp	CHASSIS, BOTTOM AG-D8900TCCC CUA1A185
23		nsp	nsp	HEAT SINK CMY1A198
25		nsp	nsp	BRACKET, PCB AG-D8900 CMD1A417
26		nsp	nsp	BRACKET, PCB CMD1A480
▲	/U	nsp	*TS001880R	TRANS, POWER SR4320/U1B CLT5U020ZU
▲	/A/N	*TS001890R	*TS001890R	TRANS, POWER SR4320/A1B CLT5U020ZE
29		nsp	nsp	BRACKET, PCB CMD1A350
30		nsp	nsp	BRACKET, T.R CMD1A081
31		nsp	nsp	VIDEO IN/OUT PCB ASSY COP11557C-1
32	/A/N	nsp	nsp	MAIN PCB ASSY SR4320/A1B COP11558C
32	/U	nsp	nsp	MAIN PCB ASSY SR4320/U1B COP11558B
33	/A/N	*AV000270R	*AV000270R	TUNER MODULE SR4320/A/N CNVKSTM9014MS17
33	/U	nsp	*AV000280R	TUNER MODULE SR4320/U1B CNVKSTM9014MS07
34	/A	nsp	nsp	PANEL, REAR PANEL SR4320/A1B CKF2A245Z
34	/N1B	nsp	nsp	PANEL, REAR PANEL SR4320/N1B CKF2A245Y
34	/N1G	nsp	nsp	PANEL, REAR PANEL SR4320/N1G CKF2A245X
34	/U	nsp	nsp	PANEL, REAR PANEL SR4320/U1B CKF1A245Z
35	/U	nsp	nsp	BUSHING, MAINS CORD KHR1A028
▲	/U	nsp	*YC000380R	MAINS CORD CJA523FBY
▲	/A/N	*YT002400R	*YT002400R	AC RECEPTACLE R-301(187-2P) HJJ8A001Z
38		nsp	nsp	SUPPORT, FIP CMH1A190
39		nsp	nsp	TERMINAL GROUND KMA1A006
				WIRE
		nsp	*YU001120R	FLEXIBLE FLAT CORD 13P WF37-TUNER MODULE CWC1C4A13B200B
		nsp	*YU001130R	FLEXIBLE FLAT CORD 18P WF95-CN95 CWC1B2A18A280B

NOTE : "nsp" PART IS LISTED FOR REFERENCE ONLY, MARANTZ WILL NOT SUPPLY THESE PARTS.

POS. NO	VERS. COLOR	PART NO. (FOR EUR)	PART NO. (MJI)	DESCRIPTION
				PACKING
	/A	nsp	19AW851370	USER UGIDE CQX1A800Z
	/U	nsp	19AW851250	USER UGIDE CQX1A799Z
	/N	19AW851310	19AW851310	USER UGIDE CQX1A904Z
		ZK19AW0010	ZK19AW0010	REMOTE CONTROL RC4320SR CARTSR4320
▲	36	/A	nsp	*ZC000250R MAINS CORD CJA2H001Z
▲	36	/N	*ZC000260R	*ZC000260R MAINS CORD HJA2B054Z
				NOT STANDARD SPEAR PARTS
		nsp	19AW801010	BOX, OUT CARTON CPG1A701Z
		nsp	19AW809010	PAD, SNOW CPS1A595
	24	BLACK	nsp	319W257010 TOP COVER ,BLACK CKC1B120K117
	24	GOLD	nsp	319W257110 TOP COVER , GOLD CKC1B120K118

NOTE : "nsp" PART IS LISTED FOR REFERENCE ONLY, MARANTZ WILL NOT SUPPLY THESE PARTS.

8. SERVICE PROCEDURE

TUNER ALIGNMENT INSTRUCTIONS

Necessary Equipments

- AM Signal Generator
- FM Signal Generator
- Oscilloscope
- VTVM (AC,DC)
- Test loop antenna (AM Adjustment)
- Dummy antenna (FM Adjustment)
- Distortion analyzer

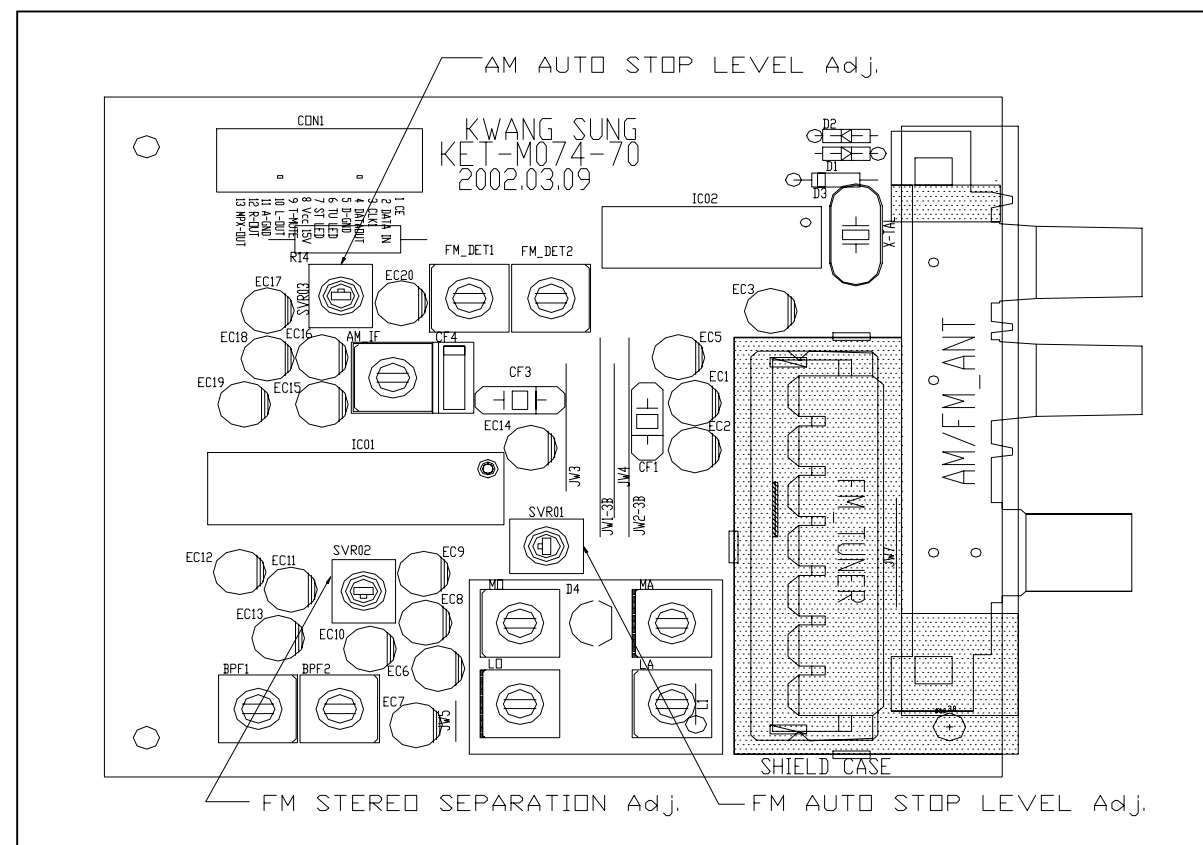
Alignment Procedure

1. Check the power-source voltage.
2. Set the function switch to the band to be aligned.
3. Keep the input signal as low as possible to adjust accurately.
4. Align the modulation and modulation frequency.

Item	Modulation	Modulation frequency
AM	30%	400Hz
FM	100%(40kHz Dev.) [/A/N]	400Hz
	100%(75kHz Dev.) [/U]	

Alignment Points

TUNER MODULE



KST-M9014MS1(0)-70

9. ELECTRICAL PARTS LIST

ASSIGNMENT OF COMMON PARTS CODES.

RESISTORS

R***: 1) GD05xxx140, Carbon film fixed resistor, ±5% 1/4W

R***: 2) GD05xxx160, Carbon film fixed resistor, ±5% 1/6W

① — Resistance value

Examples ;

① Resistance value
 0.1 Ω 001 10 Ω 100 1 kΩ 102 100 kΩ 104
 0.5 Ω 005 18 Ω 180 2.7 kΩ 272 680 kΩ 684
 1 Ω 010 100 Ω 101 10 kΩ 103 1 MΩ 105
 6.8 Ω 068 390 Ω 391 22 kΩ 223 4.7 MΩ 475

Note : Please distinguish 1/4W from 1/6W by the shape of parts used actually.

CAPACITORS

C***: CERAMIC CAP.

3) DD1xxx370, Ceramic capacitor

Disc type

Temp.coef.P350 ~ N1000, 50V

② — Capacity value

③ — Tolerance

Examples ;

② Tolerance (Capacity deviation)
 ±0.25 pF 0
 ±0.5 pF 1
 ±5% 5

* Tolerance of COMMON PARTS handled here are as follows :

0.5 pF ~ 5 pF ±0.25 pF

6 pF ~ 10 pF ±0.5 pF

12 pF ~ 560 pF ±5%

③ Capacity value

0.5 pF 005 3 pF 030 100 pF 101

1 pF 010 10 pF 100 220 pF 221

1.5 pF 015 47 pF 470 560 pF 561

C*** : CERAMIC CAP.

4) DK16xxx300, High dielectric constant ceramic capacitor

Disc type

Temp.chara. 2B4, 50V

④ — Capacity value

Examples ;

④ Capacity value
 100 pF 101 1000 pF 102 10000 pF 103
 470 pF 471 2200 pF 222

C***: 5) ELECTROLY CAP. (), 6) FILM CAP. ()

5) EAxxx10, Electrolytic capacitor

One-way lead type, Tolerance ±20%

⑤ — Working voltage

⑥ — Capacity value

Examples ;

⑤ Capacity value
 0.1 μF 104 4.7 μF 475 100 μF 107
 0.33 μF 334 10 μF 106 330 μF 337
 1 μF 105 22 μF 226 1100 μF 118
 2200 μF 228

⑥ Working voltage

6.3V 006 25V 025

10V 010 35V 035

16V 016 50V 050

6) DF15xxx350 — Plastic film capacitor

DF15xxx310 — One-way type, Mylar ±5% 50V

DF16xxx310 — Plastic film capacitor

One-way type, Mylar ±10% 50V

⑦ — Capacity value

Examples ;

⑦ Capacity value
 0.001 μF (1000 pF) 102 0.1 μF 104
 0.0018 μF 182 0.56 μF 564
 0.01 μF 103 1 μF 105
 0.015 μF 153

NOTE : 1) The above CODES (R***, R***, C***, C*** and C***) are omitted on the schematic diagram in some case.

2) On the occasion, be confirmed the common parts on the parts list.

3) Refer to "Common Parts List" for the other common parts (R105, DD4, DK4).

NOTE ON SAFETY FOR FUSIBLE RESISTOR :

The suppliers and their type numbers of fusible resistors are as follows;

1. KOA Corporation

Part No. (MJI)	Type No. (KOA)	Description
NH05xxx140	RF25SxxxΩJ	(±5% 1/4W)
NH05xxx120	RF50SxxxΩJ	(±5% 1/2W)
NH85xxx110	RF73B2AxxxΩJ	(±5% 1/10W)
NH95xxx140	RF73B2ExxxxΩJ	(±5% 1/4W)

* Resistance value Resistance value (0.1 Ω - 10 kΩ)

2. Matsushita Electronic Components Co., Ltd

Part No. (MJI)	Type No. (MEC)	Description
NF05xxx140	ERD-2FCJxxx	(±5% 1/4W)
RF05xxx140		
NF02xxx140	ERD-2FCGxxx	(±2% 1/4W)
RF02xxx140		

* Resistance value * Resistance value

Examples ;

* Resistance value
 0.1 Ω 001 10 Ω 100 1 kΩ 102 100 kΩ 104
 0.5 Ω 005 18 Ω 180 2.7 kΩ 272 680 kΩ 684
 1 Ω 010 100 Ω 101 10 kΩ 103 1 MΩ 105
 6.8 Ω 068 390 Ω 391 22 kΩ 223 4.7 MΩ 475

ABBREVIATION AND MARKS

ANT. : ANTENNA	BATT. : BATTERY
CAP. : CAPACITOR	CER. : CERAMIC
CONN. : CONNECTING	DIG. : DIGITAL
HP : HEADPHONE	MIC. : MICROPHONE
μ-PRO : MICROPROCESSOR	REC. : RECORDING
RES. : RESISTOR	SPK : SPEAKER
SW : SWITCH	TRANSF : TRANSFORMER
TRIM. : TRIMMING	TRS. : TRANSISTOR
VAR. : VARIABLE	XTAL : CRYSTAL

NOTE ON FUSE :

Regarding to all parts of parts code FS20xxx2xx, replace only with Wickmann-Werke GmbH, Type 372 non glass type fuse.

NOTE ON SAFETY :

Symbol Fire or electrical shock hazard. Only original parts should be used to replaced any part marked with symbol . Any other component substitution (other than original type), may increase risk of fire or electrical shock hazard.

安全上の注意 :

がついている部品は、安全上重要な部品です。必ず指定されている部品番号の部品を使用して下さい。

POS. NO	VERS. COLOR	PART NO. (FOR EUR)	PART NO. (MJI)	DESCRIPTION		
FRONT CIRCUIT BOARD						
BN91		nsp	nsp	WIRE ASS'Y		CWB2B908350EN
BN92		nsp	nsp	WIRE ASS'Y		CWB2B904150EN
BN93		nsp	nsp	WIRE ASS'Y		CWB2B903050EN
BN94		nsp	nsp	WIRE ASS'Y		CWB2B902080EN
C901						
∫		nsp	nsp	CAP. CERAMIC	0.01µF 50V Z	HCBS1H103ZFT
C904						
C905		nsp	OA47605020	CAP. ELECT	47µF 50V	HCEA1HH470T
C906		nsp	nsp	CAP. CERAMIC	0.01µF 50V ZF	CCKT1H103ZF
C907		nsp	OA47605020	CAP. ELECT	47µF 50V	HCEA1HH470T
C909		*EX000050R	*EX000050R	CAP. GOLD	JP EECS0HD104V	BCES0HD104
C910		nsp	nsp	CAP. CERAMIC	0.01µF 50V ZF	CCKT1H103ZF
C911		nsp	nsp	CAP. CERAMIC	18pF 50V JC	HCBS1H180JCT
C912		nsp	nsp	CAP. CERAMIC	18pF 50V JC	HCBS1H180JCT
C913		nsp	OA10505020	CAP. ELECT	1µF 50V	HCEA1HH1R0T
C914		nsp	nsp	CAP. CERAMIC	0.01µF 50V Z	HCBS1H103ZFT
C915		nsp	OA47605020	CAP. ELECT	47µF 50V	HCEA1HH470T
C916		nsp	nsp	CAP. CERAMIC	0.01µF 50V ZF	CCKT1H103ZF
C917		nsp	nsp	CAP. CERAMIC	0.01µF 50V Z	HCBS1H103ZFT
C918		nsp	nsp	CAP. CERAMIC	0.01µF 50V Z	HCBS1H103ZFT
C919		nsp	nsp	CAP. CERAMIC	0.01µF 50V Z	HCBS1H103ZFT
C920	/A/N	nsp	nsp	CAP. CERAMIC	1000pF 50V KB	CCKT1H102KB
C921	/A/N	nsp	nsp	CAP. CERAMIC	27pF 50V JC	CCCT1H270JC
C922	/A/N	nsp	nsp	CAP. CERAMIC	27pF 50V JC	CCCT1H270JC
C923	/A/N	nsp	OA10701620	CAP. ELECT	100µF 16V	HCEA1CH101T
C924	/A/N	nsp	nsp	CAP. CERAMIC	0.022µF 50V ZF	CCKT1H223ZF
C925	/A/N	nsp	nsp	CAP. CERAMIC	1000pF 50V KB	CCKT1H102KB
C926	/A/N	nsp	OA22505020	CAP. ELECT	2.2µF 50V	HCEA1HH2R2T
C927	/A/N	nsp	nsp	CAP. CERAMIC	1000pF 50V KB	CCKT1H102KB
C928	/A/N	nsp	nsp	CAP. CERAMIC	560pF 50V KB	CCKT1H561KB
C934		nsp	nsp	CAP. CERAMIC	0.1µF 50V Z	CCKT1H104ZF
C935		nsp	OA22505020	CAP. ELECT	2.2µF 50V	HCEA1HH2R2T
CN95		nsp	nsp	WAFER, CARD	GF-102-18S-TS	KJP18GA117ZG
D901		nsp	*HD201740R	DIODE	1SS133T-77	HVD1SS133MT
D902		*HI101040R	*HI101040R	L.E.D. RED	SLR342VCTB7T089	HVD342VCTB7T089
D903	/A/N	HD30511000	HD30511000	DIODE, ZENER	MTZJ5.1BT(5.1V 1/2W)	HVDMTZJ5.1BT
D904		nsp	*HD201740R	DIODE	1SS133T-77	HVD1SS133MT
D905		*HI101040R	*HI101040R	L.E.D. RED	SLR342VCTB7T089	HVD342VCTB7T089
D906		*HI101040R	*HI101040R	L.E.D. RED	SLR342VCTB7T089	HVD342VCTB7T089
D907		*HI101040R	*HI101040R	L.E.D. RED	SLR342VCTB7T089	HVD342VCTB7T089
D908		nsp	*HD201740R	DIODE	1SS133T-77	HVD1SS133MT
D910		nsp	*HD201740R	DIODE	1SS133T-77	HVD1SS133MT
D911		*HD302140R	*HD302140R	DIODE, ZENER	MTZJ4.3CT(4.3V 1/2W)	HVDMTZJ4.3CT
FIP1		*HQ300350R	*HQ300350R	F.I.P.	SVA09MS10	KFLSVA09MS10
IC91		*HS19AWT0R	*HS19AWT0R	I.C. O.T.P.	TMP87PM78F	HVITMP87PM78F
IC92		*HW100650R	*HW100650R	SENSOR, REMOTE	RPM6936-H4	HRVRPM6936H4
IC93	/A/N	*HC108200R	*HC108200R	I.C. RDS FILTER	TW SAA6579T/V1	BVISAA6579TV1
Q901		*BA001460R	*BA001460R	TRS.	KRC107M	HVTKRC107MT
Q902		*BA001450R	*BA001450R	TRS.	KRA107M	HVTKRA107MT
Q903		*BA001460R	*BA001460R	TRS.	KRC107M	HVTKRC107MT
Q904		*HT700060R	*HT700060R	TRS.	KSB811Y	HVTKS811YT
Q905						
∫		*BA001460R	*BA001460R	TRS.	KRC107M	HVTKRC107MT
Q908						
Q909		*HT100390R	*HT100390R	TRS.	KSA1175Y	HVTKSA1175YT
Q910		*BA001460R	*BA001460R	TRS.	KRC107M	HVTKRC107MT
Q911		*BA001450R	*BA001450R	TRS.	KRA107M	HVTKRA107MT
Q912		*BA001450R	*BA001450R	TRS.	KRA107M	HVTKRA107MT
Q913		*BA001460R	*BA001460R	TRS.	KRC107M	HVTKRC107MT
Q914		*BA001460R	*BA001460R	TRS.	KRC107M	HVTKRC107MT
Q916		*BA001450R	*BA001450R	TRS.	KRA107M	HVTKRA107MT
R901		nsp	nsp	RES. CARBON	10kΩ 1/5W J	CRD20TJ103T
R902	/A/N	nsp	nsp	RES. CARBON	10kΩ 1/5W J	CRD20TJ103T

NOTE : *nsp* PART IS LISTED FOR REFERENCE ONLY, MARANTZ WILL NOT SUPPLY THESE PARTS.

POS. NO	VERS. COLOR	PART NO. (FOR EUR)	PART NO. (MJJ)	DESCRIPTION		
R904	/A/N	nsp	nsp	RES. CARBON	10kΩ 1/5W J	CRD20TJ103T
R907		nsp	nsp	RES. CARBON	10kΩ 1/4W J	CRD25TJ103T
R908						
}		nsp	nsp	RES. CARBON	10kΩ 1/5W J	CRD20TJ103T
R912						
R913		nsp	nsp	RES. CARBON	10kΩ 1/4W J	CRD25TJ103T
R914		nsp	nsp	RES. CARBON	10kΩ 1/4W J	CRD25TJ103T
R915						
}		nsp	nsp	RES. CARBON	10kΩ 1/5W J	CRD20TJ103T
R918						
R919		nsp	nsp	RES. CARBON	2.7kΩ 1/5W J	CRD20TJ272T
R920		nsp	nsp	RES. CARBON	2.7kΩ 1/5W J	CRD20TJ272T
R930		nsp	nsp	RES. CARBON	180Ω 1/5W J	CRD20TJ181T
R931		nsp	nsp	RES. CARBON	47kΩ 1/5W J	CRD20TJ473T
R932		nsp	nsp	RES. CARBON	4.7kΩ 1/5W J	CRD20TJ472T
R933		nsp	nsp	RES. CARBON	1kΩ 1/5W J	CRD20TJ102T
R935		nsp	nsp	RES. CARBON	100kΩ 1/5W J	CRD20TJ104T
R936		nsp	nsp	RES. CARBON	1kΩ 1/4W J	CRD25TJ102T
R937		nsp	nsp	RES. CARBON	1kΩ 1/4W J	CRD25TJ102T
R938		nsp	nsp	RES. CARBON	1kΩ 1/4W J	CRD25TJ102T
R939		nsp	nsp	RES. CARBON	47kΩ 1/5W J	CRD20TJ473T
R940		nsp	nsp	RES. CARBON	47kΩ 1/5W J	CRD20TJ473T
R941		nsp	nsp	RES. CARBON	47kΩ 1/5W J	CRD20TJ473T
R942		nsp	nsp	RES. CARBON	10kΩ 1/5W J	CRD20TJ103T
R943		nsp	nsp	RES. CARBON	1kΩ 1/5W J	CRD20TJ102T
R944		nsp	nsp	RES. CARBON	1.5kΩ 1/5W J	CRD20TJ152T
R945		nsp	nsp	RES. CARBON	3.3kΩ 1/5W J	CRD20TJ332T
R946		nsp	nsp	RES. CARBON	2.7kΩ 1/5W J	CRD20TJ272T
R947		nsp	nsp	RES. CARBON	3.3kΩ 1/5W J	CRD20TJ332T
R948		nsp	nsp	RES. CARBON	1kΩ 1/5W J	CRD20TJ102T
R949		nsp	nsp	RES. CARBON	1.8kΩ 1/5W J	CRD20TJ182T
R950		nsp	nsp	RES. CARBON	2.7kΩ 1/5W J	CRD20TJ272T
R951		nsp	nsp	RES. CARBON	3.3kΩ 1/5W J	CRD20TJ332T
R952		nsp	nsp	RES. CARBON	5.6kΩ 1/4W J	CRD25TJ562T
R953		nsp	nsp	RES. CARBON	1kΩ 1/5W J	CRD20TJ102T
R954		nsp	nsp	RES. CARBON	1.5kΩ 1/5W J	CRD20TJ152T
R956		nsp	nsp	RES. CARBON	1.8kΩ 1/5W J	CRD20TJ182T
R957		nsp	nsp	RES. CARBON	2.7kΩ 1/5W J	CRD20TJ272T
R958		nsp	nsp	RES. CARBON	3.3kΩ 1/5W J	CRD20TJ332T
R959		nsp	nsp	RES. CARBON	5.6kΩ 1/5W J	CRD20TJ562T
R960		nsp	nsp	RES. CARBON	7.5kΩ 1/5W J	CRD20TJ752T
R961	/A/N	nsp	nsp	RES. CARBON	1kΩ 1/5W J	CRD20TJ102T
R962	/A/N	nsp	nsp	RES. CARBON	2.2kΩ 1/5W J	CRD20TJ222T
R964	/A/N	nsp	nsp	RES. CARBON	820Ω 1/4W J	CRD25TJ821T
R965	/A/N	nsp	nsp	RES. CARBON	1kΩ 1/5W J	CRD20TJ102T
R970		nsp	nsp	RES. CARBON	10kΩ 1/5W J	CRD20TJ103T
R971		nsp	nsp	RES. CARBON	330Ω 1/4W J	CRD25TJ331T
R976		nsp	nsp	RES. CARBON	10kΩ 1/5W J	CRD20TJ103T
R977		nsp	nsp	RES. CARBON	10kΩ 1/5W J	CRD20TJ103T
R978		nsp	nsp	RES. CARBON	10kΩ 1/5W J	CRD20TJ103T
S901						
}		*SP001210R	*SP001210R	SW, TACT	SKHV10910G	CST1A012ZT
S913						
S914	/U	nsp	*SP001210R	SW, TACT	SKHV10910G	CST1A012ZT
S915						
}		*SP001210R	*SP001210R	SW, TACT	SKHV10910G	CST1A012ZT
S920						
VR91		*SR000180R	*SR000180R	ENCODER	EC16B12S00D4ZZZ	HSR2A019Z
X101		*JX001030R	*JX001030R	CRYSTAL	8MHz	HOX08000E160C
X102	/A/N	*JX001020R	*JX001020R	CRYSTAL	4.332MHz	HOX04332E200C
				H/P CIRCUIT BOARD		
CN36		nsp	nsp	WAFER	MOLEX 5267-04A	KJP04GA01ZM
CN94		nsp	nsp	WAFER	MOLEX53014-0210	KJP02GA19ZM

NOTE : "nsp" PART IS LISTED FOR REFERENCE ONLY, MARANTZ WILL NOT SUPPLY THESE PARTS.

POS. NO	VERS. COLOR	PART NO. (FOR EUR)	PART NO. (MJ)	DESCRIPTION		
HP91		*YT002350R	*YT002350R	JACK, HEADPHONE	HTJ-064-05NG	HJJ2E020Z
R972		nsp	nsp	RES. METAL OXIDE FILM	470Ω 1W J	KRG1ANJ471H
R973		nsp	nsp	RES. METAL OXIDE FILM	470Ω 1W J	KRG1ANJ471H
				MAIN CIRCUIT BOARD		
BK31		nsp	nsp	BRACKET, PCB		CMD1A081
BN30		*HP000060R	*HP000060R	THERMAL SENSOR, POSISTOR	P42T7D330BW20	KRTP42T7D330B
BN31		nsp	nsp	WIRE ASS'Y		CWB2B903150EN
BN34		nsp	nsp	WIRE ASS'Y		CWB1C905400BM
BN35		nsp	nsp	WIRE ASS'Y		CWB3FB53150UP
BN36		nsp	nsp	WIRE ASS'Y		CWB1C904350BM
C201						
∫		nsp	nsp	CAP. CERAMIC	100pF 50V KB	CCKT1H101KB
C226						
C227		nsp	nsp	CAP. CERAMIC	1000pF 50V KB	CCKT1H102KB
C228		nsp	nsp	CAP. CERAMIC	1000pF 50V KB	CCKT1H102KB
C229		nsp	OA47602520	CAP. ELECT	47μF 25V	HCEA1EH470T
C230		nsp	OA47602520	CAP. ELECT	47μF 25V	HCEA1EH470T
C231		nsp	nsp	CAP. MYLAR	0.022μF 50V J	HCQI1H223JZT
C232		nsp	nsp	CAP. MYLAR	0.022μF 50V J	HCQI1H223JZT
C233		nsp	nsp	CAP. MYLAR	5600pF 50V J	HCQI1H562JZT
C234		nsp	nsp	CAP. MYLAR	5600pF 50V J	HCQI1H562JZT
C235		nsp	OA47505020	CAP. ELECT	4.7μF 50V	HCEA1HH4R7T
C236		nsp	OA47505020	CAP. ELECT	4.7μF 50V	HCEA1HH4R7T
C237		nsp	OA47602520	CAP. ELECT	47μF 25V	HCEA1EH470T
C238		nsp	OA47602520	CAP. ELECT	47μF 25V	HCEA1EH470T
C239						
∫		nsp	nsp	CAP. CERAMIC	0.01μF 50V ZF	CCKT1H103ZF
C242						
C243		nsp	nsp	CAP. CERAMIC	180pF 50V KB	CCKT1H181KB
C244		nsp	nsp	CAP. CERAMIC	470pF 50V KB	CCKT1H471KB
C247		nsp	nsp	CAP. CERAMIC	0.01μF 50V ZF	CCKT1H103ZF
C248		nsp	nsp	CAP. CERAMIC	0.01μF 50V ZF	CCKT1H103ZF
C249		nsp	nsp	CAP. CERAMIC	180pF 50V KB	CCKT1H181KB
C250		nsp	nsp	CAP. CERAMIC	470pF 50V KB	CCKT1H471KB
C251		nsp	OA10701620	CAP. ELECT	100μF 16V	HCEA1CH101T
C252		nsp	nsp	CAP. CERAMIC	0.01μF 50V ZF	CCKT1H103ZF
C253		nsp	OA10701620	CAP. ELECT	100μF 16V	HCEA1CH101T
C254		nsp	nsp	CAP. CERAMIC	0.01μF 50V ZF	CCKT1H103ZF
C255		nsp	nsp	CAP. CERAMIC	180pF 50V KB	CCKT1H181KB
C256		nsp	nsp	CAP. CERAMIC	180pF 50V KB	CCKT1H181KB
C257						
∫		nsp	OA47505020	CAP. ELECT	4.7μF 50V	HCEA1HH4R7T
C260						
C261		nsp	nsp	CAP. MYLAR	8200pF 50V J	HCQI1H822JZT
C262		nsp	nsp	CAP. MYLAR	0.015μF 50V J	HCQI1H153JZT
C263		nsp	*DF100340R	CAP. FILM	0.33μF 63V J	KCFE1J334JBT
C264		nsp	OA10603540	CAP. ELECT	10μF 35V	HCEA1VH100T
C265		nsp	OA10603540	CAP. ELECT	10μF 35V	HCEA1VH100T
C266		nsp	nsp	CAP. MYLAR	8200pF 50V J	HCQI1H822JZT
C267		nsp	nsp	CAP. MYLAR	0.015μF 50V J	HCQI1H153JZT
C268		nsp	*DF100340R	CAP. FILM	0.33μF 63V J	KCFE1J334JBT
C269		nsp	OA10701620	CAP. ELECT	100μF 16V	HCEA1CH101T
C270		nsp	nsp	CAP. CERAMIC	0.01μF 50V ZF	CCKT1H103ZF
C271		nsp	OA47505020	CAP. ELECT	4.7μF 50V	HCEA1HH4R7T
C272		nsp	OA47505020	CAP. ELECT	4.7μF 50V	HCEA1HH4R7T
C273		nsp	nsp	CAP. CERAMIC	27pF 50V JC	CCCT1H270JC
C274		nsp	nsp	CAP. CERAMIC	27pF 50V JC	CCCT1H270JC
C275		nsp	OA47505020	CAP. ELECT	4.7μF 50V	HCEA1HH4R7T
C276		nsp	OA47505020	CAP. ELECT	4.7μF 50V	HCEA1HH4R7T
C277		nsp	nsp	CAP. CERAMIC	0.01μF 50V ZF	CCKT1H103ZF
C278		nsp	nsp	CAP. CERAMIC	0.01μF 50V ZF	CCKT1H103ZF
C301		nsp	OA47505020	CAP. ELECT	4.7μF 50V	HCEA1HH4R7T
C302		nsp	OA47505020	CAP. ELECT	4.7μF 50V	HCEA1HH4R7T

NOTE : *nsp* PART IS LISTED FOR REFERENCE ONLY, MARANTZ WILL NOT SUPPLY THESE PARTS.

POS. NO	VERS. COLOR	PART NO. (FOR EUR)	PART NO. (MJJ)	DESCRIPTION		
C303		nsp	nsp	CAP. CERAMIC	470pF 50V KB	CCKT1H471KB
C304		nsp	nsp	CAP. CERAMIC	470pF 50V KB	CCKT1H471KB
C305		nsp	nsp	CAP. CERAMIC	15pF 50V JC	CCCT1H150JC
C306		nsp	nsp	CAP. CERAMIC	15pF 50V JC	CCCT1H150JC
C307		nsp	OA10701620	CAP. ELECT	100µF 16V	HCEA1CH101T
C308		nsp	OA10701620	CAP. ELECT	100µF 16V	HCEA1CH101T
C309		nsp	nsp	CAP. CERAMIC	180pF 50V KB	CCKT1H181KB
C310		nsp	nsp	CAP. CERAMIC	180pF 50V KB	CCKT1H181KB
C311						
}		nsp	OA22706320	CAP. ELECT	220µF 63V	HCEA1JH221E
C314						
C315						
}		nsp	nsp	CAP. MYLAR	0.022µF 50V J	HCQ11H223JZT
C318						
C319		nsp	OA10605020	CAP. ELECT	10µF 50V	HCEA1HH100T
C320		nsp	OA10605020	CAP. ELECT	10µF 50V	HCEA1HH100T
C321		nsp	nsp	CAP. MYLAR	0.047µF 50V J	HCQ11H473JZT
C322		nsp	nsp	CAP. MYLAR	0.047µF 50V J	HCQ11H473JZT
C381		nsp	OA47605020	CAP. ELECT	47µF 50V	HCEA1HH470T
C382		nsp	OA47701020	CAP. ELECT	470µF 10V	HCEA1AH471T
C383		nsp	nsp	CAP. CERAMIC	0.022µF 50V ZF	CCKT1H223ZF
C389		nsp	OA47505020	CAP. ELECT	4.7µF 50V	HCEA1HH4R7T
C390		nsp	OA47505020	CAP. ELECT	4.7µF 50V	HCEA1HH4R7T
C391		nsp	nsp	CAP. CERAMIC	0.01µF 50V ZF	CCKT1H103ZF
C392		nsp	nsp	CAP. CERAMIC	0.01µF 50V ZF	CCKT1H103ZF
C401		*EX000150R	*EX000150R	CAP. ELECT	8200µF 63V	HCET63VSMH822NN
C402		*EX000150R	*EX000150R	CAP. ELECT	8200µF 63V	HCET63VSMH822NN
C403		nsp	OA22803520	CAP. ELECT	2200µF 35V	HCEA1VH222E
C404		nsp	OA10803520	CAP. ELECT	1000µF 35V	HCEA1VH102E
C405		nsp	nsp	CAP. CERAMIC	0.01µF 50V ZF	CCKT1H103ZF
C406		nsp	nsp	CAP. CERAMIC	0.01µF 50V ZF	CCKT1H103ZF
C407		nsp	OA47702520	CAP. ELECT	470µF 25V	HCEA1EH471E
C408		nsp	OA47702520	CAP. ELECT	470µF 25V	HCEA1EH471E
C409		nsp	nsp	CAP. CERAMIC	0.01µF 50V ZF	CCKT1H103ZF
C410		nsp	nsp	CAP. CERAMIC	0.01µF 50V ZF	CCKT1H103ZF
C411		nsp	OA33505020	CAP. ELECT	3.3µF 50V	HCEA1HH3R3T
C412		nsp	OA33505020	CAP. ELECT	3.3µF 50V	HCEA1HH3R3T
D201		*HD302150R	*HD302150R	DIODE, ZENER	MTZJ6.8BT(6.8V 1/2W)	HVDMTZJ6.8BT
D202		HD30511000	HD30511000	DIODE, ZENER	MTZJ5.1BT(5.1V 1/2W)	HVDMTZJ5.1BT
D203		*HD302150R	*HD302150R	DIODE, ZENER	MTZJ6.8BT(6.8V 1/2W)	HVDMTZJ6.8BT
D301						
}		nsp	*HD201740R	DIODE	1SS133T-77	HVD1SS133MT
D306						
D381		nsp	*HD201740R	DIODE	1SS133T-77	HVD1SS133MT
D391		nsp	*HD201740R	DIODE	1SS133T-77	HVD1SS133MT
D392		nsp	*HD201740R	DIODE	1SS133T-77	HVD1SS133MT
D401						
}		nsp	*HD201750R	DIODE	TW 1N4003	KVD1N4003SRT
D404						
D405		nsp	*HD201740R	DIODE	1SS133T-77	HVD1SS133MT
GP21		nsp	nsp	PLATE, EARTH		CNE75
IC21		*HC107090R	*HC107090R	I.C. OP AMP	NJM2068MD-TE1	HVINJM2068MDTE1
IC22		*HC107010R	*HC107010R	I.C. FUNCTION	TC9163AF	HVITC9163AF
IC23		*HC107020R	*HC107020R	I.C. FUNCTION	TC9164AF	HVITC9164AF
IC24		*HC108220R	*HC108220R	I.C. VOLUME	M62446AFP	HVIM62446AFP
IC25		*HC107090R	*HC107090R	I.C. OP AMP	NJM2068MD-TE1	HVINJM2068MDTE1
IC26		*HC107090R	*HC107090R	I.C. OP AMP	NJM2068MD-TE1	BVINJM2068MDTE1
▲		nsp	nsp	I.C. ASSY		CVIMC7815CZA
▲		*HC300480R	*HC300480R	I.C. REGULATOR	KA7815-ABTU	HVIMC7815C
▲		nsp	nsp	I.C. ASSY		CVIMC7915CZA
▲		*HC300490R	*HC300490R	I.C. REGULATOR	KA7915-ABTU	HVIMC7915C
JK21		*YT002980R	*YT002980R	TERMINAL, IN/OUT		CJJ4R012Z
JK22		*YT002960R	*YT002960R	JACK, IN/OUT		CJJ4R019Z
JK23		*YT002960R	*YT002960R	JACK, IN/OUT		CJJ4R019Z

NOTE : *nsp* PART IS LISTED FOR REFERENCE ONLY, MARANTZ WILL NOT SUPPLY THESE PARTS.

POS. NO	VERS. COLOR	PART NO. (FOR EUR)	PART NO. (MJI)	DESCRIPTION		
JK24		*YT002960R	*YT002960R	JACK, IN/OUT		CJJ4R019Z
L301		nsp	nsp	COIL, SPEAKER	0.5UH K	CLEY0R5KAK
L302		nsp	nsp	COIL, SPEAKER	0.5UH K	CLEY0R5KAK
Q201		*HT400450R	*HT400450R	TRS.	KTD1302	HVTKTD1302T
Q202		*HT400450R	*HT400450R	TRS.	KTD1302	HVTKTD1302T
Q205		*BA001450R	*BA001450R	TRS.	KRA107M	HVTKRA107MT
Q301						
Q306		*HT100400R	*HT100400R	TRS.	KTA1268GR	HVTKTA1268GRT
Q307		*HT300610R	*HT300610R	TRS.	KTC3200GR	HVTKTC3200GRT
Q308		*HT300610R	*HT300610R	TRS.	KTC3200GR	HVTKTC3200GRT
Q309		*HT100400R	*HT100400R	TRS.	KTA1268GR	HVTKTA1268GRT
Q310		*HT100400R	*HT100400R	TRS.	KTA1268GR	HVTKTA1268GRT
Q311		*HT300610R	*HT300610R	TRS.	KTC3200GR	HVTKTC3200GRT
Q312		*HT300610R	*HT300610R	TRS.	KTC3200GR	HVTKTC3200GRT
Q313		*HT100540R	*HT100540R	TRS. PRE DRIVE	KTA1360Y	HVTKTA1360Y
Q314		*HT100540R	*HT100540R	TRS. PRE DRIVE	KTA1360Y	HVTKTA1360Y
Q315		*HT400460R	*HT400460R	TRS. BIAS	KTD600KGR	HVTKTD600KGR
Q316		*HT400460R	*HT400460R	TRS. BIAS	KTD600KGR	HVTKTD600KGR
Q317		*HT300820R	*HT300820R	TRS. PRE DRIVE	KTC3423Y	HVTKTC3423Y
Q318		*HT300820R	*HT300820R	TRS. PRE DRIVE	KTC3423Y	HVTKTC3423Y
Q319		*HT400470R	*HT400470R	TRS. DRIVE	KTD2061Y	HVTKTD2061Y
Q320		*HT400470R	*HT400470R	TRS. DRIVE	KTD2061Y	HVTKTD2061Y
Q321		*HT200400R	*HT200400R	TRS. DRIVE	KTB1369Y	HVTKTB1369Y
Q322		*HT200400R	*HT200400R	TRS. DRIVE	KTB1369Y	HVTKTB1369Y
▲ Q323		*HT300930R	*HT300930R	TRS. POWER (W/MICA SHEET)	2SC4468	HVT2SC4468
▲ Q324		*HT300930R	*HT300930R	TRS. POWER (W/MICA SHEET)	2SC4468	HVT2SC4468
▲ Q325		*HT100680R	*HT100680R	TRS. POWER (W/MICA SHEET)	2SA1695	HVT2SA1695
▲ Q326		*HT100680R	*HT100680R	TRS. POWER (W/MICA SHEET)	2SA1695	HVT2SA1695
Q327		*HT300590R	*HT300590R	TRS.	KSC2785Y	KVTKSC2785YT
Q328		*HT300590R	*HT300590R	TRS.	KSC2785Y	KVTKSC2785YT
Q381		*HT100390R	*HT100390R	TRS.	KSA1175Y	KVTKSA1175YT
Q382		*BA001450R	*BA001450R	TRS.	KRA107M	HVTKRA107MT
Q383		*HT300590R	*HT300590R	TRS.	KSC2785Y	KVTKSC2785YT
Q384		*HT300590R	*HT300590R	TRS.	KSC2785Y	KVTKSC2785YT
Q391		*BA001460R	*BA001460R	TRS.	KRC107M	HVTKRC107MT
Q392		*BA001460R	*BA001460R	TRS.	KRC107M	HVTKRC107MT
Q395		*BA001460R	*BA001460R	TRS.	KRC107M	HVTKRC107MT
R201						
R224		nsp	nsp	RES. CARBON	1kΩ 1/5W J	CRD20TJ102T
R225		nsp	nsp	RES. CARBON	47kΩ 1/5W J	CRD20TJ473T
R226		nsp	nsp	RES. CARBON	47kΩ 1/5W J	CRD20TJ473T
R227						
R230		nsp	nsp	RES. CARBON	56kΩ 1/5W J	CRD20TJ563T
R231		nsp	nsp	RES. CARBON	150kΩ 1/5W J	CRD20TJ154T
R232		nsp	nsp	RES. CARBON	150kΩ 1/5W J	CRD20TJ154T
R233		nsp	nsp	RES. CARBON	56kΩ 1/5W J	CRD20TJ563T
R234		nsp	nsp	RES. CARBON	56kΩ 1/5W J	CRD20TJ563T
R235		nsp	nsp	RES. CARBON	150kΩ 1/5W J	CRD20TJ154T
R236		nsp	nsp	RES. CARBON	150kΩ 1/5W J	CRD20TJ154T
R237						
R242		nsp	nsp	RES. CARBON	56kΩ 1/5W J	CRD20TJ563T
R243		nsp	nsp	RES. CARBON	150kΩ 1/5W J	CRD20TJ154T
R244		nsp	nsp	RES. CARBON	150kΩ 1/5W J	CRD20TJ154T
R245						
R248		nsp	nsp	RES. CARBON	47kΩ 1/5W J	CRD20TJ473T
R249		nsp	nsp	RES. CARBON	200Ω 1/5 W	CRD20TJ201T
R250		nsp	nsp	RES. CARBON	200Ω 1/5 W	CRD20TJ201T
R251		nsp	nsp	RES. CARBON	180kΩ 1/5W J	CRD20TJ184T
R252		nsp	nsp	RES. CARBON	180kΩ 1/5W J	CRD20TJ184T

NOTE : *nsp* PART IS LISTED FOR REFERENCE ONLY, MARANTZ WILL NOT SUPPLY THESE PARTS.

POS. NO	VERS. COLOR	PART NO. (FOR EUR)	PART NO. (MJI)	DESCRIPTION		
R253		nsp	nsp	RES. CARBON	12kΩ 1/5W J	CRD20TJ123T
R254		nsp	nsp	RES. CARBON	12kΩ 1/5W J	CRD20TJ123T
R255		nsp	nsp	RES. CARBON	560Ω 1/5W J	CRD20TJ561T
R256		nsp	nsp	RES. CARBON	560Ω 1/5W J	CRD20TJ561T
R257		nsp	nsp	RES. CARBON	100kΩ 1/5W J	CRD20TJ104T
R258		nsp	nsp	RES. CARBON	100kΩ 1/5W J	CRD20TJ104T
R259		nsp	nsp	RES. CARBON	220Ω 1/5W J	CRD20TJ221T
R260		nsp	nsp	RES. CARBON	220Ω 1/5W J	CRD20TJ221T
R261		nsp	nsp	RES. CARBON	150Ω 1/4W J	CRD25TJ151T
R262		nsp	nsp	RES. CARBON	150Ω 1/4W J	CRD25TJ151T
R263		nsp	nsp	RES. CARBON	4.7kΩ 1/4W J	CRD25TJ472T
R264		nsp	nsp	RES. CARBON	4.7kΩ 1/4W J	CRD25TJ472T
R265		nsp	nsp	RES. CARBON	4.7kΩ 1/4W J	CRD25TJ472T
R267		nsp	nsp	RES. CARBON	150Ω 1/4W J	CRD25TJ151T
R268		nsp	nsp	RES. CARBON	150Ω 1/4W J	CRD25TJ151T
R269		nsp	nsp	RES. CARBON	4.7kΩ 1/4W J	CRD25TJ472T
R270		nsp	nsp	RES. CARBON	4.7kΩ 1/4W J	CRD25TJ472T
R271		nsp	nsp	RES. CARBON	4.7kΩ 1/4W J	CRD25TJ472T
R273		nsp	nsp	RES. CARBON	470Ω 1/5W J	CRD20TJ471T
R274		nsp	nsp	RES. CARBON	4.7kΩ 1/4W J	CRD25TJ472T
R275		nsp	nsp	RES. CARBON	4.7kΩ 1/4W J	CRD25TJ472T
R276		nsp	nsp	RES. CARBON	4.7kΩ 1/4W J	CRD25TJ472T
R277		nsp	nsp	RES. CARBON	47kΩ 1/4W J	CRD25TJ473T
R278		nsp	nsp	RES. CARBON	47kΩ 1/4W J	CRD25TJ473T
R281		nsp	nsp	RES. CARBON	39kΩ 1/5W J	CRD20TJ393T
R282		nsp	nsp	RES. CARBON	39kΩ 1/5W J	CRD20TJ393T
R283		nsp	nsp	WIRE, JUMPER	6mm	C3A206
R284		nsp	nsp	WIRE, JUMPER	6mm	C3A206
R285		nsp	nsp	RES. CARBON	22kΩ 1/5W J	CRD20TJ223T
R286		nsp	nsp	RES. CARBON	22kΩ 1/5W J	CRD20TJ223T
R287		nsp	nsp	RES. CARBON	4.7kΩ 1/5W J	CRD20TJ472T
R288		nsp	nsp	RES. CARBON	4.7kΩ 1/5W J	CRD20TJ472T
R289		nsp	nsp	RES. CARBON	1.5kΩ 1/5W J	CRD20TJ152T
R290		nsp	nsp	RES. CARBON	1.5kΩ 1/5W J	CRD20TJ152T
R291		nsp	nsp	RES. CARBON	220Ω 1/5W J	CRD20TJ221T
R292		nsp	nsp	RES. CARBON	220Ω 1/5W J	CRD20TJ221T
R293		nsp	nsp	RES. CARBON	3.3kΩ 1/5W J	CRD20TJ332T
R294		nsp	nsp	RES. CARBON	3.3kΩ 1/5W J	CRD20TJ332T
R301		nsp	nsp	RES. CARBON	33kΩ 1/5W J	CRD20TJ333T
R302		nsp	nsp	RES. CARBON	33kΩ 1/5W J	CRD20TJ333T
R303		nsp	nsp	RES. CARBON	47kΩ 1/5W J	CRD20TJ473T
R304		nsp	nsp	RES. CARBON	47kΩ 1/5W J	CRD20TJ473T
R305		nsp	nsp	RES. CARBON	270Ω 1/5W J	CRD20TJ271T
R306		nsp	nsp	RES. CARBON	270Ω 1/5W J	CRD20TJ271T
R307		nsp	nsp	RES. CARBON	56Ω 1/5W J	CRD20TJ560T
R308		nsp	nsp	RES. CARBON	56Ω 1/5W J	CRD20TJ560T
R309		nsp	nsp	RES. CARBON	15Ω 1/4W J	CRD25TJ150T
R310		nsp	nsp	RES. CARBON	15Ω 1/5W J	CRD20TJ150T
R311		nsp	nsp	RES. CARBON	15Ω 1/4W J	CRD25TJ150T
R312		nsp	nsp	RES. CARBON	15Ω 1/4W J	CRD25TJ150T
R313						
∫		nsp	nsp	RES. CARBON	1.5kΩ 1/5W J	CRD20TJ152T
R316						
R317		nsp	nsp	RES. CARBON	1.2kΩ 1/5W J	CRD20TJ122T
R318		nsp	nsp	RES. CARBON	1.2kΩ 1/5W J	CRD20TJ122T
R319		nsp	nsp	RES. CARBON	33kΩ 1/4W J	CRD25TJ333T
R320		nsp	nsp	RES. CARBON	33kΩ 1/5W J	CRD20TJ333T
R321						
∫		nsp	nsp	RES. CARBON	560Ω 1/5W J	CRD20TJ561T
R328						
R329						
∫		nsp	nsp	RES. CARBON	4.7kΩ 1/5W J	CRD20TJ472T
R332						
R333		nsp	nsp	RES. CARBON	560Ω 1/5W J	CRD20TJ561T

NOTE : "nsp" PART IS LISTED FOR REFERENCE ONLY, MARANTZ WILL NOT SUPPLY THESE PARTS.

POS. NO	VERS. COLOR	PART NO. (FOR EUR)	PART NO. (MJI)	DESCRIPTION		
R334		nsp	nsp	RES. CARBON	560Ω 1/5W J	CRD20TJ561T
R335						
}		nsp	nsp	RES. CARBON	22kΩ 1/5W J	CRD20TJ223T
R338						
R339		nsp	nsp	RES. CARBON	1.8kΩ 1/5W J	CRD20TJ182T
R340		nsp	nsp	RES. CARBON	1.8kΩ 1/5W J	CRD20TJ182T
R341		nsp	nsp	RES. CARBON	560Ω 1/5W J	CRD20TJ561T
R342		nsp	nsp	RES. CARBON	560Ω 1/5W J	CRD20TJ561T
R343		nsp	nsp	RES. CARBON	12kΩ 1/5W J	CRD20TJ123T
R344		nsp	nsp	RES. CARBON	12kΩ 1/5W J	CRD20TJ123T
R345						
}		nsp	nsp	RES. CARBON	100Ω 1/5W J	CRD20TJ101T
R351						
R352		nsp	nsp	RES. CARBON	100Ω 1/4W J	CRD25TJ101T
R353		nsp	nsp	RES. CARBON	2.2Ω 1/4W J	CRD25TJ2R2T
R354		nsp	nsp	RES. CARBON	2.2Ω 1/4W J	CRD25TJ2R2T
R355		nsp	nsp	RES. CARBON	220Ω 1/4W J	CRD25TJ221T
R356		nsp	nsp	RES. CARBON	220Ω 1/4W J	CRD25TJ221T
R357		nsp	nsp	RES. CARBON	2.2Ω 1/4W J	CRD25TJ2R2T
R358		nsp	nsp	RES. CARBON	2.2Ω 1/4W J	CRD25TJ2R2T
▲		*GO000006R	*GO000006R	RES. CEMENT(*2)	0.22/5W *2	KRF5EKR22HX2
▲		*GO000006R	*GO000006R	RES. CEMENT(*2)	0.22/5W *2	KRF5EKR22HX2
R361		nsp	nsp	RES. CARBON	910Ω 1/5W J	CRD20TJ911T
R362		nsp	nsp	RES. CARBON	910Ω 1/5W J	CRD20TJ911T
R363		nsp	nsp	RES. CARBON	5.6kΩ 1/5W J	CRD20TJ562T
R364		nsp	nsp	RES. CARBON	5.6kΩ 1/5W J	CRD20TJ562T
R365		nsp	nsp	RES. CARBON	1.8kΩ 1/5W J	CRD20TJ182T
R366		nsp	nsp	RES. CARBON	1.8kΩ 1/5W J	CRD20TJ182T
R367		nsp	nsp	RES. CARBON	10kΩ 1/5W J	CRD20TJ103T
R368		nsp	nsp	RES. CARBON	10kΩ 1/5W J	CRD20TJ103T
R369						
}		nsp	nsp	RES. CARBON	10Ω 1/4W J	CRD25TJ100T
R372						
R373		nsp	nsp	RES. METAL OXIDE FILM	4.7Ω 1W J	KRG1ANJ4R7H
R374		nsp	nsp	RES. METAL OXIDE FILM	4.7Ω 1W J	KRG1ANJ4R7H
R375		nsp	nsp	RES. CARBON	22kΩ 1/5W J	CRD20TJ223T
R376		nsp	nsp	RES. CARBON	22kΩ 1/5W J	CRD20TJ223T
R381		nsp	nsp	RES. CARBON	47kΩ 1/5W J	CRD20TJ473T
R382		nsp	nsp	RES. CARBON	1kΩ 1/5W J	CRD20TJ102T
R383		nsp	nsp	RES. CARBON	22kΩ 1/5W J	CRD20TJ223T
R384		nsp	nsp	RES. CARBON	1kΩ 1/5W J	CRD20TJ102T
R385		nsp	nsp	RES. CARBON	1.2kΩ 1/5W J	CRD20TJ122T
R386		nsp	nsp	RES. CARBON	3.3kΩ 1/5W J	CRD20TJ332T
R391		nsp	nsp	RES. METAL OXIDE FILM	10Ω 1W J	KRG1ANJ100H
R392		nsp	nsp	RES. CARBON	10Ω 1/4W J	CRD25TJ100T
R393		nsp	nsp	RES. CARBON	10Ω 1/4W J	CRD25TJ100T
R401						
}		nsp	nsp	RES. CARBON	39kΩ 1/4W J	CRD25TJ393T
R404						
R405		nsp	nsp	RES. CARBON	15kΩ 1/4W J	CRD25TJ153T
R406		nsp	nsp	RES. CARBON	15kΩ 1/4W J	CRD25TJ153T
R407		nsp	nsp	RES. CARBON	560Ω 1/4W J	CRD25TJ561T
R408		nsp	nsp	RES. CARBON	560Ω 1/4W J	CRD25TJ561T
R411		nsp	nsp	RES. CARBON	3.3kΩ 1/5W J	CRD20TJ332T
R412		nsp	nsp	RES. CARBON	3.3kΩ 1/5W J	CRD20TJ332T
R413		nsp	nsp	RES. CARBON	220Ω 1/5W J	CRD20TJ221T
R414		nsp	nsp	RES. CARBON	220Ω 1/5W J	CRD20TJ221T
R415		nsp	nsp	RES. CARBON	560Ω 1/4W J	CRD25TJ561T
R416		nsp	nsp	RES. CARBON	560Ω 1/4W J	CRD25TJ561T
R419		nsp	nsp	RES. CARBON	39kΩ 1/4W J	CRD25TJ393T
R420		nsp	nsp	RES. CARBON	39kΩ 1/4W J	CRD25TJ393T
R421		nsp	nsp	RES. CARBON	10Ω 1/4W J	CRD25TJ100T
RY31		*LY000330R	*LY000330R	RELAY	OSA-SS-212DM3	HSL4A004ZU
RY32		*LY000330R	*LY000330R	RELAY	OSA-SS-212DM3	HSL4A004ZU

NOTE : *nsp* PART IS LISTED FOR REFERENCE ONLY, MARANTZ WILL NOT SUPPLY THESE PARTS.

POS. NO	VERS. COLOR	PART NO. (FOR EUR)	PART NO. (MJI)	DESCRIPTION		
RY33		*LY000330R	*LY000330R	RELAY	OSA-SS-212DM3	HSL4A004ZU
SP31		*YT002990R	*YT002990R	TERMINAL, SPEAKER		CJJ5Q006Z
WF37		nsp	nsp	WAFER, CARD CABLE	GF-120-13S-TS	KJP13GA115ZG
WF95		nsp	nsp	WAFER, CARD	GF-102-18S-TS	KJP18GA117ZG
				POWER-1 CIRCUIT BOARD		
C109		nsp	nsp	CAP. MYLAR	0.1µF 50V J	HCQ11H104JZT
C110		nsp	nsp	CAP. MYLAR	0.1µF 50V J	HCQ11H104JZT
C111						
∫		nsp	nsp	CAP. MYLAR	0.01µF 50V J	HCQ11H103JZT
C114						
CN35		nsp	nsp	WAFER	MOLEX35328-0310	KJP03GA89ZM
▲ D102		*HE200330R	*HE200330R	DIODE, BRIDGE	KBU804	HVDKBU804F
				POWER-2 CIRCUIT BOARD		
C101		nsp	nsp	CAP. MYLAR	0.1µF 50V J	HCQ11H104JZT
C102		nsp	nsp	CAP. MYLAR	0.01µF 50V J	HCQ11H103JZT
C103		nsp	nsp	CAP. MYLAR	0.01µF 50V J	HCQ11H103JZT
C104		nsp	nsp	CAP. CERAMIC	0.01µF 50V ZF	CCKT1H103ZF
C105		nsp	OA47605020	CAP. ELECT	47µF 50V	HCEA1HH470T
C106		nsp	OA47605020	CAP. ELECT	47µF 50V	HCEA1HH470T
C107		nsp	nsp	CAP. CERAMIC	0.01µF 50V ZF	CCKT1H103ZF
C108		nsp	OA47505020	CAP. ELECT	4.7µF 50V	HCEA1HH4R7T
CN34		nsp	nsp	WAFER	MOLEX 5267-05A	KJP05GA01ZM
CN92		nsp	nsp	WAFER	MOLEX53014-0410	KJP04GA19ZM
D101		HD30621000	HD30621000	DIODE, ZENER	MTZJ6.2BT(6.2V 1/2W)	HVDMTZJ6.2BT
D103		*HD302130R	*HD302130R	DIODE, ZENER	MTZJ27BT(27V 1/2W)	HVDMTZJ27BT
Q101		*BA000760R	*BA000760R	TRS.	KTA1271Y	HVTKTA1271YT
▲ R101		*NH000090R	*NH000090R	RES. FUSE	0.47Ω 1W J	KRQ1CJR47
▲ R102		*NH000090R	*NH000090R	RES. FUSE	0.47Ω 1W J	KRQ1CJR47
R103		nsp	nsp	RES. CARBON	2.2Ω 1/5W J	CRD20TJ2R2T
R104		nsp	nsp	RES. CARBON	2.2Ω 1/5W J	CRD20TJ2R2T
R105		nsp	nsp	RES. CARBON	1kΩ 1/4W J	CRD25TJ102T
R106		nsp	nsp	RES. CARBON	1.2kΩ 1/5W J	CRD20TJ122T
R107		nsp	nsp	RES. CARBON	47kΩ 1/5W J	CRD20TJ473T
				POWER SW CIRCUIT BOARD (A)		
BN75	/A/N	nsp	nsp	WIRE ASS'Y		CWB4DA32550UP
▲ C801	/A/N	*DK100770R	*DK100770R	CAP. CERAMIC(X1/Y2/SC)	0.0047µF/250V	KCKDKS472ME
▲ SW81	/A/N	*SP000850R	*SP000850R	SW, PUSH (MOMS)	CN JPP1197CSA64	KSH1A001ZV
				POWER SW CIRCUIT BOARD (U)		
S914	/U	nsp	*SP001210R	SW, TACT	SKHV10910G	GST1A012ZT
				VOLUME CIRCUIT BOARD		
C929		nsp	nsp	CAP. CERAMIC	100pF 50V K	HCBS1H101KBT
C930		nsp	nsp	CAP. CERAMIC	100pF 50V K	HCBS1H101KBT
CN93		nsp	nsp	WAFER	MOLEX53014-0310	KJP03GA19ZM
R967		nsp	nsp	RES. CARBON	2.7kΩ 1/5W J	CRD20TJ272T
R968		nsp	nsp	RES. CARBON	2.7kΩ 1/5W J	CRD20TJ272T
R969		nsp	nsp	RES. CARBON	1.2kΩ 1/5W J	CRD20TJ122T
VR92		*SR000240R	*SR000240R	VR, ENCODER	EC16B243040HB	HSR2A004Z
				VIDEO CIRCUIT BOARD		
BK71		nsp	nsp	BRACKET, PCB		CMD1A081
C701		nsp	nsp	CAP. CERAMIC	100pF 50V KB	CCKT1H101KB
C702		nsp	OA10605020	CAP. ELECT	10µF 50V	HCEA1HH100T
C703		nsp	nsp	CAP. CERAMIC	100pF 50V KB	CCKT1H101KB
C704		nsp	OA10605020	CAP. ELECT	10µF 50V	HCEA1HH100T
C705		nsp	nsp	CAP. CERAMIC	100pF 50V KB	CCKT1H101KB
C706		nsp	OA10605020	CAP. ELECT	10µF 50V	HCEA1HH100T
C707		nsp	nsp	CAP. CERAMIC	100pF 50V KB	CCKT1H101KB
C708		nsp	nsp	CAP. CERAMIC	100pF 50V KB	CCKT1H101KB
C709		nsp	nsp	CAP. CERAMIC	100pF 50V KB	CCKT1H101KB

NOTE : "nsp" PART IS LISTED FOR REFERENCE ONLY, MARANTZ WILL NOT SUPPLY THESE PARTS.

POS. NO	VERS. COLOR	PART NO. (FOR EUR)	PART NO. (MJI)	DESCRIPTION		
C710		nsp	OA10701620	CAP. ELECT	100µF 16V	HCEA1CH101T
C711		nsp	nsp	CAP. CERAMIC	0.022µF 50V ZF	CCKT1H223ZF
C712		nsp	OA10701620	CAP. ELECT	100µF 16V	HCEA1CH101T
C713		nsp	nsp	CAP. CERAMIC	0.022µF 50V ZF	CCKT1H223ZF
C714		nsp	OA33701620	CAP. ELECT	330µF 16V	HCEA1CH331T
C715		nsp	OA10702520	CAP. ELECT	100µF 25V	HCEA1EH101T
C716		nsp	nsp	CAP. CERAMIC	0.022µF 50V ZF	CCKT1H223ZF
C717		nsp	OA47701620	CAP. ELECT	470µF 16V	HCEA1CH471T
C719		nsp	nsp	CAP. CERAMIC	0.022µF 50V ZF	CCKT1H223ZF
▲ C720		*DK100770R	*DK100770R	CAP. CERAMIC(X1/Y2/SC)	0.0047µF/2.5KV	KCKDKS472ME
C721		nsp	nsp	CAP. CERAMIC	0.1µF 50V Z	CCKT1H104ZF
CN31		nsp	nsp	WAFER	MOLEX53014-0310	KJP03GA19ZM
CN32		nsp	nsp	WAFER	MOLEX35328-02	KJP02GA89ZM
CN33		nsp	nsp	WAFER	7.92MM(YUNHO)	KJP02KA060ZY
CN75	/A/N	nsp	nsp	WAFER	MOLEX35328-02	KJP02GA89ZM
CN91		nsp	nsp	WAFER	MOLEX53014-0810	KJP08GA19ZM
D701		HD30621000	HD30621000	DIODE, ZENER	MTZJ6.2BT(6.2V 1/2W)	HVDMTZJ6.2BT
D702		HD30621000	HD30621000	DIODE, ZENER	MTZJ6.2BT(6.2V 1/2W)	HVDMTZJ6.2BT
D703		nsp	*HD201740R	DIODE	1SS133T-77	HVD1SS133MT
D704		nsp	*HD201740R	DIODE	1SS133T-77	HVD1SS133MT
D705		nsp	*HD201740R	DIODE	1SS133T-77	HVD1SS133MT
D706		HD30621000	HD30621000	DIODE, ZENER	MTZJ6.2BT(6.2V 1/2W)	HVDMTZJ6.2BT
D707						
∫		nsp	*HD201730R	DIODE	1N4003	KVD1N4003ST
D710						
D711		nsp	*HD201740R	DIODE	1SS133T-77	HVD1SS133MT
D712		nsp	*HD201740R	DIODE	1SS133T-77	HVD1SS133MT
F701		nsp	nsp	HOLDER, FUSE		KJCF5S
▲ F701	/U	nsp	*FS000880R	FUSE	SB 6.3A 250V	KBA2C6300TLU
▲ F701	/A/N	*FS000540R	*FS000540R	FUSE	T 3.15A 250V	KBA2C3150TLE
F702	/U	nsp	nsp	HOLDER, FUSE		KJCF5S
▲ F702	/U	nsp	*FS001000R	FUSE	SB 1A 250V	KBA2C1000TLU
F703	/U	nsp	nsp	HOLDER, FUSE		KJCF5S
▲ F703	/U	nsp	*FS001000R	FUSE	SB 1A 250V	KBA2C1000TLU
IC71		*HC108210R	*HC108210R	I.C. VIDEO	NJM2279M-TE1	HVINJM2279MTE1
JK71		*YT002940R	*YT002940R	JACK, BOARD		CJJ4S010Z
JK72		*YT002950R	*YT002950R	JACK, BOARD		CJJ4N043Z
JK73		*YT002970R	*YT002970R	JACK, BOARD		CJJ4N039Z
▲ OL91	/U	nsp	*YT002410R	OUTLET, AC(UL/2P/SEP)	A204D0041P	KJJ7A015Z
Q701		*HT300580R	*HT300580R	TRS.	KSC2316Y	HVTKSC2316YT
Q702		*BA001460R	*BA001460R	TRS.	KRC107M	HVTKRC107MT
R701						
∫		nsp	nsp	RES. CARBON	75Ω 1/5W J	CRD20TJ750T
R705						
R706		nsp	nsp	RES. CARBON	3.3kΩ 1/5W J	CRD20TJ332T
R707		nsp	nsp	RES. CARBON	3.3kΩ 1/5W J	CRD20TJ332T
R708						
∫		nsp	nsp	RES. CARBON	820Ω 1/4W J	CRD25TJ821T
R711						
R712		nsp	nsp	RES. CARBON	68Ω 1/4W J	CRD25TJ680T
R713		nsp	nsp	WIRE, JUMPER	6mm	C3A206
R714		nsp	nsp	RES. CARBON	2.2kΩ 1/5W J	CRD20TJ222T
▲ R716	/U	nsp	*GG000010R	RES. CARBON	JP 3.3MΩ 1/2W	BRDERC12UGK335T
R718		nsp	nsp	RES. CARBON	18kΩ 1/5W J	CRD20TJ183T
R719		nsp	nsp	RES. CARBON	47kΩ 1/5W J	CRD20TJ473T
R720		nsp	nsp	RES. CARBON	47Ω 1/5W J	CRD20TJ470T
▲ RY71		*LY000340R	*LY000340R	RELAY	SDT-S-112DMR	HSL1A008ZE
▲ T701	/U	nsp	*TS001870R	TRANS, SUB (120V/12V)	SR4320/U1B	CLT5I001ZU
▲ T701	/A/N	*TS001870R	*TS001870R	TRANS, SUB (230V/12V)	SR4320/A1B	CLT5I001ZE

NOTE : *nsp* PART IS LISTED FOR REFERENCE ONLY, MARANTZ WILL NOT SUPPLY THESE PARTS.