

MARANTZ DESIGN AND SERVICE

Using superior design and selected high grade components, **MARANTZ** company has created the ultimate in stereo sound. Only original **MARANTZ** parts can insure that your **MARANTZ** product will continue to perform to the specifications for which it is famous.

Parts for your **MARANTZ** equipment are generally available to our National Marantz Subsidiary or Agent.

ORDERING PARTS :

Parts can be ordered either by mail or by Fax.. In both cases, the correct part number has to be specified.

The following information must be supplied to eliminate delays in processing your order :

1. Complete address
2. Complete part numbers and quantities required
3. Description of parts
4. Model number for which part is required
5. Way of shipment
6. Signature : any order form or Fax. must be signed, otherwise such part order will be considered as null and void.

USA

MARANTZ AMERICA, INC
1100 MAPLEWOOD DRIVE
ITASCA, IL. 60143
USA
PHONE : 630 - 741 - 0300
FAX : 630 - 741 - 0301

EUROPE / TRADING

MARANTZ EUROPE B.V.
P. O. BOX 8744, BUILDING SILVERPOINT
BEEMDSTRAAT 11, 5653 MA EINDHOVEN
THE NETHERLANDS
PHONE : +31 - 40 - 2507844
FAX : +31 - 40 - 2507860

CANADA

LENBROOK INDUSTRIES LIMITED
633 GRANITE COURT,
PICKERING, ONTARIO L1W 3K1
CANADA
PHONE : 905 - 831 - 6333
FAX : 905 - 831 - 6936

PROFESSIONAL AMERICAS

SUPERSCOPE TECHNOLOGIES, INC.
MARANTZ PROFESSIONAL PRODUCTS
2640 WHITE OAK CIRCLE, SUITE A
AURORA, ILLINOIS 60504 USA
PHONE : 630 - 820 - 4800
FAX : 630 - 820 - 8103

PROFESSIONAL AUSTRALIA

TECHNICAL AUDIO GROUP PTY, LTD
43-53 Bridge Rd.,
STANMORE NSW 2048
AUSTRALIA
PHONE : +61 - (0)2 - 9519 - 0900
FAX : +61 - (0)2 - 9519 - 0600

PROFESSIONAL HONG KONG

Jolly ProAudio Broadcast Engineering Ltd.
UNIT 2, 10F, WAH HUNG CENTRE,
41 HUNG TO ROAD, KWUN TONG, KLN.,
HONG KONG
PHONE : 852 - 21913660
FAX : 852 - 21913990

AUSTRALIA

QualiFi Pty Ltd,
24 LIONEL ROAD,
MT. WAVERLEY VIC 3149
AUSTRALIA
PHONE : +61 - (0)3 - 9543 - 1522
FAX : +61 - (0)3 - 9543 - 3677

THAILAND

MRZ STANDARD CO., LTD
746 - 754 MAHACHAI ROAD.,
WANGBURAPAPIROM, PHRANAKORN,
BANGKOK, 10200 THAILAND
PHONE : +66 - 2 - 222 9181
FAX : +66 - 2 - 224 6795

SINGAPORE

WO KEE HONG DISTRIBUTION PTE LTD
130 JOO SENG ROAD
#03-02 OLIVINE BUILDING
SINGAPORE 368357
PHONE : +65 6858 5535 / +65 6381 8621
FAX : +65 6858 6078

NEW ZEALAND

WILDASH AUDIO SYSTEMS NZ
14 MALVERN ROAD MT ALBERT
AUCKLAND NEW ZEALAND
PHONE : +64 - 9 - 8451958
FAX : +64 - 9 - 8463554

TAIWAN

PAI- YUING CO., LTD.
6 TH FL NO, 148 SUNG KIANG ROAD,
TAIPEI, 10429, TAIWAN R.O.C.
PHONE : +886 - 2 - 25221304
FAX : +886 - 2 - 25630415

MALAYSIA

WO KEE HONG ELECTRONICS SDN. BHD.
2ND FLOOR BANGUNAN INFINITE CENTRE
LOT 1, JALAN 13/6, 46200 PETALING JAYA
SELANGOR DARUL EHSAN, MALAYSIA
PHONE : +60 - 3 - 7954 8088
FAX : +60 - 3 - 7954 7088

JAPAN *Technical*

MARANTZ JAPAN, INC.
35- 1, 7- CHOME, SAGAMIONO
SAGAMIHARA - SHI, KANAGAWA
JAPAN 228-8505
PHONE : +81 42 748 1013
FAX : +81 42 741 9190

日本マランツ株式会社

本社 〒228-8505
神奈川県相模原市相模大野7-35-1

KOREA

MK ENTERPRISES LTD.
ROOM 604/605, ELECTRO-OFFICETEL, 16-58,
3GA, HANGANG-RO, YONGSAN-KU, SEOUL
KOREA
PHONE : +822 - 3232 - 155
FAX : +822 - 3232 - 154

SHOCK, FIRE HAZARD SERVICE TEST :

CAUTION : After servicing this appliance and prior to returning to customer, measure the resistance between either primary AC cord connector pins (with unit NOT connected to AC mains and its Power switch ON), and the face or Front Panel of product and controls and chassis bottom.

Any resistance measurement less than 1 Megohms should cause unit to be repaired or corrected before AC power is applied, and verified before it is return to the user/customer.

Ref. UL Standard No. 1492.

In case of difficulties, do not hesitate to contact the Technical Department at above mentioned address.

1. TECHNICAL SPECIFICATIONS

FM TUNER SECTION

Frequency Range	87.5 - 108.0 MHz
Usable Sensitivity	IHF 1.8 μ V/16.4 dBf
Signal to Noise Ratio	Mono/Stereo 76/72 dB
Distortion	Mono/Stereo 0.2/0.3 %
Stereo Separation	1 kHz 45 dB
Alternate Channel Selectivity	\pm 300 kHz 60 dB
Image Rejection	98 MHz 70 dB
Tuner Output Level	1 kHz, \pm 75 kHz Dev800 mV(/U)
	1 kHz, \pm 40 kHz Dev800 mV(/A/K/N)

AM TUNER SECTION

Frequency Range	531 - 1602 kHz(/A/K/N)
	520 - 1710 kHz(/U)
Signal to Noise Ratio	50 dB
Usable Sensitivity	Loop 500 μ V/m
Distortion	400 Hz, 30 % Mod. 0.5 %
Selectivity	\pm 18 kHz 70 dB

AUDIO SECTION

Power Output (20Hz - 20kHz / THD=0.08%)	
Front L&R	8 Ω 80 W/Ch
Center	8 Ω 80 W/Ch
Surround L&R	8 Ω 80 W/Ch
Surround Back	8 Ω 80 W/Ch
Front L&R	6 Ω 95 W/Ch
Center	6 Ω 95 W/Ch
Surround L&R	6 Ω 95 W/Ch
Surround Back	6 Ω 95 W/Ch
Input Sensitivity/Impedance	360 mV/ 47 k Ω
Signal to Noise Ratio (Analog Input/Source Direct)	95 dB
Frequency Response	
(Analog Input/Source Direct)	8 Hz - 70 kHz(\pm 3dB)
(Digital Input/96kHz PCM)	8 Hz - 45 kHz(\pm 3dB)

VIDEO SECTION

Television Format	NTSC(/U)
	NTSC/PAL(/A/K/N)
Input Level/Impedance	1 Vp-p/ 75 Ω
Output Level/Impedance	1 Vp-p/ 75 Ω
Video Frequency Response	5 Hz - 8 MHz (- 1 dB)
Signal to Noise Ratio	60 dB

GENERAL

Power Requirement	AC 220 V 50/60 Hz(/K)
	AC 230 V 50 Hz(/A/N)
	AC 120 V 60 Hz(/U)
Power Consumption	325 W
Weight	12.5 Kg(27.6 lbs)

ACCESSORIES

Remote Control Unit RC5400SR	1
AAA-size batteries	2
FM Antenna	1
AM Loop Antenna	1
AC Power Cord(/A/N/K)	1

The relation between the selected surround mode and the input signal

The surround mode is selected with the surround mode buttons on SR4400 or the remote control unit. However, the sound you hear is subject to the relationship between the selected surround mode and input signal. That relationship is as follows;

Surround Mode	Input Signal	Decoding	Output Channel					Front information display		
			L/R	C	SL SR	SB	SW	Dot matrix display	Signal format indicators	Channel status
AUTO	Dolby Surr. EX	Dolby Digital EX	○	○	○	○	○	DOLBY D EX	□□ DIGITAL, EX	L, C, R, SL, SR, S, LFE
	Dolby D (5.1ch)	Dolby Digital 5.1	○	○	○	-	○	DOLBY D	□□ DIGITAL	L, C, R, SL, SR, LFE
	Dolby D (2ch)	Dolby Digital 2.0	○	-	-	-	○	DOLBY D	□□ DIGITAL	L, R
	Dolby D (2ch Surr)	Pro Logic II movie	○	○	○	-	○	DOLBY PL II MV	□□ DIGITAL, □□ SURROUND	L, R, S
	DTS-ES	DTS-ES	○	○	○	-	○	DTS-ES Disc or DTS-ES Mtrx	dts, ES	L, C, R, SL, SR, S, LFE
	DTS (5.1ch)	DTS 5.1	○	○	○	-	○	DTS	dts	L, C, R, SL, SR, LFE
	PCM (Audio)	PCM (Stereo)	○	-	-	-	○	STEREO	PCM	L, R
	PCM 96kHz	PCM (96kHz Stereo)	○	-	-	-	○	STEREO	PCM, 96kHz	L, R
	Analog	Stereo	○	-	-	-	○	STEREO	ANALOG	-
S-DIRECT	Dolby D Surr. EX	Dolby Digital EX	○	○	○	○	○	DOLBY D EX	□□ DIGITAL, EX	L, C, R, SL, SR, S, LFE
	Dolby D (5.1ch)	Dolby Digital 5.1	○	○	○	-	○	DOLBY D	□□ DIGITAL	L, C, R, SL, SR, LFE
	Dolby D (2ch)	Dolby Digital 2.0	○	-	-	-	○	DOLBY D	□□ DIGITAL	L, R
	Dolby D (2ch Surr)	Pro Logic II movie	○	○	○	-	○	DOLBY PL II MV	□□ DIGITAL, □□ SURROUND	L, R, S
	DTS-ES	DTS-ES	○	○	○	-	○	DTS-ES Disc or DTS-ES Mtrx	dts, ES	L, C, R, SL, SR, S, LFE
	DTS (5.1ch)	DTS 5.1	○	○	○	-	○	DTS	dts	L, C, R, SL, SR, LFE
	PCM (Audio)	PCM (Stereo)	○	-	-	-	○	STEREO	PCM	L, R
	PCM 96kHz	PCM (96kHz Stereo)	○	-	-	-	○	STEREO	PCM, 96kHz	L, R
	Analog	Stereo	○	-	-	-	○	STEREO	ANALOG	-
EX/ES	Dolby D Surr. EX	Dolby Digital EX	○	○	○	○	○	DOLBY D EX	□□ DIGITAL, EX	L, C, R, SL, SR, S, LFE
	Dolby D (5.1ch)	Dolby Digital EX	○	○	○	○	○	DOLBY D EX	□□ DIGITAL	L, C, R, SL, SR, LFE
	DTS-ES	DTS-ES	○	○	○	-	○	DTS-ES Disc or DTS-ES Mtrx	dts, ES	L, C, R, SL, SR, S, LFE
DOLBY (PLII MOVIE) (PLII MUSIC) (PRO LOGIC)	DTS (5.1ch)	DTS-ES	○	○	○	-	○	DTS-ES Mtrx	dts	L, C, R, SL, SR, LFE
	Dolby D Surr. EX	Dolby Digital 5.1	○	○	○	-	○	DOLBY D	□□ DIGITAL, EX	L, C, R, SL, SR, S, LFE
	Dolby D (5.1ch)	Dolby Digital 5.1	○	○	○	-	○	DOLBY D	□□ DIGITAL	L, C, R, SL, SR, LFE
	Dolby D (2ch)	Pro Logic II	○	○	○	-	○	DOLBY PL	□□ DIGITAL	L, R
	Dolby D (2ch Surr)	Pro Logic II	○	○	○	-	○	or DOLBY PLII MV	□□ DIGITAL, □□ SURROUND	L, R, S
	PCM (Audio)	Pro Logic II	○	○	○	-	○	or DOLBY PLII MS	PCM	L, R
	Analog	Pro Logic II	○	○	○	-	○		ANALOG	-
DTS (Neo:6 Cinema) (Neo:6 Music)	DTS-ES	DTS 5.1	○	○	○	-	○	DTS	dts, ES	L, C, R, SL, SR, S, LFE
	DTS (5.1ch)	DTS 5.1	○	○	○	-	○	DTS	dts	L, C, R, SL, SR, LFE
	PCM (Audio)	Neo:6	○	○	○	-	○	NEO:6 CINEMA	PCM	L, R
	Analog	Neo:6	○	○	○	-	○	or NEO:6 MUSIC	ANALOG	L, R
CSII CINEMA CSII MUSIC CSII MONO	PCM (Audio)	CSII	○	○	○	-	○	CSII CINEMA	PCM	L, R
	Analog	CSII	○	○	○	-	○	or CSII MUSIC or CSII MONO	ANALOG	-
STEREO	Dolby Surr. EX	Stereo	○	-	-	-	○	STEREO	□□ DIGITAL, EX	L, C, R, SL, SR, S, LFE
	Dolby D (5.1ch)	Stereo	○	-	-	-	○	STEREO	□□ DIGITAL	L, C, R, SL, SR, LFE
	Dolby D (2ch)	Stereo	○	-	-	-	○	STEREO	□□ DIGITAL	L, R
	Dolby D (2ch Surr)	Stereo	○	-	-	-	○	STEREO	□□ DIGITAL, □□ SURROUND	L, R, S
	DTS-ES	Stereo	○	-	-	-	○	STEREO	dts, ES	L, C, R, SL, SR, S, LFE
	DTS (5.1ch)	Stereo	○	-	-	-	○	STEREO	dts	L, C, R, SL, SR, LFE
	PCM (Audio)	Stereo	○	-	-	-	○	STEREO	PCM	L, R
	PCM 96kHz	Stereo	○	-	-	-	○	STEREO	PCM, 96kHz	L, R
	Analog	Stereo	○	-	-	-	○	STEREO	ANALOG	-
VIRTUAL	Dolby Surr. EX	Virtual	○	-	-	-	○	VIRTUAL	□□ DIGITAL, EX	L, C, R, SL, SR, S, LFE
	Dolby D (5.1ch)	Virtual	○	-	-	-	○	VIRTUAL	□□ DIGITAL	L, C, R, SL, SR, LFE
	Dolby D (2ch)	Virtual	○	-	-	-	○	VIRTUAL	□□ DIGITAL	L, R
	Dolby D (2ch Surr)	Virtual	○	-	-	-	○	VIRTUAL	□□ DIGITAL, □□ SURROUND	L, R, S
	DTS-ES	Virtual	○	-	-	-	○	VIRTUAL	dts, ES	L, C, R, SL, SR, S, LFE
	DTS (5.1ch)	Virtual	○	-	-	-	○	VIRTUAL	dts	L, C, R, SL, SR, LFE
	PCM (Audio)	Virtual	○	-	-	-	○	VIRTUAL	PCM	L, R
Analog	Virtual	○	-	-	-	○	VIRTUAL	ANALOG	-	
MULTI CH ST	Dolby Surr. EX	Dolby Digital EX	○	○	○	○	○	M-CH STEREO	□□ DIGITAL, EX	L, C, R, SL, SR, S, LFE
	Dolby D (5.1ch)	Dolby Digital EX	○	○	○	○	○	M-CH STEREO	□□ DIGITAL	L, C, R, SL, SR, LFE
	Dolby D (2ch)	Multi Channel Stereo	○	○	○	-	○	M-CH STEREO	□□ DIGITAL	L, R
	Dolby D (2ch Surr)	Multi Channel Stereo	○	○	○	-	○	M-CH STEREO	□□ DIGITAL, □□ SURROUND	L, R, S
	DTS-ES	DTS-ES	○	○	○	-	○	M-CH STEREO	dts, ES	L, C, R, SL, SR, S, LFE
	DTS (5.1ch)	DTS-ES	○	○	○	-	○	M-CH STEREO	dts	L, C, R, SL, SR, LFE
	PCM (Audio)	Multi Channel Stereo	○	○	○	-	○	M-CH STEREO	PCM	L, R
	Analog	Multi Channel Stereo	○	○	○	-	○	M-CH STEREO	ANALOG	-
DSP SURROUND (MOVIE) (HALL) (STADIUM) (MATRIX)	PCM (Audio)	DSP	○	○	○	-	○	MOVIE or HALL or STADIUM or MATRIX	PCM	L, R
	Analog	DSP	○	○	○	-	○		ANALOG	-

Dolby Surr.EX:
Dolby Digital stream with Surround EX flag

DTS-ES:
DTS digital stream with ES flag.

Dolby D(2ch Surr) :
2channel Dolby Digital stream with Dolby Surround flag

L/R = Front Left and Right speakers
C = Center speaker
SL/SR = Surround Left and Right speakers
SB = Surround back speaker
SW = Sub woofer speaker

Bass signal output from Sub Woofer terminal for SR4400

*Stereo decode : SPK SETUP - BASS MIX : BOTH set

SPK setup					SubWoofer Output by Decoded mode						
Sub Woofer	Front	Center	Surr. L/R	Surr.B	DD EX DTS mES,dES	Dolby(AC-3 ≠ 2ch) DTS	PL II ,Neo6	CS II	Stereo (PCM:Auto)	Virtual (Main spk L fix)	
Yes	Large	Large	Large	Large	LFE	LFE	none	L+R	L+R	no output	
			None	None	no suuound mode	↓	↓	↓	↓	↓	
			Small	Small	LFE+SL+SR+Sb	LFE+SL+SR	↓	↓	↓	↓	↓
			None	None	no suuound mode	↓	↓	↓	↓	↓	↓
		Small	Large	Large	LFE+C	LFE+C	C	L+R	L+R	no output	
			None	None	no suuound mode	↓	↓	↓	↓	↓	
			Small	Small	LFE+C+SL+SR+Sb	LFE+C+SL+SR	↓	↓	↓	↓	
			None	None	no suuound mode	↓	↓	↓	↓	↓	
		None	Large	Large	LFE	LFE	none	L+R	L+R	no output	
			None	None	no suuound mode	↓	↓	↓	↓	↓	
			Small	Small	LFE+SL+SR+Sb	LFE+SL+SR	↓	↓	↓	↓	
			None	None	no suuound mode	↓	↓	↓	↓	↓	
	Small	Large	Large	Large	LFE+L+R	LFE+L+R	L+R	L+R	L+R	no output	
			None	None	no suuound mode	↓	↓	↓	↓	↓	
			Small	Small	LFE+L+R+SL+SR+Sb	LFE+L+R+SL+SR	↓	↓	↓	↓	
			None	None	no suuound mode	↓	↓	↓	↓	↓	
Small		Large	Large	LFE+L+R+C	LFE+L+R+C	L+R+C	L+R	L+R	no output		
		None	None	no suuound mode	↓	↓	↓	↓	↓		
		Small	Small	LFE+L+R+C+SL+SR+S	LFE+L+R+C+SL+SR	↓	↓	↓	↓		
		None	None	no suuound mode	↓	↓	↓	↓	↓		
None	Large	Large	LFE+L+R	LFE+L+R	L+R	L+R	L+R	no output			
	None	None	no suuound mode	↓	↓	↓	↓	↓			
	Small	Small	LFE+L+R+SL+SR+Sb	LFE+L+R+SL+SR	↓	↓	↓	↓			
	None	None	no suuound mode	↓	↓	↓	↓	↓			
None						No output					

2. TECHNICAL DESCRIPTION



DTS was introduced in 1994 to provide 5.1 channels of discrete digital audio into home theater systems. DTS brings you premium quality discrete multi-channel digital sound to both movies and music. DTS is a multi-channel sound system designed to create full range digital sound reproduction. The no compromise DTS digital process sets the standard of quality for cinema sound by delivering an exact copy of the studio master recordings to neighborhood and home theaters. Now, every moviegoer can hear the sound exactly as the movie-maker intended. DTS can be enjoyed in the home for either movies or music on DVD's, LD's, and CD's. "DTS" and "DTS Digital Surround" are registered trademarks of Digital Theater Systems, Inc.



The advantages of discrete multichannel systems over matrix are well known. But even in homes equipped for discrete multichannel, there remains a need for high-quality matrix decoding. This is because of the large library of matrix surround motion pictures available on disc and on VHS tape; and analog television broadcasts. The typical matrix decoder of today derives a center channel and a mono surround channel from two-channel matrix stereo material. It is better than a simple matrix in that it includes steering logic to improve separation, but because of its mono, band-limited surround it can be disappointing to users accustomed to discrete multichannel. Neo 6 offers several important improvements as follow, . Neo 6 provides up to six full-band channels of matrix decoding from stereo matrix material. Users with 6.1 and 5.1 systems will derive six and five separate channels, respectively, corresponding to the standard home-theater speaker layouts. . Neo 6 technology allows various sound elements within a channel or channels to be steered separately, and in a way which follows naturally from the original presentation. . Neo 6 offers a music mode to expand stereo nonmatrix recordings into the five- or six-channel layout, in a way which does not diminish the subtlety and integrity of the original stereo recording.



DTS-ES Extended Surround is a new multi-channel digital signal format developed by Digital Theater Systems Inc. While offering high compatibility with the conventional DTS Digital Surround format, DTSES Extended Surround greatly improves the 360-degree surround impression and space expression thanks to further expanded surround signals. This format has been used professionally in movie theaters since 1999. In addition to the 5.1 surround channels (FL, FR, C, SL, SR and LFE), DTS-ES Extended Surround also offers the SB (Surround Back) channel for surround playback with a total of 6.1 channels. DTS-ES Extended Surround includes two signal formats with different surround signal recording methods, as DTS-ES Discrete 6.1 and DTSES Matrix 6.1. "DTS", "DTS-ES Extended Surround" and "Neo:6" are trademarks of Digital Theater Systems, Inc.

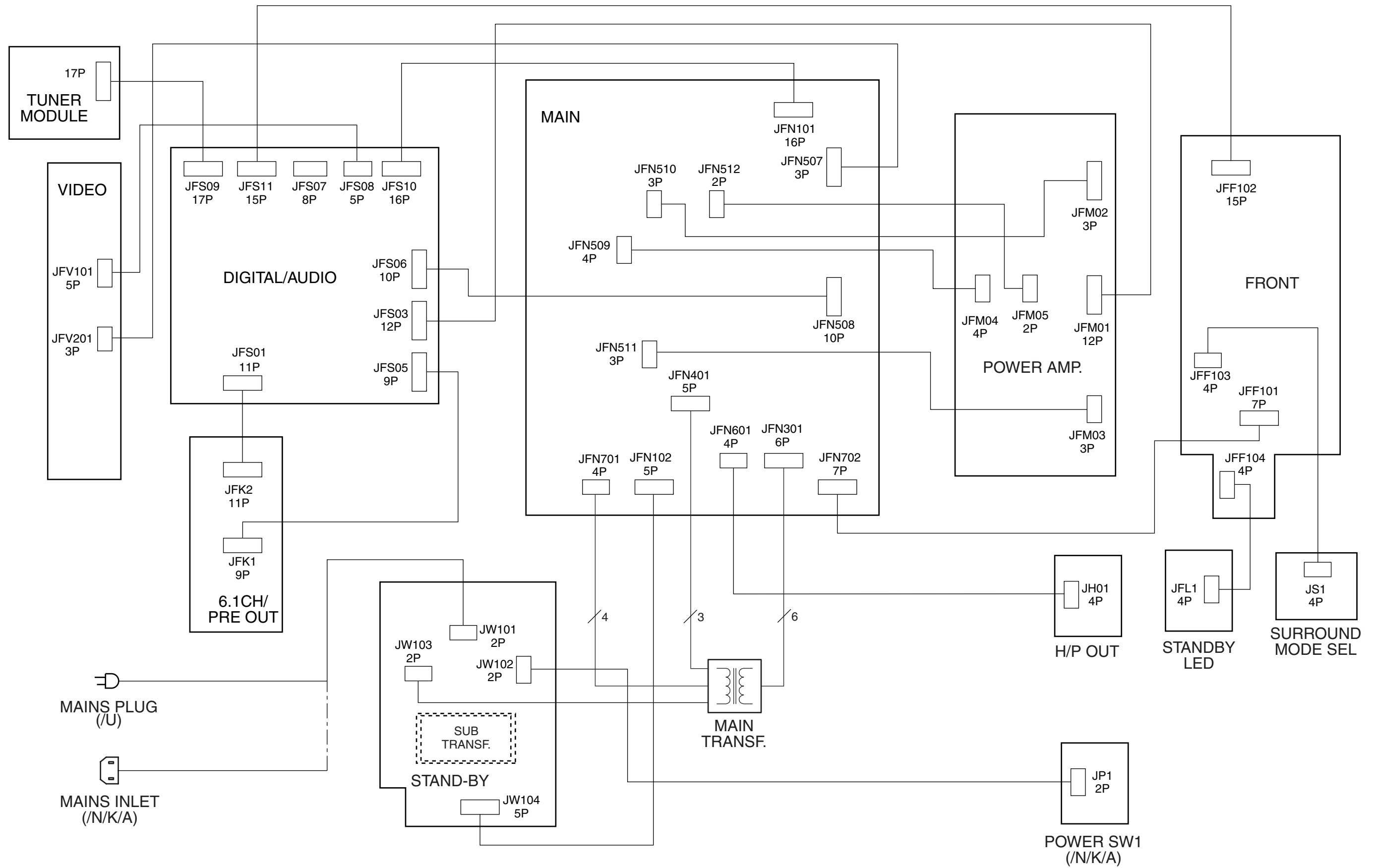


Dolby Digital identifies the use of Dolby Digital (AC-3) audio coding for such consumer formats as DVD and DTV. As with film sound, Dolby Digital can provide up to five full-range channels for left, center, and right screen channels, independent left and right surround channels, and a sixth (".1") channel for low-frequency effects. Dolby Surround Pro Logic II is an improved matrix decoding technology that provides better spatiality and directionality on Dolby Surround program material; provides a convincing three-dimensional soundfield on conventional stereo music recordings; and is ideally suited to bring the surround experience to automotive sound. While conventional surround programming is fully compatible with Dolby Surround Pro Logic II decoders, soundtracks will be able to be encoded specifically to take full advantage of Pro Logic II playback, including separate left and right surround channels. (Such material is also compatible with conventional Pro Logic decoders.) Dolby Digital EX creates six full-bandwidth output channels from 5.1- channel sources. This is done using a matrix decoder that derives three surround channels from the two in the original recording. For best results, Dolby Digital EX should be used with movies soundtracks recorded with Dolby Digital Surround EX. Manufactured under license from Dolby Laboratories. "Dolby", "Pro Logic", and the double-D symbol are trademarks of Dolby Laboratories.

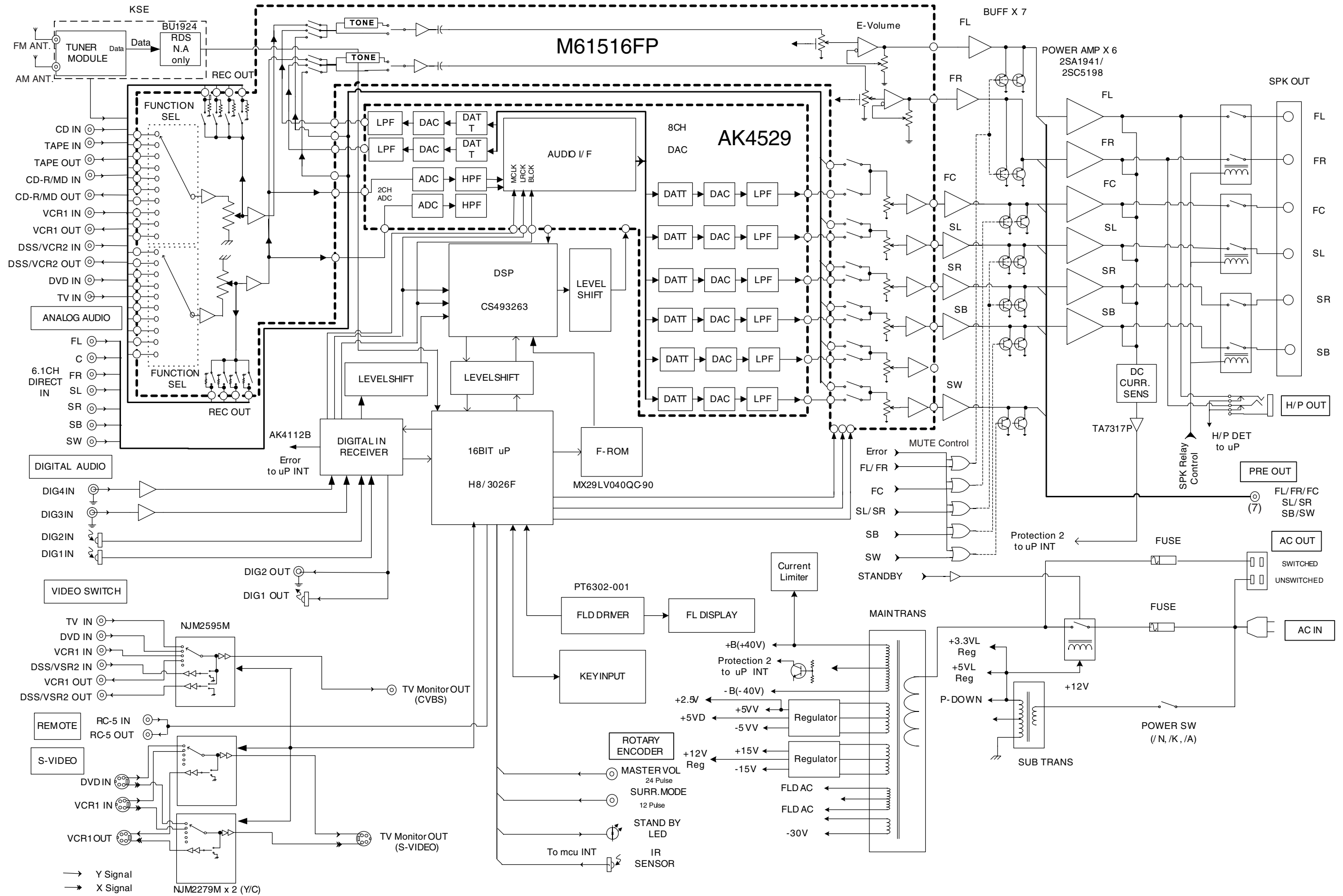


Circle Surround II (CS-II) is a powerful and versatile multi-channel technology. CS-II is designed to enable up to 6.1 multi-channel surround sound playback from mono, stereo, CS encoded sources and other matrix encoded sources. In all cases the decoder extends it into 6 channels of surround audio and a LFE/subwoofer signal. The CS-II decoder creates a listening environment that places the listener "inside" music performances and dramatically improves both hi-fi audio conventional surround-encoded video material. CS-II provides composite stereo rear channels to greatly improve separation and image positioning adding a heightened sense of realism to both audio and A/V productions. CS-II is packed with other useful feature like dialog clarity (SRS Dialog) for movies and cinema-like bass enrichment (TruBass). CS-II can enable the dialog to become clearer and more discernable in movies and it enables the bass frequencies contained in the original programming to more closely achieve low frequencies overcoming the low frequency limitations of the speakers by full octave. SRS Circle Surround II, SRS Dialog, SRS TruBass, SRS and symbol (●)® are trademarks of SRS Labs, Inc. SRS Circle Surround II, SRS Dialog and SRS TruBass technology are incorporated under license from SRS Labs, Inc.

3. WIRING DIAGRAM

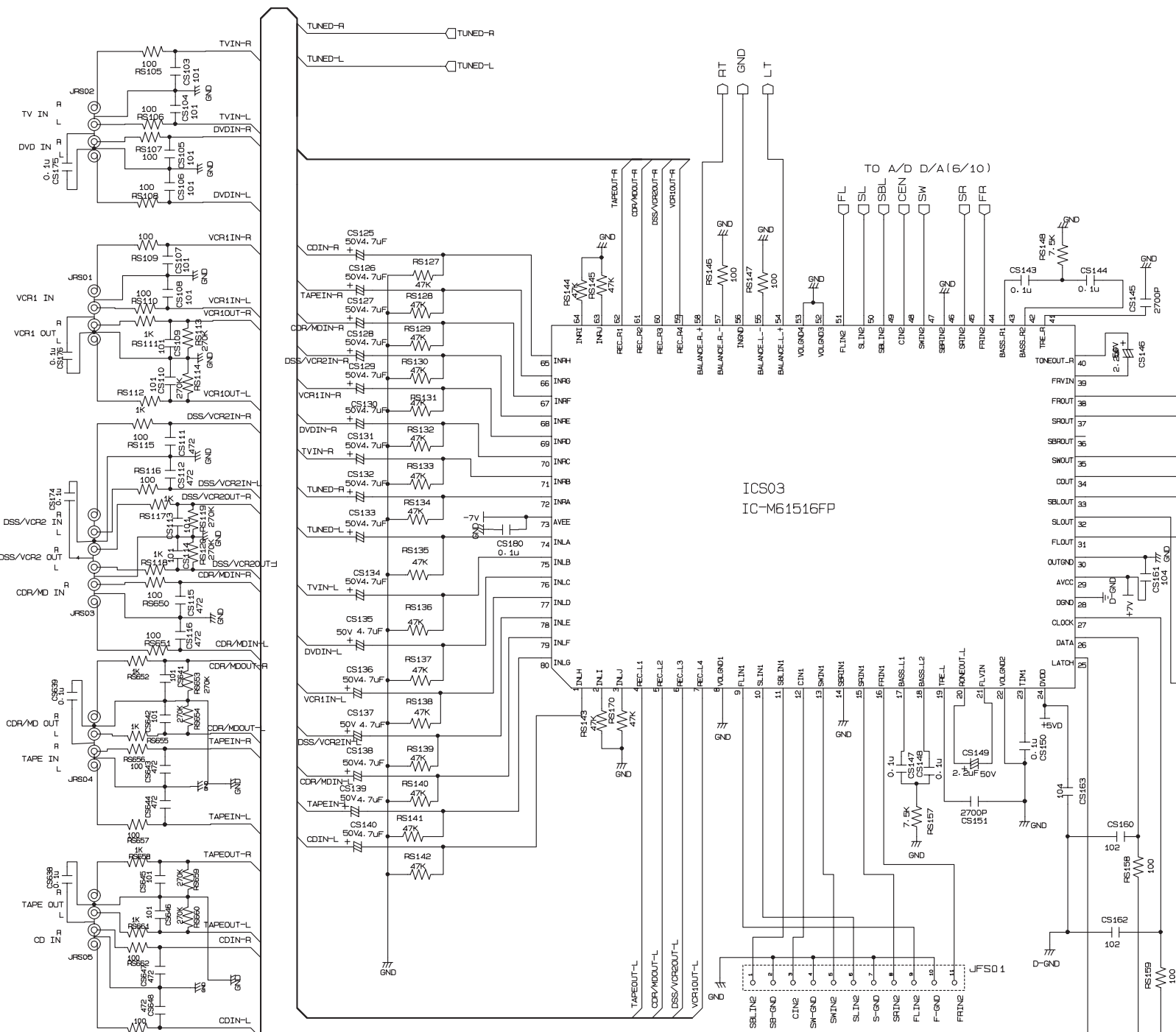


4. BLOCK DIAGRAM

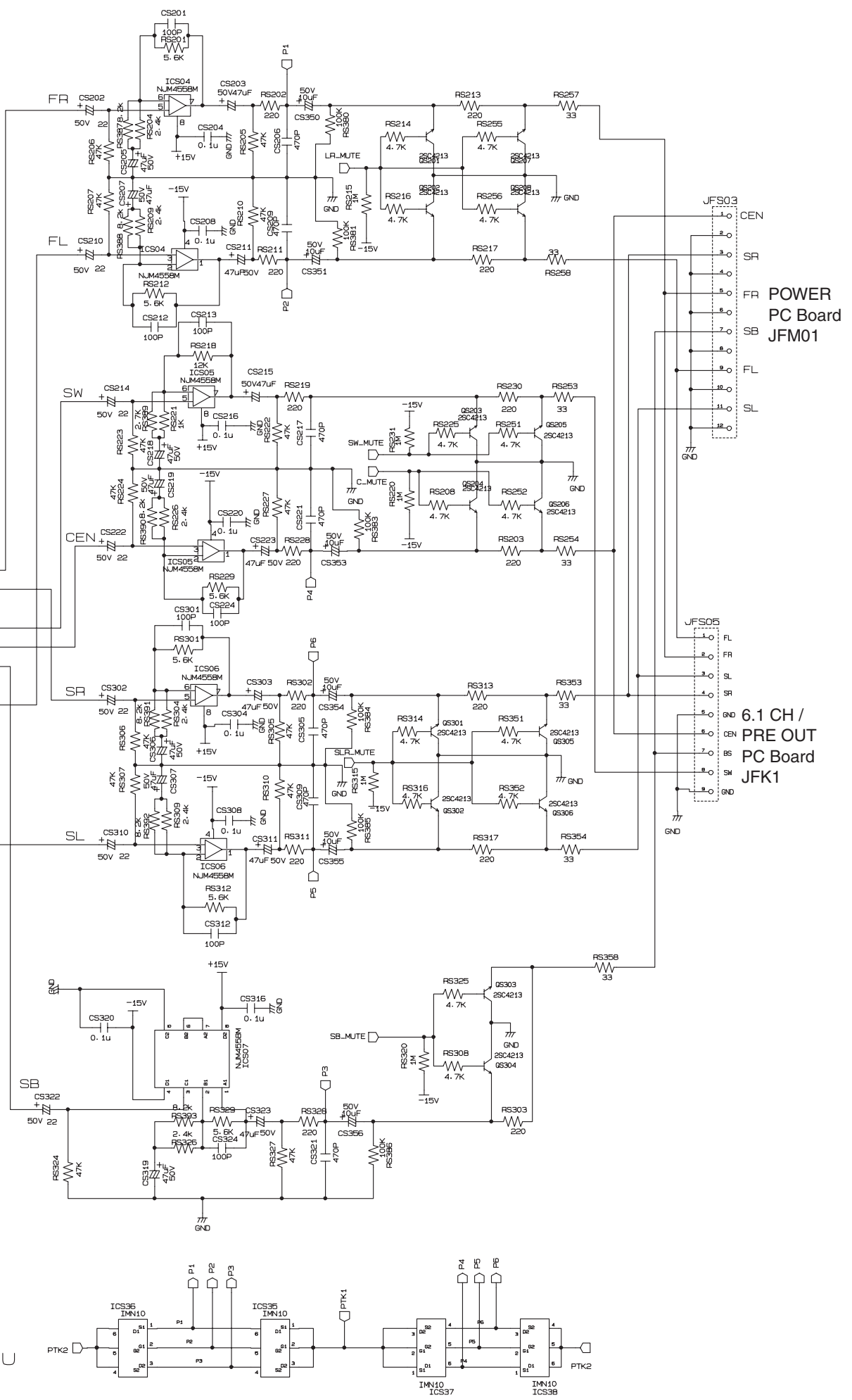
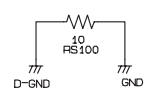
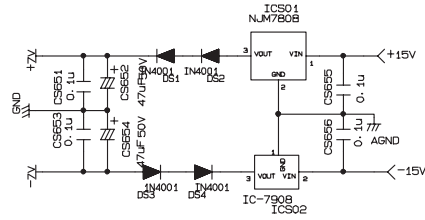


5. SCHEMATIC DIAGRAM

DIGITAL / AUDIO PC Board (1/4)
(AUDIO)



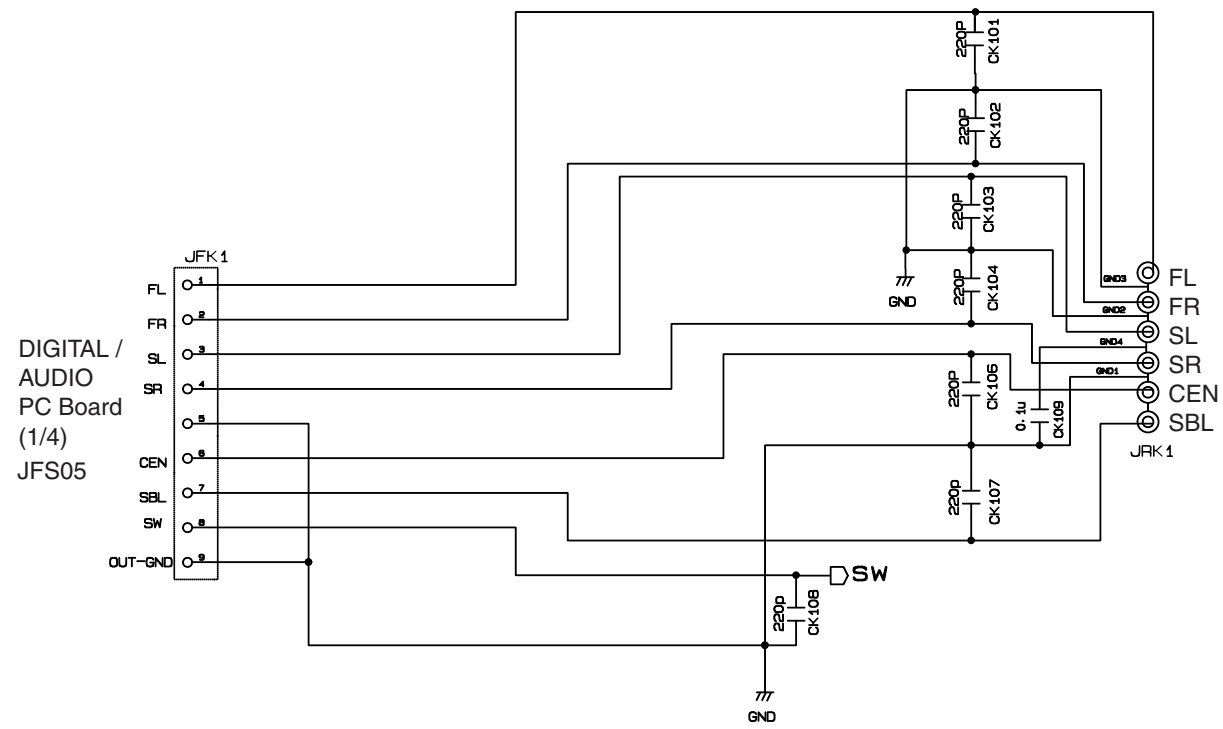
6.1 CH / PRE OUT PC Board
JFK2



POWER
PC Board
JFM01

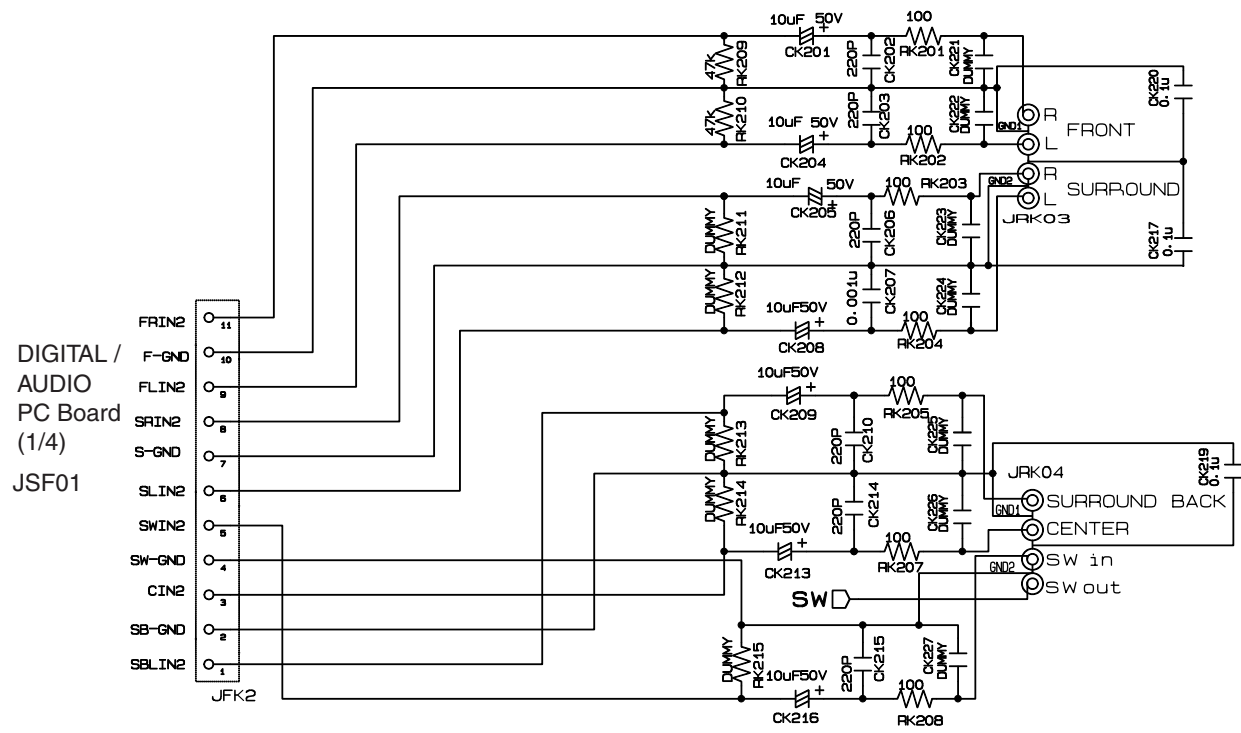
6.1 CH /
PRE OUT
PC Board
JFK1

TO CPU

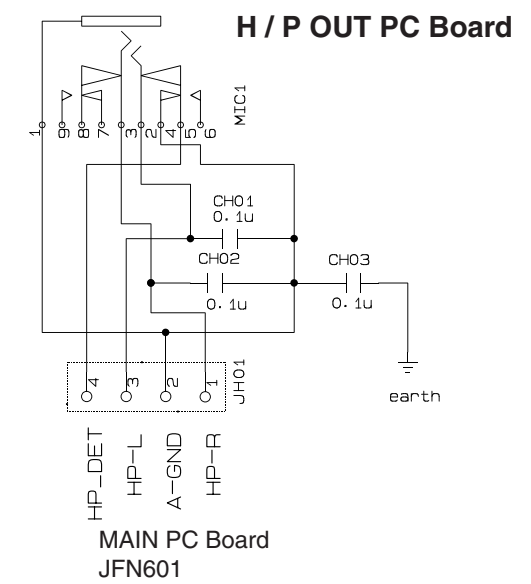


6.1CH / PRE OUT PC Board

PRE OUTPUT



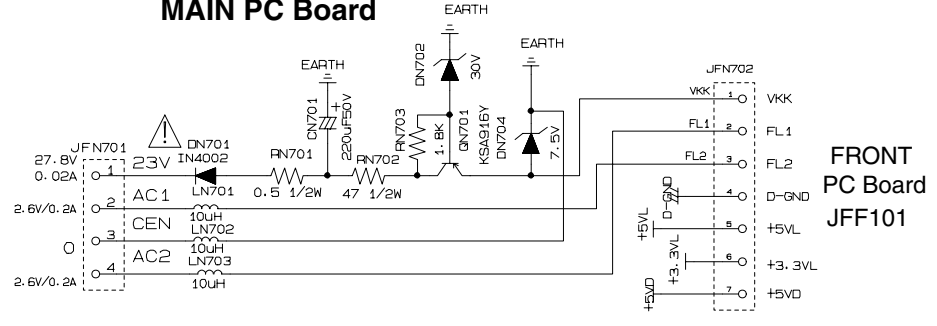
6.1 CH INPUT



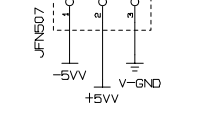
MAIN PC Board JFN601

MAIN PC Board

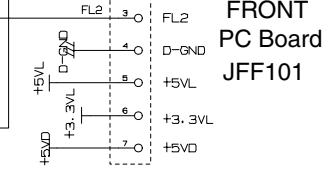
MAIN TRANSF. JFN903



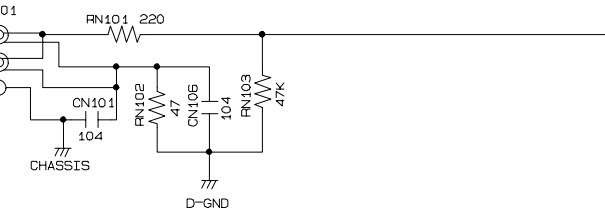
VIDEO PC Board JFV201



FRONT PC Board JFF101

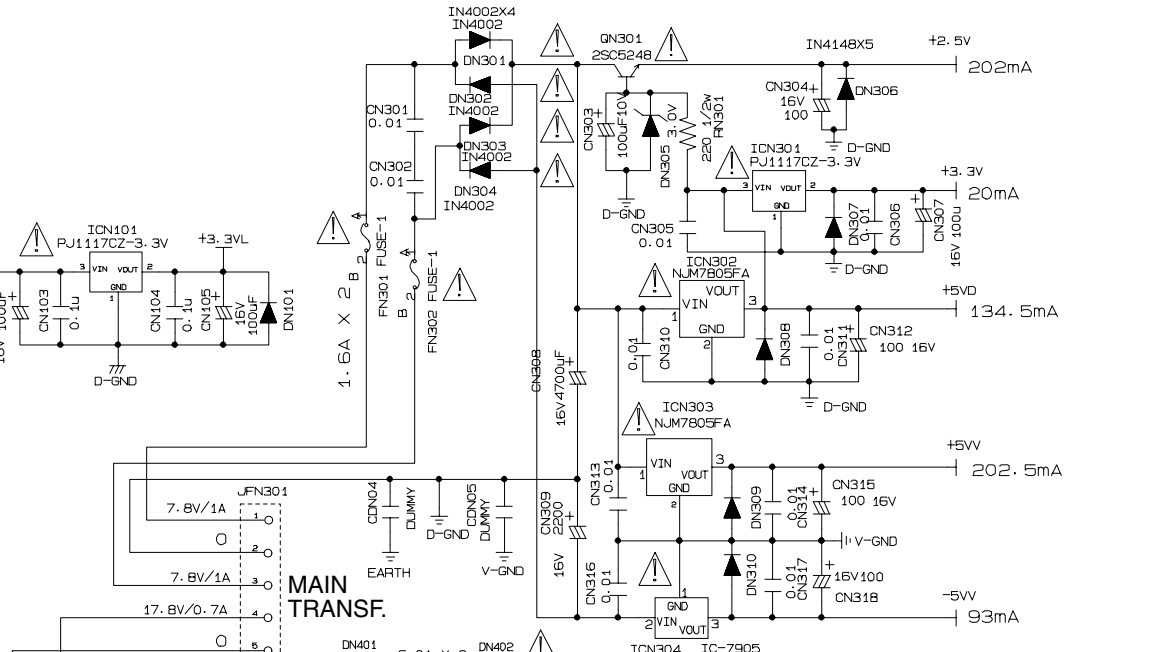
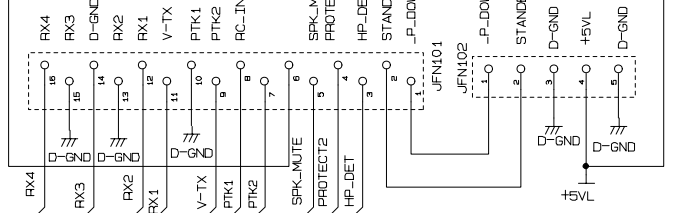


REMOTE CONTROL



DIGITAL / AUDIO PC Board (4/4) JFS10

STANDBY PC Board JW104



DIG-1 IN

DIG-2 IN

DIG-3 IN

DIG-4 IN

DIG-OUT (COAX)

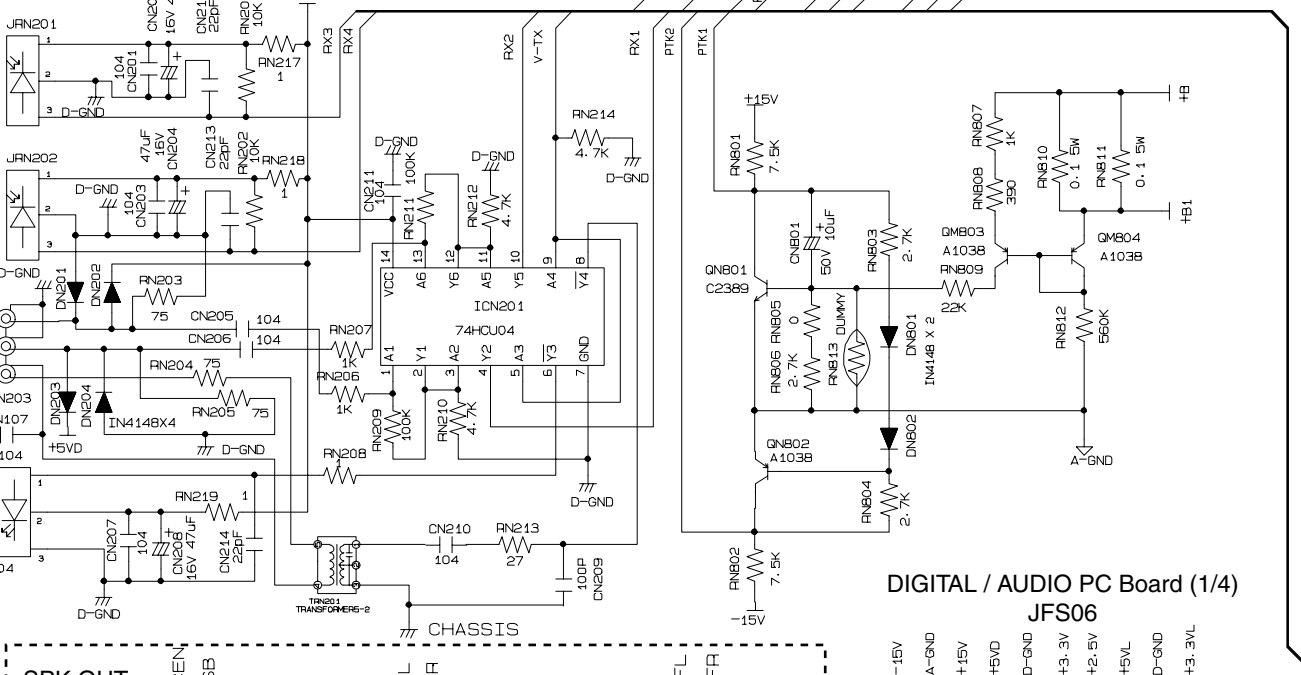
DIG-OUT (OPT)

CHASSIS D-GND

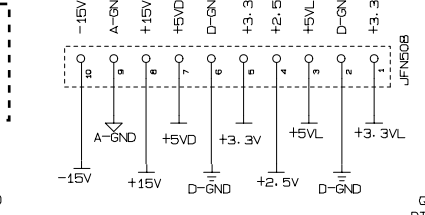
CHASSIS

CHASSIS

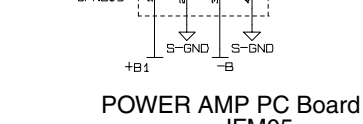
CHASSIS



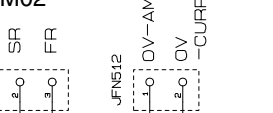
DIGITAL / AUDIO PC Board (1/4) JFS06



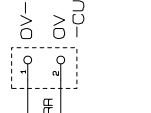
POWER AMP PC Board JFM04



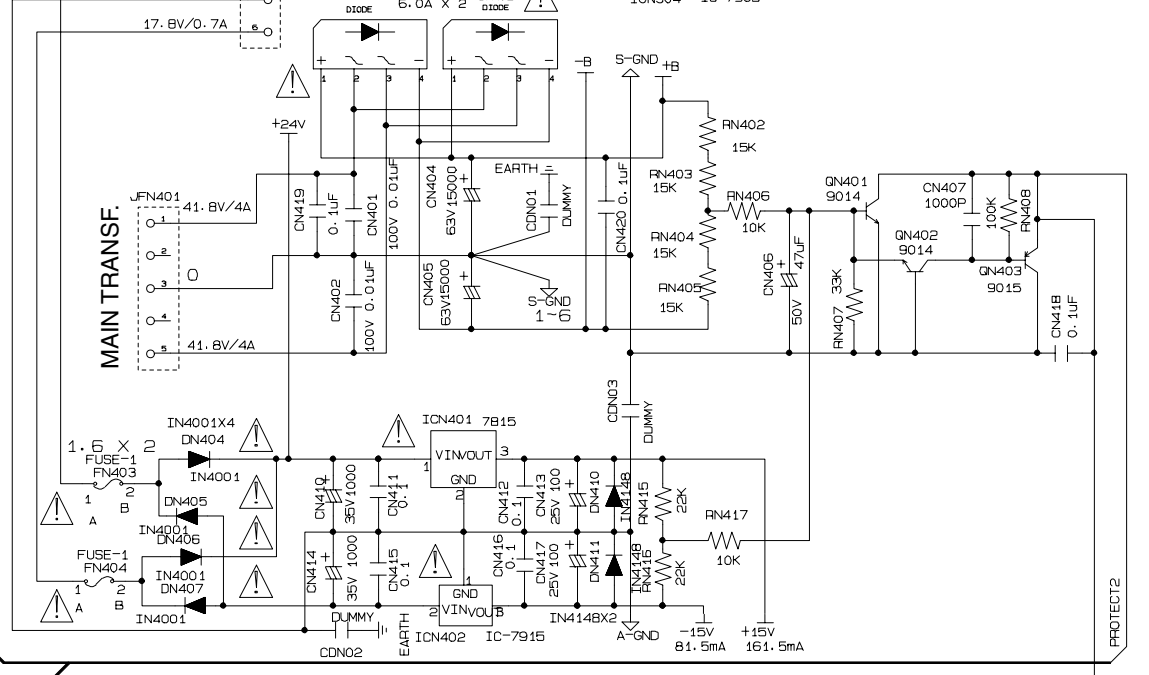
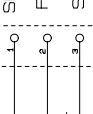
POWER AMP PC Board JFM02



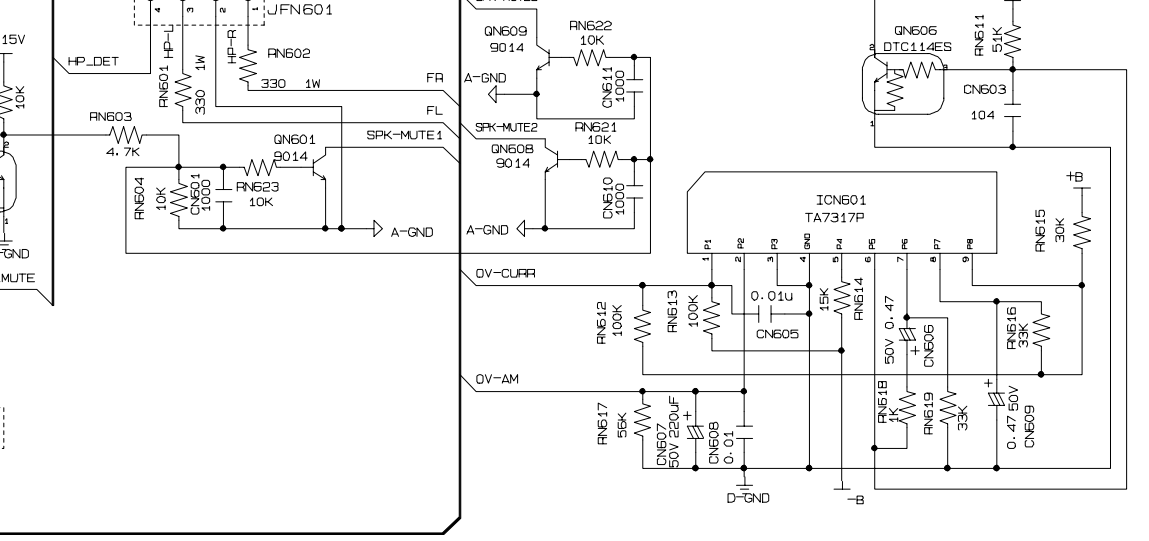
POWER AMP PC Board JFM05



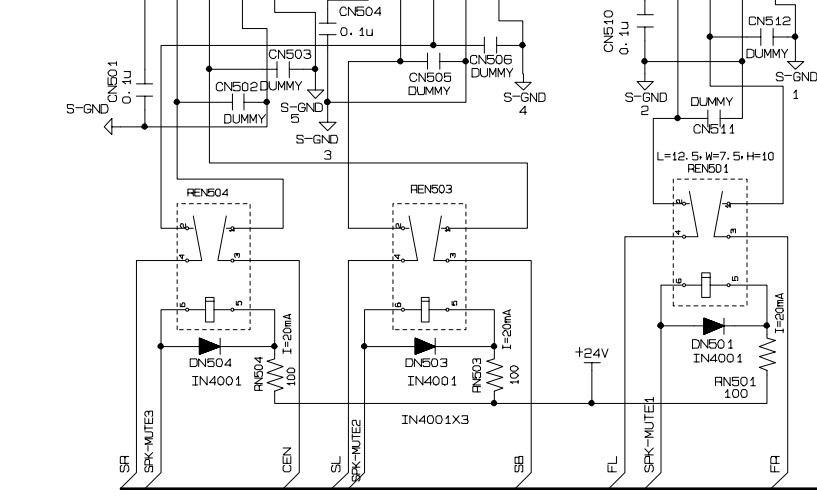
POWER AMP PC Board JFM03

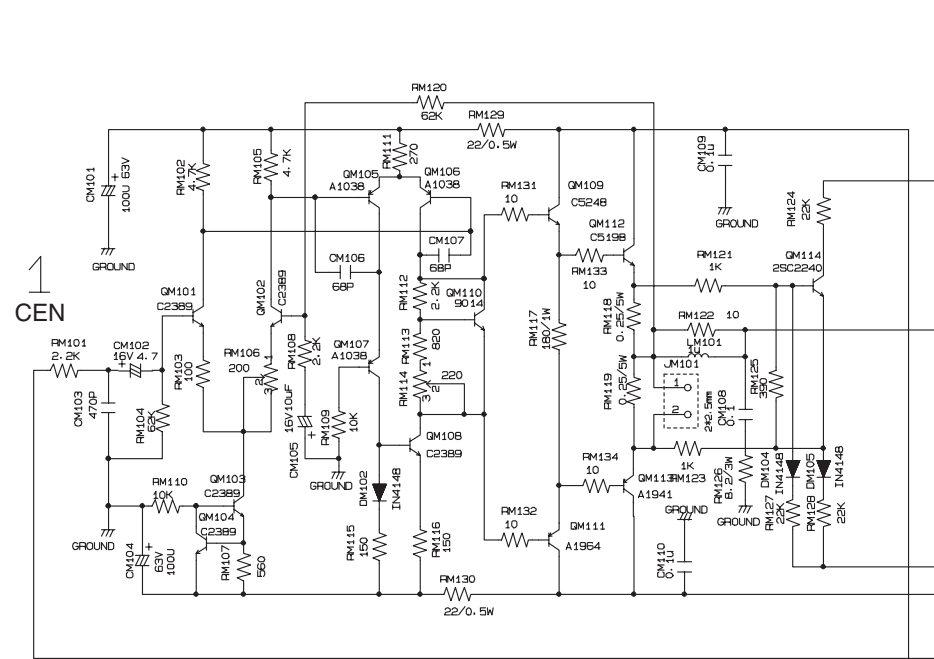


H / P OUT PC Board JH01



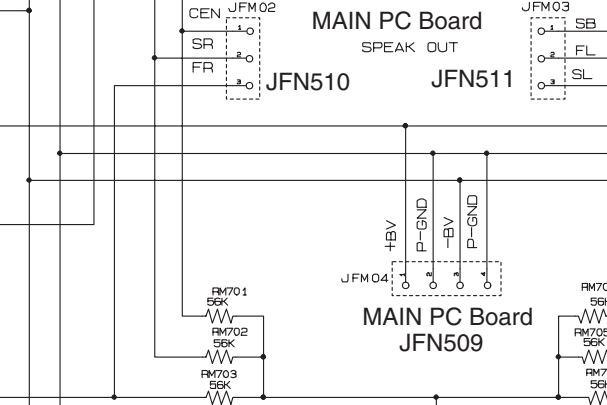
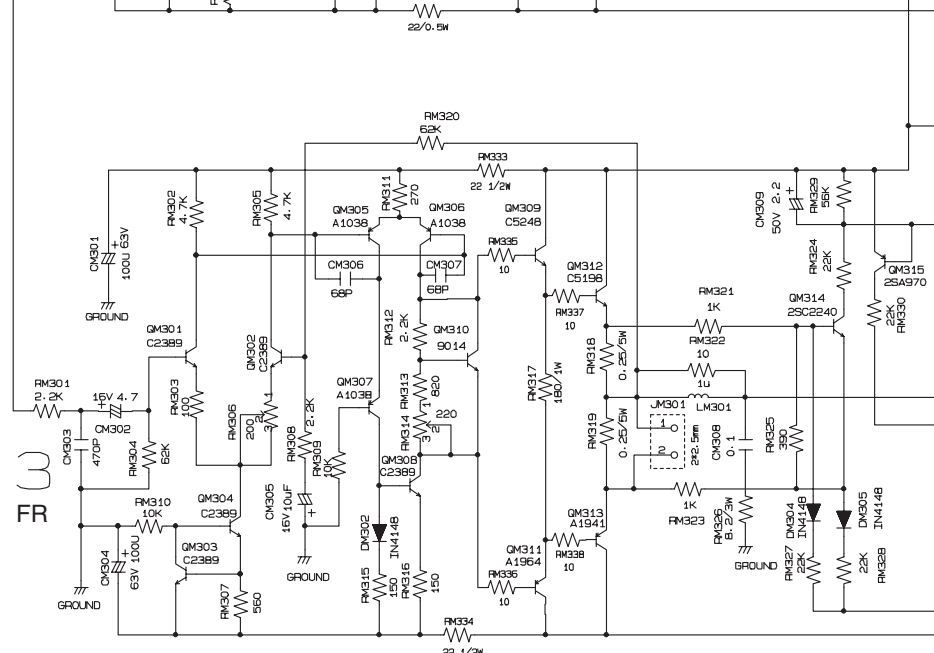
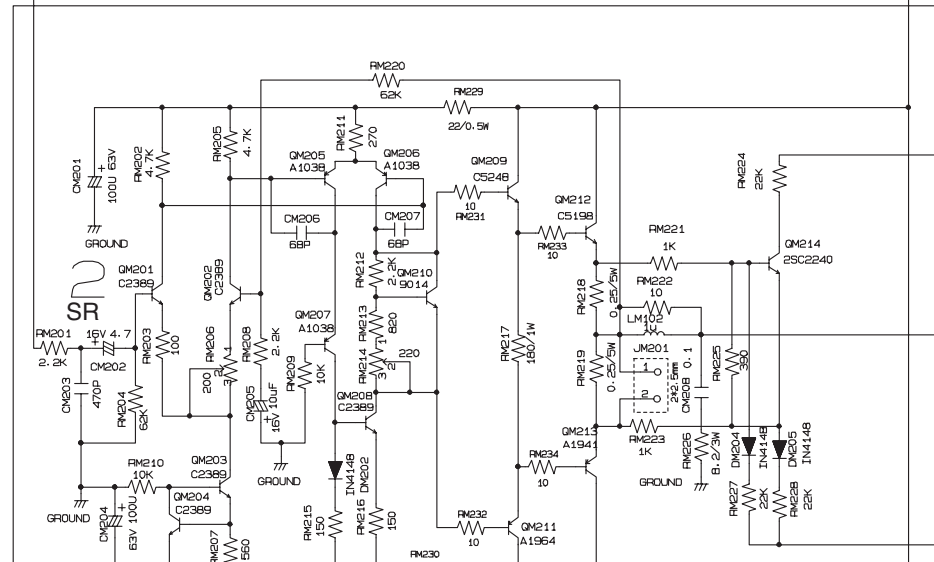
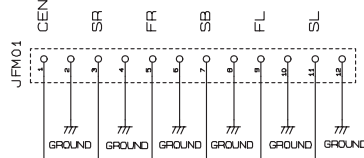
SPK OUT



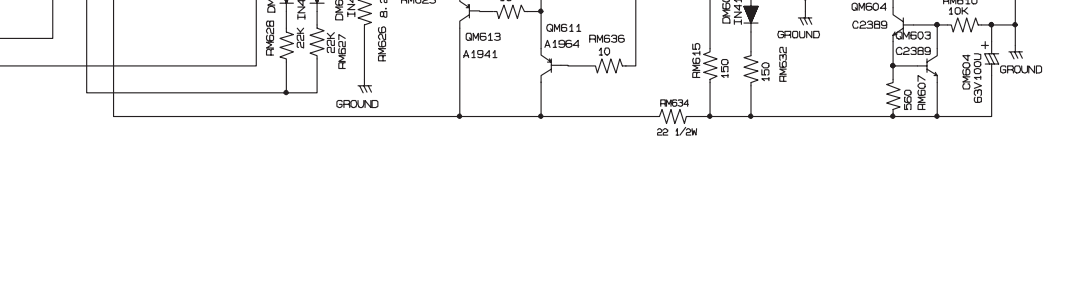
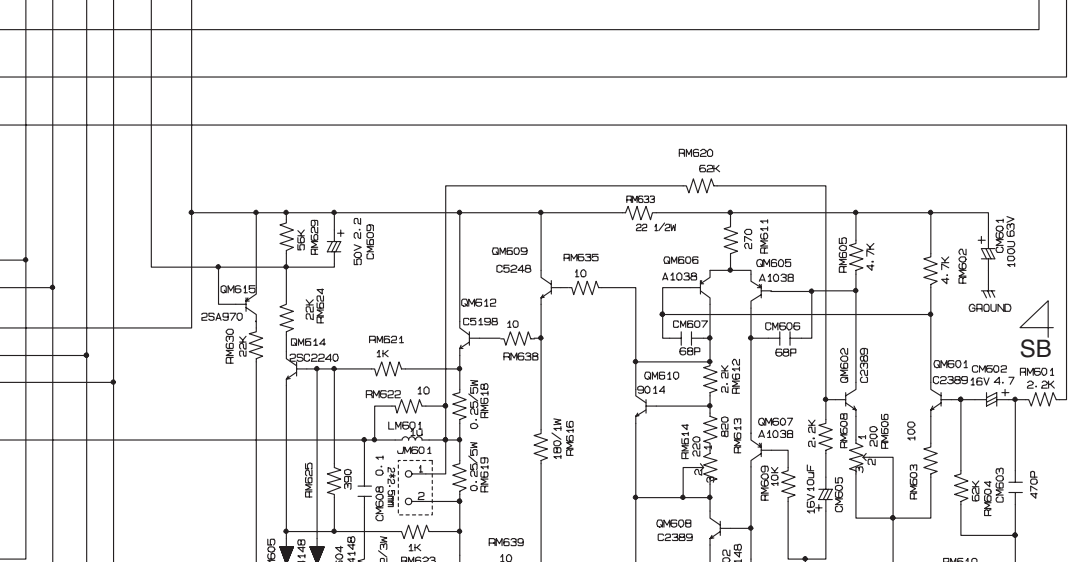
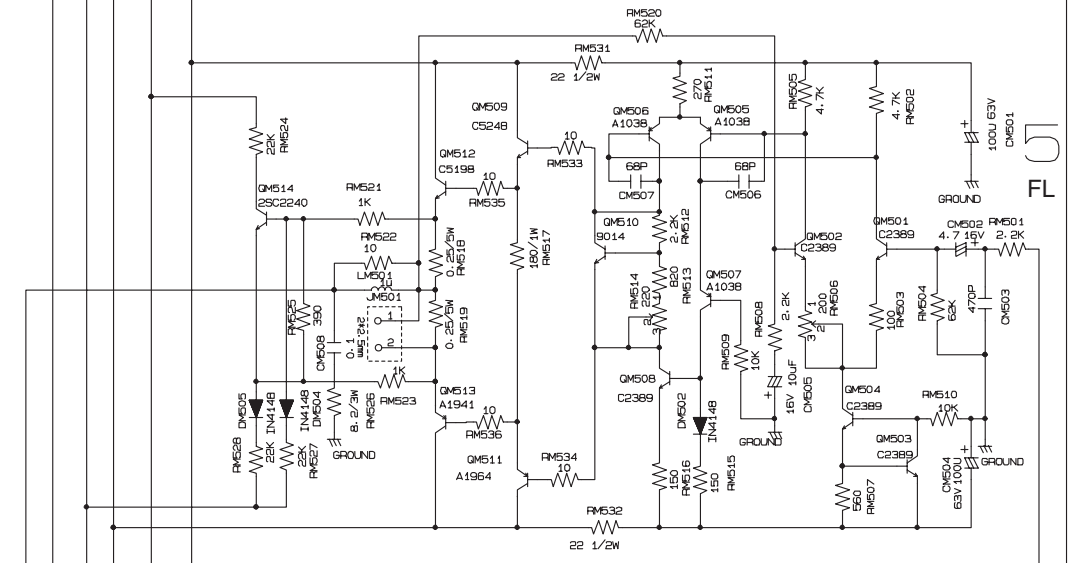
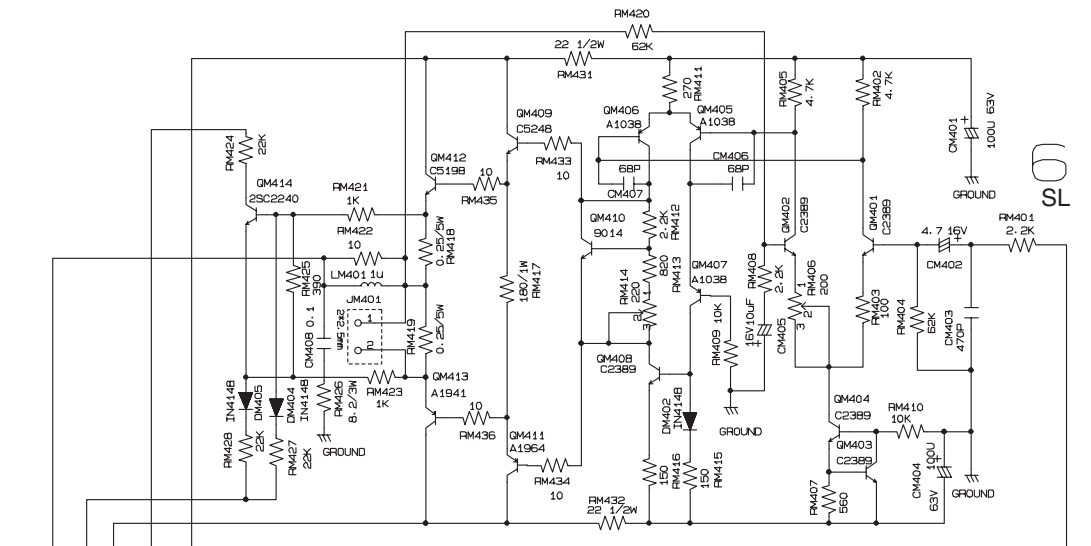
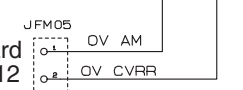


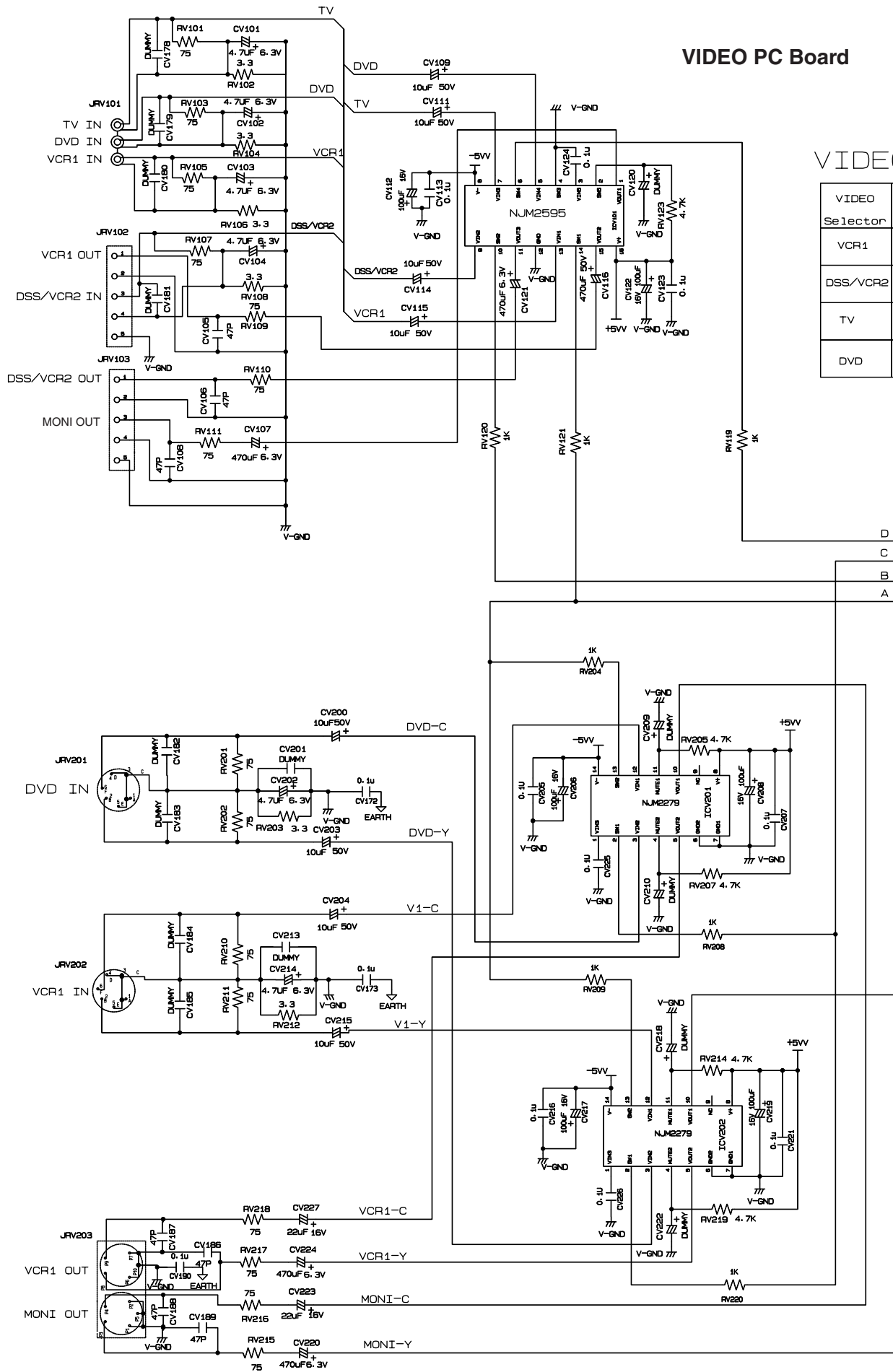
POWER AMP PC Board

**DIGITAL / AUDIO PC Board (1/4)
JFS03**



**MAIN PC Board
JFN512**



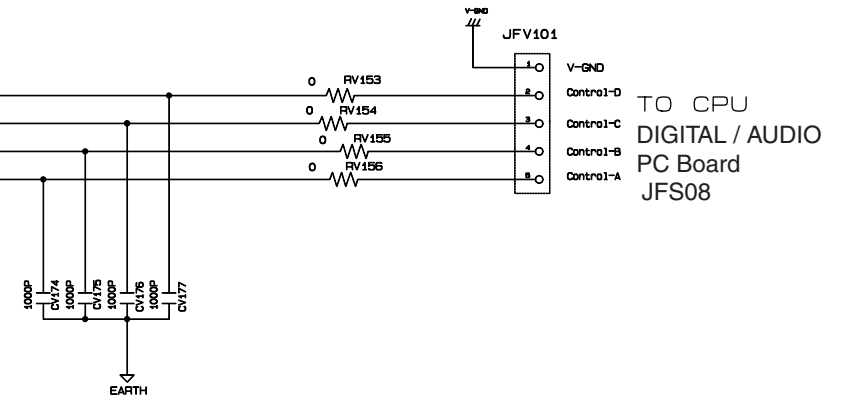


VIDEO PC Board

VIDEO CONTROL (NJM2595)

VIDEO Selector	MONI OUT	VCR1 OUT	DSS/VCR2 OUT	A (SW1)	B (SW2)	D (SW4)
VCR1	VCR1	MUTE	VCR1	L	H	*
DSS/VCR2	DSS/VCR2	DSS/VCR2	MUTE	H	L	L
TV	TV	TV	TV	H	H	L
DVD	DVD	DVD	DVD	H	H	H

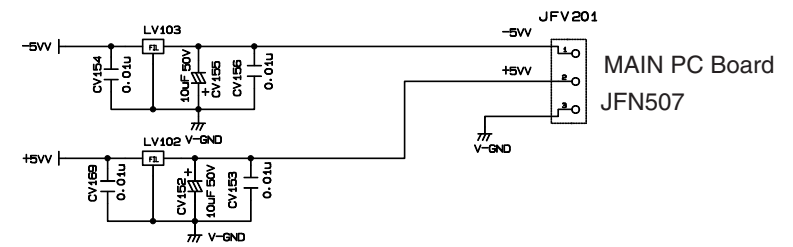
D
C
B
A



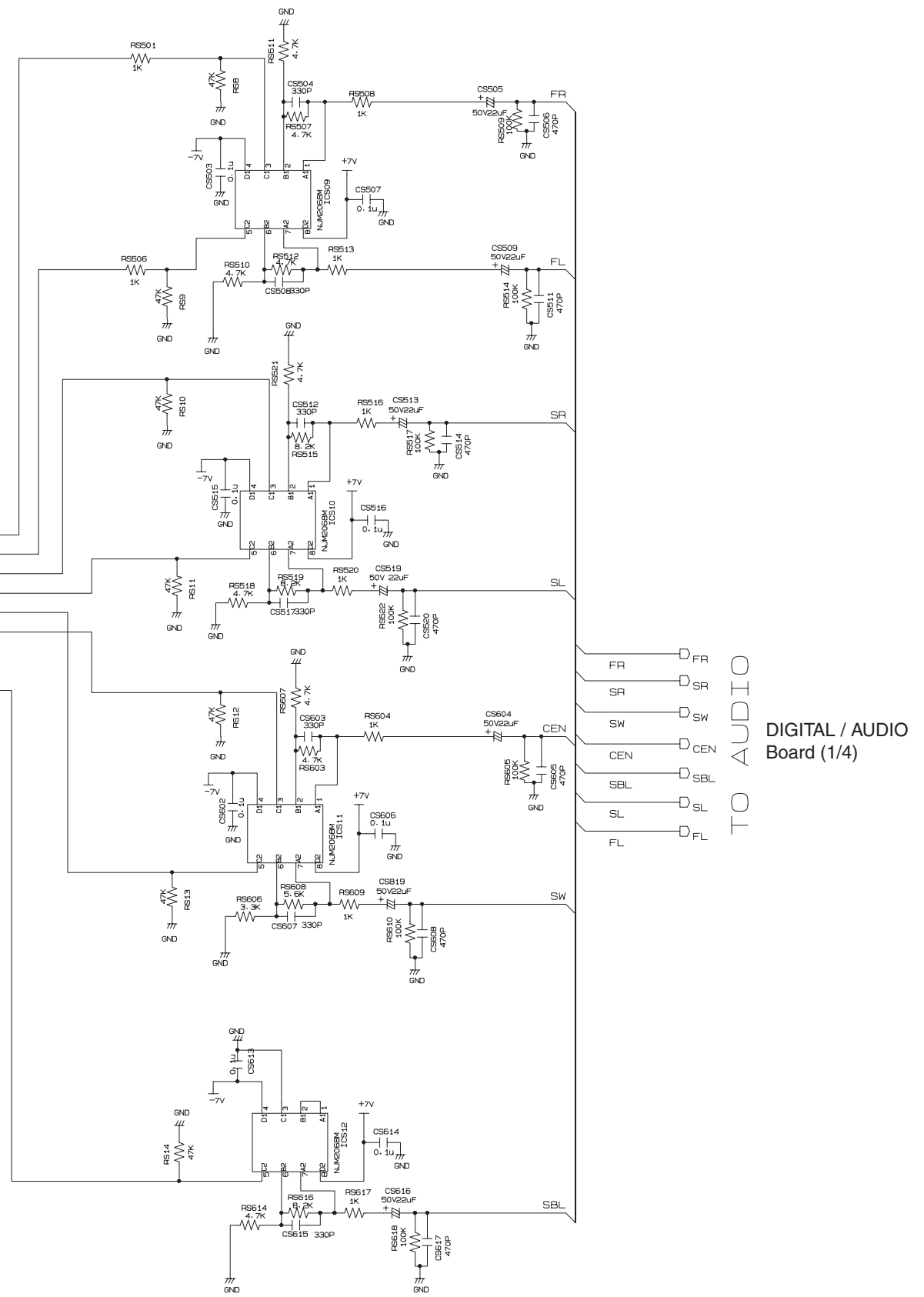
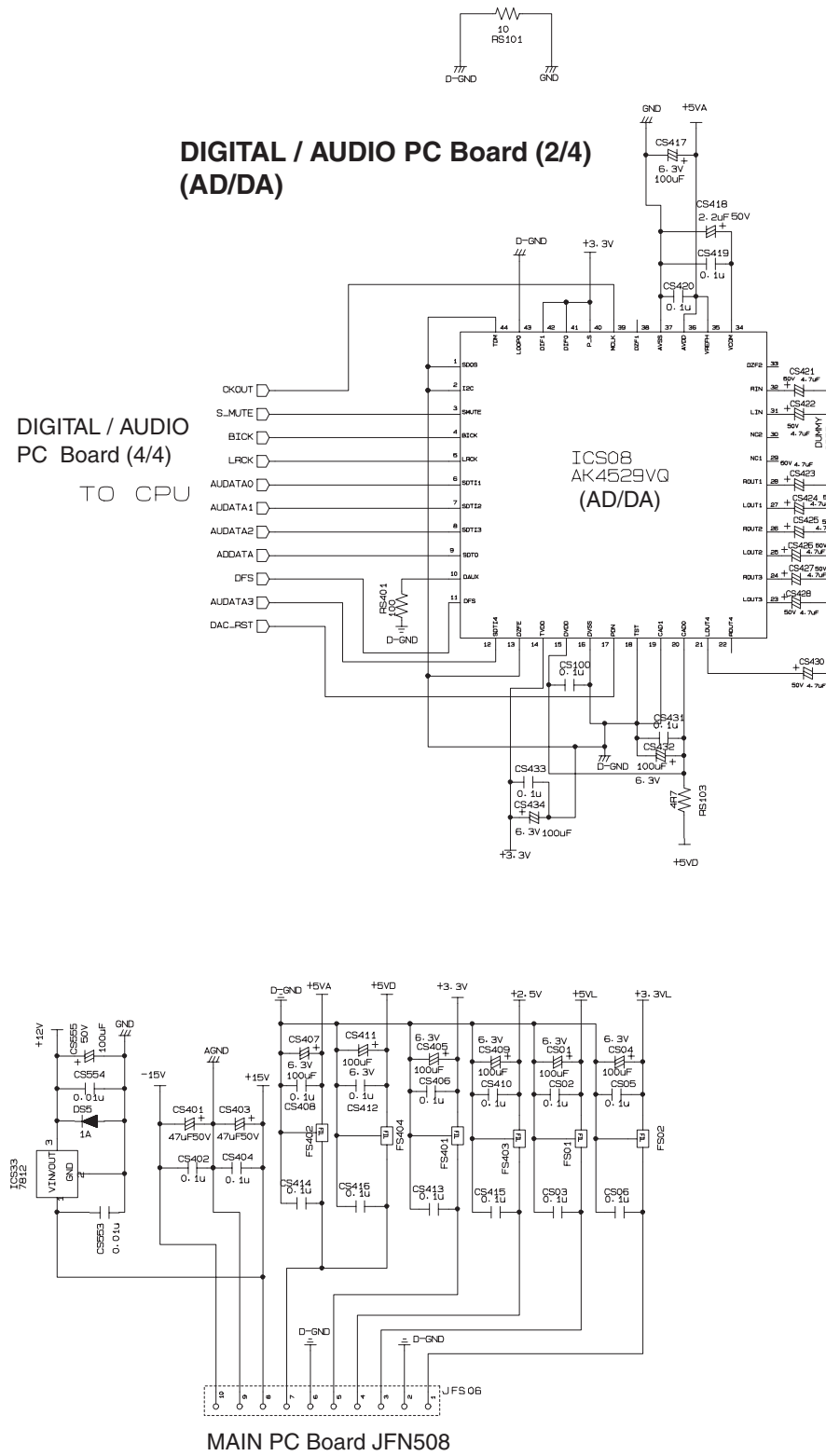
TO CPU
DIGITAL / AUDIO
PC Board
JFS08

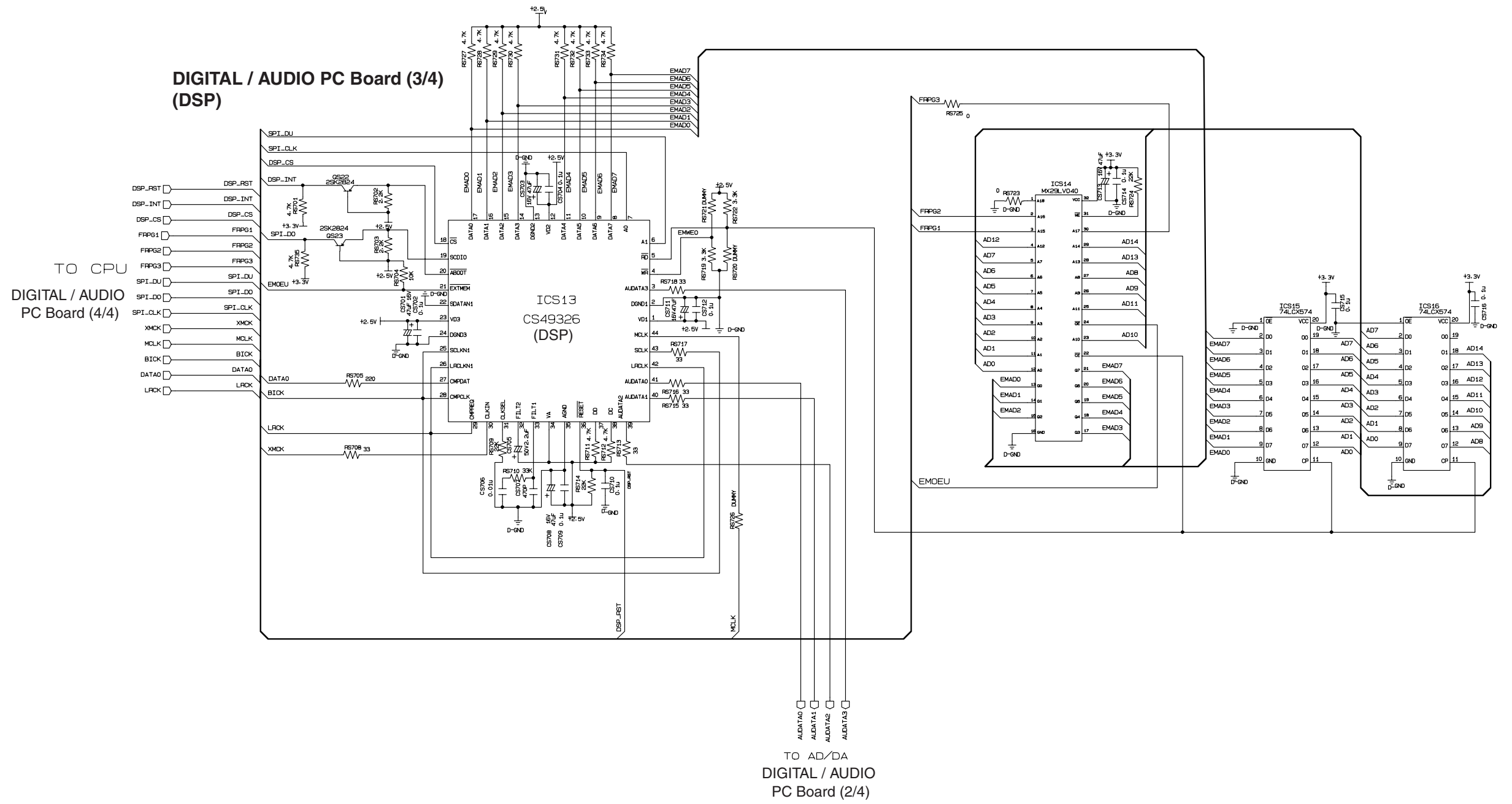
S-TERMINAL CONTROL (NJM2279)

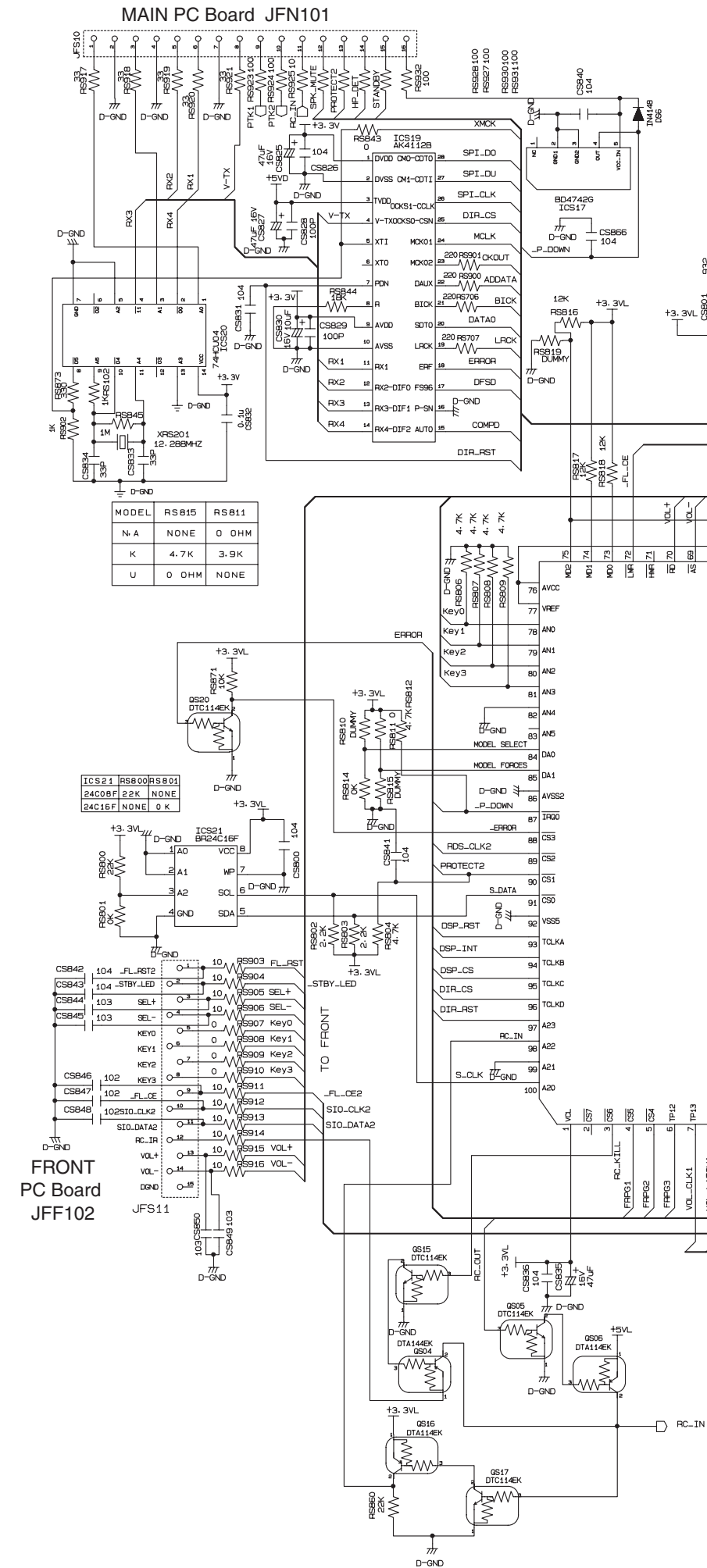
S-TERMINAL Selector	MONI OUT	VCR1 OUT	C (SW1)	A (SW2)
VCR1	VCR1	MUTE	H	L
DSS/VCR2	MUTE	MUTE	H	H
TV	MUTE	MUTE	H	H
DVD	DVD	DVD	L	H



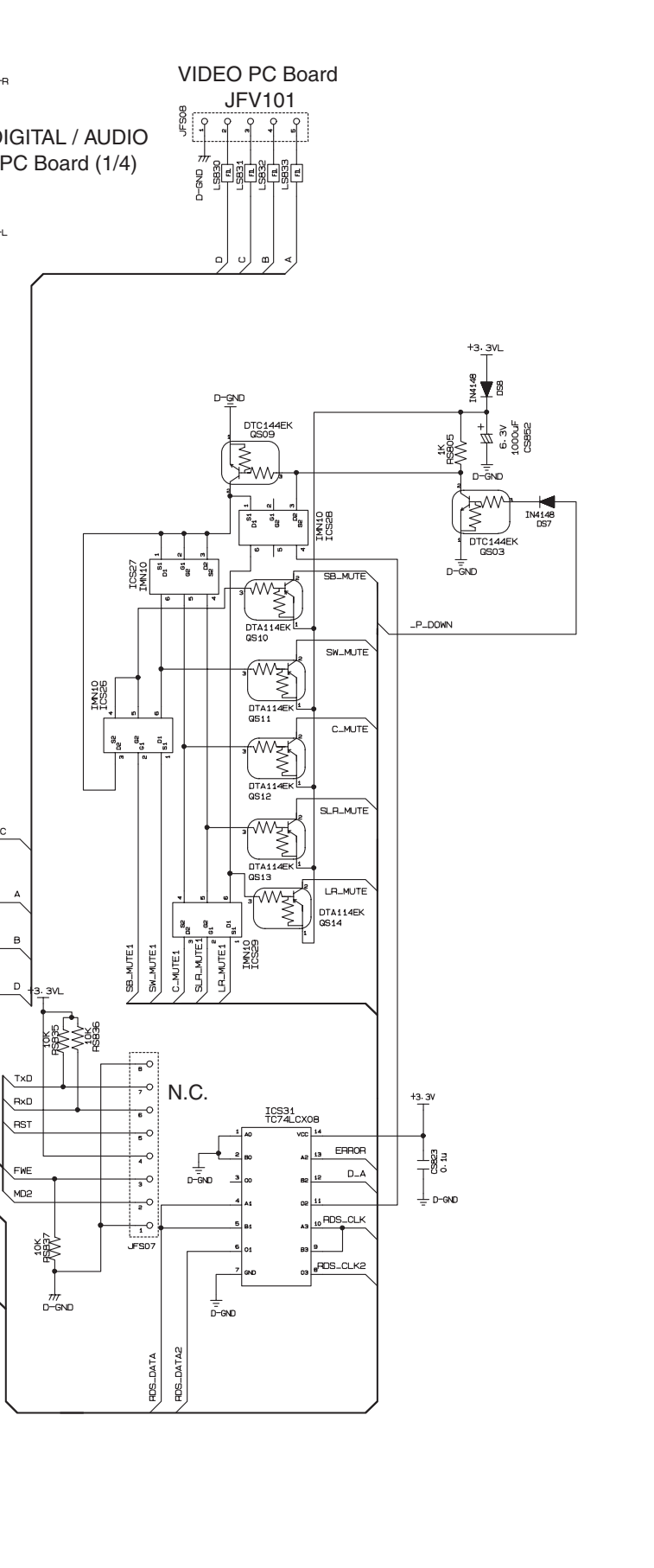
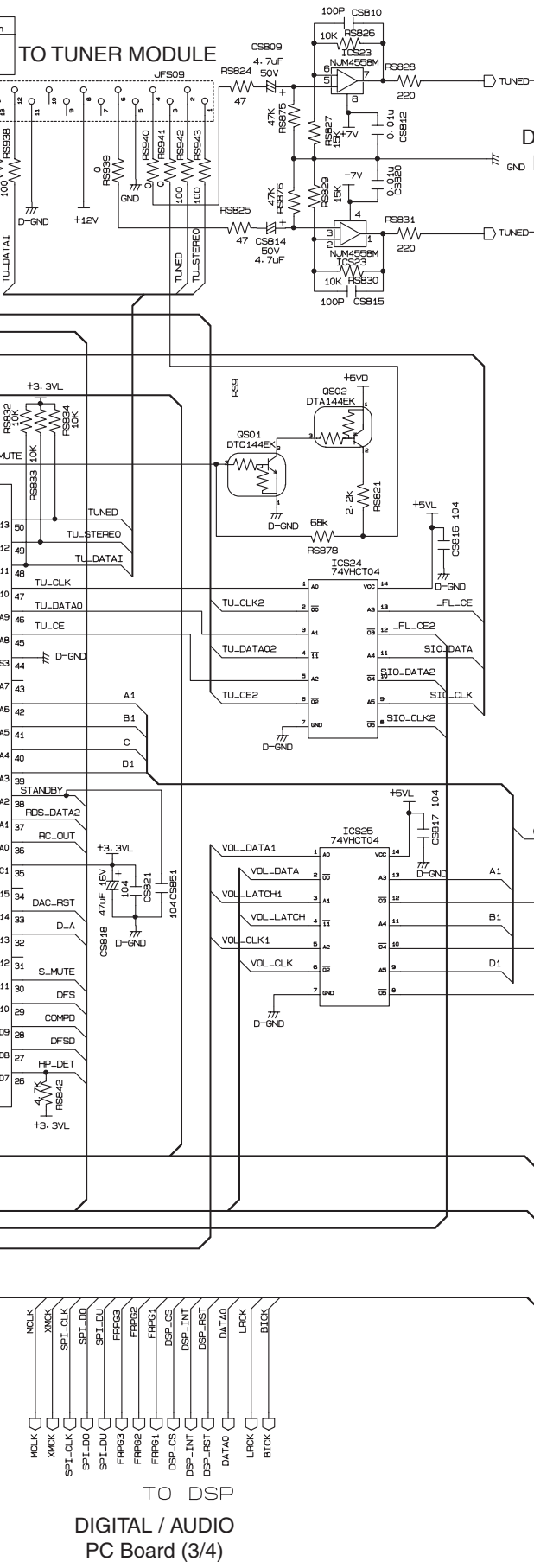
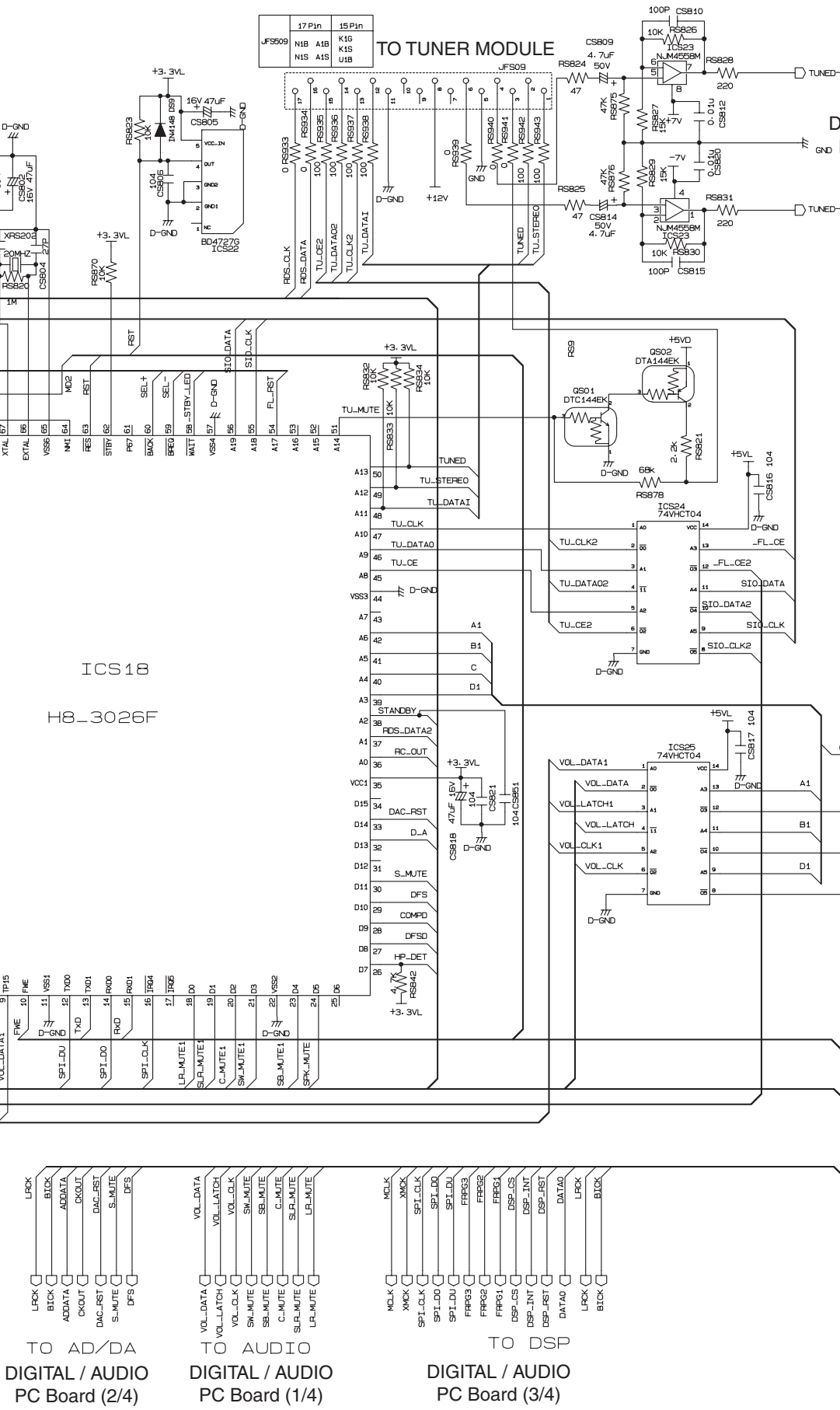
MAIN PC Board
JFN507





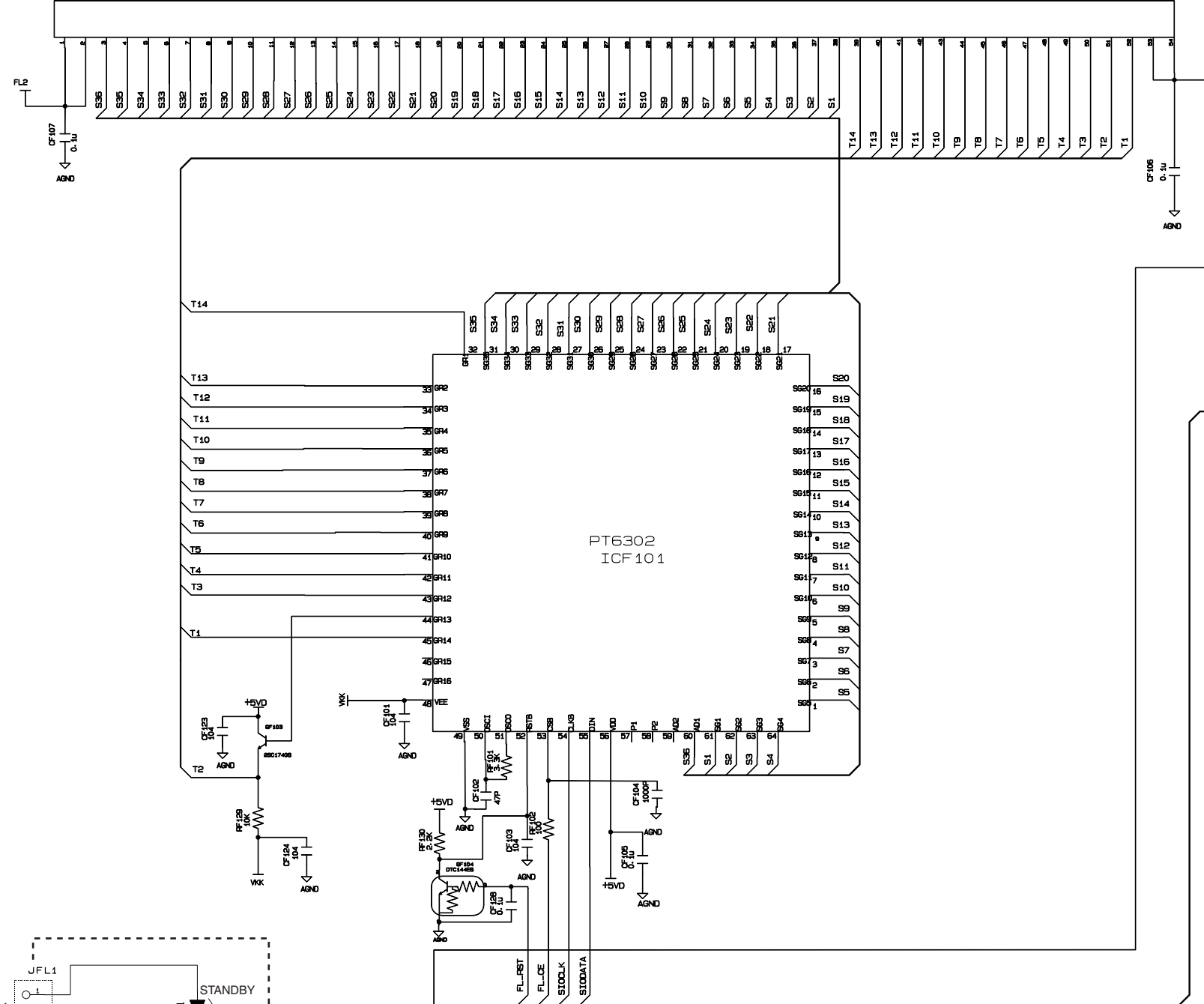


**DIGITAL / AUDIO PC Board (4/4)
(CPU)**

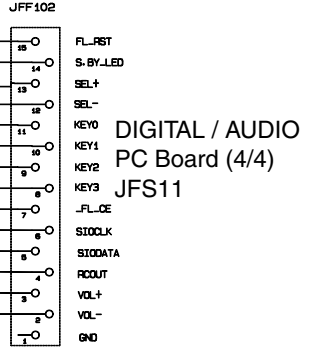
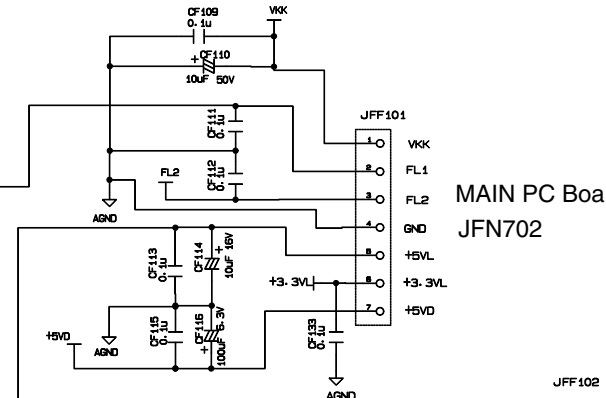


FRONT PC Board

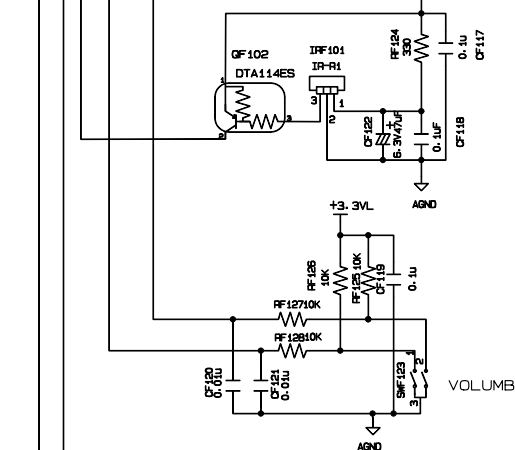
VFF101



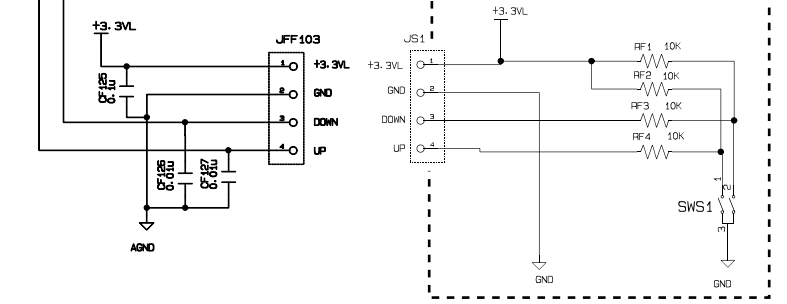
**MAIN PC Board
JFN702**



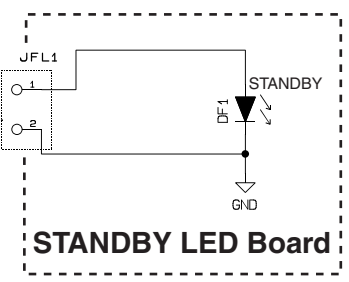
VOLUMB



SURROUND PC Board

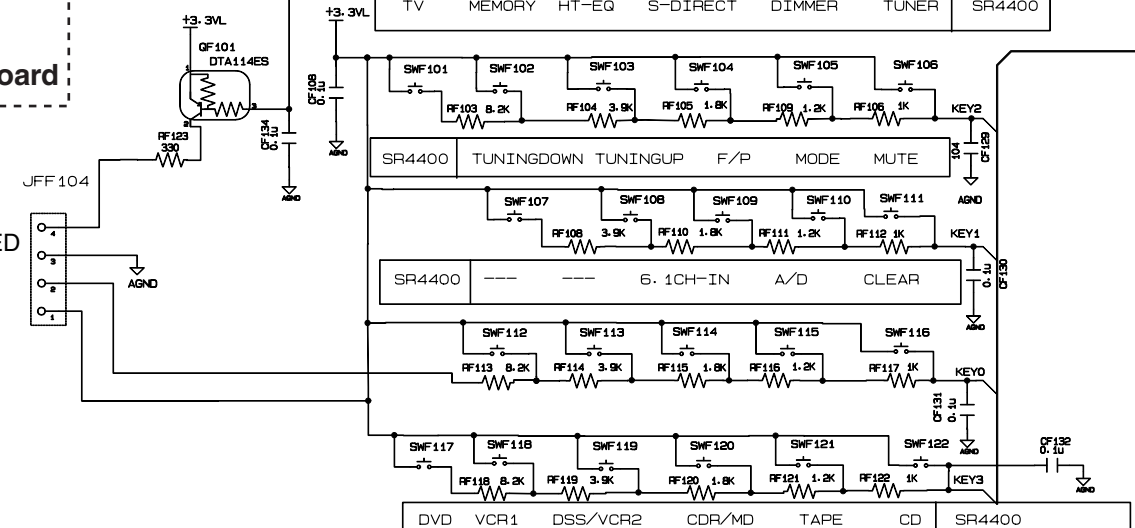


**FRONT
PC Board
JFF104**



STANDBY LED Board

TO STANDBY LED
PC Board
JFL1



MAIN TRANSF.

Power Transformer



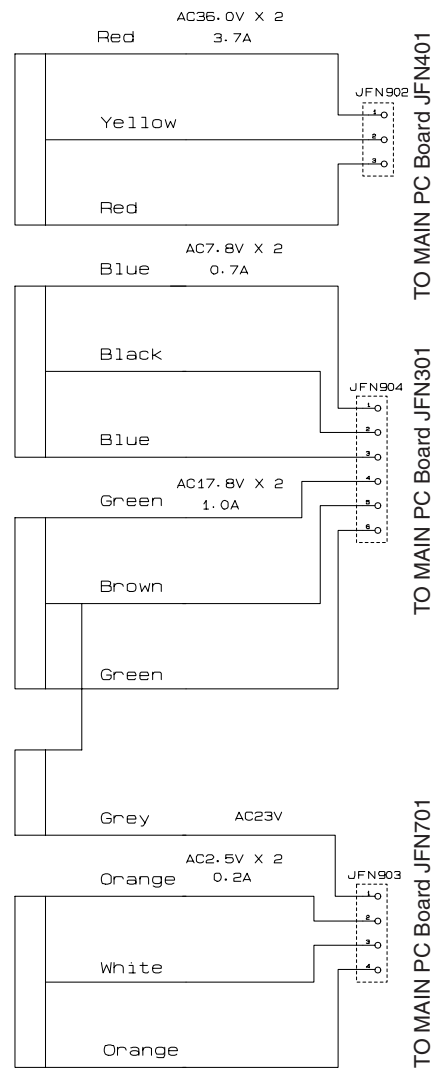
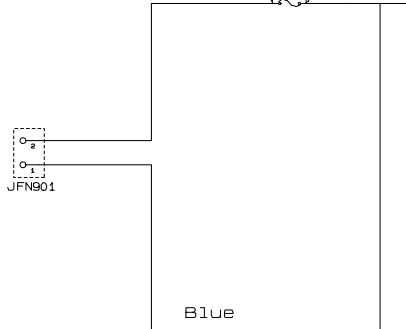
TRN901

Power Transformer	
N Ver. And A Ver. Use	230V / 50Hz
K Ver. Use	220V / 50Hz
U Ver. Use	120V / 60Hz

Thermal Fuse

Brown 150 °C

TO STANDBY PC Board JW103



TO MAIN PC Board JFN401
TO MAIN PC Board JFN301
TO MAIN PC Board JFN701

STANDBY PC Board

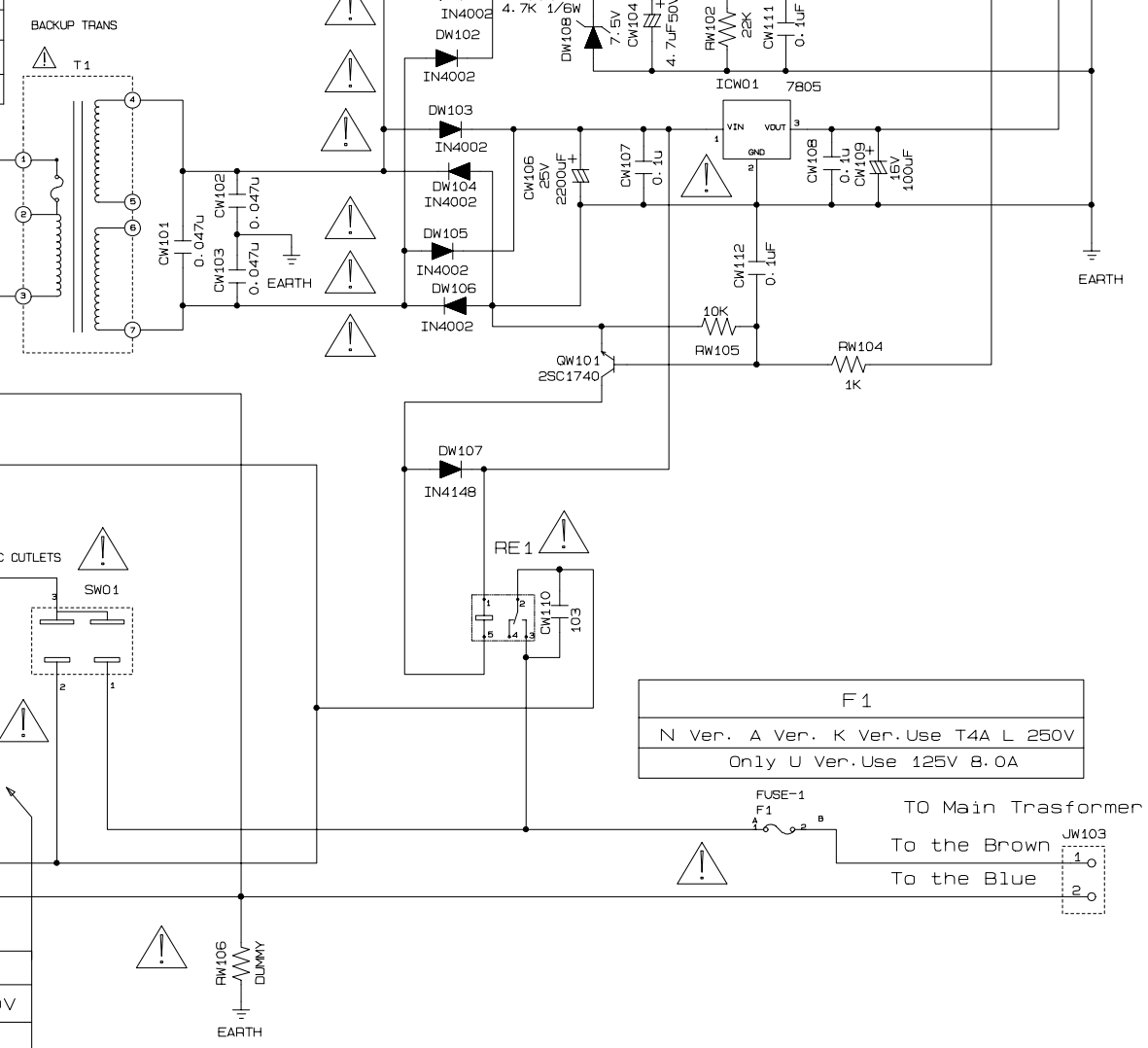
Standby Transformer	
N Ver. And A Ver. Use	230V / 50Hz
K Ver. Use	220V / 50Hz
U Ver. Use	120V / 60Hz

JW102	Only N Ver. A Ver. K Ver. TO Switcher
POWER (MAINS) SW PC Board JP1	White Red

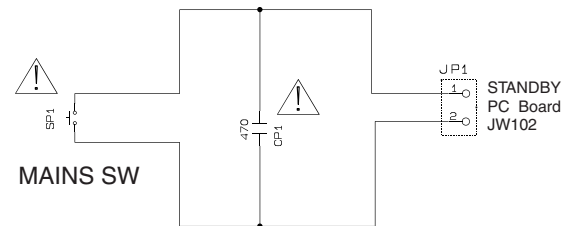
SWO1	A Ver. K Ver. None
	N Ver. Use Switchedx1
	Only U Ver. Use Switchedx1, Unswitchedx1

MAINS INLET MAINS PLUG JW101	L (Red) N(white)
------------------------------	------------------

F2	A Ver. K Ver. None
	N Ver. Use T2A L 250V
	U Ver. Use Jumper



POWER(MAINS) SW PC Board

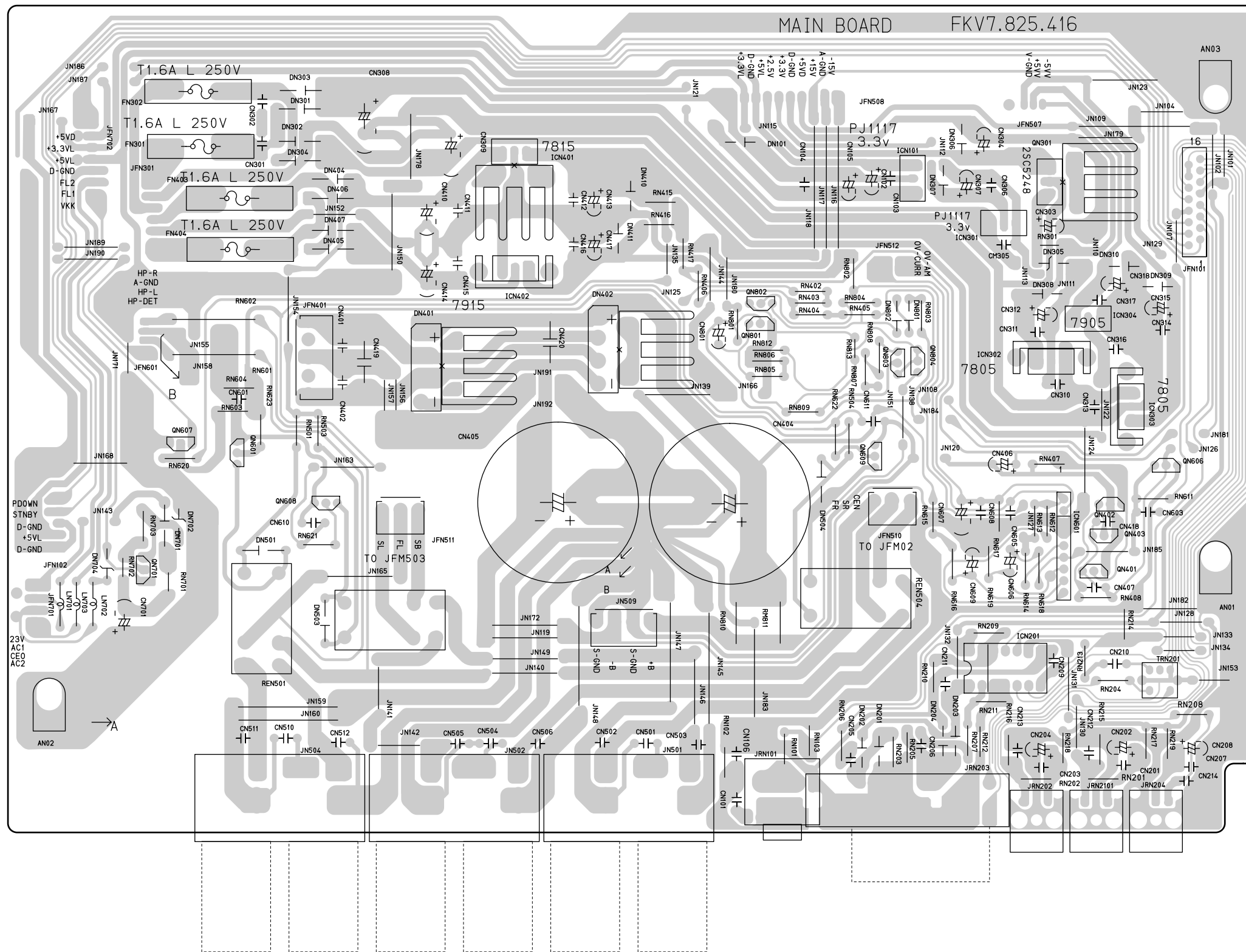


N	KNOCK TYPE
K	KNOCK TYPE
A	KNOCK TYPE
U	TOUCH SWITCH

6. PARTS LOCATION

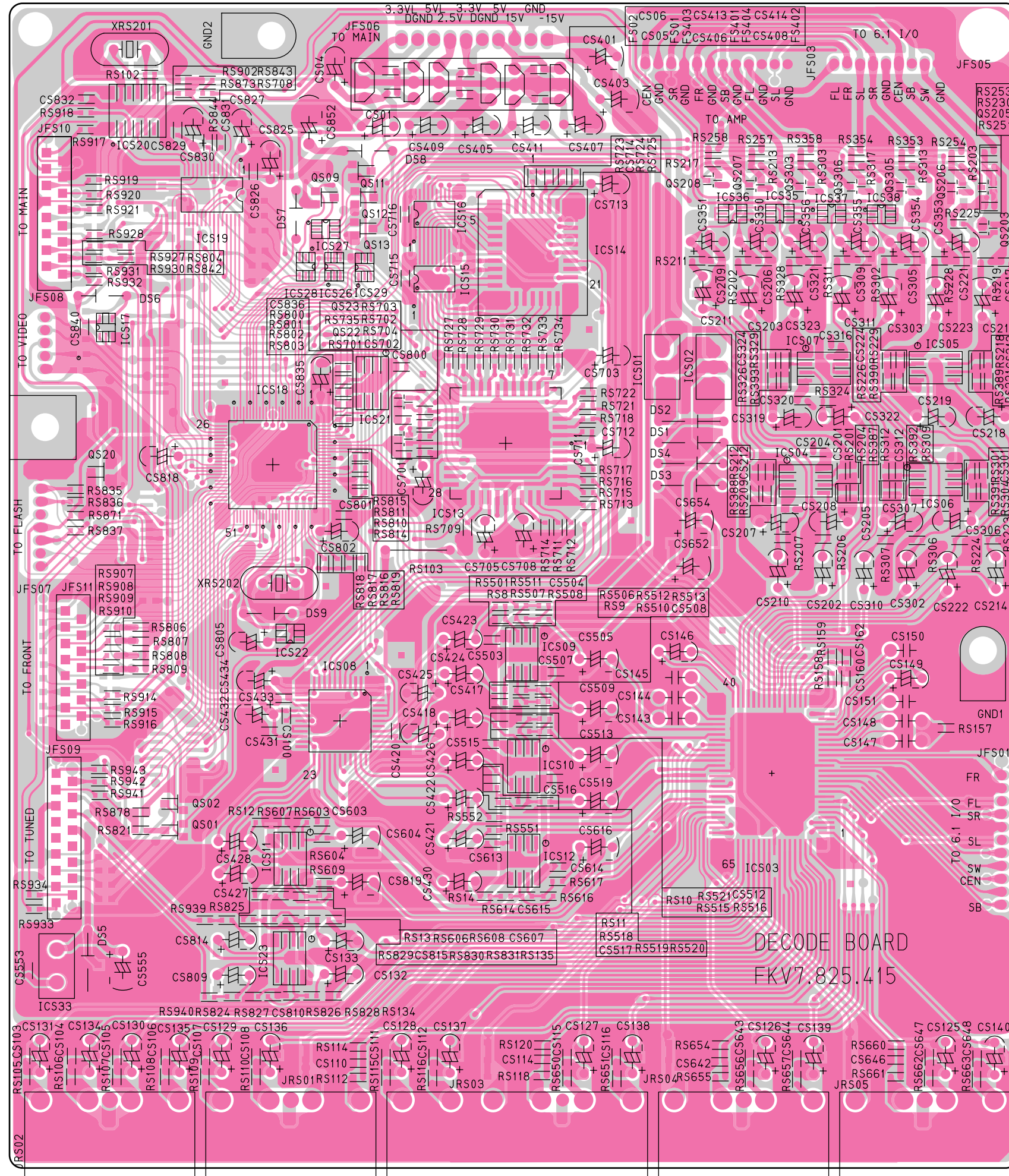
MAIN

	DM301-304	ICN401	DN410	DN101	ICN101	DN307	DN306	QN301	
	DN404-407		DN411	QN802	DN802	DN801	ICN301	DN305	DN310
	QN607	QN601	QN608	DN401	ICN402	QN803	QN804	DN308	ICN304
	DN701	DN702	DN501			DN504	QN609	ICN302	QN606
	DN704	QN701	DN503			DN201-204	ICN201	ICN601	QN401-403



DIGITAL / AUDIO A

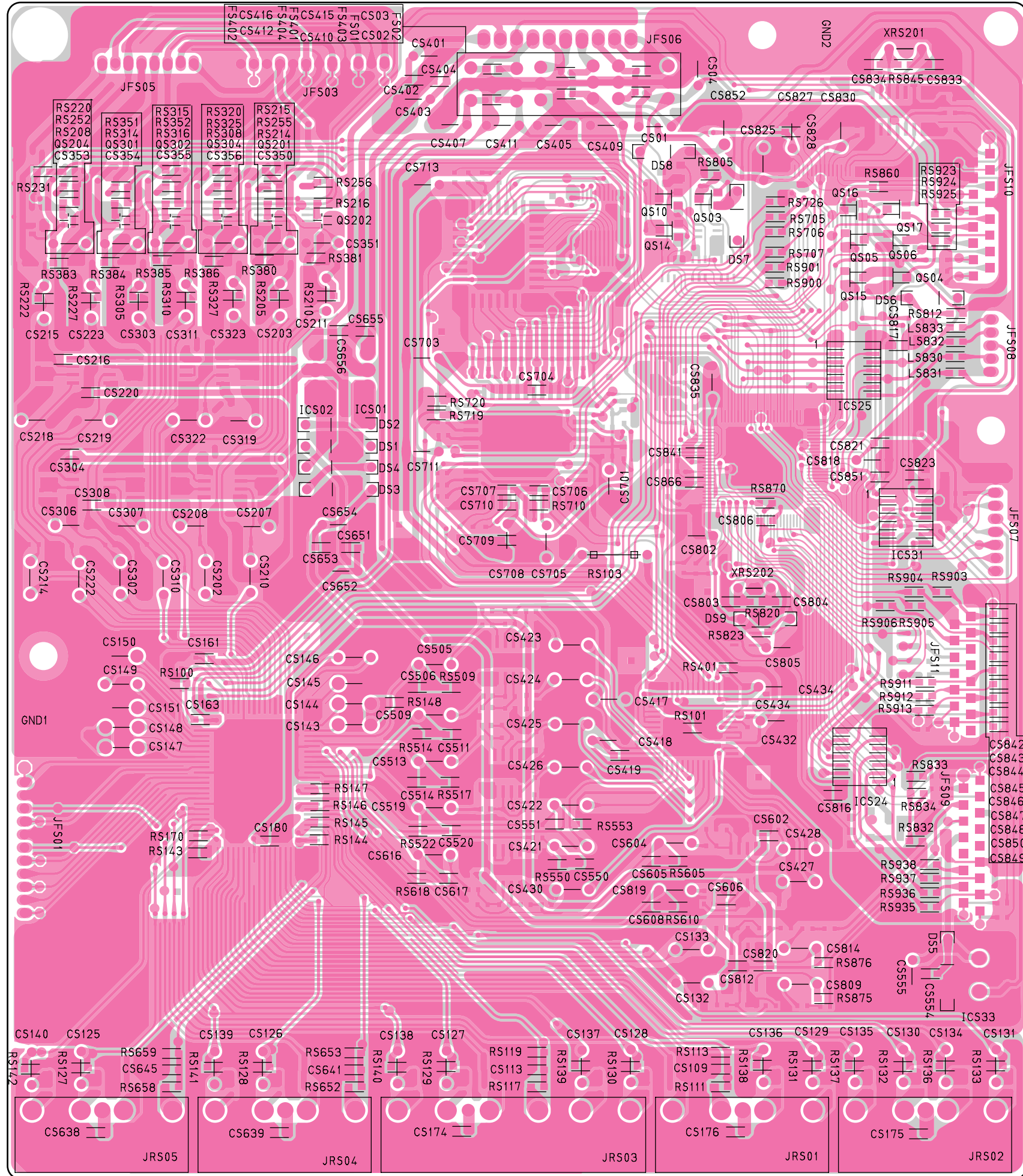
- ICS20
- DS8
- QS11
- ICS19
- QS09
- QS12
- ICS27
- DS7
- QS13
- ICS16
- ICS28
- ICS26
- ICS29
- ICS15
- DS6
- ICS17
- ICS21
- QS23
- QS22
- QS20
- ICS18
- DS09
- ICS22
- ICS08
- QS02
- QC01
- ICS11
- ICS33
- DS5
- ICS23



- QS208
- QS303
- QS305
- QS205
- QS207
- QS306
- QS206
- ICS36
- ICS35
- ICS37
- ICS38
- QS203
- ICS14
- ICS01
- ICS07
- ICS05
- DS2
- ICS13
- DS1
- DS4
- DS3
- ICS04
- ICS06
- ICS09
- ICS10
- ICS03
- ICS12

DECODE BOARD
FKV7.825.415

QS204 QS302 QS201
QS301 QS304 QS202



QS10 QS03
QS16 QS17
QS14 QS05 QS06
QS15 QS04

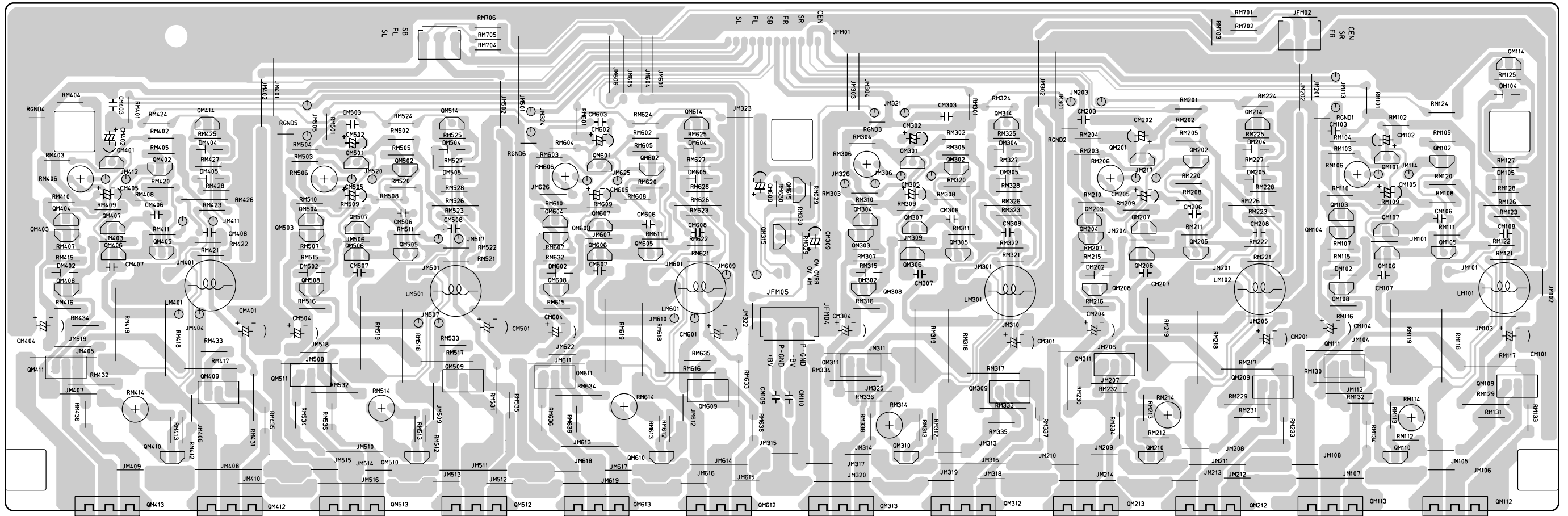
ICS25

ICS31

ICS24

POWER AMP

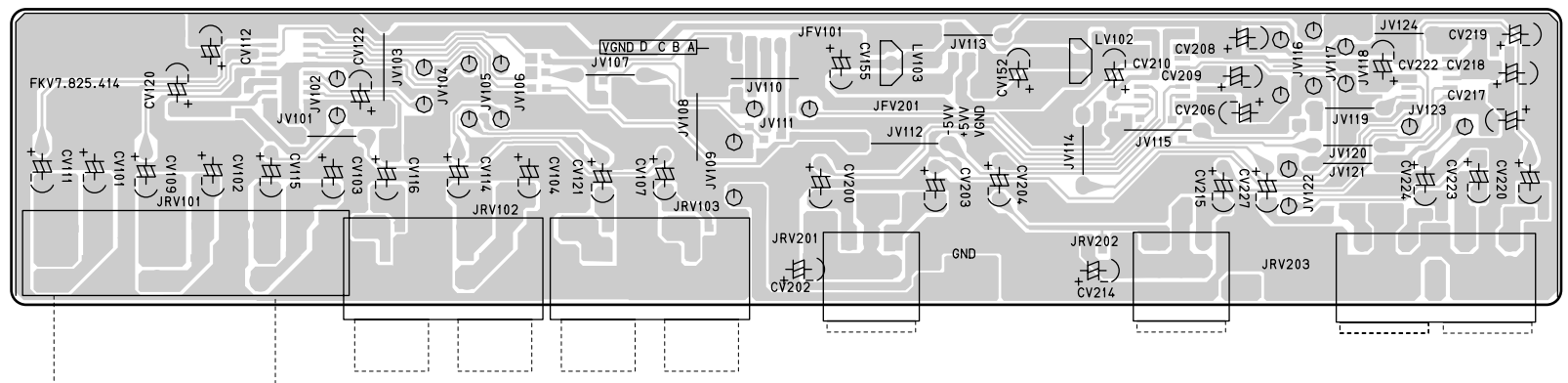
QM401	QM402	QM414		QM501	QM502	QM514		QM601	QM602	QM614		QM301	QM302	QM314		QM201	QM202	QM214		QM101	QM102	QM114	
QM403	QM407	DM404		QM504	QM507	DM504		QM604	QM607	DM604		QM304	QM307	DM304		QM203	QM207	DM204		QM103	QM107	DM104	
QM404	QM406	QM405	DM405	QM503	QM506	QM505	DM505	QM603	QM606	QM605	DM605	QM303	QM306	QM305	DM305	QM204	QM206	QM205	DM205	QM104	QM106	QM105	DM105
QM408	DM402			QM508	DM502			QM608	DM602			QM308	DM302			QM208	DM202			QM108	DM102		
QM411		QM409		QM511		QM509		QM611		QM609		QM311		QM309		QM211		QM209		QM111		QM109	
QM413	QM410	QM412		QM513	QM510	QM512		QM613	QM610	QM612		QM313	QM310	QM312		QM213	QM210	QM212		QM113	QM110	QM112	



VIDEO A

LV103

LV102



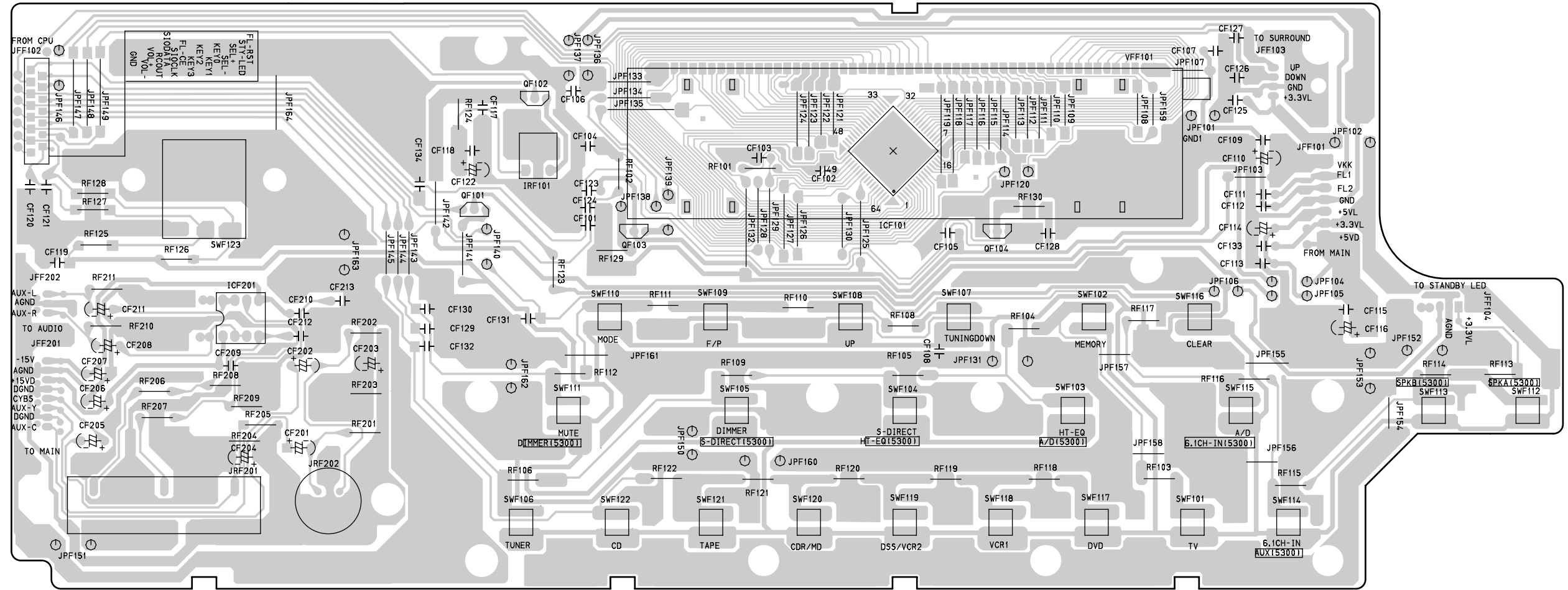
FRONT

ICF201

QF101 QF102 QF103

ICF101

QF104

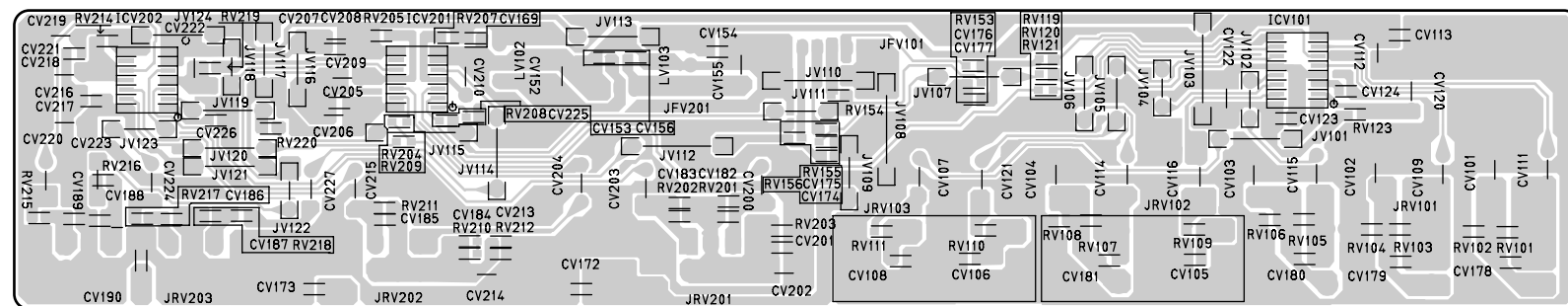


VIDEO B

ICV202

ICV201

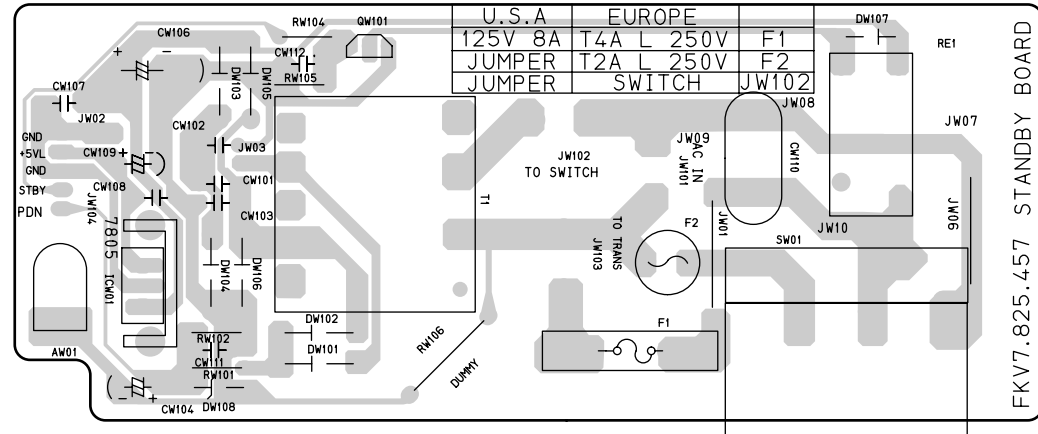
ICV101



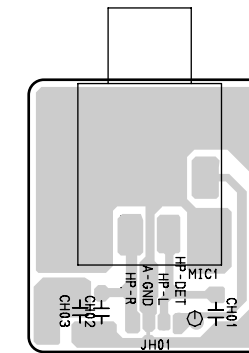
STANDBY

DW103 DW105 QW101
 ICW01 DW104 DW106 DW102 DW101
 DW108

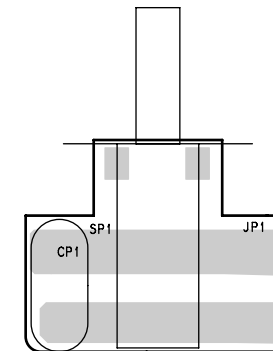
DW107



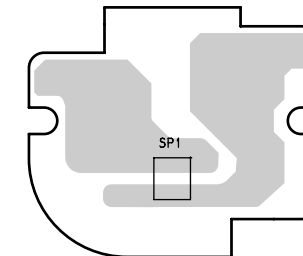
H/P OUT



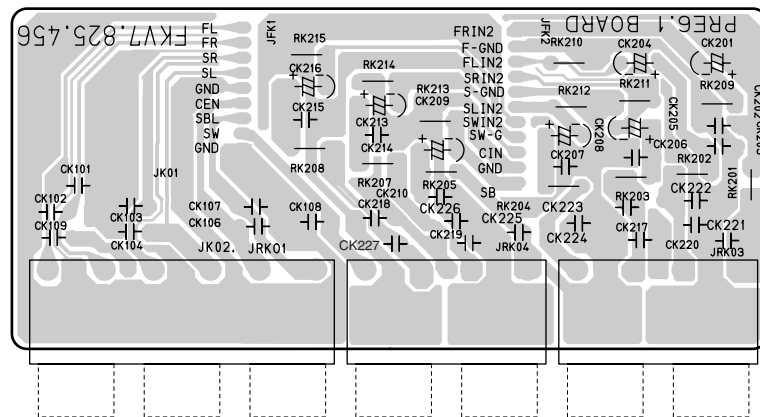
POWER SW 1



POWER SW 2

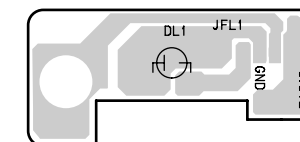


6.1CH / PRE OUT

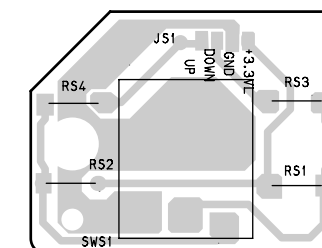


STANDBY LED

DL1

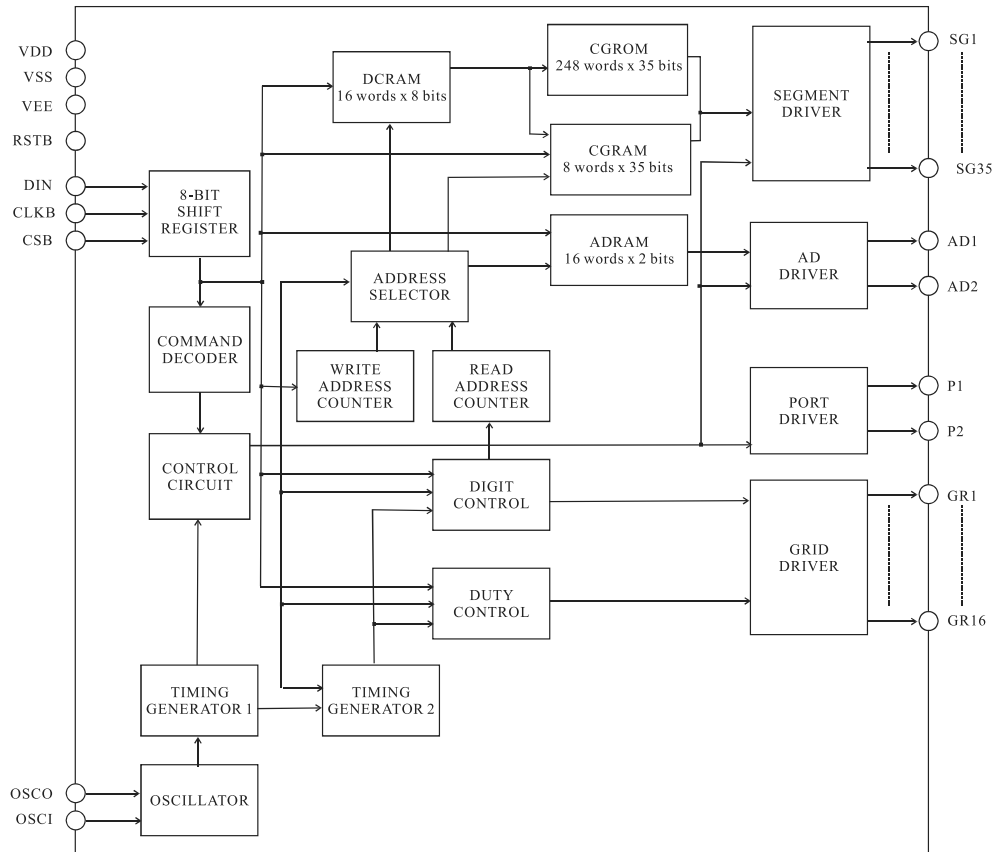
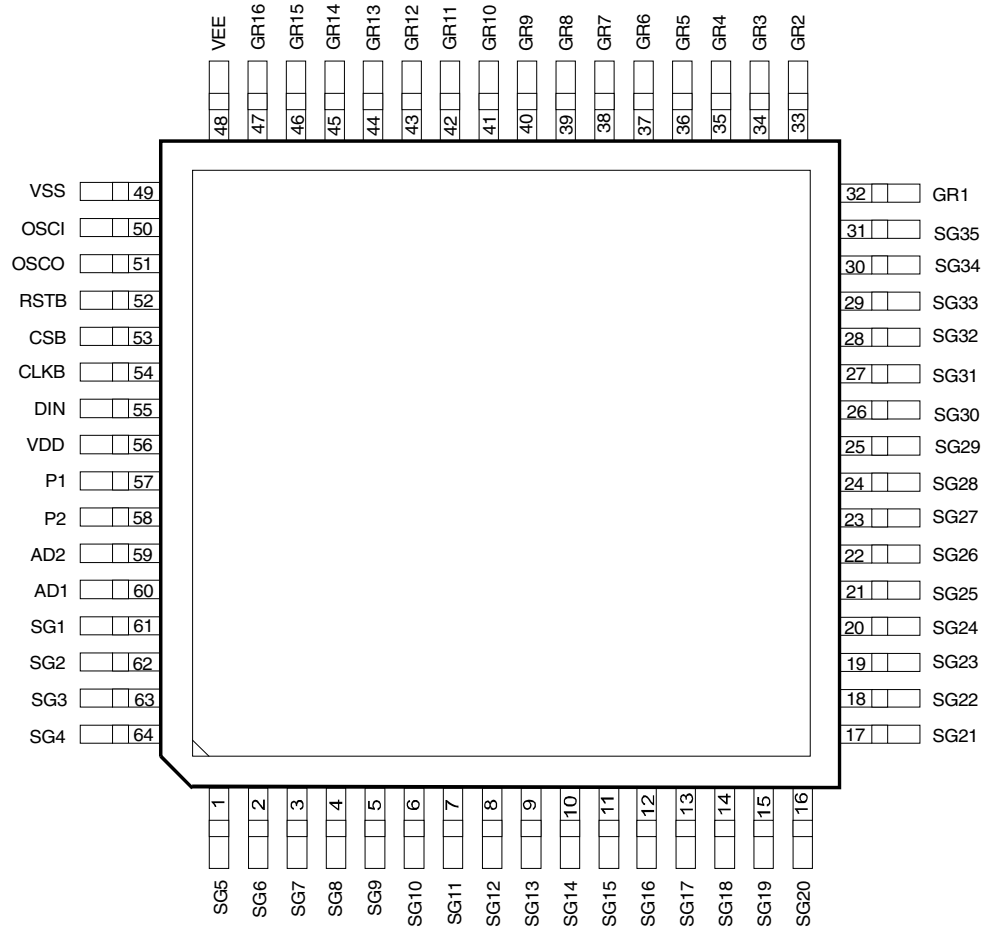


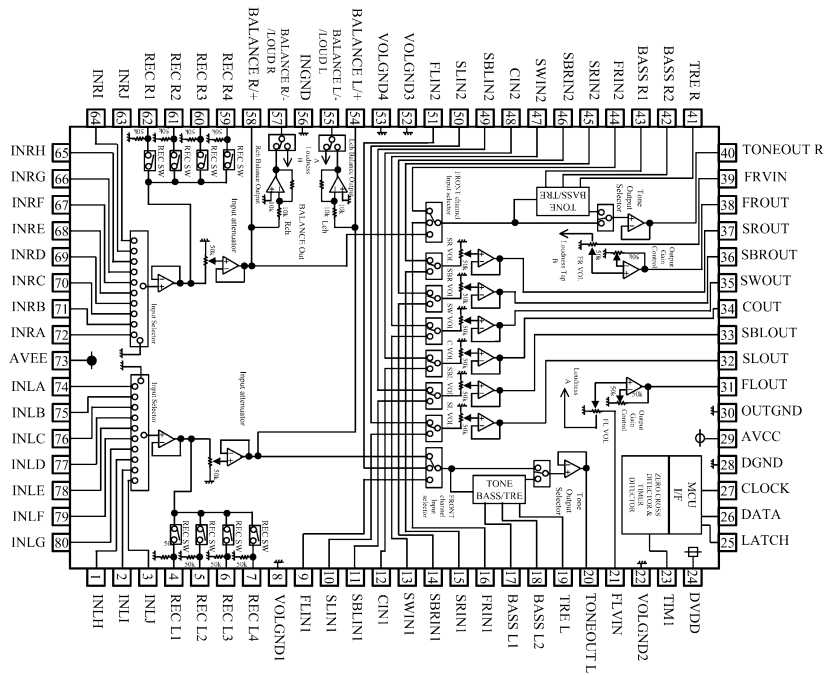
SURROUND



7. IC DATA

ICF101 : PT6302



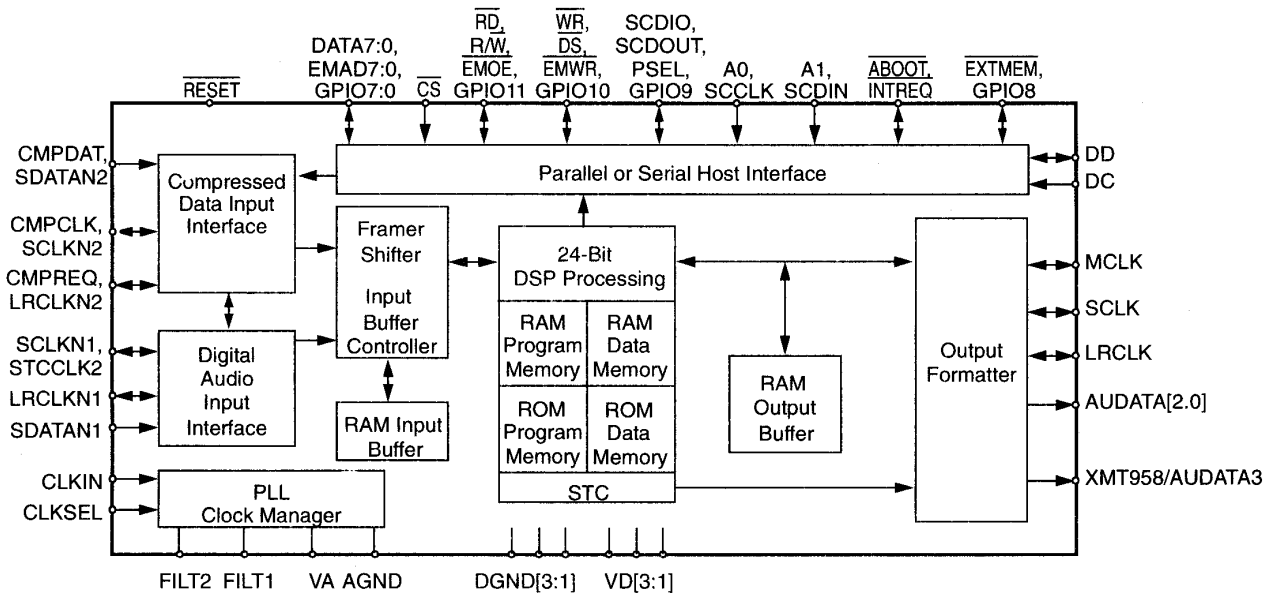
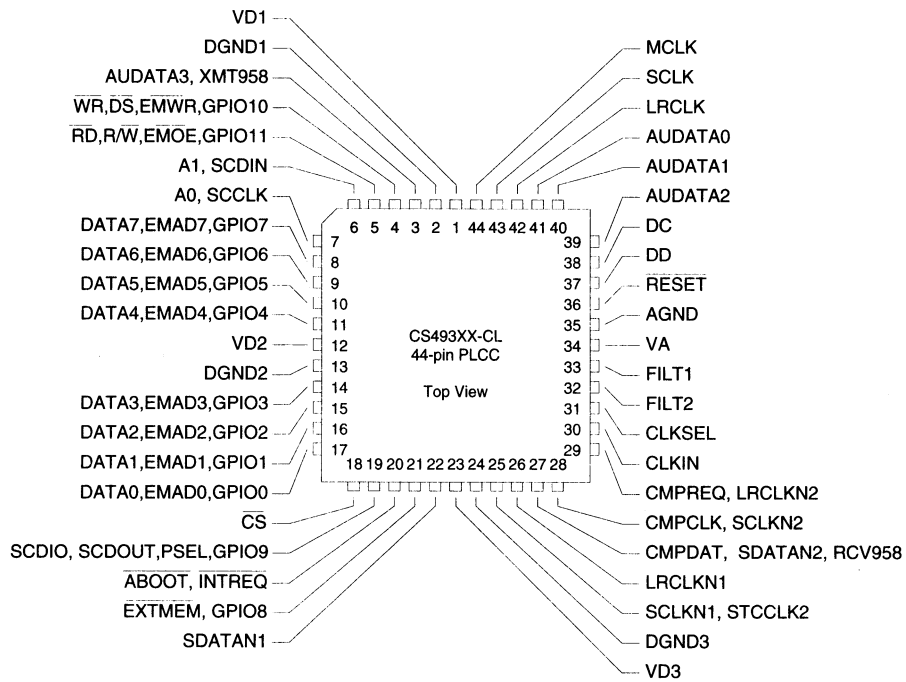


PIN No.	Name	Function
74,75,76,77,78, 79,80,1,2,3	INLA,B,C,D,E,F,G,H,I,J	Input pin of L channel (10 Input Selector)
4,5,6,7, 59,59,60,61	REC L1,L2,L3,L4 /REC R1,R2,R3,R4	Output pin of REC (Lch and Rch)
8,22,52,53	VOLGND1,2,3,4	Analog Ground (for 8ch Volume)
9,51	FLIN1 / FLIN2	Input pin of FL channel (2 Input Selector)
10,50	SLIN1 / SLIN2	Input pin of SL channel (2 Input Selector)
11,49	SBLIN1 / SBLIN2	Input pin of SBL channel (2 Input Selector)
12,48	CIN1 / CIN2	Input pin of C channel (2 Input Selector)
13,47	SWIN1 / SWIN2	Input pin of SW channel (2 Input Selector)
14,46	SBRIN1 / SBRIN2	Input pin of SBR channel (2 Input Selector)
15,45	SRIN1 / SRIN2	Input pin of SR channel (2 Input Selector)
16,44	FRIN1 / FRIN2	Input pin of FR channel (2 Input Selector)
17,18,42,43	BASS L1,L2 / BASS R1,R2	Frequency characteristic setting pin in the tone control (BASS)
19,41	TRE L / TRE R	Frequency characteristic setting pin in the tone control (TREBLE)
20,40	TONEOUT L / TONEOUT R	Output pin of tone
21	FLVIN	Input pin of FL channel volume
23	TIM1	Timer setting terminal for Zero-Cross Detector
24	DVDD	Power supply to internal logic circuit
12,26,27	LATCH,DATA,CLOCK	Input pin of Control trigger/data/clock
28	DGND	Ground of internal logic circuit
29	AVCC	Positive power supply to internal analog circuit
30	OUTGND	Ground for OUTPUT Block
31	FLOUT	Output pin of FL channel
32	SLOUT	Output pin of SL channel
33	SBLOUT	Output pin of SBL channel
34	COUT	Output pin of C channel
35	SWOUT	Output pin of SW channel
36	SBROUT	Output pin of SBR channel
37	SROUT	Output pin of SR channel
38	FROUT	Output pin of FR channel
39	FRVIN	Input pin of FR channel volume
54,55	LOUDL/BALANCE L/+ ,L/-	Pin of L channel loudness setting/Balance output(+/-)
56	INGND	Ground for Input Block
57,58	LOUDR/BALANCE R/+ ,R/-	Pin of R channel loudness setting/Balance output (+/-)
62,63,64,65,66, 67,68,69,70	INRA,B,C,D,E,F,G,H,I,J	Input pin of R channel (10 Input Selector)
73	AVEE	Negative power supply to internal analog circuit

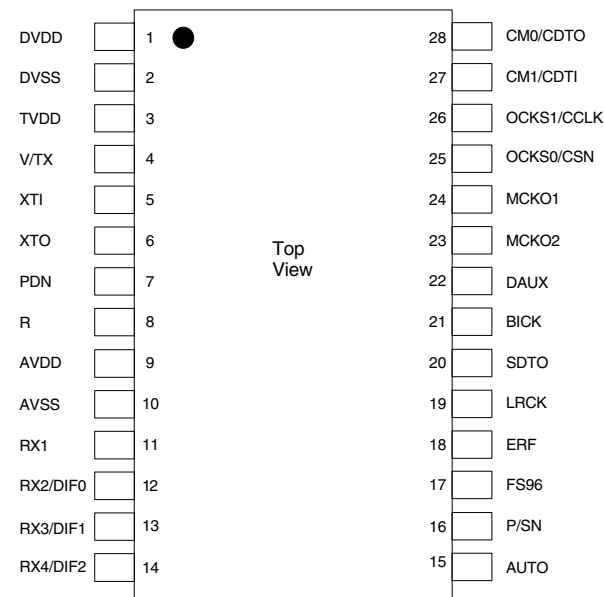
No.	Pin Name	I/O	Function
1	SDOS	I	SDTO Source Select Pin (Note 1) “L”: Internal ADC output, “H”: DAUX input SDOS pin should be set to “L” when TDM= “1”.
2	I2C	I	Control Mode Select Pin “L”: 3-wire Serial, “H”: I ² C Bus
3	SMUTE	I	Soft Mute Pin (Note 1) When this pin goes to “H”, soft mute cycle is initialized. When returning to “L”, the output mute releases.
4	BICK	I	Audio Serial Data Clock Pin
5	LRCK	I	Input Channel Clock Pin
6	SDTI1	I	DAC1 Audio Serial Data Input Pin
7	SDTI2	I	DAC2 Audio Serial Data Input Pin
8	SDTI3	I	DAC3 Audio Serial Data Input Pin
9	SDTO	O	Audio Serial Data Output Pin
10	DAUX	I	AUX Audio Serial Data Input Pin
11	DFS	I	Double Speed Sampling Mode Pin (Note 1) “L”: Normal Speed, “H”: Double Speed
12	SDTI4	I	DAC4 Audio Serial Data Input Pin
13	DZFE	I	Zero Input Detect Enable Pin “L”: mode 7 (disable) at parallel mode, zero detect mode is selectable by DZFM3-0 bits at serial mode “H”: mode 0 (DZF1 is AND of all eight channels)
14	TVDD	-	Output Buffer Power Supply Pin, 2.7V~5.5V
15	DVDD	-	Digital Power Supply Pin, 4.5V~5.5V
16	DVSS	-	Digital Ground Pin, 0V
17	PDN	I	Power-Down & Reset Pin When “L”, the AK4529 is powered-down and the control registers are reset to default state. If the state of P/S or CAD0-1 changes, then the AK4529 must be reset by PDN.
18	TST	I	Test Pin This pin should be connected to DVSS.
19	CAD1	I	Chip Address 1 Pin
20	CAD0	I	Chip Address 0 Pin
21	LOUT4	O	DAC4 Lch Analog Output Pin
22	ROUT4	O	DAC4 Rch Analog Output Pin

No.	Pin Name	I/O	Function
23	LOUT3	O	DAC3 Lch Analog Output Pin
24	ROUT3	O	DAC3 Rch Analog Output Pin
25	LOUT2	O	DAC2 Lch Analog Output Pin
26	ROUT2	O	DAC2 Rch Analog Output Pin
27	LOUT1	O	DAC1 Lch Analog Output Pin
28	ROUT1	O	DAC1 Rch Analog Output Pin
29	NC	-	No Connect No internal bonding.
30	NC	-	No Connect No internal bonding.
31	LIN	I	Lch Analog Input Pin
32	RIN	I	Rch Analog Input Pin
33	DZF2	O	Zero Input Detect 2 Pin (Note 2) When the input data of the group 1 follow total 8192 LRCK cycles with “0” input data, this pin goes to
	OVF	O	Analog Input Overflow Detect Pin (Note 3) This pin goes to “H” if the analog input of Lch or Rch is overflows.
34	VCOM	O	Common Voltage Output Pin, AVDD/2 Large external capacitor around 2.2μF is used to reduce power-supply noise.
35	VREFH	I	Positive Voltage Reference Input Pin, AVDD
36	AVDD	-	Analog Power Supply Pin, 4.5V~5.5V
37	AVSS	-	Analog Ground Pin, 0V
38	DZF1	O	Zero Input Detect 1 Pin (Note 2) When the input data of the group 1 follow total 8192 LRCK cycles with “0” input data, this pin goes to “H”.
39	MCLK	I	Master Clock Input Pin
40	P/S	I	Parallel/Serial Select Pin “L”: Serial control mode, “H”: Parallel control mode
41	DIF0	I	Audio Data Interface Format 0 Pin in parallel control mode
	CSN	I	Chip Select Pin in 3-wire serial control mode This pin should be connected to DVDD at I ² C bus control mode
42	DIF1	I	Audio Data Interface Format 1 Pin in parallel control mode
	SCL/CCLK	I	Control Data Clock Pin in serial control mode I2C = “L”: CCLK (3-wire Serial), I2C = “H”: SCL (I ² C Bus)
43	LOOP0	I	Loopback Mode 0 Pin in parallel control mode Enables digital loop-back from ADC to 4 DACs.
	SDA/CDTI	I/O	Control Data Input Pin in serial control mode I2C = “L”: CDTI (3-wire Serial), I2C = “H”: SDA (I ² C Bus)
44	TDM	I	TDM I/F Format Mode Pin (Note 1) “L”: Normal format, “H”: TDM format

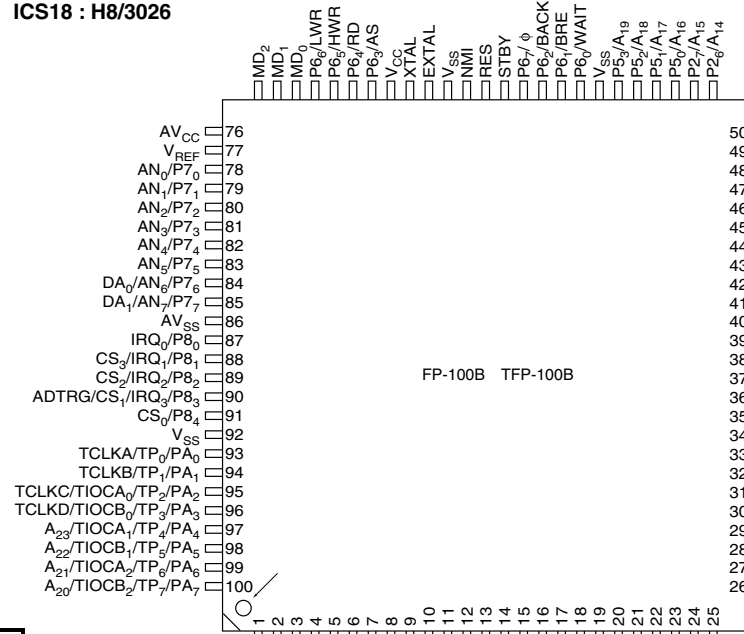
- Notes: 1. SDOS, SMUTE, DFS, and TDM pins are ORed with register data if P/S = “L”.
2. The group 1 and 2 can be selected by DZFM3-0 bits if P/S = “L” and DZFE = “L”.
3. This pin becomes OVF pin if OVFE bit is set to “1” at serial control mode.
4. All input pins should not be left floating.



ICS19 : AK4112



ICS18 : H8/3026

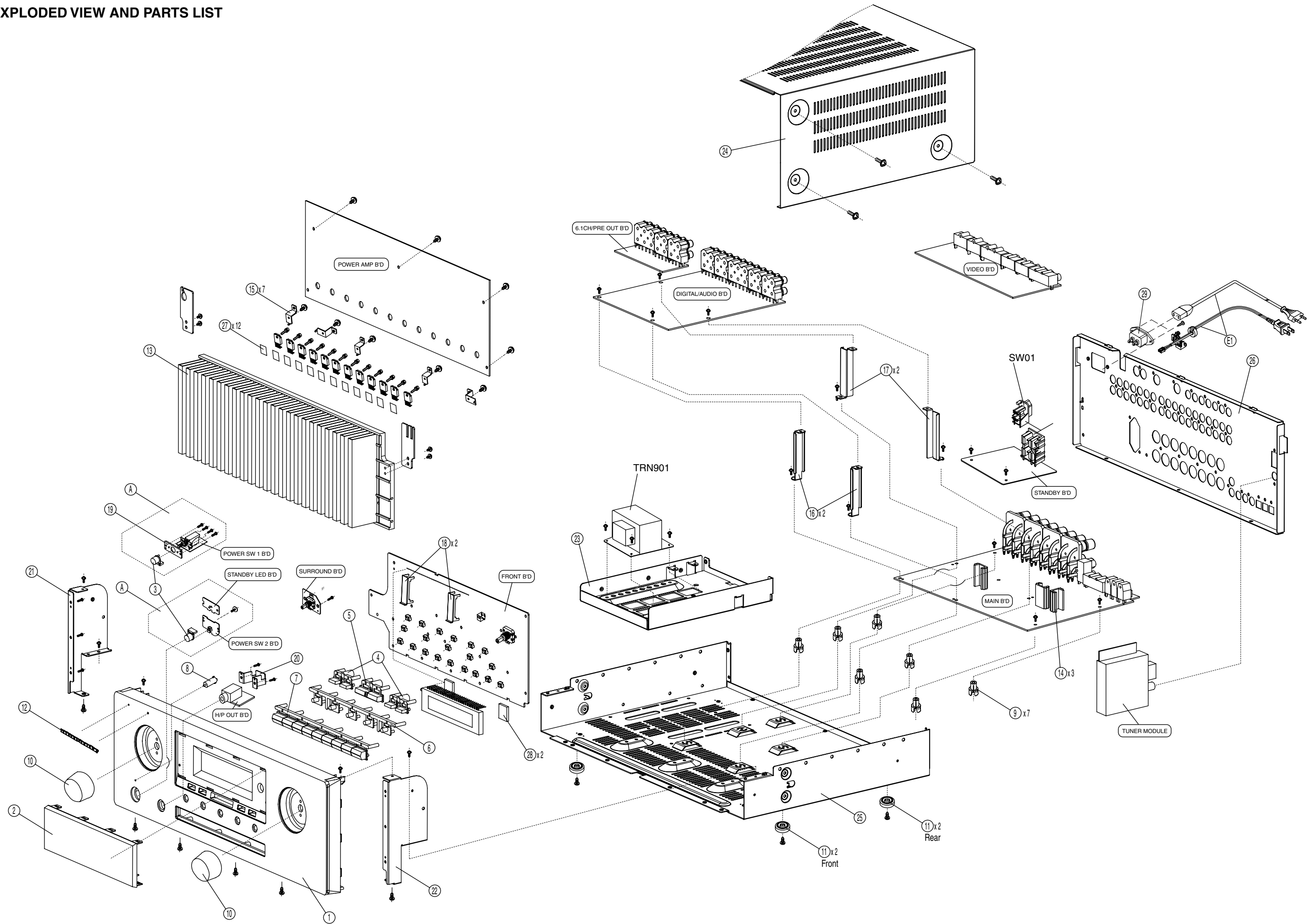


No.	Pin Name	I/O	Function
1	DVDD	-	Digital Power Supply Pin, 3.3V
2	DVSS	-	Digital Ground Pin
3	TVDD	-	Input Buffer Power Supply Pin, 3.3V or 5V
4	V	O	Validity Flag Output Pin in Parallel Mode
5	TXI	I	X'tal Input Pin
6	XTO	O	X'tal Output Pin
7	PDN	I	Power-Down Mode Pin When "L", the AK4112B is powered-down and reset.
8	R	-	External Resistor Pin 18kΩ +/-1% resistor to AVSS externally.
9	AVDD	-	Analog Power Supply Pin
10	AVSS	-	Analog Ground Pin
11	RX1	I	Receiver Channel 1 This channel is selected in Parallel Mode or default of Serial Mode.
12	DIF0	I	Audio Data Interface Format 0 Pin in Parallel Mode
13	RX2	I	Receiver Channel 2 in Serial Mode
13	DIF1	I	Audio Data Interface Format 1 Pin in Parallel Mode
13	RX3	I	Receiver Channel 3 in Serial Mode
14	DIF2	I	Audio Data Interface Format 2 Pin in Parallel Mode
14	RX4	I	Receiver Channel 4 in Serial Mode
15	AUTO	O	Non-PCM Detect Pin "L": No detect, "H": Detect
16	P/S	I	Parallel/Serial Select Pin "L": Serial Mode, "H": Parallel Mode
17	FS96	O	96kHz Sampling Detect Pin (RX Mode) "H": fs=88.2kHz or more, "L" fs=54kHz or less. (X'tal Mode) "H": XFS96=1, "L": XFS96=0.
18	ERF	O	Unlock & Parity Error Output Pin "L": No Error, "H": Error
19	LRCK	I/O	Output Channel Clock Pin
20	SDTO	O	Audio Serial Data Output Pin
21	BICK	I/O	Audio Serial Data Clock Pin
22	DAUX	I	Auxiliary Audio Data Input Pin
23	MCKO2	O	Master Clock #2 Output Pin
24	MCKO1	O	Master Clock #1 Output Pin
25	OCS0	I	Output Clock Select 0 Pin in Parallel Mode
25	CSN	I	Chip Select Pin in Serial Mode
26	OCS1	I	Output Clock Select 1 Pin in Parallel Mode
26	CCLK	I	Control Data Clock Pin in Serial Mode
27	CM1	I	Master Clock Operation Mode Pin0 in Parallel Mode
27	CDTI	I	Control Data Input Pin in Serial Mode
28	CM0	I	Master Clock Operation Mode Pin1 in Parallel Mode
28	CDTO	O	Control Data Output Pin in Serial Mode

Note 1: All input pins except internal pull-down pins should not be left floating.

Name	PIN No.	Type	I/O	to	to	Notice	ST-BY
	1	Vcc	+V			0.1uF Vss	-
	2	PB-0	O				-
RC_KILL	3	PB-1	O				H
FRPG1	4	PB-2	O	ROM	ADD15		L
FRPG2	5	PB-3	O	ROM	ADD16		L
FRPG3	6	PB-4	O	ROM	ADD17		L
VOL_CLK	7	PB-5	O	E-VOL	27 CLOCK		H
VOL_LATCH	8	PB-6	O	E-VOL	25 LATCH		H
VOL_DATA	9	PB-7	O	E-VOL	26 DATA		H
	10	FEW	I			Protect L, Flash H	-
	11	Vss	GND				-
SPI_DU	12	TxD0	O	DAIO	27 CDTI	DSP 6 SCDIN	L
	13	TxD1	O			Flash	-
SPI_DD	14	RxD0	I	DAIO	28 CDTO	DSP 19 SCDOOUT	L
	15	RxD1	I			Via L-SHIFT	-
SPI_CLK	16	SCK0	O	DAIO	26 CCLK	DSP 7 SCCLK	L
	17	SCK1	O			Flash	-
L/R_MUTE	18	P4-0	O	MUTE		Discreate	L
SLR_MUTE	19	P4-1	O	MUTE		Discreate	L
C_MUTE	20	P4-2	O	MUTE		Discreate	L
SW_MUTE	21	P4-3	O	MUTE		Discreate	L
	22	Vss	GND				-
SB_MUTE	23	P4-4	O	MUTE		Discreate	L
SPK_MUTE	24	P4-5	O	MUTE		Discreate	H
SPK_A/B	25	P4-6	O	MUTE		Discreate	-
_HP_DET	26	P4-7	I	H/P		Discreate	-
DFSD	27	P3-0	I	DAIO	17 FS96		-
COMP	28	P3-1	I	DAIO	15 AUTO		-
DFS	29	P3-2	O	CODEC	11 DFS		L
S_MUTE	30	P3-3	O	CODEC	3 S_MUTE	MUTE NAND gate	L
U_MUTE	31	P3-4	O			MUTE NAND gate	L
D_A	32	P3-5	O			MUTE D_A	L
DAC_RST	33	P3-6	O	CODEC	17 PDN		L
	34	P3-7	3-O				-
	35	Vcc	+V				-
RC_OUT	36	P1-0	O			RDS DO	L
RDS_DATA	37	P1-1	I			only "N" version	-
STANDBY	38	P1-2	O	STANDBY		Discreate	L
_OSD_BP	39	P1-3	O	VIDEO	74HCT00		L
EXP_CLK	40	P1-4	O	VIDEO	V-Expander	only SR5300	L
EXP_DATA	41	P1-5	O	VIDEO	V-Expander	only SR5300	L
_EXP_CE	42	P1-6	O	VIDEO	V-Expander	only SR5300	L
OSD_INT	43	P1-7	O	OSD			L
	44	Vss	GND				-
TU_CE	45	P2-0	O	TUNER	CE		H
TU_DATA0	46	P2-1	O	TUNER	DI	RDS DI	H
TU_CLK	47	P2-2	O	TUNER	CL	RDS CL	H
TU_DATA1	48	P2-3	I	TUNER	DO		-
TU_STEREO	49	P2-4	I	TUNER	STEREO		-
TUNED	50	P2-5	I	TUNER	TUNED		-
TU_MUTE	51	P2-6	O	TUNER	Discreate		L
OSD_SEL	52	P2-7	O	OSD			L
	53	P5-0	O				-
_FL_RST	54	P5-1	O	FRONT	FL Driver		H
SIO_CLK	55	P5-2	O	FRONT	FL Driver	OSD	H
SIO_DATA	56	P5-3	O	FRONT	FL Driver	OSD	H
	57	Vss	GND				-
S_BY_LED	58	P6-0	O	FRONT	Discreate		-
SEL-	59	P6-1	I	FRONT	Discreate		-
SEL+	60	P6-2	I	FRONT	Discreate		-
	61	P6-7					-
	62	STANDBY	O			PullUP	-
	63	RESET	O				-
	64	NMI	I			Fix H	-
	65	Vss	GND				-
	66	EXTAL	20MHz				-
	67	XTAL	20MHz				-
	68	Vcc	+V				-
VOL-	69	P6-3	I	FRONT	Discreate		-
VOL+	70	P6-4	I	FRONT	Discreate		-
OSD_CE	71	P6-5	O	OSD		only SR5300	H
_FL_CE	72	P6-6	O	FRONT	FL Driver		H
	73	MD0	+V				-
	74	MD1	I			Fix H	-
	75	MD2	I			Normal H	-
	76	Avcc	+V				-
	77	Vref	+V				-
KEY0	78	AN0	A/D	FRONT	Discreate		-
KEY1	79	AN1	A/D	FRONT	Discreate		-
KEY2	80	AN2	A/D	FRONT	Discreate		-
KEY3	81	AN3	A/D	FRONT	Discreate		-
	82	AN4	A/D				-
	83	AN5					-
MD_SEL	84	AN6	A/D			Model Select	-
MD_FCS	85	AN7	A/D			Model Forces	-
	86	Avss	GND				-
_P_DOWN	87	IRQ0	INT	STANDBY	Reset IC	MUTE	Discreate
ERROR	88	IRQ1	INT	DAIO	18 ERF		-
RDS_CLK	89	P8-2	O			RDS CLK	only "N" version
PROTECT_2	90	IRQ3	INT	SUPPLY	Discreate		-
S_DATA	91	P8-4	O	ROM	DATA		-
	92	Vss	GND				-
DSP_RST	93	PA-0	O			DSP 36 RESET	L
DSP_INT	94	PA-1	I/O			DSP 20 ABBOT	L
DSP_CS	95	PA-2	O			DSP 18 CS	L
DIR_CS	96	PA-3	O	DAIO	25 CSN		L
DIR_RST	97	PA-4	O	DAIO	7 PDN		L
S_CLOCK	98	PA-5	O	ROM	CLOCK		-
VSYNC	99	TIOCA2	I	VIDEO	V-detect		-
RC_IN	100	TIOCB2	INT	RC5	Discreate		-

8. EXPLODED VIEW AND PARTS LIST



POS. NO	VERS. COLOR	PART NO. (FOR EUR)	PART NO. (MJI)	DESCRIPTION		
1	/A1B/N1B	26AW248010	26AW248010	FRONT PANEL	FRONT PANEL (BLACK) ON/OFF	FKV8.081.282
1	/U1B	nsp	26AW248110	FRONT PANEL	FRONT PANEL (BLACK) ON/STANDBY	FKV8.081.282BKU
1	GOLD	nsp	26AW248020	FRONT PANEL	FRONT PANEL (GOLD) ON/OFF	FKV8.081.282GD
1	SILVER	26AW248030	26AW248030	FRONT PANEL	FRONT PANEL (SILVER) ON/OFF	FKV8.081.282SR
2	BLACK, GOLD	09AW158010	09AW158010	WINDOW	WINDOW	FKV8.647.221
2	SILVER	09AW158030	09AW158030	WINDOW	WINDOW (SILVER)	FKV8.647.314
3	BLACK	09AW270030	09AW270030	BUTTON	KEY POWER (BLACK)	FKV8.335.216BK
3	GOLD	nsp	09AW270130	BUTTON	KEY POWER (GOLD)	FKV8.335.216GD
3	SILVER	09AW270230	09AW270230	BUTTON	KEY POWER (SILVER)	FKV8.335.216SR
4	BLACK	09AW270040	09AW270040	BUTTON	KEY MEMO (BLACK)	FKV8.335.218BK
4	GOLD	nsp	09AW270150	BUTTON	KEY MEMO (GOLD)	FKV8.335.218GD
4	SILVER	09AW270140	09AW270140	BUTTON	KEY MEMO (SILVER)	FKV8.335.218SR
5	BLACK	09AW270050	09AW270050	BUTTON	KEY TUNING (BLACK)	FKV8.335.217BK
5	GOLD	nsp	09AW270150	BUTTON	KEY TUNING (GOLD)	FKV8.335.217GD
5	SILVER	09AW270250	09AW270250	BUTTON	KEY TUNING (SILVER)	FKV8.335.217SR
6	BLACK	09AW270010	09AW270010	BUTTON	KEY FUNC 5 (BLACK)	FKV8.335.214BK
6	GOLD	nsp	09AW270110	BUTTON	KEY FUNC 5 (GOLD)	FKV8.335.214GD
6	SILVER	09AW270210	09AW270210	BUTTON	KEY FUNC 5 (SILVER)	FKV8.335.214SR
7	BLACK	09AW270020	09AW270020	BUTTON	KEY FUN 9 (BLACK)	FKV8.335.215BK
7	GOLD	nsp	09AW270120	BUTTON	KEY FUN 9 (GOLD)	FKV8.335.215GD
7	SILVER	09AW270220	09AW270220	BUTTON	KEY FUN 9 (SILVER)	FKV8.335.215SR
8		09AW355010	09AW355010	LENS	INDICATOR	FKV8.640.098
9		09AW271010	09AW271010	HOLDER	PCB HOLDER	FKV8.078.052
10	BLACK	27AW154110	27AW154110	KNOB	AL KNOB (BLACK)	FKV8.337.290
10	GOLD	nsp	27AW154120	KNOB	AL KNOB (GOLD)	FKV8.337.290GD
10	SILVER	27AW154130	27AW154130	KNOB	AL KNOB (SILVER)	FKV8.337.290SR
11	BLACK, GOLD	183J057010	183J057010	LEG	LEG REAR	FKV8.085.033
11	BLACK, GOLD	183J057110	183J057110	LEG	LEG FRONT	FKV8.085.034
11	SILVER	183J057030	183J057030	LEG	LEG REAR (SILVER)	FKV8.085.043
11	SILVER	183J057130	183J057130	LEG	LEG FRONT (SILVER)	FKV8.085.044
12	BLACK, GOLD	24AW251010	24AW251010	BADGE	MARANTZ BADGE	FKV8.807.174
12	SILVER	24AW251020	24AW251020	BADGE	MARANTZ BADGE (SILVER)	FKV8.807.174SR
13		nsp	nsp	HEATSINK	HEATSINK MAIN	FKV7.308.083
14		nsp	nsp	HEATSINK	LITTLE HEATSINK WE	FKV7.308.033
15		nsp	nsp	HOLDER	HOLDER 1	FKV8.038.289
16		nsp	nsp	HOLDER	HOLDER 2	FKV8.038.290
17		nsp	nsp	HOLDER	HOLDER 3	FKV8.038.355
18		nsp	nsp	HOLDER	HOLDER VFD	FKV8.038.297
19	/A/K/N	nsp	nsp	HOLDER	HOLDER POWER SWITCH	FKV8.038.296
20		nsp	nsp	HOLDER	HOLDER PHONE JACK	FKV8.038.295
21		nsp	nsp	HOLDER	HOLDER FRONT L	FKV8.038.293
22		nsp	nsp	HOLDER	HOLDER FRONT R	FKV8.038.294
23		nsp	nsp	HOLDER	HOLDER TRANSFORMER	FKV8.038.292
25		nsp	nsp	CASE	BOTTOM PANEL	FKV8.031.101
26	/N1B	nsp	nsp	REAR PANEL	REAR PANEL /N1B	FKV8.040.500
26	/N1S	nsp	nsp	REAR PANEL	REAR PANEL /N1S	FKV8.040.502
26	/U1B	nsp	nsp	REAR PANEL	REAR PANEL /U1B	FKV8.040.503
26	/K1S	nsp	nsp	REAR PANEL	REAR PANEL /K1S	FKV8.040.504
26	/K1G	nsp	nsp	REAR PANEL	REAR PANEL /K1G	FKV8.040.505
26	/A1S	nsp	nsp	REAR PANEL	REAR PANEL /A1S	FKV8.040.506
26	/A1B	nsp	nsp	REAR PANEL	REAR PANEL /A1B	FKV8.040.507
27		nsp	nsp	SHEET	POWER TR SHEET	FKV7.840.014
28		nsp	nsp	BUFFER	VFD BUFFER	FKV8.817.490
29	/A/K/N	*YJ002640R	*YJ002640R	TERMINAL	MAINS INLET	VJJ0911EI
▲	E1 /U	nsp	*YC000720R	CORD	MAINS CORD 200CM	VJA20050021
▲	TRN901 /A/N	*TS001810R	*TS001810R	TRANSF	POWER TRANSF. 230AC 50HZ	VTPAT7203

NOTE : "nsp" PART IS LISTED FOR REFERENCE ONLY, MARANTZ WILL NOT SUPPLY THESE PARTS.

POS. NO	VERS. COLOR	PART NO. (FOR EUR)	PART NO. (MJI)	DESCRIPTION			
▲	TRN901 /K	nsp	*TS001820R	TRANSF	POWER TRANSF. 220AC 50HZ	VTPAT7213	
▲	TRN901 /U	nsp	*TS001830R	TRANSF	POWER TRANSF. 120AC 60HZ	VTPAT7223	
				Wire			
	JFF101 -JFN702	nsp	nsp	CORD	CONNECTIVE WIRE 7PIN 2.5MM 480MM UL	VJP07XH48001TE	
	JFF103 -JS1	nsp	nsp	CORD	CONNECTIVE WIRE 4PIN 2.0MM 100MM UL	VJP04PH10001TE	
	JFF104 -JFL1	nsp	nsp	CORD	CONNECTIVE WIRE 4PIN 2.0MM 120MM UL	VJP04PH12001TE	
	JFK01 -JFS05	nsp	nsp	CORD	CONNECTIVE WIRE 9PIN 2.0MM 200MM UL	VJP09PH20001TE	
	JFN102 -JW104	nsp	nsp	CORD	CONNECTIVE WIRE 5PIN 2.5MM 280MM UL	VJP05XH28001TE	
	JFN509 -JFM04	nsp	nsp	CORD	CONNECTIVE WIRE 4PIN 4.0MM 210MM UL	VJP04VH21001E	
	JFN510 -JFM02	nsp	nsp	CORD	CONNECTIVE WIRE 3PIN 4.0MM 180MM UL	VJP03VH18001E	
	JFN511 -JFM03	nsp	nsp	CORD	CONNECTIVE WIRE 3PIN 4.0MM 250MM UL	VJP03VH25001E	
	JFN512 -JFM05	nsp	nsp	CORD	CONNECTIVE WIRE 2PIN 2.0MM 240MM UL	VJP02PH24001E	
	JFN601 -JH01	nsp	nsp	CORD	CONNECTIVE WIRE 4PIN 2.0MM 470MM UL	VJP04PH47001PE	
	JFS01 -JFK02	nsp	nsp	CORD	CONNECTIVE WIRE 11PIN 2.0MM 80MM UL	VJP11PH08001PE	
	JFS03 -JFM01	nsp	nsp	CORD	CONNECTIVE WIRE 12PIN 2.0MM 60MM UL	VJP12PH06001E	
	JFS06 -JFN508	nsp	nsp	CORD	CONNECTIVE WIRE 10PIN 2.5MM 180MM UL	VJP10XH18001TE	
	JFS09 -TUNER MODULE	/K/U	nsp	*YU001210R	FFC CABLE FLEXIBLE FLAT CORD 15P/1.25MM 140MM	VWJ15140001	
	JFS09 -TUNER MODULE	/A/N	nsp	*YU001110R	FFC CABLE FLEXIBLE FLAT CORD 17P/1.25MM 140MM	VWJ17140001	
	JFS10 -JFN101	nsp	*YU001100R	FFC CABLE	FLEXIBLE FLAT CORD 16P/1.25MM 160MM	VWJ16160001	
	JFS11 -JFF102	nsp	*YU001090R	FFC CABLE	FLEXIBLE FLAT CORD 15P/1.25MM 320MM	VWJ15320001	
	JFV101 -JFS08	nsp	nsp	CORD	CONNECTIVE WIRE 5PIN 2.0MM 230MM UL	VJP05PH23001E	
	JFV201 -JFN507	nsp	nsp	CORD	CONNECTIVE WIRE 3PIN 2.0MM 380MM UL	VJP03PH38001E	
	JW101 -MAINS INLET	/A/K/N	nsp	nsp	CORD	CONNECTIVE WIRE 2PIN 8.0MM 130MM UL	VJP02TH13002E
	JW102 -JP1	/A/K/N	nsp	nsp	CORD	CONNECTIVE WIRE 2PIN 8.0MM 430MM UL	VJP02TH43001E
				PACKING			
		ZK27AW0010	ZK27AW0010	UNIT KIT	REMOTE CONTROLLER RC5400SR	VURRC129	
	/K	nsp	26AW851350	USER GUIDE	USER GUIDE SR4400 ENG. CIN.	FKV2.804.194SS2	
	/U	nsp	26AW851250	USER GUIDE	USER GUIDE SR4400 4LANG.	FKV2.804.194SS4	
	/A/N	26AW851310	26AW851310	USER GUIDE	USER GUIDE SR4400 9LANG,	FKV2.804.194ss9	
▲	E1 /K	nsp	*ZC000200R	CORD	MAINS CORD 180CM	VJA180100102	
▲	E1 /N	*ZC000220R	*ZC000220R	CORD	MAINS CORD 180CM	VJA1801400103	
▲	E1 /A	nsp	*ZC000210R	CORD	MAINS CORD 180CM	VJA180400104	
				NOT STANDARD SPARE PARTS			
	/A/N/U	nsp	26AW801010	CASE	PACKING CASE	FKV4.172.961	
	/K	nsp	26AW801110	CASE	PACKING CASE	FKV4.172.961K	
		nsp	09AW809010	CUSHION	CUSHION L	FKV8.870.211	
		nsp	09AW809020	CUSHION	CUSHION R	FKV8.870.212	
24	BLACK	nsp	09AW257010	LID	TOP COVER (BLACK)	FKV8.040.386BK	
24	GOLD	nsp	09AW257110	LID	TOP COVER (GOLD)	FKV8.040.386GD	
24	SILVER	nsp	09AW257210	LID	TOP COVER (SILVER)	FKV8.040.386SR	

NOTE : "nsp" PART IS LISTED FOR REFERENCE ONLY, MARANTZ WILL NOT SUPPLY THESE PARTS.

9. SERVICE PROCEDURE

Idling current Alignment

- Each of cement resistors are provided with two test points. Set a voltage meter to DC voltage input, Connect the digital voltage meter to the two test points on a cement resistor.
- After the setup above, turn the main switch ON and heat up the amplifier about 10 minutes.
- Adjust variable resistors (RM114, RM214, ..., RM614) according to the digital voltmeter reading.
The target setting value is $5 \pm 1\text{mV}$ for each channels.

Settings: Master Volume --- Minimum

Speaker out --- No Load

Top lid --- Open

Channel	Alignment Point	Measurement Point
Front L	RM514	JM501
Center	RM114	JM101
Front R	RM314	JM301
Surr. L	RM414	JM401
Surr. R	RM214	JM201
SB	RM614	JM601

DC Offset Alignment

Settings: Master Volume --- Minimum

Speaker out --- No Load

Power	Channel	Adjustment Point	Measurement Point	Alignment Target
On	Front L	RM506	Speaker Output Terminal	$0 \pm 40\text{mV}$
	Center	RM106		
	Front R	RM306		
	Surr. L	RM406		
	Surr. R	RM206		
	SB	RM606		

Micro-Processor (ICS18) Version and FLD Segment Check

- While the power is on, press the **CD, TUNER** and **TUNING UP** buttons simultaneously for more than 3 seconds. The FL display shows "SERVICE MODE" for 2 seconds then is shows the model name (Ex.: "SR4400").
- Press the **MODE** button. The software version of the micro-processor (ICS18) is displayed in the format below.

V	E	R	.	0	3	0	3	1	1		N
				└ Year ┘		└ Month ┘		└ Date ┘		Version	
Ex: N - /N1B/N1S/A1B/A1S											
U - /U1B											
K - /K1G											

- Press the **MODE** button again. The left half and the right half of the label area in the FLD light on and off each other.
- Press the **MODE** button again. The segments of the character area in the FLD flick in the checker pattern.
- Press the **MODE** button two times to quit this mode.

Product Reset

To reset the buck-up memory in the unit to the default status, follow the procedure below.

- While the power is on, press the **CLEAR** and **MEMORY** buttons simultaneously for more than 3 seconds.
- The FL display shows "DEFAULT". Then the power is turned off once and turned on again automatically. The micro-computer is reset, the EEPROM is cleared and the unit returns to the normal operation.

Note: When the unit is shipped from the factory, the procedure above must be done to set the unit to initial status after the tests.

10. SYSTEM ERROR

When the micro-computer detects a trouble, the following information is displayed on the FLD.

1. Trouble in DSP

If communication with DSP1(Q610) is troubled more than 2 seconds, FLD shows below.

E	R	R	O	R		D	S	P	R	O	M
---	---	---	---	---	--	---	---	---	---	---	---

* This display stays and sound is muted.

2. Trouble in EEPROM

If data from EEPROM (ICS21) does not match, FLD shows below.

C	L	E	A	R		M	E	M	O	R	Y
---	---	---	---	---	--	---	---	---	---	---	---

* After displaying it, Back-up Data is reset to default.

3. Trouble in EEPROM I/F

If communication with EEPROM(ICS21) is troubled more than 2 seconds, FLD shows below.

E	R	R	O	R		E	E	P		I	F
---	---	---	---	---	--	---	---	---	--	---	---

4. Trouble in 5V Supply

If 5V supply to DIGITAL/AUDIO PCB is troubled, FLD shows below.

E	R	R	O	R		P	O	W	5	V	
---	---	---	---	---	--	---	---	---	---	---	--

5. Trouble in 5V Supply

If 5V supply to P604(DSP/CPU PCB) is troubled, FLD shows below.

P	R	O	T	E	C	T					
---	---	---	---	---	---	---	--	--	--	--	--

* If a trouble is detected upon turning on the power, CPU turns off the speaker relay.

And if the trouble is not recovered within 2 seconds, CPU turns the unit into stand-by.

If DC offset or over current is detected while the power is on, CPU turns off the speaker relay.

If overheat or some trouble is detected on the main transformer, CPU turns the unit into stand-by immediately.

11. ELECTRICAL PARTS LIST

ASSIGNMENT OF COMMON PARTS CODES.

RESISTORS

R***: 1) GD05 140, Carbon film fixed resistor, 5% 1/4W
 R***: 2) GD05 160, Carbon film fixed resistor, 5% 1/6W
 ① — Resistance value

Examples ;

① Resistance value
 0.1 Ω 001 10 Ω 100 1 kΩ 102 100 kΩ 104
 0.5 Ω 005 18 Ω 180 2.7 kΩ 272 680 kΩ 684
 1 Ω 010 100 Ω 101 10 kΩ 103 1 MΩ 105
 6.8 Ω 068 390 Ω 391 22 kΩ 223 4.7 MΩ 475

Note : Please distinguish 1/4W from 1/6W by the shape of parts used actually.

CAPACITORS

C***: CERAMIC CAP.

3) DD1 370, Ceramic capacitor
 Disc type
 Temp.coeff.P350 ~ N1000, 50V
 ② Capacity value
 ③ Tolerance

Examples ;

② Tolerance (Capacity deviation)
 0.25 pF 0
 0.5 pF 1
 ±5% 5

* Tolerance of COMMON PARTS handled here are as follows :

0.5 pF ~ 5 pF 0.25 pF
 6 pF ~ 10 pF 0.5 pF
 12 pF ~ 560 pF 5%

③ Capacity value


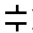
0.5 pF 005 3 pF 030 100 pF 101
 1 pF 010 10 pF 100 220 pF 221
 1.5 pF 015 47 pF 470 560 pF 561

C***: CERAMIC CAP.

4) DK16 300, High dielectric constant ceramic capacitor
 Disc type
 Temp.chara. 2B4, 50V
 ④ Capacity value

Examples ;

④ Capacity value
 100 pF 101 1000 pF 102 10000 pF 103
 470 pF 471 2200 pF 222

C***: 5) ELECTROLY CAP. (), 6) FILM CAP. ()

5) EA 10, Electrolytic capacitor
 One-way lead type, Tolerance 20%
 ⑤ Working voltage
 ⑥ Capacity value

Examples ;

⑤ Capacity value
 0.1 μF 104 4.7 μF 475 100 μF 107
 0.33 μF 334 10 μF 106 330 μF 337
 1 μF 105 22 μF 226 1100 μF 118
 2200 μF 228

⑥ Working voltage

6.3V 006 25V 025
 10V 010 35V 035
 16V 016 50V 050

6) DF15 350 Plastic film capacitor
 DF15 310 One-way type, Mylar 5% 50V
 DF16 310 Plastic film capacitor
 One-way type, Mylar 10% 50V
 ⑦ Capacity value

Examples ;

⑦ Capacity value
 0.001 μF (1000 pF) 102 0.1 μF 104
 0.0018 μF 182 0.56 μF 564
 0.01 μF 103 1 μF 105
 0.015 μF 153

NOTE : 1) The above CODES (R***, R***, C***, C*** and C***) are omitted on the schematic diagram in some case.

2) On the occasion, be confirmed the common parts on the parts list.

3) Refer to "Common Parts List" for the other common parts (R105, DD4, DK4).

NOTE ON SAFETY FOR FUSIBLE RESISTOR :

The suppliers and their type numbers of fusible resistors are as follows;

1. KOA Corporation

Part No. (MJI)	Type No. (KOA)	Description
NH05 140	RF25S ΩJ	(5% 1/4W)
NH05 120	RF50S ΩJ	(5% 1/2W)
NH85 110	RF73B2A ΩJ	(5% 1/10W)
NH95 140	RF73B2E ΩJ	(5% 1/4W)

* Resistance value (0.1 Ω 10 kΩ)

2. Matsushita Electronic Components Co., Ltd

Part No. (MJI)	Type No. (MEC)	Description
NF05 140	ERD-2FCJ	(5% 1/4W)
RF05 140	ERD-2FCG	(2% 1/4W)
NF02 140		
RF02 140		

* Resistance value

Examples ;

* Resistance value
 0.1 Ω 001 10 Ω 100 1 kΩ 102 100 kΩ 104
 0.5 Ω 005 18 Ω 180 2.7 kΩ 272 680 kΩ 684
 1 Ω 010 100 Ω 101 10 kΩ 103 1 MΩ 105
 6.8 Ω 068 390 Ω 391 22 kΩ 223 4.7 MΩ 475



ABBREVIATION AND MARKS

ANT. : ANTENNA	BATT. : BATTERY
CAP. : CAPACITOR	CER. : CERAMIC
CONN. : CONNECTING	DIG. : DIGITAL
HP : HEADPHONE	MIC. : MICROPHONE
μ-PRO : MICROPROCESSOR	REC. : RECORDING
RES. : RESISTOR	SPK : SPEAKER
SW : SWITCH	TRANSF. : TRANSFORMER
TRIM. : TRIMMING	TRS. : TRANSISTOR
VAR. : VARIABLE	X'TAL : CRYSTAL


NOTE ON FUSE :

Regarding to all parts of parts code **FS20xxx2xx**, replace only with Wickmann-Werke GmbH, Type 372 non glass type fuse.

NOTE ON SAFETY :

Symbol  Fire or electrical shock hazard. Only original parts should be used to replaced any part marked with symbol . Any other component substitution (other than original type), may increase risk of fire or electrical shock hazard.

安全上の注意 :

 がついている部品は、安全上重要な部品です。必ず指定されている部品番号の部品を使用して下さい。

POS. NO	VERS. COLOR	PART NO. (FOR EUR)	PART NO. (MJ)	DESCRIPTION		
				POWER AMP PCB		
CM101		nsp	OA10706320	ELECT. CAP	100µF, 63V	ECEA1JDE101MP
CM102		nsp	OA47502550	ELECT. CAP	16V, 4.7µF	ECEA1CAE4R7MB
CM103		nsp	nsp	CERAMIC CAP.	50V, 470pF±5%, SL	ECCR1H471JY
CM104		nsp	OA10706320	ELECT. CAP	100µF, 63V	ECEA1JDE101MP
CM105		nsp	OA10602550	ELECT. CAP	10µF, 16V	ECEA1CAE100MB
CM106		nsp	nsp	CERAMIC CAP.	50V, 68pF, SL	ECCR1H680JY
CM107		nsp	nsp	CERAMIC CAP.	50V, 68pF, SL	ECCR1H680JY
CM108		*OF100310R	*OF100310R	FILM. CAP	63V, 0.10µF	ECQQ1J104JZ
CM109		*OF100310R	*OF100310R	FILM. CAP	63V, 0.10µF	ECQQ1J104JZ
CM110		*OF100310R	*OF100310R	FILM. CAP	63V, 0.10µF	ECQQ1J104JZ
CM201		nsp	OA10706320	ELECT. CAP	100µF, 63V	ECEA1JDE101MP
CM202		nsp	OA47502550	ELECT. CAP	16V, 4.7µF	ECEA1CAE4R7MB
CM203		nsp	nsp	CERAMIC CAP.	50V, 470pF±5%, SL	ECCR1H471JY
CM204		nsp	OA10706320	ELECT. CAP	100µF, 63V	ECEA1JDE101MP
CM205		nsp	OA10602550	ELECT. CAP	10µF, 16V	ECEA1CAE100MB
CM206		nsp	nsp	CERAMIC CAP.	50V, 68pF, SL	ECCR1H680JY
CM207		nsp	nsp	CERAMIC CAP.	50V, 68pF, SL	ECCR1H680JY
CM208		*OF100310R	*OF100310R	FILM. CAP	63V, 0.10µF	ECQQ1J104JZ
CM301		nsp	OA10706320	ELECT. CAP	100µF, 63V	ECEA1JDE101MP
CM302		nsp	OA47502550	ELECT. CAP	16V, 4.7µF	ECEA1CAE4R7MB
CM303		nsp	nsp	CERAMIC CAP.	50V, 470pF±5%, SL	ECCR1H471JY
CM304		nsp	OA10706320	ELECT. CAP	100µF, 63V	ECEA1JDE101MP
CM305		nsp	OA10602550	ELECT. CAP	10µF, 16V	ECEA1CAE100MB
CM306		nsp	nsp	CERAMIC CAP.	50V, 68pF, SL	ECCR1H680JY
CM307		nsp	nsp	CERAMIC CAP.	50V, 68pF, SL	ECCR1H680JY
CM308		*OF100310R	*OF100310R	FILM. CAP	63V, 0.10µF	ECQQ1J104JZ
CM309		nsp	OA22505020	ELECT. CAP	50V, 2.2µF	ECEA1HAE2R2MB
CM401		nsp	OA10706320	ELECT. CAP	100µF, 63V	ECEA1JDE101MP
CM402		nsp	OA47502550	ELECT. CAP	16V, 4.7µF	ECEA1CAE4R7MB
CM403		nsp	nsp	CERAMIC CAP.	50V, 470pF±5%, SL	ECCR1H471JY
CM404		nsp	OA10706320	ELECT. CAP	100µF, 63V	ECEA1JDE101MP
CM405		nsp	OA10602550	ELECT. CAP	10µF, 16V	ECEA1CAE100MB
CM406		nsp	nsp	CERAMIC CAP.	50V, 68pF, SL	ECCR1H680JY
CM407		nsp	nsp	CERAMIC CAP.	50V, 68pF, SL	ECCR1H680JY
CM408		*OF100310R	*OF100310R	FILM. CAP	63V, 0.10µF	ECQQ1J104JZ
CM501		nsp	OA10706320	ELECT. CAP	100µF, 63V	ECEA1JDE101MP
CM502		nsp	OA47502550	ELECT. CAP	16V, 4.7µF	ECEA1CAE4R7MB
CM503		nsp	nsp	CERAMIC CAP.	50V, 470pF±5%, SL	ECCR1H471JY
CM504		nsp	OA10706320	ELECT. CAP	100µF, 63V	ECEA1JDE101MP
CM505		nsp	OA10602550	ELECT. CAP	10µF, 16V	ECEA1CAE100MB
CM506		nsp	nsp	CERAMIC CAP.	50V, 68pF, SL	ECCR1H680JY
CM507		nsp	nsp	CERAMIC CAP.	50V, 68pF, SL	ECCR1H680JY
CM508		*OF100310R	*OF100310R	FILM. CAP	63V, 0.10µF	ECQQ1J104JZ
CM601		nsp	OA10706320	ELECT. CAP	100µF, 63V	ECEA1JDE101MP
CM602		nsp	OA47502550	ELECT. CAP	16V, 4.7µF	ECEA1CAE4R7MB
CM603		nsp	nsp	CERAMIC CAP.	50V, 470pF±5%, SL	ECCR1H471JY
CM604		nsp	OA10706320	ELECT. CAP	100µF, 63V	ECEA1JDE101MP
CM605		nsp	OA10602550	ELECT. CAP	10µF, 16V	ECEA1CAE100MB
CM606		nsp	nsp	CERAMIC CAP.	50V, 68pF, SL	ECCR1H680JY
CM607		nsp	nsp	CERAMIC CAP.	50V, 68pF, SL	ECCR1H680JY
CM608		*OF100310R	*OF100310R	FILM. CAP	63V, 0.10µF	ECQQ1J104JZ
CM609		nsp	OA22505020	ELECT. CAP	50V, 2.2µF	ECEA1HAE2R2MB
DM102		nsp	*HD201710R	DIODE		ODI1N4148
DM104		nsp	*HD201710R	DIODE		ODI1N4148
DM105		nsp	*HD201710R	DIODE		ODI1N4148
DM202		nsp	*HD201710R	DIODE		ODI1N4148
DM204		nsp	*HD201710R	DIODE		ODI1N4148
DM205		nsp	*HD201710R	DIODE		ODI1N4148

NOTE : *nsp* PART IS LISTED FOR REFERENCE ONLY, MARANTZ WILL NOT SUPPLY THESE PARTS.

POS. NO	VERS. COLOR	PART NO. (FOR EUR)	PART NO. (MJI)	DESCRIPTION	
DM302		nsp	*HD201710R	DIODE	ODI1N4148
DM304		nsp	*HD201710R	DIODE	ODI1N4148
DM305		nsp	*HD201710R	DIODE	ODI1N4148
DM402		nsp	*HD201710R	DIODE	ODI1N4148
DM404		nsp	*HD201710R	DIODE	ODI1N4148
DM405		nsp	*HD201710R	DIODE	ODI1N4148
DM502		nsp	*HD201710R	DIODE	ODI1N4148
DM504		nsp	*HD201710R	DIODE	ODI1N4148
DM505		nsp	*HD201710R	DIODE	ODI1N4148
DM602		nsp	*HD201710R	DIODE	ODI1N4148
DM604		nsp	*HD201710R	DIODE	ODI1N4148
DM605		nsp	*HD201710R	DIODE	ODI1N4148
JFM01		nsp	nsp	CONNECTOR	12pin, 2.0mm, UL VJS12PH01E
JFM02		nsp	nsp	CONNECTOR	3pin, 4.0mm, UL VJS03VH01E
JFM03		nsp	nsp	CONNECTOR	3pin, 4.0mm, UL VJS03VH01E
JFM04		nsp	nsp	CONNECTOR	4pin, 3.96mm, UL VJS04VH01E
JFM05		nsp	nsp	CONNECTOR	2pin, 2.0mm, UL VJS02PH01E
JM101		nsp	nsp	CONNECTOR	2PIN, 2.5mm, UL VJS02EH01E
JM101		nsp	nsp	JUMPER WIRE	JPL0000
JM102		nsp	nsp	JUMPER WIRE	JPL0000
JM103		nsp	nsp	JUMPER WIRE	JPL0000
JM104		nsp	nsp	JUMPER WIRE	JPL0000
JM105		nsp	nsp	JUMPER WIRE	JPL0000
JM106		nsp	nsp	JUMPER WIRE	JPL0000
JM107		nsp	nsp	JUMPER WIRE	JPL0000
JM108		nsp	nsp	JUMPER WIRE	JPL0000
JM112		nsp	nsp	JUMPER WIRE	JPL0000
JM113		nsp	nsp	JUMPER WIRE	JPL0000
JM114		nsp	nsp	JUMPER WIRE	JPL0000
JM201		nsp	nsp	CONNECTOR	2PIN, 2.5mm, UL VJS02EH01E
JM201		nsp	nsp	JUMPER WIRE	JPL0000
JM202					
}		nsp	nsp	JUMPER WIRE	JPL0000
JM214					
JM217		nsp	nsp	JUMPER WIRE	JPL0000
JM301		nsp	nsp	CONNECTOR	2PIN, 2.5mm, UL VJS02EH01E
JM301		nsp	nsp	JUMPER WIRE	JPL0000
JM302		nsp	nsp	JUMPER WIRE	JPL0000
JM303		nsp	nsp	JUMPER WIRE	JPL0000
JM304		nsp	nsp	JUMPER WIRE	JPL0000
JM306		nsp	nsp	JUMPER WIRE	JPL0000
JM309		nsp	nsp	JUMPER WIRE	JPL0000
JM310		nsp	nsp	JUMPER WIRE	JPL0000
JM311		nsp	nsp	JUMPER WIRE	JPL0000
JM313					
}		nsp	nsp	JUMPER WIRE	JPL0000
JM326					
JM401		nsp	nsp	CONNECTOR	2PIN, 2.5mm, UL VJS02EH01E
JM401		nsp	nsp	JUMPER WIRE	JPL0000
JM402					
}		nsp	nsp	JUMPER WIRE	JPL0000
JM412					
JM501		nsp	nsp	CONNECTOR	2PIN, 2.5mm, UL VJS02EH01E
JM501		nsp	nsp	JUMPER WIRE	JPL0000
JM502					
}		nsp	nsp	JUMPER WIRE	JPL0000
JM519					
JM520		nsp	nsp	JUMPER WIRE	JPL0000
JM601		nsp	nsp	CONNECTOR	2PIN, 2.5mm, UL VJS02EH01E

NOTE : "nsp" PART IS LISTED FOR REFERENCE ONLY, MARANTZ WILL NOT SUPPLY THESE PARTS.

POS. NO	VERS. COLOR	PART NO. (FOR EUR)	PART NO. (MJ)	DESCRIPTION	
JM601		nsp	nsp	JUMPER WIRE	JPL0000
JM604		nsp	nsp	JUMPER WIRE	JPL0000
JM605		nsp	nsp	JUMPER WIRE	JPL0000
JM606		nsp	nsp	JUMPER WIRE	JPL0000
JM607		nsp	nsp	JUMPER WIRE	JPL0000
JM609					
JM622		nsp	nsp	JUMPER WIRE	JPL0000
JM625		nsp	nsp	JUMPER WIRE	JPL0000
JM626		nsp	nsp	JUMPER WIRE	JPL0000
LM101		nsp	nsp	COIL 1µH	VTQ1R0081101
LM201		nsp	nsp	COIL 1µH	VTQ1R0081101
LM301		nsp	nsp	COIL 1µH	VTQ1R0081101
LM401		nsp	nsp	COIL 1µH	VTQ1R0081101
LM501		nsp	nsp	COIL 1µH	VTQ1R0081101
LM601		nsp	nsp	COIL 1µH	VTQ1R0081101
QM101		*HT100670R	*HT100670R	TRANSISTOR	OTR2SC2389RS
QM102		*HT100670R	*HT100670R	TRANSISTOR	OTR2SC2389RS
QM103		*HT100670R	*HT100670R	TRANSISTOR	OTR2SC2389RS
QM104		*HT100670R	*HT100670R	TRANSISTOR	OTR2SC2389RS
QM105		*HT100650R	*HT100650R	TRANSISTOR	OTR2SA1038RS
QM106		*HT100650R	*HT100650R	TRANSISTOR	OTR2SA1038RS
QM107		*HT100650R	*HT100650R	TRANSISTOR	OTR2SA1038RS
QM108		*HT100670R	*HT100670R	TRANSISTOR	OTR2SC2389RS
QM109		*HX300080R	*HX300080R	TRANSISTOR	OTR2SC5248E
QM110		*HT800020R	*HT800020R	TRANSISTOR	OTR9014CS
QM111		*HT100660R	*HT100660R	TRANSISTOR	OTR2SA1964E
QM112		HT351981A0	HT351981A0	TRANSISTOR	OTR2SC5198O
QM113		HT119411A0	HT119411A0	TRANSISTOR	OTR2SA1941O
QM114		HT322402A0	HT322402A0	TRANSISTOR	OTR2SC2240
QM201		*HT100670R	*HT100670R	TRANSISTOR	OTR2SC2389RS
QM202		*HT100670R	*HT100670R	TRANSISTOR	OTR2SC2389RS
QM203		*HT100670R	*HT100670R	TRANSISTOR	OTR2SC2389RS
QM204		*HT100670R	*HT100670R	TRANSISTOR	OTR2SC2389RS
QM205		*HT100650R	*HT100650R	TRANSISTOR	OTR2SA1038RS
QM206		*HT100650R	*HT100650R	TRANSISTOR	OTR2SA1038RS
QM207		*HT100650R	*HT100650R	TRANSISTOR	OTR2SA1038RS
QM208		*HT100670R	*HT100670R	TRANSISTOR	OTR2SC2389RS
QM209		*HX300080R	*HX300080R	TRANSISTOR	OTR2SC5248E
QM210		*HT800020R	*HT800020R	TRANSISTOR	OTR9014CS
QM211		*HT100660R	*HT100660R	TRANSISTOR	OTR2SA1964E
QM212		HT351981A0	HT351981A0	TRANSISTOR	OTR2SC5198O
QM213		HT119411A0	HT119411A0	TRANSISTOR	OTR2SA1941O
QM214		HT322402A0	HT322402A0	TRANSISTOR	OTR2SC2240
QM301		*HT100670R	*HT100670R	TRANSISTOR	OTR2SC2389RS
QM302		*HT100670R	*HT100670R	TRANSISTOR	OTR2SC2389RS
QM303		*HT100670R	*HT100670R	TRANSISTOR	OTR2SC2389RS
QM304		*HT100670R	*HT100670R	TRANSISTOR	OTR2SC2389RS
QM305		*HT100650R	*HT100650R	TRANSISTOR	OTR2SA1038RS
QM306		*HT100650R	*HT100650R	TRANSISTOR	OTR2SA1038RS
QM307		*HT100650R	*HT100650R	TRANSISTOR	OTR2SA1038RS
QM308		*HT100670R	*HT100670R	TRANSISTOR	OTR2SC2389RS
QM309		*HX300080R	*HX300080R	TRANSISTOR	OTR2SC5248E
QM310		*HT800020R	*HT800020R	TRANSISTOR	OTR9014CS
QM311		*HT100660R	*HT100660R	TRANSISTOR	OTR2SA1964E
QM312		HT351981A0	HT351981A0	TRANSISTOR	OTR2SC5198O
QM313		HT119411A0	HT119411A0	TRANSISTOR	OTR2SA1941O
QM314		HT322402A0	HT322402A0	TRANSISTOR	OTR2SC2240
QM315		HT109701A0	HT109701A0	TRANSISTOR	OTR2SA970GR

NOTE : *nsp* PART IS LISTED FOR REFERENCE ONLY, MARANTZ WILL NOT SUPPLY THESE PARTS.

POS. NO	VERS. COLOR	PART NO. (FOR EUR)	PART NO. (MJI)	DESCRIPTION		
QM401		*HT100670R	*HT100670R	TRANSISTOR		OTR2SC2389RS
QM402		*HT100670R	*HT100670R	TRANSISTOR		OTR2SC2389RS
QM403		*HT100670R	*HT100670R	TRANSISTOR		OTR2SC2389RS
QM404		*HT100670R	*HT100670R	TRANSISTOR		OTR2SC2389RS
QM405		*HT100650R	*HT100650R	TRANSISTOR		OTR2SA1038RS
QM406		*HT100650R	*HT100650R	TRANSISTOR		OTR2SA1038RS
QM407		*HT100650R	*HT100650R	TRANSISTOR		OTR2SA1038RS
QM408		*HT100670R	*HT100670R	TRANSISTOR		OTR2SC2389RS
QM409		*HX300080R	*HX300080R	TRANSISTOR		OTR2SC5248E
QM410		*HT800020R	*HT800020R	TRANSISTOR		OTR9014CS
QM411		*HT100660R	*HT100660R	TRANSISTOR		OTR2SA1964E
QM412		HT351981A0	HT351981A0	TRANSISTOR		OTR2SC5198O
QM413		HT119411A0	HT119411A0	TRANSISTOR		OTR2SA1941O
QM414		HT322402A0	HT322402A0	TRANSISTOR		OTR2SC2240
QM501		*HT100670R	*HT100670R	TRANSISTOR		OTR2SC2389RS
QM502		*HT100670R	*HT100670R	TRANSISTOR		OTR2SC2389RS
QM503		*HT100670R	*HT100670R	TRANSISTOR		OTR2SC2389RS
QM504		*HT100670R	*HT100670R	TRANSISTOR		OTR2SC2389RS
QM505		*HT100650R	*HT100650R	TRANSISTOR		OTR2SA1038RS
QM506		*HT100650R	*HT100650R	TRANSISTOR		OTR2SA1038RS
QM507		*HT100650R	*HT100650R	TRANSISTOR		OTR2SA1038RS
QM508		*HT100670R	*HT100670R	TRANSISTOR		OTR2SC2389RS
QM509		*HX300080R	*HX300080R	TRANSISTOR		OTR2SC5248E
QM510		*HT800020R	*HT800020R	TRANSISTOR		OTR9014CS
QM511		*HT100660R	*HT100660R	TRANSISTOR		OTR2SA1964E
QM512		HT351981A0	HT351981A0	TRANSISTOR		OTR2SC5198O
QM513		HT119411A0	HT119411A0	TRANSISTOR		OTR2SA1941O
QM514		HT322402A0	HT322402A0	TRANSISTOR		OTR2SC2240
QM601		*HT100670R	*HT100670R	TRANSISTOR		OTR2SC2389RS
QM602		*HT100670R	*HT100670R	TRANSISTOR		OTR2SC2389RS
QM603		*HT100670R	*HT100670R	TRANSISTOR		OTR2SC2389RS
QM604		*HT100670R	*HT100670R	TRANSISTOR		OTR2SC2389RS
QM605		*HT100650R	*HT100650R	TRANSISTOR		OTR2SA1038RS
QM606		*HT100650R	*HT100650R	TRANSISTOR		OTR2SA1038RS
QM607		*HT100650R	*HT100650R	TRANSISTOR		OTR2SA1038RS
QM608		*HT100670R	*HT100670R	TRANSISTOR		OTR2SC2389RS
QM609		*HX300080R	*HX300080R	TRANSISTOR		OTR2SC5248E
QM610		*HT800020R	*HT800020R	TRANSISTOR		OTR9014CS
QM611		*HT100660R	*HT100660R	TRANSISTOR		OTR2SA1964E
QM612		HT351981A0	HT351981A0	TRANSISTOR		OTR2SC5198O
QM613		HT119411A0	HT119411A0	TRANSISTOR		OTR2SA1941O
QM614		HT322402A0	HT322402A0	TRANSISTOR		OTR2SC2240
QM615		HT109701A0	HT109701A0	TRANSISTOR		OTR2SA970GR
RGND1		nsp	nsp	RES.	10Ω, 1/6W	ERD16TJ100T
RGND2		nsp	nsp	RES.	10Ω, 1/6W	ERD16TJ100T
RGND3		nsp	nsp	RES.	10Ω, 1/6W	ERD16TJ100T
RGND4		nsp	nsp	RES.	10Ω, 1/6W	ERD16TJ100T
RGND5		nsp	nsp	RES.	10Ω, 1/6W	ERD16TJ100T
RGND6		nsp	nsp	RES.	10Ω, 1/6W	ERD16TJ100T
RM101		nsp	nsp	RES.	2.2kΩ, 1/6W	ERD16TJ222T
RM102		nsp	nsp	RES.	4.7kΩ, 1/6W	ERD16TJ472T
RM103		nsp	nsp	RES.	100Ω, 1/6W	ERD16TJ101T
RM104		nsp	nsp	RES.	62kΩ, 1/6W	ERD16TJ623T
RM105		nsp	nsp	RES.	4.7kΩ, 1/6W	ERD16TJ472T
RM106		*RA001050R	*RA001050R	TRIMMING RES.		EVN2BF000B201
RM107		nsp	nsp	RES.	560Ω, 1/6W	ERD16TJ561T
RM108		nsp	nsp	METAL FILM RES.	2.2kΩ, 1%, 1/6W	ERX16BF222V
RM109		nsp	nsp	RES.	10kΩ, 1/6W	ERD16TJ103T
RM110		nsp	nsp	RES.	10kΩ, 1/6W	ERD16TJ103T

NOTE : "nsp" PART IS LISTED FOR REFERENCE ONLY, MARANTZ WILL NOT SUPPLY THESE PARTS.

POS. NO	VERS. COLOR	PART NO. (FOR EUR)	PART NO. (MJ)	DESCRIPTION		
RM111		nsp	nsp	RES.	270Ω, 1/6W	ERD16TJ271T
RM112		nsp	nsp	RES.	2.2kΩ, 1/6W	ERD16TJ222T
RM113		nsp	nsp	RES.	820Ω, 1/6W	ERD16TJ821T
RM114		*RA001060R	*RA001060R	TRIMMING RES.		EVN2BF000B221
RM115		nsp	nsp	RES.	150Ω, 1/6W	ERD16TJ151T
RM116		nsp	nsp	RES.	150Ω, 1/6W	ERD16TJ151T
RM117		nsp	nsp	METAL FILM RES.	180Ω, 1W	ERYC01J181B
RM118		nsp	nsp	RES.	0.25Ω, 5W	ERBGR25J05
RM119		nsp	nsp	RES.	0.25Ω, 5W	ERBGR25J05
RM120		nsp	nsp	METAL FILM RES.	62kΩ, 1%, 1/6W	ERX16BF623V
RM121		nsp	nsp	RES.	1kΩ, 1/6W	ERD16TJ102T
RM122		nsp	nsp	RES.	10Ω, 1/6W	ERD16TJ100T
RM123		nsp	nsp	RES.	1kΩ, 1/6W	ERD16TJ102T
RM124		nsp	nsp	RES.	22kΩ, 1/6W	ERD16TJ223T
RM125		nsp	nsp	RES.	390Ω, 1/6W	ERD16TJ391T
RM126		nsp	nsp	METAL FILM RES.	8.2Ω, 3W	ERYC03J8R2B
RM127		nsp	nsp	RES.	22kΩ, 1/6W	ERD16TJ223T
RM128		nsp	nsp	RES.	22kΩ, 1/6W	ERD16TJ223T
RM129		nsp	nsp	METAL FILM RES.	22Ω, 1/2W	ERYC12J220V
RM130		nsp	nsp	METAL FILM RES.	22Ω, 1/2W	ERYC12J220V
RM131		nsp	nsp	RES.	10Ω, 1/6W	ERD16TJ100T
RM132		nsp	nsp	RES.	10Ω, 1/6W	ERD16TJ100T
RM133		nsp	nsp	RES.	10Ω, 1/6W	ERD16TJ100T
RM134		nsp	nsp	RES.	10Ω, 1/6W	ERD16TJ100T
RM201		nsp	nsp	RES.	2.2kΩ, 1/6W	ERD16TJ222T
RM202		nsp	nsp	RES.	4.7kΩ, 1/6W	ERD16TJ472T
RM203		nsp	nsp	RES.	100Ω, 1/6W	ERD16TJ101T
RM204		nsp	nsp	RES.	62kΩ, 1/6W	ERD16TJ623T
RM205		nsp	nsp	RES.	4.7kΩ, 1/6W	ERD16TJ472T
RM206		*RA001050R	*RA001050R	TRIMMING RES.		EVN2BF000B201
RM207		nsp	nsp	RES.	560Ω, 1/6W	ERD16TJ561T
RM208		nsp	nsp	METAL FILM RES.	2.2kΩ, 1%, 1/6W	ERX16BF222V
RM209		nsp	nsp	RES.	10kΩ, 1/6W	ERD16TJ103T
RM210		nsp	nsp	RES.	10kΩ, 1/6W	ERD16TJ103T
RM211		nsp	nsp	RES.	270Ω, 1/6W	ERD16TJ271T
RM212		nsp	nsp	RES.	2.2kΩ, 1/6W	ERD16TJ222T
RM213		nsp	nsp	RES.	820Ω, 1/6W	ERD16TJ821T
RM214		*RA001060R	*RA001060R	TRIMMING RES.		EVN2BF000B221
RM215		nsp	nsp	RES.	150Ω, 1/6W	ERD16TJ151T
RM216		nsp	nsp	RES.	150Ω, 1/6W	ERD16TJ151T
RM217		nsp	nsp	METAL FILM RES.	180Ω, 1W	ERYC01J181B
RM218		nsp	nsp	RES.	0.25Ω, 5W	ERBGR25J05
RM219		nsp	nsp	RES.	0.25Ω, 5W	ERBGR25J05
RM220		nsp	nsp	METAL FILM RES.	62kΩ, 1%, 1/6W	ERX16BF623V
RM221		nsp	nsp	RES.	1kΩ, 1/6W	ERD16TJ102T
RM222		nsp	nsp	RES.	10Ω, 1/6W	ERD16TJ100T
RM223		nsp	nsp	RES.	1kΩ, 1/6W	ERD16TJ102T
RM224		nsp	nsp	RES.	22kΩ, 1/6W	ERD16TJ223T
RM225		nsp	nsp	RES.	390Ω, 1/6W	ERD16TJ391T
RM226		nsp	nsp	METAL FILM RES.	8.2Ω, 3W	ERYC03J8R2B
RM227		nsp	nsp	RES.	22kΩ, 1/6W	ERD16TJ223T
RM228		nsp	nsp	RES.	22kΩ, 1/6W	ERD16TJ223T
RM229		nsp	nsp	METAL FILM RES.	22Ω, 1/2W	ERYC12J220V
RM230		nsp	nsp	METAL FILM RES.	22Ω, 1/2W	ERYC12J220V
RM231		nsp	nsp	RES.	10Ω, 1/6W	ERD16TJ100T
RM232		nsp	nsp	RES.	10Ω, 1/6W	ERD16TJ100T
RM233		nsp	nsp	RES.	10Ω, 1/6W	ERD16TJ100T
RM234		nsp	nsp	RES.	10Ω, 1/6W	ERD16TJ100T
RM301		nsp	nsp	RES.	2.2kΩ, 1/6W	ERD16TJ222T

NOTE : *nsp* PART IS LISTED FOR REFERENCE ONLY, MARANTZ WILL NOT SUPPLY THESE PARTS.

POS. NO	VERS. COLOR	PART NO. (FOR EUR)	PART NO. (MJI)	DESCRIPTION		
RM302		nsp	nsp	RES.	4.7kΩ, 1/6W	ERD16TJ472T
RM303		nsp	nsp	RES.	100Ω, 1/6W	ERD16TJ101T
RM304		nsp	nsp	RES.	62kΩ, 1/6W	ERD16TJ623T
RM305		nsp	nsp	RES.	4.7kΩ, 1/6W	ERD16TJ472T
RM306		*RA001050R	*RA001050R	TRIMMING RES.		EVN2BF000B201
RM307		nsp	nsp	RES.	560Ω, 1/6W	ERD16TJ561T
RM308		nsp	nsp	METAL FILM RES.	2.2kΩ, 1%, 1/6W	ERX16BF222V
RM309		nsp	nsp	RES.	10kΩ, 1/6W	ERD16TJ103T
RM310		nsp	nsp	RES.	10kΩ, 1/6W	ERD16TJ103T
RM311		nsp	nsp	RES.	270Ω, 1/6W	ERD16TJ271T
RM312		nsp	nsp	RES.	2.2kΩ, 1/6W	ERD16TJ222T
RM313		nsp	nsp	RES.	820Ω, 1/6W	ERD16TJ821T
RM314		*RA001060R	*RA001060R	TRIMMING RES.		EVN2BF000B221
RM315		nsp	nsp	RES.	150Ω, 1/6W	ERD16TJ151T
RM316		nsp	nsp	RES.	150Ω, 1/6W	ERD16TJ151T
RM317		nsp	nsp	METAL FILM RES.	180Ω, 1W	ERYC01J181B
RM318		nsp	nsp	RES.	0.25Ω, 5W	ERBGR25J05
RM319		nsp	nsp	RES.	0.25Ω, 5W	ERBGR25J05
RM320		nsp	nsp	METAL FILM RES.	62kΩ, 1%, 1/6W	ERX16BF623V
RM321		nsp	nsp	RES.	1kΩ, 1/6W	ERD16TJ102T
RM322		nsp	nsp	RES.	10Ω, 1/6W	ERD16TJ100T
RM323		nsp	nsp	RES.	1kΩ, 1/6W	ERD16TJ102T
RM324		nsp	nsp	RES.	22kΩ, 1/6W	ERD16TJ223T
RM325		nsp	nsp	RES.	390Ω, 1/6W	ERD16TJ391T
RM326		nsp	nsp	METAL FILM RES.	8.2Ω, 3W	ERYC03J8R2B
RM327		nsp	nsp	RES.	22kΩ, 1/6W	ERD16TJ223T
RM328		nsp	nsp	RES.	22kΩ, 1/6W	ERD16TJ223T
RM329		nsp	nsp	RES.	56kΩ, 1/6W	ERD16TJ563T
RM330		nsp	nsp	RES.	22kΩ, 1/6W	ERD16TJ223T
RM333		nsp	nsp	METAL FILM RES.	22Ω, 1/2W	ERYC12J220V
RM334		nsp	nsp	METAL FILM RES.	22Ω, 1/2W	ERYC12J220V
RM335		nsp	nsp	RES.	10Ω, 1/6W	ERD16TJ100T
RM336		nsp	nsp	RES.	10Ω, 1/6W	ERD16TJ100T
RM337		nsp	nsp	RES.	10Ω, 1/6W	ERD16TJ100T
RM338		nsp	nsp	RES.	10Ω, 1/6W	ERD16TJ100T
RM401		nsp	nsp	RES.	2.2kΩ, 1/6W	ERD16TJ222T
RM402		nsp	nsp	RES.	4.7kΩ, 1/6W	ERD16TJ472T
RM403		nsp	nsp	RES.	100Ω, 1/6W	ERD16TJ101T
RM404		nsp	nsp	RES.	62kΩ, 1/6W	ERD16TJ623T
RM405		nsp	nsp	RES.	4.7kΩ, 1/6W	ERD16TJ472T
RM406		*RA001050R	*RA001050R	TRIMMING RES.		EVN2BF000B201
RM407		nsp	nsp	RES.	560Ω, 1/6W	ERD16TJ561T
RM408		nsp	nsp	METAL FILM RES.	2.2kΩ, 1%, 1/6W	ERX16BF222V
RM409		nsp	nsp	RES.	10kΩ, 1/6W	ERD16TJ103T
RM410		nsp	nsp	RES.	10kΩ, 1/6W	ERD16TJ103T
RM411		nsp	nsp	RES.	270Ω, 1/6W	ERD16TJ271T
RM412		nsp	nsp	RES.	2.2kΩ, 1/6W	ERD16TJ222T
RM413		nsp	nsp	RES.	820Ω, 1/6W	ERD16TJ821T
RM414		*RA001060R	*RA001060R	TRIMMING RES.		EVN2BF000B221
RM415		nsp	nsp	RES.	150Ω, 1/6W	ERD16TJ151T
RM416		nsp	nsp	RES.	150Ω, 1/6W	ERD16TJ151T
RM417		nsp	nsp	METAL FILM RES.	180Ω, 1W	ERYC01J181B
RM418		nsp	nsp	RES.	0.25Ω, 5W	ERBGR25J05
RM419		nsp	nsp	RES.	0.25Ω, 5W	ERBGR25J05
RM420		nsp	nsp	METAL FILM RES.	62kΩ, 1%, 1/6W	ERX16BF623V
RM421		nsp	nsp	RES.	1kΩ, 1/6W	ERD16TJ102T
RM422		nsp	nsp	RES.	10Ω, 1/6W	ERD16TJ100T
RM423		nsp	nsp	RES.	1kΩ, 1/6W	ERD16TJ102T
RM424		nsp	nsp	RES.	22kΩ, 1/6W	ERD16TJ223T

NOTE : *nsp* PART IS LISTED FOR REFERENCE ONLY, MARANTZ WILL NOT SUPPLY THESE PARTS.

POS. NO	VERS. COLOR	PART NO. (FOR EUR)	PART NO. (MJ)	DESCRIPTION
RM425		nsp	nsp	RES. 390Ω, 1/6W ERD16TJ391T
RM426		nsp	nsp	METAL FILM RES. 8.2Ω, 3W ERYC03J8R2B
RM427		nsp	nsp	RES. 22kΩ, 1/6W ERD16TJ223T
RM428		nsp	nsp	RES. 22kΩ, 1/6W ERD16TJ223T
RM431		nsp	nsp	METAL FILM RES. 22Ω, 1/2W ERYC12J220V
RM432		nsp	nsp	METAL FILM RES. 22Ω, 1/2W ERYC12J220V
RM433		nsp	nsp	RES. 10Ω, 1/6W ERD16TJ100T
RM434		nsp	nsp	RES. 10Ω, 1/6W ERD16TJ100T
RM435		nsp	nsp	RES. 10Ω, 1/6W ERD16TJ100T
RM436		nsp	nsp	RES. 10Ω, 1/6W ERD16TJ100T
RM501		nsp	nsp	RES. 2.2kΩ, 1/6W ERD16TJ222T
RM502		nsp	nsp	RES. 4.7kΩ, 1/6W ERD16TJ472T
RM503		nsp	nsp	RES. 100Ω, 1/6W ERD16TJ101T
RM504		nsp	nsp	RES. 62kΩ, 1/6W ERD16TJ623T
RM505		nsp	nsp	RES. 4.7kΩ, 1/6W ERD16TJ472T
RM506		*RA001050R	*RA001050R	TRIMMING RES. EVN2BF000B201
RM507		nsp	nsp	RES. 560Ω, 1/6W ERD16TJ561T
RM508		nsp	nsp	METAL FILM RES. 2.2kΩ, 1%, 1/6W ERX16BF222V
RM509		nsp	nsp	RES. 10kΩ, 1/6W ERD16TJ103T
RM510		nsp	nsp	RES. 10kΩ, 1/6W ERD16TJ103T
RM511		nsp	nsp	RES. 270Ω, 1/6W ERD16TJ271T
RM512		nsp	nsp	RES. 2.2kΩ, 1/6W ERD16TJ222T
RM513		nsp	nsp	RES. 820Ω, 1/6W ERD16TJ821T
RM514		*RA001060R	*RA001060R	TRIMMING RES. EVN2BF000B221
RM515		nsp	nsp	RES. 150Ω, 1/6W ERD16TJ151T
RM516		nsp	nsp	RES. 150Ω, 1/6W ERD16TJ151T
RM517		nsp	nsp	METAL FILM RES. 180Ω, 1W ERYC01J181B
RM518		nsp	nsp	RES. 0.25Ω, 5W ERBGR25J05
RM519		nsp	nsp	RES. 0.25Ω, 5W ERBGR25J05
RM520		nsp	nsp	METAL FILM RES. 62kΩ, 1%, 1/6W ERX16BF623V
RM521		nsp	nsp	RES. 1kΩ, 1/6W ERD16TJ102T
RM522		nsp	nsp	RES. 10Ω, 1/6W ERD16TJ100T
RM523		nsp	nsp	RES. 1kΩ, 1/6W ERD16TJ102T
RM524		nsp	nsp	RES. 22kΩ, 1/6W ERD16TJ223T
RM525		nsp	nsp	RES. 390Ω, 1/6W ERD16TJ391T
RM526		nsp	nsp	METAL FILM RES. 8.2Ω, 3W ERYC03J8R2B
RM527		nsp	nsp	RES. 22kΩ, 1/6W ERD16TJ223T
RM528		nsp	nsp	RES. 22kΩ, 1/6W ERD16TJ223T
RM531		nsp	nsp	METAL FILM RES. 22Ω, 1/2W ERYC12J220V
RM532		nsp	nsp	METAL FILM RES. 22Ω, 1/2W ERYC12J220V
RM533		nsp	nsp	RES. 10Ω, 1/6W ERD16TJ100T
RM534		nsp	nsp	RES. 10Ω, 1/6W ERD16TJ100T
RM535		nsp	nsp	RES. 10Ω, 1/6W ERD16TJ100T
RM536		nsp	nsp	RES. 10Ω, 1/6W ERD16TJ100T
RM601		nsp	nsp	RES. 2.2kΩ, 1/6W ERD16TJ222T
RM602		nsp	nsp	RES. 4.7kΩ, 1/6W ERD16TJ472T
RM603		nsp	nsp	RES. 100Ω, 1/6W ERD16TJ101T
RM604		nsp	nsp	RES. 62kΩ, 1/6W ERD16TJ623T
RM605		nsp	nsp	RES. 4.7kΩ, 1/6W ERD16TJ472T
RM606		*RA001050R	*RA001050R	TRIMMING RES. EVN2BF000B201
RM607		nsp	nsp	RES. 560Ω, 1/6W ERD16TJ561T
RM608		nsp	nsp	METAL FILM RES. 2.2kΩ, 1%, 1/6W ERX16BF222V
RM609		nsp	nsp	RES. 10kΩ, 1/6W ERD16TJ103T
RM610		nsp	nsp	RES. 10kΩ, 1/6W ERD16TJ103T
RM611		nsp	nsp	RES. 270Ω, 1/6W ERD16TJ271T
RM612		nsp	nsp	RES. 2.2kΩ, 1/6W ERD16TJ222T
RM613		nsp	nsp	RES. 820Ω, 1/6W ERD16TJ821T
RM614		*RA001060R	*RA001060R	TRIMMING RES. EVN2BF000B221
RM615		nsp	nsp	RES. 150Ω, 1/6W ERD16TJ151T

NOTE : *nsp* PART IS LISTED FOR REFERENCE ONLY, MARANTZ WILL NOT SUPPLY THESE PARTS.

POS. NO	VERS. COLOR	PART NO. (FOR EUR)	PART NO. (MJ)	DESCRIPTION		
RM616		nsp	nsp	METAL FILM RES.	180Ω, 1W	ERYC01J181B
RM618		nsp	nsp	RES.	0.25Ω, 5W	ERBGR25J05
RM619		nsp	nsp	RES.	0.25Ω, 5W	ERBGR25J05
RM620		nsp	nsp	METAL FILM RES.	62kΩ, 1%, 1/6W	ERX16BF623V
RM621		nsp	nsp	RES.	1kΩ, 1/6W	ERD16TJ102T
RM622		nsp	nsp	RES.	10Ω, 1/6W	ERD16TJ100T
RM623		nsp	nsp	RES.	1kΩ, 1/6W	ERD16TJ102T
RM624		nsp	nsp	RES.	22kΩ, 1/6W	ERD16TJ223T
RM625		nsp	nsp	RES.	390Ω, 1/6W	ERD16TJ391T
RM626		nsp	nsp	METAL FILM RES.	8.2Ω, 3W	ERYC03J8R2B
RM627		nsp	nsp	RES.	22kΩ, 1/6W	ERD16TJ223T
RM628		nsp	nsp	RES.	22kΩ, 1/6W	ERD16TJ223T
RM629		nsp	nsp	RES.	56kΩ, 1/6W	ERD16TJ563T
RM630		nsp	nsp	RES.	22kΩ, 1/6W	ERD16TJ223T
RM632		nsp	nsp	RES.	150Ω, 1/6W	ERD16TJ151T
RM633		nsp	nsp	METAL FILM RES.	22Ω, 1/2W	ERYC12J220V
RM634		nsp	nsp	METAL FILM RES.	22Ω, 1/2W	ERYC12J220V
RM635		nsp	nsp	RES.	10Ω, 1/6W	ERD16TJ100T
RM636		nsp	nsp	RES.	10Ω, 1/6W	ERD16TJ100T
RM638		nsp	nsp	RES.	10Ω, 1/6W	ERD16TJ100T
RM639		nsp	nsp	RES.	10Ω, 1/6W	ERD16TJ100T
RM701		nsp	nsp	RES.	56kΩ, 1/6W	ERD16TJ563T
RM702		nsp	nsp	RES.	56kΩ, 1/6W	ERD16TJ563T
RM703		nsp	nsp	RES.	56kΩ, 1/6W	ERD16TJ563T
RM704		nsp	nsp	RES.	56kΩ, 1/6W	ERD16TJ563T
RM705		nsp	nsp	RES.	56kΩ, 1/6W	ERD16TJ563T
RM706		nsp	nsp	RES.	56kΩ, 1/6W	ERD16TJ563T
				DIGITAL/AUDIO PCB		
CS01		nsp	OA10701020	ELECT. CAP	100μF, 6.3V	ECEA0JAE101MB
CS02		nsp	DK96104300	CHIP CAP.	50V, 0.1μF	ECUV1H104ZFV
CS03		nsp	DK96104300	CHIP CAP.	50V, 0.1μF	ECUV1H104ZFV
CS04		nsp	OA10701020	ELECT. CAP	100μF, 6.3V	ECEA0JAE101MB
CS05		nsp	DK96104300	CHIP CAP.	50V, 0.1μF	ECUV1H104ZFV
CS06		nsp	DK96104300	CHIP CAP.	50V, 0.1μF	ECUV1H104ZFV
CS100		nsp	DK96104300	CHIP CAP.	50V, 0.1μF	ECUV1H104ZFV
CS103		nsp	DD95101300	CHIP CAP.	50V, 100pF	ECUV1H101JCV
CS104		nsp	DD95101300	CHIP CAP.	50V, 100pF	ECUV1H101JCV
CS105		nsp	DD95101300	CHIP CAP.	50V, 100pF	ECUV1H101JCV
CS106		nsp	DD95101300	CHIP CAP.	50V, 100pF	ECUV1H101JCV
CS107		nsp	DD95101300	CHIP CAP.	50V, 100pF	ECUV1H101JCV
CS108		nsp	DD95101300	CHIP CAP.	50V, 100pF	ECUV1H101JCV
CS109/K/N/U		nsp	DD95220300	CHIP CAP.	50V, 22pF	ECUV1H220JCV
CS109/A		nsp	DK96472300	CHIP CAP.	50V, 4700pF	ECUV1H472KBV
CS110/K/N/U		nsp	DD95220300	CHIP CAP.	50V, 22pF	ECUV1H220JCV
CS110/A		nsp	DK96472300	CHIP CAP.	50V, 4700pF	ECUV1H472KBV
CS111		nsp	DD95101300	CHIP CAP.	50V, 100pF	ECUV1H101JCV
CS112		nsp	DD95101300	CHIP CAP.	50V, 100pF	ECUV1H101JCV
CS113/K/N/U		nsp	DD95220300	CHIP CAP.	50V, 22pF	ECUV1H220JCV
CS113/A		nsp	DK96472300	CHIP CAP.	50V, 4700pF	ECUV1H472KBV
CS114/K/N/U		nsp	DD95220300	CHIP CAP.	50V, 22pF	ECUV1H220JCV
CS114/A		nsp	DK96472300	CHIP CAP.	50V, 4700pF	ECUV1H472KBV
CS115		nsp	DD95101300	CHIP CAP.	50V, 100pF	ECUV1H101JCV
CS116		nsp	DD95101300	CHIP CAP.	50V, 100pF	ECUV1H101JCV
CS125						
		nsp	OA47505020	ELECT. CAP	50V, 4.7μF	ECEA1HAE4R7MB
CS140						
CS143		*OF100310R	*OF100310R	FILM. CAP	63V, 0.10μF	ECQQ1J104JZ
CS144		*OF100310R	*OF100310R	FILM. CAP	63V, 0.10μF	ECQQ1J104JZ

NOTE : *nsp* PART IS LISTED FOR REFERENCE ONLY, MARANTZ WILL NOT SUPPLY THESE PARTS.

POS. NO	VERS. COLOR	PART NO. (FOR EUR)	PART NO. (MJ)	DESCRIPTION		
CS145		*OF100320R	*OF100320R	FILM. CAP	63V, 0.0027µF	ECQQ1J272JZ
CS146		nsp	OA22505020	ELECT. CAP	50V, 2.2µF	ECEA1HAE2R2MB
CS147		*OF100310R	*OF100310R	FILM. CAP	63V, 0.10µF	ECQQ1J104JZ
CS148		*OF100310R	*OF100310R	FILM. CAP	63V, 0.10µF	ECQQ1J104JZ
CS149		nsp	OA22505020	ELECT. CAP	50V, 2.2µF	ECEA1HAE2R2MB
CS150		*OF100310R	*OF100310R	FILM. CAP	63V, 0.10µF	ECQQ1J104JZ
CS151		*OF100320R	*OF100320R	FILM. CAP	63V, 0.0027µF	ECQQ1J272JZ
CS160		nsp	DK96102300	CHIP CAP.	50V, 1000pF	ECUV1H102KBV
CS161		nsp	DK96104300	CHIP CAP.	50V, 0.1µF	ECUV1H104ZFV
CS162		nsp	DK96102300	CHIP CAP.	50V, 1000pF	ECUV1H102KBV
CS163		nsp	DK96104300	CHIP CAP.	50V, 0.1µF	ECUV1H104ZFV
CS174		nsp	DK96104300	CHIP CAP.	50V, 0.1µF	ECUV1H104ZFV
CS175		nsp	DK96104300	CHIP CAP.	50V, 0.1µF	ECUV1H104ZFV
CS176		nsp	DK96104300	CHIP CAP.	50V, 0.1µF	ECUV1H104ZFV
CS180		nsp	DK96104300	CHIP CAP.	50V, 0.1µF	ECUV1H104ZFV
CS201		nsp	DD95101300	CHIP CAP.	50V, 100pF	ECUV1H101JCV
CS202		nsp	OA22605020	ELECT. CAP	22µF, 50V	ECEA1HAE220MB
CS203		nsp	OA47605020	ELECT. CAP	47µF, 50V	ECEA1HQE470MB
CS204		nsp	DK96104300	CHIP CAP.	50V, 0.1µF	ECUV1H104ZFV
CS205		nsp	OA47605020	ELECT. CAP	47µF, 50V	ECEA1HQE470MB
CS206		nsp	DK96471300	CHIP CAP.	50V, 470pF	ECUV1H471JCV
CS207		nsp	OA47605020	ELECT. CAP	47µF, 50V	ECEA1HQE470MB
CS208		nsp	DK96104300	CHIP CAP.	50V, 0.1µF	ECUV1H104ZFV
CS209		nsp	DK96471300	CHIP CAP.	50V, 470pF	ECUV1H471JCV
CS210		nsp	OA22605020	ELECT. CAP	22µF, 50V	ECEA1HAE220MB
CS211		nsp	OA47605020	ELECT. CAP	47µF, 50V	ECEA1HQE470MB
CS212		nsp	DD95101300	CHIP CAP.	50V, 100pF	ECUV1H101JCV
CS213		nsp	DD95101300	CHIP CAP.	50V, 100pF	ECUV1H101JCV
CS214		nsp	OA22605020	ELECT. CAP	22µF, 50V	ECEA1HAE220MB
CS215		nsp	OA47605020	ELECT. CAP	47µF, 50V	ECEA1HQE470MB
CS216		nsp	DK96104300	CHIP CAP.	50V, 0.1µF	ECUV1H104ZFV
CS217		nsp	DK96471300	CHIP CAP.	50V, 470pF	ECUV1H471JCV
CS218		nsp	OA47605020	ELECT. CAP	47µF, 50V	ECEA1HQE470MB
CS219		nsp	OA47605020	ELECT. CAP	47µF, 50V	ECEA1HQE470MB
CS220		nsp	DK96104300	CHIP CAP.	50V, 0.1µF	ECUV1H104ZFV
CS221		nsp	DK96471300	CHIP CAP.	50V, 470pF	ECUV1H471JCV
CS222		nsp	OA22605020	ELECT. CAP	22µF, 50V	ECEA1HAE220MB
CS223		nsp	OA47605020	ELECT. CAP	47µF, 50V	ECEA1HQE470MB
CS224		nsp	DD95101300	CHIP CAP.	50V, 100pF	ECUV1H101JCV
CS301		nsp	DD95101300	CHIP CAP.	50V, 100pF	ECUV1H101JCV
CS302		nsp	OA22605020	ELECT. CAP	22µF, 50V	ECEA1HAE220MB
CS303		nsp	OA47605020	ELECT. CAP	47µF, 50V	ECEA1HQE470MB
CS304		nsp	DK96104300	CHIP CAP.	50V, 0.1µF	ECUV1H104ZFV
CS305		nsp	DK96471300	CHIP CAP.	50V, 470pF	ECUV1H471JCV
CS306		nsp	OA47605020	ELECT. CAP	47µF, 50V	ECEA1HQE470MB
CS307		nsp	OA47605020	ELECT. CAP	47µF, 50V	ECEA1HQE470MB
CS308		nsp	DK96104300	CHIP CAP.	50V, 0.1µF	ECUV1H104ZFV
CS309		nsp	DK96471300	CHIP CAP.	50V, 470pF	ECUV1H471JCV
CS310		nsp	OA22605020	ELECT. CAP	22µF, 50V	ECEA1HAE220MB
CS311		nsp	OA47605020	ELECT. CAP	47µF, 50V	ECEA1HQE470MB
CS312		nsp	DD95101300	CHIP CAP.	50V, 100pF	ECUV1H101JCV
CS316		nsp	DK96104300	CHIP CAP.	50V, 0.1µF	ECUV1H104ZFV
CS319		nsp	OA47605020	ELECT. CAP	47µF, 50V	ECEA1HQE470MB
CS320		nsp	DK96104300	CHIP CAP.	50V, 0.1µF	ECUV1H104ZFV
CS321		nsp	DK96471300	CHIP CAP.	50V, 470pF	ECUV1H471JCV
CS322		nsp	OA22605020	ELECT. CAP	22µF, 50V	ECEA1HAE220MB
CS323		nsp	OA47605020	ELECT. CAP	47µF, 50V	ECEA1HQE470MB
CS324		nsp	DD95101300	CHIP CAP.	50V, 100pF	ECUV1H101JCV
CS350		nsp	OA10605020	ELECT. CAP	50V, 10µF	ECEA1HAE100MB

NOTE : *nsp* PART IS LISTED FOR REFERENCE ONLY, MARANTZ WILL NOT SUPPLY THESE PARTS.

POS. NO	VERS. COLOR	PART NO. (FOR EUR)	PART NO. (MJI)	DESCRIPTION		
CS351		nsp	OA10605020	ELECT. CAP	50V, 10µF	ECEA1HAE100MB
CS353		nsp	OA10605020	ELECT. CAP	50V, 10µF	ECEA1HAE100MB
CS354		nsp	OA10605020	ELECT. CAP	50V, 10µF	ECEA1HAE100MB
CS355		nsp	OA10605020	ELECT. CAP	50V, 10µF	ECEA1HAE100MB
CS356		nsp	OA10605020	ELECT. CAP	50V, 10µF	ECEA1HAE100MB
CS401		nsp	OA47605020	ELECT. CAP	47µF, 50V	ECEA1HQE470MB
CS402		nsp	DK96104300	CHIP CAP.	50V, 0.1µF	ECUV1H104ZFV
CS403		nsp	OA47605020	ELECT. CAP	47µF, 50V	ECEA1HQE470MB
CS404		nsp	DK96104300	CHIP CAP.	50V, 0.1µF	ECUV1H104ZFV
CS405		nsp	OA10701020	ELECT. CAP	100µF, 6.3V	ECEA0JAE101MB
CS406		nsp	DK96104300	CHIP CAP.	50V, 0.1µF	ECUV1H104ZFV
CS407		nsp	OA10701020	ELECT. CAP	100µF, 6.3V	ECEA0JAE101MB
CS408		nsp	DK96104300	CHIP CAP.	50V, 0.1µF	ECUV1H104ZFV
CS409		nsp	OA10701020	ELECT. CAP	100µF, 6.3V	ECEA0JAE101MB
CS410		nsp	DK96104300	CHIP CAP.	50V, 0.1µF	ECUV1H104ZFV
CS411		nsp	OA10701020	ELECT. CAP	100µF, 6.3V	ECEA0JAE101MB
CS412		nsp	DK96104300	CHIP CAP.	50V, 0.1µF	ECUV1H104ZFV
CS413		nsp	DK96104300	CHIP CAP.	50V, 0.1µF	ECUV1H104ZFV
CS414		nsp	DK96104300	CHIP CAP.	50V, 0.1µF	ECUV1H104ZFV
CS415		nsp	DK96104300	CHIP CAP.	50V, 0.1µF	ECUV1H104ZFV
CS416		nsp	DK96104300	CHIP CAP.	50V, 0.1µF	ECUV1H104ZFV
CS417		nsp	OA10701020	ELECT. CAP	100µF, 6.3V	ECEA0JAE101MB
CS418		nsp	OA22505020	ELECT. CAP	50V, 2.2µF	ECEA1HAE2R2MB
CS419		nsp	DK96104300	CHIP CAP.	50V, 0.1µF	ECUV1H104ZFV
CS420		nsp	DK96104300	CHIP CAP.	50V, 0.1µF	ECUV1H104ZFV
CS421		nsp	OA47505020	ELECT. CAP	50V, 4.7µF	ECEA1HAE4R7MB
CS422		nsp	OA47505020	ELECT. CAP	50V, 4.7µF	ECEA1HAE4R7MB
CS423		nsp	OA47505020	ELECT. CAP	50V, 4.7µF	ECEA1HAE4R7MB
CS424		nsp	OA47505020	ELECT. CAP	50V, 4.7µF	ECEA1HAE4R7MB
CS425		nsp	OA47505020	ELECT. CAP	50V, 4.7µF	ECEA1HAE4R7MB
CS426		nsp	OA47505020	ELECT. CAP	50V, 4.7µF	ECEA1HAE4R7MB
CS427		nsp	OA47505020	ELECT. CAP	50V, 4.7µF	ECEA1HAE4R7MB
CS428		nsp	OA47505020	ELECT. CAP	50V, 4.7µF	ECEA1HAE4R7MB
CS430		nsp	OA47505020	ELECT. CAP	50V, 4.7µF	ECEA1HAE4R7MB
CS431		nsp	DK96104300	CHIP CAP.	50V, 0.1µF	ECUV1H104ZFV
CS432		nsp	OA10701020	ELECT. CAP	100µF, 6.3V	ECEA0JAE101MB
CS433		nsp	DK96104300	CHIP CAP.	50V, 0.1µF	ECUV1H104ZFV
CS434		nsp	OA10701020	ELECT. CAP	100µF, 6.3V	ECEA0JAE101MB
CS503		nsp	DK96104300	CHIP CAP.	50V, 0.1µF	ECUV1H104ZFV
CS504		nsp	DK96331300	CHIP CAP.	50V, 330pF	ECUV1H331JCV
CS505		nsp	OA22605020	ELECT. CAP	22µF, 50V	ECEA1HAE220MB
CS506		nsp	DK96471300	CHIP CAP.	50V, 470pF	ECUV1H471JCV
CS507		nsp	DK96104300	CHIP CAP.	50V, 0.1µF	ECUV1H104ZFV
CS508		nsp	DK96331300	CHIP CAP.	50V, 330pF	ECUV1H331JCV
CS509		nsp	OA22605020	ELECT. CAP	22µF, 50V	ECEA1HAE220MB
CS511		nsp	DK96471300	CHIP CAP.	50V, 470pF	ECUV1H471JCV
CS512		nsp	DK96331300	CHIP CAP.	50V, 330pF	ECUV1H331JCV
CS513		nsp	OA22605020	ELECT. CAP	22µF, 50V	ECEA1HAE220MB
CS514		nsp	DK96471300	CHIP CAP.	50V, 470pF	ECUV1H471JCV
CS515		nsp	DK96104300	CHIP CAP.	50V, 0.1µF	ECUV1H104ZFV
CS516		nsp	DK96104300	CHIP CAP.	50V, 0.1µF	ECUV1H104ZFV
CS517		nsp	DK96331300	CHIP CAP.	50V, 330pF	ECUV1H331JCV
CS519		nsp	OA22605020	ELECT. CAP	22µF, 50V	ECEA1HAE220MB
CS520		nsp	DK96471300	CHIP CAP.	50V, 470pF	ECUV1H471JCV
CS553		nsp	DK96103300	CHIP CAP.	50V, 0.01µF	ECUV1H103ZFV
CS554		nsp	DK96103300	CHIP CAP.	50V, 0.01µF	ECUV1H103ZFV
CS555		nsp	OA10705020	ELECT. CAP	100µF, 50V	ECEA1HCE101MB
CS602		nsp	DK96104300	CHIP CAP.	50V, 0.1µF	ECUV1H104ZFV
CS603		nsp	DK96331300	CHIP CAP.	50V, 330pF	ECUV1H331JCV

NOTE : "nsp" PART IS LISTED FOR REFERENCE ONLY, MARANTZ WILL NOT SUPPLY THESE PARTS.

POS. NO	VERS. COLOR	PART NO. (FOR EUR)	PART NO. (MJI)	DESCRIPTION		
CS604		nsp	OA22605020	ELECT. CAP	22µF, 50V	ECEA1HAE220MB
CS605		nsp	DK96471300	CHIP CAP.	50V, 470pF	ECUV1H471JCV
CS606		nsp	DK96104300	CHIP CAP.	50V, 0.1µF	ECUV1H104ZFV
CS607		nsp	DK96331300	CHIP CAP.	50V, 330pF	ECUV1H331JCV
CS608		nsp	DK96471300	CHIP CAP.	50V, 470pF	ECUV1H471JCV
CS613		nsp	DK96104300	CHIP CAP.	50V, 0.1µF	ECUV1H104ZFV
CS614		nsp	DK96104300	CHIP CAP.	50V, 0.1µF	ECUV1H104ZFV
CS615		nsp	DK96331300	CHIP CAP.	50V, 330pF	ECUV1H331JCV
CS616		nsp	OA22605020	ELECT. CAP	22µF, 50V	ECEA1HAE220MB
CS617		nsp	DK96471300	CHIP CAP.	50V, 470pF	ECUV1H471JCV
CS638		nsp	DK96104300	CHIP CAP.	50V, 0.1µF	ECUV1H104ZFV
CS639		nsp	DK96104300	CHIP CAP.	50V, 0.1µF	ECUV1H104ZFV
CS641	/K/N/U	nsp	DD95220300	CHIP CAP.	50V, 22pF	ECUV1H220JCV
CS641	/A	nsp	DK96472300	CHIP CAP.	50V, 4700pF	ECUV1H472KBV
CS642	/K/N/U	nsp	DD95220300	CHIP CAP.	50V, 22pF	ECUV1H220JCV
CS642	/A	nsp	DK96472300	CHIP CAP.	50V, 4700pF	ECUV1H472KBV
CS643		nsp	DD95101300	CHIP CAP.	50V, 100pF	ECUV1H101JCV
CS644		nsp	DD95101300	CHIP CAP.	50V, 100pF	ECUV1H101JCV
CS645	/K/N/U	nsp	DD95220300	CHIP CAP.	50V, 22pF	ECUV1H220JCV
CS645	/A	nsp	DK96472300	CHIP CAP.	50V, 4700pF	ECUV1H472KBV
CS646	/K/N/U	nsp	DD95220300	CHIP CAP.	50V, 22pF	ECUV1H220JCV
CS646	/A	nsp	DK96472300	CHIP CAP.	50V, 4700pF	ECUV1H472KBV
CS647		nsp	DD95101300	CHIP CAP.	50V, 100pF	ECUV1H101JCV
CS648		nsp	DD95101300	CHIP CAP.	50V, 100pF	ECUV1H101JCV
CS651		nsp	DK96104300	CHIP CAP.	50V, 0.1µF	ECUV1H104ZFV
CS652		nsp	OA47605020	ELECT. CAP	47µF, 50V	ECEA1HQE470MB
CS653		nsp	DK96104300	CHIP CAP.	50V, 0.1µF	ECUV1H104ZFV
CS654		nsp	OA47605020	ELECT. CAP	47µF, 50V	ECEA1HQE470MB
CS655		nsp	DK96104300	CHIP CAP.	50V, 0.1µF	ECUV1H104ZFV
CS656		nsp	DK96104300	CHIP CAP.	50V, 0.1µF	ECUV1H104ZFV
CS701		nsp	OA47601640	ELECT. CAP	16V, 47µF	ECEA1CAE470MB
CS702		nsp	DK96104300	CHIP CAP.	50V, 0.1µF	ECUV1H104ZFV
CS703		nsp	OA47601640	ELECT. CAP	16V, 47µF	ECEA1CAE470MB
CS704		nsp	DK96104300	CHIP CAP.	50V, 0.1µF	ECUV1H104ZFV
CS705		nsp	OA22505020	ELECT. CAP	50V, 2.2µF	ECEA1HAE2R2MB
CS706		nsp	DK96103300	CHIP CAP.	50V, 0.01µF	ECUV1H103ZFV
CS707		nsp	DK96471300	CHIP CAP.	50V, 470pF	ECUV1H471JCV
CS708		nsp	OA47601640	ELECT. CAP	16V, 47µF	ECEA1CAE470MB
CS709		nsp	DK96104300	CHIP CAP.	50V, 0.1µF	ECUV1H104ZFV
CS710		nsp	DK96104300	CHIP CAP.	50V, 0.1µF	ECUV1H104ZFV
CS711		nsp	OA47601640	ELECT. CAP	16V, 47µF	ECEA1CAE470MB
CS712		nsp	DK96104300	CHIP CAP.	50V, 0.1µF	ECUV1H104ZFV
CS713		nsp	OA47601640	ELECT. CAP	16V, 47µF	ECEA1CAE470MB
CS714		nsp	DK96104300	CHIP CAP.	50V, 0.1µF	ECUV1H104ZFV
CS715		nsp	DK96104300	CHIP CAP.	50V, 0.1µF	ECUV1H104ZFV
CS716		nsp	DK96104300	CHIP CAP.	50V, 0.1µF	ECUV1H104ZFV
CS800		nsp	DK96104300	CHIP CAP.	50V, 0.1µF	ECUV1H104ZFV
CS801		nsp	DK96104300	CHIP CAP.	50V, 0.1µF	ECUV1H104ZFV
CS802		nsp	OA47601640	ELECT. CAP	16V, 47µF	ECEA1CAE470MB
CS803		nsp	DD95300300	CHIP CAP.	50V, 30pF	ECUV1H300JCV
CS804		nsp	DD95300300	CHIP CAP.	50V, 30pF	ECUV1H300JCV
CS805		nsp	OA47601640	ELECT. CAP	16V, 47µF	ECEA1CAE470MB
CS806		nsp	DK96104300	CHIP CAP.	50V, 0.1µF	ECUV1H104ZFV
CS809		nsp	OA47505020	ELECT. CAP	50V, 4.7µF	ECEA1HAE4R7MB
CS810		nsp	DD95101300	CHIP CAP.	50V, 100pF	ECUV1H101JCV
CS812		nsp	DK96103300	CHIP CAP.	50V, 0.01µF	ECUV1H103ZFV
CS814		nsp	OA47505020	ELECT. CAP	50V, 4.7µF	ECEA1HAE4R7MB
CS815		nsp	DD95101300	CHIP CAP.	50V, 100pF	ECUV1H101JCV
CS816		nsp	DK96104300	CHIP CAP.	50V, 0.1µF	ECUV1H104ZFV

NOTE : *nsp* PART IS LISTED FOR REFERENCE ONLY, MARANTZ WILL NOT SUPPLY THESE PARTS.

POS. NO	VERS. COLOR	PART NO. (FOR EUR)	PART NO. (MJI)	DESCRIPTION		
CS817		nsp	DK96104300	CHIP CAP.	50V, 0.1µF	ECUV1H104ZFV
CS818		nsp	OA47601640	ELECT. CAP	16V, 47µF	ECEA1CAE470MB
CS819		nsp	OA22605020	ELECT. CAP	22µF, 50V	ECEA1HAE220MB
CS820		nsp	DK96103300	CHIP CAP.	50V, 0.01µF	ECUV1H103ZFV
CS821		nsp	DK96104300	CHIP CAP.	50V, 0.1µF	ECUV1H104ZFV
CS823		nsp	DK96104300	CHIP CAP.	50V, 0.1µF	ECUV1H104ZFV
CS825		nsp	OA47601640	ELECT. CAP	16V, 47µF	ECEA1CAE470MB
CS826		nsp	DK96104300	CHIP CAP.	50V, 0.1µF	ECUV1H104ZFV
CS827		nsp	OA47601640	ELECT. CAP	16V, 47µF	ECEA1CAE470MB
CS828		nsp	DD95101300	CHIP CAP.	50V, 100pF	ECUV1H101JCV
CS829		nsp	DD95101300	CHIP CAP.	50V, 100pF	ECUV1H101JCV
CS830		nsp	OA10602550	ELECT. CAP	16V, 10µF	ECEA1CAE100MB
CS831		nsp	DK96104300	CHIP CAP.	50V, 0.1µF	ECUV1H104ZFV
CS832		nsp	DK96104300	CHIP CAP.	50V, 0.1µF	ECUV1H104ZFV
CS833/A		nsp	DD95200300	CHIP CAP.	50V, 20pF	ECUV1H200JCV
CS833/K/N/U		nsp	DD95300300	CHIP CAP.	50V, 30pF	ECUV1H300JCV
CS834/A		nsp	DD95200300	CHIP CAP.	50V, 20pF	ECUV1H200JCV
CS834/K/N/U		nsp	DD95300300	CHIP CAP.	50V, 30pF	ECUV1H300JCV
CS835		nsp	OA47601640	ELECT. CAP	16V, 47µF	ECEA1CAE470MB
CS836		nsp	DK96104300	CHIP CAP.	50V, 0.1µF	ECUV1H104ZFV
CS840		nsp	DK96104300	CHIP CAP.	50V, 0.1µF	ECUV1H104ZFV
CS841		nsp	DK96104300	CHIP CAP.	50V, 0.1µF	ECUV1H104ZFV
CS842		nsp	DK96104300	CHIP CAP.	50V, 0.1µF	ECUV1H104ZFV
CS843		nsp	DK96104300	CHIP CAP.	50V, 0.1µF	ECUV1H104ZFV
CS844		nsp	DK96103300	CHIP CAP.	50V, 0.01µF	ECUV1H103ZFV
CS845		nsp	DK96103300	CHIP CAP.	50V, 0.01µF	ECUV1H103ZFV
CS846		nsp	DK96102300	CHIP CAP.	50V, 1000pF	ECUV1H102KBV
CS847		nsp	DK96102300	CHIP CAP.	50V, 1000pF	ECUV1H102KBV
CS848		nsp	DK96102300	CHIP CAP.	50V, 1000pF	ECUV1H102KBV
CS849		nsp	DK96103300	CHIP CAP.	50V, 0.01µF	ECUV1H103ZFV
CS850		nsp	DK96103300	CHIP CAP.	50V, 0.01µF	ECUV1H103ZFV
CS851		nsp	DK96104300	CHIP CAP.	50V, 0.1µF	ECUV1H104ZFV
CS852		nsp	OA10800620	ELECT. CAP	1000µF, 6.3V	ECEA0JCE102MB
CS866		nsp	DK96104300	CHIP CAP.	50V, 0.1µF	ECUV1H104ZFV
DS1		nsp	*HD201690R	DIODE		ODI1N4001
DS2		nsp	*HD201690R	DIODE		ODI1N4001
DS3		nsp	*HD201690R	DIODE		ODI1N4001
DS4		nsp	*HD201690R	DIODE		ODI1N4001
DS5		nsp	*HD201690R	DIODE		ODI1N4001
DS6		nsp	*HD201710R	DIODE		ODI1N4148
DS7		nsp	*HD201710R	DIODE		ODI1N4148
DS8		nsp	*HD201710R	DIODE		ODI1N4148
DS9		nsp	*HD201710R	DIODE		ODI1N4148
FS01		FM12223010	FM12223010	EMI FILTER	22000pF, 250V, 6A	ELCF223Z250V
FS02		FM12223010	FM12223010	EMI FILTER	22000pF, 250V, 6A	ELCF223Z250V
FS401		FM12223010	FM12223010	EMI FILTER	22000pF, 250V, 6A	ELCF223Z250V
FS402		FM12223010	FM12223010	EMI FILTER	22000pF, 250V, 6A	ELCF223Z250V
FS403		FM12223010	FM12223010	EMI FILTER	22000pF, 250V, 6A	ELCF223Z250V
FS404		FM12223010	FM12223010	EMI FILTER	22000pF, 250V, 6A	ELCF223Z250V
GND1		nsp	nsp	TERMINAL		FKV7.725.014
GND2		nsp	nsp	TERMINAL		FKV7.725.014
ICS01		HC3890809F	HC3890809F	IC		OICNJM7808FA
ICS02		HC3990809F	HC3990809F	IC		OICNJM7908FA
ICS03		*HC108180R	*HC108180R	IC	QFP	OICM61516FP
ICS04		HC10035090	HC10035090	IC		OICNJM4558MTE3
ICS05		HC10035090	HC10035090	IC		OICNJM4558MTE3
ICS06		HC10035090	HC10035090	IC		OICNJM4558MTE3
ICS07		HC10035090	HC10035090	IC		OICNJM4558MTE3
ICS08		*HC108140R	*HC108140R	IC		OICAK4529VQ

NOTE : *nsp* PART IS LISTED FOR REFERENCE ONLY, MARANTZ WILL NOT SUPPLY THESE PARTS.

POS. NO	VERS. COLOR	PART NO. (FOR EUR)	PART NO. (MJJ)	DESCRIPTION		
ICS09		HC10102090	HC10102090	IC		OICNJM2068M
ICS10		HC10102090	HC10102090	IC		OICNJM2068M
ICS11		HC10102090	HC10102090	IC		OICNJM2068M
ICS12		HC10102090	HC10102090	IC		OICNJM2068M
ICS13		*HC108170R	*HC108170R	IC		OICCS49326
ICS14		*HS09AWX0R	*HS09AWX0R	IC		OICMX29LV040QC90
ICS15		*HC700490R	*HC700490R	IC	TSSOP	OIC74LCX574MTC
ICS16		*HC700490R	*HC700490R	IC	TSSOP	OIC74LCX574MTC
ICS17		*HC108160R	*HC108160R	IC		OICBD4742G
ICS18		*HU100620R	*HU100620R	MICROPROCESSOR	FP-100B	OICH83026F
ICS19		*HC108130R	*HC108130R	IC	VSOP28	OICAK4112B
ICS20		HC700400Z0	HC700400Z0	IC	soic	OICMM74HCU04M
ICS21		HC10215210	HC10215210	IC		OICBR24C16F
ICS22		*HC108150R	*HC108150R	IC		OICBD4727G
ICS23		HC10035090	HC10035090	IC		OICNJM4558MTE3
ICS24		*HC700460R	*HC700460R	IC	SOIC	OIC74HCT04D
ICS25		*HC700460R	*HC700460R	IC	SOIC	OIC74HCT04D
ICS26		HZ20007210	HZ20007210	DIODE		ODIIMN10
ICS27		HZ20007210	HZ20007210	DIODE		ODIIMN10
ICS28		HZ20007210	HZ20007210	DIODE		ODIIMN10
ICS29		HZ20007210	HZ20007210	DIODE		ODIIMN10
ICS31		HC700801P0	HC700801P0	IC		OICSN74LVC08ADR
ICS33		HC3891209F	HC3891209F	IC		OICNJM7812FA
ICS35		HZ20007210	HZ20007210	DIODE		ODIIMN10
ICS36		HZ20007210	HZ20007210	DIODE		ODIIMN10
ICS37		HZ20007210	HZ20007210	DIODE		ODIIMN10
ICS38		HZ20007210	HZ20007210	DIODE		ODIIMN10
JFS01		nsp	nsp	CONNECTOR	11pin, 2.0mm, UL	VJS11PH01E
JFS03		nsp	nsp	CONNECTOR	12pin, 2.0mm, UL	VJS12PH01E
JFS05		nsp	nsp	CONNECTOR	9pin, 2.0mm, UL	VJS09PH01E
JFS06		nsp	nsp	CONNECTOR	10pin, 2.5mm, UL	VJS10XH01E
JFS07		nsp	nsp	CONNECTOR	8pin, 2.0mm, UL	VJS08PH01E
JFS08		nsp	nsp	CONNECTOR	5pin, 2.0mm, UL	VJS05PH01E
JFS09	/K/U	nsp	nsp	FFC CONNECTOR	15pin, 1.25mm	VJS15FC01
JFS09	/A/N	nsp	nsp	FFC CONNECTOR	17pin, 1.25mm	VJS17FC01
JFS10		nsp	nsp	FFC CONNECTOR	16pin, 1.25mm	VJS16FC11
JFS11		nsp	nsp	FFC CONNECTOR	15pin, 1.25mm	VJS15FC11
JRS01		*YT002880R	*YT002880R	TERMINAL	4 CINCH	VJJ01403
JRS02		*YT002880R	*YT002880R	TERMINAL	4 CINCH	VJJ01403
JRS03		*YT002900R	*YT002900R	TERMINAL	6 CINCH	VJJ01603
JRS04		*YT002880R	*YT002880R	TERMINAL	4 CINCH	VJJ01403
JRS05		*YT002880R	*YT002880R	TERMINAL	4 CINCH	VJJ01403
LS830		*FC900300R	*FC900300R	EMI FILTER	600Ω	ELVUA601T
LS831		*FC900300R	*FC900300R	EMI FILTER	600Ω	ELVUA601T
LS832		*FC900300R	*FC900300R	EMI FILTER	600Ω	ELVUA601T
LS833		*FC900300R	*FC900300R	EMI FILTER	600Ω	ELVUA601T
QS01		BA20081210	BA20081210	TRANSISTOR		OTRDTC144EKAT146
QS02		*BA001440R	*BA001440R	TRANSISTOR		OTRDTA144EK
QS03		BA20081210	BA20081210	TRANSISTOR		OTRDTC144EKAT146
QS04		*BA001440R	*BA001440R	TRANSISTOR		OTRDTA144EK
QS05		BA20005210	BA20005210	TRANSISTOR		OTRDTC114EK
QS06		BA10023210	BA10023210	TRANSISTOR	SMT3	OTRDTA114EKA
QS09		BA20081210	BA20081210	TRANSISTOR		OTRDTC144EKAT146
QS10		BA10023210	BA10023210	TRANSISTOR	SMT3	OTRDTA114EKA
QS11		BA10023210	BA10023210	TRANSISTOR	SMT3	OTRDTA114EKA
QS12		BA10023210	BA10023210	TRANSISTOR	SMT3	OTRDTA114EKA
QS13		BA10023210	BA10023210	TRANSISTOR	SMT3	OTRDTA114EKA
QS14		BA10023210	BA10023210	TRANSISTOR	SMT3	OTRDTA114EKA
QS15		BA20005210	BA20005210	TRANSISTOR		OTRDTC114EK

NOTE : *nsp* PART IS LISTED FOR REFERENCE ONLY, MARANTZ WILL NOT SUPPLY THESE PARTS.

POS. NO	VERS. COLOR	PART NO. (FOR EUR)	PART NO. (MJI)	DESCRIPTION		
QS16		BA10023210	BA10023210	TRANSISTOR	SMT3	OTRDTA114EKA
QS17		BA20005210	BA20005210	TRANSISTOR		OTRDTC114EK
QS20		BA20005210	BA20005210	TRANSISTOR		OTRDTC114EK
QS22		*HY200020R	*HY200020R	TRANSISTOR		OTR2SK2824
QS23		*HY200020R	*HY200020R	TRANSISTOR		OTR2SK2824
QS201						
		*HX100150R	*HX100150R	TRANSISTOR		OTR2SC4213
QS208						
QS301		*HX100150R	*HX100150R	TRANSISTOR		OTR2SC4213
QS302		*HX100150R	*HX100150R	TRANSISTOR		OTR2SC4213
QS303		*HX100150R	*HX100150R	TRANSISTOR		OTR2SC4213
QS304		*HX100150R	*HX100150R	TRANSISTOR		OTR2SC4213
QS305		*HX100150R	*HX100150R	TRANSISTOR		OTR2SC4213
QS306		*HX100150R	*HX100150R	TRANSISTOR		OTR2SC4213
RS8		nsp	NN05473610	CHIP RES.	47kΩ, 1/16W	ERJ3GSKJ473V
RS9		nsp	NN05473610	CHIP RES.	47kΩ, 1/16W	ERJ3GSKJ473V
RS10		nsp	NN05473610	CHIP RES.	47kΩ, 1/16W	ERJ3GSKJ473V
RS11		nsp	NN05473610	CHIP RES.	47kΩ, 1/16W	ERJ3GSKJ473V
RS12		nsp	NN05473610	CHIP RES.	47kΩ, 1/16W	ERJ3GSKJ473V
RS13		nsp	NN05473610	CHIP RES.	47kΩ, 1/16W	ERJ3GSKJ473V
RS14		nsp	NN05473610	CHIP RES.	47kΩ, 1/16W	ERJ3GSKJ473V
RS100		nsp	NN05100610	CHIP RES.	10Ω, 1/16W	ERJ3GSKJ100V
RS101		nsp	NN05100610	CHIP RES.	10Ω, 1/16W	ERJ3GSKJ100V
RS102		nsp	NN05102610	CHIP RES.	1kΩ, 1/16W	ERJ3GSKJ102V
RS103		nsp	nsp	RES.	4.7Ω, 1/4W	ERD14TJ4R7T
RS105		nsp	NN05101610	CHIP RES.	100Ω, 1/16W	ERJ3GSKJ101V
RS106		nsp	NN05101610	CHIP RES.	100Ω, 1/16W	ERJ3GSKJ101V
RS107		nsp	NN05101610	CHIP RES.	100Ω, 1/16W	ERJ3GSKJ101V
RS108		nsp	NN05101610	CHIP RES.	100Ω, 1/16W	ERJ3GSKJ101V
RS109		nsp	NN05101610	CHIP RES.	100Ω, 1/16W	ERJ3GSKJ101V
RS110		nsp	NN05101610	CHIP RES.	100Ω, 1/16W	ERJ3GSKJ101V
RS111		nsp	NN05102610	CHIP RES.	1kΩ, 1/16W	ERJ3GSKJ102V
RS112		nsp	NN05102610	CHIP RES.	1kΩ, 1/16W	ERJ3GSKJ102V
RS113		nsp	NN05274610	CHIP RES.	270kΩ, 1/16W	ERJ3GSKJ274V
RS114		nsp	NN05274610	CHIP RES.	270kΩ, 1/16W	ERJ3GSKJ274V
RS115		nsp	NN05101610	CHIP RES.	100Ω, 1/16W	ERJ3GSKJ101V
RS116		nsp	NN05101610	CHIP RES.	100Ω, 1/16W	ERJ3GSKJ101V
RS117		nsp	NN05102610	CHIP RES.	1kΩ, 1/16W	ERJ3GSKJ102V
RS118		nsp	NN05102610	CHIP RES.	1kΩ, 1/16W	ERJ3GSKJ102V
RS119		nsp	NN05274610	CHIP RES.	270kΩ, 1/16W	ERJ3GSKJ274V
RS120		nsp	NN05274610	CHIP RES.	270kΩ, 1/16W	ERJ3GSKJ274V
RS127						
		nsp	NN05473610	CHIP RES.	47kΩ, 1/16W	ERJ3GSKJ473V
RS145						
RS146		nsp	NN05101610	CHIP RES.	100Ω, 1/16W	ERJ3GSKJ101V
RS147		nsp	NN05101610	CHIP RES.	100Ω, 1/16W	ERJ3GSKJ101V
RS148		nsp	*NN000510R	CHIP RES.	7.5kΩ, 1/16W	ERJ3GSKJ752V
RS157		nsp	*NN000510R	CHIP RES.	7.5kΩ, 1/16W	ERJ3GSKJ752V
RS158		nsp	NN05101610	CHIP RES.	100Ω, 1/16W	ERJ3GSKJ101V
RS159		nsp	NN05101610	CHIP RES.	100Ω, 1/16W	ERJ3GSKJ101V
RS170		nsp	NN05473610	CHIP RES.	47kΩ, 1/16W	ERJ3GSKJ473V
RS201		nsp	NN05562610	CHIP RES.	5.6kΩ, 1/16W	ERJ3GSKJ562V
RS202		nsp	NN05221610	CHIP RES.	220Ω, 1/16W	ERJ3GSKJ221V
RS203		nsp	NN05221610	CHIP RES.	220Ω, 1/16W	ERJ3GSKJ221V
RS204		nsp	*NN000500R	CHIP RES.	2.4kΩ, 1/16W	ERJ3GSKJ242V
RS205		nsp	NN05473610	CHIP RES.	47kΩ, 1/16W	ERJ3GSKJ473V
RS206		nsp	NN05473610	CHIP RES.	47kΩ, 1/16W	ERJ3GSKJ473V
RS207		nsp	NN05473610	CHIP RES.	47kΩ, 1/16W	ERJ3GSKJ473V
RS208		nsp	NN05472610	CHIP RES.	4.7kΩ, 1/16W	ERJ3GSKJ472V

NOTE : *nsp* PART IS LISTED FOR REFERENCE ONLY, MARANTZ WILL NOT SUPPLY THESE PARTS.

POS. NO	VERS. COLOR	PART NO. (FOR EUR)	PART NO. (MJ)	DESCRIPTION		
RS209		nsp	*NN000500R	CHIP RES.	2.4kΩ, 1/16W	ERJ3GSKJ242V
RS210		nsp	NN05473610	CHIP RES.	47kΩ, 1/16W	ERJ3GSKJ473V
RS211		nsp	NN05221610	CHIP RES.	220Ω, 1/16W	ERJ3GSKJ221V
RS212		nsp	NN05562610	CHIP RES.	5.6kΩ, 1/16W	ERJ3GSKJ562V
RS213		nsp	NN05221610	CHIP RES.	220Ω, 1/16W	ERJ3GSKJ221V
RS214		nsp	NN05472610	CHIP RES.	4.7kΩ, 1/16W	ERJ3GSKJ472V
RS215		nsp	NN05105610	CHIP RES.	1MΩ, 1/16W	ERJ3GSKJ105V
RS216		nsp	NN05472610	CHIP RES.	4.7kΩ, 1/16W	ERJ3GSKJ472V
RS217		nsp	NN05221610	CHIP RES.	220Ω, 1/16W	ERJ3GSKJ221V
RS218		nsp	NN05123610	CHIP RES.	12kΩ, 1/16W	ERJ3GSKJ123V
RS219		nsp	NN05221610	CHIP RES.	220Ω, 1/16W	ERJ3GSKJ221V
RS220		nsp	NN05105610	CHIP RES.	1MΩ, 1/16W	ERJ3GSKJ105V
RS221		nsp	NN05102610	CHIP RES.	1kΩ, 1/16W	ERJ3GSKJ102V
RS222		nsp	NN05473610	CHIP RES.	47kΩ, 1/16W	ERJ3GSKJ473V
RS223		nsp	NN05473610	CHIP RES.	47kΩ, 1/16W	ERJ3GSKJ473V
RS224		nsp	NN05473610	CHIP RES.	47kΩ, 1/16W	ERJ3GSKJ473V
RS225		nsp	NN05472610	CHIP RES.	4.7kΩ, 1/16W	ERJ3GSKJ472V
RS226		nsp	*NN000500R	CHIP RES.	2.4kΩ, 1/16W	ERJ3GSKJ242V
RS227		nsp	NN05473610	CHIP RES.	47kΩ, 1/16W	ERJ3GSKJ473V
RS228		nsp	NN05221610	CHIP RES.	220Ω, 1/16W	ERJ3GSKJ221V
RS229		nsp	NN05562610	CHIP RES.	5.6kΩ, 1/16W	ERJ3GSKJ562V
RS230		nsp	NN05221610	CHIP RES.	220Ω, 1/16W	ERJ3GSKJ221V
RS231		nsp	NN05105610	CHIP RES.	1MΩ, 1/16W	ERJ3GSKJ105V
RS251		nsp	NN05472610	CHIP RES.	4.7kΩ, 1/16W	ERJ3GSKJ472V
RS252		nsp	NN05472610	CHIP RES.	4.7kΩ, 1/16W	ERJ3GSKJ472V
RS253		nsp	NN05330610	CHIP RES.	33Ω, 1/16W	ERJ3GSKJ330V
RS254		nsp	NN05330610	CHIP RES.	33Ω, 1/16W	ERJ3GSKJ330V
RS255		nsp	NN05472610	CHIP RES.	4.7kΩ, 1/16W	ERJ3GSKJ472V
RS256		nsp	NN05472610	CHIP RES.	4.7kΩ, 1/16W	ERJ3GSKJ472V
RS257		nsp	NN05330610	CHIP RES.	33Ω, 1/16W	ERJ3GSKJ330V
RS258		nsp	NN05330610	CHIP RES.	33Ω, 1/16W	ERJ3GSKJ330V
RS301		nsp	NN05562610	CHIP RES.	5.6kΩ, 1/16W	ERJ3GSKJ562V
RS302		nsp	NN05221610	CHIP RES.	220Ω, 1/16W	ERJ3GSKJ221V
RS303		nsp	NN05221610	CHIP RES.	220Ω, 1/16W	ERJ3GSKJ221V
RS304		nsp	*NN000500R	CHIP RES.	2.4kΩ, 1/16W	ERJ3GSKJ242V
RS305		nsp	NN05473610	CHIP RES.	47kΩ, 1/16W	ERJ3GSKJ473V
RS306		nsp	NN05473610	CHIP RES.	47kΩ, 1/16W	ERJ3GSKJ473V
RS307		nsp	NN05473610	CHIP RES.	47kΩ, 1/16W	ERJ3GSKJ473V
RS308		nsp	NN05472610	CHIP RES.	4.7kΩ, 1/16W	ERJ3GSKJ472V
RS309		nsp	*NN000500R	CHIP RES.	2.4kΩ, 1/16W	ERJ3GSKJ242V
RS310		nsp	NN05473610	CHIP RES.	47kΩ, 1/16W	ERJ3GSKJ473V
RS311		nsp	NN05221610	CHIP RES.	220Ω, 1/16W	ERJ3GSKJ221V
RS312		nsp	NN05562610	CHIP RES.	5.6kΩ, 1/16W	ERJ3GSKJ562V
RS313		nsp	NN05221610	CHIP RES.	220Ω, 1/16W	ERJ3GSKJ221V
RS314		nsp	NN05472610	CHIP RES.	4.7kΩ, 1/16W	ERJ3GSKJ472V
RS315		nsp	NN05105610	CHIP RES.	1MΩ, 1/16W	ERJ3GSKJ105V
RS316		nsp	NN05472610	CHIP RES.	4.7kΩ, 1/16W	ERJ3GSKJ472V
RS317		nsp	NN05221610	CHIP RES.	220Ω, 1/16W	ERJ3GSKJ221V
RS320		nsp	NN05105610	CHIP RES.	1MΩ, 1/16W	ERJ3GSKJ105V
RS324		nsp	NN05473610	CHIP RES.	47kΩ, 1/16W	ERJ3GSKJ473V
RS325		nsp	NN05472610	CHIP RES.	4.7kΩ, 1/16W	ERJ3GSKJ472V
RS326		nsp	*NN000500R	CHIP RES.	2.4kΩ, 1/16W	ERJ3GSKJ242V
RS327		nsp	NN05473610	CHIP RES.	47kΩ, 1/16W	ERJ3GSKJ473V
RS328		nsp	NN05221610	CHIP RES.	220Ω, 1/16W	ERJ3GSKJ221V
RS329		nsp	NN05562610	CHIP RES.	5.6kΩ, 1/16W	ERJ3GSKJ562V
RS351		nsp	NN05472610	CHIP RES.	4.7kΩ, 1/16W	ERJ3GSKJ472V
RS352		nsp	NN05472610	CHIP RES.	4.7kΩ, 1/16W	ERJ3GSKJ472V
RS353		nsp	NN05330610	CHIP RES.	33Ω, 1/16W	ERJ3GSKJ330V
RS354		nsp	NN05330610	CHIP RES.	33Ω, 1/16W	ERJ3GSKJ330V

NOTE : *nsp* PART IS LISTED FOR REFERENCE ONLY, MARANTZ WILL NOT SUPPLY THESE PARTS.

POS. NO	VERS. COLOR	PART NO. (FOR EUR)	PART NO. (MJI)	DESCRIPTION		
RS358		nsp	NN05330610	CHIP RES.	33Ω, 1/16W	ERJ3GSKJ330V
RS380		nsp	NN05104610	CHIP RES.	100kΩ, 1/16W	ERJ3GSKJ104V
RS381		nsp	NN05104610	CHIP RES.	100kΩ, 1/16W	ERJ3GSKJ104V
RS383		nsp	NN05104610	CHIP RES.	100kΩ, 1/16W	ERJ3GSKJ104V
RS384		nsp	NN05104610	CHIP RES.	100kΩ, 1/16W	ERJ3GSKJ104V
RS385		nsp	NN05104610	CHIP RES.	100kΩ, 1/16W	ERJ3GSKJ104V
RS386		nsp	NN05104610	CHIP RES.	100kΩ, 1/16W	ERJ3GSKJ104V
RS387		nsp	NN05822610	CHIP RES.	8.2kΩ, 1/16W	ERJ3GSKJ822V
RS388		nsp	NN05822610	CHIP RES.	8.2kΩ, 1/16W	ERJ3GSKJ822V
RS389		nsp	NN05272610	CHIP RES.	2.7kΩ, 1/16W	ERJ3GSKJ272V
RS390		nsp	NN05822610	CHIP RES.	8.2kΩ, 1/16W	ERJ3GSKJ822V
RS391		nsp	NN05822610	CHIP RES.	8.2kΩ, 1/16W	ERJ3GSKJ822V
RS392		nsp	NN05822610	CHIP RES.	8.2kΩ, 1/16W	ERJ3GSKJ822V
RS393		nsp	NN05822610	CHIP RES.	8.2kΩ, 1/16W	ERJ3GSKJ822V
RS401		nsp	NN05101610	CHIP RES.	100Ω, 1/16W	ERJ3GSKJ101V
RS501		nsp	NN05102610	CHIP RES.	1kΩ, 1/16W	ERJ3GSKJ102V
RS506		nsp	NN05102610	CHIP RES.	1kΩ, 1/16W	ERJ3GSKJ102V
RS507		nsp	NN05472610	CHIP RES.	4.7kΩ, 1/16W	ERJ3GSKJ472V
RS508		nsp	NN05102610	CHIP RES.	1kΩ, 1/16W	ERJ3GSKJ102V
RS509		nsp	NN05104610	CHIP RES.	100kΩ, 1/16W	ERJ3GSKJ104V
RS510		nsp	NN05472610	CHIP RES.	4.7kΩ, 1/16W	ERJ3GSKJ472V
RS511		nsp	NN05472610	CHIP RES.	4.7kΩ, 1/16W	ERJ3GSKJ472V
RS512		nsp	NN05472610	CHIP RES.	4.7kΩ, 1/16W	ERJ3GSKJ472V
RS513		nsp	NN05102610	CHIP RES.	1kΩ, 1/16W	ERJ3GSKJ102V
RS514		nsp	NN05104610	CHIP RES.	100kΩ, 1/16W	ERJ3GSKJ104V
RS515		nsp	NN05822610	CHIP RES.	8.2kΩ, 1/16W	ERJ3GSKJ822V
RS516		nsp	NN05102610	CHIP RES.	1kΩ, 1/16W	ERJ3GSKJ102V
RS517		nsp	NN05104610	CHIP RES.	100kΩ, 1/16W	ERJ3GSKJ104V
RS518		nsp	NN05472610	CHIP RES.	4.7kΩ, 1/16W	ERJ3GSKJ472V
RS519		nsp	NN05822610	CHIP RES.	8.2kΩ, 1/16W	ERJ3GSKJ822V
RS520		nsp	NN05102610	CHIP RES.	1kΩ, 1/16W	ERJ3GSKJ102V
RS521		nsp	NN05472610	CHIP RES.	4.7kΩ, 1/16W	ERJ3GSKJ472V
RS522		nsp	NN05104610	CHIP RES.	100kΩ, 1/16W	ERJ3GSKJ104V
RS550		nsp	NN05472610	CHIP RES.	4.7kΩ, 1/16W	ERJ3GSKJ472V
RS551		nsp	NN05332610	CHIP RES.	3.3kΩ, 1/16W	ERJ3GSKJ332V
RS552		nsp	NN05332610	CHIP RES.	3.3kΩ, 1/16W	ERJ3GSKJ332V
RS553		nsp	NN05472610	CHIP RES.	4.7kΩ, 1/16W	ERJ3GSKJ472V
RS603		nsp	NN05472610	CHIP RES.	4.7kΩ, 1/16W	ERJ3GSKJ472V
RS604		nsp	NN05102610	CHIP RES.	1kΩ, 1/16W	ERJ3GSKJ102V
RS605		nsp	NN05104610	CHIP RES.	100kΩ, 1/16W	ERJ3GSKJ104V
RS606		nsp	NN05332610	CHIP RES.	3.3kΩ, 1/16W	ERJ3GSKJ332V
RS607		nsp	NN05472610	CHIP RES.	4.7kΩ, 1/16W	ERJ3GSKJ472V
RS608		nsp	NN05562610	CHIP RES.	5.6kΩ, 1/16W	ERJ3GSKJ562V
RS609		nsp	NN05102610	CHIP RES.	1kΩ, 1/16W	ERJ3GSKJ102V
RS610		nsp	NN05104610	CHIP RES.	100kΩ, 1/16W	ERJ3GSKJ104V
RS614		nsp	NN05472610	CHIP RES.	4.7kΩ, 1/16W	ERJ3GSKJ472V
RS616		nsp	NN05822610	CHIP RES.	8.2kΩ, 1/16W	ERJ3GSKJ822V
RS617		nsp	NN05102610	CHIP RES.	1kΩ, 1/16W	ERJ3GSKJ102V
RS618		nsp	NN05104610	CHIP RES.	100kΩ, 1/16W	ERJ3GSKJ104V
RS650		nsp	NN05101610	CHIP RES.	100Ω, 1/16W	ERJ3GSKJ101V
RS651		nsp	NN05101610	CHIP RES.	100Ω, 1/16W	ERJ3GSKJ101V
RS652		nsp	NN05102610	CHIP RES.	1kΩ, 1/16W	ERJ3GSKJ102V
RS653		nsp	NN05274610	CHIP RES.	270kΩ, 1/16W	ERJ3GSKJ274V
RS654		nsp	NN05274610	CHIP RES.	270kΩ, 1/16W	ERJ3GSKJ274V
RS655		nsp	NN05102610	CHIP RES.	1kΩ, 1/16W	ERJ3GSKJ102V
RS656		nsp	NN05101610	CHIP RES.	100Ω, 1/16W	ERJ3GSKJ101V
RS657		nsp	NN05101610	CHIP RES.	100Ω, 1/16W	ERJ3GSKJ101V
RS658		nsp	NN05102610	CHIP RES.	1kΩ, 1/16W	ERJ3GSKJ102V
RS659		nsp	NN05274610	CHIP RES.	270kΩ, 1/16W	ERJ3GSKJ274V

NOTE : "nsp" PART IS LISTED FOR REFERENCE ONLY, MARANTZ WILL NOT SUPPLY THESE PARTS.

POS. NO	VERS. COLOR	PART NO. (FOR EUR)	PART NO. (MJ)	DESCRIPTION		
RS660		nsp	NN05274610	CHIP RES.	270kΩ, 1/16W	ERJ3GSKJ274V
RS661		nsp	NN05102610	CHIP RES.	1kΩ, 1/16W	ERJ3GSKJ102V
RS662		nsp	NN05101610	CHIP RES.	100Ω, 1/16W	ERJ3GSKJ101V
RS663		nsp	NN05101610	CHIP RES.	100Ω, 1/16W	ERJ3GSKJ101V
RS701		nsp	NN05472610	CHIP RES.	4.7kΩ, 1/16W	ERJ3GSKJ472V
RS702		nsp	NN05222610	CHIP RES.	2.2kΩ, 1/16W	ERJ3GSKJ222V
RS703		nsp	NN05222610	CHIP RES.	2.2kΩ, 1/16W	ERJ3GSKJ222V
RS704		nsp	NN05103610	CHIP RES.	10kΩ, 1/16W	ERJ3GSKJ103V
RS705		nsp	NN05221610	CHIP RES.	220Ω, 1/16W	ERJ3GSKJ221V
RS706		nsp	NN05221610	CHIP RES.	220Ω, 1/16W	ERJ3GSKJ221V
RS707		nsp	NN05221610	CHIP RES.	220Ω, 1/16W	ERJ3GSKJ221V
RS708		nsp	NN05330610	CHIP RES.	33Ω, 1/16W	ERJ3GSKJ330V
RS709		nsp	NN05223610	CHIP RES.	22kΩ, 1/16W	ERJ3GSKJ223V
RS710		nsp	NN05333610	CHIP RES.	33kΩ, 1/16W	ERJ3GSKJ333V
RS711		nsp	NN05472610	CHIP RES.	4.7kΩ, 1/16W	ERJ3GSKJ472V
RS712		nsp	NN05472610	CHIP RES.	4.7kΩ, 1/16W	ERJ3GSKJ472V
RS713		nsp	NN05330610	CHIP RES.	33Ω, 1/16W	ERJ3GSKJ330V
RS714		nsp	NN05223610	CHIP RES.	22kΩ, 1/16W	ERJ3GSKJ223V
RS715		nsp	NN05330610	CHIP RES.	33Ω, 1/16W	ERJ3GSKJ330V
RS716		nsp	NN05330610	CHIP RES.	33Ω, 1/16W	ERJ3GSKJ330V
RS717		nsp	NN05330610	CHIP RES.	33Ω, 1/16W	ERJ3GSKJ330V
RS718		nsp	NN05330610	CHIP RES.	33Ω, 1/16W	ERJ3GSKJ330V
RS719		nsp	NN05332610	CHIP RES.	3.3kΩ, 1/16W	ERJ3GSKJ332V
RS722		nsp	NN05332610	CHIP RES.	3.3kΩ, 1/16W	ERJ3GSKJ332V
RS723		nsp	NN05000610	CHIP RES.	0Ω, 1/16W	ERJ3GSKJ000V
RS724		nsp	NN05223610	CHIP RES.	22kΩ, 1/16W	ERJ3GSKJ223V
RS725		nsp	NN05000610	CHIP RES.	0Ω, 1/16W	ERJ3GSKJ000V
RS727						
		nsp	NN05472610	CHIP RES.	4.7kΩ, 1/16W	ERJ3GSKJ472V
RS735						
RS801		nsp	NN05000610	CHIP RES.	0Ω, 1/16W	ERJ3GSKJ000V
RS802		nsp	NN05222610	CHIP RES.	2.2kΩ, 1/16W	ERJ3GSKJ222V
RS803		nsp	NN05222610	CHIP RES.	2.2kΩ, 1/16W	ERJ3GSKJ222V
RS804		nsp	NN05472610	CHIP RES.	4.7kΩ, 1/16W	ERJ3GSKJ472V
RS805		nsp	NN05102610	CHIP RES.	1kΩ, 1/16W	ERJ3GSKJ102V
RS806		nsp	NN05472610	CHIP RES.	4.7kΩ, 1/16W	ERJ3GSKJ472V
RS807		nsp	NN05472610	CHIP RES.	4.7kΩ, 1/16W	ERJ3GSKJ472V
RS808		nsp	NN05472610	CHIP RES.	4.7kΩ, 1/16W	ERJ3GSKJ472V
RS809		nsp	NN05472610	CHIP RES.	4.7kΩ, 1/16W	ERJ3GSKJ472V
RS811	/A/N	nsp	NN05000610	CHIP RES.	0Ω, 1/16W	ERJ3GSKJ000V
RS811	/K	nsp	NN05392610	CHIP RES.	3.9kΩ, 1/16W	ERJ3GSKJ392V
RS812		nsp	NN05472610	CHIP RES.	4.7kΩ, 1/16W	ERJ3GSKJ472V
RS814		nsp	NN05000610	CHIP RES.	0Ω, 1/16W	ERJ3GSKJ000V
RS815	/U	nsp	NN05000610	CHIP RES.	0Ω, 1/16W	ERJ3GSKJ000V
RS815	/K	nsp	NN05472610	CHIP RES.	4.7kΩ, 1/16W	ERJ3GSKJ472V
RS816		nsp	NN05123610	CHIP RES.	12kΩ, 1/16W	ERJ3GSKJ123V
RS817		nsp	NN05123610	CHIP RES.	12kΩ, 1/16W	ERJ3GSKJ123V
RS818		nsp	NN05123610	CHIP RES.	12kΩ, 1/16W	ERJ3GSKJ123V
RS820		nsp	NN05105610	CHIP RES.	1MΩ, 1/16W	ERJ3GSKJ105V
RS821		nsp	NN05222610	CHIP RES.	2.2kΩ, 1/16W	ERJ3GSKJ222V
RS823		nsp	NN05103610	CHIP RES.	10kΩ, 1/16W	ERJ3GSKJ103V
RS824		nsp	NN05470610	CHIP RES.	47Ω, 1/16W	ERJ3GSKJ470V
RS825		nsp	NN05470610	CHIP RES.	47Ω, 1/16W	ERJ3GSKJ470V
RS826		nsp	NN05103610	CHIP RES.	10kΩ, 1/16W	ERJ3GSKJ103V
RS827		nsp	NN05153610	CHIP RES.	15kΩ, 1/16W	ERJ3GSKJ153V
RS828		nsp	NN05221610	CHIP RES.	220Ω, 1/16W	ERJ3GSKJ221V
RS829		nsp	NN05153610	CHIP RES.	15kΩ, 1/16W	ERJ3GSKJ153V
RS830		nsp	NN05103610	CHIP RES.	10kΩ, 1/16W	ERJ3GSKJ103V
RS831		nsp	NN05221610	CHIP RES.	220Ω, 1/16W	ERJ3GSKJ221V

NOTE : *nsp* PART IS LISTED FOR REFERENCE ONLY, MARANTZ WILL NOT SUPPLY THESE PARTS.

POS. NO	VERS. COLOR	PART NO. (FOR EUR)	PART NO. (MJI)	DESCRIPTION		
RS832		nsp	NN05103610	CHIP RES.	10kΩ, 1/16W	ERJ3GSKJ103V
RS833		nsp	NN05103610	CHIP RES.	10kΩ, 1/16W	ERJ3GSKJ103V
RS834		nsp	NN05103610	CHIP RES.	10kΩ, 1/16W	ERJ3GSKJ103V
RS835		nsp	NN05103610	CHIP RES.	10kΩ, 1/16W	ERJ3GSKJ103V
RS836		nsp	NN05103610	CHIP RES.	10kΩ, 1/16W	ERJ3GSKJ103V
RS837		nsp	NN05103610	CHIP RES.	10kΩ, 1/16W	ERJ3GSKJ103V
RS842		nsp	NN05472610	CHIP RES.	4.7kΩ, 1/16W	ERJ3GSKJ472V
RS843		nsp	NN05000610	CHIP RES.	0Ω, 1/16W	ERJ3GSKJ000V
RS844		nsp	NN05183610	CHIP RES.	18kΩ, 1/16W	ERJ3GSKJ183V
RS845		nsp	NN05105610	CHIP RES.	1MΩ, 1/16W	ERJ3GSKJ105V
RS860		nsp	NN05223610	CHIP RES.	22kΩ, 1/16W	ERJ3GSKJ223V
RS870		nsp	NN05103610	CHIP RES.	10kΩ, 1/16W	ERJ3GSKJ103V
RS871		nsp	NN05103610	CHIP RES.	10kΩ, 1/16W	ERJ3GSKJ103V
RS873		nsp	NN05331610	CHIP RES.	330Ω, 1/16W	ERJ3GSKJ331V
RS875		nsp	NN05473610	CHIP RES.	47kΩ, 1/16W	ERJ3GSKJ473V
RS876		nsp	NN05473610	CHIP RES.	47kΩ, 1/16W	ERJ3GSKJ473V
RS878		nsp	NN05683610	CHIP RES.	68kΩ, 1/16W	ERJ3GSKJ683V
RS900		nsp	NN05221610	CHIP RES.	220Ω, 1/16W	ERJ3GSKJ221V
RS901		nsp	NN05221610	CHIP RES.	220Ω, 1/16W	ERJ3GSKJ221V
RS902		nsp	NN05102610	CHIP RES.	1kΩ, 1/16W	ERJ3GSKJ102V
RS903		nsp	NN05100610	CHIP RES.	10Ω, 1/16W	ERJ3GSKJ100V
RS904		nsp	NN05100610	CHIP RES.	10Ω, 1/16W	ERJ3GSKJ100V
RS905		nsp	NN05100610	CHIP RES.	10Ω, 1/16W	ERJ3GSKJ100V
RS906		nsp	NN05100610	CHIP RES.	10Ω, 1/16W	ERJ3GSKJ100V
RS907		nsp	NN05000610	CHIP RES.	0Ω, 1/16W	ERJ3GSKJ000V
RS908		nsp	NN05000610	CHIP RES.	0Ω, 1/16W	ERJ3GSKJ000V
RS909		nsp	NN05000610	CHIP RES.	0Ω, 1/16W	ERJ3GSKJ000V
RS910		nsp	NN05000610	CHIP RES.	0Ω, 1/16W	ERJ3GSKJ000V
RS911		nsp	NN05100610	CHIP RES.	10Ω, 1/16W	ERJ3GSKJ100V
RS912		nsp	NN05100610	CHIP RES.	10Ω, 1/16W	ERJ3GSKJ100V
RS913		nsp	NN05100610	CHIP RES.	10Ω, 1/16W	ERJ3GSKJ100V
RS914		nsp	NN05100610	CHIP RES.	10Ω, 1/16W	ERJ3GSKJ100V
RS915		nsp	NN05100610	CHIP RES.	10Ω, 1/16W	ERJ3GSKJ100V
RS916		nsp	NN05100610	CHIP RES.	10Ω, 1/16W	ERJ3GSKJ100V
RS917		nsp	NN05330610	CHIP RES.	33Ω, 1/16W	ERJ3GSKJ330V
RS918		nsp	NN05330610	CHIP RES.	33Ω, 1/16W	ERJ3GSKJ330V
RS919		nsp	NN05330610	CHIP RES.	33Ω, 1/16W	ERJ3GSKJ330V
RS920		nsp	NN05330610	CHIP RES.	33Ω, 1/16W	ERJ3GSKJ330V
RS921		nsp	NN05330610	CHIP RES.	33Ω, 1/16W	ERJ3GSKJ330V
RS923		nsp	NN05101610	CHIP RES.	100Ω, 1/16W	ERJ3GSKJ101V
RS924		nsp	NN05101610	CHIP RES.	100Ω, 1/16W	ERJ3GSKJ101V
RS925		nsp	NN05100610	CHIP RES.	10Ω, 1/16W	ERJ3GSKJ100V
RS927		nsp	NN05101610	CHIP RES.	100Ω, 1/16W	ERJ3GSKJ101V
RS928		nsp	NN05101610	CHIP RES.	100Ω, 1/16W	ERJ3GSKJ101V
RS930		nsp	NN05101610	CHIP RES.	100Ω, 1/16W	ERJ3GSKJ101V
RS931		nsp	NN05101610	CHIP RES.	100Ω, 1/16W	ERJ3GSKJ101V
RS932		nsp	NN05101610	CHIP RES.	100Ω, 1/16W	ERJ3GSKJ101V
RS933	/A/N	nsp	NN05000610	CHIP RES.	0Ω, 1/16W	ERJ3GSKJ000V
RS934	/A/N	nsp	NN05000610	CHIP RES.	0Ω, 1/16W	ERJ3GSKJ000V
RS935		nsp	NN05101610	CHIP RES.	100Ω, 1/16W	ERJ3GSKJ101V
RS936		nsp	NN05101610	CHIP RES.	100Ω, 1/16W	ERJ3GSKJ101V
RS937		nsp	NN05101610	CHIP RES.	100Ω, 1/16W	ERJ3GSKJ101V
RS938		nsp	NN05101610	CHIP RES.	100Ω, 1/16W	ERJ3GSKJ101V
RS939		nsp	NN05000610	CHIP RES.	0Ω, 1/16W	ERJ3GSKJ000V
RS940		nsp	NN05000610	CHIP RES.	0Ω, 1/16W	ERJ3GSKJ000V
RS941		nsp	NN05000610	CHIP RES.	0Ω, 1/16W	ERJ3GSKJ000V
RS942		nsp	NN05101610	CHIP RES.	100Ω, 1/16W	ERJ3GSKJ101V
RS943		nsp	NN05101610	CHIP RES.	100Ω, 1/16W	ERJ3GSKJ101V
XRS201		*JX001040R	*JX001040R	X'TAL		VSXEN122883A20A5S

NOTE : "nsp" PART IS LISTED FOR REFERENCE ONLY, MARANTZ WILL NOT SUPPLY THESE PARTS.

POS. NO	VERS. COLOR	PART NO. (FOR EUR)	PART NO. (MUJ)	DESCRIPTION	
XRS202		*JX001050R	*JX001050R	X'TAL	VSXEN2005A20B5S
				FRONT PCB	
CF101		nsp	nsp	CERAMIC CAP. 50V, 100000pF, 2F4	ECKR1H104Z06F
CF102		nsp	nsp	CERAMIC CAP. 50V, 47pF, SL	ECCR1H470JY
CF103		nsp	nsp	CERAMIC CAP. 50V, 100000pF, 2F4	ECKR1H104Z06F
CF104		nsp	nsp	CERAMIC CAP. 50V, 1000pF, 2B4	ECKR1H102K06B
CF105		nsp	nsp	CERAMIC CAP. 50V, 100000pF, 2F4	ECKR1H104Z06F
CF106		nsp	nsp	CERAMIC CAP. 50V, 100000pF, 2F4	ECKR1H104Z06F
CF107		nsp	nsp	CERAMIC CAP. 50V, 100000pF, 2F4	ECKR1H104Z06F
CF108		nsp	nsp	CERAMIC CAP. 50V, 100000pF, 2F4	ECKR1H104Z06F
CF109		nsp	nsp	CERAMIC CAP. 50V, 100000pF, 2F4	ECKR1H104Z06F
CF110		nsp	OA10605020	ELECT. CAP 50V, 10µF	ECEA1HAE100MB
CF111		nsp	nsp	CERAMIC CAP. 50V, 100000pF, 2F4	ECKR1H104Z06F
CF112		nsp	nsp	CERAMIC CAP. 50V, 100000pF, 2F4	ECKR1H104Z06F
CF113		nsp	nsp	CERAMIC CAP. 50V, 100000pF, 2F4	ECKR1H104Z06F
CF114		nsp	OA10602550	ELECT. CAP 16V, 10µF	ECEA1CAE100MB
CF115		nsp	nsp	CERAMIC CAP. 50V, 100000pF, 2F4	ECKR1H104Z06F
CF116		nsp	OA10701620	ELECT. CAP 16V, 100µF	ECEA1CAE101MB
CF117		nsp	nsp	CERAMIC CAP. 50V, 100000pF, 2F4	ECKR1H104Z06F
CF118		nsp	nsp	CERAMIC CAP. 50V, 100000pF, 2F4	ECKR1H104Z06F
CF119		nsp	nsp	CERAMIC CAP. 50V, 100000pF, 2F4	ECKR1H104Z06F
CF120		nsp	nsp	CERAMIC CAP. 50V, 10000pF, 2F4	ECKR1H103Z08F
CF121		nsp	nsp	CERAMIC CAP. 50V, 10000pF, 2F4	ECKR1H103Z08F
CF122		nsp	OA47601640	ELECT. CAP 16V, 47µF	ECEA1CAE470MB
CF123		nsp	nsp	CERAMIC CAP. 50V, 100000pF, 2F4	ECKR1H104Z06F
CF124		nsp	nsp	CERAMIC CAP. 50V, 100000pF, 2F4	ECKR1H104Z06F
CF125		nsp	nsp	CERAMIC CAP. 50V, 100000pF, 2F4	ECKR1H104Z06F
CF126		nsp	nsp	CERAMIC CAP. 50V, 10000pF, 2F4	ECKR1H103Z08F
CF127		nsp	nsp	CERAMIC CAP. 50V, 10000pF, 2F4	ECKR1H103Z08F
CF128		nsp	nsp	CERAMIC CAP. 50V, 100000pF, 2F4	ECKR1H104Z06F
CF129		nsp	nsp	CERAMIC CAP. 50V, 100000pF, 2F4	ECKR1H104Z06F
CF130		nsp	nsp	CERAMIC CAP. 50V, 100000pF, 2F4	ECKR1H104Z06F
CF131		nsp	nsp	CERAMIC CAP. 50V, 100000pF, 2F4	ECKR1H104Z06F
CF132		nsp	nsp	CERAMIC CAP. 50V, 100000pF, 2F4	ECKR1H104Z06F
CF133		nsp	nsp	CERAMIC CAP. 50V, 100000pF, 2F4	ECKR1H104Z06F
CF134		nsp	nsp	CERAMIC CAP. 50V, 100000pF, 2F4	ECKR1H104Z06F
ICF101		*HC108190R	*HC108190R	IC LQFP	OICPT6302001
IRF101		*HW100660R	*HW100660R	IR SENSOR	RPMPIC12042
JFF101		nsp	nsp	CONNECTOR 7pin, 2.5mm, UL	VJS07XH01E
JFF102		nsp	nsp	FFC CONNECTOR 15pin, 1.25mm	VJS15FC11
JFF103		nsp	nsp	CONNECTOR 4pin, 2.0mm, UL	VJS04PH01E
JFF104		nsp	nsp	CONNECTOR 4pin, 2.0mm, UL	VJS04PH01E
JPF101					
JPF164		nsp	nsp	JUMPER WIRE	JPL0000
QF101		BA10007210	BA10007210	TRANSISTOR	OTRDTA114ES
QF102		BA10007210	BA10007210	TRANSISTOR	OTRDTA114ES
QF103		HT317401L0	HT317401L0	TRANSISTOR	OTR2SC1740S
QF104		BA10012210	BA10012210	TRANSISTOR	OTRDTC144ESA
RF101		nsp	nsp	RES. 3.3kΩ, 1/6W	ERD16TJ332T
RF102		nsp	nsp	RES. 100Ω, 1/6W	ERD16TJ101T
RF103		nsp	nsp	RES. 8.2kΩ, 1/6W	ERD16TJ822T
RF104		nsp	nsp	RES. 3.9kΩ, 1/6W	ERD16TJ392T
RF105		nsp	nsp	RES. 1.8kΩ, 1/6W	ERD16TJ182T
RF106		nsp	nsp	RES. 1kΩ, 1/6W	ERD16TJ102T
RF108		nsp	nsp	RES. 3.9kΩ, 1/6W	ERD16TJ392T
RF109		nsp	nsp	RES. 1.2kΩ, 1/6W	ERD16TJ122T
RF110		nsp	nsp	RES. 1.8kΩ, 1/6W	ERD16TJ182T

NOTE : *nsp* PART IS LISTED FOR REFERENCE ONLY, MARANTZ WILL NOT SUPPLY THESE PARTS.

POS. NO	VERS. COLOR	PART NO. (FOR EUR)	PART NO. (MJI)	DESCRIPTION		
RF111		nsp	nsp	RES.	1.2kΩ, 1/6W	ERD16TJ122T
RF112		nsp	nsp	RES.	1kΩ, 1/6W	ERD16TJ102T
RF113		nsp	nsp	RES.	8.2kΩ, 1/6W	ERD16TJ822T
RF114		nsp	nsp	RES.	3.9kΩ, 1/6W	ERD16TJ392T
RF115		nsp	nsp	RES.	1.8kΩ, 1/6W	ERD16TJ182T
RF116		nsp	nsp	RES.	1.2kΩ, 1/6W	ERD16TJ122T
RF117		nsp	nsp	RES.	1kΩ, 1/6W	ERD16TJ102T
RF118		nsp	nsp	RES.	8.2kΩ, 1/6W	ERD16TJ822T
RF119		nsp	nsp	RES.	3.9kΩ, 1/6W	ERD16TJ392T
RF120		nsp	nsp	RES.	1.8kΩ, 1/6W	ERD16TJ182T
RF121		nsp	nsp	RES.	1.2kΩ, 1/6W	ERD16TJ122T
RF122		nsp	nsp	RES.	1kΩ, 1/6W	ERD16TJ102T
RF123		nsp	nsp	RES.	330Ω, 1/6W	ERD16TJ331T
RF124		nsp	nsp	RES.	330Ω, 1/6W	ERD16TJ331T
RF125		nsp	nsp	RES.	10kΩ, 1/6W	ERD16TJ103T
RF126		nsp	nsp	RES.	10kΩ, 1/6W	ERD16TJ103T
RF127		nsp	nsp	RES.	10kΩ, 1/6W	ERD16TJ103T
RF128		nsp	nsp	RES.	10kΩ, 1/6W	ERD16TJ103T
RF129		nsp	nsp	RES.	10kΩ, 1/6W	ERD16TJ103T
RF130		nsp	nsp	RES.	2.2kΩ, 1/6W	ERD16TJ222T
SWF101						
	}	*SP001200R	*SP001200R	SWITCH	4PIN TACT SWITCH	EVQ21505K
SWF111						
SWF114						
	}	*SP001200R	*SP001200R	SWITCH	4PIN TACT SWITCH	EVQ21505K
SWF122						
SWF123		*SR000220R	*SR000220R	ENCODER		EVAR1612E25FB124P
VFF101		*HQ300580R	*HQ300580R	FL DISPLAY		VSLVFD291403FS
				H/P OUT PCB		
CH01		nsp	nsp	CERAMIC CAP.	50V, 100000pF, 2F4	ECKR1H104Z06F
CH02		nsp	nsp	CERAMIC CAP.	50V, 100000pF, 2F4	ECKR1H104Z06F
CH03		nsp	nsp	CERAMIC CAP.	50V, 100000pF, 2F4	ECKR1H104Z06F
GND		nsp	nsp	TERMINAL	L=110mm	VJR11004K01E
JH01		nsp	nsp	CONNECTOR	4pin, 2.0mm, UL	VJS04PH01E
MIC1		*YJ002650R	*YJ002650R	CONNECTOR	L=9 HEADPHONE JACK	VJJ02905
				MAIN PCB		
A		nsp	nsp	FUSE CRIP		VJFHF004N
AN01		nsp	nsp	TERMINAL		FKV7.725.014
AN02		nsp	nsp	TERMINAL		FKV7.725.014
AN03		nsp	nsp	TERMINAL		FKV7.725.014
B		nsp	nsp	FUSE CRIP		VJFHF004N
C		nsp	nsp	FUSE CRIP		VJFHF004N
CN101		nsp	nsp	CERAMIC CAP.	50V, 100000pF, 2F4	ECKR1H104Z06F
CN102		nsp	OA10701620	ELECT. CAP	16V, 100μF	ECEA1CAE101MB
CN103		nsp	nsp	CERAMIC CAP.	50V, 100000pF, 2F4	ECKR1H104Z06F
CN104		nsp	nsp	CERAMIC CAP.	50V, 100000pF, 2F4	ECKR1H104Z06F
CN105		nsp	OA10701620	ELECT. CAP	16V, 100μF	ECEA1CAE101MB
CN106		nsp	nsp	CERAMIC CAP.	50V, 100000pF, 2F4	ECKR1H104Z06F
CN107		nsp	nsp	CERAMIC CAP.	50V, 100000pF, 2F4	ECKR1H104Z06F
CN201		nsp	nsp	CERAMIC CAP.	50V, 100000pF, 2F4	ECKR1H104Z06F
CN202		nsp	OA47601640	ELECT. CAP	16V, 47μF	ECEA1CAE470MB
CN203		nsp	nsp	CERAMIC CAP.	50V, 100000pF, 2F4	ECKR1H104Z06F
CN204		nsp	OA47601640	ELECT. CAP	16V, 47μF	ECEA1CAE470MB
CN205		nsp	nsp	CERAMIC CAP.	50V, 100000pF, 2F4	ECKR1H104Z06F
CN206		nsp	nsp	CERAMIC CAP.	50V, 100000pF, 2F4	ECKR1H104Z06F
CN207		nsp	nsp	CERAMIC CAP.	50V, 100000pF, 2F4	ECKR1H104Z06F
CN208		nsp	OA47601640	ELECT. CAP	16V, 47μF	ECEA1CAE470MB


NOTE : "nsp" PART IS LISTED FOR REFERENCE ONLY, MARANTZ WILL NOT SUPPLY THESE PARTS.

POS. NO	VERS. COLOR	PART NO. (FOR EUR)	PART NO. (MJ)	DESCRIPTION		
CN209		nsp	nsp	CERAMIC CAP.	50V, 100pF±5%, SL	ECCR1H101JY
CN210		nsp	nsp	CERAMIC CAP.	50V, 100000pF, 2F4	ECCR1H104Z06F
CN211		nsp	nsp	CERAMIC CAP.	50V, 100000pF, 2F4	ECCR1H104Z06F
CN212		nsp	nsp	CERAMIC CAP.	50V, 22pF, SL	ECCR1H220JY
CN213		nsp	nsp	CERAMIC CAP.	50V, 22pF, SL	ECCR1H220JY
CN214		nsp	nsp	CERAMIC CAP.	50V, 22pF, SL	ECCR1H220JY
CN301		nsp	nsp	CERAMIC CAP.	50V, 10000pF, 2F4	ECCR1H103Z08F
CN302		nsp	nsp	CERAMIC CAP.	50V, 10000pF, 2F4	ECCR1H103Z08F
CN303		nsp	OA10701620	ELECT. CAP	16V, 100µF	ECEA1CAE101MB
CN304		nsp	OA10701620	ELECT. CAP	16V, 100µF	ECEA1CAE101MB
CN305		nsp	nsp	CERAMIC CAP.	50V, 10000pF, 2F4	ECCR1H103Z08F
CN306		nsp	nsp	CERAMIC CAP.	50V, 10000pF, 2F4	ECCR1H103Z08F
CN307		nsp	OA10701620	ELECT. CAP	16V, 100µF	ECEA1CAE101MB
CN308		nsp	OA47801620	ELECT. CAP	16V, 4700UF	ECEQ1CHJ472MS
CN309		nsp	OA22801620	ELECT. CAP	16V, 2200µF	ECEA1CFJ222MP
CN310		nsp	nsp	CERAMIC CAP.	50V, 10000pF, 2F4	ECCR1H103Z08F
CN311		nsp	nsp	CERAMIC CAP.	50V, 10000pF, 2F4	ECCR1H103Z08F
CN312		nsp	OA10701620	ELECT. CAP	16V, 100µF	ECEA1CAE101MB
CN313		nsp	nsp	CERAMIC CAP.	50V, 10000pF, 2F4	ECCR1H103Z08F
CN314		nsp	nsp	CERAMIC CAP.	50V, 10000pF, 2F4	ECCR1H103Z08F
CN315		nsp	OA10701620	ELECT. CAP	16V, 100µF	ECEA1CAE101MB
CN316		nsp	nsp	CERAMIC CAP.	50V, 10000pF, 2F4	ECCR1H103Z08F
CN317		nsp	nsp	CERAMIC CAP.	50V, 10000pF, 2F4	ECCR1H103Z08F
CN318		nsp	OA10701620	ELECT. CAP	16V, 100µF	ECEA1CAE101MB
CN401		nsp	nsp	FILM. CAP	100V, 0.010µF	ECQQ2A103JZ
CN402		nsp	nsp	FILM. CAP	100V, 0.010µF	ECQQ2A103JZ
CN404		*EX000140R	*EX000140R	ELECT. CAP	63V, 15000UF	ECEC1JNV153MR
CN405		*EX000140R	*EX000140R	ELECT. CAP	63V, 15000UF	ECEC1JNV153MR
CN406		nsp	OA47605020	ELECT. CAP	47µF, 50V	ECEA1HQE470MB
CN407		nsp	nsp	CERAMIC CAP.	50V, 1000pF, 2B4	ECCR1H102K06B
CN410		nsp	OA10803520	ELECT. CAP	1000µF, 35V	ECEQ1VFJ102MP
CN411		nsp	nsp	CERAMIC CAP.	50V, 100000pF, 2F4	ECCR1H104Z06F
CN412		nsp	nsp	CERAMIC CAP.	50V, 100000pF, 2F4	ECCR1H104Z06F
CN413		nsp	OA10702520	ELECT. CAP	100µF, 25V	ECEA1EQE101MB
CN414		nsp	OA10803520	ELECT. CAP	1000µF, 35V	ECEQ1VFJ102MP
CN415		nsp	nsp	CERAMIC CAP.	50V, 100000pF, 2F4	ECCR1H104Z06F
CN416		nsp	nsp	CERAMIC CAP.	50V, 100000pF, 2F4	ECCR1H104Z06F
CN417		nsp	OA10702520	ELECT. CAP	100µF, 25V	ECEA1EQE101MB
CN418		nsp	nsp	CERAMIC CAP.	50V, 100000pF, 2F4	ECCR1H104Z06F
CN501		*OF100310R	*OF100310R	FILM. CAP	63V, 0.10µF	ECQQ1J104JZ
CN504		*OF100310R	*OF100310R	FILM. CAP	63V, 0.10µF	ECQQ1J104JZ
CN510		*OF100310R	*OF100310R	FILM. CAP	63V, 0.10µF	ECQQ1J104JZ
CN601		nsp	nsp	CERAMIC CAP.	50V, 1000pF, 2B4	ECCR1H102K06B
CN603		nsp	nsp	CERAMIC CAP.	50V, 100000pF, 2F4	ECCR1H104Z06F
CN605		nsp	nsp	CERAMIC CAP.	50V, 10000pF, 2F4	ECCR1H103Z08F
CN606		nsp	OA47405020	ELECT. CAP	50V, 0.47µF	ECEA1HAER47MB
CN607		nsp	OA22705020	ELECT. CAP	50V, 220µF	ECEA1HDH221MP
CN608		nsp	nsp	CERAMIC CAP.	50V, 10000pF, 2F4	ECCR1H103Z08F
CN609		nsp	OA47405020	ELECT. CAP	50V, 0.47µF	ECEA1HAER47MB
CN610		nsp	nsp	CERAMIC CAP.	50V, 1000pF, 2B4	ECCR1H102K06B
CN611		nsp	nsp	CERAMIC CAP.	50V, 1000pF, 2B4	ECCR1H102K06B
CN701		nsp	OA22705020	ELECT. CAP	50V, 220µF	ECEA1HDH221MP
CN801		nsp	OA10605020	ELECT. CAP	50V, 10µF	ECEA1HAE100MB
D		nsp	nsp	FUSE CRIP		VJFHF004N
DN101		nsp	*HD201710R	DIODE		ODI1N4148
DN201		nsp	*HD201710R	DIODE		ODI1N4148
DN202		nsp	*HD201710R	DIODE		ODI1N4148
DN203		nsp	*HD201710R	DIODE		ODI1N4148
DN204		nsp	*HD201710R	DIODE		ODI1N4148

NOTE : *nsp* PART IS LISTED FOR REFERENCE ONLY, MARANTZ WILL NOT SUPPLY THESE PARTS.

POS. NO	VERS. COLOR	PART NO. (FOR EUR)	PART NO. (MJI)	DESCRIPTION	
▲	DN301	*HD201700R	*HD201700R	DIODE	ODI1N4002
▲	DN302	*HD201700R	*HD201700R	DIODE	ODI1N4002
▲	DN303	*HD201700R	*HD201700R	DIODE	ODI1N4002
▲	DN304	*HD201700R	*HD201700R	DIODE	ODI1N4002
	DN305	*HD302110R	*HD302110R	ZENER DIODE	ODIMTZJ3R0BT77
	DN306	nsp	*HD201710R	DIODE	ODI1N4148
	DN307	nsp	*HD201710R	DIODE	ODI1N4148
	DN308	nsp	*HD201710R	DIODE	ODI1N4148
	DN309	nsp	*HD201710R	DIODE	ODI1N4148
	DN310	nsp	*HD201710R	DIODE	ODI1N4148
▲	DN401	*HE200320R	*HE200320R	DIODE	ZLQRS604
▲	DN402	*HE200320R	*HE200320R	DIODE	ZLQRS604
▲	DN404	*HD201690R	*HD201690R	DIODE	ODI1N4001
▲	DN405	*HD201690R	*HD201690R	DIODE	ODI1N4001
▲	DN406	*HD201690R	*HD201690R	DIODE	ODI1N4001
▲	DN407	*HD201690R	*HD201690R	DIODE	ODI1N4001
	DN410	nsp	*HD201710R	DIODE	ODI1N4148
	DN411	nsp	*HD201710R	DIODE	ODI1N4148
	DN501	nsp	*HD201690R	DIODE	ODI1N4001
	DN503	nsp	*HD201690R	DIODE	ODI1N4001
	DN504	nsp	*HD201690R	DIODE	ODI1N4001
▲	DN701	*HD201700R	*HD201700R	DIODE	ODI1N4002
	DN702	*HD302100R	*HD302100R	ZENER DIODE	ODIMTZJ30AT77
	DN704	*HD302120R	*HD302120R	ZENER DIODE	ODIMTZJ75AT77
	DN801	nsp	*HD201710R	DIODE	ODI1N4148
	DN802	nsp	*HD201710R	DIODE	ODI1N4148
	E	nsp	nsp	FUSE CRIP	VJFHF004N
	F	nsp	nsp	FUSE CRIP	VJFHF004N
▲	FN301	*FS000970R	*FS000970R	FUSE 250V, 1.6A, 21mm, SB	VSF1R625001D
▲	FN302	*FS000970R	*FS000970R	FUSE 250V, 1.6A, 21mm, SB	VSF1R625001D
▲	FN403	*FS000970R	*FS000970R	FUSE 250V, 1.6A, 21mm, SB	VSF1R625001D
▲	FN404	*FS000970R	*FS000970R	FUSE 250V, 1.6A, 21mm, SB	VSF1R625001D
	G	nsp	nsp	FUSE CRIP	VJFHF004N
	H	nsp	nsp	FUSE CRIP	VJFHF004N
▲	ICN101	*HC300470R	*HC300470R	IC	OICPJ1117CZ3R3V
	ICN201	*HC700510R	*HC700510R	IC	OICTC74HCU04AP
▲	ICN301	*HC300470R	*HC300470R	IC	OICPJ1117CZ3R3V
▲	ICN302	HC3890509F	HC3890509F	IC	OICNJM7805FA
▲	ICN303	HC3890509F	HC3890509F	IC	OICNJM7805FA
▲	ICN304	HC3990509F	HC3990509F	IC	OICNJM7905FA
▲	ICN401	HC3891509F	HC3891509F	IC	OICNJM7815FA
▲	ICN402	HC3991509F	HC3991509F	IC	OICNJM7915FA
	ICN601	HC10042050	HC10042050	IC SIP	OICTA7317P
	JFN101	nsp	nsp	FFC CONNECTOR 16pin, 1.25mm	VJS16FC01
	JFN102	nsp	nsp	CONNECTOR 5pin, 2.5mm, UL	VJS05XH01E
	JFN301	nsp	nsp	CONNECTOR 6pin, 2.5mm, UL	VJS06XH01E
	JFN401	nsp	nsp	CONNECTOR 3pin, 8.0mm, UL	VJS03TH01E
	JFN507	nsp	nsp	CONNECTOR 3pin, 2.0mm	VJS03PH01E
	JFN508	nsp	nsp	CONNECTOR 10pin, 2.5mm, UL	VJS10XH01E
	JFN509	nsp	nsp	CONNECTOR 4pin, 3.96mm, UL	VJS04VH01E
	JFN510	nsp	nsp	CONNECTOR 3pin, 4.0mm, UL	VJS03VH01E
	JFN511	nsp	nsp	CONNECTOR 3pin, 4.0mm, UL	VJS03VH01E
	JFN512	nsp	nsp	CONNECTOR 2pin, 2.0mm, UL	VJS02PH01E
	JFN601	nsp	nsp	CONNECTOR 4pin, 2.0mm, UL	VJS04PH01E
	JFN701	nsp	nsp	CONNECTOR 4pin, 2.5mmUL	VJS04XH01E
	JFN702	nsp	nsp	CONNECTOR 7pin, 2.5mm, UL	VJS07XH01E
	JN101	nsp	nsp	JUMPER WIRE	JPL0000
	JN102	nsp	nsp	JUMPER WIRE	JPL0000
	JN104	nsp	nsp	JUMPER WIRE	JPL0000

NOTE : "nsp" PART IS LISTED FOR REFERENCE ONLY, MARANTZ WILL NOT SUPPLY THESE PARTS.

POS. NO	VERS. COLOR	PART NO. (FOR EUR)	PART NO. (MJI)	DESCRIPTION	
JN107		nsp	nsp	JUMPER WIRE	JPL0000
JN108		nsp	nsp	JUMPER WIRE	JPL0000
JN109		nsp	nsp	JUMPER WIRE	JPL0000
JN110		nsp	nsp	JUMPER WIRE	JPL0000
JN111		nsp	nsp	JUMPER WIRE	JPL0000
JN112		nsp	nsp	JUMPER WIRE	JPL0000
JN113		nsp	nsp	JUMPER WIRE	JPL0000
JN115					
} JN135		nsp	nsp	JUMPER WIRE	JPL0000
JN138					
} JN150		nsp	nsp	JUMPER WIRE	JPL0000
JN152		nsp	nsp	JUMPER WIRE	JPL0000
JN153		nsp	nsp	JUMPER WIRE	JPL0000
JN154		nsp	nsp	JUMPER WIRE	JPL0000
JN155		nsp	nsp	JUMPER WIRE	JPL0000
JN156		nsp	nsp	JUMPER WIRE	JPL0000
JN157		nsp	nsp	JUMPER WIRE	JPL0000
JN158		nsp	nsp	JUMPER WIRE	JPL0000
JN159		nsp	nsp	JUMPER WIRE	JPL0000
JN160		nsp	nsp	JUMPER WIRE	JPL0000
JN163		nsp	nsp	JUMPER WIRE	JPL0000
JN165		nsp	nsp	JUMPER WIRE	JPL0000
JN166		nsp	nsp	JUMPER WIRE	JPL0000
JN167		nsp	nsp	JUMPER WIRE	JPL0000
JN171		nsp	nsp	JUMPER WIRE	JPL0000
JN172		nsp	nsp	JUMPER WIRE	JPL0000
JN178		nsp	nsp	JUMPER WIRE	JPL0000
JN179		nsp	nsp	JUMPER WIRE	JPL0000
JN180		nsp	nsp	JUMPER WIRE	JPL0000
JN181		nsp	nsp	JUMPER WIRE	JPL0000
JN182		nsp	nsp	JUMPER WIRE	JPL0000
JN184		nsp	nsp	JUMPER WIRE	JPL0000
JN185		nsp	nsp	JUMPER WIRE	JPL0000
JN186		nsp	nsp	JUMPER WIRE	JPL0000
JN187		nsp	nsp	JUMPER WIRE	JPL0000
JN189		nsp	nsp	JUMPER WIRE	JPL0000
JN190		nsp	nsp	JUMPER WIRE	JPL0000
JN191		nsp	nsp	JUMPER WIRE	JPL0000
JN192		nsp	nsp	JUMPER WIRE	JPL0000
JN501		*YT003000R	*YT003000R	TERMINAL 4pin	VJJ05401
JN502		*YT003000R	*YT003000R	TERMINAL 4pin	VJJ05401
JN504		*YT003000R	*YT003000R	TERMINAL 4pin	VJJ05401
JRN101		*YT002850R	*YT002850R	TERMINAL 2 CINCH	VJJ01208
JRN201		*YJ002660R	*YJ002660R	OPT. CONNECTOR	OPTROC0802
JRN202		*YJ002660R	*YJ002660R	OPT. CONNECTOR	OPTROC0802
JRN203		*YT002870R	*YT002870R	TERMINAL 3 CINCH	VJJ01319
JRN204		YJ15000110	YJ15000110	OPT. CONNECTOR	OPTTTOTX178
LN701		nsp	*LC107300R	INDUCTOR 10UH	ELEPS100K01
LN702		nsp	*LC107300R	INDUCTOR 10UH	ELEPS100K01
LN703		nsp	*LC107300R	INDUCTOR 10UH	ELEPS100K01
 QN301		*HX300080R	*HX300080R	TRANSISTOR	OTR2SC5248E
QN401		*HT800020R	*HT800020R	TRANSISTOR	OTR9014C
QN402		*HT800020R	*HT800020R	TRANSISTOR	OTR9014C
QN403		*HT800020R	*HT800020R	TRANSISTOR	OTR9015C
QN601		*HT800020R	*HT800020R	TRANSISTOR	OTR9014C
QN606		BA20001000	BA20001000	TRANSISTOR	OTRDTC114ESA
QN607		BA20001000	BA20001000	TRANSISTOR	OTRDTC114ESA

NOTE : *nsp* PART IS LISTED FOR REFERENCE ONLY, MARANTZ WILL NOT SUPPLY THESE PARTS.

POS. NO	VERS. COLOR	PART NO. (FOR EUR)	PART NO. (MJI)	DESCRIPTION	
QN608		*HT800020R	*HT800020R	TRANSISTOR	OTR9014C
QN609		*HT800020R	*HT800020R	TRANSISTOR	OTR9014C
QN701		*HT800030R	*HT800030R	TRANSISTOR	OTRKTA1024Y
QN801		*HT100670R	*HT100670R	TRANSISTOR	OTR2SC2389RS
QN802		*HT100650R	*HT100650R	TRANSISTOR	OTR2SA1038RS
QN803		*HT100650R	*HT100650R	TRANSISTOR	OTR2SA1038RS
QN804		*HT100650R	*HT100650R	TRANSISTOR	OTR2SA1038RS
REN501		*LY000320R	*LY000320R	RELAY	VSJZC42F0242HS
REN503		*LY000320R	*LY000320R	RELAY	VSJZC42F0242HS
REN504		*LY000320R	*LY000320R	RELAY	VSJZC42F0242HS
RN101		nsp	nsp	RES.	220Ω, 1/6W ERD16TJ221T
RN102		nsp	nsp	RES.	47Ω, 1/6W ERD16TJ470T
RN103		nsp	nsp	RES.	47kΩ, 1/6W ERD16TJ473T
RN201		nsp	nsp	RES.	10kΩ, 1/6W ERD16TJ103T
RN202		nsp	nsp	RES.	10kΩ, 1/6W ERD16TJ103T
RN203		nsp	nsp	RES.	75Ω, 1/6W ERD16TJ750T
RN204		nsp	nsp	RES.	75Ω, 1/6W ERD16TJ750T
RN205		nsp	nsp	RES.	75Ω, 1/6W ERD16TJ750T
RN206		nsp	nsp	RES.	1kΩ, 1/6W ERD16TJ102T
RN207		nsp	nsp	RES.	1kΩ, 1/6W ERD16TJ102T
RN208		nsp	nsp	RES.	1Ω, 1/6w ERD16TJ010T
RN209		nsp	nsp	RES.	100kΩ, 1/6W ERD16TJ104T
RN210		nsp	nsp	RES.	4.7kΩ, 1/6W ERD16TJ472T
RN211		nsp	nsp	RES.	100kΩ, 1/6W ERD16TJ104T
RN212		nsp	nsp	RES.	4.7kΩ, 1/6W ERD16TJ472T
RN213		nsp	nsp	RES.	27Ω, 1/6W ERD16TJ270T
RN214		nsp	nsp	RES.	4.7kΩ, 1/6W ERD16TJ472T
RN217		nsp	nsp	RES.	1Ω, 1/6w ERD16TJ010T
RN218		nsp	nsp	RES.	1Ω, 1/6w ERD16TJ010T
RN219		nsp	nsp	RES.	1Ω, 1/6w ERD16TJ010T
RN301		nsp	nsp	RES.	220Ω, 1/2W ERD12TJ221V
RN402		nsp	nsp	RES.	15kΩ, 1/6W ERD16TJ153T
RN403		nsp	nsp	RES.	15kΩ, 1/6W ERD16TJ153T
RN404		nsp	nsp	RES.	15kΩ, 1/6W ERD16TJ153T
RN405		nsp	nsp	RES.	15kΩ, 1/6W ERD16TJ153T
RN406		nsp	nsp	RES.	10kΩ, 1/6W ERD16TJ103T
RN407		nsp	nsp	RES.	33kΩ, 1/6W ERD16TJ333T
RN408		nsp	nsp	RES.	100kΩ, 1/6W ERD16TJ104T
RN415		nsp	nsp	RES.	22kΩ, 1/6W ERD16TJ223T
RN416		nsp	nsp	RES.	22kΩ, 1/6W ERD16TJ223T
RN417		nsp	nsp	RES.	10kΩ, 1/6W ERD16TJ103T
RN501		nsp	nsp	RES.	100Ω, 1/6W ERD16TJ101T
RN503		nsp	nsp	RES.	100Ω, 1/6W ERD16TJ101T
RN504		nsp	nsp	RES.	100Ω, 1/6W ERD16TJ101T
RN601		nsp	nsp	METAL FILM RES.	330Ω, 3W ERYC03J331B
RN602		nsp	nsp	METAL FILM RES.	330Ω, 3W ERYC03J331B
RN603		nsp	nsp	RES.	4.7kΩ, 1/6W ERD16TJ472T
RN611		nsp	nsp	RES.	51kΩ, 1/6W ERD16TJ513T
RN612		nsp	nsp	RES.	100kΩ, 1/6W ERD16TJ104T
RN613		nsp	nsp	RES.	100kΩ, 1/6W ERD16TJ104T
RN614		nsp	nsp	RES.	15kΩ, 1/6W ERD16TJ153T
RN615		nsp	nsp	RES.	30kΩ, 1/6W ERD16TJ303T
RN616		nsp	nsp	RES.	33kΩ, 1/6W ERD16TJ333T
RN617		nsp	nsp	RES.	56kΩ, 1/6W ERD16TJ563T
RN618		nsp	nsp	RES.	1kΩ, 1/6W ERD16TJ102T
RN619		nsp	nsp	RES.	33kΩ, 1/6W ERD16TJ333T
RN620		nsp	nsp	RES.	10kΩ, 1/6W ERD16TJ103T
RN621		nsp	nsp	RES.	10kΩ, 1/6W ERD16TJ103T
RN622		nsp	nsp	RES.	10kΩ, 1/6W ERD16TJ103T

NOTE : "nsp" PART IS LISTED FOR REFERENCE ONLY, MARANTZ WILL NOT SUPPLY THESE PARTS.

POS. NO	VERS. COLOR	PART NO. (FOR EUR)	PART NO. (MJ)	DESCRIPTION		
RN623		nsp	nsp	RES.	10kΩ, 1/6W	ERD16TJ103T
RN604		nsp	nsp	RES.	10kΩ, 1/6W	ERD16TJ103T
RN701		nsp	nsp	METAL FILM RES.	0.51Ω, 1W	ERYC01JR51B
RN702		nsp	nsp	RES.	47Ω, 1/2W	ERD12TJ470V
RN703		nsp	nsp	RES.	1.8kΩ, 1/6W	ERD16TJ182T
RN801		nsp	nsp	RES.	7.5kΩ, 1/6W	ERD16TJ752T
RN802		nsp	nsp	RES.	7.5kΩ, 1/6W	ERD16TJ752T
RN803		nsp	nsp	RES.	2.7kΩ, 1/6W	ERD16TJ272T
RN804		nsp	nsp	RES.	2.7kΩ, 1/6W	ERD16TJ272T
RN805		nsp	nsp	JUMPER WIRE		JPL0000
RN806		nsp	nsp	RES.	2.7kΩ, 1/6W	ERD16TJ272T
RN807		nsp	nsp	RES.	1kΩ, 1/6W	ERD16TJ102T
RN808		nsp	nsp	RES.	390Ω, 1/6W	ERD16TJ391T
RN809		nsp	nsp	RES.	22kΩ, 1/6W	ERD16TJ223T
RN810		nsp	nsp	RES.	0.1 Ω, 5W	ERBGR10J05
RN811		nsp	nsp	RES.	0.1 Ω, 5W	ERBGR10J05
RN812		nsp	nsp	RES.	560kΩ, 1/6W	ERD16TJ564T
TRN201		*TP000060R	*TP000060R	PLUS TRANSF	4203, 6	EIS6AL158AO
POWER SW 1 PCB (/A/K/N VERSION)						
▲	CP1/A/K/N	*DK100760R	*DK100760R	CERAMIC CAP.	471PF, 250VAC, X1Y1, P=10	ECDD471BKCHF
	JP1/A/K/N	nsp	nsp	CONNECTOR	2pin, 8mm, UL	VJS02TH01E
▲	SP1/A/K/N	*SP001190R	*SP001190R	SWITCH	8A, 250VAC, PUSH SWITCH	ESBPS4EB07201
POWER SW 2 PCB (/U VERSION)						
▲	SP1/U	*SP001200R	*SP001200R	SWITCH	4PIN TACT SWITCH	EVQ21505K
6.1/PRE OUT PCB						
CK101		nsp	nsp	CERAMIC CAP.	50V, 220pF, CC1	ECCR1H221JCH
CK102		nsp	nsp	CERAMIC CAP.	50V, 220pF, CC1	ECCR1H221JCH
CK103		nsp	nsp	CERAMIC CAP.	50V, 220pF, CC1	ECCR1H221JCH
CK104		nsp	nsp	CERAMIC CAP.	50V, 220pF, CC1	ECCR1H221JCH
CK106		nsp	nsp	CERAMIC CAP.	50V, 220pF, CC1	ECCR1H221JCH
CK107		nsp	nsp	CERAMIC CAP.	50V, 220pF, CC1	ECCR1H221JCH
CK108		nsp	nsp	CERAMIC CAP.	50V, 220pF, CC1	ECCR1H221JCH
CK109		nsp	nsp	CERAMIC CAP.	50V, 100000pF, 2F4	ECKR1H104Z06F
CK201		nsp	OA10605020	ELECT. CAP	50V, 10μF	ECEA1HAE100MB
CK202		nsp	nsp	CERAMIC CAP.	50V, 220pF, CC1	ECCR1H221JCH
CK203		nsp	nsp	CERAMIC CAP.	50V, 220pF, CC1	ECCR1H221JCH
CK204		nsp	OA10605020	ELECT. CAP	50V, 10μF	ECEA1HAE100MB
CK205		nsp	OA10605020	ELECT. CAP	50V, 10μF	ECEA1HAE100MB
CK206		nsp	nsp	CERAMIC CAP.	50V, 220pF, CC1	ECCR1H221JCH
CK207		nsp	nsp	CERAMIC CAP.	50V, 220pF, CC1	ECCR1H221JCH
CK208		nsp	OA10605020	ELECT. CAP	50V, 10μF	ECEA1HAE100MB
CK209		nsp	OA10605020	ELECT. CAP	50V, 10μF	ECEA1HAE100MB
CK210		nsp	nsp	CERAMIC CAP.	50V, 220pF, CC1	ECCR1H221JCH
CK213		nsp	OA10605020	ELECT. CAP	50V, 10μF	ECEA1HAE100MB
CK214		nsp	nsp	CERAMIC CAP.	50V, 220pF, CC1	ECCR1H221JCH
CK215		nsp	nsp	CERAMIC CAP.	50V, 220pF, CC1	ECCR1H221JCH
CK216		nsp	OA10605020	ELECT. CAP	50V, 10μF	ECEA1HAE100MB
CK217		nsp	nsp	CERAMIC CAP.	50V, 100000pF, 2F4	ECKR1H104Z06F
CK218		nsp	nsp	CERAMIC CAP.	50V, 100000pF, 2F4	ECKR1H104Z06F
CK219		nsp	nsp	CERAMIC CAP.	50V, 100000pF, 2F4	ECKR1H104Z06F
CK220		nsp	nsp	CERAMIC CAP.	50V, 100000pF, 2F4	ECKR1H104Z06F
JFK01		nsp	nsp	CONNECTOR	9pin, 2.0mm, UL	VJS09PH01E
JFK02		nsp	nsp	CONNECTOR	11pin, 2.0mm, UL	VJS11PH01E
JK01		nsp	nsp	JUMPER WIRE		JPL0000
JRK01		*YT002910R	*YT002910R	TERMINAL	6 CINCH	VJJ01621
JRK03		*YT002890R	*YT002890R	TERMINAL	4 CINCH	VJJ01408

NOTE : *nsp* PART IS LISTED FOR REFERENCE ONLY, MARANTZ WILL NOT SUPPLY THESE PARTS.

POS. NO	VERS. COLOR	PART NO. (FOR EUR)	PART NO. (MJJ)	DESCRIPTION		
JRK04		*YT002890R	*YT002890R	TERMINAL	4 CINCH	VJJ01408
RK201		nsp	nsp	RES.	100Ω, 1/6W	ERD16TJ101T
RK202		nsp	nsp	RES.	100Ω, 1/6W	ERD16TJ101T
RK203		nsp	nsp	RES.	100Ω, 1/6W	ERD16TJ101T
RK204		nsp	nsp	RES.	100Ω, 1/6W	ERD16TJ101T
RK205		nsp	nsp	RES.	100Ω, 1/6W	ERD16TJ101T
RK207		nsp	nsp	RES.	100Ω, 1/6W	ERD16TJ101T
RK208		nsp	nsp	RES.	100Ω, 1/6W	ERD16TJ101T
RK209		nsp	nsp	RES.	47kΩ, 1/6W	ERD16TJ473T
RK210		nsp	nsp	RES.	47kΩ, 1/6W	ERD16TJ473T
STANDBY PCB						
A		nsp	nsp	FUSE CRIP		VJFHF004N
AW01		nsp	nsp	TERMINAL		FKV7.725.014
B		nsp	nsp	FUSE CRIP		VJFHF004N
CW101		nsp	nsp	CERAMIC CAP.	50V, 47000pF, 2F4	ECKR1H473Z06F
CW102		nsp	nsp	CERAMIC CAP.	50V, 47000pF, 2F4	ECKR1H473Z06F
CW103		nsp	nsp	CERAMIC CAP.	50V, 47000pF, 2F4	ECKR1H473Z06F
CW104		nsp	OA33505020	ELECT. CAP	3.3μF, 50V	ECEA1HAE3R3MB
CW106		nsp	OA22802520	ELECT. CAP	2200μF, 25V	ECEA1EHJ222MS
CW107		nsp	nsp	CERAMIC CAP.	50V, 100000pF, 2F4	ECKR1H104Z06F
CW108		nsp	nsp	CERAMIC CAP.	50V, 100000pF, 2F4	ECKR1H104Z06F
CW109		nsp	OA10701620	ELECT. CAP	16V, 100μF	ECEA1CAE101MB
▲ CW110		*DK100750R	*DK100750R	CERAMIC CAP.	103PF, 250VAC, X1Y2, P=10	ECDC103BMAGHF
CW111		nsp	nsp	CERAMIC CAP.	50V, 100000pF, 2F4	ECKR1H104Z06F
CW112		nsp	nsp	CERAMIC CAP.	50V, 100000pF, 2F4	ECKR1H104Z06F
▲ DW101		*HD201700R	*HD201700R	DIODE		ODI1N4002
▲ DW102		*HD201700R	*HD201700R	DIODE		ODI1N4002
▲ DW103		*HD201700R	*HD201700R	DIODE		ODI1N4002
▲ DW104		*HD201700R	*HD201700R	DIODE		ODI1N4002
▲ DW105		*HD201700R	*HD201700R	DIODE		ODI1N4002
▲ DW106		*HD201700R	*HD201700R	DIODE		ODI1N4002
DW107		nsp	*HD201710R	DIODE		ODI1N4148
DW108		*HD302120R	*HD302120R	ZENER DIODE		ODIMTZJ75AT77
▲ F1/A/K/N		*FS000980R	*FS000980R	FUSE	250V, 4A, 21mm, SB	VSF4R025001A
▲ F1/U		nsp	*FS000990R	FUSE	125V, 8A, 20mm	VSF8R012502C
▲ F2/N		FS20200200	FS20200200	FUSE	2A, 250V	VSF2R025012EB
▲ ICW01		HC3890509F	HC3890509F	IC		OICNJM7805FA
JW01		nsp	nsp	JUMPER WIRE		JPL0000
JW02		nsp	nsp	JUMPER WIRE		JPL0000
JW03		nsp	nsp	JUMPER WIRE		JPL0000
JW04/U		nsp	nsp	JUMPER WIRE		JPL0000
JW05/U		nsp	nsp	JUMPER WIRE		JPL0000
JW06		nsp	nsp	JUMPER WIRE		JPL0000
JW07		nsp	nsp	JUMPER WIRE		JPL0000
JW08		nsp	nsp	JUMPER WIRE		JPL0000
JW09		nsp	nsp	JUMPER WIRE		JPL0000
JW10		nsp	nsp	JUMPER WIRE		JPL0000
JW101		nsp	nsp	CONNECTOR	2pin, 8mm, UL	VJS02TH01E
JW102/A/K/N		nsp	nsp	CONNECTOR	2pin, 8mm, UL	VJS02TH01E
JW103		nsp	nsp	CONNECTOR	2pin, 8mm, UL	VJS02TH01E
JW104		nsp	nsp	CONNECTOR	5pin, 2.5mm, UL	VJS05XH01E
QW101		HT317401L0	HT317401L0	TRANSISTOR		OTR2SC1740S
▲ RE1		*LY000310R	*LY000310R	RELAY	12VDC	VSY12JZC33FHS
RW101		nsp	nsp	RES.	4.7kΩ, 1/6W	ERD16TJ472T
RW102		nsp	nsp	RES.	22kΩ, 1/6W	ERD16TJ223T
RW104		nsp	nsp	RES.	1kΩ, 1/6W	ERD16TJ102T
RW105		nsp	nsp	RES.	10kΩ, 1/6W	ERD16TJ103T
▲ SW01/N		*YJ002610R	*YJ002610R	CONNECTOR	OUTLET	VJJ0911E

NOTE : "nsp" PART IS LISTED FOR REFERENCE ONLY, MARANTZ WILL NOT SUPPLY THESE PARTS.

POS. NO	VERS. COLOR	PART NO. (FOR EUR)	PART NO. (MUJ)	DESCRIPTION		
▲ SW01	/U	nsp	*YJ002620R	CONNECTOR	OUTLET	VJJ0921E
▲ T1	/A/N	*TS001760R	*TS001760R	TRANSF	INPUT;230VAC50HZ	VTPAT5003
▲ T1	/K	nsp	*TS001770R	TRANSF	INPUT:220VAC50HZ	VTPAT5013
▲ T1	/U	nsp	*TS001780R	TRANSF	INPUT:120VAC60HZ	VTPAT5023
STANDBY LED PCB						
DF1		*HI101030R	*HI101030R	LED		ODIGPR2703
J1		nsp	nsp	JUMPER WIRE		JPL0000
J2		nsp	nsp	JUMPER WIRE		JPL0000
J3		nsp	nsp	JUMPER WIRE		JPL0000
J4		nsp	nsp	JUMPER WIRE		JPL0000
JF1		nsp	nsp	CONNECTOR	4pin, 2.0mm, UL	VJS04PH01E
SURROUND PCB						
JFS1		nsp	nsp	CONNECTOR	4pin, 2.0mm, UL	VJS04PH11E
RFS1		nsp	nsp	RES.	10kΩ, 1/6W	ERD16TJ103T
RFS2		nsp	nsp	RES.	10kΩ, 1/6W	ERD16TJ103T
RFS3		nsp	nsp	RES.	10kΩ, 1/6W	ERD16TJ103T
RFS4		nsp	nsp	RES.	10kΩ, 1/6W	ERD16TJ103T
SWS1		*SR000210R	*SR000210R	ENCODER		EVAR1612E25D112CP
TUNER MODULE						
	/A/N	*AV000250R	*AV000250R	TUNER	AM/FM TUNER KST-MB114LA1-0	TUNMB114LA10
	/K	nsp	*AV000240R	TUNER	AM/FM TUNER KST-MB014MA1-0	TUNMB014MA10
	/U	nsp	*AV000230R	TUNER	AM/FM TUNER KST-MB014MA0-0	TUNMB014MA00
VIDEO PCB						
CV101		nsp	OA47502550	ELECT. CAP	4.7μF, 16V	ECEA1CAE4R7MB
CV102		nsp	OA47502550	ELECT. CAP	4.7μF, 16V	ECEA1CAE4R7MB
CV103		nsp	OA47502550	ELECT. CAP	4.7μF, 16V	ECEA1CAE4R7MB
CV104		nsp	OA47502550	ELECT. CAP	4.7μF, 16V	ECEA1CAE4R7MB
CV105		nsp	DD95470300	CHIP CAP.	50V, 47pF	ECUV1H470JCN
CV106		nsp	DD95470300	CHIP CAP.	50V, 47pF	ECUV1H470JCN
CV107		nsp	OA47701020	ELECT. CAP	470μF, 6.3v	ECEA0JQE471MB
CV108		nsp	DD95470300	CHIP CAP.	50V, 47pF	ECUV1H470JCN
CV109		nsp	OA10602550	ELECT. CAP	16V, 10μF	ECEA1CAE100MB
CV111		nsp	OA10602550	ELECT. CAP	16V, 10μF	ECEA1CAE100MB
CV112		nsp	OA10701620	ELECT. CAP	16V, 100μF	ECEA1CAE101MB
CV113		nsp	DK96104300	CHIP CAP.	50V, 0.1μF	ECUV1H104ZFN
CV114		nsp	OA10602550	ELECT. CAP	16V, 10μF	ECEA1CAE100MB
CV115		nsp	OA10602550	ELECT. CAP	16V, 10μF	ECEA1CAE100MB
CV116		nsp	OA47701020	ELECT. CAP	470μF, 6.3v	ECEA0JQE471MB
CV121		nsp	OA47701020	ELECT. CAP	470μF, 6.3v	ECEA0JQE471MB
CV122		nsp	OA10701620	ELECT. CAP	16V, 100μF	ECEA1CAE101MB
CV123		nsp	DK96104300	CHIP CAP.	50V, 0.1μF	ECUV1H104ZFN
CV124		nsp	DK96104300	CHIP CAP.	50V, 0.1μF	ECUV1H104ZFN
CV152		nsp	OA10602550	ELECT. CAP	16V, 10μF	ECEA1CAE100MB
CV153		nsp	DK96103300	CHIP CAP.	50V, 0.01μF	ECUV1H103KBN
CV154		nsp	DK96103300	CHIP CAP.	50V, 0.01μF	ECUV1H103KBN
CV155		nsp	OA10602550	ELECT. CAP	16V, 10μF	ECEA1CAE100MB
CV156		nsp	DK96103300	CHIP CAP.	50V, 0.01μF	ECUV1H103KBN
CV169		nsp	DK96103300	CHIP CAP.	50V, 0.01μF	ECUV1H103KBN
CV172		nsp	DK96104300	CHIP CAP.	50V, 0.1μF	ECUV1H104ZFN
CV173		nsp	DK96104300	CHIP CAP.	50V, 0.1μF	ECUV1H104ZFN
CV174		nsp	DK96102300	CHIP CAP.	50V, 1000pF	ECUV1H102KBN
CV175		nsp	DK96102300	CHIP CAP.	50V, 1000pF	ECUV1H102KBN
CV176		nsp	DK96102300	CHIP CAP.	50V, 1000pF	ECUV1H102KBN
CV177		nsp	DK96102300	CHIP CAP.	50V, 1000pF	ECUV1H102KBN
CV186		nsp	DD95470300	CHIP CAP.	50V, 47pF	ECUV1H470JCN

NOTE : *nsp* PART IS LISTED FOR REFERENCE ONLY, MARANTZ WILL NOT SUPPLY THESE PARTS.

POS. NO	VERS. COLOR	PART NO. (FOR EUR)	PART NO. (MJI)	DESCRIPTION		
CV187		nsp	DD95470300	CHIP CAP.	50V, 47pF	ECUV1H470JCN
CV188		nsp	DD95470300	CHIP CAP.	50V, 47pF	ECUV1H470JCN
CV189		nsp	DD95470300	CHIP CAP.	50V, 47pF	ECUV1H470JCN
CV190		nsp	DK96104300	CHIP CAP.	50V, 0.1µF	ECUV1H104ZFN
CV200		nsp	OA10602550	ELECT. CAP	16V, 10µF	ECEA1CAE100MB
CV202		nsp	OA47502550	ELECT. CAP	4.7µF, 16V	ECEA1CAE4R7MB
CV203		nsp	OA10602550	ELECT. CAP	16V, 10µF	ECEA1CAE100MB
CV204		nsp	OA10602550	ELECT. CAP	16V, 10µF	ECEA1CAE100MB
CV205		nsp	DK96104300	CHIP CAP.	50V, 0.1µF	ECUV1H104ZFN
CV206		nsp	OA10701620	ELECT. CAP	16V, 100µF	ECEA1CAE101MB
CV207		nsp	DK96104300	CHIP CAP.	50V, 0.1µF	ECUV1H104ZFN
CV208		nsp	OA10701620	ELECT. CAP	16V, 100µF	ECEA1CAE101MB
CV214		nsp	OA47502550	ELECT. CAP	4.7µF, 16V	ECEA1CAE4R7MB
CV215		nsp	OA47502550	ELECT. CAP	4.7µF, 16V	ECEA1CAE4R7MB
CV216		nsp	DK96104300	CHIP CAP.	50V, 0.1µF	ECUV1H104ZFN
CV217		nsp	OA10701620	ELECT. CAP	16V, 100µF	ECEA1CAE101MB
CV219		nsp	OA10701620	ELECT. CAP	16V, 100µF	ECEA1CAE101MB
CV220		nsp	OA47701020	ELECT. CAP	470µF, 6.3v	ECEA0JQE471MB
CV221		nsp	DK96104300	CHIP CAP.	50V, 0.1µF	ECUV1H104ZFN
CV223		nsp	OA22601620	ELECT. CAP	16V, 22µF	ECEA1CAE220MB
CV224		nsp	OA47701020	ELECT. CAP	470µF, 6.3v	ECEA0JQE471MB
CV225		nsp	DK96104300	CHIP CAP.	50V, 0.1µF	ECUV1H104ZFN
CV226		nsp	DK96104300	CHIP CAP.	50V, 0.1µF	ECUV1H104ZFN
CV227		nsp	OA22601620	ELECT. CAP	16V, 22µF	ECEA1CAE220MB
ICV101		*HC108320R	*HC108320R	IC		OICNJM2595M
ICV201		*HC108310R	*HC108310R	IC		OICNJM2279M
ICV202		*HC108310R	*HC108310R	IC		OICNJM2279M
JFV101		nsp	nsp	CONNECTOR	5pin, 2.0mm, UL	VJS05PH01E
JFV201		nsp	nsp	CONNECTOR	3pin, 2.0mm	VJS03PH01E
JRV101		*YT002860R	*YT002860R	TERMINAL	3 CINCH	VJJ01303
JRV102		*YT002840R	*YT002840R	TERMINAL	2 CINCH	VJJ01203
JRV103		*YT002840R	*YT002840R	TERMINAL	2 CINCH	VJJ01203
JRV201		*YT002920R	*YT002920R	TERMINAL	S TERMINAL	VJJ03506
JRV202		*YT002920R	*YT002920R	TERMINAL	S TERMINAL	VJJ03506
JRV203		*YT002930R	*YT002930R	TERMINAL	S TERMINAL	VJJ03506D
JV101						
JV124		nsp	nsp	JUMPER WIRE		JPL0000
LV102		FM12223010	FM12223010	EMI FILTER	22000PF, 250V, 6A	ELCF223Z250V
LV103		FM12223010	FM12223010	EMI FILTER	22000PF, 250V, 6A	ELCF223Z250V
RV101		NI05750110	NI05750110	CHIP RES.	75Ω, 1/10W	ERJ6GEKJ750V
RV102		*NI001030R	*NI001030R	CHIP RES.	3.3Ω, 1/10W	ERJ6GEKJ3R3V
RV103		NI05750110	NI05750110	CHIP RES.	75Ω, 1/10W	ERJ6GEKJ750V
RV104		*NI001030R	*NI001030R	CHIP RES.	3.3Ω, 1/10W	ERJ6GEKJ3R3V
RV105		NI05750110	NI05750110	CHIP RES.	75Ω, 1/10W	ERJ6GEKJ750V
RV106		*NI001030R	*NI001030R	CHIP RES.	3.3Ω, 1/10W	ERJ6GEKJ3R3V
RV107		NI05750110	NI05750110	CHIP RES.	75Ω, 1/10W	ERJ6GEKJ750V
RV108		*NI001030R	*NI001030R	CHIP RES.	3.3Ω, 1/10W	ERJ6GEKJ3R3V
RV109		NI05750110	NI05750110	CHIP RES.	75Ω, 1/10W	ERJ6GEKJ750V
RV110		NI05750110	NI05750110	CHIP RES.	75Ω, 1/10W	ERJ6GEKJ750V
RV111		NI05750110	NI05750110	CHIP RES.	75Ω, 1/10W	ERJ6GEKJ750V
RV119		NI05102110	NI05102110	CHIP RES.	1.00kΩ, 1/10W	ERJ6GEKF102V
RV120		NI05102110	NI05102110	CHIP RES.	1.00kΩ, 1/10W	ERJ6GEKF102V
RV121		NI05102110	NI05102110	CHIP RES.	1.00kΩ, 1/10W	ERJ6GEKF102V
RV123		NI05472110	NI05472110	CHIP RES.	4.7kΩ, 1/10W	ERJ6GEKJ472V
RV153		NI05000110	NI05000110	CHIP RES.	0Ω, 1/10W	ERJ6GEKF000V
RV154		NI05000110	NI05000110	CHIP RES.	0Ω, 1/10W	ERJ6GEKF000V
RV155		NI05000110	NI05000110	CHIP RES.	0Ω, 1/10W	ERJ6GEKF000V
RV156		NI05000110	NI05000110	CHIP RES.	0Ω, 1/10W	ERJ6GEKF000V

NOTE : *nsp* PART IS LISTED FOR REFERENCE ONLY, MARANTZ WILL NOT SUPPLY THESE PARTS.

POS. NO	VERS. COLOR	PART NO. (FOR EUR)	PART NO. (MJI)	DESCRIPTION		
RV201		NI05750110	NI05750110	CHIP RES.	75Ω, 1/10W	ERJ6GEKJ750V
RV202		NI05750110	NI05750110	CHIP RES.	75Ω, 1/10W	ERJ6GEKJ750V
RV203		*NI001030R	*NI001030R	CHIP RES.	3.3Ω, 1/10W	ERJ6GEKJ3R3V
RV204		NI05102110	NI05102110	CHIP RES.	1.00kΩ, 1/10W	ERJ6GEKF102V
RV205		NI05472110	NI05472110	CHIP RES.	4.7kΩ, 1/10W	ERJ6GEKJ472V
RV207		NI05472110	NI05472110	CHIP RES.	4.7kΩ, 1/10W	ERJ6GEKJ472V
RV208		NI05102110	NI05102110	CHIP RES.	1.00kΩ, 1/10W	ERJ6GEKF102V
RV209		NI05102110	NI05102110	CHIP RES.	1.00kΩ, 1/10W	ERJ6GEKF102V
RV210		NI05750110	NI05750110	CHIP RES.	75Ω, 1/10W	ERJ6GEKJ750V
RV211		NI05750110	NI05750110	CHIP RES.	75Ω, 1/10W	ERJ6GEKJ750V
RV212		*NI001030R	*NI001030R	CHIP RES.	3.3Ω, 1/10W	ERJ6GEKJ3R3V
RV214		NI05472110	NI05472110	CHIP RES.	4.7kΩ, 1/10W	ERJ6GEKJ472V
RV215		NI05750110	NI05750110	CHIP RES.	75Ω, 1/10W	ERJ6GEKJ750V
RV216		NI05750110	NI05750110	CHIP RES.	75Ω, 1/10W	ERJ6GEKJ750V
RV217		NI05750110	NI05750110	CHIP RES.	75Ω, 1/10W	ERJ6GEKJ750V
RV218		NI05750110	NI05750110	CHIP RES.	75Ω, 1/10W	ERJ6GEKJ750V
RV219		NI05472110	NI05472110	CHIP RES.	4.7kΩ, 1/10W	ERJ6GEKJ472V
RV220		NI05102110	NI05102110	CHIP RES.	1.00kΩ, 1/10W	ERJ6GEKF102V

NOTE : *nsp* PART IS LISTED FOR REFERENCE ONLY, MARANTZ WILL NOT SUPPLY THESE PARTS.