

MARANTZ DESIGN AND SERVICE

Using superior design and selected high grade components, **MARANTZ** company has created the ultimate in stereo sound. Only original **MARANTZ** parts can insure that your **MARANTZ** product will continue to perform to the specifications for which it is famous.

Parts for your **MARANTZ** equipment are generally available to our National Marantz Subsidiary or Agent.

**ORDERING PARTS :**

Parts can be ordered either by mail or by Fax.. In both cases, the correct part number has to be specified.

The following information must be supplied to eliminate delays in processing your order :

1. Complete address
2. Complete part numbers and quantities required
3. Description of parts
4. Model number for which part is required
5. Way of shipment
6. Signature : any order form or Fax. must be signed, otherwise such part order will be considered as null and void.

<p><b>USA</b>  <b>MARANTZ AMERICA, INC.</b>                      440 MEDINAH ROAD                      ROSELLE, ILLINOIS 60172                      USA                      PHONE : 630 - 307 - 3100                      FAX : 630 - 307 - 2687</p>	<p><b>CANADA</b>  <b>LENBROOK INDUSTRIES LIMITED</b>                      633 GRANITE COURT,                      PICKERING, ONTARIO L1W 3K1                      CANADA                      PHONE : 905 - 831 - 6333                      FAX : 905 - 831 - 6936</p>	<p><b>EUROPE / TRADING</b>  <b>MARANTZ EUROPE B. V.</b>                      P.O.BOX 80002                      BUILDING SFF2                      5600 JB EINDHOVEN                      THE NETHERLANDS                      PHONE : +31 - 40 - 2732241                      FAX : +31 - 40 - 2735578</p>
<p><b>PROFESSIONAL USA</b>  <b>SUPERSCOPE TECHNOLOGIES, INC.</b>                      MARANTZ PROFESSIONAL PRODUCTS                      2640 WHITE OAK CIRCLE, SUITE A                      AURORA, ILLINOIS 60504 USA                      PHONE : 630 - 820 - 4800                      FAX : 630 - 820 - 8103</p>	<p><b>PROFESSIONAL CANADA</b>  <b>TC ELECTRONICS CANADA LTD.</b>                      540 FIRING AVE.                      BAIE D'URF..., QUEBEC H9X 3T2                      CANADA                      PHONE : 514 - 457 - 4044                      FAX : 514 - 457 - 5524</p>	<p><b>KOREA</b>  <b>MK ENTERPRISES LTD.</b>                      2F SHINHAN BLDG., 247-17 SEOKYO-DONG                      MAPO-KU, SEOUL                      KOREA                      PHONE : +82 - 2 - 323 - 2155                      FAX : +82 - 2 - 323 - 2154</p>
<p><b>BRAZIL</b>  <b>MARANTZ BRAZIL</b>                      CAIXA POSTAL 21462                      CEP 04698-970                      SAO PAULO, SP, BRAZIL                      PHONE : 0800 - 123123(Discagem Direta Gratuita)                      FAX : +55 11 534. 8988</p>	<p><b>THAILAND</b>  <b>MRZ STANDARD CO., LTD.</b>                      746 - 754 MAHACHAI RD.,                      WANGBURAPAPIROM, PHRANAKORN,                      BANGKOK, 10200 THAILAND                      PHONE : +66 - 2 - 222 - 9181                      FAX : +66 - 2 - 224 - 6795</p>	
<p><b>AUSTRALIA / NEW ZEALAND</b>  <b>SCAN AUDIO PTY. LTD.</b>                      52 CROWN STREET, RICHMOND 3121                      VICTORIA                      AUSTRALIA                      PHONE : +61 - 3 - 9429 - 2199                      FAX : +61 - 3 - 9429 - 9309</p>	<p><b>TAIWAN</b>  <b>PAI-YUING CO., LTD.</b>                      6 TH FL NO, 148 SUNG KIANG ROAD,                      TAIPEI, 10429, TAIWAN R.O.C.                      PHONE : +886 (2) 5221304                      FAX : +886 (2) 5630415</p>	<p><b>MALAYSIA</b>  <b>WO KEE HONG ELECTRONICS SDN. BHD.</b>                      NO. 102 JALAN SS 21/35, DAMANSARA                      UTAMA, 47400 PETALING JAYA                      SELANGOR DARUL EHSAN,                      MALAYSIA                      PHONE : +60 3 - 7184666                      FAX : +60 3 - 7173828</p>
<p><b>JAPAN Technical</b>  <b>MARANTZ JAPAN, INC.</b>                      35-1, 7-CHOME, SAGAMIONO                      SAGAMIHARA - SHI, KANAGAWA                      JAPAN 228-8505                      PHONE : +81 42 748 1013                      FAX : +81 42 741 9190</p>	<p>日本マランツ株式会社                      本社 〒228-8505                      神奈川県相模原市相模大野7-35-1                      営業本部 〒228-0022                      東京都渋谷区恵比寿南1-11-9</p>	<p><b>SINGAPORE</b>  <b>FORWARD MARKETING (S) PTE. LTD.</b>                      23, LORONG 8, TOA PAYOH,                      SINGAPORE 319257.                      PHONE : +65 2583640                      FAX : +65 3564047</p>

**SHOCK, FIRE HAZARD SERVICE TEST :**

**CAUTION :** After servicing this appliance and prior to returning to customer, measure the resistance between either primary AC cord connector pins ( with unit NOT connected to AC mains and its Power switch ON ), and the face or Front Panel of product and controls and chassis bottom.

Any resistance measurement less than 1 Megohms should cause unit to be repaired or corrected before AC power is applied, and verified before it is return to the user/customer.

Ref. UL Standard No. 1492.

In case of difficulties, do not hesitate to contact the Technical Department at above mentioned address.

# Service Manual

74SR480/01B/02B  
SR480U

Audio/Video receiver

Audio/Video Integrated amplifier

74PM488AV/02B

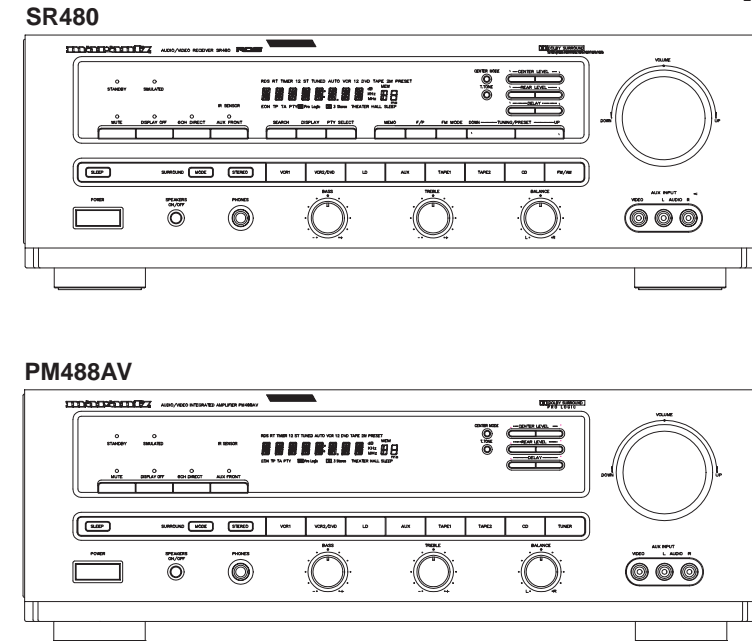


TABLE OF CONTENTS

SECTION	PAGE
1. TECHNICAL SPECIFICATIONS (SR480) .....	1
2. TECHNICAL SPECIFICATIONS (PM488AV) .....	2
3. BLOCK DIAGRAM .....	3
4. WIRING DIAGRAM .....	5
5. SCHEMATIC DIAGRAM AND PARTS LOCATION (Parts Side) .....	7
6. COMPONENT DESCRIPTIONS .....	36
7. ALIGNMENT PROCEDURES .....	40
8. EXPLODED VIEW AND PARTS LIST (SR480) .....	43
9. EXPLODED VIEW AND PARTS LIST (PM488AV) .....	47
10. ELECTRICAL PARTS LIST .....	49

Please use this service manual with referring to the user guide (D.F.U) without fail.

# marantz®

model SR480/PM488AV

## 1. TECHNICAL SPECIFICATION (SR480)

### FM Tuner Section

Frequency Range .....	87.5 - 108.0 MHz
Usable Sensitivity .....	IHF 0.9 $\mu$ V / 10.8 dBf
Signal to Noise Ratio .....	Mono / Stereo 0.2 / 0.5 %
Distortion .....	Mono / Stereo 0.2 / 0.5 %
Stereo Separation .....	U version 1 kHz 48 dB /01B/02B version 1 kHz 45 dB
A.C.S. ....	$\pm$ 400 kHz 55 dB
Image Rejection .....	98 MHz 50 dB
Tuner Output level .....	U version 1 kHz, $\pm$ 75 kHz Dev 940 mV /01B/02B version 1 kHz, $\pm$ 40 kHz Dev 500 mV

### AM Tuner Section

Frequency .....	U version 520 - 1710 kHz /01B/02B version 522 - 1611 kHz
Usable Sensitivity .....	Loop 500 $\mu$ V / m
Signal to Noise Ratio .....	50 dB
Distortion .....	1 kHz, 30 % Mod. 0.5 %
Selectivity .....	U version $\pm$ 20 kHz 70 dB /01B/02B version $\pm$ 10 kHz 25 dB

### Audio Section

Rated Power ( 5 ch drive )	
Front .....	20 Hz - 20 kHz 8 ohms 50 W / ch
Center .....	1 kHz 8 ohms 50 W
Surround .....	1 kHz 8 ohms 50 W / ch
THD Front .....	20 Hz - 20 kHz 8 ohms 0.09%
Input Sensitivity / Imedance	
Linear .....	200 mV / 47 k ohms
Signal to Noise Ratio ( IHF A )	
Linear .....	92 dB

### Video Section

Input / Output Level / Impedance .....	1.0 V <sub>p-p</sub> / 75 ohms
--	--------------------------------

### Others

Power Supply .....	U version AC 120 V 60 Hz /01B version AC 115 V / 230 V 50 / 60 Hz /02B version AC 230 V 50 Hz
Power Consumption .....	280 W

### Dimensions ( MAX )

Width .....	17 - 1/4 inches ( 440 mm )
Height .....	6 inches ( 153 mm )
Depth .....	16 - 1/2 inches ( 420 mm )
Weight .....	31 lbs ( 14 kg )

Specifications subject to change without prior notice.

## 2. TECHNICAL SPECIFICATION (PM488AV)

### Audio Section

Rated Power ( 5 ch drive )	
Front .....	20 Hz - 20 kHz 8 ohms 50 W / ch
Center .....	1 kHz 8 ohms 50 W
Surround .....	1 kHz 8 ohms 50 W / ch
THD Front .....	20 Hz - 20 kHz 8 ohms 0.09%
Input Sensitivity / Imedance	
Linear .....	200 mV / 47 k ohms
Signal to Noise Ratio ( IHF A )	
Linear .....	92 dB

### Video Section

Input / Output Level / Impedance .....	1.0 V <sub>p-p</sub> / 75 ohms
--	--------------------------------

### Others

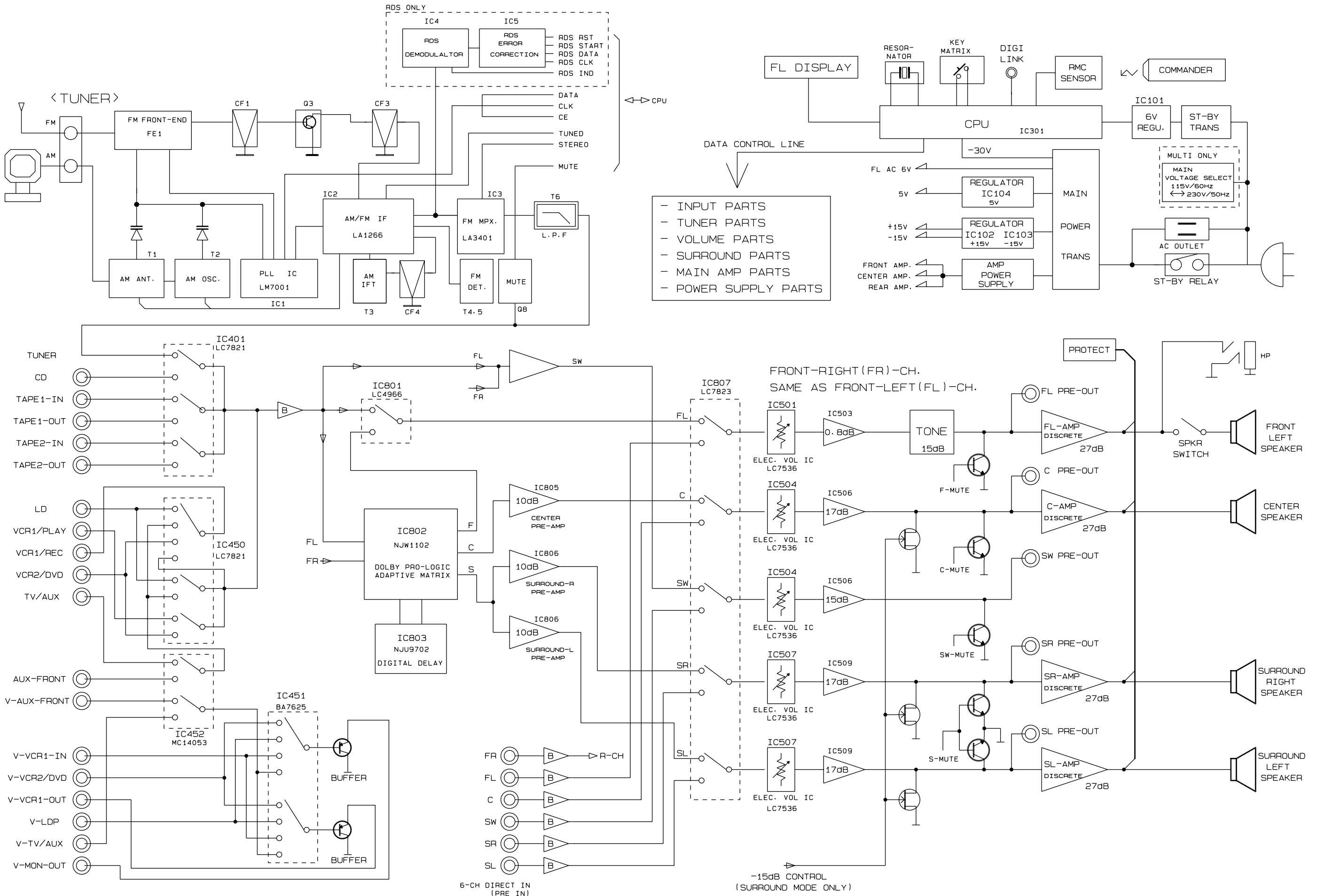
Power Supply .....	115 / 230 V, 50 / 60 Hz
Power Consumption .....	280 W

### Dimensions ( MAX )

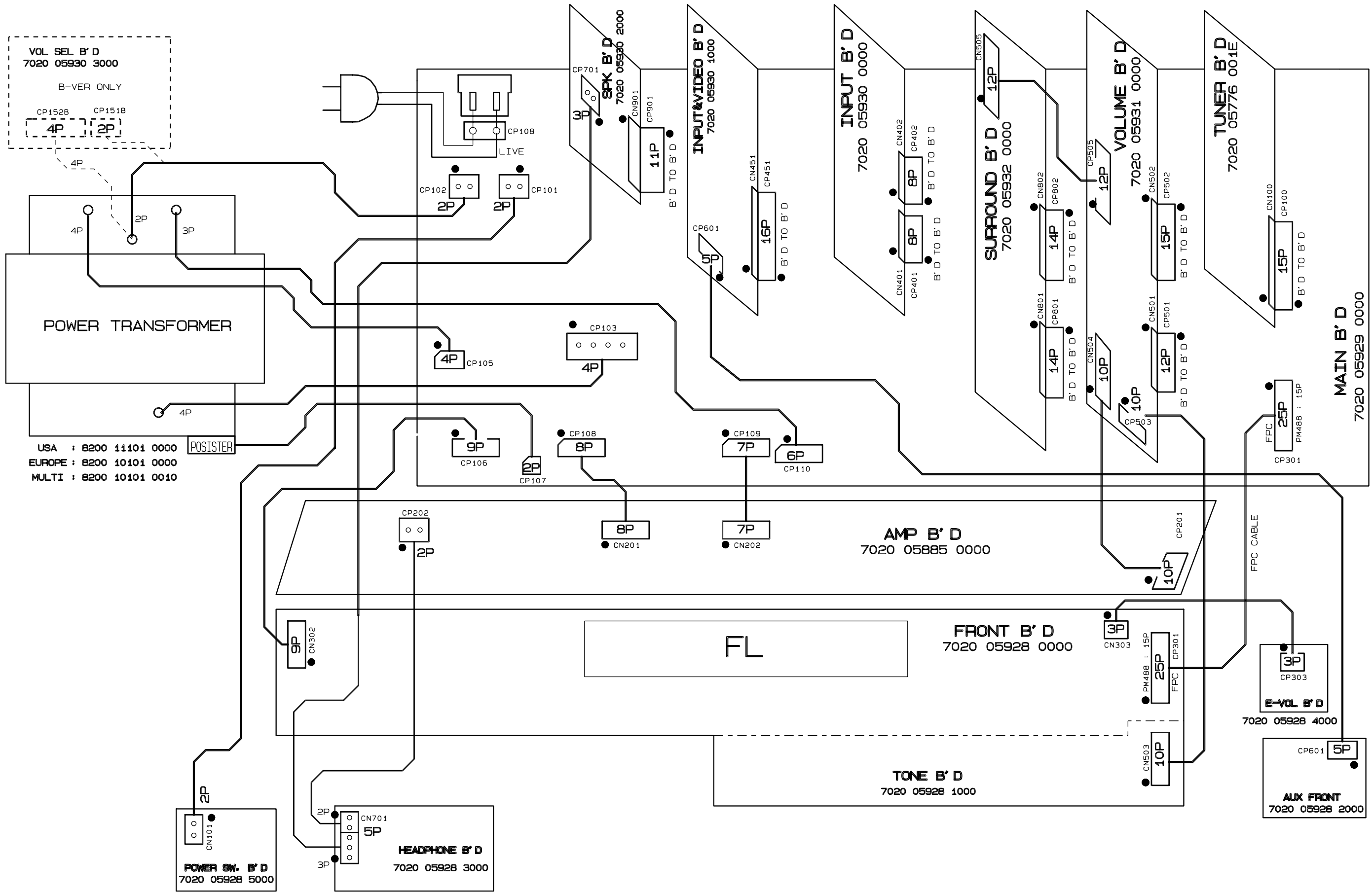
Width .....	17 - 1/4 inches ( 440 mm )
Height .....	6 inches ( 153 mm )
Depth .....	16 - 1/2 inches ( 420 mm )
Weight .....	31 lbs ( 14 kg )

Specifications subject to change without prior notice.

### 3. BLOCK DIADRAM



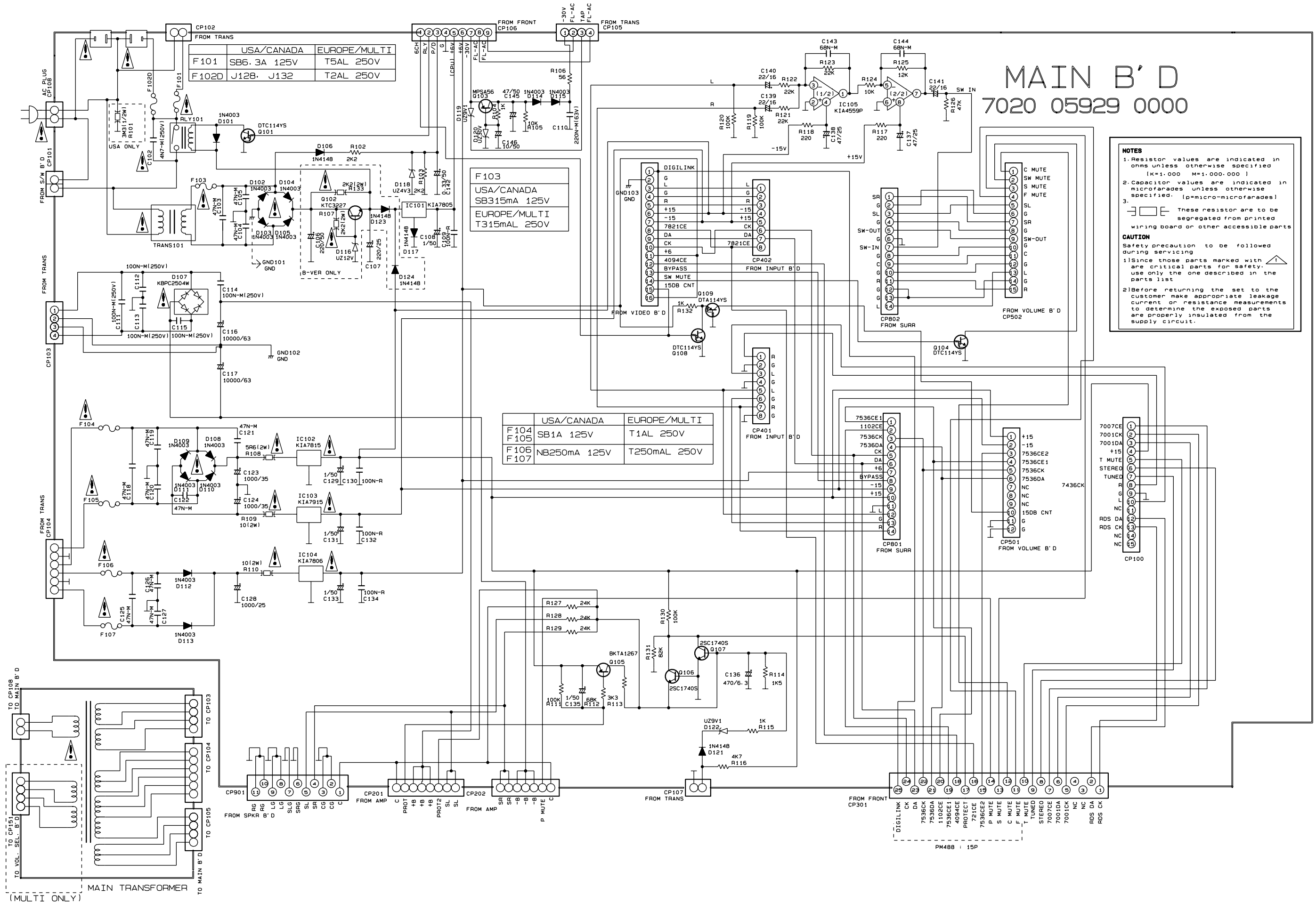
4. WIRING DIAGRAM



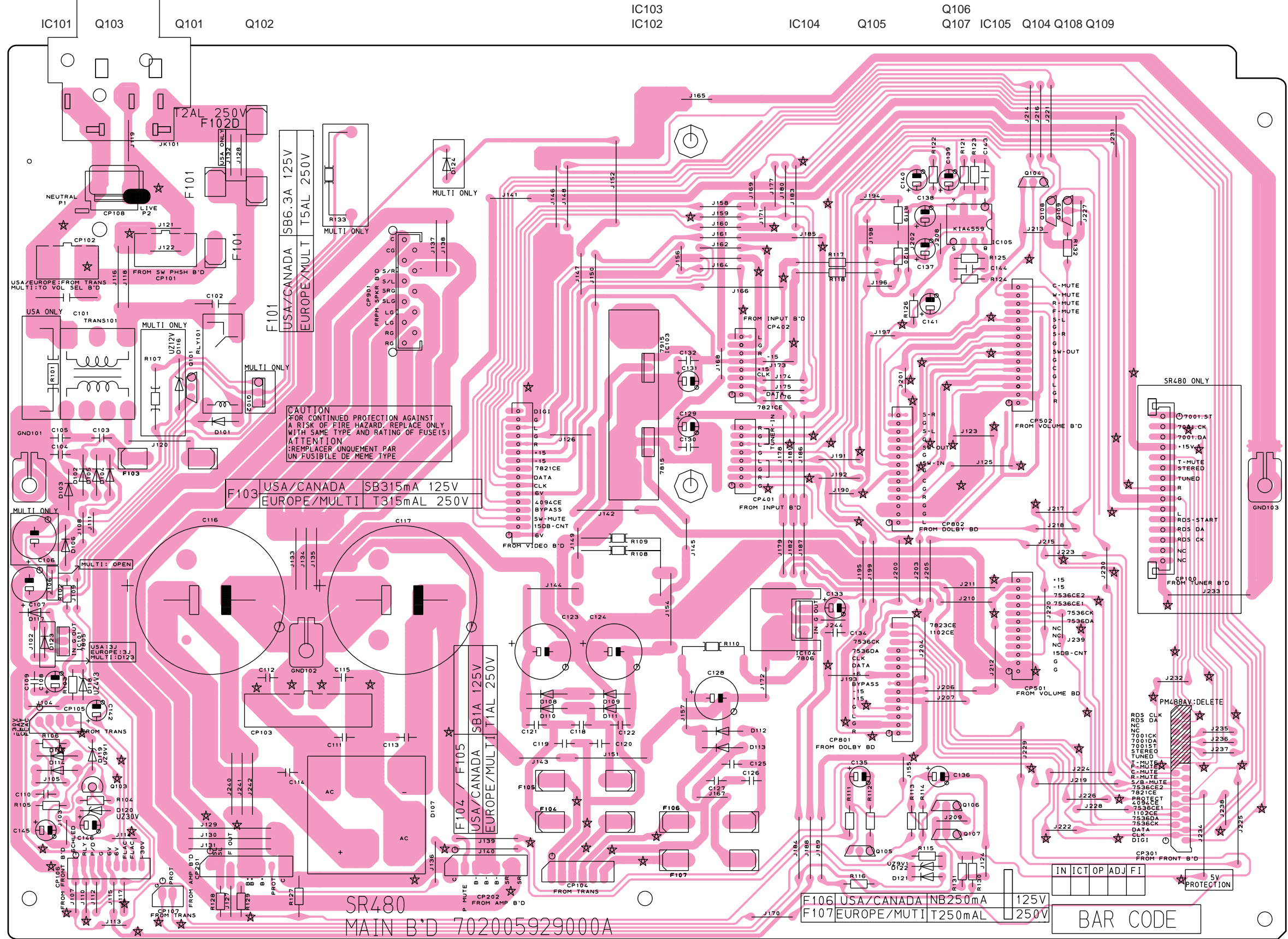


# 5. SCHEMATIC DIAGRAMS AND PARTS LOCATIONS (Parts side)

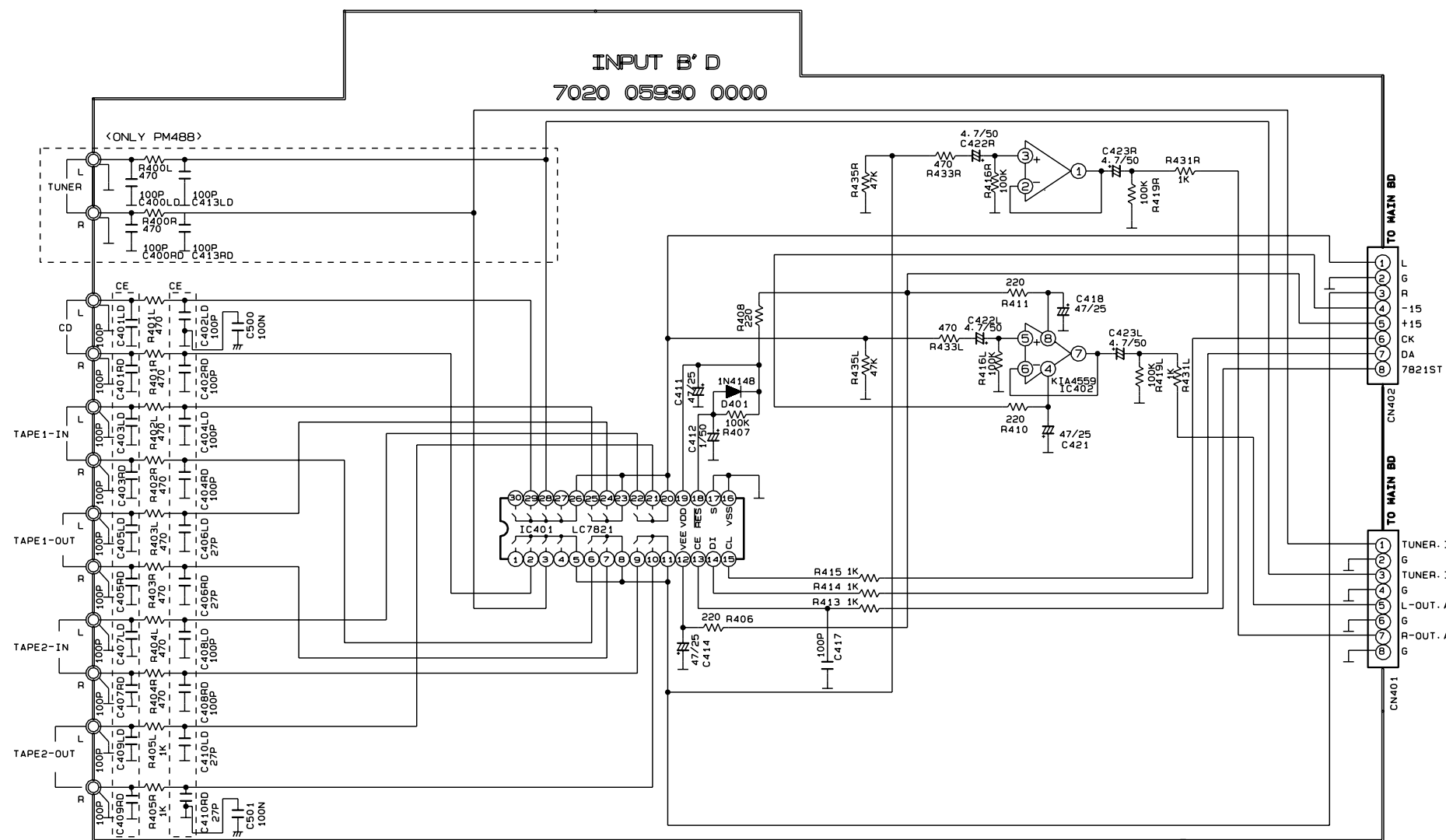
## MAIN SCHEMATIC DIAGRAM



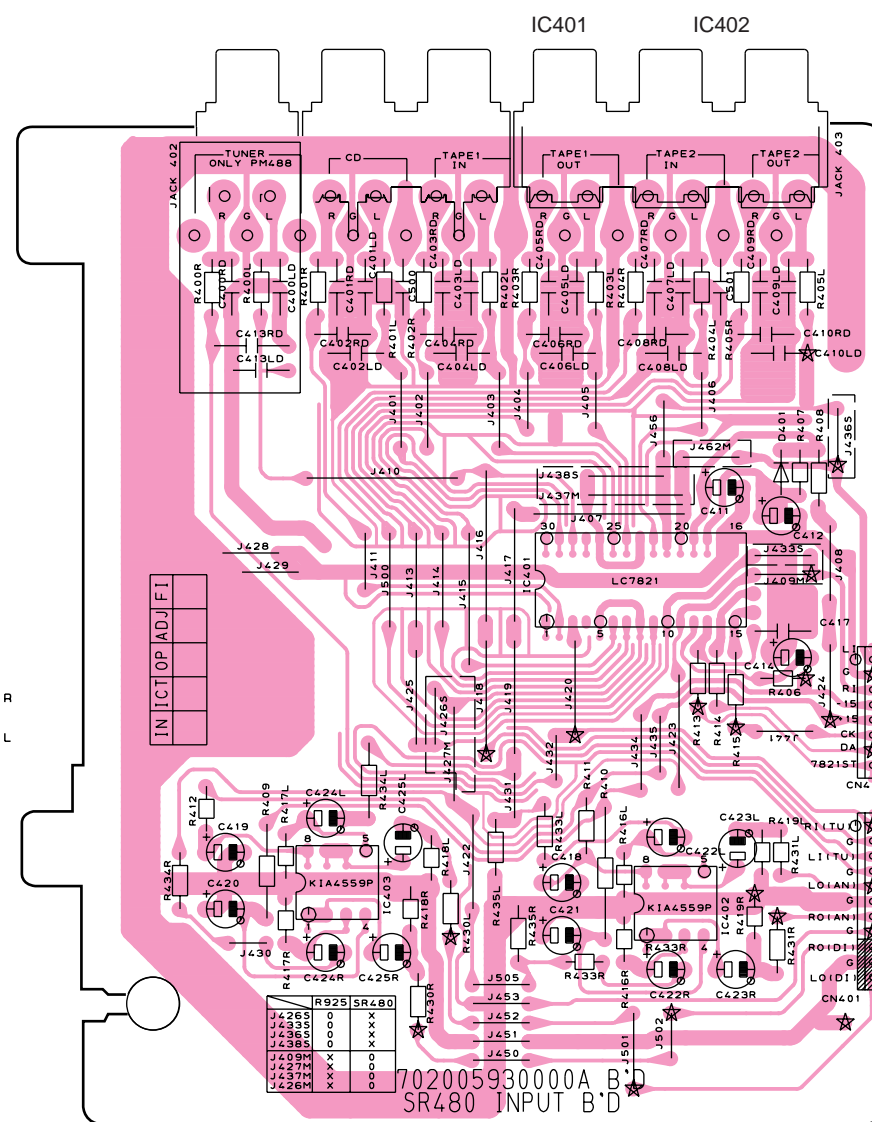
MAIN BOARD



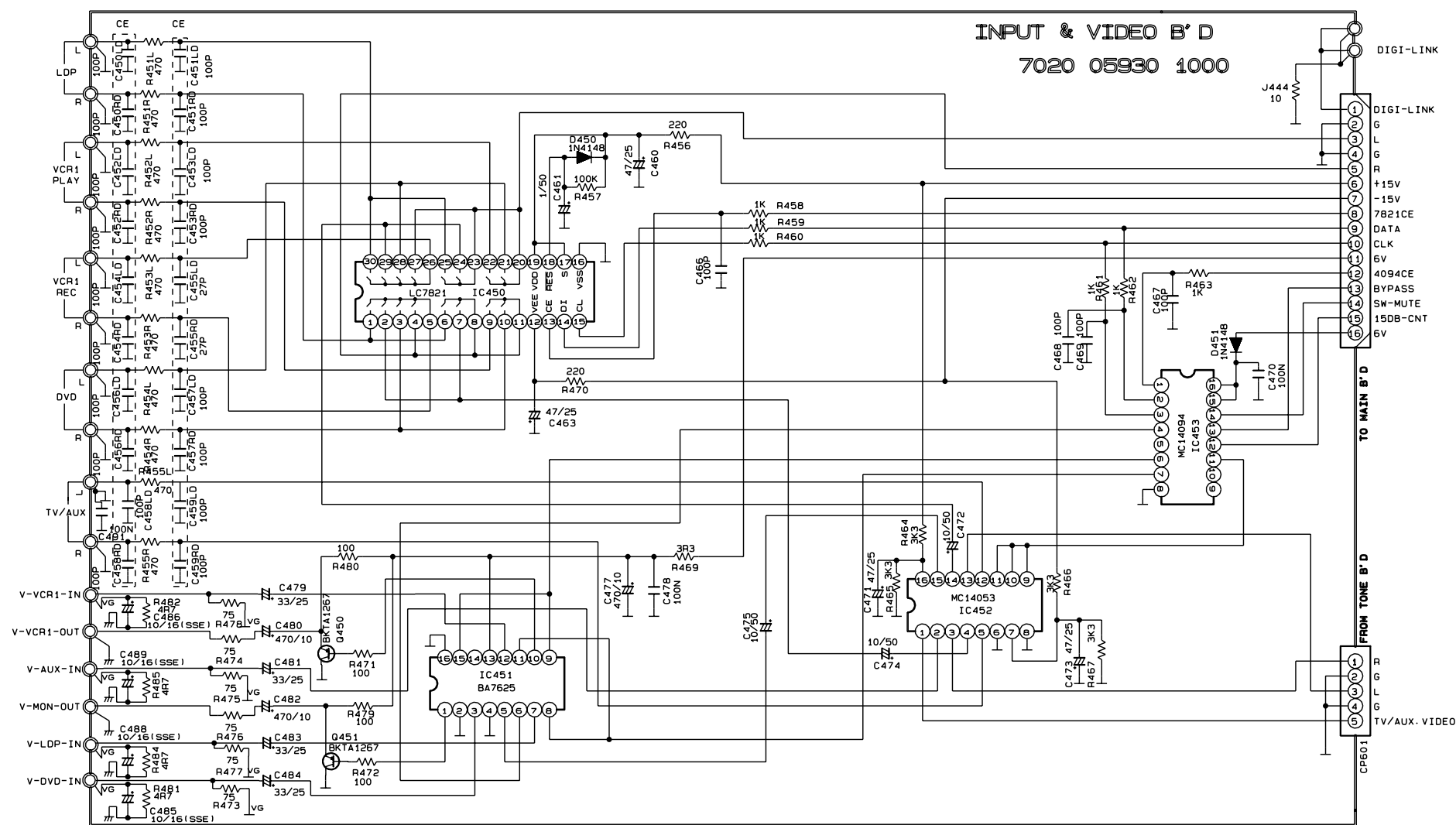
INPUT SCHEMATIC DIAGRAM



INPUT BOARD

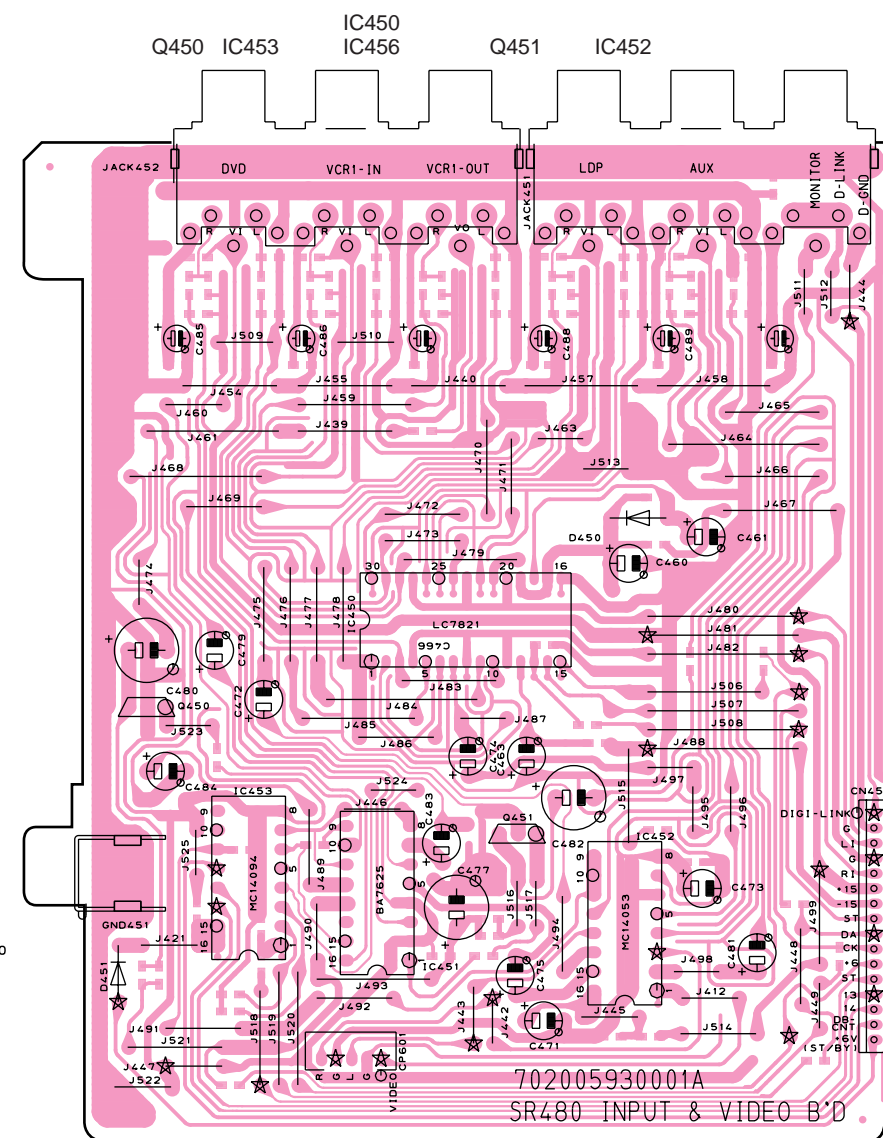


INPUT/VIDEO SCHEMATIC DIAGRAM



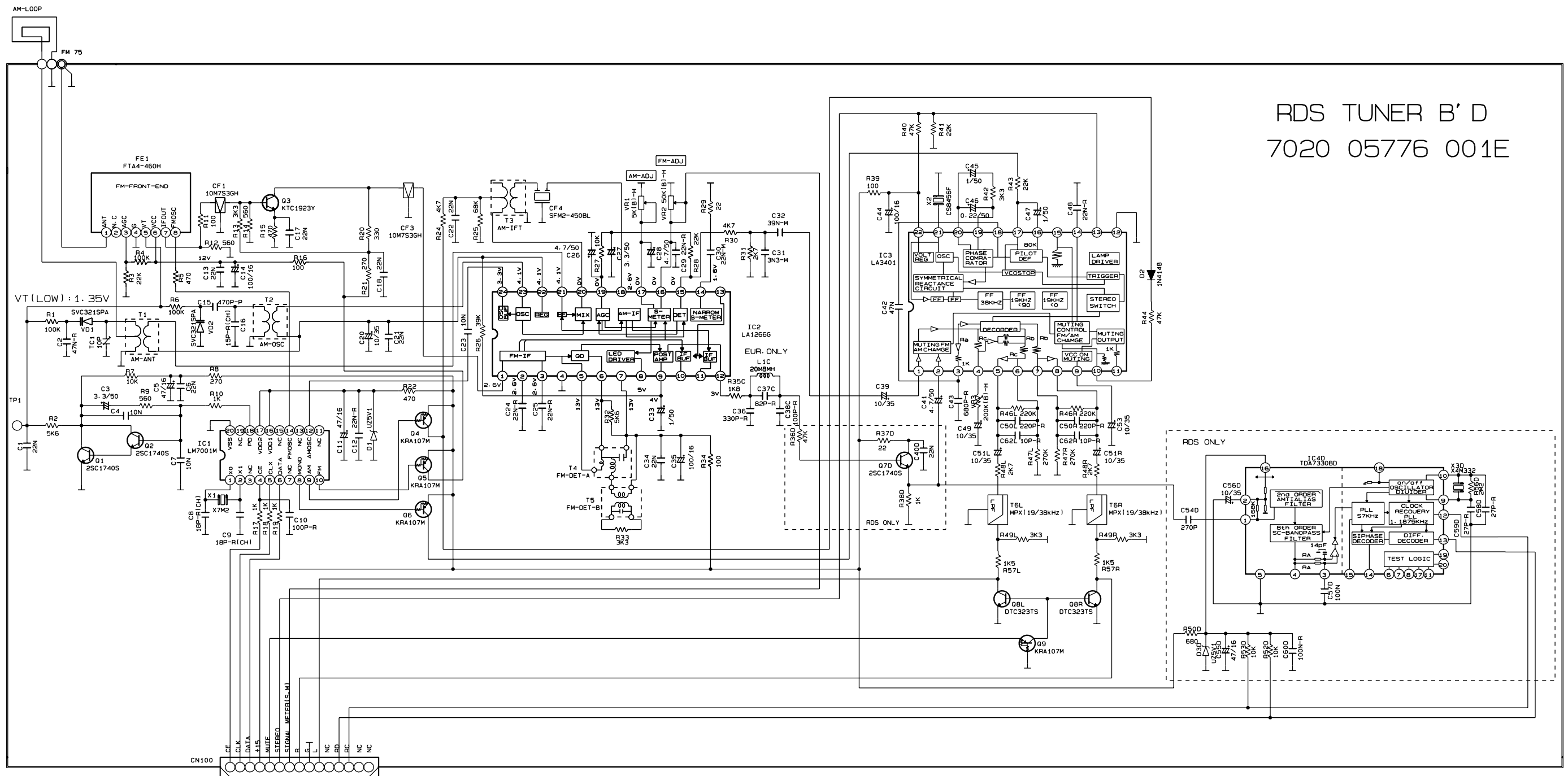
**NOTES**  
 1. Resistance value are indicated ohms unless otherwise specified [K=1.000 M=1.000.000 ]  
 2. Capacitance value are shown in microfarades unless otherwise noted [P=micro-microfarade]

INPUT/VIDEO BOARD





TUNER SCHEMATIC DIAGRAM ( SR480/01B/02B VERSION)

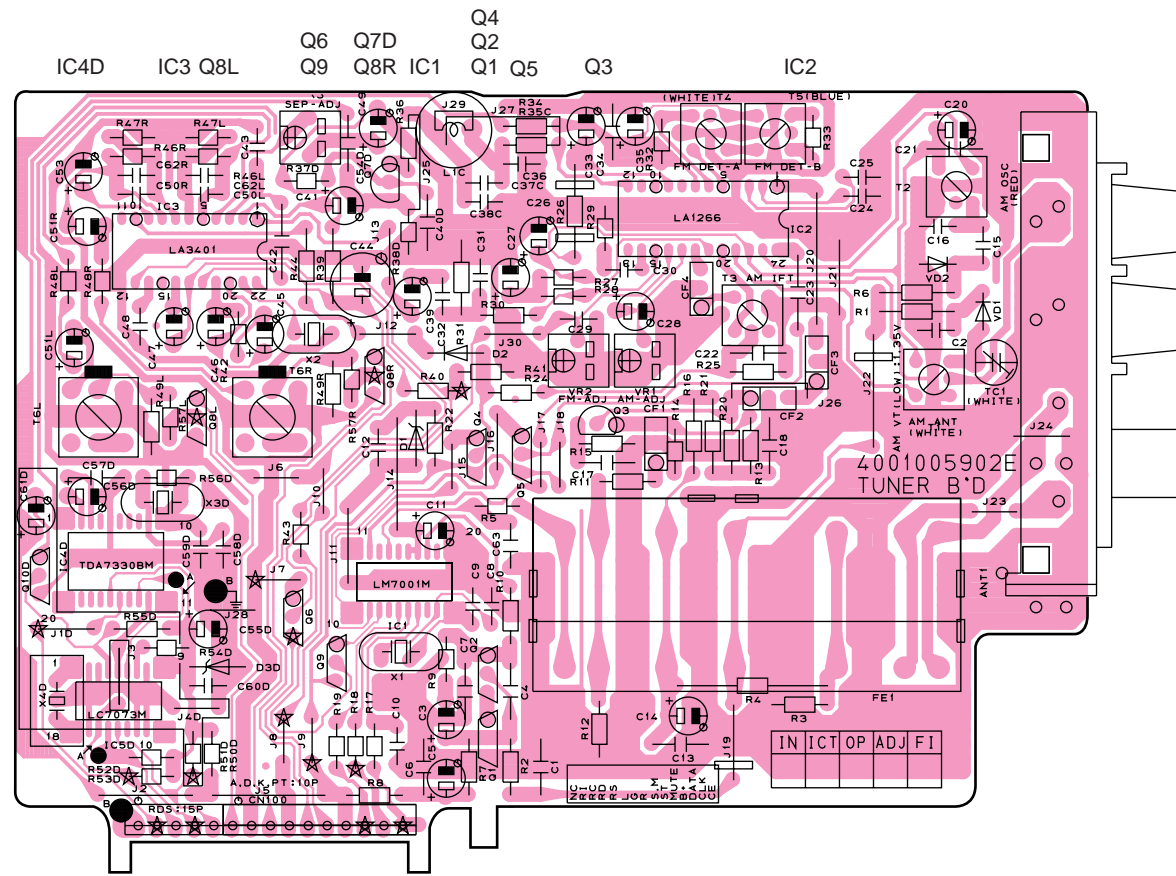


RDS TUNER B' D  
7020 05776 001E

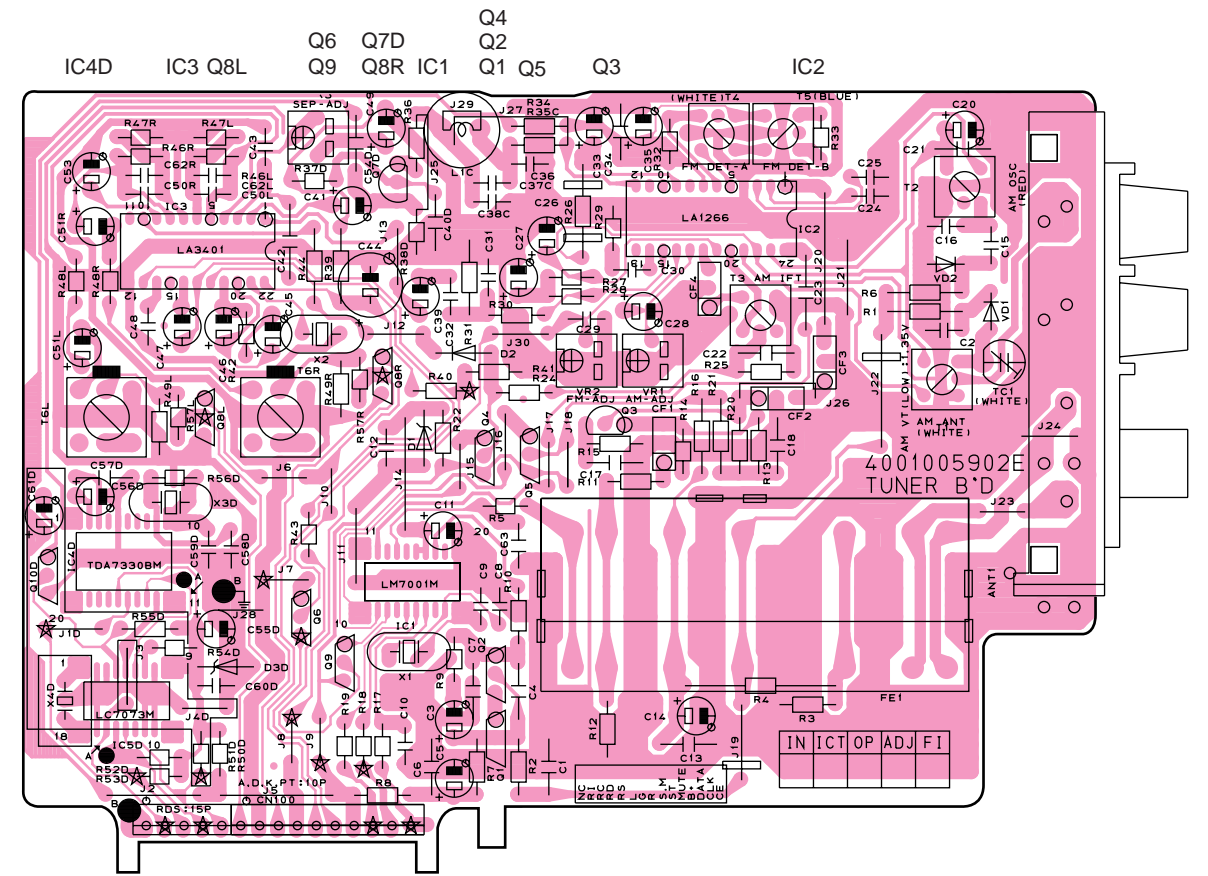
**NOTES**  
 1. Resistor values are indicated in ohms unless otherwise specified [K=1.000 M=1.000.000]  
 2. Capacitor values are indicated in microfarades unless otherwise specified. [p=micro-microfarades]  
 3. These resistor are to be segregated from printed wiring board or other accessible parts

**CAUTION**  
 Safety precaution to be followed during servicing  
 1) Since those parts marked with are critical parts for safety, use only the one described in the parts list  
 2) Before returning the set to the customer make appropriate leakage current or resistance measurements to determine the exposed parts are properly insulated from the supply circuit.

TUNER BOARD (SR480)

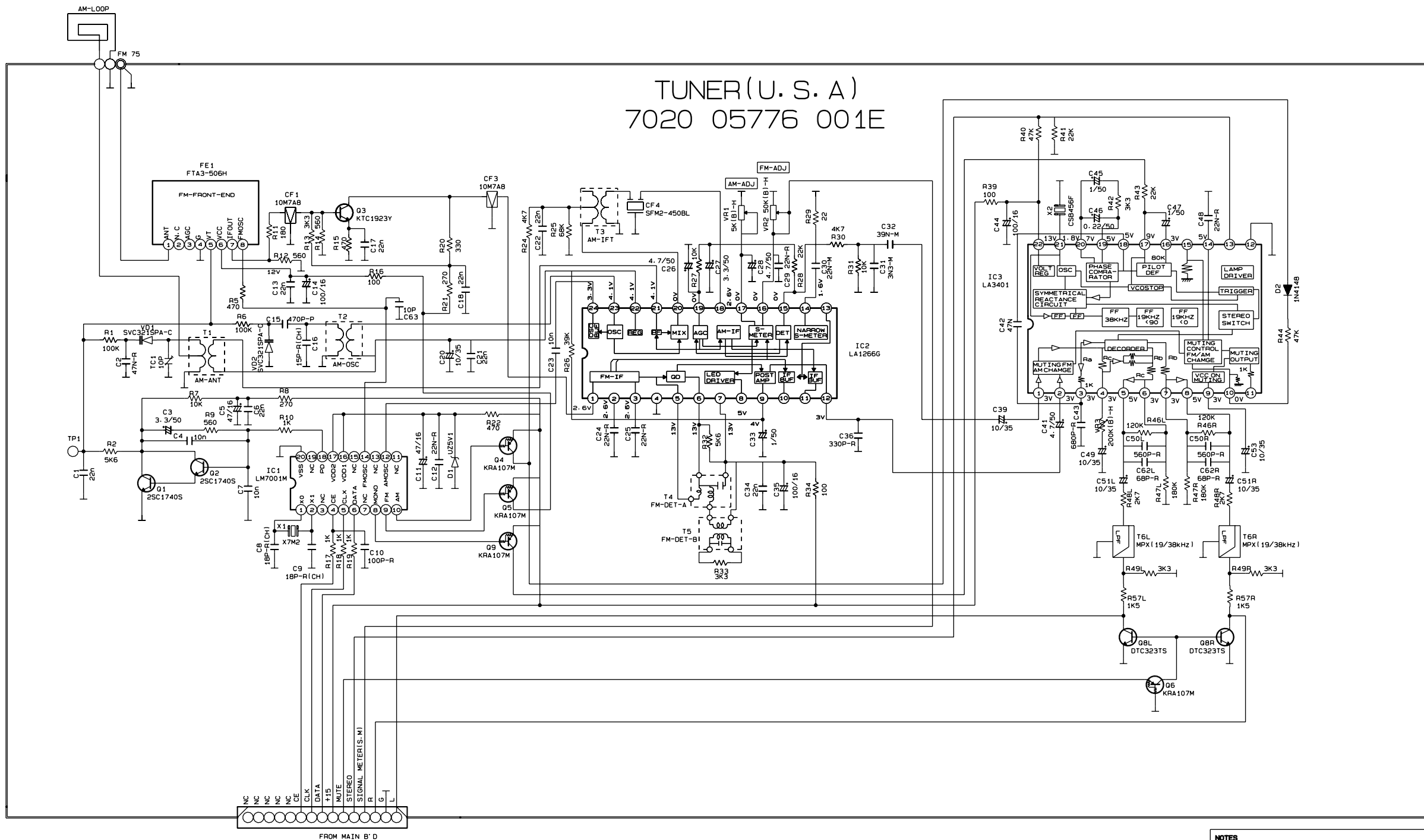


TUNER BOARD (SR480)

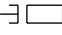




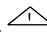
TUNER SCHEMATIC DIAGRAM (SR480 U VERSION)



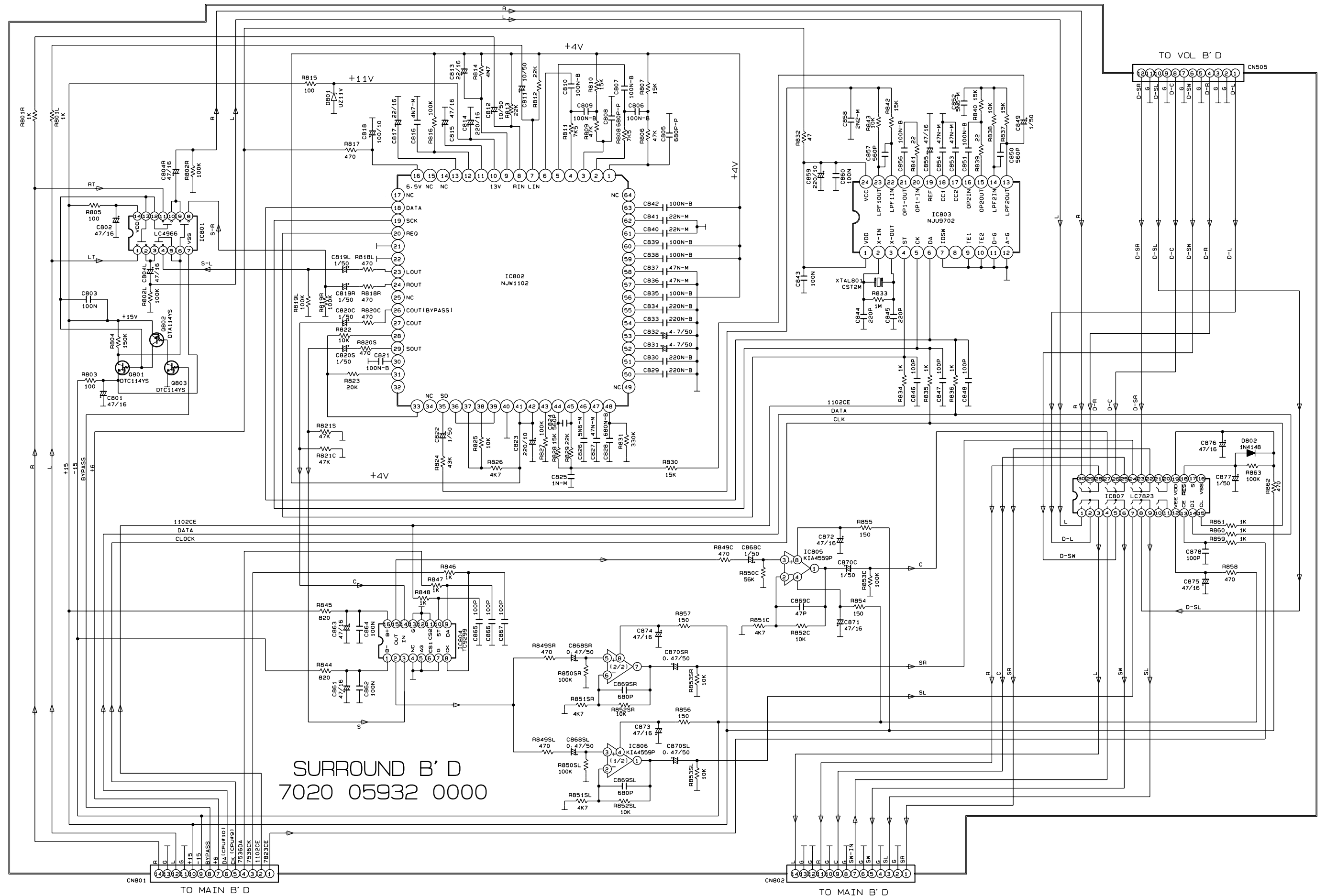
**NOTES**

1. Resistor values are indicated in ohms unless otherwise specified. (k=1,000 M=1,000,000)
2. Capacitor values are indicated in microfarads unless otherwise specified. (p=micro-microfarads)
3.  These resistors are to be segregated from printed wiring board or other accessible parts.

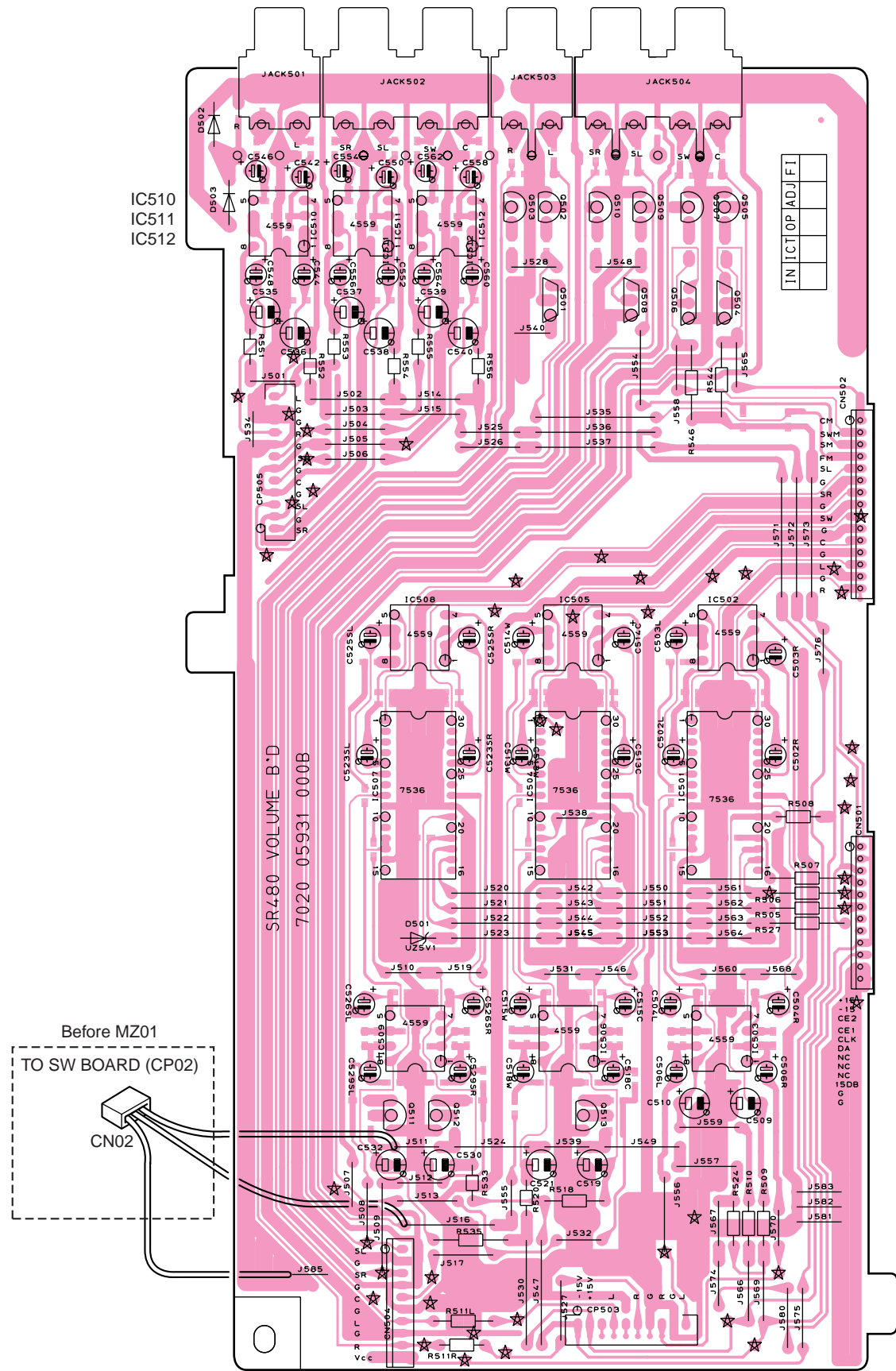
**CAUTION**  
Safety precaution to be followed during servicing.

- 1] Since those parts marked with  are critical parts for safety, use only the one described in the parts list.
- 2] Before returning the set to the customer make appropriate leakage current or resistance measurements to determine the exposed parts are properly insulated from the supply circuit.

SURROUND SCHEMATIC DIAGRAM



VOLUME BOARD



Q502 Q503  
Q505 Q507  
Q509 Q510

Q501 Q504  
Q504 Q508

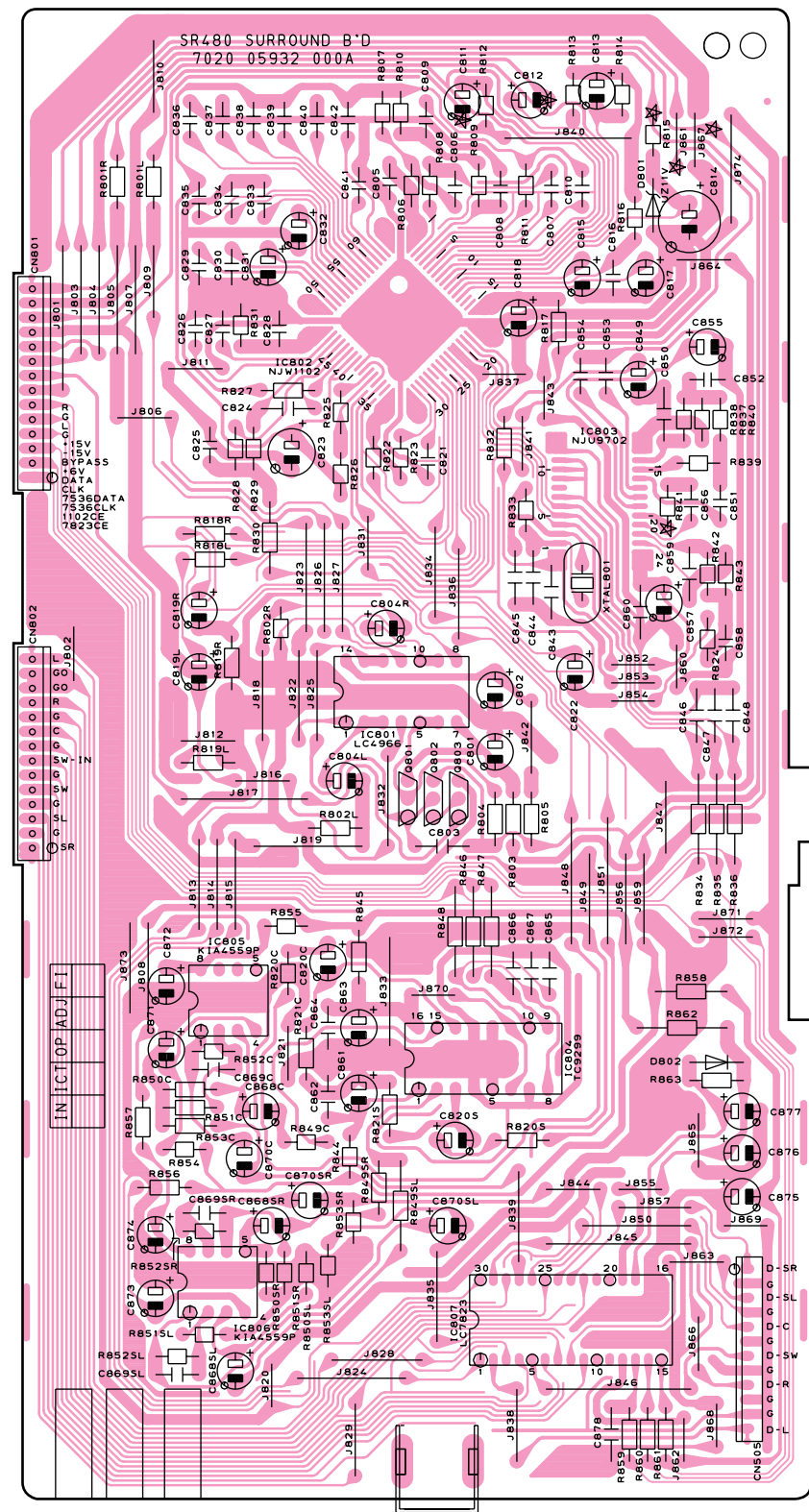
IC502  
IC505  
IC508

IC501  
IC504  
IC507

IC503  
IC506  
IC509

Q511 Q512 Q513

SURROUND BOARD



IC802

IC803

IC801

Q801  
Q802  
Q803

IC805

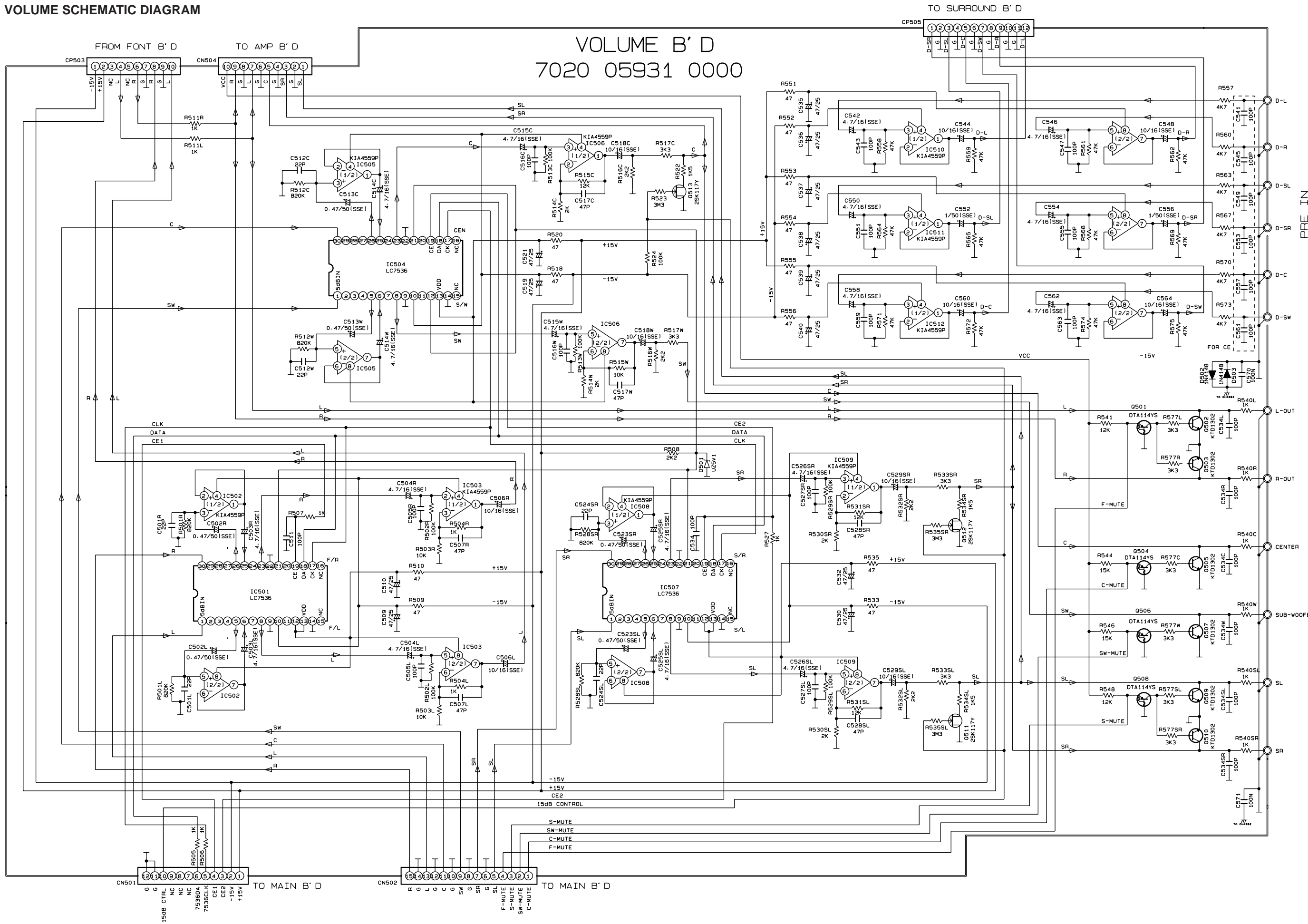
IC804

IC806

IC807

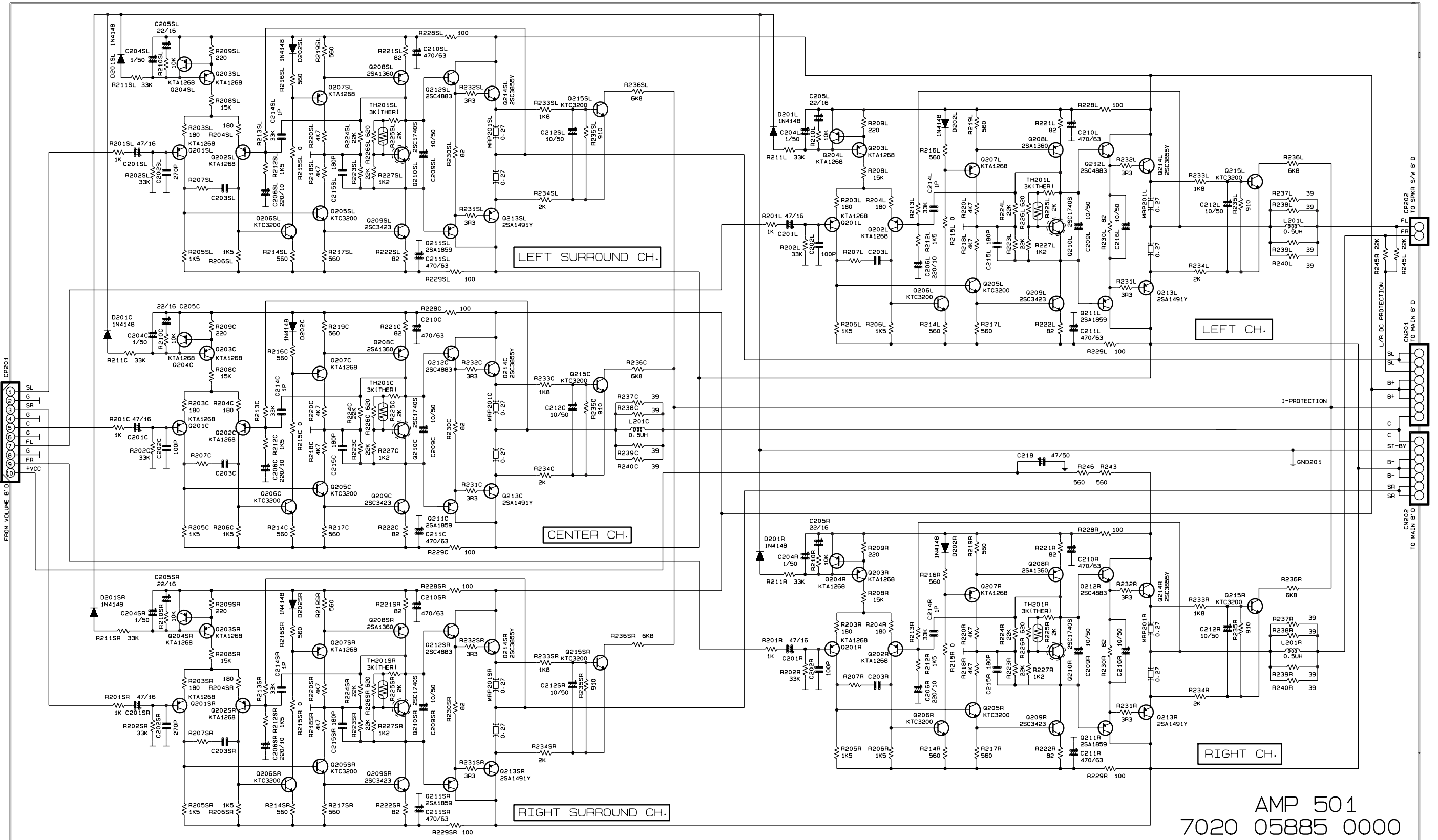
VOLUME SCHEMATIC DIAGRAM

VOLUME B' D  
7020 05931 0000

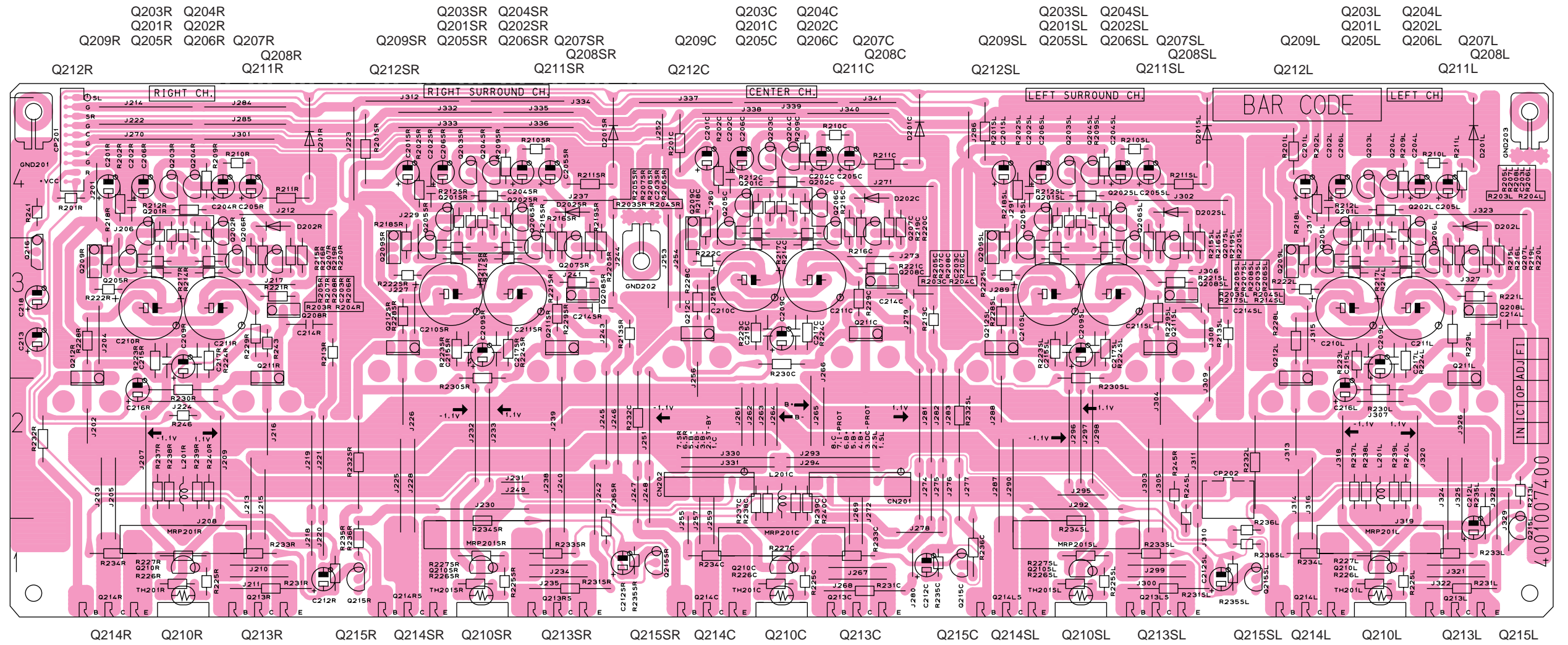




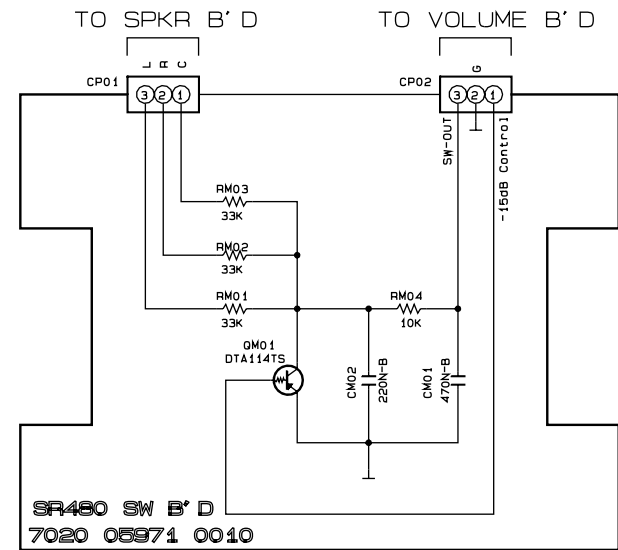
AMP SCHEMATIC DIAGRAM



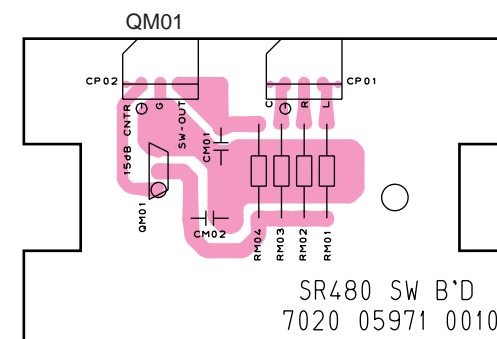
AMP BOARD



SW SCHEMATIC DIAGRAM (Before MZ01)



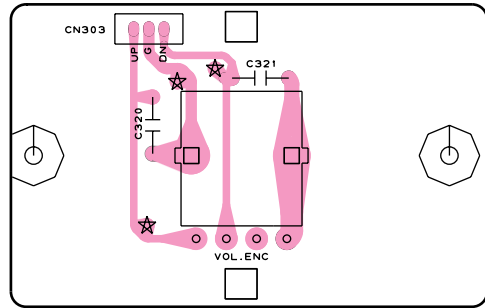
SW BOARD (Before MZ01)





FRONT SCHEMATIC DIAGRAM

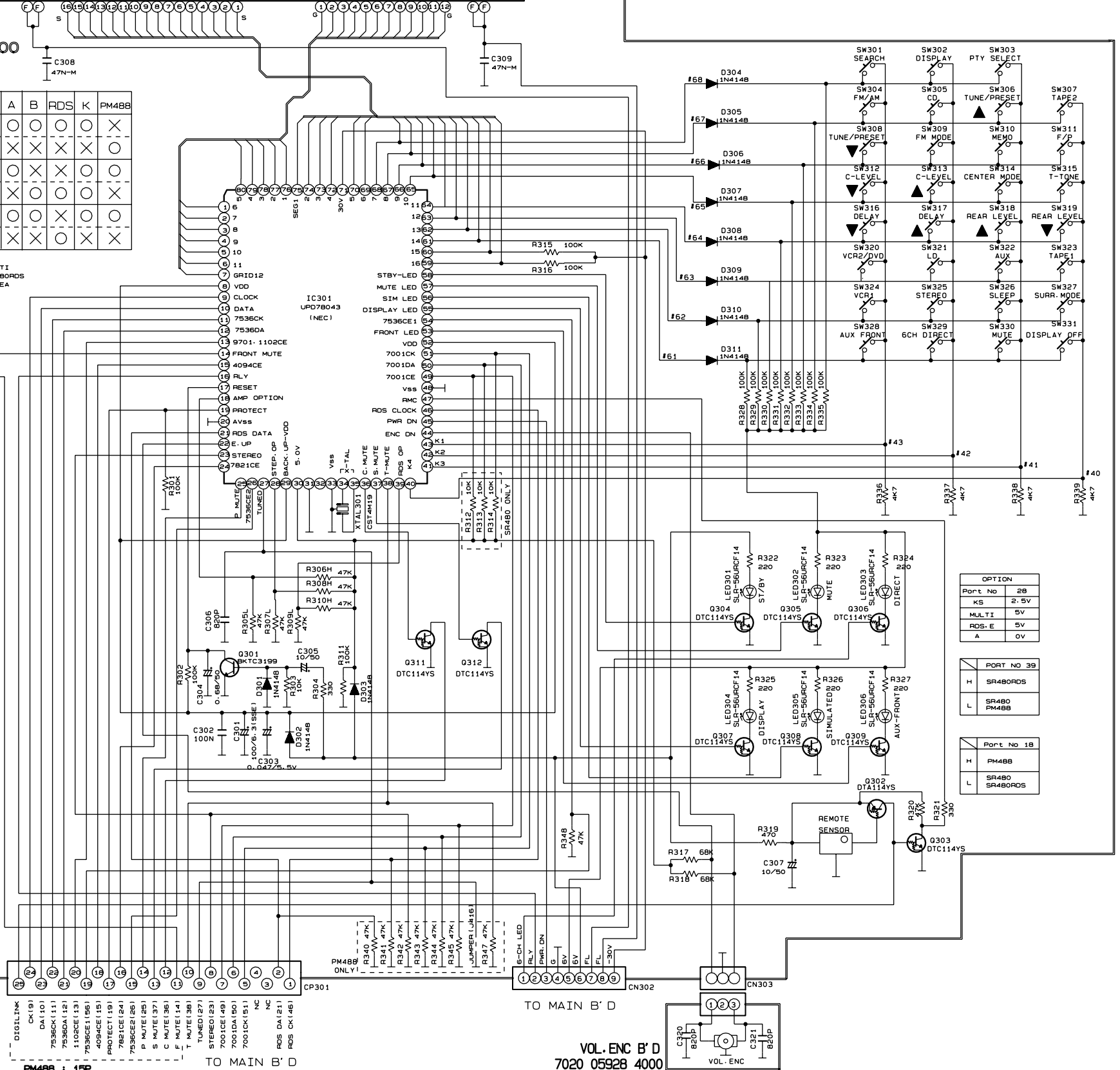
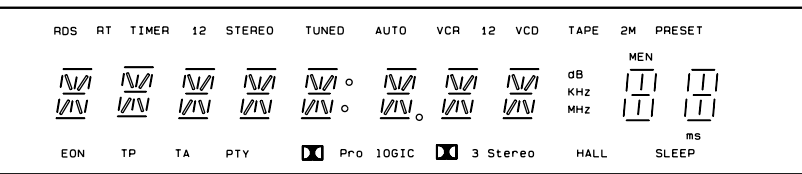
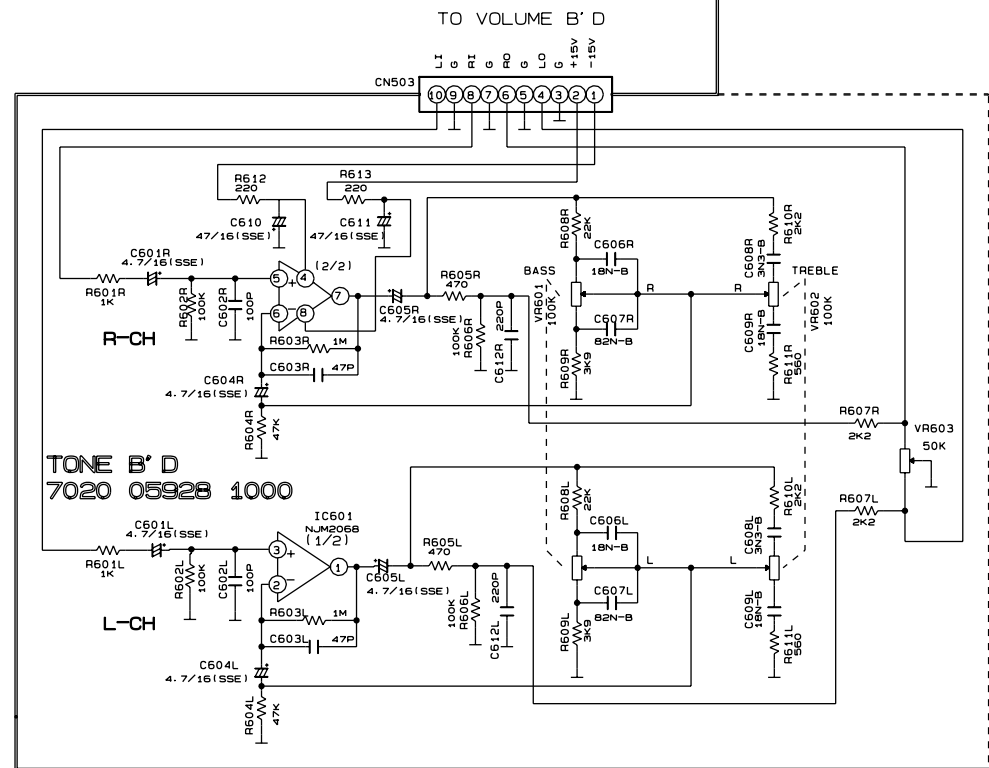
VOL ENC BOARD



FRONT B'D  
7020 05928 0000

CPU	OPTION	REF.	A	B	RDS	K	PM488
#18	AMP	R305L R306H	○	○	○	○	×
#28	STEP	R307L R308H	○	○	○	○	○
#39	RDS	R309L R310H	○	○	○	○	○

A : USA  
B : MULTI  
RDS : SR480RDS  
K : KOREA



OPTION

Port No	28
KS	2.5V
MULTI	5V
RDS-E	5V
A	0V

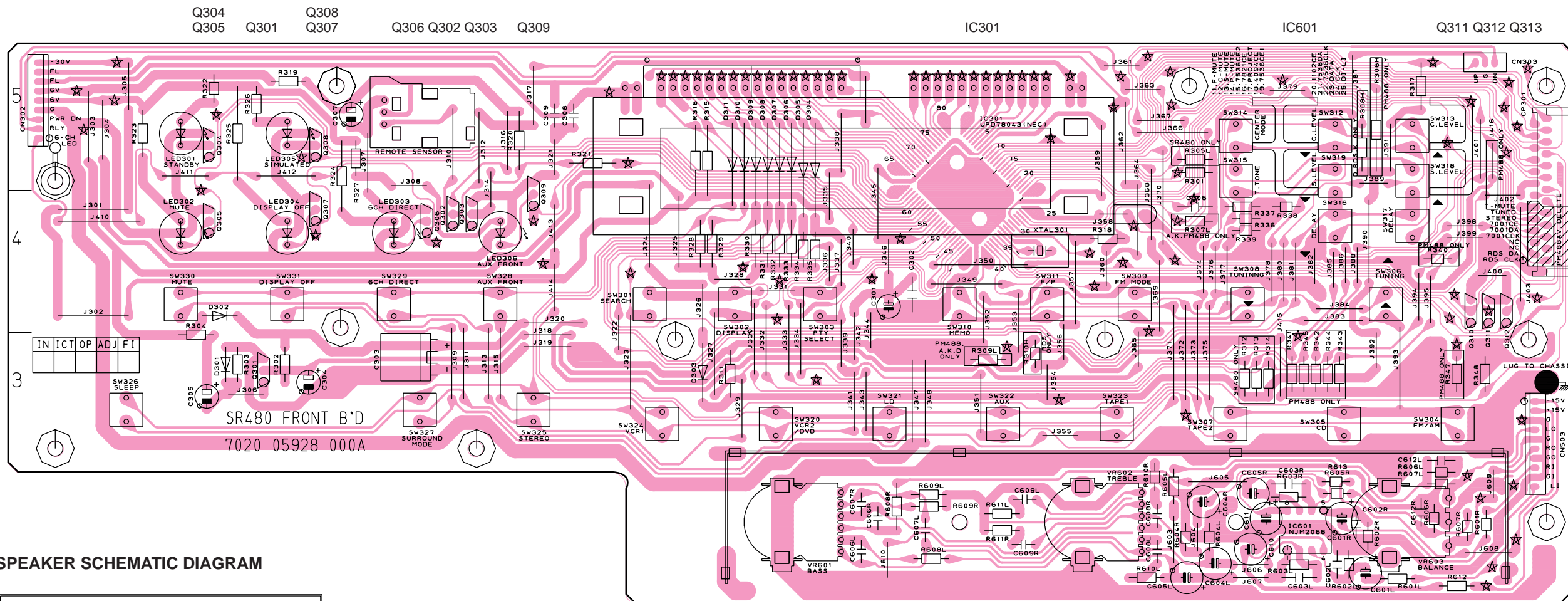
PORT NO 39

H	SR480RDS
L	SR480 PM488

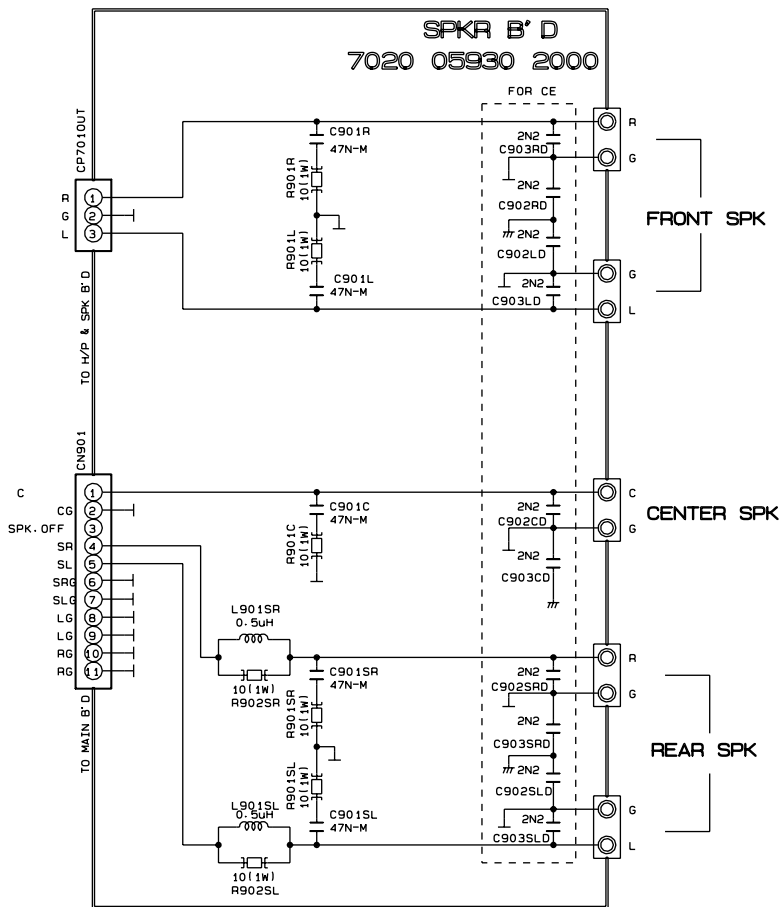
Port No 18

H	PM488
L	SR480 SR480RDS

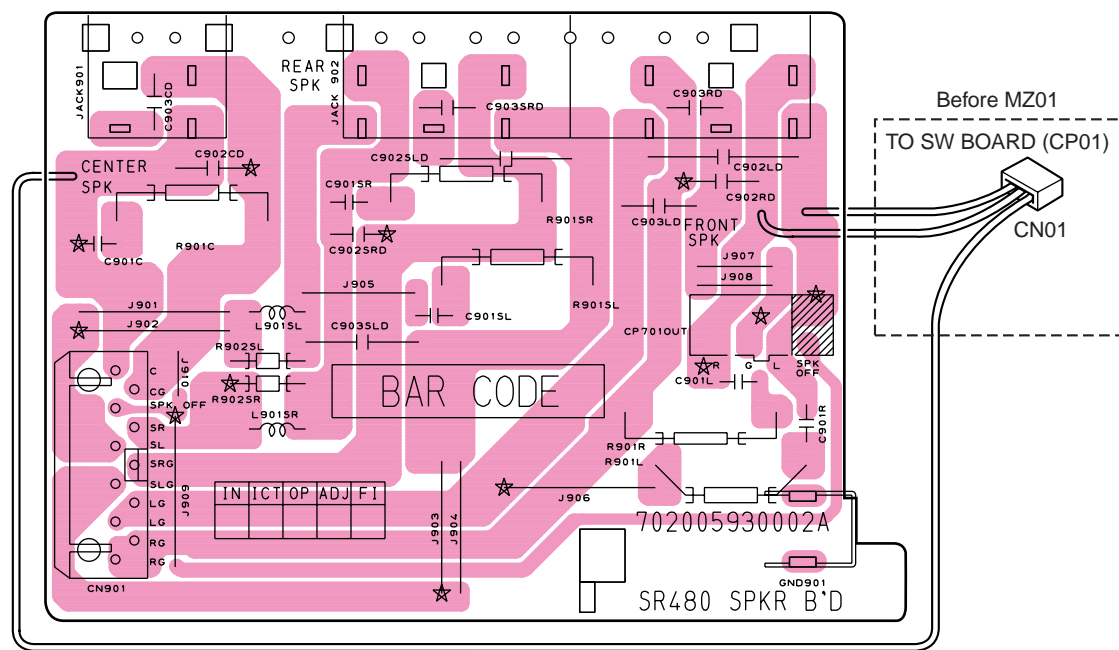
FRONT BOARD



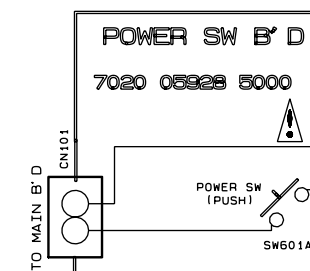
SPEAKER SCHEMATIC DIAGRAM



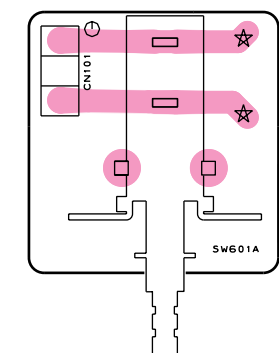
SPEAKER BOARD



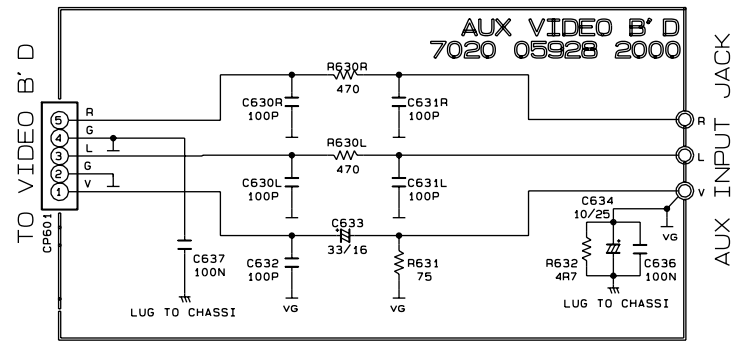
POWER SW SCHEMATIC DIAGRAM



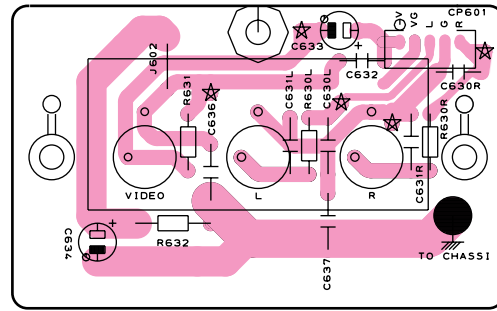
POWER SW BOARD



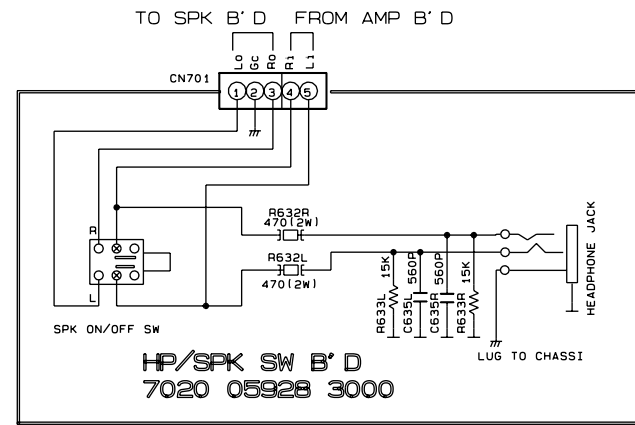
### AUX VIDEO SCHEMATIC DIAGRAM



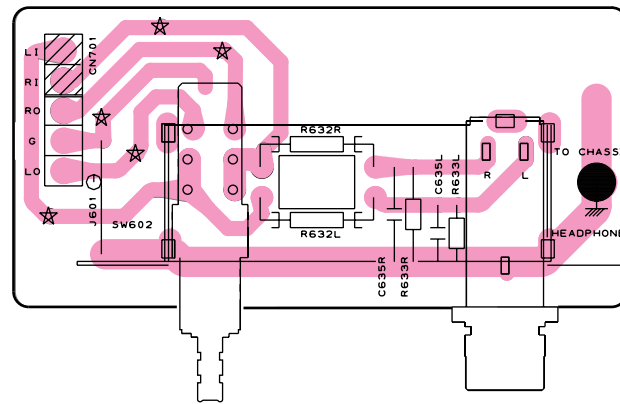
### AUX VIDEOBOARD



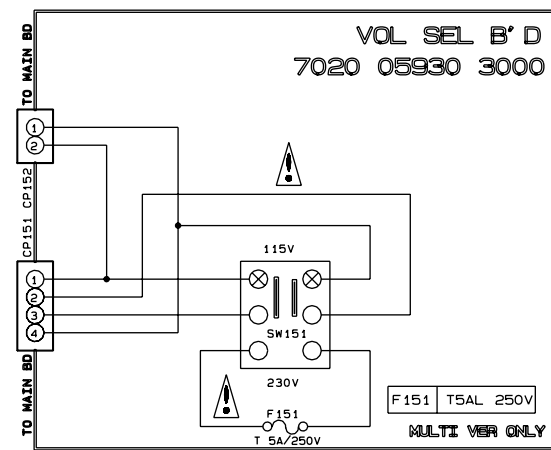
### HP/SPK SW SCHEMATIC DIAGRAM



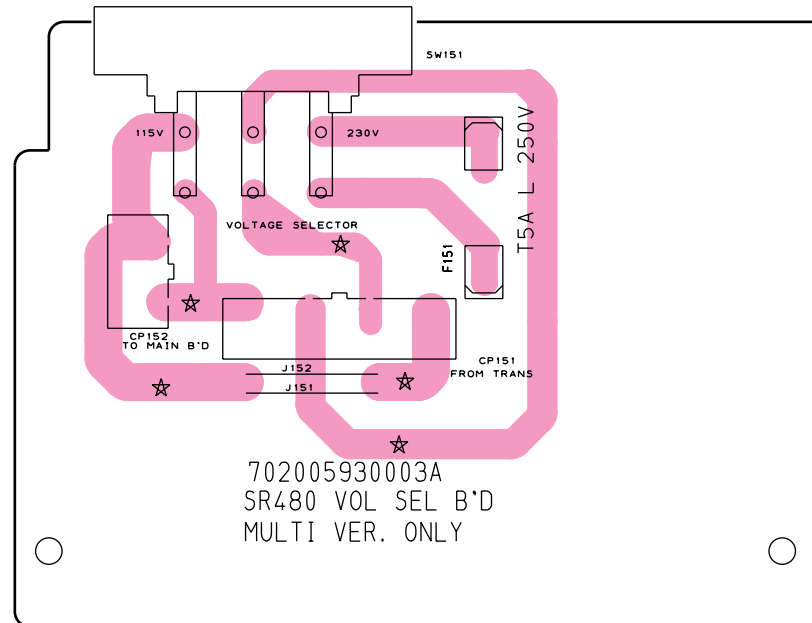
### HP/SPK SW BOARD



### VOL SEL SCHEMATIC DIAGRAM



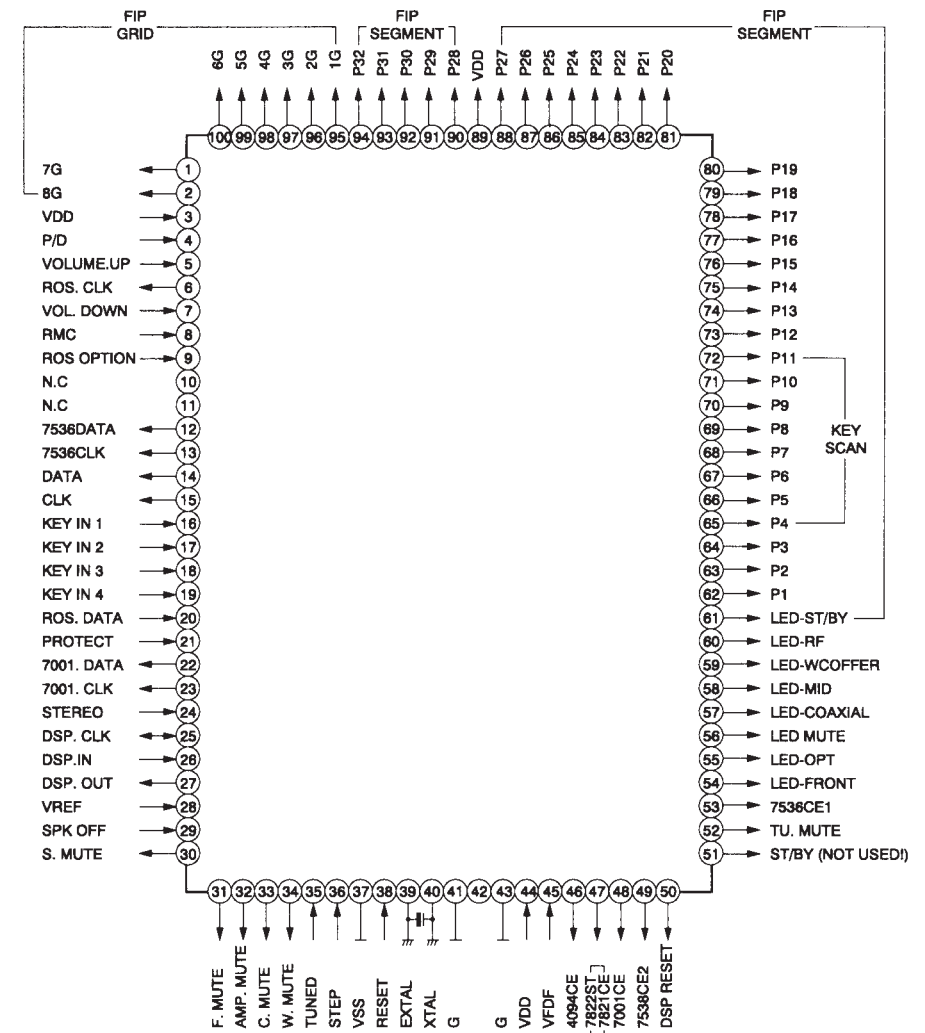
### VOL SEL BOARD



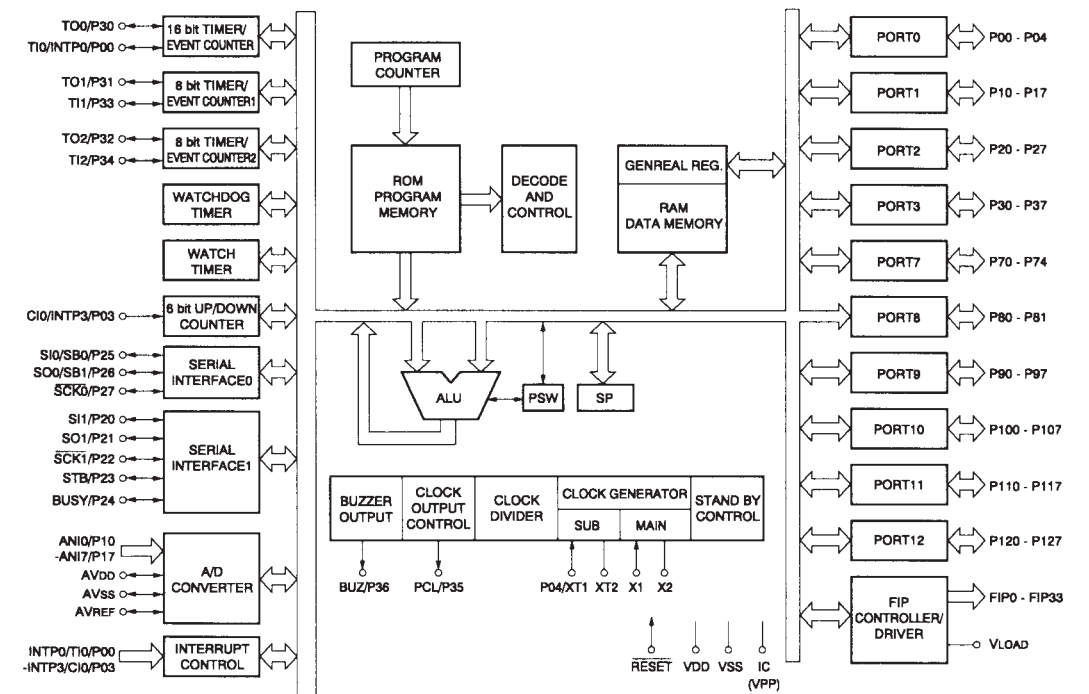
## 6. COMPONENT DESCRIPTION

### IC301

#### 1. Pin Configuration



#### 2. Block Diagram



## 7. ALIGNMENT PROCEDURES

### TUNER

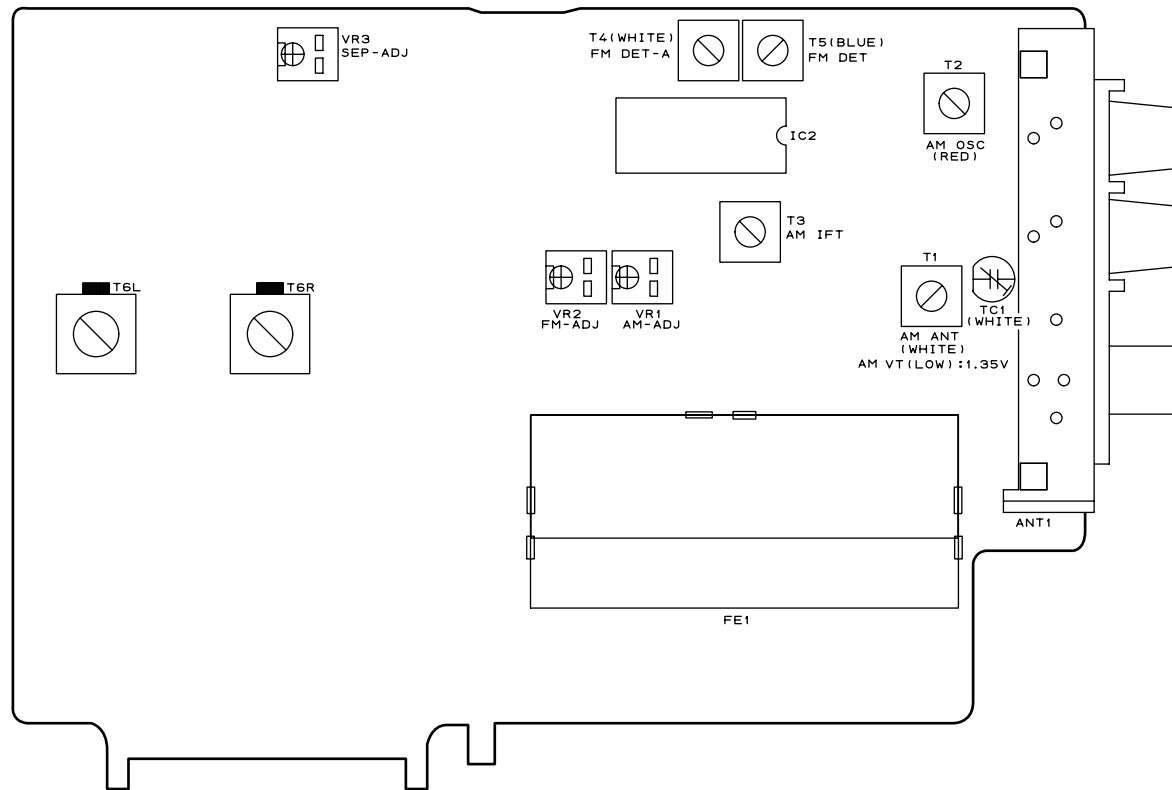
#### 1. Equipment Required

AM Standard Signal Generator (AM SSG)  
Oscilloscope  
AC Voltmeter  
FM Standard Signal Generator (FM SSG)  
Stereo Modulator

Audio Generator  
Distortion Meter  
DC Voltmeter  
Frequency Counter

**Note :** Disconnect external FM antenna prior to alignment

#### 2. Alignment and Test Point



### 3. Pin Functions

Pin No.	Symbol	Description
1	7G~8G	Grid signal output for FIP.
3	VDD	+5V power supply.
4	P/D	Input for power down.
5	VOL. UP	Input for main volume up.
6	RDS CLK	CLOCK signal output for TDA7330.
7	VOL. DOWN	Input for main volume down.
8	RMC	Input for remocon data.
9	RDS OPTION	Input to select RDS or non-RDS. (At "H", RDS is selected.)
10~11		Not used!
12	7536DATA	DATA signal output for LC7536
13	7536CLK	CLOCK signal output for LC7536
14	DATA	DATA signal output for LC7821 and LC7822.
15	CLK	CLOCK signal output for LC7821 and LC7822.
16~19	KEY IN1~4	Data input for key scan.
20	RDS. DATA	Input for RDS data of TDA7330.
21	PROTECT	Input for detecting "PROTECTION" condition.
22	7001. DATA	DATA signal output for LM7001.
23	7001. CLK	CLOCK signal output for LM7001.
24	STEREO	Input for detecting "STEREO" condition.
25	DSP. CLK	CLOCK signal input from IC810 (uPD78044, pin 9).
26	DSP. IN	DATA signal input from IC810 (uPD78044, pin 11).
27	DSP. OUT	DATA signal output to IC810 (uPD78044, pin 10).
28	VREF	Reference voltage. (Connected to +5V, Not VDD.)
29	SPK OFF	Input for detecting "SPEAKER SWITCH IS OFF" condition.
30	S. MUTE	Output for surround channel mute. (At "H", it is active.)
31	F. MUTE	Output for front channel mute. (At "H", it is active.)
32	AMP MUTE	Output for main mute. (At "H", it is active.)
33	C. MUTE	Output for center channel mute. (At "H", it is active.)
34	W. MUTE	Output for subwoofer mute. (At "H", it is active.)
35	TUNED	Input for detecting "TUNED" condition. (At "L", it is active.)
36	STEP	Input for selecting the frequency ranges steps of FM and AM.
37	VSS	This pin provides the ground potential.

Pin No.	Symbol	Description
38	RESET	Input for resetting the CPU. (At "L", it is active.)
39	EXTAL	Input for 10MHz crystal oscillator.
40	XTAL	Output for 10MHz crystal oscillator.
41	G	Ground.
42		Not used!
43	G	Ground.
44	VDD	+5V power supply.
45	VDFD	-30V power supply for FIP.
46	4094CE	LC7536 CHIP ENABLE (FRONT VR).
47	7822ST 7821CE	Chip enable signal output to LC7821 and LC7822.
48	7001CE	Chip enable signal output to LM7001.
49	7536CE2	Chip enable signal output to LC7536. (Center, rear and woofer CH. electric vol.)
50	DSP. RST	RESET signal output to IC810 (uPD78044, pin 17).
51	ST-BY	Not used!
52	TU. MUTE	Output for tuner mute. (At "H", it is active.)
53	7536CE1	Chip enable signal output to LC7536. (Front channel electric volume)
54	LED-FRONT	Output to drive RF LED. (At "H", it is active.)
55	LED-OPT	Output to drive OPTICAL LED. (At "H", it is active.)
56	LED-MUTE	Output to drive MUTE LED. (At "H", it is active.)
57	LED-COAXIAL	Output to drive COAXIAL LED. (At "H", it is active.)
58	LED-MID	Output to drive MIDNIGHT LED. (At "H", it is active.)
59	LED-WOOFER	Output to drive WOOFER LED. (At "H", it is active.)
60	LED-RF	Output to drive RF LED. (At "H", it is active.)
61	LED-ST/BY	Output to drive stand by LED. (At "H", it is active.)
62~65	P1~P4	Segment signal output for FIP.
66~73	P5~P12	Segment signal output for FIP and data output for key scan.
74~88	P13~P27	Segment signal output for FIP.
89	VDD	+5V power supply.
90~94	P28~P32	Segment signal output for FIP.
95~100	1G~6G	Grid signal output for FIP.

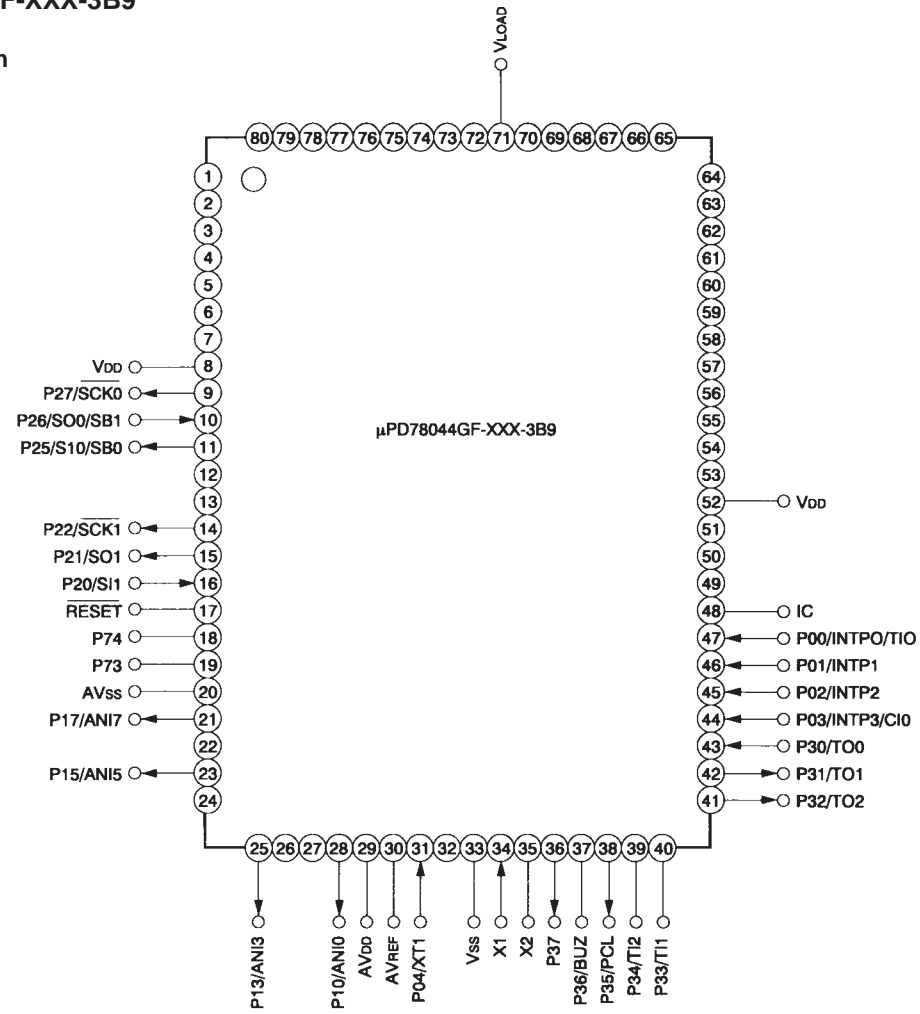
### 4. Key Matrix

OUT IN	P5 PIN66	P6 PIN67	P7 PIN68	P8 PIN69	P9 PIN70	P10 PIN71	P11 PIN72	P12 PIN73
KEY IN1 PIN16	STEREO SW320	AUX/FRONT SW305	LD SW323	DELAY▼ SW335	CENTER▲ SW331	FM MODE SW312	TAPE2 SW326	DISPLAY SW308
KEY IN2 PIN17	VCR1 SW321	DIGITAL SW306	VCR2/DVD SW322	DELAY▲ SW336	CENTER▼ SW330	TUNING▼ SW313	FM/AM SW328	SEARCH SW307
KEY IN3 PIN18	SLEEP SW302	WOOFER SW303	AUX SW324	REAR▼ SW333	CEN-MODE SW329	MEMORY SW310	TUNING▲ SW314	PTY-SEL SW309
KEY IN4 PIN19	SURROUND SW319	MID SW304	TAPE1 SW325	REAR▲ SW334	T. TONE SW332	F/P SW311	CD SW327	

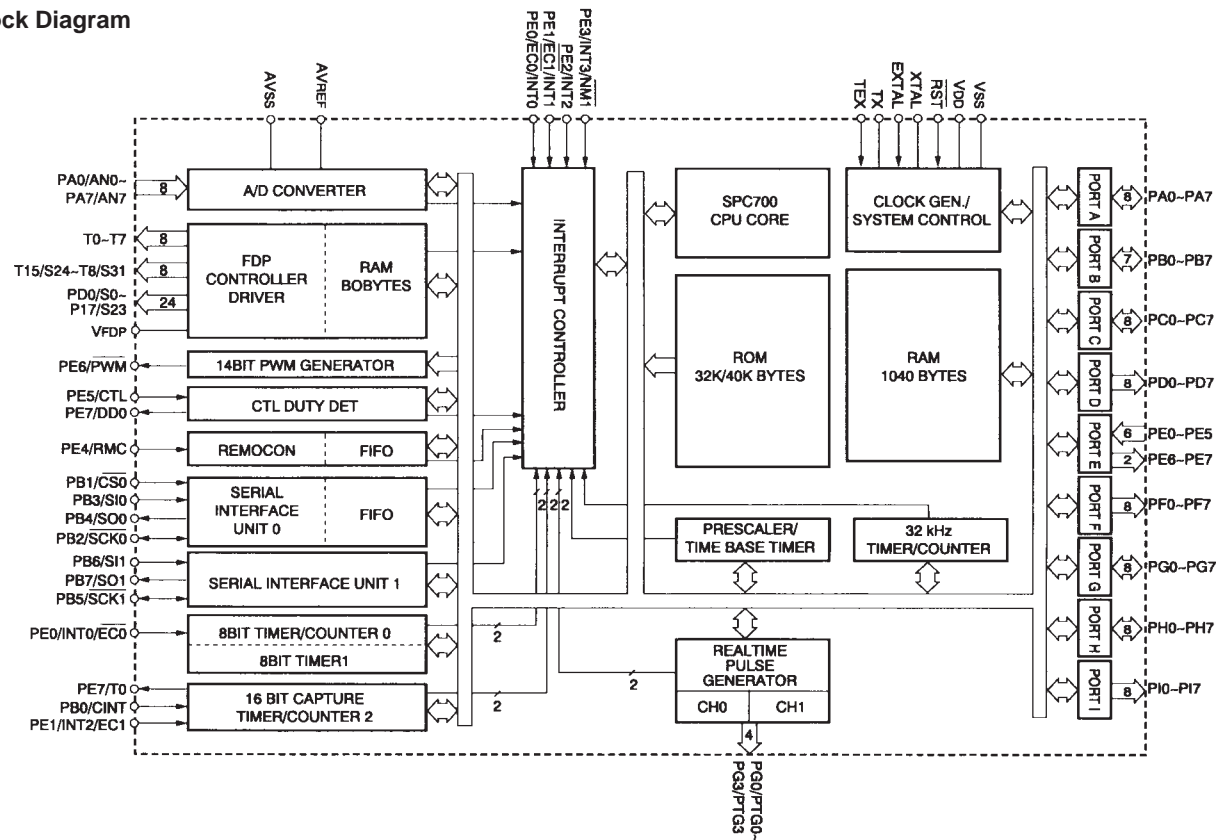


# IC801:MPD7804GF-XXX-3B9

## 1. Pin Configuration



## 2. Block Diagram



## 3. Pin Functions

Pin No.	Symbol	Description
1~7		Not used!
8	VDD	+5V power supply.
9	SCK0	CLOCK signal output to IC301(CXP82852, pin 25).
10	SB1	DATA signal input from IC301(CXP82852, pin 27)
11	SB0	DATA signal output to IC301(CXP82852, pin 26)
12~13		Not used!
14	SCK1	CLOCK signal output to IC807(MC56009) and IC806(CS4226).
15	SO1	DATA signal output to IC807(MC56009) and IC806(CS4226).
16	SI1	DATA signal input from IC807(MC56009) and IC806(CS4226).
17	RESET	RESET signal input from IC301(CXP82852, pin 50)
18	P74	Ground.
19	P73	Ground.
20	AVSS	Ground.
21	AN17	RESET signal output to IC806(CS4226).
22	AN16	Not used!
23	AN15	STROBE signal output to IC806(CS4226).
24	AN14	Not used!
25	AN13	Output for all channel mute.(At "L", it is active.)
26~27		Not used!
28	AN10	Sampling rate control port.(At "H", it is 48 kHz mode. At "L", it is 44.1 kHz mode.)
29	AVDD	+5V power supply.
30	AVREF	+5V power supply.
31	XT1	Ground.
32	XT2	Not used!
33	VSS	This pin provides the ground potential.
34	X1	Input for 4.19MHz crystal oscillator.
35	X2	Output for 4.19MHz crystal oscillator.
36	P37	Output for DSP mode.(At "H", it is active.)
37	BUZ	General purpose I/O pin. This pin is connected pin 39 and pin 40
38	PCL	IC803(PM4007) OSC control port.(At "H", it is OSC-OFF. At "L", it is OSC-ON.)
39	TI2	This pin is connected pin 37 and pin 40
40	TI1	This pin is connected pin 37 and pin 39
41	TO2	Chip enable signal output to IC807(MC56009).
42	TO1	RESET signal output to IC807(MC56009).
43	TO0	Host request port from IC807(MC56009).
44	CI0	Test tone retry.(At "L", it is active.)
45	INTP2	Input for detecting "OPTICAL INPUT".(At "L", it is active.)
46	INP1	Input for detecting "COAXIAL INPUT".(At "L", it is active.)
47	TI0	Input for detecting "AC-3 DATA" and "PCM DATA".(At "L", it is active.)
48	IC	Ground.
49~51		Not used!
52	VDD	+5V power supply.
53~70		Not used!
71	VLOAD	Ground.
72~80		Not used!

### 3. AM Alignment

Output of signal generator should not be greater than necessary to obtain an optimum output reading.  
 Signal generator modulation : 30%  
 RF Signal frequency : 400 Hz  
 Switch : Press the BAND button to AM

Step	Subject	Signal Generator Frequency	Set Frequency Setting	Equipment Connection	Adjustment Point	Adjust for
1	Tuning Voltage	520kHz (522kHz)	520kHz (522kHz)	DC Volt meter to J22 (TP1)	T2 AM OSC(R)	DC 1.32V ±1.35V
2	Usable sensitivity	600kHz (594kHz)	600kHz (594kHz)	AC voltmeter and oscilloscope to speaker terminal of L or R channel	T1 MW ANT(W)	Maximize audio output
		1400kHz (1404kHz)	1400kHz (1404kHz)		TC1	
* Feed signal should be fed to loop antenna through the test loop antenna 60 cm distant from the appliance. * Repeat the step low and high frequency until no further improvement occurs.						
3	IF	1000kHz (999kHz)	1000kHz (999kHz)	AC voltmeter and oscilloscope to speaker terminal of L or R channel	T3 AM IFT	Maximize audio output
4	Tuned Level	1000kHz (999kHz) 800µV/m	1000kHz (999kHz)		VR1	"Tuned" flag in the FL display light on

### 4. FM Alignment

Output of signal generator should not be greater than necessary to obtain an optimum output reading.  
 Signal generator deviation : USA/Canada/Korea : 75kHz, Europe : 40kHz  
 RF Signal frequency : 1kHz  
 Switch : Press the BAND button to FM and MODE button to MONO.

Step	Subject	Signal Generator Frequency	Set Frequency Setting	Equipment Connection	Adjustment Point	Adjust for
1	Tuning Band Width	98.1MHz (98MHz)	98.1MHz (98MHz)	DC Volt meter to R26 (PCB1)	T4	Zero reading on DC Volt meter
2	THD	98.1MHz (98MHz)	98.1MHz (98MHz)	Distortion meter to TAPE OUT jack of L or R channel	T5	Minimize distortion
3	Tuned Level	98.1MHz (98.1MHz) SSG output level : 10µV/m	98.1MHz (98MHz)		VR2	"Tuned" flag in the FL display light on

### 5. MPX Alignment

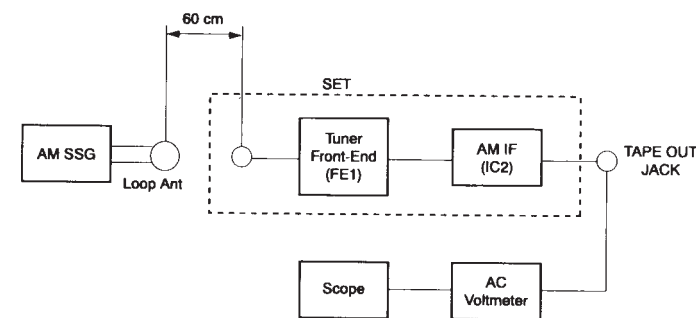
Signal generator frequency : 98 MHz  
 Signal generator deviation : USA : 75kHz, Europe : 40kHz  
 RF Signal frequency : 1kHz  
 Signal generator output level : 1000µV/m  
 Connect signal generator to FM antenna terminal through FM dummy antenna (75Ω)  
 Switch : Press the BAND button to FM and the FM MODE button to STEREO

Step	Subject	Signal Generator Frequency	Set Frequency Setting	Equipment Connection	Adjustment Point	Adjust for
1	Seperation R → L	8% Modulation	pilot on	AC voltmeter to speaker terminal of R channel	VR3	Set AC voltmeter to 0 dB
				AC voltmeter to speaker terminal of L channel		AC voltmeter reading should be at least 40 dB below
2	Seperation L → R	8% Modulation	Pilot on	AC voltmeter to speaker terminal of L channel	VR3	Set AC voltmeter to 0 dB
				AC voltmeter to speaker terminal of R channel		AC voltmeter reading should be at least 40 dB below

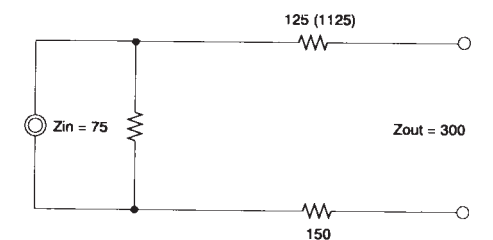
If you could not obtain -40dB readings in steps 1 and 2, readjust VR3 until you obtain -40dB readings.  
 Normal is -45dB. (Europe : Nominal -42dB, Limit -37 dB)

### 6. Equipment Connection

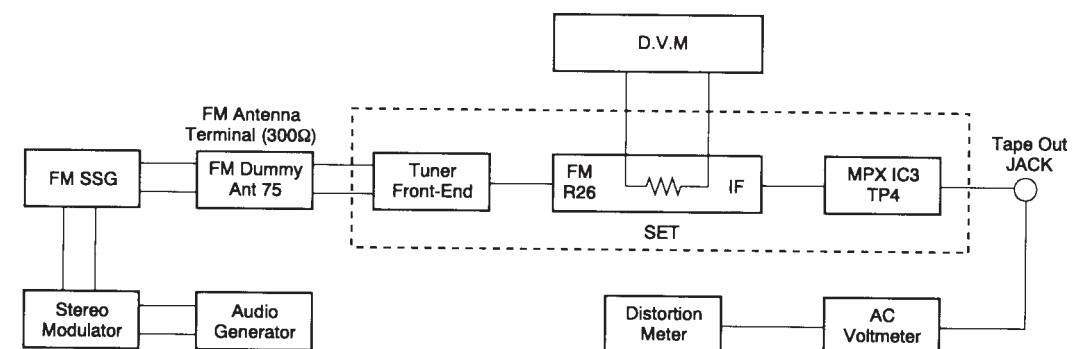
#### 6-1. AM Alignment Connection



#### 6-2. FM Dummy Antenna

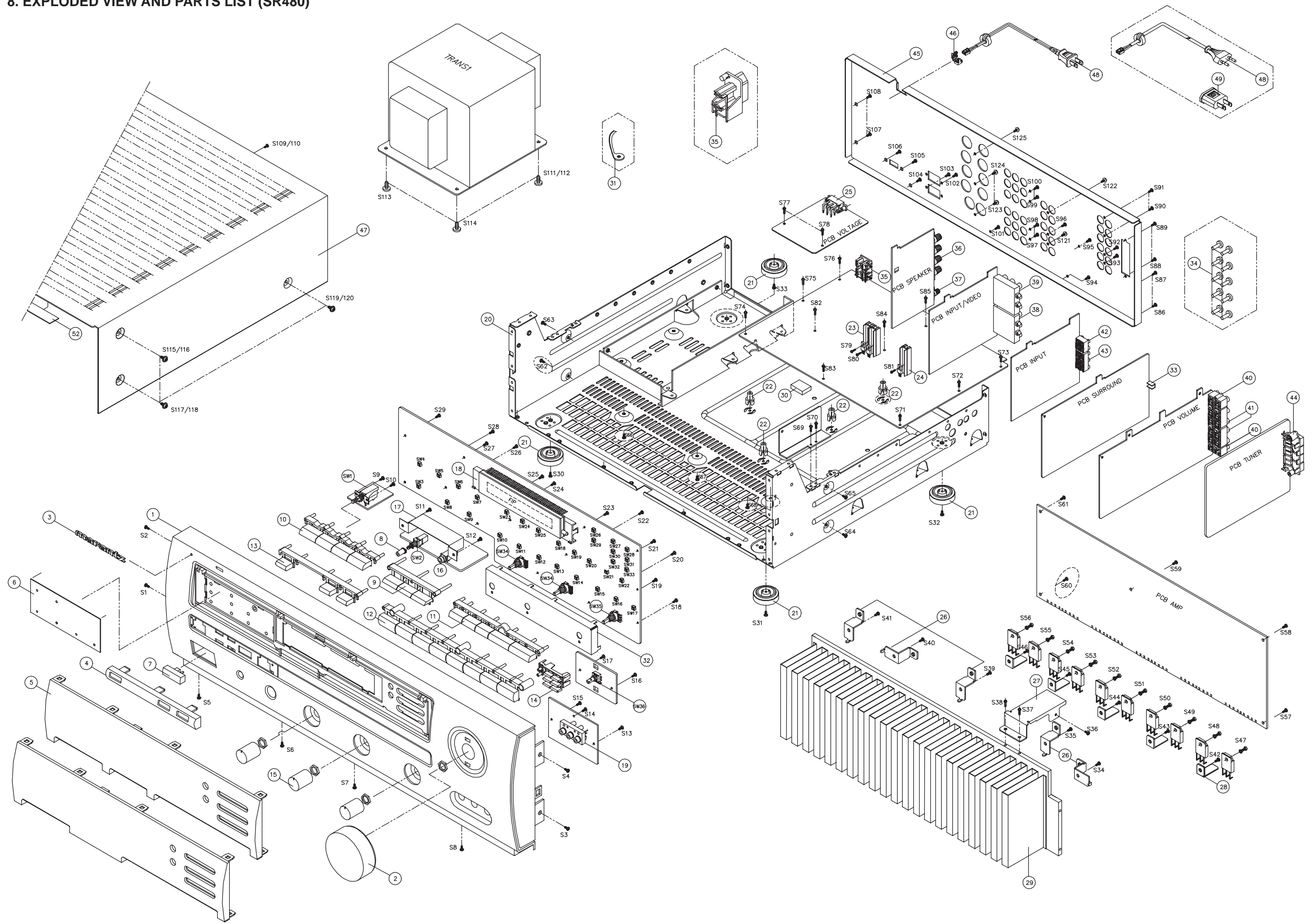


#### 4-3. FM RF/IF and MPX Alignment Connection





## 8. EXPLODED VIEW AND PARTS LIST (SR480)



(VERS.:VERSION, U:U.S.A., F:JAPAN, K:FAR EAST, \*:EUROPE)

POS. NO	VERS. COLOR	PART NO. (FOR PCS)	DESCRIPTION	PART NO. (MJI)
1		4822 459 05305	PANEL FRONT ABS BLACK	239W248010
2		4822 410 12101	KNOB MAIN ABS BLACK	238W154010
3		4822 454 13406	BADGE MARANTZ AL	168W251010
4		4822 462 11125	DECORATION CAP ABS BLACK	238W063010
5		4822 450 10674	WINDOW AMP ACRYL	239W158010
6		4822 454 13407	INDICATOR PLATE PC	238W003010
7		4822 410 11217	BUTTON POWER ABS BLACK	168W270090
8	nsp		KNOB SPEAKER ABS BLACK	nsp
9		4822 410 12103	BUTTON 4KEY ABS BLACK	238W270020
10		4822 410 12476	BUTTON 8KEY ABS BLACK	237W270140
11		4822 410 12106	BUTTON SURR ABS BLACK	238W270050
12		4822 410 11057	BUTTON 8KEY ABS BLACK	192W270020
13		4822 410 11054	KNOB ROTARY ABS BLACK	192W154020
14		4822 267 31992	JACK PHONE(G)	*YT000830R
15		4822 402 11189	BKT PHONE TIN PLATE0 5T	238W160010
16	nsp		HOLDER FL ABS BLACK	nsp
17		4822 265 31321	TER JACK RCA(3P)	*YT000870R
18	nsp		CH MAIN ASSY SECC	nsp
19		4822 462 10695	FOOT ABS GOLD	168W057010
20	nsp		KNOB SPACER ABS BLACK	nsp
21	nsp		HEAT SINK REG TR AL	nsp
22	nsp		HEAT SINK REG TR AL	nsp
▲ 23		4822 273 10322	SW SLIDE VOLTAGE	*SS000520R
24	nsp		BKT H/SINK SECC	nsp
25	nsp		BKT H/SINK PCB SECC	nsp
26	nsp		BKT H/SINK ALP	nsp
27	nsp		H/SINK POWER	nsp
28	nsp		CUSHION SPONGE	nsp
29	nsp		CLAMP WIRE	nsp
30	nsp		SHIELD FENCE	nsp
31	nsp		SHIELD PLATE GND	nsp
▲ 32		4822 267 31994	AC OUTLET(EUR)	*YT000920R
33		4822 265 11472	TERMINAL SPEAKER 8P	*YT001290R
34		4822 265 11473	TERMINAL SPEAKER(2P)	*YT001300R
35		4822 265 11474	JACK RCA(9P)/ORANGE2P	*YT001310R
36		4822 265 11475	JACK RCA(9P)	*YT001320R
37		4822 265 10928	JACK RCA(2P)	*YT001050R
38		4822 265 11476	JACK RCA(4P)/BLACK2P	*YT001330R
39		4822 265 11477	JACK RCA(4P)	*YT001340R
40		4822 267 41252	JACK RCA(6P)	*YT001040R
41	nsp		CHASSIS BACK SECC	nsp
42	nsp		STOPPER CORD(DACH-1)	nsp
43	nsp		COVER TOP VCM 0.95T	nsp
44	nsp		AC POWER CORD	nsp
▲ TRANS1	/02	4822 146 11162	MAINS TRANSFORMER 230V	*TS000950R
Z002		4822 219 10067	REMOTE CONTROL UNIT RC66PM	ZK432W0010
001T		4822 736 16546	USER GUIDE	237W851310
SW1		4822 276 13807	SWITCH POWER	*SP000680R
SW2		4822 276 13658	SWITCH PUSH	*SP000620R
SW3				
SW17		4822 276 13661	SWITCH TACT	*SP000610R
SW18				
SW25		4822 276 14109	SWITCH TACT	*SP000900R
SW26		4822 101 11754	VR TREBLE/BASS	*RM000240R
SW27		4822 101 11755	VR BALANCE	*RM000250R
SW28		4822 277 11645	VR ENCODER	*SR000080R

(VERS.:VERSION, U:U.S.A., F:JAPAN, K:FAR EAST, \*:EUROPE)

POS. NO	VERS. COLOR	PART NO. (FOR PCS)	DESCRIPTION	PART NO. (MJI)
S1			SCREW BTT3X8B	nsp
S46		nsp		nsp
S47			SCREW HEAT SINK	nsp
S56		nsp		nsp
S57			SCREW #B WPTT3X6Y	nsp
S61				nsp
S62			SCREW #B BTT3X8B	nsp
S70				nsp
S71			SCREW #B WPTT3X6Y	nsp
S78				nsp
S79			SCREW #B BTT3X8B	nsp
S81				nsp
S82			SCREW #B WPTT3X18Y	nsp
S85				nsp
S86			SCREW BTT3X8C	nsp
S109				nsp
S110			SCREW #B BSAM4X8B	nsp
S113				nsp
S114			SCREW #B BSAM4X8C	nsp
S119				nsp
S120			SCREW GND CU COATING	nsp
S124				nsp

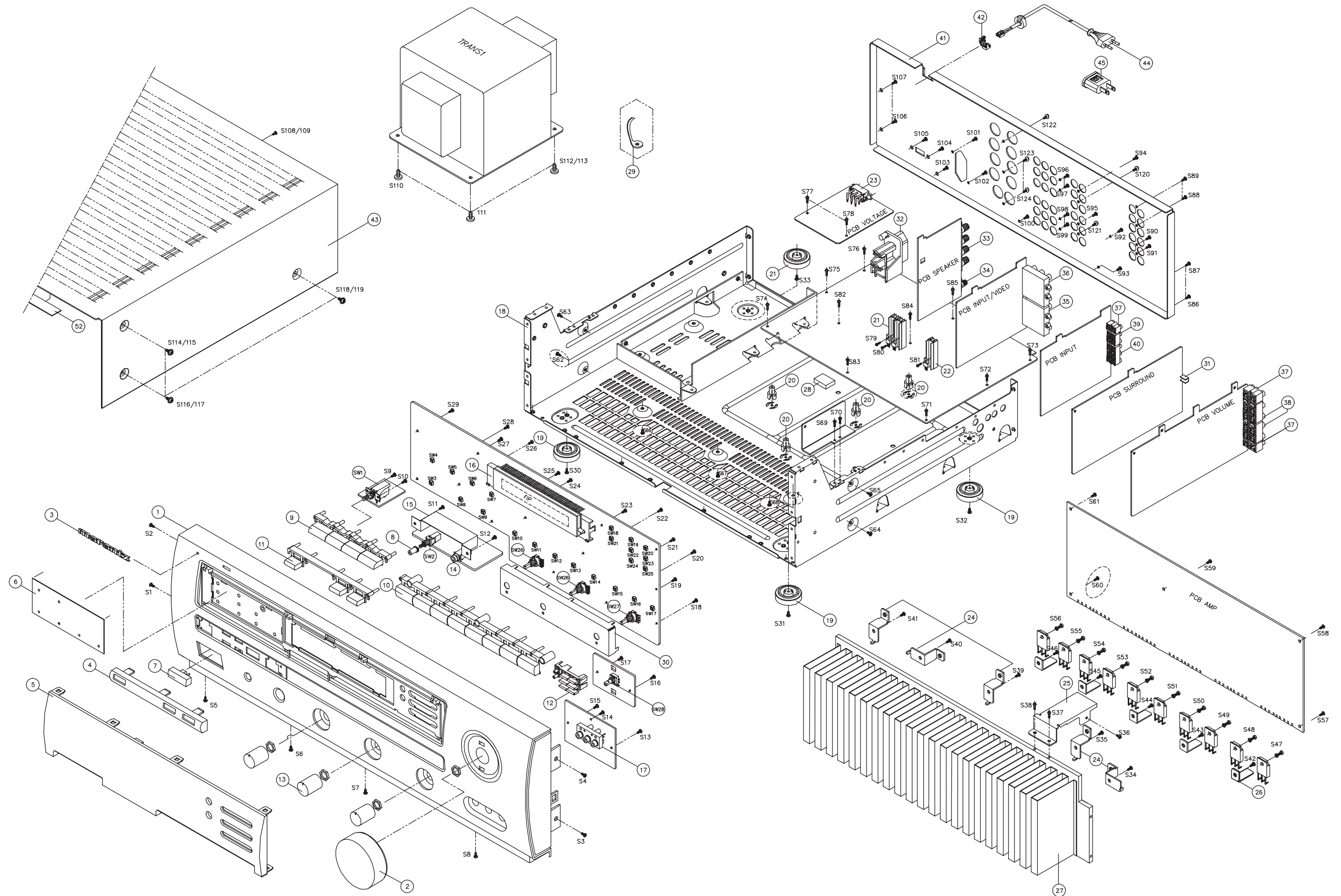
(VERS.:VERSION, U:U.S.A., F:JAPAN, K:FAR EAST, \*:EUROPE)

POS. NO	VERS. COLOR	PART NO. (FOR PCS)	DESCRIPTION	PART NO. (MJI)
1	U/01	4822 459 05306	PANEL FRONT ABS BLACK	237W248110
1	/02	4822 459 05307	PANEL FRONT ABS BLACK	237W248010
2		4822 410 12101	KNOB MAIN ABS BLACK	238W154010
3		4822 454 13406	BADGE MARANTZ AL	168W251010
4		4822 462 11125	DECORATION CAP ABS BLACK	238W063010
5	U/01	4822 450 10675	WINDOW ACRYL	237W158010
5	/02	4822 450 10676	WINDOW RDS ACRYL	237W158020
6		4822 454 13407	INDICATOR PLATE PC	238W003010
7		4822 410 11217	BUTTON POWER ABS BLACK	168W270090
8		nsp	KNOB SPEAKER ABS BLACK	nsp
9	/02	4822 410 12102	BUTTON 3KEYABS BLACK	238W270010
10		4822 410 12103	BUTTON 4KEYABS BLACK	238W270020
11		4822 410 12104	BUTTON 5KEY ABS BLACK	238W270030
12		4822 410 12105	BUTTON 8KEY ABS BLACK	238W270040
13		4822 410 12106	BUTTON SURR ABS BLACK	238W270050
14		4822 410 11057	BUTTON 8KEYABSBLACK	192W270020
15		4822 410 11054	KNOB ROTARY ABS BLACK	192W154020
16		4822 267 31992	JACK PHONE(C)	*YT000830R
17		4822 402 11189	BKT PHONE TIN PLATE0 5T	238W160010
18	nsp		HOLDER FL ABS BLACK	nsp
19		4822 265 31321	TER JACK RCA 3P	*YT000870R
20	nsp		CH MAIN ASSY SECC	nsp
21		4822 462 10695	FOOT ABS GOLD	168W057010
22	nsp		KNOB SPACER ABS BLACK	nsp
23	nsp		HEAT SINK REG TR AL	nsp
24	nsp		HEAT SINK REG TR AL	nsp
25		4822 273 10322	SW SLIDE VOLTAGE	*SS000520R
26	nsp		BKT H SINK SECC	nsp
27	nsp		BKT H/SINK PCB SECC	nsp
28	nsp		BKT H/SINK ALP	nsp
29	nsp		H SINK POWER	nsp
30	nsp		CUSHION SPONGE	nsp
31	nsp		CLAMP WIRE	nsp
32	nsp		SHIELD FENCE	nsp
33	nsp		SHIELD PLATE GND	nsp
34	/02	nsp	BUSHING TERMINAL ABS BLACK	nsp
▲ 35	U	nsp	AC OUTLET(US)	*YT000910R
▲ 35	/01/02	4822 267 31994	AC OUTLET(EUR)	*YT000920R
36		4822 265 11472	TERMINAL SPEAKER(8P)	*YT001290R
37		4822 265 11473	TERMINAL SPEAKER(2P)	*YT001300R
38		4822 265 11474	JACK RCA(9P)/ORANGE2P	*YT001310R
39		4822 265 11475	JACK RCA(9P)	*YT001320R
40		4822 265 10928	JACK RCA(2P)	*YT001050R
41		4822 265 11476	JACK RCA(4P)/BLACK2P	*YT001330R
42		4822 265 11477	JACK RCA 4P	*YT001340R
43		4822 267 41252	JACK RCA(6P)	*YT001040R
44	U	nsp	ANT TERMINAL US	*YT001350R
44	/01/02	4822 265 11478	ANT TERMINAL EUR	*YT001360R
45	U	nsp	CHASSIS BACK SECC	nsp
45	/02	nsp	CHASSIS BACK SECC	nsp
45	/01	nsp	CHASSIS BACK SECC	nsp
46	nsp		STOPPER CORD(DACH-1)	nsp
47	U/01	nsp	COVER TOP VCM 0.95T 47	nsp
47	/02	nsp	COVER TOP VCM 1 IT	nsp
48	U	nsp	AC POWER CORD	nsp
▲ 48	/01/02	4822 321 11309	AC POWER CORD	*YC000320R
49	/01	nsp	ADAPTER AC PLUG	nsp
▲ TRANS1	/01	4822 146 11164	MAINS TRANSFORMER 115/230V	*TS000940R
▲ TRANS1	/02	4822 146 11162	MAINS TRANSFORMER 230V	*TS000950R
▲ TRANS1	U	nsp	MAINS TRANSFORMER 120V	*TS000960R
Z002		4822 219 10644	REMOTE CONTROL UNIT RC480SR	ZK237W0010
001T	/01/02	4822 736 16546	USER GUIDE (/01/02)	237W851310
001T	U	nsp	USER GUIDE (U)	237W851250

(VERS.:VERSION, U:U.S.A., F:JAPAN, K:FAR EAST, \*:EUROPE)

POS. NO	VERS. COLOR	PART NO. (FOR PCS)	DESCRIPTION	PART NO. (MJI)
SW1		4822 276 13807	SWITCH POWER	*SP000680R
SW2		4822 276 13658	SWITCH PUSH	*SP000620R
SW3				
SW22		4822 276 13661	SWITCH TACT	*SP000610R
SW23	/02	4822 276 13661	SWITCH TACT	*SP000610R
SW24	/02	4822 276 13661	SWITCH TACT	*SP000610R
SW25	/02	4822 276 13661	SWITCH TACT	*SP000610R
SW26				
SW33		4822 276 14109	SWITCH TACT	*SP000900R
SW34				
SW35		4822 101 11754	VR TREBLE/BASS	*RM000240R
SW36		4822 101 11755	VR BALANCE	*RM000250R
SW36		4822 277 11645	VR ENCODER	*SR000080R
S1				
S46		nsp	SCREW B BTT3X8B	nsp
S47				
S56	nsp		SCREW HEAT SINK	nsp
S57			SCREW #B WP-3X6Y	nsp
S61				
S62			SCREW #B BTT3X8B	nsp
S70				
S71			SCREW #B VVP-3X6Y	nsp
S78				
S79			SCREW #B BTT3X8B	nsp
S80			SCREW #B BTT3X8B	nsp
S81			SCREW #B BTT3X8B	nsp
S82				
S85			SCREW -B WPTT3X18Y	nsp
S86				
S110			SCREW B BTT3X8C	nsp
S111				
S114			SCREW #B BSAM4X8B	nsp
S115				
S120			SCREW -B BSAM4X8C	nsp
S121				
S125			SCREW GND CU COATING	nsp

# 9. EXPLODED VIEW AND PARTS LIST (PM488AV)





10. ELECTRICAL PARTS LIST

ASSIGNMENT OF COMMON PARTS CODES.

RESISTORS

R \_\_\_\_ : 1) GD05 x x x 140, Carbon film fixed resistor, ±5% 1/4W  
 R \_\_\_\_ : 2) GD05 x x x 160, Carbon film fixed resistor, ±5% 1/6W  
               ① Resistance value

Examples  
 ① Resistance value  
 0.1Ω ..... 001   10Ω ..... 100   1kΩ ..... 102   100kΩ ..... 104  
 0.5Ω ..... 005   18Ω ..... 180   2.7kΩ ..... 272   680kΩ ..... 684  
 1Ω ..... 010   100Ω ..... 101   10kΩ ..... 103   1MΩ ..... 105  
 6.8Ω ..... 068   390Ω ..... 391   22kΩ ..... 223   4.7MΩ ..... 475  
 Note : Please distinguish 1/4W from 1/6W by the shape of parts used actually.

CAPACITORS

C \_\_\_\_ : CERAMIC CAP.  
 3) DD1 x x x x 370, Ceramic capacitor  
               Disc type  
               Temp.coeff. P350~N1000, 50V  
               ③ Capacity value  
               ② Tolerance

Examples  
 ② Tolerance (Capacity deviation)  
 ± 0.25 pF ..... 0  
 ± 0.5 pF ..... 1  
 ± 5 % ..... 5  
 Tolerance of COMMON PARTS handled here are as follows :  
 0.5 pF - 5 pF ..... ± 0.25 pF  
 6 pF - 10 pF ..... ± 0.5 pF  
 12 pF - 560 pF ... ± 5 %  
 ③ Capacity value  
 0.5 pF .... 005   3 pF .... 030   100 pF ..... 101  
 1 pF .... 010   10 pF ..... 100   220 pF ..... 221  
 1.5 pF .... 015   47 pF ..... 470   560 pF ..... 561

C \_\_\_\_ : CERAMIC CAP.  
 4) DK16 x x x 300, High dielectric constant ceramic capacitor  
               Disc type  
               Temp.chara. 2B4, 50V  
               ④ Capacity value

Examples  
 ④ Capacity value  
 100 pF ..... 101   1000 pF ..... 102   10000 pF ..... 103  
 470 pF ..... 471   2200 pF ..... 222

C \_\_\_\_ : 5) ELECTROLY CAP. (⌓), 6) FILM CAP. (⌚)  
 5) EA x x x x x 10, Electrolytic capacitor  
               One-way lead type, Tolerance ±20%  
               Working voltage  
               ⑥ Capacity value  
 ⑤ Capacity value

Examples  
 ⑤ Capacity value  
 0.1μF .... 104   4.7μF .... 475   100μF ..... 107  
 0.33μF .... 334   10μF ..... 106   330μF ..... 337  
 1μF ..... 105   22μF ..... 226   1100μF ..... 118  
 2200μF .... 228  
 ⑥ Working voltage  
 6.3 V ..... 006   25 V ..... 025  
 10 V ..... 010   35 V ..... 035  
 16 V ..... 016   50 V ..... 050

6) DF15 x x x 350 → Plastic film capacitor  
 DF15 x x x 310 → One-way type, Mylar ±5% 50V  
 DF16 x x x 310 → Plastic film capacitor  
                           One-way type, Mylar ±10% 50V  
               ⑦ Capacity value

Examples  
 ⑦ Capacity value  
 0.001μF (1000 pF) ..... 102   0.1μF ..... 104  
 0.0018μF ..... 182   0.56μF ..... 564  
 0.01μF ..... 103   1μF ..... 105  
 0.015μF ..... 153

NOTE 1) The above CODES (R \_\_\_\_, R \_\_\_\_, C \_\_\_\_, C \_\_\_\_ and C \_\_\_\_ ) are omitted on the schematic diagram in some case.  
 2) On the occasion, be confirmed the common parts on the parts list.  
 3) Refer to "Common Parts List" for the other common parts (R105, DD4, DK4).

NOTE ON SAFETY FOR FUSIBLE RESISTOR :

The suppliers and their type numbers of fusible resistors are as follows ;

1. KOA Corporation  
 Part No.(MJI)           Type No.(KOA)           Description  
 NH05 x x x 140 → RF25S x x x x Ω J     (±5% 1/4W)  
 NH05 x x x 120 → RF50S x x x x Ω J     (±5% 1/2W)  
 NH85 x x x 110 → RF73B2A x x x x Ω J   (±5% 1/10W)  
 NH95 x x x 140 → RF73B2E x x x x Ω J   (±5% 1/4W)  
                                 Resistance value           Resistance value(0.1 Ω- 10k Ω)

2. Matsushita Electronic Components Co., Ltd  
 Part No.(MJI)           Type No.(MEC)           Description  
 NF05 x x x 140 → ERD-2FCJ x x x     (±5% 1/4W)  
 RF05 x x x 140 → ERD-2FCG x x x     (±2% 1/4W)  
 NF02 x x x 140 → ERD-2FCG x x x     (±2% 1/4W)  
 RF02 x x x 140 → ERD-2FCG x x x     (±2% 1/4W)  
                                 Resistance value

Examples  
 Resistance value  
 0.1Ω ..... 001   10Ω ..... 100   1kΩ ..... 102   100kΩ ..... 104  
 0.5Ω ..... 005   18Ω ..... 180   2.7kΩ ..... 272   680kΩ ..... 684  
 1Ω ..... 010   100Ω ..... 101   10kΩ ..... 103   1MΩ ..... 105  
 6.8Ω ..... 068   390Ω ..... 391   22kΩ ..... 223   4.7MΩ ..... 475

ABBREVIATION AND MARKS			
ANT. :	ANTENNA	BATT. :	BATTERY
CAP. :	CAPACITOR	CER. :	CERAMIC
CONN. :	CONNECTING	DIG. :	DIGITAL
HP :	HEADPHONE	MIC. :	MICROPHONE
μ-PRO :	MICROPROCESSOR	REC. :	RECORDING
RES. :	RESISTOR	SPK :	SPEAKER
SW :	SWITCH	TRANSF. :	TRANSFORMER
TRIM. :	TRIMMING	TRS. :	TRANSISTOR
VAR. :	VARIABLE	X' TAL :	CRYSTAL

NOTE ON SAFETY:

Symbol ▲ Fire or electrical shock hazard. Only original parts should be used to replaced any part marked with symbol ▲ Any other component substitution ( other than original type), may increase risk of fire or electrical shock hazard.

安全上の注意 :

▲ がついている部品は、安全上重要な部品です。必ず指定されている部品番号の部品を使用して下さい。

(VERS.:VERSION, U:U.S.A., F:JAPAN, K:FAR EAST, \*\*EUROPE)

POS. NO	VERS. COLOR	PART NO. (FOR PCS)	DESCRIPTION	PART NO. (MJI)
<b>TUNER CIRCUIT BOARD (480)</b>				
<b>CAPACITORS</b>				
C1	SR480	nsp	CER. 0.022 μF 25V F	nsp
C10	SR480	nsp	CER. 100 pF 50V J	nsp
C11	SR480	nsp	ELECT 47 μF 16V M	nsp
C12	SR480	nsp	CER. 0.022 μF 50V Z	nsp
C13	SR480	nsp	CER. 0.022 μF 25V F	nsp
C14	SR480	nsp	ELECT 100 μF 16V M	nsp
C15	SR480	nsp	FILM 470 pF 50V J STYLOR	nsp
C16	SR480	nsp	CER. 15 pF 50V J	nsp
C17	SR480	nsp	CER. 0.022 μF 25V F	nsp
C18	SR480	nsp	CER. 0.022 μF 25V F	nsp
C2	SR480	nsp	CER. 0.047 μF 50V Z	nsp
C20	SR480	nsp	ELECT 10 μF 35V M	nsp
C21	SR480	nsp	CER. 0.022 μF 25V F	nsp
C22	SR480	nsp	CER. 0.022 μF 25V F	nsp
C23	SR480	nsp	CER. 0.01 μF 16V Y	nsp
C24	SR480	nsp	CER. 0.022 μF 50V Z	nsp
C25	SR480	nsp	CER. 0.022 μF 50V Z	nsp
C26	SR480	nsp	ELECT 4.7 μF 50V M	nsp
C27	SR480	nsp	ELECT 3.3 μF 50V M	nsp
C28	SR480	nsp	ELECT 4.7 μF 50V Z	nsp
C29	SR480	nsp	CER. 0.022 μF 50V Z	nsp
C3	SR480	nsp	ELECT 3.3 μF 50V M	nsp
C30	SR480	nsp	MYLAR 0.022 μF 100V J	nsp
C31	SR480	nsp	MYLAR 0.0033 μF 100V J	nsp
C32	SR480	nsp	MYLAR 0.039 μF 100V J	nsp
C33	SR480	nsp	ELECT 1 μF 50V M	nsp
C34	SR480	nsp	CER. 0.022 μF 25V F	nsp
C35	SR480	nsp	ELECT 100 μF 16V M	nsp
C36	SR480	nsp	CER. 330 pF 50V J	nsp
C37C	/02	nsp	CER. 82 pF 50V J	nsp
C38C	/02	nsp	CER. 100 pF 50V J	nsp
C39	SR480	nsp	ELECT 10 μF 35V M	nsp
C4	SR480	nsp	CER. 0.01 μF 16V Y	nsp
C40D	/02	nsp	CER. 0.022 μF 25V F	nsp
C41	SR480	nsp	ELECT 4.7 μF 50V M	nsp
C42	SR480	nsp	CER. 0.047 μF 50V F	nsp
C43	SR480	nsp	CER. 680 pF 50V J	nsp
C44	SR480	nsp	ELECT 100 μF 16V M	nsp
C45	SR480	nsp	ELECT 1 μF 50V M	nsp
C46	SR480	nsp	ELECT 0.22 μF 50V M	nsp
C47	SR480	nsp	ELECT 1 μF 50V M	nsp
C48	SR480	nsp	CER. 0.022 μF 50V Z	nsp
C49	SR480	nsp	ELECT 10 μF 35V M	nsp
C5	SR480	nsp	ELECT 47 μF 16V M	nsp
C50L/R	/02	nsp	CER. 220 pF 50V J	nsp
C50L/R	/01,U	nsp	CER. 560 pF 50V J	nsp
C51L/R	SR480	nsp	ELECT 10 μF 35V M	nsp
C53	SR480	nsp	ELECT 10 μF 35V M	nsp
C54D	/02	nsp	CER. 270 pF 50V B	nsp
C55D	/02	nsp	ELECT 47 μF 16V M	nsp
C56D	/02	nsp	ELECT 10 μF 35V M	nsp
C57D	/02	nsp	CER. 0.1 μF 50V F	nsp
C58D	/02	nsp	CER. 27 pF 50V J	nsp
C59D	/02	nsp	CER. 27 pF 50V J	nsp
C6	SR480	nsp	CER. 0.022 μF 25V Z	nsp
C60D	/02	nsp	ELECT 0.1 μF 50V Z	nsp
C62L/R	/02	nsp	CER. 10 pF 50V J	nsp
C62L/R	/01,U	nsp	CER. 68 pF 50V J	nsp
C63	/01,U	nsp	CER. 10 pF 50V J	nsp
C7	SR480	nsp	CER. 0.01 μF 16V	nsp
C8/C9	SR480	nsp	CER. 18 pF 50V B	nsp
C5	SR480	nsp	ELECT 47 μF 16V M	nsp
C50L/R	/02	nsp	CER. 220 pF 50V J	nsp
C50L/R	/01,U	nsp	CER. 560 pF 50V J	nsp
C51L/R	SR480	nsp	ELECT 10 μF 35V M	nsp
C53	SR480	nsp	ELECT 10 μF 35V M	nsp
C54D	/02	nsp	CER. 270 pF 50V B	nsp
C55D	/02	nsp	ELECT 47 μF 16V M	nsp
C56D	/02	nsp	ELECT 10 μF 35V M	nsp
C57D	/02	nsp	CER. 0.1 μF 50V F	nsp
C58D	/02	nsp	CER. 27 pF 50V J	nsp
C59D	/02	nsp	CER. 27 pF 50V J	nsp
C6	SR480	nsp	CER. 0.022 μF 25V Z	nsp
C60D	/02	nsp	ELECT 0.1 μF 50V Z	nsp
C62L/R	/02	nsp	CER. 10 pF 50V J	nsp
C62L/R	/01,U	nsp	CER. 68 pF 50V J	nsp
C63	/01,U	nsp	CER. 10 pF 50V J	nsp
C7	SR480	nsp	CER. 0.01 μF 16V	nsp
C8/C9	SR480	nsp	CER. 18 pF 50V B	nsp
CF1	U	nsp	10.7MA8-A-TF21	*FF100200R
CF1	/01/02	4822 242 82235	10.7MS3GH-ATF21	*FF100210R
CF3	U	nsp	10.7MA8-A-TF21	*FF100200R
CF3	/01/02	4822 242 82235	10.7MS3GH-ATF21	*FF100210R
CF4	SR480	4822 157 11047	CFM-450BL	*FF100220R

(VERS.:VERSION, U:U.S.A., F:JAPAN, K:FAR EAST, \*\*EUROPE)

POS. NO	VERS. COLOR	PART NO. (FOR PCS)	DESCRIPTION	PART NO. (MJI)
CN100	SR480	nsp	<b>CONNECTOR</b> PLUG 15P	nsp
<b>DIODES</b>				
▲ D1	SR480	4822 130 82703	ZENER UZ5.1V BSB	*HD301080R
D2	SR480	4822 130 30621	1N4148	QP13030621
D3D	/02	4822 130 82703	ZENER UZ5.1V BSB	*HD301080R
<b>INTEGRATED CIRCUITS</b>				
IC1	SR480	4822 209 17163	LM7001M	*HC104650R
IC2	SR480	4822 209 71785	LA1266G	HC10222030
IC3	SR480	4822 209 73434	LA3401	*HC104640R
IC4D	/02	4822 209 33842	TDA7330BD	QP20933842
<b>TRANSISTORS</b>				
Q1/Q2	SR480	4822 130 42431	2SC1740S	HT317402F0
Q3	SR480	4822 130 62294	KTC1923Y/BKTC3194Y	HT318091P0
Q4	SR480	4822 130 62787	KRA107M/DTA114YS	*BA000190R
Q5	SR480	4822 130 62787	KRA107M/DTA114YS	*BA000190R
Q6	SR480	4822 130 62787	KRA107M/DTA114YS	*BA000190R
Q7D	/02	4822 130 42431	2SC1740S	HT317402F0
Q8/LR	SR480	4822 130 61723	DTC323TS	BA20028210
Q9	SR480	4822 130 62787	KRA107M/DTA114YS	*BA000190R
<b>RESISTORS</b>				
R1	SR480	nsp	100k Ω 1/5W J	nsp
R10	SR480	nsp	1k Ω 1/5W J METAL	nsp
R11	/02	nsp	100 Ω 1/5W J	nsp
!R11	/01,U	4822 050 21801	180 Ω 1/5W J METAL	GG05181140
R12	SR480	nsp	560 Ω 1/5W J METAL	nsp
R13	SR480	nsp	3.3k Ω 1/5W J METAL	nsp
R14	SR480	nsp	560 Ω 1/5W J METAL	nsp
▲ R15	SR480	4822 052 10471	470 Ω 1/5W J METAL	GG05471160
R16	SR480	nsp	100 Ω 1/5W J METAL	nsp
R17	SR480	nsp	1k Ω 1/5W J METAL	nsp
R18	SR480	nsp	1k Ω 1/5W J METAL	nsp
R19	SR480	nsp	1k Ω 1/5W J METAL	nsp
R2	SR480	nsp	5.6k Ω 1/5W J	nsp
R20	SR480	nsp	330 Ω 1/5W J METAL	nsp
R21	SR480	nsp	270 Ω 1/5W J METAL	nsp
!R22	SR480	4822 052 10471	470 Ω 1/5W J METAL	GG05471160
R24	SR480	nsp	4.7k Ω 1/5W J METAL	nsp
R25	SR480	nsp	68k Ω 1/5W J	nsp
R26	/02	nsp	39k Ω 1/5W J	nsp
R27	SR480	nsp	10k Ω 1/5W J	nsp
R28	SR480	nsp	22k Ω 1/5W J	nsp
R29	SR480	nsp	22 Ω 1/5W J METAL	nsp
R3	/02	nsp	22k Ω 1/5W J	nsp
R30	SR480	nsp	4.7k Ω 1/5W J METAL	nsp
R31	/01,U	nsp	10k Ω 1/5W J	nsp
R31	/02	nsp	2.7k Ω 1/5W J METAL	nsp
R32	SR480	nsp	5.6k Ω 1/5W J	nsp
R33	SR480	nsp	3.3k Ω 1/5W J METAL	nsp
R34	SR480	nsp	100 Ω 1/5W J METAL	nsp
R35C	/02	nsp	1.8k Ω 1/5W J METAL	nsp
R36D	/02	nsp	47k Ω 1/5W J	nsp
R37D	/02	nsp	22 Ω 1/5W J METAL	nsp
R38D	/02	nsp	1k Ω 1/5W J METAL	nsp
R39	SR480	nsp	100 Ω 1/5W J METAL	nsp
R4	/02	nsp	100k Ω 1/5W J	nsp
R40	SR480	nsp	47k Ω 1/5W J	nsp
R41	SR480	nsp	22k Ω 1/5W J	nsp
R42	SR480	nsp	3.3k Ω 1/5W J METAL	nsp
R43	SR480	nsp	22k Ω 1/5W J	nsp
R44	SR480	nsp	47k Ω 1/5W J	nsp
R46L/R	/01,U	nsp	120k Ω 1/5W J	n

(VERS.:VERSION, U:U.S.A., F:JAPAN, K:FAR EAST, \*\*EUROPE)

Table with 5 columns: POS. NO, VERS. COLOR, PART NO. (FOR PCS), DESCRIPTION, PART NO. (MJI). Rows include components like R218C, R218L, R218R, R218SL, R218SR, R219C, R219L, R219R, R219SL, R219SR, R220C, R220L, R220R, R220SL, R220SR, R221C, R221L, R221R, R221SL, R221SR, R222C, R222L, R222R, R222SL, R222SR, R223C, R223L, R223R, R223SL, R223SR, R224C, R224L, R224R, R224SL, R224SR, R225C, R225L, R225R, R225SL, R225SR, R226C, R226L, R226R, R226SL, R226SR, R227C, R227L, R227R, R227SL, R227SR, R228C, R228L, R228R, R228SL, R228SR, R229C, R229L, R229R, R229SL, R229SR, R230C, R230L, R230R, R230SL, R230SR, R231C, R231L, R231R, R231SL, R231SR, R232C.

(VERS.:VERSION, U:U.S.A., F:JAPAN, K:FAR EAST, \*\*EUROPE)

Table with 5 columns: POS. NO, VERS. COLOR, PART NO. (FOR PCS), DESCRIPTION, PART NO. (MJI). Rows include components like R232L, R232R, R232SL, R232SR, R233C, R233L, R233R, R233SL, R233SR, R234C, R234L, R234R, R234SL, R234SR, R235C, R235L, R235R, R235SL, R235SR, R236C, R236L, R236R, R236SL, R236SR, R237C, R237L, R237R, R238C, R238L, R238R, R239C, R239L, R239R, R240C, R240L, R240R, R243, R245L, R245R, R246, MPR201C, MPR201R, MPR201M, MPR201SL, MPR201SM, TH201C, TH201L, TH201R, TH201SL, TH201SR, C301, C302, C303, C304, C305, C306, C307, C308, C309, CN302, CN303, CP301.

(VERS.:VERSION, U:U.S.A., F:JAPAN, K:FAR EAST, \*\*EUROPE)

Table with 5 columns: POS. NO, VERS. COLOR, PART NO. (FOR PCS), DESCRIPTION, PART NO. (MJI). Rows include components like R52D, R53D, R56D, R57L/R, R6, R7, R8, R9, VR1, VR2, VR3, ANT1, FE1, L1C, T1, T2, T3, T4, T5, T6L/R, TC1, VD1, VD2, X1, X2, X3D, C102, C103, C104, C105, C106, C107, C108, C109, C110, C111, C115, C116, C117, C118, C122, C123, C124, C125, C126, C127, IC128, C129, C130, C131, C132, C133, C134, C135, C136, C137, C138, C139, C140, C141.

(VERS.:VERSION, U:U.S.A., F:JAPAN, K:FAR EAST, \*\*EUROPE)

Table with 5 columns: POS. NO, VERS. COLOR, PART NO. (FOR PCS), DESCRIPTION, PART NO. (MJI). Rows include components like C142, C143, C144, C145, C146, CP100, CP101, CP102, CP103, CP104, CP105, CP106, CP107, CP108, CP109, CP201, CP202, CP301, CP401, CP402, CP451, CP501, CP502, CP801, CP802, CP901, D101, D105, D106, D107, D108, D115, D116, D117, D118, D119, D120, D121, D122, D123, D124, F101, F102, F103, F104, F105, F106, F107, IC101, IC102, IC103, IC104, IC105, Q101, Q102, Q103.



(VERS.:VERSION, U:U.S.A., F:JAPAN, K:FAR EAST, \*\*:EUROPE)

Table with 5 columns: POS. NO, VERS. COLOR, PART NO. (FOR PCS), DESCRIPTION, PART NO. (MJI). Rows include Q104-Q109, R101-R115, R116-R133, RLY101, and C201C-C206L.

(VERS.:VERSION, U:U.S.A., F:JAPAN, K:FAR EAST, \*\*:EUROPE)

Table with 5 columns: POS. NO, VERS. COLOR, PART NO. (FOR PCS), DESCRIPTION, PART NO. (MJI). Rows include C206R-C211SR, C212C-C218, CN201-CN202, D201C-D202SR, L201C-L201R, Q201C-Q203L.

(VERS.:VERSION, U:U.S.A., F:JAPAN, K:FAR EAST, \*\*:EUROPE)

Table with 5 columns: POS. NO, VERS. COLOR, PART NO. (FOR PCS), DESCRIPTION, PART NO. (MJI). Rows include Q203R-Q215SR, Q211C-Q215L, Q215SL-Q215SR, R201C-R202R.

(VERS.:VERSION, U:U.S.A., F:JAPAN, K:FAR EAST, \*\*:EUROPE)

Table with 5 columns: POS. NO, VERS. COLOR, PART NO. (FOR PCS), DESCRIPTION, PART NO. (MJI). Rows include R202SL-R210SR, R211C-R215SR, R216C-R217SR.



(VERS.:VERSION, U:U.S.A., F:JAPAN, K:FAR EAST, \*\*:EUROPE)

POS. NO	VERS. COLOR	PART NO. (FOR PCS)	DESCRIPTION	PART NO. (MJI)
C514C		nsp	ELECT 4.7 μF 16V M	nsp
C514W		nsp	ELECT 4.7 μF 16V M	nsp
C515C		nsp	ELECT 4.7 μF 16V M	nsp
C515W		nsp	ELECT 4.7 μF 16V M	nsp
C516C		nsp	CER. 100 pF 50V J CHIP	nsp
C516W		nsp	CER. 100 pF 50V J CHIP	nsp
C517C		nsp	CER. 47 pF 50V J CHIP	nsp
C517W		nsp	CER. 47 pF 50V J CHIP	nsp
C518C		nsp	ELECT 10 μF 16V M	nsp
C518W		nsp	ELECT 10 μF 16V M	nsp
C519		nsp	ELECT 47 μF 25V M	nsp
C521		nsp	ELECT 47 μF 25V M	nsp
C523SL		nsp	ELECT 0.47 μF 50V M	nsp
C523SR		nsp	ELECT 0.47 μF 50V M	nsp
C524SL		nsp	CER. 22 pF 50V J CHIP	nsp
C524SR		nsp	CER. 22 pF 50V J CHIP	nsp
C525SL		nsp	ELECT 4.7 μF 16V M	nsp
C525SR		nsp	ELECT 4.7 μF 16V M	nsp
C526SL		nsp	ELECT 4.7 μF 16V M	nsp
C526SR		nsp	ELECT 4.7 μF 16V M	nsp
C527SL		nsp	CER. 100 pF 50V J CHIP	nsp
C527SR		nsp	CER. 100 pF 50V J CHIP	nsp
C528SL		nsp	CER. 47 pF 50V J CHIP	nsp
C528SR		nsp	CER. 47 pF 50V J CHIP	nsp
C529SL		nsp	ELECT 10 μF 16V M	nsp
C529SR		nsp	ELECT 10 μF 16V M	nsp
C530		nsp	ELECT 47 μF 25V M	nsp
C532		nsp	ELECT 47 μF 25V M	nsp
C534		nsp	CER. 100 pF 50V J CHIP	nsp
C534C		nsp	CER. 100 pF 50V J CHIP	nsp
C534L		nsp	CER. 100 pF 50V J CHIP	nsp
C534R		nsp	CER. 100 pF 50V J CHIP	nsp
C534SL		nsp	CER. 100 pF 50V J CHIP	nsp
C534SR		nsp	CER. 100 pF 50V J CHIP	nsp
C534W		nsp	CER. 100 pF 50V J CHIP	nsp
C535		nsp	ELECT 47 μF 25V M	nsp
C540		nsp	ELECT 47 μF 25V M	nsp
C541	/01/02	nsp	CER. 100 pF 50V J CHIP	nsp
C542		nsp	ELECT 4.7 μF 16V M	nsp
C543		nsp	CER. 100 pF 50V J CHIP	nsp
C544		nsp	ELECT 10 μF 16V M	nsp
C545	/01/02	nsp	CER. 100 pF 50V J CHIP	nsp
C546		nsp	ELECT 4.7 μF 16V M	nsp
C547		nsp	CER. 100 pF 50V J CHIP	nsp
C548		nsp	ELECT 10 μF 16V M	nsp
C549	/01/02	nsp	CER. 100 pF 50V J CHIP	nsp
C550		nsp	ELECT 4.7 μF 16V M	nsp
C551		nsp	CER. 100 pF 50V J CHIP	nsp
C552		nsp	ELECT 1 μF 50V M	nsp
C553	/01/02	nsp	CER. 100 pF 50V J CHIP	nsp
C554		nsp	ELECT 4.7 μF 16V M	nsp
C555		nsp	CER. 100 pF 50V J CHIP	nsp
C556		nsp	ELECT 1 μF 50V M	nsp
C557	/01/02	nsp	CER. 100 pF 50V J CHIP	nsp
C558		nsp	ELECT 4.7 μF 16V M	nsp
C559		nsp	CER. 100 pF 50V J CHIP	nsp
C560		nsp	ELECT 10 μF 16V M	nsp
C561	/01/02	nsp	CER. 100 pF 50V J CHIP	nsp
C562		nsp	ELECT 4.7 μF 16V M	nsp
C563		nsp	CER. 100 pF 50V J CHIP	nsp
C564		nsp	ELECT 10 μF 16V M	nsp
C570		nsp	CER. 0.1 μF 50V J CHIP	nsp
C571		nsp	CER. 0.1 μF 50V J CHIP	nsp
CN501		nsp	CONNECTOR 2.0MM (12P)	nsp
CN502		nsp	CONNECTOR 2.0MM (15P)	nsp
CN504		nsp	CONNECTOR (10P)	nsp
CP503		nsp	CONNECTOR 2.0MM (10P)	nsp
CN505		nsp	CONNECTOR 2.0MM (12P)	nsp
CN02	MZ00	nsp	CONNECTOR 2.0MM (3P)	nsp

(VERS.:VERSION, U:U.S.A., F:JAPAN, K:FAR EAST, \*\*:EUROPE)

POS. NO	VERS. COLOR	PART NO. (FOR PCS)	DESCRIPTION	PART NO. (MJI)
D501		4822 130 82703	ZENER UZ5.1V BSB	*HD301080R
D502		4822 130 32778	1SS133T	HD20015210
D503		4822 130 32778	1SS133T	HD20015210
IC501		4822 209 31618	LC7536	*HC104390R
IC502		4822 209 91029	KIA4559P	*HC103590R
IC503		4822 209 91029	KIA4559P	*HC103590R
IC504		4822 209 31618	LC7536	*HC104390R
IC505		4822 209 91029	KIA4559P	*HC103590R
IC506		4822 209 91029	KIA4559P	*HC103590R
IC507		4822 209 31618	LC7536	*HC104390R
IC508				
IC512		4822 209 91029	KIA4559P	*HC103590R
Q501		4822 130 62787	DTA114YS	*BA000720R
Q502		4822 130 11489	KTD1302	*HT400370R
Q503		4822 130 11489	KTD1302	*HT400370R
Q504		4822 130 62787	DTA114YS	*BA000720R
Q505		4822 130 11489	KTD1302	*HT400370R
Q506		4822 130 62787	DTA114YS	*BA000720R
Q507		4822 130 11489	KTD1302	*HT400370R
Q508		4822 130 62787	DTA114YS	*BA000720R
Q509		4822 130 11489	KTD1302	*HT400370R
Q510		4822 130 11489	KTD1302	*HT400370R
Q511		4822 130 43546	2SK117Y	HF201172B0
Q512		4822 130 43546	2SK117Y	HF201172B0
Q513		4822 130 43546	2SK117Y	HF201172B0
R501L		nsp	820k Ω 1/10W J CHIP	nsp
R501R		nsp	820k Ω 1/10W J CHIP	nsp
R502L		nsp	100k Ω 1/10W J CHIP	nsp
R502R		nsp	100k Ω 1/10W J CHIP	nsp
R503L		nsp	10k Ω 1/10W J CHIP	nsp
R503R		nsp	10k Ω 1/10W J CHIP	nsp
R504L		nsp	1k Ω 1/10W J CHIP	nsp
R504R		nsp	1k Ω 1/10W J CHIP	nsp
R505		nsp	1k Ω 1/5W J METAL	nsp
R506		nsp	1k Ω 1/5W J METAL	nsp
R507		nsp	1k Ω 1/5W J METAL	nsp
R508		nsp	2.2k Ω 1/5W J METAL	nsp
R509		nsp	47 Ω 1/5W J METAL	nsp
R510		nsp	47 Ω 1/5W J METAL	nsp
R511L		nsp	1k Ω 1/5W J METAL	nsp
R511R		nsp	1k Ω 1/5W J METAL	nsp
R512C		nsp	820k Ω 1/10W J CHIP	nsp
R512W		nsp	820k Ω 1/10W J CHIP	nsp
R513C		nsp	100k Ω 1/10W J CHIP	nsp
R513W		nsp	100k Ω 1/10W J CHIP	nsp
R514C		nsp	2k Ω 1/10W J CHIP	nsp
R514W		nsp	2k Ω 1/10W J CHIP	nsp
R515C		nsp	12k Ω 1/10W J CHIP	nsp
R515W		nsp	10k Ω 1/10W J CHIP	nsp
R516C		nsp	2.2k Ω 1/10W J CHIP	nsp
R516W		nsp	2.2k Ω 1/10W J CHIP	nsp
R517C		nsp	3.3k Ω 1/10W J CHIP	nsp
R517W		nsp	3.3k Ω 1/10W J CHIP	nsp
R518		nsp	47 Ω 1/5W J METAL	nsp
R520		nsp	47 Ω 1/5W J METAL	nsp
R522		nsp	1.5k Ω 1/5W J METAL	nsp
R523		nsp	3.3M Ω 1/10W J CHIP	nsp
R524		nsp	100k Ω 1/5W J	nsp
R527		nsp	1k Ω 1/5W J METAL	nsp
R528SL		nsp	820k Ω 1/10W J CHIP	nsp
R528SR		nsp	820k Ω 1/10W J CHIP	nsp
R529SL		nsp	100k Ω 1/10W J CHIP	nsp
R529SR		nsp	100k Ω 1/10W J CHIP	nsp
R530SL		nsp	2k Ω 1/10W J CHIP	nsp

(VERS.:VERSION, U:U.S.A., F:JAPAN, K:FAR EAST, \*\*:EUROPE)

POS. NO	VERS. COLOR	PART NO. (FOR PCS)	DESCRIPTION	PART NO. (MJI)
D301				
D311		4822 130 32778	1SS133T	HD20015210
IC301		4822 209 17499	μPD78044FGF-088-3B9 DWP478	*HU100320R
LED301				
LED306		4822 130 11464	SLR-56URCF14	*HI100780R
Q301		4822 130 11483	BKTC3199	QP13010103
Q302		4822 130 62787	DTA114YS	*BA000720R
Q303				
Q312		4822 130 62503	DTC114YS	*BA000210R
R301		nsp	100k Ω 1/5W J	nsp
R302		nsp	100k Ω 1/5W J	nsp
R303		nsp	10k Ω 1/5W J	nsp
R304		nsp	330k Ω 1/5W J METAL	nsp
R305L	SR480	nsp	47k Ω 1/5W J	nsp
R306H	PM488	nsp	47k Ω 1/5W J	nsp
R307L	SR480U	nsp	47k Ω 1/5W J	nsp
R308H	SR480/01	Nsp	47k Ω 1/5W J	nsp
R308H	SR480/02	Nsp	47k Ω 1/5W J	nsp
R309L	PM488	Nsp	47k Ω 1/5W J	Nsp
R309L	SR480/01	Nsp	47k Ω 1/5W J	Nsp
R309L	SR480U	Nsp	47k Ω 1/5W J	Nsp
R310H	SR480/02	Nsp	47k Ω 1/5W J	nsp
R311		nsp	100k Ω 1/5W J	nsp
R312	SR480	nsp	10k Ω 1/5W J	nsp
R313	SR480	nsp	10k Ω 1/5W J	nsp
R314	SR480	nsp	10k Ω 1/5W J	nsp
R315		nsp	100k Ω 1/5W J	nsp
R316		nsp	100k Ω 1/5W J	nsp
R317		nsp	68k Ω 1/5W J	nsp
R318		nsp	68k Ω 1/5W J	nsp
R319		4822 052 10471	470 Ω 1/5W J METAL	GG05471160
R320		nsp	47k Ω 1/5W J	nsp
R321		nsp	330 Ω 1/5W J METAL	nsp
R322				
R327		nsp	220 Ω 1/5W J METAL	nsp
R328				
R335		nsp	100k Ω 1/5W J	nsp
R336		nsp	4.7k Ω 1/5W J METAL	nsp
R339		nsp		
R340		nsp		
R345	PM488	nsp	47k Ω 1/5W J	nsp
R347	PM488	nsp	47k Ω 1/5W J	nsp
R348		nsp	47k Ω 1/5W J	nsp
R613		nsp	220 Ω 1/5W J METAL	nsp
SW301	SR480/02	4822 276 13661	TACK SW	*SP000610R
SW302	SR480/02	4822 276 13661	TACK SW	*SP000610R
SW303	SR480/02	4822 276 13661	TACK SW	*SP000610R
SW304	SR480	4822 276 13661	TACK SW	*SP000610R
SW305		4822 276 13661	TACK SW	*SP000610R
SW306	SR480	4822 276 14109	TACK SW	*SP000900R
SW307		4822 276 13661	TACK SW	*SP000610R
SW308	SR480	4822 276 14109	TACK SW	*SP000900R
SW309	SR480	4822 276 13661	TACK SW	*SP000610R
SW310	SR480	4822 276 13661	TACK SW	*SP000610R
SW311	SR480	4822 276 13661	TACK SW	*SP000610R
SW312		4822 276 14109	TACK SW	*SP000900R

(VERS.:VERSION, U:U.S.A., F:JAPAN, K:FAR EAST, \*\*:EUROPE)

POS. NO	VERS. COLOR	PART NO. (FOR PCS)	DESCRIPTION	PART NO. (MJI)
SW313		4822 276 14109	TACK SW	*SP000900R
SW314		4822 276 13661	TACK SW	*SP000610R
SW315		4822 276 13661	TACK SW	*SP000610R
SW316				
SW319		4822 276 14109	TACK SW	*SP000900R
SW320				
SW331		4822 276 13661	TACK SW	*SP000610R
RMC				
XTAL301		4822 130 11639	MODULE CRV1G343-185BD (3P)	*HW100440R
FL		4822 242 73769	RESONATOR CST4M19	*FQ00110R
		4822 135 00289	FL DISPLAY	*HQ300340R
C320		nsp		nsp
C321		nsp		nsp
VOL.ENC				
		4822 277 11645	SW ROTARY ENCODER	*SR000080R
CN751		nsp		nsp
SW752		4822 276 13807	CONNECTOR (2P) SW ESB-8279V	nsp *SP000680R
C601L		nsp	ELECT 4.7 μF 16V M	nsp
C601R		nsp	ELECT 4.7 μF 16V M	nsp
C602L		nsp	CER. 100 pF 50V J	nsp
C602R		nsp	CER. 100 pF 50V J	nsp
C603L		nsp	CER. 47 pF 50V J	nsp
C603R		nsp	CER. 47 pF 50V J	nsp
C604L		nsp	ELECT 4.7 μF 16V M	nsp
C604R		nsp	ELECT 4.7 μF 16V M	nsp
C605L		nsp	ELECT 4.7 μF 16V M	nsp
C605R		nsp	ELECT 4.7 μF 16V M	nsp
C606L		nsp	FILM 0.018 μF 63V J	nsp
C606R		nsp	FILM 0.018 μF 63V J	nsp
C607L		nsp	FILM 0.082 μF 63V J	nsp
C607R		nsp	FILM 0.082 μF 63V J	nsp
C608L		nsp	FILM 0.0033 μF 63V J	nsp
C608R		nsp	FILM 0.0033 μF 63V J	nsp
C609L		nsp	FILM 0.018 μF 63V J	nsp
C609R		nsp	FILM 0.018 μF 63V J	nsp
C610		nsp	ELECT 47 μF 16V M	nsp
C611		nsp	ELECT 47 μF 16V M	nsp
C612L		nsp	CER. 220 pF 50V K	nsp
C612R		nsp	CER. 220 pF 50V K	nsp
CP602		nsp	CONNECTOR CONNECTOR (10P) 300MM	nsp
IC601		4822 209 73064	NUM2068	HC10053090
R601L		nsp	1k Ω 1/5W J METAL	nsp
R601R		nsp	1k Ω 1/5W J METAL	nsp
R602L		nsp	100k Ω 1/5W J	nsp
R602R		nsp	100k Ω 1/5W J	nsp
R603L		nsp	1M Ω 1/5W J	nsp
R603R		nsp	1M Ω 1/5W J	nsp
R604L		nsp	47k Ω 1/5W J	nsp
R604R		nsp</		

(VERS.:VERSION, U:U.S.A., F:JAPAN, K:FAR EAST, \*\*:EUROPE)

Table with 5 columns: POS. NO, VERS. COLOR, PART NO. (FOR PCS), DESCRIPTION, PART NO. (MJI). Rows include components like R610L, VR601, C630L, R630L, R632L, SW701, JK701, C400LD, C400RD, C401LD, C401RD, C402LD, C402RD, C403LD, C403RD, C404LD, C404RD, C405LD, C405RD, C406LD, C406RD, C407LD, C407RD, C408LD, C408RD.

(VERS.:VERSION, U:U.S.A., F:JAPAN, K:FAR EAST, \*\*:EUROPE)

Table with 5 columns: POS. NO, VERS. COLOR, PART NO. (FOR PCS), DESCRIPTION, PART NO. (MJI). Rows include components like C409LD, C409RD, C410LD, C410RD, C411, C412, C413LD, C413RD, C414, C417, C418, C421, C422L, C422R, C423L, C423R, CN401, CN402, D401, IC401, IC402, R400L, R400R, R401L, R401R, R402L, R402R, R403L, R403R, R404L, R404R, R405L, R405R, R406, R407, R408, R410, R411, R413, R414, R415, R416L, R416R, R419L, R419R, R431L, R431R, R433L, R433R, R435L, R435R, C450LD, C450RD, C451LD, C451RD, C452LD, C452RD, C453LD, C453RD, C454LD, C454RD, C455LD, C455RD.

(VERS.:VERSION, U:U.S.A., F:JAPAN, K:FAR EAST, \*\*:EUROPE)

Table with 5 columns: POS. NO, VERS. COLOR, PART NO. (FOR PCS), DESCRIPTION, PART NO. (MJI). Rows include components like C455RD, C456LD, C456RD, C457LD, C457RD, C458LD, C458RD, C459LD, C459RD, C460, C461, C463, C466, C469, C470, C484, C485, C489, C491, C901SL, C901SR, CN451, CP601, D450, D451, IC450, IC451, IC452, IC453, JACK402, JACK403, JACK451, JACK452, JACK901, JACK902, Q450, Q451, R451L, R451R, R452L, R452R, R453L, R453R, R454L, R454R, R455L, R455R, R456, R457, R458, R463, R464, R467, R468, R469, R470, R471.

(VERS.:VERSION, U:U.S.A., F:JAPAN, K:FAR EAST, \*\*:EUROPE)

Table with 5 columns: POS. NO, VERS. COLOR, PART NO. (FOR PCS), DESCRIPTION, PART NO. (MJI). Rows include components like R472, R473, R478, R479, R480, R481, R485, C901C, C901L, C901R, C902CD, C902LD, C902RD, C902SLD, C902SRD, C903CD, C903LD, C903RD, C903SLD, C903SRD, CN901, CP701OUT, CN01, L901SL, L901SR, R901C, R901L, R901R, R901SL, R901SR, R902SL, R902SR, CP151, CP152, F151, SW151, C501L, C501R, C502L, C502R, C503L, C503R, C504L, C504R, C505L, C505R, C506L, C506R, C507L, C507R, C509, C510, C511, C512C, C512W, C513C, C513W.

Table with 5 columns: POS. NO, VERS. COLOR, PART NO. (FOR PCS), DESCRIPTION, PART NO. (MJI). Rows include IC801-IC807, Q801-Q803, R801L-R815, R816-R835, R836-R848.

Table with 5 columns: POS. NO, VERS. COLOR, PART NO. (FOR PCS), DESCRIPTION, PART NO. (MJI). Rows include R849C-R863, XTAL801, RM04-RM03, CP01-CP02, QM01.

Table with 5 columns: POS. NO, VERS. COLOR, PART NO. (FOR PCS), DESCRIPTION, PART NO. (MJI). Rows include R530SR-R577W, C801-C810, C811-C818, C819L-C819R.

Table with 5 columns: POS. NO, VERS. COLOR, PART NO. (FOR PCS), DESCRIPTION, PART NO. (MJI). Rows include C820C-C845, C846-C860, C861-C878, CN505-CN802, D801-D802.