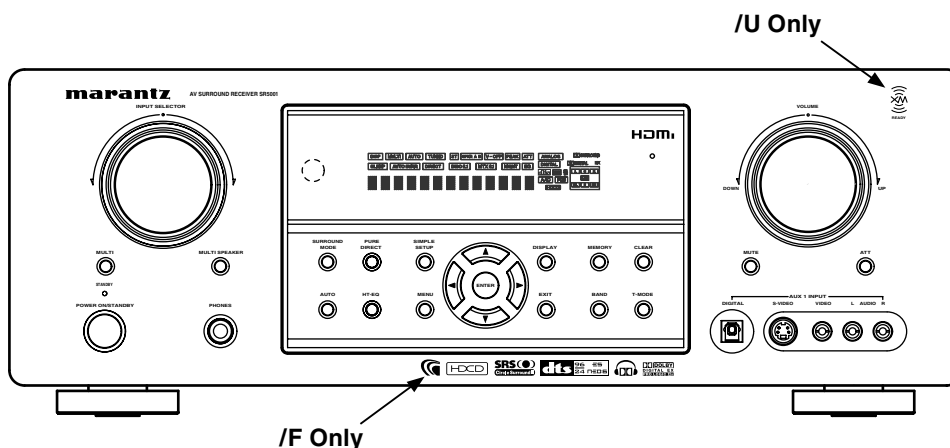


Service Manual

SR5001 /F N/N1B/N1G/N1S/U1B

AV Surround Receiver



READY

TABLE OF CONTENTS

SECTION	PAGE
1. TECHNICAL SPECIFICATIONS	1
2. TECHNICAL DESCRIPTION	3
3. POWER AMPLIFIER ADJUSTMENT	6
4. SERVICE MODE	7
5. SYSTEM ERROR	9
6. UPDATE FIRMWARE	10
7. WIRING DIAGRAM	17
8. BLOCK DIAGRAM	19
9. SCHEMATIC DIAGRAM	21
10. PARTS LOCATION	39
11. EXPLODED VIEW AND PARTS LIST	59
12. MICROPROCESSOR AND IC DATA.....	64
13. ELECTRICAL PARTS LIST	90
14. ABOUT REPLACE THE MICROPROCESSOR WITH A NEW ONE	139

Please use this service manual with referring to the user guide (D.F.U.) without fail.
 修理の際は、必ず取扱説明書を準備し操作方法を確認の上作業を行ってください。

marantz®

SR5001

MARANTZ DESIGN AND SERVICE

Using superior design and selected high grade components, **MARANTZ** company has created the ultimate in stereo sound. Only original **MARANTZ** parts can insure that your **MARANTZ** product will continue to perform to the specifications for which it is famous.

Parts for your **MARANTZ** equipment are generally available to our National Marantz Subsidiary or Agent.

ORDERING PARTS :

Parts can be ordered either by mail or by Fax.. In both cases, the correct part number has to be specified.

The following information must be supplied to eliminate delays in processing your order :

1. Complete address
2. Complete part numbers and quantities required
3. Description of parts
4. Model number for which part is required
5. Way of shipment
6. Signature : any order form or Fax. must be signed, otherwise such part order will be considered as null and void.

USA

MARANTZ AMERICA, INC
100 CORPORATE DRIVE
MAHWAH, NEW JERSEY 07430
USA

EUROPE / TRADING

MARANTZ EUROPE B.V.
P. O. BOX 8744, BUILDING SILVERPOINT
BEEMDSTRAAT 11, 5653 MA EINDHOVEN
THE NETHERLANDS
PHONE : +31 - 40 - 2507844
FAX : +31 - 40 - 2507860

CANADA

MARANTZ CANADA INC.
5-505 APPLE CREEK BLVD.
MARKHAM, ONTARIO L3R 5B1
CANADA
PHONE : 905 - 415 - 9292
FAX : 905 - 475 - 4159

AUSTRALIA

QualiFi Pty Ltd,
24 LIONEL ROAD,
MT. WAVERLEY VIC 3149
AUSTRALIA
PHONE : +61 - (0)3 - 9543 - 1522
FAX : +61 - (0)3 - 9543 - 3677

THAILAND

MRZ STANDARD CO., LTD
746 - 754 MAHACHAI ROAD.,
WANGBURAPAPIROM, PHRANAKORN,
BANGKOK, 10200 THAILAND
PHONE : +66 - 2 - 222 9181
FAX : +66 - 2 - 224 6795

SINGAPORE

WO KEE HONG DISTRIBUTION PTE LTD
No.1 JALAN KILANG TIMOR
#08-03 PACIFIC TECH CENTRE
SINGAPORE 159303
PHONE : +65 6376 0338
FAX : +65 6376 0166

NEW ZEALAND

WILDASH AUDIO SYSTEMS NZ
14 MALVERN ROAD MT ALBERT
AUCKLAND NEW ZEALAND
PHONE : +64 - 9 - 8451958
FAX : +64 - 9 - 8463554

TAIWAN

PAI- YUING CO., LTD.
6 TH FL NO, 148 SUNG KIANG ROAD,
TAIPEI, 10429, TAIWAN R.O.C.
PHONE : +886 - 2 - 25221304
FAX : +886 - 2 - 25630415

MALAYSIA

WO KEE HONG ELECTRONICS SDN. BHD.
2ND FLOOR BANGUNAN INFINITE CENTRE
LOT 1, JALAN 13/6, 46200 PETALING JAYA
SELANGOR DARUL EHSAN, MALAYSIA
PHONE : +60 - 3 - 7954 8088
FAX : +60 - 3 - 7954 7088

JAPAN

D&M Holdings Inc.
D&M BUILDING, 2-1 NISSHIN-CHO,
KAWASAKI-KU, KAWASAKI-SHI,
KANAGAWA, 210-8569 JAPAN

株式会社 ディーアンドエムホールディングス

本 社 〒210-8569
神奈川県川崎市川崎区日進町2-1 D&Mビル

KOREA

MARANTZ KOREA CO., LTD.
ROOM 604, ELECTRO OFFICE, 16-58,
HANGGANG-RO 3GA, YONGSAN-KU,
SEOUL, 140-013, KOREA
PHONE : +82 - 2 - 323 - 2155
FAX : +82 - 2 - 323 - 2154

CHINA

MARANTZ SHANGHAI TRADING LTD.
ROOM.506 SHANGHAI LIGHT INDUSTRY MANSION
1578 NANJING (WEST) ROAD SHANGHAI
CHINA
TEL : 021 - 6248 - 1064
FAX : 021 - 6248 - 3565

SHOCK, FIRE HAZARD SERVICE TEST :

CAUTION : After servicing this appliance and prior to returning to customer, measure the resistance between either primary AC cord connector pins (with unit NOT connected to AC mains and its Power switch ON), and the face or Front Panel of product and controls and chassis bottom.

Any resistance measurement less than 1 Megohms should cause unit to be repaired or corrected before AC power is applied, and verified before it is return to the user/customer.

Ref. UL Standard No. 1492.

In case of difficulties, do not hesitate to contact the Technical Department at above mentioned address.

1. TECHNICAL SPECIFICATIONS

FM TUNER SECTION

Frequency Range 76.0 - 108.0 MHz [/F]
 Frequency Range 87.5 - 108.0 MHz [/N /U]
 Usable Sensitivity IHF 1.8 µV/16.4 dBf
 Signal to Noise Ratio Mono/Stereo 75/70 dB
 Distortion Mono/Stereo 0.2/0.3 %
 Stereo Separation 1 kHz 45 dB
 Alternate Channel Selectivity ± 300 kHz 60 dB
 Image Rejection 98 MHz 70 dB
 Tuner Output Level 1 kHz, ± 75 kHz Dev 800 mV

AM TUNER SECTION

Frequency Range 531 - 1602 kHz [/N]
 520 - 1710 kHz [/F /U]
 Signal to Noise Ratio 50 dB
 Usable Sensitivity Loop 400mV/m
 Distortion 400Hz, 30 % Mod. 0.5 %
 Selectivity ± 20 kHz 70 dB

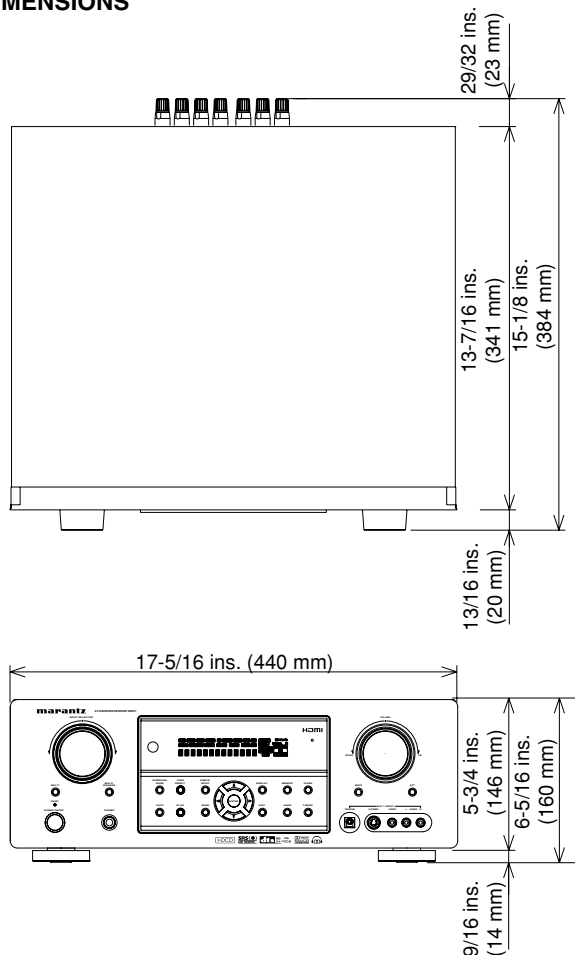
AUDIO SECTION

Power Output (20 Hz - 20 kHz/THD=0.08%)
 Front L&R 8 ohms 90 W / Ch
 Center 8 ohms 90 W / Ch
 Surround L&R 8 ohms 90 W / Ch
 Surround Back L&R 8 ohms 90 W / Ch
 Front L&R 6 ohms 110 W / Ch
 Center 6 ohms 110 W / Ch
 Surround L&R 6 ohms 110 W / Ch
 Surround Back L&R 6 ohms 110 W / Ch
 Input Sensitivity/Impedance 168 mV/ 47 kohms
 Signal to Noise Ratio
 (Analog Input / Pure Direct) 105 dB
 Frequency Response
 (Analog Input / Pure Direct) 8 Hz - 100 kHz (± 3 dB)
 (Digital Input / 96 kHz PCM) 8 Hz - 45 kHz (± 3 dB)

VIDEO SECTION

Television Format NTSC/PAL
 Input Level/Impedance 1 Vp-p/75 ohms
 Output Level/Impedance 1 Vp-p/75 ohms
 Video Frequency Response 5 Hz to 8 MHz (- 1 dB)
 Video Frequency (Component) 5 Hz to 80 MHz (- 1 dB)
 S/N 60 dB

DIMENSIONS



GENERAL

Power Requirement AC 100 V 50/60 Hz [/F]
 AC 230 V 50/60 Hz [/N]
 AC 120 V 60 Hz [/U]
 Power Consumption 600 W [/N]
 500 W [/F /U]
 Weight 12.3 kg (27.1 lbs)

ACCESSORIES

Remote Control Unit RC5001SR 1
 AAA-size batteries 2
 FM Antenna 1
 AM Loop Antenna 1
 Front AUX Jack Cover 1



The relation between the selected surround mode and the input signal

The surround mode is selected with the surround mode buttons on SR4001/SR5001 or the remote control unit. However, the sound you hear is subject to the relationship between the selected surround mode and input signal. That relationship is as follows;

Surround Mode	Input Signal	Decoding	Output Channel					Front information display		
			L/R	C	SL SR	SBL SBR	SubW	Signal format indicators	Channel status	
AUTO	Dolby Surr. EX	Dolby Digital EX	○	○	○	○	○	□□ DIGITAL	L, C, R, SL, SR, S, LFE	
	Dolby D (5.1ch)	Dolby Digital 5.1	○	○	○	-	○	□□ DIGITAL	L, C, R, SL, SR, LFE	
	Dolby D (2ch)	Dolby Digital 2.0	○	-	-	-	-	□□ DIGITAL	L, R	
	Dolby D (2ch Surr)	Pro Logic IIx movie	○	○	○	○	-	□□ DIGITAL, □□ SURROUND	L, R, S	
	DTS-ES	DTS-ES	○	○	○	○	○	dts, ES	L, C, R, SL, SR, S, LFE	
	DTS 96/24	DTS 96/24	○	○	○	-	○	dts 96/24	L, C, R, SL, SR, LFE	
	DTS (5.1ch)	DTS 5.1	○	○	○	-	○	dts	L, C, R, SL, SR, LFE	
	PCM(Audio)	PCM (Stereo)	○	-	-	-	-	PCM	L, R	
	PCM 96kHz	PCM (96kHz Stereo)	○	-	-	-	-	PCM	L, R	
	HDCD	PCM (Stereo)	○	-	-	-	-	PCM HDCD	L, R	
	Analog	Stereo	○	-	-	-	-	ANALOG	-	
	PURE DIRECT	Dolby D Surr. EX	Dolby Digital EX	○	○	○	○	○	□□ DIGITAL	L, C, R, SL, SR, S, LFE
Dolby D (5.1ch)		Dolby Digital 5.1	○	○	○	-	○	□□ DIGITAL	L, C, R, SL, SR, LFE	
Dolby D (2ch)		Dolby Digital 2.0	○	-	-	-	-	□□ DIGITAL	L, R	
Dolby D (2ch Surr)		Pro Logic IIx movie	○	○	○	○	-	□□ DIGITAL, □□ SURROUND	L, R, S	
DTS-ES		DTS-ES	○	○	○	○	○	dts, ES	L, C, R, SL, SR, S, LFE	
DTS 96/24		DTS 96/24	○	○	○	-	○	dts 96/24	L, C, R, SL, SR, LFE	
DTS (5.1ch)		DTS 5.1	○	○	○	-	○	dts	L, C, R, SL, SR, LFE	
PCM (Audio)		PCM (Stereo)	○	-	-	-	-	PCM	L, R	
PCM 96kHz		PCM (96kHz Stereo)	○	-	-	-	-	PCM	L, R	
HDCD		PCM (Stereo)	○	-	-	-	-	PCM HDCD	L, R	
Analog		Stereo	○	-	-	-	-	ANALOG	-	
EX/ES		Dolby D Surr. EX	Dolby Digital EX	○	○	○	○	○	□□ DIGITAL	L, C, R, SL, SR, S, LFE
	Dolby D (5.1ch)	Dolby Digital EX	○	○	○	○	○	□□ DIGITAL	L, C, R, SL, SR, LFE	
	DTS-ES	DTS-ES	○	○	○	○	○	dts, ES	L, C, R, SL, SR, S, LFE	
	DTS(5.1ch)	DTS-ES	○	○	○	○	○	dts	L, C, R, SL, SR, LFE	
	Dolby D Surr. EX	Dolby Digital 5.1	○	○	○	○	○	□□ DIGITAL	L, C, R, SL, SR, S, LFE	
DOLBY (PL IIx movie) (PL IIx music) (PL IIx game) (Pro Logic)	Dolby D (5.1ch)	Dolby Digital 5.1	○	○	○	○	○	□□ DIGITAL	L, C, R, SL, SR, LFE	
	Dolby D (2ch)	Pro Logic IIx	○	○	○	○	-	□□ DIGITAL	L, R	
	Dolby D (2ch Surr)	Pro Logic IIx	○	○	○	○	-	□□ DIGITAL, □□ SURROUND	L, R, S	
	PCM (Audio)	Pro Logic IIx	○	○	○	○	-	PCM	L, R	
	Analog	Pro Logic IIx	○	○	○	○	-	ANALOG	-	
DTS (Neo:6 Cinema) (Neo:6 Music)	DTS-ES	DTS 5.1	○	○	○	-	○	dts, ES	L, C, R, SL, SR, S, LFE	
	DTS 96/24	DTS 96/24	○	○	○	-	○	dts 96/24	L, C, R, SL, SR, LFE	
	DTS (5.1ch)	DTS 5.1	○	○	○	-	○	dts	L, C, R, SL, SR, LFE	
	PCM (Audio)	Neo:6	○	○	○	○	-	PCM	L, R	
	Analog	Neo:6	○	○	○	○	-	ANALOG	-	
	Dolby D (2ch)	Neo:6	○	○	○	○	-	□□ DIGITAL	L, R	
	Dolby D (2ch Surr)	Neo:6	○	○	○	○	-	□□ DIGITAL, □□ SURROUND	L, R, S	
CS II Cinema CS II Music CS II Mono	PCM (Audio)	CS II	○	○	○	○	○	PCM	L, R	
	Analog	CS II	○	○	○	○	○	ANALOG	-	
	Dolby D (2ch)	CS II	○	○	○	○	○	□□ DIGITAL	L, R	
STEREO	Dolby D (2ch Surr)	CS II	○	○	○	○	○	□□ DIGITAL, □□ SURROUND	L, R, S	
	Dolby Surr. EX	Stereo	○	-	-	-	○	□□ DIGITAL	L, C, R, SL, SR, S, LFE	
	Dolby D (5.1ch)	Stereo	○	-	-	-	○	□□ DIGITAL	L, C, R, SL, SR, LFE	
VIRTUAL	Dolby D (2ch)	Stereo	○	-	-	-	-	□□ DIGITAL	L, R	
	Dolby D (2ch Surr)	Stereo	○	-	-	-	-	□□ DIGITAL, □□ SURROUND	L, R, S	
	DTS-ES	Stereo	○	-	-	-	○	dts, ES	L, C, R, SL, SR, S, LFE	
	DTS 96/24	Stereo	○	-	-	-	○	dts 96/24	L, C, R, SL, SR, LFE	
	DTS (5.1ch)	Stereo	○	-	-	-	○	dts	L, C, R, SL, SR, LFE	
	PCM (Audio)	Stereo	○	-	-	-	-	PCM	L, R	
	PCM 96kHz	Stereo	○	-	-	-	-	PCM	L, R	
	HDCD	PCM (Stereo)	○	-	-	-	-	PCM HDCD	L, R	
	Analog	Stereo	○	-	-	-	-	ANALOG	-	
	Multi Ch. Stereo	Dolby Surr. EX	Dolby Digital EX	○	○	○	○	○	□□ DIGITAL	L, C, R, SL, SR, S, LFE
		Dolby D (5.1ch)	Dolby Digital 5.1	○	○	○	-	○	□□ DIGITAL	L, C, R, SL, SR, LFE
		Dolby D (2ch)	Multi Channel Stereo	○	○	○	○	-	□□ DIGITAL	L, R
Dolby D (2ch Surr)		Multi Channel Stereo	○	○	○	○	-	□□ DIGITAL, □□ SURROUND	L, R, S	
DTS-ES		DTS-ES	○	○	○	○	○	dts, ES	L, C, R, SL, SR, S, LFE	
Multi Ch. Stereo	DTS (5.1ch)	DTS 5.1	○	○	○	-	○	dts	L, C, R, SL, SR, LFE	
	PCM (Audio)	Multi Channel Stereo	○	○	○	○	-	PCM	L, R	
	Analog	Multi Channel Stereo	○	○	○	○	-	ANALOG	-	

Notes:

- Dolby Digital (2 ch: Lt/Rt): signal with Dolby Surround flag Speakers are full set.
- No sound outputs from the surround speaker, center speaker and subwoofer if the DVD disc has no surround data.

Abbreviations

- L/R : Front speakers
- C : Center speaker
- SL/SR : Surround speakers
- SBL/SBR : Surround Back speakers
- SubW : Sub woofer speaker

2. TECHNICAL DESCRIPTION



DTS was introduced in 1994 to provide 5.1 channels of discrete digital audio into home theater systems.

DTS brings you premium quality discrete multichannel digital sound to both movies and music.

DTS is a multichannel sound system designed to create full range digital sound reproduction.

The no compromise DTS digital process sets the standard of quality for cinema sound by delivering an exact copy of the studio master recordings to neighborhood and home theaters.

Now, every moviegoer can hear the sound exactly as the moviemaker intended.

DTS can be enjoyed in the home for either movies or music on of DVD's, LD's, and CD's.

"DTS" and "DTS Digital Surround" are registered trademarks of Digital Theater Systems, Inc.



The advantages of discrete multichannel systems over matrix are well known.

But even in homes equipped for discrete multichannel, there remains a need for high-quality matrix decoding. This is because of the large library of matrix surround motion pictures available on disc and on VHS tape; and analog television broadcasts.

The typical matrix decoder of today derives a center channel and a mono surround channel from two-channel matrix stereo material. It is better than a simple matrix in that it includes steering logic to improve separation, but because of its mono, band-limited surround it can be disappointing to users accustomed to discrete multichannel.

Neo:6 offers several important improvements as follow,

- Neo:6 provides up to six full-band channels of matrix decoding from stereo matrix material. Users with 6.1 and 5.1 systems will derive six and five separate channels, respectively, corresponding to the standard home-theater speaker layouts.
- Neo:6 technology allows various sound elements within a channel or channels to be steered separately, and in a way which follows naturally from the original presentation.
- Neo:6 offers a music mode to expand stereo nonmatrix recordings into the five- or six-channel layout, in a way which does not diminish the subtlety and integrity of the original stereo recording.



DTS-ES Extended Surround is a new multichannel digital signal format developed by Digital Theater Systems Inc. While offering high compatibility with the conventional DTS Digital Surround format, DTS-ES Extended Surround greatly improves the 360-degree surround impression and space expression thanks to further expanded surround signals. This format has been used professionally in movie theaters since 1999.

In addition to the 5.1 surround channels (FL, FR, C, SL, SR and LFE), DTS-ES Extended Surround also offers the SB (Surround Back) channel for surround playback with a total of 6.1 channels. DTS-ES Extended Surround includes two signal formats with different surround signal recording methods, as DTS-ES Discrete 6.1 and DTS-ES Matrix 6.1.

"DTS", "DTS-ES" and "Neo:6" are trademarks of Digital Theater Systems, Inc.



The stereo CD is a 16-bit medium with sampling at 44.1 kHz. Professional audio has been 20- or 24-bit for some time, and there is increasing interest in higher sampling rates both for recording and for delivery into the home. Greater bit depths provide extended dynamic range. Higher sampling rates allow wider frequency response and the use of anti-alias and reconstruction filters with more favorable aural characteristics.

DTS 96/24 allows for 5.1 channel sound tracks to be encoded at a rate of 96kHz/24bits on DVD-Video titles.

When DVD-video appeared, it became possible to deliver 24-bit, 96 kHz audio into the home, but only in two channels, and with serious limitations on picture. This capability has had little use.

DVD-audio allows 96/24 in six channels, but a new player is needed, and only analog outputs are provided, necessitating the use of the D/A converters and analog electronics provided in the player.

DTS 96/24 offers the following:

1. Sound quality transparent to the original 96/24 master.
2. Full backward compatibility with all existing decoders. (Existing decoders will output a 48 kHz signal)
3. No new player required: DTS 96/24 can be carried on DVD-video, or in the video zone of DVD-audio, accessible to all DVD players.
4. 96/24 5.1-channel sound with full-quality full-motion video, for music programs and motion picture soundtracks on DVD-video.

"DTS" and "DTS 96/24" are trademarks of Digital Theater Systems, Inc.



Dolby Digital identifies the use of Dolby Digital audio coding for such consumer formats as DVD and DTV. As with film sound, Dolby Digital can provide up to five full-range channels for left, center, and right screen channels, independent left and right surround channels, and a sixth (".1") channel for low-frequency effects.

Dolby Surround Pro Logic II is an improved matrix decoding technology that provides better spatiality and directionality on Dolby Surround program material; provides a convincing three-dimensional soundfield on conventional stereo music recordings; and is ideally suited to bring the surround experience to automotive sound. While conventional surround programming is fully compatible with Dolby Surround Pro Logic II decoders, soundtracks will be able to be encoded specifically to take full advantage of Pro Logic II playback, including separate left and right surround channels. (Such material is also compatible with conventional Pro Logic decoders.)

Dolby Digital EX creates six full-bandwidth output channels from 5.1-channel sources. This is done using a matrix decoder that derives three surround channels from the two in the original recording. For best results, Dolby Digital EX should be used with movies soundtracks recorded with Dolby Digital Surround EX.

About Dolby Pro Logic IIx

Dolby Pro Logic IIx technology delivers a natural and immersing 7.1-channel listening experience to the home theater environment. A product of Dolby's expertise in surround sound and matrix decoding technologies, Dolby Pro Logic IIx is a complete surround sound solution that maximizes the entertainment experience from stereo as well as 5.1-channel encoded sources.

Dolby Pro Logic IIx is fully compatible with Dolby Surround Pro Logic technology and can optimally decode the thousands of commercially available Dolby Surround encoded video cassettes and television programs with enhanced depth and spatiality. It can also process any high-quality stereo or Advanced Resolution 5.1-channel music content into a seamless 6.1- or 7.1-channel listening experience.




The Dolby Headphone technology provides a surround sound listening experience over headphones. When listening to multichannel content such as DVD movies over headphones, the listening experience is fundamentally different than listening to speakers. Since the headphone speaker drivers are covering the pinna of the ear, the listening experience differs greatly from traditional speaker playback. Dolby utilizes patented headphone perspective curves to solve this problem and provides a non-fatiguing, immersive, home theater listening experience. Dolby Headphone also delivers exceptional 3D audio from stereo material.

Manufactured under license from Dolby Laboratories. "Dolby", "Pro Logic", "Surround EX", and the double-D symbol are trademarks of Dolby Laboratories.



Circle Surround II (CS-II) is a powerful and versatile multichannel technology. CS-II is designed to enable up to 6.1 multichannel surround sound playback from mono, stereo, CS encoded sources and other matrix encoded sources. In all cases the decoder extends it into 6 channels of surround audio and a LFE/subwoofer signal. The CS-II decoder creates a listening environment that places the listener "inside" music performances and dramatically improves both hi-fi audio conventional surround-encoded video material. CS-II provides composite stereo rear channels to greatly improve separation and image positioning – adding a heightened sense of realism to both audio and A/V productions.

CS-II is packed with other useful feature like dialog clarity (SRS Dialog) for movies and cinema-like bass enrichment (TruBass). CS-II can enable the dialog to become clearer and more discernable in movies and it enables the bass frequencies contained in the original programming to more closely achieve low frequencies – overcoming the low frequency limitations of the speakers by full octave.

Circle Surround II, Dialog Clarity, TruBass, SRS and  symbol are trademarks of SRS Labs, Inc. Circle Surround II, Dialog Clarity and TruBass technology are incorporated under license from SRS Labs, Inc.

Microsoft®



HDCD® (High Definition Compatible Digital®) is a patented process for delivering on Compact Disc the full richness and details of the original microphone feed.

HDCD encoded CDs sound better because they are encoded with 20-bits of real musical information as compared to 16-bits for all other CDs.

HDCD overcomes the limitation of the 16-bit CD format by using a sophisticated system to encode the additional four bits onto the CD while remaining completely compatible with the CD format.

When listening to HDCD recordings, you hear more dynamic range, a focused 3-D sound stage, and extremely natural vocal and musical timbre. With HDCD, you get the body, depth and emotion of the original performance not a flat, digital imitation.

HDCD system manufactured under license from Microsoft. This product is covered by one or more of the following: In the United States 5,479,168 5,638,074 5,640,161 5,808,574 5,838,274 5,854,600 5,864,311 5,872,531 and in Australia 669,114 with other patents pending.

HDMI

HDMI, the **HDMI** and High-Definition Multimedia Interface are trademarks or registered trademarks of HDMI Licensing LLC.

XM Satellite Radio Ready



READY

The XM name and related logos are registered trademarks of XM Satellite Radio Inc.

3. POWER AMPLIFIER ADJUSTMENT

Idling Current Alignment

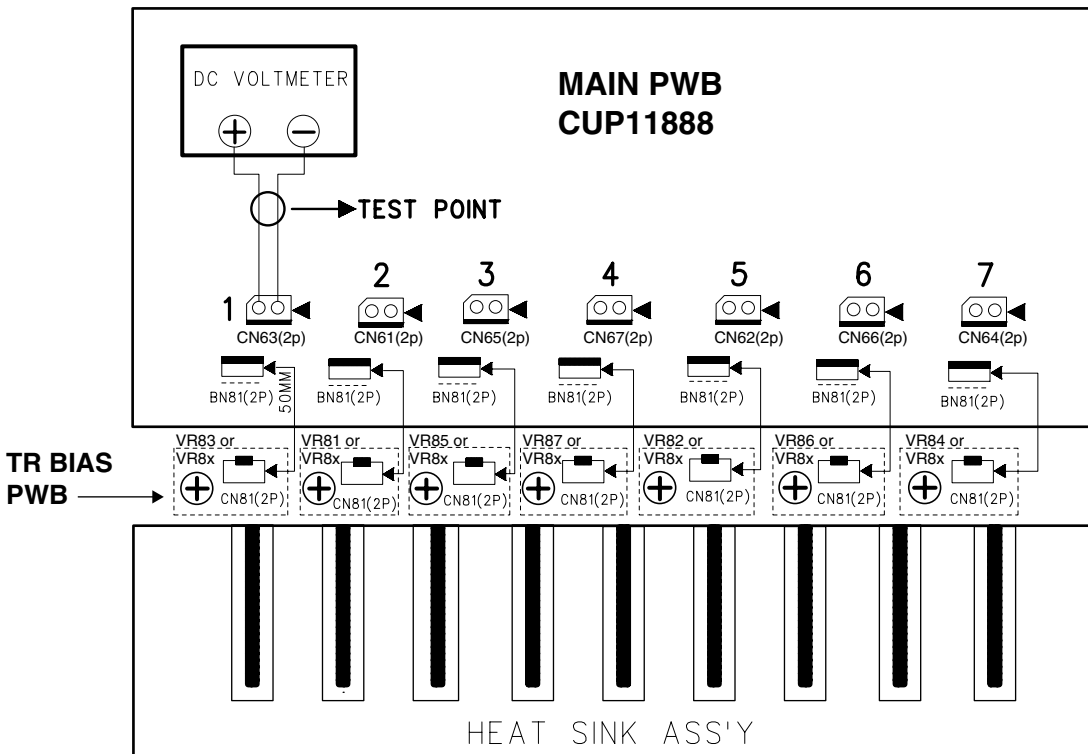
- Each of the measurement points are provided with the two test points. Set a digital Voltage meter to DC voltage input, connect the meter to the test points at both contact points.
- After the setup above, turn on the main switch.
- Adjust variable resistors (VR81 - VR87) according to the digital voltmeter readings. The target setting value is the following table for each channel.

Settings: Master Volume — Minimum
 Speaker out — No Load
 Top lid — OPEN

アイドル電流調整

- 電源を ON する前にそれぞれの "+" 端子と "-" 端子間にデジタルボルトメーターを接続します。デジタルボルトメーターを DC 電圧入力にセットします。
- 上記のセットアップの後に、本機の電源を ON します。
- デジタルボルトメーターの電圧値を監視しながら可変抵抗器 (VR81 ~ VR87) を調節します。
各チャンネルの目標値は下記の表を参照下さい。

セッティング: マスター・ボリューム — 最小
 スピーカー接続 — 無し
 トップカバー — 無し



DC voltmeter.....Connect to CN6x

No.	Channel	Measureme Point	Alignment Point
1	Surround Left	CN63	VR83 or VR8x
2	Center	CN61	VR81 or VR8x
3	Surround Right	CN65	VR85 or VR8x
4	Front Left	CN67	VR87 or VR8x
5	Surroud Back Left	CN62	VR82 or VR8x
6	Front Right	CN66	VR86 or VR8x
7	Surroud Back Right	CN64	VR84 or VR8x

Time Table of Idling Current Rise

After Turning ON	Measurement Voltage (CN6x)
10 min	5.0 mV ± 0.5 mV
20 min	5.0 mV ± 0.5 mV
30 min	5.0 mV ± 0.5 mV
40 min	5.0 mV ± 0.5 mV
50 min	5.0 mV ± 0.5 mV
60 min	5.0 mV ± 0.5 mV

4. SERVICE MODE

Microprocessor (IC11), DSP(IC40) Version and FLD Segment Check Mode.

- While the power is on, **ATT**, **EXIT** and **MULTI** buttons simultaneously more than 3 seconds.
The FL display shows "SERVICE MODE" for 2 seconds then shows the model name.

S	E	R	V	I	C	E		M	O	D	E	
---	---	---	---	---	---	---	--	---	---	---	---	--

			S	R	5	0	0	1				
--	--	--	---	---	---	---	---	---	--	--	--	--

- Press **MULTI** button, The software version of the microprocessor (IC11) is displayed in the format below.

V	0	6	0	7	1	1		1	U			
---	---	---	---	---	---	---	--	---	---	--	--	--

┌ Year ─┐
┌ Month ─┐
┌ Date ─┐
┌ Dest. ─┐
 (Dest. : Destination)

- Press **MULTI** button again, The software Serial Number that is written in the factory is displayed.

M	Z	X	X	X	X	X	X	X	X	X	X	X
---	---	---	---	---	---	---	---	---	---	---	---	---

- Press **MULTI** button again, The software Type Number is displayed.

S	O	F	T		T	Y	P	E			X	X
---	---	---	---	--	---	---	---	---	--	--	---	---

(XX is displayed in Hex)

- Press **MULTI** button again, The Code Group Type Number is displayed.

C	O	D	E		T	Y	P	E	X	X	X	X
---	---	---	---	--	---	---	---	---	---	---	---	---

(XXXX is displayed in Hex)

- Press **MULTI** button again, The left half, right half and center of the label area in the FLD light on and off each other.
- Press **MULTI** button again, The segments of the character area in the FLD flick in checker pattern.
- Press **MULTI** button again, All the FL segments turns off.
- Press **MULTI** button again. Every time **MULTI** button is pressed, DSP code is indicated in turn from NO.1 to NO.10.

C	D	0	1		0	2	0	6	0	1	0	5
---	---	---	---	--	---	---	---	---	---	---	---	---

┌ No. ─┐
┌ Dev. ─┐
┌ SIG ─┐
┌ TYP ─┐
┌ Ver. ─┐

No. : DISP CODE ID Dev. : Device ID SIG. : CODE SIG ID
TYP. : CODE TYPE ID Ver. : Version

- Press **MULTI** button again to quit this mode.

4. SERVICE MODE

Microprocessor (IC11), DSP(IC40) の Version 表示及び FL 点燈を確認するモードです。

- セットの電源を入れます。**ATT**, **EXIT**, **MULTI** のボタンを同時に約 3 秒以上押します。
"SERVICE MODE" と表示が出ます。更に約 2 秒後に機種名が表示されます。

S	E	R	V	I	C	E		M	O	D	E	
---	---	---	---	---	---	---	--	---	---	---	---	--

			S	R	5	0	0	1				
--	--	--	---	---	---	---	---	---	--	--	--	--

- MULTI** ボタンを押します。マイコン (IC11) のバージョンが次のように表示されます。

V	0	6	0	7	1	1		1	U			
---	---	---	---	---	---	---	--	---	---	--	--	--

┌ Year ─┐
┌ Month ─┐
┌ Date ─┐
┌ Dest. ─┐
 (Dest. : 仕向け)

- MULTI** ボタンを押します。工場書き込み済みの Software Serial No. が表示されます

M	Z	X	X	X	X	X	X	X	X	X	X	X
---	---	---	---	---	---	---	---	---	---	---	---	---

- MULTI** ボタンを押します。マイコン (IC11) の Software Type が表示されます。

S	O	F	T		T	Y	P	E			X	X
---	---	---	---	--	---	---	---	---	--	--	---	---

(XX: Hex数字表示)

- MULTI** ボタンを押します。Code Group Type が表示されます。

C	O	D	E		T	Y	P	E	X	X	X	X
---	---	---	---	--	---	---	---	---	---	---	---	---

(XXXX: Hex数字表示)

- MULTI** ボタンを押します。FL 表示の右、左、中央部分が交互に点燈を繰り返します。
- MULTI** ボタンを押します。FL の Character 部分が点滅します。
- MULTI** ボタンを押します。FL が全消灯します。
- MULTI** ボタンを押します。**MULTI** ボタンを押す度に DSP Code ID が NO.1 から NO.10 まで順に表示されます。

C	D	0	1		0	2	0	6	0	1	0	5
---	---	---	---	--	---	---	---	---	---	---	---	---

┌ No. ─┐
┌ Dev. ─┐
┌ SIG ─┐
┌ TYP ─┐
┌ Ver. ─┐

No. : DISP CODE ID Dev. : Device ID SIG. : CODE SIG ID
TYP. : CODE TYPE ID Ver. : Version

- MULTI** ボタンを押します。サービスモードは解除されます。

5. SYSTEM ERROR

When the microcomputer detects a trouble, the following information is displayed on the FLD.

- After the error contents indication, Surround Mode is initialized and returned Factory mode.
- The contents of the ERROR indication are the followings.

1. Trouble in DSP

If communication with DSP is troubled more than 2 seconds.

C	H	E	C	K		D	S	P			
---	---	---	---	---	--	---	---	---	--	--	--

2. Trouble in DSP Code

The trouble of DSP Code was found.

C	H	E	C	K		D	S	P		R	O	M
---	---	---	---	---	--	---	---	---	--	---	---	---

3. Trouble in EEP-ROM

If data from EEPROM does not match.

C	H	E	C	K		E	2	P			
---	---	---	---	---	--	---	---	---	--	--	--

4. Trouble in EEP-ROM IF

If communication with EEPROM is troubled more than 2 seconds.

C	H	E	C	K		E	2	P		I	F
---	---	---	---	---	--	---	---	---	--	---	---

5. Trouble in RS-232C

If communication of Panja with RS232C is troubled more than 2 seconds.

C	H	E	C	K		2	3	2	C		
---	---	---	---	---	--	---	---	---	---	--	--

6. Trouble in 5V Supply

If 5V supply to DATA DIR is troubled.

C	H	E	C	K		P	O	W	5		
---	---	---	---	---	--	---	---	---	---	--	--

7. Trouble in Protection

CPU turns off the speaker output.

P	R	O	T	E	C	T					
---	---	---	---	---	---	---	--	--	--	--	--

8. Trouble in ADC

When ADC input was chosen and CAL signal continued High about 2 seconds after the ADC Calibration start.

C	H	E	C	K		A	D	C			
---	---	---	---	---	--	---	---	---	--	--	--

5. SYSTEM ERROR

製品内部での異常発生時に処理、表示を行います。主に各 Device との通信異常を検出します。

- ERROR 表示後、Surround Mode は初期化され工場出荷の状態に戻ります。
- ERROR 表示の内容は下記です。

1. DSP 異常検出表示

DSP との通信上の不具合を約 2 秒検出した時。

C	H	E	C	K		D	S	P			
---	---	---	---	---	--	---	---	---	--	--	--

2. DSP Code 異常検出表示

DSP Code の異常を検出した時。

C	H	E	C	K		D	S	P		R	O	M
---	---	---	---	---	--	---	---	---	--	---	---	---

3. EEP-ROM 異常検出表示

EEP-ROM Data の不整合を検出した時。

C	H	E	C	K		E	2	P			
---	---	---	---	---	--	---	---	---	--	--	--

4. EEP-ROM IF 異常検出表示

EEP-ROM との通信不具合が約 2 秒以上生じた時。

C	H	E	C	K		E	2	P		I	F
---	---	---	---	---	--	---	---	---	--	---	---

5. RS-232C 異常検出表示

Panja 通信時に RS-232C との通信不具合を約 2 秒以上検出した時。

C	H	E	C	K		2	3	2	C		
---	---	---	---	---	--	---	---	---	---	--	--

6. 5V 異常検出表示

DATA DIR. の異常を検出した時。

C	H	E	C	K		P	O	W	5		
---	---	---	---	---	--	---	---	---	---	--	--

7. Protection 信号異常検出表示

Speaker から出力を止めます。

P	R	O	T	E	C	T					
---	---	---	---	---	---	---	--	--	--	--	--

8. AD コンバータ異常検出表示

CAL 信号 High 状態を 2 秒以上検出した時。

C	H	E	C	K		A	D	C			
---	---	---	---	---	--	---	---	---	--	--	--

6. UPDATE FIRMWARE

Software for CPU and DSP can be updated.

Have update application software. ("UpgradeDSP.exe" and "H8Download.exe")

There are two mode of download, regarding to the target of software as bellow.

Mode 1: Update DSP's software to Flash-ROM.

This mode is to update the software for DSP.

The target devise is Flash-ROM (IC40) on CUP11762Z (DSP PCB).

The Unit needs to be set update condition, by three front keys.

Mode 2: Update CPU's software to internal Flash-ROM.

This mode is to update the software for DSP.

The target devise is internal flash ROM of CPU (IC11) on CUP11762Z (DSP PCB).

The Unit needs to be set to writing condition, by pushing internal switch from back-panel.

The following items are required for updating.

RS232C Dsub-9 pin cable (female to female/Straight type)

Windows PC (98, NT, ME, 2000, XP) with RS-232C port.

Update software to CPU.

Update software to DSP.

Use RS232C Dsub-9 pin cable (female to female/Straight type) to connect PC and the unit.

COM port on PC needs to be set by dialog box for each program. COM port can be set from COM1 to COM5.

Download Firmware for DSP (Mode 1)

1. Put the "DSP upgrade" folder into anywhere on your PC's hard disc.

6. UPDATE FIRMWARE

CPU および DSP ソフトウェアのアップデートを行います。

ソフトウェアのアップデートには UpgradeDSP.exe と H8Download.exe が必要です。

アップデートには次の二つのモードがあります。

Mode 1: DSP 用 Flash-ROM のアップデート

このモードは DSP のソフトウェアをアップデートするモードです。

CUP11762(DSP PCB) の基板上にある Flash-ROM (IC40) のソフトウェアをアップデートします。

本機、フロントパネルにある 3 つのボタンを押してアップデートモードにします。

Mode 2: CPU の内部 Flash-ROM のアップデート

このモードは CPU のソフトウェアをアップデートするモードです。

CUP11762(DSP PCB) の基板上にある CPU(IC11) の内部 Flash-ROM のソフトウェアをアップデートします。

本機のリアパネルから内部スイッチを押してアップデートモードにします。

アップデートには下記の機器が必要です。(必要機器)

RS-232C ストレートケーブル (9Pin メス -9Pin メス)

Windows PC Serial Port 付き (OS: 98,NT,ME,2000, XP)

CPU 用アップデートソフトウェア

DSP 用アップデートソフトウェア

RS-232C ケーブルで本機と接続する PC の COM ポート番号を設定してください。

COM ポート番号は COM1 から COM5 まで設定できます。

DSP アップデート方法 (Mode 1)

1. "DSP upgrade" フォルダを PC のハードディスクにコピーします。



2. Connect PC and the unit with the RS-232C cable.

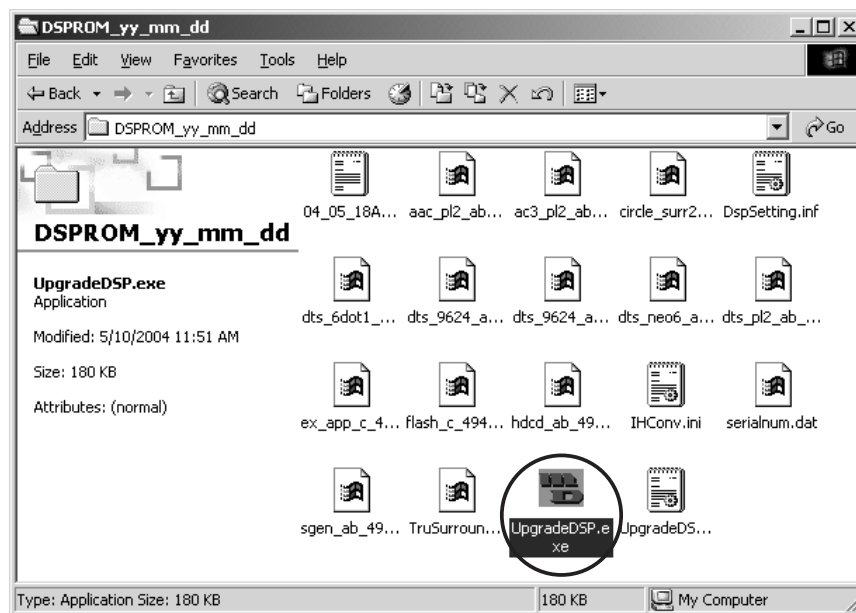
2. 本機と PC を RS-232C で接続します。

3. Turn on the unit.

3. 本機の電源を入れます。

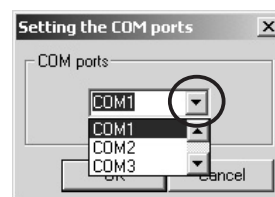
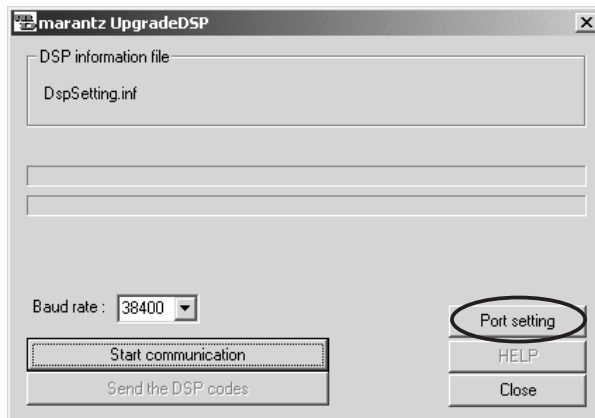
4. Press **ENTER**, **MUTE** and **T-MODE** buttons simultaneously more than 5 seconds to turn the unit into Loading Mode.
5. "LOADING MODE" will be shown on FLD.
6. Launch "UpgradeDSP.exe" on PC.
Note : yy_mm_dd is release date of software.

4. **ENTER**, **MUTE**, **T-MODE** の 3 つのボタンを同時に 5 秒以上押し続けて Loading Mode にします。
5. FL ディスプレイに "LOADING MODE" と表示されます。
6. PC から "UpgradeDSP.exe" をダブルクリックして起動します。
注記 : ファイル名の yy_mm_dd はソフトウェアの発行日をあらわします。

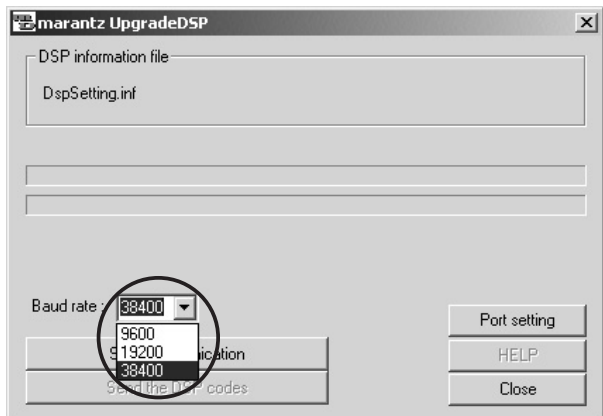


7. Click **Port setting**, and select the COM Port No.

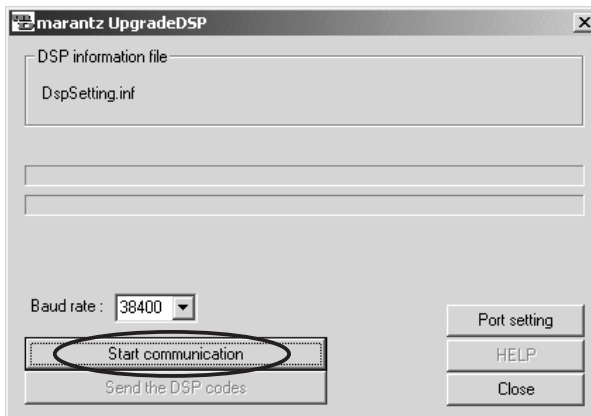
7. **Port setting** をクリックし、COM ポート番号を選択します。



8. Set the Baud rate to 38400 then click **Start communication** button.



8. Baud rate を 38400 に設定し、**Start communication** をクリックします。



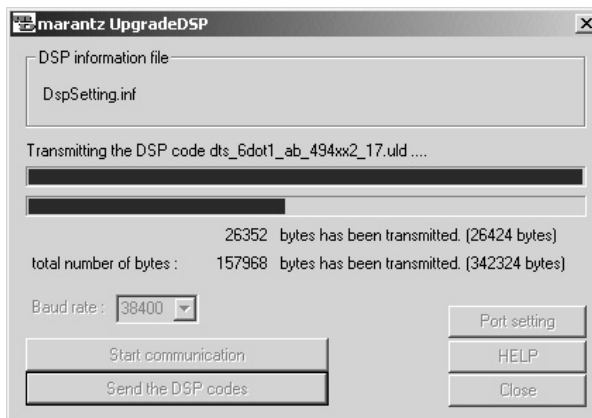
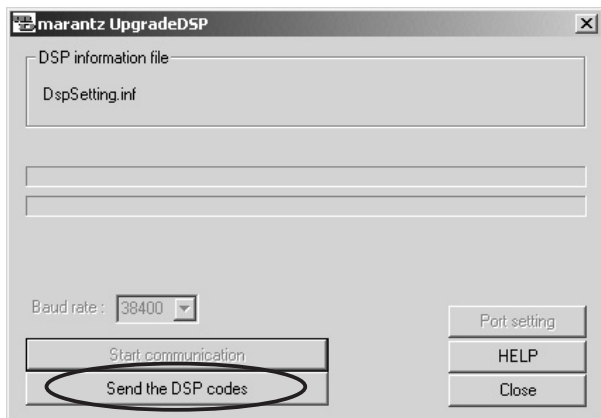
9. If the connection is made successfully, a dialog box saying "Success to connect" appears and "CONNECTED" is displayed on FLD.

9. 通信接続に成功すると下記のダイアログボックスが表示され、FL ディスプレイには "CONNECTED" が表示されます。



10. Click **Send the DSP codes** button on the dialog box. Progress status of updating will be shown on PC and LOADING is displayed on FLD.

10. **Send the DSP codes** をクリックします。アップデートのステータスバーが表示され、FL ディスプレイには "LOADING" が表示されます。

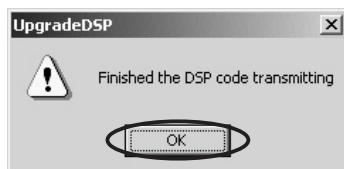


11. If updating is completed successfully, "COMPLETED" is displayed on FLD. And a dialog box saying "Finished the DSP code transmitting" appears.

11. アップデートが成功すると FL ディスプレイに "COMPLETED" と表示されます。同時に "Finished the DSP code transmitting" のダイアログボックスが表示されます。

12. Click **OK** and then Application is closed automatically.

12. **OK** をクリックすると自動的にアプリケーションが閉じます。



13. Turn off the unit.

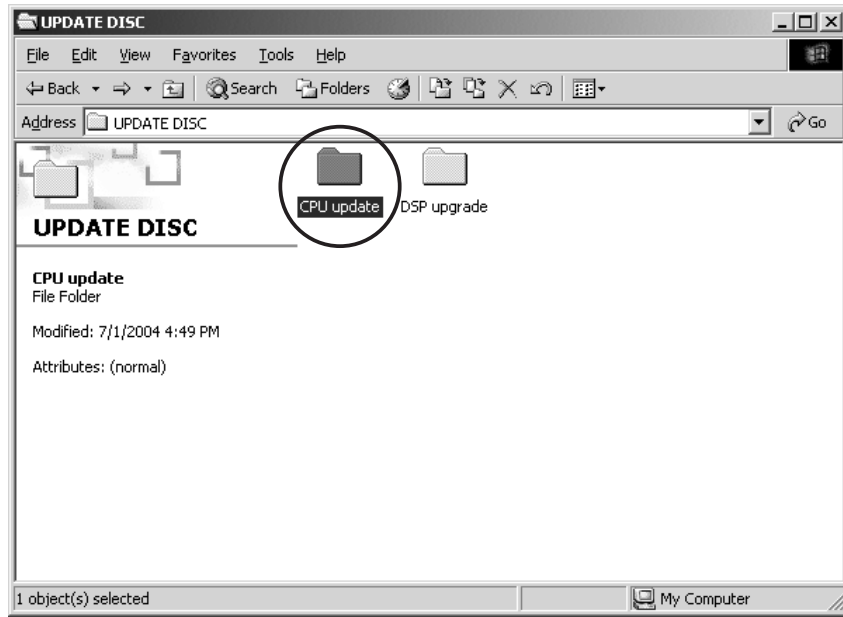
13. 本機の電源を切ります。

Download Firmware for CPU (Mode 2)

CPU のアップデート方法 (Mode 2)

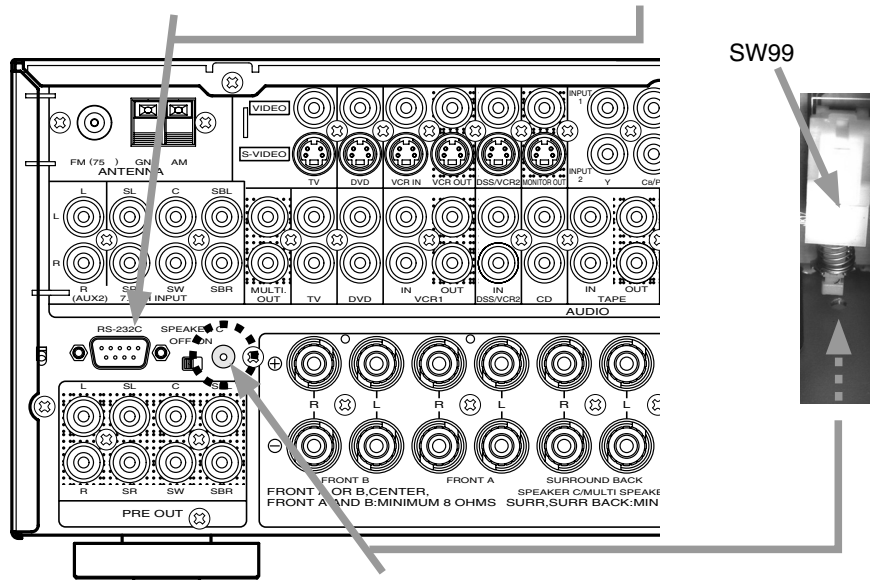
1. Put the "CPU update" folder into anywhere on your PC's hard disc.

1. "CPU update" フォルダを PC のハードディスクにコピーします。



2. Connect PC and the unit with the RS-232C cable.

2. 本機と PC を RS-232C で接続します。



Hole of rear panel

リアパネルにある穴

3. Insert a thin rod to the hole and push the switch (SW99) inside to turn on the switch.

3. 細い棒を使い本機のリアパネルにある穴からスイッチ (SW99) を押します。

4. Turn on the power of the unit.

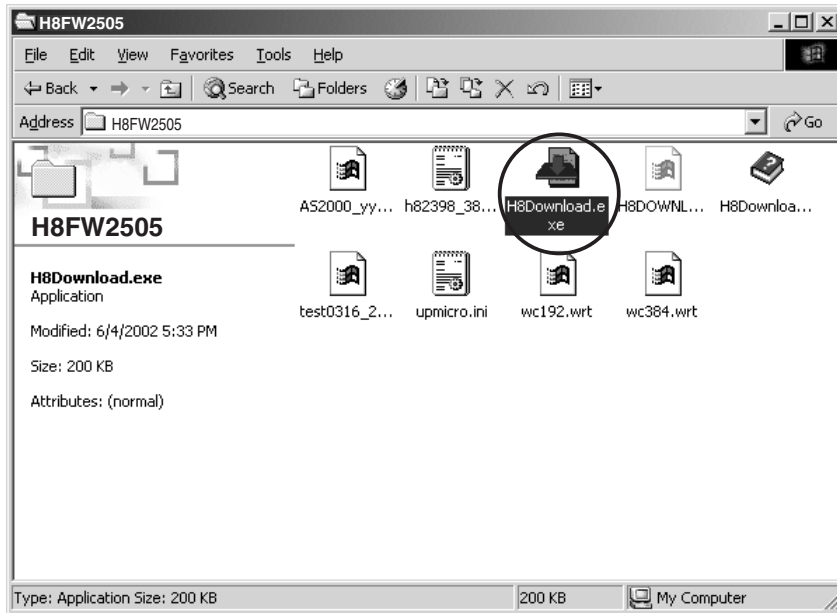
4. 本機の電源を入れます。

Note : When the unit is into boot mode, stand-by LED is not lights up.

注記 : 本機はブートモードになり、Stand-by LED は点灯しません。

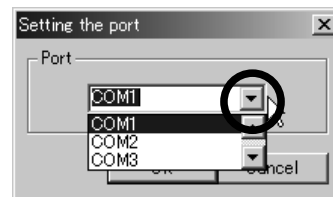
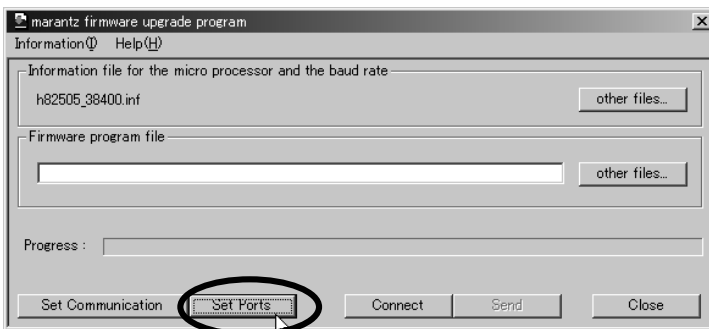
5. Launch "H8Download.exe" on PC.

5. PC から "H8Download.exe" をダブルクリックして起動します。



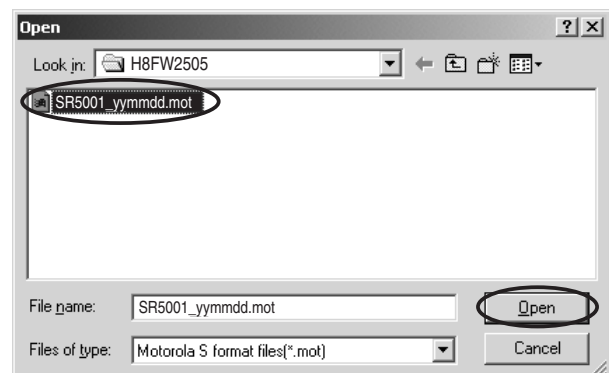
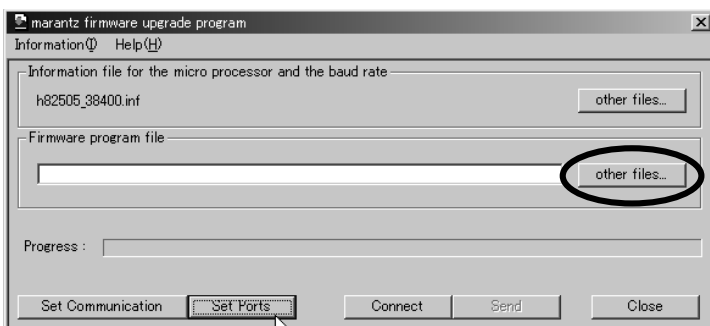
6. Click **Set Ports**, and select the COM Port No.

6. **Set Ports** をクリックし、COM ポート番号を選択します。



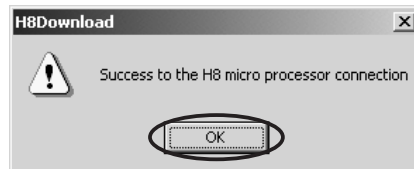
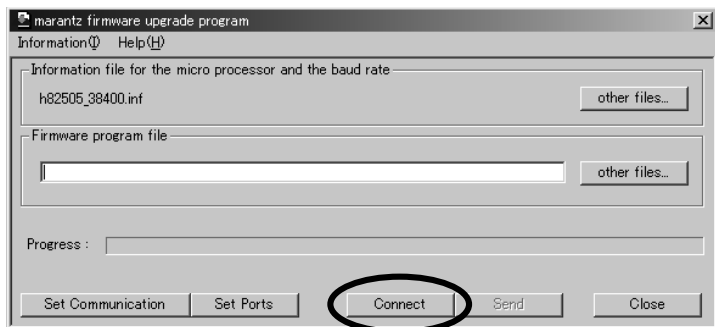
7. Click **other files...** button in the dialog box to specify the file (SR5001_yymmdd.mot) to be uploading. yymmdd in file name is release date of software.

7. **other files...** をクリックして、アップデートファイル (SR5001_yymmdd.mot) を選択し開きます。



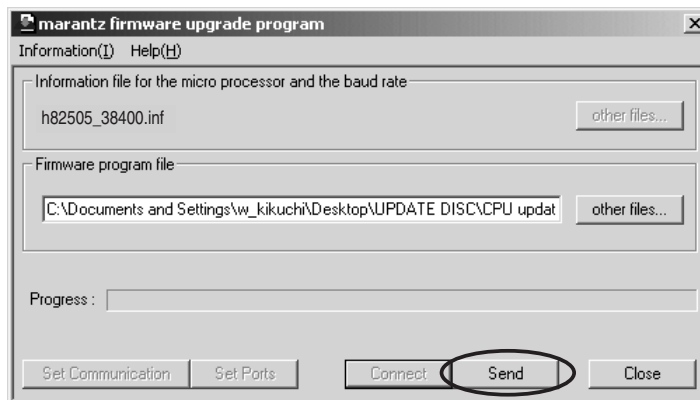
8. Click **Connect** button. If the connection with the H8 μ -P is successfully made, a dialogue box saying "Success to the H8 micro processor connection" appears. (If the connection fails, error message will appear.)

8. **Connect** をクリックします。H8 μ -P と通信接続に成功すると "Success to the H8 micro processor connection" のダイアログが表示されます。(通信に失敗するとエラーメッセージが表示されます。)



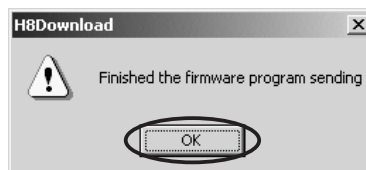
9. Click **Send** button to start update.

9. **Send** をクリックしアップデートを開始します。



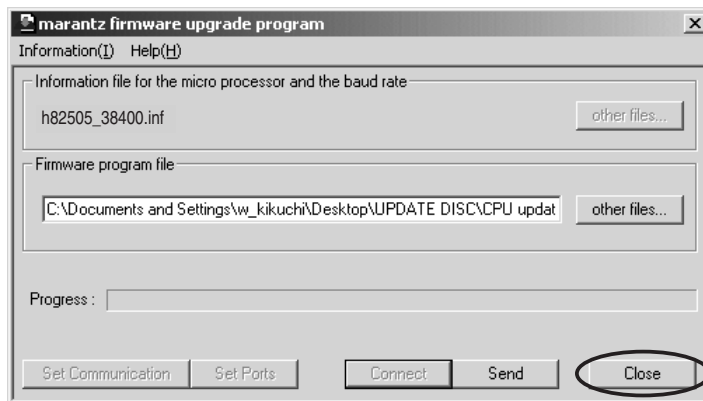
10. If the firmware is updated successfully, a dialog box saying "Finished the firmware program sending" appears.

10. ソフトウェアのアップデートが成功すると、"Finished the firmware program sending" のダイアログボックスが表示されます。



11. Click **Close** button to close the application.

11. **Close** をクリックしてアプリケーションを閉じます。



12. Disconnect Mains power cord.

12. 本機の電源を切ります。

13. Turn off the internal switch (SW99) that has been turned on at step 3.

13. 手順 3 のスイッチ (SW99) を押してブートモードを解除します。

14. Turn on the unit.

14. 電源を入れます。

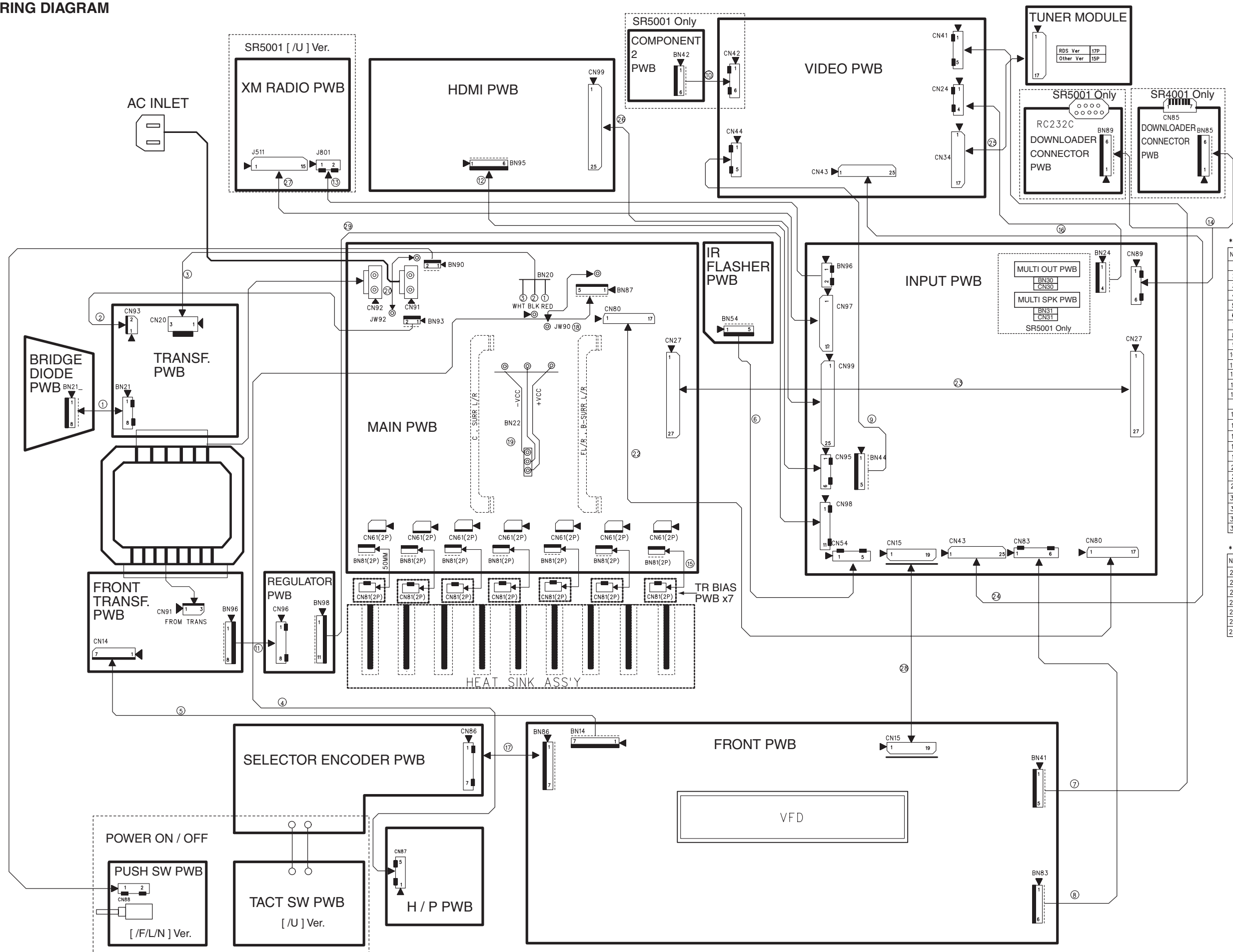
Firmware Version Check

To check the versions of the firmware, see "Microprocessor (CPU), DSP Version and FLD Segment Check Mode" in "SERVICE MODE" section.

バージョンの確認

ソフトウェアのバージョンを確認します。確認方法は "SERVICE MODE" 内の "Microprocessor (CPU), DSP Version and FLD Segment Check Mode" を参照してください。

7. WIRING DIAGRAM



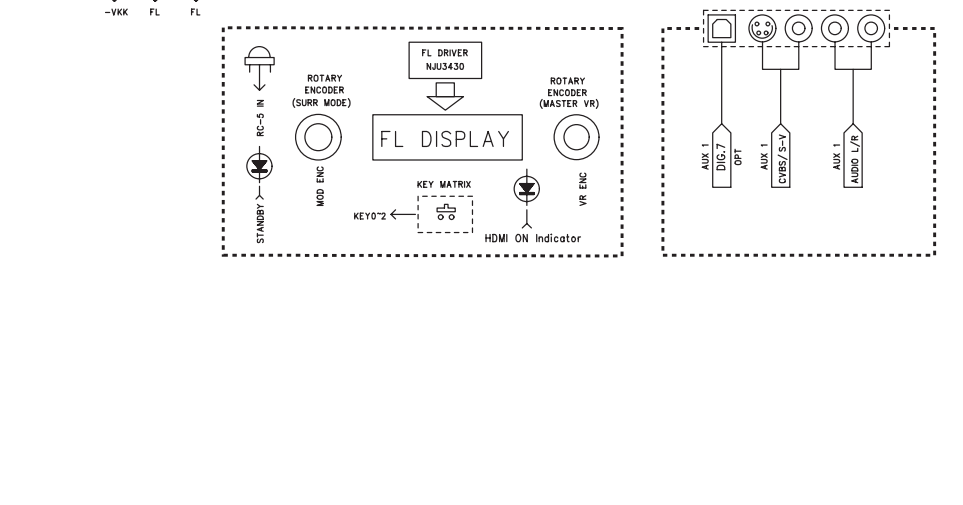
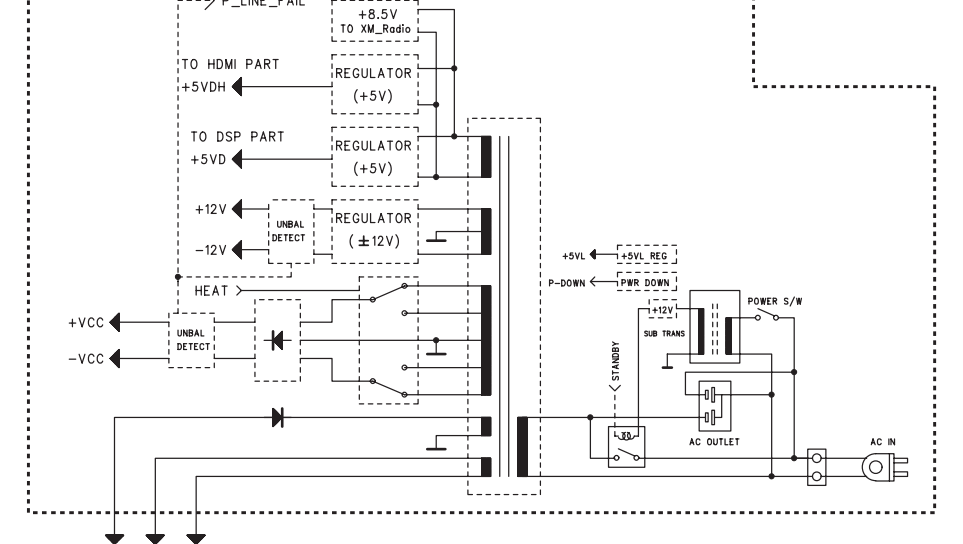
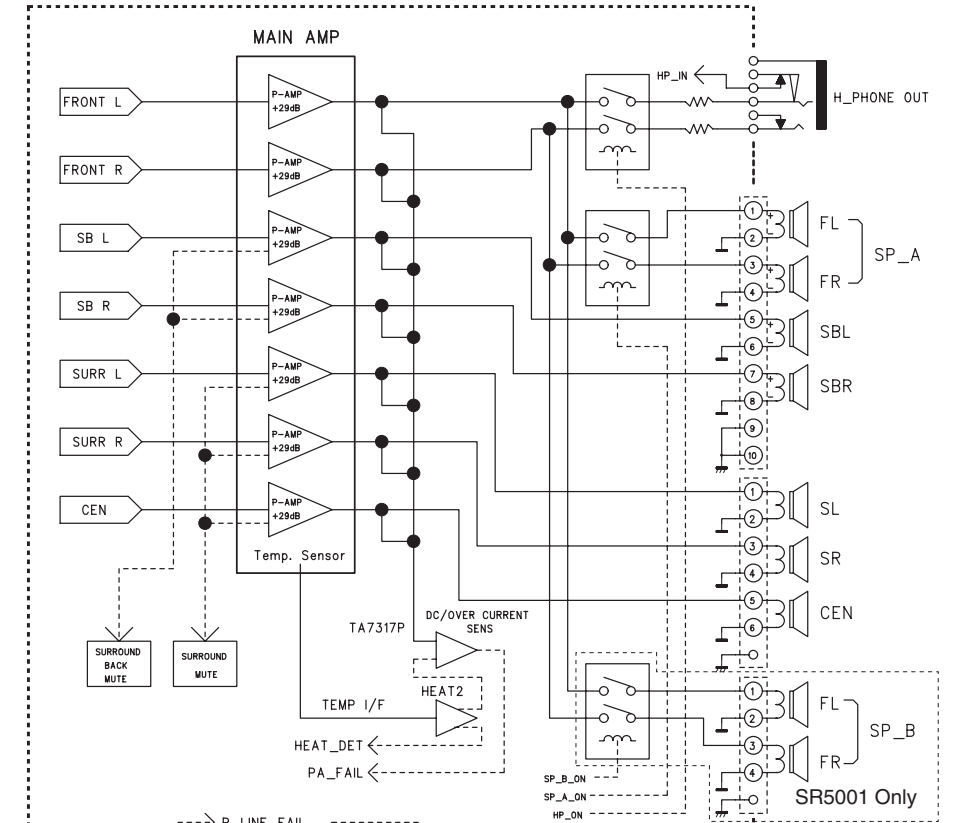
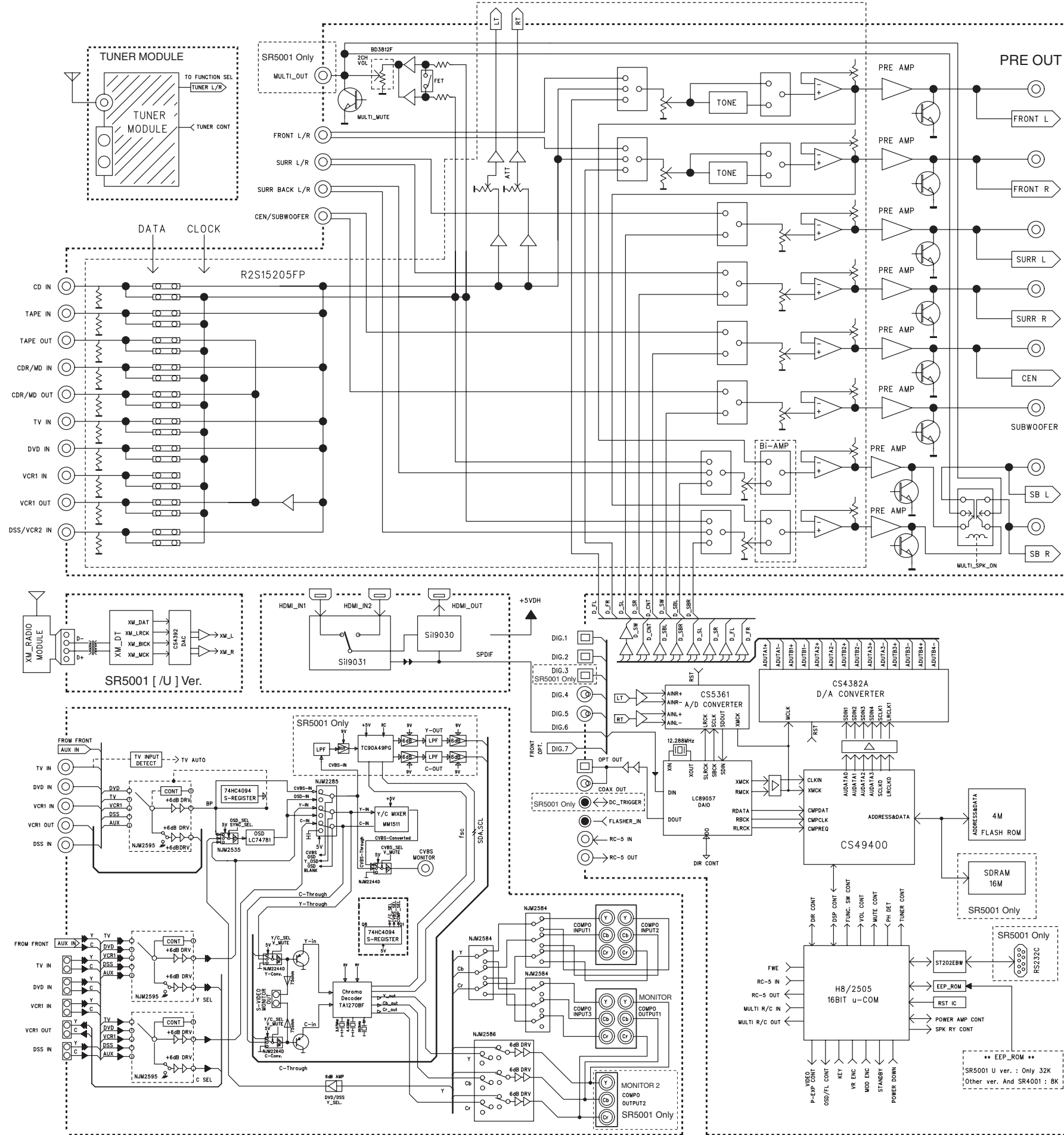
* WIRE ASS'Y

NO	B'D	REF.	COMMENT
1	TRANS	BN21	
2	MAIN	BN93	
3	MAIN	BN20	
4	MAIN	BN87	HEAD PHONE
5	FRONT	BN14	
6	FRONT	BN54	
7	FRONT	BN41	
8	FRONT	BN43	
9	INPUT	BN44	
10	FRONT	BN42	only SR5001
11	TRANS	BN96	
12	HDMI	BN95	
13	INPUT	BN96	only SR5001 U
14	FRONT	BN89	only SR5001
		BN85	only SR4001
15	MAIN	BN81	
16	INPUT	BN24	
17	FRONT	BN86	
18	MAIN	JW90	
19	MAIN	BN22	
20	MAIN	JW92	
21	MAIN	BN90	
29	MAIN	BN98	
30	MAIN	BN91	
31	FRONT	JW13	
32	FRONT	JW14	
33	FRONT	JW15	

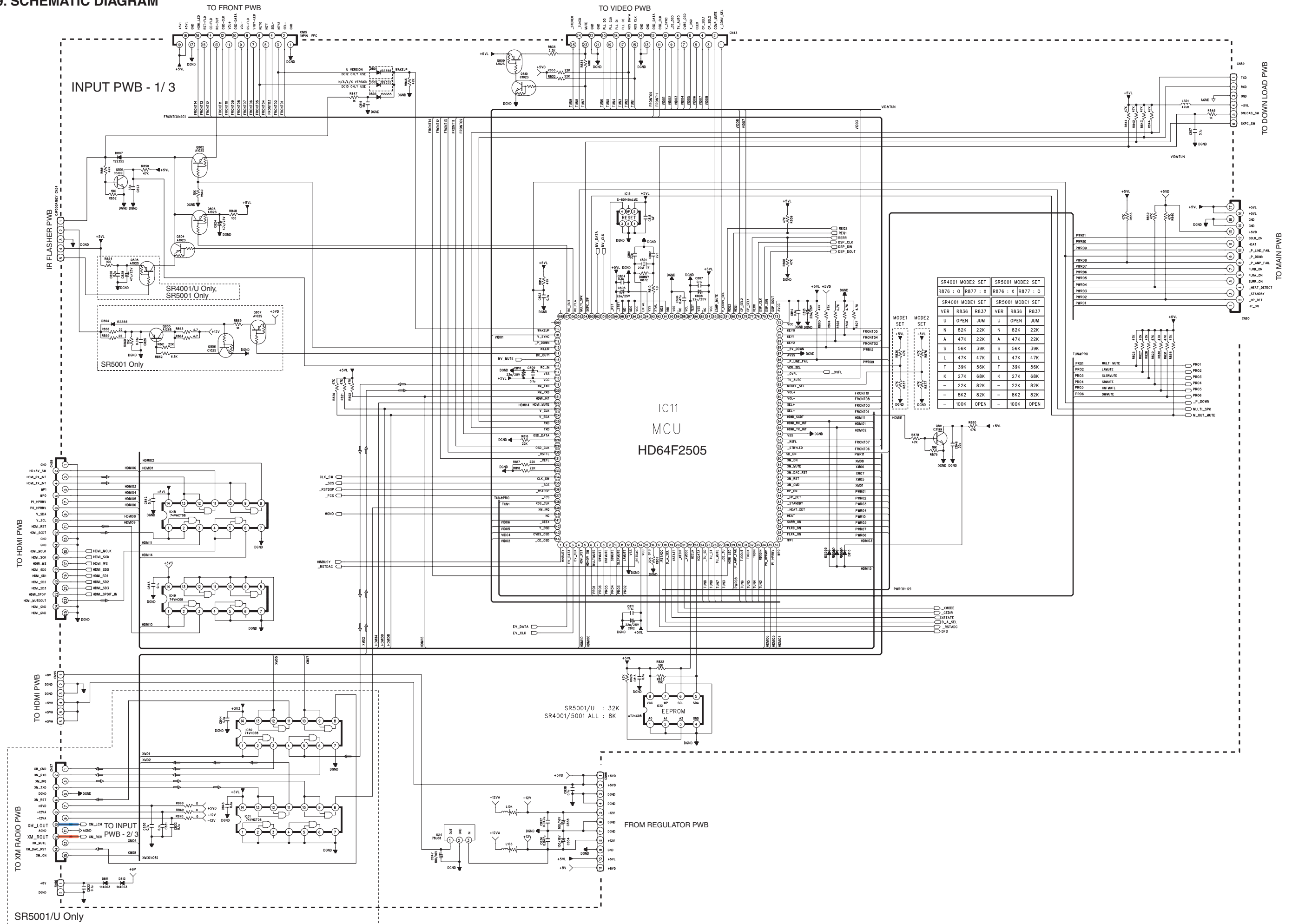
* CARD CABLE

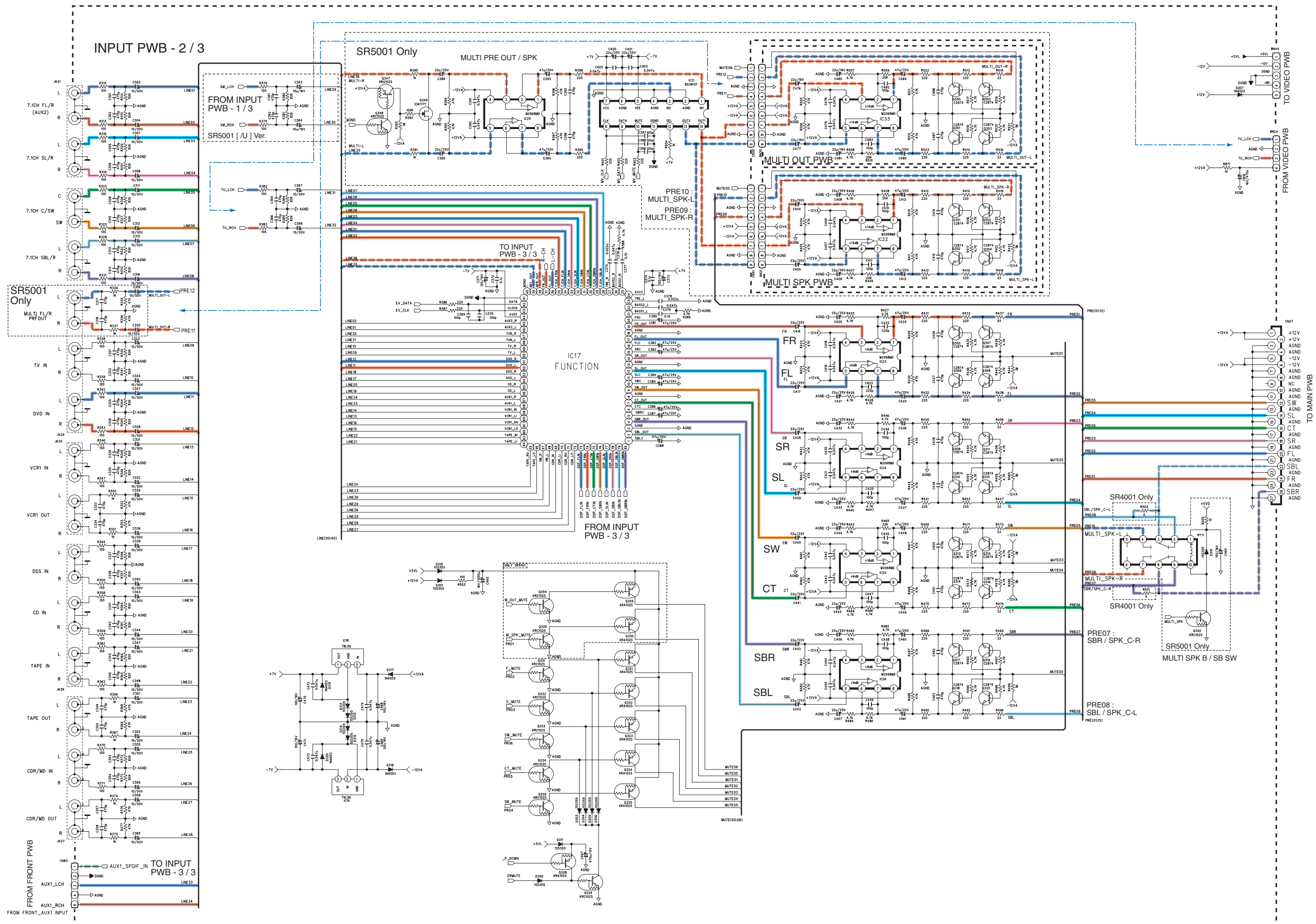
NO	B'D	REF.	COMMENT
22	MAIN	CB80	
23	MAIN	CB27	
24	INPUT	CB43	
25	VIDEO	CB34	
26	INPUT	CB99	
27	INPUT	CB97	only SR5001 U
28	FRONT	CB15	

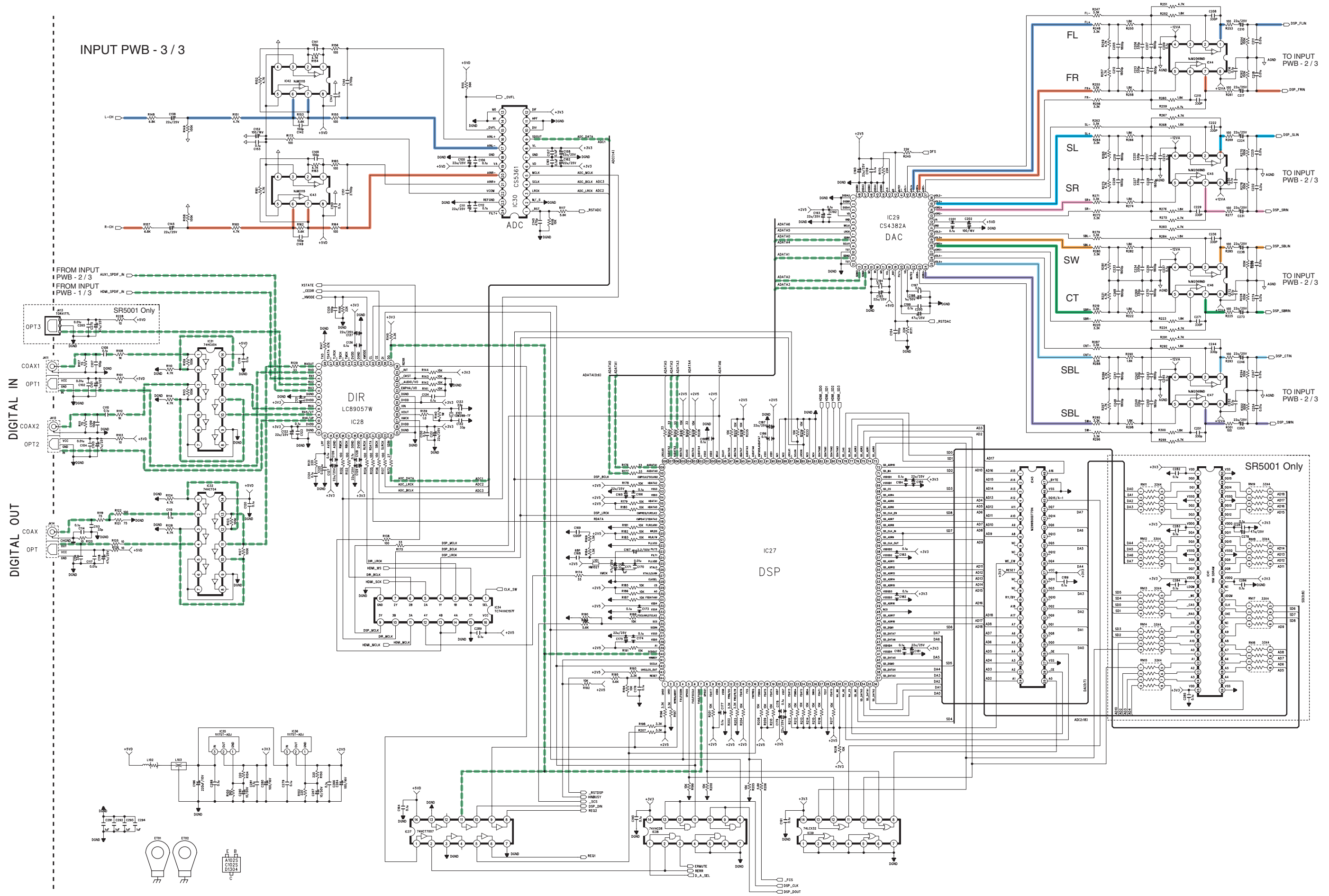
8. BLOCK DIAGRAM



9. SCHEMATIC DIAGRAM







INPUT PWB - 3 / 3

FROM INPUT PWB - 2 / 3
FROM INPUT PWB - 1 / 3

DIGITAL IN
DIGITAL OUT

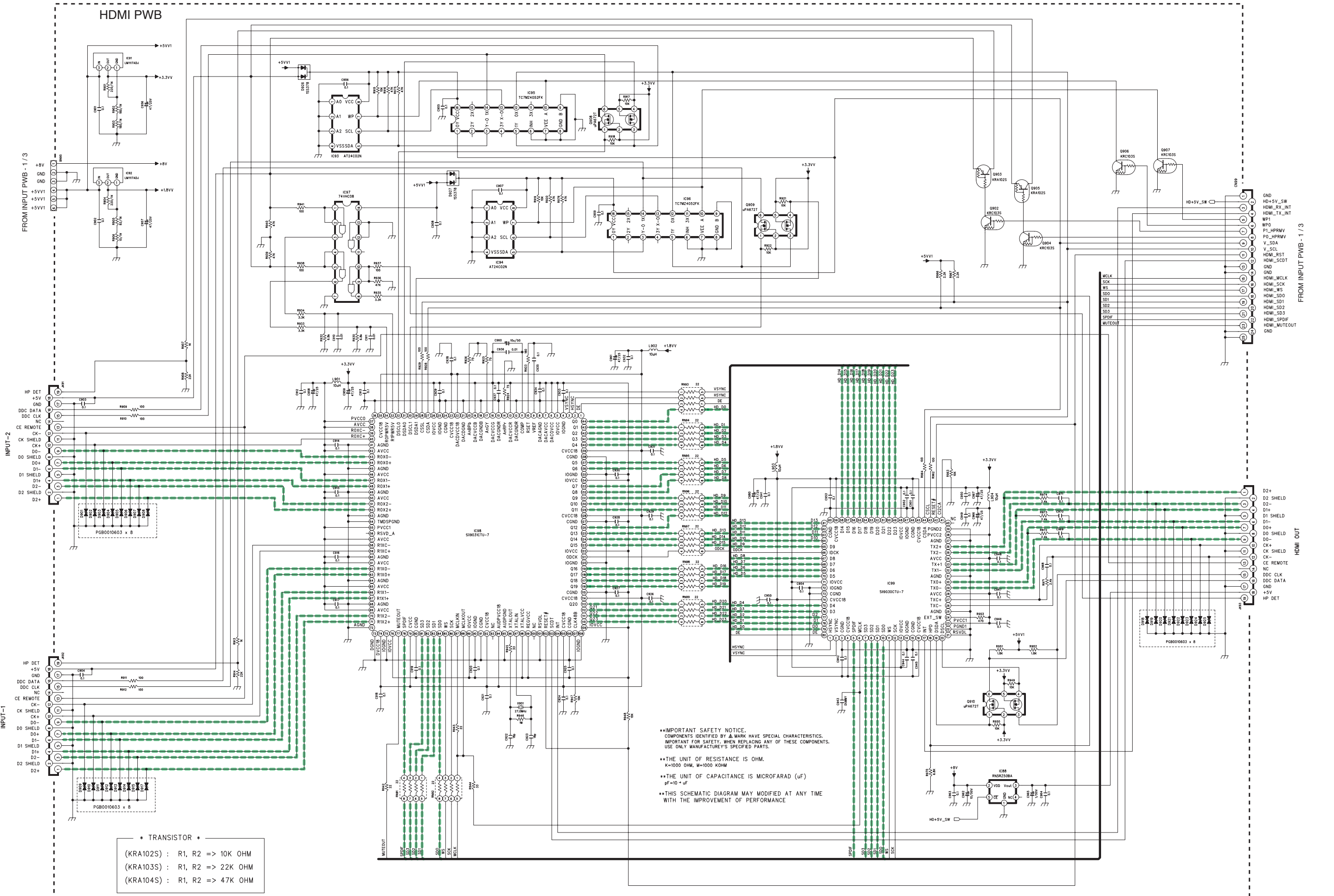
DIR
LC89057W
IC28

ADC
CS53L61
IC30

DAC
CS4382A
IC29

DSP
IC27

SR5001 Only



* TRANSISTOR *

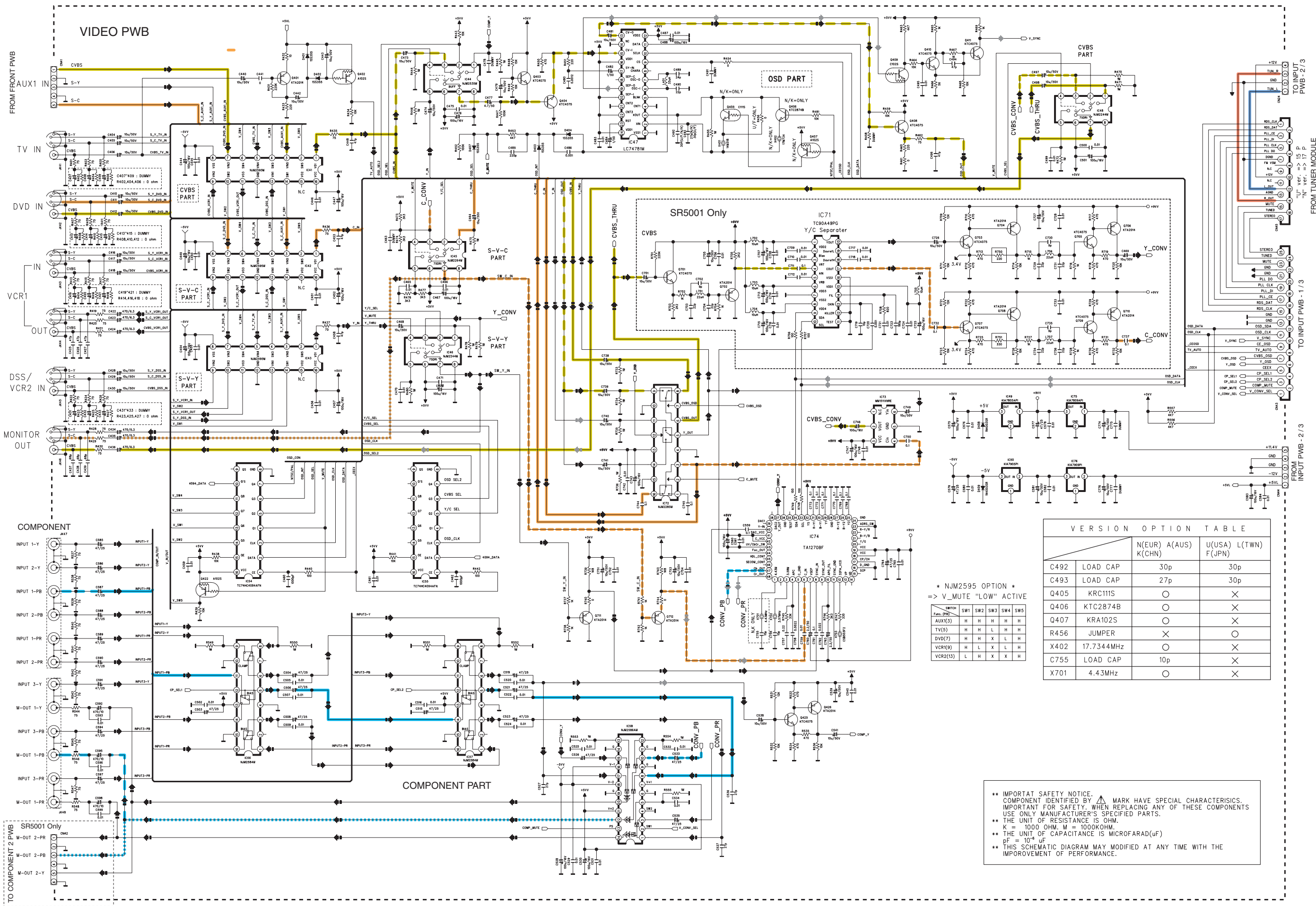
(KRA1025) : R1, R2 => 10K OHM
(KRA1035) : R1, R2 => 22K OHM
(KRA1045) : R1, R2 => 47K OHM

**IMPORTANT SAFETY NOTICE.
COMPONENTS IDENTIFIED BY A MARK HAVE SPECIAL CHARACTERISTICS.
IMPORTANT FOR SAFETY, WHEN REPLACING ANY OF THESE COMPONENTS,
USE ONLY MANUFACTURER'S SPECIFIED PARTS.

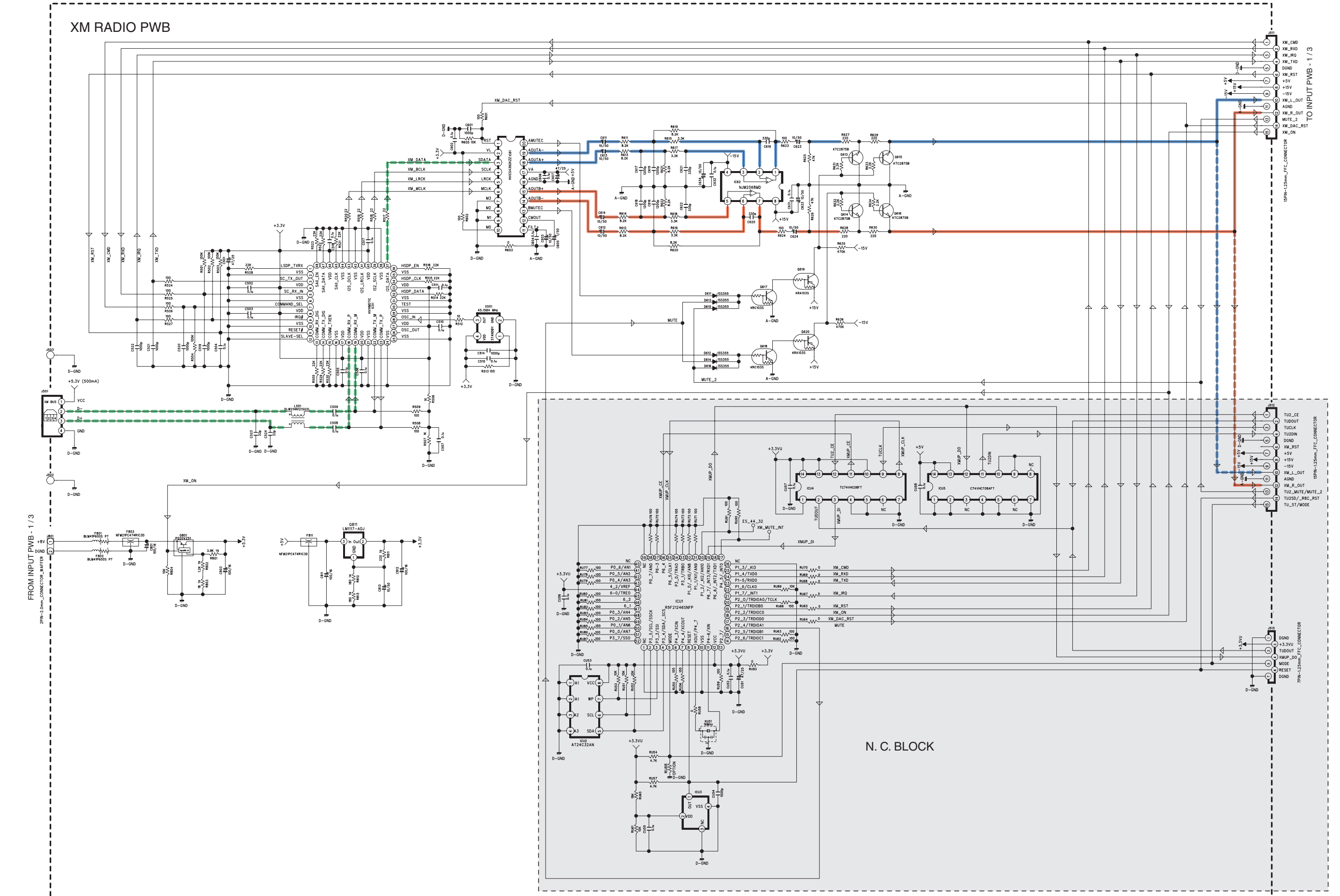
**THE UNIT OF RESISTANCE IS OHM.
K=1000 OHM, M=1000 KOHM

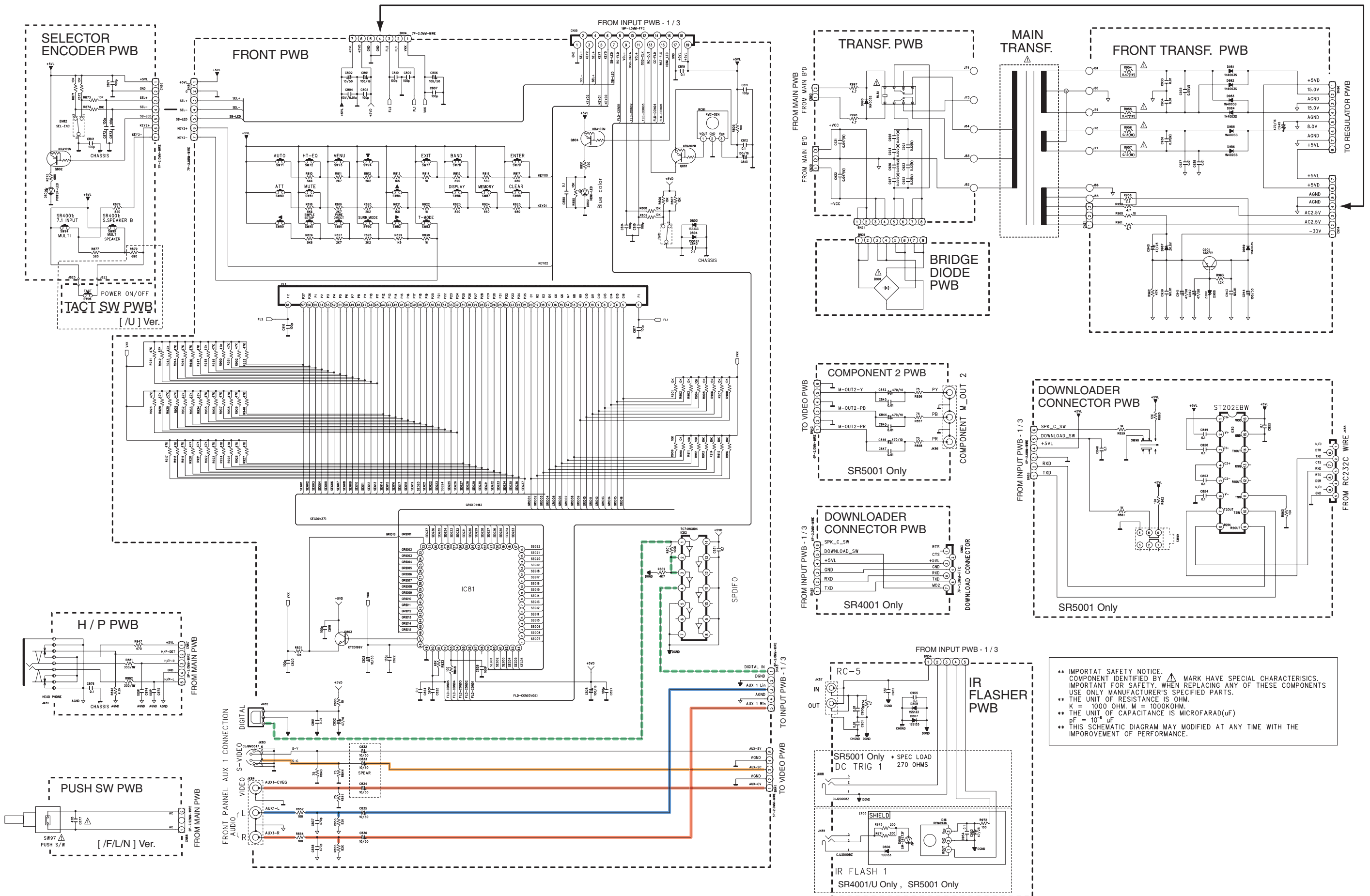
**THE UNIT OF CAPACITANCE IS MICROFARAD (uF)
pF=10⁻¹² uF

**THIS SCHEMATIC DIAGRAM MAY MODIFIED AT ANY TIME
WITH THE IMPROVEMENT OF PERFORMANCE

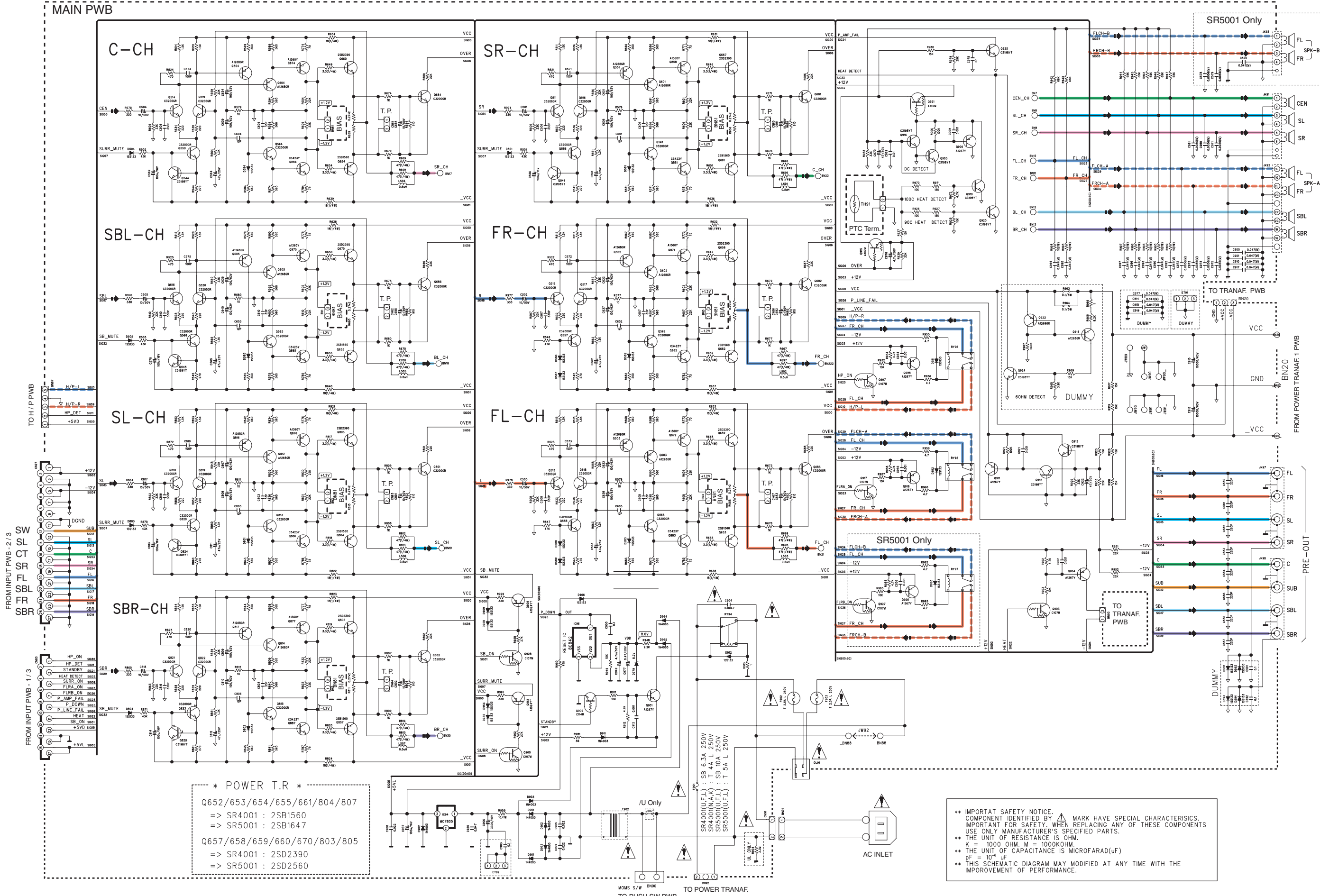


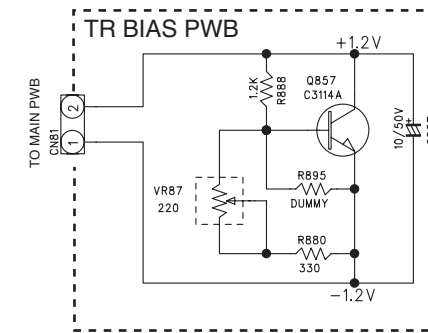
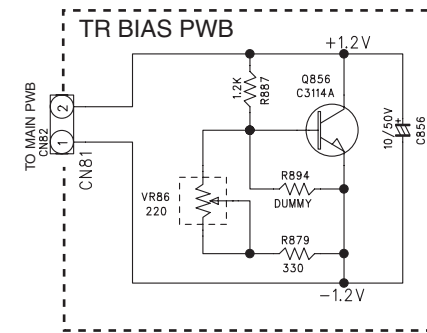
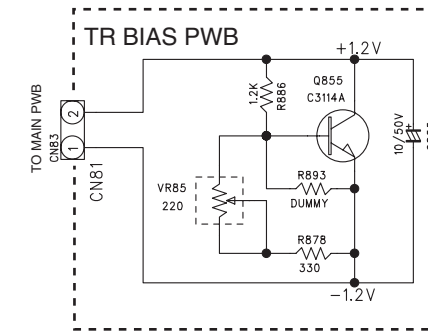
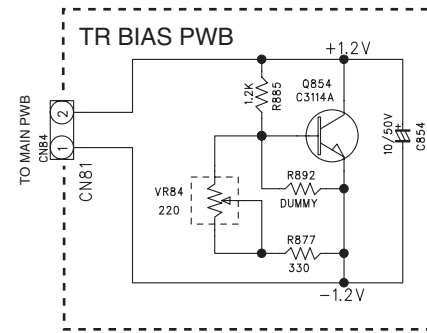
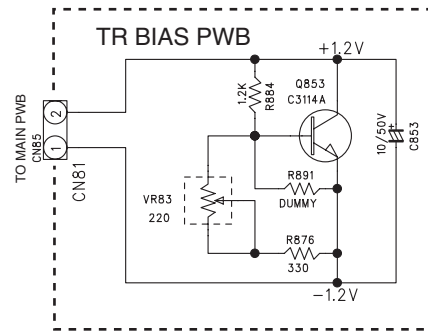
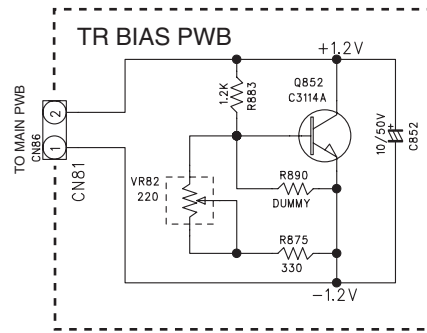
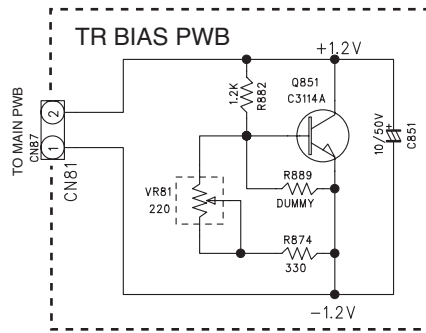
XM RADIO PWB



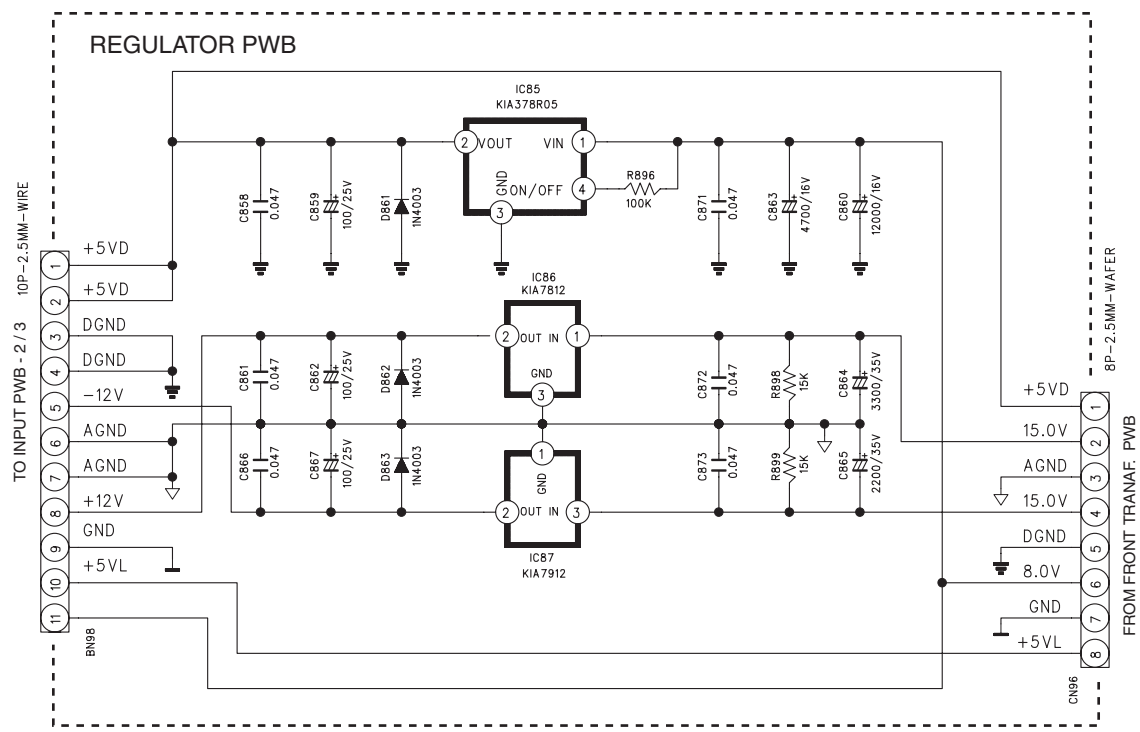


MAIN PWB

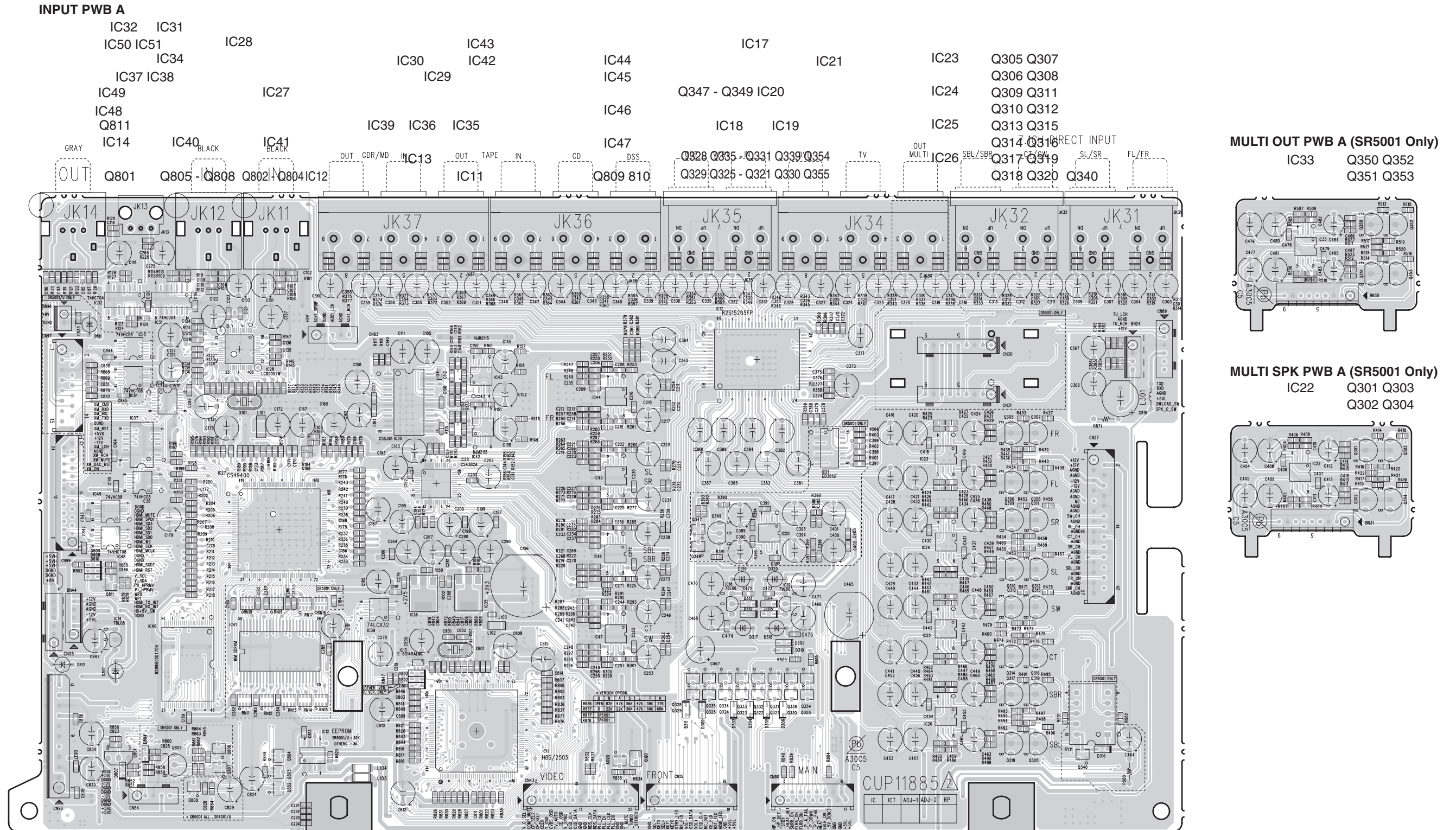




** IMPORTANT SAFETY NOTICE. COMPONENT IDENTIFIED BY MARK HAVE SPECIAL CHARACTERISTICS. IMPORTANT FOR SAFETY. WHEN REPLACING ANY OF THESE COMPONENTS USE ONLY MANUFACTURER'S SPECIFIED PARTS.
 ** THE UNIT OF RESISTANCE IS OHM.
 K = 1000 OHM, M = 1000KOHM.
 ** THE UNIT OF CAPACITANCE IS MICROFARAD(μF)
 pF = 10⁻⁶ μF
 ** THIS SCHEMATIC DIAGRAM MAY MODIFIED AT ANY TIME WITH THE IMPROVEMENT OF PERFORMANCE.



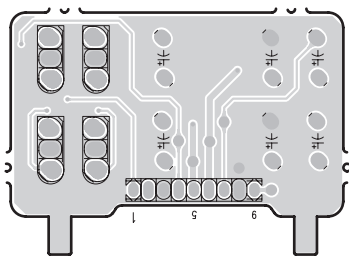
10. PARTS LOCATION



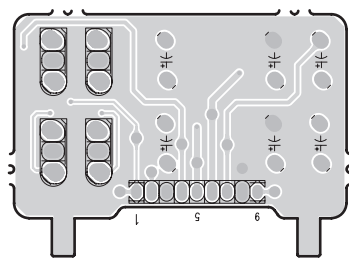
鉛フリー半田
 半田付けには、鉛フリー半田 (Sn-Ag-Cu) を使用してください。

Lead-free Solder
 When soldering, use the Lead-free Solder (Sn-Ag-Cu).

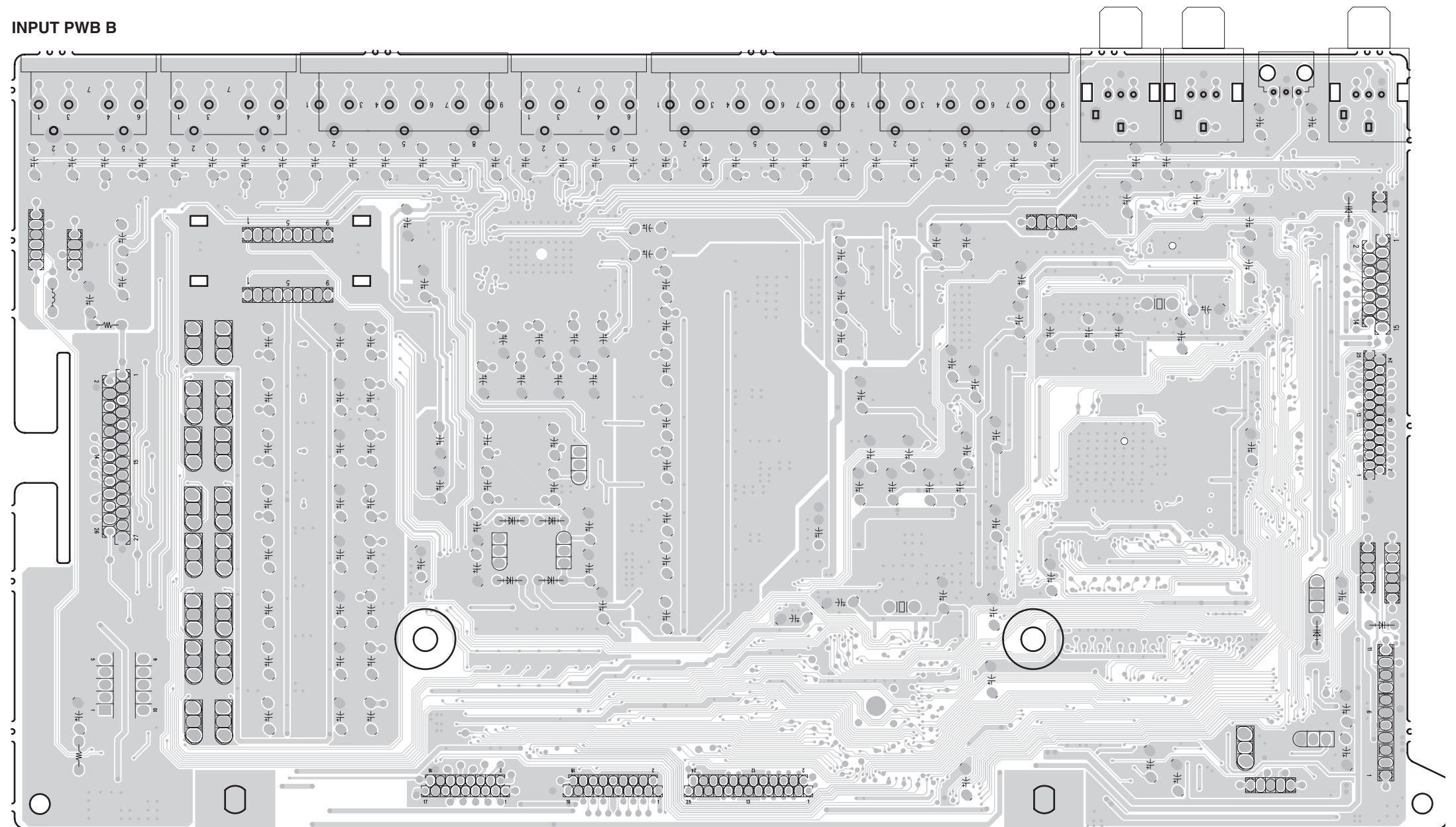
MULTI OUT PWB B (SR5001 Only)



MULTI SPK PWB B (SR5001 Only)

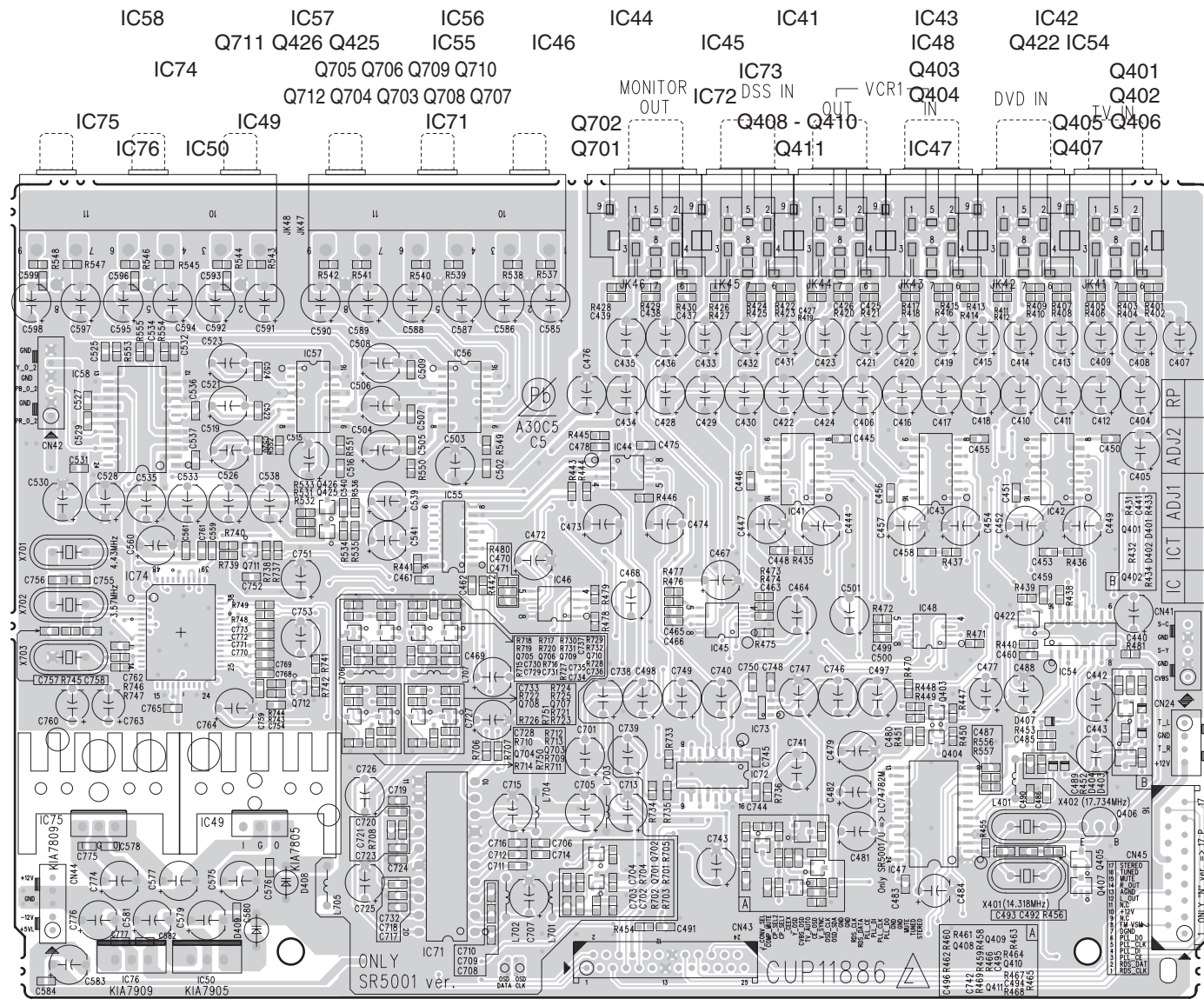


INPUT PWB B

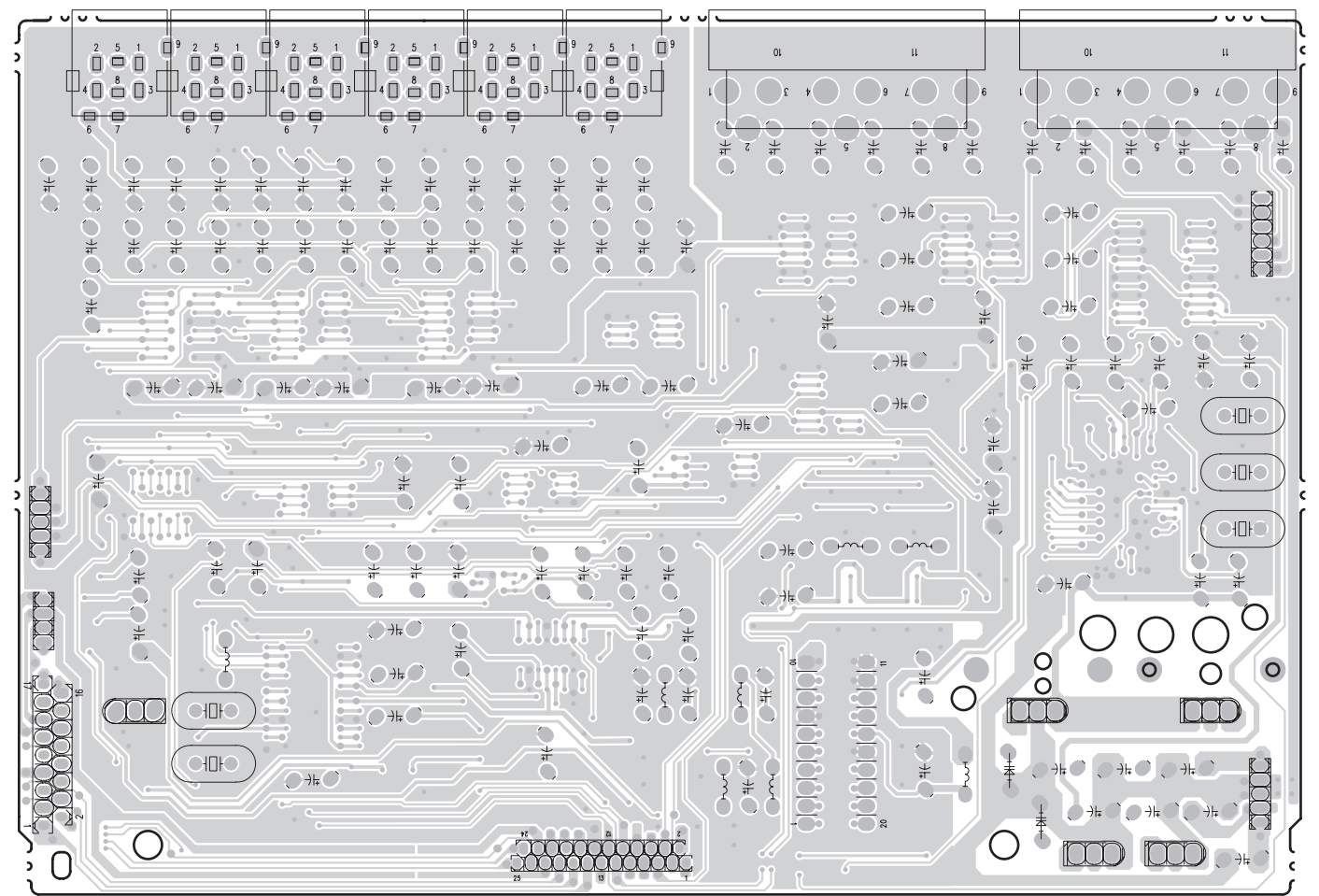


鉛フリー半田
半田付けには、鉛フリー半田 (Sn-Ag-Cu) を使用してください。
Lead-free Solder
When soldering, use the Lead-free Solder (Sn-Ag-Cu).

VIDEO PWB A



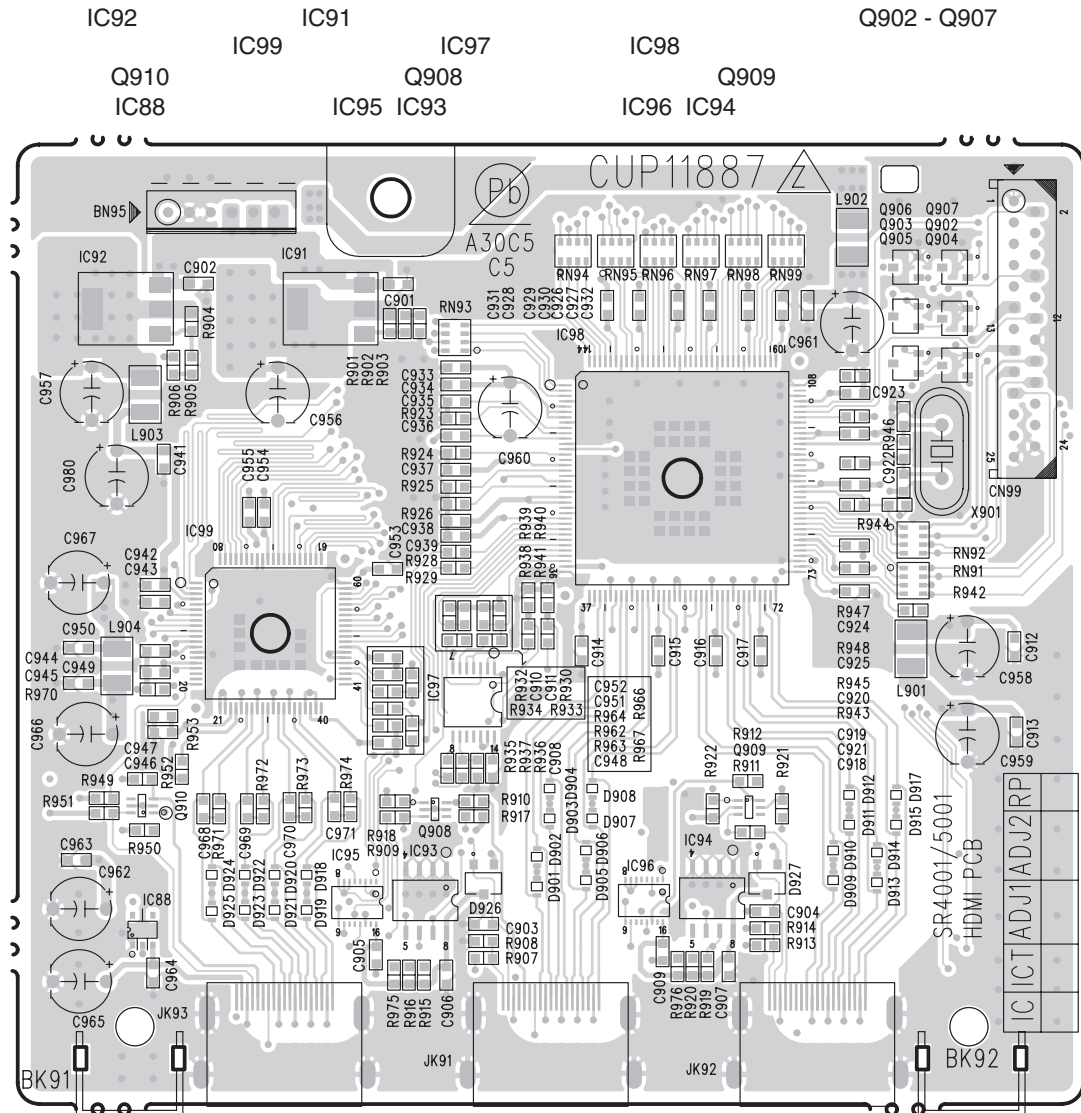
VIDEO PWB B



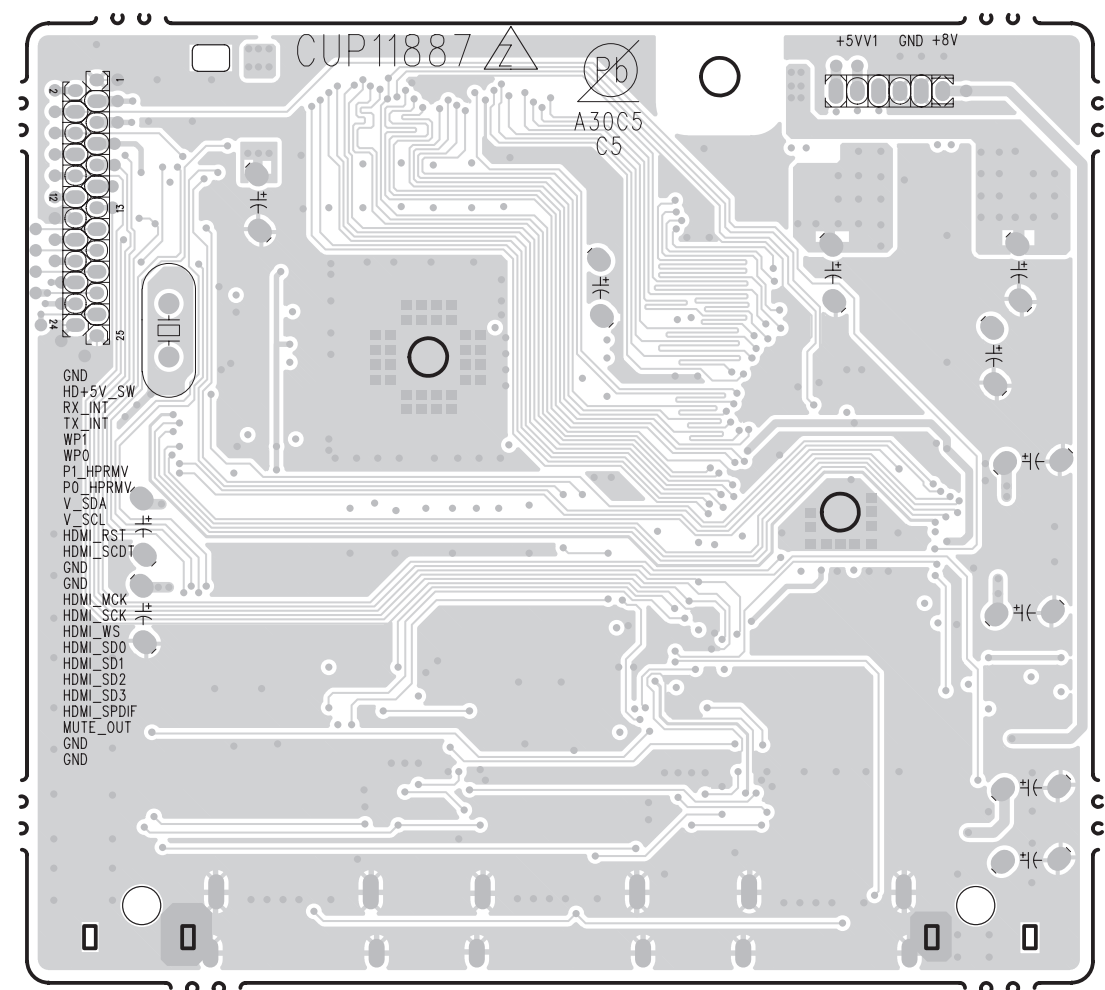
鉛フリー半田
 半田付けには、鉛フリー半田 (Sn-Ag-Cu) を使用してください。

Lead-free Solder
 When soldering, use the Lead-free Solder (Sn-Ag-Cu).

HDMI PWB A

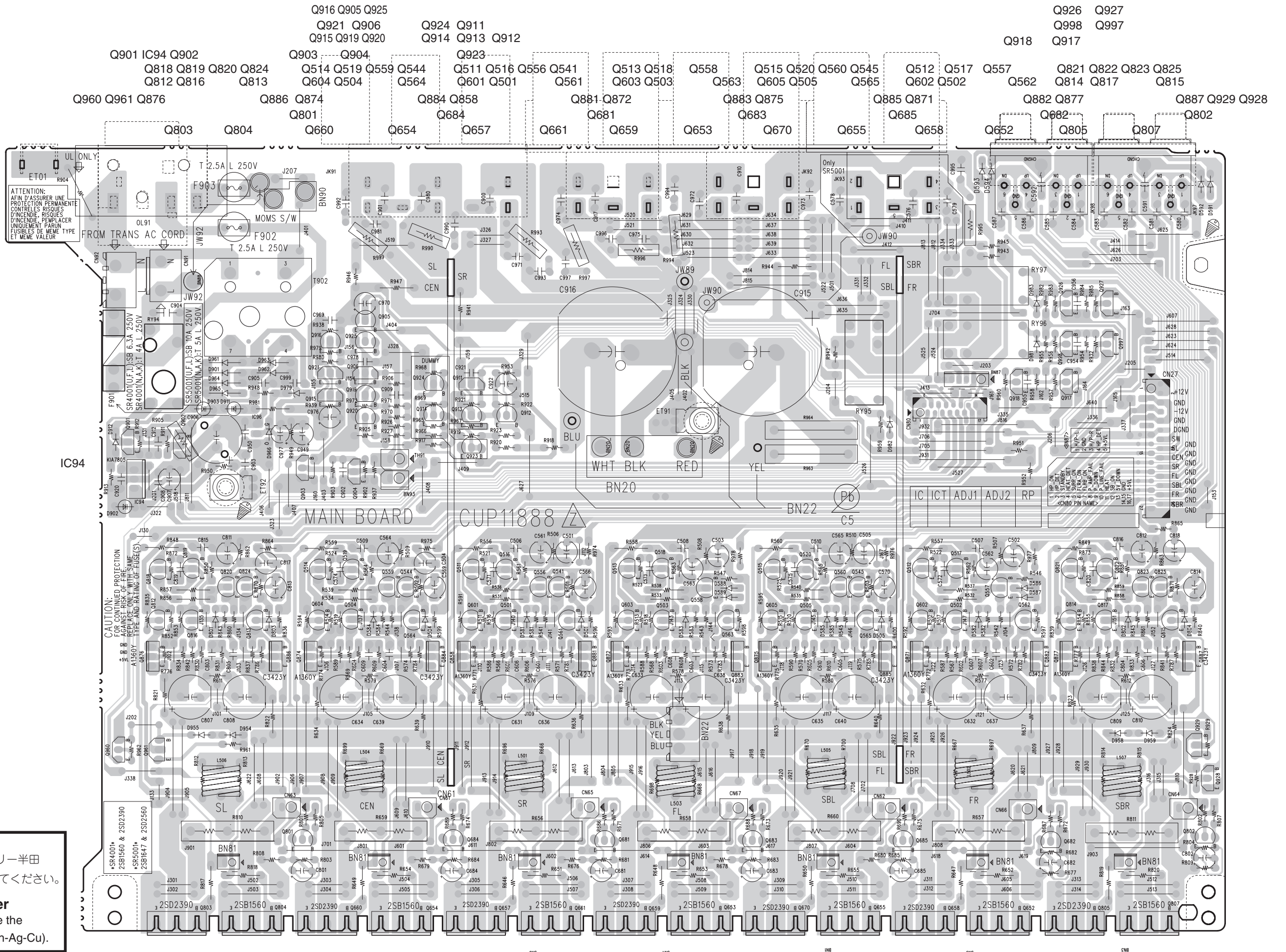


HDMI PWB B



鉛フリー半田
 半田付けには、鉛フリー半田 (Sn-Ag-Cu) を使用してください。
Lead-free Solder
 When soldering, use the Lead-free Solder (Sn-Ag-Cu).

MAIN PWB A



ATTENTION:
Afin d'assurer une
protection permanente
contre les risques
d'incendie, risqués
d'incendie, veuillez
placer unquement par un
fusible de même type
et même valeur.

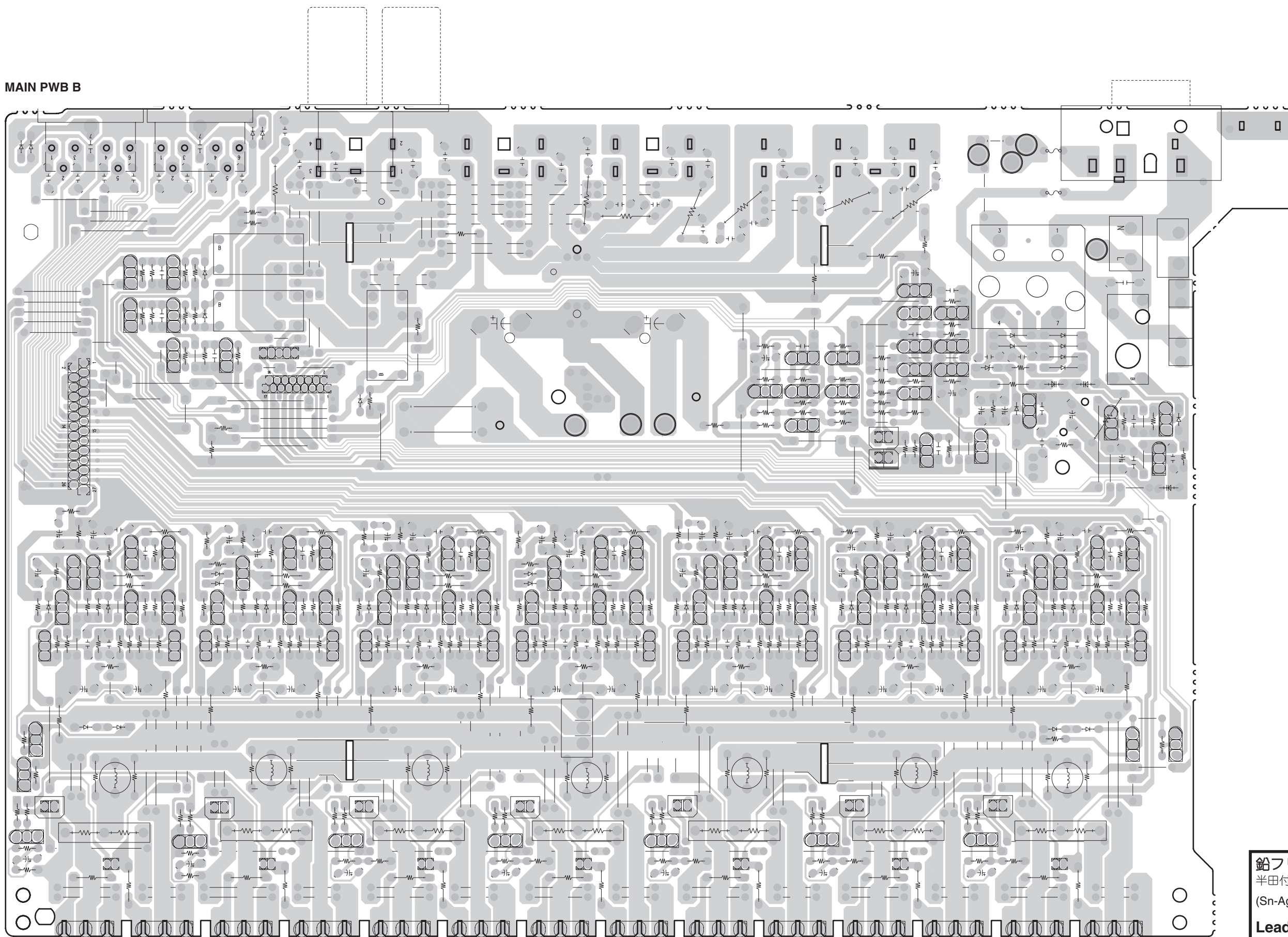
IC94

CAUTION:
FOR CONTINUED PROTECTION
AGAINST RISK OF FIRE
REPLACE THIS TYPE OF FUSE
WITH THE SAME
TYPE AND RATING OF FUSE(S)

鉛フリー半田
半田付けには、鉛フリー半田
(Sn-Ag-Cu) を使用してください。

Lead-free Solder
When soldering, use the
Lead-free Solder (Sn-Ag-Cu).

MAIN PWB B

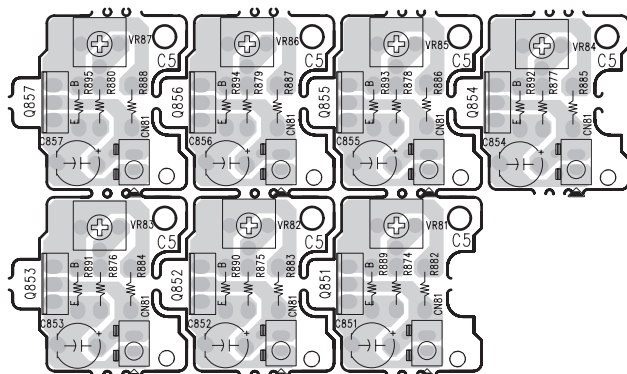


鉛フリー半田
半田付けには、鉛フリー半田
(Sn-Ag-Cu) を使用してください。

Lead-free Solder
When soldering, use the
Lead-free Solder (Sn-Ag-Cu).

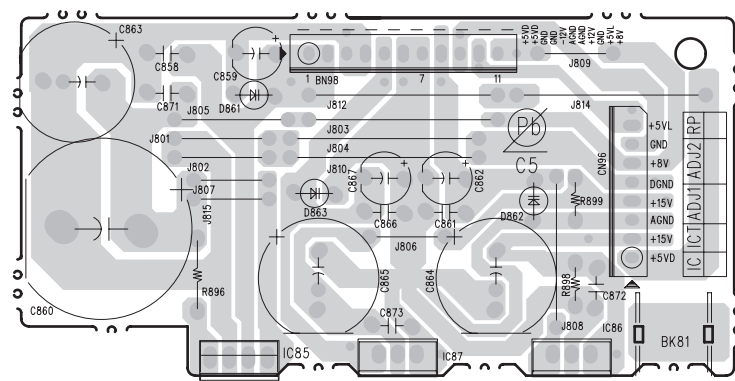
TR BIAS PWB A

Q857 Q856 Q855 Q854
 Q853 Q852 Q851

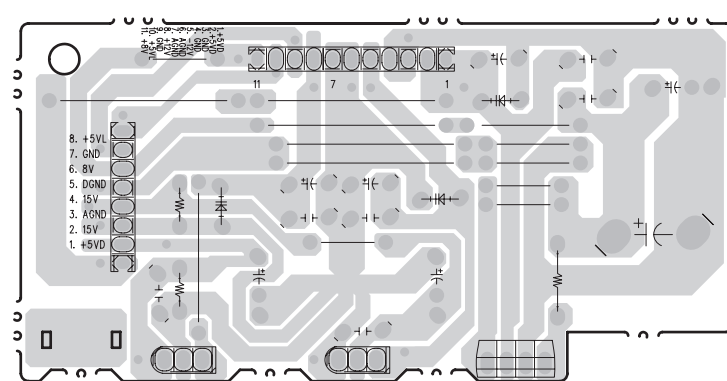


REGULATOR PWB A

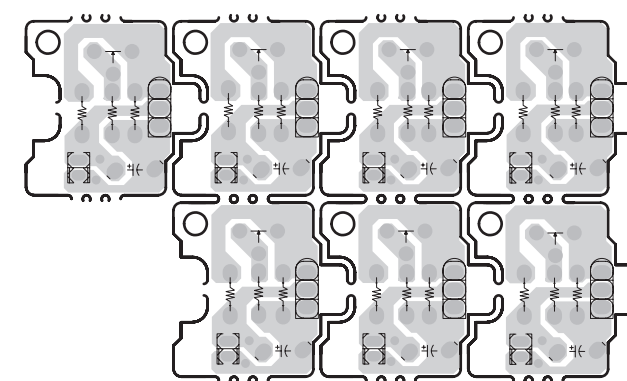
IC85 IC87 IC86



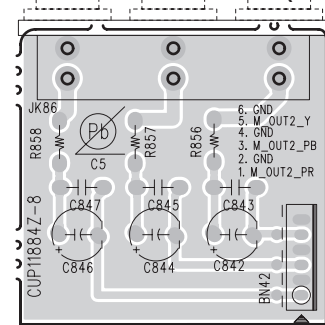
REGULATOR PWB B



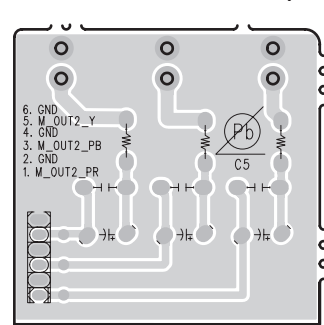
TR BIAS PWB B



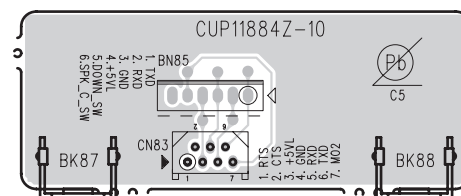
COMPONENT 2 PWB A (SR5001 only)



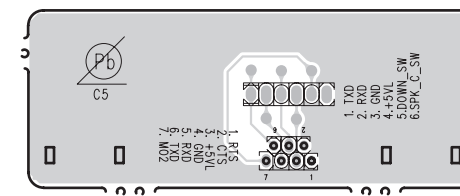
COMPONENT 2 PWB B (SR5001 only)



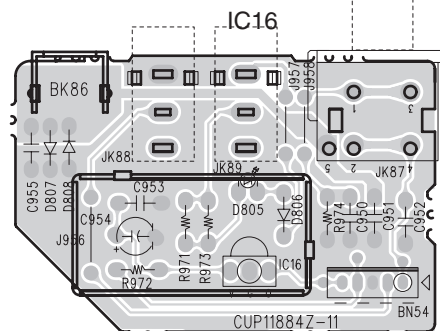
DOWNLOADER CONNECTOR PWB A (SR4001 only)



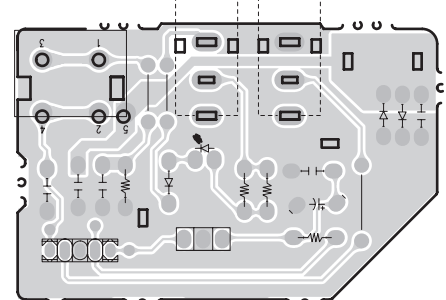
DOWNLOADER CONNECTOR PWB B (SR4001 only)



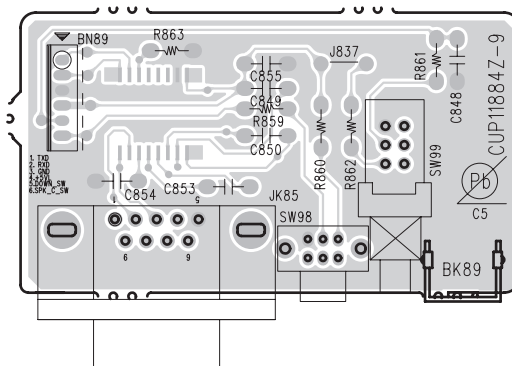
IR FLASHER PWB A



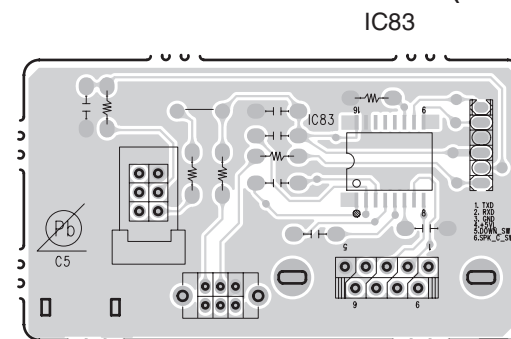
IR FLASHER PWB B



DOWNLOADER CONNECTOR PWB A (SR5001 only)

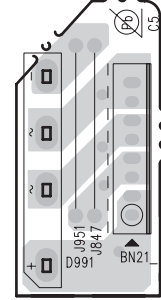


DOWNLOADER CONNECTOR PWB B (SR5001 only)

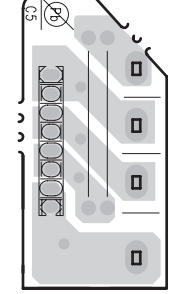


鉛フリー半田
 半田付けには、鉛フリー半田 (Sn-Ag-Cu) を使用してください。
Lead-free Solder
 When soldering, use the Lead-free Solder (Sn-Ag-Cu).

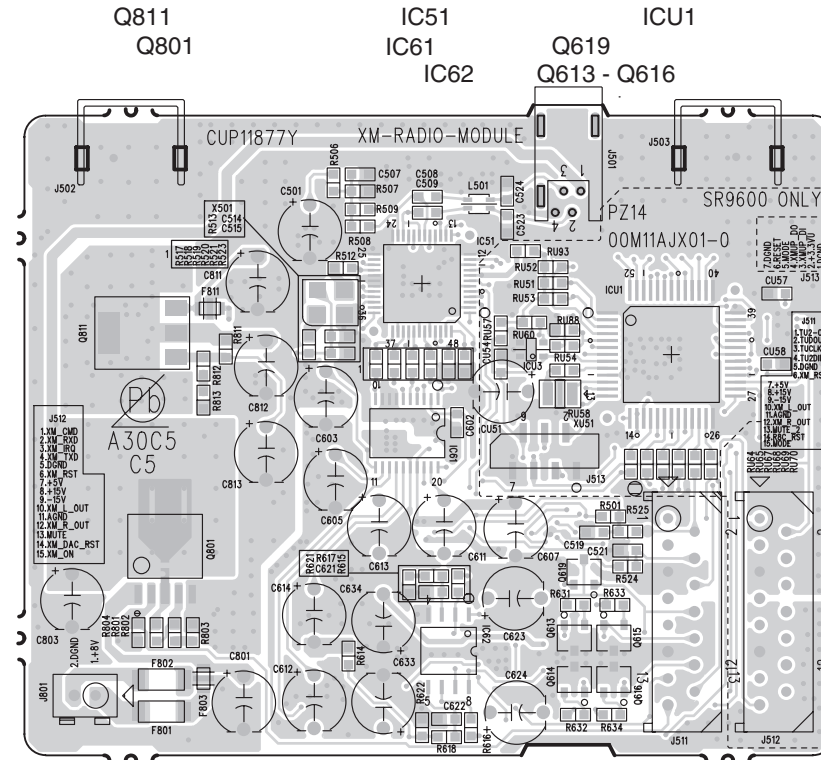
BRIDGE DIODE PWB A



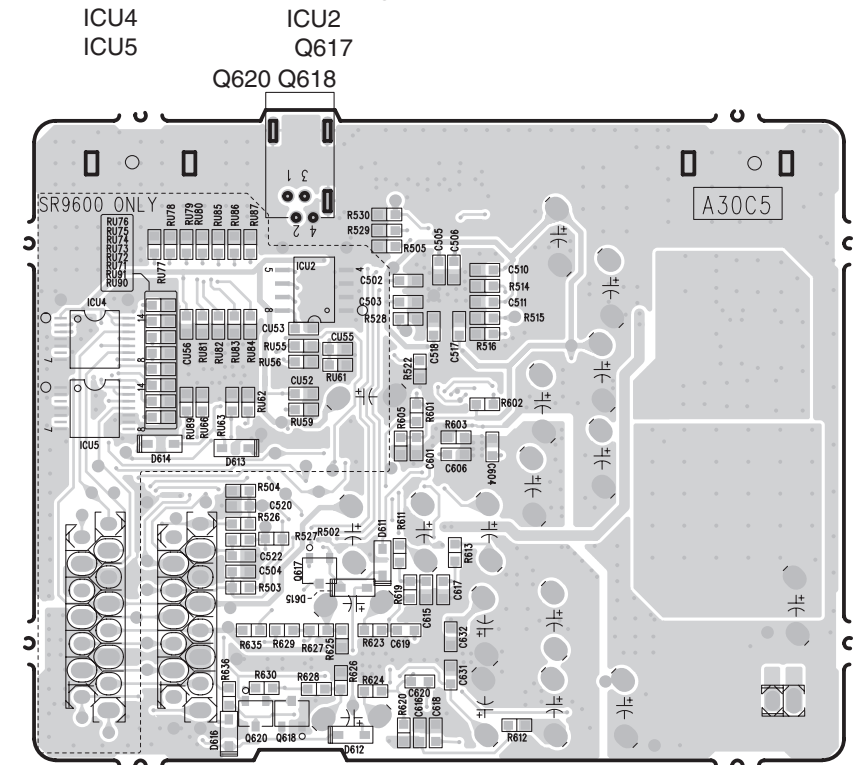
BRIDGE DIODE PWB B



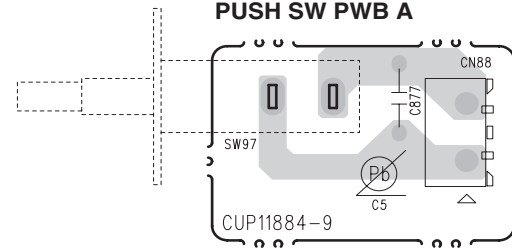
MX RADIO PWB A (SR5001 only)



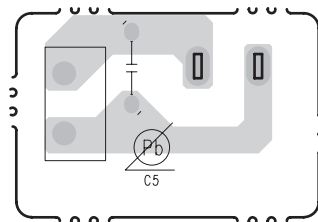
MX RADIO PWB B (SR5001 only)



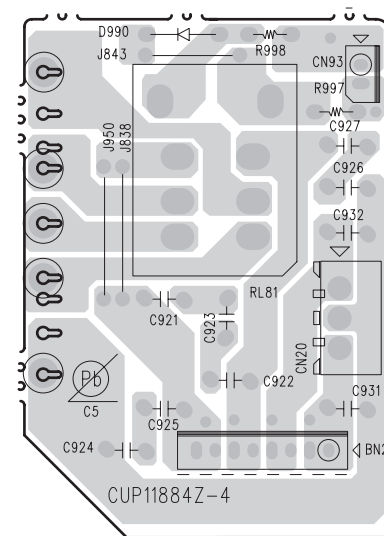
PUSH SW PWB A



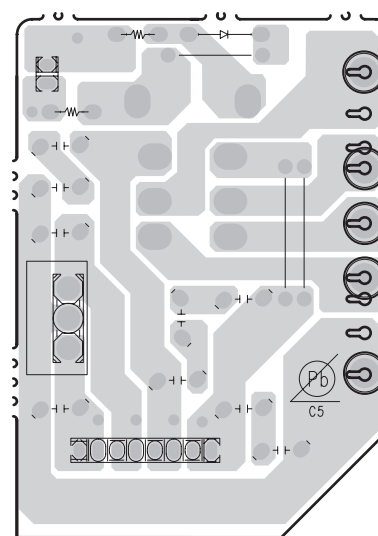
PUSH SW PWB B



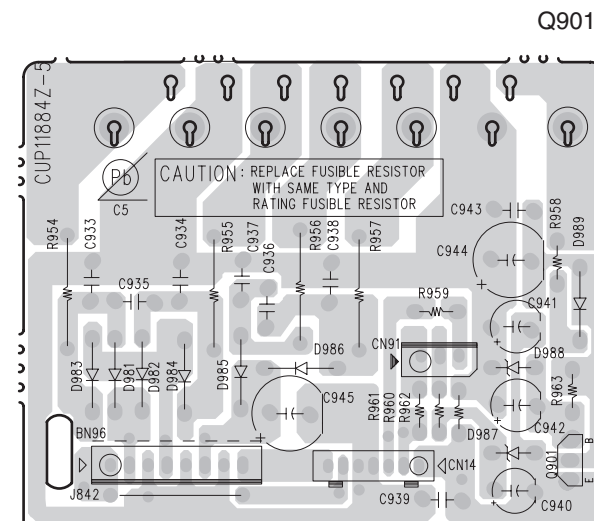
TRANSF. PWB A



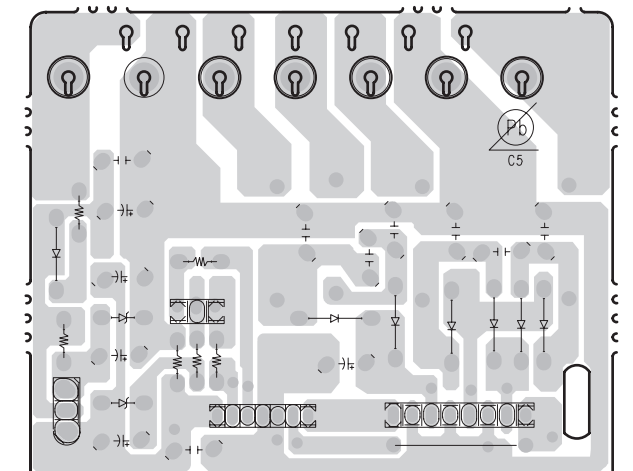
TRANSF. PWB B



FRONT TRANSF. PWB A

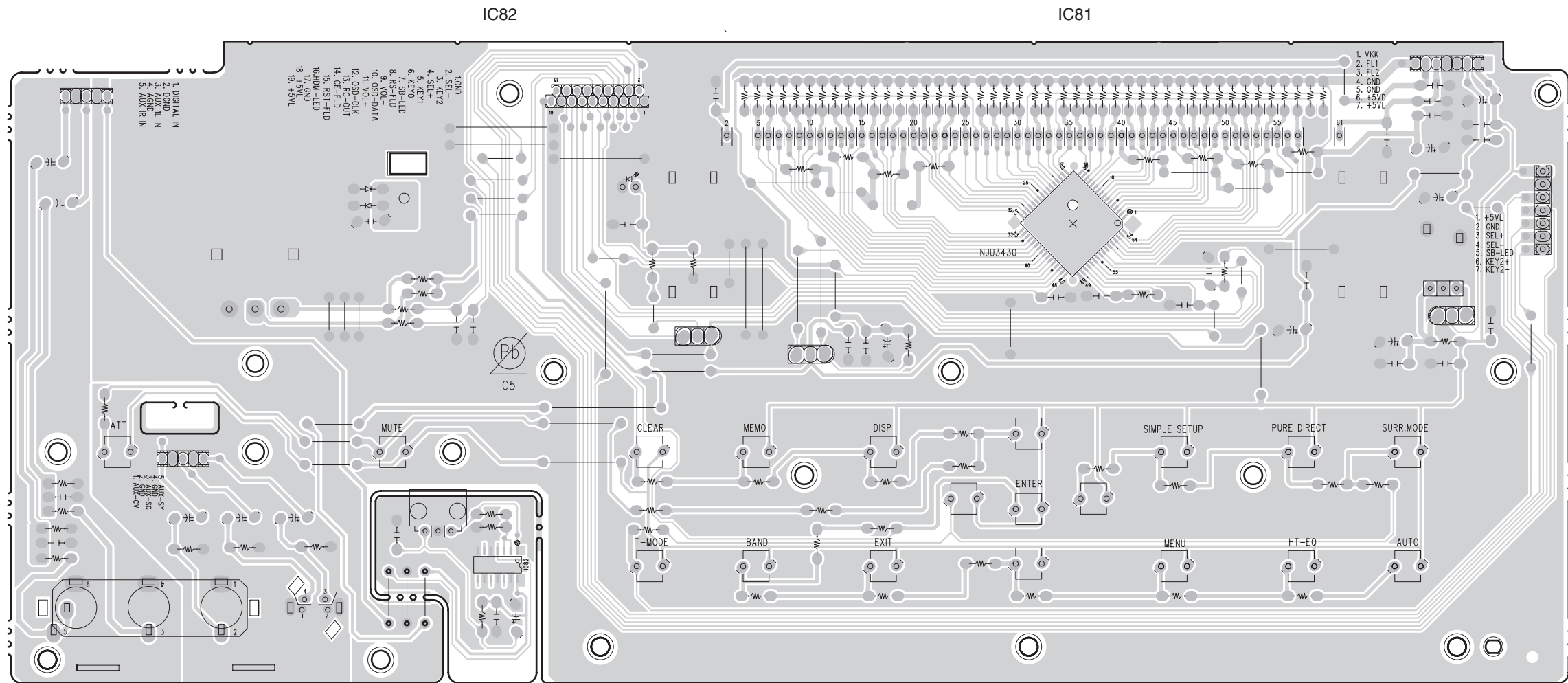


FRONT TRANSF. PWB B

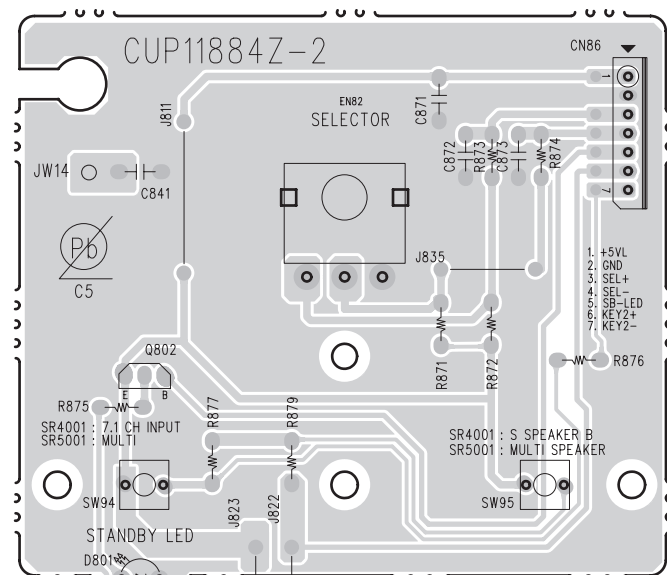


鉛フリー半田
半田付けには、鉛フリー半田 (Sn-Ag-Cu) を使用してください。
Lead-free Solder
When soldering, use the Lead-free Solder (Sn-Ag-Cu).

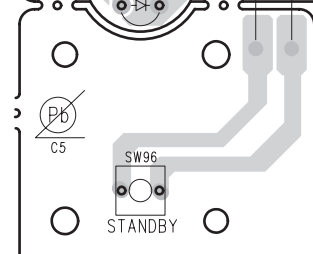
FRONT PWB B



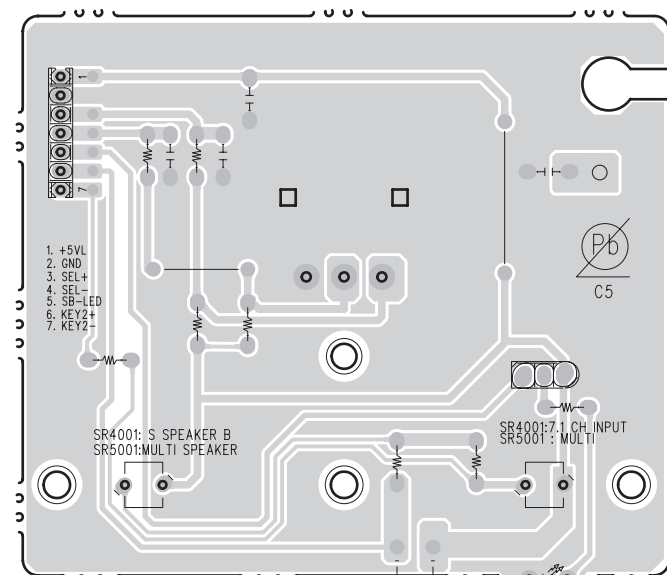
SELECTOR ENCODER PWB A
Q802



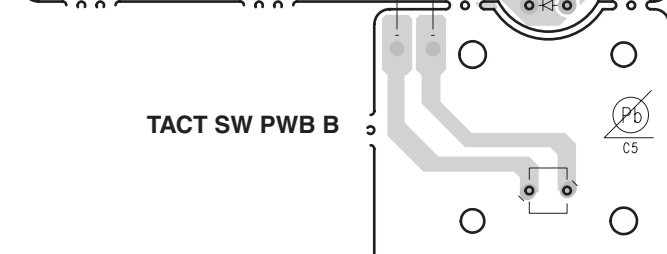
TACT SW PWB A



SELECTOR ENCODER PWB B

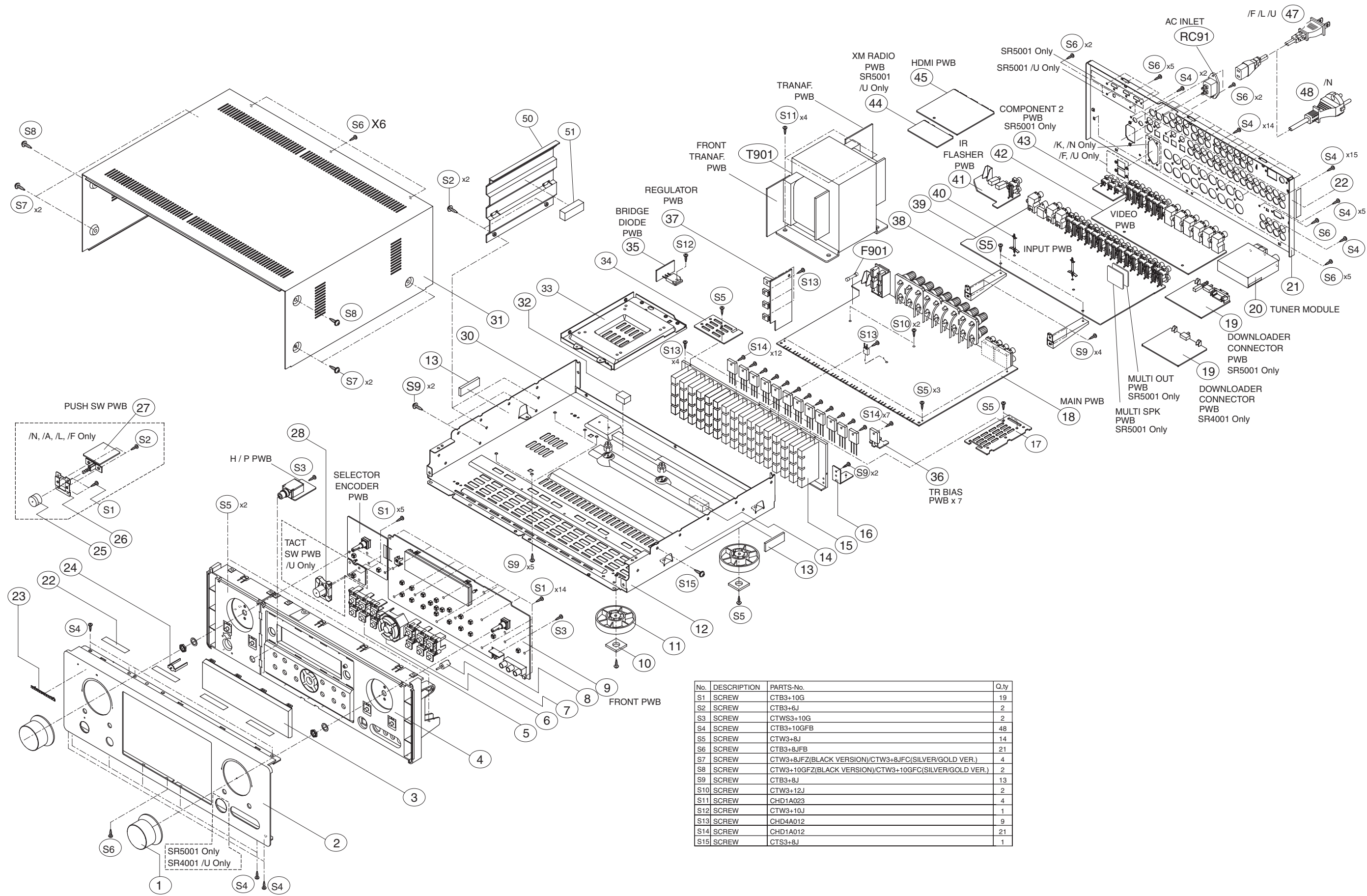


TACT SW PWB B



鉛フリー半田
半田付けには、鉛フリー半田 (Sn-Ag-Cu) を使用してください。
Lead-free Solder
When soldering, use the Lead-free Solder (Sn-Ag-Cu).

11. EXPLODED VIEW AND PARTS LIST



No.	DESCRIPTION	PARTS-No.	Q.ty
S1	SCREW	CTB3+10G	19
S2	SCREW	CTB3+6J	2
S3	SCREW	CTWS3+10G	2
S4	SCREW	CTB3+10GFB	48
S5	SCREW	CTW3+8J	14
S6	SCREW	CTB3+8JFB	21
S7	SCREW	CTW3+8JFZ(BLACK VERSION)/CTW3+8JFC(SILVER/GOLD VER.)	4
S8	SCREW	CTW3+10GFZ(BLACK VERSION)/CTW3+10GFC(SILVER/GOLD VER.)	2
S9	SCREW	CTB3+8J	13
S10	SCREW	CTW3+12J	2
S11	SCREW	CHD1A023	4
S12	SCREW	CTW3+10J	1
S13	SCREW	CHD4A012	9
S14	SCREW	CHD1A012	21
S15	SCREW	CTS3+8J	1

P.C.B. NAME	POS. NO.	VERS. COLOR	PART NO. (FOR EUR)	PART NO. (MZ)	PART NAME	DESCRIPTION	
	1	F N	nsp	00M27AW154020	KNOB	MASTER KNOB (GOLD)	HGK1A089ZA
	1	/N1B	00M27AW154010	00M27AW154010	KNOB	MASTER KNOB (BLACK)	HGK1A089YA
	1	/N1G	00M27AW154020	00M27AW154020	KNOB	MASTER KNOB (GOLD)	HGK1A089ZA
	1	/N1S	00M27AW154030	00M27AW154030	KNOB	MASTER KNOB (SILVER)	HGK1A089XA
	1	/U1B	nsp	00M27AW154010	KNOB	MASTER KNOB (BLACK)	HGK1A089YA
	2	F N	nsp	00M04CW248130	PANEL	FRONT AL PANEL (GOLD)	CKM2A134HC24
	2	/N1B	00M04CW248010	00M04CW248010	PANEL	FRONT AL PANEL (BLACK)	CKM2A134JC23
	2	/N1G	00M04CW248110	00M04CW248110	PANEL	FRONT AL PANEL (GOLD)	CKM2A134JC24
	2	/N1S	00M04CW248210	00M04CW248210	PANEL	FRONT AL PANEL (SILVER)	CKM2A134JC40
	2	/U1B	nsp	00M04CW248020	PANEL	FRONT AL PANEL (BLACK)	CKM2A134IC23
	3		00M03CW158010	00M03CW158010	WINDOW	FIP WINDOW	CGU2A346X
	4	F N	nsp	00M15CW105110	CHASSIS	FRONT MOLD CHASSIS GOLD	CGW2A382RFXD4
	4	/N1B	00M15CW105010	00M15CW105010	CHASSIS	FRONT MOLD CHASSIS BLACK	CGW2A382R4ZK92
	4	/N1G	00M15CW105110	00M15CW105110	CHASSIS	FRONT MOLD CHASSIS GOLD	CGW2A382RFZD4
	4	/N1S	00M15CW105210	00M15CW105210	CHASSIS	FRONT MOLD CHASSIS SILVER	CGW2A382R6ZG13
	4	/U1B	nsp	00M15CW105010	CHASSIS	FRONT MOLD CHASSIS BLACK	CGW2A382R4ZK92
	5	F N	nsp	00M07BW270120	BUTTON	BUTTON L (GOLD)	CBT1A940RFD4
	5	/N1B	00M07BW270020	00M07BW270020	BUTTON	BUTTON L (BLACK)	CBT1A940K92
	5	/N1G	00M07BW270120	00M07BW270120	BUTTON	BUTTON L (GOLD)	CBT1A940RFD4
	5	/N1S	00M07BW270220	00M07BW270220	BUTTON	BUTTON L (SILVER)	CBT1A940R6G13
	5	/U1B	nsp	00M07BW270020	BUTTON	BUTTON L (BLACK)	CBT1A940K92
	6	F N	nsp	00M07BW270110	BUTTON	CURSOR BUTTON (GOLD)	CBT1A939RFZD4
	6	/N1B	00M07BW270010	00M07BW270010	BUTTON	CURSOR BUTTON (BLACK)	CBT1A939ZK92
	6	/N1G	00M07BW270110	00M07BW270110	BUTTON	CURSOR BUTTON (GOLD)	CBT1A939RFZD4
	6	/N1S	00M07BW270210	00M07BW270210	BUTTON	CURSOR BUTTON (SILVER)	CBT1A939R6ZG13
	6	/U1B	nsp	00M07BW270010	BUTTON	CURSOR BUTTON (BLACK)	CBT1A939ZK92
	7		00M03CW355010	00M03CW355010	LENS	HDMI INDICATOR	CGL1A245
	8	F N	nsp	00M07BW270130	BUTTON	BUTTON R (GOLD)	CBT1A941RFD4
	8	/N1B	00M07BW270030	00M07BW270030	BUTTON	BUTTON R (BLACK)	CBT1A941K92
	8	/N1G	00M07BW270130	00M07BW270130	BUTTON	BUTTON R (GOLD)	CBT1A941RFD4
	8	/N1S	00M07BW270230	00M07BW270230	BUTTON	BUTTON R (SILVER)	CBT1A941R6G13
	8	/U1B	nsp	00M07BW270030	BUTTON	BUTTON R (BLACK)	CBT1A941K92
	9	F N	nsp	nsp	PWB ASSY	FRONT PWB ASSY	COP11884F
	9	/N1B	nsp	nsp	PWB ASSY	FRONT PWB ASSY	COP11884B
	9	/N1G	nsp	nsp	PWB ASSY	FRONT PWB ASSY	COP11884D
	9	/N1S	nsp	nsp	PWB ASSY	FRONT PWB ASSY	COP11884D
	9	/U1B	nsp	nsp	PWB ASSY	FRONT PWB ASSY	COP11884C
	10		00M11BW056010	00M11BW056010	BUFFER	RUBBER CUSHION	KHG1A050
	11	F N	nsp	00M243W057010	LEG	LEG GOLD/BLACK	CKL2A042H11
	11	/N1B	00M243W057010	00M243W057010	LEG	LEG GOLD/BLACK	CKL2A042H11
	11	/N1G	00M243W057010	00M243W057010	LEG	LEG GOLD/BLACK	CKL2A042H11
	11	/N1S	00M243W057210	00M243W057210	LEG	LEG FOR SILVER	CKL2A042H46
	11	/U1B	nsp	00M243W057010	LEG	LEG GOLD/BLACK	CKL2A042H11
	12		nsp	nsp	CHASSIS	BOTTOM CHASSIS	CUA3A247
	13		nsp	nsp	BUFFER	CUSHIN SUPPORT	CHG1A305
	14		nsp	nsp	BUFFER	H=9.5(15X20)	CHG1A104
	15		nsp	nsp	HEATSINK	HEAT SINK	CMY1A266
	16		nsp	nsp	BRACKET	BRACKET PWB AG-D8900	CMD1A417
	18	F N	nsp	nsp	PWB ASSY	MAIN PWB ASSY	COP11888F
	18	/N1B	nsp	nsp	PWB ASSY	MAIN PWB ASSY	COP11888B
	18	/N1G	nsp	nsp	PWB ASSY	MAIN PWB ASSY	COP11888B
	18	/N1S	nsp	nsp	PWB ASSY	MAIN PWB ASSY	COP11888B
	18	/U1B	nsp	nsp	PWB ASSY	MAIN PWB ASSY	COP11888C
	19		nsp	nsp	PWB ASSY	DOWNLOADER CONNE. PWB ASSY	-
	20	F N	nsp	90M-AV000540R	TUNER	TUNER MODULE (JPN)	CNVMB015MA18L
	20	/N1B	90M-AV000400R	90M-AV000400R	TUNER	TUNER MODULE (EUR)	CNVMB114MA18L
	20	/N1G	90M-AV000400R	90M-AV000400R	TUNER	TUNER MODULE (EUR)	CNVMB114MA18L
	20	/N1S	90M-AV000400R	90M-AV000400R	TUNER	TUNER MODULE (EUR)	CNVMB114MA18L
	20	/U1B	nsp	90M-AV000410R	TUNER	TUNER MODULE (USA)	CNVMB014MA08L
	21	F N	nsp	nsp	PANEL	REAR PANEL /F	CKF9A308Z
	21	/N1B	nsp	nsp	PANEL	REAR PANEL /N	CKF6A308Z
	21	/N1G	nsp	nsp	PANEL	REAR PANEL /N	CKF6A308Z
	21	/N1S	nsp	nsp	PANEL	REAR PANEL /N	CKF6A308Z
	21	/U1B	nsp	nsp	PANEL	REAR PANEL /U	CKF7A308Z
	22		nsp	nsp	TAPE	TAPE HEMELON	KHS1A032
	22		nsp	nsp	TAPE	TAPE HEMELON	KHS1A032
	23	F N	nsp	00M24AW251010	BADGE	NEW MZ BADGE	CGB1A117

NOTE : *nsp* PART IS LISTED FOR REFERENCE ONLY, MARANTZ WILL NOT SUPPLY THESE PARTS.

P.C.B. NAME	POS. NO.	VERS. COLOR	PART NO. (FOR EUR)	PART NO. (MZ)	PART NAME	DESCRIPTION	
	23	/N1B	00M24AW251010	00M24AW251010	BADGE	NEW MZ BADGE	CGB1A117
	23	/N1G	00M24AW251010	00M24AW251010	BADGE	NEW MZ BADGE	CGB1A117
	23	/N1S	00M24AW251020	00M24AW251020	BADGE	NEW MZ BADGE SILVER	CGB1A117G
	23	/U1B	nsp	00M24AW251010	BADGE	NEW MZ BADGE	CGB1A117
	24		00M27AW355010	00M27AW355010	LENS	STANDBY LENS	CGL1A216
	25	F N	nsp	00M27AW270140	BUTTON	POWER SW BUTTON (GOLD)	CBC1A146RFD4
	25	/N1B	00M27AW270040	00M27AW270040	BUTTON	POWER SW BUTTON (BLACK)	CBC1A146K92
	25	/N1G	00M27AW270140	00M27AW270140	BUTTON	POWER SW BUTTON (GOLD)	CBC1A146RFD4
	25	/N1S	00M27AW270240	00M27AW270240	BUTTON	POWER SW BUTTON (SILVER)	CBC1A146R6G13
	26	F N	nsp	nsp	BRACKET	POWER SW BRACKET	CMD1A493
	26	/N1B	nsp	nsp	BRACKET	POWER SW BRACKET	CMD1A493
	26	/N1G	nsp	nsp	BRACKET	POWER SW BRACKET	CMD1A493
	26	/N1S	nsp	nsp	BRACKET	POWER SW BRACKET	CMD1A493
	27		nsp	nsp	PWB ASSY	PUSH SW PWB ASSY	-
	28	/U1B	nsp	00M27AW270030	BUTTON	POWER SW BUTTON TACT (BLACK)	CBT1A877K92
	30		nsp	nsp	HOLDER	HOLDER PWB	CHE170
	32		nsp	nsp	BUFFER	RUBBER H=16 (15X20)	CHG1A160
	33		nsp	nsp	BRACKET	BRACKET TRANSF.	CMD1A487
	35		nsp	nsp	PWB ASSY	BRIDGE DIODE PWB ASSY	-
	36		nsp	nsp	PWB ASSY	TR BIAS PWB ASSY	COP11889B
	37		nsp	nsp	PWB ASSY	REGULATOR PWB ASSY	-
	38		nsp	nsp	BRACKET	HEAT SINK BRACKET	CMD1A587
	39	F N	nsp	nsp	PWB ASSY	INPUT PWB ASSY	COP11885F
	39	/N1B	nsp	nsp	PWB ASSY	INPUT PWB ASSY	COP11885B
	39	/N1G	nsp	nsp	PWB ASSY	INPUT PWB ASSY	COP11885B
	39	/N1S	nsp	nsp	PWB ASSY	INPUT PWB ASSY	COP11885B
	39	/U1B	nsp	nsp	PWB ASSY	INPUT PWB ASSY	COP11885C
	40		nsp	nsp	SUPPORT	PWB SUPPORT	CRE1A071
	41		nsp	nsp	PWB ASSY	IR FLASHER PWB ASSY	-
	42	F N	nsp	nsp	PWB ASSY	VIDEO PWB ASSY	COP11886F
	42	/N1B	nsp	nsp	PWB ASSY	VIDEO PWB ASSY	COP11886B
	42	/N1G	nsp	nsp	PWB ASSY	VIDEO PWB ASSY	COP11886B
	42	/N1S	nsp	nsp	PWB ASSY	VIDEO PWB ASSY	COP11886B
	42	/U1B	nsp	nsp	PWB ASSY	VIDEO PWB ASSY	COP11886C
	43		nsp	nsp	PWB ASSY	COMPONENT 2 PWB ASSY	-
	44	/U1B	nsp	nsp	PWB ASSY	XM PWB ASSY	COP11877C
	45		nsp	nsp	PWB ASSY	HDMI PWB ASSY	COP11887B
	BN91		nsp	nsp	CORD	WIRE ASSY	CWZSR4001BN91A
	CB15		nsp	90M-YU002350R	FPC	19P 230MM	CWC4F4A19A230B
	CB27		nsp	90M-YU002330R	FPC	27P 110MM	CWC4C4A27B110B
	CB43		nsp	90M-YU002360R	FPC	25P 80MM	CWC4F4A25A080B
	CB45	F N	nsp	90M-YU002310R	FPC	15P 150MM	CWC4C4A15B150B
	CB45	/N1B	nsp	90M-YU002320R	FPC	17P 150MM	CWC4C4A17B150B
	CB45	/N1G	nsp	90M-YU002320R	FPC	17P 150MM	CWC4C4A17B150B
	CB45	/N1S	nsp	90M-YU002320R	FPC	17P 150MM	CWC4C4A17B150B
	CB45	/U1B	nsp	90M-YU002310R	FPC	15P 150MM	CWC4C4A15B150B
	CB80		nsp	90M-YU002340R	FPC	17P 170MM	CWC4F4A17A170B
	CB97	/U1B	nsp	90M-YU002370R	FPC	15P 140MM	CWC4C4A15B140B
	CB99		nsp	90M-YU002360R	FPC	25P 80MM	CWC4F4A25A080B
	▲ F901	F N	nsp	90M-FS001080R	FUSE	! 10A/250V	KBA2C1002TLEY
	▲ F901	/N1B	90M-FS001090R	90M-FS001090R	FUSE	! 5A/250V(EUR) T5AL	KBA2C5000TLEY
	▲ F901	/N1G	90M-FS001090R	90M-FS001090R	FUSE	! 5A/250V(EUR) T5AL	KBA2C5000TLEY
	▲ F901	/N1S	90M-FS001090R	90M-FS001090R	FUSE	! 5A/250V(EUR) T5AL	KBA2C5000TLEY
	▲ F901	/U1B	nsp	90M-FS001080R	FUSE	! 10A/250V	KBA2C1002TLEY
	▲ RC91		90M-YJ002690R	90M-YJ002690R	TERMINAL	! R-301(187-2P) 10A/250V	HJJ8A001Z
	▲ T901	F N	nsp	90M-TS002870R	TRANSF.	POWER TRANSF. SR5001 FOR F	CLZ5W025ZJS
	▲ T901	/N1B	90M-TS002880R	90M-TS002880R	TRANSF.	POWER TRANSF. SR5001 FOR N	CLT5W025ZES
	▲ T901	/N1G	90M-TS002880R	90M-TS002880R	TRANSF.	POWER TRANSF. SR5001 FOR N	CLT5W025ZES
	▲ T901	/N1S	90M-TS002880R	90M-TS002880R	TRANSF.	POWER TRANSF. SR5001 FOR N	CLT5W025ZES
	▲ T901	/U1B	nsp	90M-TS002890R	TRANSF.	POWER TRANSF. SR5001 FOR U	CLT5W025ZUS
			nsp	nsp	CORD	WIRE ASSY	CWZSR4001BN91
			90M-FC500030R	90M-FC500030R	FERRITE CORE	FERRITE RING 29X7.7X19	CLZ9W003Z
			90M-FC500110R	90M-FC500110R	FERRITE CORE	LF-50BR	HLZ9Z009Z
			90M-FC500040R	90M-FC500040R	FERRITE CORE	FERRITE CORE(21.2X6.4X12.7) K5C T	CLZ9Z028Z

NOTE : "nsp" PART IS LISTED FOR REFERENCE ONLY, MARANTZ WILL NOT SUPPLY THESE PARTS.

P.C.B. NAME	POS. NO.	VERS. COLOR	PART NO. (FOR EUR)	PART NO. (MZ)	PART NAME	DESCRIPTION
PACKING						
		F N	nsp	00M03CW851110	USER GUIDE	USER GUIDE /F CQX1A1088Z
		/N1B	00M03CW851310	00M03CW851310	USER GUIDE	USER GUIDE /N CQX1A1084Z
		/N1G	00M03CW851310	00M03CW851310	USER GUIDE	USER GUIDE /N CQX1A1084Z
		/N1S	00M03CW851310	00M03CW851310	USER GUIDE	USER GUIDE /N CQX1A1084Z
		/U1B	nsp	00M03CW851250	USER GUIDE	USER GUIDE /U CQX1A1085Z
			00MZK04CW0010	00MZK04CW0010	UNIT KIT	REMOTE CONTROLLER RC5001 CARTSR5001
	▲	47 F N	nsp	90M-ZC000350R	MAINS CORD	! MAINS CORD 12A/125V CJA2J076Z
	▲	47 /U1B	nsp	90M-ZC000310R	MAINS CORD	! MAINS CORD UL 032508/12 CJA2A070Z
	▲	48 /N1B	90M-ZC000320R	90M-ZC000320R	MAINS CORD	! MAINS CORD 2WIRE 10A/250V CJA2B054Z
	▲	48 /N1G	90M-ZC000320R	90M-ZC000320R	MAINS CORD	! MAINS CORD 2WIRE 10A/250V CJA2B054Z
	▲	48 /N1S	90M-ZC000320R	90M-ZC000320R	MAINS CORD	! MAINS CORD 2WIRE 10A/250V CJA2B054Z
			00M10BW067010	00M10BW067010	CAP	COVER FOR FRONT JACK CGR1A344
NOT STANDARD SPARE PART						
			nsp	00M04CW801010	PACKING CASE	PACKING CASE SR5001 CPG1A765S
			nsp	00M07BW809010	CUSHION	PAD SNOW (L) CPS1A671
			nsp	00M07BW809020	CUSHION	PAD SNOW (R) CPS1A672
		/N1B	nsp	00M04CW805010	MASS CARTON	SR5001 MASTER PKG CPG1A766W
		/N1G	nsp	00M04CW805010	MASS CARTON	SR5001 MASTER PKG CPG1A766W
		/N1S	nsp	00M04CW805010	MASS CARTON	SR5001 MASTER PKG CPG1A766W
		31 F N	nsp	00M07BW257110	LID	TOP COVER (GOLD) CKC1A155K118
		31 /N1B	nsp	00M07BW257010	LID	TOP COVER (BLACK) CKC1A155K117
		31 /N1G	nsp	00M07BW257110	LID	TOP COVER (GOLD) CKC1A155K118
		31 /N1S	nsp	00M07BW257210	LID	TOP COVER (SILVER) CKC1A155G14
		31 /U1B	nsp	00M07BW257010	LID	TOP COVER (BLACK) CKC1A155K117
			nsp	90M-ZA000240R	ANTENNA	AM LOOP ANT CSA1A020Z
			nsp	90M-ZA000210R	ANTENNA	ANT FM WIRE (PIGTAIL) CSA1A007

NOTE : "nsp" PART IS LISTED FOR REFERENCE ONLY, MARANTZ WILL NOT SUPPLY THESE PARTS.

12. MICROPROCESSOR AND IC DATA

IC11 : HD64F2505

pin No	Port Name Mode7	I/O	use	STBY	Name	Port Setting		Note
						Act.	init	
1	PE5	I/O	I	I	HINBSY	-	-	DSP Busy Signal
2	PE6	I/O	O		EV_DATA			
3	PE7	I/O	O		EV_CLK			
4	PD0	I/O	O	I	HDMI_RST	L	H	RESET for HDMI
5	PD1	I/O	O	I	HD+5V SW	H	L	+5V SW for HPD
6	PD2	I/O	O	I	MULTIMUTE	H	H	MULTI ROOM MUTE
7	PD3	I/O	O	I	SWMUTE	H	H	SUB W MUTE
8	PD4	I/O	O	I	CNTMUTE	H	H	CENTER SP MUTE
9	PD5	I/O	O	I	SBMUTE	H	H	SRR B MUTE
10	PD6	I/O	O	I	SL/SRMUTE	H	H	SL SR MUTE
11	PD7	I/O	O	I	L/RMUTE	H	H	FRONT L R MUTE
12	Vss	I	-	I	VSS	-	-	GND
13	PC0	I/O	O	I	_RSTDAC	L	L	DAC
14	P1Vcc	I	YES	I	VCC	-	-	+5V'
15	PC1	I/O	O	I	DFS	H	L	DAC
16	PC2	I/O	I	I				PULL DOWN
17	PC3	I/O	O	I	_RSTADC	L	H	ADC
18	PC4	I/O	O	I	D_A	-	L	DIR or _ADC sel
19	PC5	I/O	I	I	XSTATE	-	-	DIR
20	PC6	I/O	O	I	_CEDIR	L	L	DIR CHIP ENABLE
21	PC7	I/O	O	I	_XMODE	L	L	DIR RESET
22	PB0	I/O	O	O	IICCLK	-	L	I2C for E2PROM
23	PB1	I/O	I/O	I/O	IICDATA	-	L	I2C for E2PROM
24	PB2	I/O	I	I	_TU_SD	L		Tuned
25	PB3	I/O	I	I	TU_ST	H		Stereo Tune/_MONO
26	PB4	I/O	O	I	TU_MUTE	H	H	Tuner MUTE
27	PB5	I/O	O	I	_CE_TU	L	L	Tuner Pack
28	PB6	I/O	O	I	HDMI LED	L	H	HDMI LED On
29	PB7	I/O	I	I	_P_AMP_FAIL	L	-	Power amp Detect
30	PA0	I/O	O	I	TUDOUT	-	L	Tuner Pack
31	PA1	I/O	O	I	TUCLK	-	L	Tuner Pack
32	PA2	I/O	I	I	TUDIN	-		Tuner Pack
33	PA3	I/O	I	I	RDSDIN	-		Tuner Pack(RDS)
34	PA4	I/O	O	I	P0_HPRMV	H	L	IN0 HPD SWITCH HDMI 1 HP
35	PA5	I/O	O	I	P1_HPRMV	H	L	IN1 HPD SWITCH HDMI 2 HP
36	PA6	I/O	O	I	WP0	H	L	WRITE PROTECT IN0
37	PA7	I/O	O	I	WP1	H	L	WRITE PROTECT IN1
38	PH7	I/O	O	I	FLRA_ON	H	L	SPK A SELECT
39	PH6	I/O	O	I	FLRB_ON	H	L	SPK B SELECT
40	PH5	I/O	O	I	SURR_ON	H	L	SURR/CNT SPK ON
41	PH4	I/O	O	I	HEAT	H	?L	Power Amp ±B_L_Sel
42	PH3	I/O	I	I	_HEAT_DET	H	-	Power Amp Heat sink TempDetect
43	PH2	I/O	O	I	_STANDBY	L	L	Standby Power
44	PH1	I/O	I	I	_HP_DET	L	-	HP Jack Detect
45	PH0	I/O	O	I	HP_ON	H	L	HEAD PHONE ON
46	PJ7	I/O	O		XM_CMD			
47	PJ6	I/O	O		XM_RST			
48	PJ5	I/O	O		XM_DAC_RST			
49	PJ4	I/O	O		XM_MUTE			
50	PJ3	I/O	O		XM_ON			
51	PJ2	I/O	O	I	SB_ON	H	L	SB Relay Control SB ON:H SB OFF:L
52	PJ1	I/O	O	O	_STBY LED	L	H	Standby LED On
53	PJ0	I/O	O	I	_RSFL	L	L	Front FL Driver
54	Vss	I	-	I	VSS	-	-	GND

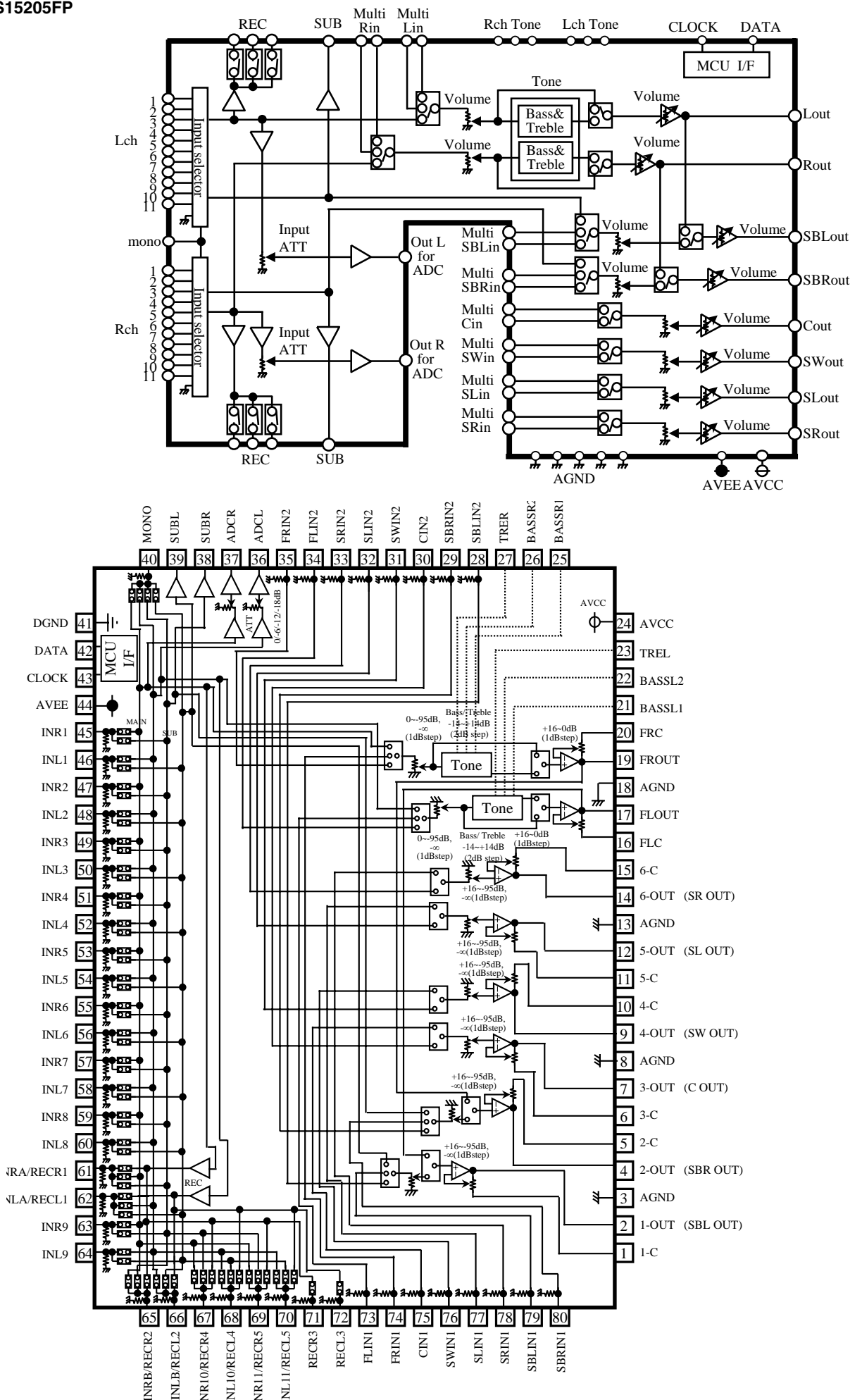
IC11 : HD64F2505

pin No	Port Name Mode7	I/O	use	STBY	Name	Port Setting		Note
						Act.	init	
55	P97/AN15/DA1	I,I,O	I	I	HDMI_TX_INT	L	H	INT form HDMI TX
56	P96/AN14/DA0	I,I,O	I	I	HDMI_RX_INT	L	H	INT form HDMI RX
57	P95/AN13	I,I	I	I	HDMI_SCDT	H	-	SCDT IN from HDMI
58	P94/AN12	I,I	I	I	SEL-	-	-	Front Select Encoder
59	P93/AN11	I,I	I	I	SEL+	-	-	Front Select Encoder
60	P92/AN10	I,I	I	I	VOL-	-	-	Front Vol. Encoder
61	P91/AN9	I,I	I	I	VOL+	-	-	Front Vol. Encoder
62	P90/AN8	I,I	AD	AD	MODEL_SEL	-	-	Model Select
63	P47/AN7	I,I	AD	AD	TV_AUTO	-	-	TV Video Detect
64	P46/AN6	I,I	I	I	_OVFL	-	-	Peak Indicater
65	P45/AN5	I,I	AD	AD	VER_SEL	-	-	VERSION SELECT
66	P44/AN4	I,I	AD	AD	P_LINE_FAIL	-	-	Emergency Protection
67	AVss	I	-	I	AVSS	-	-	GND
68	P43/AN3	I,I	AD	AD	_5V_DOWN	-	-	Detect 5V
69	P42/AN2	I,I	AD	AD	KEY2	-	-	Front Key
70	P41/AN1	I,I	AD	AD	KEY1	-	-	Front Key
71	P40/AN0	I,I	AD	AD	KEY0	-	-	Front Key
72	Vref	I	YES	I	VCC	-	-	+5V'
73	AVcc	I	YES	I	AVCC	-	-	+5V'
74	P50/TxD2	I/O,O	SO	SO	DSPOUT			DSP, DIR Control Data OUT
75	P51/RxD2	I/O,I	SI	SI	DSPIN			DSP, DIR Control Data IN
76	P52/SCK2	I/O,O	SC	SC	DSPCLK			DSP, DIR Control CLOCK
77	PF0/~IRQ2	I/O,I	INT	I	RERR	H	-	DIR ERROR
78	PF1/BUZZ	I/O,O	O	I	CP_SEL1			NJM2584 1/3
79	PF2	I/O	O	I	CP_SEL2			NJM2584 2/3
80	PF3/ ~ADTRG/ ~IRQ3	I/O,I,I	I	I	REQ1	L	-	DSP INTER Q
81	PF4	I/O	I	I	REQ2	L	-	DSP FINTR EQ
82	PF5	I/O	O	I	V_CONV_SEL			NJM2586
83	PF6	I/O	O	I	COMP_MUTE			NJM2586
84	P1Vcc	I	YES	I	VCC	-	-	+5V'
85	PF7/Ø	I/O,O	I	I				PULL DOWN
86	Vss	I	-	I	VSS	-	-	GND
87	TEST	I	NO	I	TEST	-	-	GND
88	VCL	I	-	I	VCL	-	-	GND (0.47uF)
89	OSC2	I	NO	I	NC	-	-	open
90	OSC1	I	NO	I	VSS	-	-	GND
91	NMI	I	NO	I	NMI	-	-	Fix H
92	MD2	I	YES	I	MD2	-	-	Nomal:H, Bool:L
93	XTAL	I	YES	I	XTAL	-	-	Xtal(20MHz)
94	Vss	I	NO	I	VSS	-	-	GND
95	EXTAL	I	YES	I	EXTAL	-	-	Xtal(20MHz)
96	Vcc	I	YES	I	VCC	-	-	+5V'
97	MD0	I	YES	I	MD0	-	-	Fix H
98	MD1	I	YES	I	MD1	-	-	Fix H
99	~STBY	I	NO	I	_STBY	L	H	Fix H
100	~RES	I	YES	I	_RES	L	-	RESET
101	P20/TIOCA3	I/O,I/O	O	I	MV_CL			BD3812F MultiVol
102	P21/TIOCB3	I/O,I/O	O	I	MV_DA			BD3812F MultiVol
103	P22/TIOCC3	I/O,I/O	O	I	MV_SEL			BD3812F MultiVol
104	P23/TIOCD3	I/O,I/O	I	I	SPKC_SW	-	-	Speaker C Switch
105	P24/TIOCA4	I/O,I/O	O	I	SPKC_CONT			C-Relay Control
106	P25/TIOCB4	I/O,I/O	O	I	KILLFLASH			Kill Flasher OUT
107	P26/TIOCA5	I/O,I/O	T_OUT	O	RC_OUT		L	RC BUS OUT
108	P27/TIOCB5	I/O,I/O	T_OUT	O	M_RC_OUT		L	RC BUS MULT OUT

IC11 : HD64F2505

pin No	Port Name Mode7	I/O	use	STBY	Name	Port Setting		Note
						Act.	init	
109	P17/TIOCB2/TCLKD	I/O,I/O,I/O	I	I	M_RC_IN	L	H	Multi RC5 IN Detect Signal
110	P16/TIOCA2/~IRQ1	I/O,I/O,I	INT	INT	WAKEUP	↑	-	Standby Mode Release
111	P15/TIOCB1/TCLKC	I/O,I/O,I/O	T_IN	I	VSYNC	↑	-	V-sync Det. & Change OSD
112	P14/TIOCA1/~IRQ0	I/O,I/O,I	INT	I	_P_DPWN	L	-	Power Down Detect
113	P13/TIOCD0/TCLKB	I/O,I/O,I/O	O	O	KILLIR	H	L	Kill to IR Input Signal
114	P12/TIOCC0/TCLKA	I/O,I/O,I/O	O	I	DC_OUT1	L	H	DC Triger1
115	P11/TIOCB0	I/O,I/O	O	I	MV_MUTE			BD3812F MultiVol
116	P10/TIOCA0	I/O,I/O	T_IN	I	RC_IN	↑↓	-	IR In for RC-5
117	Vss	I	YES	I	VSS	-	-	GND
118	P2Vcc	I	YES	I	VCC	-	-	+5V'
119	P37/TxD4	I/O,O	SO	O	XM_TXD			XM->
120	P36/RxD4	I/O,I	SI	I	XM_RXD			<-XM
121	P35/SCK1/SCK4/SCL0/~IRQ5	I/O,I/O,I/O,I/O,I	INT	I	HDMI_INT			TX or RX or SCDT
122	P34/RxD1/SDA0	I/O,I,I/O	I	I	HDMI_MUTE	H	L	MUTE INPUT for HDMI
123	P33/TxD1/SCL1	I/O,O,I/O	SC	I	V_SCL	-	-	Video Conv CLK
124	P32/SCK0/SDA1/~IRQ4	I/O,I/O,I/O,I	SIO	I	V_SDA	-	-	Video Conv DATA
125	P31/RxD0	I/O,I	SI	I	RXD			UART for RS232C, Flash WR Pull UP (RESET : H)
126	P30/TxD0	I/O,O	SC	I	TXD			UART for RS232C, Flash WR Pull UP
127	P77/TxD3	I/O,O	SO	O	OSDDATA	-	-	FrontFL, Video(OSD), Y/C&Sepa, 4094, SAA, AK
128	P76/RxD3	I/O,I	I	I				PULL DOWN
129	P75/TMO3/SCK3	I/O,I/O,I/O	SC	I	OSDCLK	-	-	FrontFL, Video(OSD), Y/C&Sepa, 4094, SAA, AK
130	P74/TMO2/~MRES	I/O,O	O	I	_RSTFL	L	L	Reset FL Driver
131	P73/TMO1	I/O,O	I	I	_CEFL	L	L	FL Driver Chip Select
132	P72/TMO0	I/O,O	I	I				PULL DOWN
133	P71/TMRI23/TMCI23	I/O,O,O	I	I				PULL DOWN
134	P70/TMRI01/TMCI01	I/O,O,O	O	I	CLK_SW			TC74VHC157 SEL
135	PG4	I/O	O	I	_SCS	L	H	DSP CHIP ENABLE
136	PG3	I/O	O	I	_RSTDSP	L	L	DSP
137	PG2	I/O	O	I	_FCS	L	H	DSP CHIP ENABLE
138	PG1/~IRQ7	I/O,I	INT	I	IRQ7	-	-	RDS Clock
139	PG0/~IRQ6	I/O,I	INT	I	IRQ6	-	-	XM_IRQ
140	PE0	I/O	O	I	MONO	H	L	Multi Mono(H)/Stereo(L)
141	PE1	I/O	O	I	_CEEX	L	H	P-Exp(Video)Sel A
142	PE2	I/O	O	I	Y_OSD	H	L	Y/C_OSD_IC_BYPASS
143	PE3	I/O	O	I	CVBS_OSD	H	L	CVBS_OSD_IC_BYPASS
144	PE4	I/O	O	I	_CEOSD	L	H	Video Circuit

IC17 : R2S15205FP



IC17 : R2S15205FP

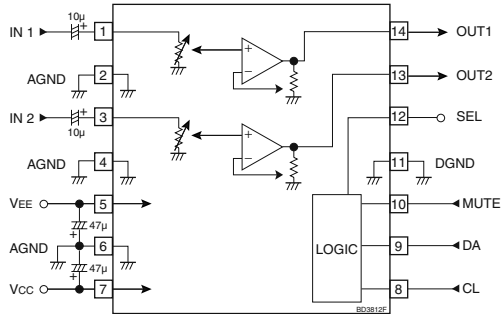
PIN No.	Name	Function
19,17, 14,12, 9,7, 4,2	FROUT,FLOUT, 6-OUT,5-OUT, 4-OUT, 3-OUT, 2-OUT,1-OUT	Output pin of FL/FR/C/SW/SL/SR/SBL/SBR channel
20,16, 15,11, 10,6, 5,1	FRC,FLC, 6-C,5-C, 4-C,3-C, 2-C,1-C	Connects capacitor for reducing click noise of L/R/C/SW/SL/SR/SBL/SBR channel volume
3,8, 13,18	AGND	Analog ground of internal circuit
23,27	TREL, TRER	Frequency characteristic setting pin of L/R channel tone control (Treble)
21,22, 25,26	BASSL1,BASSL2 BASSR1,BASSR2	Frequency characteristic setting pin of L/R channel tone control (Bass)
24	AVCC	Positive power supply to internal circuit
35,34, 33,32, 31,30, 29,28	FRIN2, FLIN2, SRN2,SLIN2, SWIN2,CIN2, SBRIN2,SBLIN2	Input pin of L/R/C/SW/SL/SR/SBL/SBR channel (Multi IN 1/2)
73,74, 75,76, 77,78, 79,80	FLIN1, FRIN1, CIN1,SWIN1, SLIN1,SRIN1, SBLIN1,SBRIN1	
41	DGND	Digital ground of internal circuit
42	DATA	Input pin of control data
43	CLOCK	Input pin of control clock
44	AVEE	Negative power supply to internal circuit
46,48,50, 52,54,56, 58,60,64	INL1,INL2, INL3, INL4,INL5,INL6, INL7,INL8,INL9	Input pin of L/R channel (Input Selector)
45,47,49, 51,53,55, 57,59,63	INR1,INR2, INR3, INR4,INR5,INR6, INR7,INR8,INR9	
40	MONO	Input pin of monaural (Input Selector)
38,39	SUBL,SUBR	Output pin for L/R channel SUB Output
36,37	ADCL, ADCR	Output pin for L/R channel ADC
72	RECL3	Output pin for L/R channel REC Output
71	RECR3	
61,62, 65,66, 67,68, 69,70	INRA/RECR1,INLA/RECL1, INRB/RECR2,INLB/RECL2, INR10/RECR4,INL10/RECL4, INR11/RECR5,INL11/RECL5	Input pin of L/R channel (Input Selector)/ Output pin for L/R channel REC Output

IC21 : BD3812F

●Electrical Characteristics (Unless otherwise noted, $T_a=25^{\circ}\text{C}$, $V_{CC}=7\text{V}$, $V_{EE}=-7\text{V}$, $f=1\text{kHz}$, $V_{in}=1\text{Vrms}$, $R_L=10\text{k}\Omega$, $R_g=600\Omega$, Master volume=0dB, Output gain=0dB)

Parameter	Symbol	Min.	Typ.	Max.	Unit	Conditions
Circuit current	I_Q	-	2	6	mA	No signal
Output voltage gain	Gv	-2	0	+2	dB	Measure : Pin13, 14
Total harmonic distortion ratio	THD	-	0.005	0.09	%	Measure : Pin13, 14, BW=400-30kHz
Maximum output voltage	Vomax	3.4	4.2	-	Vrms	Measure : Pin13, 14, THD=1%
Output noise voltage	Vno	-	1.2	5	μVrms	Measure : Pin13, 14, $R_g=0\Omega$, BW=1HF-A
Input impedance	Rin	20	30	40	k Ω	Measure : Pin1, 3
Cross-talk between channels	CTC	-	-100	-70	dB	Measure : Pin13(OUT2), $R_g=0\Omega$, BW=1HF-A, Reference : Pin14(OUT1)=1Vrms
Volume control range	GVR	-106	-103	-100	dB	Measure : Pin13, 14, $V_{in}=3\text{Vrms}$
Maximum attenuation	Vmin	-	-118	-105	dB	BW=1HF-A, Measure : Pin13, 14, $V_{in}=3\text{Vrms}$
Output gain control range	GOG	16	18	20	dB	Measure : Pin13, 14, $V_{in}=0.4\text{Vrms}$

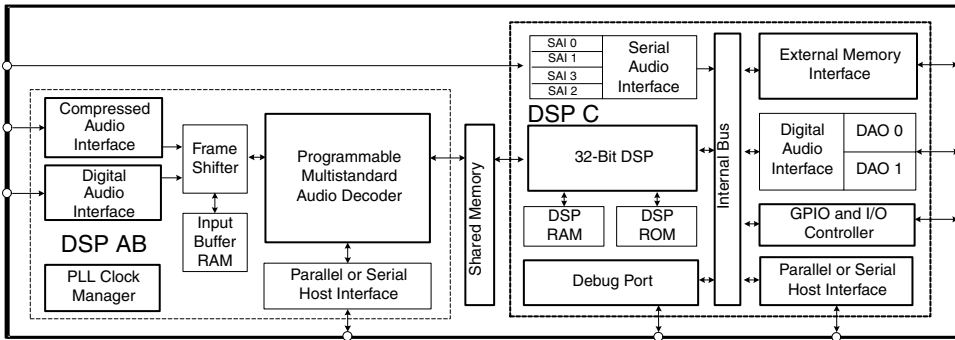
●Application circuit diagram



IC27 : CS4900 Family

Pin No.	I/O	Function	Description
1	I/O	UHS0, GPIO18	Mode Select Bit 0, General Purpose I/O
2	I/O	UHS1, GPIO19	Mode Select Bit 1, General Purpose I/O
3		INTREQ	Control Port Interrupt Request
4	I	FA1, FSCDIN	Host Address Bit One or SPI Serial Control Data Input
5	I/O	GPIO20	General Purpose I/O
6	I	FA0, FSCCLK	Host Parallel Address Bit Zero or Serial Control Port Clock
7	I/O	FHS2, FSCDIO, FSCDOUT	Mode Select Bit 2 or Serial Control Port Data Input and Output, Parallel Port Type Select
8	I/O	GPIO21	General Purpose I/O
9		FDAT7	DSP AB Bidirectional Data Bus
10		VDD6	2.5V Supply Voltage
11		VSS6	2.5V Ground
12		FHS0, FWR, FDS	Mode Select Bit 0 or Host Write Strobe or Host Data Strobe
13	O	EHS1, FRD, FRW	Mode Select Bit 1 or Host Parallel Output Enable or Host Parallel R/W
14		FDAT6	DSP AB Bidirectional Data Bus
15	I	FCS	Host Parallel Chip Select, Host Serial SPI Chip Select
16	O	FINTREQ	Control Port Interrupt Request
17		FDBCK	Reserved
18		FDAT5	DSP AB Bidirectional Data Bus
19		FDAT4	DSP AB Bidirectional Data Bus
20		VDD7	2.5V Supply Voltage
21		VSS7	2.5V Ground
22		FDAT3	DSP AB Bidirectional Data Bus
23		FDBDA	Reserved
24		FDAT2	DSP AB Bidirectional Data Bus
25		DBDA	Debug Data
26		DBCK	Debug Clock
27		FDAT1	DSP AB Bidirectional Data Bus
28		TEST	Reserved
29		FDAT0	DSP AB Bidirectional Data Bus
30	I/O	NV_WE, GPIO16	SRAM Write Enable, General Purpose I/O
31	I/O	NV_OE, GPIO15	SRAM Output Enable, General Purpose I/O
32	I/O	NV_CS, GPIO14	SRAM Chip Select, General Purpose I/O
33		SD_WE	SDRAM Write Enable
34		SD_DATA0, EXT0	SDRAM Data Bus, SDRAM External Data Bus
35		SD_DATA1, EXT1	SDRAM Data Bus, SDRAM External Data Bus
36		SD_DATA2, EXT2	SDRAM Data Bus, SDRAM External Data Bus
37		SD_DATA3, EXT3	SDRAM Data Bus, SDRAM External Data Bus
38		SD_DATA4, EXT4	SDRAM Data Bus, SDRAM External Data Bus
39		SD_DQM0	SDRAM Data Mask 2
40		SD_DATA5, EXT5	SDRAM Data Bus, SDRAM External Data Bus
41		VSSSD4	3.3V SDRAM/SRAM/EPROM Interface Ground
42		VDDSD4	3.3V SDRAM/SRAM/EPROM Interface Supply
43		SD_DATA6, EXT6	SDRAM Data Bus, SDRAM External Data Bus
44		SD_DATA7, EXT7	SDRAM Data Bus, SDRAM External Data Bus
45		SD_DQM1	SDRAM Data Mask 1
46		SD_DATA15, EXTA18	SDRAM Data Bus, SDRAM External Address Bus
47		SD_DATA14, EXTA17	SDRAM Data Bus, SDRAM External Address Bus
48		NC5	No Connect
49		SD_DATA13, EXTA16	SDRAM Data Bus, SDRAM External Address Bus
50		VSSSD3	3.3V SDRAM/SRAM/EPROM Interface Ground
51		VDDSD3	3.3V SDRAM/SRAM/EPROM Interface Supply
52		SD_DATA12, EXTA15	SDRAM Data Bus, SDRAM External Address Bus
53		SD_DATA11, EXTA14	SDRAM Data Bus, SDRAM External Address Bus
54		SD_DATA10, EXTA13	SDRAM Data Bus, SDRAM External Address Bus
55		SD_DATA9, EXTA12	SDRAM Data Bus, SDRAM External Address Bus
56		SD_DATA8, EXTA11	SDRAM Data Bus, SDRAM External Address Bus
57		VSSSD2	3.3V SDRAM/SRAM/EPROM Interface Ground
58		VDDSD2	3.3V SDRAM/SRAM/EPROM Interface Supply
59	O	SD_CLK_OUT	SDRAM Clock Output
60		SD_ADDR9, EXTA9	SDRAM Address Bus, SDRAM External Address Bus

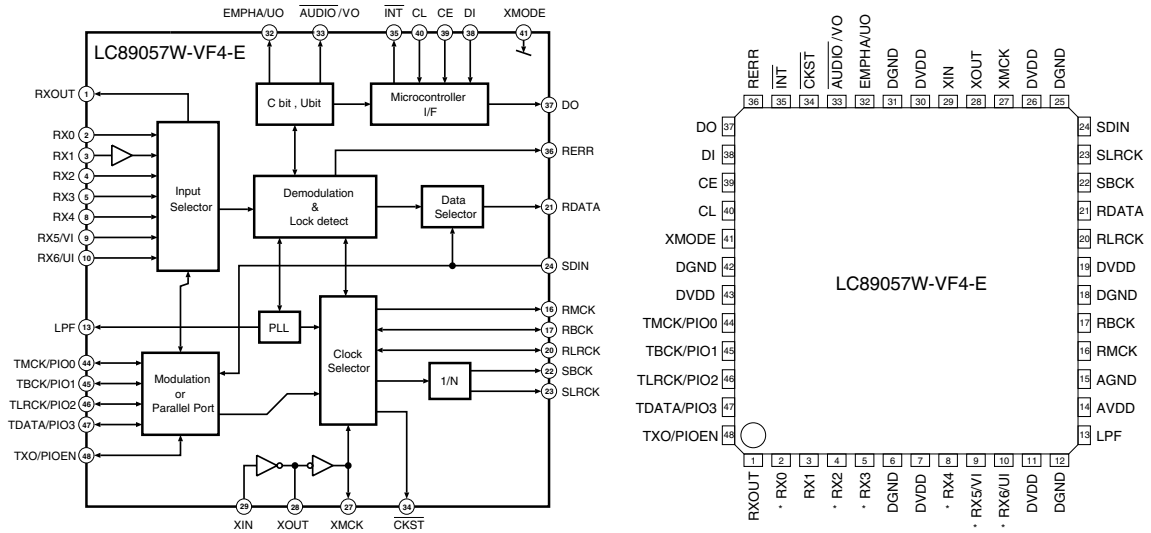
IC27 : CS4900 Family



61	I	SD_CLK_IN	SDRAM Re-timing Clock Input
62		SD_ADDR8, EXTA8	SDRAM Address Bus, SRAM External Address Bus
63		SD_ADDR7, EXTA7	SDRAM Address Bus, SRAM External Address Bus
64		SD_CLK_EN	SDRAM Clock Enable
65		SD_ADDR6, EXTA6	SDRAM Address Bus, SRAM External Address Bus
66		SD_ADDR5, EXTA5	SDRAM Address Bus, SRAM External Address Bus
67		SD_ADDR4, EXTA4	SDRAM Address Bus, SRAM External Address Bus
68		SD_CS	SDRAM Chip Select
69		VSSSD1	3.3V SDRAM/SRAM/EPROM Interface Ground
70		VDDSD1	3.3V SDRAM/SRAM/EPROM Interface Supply
71		SD_BA, EXTA19	SDRAM Bank Address Select, SRAM External Address Bus
72		SD_ADDR10, EXTA10	SDRAM Address Bus, SRAM External Address Bus
73		SD_ADDR0, EXTA0	SDRAM Address Bus, SRAM External Address Bus
74		SD_ADDR1, EXTA1	SDRAM Address Bus, SRAM External Address Bus
75		SD_ADDR2, EXTA2	SDRAM Address Bus, SRAM External Address Bus
76		SD_ADDR3, EXTA3	SDRAM Address Bus, SRAM External Address Bus
77		SD_RAS	SDRAM Row Address Strobe
78		SD_CAS	SDRAM Column Address Strobe
79	I/O	SDATAN3, GPIO27	PCM Audio Input Data, General Purpose I/O
80	I/O	SDATAN2, GPIO26	PCM Audio Input Data, General Purpose I/O
81	I/O	SDATAN1, GPIO25	PCM Audio Input Data, General Purpose I/O
82	I/O	SDATAN0, GPIO24	PCM Audio Input Data, General Purpose I/O
83		NC4	No Connect
84		NC3	No Connect
85	I/O	LRCLKN, GPIO23	PCM Audio Input Sample Rate Clock, General Purpose I/O
86	I/O	SCLKN, GPIO22	PCM Audio Input Bit Clock, General Purpose I/O
87	O	LRCLK1	Audio Output Sample Rate Clock
88		NC2	No Connect
89		NC1	No Connect
90		VDD1	2.5V Supply Voltage
91		VSS1	2.5V Ground
92	I/O	AUDATA7, XMT958B, GPIO31	Digital Audio Output 7, S/PDIF Transmitter, General Purpose I/O
93	I/O	AUDATA6, GPIO30	Digital Audio Output 6, General Purpose I/O
94	I/O	AUDATA5, GPIO29	Digital Audio Output 5, General Purpose I/O
95	I/O	HDATA7, GPIO7	DSP C Bidirectional Data Bus, General Purpose I/O
96	I/O	HDATA6, GPIO6	DSP C Bidirectional Data Bus, General Purpose I/O
97	I/O	HDATA5, GPIO5	DSP C Bidirectional Data Bus, General Purpose I/O
98	O	SCLK1	Audio Output Bit Clock
99		MCLK	Audio Master Clock
100		VDD2	2.5V Supply Voltage

101		VSS2	2.5V Ground
102	I/O	AUDATA4, GPIO28	Digital Audio Output 4, General Purpose I/O
103	I/O	HDATA4, GPIO4	DSP C Bidirectional Data Bus, General Purpose I/O
104	O	SCLK0	Audio Output Bit Clock
105	I/O	HDATA3, GPIO3	DSP C Bidirectional Data Bus, General Purpose I/O
106	O	AUDATA3, XMT958A	Digital Audio Output 3, S/PDIF Transmitter
107	O	AUDATA2	Digital Audio Output 2
108	O	LRCLK0	Audio Output Sample Rate Clock
109	O	AUDATA1	Digital Audio Output 1
110	O	AUDATA0	Digital Audio Output 0
111	I	CMPCCLK, FSCLKN2	PCM Audio Input Bit Clock
112	I/O	HDATA2, GPIO2	DSP C Bidirectional Data Bus, General Purpose I/O
113		VSS3	2.5V Ground
114		VDD3	2.5V Supply Voltage
115	I/O	HDATA1, GPIO1	DSP C Bidirectional Data Bus, General Purpose I/O
116	I/O	HDATA0, GPIO0	DSP C Bidirectional Data Bus, General Purpose I/O
117	O	CMPPREQ, FLRCLKN2	Frame Clock Data Request Out
118	I	CMPPDAT, FSDATAN2	PCM Audio Data Input Number Two
119	I	FLRCLKN1	PCM Audio Input Sample Rate Clock
120	I/O	WR, DS, GPIO10	Host Write Strobe, Host Data Strobe, General Purpose I/O
121	I/O	RD, R/W, GPIO11	Host Parallel Output Enable, Host Parallel R/W, General Purpose I/O
122		PttVSS	PLL Ground Voltage
123		FILT2	Phase Locked Loop Filter
124		FILT1	Phase-Locked Loop Filter
125		PLLVD	PLL Supply Voltage
126	O	CLKOUT, XTALO	Crystal Oscillator Output
127	I	CLKIN, XTALI	External Clock Input/Crystal Oscillator Input
128		CLKSEL	DSP Clock Select
129	I/O	CS, GPIO9	Host Parallel Chip Select, General Purpose I/O
130	I/O	A0, GPIO13	Host Parallel Address Bit 0, General Purpose I/O
131	I	FSDATAN1	PCM Audio Data Input One
132		VDD4	2.5V Supply Voltage
133		VSS4	2.5V Ground
134	I	FSCLKN1, STCCLK2	PCM Audio Input Bit Clock
135		SCS	Host Serial SPI Chip Select
136	I	SCDIN	SPI Serial Control Data Input
137		VSS5	2.5V Ground
138		VDD5	2.5V Supply Voltage
139	I/O	A1, GPIO12	Host Address Bit 1, General Purpose I/O
140	I/O	SCDOUT, SCPIO	Serial Control Port Data Input and Output
141	I/O	HINBSY, GPIO8	Input Host Message Status, General Purpose I/O
142		SCCLK	Serial Control Port Clock
143	I/O	UHS2, CS_OUT, GPIO17	Mode Select Bit 2, External Serial Memory Chip Select, General Purpose I/O
144	I	RESET	Master Reset Input

IC28 : LC89057WVF4E



LC89057W

No.	Port name	I/O	Description
1	RXOUT	O	Data Output
2	RX0	I	Digital data Input (TTL)
3	RX1	I	Digital data Input (Coaxial)
4	RX2	I	Digital data Input (TTL)
5	RX3	I	Digital data Input (TTL)
6	DGND		Digital GND
7	DVDD		Digital VDD
8	RX4	I	Digital data Input (TTL)
9	RX5/VI	I	Digital data Input (TTL)
10	RX6/UI	I	Digital data Input (TTL)
11	DVDD		Digital GND for PLL
12	DGND		Digital VDD for PLL
13	LPF	O	Loop filter for PLL
14	AVDD		Analog VDD for PLL
15	AGND		Analog GND for PLL
16	RMCK	O	System clock Output for R (256fs, 512fs, XIN, VCO)
17	RBCK	O/I	Bit clock Output for R (64fs)
18	DGND		Digital GND
19	DVDD		Digital VDD
20	RLRCK	O/I	LR clock Input/Output for R
21	RDATA	O	Serial Audio data Input
22	SBCK	O	Bit clock Output for S (32fs, 64fs, 128fs)
23	SLRCK	O	LR clock Output for S (fs/2, fs, 2fs)
24	SDIN	I	Serial Audio data Input
25	DGND		Digital GND
26	DVDD		Digital VDD
27	XMCK	O	Oscillation amplifier
28	XOUT	O	XOUT
29	XIN	I	XIN or External clock Input (24.576MHz or 12.288MHz)
30	DVDD		Digital VDD
31	DGND		Digital GND
32	EMPHA/UO	I/O	Emphasis Information / U data Output / Set for chip address
33	AUDIO/V0	I/O	Detected non-PCM / V flag Output / Set for chip address
34	CKST	I/O	Clock timing Output / Switch to master or slave for demodulation
35	INT	I/O	Interrupt Output / Switch to Modulation or general-purpose I/O
36	RERR	O	Error Output (PLL lock, data error)
37	DO	O	IF, Read out data Output
38	DI	I	IF, Write data Input
39	CE	I	IF, Chip enable Input
40	CL	I	IF, Clock Input
41	XMODE	I	System reset Input
42	DGND		Digital GND
43	DVDD		Digital VDD
44	TMCK/PIO0	I/O	256fs system-clock Input for modulation / General-purpose I/O input/output
45	TBCK/PIO1	I/O	64fs bit-clock Input for modulation / General-purpose I/O input/output
46	TLRCK/PIO2	I/O	Fs clock Input for modulation / General-purpose I/O input/output
47	TDATA/PIO3	I/O	Serial audio data for modulation / General-purpose I/O input/output
48	TXO/PIOEN	O/I	Modulation data Output / General-purpose I/O enable input

114 dB, 192 kHz 8-Channel D/A Converter

Features

- 24-bit Conversion
- Up to 192 kHz Sample Rates
- 114 dB Dynamic Range
- -100 dB THD+N
- Supports PCM and DSD Data Formats
- Selectable Digital Filters
- Volume Control with Soft Ramp
 - 1 dB Step Size
 - Zero Crossing Click-free Transitions
- Dedicated DSD inputs
- Low Clock Jitter Sensitivity
- Simultaneous Support for Two Synchronous Sample Rates for DVD Audio
- μ C or Stand-alone Operation

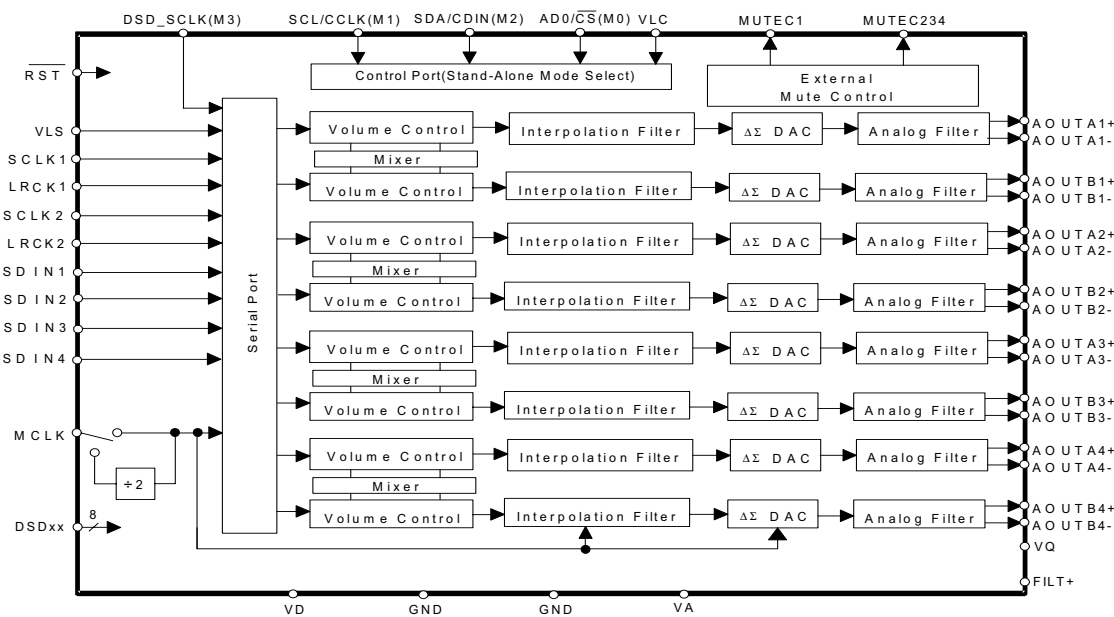
Description

The CS4382 is a complete 8-channel digital-to-analog system including digital interpolation, fifth-order delta-sigma digital-to-analog conversion, digital de-emphasis, volume control and analog filtering. The advantages of this architecture include: ideal differential linearity, no distortion mechanisms due to resistor matching errors, no linearity drift over time and temperature and a high tolerance to clock jitter.

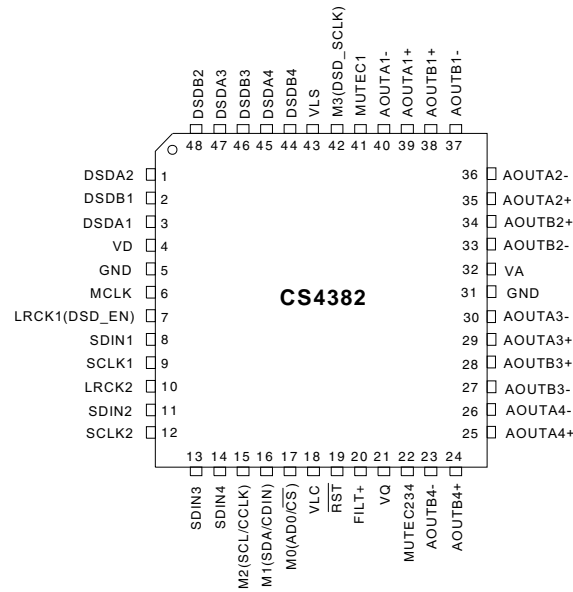
The CS4382 accepts PCM data at sample rates from 4 kHz to 192 kHz, DSD audio data, and operates over a wide power supply range. These features are ideal for multi-channel audio systems including DVD players, SACD players, A/V receivers, digital TV's, mixing consoles, effects processors, and automotive audio systems.

ORDERING INFORMATION

CS4382-KQZ, Lead Free -10 to 70 °C 48-pin LQFP
CDB4382 Evaluation Board



IC29 : CS4382A-CQ



Pin Name	#	Pin Description
VD	4	Digital Power (Input) - Positive power supply for the digital section. Refer to the Recommended Operating Conditions for appropriate voltages.
GND	5 31	Ground (Input) - Ground reference. Should be connected to analog ground.
MCLK	6	Master Clock (Input) - Clock source for the delta-sigma modulator and digital filters. Table 5 illustrates several standard audio sample rates and the required master clock frequency.
LRCK1 LRCK2	7 10	Left Right Clock (Input) - Determines which channel, Left or Right, is currently active on the serial audio data line. The frequency of the left/right clock must be at the audio sample rate, Fs.
SDIN1 SDIN2 SDIN3 SDIN4	8 11 13 14	Serial Audio Data Input (Input) - Input for two's complement serial audio data.
SCLK1 SCLK2	9 12	Serial Clock (Input) - Serial clock for the serial audio interface.
VLC	18	Control Port Power (Input) - Determines the required signal level for the control port. Refer to the Recommended Operating Conditions for appropriate voltages.
RST	19	Reset (Input) - The device enters a low power mode and all internal registers are reset to their default settings when low.
FILT+	20	Positive Voltage Reference (Output) - Positive reference voltage for the internal sampling circuits. Requires the capacitive decoupling to analog ground, as shown in the Typical Connection Diagram.
VQ	21	Quiescent Voltage (Output) - Filter connection for internal quiescent voltage. VQ must be capacitively coupled to analog ground, as shown in the Typical Connection Diagram. The nominal voltage level is specified in the Analog Characteristics and Specifications section. VQ presents an appreciable source impedance and any current drawn from this pin will alter device performance. However, VQ can be used to bias the analog circuitry assuming there is no AC signal component and the DC current is less than the maximum specified in the Analog Characteristics and Specifications section.

Pin Name	#	Pin Description
MUTEC1	41	Mute Control (Output) - The Mute Control pins go high during power-up initialization, reset, muting, power-down or if the master clock to left/right clock frequency ratio is incorrect. These pins are intended to be used as a control for external mute circuits to prevent the clicks and pops that can occur in any single supply system. The use of external mute circuits are not mandatory but may be desired for designs requiring the absolute minimum in extraneous clicks and pops.
MUTEC234	22	
AOUTA1 +,-	39, 40	Differential Analog Output (Output) - The full scale differential analog output level is specified in the Analog Characteristics specification table.
AOUTB1 +,-	38, 37	
AOUTA2 +,-	35, 36	
AOUTB2 +,-	34, 33	
AOUTA3 +,-	29, 30	
AOUTB3 +,-	28, 27	
AOUTA4 +,-	25, 26	
AOUTB4 +,-	24, 23	
VA	32	Analog Power (Input) - Positive power supply for the analog section. Refer to the Recommended Operating Conditions for appropriate voltages.
VLS	43	Serial Audio Interface Power (Input) - Determines the required signal level for the serial audio interface. Refer to the Recommended Operating Conditions for appropriate voltages.

Control Port Definitions

SCL/CCLK	15	Serial Control Port Clock (Input) - Serial clock for the serial control port. Requires an external pull-up resistor to the logic interface voltage in I ² C mode as shown in the Typical Connection Diagram.
SDA/CDIN	16	Serial Control Data (Input/Output) - SDA is a data I/O line in I ² C mode and requires an external pull-up resistor to the logic interface voltage, as shown in the Typical Connection Diagram. CDIN is the input data line for the control port interface in SPI mode.
AD0/ $\overline{\text{CS}}$	17	Address Bit 0 (I²C) / Control Port Chip Select (SPI) (Input) - AD0 is a chip address pin in I ² C mode; $\overline{\text{CS}}$ is the chip select signal for SPI format.

Stand-Alone Definitions

M0	17	Mode Selection (Input) - Determines the operational mode of the device as detailed in Tables 6 and 7.
M1	16	
M2	15	
M3	42	

DSD Definitions

DSD_SCLK	42	DSD Serial Clock (Input) - Serial clock for the Direct Stream Digital audio interface.
DSD_EN	7	DSD-Enable (Input) - When held at logic '1' the device will enter DSD mode (Stand-Alone mode only).
DSDA1	3	Direct Stream Digital Input (Input) - Input for Direct Stream Digital serial audio data.
DSDB1	2	
DSDA2	1	
DSDB2	48	
DSDA3	47	
DSDB3	46	
DSDA4	45	
DSDB4	44	

114 dB, 192 kHz, Multi-Bit Audio A/D Converter

Features

- Advanced Multi-bit Delta-sigma Architecture
- 24-bit Conversion
- 114 dB Dynamic Range
- -105 dB THD+N
- System Sampling Rates up to 192 kHz
- 135 mW Power Consumption
- High-pass Filter and DC Offset Calibration
- Supports Logic Levels Between 5 and 2.5 V
- Differential Analog Architecture
- Overflow Detection
- Pin-compatible with the CS5381

General Description

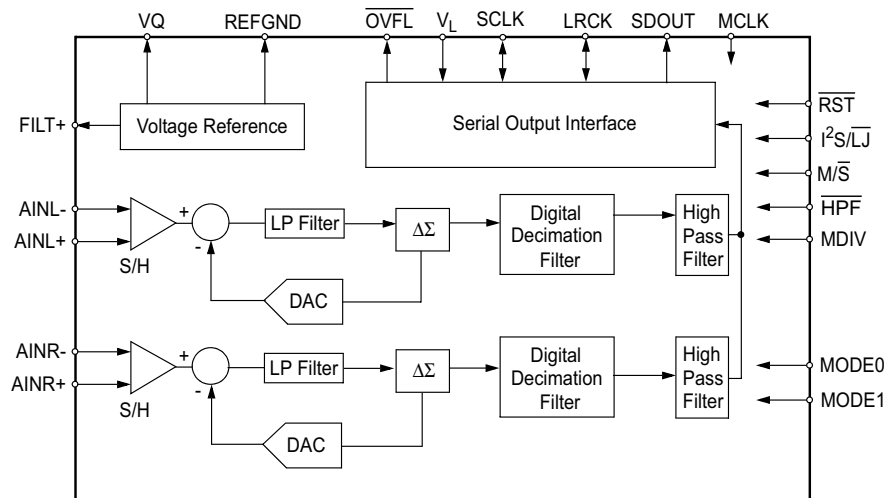
The CS5361 is a complete analog-to-digital converter for digital audio systems. It performs sampling, analog-to-digital conversion, and anti-alias filtering. The CS5361 generates 24-bit values for both left and right inputs in serial form at sample rates up to 192 kHz per channel.

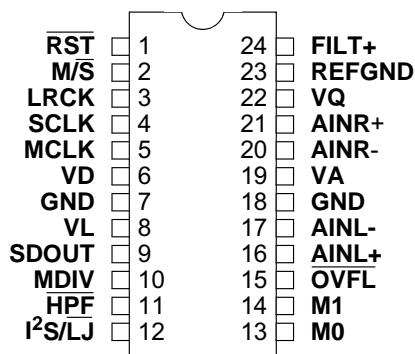
The CS5361 uses a 5th-order, multi-bit, delta-sigma modulator followed by digital filtering and decimation. This removes the need for an external anti-alias filter. The ADC uses a differential architecture which provides excellent noise rejection.

The CS5361 is ideal for audio systems requiring wide dynamic range, negligible distortion, and low noise. These applications include A/V receivers, DVD-R, CD-R, digital mixing consoles, and effects processors.

ORDERING INFORMATION

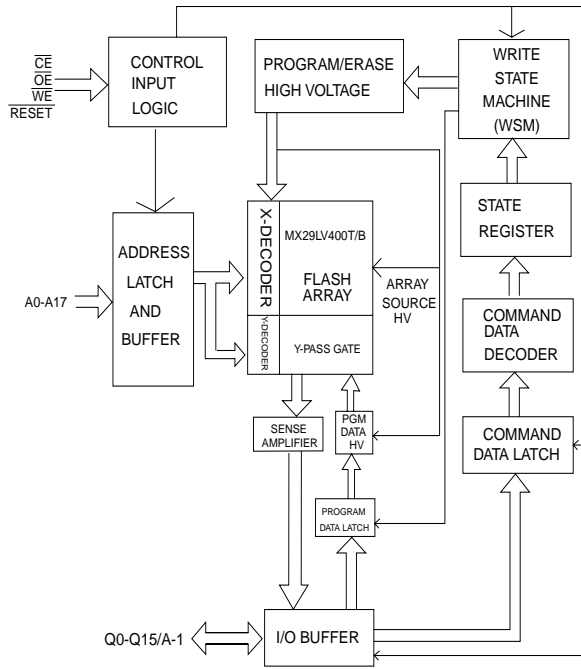
CS5361-KSZ	-10° to 70°C 24-pin SOIC	Lead Free
CS5361-KZZ	-10° to 70°C 24-pin TSSOP	Lead Free
CS5361-DZZ	-40° to 85°C 24-pin TSSOP	Lead Free
CDB5361	Evaluation Board	



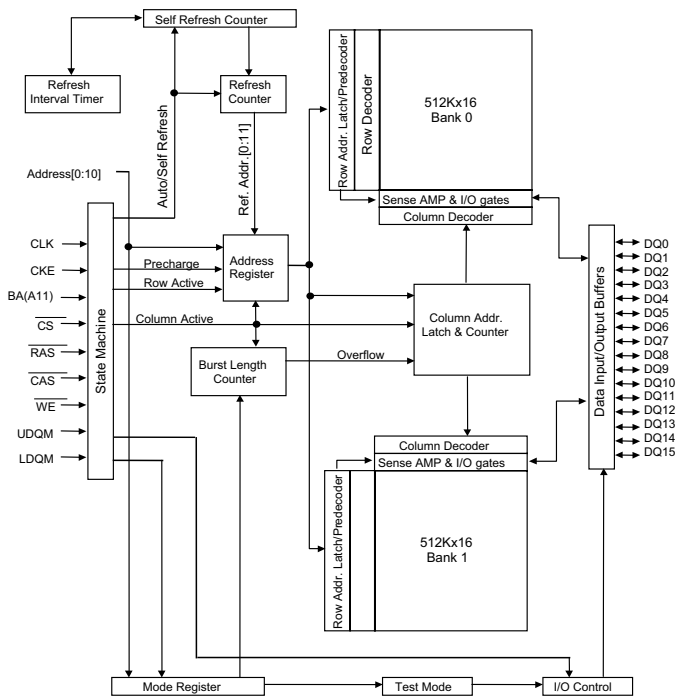


Pin Name	#	Pin Description
RST	1	Reset (Input) - The device enters a low power mode when low.
M/S	2	Master/Slave Mode (Input) - Selects operation as either clock master or slave.
LRCK	3	Left Right Clock (Input/Output) - Determines which channel, Left or Right, is currently active on the serial audio data line.
SCLK	4	Serial Clock (Input/Output) - Serial clock for the serial audio interface.
MCLK	5	Master Clock (Input) - Clock source for the delta-sigma modulator and digital filters.
VD	6	Digital Power (Input) - Positive power supply for the digital section.
GND	7,18	Ground (Input) - Ground reference. Must be connected to analog ground.
VL	8	Logic Power (Input) - Positive power for the digital input/output.
SDOUT	9	Serial Audio Data Output (Output) - Output for two's complement serial audio data.
MDIV	10	MCLK Divider (Input) - Enables a master clock divide by two function.
HPF	11	High-pass Filter Enable (Input) - Enables the Digital High-Pass Filter.
I ² S/LJ	12	Serial Audio Interface Format Select (Input) -Selects either the left-justified or I ² S format for the SAI.
M0	13,	Mode Selection (Input) - Determines the operational mode of the device.
M1	14	
OVFL	15	Overflow (Output, open drain) - Detects an overflow condition on both left and right channels.
AINL+	16,	Differential Left Channel Analog Input (Input) - Signals are presented differentially to the delta-sigma modulators via the AINL+/- pins.
AINL-	17	
VA	19	Analog Power (Input) - Positive power supply for the analog section.
AINR-	20,	Differential Right Channel Analog Input (Input) -Signals are presented differentially to the delta-sigma modulators via the AINR+/- pins.
AINR+	21	
VQ	22	Quiescent Voltage (Output) - Filter connection for the internal quiescent reference voltage.
REF_GND	23	Reference Ground (Input) - Ground reference for the internal sampling circuits.
FILT+	24	Positive Voltage Reference (Output) - Positive reference voltage for the internal sampling circuits.

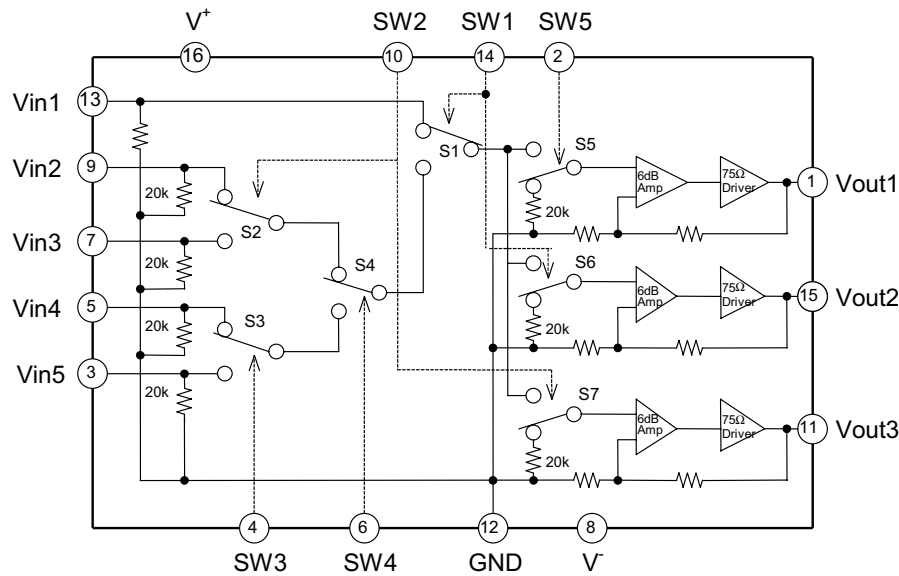
IC40 : MX29LV400TTC



IC41 : 57V161610ET7



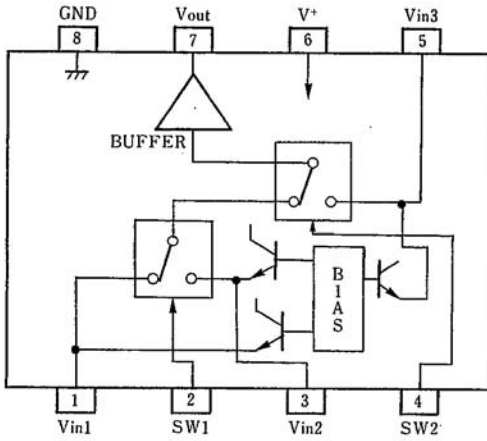
- IC41 : NJM2595MTE1**
- IC42 : NJM2595MTE1**
- IC43 : NJM2595MTE1**



■ Control Signal vs. Output Signal (L=V_{CL}, H=V_{CH}, X=L or H)

SW1	SW2	SW3	SW4	SW5	Vout1	Vout2	Vout3
L	H	X	X	H	Vin1	MUTE	Vin1
	L			MUTE	MUTE	Vin1	
	H			MUTE	MUTE	Vin1	
H	L	X	L	H	Vin2	Vin2	MUTE
				L	MUTE	Vin2	MUTE
				H	Vin3	Vin3	Vin3
H	H	X	L	L	MUTE	Vin3	Vin3
				H	Vin4	Vin4	Vin4
				L	MUTE	Vin4	MUTE
H	H	L	H	H	Vin4	Vin4	Vin4
				L	MUTE	Vin4	Vin4
				H	Vin4	Vin4	MUTE
H	L	H	H	L	MUTE	Vin4	MUTE
				H	Vin5	Vin5	Vin5
				L	MUTE	Vin5	Vin5
L	L	X	X	H	Vin5	Vin5	MUTE
				L	MUTE	Vin5	MUTE
				H	MUTE	MUTE	MUTE

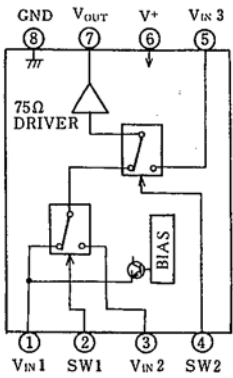
IC44 : NJM2535MTE1



PIN FUNCTION
 1 : Vin1
 2 : SW1
 3 : Vin2
 4 : SW2
 5 : Vin3
 6 : V+
 7 : V_{OUT}
 8 : GND

SW 1	SW 2	OUTPUT SIGNAL
L	L	V _{IN1}
H	L	V _{IN2}
L/H	H	V _{IN3}

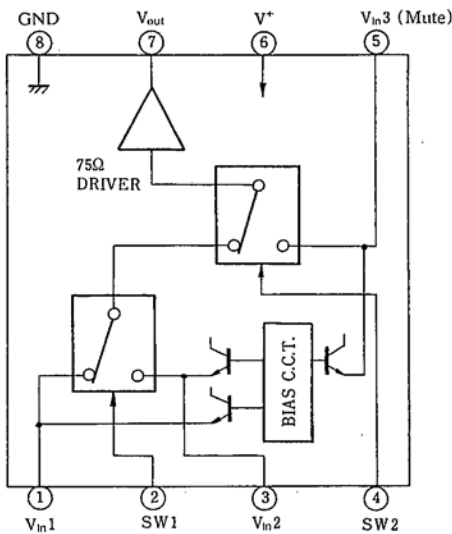
IC45 : NJM2264MTE1



SW 1	SW 2	OUTPUT SIGNAL
L	L	V _{IN 1}
H	L	V _{IN 2}
L/H	H	V _{IN 3}

IC46 : NJM2244MTE1

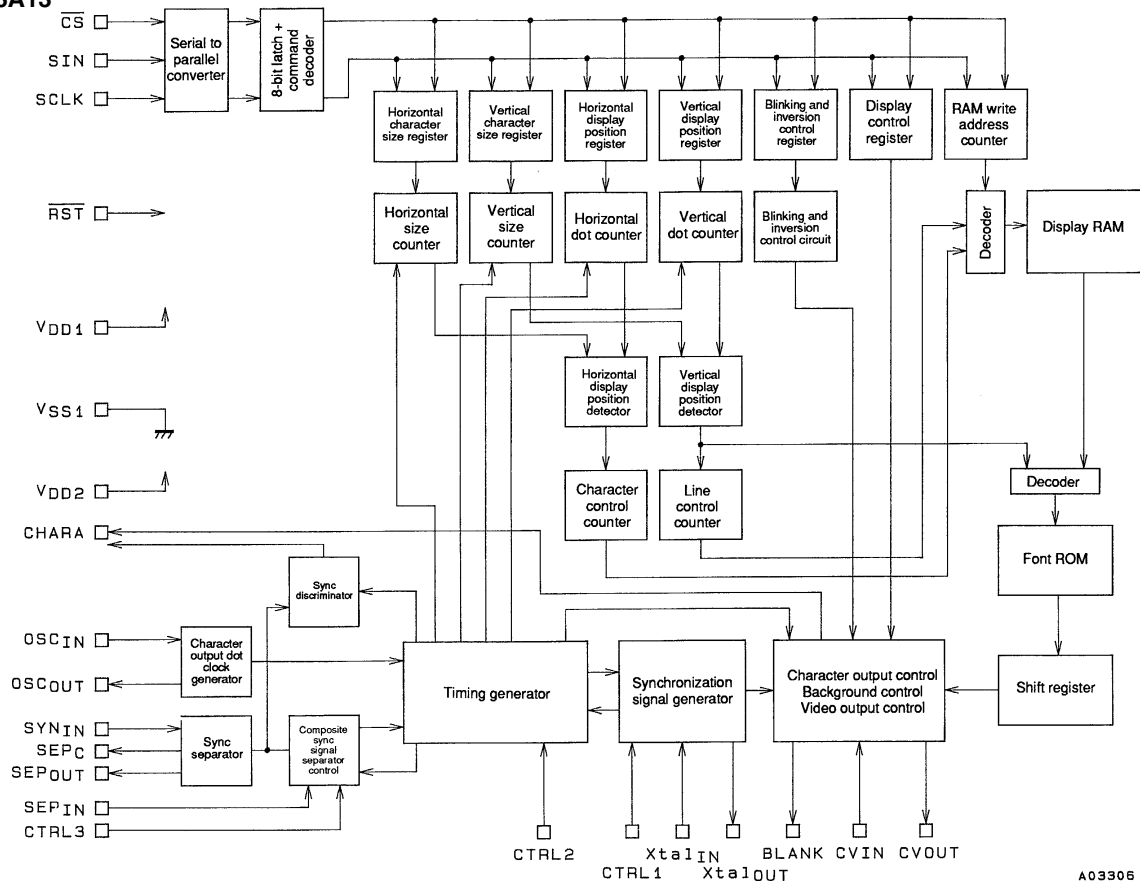
IC48 : NJM2244MTE1



SW 1	SW 2	OUTPUT SIGNAL
L	L	V _{IN 1}
H	L	V _{IN 2}
L/H	H	V _{IN 3}

note): Input clamp voltage is about 2/5 of supply voltage.

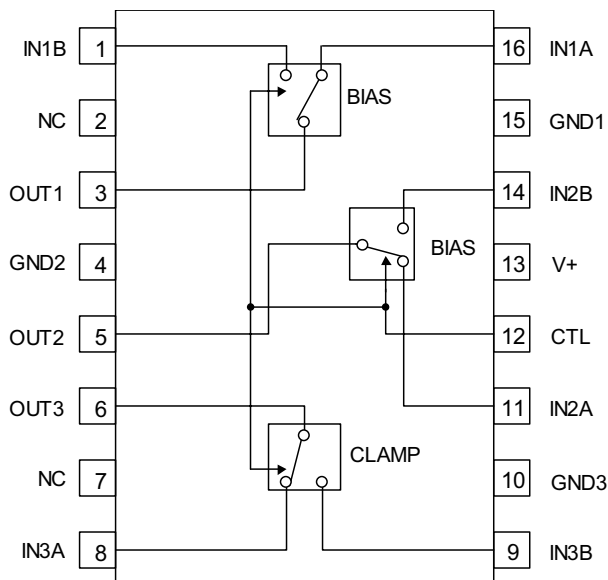
IC47 : LC74782M8A13



A03305

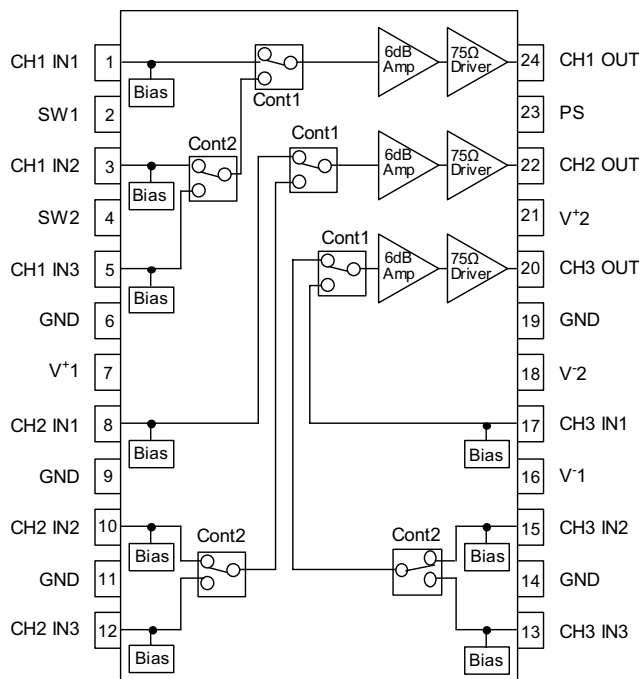
Pin No.	Symbol	Function	Description
1	V _{SS1}	Ground	Ground connection (digital system ground)
2	Xtal _{IN}	Crystal oscillator connection	Used to connect the crystal oscillator and capacitor used to generate the internal synchronization signal, or to input an external clock (2fsc or 4fsc).
3	Xtal _{OUT}		
4	CTRL1	Crystal oscillator input switching	Switches between external clock input mode and crystal oscillator mode. Low = crystal oscillator mode, high = external clock mode
5	BLANK	Blanking output	Outputs the blank signal (the OR of the character and border signals). (Outputs a composite sync signal when MOD0 is high.) Outputs the crystal oscillator clock during reset (when the RST pin is low), but can be set up to not output this signal by microprocessor command.
6	OSC _{IN}	LC oscillator connection	Connections for the coil and capacitor that form the oscillator that generates the character output dot clock.
7	OSC _{OUT}		
8	CHARA	Character output	Outputs the character signal. (Functions as the external synchronization signal discrimination signal output pin when MOD0 is high, and outputs the state of the judgment as to whether the external synchronization signal is present or not. Outputs a high level when the synchronization signal is present.) Outputs the dot clock (LC oscillator) during reset, but can be set up to not output this signal by microprocessor command.
9	CS	Enable input	Serial data input enable input. Serial data input is enabled when low. A pull-up resistor is built in (hysteresis input).
10	SCLK	Clock input	Serial data input clock input. A pull-up resistor is built in (hysteresis input).
11	SIN	Data input	Serial data input. A pull-up resistor is built in (hysteresis input).
12	V _{DD2}	Power supply	Composite video signal level adjustment power supply pin (analog system power supply).
13	CV _{OUT}	Video signal output	Composite video signal output
14	NC		Must be either connected to ground or left open.
15	CV _{IN}	Video signal input	Composite video signal input
16	V _{DD1}	Power supply	Power supply (+5 V: digital system power supply)
17	SYN _{IN}	Sync separator circuit input	Video signal input for the built-in sync separator circuit (Used for either horizontal synchronization signal or composite sync signal input when the built-in sync separator circuit is not used.)
18	SEP _C	Sync separator circuit bias voltage	Built-in sync separator circuit bias voltage monitor pin
19	SEP _{OUT}	Composite sync signal output	Built-in sync separator circuit composite sync signal output. (When MOD1 is high, outputs a high level during internal synchronization and a low level during external synchronization.) (Outputs the SYN _{IN} input signal when the internal sync separator circuit is not used.)
20	SEP _{IN}	Vertical synchronization signal input	Inputs a vertical synchronization signal created by integrating the SEP _{OUT} pin output signal. An integrator must be attached at the SEP _{OUT} pin. This pin must be tied to V _{DD1} if unused.
21	CTRL2	NTSC/PAL-M switching input	The setting indicated by this pin takes priority in switching between the NTSC, PAL, PAL-M and PAL-N formats. A low level selects NTSC after a reset. The microprocessor command NTSC, PAL, PAL-M, or PAL-N setting is valid. High = PAL-M format.
22	CTRL3	SEP _{IN} input control	Controls whether or not the $\overline{\text{VSYNC}}$ signal is input to the SEP _{IN} input. Low = $\overline{\text{VSYNC}}$ input, high = $\overline{\text{VSYNC}}$ not input.
23	$\overline{\text{RST}}$	Reset input	System reset input. A pull-up resistor is built in (hysteresis input).
24	V _{DD1}	Power supply (+5 V)	Power supply (+5 V: digital system power supply)

IC56 : NJM2584MTE1
 IC57 : NJM2584MTE1



PIN	MODE	NOTES
Control	H	B channel output
	L	A channel output
	OPEN	A channel output

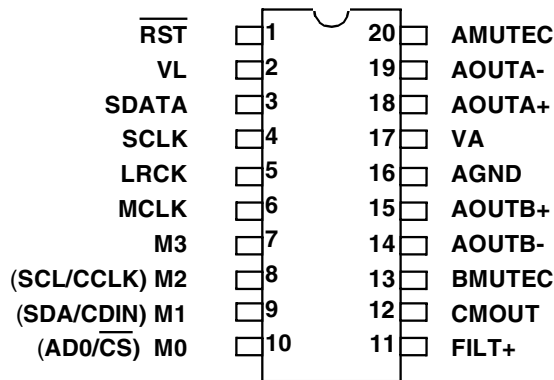
IC58 : NJM2586AMTE1



PARAMETER	STATUS	NOTE
PS	H	Power Save: OFF
	L	Power Save: ON
	OPEN	Power Save: ON

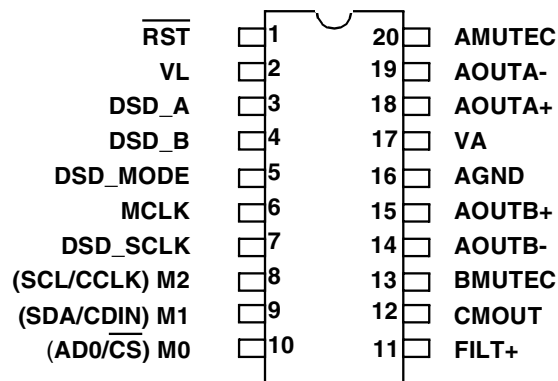
PARAMETER	STATUS		NOTE
	SW1	SW2	
SW1, SW2I	L, OPEN	X	IN1 (X=don't care)
	H	L, OPEN	IN2
	H	H	IN3

1. PIN DESCRIPTION - PCM DATA MODE

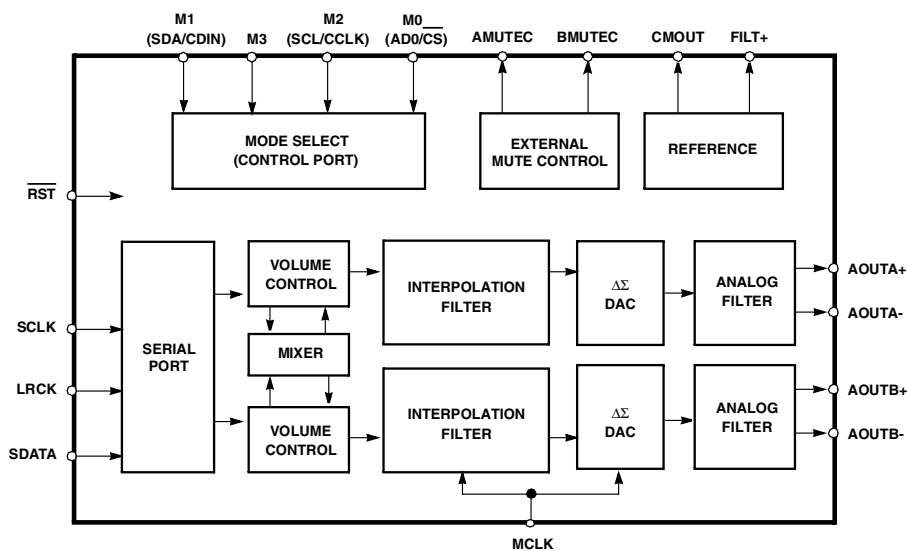


RST	1	Reset (Input) - Powers down device and resets all internal registers to their default settings.
VL	2	Logic Power (Input) - Positive power for the digital input/output.
SDATA	3	Serial Audio Data (Input) - Input for two's complement serial audio data.
SCLK	4	Serial Clock (Input/Output) - Serial clock for the serial audio interface.
LRCK	5	Left Right Clock (Input/Output) - Determines which channel, Left or Right, is currently active on the serial audio data line.
MCLK	6	Master Clock (Input) - Clock source for the delta-sigma modulator and digital filters.
FILT+	11	Positive Voltage Reference (Output) - Positive reference voltage for the internal sampling circuits.
CMOUT	12	Common Mode Voltage (Output) - Filter connection for internal quiescent voltage.
AMUTEC	20	Mute Control (Output) - The Mute Control pin goes high during power-up initialization, reset, muting, power-down or if the master clock to left/right clock frequency ratio is incorrect.
BMUTEC	13	
AOUTB-	14	Differential Analog Output (Outputs) - The full scale differential analog output level is specified in the Analog Characteristics specification table.
AOUTB+	15	
AOUTA+	18	
AOUTA-	19	
AGND	16	Ground (Input)
VA	17	Analog Power (Input) - Positive power for the analog section.
Control Port Mode Definitions		
M3	7	Mode Selection (Input) - This pins should be tied to GND level during control port mode.
SCL/CCLK	8	Serial Control Port Clock (Input) - Serial clock for the serial control port.
SDA/CDIN	9	Serial Control Data (Input/Output) - SDA is a data I/O line in I ² C mode. CDIN is the input data line for the control port interface in SPI mode.
AD0/CS	10	Address Bit 0 (I²C) / Control Port Chip Select (SPI) (Input/Output) - AD0 is a chip address pin in I ² C mode; CS is the chip select signal for SPI format.
Stand-Alone Mode Definitions		
M3	7	Mode Selection (Input) - Determines the operational mode of the device.
M2	8	
M1	9	
M0	10	

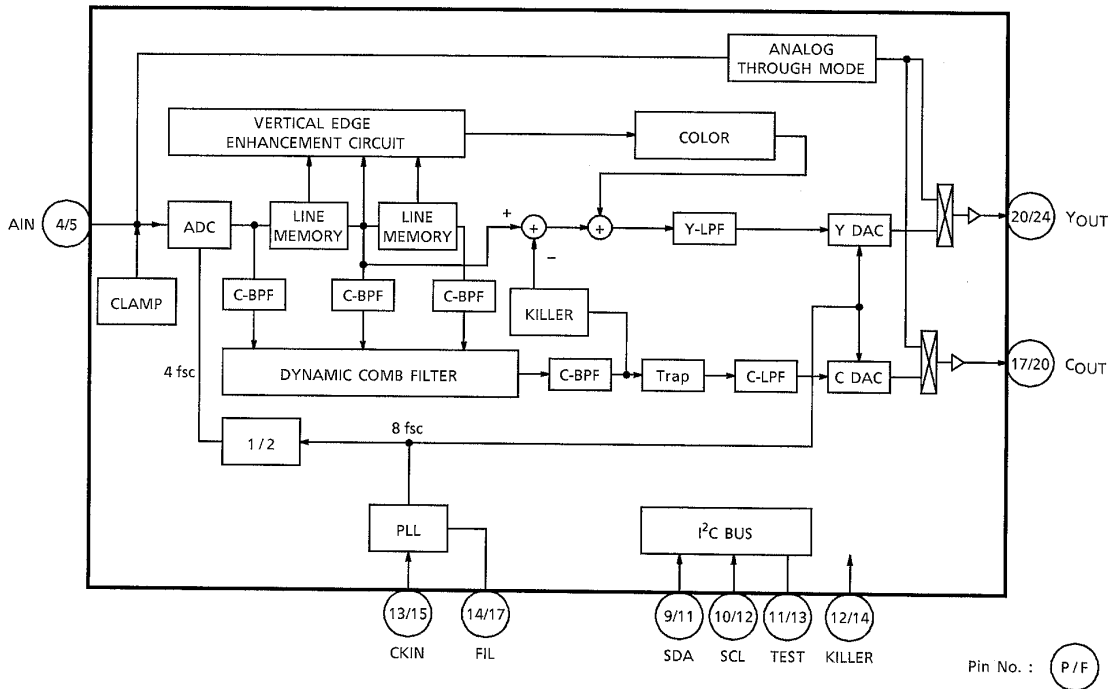
1.1 PIN DESCRIPTION - DSD mode



DSD_A	3	DSD Data (Input) - Input for Direct Stream Digital serial audio data.
DSD_B	4	
DSD_Mode	5	DSD Mode (Input) - In stand alone mode, this pin must be set to a logic '1' for operation of DSD Mode.
DSD_SCLK	7	DSD Serial Clock (Input/Output) - Serial clock for the Direct Stream Digital audio interface.

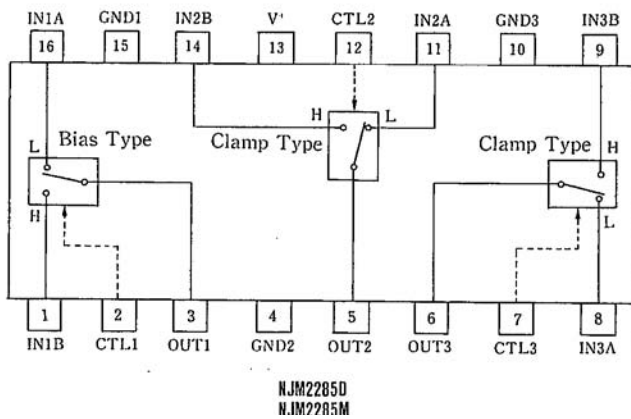


IC71 : TC90A49PG



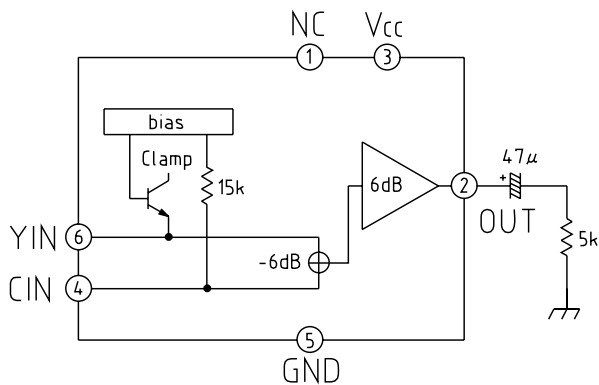
Pin No. : P/F

IC72 : NJM2285MTE1

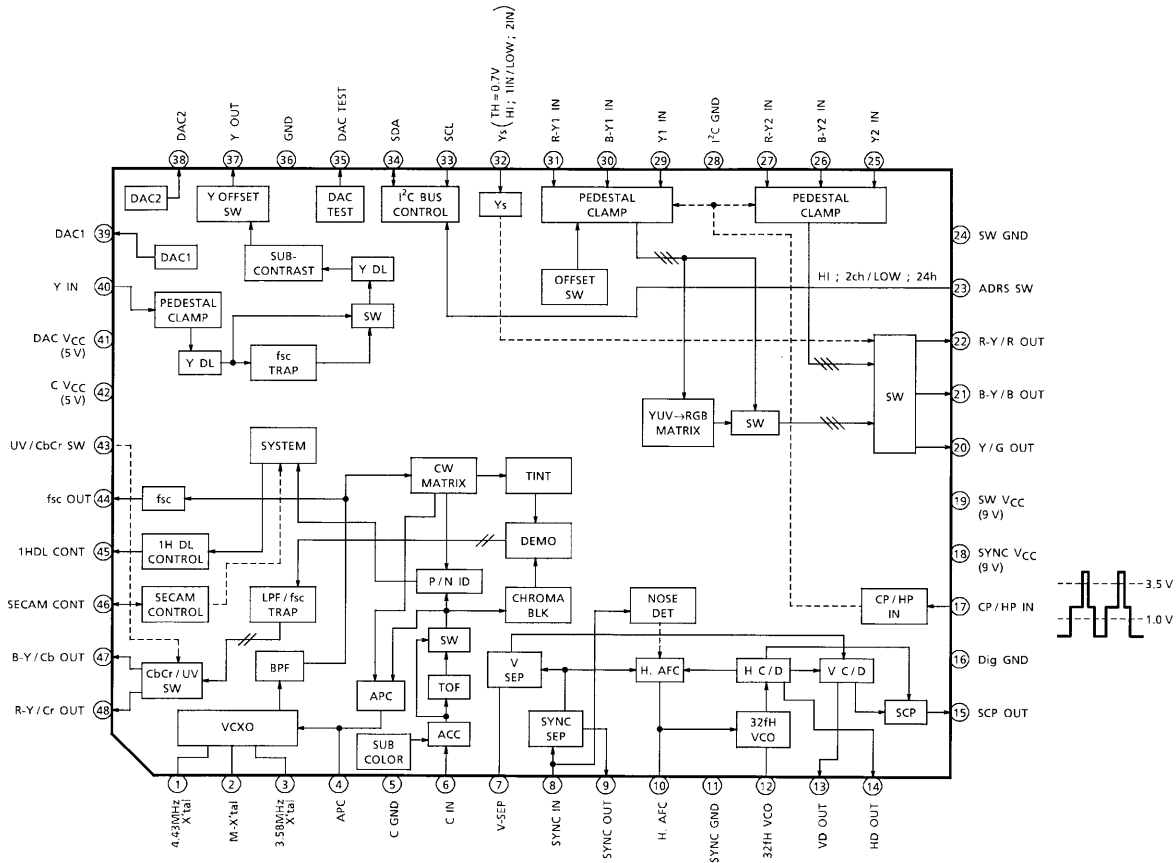


NJM2285D
NJM2285M

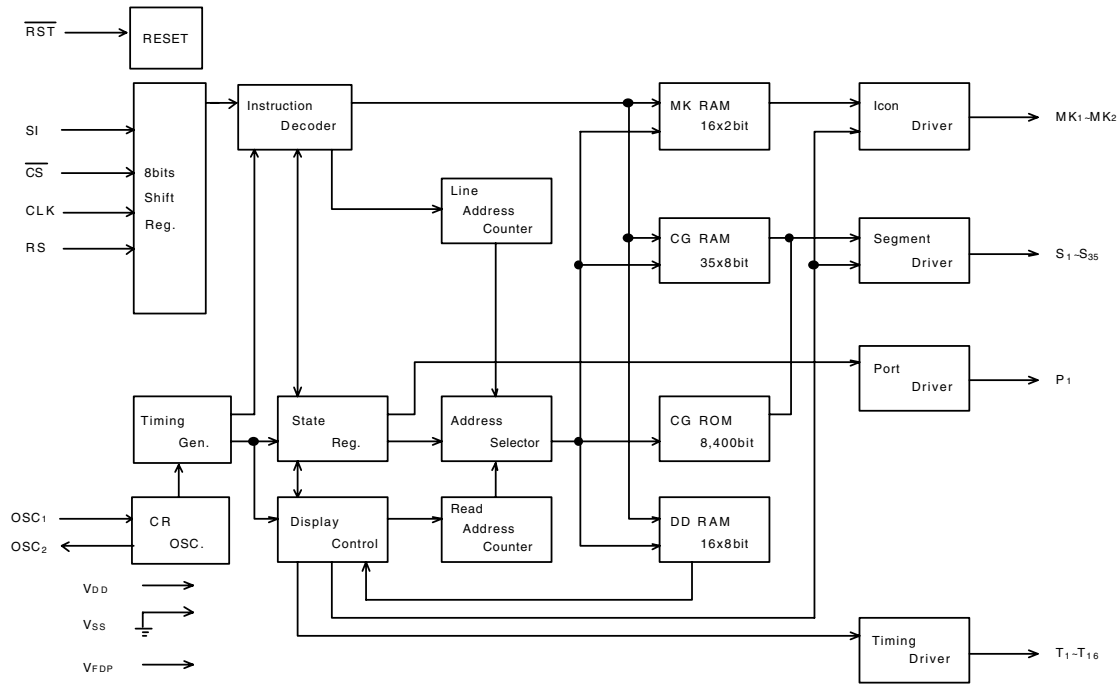
IC73 : MM1511XNRE



IC74 : TA1270BF

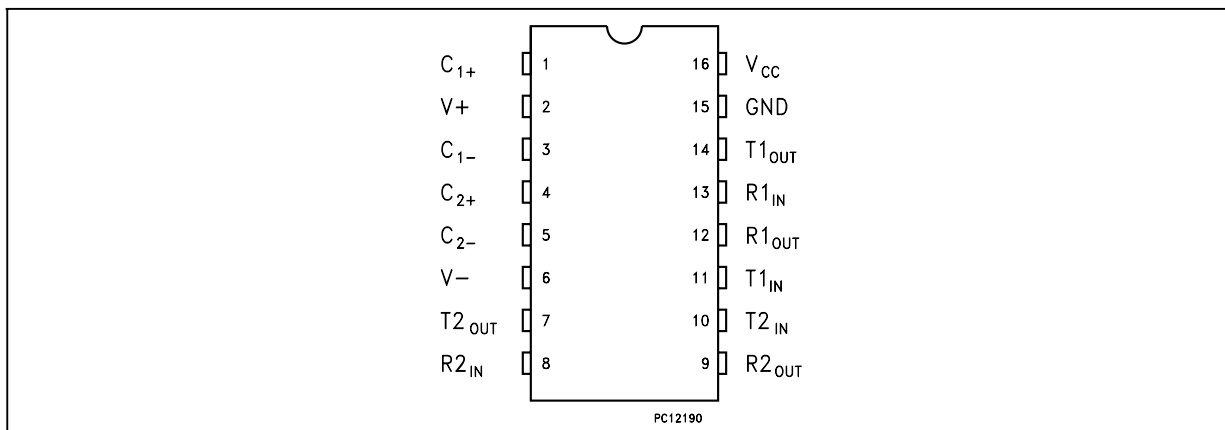


IC81 : NJU3430F



No.	SYMBOL	I/O	F U N C T I O N
57	VDD	-	Power Source : VDD=+3.0 to 5.5V
49	VSS	-	GND : VSS=0V
48	VFDP	-	VFD Driving Power Source VDD-20V to VDD-45V
50	OSC1	I	CR Oscillation Terminal External R and C connect to these terminals. (Target fOSC=360kHz)
51	OSC2	O	
54	CLK	I	Serial Clock Input Terminal The serial data input synchronizing the rise edge of this terminal.
53	CS	I	Chip Select Terminal When the CS terminal is "H" the serial data input is not available.
55	SI	I	Serial Data Input Terminal The data input is MSB first.
56	RS	I	Register Selection Signal Input Terminal RS="0" : Instruction Register RS="1" : Data Register
52	RST	I	Reset Terminal RST="L" : Reset -Each Address : (00)H -Each RAM Data : Unfixed -Display Digits : 16-digit -Contrast Control : 8/16 Dury -All Display Off -All Outputs are "L"
61 to 64, 1 to 31	S1 to S35	O	Segment Output Terminals (Internal Pull-down Resistance)
32 to 47	T1 to T16	O	Timing Output Terminals (Internal Pull-down Resistance)
60 59	MK1 MK2	O	Icon Output Terminals (Internal Pull-down Resistance)
58	P1	O	Output Port Terminal This terminal is suitable for LED.

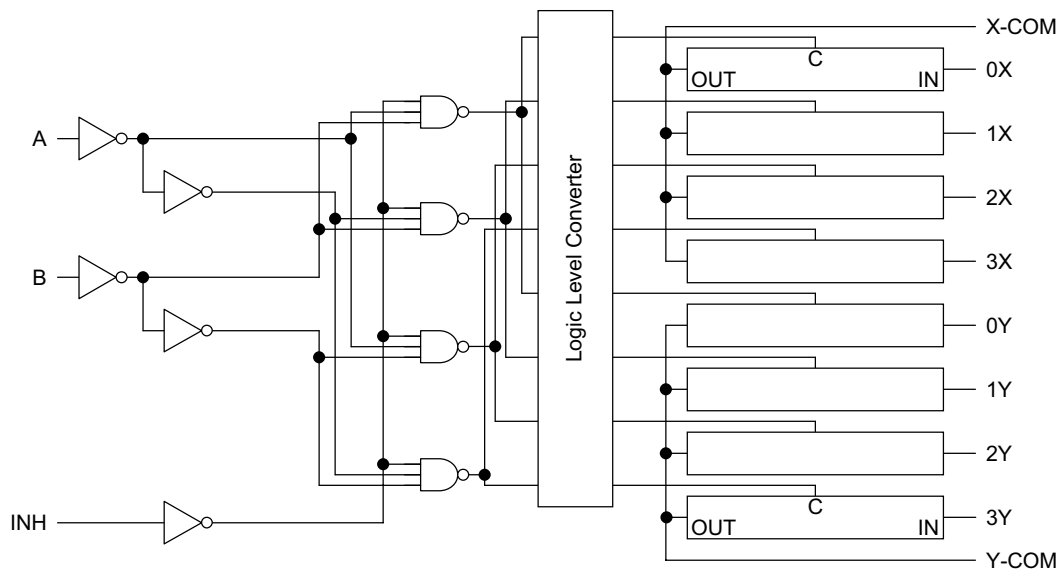
PIN CONFIGURATION



PIN DESCRIPTION

PIN N°	SYMBOL	NAME AND FUNCTION
1	C ₁₊	Positive Terminal for the first Charge Pump Capacitor
2	V+	Doubled Voltage Terminal
3	C ₁₋	Negative Terminal for the first Charge Pump Capacitor
4	C ₂₊	Positive Terminal for the second Charge Pump Capacitor
5	C ₂₋	Negative Terminal for the second Charge Pump Capacitor
6	V-	Inverted Voltage Terminal
7	T _{2OUT}	Second Transmitter Output Voltage
8	R _{2IN}	Second Receiver Input Voltage
9	R _{2OUT}	Second Receiver Output Voltage
10	T _{2IN}	Second Transmitter Input Voltage
11	T _{1IN}	First Transmitter Input Voltage
12	R _{1OUT}	First Receiver Output Voltage
13	R _{1IN}	First Receiver Input Voltage
14	T _{1OUT}	First Transmitter Output Voltage
15	GND	Ground
16	V _{CC}	Supply Voltage

IC95 : TC7MZ4052FK
 IC96 : TC7MZ4052FK



Control Inputs				"ON" Channel		
Inhibit	C*	B	A	MZ4051FK	MZ4052FK	MZ4053FK
L	L	L	L	0	0X, 0Y	0X, 0Y, 0Z
L	L	L	H	1	1X, 1Y	1X, 0Y, 0Z
L	L	H	L	2	2X, 2Y	0X, 1Y, 0Z
L	L	H	H	3	3X, 3Y	1X, 1Y, 0Z
L	H	L	L	4	—	0X, 0Y, 1Z
L	H	L	H	5	—	1X, 0Y, 1Z
L	H	H	L	6	—	0X, 1Y, 1Z
L	H	H	H	7	—	1X, 1Y, 1Z
H	X	X	X	None	None	None

X: Don't care, *: Except MZ4052FK

SiI 9030 Features

PanelLink Cinema Transmitter

Industry-Standard Compliance

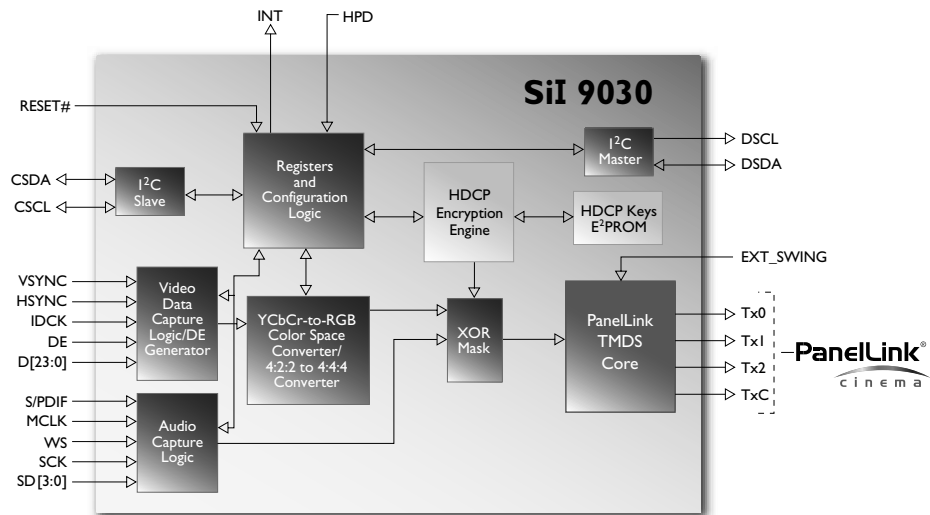
- HDMI 1.0
- DVI 1.0
- EIA/CEA-861B
- HDCP 1.1

Digital Video Output

- Integrated PanelLink® core
- Supports DTV (480i/576i/480p/576p/720p/1080i/1080p) and PC (VGA/XGA/SXGA/WSXGA) resolutions
- Flexible video interface supports DVD and HD MPEG decoders
 - 12/24-bit RGB YCbCr 4:4:4
 - 16/20/24-bit YCbCr 4:2:2
 - 8/10/12-bit YCbCr 4:2:2 (ITU-R BT.601 & BT.656)
- Integrated YCbCr ↔ RGB color space conversion
- 4:2:2 ↔ 4:4:4 up-converter
- Programmable Data Enable (DE) generator

Digital Audio Output

- DVD-Audio support thru 4xI²S inputs
- Supports 2-channel 192kHz or 8-channel 96kHz
- Supports IEC60958 2-channel PCM or IEC61937 compressed audio (Dolby Digital, DTS, etc.)
- Industry-standard S/PDIF input



Content Protection

- Integrated HDCP cipher engine
- Pre-programmed HDCP keys
 - Simplify manufacturing process
 - Most secure solution available
 - Lower system, manufacturing costs
- Encrypts both video and audio

System Operation

- Register-programmable via slave I²C interface
- Master I²C simplifies system design
- Flexible interrupt registers with interrupt pin
- Monitor detection supported through hot plug and receiver detection

Power Management

- 1.8V core provides low-power operation
- Flexible power-down modes

Silicon Image's SiI 9030 Starter Kit (CP9030HDMI)

Contents include:

Hardware

- SiI 9030 Transmitter Stand Alone Board
- HDMI to HDMI cable

Software

- HDMI Gear Software Tool

Documentation

- User's Guide
- Schematics
- Bill of Materials (BOM)

SiI 9031 Features

PanelLink Cinema Receiver

Industry-Standard Compliance

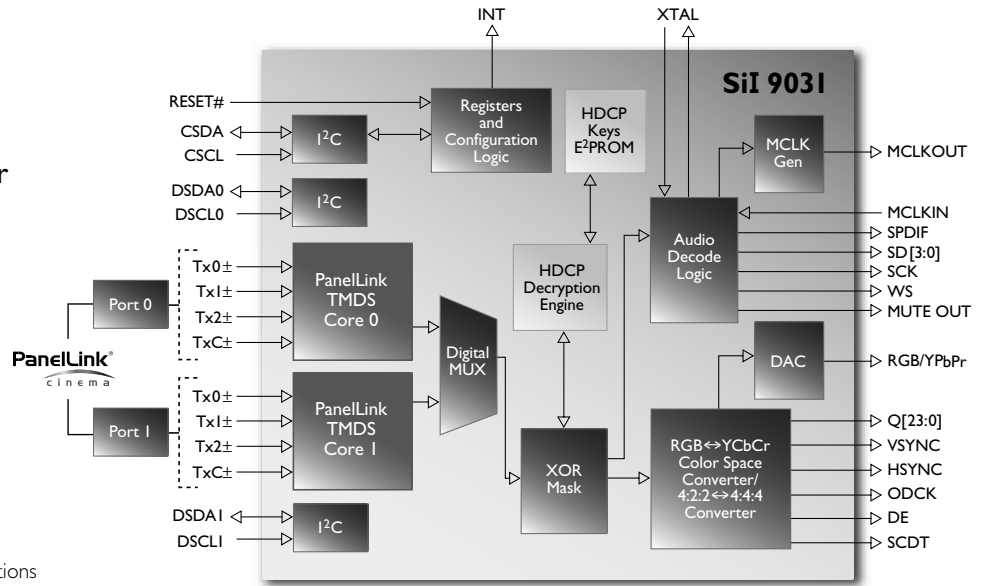
- HDMI 1.0
- DVI 1.0
- EIA/CEA-861B
- HDCP 1.1

Digital Video Output

- Dual integrated PanelLink® cores
- Supports DTV (480i/576i/480p/576p/720p/1080i/1080p) and PC (VGA/XGA/SXGA/WSXGA) resolutions
- Flexible digital video interface
 - 24-bit RGB/YCbCr 4:4:4
 - 16/20/24-bit YCbCr 4:2:2
 - 8/10/12-bit YCbCr 4:2:2 (ITU-R BT.656)
 - 12-bit digital media interface
- Analog RGB and YPbPr output
 - Integrated 10-bit DAC
 - Separate or composite syncs (sync on Y/G)
- Integrated RGB ↔ CbCr color space conversion
- 4:2:2 ↔ 4:4:4 converter

Digital Audio Output

- Industry-standard S/PDIF and I²S output
- Supports high-end audio including DVD-Audio
 - 2-ch. 32-192kHz or
 - 8-ch. 32-96kHz
- Programmable I²S output supports numerous low-cost audio DACs
- Supports IEC60958 2-channel PCM
- Capable of carrying IEC61937 compressed audio (Dolby Digital, DTS, etc.)



Content Protection

- Integrated HDCP cipher engine
- Pre-programmed HDCP keys
 - Simplify manufacturing process
 - Most secure solution available
 - Lower system, manufacturing costs
- Supports HDCP repeater capability
- Decrypts both video and audio

System Operation

- Register-programmable via slave I²C interface
- Auto video mode simplifies design
- Auto audio mode allows more robust system
- Flexible interrupt registers with interrupt pin

Power Management

- 1.8V core provides low-power operation
- Flexible power-down modes

Silicon Image's SiI 9031 Starter Kit (CP9031HDMI)

Contents include:

Hardware

- SiI 9031 Receiver Daughter Board
- HDMI to HDMI cable

Software

- HDMI Gear Receiver Software Tool

Documentation

- User's Guide
- Schematics
- Bill of Materials (BOM)

13. ELECTRICAL PARTS LIST

PARTS INFORMATION

RESISTORS

- 1) 00MGD05 × × × 140, Carbon film fixed resistor, ±5% 1/4W
 2) 00MGD05 × × × 160, Carbon film fixed resistor, ±5% 1/6W

① Resistance value

Examples ;

- ① Resistance value
 0.1Ω 001 10Ω 100 1kΩ 102 100kΩ 104
 0.5Ω 005 18Ω 180 2.7kΩ 272 680kΩ 684
 1Ω 010 100Ω 101 10kΩ 103 1MΩ 105
 6.8Ω 068 390Ω 391 22kΩ 223 4.7MΩ 475

Note : Please distinguish 1/4W from 1/6W by the shape of parts used actually.

CAPACITORS

CERAMIC CAP.

- 3) 00MDD1 × × × × 370, Ceramic capacitor
 Disc type
 Temp.coeff.P350 ~ N1000, 50V

② Capacity value
 Tolerance

Examples ;

- ② Tolerance (Capacity deviation)
 ±0.25pF.....0
 ±0.5pF.....1
 ±5%.....5

* Tolerance of COMMON PARTS handled here are as follows :

- 0.5pF ~ 5pF ±0.25pF
 6pF ~ 10pF ±0.5pF
 12pF ~ 560pF ±5%

③ Capacity value

- 0.5pF 005 3pF 030 100pF 101
 1pF 010 10pF 100 220pF 221
 1.5pF 015 47pF 470 560pF 561

CERAMIC CAP.

- 4) 00MDK16 × × × 300, High dielectric constant ceramic capacitor
 Disc type
 Temp.chara. 2B4, 50V

④ Capacity value

Examples ;

- ④ Capacity value
 100pF 101 1000pF 102 10000pF 103
 470pF 471 2200pF 222

ELECTROLY CAP. (⏏)

- 5) 00MEA × × × × × 10, Electrolytic capacitor
 One-way lead type, Tolerance ±20%

⑤ Working voltage
 Capacity value

Examples ;

- ⑤ Capacity value
 0.1μF 104 4.7μF 475 100μF ... 107
 0.33μF 334 10μF 106 330μF ... 337
 1μF 105 22μF 226 1100μF ... 118
 2200μF ... 228
- ⑥ Working voltage
 6.3V 006 25V 025
 10V 010 35V 035
 16V 016 50V 050

FILM CAP. (⏏)

- 6) 00MDF15 × × × 350 Plastic film capacitor
 One-way type, Mylar ±5% 50V
 00MDF15 × × × 310 Plastic film capacitor
 One-way type, Mylar ±10% 50V

⑦ Capacity value

Examples ;

- ⑦ Capacity value
 0.001μF (1000pF) 102 0.1μF 104
 0.0018μF 182 0.56μF 564
 0.01μF 103 1μF 105
 0.015μF 153

NOTE ON SAFETY FOR FUSIBLE RESISTOR :

The suppliers and their type numbers of fusible resistors are as follows;

1. KOA Corporation

- | Part No. (MJI) | Type No. (KOA) | Description |
|-------------------|--------------------|-------------|
| 00MNH05 × × × 140 | RF25S × × × × ΩJ | (±5% 1/4W) |
| 00MNH05 × × × 120 | RF50S × × × × ΩJ | (±5% 1/2W) |
| 00MNH85 × × × 110 | RF73B2A × × × × ΩJ | (±5% 1/10W) |
| 00MNH95 × × × 140 | RF73B2E × × × × ΩJ | (±5% 1/4W) |

* Resistance value Resistance value
 (0.1 – 10kΩ)

2. Matsushita Electronic Components Co., Ltd

- | Part No. (MJI) | Type No. (MEC) | Description |
|-------------------|----------------|-------------|
| 00MNF05 × × × 140 | ERD-2FCJ × × × | (±5% 1/4W) |
| 00MRF05 × × × 140 | | |
| 00MNF02 × × × 140 | ERD-2FCG × × × | (±2% 1/4W) |
| 00MRF02 × × × 140 | | |

* Resistance value * Resistance value

Examples ;

- * Resistance value
 0.1Ω 001 10Ω 100 1kΩ 102 100kΩ 104
 0.5Ω 005 18Ω 180 2.7kΩ 272 680kΩ 684
 1Ω 010 100Ω 101 10kΩ 103 1MΩ 105
 6.8Ω 068 390Ω 391 22kΩ 223 4.7MΩ 475

ABBREVIATION AND MARKS

ANT. : ANTENNA	BATT. : BATTERY
CAP. : CAPACITOR	CER. : CERAMIC
CONN. : CONNECTING	DIG. : DIGITAL
HP : HEADPHONE	MIC. : MICROPHONE
μ-PRO : MICROPROCESSOR	REC. : RECORDING
RES. : RESISTOR	SPK : SPEAKER
SW : SWITCH	TRANSF. : TRANSFORMER
TRIM. : TRIMMING	TRS. : TRANSISTOR
VAR. : VARIABLE	X'TAL : CRYSTAL

NOTE ON FUSE :

Regarding to all parts of parts code 00MFS20xxx2xx, replace only with Wickmann-Werke GmbH, Type 372 non glass type fuse.

NOTE ON SAFETY :

Symbol ⚠ Fire or electrical shock hazard. Only original parts should be used to replaced any part marked with symbol ⚠ . Any other component substitution (other than original type), may increase risk of fire or electrical shock hazard.

安全上の注意 :

⚠ がついている部品は、安全上重要な部品です。必ず指定されている部品番号の部品を使用して下さい。

P.C.B. NAME	POS. NO.	VERS. COLOR	PART NO. (FOR EUR)	PART NO. (MZ)	PART NAME	DESCRIPTION
BRIDGE DIODE PWB						
B DIODE	BN21		nsp	nsp	CORD	WIRE ASSY CWB1E908070MM
B DIODE	▲ D991		90M-HE200250R	90M-HE200250R	DIODE	! GBJ1504 HVDGBJ1504
B DIODE	J847		nsp	nsp	CORD	SN95/PB5 0.6 C3A206
B DIODE	J951		nsp	nsp	CORD	SN95/PB5 0.6 C3A206
COMPONENT 2 PWB (CUP11884Z-8)						
COMP.2	BN42		nsp	nsp	CORD	WIRE ASSY CWB2B906050EN
COMP.2	C842		nsp	00MOA47701020	ELECT CAP.	470UF 10V CCEA1AH471T
COMP.2	C843		nsp	nsp	CER. CAP.	0.01UF 50V Z HCBS1H103ZFT
COMP.2	C844		nsp	00MOA47701020	ELECT CAP.	470UF 10V CCEA1AH471T
COMP.2	C845		nsp	nsp	CER. CAP.	0.01UF 50V Z HCBS1H103ZFT
COMP.2	C846		nsp	00MOA47701020	ELECT CAP.	470UF 10V CCEA1AH471T
COMP.2	C847		nsp	nsp	CER. CAP.	0.01UF 50V Z HCBS1H103ZFT
COMP.2	JK86		90M-YT003210R	90M-YT003210R	TERMINAL	CINCH 3P G/B/R SILVER CJJ4S030Z
COMP.2	R856		nsp	nsp	RES.	75 OHM 1/5W J CRD20TJ750T
COMP.2	R857		nsp	nsp	RES.	75 OHM 1/5W J CRD20TJ750T
COMP.2	R858		nsp	nsp	RES.	75 OHM 1/5W J CRD20TJ750T
DOWNLOADER CONNECTOR PWB (CUP11884Z-9)						
DL CON	BK89		nsp	nsp	BRACKET	BRACKET FOR PWB CMD1A569
DL CON	BN89		nsp	nsp	CORD	WIRE ASSY CWB2B906070EN
DL CON	C848		nsp	nsp	CER. CAP.	0.1UF 50V Z HCBS1H104ZFT
DL CON	C849		nsp	nsp	CER. CAP.	0.1UF 50V Z HCBS1H104ZFT
DL CON	C850		nsp	nsp	CER. CAP.	0.1UF 50V Z HCBS1H104ZFT
DL CON	C853		nsp	nsp	CER. CAP.	0.1UF 50V Z HCBS1H104ZFT
DL CON	C854		nsp	nsp	CER. CAP.	0.1UF 50V Z HCBS1H104ZFT
DL CON	C855		nsp	nsp	CER. CAP.	0.1UF 50V Z HCBS1H104ZFT
DL CON	J837		nsp	nsp	CORD	SN95/PB5 0.6 C3A206
DL CON	JK85		90M-YT005040R	90M-YT005040R	TERMINAL	9P D-SUB MALE (RS-232C) SEMCO CJJ9V001Z
DL CON	R859		nsp	nsp	RES.	1K OHM 1/5W J CRD20TJ102T
DL CON	R860		nsp	nsp	RES.	12K OHM 1/5W J CRD20TJ123T
DL CON	R861		nsp	nsp	RES.	1K OHM 1/5W J CRD20TJ102T
DL CON	R862		nsp	nsp	RES.	12K OHM 1/5W J CRD20TJ123T
DL CON	R863		nsp	nsp	RES.	10K OHM 1/5W J CRD20TJ103T
DL CON	SW98		90M-SS000710R	90M-SS000710R	SW	SLIDE SWITCH KSS2B016Z
DL CON	SW99		90M-SP001290R	90M-SP001290R	SW	SPUJ19XSM011 HSH2B018Z
FRONT TRANS. PWB (CUP11884Z-5)						
F TRANS	BN96		nsp	nsp	CORD	WIRE ASSY CWB1C908140BM
F TRANS	C933		nsp	nsp	CER. CAP.	0.01UF 50V Z CCFT1H103ZF
F TRANS	C934		nsp	nsp	CER. CAP.	0.01UF 50V Z CCFT1H103ZF
F TRANS	C935		nsp	nsp	FILM CAP.	0.01UF 50V J HCQI1H103JZT
F TRANS	C936		nsp	nsp	FILM CAP.	0.01UF 50V J HCQI1H103JZT
F TRANS	C937		nsp	nsp	CER. CAP.	0.01UF 50V Z CCFT1H103ZF
F TRANS	C938		nsp	nsp	CER. CAP.	0.01UF 50V Z CCFT1H103ZF
F TRANS	C939		nsp	nsp	FILM CAP.	0.01UF 50V J HCQI1H103JZT
F TRANS	C940		nsp	00MOA47602520	ELECT CAP.	47UF 25V CCEA1EH470T
F TRANS	C941		nsp	00MOA47605020	ELECT CAP.	47UF 50V CCEA1HH470T
F TRANS	C942		nsp	00MOA47605020	ELECT CAP.	47UF 50V CCEA1HH470T
F TRANS	C943		nsp	nsp	FILM CAP.	0.01UF 50V J HCQI1H103JZT
F TRANS	C944		nsp	00MOA10705020	ELECT CAP.	100UF 50V CCEA1HH101T
F TRANS	C945		nsp	00MOA47701620	ELECT CAP.	470UF 16V ZF CCEA1CH471T
F TRANS	CN14		nsp	nsp	CONN.	7P STRAIGHT CJP07GA19ZY
F TRANS	CN91		nsp	nsp	CONN.	3P STRAIGHT CJP03GA01ZY
F TRANS	D981		nsp	90M-HD201730R	DIODE	1N4003 CVD1N4003ST
F TRANS	D982		nsp	90M-HD201730R	DIODE	1N4003 CVD1N4003ST
F TRANS	D983		nsp	90M-HD201730R	DIODE	1N4003 CVD1N4003ST
F TRANS	D984		nsp	90M-HD201730R	DIODE	1N4003 CVD1N4003ST
F TRANS	D985		nsp	90M-HD201730R	DIODE	1N4003 CVD1N4003ST
F TRANS	D986		nsp	90M-HD201730R	DIODE	1N4003 CVD1N4003ST
F TRANS	D987		90M-HD302150R	90M-HD302150R	ZENER DIODE	6.8V 1/2W HVDMTZJ6.8BT
F TRANS	D988		90M-HD302190R	90M-HD302190R	ZENER DIODE	30V 1/2W HVDMTZJ30BT
F TRANS	D989		nsp	90M-HD201730R	DIODE	1N4003 CVD1N4003ST
F TRANS	J842		nsp	nsp	CORD	SN95/PB5 0.6 C3A206
F TRANS	Q901		00MHT600141B0	00MHT600141B0	TRS.	KTA1271Y HVTKTA1271YT
F TRANS	▲ R954		90M-NH000080R	90M-NH000080R	FUSE RES.	! 0.47 OHM 1W J KRQ1AJR47H
F TRANS	▲ R955		90M-NH000080R	90M-NH000080R	FUSE RES.	! 0.47 OHM 1W J KRQ1AJR47H
F TRANS	▲ R956		90M-NH000150R	90M-NH000150R	FUSE RES.	! 0.15 OHM 1W J KRQ1AJR15H
F TRANS	▲ R957		90M-NH000150R	90M-NH000150R	FUSE RES.	! 0.15 OHM 1W J KRQ1AJR15H

NOTE : "nsp" PART IS LISTED FOR REFERENCE ONLY, MARANTZ WILL NOT SUPPLY THESE PARTS.

P.C.B. NAME	POS. NO.	VERS. COLOR	PART NO. (FOR EUR)	PART NO. (MZ)	PART NAME	DESCRIPTION
F TRANS	R958		nsp	nsp	RES.	3.3 OHM 1/5W J CRD20TJ3R3T
F TRANS	R959		nsp	nsp	RES.	4.7 OHM 1/5W J CRD20TJ4R7T
F TRANS	R960		nsp	nsp	RES.	10 OHM 1/5W J CRD20TJ100T
F TRANS	R961		nsp	nsp	RES.	4.7 OHM 1/5W J CRD20TJ4R7T
F TRANS	R962		nsp	nsp	RES.	47K OHM 1/5W J CRD20TJ473T
F TRANS	R963		nsp	nsp	RES.	1.2K OHM 1/5W J CRD20TJ122T
					FRONT PWB (CUP11884Z)	
FRONT			nsp	nsp	BUFFER	STOPPER IR SENSOR CHG1A262
FRONT	BK11		nsp	nsp	BRACKET	BRACKET FLT CMD1A468
FRONT	BK12		nsp	nsp	BRACKET	BRACKET FLT CMD1A468
FRONT	BK84		nsp	nsp	TERMINAL	PLATE EARTH CMC3A111
FRONT	BK85		nsp	nsp	TERMINAL	PLATE EARTH CMC3A111
FRONT	BN14		nsp	nsp	CORD	WIRE ASSY CWB1B907240EN
FRONT	BN41		nsp	nsp	CORD	WIRE ASSY CWB2B905360EN
FRONT	BN43		nsp	nsp	CORD	WIRE ASSY CWB2B905450EN
FRONT	BN86		nsp	nsp	CORD	WIRE ASSY CWB2B907050BM
FRONT	C801		nsp	00MOA10701620	ELECT CAP.	100UF 16V CCEA1CH101T
FRONT	C802		nsp	00MOA10605020	ELECT CAP.	10UF 50V CCEA1HH100T
FRONT	C804		nsp	nsp	CER. CAP.	0.01UF 50V Z HCBS1H103ZFT
FRONT	C805		nsp	nsp	CER. CAP.	100PF 50V K HCBS1H101KBT
FRONT	C806		nsp	00MOA10705020	ELECT CAP.	100UF 50V CCEA1HH101T
FRONT	C807		nsp	nsp	CER. CAP.	100PF 50V K HCBS1H101KBT
FRONT	C809		nsp	nsp	CER. CAP.	100PF 50V K HCBS1H101KBT
FRONT	C810		nsp	nsp	CER. CAP.	100PF 50V K HCBS1H101KBT
FRONT	C811		nsp	nsp	CER. CAP.	100PF 50V K HCBS1H101KBT
FRONT	C812		nsp	nsp	CER. CAP.	0.1UF 50V Z HCBS1H104ZFT
FRONT	C813		nsp	00MEJ10601610	ELECT CAP.	100UF 16V KS CCEA1CKS101T
FRONT	C814		nsp	nsp	CER. CAP.	100PF 50V K HCBS1H101KBT
FRONT	C815		nsp	nsp	CER. CAP.	100PF 50V K HCBS1H101KBT
FRONT	C816		nsp	nsp	CER. CAP.	100PF 50V K HCBS1H101KBT
FRONT	C817		nsp	nsp	CER. CAP.	100PF 50V K HCBS1H101KBT
FRONT	C818		nsp	nsp	CER. CAP.	100PF 50V K HCBS1H101KBT
FRONT	C819		nsp	nsp	CER. CAP.	0.1UF 50V Z HCBS1H104ZFT
FRONT	C820		nsp	nsp	CER. CAP.	100PF 50V K HCBS1H101KBT
FRONT	C821		nsp	90M-EJ000040R	ELECT CAP.	10UF 50V KS CCEA1HKS100T
FRONT	C822		nsp	nsp	CER. CAP.	100PF 50V K HCBS1H101KBT
FRONT	C824		nsp	nsp	CER. CAP.	0.1UF 50V Z HCBS1H104ZFT
FRONT	C825		nsp	nsp	CER. CAP.	390PF 50V KB HCBS1H391KBT
FRONT	C826		nsp	nsp	CER. CAP.	100PF 50V K HCBS1H101KBT
FRONT	C827		nsp	nsp	CER. CAP.	100PF 50V K HCBS1H101KBT
FRONT	C828		nsp	00MEJ10601610	ELECT CAP.	100UF 16V KS CCEA1CKS101T
FRONT	C831		nsp	nsp	CER. CAP.	0.1UF 50V Z HCBS1H104ZFT
FRONT	C832		nsp	00MOA10605020	ELECT CAP.	10UF 50V CCEA1HH100T
FRONT	C833		nsp	00MOA10605020	ELECT CAP.	10UF 50V CCEA1HH100T
FRONT	C834		nsp	00MOA10605020	ELECT CAP.	10UF 50V CCEA1HH100T
FRONT	C835		nsp	00MOA10605020	ELECT CAP.	10UF 50V CCEA1HH100T
FRONT	C836		nsp	00MOA10605020	ELECT CAP.	10UF 50V CCEA1HH100T
FRONT	C837		nsp	nsp	CER. CAP.	470PF 50V HCBS1H471KBT
FRONT	C838		nsp	nsp	CER. CAP.	470PF 50V HCBS1H471KBT
FRONT	C840		nsp	nsp	CER. CAP.	0.1UF 50V Z HCBS1H104ZFT
FRONT	C851		nsp	nsp	CER. CAP.	0.01UF 50V Z HCBS1H103ZFT
FRONT	C852		nsp	00MOA47602520	ELECT CAP.	47UF 25V CCEA1EH470T
FRONT	C880		nsp	nsp	CER. CAP.	0.1UF 50V Z HCBS1H104ZFT
FRONT	CN15		nsp	nsp	CONN.	19P WAFER CARD CABLE CJP19GA117ZY
FRONT	D802		90M-HI101190R	90M-HI101190R	L.E.D.	BLUE LED TOL-52CSBBCEAB2 CVD52CSBBCEAB2
FRONT	D803		nsp	00MHD20015210	DIODE	1SS133T-77 CVD1SS133MT
FRONT	D804		nsp	00MHD20015210	DIODE	1SS133T-77 CVD1SS133MT
FRONT	EN81		90M-SR000240R	90M-SR000240R	ROTARY SW	EC16B243040HB HSR2A004Z
FRONT	ET01		nsp	nsp	BRACKET	BRACKET SHIELD CMD1A512
FRONT	FL1		90M-HQ300620R	90M-HQ300620R	DISPLAY	16-BT-110GNK HFL16BT110GNK
FRONT	IC81		00MHC10220090	00MHC10220090	IC	NJU3430F VFD DRIVER HVINJU3430F
FRONT	IC82		90M-HC700550R	90M-HC700550R	IC	TC74HCU04AFNG HVI74HCU04AFNG
FRONT	IC83		90M-HC108440R	90M-HC108440R	IC	ST202EBW RS-232C HVIST202EBW
FRONT	J801		nsp	nsp	CORD	SN95/PB5 0.6 C3A206
FRONT	J802		nsp	nsp	CORD	SN95/PB5 0.6 C3A206
FRONT	J803		nsp	nsp	CORD	SN95/PB5 0.6 C3A206
FRONT	J804		nsp	nsp	CORD	SN95/PB5 0.6 C3A206

NOTE : "nsp" PART IS LISTED FOR REFERENCE ONLY, MARANTZ WILL NOT SUPPLY THESE PARTS.

P.C.B. NAME	POS. NO.	VERS. COLOR	PART NO. (FOR EUR)	PART NO. (MZ)	PART NAME	DESCRIPTION	
FRONT	J805		nsp	nsp	CORD	SN95/PB5 0.6	C3A206
FRONT	J806		nsp	nsp	CORD	SN95/PB5 0.6	C3A206
FRONT	J807		nsp	nsp	CORD	SN95/PB5 0.6	C3A206
FRONT	J808		nsp	nsp	CORD	SN95/PB5 0.6	C3A206
FRONT	J809		nsp	nsp	CORD	SN95/PB5 0.6	C3A206
FRONT	J810		nsp	nsp	CORD	SN95/PB5 0.6	C3A206
FRONT	J812		nsp	nsp	CORD	SN95/PB5 0.6	C3A206
FRONT	J813		nsp	nsp	CORD	SN95/PB5 0.6	C3A206
FRONT	J814		nsp	nsp	CORD	SN95/PB5 0.6	C3A206
FRONT	J815		nsp	nsp	CORD	SN95/PB5 0.6	C3A206
FRONT	J816		nsp	nsp	CORD	SN95/PB5 0.6	C3A206
FRONT	J817		nsp	nsp	CORD	SN95/PB5 0.6	C3A206
FRONT	J818		nsp	nsp	CORD	SN95/PB5 0.6	C3A206
FRONT	J819		nsp	nsp	CORD	SN95/PB5 0.6	C3A206
FRONT	J820		nsp	nsp	CORD	SN95/PB5 0.6	C3A206
FRONT	J821		nsp	nsp	CORD	SN95/PB5 0.6	C3A206
FRONT	J824		nsp	nsp	CORD	SN95/PB5 0.6	C3A206
FRONT	J826		nsp	nsp	CORD	SN95/PB5 0.6	C3A206
FRONT	J827		nsp	nsp	CORD	SN95/PB5 0.6	C3A206
FRONT	J828		nsp	nsp	CORD	SN95/PB5 0.6	C3A206
FRONT	J829		nsp	nsp	CORD	SN95/PB5 0.6	C3A206
FRONT	J830		nsp	nsp	CORD	SN95/PB5 0.6	C3A206
FRONT	J831		nsp	nsp	CORD	SN95/PB5 0.6	C3A206
FRONT	J832		nsp	nsp	CORD	SN95/PB5 0.6	C3A206
FRONT	J833		nsp	nsp	CORD	SN95/PB5 0.6	C3A206
FRONT	J844		nsp	nsp	CORD	SN95/PB5 0.6	C3A206
FRONT	J845		nsp	nsp	CORD	SN95/PB5 0.6	C3A206
FRONT	J846		nsp	nsp	CORD	SN95/PB5 0.6	C3A206
FRONT	J848		nsp	nsp	CORD	SN95/PB5 0.6	C3A206
FRONT	J849		nsp	nsp	CORD	SN95/PB5 0.6	C3A206
FRONT	J908		nsp	nsp	CORD	SN95/PB5 0.6	C3A206
FRONT	J909		nsp	nsp	CORD	SN95/PB5 0.6	C3A206
FRONT	J910		nsp	nsp	CORD	SN95/PB5 0.6	C3A206
FRONT	J911		nsp	nsp	CORD	SN95/PB5 0.6	C3A206
FRONT	J912		nsp	nsp	CORD	SN95/PB5 0.6	C3A206
FRONT	J948		nsp	nsp	CORD	SN95/PB5 0.6	C3A206
FRONT	J949		nsp	nsp	CORD	SN95/PB5 0.6	C3A206
FRONT	J952		nsp	nsp	CORD	SN95/PB5 0.6	C3A206
FRONT	J953		nsp	nsp	CORD	SN95/PB5 0.6	C3A206
FRONT	J954		nsp	nsp	CORD	SN95/PB5 0.6	C3A206
FRONT	J955		nsp	nsp	CORD	SN95/PB5 0.6	C3A206
FRONT	JK82		90M-YT005030R	90M-YT005030R	OPT. CONN.	TORX177L	HJSTORX177L
FRONT	JK83		90M-YT003240R	90M-YT003240R	TERMINAL	S-TERMINAL 1P	CJJ9M004Z
FRONT	JK84		90M-YT003220R	90M-YT003220R	TERMINAL	CINCH 3P ADVR-7100 A/V	CJJ4S028Z
FRONT	JW15		nsp	nsp	CORD	WIRE ASSY	CWE8202150RV
FRONT	Q801		00MBA10001000	00MBA10001000	TRS.	KRA102M	HVTKRA102MT
FRONT	Q803		00MHT30001000	00MHT30001000	TRS.	KTC3199Y	HVTKTC3199YT
FRONT	Q804		00MBA10001000	00MBA10001000	TRS.	KRA102M	HVTKRA102MT
FRONT	R801		nsp	nsp	RES.	100K OHM 1/5W J	CRD20TJ104T
FRONT	R802		nsp	nsp	RES.	4.7K OHM 1/5W J	CRD20TJ472T
FRONT	R803		nsp	nsp	RES.	10 OHM 1/5W J	CRD20TJ100T
FRONT	R805		nsp	nsp	RES.	100 OHM 1/5W J	CRD20TJ101T
FRONT	R806		nsp	nsp	RES.	10K OHM 1/5W J	CRD20TJ103T
FRONT	R807		nsp	nsp	RES.	10K OHM 1/5W J	CRD20TJ103T
FRONT	R808		nsp	nsp	RES.	10K OHM 1/5W J	CRD20TJ103T
FRONT	R809		nsp	nsp	RES.	10K OHM 1/5W J	CRD20TJ103T
FRONT	R810		nsp	nsp	RES.	5.6K OHM 1/5W J	CRD20TJ562T
FRONT	R811		nsp	nsp	RES.	2.7K OHM 1/5W J	CRD20TJ272T
FRONT	R812		nsp	nsp	RES.	2.2K OHM 1/5W J	CRD20TJ222T
FRONT	R813		nsp	nsp	RES.	1.5K OHM 1/5W J	CRD20TJ152T
FRONT	R814		nsp	nsp	RES.	1K OHM 1/5W J	CRD20TJ102T
FRONT	R815		nsp	nsp	RES.	820 OHM 1/5W J	CRD20TJ821T
FRONT	R816		nsp	nsp	RES.	560 OHM 1/5W J	CRD20TJ561T
FRONT	R817		nsp	nsp	RES.	680 OHM 1/5W J	CRD20TJ681T
FRONT	R818		nsp	nsp	RES.	5.6K OHM 1/5W J	CRD20TJ562T
FRONT	R819		nsp	nsp	RES.	2.7K OHM 1/5W J	CRD20TJ272T
FRONT	R820		nsp	nsp	RES.	2.2K OHM 1/5W J	CRD20TJ222T

NOTE : *nsp* PART IS LISTED FOR REFERENCE ONLY, MARANTZ WILL NOT SUPPLY THESE PARTS.

P.C.B. NAME	POS. NO.	VERS. COLOR	PART NO. (FOR EUR)	PART NO. (MZ)	PART NAME	DESCRIPTION
FRONT	R821		nsp	nsp	RES.	1.5K OHM 1/5W J CRD20TJ152T
FRONT	R822		nsp	nsp	RES.	1K OHM 1/5W J CRD20TJ102T
FRONT	R823		nsp	nsp	RES.	820 OHM 1/5W J CRD20TJ821T
FRONT	R824		nsp	nsp	RES.	560 OHM 1/5W J CRD20TJ561T
FRONT	R825		nsp	nsp	RES.	680 OHM 1/5W J CRD20TJ681T
FRONT	R826		nsp	nsp	RES.	5.6K OHM 1/5W J CRD20TJ562T
FRONT	R827		nsp	nsp	RES.	2.7K OHM 1/5W J CRD20TJ272T
FRONT	R828		nsp	nsp	RES.	2.2K OHM 1/5W J CRD20TJ222T
FRONT	R829		nsp	nsp	RES.	1.5K OHM 1/5W J CRD20TJ152T
FRONT	R830		nsp	nsp	RES.	1K OHM 1/5W J CRD20TJ102T
FRONT	R831		nsp	nsp	RES.	10K OHM 1/5W J CRD20TJ103T
FRONT	R833		nsp	nsp	RES.	68K OHM 1/5W J CRD20TJ683T
FRONT	R841		nsp	nsp	RES.	75 OHM 1/5W J CRD20TJ750T
FRONT	R843		nsp	nsp	RES.	75 OHM 1/5W J CRD20TJ750T
FRONT	R844		nsp	nsp	RES.	75 OHM 1/5W J CRD20TJ750T
FRONT	R845		nsp	nsp	RES.	100 OHM 1/5W J CRD20TJ101T
FRONT	R851		nsp	nsp	RES.	220 OHM 1/5W J CRD20TJ221T
FRONT	R852		nsp	nsp	RES.	100 OHM 1/5W J CRD20TJ101T
FRONT	R853		nsp	nsp	RES.	82K OHM 1/5W J CRD20TJ823T
FRONT	R854		nsp	nsp	RES.	100 OHM 1/5W J CRD20TJ101T
FRONT	R855		nsp	nsp	RES.	82K OHM 1/5W J CRD20TJ823T
FRONT	R880		nsp	nsp	RES.	10K OHM 1/5W J CRD20TJ103T
FRONT	R901		nsp	nsp	RES.	10K OHM 1/5W J CRD20TJ103T
FRONT	R902		nsp	nsp	RES.	10K OHM 1/5W J CRD20TJ103T
FRONT	R903		nsp	nsp	RES.	10K OHM 1/5W J CRD20TJ103T
FRONT	R904		nsp	nsp	RES.	10K OHM 1/5W J CRD20TJ103T
FRONT	R905		nsp	nsp	RES.	10K OHM 1/5W J CRD20TJ103T
FRONT	R906		nsp	nsp	RES.	10K OHM 1/5W J CRD20TJ103T
FRONT	R907		nsp	nsp	RES.	10K OHM 1/5W J CRD20TJ103T
FRONT	R908		nsp	nsp	RES.	10K OHM 1/5W J CRD20TJ103T
FRONT	R909		nsp	nsp	RES.	10K OHM 1/5W J CRD20TJ103T
FRONT	R910		nsp	nsp	RES.	10K OHM 1/5W J CRD20TJ103T
FRONT	R911		nsp	nsp	RES.	10K OHM 1/5W J CRD20TJ103T
FRONT	R912		nsp	nsp	RES.	10K OHM 1/5W J CRD20TJ103T
FRONT	R913		nsp	nsp	RES.	10K OHM 1/5W J CRD20TJ103T
FRONT	R914		nsp	nsp	RES.	10K OHM 1/5W J CRD20TJ103T
FRONT	R915		nsp	nsp	RES.	10K OHM 1/5W J CRD20TJ103T
FRONT	R916		nsp	nsp	RES.	10K OHM 1/5W J CRD20TJ103T
FRONT	R917		nsp	nsp	RES.	47K OHM 1/5W J CRD20TJ473T
FRONT	R918		nsp	nsp	RES.	47K OHM 1/5W J CRD20TJ473T
FRONT	R919		nsp	nsp	RES.	47K OHM 1/5W J CRD20TJ473T
FRONT	R920		nsp	nsp	RES.	47K OHM 1/5W J CRD20TJ473T
FRONT	R921		nsp	nsp	RES.	47K OHM 1/5W J CRD20TJ473T
FRONT	R922		nsp	nsp	RES.	47K OHM 1/5W J CRD20TJ473T
FRONT	R923		nsp	nsp	RES.	47K OHM 1/5W J CRD20TJ473T
FRONT	R924		nsp	nsp	RES.	47K OHM 1/5W J CRD20TJ473T
FRONT	R925		nsp	nsp	RES.	47K OHM 1/5W J CRD20TJ473T
FRONT	R926		nsp	nsp	RES.	47K OHM 1/5W J CRD20TJ473T
FRONT	R927		nsp	nsp	RES.	47K OHM 1/5W J CRD20TJ473T
FRONT	R928		nsp	nsp	RES.	47K OHM 1/5W J CRD20TJ473T
FRONT	R929		nsp	nsp	RES.	47K OHM 1/5W J CRD20TJ473T
FRONT	R930		nsp	nsp	RES.	47K OHM 1/5W J CRD20TJ473T
FRONT	R931		nsp	nsp	RES.	47K OHM 1/5W J CRD20TJ473T
FRONT	R932		nsp	nsp	RES.	47K OHM 1/5W J CRD20TJ473T
FRONT	R933		nsp	nsp	RES.	47K OHM 1/5W J CRD20TJ473T
FRONT	R934		nsp	nsp	RES.	47K OHM 1/5W J CRD20TJ473T
FRONT	R935		nsp	nsp	RES.	47K OHM 1/5W J CRD20TJ473T
FRONT	R936		nsp	nsp	RES.	47K OHM 1/5W J CRD20TJ473T
FRONT	R937		nsp	nsp	RES.	47K OHM 1/5W J CRD20TJ473T
FRONT	R938		nsp	nsp	RES.	47K OHM 1/5W J CRD20TJ473T
FRONT	R939		nsp	nsp	RES.	47K OHM 1/5W J CRD20TJ473T
FRONT	R940		nsp	nsp	RES.	47K OHM 1/5W J CRD20TJ473T
FRONT	R941		nsp	nsp	RES.	47K OHM 1/5W J CRD20TJ473T
FRONT	R942		nsp	nsp	RES.	47K OHM 1/5W J CRD20TJ473T
FRONT	R943		nsp	nsp	RES.	47K OHM 1/5W J CRD20TJ473T
FRONT	R944		nsp	nsp	RES.	47K OHM 1/5W J CRD20TJ473T
FRONT	R945		nsp	nsp	RES.	47K OHM 1/5W J CRD20TJ473T

NOTE : "nsp" PART IS LISTED FOR REFERENCE ONLY, MARANTZ WILL NOT SUPPLY THESE PARTS.

P.C.B. NAME	POS. NO.	VERS. COLOR	PART NO. (FOR EUR)	PART NO. (MZ)	PART NAME	DESCRIPTION
FRONT	R946		nsp	nsp	RES.	47K OHM 1/5W J CRD20TJ473T
FRONT	R947		nsp	nsp	RES.	47K OHM 1/5W J CRD20TJ473T
FRONT	R948		nsp	nsp	RES.	47K OHM 1/5W J CRD20TJ473T
FRONT	R949		nsp	nsp	RES.	47K OHM 1/5W J CRD20TJ473T
FRONT	R950		nsp	nsp	RES.	47K OHM 1/5W J CRD20TJ473T
FRONT	R951		nsp	nsp	RES.	47K OHM 1/5W J CRD20TJ473T
FRONT	R952		nsp	nsp	RES.	47K OHM 1/5W J CRD20TJ473T
FRONT	R953		nsp	nsp	RES.	47K OHM 1/5W J CRD20TJ473T
FRONT	RC81		90M-HW100650R	90M-HW100650R	PHOTO UNIT	RPM6936-H4 HRVRPM6936H4
FRONT	SW71		90M-SP001210R	90M-SP001210R	SW	SKHV10910G TACT CST1A012ZT
FRONT	SW72		90M-SP001210R	90M-SP001210R	SW	SKHV10910G TACT CST1A012ZT
FRONT	SW73		90M-SP001210R	90M-SP001210R	SW	SKHV10910G TACT CST1A012ZT
FRONT	SW74		90M-SP001210R	90M-SP001210R	SW	SKHV10910G TACT CST1A012ZT
FRONT	SW77		90M-SP001210R	90M-SP001210R	SW	SKHV10910G TACT CST1A012ZT
FRONT	SW78		90M-SP001210R	90M-SP001210R	SW	SKHV10910G TACT CST1A012ZT
FRONT	SW79		90M-SP001210R	90M-SP001210R	SW	SKHV10910G TACT CST1A012ZT
FRONT	SW80		90M-SP001210R	90M-SP001210R	SW	SKHV10910G TACT CST1A012ZT
FRONT	SW81		90M-SP001210R	90M-SP001210R	SW	SKHV10910G TACT CST1A012ZT
FRONT	SW82		90M-SP001210R	90M-SP001210R	SW	SKHV10910G TACT CST1A012ZT
FRONT	SW83		90M-SP001210R	90M-SP001210R	SW	SKHV10910G TACT CST1A012ZT
FRONT	SW84		90M-SP001210R	90M-SP001210R	SW	SKHV10910G TACT CST1A012ZT
FRONT	SW86		90M-SP001210R	90M-SP001210R	SW	SKHV10910G TACT CST1A012ZT
FRONT	SW87		90M-SP001210R	90M-SP001210R	SW	SKHV10910G TACT CST1A012ZT
FRONT	SW88		90M-SP001210R	90M-SP001210R	SW	SKHV10910G TACT CST1A012ZT
FRONT	SW89		90M-SP001210R	90M-SP001210R	SW	SKHV10910G TACT CST1A012ZT
FRONT	SW90		90M-SP001210R	90M-SP001210R	SW	SKHV10910G TACT CST1A012ZT
FRONT	SW91		90M-SP001210R	90M-SP001210R	SW	SKHV10910G TACT CST1A012ZT
FRONT	SW92		90M-SP001210R	90M-SP001210R	SW	SKHV10910G TACT CST1A012ZT
					H/P PWB (CUP11884Z-3)	
H/P	C874		nsp	nsp	CER. CAP.	100PF 50V K HCBS1H101KBT
H/P	C875		nsp	nsp	CER. CAP.	100PF 50V K HCBS1H101KBT
H/P	C876		nsp	nsp	CER. CAP.	0.1UF 50V Z HCBS1H104ZFT
H/P	CN87		nsp	nsp	CONN.	5P STRAIGHT CJP05GA19ZY
H/P	J836		nsp	nsp	CORD	SN95/PB5 0.6 C3A206
H/P	JK81	F N	nsp	90M-YT003160R	TERMINAL	HTJ-064-05NG HEADPHONE JACK CJJ2E020Z
H/P	JK81	/N1B	90M-YT003160R	90M-YT003160R	TERMINAL	HTJ-064-05NG HEADPHONE JACK CJJ2E020Z
H/P	JK81	/N1G	90M-YT003160R	90M-YT003160R	TERMINAL	HTJ-064-05NG HEADPHONE JACK CJJ2E020Z
H/P	JK81	/N1S	90M-YT004500R	90M-YT004500R	TERMINAL	JACK HEADPHONE(SILVER) CJJ2E026Z
H/P	JK81	/U1B	nsp	90M-YT003160R	TERMINAL	HTJ-064-05NG HEADPHONE JACK CJJ2E020Z
H/P	JW13		nsp	nsp	CORD	WIRE ASSY CWE8202110RV
H/P	R846		nsp	nsp	RES.	4.7K OHM 1/5W J CRD20TJ472T
H/P	R847		nsp	nsp	RES.	470 OHM 1/5W J CRD20TJ471T
H/P	R881		nsp	nsp	RES.	330 OHM 1W CRG1ANJ331H
H/P	R882		nsp	nsp	RES.	330 OHM 1W CRG1ANJ331H
					HDMI PWB (CUP11887Z)	
HDMI	BK91		nsp	nsp	BRACKET	BRACKET FOR PWB CMD1A569
HDMI	BK92		nsp	nsp	BRACKET	BRACKET FOR PWB CMD1A569
HDMI	BN95		nsp	nsp	CORD	WIRE ASSY CWB1C906150EN
HDMI	C901		nsp	00MDK96104300	CER. CAP.	0.1UF 25V ZF HCUS1E104ZF
HDMI	C902		nsp	00MDK96104300	CER. CAP.	0.1UF 25V ZF HCUS1E104ZF
HDMI	C903		nsp	00MDK96104300	CER. CAP.	0.1UF 25V ZF HCUS1E104ZF
HDMI	C904		nsp	00MDK96104300	CER. CAP.	0.1UF 25V ZF HCUS1E104ZF
HDMI	C905		nsp	00MDK96104300	CER. CAP.	0.1UF 25V ZF HCUS1E104ZF
HDMI	C906		nsp	00MDK96104300	CER. CAP.	0.1UF 25V ZF HCUS1E104ZF
HDMI	C907		nsp	00MDK96104300	CER. CAP.	0.1UF 25V ZF HCUS1E104ZF
HDMI	C908		nsp	00MDK96104300	CER. CAP.	0.1UF 25V ZF HCUS1E104ZF
HDMI	C909		nsp	00MDK96104300	CER. CAP.	0.1UF 25V ZF HCUS1E104ZF
HDMI	C910		nsp	00MDK98103300	CER. CAP.	0.01UF ZF 1608 HCUS1H103ZF
HDMI	C911		nsp	00MDK98103300	CER. CAP.	0.01UF ZF 1608 HCUS1H103ZF
HDMI	C912		nsp	00MDK96104300	CER. CAP.	0.1UF 25V ZF HCUS1E104ZF
HDMI	C913		nsp	00MDK96104300	CER. CAP.	0.1UF 25V ZF HCUS1E104ZF
HDMI	C914		nsp	00MDK96104300	CER. CAP.	0.1UF 25V ZF HCUS1E104ZF
HDMI	C915		nsp	00MDK96104300	CER. CAP.	0.1UF 25V ZF HCUS1E104ZF
HDMI	C916		nsp	00MDK96104300	CER. CAP.	0.1UF 25V ZF HCUS1E104ZF
HDMI	C917		nsp	00MDK96104300	CER. CAP.	0.1UF 25V ZF HCUS1E104ZF
HDMI	C918		nsp	00MDK96104300	CER. CAP.	0.1UF 25V ZF HCUS1E104ZF
HDMI	C919		nsp	00MDK96104300	CER. CAP.	0.1UF 25V ZF HCUS1E104ZF

NOTE : *nsp* PART IS LISTED FOR REFERENCE ONLY, MARANTZ WILL NOT SUPPLY THESE PARTS.

P.C.B. NAME	POS. NO.	VERS. COLOR	PART NO. (FOR EUR)	PART NO. (MZ)	PART NAME	DESCRIPTION	
HDMI	C920		nsp	00MDK96104300	CER. CAP.	0.1UF 25V ZF	HCUS1E104ZF
HDMI	C921		nsp	00MDK96104300	CER. CAP.	0.1UF 25V ZF	HCUS1E104ZF
HDMI	C922		nsp	00MDD95220300	CER. CAP.	22PF 50V JA	CCUS1H220JA
HDMI	C923		nsp	00MDD95220300	CER. CAP.	22PF 50V JA	CCUS1H220JA
HDMI	C924		nsp	00MDK96104300	CER. CAP.	0.1UF 25V ZF	HCUS1E104ZF
HDMI	C925		nsp	00MDK96104300	CER. CAP.	0.1UF 25V ZF	HCUS1E104ZF
HDMI	C926		nsp	00MDK96104300	CER. CAP.	0.1UF 25V ZF	HCUS1E104ZF
HDMI	C927		nsp	00MDK96104300	CER. CAP.	0.1UF 25V ZF	HCUS1E104ZF
HDMI	C928		nsp	00MDK96104300	CER. CAP.	0.1UF 25V ZF	HCUS1E104ZF
HDMI	C929		nsp	00MDK96104300	CER. CAP.	0.1UF 25V ZF	HCUS1E104ZF
HDMI	C930		nsp	00MDK96104300	CER. CAP.	0.1UF 25V ZF	HCUS1E104ZF
HDMI	C931		nsp	00MDK96104300	CER. CAP.	0.1UF 25V ZF	HCUS1E104ZF
HDMI	C932		nsp	00MDK96104300	CER. CAP.	0.1UF 25V ZF	HCUS1E104ZF
HDMI	C933		nsp	00MDK96104300	CER. CAP.	0.1UF 25V ZF	HCUS1E104ZF
HDMI	C934		nsp	00MDK96104300	CER. CAP.	0.1UF 25V ZF	HCUS1E104ZF
HDMI	C935		nsp	00MDK96104300	CER. CAP.	0.1UF 25V ZF	HCUS1E104ZF
HDMI	C936		nsp	00MDK98103300	CER. CAP.	0.01UF ZF 1608	HCUS1H103ZF
HDMI	C937		nsp	00MDK96104300	CER. CAP.	0.1UF 25V ZF	HCUS1E104ZF
HDMI	C938		nsp	00MDK96104300	CER. CAP.	0.1UF 25V ZF	HCUS1E104ZF
HDMI	C939		nsp	00MDK96104300	CER. CAP.	0.1UF 25V ZF	HCUS1E104ZF
HDMI	C941		nsp	00MDK96104300	CER. CAP.	0.1UF 25V ZF	HCUS1E104ZF
HDMI	C942		nsp	00MDK96104300	CER. CAP.	0.1UF 25V ZF	HCUS1E104ZF
HDMI	C944		nsp	00MDK96104300	CER. CAP.	0.1UF 25V ZF	HCUS1E104ZF
HDMI	C945		nsp	00MDK96104300	CER. CAP.	0.1UF 25V ZF	HCUS1E104ZF
HDMI	C946		nsp	00MDK96104300	CER. CAP.	0.1UF 25V ZF	HCUS1E104ZF
HDMI	C947		nsp	00MDK96104300	CER. CAP.	0.1UF 25V ZF	HCUS1E104ZF
HDMI	C948		nsp	00MDK96104300	CER. CAP.	0.1UF 25V ZF	HCUS1E104ZF
HDMI	C949		nsp	00MDK96104300	CER. CAP.	0.1UF 25V ZF	HCUS1E104ZF
HDMI	C950		nsp	00MDK96104300	CER. CAP.	0.1UF 25V ZF	HCUS1E104ZF
HDMI	C951		nsp	00MDK96104300	CER. CAP.	0.1UF 25V ZF	HCUS1E104ZF
HDMI	C952		nsp	00MDK96104300	CER. CAP.	0.1UF 25V ZF	HCUS1E104ZF
HDMI	C953		nsp	00MDK96104300	CER. CAP.	0.1UF 25V ZF	HCUS1E104ZF
HDMI	C954		nsp	00MDK96104300	CER. CAP.	0.1UF 25V ZF	HCUS1E104ZF
HDMI	C955		nsp	00MDK96104300	CER. CAP.	0.1UF 25V ZF	HCUS1E104ZF
HDMI	C956		nsp	00MOA47602520	ELECT CAP.	47UF 25V	CCEA1EH470T
HDMI	C957		nsp	00MOA47602520	ELECT CAP.	47UF 25V	CCEA1EH470T
HDMI	C958		nsp	00MOA47602520	ELECT CAP.	47UF 25V	CCEA1EH470T
HDMI	C959		nsp	00MOA47602520	ELECT CAP.	47UF 25V	CCEA1EH470T
HDMI	C960		nsp	00MOA10605020	ELECT CAP.	10UF 50V	CCEA1HH100T
HDMI	C961		nsp	00MOA47602520	ELECT CAP.	47UF 25V	CCEA1EH470T
HDMI	C962		nsp	00MOA10605020	ELECT CAP.	10UF 50V	CCEA1HH100T
HDMI	C963		nsp	00MDK96104300	CER. CAP.	0.1UF 25V ZF	HCUS1E104ZF
HDMI	C964		nsp	00MDK96104300	CER. CAP.	0.1UF 25V ZF	HCUS1E104ZF
HDMI	C965		nsp	00MOA10505020	ELECT CAP.	1UF 50V	CCEA1HH1R0T
HDMI	C966		nsp	00MOA47602520	ELECT CAP.	47UF 25V	CCEA1EH470T
HDMI	C967		nsp	00MOA47602520	ELECT CAP.	47UF 25V	CCEA1EH470T
HDMI	C968		nsp	00MDK96104300	CER. CAP.	0.1UF 25V ZF	HCUS1E104ZF
HDMI	C969		nsp	00MDK96104300	CER. CAP.	0.1UF 25V ZF	HCUS1E104ZF
HDMI	C970		nsp	00MDK96104300	CER. CAP.	0.1UF 25V ZF	HCUS1E104ZF
HDMI	C971		nsp	00MDK96104300	CER. CAP.	0.1UF 25V ZF	HCUS1E104ZF
HDMI	C980		nsp	00MOA47602520	ELECT CAP.	47UF 25V	CCEA1EH470T
HDMI	CN99		nsp	nsp	CONN.	25PIN WAFER FPC	CJP25GA117ZY
HDMI	D926		00MHZ20039050	00MHZ20039050	DIODE	1SS378	CVD1SS378
HDMI	D927		00MHZ20039050	00MHZ20039050	DIODE	1SS378	CVD1SS378
HDMI	IC88		90M-HC300830R	90M-HC300830R	IC	RN5RZ50BA	HVIRN5RZ50BA
HDMI	IC91		90M-HC300940R	90M-HC300940R	IC	LM1117-ADJ	HVILM1117S-ADJ
HDMI	IC92		90M-HC300940R	90M-HC300940R	IC	LM1117-ADJ	HVILM1117S-ADJ
HDMI	IC93		90M-HC109780R	90M-HC109780R	IC	AT24C02NSU EEPROM(2K)	CVIAT24C02NSU18
HDMI	IC94		90M-HC109780R	90M-HC109780R	IC	AT24C02NSU EEPROM(2K)	CVIAT24C02NSU18
HDMI	IC95		90M-HC400080R	90M-HC400080R	IC	TC7MZ4052FK 4CH MUX	CVITC7MZ4052FK
HDMI	IC96		90M-HC400080R	90M-HC400080R	IC	TC7MZ4052FK 4CH MUX	CVITC7MZ4052FK
HDMI	IC97		90M-HC108910R	90M-HC108910R	IC	74VHC08	HVI74VHC08TTR
HDMI	IC98		00MHC10497990	00MHC10497990	IC	SI9031CTU-7 HDMI RX	CVI00MHC10497990
HDMI	IC99		00MHC10498990	00MHC10498990	IC	SI9030CTU-7 HDMI TX	CVI00MHC10498990
HDMI	JK91		90M-YT005010R	90M-YT005010R	TERMINAL	HDMI YKF45-7009	HJJ9H003Z
HDMI	JK92		90M-YT005010R	90M-YT005010R	TERMINAL	HDMI YKF45-7009	HJJ9H003Z
HDMI	JK93		90M-YT005010R	90M-YT005010R	TERMINAL	HDMI YKF45-7009	HJJ9H003Z

NOTE : "nsp" PART IS LISTED FOR REFERENCE ONLY, MARANTZ WILL NOT SUPPLY THESE PARTS.

P.C.B. NAME	POS. NO.	VERS. COLOR	PART NO. (FOR EUR)	PART NO. (MZ)	PART NAME	DESCRIPTION
HDMI	L901		90M-LU000260R	90M-LU000260R	CHIP INDUCT	10UH CLQ10E100MRZ
HDMI	L902		90M-LU000260R	90M-LU000260R	CHIP INDUCT	10UH CLQ10E100MRZ
HDMI	L903		90M-LU000260R	90M-LU000260R	CHIP INDUCT	10UH CLQ10E100MRZ
HDMI	L904		90M-LU000260R	90M-LU000260R	CHIP INDUCT	10UH CLQ10E100MRZ
HDMI	Q902		90M-BA001620R	90M-BA001620R	CHIP TRS.	KRC103S CVTKRC103S
HDMI	Q903		90M-HX600010R	90M-HX600010R	CHIP TRS.	KRA102S HVTKRA102S
HDMI	Q904		90M-BA001620R	90M-BA001620R	CHIP TRS.	KRC103S CVTKRC103S
HDMI	Q905		90M-HX600010R	90M-HX600010R	CHIP TRS.	KRA102S HVTKRA102S
HDMI	Q906		90M-BA001620R	90M-BA001620R	CHIP TRS.	KRC103S CVTKRC103S
HDMI	Q907		90M-BA001620R	90M-BA001620R	CHIP TRS.	KRC103S CVTKRC103S
HDMI	Q908		90M-HY200050R	90M-HY200050R	F.E.T.	UPA672T CVTUPA672T
HDMI	Q909		90M-HY200050R	90M-HY200050R	F.E.T.	UPA672T CVTUPA672T
HDMI	Q910		90M-HY200050R	90M-HY200050R	F.E.T.	UPA672T CVTUPA672T
HDMI	R901		nsp	90M-NN000790R	CHIP RES.	220 OHM 1% CRJ10DF2200T
HDMI	R902		nsp	90M-NN000800R	CHIP RES.	180 OHM 1% CRJ10DF1800T
HDMI	R903		nsp	90M-NN000800R	CHIP RES.	180 OHM 1% CRJ10DF1800T
HDMI	R904		nsp	90M-NN000790R	CHIP RES.	220 OHM 1% CRJ10DF2200T
HDMI	R905		nsp	90M-NN000810R	CHIP RES.	82 OHM 1% CRJ10DF82R0T
HDMI	R906		nsp	90M-NN000820R	CHIP RES.	15 OHM 1% CRJ10DF15R0T
HDMI	R907		nsp	00MNN05102610	CHIP RES.	1K OHM 1/10W J CRJ10DJ102T
HDMI	R908		nsp	00MNN05223610	CHIP RES.	22K OHM 1/10W J CRJ10DJ223T
HDMI	R909		nsp	00MNN05101610	CHIP RES.	100 OHM 1/10W J CRJ10DJ101T
HDMI	R910		nsp	00MNN05101610	CHIP RES.	100 OHM 1/10W J CRJ10DJ101T
HDMI	R911		nsp	00MNN05101610	CHIP RES.	100 OHM 1/10W J CRJ10DJ101T
HDMI	R912		nsp	00MNN05101610	CHIP RES.	100 OHM 1/10W J CRJ10DJ101T
HDMI	R913		nsp	00MNN05102610	CHIP RES.	1K OHM 1/10W J CRJ10DJ102T
HDMI	R914		nsp	00MNN05223610	CHIP RES.	22K OHM 1/10W J CRJ10DJ223T
HDMI	R915		nsp	00MNN05103610	CHIP RES.	10K OHM 1/10W J CRJ10DJ103T
HDMI	R916		nsp	00MNN05473610	CHIP RES.	47K OHM 1/10W J CRJ10DJ473T
HDMI	R917		nsp	00MNN05103610	CHIP RES.	10K OHM 1/10W J CRJ10DJ103T
HDMI	R918		nsp	00MNN05103610	CHIP RES.	10K OHM 1/10W J CRJ10DJ103T
HDMI	R919		nsp	00MNN05103610	CHIP RES.	10K OHM 1/10W J CRJ10DJ103T
HDMI	R920		nsp	00MNN05473610	CHIP RES.	47K OHM 1/10W J CRJ10DJ473T
HDMI	R921		nsp	00MNN05103610	CHIP RES.	10K OHM 1/10W J CRJ10DJ103T
HDMI	R922		nsp	00MNN05103610	CHIP RES.	10K OHM 1/10W J CRJ10DJ103T
HDMI	R923		nsp	00MNN05181610	CHIP RES.	180 OHM 1/10W J CRJ10DJ181T
HDMI	R924		nsp	00MNN05750610	CHIP RES.	75 OHM 1/10W J CRJ10DJ750T
HDMI	R925		nsp	00MNN05750610	CHIP RES.	75 OHM 1/10W J CRJ10DJ750T
HDMI	R926		nsp	00MNN05750610	CHIP RES.	75 OHM 1/10W J CRJ10DJ750T
HDMI	R928		nsp	00MNN05101610	CHIP RES.	100 OHM 1/10W J CRJ10DJ101T
HDMI	R929		nsp	00MNN05101610	CHIP RES.	100 OHM 1/10W J CRJ10DJ101T
HDMI	R930		nsp	00MNN05682610	CHIP RES.	6.8K OHM 1/10W J CRJ10DJ682T
HDMI	R932		nsp	00MNN05682610	CHIP RES.	6.8K OHM 1/10W J CRJ10DJ682T
HDMI	R933		nsp	00MNN05332610	CHIP RES.	3.3K OHM 1/10W J CRJ10DJ332T
HDMI	R934		nsp	00MNN05332610	CHIP RES.	3.3K OHM 1/10W J CRJ10DJ332T
HDMI	R935		nsp	00MNN05332610	CHIP RES.	3.3K OHM 1/10W J CRJ10DJ332T
HDMI	R936		nsp	00MNN05473610	CHIP RES.	47K OHM 1/10W J CRJ10DJ473T
HDMI	R937		nsp	00MNN05101610	CHIP RES.	100 OHM 1/10W J CRJ10DJ101T
HDMI	R938		nsp	00MNN05101610	CHIP RES.	100 OHM 1/10W J CRJ10DJ101T
HDMI	R939		nsp	00MNN05473610	CHIP RES.	47K OHM 1/10W J CRJ10DJ473T
HDMI	R940		nsp	00MNN05473610	CHIP RES.	47K OHM 1/10W J CRJ10DJ473T
HDMI	R941		nsp	00MNN05101610	CHIP RES.	100 OHM 1/10W J CRJ10DJ101T
HDMI	R942		nsp	00MNN05220610	CHIP RES.	22 OHM 1/10W J CRJ10DJ220T
HDMI	R943		nsp	00MNN05220610	CHIP RES.	22 OHM 1/10W J CRJ10DJ220T
HDMI	R944		nsp	00MNN05330610	CHIP RES.	33 OHM 1/10W J CRJ10DJ330T
HDMI	R945		nsp	00MNN05330610	CHIP RES.	33 OHM 1/10W J CRJ10DJ330T
HDMI	R946		nsp	00MNN05105610	CHIP RES.	1M OHM 1/10W J CRJ10DJ105T
HDMI	R947		nsp	00MNN05103610	CHIP RES.	10K OHM 1/10W J CRJ10DJ103T
HDMI	R948		nsp	00MNN05103610	CHIP RES.	10K OHM 1/10W J CRJ10DJ103T
HDMI	R949		nsp	00MNN05103610	CHIP RES.	10K OHM 1/10W J CRJ10DJ103T
HDMI	R950		nsp	00MNN05103610	CHIP RES.	10K OHM 1/10W J CRJ10DJ103T
HDMI	R951		nsp	00MNN05182610	CHIP RES.	1.8K OHM 1/10W J CRJ10DJ182T
HDMI	R952		nsp	00MNN05182610	CHIP RES.	1.8K OHM 1/10W J CRJ10DJ182T
HDMI	R953		nsp	00MNN05471610	CHIP RES.	470 OHM 1/10W J CRJ10DJ471T
HDMI	R962		nsp	00MNN05101610	CHIP RES.	100 OHM 1/10W J CRJ10DJ101T
HDMI	R963		nsp	00MNN05103610	CHIP RES.	10K OHM 1/10W J CRJ10DJ103T
HDMI	R964		nsp	00MNN05101610	CHIP RES.	100 OHM 1/10W J CRJ10DJ101T

NOTE : *nsp* PART IS LISTED FOR REFERENCE ONLY, MARANTZ WILL NOT SUPPLY THESE PARTS.

P.C.B. NAME	POS. NO.	VERS. COLOR	PART NO. (FOR EUR)	PART NO. (MZ)	PART NAME	DESCRIPTION	
HDMI	R966		nsp	00MNN05222610	CHIP RES.	2.2K OHM 1/10W J	CRJ10DJ222T
HDMI	R967		nsp	00MNN05222610	CHIP RES.	2.2K OHM 1/10W J	CRJ10DJ222T
HDMI	R970		nsp	00MNN05682610	CHIP RES.	6.8K OHM 1/10W J	CRJ10DJ682T
HDMI	R971		nsp	00MNN05242610	CHIP RES.	2.4K OHM	CRJ10DJ242T
HDMI	R972		nsp	00MNN05242610	CHIP RES.	2.4K OHM	CRJ10DJ242T
HDMI	R973		nsp	00MNN05242610	CHIP RES.	2.4K OHM	CRJ10DJ242T
HDMI	R974		nsp	00MNN05242610	CHIP RES.	2.4K OHM	CRJ10DJ242T
HDMI	R975		nsp	00MNN05473610	CHIP RES.	47K OHM 1/10W J	CRJ10DJ473T
HDMI	R976		nsp	00MNN05473610	CHIP RES.	47K OHM 1/10W J	CRJ10DJ473T
HDMI	RN91		90M-BW000400R	90M-BW000400R	RES. COMPO.	22 OHM X4 2012	CRJ104DJ220T
HDMI	RN92		90M-BW000400R	90M-BW000400R	RES. COMPO.	22 OHM X4 2012	CRJ104DJ220T
HDMI	RN93		90M-BW000400R	90M-BW000400R	RES. COMPO.	22 OHM X4 2012	CRJ104DJ220T
HDMI	RN94		90M-BW000400R	90M-BW000400R	RES. COMPO.	22 OHM X4 2012	CRJ104DJ220T
HDMI	RN95		90M-BW000400R	90M-BW000400R	RES. COMPO.	22 OHM X4 2012	CRJ104DJ220T
HDMI	RN96		90M-BW000400R	90M-BW000400R	RES. COMPO.	22 OHM X4 2012	CRJ104DJ220T
HDMI	RN97		90M-BW000400R	90M-BW000400R	RES. COMPO.	22 OHM X4 2012	CRJ104DJ220T
HDMI	RN98		90M-BW000400R	90M-BW000400R	RES. COMPO.	22 OHM X4 2012	CRJ104DJ220T
HDMI	RN99		90M-BW000400R	90M-BW000400R	RES. COMPO.	22 OHM X4 2012	CRJ104DJ220T
HDMI	X901		90M-JX001330R	90M-JX001330R	X'TAL	27MHZ	COX27000E180TF
					INPUT PWB (CUP11885Z)		
INPUT	BN24		nsp	nsp	CORD	WIRE ASSY	CWB1C904100EN
INPUT	BN44		nsp	nsp	CORD	WIRE ASSY	CWB1C905100EN
INPUT	BN96	/U1B	nsp	nsp	CORD	WIRE ASSY	CWB1C902080EN
INPUT	C101		nsp	00MOA47602520	ELECT CAP.	47UF 25V	CCEA1EH470T
INPUT	C102		nsp	00MDK98103300	CER. CAP.	0.01UF ZF 1608	HCUS1H103ZF
INPUT	C103		nsp	00MOA47602520	ELECT CAP.	47UF 25V	CCEA1EH470T
INPUT	C104		nsp	00MDK98103300	CER. CAP.	0.01UF ZF 1608	HCUS1H103ZF
INPUT	C105		nsp	00MOA22605020	ELECT CAP.	22UF 25V	CCEA1EH220T
INPUT	C106		nsp	00MDK96104300	CER. CAP.	0.1UF 25V ZF	HCUS1E104ZF
INPUT	C107		nsp	00MDD95101300	CER. CAP.	100PF 50V JA	HCUS1H101JA
INPUT	C108		nsp	00MDK96104300	CER. CAP.	0.1UF 25V ZF	HCUS1E104ZF
INPUT	C109		nsp	00MDD95101300	CER. CAP.	100PF 50V JA	HCUS1H101JA
INPUT	C110		nsp	00MDK96104300	CER. CAP.	0.1UF 25V ZF	HCUS1E104ZF
INPUT	C111		nsp	00MOA22605020	ELECT CAP.	22UF 25V	CCEA1EH220T
INPUT	C112		nsp	00MDK96104300	CER. CAP.	0.1UF 25V ZF	HCUS1E104ZF
INPUT	C113		nsp	00MDD95330300	CER. CAP.	33PF 50V JA	HCUS1H330JA
INPUT	C114		nsp	00MDK96104300	CER. CAP.	0.1UF 25V ZF	HCUS1E104ZF
INPUT	C115		nsp	00MDK96104300	CER. CAP.	0.1UF 25V ZF	HCUS1E104ZF
INPUT	C116		nsp	00MDD95330300	CER. CAP.	33PF 50V JA	HCUS1H330JA
INPUT	C117		nsp	00MDK98103300	CER. CAP.	0.01UF ZF 1608	HCUS1H103ZF
INPUT	C118		nsp	00MOA47602520	ELECT CAP.	47UF 25V	CCEA1EH470T
INPUT	C119		nsp	00MDK96104300	CER. CAP.	0.1UF 25V ZF	HCUS1E104ZF
INPUT	C120		nsp	00MDK96104300	CER. CAP.	0.1UF 25V ZF	HCUS1E104ZF
INPUT	C121		nsp	00MDK96104300	CER. CAP.	0.1UF 25V ZF	HCUS1E104ZF
INPUT	C122		nsp	00MOA22605020	ELECT CAP.	22UF 25V	CCEA1EH220T
INPUT	C123		nsp	00MDK96104300	CER. CAP.	0.1UF 25V ZF	HCUS1E104ZF
INPUT	C124		nsp	00MDK96104300	CER. CAP.	0.1UF 25V ZF	HCUS1E104ZF
INPUT	C125		nsp	00MDK98223300	CER. CAP.	0.022UF 50V KC	HCUS1H223KC
INPUT	C126		nsp	00MDK96104300	CER. CAP.	0.1UF 25V ZF	HCUS1E104ZF
INPUT	C127		nsp	00MOA22605020	ELECT CAP.	22UF 25V	CCEA1EH220T
INPUT	C128		nsp	00MDK96104300	CER. CAP.	0.1UF 25V ZF	HCUS1E104ZF
INPUT	C129		nsp	00MOA22605020	ELECT CAP.	22UF 25V	CCEA1EH220T
INPUT	C130		nsp	00MDK96104300	CER. CAP.	0.1UF 25V ZF	HCUS1E104ZF
INPUT	C131		nsp	00MOA22605020	ELECT CAP.	22UF 25V	CCEA1EH220T
INPUT	C132		nsp	00MDD95390300	CER. CAP.	39PF 50V JA	CCUS1H390JA
INPUT	C133		nsp	00MDD95390300	CER. CAP.	39PF 50V JA	CCUS1H390JA
INPUT	C134		nsp	00MDK96104300	CER. CAP.	0.1UF 25V ZF	HCUS1E104ZF
INPUT	C135		nsp	00MDD95101300	CER. CAP.	100PF 50V JA	HCUS1H101JA
INPUT	C136		nsp	00MDK96104300	CER. CAP.	0.1UF 25V ZF	HCUS1E104ZF
INPUT	C137		nsp	00MOA22605020	ELECT CAP.	22UF 25V	CCEA1EH220T
INPUT	C138		nsp	00MOA22605020	ELECT CAP.	22UF 25V	CCEA1EH220T
INPUT	C140		nsp	00MDD95471300	CER. CAP.	470PF 50V JA	HCUS1H471JA
INPUT	C141		nsp	00MDD95101300	CER. CAP.	100PF 50V JA	HCUS1H101JA
INPUT	C142		nsp	00MDD95151300	CER. CAP.	150PF 50V JA	HCUS1H151JA
INPUT	C143		nsp	00MDK96104300	CER. CAP.	0.1UF 25V ZF	HCUS1E104ZF
INPUT	C144		nsp	00MDK96272300	CER. CAP.	2700PF 50V KC	HCUS1H272KC
INPUT	C145		nsp	00MOA22605020	ELECT CAP.	22UF 25V	CCEA1EH220T

NOTE : "nsp" PART IS LISTED FOR REFERENCE ONLY, MARANTZ WILL NOT SUPPLY THESE PARTS.

P.C.B. NAME	POS. NO.	VERS. COLOR	PART NO. (FOR EUR)	PART NO. (MZ)	PART NAME	DESCRIPTION	
INPUT	C148		nsp	00MDD95101300	CER. CAP.	100PF 50V JA	HCUS1H101JA
INPUT	C149		nsp	00MDD95151300	CER. CAP.	150PF 50V JA	HCUS1H151JA
INPUT	C150		nsp	00MDK96104300	CER. CAP.	0.1UF 25V ZF	HCUS1E104ZF
INPUT	C151		nsp	00MDK96272300	CER. CAP.	2700PF 50V KC	HCUS1H272KC
INPUT	C152		nsp	00MOA10701620	ELECT CAP.	100UF 16V	CCEA1CH101T
INPUT	C153		nsp	00MDK96104300	CER. CAP.	0.1UF 25V ZF	HCUS1E104ZF
INPUT	C154		nsp	00MDD95101300	CER. CAP.	100PF 50V JA	HCUS1H101JA
INPUT	C157		nsp	00MDK96104300	CER. CAP.	0.1UF 25V ZF	HCUS1E104ZF
INPUT	C158		nsp	00MOA22605020	ELECT CAP.	22UF 25V	CCEA1EH220T
INPUT	C159		nsp	00MDK96104300	CER. CAP.	0.1UF 25V ZF	HCUS1E104ZF
INPUT	C160		nsp	00MOA22605020	ELECT CAP.	22UF 25V	CCEA1EH220T
INPUT	C161		nsp	00MDK96104300	CER. CAP.	0.1UF 25V ZF	HCUS1E104ZF
INPUT	C162		nsp	00MOA22605020	ELECT CAP.	22UF 25V	CCEA1EH220T
INPUT	C164		nsp	00MDK96104300	CER. CAP.	0.1UF 25V ZF	HCUS1E104ZF
INPUT	C165		nsp	00MOA22605020	ELECT CAP.	22UF 25V	CCEA1EH220T
INPUT	C166		nsp	00MDK96104300	CER. CAP.	0.1UF 25V ZF	HCUS1E104ZF
INPUT	C167		nsp	00MOA22505020	ELECT CAP.	2.2UF 50V	CCEA1HH2R2T
INPUT	C168		nsp	00MDD95680300	CER. CAP.	68PF 50V JA	HCUS1H680JA
INPUT	C169		nsp	00MDK96122300	CER. CAP.	1200PF 50V KC	HCUS1H122KC
INPUT	C170		nsp	00MDK98103300	CER. CAP.	0.01UF ZF 1608	HCUS1H103ZF
INPUT	C171		nsp	00MDK96105200	CER. CAP.	1UF 16V ZF	HCUS1C105ZF
INPUT	C172		nsp	00MOA47602520	ELECT CAP.	47UF 25V	CCEA1EH470T
INPUT	C173		nsp	00MDK96104300	CER. CAP.	0.1UF 25V ZF	HCUS1E104ZF
INPUT	C174		nsp	00MDK96104300	CER. CAP.	0.1UF 25V ZF	HCUS1E104ZF
INPUT	C175		nsp	00MOA22605020	ELECT CAP.	22UF 25V	CCEA1EH220T
INPUT	C176		nsp	00MDK96104300	CER. CAP.	0.1UF 25V ZF	HCUS1E104ZF
INPUT	C177		nsp	00MDK96104300	CER. CAP.	0.1UF 25V ZF	HCUS1E104ZF
INPUT	C178		nsp	00MDK96104300	CER. CAP.	0.1UF 25V ZF	HCUS1E104ZF
INPUT	C179		nsp	00MOA22605020	ELECT CAP.	22UF 25V	CCEA1EH220T
INPUT	C180		nsp	00MDK96104300	CER. CAP.	0.1UF 25V ZF	HCUS1E104ZF
INPUT	C181		nsp	00MOA22605020	ELECT CAP.	22UF 25V	CCEA1EH220T
INPUT	C182		nsp	00MDK96104300	CER. CAP.	0.1UF 25V ZF	HCUS1E104ZF
INPUT	C183		nsp	00MDK96104300	CER. CAP.	0.1UF 25V ZF	HCUS1E104ZF
INPUT	C184		nsp	00MDK96104300	CER. CAP.	0.1UF 25V ZF	HCUS1E104ZF
INPUT	C185		nsp	00MOA22605020	ELECT CAP.	22UF 25V	CCEA1EH220T
INPUT	C186		nsp	00MDK96104300	CER. CAP.	0.1UF 25V ZF	HCUS1E104ZF
INPUT	C187		nsp	00MOA22605020	ELECT CAP.	22UF 25V	CCEA1EH220T
INPUT	C188		nsp	00MDK96104300	CER. CAP.	0.1UF 25V ZF	HCUS1E104ZF
INPUT	C189		nsp	00MDK96104300	CER. CAP.	0.1UF 25V ZF	HCUS1E104ZF
INPUT	C190		nsp	00MDK96104300	CER. CAP.	0.1UF 25V ZF	HCUS1E104ZF
INPUT	C191		nsp	00MDK96104300	CER. CAP.	0.1UF 25V ZF	HCUS1E104ZF
INPUT	C192		nsp	00MDK96104300	CER. CAP.	0.1UF 25V ZF	HCUS1E104ZF
INPUT	C193		nsp	00MOA22605020	ELECT CAP.	22UF 25V	CCEA1EH220T
INPUT	C194		nsp	00MDK96104300	CER. CAP.	0.1UF 25V ZF	HCUS1E104ZF
INPUT	C195		nsp	00MOA22605020	ELECT CAP.	22UF 25V	CCEA1EH220T
INPUT	C196		nsp	00MOA22701020	ELECT CAP.	220UF 10V	CCEA1AH221T
INPUT	C197		nsp	00MDK96104300	CER. CAP.	0.1UF 25V ZF	HCUS1E104ZF
INPUT	C198		nsp	00MOA10505020	ELECT CAP.	1UF 50V	CCEA1HH1R0T
INPUT	C199		nsp	00MDK96104300	CER. CAP.	0.1UF 25V ZF	HCUS1E104ZF
INPUT	C200		nsp	00MOA47602520	ELECT CAP.	47UF 25V	CCEA1EH470T
INPUT	C201		nsp	00MDK96104300	CER. CAP.	0.1UF 25V ZF	HCUS1E104ZF
INPUT	C202		nsp	00MOA10701620	ELECT CAP.	100UF 16V	CCEA1CH101T
INPUT	C205		nsp	00MDK96182300	CER. CAP.	1800PF/50V/1608/X7R	CCUS1H182KC
INPUT	C206		nsp	00MDD95331300	CER. CAP.	330PF 50V JA	CCUS1H331JA
INPUT	C207		nsp	00MDK96182300	CER. CAP.	1800PF/50V/1608/X7R	CCUS1H182KC
INPUT	C208		nsp	00MDD95331300	CER. CAP.	330PF 50V JA	CCUS1H331JA
INPUT	C209		nsp	00MDK96104300	CER. CAP.	0.1UF 25V ZF	HCUS1E104ZF
INPUT	C210		nsp	00MOA22605020	ELECT CAP.	22UF 25V	CCEA1EH220T
INPUT	C211		nsp	00MDK96102300	CER. CAP.	1000PF 50V KC	HCUS1H102KC
INPUT	C212		nsp	00MDK96182300	CER. CAP.	1800PF/50V/1608/X7R	CCUS1H182KC
INPUT	C213		nsp	00MDD95331300	CER. CAP.	330PF 50V JA	CCUS1H331JA
INPUT	C214		nsp	00MDK96182300	CER. CAP.	1800PF/50V/1608/X7R	CCUS1H182KC
INPUT	C215		nsp	00MDD95331300	CER. CAP.	330PF 50V JA	CCUS1H331JA
INPUT	C216		nsp	00MDK96104300	CER. CAP.	0.1UF 25V ZF	HCUS1E104ZF
INPUT	C217		nsp	00MOA22605020	ELECT CAP.	22UF 25V	CCEA1EH220T
INPUT	C218		nsp	00MDK96102300	CER. CAP.	1000PF 50V KC	HCUS1H102KC
INPUT	C219		nsp	00MDK96182300	CER. CAP.	1800PF/50V/1608/X7R	CCUS1H182KC

NOTE : *nsp* PART IS LISTED FOR REFERENCE ONLY, MARANTZ WILL NOT SUPPLY THESE PARTS.

P.C.B. NAME	POS. NO.	VERS. COLOR	PART NO. (FOR EUR)	PART NO. (MZ)	PART NAME	DESCRIPTION	
INPUT	C220		nsp	00MDD95331300	CER. CAP.	330PF 50V JA	CCUS1H331JA
INPUT	C221		nsp	00MDK96182300	CER. CAP.	1800PF/50V/1608/X7R	CCUS1H182KC
INPUT	C222		nsp	00MDD95331300	CER. CAP.	330PF 50V JA	CCUS1H331JA
INPUT	C223		nsp	00MDK96104300	CER. CAP.	0.1UF 25V ZF	HCUS1E104ZF
INPUT	C224		nsp	00MOA22605020	ELECT CAP.	22UF 25V	CCEA1EH220T
INPUT	C225		nsp	00MDK96102300	CER. CAP.	1000PF 50V KC	HCUS1H102KC
INPUT	C226		nsp	00MDK96182300	CER. CAP.	1800PF/50V/1608/X7R	CCUS1H182KC
INPUT	C227		nsp	00MDD95331300	CER. CAP.	330PF 50V JA	CCUS1H331JA
INPUT	C228		nsp	00MDK96182300	CER. CAP.	1800PF/50V/1608/X7R	CCUS1H182KC
INPUT	C229		nsp	00MDD95331300	CER. CAP.	330PF 50V JA	CCUS1H331JA
INPUT	C230		nsp	00MDK96104300	CER. CAP.	0.1UF 25V ZF	HCUS1E104ZF
INPUT	C231		nsp	00MOA22605020	ELECT CAP.	22UF 25V	CCEA1EH220T
INPUT	C232		nsp	00MDK96102300	CER. CAP.	1000PF 50V KC	HCUS1H102KC
INPUT	C233		nsp	00MDK96182300	CER. CAP.	1800PF/50V/1608/X7R	CCUS1H182KC
INPUT	C234		nsp	00MDD95331300	CER. CAP.	330PF 50V JA	CCUS1H331JA
INPUT	C235		nsp	00MDK96182300	CER. CAP.	1800PF/50V/1608/X7R	CCUS1H182KC
INPUT	C236		nsp	00MDD95331300	CER. CAP.	330PF 50V JA	CCUS1H331JA
INPUT	C237		nsp	00MDK96104300	CER. CAP.	0.1UF 25V ZF	HCUS1E104ZF
INPUT	C238		nsp	00MOA22605020	ELECT CAP.	22UF 25V	CCEA1EH220T
INPUT	C239		nsp	00MDK96102300	CER. CAP.	1000PF 50V KC	HCUS1H102KC
INPUT	C241		nsp	00MDK96182300	CER. CAP.	1800PF/50V/1608/X7R	CCUS1H182KC
INPUT	C242		nsp	00MDD95331300	CER. CAP.	330PF 50V JA	CCUS1H331JA
INPUT	C243		nsp	00MDK96182300	CER. CAP.	1800PF/50V/1608/X7R	CCUS1H182KC
INPUT	C244		nsp	00MDD95331300	CER. CAP.	330PF 50V JA	CCUS1H331JA
INPUT	C245		nsp	00MDK96104300	CER. CAP.	0.1UF 25V ZF	HCUS1E104ZF
INPUT	C246		nsp	00MOA22605020	ELECT CAP.	22UF 25V	CCEA1EH220T
INPUT	C247		nsp	00MDK96102300	CER. CAP.	1000PF 50V KC	HCUS1H102KC
INPUT	C248		nsp	00MDK96182300	CER. CAP.	1800PF/50V/1608/X7R	CCUS1H182KC
INPUT	C249		nsp	00MDD95331300	CER. CAP.	330PF 50V JA	CCUS1H331JA
INPUT	C250		nsp	00MDK96182300	CER. CAP.	1800PF/50V/1608/X7R	CCUS1H182KC
INPUT	C251		nsp	00MDD95331300	CER. CAP.	330PF 50V JA	CCUS1H331JA
INPUT	C252		nsp	00MDK96104300	CER. CAP.	0.1UF 25V ZF	HCUS1E104ZF
INPUT	C253		nsp	00MOA22605020	ELECT CAP.	22UF 25V	CCEA1EH220T
INPUT	C254		nsp	00MDK96102300	CER. CAP.	1000PF 50V KC	HCUS1H102KC
INPUT	C264		nsp	00MOA10701620	ELECT CAP.	100UF 16V	CCEA1CH101T
INPUT	C265		nsp	00MDK98103300	CER. CAP.	0.01UF ZF 1608	HCUS1H103ZF
INPUT	C266		nsp	00MDK96104300	CER. CAP.	0.1UF 25V ZF	HCUS1E104ZF
INPUT	C267		nsp	00MOA10605020	ELECT CAP.	10UF 50V	CCEA1HH100T
INPUT	C268		nsp	00MDK96182300	CER. CAP.	1800PF/50V/1608/X7R	CCUS1H182KC
INPUT	C269		nsp	00MDD95331300	CER. CAP.	330PF 50V JA	CCUS1H331JA
INPUT	C270		nsp	00MDK96182300	CER. CAP.	1800PF/50V/1608/X7R	CCUS1H182KC
INPUT	C271		nsp	00MDD95331300	CER. CAP.	330PF 50V JA	CCUS1H331JA
INPUT	C272		nsp	00MDK96104300	CER. CAP.	0.1UF 25V ZF	HCUS1E104ZF
INPUT	C273		nsp	00MOA22605020	ELECT CAP.	22UF 25V	CCEA1EH220T
INPUT	C274		nsp	00MDK96102300	CER. CAP.	1000PF 50V KC	HCUS1H102KC
INPUT	C275		nsp	00MOA47602520	ELECT CAP.	47UF 25V	CCEA1EH470T
INPUT	C278		nsp	00MOA47602520	ELECT CAP.	47UF 25V	CCEA1EH470T
INPUT	C279		nsp	00MDK96104300	CER. CAP.	0.1UF 25V ZF	HCUS1E104ZF
INPUT	C280		nsp	00MOA10701620	ELECT CAP.	100UF 16V	CCEA1CH101T
INPUT	C281		nsp	00MDK96104300	CER. CAP.	0.1UF 25V ZF	HCUS1E104ZF
INPUT	C282		nsp	00MDK96104300	CER. CAP.	0.1UF 25V ZF	HCUS1E104ZF
INPUT	C283		nsp	00MDK96104300	CER. CAP.	0.1UF 25V ZF	HCUS1E104ZF
INPUT	C284		nsp	00MDK96104300	CER. CAP.	0.1UF 25V ZF	HCUS1E104ZF
INPUT	C285		nsp	00MDK96104300	CER. CAP.	0.1UF 25V ZF	HCUS1E104ZF
INPUT	C286		nsp	00MDK96104300	CER. CAP.	0.1UF 25V ZF	HCUS1E104ZF
INPUT	C287		nsp	00MDK96104300	CER. CAP.	0.1UF 25V ZF	HCUS1E104ZF
INPUT	C288		nsp	00MDK96104300	CER. CAP.	0.1UF 25V ZF	HCUS1E104ZF
INPUT	C289		nsp	00MDK96104300	CER. CAP.	0.1UF 25V ZF	HCUS1E104ZF
INPUT	C290		nsp	00MOA10605020	ELECT CAP.	10UF 50V	CCEA1HH100T
INPUT	C291		nsp	90M-DK900090R	CER. CAP.	1UF 10V KC	CCUS1A105KC
INPUT	C292		nsp	90M-DK900090R	CER. CAP.	1UF 10V KC	CCUS1A105KC
INPUT	C301		nsp	00MDD95471300	CER. CAP.	470PF 50V JA	HCUS1H471JA
INPUT	C302		nsp	00MDD95471300	CER. CAP.	470PF 50V JA	HCUS1H471JA
INPUT	C303		nsp	00MOA10605020	ELECT CAP.	10UF 50V	CCEA1HH100T
INPUT	C304		nsp	00MOA10605020	ELECT CAP.	10UF 50V	CCEA1HH100T
INPUT	C305		nsp	00MDD95471300	CER. CAP.	470PF 50V JA	HCUS1H471JA
INPUT	C306		nsp	00MDD95471300	CER. CAP.	470PF 50V JA	HCUS1H471JA

NOTE : "nsp" PART IS LISTED FOR REFERENCE ONLY, MARANTZ WILL NOT SUPPLY THESE PARTS.

P.C.B. NAME	POS. NO.	VERS. COLOR	PART NO. (FOR EUR)	PART NO. (MZ)	PART NAME	DESCRIPTION	
INPUT	C307		nsp	00MOA10605020	ELECT CAP.	10UF 50V	CCEA1HH100T
INPUT	C308		nsp	00MOA10605020	ELECT CAP.	10UF 50V	CCEA1HH100T
INPUT	C309		nsp	00MDD95471300	CER. CAP.	470PF 50V JA	HCUS1H471JA
INPUT	C310		nsp	00MDD95471300	CER. CAP.	470PF 50V JA	HCUS1H471JA
INPUT	C311		nsp	00MOA10605020	ELECT CAP.	10UF 50V	CCEA1HH100T
INPUT	C312		nsp	00MOA10605020	ELECT CAP.	10UF 50V	CCEA1HH100T
INPUT	C313		nsp	00MDD95471300	CER. CAP.	470PF 50V JA	HCUS1H471JA
INPUT	C314		nsp	00MDD95471300	CER. CAP.	470PF 50V JA	HCUS1H471JA
INPUT	C315		nsp	00MOA10605020	ELECT CAP.	10UF 50V	CCEA1HH100T
INPUT	C316		nsp	00MOA10605020	ELECT CAP.	10UF 50V	CCEA1HH100T
INPUT	C317		nsp	00MDD95471300	CER. CAP.	470PF 50V JA	HCUS1H471JA
INPUT	C318		nsp	00MDD95471300	CER. CAP.	470PF 50V JA	HCUS1H471JA
INPUT	C319		nsp	00MOA10605020	ELECT CAP.	10UF 50V	CCEA1HH100T
INPUT	C320		nsp	00MOA10605020	ELECT CAP.	10UF 50V	CCEA1HH100T
INPUT	C321		nsp	00MDD95471300	CER. CAP.	470PF 50V JA	HCUS1H471JA
INPUT	C322		nsp	00MDD95471300	CER. CAP.	470PF 50V JA	HCUS1H471JA
INPUT	C323		nsp	00MOA10605020	ELECT CAP.	10UF 50V	CCEA1HH100T
INPUT	C324		nsp	00MOA10605020	ELECT CAP.	10UF 50V	CCEA1HH100T
INPUT	C325		nsp	00MDD95471300	CER. CAP.	470PF 50V JA	HCUS1H471JA
INPUT	C326		nsp	00MDD95471300	CER. CAP.	470PF 50V JA	HCUS1H471JA
INPUT	C327		nsp	00MOA10605020	ELECT CAP.	10UF 50V	CCEA1HH100T
INPUT	C328		nsp	00MOA10605020	ELECT CAP.	10UF 50V	CCEA1HH100T
INPUT	C329		nsp	00MDD95471300	CER. CAP.	470PF 50V JA	HCUS1H471JA
INPUT	C330		nsp	00MDD95471300	CER. CAP.	470PF 50V JA	HCUS1H471JA
INPUT	C331		nsp	00MOA10605020	ELECT CAP.	10UF 50V	CCEA1HH100T
INPUT	C332		nsp	00MOA10605020	ELECT CAP.	10UF 50V	CCEA1HH100T
INPUT	C333		nsp	00MDD95471300	CER. CAP.	470PF 50V JA	HCUS1H471JA
INPUT	C334		nsp	00MDD95471300	CER. CAP.	470PF 50V JA	HCUS1H471JA
INPUT	C335		nsp	00MOA10605020	ELECT CAP.	10UF 50V	CCEA1HH100T
INPUT	C336		nsp	00MOA10605020	ELECT CAP.	10UF 50V	CCEA1HH100T
INPUT	C337		nsp	00MDD95471300	CER. CAP.	470PF 50V JA	HCUS1H471JA
INPUT	C338		nsp	00MDD95471300	CER. CAP.	470PF 50V JA	HCUS1H471JA
INPUT	C339		nsp	00MOA10605020	ELECT CAP.	10UF 50V	CCEA1HH100T
INPUT	C340		nsp	00MOA10605020	ELECT CAP.	10UF 50V	CCEA1HH100T
INPUT	C341		nsp	00MDD95471300	CER. CAP.	470PF 50V JA	HCUS1H471JA
INPUT	C342		nsp	00MDD95471300	CER. CAP.	470PF 50V JA	HCUS1H471JA
INPUT	C343		nsp	00MOA10605020	ELECT CAP.	10UF 50V	CCEA1HH100T
INPUT	C344		nsp	00MOA10605020	ELECT CAP.	10UF 50V	CCEA1HH100T
INPUT	C345		nsp	00MDD95471300	CER. CAP.	470PF 50V JA	HCUS1H471JA
INPUT	C346		nsp	00MDD95471300	CER. CAP.	470PF 50V JA	HCUS1H471JA
INPUT	C347		nsp	00MOA10605020	ELECT CAP.	10UF 50V	CCEA1HH100T
INPUT	C348		nsp	00MOA10605020	ELECT CAP.	10UF 50V	CCEA1HH100T
INPUT	C349		nsp	00MDD95471300	CER. CAP.	470PF 50V JA	HCUS1H471JA
INPUT	C350		nsp	00MDD95471300	CER. CAP.	470PF 50V JA	HCUS1H471JA
INPUT	C351		nsp	00MOA10605020	ELECT CAP.	10UF 50V	CCEA1HH100T
INPUT	C352		nsp	00MOA10605020	ELECT CAP.	10UF 50V	CCEA1HH100T
INPUT	C353		nsp	00MDD95471300	CER. CAP.	470PF 50V JA	HCUS1H471JA
INPUT	C354		nsp	00MDD95471300	CER. CAP.	470PF 50V JA	HCUS1H471JA
INPUT	C355		nsp	00MOA10605020	ELECT CAP.	10UF 50V	CCEA1HH100T
INPUT	C356		nsp	00MOA10605020	ELECT CAP.	10UF 50V	CCEA1HH100T
INPUT	C357		nsp	00MDD95471300	CER. CAP.	470PF 50V JA	HCUS1H471JA
INPUT	C358		nsp	00MDD95471300	CER. CAP.	470PF 50V JA	HCUS1H471JA
INPUT	C359		nsp	00MOA10605020	ELECT CAP.	10UF 50V	CCEA1HH100T
INPUT	C360		nsp	00MOA10605020	ELECT CAP.	10UF 50V	CCEA1HH100T
INPUT	C361	/U1B	nsp	00MDD95471300	CER. CAP.	470PF 50V JA	HCUS1H471JA
INPUT	C362	/U1B	nsp	00MDD95471300	CER. CAP.	470PF 50V JA	HCUS1H471JA
INPUT	C363	/U1B	nsp	00MOA10605020	ELECT CAP.	10UF 50V	CCEA1HH100T
INPUT	C364	/U1B	nsp	00MOA10605020	ELECT CAP.	10UF 50V	CCEA1HH100T
INPUT	C365		nsp	00MDD95471300	CER. CAP.	470PF 50V JA	HCUS1H471JA
INPUT	C366		nsp	00MDD95471300	CER. CAP.	470PF 50V JA	HCUS1H471JA
INPUT	C367		nsp	00MOA10605020	ELECT CAP.	10UF 50V	CCEA1HH100T
INPUT	C368		nsp	00MOA10605020	ELECT CAP.	10UF 50V	CCEA1HH100T
INPUT	C369		nsp	00MDD95101300	CER. CAP.	100PF 50V JA	HCUS1H101JA
INPUT	C370		nsp	00MDD95101300	CER. CAP.	100PF 50V JA	HCUS1H101JA
INPUT	C371		nsp	00MOA10701620	ELECT CAP.	100UF 16V	CCEA1CH101T
INPUT	C372		nsp	00MDK96104300	CER. CAP.	0.1UF 25V ZF	HCUS1E104ZF
INPUT	C373		nsp	00MOA10701620	ELECT CAP.	100UF 16V	CCEA1CH101T

NOTE : *nsp* PART IS LISTED FOR REFERENCE ONLY, MARANTZ WILL NOT SUPPLY THESE PARTS.

P.C.B. NAME	POS. NO.	VERS. COLOR	PART NO. (FOR EUR)	PART NO. (MZ)	PART NAME	DESCRIPTION	
INPUT	C374		nsp	00MDK96104300	CER. CAP.	0.1UF 25V ZF	HCUS1E104ZF
INPUT	C375		nsp	00MDK98223300	CER. CAP.	0.022UF 50V KC	HCUS1H223KC
INPUT	C376		nsp	00MDK98473300	CER. CAP.	0.047UF 50V ZF	HCUS1H473ZF
INPUT	C377		nsp	90M-DK900080R	CER. CAP.	0.015UF ZF 1608	HCUS1H153ZF
INPUT	C378		nsp	00MDK98223300	CER. CAP.	0.022UF 50V KC	HCUS1H223KC
INPUT	C379		nsp	00MDK98473300	CER. CAP.	0.047UF 50V ZF	HCUS1H473ZF
INPUT	C380		nsp	90M-DK900080R	CER. CAP.	0.015UF ZF 1608	HCUS1H153ZF
INPUT	C381		nsp	00MOA47602520	ELECT CAP.	47UF 25V	CCEA1EH470T
INPUT	C382		nsp	00MOA47602520	ELECT CAP.	47UF 25V	CCEA1EH470T
INPUT	C383		nsp	00MOA47602520	ELECT CAP.	47UF 25V	CCEA1EH470T
INPUT	C384		nsp	00MOA47602520	ELECT CAP.	47UF 25V	CCEA1EH470T
INPUT	C385		nsp	00MOA47602520	ELECT CAP.	47UF 25V	CCEA1EH470T
INPUT	C386		nsp	00MOA47602520	ELECT CAP.	47UF 25V	CCEA1EH470T
INPUT	C387		nsp	00MOA47602520	ELECT CAP.	47UF 25V	CCEA1EH470T
INPUT	C388		nsp	00MOA47602520	ELECT CAP.	47UF 25V	CCEA1EH470T
INPUT	C389		nsp	00MOA22605020	ELECT CAP.	22UF 25V	CCEA1EH220T
INPUT	C390		nsp	00MOA22605020	ELECT CAP.	22UF 25V	CCEA1EH220T
INPUT	C391		nsp	00MDK98473300	CER. CAP.	0.047UF 50V ZF	HCUS1H473ZF
INPUT	C392		nsp	00MDK98473300	CER. CAP.	0.047UF 50V ZF	HCUS1H473ZF
INPUT	C393		nsp	00MOA47602520	ELECT CAP.	47UF 25V	CCEA1EH470T
INPUT	C394		nsp	00MOA47602520	ELECT CAP.	47UF 25V	CCEA1EH470T
INPUT	C397		nsp	00MDD95101300	CER. CAP.	100PF 50V JA	HCUS1H101JA
INPUT	C398		nsp	00MDD95101300	CER. CAP.	100PF 50V JA	HCUS1H101JA
INPUT	C399		nsp	00MDD95101300	CER. CAP.	100PF 50V JA	HCUS1H101JA
INPUT	C400		nsp	00MOA22605020	ELECT CAP.	22UF 25V	CCEA1EH220T
INPUT	C401		nsp	00MOA22605020	ELECT CAP.	22UF 25V	CCEA1EH220T
INPUT	C402		nsp	00MDK98473300	CER. CAP.	0.047UF 50V ZF	HCUS1H473ZF
INPUT	C403		nsp	00MDK98473300	CER. CAP.	0.047UF 50V ZF	HCUS1H473ZF
INPUT	C416		nsp	00MOA22605020	ELECT CAP.	22UF 25V	CCEA1EH220T
INPUT	C417		nsp	00MOA22605020	ELECT CAP.	22UF 25V	CCEA1EH220T
INPUT	C418		nsp	00MDK98473300	CER. CAP.	0.047UF 50V ZF	HCUS1H473ZF
INPUT	C419		nsp	00MDK98473300	CER. CAP.	0.047UF 50V ZF	HCUS1H473ZF
INPUT	C420		nsp	00MOA22605020	ELECT CAP.	22UF 25V	CCEA1EH220T
INPUT	C421		nsp	00MOA22605020	ELECT CAP.	22UF 25V	CCEA1EH220T
INPUT	C422		nsp	00MDD95221300	CER. CAP.	220PF 50V JA	HCUS1H221JA
INPUT	C423		nsp	00MDD95221300	CER. CAP.	220PF 50V JA	HCUS1H221JA
INPUT	C424		nsp	00MOA47602520	ELECT CAP.	47UF 25V	CCEA1EH470T
INPUT	C425		nsp	00MOA47602520	ELECT CAP.	47UF 25V	CCEA1EH470T
INPUT	C426		nsp	00MDD95471300	CER. CAP.	470PF 50V JA	HCUS1H471JA
INPUT	C427		nsp	00MDD95471300	CER. CAP.	470PF 50V JA	HCUS1H471JA
INPUT	C428		nsp	00MOA22605020	ELECT CAP.	22UF 25V	CCEA1EH220T
INPUT	C429		nsp	00MOA22605020	ELECT CAP.	22UF 25V	CCEA1EH220T
INPUT	C430		nsp	00MDK98473300	CER. CAP.	0.047UF 50V ZF	HCUS1H473ZF
INPUT	C431		nsp	00MDK98473300	CER. CAP.	0.047UF 50V ZF	HCUS1H473ZF
INPUT	C432		nsp	00MOA22605020	ELECT CAP.	22UF 25V	CCEA1EH220T
INPUT	C433		nsp	00MOA22605020	ELECT CAP.	22UF 25V	CCEA1EH220T
INPUT	C434		nsp	00MDD95101300	CER. CAP.	100PF 50V JA	HCUS1H101JA
INPUT	C435		nsp	00MDD95101300	CER. CAP.	100PF 50V JA	HCUS1H101JA
INPUT	C436		nsp	00MOA47602520	ELECT CAP.	47UF 25V	CCEA1EH470T
INPUT	C437		nsp	00MOA47602520	ELECT CAP.	47UF 25V	CCEA1EH470T
INPUT	C438		nsp	00MDD95471300	CER. CAP.	470PF 50V JA	HCUS1H471JA
INPUT	C439		nsp	00MDD95471300	CER. CAP.	470PF 50V JA	HCUS1H471JA
INPUT	C440		nsp	00MOA22605020	ELECT CAP.	22UF 25V	CCEA1EH220T
INPUT	C441		nsp	00MOA22605020	ELECT CAP.	22UF 25V	CCEA1EH220T
INPUT	C442		nsp	00MDK98473300	CER. CAP.	0.047UF 50V ZF	HCUS1H473ZF
INPUT	C443		nsp	00MDK98473300	CER. CAP.	0.047UF 50V ZF	HCUS1H473ZF
INPUT	C444		nsp	00MOA22605020	ELECT CAP.	22UF 25V	CCEA1EH220T
INPUT	C445		nsp	00MOA22605020	ELECT CAP.	22UF 25V	CCEA1EH220T
INPUT	C446		nsp	00MDD95101300	CER. CAP.	100PF 50V JA	HCUS1H101JA
INPUT	C447		nsp	00MDD95101300	CER. CAP.	100PF 50V JA	HCUS1H101JA
INPUT	C448		nsp	00MOA47602520	ELECT CAP.	47UF 25V	CCEA1EH470T
INPUT	C449		nsp	00MOA47602520	ELECT CAP.	47UF 25V	CCEA1EH470T
INPUT	C450		nsp	00MDD95471300	CER. CAP.	470PF 50V JA	HCUS1H471JA
INPUT	C451		nsp	00MDD95471300	CER. CAP.	470PF 50V JA	HCUS1H471JA
INPUT	C452		nsp	00MOA22605020	ELECT CAP.	22UF 25V	CCEA1EH220T
INPUT	C453		nsp	00MOA22605020	ELECT CAP.	22UF 25V	CCEA1EH220T
INPUT	C454		nsp	00MDK98473300	CER. CAP.	0.047UF 50V ZF	HCUS1H473ZF

NOTE : "nsp" PART IS LISTED FOR REFERENCE ONLY, MARANTZ WILL NOT SUPPLY THESE PARTS.

P.C.B. NAME	POS. NO.	VERS. COLOR	PART NO. (FOR EUR)	PART NO. (MZ)	PART NAME	DESCRIPTION	
INPUT	C455		nsp	00MDK98473300	CER. CAP.	0.047UF 50V ZF	HCUS1H473ZF
INPUT	C456		nsp	00MOA22605020	ELECT CAP.	22UF 25V	CCEA1EH220T
INPUT	C457		nsp	00MOA22605020	ELECT CAP.	22UF 25V	CCEA1EH220T
INPUT	C458		nsp	00MDD95101300	CER. CAP.	100PF 50V JA	HCUS1H101JA
INPUT	C459		nsp	00MDD95101300	CER. CAP.	100PF 50V JA	HCUS1H101JA
INPUT	C460		nsp	00MOA47602520	ELECT CAP.	47UF 25V	CCEA1EH470T
INPUT	C461		nsp	00MOA47602520	ELECT CAP.	47UF 25V	CCEA1EH470T
INPUT	C462		nsp	00MDD95101300	CER. CAP.	100PF 50V JA	HCUS1H101JA
INPUT	C463		nsp	00MDD95471300	CER. CAP.	470PF 50V JA	HCUS1H471JA
INPUT	C464		nsp	00MOA10701620	ELECT CAP.	100UF 16V	CCEA1CH101T
INPUT	C465		nsp	00MOA10801620	ELECT CAP.	1000UF 16V	CCEA1CH102E
INPUT	C467		nsp	00MOA47701020	ELECT CAP.	470UF 10V	CCEA1AH471T
INPUT	C468		nsp	00MOA10701620	ELECT CAP.	100UF 16V	CCEA1CH101T
INPUT	C469		nsp	00MOA10701620	ELECT CAP.	100UF 16V	CCEA1CH101T
INPUT	C470		nsp	00MOA10701620	ELECT CAP.	100UF 16V	CCEA1CH101T
INPUT	C471		nsp	00MOA10701620	ELECT CAP.	100UF 16V	CCEA1CH101T
INPUT	C472		nsp	00MDK98473300	CER. CAP.	0.047UF 50V ZF	HCUS1H473ZF
INPUT	C473		nsp	00MDK98473300	CER. CAP.	0.047UF 50V ZF	HCUS1H473ZF
INPUT	C474		nsp	00MDK98473300	CER. CAP.	0.047UF 50V ZF	HCUS1H473ZF
INPUT	C475		nsp	00MDK98473300	CER. CAP.	0.047UF 50V ZF	HCUS1H473ZF
INPUT	C801		nsp	00MDD95270300	CER. CAP.	27PF 50V JA	CCUS1H270JA
INPUT	C802		nsp	00MDD95270300	CER. CAP.	27PF 50V JA	CCUS1H270JA
INPUT	C803		nsp	00MDK96104300	CER. CAP.	0.1UF 25V ZF	HCUS1E104ZF
INPUT	C804		nsp	00MDK96104300	CER. CAP.	0.1UF 25V ZF	HCUS1E104ZF
INPUT	C805		nsp	00MOA22605020	ELECT CAP.	22UF 25V	CCEA1EH220T
INPUT	C806		nsp	00MDK98474200	CER. CAP.	0.47UF 16V ZF	HCUS1C474ZF
INPUT	C807		nsp	00MDK96104300	CER. CAP.	0.1UF 25V ZF	HCUS1E104ZF
INPUT	C808		nsp	00MOA22605020	ELECT CAP.	22UF 25V	CCEA1EH220T
INPUT	C809		nsp	00MDK96104300	CER. CAP.	0.1UF 25V ZF	HCUS1E104ZF
INPUT	C810		nsp	00MOA22605020	ELECT CAP.	22UF 25V	CCEA1EH220T
INPUT	C811		nsp	00MDK96104300	CER. CAP.	0.1UF 25V ZF	HCUS1E104ZF
INPUT	C812		nsp	00MOA22605020	ELECT CAP.	22UF 25V	CCEA1EH220T
INPUT	C813		nsp	00MDK96104300	CER. CAP.	0.1UF 25V ZF	HCUS1E104ZF
INPUT	C814		nsp	00MDK96104300	CER. CAP.	0.1UF 25V ZF	HCUS1E104ZF
INPUT	C815		nsp	00MOA22605020	ELECT CAP.	22UF 25V	CCEA1EH220T
INPUT	C816		nsp	00MOA47701620	ELECT CAP.	470UF 16V ZF	CCEA1CH471T
INPUT	C817		nsp	00MDK96104300	CER. CAP.	0.1UF 25V ZF	HCUS1E104ZF
INPUT	C818		nsp	00MDK96105200	CER. CAP.	1UF 16V ZF	HCUS1C105ZF
INPUT	C819		nsp	00MDD95180300	CER. CAP.	18PF 50V JC	HCUS1H180JC
INPUT	C823		nsp	00MDD95330300	CER. CAP.	33PF 50V JA	HCUS1H330JA
INPUT	C824		nsp	00MOA47602520	ELECT CAP.	47UF 25V	CCEA1EH470T
INPUT	C825		nsp	00MDK98103300	CER. CAP.	0.01UF ZF 1608	HCUS1H103ZF
INPUT	C828		nsp	00MDK96104300	CER. CAP.	0.1UF 25V ZF	HCUS1E104ZF
INPUT	C829		nsp	00MOA47602520	ELECT CAP.	47UF 25V	CCEA1EH470T
INPUT	C830	/U1B	nsp	00MDK96104300	CER. CAP.	0.1UF 25V ZF	HCUS1E104ZF
INPUT	C831	/U1B	nsp	00MDK96104300	CER. CAP.	0.1UF 25V ZF	HCUS1E104ZF
INPUT	C832	/U1B	nsp	00MDK96104300	CER. CAP.	0.1UF 25V ZF	HCUS1E104ZF
INPUT	C833	/U1B	nsp	00MDK96104300	CER. CAP.	0.1UF 25V ZF	HCUS1E104ZF
INPUT	C834		nsp	00MOA10701620	ELECT CAP.	100UF 16V	CCEA1CH101T
INPUT	C835		nsp	00MOA10701620	ELECT CAP.	100UF 16V	CCEA1CH101T
INPUT	C836		nsp	00MDK98473300	CER. CAP.	0.047UF 50V ZF	HCUS1H473ZF
INPUT	C837		nsp	00MDK98473300	CER. CAP.	0.047UF 50V ZF	HCUS1H473ZF
INPUT	C838		nsp	00MDK96104300	CER. CAP.	0.1UF 25V ZF	HCUS1E104ZF
INPUT	C842		nsp	00MDK96104300	CER. CAP.	0.1UF 25V ZF	HCUS1E104ZF
INPUT	C843		nsp	00MDK96104300	CER. CAP.	0.1UF 25V ZF	HCUS1E104ZF
INPUT	C844	/U1B	nsp	00MDK96104300	CER. CAP.	0.1UF 25V ZF	HCUS1E104ZF
INPUT	C845	/U1B	nsp	00MDK96104300	CER. CAP.	0.1UF 25V ZF	HCUS1E104ZF
INPUT	C846		nsp	00MDD95330300	CER. CAP.	33PF 50V JA	HCUS1H330JA
INPUT	C847		nsp	00MOA10701620	ELECT CAP.	100UF 16V	CCEA1CH101T
INPUT	CN15		nsp	nsp	CONN.	19P WAFER CARD CABLE	CJP19GA117ZY
INPUT	CN27		nsp	nsp	CONN.	27PIN WAFER FPC	CJP27GA115ZY
INPUT	CN30		nsp	nsp	CONN.	MOLEX35336-0910	CJP09GA98ZM
INPUT	CN31		nsp	nsp	CONN.	MOLEX35336-0910	CJP09GA98ZM
INPUT	CN43		nsp	nsp	CONN.	25PIN WAFER FPC	CJP25GA117ZY
INPUT	CN54		nsp	nsp	CONN.	5P STRAIGHT	CJP05GA19ZY
INPUT	CN80		nsp	nsp	CONN.	17P WAFER CARD CABLE	CJP17GA117ZY
INPUT	CN83		nsp	nsp	CONN.	5P STRAIGHT	CJP05GA19ZY

NOTE : *nsp* PART IS LISTED FOR REFERENCE ONLY, MARANTZ WILL NOT SUPPLY THESE PARTS.

P.C.B. NAME	POS. NO.	VERS. COLOR	PART NO. (FOR EUR)	PART NO. (MZ)	PART NAME	DESCRIPTION
INPUT	CN89		nsp	nsp	CONN.	6P STRAIGHT CJP06GA19ZY
INPUT	CN95		nsp	nsp	CONN.	6P STRAIGHT CJP06GA19ZY
INPUT	CN97	/U1B	nsp	nsp	CONN.	15P CARD CABLE CJP15GA115ZY
INPUT	CN98		nsp	nsp	CORD	WIRE ASSY CJP11GA01ZY
INPUT	CN99		nsp	nsp	CONN.	25PIN WAFER FPC CJP25GA117ZY
INPUT	D301		nsp	90M-HD201800R	DIODE	1SS355 CVD1SS355T
INPUT	D303		nsp	90M-HD201800R	DIODE	1SS355 CVD1SS355T
INPUT	D304		nsp	90M-HD201800R	DIODE	1SS355 CVD1SS355T
INPUT	D305		nsp	90M-HD201800R	DIODE	1SS355 CVD1SS355T
INPUT	D306		nsp	90M-HD201800R	DIODE	1SS355 CVD1SS355T
INPUT	D307		nsp	90M-HD201750R	DIODE	1N4003 CVD1N4003SRT
INPUT	D309		nsp	90M-HD201800R	DIODE	1SS355 CVD1SS355T
INPUT	D310		nsp	90M-HD201800R	DIODE	1SS355 CVD1SS355T
INPUT	D311		nsp	90M-HD201800R	DIODE	1SS355 CVD1SS355T
INPUT	D312		nsp	90M-HD201800R	DIODE	1SS355 CVD1SS355T
INPUT	D313		nsp	90M-HD201800R	DIODE	1SS355 CVD1SS355T
INPUT	D314		nsp	90M-HD201800R	DIODE	1SS355 CVD1SS355T
INPUT	D315		nsp	90M-HD201800R	DIODE	1SS355 CVD1SS355T
INPUT	D316		nsp	90M-HD201800R	DIODE	1SS355 CVD1SS355T
INPUT	D317		nsp	90M-HD201750R	DIODE	1N4003 CVD1N4003SRT
INPUT	D318		nsp	90M-HD201750R	DIODE	1N4003 CVD1N4003SRT
INPUT	D319		nsp	90M-HD201750R	DIODE	1N4003 CVD1N4003SRT
INPUT	D320		nsp	90M-HD201750R	DIODE	1N4003 CVD1N4003SRT
INPUT	D801	/U1B	nsp	90M-HD201800R	DIODE	1SS355 CVD1SS355T
INPUT	D802	F N	nsp	90M-HD201800R	DIODE	1SS355 CVD1SS355T
INPUT	D802	/N1B	nsp	90M-HD201800R	DIODE	1SS355 CVD1SS355T
INPUT	D802	/N1G	nsp	90M-HD201800R	DIODE	1SS355 CVD1SS355T
INPUT	D802	/N1S	nsp	90M-HD201800R	DIODE	1SS355 CVD1SS355T
INPUT	D803		nsp	90M-HD201800R	DIODE	1SS355 CVD1SS355T
INPUT	D804		nsp	90M-HD201800R	DIODE	1SS355 CVD1SS355T
INPUT	D807		nsp	90M-HD201800R	DIODE	1SS355 CVD1SS355T
INPUT	D808		nsp	90M-HD201800R	DIODE	1SS355 CVD1SS355T
INPUT	D809		nsp	90M-HD201800R	DIODE	1SS355 CVD1SS355T
INPUT	D810		nsp	90M-HD201800R	DIODE	1SS355 CVD1SS355T
INPUT	D811	/U1B	nsp	90M-HD201750R	DIODE	1N4003 CVD1N4003SRT
INPUT	D812	/U1B	nsp	90M-HD201750R	DIODE	1N4003 CVD1N4003SRT
INPUT	IC11		90M-HS04CW10R	90M-HS04CW10R	U-PRO	HD64F2505 SR5001 HVIHD64F2505
INPUT	IC12	F N	nsp	90M-HC108390R	IC	AT24C08N10SC2.7 HVIAT24C08N10SC
INPUT	IC12	/N1B	90M-HC108390R	90M-HC108390R	IC	AT24C08N10SC2.7 HVIAT24C08N10SC
INPUT	IC12	/N1G	90M-HC108390R	90M-HC108390R	IC	AT24C08N10SC2.7 HVIAT24C08N10SC
INPUT	IC12	/N1S	90M-HC108390R	90M-HC108390R	IC	AT24C08N10SC2.7 HVIAT24C08N10SC
INPUT	IC12	/U1B	nsp	90M-HC109840R	IC	C32AN10SU2.7 CVIC32AN10SU2.7
INPUT	IC13		00MHC10099540	00MHC10099540	IC	S-80145ALMC HVIS-80145ALMC
INPUT	IC14		00MHC38108090	00MHC38108090	IC	KA78LXXAZTA HVIKA78L08AZT
INPUT	IC17		90M-HC109800R	90M-HC109800R	IC	R2S15205FP CVIR2S15205FP
INPUT	IC18		00MHC38106090	00MHC38106090	IC	CVINJM78L06AZT CVINJM78L06AZT
INPUT	IC19		90M-HC300930R	90M-HC300930R	IC	CVINJM79L06AZT CVINJM79L06AZT
INPUT	IC20		00MHC10102090	00MHC10102090	IC	NJM2068MD-TE1 HVINJM2068MDTE1
INPUT	IC21		90M-HC109850R	90M-HC109850R	IC	BD3812F CVIBD3812F
INPUT	IC23		00MHC10102090	00MHC10102090	IC	NJM2068MD-TE1 HVINJM2068MDTE1
INPUT	IC24		00MHC10102090	00MHC10102090	IC	NJM2068MD-TE1 HVINJM2068MDTE1
INPUT	IC25		00MHC10102090	00MHC10102090	IC	NJM2068MD-TE1 HVINJM2068MDTE1
INPUT	IC26		00MHC10102090	00MHC10102090	IC	NJM2068MD-TE1 HVINJM2068MDTE1
INPUT	IC27		00MHC10014880	00MHC10014880	IC	CS49400-CQ DECODER HVICS49400-CQ
INPUT	IC28		00MHC10418030	00MHC10418030	IC	LC89057W-VF4-E HVILC89057WVF4E
INPUT	IC29		90M-HC109790R	90M-HC109790R	IC	CS4382A-CQ CVICS4382A-CQ
INPUT	IC30		00MHC10015880	00MHC10015880	IC	CS5361-KS A/D CONVERTER HVICS5361-KS
INPUT	IC31		90M-HC700550R	90M-HC700550R	IC	TC74HCU04AFNG HVI74HCU04AFNG
INPUT	IC32		90M-HC700630R	90M-HC700630R	IC	TC74VHCT04AFN CVITC74VHCT04AFN
INPUT	IC34		90M-HC109290R	90M-HC109290R	IC	TC74VHC157FT HVITC74VHC157FT
INPUT	IC35		90M-HC300940R	90M-HC300940R	IC	LM1117-ADJ HVILM1117S-ADJ
INPUT	IC36		90M-HC300940R	90M-HC300940R	IC	LM1117-ADJ HVILM1117S-ADJ
INPUT	IC37		90M-HC108430R	90M-HC108430R	IC	TC74HC7007AFEL HVITC74HCT7007F
INPUT	IC38		90M-HC108910R	90M-HC108910R	IC	74VHC08 HVI74VHC08TTR
INPUT	IC39		90M-HC108930R	90M-HC108930R	IC	74LCX32 HVI74LCX32TTR
INPUT	IC40		90M-HS03CW20R	90M-HS03CW20R	U-PRO	MX29LV400TTC-70 SR4001 HVIMX29LV400TTC
INPUT	IC41		90M-HC108970R	90M-HC108970R	IC	HY57V161610ET-7 HVI57V161610ET7

NOTE : *nsp* PART IS LISTED FOR REFERENCE ONLY, MARANTZ WILL NOT SUPPLY THESE PARTS.

P.C.B. NAME	POS. NO.	VERS. COLOR	PART NO. (FOR EUR)	PART NO. (MZ)	PART NAME	DESCRIPTION	
INPUT	IC42		00MHC10172090	00MHC10172090	IC	NJM2115MD OP AMP	HVINJM2115MDTE1
INPUT	IC43		00MHC10172090	00MHC10172090	IC	NJM2115MD OP AMP	HVINJM2115MDTE1
INPUT	IC44		00MHC10102090	00MHC10102090	IC	NJM2068MD-TE1	HVINJM2068MDTE1
INPUT	IC45		00MHC10102090	00MHC10102090	IC	NJM2068MD-TE1	HVINJM2068MDTE1
INPUT	IC46		00MHC10102090	00MHC10102090	IC	NJM2068MD-TE1	HVINJM2068MDTE1
INPUT	IC47		00MHC10102090	00MHC10102090	IC	NJM2068MD-TE1	HVINJM2068MDTE1
INPUT	IC48		00MHC007505K0	00MHC007505K0	IC	TC74VHCT08FT	HVITC74VHCT08FT
INPUT	IC49		90M-HC108910R	90M-HC108910R	IC	74VHC08	HVI74VHC08TTR
INPUT	IC50	/U1B	nsp	90M-HC108910R	IC	74VHC08	HVI74VHC08TTR
INPUT	IC51	/U1B	nsp	00MHC007505K0	IC	TC74VHCT08FT	HVITC74VHCT08FT
INPUT	JK11		90M-YT004060R	90M-YT004060R	TERMINAL	YKC22-0735N	HJS9U002Z
INPUT	JK12		90M-YT004060R	90M-YT004060R	TERMINAL	YKC22-0735N	HJS9U002Z
INPUT	JK13		90M-YT005030R	90M-YT005030R	OPT. CONN.	TORX177L	HJSTORX177L
INPUT	JK14		90M-YT004070R	90M-YT004070R	TERMINAL	YKC22-0734N	HJS9U001Z
INPUT	JK31		90M-YT004050R	90M-YT004050R	TERMINAL	RCA-401DA-16	CJJ4P052Z
INPUT	JK32		90M-YT005000R	90M-YT005000R	TERMINAL	CINCH 8P C/SUB/SBL/SBR	CJJ4P059Z
INPUT	JK34		90M-YT002960R	90M-YT002960R	TERMINAL	CINCH 6P AUDIO	CJJ4R019Z
INPUT	JK35		90M-YT003230R	90M-YT003230R	TERMINAL	CINCH 4P AUDIO	CJJ4P014Y
INPUT	JK36		90M-YT002960R	90M-YT002960R	TERMINAL	CINCH 6P AUDIO	CJJ4R019Z
INPUT	JK37		90M-YT002960R	90M-YT002960R	TERMINAL	CINCH 6P AUDIO	CJJ4R019Z
INPUT	L101		90M-FC900340R	90M-FC900340R	FERRITE CORE	HU-1H4516-600JT	HLZ9Z014Z
INPUT	L102		90M-FC900340R	90M-FC900340R	FERRITE CORE	HU-1H4516-600JT	HLZ9Z014Z
INPUT	L103		90M-FC900460R	90M-FC900460R	EMI FILTER	CHIP BEAD (EMC FILTER)	CLZ9R007Z
INPUT	L104		90M-FC900340R	90M-FC900340R	FERRITE CORE	HU-1H4516-600JT	HLZ9Z014Z
INPUT	L105		90M-FC900340R	90M-FC900340R	FERRITE CORE	HU-1H4516-600JT	HLZ9Z014Z
INPUT	L301		nsp	nsp	COIL	47UH	HLQ02C470KT
INPUT	Q305		00MHT805501B0	00MHT805501B0	TRS.	KTC2874B	HVTKTC2874BT
INPUT	Q306		00MHT805501B0	00MHT805501B0	TRS.	KTC2874B	HVTKTC2874BT
INPUT	Q307		00MHT805501B0	00MHT805501B0	TRS.	KTC2874B	HVTKTC2874BT
INPUT	Q308		00MHT805501B0	00MHT805501B0	TRS.	KTC2874B	HVTKTC2874BT
INPUT	Q309		00MHT805501B0	00MHT805501B0	TRS.	KTC2874B	HVTKTC2874BT
INPUT	Q310		00MHT805501B0	00MHT805501B0	TRS.	KTC2874B	HVTKTC2874BT
INPUT	Q311		00MHT805501B0	00MHT805501B0	TRS.	KTC2874B	HVTKTC2874BT
INPUT	Q312		00MHT805501B0	00MHT805501B0	TRS.	KTC2874B	HVTKTC2874BT
INPUT	Q313		00MHT805501B0	00MHT805501B0	TRS.	KTC2874B	HVTKTC2874BT
INPUT	Q314		00MHT805501B0	00MHT805501B0	TRS.	KTC2874B	HVTKTC2874BT
INPUT	Q315		00MHT805501B0	00MHT805501B0	TRS.	KTC2874B	HVTKTC2874BT
INPUT	Q316		00MHT805501B0	00MHT805501B0	TRS.	KTC2874B	HVTKTC2874BT
INPUT	Q317		00MHT805501B0	00MHT805501B0	TRS.	KTC2874B	HVTKTC2874BT
INPUT	Q318		00MHT805501B0	00MHT805501B0	TRS.	KTC2874B	HVTKTC2874BT
INPUT	Q319		00MHT805501B0	00MHT805501B0	TRS.	KTC2874B	HVTKTC2874BT
INPUT	Q320		00MHT805501B0	00MHT805501B0	TRS.	KTC2874B	HVTKTC2874BT
INPUT	Q321		90M-HX600010R	90M-HX600010R	CHIP TRS.	KRA102S	HVTKRA102S
INPUT	Q322		90M-HX600010R	90M-HX600010R	CHIP TRS.	KRA102S	HVTKRA102S
INPUT	Q323		90M-HX600010R	90M-HX600010R	CHIP TRS.	KRA102S	HVTKRA102S
INPUT	Q324		90M-HX600010R	90M-HX600010R	CHIP TRS.	KRA102S	HVTKRA102S
INPUT	Q325		90M-HX600010R	90M-HX600010R	CHIP TRS.	KRA102S	HVTKRA102S
INPUT	Q328		90M-HX600010R	90M-HX600010R	CHIP TRS.	KRA102S	HVTKRA102S
INPUT	Q329		90M-HX800010R	90M-HX800010R	CHIP TRS.	KRC102S	HVTKRC102S
INPUT	Q330		90M-HX600010R	90M-HX600010R	CHIP TRS.	KRA102S	HVTKRA102S
INPUT	Q331		90M-HX800010R	90M-HX800010R	CHIP TRS.	KRC102S	HVTKRC102S
INPUT	Q332		90M-HX800010R	90M-HX800010R	CHIP TRS.	KRC102S	HVTKRC102S
INPUT	Q333		90M-HX800010R	90M-HX800010R	CHIP TRS.	KRC102S	HVTKRC102S
INPUT	Q334		90M-HX800010R	90M-HX800010R	CHIP TRS.	KRC102S	HVTKRC102S
INPUT	Q335		90M-HX800010R	90M-HX800010R	CHIP TRS.	KRC102S	HVTKRC102S
INPUT	Q339		90M-HX800010R	90M-HX800010R	CHIP TRS.	KRC102S	HVTKRC102S
INPUT	Q340		90M-HX800010R	90M-HX800010R	CHIP TRS.	KRC102S	HVTKRC102S
INPUT	Q347		90M-HX600010R	90M-HX600010R	CHIP TRS.	KRA102S	HVTKRA102S
INPUT	Q348		90M-HX800010R	90M-HX800010R	CHIP TRS.	KRC102S	HVTKRC102S
INPUT	Q349		00MHF201171D0	00MHF201171D0	TRS.	2SK117-BL	CVT2SK117-BL
INPUT	Q354		90M-HX800010R	90M-HX800010R	CHIP TRS.	KRC102S	HVTKRC102S
INPUT	Q355		90M-HX600010R	90M-HX600010R	CHIP TRS.	KRA102S	HVTKRA102S
INPUT	Q801		00MHT30001000	00MHT30001000	TRS.	KTC3199Y	HVTKTC3199YT
INPUT	Q802		90M-HX600010R	90M-HX600010R	CHIP TRS.	KRA102S	HVTKRA102S
INPUT	Q803		90M-HX600010R	90M-HX600010R	CHIP TRS.	KRA102S	HVTKRA102S
INPUT	Q804		90M-HX600010R	90M-HX600010R	CHIP TRS.	KRA102S	HVTKRA102S
INPUT	Q805		00MHT600121A0	00MHT600121A0	TRS.	KTA1268GR	HVTKTA1268GRT

NOTE : *nsp* PART IS LISTED FOR REFERENCE ONLY, MARANTZ WILL NOT SUPPLY THESE PARTS.

P.C.B. NAME	POS. NO.	VERS. COLOR	PART NO. (FOR EUR)	PART NO. (MZ)	PART NAME	DESCRIPTION	
INPUT	Q806		90M-HX800010R	90M-HX800010R	CHIP TRS.	KRC102S	HVTKRC102S
INPUT	Q807		90M-HX600010R	90M-HX600010R	CHIP TRS.	KRA102S	HVTKRA102S
INPUT	Q808		90M-HX600010R	90M-HX600010R	CHIP TRS.	KRA102S	HVTKRA102S
INPUT	Q809		90M-HX600010R	90M-HX600010R	CHIP TRS.	KRA102S	HVTKRA102S
INPUT	Q810		90M-HX800010R	90M-HX800010R	CHIP TRS.	KRC102S	HVTKRC102S
INPUT	Q811		90M-HX800100R	90M-HX800100R	CHIP TRS.	KTC3875S Y RTK	HVTKTC3875SYRTK
INPUT	R101		nsp	00MNN05100610	CHIP RES.	10 OHM 1/10W J	CRJ10DJ100T
INPUT	R102		nsp	00MNN05221610	CHIP RES.	220 OHM 1/10W J	CRJ10DJ221T
INPUT	R103		nsp	00MNN05100610	CHIP RES.	10 OHM 1/10W J	CRJ10DJ100T
INPUT	R104		nsp	00MNN05221610	CHIP RES.	220 OHM 1/10W J	CRJ10DJ221T
INPUT	R105		nsp	90M-NN000830R	CHIP RES.	360 OHM	CRJ10DJ361T
INPUT	R107		nsp	00MNN05750610	CHIP RES.	75 OHM 1/10W J	CRJ10DJ750T
INPUT	R108		nsp	00MNN05102610	CHIP RES.	1K OHM 1/10W J	CRJ10DJ102T
INPUT	R109		nsp	00MNN05104610	CHIP RES.	100K OHM 1/10W J	CRJ10DJ104T
INPUT	R110		nsp	00MNN05472610	CHIP RES.	4.7K OHM 1/10W J	CRJ10DJ472T
INPUT	R111		nsp	00MNN05750610	CHIP RES.	75 OHM 1/10W J	CRJ10DJ750T
INPUT	R112		nsp	00MNN05102610	CHIP RES.	1K OHM 1/10W J	CRJ10DJ102T
INPUT	R113		nsp	00MNN05104610	CHIP RES.	100K OHM 1/10W J	CRJ10DJ104T
INPUT	R114		nsp	00MNN05472610	CHIP RES.	4.7K OHM 1/10W J	CRJ10DJ472T
INPUT	R115		nsp	00MNN05563610	CHIP RES.	56K OHM 1/10W J	CRJ10DJ563T
INPUT	R117		nsp	00MNN05562610	CHIP RES.	5.6K OHM 1/10W J	CRJ10DJ562T
INPUT	R118		nsp	00MNN05103610	CHIP RES.	10K OHM 1/10W J	CRJ10DJ103T
INPUT	R119		nsp	00MNN05750610	CHIP RES.	75 OHM 1/10W J	CRJ10DJ750T
INPUT	R120		nsp	00MNN05100610	CHIP RES.	10 OHM 1/10W J	CRJ10DJ100T
INPUT	R121		nsp	00MNN05750610	CHIP RES.	75 OHM 1/10W J	CRJ10DJ750T
INPUT	R122		nsp	00MNN05470610	CHIP RES.	47 OHM 1/10W J	CRJ10DJ470T
INPUT	R123		nsp	00MNN05104610	CHIP RES.	100K OHM 1/10W J	CRJ10DJ104T
INPUT	R124		nsp	00MNN05472610	CHIP RES.	4.7K OHM 1/10W J	CRJ10DJ472T
INPUT	R125		nsp	00MNN05100610	CHIP RES.	10 OHM 1/10W J	CRJ10DJ100T
INPUT	R126		nsp	00MNN05100610	CHIP RES.	10 OHM 1/10W J	CRJ10DJ100T
INPUT	R127		nsp	00MNN05104610	CHIP RES.	100K OHM 1/10W J	CRJ10DJ104T
INPUT	R128		nsp	00MNN05472610	CHIP RES.	4.7K OHM 1/10W J	CRJ10DJ472T
INPUT	R129		nsp	00MNN05330610	CHIP RES.	33 OHM 1/10W J	CRJ10DJ330T
INPUT	R131		nsp	00MNN05221610	CHIP RES.	220 OHM 1/10W J	CRJ10DJ221T
INPUT	R132		nsp	00MNN05101610	CHIP RES.	100 OHM 1/10W J	CRJ10DJ101T
INPUT	R133		nsp	00MNN05101610	CHIP RES.	100 OHM 1/10W J	CRJ10DJ101T
INPUT	R134		nsp	00MNN05101610	CHIP RES.	100 OHM 1/10W J	CRJ10DJ101T
INPUT	R135		nsp	00MNN05101610	CHIP RES.	100 OHM 1/10W J	CRJ10DJ101T
INPUT	R136		nsp	00MNN05101610	CHIP RES.	100 OHM 1/10W J	CRJ10DJ101T
INPUT	R137		nsp	00MNN05101610	CHIP RES.	100 OHM 1/10W J	CRJ10DJ101T
INPUT	R138		nsp	00MNN05101610	CHIP RES.	100 OHM 1/10W J	CRJ10DJ101T
INPUT	R139		nsp	00MNN05010610	CHIP RES.	1 OHM 1/10W J	CRJ10DJ1R0T
INPUT	R140		nsp	00MNN05105610	CHIP RES.	1M OHM 1/10W J	CRJ10DJ105T
INPUT	R141		nsp	00MNN05103610	CHIP RES.	10K OHM 1/10W J	CRJ10DJ103T
INPUT	R142		nsp	00MNN05103610	CHIP RES.	10K OHM 1/10W J	CRJ10DJ103T
INPUT	R143		nsp	00MNN05103610	CHIP RES.	10K OHM 1/10W J	CRJ10DJ103T
INPUT	R144		nsp	00MNN05103610	CHIP RES.	10K OHM 1/10W J	CRJ10DJ103T
INPUT	R145		nsp	00MNN05332610	CHIP RES.	3.3K OHM 1/10W J	CRJ10DJ332T
INPUT	R146		nsp	00MNN05223610	CHIP RES.	22K OHM 1/10W J	CRJ10DJ223T
INPUT	R147		nsp	00MNN05473610	CHIP RES.	47K OHM 1/10W J	CRJ10DJ473T
INPUT	R148		nsp	00MNN05682610	CHIP RES.	6.8K OHM 1/10W J	CRJ10DJ682T
INPUT	R149		nsp	00MNN05104610	CHIP RES.	100K OHM 1/10W J	CRJ10DJ104T
INPUT	R150		nsp	00MNN05221610	CHIP RES.	220 OHM 1/10W J	CRJ10DJ221T
INPUT	R151		nsp	00MNN05472610	CHIP RES.	4.7K OHM 1/10W J	CRJ10DJ472T
INPUT	R152		nsp	00MNN05472610	CHIP RES.	4.7K OHM 1/10W J	CRJ10DJ472T
INPUT	R153		nsp	00MNN05562610	CHIP RES.	5.6K OHM 1/10W J	CRJ10DJ562T
INPUT	R154		nsp	00MNN05472610	CHIP RES.	4.7K OHM 1/10W J	CRJ10DJ472T
INPUT	R155		nsp	00MNN05101610	CHIP RES.	100 OHM 1/10W J	CRJ10DJ101T
INPUT	R156		nsp	00MNN05101610	CHIP RES.	100 OHM 1/10W J	CRJ10DJ101T
INPUT	R157		nsp	00MNN05682610	CHIP RES.	6.8K OHM 1/10W J	CRJ10DJ682T
INPUT	R158		nsp	00MNN05104610	CHIP RES.	100K OHM 1/10W J	CRJ10DJ104T
INPUT	R160		nsp	00MNN05472610	CHIP RES.	4.7K OHM 1/10W J	CRJ10DJ472T
INPUT	R161		nsp	00MNN05472610	CHIP RES.	4.7K OHM 1/10W J	CRJ10DJ472T
INPUT	R162		nsp	00MNN05562610	CHIP RES.	5.6K OHM 1/10W J	CRJ10DJ562T
INPUT	R163		nsp	00MNN05472610	CHIP RES.	4.7K OHM 1/10W J	CRJ10DJ472T
INPUT	R164		nsp	00MNN05101610	CHIP RES.	100 OHM 1/10W J	CRJ10DJ101T
INPUT	R165		nsp	00MNN05101610	CHIP RES.	100 OHM 1/10W J	CRJ10DJ101T

NOTE : "nsp" PART IS LISTED FOR REFERENCE ONLY, MARANTZ WILL NOT SUPPLY THESE PARTS.

P.C.B. NAME	POS. NO.	VERS. COLOR	PART NO. (FOR EUR)	PART NO. (MZ)	PART NAME	DESCRIPTION	
INPUT	R169		nsp	00MNN05152610	CHIP RES.	1.5K OHM 1/10W J	CRJ10DJ152T
INPUT	R170		nsp	00MNN05223610	CHIP RES.	22K OHM 1/10W J	CRJ10DJ223T
INPUT	R171		nsp	00MNN05223610	CHIP RES.	22K OHM 1/10W J	CRJ10DJ223T
INPUT	R172		nsp	00MNN05270610	CHIP RES.	27 OHM 1/10W J	CRJ10DJ270T
INPUT	R173		nsp	00MNN05101610	CHIP RES.	100 OHM 1/10W J	CRJ10DJ101T
INPUT	R174		nsp	00MNN05330610	CHIP RES.	33 OHM 1/10W J	CRJ10DJ330T
INPUT	R175		nsp	00MNN05330610	CHIP RES.	33 OHM 1/10W J	CRJ10DJ330T
INPUT	R176		nsp	00MNN05330610	CHIP RES.	33 OHM 1/10W J	CRJ10DJ330T
INPUT	R177		nsp	00MNN05330610	CHIP RES.	33 OHM 1/10W J	CRJ10DJ330T
INPUT	R178		nsp	00MNN05103610	CHIP RES.	10K OHM 1/10W J	CRJ10DJ103T
INPUT	R179		nsp	00MNN05103610	CHIP RES.	10K OHM 1/10W J	CRJ10DJ103T
INPUT	R180		nsp	00MNN05103610	CHIP RES.	10K OHM 1/10W J	CRJ10DJ103T
INPUT	R181		nsp	00MNN05103610	CHIP RES.	10K OHM 1/10W J	CRJ10DJ103T
INPUT	R182		nsp	00MNN05103610	CHIP RES.	10K OHM 1/10W J	CRJ10DJ103T
INPUT	R183		nsp	00MNN05103610	CHIP RES.	10K OHM 1/10W J	CRJ10DJ103T
INPUT	R184		nsp	00MNN05152610	CHIP RES.	1.5K OHM 1/10W J	CRJ10DJ152T
INPUT	R185		nsp	00MNN05103610	CHIP RES.	10K OHM 1/10W J	CRJ10DJ103T
INPUT	R186		nsp	00MNN05103610	CHIP RES.	10K OHM 1/10W J	CRJ10DJ103T
INPUT	R187		nsp	00MNN05103610	CHIP RES.	10K OHM 1/10W J	CRJ10DJ103T
INPUT	R188		nsp	00MNN05103610	CHIP RES.	10K OHM 1/10W J	CRJ10DJ103T
INPUT	R189		nsp	00MNN05562610	CHIP RES.	5.6K OHM 1/10W J	CRJ10DJ562T
INPUT	R190		nsp	00MNN05103610	CHIP RES.	10K OHM 1/10W J	CRJ10DJ103T
INPUT	R191		nsp	00MNN05103610	CHIP RES.	10K OHM 1/10W J	CRJ10DJ103T
INPUT	R192		nsp	00MNN05103610	CHIP RES.	10K OHM 1/10W J	CRJ10DJ103T
INPUT	R193		nsp	00MNN05332610	CHIP RES.	3.3K OHM 1/10W J	CRJ10DJ332T
INPUT	R194		nsp	00MNN05103610	CHIP RES.	10K OHM 1/10W J	CRJ10DJ103T
INPUT	R195		nsp	00MNN05562610	CHIP RES.	5.6K OHM 1/10W J	CRJ10DJ562T
INPUT	R196		nsp	00MNN05332610	CHIP RES.	3.3K OHM 1/10W J	CRJ10DJ332T
INPUT	R197		nsp	00MNN05332610	CHIP RES.	3.3K OHM 1/10W J	CRJ10DJ332T
INPUT	R198		nsp	00MNN05332610	CHIP RES.	3.3K OHM 1/10W J	CRJ10DJ332T
INPUT	R199		nsp	00MNN05103610	CHIP RES.	10K OHM 1/10W J	CRJ10DJ103T
INPUT	R200		nsp	00MNN05103610	CHIP RES.	10K OHM 1/10W J	CRJ10DJ103T
INPUT	R201		nsp	00MNN05103610	CHIP RES.	10K OHM 1/10W J	CRJ10DJ103T
INPUT	R202		nsp	00MNN05332610	CHIP RES.	3.3K OHM 1/10W J	CRJ10DJ332T
INPUT	R203		nsp	00MNN05332610	CHIP RES.	3.3K OHM 1/10W J	CRJ10DJ332T
INPUT	R204		nsp	00MNN05103610	CHIP RES.	10K OHM 1/10W J	CRJ10DJ103T
INPUT	R205		nsp	00MNN05103610	CHIP RES.	10K OHM 1/10W J	CRJ10DJ103T
INPUT	R206		nsp	00MNN05562610	CHIP RES.	5.6K OHM 1/10W J	CRJ10DJ562T
INPUT	R207		nsp	00MNN05332610	CHIP RES.	3.3K OHM 1/10W J	CRJ10DJ332T
INPUT	R208		nsp	00MNN05103610	CHIP RES.	10K OHM 1/10W J	CRJ10DJ103T
INPUT	R209		nsp	00MNN05103610	CHIP RES.	10K OHM 1/10W J	CRJ10DJ103T
INPUT	R210		nsp	00MNN05103610	CHIP RES.	10K OHM 1/10W J	CRJ10DJ103T
INPUT	R211		nsp	00MNN05103610	CHIP RES.	10K OHM 1/10W J	CRJ10DJ103T
INPUT	R212		nsp	00MNN05103610	CHIP RES.	10K OHM 1/10W J	CRJ10DJ103T
INPUT	R213		nsp	00MNN05103610	CHIP RES.	10K OHM 1/10W J	CRJ10DJ103T
INPUT	R214		nsp	00MNN05103610	CHIP RES.	10K OHM 1/10W J	CRJ10DJ103T
INPUT	R215		nsp	00MNN05103610	CHIP RES.	10K OHM 1/10W J	CRJ10DJ103T
INPUT	R216		nsp	00MNN05103610	CHIP RES.	10K OHM 1/10W J	CRJ10DJ103T
INPUT	R217		nsp	00MNN05103610	CHIP RES.	10K OHM 1/10W J	CRJ10DJ103T
INPUT	R218		nsp	00MNN05103610	CHIP RES.	10K OHM 1/10W J	CRJ10DJ103T
INPUT	R219		nsp	00MNN05332610	CHIP RES.	3.3K OHM 1/10W J	CRJ10DJ332T
INPUT	R220		nsp	00MNN05332610	CHIP RES.	3.3K OHM 1/10W J	CRJ10DJ332T
INPUT	R221		nsp	00MNN05472610	CHIP RES.	4.7K OHM 1/10W J	CRJ10DJ472T
INPUT	R222		nsp	00MNN05182610	CHIP RES.	1.8K OHM 1/10W J	CRJ10DJ182T
INPUT	R223		nsp	00MNN05182610	CHIP RES.	1.8K OHM 1/10W J	CRJ10DJ182T
INPUT	R224		nsp	00MNN05472610	CHIP RES.	4.7K OHM 1/10W J	CRJ10DJ472T
INPUT	R225		nsp	00MNN05101610	CHIP RES.	100 OHM 1/10W J	CRJ10DJ101T
INPUT	R226		nsp	00MNN05104610	CHIP RES.	100K OHM 1/10W J	CRJ10DJ104T
INPUT	R228		nsp	00MNN05100610	CHIP RES.	10 OHM 1/10W J	CRJ10DJ100T
INPUT	R235		nsp	00MNN05103610	CHIP RES.	10K OHM 1/10W J	CRJ10DJ103T
INPUT	R236		nsp	00MNN05103610	CHIP RES.	10K OHM 1/10W J	CRJ10DJ103T
INPUT	R237		nsp	00MNN05103610	CHIP RES.	10K OHM 1/10W J	CRJ10DJ103T
INPUT	R238		nsp	00MNN05103610	CHIP RES.	10K OHM 1/10W J	CRJ10DJ103T
INPUT	R239		nsp	00MNN05330610	CHIP RES.	33 OHM 1/10W J	CRJ10DJ330T
INPUT	R240		nsp	00MNN05103610	CHIP RES.	10K OHM 1/10W J	CRJ10DJ103T
INPUT	R241		nsp	00MNN05330610	CHIP RES.	33 OHM 1/10W J	CRJ10DJ330T
INPUT	R242		nsp	00MNN05330610	CHIP RES.	33 OHM 1/10W J	CRJ10DJ330T

NOTE : *nsp* PART IS LISTED FOR REFERENCE ONLY, MARANTZ WILL NOT SUPPLY THESE PARTS.

P.C.B. NAME	POS. NO.	VERS. COLOR	PART NO. (FOR EUR)	PART NO. (MZ)	PART NAME	DESCRIPTION
INPUT	R243		nsp	00MNN05330610	CHIP RES.	33 OHM 1/10W J CRJ10DJ330T
INPUT	R245		nsp	00MNN05223610	CHIP RES.	22K OHM 1/10W J CRJ10DJ223T
INPUT	R247		nsp	00MNN05332610	CHIP RES.	3.3K OHM 1/10W J CRJ10DJ332T
INPUT	R248		nsp	00MNN05332610	CHIP RES.	3.3K OHM 1/10W J CRJ10DJ332T
INPUT	R249		nsp	00MNN05472610	CHIP RES.	4.7K OHM 1/10W J CRJ10DJ472T
INPUT	R250		nsp	00MNN05182610	CHIP RES.	1.8K OHM 1/10W J CRJ10DJ182T
INPUT	R251		nsp	00MNN05472610	CHIP RES.	4.7K OHM 1/10W J CRJ10DJ472T
INPUT	R252		nsp	00MNN05182610	CHIP RES.	1.8K OHM 1/10W J CRJ10DJ182T
INPUT	R253		nsp	00MNN05101610	CHIP RES.	100 OHM 1/10W J CRJ10DJ101T
INPUT	R254		nsp	00MNN05104610	CHIP RES.	100K OHM 1/10W J CRJ10DJ104T
INPUT	R255		nsp	00MNN05332610	CHIP RES.	3.3K OHM 1/10W J CRJ10DJ332T
INPUT	R256		nsp	00MNN05332610	CHIP RES.	3.3K OHM 1/10W J CRJ10DJ332T
INPUT	R257		nsp	00MNN05472610	CHIP RES.	4.7K OHM 1/10W J CRJ10DJ472T
INPUT	R258		nsp	00MNN05182610	CHIP RES.	1.8K OHM 1/10W J CRJ10DJ182T
INPUT	R259		nsp	00MNN05472610	CHIP RES.	4.7K OHM 1/10W J CRJ10DJ472T
INPUT	R260		nsp	00MNN05182610	CHIP RES.	1.8K OHM 1/10W J CRJ10DJ182T
INPUT	R261		nsp	00MNN05101610	CHIP RES.	100 OHM 1/10W J CRJ10DJ101T
INPUT	R262		nsp	00MNN05104610	CHIP RES.	100K OHM 1/10W J CRJ10DJ104T
INPUT	R263		nsp	00MNN05332610	CHIP RES.	3.3K OHM 1/10W J CRJ10DJ332T
INPUT	R264		nsp	00MNN05332610	CHIP RES.	3.3K OHM 1/10W J CRJ10DJ332T
INPUT	R265		nsp	00MNN05472610	CHIP RES.	4.7K OHM 1/10W J CRJ10DJ472T
INPUT	R266		nsp	00MNN05182610	CHIP RES.	1.8K OHM 1/10W J CRJ10DJ182T
INPUT	R267		nsp	00MNN05472610	CHIP RES.	4.7K OHM 1/10W J CRJ10DJ472T
INPUT	R268		nsp	00MNN05182610	CHIP RES.	1.8K OHM 1/10W J CRJ10DJ182T
INPUT	R269		nsp	00MNN05101610	CHIP RES.	100 OHM 1/10W J CRJ10DJ101T
INPUT	R270		nsp	00MNN05104610	CHIP RES.	100K OHM 1/10W J CRJ10DJ104T
INPUT	R271		nsp	00MNN05332610	CHIP RES.	3.3K OHM 1/10W J CRJ10DJ332T
INPUT	R272		nsp	00MNN05332610	CHIP RES.	3.3K OHM 1/10W J CRJ10DJ332T
INPUT	R273		nsp	00MNN05472610	CHIP RES.	4.7K OHM 1/10W J CRJ10DJ472T
INPUT	R274		nsp	00MNN05182610	CHIP RES.	1.8K OHM 1/10W J CRJ10DJ182T
INPUT	R275		nsp	00MNN05472610	CHIP RES.	4.7K OHM 1/10W J CRJ10DJ472T
INPUT	R276		nsp	00MNN05182610	CHIP RES.	1.8K OHM 1/10W J CRJ10DJ182T
INPUT	R277		nsp	00MNN05101610	CHIP RES.	100 OHM 1/10W J CRJ10DJ101T
INPUT	R278		nsp	00MNN05104610	CHIP RES.	100K OHM 1/10W J CRJ10DJ104T
INPUT	R279		nsp	00MNN05332610	CHIP RES.	3.3K OHM 1/10W J CRJ10DJ332T
INPUT	R280		nsp	00MNN05332610	CHIP RES.	3.3K OHM 1/10W J CRJ10DJ332T
INPUT	R281		nsp	00MNN05472610	CHIP RES.	4.7K OHM 1/10W J CRJ10DJ472T
INPUT	R282		nsp	00MNN05182610	CHIP RES.	1.8K OHM 1/10W J CRJ10DJ182T
INPUT	R283		nsp	00MNN05472610	CHIP RES.	4.7K OHM 1/10W J CRJ10DJ472T
INPUT	R284		nsp	00MNN05182610	CHIP RES.	1.8K OHM 1/10W J CRJ10DJ182T
INPUT	R285		nsp	00MNN05101610	CHIP RES.	100 OHM 1/10W J CRJ10DJ101T
INPUT	R286		nsp	00MNN05104610	CHIP RES.	100K OHM 1/10W J CRJ10DJ104T
INPUT	R287		nsp	00MNN05332610	CHIP RES.	3.3K OHM 1/10W J CRJ10DJ332T
INPUT	R288		nsp	00MNN05332610	CHIP RES.	3.3K OHM 1/10W J CRJ10DJ332T
INPUT	R289		nsp	00MNN05472610	CHIP RES.	4.7K OHM 1/10W J CRJ10DJ472T
INPUT	R290		nsp	00MNN05182610	CHIP RES.	1.8K OHM 1/10W J CRJ10DJ182T
INPUT	R291		nsp	00MNN05472610	CHIP RES.	4.7K OHM 1/10W J CRJ10DJ472T
INPUT	R292		nsp	00MNN05182610	CHIP RES.	1.8K OHM 1/10W J CRJ10DJ182T
INPUT	R293		nsp	00MNN05101610	CHIP RES.	100 OHM 1/10W J CRJ10DJ101T
INPUT	R294		nsp	00MNN05104610	CHIP RES.	100K OHM 1/10W J CRJ10DJ104T
INPUT	R295		nsp	00MNN05332610	CHIP RES.	3.3K OHM 1/10W J CRJ10DJ332T
INPUT	R296		nsp	00MNN05332610	CHIP RES.	3.3K OHM 1/10W J CRJ10DJ332T
INPUT	R297		nsp	00MNN05472610	CHIP RES.	4.7K OHM 1/10W J CRJ10DJ472T
INPUT	R298		nsp	00MNN05182610	CHIP RES.	1.8K OHM 1/10W J CRJ10DJ182T
INPUT	R299		nsp	00MNN05472610	CHIP RES.	4.7K OHM 1/10W J CRJ10DJ472T
INPUT	R300		nsp	00MNN05182610	CHIP RES.	1.8K OHM 1/10W J CRJ10DJ182T
INPUT	R301		nsp	00MNN05101610	CHIP RES.	100 OHM 1/10W J CRJ10DJ101T
INPUT	R302		nsp	00MNN05104610	CHIP RES.	100K OHM 1/10W J CRJ10DJ104T
INPUT	R310		nsp	00MNN05101610	CHIP RES.	100 OHM 1/10W J CRJ10DJ101T
INPUT	R313		nsp	00MNN05101610	CHIP RES.	100 OHM 1/10W J CRJ10DJ101T
INPUT	R314		nsp	00MNN05832610	CHIP RES.	82K OHM 1/10W J CRJ10DJ823T
INPUT	R315		nsp	00MNN05832610	CHIP RES.	82K OHM 1/10W J CRJ10DJ823T
INPUT	R316		nsp	00MNN05101610	CHIP RES.	100 OHM 1/10W J CRJ10DJ101T
INPUT	R319		nsp	00MNN05101610	CHIP RES.	100 OHM 1/10W J CRJ10DJ101T
INPUT	R320		nsp	00MNN05832610	CHIP RES.	82K OHM 1/10W J CRJ10DJ823T
INPUT	R321		nsp	00MNN05832610	CHIP RES.	82K OHM 1/10W J CRJ10DJ823T
INPUT	R322		nsp	00MNN05101610	CHIP RES.	100 OHM 1/10W J CRJ10DJ101T

NOTE : "nsp" PART IS LISTED FOR REFERENCE ONLY, MARANTZ WILL NOT SUPPLY THESE PARTS.

P.C.B. NAME	POS. NO.	VERS. COLOR	PART NO. (FOR EUR)	PART NO. (MZ)	PART NAME	DESCRIPTION	
INPUT	R325		nsp	00MNN05101610	CHIP RES.	100 OHM 1/10W J	CRJ10DJ101T
INPUT	R326		nsp	00MNN05832610	CHIP RES.	82K OHM 1/10W J	CRJ10DJ823T
INPUT	R327		nsp	00MNN05832610	CHIP RES.	82K OHM 1/10W J	CRJ10DJ823T
INPUT	R328		nsp	00MNN05101610	CHIP RES.	100 OHM 1/10W J	CRJ10DJ101T
INPUT	R331		nsp	00MNN05101610	CHIP RES.	100 OHM 1/10W J	CRJ10DJ101T
INPUT	R332		nsp	00MNN05832610	CHIP RES.	82K OHM 1/10W J	CRJ10DJ823T
INPUT	R333		nsp	00MNN05832610	CHIP RES.	82K OHM 1/10W J	CRJ10DJ823T
INPUT	R334		nsp	00MNN05102610	CHIP RES.	1K OHM 1/10W J	CRJ10DJ102T
INPUT	R335		nsp	00MNN05473610	CHIP RES.	47K OHM 1/10W J	CRJ10DJ473T
INPUT	R336		nsp	00MNN05473610	CHIP RES.	47K OHM 1/10W J	CRJ10DJ473T
INPUT	R337		nsp	00MNN05102610	CHIP RES.	1K OHM 1/10W J	CRJ10DJ102T
INPUT	R338		nsp	00MNN05101610	CHIP RES.	100 OHM 1/10W J	CRJ10DJ101T
INPUT	R339		nsp	00MNN05101610	CHIP RES.	100 OHM 1/10W J	CRJ10DJ101T
INPUT	R340		nsp	00MNN05832610	CHIP RES.	82K OHM 1/10W J	CRJ10DJ823T
INPUT	R341		nsp	00MNN05832610	CHIP RES.	82K OHM 1/10W J	CRJ10DJ823T
INPUT	R342		nsp	00MNN05101610	CHIP RES.	100 OHM 1/10W J	CRJ10DJ101T
INPUT	R343		nsp	00MNN05101610	CHIP RES.	100 OHM 1/10W J	CRJ10DJ101T
INPUT	R344		nsp	00MNN05832610	CHIP RES.	82K OHM 1/10W J	CRJ10DJ823T
INPUT	R345		nsp	00MNN05832610	CHIP RES.	82K OHM 1/10W J	CRJ10DJ823T
INPUT	R346		nsp	00MNN05101610	CHIP RES.	100 OHM 1/10W J	CRJ10DJ101T
INPUT	R347		nsp	00MNN05101610	CHIP RES.	100 OHM 1/10W J	CRJ10DJ101T
INPUT	R348		nsp	00MNN05832610	CHIP RES.	82K OHM 1/10W J	CRJ10DJ823T
INPUT	R349		nsp	00MNN05832610	CHIP RES.	82K OHM 1/10W J	CRJ10DJ823T
INPUT	R350		nsp	00MNN05102610	CHIP RES.	1K OHM 1/10W J	CRJ10DJ102T
INPUT	R351		nsp	00MNN05102610	CHIP RES.	1K OHM 1/10W J	CRJ10DJ102T
INPUT	R352		nsp	00MNN05473610	CHIP RES.	47K OHM 1/10W J	CRJ10DJ473T
INPUT	R353		nsp	00MNN05473610	CHIP RES.	47K OHM 1/10W J	CRJ10DJ473T
INPUT	R354		nsp	00MNN05101610	CHIP RES.	100 OHM 1/10W J	CRJ10DJ101T
INPUT	R355		nsp	00MNN05101610	CHIP RES.	100 OHM 1/10W J	CRJ10DJ101T
INPUT	R356		nsp	00MNN05832610	CHIP RES.	82K OHM 1/10W J	CRJ10DJ823T
INPUT	R357		nsp	00MNN05832610	CHIP RES.	82K OHM 1/10W J	CRJ10DJ823T
INPUT	R358		nsp	00MNN05101610	CHIP RES.	100 OHM 1/10W J	CRJ10DJ101T
INPUT	R359		nsp	00MNN05101610	CHIP RES.	100 OHM 1/10W J	CRJ10DJ101T
INPUT	R360		nsp	00MNN05832610	CHIP RES.	82K OHM 1/10W J	CRJ10DJ823T
INPUT	R361		nsp	00MNN05832610	CHIP RES.	82K OHM 1/10W J	CRJ10DJ823T
INPUT	R362		nsp	00MNN05101610	CHIP RES.	100 OHM 1/10W J	CRJ10DJ101T
INPUT	R363		nsp	00MNN05101610	CHIP RES.	100 OHM 1/10W J	CRJ10DJ101T
INPUT	R364		nsp	00MNN05832610	CHIP RES.	82K OHM 1/10W J	CRJ10DJ823T
INPUT	R365		nsp	00MNN05832610	CHIP RES.	82K OHM 1/10W J	CRJ10DJ823T
INPUT	R366		nsp	00MNN05102610	CHIP RES.	1K OHM 1/10W J	CRJ10DJ102T
INPUT	R367		nsp	00MNN05102610	CHIP RES.	1K OHM 1/10W J	CRJ10DJ102T
INPUT	R368		nsp	00MNN05473610	CHIP RES.	47K OHM 1/10W J	CRJ10DJ473T
INPUT	R369		nsp	00MNN05473610	CHIP RES.	47K OHM 1/10W J	CRJ10DJ473T
INPUT	R370		nsp	00MNN05101610	CHIP RES.	100 OHM 1/10W J	CRJ10DJ101T
INPUT	R371		nsp	00MNN05101610	CHIP RES.	100 OHM 1/10W J	CRJ10DJ101T
INPUT	R372		nsp	00MNN05832610	CHIP RES.	82K OHM 1/10W J	CRJ10DJ823T
INPUT	R373		nsp	00MNN05832610	CHIP RES.	82K OHM 1/10W J	CRJ10DJ823T
INPUT	R374		nsp	00MNN05102610	CHIP RES.	1K OHM 1/10W J	CRJ10DJ102T
INPUT	R375		nsp	00MNN05102610	CHIP RES.	1K OHM 1/10W J	CRJ10DJ102T
INPUT	R376		nsp	00MNN05473610	CHIP RES.	47K OHM 1/10W J	CRJ10DJ473T
INPUT	R377		nsp	00MNN05473610	CHIP RES.	47K OHM 1/10W J	CRJ10DJ473T
INPUT	R378	/U1B	nsp	00MNN05101610	CHIP RES.	100 OHM 1/10W J	CRJ10DJ101T
INPUT	R379	/U1B	nsp	00MNN05101610	CHIP RES.	100 OHM 1/10W J	CRJ10DJ101T
INPUT	R380	/U1B	nsp	00MNN05832610	CHIP RES.	82K OHM 1/10W J	CRJ10DJ823T
INPUT	R381	/U1B	nsp	00MNN05832610	CHIP RES.	82K OHM 1/10W J	CRJ10DJ823T
INPUT	R382		nsp	00MNN05101610	CHIP RES.	100 OHM 1/10W J	CRJ10DJ101T
INPUT	R383		nsp	00MNN05101610	CHIP RES.	100 OHM 1/10W J	CRJ10DJ101T
INPUT	R384		nsp	00MNN05832610	CHIP RES.	82K OHM 1/10W J	CRJ10DJ823T
INPUT	R385		nsp	00MNN05832610	CHIP RES.	82K OHM 1/10W J	CRJ10DJ823T
INPUT	R386		nsp	00MNN05221610	CHIP RES.	220 OHM 1/10W J	CRJ10DJ221T
INPUT	R387		nsp	00MNN05221610	CHIP RES.	220 OHM 1/10W J	CRJ10DJ221T
INPUT	R388		nsp	00MNN05472610	CHIP RES.	4.7K OHM 1/10W J	CRJ10DJ472T
INPUT	R389		nsp	00MNN05472610	CHIP RES.	4.7K OHM 1/10W J	CRJ10DJ472T
INPUT	R390		nsp	00MNN05102610	CHIP RES.	1K OHM 1/10W J	CRJ10DJ102T
INPUT	R391		nsp	00MNN05102610	CHIP RES.	1K OHM 1/10W J	CRJ10DJ102T
INPUT	R392		nsp	00MNN05104610	CHIP RES.	100K OHM 1/10W J	CRJ10DJ104T
INPUT	R393		nsp	00MNN05105610	CHIP RES.	1M OHM 1/10W J	CRJ10DJ105T

NOTE : *nsp* PART IS LISTED FOR REFERENCE ONLY, MARANTZ WILL NOT SUPPLY THESE PARTS.

P.C.B. NAME	POS. NO.	VERS. COLOR	PART NO. (FOR EUR)	PART NO. (MZ)	PART NAME	DESCRIPTION	
INPUT	R394		nsp	00MNN05473610	CHIP RES.	47K OHM 1/10W J	CRJ10DJ473T
INPUT	R395		nsp	00MNN05473610	CHIP RES.	47K OHM 1/10W J	CRJ10DJ473T
INPUT	R396		nsp	00MNN05473610	CHIP RES.	47K OHM 1/10W J	CRJ10DJ473T
INPUT	R397		nsp	00MNN05473610	CHIP RES.	47K OHM 1/10W J	CRJ10DJ473T
INPUT	R398		nsp	00MNN05221610	CHIP RES.	220 OHM 1/10W J	CRJ10DJ221T
INPUT	R399		nsp	00MNN05221610	CHIP RES.	220 OHM 1/10W J	CRJ10DJ221T
INPUT	R401		nsp	00MNN05221610	CHIP RES.	220 OHM 1/10W J	CRJ10DJ221T
INPUT	R402		nsp	00MNN05221610	CHIP RES.	220 OHM 1/10W J	CRJ10DJ221T
INPUT	R403		nsp	00MNN05221610	CHIP RES.	220 OHM 1/10W J	CRJ10DJ221T
INPUT	R423		nsp	00MNN05473610	CHIP RES.	47K OHM 1/10W J	CRJ10DJ473T
INPUT	R424		nsp	00MNN05473610	CHIP RES.	47K OHM 1/10W J	CRJ10DJ473T
INPUT	R425		nsp	00MNN05472610	CHIP RES.	4.7K OHM 1/10W J	CRJ10DJ472T
INPUT	R426		nsp	00MNN05472610	CHIP RES.	4.7K OHM 1/10W J	CRJ10DJ472T
INPUT	R427		nsp	00MNN05472610	CHIP RES.	4.7K OHM 1/10W J	CRJ10DJ472T
INPUT	R428		nsp	00MNN05472610	CHIP RES.	4.7K OHM 1/10W J	CRJ10DJ472T
INPUT	R429		nsp	00MNN05473610	CHIP RES.	47K OHM 1/10W J	CRJ10DJ473T
INPUT	R430		nsp	00MNN05473610	CHIP RES.	47K OHM 1/10W J	CRJ10DJ473T
INPUT	R431		nsp	00MNN05221610	CHIP RES.	220 OHM 1/10W J	CRJ10DJ221T
INPUT	R432		nsp	00MNN05221610	CHIP RES.	220 OHM 1/10W J	CRJ10DJ221T
INPUT	R433		nsp	00MNN05221610	CHIP RES.	220 OHM 1/10W J	CRJ10DJ221T
INPUT	R434		nsp	00MNN05221610	CHIP RES.	220 OHM 1/10W J	CRJ10DJ221T
INPUT	R435		nsp	00MNN05472610	CHIP RES.	4.7K OHM 1/10W J	CRJ10DJ472T
INPUT	R436		nsp	00MNN05472610	CHIP RES.	4.7K OHM 1/10W J	CRJ10DJ472T
INPUT	R437		nsp	00MNN05330610	CHIP RES.	33 OHM 1/10W J	CRJ10DJ330T
INPUT	R438		nsp	00MNN05330610	CHIP RES.	33 OHM 1/10W J	CRJ10DJ330T
INPUT	R439		nsp	00MNN05472610	CHIP RES.	4.7K OHM 1/10W J	CRJ10DJ472T
INPUT	R440		nsp	00MNN05472610	CHIP RES.	4.7K OHM 1/10W J	CRJ10DJ472T
INPUT	R441		nsp	00MNN05105610	CHIP RES.	1M OHM 1/10W J	CRJ10DJ105T
INPUT	R442		nsp	00MNN05473610	CHIP RES.	47K OHM 1/10W J	CRJ10DJ473T
INPUT	R443		nsp	00MNN05473610	CHIP RES.	47K OHM 1/10W J	CRJ10DJ473T
INPUT	R444		nsp	00MNN05472610	CHIP RES.	4.7K OHM 1/10W J	CRJ10DJ472T
INPUT	R445		nsp	00MNN05472610	CHIP RES.	4.7K OHM 1/10W J	CRJ10DJ472T
INPUT	R446		nsp	00MNN05472610	CHIP RES.	4.7K OHM 1/10W J	CRJ10DJ472T
INPUT	R447		nsp	00MNN05472610	CHIP RES.	4.7K OHM 1/10W J	CRJ10DJ472T
INPUT	R448		nsp	00MNN05473610	CHIP RES.	47K OHM 1/10W J	CRJ10DJ473T
INPUT	R449		nsp	00MNN05473610	CHIP RES.	47K OHM 1/10W J	CRJ10DJ473T
INPUT	R450		nsp	00MNN05221610	CHIP RES.	220 OHM 1/10W J	CRJ10DJ221T
INPUT	R451		nsp	00MNN05221610	CHIP RES.	220 OHM 1/10W J	CRJ10DJ221T
INPUT	R452		nsp	00MNN05221610	CHIP RES.	220 OHM 1/10W J	CRJ10DJ221T
INPUT	R453		nsp	00MNN05221610	CHIP RES.	220 OHM 1/10W J	CRJ10DJ221T
INPUT	R454		nsp	00MNN05472610	CHIP RES.	4.7K OHM 1/10W J	CRJ10DJ472T
INPUT	R455		nsp	00MNN05472610	CHIP RES.	4.7K OHM 1/10W J	CRJ10DJ472T
INPUT	R456		nsp	00MNN05330610	CHIP RES.	33 OHM 1/10W J	CRJ10DJ330T
INPUT	R457		nsp	00MNN05330610	CHIP RES.	33 OHM 1/10W J	CRJ10DJ330T
INPUT	R458		nsp	00MNN05472610	CHIP RES.	4.7K OHM 1/10W J	CRJ10DJ472T
INPUT	R459		nsp	00MNN05472610	CHIP RES.	4.7K OHM 1/10W J	CRJ10DJ472T
INPUT	R460		nsp	00MNN05105610	CHIP RES.	1M OHM 1/10W J	CRJ10DJ105T
INPUT	R461		nsp	00MNN05473610	CHIP RES.	47K OHM 1/10W J	CRJ10DJ473T
INPUT	R462		nsp	00MNN05473610	CHIP RES.	47K OHM 1/10W J	CRJ10DJ473T
INPUT	R463		nsp	00MNN05472610	CHIP RES.	4.7K OHM 1/10W J	CRJ10DJ472T
INPUT	R464		nsp	00MNN05472610	CHIP RES.	4.7K OHM 1/10W J	CRJ10DJ472T
INPUT	R465		nsp	00MNN05333610	CHIP RES.	33K OHM 1/10W J	CRJ10DJ333T
INPUT	R466		nsp	00MNN05472610	CHIP RES.	4.7K OHM 1/10W J	CRJ10DJ472T
INPUT	R467		nsp	00MNN05473610	CHIP RES.	47K OHM 1/10W J	CRJ10DJ473T
INPUT	R468		nsp	00MNN05473610	CHIP RES.	47K OHM 1/10W J	CRJ10DJ473T
INPUT	R469		nsp	00MNN05221610	CHIP RES.	220 OHM 1/10W J	CRJ10DJ221T
INPUT	R470		nsp	00MNN05221610	CHIP RES.	220 OHM 1/10W J	CRJ10DJ221T
INPUT	R471		nsp	00MNN05221610	CHIP RES.	220 OHM 1/10W J	CRJ10DJ221T
INPUT	R472		nsp	00MNN05221610	CHIP RES.	220 OHM 1/10W J	CRJ10DJ221T
INPUT	R473		nsp	00MNN05472610	CHIP RES.	4.7K OHM 1/10W J	CRJ10DJ472T
INPUT	R474		nsp	00MNN05472610	CHIP RES.	4.7K OHM 1/10W J	CRJ10DJ472T
INPUT	R475		nsp	00MNN05330610	CHIP RES.	33 OHM 1/10W J	CRJ10DJ330T
INPUT	R476		nsp	00MNN05330610	CHIP RES.	33 OHM 1/10W J	CRJ10DJ330T
INPUT	R477		nsp	00MNN05472610	CHIP RES.	4.7K OHM 1/10W J	CRJ10DJ472T
INPUT	R478		nsp	00MNN05472610	CHIP RES.	4.7K OHM 1/10W J	CRJ10DJ472T
INPUT	R479		nsp	00MNN05105610	CHIP RES.	1M OHM 1/10W J	CRJ10DJ105T
INPUT	R480		nsp	00MNN05105610	CHIP RES.	1M OHM 1/10W J	CRJ10DJ105T

NOTE : "nsp" PART IS LISTED FOR REFERENCE ONLY, MARANTZ WILL NOT SUPPLY THESE PARTS.

P.C.B. NAME	POS. NO.	VERS. COLOR	PART NO. (FOR EUR)	PART NO. (MZ)	PART NAME	DESCRIPTION
INPUT	R481		nsp	00MNN05473610	CHIP RES.	47K OHM 1/10W J CRJ10DJ473T
INPUT	R482		nsp	00MNN05473610	CHIP RES.	47K OHM 1/10W J CRJ10DJ473T
INPUT	R483		nsp	00MNN05472610	CHIP RES.	4.7K OHM 1/10W J CRJ10DJ472T
INPUT	R484		nsp	00MNN05472610	CHIP RES.	4.7K OHM 1/10W J CRJ10DJ472T
INPUT	R485		nsp	00MNN05472610	CHIP RES.	4.7K OHM 1/10W J CRJ10DJ472T
INPUT	R486		nsp	00MNN05472610	CHIP RES.	4.7K OHM 1/10W J CRJ10DJ472T
INPUT	R487		nsp	00MNN05473610	CHIP RES.	47K OHM 1/10W J CRJ10DJ473T
INPUT	R488		nsp	00MNN05473610	CHIP RES.	47K OHM 1/10W J CRJ10DJ473T
INPUT	R489		nsp	00MNN05221610	CHIP RES.	220 OHM 1/10W J CRJ10DJ221T
INPUT	R490		nsp	00MNN05221610	CHIP RES.	220 OHM 1/10W J CRJ10DJ221T
INPUT	R491		nsp	00MNN05221610	CHIP RES.	220 OHM 1/10W J CRJ10DJ221T
INPUT	R492		nsp	00MNN05221610	CHIP RES.	220 OHM 1/10W J CRJ10DJ221T
INPUT	R493		nsp	00MNN05472610	CHIP RES.	4.7K OHM 1/10W J CRJ10DJ472T
INPUT	R494		nsp	00MNN05472610	CHIP RES.	4.7K OHM 1/10W J CRJ10DJ472T
INPUT	R495		nsp	00MNN05330610	CHIP RES.	33 OHM 1/10W J CRJ10DJ330T
INPUT	R496		nsp	00MNN05330610	CHIP RES.	33 OHM 1/10W J CRJ10DJ330T
INPUT	R497		nsp	00MNN05472610	CHIP RES.	4.7K OHM 1/10W J CRJ10DJ472T
INPUT	R498		nsp	00MNN05472610	CHIP RES.	4.7K OHM 1/10W J CRJ10DJ472T
INPUT	R499		nsp	00MNN05105610	CHIP RES.	1M OHM 1/10W J CRJ10DJ105T
INPUT	R500		nsp	nsp	RES.	10 OHM 1/5W J CRD20TJ100T
INPUT	R503		nsp	00MNN05105610	CHIP RES.	1M OHM 1/10W J CRJ10DJ105T
INPUT	R504		nsp	00MNN05102610	CHIP RES.	1K OHM 1/10W J CRJ10DJ102T
INPUT	R801		nsp	00MNN05223610	CHIP RES.	22K OHM 1/10W J CRJ10DJ223T
INPUT	R802		nsp	00MNN05473610	CHIP RES.	47K OHM 1/10W J CRJ10DJ473T
INPUT	R803		nsp	00MNN05473610	CHIP RES.	47K OHM 1/10W J CRJ10DJ473T
INPUT	R804		nsp	00MNN05473610	CHIP RES.	47K OHM 1/10W J CRJ10DJ473T
INPUT	R805		nsp	00MNN05472610	CHIP RES.	4.7K OHM 1/10W J CRJ10DJ472T
INPUT	R806		nsp	00MNN05472610	CHIP RES.	4.7K OHM 1/10W J CRJ10DJ472T
INPUT	R807		nsp	00MNN05472610	CHIP RES.	4.7K OHM 1/10W J CRJ10DJ472T
INPUT	R808		nsp	00MNN05473610	CHIP RES.	47K OHM 1/10W J CRJ10DJ473T
INPUT	R809		nsp	00MNN05473610	CHIP RES.	47K OHM 1/10W J CRJ10DJ473T
INPUT	R810		nsp	00MNN05010610	CHIP RES.	1 OHM 1/10W J CRJ10DJ1R0T
INPUT	R814		nsp	00MNN05473610	CHIP RES.	47K OHM 1/10W J CRJ10DJ473T
INPUT	R816		nsp	00MNN05223610	CHIP RES.	22K OHM 1/10W J CRJ10DJ223T
INPUT	R817		nsp	00MNN05223610	CHIP RES.	22K OHM 1/10W J CRJ10DJ223T
INPUT	R818		nsp	00MNN05223610	CHIP RES.	22K OHM 1/10W J CRJ10DJ223T
INPUT	R820		nsp	00MNN05473610	CHIP RES.	47K OHM 1/10W J CRJ10DJ473T
INPUT	R821		nsp	00MNN05473610	CHIP RES.	47K OHM 1/10W J CRJ10DJ473T
INPUT	R822		nsp	00MNN05103610	CHIP RES.	10K OHM 1/10W J CRJ10DJ103T
INPUT	R823		nsp	00MNN05103610	CHIP RES.	10K OHM 1/10W J CRJ10DJ103T
INPUT	R825		nsp	00MNN05473610	CHIP RES.	47K OHM 1/10W J CRJ10DJ473T
INPUT	R826		nsp	00MNN05473610	CHIP RES.	47K OHM 1/10W J CRJ10DJ473T
INPUT	R827		nsp	00MNN05473610	CHIP RES.	47K OHM 1/10W J CRJ10DJ473T
INPUT	R828		nsp	00MNN05473610	CHIP RES.	47K OHM 1/10W J CRJ10DJ473T
INPUT	R829		nsp	00MNN05473610	CHIP RES.	47K OHM 1/10W J CRJ10DJ473T
INPUT	R830		nsp	00MNN05473610	CHIP RES.	47K OHM 1/10W J CRJ10DJ473T
INPUT	R831		nsp	00MNN05473610	CHIP RES.	47K OHM 1/10W J CRJ10DJ473T
INPUT	R832		nsp	00MNN05223610	CHIP RES.	22K OHM 1/10W J CRJ10DJ223T
INPUT	R833		nsp	00MNN05223610	CHIP RES.	22K OHM 1/10W J CRJ10DJ223T
INPUT	R834		nsp	00MNN05683610	CHIP RES.	68K OHM 1/10W J CRJ10DJ683T
INPUT	R835		nsp	00MNN05222610	CHIP RES.	2.2K OHM 1/10W J CRJ10DJ222T
INPUT	R836	F N	nsp	00MNN05393610	CHIP RES.	39 KOHM 1/10W J CRJ10DJ393T
INPUT	R836	/N1B	nsp	00MNN05832610	CHIP RES.	82K OHM 1/10W J CRJ10DJ823T
INPUT	R836	/N1G	nsp	00MNN05832610	CHIP RES.	82K OHM 1/10W J CRJ10DJ823T
INPUT	R836	/N1S	nsp	00MNN05832610	CHIP RES.	82K OHM 1/10W J CRJ10DJ823T
INPUT	R837	F N	nsp	00MNN05563610	CHIP RES.	56K OHM 1/10W J CRJ10DJ563T
INPUT	R837	/N1B	nsp	00MNN05223610	CHIP RES.	22K OHM 1/10W J CRJ10DJ223T
INPUT	R837	/N1G	nsp	00MNN05223610	CHIP RES.	22K OHM 1/10W J CRJ10DJ223T
INPUT	R837	/N1S	nsp	00MNN05223610	CHIP RES.	22K OHM 1/10W J CRJ10DJ223T
INPUT	R837	/U1B	nsp	00MNN05000610	CHIP RES.	0 OHM 1/10W J CRJ10DJ0R0T
INPUT	R838		nsp	00MNN05473610	CHIP RES.	47K OHM 1/10W J CRJ10DJ473T
INPUT	R839		nsp	00MNN05473610	CHIP RES.	47K OHM 1/10W J CRJ10DJ473T
INPUT	R840		nsp	00MNN05473610	CHIP RES.	47K OHM 1/10W J CRJ10DJ473T
INPUT	R841		nsp	00MNN05473610	CHIP RES.	47K OHM 1/10W J CRJ10DJ473T
INPUT	R842		nsp	00MNN05473610	CHIP RES.	47K OHM 1/10W J CRJ10DJ473T
INPUT	R843		nsp	00MNN05473610	CHIP RES.	47K OHM 1/10W J CRJ10DJ473T
INPUT	R844		nsp	00MNN05473610	CHIP RES.	47K OHM 1/10W J CRJ10DJ473T

NOTE : *nsp* PART IS LISTED FOR REFERENCE ONLY, MARANTZ WILL NOT SUPPLY THESE PARTS.

P.C.B. NAME	POS. NO.	VERS. COLOR	PART NO. (FOR EUR)	PART NO. (MZ)	PART NAME	DESCRIPTION	
INPUT	R845		nsp	00MNN05102610	CHIP RES.	1K OHM 1/10W J	CRJ10DJ102T
INPUT	R846		nsp	00MNN05473610	CHIP RES.	47K OHM 1/10W J	CRJ10DJ473T
INPUT	R847		nsp	00MNN05102610	CHIP RES.	1K OHM 1/10W J	CRJ10DJ102T
INPUT	R848		nsp	00MNN05101610	CHIP RES.	100 OHM 1/10W J	CRJ10DJ101T
INPUT	R849		nsp	00MNN05103610	CHIP RES.	10K OHM 1/10W J	CRJ10DJ103T
INPUT	R850		nsp	00MNN05473610	CHIP RES.	47K OHM 1/10W J	CRJ10DJ473T
INPUT	R851		nsp	00MNN05473610	CHIP RES.	47K OHM 1/10W J	CRJ10DJ473T
INPUT	R852		nsp	00MNN05183610	CHIP RES.	18K OHM 1/10W J	CRJ10DJ183T
INPUT	R854		nsp	00MNN05101610	CHIP RES.	100 OHM 1/10W J	CRJ10DJ101T
INPUT	R855		nsp	00MNN05473610	CHIP RES.	47K OHM 1/10W J	CRJ10DJ473T
INPUT	R858		nsp	00MNN05220610	CHIP RES.	22 OHM 1/10W J	CRJ10DJ220T
INPUT	R859		nsp	00MNN05220610	CHIP RES.	22 OHM 1/10W J	CRJ10DJ220T
INPUT	R860		nsp	00MNN05103610	CHIP RES.	10K OHM 1/10W J	CRJ10DJ103T
INPUT	R861		nsp	00MNN05223610	CHIP RES.	22K OHM 1/10W J	CRJ10DJ223T
INPUT	R862		nsp	00MNN05682610	CHIP RES.	6.8K OHM 1/10W J	CRJ10DJ682T
INPUT	R863		nsp	00MNN05047610	CHIP RES.	4.7 OHM 1/10W J	CRJ10DJ47T
INPUT	R864		nsp	00MNN05047610	CHIP RES.	4.7 OHM 1/10W J	CRJ10DJ47T
INPUT	R865		nsp	00MNN05102610	CHIP RES.	1K OHM 1/10W J	CRJ10DJ102T
INPUT	R868	/U1B	nsp	00MNN05000610	CHIP RES.	0 OHM 1/10W J	CRJ10DJ0R0T
INPUT	R869	/U1B	nsp	00MNN05000610	CHIP RES.	0 OHM 1/10W J	CRJ10DJ0R0T
INPUT	R870	/U1B	nsp	00MNN05000610	CHIP RES.	0 OHM 1/10W J	CRJ10DJ0R0T
INPUT	R871		nsp	nsp	RES.	10 OHM 1/5W J	CRD20TJ100T
INPUT	R877		nsp	00MNN05473610	CHIP RES.	47K OHM 1/10W J	CRJ10DJ473T
INPUT	R878		nsp	00MNN05473610	CHIP RES.	47K OHM 1/10W J	CRJ10DJ473T
INPUT	R879		nsp	00MNN05183610	CHIP RES.	18K OHM 1/10W J	CRJ10DJ183T
INPUT	R880		nsp	00MNN05473610	CHIP RES.	47K OHM 1/10W J	CRJ10DJ473T
INPUT	RN11		90M-BW000360R	90M-BW000360R	RES. COMPO.	33 OHM X4 1608	CRJ104DJ330T
INPUT	RN12		90M-BW000360R	90M-BW000360R	RES. COMPO.	33 OHM X4 1608	CRJ104DJ330T
INPUT	RN13		90M-BW000360R	90M-BW000360R	RES. COMPO.	33 OHM X4 1608	CRJ104DJ330T
INPUT	RN14		90M-BW000360R	90M-BW000360R	RES. COMPO.	33 OHM X4 1608	CRJ104DJ330T
INPUT	RN15		90M-BW000360R	90M-BW000360R	RES. COMPO.	33 OHM X4 1608	CRJ104DJ330T
INPUT	RN16		90M-BW000360R	90M-BW000360R	RES. COMPO.	33 OHM X4 1608	CRJ104DJ330T
INPUT	RN17		90M-BW000360R	90M-BW000360R	RES. COMPO.	33 OHM X4 1608	CRJ104DJ330T
INPUT	RN18		90M-BW000360R	90M-BW000360R	RES. COMPO.	33 OHM X4 1608	CRJ104DJ330T
INPUT	RN19		90M-BW000360R	90M-BW000360R	RES. COMPO.	33 OHM X4 1608	CRJ104DJ330T
INPUT	RY11		90M-LY000380R	90M-LY000380R	RELAY	CVR700	HSL4C008ZE
INPUT	X101		90M-JX001180R	90M-JX001180R	X'TAL	12288MHZ	HOX12288E320TF
INPUT	X801		90M-JX001190R	90M-JX001190R	X'TAL	20MHZ	HOX20000E220TF
IR FLASHER PWB (CUP11884Z-11)							
IR FLASH	BK86		nsp	nsp	BRACKET	BRACKET FOR PWB	CMD1A569
IR FLASH	BN54		nsp	nsp	CORD	WIRE ASSY	CWB2B905250EN
IR FLASH	C950		nsp	nsp	CER. CAP.	0.01UF 50V Z	HCBS1H103ZFT
IR FLASH	C951		nsp	nsp	CER. CAP.	0.01UF 50V Z	HCBS1H103ZFT
IR FLASH	C952		nsp	nsp	CER. CAP.	33PF 50V J	HCBS1H330JT
IR FLASH	C953		nsp	nsp	CER. CAP.	0.1UF 50V Z	HCBS1H104ZFT
IR FLASH	C954		nsp	00MOA47602520	ELECT CAP.	47UF 25V	CCEA1EH470T
IR FLASH	C955		nsp	nsp	CER. CAP.	0.1UF 50V Z	HCBS1H104ZFT
IR FLASH	C955	/U1B	nsp	nsp	CER. CAP.	0.1UF 50V Z	HCBS1H104ZFT
IR FLASH	D805		90M-HI200020R	90M-HI200020R	L.E.D.	SIR-34ST3F	BVDSIR34ST3F
IR FLASH	D806		nsp	00MHD20015210	DIODE	1SS133T-77	CVD1SS133MT
IR FLASH	D807		nsp	00MHD20015210	DIODE	1SS133T-77	CVD1SS133MT
IR FLASH	D808		nsp	00MHD20015210	DIODE	1SS133T-77	CVD1SS133MT
IR FLASH	IC16		90M-HW100690R	90M-HW100690R	PHOTO UNIT	RPM674CBR-S	BRVRPM6936
IR FLASH	J956		nsp	nsp	CORD	SN95/PB5 0.6	C3A206
IR FLASH	J957		nsp	nsp	CORD	SN95/PB5 0.6	C3A206
IR FLASH	J958		nsp	nsp	CORD	SN95/PB5 0.6	C3A206
IR FLASH	JK87		90M-YT003120R	90M-YT003120R	TERMINAL	CINCH 2P (GOLD) REMOTE	CJJ4N036Z
IR FLASH	JK88		90M-YT004860R	90M-YT004860R	TERMINAL	3.5MM JACK STEREO	CJJ2D008Z
IR FLASH	JK89		90M-YT004860R	90M-YT004860R	TERMINAL	3.5MM JACK STEREO	CJJ2D008Z
IR FLASH	R971		nsp	nsp	RES.	200 OHM 1/5 W	CRD20TJ201T
IR FLASH	R972		nsp	nsp	RES.	100 OHM 1/5W J	CRD20TJ101T
IR FLASH	R973		nsp	nsp	RES.	200 OHM 1/5 W	CRD20TJ201T
IR FLASH	R974		nsp	nsp	RES.	47 OHM 1/5W J	CRD20TJ470T
MAIN PWB (CUP11888Z)							
MAIN	BN20		nsp	nsp	CORD	WIRE ASSY	CWB3FB03280UP
MAIN	BN22		nsp	nsp	CORD	WIRE ASSY	CWZSR4001BN22
MAIN	BN81		nsp	nsp	CORD	WIRE ASSY	CWB1C902050EN

NOTE : "nsp" PART IS LISTED FOR REFERENCE ONLY, MARANTZ WILL NOT SUPPLY THESE PARTS.

P.C.B. NAME	POS. NO.	VERS. COLOR	PART NO. (FOR EUR)	PART NO. (MZ)	PART NAME	DESCRIPTION	
MAIN	BN87		nsp	nsp	CORD	WIRE ASSY	CWZSR4001BN87
MAIN	BN90	F N	nsp	nsp	CORD	WIRE ASSY	CWB4F232550PU
MAIN	BN90	/N1B	nsp	nsp	CORD	WIRE ASSY	CWB4F232550PU
MAIN	BN90	/N1G	nsp	nsp	CORD	WIRE ASSY	CWB4F232550PU
MAIN	BN90	/N1S	nsp	nsp	CORD	WIRE ASSY	CWB4F232550PU
MAIN	BN93		nsp	nsp	CORD	WIRE ASSY	CWB1C902250BM
MAIN	C501		nsp	00MOA10605020	ELECT CAP.	10UF 50V	CCEA1HH100T
MAIN	C502		nsp	00MOA10605020	ELECT CAP.	10UF 50V	CCEA1HH100T
MAIN	C503		nsp	00MOA10605020	ELECT CAP.	10UF 50V	CCEA1HH100T
MAIN	C504		nsp	00MOA10605020	ELECT CAP.	10UF 50V	CCEA1HH100T
MAIN	C505		nsp	00MOA10605020	ELECT CAP.	10UF 50V	CCEA1HH100T
MAIN	C506		nsp	nsp	CER. CAP.	330PF 50V KB	CCKT1H331KB
MAIN	C507		nsp	nsp	CER. CAP.	330PF 50V KB	CCKT1H331KB
MAIN	C508		nsp	nsp	CER. CAP.	330PF 50V KB	CCKT1H331KB
MAIN	C509		nsp	nsp	CER. CAP.	330PF 50V KB	CCKT1H331KB
MAIN	C510		nsp	nsp	CER. CAP.	330PF 50V KB	CCKT1H331KB
MAIN	C561		nsp	00MOA47602520	ELECT CAP.	47UF 25V	CCEA1EH470T
MAIN	C562		nsp	00MOA47602520	ELECT CAP.	47UF 25V	CCEA1EH470T
MAIN	C563		nsp	00MOA47602520	ELECT CAP.	47UF 25V	CCEA1EH470T
MAIN	C564		nsp	00MOA47602520	ELECT CAP.	47UF 25V	CCEA1EH470T
MAIN	C565		nsp	00MOA47602520	ELECT CAP.	47UF 25V	CCEA1EH470T
MAIN	C566		nsp	00MOA10701620	ELECT CAP.	100UF 16V	CCEA1CH101T
MAIN	C569		nsp	00MOA10701620	ELECT CAP.	100UF 16V	CCEA1CH101T
MAIN	C570		nsp	00MOA10701620	ELECT CAP.	100UF 16V	CCEA1CH101T
MAIN	C571		nsp	nsp	CER. CAP.	100PF 50V KB	CCKT1H101KB
MAIN	C572		nsp	nsp	CER. CAP.	100PF 50V KB	CCKT1H101KB
MAIN	C573		nsp	nsp	CER. CAP.	100PF 50V KB	CCKT1H101KB
MAIN	C574		nsp	nsp	CER. CAP.	100PF 50V KB	CCKT1H101KB
MAIN	C575		nsp	nsp	CER. CAP.	100PF 50V KB	CCKT1H101KB
MAIN	C576		nsp	nsp	FILM CAP.	0.047UF 50V J	HCQI1H473JZT
MAIN	C578		nsp	nsp	FILM CAP.	5600PF 50V J	HCQI1H562JZT
MAIN	C579		nsp	nsp	FILM CAP.	5600PF 50V J	HCQI1H562JZT
MAIN	C580		nsp	nsp	FILM CAP.	220PF 50V KB	CCKT1H221KB
MAIN	C581		nsp	nsp	FILM CAP.	220PF 50V KB	CCKT1H221KB
MAIN	C582		nsp	nsp	FILM CAP.	220PF 50V KB	CCKT1H221KB
MAIN	C583		nsp	nsp	FILM CAP.	220PF 50V KB	CCKT1H221KB
MAIN	C584		nsp	nsp	FILM CAP.	220PF 50V KB	CCKT1H221KB
MAIN	C585		nsp	nsp	FILM CAP.	220PF 50V KB	CCKT1H221KB
MAIN	C586		nsp	nsp	FILM CAP.	220PF 50V KB	CCKT1H221KB
MAIN	C587		nsp	nsp	FILM CAP.	220PF 50V KB	CCKT1H221KB
MAIN	C601		nsp	nsp	CER. CAP.	12PF 50V JC	CCCT1H120JC
MAIN	C602		nsp	nsp	CER. CAP.	12PF 50V JC	CCCT1H120JC
MAIN	C603		nsp	nsp	CER. CAP.	12PF 50V JC	CCCT1H120JC
MAIN	C604		nsp	nsp	CER. CAP.	12PF 50V JC	CCCT1H120JC
MAIN	C605		nsp	nsp	CER. CAP.	12PF 50V JC	CCCT1H120JC
MAIN	C606		nsp	nsp	CER. CAP.	33PF 50V JC	CCCT1H330JC
MAIN	C607		nsp	nsp	CER. CAP.	33PF 50V JC	CCCT1H330JC
MAIN	C608		nsp	nsp	CER. CAP.	33PF 50V JC	CCCT1H330JC
MAIN	C609		nsp	nsp	CER. CAP.	33PF 50V JC	CCCT1H330JC
MAIN	C610		nsp	nsp	CER. CAP.	33PF 50V JC	CCCT1H330JC
MAIN	C631		nsp	00MOA10706320	ELECT CAP.	100UF 63V	CCEA1JH101E
MAIN	C632		nsp	00MOA10706320	ELECT CAP.	100UF 63V	CCEA1JH101E
MAIN	C633		nsp	00MOA10706320	ELECT CAP.	100UF 63V	CCEA1JH101E
MAIN	C634		nsp	00MOA10706320	ELECT CAP.	100UF 63V	CCEA1JH101E
MAIN	C635		nsp	00MOA10706320	ELECT CAP.	100UF 63V	CCEA1JH101E
MAIN	C636		nsp	00MOA10706320	ELECT CAP.	100UF 63V	CCEA1JH101E
MAIN	C637		nsp	00MOA10706320	ELECT CAP.	100UF 63V	CCEA1JH101E
MAIN	C638		nsp	00MOA10706320	ELECT CAP.	100UF 63V	CCEA1JH101E
MAIN	C639		nsp	00MOA10706320	ELECT CAP.	100UF 63V	CCEA1JH101E
MAIN	C640		nsp	00MOA10706320	ELECT CAP.	100UF 63V	CCEA1JH101E
MAIN	C681		nsp	00MOA10605020	ELECT CAP.	10UF 50V	CCEA1HH100T
MAIN	C682		nsp	00MOA10605020	ELECT CAP.	10UF 50V	CCEA1HH100T
MAIN	C683		nsp	00MOA10605020	ELECT CAP.	10UF 50V	CCEA1HH100T
MAIN	C684		nsp	00MOA10605020	ELECT CAP.	10UF 50V	CCEA1HH100T
MAIN	C685		nsp	00MOA10605020	ELECT CAP.	10UF 50V	CCEA1HH100T
MAIN	C801		nsp	00MOA10605020	ELECT CAP.	10UF 50V	CCEA1HH100T
MAIN	C802		nsp	00MOA10605020	ELECT CAP.	10UF 50V	CCEA1HH100T

NOTE : *nsp* PART IS LISTED FOR REFERENCE ONLY, MARANTZ WILL NOT SUPPLY THESE PARTS.

P.C.B. NAME	POS. NO.	VERS. COLOR	PART NO. (FOR EUR)	PART NO. (MZ)	PART NAME	DESCRIPTION	
MAIN	C803		nsp	nsp	CER. CAP.	33PF 50V JC	CCCT1H330JC
MAIN	C804		nsp	nsp	CER. CAP.	33PF 50V JC	CCCT1H330JC
MAIN	C805		nsp	nsp	CER. CAP.	12PF 50V JC	CCCT1H120JC
MAIN	C806		nsp	nsp	CER. CAP.	12PF 50V JC	CCCT1H120JC
MAIN	C807		nsp	00MOA10706320	ELECT CAP.	100UF 63V	CCEA1JH101E
MAIN	C808		nsp	00MOA10706320	ELECT CAP.	100UF 63V	CCEA1JH101E
MAIN	C809		nsp	00MOA10706320	ELECT CAP.	100UF 63V	CCEA1JH101E
MAIN	C810		nsp	00MOA10706320	ELECT CAP.	100UF 63V	CCEA1JH101E
MAIN	C811		nsp	00MOA47602520	ELECT CAP.	47UF 25V	CCEA1EH470T
MAIN	C812		nsp	00MOA47602520	ELECT CAP.	47UF 25V	CCEA1EH470T
MAIN	C813		nsp	00MOA10701620	ELECT CAP.	100UF 16V	CCEA1CH101T
MAIN	C814		nsp	00MOA10701620	ELECT CAP.	100UF 16V	CCEA1CH101T
MAIN	C815		nsp	nsp	CER. CAP.	330PF 50V KB	CCKT1H331KB
MAIN	C816		nsp	nsp	CER. CAP.	330PF 50V KB	CCKT1H331KB
MAIN	C817		nsp	00MOA10605020	ELECT CAP.	10UF 50V	CCEA1HH100T
MAIN	C818		nsp	00MOA10605020	ELECT CAP.	10UF 50V	CCEA1HH100T
MAIN	C819		nsp	nsp	CER. CAP.	100PF 50V KB	CCKT1H101KB
MAIN	C820		nsp	nsp	CER. CAP.	100PF 50V KB	CCKT1H101KB
MAIN	C900		nsp	nsp	FILM CAP.	0.047UF 50V J	HCQI1H473JZT
MAIN	C901		nsp	nsp	FILM CAP.	0.047UF 50V J	HCQI1H473JZT
MAIN	C902		nsp	nsp	CER. CAP.	1000PF 50V B	HCBS1H102KBT
MAIN	C903		nsp	nsp	FILM CAP.	0.1UF 50V ZF	CCFT1H104ZF
MAIN	▲ C904		90M-DK100770R	90M-DK100770R	CER. CAP.	! 0.0047UF 2.5KV	KCKDKS472ME
MAIN	C905		nsp	nsp	CER. CAP.	0.022UF 50V Z	CCFT1H223ZF
MAIN	C906		90M-EA000930R	90M-EA000930R	ELECT CAP.	3300UF 16V	CCEA1CH332E
MAIN	C907		nsp	00MOA10701620	ELECT CAP.	100UF 16V	CCEA1CH101T
MAIN	C908		nsp	nsp	CER. CAP.	0.022UF 50V Z	HCBS1H223ZFT
MAIN	C909		nsp	nsp	CER. CAP.	1000PF 50V B	HCBS1H102KBT
MAIN	C910		nsp	nsp	FILM CAP.	0.047UF 50V J	HCQI1H473JZT
MAIN	C912		nsp	nsp	CER. CAP.	1000PF 50V B	HCBS1H102KBT
MAIN	C915		nsp	90M-OA000530R	ELECT CAP.	10000UF 63V	CCET63VKL5103NK
MAIN	C916		nsp	90M-OA000530R	ELECT CAP.	10000UF 63V	CCET63VKL5103NK
MAIN	C917		nsp	nsp	FILM CAP.	0.047UF 50V J	HCQI1H473JZT
MAIN	C920		nsp	nsp	CER. CAP.	0.043UF 50V Z	CCFT1H473ZF
MAIN	C921		nsp	nsp	CER. CAP.	1000PF 50V B	HCBS1H102KBT
MAIN	C922		nsp	00MOA47605020	ELECT CAP.	47UF 50V	CCEA1HH470T
MAIN	C949		nsp	00MOA47505020	ELECT CAP.	4.7UF 50V	CCEA1HH4R7T
MAIN	C950		nsp	nsp	CER. CAP.	0.1UF 50V Z	HCBS1H104ZFT
MAIN	C954		nsp	nsp	CER. CAP.	1000PF 50V B	HCBS1H102KBT
MAIN	C955		nsp	nsp	CER. CAP.	1000PF 50V B	HCBS1H102KBT
MAIN	C956		nsp	nsp	CER. CAP.	1000PF 50V B	HCBS1H102KBT
MAIN	C969		nsp	nsp	CER. CAP.	0.01UF 50V Z	HCBS1H103ZFT
MAIN	C970		nsp	00MOA47605020	ELECT CAP.	47UF 50V	CCEA1HH470T
MAIN	C971		nsp	nsp	FILM CAP.	5600PF 50V J	HCQI1H562JZT
MAIN	C972		nsp	nsp	FILM CAP.	5600PF 50V J	HCQI1H562JZT
MAIN	C973		nsp	nsp	FILM CAP.	5600PF 50V J	HCQI1H562JZT
MAIN	C974		nsp	nsp	FILM CAP.	5600PF 50V J	HCQI1H562JZT
MAIN	C975		nsp	nsp	FILM CAP.	5600PF 50V J	HCQI1H562JZT
MAIN	C976		nsp	00MOA47505020	ELECT CAP.	4.7UF 50V	CCEA1HH4R7T
MAIN	C977		nsp	00MOA47405020	ELECT CAP.	0.47UF 50V	CCEA1HHR47T
MAIN	C978		nsp	nsp	CER. CAP.	0.1UF 50V Z	HCBS1H104ZFT
MAIN	C980		nsp	nsp	FILM CAP.	5600PF 50V J	HCQI1H562JZT
MAIN	C981		nsp	nsp	FILM CAP.	5600PF 50V J	HCQI1H562JZT
MAIN	C990		nsp	nsp	FILM CAP.	0.047UF 50V J	HCQI1H473JZT
MAIN	C992		nsp	nsp	FILM CAP.	0.047UF 50V J	HCQI1H473JZT
MAIN	C993		nsp	nsp	FILM CAP.	0.047UF 50V J	HCQI1H473JZT
MAIN	C994		nsp	nsp	FILM CAP.	0.047UF 50V J	HCQI1H473JZT
MAIN	C995		nsp	nsp	FILM CAP.	0.047UF 50V J	HCQI1H473JZT
MAIN	C996		nsp	nsp	FILM CAP.	0.047UF 50V J	HCQI1H473JZT
MAIN	C997		nsp	nsp	FILM CAP.	0.047UF 50V J	HCQI1H473JZT
MAIN	C999		nsp	nsp	CER. CAP.	0.022UF 50V Z	CCFT1H223ZF
MAIN	CN27		nsp	nsp	CONN.	27PIN WAFER FPC	CJP27GA115ZY
MAIN	CN61		nsp	nsp	CONN.	STRAIGHT 2PIN	CJP02GA01ZY
MAIN	CN62		nsp	nsp	CONN.	STRAIGHT 2PIN	CJP02GA01ZY
MAIN	CN63		nsp	nsp	CONN.	STRAIGHT 2PIN	CJP02GA01ZY
MAIN	CN64		nsp	nsp	CONN.	STRAIGHT 2PIN	CJP02GA01ZY
MAIN	CN65		nsp	nsp	CONN.	STRAIGHT 2PIN	CJP02GA01ZY

NOTE : "nsp" PART IS LISTED FOR REFERENCE ONLY, MARANTZ WILL NOT SUPPLY THESE PARTS.

P.C.B. NAME	POS. NO.	VERS. COLOR	PART NO. (FOR EUR)	PART NO. (MZ)	PART NAME	DESCRIPTION	
MAIN	CN66		nsp	nsp	CONN.	STRAIGHT 2PIN	CJP02GA01ZY
MAIN	CN67		nsp	nsp	CONN.	STRAIGHT 2PIN	CJP02GA01ZY
MAIN	CN80		nsp	nsp	CONN.	17P WAFER CARD CABLE	CJP17GA117ZY
MAIN	CN91		nsp	nsp	CONN.	7.92MM(YUNHO)	CJP02KA060ZY
MAIN	CN92		nsp	nsp	CONN.	2P WAFER	CJP02GA89ZY
MAIN	D501		nsp	00MHD20015210	DIODE	1SS133T-77	CVD1SS133MT
MAIN	D504		nsp	00MHD20015210	DIODE	1SS133T-77	CVD1SS133MT
MAIN	D505		nsp	00MHD20015210	DIODE	1SS133T-77	CVD1SS133MT
MAIN	D581		nsp	00MHD20015210	DIODE	1SS133T-77	CVD1SS133MT
MAIN	D582		nsp	00MHD20015210	DIODE	1SS133T-77	CVD1SS133MT
MAIN	D583		nsp	00MHD20015210	DIODE	1SS133T-77	CVD1SS133MT
MAIN	D584		nsp	00MHD20015210	DIODE	1SS133T-77	CVD1SS133MT
MAIN	D585		nsp	00MHD20015210	DIODE	1SS133T-77	CVD1SS133MT
MAIN	D586		nsp	00MHD20015210	DIODE	1SS133T-77	CVD1SS133MT
MAIN	D587		nsp	00MHD20015210	DIODE	1SS133T-77	CVD1SS133MT
MAIN	D588		nsp	00MHD20015210	DIODE	1SS133T-77	CVD1SS133MT
MAIN	D589		nsp	00MHD20015210	DIODE	1SS133T-77	CVD1SS133MT
MAIN	D801		nsp	00MHD20015210	DIODE	1SS133T-77	CVD1SS133MT
MAIN	D802		nsp	00MHD20015210	DIODE	1SS133T-77	CVD1SS133MT
MAIN	D803		nsp	00MHD20015210	DIODE	1SS133T-77	CVD1SS133MT
MAIN	D804		nsp	00MHD20015210	DIODE	1SS133T-77	CVD1SS133MT
MAIN	D901		nsp	90M-HD201730R	DIODE	1N4003	CVD1N4003ST
MAIN	D902		nsp	90M-HD201750R	DIODE	1N4003	CVD1N4003SRT
MAIN	D903		nsp	90M-HD201750R	DIODE	1N4003	CVD1N4003SRT
MAIN	D911		nsp	90M-HD201750R	DIODE	1N4003	CVD1N4003SRT
MAIN	D912		nsp	00MHD20015210	DIODE	1SS133T-77	CVD1SS133MT
MAIN	D954		nsp	00MHD20015210	DIODE	1SS133T-77	CVD1SS133MT
MAIN	D955		nsp	00MHD20015210	DIODE	1SS133T-77	CVD1SS133MT
MAIN	D958		nsp	00MHD20015210	DIODE	1SS133T-77	CVD1SS133MT
MAIN	D959		nsp	00MHD20015210	DIODE	1SS133T-77	CVD1SS133MT
MAIN	D961		nsp	90M-HD201730R	DIODE	1N4003	CVD1N4003ST
MAIN	D962		nsp	90M-HD201730R	DIODE	1N4003	CVD1N4003ST
MAIN	D963		nsp	90M-HD201730R	DIODE	1N4003	CVD1N4003ST
MAIN	D964		nsp	90M-HD201730R	DIODE	1N4003	CVD1N4003ST
MAIN	D965		nsp	90M-HD201730R	DIODE	1N4003	CVD1N4003ST
MAIN	D966		nsp	00MHD20015210	DIODE	1SS133T-77	CVD1SS133MT
MAIN	D979		00MHD30821000	00MHD30821000	ZENER DIODE	8.2V 1/2W	HVDMTZJ8.2BT
MAIN	D981		nsp	00MHD20015210	DIODE	1SS133T-77	CVD1SS133MT
MAIN	D982		nsp	00MHD20015210	DIODE	1SS133T-77	CVD1SS133MT
MAIN	D983		nsp	00MHD20015210	DIODE	1SS133T-77	CVD1SS133MT
MAIN	ET01		nsp	nsp	BRACKET	BRACKET FOR PWB	CMD1A569
MAIN	ET91		nsp	nsp	TERMINAL	MET37-0002	HJT1A025
MAIN	ET92		nsp	nsp	TERMINAL	MET37-0002	HJT1A025
MAIN	F901		nsp	nsp	CONN.	HOLDER FUSE	KJCF5S
MAIN	▲ F902		90M-FS001070R	90M-FS001070R	FUSE	! AC250V T2.5AL	KBA2D2500TLET
MAIN	▲ F903	F N	nsp	90M-FS001070R	FUSE	! AC250V T2.5AL	KBA2D2500TLET
MAIN	▲ F903	/U1B	nsp	90M-FS001070R	FUSE	! AC250V T2.5AL	KBA2D2500TLET
MAIN	IC94		00MHC3890599F	00MHC3890599F	IC	KIA7805API	HVIKIA7805API
MAIN	IC96		90M-HC108410R	90M-HC108410R	IC	S-80842CNY-X	HVIS-80842CNY-X
MAIN	J101		nsp	nsp	CORD	SN95/PB5 0.6	C3A206
MAIN	J102		nsp	nsp	CORD	SN95/PB5 0.6	C3A206
MAIN	J103		nsp	nsp	CORD	SN95/PB5 0.6	C3A206
MAIN	J104		nsp	nsp	CORD	SN95/PB5 0.6	C3A206
MAIN	J105		nsp	nsp	CORD	SN95/PB5 0.6	C3A206
MAIN	J106		nsp	nsp	CORD	SN95/PB5 0.6	C3A206
MAIN	J107		nsp	nsp	CORD	SN95/PB5 0.6	C3A206
MAIN	J109		nsp	nsp	CORD	SN95/PB5 0.6	C3A206
MAIN	J110		nsp	nsp	CORD	SN95/PB5 0.6	C3A206
MAIN	J111		nsp	nsp	CORD	SN95/PB5 0.6	C3A206
MAIN	J112		nsp	nsp	CORD	SN95/PB5 0.6	C3A206
MAIN	J113		nsp	nsp	CORD	SN95/PB5 0.6	C3A206
MAIN	J114		nsp	nsp	CORD	SN95/PB5 0.6	C3A206
MAIN	J115		nsp	nsp	CORD	SN95/PB5 0.6	C3A206
MAIN	J117		nsp	nsp	CORD	SN95/PB5 0.6	C3A206
MAIN	J118		nsp	nsp	CORD	SN95/PB5 0.6	C3A206
MAIN	J119		nsp	nsp	CORD	SN95/PB5 0.6	C3A206
MAIN	J121		nsp	nsp	CORD	SN95/PB5 0.6	C3A206

NOTE : *nsp* PART IS LISTED FOR REFERENCE ONLY, MARANTZ WILL NOT SUPPLY THESE PARTS.

P.C.B. NAME	POS. NO.	VERS. COLOR	PART NO. (FOR EUR)	PART NO. (MZ)	PART NAME	DESCRIPTION	
MAIN	J122		nsp	nsp	CORD	SN95/PB5 0.6	C3A206
MAIN	J123		nsp	nsp	CORD	SN95/PB5 0.6	C3A206
MAIN	J125		nsp	nsp	CORD	SN95/PB5 0.6	C3A206
MAIN	J126		nsp	nsp	CORD	SN95/PB5 0.6	C3A206
MAIN	J127		nsp	nsp	CORD	SN95/PB5 0.6	C3A206
MAIN	J130		nsp	nsp	CORD	SN95/PB5 0.6	C3A206
MAIN	J131		nsp	nsp	CORD	SN95/PB5 0.6	C3A206
MAIN	J133		nsp	nsp	CORD	SN95/PB5 0.6	C3A206
MAIN	J134		nsp	nsp	CORD	SN95/PB5 0.6	C3A206
MAIN	J135		nsp	nsp	CORD	SN95/PB5 0.6	C3A206
MAIN	J137		nsp	nsp	CORD	SN95/PB5 0.6	C3A206
MAIN	J138		nsp	nsp	CORD	SN95/PB5 0.6	C3A206
MAIN	J140		nsp	nsp	CORD	SN95/PB5 0.6	C3A206
MAIN	J141		nsp	nsp	CORD	SN95/PB5 0.6	C3A206
MAIN	J143		nsp	nsp	CORD	SN95/PB5 0.6	C3A206
MAIN	J144		nsp	nsp	CORD	SN95/PB5 0.6	C3A206
MAIN	J145		nsp	nsp	CORD	SN95/PB5 0.6	C3A206
MAIN	J146		nsp	nsp	CORD	SN95/PB5 0.6	C3A206
MAIN	J147		nsp	nsp	CORD	SN95/PB5 0.6	C3A206
MAIN	J151		nsp	nsp	CORD	SN95/PB5 0.6	C3A206
MAIN	J152		nsp	nsp	CORD	SN95/PB5 0.6	C3A206
MAIN	J153		nsp	nsp	CORD	SN95/PB5 0.6	C3A206
MAIN	J154		nsp	nsp	CORD	SN95/PB5 0.6	C3A206
MAIN	J155		nsp	nsp	CORD	SN95/PB5 0.6	C3A206
MAIN	J156		nsp	nsp	CORD	SN95/PB5 0.6	C3A206
MAIN	J157		nsp	nsp	CORD	SN95/PB5 0.6	C3A206
MAIN	J158		nsp	nsp	CORD	SN95/PB5 0.6	C3A206
MAIN	J159		nsp	nsp	CORD	SN95/PB5 0.6	C3A206
MAIN	J160		nsp	nsp	CORD	SN95/PB5 0.6	C3A206
MAIN	J161		nsp	nsp	CORD	SN95/PB5 0.6	C3A206
MAIN	J162		nsp	nsp	CORD	SN95/PB5 0.6	C3A206
MAIN	J163		nsp	nsp	CORD	SN95/PB5 0.6	C3A206
MAIN	J164		nsp	nsp	CORD	SN95/PB5 0.6	C3A206
MAIN	J165		nsp	nsp	CORD	SN95/PB5 0.6	C3A206
MAIN	J167		nsp	nsp	CORD	SN95/PB5 0.6	C3A206
MAIN	J201		nsp	nsp	CORD	SN95/PB5 0.6	C3A206
MAIN	J202		nsp	nsp	CORD	SN95/PB5 0.6	C3A206
MAIN	J203		nsp	nsp	CORD	SN95/PB5 0.6	C3A206
MAIN	J204		nsp	nsp	CORD	SN95/PB5 0.6	C3A206
MAIN	J205		nsp	nsp	CORD	SN95/PB5 0.6	C3A206
MAIN	J206		nsp	nsp	CORD	SN95/PB5 0.6	C3A206
MAIN	J207	/U1B	nsp	nsp	CORD	SN95/PB5 0.6	C3A206
MAIN	J301		nsp	nsp	CORD	SN95/PB5 0.6	C3A206
MAIN	J302		nsp	nsp	CORD	SN95/PB5 0.6	C3A206
MAIN	J303		nsp	nsp	CORD	SN95/PB5 0.6	C3A206
MAIN	J304		nsp	nsp	CORD	SN95/PB5 0.6	C3A206
MAIN	J305		nsp	nsp	CORD	SN95/PB5 0.6	C3A206
MAIN	J306		nsp	nsp	CORD	SN95/PB5 0.6	C3A206
MAIN	J307		nsp	nsp	CORD	SN95/PB5 0.6	C3A206
MAIN	J308		nsp	nsp	CORD	SN95/PB5 0.6	C3A206
MAIN	J309		nsp	nsp	CORD	SN95/PB5 0.6	C3A206
MAIN	J310		nsp	nsp	CORD	SN95/PB5 0.6	C3A206
MAIN	J311		nsp	nsp	CORD	SN95/PB5 0.6	C3A206
MAIN	J312		nsp	nsp	CORD	SN95/PB5 0.6	C3A206
MAIN	J313		nsp	nsp	CORD	SN95/PB5 0.6	C3A206
MAIN	J314		nsp	nsp	CORD	SN95/PB5 0.6	C3A206
MAIN	J315		nsp	nsp	CORD	SN95/PB5 0.6	C3A206
MAIN	J316		nsp	nsp	CORD	SN95/PB5 0.6	C3A206
MAIN	J322		nsp	nsp	CORD	SN95/PB5 0.6	C3A206
MAIN	J323		nsp	nsp	CORD	SN95/PB5 0.6	C3A206
MAIN	J324		nsp	nsp	CORD	SN95/PB5 0.6	C3A206
MAIN	J325		nsp	nsp	CORD	SN95/PB5 0.6	C3A206
MAIN	J326		nsp	nsp	CORD	SN95/PB5 0.6	C3A206
MAIN	J327		nsp	nsp	CORD	SN95/PB5 0.6	C3A206
MAIN	J328		nsp	nsp	CORD	SN95/PB5 0.6	C3A206
MAIN	J329		nsp	nsp	CORD	SN95/PB5 0.6	C3A206
MAIN	J330		nsp	nsp	CORD	SN95/PB5 0.6	C3A206

NOTE : "nsp" PART IS LISTED FOR REFERENCE ONLY, MARANTZ WILL NOT SUPPLY THESE PARTS.

P.C.B. NAME	POS. NO.	VERS. COLOR	PART NO. (FOR EUR)	PART NO. (MZ)	PART NAME	DESCRIPTION	
MAIN	J331		nsp	nsp	CORD	SN95/PB5 0.6	C3A206
MAIN	J332		nsp	nsp	CORD	SN95/PB5 0.6	C3A206
MAIN	J333		nsp	nsp	CORD	SN95/PB5 0.6	C3A206
MAIN	J334		nsp	nsp	CORD	SN95/PB5 0.6	C3A206
MAIN	J335		nsp	nsp	CORD	SN95/PB5 0.6	C3A206
MAIN	J336		nsp	nsp	CORD	SN95/PB5 0.6	C3A206
MAIN	J337		nsp	nsp	CORD	SN95/PB5 0.6	C3A206
MAIN	J338		nsp	nsp	CORD	SN95/PB5 0.6	C3A206
MAIN	J401		nsp	nsp	CORD	SN95/PB5 0.6	C3A206
MAIN	J402		nsp	nsp	CORD	SN95/PB5 0.6	C3A206
MAIN	J403		nsp	nsp	CORD	SN95/PB5 0.6	C3A206
MAIN	J404		nsp	nsp	CORD	SN95/PB5 0.6	C3A206
MAIN	J405		nsp	nsp	CORD	SN95/PB5 0.6	C3A206
MAIN	J406		nsp	nsp	CORD	SN95/PB5 0.6	C3A206
MAIN	J407		nsp	nsp	CORD	SN95/PB5 0.6	C3A206
MAIN	J408		nsp	nsp	CORD	SN95/PB5 0.6	C3A206
MAIN	J409		nsp	nsp	CORD	SN95/PB5 0.6	C3A206
MAIN	J410		nsp	nsp	CORD	SN95/PB5 0.6	C3A206
MAIN	J411		nsp	nsp	CORD	SN95/PB5 0.6	C3A206
MAIN	J412		nsp	nsp	CORD	SN95/PB5 0.6	C3A206
MAIN	J413		nsp	nsp	CORD	SN95/PB5 0.6	C3A206
MAIN	J414		nsp	nsp	CORD	SN95/PB5 0.6	C3A206
MAIN	J501		nsp	nsp	CORD	SN95/PB5 0.6	C3A206
MAIN	J502		nsp	nsp	CORD	SN95/PB5 0.6	C3A206
MAIN	J503		nsp	nsp	CORD	SN95/PB5 0.6	C3A206
MAIN	J504		nsp	nsp	CORD	SN95/PB5 0.6	C3A206
MAIN	J505		nsp	nsp	CORD	SN95/PB5 0.6	C3A206
MAIN	J506		nsp	nsp	CORD	SN95/PB5 0.6	C3A206
MAIN	J507		nsp	nsp	CORD	SN95/PB5 0.6	C3A206
MAIN	J508		nsp	nsp	CORD	SN95/PB5 0.6	C3A206
MAIN	J509		nsp	nsp	CORD	SN95/PB5 0.6	C3A206
MAIN	J510		nsp	nsp	CORD	SN95/PB5 0.6	C3A206
MAIN	J511		nsp	nsp	CORD	SN95/PB5 0.6	C3A206
MAIN	J512		nsp	nsp	CORD	SN95/PB5 0.6	C3A206
MAIN	J513		nsp	nsp	CORD	SN95/PB5 0.6	C3A206
MAIN	J514		nsp	nsp	CORD	SN95/PB5 0.6	C3A206
MAIN	J515		nsp	nsp	CORD	SN95/PB5 0.6	C3A206
MAIN	J518		nsp	nsp	CORD	SN95/PB5 0.6	C3A206
MAIN	J519		nsp	nsp	CORD	SN95/PB5 0.6	C3A206
MAIN	J520		nsp	nsp	CORD	SN95/PB5 0.6	C3A206
MAIN	J521		nsp	nsp	CORD	SN95/PB5 0.6	C3A206
MAIN	J522		nsp	nsp	CORD	SN95/PB5 0.6	C3A206
MAIN	J523		nsp	nsp	CORD	SN95/PB5 0.6	C3A206
MAIN	J524		nsp	nsp	CORD	SN95/PB5 0.6	C3A206
MAIN	J525		nsp	nsp	CORD	SN95/PB5 0.6	C3A206
MAIN	J526		nsp	nsp	CORD	SN95/PB5 0.6	C3A206
MAIN	J527		nsp	nsp	CORD	SN95/PB5 0.6	C3A206
MAIN	J601		nsp	nsp	CORD	SN95/PB5 0.6	C3A206
MAIN	J602		nsp	nsp	CORD	SN95/PB5 0.6	C3A206
MAIN	J603		nsp	nsp	CORD	SN95/PB5 0.6	C3A206
MAIN	J604		nsp	nsp	CORD	SN95/PB5 0.6	C3A206
MAIN	J605		nsp	nsp	CORD	SN95/PB5 0.6	C3A206
MAIN	J606		nsp	nsp	CORD	SN95/PB5 0.6	C3A206
MAIN	J607		nsp	nsp	CORD	SN95/PB5 0.6	C3A206
MAIN	J608		nsp	nsp	CORD	SN95/PB5 0.6	C3A206
MAIN	J609		nsp	nsp	CORD	SN95/PB5 0.6	C3A206
MAIN	J610		nsp	nsp	CORD	SN95/PB5 0.6	C3A206
MAIN	J611		nsp	nsp	CORD	SN95/PB5 0.6	C3A206
MAIN	J612		nsp	nsp	CORD	SN95/PB5 0.6	C3A206
MAIN	J613		nsp	nsp	CORD	SN95/PB5 0.6	C3A206
MAIN	J614		nsp	nsp	CORD	SN95/PB5 0.6	C3A206
MAIN	J615		nsp	nsp	CORD	SN95/PB5 0.6	C3A206
MAIN	J616		nsp	nsp	CORD	SN95/PB5 0.6	C3A206
MAIN	J617		nsp	nsp	CORD	SN95/PB5 0.6	C3A206
MAIN	J618		nsp	nsp	CORD	SN95/PB5 0.6	C3A206
MAIN	J619		nsp	nsp	CORD	SN95/PB5 0.6	C3A206
MAIN	J620		nsp	nsp	CORD	SN95/PB5 0.6	C3A206

NOTE : *nsp* PART IS LISTED FOR REFERENCE ONLY, MARANTZ WILL NOT SUPPLY THESE PARTS.

P.C.B. NAME	POS. NO.	VERS. COLOR	PART NO. (FOR EUR)	PART NO. (MZ)	PART NAME	DESCRIPTION	
MAIN	J621		nsp	nsp	CORD	SN95/PB5 0.6	C3A206
MAIN	J622		nsp	nsp	CORD	SN95/PB5 0.6	C3A206
MAIN	J623		nsp	nsp	CORD	SN95/PB5 0.6	C3A206
MAIN	J624		nsp	nsp	CORD	SN95/PB5 0.6	C3A206
MAIN	J625		nsp	nsp	CORD	SN95/PB5 0.6	C3A206
MAIN	J626		nsp	nsp	CORD	SN95/PB5 0.6	C3A206
MAIN	J627		nsp	nsp	CORD	SN95/PB5 0.6	C3A206
MAIN	J628		nsp	nsp	CORD	SN95/PB5 0.6	C3A206
MAIN	J629		nsp	nsp	CORD	SN95/PB5 0.6	C3A206
MAIN	J630		nsp	nsp	CORD	SN95/PB5 0.6	C3A206
MAIN	J631		nsp	nsp	CORD	SN95/PB5 0.6	C3A206
MAIN	J632		nsp	nsp	CORD	SN95/PB5 0.6	C3A206
MAIN	J633		nsp	nsp	CORD	SN95/PB5 0.6	C3A206
MAIN	J634		nsp	nsp	CORD	SN95/PB5 0.6	C3A206
MAIN	J635		nsp	nsp	CORD	SN95/PB5 0.6	C3A206
MAIN	J636		nsp	nsp	CORD	SN95/PB5 0.6	C3A206
MAIN	J637		nsp	nsp	CORD	SN95/PB5 0.6	C3A206
MAIN	J638		nsp	nsp	CORD	SN95/PB5 0.6	C3A206
MAIN	J639		nsp	nsp	CORD	SN95/PB5 0.6	C3A206
MAIN	J640		nsp	nsp	CORD	SN95/PB5 0.6	C3A206
MAIN	J701		nsp	nsp	CORD	SN95/PB5 0.6	C3A206
MAIN	J702		nsp	nsp	CORD	SN95/PB5 0.6	C3A206
MAIN	J703		nsp	nsp	CORD	SN95/PB5 0.6	C3A206
MAIN	J704		nsp	nsp	CORD	SN95/PB5 0.6	C3A206
MAIN	J705		nsp	nsp	CORD	SN95/PB5 0.6	C3A206
MAIN	J706		nsp	nsp	CORD	SN95/PB5 0.6	C3A206
MAIN	J708		nsp	nsp	CORD	SN95/PB5 0.6	C3A206
MAIN	J801		nsp	nsp	CORD	SN95/PB5 0.6	C3A206
MAIN	J802		nsp	nsp	CORD	SN95/PB5 0.6	C3A206
MAIN	J803		nsp	nsp	CORD	SN95/PB5 0.6	C3A206
MAIN	J804		nsp	nsp	CORD	SN95/PB5 0.6	C3A206
MAIN	J805		nsp	nsp	CORD	SN95/PB5 0.6	C3A206
MAIN	J806		nsp	nsp	CORD	SN95/PB5 0.6	C3A206
MAIN	J807		nsp	nsp	CORD	SN95/PB5 0.6	C3A206
MAIN	J808		nsp	nsp	CORD	SN95/PB5 0.6	C3A206
MAIN	J809		nsp	nsp	CORD	SN95/PB5 0.6	C3A206
MAIN	J810		nsp	nsp	CORD	SN95/PB5 0.6	C3A206
MAIN	J811		nsp	nsp	CORD	SN95/PB5 0.6	C3A206
MAIN	J812		nsp	nsp	CORD	SN95/PB5 0.6	C3A206
MAIN	J813		nsp	nsp	CORD	SN95/PB5 0.6	C3A206
MAIN	J814		nsp	nsp	CORD	SN95/PB5 0.6	C3A206
MAIN	J815		nsp	nsp	CORD	SN95/PB5 0.6	C3A206
MAIN	J816		nsp	nsp	CORD	SN95/PB5 0.6	C3A206
MAIN	J901		nsp	nsp	CORD	SN95/PB5 0.6	C3A206
MAIN	J902		nsp	nsp	CORD	SN95/PB5 0.6	C3A206
MAIN	J903		nsp	nsp	CORD	SN95/PB5 0.6	C3A206
MAIN	J904		nsp	nsp	CORD	SN95/PB5 0.6	C3A206
MAIN	J905		nsp	nsp	CORD	SN95/PB5 0.6	C3A206
MAIN	J906		nsp	nsp	CORD	SN95/PB5 0.6	C3A206
MAIN	J907		nsp	nsp	CORD	SN95/PB5 0.6	C3A206
MAIN	J908		nsp	nsp	CORD	SN95/PB5 0.6	C3A206
MAIN	J909		nsp	nsp	CORD	SN95/PB5 0.6	C3A206
MAIN	J910		nsp	nsp	CORD	SN95/PB5 0.6	C3A206
MAIN	J911		nsp	nsp	CORD	SN95/PB5 0.6	C3A206
MAIN	J912		nsp	nsp	CORD	SN95/PB5 0.6	C3A206
MAIN	J913		nsp	nsp	CORD	SN95/PB5 0.6	C3A206
MAIN	J914		nsp	nsp	CORD	SN95/PB5 0.6	C3A206
MAIN	J915		nsp	nsp	CORD	SN95/PB5 0.6	C3A206
MAIN	J916		nsp	nsp	CORD	SN95/PB5 0.6	C3A206
MAIN	J917		nsp	nsp	CORD	SN95/PB5 0.6	C3A206
MAIN	J918		nsp	nsp	CORD	SN95/PB5 0.6	C3A206
MAIN	J919		nsp	nsp	CORD	SN95/PB5 0.6	C3A206
MAIN	J920		nsp	nsp	CORD	SN95/PB5 0.6	C3A206
MAIN	J921		nsp	nsp	CORD	SN95/PB5 0.6	C3A206
MAIN	J922		nsp	nsp	CORD	SN95/PB5 0.6	C3A206
MAIN	J923		nsp	nsp	CORD	SN95/PB5 0.6	C3A206
MAIN	J924		nsp	nsp	CORD	SN95/PB5 0.6	C3A206

NOTE : "nsp" PART IS LISTED FOR REFERENCE ONLY, MARANTZ WILL NOT SUPPLY THESE PARTS.

P.C.B. NAME	POS. NO.	VERS. COLOR	PART NO. (FOR EUR)	PART NO. (MZ)	PART NAME	DESCRIPTION	
MAIN	J925		nsp	nsp	CORD	SN95/PB5 0.6	C3A206
MAIN	J926		nsp	nsp	CORD	SN95/PB5 0.6	C3A206
MAIN	J927		nsp	nsp	CORD	SN95/PB5 0.6	C3A206
MAIN	J928		nsp	nsp	CORD	SN95/PB5 0.6	C3A206
MAIN	J929		nsp	nsp	CORD	SN95/PB5 0.6	C3A206
MAIN	J930		nsp	nsp	CORD	SN95/PB5 0.6	C3A206
MAIN	J931		nsp	nsp	CORD	SN95/PB5 0.6	C3A206
MAIN	J932		nsp	nsp	CORD	SN95/PB5 0.6	C3A206
MAIN	JK91		90M-YT003530R	90M-YT003530R	TERMINAL	6PIN SPEAKER TERMINAL CNT SL SR	CJJ5R006Z
MAIN	JK92		90M-YT004020R	90M-YT004020R	TERMINAL	6P SPEAKER	CJJ5Q012Z
MAIN	JK93		90M-YT003520R	90M-YT003520R	TERMINAL	4P SPEAKER TERMINAL FL FR	CJJ5P020Z
MAIN	JK97		90M-YT004050R	90M-YT004050R	TERMINAL	RCA-401DA-16	CJJ4P052Z
MAIN	JK98		90M-YT005000R	90M-YT005000R	TERMINAL	CINCH 8P C/SUB/SBL/SBR	CJJ4P059Z
MAIN	JW90		nsp	nsp	CORD	WIRE ASSY	CWE8202080AA
MAIN	JW92		nsp	nsp	CORD	WIRE ASSY	CWEE212080VV
MAIN	L501		90M-LC107310R	90M-LC107310R	COIL	0.5UH K	CLEY0R5KAK
MAIN	L502		90M-LC107310R	90M-LC107310R	COIL	0.5UH K	CLEY0R5KAK
MAIN	L503		90M-LC107310R	90M-LC107310R	COIL	0.5UH K	CLEY0R5KAK
MAIN	L504		90M-LC107310R	90M-LC107310R	COIL	0.5UH K	CLEY0R5KAK
MAIN	L505		90M-LC107310R	90M-LC107310R	COIL	0.5UH K	CLEY0R5KAK
MAIN	L506		90M-LC107310R	90M-LC107310R	COIL	0.5UH K	CLEY0R5KAK
MAIN	L507		90M-LC107310R	90M-LC107310R	COIL	0.5UH K	CLEY0R5KAK
MAIN	▲ OL91	F N	nsp	90M-YT002410R	TERMINAL	! A204D0041P AC(UL/2P/SEP)	KJJ7A015Z
MAIN	▲ OL91	/N1B	90M-YT002430R	90M-YT002430R	TERMINAL	! A302D0061P AC(EUR/1P)	KJJ7A022Z
MAIN	▲ OL91	/N1G	90M-YT002430R	90M-YT002430R	TERMINAL	! A302D0061P AC(EUR/1P)	KJJ7A022Z
MAIN	▲ OL91	/N1S	90M-YT002430R	90M-YT002430R	TERMINAL	! A302D0061P AC(EUR/1P)	KJJ7A022Z
MAIN	▲ OL91	/U1B	nsp	90M-YT002410R	TERMINAL	! A204D0041P AC(UL/2P/SEP)	KJJ7A015Z
MAIN	Q501		00MHT600121A0	00MHT600121A0	TRS.	KTA1268GR	HVTKTA1268GRT
MAIN	Q502		00MHT600121A0	00MHT600121A0	TRS.	KTA1268GR	HVTKTA1268GRT
MAIN	Q503		00MHT600121A0	00MHT600121A0	TRS.	KTA1268GR	HVTKTA1268GRT
MAIN	Q504		00MHT600121A0	00MHT600121A0	TRS.	KTA1268GR	HVTKTA1268GRT
MAIN	Q505		00MHT600121A0	00MHT600121A0	TRS.	KTA1268GR	HVTKTA1268GRT
MAIN	Q511		00MHT800931A0	00MHT800931A0	TRS.	KTC3200GR	HVTKTC3200GRT
MAIN	Q512		00MHT800931A0	00MHT800931A0	TRS.	KTC3200GR	HVTKTC3200GRT
MAIN	Q513		00MHT800931A0	00MHT800931A0	TRS.	KTC3200GR	HVTKTC3200GRT
MAIN	Q514		00MHT800931A0	00MHT800931A0	TRS.	KTC3200GR	HVTKTC3200GRT
MAIN	Q515		00MHT800931A0	00MHT800931A0	TRS.	KTC3200GR	HVTKTC3200GRT
MAIN	Q516		00MHT800931A0	00MHT800931A0	TRS.	KTC3200GR	HVTKTC3200GRT
MAIN	Q517		00MHT800931A0	00MHT800931A0	TRS.	KTC3200GR	HVTKTC3200GRT
MAIN	Q518		00MHT800931A0	00MHT800931A0	TRS.	KTC3200GR	HVTKTC3200GRT
MAIN	Q519		00MHT800931A0	00MHT800931A0	TRS.	KTC3200GR	HVTKTC3200GRT
MAIN	Q520		00MHT800931A0	00MHT800931A0	TRS.	KTC3200GR	HVTKTC3200GRT
MAIN	Q541		90M-HT800050R	90M-HT800050R	TRS.	KTC3198Y	HVTKTC3198YT
MAIN	Q544		90M-HT800050R	90M-HT800050R	TRS.	KTC3198Y	HVTKTC3198YT
MAIN	Q545		90M-HT800050R	90M-HT800050R	TRS.	KTC3198Y	HVTKTC3198YT
MAIN	Q556		00MHT800931A0	00MHT800931A0	TRS.	KTC3200GR	HVTKTC3200GRT
MAIN	Q557		00MHT800931A0	00MHT800931A0	TRS.	KTC3200GR	HVTKTC3200GRT
MAIN	Q558		00MHT800931A0	00MHT800931A0	TRS.	KTC3200GR	HVTKTC3200GRT
MAIN	Q559		00MHT800931A0	00MHT800931A0	TRS.	KTC3200GR	HVTKTC3200GRT
MAIN	Q560		00MHT800931A0	00MHT800931A0	TRS.	KTC3200GR	HVTKTC3200GRT
MAIN	Q561		00MHT800931A0	00MHT800931A0	TRS.	KTC3200GR	HVTKTC3200GRT
MAIN	Q562		00MHT800931A0	00MHT800931A0	TRS.	KTC3200GR	HVTKTC3200GRT
MAIN	Q563		00MHT800931A0	00MHT800931A0	TRS.	KTC3200GR	HVTKTC3200GRT
MAIN	Q564		00MHT800931A0	00MHT800931A0	TRS.	KTC3200GR	HVTKTC3200GRT
MAIN	Q565		00MHT800931A0	00MHT800931A0	TRS.	KTC3200GR	HVTKTC3200GRT
MAIN	Q601		00MHT600121A0	00MHT600121A0	TRS.	KTA1268GR	HVTKTA1268GRT
MAIN	Q602		00MHT600121A0	00MHT600121A0	TRS.	KTA1268GR	HVTKTA1268GRT
MAIN	Q603		00MHT600121A0	00MHT600121A0	TRS.	KTA1268GR	HVTKTA1268GRT
MAIN	Q604		00MHT600121A0	00MHT600121A0	TRS.	KTA1268GR	HVTKTA1268GRT
MAIN	Q605		00MHT600121A0	00MHT600121A0	TRS.	KTA1268GR	HVTKTA1268GRT
MAIN	Q652		90M-HT200460R	90M-HT200460R	TRS.	2SB1647	HVT2SB1647
MAIN	Q653		90M-HT200460R	90M-HT200460R	TRS.	2SB1647	HVT2SB1647
MAIN	Q654		90M-HT200460R	90M-HT200460R	TRS.	2SB1647	HVT2SB1647
MAIN	Q655		90M-HT200460R	90M-HT200460R	TRS.	2SB1647	HVT2SB1647
MAIN	Q657		90M-HT400520R	90M-HT400520R	TRS.	2SD2560	HVT2SD2560
MAIN	Q658		90M-HT400520R	90M-HT400520R	TRS.	2SD2560	HVT2SD2560
MAIN	Q659		90M-HT400520R	90M-HT400520R	TRS.	2SD2560	HVT2SD2560

NOTE : *nsp* PART IS LISTED FOR REFERENCE ONLY, MARANTZ WILL NOT SUPPLY THESE PARTS.

P.C.B. NAME	POS. NO.	VERS. COLOR	PART NO. (FOR EUR)	PART NO. (MZ)	PART NAME	DESCRIPTION	
MAIN	Q660		90M-HT400520R	90M-HT400520R	TRS.	2SD2560	HVT2SD2560
MAIN	Q661		90M-HT200460R	90M-HT200460R	TRS.	2SB1647	HVT2SB1647
MAIN	Q670		90M-HT400520R	90M-HT400520R	TRS.	2SD2560	HVT2SD2560
MAIN	Q681		00MHT800931A0	00MHT800931A0	TRS.	KTC3200GR	HVTKTC3200GRT
MAIN	Q682		00MHT800931A0	00MHT800931A0	TRS.	KTC3200GR	HVTKTC3200GRT
MAIN	Q683		00MHT800931A0	00MHT800931A0	TRS.	KTC3200GR	HVTKTC3200GRT
MAIN	Q684		00MHT800931A0	00MHT800931A0	TRS.	KTC3200GR	HVTKTC3200GRT
MAIN	Q685		00MHT800931A0	00MHT800931A0	TRS.	KTC3200GR	HVTKTC3200GRT
MAIN	Q801		00MHT800931A0	00MHT800931A0	TRS.	KTC3200GR	HVTKTC3200GRT
MAIN	Q802		00MHT800931A0	00MHT800931A0	TRS.	KTC3200GR	HVTKTC3200GRT
MAIN	Q803		90M-HT400520R	90M-HT400520R	TRS.	2SD2560	HVT2SD2560
MAIN	Q804		90M-HT200460R	90M-HT200460R	TRS.	2SB1647	HVT2SB1647
MAIN	Q805		90M-HT400520R	90M-HT400520R	TRS.	2SD2560	HVT2SD2560
MAIN	Q807		90M-HT200460R	90M-HT200460R	TRS.	2SB1647	HVT2SB1647
MAIN	Q812		00MHT600121A0	00MHT600121A0	TRS.	KTA1268GR	HVTKTA1268GRT
MAIN	Q813		00MHT800931A0	00MHT800931A0	TRS.	KTC3200GR	HVTKTC3200GRT
MAIN	Q814		00MHT600121A0	00MHT600121A0	TRS.	KTA1268GR	HVTKTA1268GRT
MAIN	Q815		00MHT800931A0	00MHT800931A0	TRS.	KTC3200GR	HVTKTC3200GRT
MAIN	Q816		00MHT600121A0	00MHT600121A0	TRS.	KTA1268GR	HVTKTA1268GRT
MAIN	Q817		00MHT600121A0	00MHT600121A0	TRS.	KTA1268GR	HVTKTA1268GRT
MAIN	Q818		00MHT800931A0	00MHT800931A0	TRS.	KTC3200GR	HVTKTC3200GRT
MAIN	Q819		00MHT800931A0	00MHT800931A0	TRS.	KTC3200GR	HVTKTC3200GRT
MAIN	Q820		00MHT800931A0	00MHT800931A0	TRS.	KTC3200GR	HVTKTC3200GRT
MAIN	Q821		00MHT800931A0	00MHT800931A0	TRS.	KTC3200GR	HVTKTC3200GRT
MAIN	Q822		00MHT800931A0	00MHT800931A0	TRS.	KTC3200GR	HVTKTC3200GRT
MAIN	Q823		00MHT800931A0	00MHT800931A0	TRS.	KTC3200GR	HVTKTC3200GRT
MAIN	Q824		90M-HT800050R	90M-HT800050R	TRS.	KTC3198Y	HVTKTC3198YT
MAIN	Q825		90M-HT800050R	90M-HT800050R	TRS.	KTC3198Y	HVTKTC3198YT
MAIN	Q858		90M-HT100540R	90M-HT100540R	TRS.	KTA1360Y	HVTKTA1360Y
MAIN	Q871		90M-HT100540R	90M-HT100540R	TRS.	KTA1360Y	HVTKTA1360Y
MAIN	Q872		90M-HT100540R	90M-HT100540R	TRS.	KTA1360Y	HVTKTA1360Y
MAIN	Q874		90M-HT100540R	90M-HT100540R	TRS.	KTA1360Y	HVTKTA1360Y
MAIN	Q875		90M-HT100540R	90M-HT100540R	TRS.	KTA1360Y	HVTKTA1360Y
MAIN	Q876		90M-HT100540R	90M-HT100540R	TRS.	KTA1360Y	HVTKTA1360Y
MAIN	Q877		90M-HT100540R	90M-HT100540R	TRS.	KTA1360Y	HVTKTA1360Y
MAIN	Q881		90M-HT300820R	90M-HT300820R	TRS.	KTC3423Y	HVTKTC3423Y
MAIN	Q882		90M-HT300820R	90M-HT300820R	TRS.	KTC3423Y	HVTKTC3423Y
MAIN	Q883		90M-HT300820R	90M-HT300820R	TRS.	KTC3423Y	HVTKTC3423Y
MAIN	Q884		90M-HT300820R	90M-HT300820R	TRS.	KTC3423Y	HVTKTC3423Y
MAIN	Q885		90M-HT300820R	90M-HT300820R	TRS.	KTC3423Y	HVTKTC3423Y
MAIN	Q886		90M-HT300820R	90M-HT300820R	TRS.	KTC3423Y	HVTKTC3423Y
MAIN	Q887		90M-HT300820R	90M-HT300820R	TRS.	KTC3423Y	HVTKTC3423Y
MAIN	Q901		00MHT600111B0	00MHT600111B0	TRS.	KTA1267Y	HVTKTA1267YT
MAIN	Q902		90M-BA001530R	90M-BA001530R	TRS.	KTC114M	HVTKRC114MT
MAIN	Q903		90M-BA001460R	90M-BA001460R	TRS.	KRC107M	HVTKRC107MT
MAIN	Q904		00MHT600111B0	00MHT600111B0	TRS.	KTA1267Y	HVTKTA1267YT
MAIN	Q905		90M-HT800050R	90M-HT800050R	TRS.	KTC3198Y	HVTKTC3198YT
MAIN	Q906		00MHT600111B0	00MHT600111B0	TRS.	KTA1267Y	HVTKTA1267YT
MAIN	Q911		00MHT600111B0	00MHT600111B0	TRS.	KTA1267Y	HVTKTA1267YT
MAIN	Q912		90M-HT800050R	90M-HT800050R	TRS.	KTC3198Y	HVTKTC3198YT
MAIN	Q913		90M-HT800050R	90M-HT800050R	TRS.	KTC3198Y	HVTKTC3198YT
MAIN	Q915		90M-BA001450R	90M-BA001450R	TRS.	KRA107M	HVTKRA107MT
MAIN	Q916		90M-HT800050R	90M-HT800050R	TRS.	KTC3198Y	HVTKTC3198YT
MAIN	Q917		90M-BA001460R	90M-BA001460R	TRS.	KRC107M	HVTKRC107MT
MAIN	Q918		00MHT600111B0	00MHT600111B0	TRS.	KTA1267Y	HVTKTA1267YT
MAIN	Q919		90M-HT800050R	90M-HT800050R	TRS.	KTC3198Y	HVTKTC3198YT
MAIN	Q920		90M-HT800050R	90M-HT800050R	TRS.	KTC3198Y	HVTKTC3198YT
MAIN	Q921		90M-BA001450R	90M-BA001450R	TRS.	KRA107M	HVTKRA107MT
MAIN	Q925		90M-HT800050R	90M-HT800050R	TRS.	KTC3198Y	HVTKTC3198YT
MAIN	Q926		00MHT600111B0	00MHT600111B0	TRS.	KTA1267Y	HVTKTA1267YT
MAIN	Q927		90M-BA001460R	90M-BA001460R	TRS.	KRC107M	HVTKRC107MT
MAIN	Q928		90M-BA001460R	90M-BA001460R	TRS.	KRC107M	HVTKRC107MT
MAIN	Q929		90M-HT600030R	90M-HT600030R	TRS.	KTA1024Y	HVTKTA1024YT
MAIN	Q960		90M-BA001460R	90M-BA001460R	TRS.	KRC107M	HVTKRC107MT
MAIN	Q961		90M-HT600030R	90M-HT600030R	TRS.	KTA1024Y	HVTKTA1024YT
MAIN	Q997		90M-BA001460R	90M-BA001460R	TRS.	KRC107M	HVTKRC107MT
MAIN	Q998		00MHT600111B0	00MHT600111B0	TRS.	KTA1267Y	HVTKTA1267YT

NOTE : *nsp* PART IS LISTED FOR REFERENCE ONLY, MARANTZ WILL NOT SUPPLY THESE PARTS.

P.C.B. NAME	POS. NO.	VERS. COLOR	PART NO. (FOR EUR)	PART NO. (MZ)	PART NAME	DESCRIPTION
MAIN	R501		nsp	nsp	RES.	43K OHM 1/5W J CRD20TJ433T
MAIN	R502		nsp	nsp	RES.	43K OHM 1/5W J CRD20TJ433T
MAIN	R503		nsp	nsp	RES.	43K OHM 1/5W J CRD20TJ433T
MAIN	R506		nsp	nsp	RES.	33K OHM 1/5W J CRD20TJ333T
MAIN	R507		nsp	nsp	RES.	33K OHM 1/5W J CRD20TJ333T
MAIN	R508		nsp	nsp	RES.	33K OHM 1/5W J CRD20TJ333T
MAIN	R509		nsp	nsp	RES.	33K OHM 1/5W J CRD20TJ333T
MAIN	R510		nsp	nsp	RES.	33K OHM 1/5W J CRD20TJ333T
MAIN	R511		nsp	nsp	RES.	1.5K OHM 1/5W J CRD20TJ152T
MAIN	R512		nsp	nsp	RES.	1.5K OHM 1/5W J CRD20TJ152T
MAIN	R513		nsp	nsp	RES.	1.5K OHM 1/5W J CRD20TJ152T
MAIN	R514		nsp	nsp	RES.	1.5K OHM 1/5W J CRD20TJ152T
MAIN	R515		nsp	nsp	RES.	1.5K OHM 1/5W J CRD20TJ152T
MAIN	R516		nsp	nsp	RES.	1.5K OHM 1/5W J CRD20TJ152T
MAIN	R517		nsp	nsp	RES.	1.5K OHM 1/5W J CRD20TJ152T
MAIN	R518		nsp	nsp	RES.	1.5K OHM 1/5W J CRD20TJ152T
MAIN	R519		nsp	nsp	RES.	1.5K OHM 1/5W J CRD20TJ152T
MAIN	R520		nsp	nsp	RES.	1.5K OHM 1/5W J CRD20TJ152T
MAIN	R521		nsp	nsp	RES.	470 OHM 1/5W J CRD20TJ471T
MAIN	R522		nsp	nsp	RES.	470 OHM 1/5W J CRD20TJ471T
MAIN	R523		nsp	nsp	RES.	470 OHM 1/5W J CRD20TJ471T
MAIN	R524		nsp	nsp	RES.	470 OHM 1/5W J CRD20TJ471T
MAIN	R525		nsp	nsp	RES.	470 OHM 1/5W J CRD20TJ471T
MAIN	R531		nsp	nsp	RES.	220 OHM 1/5W J CRD20TJ221T
MAIN	R532		nsp	nsp	RES.	220 OHM 1/5W J CRD20TJ221T
MAIN	R533		nsp	nsp	RES.	220 OHM 1/5W J CRD20TJ221T
MAIN	R534		nsp	nsp	RES.	220 OHM 1/5W J CRD20TJ221T
MAIN	R535		nsp	nsp	RES.	220 OHM 1/5W J CRD20TJ221T
MAIN	R536		nsp	nsp	RES.	220 OHM 1/5W J CRD20TJ221T
MAIN	R537		nsp	nsp	RES.	220 OHM 1/5W J CRD20TJ221T
MAIN	R538		nsp	nsp	RES.	220 OHM 1/5W J CRD20TJ221T
MAIN	R539		nsp	nsp	RES.	220 OHM 1/5W J CRD20TJ221T
MAIN	R540		nsp	nsp	RES.	220 OHM 1/5W J CRD20TJ221T
MAIN	R541		nsp	nsp	RES.	270 OHM 1/5W J CRD20TJ271T
MAIN	R542		nsp	nsp	RES.	270 OHM 1/5W J CRD20TJ271T
MAIN	R543		nsp	nsp	RES.	270 OHM 1/5W J CRD20TJ271T
MAIN	R544		nsp	nsp	RES.	270 OHM 1/5W J CRD20TJ271T
MAIN	R545		nsp	nsp	RES.	270 OHM 1/5W J CRD20TJ271T
MAIN	R546		nsp	nsp	RES.	47K OHM 1/5W J CRD20TJ473T
MAIN	R547		nsp	nsp	RES.	47K OHM 1/5W J CRD20TJ473T
MAIN	R556		nsp	nsp	RES.	33K OHM 1/4W J CRD25TJ333T
MAIN	R557		nsp	nsp	RES.	33K OHM 1/4W J CRD25TJ333T
MAIN	R558		nsp	nsp	RES.	33K OHM 1/4W J CRD25TJ333T
MAIN	R559		nsp	nsp	RES.	33K OHM 1/4W J CRD25TJ333T
MAIN	R560		nsp	nsp	RES.	33K OHM 1/4W J CRD25TJ333T
MAIN	R561		nsp	nsp	RES.	1.3K OHM 1/5W CRD20TJ132T
MAIN	R562		nsp	nsp	RES.	1.3K OHM 1/5W CRD20TJ132T
MAIN	R563		nsp	nsp	RES.	1.3K OHM 1/5W CRD20TJ132T
MAIN	R564		nsp	nsp	RES.	1.3K OHM 1/5W CRD20TJ132T
MAIN	R565		nsp	nsp	RES.	1.3K OHM 1/5W CRD20TJ132T
MAIN	R566		nsp	nsp	RES.	560 OHM 1/5W J CRD20TJ561T
MAIN	R567		nsp	nsp	RES.	560 OHM 1/5W J CRD20TJ561T
MAIN	R568		nsp	nsp	RES.	560 OHM 1/5W J CRD20TJ561T
MAIN	R569		nsp	nsp	RES.	560 OHM 1/5W J CRD20TJ561T
MAIN	R570		nsp	nsp	RES.	560 OHM 1/5W J CRD20TJ561T
MAIN	R571		nsp	nsp	RES.	560 OHM 1/5W J CRD20TJ561T
MAIN	R572		nsp	nsp	RES.	560 OHM 1/5W J CRD20TJ561T
MAIN	R573		nsp	nsp	RES.	560 OHM 1/5W J CRD20TJ561T
MAIN	R574		nsp	nsp	RES.	560 OHM 1/5W J CRD20TJ561T
MAIN	R575		nsp	nsp	RES.	560 OHM 1/5W J CRD20TJ561T
MAIN	R576		nsp	nsp	RES.	10 OHM 1/5W J CRD20TJ100T
MAIN	R577		nsp	nsp	RES.	10 OHM 1/5W J CRD20TJ100T
MAIN	R578		nsp	nsp	RES.	10 OHM 1/5W J CRD20TJ100T
MAIN	R579		nsp	nsp	RES.	10 OHM 1/5W J CRD20TJ100T
MAIN	R580		nsp	nsp	RES.	10 OHM 1/5W J CRD20TJ100T
MAIN	R581		nsp	nsp	RES.	560 OHM 1/5W J CRD20TJ561T
MAIN	R582		nsp	nsp	RES.	560 OHM 1/5W J CRD20TJ561T

NOTE : *nsp* PART IS LISTED FOR REFERENCE ONLY, MARANTZ WILL NOT SUPPLY THESE PARTS.

P.C.B. NAME	POS. NO.	VERS. COLOR	PART NO. (FOR EUR)	PART NO. (MZ)	PART NAME	DESCRIPTION
MAIN	R583		nsp	nsp	RES.	560 OHM 1/5W J CRD20TJ561T
MAIN	R584		nsp	nsp	RES.	560 OHM 1/5W J CRD20TJ561T
MAIN	R585		nsp	nsp	RES.	560 OHM 1/5W J CRD20TJ561T
MAIN	R586		nsp	nsp	RES.	560 OHM 1/5W J CRD20TJ561T
MAIN	R587		nsp	nsp	RES.	560 OHM 1/5W J CRD20TJ561T
MAIN	R588		nsp	nsp	RES.	560 OHM 1/5W J CRD20TJ561T
MAIN	R589		nsp	nsp	RES.	560 OHM 1/5W J CRD20TJ561T
MAIN	R590		nsp	nsp	RES.	560 OHM 1/5W J CRD20TJ561T
MAIN	R591		nsp	nsp	RES.	560 OHM 1/5W J CRD20TJ561T
MAIN	R592		nsp	nsp	RES.	560 OHM 1/5W J CRD20TJ561T
MAIN	R593		nsp	nsp	RES.	560 OHM 1/5W J CRD20TJ561T
MAIN	R594		nsp	nsp	RES.	560 OHM 1/5W J CRD20TJ561T
MAIN	R595		nsp	nsp	RES.	560 OHM 1/5W J CRD20TJ561T
MAIN	R596		nsp	nsp	RES.	560 OHM 1/5W J CRD20TJ561T
MAIN	R597		nsp	nsp	RES.	560 OHM 1/5W J CRD20TJ561T
MAIN	R598		nsp	nsp	RES.	560 OHM 1/5W J CRD20TJ561T
MAIN	R599		nsp	nsp	RES.	560 OHM 1/5W J CRD20TJ561T
MAIN	R600		nsp	nsp	RES.	560 OHM 1/5W J CRD20TJ561T
MAIN	R601		nsp	nsp	RES.	22K OHM 1/5W J CRD20TJ223T
MAIN	R602		nsp	nsp	RES.	22K OHM 1/5W J CRD20TJ223T
MAIN	R603		nsp	nsp	RES.	22K OHM 1/5W J CRD20TJ223T
MAIN	R604		nsp	nsp	RES.	22K OHM 1/5W J CRD20TJ223T
MAIN	R605		nsp	nsp	RES.	22K OHM 1/5W J CRD20TJ223T
MAIN	R606		nsp	nsp	RES.	22K OHM 1/5W J CRD20TJ223T
MAIN	R607		nsp	nsp	RES.	22K OHM 1/5W J CRD20TJ223T
MAIN	R608		nsp	nsp	RES.	22K OHM 1/5W J CRD20TJ223T
MAIN	R609		nsp	nsp	RES.	22K OHM 1/5W J CRD20TJ223T
MAIN	R610		nsp	nsp	RES.	22K OHM 1/5W J CRD20TJ223T
MAIN	R611		nsp	nsp	RES.	10 OHM 1/5W J CRD20TJ100T
MAIN	R612		nsp	nsp	RES.	10 OHM 1/5W J CRD20TJ100T
MAIN	R631		nsp	nsp	RES.	18 OHM 1/4W CRD25FJ180T
MAIN	R632		nsp	nsp	RES.	18 OHM 1/4W CRD25FJ180T
MAIN	R633		nsp	nsp	RES.	18 OHM 1/4W CRD25FJ180T
MAIN	R634		nsp	nsp	RES.	18 OHM 1/4W CRD25FJ180T
MAIN	R635		nsp	nsp	RES.	18 OHM 1/4W CRD25FJ180T
MAIN	R636		nsp	nsp	RES.	18 OHM 1/4W CRD25FJ180T
MAIN	R637		nsp	nsp	RES.	18 OHM 1/4W CRD25FJ180T
MAIN	R638		nsp	nsp	RES.	18 OHM 1/4W CRD25FJ180T
MAIN	R639		nsp	nsp	RES.	18 OHM 1/4W CRD25FJ180T
MAIN	R640		nsp	nsp	RES.	18 OHM 1/4W CRD25FJ180T
MAIN	R646		nsp	nsp	RES.	3.3 OHM 1/4W CRD25FJ3R3T
MAIN	R647		nsp	nsp	RES.	3.3 OHM 1/4W CRD25FJ3R3T
MAIN	R648		nsp	nsp	RES.	3.3 OHM 1/4W CRD25FJ3R3T
MAIN	R649		nsp	nsp	RES.	3.3 OHM 1/4W CRD25FJ3R3T
MAIN	R650		nsp	nsp	RES.	3.3 OHM 1/4W CRD25FJ3R3T
MAIN	R651		nsp	nsp	RES.	3.3 OHM 1/4W CRD25FJ3R3T
MAIN	R652		nsp	nsp	RES.	3.3 OHM 1/4W CRD25FJ3R3T
MAIN	R653		nsp	nsp	RES.	3.3 OHM 1/4W CRD25FJ3R3T
MAIN	R654		nsp	nsp	RES.	3.3 OHM 1/4W CRD25FJ3R3T
MAIN	R655		nsp	nsp	RES.	3.3 OHM 1/4W CRD25FJ3R3T
MAIN	R656		90M-GO000013R	90M-GO000013R	RES.	0.27OHM(*2) 5W CRF5EKR27HX2K
MAIN	R657		90M-GO000013R	90M-GO000013R	RES.	0.27OHM(*2) 5W CRF5EKR27HX2K
MAIN	R658		90M-GO000013R	90M-GO000013R	RES.	0.27OHM(*2) 5W CRF5EKR27HX2K
MAIN	R659		90M-GO000013R	90M-GO000013R	RES.	0.27OHM(*2) 5W CRF5EKR27HX2K
MAIN	R660		90M-GO000013R	90M-GO000013R	RES.	0.27OHM(*2) 5W CRF5EKR27HX2K
MAIN	R666		nsp	nsp	RES.	47 OHM 1/4W J CRD25TJ470T
MAIN	R667		nsp	nsp	RES.	47 OHM 1/4W J CRD25TJ470T
MAIN	R668		nsp	nsp	RES.	47 OHM 1/4W J CRD25TJ470T
MAIN	R669		nsp	nsp	RES.	47 OHM 1/4W J CRD25TJ470T
MAIN	R670		nsp	nsp	RES.	47 OHM 1/4W J CRD25TJ470T
MAIN	R671		nsp	nsp	RES.	1K OHM 1/5W J CRD20TJ102T
MAIN	R672		nsp	nsp	RES.	1K OHM 1/5W J CRD20TJ102T
MAIN	R673		nsp	nsp	RES.	1K OHM 1/5W J CRD20TJ102T
MAIN	R674		nsp	nsp	RES.	1K OHM 1/5W J CRD20TJ102T
MAIN	R675		nsp	nsp	RES.	1K OHM 1/5W J CRD20TJ102T
MAIN	R676		nsp	nsp	RES.	1K OHM 1/5W J CRD20TJ102T
MAIN	R677		nsp	nsp	RES.	1K OHM 1/5W J CRD20TJ102T

NOTE : "nsp" PART IS LISTED FOR REFERENCE ONLY, MARANTZ WILL NOT SUPPLY THESE PARTS.

P.C.B. NAME	POS. NO.	VERS. COLOR	PART NO. (FOR EUR)	PART NO. (MZ)	PART NAME	DESCRIPTION
MAIN	R678		nsp	nsp	RES.	1K OHM 1/5W J CRD20TJ102T
MAIN	R679		nsp	nsp	RES.	1K OHM 1/5W J CRD20TJ102T
MAIN	R680		nsp	nsp	RES.	1K OHM 1/5W J CRD20TJ102T
MAIN	R681		nsp	nsp	RES.	910 OHM 1/5W J CRD20TJ911T
MAIN	R682		nsp	nsp	RES.	910 OHM 1/5W J CRD20TJ911T
MAIN	R683		nsp	nsp	RES.	910 OHM 1/5W J CRD20TJ911T
MAIN	R684		nsp	nsp	RES.	910 OHM 1/5W J CRD20TJ911T
MAIN	R685		nsp	nsp	RES.	910 OHM 1/5W J CRD20TJ911T
MAIN	R686		nsp	nsp	RES.	22K OHM 1/5W J CRD20TJ223T
MAIN	R687		nsp	nsp	RES.	22K OHM 1/5W J CRD20TJ223T
MAIN	R688		nsp	nsp	RES.	22K OHM 1/5W J CRD20TJ223T
MAIN	R689		nsp	nsp	RES.	22K OHM 1/5W J CRD20TJ223T
MAIN	R690		nsp	nsp	RES.	22K OHM 1/5W J CRD20TJ223T
MAIN	R696		nsp	nsp	RES.	47 OHM 1/4W J CRD25TJ470T
MAIN	R697		nsp	nsp	RES.	47 OHM 1/4W J CRD25TJ470T
MAIN	R698		nsp	nsp	RES.	47 OHM 1/4W J CRD25TJ470T
MAIN	R699		nsp	nsp	RES.	47 OHM 1/4W J CRD25TJ470T
MAIN	R700		nsp	nsp	RES.	47 OHM 1/4W J CRD25TJ470T
MAIN	R771		nsp	nsp	RES.	75 OHM 1/5W J CRD20TJ750T
MAIN	R772		nsp	nsp	RES.	75 OHM 1/5W J CRD20TJ750T
MAIN	R773		nsp	nsp	RES.	75 OHM 1/5W J CRD20TJ750T
MAIN	R774		nsp	nsp	RES.	75 OHM 1/5W J CRD20TJ750T
MAIN	R775		nsp	nsp	RES.	75 OHM 1/5W J CRD20TJ750T
MAIN	R776		nsp	nsp	RES.	75 OHM 1/5W J CRD20TJ750T
MAIN	R777		nsp	nsp	RES.	75 OHM 1/5W J CRD20TJ750T
MAIN	R781		nsp	nsp	RES.	75 OHM 1/5W J CRD20TJ750T
MAIN	R782		nsp	nsp	RES.	75 OHM 1/5W J CRD20TJ750T
MAIN	R783		nsp	nsp	RES.	75 OHM 1/5W J CRD20TJ750T
MAIN	R784		nsp	nsp	RES.	75 OHM 1/5W J CRD20TJ750T
MAIN	R785		nsp	nsp	RES.	75 OHM 1/5W J CRD20TJ750T
MAIN	R786		nsp	nsp	RES.	75 OHM 1/5W J CRD20TJ750T
MAIN	R787		nsp	nsp	RES.	75 OHM 1/5W J CRD20TJ750T
MAIN	R801		nsp	nsp	RES.	22K OHM 1/5W J CRD20TJ223T
MAIN	R802		nsp	nsp	RES.	22K OHM 1/5W J CRD20TJ223T
MAIN	R803		nsp	nsp	RES.	910 OHM 1/5W J CRD20TJ911T
MAIN	R804		nsp	nsp	RES.	910 OHM 1/5W J CRD20TJ911T
MAIN	R805		nsp	nsp	RES.	1K OHM 1/5W J CRD20TJ102T
MAIN	R807		nsp	nsp	RES.	1K OHM 1/5W J CRD20TJ102T
MAIN	R808		nsp	nsp	RES.	1K OHM 1/5W J CRD20TJ102T
MAIN	R809		nsp	nsp	RES.	1K OHM 1/5W J CRD20TJ102T
MAIN	R810		90M-GO000013R	90M-GO000013R	RES.	0.27OHM(*2) 5W CRF5EKR27HX2K
MAIN	R811		90M-GO000013R	90M-GO000013R	RES.	0.27OHM(*2) 5W CRF5EKR27HX2K
MAIN	R812		nsp	nsp	RES.	47 OHM 1/4W J CRD25TJ470T
MAIN	R813		nsp	nsp	RES.	47 OHM 1/4W J CRD25TJ470T
MAIN	R814		nsp	nsp	RES.	47 OHM 1/4W J CRD25TJ470T
MAIN	R815		nsp	nsp	RES.	47 OHM 1/4W J CRD25TJ470T
MAIN	R817		nsp	nsp	RES.	3.3 OHM 1/4W CRD25FJ3R3T
MAIN	R818		nsp	nsp	RES.	3.3 OHM 1/4W CRD25FJ3R3T
MAIN	R819		nsp	nsp	RES.	3.3 OHM 1/4W CRD25FJ3R3T
MAIN	R820		nsp	nsp	RES.	3.3 OHM 1/4W CRD25FJ3R3T
MAIN	R821		nsp	nsp	RES.	18 OHM 1/4W CRD25FJ180T
MAIN	R822		nsp	nsp	RES.	18 OHM 1/4W CRD25FJ180T
MAIN	R823		nsp	nsp	RES.	18 OHM 1/4W CRD25FJ180T
MAIN	R824		nsp	nsp	RES.	18 OHM 1/4W CRD25FJ180T
MAIN	R830		nsp	nsp	RES.	22K OHM 1/5W J CRD20TJ223T
MAIN	R831		nsp	nsp	RES.	22K OHM 1/5W J CRD20TJ223T
MAIN	R832		nsp	nsp	RES.	22K OHM 1/5W J CRD20TJ223T
MAIN	R833		nsp	nsp	RES.	22K OHM 1/5W J CRD20TJ223T
MAIN	R834		nsp	nsp	RES.	560 OHM 1/5W J CRD20TJ561T
MAIN	R835		nsp	nsp	RES.	560 OHM 1/5W J CRD20TJ561T
MAIN	R836		nsp	nsp	RES.	560 OHM 1/5W J CRD20TJ561T
MAIN	R837		nsp	nsp	RES.	560 OHM 1/5W J CRD20TJ561T
MAIN	R838		nsp	nsp	RES.	560 OHM 1/5W J CRD20TJ561T
MAIN	R839		nsp	nsp	RES.	560 OHM 1/5W J CRD20TJ561T
MAIN	R840		nsp	nsp	RES.	560 OHM 1/5W J CRD20TJ561T
MAIN	R841		nsp	nsp	RES.	560 OHM 1/5W J CRD20TJ561T
MAIN	R842		nsp	nsp	RES.	560 OHM 1/5W J CRD20TJ561T

NOTE : *nsp* PART IS LISTED FOR REFERENCE ONLY, MARANTZ WILL NOT SUPPLY THESE PARTS.

P.C.B. NAME	POS. NO.	VERS. COLOR	PART NO. (FOR EUR)	PART NO. (MZ)	PART NAME	DESCRIPTION
MAIN	R843		nsp	nsp	RES.	560 OHM 1/5W J CRD20TJ561T
MAIN	R844		nsp	nsp	RES.	560 OHM 1/5W J CRD20TJ561T
MAIN	R845		nsp	nsp	RES.	560 OHM 1/5W J CRD20TJ561T
MAIN	R848		nsp	nsp	RES.	33K OHM 1/4W J CRD25TJ333T
MAIN	R849		nsp	nsp	RES.	33K OHM 1/4W J CRD25TJ333T
MAIN	R850		nsp	nsp	RES.	1.3K OHM 1/5W CRD20TJ132T
MAIN	R851		nsp	nsp	RES.	1.3K OHM 1/5W CRD20TJ132T
MAIN	R852		nsp	nsp	RES.	1.5K OHM 1/5W J CRD20TJ152T
MAIN	R853		nsp	nsp	RES.	1.5K OHM 1/5W J CRD20TJ152T
MAIN	R854		nsp	nsp	RES.	1.5K OHM 1/5W J CRD20TJ152T
MAIN	R855		nsp	nsp	RES.	1.5K OHM 1/5W J CRD20TJ152T
MAIN	R856		nsp	nsp	RES.	220 OHM 1/5W J CRD20TJ221T
MAIN	R857		nsp	nsp	RES.	220 OHM 1/5W J CRD20TJ221T
MAIN	R858		nsp	nsp	RES.	220 OHM 1/5W J CRD20TJ221T
MAIN	R859		nsp	nsp	RES.	220 OHM 1/5W J CRD20TJ221T
MAIN	R860		nsp	nsp	RES.	270 OHM 1/5W J CRD20TJ271T
MAIN	R861		nsp	nsp	RES.	270 OHM 1/5W J CRD20TJ271T
MAIN	R862		nsp	nsp	RES.	33K OHM 1/5W J CRD20TJ333T
MAIN	R863		nsp	nsp	RES.	33K OHM 1/5W J CRD20TJ333T
MAIN	R864		nsp	nsp	RES.	330 OHM 1/5W J CRD20TJ331T
MAIN	R865		nsp	nsp	RES.	330 OHM 1/5W J CRD20TJ331T
MAIN	R870		nsp	nsp	RES.	43K OHM 1/5W J CRD20TJ433T
MAIN	R871		nsp	nsp	RES.	43K OHM 1/5W J CRD20TJ433T
MAIN	R872		nsp	nsp	RES.	470 OHM 1/5W J CRD20TJ471T
MAIN	R873		nsp	nsp	RES.	470 OHM 1/5W J CRD20TJ471T
MAIN	R902		nsp	nsp	RES.	4.7K OHM 1/5W J CRD20TJ472T
MAIN	R903		nsp	nsp	RES.	10K OHM 1/5W J CRD20TJ103T
MAIN	R904	F N	nsp	nsp	RES.	3.3M OHM 1/10W J HRDERC12UGK335T
MAIN	R904	/U1B	nsp	nsp	RES.	3.3M OHM 1/10W J HRDERC12UGK335T
MAIN	R905		nsp	nsp	RES.	10 OHM CRG1ANJ100H
MAIN	R906		nsp	nsp	RES.	100K OHM 1/5W J CRD20TJ104T
MAIN	R911		nsp	nsp	RES.	10K OHM 1/5W J CRD20TJ103T
MAIN	R912		nsp	nsp	RES.	4.7K OHM 1/5W J CRD20TJ472T
MAIN	R913		nsp	nsp	RES.	1 OHM 1/5W J CRD20TJ1R0T
MAIN	R917		nsp	nsp	RES.	15K OHM 1/5W J CRD20TJ153T
MAIN	R918		nsp	nsp	RES.	15K OHM 1/5W J CRD20TJ153T
MAIN	R919		nsp	nsp	RES.	15K OHM 1/5W J CRD20TJ153T
MAIN	R920		nsp	nsp	RES.	15K OHM 1/5W J CRD20TJ153T
MAIN	R921		nsp	nsp	RES.	100K OHM 1/5W J CRD20TJ104T
MAIN	R922		nsp	nsp	RES.	33K OHM 1/5W J CRD20TJ333T
MAIN	R923		nsp	nsp	RES.	10K OHM 1/5W J CRD20TJ103T
MAIN	R925		nsp	nsp	RES.	10K OHM 1/5W J CRD20TJ103T
MAIN	R926		nsp	nsp	RES.	10K OHM 1/5W J CRD20TJ103T
MAIN	R927		nsp	nsp	RES.	15K OHM 1/5W J CRD20TJ153T
MAIN	R928		nsp	nsp	RES.	27K OHM 1/6W J CRD20TJ273T
MAIN	R929		nsp	nsp	RES.	330 OHM 1/5W J CRD20TJ331T
MAIN	R932		nsp	nsp	RES.	10K OHM 1/5W J CRD20TJ103T
MAIN	R937		nsp	nsp	RES.	15K OHM 1/5W J CRD20TJ153T
MAIN	R938		nsp	nsp	RES.	33K OHM 1/5W J CRD20TJ333T
MAIN	R939		nsp	nsp	RES.	33K OHM 1/5W J CRD20TJ333T
MAIN	R941		nsp	nsp	RES.	68K OHM 1/4W J CRD25TJ683T
MAIN	R942		nsp	nsp	RES.	68K OHM 1/5W J CRD20TJ683T
MAIN	R943		nsp	nsp	RES.	68K OHM 1/5W J CRD20TJ683T
MAIN	R944		nsp	nsp	RES.	68K OHM 1/4W J CRD25TJ683T
MAIN	R945		nsp	nsp	RES.	68K OHM 1/5W J CRD20TJ683T
MAIN	R946		nsp	nsp	RES.	68K OHM 1/5W J CRD20TJ683T
MAIN	R947		nsp	nsp	RES.	68K OHM 1/4W J CRD25TJ683T
MAIN	R948		nsp	nsp	RES.	2.2K OHM 1/5W J CRD20TJ222T
MAIN	R949		nsp	nsp	RES.	15K OHM 1/5W J CRD20TJ153T
MAIN	R950		nsp	nsp	RES.	47K OHM 1/5W J CRD20TJ473T
MAIN	R951		nsp	nsp	RES.	22K OHM 1/5W J CRD20TJ223T
MAIN	R952		nsp	nsp	RES.	22K OHM 1/5W J CRD20TJ223T
MAIN	R953		nsp	nsp	RES.	22K OHM 1/5W J CRD20TJ223T
MAIN	R954		nsp	nsp	RES.	4.7K OHM 1/5W J CRD20TJ472T
MAIN	R955		nsp	nsp	RES.	4.7 OHM 1/5W J CRD20TJ4R7T
MAIN	R956		nsp	nsp	RES.	4.7 OHM 1/5W J CRD20TJ4R7T
MAIN	R957		nsp	nsp	RES.	10K OHM 1/5W J CRD20TJ103T

NOTE : "nsp" PART IS LISTED FOR REFERENCE ONLY, MARANTZ WILL NOT SUPPLY THESE PARTS.

P.C.B. NAME	POS. NO.	VERS. COLOR	PART NO. (FOR EUR)	PART NO. (MZ)	PART NAME	DESCRIPTION	
MAIN	R958		nsp	nsp	RES.	4.7K OHM 1/5W J	CRD20TJ472T
MAIN	R959		nsp	nsp	RES.	4.7 OHM 1/5W J	CRD20TJ4R7T
MAIN	R960		nsp	nsp	RES.	4.7 OHM 1/5W J	CRD20TJ4R7T
MAIN	R961		nsp	nsp	RES.	330 OHM 1/5W J	CRD20TJ331T
MAIN	R962		nsp	nsp	RES.	27K OHM 1/6W J	CRD20TJ273T
MAIN	R963		nsp	nsp	CORD	SN95/PB5 0.6	C3A206
MAIN	R964		nsp	nsp	CORD	SN95/PB5 0.6	C3A206
MAIN	R970		nsp	nsp	RES.	10K OHM 1/5W J	CRD20TJ103T
MAIN	R971		nsp	nsp	RES.	15K OHM 1/5W J	CRD20TJ153T
MAIN	R972		nsp	nsp	RES.	4.7K OHM 1/5W J	CRD20TJ472T
MAIN	R974		nsp	nsp	RES.	330 OHM 1/5W J	CRD20TJ331T
MAIN	R975		nsp	nsp	RES.	330 OHM 1/5W J	CRD20TJ331T
MAIN	R976		nsp	nsp	RES.	330 OHM 1/5W J	CRD20TJ331T
MAIN	R977		nsp	nsp	RES.	330 OHM 1/5W J	CRD20TJ331T
MAIN	R978		nsp	nsp	RES.	330 OHM 1/5W J	CRD20TJ331T
MAIN	R979		nsp	nsp	RES.	39K OHM 1/5W J	CRD20TJ393T
MAIN	R980		nsp	nsp	RES.	15K OHM 1/5W J	CRD20TJ153T
MAIN	R981		nsp	nsp	RES.	56 OHM 1/4W J	CRD25TJ560T
MAIN	R982		nsp	nsp	RES.	4.7 OHM 1/5W J	CRD20TJ4R7T
MAIN	R983		nsp	nsp	RES.	4.7 OHM 1/5W J	CRD20TJ4R7T
MAIN	R984		nsp	nsp	RES.	4.7K OHM 1/5W J	CRD20TJ472T
MAIN	R985		nsp	nsp	RES.	10K OHM 1/5W J	CRD20TJ103T
MAIN	R990		nsp	nsp	RES.	10 OHM	CRG1ANJ100H
MAIN	R993		nsp	nsp	RES.	10 OHM	CRG1ANJ100H
MAIN	R994		nsp	nsp	RES.	10 OHM	CRG1ANJ100H
MAIN	R995		nsp	nsp	RES.	10 OHM	CRG1ANJ100H
MAIN	R996		nsp	nsp	RES.	10 OHM	CRG1ANJ100H
MAIN	R997		nsp	nsp	RES.	10 OHM	CRG1ANJ100H
MAIN	R999		nsp	nsp	RES.	10 OHM	CRG1ANJ100H
MAIN	▲ RY94		90M-LY000340R	90M-LY000340R	RELAY	! SDT-S-112DMR	HSL1A008ZE
MAIN	RY95		00MLY20240490	00MLY20240490	RELAY	5GPA-28 DC24	HSL3B013ZE
MAIN	RY96		00MLY20240510	00MLY20240510	RELAY	OSA-SS-224DM3	HSL4B017ZU
MAIN	RY97		00MLY20240490	00MLY20240490	RELAY	5GPA-28 DC24	HSL3B013ZE
MAIN	▲ T902	F N	nsp	90M-TS001960R	TRANSF.	! SUB PS5400(6400)/F1	CLT51002ZJ
MAIN	▲ T902	/N1B	90M-TS001940R	90M-TS001940R	TRANSF.	! SUB SR5400(6400)/N1	CLT51002ZE
MAIN	▲ T902	/N1G	90M-TS001940R	90M-TS001940R	TRANSF.	! SUB SR5400(6400)/N1	CLT51002ZE
MAIN	▲ T902	/N1S	90M-TS001940R	90M-TS001940R	TRANSF.	! SUB SR5400(6400)/N1	CLT51002ZE
MAIN	▲ T902	/U1B	nsp	90M-TS001970R	TRANSF.	! SUB SR5400(6400)/U1	CLT51002ZU
MAIN	TH91		90M-HP000090R	90M-HP000090R	VARIATOR	POSISTOR ASSY	CRTSYPSX06850JD
MULTI OUT (INPUT) PWB (CUP11885Z)							
MLT OUT	BN30		nsp	nsp	CONN.	MOLEX35237-0910	CJP09GB99ZM
MLT OUT	C476		nsp	90M-EJ000020R	ELECT CAP.	22UF 16V	CCEA1CKS220T
MLT OUT	C477		nsp	90M-EJ000020R	ELECT CAP.	22UF 16V	CCEA1CKS220T
MLT OUT	C478		nsp	00MDK98473300	CER. CAP.	0.047UF 50V ZF	HCUS1H473ZF
MLT OUT	C479		nsp	00MDK98473300	CER. CAP.	0.047UF 50V ZF	HCUS1H473ZF
MLT OUT	C480		nsp	90M-EJ000020R	ELECT CAP.	22UF 16V	CCEA1CKS220T
MLT OUT	C481		nsp	90M-EJ000020R	ELECT CAP.	22UF 16V	CCEA1CKS220T
MLT OUT	C482		nsp	00MDD95101300	CER. CAP.	100PF 50V JA	HCUS1H101JA
MLT OUT	C483		nsp	00MDD95101300	CER. CAP.	100PF 50V JA	HCUS1H101JA
MLT OUT	C484		nsp	00MEJ47601640	ELECT CAP.	47 UF 16V KS	CCEA1CKS470T
MLT OUT	C485		nsp	00MEJ47601640	ELECT CAP.	47 UF 16V KS	CCEA1CKS470T
MLT OUT	C486		nsp	00MDD95471300	CER. CAP.	470PF 50V JA	HCUS1H471JA
MLT OUT	C487		nsp	00MDD95471300	CER. CAP.	470PF 50V JA	HCUS1H471JA
MLT OUT	IC33		00MHC10102090	00MHC10102090	IC	NJM2068MD-TE1	HVINJM2068MDTE1
MLT OUT	Q350		00MHT805501B0	00MHT805501B0	TRS.	KTC2874B	HVTKTC2874BT
MLT OUT	Q351		00MHT805501B0	00MHT805501B0	TRS.	KTC2874B	HVTKTC2874BT
MLT OUT	Q352		00MHT805501B0	00MHT805501B0	TRS.	KTC2874B	HVTKTC2874BT
MLT OUT	Q353		00MHT805501B0	00MHT805501B0	TRS.	KTC2874B	HVTKTC2874BT
MLT OUT	R505		nsp	00MNN05473610	CHIP RES.	47K OHM 1/10W J	CRJ10DJ473T
MLT OUT	R506		nsp	00MNN05473610	CHIP RES.	47K OHM 1/10W J	CRJ10DJ473T
MLT OUT	R507		nsp	00MNN05472610	CHIP RES.	4.7K OHM 1/10W J	CRJ10DJ472T
MLT OUT	R508		nsp	00MNN05472610	CHIP RES.	4.7K OHM 1/10W J	CRJ10DJ472T
MLT OUT	R509		nsp	00MNN05203610	CHIP RES.	20K OHM 1/10W J	CRJ10DJ203T
MLT OUT	R510		nsp	00MNN05203610	CHIP RES.	20K OHM 1/10W J	CRJ10DJ203T
MLT OUT	R511		nsp	00MNN05473610	CHIP RES.	47K OHM 1/10W J	CRJ10DJ473T
MLT OUT	R512		nsp	00MNN05473610	CHIP RES.	47K OHM 1/10W J	CRJ10DJ473T
MLT OUT	R513		nsp	00MNN05221610	CHIP RES.	220 OHM 1/10W J	CRJ10DJ221T

NOTE : *nsp* PART IS LISTED FOR REFERENCE ONLY, MARANTZ WILL NOT SUPPLY THESE PARTS.

P.C.B. NAME	POS. NO.	VERS. COLOR	PART NO. (FOR EUR)	PART NO. (MZ)	PART NAME	DESCRIPTION	
MLT OUT	R514		nsp	00MNN05221610	CHIP RES.	220 OHM 1/10W J	CRJ10DJ221T
MLT OUT	R515		nsp	00MNN05330610	CHIP RES.	33 OHM 1/10W J	CRJ10DJ330T
MLT OUT	R516		nsp	00MNN05330610	CHIP RES.	33 OHM 1/10W J	CRJ10DJ330T
MLT OUT	R517		nsp	00MNN05472610	CHIP RES.	4.7K OHM 1/10W J	CRJ10DJ472T
MLT OUT	R518		nsp	00MNN05472610	CHIP RES.	4.7K OHM 1/10W J	CRJ10DJ472T
MLT OUT	R519		nsp	00MNN05472610	CHIP RES.	4.7K OHM 1/10W J	CRJ10DJ472T
MLT OUT	R520		nsp	00MNN05472610	CHIP RES.	4.7K OHM 1/10W J	CRJ10DJ472T
MLT OUT	R521		nsp	00MNN05105610	CHIP RES.	1M OHM 1/10W J	CRJ10DJ105T
MLT OUT	R522		nsp	00MNN05221610	CHIP RES.	220 OHM 1/10W J	CRJ10DJ221T
MLT OUT	R523		nsp	00MNN05221610	CHIP RES.	220 OHM 1/10W J	CRJ10DJ221T
					MULTI SPK (INPUT) PWB (CUP11885Z)		
MLT SPK	BN31		nsp	nsp	CONN.	MOLEX35237-0910	CJP09GB99ZM
MLT SPK	C404		nsp	90M-EJ000020R	ELECT CAP.	22UF 16V	CCEA1CK5220T
MLT SPK	C405		nsp	90M-EJ000020R	ELECT CAP.	22UF 16V	CCEA1CK5220T
MLT SPK	C406		nsp	00MDK98473300	CER. CAP.	0.047UF 50V ZF	HCUS1H473ZF
MLT SPK	C407		nsp	00MDK98473300	CER. CAP.	0.047UF 50V ZF	HCUS1H473ZF
MLT SPK	C408		nsp	90M-EJ000020R	ELECT CAP.	22UF 16V	CCEA1CK5220T
MLT SPK	C409		nsp	90M-EJ000020R	ELECT CAP.	22UF 16V	CCEA1CK5220T
MLT SPK	C410		nsp	00MDD95101300	CER. CAP.	100PF 50V JA	HCUS1H101JA
MLT SPK	C411		nsp	00MDD95101300	CER. CAP.	100PF 50V JA	HCUS1H101JA
MLT SPK	C412		nsp	00MEJ47601640	ELECT CAP.	47 UF 16V KS	CCEA1CK5470T
MLT SPK	C413		nsp	00MEJ47601640	ELECT CAP.	47 UF 16V KS	CCEA1CK5470T
MLT SPK	C414		nsp	00MDD95471300	CER. CAP.	470PF 50V JA	HCUS1H471JA
MLT SPK	C415		nsp	00MDD95471300	CER. CAP.	470PF 50V JA	HCUS1H471JA
MLT SPK	IC22		00MHC10102090	00MHC10102090	IC	NJM2068MD-TE1	HVINJM2068MDTE1
MLT SPK	Q301		00MHT805501B0	00MHT805501B0	TRS.	KTC2874B	HVTKTC2874BT
MLT SPK	Q302		00MHT805501B0	00MHT805501B0	TRS.	KTC2874B	HVTKTC2874BT
MLT SPK	Q303		00MHT805501B0	00MHT805501B0	TRS.	KTC2874B	HVTKTC2874BT
MLT SPK	Q304		00MHT805501B0	00MHT805501B0	TRS.	KTC2874B	HVTKTC2874BT
MLT SPK	R404		nsp	00MNN05473610	CHIP RES.	47K OHM 1/10W J	CRJ10DJ473T
MLT SPK	R405		nsp	00MNN05473610	CHIP RES.	47K OHM 1/10W J	CRJ10DJ473T
MLT SPK	R406		nsp	00MNN05472610	CHIP RES.	4.7K OHM 1/10W J	CRJ10DJ472T
MLT SPK	R407		nsp	00MNN05472610	CHIP RES.	4.7K OHM 1/10W J	CRJ10DJ472T
MLT SPK	R408		nsp	00MNN05203610	CHIP RES.	20K OHM 1/10W J	CRJ10DJ203T
MLT SPK	R409		nsp	00MNN05203610	CHIP RES.	20K OHM 1/10W J	CRJ10DJ203T
MLT SPK	R410		nsp	00MNN05473610	CHIP RES.	47K OHM 1/10W J	CRJ10DJ473T
MLT SPK	R411		nsp	00MNN05473610	CHIP RES.	47K OHM 1/10W J	CRJ10DJ473T
MLT SPK	R412		nsp	00MNN05221610	CHIP RES.	220 OHM 1/10W J	CRJ10DJ221T
MLT SPK	R413		nsp	00MNN05221610	CHIP RES.	220 OHM 1/10W J	CRJ10DJ221T
MLT SPK	R414		nsp	00MNN05221610	CHIP RES.	220 OHM 1/10W J	CRJ10DJ221T
MLT SPK	R415		nsp	00MNN05221610	CHIP RES.	220 OHM 1/10W J	CRJ10DJ221T
MLT SPK	R416		nsp	00MNN05472610	CHIP RES.	4.7K OHM 1/10W J	CRJ10DJ472T
MLT SPK	R417		nsp	00MNN05472610	CHIP RES.	4.7K OHM 1/10W J	CRJ10DJ472T
MLT SPK	R418		nsp	00MNN05330610	CHIP RES.	33 OHM 1/10W J	CRJ10DJ330T
MLT SPK	R419		nsp	00MNN05330610	CHIP RES.	33 OHM 1/10W J	CRJ10DJ330T
MLT SPK	R420		nsp	00MNN05472610	CHIP RES.	4.7K OHM 1/10W J	CRJ10DJ472T
MLT SPK	R421		nsp	00MNN05472610	CHIP RES.	4.7K OHM 1/10W J	CRJ10DJ472T
MLT SPK	R422		nsp	00MNN05105610	CHIP RES.	1M OHM 1/10W J	CRJ10DJ105T
					PUSH SW PWB (CUP11884-9)		
P SW	▲ C877	F N	nsp	90M-DK100800R	CER. CAP.	! DKS471ME	KCKDKS471ME
P SW	▲ C877	/N1B	90M-DK100800R	90M-DK100800R	CER. CAP.	! DKS471ME	KCKDKS471ME
P SW	▲ C877	/N1G	90M-DK100800R	90M-DK100800R	CER. CAP.	! DKS471ME	KCKDKS471ME
P SW	▲ C877	/N1S	90M-DK100800R	90M-DK100800R	CER. CAP.	! DKS471ME	KCKDKS471ME
P SW	CN88	F N	nsp	nsp	CONN.	2P WAFER	CJP02GA89ZY
P SW	CN88	/N1B	nsp	nsp	CONN.	2P WAFER	CJP02GA89ZY
P SW	CN88	/N1G	nsp	nsp	CONN.	2P WAFER	CJP02GA89ZY
P SW	CN88	/N1S	nsp	nsp	CONN.	2P WAFER	CJP02GA89ZY
P SW	▲ SW97	F N	nsp	90M-SP001250R	SW	! JPP1197CSA64	KSH1A001ZV
P SW	▲ SW97	/N1B	90M-SP001250R	90M-SP001250R	SW	! JPP1197CSA64	KSH1A001ZV
P SW	▲ SW97	/N1G	90M-SP001250R	90M-SP001250R	SW	! JPP1197CSA64	KSH1A001ZV
P SW	▲ SW97	/N1S	90M-SP001250R	90M-SP001250R	SW	! JPP1197CSA64	KSH1A001ZV
					REGULATOR PWB (CUP11889Z)		
REG.	BK81		nsp	nsp	BRACKET	BRACKET PWB	CMD1A387
REG.	BN98		nsp	nsp	CORD	WIRE ASSY	CWB1C911120BM
REG.	C858		nsp	nsp	FILM CAP.	0.047UF 50V J	HCQI1H473JZT
REG.	C859		nsp	00MOA10702520	ELECT CAP.	100UF 25V	CCEA1EH101T
REG.	C860		90M-EA001160R	90M-EA001160R	ELECT CAP.	12000UF 16V	CCEA1CKL5123E

NOTE : "nsp" PART IS LISTED FOR REFERENCE ONLY, MARANTZ WILL NOT SUPPLY THESE PARTS.

P.C.B. NAME	POS. NO.	VERS. COLOR	PART NO. (FOR EUR)	PART NO. (MZ)	PART NAME	DESCRIPTION
REG.	C861		nsp	nsp	FILM CAP.	0.047UF 50V J HCQ1H473JZT
REG.	C862		nsp	00MOA10702520	ELECT CAP.	100UF 25V CCEA1EH101T
REG.	C863		90M-EA000990R	90M-EA000990R	ELECT CAP.	4700UF 16V CCEA1CH472E
REG.	C864		nsp	90M-OA000160R	ELECT CAP.	3300UF/35V CCEA1VH332E
REG.	C865		nsp	00MOA22803520	ELECT CAP.	2200UF 35V CCEA1VH222E
REG.	C866		nsp	nsp	FILM CAP.	0.047UF 50V J HCQ1H473JZT
REG.	C867		nsp	00MOA10702520	ELECT CAP.	100UF 25V CCEA1EH101T
REG.	C871		nsp	nsp	CER. CAP.	0.043UF 50V Z CCFT1H473ZF
REG.	C872		nsp	nsp	CER. CAP.	0.043UF 50V Z CCFT1H473ZF
REG.	C873		nsp	nsp	CER. CAP.	0.043UF 50V Z CCFT1H473ZF
REG.	CN96		nsp	nsp	CONN.	8P STRAIGHT CJP08GA01ZY
REG.	D861		nsp	90M-HD201750R	DIODE	1N4003 CVD1N4003SRT
REG.	D862		nsp	90M-HD201750R	DIODE	1N4003 CVD1N4003SRT
REG.	D863		nsp	90M-HD201750R	DIODE	1N4003 CVD1N4003SRT
REG.	IC85		90M-HC300750R	90M-HC300750R	IC	KIA378R05PI HVIKIA378R05PI
REG.	IC86		00MHC3891299F	00MHC3891299F	IC	KIA7812API HVIKIA7812API
REG.	IC87		00MHC3991209F	00MHC3991209F	IC	KIA7912PI HVIKIA7912PI
REG.	J801		nsp	nsp	CORD	SN95/PB5 0.6 C3A206
REG.	J802		nsp	nsp	CORD	SN95/PB5 0.6 C3A206
REG.	J803		nsp	nsp	CORD	SN95/PB5 0.6 C3A206
REG.	J804		nsp	nsp	CORD	SN95/PB5 0.6 C3A206
REG.	J805		nsp	nsp	CORD	SN95/PB5 0.6 C3A206
REG.	J806		nsp	nsp	CORD	SN95/PB5 0.6 C3A206
REG.	J807		nsp	nsp	CORD	SN95/PB5 0.6 C3A206
REG.	J808		nsp	nsp	CORD	SN95/PB5 0.6 C3A206
REG.	J809		nsp	nsp	CORD	SN95/PB5 0.6 C3A206
REG.	J810		nsp	nsp	CORD	SN95/PB5 0.6 C3A206
REG.	J812		nsp	nsp	CORD	SN95/PB5 0.6 C3A206
REG.	J814		nsp	nsp	CORD	SN95/PB5 0.6 C3A206
REG.	J815		nsp	nsp	CORD	SN95/PB5 0.6 C3A206
REG.	R896		nsp	nsp	RES.	100K OHM 1/4W J CRD25TJ104T
REG.	R898		nsp	nsp	RES.	15K OHM 1/5W J CRD20TJ153T
REG.	R899		nsp	nsp	RES.	15K OHM 1/5W J CRD20TJ153T
					SELECTOR ENCODER PWB (CUP11884Z-2)	
SEL/ENC	C841		nsp	nsp	CER. CAP.	100PF 50V K HCBS1H101KBT
SEL/ENC	C871		nsp	nsp	CER. CAP.	100PF 50V K HCBS1H101KBT
SEL/ENC	C872		nsp	nsp	CER. CAP.	100PF 50V K HCBS1H101KBT
SEL/ENC	C873		nsp	nsp	CER. CAP.	100PF 50V K HCBS1H101KBT
SEL/ENC	CN86		nsp	nsp	CONN.	STRAIGHT 7PIN CJP07GA01ZY
SEL/ENC	D801		90M-HI101040R	90M-HI101040R	L.E.D.	SLR342VCTB7T089 HVD342VCTB7T089
SEL/ENC	EN82		90M-SR000270R	90M-SR000270R	ROTARY SW	EC16B12S0AD4ZZZ HSR2A032Z
SEL/ENC	J811		nsp	nsp	CORD	SN95/PB5 0.6 C3A206
SEL/ENC	J835		nsp	nsp	CORD	SN95/PB5 0.6 C3A206
SEL/ENC	JW14		nsp	nsp	CORD	WIRE ASSY CWE8202150RV
SEL/ENC	Q802		00MBA10001000	00MBA10001000	TRS.	KRA102M HVTKRA102MT
SEL/ENC	R871		nsp	nsp	RES.	10K OHM 1/5W J CRD20TJ103T
SEL/ENC	R872		nsp	nsp	RES.	10K OHM 1/5W J CRD20TJ103T
SEL/ENC	R873		nsp	nsp	RES.	10K OHM 1/5W J CRD20TJ103T
SEL/ENC	R874		nsp	nsp	RES.	10K OHM 1/5W J CRD20TJ103T
SEL/ENC	R875		nsp	nsp	RES.	680 OHM 1/5W J CRD20TJ681T
SEL/ENC	R876		nsp	nsp	RES.	820 OHM 1/5W J CRD20TJ821T
SEL/ENC	R877		nsp	nsp	RES.	560 OHM 1/5W J CRD20TJ561T
SEL/ENC	R879		nsp	nsp	RES.	680 OHM 1/5W J CRD20TJ681T
SEL/ENC	SW94		90M-SP001210R	90M-SP001210R	SW	SKHV10910G TACT CST1A012ZT
SEL/ENC	SW95		90M-SP001210R	90M-SP001210R	SW	SKHV10910G TACT CST1A012ZT
					TACT SW PWB	
TACT SW	J822	/U1B	nsp	nsp	CORD	SN95/PB5 0.6 C3A206
TACT SW	J823	/U1B	nsp	nsp	CORD	SN95/PB5 0.6 C3A206
TACT SW	SW96	/U1B	nsp	90M-SP001210R	SW	SKHV10910G TACT CST1A012ZT
					TR BIAS PWB (CUP11889Z)	
TR BIAS	C851		90M-EA001170R	90M-EA001170R	ELECT CAP.	10UF 50V 105 DEGREE CCEA1HH100TS
TR BIAS	C852		90M-EA001170R	90M-EA001170R	ELECT CAP.	10UF 50V 105 DEGREE CCEA1HH100TS
TR BIAS	C853		90M-EA001170R	90M-EA001170R	ELECT CAP.	10UF 50V 105 DEGREE CCEA1HH100TS
TR BIAS	C854		90M-EA001170R	90M-EA001170R	ELECT CAP.	10UF 50V 105 DEGREE CCEA1HH100TS
TR BIAS	C855		90M-EA001170R	90M-EA001170R	ELECT CAP.	10UF 50V 105 DEGREE CCEA1HH100TS
TR BIAS	C856		90M-EA001170R	90M-EA001170R	ELECT CAP.	10UF 50V 105 DEGREE CCEA1HH100TS
TR BIAS	C857		90M-EA001170R	90M-EA001170R	ELECT CAP.	10UF 50V 105 DEGREE CCEA1HH100TS

NOTE : *nsp* PART IS LISTED FOR REFERENCE ONLY, MARANTZ WILL NOT SUPPLY THESE PARTS.

P.C.B. NAME	POS. NO.	VERS. COLOR	PART NO. (FOR EUR)	PART NO. (MZ)	PART NAME	DESCRIPTION
TR BIAS	CN81		nsp	nsp	CONN.	2P ANGLE CJP02GB46ZY
TR BIAS	CN82		nsp	nsp	CONN.	2P ANGLE CJP02GB46ZY
TR BIAS	CN83		nsp	nsp	CONN.	2P ANGLE CJP02GB46ZY
TR BIAS	CN84		nsp	nsp	CONN.	2P ANGLE CJP02GB46ZY
TR BIAS	CN85		nsp	nsp	CONN.	2P ANGLE CJP02GB46ZY
TR BIAS	CN86		nsp	nsp	CONN.	2P ANGLE CJP02GB46ZY
TR BIAS	CN87		nsp	nsp	CONN.	2P ANGLE CJP02GB46ZY
TR BIAS	Q851		90M-HT800120R	90M-HT800120R	TRS.	KTC3114A HVTKTC3114A
TR BIAS	Q852		90M-HT800120R	90M-HT800120R	TRS.	KTC3114A HVTKTC3114A
TR BIAS	Q853		90M-HT800120R	90M-HT800120R	TRS.	KTC3114A HVTKTC3114A
TR BIAS	Q854		90M-HT800120R	90M-HT800120R	TRS.	KTC3114A HVTKTC3114A
TR BIAS	Q855		90M-HT800120R	90M-HT800120R	TRS.	KTC3114A HVTKTC3114A
TR BIAS	Q856		90M-HT800120R	90M-HT800120R	TRS.	KTC3114A HVTKTC3114A
TR BIAS	Q857		90M-HT800120R	90M-HT800120R	TRS.	KTC3114A HVTKTC3114A
TR BIAS	R874		nsp	nsp	RES.	330 OHM 1/5W J CRD20TJ331T
TR BIAS	R875		nsp	nsp	RES.	330 OHM 1/5W J CRD20TJ331T
TR BIAS	R876		nsp	nsp	RES.	330 OHM 1/5W J CRD20TJ331T
TR BIAS	R877		nsp	nsp	RES.	330 OHM 1/5W J CRD20TJ331T
TR BIAS	R878		nsp	nsp	RES.	330 OHM 1/5W J CRD20TJ331T
TR BIAS	R879		nsp	nsp	RES.	330 OHM 1/5W J CRD20TJ331T
TR BIAS	R880		nsp	nsp	RES.	330 OHM 1/5W J CRD20TJ331T
TR BIAS	R882		nsp	nsp	RES.	1.2K OHM 1/5W J CRD20TJ122T
TR BIAS	R883		nsp	nsp	RES.	1.2K OHM 1/5W J CRD20TJ122T
TR BIAS	R884		nsp	nsp	RES.	1.2K OHM 1/5W J CRD20TJ122T
TR BIAS	R885		nsp	nsp	RES.	1.2K OHM 1/5W J CRD20TJ122T
TR BIAS	R886		nsp	nsp	RES.	1.2K OHM 1/5W J CRD20TJ122T
TR BIAS	R887		nsp	nsp	RES.	1.2K OHM 1/5W J CRD20TJ122T
TR BIAS	R888		nsp	nsp	RES.	1.2K OHM 1/5W J CRD20TJ122T
TR BIAS	VR81		90M-RA001100R	90M-RA001100R	TRIM. RES.	220 OHM HVN1RA221B01T
TR BIAS	VR82		90M-RA001100R	90M-RA001100R	TRIM. RES.	220 OHM HVN1RA221B01T
TR BIAS	VR83		90M-RA001100R	90M-RA001100R	TRIM. RES.	220 OHM HVN1RA221B01T
TR BIAS	VR84		90M-RA001100R	90M-RA001100R	TRIM. RES.	220 OHM HVN1RA221B01T
TR BIAS	VR85		90M-RA001100R	90M-RA001100R	TRIM. RES.	220 OHM HVN1RA221B01T
TR BIAS	VR86		90M-RA001100R	90M-RA001100R	TRIM. RES.	220 OHM HVN1RA221B01T
TR BIAS	VR87		90M-RA001100R	90M-RA001100R	TRIM. RES.	220 OHM HVN1RA221B01T
					TRANS. PWB (CUP11884Z-4)	
TRANS	C921		nsp	nsp	FILM CAP.	0.12UF 50V J HCQ1H124JZT
TRANS	C922		nsp	nsp	FILM CAP.	0.12UF 50V J HCQ1H124JZT
TRANS	C923		nsp	nsp	FILM CAP.	0.12UF 50V J HCQ1H124JZT
TRANS	C924		nsp	nsp	FILM CAP.	0.022UF 50V J HCQ1H223JZT
TRANS	C925		nsp	nsp	FILM CAP.	0.022UF 50V J HCQ1H223JZT
TRANS	C926		nsp	nsp	FILM CAP.	0.022UF 50V J HCQ1H223JZT
TRANS	C927		nsp	nsp	FILM CAP.	0.022UF 50V J HCQ1H223JZT
TRANS	C931		nsp	nsp	FILM CAP.	0.047UF 50V J HCQ1H473JZT
TRANS	C932		nsp	nsp	FILM CAP.	0.047UF 50V J HCQ1H473JZT
TRANS	CN20		nsp	nsp	CONN.	3P WAFER CJP03GA90ZY
TRANS	CN93		nsp	nsp	CONN.	STRAIGHT 2PIN CJP02GA01ZY
TRANS	D990		nsp	90M-HD201730R	DIODE	1N4003 CVD1N4003ST
TRANS	J838		nsp	nsp	CORD	SN95/PB5 0.6 C3A206
TRANS	J843		nsp	nsp	CORD	SN95/PB5 0.6 C3A206
TRANS	J950		nsp	nsp	CORD	SN95/PB5 0.6 C3A206
TRANS	R997		nsp	nsp	RES.	4.7 OHM 1/5W J CRD20TJ4R7T
TRANS	R998		nsp	nsp	RES.	4.7 OHM 1/5W J CRD20TJ4R7T
TRANS	▲ RL81		00MLY20240520	00MLY20240520	RELAY	! PCLH-203D1SP HSL4B018ZU
					VIDEO PWB (CUP11886Z)	
VIDEO	C404		nsp	00MOA10605020	ELECT CAP.	10UF 50V CCEA1HH100T
VIDEO	C405		nsp	00MOA10605020	ELECT CAP.	10UF 50V CCEA1HH100T
VIDEO	C406		nsp	00MOA10605020	ELECT CAP.	10UF 50V CCEA1HH100T
VIDEO	C410		nsp	00MOA10605020	ELECT CAP.	10UF 50V CCEA1HH100T
VIDEO	C411		nsp	00MOA10605020	ELECT CAP.	10UF 50V CCEA1HH100T
VIDEO	C412		nsp	00MOA10605020	ELECT CAP.	10UF 50V CCEA1HH100T
VIDEO	C416		nsp	00MOA10605020	ELECT CAP.	10UF 50V CCEA1HH100T
VIDEO	C417		nsp	00MOA10605020	ELECT CAP.	10UF 50V CCEA1HH100T
VIDEO	C418		nsp	00MOA10605020	ELECT CAP.	10UF 50V CCEA1HH100T
VIDEO	C422		nsp	00MOA47700620	ELECT CAP.	470UF 6.3V ZF CCEA0JH471T
VIDEO	C423		nsp	00MOA47700620	ELECT CAP.	470UF 6.3V ZF CCEA0JH471T
VIDEO	C424		nsp	00MOA47700620	ELECT CAP.	470UF 6.3V ZF CCEA0JH471T

NOTE : *nsp* PART IS LISTED FOR REFERENCE ONLY, MARANTZ WILL NOT SUPPLY THESE PARTS.

P.C.B. NAME	POS. NO.	VERS. COLOR	PART NO. (FOR EUR)	PART NO. (MZ)	PART NAME	DESCRIPTION	
VIDEO	C425		nsp	00MDD95470300	CER. CAP.	47PF 50V JA	HCUS1H470JA
VIDEO	C426		nsp	00MDD95470300	CER. CAP.	47PF 50V JA	HCUS1H470JA
VIDEO	C427		nsp	00MDD95470300	CER. CAP.	47PF 50V JA	HCUS1H470JA
VIDEO	C428		nsp	00MOA10605020	ELECT CAP.	10UF 50V	CCEA1HH100T
VIDEO	C429		nsp	00MOA10605020	ELECT CAP.	10UF 50V	CCEA1HH100T
VIDEO	C430		nsp	00MOA10605020	ELECT CAP.	10UF 50V	CCEA1HH100T
VIDEO	C434		nsp	00MOA47700620	ELECT CAP.	470UF 6.3V ZF	CCEA0JH471T
VIDEO	C435		nsp	00MOA47700620	ELECT CAP.	470UF 6.3V ZF	CCEA0JH471T
VIDEO	C436		nsp	00MOA47700620	ELECT CAP.	470UF 6.3V ZF	CCEA0JH471T
VIDEO	C437		nsp	00MDD95680300	CER. CAP.	68PF 50V JA	HCUS1H680JA
VIDEO	C438		nsp	00MDD95680300	CER. CAP.	68PF 50V JA	HCUS1H680JA
VIDEO	C439		nsp	00MDD95680300	CER. CAP.	68PF 50V JA	HCUS1H680JA
VIDEO	C440		nsp	00MOA10605020	ELECT CAP.	10UF 50V	CCEA1HH100T
VIDEO	C441		nsp	00MNN05000610	CHIP RES.	0 OHM 1/10W J	CRJ10DJ0R0T
VIDEO	C442		nsp	00MOA10605020	ELECT CAP.	10UF 50V	CCEA1HH100T
VIDEO	C443		nsp	00MOA10605020	ELECT CAP.	10UF 50V	CCEA1HH100T
VIDEO	C444		nsp	00MOA10701620	ELECT CAP.	100UF 16V	CCEA1CH101T
VIDEO	C445		nsp	00MDK96103300	CER. CAP.	0.01UF 50V KC	HCUS1H103KC
VIDEO	C446		nsp	00MDK96103300	CER. CAP.	0.01UF 50V KC	HCUS1H103KC
VIDEO	C447		nsp	00MOA10701620	ELECT CAP.	100UF 16V	CCEA1CH101T
VIDEO	C448		nsp	00MDD95470300	CER. CAP.	47PF 50V JA	HCUS1H470JA
VIDEO	C449		nsp	00MOA10701620	ELECT CAP.	100UF 16V	CCEA1CH101T
VIDEO	C450		nsp	00MDK96103300	CER. CAP.	0.01UF 50V KC	HCUS1H103KC
VIDEO	C451		nsp	00MDK96103300	CER. CAP.	0.01UF 50V KC	HCUS1H103KC
VIDEO	C452		nsp	00MOA10701620	ELECT CAP.	100UF 16V	CCEA1CH101T
VIDEO	C453		nsp	00MDD95470300	CER. CAP.	47PF 50V JA	HCUS1H470JA
VIDEO	C454		nsp	00MOA10701620	ELECT CAP.	100UF 16V	CCEA1CH101T
VIDEO	C455		nsp	00MDK96103300	CER. CAP.	0.01UF 50V KC	HCUS1H103KC
VIDEO	C456		nsp	00MDK96103300	CER. CAP.	0.01UF 50V KC	HCUS1H103KC
VIDEO	C457		nsp	00MOA10701620	ELECT CAP.	100UF 16V	CCEA1CH101T
VIDEO	C458		nsp	00MDD95470300	CER. CAP.	47PF 50V JA	HCUS1H470JA
VIDEO	C459		nsp	00MDK96103300	CER. CAP.	0.01UF 50V KC	HCUS1H103KC
VIDEO	C460		nsp	00MDK96102300	CER. CAP.	1000PF 50V KC	CCUS1H102KC
VIDEO	C461		nsp	00MDK96103300	CER. CAP.	0.01UF 50V KC	HCUS1H103KC
VIDEO	C462		nsp	00MDK96102300	CER. CAP.	1000PF 50V KC	CCUS1H102KC
VIDEO	C464		nsp	00MOA10605020	ELECT CAP.	10UF 50V	CCEA1HH100T
VIDEO	C465		nsp	00MDK96103300	CER. CAP.	0.01UF 50V KC	HCUS1H103KC
VIDEO	C466		nsp	00MDK96103300	CER. CAP.	0.01UF 50V KC	HCUS1H103KC
VIDEO	C467		nsp	00MOA10701620	ELECT CAP.	100UF 16V	CCEA1CH101T
VIDEO	C468		nsp	00MOA10605020	ELECT CAP.	10UF 50V	CCEA1HH100T
VIDEO	C469		nsp	00MOA10605020	ELECT CAP.	10UF 50V	CCEA1HH100T
VIDEO	C470		nsp	00MDK96103300	CER. CAP.	0.01UF 50V KC	HCUS1H103KC
VIDEO	C471		nsp	00MDK96103300	CER. CAP.	0.01UF 50V KC	HCUS1H103KC
VIDEO	C472		nsp	00MOA10701620	ELECT CAP.	100UF 16V	CCEA1CH101T
VIDEO	C473		nsp	00MOA10605020	ELECT CAP.	10UF 50V	CCEA1HH100T
VIDEO	C474		nsp	00MOA10605020	ELECT CAP.	10UF 50V	CCEA1HH100T
VIDEO	C475		nsp	00MDK96103300	CER. CAP.	0.01UF 50V KC	HCUS1H103KC
VIDEO	C476		nsp	00MOA10701620	ELECT CAP.	100UF 16V	CCEA1CH101T
VIDEO	C477		nsp	00MOA47505020	ELECT CAP.	4.7UF 50V	CCEA1HH4R7T
VIDEO	C479		nsp	00MOA10605020	ELECT CAP.	10UF 50V	CCEA1HH100T
VIDEO	C480		nsp	00MDK96122300	CER. CAP.	1200PF 50V KC	HCUS1H122KC
VIDEO	C481		nsp	00MOA10605020	ELECT CAP.	10UF 50V	CCEA1HH100T
VIDEO	C482		nsp	00MOA10505020	ELECT CAP.	1UF 50V	CCEA1HH1R0T
VIDEO	C483		nsp	00MDK96103300	CER. CAP.	0.01UF 50V KC	HCUS1H103KC
VIDEO	C484		nsp	00MOA10505020	ELECT CAP.	1UF 50V	CCEA1HH1R0T
VIDEO	C485		nsp	00MDD95221300	CER. CAP.	220PF 50V JA	HCUS1H221JA
VIDEO	C486		nsp	00MDK96102300	CER. CAP.	1000PF 50V KB	HCUS1H102KB
VIDEO	C487		nsp	00MDK96103300	CER. CAP.	0.01UF 50V KC	HCUS1H103KC
VIDEO	C488		nsp	00MOA10701620	ELECT CAP.	100UF 16V	CCEA1CH101T
VIDEO	C489		nsp	00MDD95240300	CER. CAP.	24PF 50V JA	CCUS1H240JA
VIDEO	C490		nsp	00MDD95220300	CER. CAP.	22PF 50V JA	HCUS1H220JA
VIDEO	C492		nsp	00MDD95300300	CER. CAP.	30PF JA 1608	HCUS1H300JA
VIDEO	C493	F N	nsp	00MDD95300300	CER. CAP.	30PF JA 1608	HCUS1H300JA
VIDEO	C493	/N1B	nsp	00MDD95270300	CER. CAP.	27PF 50V JA	HCUS1H270JA
VIDEO	C493	/N1G	nsp	00MDD95270300	CER. CAP.	27PF 50V JA	HCUS1H270JA
VIDEO	C493	/N1S	nsp	00MDD95270300	CER. CAP.	27PF 50V JA	HCUS1H270JA
VIDEO	C493	/U1B	nsp	00MDD95300300	CER. CAP.	30PF JA 1608	HCUS1H300JA

NOTE : *nsp* PART IS LISTED FOR REFERENCE ONLY, MARANTZ WILL NOT SUPPLY THESE PARTS.

P.C.B. NAME	POS. NO.	VERS. COLOR	PART NO. (FOR EUR)	PART NO. (MZ)	PART NAME	DESCRIPTION	
VIDEO	C494		nsp	00MDD95470300	CER. CAP.	47PF 50V JA	HCUS1H470JA
VIDEO	C495		nsp	00MDK96103300	CER. CAP.	0.01UF 50V KC	CCUS1H103KC
VIDEO	C496		nsp	00MDD95470300	CER. CAP.	47PF 50V JA	HCUS1H470JA
VIDEO	C497		nsp	00MOA10605020	ELECT CAP.	10UF 50V	CCEA1HH100T
VIDEO	C498		nsp	00MOA10605020	ELECT CAP.	10UF 50V	CCEA1HH100T
VIDEO	C499		nsp	00MDK96103300	CER. CAP.	0.01UF 50V KC	HCUS1H103KC
VIDEO	C500		nsp	00MDK96103300	CER. CAP.	0.01UF 50V KC	HCUS1H103KC
VIDEO	C501		nsp	00MOA10701620	ELECT CAP.	100UF 16V	CCEA1CH101T
VIDEO	C502		nsp	00MDK96103300	CER. CAP.	0.01UF 50V KC	HCUS1H103KC
VIDEO	C503		nsp	00MOA47602520	ELECT CAP.	47UF 25V	CCEA1EH470T
VIDEO	C504		nsp	00MOA47602520	ELECT CAP.	47UF 25V	CCEA1EH470T
VIDEO	C505		nsp	00MDK96103300	CER. CAP.	0.01UF 50V KC	HCUS1H103KC
VIDEO	C506		nsp	00MOA47602520	ELECT CAP.	47UF 25V	CCEA1EH470T
VIDEO	C507		nsp	00MDK96103300	CER. CAP.	0.01UF 50V KC	HCUS1H103KC
VIDEO	C508		nsp	00MOA47602520	ELECT CAP.	47UF 25V	CCEA1EH470T
VIDEO	C509		nsp	00MDK96103300	CER. CAP.	0.01UF 50V KC	HCUS1H103KC
VIDEO	C515		nsp	00MOA47602520	ELECT CAP.	47UF 25V	CCEA1EH470T
VIDEO	C516		nsp	00MDK96103300	CER. CAP.	0.01UF 50V KC	HCUS1H103KC
VIDEO	C519		nsp	00MOA47602520	ELECT CAP.	47UF 25V	CCEA1EH470T
VIDEO	C520		nsp	00MDK96103300	CER. CAP.	0.01UF 50V KC	HCUS1H103KC
VIDEO	C521		nsp	00MOA47602520	ELECT CAP.	47UF 25V	CCEA1EH470T
VIDEO	C522		nsp	00MDK96103300	CER. CAP.	0.01UF 50V KC	HCUS1H103KC
VIDEO	C523		nsp	00MOA47602520	ELECT CAP.	47UF 25V	CCEA1EH470T
VIDEO	C524		nsp	00MDK96103300	CER. CAP.	0.01UF 50V KC	HCUS1H103KC
VIDEO	C525		nsp	00MDK96103300	CER. CAP.	0.01UF 50V KC	HCUS1H103KC
VIDEO	C526		nsp	00MOA47602520	ELECT CAP.	47UF 25V	CCEA1EH470T
VIDEO	C528		nsp	00MOA10701620	ELECT CAP.	100UF 16V	CCEA1CH101T
VIDEO	C529		nsp	00MDK96103300	CER. CAP.	0.01UF 50V KC	HCUS1H103KC
VIDEO	C530		nsp	00MOA10701620	ELECT CAP.	100UF 16V	CCEA1CH101T
VIDEO	C531		nsp	00MDK96103300	CER. CAP.	0.01UF 50V KC	HCUS1H103KC
VIDEO	C532		nsp	00MDK96103300	CER. CAP.	0.01UF 50V KC	HCUS1H103KC
VIDEO	C533		nsp	00MOA47602520	ELECT CAP.	47UF 25V	CCEA1EH470T
VIDEO	C534		nsp	00MDK96103300	CER. CAP.	0.01UF 50V KC	HCUS1H103KC
VIDEO	C535		nsp	00MOA47602520	ELECT CAP.	47UF 25V	CCEA1EH470T
VIDEO	C538		nsp	00MOA10605020	ELECT CAP.	10UF 50V	CCEA1HH100T
VIDEO	C539		nsp	00MOA10605020	ELECT CAP.	10UF 50V	CCEA1HH100T
VIDEO	C540		nsp	00MDK96103300	CER. CAP.	0.01UF 50V KC	HCUS1H103KC
VIDEO	C541		nsp	00MOA10605020	ELECT CAP.	10UF 50V	CCEA1HH100T
VIDEO	C559		nsp	00MDK96104300	CER. CAP.	0.1UF 25V ZF	HCUS1E104ZF
VIDEO	C560		nsp	00MOA10701620	ELECT CAP.	100UF 16V	CCEA1CH101T
VIDEO	C561		nsp	00MDK96103300	CER. CAP.	0.01UF 50V KC	HCUS1H103KC
VIDEO	C575		nsp	00MOA10701620	ELECT CAP.	100UF 16V	CCEA1CH101T
VIDEO	C576		nsp	00MDK96103300	CER. CAP.	0.01UF 50V KC	HCUS1H103KC
VIDEO	C577		nsp	00MOA47602520	ELECT CAP.	47UF 25V	CCEA1EH470T
VIDEO	C578		nsp	00MDK96103300	CER. CAP.	0.01UF 50V KC	HCUS1H103KC
VIDEO	C579		nsp	00MOA47602520	ELECT CAP.	47UF 25V	CCEA1EH470T
VIDEO	C580		nsp	00MDK96103300	CER. CAP.	0.01UF 50V KC	HCUS1H103KC
VIDEO	C581		nsp	00MOA10605020	ELECT CAP.	10UF 50V	CCEA1HH100T
VIDEO	C582		nsp	00MDK96103300	CER. CAP.	0.01UF 50V KC	HCUS1H103KC
VIDEO	C583		nsp	00MOA10701620	ELECT CAP.	100UF 16V	CCEA1CH101T
VIDEO	C584		nsp	00MDK96103300	CER. CAP.	0.01UF 50V KC	HCUS1H103KC
VIDEO	C585		nsp	00MOA47602520	ELECT CAP.	47UF 25V	CCEA1EH470T
VIDEO	C586		nsp	00MOA47602520	ELECT CAP.	47UF 25V	CCEA1EH470T
VIDEO	C587		nsp	00MOA47602520	ELECT CAP.	47UF 25V	CCEA1EH470T
VIDEO	C588		nsp	00MOA47602520	ELECT CAP.	47UF 25V	CCEA1EH470T
VIDEO	C589		nsp	00MOA47602520	ELECT CAP.	47UF 25V	CCEA1EH470T
VIDEO	C590		nsp	00MOA47602520	ELECT CAP.	47UF 25V	CCEA1EH470T
VIDEO	C591		nsp	00MOA47602520	ELECT CAP.	47UF 25V	CCEA1EH470T
VIDEO	C592		nsp	00MOA47701020	ELECT CAP.	470UF 10V	CCEA1AH471T
VIDEO	C593		nsp	00MDK96103300	CER. CAP.	0.01UF 50V KC	HCUS1H103KC
VIDEO	C594		nsp	00MOA47602520	ELECT CAP.	47UF 25V	CCEA1EH470T
VIDEO	C595		nsp	00MOA47701020	ELECT CAP.	470UF 10V	CCEA1AH471T
VIDEO	C596		nsp	00MDK96103300	CER. CAP.	0.01UF 50V KC	HCUS1H103KC
VIDEO	C597		nsp	00MOA47602520	ELECT CAP.	47UF 25V	CCEA1EH470T
VIDEO	C598		nsp	00MOA47701020	ELECT CAP.	470UF 10V	CCEA1AH471T
VIDEO	C599		nsp	00MDK96103300	CER. CAP.	0.01UF 50V KC	HCUS1H103KC
VIDEO	C701		nsp	00MOA10605020	ELECT CAP.	10UF 50V	CCEA1HH100T

NOTE : "nsp" PART IS LISTED FOR REFERENCE ONLY, MARANTZ WILL NOT SUPPLY THESE PARTS.

P.C.B. NAME	POS. NO.	VERS. COLOR	PART NO. (FOR EUR)	PART NO. (MZ)	PART NAME	DESCRIPTION	
VIDEO	C702		nsp	00MDD91090300	CER. CAP.	9PF 50V JA	CCUS1H9R0JA
VIDEO	C703		nsp	00MDD95220300	CER. CAP.	22PF 50V JA	HCUS1H220JA
VIDEO	C704		nsp	00MDD95220300	CER. CAP.	22PF 50V JA	HCUS1H220JA
VIDEO	C705		nsp	00MOA10605020	ELECT CAP.	10UF 50V	CCEA1HH100T
VIDEO	C706		nsp	00MDK96103300	CER. CAP.	0.01UF 50V KC	HCUS1H103KC
VIDEO	C707		nsp	00MOA10701620	ELECT CAP.	100UF 16V	CCEA1CH101T
VIDEO	C708		nsp	00MDK96103300	CER. CAP.	0.01UF 50V KC	HCUS1H103KC
VIDEO	C709		nsp	00MDK96103300	CER. CAP.	0.01UF 50V KC	HCUS1H103KC
VIDEO	C710		nsp	00MDK96103300	CER. CAP.	0.01UF 50V KC	HCUS1H103KC
VIDEO	C711		nsp	00MDK96104300	CER. CAP.	0.1UF 25V ZF	HCUS1E104ZF
VIDEO	C712		nsp	00MDK96103300	CER. CAP.	0.01UF 50V KC	HCUS1H103KC
VIDEO	C713		nsp	00MOA10701620	ELECT CAP.	100UF 16V	CCEA1CH101T
VIDEO	C714		nsp	00MDK96103300	CER. CAP.	0.01UF 50V KC	HCUS1H103KC
VIDEO	C715		nsp	00MOA10701620	ELECT CAP.	100UF 16V	CCEA1CH101T
VIDEO	C716		nsp	00MDK96103300	CER. CAP.	0.01UF 50V KC	HCUS1H103KC
VIDEO	C717		nsp	00MDK96103300	CER. CAP.	0.01UF 50V KC	HCUS1H103KC
VIDEO	C718		nsp	00MDK96103300	CER. CAP.	0.01UF 50V KC	HCUS1H103KC
VIDEO	C719		nsp	00MDD91100300	CER. CAP.	10PF 50V JA	HCUS1H100JA
VIDEO	C720		nsp	00MDK96102300	CER. CAP.	1000PF 50V KB	HCUS1H102KB
VIDEO	C721		nsp	00MDK96103300	CER. CAP.	0.01UF 50V KC	HCUS1H103KC
VIDEO	C723		nsp	00MDD95181300	CER. CAP.	180PF 50V J	HCUS1H181JA
VIDEO	C724		nsp	00MDK96103300	CER. CAP.	0.01UF 50V KC	HCUS1H103KC
VIDEO	C725		nsp	00MOA10701620	ELECT CAP.	100UF 16V	CCEA1CH101T
VIDEO	C726		nsp	00MOA10605020	ELECT CAP.	10UF 50V	CCEA1HH100T
VIDEO	C727		nsp	00MOA10605020	ELECT CAP.	10UF 50V	CCEA1HH100T
VIDEO	C728		nsp	00MDK96103300	CER. CAP.	0.01UF 50V KC	HCUS1H103KC
VIDEO	C729		nsp	00MDD95220300	CER. CAP.	22PF 50V JA	HCUS1H220JA
VIDEO	C730		nsp	00MDD91090300	CER. CAP.	9PF 50V JA	CCUS1H9R0JA
VIDEO	C731		nsp	00MDD95220300	CER. CAP.	22PF 50V JA	HCUS1H220JA
VIDEO	C732		nsp	00MDK96104300	CER. CAP.	0.1UF 25V ZF	HCUS1E104ZF
VIDEO	C733		nsp	00MDK96103300	CER. CAP.	0.01UF 50V KC	HCUS1H103KC
VIDEO	C734		nsp	00MDD95220300	CER. CAP.	22PF 50V JA	HCUS1H220JA
VIDEO	C735		nsp	00MDD91090300	CER. CAP.	9PF 50V JA	CCUS1H9R0JA
VIDEO	C736		nsp	00MDD95220300	CER. CAP.	22PF 50V JA	HCUS1H220JA
VIDEO	C737		nsp	00MDK96104300	CER. CAP.	0.1UF 25V ZF	HCUS1E104ZF
VIDEO	C738		nsp	00MOA10605020	ELECT CAP.	10UF 50V	CCEA1HH100T
VIDEO	C739		nsp	00MOA10605020	ELECT CAP.	10UF 50V	CCEA1HH100T
VIDEO	C740		nsp	00MOA10605020	ELECT CAP.	10UF 50V	CCEA1HH100T
VIDEO	C741		nsp	00MOA10605020	ELECT CAP.	10UF 50V	CCEA1HH100T
VIDEO	C742		nsp	00MDK96103300	CER. CAP.	0.01UF 50V KC	HCUS1H103KC
VIDEO	C743		nsp	00MOA10701620	ELECT CAP.	100UF 16V	CCEA1CH101T
VIDEO	C744		nsp	00MDK96104300	CER. CAP.	0.1UF 25V ZF	HCUS1E104ZF
VIDEO	C745		nsp	00MDK96104300	CER. CAP.	0.1UF 25V ZF	HCUS1E104ZF
VIDEO	C746		nsp	00MOA10701620	ELECT CAP.	100UF 16V	CCEA1CH101T
VIDEO	C747		nsp	00MOA10701620	ELECT CAP.	100UF 16V	CCEA1CH101T
VIDEO	C748		nsp	00MDK96103300	CER. CAP.	0.01UF 50V KC	HCUS1H103KC
VIDEO	C749		nsp	00MOA10605020	ELECT CAP.	10UF 50V	CCEA1HH100T
VIDEO	C750		nsp	00MDK96104300	CER. CAP.	0.1UF 25V ZF	HCUS1E104ZF
VIDEO	C751		nsp	00MOA10605020	ELECT CAP.	10UF 50V	CCEA1HH100T
VIDEO	C752		nsp	00MDK96103300	CER. CAP.	0.01UF 50V KC	HCUS1H103KC
VIDEO	C753		nsp	00MOA10605020	ELECT CAP.	10UF 50V	CCEA1HH100T
VIDEO	C754		nsp	00MDK96103300	CER. CAP.	0.01UF 50V KC	HCUS1H103KC
VIDEO	C755	/N1B	nsp	00MDD91100300	CER. CAP.	10PF 50V JA	HCUS1H100JA
VIDEO	C755	/N1G	nsp	00MDD91100300	CER. CAP.	10PF 50V JA	HCUS1H100JA
VIDEO	C755	/N1S	nsp	00MDD91100300	CER. CAP.	10PF 50V JA	HCUS1H100JA
VIDEO	C756		nsp	00MDD91100300	CER. CAP.	10PF 50V JA	HCUS1H100JA
VIDEO	C757		nsp	00MDK96224200	CER. CAP.	0.22UF 16V ZF	HCUS1C224ZF
VIDEO	C758		nsp	00MDK96222300	CER. CAP.	2200PF 50V KC	HCUS1H222KC
VIDEO	C759		nsp	00MDK96103300	CER. CAP.	0.01UF 50V KC	HCUS1H103KC
VIDEO	C760		nsp	00MOA22505020	ELECT CAP.	2.2UF 50V	CCEA1HH2R2T
VIDEO	C761		nsp	00MDK96104300	CER. CAP.	0.1UF 25V ZF	HCUS1E104ZF
VIDEO	C762		nsp	00MDK98223300	CER. CAP.	0.022UF 50V KC	HCUS1H223KC
VIDEO	C763		nsp	00MOA22505020	ELECT CAP.	2.2UF 50V	CCEA1HH2R2T
VIDEO	C764		nsp	00MOA47602520	ELECT CAP.	47UF 25V	CCEA1EH470T
VIDEO	C765		nsp	00MDK96103300	CER. CAP.	0.01UF 50V KC	HCUS1H103KC
VIDEO	C768		nsp	00MDK96104300	CER. CAP.	0.1UF 25V ZF	HCUS1E104ZF
VIDEO	C769		nsp	00MDK96104300	CER. CAP.	0.1UF 25V ZF	HCUS1E104ZF

NOTE : *nsp* PART IS LISTED FOR REFERENCE ONLY, MARANTZ WILL NOT SUPPLY THESE PARTS.

P.C.B. NAME	POS. NO.	VERS. COLOR	PART NO. (FOR EUR)	PART NO. (MZ)	PART NAME	DESCRIPTION	
VIDEO	C770		nsp	00MDK96104300	CER. CAP.	0.1UF 25V ZF	HCUS1E104ZF
VIDEO	C771		nsp	00MDK96104300	CER. CAP.	0.1UF 25V ZF	HCUS1E104ZF
VIDEO	C772		nsp	00MDK96104300	CER. CAP.	0.1UF 25V ZF	HCUS1E104ZF
VIDEO	C773		nsp	00MDK96104300	CER. CAP.	0.1UF 25V ZF	HCUS1E104ZF
VIDEO	C774		nsp	00MOA10605020	ELECT CAP.	10UF 50V	CCEA1HH100T
VIDEO	C776		nsp	00MOA10605020	ELECT CAP.	10UF 50V	CCEA1HH100T
VIDEO	CN24		nsp	nsp	CONN.	00906-0027 4P STRAIGHT	CJP04GA19ZY
VIDEO	CN41		nsp	nsp	CONN.	5P STRAIGHT	CJP05GA19ZY
VIDEO	CN42		nsp	nsp	CONN.	6P STRAIGHT	CJP06GA19ZY
VIDEO	CN43		nsp	nsp	CONN.	25PIN WAFER FPC	CJP25GA117ZY
VIDEO	CN44		nsp	nsp	CONN.	5P STRAIGHT	CJP05GA19ZY
VIDEO	CN45	F N	nsp	nsp	CONN.	15P CARD CABLE	CJP15GA115ZY
VIDEO	CN45	/N1B	nsp	nsp	CONN.	17P WAFER CARD CABLE	CJP17GA115ZY
VIDEO	CN45	/N1G	nsp	nsp	CONN.	17P WAFER CARD CABLE	CJP17GA115ZY
VIDEO	CN45	/N1S	nsp	nsp	CONN.	17P WAFER CARD CABLE	CJP17GA115ZY
VIDEO	CN45	/U1B	nsp	nsp	CONN.	15P CARD CABLE	CJP15GA115ZY
VIDEO	D401		nsp	90M-HD201800R	DIODE	1SS355	CVD1SS355T
VIDEO	D402		nsp	90M-HD201800R	DIODE	1SS355	CVD1SS355T
VIDEO	D403		nsp	90M-HD201800R	DIODE	1SS355	CVD1SS355T
VIDEO	D404		nsp	90M-HD201800R	DIODE	1SS355	CVD1SS355T
VIDEO	D407		nsp	90M-HD201800R	DIODE	1SS355	CVD1SS355T
VIDEO	D408		nsp	90M-HD201750R	DIODE	1N4003	CVD1N4003SRT
VIDEO	D409		nsp	90M-HD201750R	DIODE	1N4003	CVD1N4003SRT
VIDEO	IC41		00MHC10234090	00MHC10234090	IC	NJM2595M	CVINJM2595MTE1
VIDEO	IC42		00MHC10234090	00MHC10234090	IC	NJM2595M	CVINJM2595MTE1
VIDEO	IC43		00MHC10234090	00MHC10234090	IC	NJM2595M	CVINJM2595MTE1
VIDEO	IC44		00MHC10224090	00MHC10224090	IC	NJM2535M	CVINJM2535MTE1
VIDEO	IC45		00MHC10077090	00MHC10077090	IC	NJM2264M	CVINJM2264MTE1
VIDEO	IC46		90M-HC109820R	90M-HC109820R	IC	NJM2244M	HVINJM2244MTE1
VIDEO	IC47	F N	nsp	90M-HC109810R	IC	LC74781M9017	HVILC74781M9017
VIDEO	IC47	/N1B	90M-HC109810R	90M-HC109810R	IC	LC74781M9017	HVILC74781M9017
VIDEO	IC47	/N1G	90M-HC109810R	90M-HC109810R	IC	LC74781M9017	HVILC74781M9017
VIDEO	IC47	/N1S	90M-HC109810R	90M-HC109810R	IC	LC74781M9017	HVILC74781M9017
VIDEO	IC47	/U1B	nsp	90M-HC109860R	IC	LC74782M8A13	CVILC74782M8A13
VIDEO	IC48		90M-HC109820R	90M-HC109820R	IC	NJM2244M	HVINJM2244MTE1
VIDEO	IC49		00MHC3890599F	00MHC3890599F	IC	KIA7805API	HVIKIA7805API
VIDEO	IC50		00MHC3990599F	00MHC3990599F	IC	KIA7905PI	CVIKIA7905PI
VIDEO	IC54		90M-HC400060R	90M-HC400060R	IC	TC74HC4094AFN	HVITC74HC4094FN
VIDEO	IC55		90M-HC400060R	90M-HC400060R	IC	TC74HC4094AFN	HVITC74HC4094FN
VIDEO	IC56		90M-HC109830R	90M-HC109830R	IC	NJM2584M	HVINJM2584MTE1
VIDEO	IC57		90M-HC109830R	90M-HC109830R	IC	NJM2584M	HVINJM2584MTE1
VIDEO	IC58		00MHC10236090	00MHC10236090	IC	NJM2586AM	HVINJM2586AMTE1
VIDEO	IC71		00MHC10472050	00MHC10472050	IC	TC90A49PG	CVITC90A49PG
VIDEO	IC72		90M-HC108830R	90M-HC108830R	IC	NJM2285M	HVINJM2285MTE1
VIDEO	IC73		90M-HC108850R	90M-HC108850R	IC	R59-4174	HVIMM1511XNRE
VIDEO	IC74		90M-HC108810R	90M-HC108810R	IC	TA1270BF	HVITA1270BF
VIDEO	IC75		00MHC3890999F	00MHC3890999F	IC	KIA7809API	HVIKIA7809API
VIDEO	IC76		00MHC3990909F	00MHC3990909F	IC	KIA7909PI	HVIKIA7909PI
VIDEO	JK41		90M-YT005020R	90M-YT005020R	TERMINAL	S-VIDEO+VHS	CJJ9N004Z
VIDEO	JK42		90M-YT005020R	90M-YT005020R	TERMINAL	S-VIDEO+VHS	CJJ9N004Z
VIDEO	JK43		90M-YT005020R	90M-YT005020R	TERMINAL	S-VIDEO+VHS	CJJ9N004Z
VIDEO	JK44		90M-YT005020R	90M-YT005020R	TERMINAL	S-VIDEO+VHS	CJJ9N004Z
VIDEO	JK45		90M-YT005020R	90M-YT005020R	TERMINAL	S-VIDEO+VHS	CJJ9N004Z
VIDEO	JK46		90M-YT005020R	90M-YT005020R	TERMINAL	S-VIDEO+VHS	CJJ9N004Z
VIDEO	JK47		90M-YT004300R	90M-YT004300R	TERMINAL	JACK BOARD 6P G/B/R SILVER	CJJ4R045Z
VIDEO	JK48		90M-YT004300R	90M-YT004300R	TERMINAL	JACK BOARD 6P G/B/R SILVER	CJJ4R045Z
VIDEO	L401		00MLC13330140	00MLC13330140	COIL	33UH	HLQ02C330KT
VIDEO	L701		nsp	nsp	COIL	22UH K	HLQ02C220KT
VIDEO	L702		nsp	nsp	COIL	10UH K	HLQ02C100KT
VIDEO	L703		nsp	nsp	COIL	10UH K	HLQ02C100KT
VIDEO	L704		nsp	nsp	COIL	10UH K	HLQ02C100KT
VIDEO	L705		nsp	nsp	COIL	10UH K	HLQ02C100KT
VIDEO	L706		nsp	nsp	COIL	22UH K	HLQ02C220KT
VIDEO	L707		nsp	nsp	COIL	22UH K	HLQ02C220KT
VIDEO	Q401		90M-HT600050R	90M-HT600050R	TRS.	KTA2014GR	HVTKTA2014GR
VIDEO	Q402		90M-HX600010R	90M-HX600010R	CHIP TRS.	KRA102S	HVTKRA102S
VIDEO	Q403		90M-HT800110R	90M-HT800110R	CHIP TRS.	KTC4075GR	HVTKTC4075GR

NOTE : "nsp" PART IS LISTED FOR REFERENCE ONLY, MARANTZ WILL NOT SUPPLY THESE PARTS.

P.C.B. NAME	POS. NO.	VERS. COLOR	PART NO. (FOR EUR)	PART NO. (MZ)	PART NAME	DESCRIPTION	
VIDEO	Q404		90M-HT800110R	90M-HT800110R	CHIP TRS.	KTC4075GR	HVTKTC4075GR
VIDEO	Q405	/N1B	90M-HX800090R	90M-HX800090R	CHIP TRS.	KRC111S	HVTKRC111S
VIDEO	Q405	/N1G	90M-HX800090R	90M-HX800090R	CHIP TRS.	KRC111S	HVTKRC111S
VIDEO	Q405	/N1S	90M-HX800090R	90M-HX800090R	CHIP TRS.	KRC111S	HVTKRC111S
VIDEO	Q406	/N1B	00MHT805501B0	00MHT805501B0	TRS.	KTC2874B	HVTKTC2874BT
VIDEO	Q406	/N1G	00MHT805501B0	00MHT805501B0	TRS.	KTC2874B	HVTKTC2874BT
VIDEO	Q406	/N1S	00MHT805501B0	00MHT805501B0	TRS.	KTC2874B	HVTKTC2874BT
VIDEO	Q407	/N1B	90M-HX600010R	90M-HX600010R	CHIP TRS.	KRA102S	HVTKRA102S
VIDEO	Q407	/N1G	90M-HX600010R	90M-HX600010R	CHIP TRS.	KRA102S	HVTKRA102S
VIDEO	Q407	/N1S	90M-HX600010R	90M-HX600010R	CHIP TRS.	KRA102S	HVTKRA102S
VIDEO	Q408		90M-HT800110R	90M-HT800110R	CHIP TRS.	KTC4075GR	HVTKTC4075GR
VIDEO	Q409		90M-HX800010R	90M-HX800010R	CHIP TRS.	KRC102S	HVTKRC102S
VIDEO	Q410		90M-HT800110R	90M-HT800110R	CHIP TRS.	KTC4075GR	HVTKTC4075GR
VIDEO	Q411		90M-HT800110R	90M-HT800110R	CHIP TRS.	KTC4075GR	HVTKTC4075GR
VIDEO	Q422		90M-HX600010R	90M-HX600010R	CHIP TRS.	KRA102S	HVTKRA102S
VIDEO	Q425		90M-HT800110R	90M-HT800110R	CHIP TRS.	KTC4075GR	HVTKTC4075GR
VIDEO	Q426		90M-HT600050R	90M-HT600050R	TRS.	KTA2014GR	HVTKTA2014GR
VIDEO	Q701		90M-HT800110R	90M-HT800110R	CHIP TRS.	KTC4075GR	HVTKTC4075GR
VIDEO	Q702		90M-HT600050R	90M-HT600050R	TRS.	KTA2014GR	HVTKTA2014GR
VIDEO	Q703		90M-HT800110R	90M-HT800110R	CHIP TRS.	KTC4075GR	HVTKTC4075GR
VIDEO	Q704		90M-HT600050R	90M-HT600050R	TRS.	KTA2014GR	HVTKTA2014GR
VIDEO	Q705		90M-HT800110R	90M-HT800110R	CHIP TRS.	KTC4075GR	HVTKTC4075GR
VIDEO	Q706		90M-HT600050R	90M-HT600050R	TRS.	KTA2014GR	HVTKTA2014GR
VIDEO	Q707		90M-HT800110R	90M-HT800110R	CHIP TRS.	KTC4075GR	HVTKTC4075GR
VIDEO	Q708		90M-HT600050R	90M-HT600050R	TRS.	KTA2014GR	HVTKTA2014GR
VIDEO	Q709		90M-HT800110R	90M-HT800110R	CHIP TRS.	KTC4075GR	HVTKTC4075GR
VIDEO	Q710		90M-HT600050R	90M-HT600050R	TRS.	KTA2014GR	HVTKTA2014GR
VIDEO	Q711		90M-HT600050R	90M-HT600050R	TRS.	KTA2014GR	HVTKTA2014GR
VIDEO	Q712		90M-HT600050R	90M-HT600050R	TRS.	KTA2014GR	HVTKTA2014GR
VIDEO	R401		nsp	00MNN05750610	CHIP RES.	75 OHM 1/10W J	CRJ10DJ750T
VIDEO	R402		nsp	00MNN05000610	CHIP RES.	0 OHM 1/10W J	CRJ10DJ0R0T
VIDEO	R403		nsp	00MNN05750610	CHIP RES.	75 OHM 1/10W J	CRJ10DJ750T
VIDEO	R404		nsp	00MNN05000610	CHIP RES.	0 OHM 1/10W J	CRJ10DJ0R0T
VIDEO	R405		nsp	00MNN05750610	CHIP RES.	75 OHM 1/10W J	CRJ10DJ750T
VIDEO	R406		nsp	00MNN05000610	CHIP RES.	0 OHM 1/10W J	CRJ10DJ0R0T
VIDEO	R407		nsp	00MNN05750610	CHIP RES.	75 OHM 1/10W J	CRJ10DJ750T
VIDEO	R408		nsp	00MNN05000610	CHIP RES.	0 OHM 1/10W J	CRJ10DJ0R0T
VIDEO	R409		nsp	00MNN05750610	CHIP RES.	75 OHM 1/10W J	CRJ10DJ750T
VIDEO	R410		nsp	00MNN05000610	CHIP RES.	0 OHM 1/10W J	CRJ10DJ0R0T
VIDEO	R411		nsp	00MNN05750610	CHIP RES.	75 OHM 1/10W J	CRJ10DJ750T
VIDEO	R412		nsp	00MNN05000610	CHIP RES.	0 OHM 1/10W J	CRJ10DJ0R0T
VIDEO	R413		nsp	00MNN05750610	CHIP RES.	75 OHM 1/10W J	CRJ10DJ750T
VIDEO	R414		nsp	00MNN05000610	CHIP RES.	0 OHM 1/10W J	CRJ10DJ0R0T
VIDEO	R415		nsp	00MNN05750610	CHIP RES.	75 OHM 1/10W J	CRJ10DJ750T
VIDEO	R416		nsp	00MNN05000610	CHIP RES.	0 OHM 1/10W J	CRJ10DJ0R0T
VIDEO	R417		nsp	00MNN05750610	CHIP RES.	75 OHM 1/10W J	CRJ10DJ750T
VIDEO	R418		nsp	00MNN05000610	CHIP RES.	0 OHM 1/10W J	CRJ10DJ0R0T
VIDEO	R419		nsp	00MNN05750610	CHIP RES.	75 OHM 1/10W J	CRJ10DJ750T
VIDEO	R420		nsp	00MNN05750610	CHIP RES.	75 OHM 1/10W J	CRJ10DJ750T
VIDEO	R421		nsp	00MNN05750610	CHIP RES.	75 OHM 1/10W J	CRJ10DJ750T
VIDEO	R422		nsp	00MNN05750610	CHIP RES.	75 OHM 1/10W J	CRJ10DJ750T
VIDEO	R423		nsp	00MNN05000610	CHIP RES.	0 OHM 1/10W J	CRJ10DJ0R0T
VIDEO	R424		nsp	00MNN05750610	CHIP RES.	75 OHM 1/10W J	CRJ10DJ750T
VIDEO	R425		nsp	00MNN05000610	CHIP RES.	0 OHM 1/10W J	CRJ10DJ0R0T
VIDEO	R426		nsp	00MNN05750610	CHIP RES.	75 OHM 1/10W J	CRJ10DJ750T
VIDEO	R427		nsp	00MNN05000610	CHIP RES.	0 OHM 1/10W J	CRJ10DJ0R0T
VIDEO	R428		nsp	00MNN05750610	CHIP RES.	75 OHM 1/10W J	CRJ10DJ750T
VIDEO	R429		nsp	00MNN05750610	CHIP RES.	75 OHM 1/10W J	CRJ10DJ750T
VIDEO	R430		nsp	00MNN05750610	CHIP RES.	75 OHM 1/10W J	CRJ10DJ750T
VIDEO	R431		nsp	00MNN05224610	CHIP RES.	220K OHM 1/10W J	CRJ10DJ224T
VIDEO	R432		nsp	00MNN05100610	CHIP RES.	10 OHM 1/10W J	CRJ10DJ100T
VIDEO	R433		nsp	00MNN05221610	CHIP RES.	220 OHM 1/10W J	CRJ10DJ221T
VIDEO	R434		nsp	00MNN05103610	CHIP RES.	10K OHM 1/10W J	CRJ10DJ103T
VIDEO	R435		nsp	00MNN05750610	CHIP RES.	75 OHM 1/10W J	CRJ10DJ750T
VIDEO	R436		nsp	00MNN05750610	CHIP RES.	75 OHM 1/10W J	CRJ10DJ750T
VIDEO	R437		nsp	00MNN05750610	CHIP RES.	75 OHM 1/10W J	CRJ10DJ750T
VIDEO	R438		nsp	00MNN05103610	CHIP RES.	10K OHM 1/10W J	CRJ10DJ103T

NOTE : *nsp* PART IS LISTED FOR REFERENCE ONLY, MARANTZ WILL NOT SUPPLY THESE PARTS.

P.C.B. NAME	POS. NO.	VERS. COLOR	PART NO. (FOR EUR)	PART NO. (MZ)	PART NAME	DESCRIPTION	
VIDEO	R439		nsp	00MNN05103610	CHIP RES.	10K OHM 1/10W J	CRJ10DJ103T
VIDEO	R440		nsp	00MNN05101610	CHIP RES.	100 OHM 1/10W J	CRJ10DJ101T
VIDEO	R441		nsp	00MNN05103610	CHIP RES.	10K OHM 1/10W J	CRJ10DJ103T
VIDEO	R442		nsp	00MNN05101610	CHIP RES.	100 OHM 1/10W J	CRJ10DJ101T
VIDEO	R443		nsp	00MNN05103610	CHIP RES.	10K OHM 1/10W J	CRJ10DJ103T
VIDEO	R444		nsp	00MNN05105610	CHIP RES.	1M OHM 1/10W J	CRJ10DJ105T
VIDEO	R445		nsp	00MNN05105610	CHIP RES.	1M OHM 1/10W J	CRJ10DJ105T
VIDEO	R446		nsp	00MNN05105610	CHIP RES.	1M OHM 1/10W J	CRJ10DJ105T
VIDEO	R447		nsp	00MNN05104610	CHIP RES.	100K OHM 1/10W J	CRJ10DJ104T
VIDEO	R448		nsp	00MNN05153610	CHIP RES.	15K OHM 1/10W J	CRJ10DJ153T
VIDEO	R449		nsp	00MNN05103610	CHIP RES.	10K OHM 1/10W J	CRJ10DJ103T
VIDEO	R450		nsp	00MNN05471610	CHIP RES.	470 OHM 1/10W J	CRJ10DJ471T
VIDEO	R451		nsp	00MNN05221610	CHIP RES.	220 OHM 1/10W J	CRJ10DJ221T
VIDEO	R452		nsp	00MNN05104610	CHIP RES.	100K OHM 1/10W J	CRJ10DJ104T
VIDEO	R453		nsp	00MNN05472610	CHIP RES.	4.7K OHM 1/10W J	CRJ10DJ472T
VIDEO	R454		nsp	00MNN05000610	CHIP RES.	0 OHM 1/10W J	CRJ10DJ0R0T
VIDEO	R455		nsp	00MNN05105610	CHIP RES.	1M OHM 1/10W J	CRJ10DJ105T
VIDEO	R456	F N	nsp	00MNN05000610	CHIP RES.	0 OHM 1/10W J	CRJ10DJ0R0T
VIDEO	R456	/U1B	nsp	00MNN05000610	CHIP RES.	0 OHM 1/10W J	CRJ10DJ0R0T
VIDEO	R459		nsp	00MNN05103610	CHIP RES.	10K OHM 1/10W J	CRJ10DJ103T
VIDEO	R460		nsp	00MNN05221610	CHIP RES.	220 OHM 1/10W J	CRJ10DJ221T
VIDEO	R461		nsp	00MNN05000610	CHIP RES.	0 OHM 1/10W J	CRJ10DJ0R0T
VIDEO	R462		nsp	00MNN05750610	CHIP RES.	75 OHM 1/10W J	CRJ10DJ750T
VIDEO	R463		nsp	00MNN05472610	CHIP RES.	4.7K OHM 1/10W J	CRJ10DJ472T
VIDEO	R464		nsp	00MNN05103610	CHIP RES.	10K OHM 1/10W J	CRJ10DJ103T
VIDEO	R465		nsp	00MNN05102610	CHIP RES.	1K OHM 1/10W J	CRJ10DJ102T
VIDEO	R466		nsp	00MNN05560610	CHIP RES.	56 OHM 1/10W J	CRJ10DJ560T
VIDEO	R467		nsp	00MNN05102610	CHIP RES.	1K OHM 1/10W J	CRJ10DJ102T
VIDEO	R468		nsp	00MNN05103610	CHIP RES.	10K OHM 1/10W J	CRJ10DJ103T
VIDEO	R469		nsp	00MNN05102610	CHIP RES.	1K OHM 1/10W J	CRJ10DJ102T
VIDEO	R470		nsp	00MNN05105610	CHIP RES.	1M OHM 1/10W J	CRJ10DJ105T
VIDEO	R471		nsp	00MNN05105610	CHIP RES.	1M OHM 1/10W J	CRJ10DJ105T
VIDEO	R472		nsp	00MNN05105610	CHIP RES.	1M OHM 1/10W J	CRJ10DJ105T
VIDEO	R473		nsp	00MNN05332610	CHIP RES.	3.3K OHM 1/10W J	CRJ10DJ332T
VIDEO	R474		nsp	00MNN05332610	CHIP RES.	3.3K OHM 1/10W J	CRJ10DJ332T
VIDEO	R475		nsp	00MNN05105610	CHIP RES.	1M OHM 1/10W J	CRJ10DJ105T
VIDEO	R476		nsp	00MNN05332610	CHIP RES.	3.3K OHM 1/10W J	CRJ10DJ332T
VIDEO	R477		nsp	00MNN05332610	CHIP RES.	3.3K OHM 1/10W J	CRJ10DJ332T
VIDEO	R478		nsp	00MNN05105610	CHIP RES.	1M OHM 1/10W J	CRJ10DJ105T
VIDEO	R479		nsp	00MNN05105610	CHIP RES.	1M OHM 1/10W J	CRJ10DJ105T
VIDEO	R480		nsp	00MNN05105610	CHIP RES.	1M OHM 1/10W J	CRJ10DJ105T
VIDEO	R481		nsp	00MNN05103610	CHIP RES.	10K OHM 1/10W J	CRJ10DJ103T
VIDEO	R531		nsp	00MNN05123610	CHIP RES.	12K OHM 1/10W J	CRJ10DJ123T
VIDEO	R532		nsp	00MNN05103610	CHIP RES.	10K OHM 1/10W J	CRJ10DJ103T
VIDEO	R533		nsp	00MNN05471610	CHIP RES.	470 OHM 1/10W J	CRJ10DJ471T
VIDEO	R534		nsp	00MNN05471610	CHIP RES.	470 OHM 1/10W J	CRJ10DJ471T
VIDEO	R535		nsp	00MNN05471610	CHIP RES.	470 OHM 1/10W J	CRJ10DJ471T
VIDEO	R536		nsp	00MNN05103610	CHIP RES.	10K OHM 1/10W J	CRJ10DJ103T
VIDEO	R537		nsp	00MNN05750610	CHIP RES.	75 OHM 1/10W J	CRJ10DJ750T
VIDEO	R538		nsp	00MNN05750610	CHIP RES.	75 OHM 1/10W J	CRJ10DJ750T
VIDEO	R539		nsp	00MNN05750610	CHIP RES.	75 OHM 1/10W J	CRJ10DJ750T
VIDEO	R540		nsp	00MNN05750610	CHIP RES.	75 OHM 1/10W J	CRJ10DJ750T
VIDEO	R541		nsp	00MNN05750610	CHIP RES.	75 OHM 1/10W J	CRJ10DJ750T
VIDEO	R542		nsp	00MNN05750610	CHIP RES.	75 OHM 1/10W J	CRJ10DJ750T
VIDEO	R543		nsp	00MNN05750610	CHIP RES.	75 OHM 1/10W J	CRJ10DJ750T
VIDEO	R544		nsp	00MNN05750610	CHIP RES.	75 OHM 1/10W J	CRJ10DJ750T
VIDEO	R545		nsp	00MNN05750610	CHIP RES.	75 OHM 1/10W J	CRJ10DJ750T
VIDEO	R546		nsp	00MNN05750610	CHIP RES.	75 OHM 1/10W J	CRJ10DJ750T
VIDEO	R547		nsp	00MNN05750610	CHIP RES.	75 OHM 1/10W J	CRJ10DJ750T
VIDEO	R548		nsp	00MNN05750610	CHIP RES.	75 OHM 1/10W J	CRJ10DJ750T
VIDEO	R549		nsp	00MNN05105610	CHIP RES.	1M OHM 1/10W J	CRJ10DJ105T
VIDEO	R550		nsp	00MNN05105610	CHIP RES.	1M OHM 1/10W J	CRJ10DJ105T
VIDEO	R551		nsp	00MNN05105610	CHIP RES.	1M OHM 1/10W J	CRJ10DJ105T
VIDEO	R552		nsp	00MNN05105610	CHIP RES.	1M OHM 1/10W J	CRJ10DJ105T
VIDEO	R553		nsp	00MNN05105610	CHIP RES.	1M OHM 1/10W J	CRJ10DJ105T
VIDEO	R554		nsp	00MNN05105610	CHIP RES.	1M OHM 1/10W J	CRJ10DJ105T
VIDEO	R555		nsp	00MNN05105610	CHIP RES.	1M OHM 1/10W J	CRJ10DJ105T

NOTE : *nsp* PART IS LISTED FOR REFERENCE ONLY, MARANTZ WILL NOT SUPPLY THESE PARTS.

P.C.B. NAME	POS. NO.	VERS. COLOR	PART NO. (FOR EUR)	PART NO. (MZ)	PART NAME	DESCRIPTION	
VIDEO	R556		nsp	00MNN05472610	CHIP RES.	4.7K OHM 1/10W J	CRJ10DJ472T
VIDEO	R557		nsp	00MNN05472610	CHIP RES.	4.7K OHM 1/10W J	CRJ10DJ472T
VIDEO	R701		nsp	00MNN05224610	CHIP RES.	220K OHM 1/10W J	CRJ10DJ224T
VIDEO	R702		nsp	00MNN05102610	CHIP RES.	1K OHM 1/10W J	CRJ10DJ102T
VIDEO	R703		nsp	00MNN05222610	CHIP RES.	2.2K OHM 1/10W J	CRJ10DJ222T
VIDEO	R704		nsp	00MNN05102610	CHIP RES.	1K OHM 1/10W J	CRJ10DJ102T
VIDEO	R705		nsp	00MNN05222610	CHIP RES.	2.2K OHM 1/10W J	CRJ10DJ222T
VIDEO	R706		nsp	00MNN05101610	CHIP RES.	100 OHM 1/10W J	CRJ10DJ101T
VIDEO	R707		nsp	00MNN05101610	CHIP RES.	100 OHM 1/10W J	CRJ10DJ101T
VIDEO	R708		nsp	00MNN05821610	CHIP RES.	820 OHM 1/10W J	CRJ10DJ821T
VIDEO	R709		nsp	00MNN05123610	CHIP RES.	12K OHM 1/10W J	CRJ10DJ123T
VIDEO	R710		nsp	00MNN05471610	CHIP RES.	470 OHM 1/10W J	CRJ10DJ471T
VIDEO	R711		nsp	00MNN05103610	CHIP RES.	10K OHM 1/10W J	CRJ10DJ103T
VIDEO	R712		nsp	00MNN05471610	CHIP RES.	470 OHM 1/10W J	CRJ10DJ471T
VIDEO	R713		nsp	00MNN05471610	CHIP RES.	470 OHM 1/10W J	CRJ10DJ471T
VIDEO	R714		nsp	00MNN05103610	CHIP RES.	10K OHM 1/10W J	CRJ10DJ103T
VIDEO	R715		nsp	00MNN05102610	CHIP RES.	1K OHM 1/10W J	CRJ10DJ102T
VIDEO	R716		nsp	00MNN05102610	CHIP RES.	1K OHM 1/10W J	CRJ10DJ102T
VIDEO	R717		nsp	00MNN05471610	CHIP RES.	470 OHM 1/10W J	CRJ10DJ471T
VIDEO	R718		nsp	00MNN05471610	CHIP RES.	470 OHM 1/10W J	CRJ10DJ471T
VIDEO	R719		nsp	00MNN05471610	CHIP RES.	470 OHM 1/10W J	CRJ10DJ471T
VIDEO	R720		nsp	00MNN05103610	CHIP RES.	10K OHM 1/10W J	CRJ10DJ103T
VIDEO	R721		nsp	00MNN05123610	CHIP RES.	12K OHM 1/10W J	CRJ10DJ123T
VIDEO	R722		nsp	00MNN05471610	CHIP RES.	470 OHM 1/10W J	CRJ10DJ471T
VIDEO	R723		nsp	00MNN05103610	CHIP RES.	10K OHM 1/10W J	CRJ10DJ103T
VIDEO	R724		nsp	00MNN05471610	CHIP RES.	470 OHM 1/10W J	CRJ10DJ471T
VIDEO	R725		nsp	00MNN05471610	CHIP RES.	470 OHM 1/10W J	CRJ10DJ471T
VIDEO	R726		nsp	00MNN05103610	CHIP RES.	10K OHM 1/10W J	CRJ10DJ103T
VIDEO	R727		nsp	00MNN05102610	CHIP RES.	1K OHM 1/10W J	CRJ10DJ102T
VIDEO	R728		nsp	00MNN05102610	CHIP RES.	1K OHM 1/10W J	CRJ10DJ102T
VIDEO	R729		nsp	00MNN05471610	CHIP RES.	470 OHM 1/10W J	CRJ10DJ471T
VIDEO	R730		nsp	00MNN05471610	CHIP RES.	470 OHM 1/10W J	CRJ10DJ471T
VIDEO	R731		nsp	00MNN05471610	CHIP RES.	470 OHM 1/10W J	CRJ10DJ471T
VIDEO	R732		nsp	00MNN05103610	CHIP RES.	10K OHM 1/10W J	CRJ10DJ103T
VIDEO	R733		nsp	00MNN05105610	CHIP RES.	1M OHM 1/10W J	CRJ10DJ105T
VIDEO	R734		nsp	00MNN05105610	CHIP RES.	1M OHM 1/10W J	CRJ10DJ105T
VIDEO	R735		nsp	00MNN05105610	CHIP RES.	1M OHM 1/10W J	CRJ10DJ105T
VIDEO	R736		nsp	00MNN05105610	CHIP RES.	1M OHM 1/10W J	CRJ10DJ105T
VIDEO	R737		nsp	00MNN05102610	CHIP RES.	1K OHM 1/10W J	CRJ10DJ102T
VIDEO	R738		nsp	00MNN05102610	CHIP RES.	1K OHM 1/10W J	CRJ10DJ102T
VIDEO	R739		nsp	00MNN05182610	CHIP RES.	1.8K OHM 1/10W J	CRJ10DJ182T
VIDEO	R740		nsp	00MNN05000610	CHIP RES.	0 OHM 1/10W J	CRJ10DJ0R0T
VIDEO	R741		nsp	00MNN05102610	CHIP RES.	1K OHM 1/10W J	CRJ10DJ102T
VIDEO	R742		nsp	00MNN05102610	CHIP RES.	1K OHM 1/10W J	CRJ10DJ102T
VIDEO	R743		nsp	00MNN05182610	CHIP RES.	1.8K OHM 1/10W J	CRJ10DJ182T
VIDEO	R744		nsp	00MNN05000610	CHIP RES.	0 OHM 1/10W J	CRJ10DJ0R0T
VIDEO	R745		nsp	00MNN05333610	CHIP RES.	33K OHM 1/10W J	CRJ10DJ333T
VIDEO	R746		nsp	00MNN05332610	CHIP RES.	3.3K OHM 1/10W J	CRJ10DJ332T
VIDEO	R747		nsp	00MNN05331610	CHIP RES.	330 OHM 1/10W J	CRJ10DJ331T
VIDEO	R748		nsp	00MNN05101610	CHIP RES.	100 OHM 1/10W J	CRJ10DJ101T
VIDEO	R749		nsp	00MNN05101610	CHIP RES.	100 OHM 1/10W J	CRJ10DJ101T
VIDEO	R750		nsp	00MNN05221610	CHIP RES.	220 OHM 1/10W J	CRJ10DJ221T
VIDEO	R751		nsp	90M-NN000840R	CHIP RES.	330 OHM/1608/1%	CRJ10DF3300T
VIDEO	X401		90M-JX001080R	90M-JX001080R	X'TAL	14M318	HOX14318D220F
VIDEO	X402	/N1B	90M-JX001090R	90M-JX001090R	X'TAL	17M318	HOX17744D220F
VIDEO	X402	/N1G	90M-JX001090R	90M-JX001090R	X'TAL	17M318	HOX17744D220F
VIDEO	X402	/N1S	90M-JX001090R	90M-JX001090R	X'TAL	17M318	HOX17744D220F
VIDEO	X701	/N1B	90M-JX001160R	90M-JX001160R	X'TAL	4.433MHZ	HOX04433E120TF
VIDEO	X701	/N1G	90M-JX001160R	90M-JX001160R	X'TAL	4.433MHZ	HOX04433E120TF
VIDEO	X701	/N1S	90M-JX001160R	90M-JX001160R	X'TAL	4.433MHZ	HOX04433E120TF
VIDEO	X702		90M-JX001220R	90M-JX001220R	X'TAL	3.57MHZ	H2OX03579D140TF
VIDEO	X703		90M-FQ000580R	90M-FQ000580R	CER. VIB.	CERAMINC RESONATOR	HVFC5BLA503KECZ
XM PWB (CUP1187Y)							
XM	C501	/U1B	nsp	00MOA47602520	ELECT CAP.	47UF 25V	CCEA1EH470T
XM	C502	/U1B	nsp	00MDK96104300	CER. CAP.	0.1UF 50V ZF	CCUS1H104ZF
XM	C503	/U1B	nsp	00MDK96104300	CER. CAP.	0.1UF 50V ZF	CCUS1H104ZF
XM	C504	/U1B	nsp	00MDK96104300	CER. CAP.	0.1UF 50V ZF	CCUS1H104ZF

NOTE : *nsp* PART IS LISTED FOR REFERENCE ONLY, MARANTZ WILL NOT SUPPLY THESE PARTS.

P.C.B. NAME	POS. NO.	VERS. COLOR	PART NO. (FOR EUR)	PART NO. (MZ)	PART NAME	DESCRIPTION	
XM	C505	/U1B	nsp	00MDK96104300	CER. CAP.	0.1UF 50V ZF	CCUS1H104ZF
XM	C506	/U1B	nsp	00MDK96104300	CER. CAP.	0.1UF 50V ZF	CCUS1H104ZF
XM	C507	/U1B	nsp	00MDK96104300	CER. CAP.	0.1UF 50V ZF	CCUS1H104ZF
XM	C508	/U1B	nsp	00MDK96104300	CER. CAP.	0.1UF 50V ZF	CCUS1H104ZF
XM	C509	/U1B	nsp	00MDK96104300	CER. CAP.	0.1UF 50V ZF	CCUS1H104ZF
XM	C510	/U1B	nsp	00MDK96104300	CER. CAP.	0.1UF 50V ZF	CCUS1H104ZF
XM	C511	/U1B	nsp	00MDK96104300	CER. CAP.	0.1UF 50V ZF	CCUS1H104ZF
XM	C514	/U1B	nsp	00MDK96102300	CER. CAP.	1000PF 50V KC	CCUS1H102KC
XM	C515	/U1B	nsp	00MDK96104300	CER. CAP.	0.1UF 50V ZF	CCUS1H104ZF
XM	C517	/U1B	nsp	00MDK96104300	CER. CAP.	0.1UF 50V ZF	CCUS1H104ZF
XM	C518	/U1B	nsp	00MDK96104300	CER. CAP.	0.1UF 50V ZF	CCUS1H104ZF
XM	C519	/U1B	nsp	00MDK96102300	CER. CAP.	1000PF 50V KC	CCUS1H102KC
XM	C520	/U1B	nsp	00MDK96102300	CER. CAP.	1000PF 50V KC	CCUS1H102KC
XM	C521	/U1B	nsp	00MDK96102300	CER. CAP.	1000PF 50V KC	CCUS1H102KC
XM	C522	/U1B	nsp	00MDK96102300	CER. CAP.	1000PF 50V KC	CCUS1H102KC
XM	C523	/U1B	nsp	00MDD95220300	CER. CAP.	22PF 50V JA	CCUS1H220JA
XM	C524	/U1B	nsp	00MDD95220300	CER. CAP.	22PF 50V JA	CCUS1H220JA
XM	C601	/U1B	nsp	00MDK96102300	CER. CAP.	1000PF 50V KC	CCUS1H102KC
XM	C602	/U1B	nsp	00MDK96104300	CER. CAP.	0.1UF 50V ZF	CCUS1H104ZF
XM	C603	/U1B	nsp	00MOA10605020	ELECT CAP.	10UF 50V	CCEA1HH100T
XM	C604	/U1B	nsp	00MDK96104300	CER. CAP.	0.1UF 50V ZF	CCUS1H104ZF
XM	C605	/U1B	nsp	00MOA10505020	ELECT CAP.	1UF 50V	CCEA1HH1R0T
XM	C606	/U1B	nsp	00MDK96104300	CER. CAP.	0.1UF 50V ZF	CCUS1H104ZF
XM	C607	/U1B	nsp	00MOA47602520	ELECT CAP.	47UF 25V	CCEA1EH470T
XM	C611	/U1B	nsp	00MOA10605020	ELECT CAP.	10UF 50V	CCEA1HH100T
XM	C612	/U1B	nsp	00MOA10605020	ELECT CAP.	10UF 50V	CCEA1HH100T
XM	C613	/U1B	nsp	00MOA10605020	ELECT CAP.	10UF 50V	CCEA1HH100T
XM	C614	/U1B	nsp	00MOA10605020	ELECT CAP.	10UF 50V	CCEA1HH100T
XM	C615	/U1B	nsp	00MDK96122300	CER. CAP.	1200PF 50V KC	CCUS1H122KC
XM	C616	/U1B	nsp	00MDK96122300	CER. CAP.	1200PF 50V KC	CCUS1H122KC
XM	C617	/U1B	nsp	00MDK96122300	CER. CAP.	1200PF 50V KC	CCUS1H122KC
XM	C618	/U1B	nsp	00MDK96122300	CER. CAP.	1200PF 50V KC	CCUS1H122KC
XM	C619	/U1B	nsp	00MDD95331300	CER. CAP.	330PF 50V JA	CCUS1H331JA
XM	C620	/U1B	nsp	00MDD95331300	CER. CAP.	330PF 50V JA	CCUS1H331JA
XM	C621	/U1B	nsp	00MDD95331300	CER. CAP.	330PF 50V JA	CCUS1H331JA
XM	C622	/U1B	nsp	00MDD95331300	CER. CAP.	330PF 50V JA	CCUS1H331JA
XM	C623	/U1B	nsp	00MOA10605020	ELECT CAP.	10UF 50V	CCEA1HH100T
XM	C624	/U1B	nsp	00MOA10605020	ELECT CAP.	10UF 50V	CCEA1HH100T
XM	C631	/U1B	nsp	00MDK96104300	CER. CAP.	0.1UF 50V ZF	CCUS1H104ZF
XM	C632	/U1B	nsp	00MDK96104300	CER. CAP.	0.1UF 50V ZF	CCUS1H104ZF
XM	C633	/U1B	nsp	00MOA10605020	ELECT CAP.	10UF 50V	CCEA1HH100T
XM	C634	/U1B	nsp	00MOA10605020	ELECT CAP.	10UF 50V	CCEA1HH100T
XM	C801	/U1B	nsp	00MOA10701620	ELECT CAP.	100UF 16V	CCEA1CH101T
XM	C803	/U1B	nsp	00MOA10701620	ELECT CAP.	100UF 16V	CCEA1CH101T
XM	C811	/U1B	nsp	00MOA10701620	ELECT CAP.	100UF 16V	CCEA1CH101T
XM	C812	/U1B	nsp	00MOA10701620	ELECT CAP.	100UF 16V	CCEA1CH101T
XM	C813	/U1B	nsp	00MOA10605020	ELECT CAP.	10UF 50V	CCEA1HH100T
XM	D611	/U1B	nsp	00MHZ21303210	DIODE	1SS355	CVD1SS355T
XM	D612	/U1B	nsp	00MHZ21303210	DIODE	1SS355	CVD1SS355T
XM	D615	/U1B	nsp	00MHZ21303210	DIODE	1SS355	CVD1SS355T
XM	D616	/U1B	nsp	00MHZ21303210	DIODE	1SS355	CVD1SS355T
XM	F801	/U1B	nsp	90M-FC900340R	FERRITE CORE	HU-1H4516-600JT	HLZ9Z014Z
XM	F802	/U1B	nsp	90M-FC900340R	FERRITE CORE	HU-1H4516-600JT	HLZ9Z014Z
XM	F803	/U1B	nsp	90M-FC900460R	EMI FILTER	CHIP BEAD (EMC FILTER)	CLZ9R007Z
XM	F811	/U1B	nsp	90M-FC900460R	EMI FILTER	CHIP BEAD (EMC FILTER)	CLZ9R007Z
XM	IC51	/U1B	nsp	00D2623517907	IC	F2602-01-TR	CVI00D2623517907
XM	IC61	/U1B	nsp	00MHC10025880	IC	CS4392KZZ	HVICS4392KZZ
XM	IC62	/U1B	nsp	00MHC10102090	IC	NJM2068MD-TE1	HVINJM2068MDTE1
XM	J501	/U1B	nsp	00D2051362009	TERMINAL	CAM-D96	CJJ9L006Z
XM	J502	/U1B	nsp	nsp	BRACKET	BRACKET FOR PWB	CMD1A569
XM	J503	/U1B	nsp	nsp	BRACKET	BRACKET FOR PWB	CMD1A569
XM	J511	/U1B	nsp	nsp	CONN.	15P CARD CABLE	CJP15GA115ZY
XM	J801	/U1B	nsp	nsp	CONN.	2PIN CJP02GA19ZY	CJP02GA19ZY
XM	L501	/U1B	nsp	00MFN21000080	EMI FILTER	DLW21HN121SQ2L	CLZ9R008Z
XM	Q613	/U1B	nsp	90M-HT300970R	CHIP TRS.	KTC2875B	HVTKTC2875B
XM	Q614	/U1B	nsp	90M-HT300970R	CHIP TRS.	KTC2875B	HVTKTC2875B
XM	Q615	/U1B	nsp	90M-HT300970R	CHIP TRS.	KTC2875B	HVTKTC2875B

NOTE : "nsp" PART IS LISTED FOR REFERENCE ONLY, MARANTZ WILL NOT SUPPLY THESE PARTS.

P.C.B. NAME	POS. NO.	VERS. COLOR	PART NO. (FOR EUR)	PART NO. (MZ)	PART NAME	DESCRIPTION	
XM	Q616	/U1B	nsp	90M-HT300970R	CHIP TRS.	KTC2875B	HVTKTC2875B
XM	Q617	/U1B	nsp	90M-BA001620R	CHIP TRS.	KRC103S	CVTKRC103S
XM	Q618	/U1B	nsp	90M-BA001620R	CHIP TRS.	KRC103S	CVTKRC103S
XM	Q619	/U1B	nsp	90M-BA001630R	CHIP TRS.	KRA103S	CVTKRA103S
XM	Q620	/U1B	nsp	90M-BA001630R	CHIP TRS.	KRA103S	CVTKRA103S
XM	Q801	/U1B	nsp	00MHC98520320	IC	PQ20VZ51	CVIPQ20VZ51
XM	Q811	/U1B	nsp	90M-HC300940R	IC	LM1117-ADJ	HVILM1117S-ADJ
XM	R501	/U1B	nsp	00MNN05104610	CHIP RES.	100K OHM 1/10W J	CRJ10DJ104T
XM	R502	/U1B	nsp	00MNN05104610	CHIP RES.	100K OHM 1/10W J	CRJ10DJ104T
XM	R503	/U1B	nsp	00MNN05104610	CHIP RES.	100K OHM 1/10W J	CRJ10DJ104T
XM	R504	/U1B	nsp	00MNN05104610	CHIP RES.	100K OHM 1/10W J	CRJ10DJ104T
XM	R505	/U1B	nsp	00MNN05223610	CHIP RES.	22K OHM 1/10W J	CRJ10DJ223T
XM	R506	/U1B	nsp	00MNN05102610	CHIP RES.	1K OHM 1/10W J	CRJ10DJ102T
XM	R507	/U1B	nsp	00MNN05102610	CHIP RES.	1K OHM 1/10W J	CRJ10DJ102T
XM	R508	/U1B	nsp	00MNN05101610	CHIP RES.	100 OHM 1/10W J	CRJ10DJ101T
XM	R509	/U1B	nsp	00MNN05101610	CHIP RES.	100 OHM 1/10W J	CRJ10DJ101T
XM	R512	/U1B	nsp	00MNN05100610	CHIP RES.	10 OHM 1/10W J	CRJ10DJ100T
XM	R513	/U1B	nsp	00MNN05101610	CHIP RES.	100 OHM 1/10W J	CRJ10DJ101T
XM	R514	/U1B	nsp	00MNN05223610	CHIP RES.	22K OHM 1/10W J	CRJ10DJ223T
XM	R515	/U1B	nsp	00MNN05223610	CHIP RES.	22K OHM 1/10W J	CRJ10DJ223T
XM	R516	/U1B	nsp	00MNN05223610	CHIP RES.	22K OHM 1/10W J	CRJ10DJ223T
XM	R517	/U1B	nsp	00MNN05220610	CHIP RES.	22 OHM 1/10W J	CRJ10DJ220T
XM	R518	/U1B	nsp	00MNN05220610	CHIP RES.	22 OHM 1/10W J	CRJ10DJ220T
XM	R519	/U1B	nsp	00MNN05220610	CHIP RES.	22 OHM 1/10W J	CRJ10DJ220T
XM	R520	/U1B	nsp	00MNN05220610	CHIP RES.	22 OHM 1/10W J	CRJ10DJ220T
XM	R521	/U1B	nsp	00MNN05223610	CHIP RES.	22K OHM 1/10W J	CRJ10DJ223T
XM	R522	/U1B	nsp	00MNN05223610	CHIP RES.	22K OHM 1/10W J	CRJ10DJ223T
XM	R523	/U1B	nsp	00MNN05223610	CHIP RES.	22K OHM 1/10W J	CRJ10DJ223T
XM	R524	/U1B	nsp	00MNN05101610	CHIP RES.	100 OHM 1/10W J	CRJ10DJ101T
XM	R525	/U1B	nsp	00MNN05101610	CHIP RES.	100 OHM 1/10W J	CRJ10DJ101T
XM	R526	/U1B	nsp	00MNN05101610	CHIP RES.	100 OHM 1/10W J	CRJ10DJ101T
XM	R527	/U1B	nsp	00MNN05101610	CHIP RES.	100 OHM 1/10W J	CRJ10DJ101T
XM	R528	/U1B	nsp	00MNN05223610	CHIP RES.	22K OHM 1/10W J	CRJ10DJ223T
XM	R529	/U1B	nsp	00MNN05223610	CHIP RES.	22K OHM 1/10W J	CRJ10DJ223T
XM	R530	/U1B	nsp	00MNN05223610	CHIP RES.	22K OHM 1/10W J	CRJ10DJ223T
XM	R601	/U1B	nsp	00MNN05101610	CHIP RES.	100 OHM 1/10W J	CRJ10DJ101T
XM	R602	/U1B	nsp	00MNN05101610	CHIP RES.	100 OHM 1/10W J	CRJ10DJ101T
XM	R603	/U1B	nsp	00MNN05000610	CHIP RES.	0 OHM 1/10W J	CRJ10DJ0R0T
XM	R605	/U1B	nsp	00MNN05103610	CHIP RES.	10K OHM 1/10W J	CRJ10DJ103T
XM	R611	/U1B	nsp	00MNN05822610	CHIP RES.	8.2K OHM 1/10W J	CRJ10DJ822T
XM	R612	/U1B	nsp	00MNN05822610	CHIP RES.	8.2K OHM 1/10W J	CRJ10DJ822T
XM	R613	/U1B	nsp	00MNN05822610	CHIP RES.	8.2K OHM 1/10W J	CRJ10DJ822T
XM	R614	/U1B	nsp	00MNN05822610	CHIP RES.	8.2K OHM 1/10W J	CRJ10DJ822T
XM	R615	/U1B	nsp	00MNN05332610	CHIP RES.	3.3K OHM 1/10W J	CRJ10DJ332T
XM	R616	/U1B	nsp	00MNN05332610	CHIP RES.	3.3K OHM 1/10W J	CRJ10DJ332T
XM	R617	/U1B	nsp	00MNN05332610	CHIP RES.	3.3K OHM 1/10W J	CRJ10DJ332T
XM	R618	/U1B	nsp	00MNN05332610	CHIP RES.	3.3K OHM 1/10W J	CRJ10DJ332T
XM	R619	/U1B	nsp	00MNN05822610	CHIP RES.	8.2K OHM 1/10W J	CRJ10DJ822T
XM	R620	/U1B	nsp	00MNN05822610	CHIP RES.	8.2K OHM 1/10W J	CRJ10DJ822T
XM	R621	/U1B	nsp	00MNN05822610	CHIP RES.	8.2K OHM 1/10W J	CRJ10DJ822T
XM	R622	/U1B	nsp	00MNN05822610	CHIP RES.	8.2K OHM 1/10W J	CRJ10DJ822T
XM	R623	/U1B	nsp	00MNN05101610	CHIP RES.	100 OHM 1/10W J	CRJ10DJ101T
XM	R624	/U1B	nsp	00MNN05101610	CHIP RES.	100 OHM 1/10W J	CRJ10DJ101T
XM	R625	/U1B	nsp	00MNN05473610	CHIP RES.	47K OHM 1/10W J	CRJ10DJ473T
XM	R626	/U1B	nsp	00MNN05473610	CHIP RES.	47K OHM 1/10W J	CRJ10DJ473T
XM	R627	/U1B	nsp	00MNN05221610	CHIP RES.	220 OHM 1/10W J	CRJ10DJ221T
XM	R628	/U1B	nsp	00MNN05221610	CHIP RES.	220 OHM 1/10W J	CRJ10DJ221T
XM	R629	/U1B	nsp	00MNN05221610	CHIP RES.	220 OHM 1/10W J	CRJ10DJ221T
XM	R630	/U1B	nsp	00MNN05221610	CHIP RES.	220 OHM 1/10W J	CRJ10DJ221T
XM	R631	/U1B	nsp	00MNN05222610	CHIP RES.	2.2K OHM 1/10W J	CRJ10DJ222T
XM	R632	/U1B	nsp	00MNN05222610	CHIP RES.	2.2K OHM 1/10W J	CRJ10DJ222T
XM	R633	/U1B	nsp	00MNN05222610	CHIP RES.	2.2K OHM 1/10W J	CRJ10DJ222T
XM	R634	/U1B	nsp	00MNN05222610	CHIP RES.	2.2K OHM 1/10W J	CRJ10DJ222T
XM	R635	/U1B	nsp	00MNN05474610	CHIP RES.	470K OHM 1/10W J	CRJ10DJ474T
XM	R636	/U1B	nsp	00MNN05474610	CHIP RES.	470K OHM 1/10W J	CRJ10DJ474T
XM	R801	/U1B	nsp	00MNM13901020	CHIP RES.	3.9KOHM/1608/1%	CRJ10DF3901T
XM	R802	/U1B	nsp	00MNM11201020	CHIP RES.	1.2KOHM/1608/1%	CRJ10DF1201T

NOTE : *nsp* PART IS LISTED FOR REFERENCE ONLY, MARANTZ WILL NOT SUPPLY THESE PARTS.

P.C.B. NAME	POS. NO.	VERS. COLOR	PART NO. (FOR EUR)	PART NO. (MZ)	PART NAME	DESCRIPTION	
XM	R803	/U1B	nsp	00MNM1180G020	CHIP RES.	18OHM/1608/1%	CRJ10DF18R0T
XM	R804	/U1B	nsp	00MNN05103610	CHIP RES.	10K OHM 1/10W J	CRJ10DJ103T
XM	R811	/U1B	nsp	00MNM12200020	CHIP RES.	220 OHM 1%	CRJ10DF2200T
XM	R812	/U1B	nsp	00MNM11800020	CHIP RES.	180 OHM 1%	CRJ10DF1800T
XM	R813	/U1B	nsp	00MNM11800020	CHIP RES.	180 OHM 1%	CRJ10DF1800T
XM	X501	/U1B	nsp	00D2623516908	X'TAL	45.1584 MHZ	COX45158ISCR

NOTE : "nsp" PART IS LISTED FOR REFERENCE ONLY, MARANTZ WILL NOT SUPPLY THESE PARTS.

14. ABOUT REPLACE THE MICROPROCESSOR WITH A NEW ONE

When replaced of the U-PRO (Microprocessor) or the Flash ROM, confirm contents of the following.

PWB Name	Pos. No.	Description	After replaced	Remark
INPUT	IC11	HD64F2505, SR5001	B	
INPUT	IC40	MX29LV400TTC-70, SR4001	B	

After replaced

A : Mask ROM (With software). No need write-in of software to the microprocessor.

B : Flash ROM (With software). Usually, no need write-in of software. But, when the software was updated, you should be write-in of the new software to the microprocessor or flash ROM. Please check the software version.

C : Empty Flash ROM (Without software). You should be write-in of the software to the microprocessor or flash ROM. Refer to "Update procedure" or "writing procedure", when you should be write-in the software.

マイコン等を交換した場合の対応について

U-PRO(マイコン)およびFlash ROM等を交換した場合の対応方法を下記の記載します。

PWB Name	Pos. No.	Description	交換時の対応	備考
INPUT	IC11	HD64F2505, SR5001	B	
INPUT	IC40	MX29LV400TTC-70, SR4001	B	

交換時の対応

A : Mask ROM (ソフトウェア書き込み済み) 交換時にソフトウェアの書き込みは必要ありません。

B : Flash ROM (ソフトウェア書き込み済み) バージョンアップにより交換時にソフトウェアの書き換えが必要な場合があります。バージョンの確認をしてください。

C : 空ROM (Flash ROM) 交換時必ずソフトウェアの書き込みが必要になります。Update、書き込み方法を参照してください。