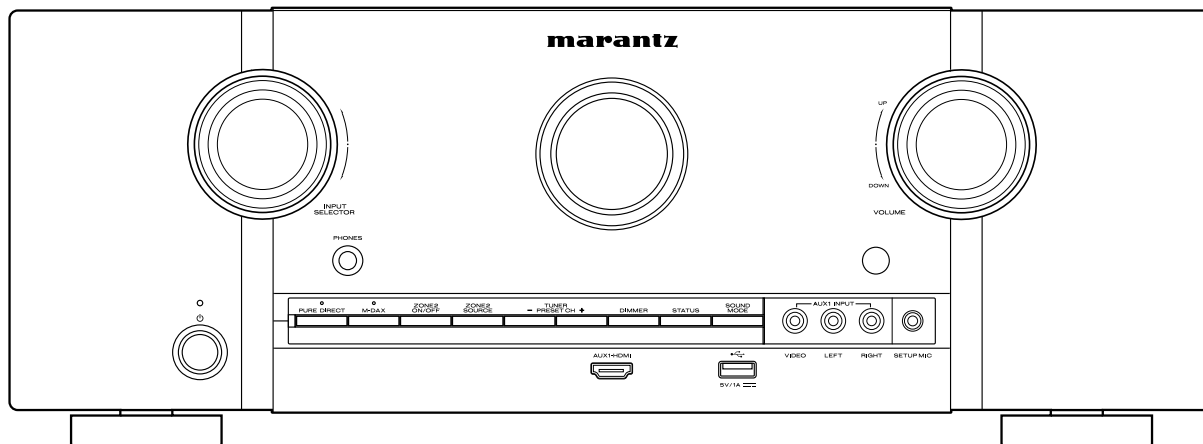


Service Manual

SR5010 /U1B/N1B/N1SG
/K1B

AV SURROUND RECEIVER



• For purposes of improvement, specifications and design are subject to change without notice.

• Please use this service manual with referring to the operating instructions without fail.

• Some illustrations using in this service manual are slightly different from the actual set.

marantz®

SR5010

Ver. 1

Contents

ABOUT THIS MANUAL	3
What you can do with this manual	3
Using Adobe Reader (Windows version).....	4
SAFETY PRECAUTIONS	6
NOTE FOR SCHEMATIC DIAGRAM	7
NOTE FOR PARTS LIST	7
TECHNICAL SPECIFICATIONS	9
DIMENSION	10
CAUTION IN SERVICING	11
Initializing This Unit.....	11
JIG FOR SERVICING	11
DISASSEMBLY	12
1. FRONT PANEL ASSY.....	14
2. RADIATOR ASSY	14
3. HDMI PCB.....	15
4. VIDEO PCB.....	16
5. PREOUT PCB.....	16
6. MAIN PCB.....	17
7. SMPS PCB.....	17
8. TRANS	17
SPECIAL MODE	18
Special mode setting button	18
1. Version Display Mode	19
2. PANEL / REMOTE LOCK Selection Mode	22
3. Selecting the Mode for Service-related Operations	23
DIAGNOSTIC PATH DIAGRAM	26
4. Protection Pass Mode	48
5. CY920 Reboot Mode.....	48
6. CY920 Initialization Mode	49
JIG FOR SERVICING	50
PROCEDURE AFTER REPLACING THE MICROPROCESSOR, ETC.	52
FIRMWARE UPDATE PROCEDURE	53
1. Updating via USB	53
2. Updating via DPMS.....	62
ADJUSTMENT	69
SURROUND MODES AND PARAMETERS	70
TROUBLE SHOOTING	73
1. POWER	73
2. Analog video.....	74
3. HDMI/DVI	78
4. AUDIO	80
5. Network / Bluetooth / USB.....	83
6. SMPS	88

CLOCK FLOW & WAVE FORM IN DIGITAL BLOCK	90
LEVEL DIAGRAM	91
BLOCK DIAGRAM	97
POWER DIAGRAM	100
WIRING DIAGRAM	101
PRINTED WIRING BOARDS	102
SCHEMATIC DIAGRAMS (01/29)	110
SCH01_HDMI SW1	110
SCH02_HDMI SW2	111
SCH03_NET_PHY.....	112
SCH04_CPU_LEVEL_CHG	113
SCH05_DIGITAL_CNT	114
SCH06_CPU.....	115
SCH07_FRONT HDMI.....	116
SCH08_DSP	117
SCH09_ADV8003.....	118
SCH10_ADV8003 DDR.....	119
SCH11_D SUPPLY.....	120
SCH12_HDMI TX.....	121
SCH13_DIR_A PLD	122
SCH14_MAIN DAC.....	123
SCH15_ADV7850.....	124
SCH16_INPUT.....	125
SCH17_VIDEO	126
SCH18_VIDEO_FRONT_CNT.....	127
SCH19_VIDEO_RC5	128
SCH20_AMP1	129
SCH21_AMP2	130
SCH22_MAIN_SPK.....	131
SCH23_MAIN_TUNER_REG	132
SCH24_MAIN_RS CNT_AUDIO IN.....	133
SCH25_FRONT.....	134
SCH26_FRONT_RS232.....	135
SCH27_SMPS.....	136
SCH28_HDAM.....	137
SCH29_PREOUT.....	138
EXPLODED VIEW	139
PACKING VIEW	140
SEMICONDUCTORS	141
1. IC's.....	141
2. FL DISPLAY.....	156

ABOUT THIS MANUAL

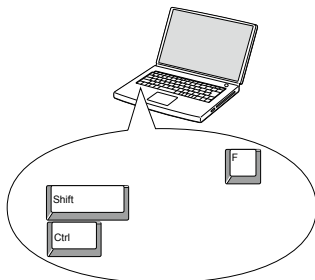
Read the following information before using the service manual.

What you can do with this manual

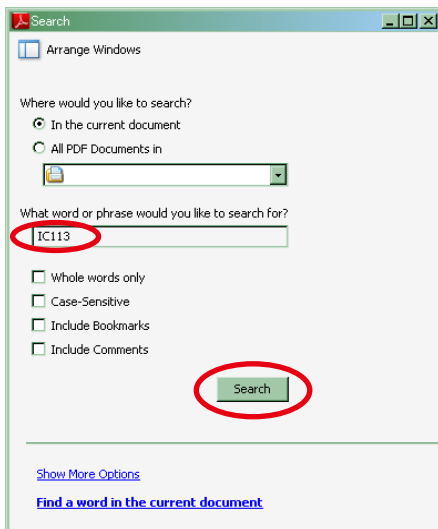
Search for a Ref. No. (phrase) (Ctrl+Shift+F)

You can use the search function in Acrobat Reader to search for a Ref. No. in schematic diagrams, printed wiring circuit diagrams, block diagrams, and parts lists.

1. Press **Ctrl+Shift+F** on the keyboard.
- The Search window appears.



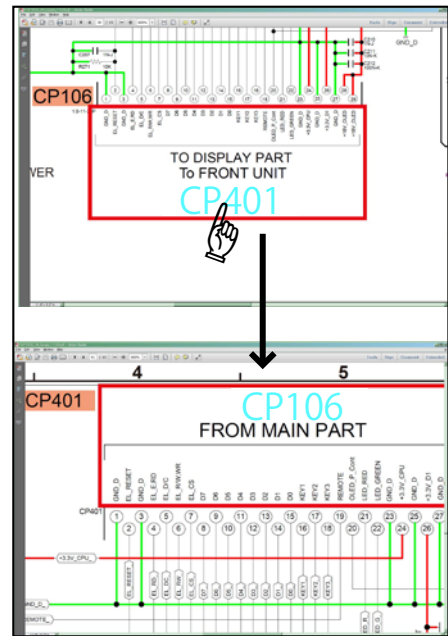
2. Enter the Ref. No. you want to search for in the Search window, and then click the **Search** button.
- A list of search results appears.



3. Click an item on the list.
- The screen jumps to the page for that item, and the search phrase is displayed.

Jump to the target of a schematic diagram connector

- Click the Ref. No. of the target connector in the red box around a schematic diagram connector.
- The screen jumps to the target connector.



- Page magnification stays the same as before the jump.

Using Adobe Reader (Windows version)

Add notes to this data (Sign)

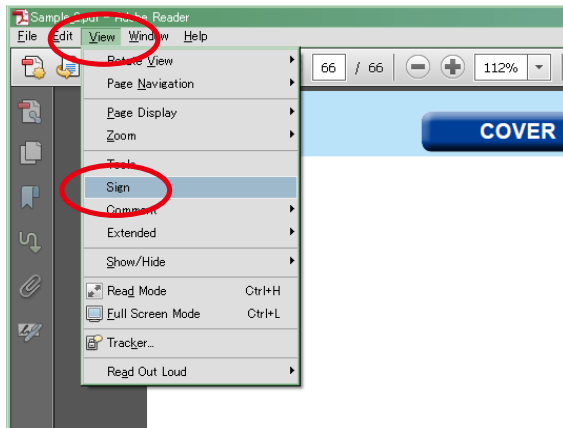
The Sign function lets you add notes to the data in this manual.

Save the file once you have finished adding notes.

[Example using Adobe Reader X]

On the "**View**" menu, click "**Sign**".

- The Sign pane appears.



[Example using Adobe Reader 9]

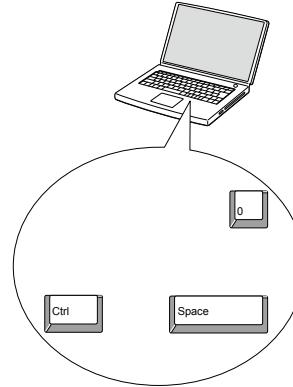
On the "**Document**" menu, click "**Sign**".

Magnify schematic / printed circuit board diagrams - 1

(Ctrl+Space, mouse operation)

Press **Ctrl+Space** on the keyboard and drag the mouse to select the area you want to view.

- The selected area is magnified.



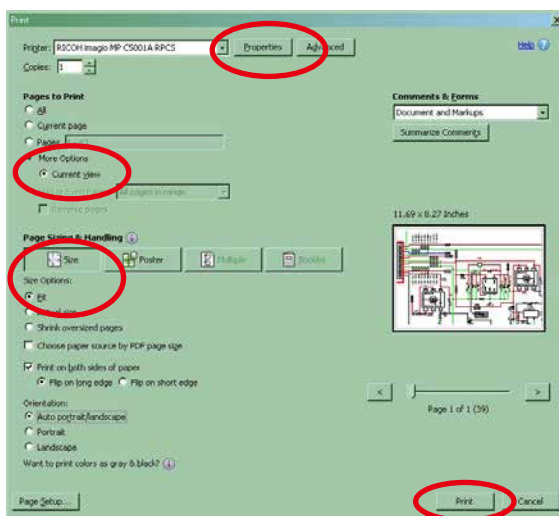
- When you want to move the area shown, hold down **Space** and drag the mouse.

- When you want to show a full page view, press **Ctrl+0** on the keyboard.

Print a magnified part of the manual

The Properties dialog box and functions will vary depending on your printer.

1. Drag the mouse to magnify the part you want to print.
2. On the "**File**" menu, click "**Print**".
3. Configure the following settings in the Print dialog box.



4. Click the **Print** button to start printing.

• **Properties**

Click this button and check that the printer is set to a suitable paper size.

• **Page to print**

Select the following checkbox.

"More Options" : "Current View"

• **Page Sizing & Handling**

Select the following checkbox.

"Size" / "Size Options" : "Fit"

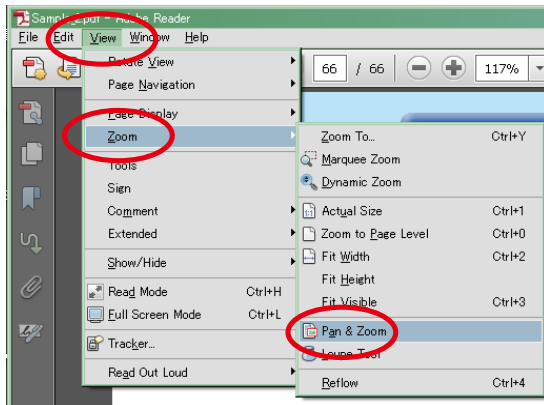
Magnify schematic / printed circuit board diagrams - 2

(Pan & Zoom function)

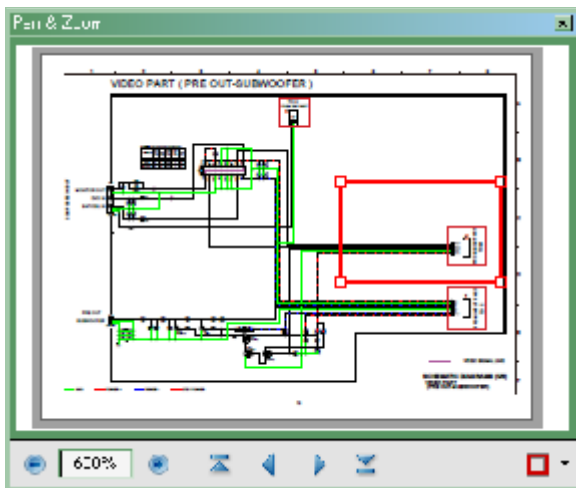
The Pan & Zoom function lets you see which part of a magnified diagram is being shown in a separate window.

[Example using Adobe Reader X]

On the "View" menu, point to "Zoom", and then click "Pan & Zoom".



- The Pan & Zoom window appears on the screen.



[Example using Adobe Reader 9]

On the "Tools" menu, point to "Select & Zoom", and then click "Pan & Zoom Window".

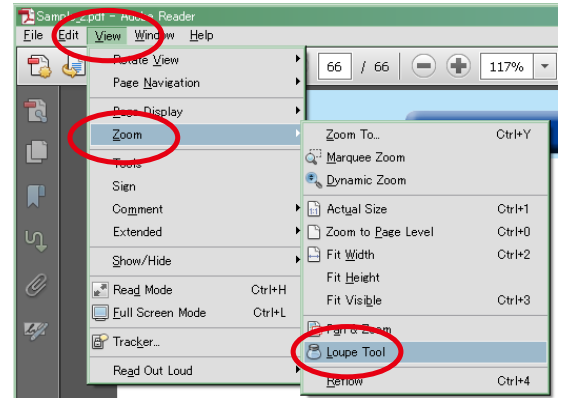
Magnify schematic / printed circuit board diagrams - 3

(Loupe Tool function)

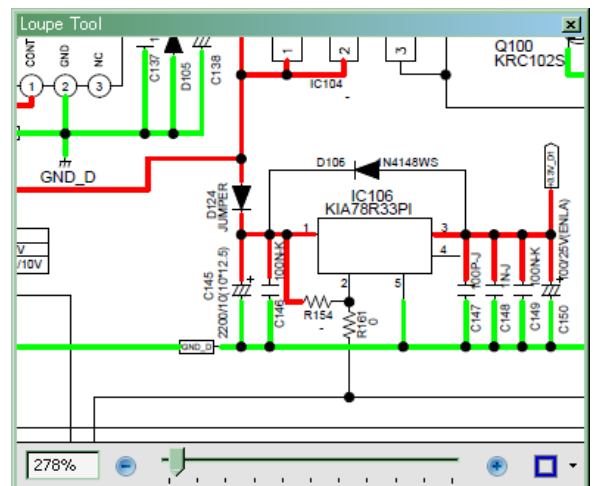
The Loupe Tool function lets you magnify a specific part of a diagram in a separate window.

[Example using Adobe Reader X]

On the "View" menu, point to "Zoom", and then click "Loupe Tool".



- The Loupe Tool window appears on the screen.



[Example using Adobe Reader 9]

On the "Tools" menu, point to "Select & Zoom", and then click "Loupe Tool Window".

SAFETY PRECAUTIONS

The following items should be checked for continued protection of the customer and the service technician.

leakage current check

Before returning the set to the customer, be sure to carry out either (1) a leakage current check or (2) a line to chassis resistance check. If the leakage current exceeds 0.5 milliamps, or if the resistance from chassis to either side of the power cord is less than 460 kohms, the set is defective.

Be sure to test for leakage current with the AC plug in both polarities, in addition, when the set's power is in each state (on, off and standby mode), if applicable.

CAUTION Please heed the following cautions and instructions during servicing and inspection.

⊙ Heed the cautions!

Cautions which are delicate in particular for servicing are labeled on the cabinets, the parts and the chassis, etc. Be sure to heed these cautions and the cautions described in the handling instructions.

⊙ Cautions concerning electric shock!

- (1) An AC voltage is impressed on this set, so if you touch internal metal parts when the set is energized, you may get an electric shock. Avoid getting an electric shock, by using an isolating transformer and wearing gloves when servicing while the set is energized, or by unplugging the power cord when replacing parts, for example.
- (2) There are high voltage parts inside. Handle with extra care when the set is energized.

⊙ Caution concerning disassembly and assembly!

Through great care is taken when parts were manufactured from sheet metal, there may be burrs on the edges of parts. The burrs could cause injury if fingers are moved across them in some rare cases. Wear gloves to protect your hands.

⊙ Use only designated parts!

The set's parts have specific safety properties (fire resistance, voltage resistance, etc.). Be sure to use parts which have the same properties for replacement. The burrs have the same properties. In particular, for the important safety parts that are indicated by the \triangle mark on schematic diagrams and parts lists, be sure to use the designated parts.

⊙ Be sure to mount parts and arrange the wires as they were originally placed!

For safety reasons, some parts use tapes, tubes or other insulating materials, and some parts are mounted away from the surface of printed circuit boards. Care is also taken with the positions of the wires by arranging them and using clamps to keep them away from heating and high voltage parts, so be sure to set everything back as it was originally placed.

⊙ Make a safety check after servicing!

Check that all screws, parts and wires removed or disconnected when servicing have been put back in their original positions, check that no serviced parts have deteriorate the area around. Then make an insulation check on the external metal connectors and between the blades of the power plug, and otherwise check that safety is ensured.

(Insulation check procedure)

Unplug the power cord from the power outlet, disconnect the antenna, plugs, etc., and on the power. Using a 500V insulation resistance tester, check that the insulation resistance value between the inplug and the externally exposed metal parts (antenna terminal, headphones terminal, input terminal, etc.) is 1M Ω or greater. If it is less, the set must be inspected and repaired.

CAUTION Concerning important safety parts

Many of the electric and the structural parts used in the set have special safety properties. In most cases these properties are difficult to distinguish by sight, and the use of replacement parts with higher ratings (rated power and withstand voltage) does not necessarily guarantee that safety performance will be preserved. Parts with safety properties are indicated as shown below on the wiring diagrams and the parts list in this service manual. Be sure to replace them with the parts which have the designated part number.

- (1) Schematic diagrams.....Indicated by the \triangle mark.
- (2) Parts lists.....Indicated by the \triangle mark.

The use of parts other than the designated parts could cause electric shocks, fires or other dangerous situations.

NOTE FOR SCHEMATIC DIAGRAM

WARNING:

Parts indicated by the \triangle mark have critical characteristics. Use ONLY replacement parts recommended by the manufacturer.

CAUTION:

Before returning the set to the customer, be sure to carry out either (1) a leakage current check or (2) a line to chassis resistance check. If the leakage current exceeds 0.5 milliamps, or if the resistance from chassis to either side of the power cord is less than 460 kohms, the set is defective.

WARNING:

DO NOT return the set to the customer unless the problem is identified and remedied.

NOTICE:

ALL RESISTANCE VALUES IN OHM. k=1,000 OHM / M=1,000,000 OHM

ALL CAPACITANCE VALUES ARE EXPRESSED IN MICRO FARAD, UNLESS OTHERWISE INDICATED. P INDICATES MICRO-MICRO FARAD. EACH VOLTAGE AND CURRENT ARE MEASURED AT NO SIGNAL INPUT CONDITION. CIRCUIT AND PARTS ARE SUBJECT TO CHANGE WITHOUT PRIOR NOTICE.

NOTE FOR PARTS LIST

1. Parts indicated by "nsp" on this table cannot be supplied.
2. When ordering a part, make a clear distinction between "1" and "1" (i) to avoid mis-supplying.
3. A part ordered without specifying its part number can not be supplied.
4. Part indicated by "★" mark is not illustrated in the exploded view.

WARNING: Parts indicated by the \triangle mark have critical characteristics. Use ONLY replacement parts recommended by the manufacturer.

INSTRUCTIONS FOR HANDLING SEMI-CONDUCTORS AND OPTICAL UNIT

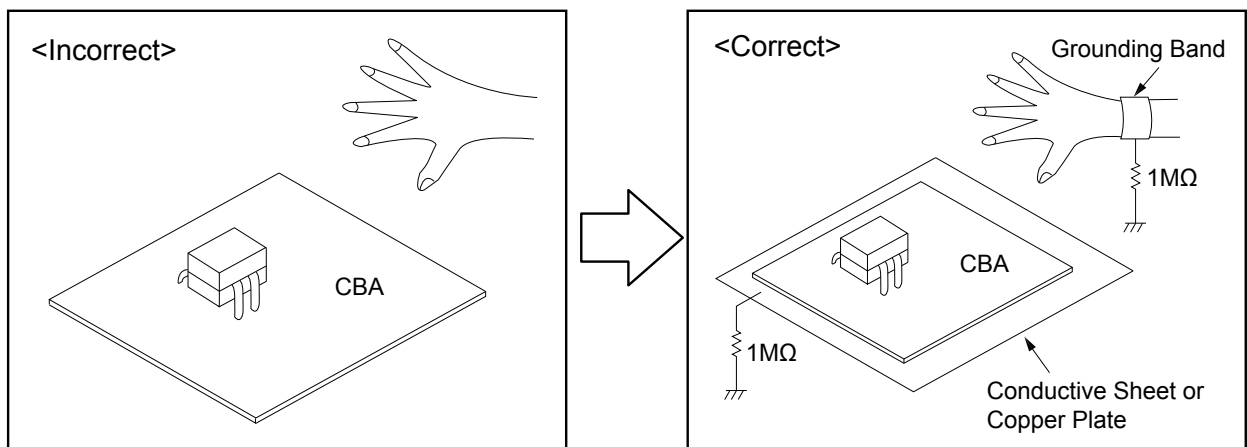
Electrostatic breakdown of the semi-conductors or optical pickup may occur due to a potential difference caused by electrostatic charge during unpacking or repair work.

1. Ground for Human Body

Be sure to wear a grounding band (1 M Ω) that is properly grounded to remove any static electricity that may be charged on the body.

2. Ground for Workbench

Be sure to place a conductive sheet or copper plate with proper grounding (1 M Ω) on the workbench or other surface, where the semi-conductors are to be placed. Because the static electricity charge on clothing will not escape through the body grounding band, be careful to avoid contacting semi-conductors with your clothing



TECHNICAL SPECIFICATIONS

□ Audio section

• Power amplifier

Rated output :

Front :

100 W + 100 W (8 Ω, 20 Hz - 20 kHz with 0.08 % T.H.D.)
140 W + 140 W (6 Ω, 1 kHz with 0.7 % T.H.D.)

Center :

100 W (8 Ω, 20 Hz - 20 kHz with 0.08 % T.H.D.)
140 W (6 Ω, 1 kHz with 0.7 % T.H.D.)

Surround :

100 W + 100 W (8 Ω, 20 Hz - 20 kHz with 0.08 % T.H.D.)
140 W + 140 W (6 Ω, 1 kHz with 0.7 % T.H.D.)

Surround back :

100 W + 100 W (8 Ω, 20 Hz - 20 kHz with 0.08 % T.H.D.)
140 W + 140 W (6 Ω, 1 kHz with 0.7 % T.H.D.)

Output connectors : 4 - 16 Ω

□ Analog section

Input sensitivity/Input impedance : 200 mV / 47 kΩ

Frequency response : 10 Hz - 100 kHz — +1, -3 dB (Direct mode)

S/N ratio : 100 dB (IHF-A, Direct mode)

□ Video section

• Standard video connectors

Input/output level and impedance : 1 Vp-p, 75 Ω

Frequency response : 5 Hz - 10 MHz — 0, -3 dB

• Color component video connector

Input/output level and impedance : Y signal — 1 Vp-p, 75 Ω
P_B / C_B signal — 0.7 Vp-p, 75 Ω
P_R / C_R signal — 0.7 Vp-p, 75 Ω

Frequency response : 5 Hz - 60 MHz — 0, -3 dB

□ Tuner section

(Note : μV at 75 Ω, 0 dBf = 1×10^{-15} W)

Reception frequency range : **FM** 87.5 MHz - 107.9 MHz (for U)
FM 87.5 MHz - 108.0 MHz (for N, K)
AM 520 kHz - 1710 kHz (for U)
AM 522 kHz - 1611 kHz (for N, K)

Effective sensitivity : **FM** 1.2 μV (12.8 dBf)
AM 18 μV

50 dB sensitivity : MONO — 2.8 μV (20.2 dBf)

S/N ratio (IHF-A) : MONO — 70 dB (for U)
MONO — 78 dB (for N, K)
STEREO — 67 dB (for U)
STEREO — 67 dB (for N, K)

Distortion : MONO — 0.7 % (for U)
MONO — 0.7 % (1 kHz) (for N, K)
STEREO — 1.0 % (for U)
STEREO — 1.0 % (1 kHz) (N, K)

□ Wireless LAN section

Network type (wireless LAN standard) : Conforming to IEEE 802.11b
Conforming to IEEE 802.11g
Conforming to IEEE 802.11n
(Wi-Fi® compliant)*1

Security : WEP 64 bit, WEP 128 bit
WPA/WPA2-PSK (AES)
WPA/WPA2-PSK (TKIP)

Radio frequency : 2.4 GHz

No. of channels : 1 - 11 ch (for U)
1 - 13 ch (for N, K)

*1 The Wi-Fi® CERTIFIED Logo and the Wi-Fi CERTIFIED On-Product Logo are registered trademarks of the Wi-Fi Alliance.

□ Bluetooth section

Communications system : Bluetooth Version 2.1 + EDR
(Enhanced Data Rate)

Transmission power : Maximum 2.5 mW (Class 2)

Maximum communication range : Approx. 32.8 ft/10 m in line of sight *2

Frequency band : 2.4 GHz band

Modulation scheme : FHSS (Frequency-Hopping Spread Spectrum)

Supported profiles : A2DP (Advanced Audio Distribution Profile)1.2
AVRCP (Audio Video Remote Control Profile)1.4

Corresponding codec : SBC, AAC

Transmission range (A2DP) : 20 Hz - 20,000 Hz

*2 The actual communication range varies depending on the influence of such factors as obstructions between devices, electromagnetic waves from microwave ovens, static electricity, cordless phones, reception sensitivity, antenna performance, operating system, application software etc.

□ General

Power supply : (for U) : AC 120 V, 60 Hz
(for N) : AC 230 V, 50 Hz / 60 Hz
(for K) : AC 220 V, 50 Hz

Power consumption : 650 W

Power consumption in standby mode : 0.2 W

Power consumption in CEC standby mode : 0.5 W

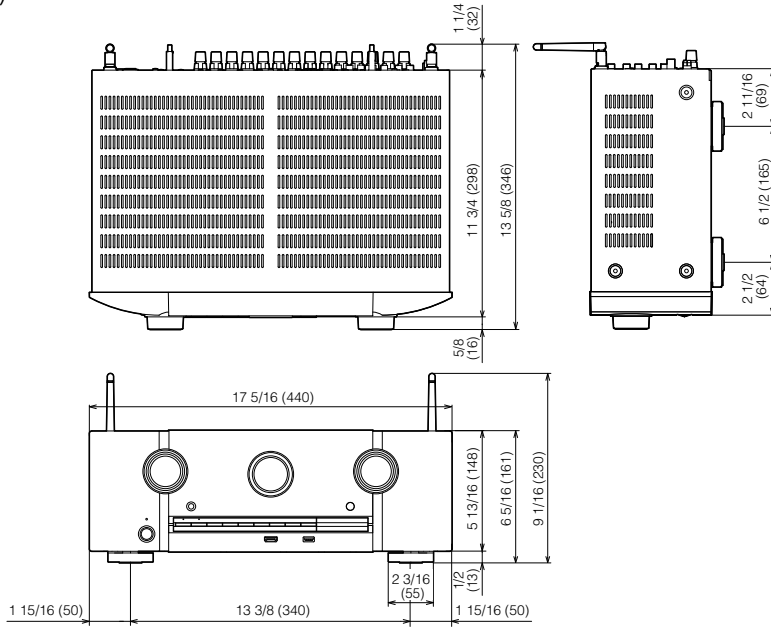
Power consumption in network standby mode : 2.7 W

For purposes of improvement, specifications and design are subject to change without notice.

DIMENSION

Unit : in. (mm)

Weight : 22 lb 1 oz (10 kg)



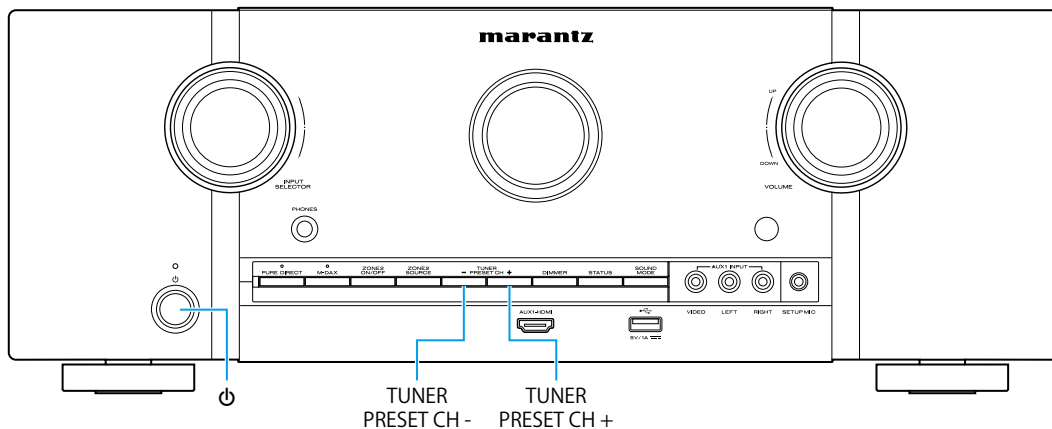
CAUTION IN SERVICING

Initializing This Unit

Make sure to initialize this unit after replacing the microcomputer or any peripheral equipment, or the digital PCB.

1. Press the power button to turn off the power.
2. While holding down buttons "TUNER PRESET CH -" and "TUNER PRESET CH +" simultaneously, press the power button to turn on the power.
3. Release the buttons after confirming that the display flashes at 1-second intervals.
* The unit is initialized.

NOTE : • If the unit fails to enter the service mode in step 3, repeat the procedure from step 1.
• Initializing the device restores the customized settings to the factory settings. Write down your settings in advance and reconfigure the settings after initialization.



JIG FOR SERVICING

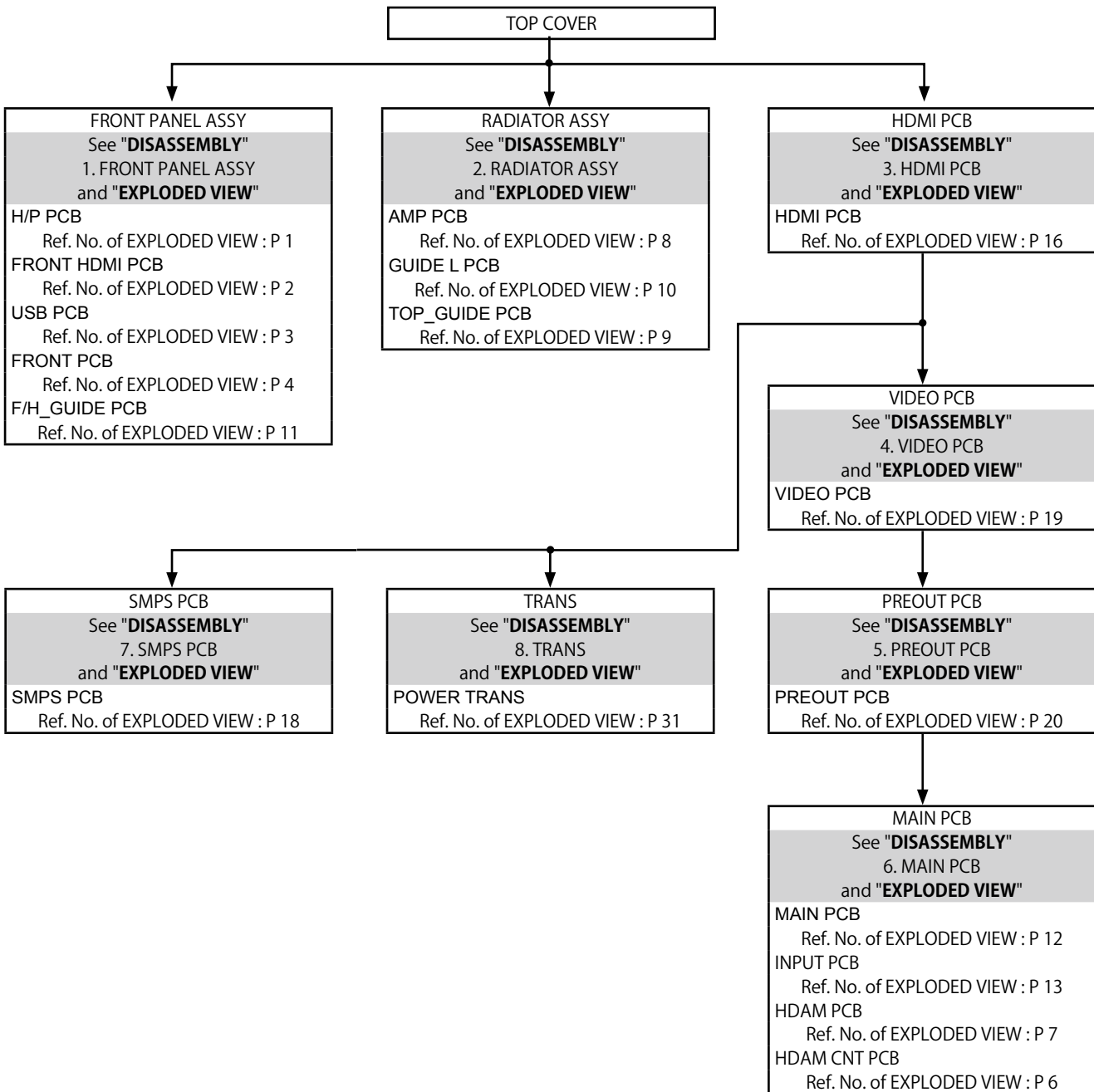
Use the following jigs (extension cable kit) when repairing the PCBs. Order with your dealer for the jigs your dealer if necessary.

8U-110084S	:	EXTENSION UNIT KIT	:	1 Sets
8U-110136S	:	EXTENSION UNIT KIT	:	1 Sets

(See [page 50](#))

DISASSEMBLY

- Remove each part following the flow below.
- Reassemble the removed parts in the reverse order.
- Read "**Precautions During Work**" before reassembling the removed parts.
- If wire bundles are removed or moved during adjustment or part replacement, reshape the wires after completing the work. Failure to shape the wires correctly may cause problems such as noise.

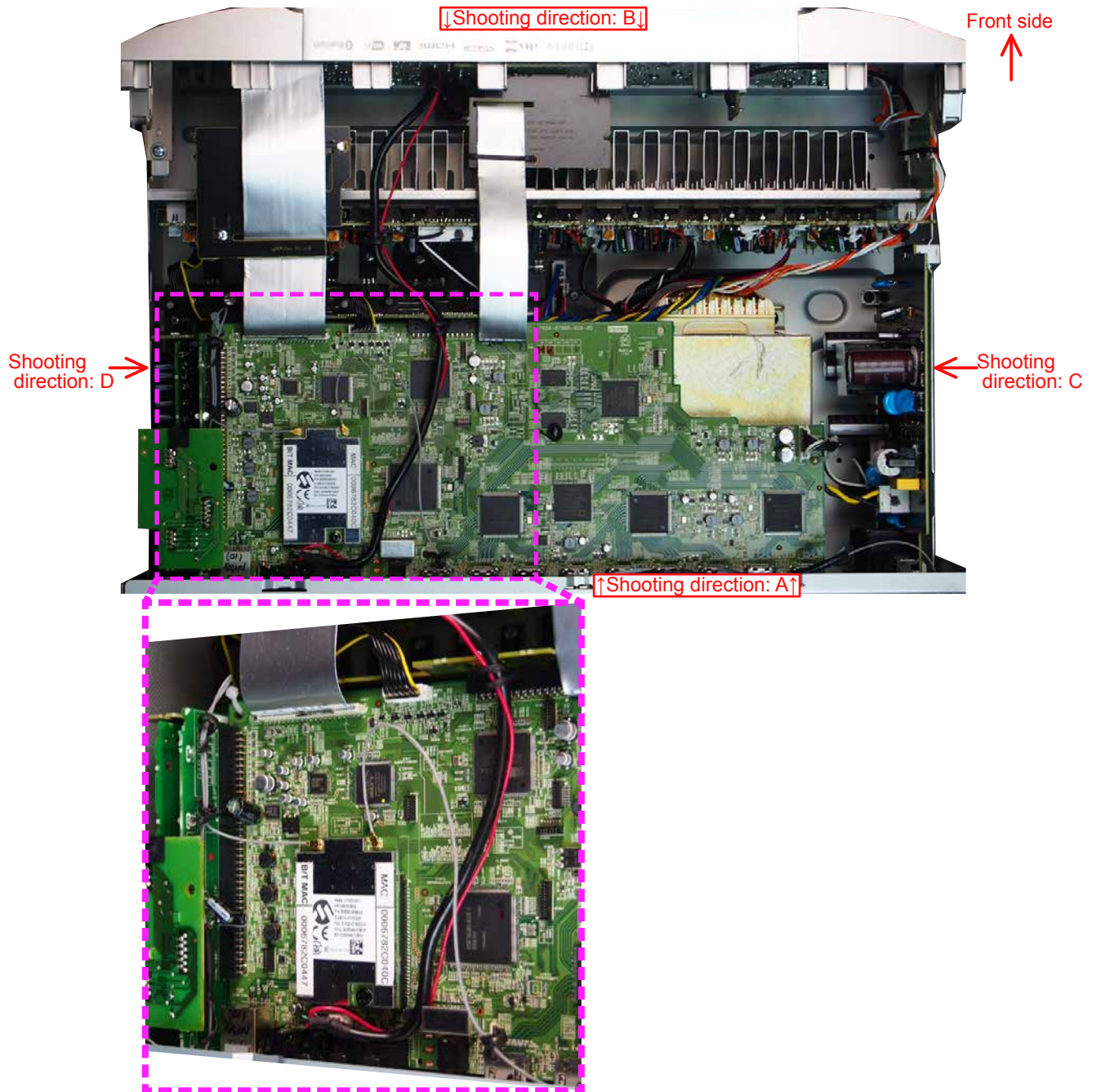


Explanatory Photos for DISASSEMBLY

- For the shooting direction of each photos used in this manual, see the photo below.
- **A, B, C and D** in the photo below indicate the **shooting directions** of photos.
- The photographs with no shooting direction indicated were taken from the top of the unit.
- Photos of SR5010 N1SG are used in this manual.

The viewpoint of each photograph

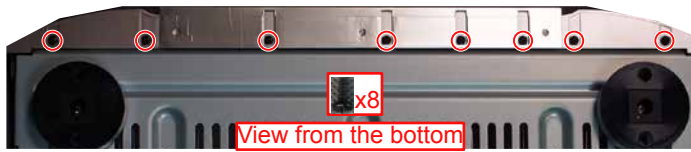
(Shooting direction : X) [View from the top]



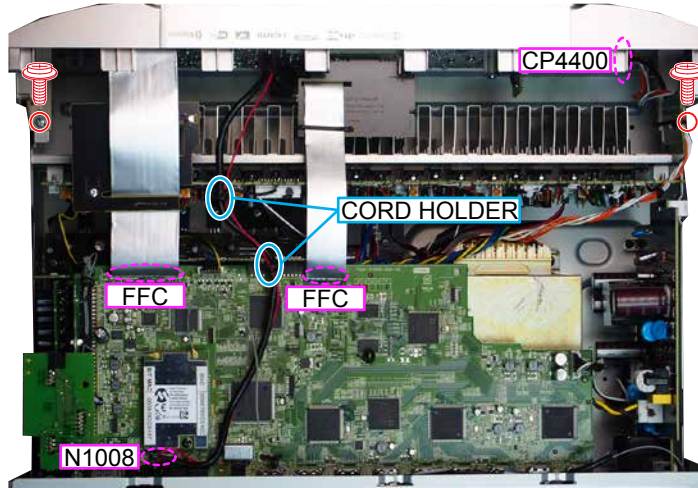
1. FRONT PANEL ASSY

Proceeding : **TOP COVER** → **FRONT PANEL ASSY**

(1) Remove the screws.



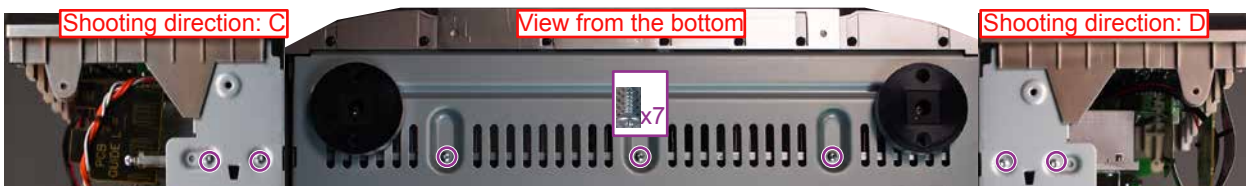
(2) Remove the screws. Remove the CORD HOLDERS and the connector wires. Remove the FFC.



2. RADIATOR ASSY

Proceeding : **TOP COVER** → **FRONT PANEL ASSY** → **RADIATOR ASSY**

(1) Remove the screws.



(2) Remove the CORD HOLDERS and connector wires.



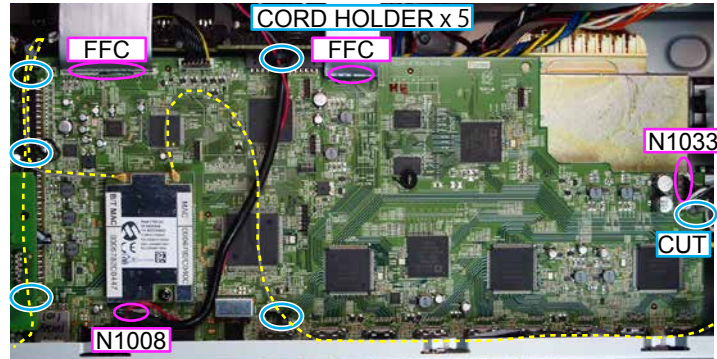
3. HDMI PCB

Proceeding: **TOP COVER** → **BACK CHASSIS** → **HDMI PCB**

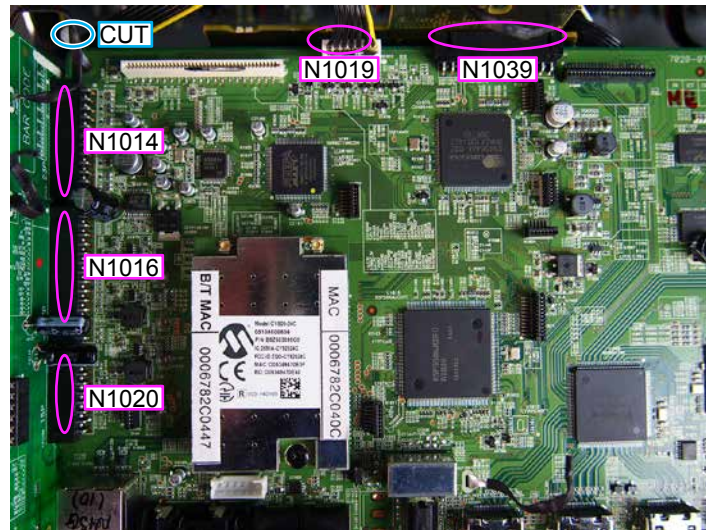
(1) Remove the screws.



(2) Cut the wire clamps, and then remove the CORD HOLDERS and the connector wires. Remove the FFC.



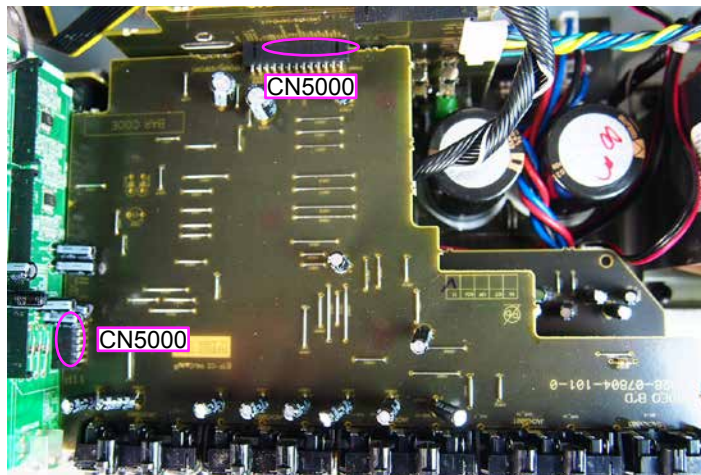
(3) Cut the wire clamp and remove the connector.



4. VIDEO PCB

Proceeding : **TOP COVER** → **BACK CHASSIS** → **HDMI PCB** → **VIDEO PCB**

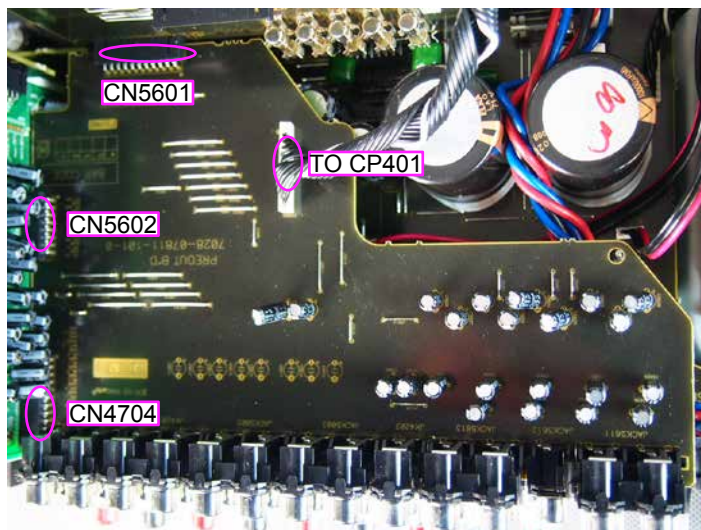
(1) Remove the connector.



5. PREOUT PCB

Proceeding : **TOP COVER** → **BACK CHASSIS** → **HDMI PCB** → **VIDEO PCB** → **PREOUT PCB**

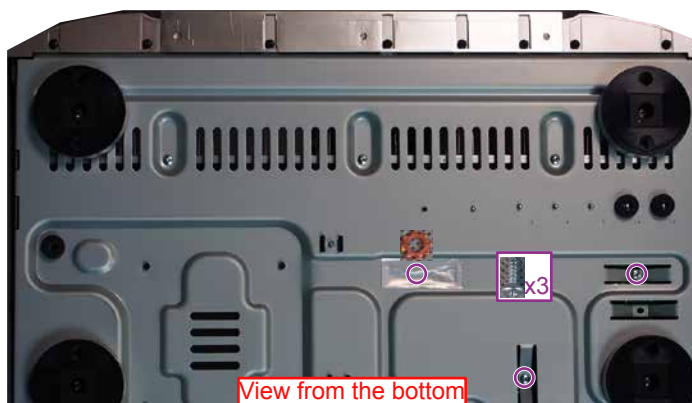
(1) Remove the connectors.



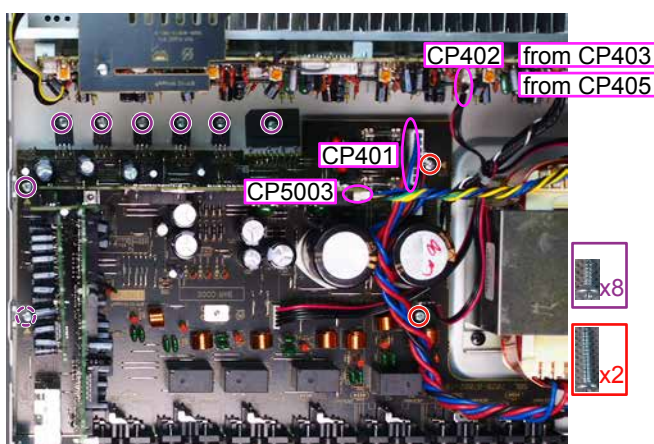
6. MAIN PCB

Proceeding : **TOP COVER** → **BACK CHASSIS** → **HDMI PCB** → **VIDEO PCB** → **PREOUT PCB** → **MAIN PCB**

(1) Remove the screws.



(2) Remove the screws.



7. SMPS PCB

Proceeding : **TOP COVER** → **SMPS PCB**

See "EXPLODED VIEW" for instructions on removing the SMPS PCB.

8. TRANS

Proceeding : **TOP COVER** → **HDMI PCB** → **TRANS**

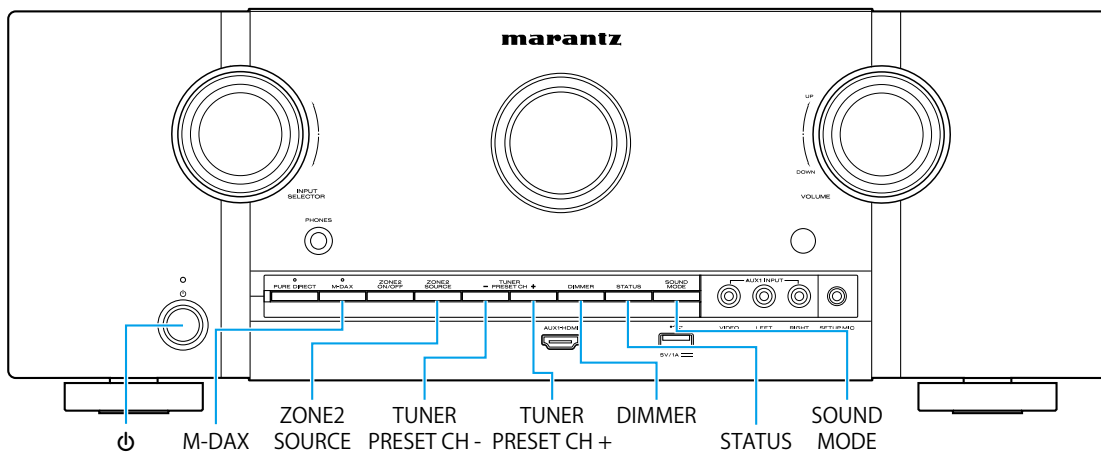
See "EXPLODED VIEW" for instructions on removing the transformer (TRANS).

SPECIAL MODE

Special mode setting button

- ※ No. 1 - 6, 9: While holding down buttons "A", "B" and "C" simultaneously, press the power button to turn on the power.
- ※ No. 7, 8: While the power is on, hold down buttons "A" and "B" for at least 3 seconds.
- ※ No. 10: While holding down buttons "A" and "B" simultaneously, insert the AC plug into the wall outlet to turn on the power.

No.	Mode	Button A	Button B	Button C	Descriptions
1	Version Display (u-COM / DSP Error Display)	DIMMER	STATUS	-	Displays the version of firmware such as the main firmware or DSP. Errors that have occurred are displayed. (See page 19)
2	Selecting the Mode for Service-related	ZONE2 SOURCE	STATUS	-	This is a display for turning on each service-related mode. Service-related modes: No. 2-1 - No. 2-5
2-1	Protection history display mode	TUNER PRESET CH +	-	-	Displays the protection occurrence history. (See page 44)
2-2	Check the Video/Audio path Mode	↑	-	-	This is a special mode for service confirmation used during repair work to simplify the confirmation work for the Audio channel / video channel. (See page 24)
2-3	TUNER STEP Mode (U and N model only)	↑	-	-	Enables reception STEP of the ANALOG TUNER to be changed. (See page 47)
2-4	Operation Info Mode	↑	-	-	Displays the accumulated operating time of the unit, the number of times the power was switched on, and the number of occurrences of each protection. (See page 46)
3	User Initialization Mode	M-DAX	ZONE2 SOURCE	-	Initializes backup data. (Settings for the Installer Setup are not initialized.)
4	Factory Initialization Mode	TUNER PRESET CH -	TUNER PRESET CH +	-	Initializes backup data. (The settings for the Installer Setup is also initialized.)
5	PANEL / REMOTE LOCK Selection Mode	M-DAX	DIMMER	-	Start this unit in the PANEL/REMOTE LOCK selection mode so that PANEL LOCK and Remote Lock can be switched between ON and OFF. (See page 22)
6	Protection Pass Mode	DIMMER	STATUS	SOUND MODE	Enables the power to be turned on when protection detection is disabled. (See page 48)
7	CY920 Reboot Mode	TUNER PRESET CH +	STATUS	-	The CY920 is restarted after CY920 hang up.
8	CY920 Initialization Mode	TUNER PRESET CH -	DIMMER	-	Enter this mode only after replacing Flash for CY920 and rewriting the firmware.
9	USB Update Mode	TUNER PRESET CH +	STATUS	-	Switches this unit to USB Update mode.
10	Forced USB All Device Write Mode	TUNER PRESET CH +	STATUS	-	Mode used when this unit cannot be recovered. Forcibly switches this unit to USB update mode. (See page 55)



1. Version Display Mode

1.1. Actions

Version information is displayed when the device is started in this mode.

1.2. Starting up

While holding down buttons "DIMMER" and "STATUS" simultaneously, press the power button to turn on the power. then press the "STATUS" button to display the information in section 1.3 on the display.

※ The version list is also displayed on GUI while the version is displayed on the display.

1.3. Display Order

Error information("See 1.4. Error display") → ① Model destination information → ② Firmware Package Version → ③ Main μ -com → ④ Main 1st Boot Loader → ⑤ DSP ROM → ⑥ Audio PLD → ⑦ GUI SFLASH → ⑧ Ethernet 1st Boot Loader, Hardware ID → ⑨ Ethernet 2nd Boot Loader, Rhapsody Flag → ⑩ Ethernet IMAGE → ⑪ Ethernet MAC ADDRESS information → ⑫ BT MAC Address information

① Model destination information :

FLD	L1	S	R	5	0	1	0		U
	L2		S	N	-	*	*	*	*
	L3			*	*	*	*	*	*

FLD	L1	S	R	5	0	1	0		N
-----	----	---	---	---	---	---	---	--	---

FLD	L1	S	R	5	0	1	0		K
-----	----	---	---	---	---	---	---	--	---

② Firmware Package Version :

FLD	L1	P	A	C	K	A	G	E	
	L2								
	L3					*	*	*	*

③ Main μ -com Version information :

FLD	L1	M	A	I	N				*
	L2					*	*	*	*
	L3	B	L	-	*	*	.	*	*

④ Main 1st Boot Loader :

FLD	L1	M	A	I	N				*
	L2	*	*	*	*	*	*	*	*
	L3	B	L	-	*	*	.	*	*

⑤ DSP ROM :

FLD	L1	D	S	P					
	L2								
	L3				*	*	.	*	*

⑥ Audio PLD :

FLD	L1	A	.	P	L	D			
	L2								
	L3				*	*	.	*	*

⑦ GUI SFLASH :

FLD	L1	G	U	I					
	L2	X	X	Y	Z	*	*	*	*
	L3								

X : Model code, Y : Model, Z : Region

⑧ Ethernet 1st Boot Loader, Hardware ID :

FLD	L1	N	E	T		F	B	L	
	L2	*	*	*	*	*	*		
	L3						-	*	*

⑨ Ethernet 2nd Boot Loader, Rhapsody Flag :

FLD	L1	N	E	T		S	B	L	
	L2	*	*	*	*	*	*	*	*
	L3	*	*	*	*	*	-	*	*

⑩ Ethernet IMAGE :

FLD	L1	N	E	T		I	M	G	
	L2	*	*	*	*	*	*	*	*
	L3	*	*	*	*	*			

⑪ Ethernet MAC ADDRESS information :

FLD	L1	N	E	T		M	A	C	
	L2			*	*	*	*	*	*
	L3		-	*	*	*	*	*	*

⑫ BT MAC ADDRESS information :

FLD	L1	B	T		M	A	C		
	L2			*	*	*	*	*	*
	L3		-	*	*	*	*	*	*

1.4. Error display

See the table below for descriptions of the displayed errors and countermeasures for these.

If multiple errors occur, only one item is displayed.

The priority order is ②, ③, ④, ⑤, ⑥, ①.

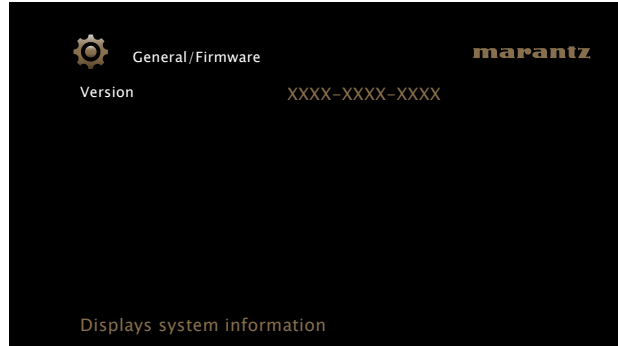
Condition	States	Display	TROUBLE SHOOTING																																																																																																																																																																								
① Firm Check NG	<p>The model name, brand name and region information written in the firmware are compared to the region settings in the PCB. This error is displayed if the information does not match.</p> <p>"▲" or "▼" is displayed as the first character if the firmware is not correct (see the illustrations on the right).</p>	<table border="1"> <tr><td rowspan="3">FLD</td><td>L1</td><td>F</td><td>I</td><td>R</td><td>M</td><td></td><td></td><td></td><td></td></tr> <tr><td>L2</td><td></td><td>E</td><td>R</td><td>R</td><td>O</td><td>R</td><td></td><td></td></tr> <tr><td>L3</td><td></td><td></td><td></td><td></td><td></td><td></td><td></td><td></td></tr> </table> <table border="1"> <tr><td rowspan="3">FLD</td><td>L1</td><td>M</td><td>A</td><td>I</td><td>N</td><td></td><td></td><td></td><td>▲</td></tr> <tr><td>L2</td><td>*</td><td>*</td><td>*</td><td>*</td><td>*</td><td>*</td><td>*</td><td>*</td></tr> <tr><td>L3</td><td>B</td><td>L</td><td>-</td><td>*</td><td>*</td><td>.</td><td>*</td><td>*</td></tr> </table> <table border="1"> <tr><td rowspan="3">FLD</td><td>L1</td><td>S</td><td>U</td><td>B</td><td></td><td></td><td></td><td></td><td>▲</td></tr> <tr><td>L2</td><td>X</td><td>X</td><td>Y</td><td>Z</td><td>*</td><td>*</td><td>*</td><td>*</td></tr> <tr><td>L3</td><td>B</td><td>L</td><td>-</td><td>*</td><td>*</td><td>.</td><td>*</td><td>*</td></tr> </table> <table border="1"> <tr><td rowspan="3">FLD</td><td>L1</td><td>D</td><td>S</td><td>P</td><td></td><td></td><td></td><td></td><td>▲</td></tr> <tr><td>L2</td><td></td><td></td><td></td><td></td><td></td><td></td><td></td><td></td></tr> <tr><td>L3</td><td></td><td></td><td></td><td>*</td><td>*</td><td>.</td><td>*</td><td>*</td></tr> </table> <table border="1"> <tr><td rowspan="3">FLD</td><td>L1</td><td>A</td><td>.</td><td>P</td><td>L</td><td>D</td><td></td><td></td><td>▲</td></tr> <tr><td>L2</td><td></td><td></td><td></td><td></td><td></td><td></td><td></td><td></td></tr> <tr><td>L3</td><td></td><td></td><td>*</td><td>*</td><td>.</td><td>*</td><td>*</td><td></td></tr> </table> <table border="1"> <tr><td rowspan="3">FLD</td><td>L1</td><td>G</td><td>U</td><td>I</td><td></td><td></td><td></td><td></td><td>▲</td></tr> <tr><td>L2</td><td></td><td></td><td></td><td></td><td></td><td></td><td></td><td></td></tr> <tr><td>L3</td><td></td><td></td><td>*</td><td>*</td><td>.</td><td>*</td><td>*</td><td></td></tr> </table>	FLD	L1	F	I	R	M					L2		E	R	R	O	R			L3									FLD	L1	M	A	I	N				▲	L2	*	*	*	*	*	*	*	*	L3	B	L	-	*	*	.	*	*	FLD	L1	S	U	B					▲	L2	X	X	Y	Z	*	*	*	*	L3	B	L	-	*	*	.	*	*	FLD	L1	D	S	P					▲	L2									L3				*	*	.	*	*	FLD	L1	A	.	P	L	D			▲	L2									L3			*	*	.	*	*		FLD	L1	G	U	I					▲	L2									L3			*	*	.	*	*		<ul style="list-style-type: none"> •Check the resistor for setting the region(R1524 / 1525 HDMI PCB). •Write the firmware for the correct region.
FLD	L1	F		I	R	M																																																																																																																																																																					
	L2			E	R	R	O	R																																																																																																																																																																			
	L3																																																																																																																																																																										
FLD	L1	M	A	I	N				▲																																																																																																																																																																		
	L2	*	*	*	*	*	*	*	*																																																																																																																																																																		
	L3	B	L	-	*	*	.	*	*																																																																																																																																																																		
FLD	L1	S	U	B					▲																																																																																																																																																																		
	L2	X	X	Y	Z	*	*	*	*																																																																																																																																																																		
	L3	B	L	-	*	*	.	*	*																																																																																																																																																																		
FLD	L1	D	S	P					▲																																																																																																																																																																		
	L2																																																																																																																																																																										
	L3				*	*	.	*	*																																																																																																																																																																		
FLD	L1	A	.	P	L	D			▲																																																																																																																																																																		
	L2																																																																																																																																																																										
	L3			*	*	.	*	*																																																																																																																																																																			
FLD	L1	G	U	I					▲																																																																																																																																																																		
	L2																																																																																																																																																																										
	L3			*	*	.	*	*																																																																																																																																																																			
② IP SCALER NG	<p>An error occurs in Loopback Test of the DDR memory which is performed during the initial setting of i/p Scaler (ADV8003).</p> <p>During the initial setting of i/p Scaler (ADV8003), there is not the reply of the Loopback Test result of the DDR memory .</p>	<table border="1"> <tr><td rowspan="3">FLD</td><td>L1</td><td>I</td><td>P</td><td></td><td></td><td></td><td></td><td></td><td></td></tr> <tr><td>L2</td><td></td><td>S</td><td>C</td><td>A</td><td>L</td><td>E</td><td>R</td><td></td></tr> <tr><td>L3</td><td></td><td>E</td><td>R</td><td>R</td><td>0</td><td>1</td><td></td><td></td></tr> </table> <table border="1"> <tr><td>FLD</td><td>L3</td><td></td><td>E</td><td>R</td><td>R</td><td>0</td><td>2</td><td></td><td></td></tr> </table>	FLD	L1	I	P							L2		S	C	A	L	E	R		L3		E	R	R	0	1			FLD	L3		E	R	R	0	2			<ul style="list-style-type: none"> •Check the circuits around the IP SCALER (U1026, HDMI PCB) and DDR2 (U1028/1029). If there appear to be no problems, U1026 or U1028/1029 is faulty. 																																																																																																																																		
FLD	L1	I		P																																																																																																																																																																							
	L2			S	C	A	L	E	R																																																																																																																																																																		
	L3		E	R	R	0	1																																																																																																																																																																				
FLD	L3		E	R	R	0	2																																																																																																																																																																				
③ GUI Serial Flash NG	<p>If the Main CPU version is not supported by the GUI Serial Flash (ADV8003),</p>	<table border="1"> <tr><td rowspan="3">FLD</td><td>L1</td><td>G</td><td>U</td><td>I</td><td>U</td><td>E</td><td>R</td><td>.</td><td></td></tr> <tr><td>L2</td><td></td><td>E</td><td>R</td><td>R</td><td>O</td><td>R</td><td></td><td></td></tr> <tr><td>L3</td><td></td><td></td><td></td><td></td><td></td><td></td><td></td><td></td></tr> </table>	FLD	L1	G	U	I	U	E	R	.		L2		E	R	R	O	R			L3									<ul style="list-style-type: none"> •Check the firmware version. 																																																																																																																																												
FLD	L1	G		U	I	U	E	R	.																																																																																																																																																																		
	L2			E	R	R	O	R																																																																																																																																																																			
	L3																																																																																																																																																																										
④ DIR NG	<p>This error is displayed if there is no response from the DIR.</p>	<table border="1"> <tr><td rowspan="3">FLD</td><td>L1</td><td>D</td><td>I</td><td>R</td><td></td><td></td><td></td><td></td><td></td></tr> <tr><td>L2</td><td></td><td>E</td><td>R</td><td>R</td><td>O</td><td>R</td><td></td><td></td></tr> <tr><td>L3</td><td></td><td></td><td></td><td></td><td></td><td>0</td><td>1</td><td></td></tr> </table>	FLD	L1	D	I	R						L2		E	R	R	O	R			L3						0	1		<ul style="list-style-type: none"> •Check the DIR (U1040, HDMI PCB) and surrounding circuits. 																																																																																																																																												
FLD	L1	D		I	R																																																																																																																																																																						
	L2			E	R	R	O	R																																																																																																																																																																			
	L3						0	1																																																																																																																																																																			
⑤ DSP NG	<p>The DSP FLAG0 port does not enter "Hi" status while booting a DSP code even after resetting DSP.</p> <p>The DSP FLAG0 port does not enter "Hi" status before issuing a DSP command.</p> <p>Setting WRITE to "Lo" does not set ACK to "Hi" during DSP data reading.</p> <p>Setting REQ to "Lo" does not set ACK to "Lo" during DSP data reading.</p> <p>Setting WRITE to "Hi" does not set ACK to "Hi" during DSP data writing.</p> <p>Setting REQ to "Lo" does not set ACK to "Lo" during DSP data writing.</p>	<table border="1"> <tr><td rowspan="3">FLD</td><td>L1</td><td>D</td><td>S</td><td>P</td><td></td><td></td><td></td><td></td><td></td></tr> <tr><td>L2</td><td></td><td>E</td><td>R</td><td>R</td><td>O</td><td>R</td><td></td><td></td></tr> <tr><td>L3</td><td></td><td></td><td></td><td></td><td></td><td>0</td><td>1</td><td></td></tr> </table> <table border="1"> <tr><td>FLD</td><td>L3</td><td></td><td></td><td></td><td></td><td></td><td>0</td><td>2</td><td></td></tr> </table> <table border="1"> <tr><td>FLD</td><td>L3</td><td></td><td></td><td></td><td></td><td></td><td>0</td><td>3</td><td></td></tr> </table> <table border="1"> <tr><td>FLD</td><td>L3</td><td></td><td></td><td></td><td></td><td></td><td>0</td><td>4</td><td></td></tr> </table> <table border="1"> <tr><td>FLD</td><td>L3</td><td></td><td></td><td></td><td></td><td></td><td>0</td><td>5</td><td></td></tr> </table> <table border="1"> <tr><td>FLD</td><td>L3</td><td></td><td></td><td></td><td></td><td></td><td>0</td><td>6</td><td></td></tr> </table>	FLD	L1	D	S	P						L2		E	R	R	O	R			L3						0	1		FLD	L3						0	2		FLD	L3						0	3		FLD	L3						0	4		FLD	L3						0	5		FLD	L3						0	6		<ul style="list-style-type: none"> •Check the DSP (U1073, HDMI PCB) and surrounding circuits. 																																																																																										
FLD	L1	D		S	P																																																																																																																																																																						
	L2			E	R	R	O	R																																																																																																																																																																			
	L3						0	1																																																																																																																																																																			
FLD	L3						0	2																																																																																																																																																																			
FLD	L3						0	3																																																																																																																																																																			
FLD	L3						0	4																																																																																																																																																																			
FLD	L3						0	5																																																																																																																																																																			
FLD	L3						0	6																																																																																																																																																																			
⑥ EEPROM NG	<p>An error occurred in a checksum of the EEPROM(*** is a block address number).</p>	<table border="1"> <tr><td rowspan="3">FLD</td><td>L1</td><td>E</td><td>E</td><td>P</td><td>R</td><td>O</td><td>M</td><td></td><td></td></tr> <tr><td>L2</td><td></td><td>E</td><td>R</td><td>R</td><td>O</td><td>R</td><td></td><td></td></tr> <tr><td>L3</td><td></td><td></td><td>*</td><td>*</td><td>*</td><td></td><td></td><td></td></tr> </table>	FLD	L1	E	E	P	R	O	M			L2		E	R	R	O	R			L3			*	*	*																																																																																																																																																
FLD	L1	E		E	P	R	O	M																																																																																																																																																																			
	L2			E	R	R	O	R																																																																																																																																																																			
	L3			*	*	*																																																																																																																																																																					

1.5. Version Display in the Setup Menu

Follow the steps below to display the firmware information.

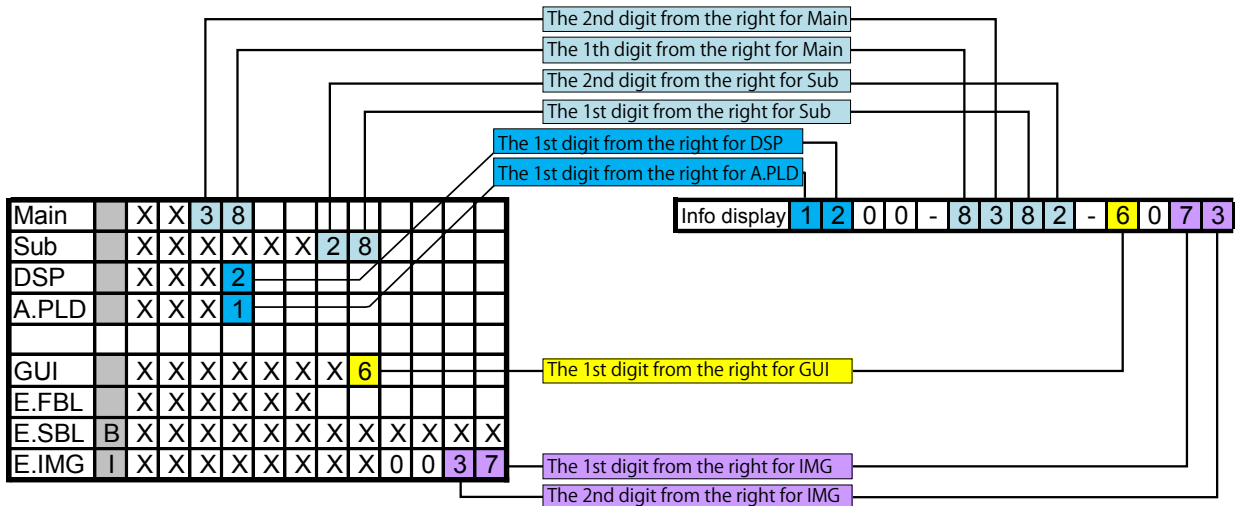
- (1) Press the "SETUP" button on the remote control.
- (2) Select "General - Information - Firmware".

The version information is displayed as a 12-digit number as shown in the screenshot below.



GUI Image

This 12-digit number comprises a part of the version number of each device and module. These version numbers correspond to the 14-digit number as shown below.



※ The firmware version numbers and this 12-digit version information are written in the Service Information.

2. PANEL / REMOTE LOCK Selection Mode

2.1. Actions

Switch the PANEL LOCK and REMOTE LOCK modes between on and off.

2.2. Starting up

While holding down buttons "M-DAX" and "DIMMER" simultaneously, press the power button to turn on the power. Select the desired mode using the "TUNER PRESET CH+" button, then press the "STATUS" button to confirm.

2.3. Displaying and Selecting Each Mode

The information shown on the display switches each time the "TUNER PRESET CH+" button is pressed. Press the "STATUS" button to set the currently displayed mode and restart the device. The setting with "*" is selected for each mode.

①

FLD	L1	F / V	L O C K				
	L2	* O N					
	L3						

The buttons on the unit and the master volume knob does not function.

②

FLD	L1	F P	L O C K				
	L2	O N					
	L3						

The buttons on the unit does not function.

③

FLD	L1	F P	L O C K				
	L2	O F F					
	L3						

The PANEL LOCK mode is turned off.

④

FLD	L1	R C	L O C K				
	L2	O N					
	L3						

The device cannot be operated by the remote control.

⑤

FLD	L1	R C	L O C K				
	L2	* O F F					
	L3						

The REMOTE LOCK mode is turned off.

3. Selecting the Mode for Service-related Operations

3.1. Actions

Select diagnostic mode (service path check mode), protection history display mode, or 232C standby clear mode.

3.2. Starting up

While holding down buttons "ZONE2 SOURCE" and "STATUS" simultaneously, press the power button to turn on the power.

Select the desired mode using the "TUNER PRESET CH+" button, then press the "STATUS" button to confirm.

3.3. Displaying and Selecting Each Mode

The information shown on the display switches each time the "TUNER PRESET CH+" button is pressed. Press the "STATUS" button to set the currently displayed mode and restart the device.

①

FLD	L1	1	S	E	R	V	I	C	E
	L2		C	H	E	C	K		
	L3								



Service Path Check Mode :
The Video and Audio paths can be checked.
This function is convenient for confirming problem paths in the product and checking the paths after repairing.

②

FLD	L1	2	P	R	O	T	E	C	T
	L2								
	L3								



The protection history can be checked.

③

FLD	L1	3	R	S	2	3	2	C	
	L2		R	E	S	E	T		
	L3								



Switches from 232C standby mode to normal standby mode.

④

FLD	L1	4	O	P		I	N	F	O
	L2								
	L3								



Operation Info for the unit can be checked.

⑤

FLD	L1	5	T	U	N	E	R		
	L2		F	R	E	Q			
	L3								

Enables reception STEP of the ANALOG TUNER to be changed.

3.4. Canceling the selected mode

Press the power button to turn off the power.

3.4. DIAGNOSTIC MODE (Service Path Check Mode)

3.4.1. Actions

This function is convenient for confirming problem paths in the product and checking the paths after repairing.
The Video and Audio paths can be checked.
The backup data is not rewritten.

3.4.2. Starting up

While holding down buttons "ZONE2 SOURCE" and "STATUS" simultaneously, press the power button to turn on the power.
Select the mode using the button "TUNER PRESET CH+", and press the button "STATUS" to commit the selection.
Select "1.SERVICE CHECK", then press the "STATUS" button to activate the diagnostic mode.
The "TUNED", "STEREO" and "RDS" segments are lit in this mode.

3.4.3. Canceling diagnostic mode

Press the power button to turn off the power.


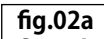
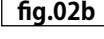
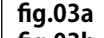
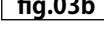
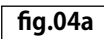
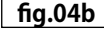
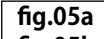
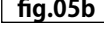

3.4.4. Selecting items to check

Press the ① button to switch between video items and audio items.
Press the ② or ③ button to select the previous or next item.

Actions	The unit			Remote control unit		
	① Audio ⇄ Video	② PREVIOUS	③ NEXT	① Audio ⇄ Video	② PREVIOUS	③ NEXT
Button	DIMMER	TUNER PRESET CH -	TUNER PRESET CH +	SLEEP	CURSOR ◀	CURSOR ▶

3.4.5. Confirmation items for the audio system

See the block diagram fig.XXth.

Paths to be confirmed	Display	Settings	What to confirm
1 Analog 	Upper A 0 1 A N L G Lower * * * . * d B	Input Source : CBL/SAT Input Mode : Analog (fixed) Sound mode : DIRECT Amp assign : Surround Back MAIN ZONE : ON ZONE2 : OFF	• Analog input ⇒ Speaker output (Front L/R) (※ The input source can be switched to any source except CBL/SAT.)
2 DIGITAL (MAIN)  	Upper A 2 D I G . Lower * * * . * d B	Input Source : CBL/SAT Input Mode : DIGITAL (fixed) Sound mode : MULTI CH STEREO Amp assign : Surround Back Speaker Config ALL Speaker = Small/SW=Yes(2ch) MAIN ZONE ON ZONE2 OFF	• Digital input ⇒ Speaker output (Front L/R, Center, Surround L/R, Surround Back L/R) • Digital input ⇒ Pre OUT output (Front L/R, Center, Surround L/R, Surround Back L/R) (※ The input source can be switched to any source except CBL/SAT.)
3 DIGITAL (ZONE2)  	Upper A 0 3 Z 2 D I G Lower * * * . * d B	Input Source : NETWORK Input Mode : Auto Sound mode : STEREO Amp assign : ZONE2 MAIN ZONE : ON ZONE2 : ON	• Digital(PCM) input ⇒ Speaker output (Surround Back (ZONE2) L/R) • Digital(PCM) input ⇒ Pre OUT output (ZONE2 L/R)
4 HDMI  	Upper A 0 5 H D M I Lower * * * . * d B	Input Source : CBL/SAT Input Mode : HDMI (fixed) Sound mode : STEREO Amp assign : Surround Back MAIN ZONE : ON ZONE2 : OFF	• HDMI input ⇒ Speaker output (Front L/R) (※ The input source can be switched to any source except CBL/SAT.)
5 Analog AD (MAIN)  	Upper A 0 6 A D Lower * * * . * d B	Input Source : CBL/SAT Input Mode : Analog (fixed) Sound mode : MULTI CH STEREO Vol 60dB Amp assign : Surround Back Speaker Config ALL Speaker=Small/SW=Yes(2ch) MAIN ZONE : ON ZONE2 : OFF	• Analog input ⇒ Speaker output (Front L/R, Center, Surround L/R, Surround Back L/R) • Analog input ⇒ Speaker output, SW(20Hz) (Front L/R, Center, Surround L/R, Surround Back L/R) (※ The input source can be switched to any source except CBL/SAT.) (※ Volume 60dB is the value when Relative settings are used. The value is -20 when Absolute settings are used)
6 Analog Amp Assign (Amp Assign : ZONE2) 	Upper A 0 7 Z 2 A S S Lower * * * . * d B	Input Source : CBL/SAT Input Mode : Auto Sound mode : STEREO Z2 Source : Source Vol 60dB Amp assign : ZONE2 MAIN ZONE : ON ZONE2 : ON	• Analog input ⇒ Speaker output (Surround Back (ZONE2) L/R) • Analog input ⇒ Pre OUT output (ZONE2 L/R) (※ The input source can be switched to any source except CBL/SAT.) (※ Volume 60dB is the value when Relative settings are used. The value is -20 when Absolute settings are used)

3.4.6. Confirmation items for the video system

See the block diagram fig.XXth.

Paths to be confirmed		Display	Settings	What to confirm
1	Analog Video pass fig.07	Upper V 0 1 V I D E Lower * * * . * d B	Input Source : CBL/SAT Video Convert (IP Scaler) : OFF, All sources MAIN ZONE ON ZONE2 ON	• Component input ⇒ Component output • CVBS input ⇒ CVBS output. (※ The input source can be switched to any source except CBL/SAT.)
2	Video Convert (Analog or HDMI ⇒ HDMI) fig.08	Upper V 0 2 C O N V . Lower * * * . * d B	Input Source : CBL/SAT Video Convert (IP Scaler) : ON, All sources IP Scaler : "Analog & HDMI", All sources Resolution : "Auto", All sources MAIN ZONE ON ZONE2 OFF	• CVBS input ⇒ IP Scaler ⇒ HDMI output. • Component input ⇒ IP Scaler ⇒ HDMI output. • HDMI input ⇒ IP Scaler ⇒ HDMI output. • ETHERNET input ⇒ IP Scaler ⇒ HDMI output. (※ The input source can be switched to any source except CBL/SAT.)
3	HDMI pass (MAIN ZONE) fig.09	Upper V 0 3 H D M I Lower * * * . * d B	Input Source : CBL/SAT Video Convert (IP Scaler) : OFF, All sources MAIN ZONE ON ZONE2 OFF	• HDMI input (MAIN function) ⇒ HDMI output(MAIN). (※ The input source can be switched to any source except CBL/SAT.)
4	HDMI CEC (Control Monitor : HDMI Monitor1) fig.10	Upper V 0 4 C E C Lower * * * . * d B	Input Source : CBL/SAT HDMI Control : ON Control Monitor : Monitor1 (if checking the HDMI Monitor Out1) MAIN ZONE ON ZONE2 OFF	• When the power supply of a TV is put in the standby mode, make sure that the power supply of this unit is also put in the standby mode. (※ The input source can be switched to any source except CBL/SAT.) • The ARC path can also be checked (check this using the TV input source).
5	HDMI Audio (Audio : AVR) fig.11a fig.11b	Upper V 0 5 H - A V R Lower * * * . * d B	Input Source : CBL/SAT HDMI Control : OFF HDMI Audio : AVR (if checking the audio output from AVR)	• HDMI input (PCM , DolbyDigital , DTS) ⇒ Speaker output. • HDMI input(HD audio) ⇒ Speaker output. (※ The input source can be switched to any source except CBL/SAT.)
6	HDMI Audio (Audio : TV) fig.12	Upper V 0 6 H - T V Lower * * * . * d B	HDMI Audio : TV (if checking the audio output from TV)	• HDMI input (PCM , DolbyDigital , DTS) ⇒ HDMI output (audio output from connected TV) (※ The input source can be switched to any source except CBL/SAT.)
7	GUI fig.13	Upper V 0 7 M E N U Lower * * * . * d B	Input Source : CBL/SAT Video Convert(IP Scaler) : ON, All sources IP Scaler : "Analog & HDMI", All sources Resolution : "AUTO", All sources Setup Menu : ON MAIN ZONE ON ZONE2 OFF	• GUI display ⇒ HDMI output. (※ The input source can be switched to any source except CBL/SAT.)

DIAGNOSTIC PATH DIAGRAM

fig.01

ANALOG AUDIO DIAGRAM

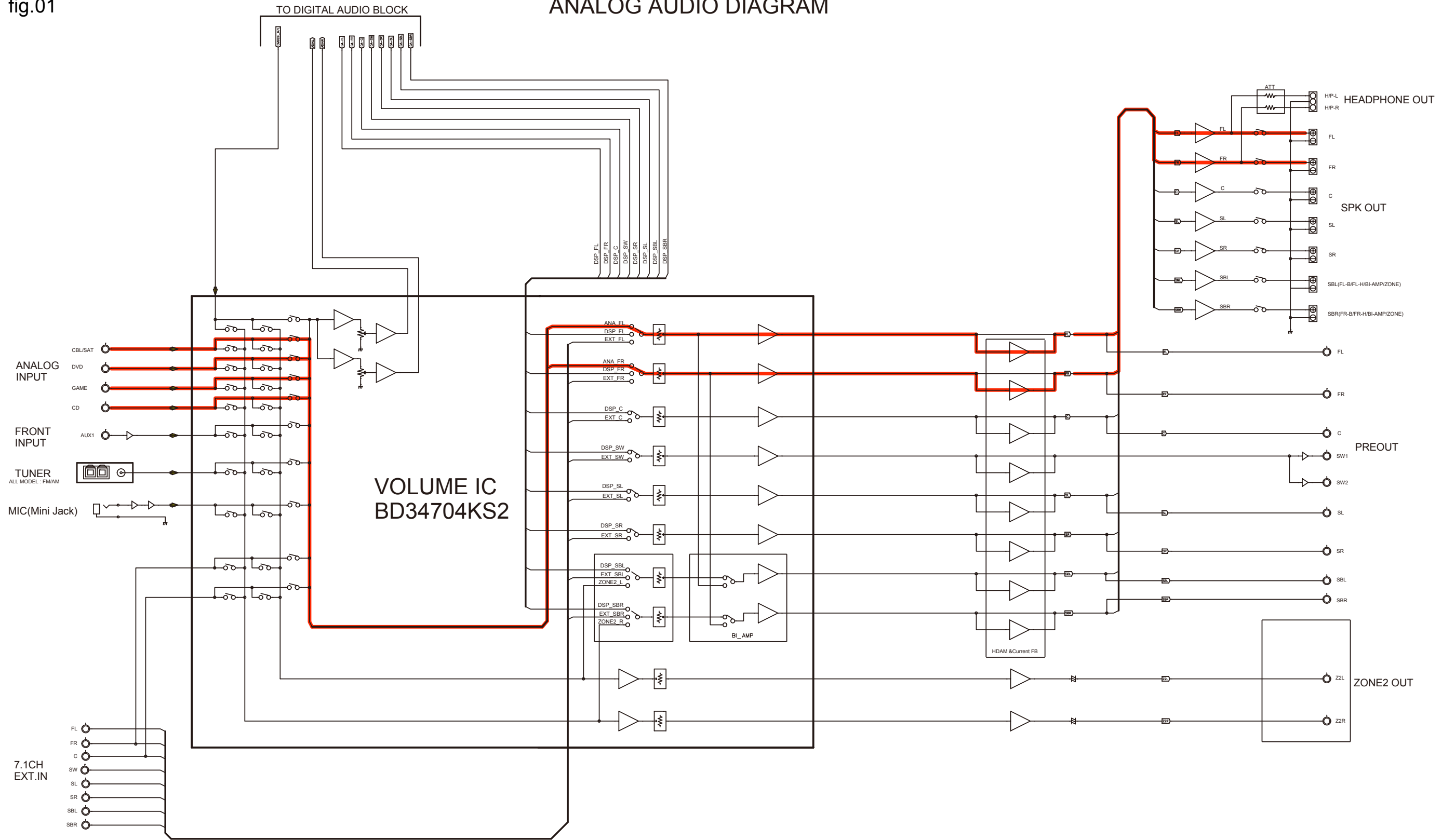


fig.02a

DIGITAL AUDIO DIAGRAM

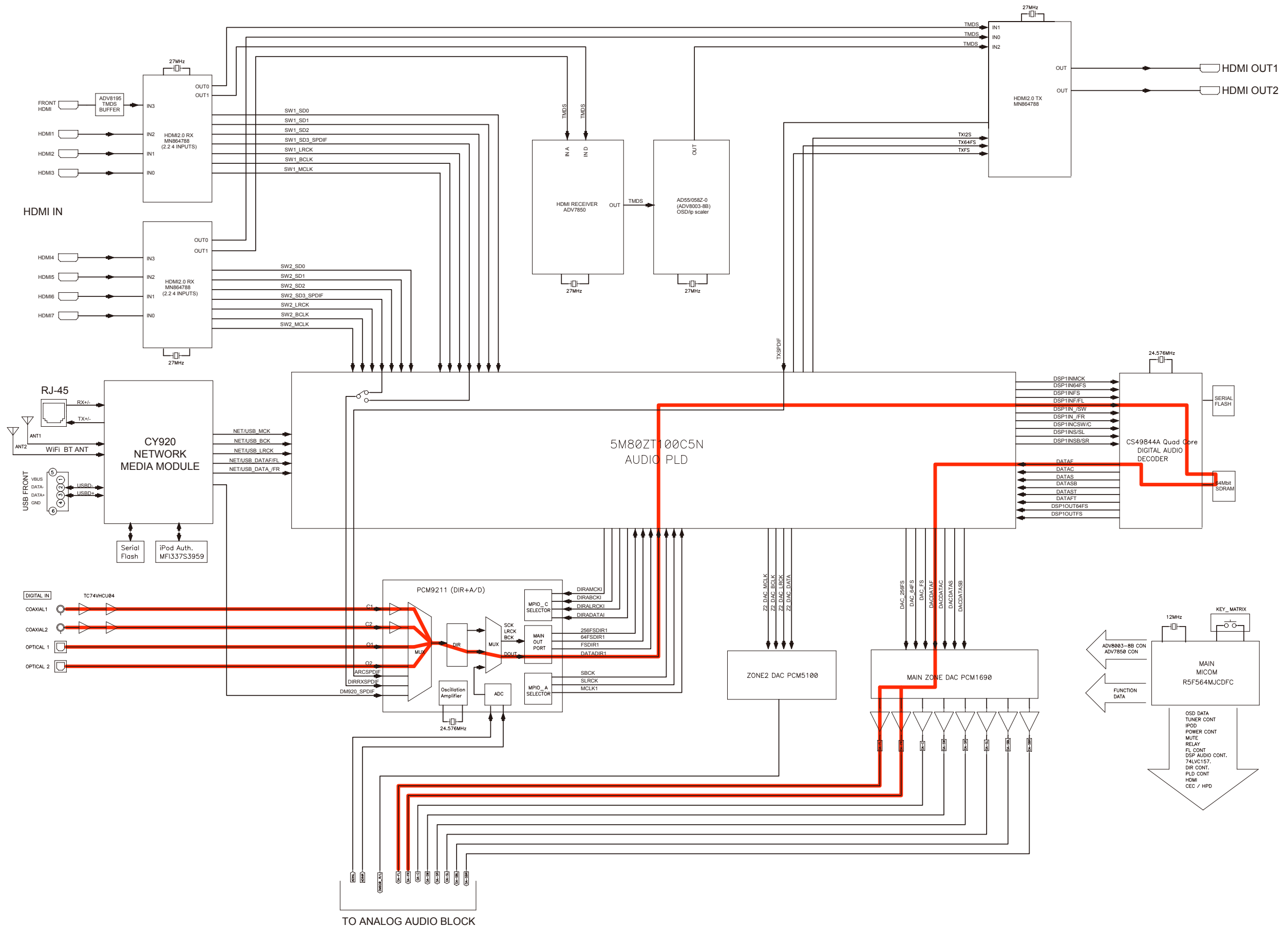


fig.02b

ANALOG AUDIO DIAGRAM

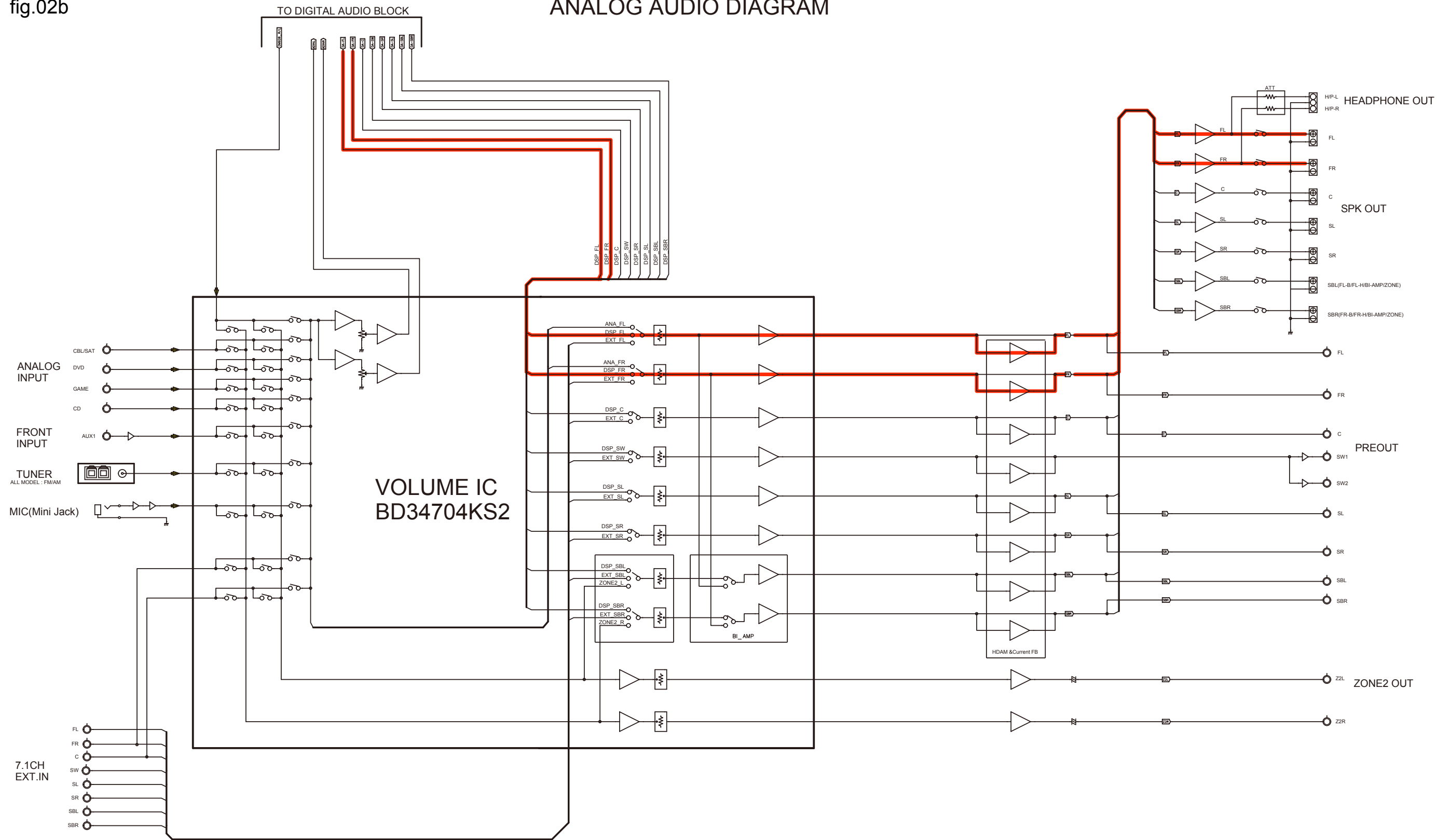


fig.03a

DIGITAL AUDIO DIAGRAM

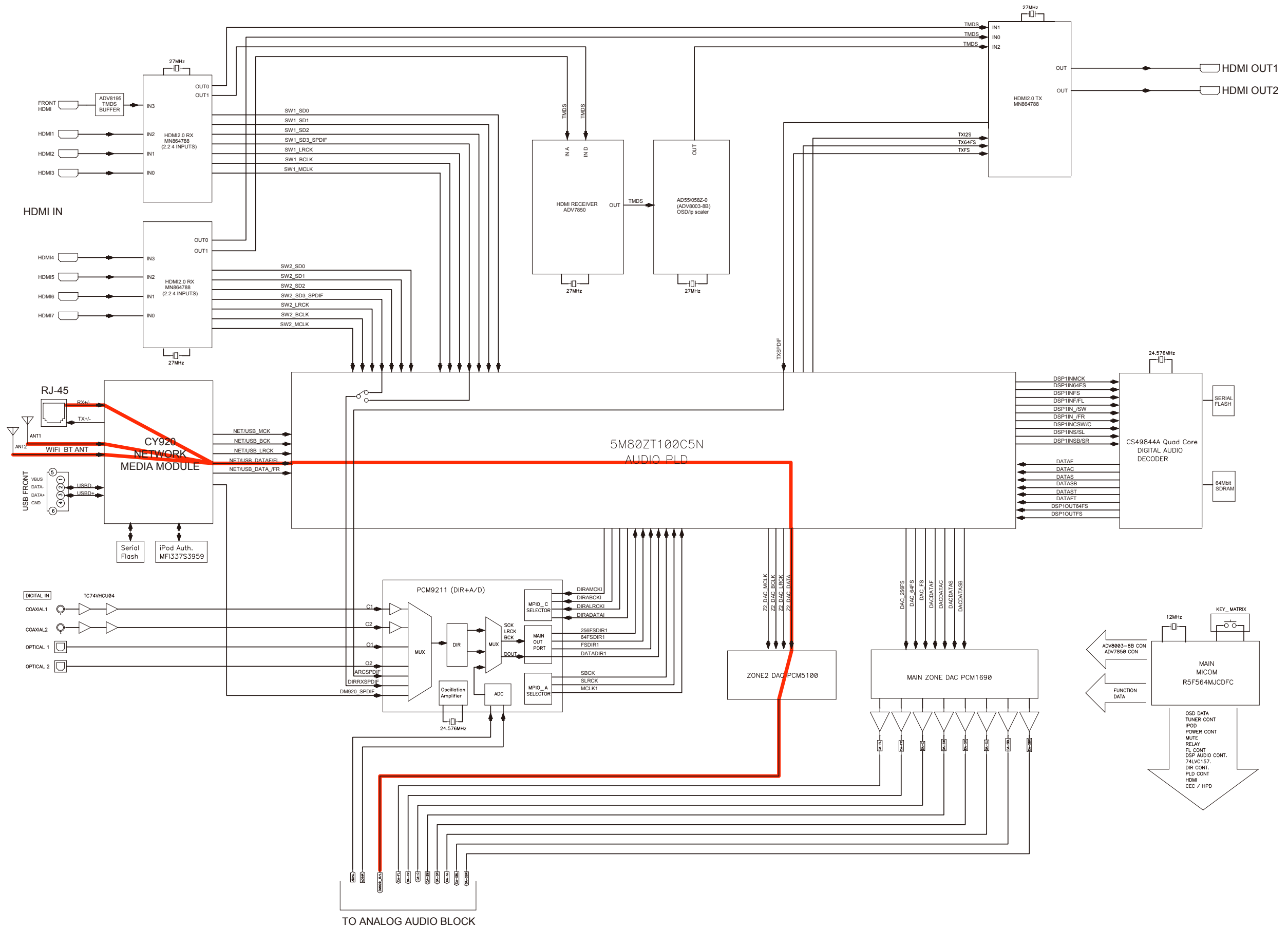


fig.03b

ANALOG AUDIO DIAGRAM

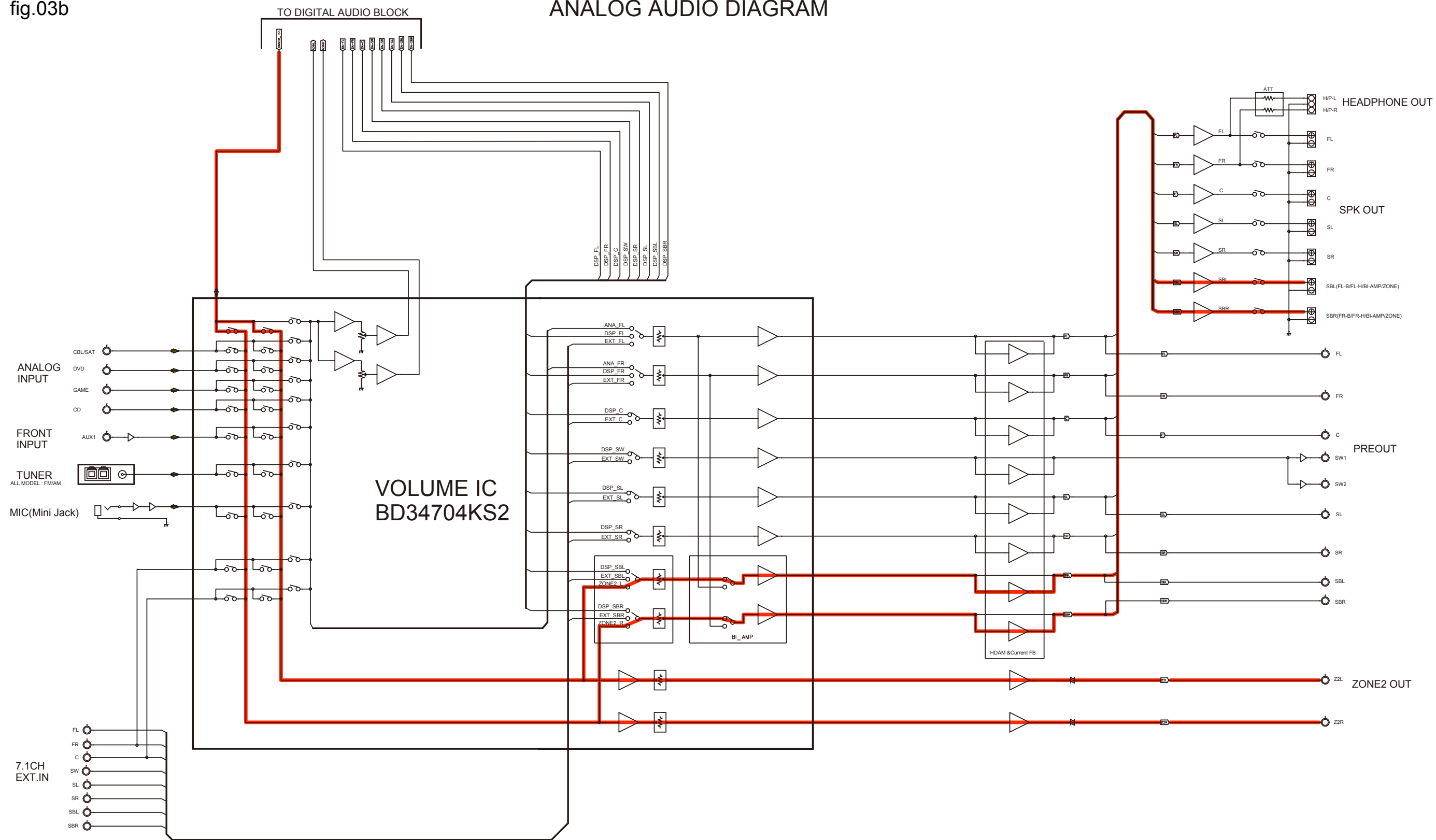


fig.04a

DIGITAL AUDIO DIAGRAM

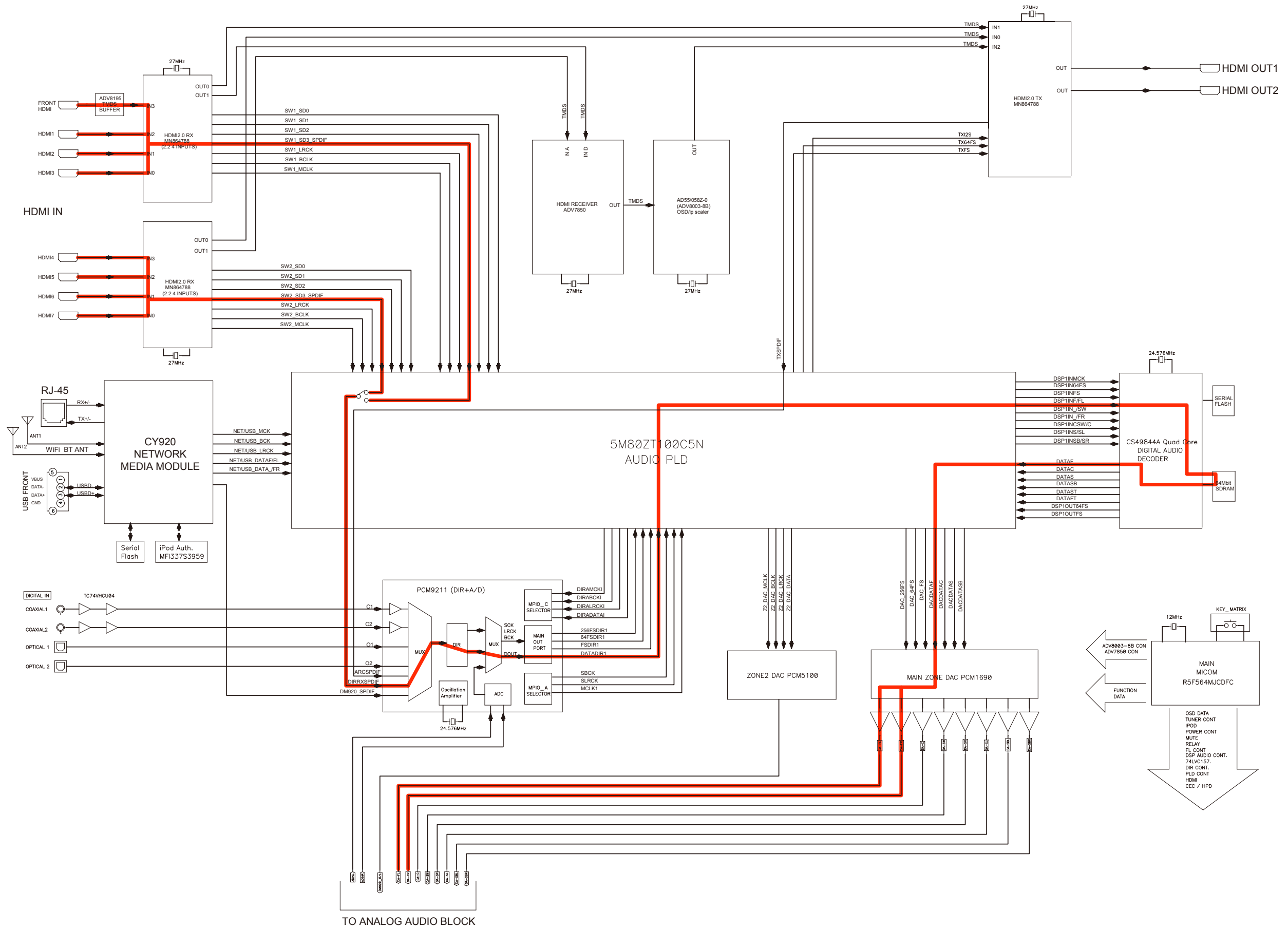


fig.04b

ANALOG AUDIO DIAGRAM

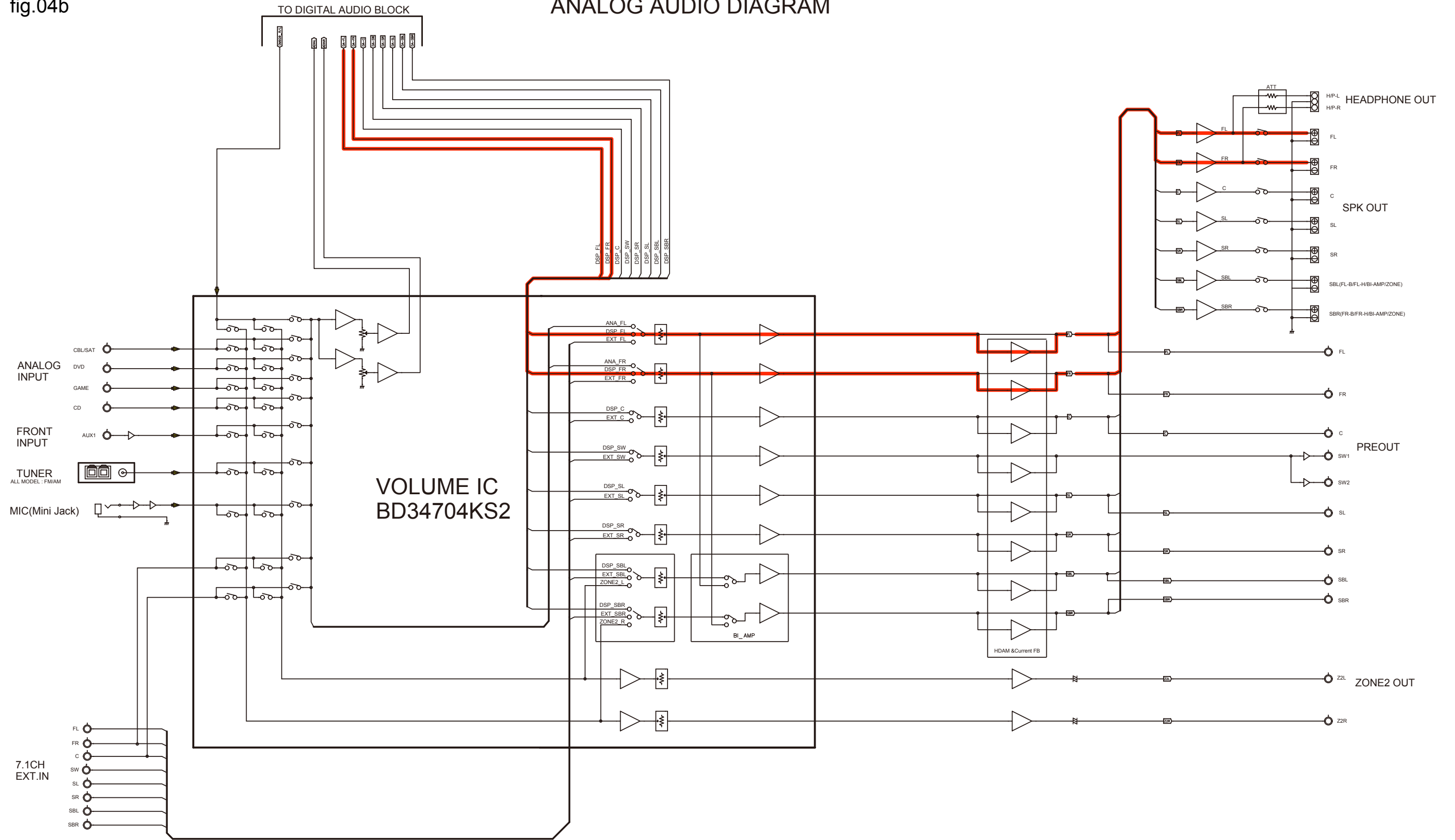


fig.05a

DIGITAL AUDIO DIAGRAM

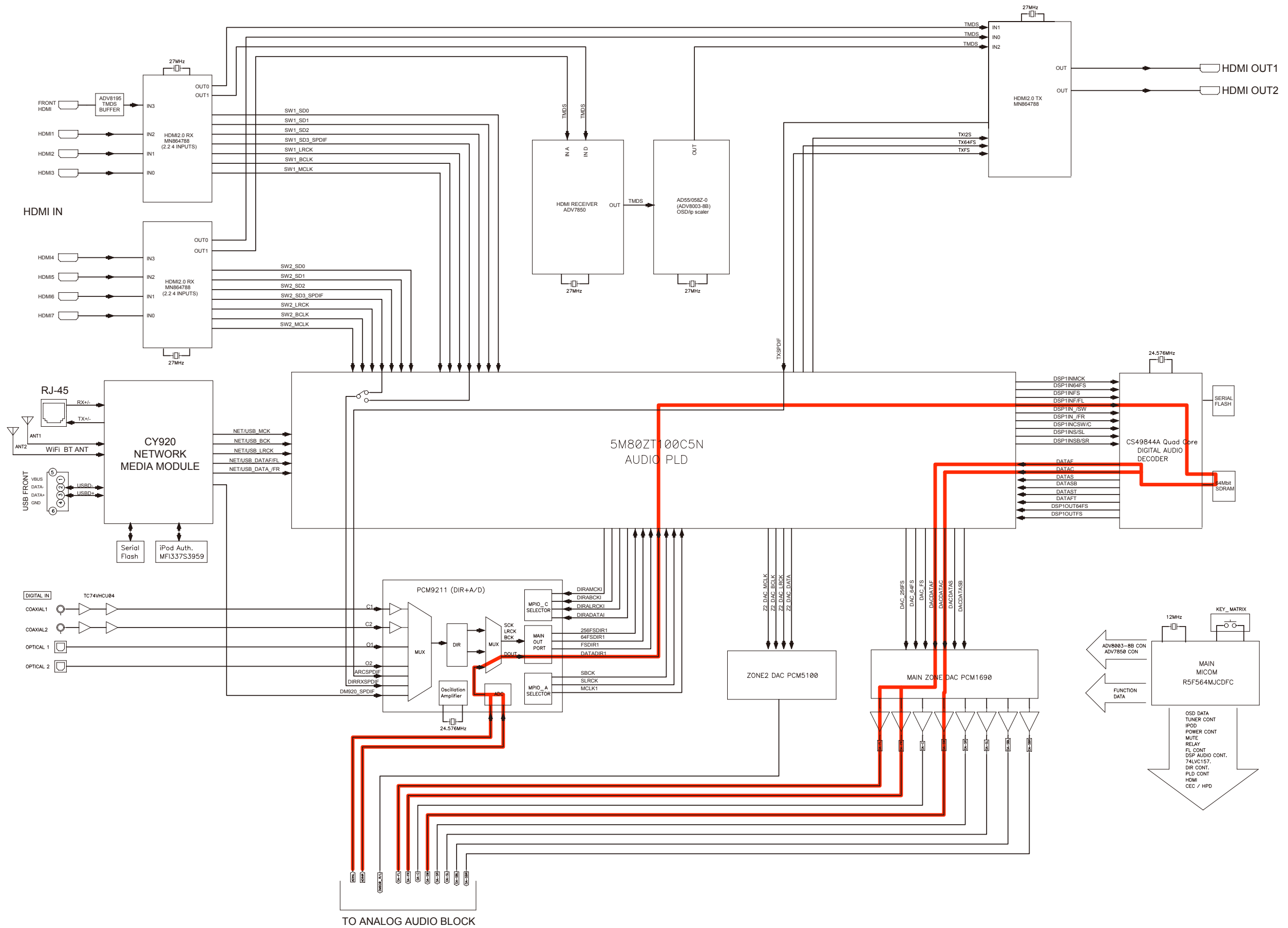


fig.05b

ANALOG AUDIO DIAGRAM

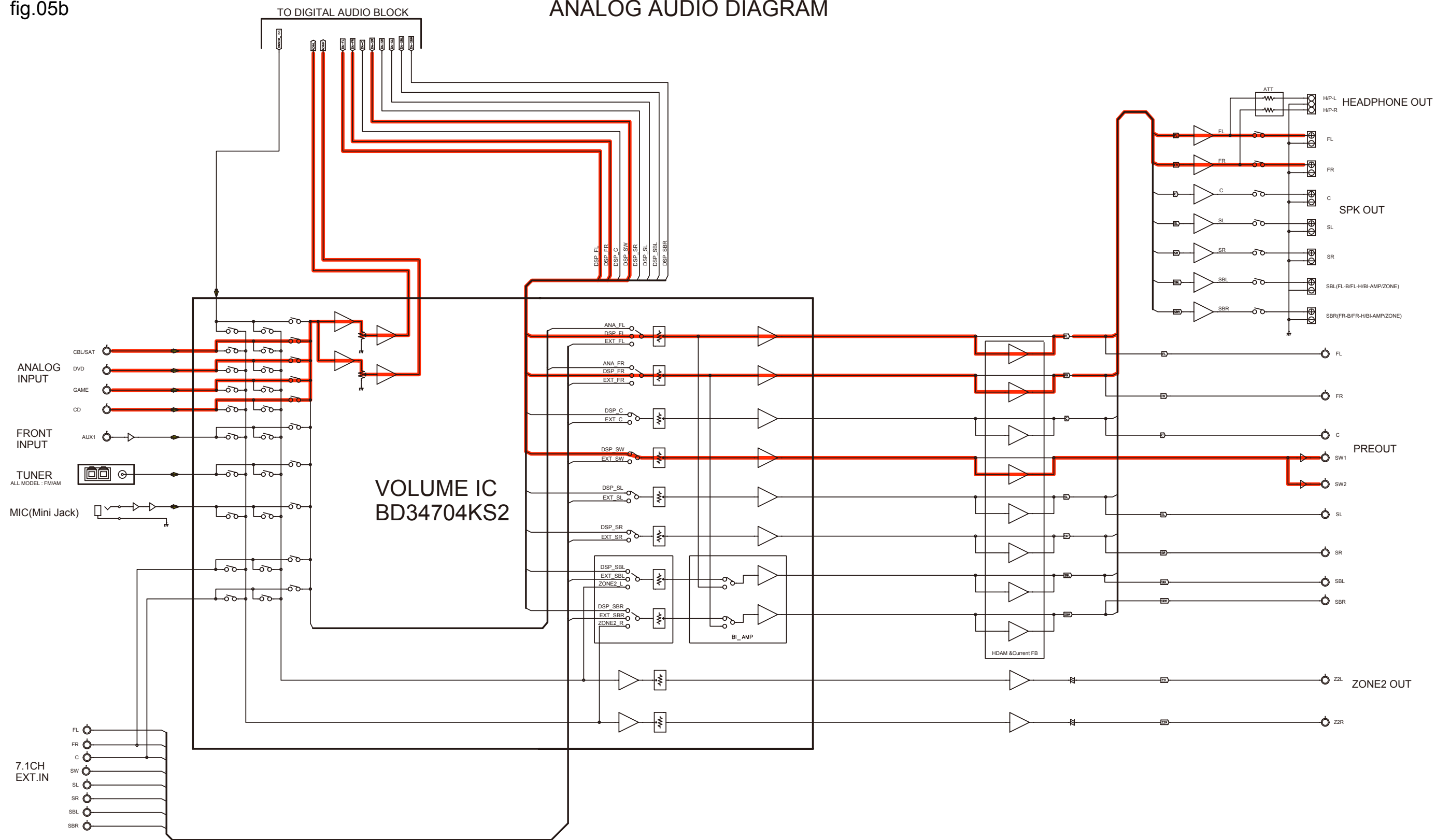


fig.06

ANALOG AUDIO DIAGRAM

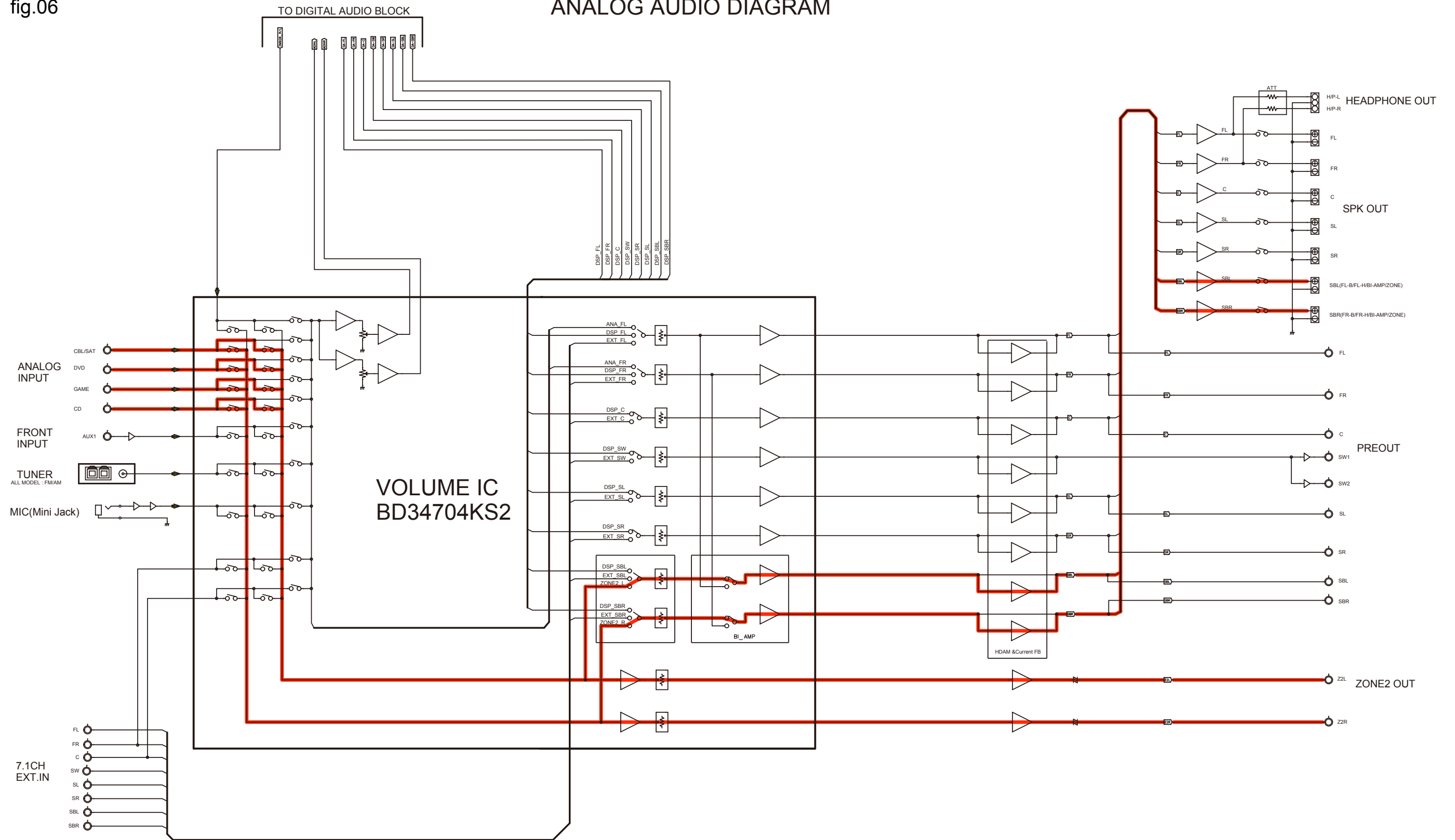


fig.07

VIDEO DIAGRAM

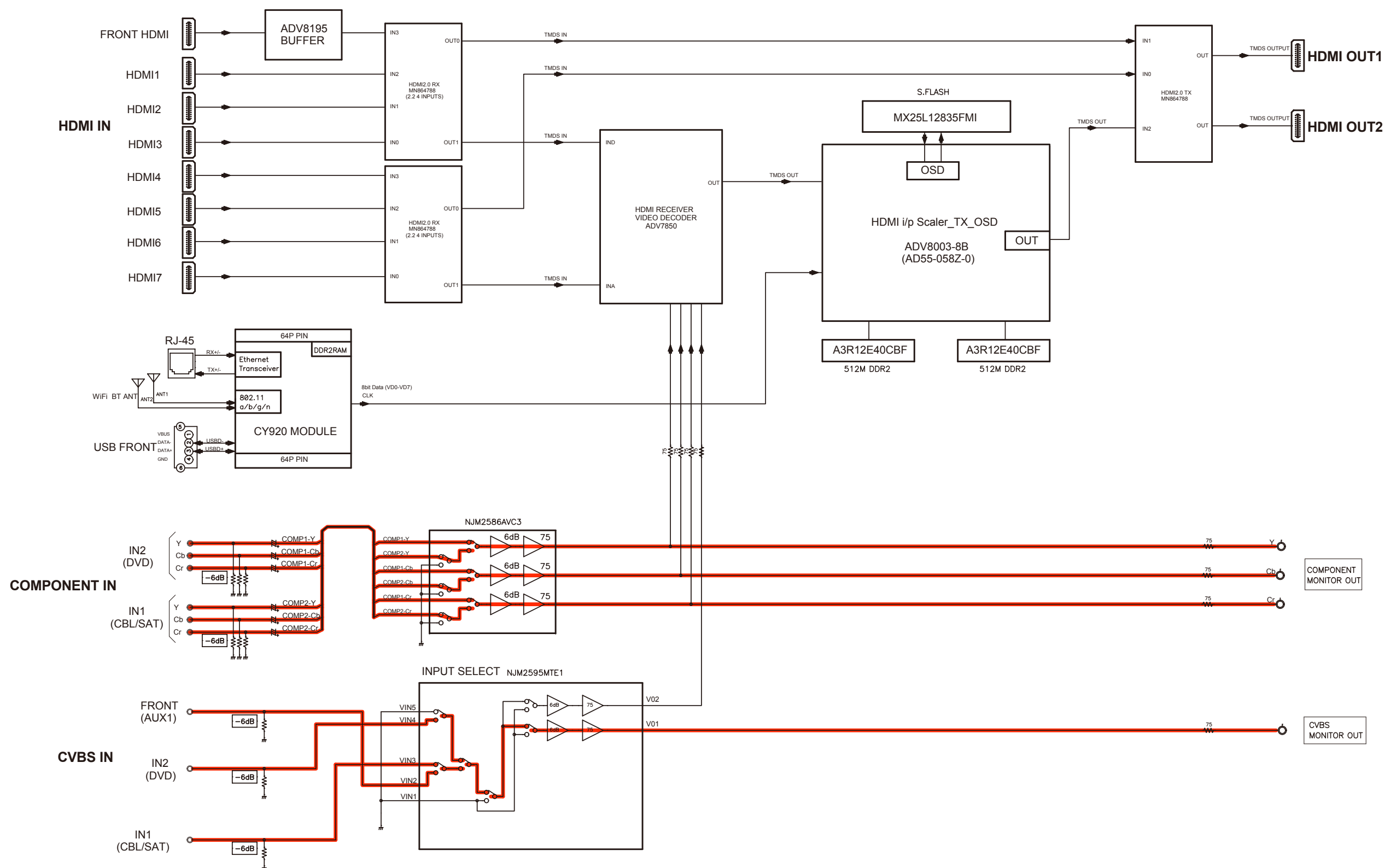


fig.08

VIDEO DIAGRAM

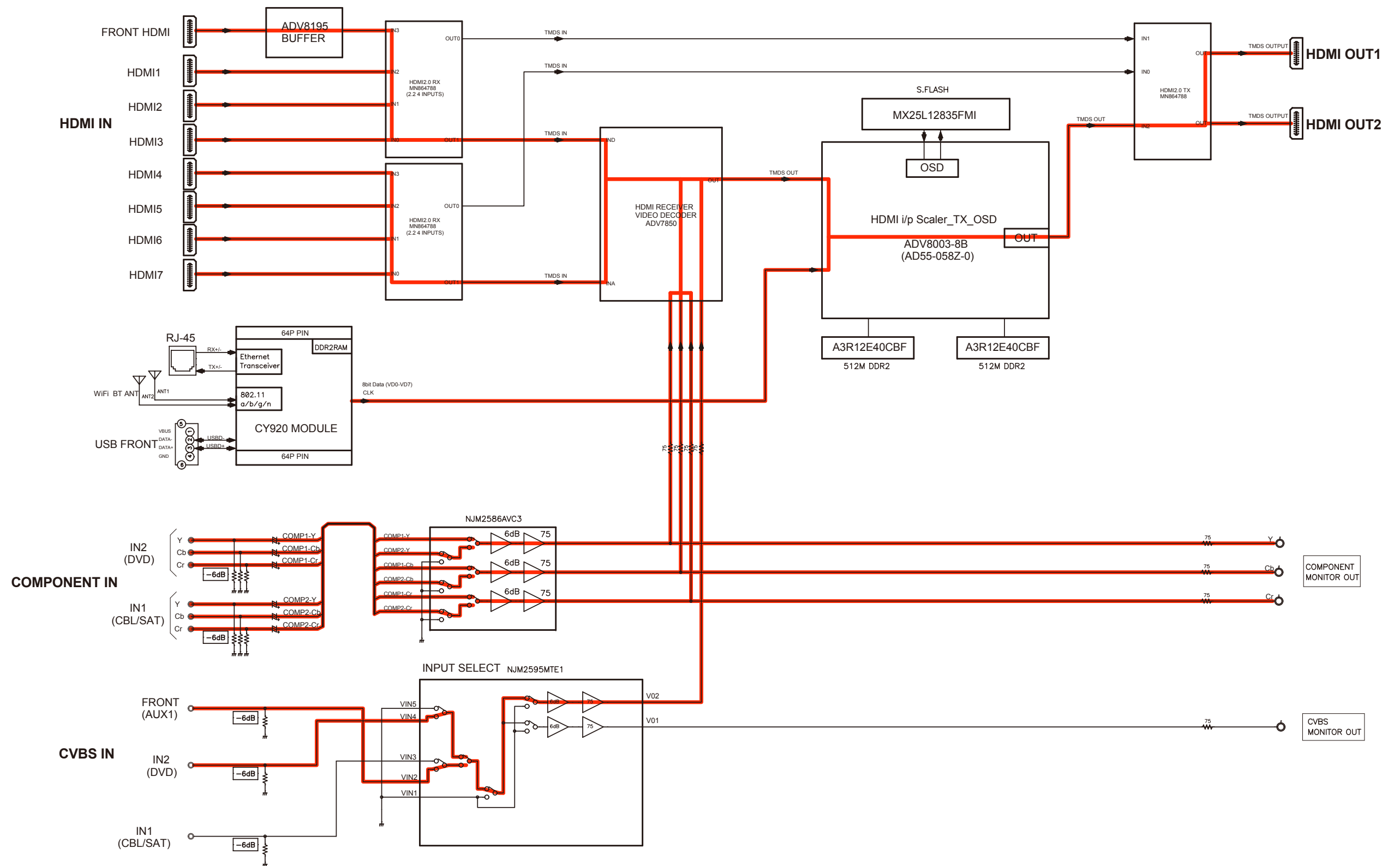


fig.09

VIDEO DIAGRAM

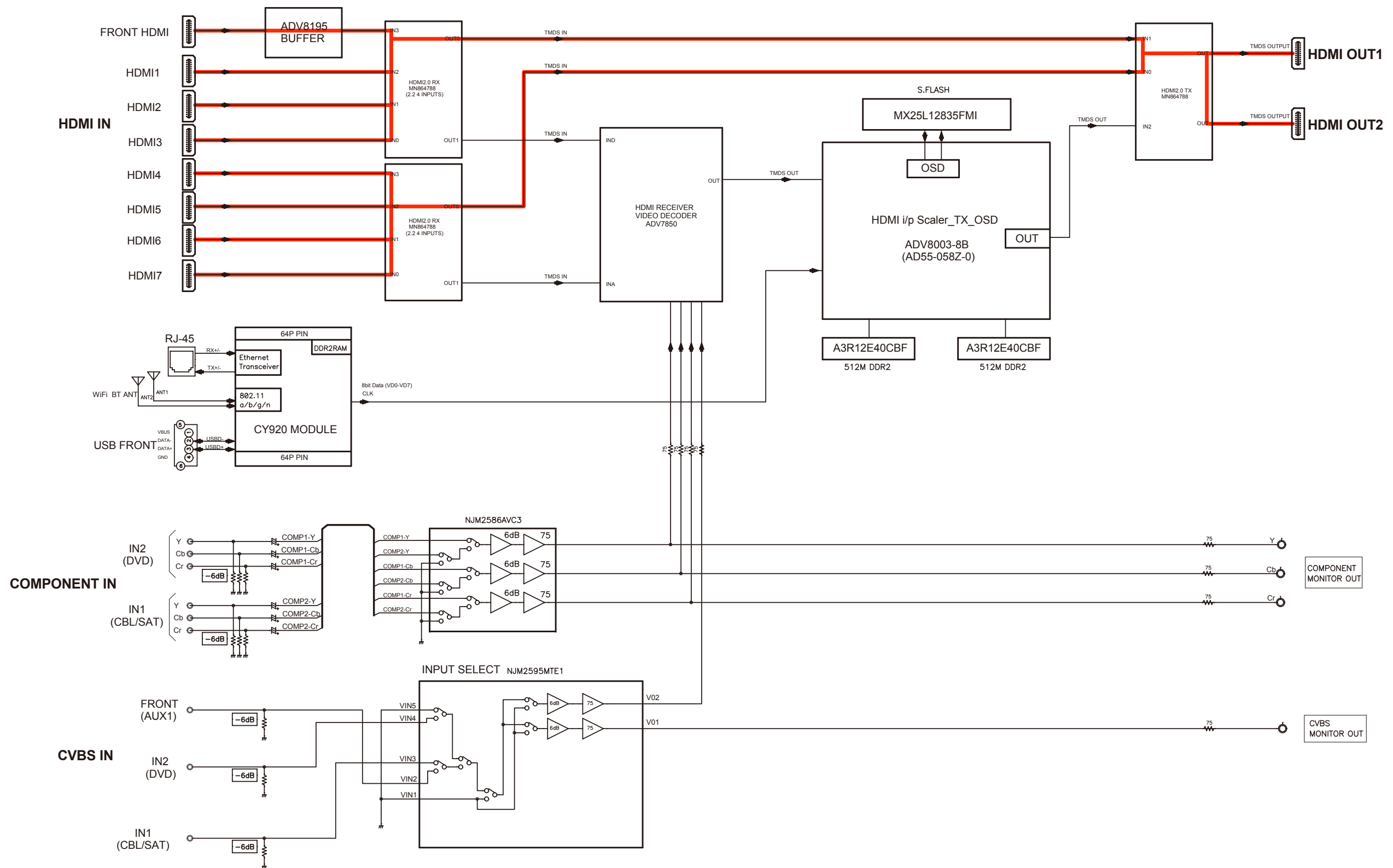


fig.10

VIDEO DIAGRAM

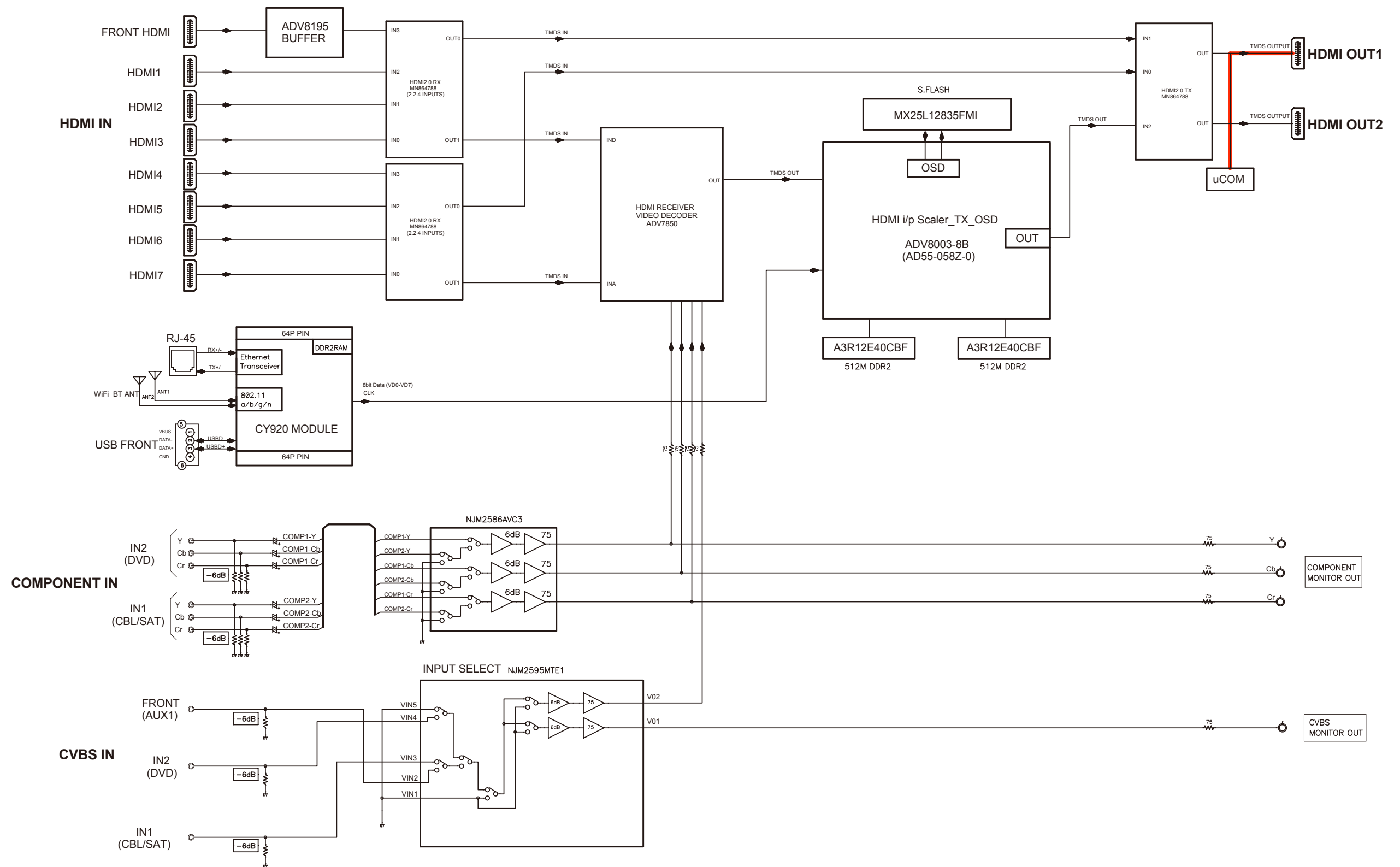


fig.11a

DIGITAL AUDIO DIAGRAM

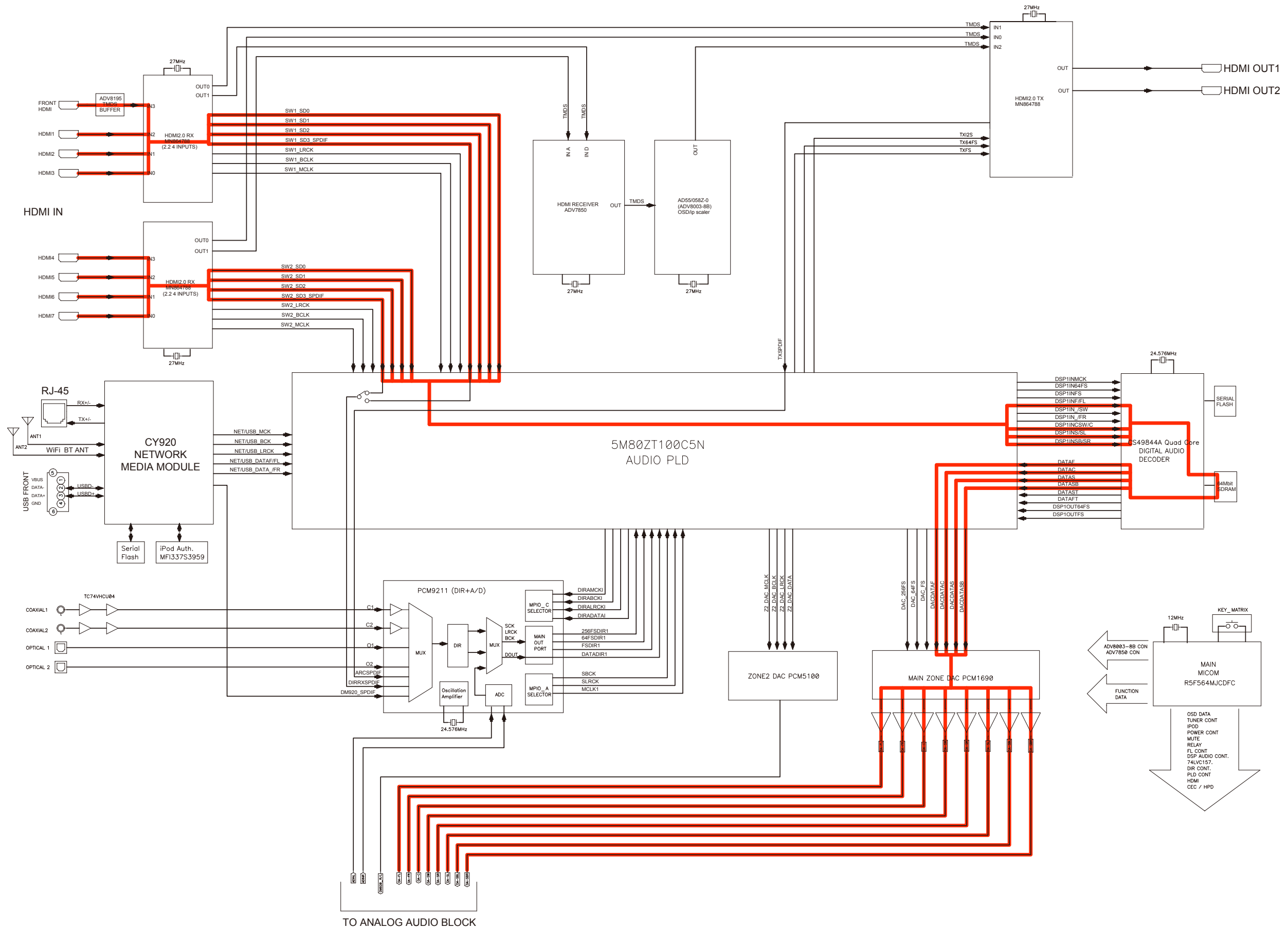


fig.11b

ANALOG AUDIO DIAGRAM

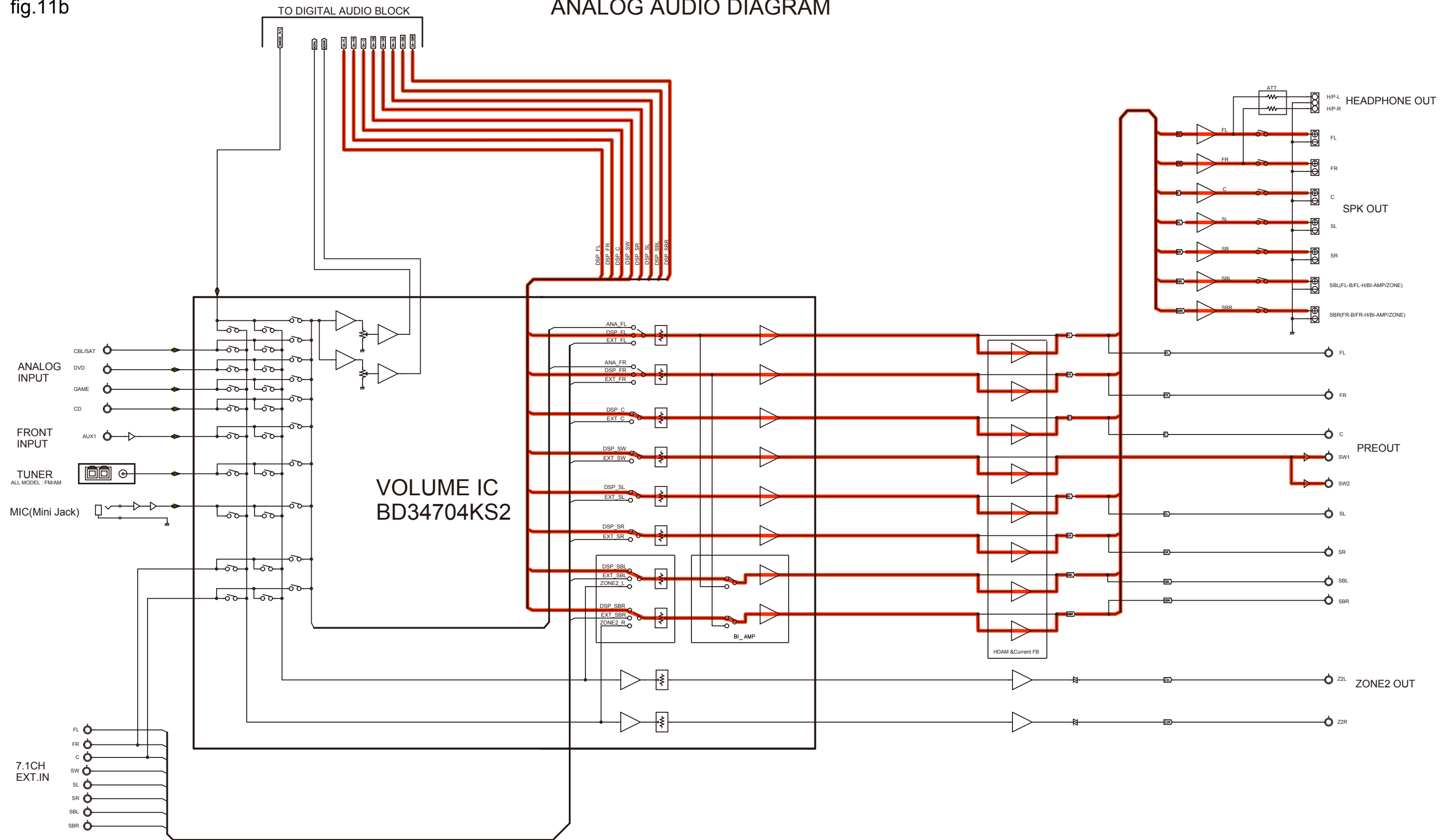


fig.12

DIGITAL AUDIO DIAGRAM

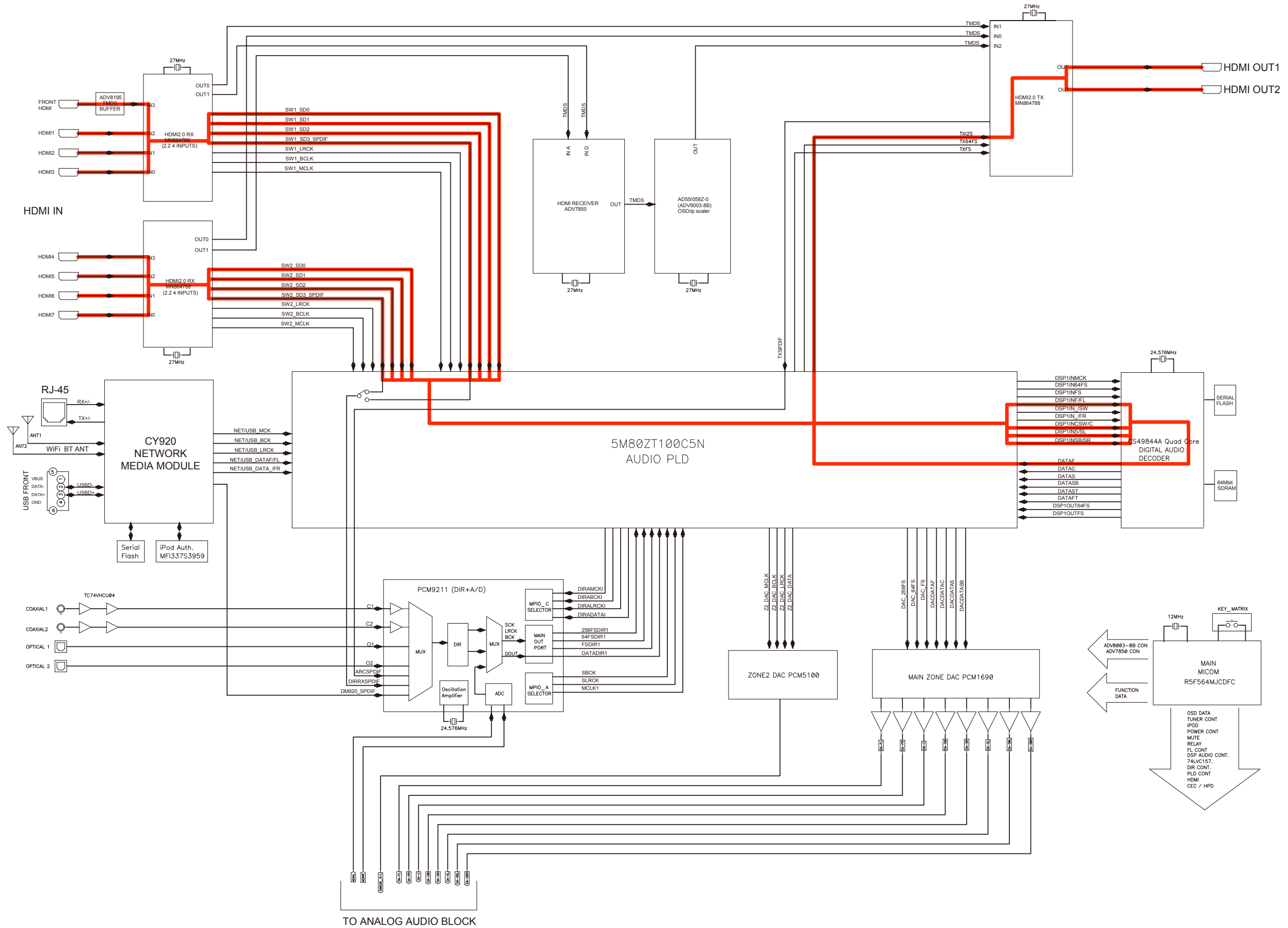
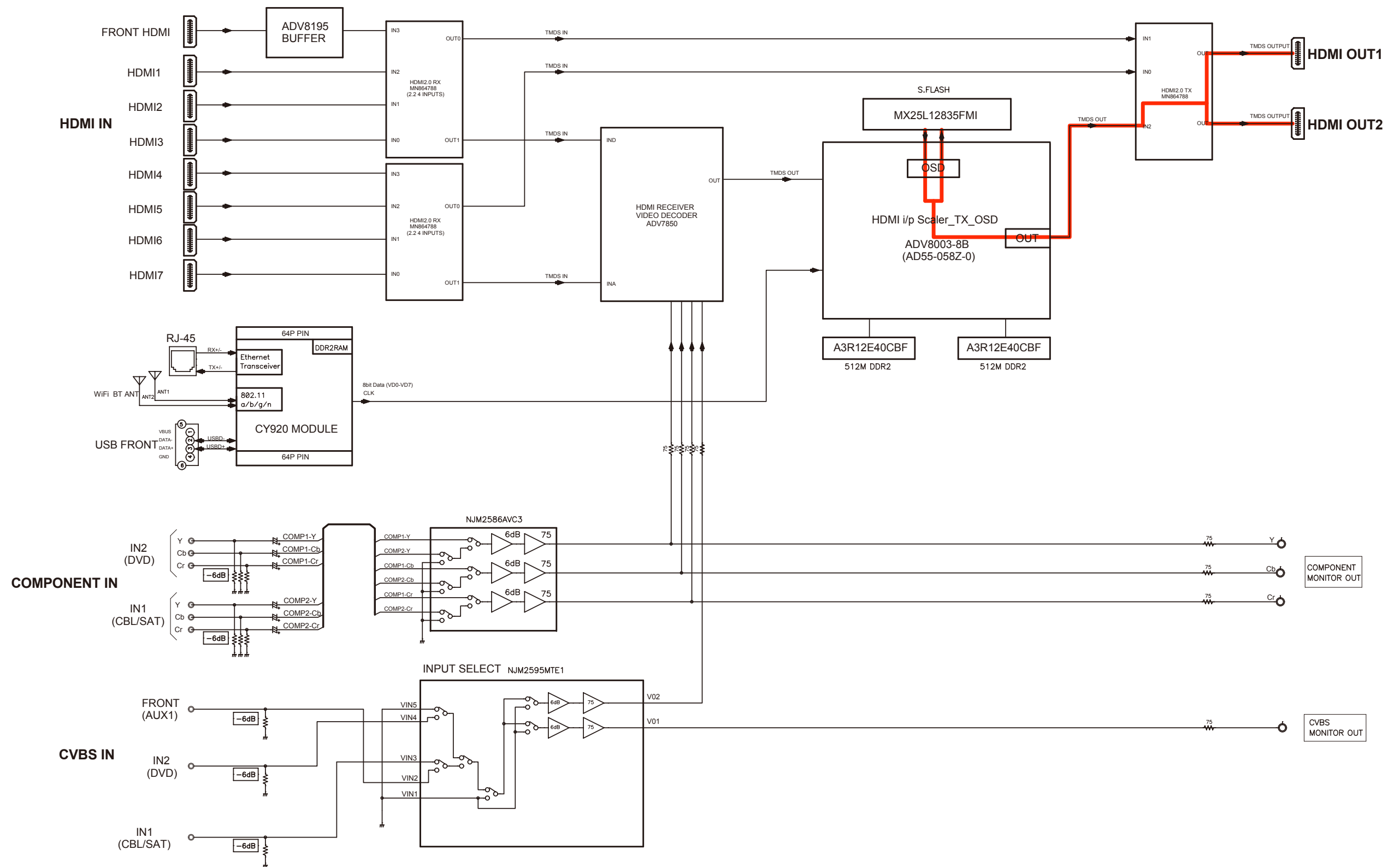


fig.13

VIDEO DIAGRAM



3.5. Protection History Display Mode

3.5.1. Actions

This mode enables the unit to record and display the event when the THERMAL, ASO or DC protection is activated. If protections have been activated multiple times, the latest protection operation is recorded.

3.5.2. Starting up

While holding down buttons "ZONE2 SOURCE" and "STATUS" simultaneously, press the power button to turn on the power.

Select the "2. PROTECTION" using the "TUNER PRESET CH +/-" button, then press the "STATUS" button to confirm.

3.5.3. Protection information and displays

- Press the "STATUS" button in Protection History Display Mode.
- The protection history can be checked.

(a) If no protections has occurred.

FLD	L1	P	R	O	T	E	C	T	
	L2		H	I	S	T	O	R	Y
	L3	:	N	O					

(b) ASO (if the last protection is ASO)

FLD	L3	:	A	S	O				
-----	----	---	---	---	---	--	--	--	--

Cause : A short circuit occurred between the speaker terminals, or speakers with an impedance outside the rating were connected.

DC output of the power amplifier is abnormal.

Note : A short circuit occurred between the speaker terminals, or speakers with an impedance outside the rating were connected.

If the power is turned on in the abnormal state, protection is activated after around 6 seconds and the power is turned off.

(c) DC (if the last protection is DC)

FLD	L3	:	D	C					
-----	----	---	---	---	--	--	--	--	--

Cause : A short circuit occurred between the speaker terminals, or speakers with an impedance outside the rating were connected.

DC output of the power amplifier is abnormal.

Note : A short circuit occurred between the speaker terminals, or speakers with an impedance outside the rating were connected.

If the power is turned on in the abnormal state, protection is activated after around 6 seconds and the power is turned off.

(d) THERMAL (if the last protection is THERMAL(A) or THERMAL(B) or THERMAL(E))

FLD	L3	:	T	H	M	A			
-----	----	---	---	---	---	---	--	--	--

FLD	L3	:	T	H	M	B			
-----	----	---	---	---	---	---	--	--	--

FLD	L3	:	T	H	M	E			
-----	----	---	---	---	---	---	--	--	--

Cause : Abnormal heat sink temperature.

If the power is turned on in the abnormal state, protection is activated after around 2 minutes and the power is turned off.

(e) Case of CURRENT (when the last protection incident is CURRENT protection)

FLD	L3	:	C	U	R	R	E	N	T
-----	----	---	---	---	---	---	---	---	---

Caution : These protections may also be activated due to other factors such as disconnection of connectors or operations around the microcomputer.

After viewing the above protection history, press the "STATUS" button to return to the normal display.

3.5.4. Clearing the Protection History

There are two ways to clear the protection history.

- (a) Activate Protection History Display Mode. Press the "**STATUS**" button to display the protection history. Press and hold the "**DIMMER**" button for 3 seconds.

FLD	L1	P	R	O	T	E	C	T	
	L2		H	I	S	T	O	R	Y
	L3	:	D	C					

↓
Press and hold the "**DIMMER**" button for 3 seconds.

FLD	L3		C	L	E	A	R		
-----	----	--	---	---	---	---	---	--	--

↓
The above message is displayed and the protection history is cleared.

FLD	L3	:	N	O					
-----	----	---	---	---	--	--	--	--	--

- (b) Initialize this unit. (See "**Initializing This Unit**" [page 11](#))

※ Use the method in **3.5.4.(a)** if you do not want to erase your settings from this unit.

Warning Displays by POWER LED

If the power is turned off while a protection is being detected, the POWER LED flashes in red to warn you depending on the protection status as follows.

- (a) ASO/DC protection: Flashes at 0.5-second intervals (0.25 seconds lit, 0.25 seconds unlit)
- (b) THERMAL (A/B) protection: Flashes at 2-second intervals (1 seconds lit, 1 seconds unlit)

3.6. 232C Standby Clear Mode

3.6.1. Actions

Switches from 232C standby mode to normal standby mode.

3.6.2. Starting up

While holding down buttons "**ZONE2 SOURCE**" and "**STATUS**" simultaneously, press the power button to turn on the power.

Select the "**3.RS232C RESET**" using the "**TUNER PRESET CH +/-**" button, then press the "**STATUS**" button then to confirm.

FLD	L1	3	R	S	2	3	2	C	
	L2		R	E	S	E	T		
	L3								

3.6. Operation Info Mode

3.6.1. Actions

This mode enables the unit to display the accumulated operating time, power on count and each protection count.

3.6.2. Starting up

While holding down buttons "ZONE2 SOURCE" and "STATUS" simultaneously, press the power button to turn on the power.

Select the "4. OP INFO" using the "TUNER PRESET CH+ / -" button, then press the "STATUS" button to confirm.

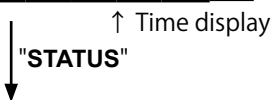
3.6.3. Operations

Press the "STATUS" button after starting up this device in Operation Info mode.

The following information is displayed in the following order.

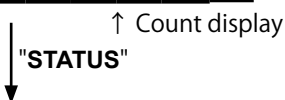
(a) Accumulated operating time

FLD	L1	O	P	e	r	a	t	e	
	L2		T	i	n	e	:		
	L3								H



(b) Power on count

FLD	L1	P	o	w	e	r		O	n
	L2		T	i	n	e	:		
	L3								



(c) DC / ASO Protection count

FLD	L1	P	r	o	t	e	c	t	
	L2		D	C		:			
	L3		A	S	O	:			



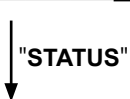
(d) Thermal Protection (A/B/E) count

FLD	L1	P	r	o	t	e	c	t	
	L2		T	H		A	:		
	L3		T	H		B	:		
FLD	L2		T	H		E	:		
	L3								



(e) Thermal Protection count

FLD	L1	P	r	o	t	e	c	t	
	L2		C	U	R	R	E	N	T
	L3								



(Returns to normal display)

3.7. TUNER STEP mode (U / N only)

3.3.1. Actions

This is a special mode for enabling reception STEP of the ANALOG TUNER to be changed.

3.7.2. Starting up

While holding down buttons "ZONE2 SOURCE" and "STATUS" simultaneously, press the power button to turn on the power.

Select the "5. TUNER FRQ SET" using the "TUNER PRESET CH +/-" button, then press the "STATUS" button to confirm.

3.7.3. Displays

Start up this unit in TUNER STEP mode, select the desired option using the "TUNER PRESET CH +/-" button, then enter using the "STATUS" button.

The following information is displayed in the following order.

(a) AM9 kHz / FM50 kHz is selected

FLD	L1	T	u	n	e	r	F	R	Q
	L2		A	M	9	/			
	L3				F	M	5	0	

"TUNER PRESET CH+" ↓ ↑ "TUNER PRESET CH-"

(b) AM10 kHz / FM200 kHz is selected

FLD	L1	T	u	n	e	r	F	R	Q
	L2		A	M	1	0	/		
	L3				F	M	2	0	0

↓ "STATUS"

(c) Press the power button to turn off the power.

(d) Press the power button to turn on the power.

4. Protection Pass Mode

4.1. Actions

- This mode allows the power to be turned on without activating protections.
- This mode functions in the same way as normal power-on, except that protections are not activated.

4.2. Operations

While holding down buttons "**DIMMER**", "**STATUS**" and "**SOUND MODE**" simultaneously, press the power button to turn on the power.

The device returns to the normal display message after the following is displayed.

FLD	L1	P	r	o	t	e	c	t	
	L2		P	a	s	s			
	L3								

This is displayed for 5 seconds before returning to the normal display.

5. CY920 Reboot Mode

5.1. Actions

- The CY920 is restarted after CY920 hang up.
- The CY920 can be restarted even in the network standby setting.
("Setup menu" – "Network" – "Network" – "Always On")

5.2. Operations

(1) Turn the "**MAIN ZONE**" button on and set the input source to NETWORK.

(2) While the power is on, hold down buttons "**TUNER PRESET CH +**" and "**STATUS**" for at least 3 seconds.

Display during CY920 reboot

FLD	L1	N	e	t	w	o	r	k	
	L2	R	e	s	t	a	r	t	
	L3								

(4) Returns to the normal display.

NOTE :

- After rebooting CY920, the same operation is not accepted for 1 minute.
- Reception is prohibited during update, save and load.

6. CY920 Initialization Mode

6.1. Actions

The following items are initialized.

- (1) Favorites
- (2) Quick Select
- (3) Presets
- (4) Internet Radio Recently Played
- (5) Flickr contacts
- (6) User ID
- (7) Resume Playback station

6.2. Operations

While the power is on, hold down buttons "TUNER PRESET CH -" and "DIMMER" for at least 3 seconds.

Initializing Display

FLD	L1	I	n	i	t	i	a	l
	L2	W	a	i	t			
	L3							
FLD	L2	W	a	i	t	.		
FLD	L2	W	a	i	t	.	.	
FLD	L2	W	a	i	t	.	.	.

Complete Display

FLD	L1	C	o	m	p	l	e	t	e
	L2								
	L3								

This is displayed for 5 seconds before returning to the normal display.

Failed Display

FLD	L1	F	a	i	l	e	d		
	L2								
	L3								

JIG FOR SERVICING

Use the following jigs (extension cable kit) when repairing the PCBs.
Order with your dealer for the jigs your dealer if necessary.

CAUTION : Incorrect connections may cause malfunction.

• Connection of Jig for HDMI PCB

---Items to Be Prepared---

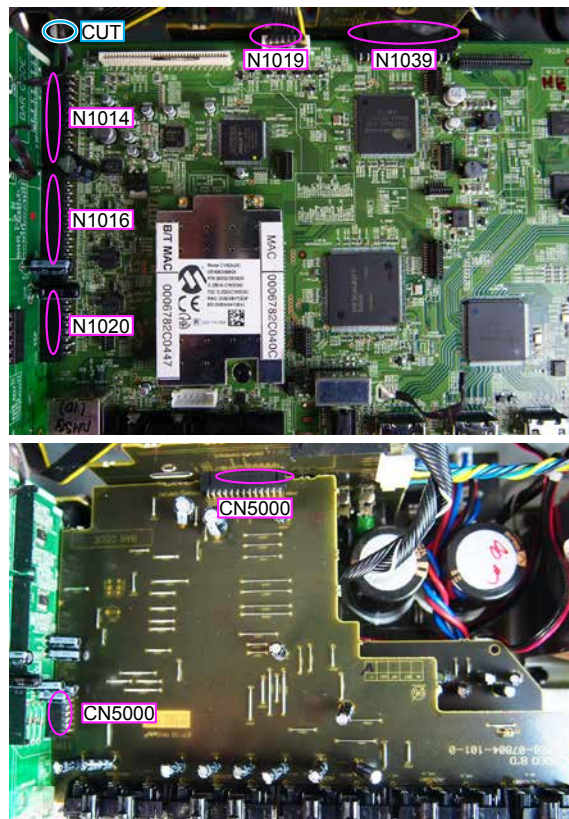
8U-110084S	:	EXTENSION UNIT KIT	:	1Sets
8U-110136S	:	EXTENSION UNIT KIT	:	1Sets
Insulation sheet (Not supplied)	:		:	3 sheets
Ground lead (Not supplied)	:		:	3 pcs

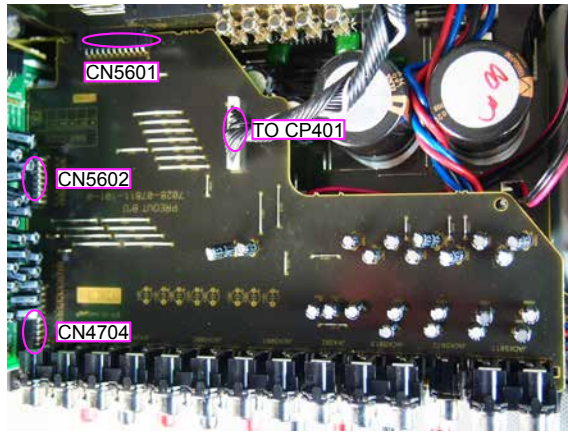
-Procedures-

(1) Remove the screws.

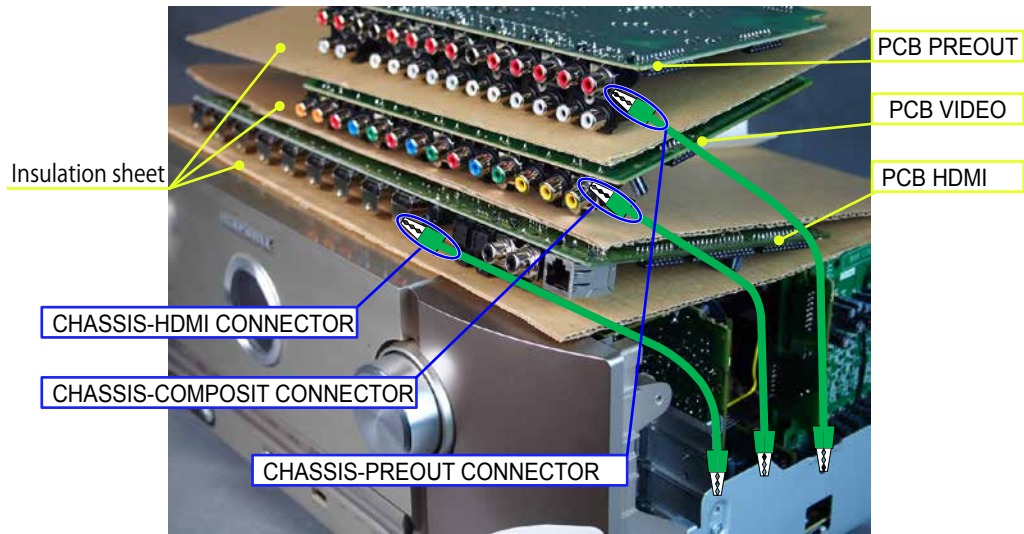


(2) Remove the connector PCB.

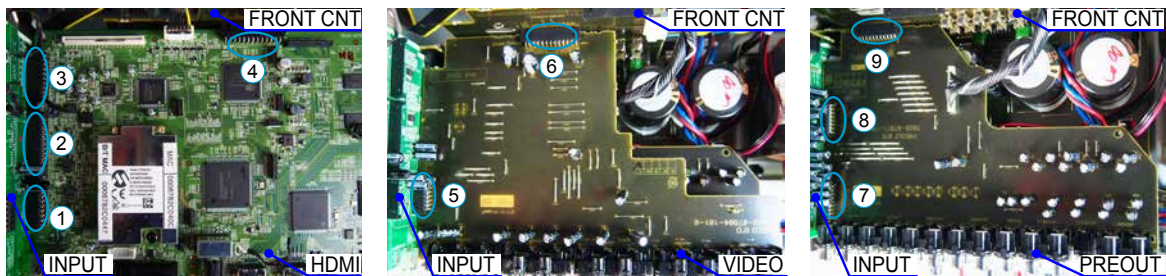




- (3) Remove the HDMI PCB from the chassis and turn it over.
 Place an insulation sheet larger than the PCB underneath the HDMI PCB.
 ※ Connect the earth of the PCB to the chassis using an earth wire, etc.



- (4) Connect the expansion cables.



Board-to-Board Connections

No.	Pin	Ref. No.	PCB		Ref. No.	PCB
①	15pin	CP4200	INPUT	↔	N1020	HDMI
②	27pin	CP4205	INPUT	↔	N1016	HDMI
③	23pin	CP4201	INPUT	↔	N1014	HDMI
④	25pin	CP3401	FRONT CNT	↔	N1039	HDMI
⑤	11pin	CP4204	INPUT	↔	CN5003	VIDEO
⑥	21pin	CP5000	FRONT CNT	↔	CN5000	VIDEO
⑦	21pin	CP4207	INPUT	↔	CN5000	PREOUT
⑧	15pin	CP4202	INPUT	↔	CN5602	PREOUT
⑨	21pin	CP5000	FRONT CNT	↔	CN3403	PREOUT

PROCEDURE AFTER REPLACING THE MICROPROCESSOR, ETC.

The procedure after replacing the u-COM (microprocessor), flash ROM, etc. is as follows.

PCB Name	Ref. No.	Description	Procedure after Replacement	Remark
HDMI	U1018	R5F564MJCDFC 32BIT	B	SOFTWARE : Main
HDMI	U1025	MX25L6406EM2I-12G 64M	B	SOFTWARE : DSP1 ROM
HDMI	U1027	MX25L12835FMI-10G 128M	B	SOFTWARE : GUI ROM
HDMI	U1041	5M80ZT100C5N TQFP100	B	SOFTWARE : AUDIO PLD
MODULE	P21	CY920 MODULE (CY920 Model)	D	SOFTWARE : SBL.bcd / IMG.bcd ※1
DIGITAL	U1010	MX25L25635FMI-10G (CY920 Model)	C	SOFTWARE : IMG.bcd ※1

※1 The firmware for the CY920 MODULE is written to the INTERNAL ROM of the CY920 and the IC501 (EXTERNAL ROM) of the DIGITAL circuit board.

"**CY920 Error**" appears in the display if the DIGITAL PCB or the CY920 is replaced, as this results in the version of the INTERNAL ROM differing from that of the EXTERNAL ROM.

In this case, see "**Update Procedure in the Event of a CY920 Error**".

(This does not require special operations such as pushing multiple buttons at the same time. The firmware also cannot be updated via DPMS.)

Procedure after Replacement

A : The software has been written. The software is not written at the time of replacement.

B : The software has been written. The software may need to be rewritten by version updates. Check the version.

C : The software has not been written. The software needs to be written after replacement.

See "**Firmware Update Procedure**" for information on writing the software.

D : The software has been written. Be sure to rewrite with the latest software for your service region.

See "**Firmware Update Procedure**" for information on writing the software.

FIRMWARE UPDATE PROCEDURE

1. Updating via USB

The latest firmware can be downloaded to a USB memory for updates.

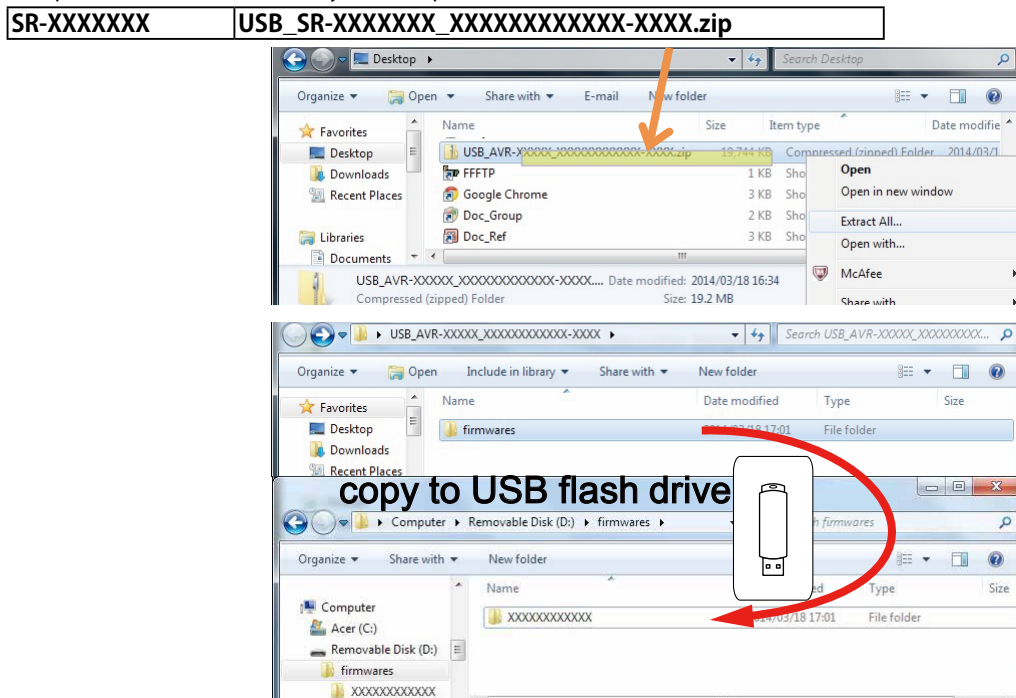
1.1. Connecting to the USB Memory

(1) Preparation

- Use a memory that supports USB2.0.
- USB format : Prepare a USB memory formatted in FAT16 or FAT32.
- Do not run the USB memory through a hub.
- Do not connect a computer to the USB port of this unit using a USB cable.
- Do not use an extension cable when connecting the USB unit.
- If a USB memory device cannot be updated, replace it with a different USB memory device and perform the update again.

1.2. Unzipping the Downloaded File

Unzip the downloaded file on your computer.



The "**firmwares**" folder is created upon unzipping the file.

Copy that folder to USB flash drive.

The "**firmwares**" folder must be in the root directly of the USB flash drive (memory).

1.3. File structure on USB Memory

Copy the update files to the USB memory with the following structure.

USB memory root

Model Name	Model Area	Product ID
SR5010U	North America (U)	100100410100
SU5010N	Europe (N)	100100410200
SR5010K	China (K)	100100410500

+ firmwares

+ X00100XXXXXX

+ APLD.bin

+ DSP.bin

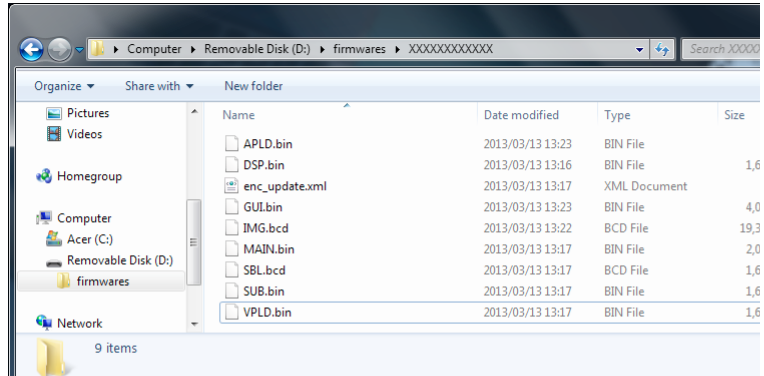
+ enc_update.xml

+ GUI.bin

+ IMG.bcd

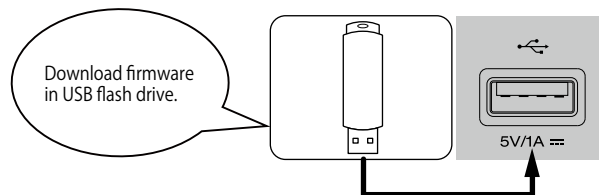
+ MAIN.bin

+ SBL.bcd



1.4. Insert the USB memory into the USB port

NOTE : Remove the LAN cable from this unit when performing updates.



1.5. Start the update

While holding down buttons "TUNER PRESET CH +" and "STATUS" simultaneously, press the power button to turn on the power.

1.6. Display during USB update

After around half minutes, display shows the following message.

Display

FLD	L1	U	S	B		U	P	d	t
	L2		S	t	a	r	t		
	L3								

1.7. Press the "ENTER" key on the remote control unit or this unit

Then start Firmware Update.

Display

FLD	L1	U	P	d	a	t	e		
	L2	F	i	e					
	L3	C	h	e	c	k			

1.8. The firmware update finishes.

When the update is completed, the following message appears on the display, then the unit returns to the normal status.
Display

FLD	L1	U	P	d	a	t	i	n	g
	L2	C	O	n	F	L	e	t	e
	L3								

---Cautions on Firmware Update---

- Never remove the USB memory before the update is finished.
 - Never turn off the power before the update is completed.
 - It takes around 1 hour to complete the update.
- Once an update is started, normal operations cannot be performed until it is completed. The GUI menu settings and image adjustment settings of this unit may be initialized. Note down the settings before updating, and set them again after updating.

1.9. Forced USB All Device Write Mode

1.9.1. Actions

Mode used when this unit cannot be recovered.
Forcibly switches this unit to USB update mode.

1.9.2. Operations

While holding down buttons the "TUNER PRESET CH +" and "STATUS" buttons simultaneously, insert the AC plug to turn the power on.

1.9.3. The firmware update finishes.

Returns to the normal status after update is completed.

1.10. Update Procedure in the Event of a CY920 Error

1.10.1. Actions

Perform the following update procedure if "CY920 Error" appears in the display when the power is turned on after replacing the DIGITAL PCB or the CY920.

1.10.2. Operations

- (1) Remove the AC power plug and turn off the power.
- (2) Copy the update file to a USB memory device and insert the USB memory device in the USB port.
- (3) Insert the AC plug and turn on the power.
- (4) The update starts automatically after "CY920 Error" appears in the display.

Display

FLD	L1	U	P	d	a	t	e		
	L2	F	i	l	e				
	L3	C	h	e	c	k			

- (5) The firmware update finishes.

Display

FLD	L1	U	P	d	a	t	i	n	g
	L2	C	O	n	F	L	e	t	e
	L3								

The unit restarts after the update is finished.

- (6) After the update, check that "CY920 Error" is no longer displayed, and check the version of the new firmware. See "1. Version Display Mode" (page 19).

1.10. About the error codes

See the table below for error codes and details of faults when the firmware is updated through USB memory.

Error Code	USB Update Error Display	Details of Error code	Remedies
01	Connecti on Fail	Unable to detect USB.	Disconnect and reconnect the USB memory.
02	Firmware Not Found	No Firmware File in USB.	Make sure that the Firmware File is in the USB memory.
03	Not Match Fir	The Firmware File in the USB does not support your model and area.	Make sure that the model name and area are supported by the Firmware File.
04	Connecti on Fail	Failed to obtain the entire Firm-ware information.	Start the USB Update again.
05	Connecti on Fail	Time Out while obtaining the entire Firmware information.	Start the USB Update again.
08	Connecti on Fail	Error notification received while requesting the Firmware Info.	This unit automatically retries the request several times. Wait until the Display stops. If the Display stops at the Error display, press and hold the "Power operation" button for 5 seconds.
09	Connecti on Fail	Time Out while obtaining Firm-ware information.	This unit automatically retries the request several times. Wait until the Display stops. If the Display stops at the Error display, press and hold the "Power operation" button for 5 seconds.
0A	Connecti on Fail	Unable to detect USB for Firm-ware Download.	Disconnect and reconnect the USB memory.
0B	Connecti on Fail	No Firmware File for Firmware Download.	Make sure that the Firmware File is in the USB memory.
0D	Connecti on Fail	Received value with the invalid Package Version.	This unit automatically retries the request several times. Wait until the Display stops. If the Display stops at the Error display, press and hold the "Power operation" button for 5 seconds.
10	Firmware Not Found	No Update Packet received from CY920 (Time Out).	This unit automatically retries the request several times. Wait until the Display stops. If the Display stops at the Error display, press and hold the "Power operation" button for 5 seconds.
11	Connecti on Fail	Abnormal data in Update Packet received from CY920 (CRCError).	This unit automatically retries the request several times. Wait until the Display stops. If the Display stops at the Error display, press and hold the "Power operation" button for 5 seconds.
12	Update No	Abnormal data in Update Packet received from CY920 (PacketNo-Error).	This unit automatically retries the request several times. Wait until the Display stops. If the Display stops at the Error display, press and hold the "Power operation" button for 5 seconds.
13	Firmware	Failed in Block Erase before rewrit- ing Main.	This unit automatically retries the request several times. Wait until the Display stops. If the Display stops at the Error display, press and hold the "Power operation" button for 5 seconds.
14	Update No	Failed in Block Erase while rewrit- ing Main.	This unit automatically retries the request several times. Wait until the Display stops. If the Display stops at the Error display, press and hold the "Power operation" button for 5 seconds.

Error Code	USB Update Error Display	Details of Error code	Remedies
15	Verify Error 15	Error in Verify after rewriting Main (Check Sum Error).	This unit automatically retries the request several times. Wait until the Display stops. If the Display stops at the Error display, press and hold the "Power operation" button for 5 seconds.
16	Updating fail 16	Setup failure of the XModem transfer method.	This unit automatically retries the request several times. Wait until the Display stops. If the Display stops at the Error display, press and hold the "Power operation" button for 5 seconds.
20	Connection Fail 20	Unable to detect USB after SBL Mode.	Disconnect and reconnect the USB memory.
21	Files Not Found 21	No Firmware File in USB after SBL Mode.	Make sure that the Firmware File is in the USB memory.
22	Not Match Firm 22	After SBL Mode, the Firmware File in the USB does not support your model and area.	Make sure that the model name and area are supported by the Firmware File.
23	Connection Fail 23	Failed to obtain the entire Firmware information after SBL Mode.	Start the USB Update again.
24	Connection Fail 24	Time Out while obtaining the entire Firmware information after SBL Mode.	This unit automatically retries the request several times. Wait until the Display stops. If the Display stops at the Error display, press and hold the "Power operation" button for 5 seconds.
25	Connection Fail 25	Failed to transit to SBL Mode.	This unit automatically retries the request several times. Wait until the Display stops. If the Display stops at the Error display, press and hold the "Power operation" button for 5 seconds.
26	Download fail 26	Time Out in Download (writing to SDRAM) for Firmware Download.	This unit automatically retries the request several times. Wait until the Display stops. If the Display stops at the Error display, press and hold the "Power operation" button for 5 seconds.
27	Connection Fail 27	Failed to write to EEPROM after SBL Mode.	This unit automatically retries the request several times. Wait until the Display stops. If the Display stops at the Error display, press and hold the "Power operation" button for 5 seconds.
36	Connection Fail 36	Unable to detect USB.	Disconnect and reconnect the USB memory.
37	Files Not Found 37	No Firmware File in USB.	Make sure that the Firmware File is in the USB memory.
38	Not Match Firm 38	The Firmware File in the USB does not support your model and area.	Make sure that the model name and area are supported by the Firmware File.
39	Connection Fail 39	Time Out in USB Check.	This unit automatically retries the request several times. Wait until the Display stops. If the Display stops at the Error display, press and hold the "Power operation" button for 5 seconds.
3A	Connection Fail 3A	Unable to detect USB for Firmware Download.	Disconnect and reconnect the USB memory.
3B	Files Not Found 3B	No Firmware File for Firmware Download.	Make sure that the Firmware File is in the USB memory.

Error Code	USB Update Error Display	Details of Error code	Remedies
3C	U p d a t e r e q u e s t i n g F i r m w a r e I n f o	Error notification received while requesting the Firmware Info.	This unit automatically retries the request several times. Wait until the Display stops. If the Display stops at the Error display, press and hold the "Power operation" button for 5 seconds.
3D	U p d a t e r e q u e s t i n g F i r m w a r e I n f o	Time Out while obtaining Firm-ware information.	This unit automatically retries the request several times. Wait until the Display stops. If the Display stops at the Error display, press and hold the "Power operation" button for 5 seconds.
3F	C o n n e c t i o n F a i l e d	Failed to transit to SBL Mode.	This unit automatically retries the request several times. Wait until the Display stops. If the Display stops at the Error display, press and hold the "Power operation" button for 5 seconds.
50	C o n n e c t i o n F a i l e d	Unable to detect USB.	Disconnect and reconnect the USB memory.
51	F i r m w a r e F i l e N o t F o u n d	No Firmware File in USB.	Make sure that the Firmware File is in the USB memory.
52	N o t M a t c h i n g M o d e l N a m e	The Firmware File in the USB does not support your model and area.	Make sure that the model name and area are supported by the Firmware File.
54	U p d a t e r e q u e s t i n g F i r m w a r e I n f o	Error notification received while requesting the Firmware Info.	This unit automatically retries the request several times. Wait until the Display stops. If the Display stops at the Error display, press and hold the "Power operation" button for 5 seconds.
55	U p d a t e r e q u e s t i n g F i r m w a r e I n f o	Time Out while obtaining Firm-ware information.	This unit automatically retries the request several times. Wait until the Display stops. If the Display stops at the Error display, press and hold the "Power operation" button for 5 seconds.
56	C o n n e c t i o n F a i l e d	Unable to detect USB for Firm-ware Download.	Disconnect and reconnect the USB memory.
57	F i r m w a r e F i l e N o t F o u n d	No Firmware File for Firmware Download.	Make sure that the Firmware File is in the USB memory.
5A	C o n n e c t i o n F a i l e d	Invalid DeviceID in response or no response from Sub for the "C" command.	This unit automatically retries the request several times. Wait until the Display stops. If the Display stops at the Error display, press and hold the "Power operation" button for 5 seconds.
5B	U p d a t e r e q u e s t i n g F i r m w a r e I n f o	NACK received in response or no response from Sub for the "L" command.	This unit automatically retries the request several times. Wait until the Display stops. If the Display stops at the Error display, press and hold the "Power operation" button for 5 seconds.
5C	U p d a t e r e q u e s t i n g F i r m w a r e I n f o	No Update Packet received from CY920 (Time Out).	This unit automatically retries the request several times. Wait until the Display stops. If the Display stops at the Error display, press and hold the "Power operation" button for 5 seconds.
5D	U p d a t e r e q u e s t i n g F i r m w a r e I n f o	Abnormal data in Update Packet received from CY920 (CRCError).	This unit automatically retries the request several times. Wait until the Display stops. If the Display stops at the Error display, press and hold the "Power operation" button for 5 seconds.
5E	U p d a t e r e q u e s t i n g F i r m w a r e I n f o	Abnormal data in Update Packet received from CY920 (PacketNo-Error).	This unit automatically retries the request several times. Wait until the Display stops. If the Display stops at the Error display, press and hold the "Power operation" button for 5 seconds.

Error Code	USB Update Error Display	Details of Error code	Remedies
5F	U P D A T E : S E T U P F	Setup failure of the XModem transfer method.	This unit automatically retries the request several times. Wait until the Display stops. If the Display stops at the Error display, press and hold the "Power operation" button for 5 seconds.
60	U P D A T E : P N A K	NACK received in response or no response from Sub for the "P" command.	This unit automatically retries the request several times. Wait until the Display stops. If the Display stops at the Error display, press and hold the "Power operation" button for 5 seconds.
61	U P D A T E : C S E R R O R	Mismatched Check Sum in response or no response from Sub for the "I" command.	This unit automatically retries the request several times. Wait until the Display stops. If the Display stops at the Error display, press and hold the "Power operation" button for 5 seconds.
62	U P D A T E : P O W E R O N	Failed to start up Sub in Power On sequence during Update.	This unit automatically retries the request several times. Wait until the Display stops. If the Display stops at the Error display, press and hold the "Power operation" button for 5 seconds.
63	U P D A T E : A P P L I C A T I O N	Failed to transit to Application Mode.	This unit automatically retries the request several times. Wait until the Display stops. If the Display stops at the Error display, press and hold the "Power operation" button for 5 seconds.
64	U P D A T E : B O O T L O A D E R	Failed to transit to Boot Loader Mode.	This unit automatically retries the request several times. Wait until the Display stops. If the Display stops at the Error display, press and hold the "Power operation" button for 5 seconds.
80	U P D A T E : W R E N E L A T C H	Write Enable Latch Bit not set in Read after issuing the "WREN" command.	This unit automatically retries the request several times. Wait until the Display stops. If the Display stops at the Error display, press and hold the "Power operation" button for 5 seconds.
81	U P D A T E : B L K E R A S E	Block Erase failed in Read after issuing the "BE" command.	This unit automatically retries the request several times. Wait until the Display stops. If the Display stops at the Error display, press and hold the "Power operation" button for 5 seconds.
82	U P D A T E : C Y 9 2 0 T O O	No Update Packet received from CY920 (Time Out).	This unit automatically retries the request several times. Wait until the Display stops. If the Display stops at the Error display, press and hold the "Power operation" button for 5 seconds.
83	U P D A T E : C R C E R R O R	Abnormal data in Update Packet received from CY920 (CRCError).	This unit automatically retries the request several times. Wait until the Display stops. If the Display stops at the Error display, press and hold the "Power operation" button for 5 seconds.
84	U P D A T E : P A C K E T N O	Abnormal data in Update Packet received from CY920 (Packet No Error).	This unit automatically retries the request several times. Wait until the Display stops. If the Display stops at the Error display, press and hold the "Power operation" button for 5 seconds.
85	U P D A T E : D A T A L E N G T H	Abnormal data in Update Packet received from CY920 (Data Length / Data No).	This unit automatically retries the request several times. Wait until the Display stops. If the Display stops at the Error display, press and hold the "Power operation" button for 5 seconds.
86	U P D A T E : C S E R R O R	Mismatched Check Sum in Check Sum comparison after rewriting.	This unit automatically retries the request several times. Wait until the Display stops. If the Display stops at the Error display, press and hold the "Power operation" button for 5 seconds.
A2	C O N N E C T : N O U S B	Unable to detect USB.	This unit automatically retries the request several times. Wait until the Display stops. If the Display stops at the Error display, press and hold the "Power operation" button for 5 seconds.

Error Code	USB Update Error Display	Details of Error code	Remedies
A3	Firmware Not Found	No Firmware File in USB.	This unit automatically retries the request several times. Wait until the Display stops. If the Display stops at the Error display, press and hold the "Power operation" button for 5 seconds.
A4	Not Matched	The Firmware File in the USB does not support your model and area.	This unit automatically retries the request several times. Wait until the Display stops. If the Display stops at the Error display, press and hold the "Power operation" button for 5 seconds.
A6	Update Info Error	Error notification received while requesting the Firmware Info.	This unit automatically retries the request several times. Wait until the Display stops. If the Display stops at the Error display, press and hold the "Power operation" button for 5 seconds.
A7	Update Info Error	Time Out while obtaining Firmware information.	This unit automatically retries the request several times. Wait until the Display stops. If the Display stops at the Error display, press and hold the "Power operation" button for 5 seconds.
AE	Connect Error	Unable to detect USB for Firmware Download.	This unit automatically retries the request several times. Wait until the Display stops. If the Display stops at the Error display, press and hold the "Power operation" button for 5 seconds.
AF	Firmware Not Found	No Firmware File for Firmware Download.	This unit automatically retries the request several times. Wait until the Display stops. If the Display stops at the Error display, press and hold the "Power operation" button for 5 seconds.
B1	Download Error	Time Out in Download (writing to SDRAM) for Firmware Download.	This unit automatically retries the request several times. Wait until the Display stops. If the Display stops at the Error display, press and hold the "Power operation" button for 5 seconds.
B2	Update Info Error	Error notification received after rewriting the CY920 Firm.	This unit automatically retries the request several times. Wait until the Display stops. If the Display stops at the Error display, press and hold the "Power operation" button for 5 seconds.
B3	Update Info Error	Error in Firmware Update (Time Out).	This unit automatically retries the request several times. Wait until the Display stops. If the Display stops at the Error display, press and hold the "Power operation" button for 5 seconds.
B4	Update Info Error	Failed to transit to Boot Loader Mode.	This unit automatically retries the request several times. Wait until the Display stops. If the Display stops at the Error display, press and hold the "Power operation" button for 5 seconds.
B5	Update Info Error	Failed to transit to Application Mode.	This unit automatically retries the request several times. Wait until the Display stops. If the Display stops at the Error display, press and hold the "Power operation" button for 5 seconds.

---Checking the firmware version after updating---

After updating the firmware, check the version. See "**1. Version Display Mode**" (page 19).

1.11. Device display during the firmware update

Display the device being updated and the update progress.

Target device	USB Update Display	Error code when an error occurs																												
Main CPU	<table border="1"> <tr> <td rowspan="3">FLD</td> <td>L1</td> <td>M</td> <td>a</td> <td>i</td> <td>n</td> <td></td> <td></td> <td></td> <td></td> </tr> <tr> <td>L2</td> <td></td> <td>*</td> <td>*</td> <td>*</td> <td>a</td> <td>i</td> <td>n</td> <td></td> </tr> <tr> <td>L3</td> <td></td> <td></td> <td></td> <td></td> <td>*</td> <td>*</td> <td>%</td> <td></td> </tr> </table>	FLD	L1	M	a	i	n					L2		*	*	*	a	i	n		L3					*	*	%		10 - 16 36 - 3D 3F
FLD	L1		M	a	i	n																								
	L2			*	*	*	a	i	n																					
	L3					*	*	%																						
Audio PLD	<table border="1"> <tr> <td>FLD</td> <td>L1</td> <td>A</td> <td>P</td> <td>L</td> <td>D</td> <td></td> <td></td> <td></td> <td></td> </tr> </table>	FLD	L1	A	P	L	D					50 - 52 54 - 57 5A - 64																		
FLD	L1	A	P	L	D																									
DSP	<table border="1"> <tr> <td>FLD</td> <td>L1</td> <td>D</td> <td>S</td> <td>P</td> <td></td> <td></td> <td></td> <td></td> <td></td> </tr> </table>	FLD	L1	D	S	P						50 - 52 54 - 57 5A - 64																		
FLD	L1	D	S	P																										
GUI Serial Flash	<table border="1"> <tr> <td>FLD</td> <td>L1</td> <td>G</td> <td>U</td> <td>I</td> <td></td> <td></td> <td></td> <td></td> <td></td> </tr> </table>	FLD	L1	G	U	I						50 - 52 54 - 57 5A 62 - 64 80 - 86																		
FLD	L1	G	U	I																										
CY920 second Boot Loader	<table border="1"> <tr> <td>FLD</td> <td>L1</td> <td>E</td> <td>S</td> <td>B</td> <td>L</td> <td></td> <td></td> <td></td> <td></td> </tr> </table>	FLD	L1	E	S	B	L					A2 - A4 A6 - A7 AE - AF B1 - B5																		
FLD	L1	E	S	B	L																									
CY920 Image	<table border="1"> <tr> <td>FLD</td> <td>L1</td> <td>E</td> <td>I</td> <td>M</td> <td>G</td> <td></td> <td></td> <td></td> <td></td> </tr> </table>	FLD	L1	E	I	M	G					A2 - A4 A6 - A7 AE - AF B1 - B5																		
FLD	L1	E	I	M	G																									
CY920 Image (Emergency Mode)	<table border="1"> <tr> <td rowspan="3">FLD</td> <td>L1</td> <td>U</td> <td>p</td> <td>d</td> <td>a</td> <td>t</td> <td>e</td> <td></td> <td></td> </tr> <tr> <td>L2</td> <td>R</td> <td>e</td> <td>t</td> <td>r</td> <td>y</td> <td></td> <td></td> <td></td> </tr> <tr> <td>L3</td> <td></td> <td></td> <td></td> <td></td> <td></td> <td></td> <td></td> <td></td> </tr> </table>	FLD	L1	U	p	d	a	t	e			L2	R	e	t	r	y				L3									-
FLD	L1		U	p	d	a	t	e																						
	L2		R	e	t	r	y																							
	L3																													

---Checking the Firmware Version After the Update---

After updating the firmware, check the version. See "1. Version Display Mode" ([page 19](#)).

2. Updating via DPMS

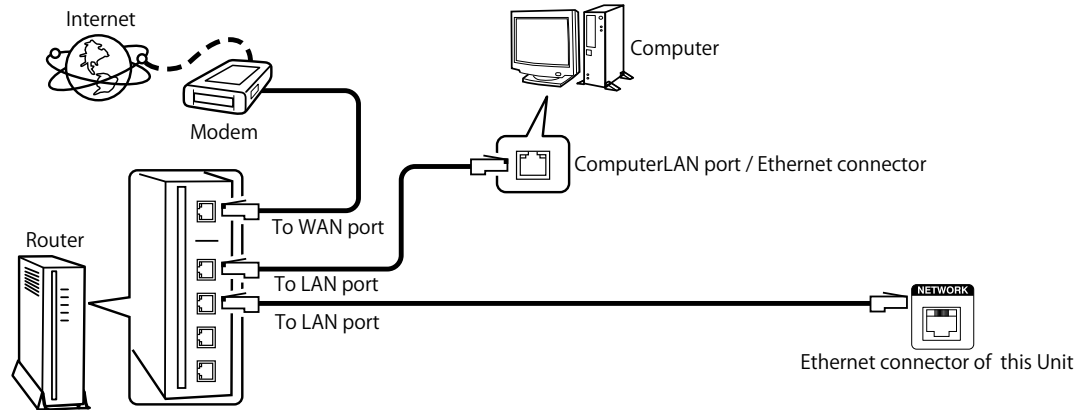
Download the latest firmware from our website and update the firmware.

2.1. Network Connection

(1) System Requirements

- Internet Connection by Broadband Circuit
- Modem
- Router
- Ethernet cable (CAT-5 or greater is recommended)

(2) Setting



2.2. Check and update the firmware

Check if there is a firmware update available. It is also possible to check approximately how long the update will take.

- (1) Press the **"SETUP"** button on the remote control to display the GUI menu.
- (2) Press the cursor button to select **"General"** → **"Firmware"** → **"Update"** → **"Check for Update"**.
- (3) Press the **"ENTER"** button.
 - The latest version of the firmware uploaded to the web is displayed.
 - If the latest firmware version is on the web, proceed to (4).
 - If the latest firmware is already installed, press the **"SETUP"** button to exit the menu.
- (4) Select **"Start"** using the cursor buttons, and then press **"ENTER"**.
 - The power display lights in red and the GUI screen display disappears during the update. The remaining time of the update is shown on the display of the unit.
 - Returns to the normal status after the update is completed.

---Cautions on Firmware Update---

- For the update procedure, a proper broadband Internet connection environment and settings are required.
- Do not turn off the power until updating is completed.
- It takes around 1 hour to complete the update.

Once an update is started, normal operations cannot be performed until it is completed.

The GUI menu settings and image adjustment settings of this unit may be initialized.

Note down the settings before updating, and set them again after updating.

2.3. About the error codes

See the following table for details on the error code display, details of the error code, remedies when updating the firmware via DPMS. (DPMS : D&M Product Management Server)

Error Code	DPMS Update Error Display	Details of Error code	Remedies
01	Log in failed	Failed to log in to DPMS.	Initialize the unit and try updating again. Carry out the update in an environment that has little network load.
02	Server is busy	Line etc. is congested when logging in to DPMS.	Carry out the update in an environment that has little network load.
03	ConnectionFailed	Connection to DPMS failed.	Check the network connection. Carry out the update in an environment that has little network load.
04	ConnectionFailed	Failed to obtain the entire Firmware information.	Check the network connection. Carry out the update in an environment that has little network load.
05	ConnectionFailed	Time Out while obtaining the entire Firmware information.	Check the network connection. Carry out the update in an environment that has little network load.
06	ConnectionFailed	Failed to obtain the individual Firmware information.	Check the network connection. Carry out the update in an environment that has little network load.
07	ConnectionFailed	Time Out while obtaining the individual Firmware information.	Check the network connection. Carry out the update in an environment that has little network load.
08	ConnectionFailed	Error notification received while requesting the Firmware Info.	Check the network connection. Carry out the update in an environment that has little network load.
09	ConnectionFailed	Time Out while obtaining Firmware information.	Check the network connection. Carry out the update in an environment that has little network load.
0A	Download failed	Error(NG) notification received while requesting Firmware Download.	Check the network connection. Carry out the update in an environment that has little network load.
0B	Download failed	Error(Server Busy) notification received while requesting Firmware Download.	Check the network connection. Carry out the update in an environment that has little network load.
0C	Download failed	Error(Connect failure) notification received while requesting Firmware Download.	Check the network connection. Carry out the update in an environment that has little network load.
0D	ConnectionFailed	Received value with the invalid Package Version.	Check the network connection. Carry out the update in an environment that has little network load.
0E	ConnectionFailed	Connection to DPMS failed. (Cannot get NTP)	Check the network connection. Carry out the update in an environment that has little network load.
10	Updating failed	No Update Packet received from CY920 (Time Out).	Turn off and on the power. Updating starts automatically.
11	Updating failed	Abnormal data in Update Packet received from CY920 (CRCError).	Turn off and on the power. Updating starts automatically.

Error Code	DPMS Update Error Display	Details of Error code	Remedies
12	Update Packet Error	Abnormal data in Update Packet received from CY920 (Packet No Error).	Turn off and on the power. Updating starts automatically.
13	Failed in Block Erase before rewriting Main.	Failed in Block Erase before rewriting Main.	Turn off and on the power. Updating starts automatically.
14	Update Packet Error	Failed in Block Erase while rewriting Main.	Turn off and on the power. Updating starts automatically.
15	Update Packet Error	Error in Verify after rewriting Main (Check Sum Error).	Turn off and on the power. Updating starts automatically.
16	Update Packet Error	Setup failure of the XModem transfer method.	Check the network connection. Carry out the update in an environment that has little network load.
20	Connection Failure	After SBL Mode IP Address acquisition failure (AutoIP).	Check the network connection. Carry out the update in an environment that has little network load.
21	Connection Failure	After SBL Mode IP Address acquisition failure (Time Out).	Check the network connection. Carry out the update in an environment that has little network load.
22	Login Failed	DPMS login incorrect notification after SBL.	Initialize the unit and try updating again. Carry out the update in an environment that has little network load.
23	Server is Busy	DPMS congestion notification after SBL.	Carry out the update in an environment that has little network load.
24	Connection Failure	DPMS connection failure notification after SBL.	Check the network connection. Carry out the update in an environment that has little network load.
25	Connection Failure	Failed to transit to SBL Mode.	Initialize the unit and try updating again.
26	Download Failed	Error in Firmware Download (Time Out).	Check the network connection. Carry out the update in an environment that has little network load.
27	Download Failed	Failed to write to EEPROM after SBL Mode.	Initialize the unit and try updating again.
36	Login Failed	DPMS login incorrect notification.	Carry out the update in an environment that has little network load.
37	Server is Busy	DPMS congestion notification.	Carry out the update in an environment that has little network load.
38	Connection Failure	DPMS connection failure notification.	Check the network connection. Carry out the update in an environment that has little network load.

Error Code	DPMS Update Error Display	Details of Error code	Remedies
39	Connect: onFail 39	DPMS connection Time Out Error.	Check the network connection. Carry out the update in an environment that has little network load.
3A	Downloaded fail 3A	Error(NG) notification received while requesting Firmware Download.	Turn off and on the power. Updating starts automatically. Carry out the update in an environment that has little network load.
3B	Downloaded fail 3B	Error(Server Busy) notification received while requesting Firmware Download.	Turn off and on the power. Updating starts automatically. Carry out the update in an environment that has little network load.
3C	Downloaded fail 3C	Error(Connect failure) notification received while requesting Firmware Download.	Turn off and on the power. Updating starts automatically. Carry out the update in an environment that has little network load.
3D	Connect: onFail 3D	After SBL Mode IP Address acquisition failure (AutoIP).	Check the network connection. Carry out the update in an environment that has little network load.
3E	Connect: onFail 3E	After SBL Mode IP Address acquisition failure (Time Out).	Check the network connection. Carry out the update in an environment that has little network load.
3F	Connect: onFail 3F	Failed to transit to SBL Mode.	Check the network connection. Carry out the update in an environment that has little network load.
50	Login failed 50	DPMS login incorrect notification.	Carry out the update in an environment that has little network load.
51	Server is busy 51	DPMS congestion notification.	Carry out the update in an environment that has little network load.
52	Connect: onFail 52	DPMS connection failure notification.	Check the network connection. Carry out the update in an environment that has little network load.
54	Updating fail 54	Error notification received while requesting the Firmware Info.	Turn off and on the power. Updating starts automatically. Carry out the update in an environment that has little network load.
55	Updating fail 55	Time Out while obtaining Firmware information.	Turn off and on the power. Updating starts automatically. Carry out the update in an environment that has little network load.
56	Downloaded fail 56	Error(NG) notification received while requesting Firmware Download.	Turn off and on the power. Updating starts automatically. Carry out the update in an environment that has little network load.
57	Downloaded fail 57	Error(Server Busy) notification received while requesting Firmware Download.	Turn off and on the power. Updating starts automatically. Carry out the update in an environment that has little network load.
58	Downloaded fail 58	Error(Connect failure) notification received while requesting Firmware Download.	Turn off and on the power. Updating starts automatically. Carry out the update in an environment that has little network load.
5A	Connect: onFail 5A	Invalid DeviceID in response or no response from Sub for the "C" command.	Turn off and on the power. Updating starts automatically.

Error Code	DPMS Update Error Display	Details of Error code	Remedies
5B		NACK received in response or no response from Sub for the "L" command.	Turn off and on the power. Updating starts automatically.
5C		No Update Packet received from CY920 (Time Out).	Turn off and on the power. Updating starts automatically.
5D		Abnormal data in Update Packet received from CY920 (CRCError).	Turn off and on the power. Updating starts automatically.
5E		Abnormal data in Update Packet received from CY920 (PacketNo-Error).	Turn off and on the power. Updating starts automatically.
5F		Setup failure of the XModem transfer method.	Turn off and on the power. Updating starts automatically.
60		NACK received in response or no response from Sub for the "p" command.	Turn off and on the power. Updating starts automatically.
61		Mismatched Check Sum in response or no response from Sub for the "I" command.	Turn off and on the power. Updating starts automatically.
62		Failed to start up Sub in Power On sequence during Update.	Turn off and on the power. Updating starts automatically.
80		Write Enable Latch Bit not set in Read after issuing the "WREN" command.	Turn off and on the power. Updating starts automatically.
81		Block Erase failed in Read after issuing the "BE" command.	Turn off and on the power. Updating starts automatically.
82		No Update Packet received from CY920 (Time Out).	Turn off and on the power. Updating starts automatically.
83		Abnormal data in Update Packet received from CY920 (CRCError).	Turn off and on the power. Updating starts automatically.
84		Abnormal data in Update Packet received from CY920 (PacketNo-Error).	Turn off and on the power. Updating starts automatically.
85		Setup failure of the XModem transfer method.	Turn off and on the power. Updating starts automatically.
86		Mismatched Check Sum in Check Sum comparison after rewriting.	Turn off and on the power. Updating starts automatically.
A0		IP Address acquisition failure (AutoIP).	Check the network connection. Carry out the update in an environment that has little network load.

Error Code	DPMS Update Error Display	Details of Error code	Remedies
A1	Connect:confail	IP Address acquisition failure (Time Out).	Check the network connection. Carry out the update in an environment that has little network load.
A2	Logins:fail	DPMS login incorrect notification.	Check the network connection. Carry out the update in an environment that has little network load.
A3	Server:is:busy	DPMS congestion notification.	Check the network connection. Carry out the update in an environment that has little network load.
A4	Connect:confail	DPMS connection failure notification.	Check the network connection. Carry out the update in an environment that has little network load.
A6	Update:info:fail	Error notification received while requesting the Firmware Info.	Turn off and on the power. Updating starts automatically. Carry out the update in an environment that has little network load.
A7	Update:info:fail	Time Out while obtaining Firmware information.	Turn off and on the power. Updating starts automatically. Carry out the update in an environment that has little network load.
AE	Download:fail	Error(NG) notification received while requesting Firmware Download.	Turn off and on the power. Updating starts automatically. Carry out the update in an environment that has little network load.
AF	Download:fail	Error(Server Busy) notification received while requesting Firmware Download.	Turn off and on the power. Updating starts automatically. Carry out the update in an environment that has little network load.
B0	Download:fail	Error(Connect failure) notification received while requesting Firmware Download.	Turn off and on the power. Updating starts automatically. Carry out the update in an environment that has little network load.
B1	Download:fail	Error in Firmware Download (Time Out).	Turn off and on the power. Updating starts automatically. Carry out the update in an environment that has little network load.
B2	Download:fail	Error notification received after rewriting the CY920 Firm.	Turn off and on the power. Updating starts automatically. Carry out the update in an environment that has little network load.
B3	Update:info:fail	Error in Firmware Update (Time Out).	Turn off and on the power. Updating starts automatically. Carry out the update in an environment that has little network load.
B4	Update:info:fail	Failed to transit to Boot Loader Mode.	Initialize the unit and try updating again.
B5	Update:info:fail	Failed to transit to Application Mode.	Initialize the unit and try updating again.

Device display during the firmware update

Display the device being updated and the update progress.

Target device	DPMS Update Display	Error code when an error occurs																												
Main CPU	<table border="1"> <tr> <td rowspan="3">FLD</td> <td>L1</td> <td>M</td> <td>a</td> <td>i</td> <td>n</td> <td></td> <td></td> <td></td> <td></td> </tr> <tr> <td>L2</td> <td></td> <td>*</td> <td>*</td> <td>*</td> <td>m</td> <td>i</td> <td>n</td> <td></td> </tr> <tr> <td>L3</td> <td></td> <td></td> <td></td> <td></td> <td>*</td> <td>*</td> <td>%</td> <td></td> </tr> </table>	FLD	L1	M	a	i	n					L2		*	*	*	m	i	n		L3					*	*	%		10 - 16 36 - 3F
FLD	L1		M	a	i	n																								
	L2			*	*	*	m	i	n																					
	L3					*	*	%																						
Audio PLD	<table border="1"> <tr> <td>FLD</td> <td>L1</td> <td>A</td> <td>P</td> <td>L</td> <td>D</td> <td></td> <td></td> <td></td> <td></td> </tr> </table>	FLD	L1	A	P	L	D					50 - 52 54 - 58 5A - 62																		
FLD	L1	A	P	L	D																									
DSP	<table border="1"> <tr> <td>FLD</td> <td>L1</td> <td>D</td> <td>S</td> <td>P</td> <td></td> <td></td> <td></td> <td></td> <td></td> </tr> </table>	FLD	L1	D	S	P						50 - 52 54 - 58 5A - 62																		
FLD	L1	D	S	P																										
GUI Serial Flash	<table border="1"> <tr> <td>FLD</td> <td>L1</td> <td>G</td> <td>U</td> <td>I</td> <td></td> <td></td> <td></td> <td></td> <td></td> </tr> </table>	FLD	L1	G	U	I						50 - 52 54 - 58 5A 62 80 - 86																		
FLD	L1	G	U	I																										
CY920 second Boot Loader	<table border="1"> <tr> <td>FLD</td> <td>L1</td> <td>E</td> <td>S</td> <td>B</td> <td>L</td> <td></td> <td></td> <td></td> <td></td> </tr> </table>	FLD	L1	E	S	B	L					A0 - A4 A6 - A7 AE - B5																		
FLD	L1	E	S	B	L																									
CY920 Image	<table border="1"> <tr> <td>FLD</td> <td>L1</td> <td>E</td> <td>I</td> <td>M</td> <td>G</td> <td></td> <td></td> <td></td> <td></td> </tr> </table>	FLD	L1	E	I	M	G					A0 - A4 A6 - A7 AE - B5																		
FLD	L1	E	I	M	G																									
CY920 Image (Emergency Mode)	<table border="1"> <tr> <td rowspan="3">FLD</td> <td>L1</td> <td>U</td> <td>p</td> <td>d</td> <td>a</td> <td>t</td> <td>e</td> <td></td> <td></td> </tr> <tr> <td>L2</td> <td>R</td> <td>e</td> <td>t</td> <td>r</td> <td>y</td> <td></td> <td></td> <td></td> </tr> <tr> <td>L3</td> <td></td> <td></td> <td></td> <td></td> <td></td> <td></td> <td></td> <td></td> </tr> </table>	FLD	L1	U	p	d	a	t	e			L2	R	e	t	r	y				L3									—
FLD	L1		U	p	d	a	t	e																						
	L2		R	e	t	r	y																							
	L3																													

---Checking the Firmware Version After the Update---

After updating the firmware, check the version.

See "1. Version Display Mode" ([page 19](#)).

SURROUND MODES AND PARAMETERS

Sound modes and channel output

- This indicates the audio output channels or surround parameters that can be set.
- ⊙ This indicates the audio output channels. The output channels depend on the settings of “Speaker Config.”.

Sound mode	Channel output									
	Front L/R	Center	Surround L/R	Surround Back L/R	Front Height L/R	Top Front L/R	Top Middle L/R	Front Dolby Atmos Enabled L/R	Surround Dolby Atmos Enabled L/R	Subwoofer
Direct/Pure Direct (2-channel)	○									⊙*4
Direct/Pure Direct (Multi-channel)	○	⊙	⊙	⊙*1	⊙*1	⊙*1	⊙*1	⊙*1	⊙*1	⊙
Stereo	○									⊙
Multi Ch In	○	⊙	⊙	⊙*1	⊙*3	⊙*3	⊙*3	⊙*3	⊙*3	⊙
Dolby Surround	○	⊙	⊙	⊙*2	⊙	⊙	⊙	⊙	⊙	⊙
DTS Neural:X	○	⊙	⊙	⊙	⊙	⊙	⊙	⊙	⊙	⊙
Dolby Digital	○	⊙	⊙		⊙*3	⊙*3	⊙*3	⊙*3	⊙*3	⊙
Dolby Digital Plus	○	⊙	⊙	⊙*1	⊙*1	⊙*3	⊙*3	⊙*3	⊙*3	⊙
Dolby TrueHD	○	⊙	⊙	⊙*1	⊙*1	⊙*3	⊙*3	⊙*3	⊙*3	⊙
Dolby Atmos	○	⊙	⊙			⊙	⊙	⊙	⊙	⊙
DTS Surround	○	⊙	⊙	⊙	⊙*3	⊙*3	⊙*3	⊙*3	⊙*3	⊙
DTS 96/24	○	⊙	⊙		⊙*3	⊙*3	⊙*3	⊙*3	⊙*3	⊙
DTS-HD	○	⊙	⊙	⊙*1	⊙*1	⊙*3	⊙*3	⊙*3	⊙*3	⊙
DTS Express	○	⊙	⊙		⊙*3	⊙*3	⊙*3	⊙*3	⊙*3	⊙
DTS:X	○	⊙	⊙	⊙	⊙	⊙	⊙	⊙	⊙	⊙
Multi Ch Stereo	○	⊙	⊙	⊙	⊙	⊙	⊙	⊙	⊙	⊙
Virtual	○									⊙

- *1 A signal for each channel contained in an input signal is output as audio.
- *2 Audio is not output when “Speaker Config.” - “Surr. Back” in the menu is set to “1 spkr”.
- *3 Audio is output when the set sound mode name contains “+ Dolby Surround”.
- *4 Audio is output when “Subwoofer Mode” in the menu is set to “LFE+Main”.

Sound modes and surround parameters

Sound mode	Surround Parameter						
	Dialog Level Adjust	Subwoofer Level Adjust	Cinema EQ	Loudness Management *1	Dynamic Compression *2	Dialog Control *3	Low Frequency Effects *4
Direct/Pure Direct (2-channel) *5		○*6		○	○		
Direct/Pure Direct (Multi-channel) *5	○	○		○	○		○
Stereo		○		○	○		○
Multi Ch In	○	○	○				○
Dolby Surround	○	○	○	○	○		○
DTS Neural:X	○	○	○	○	○		○
Dolby Digital	○	○	○	○	○		○
Dolby Digital Plus	○	○	○	○	○		○
Dolby TrueHD	○	○	○	○	○		○
Dolby Atmos	○	○	○	○	○		○
DTS Surround	○	○	○		○		○
DTS 96/24	○	○	○				○
DTS-HD	○	○	○				○
DTS Express	○	○	○				○
DTS:X	○	○	○		○	○	○
Multi Ch Stereo	○	○	○		○		○
Virtual		○		○	○		○

- *1 - *6 : “Sound modes and surround parameters”

Sound mode	Surround Parameter		Tone *7	Audyssey			M-DAX *10
	Center Spread	DTS Neural:X		MultEQ® XT *8	Dynamic EQ *9	Dynamic Volume *9	
Direct/Pure Direct (2-channel) *5							
Direct/Pure Direct (Multi-channel) *5							
Stereo			○	○	○	○	○
Multi Ch In			○	○	○	○	
Dolby Surround	○		○	○	○	○	○
DTS Neural:X			○	○	○	○	○
Dolby Digital			○	○	○	○	
Dolby Digital Plus			○	○	○	○	
Dolby TrueHD			○	○	○	○	
Dolby Atmos			○	○	○	○	
DTS Surround			○	○	○	○	
DTS 96/24			○	○	○	○	
DTS-HD			○	○	○	○	
DTS Express			○	○	○	○	
DTS:X		○	○	○	○	○	
Multi Ch Stereo			○	○	○	○	○
Virtual			○	○	○	○	○

*5, *7 - *10: "Sound modes and surround parameters"

- *1 This item can be selected when a Dolby Digital, Dolby Digital Plus, Dolby TrueHD, Dolby Atmos, DTS:X or DTS signal is played.
- *2 This item can be selected when a Dolby TrueHD, Dolby Digital, Dolby Atmos, DTS:X or DTS signal is played.
- *3 This item can be selected when a DTS:X signal that is compatible with the Dialog Control function is input.
- *4 This item can be selected when a Dolby Digital or DTS signal or DVD-Audio is played.
- *5 During playback in Pure Direct mode, the surround parameters are the same as in Direct mode.
- *6 This setting is available when "Subwoofer Mode" in the menu is set to "LFE+Main".
- *7 This item cannot be set when "Dynamic EQ" is set to "On".
- *8 This item cannot be set when Audyssey® Setup (Speaker Calibration) has not been performed.
- *9 This item cannot be set when "MultEQ® XT" is set to "Off".
- *10 This item can be set when the input signal is analog, PCM 48 kHz or 44.1 kHz.

Types of input signals, and corresponding sound modes

- This indicates the default sound mode.
- This indicates the selectable sound mode.

Sound mode	NOTE	2-channel signal			Multi-channel signal										
		Analog / PCM	Dolby Digital (+/HD)	DTS (-HD)	PCM Multi	DTS:X	DTS-HD	DTS Express	DTS ES Dscrt6.1	DTS ES Mtrx6.1	DTS	Dolby Atmos	Dolby TrueHD	Dolby Digital Plus	Dolby Digital (EX)
DTS Surround						●									
DTS:X MSTR / DTS:X						●									
DTS-HD MSTR							●*3								
DTS-HD HI RES							●*4								
DTS ES Dscrt6.1	*2								●						
DTS ES Mtrx6.1	*2									●					
DTS Surround									○	○					
DTS 96/24											●*5				
DTS Express								●							
DTS (-HD) + Neural:X							○	○							
DTS Neural:X		○		●											
Dolby Surround															
Dolby Atmos *1												●			
Dolby TrueHD												○*6	○		
Dolby Digital+												○*7		○	
Dolby (D+) (HD) + Dolby Surround													●		●
Dolby Digital														●	○
Dolby Surround		○	●												

*1 – *7 : “Types of input signals, and corresponding sound modes”

Sound mode	NOTE	2-channel signal			Multi-channel signal										
		Analog / PCM	Dolby Digital (+/HD)	DTS (-HD)	PCM Multi	DTS:X	DTS-HD	DTS Express	DTS ES Dscrt6.1	DTS ES Mtrx6.1	DTS	Dolby Atmos	Dolby TrueHD	Dolby Digital Plus	Dolby Digital (EX)
Multi Ch In															
Multi Ch In					●										
Multi Ch In + Dolby Surround					○										
Multi Ch In 7.1	*2				○*9										
Multi Ch In + Neural:X					○										
Direct															
Direct		○*8	○	○	○	○	○	○	○	○	○	○	○	○	○
Pure Direct															
Pure Direct		○	○	○	○	○	○	○	○	○	○	○	○	○	○
Original sound mode															
Multi Ch Stereo		○	○	○	○	○	○	○	○	○	○	○	○	○	○
Virtual		○	○	○	○	○	○	○	○	○	○	○*10	○	○	○
Stereo															
Stereo		●	○	○	○	○	○	○	○	○	○	○	○	○	○

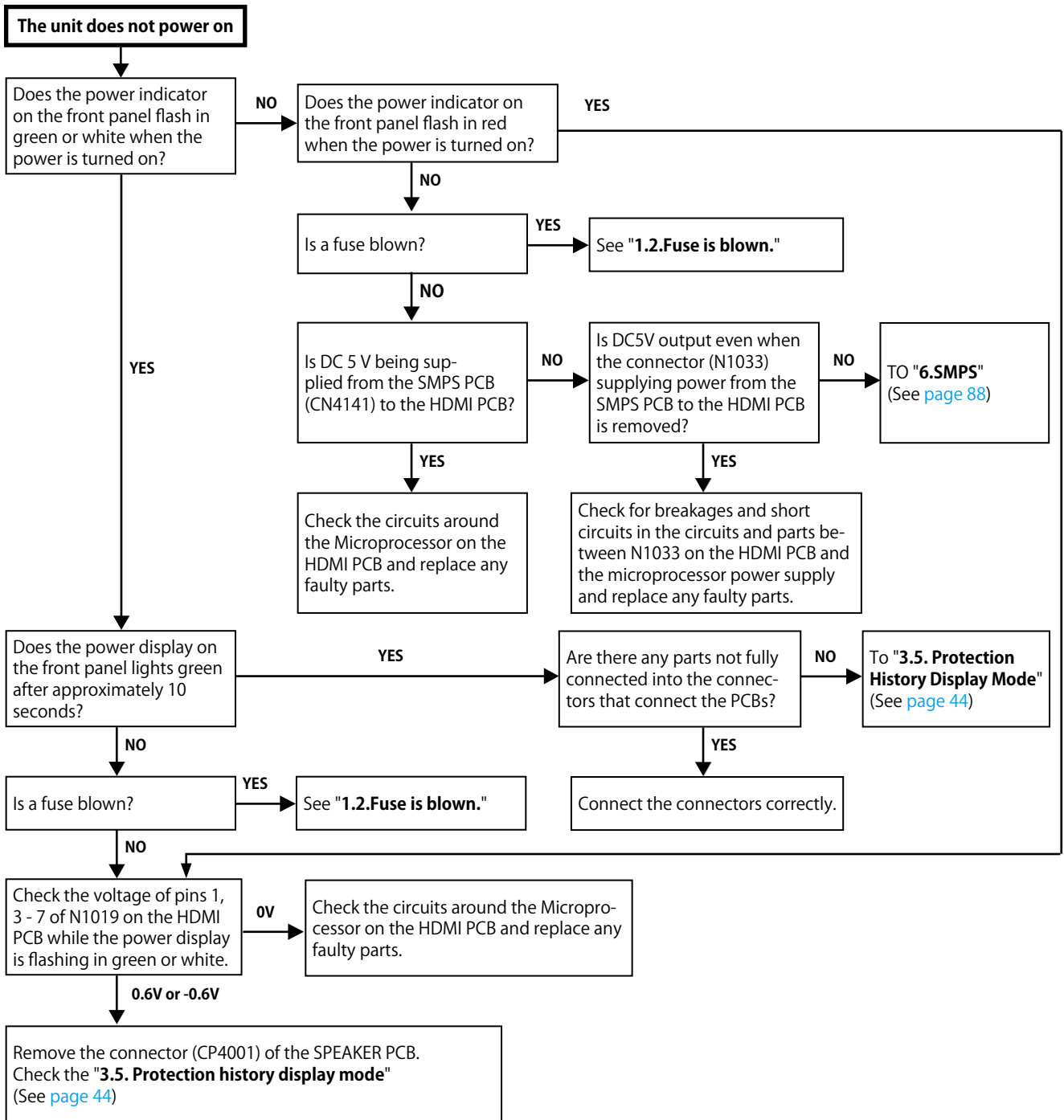
*2, *8 – *10 : “Types of input signals, and corresponding sound modes”

- *1 This item can be selected when using any of the Surround Back, Front Height, Top Front, Top Middle, Front Dolby or Surround Dolby speaker.
- *2 This item can be selected when surround back speakers are used.
- *3 This item can be selected when the input signal is DTS-HD Master Audio.
- *4 This item can be selected when the input signal is DTS-HD Hi Resolution.
- *5 This item can be selected when the input signal is DTS 96/24.
- *6 This can be selected when the Dolby Atmos signal contains the Dolby TrueHD signal.
- *7 This can be selected when the Dolby Atmos signal contains the Dolby Digital Plus signal.
- *8 The default sound mode for the AirPlay playback is “Direct”.
- *9 This item can be selected when the input signals contain surround back signals.
- *10 This can be selected when the Dolby Atmos signal contains the Dolby TrueHD or Dolby Digital Plus signal.

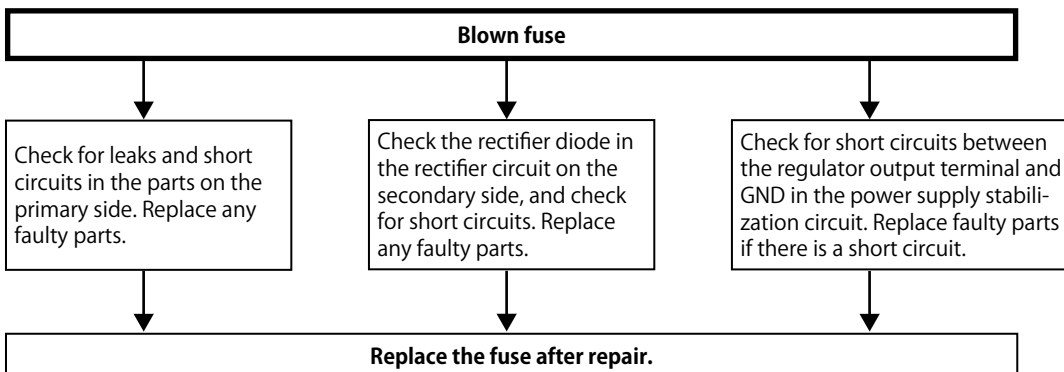
TROUBLE SHOOTING

1. POWER

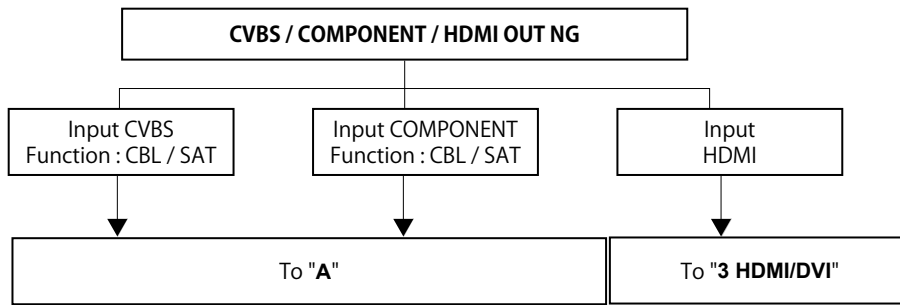
1.1. The unit does not power on



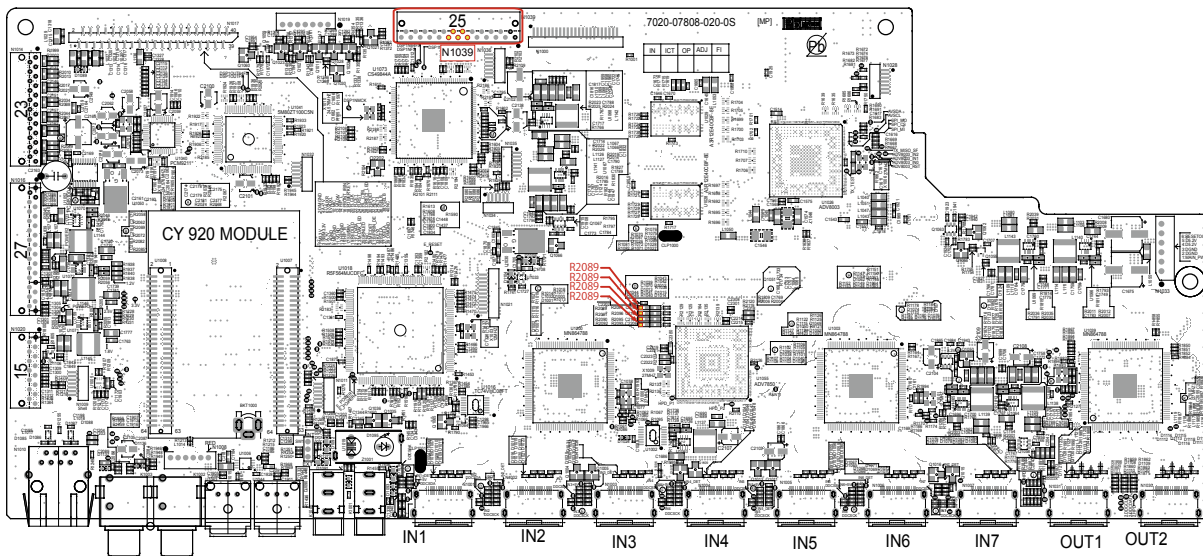
1.2. Fuse is blown



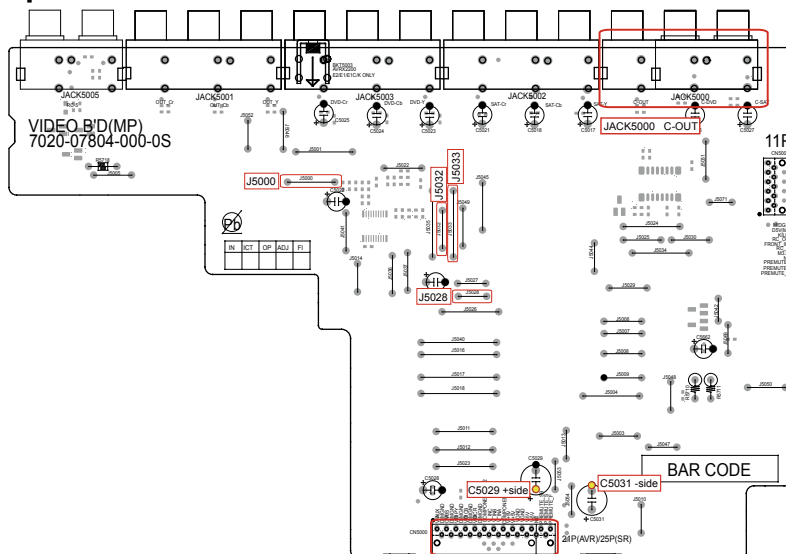
2. Analog video



<HDMI PCB> test point



<VIDEO PCB> test point



A

**Input
CVBS / COMPONENT**

①

Check the input signal to the VIDEO DECODER.
Can a signal be confirmed at the following points?
HDMI PCB
V : R2092
COMPONENT-Y : R2089
COMPONENT-Cb : R2091
COMPONENT-Cr : R2090

NO

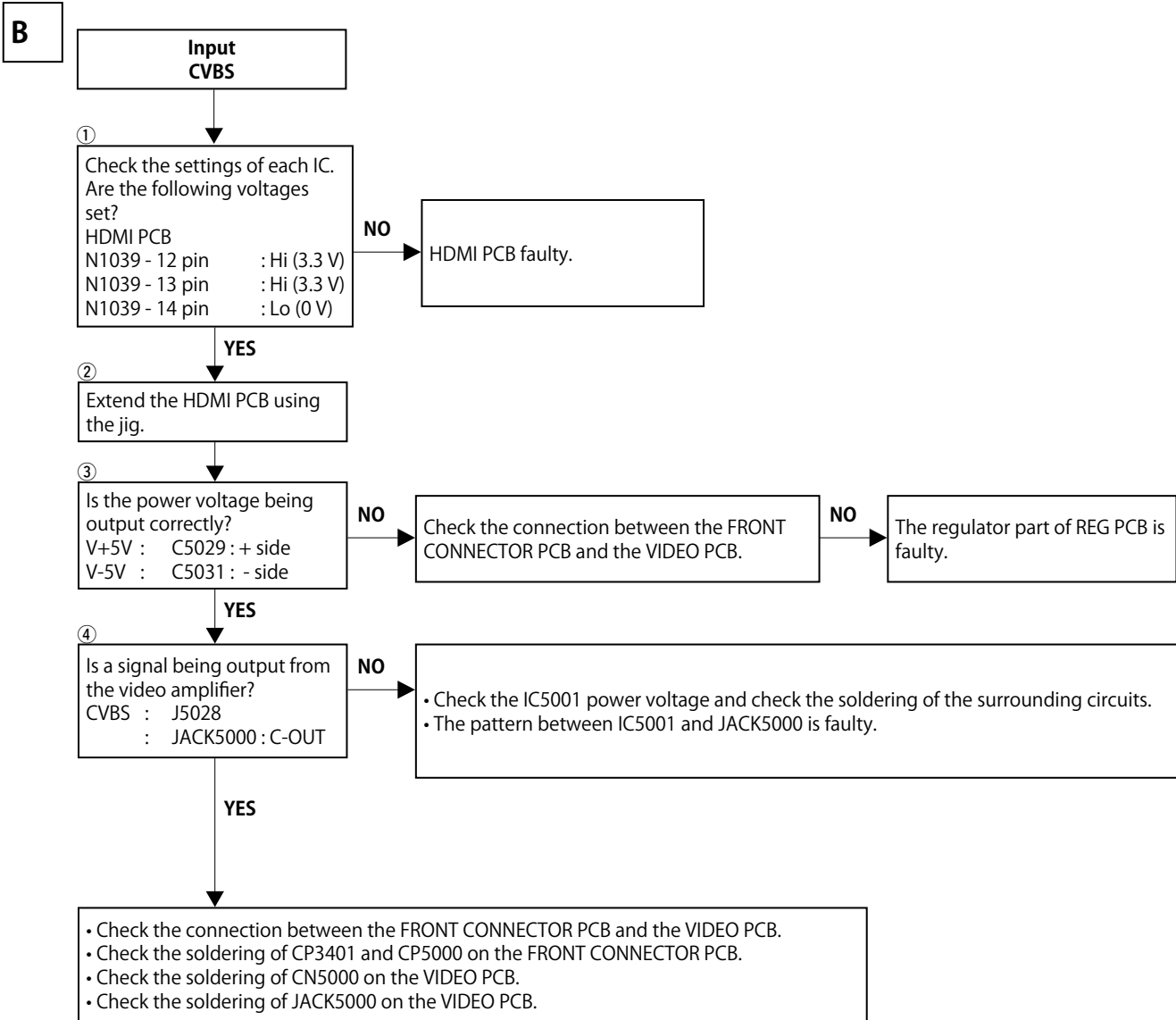
Check the connection between the boards.

NO

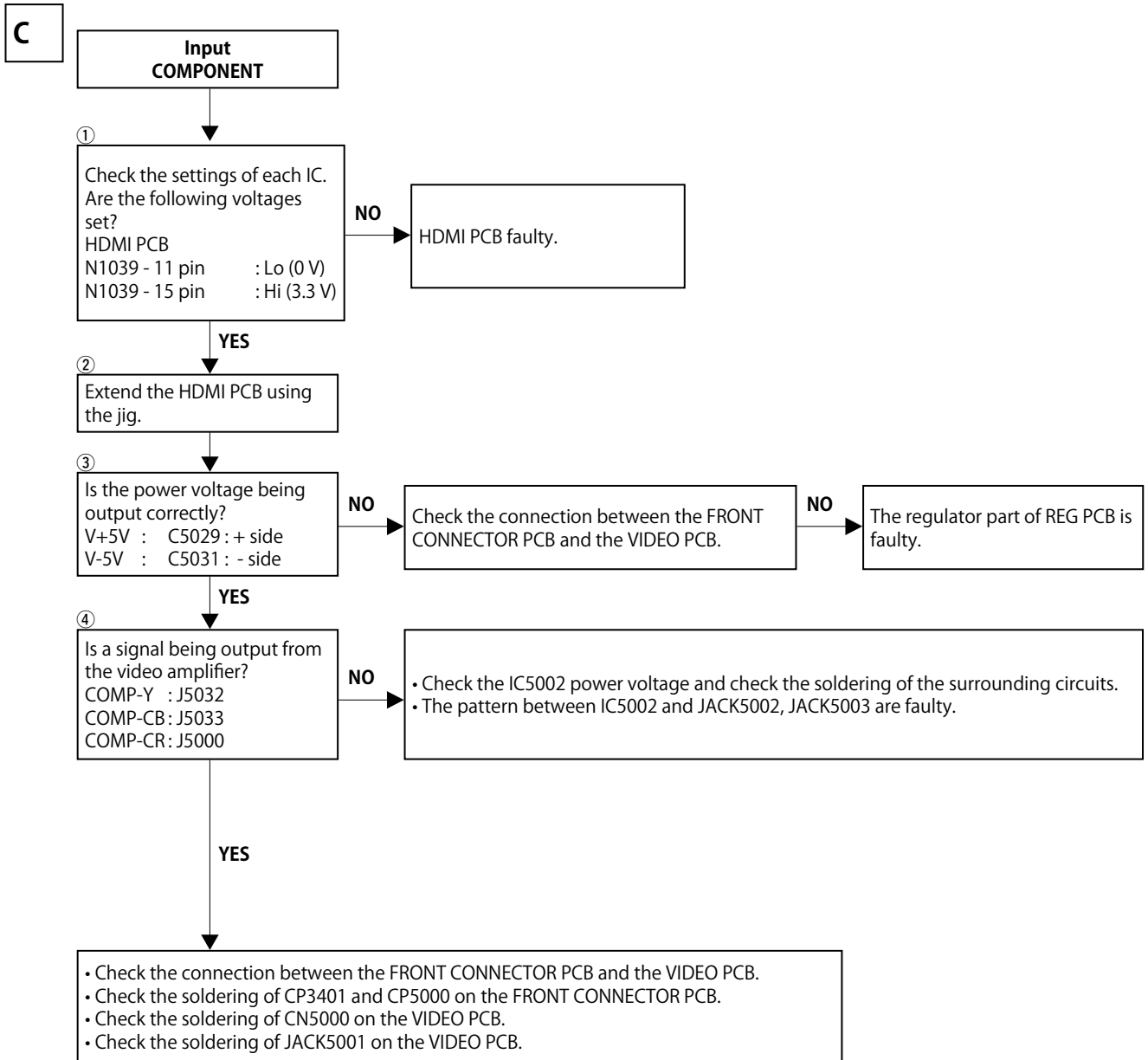
**Input CVBS : Check B
Input COPONENT : Check C**

YES

**Output COMPONENT NG : Check C-4
Output HDMI NG : See 3. HDMI/DVI**



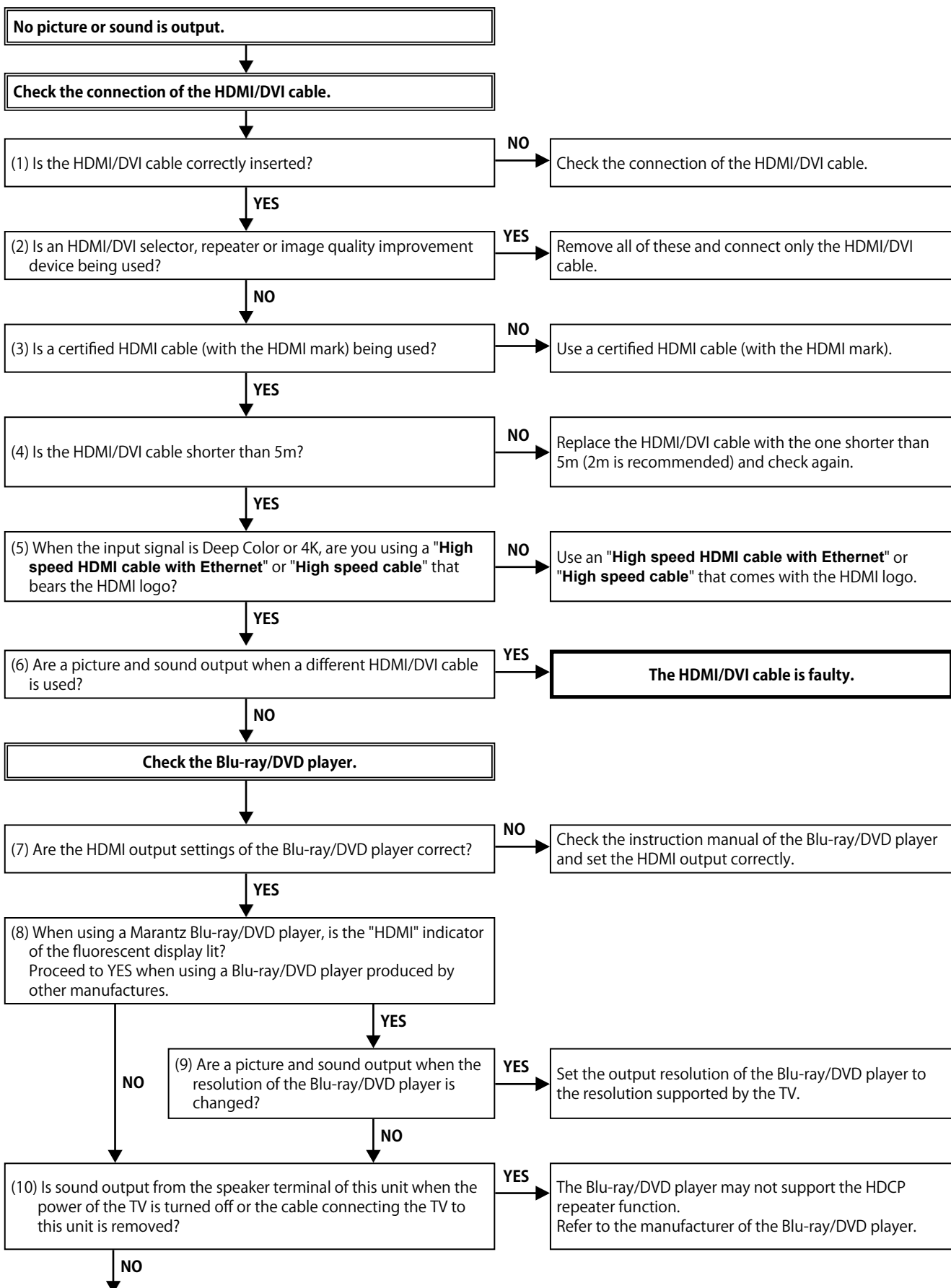
※ These instructions refer to the VIDEO PCB unless otherwise specified.

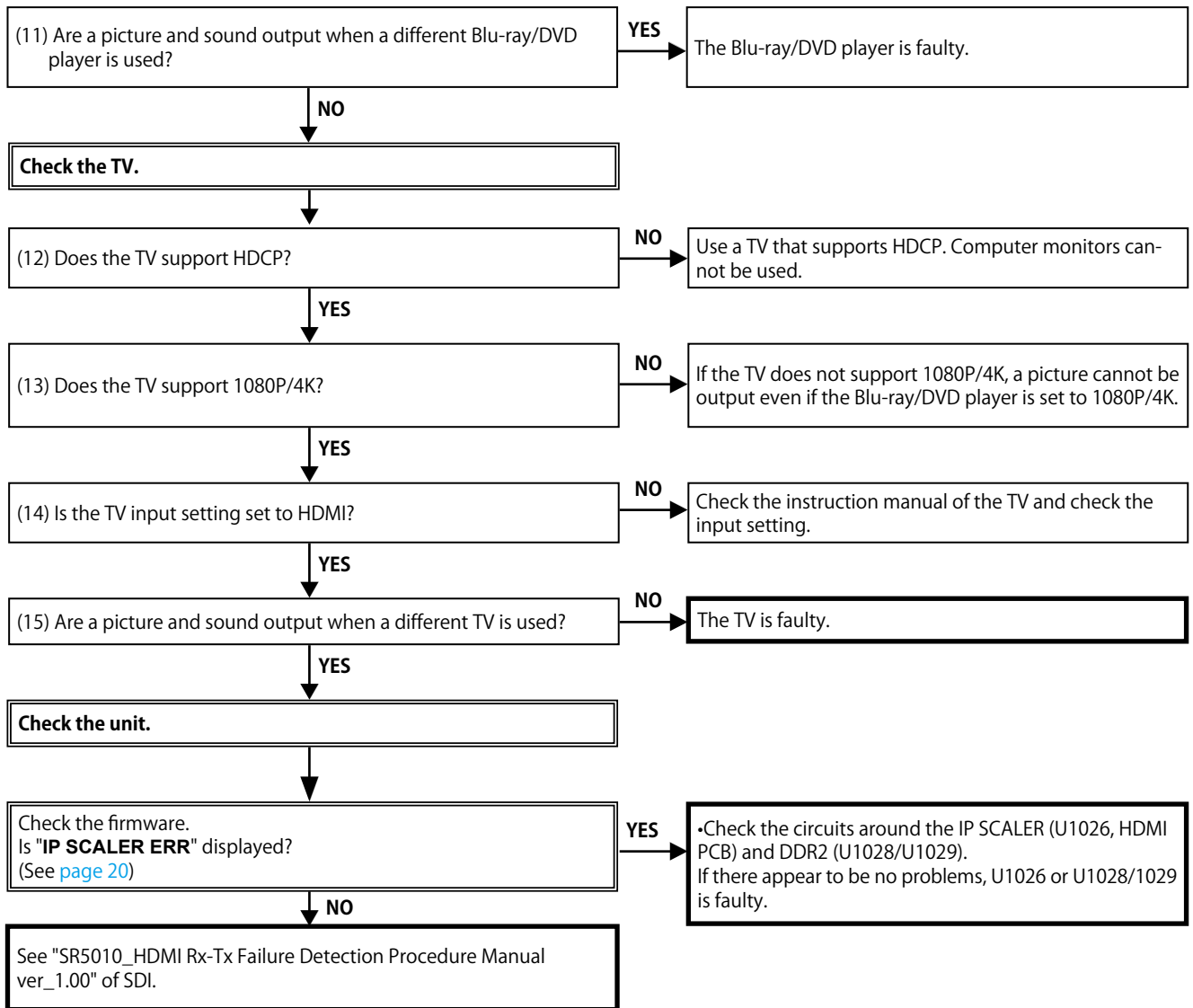


※ These instructions refer to the VIDEO PCB unless otherwise specified.

3. HDMI/DVI

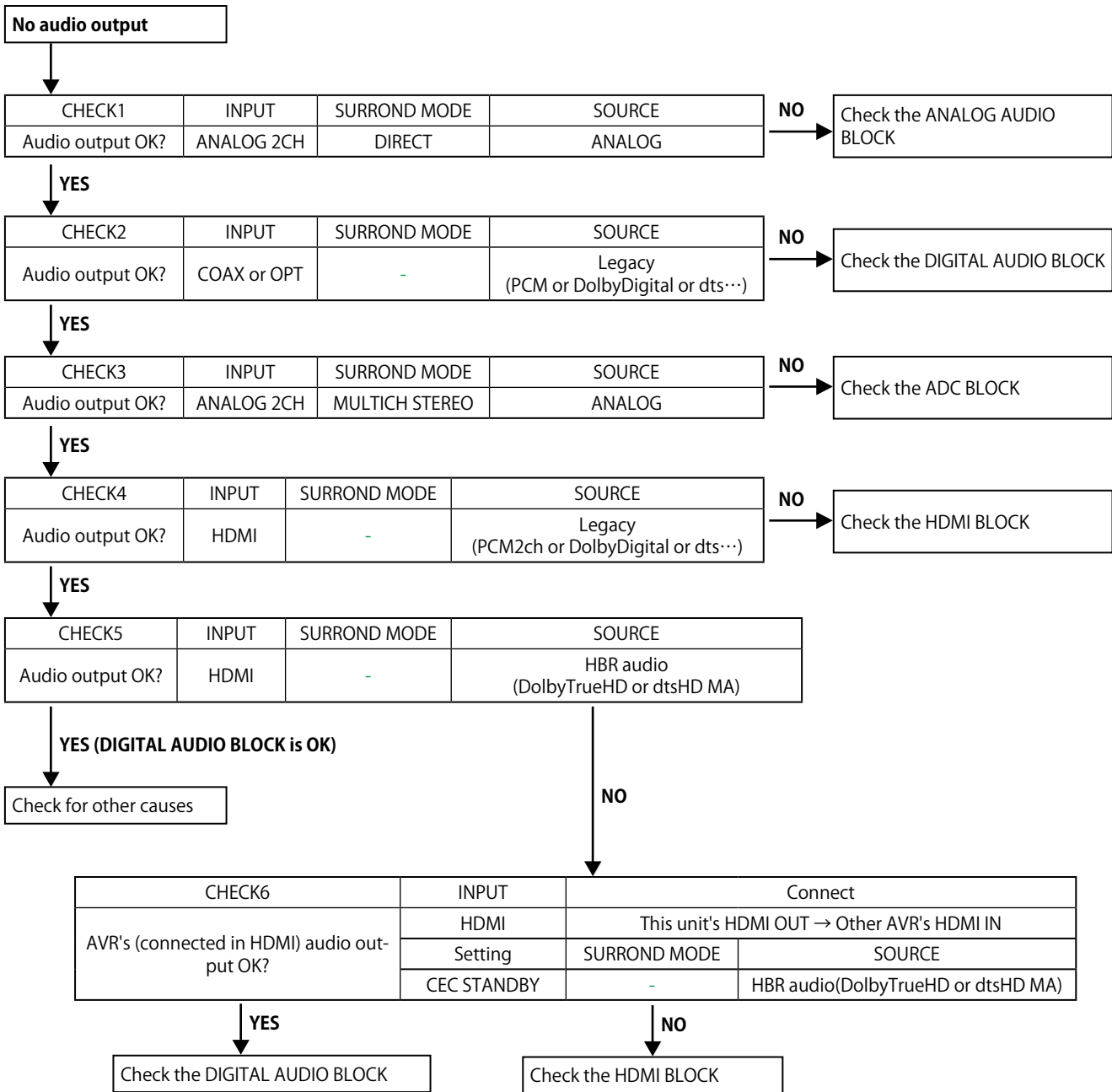
3.1. No picture or sound is output (HDMI to HDMI)



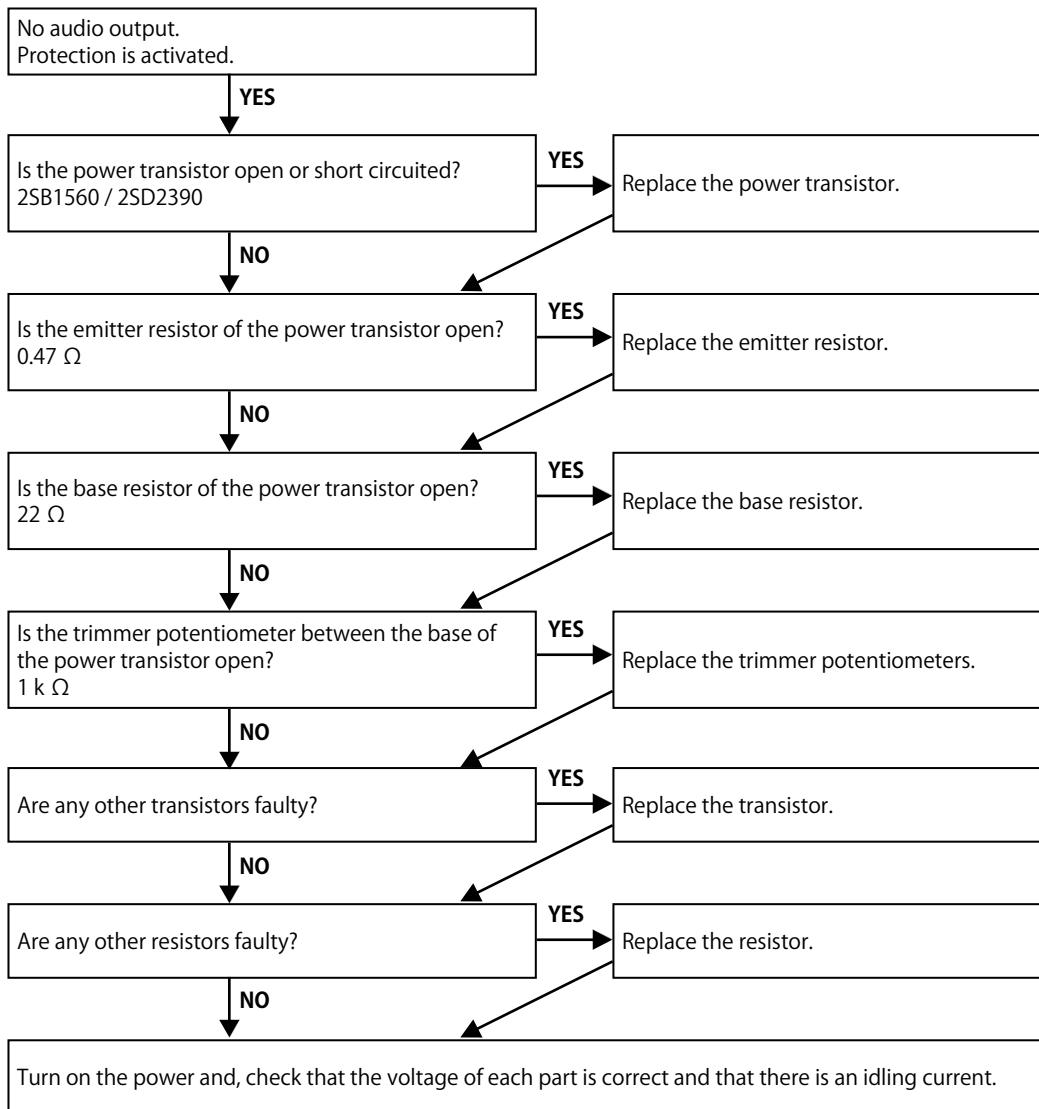


4. AUDIO

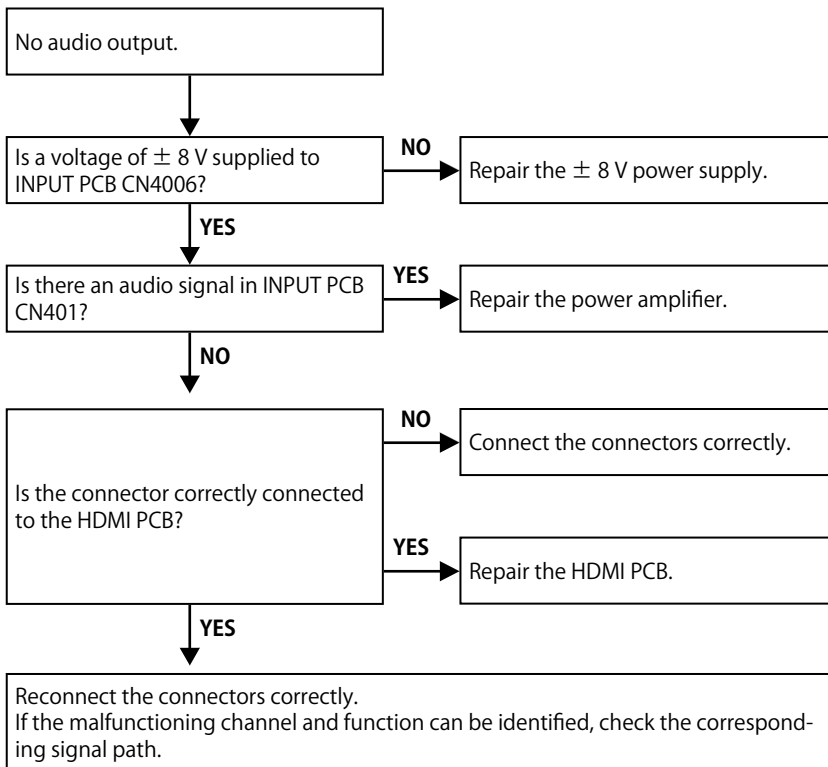
4.1. AUDIO CHECK



4.2. Power AMP (AMP PCB)

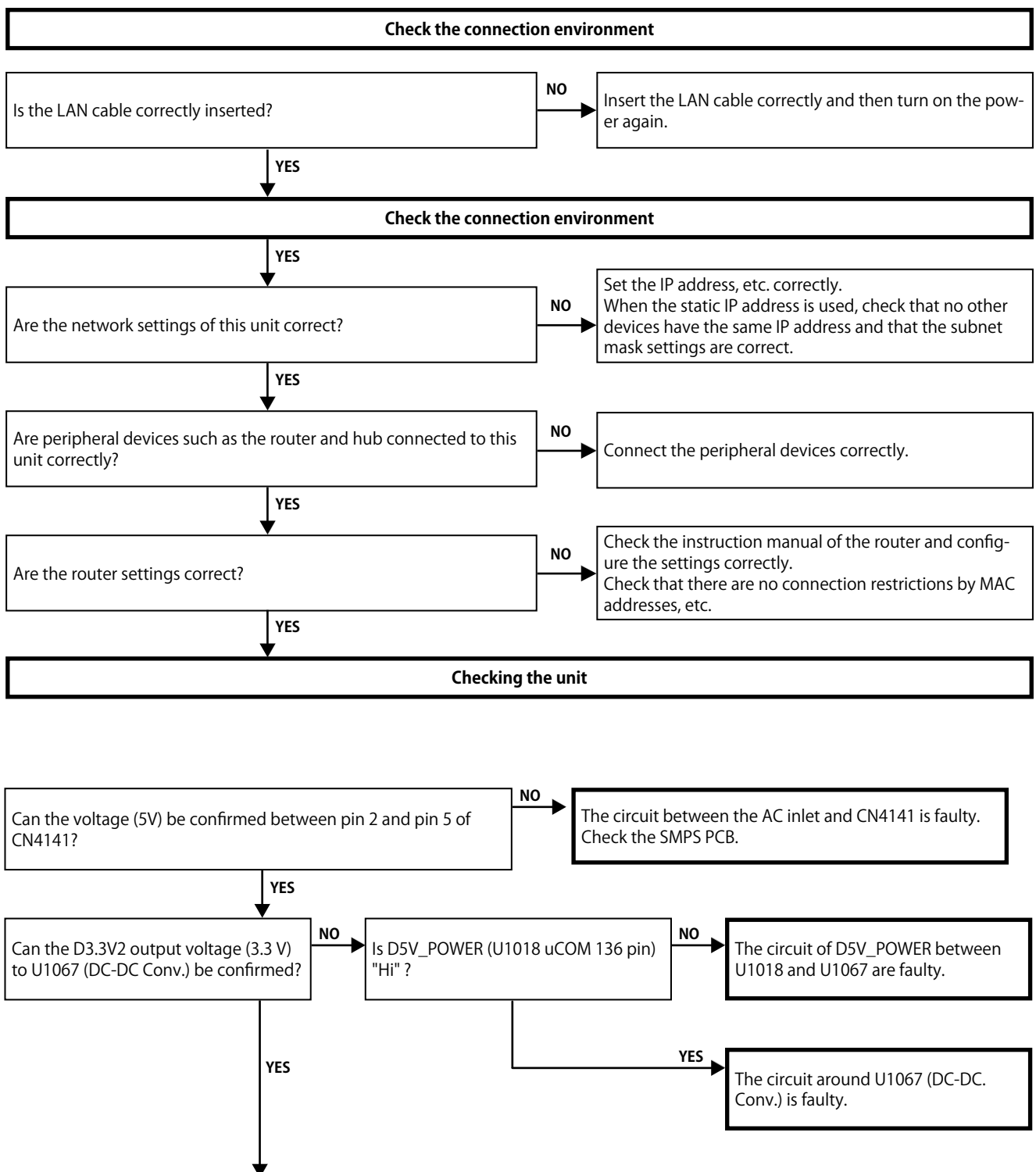


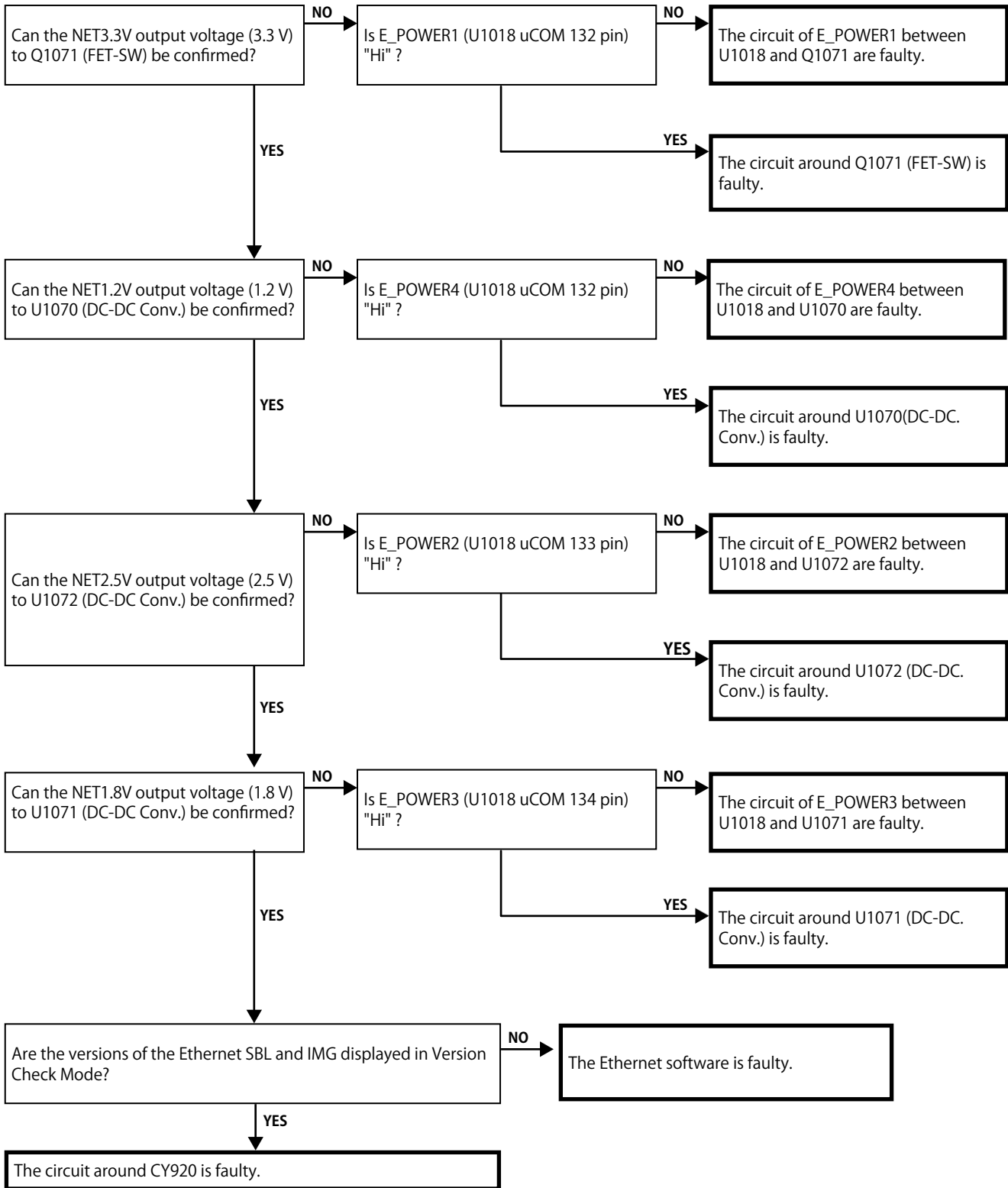
4.3. Analog audio



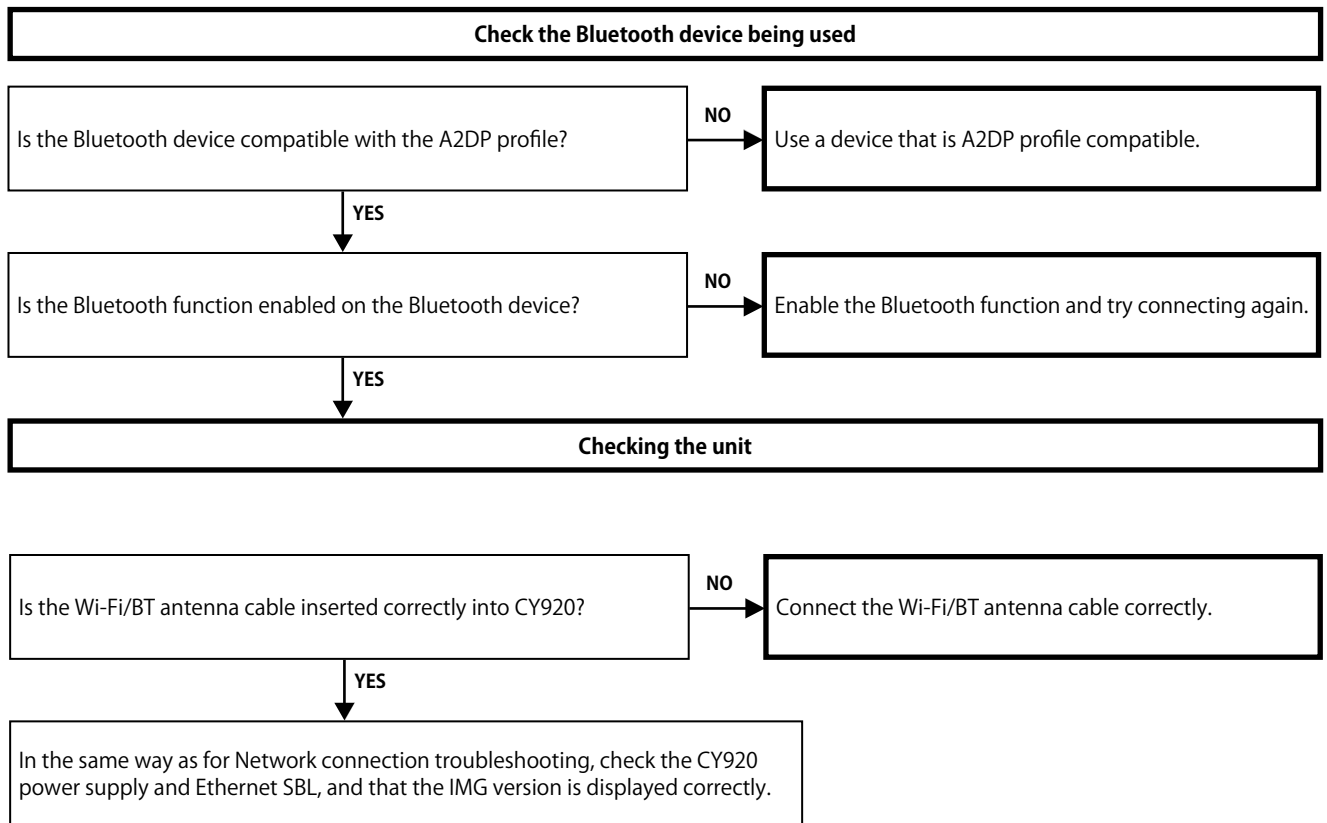
5. Network / Bluetooth / USB

5.1. Cannot connect to the network

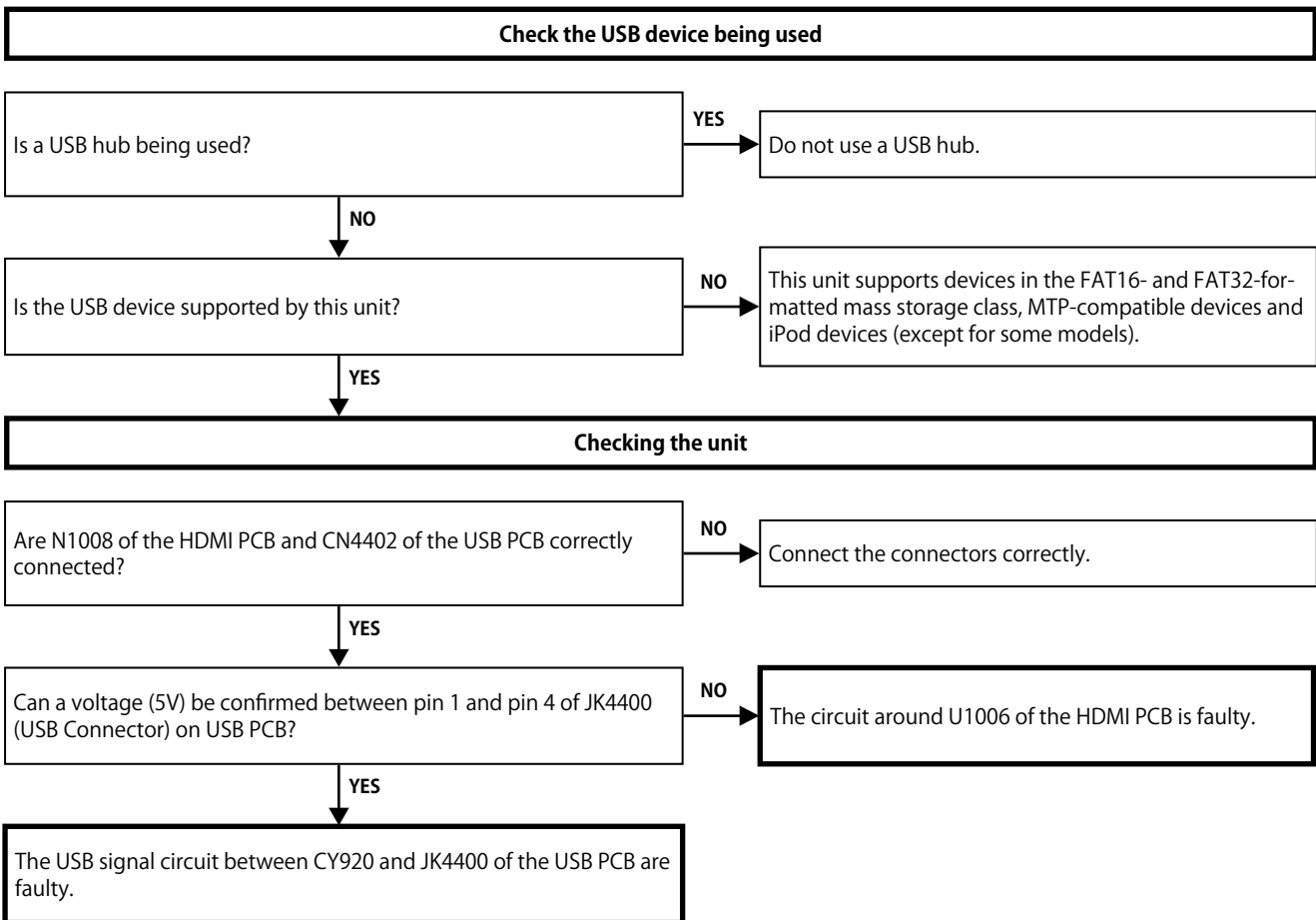




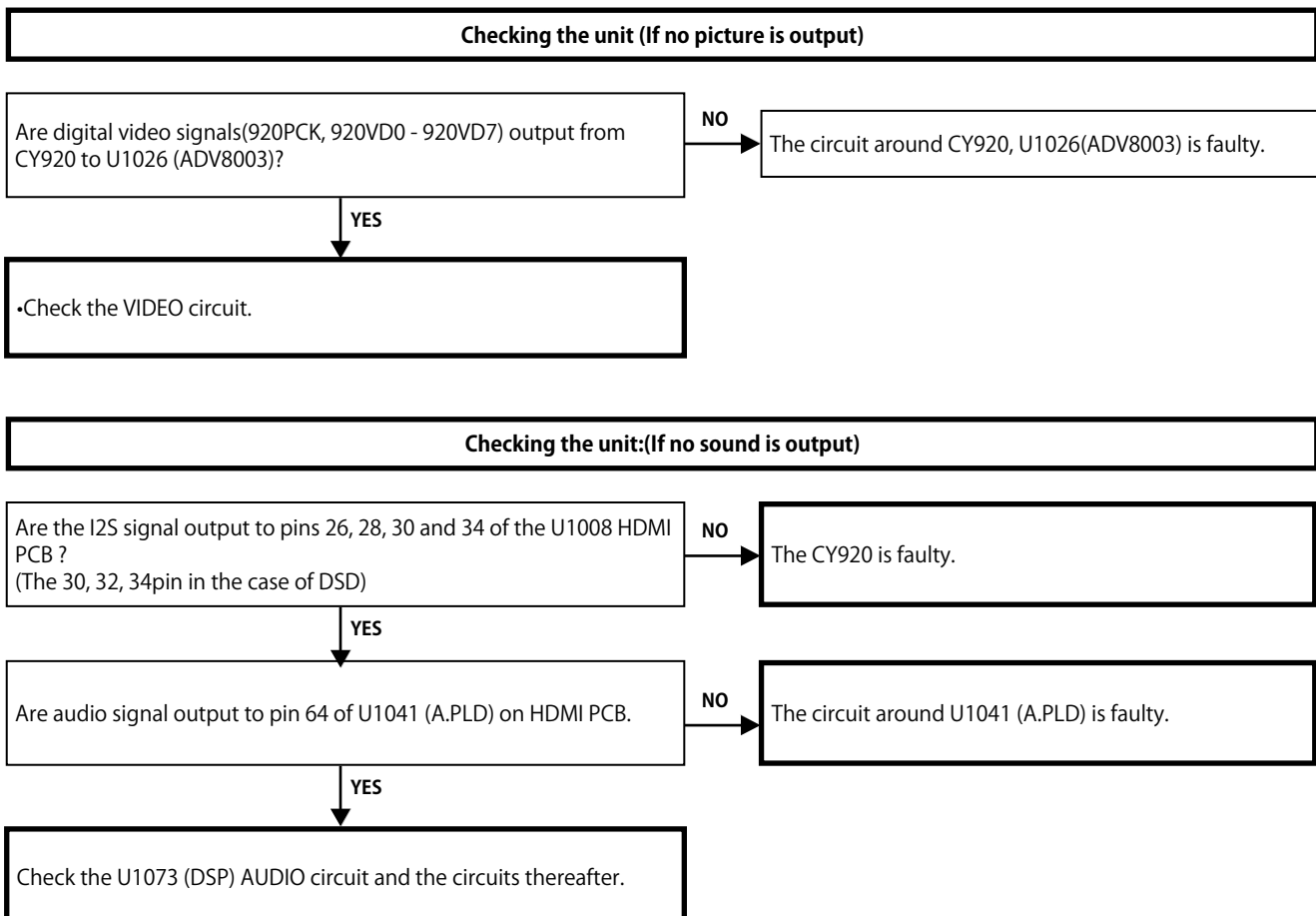
5.2. Cannot establish a Bluetooth connection



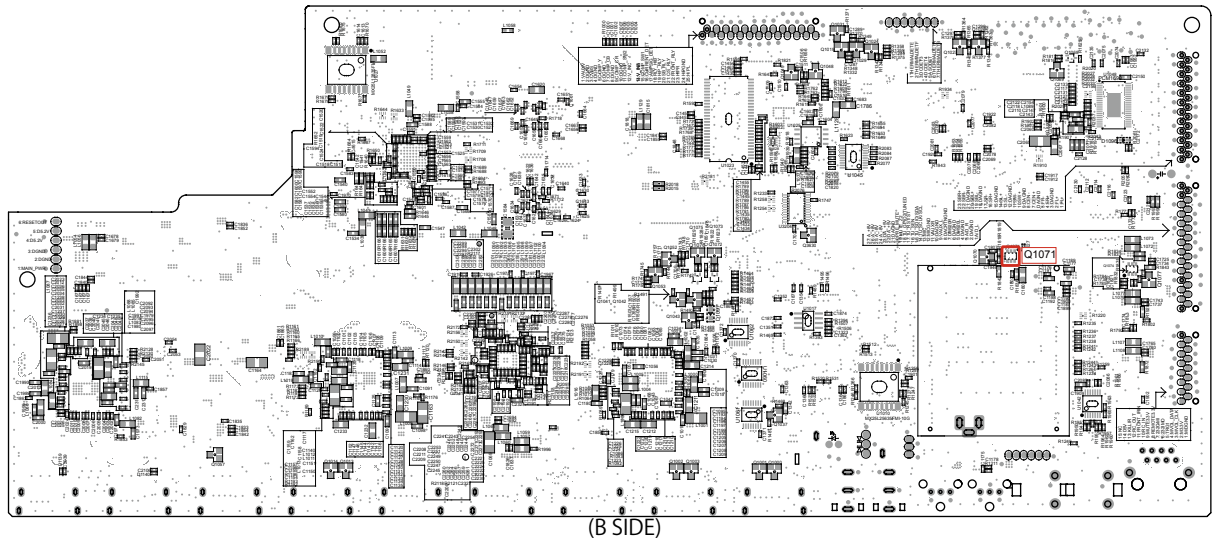
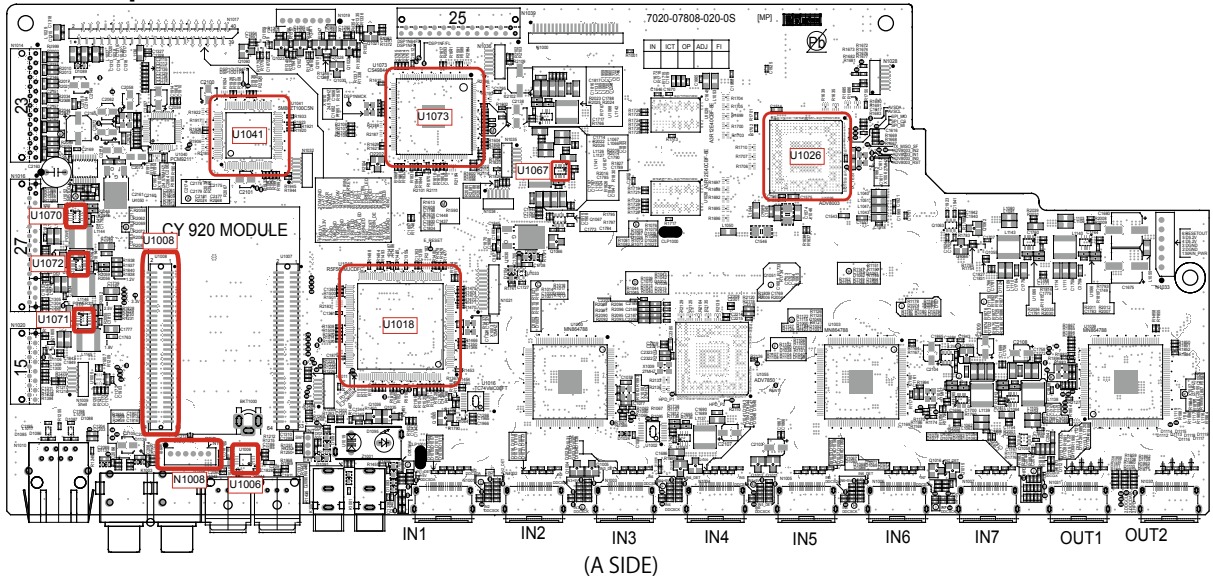
5.3. Cannot recognize the connected USB device



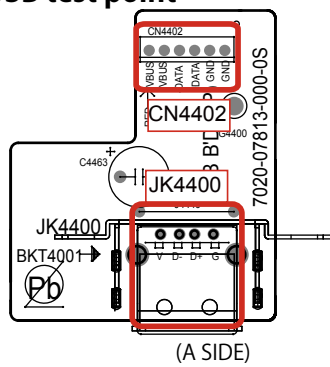
5.4. No picture or sound is output



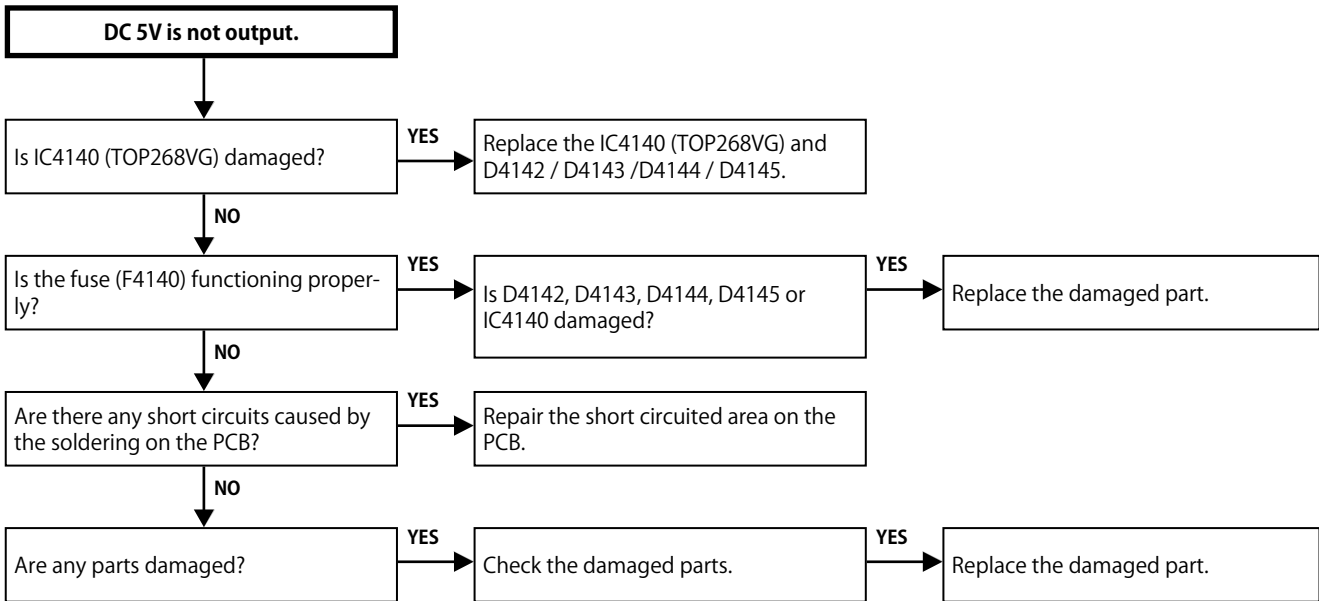
HDMI test point



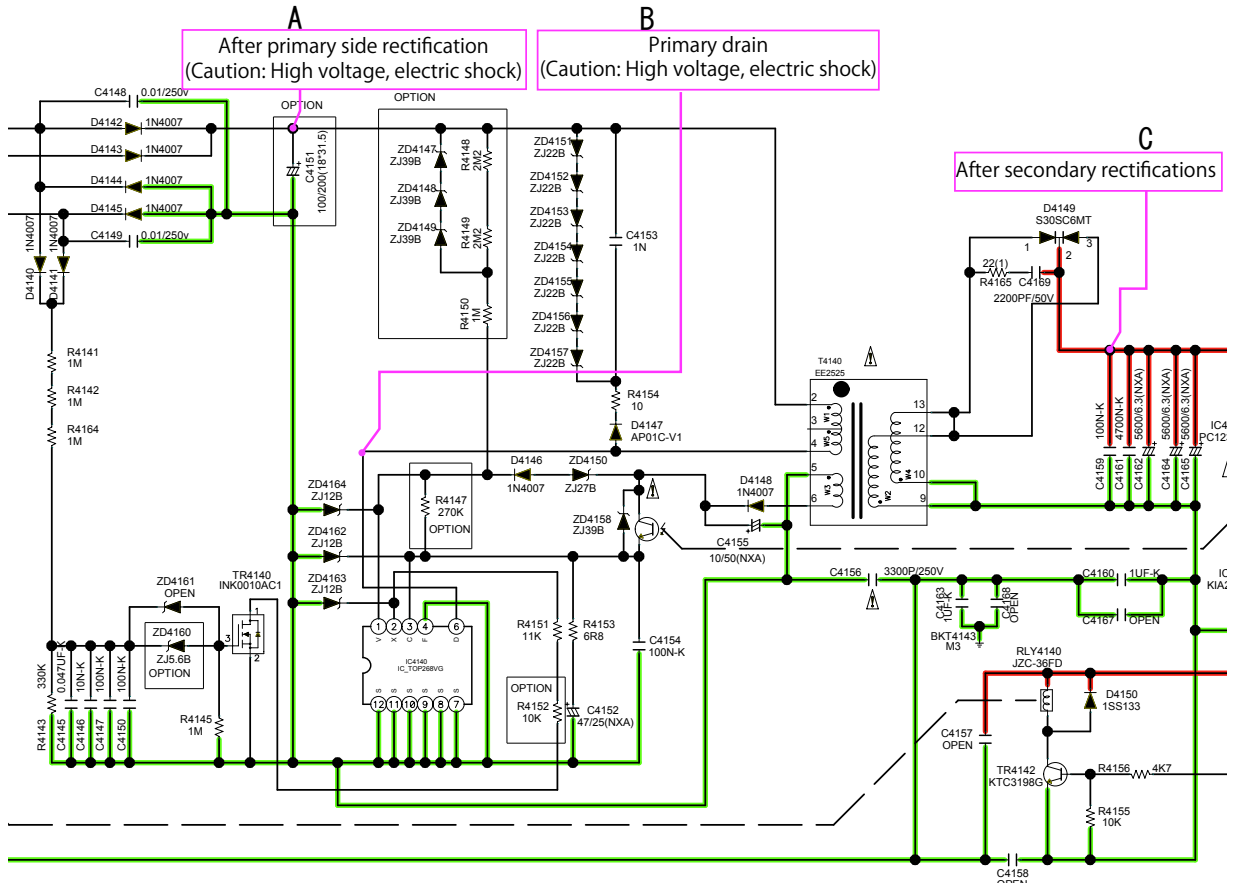
USB test point



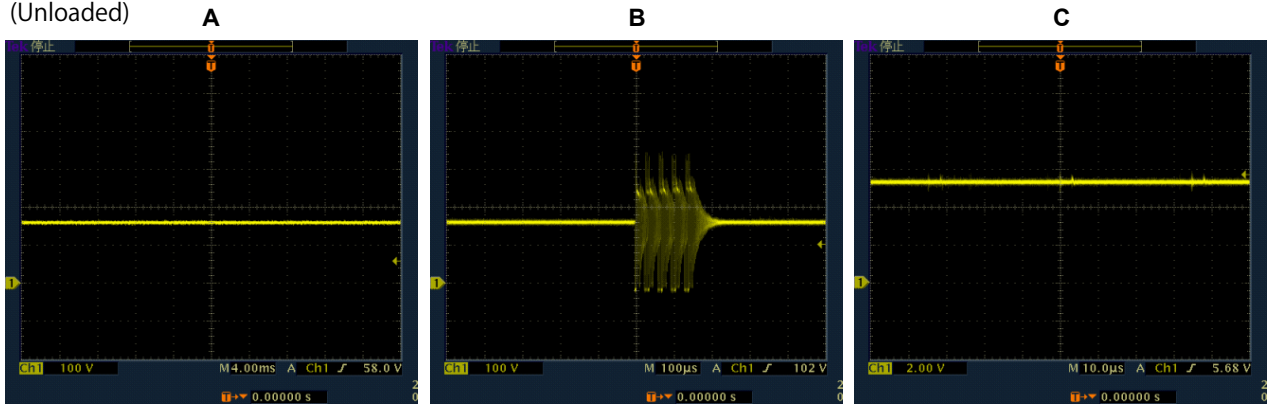
6. SMPS



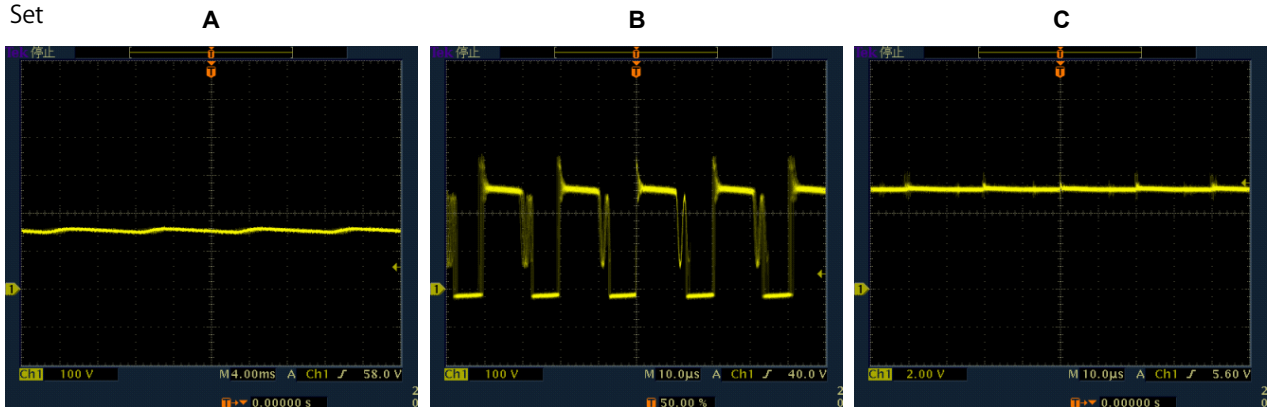
Operation waveform for each part



SMPS unit (Unloaded)

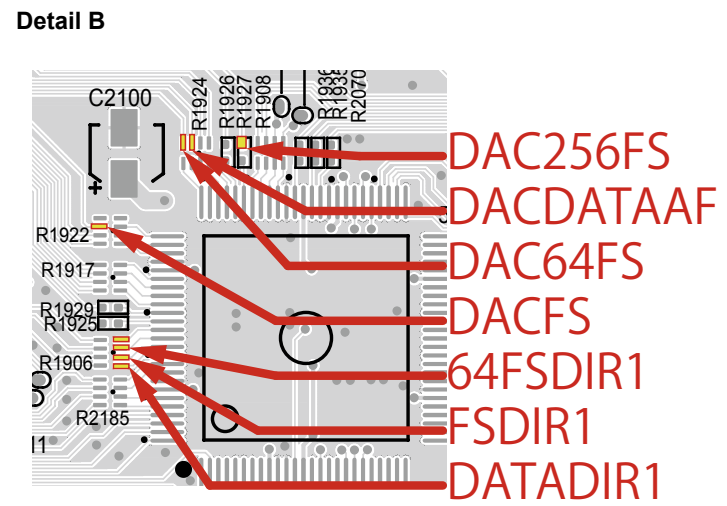
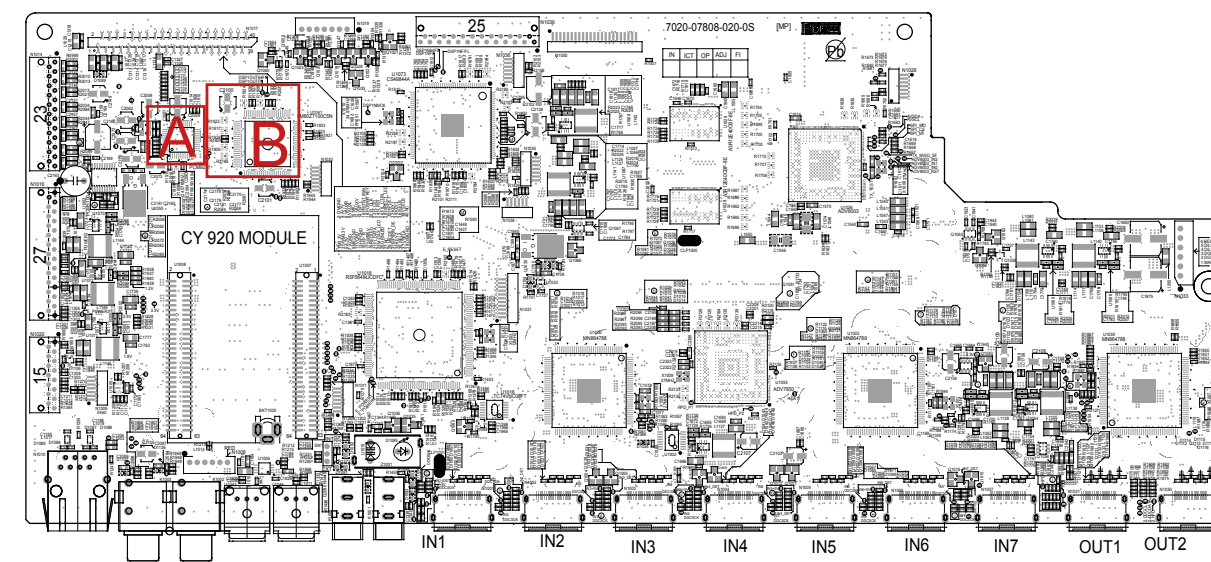
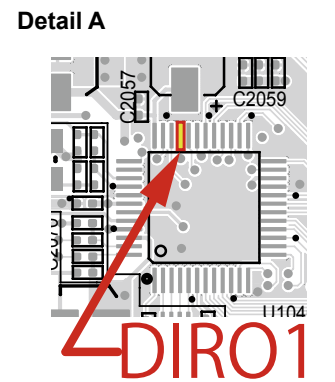
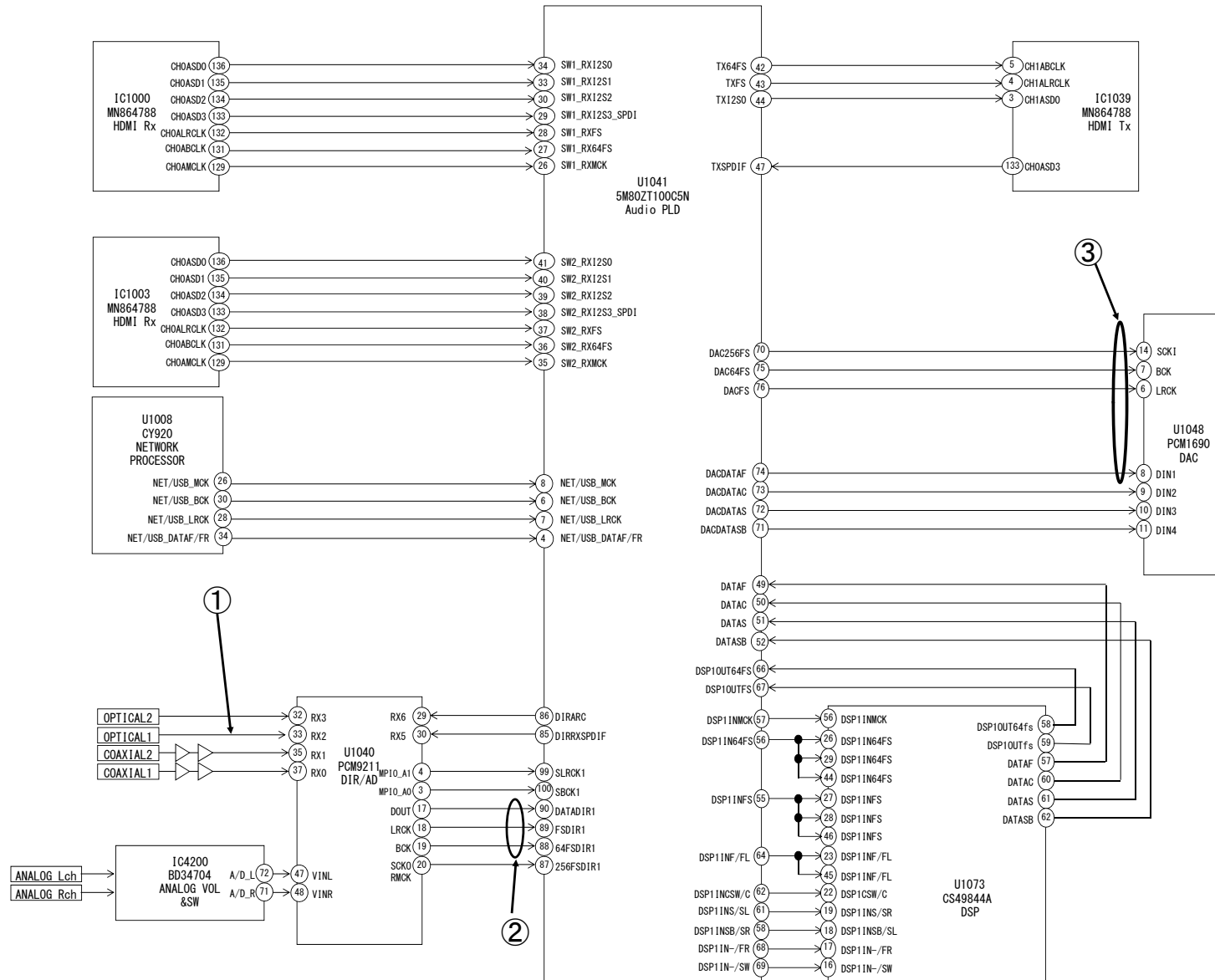
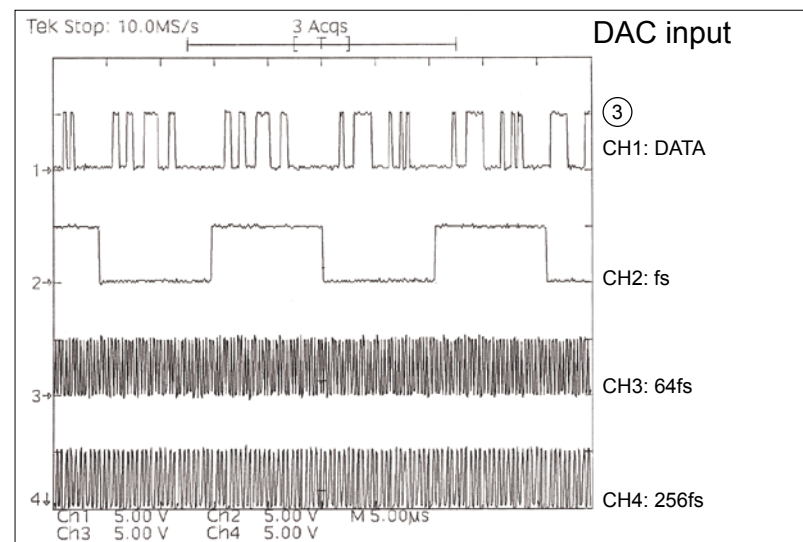
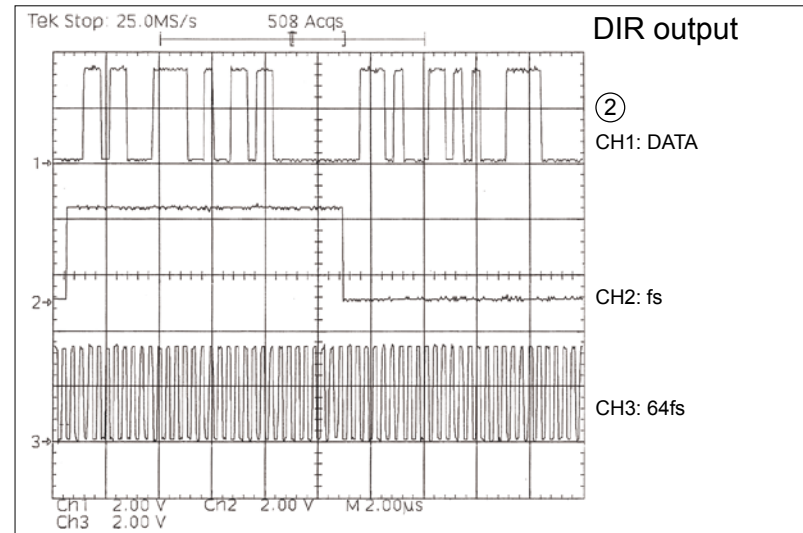
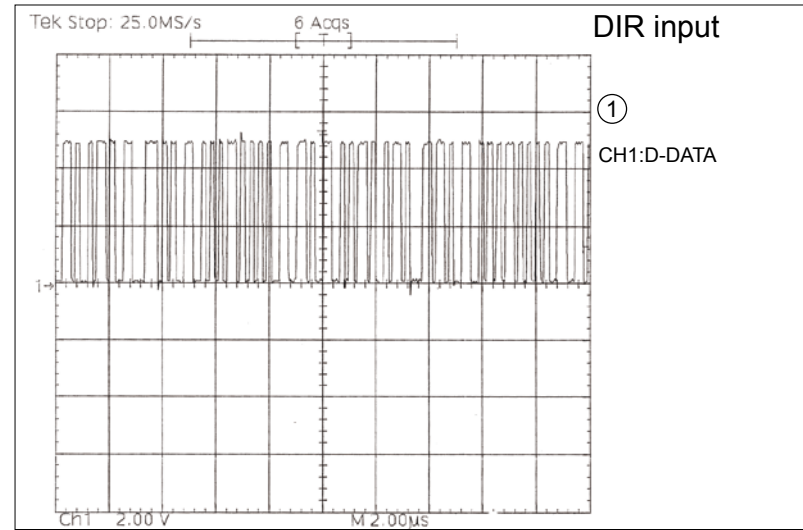


Set



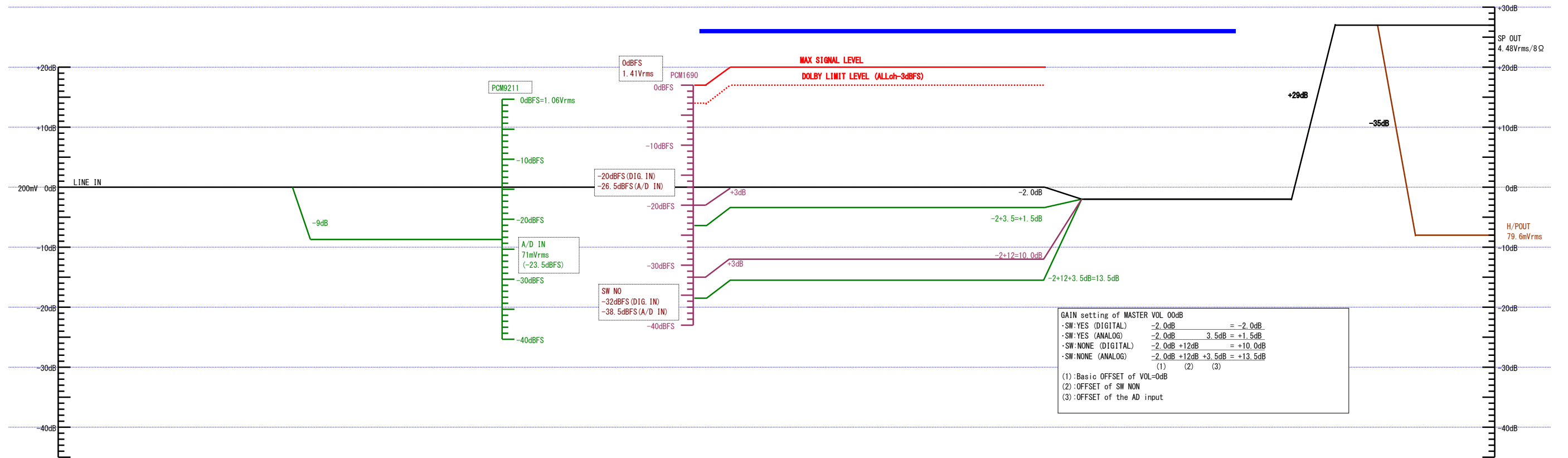
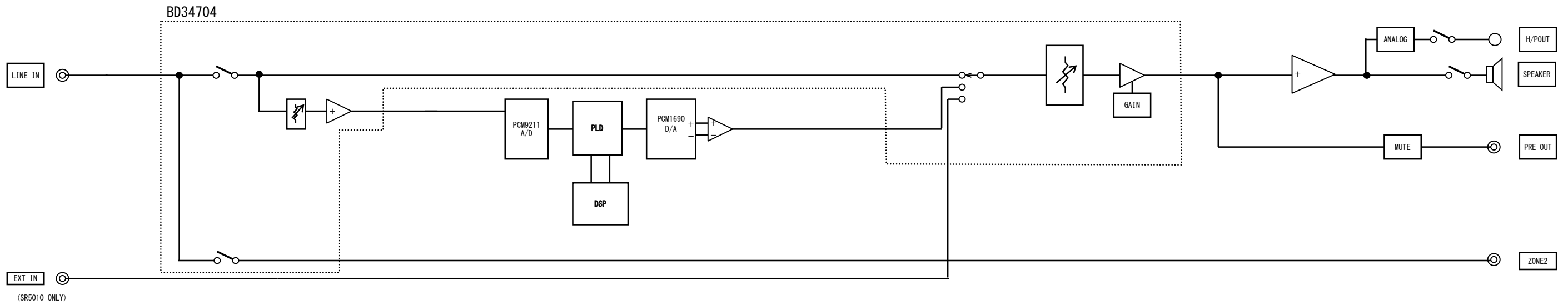
CLOCK FLOW & WAVE FORM IN DIGITAL BLOCK

WAVE FORM

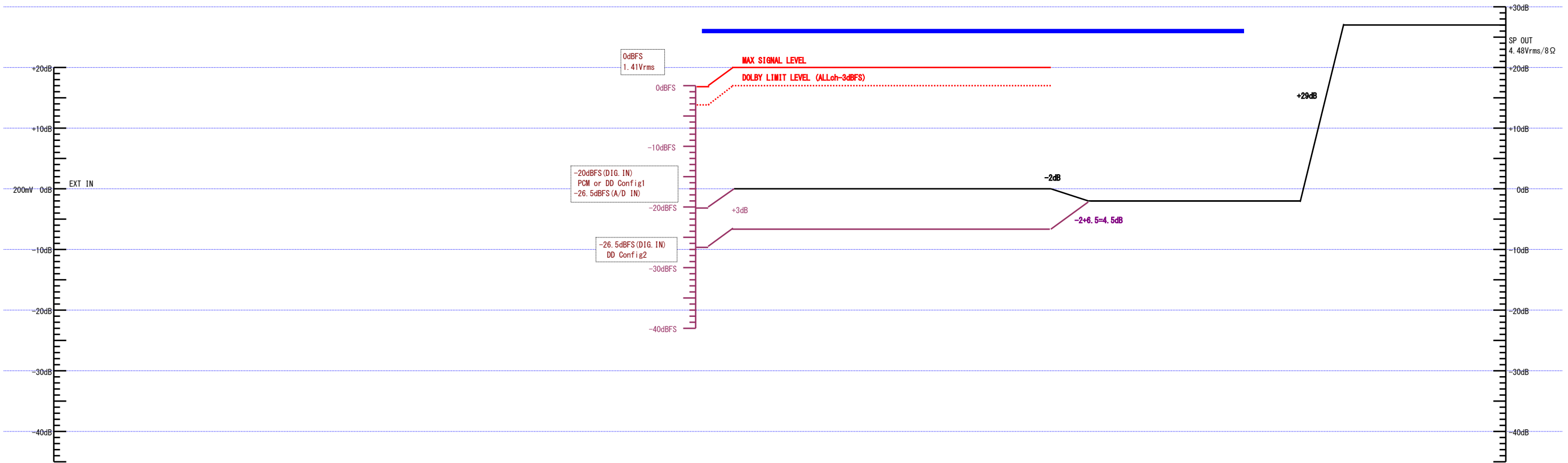
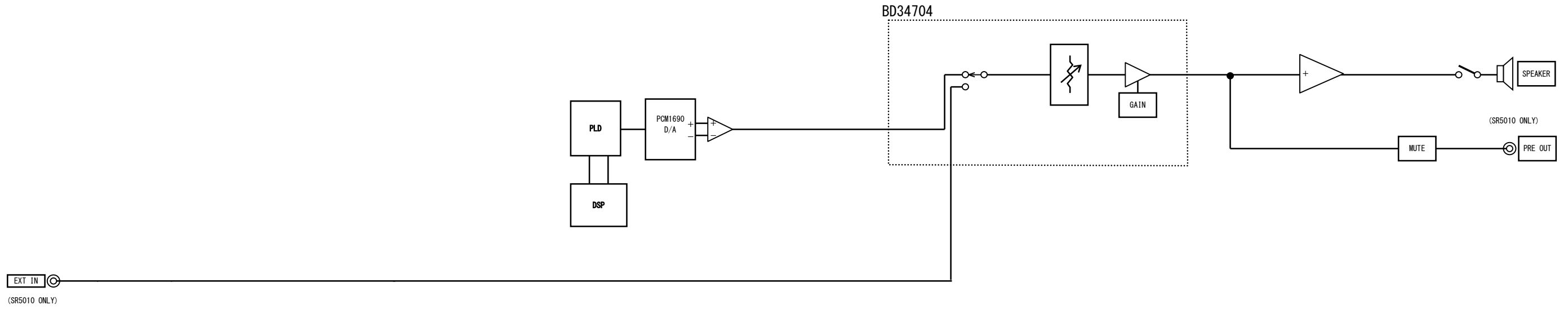


LEVEL DIAGRAM

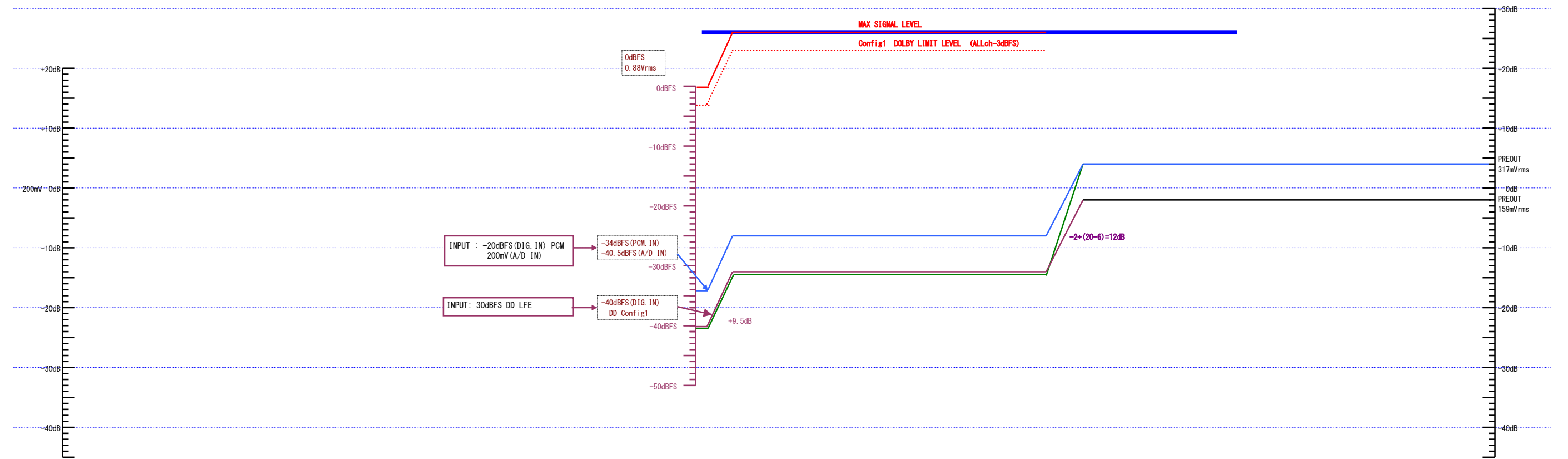
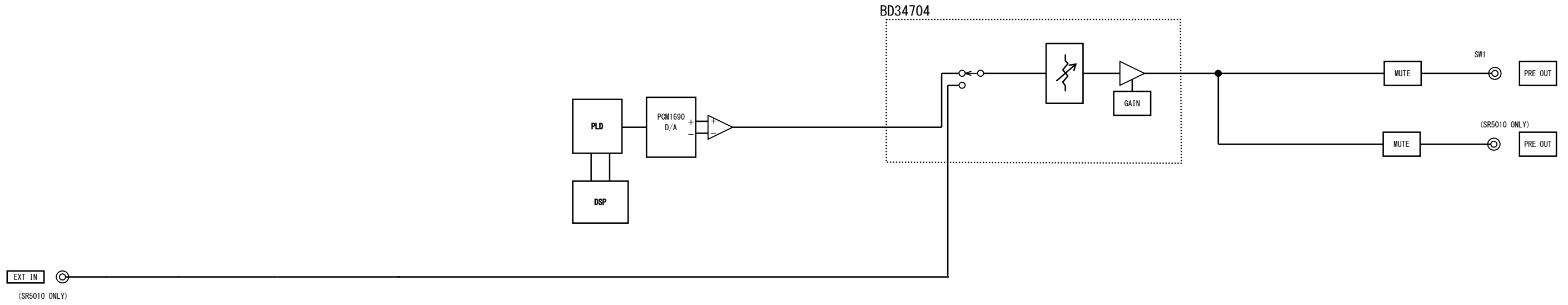
SR5010 LEVEL DIAGRAM FRONT ch



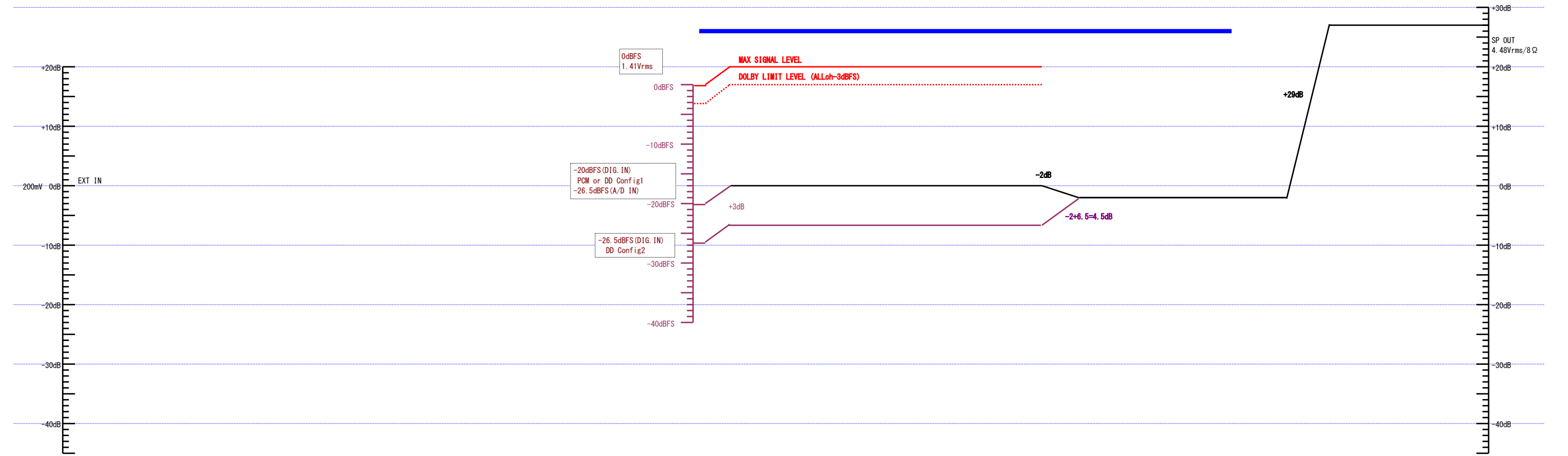
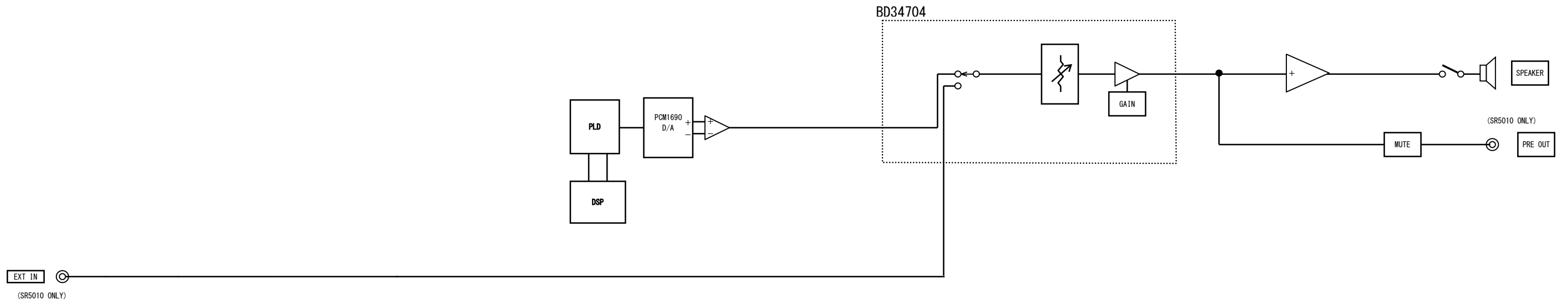
**SR5010
LEVEL DIAGRAM
CENTER ch**



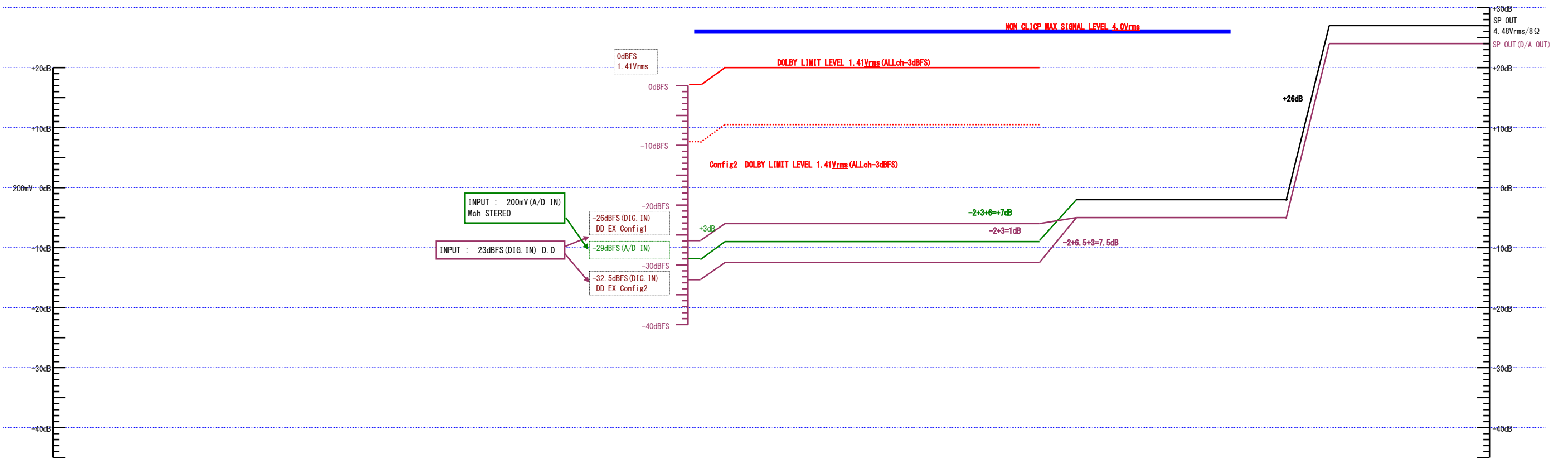
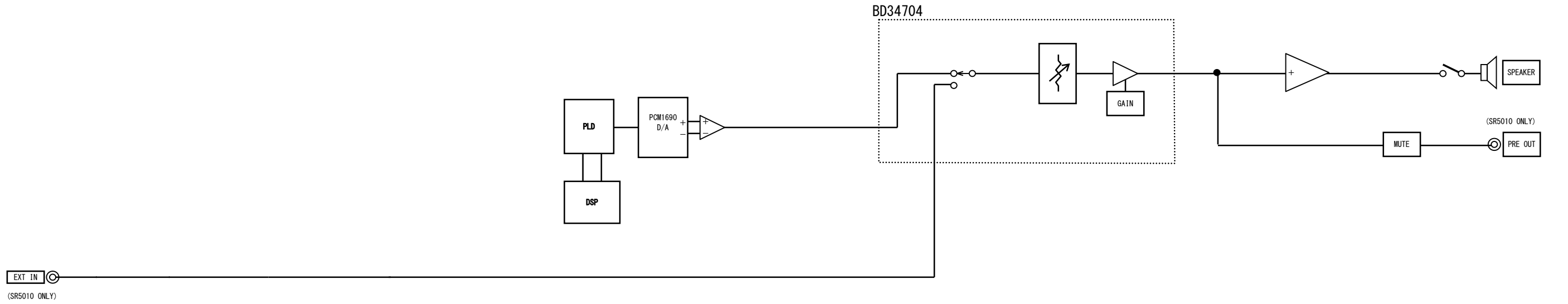
**SR5010
LEVEL DIAGRAM
SUBWOOFER ch**



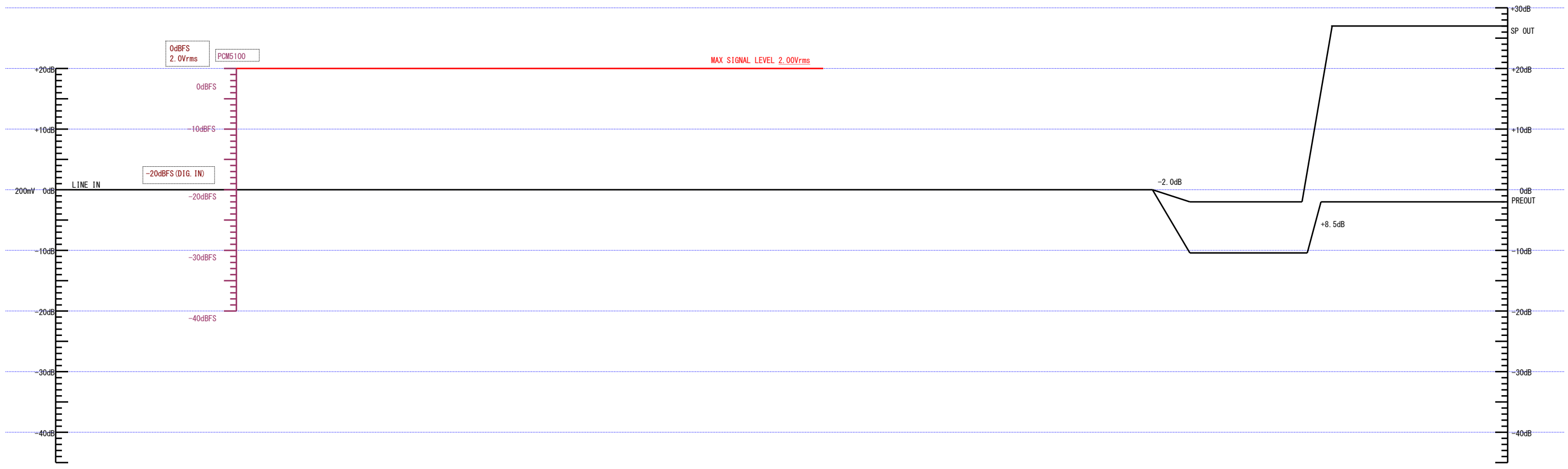
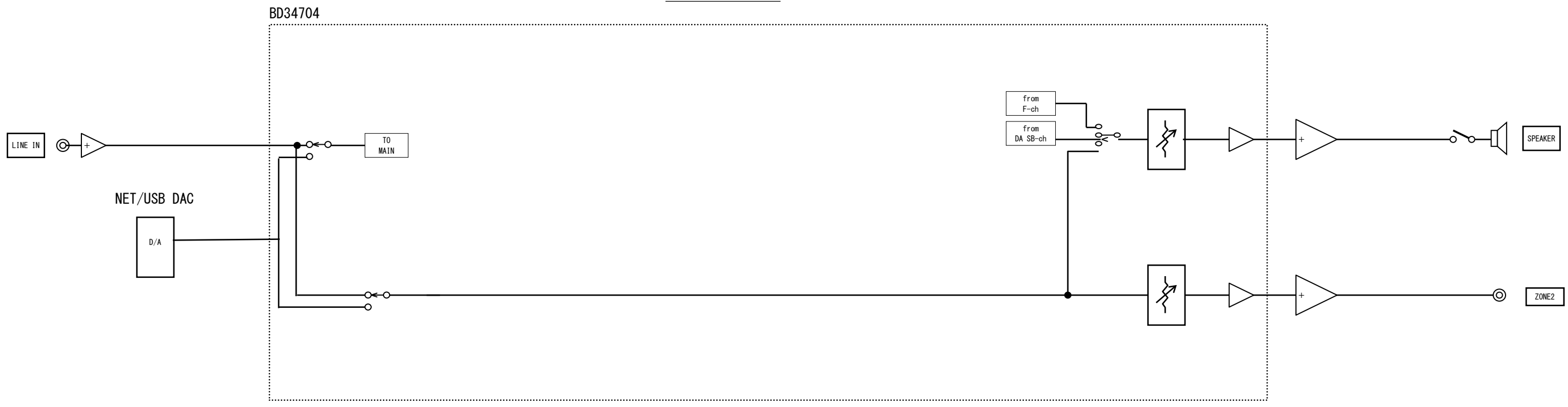
**SR5010
LEVEL DIAGRAM
SURROUND ch**



**SR5010
LEVEL DIAGRAM
SURR.BACK ch**

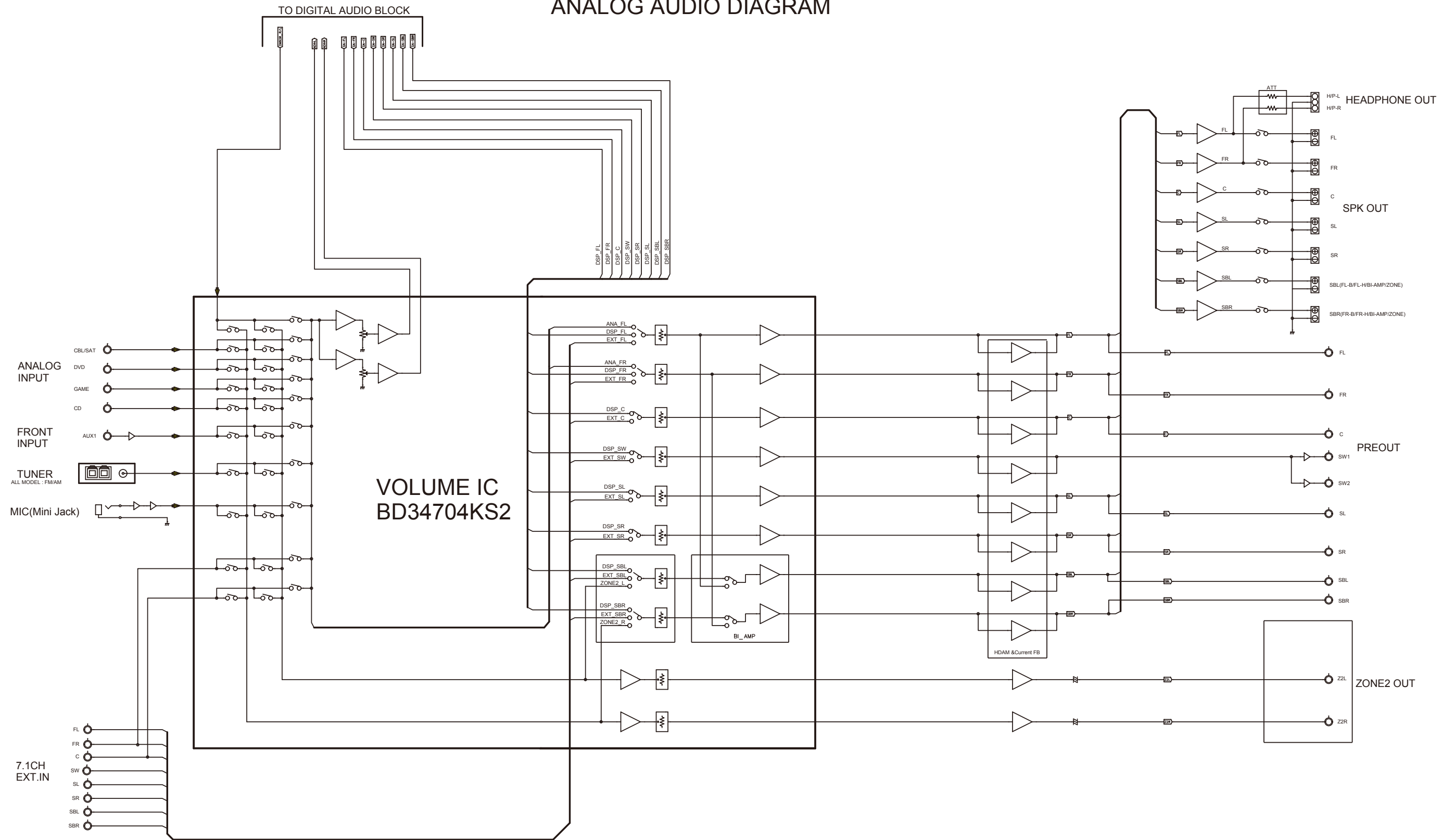


**SR5010
LEVEL DIAGRAM
ZONE2**

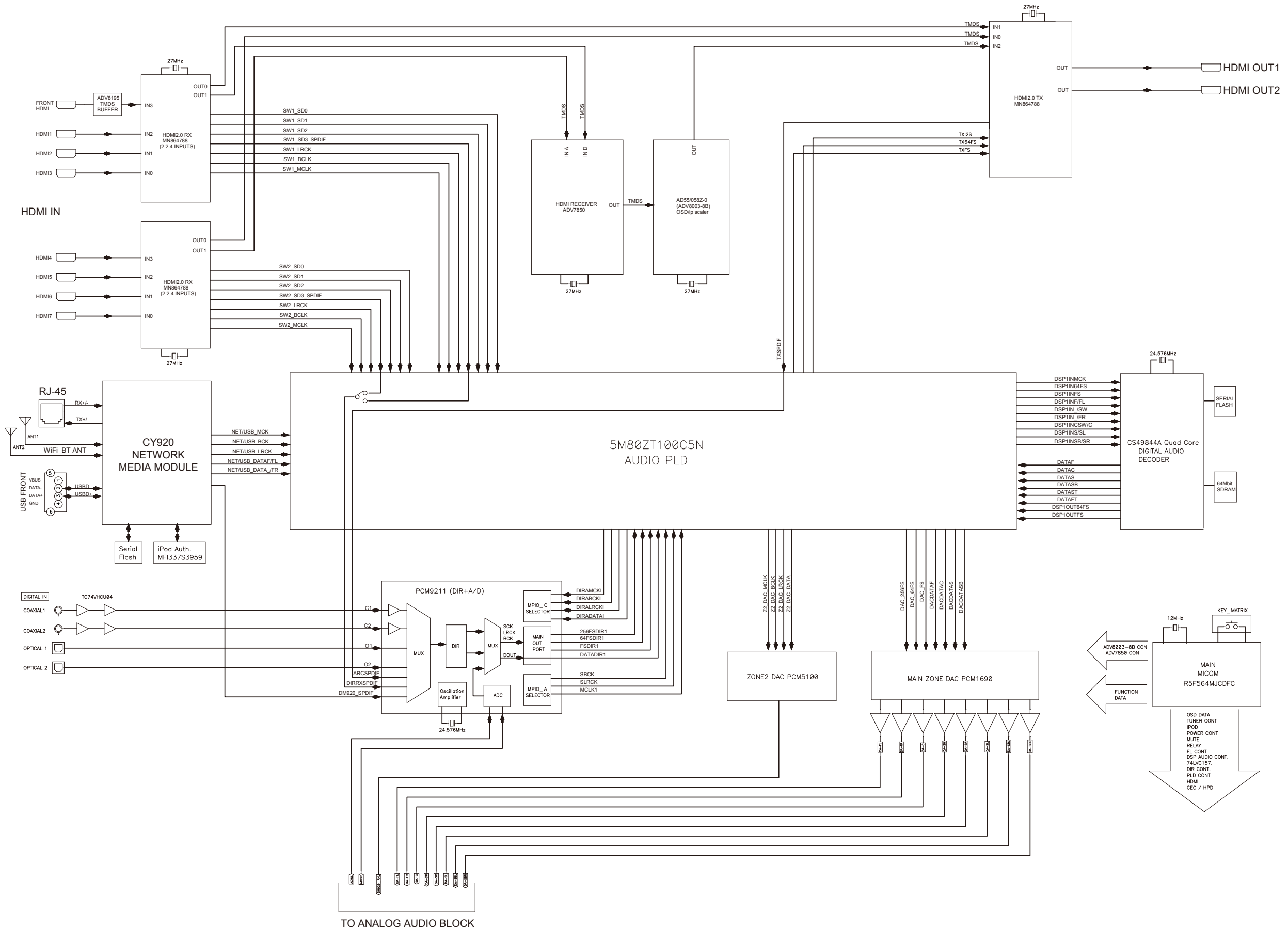


BLOCK DIAGRAM

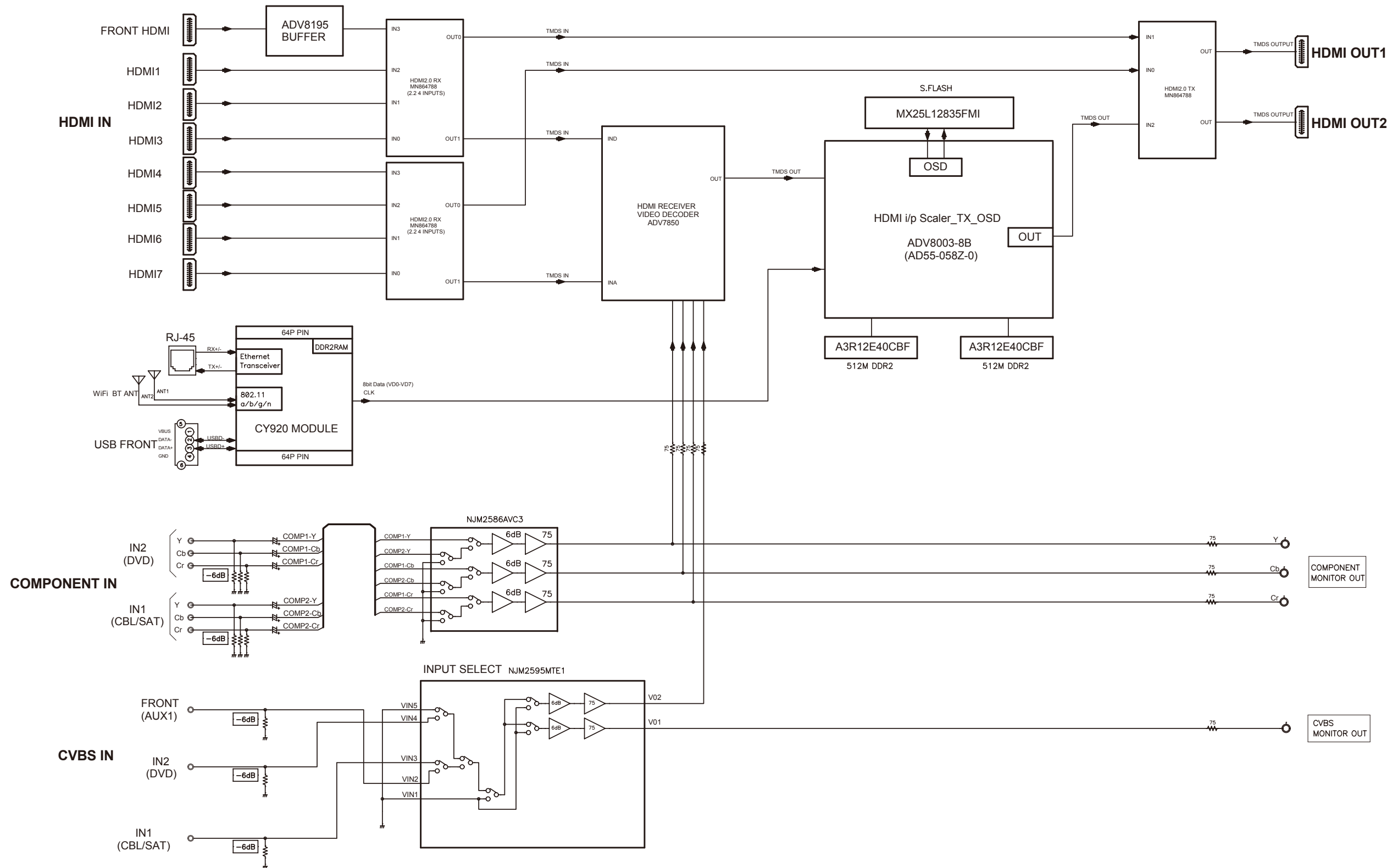
ANALOG AUDIO DIAGRAM



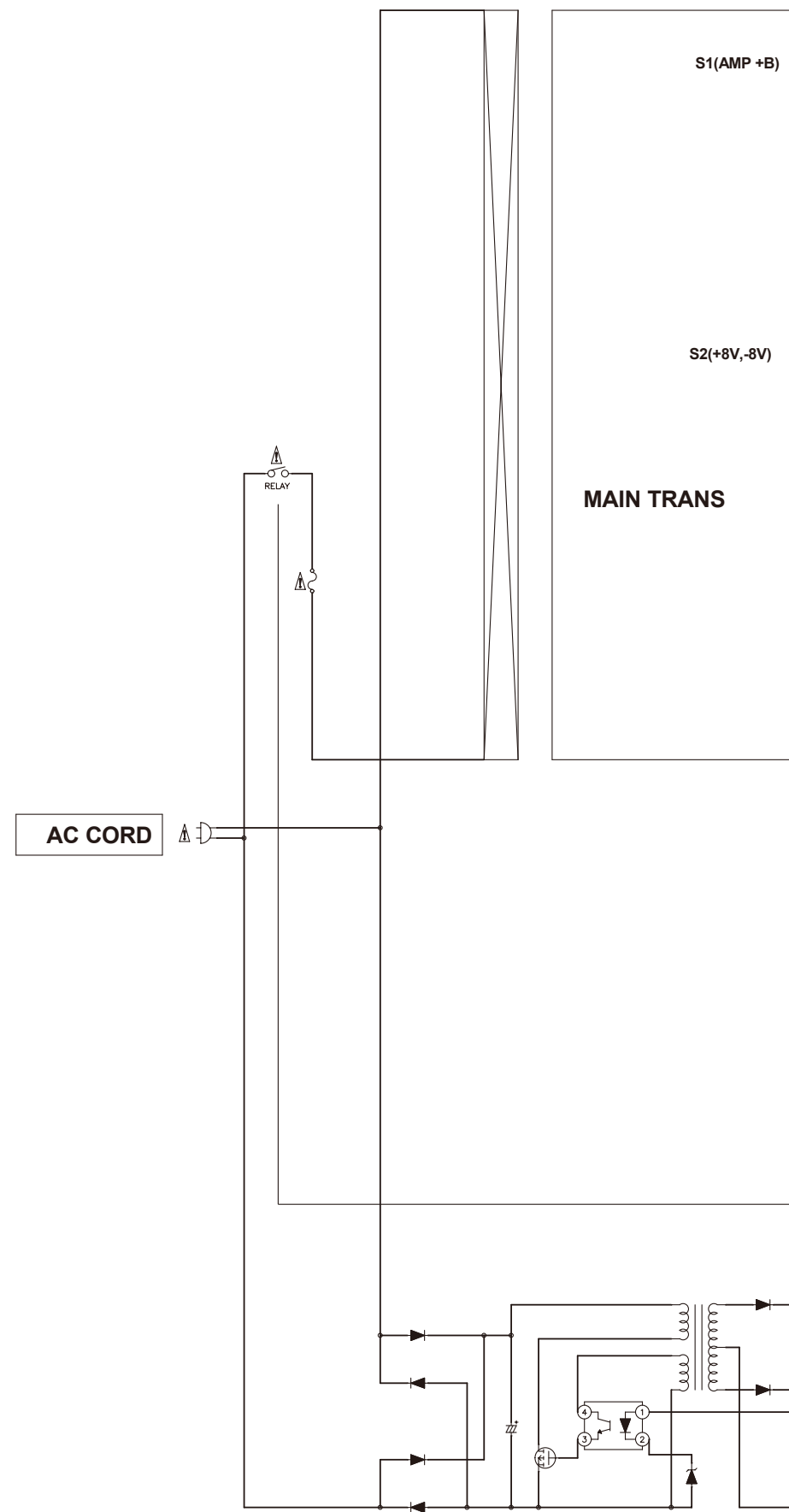
DIGITAL AUDIO DIAGRAM



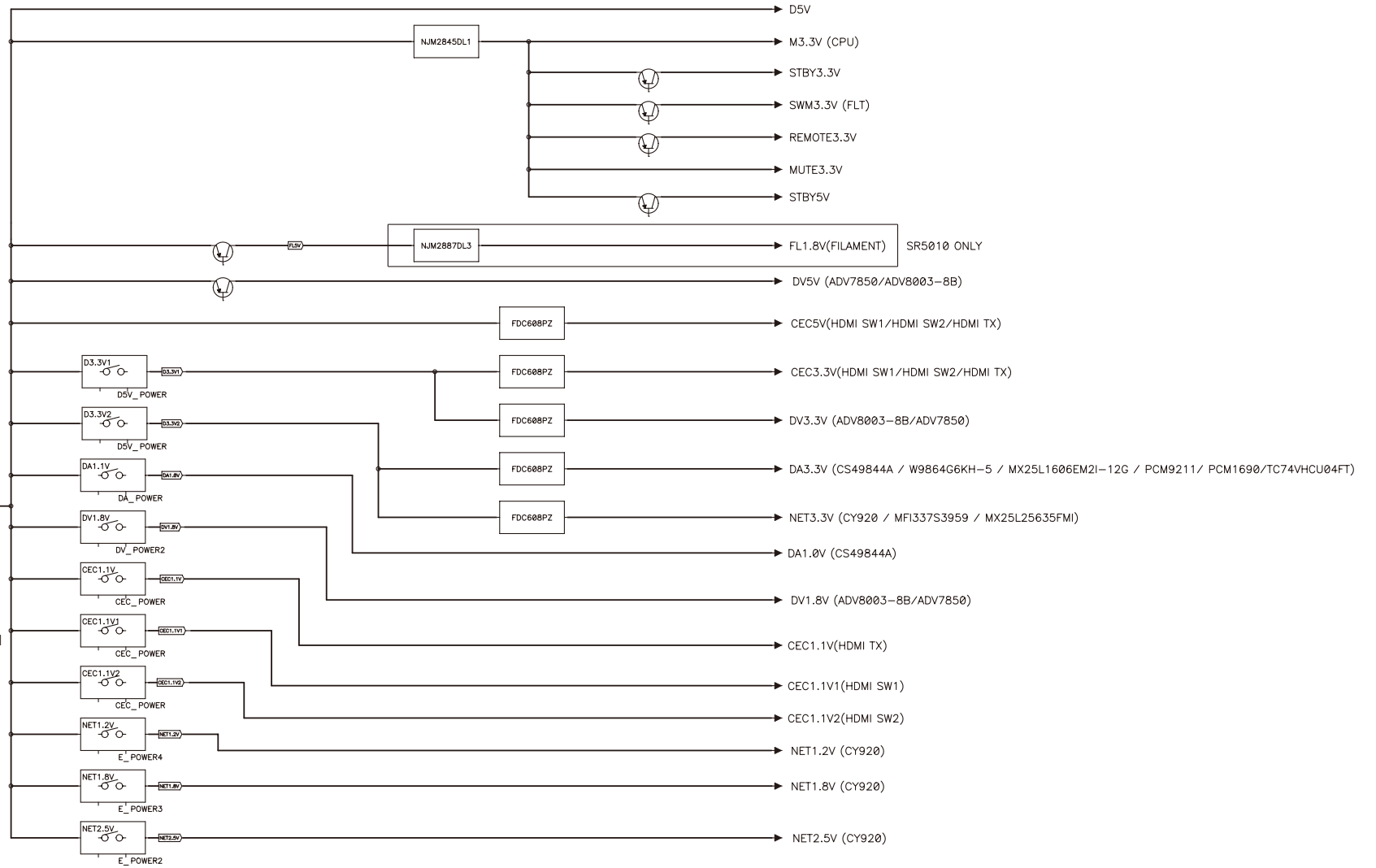
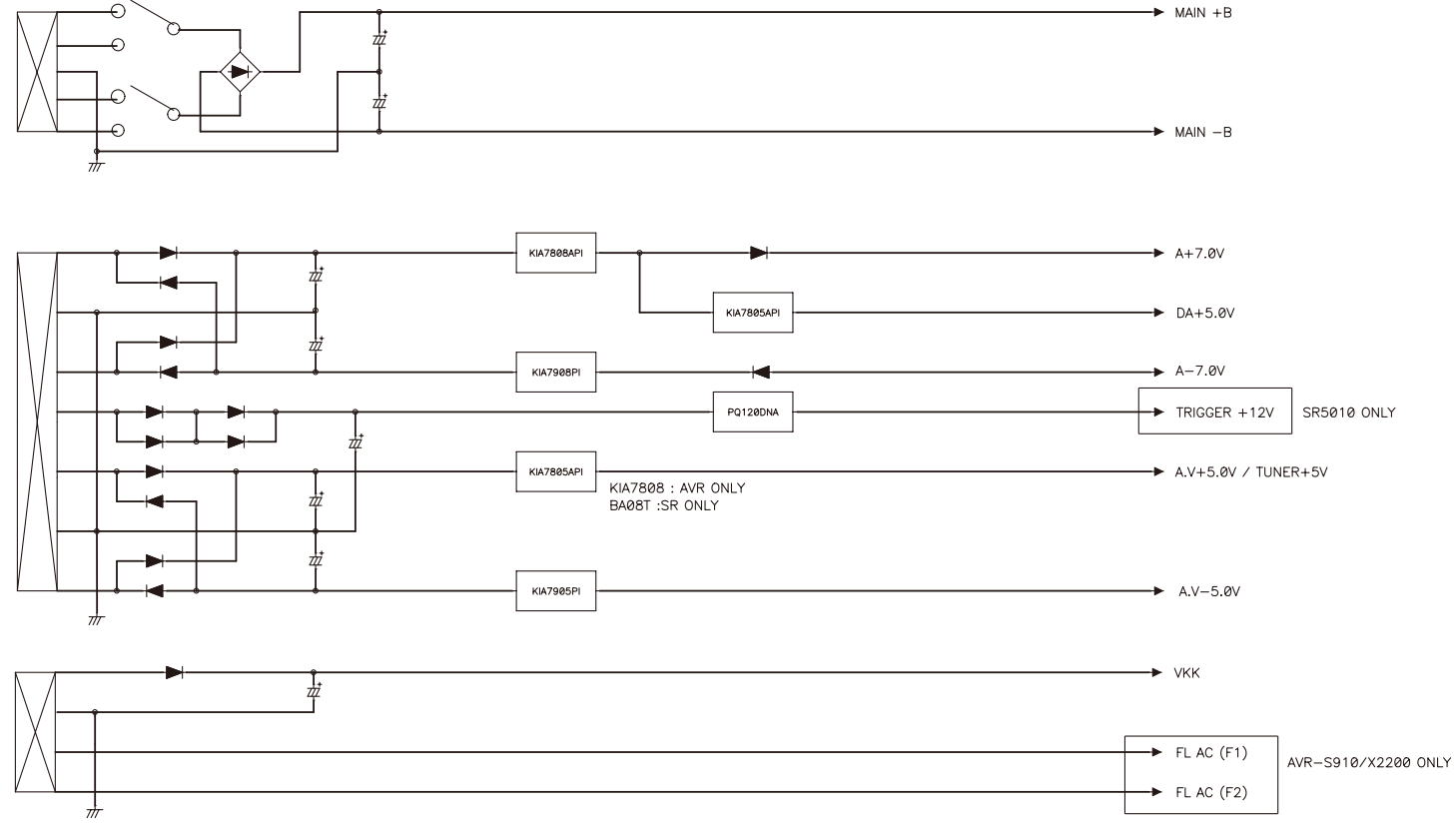
VIDEO DIAGRAM



POWER DIAGRAM

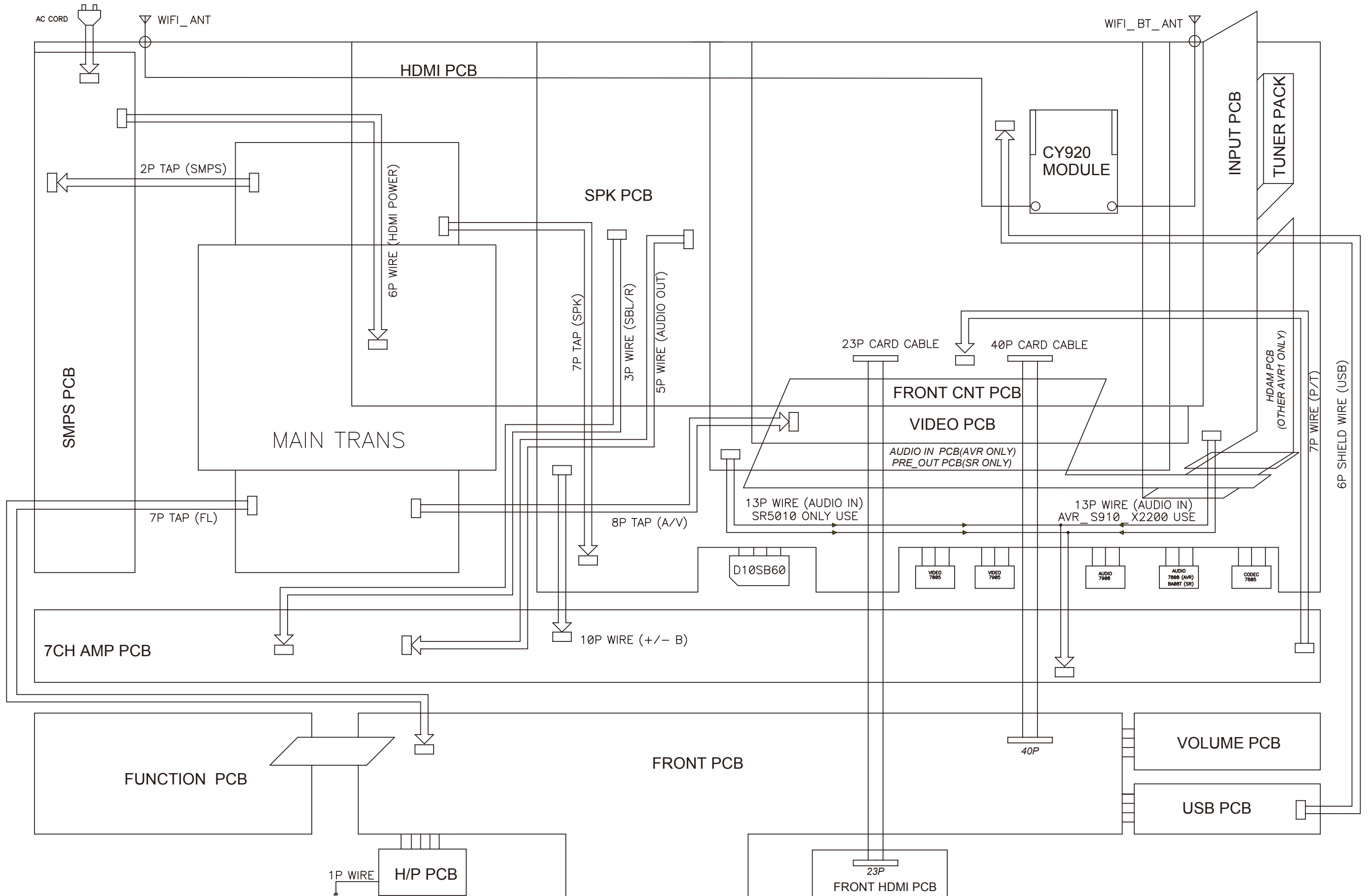


VCC DIAGRAM



WIRING DIAGRAM

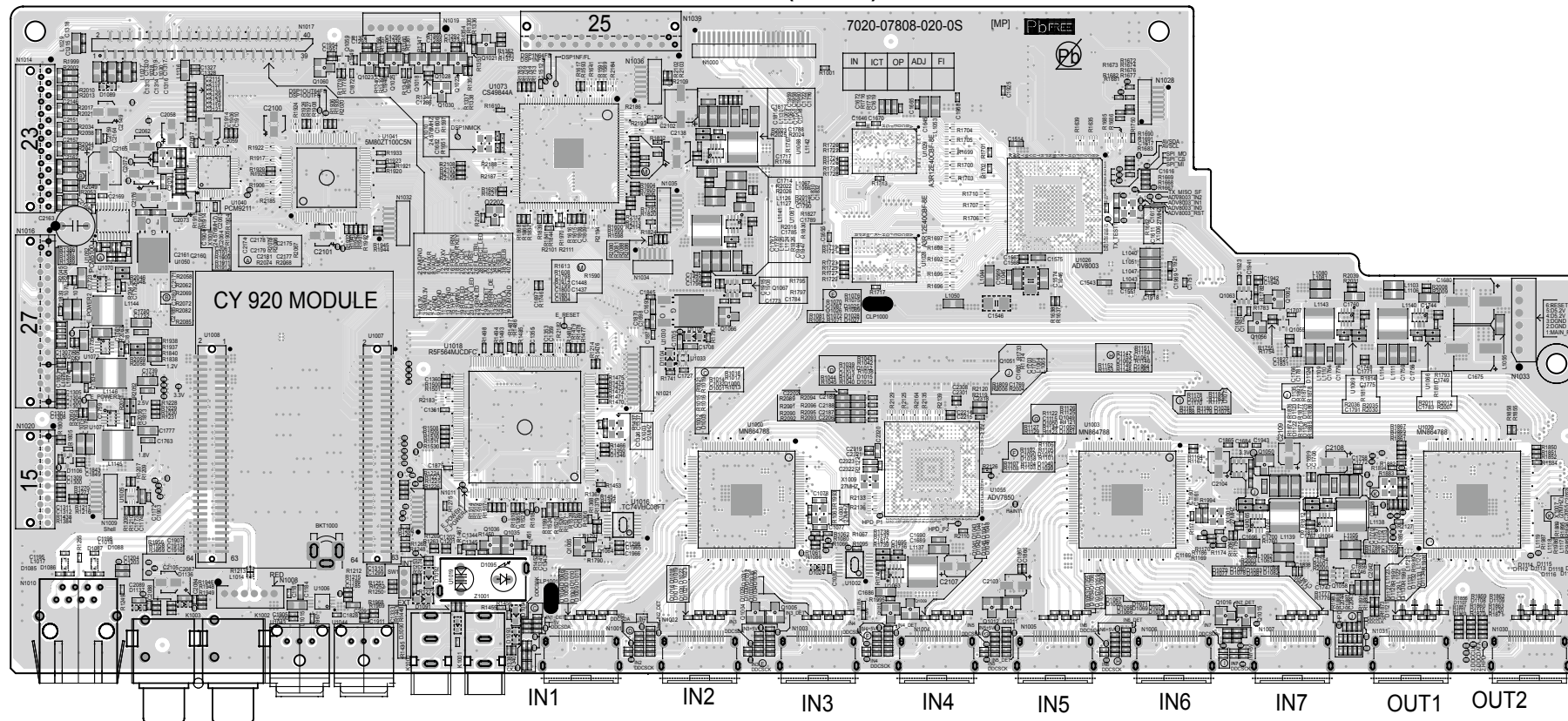
WIRE DIAGRAM



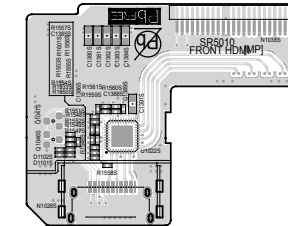
PRINTED WIRING BOARDS

Lead-free Solder
When soldering, use the Lead-free Solder (Sn-Ag-Cu).

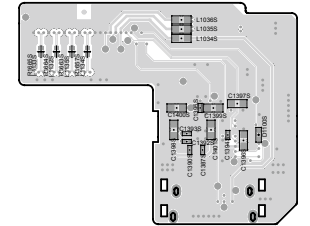
HDMI (A SIDE)



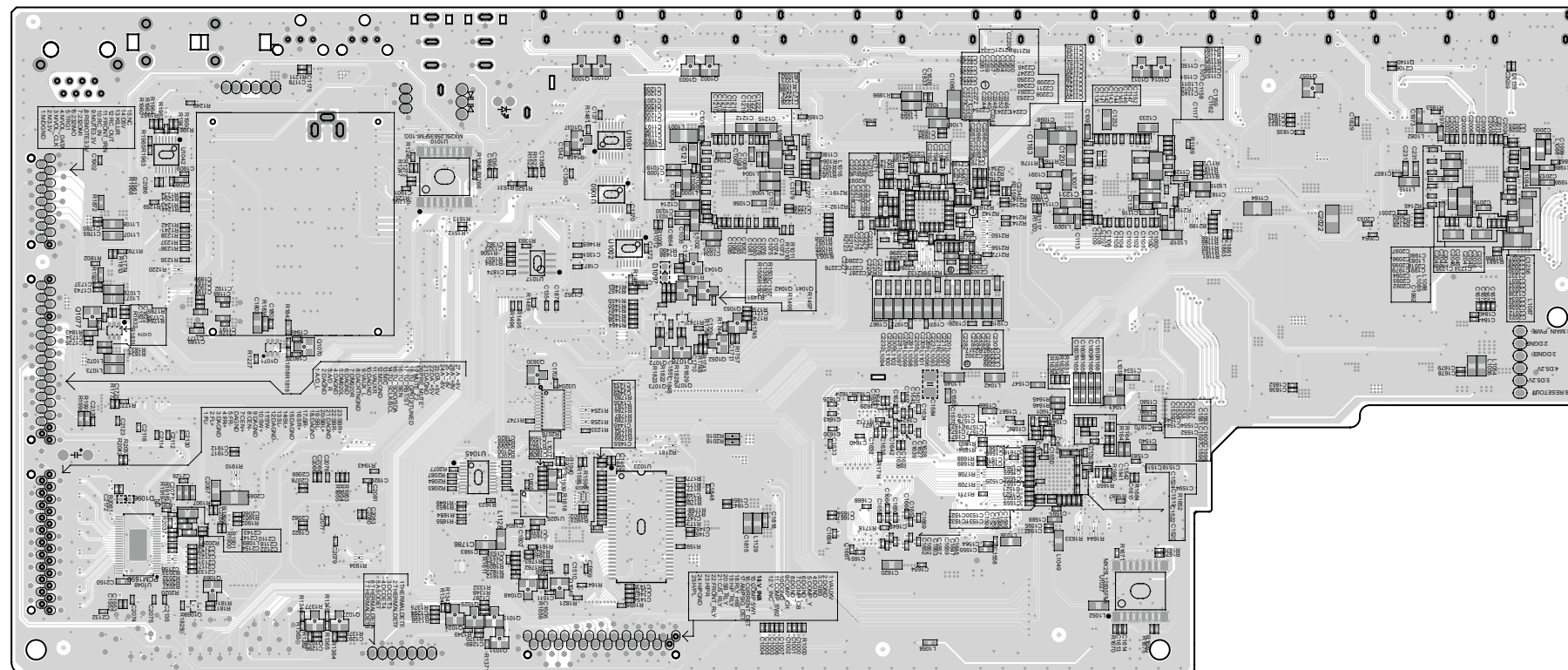
F HDMI (A SIDE)

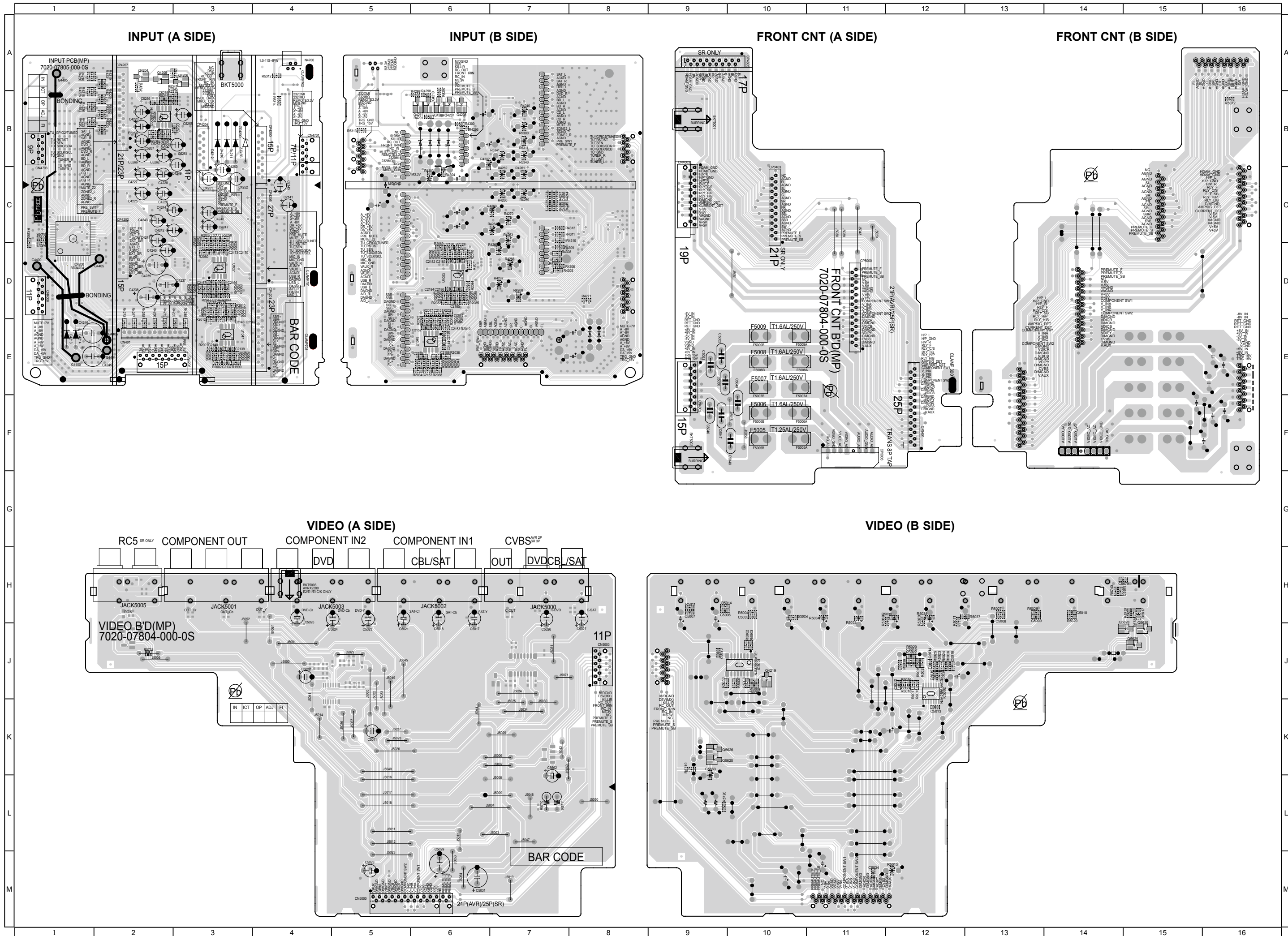


F HDMI (B SIDE)

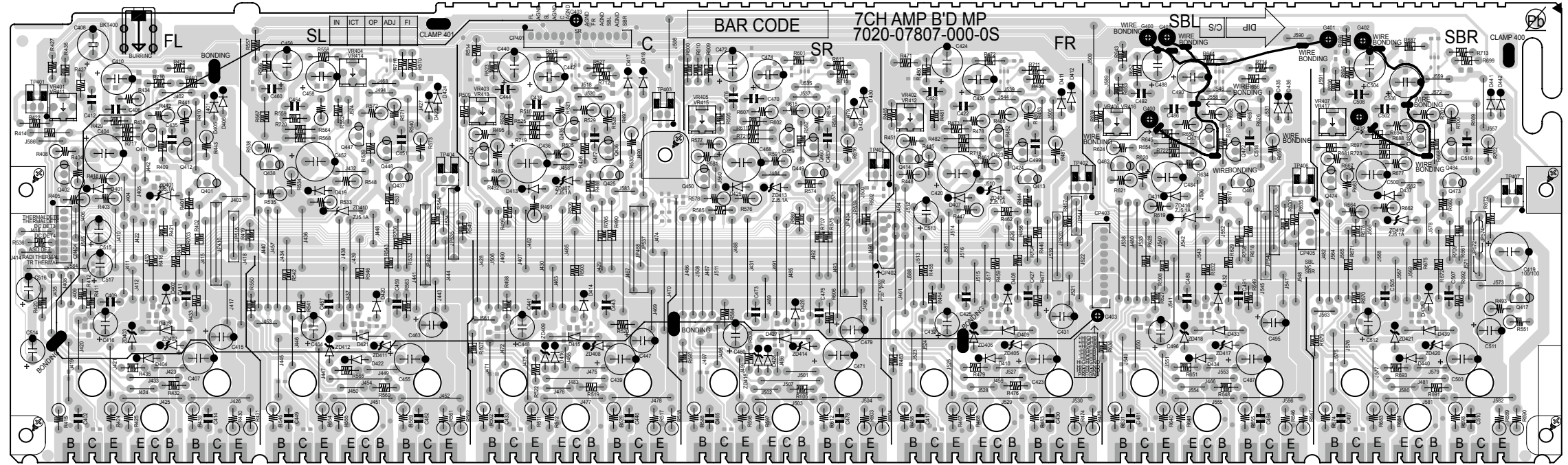


HDMI (B SIDE)

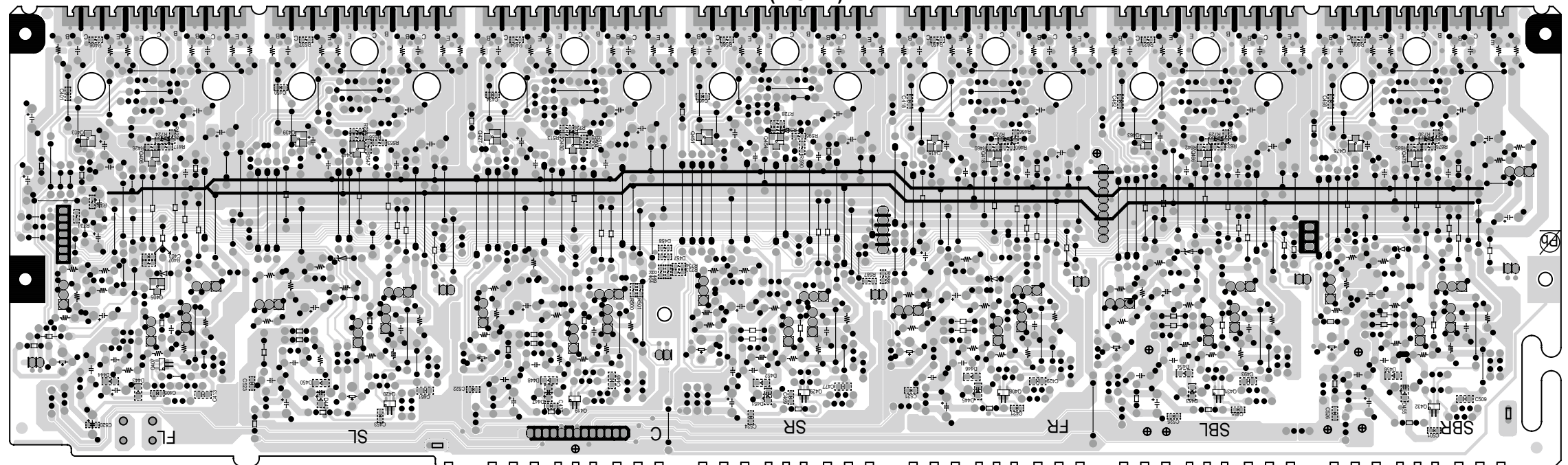


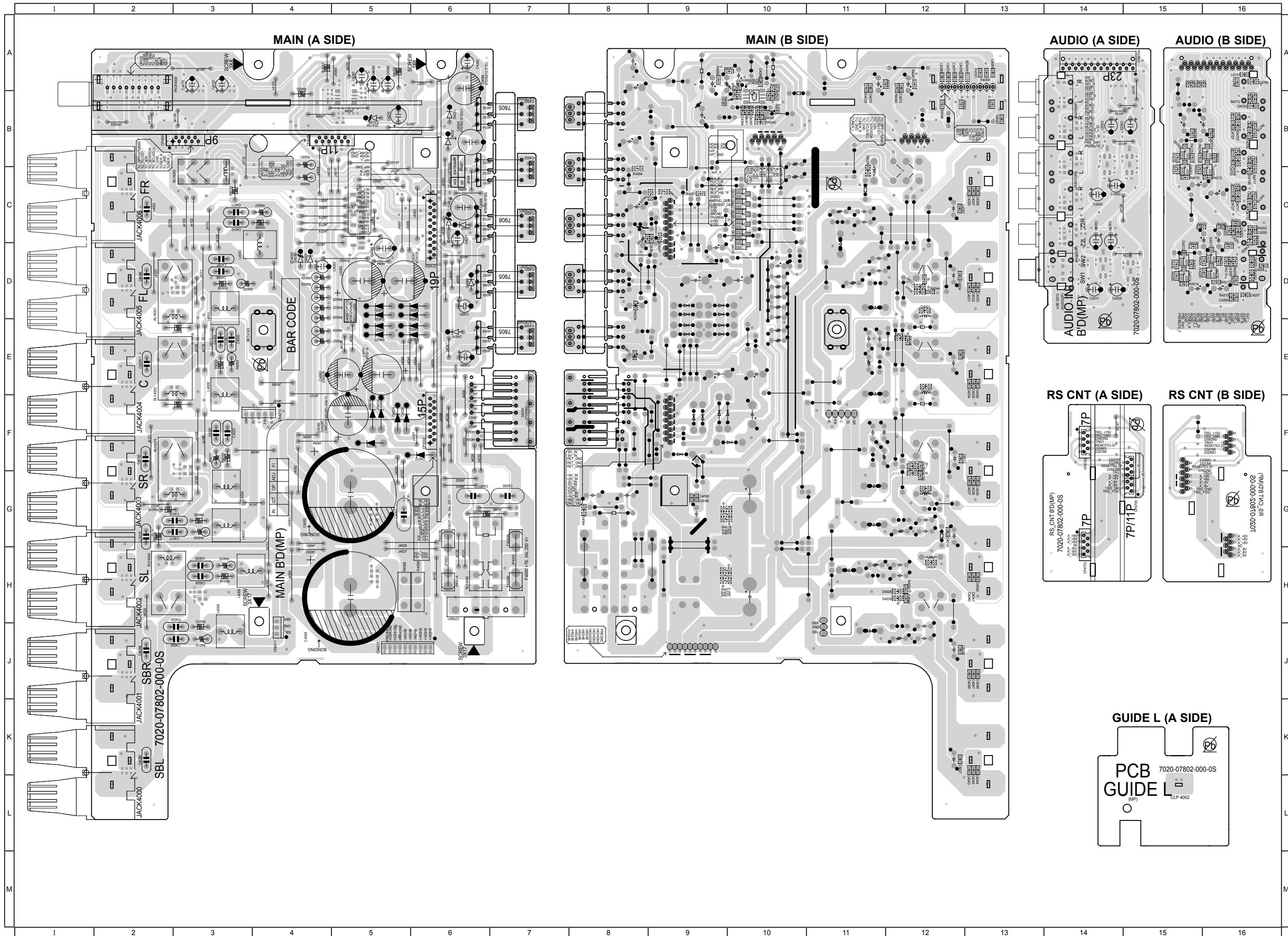


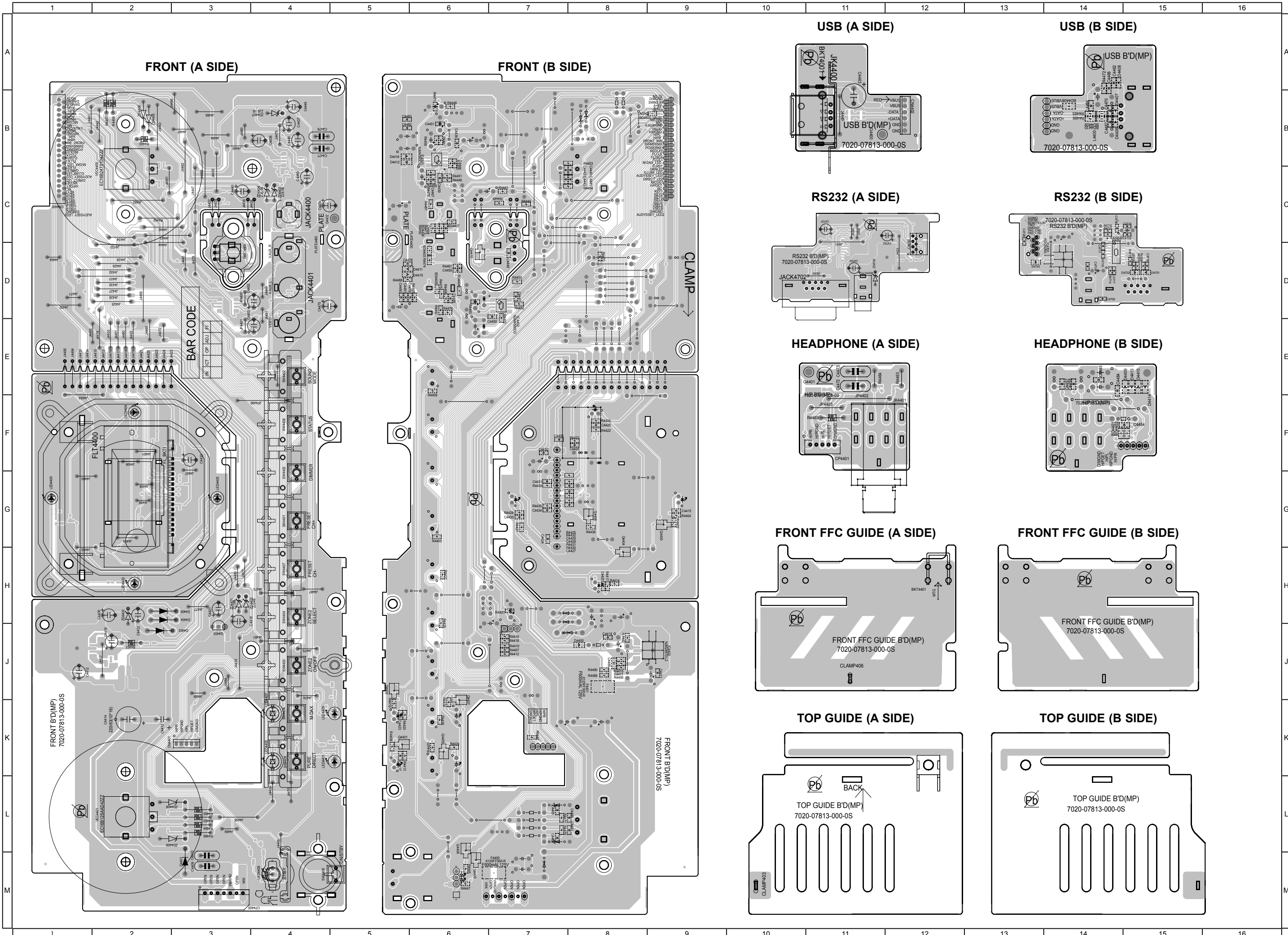
AMP (A SIDE)



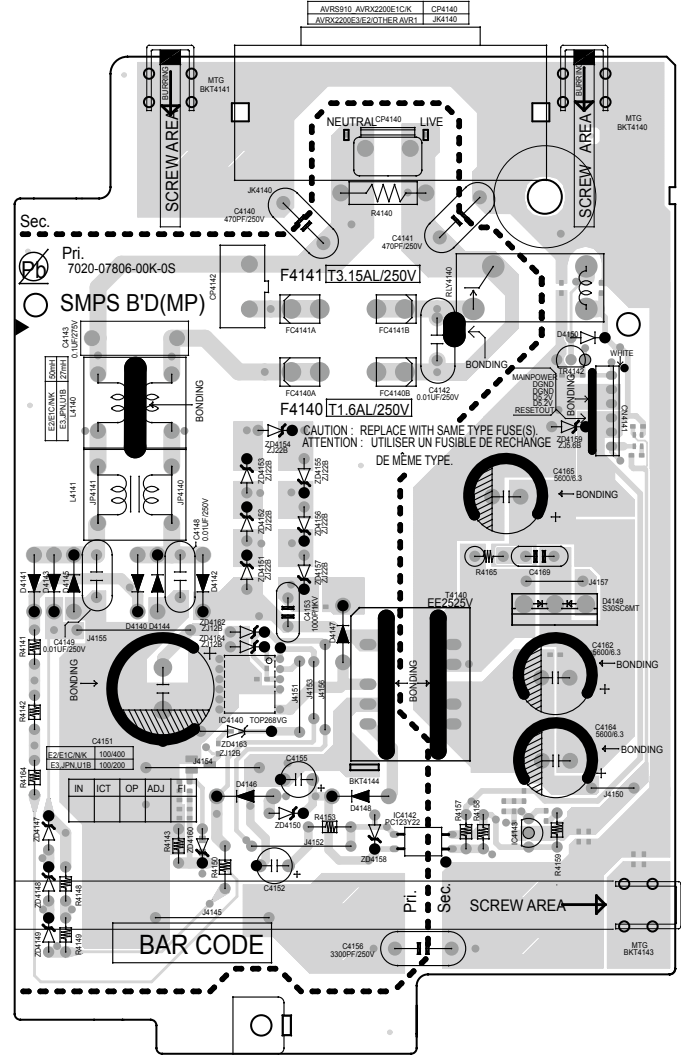
AMP (B SIDE)



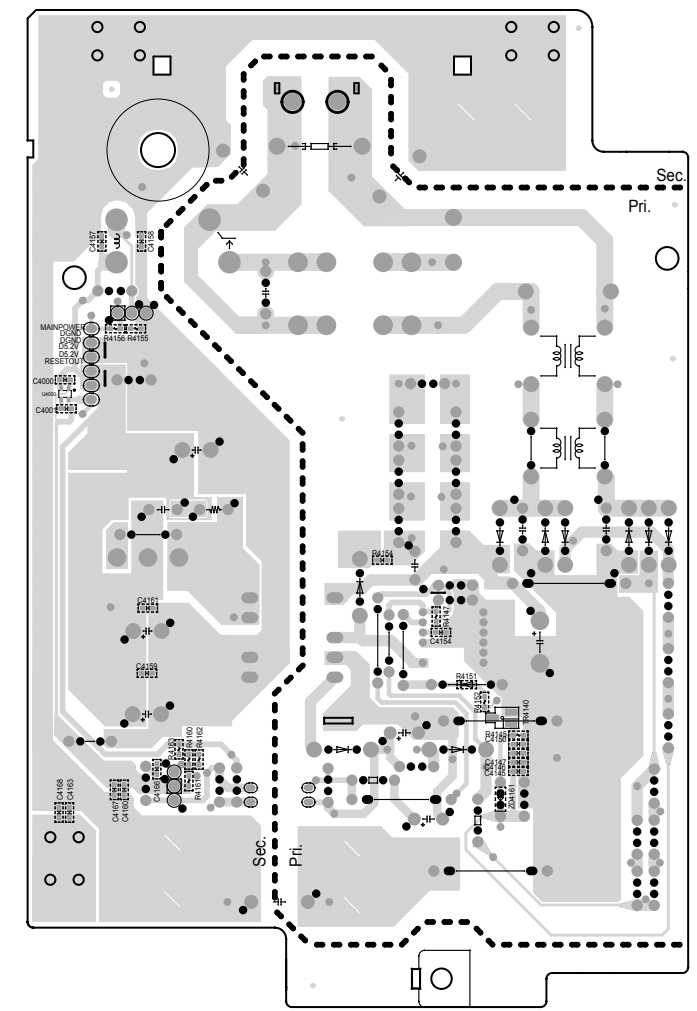




SMPS (A SIDE)



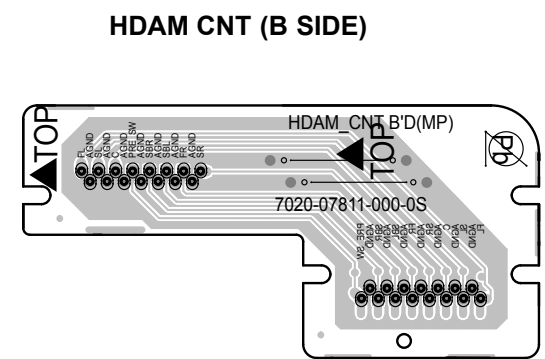
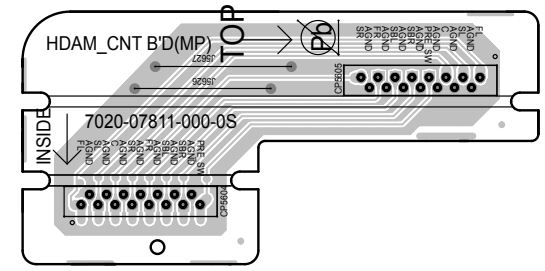
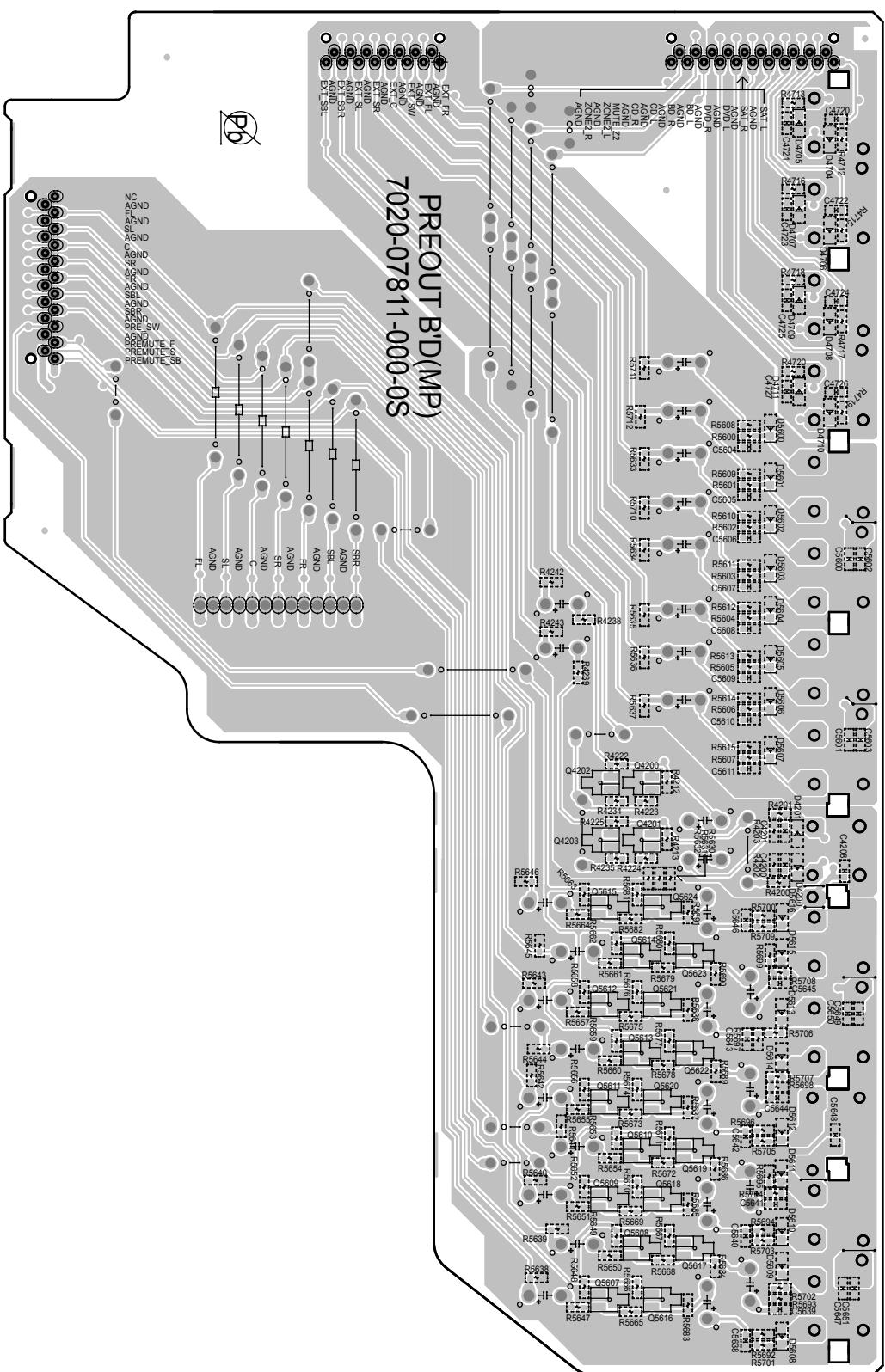
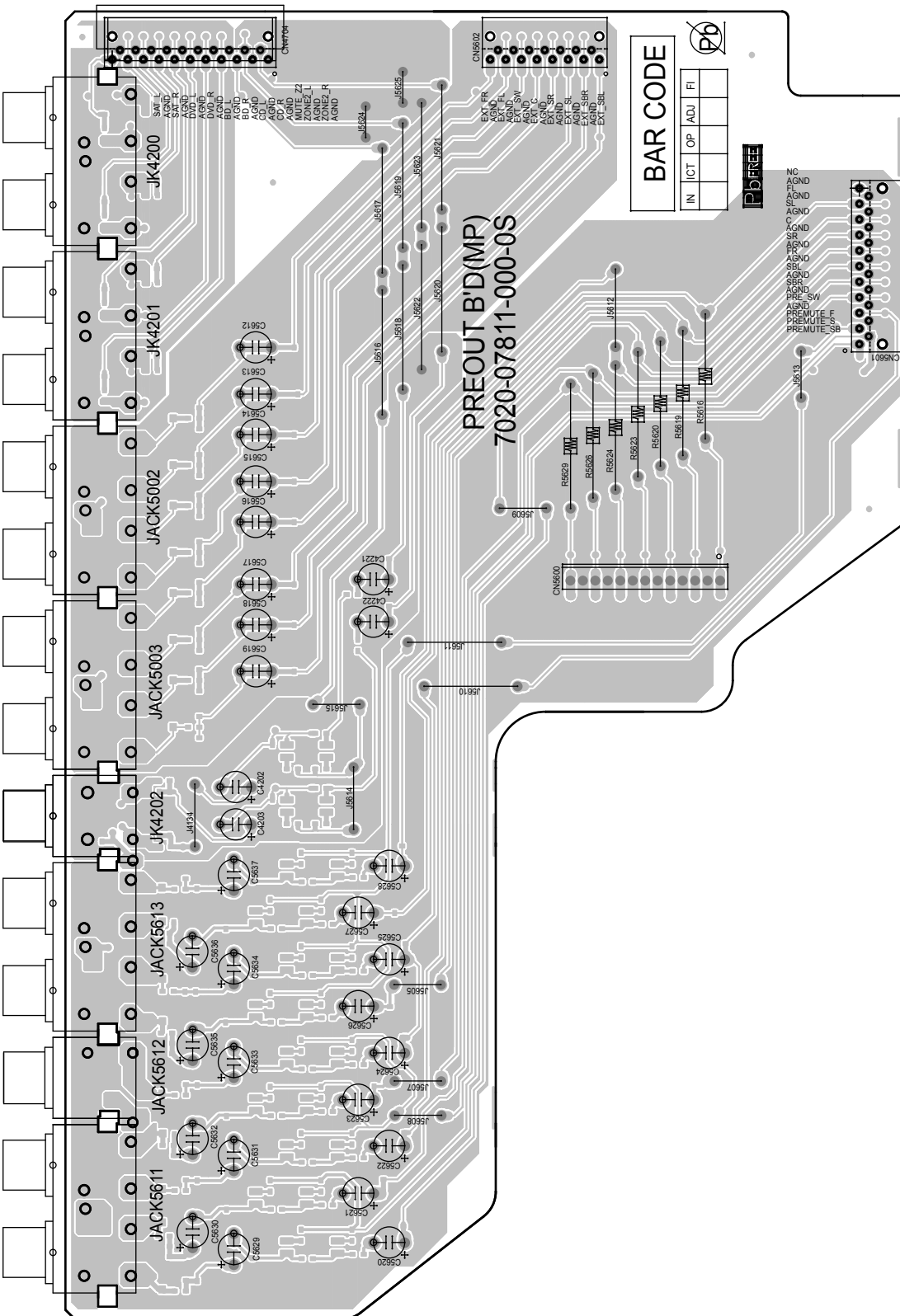
SMPS (B SIDE)



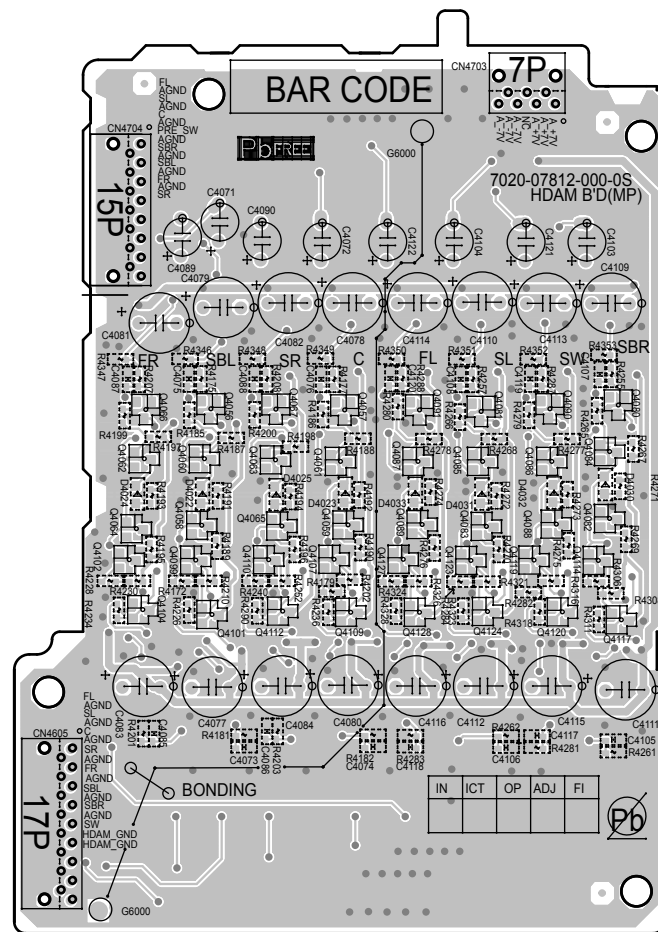
PREOUT (A SIDE)

PREOUT (B SIDE)

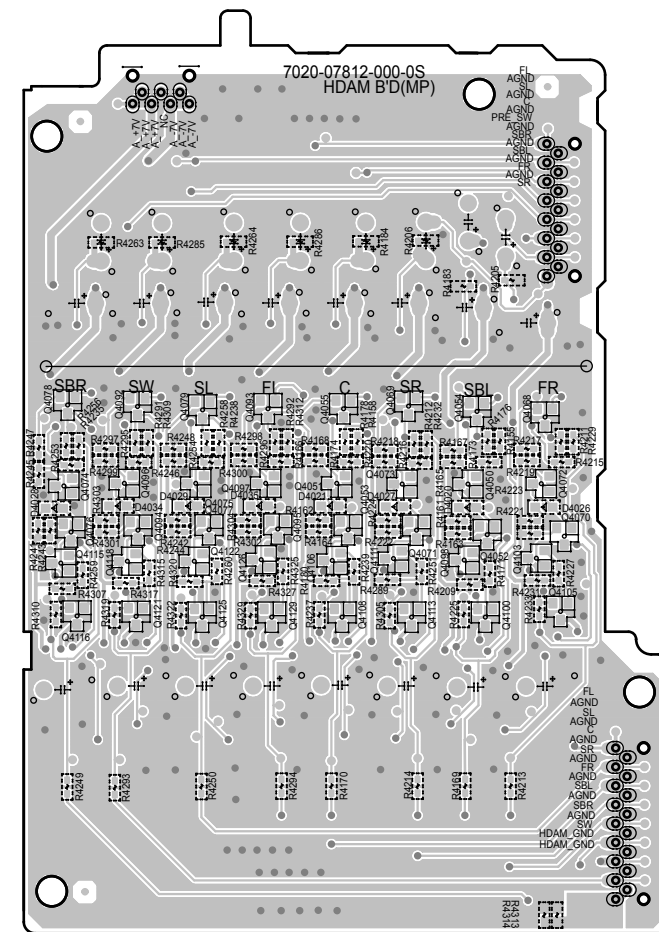
HDAM CNT (A SIDE)

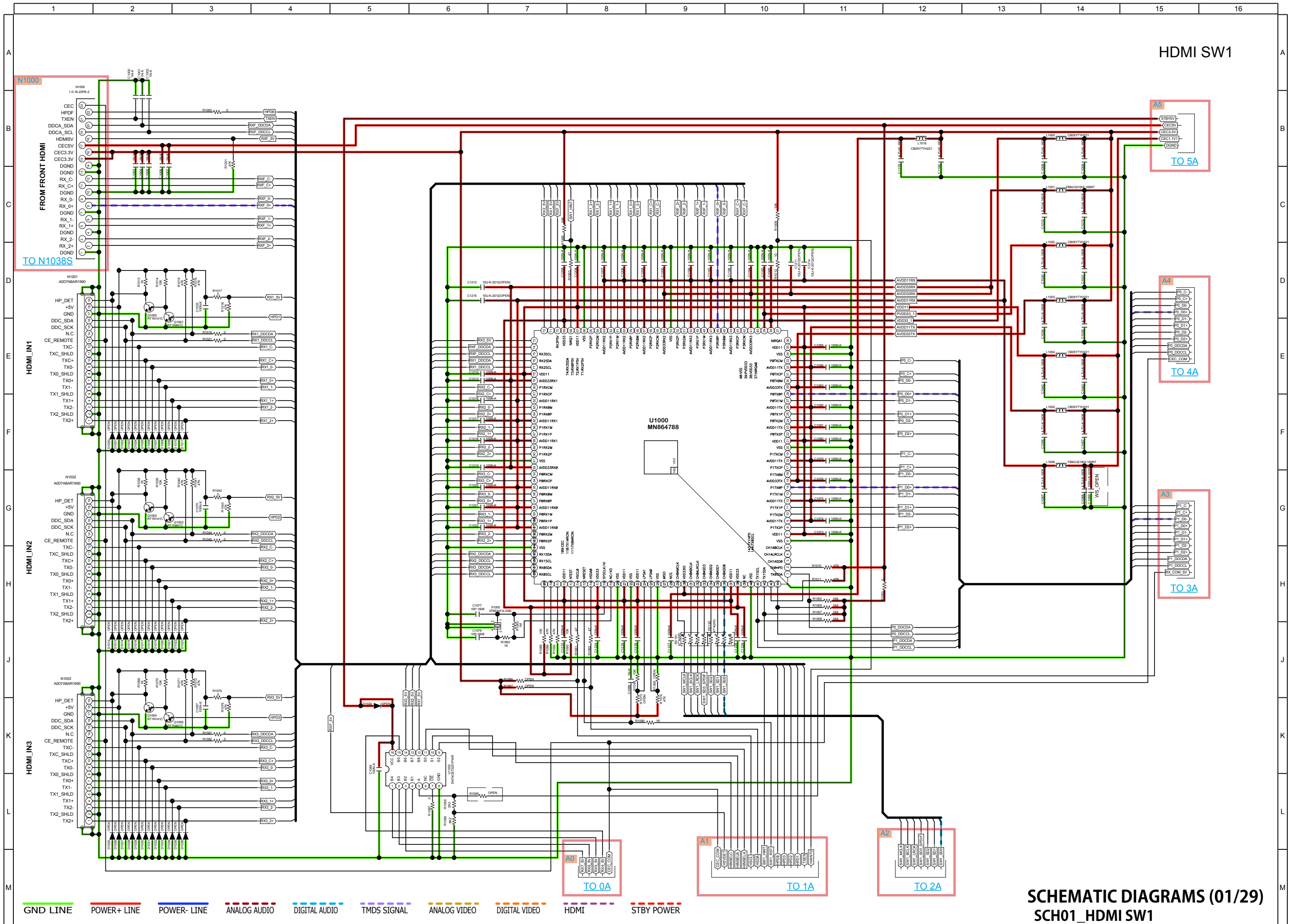


HDAM (A SIDE)



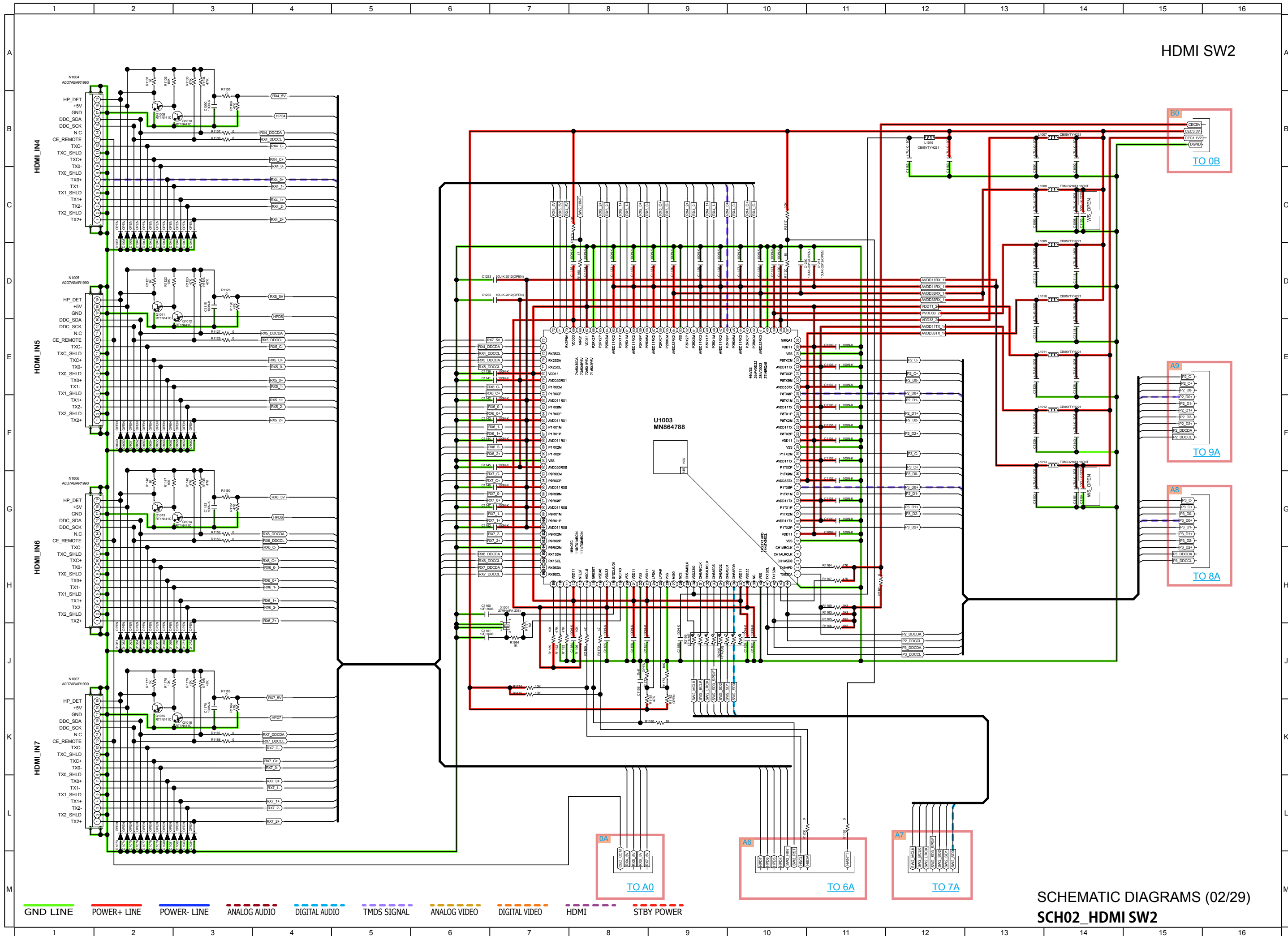
HDAM (B SIDE)



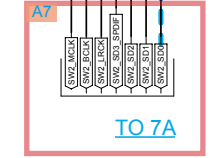
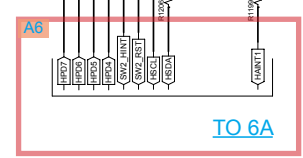
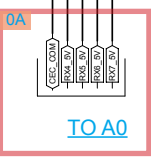
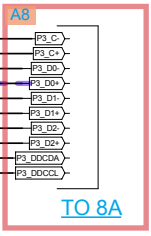
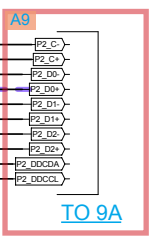
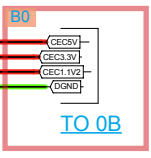


HDMI SW1

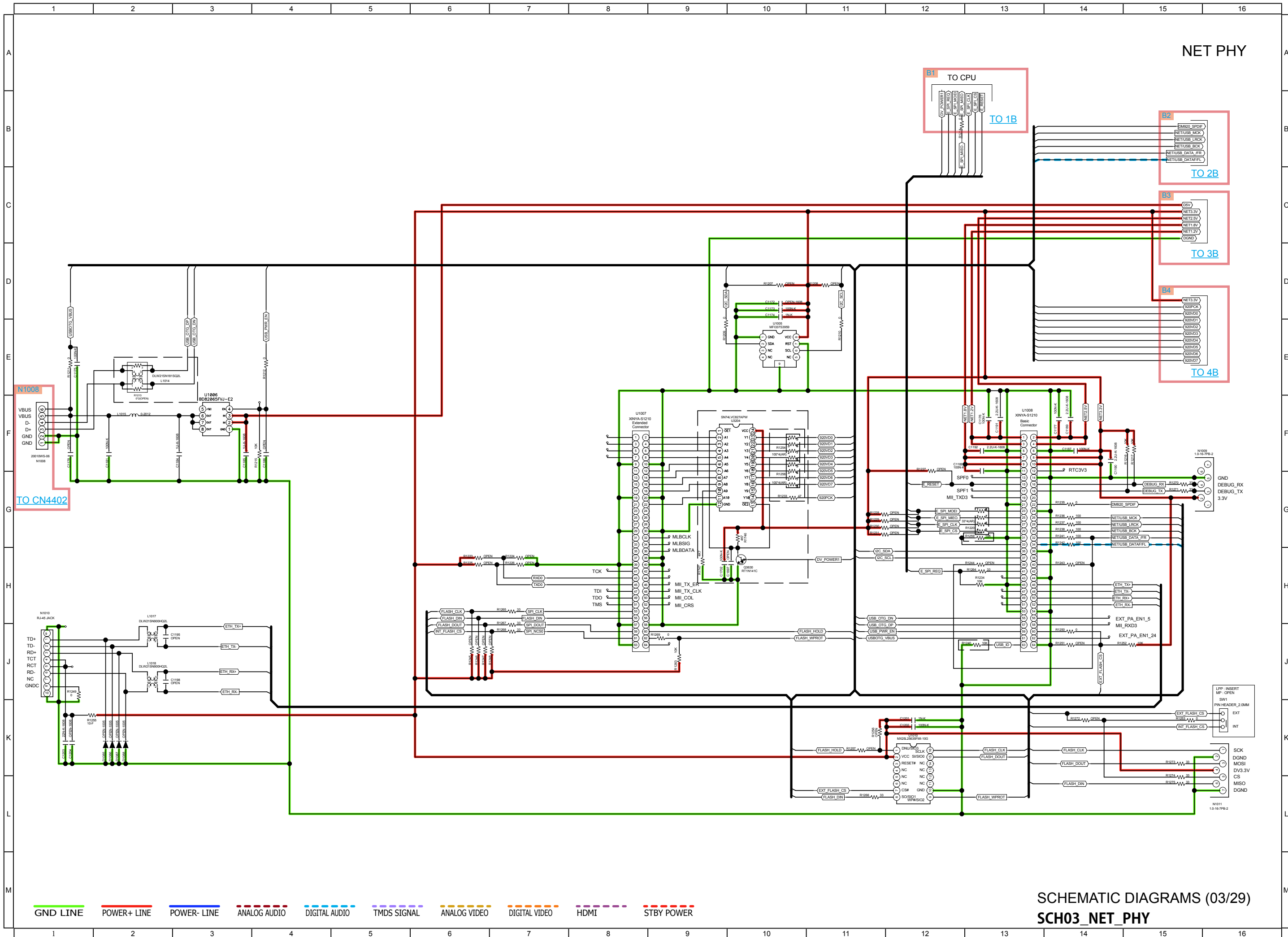
SCHEMATIC DIAGRAMS (01/29)
SCH01_HDMI SW1



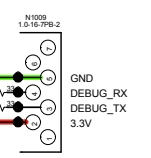
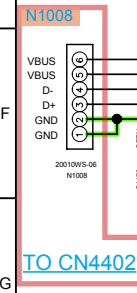
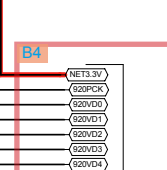
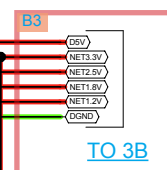
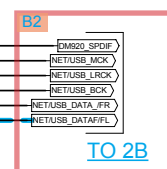
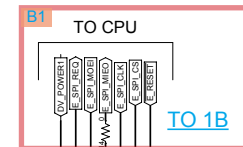
HDMI SW2



SCHEMATIC DIAGRAMS (02/29)
SCH02_HDMI SW2

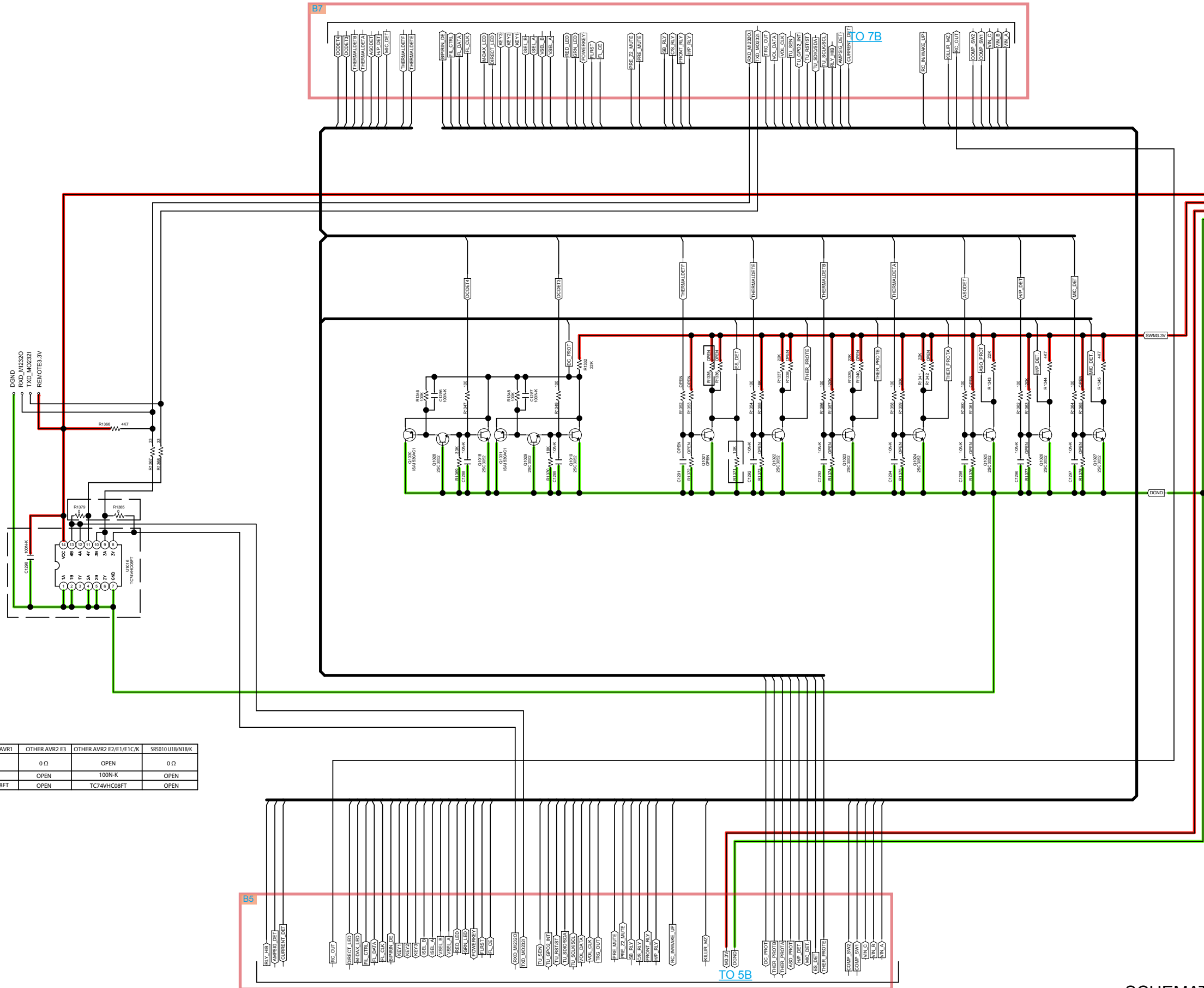


NET PHY



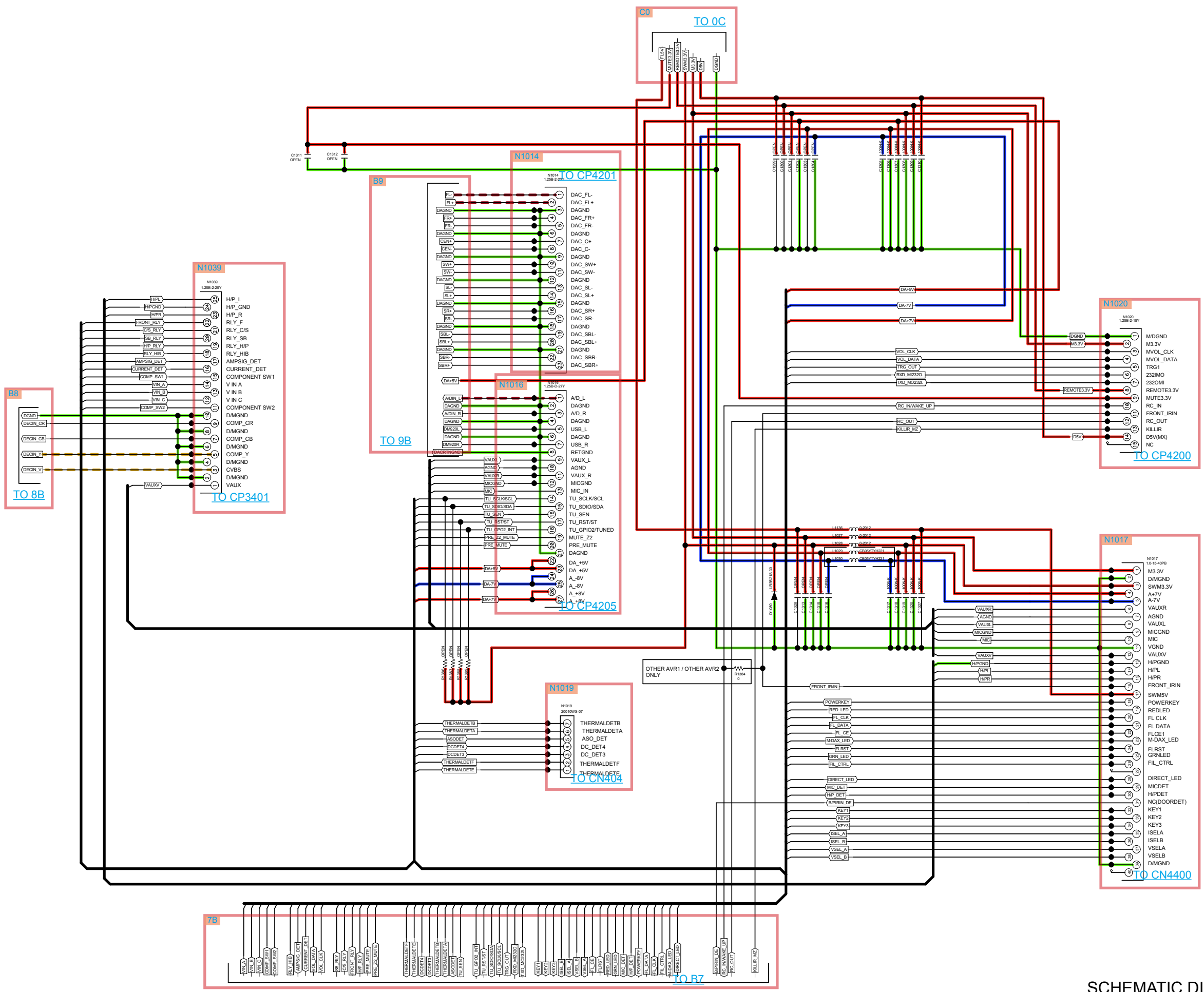
SCHEMATIC DIAGRAMS (03/29)
SCH03_NET_PHY

- GND LINE
- POWER+ LINE
- POWER- LINE
- ANALOG AUDIO
- DIGITAL AUDIO
- TMDS SIGNAL
- ANALOG VIDEO
- DIGITAL VIDEO
- HDMI
- STBY POWER

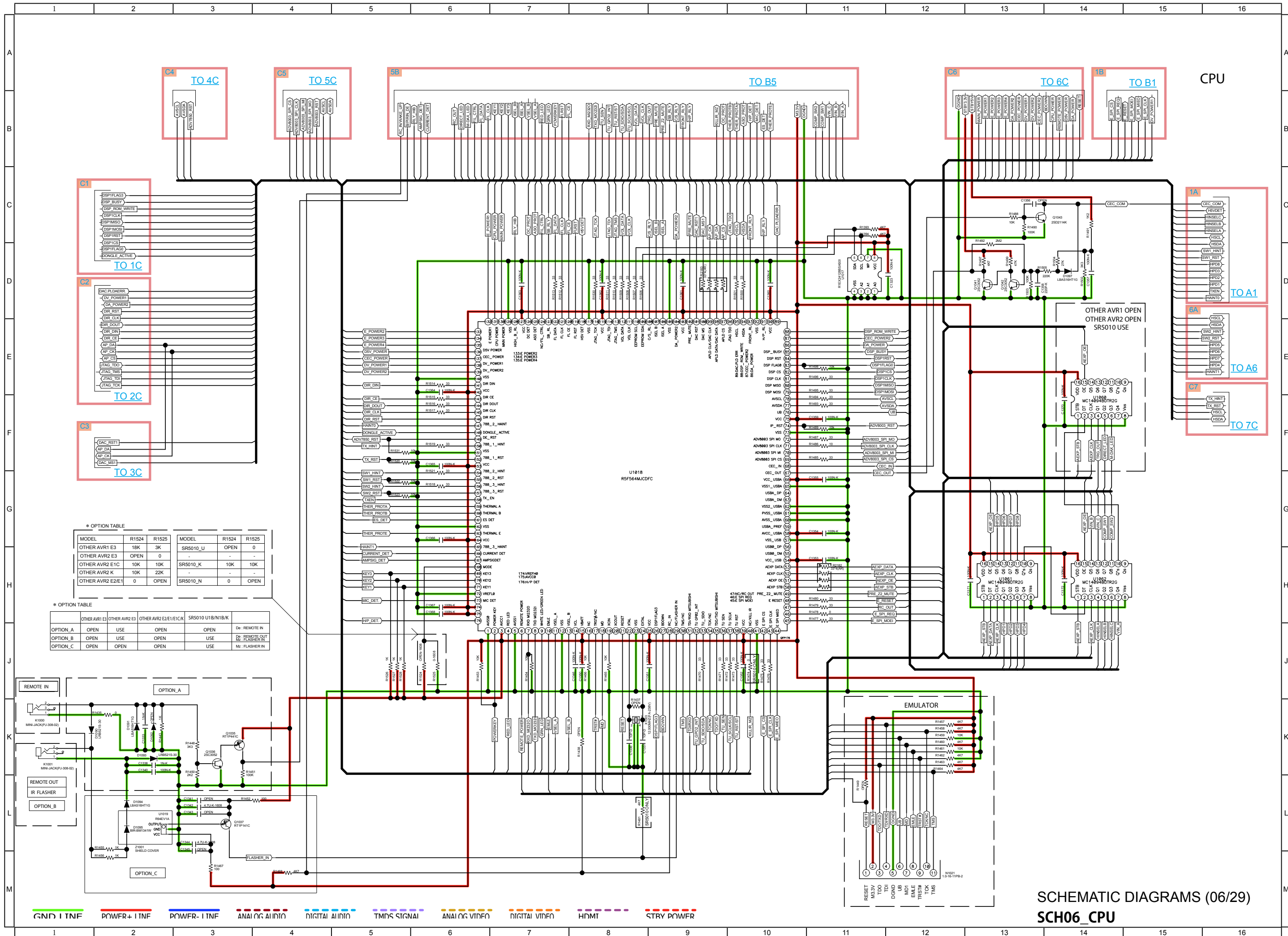


* OPTION TABLE

	OTHER AVR1	OTHER AVR2 E3	OTHER AVR2 E2/E1/E1C/K	SR5010U18/N18/K
R1379	OPEN	0 Ω	OPEN	0 Ω
R1385	100N-K	OPEN	100N-K	OPEN
C1298	TC74VHC08FT	OPEN	TC74VHC08FT	OPEN
U1016				



SCHEMATIC DIAGRAMS (05/29)
SCH05_DIGITAL_CNT

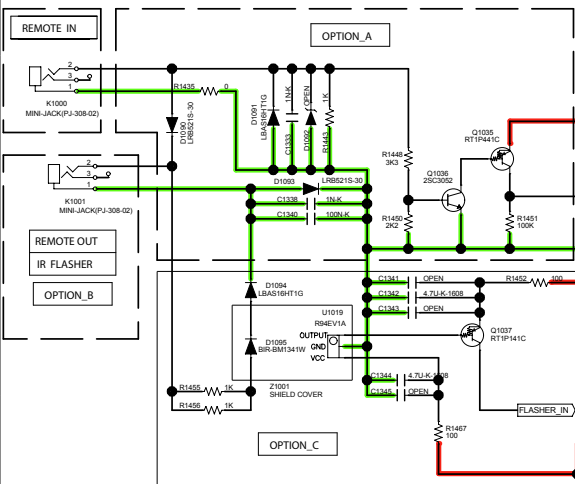


* OPTION TABLE

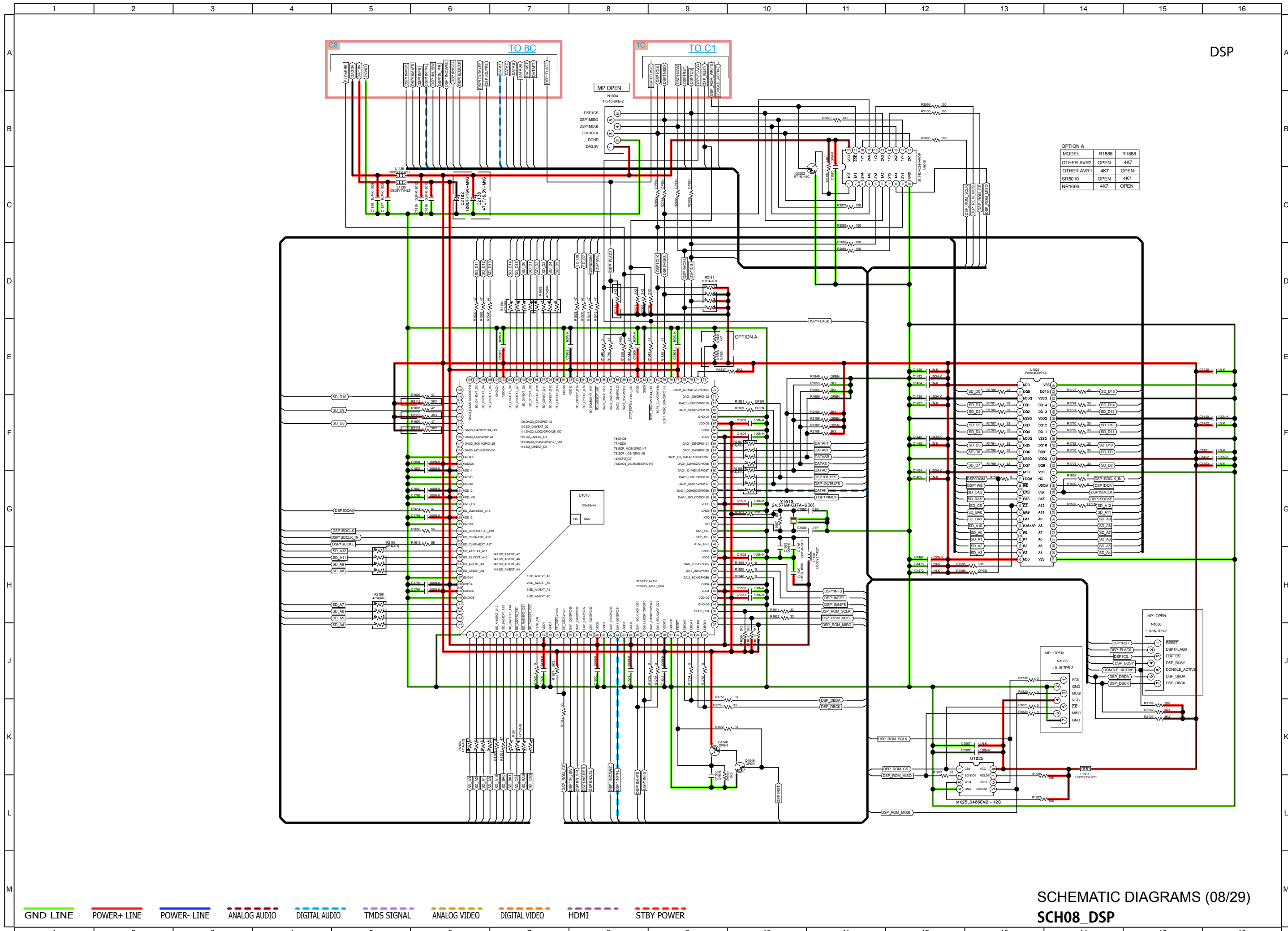
MODEL	R1524	R1525	MODEL	R1524	R1525
OTHER AVR1 E3	18K	3K	SRS010_U	OPEN	0
OTHER AVR2 E3	OPEN	0			
OTHER AVR2 E1C	10K	10K	SRS010_K	10K	10K
OTHER AVR2 K	10K	22K			
OTHER AVR2 E2/E1	0	OPEN	SRS010_N	0	OPEN

* OPTION TABLE

OPTION_A	OTHER AVR1 E3	OTHER AVR2 E3	OTHER AVR2 E2/E1/EC/K	SRS010 U1B/N1B/K	De: REMOTE IN
OPTION_A	OPEN	USE	OPEN	OPEN	De: REMOTE IN
OPTION_B	OPEN	USE	OPEN	USE	Mz: FLASHER IN
OPTION_C	OPEN	OPEN	OPEN	USE	Mz: FLASHER IN



SCH06_CPU
SCHEMATIC DIAGRAMS (06/29)

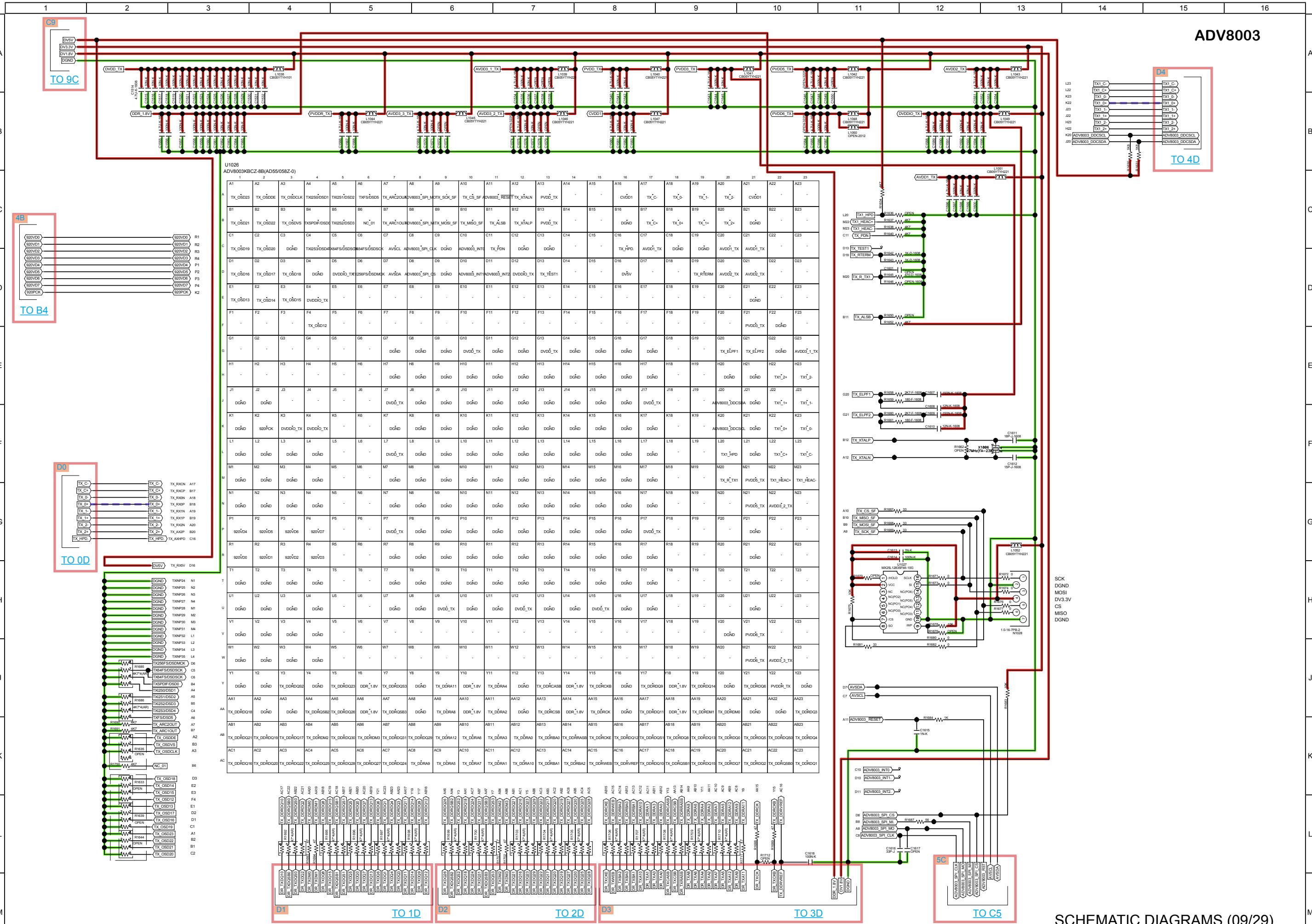


OPTION A

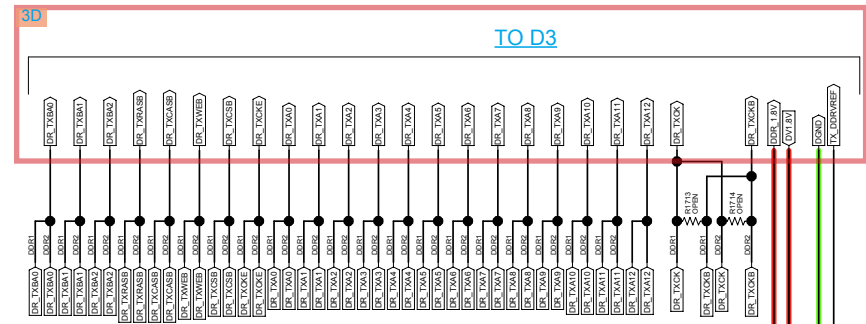
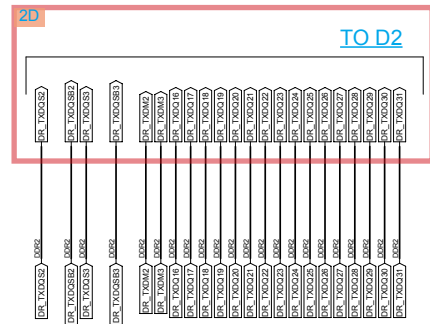
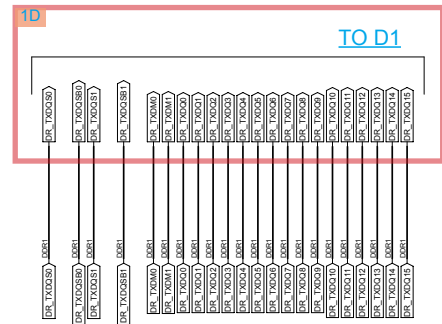
MODEL	R1866	R1868
OTHER AVR2	OPEN	4K7
OTHER AVR1	4K7	OPEN
SR5010	OPEN	4K7
NR1606	4K7	OPEN

SCH08_DSP
SCHEMATIC DIAGRAMS (08/29)

ADV8003

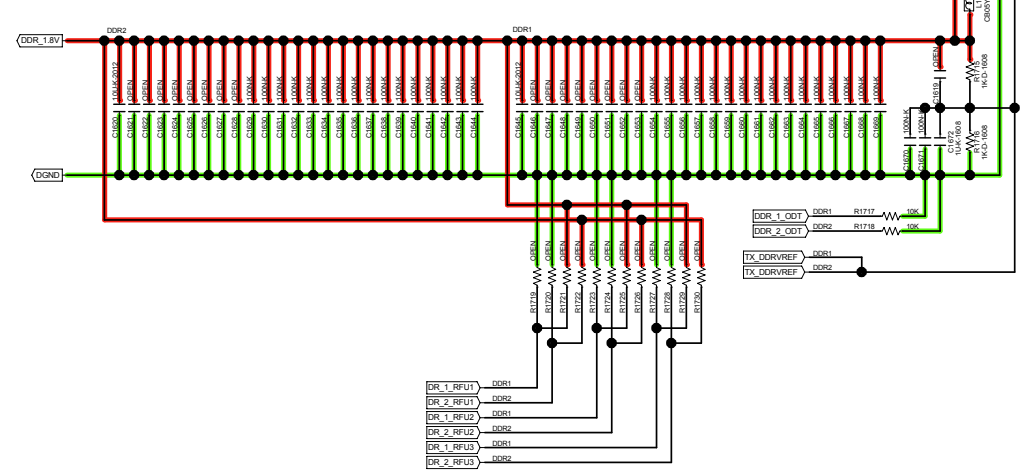


SCHEMATIC DIAGRAMS (09/29)
SCH09_ADV8003

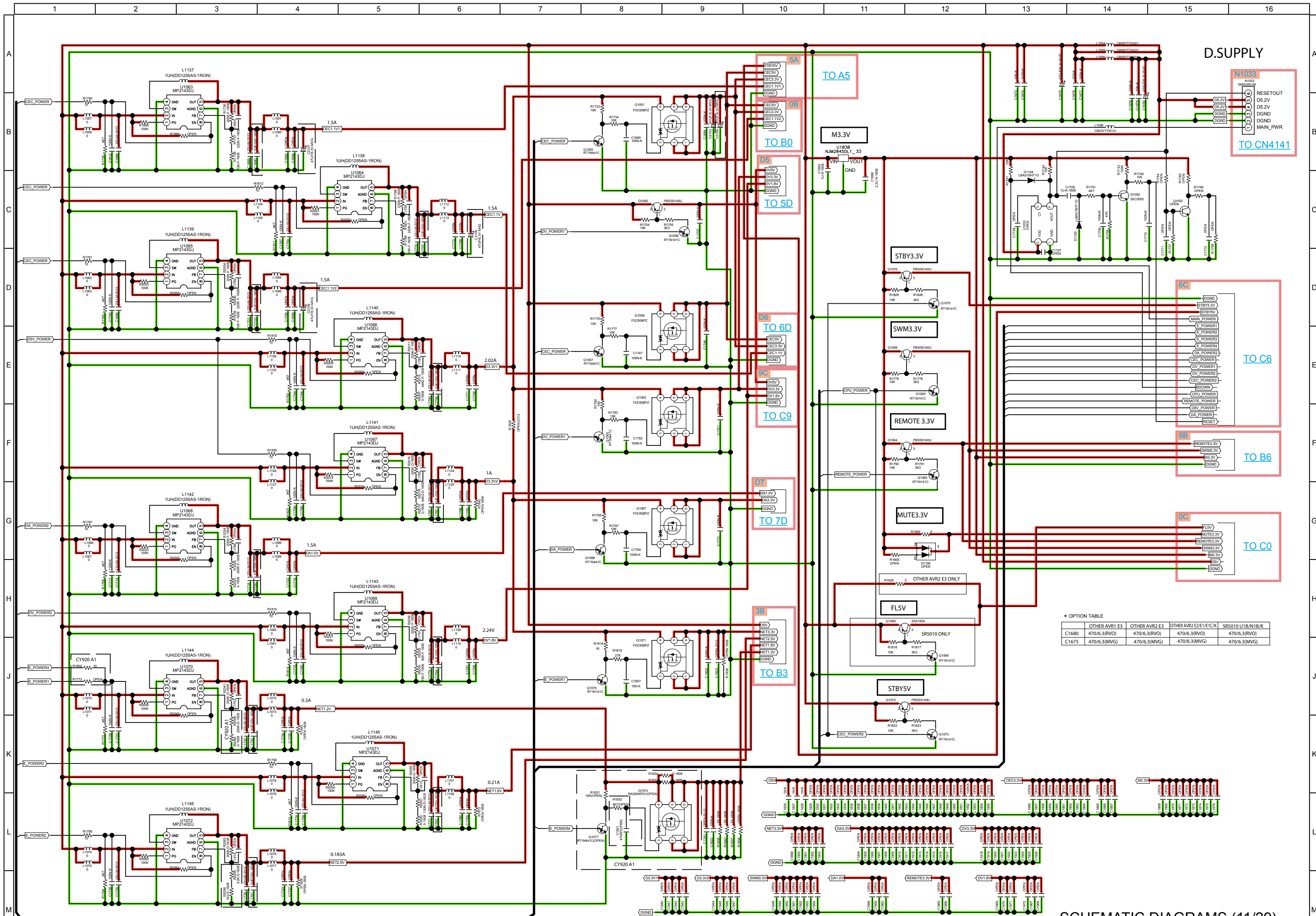


	1	2	3	U1028	A3R12640CF-8E(12M6)	7	8	9
A1	DDR_1_8V		DGND			DGND	DR_TXDQ35	DDR_1_8V
B1	DR_TXDQ14	DGND	DR_TXDM1			DR_TXDQ35	DGND	DR_TXDQ15
C1								
D1	DDR_1_8V	DR_TXDQ9	DDR_1_8V			DDR_1_8V	DR_TXDQ8	DDR_1_8V
E1	DDR_1_8V		DGND			DR_TXDQ10	DGND	DR_TXDQ13
F1	DR_TXDQ6	DGND	DR_TXDM0			DR_TXDQ50	DGND	DR_TXDQ7
G1	DDR_1_8V	DR_TXDQ1	DDR_1_8V			DDR_1_8V	DR_TXDQ0	DDR_1_8V
H1	DR_TXDQ4	DGND	DR_TXDQ3			DR_TXDQ2	DGND	DR_TXDQ5
J1	DDR_1_8V	TX_DDRVREF	DGND			DGND	DR_TXCK	DDR_1_8V
K1		DR_TXCKE	DR_TXWEB			DR_TXASB	DR_TXCKB	DDR_1_COT
L1	DR_TXBA2	DR_TXBA0	DR_TXBA1			DR_TXCASB	DR_TXCSB	
M1		DR_TXA10	DR_TXA1			DR_TXA2	DR_TXA0	DDR_1_8V
N1	DGND	DR_TXA3	DR_TXA5			DR_TXA6	DR_TXA4	
P1		DR_TXA7	DR_TXA9			DR_TXA11	DR_TXA8	DGND
R1	DDR_1_8V	DR_TXA12	DR_1_RFU1			DR_1_RFU2	DR_1_RFU3	

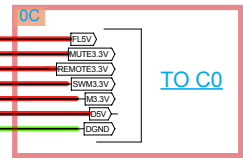
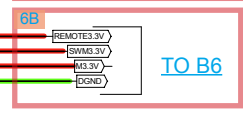
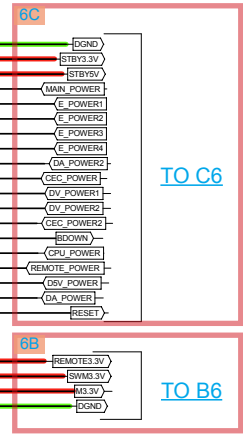
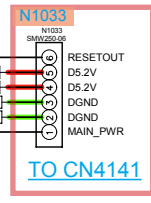
	1	2	3	U1029	A3R12640CF-8E(12M6)	7	8	9
A1	DDR_1_8V		DGND			DGND	DR_TXDQ35	DDR_1_8V
B1	DR_TXDQ30	DGND	DR_TXDM3			DR_TXDQ35	DGND	DR_TXDQ31
C1								
D1	DDR_1_8V	DR_TXDQ25	DDR_1_8V			DDR_1_8V	DR_TXDQ24	DDR_1_8V
E1	DDR_1_8V		DGND			DR_TXDQ26	DGND	DR_TXDQ29
F1	DR_TXDQ22	DGND	DR_TXDM2			DR_TXDQ52	DGND	DR_TXDQ23
G1	DDR_1_8V	DR_TXDQ17	DDR_1_8V			DDR_1_8V	DR_TXDQ16	DDR_1_8V
H1	DR_TXDQ20	DGND	DR_TXDQ19			DR_TXDQ18	DGND	DR_TXDQ21
J1	DDR_1_8V	TX_DDRVREF	DGND			DGND	DR_TXCK	DDR_1_8V
K1		DR_TXCKE	DR_TXWEB			DR_TXASB	DR_TXCKB	DDR_2_COT
L1	DR_TXBA2	DR_TXBA0	DR_TXBA1			DR_TXCASB	DR_TXCSB	
M1		DR_TXA10	DR_TXA1			DR_TXA2	DR_TXA0	DDR_1_8V
N1	DGND	DR_TXA3	DR_TXA5			DR_TXA6	DR_TXA4	
P1		DR_TXA7	DR_TXA9			DR_TXA11	DR_TXA8	DGND
R1	DDR_1_8V	DR_TXA12	DR_2_RFU1			DR_2_RFU2	DR_2_RFU3	



— GND LINE
 — POWER+ LINE
 — POWER- LINE
 — ANALOG AUDIO
 — DIGITAL AUDIO
 — TMDS SIGNAL
 — ANALOG VIDEO
 — DIGITAL VIDEO
 — HDMI
 — STBY POWER



D.SUPPLY



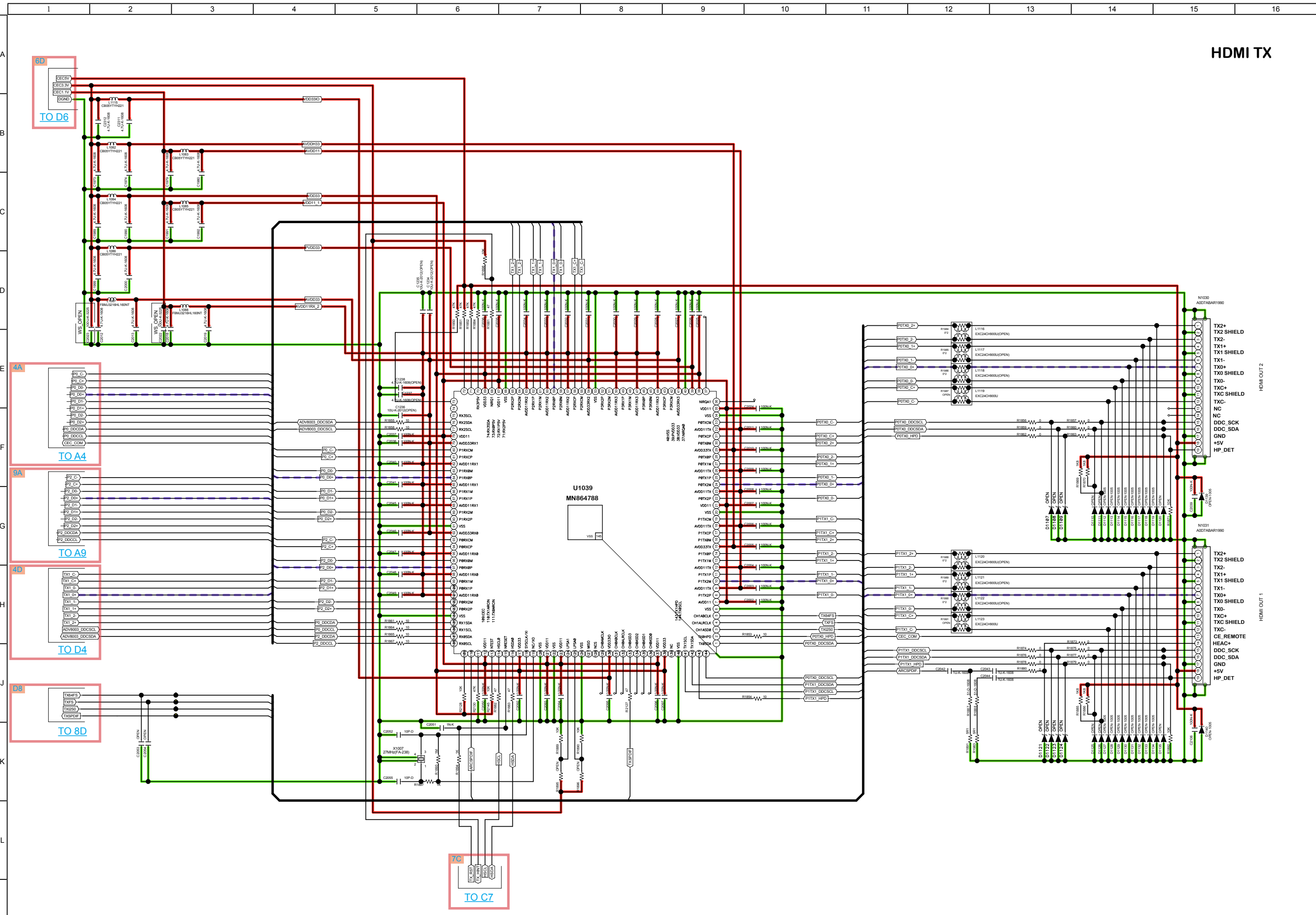
* OPTION TABLE

	OTHER AVR1 E3	OTHER AVR2 E3	OTHER AVR2 E1/E1E1C/K	SR5010 U1B/N1B/K
C1680	470/6.3(RVO)	470/6.3(RVO)	470/6.3(RVO)	470/6.3(RVO)
C1675	470/6.3(MVG)	470/6.3(MVG)	470/6.3(MVG)	470/6.3(MVG)

— GND LINE
— POWER+ LINE
— POWER- LINE
— ANALOG AUDIO
— DIGITAL AUDIO
— TMDS SIGNAL
— ANALOG VIDEO
— DIGITAL VIDEO
— HDMI
— STBY POWER

SCH11_D SUPPLY

HDMI TX

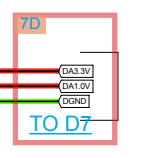
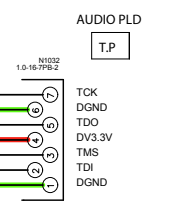
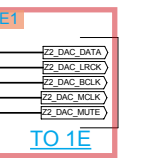
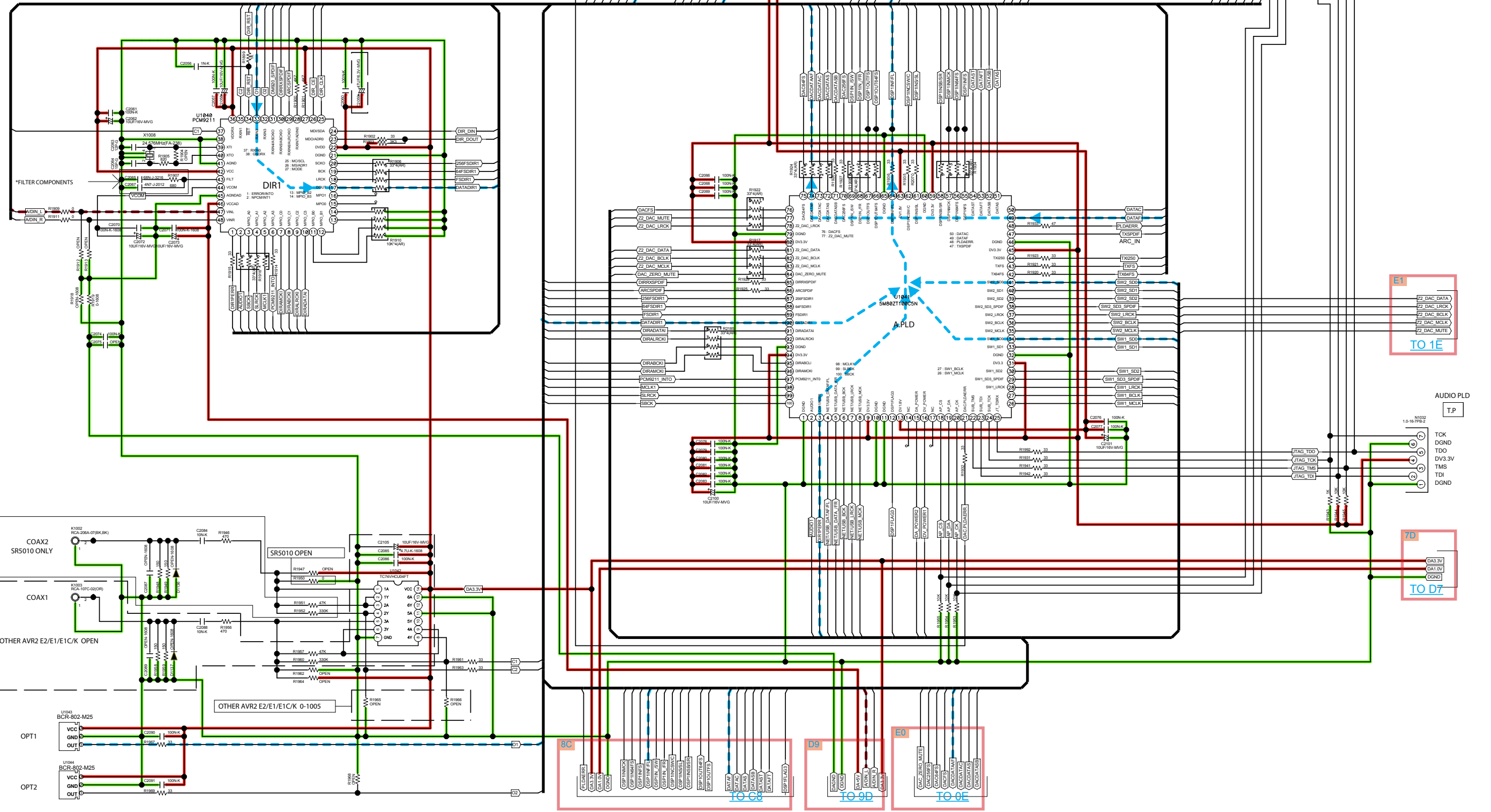


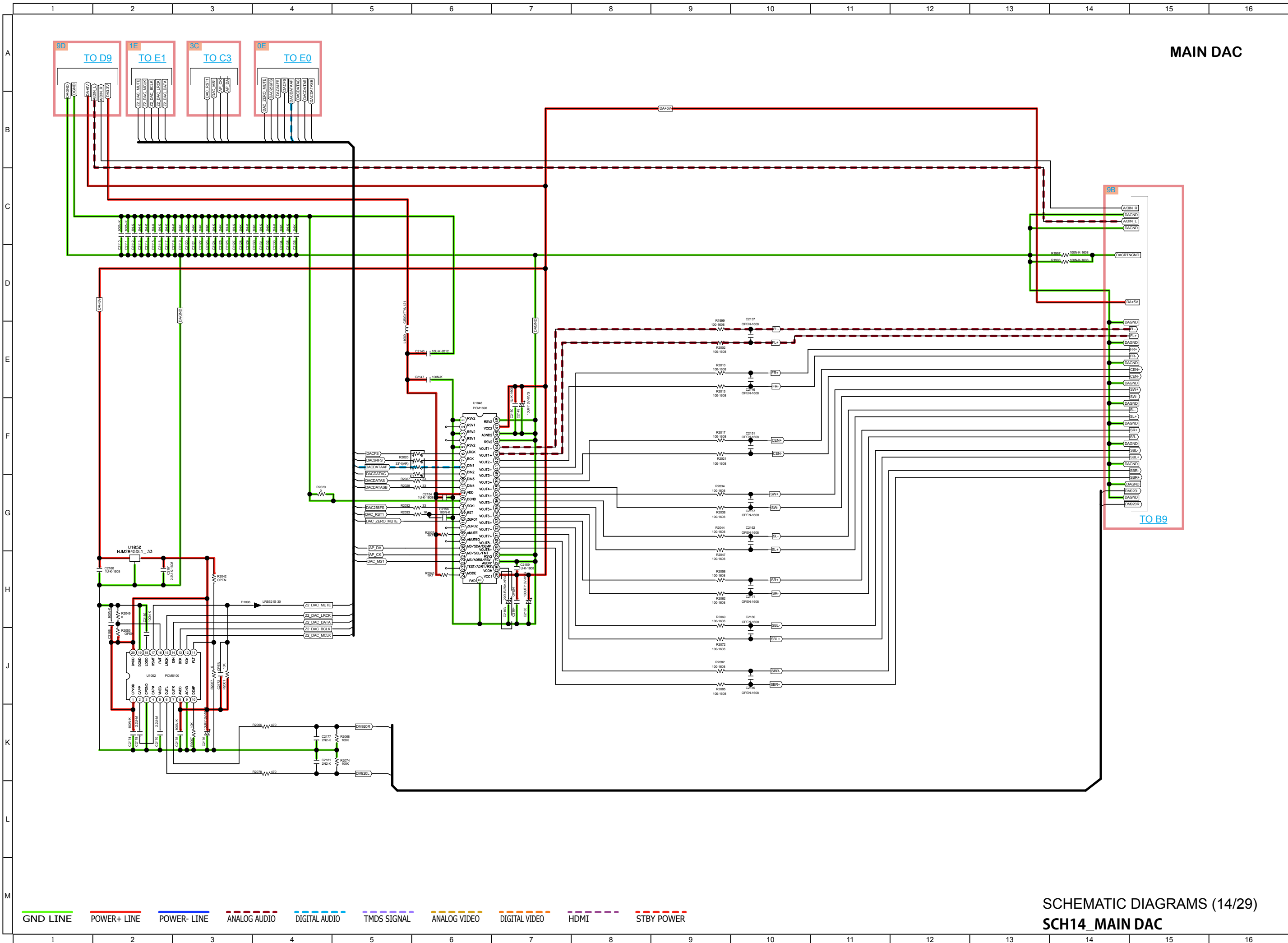
Legend:
GND LINE
POWER+ LINE
POWER- LINE
ANALOG AUDIO
DIGITAL AUDIO
TMDS SIGNAL
ANALOG VIDEO
DIGITAL VIDEO
HDMI
STBY POWER

SCHEMATIC DIAGRAMS (12/29)
SCH12_HDMI TX

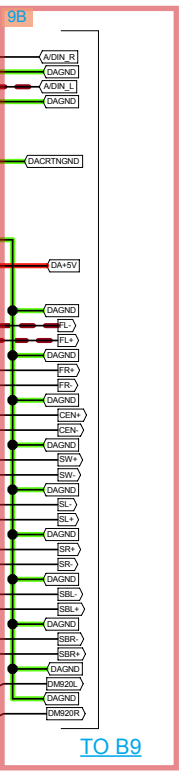
*FILTER COMPONENTS

VALUE	TYPE	TOLERANCE
R1907 680 Ω	METAL FILM OR CARBON	0 Y0
C2065 0.068UF	FILM OR CERAMIC (CH OR COG)	± 5%
C2067 0.0047UF	FILM OR CERAMIC (CH OR COG)	± 5%





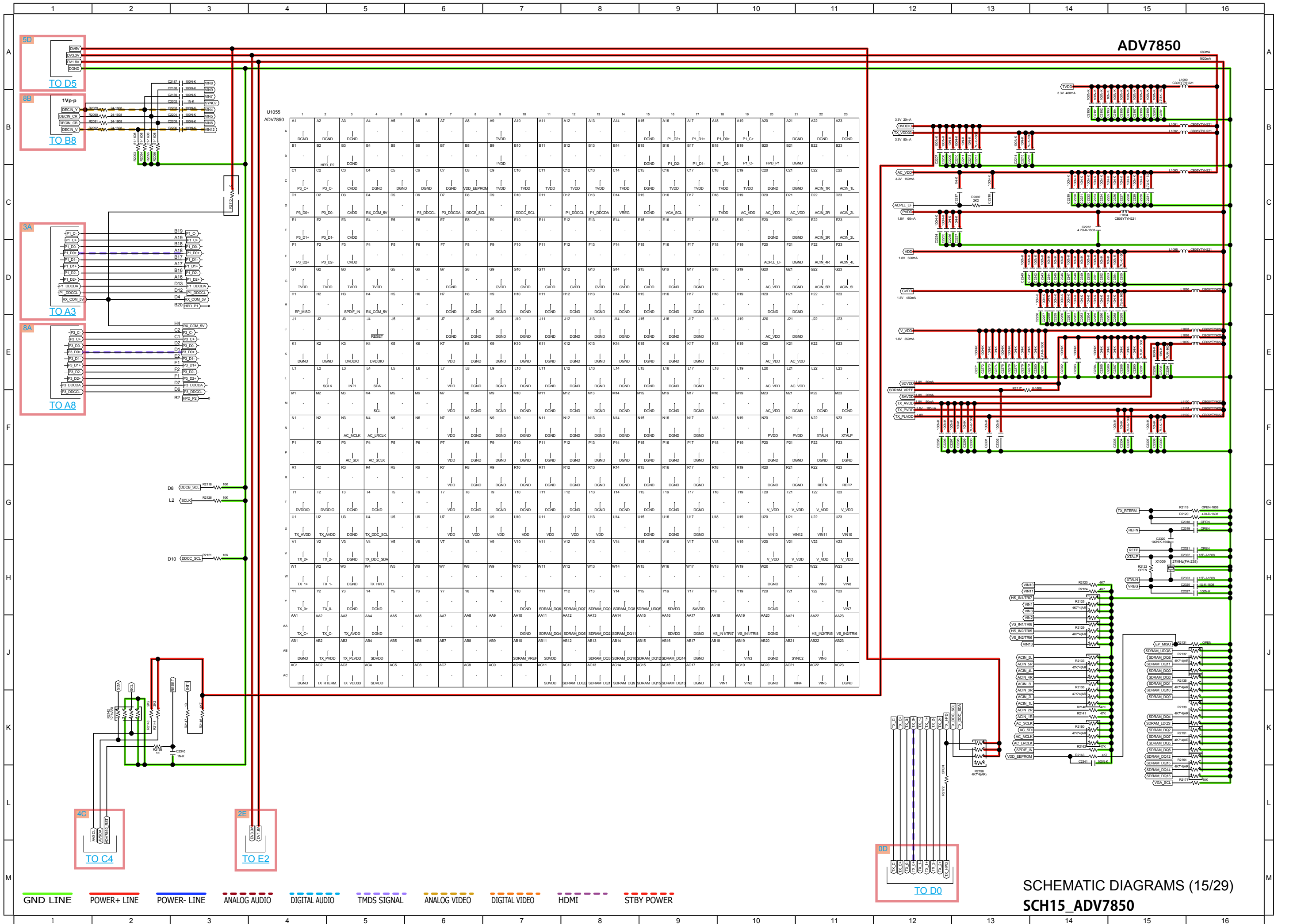
MAIN DAC



TO B9

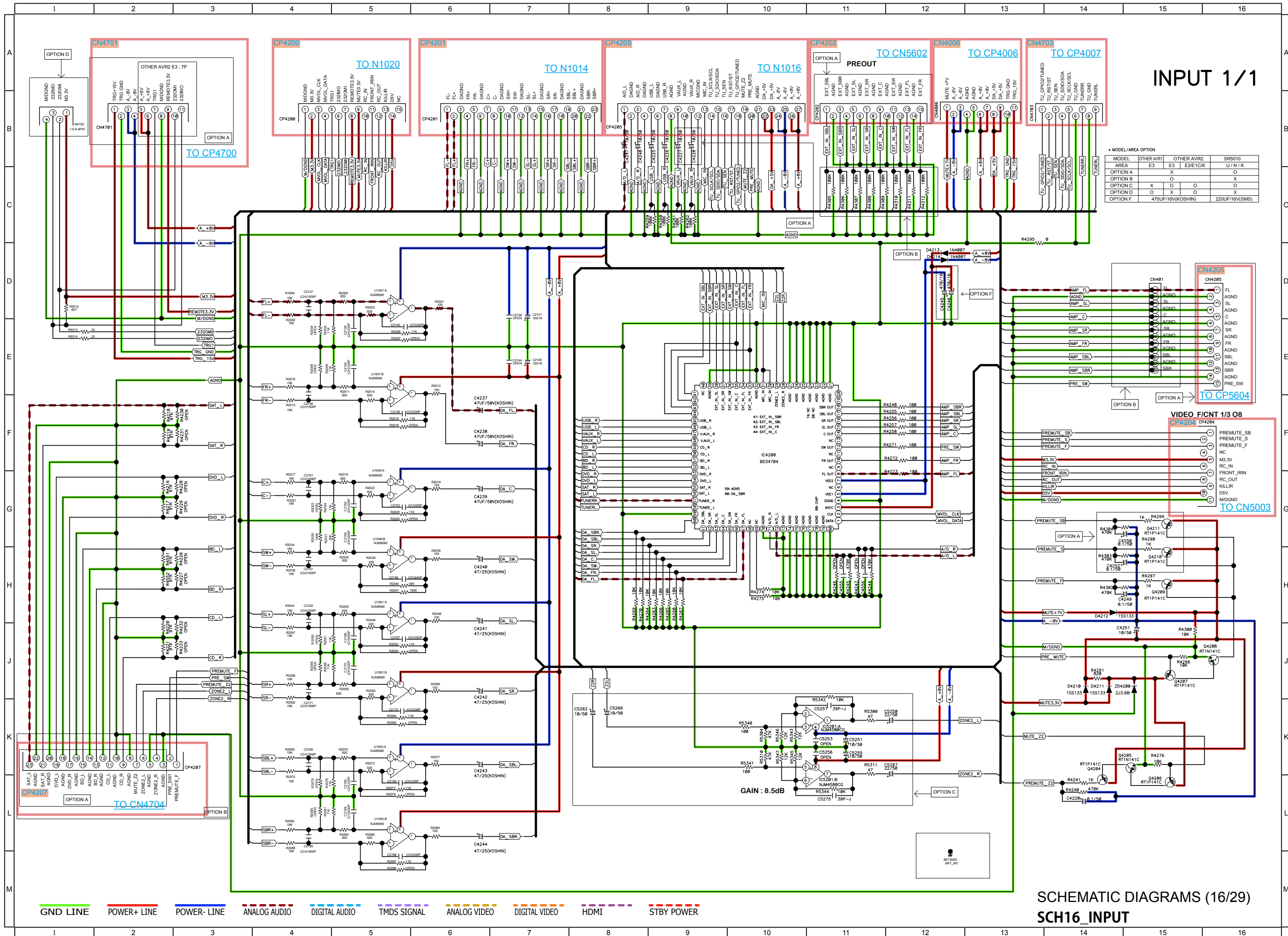
- GND LINE
- POWER+ LINE
- POWER- LINE
- ANALOG AUDIO
- DIGITAL AUDIO
- TMD5 SIGNAL
- ANALOG VIDEO
- DIGITAL VIDEO
- HDMI
- STBY POWER

SCHEMATIC DIAGRAMS (14/29)
SCH14_MAIN DAC



ADV7850

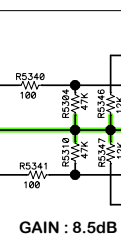
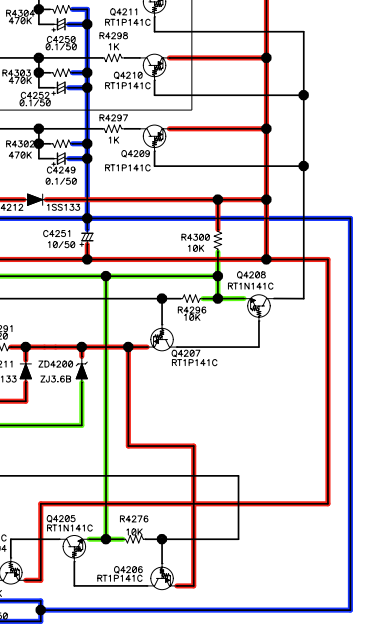
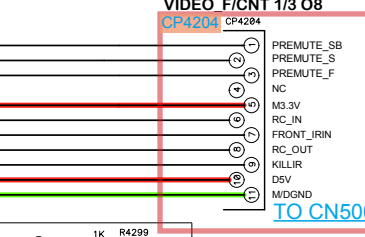
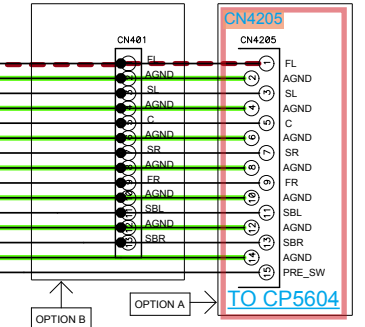
SCHEMATIC DIAGRAMS (15/29)
SCH15_ADV7850



INPUT 1/1

* MODEL/AREA OPTION

MODEL	OTHER AVR1	OTHER AVR2	SR5010
AREA	E3	E2/E1CK	U/N/K
OPTION A	X		O
OPTION B	O		X
OPTION C	X	O	O
OPTION D	O	X	O
OPTION F	470UF/16V(KOSHIN)		220UF/16V(SMS)

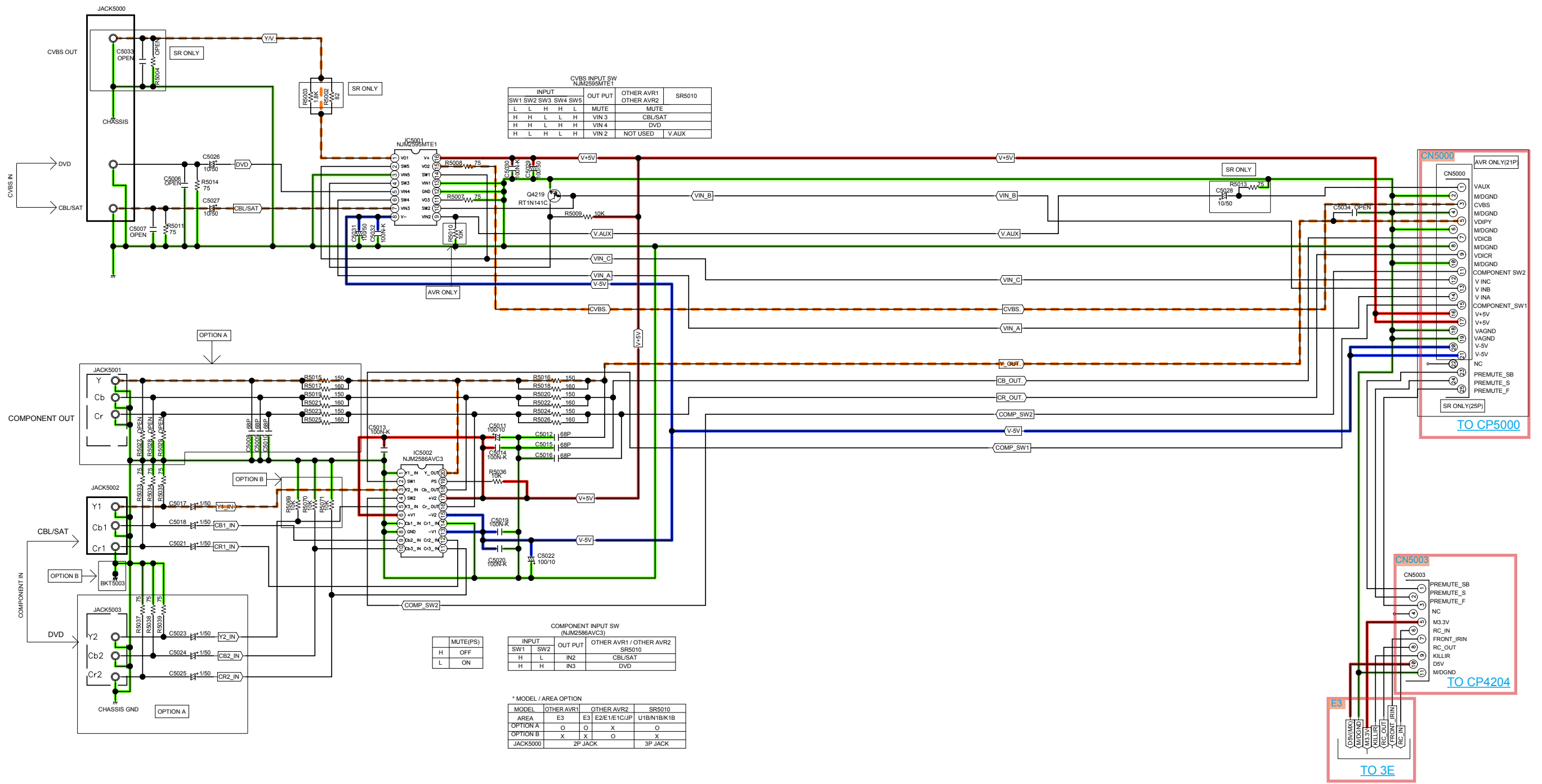


— GND LINE
 — POWER+ LINE
 — POWER- LINE
 - - - ANALOG AUDIO
 - - - DIGITAL AUDIO
 - - - TMDS SIGNAL
 - - - ANALOG VIDEO
 - - - DIGITAL VIDEO
 - - - HDMI
 - - - STBY POWER

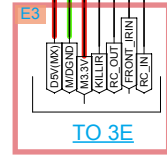
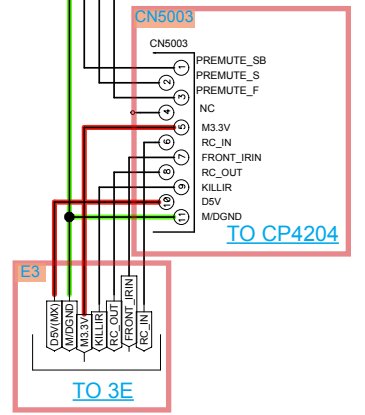
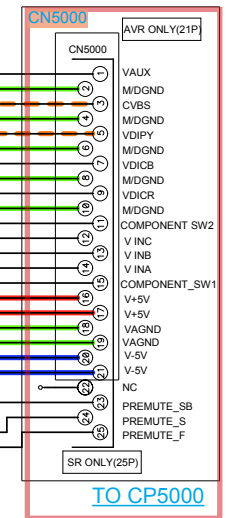
SCHEMATIC DIAGRAMS (16/29)
SCH16_INPUT

VIDEO PART

VIDEO_F/CNT 1/3



— GND LINE
 — POWER+ LINE
 — POWER- LINE
 - - - ANALOG AUDIO
 - - - DIGITAL AUDIO
 - - - TMDS SIGNAL
 - - - ANALOG VIDEO
 - - - DIGITAL VIDEO
 - - - HDMI
 - - - STBY POWER

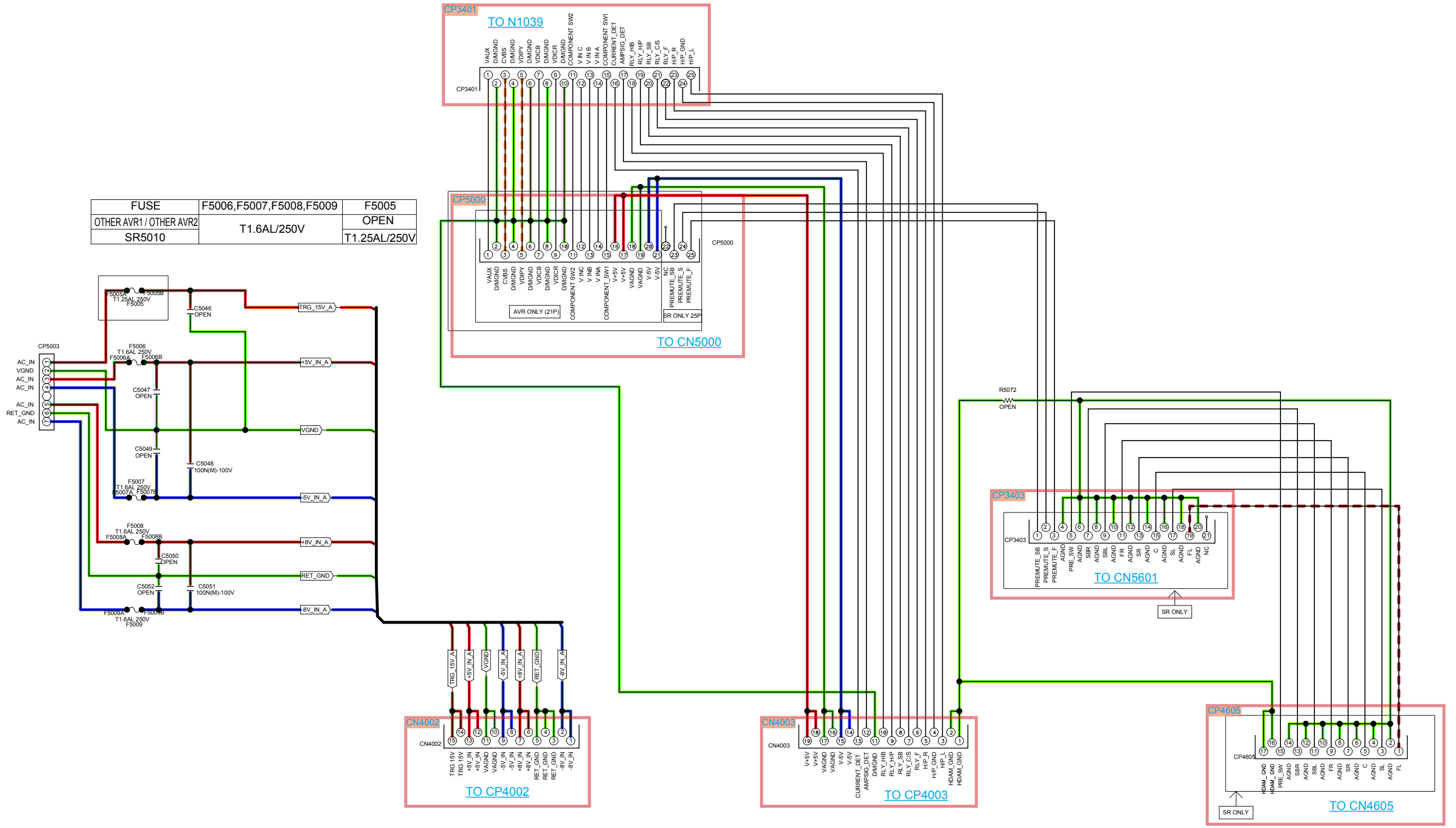


SCHEMATIC DIAGRAMS (17/29)
SCH17_VIDEO

FRONT_CNT PART

VIDEO_F/CNT 2/3

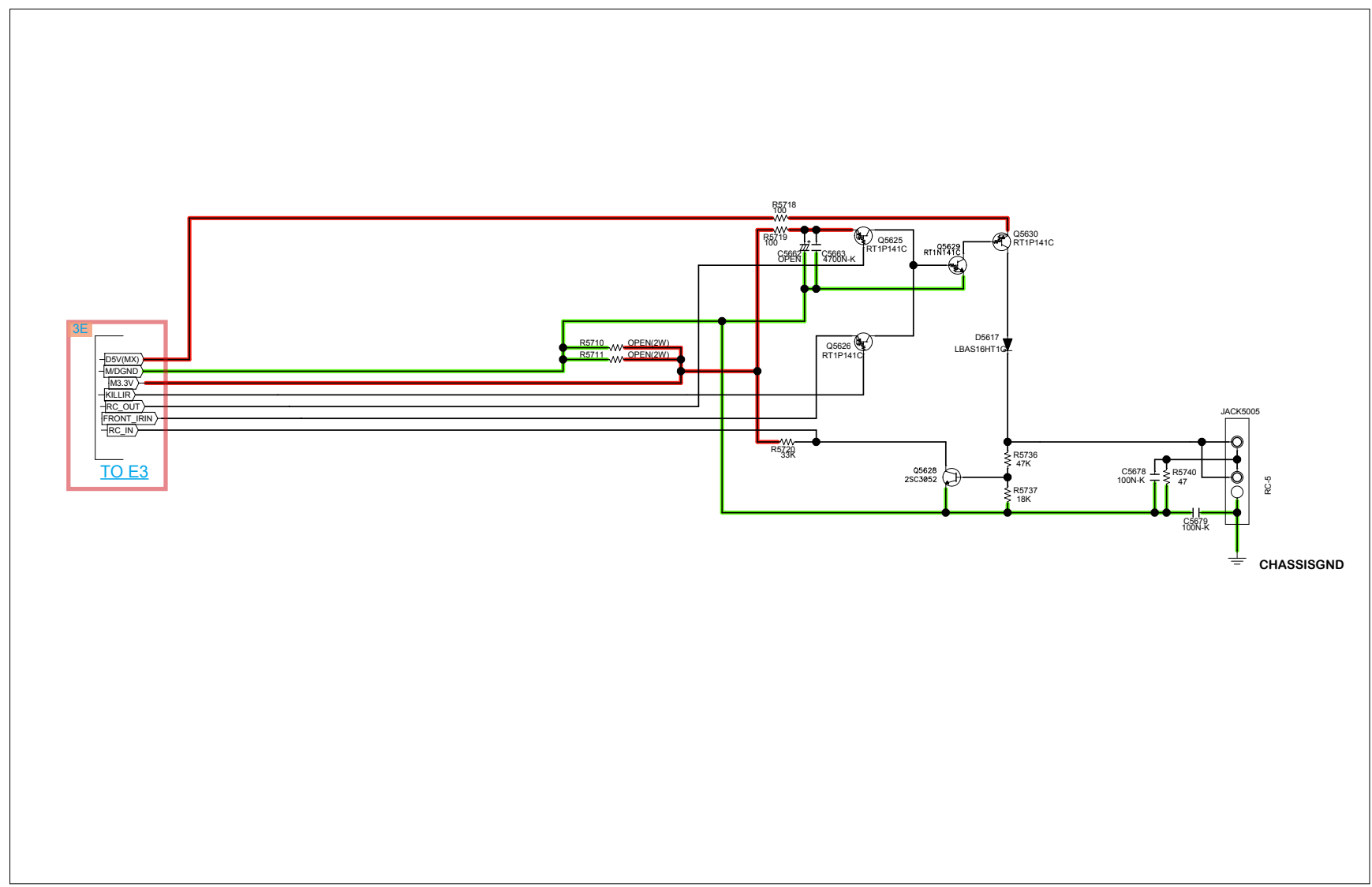
FUSE	F5006,F5007,F5008,F5009	F5005
OTHER AVR1 / OTHER AVR2	T1.6AL/250V	OPEN
SR5010		T1.25AL/250V



— GND LINE
 — POWER+ LINE
 — POWER- LINE
 — ANALOG AUDIO
 — DIGITAL AUDIO
 — TMDS SIGNAL
 — ANALOG VIDEO
 — DIGITAL VIDEO
 — HDMI
 — STBY POWER

SCHEMATIC DIAGRAMS (18/29)
 SCH18_VIDEO_FRONT_CNT

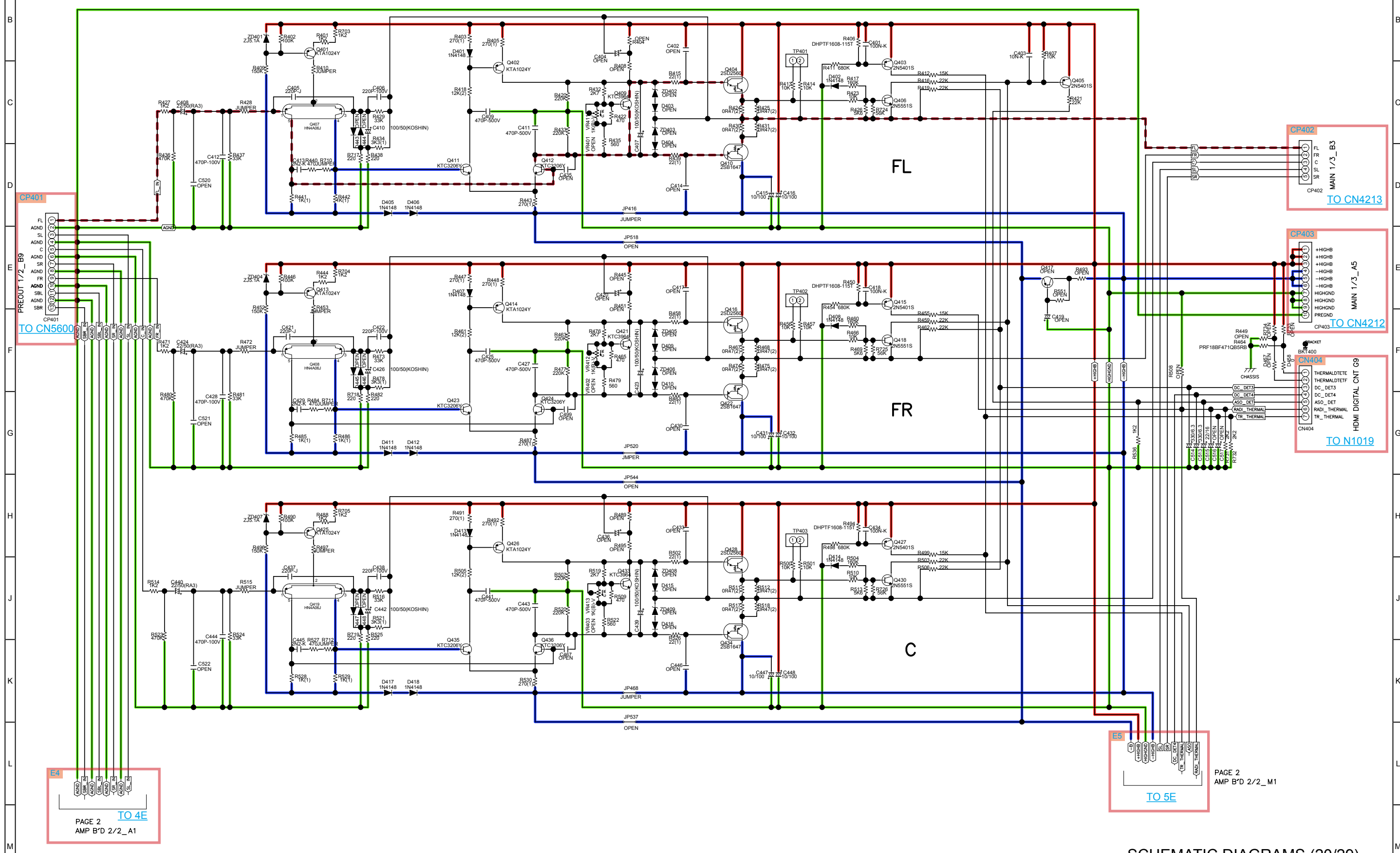
RC-5 PART
SR ONLY



GND LINE POWER+ LINE POWER- LINE ANALOG AUDIO DIGITAL AUDIO TMDS SIGNAL ANALOG VIDEO DIGITAL VIDEO HDMI STBY POWER

SR5010 AMP SCH

AMP B'D 1/2



— GND LINE
 — POWER+ LINE
 — POWER- LINE
 - - - ANALOG AUDIO
 - - - DIGITAL AUDIO
 - - - TMDS SIGNAL
 - - - ANALOG VIDEO
 - - - DIGITAL VIDEO
 - - - HDMI
 - - - STBY POWER

SCHEMATIC DIAGRAMS (20/29)
 SCH20_AMP1

PAGE 2
 AMP B'D 2/2_M1

4E PAGE 2 TO E4
AMP B'D 1/2_A10

5E PAGE 2 TO E5
AMP B'D 1/2_M10

PAGE 2

AMP B'D 2/2

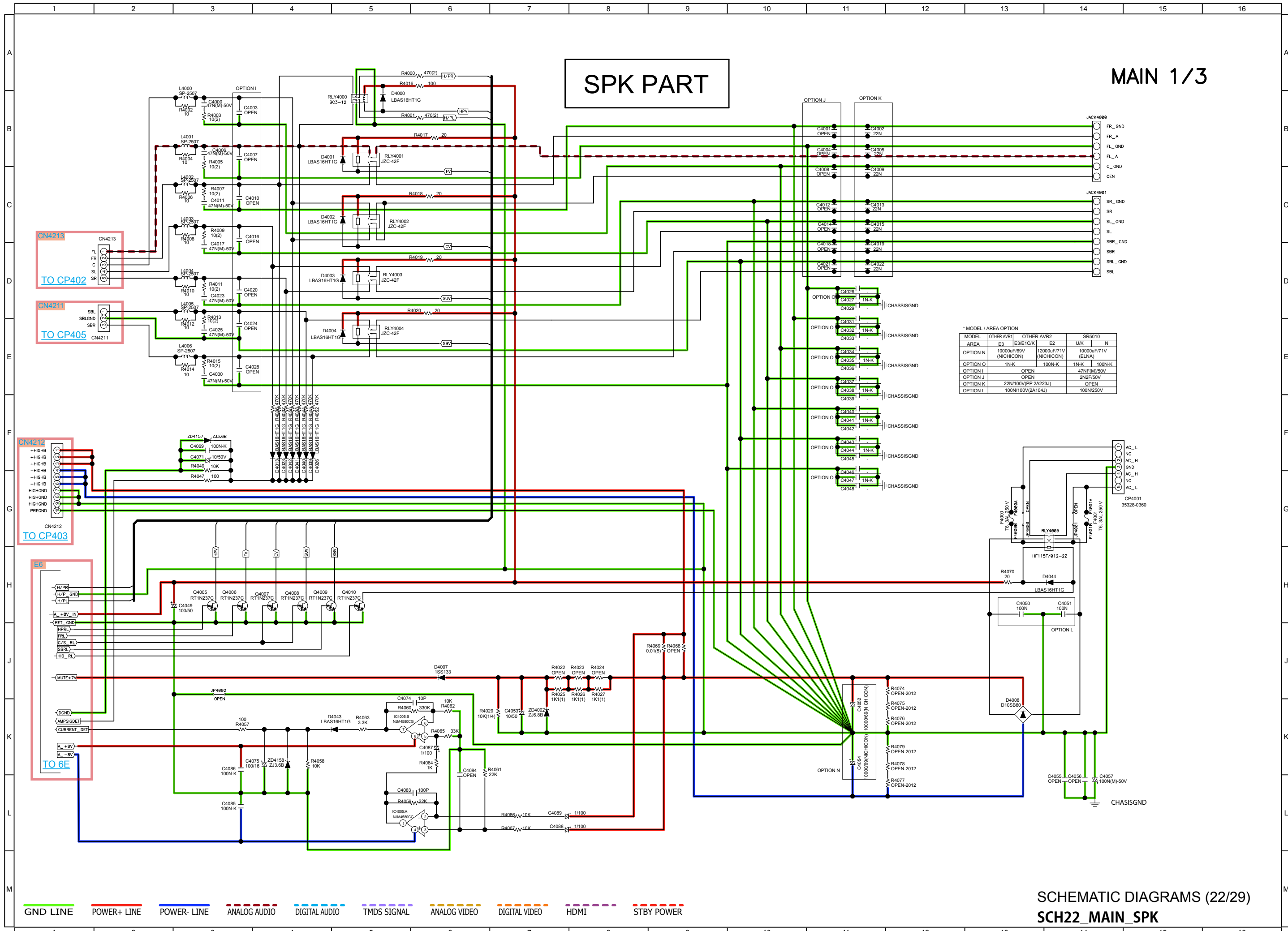
CP405 TO CN4211
MAIN 1/3_A4

GND LINE POWER+ LINE POWER- LINE ANALOG AUDIO DIGITAL AUDIO TMDS SIGNAL ANALOG VIDEO DIGITAL VIDEO HDMI STBY POWER

SCHEMATIC DIAGRAMS (21/29)
SCH21_AMP2

SPK PART

MAIN 1/3



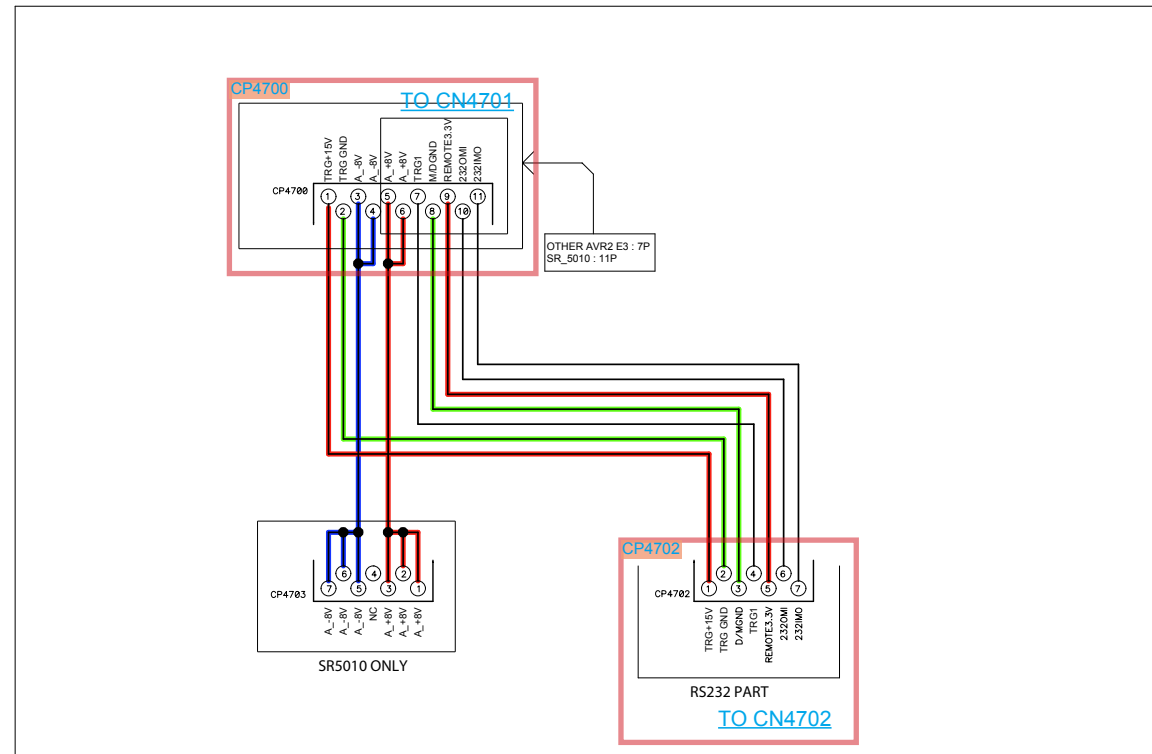
* MODEL / AREA OPTION

MODEL	OTHER AVR1	OTHER AVR2	SR5010
AREA	E3	E3/E1C/K	E2
OPTION N	1000uF/69V (NICHICON)	1200uF/71V (NICHICON)	1000uF/71V (ELNA)
OPTION O	1N-K	100N-K	1N-K 100N-K
OPTION J	OPEN	OPEN	47N(M)/50V
OPTION K	22N/100V(PP 2A223J)	OPEN	2N2F/50V
OPTION L	100N/100V(2A104J)	OPEN	100N/250V

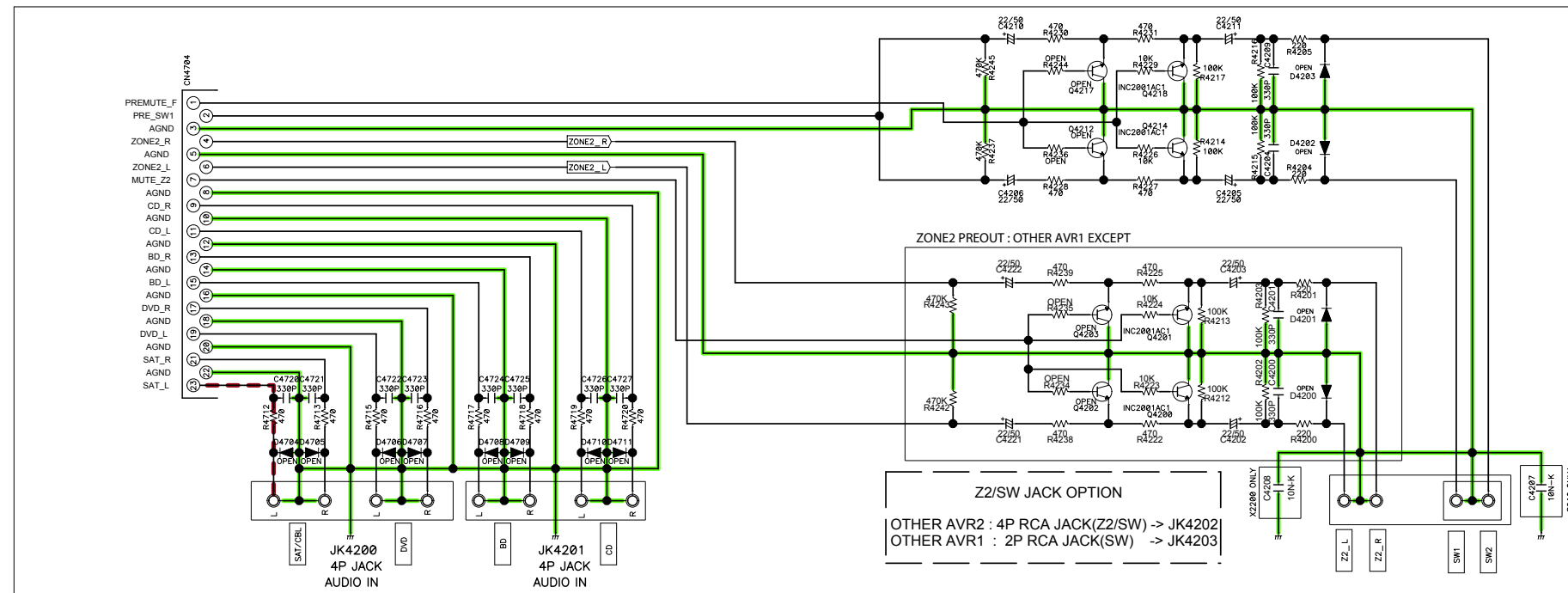
— GND LINE
 — POWER+ LINE
 — POWER- LINE
 - - - ANALOG AUDIO
 - - - DIGITAL AUDIO
 - - - TMDS SIGNAL
 - - - ANALOG VIDEO
 - - - DIGITAL VIDEO
 - - - HDMI
 - - - STBY POWER

RS_CNT PART (OTHER AVR2 E3 / SR5010 ONLY)

MAIN 3/3



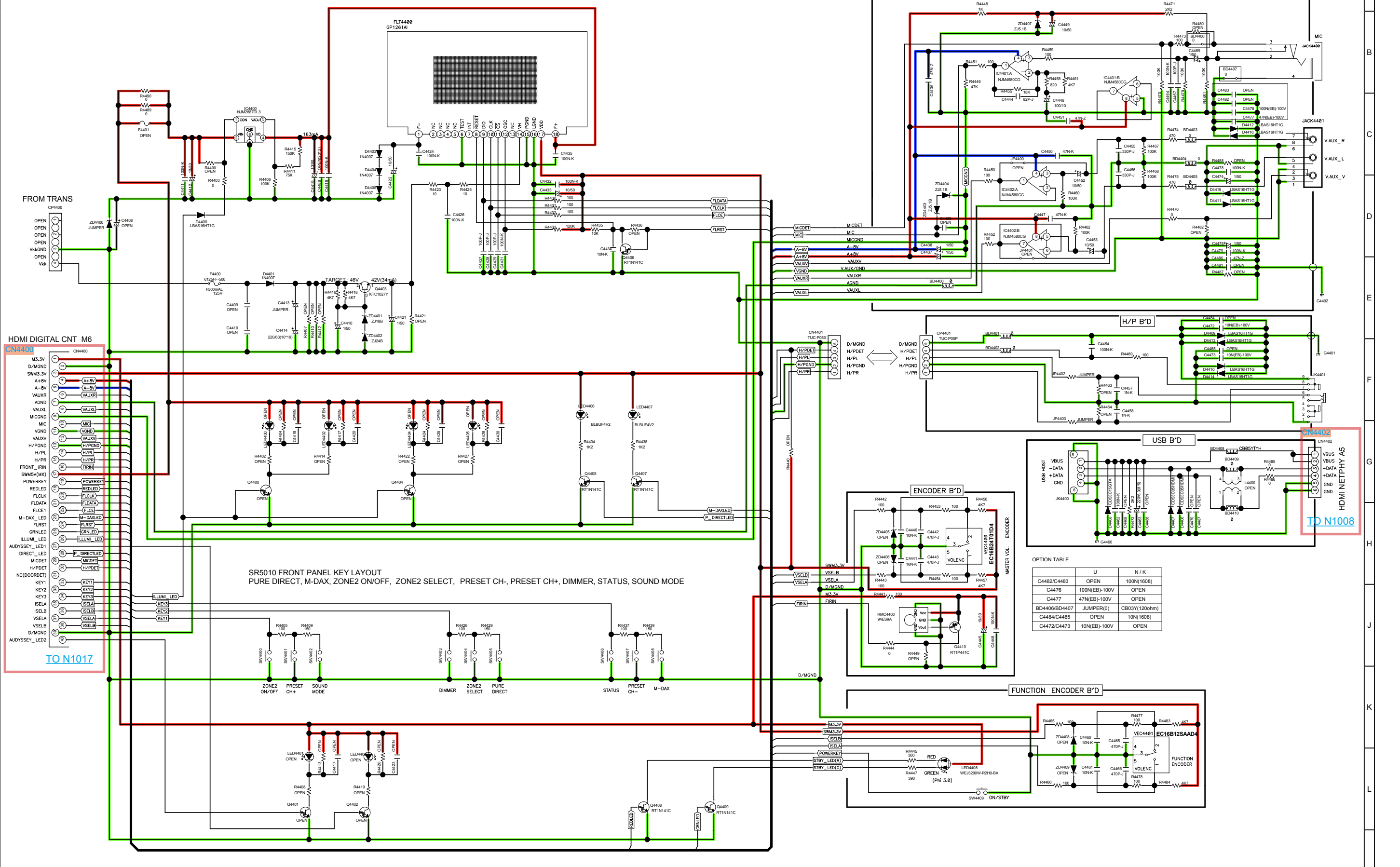
AUDIO IN PART (AVR SERIES ONLY)



- GND LINE
- POWER+ LINE
- POWER- LINE
- - - ANALOG AUDIO
- - - DIGITAL AUDIO
- - - TMDS SIGNAL
- - - ANALOG VIDEO
- - - DIGITAL VIDEO
- - - HDMI
- - - STBY POWER

SCHEMATIC DIAGRAMS (24/29)
SCH24_MAIN_RS_CNT_AUDIO IN

SR5010 FRONT



HDMI DIGITAL CNT M6

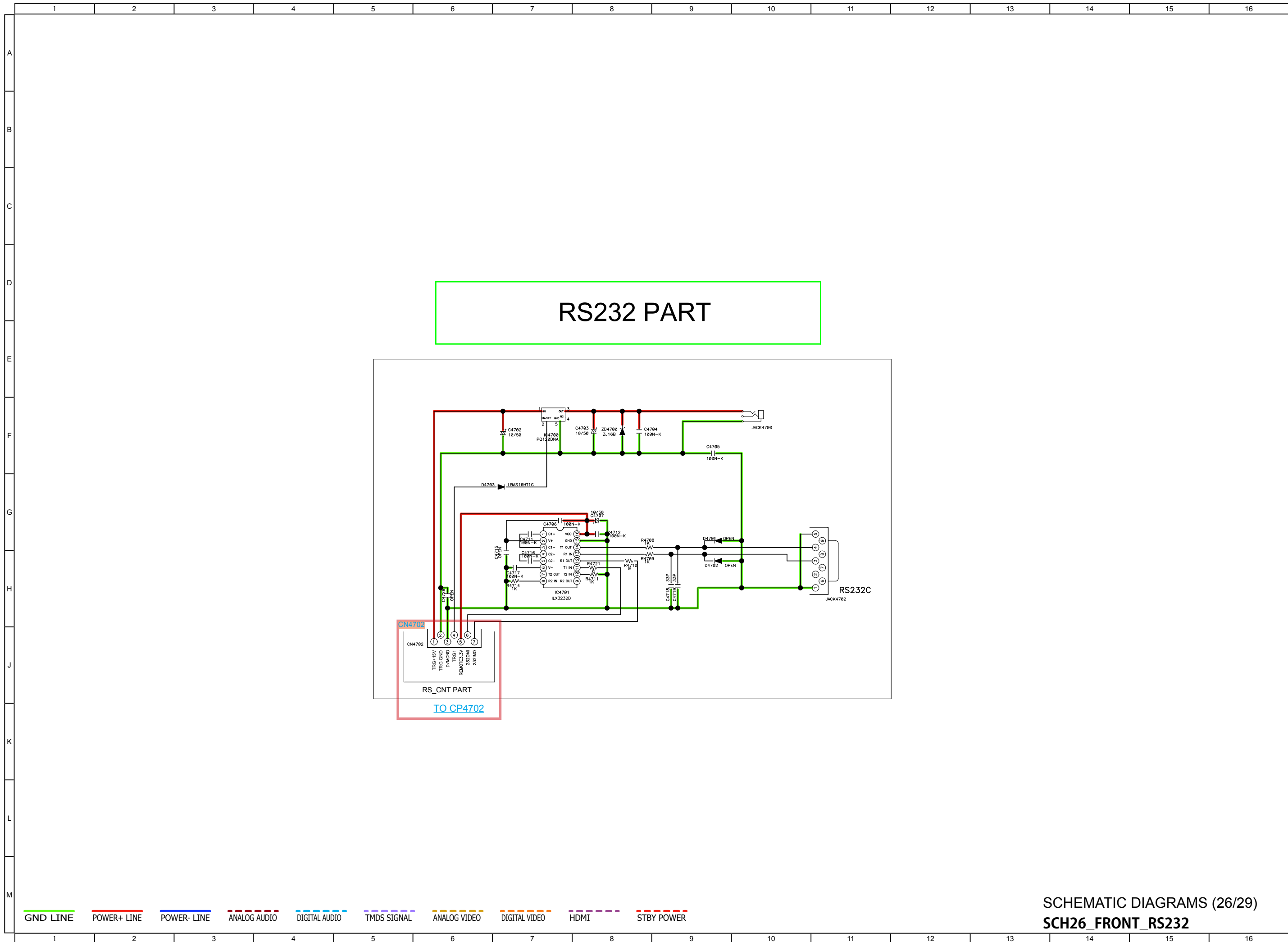
M3.3V	CN4400
D/MGND	
SWM3.3V	
A+BV	
A-BV	
VAUXR	
AGND	
VAUXL	
MICGND	
MIC	
VGND	
VAUXV	
H/P/ND	
H/PL	
H/PR	
FRONT_IRN	
SWMSV(M/S)	
POWERKEY	
REDLED	
FLCLK	
FLDATA	
FLCE1	
M-DAX_LED	
FLRST	
GRNLED	
ILLUMI_LED	
AUDYSSEY_LED1	
DIRECT_LED	
MICDET	
H/PDET	
NC(DOORDET)	
KEY1	
KEY2	
KEY3	
SELA	
SELB	
VSELA	
VSELB	
D/MGND	
AUDYSSEY_LED2	

SR5010 FRONT PANEL KEY LAYOUT
 PURE DIRECT, M-DAX, ZONE2 ON/OFF, ZONE2 SELECT, PRESET CH-, PRESET CH+, DIMMER, STATUS, SOUND MODE

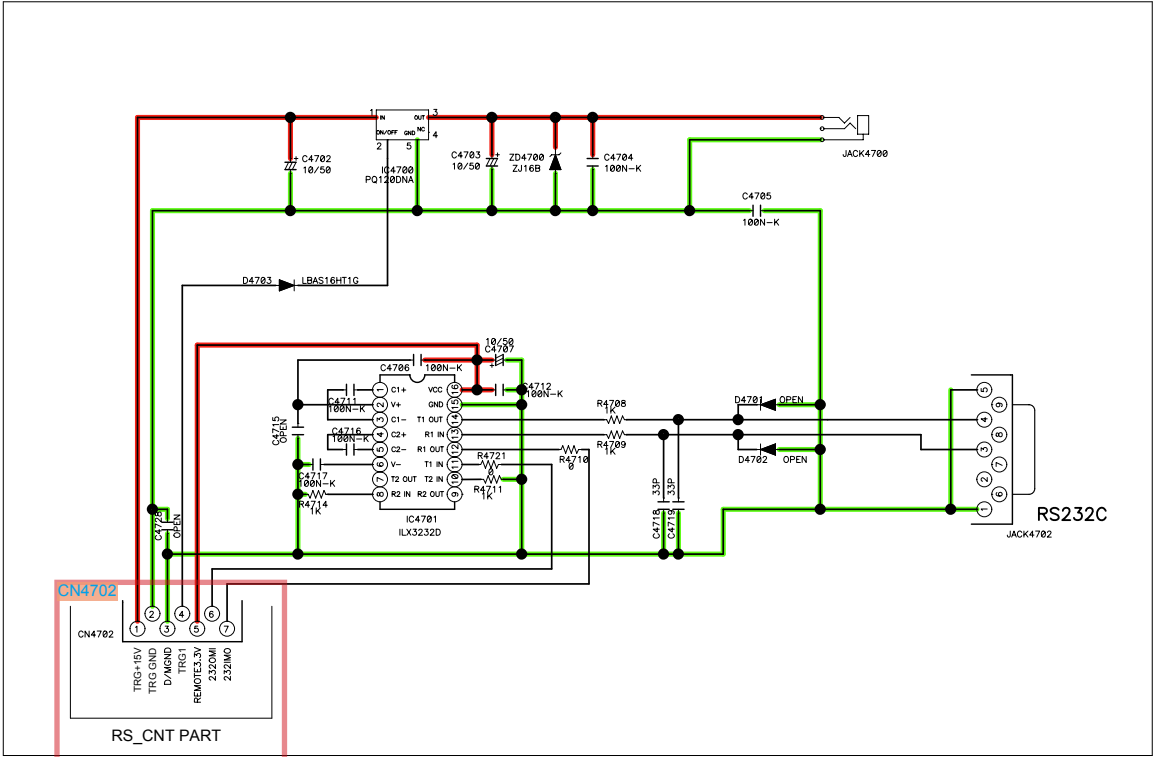
OPTION TABLE

	U	N / K
C4482/C4483	OPEN	100N(1608)
C4476	100N(E)-100V	OPEN
C4477	47N(E)-100V	OPEN
BD4406/BD4407	JUMPER(O)	CB03Y(120ohm)
C4484/C4485	OPEN	10N(1608)
C4472/C4473	10N(E)-100V	OPEN





RS232 PART



CN4702

1	TRIG=15V
2	TRIG GND
3	D+ IN
4	D- IN
5	REMOTE3.3V
6	2320M
7	2321MO

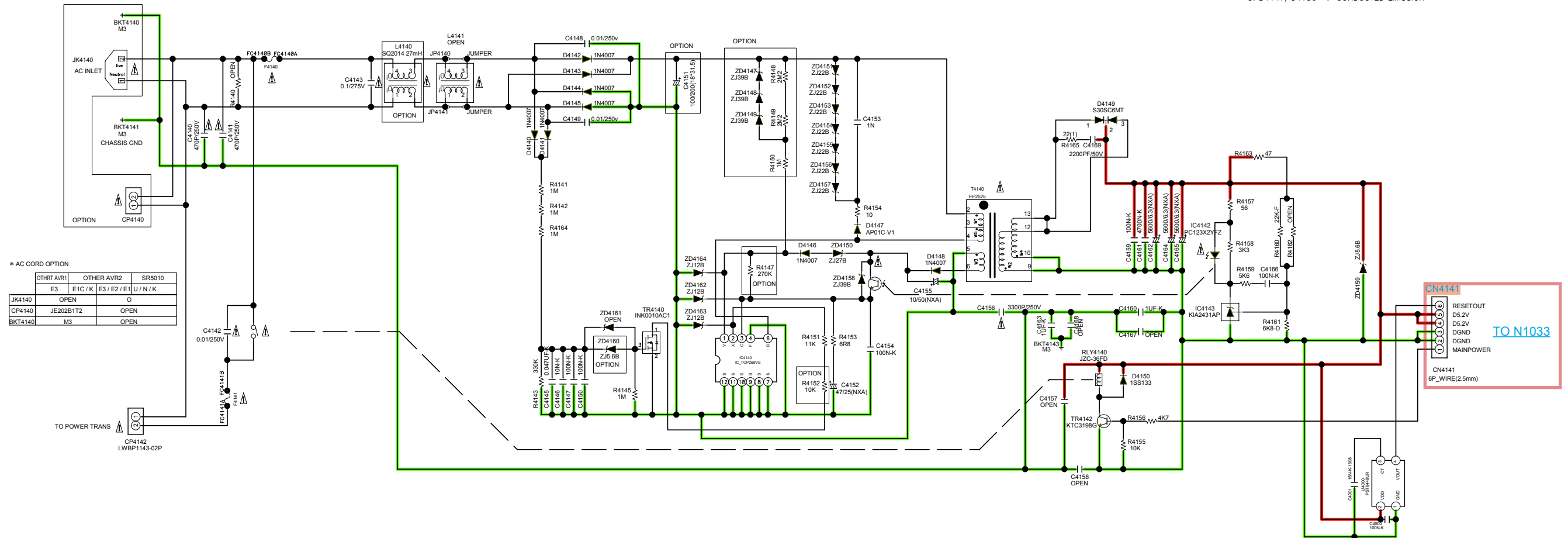
RS_CNT PART

[TO CP4702](#)

- GND LINE
- POWER+ LINE
- POWER- LINE
- - - ANALOG AUDIO
- - - DIGITAL AUDIO
- - - TMDS SIGNAL
- - - ANALOG VIDEO
- - - DIGITAL VIDEO
- - - HDMI
- - - STBY POWER

SMPS B'D

- REVISION
1. ZD4162 -> SMPS SHORT TEST
 2. R4151, R4152 -> TRANS FREQUENCY
 3. R4163 -> USB POWER
 4. ZD4164, ZD4163, C4148, C4149 ADD -> SHORT TEST (Countermeasures against)
 5. D4147, C4156 -> CONDUCTED EMISSION



* AC CORD OPTION

	OTHER AVR1	OTHER AVR2	SR5010
JK4140	E3	E1C / K	E3 / E2 / E1 / U / N / K
CP4140	OPEN		O
JE202B1T2			OPEN
BKT4140	M3		OPEN

* FUSE OPTION

	E3	K(JP)	E1C, E2
F4140	F4141	F4140	F4141
OTHER AVR2	T2AL	T6.3AL	T2AL
OTHER AVR1	T2AL	T6.3AL	X

* OPTION TABLE

	ZD4160	ZD4147	ZD4148	ZD4149	R4148	R4149	R4150	R4147	L4140	C4151	R4152
E3, U	ZJ5.6B	ZJ39B	ZJ39B	ZJ39B	2M2 (5)	2M2 (5)	1M (5)	270K	SQ2014 27mH	100/200	10K
E2, E1C / N, K	ZJ15B	OPEN	OPEN	OPEN	OPEN	OPEN	OPEN	56K	SQ2014 50mH	100/400	20K
K(JP)	ZJ5.6B	ZJ39B	ZJ39B	ZJ39B	2M2 (5)	2M2 (5)	1M (5)	270K	SQ2014 27mH	100/200	10K

* FUSE OPTION

	U1B	N1SG, N1B, K1B
F4140	F4141	F4140
SR5010	T2AL	T6.3AL

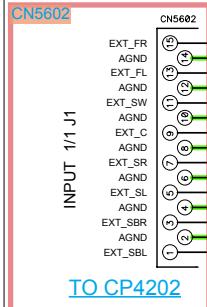
* PCB QUALITY OPTION

	OTHER AVR2	SR5010
E2	CHANGCHUN_CT800J	-
N1B, N1SG	-	CHANGCHUN_CT800J

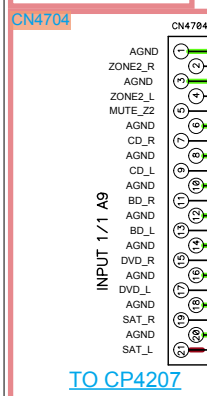
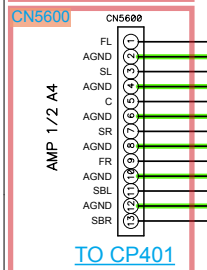
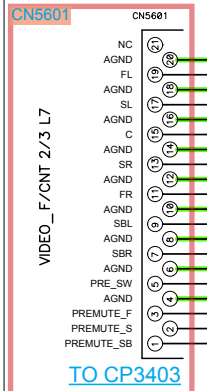
⚠ INDICATES SAFETY CRITICAL COMPONENTS.
TO REDUCE THE RISK OF ELECTRIC SHOCK, LEAKAGE CURRENT OR RESISTANCE MEASUREMENTS SHALL BE CARRIED OUT (EXPOSED PARTS ARE ACCEPTABLY INSULATED FROM THE SUPPLY CIRCUIT) BEFORE THE APPLIANCE RETURNED TO THE CUSTOMER.



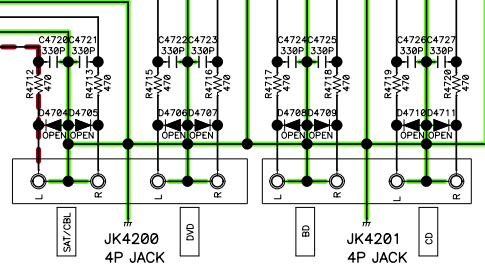
EXT_IN PART



PREOUT PART

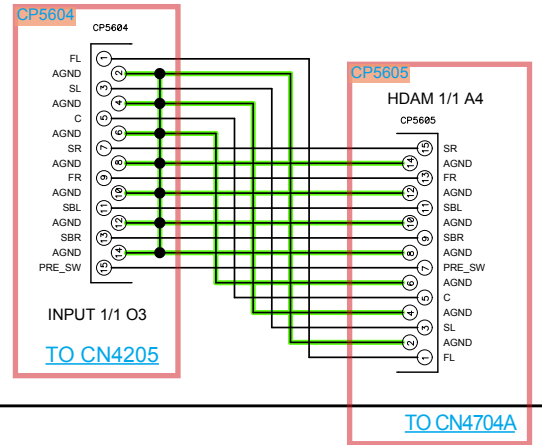


AUDIO IN PART



PREOUT 1/1

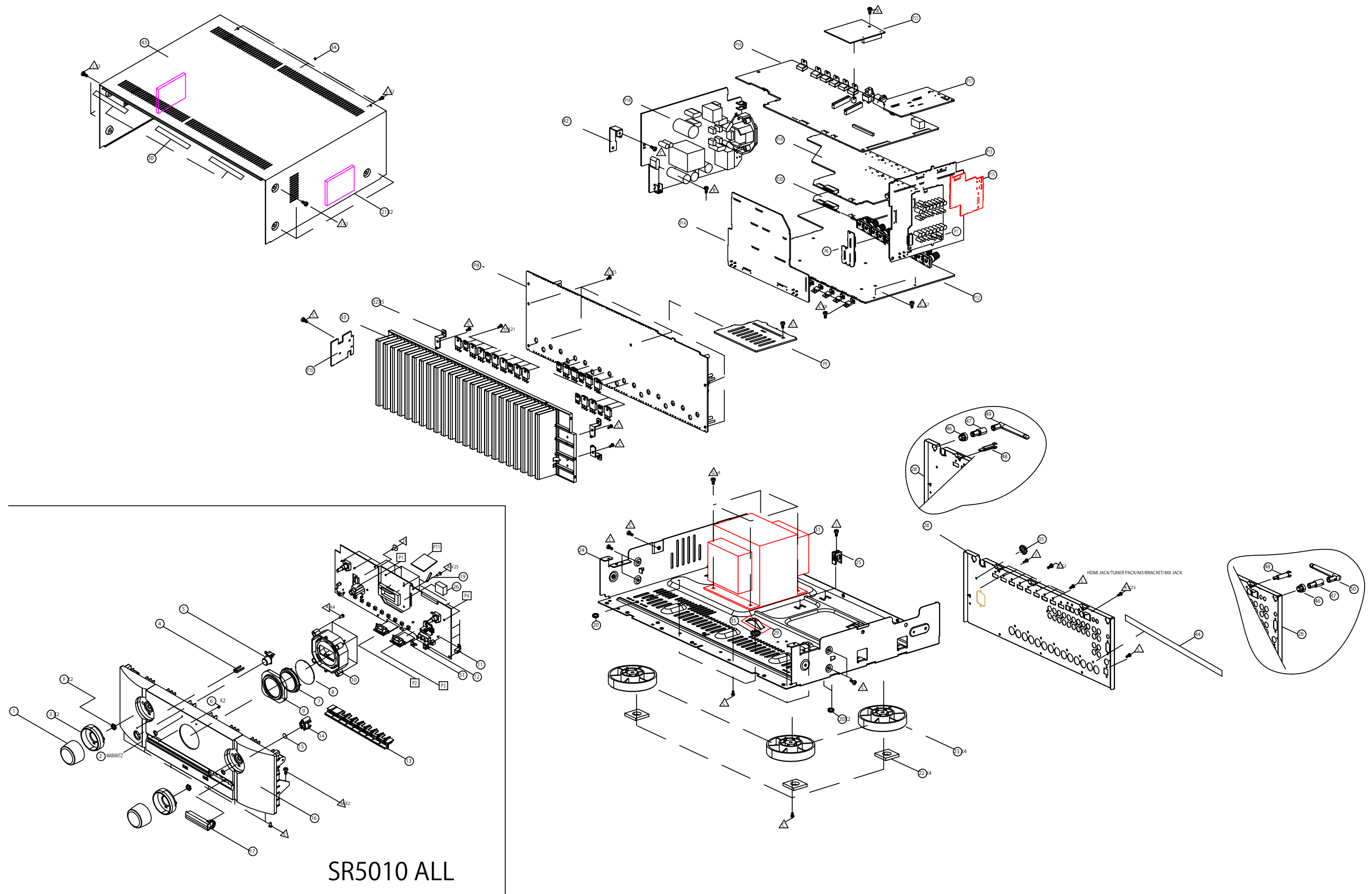
HDAM_CNT PART



— GND LINE
 — POWER+ LINE
 — POWER- LINE
 — ANALOG AUDIO
 — DIGITAL AUDIO
 — TMDS SIGNAL
 — ANALOG VIDEO
 — DIGITAL VIDEO
 — HDMI
 — STBY POWER

EXPLODED VIEW

Please see the last chapter for the part list.

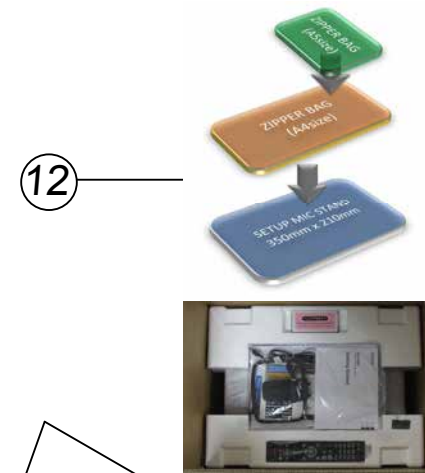
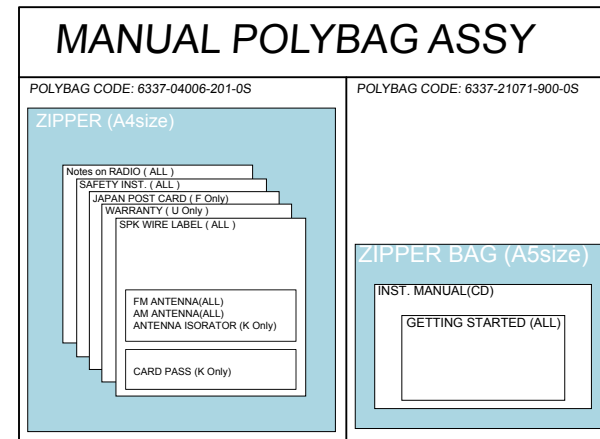
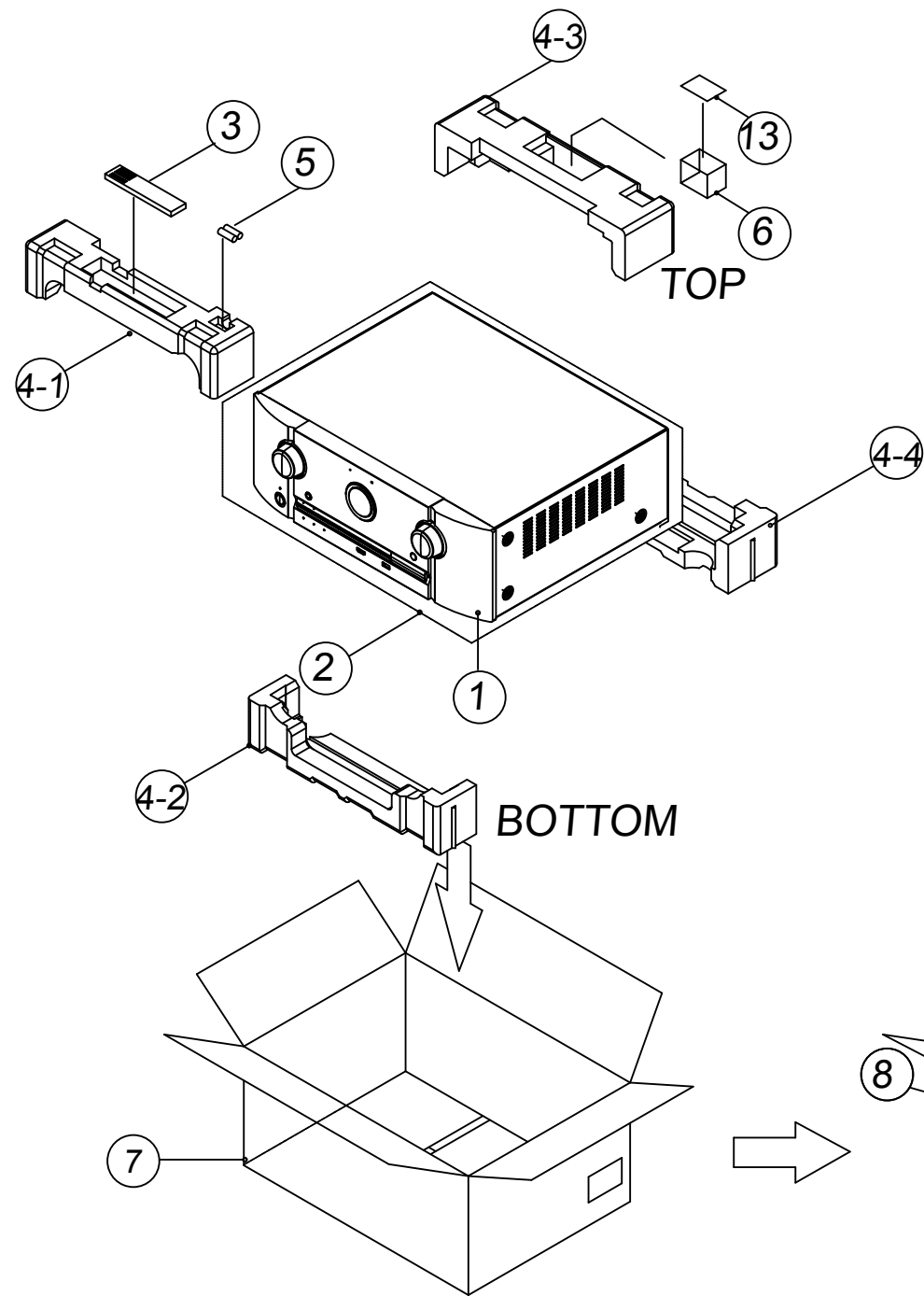


SR5010 ALL

WARNING:
Parts marked with this symbol \triangle have critical characteristics.
Use **ONLY** replacement parts recommended by the manufacturer.

PACKING VIEW

Please see the last chapter for the part list.



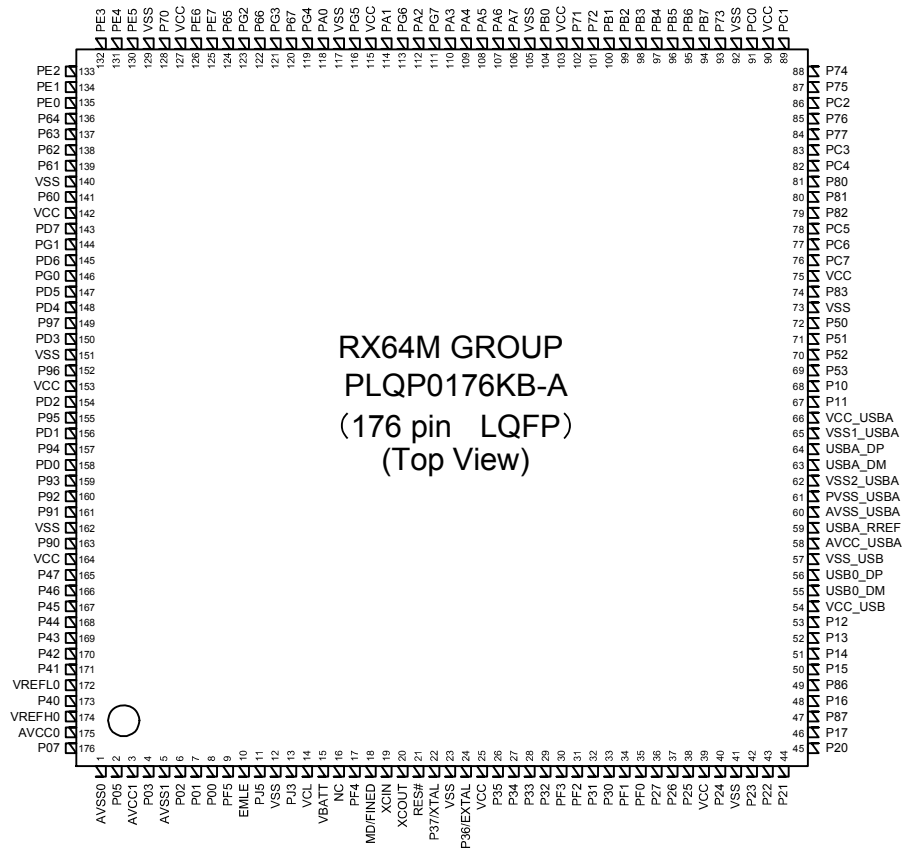
* POLY BAG PACKING STYLE	SPEAKER TERMINAL BUSHING	* BOX BOTTOM TAPING

SEMICONDUCTORS

Only major semiconductors are shown, general semiconductors etc. are omitted to list.
The semiconductor which described a detailed drawing in a schematic diagram are omitted to list.

1. IC's

R5F564MJCDFC (HDMI : U1018)



R5F56108VNFP Terminal Functions

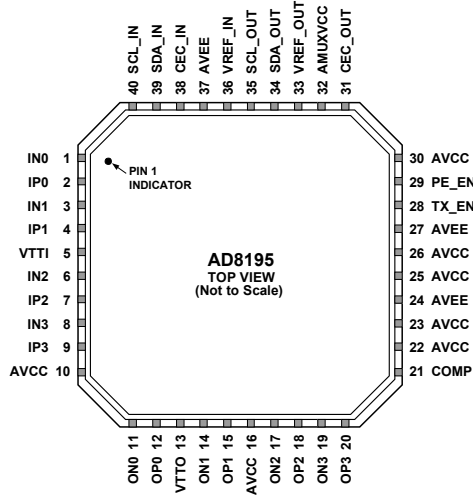
Pin	Pin Name	Symbol	I/O	Pu/Pd	STBY	STOP	CEC STBY	Function
1	AVSS0	AVSS0	-		-	-	-	GND
2	P05/IRQ13	POWER KEY	I	M3VPu	I	I	I	POWER KEY (Waiting Mode cancel, interrupt port)
3	AVCC1	AVCC1	-		-	-	-	POWER pin
4	P03/IRQ11	RED LED	O		L/H	L	H	POWER/STANDBY LED control pin (ON:H)
5	AVSS1	AVSS1	-		-	-	-	GND
6	P02/SCK6/IRQ10/AN120	REMOTE POWER(232C) (SR5010)/ NC(NR1606)	O		L	L	L	232C POWER SUPPLY (REMOTE 3.3V) control pin. (ON: H)
7	P01/RXD6/IRQ9/AN119	RXD MI232O	I	Pd	I	I	I	Data received from the external pin(AMX)
8	P00/TXD6/IRQ8/AN118	TXD MO232I	O		L	L	L	Data transfer to external pin(AMX)
9	PF5/IRQ4	GREEN LED	O		L	L	L	POWER LED control pin(ON:H)
10	EMLE	NC	I	Pd	-	-	-	Unused
11	PJ5	VSEL A	I		I	I	I	Master Volume rotation detection pin(Rotary encoder)
12	VSS	VSS	-		-	-	-	GND
13	PJ3	VSEL B	I		I	I	I	Master Volume rotation detection pin(Rotary encoder)
14	VCL	VCL	I		-	-	-	Smoothing capacitor connection pin
15	VBATT	VBATT	-		-	-	-	POWER pin
16	NC	NC	I	Pd	-	-	-	NC(Pull down)
17	TRST#/PF4	NC	I/I	Pd	I/I	I/I	I/I	Unused
18	MD/FINED	NC	I	M3VPu	I	I	I	Unused
19	XCIN	XCIN	I	Pd	-	-	-	NC(Pull down)
20	XCOU	XCOU	I		-	-	-	NC(open)
21	RES#	RESET	I		-	-	-	Reset input
22	XTAL/P37	XTAL	I		-	-	-	Oscillator connection(12MHz)
23	VSS	VSS	-		-	-	-	GND
24	EXTAL/P36	EXTAL	-		-	-	-	Oscillator connection(12MHz)
25	VCC	VCC	-		-	-	-	POWER pin

Pin	Pin Name	Symbol	I/O	Pu/Pd	STBY	STOP	CEC STBY	Function
26	UPSEL/P35(IN)/NMI	DSP FLAG3	I	Pd	I	I	I	DSP control pin
27	P34/SCK6/SCK0/IRQ4	BDOWN	I		I	I	I	Power failure detection pin
28	P33/TIOCD0/RXD6/RXD0/IRQ3-DS	RC IN	I		I	I	I	Remote control signal input pin
29	P32/TIOCC0/TXD6/TXD0/IRQ2-DS	NC(NR1606(EU/JP))/FLASHER IN(NR1606(NA)/SR5010)	O/I		L/I	L/I	L/I	FLASHER (RC-5) input pin (NR1606 :U Version Only , SR5010 : All Version)
30	TMS/PF3	NC	I/I	M3VPu	-/I	-/I	I	Unused
31	TDI/PF2/RXD1	NC	I/O/I	M3VPu	-/I	-/I	I	Unused
32	P31/IRQ1-DS	TU GPO2_INT	I		L	L	L	TUNER control pin
33	P30/RXD1	TU SDIO	L_O	SW3VPu	L	L	L	TUNER control pin
34	TCK/FINEC/PF1/SCK1	NC	I/I/I	M3VPu	-/I	-/I	I	Unused
35	TD0/TXD1/PF0	NC	O/O/I	M3VPu	-/I	-/I	I	Unused
36	P27/SCK1	TU SEN	O		L	L	L	TUNER control pin
37	P26/TXD1	TU SCLK	O		L	L	L	TUNER control pin
38	P25/RXD3	TU RST	O	SW3VPu	L	L	L	TUNER control pin
39	VCC	VCC	-		-	-	-	POWER pin
40	P24/SCK3	KILL IR	O		L	L	L	Front IR Disable control pin
41	VSS	VSS	-		-	-	-	GND
42	P23/TXD3	E SPI CS	O	N3VPu	L	L	L	ETHERNET communication control pin(CY920)
43	P22/SCK0	E SPI CLK	O	N3VPu	L	L	L	ETHERNET communication control pin(CY920)
44	P21/RXD0/IRQ9	E SPI MIEO	I	N3VPu	I	L	I	ETHERNET communication control pin(CY920)
45	P20/TXD0/IRQ8	E SPI MOEI	O	N3VPu	L	L	L	ETHERNET communication control pin(CY920)
46	P17/SCK1/TXD3/IRQ7	E SPI REQ	I	Pd	I	L	I	ETHERNET communication control pin(CY920)
47	P87/TXD10/TIOCA2	RC OUT	O		L/H	L/L	L/H	RC-5 CODE output pin
48	P16/TXD1/RXD3/IRQ6	E RESET	O(ODR)	N3VPu	L	L	L	ETHERNET RESET control pin(CY920)
49	P86/RXD10	PRE Z2 MUTE	O		L	L	L	ZONE2 PRE OUT MUTE control pin
50	P15/RXD1/SCK3/IRQ5	AEXP STB	O		L	L	L	EXPANDER control pin
51	P14/IRQ4	AEXP OE	O		L	L	L	EXPANDER control pin
52	P13/TXD2/IRQ3	AEXP CLK	O		L	L	L	EXPANDER control pin
53	P12/RXD2/IRQ2	AEXP DATA	O		L	L	L	EXPANDER control pin
54	VCC_USB	VCC_USB	-		-	-	-	POWER pin
55	USB0_DM	USB0_DM	-		-	-	-	NC(open)
56	USB0_DP	USB0_DP	-		-	-	-	NC(open)
57	VSS_USB	VSS_USB	-		-	-	-	GND
58	AVCC_USBA	AVCC_USBA	-		-	-	-	POWER pin
59	USBA_PREF	USBA_PREF	-		-	-	-	NC(open)
60	AVSS_USBA	AVSS_USBA	-		-	-	-	GND
61	PVSS_USBA	PVSS_USBA	-		-	-	-	GND
62	VSS2_USBA	VSS2_USBA	-		-	-	-	GND
63	USBA_DM	USBA_DM	-		-	-	-	NC(open)
64	USBA_DP	USBA_DP	-		-	-	-	NC(open)
65	VSS1_USBA	VSS1_USBA	-		-	-	-	GND
66	VCC_USBA	VCC_USBA	-		-	-	-	POWER pin
67	P11/SCK2/IRQ1	CEC_OUT	O		L	L	-	CEC-D signal output pin
68	P10/IRQ0	CEC_IN	I	SW3VPu	I	I	I	CEC-D signal input pin
69	P53	ADV8003 SPI CS	O		L	L	L	GUI control pin(ADV8003)
70	P52/RXD2	ADV8003 SPI MI	I		L	L	L	GUI control pin(ADV8003)
71	P51/SCK2	ADV8003 SPI CLK	O		L	L	L	GUI control pin(ADV8003)
72	P50/TXD2	ADV8003 SPI MO	O		L	L	L	GUI control pin(ADV8003)
73	VSS	VSS	-		-	-	-	GND
74	P83/SCK10	IP_RST	O	Pd	I	I	L	HDMI ADV8003 RESET control pin
75	VCC	VCC	-		-	-	-	POWER pin
76	UB/PC7/TXD8/IRQ14	NC	I	Pd	-	-	-	Unused
77	PC6/RXD8/IRQ13	AVSDA	L_O	DV3VPu	O/L	O/L	L	VIDEO I2C- ADV8003/ADV7850
78	PC5/SCK8	AVSCL	L_O	DV3VPu	O/L	O/L	L	VIDEO I2C- ADV8003/ADV7850
79	P82/TXD10	DSP MOSI	O	DA3VPu	L	L	L	DSP control pin
80	P81/RXD10	DSP MISO	I	DA3VPu	L	L	L	DSP control pin
81	P80/SCK10	DSP CLK	O	DA3VPu	L	L	L	DSP control pin
82	PC4/SCK5	DSP CS	O	DA3VPu	L	L	L	DSP control pin
83	PC3/TXD5	DSP FLAG0	I	Pd	L	L	L	DSP control pin
84	P77/TXD11	DSP RST	O		L	L	L	DSP reset output pin (Reset : L)
85	P76/RXD11	DSP BUSY	I		L	L	L	DSP control pin
86	PC2/RXD5	DA_POWER	O		L	L	L	DIGITAL AUDIO POWER SUPPLY (DA3.3V) control pin.(ON:H)
87	P75/SCK11	CEC POWER2	O		L	L	L	CEC STANDBY SUPPLY control pin(CEC STANDBY)
88	P74	DSP ROM WRITE	O		L	L	L	DSP ROM writing control pin(DSP writing:H)

Pin	Pin Name	Symbol	I/O	Pu/Pd	STBY	STOP	CEC STBY	Function
89	PC1/SCK5/IRQ12	DAC.PLDD ERR	I		L	L	L	PLD ERROR detection pin
90	VCC	VCC	-		-	-	-	POWER pin
91	PC0/IRQ14	H/P RL	O	-	L	L	L	HEADPHONE RLY control pin
92	VSS	VSS	-		-	-	-	GND
93	P73	FRONT RL	O	-	L	L	L	SPEAKER RELAY control pin
94	PB7/TXD9	HSDA	I/O	CEC3VPu	L	L	L	HDMI I2C- MN864788
95	PB6/RXD9	HSCL	I/O	CEC3VPu	L	L	L	HDMI I2C- MN864788
96	PB5/SCK9	JTAG TDO	I		L	L	L	A.PLD rewriting pin(JTAG)
97	PB4	APLD CS	O		L	L	L	A.PLD control pin
98	PB3/SCK4/SCK6	APLD DATA/DAC DATA	O		L	L	L	Audio PLD Control I/F / DAC Control
99	PB2	APLD CLK/DAC CLK	O		L	L	L	Audio PLD Control I/F / DAC Control
100	PB1/TXD4/TXD6/IRQ4-DS	DAC MS	O		L	L	L	DAC Control (PCM1690)
101	P72	DAC RST	O		L	L	L	DAC Control (PCM1690)
102	P71	PRE MUTE	O	-	L	L	L	PRE OUT MUTE control pin
103	VCC	VCC	-		-	-	-	POWER pin
104	PB0/RXD4/RXD6/IRQ12	DA POWER2	O		L	L	L	DIGITAL AUDIO POWER SUPPLY (DA1.0V) control pin.(ON:H)
105	VSS	VSS	-		-	-	-	GND
106	PA7	I SEL A	I		I	I	I	Input Selector rotation detection pin(Rotary encoder)
107	PA6	I SEL B	I		I	I	I	Input Selector rotation detection pin(Rotary encoder)
108	PA5	C/S RL	O		L	L	L	SPEAKER RELAY control pin
109	PA4/TXD5/SSDA5/IRQ5-DS	EEPROM SDA	O	M3VPu	I	I	I	EEPROM control pin
110	PA3/RXD5/SSCL5	EEPROM SCL	I/O	M3VPu	I	I	I	EEPROM control pin
111	TRDATA3/PG7	VOL CLK	O		L	L	L	FUNCTION / VOLUME control pin(BD34703KS2)
112	PA2/RXD5	VOL DATA	O		L	L	L	FUNCTION / VOLUME control pin(BD34703KS2)
113	TRDATA2/PG6	JTAG TMS	O	DA3.3Pu	L	L	L	A.PLD rewriting pin(JTAG)
114	PA1/SCK5/IRQ11	JTAG TDI	O	DA3.3Pu	L	L	L	A.PLD rewriting pin(JTAG)
115	VCC	VCC	-		-	-	-	POWER pin
116	TRCLK/PG5	JTAG TCK	O	PD	L	L	L	A.PLD rewriting pin(JTAG)
117	VSS	VSS	-		-	-	-	GND
118	PA0	H5V DET	I	-	I	I	I	HDMI INPUT 5V (for EDID / HOT PLUG) detection pin
119	TRSYNC/PG4	FL RST	O		L	L	L	VFD control pin
120	P67/IRQ15	FL CE	O		L	L	L	VFD control pin
121	TRDATA1/PG3	FL CLK	O		L	L	L	VFD control pin
122	P66	FL DATA	O		L	L	L	VFD control pin
123	TRDATA0/PG2	SB RL	O		L	L	L	SPEAKER RELAY control pin
124	P65	NC(NR1606)/FIL_CTRL(SR5010)	O		L	L	L	FLD Filament voltage on/off pin (SR5010 only)
125	PE7/IRQ7/AN105	ASO DET	I	SW3VPu	I	L	I	PROTECTION (ASO)□□
126	PE6/IRQ6/AN104	DC DET	I	SW3VPu	I	L	I	PROTECTION (DC DET)
127	VCC	VCC	-		-	-	-	POWER pin
128	P70	HIGH B RL	O		L	L	L	HIGH B RELAY control pin
129	VSS	VSS	-		-	-	-	GND
130	PE5/IRQ5/AN103	MAIN POWER	O		L	L	L	MAIN POWER control pin
131	PE4/AN102	CPU POWER	O		L	L	L	CPU INTERFACE POWER SUPPLY (SWM3.3V & SWM5V) control pin (POWER ON: H , CEC ON STANDBY: H)
132	PE3/AN101	E POWER1	O		L	L	L	ETHERNET POWER SUPPLY (NET3.3V) control pin
133	PE2/RXD12/IRQ7-DS/AN100	E POWER2	O		L	L	L	ETHERNET POWER SUPPLY (NET2.5V) control pin
134	PE1/TXD12	E POWER3	O		L	L	L	ETHERNET POWER SUPPLY (NET1.8V) control pin
135	PE0/SCK12	E POWER4	O		L	L	L	ETHERNET POWER SUPPLY (NET1.2V) control pin
136	P64	D5V POWER	O		L	L	H	DIGITAL POWER SUPPLY (D3.3V) control pin (ON:H)
137	P63	CEC_POWER	O		L	L	※	HDMI CEC POWER SUPPLY control pin (CEC5V,CEC3.3V,CEC1.8V)
138	P62	DV_POWER1	O		L	L	L	Digital VIDEO POWER SUPPLY control pin (DV5V,DV3.3V)
139	P61	DV_POWER2	O		L	L	L	Digital VIDEO POWER SUPPLY control pin (DV1.8V)
140	VSS	VSS	-		-	-	-	GND
141	P60	DIR DIN	O		L	L	L	DIR control pin(PCM9211)
142	VCC	VCC	-		-	-	-	POWER pin
143	PD7/IRQ7/AN107	DIR CE	O		L	L	L	DIR control pin(PCM9211)
144	PG1	DIR DOUT	I	DA3.3Pu	I	I	I	DIR control pin(PCM9211)
145	PD6/IRQ6/AN106	DIR CLK	O		L	L	L	DIR control pin(PCM9211)
146	PG0	DIR RST	O		L	L	L	DIR control pin(PCM9211)
147	PD5/IRQ5/AN113	788_2_HAINT	I	-	Z		-	HDMI MN864788(RX) Audio INT input pin

Pin	Pin Name	Symbol	I/O	Pu/Pd	STBY	STOP	CEC STBY	Function
148	PD4/IRQ4/AN112	NC	I		I	L	I	Unused
149	P97	DE_RST	O	Pd	Z		L	HDMI ADV7850 RESET control pin
150	PD3/IRQ3/AN111	788_1_HINT	I	-	Z		-	HDMI MN864788(TX) HDMI INT input pin
151	VSS	VSS	-		-	-	-	GND
152	P96	788_1_RST	O	Pd	Z		※	HDMI MN864788(TX) RESET control pin
153	VCC	VCC	-		-	-	-	POWER pin
154	PD2/IRQ2/AN110	788_2_HINT	I	-	Z		-	HDMI MN864788(RX) HDMI INT input pin
155	P95	788_2_RST	O	Pd	Z		※	HDMI MN864788(RX) RESET control pin
156	PD1/IRQ1/AN109	788_3_HINT	I	-	Z		-	HDMI MN864788(RX) HDMI INT input pin
157	P94	788_3_RST	O	Pd	Z		※	HDMI MN864788(RX) RESET control pin
158	PD0/IRQ0/AN108	TX EN	O		L	L	L	Front HDMI INPUT (AD8195) control pin
159	P93/AN117	THERMAL A	I	SW3VPu	I	L	I	HEAT PROTECT-A detection pin(P.TR)
160	P92/RXD7/AN116	THERMAL B	I	SW3VPu	I	L	I	HEAT PROTECT-A detection pin(P.TR)
161	P91/AN115	NC	I	-	I	I	I	NC
162	VSS	VSS	-		-	-	-	GND
163	P90/TXD7/AN114	THERMAL E	I	SW3VPu	I	L	I	HEAT PROTECT-A detection pin(Heat Sink)
164	VCC	VCC	-		-	-	-	POWER pin
165	P47/IRQ15-DS/AN007	788_3_HAINT	I	-	Z		-	HDMI MN864788(RX) Audio INT input pin
166	P46/IRQ14-DS/AN006	CURRENT DET	I/O		I/L	L/L	I/L	AMP CURRENT detection pin
167	P45/IRQ13-DS/AN005	AMPSIGDET	I		I	L	I	AMP SIGNAL detection pin
168	P44/IRQ12-DS/AN004	MODE	I		I	I	I	Destination detection pin
169	P43/IRQ11-DS/AN003	KEY3	I	M3VPu	I	I	I	Button input 3
170	P42/IRQ10-DS/AN002	KEY2	I	M3VPu	I	I	I	Button input 2
171	P41/IRQ9-DS/AN001	KEY1	I	M3VPu	I	I	I	Button input 1
172	VREFL0	VREFL0	-		-	-	-	GND
173	P40	MIC DET	I		I	I	I	MIC detection detection pin
174	VREFH0	VREFH0	-		-	-	-	POWER pin
175	AVCC0	AVCC0	-		-	-	-	POWER pin
176	P07/IRQ15	H/P DET	I		I	I	I	Headphone detection detection pin

AD8195ACPZ (HDMI : U1022)



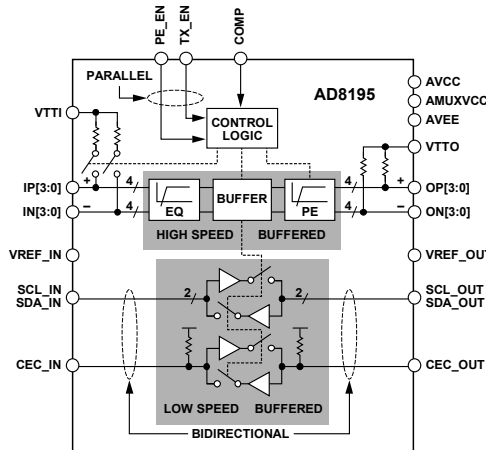
NOTES
 1. THE AD8195 LFCSP HAS AN EXPOSED PAD ON THE UNDERSIDE OF THE PACKAGE THAT AIDS IN HEAT DISSIPATION. THE PAD MUST BE ELECTRICALLY CONNECTED TO THE AVEE SUPPLY PLANE IN ORDER TO MEET THERMAL SPECIFICATIONS.

07048403

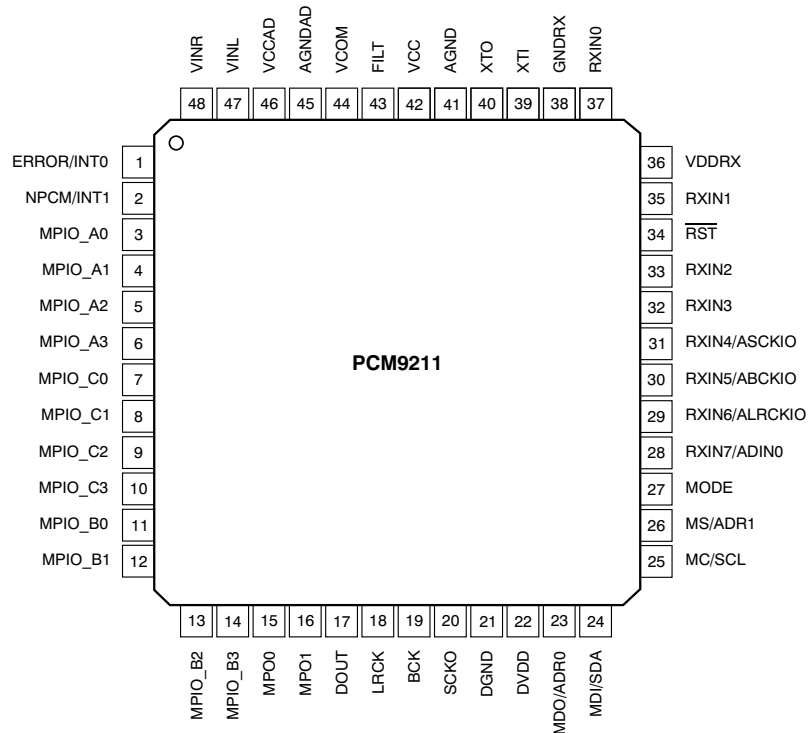
AD8195ACPZ Termini Function

Pin No.	Mnemonic	Type ¹	Description
1	IN0	HS I	High Speed Input Complement.
2	IP0	HS I	High Speed Input.
3	IN1	HS I	High Speed Input Complement.
4	IP1	HS I	High Speed Input.
5	VTTI	Power	Input Termination Supply. Nominally connected to AVCC.
6	IN2	HS I	High Speed Input Complement.
7	IP2	HS I	High Speed Input.
8	IN3	HS I	High Speed Input Complement.
9	IP3	HS I	High Speed Input.
10, 16, 22, 23, 25, 26, 30	AVCC	Power	Positive Analog Supply. 3.3 V nominal.
11	ON0	HS O	High Speed Output Complement.
12	OP0	HS O	High Speed Output.
13	V T T O	Power	Output Termination Supply. Nominally connected to AVCC.
14	ON1	HS O	High Speed Output Complement.
15	OP1	HS O	High Speed Output.
17	ON2	HS O	High Speed Output Complement.
18	OP2	HS O	High Speed Output.
19	ON3	HS O	High Speed Output Complement.
20	OP3	HS O	High Speed Output.
21	COMP	Control	Power-On Compensation Pin. Bypass to ground through a 10 μF capacitor.
24, 27, 37, Exposed Pad	AVEE	Power	Negative Analog Supply. 0 V nominal.
28	TX_EN	Control	High Speed Output Enable Parallel Interface.
29	PE_EN	Control	High Speed Preemphasis Enable Parallel Interface.
31	CEC_OUT	LS I/O	CEC Output Side.
32	AMUXVCC	Power	Positive Auxiliary Buffer Supply. 5 V nominal.

AD8195ACPZ Block diagram



PCM9211 (HDMI : U1040)



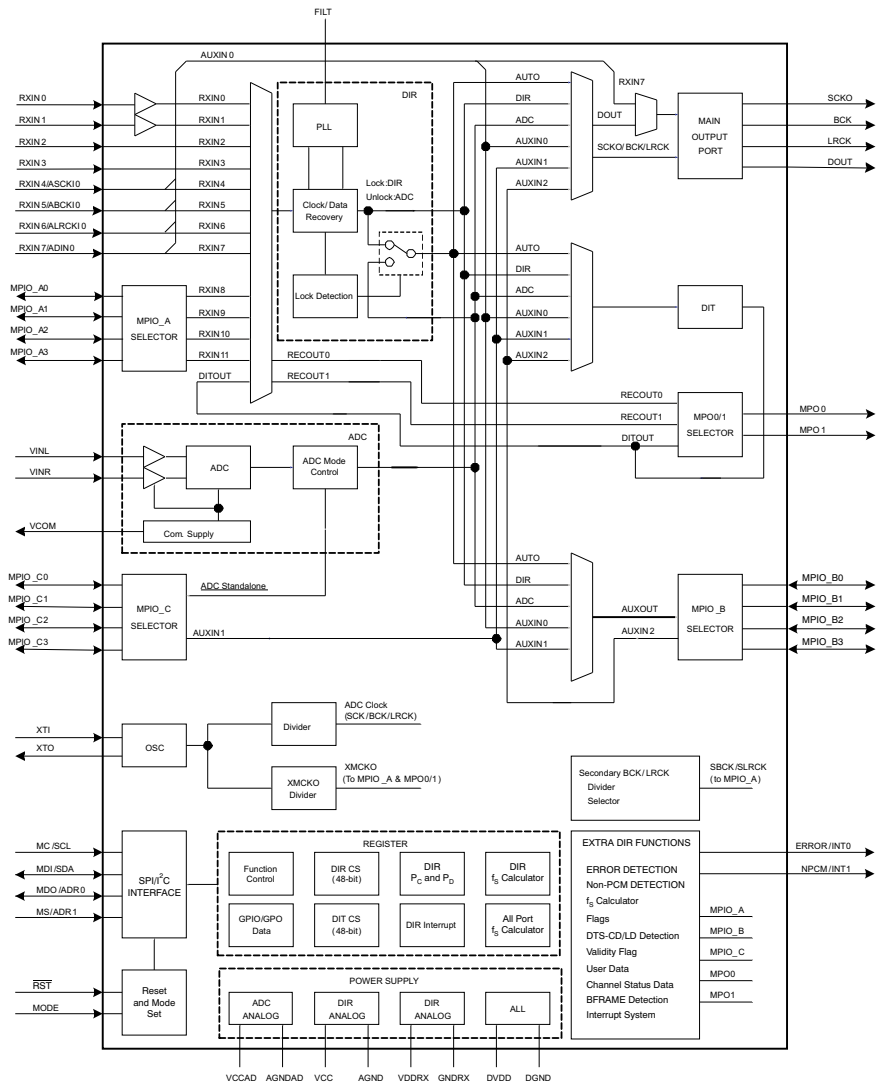
PIN Functions

PIN				DESCRIPTION
NO.	NAME	I/O	5-V TOLERANT	
1	ERROR/INT0	O	No	DIR Error detection output / Interrupt0 output
2	NPCM/INT1	O	No	DIR Non-PCM detection output / Interrupt1 output
3	MPIO_A0	I/O	Yes	Multipurpose I/O, Group A(1)
4	MPIO_A1	I/O	Yes	Multipurpose I/O, Group A(1)
5	MPIO_A2	I/O	Yes	Multipurpose I/O, Group A(1)
6	MPIO_A3	I/O	Yes	Multipurpose I/O, Group A(1)
7	MPIO_C0	I/O	Yes	Multipurpose I/O, Group C(1)
8	MPIO_C1	I/O	Yes	Multipurpose I/O, Group C(1)
9	MPIO_C2	I/O	Yes	Multipurpose I/O, Group C(1)
10	MPIO_C3	I/O	Yes	Multipurpose I/O, Group C(1)
11	MPIO_B0	I/O	Yes	Multipurpose I/O, Group B(1)
12	MPIO_B1	I/O	Yes	Multipurpose I/O, Group B(1)
13	MPIO_B2	I/O	Yes	Multipurpose I/O, Group B(1)
14	MPIO_B3	I/O	Yes	Multipurpose I/O, Group B(1)
15	MPO0	O	No	Multipurpose output 0
16	MPO1	O	No	Multipurpose output 1
17	DOUT	O	No	Main output port, serial digital audio data output
18	LRCK	O	No	Main output port, LR clock output
19	BCK	O	No	Main output port, Bit clock output
20	SCKO	O	No	Main output port, System clock output
21	DGND	-	-	Ground, for digital
22	DVDD	-	-	Power supply, 3.3 V (typ.), for digital
23	MDO/ADR0	I/O	Yes	Software control I/F, SPI data output / I2C slave address setting0(2)
24	MDI/SDA	I/O	Yes	Software control I/F, SPI data input / I2C data input/output(2) (3)
25	MC/SCL	I	Yes	Software control I/F, SPI clock input / I2C clock input(2)
26	MS/ADR1	I	Yes	Software control I/F, SPI chip select / I2C slave address setting1(2)
27	MODE	I	No	Control mode setting, (see the Serial Control Mode section, Control Mode Pin Setting)
28	RXIN7/ADIN0	I	Yes	Biphase signal, input 7 / AUXIN0, serial audio data input(2)
29	RXIN6/ALRCKIO	I	Yes	Biphase signal, input 6 / AUXIN0, LR clock input(2)
30	RXIN5/ABCKIO	I	Yes	Biphase signal, input 5 / AUXIN0, bit clock input(2)
31	RXIN4/ASCKIO	I	Yes	Biphase signal, input 4 / AUXIN0, system clock input(2)
32	RXIN3	I	Yes	Biphase signal, input 3(2)
33	RXIN2	I	Yes	Biphase signal, input 2(2)
34	RST	I	Yes	Reset Input, active low(2) (4)

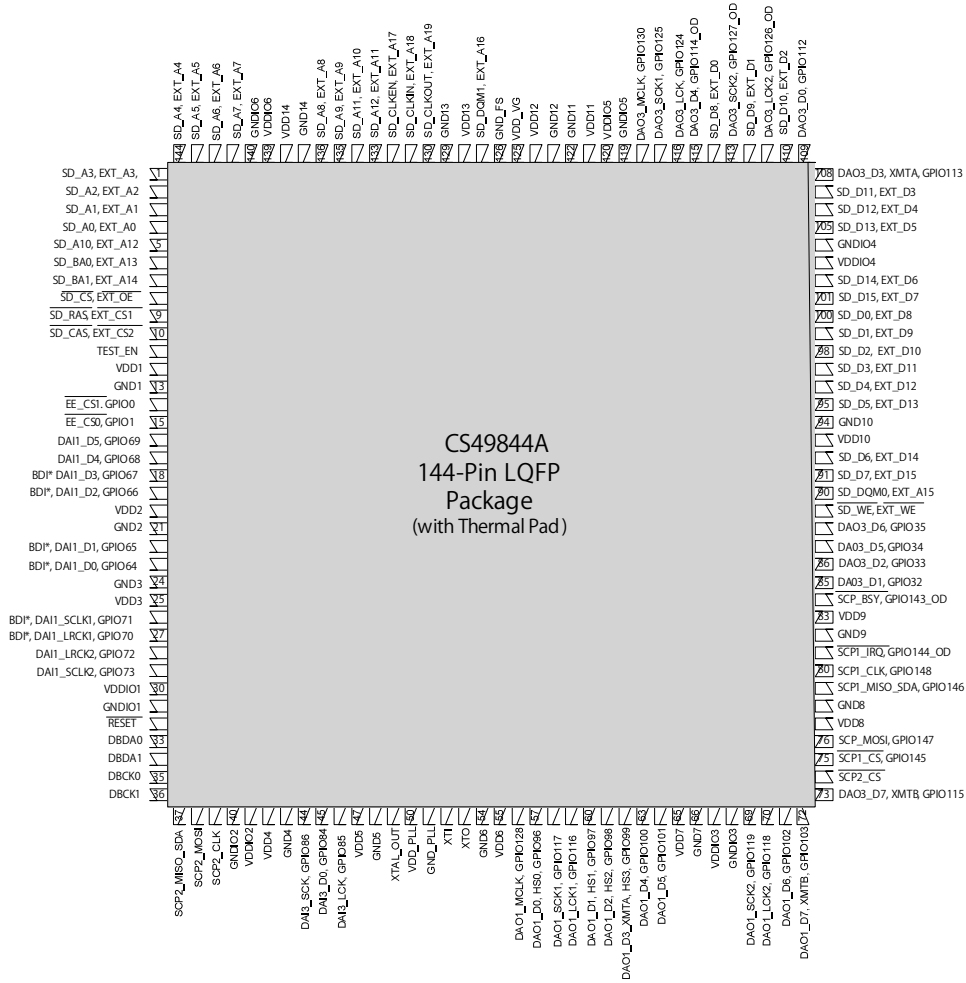
PIN				DESCRIPTION
NO.	NAME	I/O	5-V TOLERANT	
35	RXIN1	I	Yes	Biphase signal, input 1, built-in coaxial amplifier
36	VDDR _X	-	-	Power supply, 3.3 V (typ.), for RXIN0 and RXIN1.
37	RXIN0	I	Yes	Biphase signal, input 0, built-in coaxial amplifier
38	GNDR _X	-	-	Ground, for RXIN
39	XTI	I	No	Oscillation circuit input for crystal resonator or external XTI clock source input(5)
40	XTO	O	No	Oscillation circuit output for crystal resonator
41	AGND	-	-	Ground, for PLL analog
42	VCC	-	-	Power supply, 3.3 V (typ.), for PLL analog
43	FILT	O	No	External PLL loop filter connection terminal; must connect recommended filter
44	VCOM	O	No	ADC common voltage output; must connect external decoupling capacitor
45	AGNDAD	-	-	Ground, for ADC analog
46	VCCAD	-	-	Power supply, 5.0 V (typ.), for ADC analog
47	VINL	I	No	ADC analog voltage input, left channel
48	VINR	I	No	ADC analog voltage input, right channel

- (1) Schmitt trigger input
- (2) Schmitt trigger input
- (3) Open-drain configuration in I2C mode
- (4) Onboard pull-down resistor (50 kΩ, typical)
- (5) CMOS Schmitt trigger input

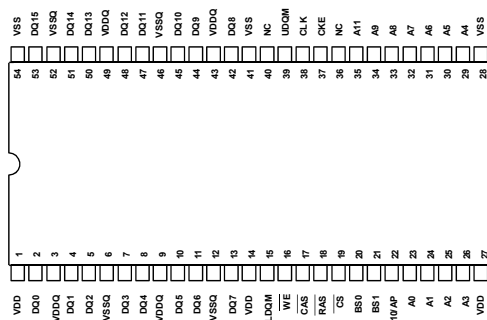
PCM9211 BLOCK DIAGRAM



CS49844A (HDMI : U1073)



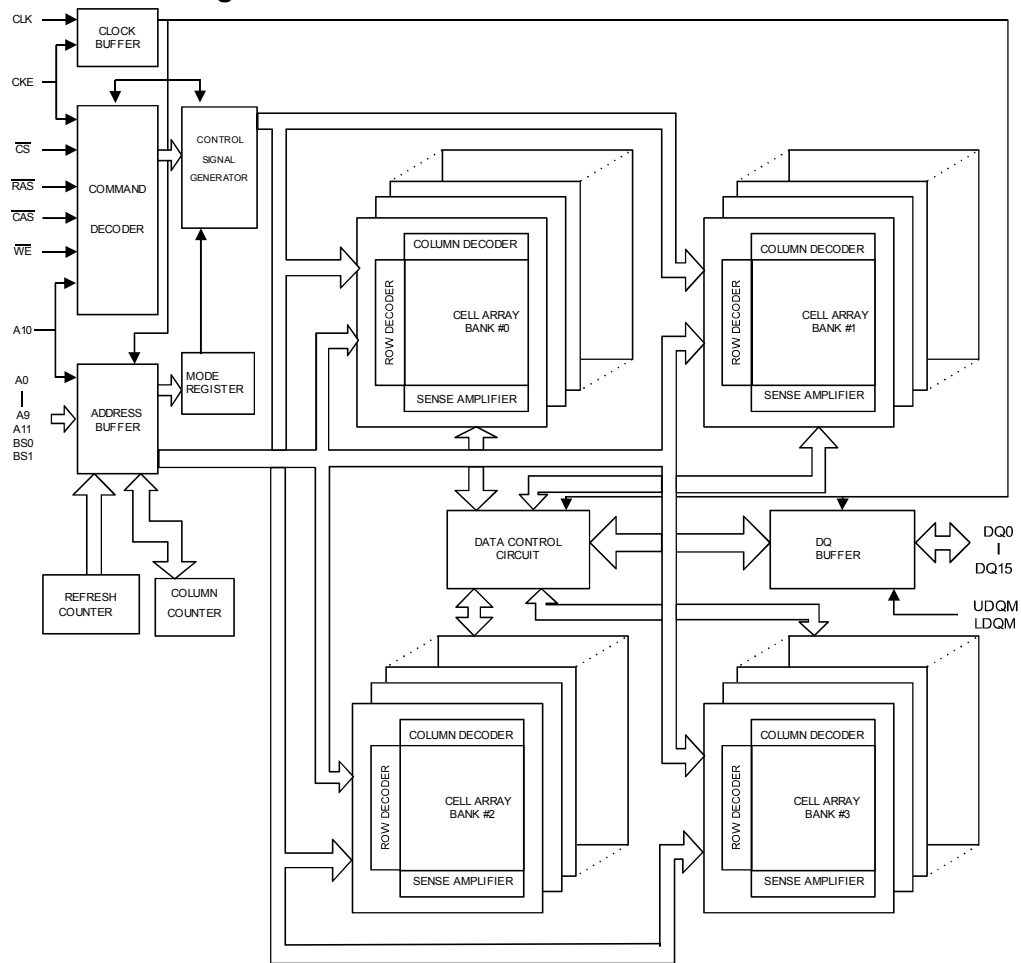
W9864G6KH-5 (HDMI : U1023)



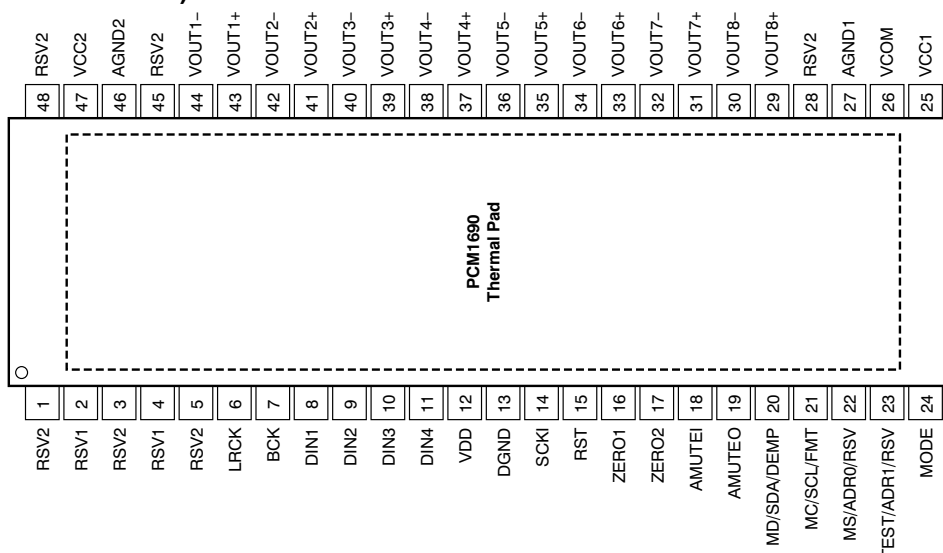
W9864G6KH-5 Pin description

PIN NUMBER	PIN NAME	FUNCTION	DESCRIPTION
23 ~ 26, 22, 29 ~ 35	A0–A11	Address	Multiplexed pins for row and column address. Row address: A0–A11. Column address: A0–A7. A10 is sampled during a precharge command to determine if all banks are to be precharged or bank selected by BS0, BS1.
20, 21	BS0, BS1	Bank Select	Select bank to activate during row address latch time, or bank to read/write during address latch time.
2, 4, 5, 7, 8, 10, 11, 13, 42, 44, 45, 47, 48, 50, 51, 53	DQ0–DQ15	Data Input/ Output	Multiplexed pins for data output and input.
19	\overline{CS}	Chip Select	Disable or enable the command decoder. When command decoder is disabled, new command is ignored and previous operation continues.
18	\overline{RAS}	Row Address Strobe	Command input. When sampled at the rising edge of the clock \overline{RAS} , \overline{CAS} and \overline{WE} define the operation to be executed.
17	\overline{CAS}	Column Address Strobe	Referred to \overline{RAS}
16	\overline{WE}	Write Enable	Referred to \overline{RAS}
39, 15	UDQM LDQM	Input/output mask	The output buffer is placed at Hi-Z (with latency of 2) when DQM is sampled high in read cycle. In write cycle, sampling DQM high will block the write operation with zero latency.
38	CLK	Clock Inputs	System clock used to sample inputs on the rising edge of clock.
37	CKE	Clock Enable	CKE controls the clock activation and deactivation. When CKE is low, Power Down mode, Suspend mode, or Self Refresh mode is entered.
1, 14, 27	VDD	Power	Power for input buffers and logic circuit inside DRAM.
28, 41, 54	VSS	Ground	Ground for input buffers and logic circuit inside DRAM.
3, 9, 43, 49	VDDQ	Power for I/O buffer	Separated power from VDD, to improve DQ noise immunity.
6, 12, 46, 52	VSSQ	Ground for I/O buffer	Separated ground from VSS, to improve DQ noise immunity.
36, 40	NC	No Connection	No connection.

W9864G6KH-5 Block diagram



PCM1690 (HDMI : U1048)



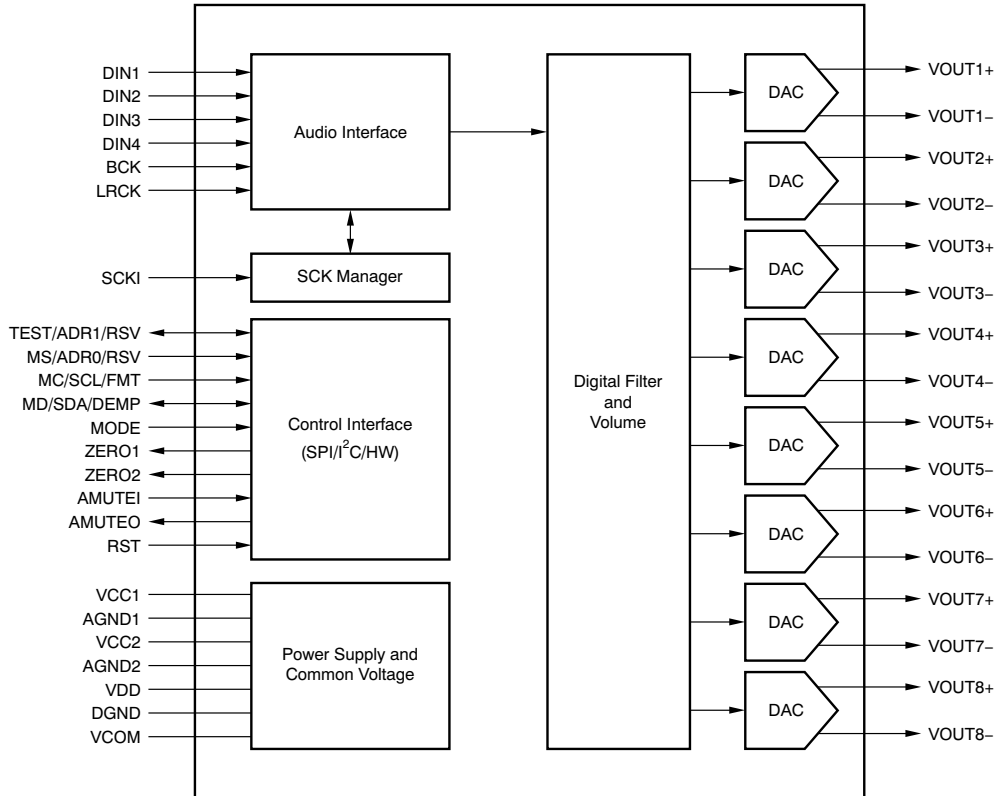
PCM1690 Pin Function

TERMINAL NAME	PIN	I/O	PULL-DOWN	5-V TOLERANT	DESCRIPTION
RSV2	1	—	—	—	Reserved, tied to analog ground
RSV1	2	—	—	—	Reserved, left open
RSV2	3	—	—	—	Reserved, tied to analog ground
RSV1	4	—	—	—	Reserved, left open
RSV2	5	—	—	—	Reserved, tied to analog ground
LRCK	6	I	Yes	No	Audio data word clock input
BCK	7	I	Yes	No	Audio data bit clock input
DIN1	8	I	No	No	Audio data input for DAC1 and DAC2
DIN2	9	I	No	No	Audio data input for DAC3 and DAC4
DIN3	10	I	No	No	Audio data input for DAC5 and DAC6
DIN4	11	I	No	No	Audio data input for DAC7 and DAC8
VDD	12	—	—	—	Digital power supply, +3.3 V
DGND	13	—	—	—	Digital ground
SCKI	14	I	No	Yes	System clock input
RST	15	I	Yes	Yes	Reset and power-down control input with active low
ZERO1	16	O	No	No	Zero detect flag output 1
ZERO2	17	O	No	No	Zero detect flag output 2
AMUTEI	18	I	No	Yes	Analog mute control input with active low
AMUTEO	19	O	No	Yes	Analog mute status output(1) with active low
MD/SDA/DEMP	20	I/O	No	Yes	Input data for SPI, data for I2C(1), de-emphasis control for hardware control mode
MC/SCL/FMT	21	I	No	Yes	Clock for SPI, clock for I2C, format select for hardware control mode
MS/ADR0/RSV	22	I	Yes	Yes	Chip Select for SPI, address select 0 for I2C, reserve (set low) for hardware control mode
TEST/ADR1/RSV	23	I/O	No	Yes	Test (factory use, left open) for SPI, address select 1 for I2C, reserve (set low) for hardware control mode
MODE	24	I	No	No	Control port mode selection. Tied to VDD: SPI, left open: H/W mode, tied to DGND: I2C
VCC1	25	—	—	—	Analog power supply 1, +5 V
VCOM	26	—	—	—	Voltage common decoupling
AGND1	27	—	—	—	Analog ground 1
RSV2	28	—	—	—	Reserved, tied to analog ground
VOUT8+	29	O	No	No	Positive analog output from DAC8
VOUT8-	30	O	No	No	Negative analog output from DAC8
VOUT7+	31	O	No	No	Positive analog output from DAC7
VOUT7-	32	O	No	No	Negative analog output from DAC7
VOUT6+	33	O	No	No	Positive analog output from DAC6
VOUT6-	34	O	No	No	Negative analog output from DAC6
VOUT5+	35	O	No	No	Positive analog output from DAC5
VOUT5-	36	O	No	No	Negative analog output from DAC5
VOUT4+	37	O	No	No	Positive analog output from DAC4
VOUT4-	38	O	No	No	Negative analog output from DAC4
VOUT3+	39	O	No	No	Positive analog output from DAC3
VOUT3-	40	O	No	No	Negative analog output from DAC3
VOUT2+	41	O	No	No	Positive analog output from DAC2
VOUT2-	42	O	No	No	Negative analog output from DAC2

TERMINAL		I/O	PULL-DOWN	5-V TOLERANT	DESCRIPTION
NAME	PIN				
VOUT1+	43	O	No	No	Positive analog output from DAC1
VOUT1-	44	O	No	No	Negative analog output from DAC1
RSV2	45	—	—	—	Reserved, tied to analog ground
AGND2	46	—	—	—	Analog ground 2
VCC2	47	—	—	—	Analog power supply 2, +5 V
RSV2	48	—	—	—	Reserved, tied to analog ground

(1) Open-drain configuration in out mode.

PCM1690 FUNCTIONAL BLOCK DIAGRAM



PCM5100 (HDMI:U1052)

PCM510X (top view)

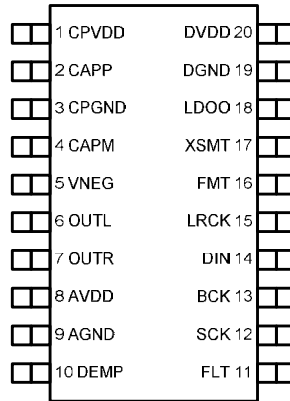


Table 2. TERMINAL FUNCTIONS, PCM510x

TERMINAL		I/O	DESCRIPTION
NAME	NO.		
CPVDD	1	-	Charge pump power supply, 3.3V
CAPP	2	O	Charge pump flying capacitor terminal for positive rail
CPGND	3	-	Charge pump ground
CAPM	4	O	Charge pump flying capacitor terminal for negative rail
VNEG	5	O	Negative charge pump rail terminal for decoupling, -3.3V
OUTL	6	O	Analog output from DAC left channel
OUTR	7	O	Analog output from DAC right channel
AVDD	8	-	Analog power supply, 3.3V
AGND	9	-	Analog ground
DEMP	10	I	De-emphasis control for 44.1kHz sampling rate ⁽¹⁾ : Off (Low) / On (High)
FLT	11	I	Filter select : Normal latency (Low) / Low latency (High)
SCK	12	I	System clock input
BCK	13	I	Audio data bit clock input
DIN	14	I	Audio data input
LRCK	15	I	Audio data word clock input
FMT	16	I	Audio format selection : I ² S (Low) / Left justified (High)
XSMT	17	I	Soft mute control : Soft mute (Low) / soft un-mute (High)
LDOO	18	-	Internal logic supply rail terminal for decoupling
DGND	19	-	Digital ground
DVDD	20	-	Digital power supply, 3.3V

(1) Failsafe LVCMOS Schmitt trigger input

PCM5100 Block Diagram

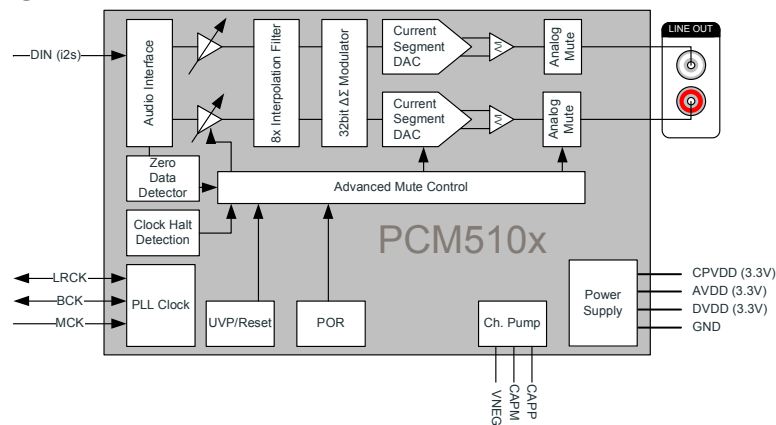
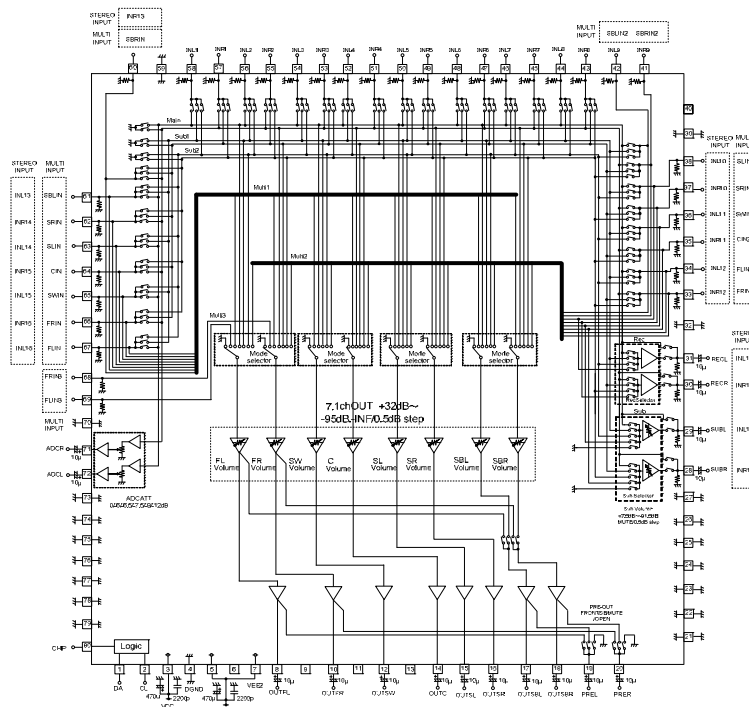


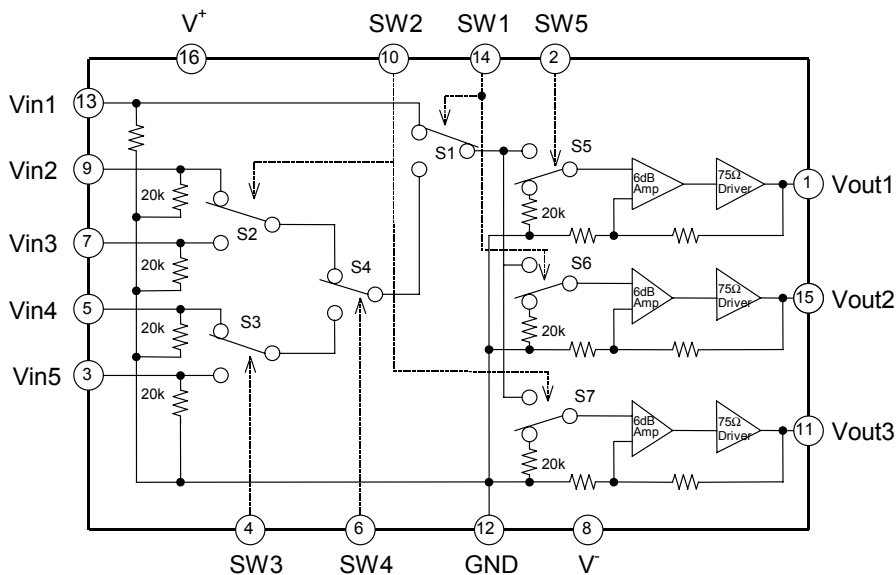
Figure 1. PCM510x Functional Block Diagram

BD34704KS2 (INPUT : IC4200)

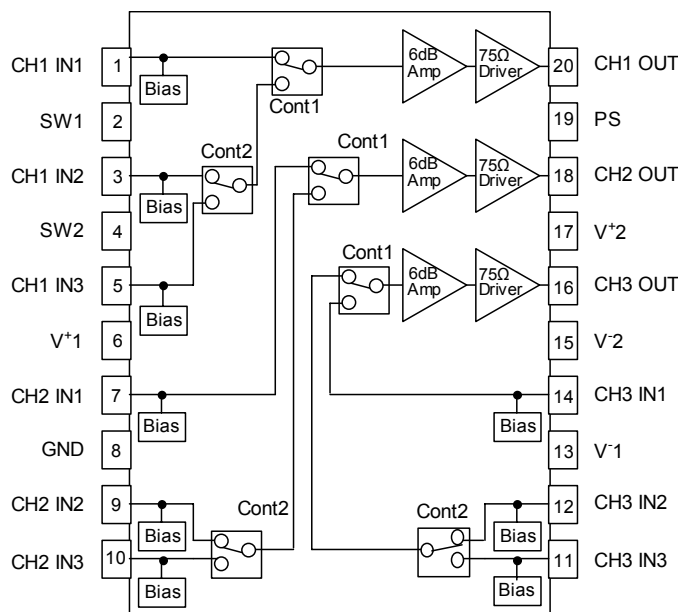


PIN No.	SYMBOL	PIN No.	SYMBOL	PIN No.	SYMBOL	PIN No.	SYMBOL
1	DA	21	GND	61	SBLIN	41	INR9(SBRIN2)
2	CL	22	GND	62	SRIN	42	INL9(SBLIN2)
3	VCC	23	GND	63	SLIN	43	INR8
4	DGND	24	GND	64	CIN	44	INL8
5	VEE1	25	GND	65	SWIN	45	INR7
6	N.C.	26	GND	66	FRIN	46	INL7
7	VEE2	27	GND	67	FLIN	47	INR6
8	OUTFL	28	SUBR	68	FRIN3	48	INL6
9	N.C.	29	SUBL	69	FLIN3	49	INR5
10	OUTFR	30	RECR	70	GND	50	INL5
11	N.C.	31	RECL	71	ADCR	51	INR4
12	OUTSW	32	GND	72	ADCL	52	INL4
13	N.C.	33	INR12(FRIN2)	73	GND	53	INR3
14	OUTC	34	INL12(FLIN2)	74	GND	54	INL3
15	OUTSL	35	INR11(CIN2)	75	GND	55	INR2
16	OUTSR	36	INL11(SWIN2)	76	GND	56	INL2
17	OUTSBL	37	INR10(SRIN2)	77	GND	57	INR1
18	OUTSBR	38	INL10(SLIN2)	78	GND	58	INL1
19	OUTPL	39	GND	79	GND	59	GND
20	OUTPR	40	N.C.	80	CHIP	60	SBRIN

NJM2595MTE1 (VIDEO:IC5001)



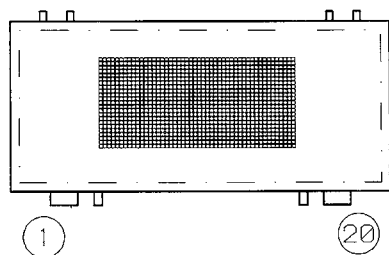
NJM2586AVC3(VIDEO:IC5002)



SSOP20-C3

2. FL DISPLAY

FLD (GP1261AI) (FRONT : FLT4400)



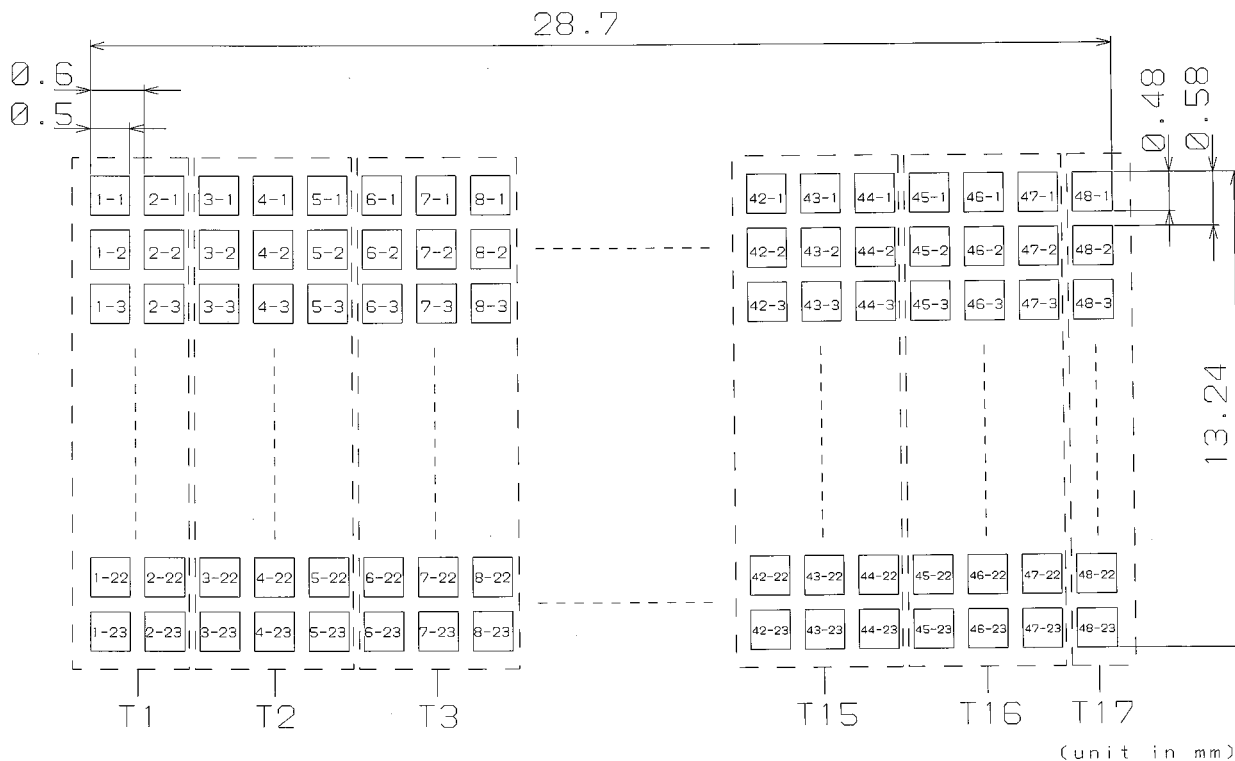
PIN CONNECTION

PIN NO.	1	2	3	4	5	6	7	8	9	10	11	12	13	14	15	16	17	18	19	20	
CONNECTION	F-	N	N	N	N	N	S	N	T	E	I	C	S	N	V	N	N	D	N	F	
	-	P	C	C	C	C	T	T	T	I	O	K	S	C	C	H	D	D	D	P	+

- NOTE
- 1) F-,F+ --- Filament
 - 2) NP, --- No pin
 - 3) DL --- Datum Line
 - 4) VDD --- Logic Voltage Supply pin
 - 5) LGND --- Logic GND pin
 - 6) PGND --- Power GND pin
 - 7) VH --- High Voltage Supply pin
 - 8) OSC --- Pin for self-oscillation
 - 9) CS --- Chip Select Input pin
 - 10) CLK --- Shift Register Clock

- 11) DIO --- Serial Data Input
- 12) RESET --- Reset Input
- 13) INT --- Int pin
- 14) TEST --- Test pin
- 15) Solder composition is Sn-3Ag-0.5Cu.
- 16) NC --- No connection
(NC pin should be electrically open on the PC board)

PATTERN DETAIL



COLOR OF ILLUMINATION

Green (G. x=0.24,y=0.41) - - - - - All graphics.

ANODE CONNECTION

	1G	2G	3G	4G	5G	6G	7G	8G	9G	10G	11G	12G	13G	14G	15G	16G	17G	18G
																	(AD3)	(AD4)
D0	1-1	1-1	1-1	1-1	1-1	1-1	1-1	1-1	1-1	1-1	1-1	1-1	1-1	1-1	1-1	1-1	S9	-
D1	2-1	2-1	2-1	2-1	2-1	2-1	2-1	2-1	2-1	2-1	2-1	2-1	2-1	2-1	2-1	2-1	3d	-
D2	3-1	3-1	3-1	3-1	3-1	3-1	3-1	3-1	3-1	3-1	3-1	3-1	3-1	3-1	3-1	3-1	2d	-
D3	4-1	4-1	4-1	4-1	4-1	4-1	4-1	4-1	4-1	4-1	4-1	4-1	4-1	4-1	4-1	4-1	3e	-
D4	5-1	5-1	5-1	5-1	5-1	5-1	5-1	5-1	5-1	5-1	5-1	5-1	5-1	5-1	5-1	5-1	2e	-
D5	1-2	1-2	1-2	1-2	1-2	1-2	1-2	1-2	1-2	1-2	1-2	1-2	1-2	1-2	1-2	1-2	3c	-
D6	2-2	2-2	2-2	2-2	2-2	2-2	2-2	2-2	2-2	2-2	2-2	2-2	2-2	2-2	2-2	2-2	2c	-
D7	3-2	3-2	3-2	3-2	3-2	3-2	3-2	3-2	3-2	3-2	3-2	3-2	3-2	3-2	3-2	3-2	3g	-
D8	4-2	4-2	4-2	4-2	4-2	4-2	4-2	4-2	4-2	4-2	4-2	4-2	4-2	4-2	4-2	4-2	2g	-
D9	5-2	5-2	5-2	5-2	5-2	5-2	5-2	5-2	5-2	5-2	5-2	5-2	5-2	5-2	5-2	5-2	3f	-
D10	1-3	1-3	1-3	1-3	1-3	1-3	1-3	1-3	1-3	1-3	1-3	1-3	1-3	1-3	1-3	1-3	2f	-
D11	2-3	2-3	2-3	2-3	2-3	2-3	2-3	2-3	2-3	2-3	2-3	2-3	2-3	2-3	2-3	2-3	3b	-
D12	3-3	3-3	3-3	3-3	3-3	3-3	3-3	3-3	3-3	3-3	3-3	3-3	3-3	3-3	3-3	3-3	2b	-
D13	4-3	4-3	4-3	4-3	4-3	4-3	4-3	4-3	4-3	4-3	4-3	4-3	4-3	4-3	4-3	4-3	3a	-
D14	5-3	5-3	5-3	5-3	5-3	5-3	5-3	5-3	5-3	5-3	5-3	5-3	5-3	5-3	5-3	5-3	2a	-
D15	1-4	1-4	1-4	1-4	1-4	1-4	1-4	1-4	1-4	1-4	1-4	1-4	1-4	1-4	1-4	1-4	Dp	-
D16	2-4	2-4	2-4	2-4	2-4	2-4	2-4	2-4	2-4	2-4	2-4	2-4	2-4	2-4	2-4	2-4	dB	-
D17	3-4	3-4	3-4	3-4	3-4	3-4	3-4	3-4	3-4	3-4	3-4	3-4	3-4	3-4	3-4	3-4	1d	-
D18	4-4	4-4	4-4	4-4	4-4	4-4	4-4	4-4	4-4	4-4	4-4	4-4	4-4	4-4	4-4	4-4	1e	-
D19	5-4	5-4	5-4	5-4	5-4	5-4	5-4	5-4	5-4	5-4	5-4	5-4	5-4	5-4	5-4	5-4	1c	-
D20	1-5	1-5	1-5	1-5	1-5	1-5	1-5	1-5	1-5	1-5	1-5	1-5	1-5	1-5	1-5	1-5	1g	-
D21	2-5	2-5	2-5	2-5	2-5	2-5	2-5	2-5	2-5	2-5	2-5	2-5	2-5	2-5	2-5	2-5	1f	-
D22	3-5	3-5	3-5	3-5	3-5	3-5	3-5	3-5	3-5	3-5	3-5	3-5	3-5	3-5	3-5	3-5	1b	-
D23	4-5	4-5	4-5	4-5	4-5	4-5	4-5	4-5	4-5	4-5	4-5	4-5	4-5	4-5	4-5	4-5	1a	AUTO
D24	5-5	5-5	5-5	5-5	5-5	5-5	5-5	5-5	5-5	5-5	5-5	5-5	5-5	5-5	5-5	5-5	S1	MONO
D25	1-6	1-6	1-6	1-6	1-6	1-6	1-6	1-6	1-6	1-6	1-6	1-6	1-6	1-6	1-6	1-6	S2	DIGITAL
D26	2-6	2-6	2-6	2-6	2-6	2-6	2-6	2-6	2-6	2-6	2-6	2-6	2-6	2-6	2-6	2-6	S3	ANALOG
D27	3-6	3-6	3-6	3-6	3-6	3-6	3-6	3-6	3-6	3-6	3-6	3-6	3-6	3-6	3-6	3-6	S4	S.BACK
D28	4-6	4-6	4-6	4-6	4-6	4-6	4-6	4-6	4-6	4-6	4-6	4-6	4-6	4-6	4-6	4-6	S5	DC
D29	5-6	5-6	5-6	5-6	5-6	5-6	5-6	5-6	5-6	5-6	5-6	5-6	5-6	5-6	5-6	5-6	S6	dts
D30	1-7	1-7	1-7	1-7	1-7	1-7	1-7	1-7	1-7	1-7	1-7	1-7	1-7	1-7	1-7	1-7	S7	AUDYSBY
D31	2-7	2-7	2-7	2-7	2-7	2-7	2-7	2-7	2-7	2-7	2-7	2-7	2-7	2-7	2-7	2-7	S8	TUNED
D32	3-7	3-7	3-7	3-7	3-7	3-7	3-7	3-7	3-7	3-7	3-7	3-7	3-7	3-7	3-7	3-7	MUTE	STEREO
D33	4-7	4-7	4-7	4-7	4-7	4-7	4-7	4-7	4-7	4-7	4-7	4-7	4-7	4-7	4-7	4-7	PCM	RDS
D34	5-7	5-7	5-7	5-7	5-7	5-7	5-7	5-7	5-7	5-7	5-7	5-7	5-7	5-7	5-7	5-7	Z2	SLEEP
AD1	-	-	-	-	-	-	-	-	-	-	-	-	-	-	-	-	DIG.	-
AD2	-	-	-	-	-	-	-	-	-	-	-	-	-	-	-	-	ANA.	-

MAIN PCB ASS'Y

※Parts indicated by "nsp" on this table cannot be supplied.

※The parts listed below are only for maintenance. Therefore they might differ from the parts used in the unit in appearances or dimensions

NOTE: The symbols in the column Remarks indicate the following destinations.

U : North America model N : Europe model K : China model F : Japan model

B : Black model SG : Silver Gold model

REF No.	Part No.	Part Name	Remarks	Q'ty	New	Ver
SEMICONDUCTORS GROUP						
D4000-4004	963201500170D	D.SWITCHING CHIP LBAS16HT1G FAST SWITCHING SOD-323		K005041480230S	5	
D4007	963201500530S	D.SWITCHING 1N4148		K000414800050S	1	*
D4008	963203500300D	D.RECTIFIER BRIDGE DIODE BRIDGE D10SB60 600V/10A STRAIGHT TYPE		K047100600220S	1	
D4009,4010	963201500160D	D.SWITCHING 1N4007 52REEL 1000V 1A		K000400700220S	2	
D4013	963201500170D	D.SWITCHING CHIP LBAS16HT1G FAST SWITCHING SOD-323		K005041480230S	1	
D4014	963201500160D	D.SWITCHING 1N4007 52REEL 1000V 1A		K000400700220S	1	
D4016	963201500530S	D.SWITCHING 1N4148		K000414800050S	1	*
D4017	963201500160D	D.SWITCHING 1N4007 52REEL 1000V 1A		K000400700220S	1	
D4019	963201500530S	D.SWITCHING 1N4148		K000414800050S	1	*
D4020	963201500160D	D.SWITCHING 1N4007 52REEL 1000V 1A		K000400700220S	1	
D4022	963201500160D	D.SWITCHING 1N4007 52REEL 1000V 1A		K000400700220S	1	
D4023	963201500170D	D.SWITCHING CHIP LBAS16HT1G FAST SWITCHING SOD-323		K005041480230S	1	
D4025	963201500160D	D.SWITCHING 1N4007 52REEL 1000V 1A		K000400700220S	1	
D4026	963201500170D	D.SWITCHING CHIP LBAS16HT 1G FAST SWITCHING SOD-323		K005041480230S	1	
D4027-4030	963201500160D	D.SWITCHING 1N4007 52REEL 1000V 1A		K000400700220S	4	
D4031,4032	963201500530S	D.SWITCHING 1N4148		K000414800050S	2	*
D4033-4035	963201500160D	D.SWITCHING 1N4007 52REEL 1000V 1A		K000400700220S	3	
D4037	963201500530S	D.SWITCHING 1N4148		K000414800050S	1	*
D4039-4044	963201500170D	D.SWITCHING CHIP LBAS16HT1G FAST SWITCHING SOD-323		K005041480230S	6	
IC4000	00D2631100005	IC.LINEAR-REGULATOR KIA7805API.20W-TO220IS MOLD		J126780500110S	1	
IC4001	00D2631099006	IC.LINEAR-REGULATOR KIA7905PI.20W-TO220IS MOLD		J126790500070S	1	
IC4002	00D2631104001	IC.LINEAR-REGULATOR BA08T 8V TO220FP LOW-DROP POSITIVE VOLTAGE REG		J126800000020S	1	
IC4003	00D2631100005	IC.LINEAR-REGULATOR KIA7805API.20W-TO220IS MOLD		J126780500110S	1	
IC4004	00D2631251006	IC.LINEAR-REGULATOR KIA7908PI.20W-TO220IS		J126790800060S	1	
IC4005	963232100450S	IC.LINEAR OP NJM4580CG SOP8		J121458000050S	1	
Q4005-4010	963214500310S	SEMI.CHIP TR/NPN 2SC RT1N237C 0.2W/SC-59 ISAHAYA		J522102371210S	6	
ZD4002	963202500330D	D.ZENER ZJ6.8B-0.5W/5MA-52MM SEMTECH		K06006R844522S	1	
ZD4157,4158	963202500290D	D.ZENER ZJ3.6B-0.5W/5MA-52MM SEMTECH		K06003R644522S	2	
RESISTOR GROUP						
R4000,4001	963125010110S	R.METAL FILM 100PPM 470-J,2W-R-REEL		C060047166060S	2	
R4002	nsp	R.CARBON FILM 10-J,1/5W-52RE-AX		C00001006P520S	1	
R4003	963125010100S	R.METAL FILM 100PPM 10-J 2W, R-REEL		C060010066050S	1	
R4004	nsp	R.CARBON FILM 10-J,1/5W-52RE-AX		C00001006P520S	1	
R4005	963125010100S	R.METAL FILM 100PPM 10-J 2W, R-REEL		C060010066050S	1	
R4006	nsp	R.CARBON FILM 10-J,1/5W-52RE-AX		C00001006P520S	1	
R4007	963125010100S	R.METAL FILM 100PPM 10-J 2W, R-REEL		C060010066050S	1	
R4008	nsp	R.CARBON FILM 10-J,1/5W-52RE-AX		C00001006P520S	1	
R4009	963125010100S	R.METAL FILM 100PPM 10-J 2W, R-REEL		C060010066050S	1	
R4010	nsp	R.CARBON FILM 10-J,1/5W-52RE-AX		C00001006P520S	1	
R4011	963125010100S	R.METAL FILM 100PPM 10-J 2W, R-REEL		C060010066050S	1	
R4012	nsp	R.CARBON FILM 10-J,1/5W-52RE-AX		C00001006P520S	1	
R4013	963125010100S	R.METAL FILM 100PPM 10-J 2W, R-REEL		C060010066050S	1	
R4014	nsp	R.CARBON FILM 10-J,1/5W-52RE-AX		C00001006P520S	1	
R4015	963125010100S	R.METAL FILM 100PPM 10-J 2W, R-REEL		C060010066050S	1	
R4016	nsp	R.CARBON FILM 100-J,1/5W-52RE-AX		C00001016P520S	1	
R4017-4020	nsp	R.CARBON FILM 20-J,1/5W-52RE-AX		C00002006P520S	4	
R4025-4027	963125500070D	R.METAL FILM 100PPM 1.1K-J,1W-R-REEL		C060011265050S	3	
R4029	nsp	R.METAL FILM 100PPM 10K-J,1/4W-R-REEL		C060103063050S	1	
R4035	nsp	R.CHIP THICK 0-J,1/10W-2012REEL		C200000060200S	1	
R4036-4038	nsp	R.CHIP THICK 470K-J,1/16W-1608REEL		C20004746M160S	3	
R4039,4040	nsp	R.CHIP THICK 82K-J,1/16W-1608REEL		C20008236M160S	2	
R4041	nsp	R.CHIP THICK 100-J,1/16W-1608REEL		C20001016M160S	1	
R4042	nsp	R.CHIP THICK 33-J,1/16W-1608REEL		C20003306M160S	1	
R4043	nsp	R.CHIP THICK 100-J,1/16W-1608REEL		C20001016M160S	1	
R4044,4045	nsp	R.CHIP THICK 470K-J,1/16W-1608REEL		C20004746M160S	2	
R4046	nsp	R.CHIP THICK 1K-J,1/16W-1608REEL		C20001026M160S	1	
R4047	nsp	R.CHIP THICK 100-J,1/16W-1608REEL		C20001016M160S	1	
R4048	nsp	R.CHIP THICK 33-J,1/16W-1608REEL		C20003306M160S	1	
R4049	nsp	R.CHIP THICK 10K-J,1/16W-1608REEL		C20001036M160S	1	
R4052	nsp	R.CHIP THICK 470K-J,1/16W-1608REEL		C20004746M160S	1	
R4056	nsp	R.CHIP THICK 470K-J,1/16W-1608REEL		C20004746M160S	1	
R4057	nsp	R.CHIP THICK 100-J,1/16W-1608REEL		C20001016M160S	1	
R4058	nsp	R.CHIP THICK 10K-J,1/16W-1608REEL		C20001036M160S	1	
R4059	nsp	R.CHIP THICK 22K-J,1/16W-1608REEL		C20002236M160S	1	
R4060	nsp	R.CHIP THICK 330K-J,1/16W-1608REEL		C20003346M160S	1	
R4061	nsp	R.CHIP THICK 22K-J,1/16W-1608REEL		C20002236M160S	1	
R4062	nsp	R.CHIP THICK 10K-J,1/16W-1608REEL		C20001036M160S	1	
R4063	nsp	R.CHIP THICK 3.3K-J,1/16W-1608REEL		C20003326M160S	1	
R4064	nsp	R.CHIP THICK 1K-J,1/16W-1608REEL		C20001026M160S	1	
R4065	nsp	R.CHIP THICK 33K-J,1/16W-1608REEL		C20003336M160S	1	
R4066,4067	nsp	R.CHIP THICK 10K-J,1/16W-1608REEL		C20001036M160S	2	
R4069	963129501010S	R.CEMENT MPR 0.01-J/5W W14*H18 9MM PITCH		C144R01069000S	1	
R4070	nsp	R.CARBON FILM 20-J,1/5W-52RE-AX		C00002006P520S	1	
CAPACITORS GROUP						
C4000	963133502350S	C.FILM POLYESTER MI-0.047UF-J/100V-5RE HMM473J2AP050T DAEHUNG		D02047316C250S	1	
C4001	nsp	C.CERAMIC CHIP HIK X7R)2200PF-K/50V-1608REEL		D01122277160S	1	
C4003	963133502350S	C.FILM POLYESTER MI-0.047UF-J/100V-5RE HMM473J2AP050T DAEHUNG		D02047316C250S	1	
C4004	nsp	C.CERAMIC CHIP HIK X7R)2200PF-K/50V-1608REEL		D01122277160S	1	
C4006,4007	963133502350S	C.FILM POLYESTER MI-0.047UF-J/100V-5RE HMM473J2AP050T DAEHUNG		D02047316C250S	2	
C4008	nsp	C.CERAMIC CHIP HIK X7R)2200PF-K/50V-1608REEL		D01122277160S	1	
C4010,4011	963133502350S	C.FILM POLYESTER MI-0.047UF-J/100V-5RE HMM473J2AP050T DAEHUNG		D02047316C250S	2	
C4012	nsp	C.CERAMIC CHIP HIK X7R)2200PF-K/50V-1608REEL		D01122277160S	1	
C4014	nsp	C.CERAMIC CHIP HIK X7R)2200PF-K/50V-1608REEL		D01122277160S	1	
C4016,4017	963133502350S	C.FILM POLYESTER MI-0.047UF-J/100V-5RE HMM473J2AP050T DAEHUNG		D02047316C250S	2	
C4018	nsp	C.CERAMIC CHIP HIK X7R)2200PF-K/50V-1608REEL		D01122277160S	1	
C4020	963133502350S	C.FILM POLYESTER MI-0.047UF-J/100V-5RE HMM473J2AP050T DAEHUNG		D02047316C250S	1	
C4021	nsp	C.CERAMIC CHIP HIK X7R)2200PF-K/50V-1608REEL		D01122277160S	1	
C4023-4025	963133502350S	C.FILM POLYESTER MI-0.047UF-J/100V-5RE HMM473J2AP050T DAEHUNG		D02047316C250S	3	
C4027	nsp	C.CERAMIC CHIP HIK X7R)1000PF-K/50V-1608REEL	U, K	D01110277160S	1	
C4027	nsp	C.CERAMIC CHIP HIK X7R)0.1UF-K/50V-1608REEL	N	D011104577160S	1	
C4028	963133502350S	C.FILM POLYESTER MI-0.047UF-J/100V-5RE HMM473J2AP050T DAEHUNG		D02047316C250S	1	
C4030	963133502350S	C.FILM POLYESTER MI-0.047UF-J/100V-5RE HMM473J2AP050T DAEHUNG		D02047316C250S	1	
C4032	nsp	C.CERAMIC CHIP HIK X7R)1000PF-K/50V-1608REEL	U, K	D01110277160S	1	
C4032	nsp	C.CERAMIC CHIP HIK X7R)0.1UF-K/50V-1608REEL	N	D011104577160S	1	
C4035	nsp	C.CERAMIC CHIP HIK X7R)1000PF-K/50V-1608REEL	U, K	D01110277160S	1	
C4035	nsp	C.CERAMIC CHIP HIK X7R)0.1UF-K/50V-1608REEL	N	D011104577160S	1	
C4038	nsp	C.CERAMIC CHIP HIK X7R)1000PF-K/50V-1608REEL	U, K	D01110277160S	1	
C4038	nsp	C.CERAMIC CHIP HIK X7R)0.1UF-K/50V-1608REEL	N	D011104577160S	1	
C4041	nsp	C.CERAMIC CHIP HIK X7R)1000PF-K/50V-1608REEL	U, K	D01110277160S	1	
C4041	nsp	C.CERAMIC CHIP HIK X7R)0.1UF-K/50V-1608REEL	N	D011104577160S	1	
C4044	nsp	C.CERAMIC CHIP HIK X7R)1000PF-K/50V-1608REEL	U, K	D01110277160S	1	
C4044	nsp	C.CERAMIC CHIP HIK X7R)0.1UF-K/50V-1608REEL	N	D011104577160S	1	
C4047	nsp	C.CERAMIC CHIP HIK X7R)1000PF-K/50V-1608REEL	U, K	D01110277160S	1	
C4047	nsp	C.CERAMIC CHIP HIK X7R)0.1UF-K/50V-1608REEL	N	D011104577160S	1	
C4049	nsp	C.ELECT GE 85C 100UF-M/50V,8*11.5-5RE.SMS SY		D040101087060S	1	

REF No.	Part No.	Part Name	Remarks	Q'ty	New	Ver
C4050,4051	nsp	C,FILM POLYESTER RED-0.1UF-K/250V-5RE PCMT365		D02010407H080S	2	
C4052	963134501800D	C.ELECT GE 85C 1000UF-M/71V,35*50 BULK LAO-71V103MS57P5W1#B		D040103089220S	1	
C4053	nsp	C.ELECT GE 85C 10UF-M/50V,5*11-5RE.SMS SY		D040100087070S	1	
C4054	963134501800D	C.ELECT GE 85C 1000UF-M/71V,35*50 BULK LAO-71V103MS57P5W1#B		D040103089220S	1	
C4057	963133502380S	C,FILM POLYESTER MI-0.1UF-J/100V-5RE HMM104J2AP050T DAEHUNG		D02010416C250S	1	
C4058	963134010700S	C.ELECT GE 85C 220UF-M/25V,16*25-L.BLK SMS 5.0MC SY		D040222084030S	1	
C4059	963134011290S	C.ELECT GE 85C 4700UF-M/16V,16*25-L.BLK SMS 5.0MC SY		D040472083020S	1	
C4060,4061	nsp	C.ELECT GE 85C 10UF-M/50V,5*11-5RE.SMS SY		D040100087070S	2	
C4062	00D9630217002	C.ELECT GE 85C 3300UF-M/16V,12.5*25L.BLK SHL 5.0MC SY		D040332083010S	1	
C4063	nsp	C.ELECT GE 85C 10UF-M/50V,5*11-5RE.SMS SY		D040100087070S	1	
C4064	963134502380S	C.ELECT GE 85C 470UF-M/50V,12.5*20L BULK 5.0MC SMS SY		D040471087010S	1	
C4065	963134502760S	C.ELECT GE 85C 6800UF-M/25V,16*31.5 MHA SY		D040682084080S	1	
C4066	963134502390S	C.ELECT GE 85C 470UF-M/50V,10*20 BULK SHL SY		D040471087040S	1	
C4067	90M-OA000500R	C.ELECT GE 85C 4700UF-M/25V(MHA),16*25 P=7.5 L.BLK		D040472084240S	1	
C4068	963134502390S	C.ELECT GE 85C 470UF-M/50V,10*20 BULK SHL SY		D040471087040S	1	
C4069	nsp	C.CERAMIC CHIP HIK X7R0J,1UF-K/50V-1608REEL		D011104577160S	1	
C4071	nsp	C.ELECT GE 85C 10UF-M/50V,5*11-5RE.SMS SY		D040100087070S	1	
C4074	nsp	C.CERAMIC CHIP T.C COG100PF-J/50V-1608REEL		D010100167161S	1	
C4075	nsp	C.ELECT GE 85C 100UF-M/16V,5*11-5RE.SHL SY		D040101083090S	1	
C4080,4081	nsp	C.CERAMIC CHIP T.C COG100PF-J/50V-1608REEL		D010101167160S	2	
C4082	nsp	C.CERAMIC CHIP HIK X7R0J,1UF-K/50V-1608REEL		D011104577160S	1	
C4083	nsp	C.CERAMIC CHIP T.C COG100PF-J/50V-1608REEL		D010101167160S	1	
C4085,4086	nsp	C.CERAMIC CHIP HIK X7R0J,1UF-K/50V-1608REEL		D011104577160S	2	
C4087-4089	nsp	C.ELECT GE 85C 1UF-M/100V,5*11-5RE.SMS SY		D040010086060S	3	
OTHER PARTS GROUP						
BD4000	nsp	COIL,BEAD CB03YTYN121-1608REEL		D340160891210S	1	
BK71413	nsp	BRACKET AVRX2200WBKE3 SECC T1.0+Sn plating /PCB MT		4010214876000SV	1	
CLP4002	nsp	CLAMP HMX9800(ON) (W=2.6,L=50)/WIRE(SOLDER)		4330000120000S	1	
CN4211	nsp	CN,WIRE 260MM/3P YMH025-03=CKM2509HV-03 RD1569#22 105C		L000261030130S	1	
CN4212	nsp	CN,WIRE 2MM 120MM/10P 20010HS-10=CKM2002HV-10 WH1007#26		L002121102620S	1	
CN4213	nsp	CN,WIRE 220MM/5P YMH025-05=CKM2509HV-05 RD1569#22 105C		L000221050080S	1	
CP4001	nsp	CN.WAFER 7.92MM LWB1143-07P 7.92MM HEADER.VER.7CKT		L108011430710S	1	
CP4002	nsp	CN.WAFER 1.25B-2-15A 15P BtoB HEADER(MALE) P=1.25MM		L109125321510S	1	
CP4003	nsp	CN.WAFER 1.25B-2-19A 19P BtoB HEADER(MALE) P=1.25MM		L109125321910S	1	
CP4006	nsp	CN.WAFER 1.25B-2-11A 11P BtoB HEADER(MALE) P=1.25MM		L109125321110S	1	
CP4007	nsp	CN.WAFER 1.25B-2-9A 9P BtoB HEADER(MALE) P=1.25MM		L109125320910S	1	
CP4700	nsp	CN.WAFER 1.25B-2-11A 11P BtoB HEADER(MALE) P=1.25MM		L109125321110S	1	
CP4702,4703	nsp	CN.WAFER 1.25B-2-7A 7P BtoB HEADER(MALE) P=1.25MM		L109125320710S	2	
! F4000	963652010520S	FUSE GLASS TUBE 20MM T6.3A/250V-IVBSUCPCcUR S506		N751506301160S	1	
F4000A	nsp	HOLDER,FUSE CLIP PI5.2-REEL		G645000050010S	1	
F4000B	nsp	HOLDER,FUSE CLIP PI5.2-REEL		G645000050010S	1	
! F4001	963652010520S	FUSE GLASS TUBE 20MM T6.3A/250V-IVBSUCPCcUR S506		N751506301160S	1	
F4001A	nsp	HOLDER,FUSE CLIP PI5.2-REEL		G645000050010S	1	
F4001B	nsp	HOLDER,FUSE CLIP PI5.2-REEL		G645000050010S	1	
JACK4000-4006	963646100580S	TER,BOARD SCREW 2P SJ2004S-A006-00A200B(RD,BK)(Transparent) BINDING		G6112004SA00JS	7	
L4000-4006	nsp	COIL,FILTER-INDUCTOR SP-2507 1.0 PI*2UEW TURNS=7T SPRING COIL		D330900001330S	7	
PACK4000	963183100620S	TUNER,FM/AM KST-MW004MV1-S78SA-1 4GANG+MW+50US NA	U	E903004102780S	1	
PACK4000	963183100610S	TUNER,FM/AM KST-MW104MV1-S78GA-1 4GANG+MW+50US RDS	N	E903104102780S	1	
PACK4000	963183100630S	TUNER,FM/AM KST-MW004MV1-S78A-1 4GANG+MW+50US NA IFT_VENA	K	E903004100781S	1	
RLY4000	963682100560S	RELAY HFD27/012-S 24V 2A 2회로 2점침(SMALL SIGNAL)		G680240202080S	1	
RLY4001-4004	963682100280D	RELAY JZC-42F/012-2HST 24.4*12.8*24.8mm		G680060103010S	4	
RLY4005	963682100510S	RELAY HF115F/012-2ZS4B		G680060803010S	1	

FRONT PCB ASS'Y

※Parts indicated by "nsp" on this table cannot be supplied.

※The parts listed below are only for maintenance. Therefore they might differ from the parts used in the unit in appearances or dimensions

NOTE: The symbols in the column Remarks indicate the following destinations.

U : North America model N : Europe model K : China model F : Japan model

B : Black model SG : Silver Gold model

REF No.	Part No.	Part Name	Remarks	Q'ty	New	Ver
SEMICONDUCTORS GROUP						
D4400	963201500170D	D.SWITCHING CHIP LBAS16HT1G FAST SWITCHING SOD-323		K005041480230S	1	
D4401	963201500160D	D.SWITCHING 1N4007 52REEL 1000V 1A		K000400700220S	1	
D4403-4405	963201500160D	D.SWITCHING 1N4007 52REEL 1000V 1A		K000400700220S	3	
D4406,4407	963209003510S	D.ESD CHIP CDS3C05HDM1 CERADIODE ESD FOR HDMI 1608REEL		K067030500010S	2	
D4408	963209500020S	D.ESD CHIP CDS3C15GTA 1608REEL CERADIODE ESD B72500D0150A060		K067031500010S	1	
D4409-4416	963201500170D	D.SWITCHING CHIP LBAS16HT1G FAST SWITCHING SOD-323		K005041480230S	8	
D4703	963201500170D	D.SWITCHING CHIP LBAS16HT1G FAST SWITCHING SOD-323		K005041480230S	1	
IC4400	963231101200S	IC.LINEAR-REGULATOR NJM2887DL3-TE2 TO-252-5 LOW-DROP VOL REGULATOR		J126288700010S	1	
IC4401,4402	963232100450S	IC.LINEAR OP NJM4580CG SOP8		J121458000050S	2	
IC4700	00D2631286903	IC.LINEAR-REGULATOR PQ120DNA1ZPH 12V 1A SC-63		J126120010010S	1	
IC4701	236810090504S	IC.LOGIC-INTERFACE ILX3232D 3V3 RS232 INTERFACE TRANSCEIVER SOP16		J046323200020S	1	
LED4406,4407	963263101060S	LED.ROUND BL-BUF4V2-HS-NP-AV-FP3.5-TBF19.5C RED LED		K500032001250S	2	*
LED4408	963263100510S	LED.ROUND WEJ3290W-R2H0-BA 3PI RED/YELLOW GREEN BI-COLOR		K500032451010S	1	
Q4403	00D9630226705	SEMI,TR/GE NPN 2SC KTC1027Y,1W/T092L-REEL		J5021027Y0020S	1	
Q4405-4409	943216500020S	SEMI,CHIP TR/NPN 2SC RT1N141C 0.2W/SC-59 ISAHAYA		J522101411210S	5	
Q4410	943215500030S	SEMI,CHIP TR/PNP 2SA RT1P441C 0.2W/SC-59 ISAHAYA		J520104411210S	1	
ZD4400	nsp	CN.WIRE 1P JUMPER (0.6/52MM)		L045084006040S	1	
ZD4401	963202500420S	D.ZENER ZJ18B-0.5W/5MA-52MM SEMTECH		K06018R044522S	1	
ZD4402	963202500430S	D.ZENER ZJ24B-0.5W/5MA-52MM SEMTECH		K06024R044522S	1	
ZD4403,4404	963202500310D	D.ZENER ZJ5.1B-0.5W/5MA-52MM SEMTECH		K06005R144522S	2	
ZD4407	963202500310D	D.ZENER ZJ5.1B-0.5W/5MA-52MM SEMTECH		K06005R144522S	1	
ZD4700	963202500400S	D.ZENER ZJ16B-0.5W/5MA-52MM SEMTECH		K06016R044522S	1	
RESISTOR GROUP						
R4403	nsp	CN.WIRE 1P JUMPER (0.6/52MM)		L045084006040S	1	
R4405	nsp	R.CHIP THICK 100-J,1/16W-1608REEL		C20001016M160S	1	
R4406	nsp	R.CHIP THICK 100K-J,1/16W-1608REEL		C20001046M160S	1	
R4409	nsp	R.CHIP THICK 150-J,1/16W-1608REEL		C20001516M160S	1	
R4411	nsp	R.CHIP THICK 75K-J,1/16W-1608REEL		C20007536M160S	1	
R4415	nsp	R.CHIP THICK 150K-J,1/16W-1608REEL		C20001546M160S	1	
R4416	nsp	R.CHIP THICK 4.7K-J,1/16W-1608REEL		C20004726M160S	1	
R4418	nsp	R.CHIP THICK 4.7K-J,1/16W-1608REEL		C20004726M160S	1	
R4423	nsp	R.CHIP THICK 10-J,1/16W-1608REEL		C20001006M160S	1	
R4425	nsp	R.CHIP THICK 10-J,1/16W-1608REEL		C20001006M160S	1	
R4426	nsp	R.CHIP THICK 100-J,1/16W-1608REEL		C20001016M160S	1	
R4429	nsp	R.CHIP THICK 150-J,1/16W-1608REEL		C20001516M160S	1	
R4430-4432	nsp	R.CHIP THICK 100-J,1/16W-1608REEL		C20001016M160S	3	
R4433	nsp	R.CHIP THICK 120K-J,1/16W-1608REEL		C20001246M160S	1	
R4434	nsp	R.CHIP THICK 1.2K-J,1/16W-1608REEL		C20001226M160S	1	
R4435	nsp	R.CHIP THICK 10K-J,1/16W-1608REEL		C20001036M160S	1	
R4437	nsp	R.CHIP THICK 100-J,1/16W-1608REEL		C20001016M160S	1	
R4438	nsp	R.CHIP THICK 1.2K-J,1/16W-1608REEL		C20001226M160S	1	
R4439	nsp	R.CHIP THICK 150-J,1/16W-1608REEL		C20001516M160S	1	
R4441	nsp	R.CHIP THICK 100-J,1/16W-1608REEL		C20001016M160S	1	
R4442,4443	nsp	R.CARBON FILM 100-J,1/5W-52RE-AX		C00001016P520S	2	
R4444	nsp	R.CHIP THICK 0-J,1/16W-1608REEL		C20000006M160S	1	
R4445	nsp	R.CHIP THICK 300-J,1/16W-1608REEL		C20003016M160S	1	
R4446	nsp	R.CHIP THICK 47K-J,1/16W-1608REEL		C20004736M160S	1	
R4447	nsp	R.CHIP THICK 390-J,1/16W-1608REEL		C20003916M160S	1	
R4448	nsp	R.CHIP THICK 1K-J,1/16W-1608REEL		C20001026M160S	1	
R4450-4454	nsp	R.CHIP THICK 100-J,1/16W-1608REEL		C20001016M160S	5	
R4455	nsp	R.CHIP THICK 18K-J,1/16W-1608REEL		C20001836M160S	1	
R4456,4457	nsp	R.CARBON FILM 4.7K-J,1/5W-52RE-AX		C00004726P520S	2	
R4458	nsp	R.CHIP THICK 820-J,1/16W-1608REEL		C20008216M160S	1	
R4459	nsp	R.CHIP THICK 100-J,1/16W-1608REEL		C20001016M160S	1	
R4460	nsp	R.CHIP THICK 100K-J,1/16W-1608REEL		C20001046M160S	1	
R4461	nsp	R.CHIP THICK 4.7K-J,1/16W-1608REEL		C20004726M160S	1	
R4462	nsp	R.CHIP THICK 100K-J,1/16W-1608REEL		C20001046M160S	1	
R4465,4466	nsp	R.CARBON FILM 100-J,1/5W-52RE-AX		C00001016P520S	2	
R4467,4468	nsp	R.CHIP THICK 100K-J,1/16W-1608REEL		C20001046M160S	2	
R4469	nsp	R.CARBON FILM 100-J,1/5W-52RE-AX		C00001016P520S	1	
R4470	nsp	R.CHIP THICK 100K-J,1/16W-1608REEL		C20001046M160S	1	
R4471,4472	nsp	R.CHIP THICK 2.2K-J,1/16W-1608REEL		C20002226M160S	2	
R4473	nsp	R.CHIP THICK 100-J,1/16W-1608REEL		C20001016M160S	1	
R4474,4475	nsp	R.CHIP THICK 470-J,1/16W-1608REEL		C20004716M160S	2	
R4476	nsp	R.CHIP THICK 0-J,1/16W-1608REEL		C20000006M160S	1	
R4477,4478	nsp	R.CHIP THICK 100-J,1/16W-1608REEL		C20001016M160S	2	
R4479	nsp	R.CHIP THICK 100K-J,1/16W-1608REEL		C20001046M160S	1	
R4481	nsp	R.CHIP THICK 100K-J,1/16W-1608REEL		C20001046M160S	1	
R4483,4484	nsp	R.CARBON FILM 4.7K-J,1/5W-52RE-AX		C00004726P520S	2	
R4485,4486	nsp	R.CHIP THICK 0-J,1/16W-1608REEL		C20000006M160S	2	
R4489,4490	nsp	R.CHIP THICK 0-J,1/16W-1608REEL		C20000006M160S	2	
R4708,4709	nsp	R.CHIP THICK 1K-J,1/16W-1608REEL		C20001026M160S	2	
R4710	nsp	R.CHIP THICK 0-J,1/16W-1608REEL		C20000006M160S	1	
R4711	nsp	R.CHIP THICK 1K-J,1/16W-1608REEL		C20001026M160S	1	
R4714	nsp	R.CHIP THICK 1K-J,1/16W-1608REEL		C20001026M160S	1	
R4721	nsp	R.CHIP THICK 0-J,1/16W-1608REEL		C20000006M160S	1	
CAPACITORS GROUP						
C4411	nsp	C.CERAMIC CHIP HIK X7R)0.1UF-K/50V-1608REEL		D011104577160S	1	
C4412	nsp	C.ELECT GE 85C 10UF-M/50V,5*11-5RE.SMS SY		D040100087070S	1	
C4413	nsp	CN.WIRE 1P JUMPER (0.6/52MM)		L045084006040S	1	
C4414	963133502390S	C.ELECT GE 85C 220UF-M/63V,10*16-5RE SHL SY		D040221088050S	1	
C4416	nsp	C.ELECT GE 85C 1UF-M/50V,5*11-5RE.SMS SY (Pb Free)		D040010087150S	1	
C4418	nsp	C.CERAMIC CHIP HIK X7R)0.1UF-K/50V-1608REEL		D011104577160S	1	
C4419	nsp	C.ELECT GE 85C 10UF-M/50V,5*11-5RE.SMS SY		D040100087070S	1	
C4421	nsp	C.ELECT GE 85C 1UF-M/50V,5*11-5RE.SMS SY (Pb Free)		D040010087150S	1	
C4422	nsp	C.ELECT GE 85C 10UF-M/50V,5*11-5RE.SMS SY		D040100087070S	1	
C4424	nsp	C.CERAMIC CHIP HIK X7R)0.1UF-K/50V-1608REEL		D011104577160S	1	
C4426	nsp	C.CERAMIC CHIP HIK X7R)0.1UF-K/50V-1608REEL		D011104577160S	1	
C4427-4429	nsp	C.CERAMIC CHIP T.C COG100PF-J/50V-1608REEL		D010101167160S	3	
C4431,4432	nsp	C.CERAMIC CHIP HIK X7R)0.1UF-K/50V-1608REEL		D011104577160S	2	
C4433	nsp	C.ELECT GE 85C 10UF-M/50V,5*11-5RE.SMS SY		D040100087070S	1	
C4434	nsp	C.CERAMIC CHIP HIK X7R)0.1UF-K/50V-1608REEL		D01110377160S	1	
C4435	nsp	C.CERAMIC CHIP HIK X7R)0.1UF-K/50V-1608REEL		D011104577160S	1	
C4436	nsp	C.CERAMIC CHIP HIK Y5V0.047UF-Z/50V-1608REEL		D011473597160S	1	
C4437,4438	nsp	C.ELECT GE 85C 1UF-M/50V,5*11-5RE.SMS SY (Pb Free)		D040010087150S	2	
C4440,4441	nsp	C.CERAMIC CHIP HIK X7R)0.1UF-K/50V-1608REEL		D01110377160S	2	
C4442,4443	nsp	C.CERAMIC CHIP T.C COG470PF-J/50V-1608REEL		D010471167160S	2	
C4444	nsp	C.CERAMIC CHIP T.C COG82PF-J/50V-1608REEL		D010820167160S	1	
C4445	nsp	C.ELECT GE 85C 10UF-M/50V,5*11-5RE.SMS SY		D040100087070S	1	
C4446	nsp	C.ELECT GE 85C 100UF-M/10V,5*11-5RE.SMS SY		D040101082070S	1	
C4447	nsp	C.CERAMIC CHIP HIK X7R)0.047UF-K/25V-1608REEL		D011473774161S	1	
C4448	nsp	C.CERAMIC CHIP HIK X7R)0.1UF-K/50V-1608REEL		D011104577160S	1	
C4449	nsp	C.ELECT GE 85C 10UF-M/50V,5*11-5RE.SMS SY		D040100087070S	1	
C4450	nsp	C.CERAMIC CHIP HIK X7R)0.047UF-K/25V-1608REEL		D011473774161S	1	
C4451	nsp	C.CERAMIC CHIP HIK Y5V0.047UF-Z/50V-1608REEL		D011473597160S	1	

REF No.	Part No.	Part Name	Remarks	Q'ty	New	Ver
C4452,4453	nsp	C,ELECT GE 85C 10UF-M/50V,5*11-5RE.SMS SY		D040100087070S	2	
C4454	nsp	C,CERAMIC CHIP HIK X7R0J,1UF-K/50V-1608REEL		D011104577160S	1	
C4455,4456	nsp	C,CERAMIC CHIP T.C COG330PF-J/50V-1608REEL		D010331167160S	2	
C4457,4458	nsp	C,CERAMIC CHIP HIK X7R0J1000PF-K/50V-1608REEL		D011102777160S	2	
C4460,4461	nsp	C,CERAMIC CHIP HIK X7R0.01UF-K/50V-1608REEL		D011103777160S	2	
C4462	nsp	C,CERAMIC CHIP HIK X7R0J,1UF-K/50V-1608REEL		D011104577160S	1	
C4463	nsp	C,ELECT GE 85C 220UF-M/6.3V,8*5-5RE SRE SY		D040221081070S	1	
C4464	nsp	C,CERAMIC CHIP HIK X7R0J,1UF-K/50V-1608REEL		D011104577160S	1	
C4465,4466	nsp	C,CERAMIC CHIP T.C COG470PF-J/50V-1608REEL		D010471167160S	2	
C4467	nsp	C,CERAMIC CHIP T.C COG100PF-J/50V-1608REEL		D010101167160S	1	
C4469	nsp	C,ELECT GE 85C 1UF-M/50V,5*11-5RE.SMS SY (Pb Free)		D040010087150S	1	
C4472,4473	963133502520S	C,FILM POLYESTER ST-0.01UF-J/100V-5RE HPE103J2AP050T DAEHUNG	U	D02010306C250S	2	
C4474,4475	nsp	C,ELECT GE 85C 1UF-M/50V,5*11-5RE.SMS SY (Pb Free)		D040010087150S	2	
C4476	963133502530S	C,FILM POLYESTER ST-0.1UF-J/100V-5RE HPE104J2AP050T DAEHUNG	U	D02010406C250S	1	
C4477	963133502540S	C,FILM POLYESTER ST-0.047UF-J/100V-5RE HPE473J2AP050T DAEHUNG	U	D02047306C250S	1	
C4478,4479	nsp	C,CERAMIC CHIP HIK X7R0J,1UF-K/50V-1608REEL		D011104577160S	2	
C4480	nsp	C,CERAMIC CHIP HIK Y5V0.047UF-Z/50V-1608REEL		D011473597160S	1	
C4482,4483	nsp	C,CERAMIC CHIP HIK X7R0J,1UF-K/50V-1608REEL	N, K	D011104577160S	1	
C4484,4485	nsp	C,CERAMIC CHIP HIK X7R0.01UF-K/50V-1608REEL	N, K	D011103777160S	2	
C4702,4703	nsp	C,ELECT GE 85C 10UF-M/50V,5*11-5RE.SMS SY		D040100087070S	2	
C4704-4706	nsp	C,CERAMIC CHIP HIK X7R0J,1UF-K/50V-1608REEL		D011104577160S	3	
C4707	nsp	C,ELECT GE 85C 10UF-M/50V,5*11-5RE.SMS SY		D040100087070S	1	
C4711,4712	nsp	C,CERAMIC CHIP HIK X7R0J,1UF-K/50V-1608REEL		D011104577160S	2	
C4716,4717	nsp	C,CERAMIC CHIP HIK X7R0J,1UF-K/50V-1608REEL		D011104577160S	2	
C4718,4719	nsp	C,CERAMIC CHIP T.C COG133PF-J/50V-1608REEL		D010330167160S	2	
OTHER PARTS GROUP						
BD4400-4405	nsp	R,CHIP THICK 0-J,1/16W-1608REEL		C20000006M160S	6	
BD4406,4407	nsp	R,CHIP THICK 0-J,1/16W-1608REEL	U	C20000006M160S	2	
BD4406,4407	nsp	COIL,BEAD CB03YTYN121-1608REEL	N, K	D340160891210S	2	
BD4408	nsp	COIL,BEAD CB05YTYH221-2012REEL		D340201292210S	1	
BD4409,4410	nsp	R,CHIP THICK 0-J,1/16W-1608REEL		C20000006M160S	2	
BKT4401	nsp	BRACKET AVRX2200WBKE3 SPCC TO.8+SN plating A4/SCREW		401021019600DS	1	
CLAMP403	nsp	CLAMP HMX9800(ON) (W=2.6,L=50)/WIRE(SOLDER)		4330000120000S	1	
CLAMP406	nsp	CLAMP HMX9800(ON) (W=2.6,L=50)/WIRE(SOLDER)		4330000120000S	1	
CN4400	nsp	CN.FPC 1.0MM 1.0-11S-40PW 40P AN DIP TOP CONTACT		L1301001144050S	1	
CN4401	nsp	CN.WAFER 2.0MM TUC-P05X-B1 BD-TO-BD 5P HOUSING ST (35237-05)		L101100030510S	1	
CN4402	nsp	CN.WIRE 2MM 440MM/6P 20010HS-06=CKM2002HV-06 RD2725#24,28 SH		L002441060010S	1	
CN4702	nsp	CN.WAFER 1.25B-2-7Y 7P BtoB SOCKET(FEMALE) P=1.25MM		L109125420710S	1	
CP4400	nsp	CN.WAFER 2.5MM YMAW025-07R DIP RA		L102025070010S	1	
CP4401	nsp	CN.WAFER 2.0MM TUC-P05P-B1 BD-TO-BD 5P WAFER ST (35336-05)		L101100040510S	1	
F4400	963652500020S	FUSE CHIP 6125FF500-R 500mA FAST-ACTING SUBMINIATURE FUSE		G657612505030S	1	
FL BKT1	nsp	HOLDER ASSY SR5009U1B(MARANTZ) SPHT 0.5(CMD1A793) A4/FLT		4328211106100	1	*
FLT4400	172010008005S	DISPLAY,FLT GP1261AI 55.6*25 6.6T GREEN/SR5006		K530126100010S	1	
G4401	nsp	RING,TER WIRE 160MM/1P 609A-BS-2=CKM9919T BK1617#22		8410161010190S	1	
JACK4400	963643101150S	JACK,D3.5 JALCO(YKB21-5442V)		G401KB215442VS	1	
JACK4401	963643101160S	TER,RCA 3PIN RCA-328H-1-03(BK,BK,BK)		G606328H0300YS	1	
JACK4700	00D9630244703	JACK,D3.5 EARPHONE JACK PJ-308-02		G40130802000YS	1	
JACK4702	00D2051305008	CN.WAFER INTERFACE 9P FEMALE D-SUB DS03-09 ADD SCREW(4.8*11.8)BLACK		L103090090030S	1	
JK4400	963643103220S	CN.PLUG CONTACT USB A TYPE FEMALE DIP4P YS-UA-002-01-A1		G480400201010S	1	*
JK4401	963643101120S	JACK,D6.5 PHONE (YUQIU) D6.5 9P SILVER PJ-612A-9		G402PJ612A09YS	1	
RMC4400	963262012130S	MODULE,REMOCON R34ES9A 36KHZ IR REMOCON MODULE P=2.54MM		E940349003610S	1	
SW4400-4409	00D963009530S	SW,TACT SKHV10910D01 KB581/L G 160G		G180040500010S	10	
VEC4400	963667012360S	SW,ENCODER EC16B24T01D4ZZZ 24PLUSE 360° L=25MM		G121162400060S	1	
VEC4401	963667100170D	SW,ENCODER EC16B12SAAD4ZZZ		G121161200070S	1	

VIDEO PCB ASS'Y

※Parts indicated by "nsp" on this table cannot be supplied.

※The parts listed below are only for maintenance. Therefore they might differ from the parts used in the unit in appearances or dimensions

NOTE:The symbols in the column Remarks indicate the following destinations.

U : North America model N : Europe model K : China model F : Japan model

B : Black model SG : Silver Gold model

REF No.	Part No.	Part Name	Remarks	Q'ty	New	Ver
SEMICONDUCTORS GROUP						
D5617	963201500170D	D.SWITCHING CHIP LBAS16HT1G FAST SWITCHING SOD-323		K005041480230S	1	
IC5001	963235100700S	IC.MONITOR SW NJM2595M-TE1 DMP16 5-INPUT 3-OUTPUT VIDEO SWITCH		J171259500010S	1	
IC5002	963235100630S	IC.MONITOR SW NJM2586AVC3 VIDEO SWITCH SSO20-C3		J171258600020S	1	
Q4219	943216500020S	SEMI.CHIP TR/NPN 2SC RT1N141C 0.2W/SC-59 ISAHAYA		J522101411210S	1	
Q5625,5626	943215500020S	SEMI.CHIP TR/PNP 2SA RT1P141C 0.2W/SC-59 ISAHAYA		J520101411210S	2	
Q5628	943214500020S	SEMI.CHIP TR/NPN 2SC 2SC3052 0.15W/SC-59 REEL ISAHAYA		J522305200050S	1	
Q5629	943216500020S	SEMI.CHIP TR/NPN 2SC RT1N141C 0.2W/SC-59 ISAHAYA		J522101411210S	1	
Q5630	943215500020S	SEMI.CHIP TR/PNP 2SA RT1P141C 0.2W/SC-59 ISAHAYA		J520101411210S	1	
RESISTOR GROUP						
R5002	nsp	R.CHIP THICK 82-J,1/16W-1608REEL		C20008206M160S	1	
R5003	nsp	R.CHIP THICK 1.8K-J,1/16W-1608REEL		C20001826M160S	1	
R5007,5008	nsp	R.CHIP THICK 75-J,1/16W-1608REEL		C20007506M160S	2	
R5009	nsp	R.CHIP THICK 10K-J,1/16W-1608REEL		C20001036M160S	1	
R5011	nsp	R.CHIP THICK 75-J,1/16W-1608REEL		C20007506M160S	1	
R5013,5014	nsp	R.CHIP THICK 75-J,1/16W-1608REEL		C20007506M160S	2	
R5015,5016	nsp	R.CHIP THICK 150-J,1/16W-1608REEL		C20001516M160S	2	
R5017,5018	nsp	R.CHIP THICK 160-J,1/16W-1608REEL		C20001616M160S	2	
R5019,5020	nsp	R.CHIP THICK 150-J,1/16W-1608REEL		C20001516M160S	2	
R5021,5022	nsp	R.CHIP THICK 160-J,1/16W-1608REEL		C20001616M160S	2	
R5023,5024	nsp	R.CHIP THICK 150-J,1/16W-1608REEL		C20001516M160S	2	
R5025,5026	nsp	R.CHIP THICK 160-J,1/16W-1608REEL		C20001616M160S	2	
R5033-5035	nsp	R.CHIP THICK 75-J,1/16W-1608REEL		C20007506M160S	3	
R5036	nsp	R.CHIP THICK 10K-J,1/16W-1608REEL		C20001036M160S	1	
R5037-5039	nsp	R.CHIP THICK 75-J,1/16W-1608REEL		C20007506M160S	3	
R5718	nsp	R.CARBON FILM 100-J,1/5W-52RE-AX		C00001016P520S	1	
R5719	nsp	R.CHIP THICK 100-J,1/16W-1608REEL		C20001016M160S	1	
R5720	nsp	R.CHIP THICK 33K-J,1/16W-1608REEL		C20003336M160S	1	
R5736	nsp	R.CHIP THICK 47K-J,1/16W-1608REEL		C20004736M160S	1	
R5737	nsp	R.CHIP THICK 18K-J,1/16W-1608REEL		C20001836M160S	1	
R5740	nsp	R.CHIP THICK 47-J,1/16W-1608REEL		C20004706M160S	1	
CAPACITORS GROUP						
C5008-5010	nsp	C.CERAMIC CHIP T.C COG68PF-J/50V-1608REEL		D010680167160S	3	
C5011	nsp	C.ELECT GE 85C 100UF-M/10V,5*11-5RE.SMS SY		D040101082070S	1	
C5012	nsp	C.CERAMIC CHIP T.C COG68PF-J/50V-1608REEL		D010680167160S	1	
C5013,5014	nsp	C.CERAMIC CHIP HIK X7R0,1UF-K/50V-1608REEL		D011104577160S	2	
C5015,5016	nsp	C.CERAMIC CHIP T.C COG68PF-J/50V-1608REEL		D010680167160S	2	
C5017,5018	nsp	C.ELECT GE 85C 1UF-M/50V,5*11-5RE.SMS SY (Pb Free)		D040010087150S	2	
C5019,5020	nsp	C.CERAMIC CHIP HIK X7R0,1UF-K/50V-1608REEL		D011104577160S	2	
C5021	nsp	C.ELECT GE 85C 1UF-M/50V,5*11-5RE.SMS SY (Pb Free)		D040010087150S	1	
C5022	nsp	C.ELECT GE 85C 100UF-M/10V,5*11-5RE.SMS SY		D040101082070S	1	
C5023-5025	nsp	C.ELECT GE 85C 1UF-M/50V,5*11-5RE.SMS SY (Pb Free)		D040010087150S	3	
C5026-5028	nsp	C.ELECT GE 85C 100UF-M/50V,5*11-5RE.SMS SY		D04010087070S	3	
C5029	nsp	C.ELECT GE 85C 100UF-M/50V,8*11.5-5RE.SMS SY		D040101087060S	1	
C5030	nsp	C.CERAMIC CHIP HIK X7R0,1UF-K/50V-1608REEL		D011104577160S	1	
C5031	nsp	C.ELECT GE 85C 100UF-M/50V,8*11.5-5RE.SMS SY		D040101087060S	1	
C5032	nsp	C.CERAMIC CHIP HIK X7R0,1UF-K/50V-1608REEL		D011104577160S	1	
C5048	963133502380S	C.FILM POLYESTER MI-0.1UF-J/100V-5RE HMM104J2AP050T DAEHUNG		D02010416C250S	1	
C5051	963133502380S	C.FILM POLYESTER MI-0.1UF-J/100V-5RE HMM104J2AP050T DAEHUNG		D02010416C250S	1	
C5663	nsp	C.CERAMIC CHIP HIK X7R0,47UF-K/6.3V-1608REEL		D011475571160S	1	
C5678,5679	nsp	C.CERAMIC CHIP HIK X7R0,1UF-K/50V-1608REEL		D011104577160S	2	
OTHER PARTS GROUP						
BKT5001,5002	nsp	BRACKET AVRX2200WBKE3BURREING HOLE SPCC T0.8+SN A4/S		401021019610DS	2	*
CLAMP300	nsp	CLAMP HMX9800(ON) (W=2.6,L=50)/WIRE(SOLDER)		4330000120000S	1	
CN4002	nsp	CN.WAFER 1.25B-2-15Y 15P BtoB SOCKET(FEMALE) P=1.25MM		L109125421510S	1	
CN4003	nsp	CN.WAFER 1.25B-2-19Y 19P BtoB SOCKET(FEMALE) P=1.25MM		L109125421910S	1	
CN5000	nsp	CN.WAFER 1.25B-2-25Y 25P BtoB SOCKET(FEMALE) P=1.25MM		L109125422510S	1	
CN5003	nsp	CN.WAFER 1.25B-2-11Y 11P BtoB SOCKET(FEMALE) P=1.25MM		L109125421110S	1	
CP3401	nsp	CN.WAFER 1.25B-2-25A 25P BtoB HEADER(MALE) P=1.25MM		L109125322510S	1	
CP3403	nsp	CN.WAFER 1.25B-2-21A 21P BtoB HEADER(MALE) P=1.25MM		L109125322110S	1	
CP4605	nsp	CN.WAFER 1.25B-2-17A 17P BtoB HEADER(MALE) P=1.25MM		L109125321710S	1	
CP5000	nsp	CN.WAFER 1.25B-2-25A 25P BtoB HEADER(MALE) P=1.25MM		L109125322510S	1	
CP5003	nsp	CN.WAFER 2.5MM YMAW025-08R DIP RA		L102025080010S	1	
! F5005	963652500120S	FUSE GLASS TUBE 20MM T1.25A/250V-IVBSUCPCcUR S506		N751501251160S	1	
F5005A	nsp	HOLDER,FUSE CLIP PI5.2-REEL		G645000050010S	1	
F5005B	nsp	HOLDER,FUSE CLIP PI5.2-REEL		G645000050010S	1	
! F5006	963652010500S	FUSE GLASS TUBE 20MM T1.6A/250V-IVBSUCPCcUR S506		N751501601160S	1	
F5006A	nsp	HOLDER,FUSE CLIP PI5.2-REEL		G645000050010S	1	
F5006B	nsp	HOLDER,FUSE CLIP PI5.2-REEL		G645000050010S	1	
! F5007	963652010500S	FUSE GLASS TUBE 20MM T1.6A/250V-IVBSUCPCcUR S506		N751501601160S	1	
F5007A	nsp	HOLDER,FUSE CLIP PI5.2-REEL		G645000050010S	1	
F5007B	nsp	HOLDER,FUSE CLIP PI5.2-REEL		G645000050010S	1	
! F5008	963652010500S	FUSE GLASS TUBE 20MM T1.6A/250V-IVBSUCPCcUR S506		N751501601160S	1	
F5008A	nsp	HOLDER,FUSE CLIP PI5.2-REEL		G645000050010S	1	
F5008B	nsp	HOLDER,FUSE CLIP PI5.2-REEL		G645000050010S	1	
! F5009	963652010500S	FUSE GLASS TUBE 20MM T1.6A/250V-IVBSUCPCcUR S506		N751501601160S	1	
F5009A	nsp	HOLDER,FUSE CLIP PI5.2-REEL		G645000050010S	1	
F5009B	nsp	HOLDER,FUSE CLIP PI5.2-REEL		G645000050010S	1	
JACK5000	963643101620D	TER,RCA 3PIN RCA-303B1-01(YL,YL,YL)		G606303B1010YS	1	
JACK5001-5003	963643101630D	TER,RCA 3PIN RCA-303B1-08(GN,BL,RD)		G606303B1080YS	3	
JACK5005	963646012090S	TER,RCA 2PIN RCA-206B-02(OR,OR)		G601206B0200YS	1	

INPUT PCB ASS'Y

※Parts indicated by "nsp" on this table cannot be supplied.

※The parts listed below are only for maintenance. Therefore they might differ from the parts used in the unit in appearances or dimensions

NOTE:The symbols in the column Remarks indicate the following destinations.

U : North America model N : Europe model K : China model F : Japan model

B : Black model SG : Silver Gold model

REF No.	Part No.	Part Name	Remarks	Q'ty	New	Ver
SEMICONDUCTORS GROUP						
D4210-4212	963201500530S	D.SWITCHING 1N4148		K000414800050S	3	*
D4213,4214	963201500160D	D.SWITCHING 1N4007 52REEL 1000V 1A		K000400700220S	2	
IC4200	963235100750S	IC.ELECT VR BD34704KS2 SQFP-T80C 7.1CH SOUND PROCESSOR		J084347040010S	1	
IC5201	963232100450S	IC.LINEAR OP NJM4580CG SOP8		J121458000050S	1	
Q4204	943215500020S	SEMI.CHIP TR/PNP 2SA RT1P141C 0.2W/SC-59 ISAHAYA		J520101411210S	1	
Q4205	943216500020S	SEMI.CHIP TR/NPN 2SC RT1N141C 0.2W/SC-59 ISAHAYA		J522101411210S	1	
Q4206,4207	943215500020S	SEMI.CHIP TR/PNP 2SA RT1P141C 0.2W/SC-59 ISAHAYA		J520101411210S	2	
Q4208	943216500020S	SEMI.CHIP TR/NPN 2SC RT1N141C 0.2W/SC-59 ISAHAYA		J522101411210S	1	
Q4209-4211	943215500020S	SEMI.CHIP TR/PNP 2SA RT1P141C 0.2W/SC-59 ISAHAYA		J520101411210S	3	
U1047	963232100390S	IC.LINEAR OP NJM8080G SOP8 DUAL OP AMP		J121808000010S	1	
U1049	963232100390S	IC.LINEAR OP NJM8080G SOP8 DUAL OP AMP		J121808000010S	1	
U1051	963232100390S	IC.LINEAR OP NJM8080G SOP8 DUAL OP AMP		J121808000010S	1	
U1053	963232100390S	IC.LINEAR OP NJM8080G SOP8 DUAL OP AMP		J121808000010S	1	
ZD4200	963202500290D	D.ZENER ZJ3.6B-0.5W/5MA-52MM SEMTECH		K06003R644522S	1	
RESISTOR GROUP						
R1999	nsp	R.CHIP THICK 15K-J,1/16W-1608REEL		C20001536M160S	1	
R2000	nsp	R.CHIP THICK 820-J,1/16W-1608REEL		C20008216M160S	1	
R2001	nsp	R.CHIP THICK 100-J,1/16W-1608REEL		C20001016M160S	1	
R2002	nsp	R.CHIP THICK 15K-J,1/16W-1608REEL		C20001536M160S	1	
R2003	nsp	R.CHIP THICK 820-J,1/16W-1608REEL		C20008216M160S	1	
R2005,2006	nsp	R.CHIP THICK 11K-J,1/16W-1608REEL		C20001136M160S	2	
R2009	nsp	R.CHIP THICK 11K-J,1/16W-1608REEL		C20001136M160S	1	
R2010	nsp	R.CHIP THICK 15K-J,1/16W-1608REEL		C20001536M160S	1	
R2011	nsp	R.CHIP THICK 820-J,1/16W-1608REEL		C20008216M160S	1	
R2012	nsp	R.CHIP THICK 100-J,1/16W-1608REEL		C20001016M160S	1	
R2013	nsp	R.CHIP THICK 15K-J,1/16W-1608REEL		C20001536M160S	1	
R2014	nsp	R.CHIP THICK 820-J,1/16W-1608REEL		C20008216M160S	1	
R2015	nsp	R.CHIP THICK 11K-J,1/16W-1608REEL		C20001136M160S	1	
R2017	nsp	R.CHIP THICK 15K-J,1/16W-1608REEL		C20001536M160S	1	
R2018	nsp	R.CHIP THICK 820-J,1/16W-1608REEL		C20008216M160S	1	
R2019	nsp	R.CHIP THICK 100-J,1/16W-1608REEL		C20001016M160S	1	
R2021	nsp	R.CHIP THICK 15K-J,1/16W-1608REEL		C20001536M160S	1	
R2022	nsp	R.CHIP THICK 820-J,1/16W-1608REEL		C20008216M160S	1	
R2024,2025	nsp	R.CHIP THICK 11K-J,1/16W-1608REEL		C20001136M160S	2	
R2030	nsp	R.CHIP THICK 150K-J,1/16W-1608REEL		C20001546M160S	1	
R2031	nsp	R.CHIP THICK 30K-J,1/16W-1608REEL		C20003036M160S	1	
R2034	nsp	R.CHIP THICK 15K-J,1/16W-1608REEL		C20001536M160S	1	
R2035	nsp	R.CHIP THICK 820-J,1/16W-1608REEL		C20008216M160S	1	
R2036	nsp	R.CHIP THICK 100-J,1/16W-1608REEL		C20001016M160S	1	
R2038	nsp	R.CHIP THICK 15K-J,1/16W-1608REEL		C20001536M160S	1	
R2039	nsp	R.CHIP THICK 820-J,1/16W-1608REEL		C20008216M160S	1	
R2040	nsp	R.CHIP THICK 30K-J,1/16W-1608REEL		C20003036M160S	1	
R2041	nsp	R.CHIP THICK 150K-J,1/16W-1608REEL		C20001546M160S	1	
R2044	nsp	R.CHIP THICK 15K-J,1/16W-1608REEL		C20001536M160S	1	
R2045	nsp	R.CHIP THICK 820-J,1/16W-1608REEL		C20008216M160S	1	
R2046	nsp	R.CHIP THICK 100-J,1/16W-1608REEL		C20001016M160S	1	
R2047	nsp	R.CHIP THICK 15K-J,1/16W-1608REEL		C20001536M160S	1	
R2048	nsp	R.CHIP THICK 820-J,1/16W-1608REEL		C20008216M160S	1	
R2051,2052	nsp	R.CHIP THICK 11K-J,1/16W-1608REEL		C20001136M160S	2	
R2056	nsp	R.CHIP THICK 11K-J,1/16W-1608REEL		C20001136M160S	1	
R2058	nsp	R.CHIP THICK 15K-J,1/16W-1608REEL		C20001536M160S	1	
R2059	nsp	R.CHIP THICK 820-J,1/16W-1608REEL		C20008216M160S	1	
R2060	nsp	R.CHIP THICK 100-J,1/16W-1608REEL		C20001016M160S	1	
R2062	nsp	R.CHIP THICK 15K-J,1/16W-1608REEL		C20001536M160S	1	
R2063	nsp	R.CHIP THICK 820-J,1/16W-1608REEL		C20008216M160S	1	
R2064	nsp	R.CHIP THICK 11K-J,1/16W-1608REEL		C20001136M160S	1	
R2069	nsp	R.CHIP THICK 15K-J,1/16W-1608REEL		C20001536M160S	1	
R2070	nsp	R.CHIP THICK 820-J,1/16W-1608REEL		C20008216M160S	1	
R2071	nsp	R.CHIP THICK 100-J,1/16W-1608REEL		C20001016M160S	1	
R2072	nsp	R.CHIP THICK 15K-J,1/16W-1608REEL		C20001536M160S	1	
R2073	nsp	R.CHIP THICK 820-J,1/16W-1608REEL		C20008216M160S	1	
R2076,2077	nsp	R.CHIP THICK 11K-J,1/16W-1608REEL		C20001136M160S	2	
R2081	nsp	R.CHIP THICK 11K-J,1/16W-1608REEL		C20001136M160S	1	
R2082	nsp	R.CHIP THICK 15K-J,1/16W-1608REEL		C20001536M160S	1	
R2083	nsp	R.CHIP THICK 820-J,1/16W-1608REEL		C20008216M160S	1	
R2084	nsp	R.CHIP THICK 100-J,1/16W-1608REEL		C20001016M160S	1	
R2085	nsp	R.CHIP THICK 15K-J,1/16W-1608REEL		C20001536M160S	1	
R2086	nsp	R.CHIP THICK 820-J,1/16W-1608REEL		C20008216M160S	1	
R2087	nsp	R.CHIP THICK 11K-J,1/16W-1608REEL		C20001136M160S	1	
R4216-4221	nsp	R.CHIP THICK 91K-J,1/16W-1608REEL		C20009136M160S	6	
R4240	nsp	R.CHIP THICK 470K-J,1/16W-1608REEL		C20004746M160S	1	
R4241	nsp	R.CHIP THICK 1K-J,1/16W-1608REEL		C20001026M160S	1	
R4244,4245	nsp	R.CHIP THICK 470K-J,1/16W-1608REEL		C20004746M160S	2	
R4248	nsp	R.CHIP THICK 100-J,1/16W-1608REEL		C20001016M160S	1	
R4255-4258	nsp	R.CHIP THICK 100-J,1/16W-1608REEL		C20001016M160S	4	
R4259-4262	nsp	R.CHIP THICK 100K-J,1/16W-1608REEL		C20001046M160S	4	
R4263-4270	nsp	R.CHIP THICK 10K-J,1/16W-1608REEL		C20001036M160S	8	
R4271-4273	nsp	R.CHIP THICK 100-J,1/16W-1608REEL		C20001016M160S	3	
R4274-4276	nsp	R.CHIP THICK 10K-J,1/16W-1608REEL		C20001036M160S	3	
R4291	nsp	R.CHIP THICK 820-J,1/16W-1608REEL		C20008216M160S	1	
R4295	nsp	R.CHIP THICK 0-J,1/16W-1608REEL		C20000006M160S	1	
R4296	nsp	R.CHIP THICK 10K-J,1/16W-1608REEL		C20001036M160S	1	
R4297-4299	nsp	R.CHIP THICK 1K-J,1/16W-1608REEL		C20001026M160S	3	
R4300	nsp	R.CHIP THICK 10K-J,1/16W-1608REEL		C20001036M160S	1	
R4301	nsp	R.METAL FILM 100PPM 270-J,1W-R,RELL		C060027165060S	1	
R4302-4304	nsp	R.CHIP THICK 470K-J,1/16W-1608REEL		C20004746M160S	3	
R4551,4552	nsp	R.CHIP THICK 91K-J,1/16W-1608REEL		C20009136M160S	2	
R5300	nsp	R.CHIP THICK 47-J,1/16W-1608REEL		C20004706M160S	1	
R5304	nsp	R.CHIP THICK 47K-J,1/16W-1608REEL		C20004736M160S	1	
R5310	nsp	R.CHIP THICK 47K-J,1/16W-1608REEL		C20004736M160S	1	
R5311	nsp	R.CHIP THICK 47-J,1/16W-1608REEL		C20004706M160S	1	
R5312	nsp	R.CHIP THICK 4.7K-J,1/16W-1608REEL		C20004726M160S	1	
R5313,5314	nsp	R.CHIP THICK 33-J,1/16W-1608REEL		C20003306M160S	2	
R5340,5341	nsp	R.CHIP THICK 100-J,1/16W-1608REEL		C20001016M160S	2	
R5342	nsp	R.CHIP THICK 10K-J,1/16W-1608REEL		C20001036M160S	1	
R5343	nsp	R.CHIP THICK 12K-J,1/16W-1608REEL		C20001236M160S	1	
R5344	nsp	R.CHIP THICK 10K-J,1/16W-1608REEL		C20001036M160S	1	
R5345-5347	nsp	R.CHIP THICK 12K-J,1/16W-1608REEL		C20001236M160S	3	
CAPACITORS GROUP						
C2137	nsp	C.CERAMIC CHIP T.C CH)1500PF-J/50V-1608REEL GRM1882C1H152JA01D		D010152167165S	1	
C2139,2140	nsp	C.CERAMIC CHIP T.C CH)330PF-J/50V-1608REEL GRM1882C1H331JA01D		D010331167165S	2	
C2141	nsp	C.ELECT GE 85C 100UF-M/16V,5*11-5RE,SHL SY		D040101083090S	1	
C2142	nsp	C.CERAMIC CHIP T.C CH)330PF-J/50V-1608REEL GRM1882C1H331JA01D		D010331167165S	1	
C2145	nsp	C.ELECT GE 85C 100UF-M/16V,5*11-5RE,SHL SY		D040101083090S	1	
C2146	nsp	C.CERAMIC CHIP T.C CH)1500PF-J/50V-1608REEL GRM1882C1H152JA01D		D010152167165S	1	

REF No.	Part No.	Part Name	Remarks	Q'ty	New	Ver
C2148	nsp	C,CERAMIC CHIP T.C CH)330PF-J/50V-1608REEL GRM1882C1H331JA01D		D010331167165S	1	
C2151	nsp	C,CERAMIC CHIP T.C CH)1500PF-J/50V-1608REEL GRM1882C1H152JA01D		D010152167165S	1	
C2152,2153	nsp	C,CERAMIC CHIP T.C CH)330PF-J/50V-1608REEL GRM1882C1H331JA01D		D010331167165S	2	
C2155	nsp	C,CERAMIC CHIP T.C CH)240PF-J/50V-1608REEL GRM1882C1H241JA01D		D010241167165S	1	
C2157	nsp	C,CERAMIC CHIP T.C CH)1500PF-J/50V-1608REEL GRM1882C1H152JA01D		D010152167165S	1	
C2158	nsp	C,CERAMIC CHIP T.C CH)240PF-J/50V-1608REEL GRM1882C1H241JA01D		D010241167165S	1	
C2162	nsp	C,CERAMIC CHIP T.C CH)1500PF-J/50V-1608REEL GRM1882C1H152JA01D		D010152167165S	1	
C2166,2167	nsp	C,CERAMIC CHIP T.C CH)330PF-J/50V-1608REEL GRM1882C1H331JA01D		D010331167165S	2	
C2170	nsp	C,CERAMIC CHIP T.C CH)330PF-J/50V-1608REEL GRM1882C1H331JA01D		D010331167165S	1	
C2171	nsp	C,CERAMIC CHIP T.C CH)1500PF-J/50V-1608REEL GRM1882C1H152JA01D		D010152167165S	1	
C2173	nsp	C,CERAMIC CHIP T.C CH)330PF-J/50V-1608REEL GRM1882C1H331JA01D		D010331167165S	1	
C2180	nsp	C,CERAMIC CHIP T.C CH)1500PF-J/50V-1608REEL GRM1882C1H152JA01D		D010152167165S	1	
C2182-2184	nsp	C,CERAMIC CHIP T.C CH)330PF-J/50V-1608REEL GRM1882C1H331JA01D		D010331167165S	3	
C2185	nsp	C,CERAMIC CHIP T.C CH)1500PF-J/50V-1608REEL GRM1882C1H152JA01D		D010152167165S	1	
C2186	nsp	C,CERAMIC CHIP T.C CH)330PF-J/50V-1608REEL GRM1882C1H331JA01D		D010331167165S	1	
C4220	nsp	C,ELECT GE 85C 0.1UF-M/50V,5*11-5RE.SMS SY (Pb Free)		D040R10087080S	1	
C4225-4228	nsp	C,ELECT GE 85C 10UF-M/50V,5*11-5RE.SMS SY		D040100087070S	4	
C4237-4239	nsp	C,ELECT GE 85C 47UF-M/50V,6.3*11 KR3-050V470MC110-T/A5.0S KOSHIN		D040470087550S	3	
C4240-4244	nsp	C,ELECT GE 85C 47UF-M/25V,5*11 KR3-025V470MC110-T/A5.0S KOSHIN		D040470084550S	5	
C4245,4246	nsp	C,ELECT GE 85C 220UF-M/16V,8*11.5-5RE.SMS-SY		D040221083090S	2	
C4247,4248	nsp	C,ELECT GE 85C 10UF-M/50V,5*11-5RE.SMS SY		D040100087070S	2	
C4249,4250	nsp	C,ELECT GE 85C 0.1UF-M/50V,5*11-5RE.SMS SY (Pb Free)		D040R10087080S	2	
C4251	nsp	C,ELECT GE 85C 10UF-M/50V,5*11-5RE.SMS SY		D040100087070S	1	
C4252	nsp	C,ELECT GE 85C 0.1UF-M/50V,5*11-5RE.SMS SY (Pb Free)		D040R10087080S	1	
C5251	nsp	C,ELECT GE 85C 10UF-M/50V,5*11-5RE.SMS SY		D040100087070S	1	
C5255	nsp	C,ELECT GE 85C 10UF-M/50V,5*11-5RE.SMS SY		D040100087070S	1	
C5257	00D9630223902	C,CERAMIC CHIP T.C COG39PF-J/50V-1608REEL		D010390167160S	1	
C5258	nsp	C,ELECT GE 85C 22UF-M/50V,5*11-5RE.SMS SY		D040220087060S	1	
C5262	nsp	C,ELECT GE 85C 10UF-M/50V,5*11-5RE.SMS SY		D040100087070S	1	
C5266	nsp	C,ELECT GE 85C 10UF-M/50V,5*11-5RE.SMS SY		D040100087070S	1	
C5267	nsp	C,ELECT GE 85C 22UF-M/50V,5*11-5RE.SMS SY		D040220087060S	1	
C5275	00D9630223902	C,CERAMIC CHIP T.C COG39PF-J/50V-1608REEL		D010390167160S	1	
OTHER PARTS GROUP						
BKT5000	nsp	BRACKET AVRX2200WBK3BURRING HOLE SPCC t0.8+SN A4/S		401021019610DS	1	*
CLAMP701-703	nsp	CLAMP HMX9800(ON) (W=2.6,L=50)/WIRE(SOLDER)		4330000120000S	3	
CN4006	nsp	CN,WAFER 1.25B-2-11Y 11P BtoB SOCKET(FEMALE) P=1.25MM		L109125421110S	1	
CN4205	nsp	CN,WAFER 1.25B-2-15Y 15P BtoB SOCKET(FEMALE) P=1.25MM		L109125421510S	1	
CN4701	nsp	CN,WAFER 1.25B-2-11Y 11P BtoB SOCKET(FEMALE) P=1.25MM		L109125421110S	1	
CN4703	nsp	CN,WAFER 1.25B-2-9Y 9P BtoB SOCKET(FEMALE) P=1.25MM		L109125420910S	1	
CP4200	nsp	CN,WAFER 1.25B-2-15A 15P BtoB HEADER(MALE) P=1.25MM		L109125321510S	1	
CP4201	nsp	CN,WAFER 1.25B-2-23A 23P BtoB HEADER(MALE) P=1.25MM		L109125322310S	1	
CP4202	nsp	CN,WAFER 1.25B-2-15A 15P BtoB HEADER(MALE) P=1.25MM		L109125321510S	1	
CP4204	nsp	CN,WAFER 1.25B-2-11A 11P BtoB HEADER(MALE) P=1.25MM		L109125321110S	1	
CP4205	nsp	CN,WAFER 1.25B-2-27A 27P BtoB HEADER(MALE) P=1.25MM		L109125322710S	1	
CP4207	nsp	CN,WAFER 1.25B-2-21A 21P BtoB HEADER(MALE) P=1.25MM		L109125322110S	1	
G4400	nsp	CN,WIRE 60MM/1P B1813T0P-2*2 BK1007#20		L000600010050S	1	
G4405	nsp	CN,WIRE 120MM,50MM/2P CKM9919T=CKM9919T BK1007#20		L000121020290S	1	

SMPS PCB ASS'Y

※Parts indicated by "nsp" on this table cannot be supplied.

※The parts listed below are only for maintenance. Therefore they might differ from the parts used in the unit in appearances or dimensions

NOTE:The symbols in the column Remarks indicate the following destinations.

U : North America model N : Europe model K : China model F : Japan model

B : Black model SG : Silver Gold model

REF No.	Part No.	Part Name	Remarks	Q'ty	New	Ver
SEMICONDUCTORS GROUP						
D4140-4146	963201500160D	D.SWITCHING 1N4007 52REEL 1000V 1A		K000400700220S	7	
! D4147	203050019501S	D.FAST RECOVERY AP01C-V1 52RE-AX FAST RECOVERY RECTIFIER DIODES		K050000015000S	1	
D4148	963201500160D	D.SWITCHING 1N4007 52REEL 1000V 1A		K000400700220S	1	
D4149	963204500210D	D.SCHOTTKY S30SC6MT 60V 30A TO-3P(MTO-3PT) SHINDENGEN		K120300600010S	1	
D4150	963201500530S	D.SWITCHING 1N4148		K000414800050S	1	*
IC4140	943231102160S	IC.LINEAR POWER TOP268VG eDIP.12 OFF-LINE POWER SUPPLY IC		J122268001010S	1	
! IC4142	00D2623047008	PHOTO.COUPLER PC123X2YFZ (DIP4P SHARP)		K614123000010S	1	
IC4143	212050010508S	IC.LINEAR-REGULATOR KIA2431AP.0.7W TO-92		J126243118010S	1	
TR4140	943229500110S	SEMI,FET CHIP INK0010AC1 N-CH MOSFET SC-59 ISAHAYA		J543001012010S	1	
TR4142	963213500170D	SEMI,TR/GE NPN 2SC KTC3198G.0.6W/T092-REEL		J5023198G0000S	1	
U4000	943239100730S	IC.LINEAR-RESET PST8448UR SYSTEM RESET SC-82AB MITSUMI		J125844800010S	1	
ZD4147-4149	963202500370D	D.ZENER ZJ39B-0.5W/5MA-52MM SEMTECH	U	K06039R044522S	3	
ZD4150	963202500970S	D.ZENER ZJ27B-0.5W/5MA-52MM SEMTECH		K06027R044522S	1	
ZD4151-4157	963202500350D	D.ZENER ZJ22B-0.5W/5MA-52MM SEMTECH		K06022R044522S	7	
ZD4158	963202500370D	D.ZENER ZJ39B-0.5W/5MA-52MM SEMTECH		K06039R044522S	1	
ZD4159	963202500320D	D.ZENER ZJ5.6B-0.5W/5MA-52MM SEMTECH		K06005R644522S	1	
ZD4160	963202501020S	D.ZENER ZJ7.5B-0.5W/5MA-52MM SEMTECH	U	K06007R544522S	1	
ZD4160	963202500340D	D.ZENER ZJ15B-0.5W/5MA-52MM SEMTECH	N, K	K06015R044522S	1	
ZD4162-4164	963202500960S	D.ZENER ZJ12B-0.5W/5MA-52MM SEMTECH		K06012R044522S	3	
RESISTOR GROUP						
R4141,4142	nsp	R.CARBON FILM 1M-J,1/5W-52RE-AX		C00001056P520S	2	
R4143	nsp	R.CARBON FILM 330K-J,1/5W-52RE-AX		C00003346P520S	1	
R4145	nsp	R.CHIP THICK 1M-J,1/16W-1608REEL		C20001056M160S	1	
R4147	nsp	R.CHIP THICK 270K-J,1/16W-1608REEL	U	C20002746M160S	1	
R4147	nsp	R.CHIP THICK 56K-J,1/16W-1608REEL	N, K	C20005636M160S	1	
R4148,4149	nsp	R.CARBON FILM 2.2M-J,1/5W-52RE-AX	U	C00002256P520S	2	
R4150	nsp	R.CARBON FILM 1M-J,1/5W-52RE-AX	U	C00001056P520S	1	
R4151	nsp	R.CHIP THICK 11K-J,1/16W-1608REEL		C20001136M160S	1	
R4152	nsp	R.CHIP THICK 10K-J,1/16W-1608REEL	U	C20001036M160S	1	
R4152	nsp	R.CHIP THICK 20K-J,1/16W-1608REEL	N, K	C20002036M160S	1	
R4153	nsp	R.CARBON FILM 6.8-J,1/5W-52RE-AX		C0006R806P520S	1	
R4154	nsp	R.CHIP THICK 10-J,1/16W-1608REEL		C20001006M160S	1	
R4155	nsp	R.CHIP THICK 10K-J,1/16W-1608REEL		C20001036M160S	1	
R4156	nsp	R.CHIP THICK 4.7K-J,1/16W-1608REEL		C20004726M160S	1	
R4157	nsp	R.CARBON FILM 56-J,1/5W-52RE-AX		C00005606P520S	1	
R4158	nsp	R.CARBON FILM 3.3K-J,1/5W-52RE-AX		C00003326P520S	1	
R4159	nsp	R.CARBON FILM 5.6K-J,1/5W-52RE-AX		C00005626P520S	1	
R4160	nsp	R.CHIP THICK 22K-F,1/16W-1608REEL		C20002234M161S	1	
R4161	nsp	R.CHIP THICK 6.8K-D,1/16W-1608REEL		C20006821M160S	1	
R4163	nsp	R.CHIP THICK 47-F,1/16W-1608REEL		C20004704M161S	1	
R4164	nsp	R.CARBON FILM 1M-J,1/5W-52RE-AX		C00001056P520S	1	
R4165	963125012630S	R.METAL FILM 100PPM 22-J,1W-5REEL		C060022065050S	1	
CAPACITORS GROUP						
C4000	nsp	C.CERAMIC CHIP HIK X7R)0.1UF-K/50V-1608REEL		D011104577160S	1	
C4001	nsp	C.CERAMIC CHIP HIK X7R0.015UF-K/50V-1608REEL		D011153777160S	1	
! C4140,4141	963134011730S	C.CERAMIC AC(SAFETY) DE1B3XK471KB4BL01 AC250V BULK MURATA		D00847127H010S	2	
! C4142	963132011940S	C.CERAMIC AC(SAFETY) DE2F3KY103MB3BM02 AC250V BULK MURATA		D008103589010S	1	
! C4143	nsp	C.FILM P.PROPYLENE 0.1UF-K/275V BULK X2 MPX104K3ID2 P=15MM CARLI		D02110407H010S	1	
C4145	nsp	C.CERAMIC CHIP T.C X7R 0.047UF-K/50V-1608REEL		D010473777160S	1	
C4146	nsp	C.CERAMIC CHIP T.C X7R)0.01UF-K/50V-1608REEL		D010103777160S	1	
C4147	nsp	C.CERAMIC CHIP HIK X7R)0.1UF-K/50V-1608REEL		D011104577160S	1	
! C4148,4149	963132011940S	C.CERAMIC AC(SAFETY) DE2F3KY103MB3BM02 AC250V BULK MURATA		D008103589010S	2	
C4150	nsp	C.CERAMIC CHIP HIK X7R)0.1UF-K/50V-1608REEL		D011104577160S	1	
C4151	943134501590S	C.ELECT GE 105C 100UF-M/200V,16*20 BULK NHA SY	U	D04110108G000S	1	
C4151	963134010200S	C.ELECT GE 105C 100UF-M/400V,18*31.5 BULK NHA SY	N, K	D04110108K000S	1	
C4152	963134010210S	C.ELECT GE 105C 47UF-M/25V,5*11-5RE NXA SY		D041470084050S	1	
C4153	963132010120S	C.CERAMIC AC(SAFETY) DEHR33A102KB2B		D00810207Q010S	1	
C4154	nsp	C.CERAMIC CHIP HIK X7R)0.1UF-K/50V-1608REEL		D011104577160S	1	
C4155	963134010190S	C.ELECT GE 105C 10UF-M/50V,5*11-5RE NXA SY		D041100087050S	1	
! C4156	963133502500S	C.CERAMIC AC(SAFETY) DE1E3KX332MB4BN01F		D00833208H010S	1	
C4159	nsp	C.CERAMIC CHIP HIK X7R)0.1UF-K/50V-1608REEL		D011104577160S	1	
C4160	nsp	C.CERAMIC CHIP HIK X7R)1UF-K/10V-1608REEL		D011105772161S	1	
C4161	nsp	C.CERAMIC CHIP HIK X7R)4.7UF-K/6.3V-1608REEL		D011475571160S	1	
C4162	963134010220S	C.ELECT GE 105C 5600UF-M/6.3V,12.5*35 NXA SY		D041562081001S	1	
C4163	nsp	C.CERAMIC CHIP HIK X7R)1UF-K/10V-1608REEL		D011105772161S	1	
C4164,4165	963134010220S	C.ELECT GE 105C 5600UF-M/6.3V,12.5*35 NXA SY		D041562081001S	2	
C4166	nsp	C.CERAMIC CHIP HIK X7R)0.1UF-K/50V-1608REEL		D011104577160S	1	
C4169	963133502510S	C.FILM POLYESTER ST-0.0022UF/J100V-5RE HPE222J2AP050T DAEHUNG		D02022206C250S	1	
OTHER PARTS GROUP						
BKT4141	nsp	BRACKET AVRX2200WBKE3BURRING HOLE SPCC t0.8+SN A4/S		401021019610DS	1	*
BKT4143	nsp	BRACKET AVRX2200WBKE3 SPCC t0.8+SN plating A4/SCREW		401021019600DS	1	
BKT4144	nsp	SHIELD SR5010U1B SPTe t0.3/SMPS		3070210836000S	1	
CN4141	nsp	CN.WIRE 150MM/6P YMH025-06=CKM2509HV-06 WH1007#22		L000151060180S	1	
! CP4142	nsp	CN.WAFER 7.92MM LWB1143-02P 7.92MM HEADER.VER.2CKT		L108011430210S	1	
! F4140	963652010510S	FUSE GLASS TUBE 20MM T2A/250V-IVBSUCPCcUR S506	U	N751502001160S	1	
! F4140	963652010500S	FUSE GLASS TUBE 20MM T1.6A/250V-IVBSUCPCcUR S506	N, K	N751501601160S	1	
★F4140	nsp	LABEL AVR1611 T1.6AL/250V /FUSE	K	5507000006790S	1	
! F4141	963652010520S	FUSE GLASS TUBE 20MM T6.3A/250V-IVBSUCPCcUR S506	U	N751506301160S	1	
! F4141	963652010910S	FUSE GLASS TUBE 20MM T3.15A/250V-IVBSUCPCcUR S506	N, K	N751503151160S	1	
★F4141	nsp	LABEL AVR1911 T3.15AL/250V /FUSE	K	5507000006800S	1	
FC4140A	nsp	HOLDER,FUSE CLIP PI5.2-REEL		G645000050010S	1	
FC4140B,4141	nsp	HOLDER,FUSE CLIP PI5.2-REEL		G645000050010S	2	
FC4141B	nsp	HOLDER,FUSE CLIP PI5.2-REEL		G645000050010S	1	
! JK4140	963641011240S	SOCKET POWER AC AC0152PPA66 AC INLET 2P REV1.0 CCC		G4300152P0001S	1	
! L4140	963111101060S	COIL,LINE FILTER SQ2014 27mH VERTICAL TYPE LINE FILTER	U	D320201405510V	1	
! RL Y4140	963682100290D	RELAY JZC-36FD/005-HLT 23.8*9.5*24.5mm		G680060103030S	1	
T4140	963102100540S	TRANS.SWITCHING EER2525 SW TRANSFORMER		E060252505510V	1	

7CH AMP PCB ASS'Y

※Parts indicated by "nsp" on this table cannot be supplied.

※The parts listed below are only for maintenance. Therefore they might differ from the parts used in the unit in appearances or dimensions

NOTE:The symbols in the column Remarks indicate the following destinations.

U : North America model N : Europe model K : China model F : Japan model

B : Black model SG : Silver Gold model

REF No.	Part No.	Part Name	Remarks	Q'ty	New	Ver
SEMICONDUCTORS GROUP						
D401.402	963201500530S	D.SWITCHING 1N4148		K000414800050S	2	*
D405-408	963201500530S	D.SWITCHING 1N4148		K000414800050S	4	*
D411-414	963201500530S	D.SWITCHING 1N4148		K000414800050S	4	*
D417-420	963201500530S	D.SWITCHING 1N4148		K000414800050S	4	*
D423-426	963201500530S	D.SWITCHING 1N4148		K000414800050S	4	*
D429-432	963201500530S	D.SWITCHING 1N4148		K000414800050S	4	*
D435-438	963201500530S	D.SWITCHING 1N4148		K000414800050S	4	*
D441.442	963201500530S	D.SWITCHING 1N4148		K000414800050S	2	*
D458	nsp	R.CHIP THICK 0-J,1/16W-1608REEL		C2000006M160S	1	
Q401.402	00D2710314903	SEMI,TR/GE PNP 2SA KTA1024Y,1W/T092L-REEL		J5001024Y0050S	2	
Q403	00D2710318909	SEMI,CHIP TR/PNP 2SA 2N5401S 0.35W/SOT-23 REEL		J520254010010S	1	
Q405	00D2710318909	SEMI,CHIP TR/PNP 2SA 2N5401S 0.35W/SOT-23 REEL		J520254010010S	1	
Q406	00D2730479909	SEMI,CHIP TR/NPN 2SC 2N5551S 0.35W/SOT-23 REEL		J522255510010S	1	
Q407.408	21785000550AS	SEMI,CHIP TR/PNP 2SA HN4A06J		J520040600210S	2	
Q411.412	00D2730471907	SEMI,TR/GE NPN 2SC KTC3206Y,1W/T092L-REEL		J5023206Y0050S	2	
Q413.414	00D2710314903	SEMI,TR/GE PNP 2SA KTA1024Y,1W/T092L-REEL		J5001024Y0050S	2	
Q415	00D2710318909	SEMI,CHIP TR/PNP 2SA 2N5401S 0.35W/SOT-23 REEL		J520254010010S	1	
Q418	00D2730479909	SEMI,CHIP TR/NPN 2SC 2N5551S 0.35W/SOT-23 REEL		J522255510010S	1	
Q419.420	21785000550AS	SEMI,CHIP TR/PNP 2SA HN4A06J		J520040600210S	2	
Q423.424	00D2730471907	SEMI,TR/GE NPN 2SC KTC3206Y,1W/T092L-REEL		J5023206Y0050S	2	
Q425.426	00D2710314903	SEMI,TR/GE PNP 2SA KTA1024Y,1W/T092L-REEL		J5001024Y0050S	2	
Q427	00D2710318909	SEMI,CHIP TR/PNP 2SA 2N5401S 0.35W/SOT-23 REEL		J520254010010S	1	
Q429	21785000550AS	SEMI,CHIP TR/PNP 2SA HN4A06J		J520040600210S	1	
Q430	00D2730479909	SEMI,CHIP TR/NPN 2SC 2N5551S 0.35W/SOT-23 REEL		J522255510010S	1	
Q431.432	21785000550AS	SEMI,CHIP TR/PNP 2SA HN4A06J		J520040600210S	2	
Q435.436	00D2730471907	SEMI,TR/GE NPN 2SC KTC3206Y,1W/T092L-REEL		J5023206Y0050S	2	
Q437.438	00D2710314903	SEMI,TR/GE PNP 2SA KTA1024Y,1W/T092L-REEL		J5001024Y0050S	2	
Q439	00D2710318909	SEMI,CHIP TR/PNP 2SA 2N5401S 0.35W/SOT-23 REEL		J520254010010S	1	
Q442	00D2730479909	SEMI,CHIP TR/NPN 2SC 2N5551S 0.35W/SOT-23 REEL		J522255510010S	1	
Q447.448	00D2730471907	SEMI,TR/GE NPN 2SC KTC3206Y,1W/T092L-REEL		J5023206Y0050S	2	
Q449.450	00D2710314903	SEMI,TR/GE PNP 2SA KTA1024Y,1W/T092L-REEL		J5001024Y0050S	2	
Q451	00D2710318909	SEMI,CHIP TR/PNP 2SA 2N5401S 0.35W/SOT-23 REEL		J520254010010S	1	
Q454	00D2730479909	SEMI,CHIP TR/NPN 2SC 2N5551S 0.35W/SOT-23 REEL		J522255510010S	1	
Q459.460	00D2730471907	SEMI,TR/GE NPN 2SC KTC3206Y,1W/T092L-REEL		J5023206Y0050S	2	
Q461.462	00D2710314903	SEMI,TR/GE PNP 2SA KTA1024Y,1W/T092L-REEL		J5001024Y0050S	2	
Q463	00D2710318909	SEMI,CHIP TR/PNP 2SA 2N5401S 0.35W/SOT-23 REEL		J520254010010S	1	
Q466	00D2730479909	SEMI,CHIP TR/NPN 2SC 2N5551S 0.35W/SOT-23 REEL		J522255510010S	1	
Q471.472	00D2730471907	SEMI,TR/GE NPN 2SC KTC3206Y,1W/T092L-REEL		J5023206Y0050S	2	
Q473.474	00D2710314903	SEMI,TR/GE PNP 2SA KTA1024Y,1W/T092L-REEL		J5001024Y0050S	2	
Q475	00D2710318909	SEMI,CHIP TR/PNP 2SA 2N5401S 0.35W/SOT-23 REEL		J520254010010S	1	
Q478	00D2730479909	SEMI,CHIP TR/NPN 2SC 2N5551S 0.35W/SOT-23 REEL		J522255510010S	1	
Q483.484	00D2730471907	SEMI,TR/GE NPN 2SC KTC3206Y,1W/T092L-REEL		J5023206Y0050S	2	
ZD401	963202500300D	D.ZENER ZJ5.1A-0.5W/5MA-52MM SEMTECH		K06005R134522S	1	
ZD404	963202500300D	D.ZENER ZJ5.1A-0.5W/5MA-52MM SEMTECH		K06005R134522S	1	
ZD407	963202500300D	D.ZENER ZJ5.1A-0.5W/5MA-52MM SEMTECH		K06005R134522S	1	
ZD410	963202500300D	D.ZENER ZJ5.1A-0.5W/5MA-52MM SEMTECH		K06005R134522S	1	
ZD413	963202500300D	D.ZENER ZJ5.1A-0.5W/5MA-52MM SEMTECH		K06005R134522S	1	
ZD416	963202500300D	D.ZENER ZJ5.1A-0.5W/5MA-52MM SEMTECH		K06005R134522S	1	
ZD419	963202500300D	D.ZENER ZJ5.1A-0.5W/5MA-52MM SEMTECH		K06005R134522S	1	
RESISTOR GROUP						
R401	nsp	R.CARBON FILM 1.2K-J,1/5W-52RE-AX		C00001226P520S	1	
R402	nsp	R.CARBON FILM 100K-J,1/5W-52RE-AX		C00001046P520S	1	
R403	nsp	R.METAL FILM 100PPM 270-J,1W-R.REEL		C060027165060S	1	
R405	nsp	R.METAL FILM 100PPM 270-J,1W-R.REEL		C060027165060S	1	
R406	963252100150S	POSISTOR DHPTF1608 471P 115T SMD PTC THERMISTOR		F320471001150S	1	
R407	nsp	R.CHIP THICK 10K-J,1/16W-1608REEL		C20001036M160S	1	
R409	nsp	R.CARBON FILM 150K-J,1/5W-52RE-AX		C00001546P520S	1	
R411	nsp	R.CARBON FILM 680K-J,1/5W-52RE-AX		C00006846P520S	1	
R412	nsp	R.CARBON FILM 15K-J,1/5W-52RE-AX		C00001536P520S	1	
R413.414	nsp	R.CARBON FILM 10K-J,1/5W-52RE-AX		C00001036P520S	2	
R415	963125012630S	R.METAL FILM 100PPM 22-J,1W-5REEL		C060022065050S	1	
R416	nsp	R.CARBON FILM 22K-J,1/5W-52RE-AX		C00002236P520S	1	
R417	nsp	R.CHIP THICK 160K-J,1/16W-1608REEL		C20001646M160S	1	
R418	963125500130S	R.METAL FILM 100PPM 12K-J,2W-R.REEL		C060012366050S	1	*
R419	nsp	R.CARBON FILM 22K-J,1/5W-52RE-AX		C00002236P520S	1	
R420	nsp	R.CARBON FILM 220K-J,1/5W-52RE-AX		C00002246P520S	1	
R421	nsp	R.CARBON FILM 22K-J,1/5W-52RE-AX		C00002236P520S	1	
R422	nsp	R.CARBON FILM 470-J,1/5W-52RE-AX		C00004716P520S	1	
R423	nsp	R.CHIP THICK 10K-J,1/16W-1608REEL		C20001036M160S	1	
R424.425	00D9630345903	R.FIXED,M.O. RSD-R1-2WJ-0.47 3.5*8.6 P=5MM SMALL R.REEL		N113136647820S	2	
R426	nsp	R.CHIP THICK 5.6K-J,1/16W-1608REEL		C20005626M160S	1	
R427	nsp	R.CARBON FILM 1.2K-J,1/5W-52RE-AX		C00001226P520S	1	
R429	nsp	R.CARBON FILM 33K-J,1/5W-52RE-AX		C00003336P520S	1	
R430.431	00D9630345903	R.FIXED,M.O. RSD-R1-2WJ-0.47 3.5*8.6 P=5MM SMALL R.REEL		N113136647820S	2	
R432	nsp	R.CARBON FILM 2.7K-J,1/5W-52RE-AX		C00002726P520S	1	
R433	nsp	R.CARBON FILM 220K-J,1/5W-52RE-AX		C00002246P520S	1	
R434	nsp	R.METAL FILM 100PPM 3.3K-J,1W-R.REEL		C060033265050S	1	
R435	nsp	R.CARBON FILM 560-J,1/5W-52RE-AX		C00005616P520S	1	
R436	nsp	R.CARBON FILM 470K-J,1/5W-52RE-AX		C00004746P520S	1	
R437	nsp	R.CARBON FILM 33K-J,1/5W-52RE-AX		C00003336P520S	1	
R438	nsp	R.CARBON FILM 220-J,1/5W-52RE-AX		C00002216P520S	1	
R439	963125012630S	R.METAL FILM 100PPM 22-J,1W-5REEL		C060022065050S	1	
R440	nsp	R.CARBON FILM 470-J,1/5W-52RE-AX		C00004716P520S	1	
R441.442	nsp	R.METAL FILM 100PPM 1K-J,1W-R.REEL		C060010265050S	2	
R443	nsp	R.METAL FILM 100PPM 270-J,1W-R.REEL		C060027165060S	1	
R444	nsp	R.CARBON FILM 1.2K-J,1/5W-52RE-AX		C00001226P520S	1	
R446	nsp	R.CARBON FILM 100K-J,1/5W-52RE-AX		C00001046P520S	1	
R447.448	nsp	R.METAL FILM 100PPM 270-J,1W-R.REEL		C060027165060S	2	
R450	963252100150S	POSISTOR DHPTF1608 471P 115T SMD PTC THERMISTOR		F320471001150S	1	
R452	nsp	R.CARBON FILM 150K-J,1/5W-52RE-AX		C00001546P520S	1	
R454	nsp	R.CARBON FILM 680K-J,1/5W-52RE-AX		C00006846P520S	1	
R455	nsp	R.CARBON FILM 15K-J,1/5W-52RE-AX		C00001536P520S	1	
R456.457	nsp	R.CARBON FILM 10K-J,1/5W-52RE-AX		C00001036P520S	2	
R458	963125012630S	R.METAL FILM 100PPM 22-J,1W-5REEL		C060022065050S	1	
R459	nsp	R.CARBON FILM 22K-J,1/5W-52RE-AX		C00002236P520S	1	
R460	nsp	R.CHIP THICK 160K-J,1/16W-1608REEL		C20001646M160S	1	
R461	963125500130S	R.METAL FILM 100PPM 12K-J,2W-R.REEL		C060012366050S	1	*
R462	nsp	R.CARBON FILM 22K-J,1/5W-52RE-AX		C00002236P520S	1	
R463	nsp	R.CARBON FILM 220K-J,1/5W-52RE-AX		C00002246P520S	1	
R464	252310006544S	POSISTOR PTC PRF18BF471QB5RB SMD1608 75T		F320184710060S	1	
R465	nsp	R.CARBON FILM 470-J,1/5W-52RE-AX		C00004716P520S	1	
R466	nsp	R.CHIP THICK 10K-J,1/16W-1608REEL		C20001036M160S	1	
R467.468	00D9630345903	R.FIXED,M.O. RSD-R1-2WJ-0.47 3.5*8.6 P=5MM SMALL R.REEL		N113136647820S	2	
R469	nsp	R.CHIP THICK 5.6K-J,1/16W-1608REEL		C20005626M160S	1	
R471	nsp	R.CARBON FILM 1.2K-J,1/5W-52RE-AX		C00001226P520S	1	

REF No.	Part No.	Part Name	Remarks	Q'ty	New	Ver
R473	nsp	R,CARBON FILM 33K-J,1/5W-52RE-AX	C00003336P520S	1		
R474,475	00D9630345903	R,FIXED,M.O. RSD-R1-2WJ-0.47 3.5*8.6 P=5MM SMALL R.REEL	N113136647820S	2		
R476	nsp	R,CARBON FILM 2.7K-J,1/5W-52RE-AX	C00002726P520S	1		
R477	nsp	R,CARBON FILM 220K-J,1/5W-52RE-AX	C00002246P520S	1		
R478	nsp	R,METAL FILM 100PPM 3.3K-J,1W-R.REEL	C060033265050S	1		
R479	nsp	R,CARBON FILM 560-J,1/5W-52RE-AX	C00005616P520S	1		
R480	nsp	R,CARBON FILM 470K-J,1/5W-52RE-AX	C00004746P520S	1		
R481	nsp	R,CARBON FILM 33K-J,1/5W-52RE-AX	C00003336P520S	1		
R482	nsp	R,CARBON FILM 220-J,1/5W-52RE-AX	C00002216P520S	1		
R483	963125012630S	R,METAL FILM 100PPM 22-J,1W-5REEL	C060022065050S	1		
R484	nsp	R,CARBON FILM 470-J,1/5W-52RE-AX	C00004716P520S	1		
R485,486	nsp	R,METAL FILM 100PPM 1K-J,1W-R.REEL	C060010265050S	2		
R487	nsp	R,METAL FILM 100PPM 270-J,1W-R.REEL	C060027165060S	1		
R488	nsp	R,CARBON FILM 1.2K-J,1/5W-52RE-AX	C00001226P520S	1		
R490	nsp	R,CARBON FILM 100K-J,1/5W-52RE-AX	C00001046P520S	1		
R491,492	nsp	R,METAL FILM 100PPM 270-J,1W-R.REEL	C060027165060S	2		
R494	963252100150S	POSISTOR DHPTF1608 471P 115T SMD PTC THERMISTOR	F320471001150S	1		
R496	nsp	R,CARBON FILM 150K-J,1/5W-52RE-AX	C00001546P520S	1		
R498	nsp	R,CARBON FILM 680K-J,1/5W-52RE-AX	C00006846P520S	1		
R499	nsp	R,CARBON FILM 15K-J,1/5W-52RE-AX	C00001536P520S	1		
R500,501	nsp	R,CHIP THICK 10K-J,1/16W-1608REEL	C20001036M160S	2		
R502	963125012630S	R,METAL FILM 100PPM 22-J,1W-5REEL	C060022065050S	1		
R503	nsp	R,CARBON FILM 22K-J,1/5W-52RE-AX	C00002236P520S	1		
R504	nsp	R,CHIP THICK 160K-J,1/16W-1608REEL	C20001646M160S	1		
R505	963125500130S	R,METAL FILM 100PPM 12K-J,2W-R.REEL	C060012366050S	1	*	
R506	nsp	R,CARBON FILM 22K-J,1/5W-52RE-AX	C00002236P520S	1		
R507	nsp	R,CARBON FILM 220K-J,1/5W-52RE-AX	C00002246P520S	1		
R509	nsp	R,CARBON FILM 470-J,1/5W-52RE-AX	C00004716P520S	1		
R510	nsp	R,CHIP THICK 10K-J,1/16W-1608REEL	C20001036M160S	1		
R511,512	00D9630345903	R,FIXED,M.O. RSD-R1-2WJ-0.47 3.5*8.6 P=5MM SMALL R.REEL	N113136647820S	2		
R513	nsp	R,CHIP THICK 5.6K-J,1/16W-1608REEL	C20005626M160S	1		
R514	nsp	R,CARBON FILM 1.2K-J,1/5W-52RE-AX	C00001226P520S	1		
R516	nsp	R,CARBON FILM 33K-J,1/5W-52RE-AX	C00003336P520S	1		
R517,518	00D9630345903	R,FIXED,M.O. RSD-R1-2WJ-0.47 3.5*8.6 P=5MM SMALL R.REEL	N113136647820S	2		
R519	nsp	R,CARBON FILM 2.7K-J,1/5W-52RE-AX	C00002726P520S	1		
R520	nsp	R,CARBON FILM 220K-J,1/5W-52RE-AX	C00002246P520S	1		
R521	nsp	R,METAL FILM 100PPM 3.3K-J,1W-R.REEL	C060033265050S	1		
R522	nsp	R,CARBON FILM 560-J,1/5W-52RE-AX	C00005616P520S	1		
R523	nsp	R,CARBON FILM 470K-J,1/5W-52RE-AX	C00004746P520S	1		
R524	nsp	R,CARBON FILM 33K-J,1/5W-52RE-AX	C00003336P520S	1		
R525	nsp	R,CARBON FILM 220-J,1/5W-52RE-AX	C00002216P520S	1		
R526	963125012630S	R,METAL FILM 100PPM 22-J,1W-5REEL	C060022065050S	1		
R527	nsp	R,CARBON FILM 470-J,1/5W-52RE-AX	C00004716P520S	1		
R528,529	nsp	R,METAL FILM 100PPM 1K-J,1W-R.REEL	C060010265050S	2		
R530	nsp	R,METAL FILM 100PPM 270-J,1W-R.REEL	C060027165060S	1		
R531	nsp	R,CARBON FILM 1.2K-J,1/5W-52RE-AX	C00001226P520S	1		
R532	nsp	R,CARBON FILM 100K-J,1/5W-52RE-AX	C00001046P520S	1		
R533	nsp	R,METAL FILM 100PPM 270-J,1W-R.REEL	C060027165060S	1		
R535	nsp	R,METAL FILM 100PPM 270-J,1W-R.REEL	C060027165060S	1		
R536	nsp	R,CARBON FILM 1.2K-J,1/5W-52RE-AX	C00001226P520S	1		
R537	963252100150S	POSISTOR DHPTF1608 471P 115T SMD PTC THERMISTOR	F320471001150S	1		
R539	nsp	R,CARBON FILM 150K-J,1/5W-52RE-AX	C00001546P520S	1		
R541	nsp	R,CARBON FILM 680K-J,1/5W-52RE-AX	C00006846P520S	1		
R542	nsp	R,CARBON FILM 15K-J,1/5W-52RE-AX	C00001536P520S	1		
R543,544	nsp	R,CARBON FILM 10K-J,1/5W-52RE-AX	C00001036P520S	2		
R545	963125012630S	R,METAL FILM 100PPM 22-J,1W-5REEL	C060022065050S	1		
R546	nsp	R,CARBON FILM 22K-J,1/5W-52RE-AX	C00002236P520S	1		
R547	nsp	R,CHIP THICK 160K-J,1/16W-1608REEL	C20001646M160S	1		
R548	963125500130S	R,METAL FILM 100PPM 12K-J,2W-R.REEL	C060012366050S	1	*	
R549	nsp	R,CARBON FILM 22K-J,1/5W-52RE-AX	C00002236P520S	1		
R550	nsp	R,CARBON FILM 220K-J,1/5W-52RE-AX	C00002246P520S	1		
R552	nsp	R,CARBON FILM 470-J,1/5W-52RE-AX	C00004716P520S	1		
R553	nsp	R,CHIP THICK 10K-J,1/16W-1608REEL	C20001036M160S	1		
R554,555	00D9630345903	R,FIXED,M.O. RSD-R1-2WJ-0.47 3.5*8.6 P=5MM SMALL R.REEL	N113136647820S	2		
R556	nsp	R,CHIP THICK 5.6K-J,1/16W-1608REEL	C20005626M160S	1		
R557	nsp	R,CARBON FILM 1.2K-J,1/5W-52RE-AX	C00001226P520S	1		
R559	nsp	R,CARBON FILM 33K-J,1/5W-52RE-AX	C00003336P520S	1		
R560	nsp	R,CARBON FILM 2.7K-J,1/5W-52RE-AX	C00002726P520S	1		
R561,562	00D9630345903	R,FIXED,M.O. RSD-R1-2WJ-0.47 3.5*8.6 P=5MM SMALL R.REEL	N113136647820S	2		
R563	nsp	R,CARBON FILM 220K-J,1/5W-52RE-AX	C00002246P520S	1		
R564	nsp	R,METAL FILM 100PPM 3.3K-J,1W-R.REEL	C060033265050S	1		
R565	nsp	R,CARBON FILM 560-J,1/5W-52RE-AX	C00005616P520S	1		
R566	nsp	R,CARBON FILM 470K-J,1/5W-52RE-AX	C00004746P520S	1		
R567	nsp	R,CARBON FILM 33K-J,1/5W-52RE-AX	C00003336P520S	1		
R568	nsp	R,CARBON FILM 220-J,1/5W-52RE-AX	C00002216P520S	1		
R569	963125012630S	R,METAL FILM 100PPM 22-J,1W-5REEL	C060022065050S	1		
R570	nsp	R,CARBON FILM 470-J,1/5W-52RE-AX	C00004716P520S	1		
R571,572	nsp	R,METAL FILM 100PPM 1K-J,1W-R.REEL	C060010265050S	2		
R573	nsp	R,METAL FILM 100PPM 270-J,1W-R.REEL	C060027165060S	1		
R574	nsp	R,CARBON FILM 1.2K-J,1/5W-52RE-AX	C00001226P520S	1		
R575	nsp	R,CARBON FILM 100K-J,1/5W-52RE-AX	C00001046P520S	1		
R576	nsp	R,METAL FILM 100PPM 270-J,1W-R.REEL	C060027165060S	1		
R578	nsp	R,METAL FILM 100PPM 270-J,1W-R.REEL	C060027165060S	1		
R580	963252100150S	POSISTOR DHPTF1608 471P 115T SMD PTC THERMISTOR	F320471001150S	1		
R582	nsp	R,CARBON FILM 150K-J,1/5W-52RE-AX	C00001546P520S	1		
R584	nsp	R,CARBON FILM 680K-J,1/5W-52RE-AX	C00006846P520S	1		
R585	nsp	R,CARBON FILM 15K-J,1/5W-52RE-AX	C00001536P520S	1		
R586,587	nsp	R,CHIP THICK 10K-J,1/16W-1608REEL	C20001036M160S	2		
R588	963125012630S	R,METAL FILM 100PPM 22-J,1W-5REEL	C060022065050S	1		
R589	nsp	R,CARBON FILM 22K-J,1/5W-52RE-AX	C00002236P520S	1		
R590	nsp	R,CHIP THICK 160K-J,1/16W-1608REEL	C20001646M160S	1		
R591	963125500130S	R,METAL FILM 100PPM 12K-J,2W-R.REEL	C060012366050S	1	*	
R592	nsp	R,CARBON FILM 22K-J,1/5W-52RE-AX	C00002236P520S	1		
R593	nsp	R,CARBON FILM 220K-J,1/5W-52RE-AX	C00002246P520S	1		
R595	nsp	R,CARBON FILM 470-J,1/5W-52RE-AX	C00004716P520S	1		
R596	nsp	R,CHIP THICK 10K-J,1/16W-1608REEL	C20001036M160S	1		
R597,598	00D9630345903	R,FIXED,M.O. RSD-R1-2WJ-0.47 3.5*8.6 P=5MM SMALL R.REEL	N113136647820S	2		
R599	nsp	R,CHIP THICK 5.6K-J,1/16W-1608REEL	C20005626M160S	1		
R600	nsp	R,CARBON FILM 1.2K-J,1/5W-52RE-AX	C00001226P520S	1		
R602	nsp	R,CARBON FILM 33K-J,1/5W-52RE-AX	C00003336P520S	1		
R603,604	00D9630345903	R,FIXED,M.O. RSD-R1-2WJ-0.47 3.5*8.6 P=5MM SMALL R.REEL	N113136647820S	2		
R605	nsp	R,CARBON FILM 2.7K-J,1/5W-52RE-AX	C00002726P520S	1		
R606	nsp	R,CARBON FILM 220K-J,1/5W-52RE-AX	C00002246P520S	1		
R607	nsp	R,METAL FILM 100PPM 3.3K-J,1W-R.REEL	C060033265050S	1		
R608	nsp	R,CARBON FILM 560-J,1/5W-52RE-AX	C00005616P520S	1		
R609	nsp	R,CARBON FILM 470K-J,1/5W-52RE-AX	C00004746P520S	1		
R610	nsp	R,CARBON FILM 33K-J,1/5W-52RE-AX	C00003336P520S	1		
R611	nsp	R,CARBON FILM 220-J,1/5W-52RE-AX	C00002216P520S	1		
R612	963125012630S	R,METAL FILM 100PPM 22-J,1W-5REEL	C060022065050S	1		
R613	nsp	R,CARBON FILM 470-J,1/5W-52RE-AX	C00004716P520S	1		
R614,615	nsp	R,METAL FILM 100PPM 1K-J,1W-R.REEL	C060010265050S	2		
R616	nsp	R,METAL FILM 100PPM 270-J,1W-R.REEL	C060027165060S	1		
R617	nsp	R,CARBON FILM 1.2K-J,1/5W-52RE-AX	C00001226P520S	1		

REF No.	Part No.	Part Name	Remarks	Q'ty	New	Ver
R618	nsp	R,CARBON FILM 100K-J,1/5W-52RE-AX	C00001046P520S	1		
R619	nsp	R,METAL FILM 100PPM 270-J,1W-R.REEL	C060027165060S	1		
R621	nsp	R,METAL FILM 100PPM 270-J,1W-R.REEL	C060027165060S	1		
R623	963252100150S	POSISTOR DHPTF1608 471P 115T SMD PTC THERMISTOR	F320471001150S	1		
R625	nsp	R,CARBON FILM 150K-J,1/5W-52RE-AX	C00001546P520S	1		
R627	nsp	R,CARBON FILM 680K-J,1/5W-52RE-AX	C00006846P520S	1		
R628	nsp	R,CARBON FILM 15K-J,1/5W-52RE-AX	C00001536P520S	1		
R629,630	nsp	R,CARBON FILM 10K-J,1/5W-52RE-AX	C00001036P520S	2		
R631	963125012630S	R,METAL FILM 100PPM 22-J,1W-5REEL	C060022065050S	1		
R632	nsp	R,CARBON FILM 22K-J,1/5W-52RE-AX	C00002236P520S	1		
R633	nsp	R,CHIP THICK 160K-J,1/16W-1608REEL	C20001646M160S	1		
R634	963125500130S	R,METAL FILM 100PPM 12K-J,2W-R.REEL	C060012366050S	1	*	
R635	nsp	R,CARBON FILM 22K-J,1/5W-52RE-AX	C00002236P520S	1		
R636	nsp	R,CARBON FILM 220K-J,1/5W-52RE-AX	C00002246P520S	1		
R638	nsp	R,CARBON FILM 470-J,1/5W-52RE-AX	C00004716P520S	1		
R639	nsp	R,CHIP THICK 10K-J,1/16W-1608REEL	C20001036M160S	1		
R640,641	00D9630345903	R,FIXED,M.O. RSD-R1-2WJ-0.47 3.5*8.6 P=5MM SMALL R.REEL	N113136647820S	2		
R642	nsp	R,CHIP THICK 5.6K-J,1/16W-1608REEL	C20005626M160S	1		
R643	nsp	R,CARBON FILM 1.2K-J,1/5W-52RE-AX	C00001226P520S	1		
R645	nsp	R,CARBON FILM 33K-J,1/5W-52RE-AX	C00003336P520S	1		
R646,647	00D9630345903	R,FIXED,M.O. RSD-R1-2WJ-0.47 3.5*8.6 P=5MM SMALL R.REEL	N113136647820S	2		
R648	nsp	R,CARBON FILM 2.7K-J,1/5W-52RE-AX	C00002726P520S	1		
R649	nsp	R,CARBON FILM 220K-J,1/5W-52RE-AX	C00002246P520S	1		
R650	nsp	R,METAL FILM 100PPM 3.3K-J,1W-R.REEL	C060033265050S	1		
R651	nsp	R,CARBON FILM 560-J,1/5W-52RE-AX	C00005616P520S	1		
R652	nsp	R,CARBON FILM 470K-J,1/5W-52RE-AX	C00004746P520S	1		
R653	nsp	R,CARBON FILM 33K-J,1/5W-52RE-AX	C00003336P520S	1		
R654	nsp	R,CARBON FILM 220-J,1/5W-52RE-AX	C00002216P520S	1		
R655	963125012630S	R,METAL FILM 100PPM 22-J,1W-5REEL	C060022065050S	1		
R656	nsp	R,CARBON FILM 470-J,1/5W-52RE-AX	C00004716P520S	1		
R657,658	nsp	R,METAL FILM 100PPM 1K-J,1W-R.REEL	C060010265050S	2		
R659	nsp	R,METAL FILM 100PPM 270-J,1W-R.REEL	C060027165060S	1		
R660	nsp	R,CARBON FILM 1.2K-J,1/5W-52RE-AX	C00001226P520S	1		
R661	nsp	R,CARBON FILM 100K-J,1/5W-52RE-AX	C00001046P520S	1		
R662	nsp	R,METAL FILM 100PPM 270-J,1W-R.REEL	C060027165060S	1		
R664	nsp	R,METAL FILM 100PPM 270-J,1W-R.REEL	C060027165060S	1		
R666	963252100150S	POSISTOR DHPTF1608 471P 115T SMD PTC THERMISTOR	F320471001150S	1		
R668	nsp	R,CARBON FILM 150K-J,1/5W-52RE-AX	C00001546P520S	1		
R670	nsp	R,CARBON FILM 680K-J,1/5W-52RE-AX	C00006846P520S	1		
R671	nsp	R,CARBON FILM 15K-J,1/5W-52RE-AX	C00001536P520S	1		
R672,673	nsp	R,CARBON FILM 10K-J,1/5W-52RE-AX	C00001036P520S	2		
R674	963125012630S	R,METAL FILM 100PPM 22-J,1W-5REEL	C060022065050S	1		
R675	nsp	R,CARBON FILM 22K-J,1/5W-52RE-AX	C00002236P520S	1		
R676	nsp	R,CHIP THICK 160K-J,1/16W-1608REEL	C20001646M160S	1		
R677	963125500130S	R,METAL FILM 100PPM 12K-J,2W-R.REEL	C060012366050S	1	*	
R678	nsp	R,CARBON FILM 22K-J,1/5W-52RE-AX	C00002236P520S	1		
R679	nsp	R,CARBON FILM 220K-J,1/5W-52RE-AX	C00002246P520S	1		
R681	nsp	R,CARBON FILM 470-J,1/5W-52RE-AX	C00004716P520S	1		
R682	nsp	R,CHIP THICK 10K-J,1/16W-1608REEL	C20001036M160S	1		
R683,684	00D9630345903	R,FIXED,M.O. RSD-R1-2WJ-0.47 3.5*8.6 P=5MM SMALL R.REEL	N113136647820S	2		
R685	nsp	R,CHIP THICK 5.6K-J,1/16W-1608REEL	C20005626M160S	1		
R686	nsp	R,CARBON FILM 1.2K-J,1/5W-52RE-AX	C00001226P520S	1		
R688	nsp	R,CARBON FILM 33K-J,1/5W-52RE-AX	C00003336P520S	1		
R689,690	00D9630345903	R,FIXED,M.O. RSD-R1-2WJ-0.47 3.5*8.6 P=5MM SMALL R.REEL	N113136647820S	2		
R691	nsp	R,CARBON FILM 2.7K-J,1/5W-52RE-AX	C00002726P520S	1		
R692	nsp	R,CARBON FILM 220K-J,1/5W-52RE-AX	C00002246P520S	1		
R693	nsp	R,CARBON FILM 560-J,1/5W-52RE-AX	C00005616P520S	1		
R694	nsp	R,METAL FILM 100PPM 3.3K-J,1W-R.REEL	C060033265050S	1		
R695	nsp	R,CARBON FILM 470K-J,1/5W-52RE-AX	C00004746P520S	1		
R696	nsp	R,CARBON FILM 33K-J,1/5W-52RE-AX	C00003336P520S	1		
R697	nsp	R,CARBON FILM 220-J,1/5W-52RE-AX	C00002216P520S	1		
R698	963125012630S	R,METAL FILM 100PPM 22-J,1W-5REEL	C060022065050S	1		
R699	nsp	R,CARBON FILM 470-J,1/5W-52RE-AX	C00004716P520S	1		
R700,701	nsp	R,METAL FILM 100PPM 1K-J,1W-R.REEL	C060010265050S	2		
R702	nsp	R,METAL FILM 100PPM 270-J,1W-R.REEL	C060027165060S	1		
R703-709	nsp	R,CARBON FILM 1.2K-J,1/5W-52RE-AX	C00001226P520S	7		
R717-723	nsp	R,CARBON FILM 220-J,1/5W-52RE-AX	C00002216P520S	7		
R724-730	nsp	R,CHIP THICK 56K-J,1/16W-1608REEL	C20005636M160S	7		
R731,732	nsp	R,CHIP THICK 2.2K-J,1/16W-1608REEL	C20002226M160S	2		

CAPACITORS GROUP

C401	nsp	C,CERAMIC CHIP HIK X7R)0.1UF-K/50V-1608REEL	D011104577160S	1		
C403	nsp	C,CERAMIC CHIP T.C X7R)0.01UF-K/50V-1608REEL	D01010377160S	1		
C405	nsp	C,CERAMIC CHIP T.C C0G)220PF-J/50V-1608REEL	D010221167160S	1		
C406	963133502490S	C,FILM POLYESTER ST-0.00022UF-J/100V-5RE HPE221J2AP050T DAEHUNG	D02022106C250S	1		
C407	nsp	C,ELECT GE 85C 100UF-M/50V,8*11.5 KR3-050V101MF115-T/A5.0S KOSHIN	D040101087550S	1		
C408	00D2544573994	C,ELECT GE 85C 22UF-M/50V,5*11 RA3-50V220ME3#8P-T2 ELNA	D040220087330S	1		
C409	nsp	C,CERAMIC HIK DISC B470PF-K/500V-5RE	D00447127D050S	1		
C410	nsp	C,ELECT GE 85C 100UF-M/50V,8*11.5 KR3-050V101MF115-T/A5.0S KOSHIN	D040101087550S	1		
C411	nsp	C,CERAMIC HIK DISC B470PF-K/500V-5RE	D00447127D050S	1		
C412	963133502480S	C,FILM POLYESTER ST-0.00047UF-J/100V-5RE HPE471J2AP050T DAEHUNG	D02047106C250S	1		
C413	nsp	C,CERAMIC CHIP HIK X7R)2200PF-K/50V-2012REEL	D01122277200S	1		
C415,416	nsp	C,ELECT GE 85C 10UF-M/100V,6.3*11-5RE,SMS SY	D04010008C050S	2		
C418	nsp	C,CERAMIC CHIP HIK X7R)0.1UF-K/50V-1608REEL	D011104577160S	1		
C421	nsp	C,CERAMIC CHIP T.C C0G)220PF-J/50V-1608REEL	D010221167160S	1		
C422	963133502490S	C,FILM POLYESTER ST-0.00022UF-J/100V-5RE HPE221J2AP050T DAEHUNG	D02022106C250S	1		
C423	nsp	C,ELECT GE 85C 100UF-M/50V,8*11.5 KR3-050V101MF115-T/A5.0S KOSHIN	D040101087550S	1		
C424	00D2544573994	C,ELECT GE 85C 22UF-M/50V,5*11 RA3-50V220ME3#8P-T2 ELNA	D040220087330S	1		
C425	nsp	C,CERAMIC HIK DISC B470PF-K/500V-5RE	D00447127D050S	1		
C426	nsp	C,ELECT GE 85C 100UF-M/50V,8*11.5 KR3-050V101MF115-T/A5.0S KOSHIN	D040101087550S	1		
C427	nsp	C,CERAMIC HIK DISC B470PF-K/500V-5RE	D00447127D050S	1		
C428	963133502480S	C,FILM POLYESTER ST-0.00047UF-J/100V-5RE HPE471J2AP050T DAEHUNG	D02047106C250S	1		
C429	nsp	C,CERAMIC CHIP HIK X7R)2200PF-K/50V-2012REEL	D01122277200S	1		
C431,432	nsp	C,ELECT GE 85C 10UF-M/100V,6.3*11-5RE,SMS SY	D04010008C050S	2		
C434	nsp	C,CERAMIC CHIP HIK X7R)0.1UF-K/50V-1608REEL	D011104577160S	1		
C437	nsp	C,CERAMIC CHIP T.C C0G)220PF-J/50V-1608REEL	D010221167160S	1		
C438	963133502490S	C,FILM POLYESTER ST-0.00022UF-J/100V-5RE HPE221J2AP050T DAEHUNG	D02022106C250S	1		
C439	nsp	C,ELECT GE 85C 100UF-M/50V,8*11.5 KR3-050V101MF115-T/A5.0S KOSHIN	D040101087550S	1		
C440	00D2544573994	C,ELECT GE 85C 22UF-M/50V,5*11 RA3-50V220ME3#8P-T2 ELNA	D040220087330S	1		
C441	nsp	C,CERAMIC HIK DISC B470PF-K/500V-5RE	D00447127D050S	1		
C442	nsp	C,ELECT GE 85C 100UF-M/50V,8*11.5 KR3-050V101MF115-T/A5.0S KOSHIN	D040101087550S	1		
C443	nsp	C,CERAMIC HIK DISC B470PF-K/500V-5RE	D00447127D050S	1		
C444	963133502480S	C,FILM POLYESTER ST-0.00047UF-J/100V-5RE HPE471J2AP050T DAEHUNG	D02047106C250S	1		
C445	nsp	C,CERAMIC CHIP HIK X7R)2200PF-K/50V-2012REEL	D01122277200S	1		
C447,448	nsp	C,ELECT GE 85C 10UF-M/100V,6.3*11-5RE,SMS SY	D04010008C050S	2		
C450	nsp	C,CERAMIC CHIP HIK X7R)0.1UF-K/50V-1608REEL	D011104577160S	1		
C453	nsp	C,CERAMIC CHIP T.C C0G)220PF-J/50V-1608REEL	D010221167160S	1		
C454	963133502490S	C,FILM POLYESTER ST-0.00022UF-J/100V-5RE HPE221J2AP050T DAEHUNG	D02022106C250S	1		
C455	nsp	C,ELECT GE 85C 47UF-M/50V,6.3*11 KR3-050V470ME110-T/A5.0S KOSHIN	D040470087550S	1		
C456	nsp	C,ELECT GE 85C 22UF-M/50V,5*11-5RE,SMS SY	D040220087060S	1		
C457	nsp	C,CERAMIC HIK DISC B470PF-K/500V-5RE	D00447127D050S	1		
C458	nsp	C,ELECT GE 85C 100UF-M/50V,8*11.5 KR3-050V101MF115-T/A5.0S KOSHIN	D040101087550S	1		
C459	nsp	C,CERAMIC HIK DISC B470PF-K/500V-5RE	D00447127D050S	1		
C460	963133502480S	C,FILM POLYESTER ST-0.00047UF-J/100V-5RE HPE471J2AP050T DAEHUNG	D02047106C250S	1		

REF No.	Part No.	Part Name	Remarks	Q'ty	New	Ver
C461	nsp	C,CERAMIC CHIP HIK X7R2200PF-K/50V-2012REEL		D01122277200S	1	
C463,464	nsp	C,ELECT GE 85C 10UF-M/100V,6.3*11-5RE,SMS SY		D04010008C050S	2	
C466	nsp	C,CERAMIC CHIP HIK X7R0,1UF-K/50V-1608REEL		D011104577160S	1	
C469	nsp	C,CERAMIC CHIP T.C C0GJ220PF-J/50V-1608REEL		D010221167160S	1	
C470	963133502490S	C,FILM POLYESTER ST-0.00022UF-J/100V-5RE HPE221J2AP050T DAEHUNG		D02022106C250S	1	
C471	nsp	C,ELECT GE 85C 47UF-M/50V,6.3*11 KR3-050V470ME110-T/A5.0S KOSHIN		D040470087550S	1	
C472	nsp	C,ELECT GE 85C 22UF-M/50V,5*11-5RE,SMS SY		D040220087060S	1	
C473	nsp	C,CERAMIC HIK DISC B470PF-K/500V-5RE		D00447127D050S	1	
C474	nsp	C,ELECT GE 85C 100UF-M/50V,8*11.5 KR3-050V101MF115-T/A5.0S KOSHIN		D040101087550S	1	
C475	nsp	C,CERAMIC HIK DISC B470PF-K/500V-5RE		D00447127D050S	1	
C476	963133502480S	C,FILM POLYESTER ST-0.00047UF-J/100V-5RE HPE471J2AP050T DAEHUNG		D02047106C250S	1	
C477	nsp	C,CERAMIC CHIP HIK X7R2200PF-K/50V-2012REEL		D01122277200S	1	
C479,480	nsp	C,ELECT GE 85C 10UF-M/100V,6.3*11-5RE,SMS SY		D04010008C050S	2	
C482	nsp	C,CERAMIC CHIP HIK X7R0,1UF-K/50V-1608REEL		D011104577160S	1	
C485	nsp	C,CERAMIC CHIP T.C C0GJ220PF-J/50V-1608REEL		D010221167160S	1	
C486	963133502490S	C,FILM POLYESTER ST-0.00022UF-J/100V-5RE HPE221J2AP050T DAEHUNG		D02022106C250S	1	
C487	nsp	C,ELECT GE 85C 47UF-M/50V,6.3*11 KR3-050V470ME110-T/A5.0S KOSHIN		D040470087550S	1	
C488	nsp	C,ELECT GE 85C 22UF-M/50V,5*11-5RE,SMS SY		D040220087060S	1	
C489	nsp	C,CERAMIC HIK DISC B470PF-K/500V-5RE		D00447127D050S	1	
C490	nsp	C,ELECT GE 85C 100UF-M/50V,8*11.5 KR3-050V101MF115-T/A5.0S KOSHIN		D040101087550S	1	
C491	nsp	C,CERAMIC HIK DISC B470PF-K/500V-5RE		D00447127D050S	1	
C492	963133502480S	C,FILM POLYESTER ST-0.00047UF-J/100V-5RE HPE471J2AP050T DAEHUNG		D02047106C250S	1	
C493	nsp	C,CERAMIC CHIP HIK X7R2200PF-K/50V-2012REEL		D01122277200S	1	
C495,496	nsp	C,ELECT GE 85C 10UF-M/100V,6.3*11-5RE,SMS SY		D04010008C050S	2	
C498	nsp	C,CERAMIC CHIP HIK X7R0,1UF-K/50V-1608REEL		D011104577160S	1	
C501	nsp	C,CERAMIC CHIP T.C C0GJ220PF-J/50V-1608REEL		D010221167160S	1	
C502	963133502490S	C,FILM POLYESTER ST-0.00022UF-J/100V-5RE HPE221J2AP050T DAEHUNG		D02022106C250S	1	
C503	nsp	C,ELECT GE 85C 47UF-M/50V,6.3*11 KR3-050V470ME110-T/A5.0S KOSHIN		D040470087550S	1	
C504	nsp	C,ELECT GE 85C 22UF-M/50V,5*11-5RE,SMS SY		D040220087060S	1	
C505	nsp	C,CERAMIC HIK DISC B470PF-K/500V-5RE		D00447127D050S	1	
C506	nsp	C,ELECT GE 85C 100UF-M/50V,8*11.5 KR3-050V101MF115-T/A5.0S KOSHIN		D040101087550S	1	
C507	nsp	C,CERAMIC HIK DISC B470PF-K/500V-5RE		D00447127D050S	1	
C508	963133502480S	C,FILM POLYESTER ST-0.00047UF-J/100V-5RE HPE471J2AP050T DAEHUNG		D02047106C250S	1	
C509	nsp	C,CERAMIC CHIP HIK X7R2200PF-K/50V-2012REEL		D01122277200S	1	
C511,512	nsp	C,ELECT GE 85C 10UF-M/100V,6.3*11-5RE,SMS SY		D04010008C050S	2	
C513,514	nsp	C,ELECT GE 85C 330UF-M/6,3V,6.3*11-5RE,SMS SY		D040331081050S	2	
C515	00D2544538913	C,ELECT GE 85C 22UF-M/16V,5*11-5RE,SMS SY		D040220083070S	1	
OTHER PARTS GROUP						
BKT400	nsp	BRACKET AVRX2200WBKE3BURREING HOLE SPCC t0.8+SN A4/S		401021019610DS	1	*
CLAMP400,401	nsp	CLAMP HMX9800(ON) (W=2.6,L=50)/WIRE(SOLDER)		4330000120000S	2	
CN404	nsp	CN.WIRE 2MM 180MM/7P 20010HS-07=CKM2002HV-07 YW1007#26		L002181070070S	1	
CP401	nsp	CN.WAFER 2.0MM 20010WS-13A00 DIP13P STRAIGHT		L101200101310S	1	
CP402	nsp	CN.WAFER 2.5MM YMW025-05R DIP ST		L102025050020S	1	
CP403	nsp	CN.WAFER 2.0MM 20010WS-10A00 DIP10P STRAIGHT		L101200101010S	1	
CP405	nsp	CN.WAFER 2.5MM YMW025-03R DIP ST		L102025030020S	1	
G400-402	nsp	CN.WIRE 70MM/1P CKM9919T*2 BK1007#20		L000700010150S	3	
G403	nsp	CN.WIRE 470MM/1P CKM9919T=CKM9919T BK1007#20		L000471010020S	1	
TP401-407	nsp	CN.WAFER 2.0MM 20010WR-02A00 DIP2P RIGHT ANGLE		L101200100220S	7	
VR411-417	963161012400S	VR,SEMI CARBON MOLD EVN-DCAA03B13/REEL 1KB		C541102315000S	7	

HDMI PCB ASS'Y

※Parts indicated by "nsp" on this table cannot be supplied.

※The parts listed below are only for maintenance. Therefore they might differ from the parts used in the unit in appearances or dimensions

NOTE:The symbols in the column Remarks indicate the following destinations.

U : North America model N : Europe model K : China model F : Japan model

B : Black model SG : Silver Gold model

REF No.	Part No.	Part Name	Remarks	Q'ty	New	Ver
SEMICONDUCTORS GROUP						
D1089	963204500220D	D.SCHOTTKY CHIP LRB521S-30T1G SOD523 SCHOTTKY BARRIER DIODE		K125521305230S	1	
D1094	963201500170D	D.SWITCHING CHIP LBAS16HT1G FAST SWITCHING SOD-323		K005041480230S	1	
D1095	963263101000S	LED,IR BIR-BM1341W 3PI INFRARED LED		K505134101050S	1	
D1096	963204500220D	D.SCHOTTKY CHIP LRB521S-30T1G SOD523 SCHOTTKY BARRIER DIODE		K125521305230S	1	
D1097	963201500170D	D.SWITCHING CHIP LBAS16HT1G FAST SWITCHING SOD-323		K005041480230S	1	
D1104,1105	963201500170D	D.SWITCHING CHIP LBAS16HT1G FAST SWITCHING SOD-323		K005041480230S	2	
Q1000	943216500020S	SEMI.CHIP TR/NPN 2SC RT1N141C 0.2W/SC-59 ISAHAYA		J5221041121210S	1	
Q1001	943216500050S	SEMI.CHIP TR/NPN 2SC RT1N441C 0.2W/SC-59 ISAHAYA		J52210441121210S	1	
Q1002	943216500020S	SEMI.CHIP TR/NPN 2SC RT1N141C 0.2W/SC-59 ISAHAYA		J52210141121210S	1	
Q1003	943216500050S	SEMI.CHIP TR/NPN 2SC RT1N441C 0.2W/SC-59 ISAHAYA		J52210441121210S	1	
Q1004	943216500020S	SEMI.CHIP TR/NPN 2SC RT1N141C 0.2W/SC-59 ISAHAYA		J52210141121210S	1	
Q1005	943216500050S	SEMI.CHIP TR/NPN 2SC RT1N441C 0.2W/SC-59 ISAHAYA		J52210441121210S	1	
Q1009	943216500020S	SEMI.CHIP TR/NPN 2SC RT1N141C 0.2W/SC-59 ISAHAYA		J52210141121210S	1	
Q1010	943216500050S	SEMI.CHIP TR/NPN 2SC RT1N441C 0.2W/SC-59 ISAHAYA		J52210441121210S	1	
Q1011	943216500020S	SEMI.CHIP TR/NPN 2SC RT1N141C 0.2W/SC-59 ISAHAYA		J52210141121210S	1	
Q1012	943216500050S	SEMI.CHIP TR/NPN 2SC RT1N441C 0.2W/SC-59 ISAHAYA		J52210441121210S	1	
Q1013	943216500020S	SEMI.CHIP TR/NPN 2SC RT1N141C 0.2W/SC-59 ISAHAYA		J52210141121210S	1	
Q1014	943216500050S	SEMI.CHIP TR/NPN 2SC RT1N441C 0.2W/SC-59 ISAHAYA		J52210441121210S	1	
Q1015	943216500020S	SEMI.CHIP TR/NPN 2SC RT1N141C 0.2W/SC-59 ISAHAYA		J52210141121210S	1	
Q1016	943216500050S	SEMI.CHIP TR/NPN 2SC RT1N441C 0.2W/SC-59 ISAHAYA		J52210441121210S	1	
Q1018,1019	943214500020S	SEMI.CHIP TR/NPN 2SC 2SC3052 0.15W/SC-59 REEL ISAHAYA		J522305200050S	2	
Q1022-1029	943214500020S	SEMI.CHIP TR/NPN 2SC 2SC3052 0.15W/SC-59 REEL ISAHAYA		J522305200050S	8	
Q1030,1031	963212500030S	SEMI.CHIP TR/PNP 2SA ISA1530AC1 0.2W/SC-59 ISAHAYA		J520015301210S	2	
Q1037	943216500020S	SEMI.CHIP TR/PNP 2SA RT1P141C 0.2W/SC-59 ISAHAYA		J52210141121210S	1	
Q1041,1042	943214500020S	SEMI.CHIP TR/NPN 2SC 2SC3052 0.15W/SC-59 REEL ISAHAYA		J522305200050S	2	
Q1043	963219002180S	SEMI.CHIP TR/NPN 2SD 2SD2114KT146W SMT3 SOT23-REEL		J5232114K0010S	1	
Q1046S	943216500020S	SEMI.CHIP TR/NPN 2SC RT1N141C 0.2W/SC-59 ISAHAYA		J52210141121210S	1	
Q1047S	943216500050S	SEMI.CHIP TR/NPN 2SC RT1N441C 0.2W/SC-59 ISAHAYA		J52210441121210S	1	
Q1050	943216500050S	SEMI.CHIP TR/NPN 2SC RT1N441C 0.2W/SC-59 ISAHAYA		J52210441121210S	1	
Q1051	963219004200S	SEMI.FET CHIP FDC608PZ P-CH 2.5V MOSFET SOT6		J543608000010S	1	
Q1052	943214500020S	SEMI.CHIP TR/NPN 2SC 2SC3052 0.15W/SC-59 REEL ISAHAYA		J522305200050S	1	
Q1055	963211500160D	SEMI.CHIP TR/PNP 2SB PBSS5140U SOT323 40V LOW VCEsat PNP TR		J521051401010S	1	
Q1056	943216500020S	SEMI.CHIP TR/NPN 2SC RT1N141C 0.2W/SC-59 ISAHAYA		J52210141121210S	1	
Q1057	943216500050S	SEMI.CHIP TR/NPN 2SC RT1N441C 0.2W/SC-59 ISAHAYA		J52210441121210S	1	
Q1058	963219004200S	SEMI.FET CHIP FDC608PZ P-CH 2.5V MOSFET SOT6		J543608000010S	1	
Q1059	963211500160D	SEMI.CHIP TR/PNP 2SB PBSS5140U SOT323 40V LOW VCEsat PNP TR		J521051401010S	1	
Q1060	943216500020S	SEMI.CHIP TR/NPN 2SC RT1N141C 0.2W/SC-59 ISAHAYA		J52210141121210S	1	
Q1062	943216500050S	SEMI.CHIP TR/NPN 2SC RT1N441C 0.2W/SC-59 ISAHAYA		J52210441121210S	1	
Q1063	963219004200S	SEMI.FET CHIP FDC608PZ P-CH 2.5V MOSFET SOT6		J543608000010S	1	
Q1064	963211500160D	SEMI.CHIP TR/PNP 2SB PBSS5140U SOT323 40V LOW VCEsat PNP TR		J521051401010S	1	
Q1065	943216500020S	SEMI.CHIP TR/NPN 2SC RT1N141C 0.2W/SC-59 ISAHAYA		J52210141121210S	1	
Q1066	943216500050S	SEMI.CHIP TR/NPN 2SC RT1N441C 0.2W/SC-59 ISAHAYA		J52210441121210S	1	
Q1067	963219004200S	SEMI.FET CHIP FDC608PZ P-CH 2.5V MOSFET SOT6		J543608000010S	1	
Q1068	00D2710326904	SEMI.CHIP TR/PNP 2SA 2SA1954 (GB) 0.1W/SC-70 REEL		J520195405510S	1	
Q1069,1070	943216500020S	SEMI.CHIP TR/NPN 2SC RT1N141C 0.2W/SC-59 ISAHAYA		J52210141121210S	2	
Q1071	963219004200S	SEMI.FET CHIP FDC608PZ P-CH 2.5V MOSFET SOT6		J543608000010S	1	
Q1072	963211500160D	SEMI.CHIP TR/PNP 2SB PBSS5140U SOT323 40V LOW VCEsat PNP TR		J521051401010S	1	
Q1073	943216500020S	SEMI.CHIP TR/NPN 2SC RT1N141C 0.2W/SC-59 ISAHAYA		J52210141121210S	1	
Q1075	943216500020S	SEMI.CHIP TR/NPN 2SC RT1N141C 0.2W/SC-59 ISAHAYA		J52210141121210S	1	
Q1076	963211500160D	SEMI.CHIP TR/PNP 2SB PBSS5140U SOT323 40V LOW VCEsat PNP TR		J521051401010S	1	
Q2202	943216500020S	SEMI.CHIP TR/NPN 2SC RT1N141C 0.2W/SC-59 ISAHAYA		J52210141121210S	1	
Q3630	943216500020S	SEMI.CHIP TR/NPN 2SC RT1N141C 0.2W/SC-59 ISAHAYA		J52210141121210S	1	
U1000	23681050460AS	IC.LOGIC MN864788 HDMI HQFP144P		J040864788010S	1	
U1002	963239101350S	IC.LOGIC SN74CBT3251PWR TSSOP16 FET MUX/DEMUX		J040743251030S	1	
U1003	23681050460AS	IC.LOGIC MN864788 HDMI HQFP144P		J040864788010S	1	
U1005	23671011050AS	IC.LOGIC-DECODER MFI337S3959 COPROCESSOR(IPOD) SAGUB		J044337395910S	1	
U1006	963239101360S	IC.LOGIC-INTERFACE BD82065FVJ CURRENT LIMIT 2.4A TSSOP-B8J		J046820650010S	1	
U1007,1008	nsp	PIN JUMPER PIN HEADER 1.27MM 64P S1210-64SVB-S01-1R		L424012102640S	2	
U1010	24681009260AS	IC.MEMORY FLASH MX25L2563FMI-10G 256M SERIAL FLASH SOP16		J005252561010S	1	
U1017	963239101320S	IC.MEMORY-EEPROM R1EX24128BSAS01 128Kbit SERIAL SOP8 RENESAS		J000241282010S	1	
U1018	963243103110S	IC.R5F564MJCDFC SR5010 (MAIN CPU)		8952501000010	1	*
U1018	-	IC.CPU MICRO PROCESS R5F564MJCDFC		J020556400010S	1	
U1019	963262012150M	MODULE.REMOCON R94EV1A 36KHZ STRAIGHT LEAD P=2.54MM		E940941003610S	1	
U1022S	23681006460AS	IC.LOGIC AD8195 HDMI/DVI BUFFER EQ LFCSFP4		J040819505510S	1	
U1023	963246101150S	IC.MEMORY-RAM W9864G6KH-5 1M*4BANKS*16BIT(64MB) TSOP54 200MHz		J001986465020S	1	
U1025	963248103280S	MX25L6406EM2L-12G (WITH DSP SOFTWARE)		8952220000090	1	*
U1025	-	IC.MEMORY FLASH MX25L6406EM2L-12G 64M SERIAL FLASH SOP8		J005256401210S	1	
U1026	23681018160AS	IC.LOGIC-ENCODER ADV8003KBCZ-8B (AD55/058Z-0)		J045800305010S	1	
U1027	963248103400S	IC.MX25L12835FMI-10G SR5010 (GUI)		Non-fixed-2	1	*
U1027	-	IC.MEMORY FLASH MX25L12835FMI-10G 128M SERIAL FLASH SOP16		J005251281060S	1	
U1028,1029	963246101010S	IC.MEMORY-RAM A3R12E40C8F-8E 512Mb DDR2 SDRAM FBGA84		J0010301244080S	2	
U1030	943239010400S	IC.LINEAR-REGULATOR NJM2845DL1-33 3.3V TO-252-3 LOW-DROP VOL REGULATOR		J126284533010S	1	
U1039	23681050460AS	IC.LOGIC MN864788 HDMI HQFP144P		J040864788010S	1	
U1040	23681014050AS	IC.LOGIC-INTERFACE PCM9211 TRANSCEIVER LQFP48		J046921100010S	1	
U1041	963239101710S	5M80ZT100C5N TQFP100 WITH AUDIO PLD		8952200000110	1	*
U1041	-	IC.PAL/PLD 5M80ZT100C5N TQFP100		J003058010050S	1	
U1042	00D2623077900	IC.LOGIC TC74VHC04FT HEX INVERTER TSSOP14		J040740405580S	1	
U1043,1044	963239101100S	MODULE BCR-802-M25 25MBPS OPTICAL RECEIVER INTERFACE		E100802000250S	2	
U1045	963239002150S	IC.LOGIC SN74LVC244APWR TSSOP 20P/OCTAL BUFFER/DRIVER		J040742440230S	1	
U1048	236810082503S	IC.LOGIC-D/A CONVER PCM1690 HTSSOP48		J042169000010S	1	
U1050	943239010400S	IC.LINEAR-REGULATOR NJM2845DL1-33 3.3V TO-252-3 LOW-DROP VOL REGULATOR		J126284533010S	1	
U1052	23681012050AS	IC.LOGIC-D/A CONVER PCM5100 TSSOP20 AUDIO STEREO DAC		J042510005510S	1	
U1055	23681012760AS	IC.LOGIC ADV7850 HDMI 1.4A RECEIVER BGA425		J040785005510S	1	
U1060-1062	234810014504S	IC.LOGIC MC14094BDTR2G SHIFT REGISTER TSSOP16P		J040140940020S	3	
U1063-1072	963231102200S	IC.LINEAR POWER MP2143DJ 3A STEP DOWN SWITCHER T-SOT23-8		J122214300010S	10	
U1073	963245100680S	IC.ANALOG CS49844A AUDIO DSP		J080498440010S	1	
U3204	963233102120S	IC.LOGIC SN74LVC827APWR TSSOP24 10BIT BUFFER/DRIVER		J040748270010S	1	
RESISTOR GROUP						
R1000	nsp	R.CHIP THICK 0-J,1/16W-1005REEL		C20000006M101S	1	
R1001	nsp	R.CHIP THICK 47K-J,1/16W-1005REEL		C20004736M101S	1	
R1006	nsp	R.CHIP THICK 10K-J,1/16W-1005REEL		C20001036M111S	1	
R1010,1011	nsp	R.CHIP THICK 47K-J,1/16W-1005REEL		C20004736M101S	2	
R1012	nsp	R.CHIP THICK 10-J,1/16W-1005REEL		C20001006M101S	1	
R1013	nsp	R.CHIP THICK 1K-J,1/16W-1005REEL		C20001026M101S	1	
R1014	nsp	R.CHIP THICK 10K-J,1/16W-1005REEL		C20001036M111S	1	
R1015,1016	nsp	R.CHIP THICK 47K-J,1/16W-1005REEL		C20004736M101S	2	
R1017	nsp	R.CHIP THICK 0-J,1/16W-1005REEL		C20000006M101S	1	
R1018	nsp	R.CHIP THICK 47K-J,1/16W-1005REEL		C20004736M101S	1	
R1019	nsp	R.CHIP THICK 0-J,1/16W-1005REEL		C20000006M101S	1	
R1021	nsp	R.CHIP THICK 0-J,1/16W-1005REEL		C20000006M101S	1	
R1038	nsp	R.CHIP THICK 1K-J,1/16W-1005REEL		C20001026M101S	1	
R1039	nsp	R.CHIP THICK 10K-J,1/16W-1005REEL		C20001036M111S	1	
R1040,1041	nsp	R.CHIP THICK 47K-J,1/16W-1005REEL		C20004736M101S	2	
R1042	nsp	R.CHIP THICK 0-J,1/16W-1005REEL		C20000006M101S	1	
R1043	nsp	R.CHIP THICK 47K-J,1/16W-1005REEL		C20004736M101S	1	

REF No.	Part No.	Part Name	Remarks	Q'ty	New	Ver
R1044,1045	nsp	R.CHIP THICK 0-J,1/16W-1005REEL		C20000006M101S	2	
R1052	nsp	R.CHIP THICK 1.8K-J,1/16W-1005REEL		C20001826M101S	1	
R1053	nsp	R.CHIP THICK 0-J,1/16W-1005REEL		C20000006M101S	1	
R1055	nsp	R.CHIP THICK 1.8K-J,1/16W-1005REEL		C20001826M101S	1	
R1057,1058	nsp	R.CHIP THICK 1.8K-J,1/16W-1005REEL		C20001826M101S	2	
R1060-1062	nsp	R.CHIP THICK 47-J,1/16W-1005REEL		C20004706M101S	3	
R1063	nsp	R.CHIP THICK 1M-J,1/16W-1005REEL		C20001056M101S	1	
R1064	nsp	R.CHIP THICK 10K-J,1/16W-1005REEL		C20001036M111S	1	
R1068	nsp	R.CHIP THICK 10K-J,1/16W-1005REEL		C20001036M111S	1	
R1069	nsp	R.CHIP THICK 1K-J,1/16W-1005REEL		C20001026M101S	1	
R1070	nsp	R.CHIP THICK 10K-J,1/16W-1005REEL		C20001036M111S	1	
R1071,1072	nsp	R.CHIP THICK 47K-J,1/16W-1005REEL		C20004736M101S	2	
R1074	nsp	R.CHIP THICK 47K-J,1/16W-1005REEL		C20004736M101S	1	
R1075	nsp	R.CHIP THICK 0-J,1/16W-1005REEL		C20000006M101S	1	
R1076	nsp	R.CHIP THICK 47K-J,1/16W-1005REEL		C20004736M101S	1	
R1080	nsp	R.CHIP THICK 1K-J,1/16W-1005REEL		C20001026M101S	1	
R1081,1082	nsp	R.CHIP THICK 0-J,1/16W-1005REEL		C20000006M101S	2	
R1086	nsp	R.CHIP THICK 47K-J,1/16W-1005REEL		C20004736M101S	1	
R1089	nsp	R.CHIP THICK 10K-J,1/16W-1005REEL		C20001036M111S	1	
R1092	nsp	R.CHIP THICK 47K-J,1/16W-1005REEL		C20004736M101S	1	
R1093	nsp	R.CHIP THICK 10K-J,1/16W-1005REEL		C20001036M111S	1	
R1096	nsp	R.CHIP THICK 2.2K-J,1/16W-1005REEL		C20002226M101S	1	
R1097	nsp	R.CHIP THICK 0-J,1/16W-1005REEL		C20000006M101S	1	
R1099	nsp	R.CHIP THICK 8.2K-J,1/16W-1005REEL		C20008226M101S	1	
R1101	nsp	R.CHIP THICK 1K-J,1/16W-1005REEL		C20001026M101S	1	
R1102	nsp	R.CHIP THICK 10K-J,1/16W-1005REEL		C20001036M111S	1	
R1103,1104	nsp	R.CHIP THICK 47K-J,1/16W-1005REEL		C20004736M101S	2	
R1105	nsp	R.CHIP THICK 0-J,1/16W-1005REEL		C20000006M101S	1	
R1106	nsp	R.CHIP THICK 47K-J,1/16W-1005REEL		C20004736M101S	1	
R1107,1108	nsp	R.CHIP THICK 0-J,1/16W-1005REEL		C20000006M101S	2	
R1117	nsp	R.CHIP THICK 10K-J,1/16W-1005REEL		C20001036M111S	1	
R1120	nsp	R.CHIP THICK 10-J,1/16W-1005REEL		C20001006M101S	1	
R1121	nsp	R.CHIP THICK 1K-J,1/16W-1005REEL		C20001026M101S	1	
R1122	nsp	R.CHIP THICK 10K-J,1/16W-1005REEL		C20001036M111S	1	
R1123,1124	nsp	R.CHIP THICK 47K-J,1/16W-1005REEL		C20004736M101S	2	
R1125	nsp	R.CHIP THICK 0-J,1/16W-1005REEL		C20000006M101S	1	
R1126	nsp	R.CHIP THICK 47K-J,1/16W-1005REEL		C20004736M101S	1	
R1127	nsp	R.CHIP THICK 0-J,1/16W-1005REEL		C20000006M101S	1	
R1129	nsp	R.CHIP THICK 0-J,1/16W-1005REEL		C20000006M101S	1	
R1146	nsp	R.CHIP THICK 1K-J,1/16W-1005REEL		C20001026M101S	1	
R1147	nsp	R.CHIP THICK 10K-J,1/16W-1005REEL		C20001036M111S	1	
R1148,1149	nsp	R.CHIP THICK 47K-J,1/16W-1005REEL		C20004736M101S	2	
R1150	nsp	R.CHIP THICK 0-J,1/16W-1005REEL		C20000006M101S	1	
R1151	nsp	R.CHIP THICK 47K-J,1/16W-1005REEL		C20004736M101S	1	
R1152,1153	nsp	R.CHIP THICK 0-J,1/16W-1005REEL		C20000006M101S	2	
R1160	nsp	R.CHIP THICK 1.8K-J,1/16W-1005REEL		C20001826M101S	1	
R1161	nsp	R.CHIP THICK 0-J,1/16W-1005REEL		C20000006M101S	1	
R1163	nsp	R.CHIP THICK 1.8K-J,1/16W-1005REEL		C20001826M101S	1	
R1164	nsp	R.CHIP THICK 47K-J,1/16W-1005REEL		C20004736M101S	1	
R1165,1166	nsp	R.CHIP THICK 1.8K-J,1/16W-1005REEL		C20001826M101S	2	
R1167	nsp	R.CHIP THICK 47K-J,1/16W-1005REEL		C20004736M101S	1	
R1168-1170	nsp	R.CHIP THICK 47-J,1/16W-1005REEL		C20004706M101S	3	
R1171	nsp	R.CHIP THICK 1M-J,1/16W-1005REEL		C20001056M101S	1	
R1173-1176	nsp	R.CHIP THICK 10K-J,1/16W-1005REEL		C20001036M111S	4	
R1177	nsp	R.CHIP THICK 1K-J,1/16W-1005REEL		C20001026M101S	1	
R1178	nsp	R.CHIP THICK 10K-J,1/16W-1005REEL		C20001036M111S	1	
R1179-1181	nsp	R.CHIP THICK 47K-J,1/16W-1005REEL		C20004736M101S	3	
R1183	nsp	R.CHIP THICK 0-J,1/16W-1005REEL		C20000006M101S	1	
R1184	nsp	R.CHIP THICK 47K-J,1/16W-1005REEL		C20004736M101S	1	
R1186	nsp	R.CHIP THICK 1K-J,1/16W-1005REEL		C20001026M101S	1	
R1187,1188	nsp	R.CHIP THICK 0-J,1/16W-1005REEL		C20000006M101S	2	
R1189	nsp	R.CHIP THICK 10K-J,1/16W-1005REEL		C20001036M111S	1	
R1192,1193	nsp	R.CHIP THICK 47K-J,1/16W-1005REEL		C20004736M101S	2	
R1196	nsp	R.CHIP THICK 10K-J,1/16W-1005REEL		C20001036M111S	1	
R1199	nsp	R.CHIP THICK 0-J,1/16W-1005REEL		C20000006M101S	1	
R1206	nsp	R.CHIP THICK 0-J,1/16W-1005REEL		C20000006M101S	1	
R1209-1212	nsp	R.CHIP THICK 0-J,1/16W-1005REEL		C20000006M101S	4	
R1214	nsp	R.CHIP THICK 0-J,1/16W-1005REEL		C20000006M101S	1	
R1215-1217	nsp	R.CHIP THICK 10K-J,1/16W-1005REEL		C20001036M111S	3	
R1220	nsp	R.NETWORK A-TYPE 33-J 1/16W SMD(1005)*4 WA04X		C180330042100S	1	
R1233	nsp	R.CHIP THICK 47-J,1/16W-1005REEL		C20004706M101S	1	
R1234	nsp	R.CHIP THICK 10K-J,1/16W-1005REEL		C20001036M111S	1	
R1235	nsp	R.CHIP THICK 0-J,1/16W-1005REEL		C20000006M101S	1	
R1236-1238	nsp	R.CHIP THICK 100-J,1/16W-1005REEL		C20001016M101S	3	
R1240	nsp	R.CHIP THICK 10K-J,1/16W-1005REEL		C20001036M111S	1	
R1241,1242	nsp	R.CHIP THICK 100-J,1/16W-1005REEL		C20001016M101S	2	
R1249,1250	nsp	R.CHIP THICK 0-J,1/16W-1005REEL		C20000006M101S	2	
R1252	nsp	R.CHIP THICK 10K-J,1/16W-1005REEL		C20001036M111S	1	
R1253	nsp	R.CHIP THICK 0-J,1/16W-1005REEL		C20000006M101S	1	
R1254	nsp	R.NETWORK A-TYPE 100-J*4 1/16W SMD(1005) WA04		C180101040500S	1	
R1255	nsp	R.CHIP THICK 10-F,1/16W-1005REEL		C20001004M100S	1	
R1258	nsp	R.NETWORK A-TYPE 100-J*4 1/16W SMD(1005) WA04		C180101040500S	1	
R1259	nsp	R.CHIP THICK 10K-J,1/16W-1005REEL		C20001036M111S	1	
R1263	nsp	R.CHIP THICK 10K-J,1/16W-1005REEL		C20001036M111S	1	
R1264-1268	nsp	R.CHIP THICK 33-J,1/16W-1005REEL		C20003306M101S	5	
R1269	nsp	R.CHIP THICK 0-J,1/16W-1005REEL		C20000006M101S	1	
R1270,1271	nsp	R.CHIP THICK 33-J,1/16W-1005REEL		C20003306M101S	2	
R1273-1275	nsp	R.CHIP THICK 33-J,1/16W-1005REEL		C20003306M101S	3	
R1332	nsp	R.CHIP THICK 22K-J,1/16W-1005REEL		C20002236M101S	1	
R1337	nsp	R.CHIP THICK 22K-J,1/16W-1005REEL		C20002236M101S	1	
R1339	nsp	R.CHIP THICK 22K-J,1/16W-1005REEL		C20002236M101S	1	
R1341	nsp	R.CHIP THICK 22K-J,1/16W-1005REEL		C20002236M101S	1	
R1343	nsp	R.CHIP THICK 22K-J,1/16W-1005REEL		C20002236M101S	1	
R1344,1345	nsp	R.CHIP THICK 4.7K-J,1/16W-1005REEL		C20004726M101S	2	
R1346	nsp	R.CHIP THICK 100K-J,1/16W-1005REEL		C20001046M101S	1	
R1347	nsp	R.CHIP THICK 100-J,1/16W-1005REEL		C20001016M101S	1	
R1348	nsp	R.CHIP THICK 100K-J,1/16W-1005REEL		C20001046M101S	1	
R1349	nsp	R.CHIP THICK 100-J,1/16W-1005REEL		C20001016M101S	1	
R1354	nsp	R.CHIP THICK 100-J,1/16W-1005REEL		C20001016M101S	1	
R1355	nsp	R.CHIP THICK 18K-J,1/16W-1005REEL		C20001836M101S	1	
R1356	nsp	R.CHIP THICK 100-J,1/16W-1005REEL		C20001016M101S	1	
R1357	nsp	R.CHIP THICK 120K-J,1/16W-1005REEL		C20001246M101S	1	
R1358	nsp	R.CHIP THICK 100-J,1/16W-1005REEL		C20001016M101S	1	
R1359	nsp	R.CHIP THICK 120K-J,1/16W-1005REEL		C20001246M101S	1	
R1360	nsp	R.CHIP THICK 100-J,1/16W-1005REEL		C20001016M101S	1	
R1362	nsp	R.CHIP THICK 100-J,1/16W-1005REEL		C20001016M101S	1	
R1363	nsp	R.CHIP THICK 120K-J,1/16W-1005REEL		C20001246M101S	1	
R1364	nsp	R.CHIP THICK 100-J,1/16W-1005REEL		C20001016M101S	1	
R1366	nsp	R.CHIP THICK 4.7K-J,1/16W-1005REEL		C20004726M101S	1	
R1367,1368	nsp	R.CHIP THICK 33-J,1/16W-1005REEL		C20003306M101S	2	
R1369	nsp	R.CHIP THICK 33K-J,1/16W-1005REEL		C20003336M101S	1	
R1370	nsp	R.CHIP THICK 18K-J,1/16W-1005REEL		C20001836M101S	1	
R1371	nsp	R.CHIP THICK 10K-J,1/16W-1005REEL		C20001036M111S	1	

REF No.	Part No.	Part Name	Remarks	Q'ty	New	Ver
R1379	nsp	R_CHIP THICK 0-J,1/16W-1005REEL		C20000006M101S	1	
R1385	nsp	R_CHIP THICK 0-J,1/16W-1005REEL		C20000006M101S	1	
R1393,1394	nsp	R_CHIP THICK 4.7K-J,1/16W-1005REEL		C20004726M101S	2	
R1452	nsp	R_CHIP THICK 100-J,1/16W-1005REEL		C20001016M101S	1	
R1453,1454	nsp	R_CHIP THICK 10K-J,1/16W-1005REEL		C20001036M111S	2	
R1455,1456	nsp	R_CHIP THICK 1K-J,1/16W-1005REEL		C20001026M101S	2	
R1457,1458	nsp	R_CHIP THICK 4.7K-J,1/16W-1005REEL		C20004726M101S	2	
R1459	nsp	R_CHIP THICK 10K-J,1/16W-1005REEL		C20001036M111S	1	
R1460	nsp	R_CHIP THICK 4.7K-J,1/16W-1005REEL		C20004726M101S	1	
R1461	nsp	R_CHIP THICK 10K-J,1/16W-1005REEL		C20001036M111S	1	
R1462-1464	nsp	R_CHIP THICK 4.7K-J,1/16W-1005REEL		C20004726M101S	3	
R1465,1466	nsp	R_CHIP THICK 10K-J,1/16W-1005REEL		C20001036M111S	2	
R1467	nsp	R_CHIP THICK 100-J,1/16W-1005REEL		C20001016M101S	1	
R1468	nsp	R_CHIP THICK 4.7K-J,1/16W-1005REEL		C20004726M101S	1	
R1470-1473	nsp	R_CHIP THICK 33-J,1/16W-1005REEL		C20003306M101S	4	
R1474	nsp	R_CHIP THICK 0-J,1/16W-1005REEL		C20000006M101S	1	
R1475-1477	nsp	R_CHIP THICK 33-J,1/16W-1005REEL		C20003306M101S	3	
R1478	nsp	R_CHIP THICK 0-J,1/16W-1005REEL		C20000006M101S	1	
R1479,1480	nsp	R_CHIP THICK 33-J,1/16W-1005REEL		C20003306M101S	2	
R1481	nsp	R_CHIP THICK 4.7K-J,1/16W-1005REEL		C20004726M101S	1	
R1485	nsp	R_CHIP THICK 33-J,1/16W-1005REEL		C20003306M101S	1	
R1486	nsp	R_CHIP THICK 10-J,1/16W-1005REEL		C20001006M101S	1	
R1487	nsp	R_CHIP THICK 33-J,1/16W-1005REEL		C20003306M101S	1	
R1488,1489	nsp	R_CHIP THICK 10K-J,1/16W-1005REEL		C20001036M111S	2	
R1490	nsp	R_CHIP THICK 100K-J,1/16W-1005REEL		C20001046M101S	1	
R1491	nsp	R_CHIP THICK 1.2K-J,1/16W-1005REEL		C20001226M101S	1	
R1492	nsp	R_CHIP THICK 2.2M-J,1/16W-1005REEL		C20002256M101S	1	
R1493-1496	nsp	R_CHIP THICK 33-J,1/16W-1005REEL		C20003306M101S	4	
R1497	nsp	R_CHIP THICK 4.7K-J,1/16W-1005REEL		C20004726M101S	1	
R1499	nsp	R_CHIP THICK 47K-J,1/16W-1005REEL		C20004736M101S	1	
R1500,1501	nsp	R_CHIP THICK 33-J,1/16W-1005REEL		C20003306M101S	2	
R1502	nsp	R_CHIP THICK 3.3K-J,1/16W-1005REEL		C20003326M101S	1	
R1503	nsp	R_CHIP THICK 100K-J,1/16W-1005REEL		C20001046M101S	1	
R1504	nsp	R_CHIP THICK 27K-J,1/16W-1005REEL		C20002736M101S	1	
R1505	nsp	R_CHIP THICK 220K-J,1/16W-1005REEL		C20002246M101S	1	
R1506-1519	nsp	R_CHIP THICK 33-J,1/16W-1005REEL		C20003306M101S	14	
R1520	nsp	R_CHIP THICK 10K-J,1/16W-1005REEL		C20001036M111S	1	
R1521	nsp	R_CHIP THICK 33-J,1/16W-1005REEL		C20003306M101S	1	
R1522,1523	nsp	R_CHIP THICK 10K-J,1/16W-1005REEL		C20001036M111S	2	
R1524	nsp	R_CHIP THICK 0-J,1/16W-1608REEL	N	C20000006M160S	1	
R1524	nsp	R_CHIP THICK 10K-J,1/16W-1608REEL	K	C20001036M160S	1	
R1525	nsp	R_CHIP THICK 0-J,1/16W-1608REEL	U	C20000006M160S	1	
R1525	nsp	R_CHIP THICK 10K-J,1/16W-1608REEL	K	C20001036M160S	1	
R1526-1528	nsp	R_CHIP THICK 1K-J,1/16W-1005REEL		C20001026M101S	3	
R1530	nsp	R_CHIP THICK 33-J,1/16W-1005REEL		C20003306M101S	1	
R1531	nsp	R_CHIP THICK 10K-J,1/16W-1005REEL		C20001036M111S	1	
R1533S	nsp	R_CHIP THICK 0-J,1/16W-1005REEL		C20000006M101S	1	
R1546S	nsp	R_CHIP THICK 10K-J,1/16W-1005REEL		C20001036M111S	1	
R1547S	nsp	R_CHIP THICK 47K-J,1/16W-1005REEL		C20004736M101S	1	
R1550S	nsp	R_CHIP THICK 0-J,1/16W-1005REEL		C20000006M101S	1	
R1552S	nsp	R_CHIP THICK 1K-J,1/16W-1005REEL		C20001026M101S	1	
R1553S	nsp	R_CHIP THICK 2.2K-J,1/16W-1005REEL		C20002226M101S	1	
R1555S,1556	nsp	R_CHIP THICK 0-J,1/16W-1005REEL		C20000006M101S	2	
R1558S	nsp	R_CHIP THICK 10K-J,1/16W-1005REEL		C20001036M111S	1	
R1561S	nsp	R_CHIP THICK 0-J,1/16W-1005REEL		C20000006M101S	1	
R1588	nsp	R_CHIP THICK 0-J,1/16W-1005REEL		C20000006M101S	1	
R1589	nsp	R_CHIP THICK 47-J,1/16W-1005REEL		C20004706M101S	1	
R1590	nsp	R_CHIP THICK 0-J,1/16W-1005REEL		C20000006M101S	1	
R1591	nsp	R_CHIP THICK 47-J,1/16W-1005REEL		C20004706M101S	1	
R1593	nsp	R_CHIP THICK 0-J,1/16W-1005REEL		C20000006M101S	1	
R1595	nsp	R_CHIP THICK 10K-J,1/16W-1005REEL		C20001036M111S	1	
R1597	nsp	R_CHIP THICK 1M-J,1/16W-1005REEL		C20001056M101S	1	
R1598-1600	nsp	R_CHIP THICK 47-J,1/16W-1005REEL		C20004706M101S	3	
R1601S	nsp	R_CHIP THICK 2.2K-J,1/16W-1005REEL		C20002226M101S	1	
R1602-1606	nsp	R_CHIP THICK 47-J,1/16W-1005REEL		C20004706M101S	5	
R1608	nsp	R_CHIP THICK 56-J,1/16W-1005REEL		C20005606M101S	1	
R1609,1610	nsp	R_CHIP THICK 3.3K-J,1/16W-1005REEL		C20003326M101S	2	
R1611	nsp	R_CHIP THICK 33-J,1/16W-1005REEL		C20003306M101S	1	
R1612	nsp	R_CHIP THICK 3.3K-J,1/16W-1005REEL		C20003326M101S	1	
R1613	nsp	R_CHIP THICK 56-J,1/16W-1005REEL		C20005606M101S	1	
R1614-1616	nsp	R_CHIP THICK 47-J,1/16W-1005REEL		C20004706M101S	3	
R1617	nsp	R_CHIP THICK 33-J,1/16W-1005REEL		C20003306M101S	1	
R1618	nsp	R_CHIP THICK 10K-J,1/16W-1005REEL		C20001036M111S	1	
R1619,1620	nsp	R_CHIP THICK 0-J,1/16W-1005REEL		C20000006M101S	2	
R1622,1623	nsp	R_CHIP THICK 33-J,1/16W-1005REEL		C20003306M101S	2	
R1627	nsp	R_CHIP THICK 10K-J,1/16W-1005REEL		C20001036M111S	1	
R1628	nsp	R_NETWORK A-TYPE 47-J 1/16W SMD(1005)*4 WA04X		C180470042100S	1	
R1630,1631	nsp	R_CHIP THICK 1.8K-J,1/16W-1005REEL		C20001826M101S	2	
R1632	nsp	R_CHIP THICK 0-J,1/16W-1005REEL		C20000006M101S	1	
R1634	nsp	R_CHIP THICK 4.7K-J,1/16W-1005REEL		C20004726M101S	1	
R1637,1638	nsp	R_CHIP THICK 4.7K-J,1/16W-1005REEL		C20004726M101S	2	
R1640	nsp	R_CHIP THICK 4.7K-J,1/16W-1005REEL		C20004726M101S	1	
R1641	nsp	R_NETWORK A-TYPE 47-J 1/16W SMD(1005)*4 WA04X		C180470042100S	1	
R1642,1643	nsp	R_CHIP THICK 1K-D,1/16W-1608REEL		C20001021M160S	2	
R1645	nsp	R_CHIP THICK 470-D,1/16W-1608REEL		C20004711M160S	1	
R1647	nsp	R_CHIP THICK 3.3K-J,1/16W-1005REEL		C20003326M101S	1	
R1648	nsp	R_CHIP THICK 0-J,1/16W-1005REEL		C20000006M101S	1	
R1651	nsp	R_CHIP THICK 20K-J,1/16W-1005REEL		C20002036M101S	1	
R1652	nsp	R_CHIP THICK 4.7K-J,1/16W-1005REEL		C20004726M101S	1	
R1653,1654	nsp	R_CHIP THICK 3.3K-J,1/16W-1005REEL		C20003326M101S	2	
R1656	nsp	R_CHIP THICK 3.3K-J,1/16W-1005REEL		C20003326M101S	1	
R1657S	nsp	R_NETWORK A-TYPE 0-J*2 1/16W SMD(1005) WA04Y		C180000022100S	1	
R1658	nsp	R_CHIP THICK 2.7K-F,1/16W-1608REEL		C20002724M161S	1	
R1659	nsp	R_CHIP THICK 180-F,1/16W-1608REEL		C20001814M161S	1	
R1660	nsp	R_CHIP THICK 2.7K-F,1/16W-1608REEL		C20002724M161S	1	
R1661	nsp	R_CHIP THICK 180-F,1/16W-1608REEL		C20001814M161S	1	
R1663S-1665	nsp	R_NETWORK A-TYPE 0-J*2 1/16W SMD(1005) WA04Y		C180000022100S	3	
R1666-1669	nsp	R_CHIP THICK 33-J,1/16W-1005REEL		C20003306M101S	4	
R1671-1674	nsp	R_CHIP THICK 0-J,1/16W-1005REEL		C20000006M101S	4	
R1675	nsp	R_CHIP THICK 10K-J,1/16W-1005REEL		C20001036M111S	1	
R1676,1677	nsp	R_CHIP THICK 0-J,1/16W-1005REEL		C20000006M101S	2	
R1678	nsp	R_CHIP THICK 10K-J,1/16W-1005REEL		C20001036M111S	1	
R1680	nsp	R_CHIP THICK 0-J,1/16W-1005REEL		C20000006M101S	1	
R1681	nsp	R_CHIP THICK 33-J,1/16W-1005REEL		C20003306M101S	1	
R1682	nsp	R_CHIP THICK 0-J,1/16W-1005REEL		C20000006M101S	1	
R1683	nsp	R_CHIP THICK 10K-J,1/16W-1005REEL		C20001036M111S	1	
R1684	nsp	R_CHIP THICK 1K-J,1/16W-1005REEL		C20001026M101S	1	
R1685,1686	nsp	R_NETWORK A-TYPE 4.7K-J 1/16W SMD(1005)*4 WA04X		C180472042100S	2	
R1687	nsp	R_CHIP THICK 56-J,1/16W-1005REEL		C20005606M101S	1	
R1688,1689	nsp	R_CHIP THICK 47-J,1/16W-1005REEL		C20004706M101S	2	
R1690,1691	nsp	R_CHIP THICK 4.7K-J,1/16W-1005REEL		C20004726M101S	2	
R1692	nsp	R_NETWORK A-TYPE 47-J 1/16W SMD(1005)*4 WA04X		C180470042100S	1	
R1693,1694	nsp	R_CHIP THICK 47-J,1/16W-1005REEL		C20004706M101S	2	

REF No.	Part No.	Part Name	Remarks	Q'ty	New	Ver
R1695-1700	nsp	R.NETWORK A-TYPE 47-J 1/16W SMD(1005)*4 WA04X	C180470042100S	6		
R1701,1702	nsp	R.CHIP THICK 47-J,1/16W-1005REEL	C20004706M101S	2		
R1703-1710	nsp	R.NETWORK A-TYPE 47-J 1/16W SMD(1005)*4 WA04X	C180470042100S	8		
R1711	nsp	R.CHIP THICK 47-J,1/16W-1005REEL	C20004706M101S	1		
R1715,1716	nsp	R.CHIP THICK 1K-D,1/16W-1608REEL	C20001021M160S	2		
R1717,1718	nsp	R.CHIP THICK 10K-J,1/16W-1005REEL	C20001036M111S	2		
R1731	nsp	R.CHIP THICK 33-J,1/16W-1005REEL	C20003306M101S	1		
R1732	nsp	R.CHIP THICK 0-J,1/16W-1005REEL	C20000006M101S	1		
R1733,1734	nsp	R.CHIP THICK 10K-J,1/16W-1005REEL	C20001036M111S	2		
R1735	nsp	R.CHIP THICK 33-J,1/16W-1005REEL	C20003306M101S	1		
R1736	nsp	R.CHIP THICK 200K-F,1/16W-1608REEL	C20002044M160S	1		
R1737	nsp	R.CHIP THICK 220K-F,1/16W-1608REEL	C20002244M160S	1		
R1738	nsp	R.CHIP THICK 10K-F,1/16W-1608REEL	C20001034M160S	1		
R1739	nsp	R.CHIP THICK 4.7K-J,1/16W-1005REEL	C20004726M101S	1		
R1740	nsp	R.CHIP THICK 10-J,1/16W-1005REEL	C20001006M101S	1		
R1741,1742	nsp	R.CHIP THICK 10K-J,1/16W-1005REEL	C20001036M111S	2		
R1743	nsp	R.CHIP THICK 100K-J,1/16W-1005REEL	C20001046M101S	1		
R1746,1747	nsp	R.CHIP THICK 4.7K-J,1/16W-1005REEL	C20004726M101S	2		
R1748	nsp	R.CHIP THICK 100-J,1/16W-1005REEL	C20001016M101S	1		
R1750,1751	nsp	R.CHIP THICK 4.7K-J,1/16W-1005REEL	C20004726M101S	2		
R1753	nsp	R.CHIP THICK 33-J,1/16W-1005REEL	C20003306M101S	1		
R1754	nsp	R.CHIP THICK 10K-J,1/16W-1005REEL	C20001036M111S	1		
R1755	nsp	R.CHIP THICK 3.3K-J,1/16W-1005REEL	C20003326M101S	1		
R1756	nsp	R.CHIP THICK 47K-J,1/16W-1005REEL	C20004736M101S	1		
R1759	nsp	R.CHIP THICK 33-J,1/16W-1005REEL	C20003306M101S	1		
R1760	nsp	R.CHIP THICK 4.7K-J,1/16W-1005REEL	C20004726M101S	1		
R1761	nsp	R.CHIP THICK 10-J,1/16W-1005REEL	C20001006M101S	1		
R1762-1765	nsp	R.CHIP THICK 0-J,1/16W-1005REEL	C20000006M101S	4		
R1766	nsp	R.CHIP THICK 4.7K-J,1/16W-1005REEL	C20004726M101S	1		
R1767	nsp	R.CHIP THICK 10-J,1/16W-1005REEL	C20001006M101S	1		
R1768-1771	nsp	R.CHIP THICK 33-J,1/16W-1005REEL	C20003306M101S	4		
R1772	nsp	R.CHIP THICK 4.7K-J,1/16W-1005REEL	C20004726M101S	1		
R1774,1775	nsp	R.CHIP THICK 33-J,1/16W-1005REEL	C20003306M101S	2		
R1776-1778	nsp	R.CHIP THICK 10K-J,1/16W-1005REEL	C20001036M111S	3		
R1779	nsp	R.CHIP THICK 3.3K-J,1/16W-1005REEL	C20003326M101S	1		
R1780,1781	nsp	R.CHIP THICK 33-J,1/16W-1005REEL	C20003306M101S	2		
R1782,1783	nsp	R.CHIP THICK 10K-J,1/16W-1005REEL	C20001036M111S	2		
R1784	nsp	R.CHIP THICK 4.7K-J,1/16W-1005REEL	C20004726M101S	1		
R1785	nsp	R.CHIP THICK 10-J,1/16W-1005REEL	C20001006M101S	1		
R1786,1787	nsp	R.CHIP THICK 33-J,1/16W-1005REEL	C20003306M101S	2		
R1788	nsp	R.CHIP THICK 10K-F,1/16W-1608REEL	C20001034M160S	1		
R1789	nsp	R.CHIP THICK 33-J,1/16W-1005REEL	C20003306M101S	1		
R1790	nsp	R.CHIP THICK 10K-J,1/16W-1005REEL	C20001036M111S	1		
R1791	nsp	R.CHIP THICK 3.3K-J,1/16W-1005REEL	C20003326M101S	1		
R1792	nsp	R.CHIP THICK 10-J,1/16W-1005REEL	C20001006M101S	1		
R1793	nsp	R.CHIP THICK 4.7K-J,1/16W-1005REEL	C20004726M101S	1		
R1794	nsp	R.CHIP THICK 33-J,1/16W-1005REEL	C20003306M101S	1		
R1795	nsp	R.CHIP THICK 10K-J,1/16W-1005REEL	C20001036M111S	1		
R1796	nsp	R.CHIP THICK 33-J,1/16W-1005REEL	C20003306M101S	1		
R1797	nsp	R.CHIP THICK 10K-J,1/16W-1005REEL	C20001036M111S	1		
R1798	nsp	R.CHIP THICK 200K-F,1/16W-1608REEL	C20002044M160S	1		
R1799	nsp	R.CHIP THICK 33-J,1/16W-1005REEL	C20003306M101S	1		
R1800	nsp	R.CHIP THICK 0-J,1/16W-1005REEL	C20000006M101S	1		
R1801	nsp	R.CHIP THICK 220K-F,1/16W-1608REEL	C20002244M160S	1		
R1802	nsp	R.CHIP THICK 10-J,1/16W-1005REEL	C20001006M101S	1		
R1809	nsp	R.CHIP THICK 10K-F,1/16W-1608REEL	C20001034M160S	1		
R1810	nsp	R.CHIP THICK 10-J,1/16W-1005REEL	C20001006M101S	1		
R1811	nsp	R.CHIP THICK 4.7K-J,1/16W-1005REEL	C20004726M101S	1		
R1812	nsp	R.CHIP THICK 10-J,1/16W-1005REEL	C20001006M101S	1		
R1813,1814	nsp	R.CHIP THICK 4.7K-J,1/16W-1005REEL	C20004726M101S	2		
R1815	nsp	R.CHIP THICK 10-J,1/16W-1005REEL	C20001006M101S	1		
R1816	nsp	R.CHIP THICK 10K-J,1/16W-1005REEL	C20001036M111S	1		
R1817	nsp	R.CHIP THICK 3.3K-J,1/16W-1005REEL	C20003326M101S	1		
R1818	nsp	R.CHIP THICK 1K-J,1/16W-1005REEL	C20001026M101S	1		
R1819	nsp	R.CHIP THICK 27K-J,1/16W-1005REEL	C20002736M101S	1		
R1820,1821	nsp	R.CHIP THICK 0-J,1/16W-1005REEL	C20000006M101S	2		
R1822	nsp	R.CHIP THICK 10K-J,1/16W-1005REEL	C20001036M111S	1		
R1823	nsp	R.CHIP THICK 3.3K-J,1/16W-1005REEL	C20003326M101S	1		
R1824	nsp	R.CHIP THICK 0-J,1/16W-1005REEL	C20000006M101S	1		
R1827	nsp	R.CHIP THICK 4.7K-J,1/16W-1005REEL	C20004726M101S	1		
R1828	nsp	R.CHIP THICK 3.3K-J,1/16W-1005REEL	C20003326M101S	1		
R1829	nsp	R.CHIP THICK 10K-J,1/16W-1005REEL	C20001036M111S	1		
R1830	nsp	R.CHIP THICK 10-J,1/16W-1005REEL	C20001006M101S	1		
R1833,1834	nsp	R.CHIP THICK 0-J,1/16W-1608REEL	C20000006M160S	2		
R1837	nsp	R.CHIP THICK 3.3K-J,1/16W-1005REEL	C20003326M101S	1		
R1838	nsp	R.CHIP THICK 75-J,1/16W-1608REEL	C20007506M160S	1		
R1839	nsp	R.CHIP THICK 47-J,1/16W-1005REEL	C20004706M101S	1		
R1840	nsp	R.CHIP THICK 75-J,1/16W-1608REEL	C20007506M160S	1		
R1841	nsp	R.CHIP THICK 47-J,1/16W-1005REEL	C20004706M101S	1		
R1844	nsp	R.CHIP THICK 47-J,1/16W-1005REEL	C20004706M101S	1		
R1850-1852	nsp	R.CHIP THICK 47K-J,1/16W-1005REEL	C20004736M101S	3		
R1853-1855	nsp	R.CHIP THICK 10-J,1/16W-1005REEL	C20001006M101S	3		
R1856,1857	nsp	R.CHIP THICK 0-J,1/16W-1005REEL	C20000006M101S	2		
R1858	nsp	R.CHIP THICK 10-J,1/16W-1005REEL	C20001006M101S	1		
R1859,1860	nsp	R.CHIP THICK 0-J,1/16W-1005REEL	C20000006M101S	2		
R1861	nsp	R.CHIP THICK 10-J,1/16W-1005REEL	C20001006M101S	1		
R1862,1863	nsp	R.CHIP THICK 0-J,1/16W-1005REEL	C20000006M101S	2		
R1864,1865	nsp	R.CHIP THICK 10-J,1/16W-1005REEL	C20001006M101S	2		
R1867	nsp	R.CHIP THICK 10-J,1/16W-1005REEL	C20001006M101S	1		
R1868	nsp	R.CHIP THICK 4.7K-J,1/16W-1005REEL	C20004726M101S	1		
R1869,1870	nsp	R.CHIP THICK 1.8K-J,1/16W-1005REEL	C20001826M101S	2		
R1871	nsp	R.CHIP THICK 10K-J,1/16W-1005REEL	C20001036M111S	1		
R1873-1880	nsp	R.CHIP THICK 0-J,1/16W-1005REEL	C20000006M101S	8		
R1881-1883	nsp	R.CHIP THICK 47-J,1/16W-1005REEL	C20004706M101S	3		
R1884	nsp	R.CHIP THICK 47K-J,1/16W-1005REEL	C20004736M101S	1		
R1885,1886	nsp	R.CHIP THICK 1.8K-J,1/16W-1005REEL	C20001826M101S	2		
R1887,1888	nsp	R.CHIP THICK 51-D,1/16W-1608REEL	C20005101M160S	2		
R1889,1890	nsp	R.CHIP THICK 10K-J,1/16W-1005REEL	C20001036M111S	2		
R1891	nsp	R.CHIP THICK 5.1-J,1/16W-1005REEL	C20005R106M100S	1		
R1892	nsp	R.CHIP THICK 10K-J,1/16W-1005REEL	C20001036M111S	1		
R1893	nsp	R.CHIP THICK 1M-J,1/16W-1005REEL	C20001056M101S	1		
R1894	nsp	R.CHIP THICK 1K-J,1/16W-1005REEL	C20001026M101S	1		
R1897	nsp	R.CHIP THICK 1K-J,1/16W-1005REEL	C20001026M101S	1		
R1898	nsp	R.CHIP THICK 10K-J,1/16W-1005REEL	C20001036M111S	1		
R1899	nsp	R.CHIP THICK 1K-J,1/16W-1005REEL	C20001026M101S	1		
R1900,1901	nsp	R.CHIP THICK 4.7K-J,1/16W-1005REEL	C20004726M101S	2		
R1902	nsp	R.CHIP THICK 33-J,1/16W-1005REEL	C20003306M101S	1		
R1903	nsp	R.CHIP THICK 3.3K-J,1/16W-1005REEL	C20003326M101S	1		
R1905	nsp	R.CHIP THICK 820-J,1/16W-1005REEL	C20008216M101S	1		
R1906	nsp	R.NETWORK A-TYPE 33-J 1/16W SMD(1005)*4 WA04X	C180330042100S	1		
R1907	nsp	R.CHIP THICK 680-J,1/16W-1005REEL	C20006816M101S	1		
R1908	nsp	R.NETWORK A-TYPE 33-J 1/16W SMD(1005)*4 WA04X	C180330042100S	1		
R1909	nsp	R.CHIP THICK 0-J,1/16W-1005REEL	C20000006M101S	1		

REF No.	Part No.	Part Name	Remarks	Q'ty	New	Ver
R1910	nsp	R.NETWORK A-TYPE 10K-J*4 1/16W SMD(1005) WA04		C180103042100S	1	
R1911	nsp	R.CHIP THICK 0-J,1/16W-1005REEL		C20000006M101S	1	
R1914,1915	nsp	R.CHIP THICK 33-J,1/16W-1005REEL		C20003306M101S	2	
R1916,1917	nsp	R.NETWORK A-TYPE 33-J,1/16W SMD(1005)*4 WA04X		C180330042100S	2	
R1919	nsp	R.CHIP THICK 0-J,1/16W-1608REEL		C20000006M160S	1	
R1920,1921	nsp	R.CHIP THICK 33-J,1/16W-1005REEL		C20003306M101S	2	
R1922	nsp	R.NETWORK A-TYPE 33-J,1/16W SMD(1005)*4 WA04X		C180330042100S	1	
R1923	nsp	R.CHIP THICK 33-J,1/16W-1005REEL		C20003306M101S	1	
R1924	nsp	R.NETWORK A-TYPE 33-J,1/16W SMD(1005)*4 WA04X		C180330042100S	1	
R1925-1927	nsp	R.CHIP THICK 33-J,1/16W-1005REEL		C20003306M101S	3	
R1929	nsp	R.CHIP THICK 33-J,1/16W-1005REEL		C20003306M101S	1	
R1931,1932	nsp	R.CHIP THICK 33-J,1/16W-1005REEL		C20003306M101S	2	
R1933	nsp	R.CHIP THICK 47-J,1/16W-1005REEL		C20004706M101S	1	
R1934	nsp	R.NETWORK A-TYPE 33-J,1/16W SMD(1005)*4 WA04X		C180330042100S	1	
R1935,1936	nsp	R.CHIP THICK 33-J,1/16W-1005REEL		C20003306M101S	2	
R1937	nsp	R.CHIP THICK 75-J,1/16W-1608REEL		C20007506M160S	1	
R1940	nsp	R.CHIP THICK 0-J,1/16W-1005REEL		C20000006M101S	1	
R1941,1942	nsp	R.CHIP THICK 33-J,1/16W-1005REEL		C20003306M101S	2	
R1943	nsp	R.CHIP THICK 1K-J,1/16W-1005REEL		C20001026M101S	1	
R1944,1945	nsp	R.CHIP THICK 10K-J,1/16W-1005REEL		C20001036M111S	2	
R1946	nsp	R.CHIP THICK 470-J,1/16W-1005REEL		C20004716M101S	1	
R1948,1949	nsp	R.CHIP THICK 150-J,1/16W-1005REEL		C20001516M101S	2	
R1951	nsp	R.CHIP THICK 47K-J,1/16W-1005REEL		C20004736M101S	1	
R1952	nsp	R.CHIP THICK 330K-J,1/16W-1005REEL		C20003346M101S	1	
R1953-1955	nsp	R.CHIP THICK 10K-J,1/16W-1005REEL		C20001036M111S	3	
R1956	nsp	R.CHIP THICK 470-J,1/16W-1005REEL		C20004716M101S	1	
R1957	nsp	R.CHIP THICK 47K-J,1/16W-1005REEL		C20004736M101S	1	
R1958,1959	nsp	R.CHIP THICK 150-J,1/16W-1005REEL		C20001516M101S	2	
R1960	nsp	R.CHIP THICK 330K-J,1/16W-1005REEL		C20003346M101S	1	
R1961	nsp	R.CHIP THICK 33-J,1/16W-1005REEL		C20003306M101S	1	
R1963	nsp	R.CHIP THICK 33-J,1/16W-1005REEL		C20003306M101S	1	
R1967	nsp	R.CHIP THICK 33-J,1/16W-1005REEL		C20003306M101S	1	
R1969	nsp	R.CHIP THICK 33-J,1/16W-1005REEL		C20003306M101S	1	
R1970	nsp	R.CHIP THICK 47-J,1/16W-1005REEL		C20004706M101S	1	
R1983	nsp	R.CHIP THICK 5.1-J,1/16W-1005REEL		C2005R106M100S	1	
R1984-1986	nsp	R.NETWORK A-TYPE 0-J*2 1/16W SMD(1005) WA04Y		C180000022100S	3	
R1988-1990	nsp	R.NETWORK A-TYPE 0-J*2 1/16W SMD(1005) WA04Y		C180000022100S	3	
R1992	nsp	R.CHIP THICK 33-J,1/16W-1005REEL		C20003306M101S	1	
R1993,1994	nsp	R.CHIP THICK 1K-J,1/16W-1005REEL		C20001026M101S	2	
R1995	nsp	R.CHIP THICK 100K-J,1/16W-1005REEL		C20001046M101S	1	
R1997,1998	nsp	C.CERAMIC CHIP HIK X7R)0.1UF-K/25V-1608REEL		D011104774161S	2	
R1999	nsp	R.CHIP THICK 100-J,1/16W-1608REEL		C20001016M160S	1	
R2001	nsp	R.CHIP THICK 100K-J,1/16W-1005REEL		C20001046M101S	1	
R2002	nsp	R.CHIP THICK 100-J,1/16W-1608REEL		C20001016M160S	1	
R2003	nsp	R.CHIP THICK 100K-J,1/16W-1005REEL		C20001046M101S	1	
R2004	nsp	R.CHIP THICK 200K-F,1/16W-1608REEL		C20002044M160S	1	
R2006	nsp	R.CHIP THICK 220K-F,1/16W-1608REEL		C20002244M160S	1	
R2007	nsp	R.CHIP THICK 0-J,1/16W-1608REEL		C20000006M160S	1	
R2009	nsp	R.CHIP THICK 100K-J,1/16W-1005REEL		C20001046M101S	1	
R2010	nsp	R.CHIP THICK 100-J,1/16W-1608REEL		C20001016M160S	1	
R2011	nsp	R.CHIP THICK 200K-F,1/16W-1608REEL		C20002044M160S	1	
R2012	nsp	R.CHIP THICK 44.2K-F,1/10W-1608REEL		C200442240161S	1	
R2013	nsp	R.CHIP THICK 100-J,1/16W-1608REEL		C20001016M160S	1	
R2014	nsp	R.CHIP THICK 100K-J,1/16W-1005REEL		C20001046M101S	1	
R2015	nsp	R.CHIP THICK 0-J,1/16W-1608REEL		C20000006M160S	1	
R2016	nsp	R.CHIP THICK 200K-D,1/10W-1608REEL		C200020410161S	1	
R2017	nsp	R.CHIP THICK 100-J,1/16W-1608REEL		C20001016M160S	1	
R2018	nsp	R.CHIP THICK 44.2K-D,1/10W-1608REEL		C200442210160S	1	
R2020	nsp	R.NETWORK A-TYPE 33-J,1/16W SMD(1005)*4 WA04X		C180330042100S	1	
R2021	nsp	R.CHIP THICK 100-J,1/16W-1608REEL		C20001016M160S	1	
R2022	nsp	R.CHIP THICK 100K-J,1/16W-1005REEL		C20001046M101S	1	
R2023	nsp	R.CHIP THICK 0-J,1/16W-1608REEL		C20000006M160S	1	
R2024	nsp	R.CHIP THICK 200K-F,1/16W-1608REEL		C20002044M160S	1	
R2025	nsp	R.CHIP THICK 300K-F,1/16W-1608REEL		C20003044M160S	1	
R2027,2028	nsp	R.CHIP THICK 33-J,1/16W-1005REEL		C20003306M101S	2	
R2029	nsp	R.CHIP THICK 0-J,1/16W-1005REEL		C20000006M101S	1	
R2030	nsp	R.CHIP THICK 15K-F,1/16W-1608REEL		C20001534M160S	1	
R2031	nsp	R.CHIP THICK 100K-J,1/16W-1005REEL		C20001046M101S	1	
R2032	nsp	R.CHIP THICK 33-J,1/16W-1005REEL		C20003306M101S	1	
R2033	nsp	R.CHIP THICK 1K-J,1/16W-1005REEL		C20001026M101S	1	
R2034	nsp	R.CHIP THICK 100-J,1/16W-1608REEL		C20001016M160S	1	
R2035	nsp	R.CHIP THICK 82K-F,1/16W-1608REEL		C20008234M161S	1	
R2036	nsp	R.CHIP THICK 200K-F,1/16W-1608REEL		C20002044M160S	1	
R2037	nsp	R.CHIP THICK 4.7K-J,1/16W-1005REEL		C20004726M101S	1	
R2038	nsp	R.CHIP THICK 100-J,1/16W-1608REEL		C20001016M160S	1	
R2040	nsp	R.CHIP THICK 100K-J,1/16W-1005REEL		C20001046M101S	1	
R2041	nsp	R.CHIP THICK 200K-D,1/10W-1608REEL		C200020410161S	1	
R2043	nsp	R.CHIP THICK 4.7K-J,1/16W-1005REEL		C20004726M101S	1	
R2044	nsp	R.CHIP THICK 100-J,1/16W-1608REEL		C20001016M160S	1	
R2046	nsp	R.CHIP THICK 4.7K-D,1/10W-1608REEL		C200047210161S	1	
R2047	nsp	R.CHIP THICK 100-J,1/16W-1608REEL		C20001016M160S	1	
R2048	nsp	R.CHIP THICK 180K-D,1/10W-1608REEL		C200018410160S	1	
R2049	nsp	R.CHIP THICK 0-J,1/16W-1005REEL		C20000006M101S	1	
R2051	nsp	R.CHIP THICK 100K-D,1/16W-1608REEL		C20001041M161S	1	
R2052	nsp	R.CHIP THICK 0-J,1/16W-1608REEL		C20000006M160S	1	
R2054	nsp	R.CHIP THICK 100K-J,1/16W-1005REEL		C20001046M101S	1	
R2055	nsp	R.CHIP THICK 200K-D,1/10W-1608REEL		C200020410161S	1	
R2056	nsp	R.CHIP THICK 1.2K-D,1/16W-1608REEL		C20001221M161S	1	
R2057	nsp	R.CHIP THICK 0-J,1/16W-1005REEL		C20000006M101S	1	
R2058	nsp	R.CHIP THICK 100-J,1/16W-1608REEL		C20001016M160S	1	
R2059	nsp	R.CHIP THICK 62K-D,1/10W-1608REEL		C200062310161S	1	
R2060	nsp	R.CHIP THICK 100K-J,1/16W-1005REEL		C20001046M101S	1	
R2061	nsp	R.CHIP THICK 10K-J,1/16W-1005REEL		C20001036M111S	1	
R2062	nsp	R.CHIP THICK 100-J,1/16W-1608REEL		C20001016M160S	1	
R2063	nsp	R.CHIP THICK 200K-D,1/10W-1608REEL		C200020410161S	1	
R2065	nsp	R.CHIP THICK 3.3K-J,1/16W-1005REEL		C20003326M101S	1	
R2066	nsp	R.CHIP THICK 470-J,1/16W-1005REEL		C20004716M101S	1	
R2067	nsp	R.CHIP THICK 10K-J,1/16W-1005REEL		C20001036M111S	1	
R2068	nsp	R.CHIP THICK 100K-J,1/16W-1005REEL		C20001046M101S	1	
R2069	nsp	R.CHIP THICK 100-J,1/16W-1608REEL		C20001016M160S	1	
R2070	nsp	R.CHIP THICK 33-J,1/16W-1005REEL		C20003306M101S	1	
R2072	nsp	R.CHIP THICK 100-J,1/16W-1608REEL		C20001016M160S	1	
R2074	nsp	R.CHIP THICK 100K-J,1/16W-1005REEL		C20001046M101S	1	
R2076	nsp	R.CHIP THICK 3.3K-J,1/16W-1005REEL		C20003326M101S	1	
R2077	nsp	R.CHIP THICK 100-J,1/16W-1005REEL		C20001016M101S	1	
R2078	nsp	R.CHIP THICK 470-J,1/16W-1005REEL		C20004716M101S	1	
R2079	nsp	R.CHIP THICK 100-J,1/16W-1005REEL		C20001016M101S	1	
R2082	nsp	R.CHIP THICK 100-J,1/16W-1608REEL		C20001016M160S	1	
R2083,2084	nsp	R.CHIP THICK 100-J,1/16W-1005REEL		C20001016M101S	2	
R2085	nsp	R.CHIP THICK 100-J,1/16W-1608REEL		C20001016M160S	1	
R2087	nsp	R.CHIP THICK 100-J,1/16W-1005REEL		C20001016M101S	1	
R2089-2092	nsp	R.CHIP THICK 24-J,1/16W-1608REEL		C20002406M160S	4	
R2093-2096	nsp	R.CHIP THICK 51-J,1/16W-1608REEL		C20005106M160S	4	

REF No.	Part No.	Part Name	Remarks	Q'ty	New	Ver
R2097	nsp	R.CHIP THICK 2.2K-J,1/16W-1005REEL		C20002226M101S	1	
R2098-2100	nsp	R.CHIP THICK 100-J,1/16W-1005REEL		C20001016M101S	3	
R2101-2103	nsp	R.CHIP THICK 3.3K-J,1/16W-1005REEL		C20003326M101S	3	
R2104	nsp	R.CHIP THICK 4.7K-J,1/16W-1005REEL		C20004726M101S	1	
R2105	nsp	R.CHIP THICK 3.3K-J,1/16W-1005REEL		C20003326M101S	1	
R2108	nsp	R.CHIP THICK 3.3K-J,1/16W-1005REEL		C20003326M101S	1	
R2109	nsp	R.CHIP THICK 10K-J,1/16W-1005REEL		C20001036M111S	1	
R2110	nsp	R.CHIP THICK 0-J,1/16W-1005REEL		C20000006M101S	1	
R2111-2114	nsp	R.CHIP THICK 3.3K-J,1/16W-1005REEL		C20003326M101S	4	
R2117	nsp	R.CHIP THICK 0-J,1/16W-1608REEL		C20000006M160S	1	
R2118	nsp	R.CHIP THICK 10K-J,1/16W-1005REEL		C20001036M111S	1	
R2120	nsp	R.CHIP THICK 470-D,1/16W-1608REEL		C20004711M160S	1	
R2121	nsp	R.CHIP THICK 10K-J,1/16W-1005REEL		C20001036M111S	1	
R2123,2124	nsp	R.CHIP THICK 4.7K-J,1/16W-1005REEL		C20004726M101S	2	
R2125	nsp	R.NETWORK A-TYPE 4.7K-J 1/16W SMD(1005)*4 WA04X		C180472042100S	1	
R2126	nsp	R.CHIP THICK 10K-J,1/16W-1005REEL		C20001036M111S	1	
R2127	nsp	R.CHIP THICK 47-J,1/16W-1005REEL		C20004706M101S	1	
R2128	nsp	R.CHIP THICK 10K-J,1/16W-1005REEL		C20001036M111S	1	
R2129	nsp	R.NETWORK A-TYPE 4.7K-J 1/16W SMD(1005)*4 WA04X		C180472042100S	1	
R2130	nsp	R.CHIP THICK 47K-J,1/16W-1005REEL		C20004736M101S	1	
R2132	nsp	R.NETWORK A-TYPE 4.7K-J 1/16W SMD(1005)*4 WA04X		C180472042100S	1	
R2133	nsp	R.NETWORK A-TYPE 47K-J 1/16W SMD(1005)*4 WA04X		C180473042100S	1	
R2135	nsp	R.NETWORK A-TYPE 4.7K-J 1/16W SMD(1005)*4 WA04X		C180472042100S	1	
R2136	nsp	R.NETWORK A-TYPE 47K-J 1/16W SMD(1005)*4 WA04X		C180473042100S	1	
R2139	nsp	R.NETWORK A-TYPE 4.7K-J 1/16W SMD(1005)*4 WA04X		C180472042100S	1	
R2140,2141	nsp	R.CHIP THICK 47K-J,1/16W-1005REEL		C20004736M101S	2	
R2142	nsp	R.NETWORK A-TYPE 10-J 1/16W SMD(1005)*4 WA04X		C180100042100S	1	
R2143,2144	nsp	R.CHIP THICK 2.2K-J,1/16W-1005REEL		C20002226M101S	2	
R2145	nsp	R.CHIP THICK 10K-J,1/16W-1005REEL		C20001036M111S	1	
R2146	nsp	R.CHIP THICK 4.7K-J,1/16W-1005REEL		C20004726M101S	1	
R2147	nsp	R.CHIP THICK 10-J,1/16W-1005REEL		C20001006M101S	1	
R2150	nsp	R.NETWORK A-TYPE 47K-J 1/16W SMD(1005)*4 WA04X		C180473042100S	1	
R2151	nsp	R.NETWORK A-TYPE 4.7K-J 1/16W SMD(1005)*4 WA04X		C180472042100S	1	
R2156	nsp	R.NETWORK A-TYPE 4.7K-J 1/16W SMD(1005)*4 WA04X		C180472042100S	1	
R2159	nsp	R.CHIP THICK 1K-J,1/16W-1005REEL		C20001026M101S	1	
R2162	nsp	R.CHIP THICK 47K-J,1/16W-1005REEL		C20004736M101S	1	
R2163	nsp	R.CHIP THICK 4.7K-J,1/16W-1005REEL		C20004726M101S	1	
R2164	nsp	R.NETWORK A-TYPE 4.7K-J 1/16W SMD(1005)*4 WA04X		C180472042100S	1	
R2171	nsp	R.CHIP THICK 10K-J,1/16W-1005REEL		C20001036M111S	1	
R2181	nsp	R.NETWORK A-TYPE 10K-J*4 1/16W SMD(1005) WA04		C180103042100S	1	
R2182,2183	nsp	R.NETWORK A-TYPE 33-J 1/16W SMD(1005)*4 WA04X		C180330042100S	2	
R2184	nsp	R.NETWORK A-TYPE 47-J 1/16W SMD(1005)*4 WA04X		C180470042100S	1	
R2185	nsp	R.NETWORK A-TYPE 33-J 1/16W SMD(1005)*4 WA04X		C180330042100S	1	
R2186	nsp	R.NETWORK A-TYPE 47-J 1/16W SMD(1005)*4 WA04X		C180470042100S	1	
R2187,2188	nsp	R.NETWORK A-TYPE 33-J 1/16W SMD(1005)*4 WA04X		C180330042100S	2	
R2189-2194	nsp	R.NETWORK A-TYPE 47-J 1/16W SMD(1005)*4 WA04X		C180470042100S	6	
CAPACITORS GROUP						
C1000-1007	nsp	C.CERAMIC CHIP HIK X7R1000PF-K/50V-1005REEL		D01102177101S	8	
C1008-1010	nsp	C.CERAMIC CHIP HIK X7R4.7UF-K/6.3V-1608REEL		D011475571160S	3	
C1015	nsp	C.CERAMIC CHIP HIK X7R4.7UF-K/6.3V-1608REEL		D011475571160S	1	
C1030,1031	nsp	C.CERAMIC CHIP HIK X7R4.7UF-K/6.3V-1608REEL		D011475571160S	2	
C1032	nsp	C.CERAMIC CHIP HIK X7R0.1UF-K/16V-1005REEL		D011104177101S	1	
C1034,1035	nsp	C.CERAMIC CHIP HIK X7R4.7UF-K/6.3V-1608REEL		D011475571160S	2	
C1042,1043	nsp	C.CERAMIC CHIP HIK X7R4.7UF-K/6.3V-1608REEL		D011475571160S	2	
C1056,1057	nsp	C.CERAMIC CHIP HIK X7R4.7UF-K/6.3V-1608REEL		D011475571160S	2	
C1067,1068	nsp	C.CERAMIC CHIP HIK X7R4.7UF-K/6.3V-1608REEL		D011475571160S	2	
C1070	nsp	C.CERAMIC CHIP HIK X7R0.1UF-K/16V-1005REEL		D011104177101S	1	
C1073-1076	nsp	C.CERAMIC CHIP HIK X7R0.1UF-K/16V-1005REEL		D011104177101S	4	
C1077,1078	nsp	C.CERAMIC CHIP T.C COG10PF-J/50V-1608REEL		D010100167161S	2	
C1079-1085	nsp	C.CERAMIC CHIP HIK X7R0.1UF-K/16V-1005REEL		D011104177101S	7	
C1086	nsp	C.CERAMIC CHIP HIK X7R1000PF-K/50V-1005REEL		D011102177101S	1	
C1087	nsp	C.CERAMIC CHIP HIK X7R0.1UF-K/16V-1005REEL		D011104177101S	1	
C1089,1090	nsp	C.CERAMIC CHIP HIK X7R0.1UF-K/16V-1005REEL		D011104177101S	2	
C1091-1093	nsp	C.CERAMIC CHIP HIK X7R4.7UF-K/6.3V-1608REEL		D011475571160S	3	
C1095	nsp	C.CERAMIC CHIP HIK X7R0.1UF-K/16V-1005REEL		D011104177101S	1	
C1098	nsp	C.CERAMIC CHIP HIK X7R4.7UF-K/6.3V-1608REEL		D011475571160S	1	
C1099-1109	nsp	C.CERAMIC CHIP HIK X7R0.1UF-K/16V-1005REEL		D011104177101S	11	
C1113,1114	nsp	C.CERAMIC CHIP HIK X7R4.7UF-K/6.3V-1608REEL		D011475571160S	2	
C1115	nsp	C.CERAMIC CHIP HIK X7R0.1UF-K/16V-1005REEL		D011104177101S	1	
C1117,1118	nsp	C.CERAMIC CHIP HIK X7R4.7UF-K/6.3V-1608REEL		D011475571160S	2	
C1120-1122	nsp	C.CERAMIC CHIP HIK X7R0.1UF-K/16V-1005REEL		D011104177101S	3	
C1125,1126	nsp	C.CERAMIC CHIP HIK X7R4.7UF-K/6.3V-1608REEL		D011475571160S	2	
C1127-1136	nsp	C.CERAMIC CHIP HIK X7R0.1UF-K/16V-1005REEL		D011104177101S	10	
C1139,1140	nsp	C.CERAMIC CHIP HIK X7R4.7UF-K/6.3V-1608REEL		D011475571160S	2	
C1141-1147	nsp	C.CERAMIC CHIP HIK X7R0.1UF-K/16V-1005REEL		D011104177101S	7	
C1150,1151	nsp	C.CERAMIC CHIP HIK X7R4.7UF-K/6.3V-1608REEL		D011475571160S	2	
C1152-1159	nsp	C.CERAMIC CHIP HIK X7R0.1UF-K/16V-1005REEL		D011104177101S	8	
C1160,1161	nsp	C.CERAMIC CHIP T.C COG10PF-J/50V-1608REEL		D010100167161S	2	
C1162	nsp	C.CERAMIC CHIP HIK X7R0.1UF-K/16V-1005REEL		D011104177101S	1	
C1169	nsp	C.CERAMIC CHIP HIK X7R1000PF-K/50V-1005REEL		D011102177101S	1	
C1170	nsp	C.CERAMIC CHIP HIK X7R0.1UF-K/16V-1005REEL		D011104177101S	1	
C1173	nsp	C.CERAMIC CHIP HIK X7R0.1UF-K/16V-1005REEL		D011104177101S	1	
C1174	nsp	C.CERAMIC CHIP HIK X7R1000PF-K/50V-1005REEL		D011102177101S	1	
C1175-1177	nsp	C.CERAMIC CHIP HIK X7R0.1UF-K/16V-1005REEL		D011104177101S	3	
C1179,1180	nsp	C.CERAMIC CHIP HIK X7R4.7UF-K/6.3V-1608REEL		D011475571160S	2	
C1181	nsp	C.CERAMIC CHIP HIK X7R0.1UF-K/16V-1005REEL		D011104177101S	1	
C1182,1183	nsp	C.CERAMIC CHIP HIK X7R4.7UF-K/6.3V-1608REEL		D011475571160S	2	
C1184,1185	nsp	C.CERAMIC CHIP HIK X7R1UF-K/10V-1608REEL		D01105722161S	2	
C1187,1188	nsp	C.CERAMIC CHIP HIK X7R0.1UF-K/16V-1005REEL		D011104177101S	2	
C1189-1192	nsp	C.CERAMIC CHIP HIK X5R2J20UF-K/16V-1608REEL GRM188R61C225KE15D		D011225573160S	4	
C1193,1194	nsp	C.CERAMIC CHIP HIK X7R0.1UF-K/16V-1005REEL		D011104177101S	2	
C1196,1197	nsp	C.CERAMIC CHIP HIK X7R0.1UF-K/16V-1005REEL		D011104177101S	2	
C1199,1200	nsp	C.CERAMIC CHIP HIK X7R0.1UF-K/16V-1005REEL		D011104177101S	2	
C1201	nsp	C.CERAMIC CHIP HIK X7R1000PF-K/50V-1005REEL		D011102177101S	1	
C1202	nsp	C.CERAMIC CHIP HIK X7R0.1UF-K/16V-1005REEL		D011104177101S	1	
C1203	nsp	C.CERAMIC CHIP HIK X7R0.022UF-K/25V-1608REEL		D01122377160S	1	
C1205-1210	nsp	C.CERAMIC CHIP HIK X7R0.1UF-K/16V-1005REEL		D011104177101S	6	
C1213	nsp	C.CERAMIC CHIP HIK X7R0.1UF-K/16V-1005REEL		D011104177101S	1	
C1216-1229	nsp	C.CERAMIC CHIP HIK X7R0.1UF-K/16V-1005REEL		D011104177101S	14	
C1286,1287	nsp	C.CERAMIC CHIP HIK X7R0.1UF-K/16V-1005REEL		D011104177101S	2	
C1288,1289	nsp	C.CERAMIC CHIP HIK X7R0.01UF-K/25V-1005REEL		D011103174101S	2	
C1292-1297	nsp	C.CERAMIC CHIP HIK X7R0.01UF-K/25V-1005REEL		D011103174101S	6	
C1305-1310	nsp	C.CERAMIC CHIP HIK X7R0.1UF-K/16V-1005REEL		D011104177101S	6	
C1317-1320	nsp	C.CERAMIC CHIP HIK X7R0.1UF-K/16V-1005REEL		D011104177101S	4	
C1323	nsp	C.CERAMIC CHIP HIK X7R0.1UF-K/16V-1005REEL		D011104177101S	1	
C1327	nsp	C.CERAMIC CHIP HIK X7R0.1UF-K/16V-1005REEL		D011104177101S	1	
C1336,1337	nsp	C.CERAMIC CHIP HIK COG10PF-D/50V-1005REEL		D011100117101S	2	
C1342	nsp	C.CERAMIC CHIP HIK X7R4.7UF-K/6.3V-1608REEL		D011475571160S	1	
C1344	nsp	C.CERAMIC CHIP HIK X7R4.7UF-K/6.3V-1608REEL		D011475571160S	1	
C1346	nsp	C.CERAMIC CHIP HIK X7R0.1UF-K/16V-1005REEL		D011104177101S	1	
C1350-1355	nsp	C.CERAMIC CHIP HIK X7R0.1UF-K/16V-1005REEL		D011104177101S	6	
C1357	nsp	C.CERAMIC CHIP HIK X7R0.1UF-K/16V-1005REEL		D011104177101S	1	
C1358	nsp	C.CERAMIC CHIP HIK X7R220PF-K/50V-1005REEL		D011221177101S	1	

REF No.	Part No.	Part Name	Remarks	Q'ty	New	Ver
C1359-1368	nsp	C.CERAMIC CHIP HIK X7R)0.1UF-K/16V-1005REEL	D011104177101S	10		
C1370-1372	nsp	C.CERAMIC CHIP HIK X7R)0.1UF-K/16V-1005REEL	D011104177101S	3		
C1380S	nsp	C.CERAMIC CHIP HIK X5R)10UF-K/16V-2012REEL GRM21BR61C106KE15L	D011106573200S	1		
C1385S-1387	nsp	C.CERAMIC CHIP HIK X7R)0.1UF-K/16V-1005REEL	D011104177101S	3		
C1388S	nsp	C.CERAMIC CHIP HIK X7R)0.01UF-K/25V-1005REEL	D011103174101S	1		
C1389S,1390	nsp	C.CERAMIC CHIP HIK X7R)0.1UF-K/16V-1005REEL	D011104177101S	2		
C1391S	nsp	C.CERAMIC CHIP HIK X5R)10UF-K/16V-2012REEL GRM21BR61C106KE15L	D011106573200S	1		
C1392S,1393	nsp	C.CERAMIC CHIP HIK X7R)0.1UF-K/16V-1005REEL	D011104177101S	2		
C1394S,1395	nsp	C.CERAMIC CHIP HIK X7R)1000PF-K/50V-1005REEL	D01102177101S	2		
C1396S	nsp	C.CERAMIC CHIP HIK X5R)10UF-K/16V-2012REEL GRM21BR61C106KE15L	D011106573200S	1		
C1429,1430	nsp	C.CERAMIC CHIP HIK X7R)1000PF-K/50V-1005REEL	D011102177101S	2		
C1432	nsp	C.CERAMIC CHIP HIK X7R)0.1UF-K/16V-1005REEL	D011104177101S	1		
C1434	nsp	C.CERAMIC CHIP HIK X7R)1000PF-K/50V-1005REEL	D011102177101S	1		
C1435	nsp	C.CERAMIC CHIP HIK X7R)0.1UF-K/16V-1005REEL	D011104177101S	1		
C1437	nsp	C.CERAMIC CHIP HIK X7R)1000PF-K/50V-1005REEL	D011102177101S	1		
C1440	nsp	C.CERAMIC CHIP HIK X7R)0.1UF-K/16V-1005REEL	D011104177101S	1		
C1442	nsp	C.CERAMIC CHIP HIK X7R)1000PF-K/50V-1005REEL	D011102177101S	1		
C1445	nsp	C.CERAMIC CHIP HIK X7R)0.1UF-K/16V-1005REEL	D011104177101S	1		
C1448	nsp	C.CERAMIC CHIP HIK X7R)1000PF-K/50V-1005REEL	D011102177101S	1		
C1451	nsp	C.CERAMIC CHIP HIK X7R)1000PF-K/50V-1005REEL	D011102177101S	1		
C1452	nsp	C.CERAMIC CHIP HIK X7R)0.1UF-K/16V-1005REEL	D011104177101S	1		
C1453	nsp	C.CERAMIC CHIP HIK X7R)1000PF-K/50V-1005REEL	D011102177101S	1		
C1454	nsp	C.CERAMIC CHIP HIK X7R)0.1UF-K/16V-1005REEL	D011104177101S	1		
C1455	nsp	C.CERAMIC CHIP HIK X7R)1000PF-K/50V-1005REEL	D011102177101S	1		
C1467	nsp	C.CERAMIC CHIP HIK X7R)0.1UF-K/16V-1005REEL	D011104177101S	1		
C1470	nsp	C.CERAMIC CHIP HIK X7R)1000PF-K/50V-1005REEL	D011102177101S	1		
C1472	nsp	C.CERAMIC CHIP HIK X7R)1000PF-K/50V-1005REEL	D011102177101S	1		
C1507	nsp	C.CERAMIC CHIP HIK X7R)1000PF-K/50V-1005REEL	D011102177101S	1		
C1508-1513	nsp	C.CERAMIC CHIP HIK X7R)0.1UF-K/16V-1005REEL	D011104177101S	6		
C1514	nsp	C.CERAMIC CHIP HIK X7R)4.7UF-K/6.3V-1608REEL	D011475571160S	1		
C1515-1517	nsp	C.CERAMIC CHIP HIK X7R)0.01UF-K/25V-1005REEL	D011103174101S	3		
C1518-1522	nsp	C.CERAMIC CHIP HIK X7R)0.1UF-K/16V-1005REEL	D011104177101S	5		
C1523	nsp	C.CERAMIC CHIP HIK X7R)0.01UF-K/25V-1005REEL	D011103174101S	1		
C1524,1525	nsp	C.CERAMIC CHIP HIK X7R)0.1UF-K/16V-1005REEL	D011104177101S	2		
C1526	nsp	C.CERAMIC CHIP HIK X7R)0.01UF-K/25V-1005REEL	D011103174101S	1		
C1527,1528	nsp	C.CERAMIC CHIP HIK X7R)0.1UF-K/16V-1005REEL	D011104177101S	2		
C1529-1532	nsp	C.CERAMIC CHIP HIK X7R)0.01UF-K/25V-1005REEL	D011103174101S	4		
C1533	nsp	C.CERAMIC CHIP HIK X7R)0.1UF-K/16V-1005REEL	D011104177101S	1		
C1534	nsp	C.CERAMIC CHIP HIK X7R)4.7UF-K/6.3V-1608REEL	D011475571160S	1		
C1535	nsp	C.CERAMIC CHIP HIK X7R)0.1UF-K/16V-1005REEL	D011104177101S	1		
C1536	nsp	C.CERAMIC CHIP HIK X7R)0.01UF-K/25V-1005REEL	D011103174101S	1		
C1540	nsp	C.CERAMIC CHIP HIK X7R)4.7UF-K/6.3V-1608REEL	D011475571160S	1		
C1541	nsp	C.CERAMIC CHIP HIK X7R)0.1UF-K/16V-1005REEL	D011104177101S	1		
C1542	nsp	C.CERAMIC CHIP HIK X7R)0.01UF-K/25V-1005REEL	D011103174101S	1		
C1543	nsp	C.CERAMIC CHIP HIK X7R)4.7UF-K/6.3V-1608REEL	D011475571160S	1		
C1544	nsp	C.CERAMIC CHIP HIK X7R)0.1UF-K/16V-1005REEL	D011104177101S	1		
C1545	nsp	C.CERAMIC CHIP HIK X7R)0.01UF-K/25V-1005REEL	D011103174101S	1		
C1547	nsp	C.CERAMIC CHIP HIK X7R)4.7UF-K/6.3V-1608REEL	D011475571160S	1		
C1548	nsp	C.CERAMIC CHIP HIK X7R)0.1UF-K/16V-1005REEL	D011104177101S	1		
C1549	nsp	C.CERAMIC CHIP HIK X7R)0.01UF-K/25V-1005REEL	D011103174101S	1		
C1551	nsp	C.CERAMIC CHIP HIK X7R)4.7UF-K/6.3V-1608REEL	D011475571160S	1		
C1552	nsp	C.CERAMIC CHIP HIK X7R)0.1UF-K/16V-1005REEL	D011104177101S	1		
C1553	nsp	C.CERAMIC CHIP HIK X7R)0.01UF-K/25V-1005REEL	D011103174101S	1		
C1554	nsp	C.CERAMIC CHIP HIK X7R)0.1UF-K/16V-1005REEL	D011104177101S	1		
C1555	nsp	C.CERAMIC CHIP HIK X7R)4.7UF-K/6.3V-1608REEL	D011475571160S	1		
C1556-1561	nsp	C.CERAMIC CHIP HIK X7R)0.1UF-K/16V-1005REEL	D011104177101S	6		
C1562-1565	nsp	C.CERAMIC CHIP HIK X7R)0.01UF-K/25V-1005REEL	D011103174101S	4		
C1566	nsp	C.CERAMIC CHIP HIK X7R)4.7UF-K/6.3V-1608REEL	D011475571160S	1		
C1567	nsp	C.CERAMIC CHIP HIK X7R)0.1UF-K/16V-1005REEL	D011104177101S	1		
C1568	nsp	C.CERAMIC CHIP HIK X7R)0.01UF-K/25V-1005REEL	D011103174101S	1		
C1569	nsp	C.CERAMIC CHIP HIK X7R)4.7UF-K/6.3V-1608REEL	D011475571160S	1		
C1570	nsp	C.CERAMIC CHIP HIK X7R)0.01UF-K/25V-1005REEL	D011103174101S	1		
C1571	nsp	C.CERAMIC CHIP HIK X7R)0.1UF-K/16V-1005REEL	D011104177101S	1		
C1575	nsp	C.CERAMIC CHIP HIK X7R)4.7UF-K/6.3V-1608REEL	D011475571160S	1		
C1576	nsp	C.CERAMIC CHIP HIK X7R)0.1UF-K/16V-1005REEL	D011104177101S	1		
C1577	nsp	C.CERAMIC CHIP HIK X7R)0.01UF-K/25V-1005REEL	D011103174101S	1		
C1580	nsp	C.CERAMIC CHIP HIK X7R)4.7UF-K/6.3V-1608REEL	D011475571160S	1		
C1581	nsp	C.CERAMIC CHIP HIK X7R)0.1UF-K/16V-1005REEL	D011104177101S	1		
C1582	nsp	C.CERAMIC CHIP HIK X7R)0.01UF-K/25V-1005REEL	D011103174101S	1		
C1583	nsp	C.CERAMIC CHIP HIK X7R)0.1UF-K/16V-1005REEL	D011104177101S	1		
C1585	nsp	C.CERAMIC CHIP HIK X7R)4.7UF-K/6.3V-1608REEL	D011475571160S	1		
C1586	nsp	C.CERAMIC CHIP HIK X7R)0.1UF-K/16V-1005REEL	D011104177101S	1		
C1587	nsp	C.CERAMIC CHIP HIK X7R)0.01UF-K/25V-1005REEL	D011103174101S	1		
C1588	nsp	C.CERAMIC CHIP HIK X7R)4.7UF-K/6.3V-1608REEL	D011475571160S	1		
C1589	nsp	C.CERAMIC CHIP HIK X7R)0.01UF-K/25V-1005REEL	D011103174101S	1		
C1590-1592	nsp	C.CERAMIC CHIP HIK X7R)0.1UF-K/16V-1005REEL	D011104177101S	3		
C1593	nsp	C.CERAMIC CHIP HIK X7R)0.01UF-K/25V-1005REEL	D011103174101S	1		
C1594	nsp	C.CERAMIC CHIP HIK X7R)0.1UF-K/16V-1005REEL	D011104177101S	1		
C1595	nsp	C.CERAMIC CHIP HIK X7R)0.01UF-K/25V-1005REEL	D011103174101S	1		
C1596	nsp	C.CERAMIC CHIP HIK X7R)4.7UF-K/6.3V-1608REEL	D011475571160S	1		
C1597	nsp	C.CERAMIC CHIP HIK X7R)0.1UF-K/16V-1005REEL	D011104177101S	1		
C1598,1599	nsp	C.CERAMIC CHIP HIK X7R)0.01UF-K/25V-1005REEL	D011103174101S	2		
C1600	nsp	C.CERAMIC CHIP HIK X7R)0.1UF-K/16V-1005REEL	D011104177101S	1		
C1602-1605	nsp	C.CERAMIC CHIP HIK X7R)0.1UF-K/16V-1005REEL	D011104177101S	4		
C1606	nsp	C.CERAMIC CHIP T.C COG)15PF-G/50V-1005REEL GRM1555C1H150GA01D	D010150157100S	1		
C1607	nsp	C.CERAMIC CHIP HIK X7R 0.15uF-K/10V-1608REEL	D011154172160S	1		
C1608	nsp	C.CERAMIC CHIP HIK X7R)0.01UF-K/50V-1608REEL	D011123177161S	1		
C1609	nsp	C.CERAMIC CHIP HIK X7R 0.15uF-K/10V-1608REEL	D011154172160S	1		
C1610	nsp	C.CERAMIC CHIP HIK X7R)0.01UF-K/50V-1608REEL	D011123177161S	1		
C1611	nsp	C.CERAMIC CHIP T.C COG)18PF-J/50V-1608REEL	D010180167160S	1		
C1612	nsp	C.CERAMIC CHIP T.C COG)15PF-J/50V-1608REEL	D010150167160S	1		
C1613	nsp	C.CERAMIC CHIP HIK X7R)1000PF-K/50V-1005REEL	D011102177101S	1		
C1614	nsp	C.CERAMIC CHIP HIK X7R)0.1UF-K/16V-1005REEL	D011104177101S	1		
C1615	nsp	C.CERAMIC CHIP HIK X7R)1000PF-K/50V-1005REEL	D011102177101S	1		
C1616	nsp	C.CERAMIC CHIP HIK COG)33PF-J/50V-1005REEL	D011330167101S	1		
C1618	nsp	C.CERAMIC CHIP HIK X7R)0.1UF-K/16V-1005REEL	D011104177101S	1		
C1620	nsp	C.CERAMIC CHIP HIK X5R)10UF-K/16V-2012REEL GRM21BR61C106KE15L	D011106573200S	1		
C1629-1644	nsp	C.CERAMIC CHIP HIK X7R)0.1UF-K/16V-1005REEL	D011104177101S	16		
C1645	nsp	C.CERAMIC CHIP HIK X5R)10UF-K/16V-2012REEL GRM21BR61C106KE15L	D011106573200S	1		
C1654-1671	nsp	C.CERAMIC CHIP HIK X7R)0.1UF-K/16V-1005REEL	D011104177101S	18		
C1672	nsp	C.CERAMIC CHIP HIK X7R)1UF-K/10V-1608REEL	D011105722161S	1		
C1673	nsp	C.CERAMIC CHIP HIK X7R)0.01UF-K/25V-1005REEL	D011103174101S	1		
C1674	nsp	C.CERAMIC CHIP HIK X7R)0.1UF-K/16V-1005REEL	D011104177101S	1		
C1675	00D9630325402	C.ELECT CHIP(GE) 470UF-MVG/6.3V.8.3*9.0*10 REEL (Z8158) SY	D050471081200S	1		
C1676	nsp	C.CERAMIC CHIP HIK X7R)0.01UF-K/25V-1005REEL	D011103174101S	1		
C1677,1678	nsp	C.CERAMIC CHIP HIK X7R)0.1UF-K/16V-1005REEL	D011104177101S	2		
C1679	nsp	C.CERAMIC CHIP HIK X7R)0.01UF-K/25V-1005REEL	D011103174101S	1		
C1680	963134501220S	C.ELECT CHIP(GE) 470UF-M/6.3V.8*10 RVO-6V471MG10P2U-R2 ELNA	D050471081330S	1		
C1682	nsp	C.CERAMIC CHIP T.C COG)12PF-G/50V-1005REEL GRM1555C1H120GA01D	D010120157100S	1		
C1683-1685	nsp	C.CERAMIC CHIP HIK X7R)0.1UF-K/16V-1005REEL	D011104177101S	3		
C1686	nsp	C.CERAMIC CHIP HIK X5R)22UF-M/6.3V-2012REEL JMK212B226MG-T	D011226581203S	1		
C1689	nsp	C.CERAMIC CHIP HIK X5R)22UF-M/6.3V-2012REEL JMK212B226MG-T	D011226581203S	1		
C1690	nsp	C.CERAMIC CHIP HIK X7R)1UF-K/10V-1608REEL	D011105722161S	1		

REF No.	Part No.	Part Name	Remarks	Q'ty	New	Ver
C1693	nsp	C,CERAMIC CHIP HIK X7R)1UF-K/10V-1608REEL	D011105772161S	1		
C1696	nsp	C,CERAMIC CHIP HIK X5R)22UF-M/6.3V-2012REEL JMK212BJ226MG-T	D011226581203S	1		
C1698	nsp	C,CERAMIC CHIP HIK X5R)22UF-K/16V-1608REEL GRM188R61C225KE15D	D011225573160S	1		
C1700	nsp	C,CERAMIC CHIP HIK X7R)0.1UF-K/16V-1005REEL	D011104177101S	1		
C1701	nsp	C,CERAMIC CHIP HIK X5R)22UF-M/6.3V-2012REEL JMK212BJ226MG-T	D011226581203S	1		
C1702	nsp	C,CERAMIC CHIP HIK X7R)0.1UF-K/16V-1005REEL	D011104177101S	1		
C1703	nsp	C,CERAMIC CHIP HIK X7R)1UF-K/10V-1608REEL	D011105772161S	1		
C1705	nsp	C,CERAMIC CHIP HIK X7R)1UF-K/10V-1608REEL	D011105772161S	1		
C1707	nsp	C,CERAMIC CHIP HIK X7R)0.1UF-K/16V-1005REEL	D011104177101S	1		
C1709,1710	nsp	C,CERAMIC CHIP HIK X7R)0.1UF-K/16V-1005REEL	D011104177101S	2		
C1714	nsp	C,CERAMIC CHIP HIK X5R)22UF-M/6.3V-2012REEL JMK212BJ226MG-T	D011226581203S	1		
C1717	nsp	C,CERAMIC CHIP HIK X7R)0.1UF-K/16V-1005REEL	D011104177101S	1		
C1718	nsp	C,CERAMIC CHIP HIK X5R)22UF-M/6.3V-2012REEL JMK212BJ226MG-T	D011226581203S	1		
C1720	nsp	C,CERAMIC CHIP HIK X7R)1UF-K/10V-1608REEL	D011105772161S	1		
C1723	nsp	C,CERAMIC CHIP HIK X5R)22UF-M/6.3V-2012REEL JMK212BJ226MG-T	D011226581203S	1		
C1729	nsp	C,CERAMIC CHIP HIK X7R)0.1UF-K/16V-1005REEL	D011104177101S	1		
C1730	nsp	C,CERAMIC CHIP HIK X5R)22UF-M/6.3V-2012REEL JMK212BJ226MG-T	D011226581203S	1		
C1732	nsp	C,CERAMIC CHIP HIK X7R)1UF-K/10V-1608REEL	D011105772161S	1		
C1735	nsp	C,CERAMIC CHIP HIK X5R)22UF-M/6.3V-2012REEL JMK212BJ226MG-T	D011226581203S	1		
C1738	nsp	C,CERAMIC CHIP HIK X7R)0.1UF-K/16V-1005REEL	D011104177101S	1		
C1739	nsp	C,CERAMIC CHIP HIK X5R)22UF-M/6.3V-2012REEL JMK212BJ226MG-T	D011226581203S	1		
C1741	nsp	C,CERAMIC CHIP HIK X7R)1UF-K/10V-1608REEL	D011105772161S	1		
C1744	nsp	C,CERAMIC CHIP HIK X5R)22UF-M/6.3V-2012REEL JMK212BJ226MG-T	D011226581203S	1		
C1746,1747	nsp	C,CERAMIC CHIP HIK X7R)0.1UF-K/16V-1005REEL	D011104177101S	2		
C1749	nsp	C,CERAMIC CHIP HIK X7R)0.1UF-K/16V-1005REEL	D011104177101S	1		
C1750	nsp	C,CERAMIC CHIP HIK X5R)22UF-M/6.3V-2012REEL JMK212BJ226MG-T	D011226581203S	1		
C1751,1752	nsp	C,CERAMIC CHIP HIK X7R)0.1UF-K/16V-1005REEL	D011104177101S	2		
C1754	nsp	C,CERAMIC CHIP HIK X5R)22UF-M/6.3V-2012REEL JMK212BJ226MG-T	D011226581203S	1		
C1756,1757	nsp	C,CERAMIC CHIP HIK X7R)1UF-K/10V-1608REEL	D011105772161S	2		
C1759,1760	nsp	C,CERAMIC CHIP HIK X5R)22UF-M/6.3V-2012REEL JMK212BJ226MG-T	D011226581203S	2		
C1763,1764	nsp	C,CERAMIC CHIP HIK X7R)1UF-K/10V-1608REEL	D011105772161S	2		
C1767	nsp	C,CERAMIC CHIP HIK X7R)0.1UF-K/16V-1005REEL	D011104177101S	1		
C1770	nsp	C,CERAMIC CHIP HIK X5R)22UF-M/6.3V-2012REEL JMK212BJ226MG-T	D011226581203S	1		
C1773-1775	nsp	C,CERAMIC CHIP HIK X7R)0.1UF-K/16V-1005REEL	D011104177101S	3		
C1777	nsp	C,CERAMIC CHIP HIK X5R)22UF-M/6.3V-2012REEL JMK212BJ226MG-T	D011226581203S	1		
C1779	nsp	C,CERAMIC CHIP HIK X5R)22UF-M/6.3V-2012REEL JMK212BJ226MG-T	D011226581203S	1		
C1784	nsp	C,CERAMIC CHIP HIK X7R)0.1UF-K/16V-1005REEL	D011104177101S	1		
C1786	nsp	C,CERAMIC CHIP HIK X5R)10UF-K/16V-2012REEL GRM21BR61C106KE15L	D011106573200S	1		
C1787	nsp	C,CERAMIC CHIP HIK X5R)22UF-M/6.3V-2012REEL JMK212BJ226MG-T	D011226581203S	1		
C1789	nsp	C,CERAMIC CHIP HIK X7R)0.1UF-K/16V-1005REEL	D011104177101S	1		
C1790	nsp	C,CERAMIC CHIP HIK X5R)22UF-M/6.3V-2012REEL JMK212BJ226MG-T	D011226581203S	1		
C1794,1795	nsp	C,CERAMIC CHIP HIK X7R)0.1UF-K/16V-1005REEL	D011104177101S	2		
C1797	nsp	C,CERAMIC CHIP HIK X7R)1UF-K/10V-1608REEL	D011105772161S	1		
C1798-1802	nsp	C,CERAMIC CHIP HIK X7R)0.1UF-K/16V-1005REEL	D011104177101S	5		
C1804-1806	nsp	C,CERAMIC CHIP HIK X7R)0.1UF-K/16V-1005REEL	D011104177101S	3		
C1807	nsp	C,CERAMIC CHIP HIK X7R)0.01UF-K/25V-1005REEL	D011103174101S	1		
C1808,1809	nsp	C,CERAMIC CHIP HIK X7R)0.1UF-K/16V-1005REEL	D011104177101S	2		
C1812	nsp	C,CERAMIC CHIP HIK X7R)0.1UF-K/16V-1005REEL	D011104177101S	1		
C1815,1816	nsp	C,CERAMIC CHIP HIK X5R)10UF-K/16V-2012REEL GRM21BR61C106KE15L	D011106573200S	2		
C1817-1819	nsp	C,CERAMIC CHIP HIK X7R)1UF-K/10V-1608REEL	D011105772161S	3		
C1820	nsp	C,CERAMIC CHIP HIK X7R)0.1UF-K/16V-1005REEL	D011104177101S	1		
C1822	nsp	C,CERAMIC CHIP HIK X7R)0.1UF-K/16V-1005REEL	D011104177101S	1		
C1826-1828	nsp	C,CERAMIC CHIP HIK X7R)1000PF-K/50V-1005REEL	D011102177101S	3		
C1852	nsp	C,CERAMIC CHIP HIK X7R)0.1UF-K/16V-1005REEL	D011104177101S	1		
C1973,1974	nsp	C,CERAMIC CHIP HIK X7R)4.7UF-K/6.3V-1608REEL	D011475571160S	2		
C1979,1980	nsp	C,CERAMIC CHIP HIK X7R)4.7UF-K/6.3V-1608REEL	D011475571160S	2		
C1989-1992	nsp	C,CERAMIC CHIP HIK X7R)4.7UF-K/6.3V-1608REEL	D011475571160S	4		
C1999,2000	nsp	C,CERAMIC CHIP HIK X7R)4.7UF-K/6.3V-1608REEL	D011475571160S	2		
C2002,2011	nsp	C,CERAMIC CHIP HIK X7R)0.1UF-K/16V-1005REEL	D011104177101S	10		
C2012,2013	nsp	C,CERAMIC CHIP HIK X7R)4.7UF-K/6.3V-1608REEL	D011475571160S	2		
C2018,2019	nsp	C,CERAMIC CHIP HIK X7R)4.7UF-K/6.3V-1608REEL	D011475571160S	2		
C2024-2041	nsp	C,CERAMIC CHIP HIK X7R)0.1UF-K/16V-1005REEL	D011104177101S	18		
C2042-2044	nsp	C,CERAMIC CHIP HIK X7R)1UF-K/10V-1608REEL	D011105772161S	3		
C2045-2050	nsp	C,CERAMIC CHIP HIK X7R)0.1UF-K/16V-1005REEL	D011104177101S	6		
C2051	nsp	C,CERAMIC CHIP HIK X7R)1000PF-K/50V-1005REEL	D011102177101S	1		
C2052	nsp	C,CERAMIC CHIP HIK COG)10PF-D/50V-1005REEL	D011100117101S	1		
C2055	nsp	C,CERAMIC CHIP HIK COG)10PF-D/50V-1005REEL	D011100117101S	1		
C2056	nsp	C,CERAMIC CHIP HIK X7R)1000PF-K/50V-1005REEL	D011102177101S	1		
C2057	nsp	C,CERAMIC CHIP HIK X7R)0.1UF-K/16V-1005REEL	D011104177101S	1		
C2058	nsp	C,ELECT CHIP(GE) 10UF-MVG/16V,3.3*3.7*5.2 REEL (Z8154) SY	D050100083470S	1		
C2059	nsp	C,ELECT CHIP(GE) 47UF-MVG/6.3V,4*3*5.1*5.3 REEL (Z8155) SY	D050470081460S	1		
C2060,2061	nsp	C,CERAMIC CHIP HIK X7R)0.1UF-K/16V-1005REEL	D011104177101S	2		
C2062	nsp	C,ELECT CHIP(GE) 10UF-MVG/16V,3.3*3.7*5.2 REEL (Z8154) SY	D050100083470S	1		
C2063	nsp	C,CERAMIC CHIP T.C COG)12PF-G/50V-1005REEL GRM1555C1H120GA01D	D010120157100S	1		
C2064	nsp	C,CERAMIC CHIP T.C COG)15PF-G/50V-1005REEL GRM1555C1H150GA01D	D010150157100S	1		
C2065	nsp	C,CERAMIC CHIP T.C COG)0.08UF-J/50V-3216REEL GRM31C5C1H683JA01L	D010683167300S	1		
C2066	nsp	C,CERAMIC CHIP HIK X7R)0.1UF-K/16V-1005REEL	D011104177101S	1		
C2067	nsp	C,CERAMIC CHIP T.C COG)4700PF-J/50V-2012REEL GRM2165C1H472JA01D	D010472167200S	1		
C2068,2069	nsp	C,CERAMIC CHIP HIK X7R)0.1UF-K/16V-1005REEL	D011104177101S	2		
C2070,2071	nsp	C,CERAMIC CHIP HIK X7R)0.1UF-K/25V-1005REEL	D011104774161S	2		
C2072,2073	nsp	C,ELECT CHIP(GE) 10UF-MVG/16V,3.3*3.7*5.2 REEL (Z8154) SY	D050100083470S	2		
C2074	nsp	C,CERAMIC CHIP HIK X7R)0.1UF-K/16V-1005REEL	D011104177101S	1		
C2076-2083	nsp	C,CERAMIC CHIP HIK X7R)0.1UF-K/16V-1005REEL	D011104177101S	8		
C2084	nsp	C,CERAMIC CHIP HIK X7R)0.01UF-K/25V-1005REEL	D011103174101S	1		
C2085	nsp	C,CERAMIC CHIP HIK X7R)4.7UF-K/6.3V-1608REEL	D011475571160S	1		
C2086	nsp	C,CERAMIC CHIP HIK X7R)0.1UF-K/16V-1005REEL	D011104177101S	1		
C2088	nsp	C,CERAMIC CHIP HIK X7R)0.01UF-K/25V-1005REEL	D011103174101S	1		
C2090-2097	nsp	C,CERAMIC CHIP HIK X7R)0.1UF-K/16V-1005REEL	D011104177101S	8		
C2100,2101	nsp	C,ELECT CHIP(GE) 10UF-MVG/16V,3.3*3.7*5.2 REEL (Z8154) SY	D050100083470S	2		
C2102	963134000450S	C,ELECT CHIP(GE) 100UF-MVG/16V,6.8*7.2*5.7 REEL (Z8157) SY	D050101083660S	1		
C2103,2104	nsp	C,ELECT CHIP(GE) 47UF-MVG/6.3V,4*3*5.1*5.3 REEL (Z8155) SY	D050470081460S	2		
C2105	nsp	C,ELECT CHIP(GE) 10UF-MVG/16V,3.3*3.7*5.2 REEL (Z8154) SY	D050100083470S	1		
C2106	nsp	C,CERAMIC CHIP HIK X7R)0.1UF-K/16V-1005REEL	D011104177101S	1		
C2107-2109	nsp	C,ELECT CHIP(GE) 47UF-MVG/6.3V,4*3*5.1*5.3 REEL (Z8155) SY	D050470081460S	3		
C2110,2111	nsp	C,CERAMIC CHIP HIK X7R)0.1UF-K/16V-1005REEL	D011104177101S	2		
C2112-2136	nsp	C,CERAMIC CHIP HIK X7R)1000PF-K/50V-1005REEL	D011102177101S	25		
C2138	nsp	C,ELECT CHIP(GE) 47UF-MVG/6.3V,4*3*5.1*5.3 REEL (Z8155) SY	D050470081460S	1		
C2143	nsp	C,CERAMIC CHIP HIK X5R)10UF-K/16V-2012REEL GRM21BR61C106KE15L	D011106573200S	1		
C2147	nsp	C,CERAMIC CHIP HIK X7R)0.1UF-K/16V-1005REEL	D011104177101S	1		
C2149	nsp	C,ELECT CHIP(GE) 10UF-MVG/16V,3.3*3.7*5.2 REEL (Z8154) SY	D050100083470S	1		
C2150	nsp	C,CERAMIC CHIP HIK X7R)1UF-K/10V-1608REEL	D011105772161S	1		
C2154	nsp	C,CERAMIC CHIP HIK X7R)1UF-K/10V-1608REEL	D011105772161S	1		
C2156	nsp	C,CERAMIC CHIP HIK X7R)0.1UF-K/16V-1005REEL	D011104177101S	1		
C2159,2160	nsp	C,CERAMIC CHIP HIK X7R)1UF-K/10V-1608REEL	D011105772161S	2		
C2161	nsp	C,CERAMIC CHIP HIK X5R)22UF-K/16V-1608REEL GRM188R61C225KE15D	D011225573160S	1		
C2163	13405013040AS	C,ELECT GE 85C 220UF-M/25V,8*11.5 KR3-025V221MF115-T/A5.0S KOSHIN	D040221084550S	1		
C2165	963134000450S	C,ELECT CHIP(GE) 100UF-MVG/16V,6.8*7.2*5.7 REEL (Z8157) SY	D050101083660S	1		
C2168,2169	nsp	C,CERAMIC CHIP HIK X7R)0.1UF-K/16V-1005REEL	D011104177101S	2		
C2174,2175	nsp	C,CERAMIC CHIP HIK X7R)0.1UF-K/16V-1005REEL	D011104177101S	2		
C2176	nsp	C,ELECT CHIP(GE) 10UF-MVG/16V,3.3*3.7*5.2 REEL (Z8154) SY	D050100083470S	1		
C2177	nsp	C,CERAMIC CHIP HIK X7R)2200PF-K/50V-1005REEL	D011222177101S	1		
C2178,2179	nsp	C,CERAMIC CHIP HIK X5R)22UF-M/6.3V-2012REEL GRM155R60J225ME15D	D011226581100S	2		
C2181	nsp	C,CERAMIC CHIP HIK X7R)2200PF-K/50V-1005REEL	D011222177101S	1		

REF No.	Part No.	Part Name	Remarks	Q'ty	New	Ver
C2187-2192	nsp	C.CERAMIC CHIP HIK X7R)0.1UF-K/16V-1005REEL	D011104177101S	6		
C2193	nsp	C.CERAMIC CHIP HIK X7R)0.01UF-K/25V-1005REEL	D011103174101S	1		
C2194-2200	nsp	C.CERAMIC CHIP HIK X7R)0.1UF-K/16V-1005REEL	D011104177101S	7		
C2201	nsp	C.CERAMIC CHIP HIK X7R)4.7UF-K/6.3V-1608REEL	D011475571160S	1		
C2202	nsp	C.CERAMIC CHIP HIK X7R)1000PF-K/50V-1005REEL	D011102177101S	1		
C2203-2208	nsp	C.CERAMIC CHIP HIK X7R)0.1UF-K/16V-1005REEL	D011104177101S	6		
C2209	nsp	C.CERAMIC CHIP HIK X7R)0.01UF-K/25V-1005REEL	D011103174101S	1		
C2210	nsp	C.CERAMIC CHIP HIK X7R)0.1UF-K/16V-1005REEL	D011104177101S	1		
C2211,2212	nsp	C.CERAMIC CHIP HIK X7R)0.01UF-K/25V-1005REEL	D011103174101S	2		
C2213	nsp	C.CERAMIC CHIP HIK X7R)4.7UF-K/6.3V-1608REEL	D011475571160S	1		
C2214	nsp	C.CERAMIC CHIP HIK X7R)0.1UF-K/16V-1005REEL	D011104177101S	1		
C2215	nsp	C.CERAMIC CHIP HIK X7R)0.01UF-K/25V-1005REEL	D011103174101S	1		
C2216	nsp	C.CERAMIC CHIP HIK X7R)4.7UF-K/6.3V-1608REEL	D011475571160S	1		
C2217	nsp	C.CERAMIC CHIP HIK X7R)1000PF-K/50V-1005REEL	D011102177101S	1		
C2218-2220	nsp	C.CERAMIC CHIP HIK X7R)0.1UF-K/16V-1005REEL	D011104177101S	3		
C2221	nsp	C.CERAMIC CHIP HIK X7R)0.01UF-K/25V-1005REEL	D011103174101S	1		
C2222	nsp	C.CERAMIC CHIP HIK X7R)0.1UF-K/16V-1005REEL	D011104177101S	1		
C2223	nsp	C.CERAMIC CHIP HIK X7R)0.01UF-K/25V-1005REEL	D011103174101S	1		
C2224	nsp	C.CERAMIC CHIP HIK X7R)0.1UF-K/16V-1005REEL	D011104177101S	1		
C2225-2228	nsp	C.CERAMIC CHIP HIK X7R)0.01UF-K/25V-1005REEL	D011103174101S	4		
C2229	nsp	C.CERAMIC CHIP HIK X7R)0.1UF-K/16V-1005REEL	D011104177101S	1		
C2230	nsp	C.CERAMIC CHIP HIK X7R)0.01UF-K/25V-1005REEL	D011103174101S	1		
C2231,2232	nsp	C.CERAMIC CHIP HIK X7R)4.7UF-K/6.3V-1608REEL	D011475571160S	2		
C2234,2235	nsp	C.CERAMIC CHIP HIK X7R)0.1UF-K/16V-1005REEL	D011104177101S	2		
C2236,2237	nsp	C.CERAMIC CHIP HIK X7R)0.01UF-K/25V-1005REEL	D011103174101S	2		
C2240-2243	nsp	C.CERAMIC CHIP HIK X7R)0.1UF-K/16V-1005REEL	D011104177101S	4		
C2244-2246	nsp	C.CERAMIC CHIP HIK X7R)0.01UF-K/25V-1005REEL	D011103174101S	3		
C2247	nsp	C.CERAMIC CHIP HIK X7R)0.1UF-K/16V-1005REEL	D011104177101S	1		
C2248,2249	nsp	C.CERAMIC CHIP HIK X7R)0.01UF-K/25V-1005REEL	D011103174101S	2		
C2250,2251	nsp	C.CERAMIC CHIP HIK X7R)0.1UF-K/16V-1005REEL	D011104177101S	2		
C2252,2253	nsp	C.CERAMIC CHIP HIK X7R)0.01UF-K/25V-1005REEL	D011103174101S	2		
C2254	nsp	C.CERAMIC CHIP HIK X7R)0.1UF-K/16V-1005REEL	D011104177101S	1		
C2255	nsp	C.CERAMIC CHIP HIK X7R)4.7UF-K/6.3V-1608REEL	D011475571160S	1		
C2256,2257	nsp	C.CERAMIC CHIP HIK X7R)0.1UF-K/16V-1005REEL	D011104177101S	2		
C2258	nsp	C.CERAMIC CHIP HIK X7R)0.01UF-K/25V-1005REEL	D011103174101S	1		
C2259-2261	nsp	C.CERAMIC CHIP HIK X7R)0.1UF-K/16V-1005REEL	D011104177101S	3		
C2262-2268	nsp	C.CERAMIC CHIP HIK X7R)0.01UF-K/25V-1005REEL	D011103174101S	7		
C2269	nsp	C.CERAMIC CHIP HIK X7R)4.7UF-K/6.3V-1608REEL	D011475571160S	1		
C2271,2272	nsp	C.CERAMIC CHIP HIK X7R)0.1UF-K/16V-1005REEL	D011104177101S	2		
C2273,2274	nsp	C.CERAMIC CHIP HIK X7R)0.01UF-K/25V-1005REEL	D011103174101S	2		
C2275,2276	nsp	C.CERAMIC CHIP HIK X7R)0.1UF-K/16V-1005REEL	D011104177101S	2		
C2277-2280	nsp	C.CERAMIC CHIP HIK X7R)0.01UF-K/25V-1005REEL	D011103174101S	4		
C2281	nsp	C.CERAMIC CHIP HIK X7R)4.7UF-K/6.3V-1608REEL	D011475571160S	1		
C2282-2284	nsp	C.CERAMIC CHIP HIK X7R)0.1UF-K/16V-1005REEL	D011104177101S	3		
C2285-2290	nsp	C.CERAMIC CHIP HIK X7R)0.01UF-K/25V-1005REEL	D011103174101S	6		
C2291	nsp	C.CERAMIC CHIP HIK X7R)4.7UF-K/6.3V-1608REEL	D011475571160S	1		
C2292	nsp	C.CERAMIC CHIP HIK X7R)0.1UF-K/16V-1005REEL	D011104177101S	1		
C2293	nsp	C.CERAMIC CHIP HIK X7R)0.01UF-K/25V-1005REEL	D011103174101S	1		
C2294	nsp	C.CERAMIC CHIP HIK X7R)4.7UF-K/6.3V-1608REEL	D011475571160S	1		
C2295-2297	nsp	C.CERAMIC CHIP HIK X7R)0.1UF-K/16V-1005REEL	D011104177101S	3		
C2298,2299	nsp	C.CERAMIC CHIP HIK X7R)0.01UF-K/25V-1005REEL	D011103174101S	2		
C2300	nsp	C.CERAMIC CHIP HIK X7R)4.7UF-K/6.3V-1608REEL	D011475571160S	1		
C2301-2303	nsp	C.CERAMIC CHIP HIK X7R)0.1UF-K/16V-1005REEL	D011104177101S	3		
C2304	nsp	C.CERAMIC CHIP HIK X7R)0.01UF-K/25V-1005REEL	D011103174101S	1		
C2305	nsp	C.CERAMIC CHIP HIK X7R)4.7UF-K/6.3V-1608REEL	D011475571160S	1		
C2307	nsp	C.CERAMIC CHIP HIK X7R)0.1UF-K/16V-1005REEL	D011104177101S	1		
C2308	nsp	C.CERAMIC CHIP HIK X7R)0.01UF-K/25V-1005REEL	D011103174101S	1		
C2309	nsp	C.CERAMIC CHIP HIK X7R)4.7UF-K/6.3V-1608REEL	D011475571160S	1		
C2311,2312	nsp	C.CERAMIC CHIP HIK X7R)4.7UF-K/6.3V-1608REEL	D011475571160S	2		
C2320	nsp	C.CERAMIC CHIP HIK X7R)0.1UF-K/25V-1608REEL	D011104774161S	1		
C2322	nsp	C.CERAMIC CHIP T.C COG18PF-J/50V-1608REEL	D010180167160S	1		
C2323	nsp	C.CERAMIC CHIP T.C COG15PF-J/50V-1608REEL	D010150167160S	1		
C2325	nsp	C.CERAMIC CHIP HIK X7R)1UF-K/10V-1608REEL	D011105772161S	1		
C2327	nsp	C.CERAMIC CHIP HIK X7R)0.1UF-K/16V-1005REEL	D011104177101S	1		
C2340	nsp	C.CERAMIC CHIP HIK X7R)1000PF-K/50V-1005REEL	D011102177101S	1		
C2341	nsp	C.CERAMIC CHIP HIK X7R)0.1UF-K/16V-1005REEL	D011104177101S	1		
OTHER PARTS GROUP						
BKT1000	nsp	BRACKET AVR X2100WBKE3 SPTE t0.5 A4/SCREW L6.65	4010216286000S	1		
CLP1001	nsp	CLAMP HMX9800(ON) (W=2.6 L=50)/WIRE(SOLDER)	4330000120000S	1		
K1001	00D9630244703	JACK,D3.5 EARPHONE JACK PJ-308-02	G40130802000YS	1		
K1002	963646012340S	TER,RCA 2PIN RCA-206A-07 NI SHIELD(BK,BK)	G601206A0700YS	1		
L1000	nsp	COIL BEAD CB05YTYH221-2012REEL	D340201292210S	1		
L1001	963115100670S	COIL BEAD FBMJ3216HL160NT 16ohm SMD3216	D340321661600S	1		
L1002-1005	nsp	COIL BEAD CB05YTYH221-2012REEL	D340201292210S	4		
L1006	963115100670S	COIL BEAD FBMJ3216HL160NT 16ohm SMD3216	D340321661600S	1		
L1007	nsp	COIL BEAD CB05YTYH221-2012REEL	D340201292210S	1		
L1008	963115100670S	COIL BEAD FBMJ3216HL160NT 16ohm SMD3216	D340321661600S	1		
L1009-1012	nsp	COIL BEAD CB05YTYH221-2012REEL	D340201292210S	4		
L1013	963115100670S	COIL BEAD FBMJ3216HL160NT 16ohm SMD3216	D340321661600S	1		
L1014	nsp	COIL CHIP DLW21SN181SQ2L COMMON MODE CHOKE COILS SMD2012	D311201211810S	1		
L1015	nsp	R.CHIP THICK 0-J,1/10W-2012REEL	C200000060200S	1		
L1016	nsp	COIL BEAD CB05YTYH221-2012REEL	D340201292210S	1		
L1017,1018	nsp	COIL CHIP DLW21SN900HQ2L COMMON MODE CHOKE COILS SMD2012	D311201219000S	2		
L1019	nsp	COIL BEAD CB05YTYH221-2012REEL	D340201292210S	1		
L1027,1028	nsp	R.CHIP THICK 0-J,1/10W-2012REEL	C200000060200S	2		
L1029,1030	nsp	COIL BEAD CB05YTYH221-2012REEL	D340201292210S	2		
L1034S-1036	nsp	R.CHIP THICK 0-J,1/10W-2012REEL	C200000060200S	3		
L1037	nsp	COIL BEAD CB05YTYH221-2012REEL	D340201292210S	1		
L1038	nsp	COIL BEAD CB05YTYH101-2012REEL	D340201291010S	1		
L1039-1049	nsp	COIL BEAD CB05YTYH221-2012REEL	D340201292210S	11		
L1051-1056	nsp	COIL BEAD CB05YTYH221-2012REEL	D340201292210S	6		
L1057	nsp	R.CHIP THICK 0-J,1/10W-2012REEL	C200000060200S	1		
L1058	nsp	COIL BEAD CB03YTYN121-1608REEL	D340160891210S	1		
L1059-1081	nsp	R.CHIP THICK 0-J,1/10W-2012REEL	C200000060200S	23		
L1082-1086	nsp	COIL BEAD CB05YTYH221-2012REEL	D340201292210S	5		
L1087,1088	963115100670S	COIL BEAD FBMJ3216HL160NT 16ohm SMD3216	D340321661600S	2		
L1089	nsp	COIL BEAD CB03YTYN121-1608REEL	D340160891210S	1		
L1090-1102	nsp	COIL BEAD CB05YTYH221-2012REEL	D340201292210S	13		
L1103-1114	nsp	R.CHIP THICK 0-J,1/10W-2012REEL	C200000060200S	12		
L1115	nsp	COIL BEAD CB05YTYH221-2012REEL	D340201292210S	1		
L1119	nsp	COIL CHIP EXC24CH900U 90OHM COMMON MODE SMD-REEL	D311121089000S	1		
L1123	nsp	COIL CHIP EXC24CH900U 90OHM COMMON MODE SMD-REEL	D311121089000S	1		
L1124-1127	nsp	R.CHIP THICK 0-J,1/10W-2012REEL	C200000060200S	4		
L1128-1130	nsp	COIL BEAD CB05YTYH221-2012REEL	D340201292210S	3		
L1136	nsp	R.CHIP THICK 0-J,1/10W-2012REEL	C200000060200S	1		
L1137-1146	963115100680S	COIL INDUCTOR DG6045C DD1255AS-1R0N=P3 1UH POWER INDUCTOR	D310604590100S	10		
N1000	nsp	CN.FPC 1.0MM 1.0-16-23PB-2 23P ST SMT (JSY)	L130100162330S	1		
N1001-1007	64401030161AS	CN.WAFER A0D7ABAR1990 SMT HDMI CON R/A W/FLANGE	L109100190710S	7		
N1008	nsp	CN.WAFER 2.0MM 20010WS-06A00 DIP6P STRAIGHT	L101200100610S	1		
N1009	nsp	CN.FPC 1.0MM 1.0-16-7PB-2 7P ST SMT (JSY)	L130100160730S	1		
N1010	963643102800S	JACK,MODULAR RJ45-JACK(KRJ-015XN) KYD	G4060RJ450230S	1		
N1014	nsp	CN.WAFER 1.25B-2-23Y 23P BtoB SOCKET(FEMALE) P=1.25MM	L109125422310S	1		
N1016	nsp	CN.WAFER 1.25B-2-27Y 27P BtoB SOCKET(FEMALE) P=1.25MM	L109125422710S	1		

REF No.	Part No.	Part Name	Remarks		Q'ty	New	Ver
N1017	nsp	CN.FPC 1.0MM 1.0-15-40PB 40P VER SMT		L130100154030S	1		
N1019	nsp	CN.WAFER 2.0MM 20010WS-07A00 DIP7P STRAIGHT		L101200100710S	1		
N1020	nsp	CN.WAFER 1.25B-2-15Y 15P BtoB SOCKET(FEMALE) P=1.25MM		L109125421510S	1		
N1026S	64401030160AS	CN.WAFER A0D7ABAR19N0 SMT HDMICON R/A W/O FLNG		L109100190720S	1		
N1030,1031	64401030161AS	CN.WAFER A0D7ABAR1990 SMT HDMICON R/A W/FLANGE		L109100190710S	2		
N1033	nsp	CN.WAFER 2.5MM YMW025-06R DIP ST		L102025060020S	1		
N1038S	nsp	CN.FPC 1.0MM 1.0-16-23PB-2 23P ST SMT (JSY)		L130100162330S	1		
N1039	nsp	CN.WAFER 1.25B-2-25Y 25P BtoB SOCKET(FEMALE) P=1.25MM		L109125422510S	1		
X1000,1001	963141101180S	CRYSTAL CHIP 27.000MHz CL=7PF FA-238/SMD3225 EPSON		E80527R000050S	2		
X1003	963141101160S	CRYSTAL CHIP 12.000MHz CL=8PF FA-238V/SMD3225 EPSON		E80512R000260S	1		
X1006	963141101400S	CRYSTAL CHIP 27.000MHz CL=12PF FA-238/SMD3225 EPSON		E80527R000120S	1		
X1007	963141101180S	CRYSTAL CHIP 27.000MHz CL=7PF FA-238/SMD3225 EPSON		E80527R000050S	1		
X1008	963141100770S	CRYSTAL CHIP 24.576MHz CL=10PF FA-238/SMD3225 EPSON		E80524R576050S	1		
X1009	963141101400S	CRYSTAL CHIP 27.000MHz CL=12PF FA-238/SMD3225 EPSON		E80527R000120S	1		
X1010	963141100770S	CRYSTAL CHIP 24.576MHz CL=10PF FA-238/SMD3225 EPSON		E80524R576050S	1		
Z1001	nsp	SHIELD SR5010U1B(MARANTZ) SPT E10.3 A4/CASE		3070210646000SV	1		

HDAM PCB ASS'Y

※Parts indicated by "nsp" on this table cannot be supplied.

※The parts listed below are only for maintenance. Therefore they might differ from the parts used in the unit in appearances or dimensions

NOTE:The symbols in the column Remarks indicate the following destinations.

U : North America model N : Europe model K : China model F : Japan model

B : Black model SG : Silver Gold model

REF No.	Part No.	Part Name	Remarks	Q'ty	New	Ver
SEMICONDUCTORS GROUP						
D4020-4035	963201500170D	D.SWITCHING CHIP LBAS16HT1G FAST SWITCHING SOD-323		K005041480230S	16	
Q4050,4051	00D9630148508	SEMI.CHIP TR/PNP 2SA KTA1504S-Y 0.15W SOT-23 REEL		J520015040150S	2	
Q4052-4055	00D2730464901	SEMI.CHIP TR/NPN 2SC KTC3875G(ALG) 0.15W/SMT-REEL		J5223875G0210S	4	
Q4056-4059	00D9630148508	SEMI.CHIP TR/PNP 2SA KTA1504S-Y 0.15W SOT-23 REEL		J520015040150S	4	
Q4060-4063	00D2730464901	SEMI.CHIP TR/NPN 2SC KTC3875G(ALG) 0.15W/SMT-REEL		J5223875G0210S	4	
Q4064-4067	00D9630148508	SEMI.CHIP TR/PNP 2SA KTA1504S-Y 0.15W SOT-23 REEL		J520015040150S	4	
Q4068-4071	00D2730464901	SEMI.CHIP TR/NPN 2SC KTC3875G(ALG) 0.15W/SMT-REEL		J5223875G0210S	4	
Q4072-4075	00D9630148508	SEMI.CHIP TR/PNP 2SA KTA1504S-Y 0.15W SOT-23 REEL		J520015040150S	4	
Q4076-4079	00D2730464901	SEMI.CHIP TR/NPN 2SC KTC3875G(ALG) 0.15W/SMT-REEL		J5223875G0210S	4	
Q4080-4083	00D9630148508	SEMI.CHIP TR/PNP 2SA KTA1504S-Y 0.15W SOT-23 REEL		J520015040150S	4	
Q4084-4087	00D2730464901	SEMI.CHIP TR/NPN 2SC KTC3875G(ALG) 0.15W/SMT-REEL		J5223875G0210S	4	
Q4088-4091	00D9630148508	SEMI.CHIP TR/PNP 2SA KTA1504S-Y 0.15W SOT-23 REEL		J520015040150S	4	
Q4092-4095	00D2730464901	SEMI.CHIP TR/NPN 2SC KTC3875G(ALG) 0.15W/SMT-REEL		J5223875G0210S	4	
Q4096,4097	00D9630148508	SEMI.CHIP TR/PNP 2SA KTA1504S-Y 0.15W SOT-23 REEL		J520015040150S	2	
Q4098	00D2730464901	SEMI.CHIP TR/NPN 2SC KTC3875G(ALG) 0.15W/SMT-REEL		J5223875G0210S	1	
Q4099,4100	00D9630148508	SEMI.CHIP TR/PNP 2SA KTA1504S-Y 0.15W SOT-23 REEL		J520015040150S	2	
Q4101	00D2730464901	SEMI.CHIP TR/NPN 2SC KTC3875G(ALG) 0.15W/SMT-REEL		J5223875G0210S	1	
Q4102	00D9630148508	SEMI.CHIP TR/PNP 2SA KTA1504S-Y 0.15W SOT-23 REEL		J520015040150S	1	
Q4103,4104	00D2730464901	SEMI.CHIP TR/NPN 2SC KTC3875G(ALG) 0.15W/SMT-REEL		J5223875G0210S	2	
Q4105	00D9630148508	SEMI.CHIP TR/PNP 2SA KTA1504S-Y 0.15W SOT-23 REEL		J520015040150S	1	
Q4106	00D2730464901	SEMI.CHIP TR/NPN 2SC KTC3875G(ALG) 0.15W/SMT-REEL		J5223875G0210S	1	
Q4107,4108	00D9630148508	SEMI.CHIP TR/PNP 2SA KTA1504S-Y 0.15W SOT-23 REEL		J520015040150S	2	
Q4109	00D2730464901	SEMI.CHIP TR/NPN 2SC KTC3875G(ALG) 0.15W/SMT-REEL		J5223875G0210S	1	
Q4110	00D9630148508	SEMI.CHIP TR/PNP 2SA KTA1504S-Y 0.15W SOT-23 REEL		J520015040150S	1	
Q4111,4112	00D2730464901	SEMI.CHIP TR/NPN 2SC KTC3875G(ALG) 0.15W/SMT-REEL		J5223875G0210S	2	
Q4113,4114	00D9630148508	SEMI.CHIP TR/PNP 2SA KTA1504S-Y 0.15W SOT-23 REEL		J520015040150S	2	
Q4115	00D2730464901	SEMI.CHIP TR/NPN 2SC KTC3875G(ALG) 0.15W/SMT-REEL		J5223875G0210S	1	
Q4116	00D9630148508	SEMI.CHIP TR/PNP 2SA KTA1504S-Y 0.15W SOT-23 REEL		J520015040150S	1	
Q4117,4118	00D2730464901	SEMI.CHIP TR/NPN 2SC KTC3875G(ALG) 0.15W/SMT-REEL		J5223875G0210S	2	
Q4119	00D9630148508	SEMI.CHIP TR/PNP 2SA KTA1504S-Y 0.15W SOT-23 REEL		J520015040150S	1	
Q4120	00D2730464901	SEMI.CHIP TR/NPN 2SC KTC3875G(ALG) 0.15W/SMT-REEL		J5223875G0210S	1	
Q4121	00D9630148508	SEMI.CHIP TR/PNP 2SA KTA1504S-Y 0.15W SOT-23 REEL		J520015040150S	1	
Q4122	00D2730464901	SEMI.CHIP TR/NPN 2SC KTC3875G(ALG) 0.15W/SMT-REEL		J5223875G0210S	1	
Q4123	00D9630148508	SEMI.CHIP TR/PNP 2SA KTA1504S-Y 0.15W SOT-23 REEL		J520015040150S	1	
Q4124	00D2730464901	SEMI.CHIP TR/NPN 2SC KTC3875G(ALG) 0.15W/SMT-REEL		J5223875G0210S	1	
Q4125	00D9630148508	SEMI.CHIP TR/PNP 2SA KTA1504S-Y 0.15W SOT-23 REEL		J520015040150S	1	
Q4126	00D2730464901	SEMI.CHIP TR/NPN 2SC KTC3875G(ALG) 0.15W/SMT-REEL		J5223875G0210S	1	
Q4127	00D9630148508	SEMI.CHIP TR/PNP 2SA KTA1504S-Y 0.15W SOT-23 REEL		J520015040150S	1	
Q4128	00D2730464901	SEMI.CHIP TR/NPN 2SC KTC3875G(ALG) 0.15W/SMT-REEL		J5223875G0210S	1	
Q4129	00D9630148508	SEMI.CHIP TR/PNP 2SA KTA1504S-Y 0.15W SOT-23 REEL		J520015040150S	1	
RESISTOR GROUP						
R4155	nsp	R.CHIP THICK 100-J,1/16W-1608REEL		C20001016M160S	1	
R4158	nsp	R.CHIP THICK 100-J,1/16W-1608REEL		C20001016M160S	1	
R4161,4162	nsp	R.CHIP THICK 470-J,1/16W-1608REEL		C20004716M160S	2	
R4163,4164	nsp	R.CHIP THICK 330-J,1/16W-1608REEL		C20003316M160S	2	
R4165,4166	nsp	R.CHIP THICK 5.6K-J,1/16W-1608REEL		C20005626M160S	2	
R4167,4168	nsp	R.CHIP THICK 22-J,1/16W-1608REEL		C20002206M160S	2	
R4169,4170	nsp	R.CHIP THICK 220-J,1/16W-1608REEL		C20002216M160S	2	
R4171-4174	nsp	R.CHIP THICK 22-J,1/16W-1608REEL		C20002206M160S	4	
R4175	nsp	R.CHIP THICK 150-J,1/16W-1608REEL		C20001516M160S	1	
R4176	nsp	R.CHIP THICK 22-J,1/16W-1608REEL		C20002206M160S	1	
R4177	nsp	R.CHIP THICK 150-J,1/16W-1608REEL		C20001516M160S	1	
R4178,4179	nsp	R.CHIP THICK 22-J,1/16W-1608REEL		C20002206M160S	2	
R4180	nsp	R.CHIP THICK 5.6K-J,1/16W-1608REEL		C20005626M160S	1	
R4181,4182	nsp	R.CHIP THICK 1M-J,1/16W-1608REEL		C20001056M160S	2	
R4183,4184	nsp	R.CHIP THICK 33K-J,1/16W-1608REEL		C20003336M160S	2	
R4185,4186	nsp	R.CHIP THICK 22-J,1/16W-1608REEL		C20002206M160S	2	
R4187,4188	nsp	R.CHIP THICK 5.6K-J,1/16W-1608REEL		C20005626M160S	2	
R4189,4190	nsp	R.CHIP THICK 330-J,1/16W-1608REEL		C20003316M160S	2	
R4191-4194	nsp	R.CHIP THICK 470-J,1/16W-1608REEL		C20004716M160S	4	
R4195,4196	nsp	R.CHIP THICK 330-J,1/16W-1608REEL		C20003316M160S	2	
R4197,4198	nsp	R.CHIP THICK 5.6K-J,1/16W-1608REEL		C20005626M160S	2	
R4199,4200	nsp	R.CHIP THICK 22-J,1/16W-1608REEL		C20002206M160S	2	
R4201	nsp	R.CHIP THICK 1M-J,1/16W-1608REEL		C20001056M160S	1	
R4202	nsp	R.CHIP THICK 5.6K-J,1/16W-1608REEL		C20005626M160S	1	
R4203	nsp	R.CHIP THICK 1M-J,1/16W-1608REEL		C20001056M160S	1	
R4205,4206	nsp	R.CHIP THICK 33K-J,1/16W-1608REEL		C20003336M160S	2	
R4207,4208	nsp	R.CHIP THICK 150-J,1/16W-1608REEL		C20001516M160S	2	
R4209,4210	nsp	R.CHIP THICK 5.6K-J,1/16W-1608REEL		C20005626M160S	2	
R4211,4212	nsp	R.CHIP THICK 22-J,1/16W-1608REEL		C20002206M160S	2	
R4213,4214	nsp	R.CHIP THICK 220-J,1/16W-1608REEL		C20002216M160S	2	
R4215-4218	nsp	R.CHIP THICK 22-J,1/16W-1608REEL		C20002206M160S	4	
R4219,4220	nsp	R.CHIP THICK 5.6K-J,1/16W-1608REEL		C20005626M160S	2	
R4221,4222	nsp	R.CHIP THICK 330-J,1/16W-1608REEL		C20003316M160S	2	
R4223,4224	nsp	R.CHIP THICK 470-J,1/16W-1608REEL		C20004716M160S	2	
R4225-4228	nsp	R.CHIP THICK 22-J,1/16W-1608REEL		C20002206M160S	4	
R4229	nsp	R.CHIP THICK 100-J,1/16W-1608REEL		C20001016M160S	1	
R4230,4231	nsp	R.CHIP THICK 5.6K-J,1/16W-1608REEL		C20005626M160S	2	
R4232	nsp	R.CHIP THICK 100-J,1/16W-1608REEL		C20001016M160S	1	
R4233,4234	nsp	R.CHIP THICK 22-J,1/16W-1608REEL		C20002206M160S	2	
R4235	nsp	R.CHIP THICK 100-J,1/16W-1608REEL		C20001016M160S	1	
R4236,4237	nsp	R.CHIP THICK 22-J,1/16W-1608REEL		C20002206M160S	2	
R4238	nsp	R.CHIP THICK 100-J,1/16W-1608REEL		C20001016M160S	1	
R4239,4240	nsp	R.CHIP THICK 22-J,1/16W-1608REEL		C20002206M160S	2	
R4241,4242	nsp	R.CHIP THICK 470-J,1/16W-1608REEL		C20004716M160S	2	
R4243,4244	nsp	R.CHIP THICK 330-J,1/16W-1608REEL		C20003316M160S	2	
R4245,4246	nsp	R.CHIP THICK 5.6K-J,1/16W-1608REEL		C20005626M160S	2	
R4247,4248	nsp	R.CHIP THICK 22-J,1/16W-1608REEL		C20002206M160S	2	
R4249,4250	nsp	R.CHIP THICK 220-J,1/16W-1608REEL		C20002216M160S	2	
R4251	nsp	R.CHIP THICK 22-J,1/16W-1608REEL		C20002206M160S	1	
R4252	nsp	R.CHIP THICK 5.6K-J,1/16W-1608REEL		C20005626M160S	1	
R4253,4254	nsp	R.CHIP THICK 22-J,1/16W-1608REEL		C20002206M160S	2	
R4255	nsp	R.CHIP THICK 150-J,1/16W-1608REEL		C20001516M160S	1	
R4256	nsp	R.CHIP THICK 22-J,1/16W-1608REEL		C20002206M160S	1	
R4257	nsp	R.CHIP THICK 150-J,1/16W-1608REEL		C20001516M160S	1	
R4258-4260	nsp	R.CHIP THICK 22-J,1/16W-1608REEL		C20002206M160S	3	
R4261,4262	nsp	R.CHIP THICK 1M-J,1/16W-1608REEL		C20001056M160S	2	
R4263,4264	nsp	R.CHIP THICK 33K-J,1/16W-1608REEL		C20003336M160S	2	
R4265,4266	nsp	R.CHIP THICK 22-J,1/16W-1608REEL		C20002206M160S	2	
R4267,4268	nsp	R.CHIP THICK 5.6K-J,1/16W-1608REEL		C20005626M160S	2	
R4269,4270	nsp	R.CHIP THICK 330-J,1/16W-1608REEL		C20003316M160S	2	
R4271-4274	nsp	R.CHIP THICK 470-J,1/16W-1608REEL		C20004716M160S	4	
R4275,4276	nsp	R.CHIP THICK 330-J,1/16W-1608REEL		C20003316M160S	2	
R4277,4278	nsp	R.CHIP THICK 5.6K-J,1/16W-1608REEL		C20005626M160S	2	
R4279,4280	nsp	R.CHIP THICK 22-J,1/16W-1608REEL		C20002206M160S	2	

REF No.	Part No.	Part Name	Remarks	Q'ty	New	Ver
R4281	nsp	R,CHIP THICK 1M-J,1/16W-1608REEL		C20001056M160S	1	
R4282	nsp	R,CHIP THICK 22-J,1/16W-1608REEL		C20002206M160S	1	
R4283	nsp	R,CHIP THICK 1M-J,1/16W-1608REEL		C20001056M160S	1	
R4284	nsp	R,CHIP THICK 22-J,1/16W-1608REEL		C20002206M160S	1	
R4285,4286	nsp	R,CHIP THICK 33K-J,1/16W-1608REEL		C20003336M160S	2	
R4287,4288	nsp	R,CHIP THICK 150-J,1/16W-1608REEL		C20001516M160S	2	
R4289	nsp	R,CHIP THICK 5.6K-J,1/16W-1608REEL		C20005626M160S	1	
R4290-4292	nsp	R,CHIP THICK 22-J,1/16W-1608REEL		C20002206M160S	3	
R4293,4294	nsp	R,CHIP THICK 220-J,1/16W-1608REEL		C20002216M160S	2	
R4295-4298	nsp	R,CHIP THICK 22-J,1/16W-1608REEL		C20002206M160S	4	
R4299,4300	nsp	R,CHIP THICK 5.6K-J,1/16W-1608REEL		C20005626M160S	2	
R4301,4302	nsp	R,CHIP THICK 330-J,1/16W-1608REEL		C20003316M160S	2	
R4303,4304	nsp	R,CHIP THICK 470-J,1/16W-1608REEL		C20004716M160S	2	
R4305,4306	nsp	R,CHIP THICK 22-J,1/16W-1608REEL		C20002206M160S	2	
R4307,4308	nsp	R,CHIP THICK 5.6K-J,1/16W-1608REEL		C20005626M160S	2	
R4309	nsp	R,CHIP THICK 100-J,1/16W-1608REEL		C20001016M160S	1	
R4310,4311	nsp	R,CHIP THICK 22-J,1/16W-1608REEL		C20002206M160S	2	
R4312	nsp	R,CHIP THICK 100-J,1/16W-1608REEL		C20001016M160S	1	
R4315	nsp	R,CHIP THICK 22-J,1/16W-1608REEL		C20002206M160S	1	
R4316,4317	nsp	R,CHIP THICK 5.6K-J,1/16W-1608REEL		C20005626M160S	2	
R4318,4319	nsp	R,CHIP THICK 22-J,1/16W-1608REEL		C20002206M160S	2	
R4320,4321	nsp	R,CHIP THICK 5.6K-J,1/16W-1608REEL		C20005626M160S	2	
R4322-4325	nsp	R,CHIP THICK 22-J,1/16W-1608REEL		C20002206M160S	4	
R4326,4327	nsp	R,CHIP THICK 5.6K-J,1/16W-1608REEL		C20005626M160S	2	
R4328,4329	nsp	R,CHIP THICK 22-J,1/16W-1608REEL		C20002206M160S	2	
CAPACITORS GROUP						
C4071,4072	nsp	C,ELECT GE 85C 10UF-M/50V,5*11 KR3-050V100MC110-T/A5.0S KOSHIN		D040100087650S	2	
C4073-4076	nsp	C,CERAMIC CHIP T.C CH)220PF-/J50V-1608REEL GRM1882C1H221JA01D		D010221167163S	4	
C4077-4084	963134501750S	C,ELECT GE 85C 220UF-M/25V,6*11(SHL TYPE) SY		D040221084600S	8	
C4085-4088	nsp	C,CERAMIC CHIP T.C CH)220PF-/J50V-1608REEL GRM1882C1H221JA01D		D010221167163S	4	
C4089,4090	nsp	C,ELECT GE 85C 10UF-M/50V,5*11 KR3-050V100MC110-T/A5.0S KOSHIN		D040100087650S	2	
C4103,4104	nsp	C,ELECT GE 85C 10UF-M/50V,5*11 KR3-050V100MC110-T/A5.0S KOSHIN		D040100087650S	2	
C4105-4108	nsp	C,CERAMIC CHIP T.C CH)220PF-/J50V-1608REEL GRM1882C1H221JA01D		D010221167163S	4	
C4109-4116	963134501750S	C,ELECT GE 85C 220UF-M/25V,6*11(SHL TYPE) SY		D040221084600S	8	
C4117-4120	nsp	C,CERAMIC CHIP T.C CH)220PF-/J50V-1608REEL GRM1882C1H221JA01D		D010221167163S	4	
C4121,4122	nsp	C,ELECT GE 85C 10UF-M/50V,5*11 KR3-050V100MC110-T/A5.0S KOSHIN		D040100087650S	2	
OTHER PARTS GROUP						
CN4605	nsp	CN,WAFER 1.25B-2-17Y 17P BtoB SOCKET(FEMALE) P=1.25MM		L109125421710S	1	
CN4703	nsp	CN,WAFER 1.25B-2-7Y 7P BtoB SOCKET(FEMALE) P=1.25MM		L109125420710S	1	
CN4704	nsp	CN,WAFER 1.25B-2-15Y 15P BtoB SOCKET(FEMALE) P=1.25MM		L109125421510S	1	
G6000	nsp	CN,WIRE 140MM/1P CKM9919T=CKM9919T BK1007#20		L000141010140S	1	*

PREOUT PCB ASS'Y

※Parts indicated by "nsp" on this table cannot be supplied.

※The parts listed below are only for maintenance. Therefore they might differ from the parts used in the unit in appearances or dimensions.

NOTE:The symbols in the column Remarks indicate the following destinations.

U : North America model N : Europe model K : China model F : Japan model

B : Black model SG : Silver Gold model

REF No.	Part No.	Part Name	Remarks	Q'ty	New	Ver
SEMICONDUCTORS GROUP						
Q4200,4201	943214500030S	SEMI.CHIP TR/NPN 2SC INC2001AC1 0.2W/SC-59 ISAHAYA		J522020011210S	2	
Q5616-5624	943214500030S	SEMI.CHIP TR/NPN 2SC INC2001AC1 0.2W/SC-59 ISAHAYA		J522020011210S	9	
RESISTOR GROUP						
R4200,4201	nsp	R.CHIP THICK 220-J,1/16W-1608REEL		C20002216M160S	2	
R4202,4203	nsp	R.CHIP THICK 100K-J,1/16W-1608REEL		C20001046M160S	2	
R4212,4213	nsp	R.CHIP THICK 100K-J,1/16W-1608REEL		C20001046M160S	2	
R4222	nsp	R.CHIP THICK 470-J,1/16W-1608REEL		C20004716M160S	1	
R4223,4224	nsp	R.CHIP THICK 10K-J,1/16W-1608REEL		C20001036M160S	2	
R4225	nsp	R.CHIP THICK 470-J,1/16W-1608REEL		C20004716M160S	1	
R4238,4239	nsp	R.CHIP THICK 470-J,1/16W-1608REEL		C20004716M160S	2	
R4242,4243	nsp	R.CHIP THICK 470K-J,1/16W-1608REEL		C20004746M160S	2	
R4712,4713	nsp	R.CHIP THICK 470-J,1/16W-1608REEL		C20004716M160S	2	
R4715-4720	nsp	R.CHIP THICK 470-J,1/16W-1608REEL		C20004716M160S	6	
R5600-5607	nsp	R.CHIP THICK 470-J,1/16W-1608REEL		C20004716M160S	8	
R5608	nsp	R.CHIP THICK 820K-J,1/16W-1608REEL		C20008246M160S	1	
R5609,5610	nsp	R.CHIP THICK 91K-J,1/16W-1608REEL		C20009136M160S	2	
R5611	nsp	R.CHIP THICK 820K-J,1/16W-1608REEL		C20008246M160S	1	
R5612-5615	nsp	R.CHIP THICK 91K-J,1/16W-1608REEL		C20009136M160S	4	
R5638-5646	nsp	R.CHIP THICK 470K-J,1/16W-1608REEL		C20004746M160S	9	
R5647	nsp	R.CHIP THICK 470-J,1/16W-1608REEL		C20004716M160S	1	
R5650,5651	nsp	R.CHIP THICK 470-J,1/16W-1608REEL		C20004716M160S	2	
R5654,5655	nsp	R.CHIP THICK 470-J,1/16W-1608REEL		C20004716M160S	2	
R5657	nsp	R.CHIP THICK 470-J,1/16W-1608REEL		C20004716M160S	1	
R5660,5661	nsp	R.CHIP THICK 470-J,1/16W-1608REEL		C20004716M160S	2	
R5664,5665	nsp	R.CHIP THICK 470-J,1/16W-1608REEL		C20004716M160S	2	
R5666,5667	nsp	R.CHIP THICK 10K-J,1/16W-1608REEL		C20001036M160S	2	
R5668,5669	nsp	R.CHIP THICK 470-J,1/16W-1608REEL		C20004716M160S	2	
R5670,5671	nsp	R.CHIP THICK 10K-J,1/16W-1608REEL		C20001036M160S	2	
R5672,5673	nsp	R.CHIP THICK 470-J,1/16W-1608REEL		C20004716M160S	2	
R5674	nsp	R.CHIP THICK 10K-J,1/16W-1608REEL		C20001036M160S	1	
R5675	nsp	R.CHIP THICK 470-J,1/16W-1608REEL		C20004716M160S	1	
R5676,5677	nsp	R.CHIP THICK 10K-J,1/16W-1608REEL		C20001036M160S	2	
R5678,5679	nsp	R.CHIP THICK 470-J,1/16W-1608REEL		C20004716M160S	2	
R5680,5681	nsp	R.CHIP THICK 10K-J,1/16W-1608REEL		C20001036M160S	2	
R5682	nsp	R.CHIP THICK 470-J,1/16W-1608REEL		C20004716M160S	1	
R5683-5700	nsp	R.CHIP THICK 100K-J,1/16W-1608REEL		C20001046M160S	18	
R5701-5709	nsp	R.CHIP THICK 220-J,1/16W-1608REEL		C20002216M160S	9	
CAPACITORS GROUP						
C4200,4201	nsp	C.CERAMIC CHIP T.C COG330PF-J/50V-1608REEL		D010331167160S	2	
C4202,4203	nsp	C.ELECT GE 85C 22UF-M/50V,5*11-5RE.SMS SY		D040220087060S	2	
C4208	nsp	C.CERAMIC CHIP T.C X7R)0.01UF-K/50V-1608REEL		D010103777160S	1	
C4221,4222	nsp	C.ELECT GE 85C 22UF-M/50V,5*11-5RE.SMS SY		D040220087060S	2	
C4720-4727	nsp	C.CERAMIC CHIP T.C COG330PF-J/50V-1608REEL		D010331167160S	8	
C5600-5603	nsp	C.CERAMIC CHIP HIK X7R)1000PF-K/50V-1608REEL		D011102777160S	4	
C5604-5611	nsp	C.CERAMIC CHIP T.C COG330PF-J/50V-1608REEL		D010331167160S	8	
C5620-5637	nsp	C.ELECT GE 85C 22UF-M/50V,5*11-5RE.SMS SY		D040220087060S	18	
C5638-5646	nsp	C.CERAMIC CHIP T.C COG330PF-J/50V-1608REEL		D010331167160S	9	
C5647-5651	nsp	C.CERAMIC CHIP T.C X7R)0.01UF-K/50V-1608REEL		D010103777160S	5	
OTHER PARTS GROUP						
JACK5003	00D9630132103	TER,RCA 4PIN RCA-405B-04(WH,WH,RD,RD)-YUQIU		G602405B0400YS	1	
JACK5611	00D9630132103	TER,RCA 4PIN RCA-405B-04(WH,WH,RD,RD)-YUQIU		G602405B0400YS	1	
JK4200,4201	00D9630132103	TER,RCA 4PIN RCA-405B-04(WH,WH,RD,RD)-YUQIU		G602405B0400YS	2	
JACK5612	00D9630146005	TER,RCA 1PIN RCA-107A(BK)		G600107A0000YS	1	
JACK5002	00D9630387505	TER,RCA 4PIN RCA-405B-55(WH,WH,RD,BK)-YUQIU		G602405B5500YS	1	
JACK5613	00D9630387505	TER,RCA 4PIN RCA-405B-55(WH,WH,RD,BK)-YUQIU		G602405B5500YS	1	
JK4202	90M-YT004640R	TER,RCA 2PIN RCA-207AE-02 NI(WH,RD)		G601207AE020YS	1	
CN4704	nsp	CN.WAFER 1.25B-2-21Y 21P BtoB SOCKET(FEMALE) P=1.25MM		L109125422110S	1	
CN5600	nsp	CN.WIRE 2MM 200MM/13P 20010HS-13=CKM2002HV-13 WH1007#26		L002201130010S	1	
CN5601	nsp	CN.WAFER 1.25B-2-21Y 21P BtoB SOCKET(FEMALE) P=1.25MM		L109125422110S	1	
CN5602	nsp	CN.WAFER 1.25B-2-15Y 15P BtoB SOCKET(FEMALE) P=1.25MM		L109125421510S	1	
CP5604,5605	nsp	CN.WAFER 1.25B-2-15A 15P BtoB HEADER(MALE) P=1.25MM		L109125321510S	2	

EXPLODE

※Parts indicated by "nsp" on this table cannot be supplied.

※The parts listed below are only for maintenance. Therefore they might differ from the parts used in the unit in appearances or dimensions

NOTE: The symbols in the column Remarks indicate the following destinations.

U : North America model N : Europe model K : China model F : Japan model

B : Black model SG : Silver Gold model

REF No.	Part No.	Part Name	Remarks	Q'ty	New	Ver
P4	nsp	P.C.B SUB ASSY SR5010U1B(MARANTZ)/FRONT		7028078131010	1	*
└ P1	-	P.C.B SUB ASSY SR5010U1B(MARANTZ)/H/P		7028078133010	1	*
└ P3	-	P.C.B SUB ASSY SR5010U1B(MARANTZ)/USB		7028078132010	1	*
└ P9	-	P.C.B SUB ASSY SR5010U1B(MARANTZ)/TOP GUIDE		7028078136010	1	*
└ P10	-	P.C.B SUB ASSY SR5010U1B(MARANTZ)/GUIDE L		7028078024060	1	*
└ P11	-	P.C.B SUB ASSY SR5010U1B(MARANTZ)/F/H GUIDE		7028078137010	1	*
P7	nsp	P.C.B SUB ASSY SR5010U1B(MARANTZ)/HDAM		7028078121010	1	*
P8	nsp	P.C.B SUB ASSY SR5010U1B(MARANTZ)/TCH AMP		7028078071060	1	*
P12	nsp	P.C.B SUB ASSY SR5010U1B(MARANTZ)/MAIN	U	7025HK1405010	1	*
P12	nsp	P.C.B SUB ASSY SR5010U1B(MARANTZ)/MAIN	N	7025HK1405020	1	*
P12	nsp	P.C.B SUB ASSY SR5010U1B(MARANTZ)/MAIN	K	7025HK1405040	1	*
└ P15	-	P.C.B SUB ASSY SR5010U1B(MARANTZ)/RS232		7028078138010	1	*
└ P17	-	P.C.B SUB ASSY SR5010U1B(MARANTZ)/RS_CNT		7028078023060	1	*
P13	nsp	P.C.B SUB ASSY SR5010U1B(MARANTZ)/INPUT		7028078051060	1	*
P16	9U6391023000S	HDMI PCB ASSY (U)	U	7025HK1405016	1	*
└ P2	-	P.C.B SUB ASSY SR5010U1B(MARANTZ)/FRONT HDMI		7028078082060	1	*
P16	9U6391023100S	HDMI PCB ASSY (N)	N	7025HK1405026	1	*
└ P2	-	P.C.B SUB ASSY SR5010U1B(MARANTZ)/FRONT HDMI		7028078082060	1	*
P16	9U6391023200S	HDMI PCB ASSY (K)	K	7025HK1405046	1	*
└ P2	-	P.C.B SUB ASSY SR5010U1B(MARANTZ)/FRONT HDMI		7028078082060	1	*
P18	nsp	P.C.B SUB ASSY SR5010U1B(MARANTZ)/SMPS	U	7028078061070	1	*
P18	nsp	P.C.B SUB ASSY SR5010U1B(MARANTZ)/SMPS	N	7028078061080	1	*
P18	nsp	P.C.B SUB ASSY SR5010U1B(MARANTZ)/SMPS	K	7028078061090	1	*
P19	nsp	P.C.B SUB ASSY SR5010U1B(MARANTZ)/VIDEO		7028078041060	1	*
└ P14	-	P.C.B SUB ASSY SR5010U1B(MARANTZ)/FRONT_CNT		7028078042060	1	*
P20	nsp	P.C.B SUB ASSY SR5010U1B(MARANTZ)/PREOUT		7028078111010	1	*
└ P6	-	P.C.B SUB ASSY SR5010U1B(MARANTZ)/HDAM CNT		7028078112010	1	*
P21	9R1891003100M	MODULE CY920-C		E100920030010S	1	
1	963412100780M	KNOB NR1403U1B(MARANTZ) BLACK A3/VOLUME KNOB	BK	5080212691000S 5080212691000CN	1	
1	963412100790M	KNOB NR1403/1603 SG A3/VOLUME KNOB	SG	5087212691100S 5087212691100CN	1	
2	963421006200M	BADGE NR1501FB(MARANTZ) SILVER/GRAY 11c AL			1	
3	943424100270M	DECORATION SR5006U1B(MARANTZ) ABS BK(CGR1A526B37) A3/RING	BK	5127210981000S 5127210981000CN	2	
3	943424100280M	DECORATION SR5006N1SG(MARANTZ) ABS SG(CGR1A526RMD10) A3/RING	SG	5127210981100S 5127210981100CN	2	
4	00M10BW355010	LENS SR5005U1B(MARANTZ)(CGL1A231) PMMA HI-855M A4/POWER		3710211083000S 3710211083000CN	1	
5	411510021005M	BUTTON NR1501FB(MARANTZ) ABS BK HF380-9001 POWER TACT	BK	5090213961000S 5090213961000CN	1	
5	963411012000M	BUTTON NR1601(N1SG) ABS(HF380-8A529) POWER TACT	SG	5097213961100S 5097213961100CN	1	
6	943423100290M	LENS SR5006U1B(MARANTZ) PMMA(CGL1A294) A4/BUTTON		3710211183000S 3710211183000CN	2	
7	416510046009M	WINDOW SR5006U1B(MARANTZ) PMMA(CGU1A455) A3/DISPLAY		5070213183000S 5070213183000CN	1	
8	416510047101M	SHEET SR-5006 PC CLEAR t1.0(CGX1A449Y) A3/WINDOW		1217211562000S	1	
9	943424100250M	HOLDER SR5006U1B(MARANTZ) ABS BK(CGR1A525) A3/WINDOW	BK	4320211091000S	1	
9	943424100260M	HOLDER SR5006N1SG(MARANTZ) ABS SG(CGR1A525C73)A3/WINDOW	SG	4320211091100S	1	
10	nsp	DECORATION SR5006N1SG(MARANTZ) ABS BK(CMH1A320) A3/WINDOW		5120210991000S 5120210991000CN	1	
11	nsp	PLATE SR5006U1B(MARANTZ) CUS t0.2(CMC1A426) A4/RCA		4470212216000S	1	
12	nsp	PLATE SR5006U1B(MARANTZ) CUS t0.2(CMC1A425) A4/USB		4470212206000S	1	
13	943411101410M	BUTTON SR-5006(U1B) ABS BK(CBT1A1158B37) A3/9KEY	BK	5097214711000S 50972147111000CN	1	
13	943411101420M	BUTTON SR-5006(N1SG) ABS SG(CBT1A1158RMD10) A3/9KEY	SG	5097214711100S 50972147111000CN	1	
14	nsp	HOLDER SR5006U1B(MARANTZ) ABS BK(CMH1A321) A4/REMOCON		4320211081000S 4320211081000CN	1	
15	481510019100M	LENS SR5006U1B(MARANTZ) PMMA(CGU1A460) A4/REMOCON	BK	3710211173000S 3710211173000CN	1	
15	481510019131M	LENS SR5006N1SG(MARANTZ) PMMA A4/REMOCON	SG	37102111731000CN	1	
16	963402105550S	PANEL SR5010U1B(MARANTZ) ABS BK A2 / FRONT	U	3067216471000S	1	*
16	963402105560S	PANEL SR5010N1B/K1B(MARANTZ) ABS BK A2 / FRONT	BKN, K	3067216471010S	1	*
16	963402105570S	PANEL SR5010N1SG(MARANTZ) ABS SG A2 / FRONT	SGN	3067216471100S	1	*
17	943419100320M	COVER ASSY SR5007U1B(MARANTZ) ABS+PA6 A3/RCA	BK	4318215411010 4318215411010CN	1	
17	943419100330M	COVER ASSY SR5007N1SG(MARANTZ) ABS+PA6/RCA	SG	4318215411110 4318215411110CN	1	
20	nsp	CUSHION AVR1911BKE3 RUBBER(HARDNESS50-70)BK/SCREW		4050213025000S	3	
21	nsp	CUSHION AVRE400BKE3 EVA60X60X14.5 BK/CABINET SIDE		4050214795000S	2	
22	00M32CW107010	CUSHION NR1605U1BFELT+EEA(BK)A4/FOOT		4050215145000S	4	
23	00M243W057210	FOOT NR1605U1B(MARANTZ) ABS/FOOT (ANAM COM)		4007210841000S 4007210841000CN	4	
24	nsp	CHASSIS SR5010U1B(MARANTZ) SECC 1.0T A2/MAIN		3200215236100S	1	*
25	nsp	SUPPORTER VSX423K/SYXE8 ABS BK/PCB		4070001601020S	2	
26	nsp	CUSHION AVR2313CIBKE3 EVA10t 20X15 BK/FRONT FFC		4050214335000S	1	
28	nsp	CHASSIS SR5010U1B(MARANTZ) SECC 0.6/BACK	U	3207215196400S	1	*
28	nsp	CHASSIS SR5010N1B(MARANTZ) SECC 0.6/BACK	N	3207215196410S	1	*
28	nsp	CHASSIS SR5010K1B(MARANTZ) SECC 0.6/BACK	K	3207215196420S	1	*
29	nsp	SHEET AVR1913BKE3 Teflon t0.06 A4/RATING CHASSIS		1210211909000S	1	
30	nsp	SHEET SR5006U1BHIMELON t0.70*10.35 A4/HIMELON		1210211629000S	3	
! 31	963101102450M	POWER TRANS SR5009 U1B(MARANTZ) 120V/60HZ 96*65/MAIN SEOUL	U	8200960650140S	1	
! 31	963101102460M	POWER TRANS SR5009 N1B(MARANTZ) 230V/50,60HZ 96*65/MAIN SEOUL	N	8200960650150S	1	
! 31	963101102470M	POWER TRANS SR5009 K1B(MARANTZ) 220V/50,60HZ 96*65/MAIN SEOUL	K	8200960650160S	1	
32	nsp	BRACKET R925 SECC 1.0T/H SINK		4010056906010S	5	
33	nsp	HEAT SINK AVRX2200WBKE3 418*37 H(80) A2/MAIN		2120212398000S	1	
34	nsp	SHEET NR1601U1B(MARANTZ) PC 0.3t DARD GRAY/TOP SHEET		1210211362000S	1	
35	nsp	WASHER CM6001 F1B(MARANTZ) 2.75*6.5*0.45t TOOTHED WASHER		1530210126000S	3	
42	nsp	BRACKET AVR1911BKE3 SECC t1.0 A4 /SMPS		4010214886000S	1	
43	963403101100D	CABINET AVRX2200WBKE3 SECC t0.7/TOP	BK	3007212166000S	1	
43	963403101110D	CABINET SR5010N1SG SG SECC t0.7/TOP	SG	3007212026110S 3007212166010S	1	
44	nsp	SHEET SR-5008 (U1B) PC(Clear T0.2) A4/SPEAKER REAR SHEET		1217212389000S	1	
46	963419100910S	BUSHING AVRX2100WBKE3 ABS(HB)(CMH1A357) A4/WIFI ANT		2410210161000S 2410210161000CN	2	
47	963419100920S	HOLDER AVRX2100WBKE3 ABS(HB)(CMH1A358) A3/WIFI ANT		4320211391000S 4320211391000CN	2	
48	963419100930S	SUPPORTER AVRX2100WBKE3 ABS(HB)(CMH1A360) A3/WIFI ANT		4070212301000S 4070212301000CN	2	
49	963116100530S	WIFI ANT(L) : wire 450mm		E600506600010S	1	
50	963116100540S	WIFI ANT(R) : wire 300mm		E600505600010S	1	
51	nsp	PLATE SR5009U1BSPTE t0.2 A4/HDMI GND		4470212936000S	1	
★	963606502500S	CABLE.FLAT CARD SHIELD 1.0MM 1.0*23*240*A(4/4/8/8)(0.035*0.65) (AC+AL) SHIELD		N713232412480S	1	
★	963606502820S	CABLE.FLAT CARD SHIELD 1.0MM 1.0*40*170*A(4/4/8/8)(0.035*0.65) AL SHIELD		N713401712480S	1	*

REF No.	Part No.	Part Name	Remarks	Q'ty	New	Ver
Q410	00D9630235204	TR 2SB1647Y 130W 15A (2SD2390-Y and 2SB1560-Y is one pair parts.)		J5011647Y0170S	1	
Q422	00D9630235204	TR 2SB1647Y 130W 15A (2SD2390-Y and 2SB1560-Y is one pair parts.)		J5011647Y0170S	1	
Q434	00D9630235204	TR 2SB1647Y 130W 15A (2SD2390-Y and 2SB1560-Y is one pair parts.)		J5011647Y0170S	1	
Q446	00D9630235204	TR 2SB1647Y 130W 15A (2SD2390-Y and 2SB1560-Y is one pair parts.)		J5011647Y0170S	1	
Q458	00D9630235204	TR 2SB1647Y 130W 15A (2SD2390-Y and 2SB1560-Y is one pair parts.)		J5011647Y0170S	1	
Q470	00D9630235204	TR 2SB1647Y 130W 15A (2SD2390-Y and 2SB1560-Y is one pair parts.)		J5011647Y0170S	1	
Q482	00D9630235204	TR 2SB1647Y 130W 15A (2SD2390-Y and 2SB1560-Y is one pair parts.)		J5011647Y0170S	1	
Q409	963219003340S	KTC3964/TO126S-BULK		J502396400010S	1	
Q421	963219003340S	KTC3964/TO126S-BULK		J502396400010S	1	
Q433	963219003340S	KTC3964/TO126S-BULK		J502396400010S	1	
Q445	963219003340S	KTC3964/TO126S-BULK		J502396400010S	1	
Q457	963219003340S	KTC3964/TO126S-BULK		J502396400010S	1	
Q469	963219003340S	KTC3964/TO126S-BULK		J502396400010S	1	
Q481	963219003340S	KTC3964/TO126S-BULK		J502396400010S	1	
Q404	00D9630235301	TR 2SD2560Y 130W 15A (2SD2390-Y and 2SB1560-Y is one pair parts.)		J5032560Y0170S	1	
Q416	00D9630235301	TR 2SD2560Y 130W 15A (2SD2390-Y and 2SB1560-Y is one pair parts.)		J5032560Y0170S	1	
Q428	00D9630235301	TR 2SD2560Y 130W 15A (2SD2390-Y and 2SB1560-Y is one pair parts.)		J5032560Y0170S	1	
Q440	00D9630235301	TR 2SD2560Y 130W 15A (2SD2390-Y and 2SB1560-Y is one pair parts.)		J5032560Y0170S	1	
Q452	00D9630235301	TR 2SD2560Y 130W 15A (2SD2390-Y and 2SB1560-Y is one pair parts.)		J5032560Y0170S	1	
Q464	00D9630235301	TR 2SD2560Y 130W 15A (2SD2390-Y and 2SB1560-Y is one pair parts.)		J5032560Y0170S	1	
Q476	00D9630235301	TR 2SD2560Y 130W 15A (2SD2390-Y and 2SB1560-Y is one pair parts.)		J5032560Y0170S	1	
SCREW						
A	nsp	SCREW,TAP TITE NR1606U1B(MARANTZ) +2S 3*10 B-TITE CZN /BH		B020030101B10S B020030101B10SV	30	
B	nsp	SCREW,TAP TITE () +2S 3*6(ROUND) BK/BH		B020230063B10S B020230063B10SV	2	
C	nsp	SCREW,TAP TITE KRA4030(K) +2S 3*8 B-TYPE ZNW/BH		B020030081B10S B020030081B10SV	32	
D	nsp	SCREW HCD3700 +2S 3*8 ZnY WASHER PI12		1500001456010S 1500001456010SV	1	
E	nsp	SCREW,TAP TITE XHM82K/SYXEV8 +2S 3*8(ROUND) BK/BH		B020230083B10SV	8	*
F	nsp	NUT				
G	nsp	SCREW,TAP TITE ASSY AVR1910BKE3 +3S 4*10 P+S-WASHER(ROUND)BK/BH		B028940101B11S B028940101B11SV	4	
H	nsp	SCREW,TAPPING ASSY AVR1404(KE3) +2S 3*14 P(Φ)S-WASHER ZNY/HH		B018230141H11D B018230141H11SV	21	
I	nsp	SCREW,TAP TITE HCD60M +2S 3*17 B-TYPE ZNW/BH		B020030171B10S B020030171B10SV	2	
J	nsp	SCREW AVR3300(E3) +2S 4*8 B-TYPE(DOT) BK/BH		1500040083B10S 1500040083B10SV	8	
K	nsp	SCREW,TAP TITE AVR3300(E3) +2S 3*10 B-TYPE(DOT) BK/BH		B020030103B11S B020030103B11SV	35	
L	nsp	SCREW,TAP TITE VSX925K/CJXCNC +3S 3*4 S-TYPE BK/BH		B020030043B10SV	11	
M	nsp	SCREW(+3S 3X8 BK/FH)		B020930083F10SV	1	
N	nsp	SCREW(+3S 3X8 BK/FH)		B020930083B10SV	3	
O	nsp	SCREW HRV4000(K) +2S 3*8 PI9.5 B-TYPE ZNW		1500001206010SV	2	
P	nsp	SCREW,TAP TITE N-70AJXEV +2S 3*6 B-TYPE ZNW/BH		B020030061B10SV	4	
★	nsp	SPRING NR1605U1BSUS304 PI1.2 PI7.4 A4/KNOB		3720210576000S	1	
★	nsp	TAPE DMS3 NO 156(15*30)(A4)/ACETATE CLOTH		1220210059020S	2	
★	nsp	TAPE NR1606U1B(MARANTZ) NO 156(15X45)SCETATE CLOTH TAPE		1220210059050SV	1	
★	nsp	BRACKET SR5006U1BSPTH 10.5(CMD1A792) A4/USB		4010215216000S	1	
★	nsp	HOLDER SR5006U1B(MARANTZ) SPTH 10.5(CMD1A793) A4/FLT		4320211106000S	1	
★	nsp	TAPE () NITTO #500,10MM*50M DOUBLE		A710000520000S	0.06	

PACKING

※Parts indicated by "nsp" on this table cannot be supplied.

※The parts listed below are only for maintenance. Therefore they might differ from the parts used in the unit in appearances or dimensions

NOTE: The symbols in the column Remarks indicate the following destinations.

U : North America model N : Europe model K : China model F : Japan model

B : Black model SG : Silver Gold model

REF No.	Part No.	Part Name	Remarks		Q'ty	New	Ver
2	nsp	PE SHEET Warning 28 Language NITRON 750*1460/SET			6327040059000S	1	
3	30701016800AD	REMOCON NR1605(MARANTZ)/RC024SR T24C08A			8300024001040S	1	
4-1	963533103140S	CUSHION,SNOW SR5010U1B EPS WH 55/Front TOP			6230214044000S	1	*
4-2	963533103150S	CUSHION,SNOW SR5010U1B EPS WH 55/Front BOTTOM			6230214054000S	1	*
4-3	963533103160S	CUSHION,SNOW SR5010U1B EPS WH 55/REAR TOP			6230214064000S	1	*
4-4	963533103170S	CUSHION,SNOW SR5010U1B EPS WH 55/REAR BOTTOM			6230214074000S	1	*
5	nsp	BATTERY,DRY R03 AAA SIZE 1.5V			G670001R50243S	2	
6	32401000800AD	MIC CONDENSER AUTO SETUP MIC ACM1HB			M040000310080S	1	
7	963531105130S	BOX,GIFT SR5010U1B(MARANTZ) DW 515*427*238			6007213000000S	1	*
8	nsp	LABEL SR5010(U1B) CONTROL/Box 2EA+SERIAL 1EA attach			5507000019140S	1	*
9	nsp	WARRANTY CARD Marantz (K1B) WARRANTY china 54311016220AM	K		5727000000450S	1	
10	nsp	TAPE TAPE PACKING W:50(NEW TAPE:4.5kgf)			1220210772000S	1.5	
11	nsp	LABEL Marantz (N1SG) / COLOR SG 544110091014M			5507000019520S		
12	963549101000D	STAND ASSY AVR2100WBKE3 (CPG1A1021Z)PAPER A3/MIC			4148210170000S	1	
13	nsp	LABEL AVR NR SR / MIC			5507000019510S	1	
!	14	963611501070S	CORD ASSY 13A/125V SP14/IS14A SJT 16AWG*2 1.8M WH-STRAP	U	L068125130220S	1	
!	14	90M-ZC000600R	CORD ASSY 16A/250V M3204/VAC17S H05VV-F2C*1MM 1.8M WH-STRAP	N	L068250160120S	1	
!	14	963611501100S	CORD ASSY 10A/250V SP505A/IS14A RVV300/500 1.83M WH-STRAP	K	L068250100220S	1	
	15	nsp	BUSHING NYLON(BK)/TERMINAL	N, K	2410040353010S	14	
A4 SIZE POLYBAG ASSY							
	f	nsp	SHEET SR5010/NR1606/1506(ALL) Notes on RADIO Sheet (A3)		5227000003630S	1	
	f	nsp	SHEET SR5010(U1B) Safety Instruction (A3)	U	5227000003600S	1	*
	f	nsp	SHEET SR5010(N1B/N1SG) Safety Instruction (A3)	N	5227000003610S	1	*
	f	nsp	SHEET SR5010(K1B) Safety Instruction (A3)	K	5227000003620S	1	*
	f	nsp	SHEET GOST SHEET(N ONLY)	N		1	*
	f	nsp	WARRANTY CARD Marantz (U1B) WARRANTY No.54311010512AM	U	5727000000170S	1	
	f	nsp	WARRANTY CARD Marantz (U1B) Canada warranty SN.00M183J854018	U	5727041650180S	1	
	f	963544104550S	LABEL AVRS910_X2200/SR5010/NR1606(ALL) SPEAKER WIRE		5507000018970S	1	
	f	963116100550S	ANTENNA,WIRE ANT FM NTSC CABLE 1500MM BK1007#22 WH-STARP LABEL		E605010140050S	1	
	f	963116100560S	ANTENNA,LOOP ANT AM LOOP STAND 9.5UH BK1691#24 WH-STRAP LABEL		E601019000050S	1	
	f	nsp	CN,CATV_SGLBF-6B ANT DUAL TUNER ISOLATOR BLACK	K	L1702000060010S	1	
	f	nsp	CARD MARANTZ (K) Pass CARD CHINA	K	5777000000290S	1	
A5 SIZE POLYBAG ASSY							
	f	35201040101AM	DISC SR-5010(N1B/N1SG) CD MANUAL No.	N	6517000002240S	1	*
	f	35201040102AM	DISC SR-5010(K1B) CD MANUAL No.	K	6517000002250S	1	*
	f	54111129600AM	INSTRUCTION MANUAL SR5010 (U1B) Quick Manual / No.	U	5707000010130S	1	*
	f	54111129601AM	INSTRUCTION MANUAL SR5010 (N1B/N1SG) Quick Manual / No.	N	5707000010140S	1	*
	f	54111129602AM	INSTRUCTION MANUAL SR5010 (K1B) Quick Manual / No.	K	5707000010150S	1	*
	★	nsp	LABEL NR1506/1606/SR5009(U) SIRIUS XM/SPOFITTY-BOXattach-		5507000019180S	1	
	★	nsp	SHEET SR5010/NR1606(U1B) User update insertion		5227000003880S	1	*
	★	nsp	LABEL SR5010(ALL) 40X5 / MAC ADDRESS		5507000019240S	2	*
	★	nsp	LABEL SR-5010(U1B) POP/REMOVABLE -SET-		5507000019250S	1	*
	★	nsp	LABEL SR5010 (ALL) Bluetooth MAC ADDRESS(40X5)		5507000019280S	2	*
	★	nsp	LABEL SR5010(U1B) QR CODE		5507000019570S	1	*
	★	nsp	LABEL AVR/NR/SR DTS ready sticker - SET ATTACH		5507000019890S	1	*
	★	nsp	LABEL AVR/NR/SR DTS ready sticker - BOX ATTACH		5507000019900S	2	*