

Service Manual

SR5023 /N1B/N1SG

Receiver

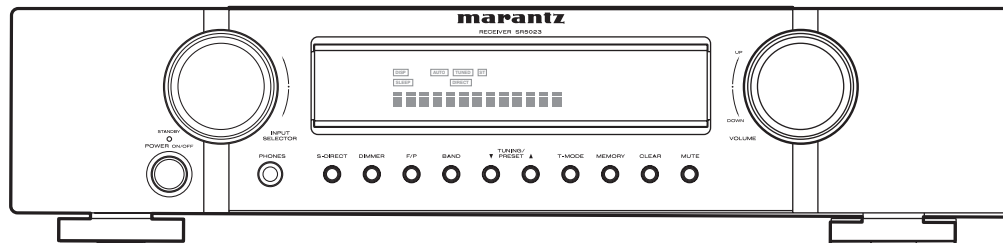


TABLE OF CONTENTS

SECTION	PAGE
1. TECHNICAL SPECIFICATIONS	1
2. POWER AMPLIFIER ADJUSTMENT	2
3. SERVICE MODE	3
4. UPDATE MICROPROCESSOR SOFTWARE PROCEDURE	4
5. WIRING DIAGRAM	15
6. BLOCK DIAGRAM	17
7. SCHEMATIC DIAGRAM	19
8. PARTS LOCATION	24
9. EXPLODED VIEW AND PARTS LIST	33
10. MICROPROCESSOR AND IC DATA	36
11. ELECTRICAL PARTS LIST	44
12. ABOUT REPLACE THE MICROPROCESSOR WITH A NEW ONE	60

Please use this service manual with referring to the user guide (D.F.U.) without fail.
修理の際は、必ず取扱説明書を準備し操作方法を確認の上作業を行ってください。

marantz®

SR5023

MARANTZ DESIGN AND SERVICE

Using superior design and selected high grade components, **MARANTZ** company has created the ultimate in stereo sound. Only original **MARANTZ** parts can insure that your **MARANTZ** product will continue to perform to the specifications for which it is famous.

Parts for your **MARANTZ** equipment are generally available to our National Marantz Subsidiary or Agent.

ORDERING PARTS :

Parts can be ordered either by mail or by Fax.. In both cases, the correct part number has to be specified.

The following information must be supplied to eliminate delays in processing your order :

1. Complete address
2. Complete part numbers and quantities required
3. Description of parts
4. Model number for which part is required
5. Way of shipment
6. Signature : any order form or Fax. must be signed, otherwise such part order will be considered as null and void.

USA

MARANTZ AMERICA, INC
100 CORPORATE DRIVE
MAHWAH, NEW JERSEY 07430
USA

EUROPE / TRADING

D&M EUROPE B. V.
P. O. BOX 8744, BUILDING SILVERPOINT
BEEMDSTRAAT 11, 5653 MA EINDHOVEN
THE NETHERLANDS
PHONE : +31 - 40 - 2507844
FAX : +31 - 40 - 2507860

CANADA

D&M Canada Inc.
5-505 APPLE CREEK BLVD.
MARKHAM, ONTARIO L3R 5B1
CANADA
PHONE : 905 - 415 - 9292
FAX : 905 - 475 - 4159

JAPAN

D&M Holdings Inc.
D&M BUILDING, 2-1 NISSHIN-CHO,
KAWASAKI-KU, KAWASAKI-SHI,
KANAGAWA, 210-8569 JAPAN

株式会社 ディーアンドエムホールディングス
本社 〒210-8569
神奈川県川崎市川崎区日進町2-1 D&Mビル



KOREA

D&M SALES AND MARKETING KOREA LTD.
CHUNG JIN B/D., #1001,
53-5, WONHYORO 3 GA, YONGSAN-GU,
SEOUL, 140-719, KOREA
PHONE : +82 - 2 - 323 - 2155
FAX : +82 - 2 - 323 - 2154


CHINA

D&M SALES AND MARKETING SHANGHAI LTD.
ROOM.808 SHANGHAI AIRPORT CITY TERMINAL
NO.1600 NANJING (WEST) ROAD, SHANGHAI,
CHINA. 200040
TEL : 021 - 6248 - 5151
FAX : 021 - 6248 - 4434

NOTE ON SAFETY :

Symbol  Fire or electrical shock hazard. Only original parts should be used to replaced any part marked with symbol  . Any other component substitution (other than original type), may increase risk of fire or electrical shock hazard.

安全上の注意 :

 がついている部品は、安全上重要な部品です。必ず指定されている部品番号のものを使用して下さい。

SHOCK, FIRE HAZARD SERVICE TEST :

CAUTION : After servicing this appliance and prior to returning to customer, measure the resistance between either primary AC cord connector pins (with unit NOT connected to AC mains and its Power switch ON), and the face or Front Panel of product and controls and chassis bottom.

Any resistance measurement less than 1 Megohms should cause unit to be repaired or corrected before AC power is applied, and verified before it is return to the user/customer.

In case of difficulties, do not hesitate to contact the Technical Department at above mentioned address.

1. TECHNICAL SPECIFICATIONS

FM TUNER SECTION

Frequency Range 87.5 - 108.0 MHz
 Usable Sensitivity IHF 1.8 μ V/16.4 dB
 Signal to Noise Ratio Mono/Stereo 75/70 dB
 Distortion Mono/Stereo 0.2/0.3 %
 Stereo Separation 1 kHz 45 dB
 Alternate Channel Selectivity \pm 300 kHz 60 dB [N]
 Image Rejection 98 MHz 70 dB
 Tuner Output Level 1 kHz, \pm 40 kHz Dev 500 mV [N]

AM TUNER SECTION

Frequency Range 531 - 1602 kHz [N]
 Signal to Noise Ratio 50 dB
 Usable Sensitivity Loop 400 μ V/m
 Distortion 400 Hz, 30 % Mod. 0.5 %
 Selectivity \pm 18 kHz 70 dB [N]

AUDIO SECTION

Rated Power (40 Hz - 20 kHz)
 8 ohms 80 W / Ch
 6 ohms 100 W / Ch
 THD (40 Hz - 20 kHz) 0.08%

Input Sensitivity/Impedance

Linear 200 mV/ 47 kohms
 Signal to Noise Ratio (HIF A)
 Linear 95 dB

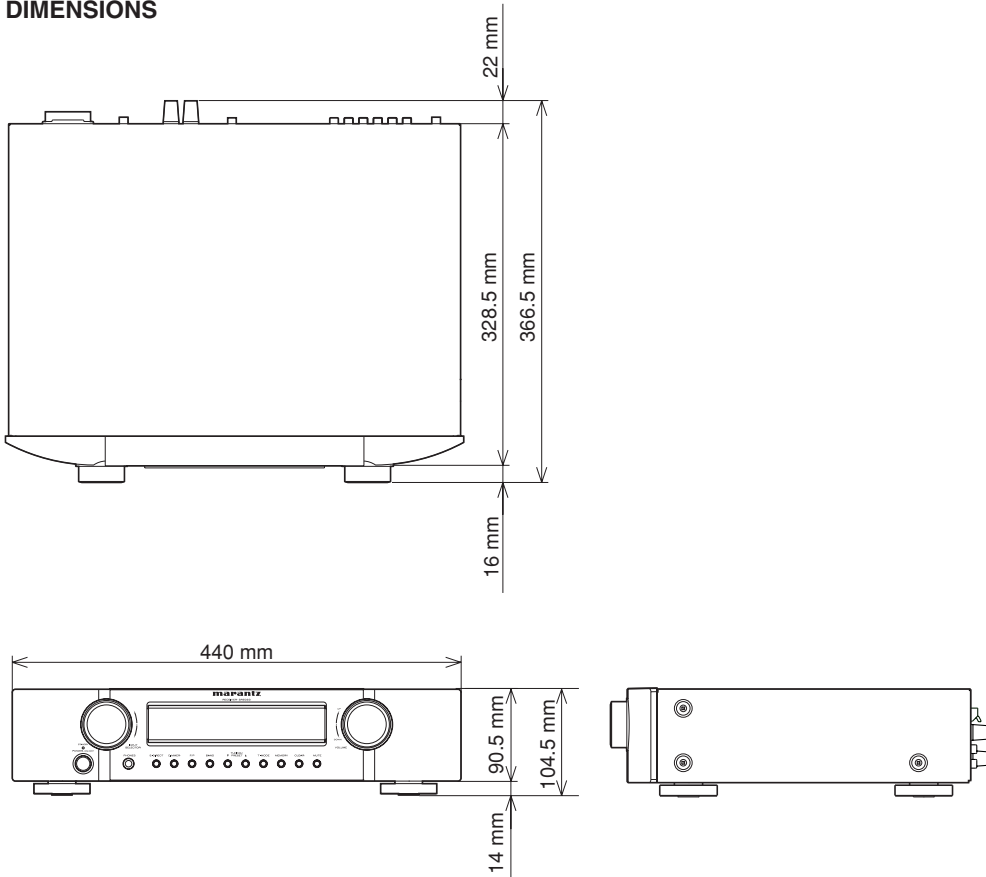
GENERAL

Power Requirement AC 230 V 50/60 Hz [/N]
 Power Consumption 150 W
 Weight 7.8 kg

ACCESSORIES

Remote Control Unit RC002SR 1
 AAA-size batteries 2
 FM Antenna 1
 AM Loop Antenna 1
 AC Power Cord 1
 User Guide 1

DIMENSIONS



2. POWER AMPLIFIER ADJUSTMENT

Idling Current Alignment

1. Each of the measurement points are provided with the two test points. Set a digital Voltage meter to DC voltage input, connect the meter to the test points at both contact points.
2. After the setup above, turn on the main switch.
3. Adjust variable resistors (VR51 - VR61) according to the digital voltmeter readings. The target setting value is the following table for each channels.

Settings :

- Master Volume — Minimum
- Speaker out — No Load
- Top lid — OPEN

Channel	Alignment Point	Measurement Point
L ch	VR51	CN51
R ch	VR61	CN61

Time Table of Idling Current Rise

After Turning ON	Ambient temperature 20 to 30 degrees centigrade Measurement Voltage
10 min.	5 mV \pm 0.5 mV
20 min.	5 mV \pm 0.5 mV
30 min.	5 mV \pm 0.5 mV

3. SERVICE MODE

Microprocessor (IC41) and FLD Segment Check Mode.

1. Connect the mains cord into the unit.
2. Press the **POWER ON/STANDBY** button for turn on the unit.
3. Press the **DIMMER, MUTE** and **TUNING/PRESET UP** buttons simultaneously more than 3 seconds.
4. The FL display shows "SERVICE MODE" for 2 seconds then shows the model name.

S	E	R	V	I	C	E		M	O	D	E	
---	---	---	---	---	---	---	--	---	---	---	---	--

			S	R	5	0	2	3				
--	--	--	---	---	---	---	---	---	--	--	--	--

5. Press the **S.DIRECT** button, the software version of the MAIN CPU (IC41) is displayed in the format below.

V	0	8	0	6	1	2		1	N			
└─ Year ─┘			└─ Month ─┘			└─ Date ─┘		└─ Release No. ─┘		└─ Destination ─┘		

6. Press the **S.DIRECT** button again, the serial Number of the unit is displayed.

M	Z		X	X	X	X	X	X	X	X	X	
---	---	--	---	---	---	---	---	---	---	---	---	--

(XX is displayed in Hex)

7. Press the **S.DIRECT** button again, the left half, right half and center of the label area in the FLD light on and off each other.
8. Press the **S.DIRECT** button again, the segments of the character area in the FLD flick in checker pattern.
9. Press the **S.DIRECT** button again to quit this mode.

HOW TO RESET THE UNIT

Should the operation or display seem to be abnormal, reset the unit with the following procedure.
 The unit is turned on, press and hold the **MUTE** and **S.DIRECT** buttons simultaneously for 3 seconds or more.
 Remember that the procedure will reset the settings of the TUNER PRESET etc., to their initial settings.

4. UPDATE MICROPROCESSOR SOFTWARE PROCEDURE

When microprocessor software was updated, update the software in the following procedure.

Necessary Equipment

- Windows PC (OS: Windows2000 or WindowsXP) with Serial port.
- RS-232C Dsub-9 pin cable (female to female/straight type).
- DATA UPDATE KIT (90M-SR4500JIG)
- Update tool (FlashProg.exe, other files and folders in Flash Programmer folder)
- Update data (SR4023_yymmdd-vv.h16)

NOTE : The yy is two digits of year. The mm is month. The dd is date. The vv is release number.

The update data is same as SR4023 and ST6003.

[A] Update Procedure

1. Create the MODEL NAME folder into anywhere on your PC's hard disk.
(Ex.: SR4023_SR5023_ST6003)
2. Put the "Flash Programmer" and "software" folder into the MODEL NAME folder.
3. Double click the "Flash Programmer" folder.

4. UPDATE MICROPROCESSOR SOFTWARE PROCEDURE

マイコンのソフトウェアが更新された場合、下記の手順に従ってアップデートしてください。

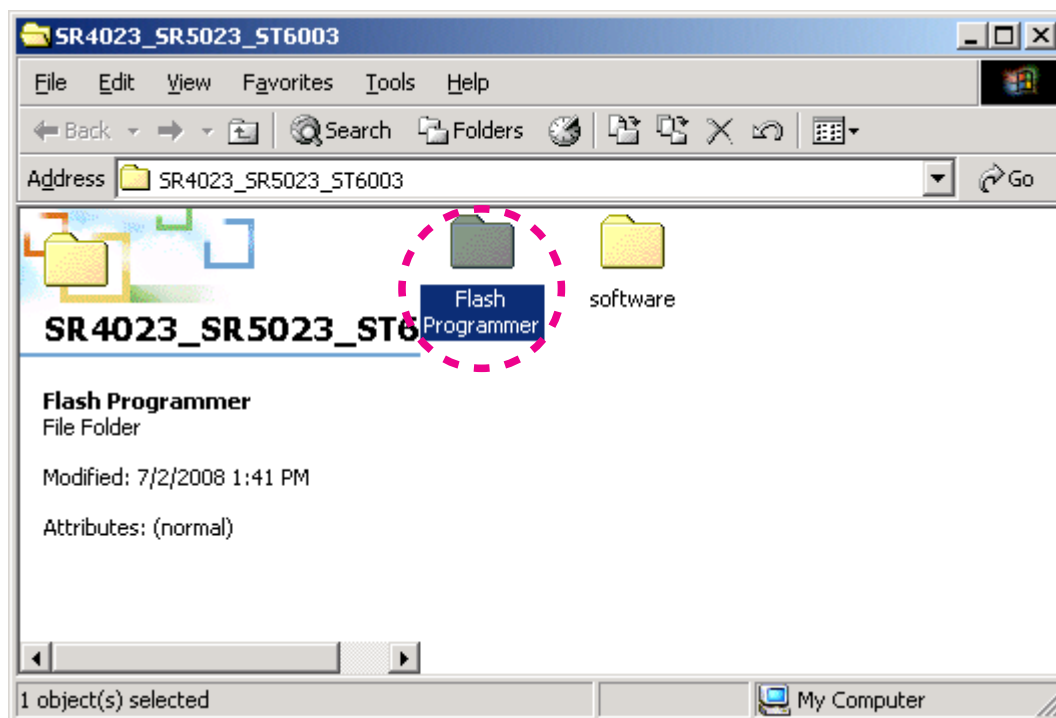
必要機器

- Windows PC (OS: Windows2000またはWindowsXP) で Serialポートのあるもの
- RS-232Cストレートケーブル (9pinメス-9pinメス)
- DATA UPDATE KIT (90M-SR4500JIG)
- アップデート用書き込みソフトウェア (Flash Programmerフォルダ内 FlashProg.exe、および他のファイルとフォルダ)
- アップデート用データ (SR4023_yymmdd-vv.h16)

注意 : yyは年の下二桁、mmは月、ddは日、vvはリリースナンバーアップデート用データはSR4023、ST6003と同じです。

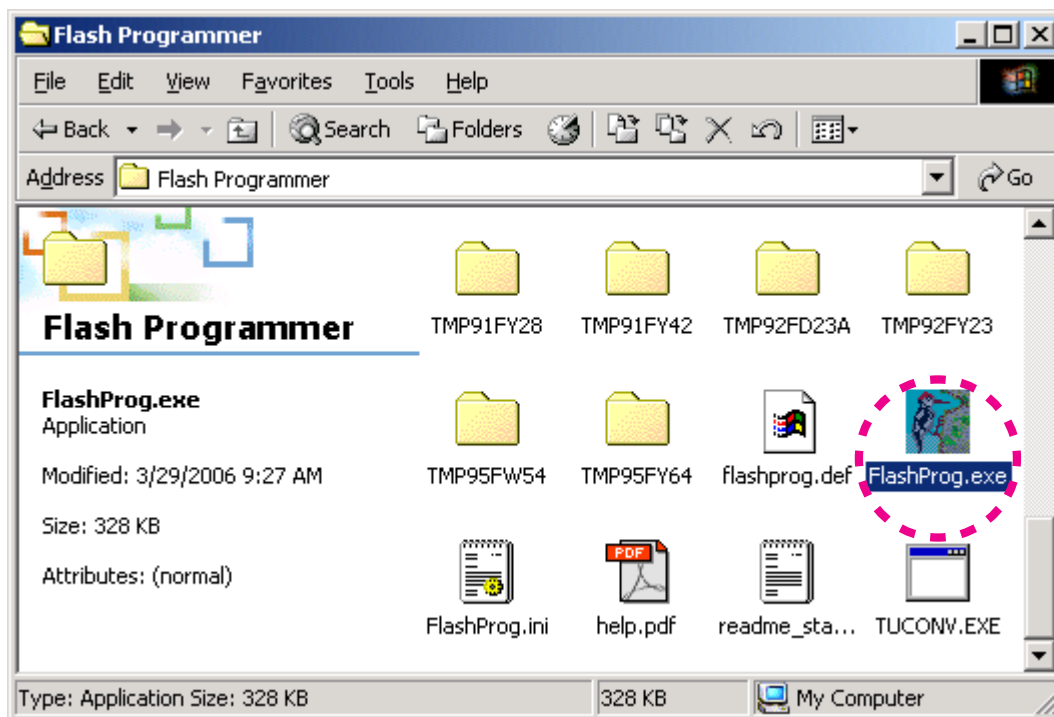
[A] Update Procedure

1. モデル名のフォルダをPCのハードディスクに作成します。
(例：SR4023_SR5023_ST6003)
2. "Flash Programmer"と"software"フォルダをモデル名フォルダにコピーします。
3. "Flash Programmer"フォルダをダブルクリックします。



4. Double click FlashProg.exe, and launch the Flash Programmer.

4. FlashProg.exeをダブルクリックし、Flash Programmerを起動します。



NOTE : When a Flash Programmer does not launch even if double-clicked FlashProg.exe, please refer to "[B] When a Flash Programmer did not launch".

注意 : FlashProg.exeをダブルクリックしてもFlash Programmer が起動しない場合は、"[B] When a Flash Programmer did not launch"を参照してください。

5. The following dialog box appears several seconds later after the Flash Programmer launch.
Click **OK**.

5. Flash Programmer起動後、数秒で下記のダイアログボックスが表示されます。
OKをクリックします。

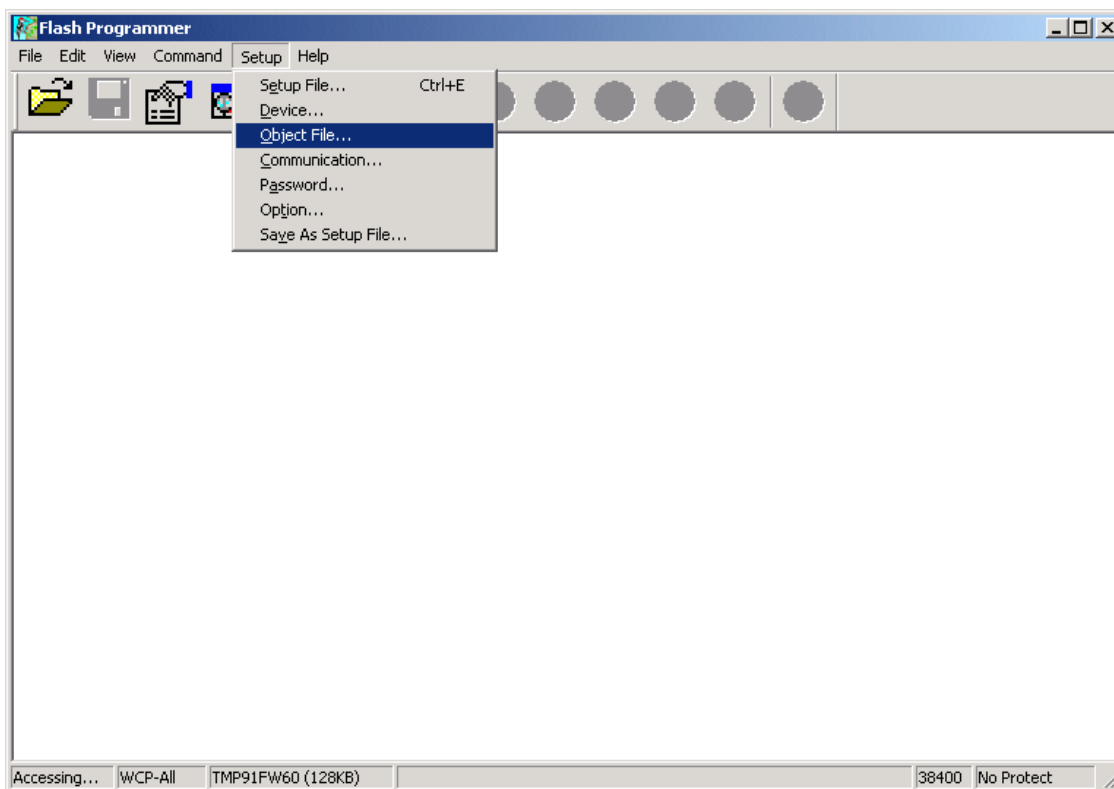


NOTE : Since Flash Programmer communicates with the unit automatically, the above dialog box appears when it fails in communication.

注意 : Flash Programmerは本機に自動的に通信接続を行います。このダイアログボックスは通信接続に失敗すると常に表示されます。

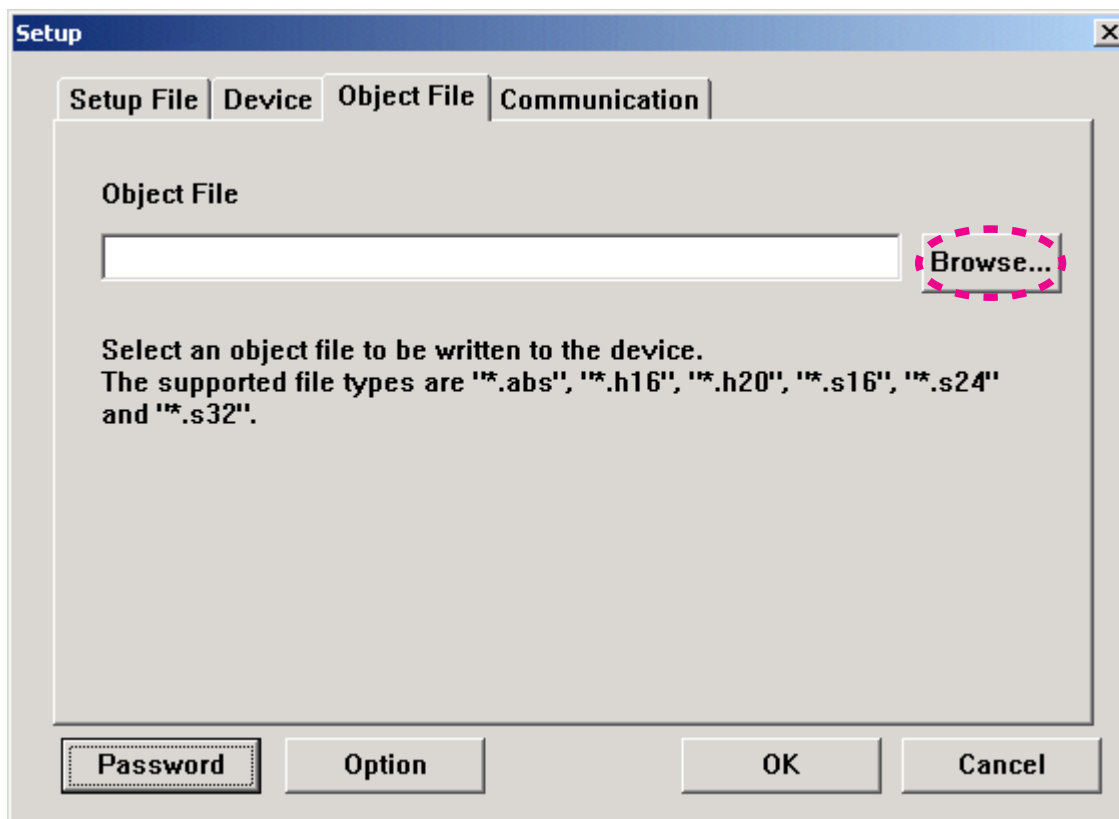
6. Click the **Setup** in the menu bar and select the **Object file**.

6. メニューバーから**Setup**をクリックし、**Object file**を選択します。



7. Click **Browse**.

7. **Browse**をクリックします。

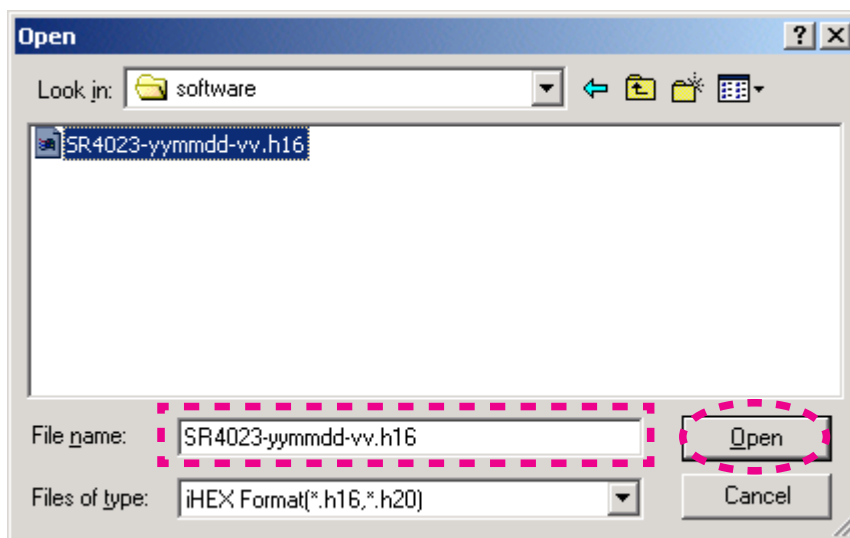


8. Choose the **iHEX Format(*.h16,*.h20)** in Files of type.
Choose the SR4023_yymmdd-vv.h16, and click Open.

NOTE : The yy is two digits of year. The mm is month. The dd is date. The vv is release number.

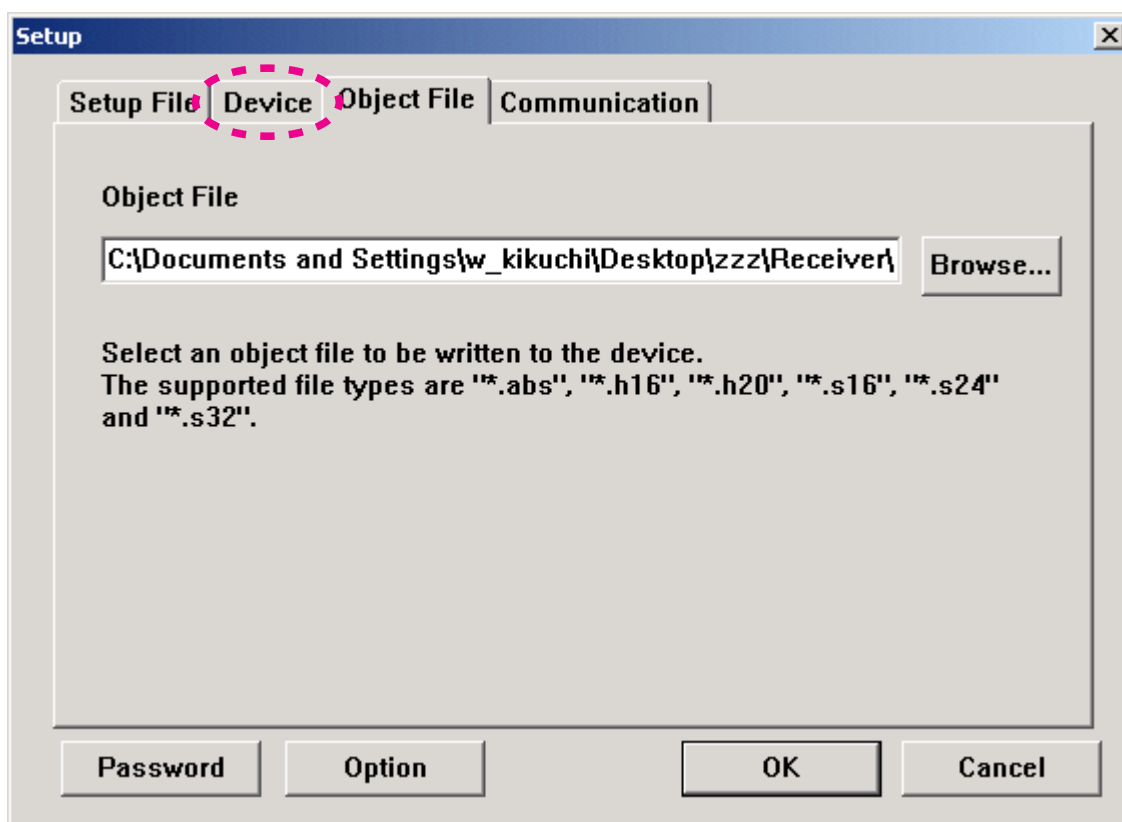
8. Files of type を **iHEX Format(*.h16,*.h20)** に変更します。
SR4023_yymmdd-vv.h16 を選択し、Open をクリックします。

注意 : yy は年の下二桁、mm は月、dd は日、vv はリリースナンバー



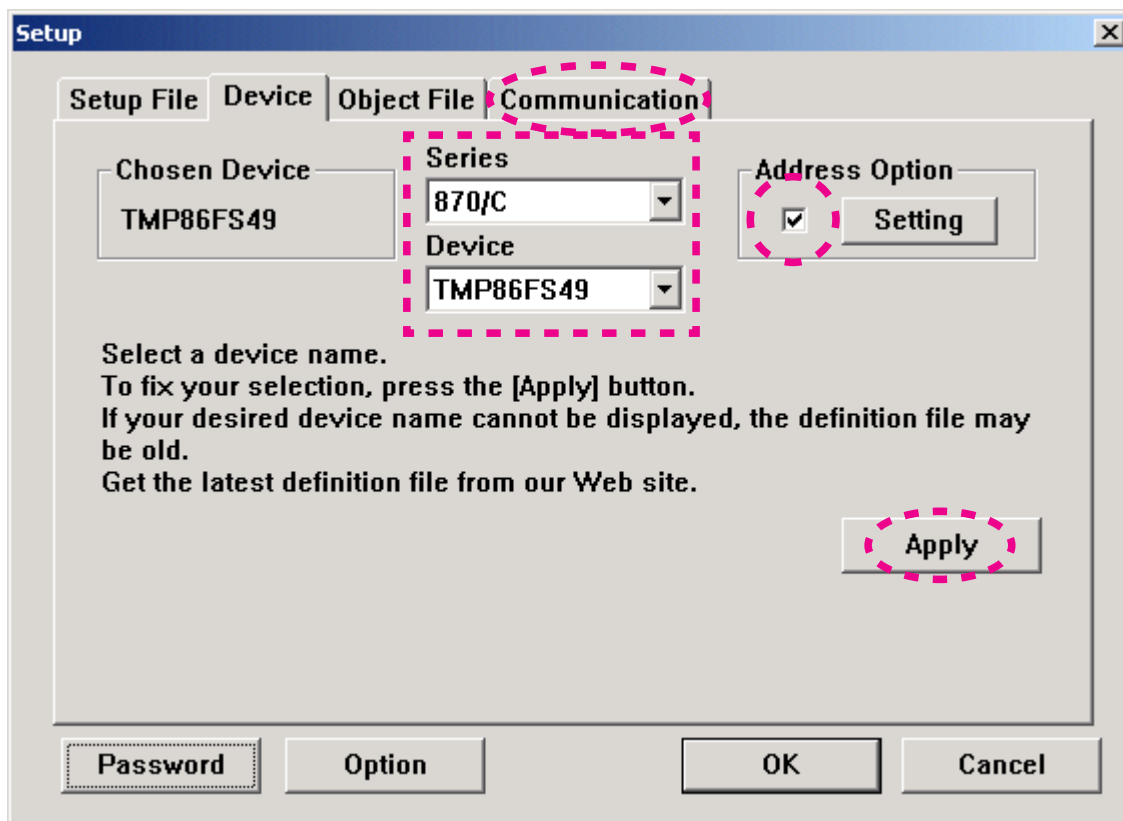
9. Click **Device** tab.

9. **Device** タブをクリックします。



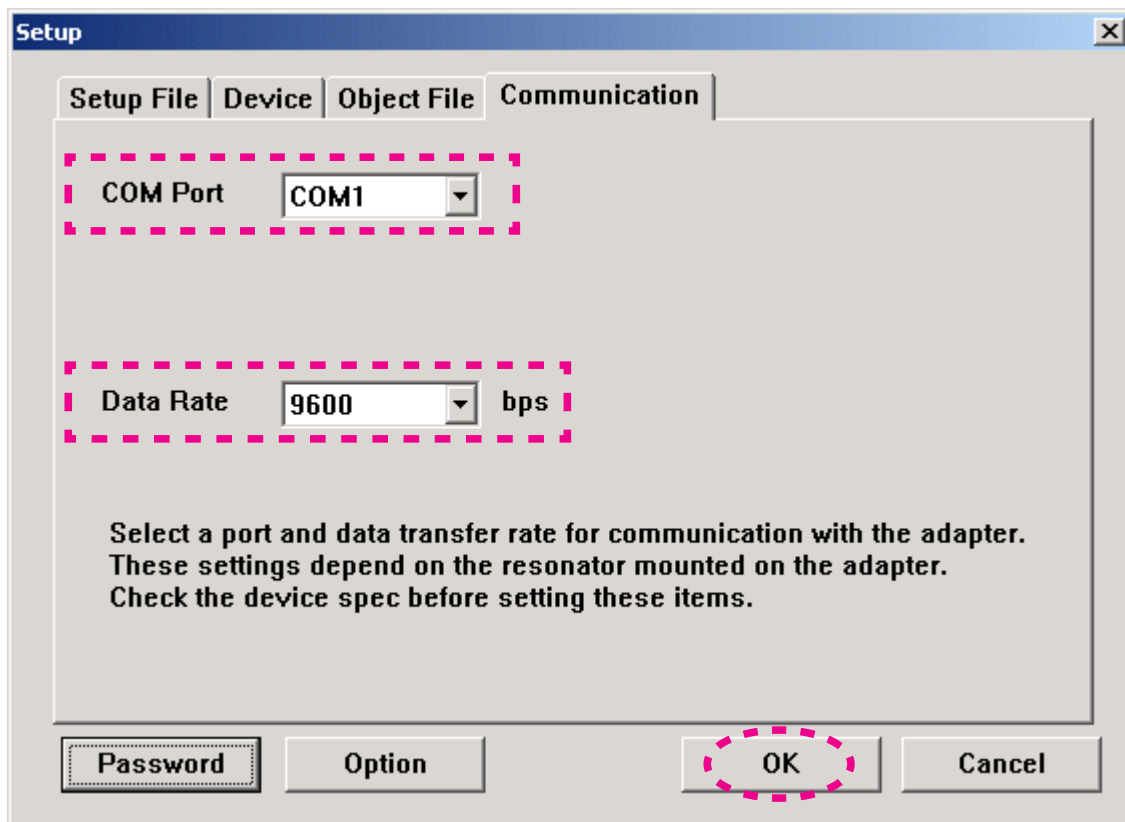
10. Choose the **TMP86FS49** in the Device, and choose the **870/C** in the Series.
Check the Address Option.
Click the **Apply**.
And click **Communication** tab.

10. Deviceから**TMP86FS49**を選び、Seriesから**870/C**を選択します。
Address Optionをチェックします。
Applyをクリックします。
そして、**Communication**タブをクリックします。



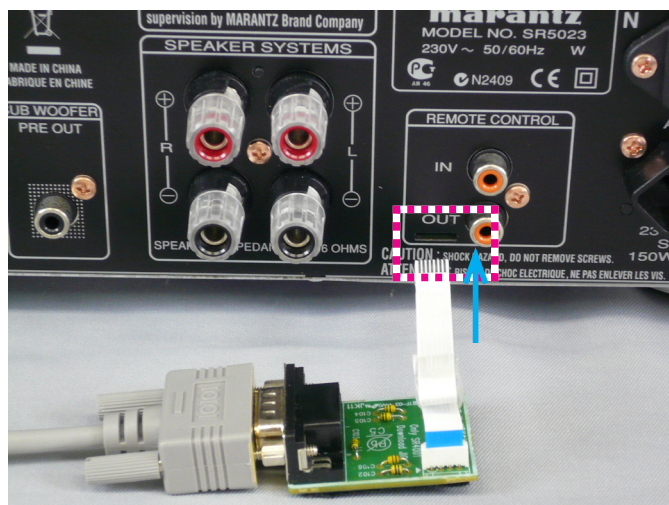
11. Choose the **Serial port number** in the COM Port.
Choose the **9600** in the Data Rate.
And Click **OK**.

11. COM Portから使用する**ポート番号**を選択します。
Data Rate Manualにチェックを入れ、Data Rateから**9600**
を選択します。
OKをクリックします。



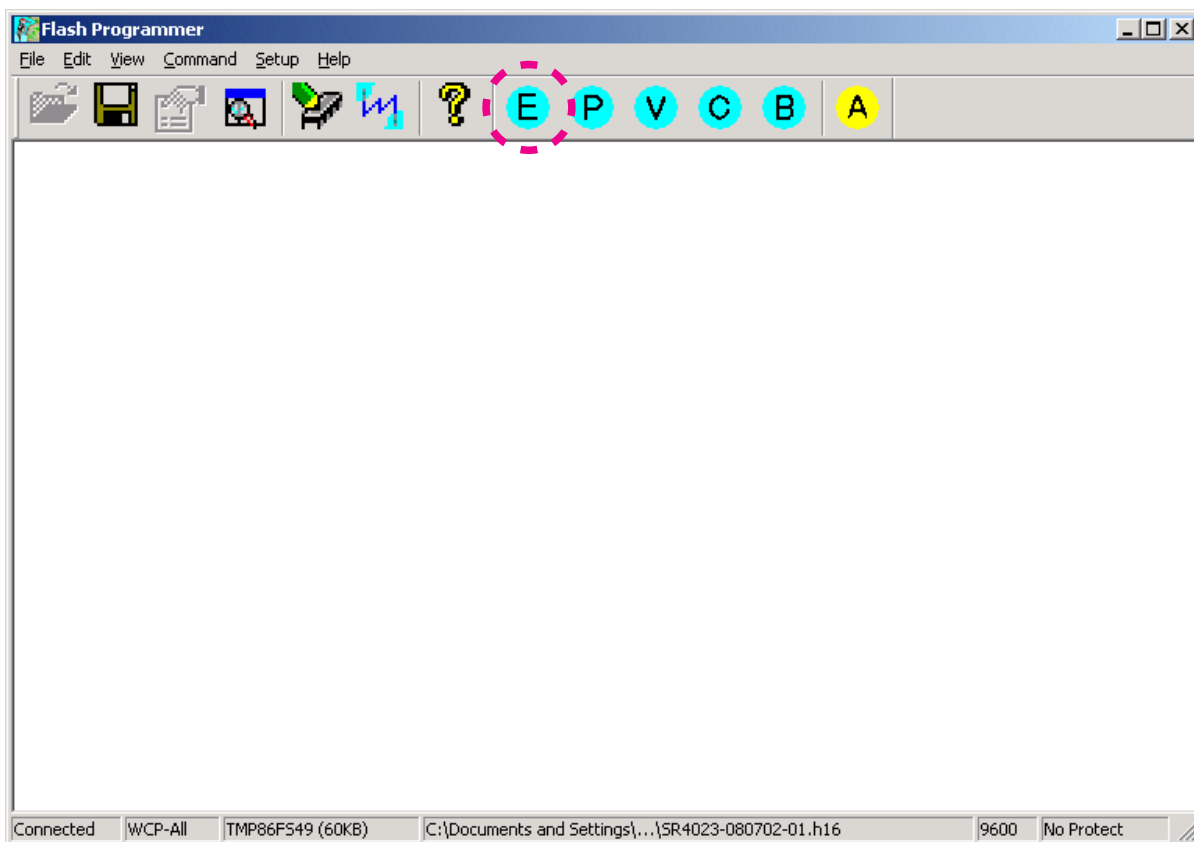
12. Disconnect the mains cord from the unit.
13. Connect the RS-232C on the DATA UPDATE KIT and the
Serial Port of windows PC with RS-232C cable.
14. Connect FFC (upside contact) to the rear panel of the
unit from DATA UPDATE KIT.

12. 本機から電源ケーブルを外します。
13. DATA UPDATE KITのRS-232C端子とPCのSerialポートを
RS-232Cケーブルで接続します。
14. 本機のリアパネルにDATA UPDATE KITのFFCをコンタク
ト面を上にして差し込みます。



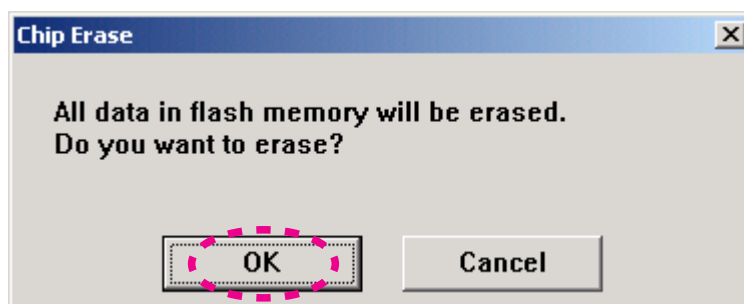
15. Connect the mains cord into the unit. And turn on the unit.
16. The Flash Programmer communicates automatically. When communication succeeds between a unit and a program, you can operate it. Click **E (Erase)**.

15. 本機に電源ケーブルを接続します。
16. Flash Programmerと本機との間で自動的に通信が行われ、通信に成功すると操作が可能になります。
E (Erase)をクリックします。



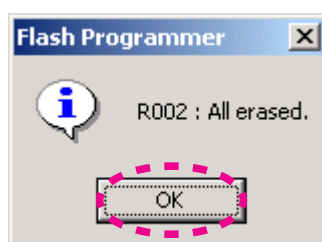
17. Click **OK**.

17. **OK**をクリックします。



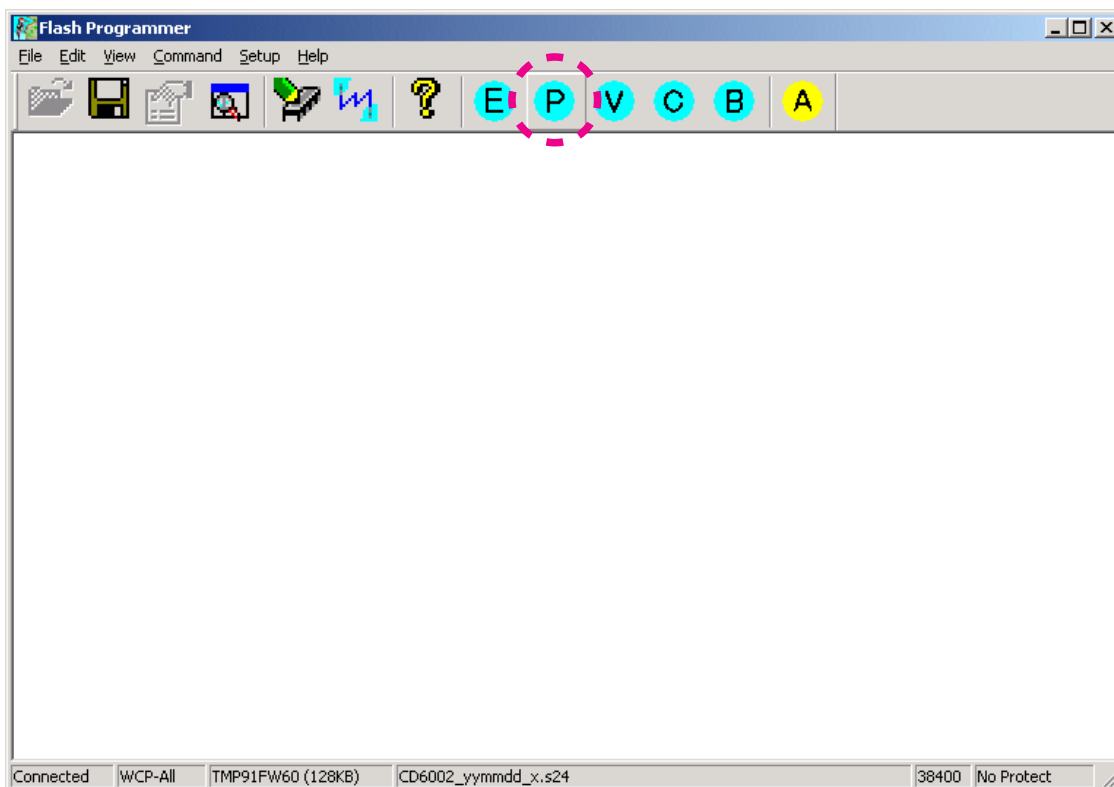
18. Click **OK**.

18. **OK**をクリックします。



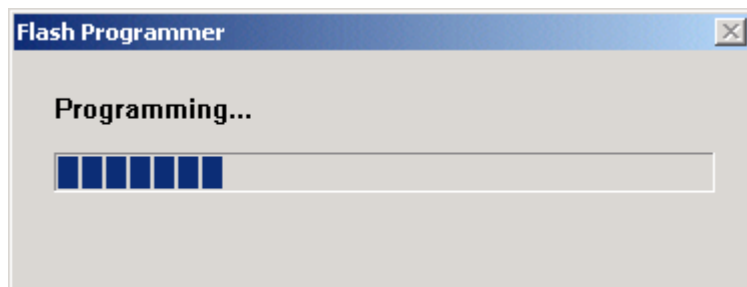
19. Click **P (Program)** to start update.

19. **P (Program)**をクリックし、アップデートを開始します。



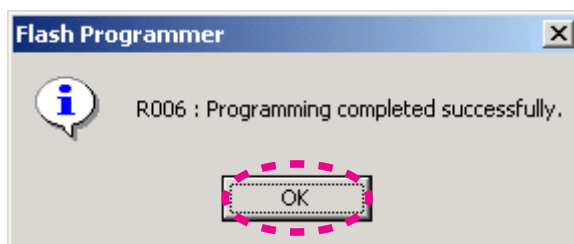
20. Software is written into the microprocessor.
The writing of software takes about 1 minute 15 seconds.

20. ソフトウェアがマイコンに書き込まれます。
ソフトウェアの書き込みにかかる時間はおよそ1分15秒です。



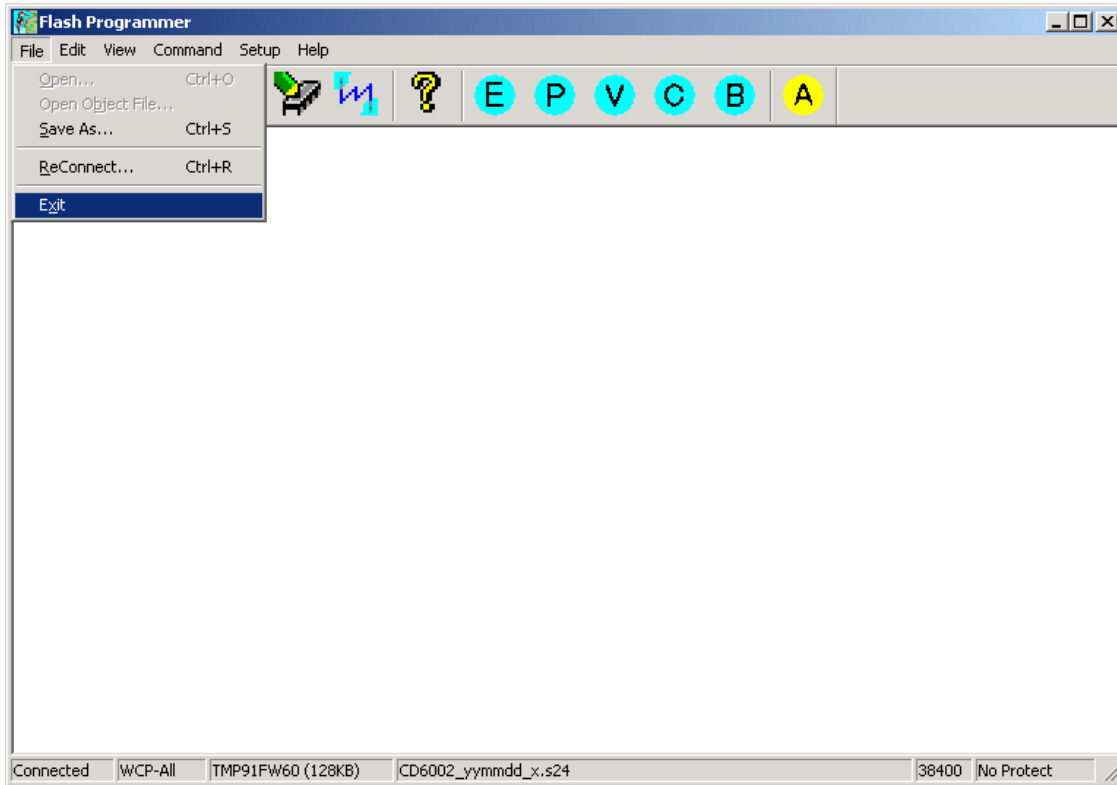
21. If the software is updated successfully, a dialog box saying "R006: Programming completed successfully." appears.
Click **OK**.

21. アップデートが完了すると "R006: Programming completed successfully." と書かれたダイアログボックスが表示されます。
OKをクリックします。



22. Click the **File** in the menu bar and select the **Exit**.

22. メニューバーの**File**をクリックし、**Exit**を選択します。



23. Disconnect mains cord and RS-232C cable from the unit
24. Connect mains cord into the unit, and turn on the unit to reset it.

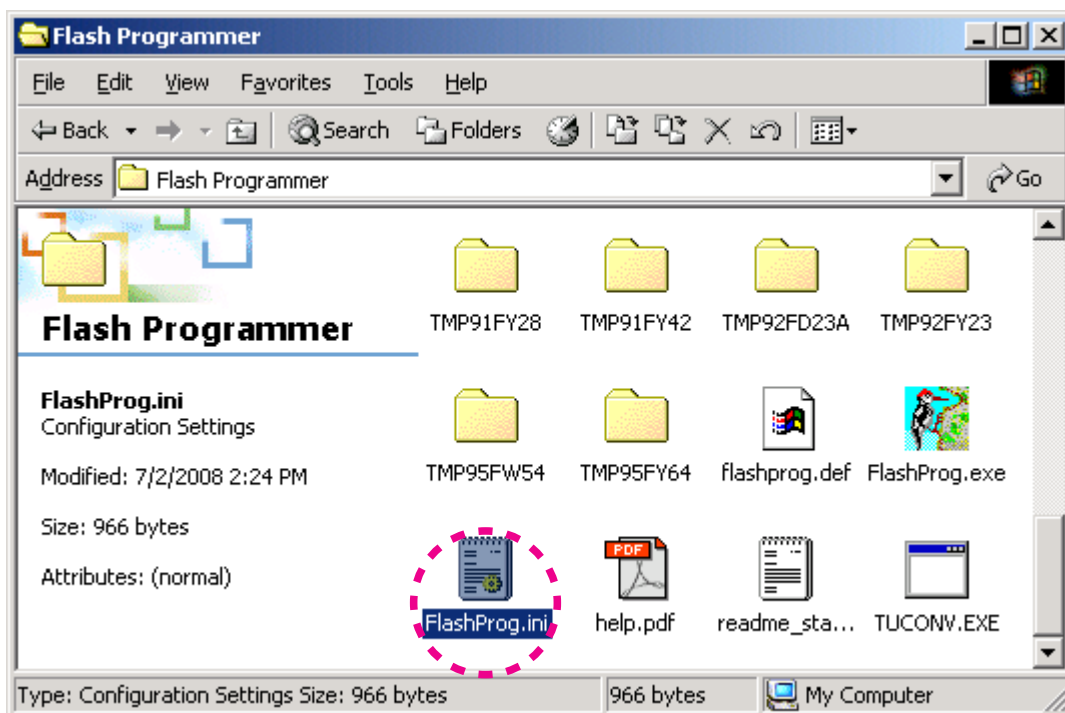
23. 電源ケーブルとRS-232Cケーブルを本機から外します。
24. 電源ケーブルを接続し、電源を入れ、本機をリセットします。

[B] When a Flash Programmer did not launch

1. Open the FlashProg.ini in the Flash Programmer folder by text editor. (EX.: Notepad, etc)

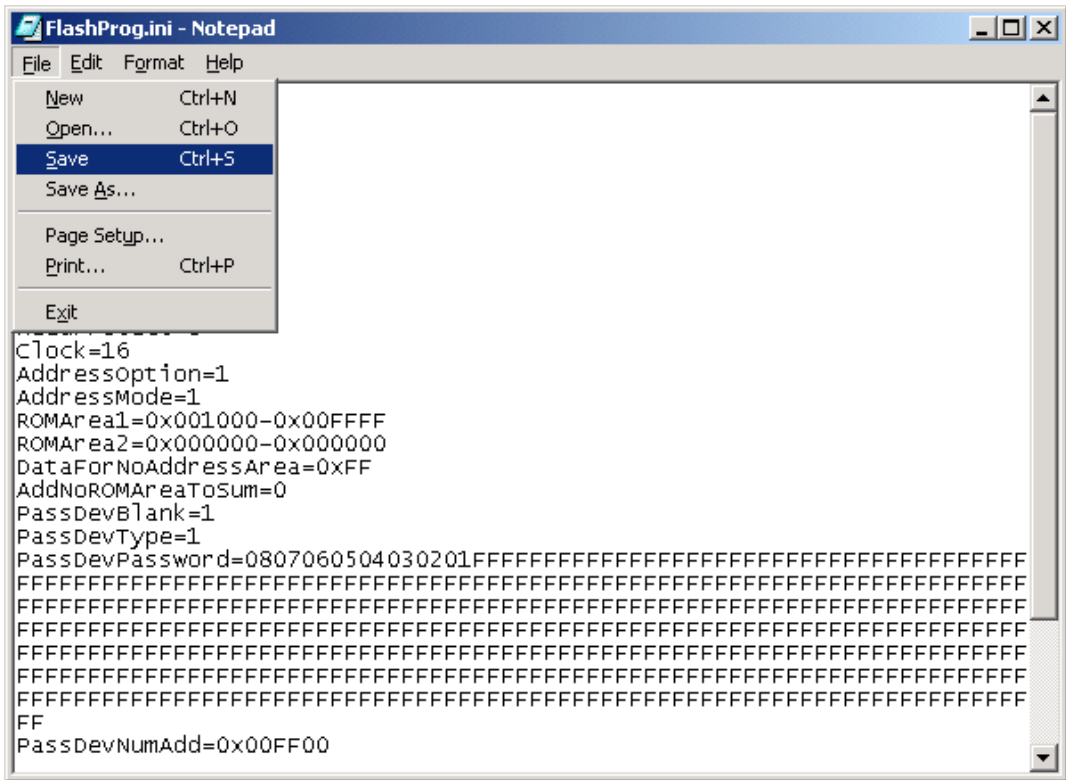
[B] When a Flash Programmer did not launch

1. Flash Programmerフォルダ内のFlashProg.iniをテキストエディタで開きます。(メモ帳など)



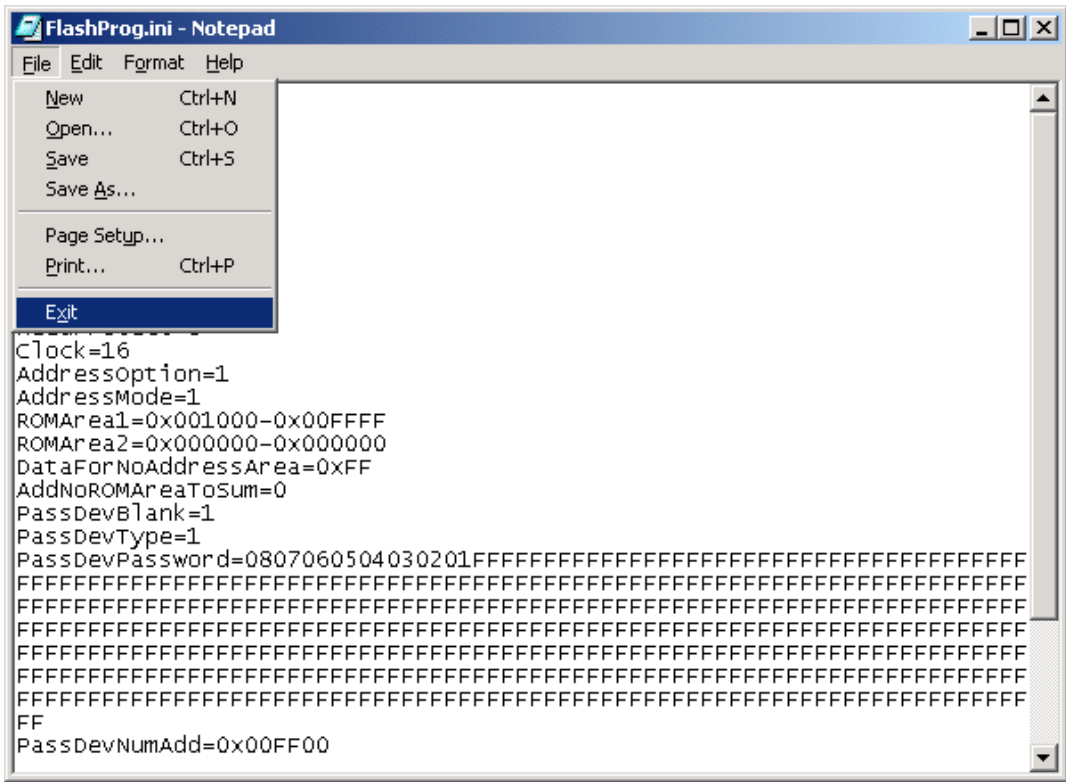
3. Save the FlashProg.ini.

3. FlashProg.iniを上書き保存します。



4. Close the text editor.

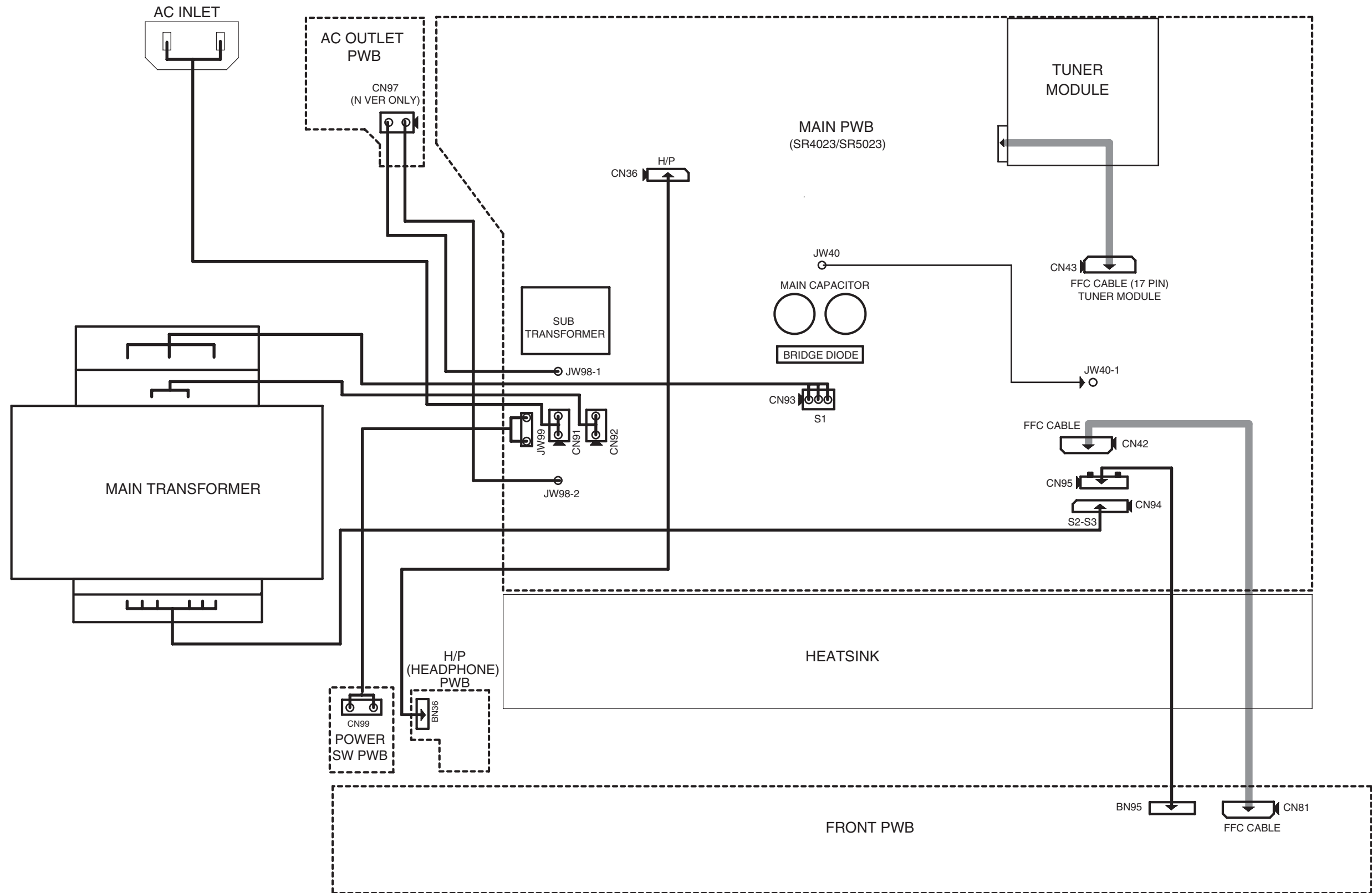
4. テキストエディタを閉じます。



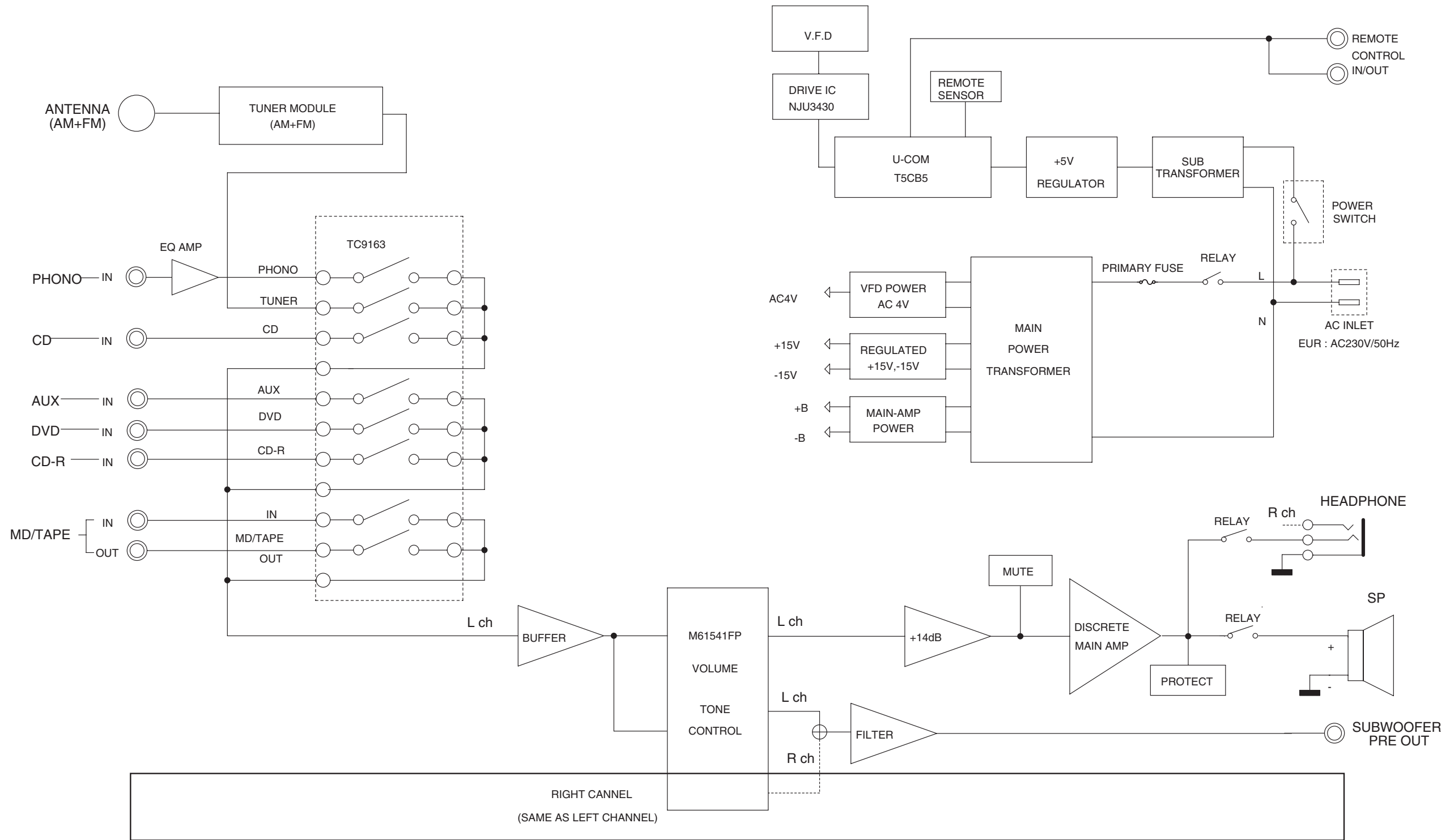
5. Probably you can launch the Flash Programmer. Go to the [A] Update Procedure step 4.

5. Flash Programmerを起動することが出来ますので[A] Update Procedure手順4に戻ってください。.

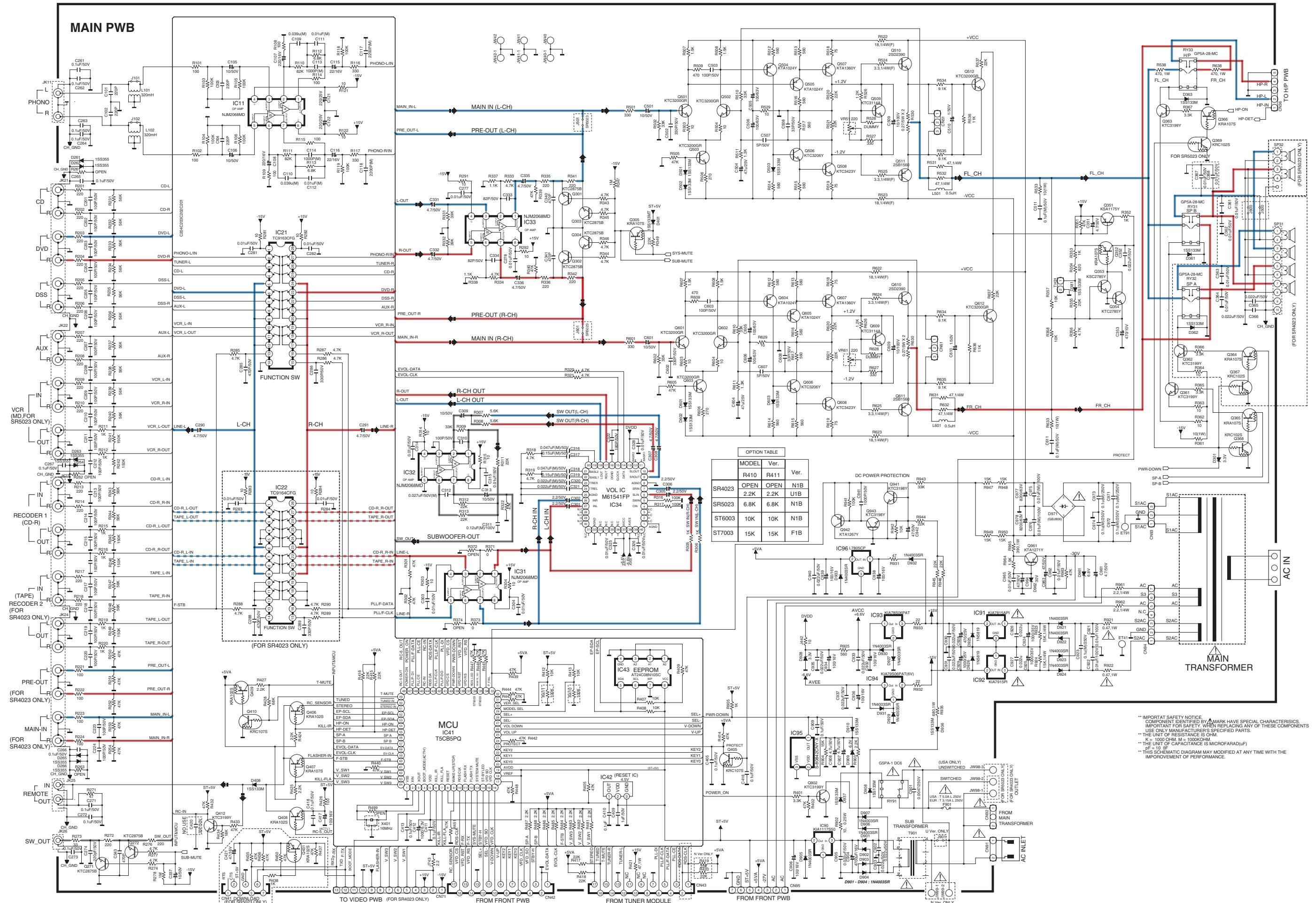
5. WIRING DIAGRAM

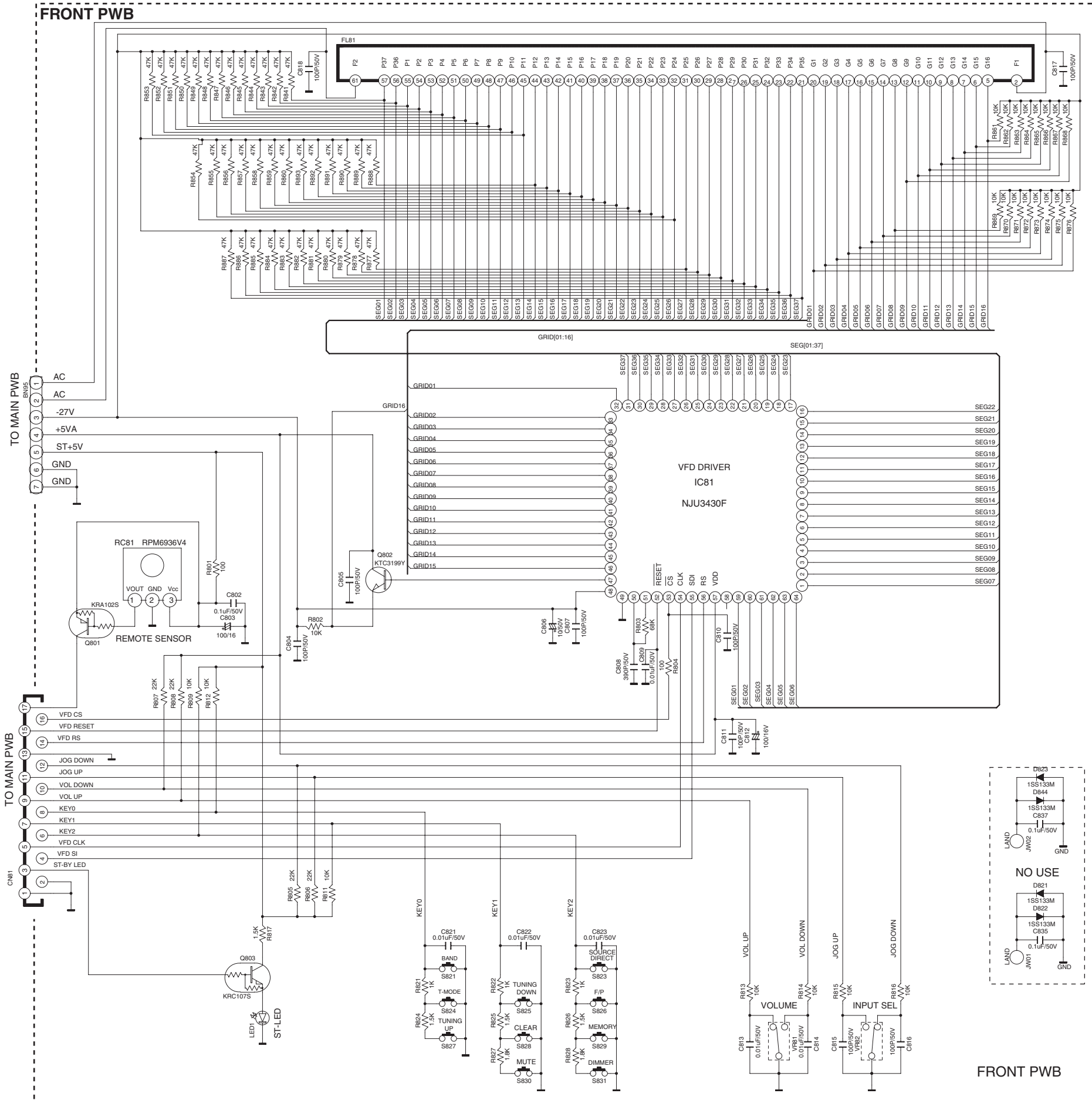


6. BLOCK DIAGRAM

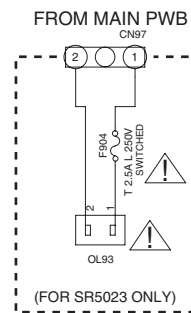
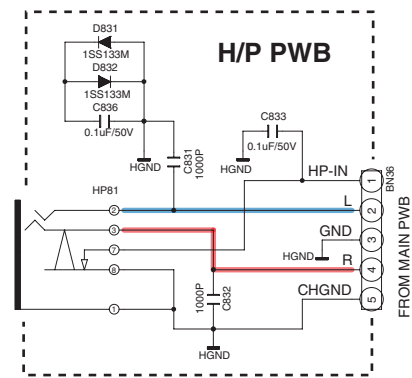


7. SCHEMATIC DIAGRAM

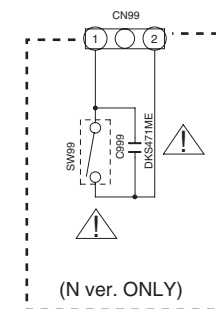




8. PARTS LOCATION



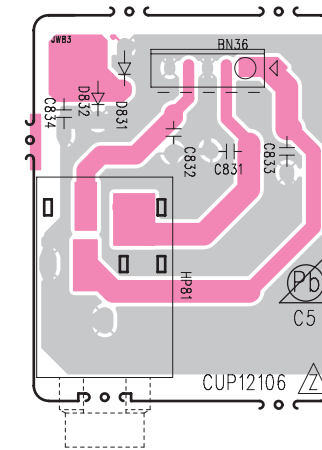
AC OUTLET PWB



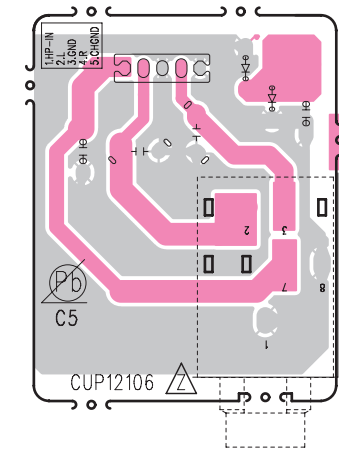
POWER SW PWB

** IMPORTAT SAFETY NOTICE.
 COMPONENT IDENTIFIED BY ⚠ MARK HAVE SPECIAL CHARACTERISCS.
 IMPORTANT FOR SAFETY. WHEN REPLACING ANY OF THESE COMPONENTS
 USE ONLY MANUFACTURER'S SPECIFIED PARTS.
 ** THE UNIT OF RESISTANCE IS OHM.
 K = 1000 OHM, M = 1000KOHM.
 ** THE UNIT OF CAPACITANCE IS MICROFARAD(μF)
 pF = 10 0F
 ** THIS SCHEMATIC DIAGRAM MAY MODIFIED AT ANY TIME WITH THE
 IMPOROVEMENT OF PERFORMANCE.

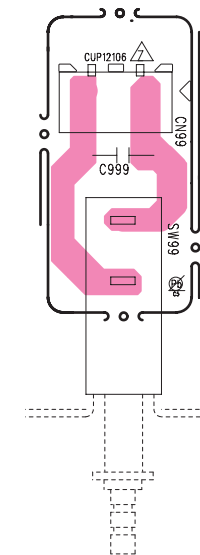
H/P PWB A



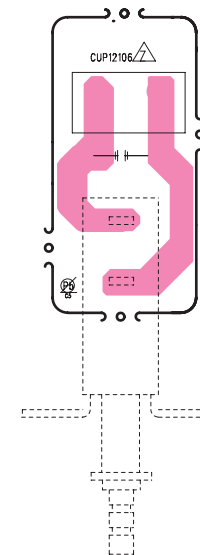
H/P PWB B



POWER SW PWB A

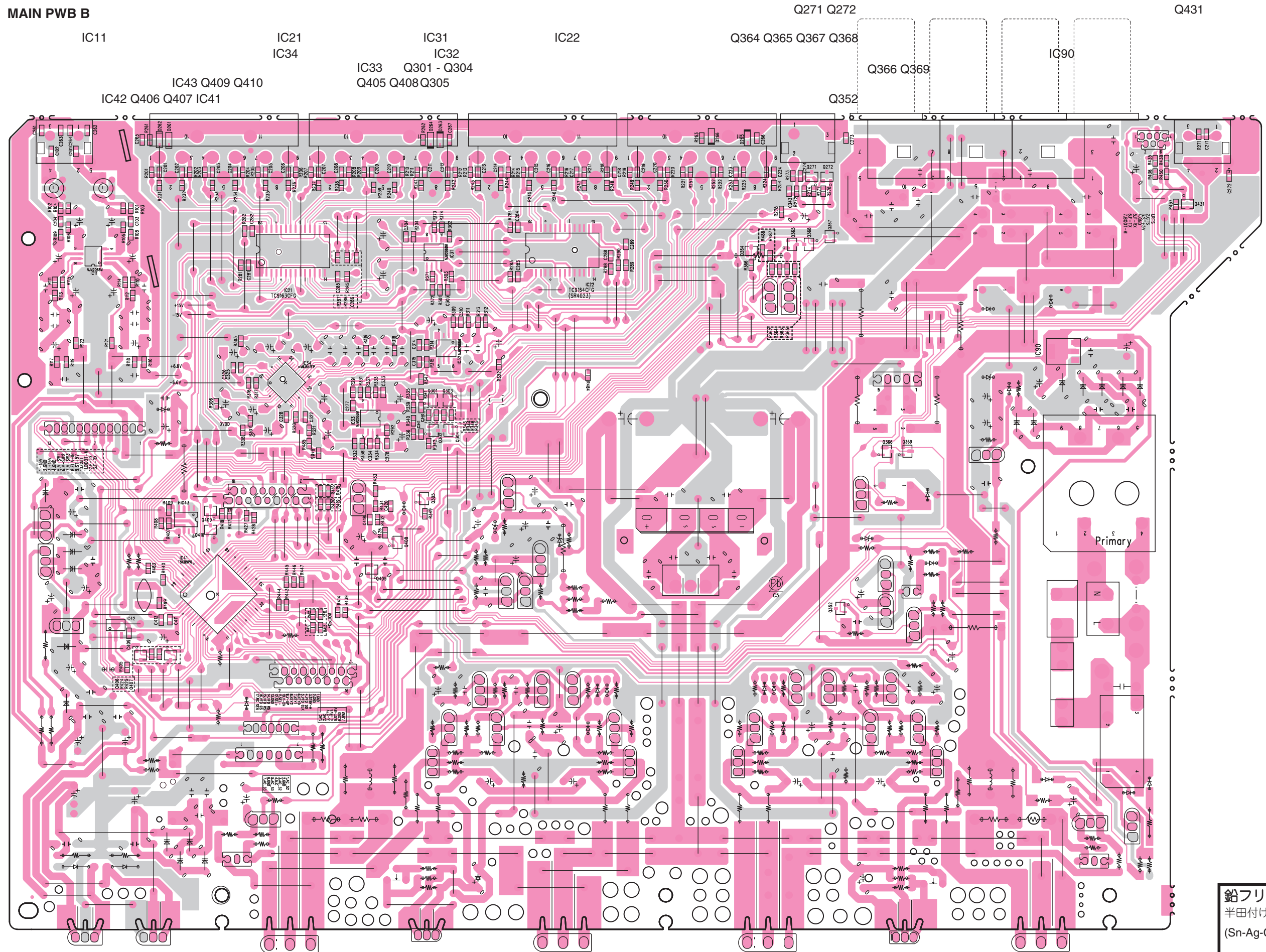


POWER SW PWB B



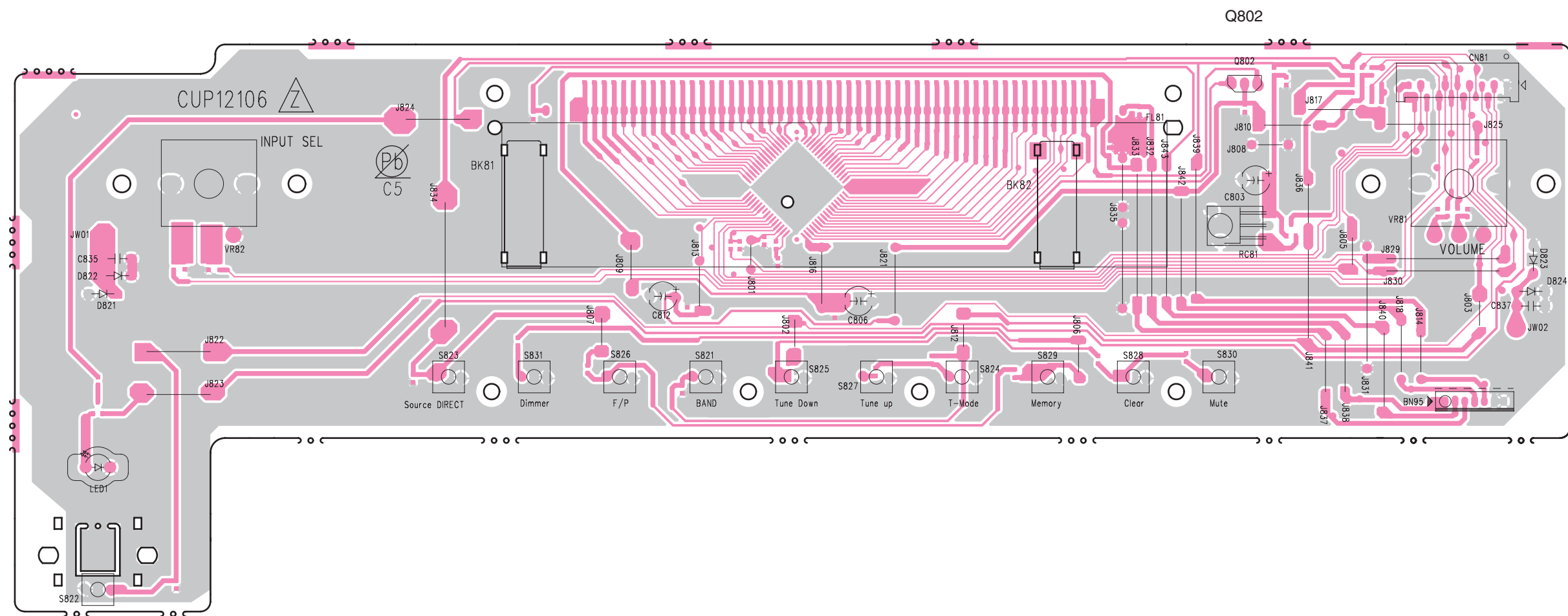
鉛フリー半田
 半田付けには、鉛フリー半田 (Sn-Ag-Cu) を使用してください。
Lead-free Solder
 When soldering, use the Lead-free Solder (Sn-Ag-Cu).

MAIN PWB B



鉛フリー半田
半田付けには、鉛フリー半田
(Sn-Ag-Cu) を使用してください。
Lead-free Solder
When soldering, use the
Lead-free Solder (Sn-Ag-Cu).

FRONT PWB A



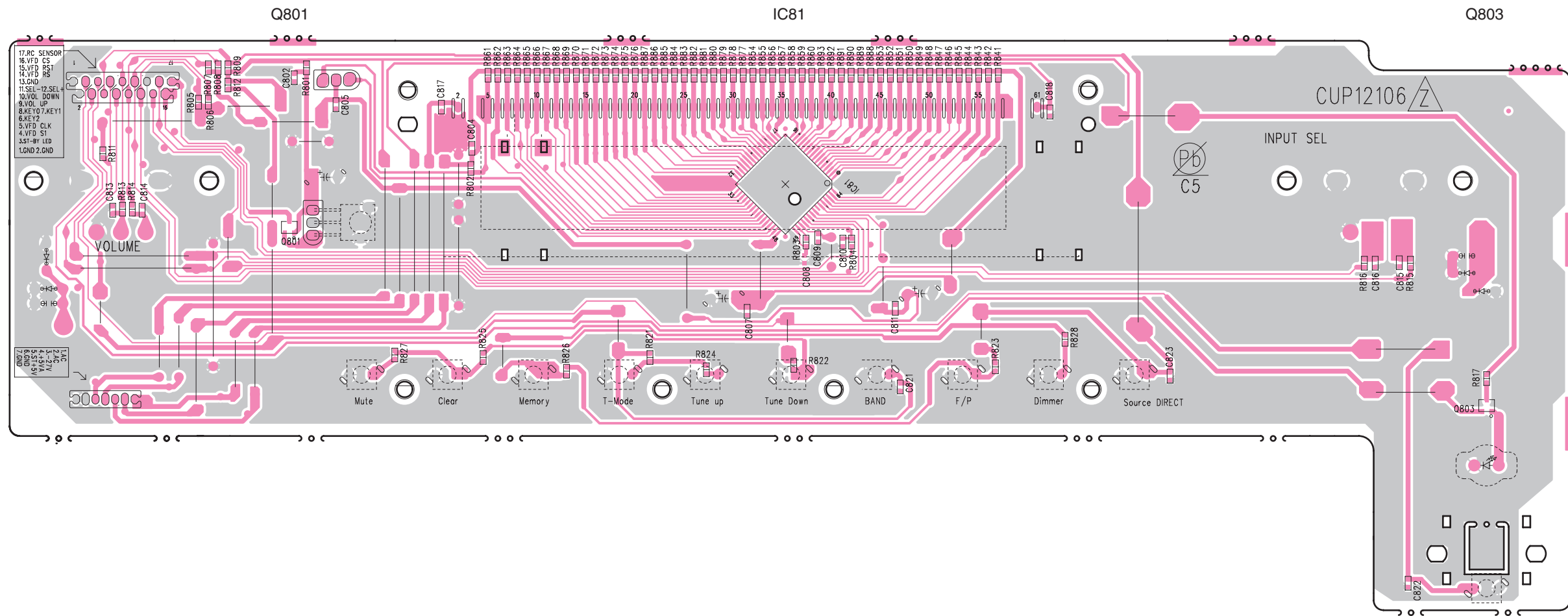
鉛フリー半田

半田付けには、鉛フリー半田 (Sn-Ag-Cu) を使用してください。

Lead-free Solder

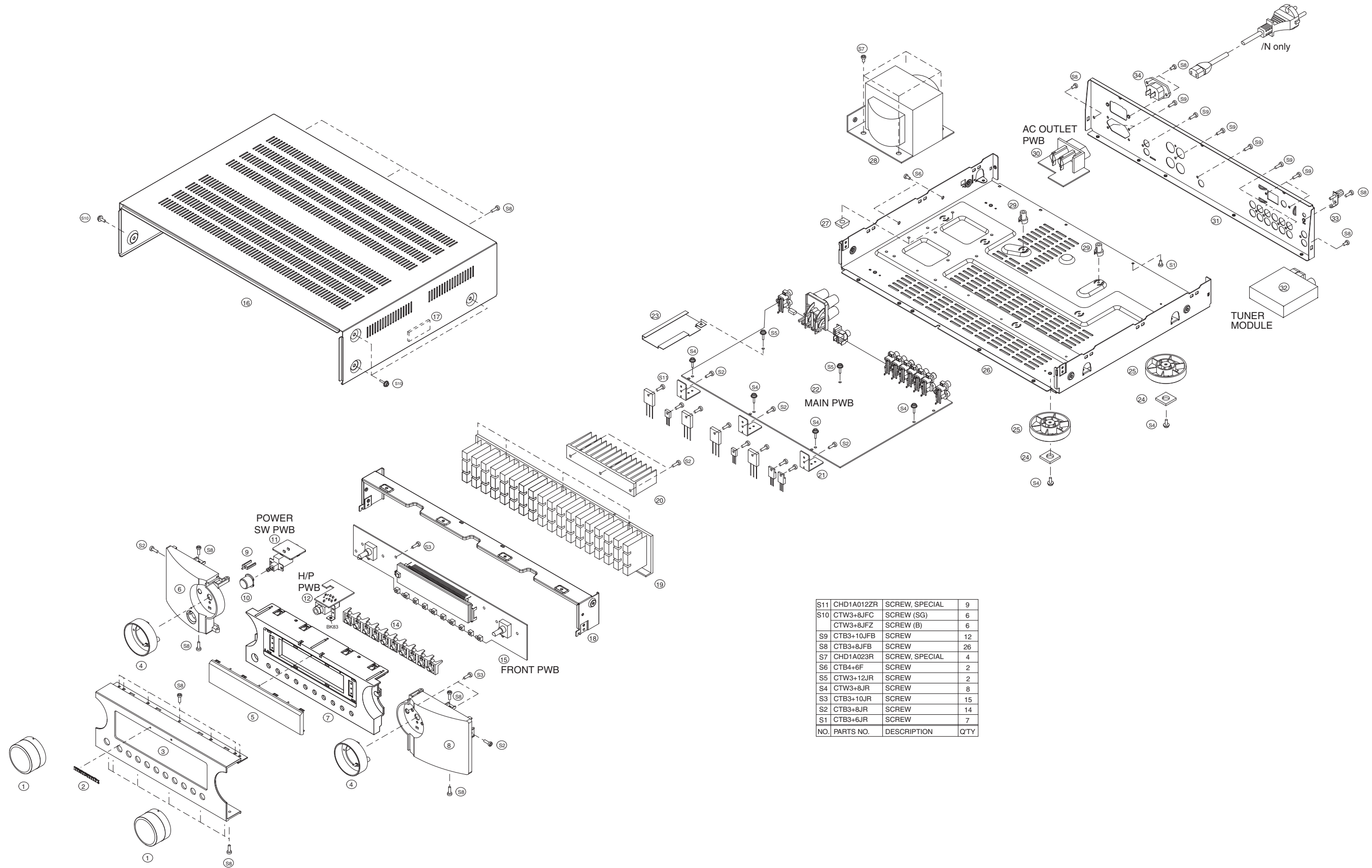
When soldering, use the Lead-free Solder (Sn-Ag-Cu).

FRONT PWB B



鉛フリー半田
 半田付けには、鉛フリー半田 (Sn-Ag-Cu) を使用してください。
Lead-free Solder
 When soldering, use the Lead-free Solder (Sn-Ag-Cu).

9. EXPLODED VIEW AND PARTS LIST



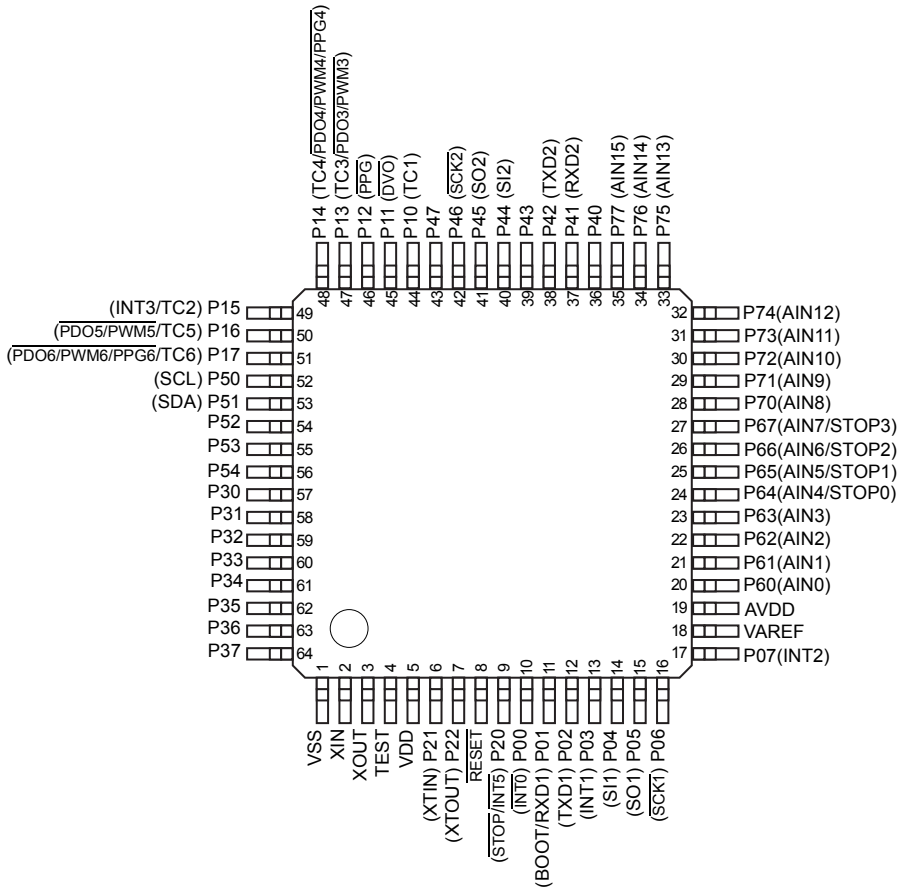
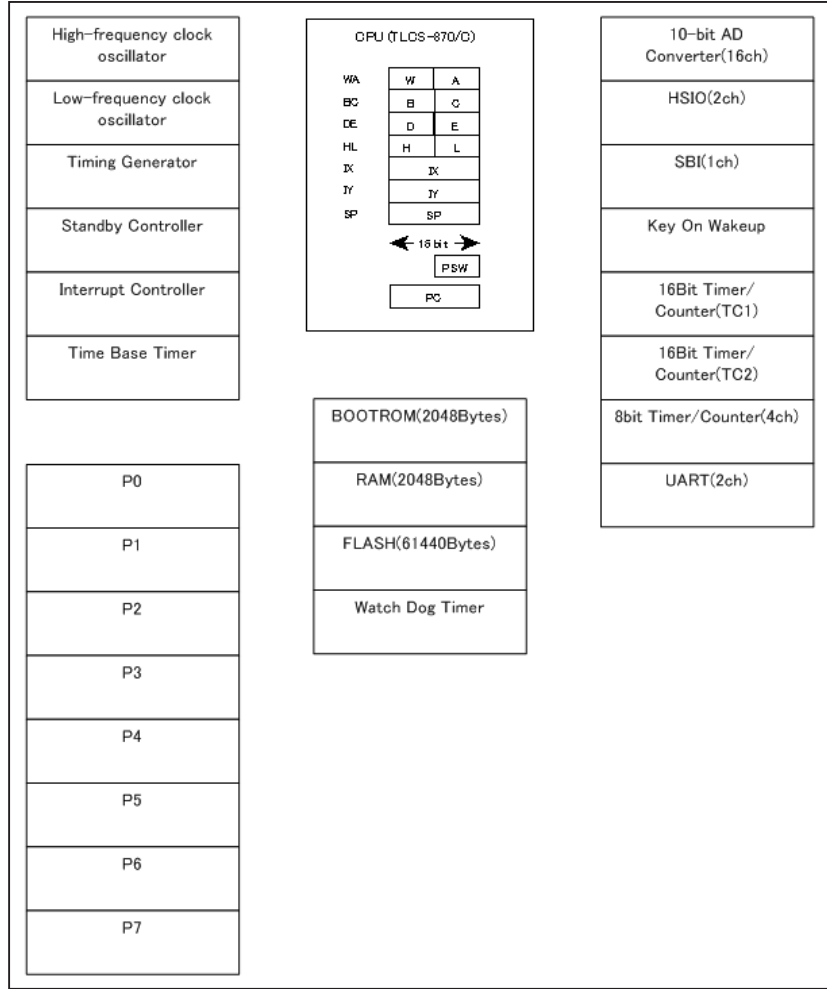
S11	CHD1A012ZR	SCREW, SPECIAL	9
S10	CTW3+8JFC	SCREW (SG)	6
	CTW3+8JFZ	SCREW (B)	6
S9	CTB3+10JFB	SCREW	12
S8	CTB3+8JFB	SCREW	26
S7	CHD1A023R	SCREW, SPECIAL	4
S6	CTB4+6F	SCREW	2
S5	CTW3+12JR	SCREW	2
S4	CTW3+8JR	SCREW	8
S3	CTB3+10JR	SCREW	15
S2	CTB3+8JR	SCREW	14
S1	CTB3+6JR	SCREW	7
NO.	PARTS NO.	DESCRIPTION	QTY

P.W.B. NAME	POS. NO.	VERS. COLOR	PART NO. (FOR EUR)	PART NO. (MZ)	PART NAME	DESCRIPTION	
	1	/N1B	943412002810M	943412002810M	KNOB	INPUT KNOB BL	CGK1A138ZA
	1	/N1SG	943412002820M	943412002820M	KNOB	INPUT KNOB SG	CGK1A138YA
	2		421410006004M	421410006004M	BADGE	MARANTZ BADGE (AL) M1 MODEL	CGB1A206
	3	/N1B	943402002750M	943402002750M	PANEL	FRONT PANEL AL SR5023 BL	CKM1A205ZC23
	3	/N1SG	943402002760M	943402002760M	PANEL	FRONT PANEL AL SR5023 SG	CKM1A205YC62
	4	/N1B	943412002830M	943412002830M	ESCUTCHEON	INPUT RING BL	CGR1A456B37
	4	/N1SG	943412002840M	943412002840M	ESCUTCHEON	INPUT RING SG	CGR1A456RMD10
	5		943416002580M	943416002580M	WINDOW	WINDOW FIP F	CGU1A426A12
	6	/N1B	943402002770M	943402002770M	ESCUTCHEON	ESCUTCHEON L ON/OFF BL	CGW1A467RNZB37
	6	/N1SG	943402002780M	943402002780M	ESCUTCHEON	ESCUTCHEON L ON/OFF SG	CGW1A467ROYD10
	7	/N1B	943402002600M	943402002600M	CHASSIS	CHASSIS CENTER MOLD BL	CGW1A468B37
	7	/N1SG	943402002610M	943402002610M	CHASSIS	CHASSIS CENTER MOLD SG	CGW1A468RMD10
	8	/N1B	943402002790M	943402002790M	ESCUTCHEON	ESCUTCHEON R BL	CGW1A466RNB37
	8	/N1SG	943402002800M	943402002800M	ESCUTCHEON	ESCUTCHEON R SG	CGW1A466ROD10
	9		481510003006M	481510003006M	LENS	LENS POWER INDICATOR	CGL1A274
	10	/N1B	411510016027M	411510016027M	BUTTON	BUTTON POWER PUSH BL	CBC1A166
	10	/N1SG	943411001970M	943411001970M	BUTTON	BUTTON POWER SW SG	CBC1A166RMD10
	11		nsp	nsp	PWB ASSY	POWER SW PWB ASSY	COP12107C
	12		nsp	nsp	PWB ASSY	H/P PWB ASSY	COP12107C
	14	/N1B	943411001980M	943411001980M	BUTTON	BUTTON FUNCTION BL	CBT1A1080
	14	/N1SG	943411001990M	943411001990M	BUTTON	BUTTON FUNCTION SG	CBT1A1080RMD10
	15		nsp	nsp	PWB ASSY	FRONT PWB ASSY	COP12107C
	17		nsp	nsp	BUFFER	CUSHION SUPPORT	CHG1A305
	18		nsp	nsp	STAY	FRAME FRONT	CUF1A004
	19		nsp	nsp	HEATSINK	HEAT SINK	CMY1A306
	20		nsp	nsp	HEATSINK	HEAT SINK	CMY1A250
	21		nsp	nsp	BRACKET	BRACKET PWB AG-D8900	CMD1A417
	22		nsp	nsp	PWB ASSY	MAIN PWB ASSY	COP12108D
	23		nsp	nsp	INSULATOR	INSULATOR	CMX1A241
	24		00M32CW107010	00M32CW107010	SHEET	CUSHION FOOT	CHG1A360
	25		00M243W057210	00M243W057210	LEG	LEG FOR SILVER	CKL2A042H46
	26		nsp	nsp	CHASSIS	MAIN CHASSIS BOTTOM	CJA2A288
	27		nsp	nsp	BUFFER	RUBBER	CHG1A113
	▲	28	943101002740M	943101002740M	TRANSF.	# TRANSF. POWER SR50023 N	CLT5U033ZE
		29	nsp	nsp	HOLDER	HOLDER PWB	CHE170
		30	nsp	nsp	PWB ASSY	AC OUTLET PWB ASSY	COP12107C
		31	nsp	nsp	PANEL	REAR PANEL SR50023 N	CKF1A392Z
		32	90M-AV000400R	90M-AV000400R	TUNER	TUNER MODULE(EUR)	CNVMB114MA18L
		33	nsp	nsp	TERMINAL	GND TERMINAL	KMA1A006
	▲	34	00MYJ04002640	00MYJ04002640	INLET	! R-301(21) AC INLET	CJJB006ZW
	CN42		nsp	943606002670S	FPC	FFC 17P 1.25MM 220MM	CWC4C4A17B220B
	CN43		nsp	90M-YU002320R	FPC	17P 150MM	CWC4C4A17B150B
			90M-FC500030R	90M-FC500030R	FERRITE CORE	FERRITE RING 29X7.7X19	CLZ9W003Z
			nsp	nsp	CORD	WIRE ASSY 2P 220MM	CWZSR4023BN91
			nsp	nsp	CORD	WIRE ASSY 2P 550MM	CWZSR4023BN91A
PACKING							
			541110128030M	541110128030M	USER GUIDE	USER GUIDE SR5023 N	CQX1A1370Z
			307010031009M	307010031009M	UNIT KIT	REMOTE CONTROLLER RC002SR	CARTSR5023
	▲		90M-ZC000320R	90M-ZC000320R	MAINS CORD	! MAINS CORD 2WIRE 10A/250V	CJA2B054Z
NOT STANDARD SPARE PART							
			nsp	00M09DW801010	PACKIN CASE	PACKING CASE SR5023	CPG1A873Z
			nsp	943533002870M	CUSHION	PAD SNOW SR5023	CPS1A828
	16	/N1B	nsp	943401002850M	LID	TOP COVER BL	CKC1A187K117
	16	/N1SG	nsp	943401002860M	LID	TOP COVER SG	CKC1A187D11
			nsp	90M-ZA000210R	ANTENNA	ANT FM WIRE (PIGTAIL)	CSA1A007
			nsp	90M-ZA000240R	ANTENNA	AM LOOP ANT	CSA1A020Z

NOTE : *nsp* PART IS LISTED FOR REFERENCE ONLY, MARANTZ WILL NOT SUPPLY THESE PARTS.

10. MICROPROCESSOR AND IC DATA

IC41 : T5CB5



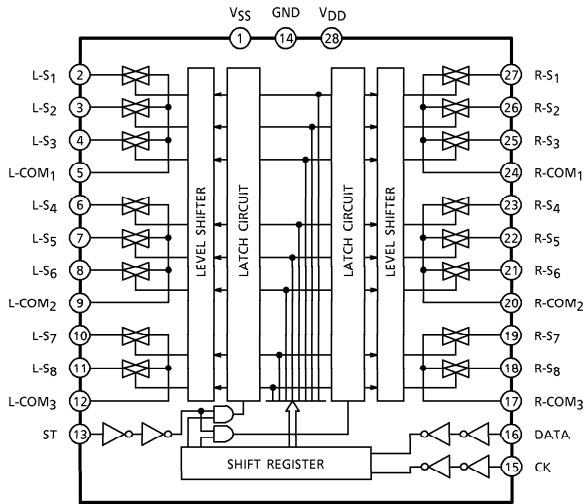
IC41 : T5CB5

Pin No.	Port Name	I/O	Use	STBY	Name	Port Setting		Note
						Act.	init	
1	Vss	I	Yes		VSS		L	GND
2	XIN	I	Yes		XIN			16MHz ,Resonator
3	XOUT	O	Yes		XOUT			16MHz ,Resonator
4	TEST	I	Yes		BOOT MODE	H	L	Boot Mode (Normal : L / Boot : H)
5	VDD	I	Yes		VDD		H	+5V
6	P21 (XTIN)	I/O (I)	O	O	KILL IR	H	L	Kill to IR Output Signal
7	P22 (XTOUT)	I/O (O)	O	O	KILL FLA	H	L	Kill to FLASHER Output Signal
8	_RESET	I			RESET	L	H	Reset
9	P20 (_STOP/_INT5)	I/O (I/I)		I	WAKE-UP		L	Pull-down(47K ohm)
10	P00 (_INT0)	I/O (I)	INT	I	RDS CLK	-	-	Tuner RDS Clock (Tuner Pck)
11	P01 (BOOT/RXD1)	I/O (I/I)	SI	I	FLASH RX	-	-	UART for RS232C Flush WR Pull Up Reset : "H"
12	P02 (TXD1)	I/O (O)	SC	I	FLASH TX	-	I	UART for RS232C Flush WR Pull Up
13	P03 (INT1)	I/O (I)	O	I	SYS-MUTE	H	H	System Mute
14	P04 (SI1)	I/O (I)	O	O	ST-BY LED	H	H	Standby LED
15	P05 (SO1)	I/O (O)	O	I	VFD SO	-	L	Front FL Driver SO
16	P06 (_SCK1)	I/O(I/O)	O	I	VFD CLK	-	L	Front FL Driver CLK
17	P07 (INT2)	I/O (O)		I			L	Pull-down(47K ohm)
18	VAREF	I	VREF		VREF			+5V
19	AVDD	I	AVDD		AVDD			+5V
20	P60 (AIN0)	I/O (I)	AD	AD	KEY0	-	-	Front Key 0
21	P61 (AIN1)	I/O (I)	AD	AD	KEY1	-	-	Front Key 1
22	P62 (AIN2)	I/O (I)	AD	AD	KEY2	-	-	Front Key 2
23	P63 (AIN3)	I/O (I)	I	I	PROTECT	L	-	Power Amp Fail : Heat sink Temp/DC Detect
24	P64 (AIN4/STOP0)	I/O (I/I)		I			L	Pull-down(47K ohm)
25	P65 (AIN5/STOP1)	I/O (I/I)	I	I	VOL UP	-	-	Front Vol. Encoder
26	P66 (AIN6/STOP2)	I/O (I/I)	I	I	VOL DOWN	-	-	Front Vol. Encoder
27	P67 (AIN7/STOP3)	I/O (I/I)	I	I	SEL-	-	-	Front Select Encoder
28	P70 (AIN8)	I/O (I)	I	I	SEL+	-	-	Front Select Encoder
29	P71 (AIN9)	I/O (I)	AD	AD	OPTION0	-	-	OPTION0(MODEL)
30	P72 (AIN10)	I/O (I)	AD	AD	OPTION1	-	-	OPTION1(VERSION)
31	P73 (AIN11)	I/O (I)		I			L	Pull-down(47K ohm)
32	P74 (AIN12)	I/O (I)		I			L	Pull-down(47K ohm)
33	P75 (AIN13)	I/O (I)	I	I	P_LINE_FAIL	L	-	Emergency Protection
34	P76 (AIN14)	I/O (I)		I			L	Pull-down(47K ohm)
35	P77 (AIN15)	I/O (I)	O	I	REMOTE_SEL	H	L	Pull-down(47K ohm)
36	P40	I/O	O	I	RDS LED	H	L	Pull-down(47K ohm)
37	P41 (RXD2)	I/O (I)	O	I	VFD RS	-	-	Front FL Driver RS
38	P42 (TXD2)	I/O (O)	O	I	VFD RESET	L	-	Front FL Driver Reset
39	P43	I/O	I	I	POWER-DOWN	L	-	Power Down Detect
40	P44 (SI2)	I/O (I)	O	I	VFD CS	L	-	Front FL Driver Chip Serect
41	P45 (SO2)	I/O (O)	O	I	PLL/F-DATA	-	L	Tuner/Function PLL Data out (Tuner Pack)
42	P46 (_SCK2)	I/O (I/O)	O	I	PLL/F-CLK	-	L	Tuner/Function PLL Clock (Tuner Pack)
43	P47	I/O	I	I	RDS DATA	-	-	Tuner RDS Data In (Tuner Pack)
44	P10 (TC1)	I/O (I)	TC1	I	RC-IN	↑ ↓	-	IR In for RC-5
45	P11 (_DVO)	I/O (I)	O	I	PLL CE	-	L	Tuner PLL CE (Tuner Pack)
46	P12 (_PPG)	I/O (O)	I	I	PLL D/I	-	L	Tuner PLL Data in (Tuner Pack)
47	P13 (TC3/_PDO3/_PWM3)	I/O (O)	O	I	POWER ON	H	L	Power ON/Standby
48	P14 (TC4/_PDO4/_PWM4/_PPG4)	I/O (I/O)	O	I	RC-5_OUT	L	L	RC-5 OUT
49	P15 (INT3/TC2)	I/O (I/O)	O	I	T-MUTE	H	H	Tuner Mute (Tuner Pack)
50	P16 (TC5/_PDO5/_PWM5)	I/O (I/I)	I	I	TU_SD	L	-	Tuner Tuned (Tuner Pack)
51	P17 (TC6/_PDO6/_PWM6/_PPG6)	I/O (I/O)	I	I	TU_ST	L	-	Tuner Stereo/Mono (Tuner Pack)

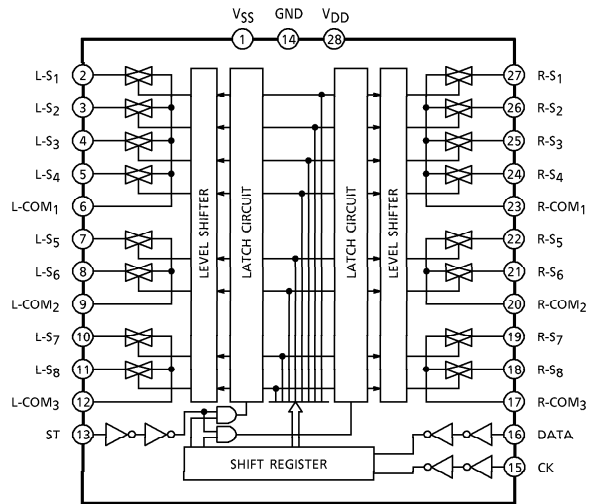
IC41 : T5CB5

Pin No.	Port Name	I/O	Use	STBY	Name	Port Setting		Note
						Act.	init	
52	P50 (SCL)	I/O (I/O)	O	O	EP-SCL	-	-	I2C Clock for E2PROM (AT24C08)
53	P51 (SDA)	I/O (I/O)	I/O	I/O	EP-SDA	-	-	I2C Data for E2PROM (AT24C08)
54	P52	I/O (I/O)	O	I	HP-ON	H	L	Headphone Relay On
55	P53	I/O	I	I	HP-DET	L	-	Headphone Jack Detect
56	P54	I/O	O	I	SP A	H	L	Speaker Select A
57	P30	I/O	O	I	SP B	H	L	Speaker Select B
58	P31	I/O	O	I	E-VOL DATA	-	L	Ele-vol Data(M61541FP)
59	P32	I/O	O	I	E-VOL CLK	-	L	Ele-vol Clock(M61541FP)
60	P33	I/O	O	I	F-STB	-	L	Function IC Strobe in
61	P34	I/O		I			L	Pull-down(47K ohm)
62	P35	I/O	O	I	V-SW1	H	L	Video Selector SW1
63	P36	I/O	O	I	V-SW2	H	L	Video Selector SW2
64	P37	I/O	O	I	V-SW3	H	L	Video Selector SW3

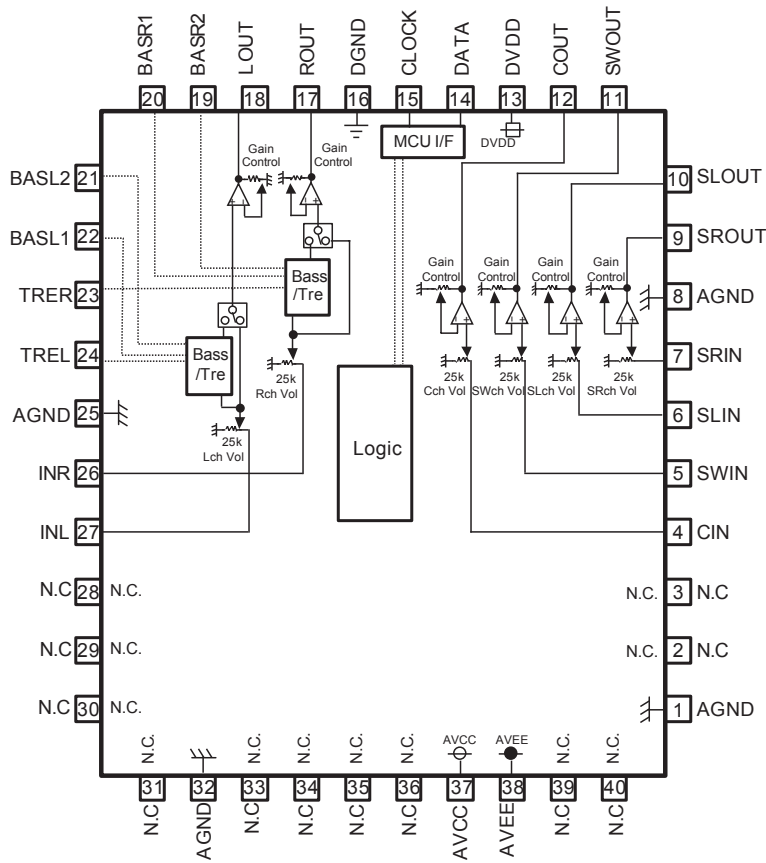
IC21 : TC9163



IC22 : TC9164 [SR4023 only]



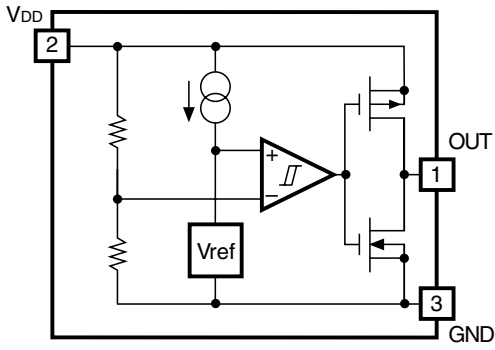
IC34 : M61541FP



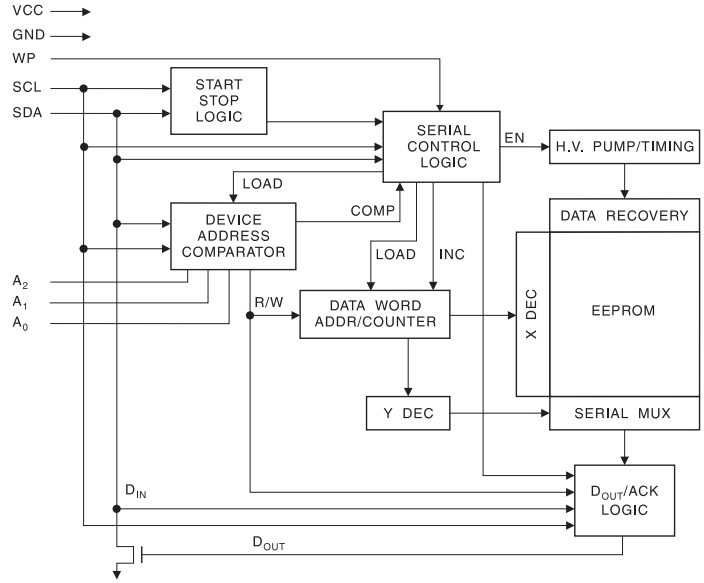
Pin No.	Pin Name	Function
1, 8, 25, 32	AGND	Analog Ground
2, 3, 28, 29, 30, 31, 33, 34, 35, 36, 39, 40	NC	NC
4	CIN	Input pin of C channel
5	SWIN	Input pin of SW channel
6	SLIN	Input pin of SL channel
7	SRIN	Input pin of SR channel
9	SROUT	Output pin of SR channel
10	SLOUT	Output pin of SL channel
11	SWOUT	Output pin of SW channel
12	COUT	Output pin of C channel
13	DVDD	Power supply to internal logic circuit
14	DATA	Input pin of control data
15	CLOCK	Input pin of control clock
16	DGND	Ground of internal logic circuit
17	ROUT	Output pin of R channel
18	LOUT	Output pin of L channel
19, 20	BASR1, BASR2	Frequency characteristic setting pin of R channel tone control (BASS)
21, 22	BASL1, BASL2	Frequency characteristic setting pin of L channel tone control (BASS)
23	TRER	Frequency characteristic setting pin of R channel tone control (Treble)
24	TREL	Frequency characteristic setting pin of L channel tone control (Treble)
26	RIN	Input pin of R channel
27	LIN	Input pin of L channel
37	AVCC	Positive power supply to internal analog circuit
38	AVEE	Negative power supply to internal analog circuit

IC42 : RH5VT

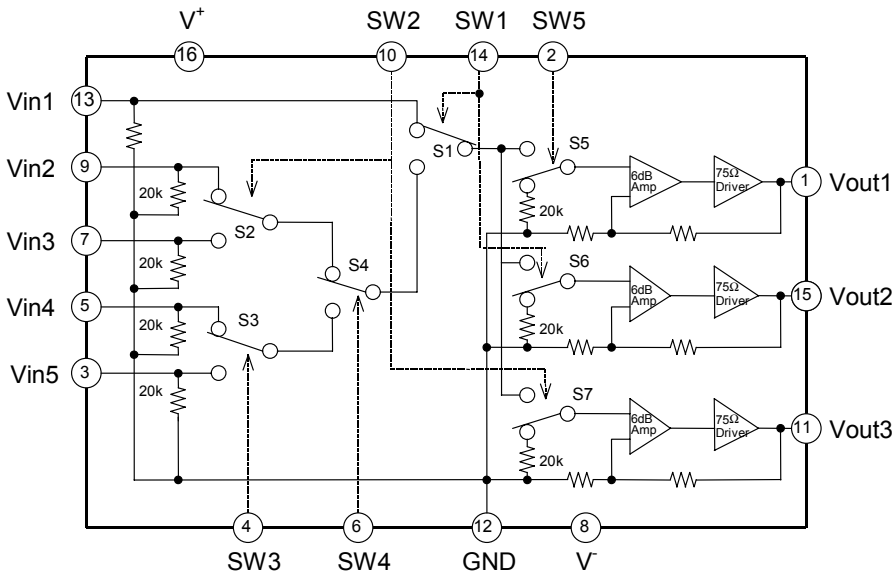
• CMOS Output (R>5VT×C)



IC43 : AT24C08



IC71 : NJN2595 [SR4023 only]

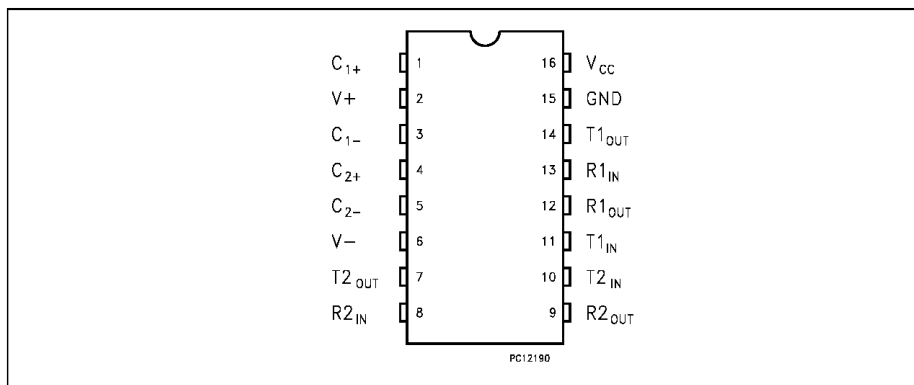


■ Control Signal vs. Output Signal (L=V_{CL}, H=V_{CH}, X=L or H)

SW1	SW2	SW3	SW4	SW5	Vout1	Vout2	Vout3
L	H	X	X	H	Vin1	MUTE	Vin1
	L			Vin1	MUTE	MUTE	
	H			MUTE	MUTE	Vin1	
H	L	X	L	H	Vin2	Vin2	MUTE
				L	MUTE	Vin2	MUTE
H	H	X	L	H	Vin3	Vin3	Vin3
				L	MUTE	Vin3	Vin3
H	H	L	H	H	Vin4	Vin4	Vin4
	H			MUTE	Vin4	Vin4	
	L			Vin4	Vin4	MUTE	
	L			MUTE	Vin4	MUTE	
H	H	H	H	H	Vin5	Vin5	Vin5
	H			MUTE	Vin5	Vin5	
	L			Vin5	Vin5	MUTE	
	L			MUTE	Vin5	MUTE	
L	L	X	X	L	MUTE	MUTE	MUTE

IC73 : ST202E [SR4023 only]

PIN CONFIGURATION

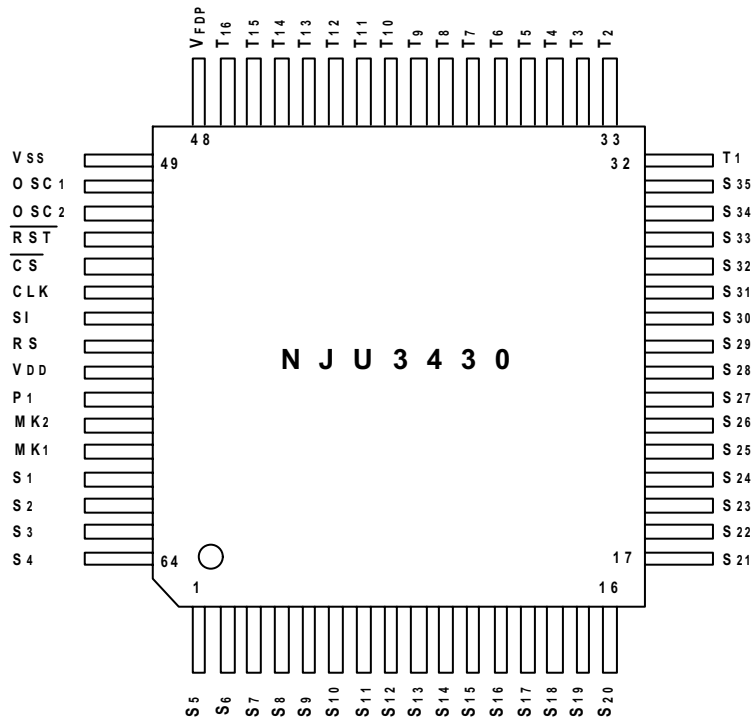


PIN DESCRIPTION

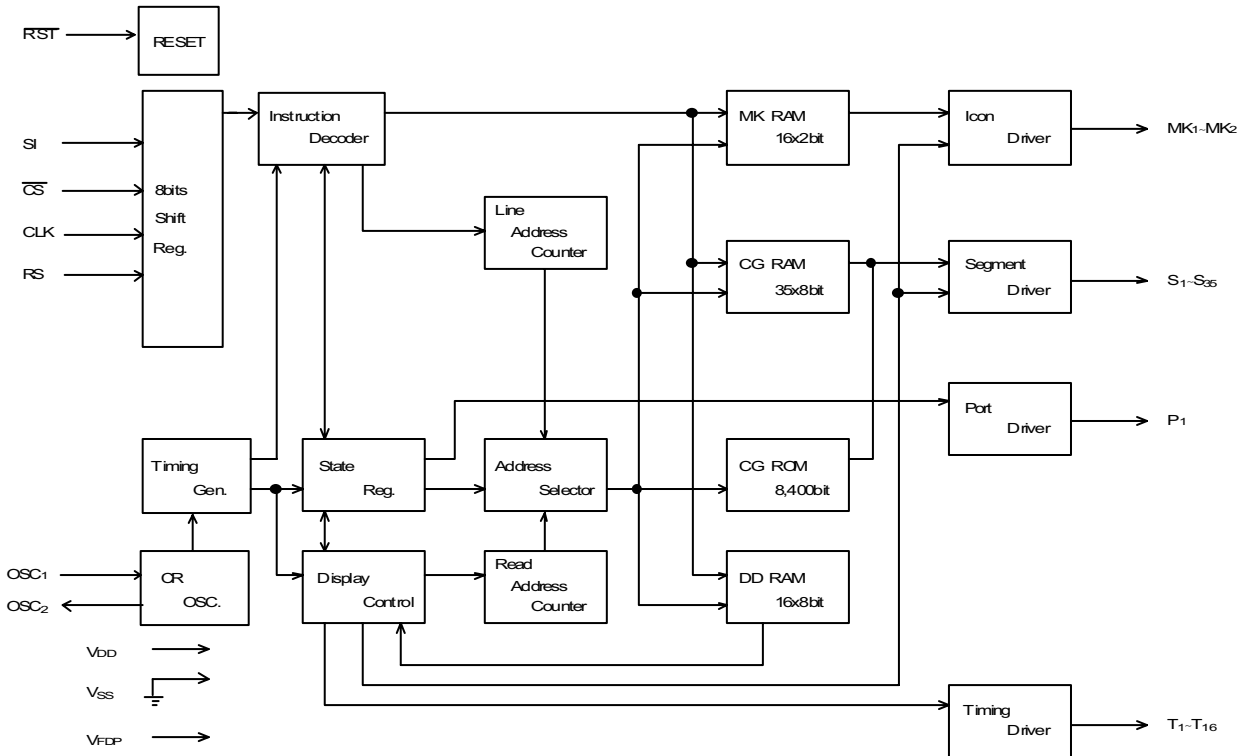
PIN No	SYMBOL	NAME AND FUNCTION
1	C ₁₊	Positive Terminal for the first Charge Pump Capacitor
2	V+	Doubled Voltage Terminal
3	C ₁₋	Negative Terminal for the first Charge Pump Capacitor
4	C ₂₊	Positive Terminal for the second Charge Pump Capacitor
5	C ₂₋	Negative Terminal for the second Charge Pump Capacitor
6	V-	Inverted Voltage Terminal
7	T _{2OUT}	Second Transmitter Output Voltage
8	R _{2IN}	Second Receiver Input Voltage
9	R _{2OUT}	Second Receiver Output Voltage
10	T _{2IN}	Second Transmitter Input Voltage
11	T _{1IN}	First Transmitter Input Voltage
12	R _{1OUT}	First Receiver Output Voltage
13	R _{1IN}	First Receiver Input Voltage
14	T _{1OUT}	First Transmitter Output Voltage
15	GND	Ground
16	V _{CC}	Supply Voltage

IC81 : NJU3430F

■ PIN CONFIGURATION



■ BLOCK DIAGRAM

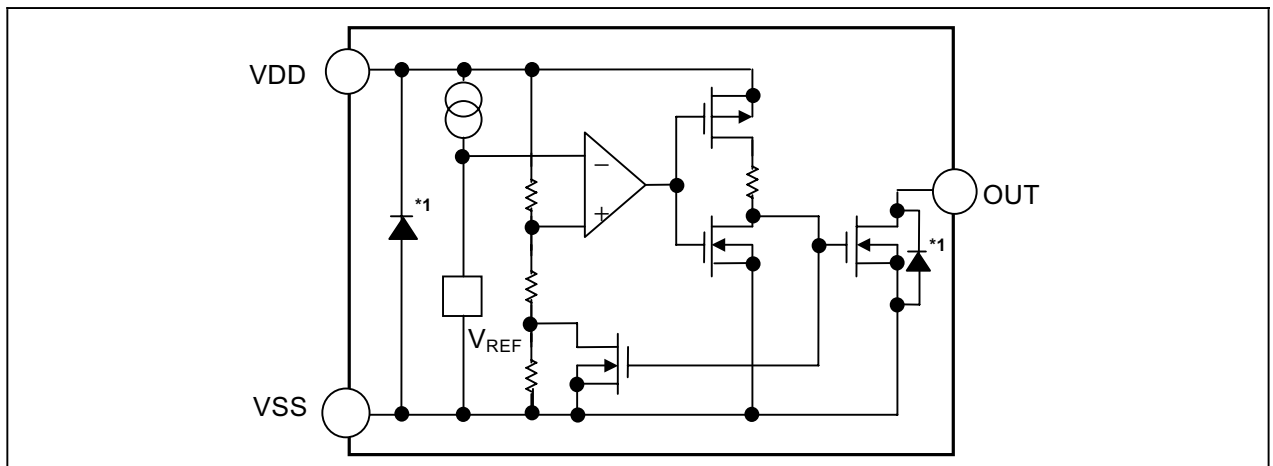


IC81 : NJU3430F

No.	SYMBOL	I/O	F U N C T I O N
57	VDD	-	Power Source : VDD=+3.0 to 5.5V
49	VSS	-	GND : VSS=0V
48	V FDP	-	VFD Driving Power Source VDD-20V to VDD-45V
50	OSC1	I	CR Oscillation Terminal External R and C connect to these terminals. (Target fOSC=360kHz)
51	OSC2	O	
54	CLK	I	Serial Clock Input Terminal The serial data input synchronizing the rise edge of this terminal.
53	\overline{CS}	I	Chip Select Terminal When the CS terminal is "H" the serial data input is not available.
55	SI	I	Serial Data Input Terminal The data input is MSB first.
56	RS	I	Register Selection Signal Input Terminal RS="0" : Instruction Register RS="1" : Data Register
52	\overline{RST}	I	Reset Terminal RST="L" : Reset -Each Address : (00)H -Each RAM Data : Unfixed -Display Digits : 16-digit -Contrast Control : 8/16 Dury -All Display Off -All Outputs are "L"
61 to 64, 1 to 31	S1 to S35	O	Segment Output Terminals (Internal Pull-down Resistance)
32 to 47	T1 to T16	O	Timing Output Terminals (Internal Pull-down Resistance)
60 59	MK1 MK2	O	Icon Output Terminals (Internal Pull-down Resistance)
58	P1	O	Output Port Terminal This terminal is suitable for LED.

IC95 : S80842CNY-X

1. Nch Open-drain Output Products



*1. Parasitic diode

11. ELECTRICAL PARTS LIST

PARTS INFORMATION

RESISTORS

- 1) 00MGD05 × × × 140, Carbon film fixed resistor, ±5% 1/4W
- 2) 00MGD05 × × × 160, Carbon film fixed resistor, ±5% 1/6W

① — Resistance value

Examples ;

- ① Resistance value

0.1Ω 001	10Ω 100	1kΩ 102	100kΩ 104
0.5Ω 005	18Ω 180	2.7kΩ 272	680kΩ 684
1Ω 010	100Ω 101	10kΩ 103	1MΩ 105
6.8Ω 068	390Ω 391	22kΩ 223	4.7MΩ 475

Note : Please distinguish 1/4W from 1/6W by the shape of parts used actually.

CAPACITORS

CERAMIC CAP.

- 3) 00MDD1 × × × × 370, Ceramic capacitor
Disc type
Temp.coeff.P350 ~ N1000, 50V
- ② — Capacity value
③ — Tolerance

Examples ;

- ② Tolerance (Capacity deviation)
 - ±0.25pF.....0
 - ±0.5pF.....1
 - ±5%.....5

* Tolerance of COMMON PARTS handled here are as follows :

- 0.5pF ~ 5pF ±0.25pF
- 6pF ~ 10pF ±0.5pF
- 12pF ~ 560pF ±5%

③ Capacity value

- | | | |
|----------------|---------------|----------------|
| 0.5pF 005 | 3pF 030 | 100pF 101 |
| 1pF 010 | 10pF 100 | 220pF 221 |
| 1.5pF 015 | 47pF 470 | 560pF 561 |

CERAMIC CAP.

- 4) 00MDK16 × × × 300, High dielectric constant ceramic capacitor
Disc type
Temp.chara. 2B4, 50V
- ④ — Capacity value

Examples ;

- ④ Capacity value

100pF 101	1000pF 102	10000pF 103
470pF 471	2200pF 222	

ELECTROLY CAP. (⏏)

- 5) 00MEA × × × × × 10, Electrolytic capacitor
One-way lead type, Tolerance ±20%
- ⑤ — Working voltage
⑥ — Capacity value

Examples ;

- ⑤ Capacity value

0.1μF 104	4.7μF 475	100μF ... 107
0.33μF 334	10μF 106	330μF ... 337
1μF 105	22μF 226	1100μF ... 118
		2200μF ... 228
- ⑥ Working voltage

6.3V 006	25V 025
10V 010	35V 035
16V 016	50V 050

FILM CAP. (⏏)

- 6) 00MDF15 × × × 350 Plastic film capacitor
One-way type, Mylar ±5% 50V
 - 00MDF15 × × × 310 Plastic film capacitor
One-way type, Mylar ±10% 50V
 - 00MDF16 × × × 310 Plastic film capacitor
One-way type, Mylar ±10% 50V
- ⑦ — Capacity value

Examples ;

- ⑦ Capacity value

0.001μF (1000pF) 102	0.1μF 104
0.0018μF 182	0.56μF ... 564
0.01μF 103	1μF 105
0.015μF 153	

NOTE ON SAFETY FOR FUSIBLE RESISTOR :

The suppliers and their type numbers of fusible resistors are as follows;

1. KOA Corporation

- | Part No. (MJI) | Type No. (KOA) | Description |
|-------------------|----------------------|-------------|
| 00MNH05 × × × 140 | → RF25S × × × × ΩJ | (±5% 1/4W) |
| 00MNH05 × × × 120 | → RF50S × × × × ΩJ | (±5% 1/2W) |
| 00MNH85 × × × 110 | → RF73B2A × × × × ΩJ | (±5% 1/10W) |
| 00MNH95 × × × 140 | → RF73B2E × × × × ΩJ | (±5% 1/4W) |

* Resistance value Resistance value (0.1 – 10kΩ)

2. Matsushita Electronic Components Co., Ltd

- | Part No. (MJI) | Type No. (MEC) | Description |
|-------------------|------------------|-------------|
| 00MNF05 × × × 140 | → ERD-2FCJ × × × | (±5% 1/4W) |
| 00MRF05 × × × 140 | | |
| 00MNF02 × × × 140 | → ERD-2FCG × × × | (±2% 1/4W) |
| 00MRF02 × × × 140 | | |

* Resistance value * Resistance value

Examples ;

- * Resistance value
- | | | | |
|---------------|---------------|----------------|----------------|
| 0.1Ω 001 | 10Ω 100 | 1kΩ 102 | 100kΩ 104 |
| 0.5Ω 005 | 18Ω 180 | 2.7kΩ 272 | 680kΩ 684 |
| 1Ω 010 | 100Ω 101 | 10kΩ 103 | 1MΩ 105 |
| 6.8Ω 068 | 390Ω 391 | 22kΩ 223 | 4.7MΩ 475 |



ABBREVIATION AND MARKS

ANT. : ANTENNA	BATT. : BATTERY
CAP. : CAPACITOR	CER. : CERAMIC
CONN. : CONNECTING	DIG. : DIGITAL
HP : HEADPHONE	MIC. : MICROPHONE
μ-PRO : MICROPROCESSOR	REC. : RECORDING
RES. : RESISTOR	SPK : SPEAKER
SW : SWITCH	TRANSF. : TRANSFORMER
TRIM. : TRIMMING	TRS. : TRANSISTOR
VAR. : VARIABLE	X'TAL : CRYSTAL


NOTE ON FUSE :

Regarding to all parts of parts code 00MFS20xxx2xx, replace only with Wickmann-Werke GmbH, Type 372 non glass type fuse.

NOTE ON SAFETY :

Symbol  Fire or electrical shock hazard. Only original parts should be used to replaced any part marked with symbol . Any other component substitution (other than original type), may increase risk of fire or electrical shock hazard.

安全上の注意 :

がついている部品は、安全上重要な部品です。必ず指定されている部品番号の部品を使用して下さい。

P.W.B. NAME	POS. NO.	VERS. COLOR	PART NO. (FOR EUR)	PART NO. (MZ)	PART NAME	DESCRIPTION
					FRONT PWB (CUP12107Z)	
FRONT	BK81		nsp	nsp	BRACKET	BRACKET FIP CMD1A572
FRONT	BK82		nsp	nsp	BRACKET	BRACKET FIP CMD1A572
FRONT	BN95		nsp	nsp	CORD	WIRE ASSY 7P 3500MM CWB1C907350EN
FRONT	C802		nsp	00MDK96104300	CER. CAP.	0.1UF 50V K CCUS1H104KC
FRONT	C803		nsp	00MOA10701620	ELECT CAP.	100UF 16V CCEA1CH101T
FRONT	C804		nsp	00MDD95101300	CER. CAP.	100PF 50V JA CCUS1H101JA
FRONT	C805		nsp	00MDD95101300	CER. CAP.	100PF 50V JA CCUS1H101JA
FRONT	C806		nsp	00MOA10605020	ELECT CAP.	10UF 50V CCEA1HH100T
FRONT	C807		nsp	00MDD95101300	CER. CAP.	100PF 50V JA CCUS1H101JA
FRONT	C808		nsp	00MDD95391370	CER. CAP.	390PF 50V JA CCUS1H391JA
FRONT	C809		nsp	00MDK96103300	CER. CAP.	0.01UF 50V KC CCUS1H103KC
FRONT	C810		nsp	00MDD95101300	CER. CAP.	100PF 50V JA CCUS1H101JA
FRONT	C811		nsp	00MDD95101300	CER. CAP.	100PF 50V JA CCUS1H101JA
FRONT	C812		nsp	00MOA10701620	ELECT CAP.	100UF 16V CCEA1CH101T
FRONT	C813		nsp	00MDK96103300	CER. CAP.	0.01UF 50V KC CCUS1H103KC
FRONT	C814		nsp	00MDK96103300	CER. CAP.	0.01UF 50V KC CCUS1H103KC
FRONT	C815		nsp	00MDD95101300	CER. CAP.	100PF 50V JA CCUS1H101JA
FRONT	C816		nsp	00MDD95101300	CER. CAP.	100PF 50V JA CCUS1H101JA
FRONT	C817		nsp	00MDD95101300	CER. CAP.	100PF 50V JA CCUS1H101JA
FRONT	C818		nsp	00MDD95101300	CER. CAP.	100PF 50V JA CCUS1H101JA
FRONT	C821		nsp	00MDK96103300	CER. CAP.	0.01UF 50V KC CCUS1H103KC
FRONT	C822		nsp	00MDK96103300	CER. CAP.	0.01UF 50V KC CCUS1H103KC
FRONT	C823		nsp	00MDK96103300	CER. CAP.	0.01UF 50V KC CCUS1H103KC
FRONT	C835		nsp	nsp	CER. CAP.	0.1UF 50V Z CERAMIC CCBS1H104ZFT
FRONT	CN81		nsp	nsp	CONN.	12511HR-17 CJP17GB116ZY
FRONT	D821		nsp	00MHD20015210	DIODE	1SS133T-77 CVD1SS133MT
FRONT	D822		nsp	00MHD20015210	DIODE	1SS133T-77 CVD1SS133MT
FRONT	FL81		90M-HQ300620R	90M-HQ300620R	DISPLAY	16-BT-110GNK HFL16BT110GNK
FRONT	IC81		00MHC10220090	00MHC10220090	IC	NJU3430F VFD DRIVER HVINJU3430F
FRONT	J801		nsp	nsp	CORD	SN95/PB5 0.6 C3A206
FRONT	J802		nsp	nsp	CORD	SN95/PB5 0.6 C3A206
FRONT	J803		nsp	nsp	CORD	SN95/PB5 0.6 C3A206
FRONT	J804		nsp	nsp	CORD	SN95/PB5 0.6 C3A206
FRONT	J805		nsp	nsp	CORD	SN95/PB5 0.6 C3A206
FRONT	J806		nsp	nsp	CORD	SN95/PB5 0.6 C3A206
FRONT	J807		nsp	nsp	CORD	SN95/PB5 0.6 C3A206
FRONT	J808		nsp	nsp	CORD	SN95/PB5 0.6 C3A206
FRONT	J809		nsp	nsp	CORD	SN95/PB5 0.6 C3A206
FRONT	J810		nsp	nsp	CORD	SN95/PB5 0.6 C3A206
FRONT	J811		nsp	nsp	CORD	SN95/PB5 0.6 C3A206
FRONT	J812		nsp	nsp	CORD	SN95/PB5 0.6 C3A206
FRONT	J813		nsp	nsp	CORD	SN95/PB5 0.6 C3A206
FRONT	J814		nsp	nsp	CORD	SN95/PB5 0.6 C3A206
FRONT	J815		nsp	nsp	CORD	SN95/PB5 0.6 C3A206
FRONT	J816		nsp	nsp	CORD	SN95/PB5 0.6 C3A206
FRONT	J817		nsp	nsp	CORD	SN95/PB5 0.6 C3A206
FRONT	J818		nsp	nsp	CORD	SN95/PB5 0.6 C3A206
FRONT	J819		nsp	nsp	CORD	SN95/PB5 0.6 C3A206
FRONT	J820		nsp	nsp	CORD	SN95/PB5 0.6 C3A206
FRONT	J821		nsp	nsp	CORD	SN95/PB5 0.6 C3A206
FRONT	J822		nsp	nsp	CORD	SN95/PB5 0.6 C3A206
FRONT	J823		nsp	nsp	CORD	SN95/PB5 0.6 C3A206
FRONT	J824		nsp	nsp	CORD	SN95/PB5 0.6 C3A206
FRONT	J825		nsp	nsp	CORD	SN95/PB5 0.6 C3A206
FRONT	J826		nsp	nsp	CORD	SN95/PB5 0.6 C3A206
FRONT	J827		nsp	nsp	CORD	SN95/PB5 0.6 C3A206
FRONT	J828		nsp	nsp	CORD	SN95/PB5 0.6 C3A206
FRONT	J829		nsp	nsp	CORD	SN95/PB5 0.6 C3A206
FRONT	J830		nsp	nsp	CORD	SN95/PB5 0.6 C3A206
FRONT	J831		nsp	nsp	CORD	SN95/PB5 0.6 C3A206
FRONT	J832		nsp	nsp	CORD	SN95/PB5 0.6 C3A206
FRONT	LED1		263710016400S	263710016400S	L.E.D.	SLI-325URT31W TP CVDSLI325URT31WT055
FRONT	Q801		90M-HX800010R	90M-HX600010R	CHIP TRS.	KRA102S HVTKRA102S
FRONT	Q802		00MHT30001000	00MHT30001000	TRS.	KTC3199Y HVTKTC3199YT
FRONT	Q803		90M-HX800080R		CHIP TRS.	KRC107S HVTKRC107S
FRONT	R801		nsp	00MNN05101610	CHIP RES.	100 OHM 1/10W J CRJ10DJ101T

NOTE : *nsp* PART IS LISTED FOR REFERENCE ONLY, MARANTZ WILL NOT SUPPLY THESE PARTS.

P.W.B. NAME	POS. NO.	VERS. COLOR	PART NO. (FOR EUR)	PART NO. (MZ)	PART NAME	DESCRIPTION
FRONT	R885		nsp	00MNN05473610	CHIP RES.	47K OHM 1/10W J CRJ10DJ473T
FRONT	R886		nsp	00MNN05473610	CHIP RES.	47K OHM 1/10W J CRJ10DJ473T
FRONT	R887		nsp	00MNN05473610	CHIP RES.	47K OHM 1/10W J CRJ10DJ473T
FRONT	R888		nsp	00MNN05473610	CHIP RES.	47K OHM 1/10W J CRJ10DJ473T
FRONT	R889		nsp	00MNN05473610	CHIP RES.	47K OHM 1/10W J CRJ10DJ473T
FRONT	R890		nsp	00MNN05473610	CHIP RES.	47K OHM 1/10W J CRJ10DJ473T
FRONT	R891		nsp	00MNN05473610	CHIP RES.	47K OHM 1/10W J CRJ10DJ473T
FRONT	R892		nsp	00MNN05473610	CHIP RES.	47K OHM 1/10W J CRJ10DJ473T
FRONT	R893		nsp	00MNN05473610	CHIP RES.	47K OHM 1/10W J CRJ10DJ473T
FRONT	RC81		00MHW10004210	00MHW10004210	PHOTO UNIT	RPM6936-V4 CRVRPM6936V4
FRONT	S821		90M-SP001210R	90M-SP001210R	SW	SKHV10910G TACT CST1A0122T
FRONT	S823		90M-SP001210R	90M-SP001210R	SW	SKHV10910G TACT CST1A0122T
FRONT	S824		90M-SP001210R	90M-SP001210R	SW	SKHV10910G TACT CST1A0122T
FRONT	S825		90M-SP001210R	90M-SP001210R	SW	SKHV10910G TACT CST1A0122T
FRONT	S826		90M-SP001210R	90M-SP001210R	SW	SKHV10910G TACT CST1A0122T
FRONT	S827		90M-SP001210R	90M-SP001210R	SW	SKHV10910G TACT CST1A0122T
FRONT	S828		90M-SP001210R	90M-SP001210R	SW	SKHV10910G TACT CST1A0122T
FRONT	S829		90M-SP001210R	90M-SP001210R	SW	SKHV10910G TACT CST1A0122T
FRONT	S830		90M-SP001210R	90M-SP001210R	SW	SKHV10910G TACT CST1A0122T
FRONT	S831		90M-SP001210R	90M-SP001210R	SW	SKHV10910G TACT CST1A0122T
FRONT	VR81		943667002700S	943667002700S	ROTARY SW	ENCODER VR CSR2A036Z
FRONT	VR82		90M-SR000290R	90M-SR000290R	ROTARY SW	ENCODER VR CSR2A034Z
					H/P PWB (CUP12107Z)	
H/P	BK83		nsp	nsp	PLATE	SHIELD PLATE (H/P) CMC1A346
H/P	BN36		nsp	nsp	CORD	WIRE ASSY CWB1C905400BM
H/P	C831		nsp	nsp	CER. CAP.	1000PF 50V KB CCT1H102KB
H/P	C832		nsp	nsp	CER. CAP.	1000PF 50V KB CCT1H102KB
H/P	C833		nsp	nsp	CER. CAP.	0.1UF 50V Z CERAMIC CCBS1H104ZFT
H/P	C836		nsp	nsp	CER. CAP.	0.1UF 50V Z CERAMIC CCBS1H104ZFT
H/P	D831		nsp	00MHD20015210	DIODE	1SS133T-77 CVD1SS133MT
H/P	D832		nsp	00MHD20015210	DIODE	1SS133T-77 CVD1SS133MT
H/P	HP81		90M-YT004500R	90M-YT004500R	TERMINAL	JACK SILVER PJ-612A-51 CJJ2E026Z
					MAIN PWB (CUP12108Z)	
MAIN	C101		nsp	00MDD95221300	CER. CAP.	220PF 50V JA CCUS1H221JA
MAIN	C102		nsp	00MDD95221300	CER. CAP.	220PF 50V JA CCUS1H221JA
MAIN	C103		nsp	00MDD95221300	CER. CAP.	220PF 50V JA CCUS1H221JA
MAIN	C104		nsp	00MDD95221300	CER. CAP.	220PF 50V JA CCUS1H221JA
MAIN	C105		nsp	00MOA10605020	ELECT CAP.	10UF 50V CCEA1HH100T
MAIN	C106		nsp	00MOA10605020	ELECT CAP.	10UF 50V CCEA1HH100T
MAIN	C107		nsp	00MOA22701620	ELECT CAP.	220UF 16V CCEA1CH221T
MAIN	C108		nsp	00MOA22701620	ELECT CAP.	220UF 16V CCEA1CH221T
MAIN	C109		nsp	nsp	FILM CAP.	0.039UF 100V J HCQ1H393JZT
MAIN	C110		nsp	nsp	FILM CAP.	0.039UF 100V J HCQ1H393JZT
MAIN	C111		nsp	nsp	FILM CAP.	0.01UF 100V J HCQ1H103JZT
MAIN	C112		nsp	nsp	FILM CAP.	0.01UF 100V J HCQ1H103JZT
MAIN	C113		nsp	nsp	FILM CAP.	1000PF 100V J MYLAR HCQ1H102JZT
MAIN	C114		nsp	nsp	FILM CAP.	1000PF 100V J MYLAR HCQ1H102JZT
MAIN	C115		nsp	00MOA22601620	ELECT CAP.	22UF 16V HCEA1CH220T
MAIN	C116		nsp	00MOA22601620	ELECT CAP.	22UF 16V HCEA1CH220T
MAIN	C117		nsp	nsp	FILM CAP.	2200PF 100V J HCQ1H222JZT
MAIN	C118		nsp	nsp	FILM CAP.	2200PF 100V J HCQ1H222JZT
MAIN	C121		nsp	00MOA22702520	ELECT CAP.	220UF 25V CCEA1EH221T
MAIN	C122		nsp	00MOA22702520	ELECT CAP.	220UF 25V CCEA1EH221T
MAIN	C201		nsp	00MDD95101300	CER. CAP.	100PF 50V JA CCUS1H101JA
MAIN	C202		nsp	00MDD95101300	CER. CAP.	100PF 50V JA CCUS1H101JA
MAIN	C203		nsp	00MDD95101300	CER. CAP.	100PF 50V JA CCUS1H101JA
MAIN	C204		nsp	00MDD95101300	CER. CAP.	100PF 50V JA CCUS1H101JA
MAIN	C205		nsp	00MDD95101300	CER. CAP.	100PF 50V JA CCUS1H101JA
MAIN	C206		nsp	00MDD95101300	CER. CAP.	100PF 50V JA CCUS1H101JA
MAIN	C207		nsp	00MDD95101300	CER. CAP.	100PF 50V JA CCUS1H101JA
MAIN	C208		nsp	00MDD95101300	CER. CAP.	100PF 50V JA CCUS1H101JA
MAIN	C209		nsp	00MDD95101300	CER. CAP.	100PF 50V JA CCUS1H101JA
MAIN	C210		nsp	00MDD95101300	CER. CAP.	100PF 50V JA CCUS1H101JA
MAIN	C211		nsp	00MDD95101300	CER. CAP.	100PF 50V JA CCUS1H101JA
MAIN	C212		nsp	00MDD95101300	CER. CAP.	100PF 50V JA CCUS1H101JA
MAIN	C261		nsp	00MDK96104300	CER. CAP.	0.1UF 50V K CCUS1H104KC
MAIN	C262		nsp	00MDK96104300	CER. CAP.	0.1UF 50V K CCUS1H104KC

NOTE : "nsp" PART IS LISTED FOR REFERENCE ONLY, MARANTZ WILL NOT SUPPLY THESE PARTS.

P.W.B. NAME	POS. NO.	VERS. COLOR	PART NO. (FOR EUR)	PART NO. (MZ)	PART NAME	DESCRIPTION	
MAIN	C263		nsp	00MDK96104300	CER. CAP.	0.1UF 50V K	CCUS1H104KC
MAIN	C264		nsp	00MDK96104300	CER. CAP.	0.1UF 50V K	CCUS1H104KC
MAIN	C265		nsp	00MDK96104300	CER. CAP.	0.1UF 50V K	CCUS1H104KC
MAIN	C266		nsp	00MDK96104300	CER. CAP.	0.1UF 50V K	CCUS1H104KC
MAIN	C267		nsp	00MDK96104300	CER. CAP.	0.1UF 50V K	CCUS1H104KC
MAIN	C271		nsp	00MDK96104300	CER. CAP.	0.1UF 50V K	CCUS1H104KC
MAIN	C272		nsp	00MDK96104300	CER. CAP.	0.1UF 50V K	CCUS1H104KC
MAIN	C273		nsp	00MDK96104300	CER. CAP.	0.1UF 50V K	CCUS1H104KC
MAIN	C274		nsp	00MDD95221300	CER. CAP.	220PF 50V JA	CCUS1H221JA
MAIN	C277		nsp	00MDK96103300	CER. CAP.	0.01UF 50V KC	CCUS1H103KC
MAIN	C278		nsp	00MDK96103300	CER. CAP.	0.01UF 50V KC	CCUS1H103KC
MAIN	C281		nsp	00MDK96103300	CER. CAP.	0.01UF 50V KC	CCUS1H103KC
MAIN	C282		nsp	00MDK96103300	CER. CAP.	0.01UF 50V KC	CCUS1H103KC
MAIN	C285		nsp	00MDD95471300	CER. CAP.	470PF 50V JA	CCUS1H471JA
MAIN	C286		nsp	00MDD95331300	CER. CAP.	330PF 50V JA	CCUS1H331JA
MAIN	C290		nsp	00MOA47505020	ELECT CAP.	4.7UF 50V	CCEA1HH4R7T
MAIN	C291		nsp	00MOA47505020	ELECT CAP.	4.7UF 50V	CCEA1HH4R7T
MAIN	C301		nsp	00MOA22505020	ELECT CAP.	2.2UF 50V	CCEA1HH2R2T
MAIN	C302		nsp	00MOA22505020	ELECT CAP.	2.2UF 50V	CCEA1HH2R2T
MAIN	C303		nsp	00MDK96103300	CER. CAP.	0.01UF 50V KC	CCUS1H103KC
MAIN	C304		nsp	00MDK96103300	CER. CAP.	0.01UF 50V KC	CCUS1H103KC
MAIN	C305		nsp	00MOA22505020	ELECT CAP.	2.2UF 50V	CCEA1HH2R2T
MAIN	C306		nsp	00MOA22505020	ELECT CAP.	2.2UF 50V	CCEA1HH2R2T
MAIN	C307		nsp	00MOA47505020	ELECT CAP.	4.7UF 50V	CCEA1HH4R7T
MAIN	C308		nsp	00MOA47505020	ELECT CAP.	4.7UF 50V	CCEA1HH4R7T
MAIN	C309		nsp	00MOA10605020	ELECT CAP.	10UF 50V	CCEA1HH100T
MAIN	C310		nsp	00MDD95101300	CER. CAP.	100PF 50V JA	CCUS1H101JA
MAIN	C311		943133002660S	943133002660S	FILM CAP.	0.12UF/100V METAL POLYESTER	CCME2A124JXT
MAIN	C312		nsp	nsp	FILM CAP.	0.027UF 50V J MYLAR	HCQ1H273JZT
MAIN	C313		nsp	00MOA10605020	ELECT CAP.	10UF 50V	CCEA1HH100T
MAIN	C314		nsp	00MDK96103300	CER. CAP.	0.01UF 50V KC	CCUS1H103KC
MAIN	C315		nsp	00MDK96103300	CER. CAP.	0.01UF 50V KC	CCUS1H103KC
MAIN	C316		nsp	nsp	FILM CAP.	0.047UF 100V J MYLAR	HCQ1H473JZT
MAIN	C317		90M-OF100470R	90M-OF100470R	FILM CAP.	0.15UF 100V METAL FILM	CCME2A154JXT
MAIN	C318		nsp	nsp	FILM CAP.	0.047UF 100V J MYLAR	HCQ1H473JZT
MAIN	C319		90M-OF100470R	90M-OF100470R	FILM CAP.	0.15UF 100V METAL FILM	CCME2A154JXT
MAIN	C320		90M-OF100370R	90M-OF100370R	FILM CAP.	0.022UF 100V J MYLAR	HCQ1H223JZT
MAIN	C321		90M-OF100370R	90M-OF100370R	FILM CAP.	0.022UF 100V J MYLAR	HCQ1H223JZT
MAIN	C322		nsp	00MDD95181300	CER. CAP.	180PF 50V J	CCUS1H181JA
MAIN	C325		nsp	00MDK96103300	CER. CAP.	0.01UF 50V KC	CCUS1H103KC
MAIN	C326		nsp	00MDK96103300	CER. CAP.	0.01UF 50V KC	CCUS1H103KC
MAIN	C328		nsp	00MDK96103300	CER. CAP.	0.01UF 50V KC	CCUS1H103KC
MAIN	C331		nsp	00MOA47505020	ELECT CAP.	4.7UF 50V	CCEA1HH4R7T
MAIN	C332		nsp	00MOA47505020	ELECT CAP.	4.7UF 50V	CCEA1HH4R7T
MAIN	C333		nsp	00MDD95820300	CER. CAP.	82PF 50V JA	CCUS1H820JA
MAIN	C334		nsp	00MDD95820300	CER. CAP.	82PF 50V JA	CCUS1H820JA
MAIN	C335		nsp	00MOA47505020	ELECT CAP.	4.7UF 50V	CCEA1HH4R7T
MAIN	C336		nsp	00MOA47505020	ELECT CAP.	4.7UF 50V	CCEA1HH4R7T
MAIN	C337		nsp	00MOA10605020	ELECT CAP.	10UF 50V	CCEA1HH100T
MAIN	C340		nsp	00MDD95471300	CER. CAP.	470PF 50V JA	CCUS1H471JA
MAIN	C341		nsp	00MDD95471300	CER. CAP.	470PF 50V JA	CCUS1H471JA
MAIN	C343		nsp	00MDD95471300	CER. CAP.	470PF 50V JA	CCUS1H471JA
MAIN	C351		nsp	00MOA47505020	ELECT CAP.	4.7UF 50V	CCEA1HH4R7T
MAIN	C352		nsp	nsp	CER. CAP.	0.022UF 50V Z	CCFT1H223ZF
MAIN	C353		nsp	00MOA47701020	ELECT CAP.	470UF 10V	CCEA1AH471T
MAIN	C365		90M-OF100370R	90M-OF100370R	FILM CAP.	0.022UF 100V J MYLAR	HCQ1H223JZT
MAIN	C366		90M-OF100370R	90M-OF100370R	FILM CAP.	0.022UF 100V J MYLAR	HCQ1H223JZT
MAIN	C367		nsp	nsp	FILM CAP.	0.01UF 100V J MYLAR	HCQ1H103JZT
MAIN	C368		nsp	nsp	FILM CAP.	0.01UF 100V J MYLAR	HCQ1H103JZT
MAIN	C405		nsp	nsp	CER. CAP.	0.1UF 50V ZF	CCFT1H104ZF
MAIN	C409		nsp	90M-DK900090R	CER. CAP.	1UF 10V KC	CCUS1A105KC
MAIN	C410		nsp	nsp	CER. CAP.	0.1UF 50V Z CERAMIC	CCBS1H104ZFT
MAIN	C411		nsp	00MDK96104300	CER. CAP.	0.1UF 50V K	CCUS1H104KC
MAIN	C412		nsp	00MOA10800620	ELECT CAP.	1000UF 6.3V	CCEA0JH102T
MAIN	C413		nsp	00MDK96104300	CER. CAP.	0.1UF 50V K	CCUS1H104KC
MAIN	C416		nsp	nsp	CER. CAP.	0.1UF 50V ZF	CCFT1H104ZF
MAIN	C417		nsp	00MOA10701620	ELECT CAP.	100UF 16V	CCEA1CH101T

NOTE : "nsp" PART IS LISTED FOR REFERENCE ONLY, MARANTZ WILL NOT SUPPLY THESE PARTS.

P.W.B. NAME	POS. NO.	VERS. COLOR	PART NO. (FOR EUR)	PART NO. (MZ)	PART NAME	DESCRIPTION	
MAIN	C418		nsp	00MDK96104300	CER. CAP.	0.1UF 50V K	CCUS1H104KC
MAIN	C421		nsp	00MOA47601640	ELECT CAP.	47UF 16V	CCEA1CH470T
MAIN	C501		nsp	00MOA10605020	ELECT CAP.	10UF 50V	CCEA1HH100T
MAIN	C502		nsp	nsp	CER. CAP.	330PF 50V KB	CCKT1H331KB
MAIN	C503		nsp	nsp	CER. CAP.	100PF 50V KB	CCKT1H101KB
MAIN	C504		nsp	00MOA47602520	ELECT CAP.	47UF 25V	CCEA1EH470T
MAIN	C505		nsp	00MOA10706320	ELECT CAP.	100UF 63V	CCEA1JH101E
MAIN	C506		nsp	00MOA10706320	ELECT CAP.	100UF 63V	CCEA1JH101E
MAIN	C507		nsp	nsp	CER. CAP.	5PF 50V CC	CCCT1H050CC
MAIN	C508		nsp	nsp	CER. CAP.	33PF 50V JC	CCCT1H330JC
MAIN	C509		nsp	90M-OA000640R	ELECT CAP.	KRM 100V/10UF 5X11	CCEA2AH100TS
MAIN	C510		nsp	00MOA10505020	ELECT CAP.	1UF 50V	CCEA1HH1R0T
MAIN	C511		00MOF15104040	00MOF15104040	FILM CAP.	0.1UF 100V J MYLAR	HCQI1H104JZT
MAIN	C601		nsp	00MOA10605020	ELECT CAP.	10UF 50V	CCEA1HH100T
MAIN	C602		nsp	nsp	CER. CAP.	330PF 50V KB	CCKT1H331KB
MAIN	C603		nsp	nsp	CER. CAP.	100PF 50V KB	CCKT1H101KB
MAIN	C604		nsp	00MOA47602520	ELECT CAP.	47UF 25V	CCEA1EH470T
MAIN	C605		nsp	00MOA10706320	ELECT CAP.	100UF 63V	CCEA1JH101E
MAIN	C606		nsp	00MOA10706320	ELECT CAP.	100UF 63V	CCEA1JH101E
MAIN	C607		nsp	nsp	CER. CAP.	5PF 50V CC	CCCT1H050CC
MAIN	C608		nsp	nsp	CER. CAP.	33PF 50V JC	CCCT1H330JC
MAIN	C609		nsp	90M-OA000640R	ELECT CAP.	KRM 100V/10UF 5X11	CCEA2AH100TS
MAIN	C610		nsp	00MOA10505020	ELECT CAP.	1UF 50V	CCEA1HH1R0T
MAIN	C611		00MOF15104040	00MOF15104040	FILM CAP.	0.1UF 100V J MYLAR	HCQI1H104JZT
MAIN	▲C901		90M-DK100770R	90M-DK100770R	CER. CAP.	! 0.0047UF 2.5KV CERAMIC	KCKDKS472ME
MAIN	C902		nsp	nsp	CER. CAP.	0.022UF 50V Z	CCFT1H223ZF
MAIN	C903		nsp	nsp	CER. CAP.	0.022UF 50V Z	CCFT1H223ZF
MAIN	C904		nsp	90M-OA000680R	ELECT CAP.	KR3-16V472MH-L/C4.0 16V/4700 13X25	CCEA1CH472EZ
MAIN	C905		nsp	nsp	CER. CAP.	0.022UF 50V Z	CCFT1H223ZF
MAIN	C906		nsp	00MOA10701620	ELECT CAP.	100UF 16V	CCEA1CH101T
MAIN	C907		nsp	00MOA47505020	ELECT CAP.	4.7UF 50V	CCEA1HH4R7T
MAIN	C908		nsp	00MOA47505020	ELECT CAP.	4.7UF 50V	CCEA1HH4R7T
MAIN	C909		nsp	nsp	CER. CAP.	0.1UF 50V ZF	CCFT1H104ZF
MAIN	C921		nsp	nsp	FILM CAP.	0.01UF 100V J MYLAR	HCQI1H103JZT
MAIN	C922		nsp	nsp	FILM CAP.	0.01UF 100V J MYLAR	HCQI1H103JZT
MAIN	C923		90M-OF100490R	90M-OF100490R	FILM CAP.	0.1UF 250V METAL FILM	KCME2E104JP04T
MAIN	C924		nsp	00MOA10803520	ELECT CAP.	1000UF 35V	CCEA1VH102E
MAIN	C925		nsp	00MOA10803520	ELECT CAP.	1000UF 35V	CCEA1VH102E
MAIN	C926		nsp	nsp	CER. CAP.	0.022UF 50V Z	CCFT1H223ZF
MAIN	C927		nsp	nsp	CER. CAP.	0.022UF 50V Z	CCFT1H223ZF
MAIN	C928		nsp	00MOA47702520	ELECT CAP.	470UF 25V	CCEA1EH471T
MAIN	C929		nsp	00MOA10802520	ELECT CAP.	1000UF 25V	CCEA1EH102E
MAIN	C930		nsp	nsp	CER. CAP.	0.022UF 50V Z	CCFT1H223ZF
MAIN	C931		nsp	nsp	CER. CAP.	0.022UF 50V Z	CCFT1H223ZF
MAIN	C932		nsp	00MOA10701620	ELECT CAP.	100UF 16V	CCEA1CH101T
MAIN	C933		nsp	nsp	CER. CAP.	0.022UF 50V Z	CCFT1H223ZF
MAIN	C934		nsp	00MOA10701620	ELECT CAP.	100UF 16V	CCEA1CH101T
MAIN	C935		nsp	nsp	CER. CAP.	0.022UF 50V Z	CCFT1H223ZF
MAIN	C936		nsp	00MOA10701620	ELECT CAP.	100UF 16V	CCEA1CH101T
MAIN	C937		nsp	nsp	CER. CAP.	0.022UF 50V Z	CCFT1H223ZF
MAIN	C938		nsp	00MOA10701620	ELECT CAP.	100UF 16V	CCEA1CH101T
MAIN	C939		nsp	00MOA10701620	ELECT CAP.	100UF 16V	CCEA1CH101T
MAIN	C940		nsp	nsp	CER. CAP.	0.022UF 50V Z	CCFT1H223ZF
MAIN	C941		nsp	nsp	CER. CAP.	1000PF 50V KB	CCKT1H102KB
MAIN	C942		nsp	00MOA47605020	ELECT CAP.	47UF 50V	CCEA1HH470T
MAIN	C961		nsp	00MOA47505020	ELECT CAP.	4.7UF 50V	CCEA1HH4R7T
MAIN	C962		nsp	nsp	CER. CAP.	0.01UF 50V Z	CCFT1H103ZF
MAIN	C963		nsp	00MOA47605020	ELECT CAP.	47UF 50V	CCEA1HH470T
MAIN	C964		nsp	00MOA47605020	ELECT CAP.	47UF 50V	CCEA1HH470T
MAIN	C965		nsp	nsp	CER. CAP.	0.01UF 50V Z	CCFT1H103ZF
MAIN	C971		90M-OF100490R	90M-OF100490R	FILM CAP.	0.1UF 250V METAL FILM	KCME2E104JP04T
MAIN	C972		90M-OF100490R	90M-OF100490R	FILM CAP.	0.1UF 250V METAL FILM	KCME2E104JP04T
MAIN	C973		90M-OF100490R	90M-OF100490R	FILM CAP.	0.1UF 250V METAL FILM	KCME2E104JP04T
MAIN	C974		90M-OF100490R	90M-OF100490R	FILM CAP.	0.1UF 250V METAL FILM	KCME2E104JP04T
MAIN	C975		nsp	nsp	FILM CAP.	0.01UF 100V J MYLAR	HCQI1H103JZT
MAIN	C976		nsp	nsp	FILM CAP.	0.01UF 100V J MYLAR	HCQI1H103JZT
MAIN	C977		943134002650S	943134002650S	ELECT CAP.	SMH63VHNS8200M	HCET63VSMH822NN

NOTE : *nsp* PART IS LISTED FOR REFERENCE ONLY, MARANTZ WILL NOT SUPPLY THESE PARTS.

P.W.B. NAME	POS. NO.	VERS. COLOR	PART NO. (FOR EUR)	PART NO. (MZ)	PART NAME	DESCRIPTION
MAIN	C978		943134002650S	943134002650S	ELECT CAP.	SMH63VHSN8200M HCET63VSMH822NN
MAIN	CN36		nsp	nsp	CONN.	5P WAFER YMW025-05R 00906-0014 CJP05GA01ZY
MAIN	CN41		nsp	nsp	CONN.	7P WAFER CARD CABLE CJP07GB113ZY
MAIN	CN42		nsp	nsp	CONN.	17P WAFER FFC 12511HS-17 CJP17GA115ZY
MAIN	CN43		nsp	nsp	CONN.	17P WAFER FFC 12511HS-17 CJP17GA115ZY
MAIN	CN51		nsp	nsp	CONN.	3P STRAIGHT YMW025-03R CJP03GA01ZY
MAIN	CN61		nsp	nsp	CONN.	3P STRAIGHT YMW025-03R CJP03GA01ZY
MAIN	CN91		nsp	nsp	CONN.	7.92MM(YUNHO) CJP02KA060ZY
MAIN	CN92		nsp	nsp	CONN.	2P WAFER CJP02GA89ZY
MAIN	CN93		nsp	nsp	CONN.	3P WAFER CJP03GA90ZY
MAIN	CN94		nsp	nsp	CONN.	7P STRAIGHT 00906-0017 CJP07GA01ZY
MAIN	CN95		nsp	nsp	CONN.	7P STRAIGHT 20017WS-07 CJP07GA19ZY
MAIN	D261		00MHZ21303210	00MHZ21303210	DIODE	1SS355 CVD1SS355T
MAIN	D262		00MHZ21303210	00MHZ21303210	DIODE	1SS355 CVD1SS355T
MAIN	D263		00MHZ21303210	00MHZ21303210	DIODE	1SS355 CVD1SS355T
MAIN	D264		00MHZ21303210	00MHZ21303210	DIODE	1SS355 CVD1SS355T
MAIN	D265		00MHZ21303210	00MHZ21303210	DIODE	1SS355 CVD1SS355T
MAIN	D266		00MHZ21303210	00MHZ21303210	DIODE	1SS355 CVD1SS355T
MAIN	D301		90M-HD302390R	90M-HD302390R	ZENER DIODE	ZJ3.3BT CVDZJ3.3BT
MAIN	D361		nsp	00MHD20015210	DIODE	1SS133T-77 CVD1SS133MT
MAIN	D363		nsp	00MHD20015210	DIODE	1SS133T-77 CVD1SS133MT
MAIN	D381		nsp	00MHD20015210	DIODE	1SS133T-77 CVD1SS133MT
MAIN	D401		nsp	00MHD20015210	DIODE	1SS133T-77 CVD1SS133MT
MAIN	D408		nsp	00MHD20015210	DIODE	1SS133T-77 CVD1SS133MT
MAIN	D501		nsp	00MHD20015210	DIODE	1SS133T-77 CVD1SS133MT
MAIN	D502		nsp	00MHD20015210	DIODE	1SS133T-77 CVD1SS133MT
MAIN	D503		nsp	00MHD20015210	DIODE	1SS133T-77 CVD1SS133MT
MAIN	D601		nsp	00MHD20015210	DIODE	1SS133T-77 CVD1SS133MT
MAIN	D602		nsp	00MHD20015210	DIODE	1SS133T-77 CVD1SS133MT
MAIN	D603		nsp	00MHD20015210	DIODE	1SS133T-77 CVD1SS133MT
MAIN	D901		nsp	90M-HD201750R	DIODE	1N4003 CVD1N4003SRT
MAIN	D902		nsp	90M-HD201750R	DIODE	1N4003 CVD1N4003SRT
MAIN	D903		nsp	90M-HD201750R	DIODE	1N4003 CVD1N4003SRT
MAIN	D904		nsp	90M-HD201750R	DIODE	1N4003 CVD1N4003SRT
MAIN	D905		nsp	90M-HD201750R	DIODE	1N4003 CVD1N4003SRT
MAIN	D906		nsp	90M-HD201750R	DIODE	1N4003 CVD1N4003SRT
MAIN	D907		nsp	90M-HD201750R	DIODE	1N4003 CVD1N4003SRT
MAIN	D908		nsp	00MHD20015210	DIODE	1SS133T-77 CVD1SS133MT
MAIN	D909		90M-HD302470R	90M-HD302470R	ZENER DIODE	ZJ6.2B 1/2W CVDZJ6.2BT
MAIN	D910		nsp	00MHD20015210	DIODE	1SS133T-77 CVD1SS133MT
MAIN	D921		nsp	90M-HD201750R	DIODE	1N4003 CVD1N4003SRT
MAIN	D922		nsp	90M-HD201750R	DIODE	1N4003 CVD1N4003SRT
MAIN	D923		nsp	90M-HD201750R	DIODE	1N4003 CVD1N4003SRT
MAIN	D924		nsp	90M-HD201750R	DIODE	1N4003 CVD1N4003SRT
MAIN	D925		nsp	90M-HD201850R	DIODE	1N5819 HVD1N5819T
MAIN	D926		nsp	90M-HD201850R	DIODE	1N5819 HVD1N5819T
MAIN	D927		nsp	90M-HD201750R	DIODE	1N4003 CVD1N4003SRT
MAIN	D928		90M-HD302390R	90M-HD302390R	ZENER DIODE	ZJ3.3BT CVDZJ3.3BT
MAIN	D929		nsp	90M-HD201750R	DIODE	1N4003 CVD1N4003SRT
MAIN	D930		nsp	90M-HD201750R	DIODE	1N4003 CVD1N4003SRT
MAIN	D931		nsp	90M-HD201750R	DIODE	1N4003 CVD1N4003SRT
MAIN	D932		nsp	90M-HD201750R	DIODE	1N4003 CVD1N4003SRT
MAIN	D933		nsp	90M-HD201750R	DIODE	1N4003 CVD1N4003SRT
MAIN	D936		nsp	00MHD20015210	DIODE	1SS133T-77 CVD1SS133MT
MAIN	D937		nsp	00MHD20015210	DIODE	1SS133T-77 CVD1SS133MT
MAIN	D961		90M-HD302360R	90M-HD302360R	ZENER DIODE	ZJ6.8B 1/2W CVDZJ6.8BT
MAIN	D962		90M-HD302400R	90M-HD302400R	ZENER DIODE	ZJ30BT CVDZJ30BT
MAIN	▲D971		943203002640S	943203002640S	DIODE	! GBJ806(MIC) HVDGBJ806
MAIN	ET41		nsp	nsp	TERMINAL	MET37-0002 HJT1A025
MAIN	ET91		nsp	nsp	TERMINAL	MET37-0002 HJT1A025
MAIN	▲F901		90M-FS001060R	90M-FS001060R	FUSE	! T3.15A 250V KBA2C3150TLEZ
MAIN	F901(1)		nsp	nsp	CONN.	HOLDER FUSE KJCF5S
MAIN	IC11		00MHC10102090	00MHC10102090	IC	NJM2068MD-TE1 HVINJM2068MDTE1
MAIN	IC21		90M-HC109720R	90M-HC109720R	IC	TC9163CFG(EL) HWITC9163CFG
MAIN	IC31		00MHC10102090	00MHC10102090	IC	NJM2068MD-TE1 HVINJM2068MDTE1
MAIN	IC32		00MHC10102090	00MHC10102090	IC	NJM2068MD-TE1 HVINJM2068MDTE1
MAIN	IC33		00MHC10102090	00MHC10102090	IC	NJM2068MD-TE1 HVINJM2068MDTE1

NOTE : "nsp" PART IS LISTED FOR REFERENCE ONLY, MARANTZ WILL NOT SUPPLY THESE PARTS.

P.W.B. NAME	POS. NO.	VERS. COLOR	PART NO. (FOR EUR)	PART NO. (MZ)	PART NAME	DESCRIPTION	
MAIN	IC34		943235002680S	943235002680S	IC	M61541FP	CVIM61541FP
MAIN	IC41		943243002510M	943243002510M	U-PRO	T5CB5(F ADD Z) MAIN CPU SR5023	CVIT5CB5PQ
MAIN	IC42		943235002560S	943235002560S	IC	RH5VT45CA-T1	HVIRH5VT45C
MAIN	IC43		90M-HC108390R	90M-HC108390R	IC	AT24C08N10SC2.7	HVIAT24C08N10SC
MAIN	IC90		90M-HC900190R	90M-HC900190R	IC	KIA1117S50-RTK/P	CVIKIA1117S50
MAIN	▲IC91		00MHC3891599F	00MHC3891599F	IC	! KIA7815API/P	CVIKIA7815APIUPF
MAIN	▲IC92		00MHC3991599F	00MHC3991599F	IC	! KIA7915PI-U/PF	CVIKIA7915PI
MAIN	IC93		90M-HC300970R	90M-HC300970R	IC	KIA78S06	CVIKIA78S06PAT
MAIN	IC94		90M-HC300980R	90M-HC300980R	IC	KIA79S06	CVIKIA79S06PAT
MAIN	IC95		90M-HC108410R	90M-HC108410R	IC	S-80842CNY-X	HVIS-80842CNY-X
MAIN	IC96		00MHC3890599F	00MHC3890599F	IC	KIA7805API	HVIKIA7805API
MAIN	J101		nsp	nsp	CORD	SN95/PB5 0.6	C3A206
MAIN	J102		nsp	nsp	CORD	SN95/PB5 0.6	C3A206
MAIN	J103		nsp	nsp	CORD	SN95/PB5 0.6	C3A206
MAIN	J104		nsp	nsp	CORD	SN95/PB5 0.6	C3A206
MAIN	J105		nsp	nsp	CORD	SN95/PB5 0.6	C3A206
MAIN	J106		nsp	nsp	CORD	SN95/PB5 0.6	C3A206
MAIN	J107		nsp	nsp	CORD	SN95/PB5 0.6	C3A206
MAIN	J108		nsp	nsp	CORD	SN95/PB5 0.6	C3A206
MAIN	J109		nsp	nsp	CORD	SN95/PB5 0.6	C3A206
MAIN	J110		nsp	nsp	CORD	SN95/PB5 0.6	C3A206
MAIN	J111		nsp	nsp	CORD	SN95/PB5 0.6	C3A206
MAIN	J113		nsp	nsp	CORD	SN95/PB5 0.6	C3A206
MAIN	J114		nsp	nsp	CORD	SN95/PB5 0.6	C3A206
MAIN	J116		nsp	nsp	CORD	SN95/PB5 0.6	C3A206
MAIN	J117		nsp	nsp	CORD	SN95/PB5 0.6	C3A206
MAIN	J118		nsp	nsp	CORD	SN95/PB5 0.6	C3A206
MAIN	J119		nsp	nsp	CORD	SN95/PB5 0.6	C3A206
MAIN	J120		nsp	nsp	CORD	SN95/PB5 0.6	C3A206
MAIN	J121		nsp	nsp	CORD	SN95/PB5 0.6	C3A206
MAIN	J123		nsp	nsp	CORD	SN95/PB5 0.6	C3A206
MAIN	J124		nsp	nsp	CORD	SN95/PB5 0.6	C3A206
MAIN	J125		nsp	nsp	CORD	SN95/PB5 0.6	C3A206
MAIN	J126		nsp	nsp	CORD	SN95/PB5 0.6	C3A206
MAIN	J127		nsp	nsp	CORD	SN95/PB5 0.6	C3A206
MAIN	J128		nsp	nsp	CORD	SN95/PB5 0.6	C3A206
MAIN	J129		nsp	nsp	CORD	SN95/PB5 0.6	C3A206
MAIN	J130		nsp	nsp	CORD	SN95/PB5 0.6	C3A206
MAIN	J132		nsp	nsp	CORD	SN95/PB5 0.6	C3A206
MAIN	J133		nsp	nsp	CORD	SN95/PB5 0.6	C3A206
MAIN	J136		nsp	nsp	CORD	SN95/PB5 0.6	C3A206
MAIN	J137		nsp	nsp	CORD	SN95/PB5 0.6	C3A206
MAIN	J201		nsp	nsp	CORD	SN95/PB5 0.6	C3A206
MAIN	J202		nsp	nsp	CORD	SN95/PB5 0.6	C3A206
MAIN	J203		nsp	nsp	CORD	SN95/PB5 0.6	C3A206
MAIN	J204		nsp	nsp	CORD	SN95/PB5 0.6	C3A206
MAIN	J206		nsp	nsp	CORD	SN95/PB5 0.6	C3A206
MAIN	J207		nsp	nsp	CORD	SN95/PB5 0.6	C3A206
MAIN	J208		nsp	nsp	CORD	SN95/PB5 0.6	C3A206
MAIN	J209		nsp	nsp	CORD	SN95/PB5 0.6	C3A206
MAIN	J210		nsp	nsp	CORD	SN95/PB5 0.6	C3A206
MAIN	J211		nsp	nsp	CORD	SN95/PB5 0.6	C3A206
MAIN	J212		nsp	nsp	CORD	SN95/PB5 0.6	C3A206
MAIN	J213		nsp	nsp	CORD	SN95/PB5 0.6	C3A206
MAIN	J214		nsp	nsp	CORD	SN95/PB5 0.6	C3A206
MAIN	J215		nsp	nsp	CORD	SN95/PB5 0.6	C3A206
MAIN	J216		nsp	nsp	CORD	SN95/PB5 0.6	C3A206
MAIN	J217		nsp	nsp	CORD	SN95/PB5 0.6	C3A206
MAIN	J218		nsp	nsp	CORD	SN95/PB5 0.6	C3A206
MAIN	J219		nsp	nsp	CORD	SN95/PB5 0.6	C3A206
MAIN	J220		nsp	nsp	CORD	SN95/PB5 0.6	C3A206
MAIN	J221		nsp	nsp	CORD	SN95/PB5 0.6	C3A206
MAIN	J222		nsp	nsp	CORD	SN95/PB5 0.6	C3A206
MAIN	J223		nsp	nsp	CORD	SN95/PB5 0.6	C3A206
MAIN	J224		nsp	nsp	CORD	SN95/PB5 0.6	C3A206
MAIN	J225		nsp	nsp	CORD	SN95/PB5 0.6	C3A206
MAIN	J226		nsp	nsp	CORD	SN95/PB5 0.6	C3A206

NOTE : "nsp" PART IS LISTED FOR REFERENCE ONLY, MARANTZ WILL NOT SUPPLY THESE PARTS.

P.W.B. NAME	POS. NO.	VERS. COLOR	PART NO. (FOR EUR)	PART NO. (MZ)	PART NAME	DESCRIPTION	
MAIN	J227		nsp	nsp	CORD	SN95/PB5 0.6	C3A206
MAIN	J301		nsp	nsp	CORD	SN95/PB5 0.6	C3A206
MAIN	J305		nsp	nsp	CORD	SN95/PB5 0.6	C3A206
MAIN	J306		nsp	nsp	CORD	SN95/PB5 0.6	C3A206
MAIN	J309		nsp	nsp	CORD	SN95/PB5 0.6	C3A206
MAIN	J310		nsp	nsp	CORD	SN95/PB5 0.6	C3A206
MAIN	J311		nsp	nsp	CORD	SN95/PB5 0.6	C3A206
MAIN	J312		nsp	nsp	CORD	SN95/PB5 0.6	C3A206
MAIN	J313		nsp	nsp	CORD	SN95/PB5 0.6	C3A206
MAIN	J314		nsp	nsp	CORD	SN95/PB5 0.6	C3A206
MAIN	J315		nsp	nsp	CORD	SN95/PB5 0.6	C3A206
MAIN	J316		nsp	nsp	CORD	SN95/PB5 0.6	C3A206
MAIN	J317		nsp	nsp	CORD	SN95/PB5 0.6	C3A206
MAIN	J320		nsp	nsp	CORD	SN95/PB5 0.6	C3A206
MAIN	J321		nsp	nsp	CORD	SN95/PB5 0.6	C3A206
MAIN	J324		nsp	nsp	CORD	SN95/PB5 0.6	C3A206
MAIN	J325		nsp	nsp	CORD	SN95/PB5 0.6	C3A206
MAIN	J326		nsp	nsp	CORD	SN95/PB5 0.6	C3A206
MAIN	J327		nsp	nsp	CORD	SN95/PB5 0.6	C3A206
MAIN	J328		nsp	nsp	CORD	SN95/PB5 0.6	C3A206
MAIN	J329		nsp	nsp	CORD	SN95/PB5 0.6	C3A206
MAIN	J330		nsp	nsp	CORD	SN95/PB5 0.6	C3A206
MAIN	J331		nsp	nsp	CORD	SN95/PB5 0.6	C3A206
MAIN	J332		nsp	nsp	CORD	SN95/PB5 0.6	C3A206
MAIN	J333		nsp	nsp	CORD	SN95/PB5 0.6	C3A206
MAIN	J334		nsp	nsp	CORD	SN95/PB5 0.6	C3A206
MAIN	J335		nsp	nsp	CORD	SN95/PB5 0.6	C3A206
MAIN	J337		nsp	nsp	CORD	SN95/PB5 0.6	C3A206
MAIN	J338		nsp	nsp	CORD	SN95/PB5 0.6	C3A206
MAIN	J339		nsp	nsp	CORD	SN95/PB5 0.6	C3A206
MAIN	J340		nsp	nsp	CORD	SN95/PB5 0.6	C3A206
MAIN	J341		nsp	nsp	CORD	SN95/PB5 0.6	C3A206
MAIN	J342		nsp	nsp	CORD	SN95/PB5 0.6	C3A206
MAIN	J343		nsp	nsp	CORD	SN95/PB5 0.6	C3A206
MAIN	J344		nsp	nsp	CORD	SN95/PB5 0.6	C3A206
MAIN	J345		nsp	nsp	CORD	SN95/PB5 0.6	C3A206
MAIN	J349		nsp	nsp	CORD	SN95/PB5 0.6	C3A206
MAIN	J350		nsp	nsp	CORD	SN95/PB5 0.6	C3A206
MAIN	J401		nsp	nsp	CORD	SN95/PB5 0.6	C3A206
MAIN	J402		nsp	nsp	CORD	SN95/PB5 0.6	C3A206
MAIN	J403		nsp	nsp	CORD	SN95/PB5 0.6	C3A206
MAIN	J404		nsp	nsp	CORD	SN95/PB5 0.6	C3A206
MAIN	J405		nsp	nsp	CORD	SN95/PB5 0.6	C3A206
MAIN	J406		nsp	nsp	CORD	SN95/PB5 0.6	C3A206
MAIN	J407		nsp	nsp	CORD	SN95/PB5 0.6	C3A206
MAIN	J408		nsp	nsp	CORD	SN95/PB5 0.6	C3A206
MAIN	J409		nsp	nsp	CORD	SN95/PB5 0.6	C3A206
MAIN	J410		nsp	nsp	CORD	SN95/PB5 0.6	C3A206
MAIN	J411		nsp	nsp	CORD	SN95/PB5 0.6	C3A206
MAIN	J412		nsp	nsp	CORD	SN95/PB5 0.6	C3A206
MAIN	J413		nsp	nsp	CORD	SN95/PB5 0.6	C3A206
MAIN	J414		nsp	nsp	CORD	SN95/PB5 0.6	C3A206
MAIN	J415		nsp	nsp	CORD	SN95/PB5 0.6	C3A206
MAIN	J416		nsp	nsp	CORD	SN95/PB5 0.6	C3A206
MAIN	J417		nsp	nsp	CORD	SN95/PB5 0.6	C3A206
MAIN	J418		nsp	nsp	CORD	SN95/PB5 0.6	C3A206
MAIN	J419		nsp	nsp	CORD	SN95/PB5 0.6	C3A206
MAIN	J420		nsp	nsp	CORD	SN95/PB5 0.6	C3A206
MAIN	J421		nsp	nsp	CORD	SN95/PB5 0.6	C3A206
MAIN	J422		nsp	nsp	CORD	SN95/PB5 0.6	C3A206
MAIN	J424		nsp	nsp	CORD	SN95/PB5 0.6	C3A206
MAIN	J425		nsp	nsp	CORD	SN95/PB5 0.6	C3A206
MAIN	J426		nsp	nsp	CORD	SN95/PB5 0.6	C3A206
MAIN	J427		nsp	nsp	CORD	SN95/PB5 0.6	C3A206
MAIN	J428		nsp	nsp	CORD	SN95/PB5 0.6	C3A206
MAIN	J429		nsp	nsp	CORD	SN95/PB5 0.6	C3A206
MAIN	J431		nsp	nsp	CORD	SN95/PB5 0.6	C3A206

NOTE : "nsp" PART IS LISTED FOR REFERENCE ONLY, MARANTZ WILL NOT SUPPLY THESE PARTS.

P.W.B. NAME	POS. NO.	VERS. COLOR	PART NO. (FOR EUR)	PART NO. (MZ)	PART NAME	DESCRIPTION
MAIN	J432		nsp	nsp	CORD	SN95/PB5 0.6 C3A206
MAIN	J433		nsp	nsp	CORD	SN95/PB5 0.6 C3A206
MAIN	J434		nsp	nsp	CORD	SN95/PB5 0.6 C3A206
MAIN	J435		nsp	nsp	CORD	SN95/PB5 0.6 C3A206
MAIN	J436		nsp	nsp	CORD	SN95/PB5 0.6 C3A206
MAIN	J437		nsp	nsp	CORD	SN95/PB5 0.6 C3A206
MAIN	J439		nsp	nsp	CORD	SN95/PB5 0.6 C3A206
MAIN	J441		nsp	nsp	CORD	SN95/PB5 0.6 C3A206
MAIN	J442		nsp	nsp	RES.	10 OHM 1/6W J CARBON CRD20TJ100T
MAIN	J443		nsp	nsp	CORD	SN95/PB5 0.6 C3A206
MAIN	J444		nsp	nsp	CORD	SN95/PB5 0.6 C3A206
MAIN	J445		nsp	nsp	CORD	SN95/PB5 0.6 C3A206
MAIN	J446		nsp	nsp	CORD	SN95/PB5 0.6 C3A206
MAIN	J447		nsp	nsp	CORD	SN95/PB5 0.6 C3A206
MAIN	J448		nsp	nsp	CORD	SN95/PB5 0.6 C3A206
MAIN	J449		nsp	nsp	CORD	SN95/PB5 0.6 C3A206
MAIN	J450		nsp	nsp	CORD	SN95/PB5 0.6 C3A206
MAIN	J500		nsp	nsp	CORD	SN95/PB5 0.6 C3A206
MAIN	J501		nsp	nsp	CORD	SN95/PB5 0.6 C3A206
MAIN	J502		nsp	nsp	CORD	SN95/PB5 0.6 C3A206
MAIN	J503		nsp	nsp	CORD	SN95/PB5 0.6 C3A206
MAIN	J504		nsp	nsp	CORD	SN95/PB5 0.6 C3A206
MAIN	J506		nsp	nsp	CORD	SN95/PB5 0.6 C3A206
MAIN	J507		nsp	nsp	CORD	SN95/PB5 0.6 C3A206
MAIN	J508		nsp	nsp	CORD	SN95/PB5 0.6 C3A206
MAIN	J509		nsp	nsp	CORD	SN95/PB5 0.6 C3A206
MAIN	J510		nsp	nsp	CORD	SN95/PB5 0.6 C3A206
MAIN	J511		nsp	nsp	CORD	SN95/PB5 0.6 C3A206
MAIN	J513		nsp	nsp	CORD	SN95/PB5 0.6 C3A206
MAIN	J514		nsp	nsp	CORD	SN95/PB5 0.6 C3A206
MAIN	J515		nsp	nsp	CORD	SN95/PB5 0.6 C3A206
MAIN	J516		nsp	nsp	CORD	SN95/PB5 0.6 C3A206
MAIN	J517		nsp	nsp	CORD	SN95/PB5 0.6 C3A206
MAIN	J518		nsp	nsp	CORD	SN95/PB5 0.6 C3A206
MAIN	J519		nsp	nsp	CORD	SN95/PB5 0.6 C3A206
MAIN	J520		nsp	nsp	CORD	SN95/PB5 0.6 C3A206
MAIN	J521		nsp	nsp	CORD	SN95/PB5 0.6 C3A206
MAIN	J522		nsp	nsp	CORD	SN95/PB5 0.6 C3A206
MAIN	J523		nsp	nsp	CORD	SN95/PB5 0.6 C3A206
MAIN	J524		nsp	nsp	CORD	SN95/PB5 0.6 C3A206
MAIN	J525		nsp	nsp	CORD	SN95/PB5 0.6 C3A206
MAIN	J526		nsp	nsp	CORD	SN95/PB5 0.6 C3A206
MAIN	J527		nsp	nsp	CORD	SN95/PB5 0.6 C3A206
MAIN	J528		nsp	nsp	CORD	SN95/PB5 0.6 C3A206
MAIN	J529		nsp	nsp	CORD	SN95/PB5 0.6 C3A206
MAIN	J530		nsp	nsp	CORD	SN95/PB5 0.6 C3A206
MAIN	J531		nsp	nsp	CORD	SN95/PB5 0.6 C3A206
MAIN	J600		nsp	nsp	CORD	SN95/PB5 0.6 C3A206
MAIN	J601		nsp	nsp	CORD	SN95/PB5 0.6 C3A206
MAIN	J602		nsp	nsp	CORD	SN95/PB5 0.6 C3A206
MAIN	J603		nsp	nsp	CORD	SN95/PB5 0.6 C3A206
MAIN	J604		nsp	nsp	CORD	SN95/PB5 0.6 C3A206
MAIN	J605		nsp	nsp	CORD	SN95/PB5 0.6 C3A206
MAIN	J606		nsp	nsp	CORD	SN95/PB5 0.6 C3A206
MAIN	J607		nsp	nsp	CORD	SN95/PB5 0.6 C3A206
MAIN	J608		nsp	nsp	CORD	SN95/PB5 0.6 C3A206
MAIN	J609		nsp	nsp	CORD	SN95/PB5 0.6 C3A206
MAIN	J610		nsp	nsp	CORD	SN95/PB5 0.6 C3A206
MAIN	J611		nsp	nsp	CORD	SN95/PB5 0.6 C3A206
MAIN	J612		nsp	nsp	CORD	SN95/PB5 0.6 C3A206
MAIN	J613		nsp	nsp	CORD	SN95/PB5 0.6 C3A206
MAIN	J614		nsp	nsp	CORD	SN95/PB5 0.6 C3A206
MAIN	J615		nsp	nsp	CORD	SN95/PB5 0.6 C3A206
MAIN	J616		nsp	nsp	CORD	SN95/PB5 0.6 C3A206
MAIN	J617		nsp	nsp	CORD	SN95/PB5 0.6 C3A206
MAIN	J618		nsp	nsp	CORD	SN95/PB5 0.6 C3A206
MAIN	J619		nsp	nsp	CORD	SN95/PB5 0.6 C3A206

NOTE : *nsp* PART IS LISTED FOR REFERENCE ONLY, MARANTZ WILL NOT SUPPLY THESE PARTS.

P.W.B. NAME	POS. NO.	VERS. COLOR	PART NO. (FOR EUR)	PART NO. (MZ)	PART NAME	DESCRIPTION	
MAIN	J620		nsp	nsp	CORD	SN95/PB5 0.6	C3A206
MAIN	J621		nsp	nsp	CORD	SN95/PB5 0.6	C3A206
MAIN	J622		nsp	nsp	CORD	SN95/PB5 0.6	C3A206
MAIN	J701		nsp	nsp	CORD	SN95/PB5 0.6	C3A206
MAIN	J702		nsp	nsp	CORD	SN95/PB5 0.6	C3A206
MAIN	J704		nsp	nsp	CORD	SN95/PB5 0.6	C3A206
MAIN	J705		nsp	nsp	CORD	SN95/PB5 0.6	C3A206
MAIN	J706		nsp	nsp	CORD	SN95/PB5 0.6	C3A206
MAIN	J707		nsp	nsp	CORD	SN95/PB5 0.6	C3A206
MAIN	J708		nsp	nsp	CORD	SN95/PB5 0.6	C3A206
MAIN	J709		nsp	nsp	CORD	SN95/PB5 0.6	C3A206
MAIN	J710		nsp	nsp	CORD	SN95/PB5 0.6	C3A206
MAIN	J711		nsp	nsp	CORD	SN95/PB5 0.6	C3A206
MAIN	J712		nsp	nsp	CORD	SN95/PB5 0.6	C3A206
MAIN	J713		nsp	nsp	CORD	SN95/PB5 0.6	C3A206
MAIN	J714		nsp	nsp	CORD	SN95/PB5 0.6	C3A206
MAIN	J715		nsp	nsp	CORD	SN95/PB5 0.6	C3A206
MAIN	J719		nsp	nsp	CORD	SN95/PB5 0.6	C3A206
MAIN	J720		nsp	nsp	CORD	SN95/PB5 0.6	C3A206
MAIN	J721		nsp	nsp	CORD	SN95/PB5 0.6	C3A206
MAIN	J723		nsp	nsp	CORD	SN95/PB5 0.6	C3A206
MAIN	J724		nsp	nsp	CORD	SN95/PB5 0.6	C3A206
MAIN	J725		nsp	nsp	CORD	SN95/PB5 0.6	C3A206
MAIN	J726		nsp	nsp	CORD	SN95/PB5 0.6	C3A206
MAIN	J727		nsp	nsp	CORD	SN95/PB5 0.6	C3A206
MAIN	J728		nsp	nsp	CORD	SN95/PB5 0.6	C3A206
MAIN	J729		nsp	nsp	CORD	SN95/PB5 0.6	C3A206
MAIN	J730		nsp	nsp	CORD	SN95/PB5 0.6	C3A206
MAIN	J731		nsp	nsp	CORD	SN95/PB5 0.6	C3A206
MAIN	J732		nsp	nsp	CORD	SN95/PB5 0.6	C3A206
MAIN	J733		nsp	nsp	CORD	SN95/PB5 0.6	C3A206
MAIN	J734		nsp	nsp	CORD	SN95/PB5 0.6	C3A206
MAIN	J735		nsp	nsp	CORD	SN95/PB5 0.6	C3A206
MAIN	J736		nsp	nsp	CORD	SN95/PB5 0.6	C3A206
MAIN	J737		nsp	nsp	CORD	SN95/PB5 0.6	C3A206
MAIN	J738		nsp	nsp	CORD	SN95/PB5 0.6	C3A206
MAIN	J739		nsp	nsp	CORD	SN95/PB5 0.6	C3A206
MAIN	J741		nsp	nsp	CORD	SN95/PB5 0.6	C3A206
MAIN	J742		nsp	nsp	CORD	SN95/PB5 0.6	C3A206
MAIN	J743		nsp	nsp	CORD	SN95/PB5 0.6	C3A206
MAIN	J744		nsp	nsp	CORD	SN95/PB5 0.6	C3A206
MAIN	J745		nsp	nsp	CORD	SN95/PB5 0.6	C3A206
MAIN	J750		nsp	nsp	CORD	SN95/PB5 0.6	C3A206
MAIN	J754		nsp	nsp	CORD	SN95/PB5 0.6	C3A206
MAIN	JK11		90M-YT003130R	90M-YT003130R	TERMINAL	CINCH 2P AUDIO	CJJ4N034Z
MAIN	JK21		90M-YT004010R	90M-YT004010R	TERMINAL	6P AUDIO	CJJ4R019W
MAIN	JK22		90M-YT004010R	90M-YT004010R	TERMINAL	6P AUDIO	CJJ4R019W
MAIN	JK25		90M-YT003120R	90M-YT003120R	TERMINAL	CINCH 2P GOLD JE0200598N	CJJ4N036Z
MAIN	JK26		943643002710S	943643002710S	TERMINAL	CINCH 1P RCA-107B-04	CJJ4M046Z
MAIN	JW40		nsp	nsp	CORD	WIRE ASSY 1P 250MM	CWE7202250AA
MAIN	JW41		nsp	nsp	CORD	WIRE ASSY 1P 90MM	CWE7202090AA
MAIN	JW98		nsp	nsp	CORD	WIRE ASSY 2P 220MM	CWB4D032200UP
MAIN	JW99		nsp	nsp	CORD	WIRE ASSY	CWB4F232550PU
MAIN	L101		nsp	nsp	COIL	COIL TOROIDAL	CLU9S004Z
MAIN	L102		nsp	nsp	COIL	COIL TOROIDAL	CLU9S004Z
MAIN	L501		90M-LC107310R	90M-LC107310R	COIL	0.5UH K	CLEY0R5KAK
MAIN	L601		90M-LC107310R	90M-LC107310R	COIL	0.5UH K	CLEY0R5KAK
MAIN	Q271		90M-HT300970R	90M-HT300970R	TRS.	KTC2875B	HVTKTC2875B
MAIN	Q272		90M-HT300970R	90M-HT300970R	TRS.	KTC2875B	HVTKTC2875B
MAIN	Q301		90M-HT300970R	90M-HT300970R	TRS.	KTC2875B	HVTKTC2875B
MAIN	Q302		90M-HT300970R	90M-HT300970R	TRS.	KTC2875B	HVTKTC2875B
MAIN	Q303		90M-HT300970R	90M-HT300970R	TRS.	KTC2875B	HVTKTC2875B
MAIN	Q304		90M-HT300970R	90M-HT300970R	TRS.	KTC2875B	HVTKTC2875B
MAIN	Q305		90M-BA001600R	90M-BA001600R	CHIP TRS.	KRA107S	HVTKRA107S
MAIN	Q351		90M-HT100390R	90M-HT100390R	TRS.	KSA1175Y	HVTKSA1175YT
MAIN	Q352		90M-BA001600R	90M-BA001600R	CHIP TRS.	KRA107S	HVTKRA107S
MAIN	Q353		00MHT327851H0	00MHT327851H0	TRS.	KSC2785Y	HVTKSC2785YT

NOTE : "nsp" PART IS LISTED FOR REFERENCE ONLY, MARANTZ WILL NOT SUPPLY THESE PARTS.

P.W.B. NAME	POS. NO.	VERS. COLOR	PART NO. (FOR EUR)	PART NO. (MZ)	PART NAME	DESCRIPTION	
MAIN	Q354		00MHT327851H0	00MHT327851H0	TRS.	KSC2785Y	HVTKSC2785YT
MAIN	Q361		00MHT30001000	00MHT30001000	TRS.	KTC3199Y	HVTKTC3199YT
MAIN	Q363		00MHT30001000	00MHT30001000	TRS.	KTC3199Y	HVTKTC3199YT
MAIN	Q365		90M-BA001600R	90M-BA001600R	CHIP TRS.	KRA107S	HVTKRA107S
MAIN	Q366		90M-BA001600R	90M-BA001600R	CHIP TRS.	KRA107S	HVTKRA107S
MAIN	Q368		90M-HX800010R	90M-HX800010R	CHIP TRS.	KRC102S	HVTKRC102S
MAIN	Q369		90M-HX800010R	90M-HX800010R	CHIP TRS.	KRC102S	HVTKRC102S
MAIN	Q405		90M-HX800080R	90M-HX800080R	CHIP TRS.	KRC107S	HVTKRC107S
MAIN	Q406		90M-HX600010R	90M-HX600010R	CHIP TRS.	KRA102S	HVTKRA102S
MAIN	Q407		90M-BA001600R	90M-BA001600R	CHIP TRS.	KRA107S	HVTKRA107S
MAIN	Q408		90M-HX600010R	90M-HX600010R	CHIP TRS.	KRA102S	HVTKRA102S
MAIN	Q409		90M-HX600010R	90M-HX600010R	CHIP TRS.	KRA102S	HVTKRA102S
MAIN	Q410		90M-HX800080R	90M-HX800080R	CHIP TRS.	KRC107S	HVTKRC107S
MAIN	Q412		00MHT30001000	00MHT30001000	TRS.	KTC3199Y	HVTKTC3199YT
MAIN	Q431		90M-HX600010R	90M-HX600010R	CHIP TRS.	KRA102S	HVTKRA102S
MAIN	Q501		00MHT800931A0	00MHT800931A0	TRS.	KTC3200GR	HVTKTC3200GRT
MAIN	Q502		00MHT800931A0	00MHT800931A0	TRS.	KTC3200GR	HVTKTC3200GRT
MAIN	Q503		00MHT800931A0	00MHT800931A0	TRS.	KTC3200GR	HVTKTC3200GRT
MAIN	Q504		90M-HT600030R	90M-HT600030R	TRS.	KTA1024Y	HVTKTA1024YT
MAIN	Q505		90M-HT600030R	90M-HT600030R	TRS.	KTA1024Y	HVTKTA1024YT
MAIN	Q506		00MHT800941B0	00MHT800941B0	TRS.	KTC3206Y	HVTKTC3206YAT
MAIN	Q507		90M-HT100540R	90M-HT100540R	TRS.	KTA1360Y	HVTKTA1360YT
MAIN	Q508		90M-HT300820R	90M-HT300820R	TRS.	KTC3423Y	HVTKTC3423YT
MAIN	Q509		90M-HT800120R	90M-HT800120R	TRS.	KTC3114A	HVTKTC3114AT
MAIN	Q510		90M-HT400490R	90M-HT400490R	TRS.	2SD2390	HVT2SD2390
MAIN	Q511		90M-HT200440R	90M-HT200440R	TRS.	2SB1560	HVT2SB1560
MAIN	Q512		00MHT800931A0	00MHT800931A0	TRS.	KTC3200GR	HVTKTC3200GRT
MAIN	Q601		00MHT800931A0	00MHT800931A0	TRS.	KTC3200GR	HVTKTC3200GRT
MAIN	Q602		00MHT800931A0	00MHT800931A0	TRS.	KTC3200GR	HVTKTC3200GRT
MAIN	Q603		00MHT800931A0	00MHT800931A0	TRS.	KTC3200GR	HVTKTC3200GRT
MAIN	Q604		90M-HT600030R	90M-HT600030R	TRS.	KTA1024Y	HVTKTA1024YT
MAIN	Q605		90M-HT600030R	90M-HT600030R	TRS.	KTA1024Y	HVTKTA1024YT
MAIN	Q606		00MHT800941B0	00MHT800941B0	TRS.	KTC3206Y	HVTKTC3206YAT
MAIN	Q607		90M-HT100540R	90M-HT100540R	TRS.	KTA1360Y	HVTKTA1360YT
MAIN	Q608		90M-HT300820R	90M-HT300820R	TRS.	KTC3423Y	HVTKTC3423YT
MAIN	Q609		90M-HT800120R	90M-HT800120R	TRS.	KTC3114A	HVTKTC3114AT
MAIN	Q610		90M-HT400490R	90M-HT400490R	TRS.	2SD2390	HVT2SD2390
MAIN	Q611		90M-HT200440R	90M-HT200440R	TRS.	2SB1560	HVT2SB1560
MAIN	Q612		00MHT800931A0	00MHT800931A0	TRS.	KTC3200GR	HVTKTC3200GRT
MAIN	Q902		00MHT30001000	00MHT30001000	TRS.	KTC3199Y	HVTKTC3199YT
MAIN	Q941		90M-HT800050R	90M-HT800050R	TRS.	KTC3198Y	HVTKTC3198YT
MAIN	Q942		00MHT600111B0	00MHT600111B0	TRS.	KTA1267Y	HVTKTA1267YT
MAIN	Q943		90M-HT800050R	90M-HT800050R	TRS.	KTC3198Y	HVTKTC3198YT
MAIN	Q961		00MHT600141B0	00MHT600141B0	TRS.	KTA1271Y	HVTKTA1271YT
MAIN	R101		nsp	00MNN05101610	CHIP RES.	100 OHM 1/10W J	CRJ10DJ101T
MAIN	R102		nsp	00MNN05101610	CHIP RES.	100 OHM 1/10W J	CRJ10DJ101T
MAIN	R103		nsp	00MNN05104610	CHIP RES.	100K OHM 1/10W J	CRJ10DJ104T
MAIN	R104		nsp	00MNN05104610	CHIP RES.	100K OHM 1/10W J	CRJ10DJ104T
MAIN	R105		nsp	00MNN05104610	CHIP RES.	100K OHM 1/10W J	CRJ10DJ104T
MAIN	R106		nsp	00MNN05104610	CHIP RES.	100K OHM 1/10W J	CRJ10DJ104T
MAIN	R108		nsp	00MNN05101610	CHIP RES.	100 OHM 1/10W J	CRJ10DJ101T
MAIN	R109		nsp	00MNN05101610	CHIP RES.	100 OHM 1/10W J	CRJ10DJ101T
MAIN	R110		nsp	00MNN05823610	CHIP RES.	82K OHM 1/10W J	CRJ10DJ823T
MAIN	R111		nsp	00MNN05823610	CHIP RES.	82K OHM 1/10W J	CRJ10DJ823T
MAIN	R112		nsp	00MNN05682610	CHIP RES.	6.8K OHM 1/10W J	CRJ10DJ682T
MAIN	R113		nsp	00MNN05682610	CHIP RES.	6.8K OHM 1/10W J	CRJ10DJ682T
MAIN	R114		nsp	00MNN05101610	CHIP RES.	100 OHM 1/10W J	CRJ10DJ101T
MAIN	R115		nsp	00MNN05101610	CHIP RES.	100 OHM 1/10W J	CRJ10DJ101T
MAIN	R116		nsp	00MNN05331610	CHIP RES.	330 OHM 1/10W J	CRJ10DJ331T
MAIN	R117		nsp	00MNN05331610	CHIP RES.	330 OHM 1/10W J	CRJ10DJ331T
MAIN	R118		nsp	00MNN05104610	CHIP RES.	100K OHM 1/10W J	CRJ10DJ104T
MAIN	R119		nsp	00MNN05104610	CHIP RES.	100K OHM 1/10W J	CRJ10DJ104T
MAIN	R121		nsp	00MNN05100610	CHIP RES.	10 OHM 1/10W J	CRJ10DJ100T
MAIN	R122		nsp	00MNN05100610	CHIP RES.	10 OHM 1/10W J	CRJ10DJ100T
MAIN	R201		nsp	00MNN05221610	CHIP RES.	220 OHM 1/10W J	CRJ10DJ221T
MAIN	R202		nsp	00MNN05221610	CHIP RES.	220 OHM 1/10W J	CRJ10DJ221T
MAIN	R203		nsp	00MNN05221610	CHIP RES.	220 OHM 1/10W J	CRJ10DJ221T

NOTE : *nsp* PART IS LISTED FOR REFERENCE ONLY, MARANTZ WILL NOT SUPPLY THESE PARTS.

P.W.B. NAME	POS. NO.	VERS. COLOR	PART NO. (FOR EUR)	PART NO. (MZ)	PART NAME	DESCRIPTION	
MAIN	R204		nsp	00MNN05221610	CHIP RES.	220 OHM 1/10W J	CRJ10DJ221T
MAIN	R205		nsp	00MNN05221610	CHIP RES.	220 OHM 1/10W J	CRJ10DJ221T
MAIN	R206		nsp	00MNN05221610	CHIP RES.	220 OHM 1/10W J	CRJ10DJ221T
MAIN	R207		nsp	00MNN05221610	CHIP RES.	220 OHM 1/10W J	CRJ10DJ221T
MAIN	R208		nsp	00MNN05221610	CHIP RES.	220 OHM 1/10W J	CRJ10DJ221T
MAIN	R209		nsp	00MNN05221610	CHIP RES.	220 OHM 1/10W J	CRJ10DJ221T
MAIN	R210		nsp	00MNN05221610	CHIP RES.	220 OHM 1/10W J	CRJ10DJ221T
MAIN	R211		nsp	00MNN05102610	CHIP RES.	1K OHM 1/10W J	CRJ10DJ102T
MAIN	R212		nsp	00MNN05102610	CHIP RES.	1K OHM 1/10W J	CRJ10DJ102T
MAIN	R231		nsp	00MNN05563610	CHIP RES.	56K OHM 1/10W J	CRJ10DJ563T
MAIN	R232		nsp	00MNN05563610	CHIP RES.	56K OHM 1/10W J	CRJ10DJ563T
MAIN	R233		nsp	00MNN05563610	CHIP RES.	56K OHM 1/10W J	CRJ10DJ563T
MAIN	R234		nsp	00MNN05563610	CHIP RES.	56K OHM 1/10W J	CRJ10DJ563T
MAIN	R235		nsp	00MNN05563610	CHIP RES.	56K OHM 1/10W J	CRJ10DJ563T
MAIN	R236		nsp	00MNN05563610	CHIP RES.	56K OHM 1/10W J	CRJ10DJ563T
MAIN	R237		nsp	00MNN05563610	CHIP RES.	56K OHM 1/10W J	CRJ10DJ563T
MAIN	R238		nsp	00MNN05563610	CHIP RES.	56K OHM 1/10W J	CRJ10DJ563T
MAIN	R239		nsp	00MNN05563610	CHIP RES.	56K OHM 1/10W J	CRJ10DJ563T
MAIN	R240		nsp	00MNN05563610	CHIP RES.	56K OHM 1/10W J	CRJ10DJ563T
MAIN	R241		nsp	00MNN05154610	CHIP RES.	150K OHM 1/10W J	CRJ10DJ154T
MAIN	R242		nsp	00MNN05154610	CHIP RES.	150K OHM 1/10W J	CRJ10DJ154T
MAIN	R271		nsp	00MNN05470610	CHIP RES.	47 OHM 1/10W J	CRJ10DJ470T
MAIN	R272		nsp	00MNN05221610	CHIP RES.	220 OHM 1/10W J	CRJ10DJ221T
MAIN	R273		nsp	00MNN05330610	CHIP RES.	33 OHM 1/10W J	CRJ10DJ330T
MAIN	R274		nsp	00MNN05472610	CHIP RES.	4.7K OHM 1/10W J	CRJ10DJ472T
MAIN	R276		nsp	00MNN05221610	CHIP RES.	220 OHM 1/10W J	CRJ10DJ221T
MAIN	R277		nsp	00MNN05472610	CHIP RES.	4.7K OHM 1/10W J	CRJ10DJ472T
MAIN	R278		nsp	00MNN05105610	CHIP RES.	1M OHM 1/10W J	CRJ10DJ105T
MAIN	R281		nsp	00MNN05100610	CHIP RES.	10 OHM 1/10W J	CRJ10DJ100T
MAIN	R282		nsp	00MNN05100610	CHIP RES.	10 OHM 1/10W J	CRJ10DJ100T
MAIN	R285		nsp	00MNN05472610	CHIP RES.	4.7K OHM 1/10W J	CRJ10DJ472T
MAIN	R286		nsp	00MNN05472610	CHIP RES.	4.7K OHM 1/10W J	CRJ10DJ472T
MAIN	R287		nsp	00MNN05472610	CHIP RES.	4.7K OHM 1/10W J	CRJ10DJ472T
MAIN	R291		nsp	00MNN05100610	CHIP RES.	10 OHM 1/10W J	CRJ10DJ100T
MAIN	R292		nsp	00MNN05100610	CHIP RES.	10 OHM 1/10W J	CRJ10DJ100T
MAIN	R301		nsp	00MNN05473610	CHIP RES.	47K OHM 1/10W J	CRJ10DJ473T
MAIN	R302		nsp	00MNN05473610	CHIP RES.	47K OHM 1/10W J	CRJ10DJ473T
MAIN	R303		nsp	00MNN05100610	CHIP RES.	10 OHM 1/10W J	CRJ10DJ100T
MAIN	R304		nsp	00MNN05100610	CHIP RES.	10 OHM 1/10W J	CRJ10DJ100T
MAIN	R305		nsp	00MNN05102610	CHIP RES.	1K OHM 1/10W J	CRJ10DJ102T
MAIN	R306		nsp	00MNN05102610	CHIP RES.	1K OHM 1/10W J	CRJ10DJ102T
MAIN	R307		nsp	00MNN05562610	CHIP RES.	5.6K OHM 1/10W J	CRJ10DJ562T
MAIN	R308		nsp	00MNN05562610	CHIP RES.	5.6K OHM 1/10W J	CRJ10DJ562T
MAIN	R309		nsp	00MNN05333610	CHIP RES.	33K OHM 1/10W J	CRJ10DJ333T
MAIN	R311		nsp	00MNN05223610	CHIP RES.	22K OHM 1/10W J	CRJ10DJ223T
MAIN	R312		nsp	00MNN05223610	CHIP RES.	22K OHM 1/10W J	CRJ10DJ223T
MAIN	R313		nsp	00MNN05223610	CHIP RES.	22K OHM 1/10W J	CRJ10DJ223T
MAIN	R314		nsp	00MNN05100610	CHIP RES.	10 OHM 1/10W J	CRJ10DJ100T
MAIN	R315		nsp	00MNN05100610	CHIP RES.	10 OHM 1/10W J	CRJ10DJ100T
MAIN	R316		nsp	00MNN05104610	CHIP RES.	100K OHM 1/10W J	CRJ10DJ104T
MAIN	R317		nsp	00MNN05104610	CHIP RES.	100K OHM 1/10W J	CRJ10DJ104T
MAIN	R318		nsp	00MNN05472610	CHIP RES.	4.7K OHM 1/10W J	CRJ10DJ472T
MAIN	R319		nsp	00MNN05472610	CHIP RES.	4.7K OHM 1/10W J	CRJ10DJ472T
MAIN	R320		nsp	00MNN05472610	CHIP RES.	4.7K OHM 1/10W J	CRJ10DJ472T
MAIN	R321		nsp	00MNN05472610	CHIP RES.	4.7K OHM 1/10W J	CRJ10DJ472T
MAIN	R322		nsp	00MNN05473610	CHIP RES.	47K OHM 1/10W J	CRJ10DJ473T
MAIN	R331		nsp	00MNN05393610	CHIP RES.	39 KOHM 1/10W J	CRJ10DJ393T
MAIN	R332		nsp	00MNN05393610	CHIP RES.	39 KOHM 1/10W J	CRJ10DJ393T
MAIN	R333		nsp	00MNN05472610	CHIP RES.	4.7K OHM 1/10W J	CRJ10DJ472T
MAIN	R334		nsp	00MNN05472610	CHIP RES.	4.7K OHM 1/10W J	CRJ10DJ472T
MAIN	R335		nsp	00MNN05221610	CHIP RES.	220 OHM 1/10W J	CRJ10DJ221T
MAIN	R336		nsp	00MNN05221610	CHIP RES.	220 OHM 1/10W J	CRJ10DJ221T
MAIN	R337		nsp	00MNN05112610	CHIP RES.	1.1K OHM 1/10W J	CRJ10DJ112T
MAIN	R338		nsp	00MNN05112610	CHIP RES.	1.1K OHM 1/10W J	CRJ10DJ112T
MAIN	R339		nsp	00MNN05473610	CHIP RES.	47K OHM 1/10W J	CRJ10DJ473T
MAIN	R340		nsp	00MNN05473610	CHIP RES.	47K OHM 1/10W J	CRJ10DJ473T
MAIN	R341		nsp	00MNN05221610	CHIP RES.	220 OHM 1/10W J	CRJ10DJ221T

NOTE : "nsp" PART IS LISTED FOR REFERENCE ONLY, MARANTZ WILL NOT SUPPLY THESE PARTS.

P.W.B. NAME	POS. NO.	VERS. COLOR	PART NO. (FOR EUR)	PART NO. (MZ)	PART NAME	DESCRIPTION	
MAIN	R342		nsp	00MNN05221610	CHIP RES.	220 OHM 1/10W J	CRJ10DJ221T
MAIN	R343		nsp	00MNN05472610	CHIP RES.	4.7K OHM 1/10W J	CRJ10DJ472T
MAIN	R344		nsp	00MNN05472610	CHIP RES.	4.7K OHM 1/10W J	CRJ10DJ472T
MAIN	R345		nsp	00MNN05472610	CHIP RES.	4.7K OHM 1/10W J	CRJ10DJ472T
MAIN	R346		nsp	00MNN05472610	CHIP RES.	4.7K OHM 1/10W J	CRJ10DJ472T
MAIN	R347		nsp	00MNN05105610	CHIP RES.	1M OHM 1/10W J	CRJ10DJ105T
MAIN	R349		nsp	00MNN05223610	CHIP RES.	22K OHM 1/10W J	CRJ10DJ223T
MAIN	R351		nsp	nsp	RES.	47K OHM 1/6W J CARBON	CRD20TJ473T
MAIN	R352		nsp	nsp	RES.	1K OHM 1/6W J CARBON	CRD20TJ102T
MAIN	R353		nsp	nsp	RES.	1K OHM 1/6W J CARBON	CRD20TJ102T
MAIN	R354		nsp	nsp	RES.	820 OHM 1/6W J CARBON	CRD20TJ821T
MAIN	R355		nsp	nsp	RES.	20K OHM 1/6W J CARBON	CRD20TJ203T
MAIN	R356		nsp	nsp	RES.	4.7K OHM 1/6W J CARBON	CRD20TJ472T
MAIN	R357		nsp	nsp	RES.	10K OHM 1/6W J CARBON	CRD20TJ103T
MAIN	R358		nsp	nsp	RES.	10K OHM 1/6W J CARBON	CRD20TJ103T
MAIN	R361		nsp	nsp	RES.	10 OHM METAL OXIDE FILM	CRG1ANJ100H
MAIN	R362		nsp	00MNN05100610	CHIP RES.	10 OHM 1/10W J	CRJ10DJ100T
MAIN	R363		nsp	00MNN05100610	CHIP RES.	10 OHM 1/10W J	CRJ10DJ100T
MAIN	R365		nsp	00MNN05332610	CHIP RES.	3.3K OHM 1/10W J	CRJ10DJ332T
MAIN	R367		nsp	nsp	RES.	3.3K OHM 1/6W J CARBON	CRD20TJ332T
MAIN	R371		nsp	00MNN05000610	CHIP RES.	0 OHM 1/10W J	CRJ10DJ0R0T
MAIN	R373		nsp	00MNN05000610	CHIP RES.	0 OHM 1/10W J	CRJ10DJ0R0T
MAIN	R401		nsp	nsp	RES.	3.3K OHM 1/6W J CARBON	CRD20TJ332T
MAIN	R402		nsp	nsp	RES.	47K OHM 1/6W J CARBON	CRD20TJ473T
MAIN	R405		nsp	00MNN05473610	CHIP RES.	47K OHM 1/10W J	CRJ10DJ473T
MAIN	R407		nsp	00MNN05103610	CHIP RES.	10K OHM 1/10W J	CRJ10DJ103T
MAIN	R408		nsp	00MNN05103610	CHIP RES.	10K OHM 1/10W J	CRJ10DJ103T
MAIN	R409		nsp	00MNN05473610	CHIP RES.	47K OHM 1/10W J	CRJ10DJ473T
MAIN	R410		nsp	00MNN05682610	CHIP RES.	6.8K OHM 1/10W J	CRJ10DJ682T
MAIN	R411		nsp	00MNN05682610	CHIP RES.	6.8K OHM 1/10W J	CRJ10DJ682T
MAIN	R412		nsp	00MNN05103610	CHIP RES.	10K OHM 1/10W J	CRJ10DJ103T
MAIN	R413		nsp	00MNN05103610	CHIP RES.	10K OHM 1/10W J	CRJ10DJ103T
MAIN	R414		nsp	00MNN05473610	CHIP RES.	47K OHM 1/10W J	CRJ10DJ473T
MAIN	R415		nsp	00MNN05223610	CHIP RES.	22K OHM 1/10W J	CRJ10DJ223T
MAIN	R416		nsp	00MNN05223610	CHIP RES.	22K OHM 1/10W J	CRJ10DJ223T
MAIN	R417		nsp	00MNN05223610	CHIP RES.	22K OHM 1/10W J	CRJ10DJ223T
MAIN	R418		nsp	00MNN05223610	CHIP RES.	22K OHM 1/10W J	CRJ10DJ223T
MAIN	R419		nsp	00MNN05223610	CHIP RES.	22K OHM 1/10W J	CRJ10DJ223T
MAIN	R420		nsp	00MNN05223610	CHIP RES.	22K OHM 1/10W J	CRJ10DJ223T
MAIN	R421		nsp	nsp	RES.	47 OHM METAL OXIDE FILM	CRG1ANJ470H
MAIN	R424		nsp	00MNN05222610	CHIP RES.	2.2K OHM 1/10W J	CRJ10DJ222T
MAIN	R425		nsp	00MNN05222610	CHIP RES.	2.2K OHM 1/10W J	CRJ10DJ222T
MAIN	R426		nsp	00MNN05101610	CHIP RES.	100 OHM 1/10W J	CRJ10DJ101T
MAIN	R427		nsp	00MNN05222610	CHIP RES.	2.2K OHM 1/10W J	CRJ10DJ222T
MAIN	R428		nsp	00MNN05683610	CHIP RES.	68K OHM 1/10W J	CRJ10DJ683T
MAIN	R432		nsp	00MNN05473610	CHIP RES.	47K OHM 1/10W J	CRJ10DJ473T
MAIN	R433		nsp	00MNN05473610	CHIP RES.	47K OHM 1/10W J	CRJ10DJ473T
MAIN	R434		nsp	00MNN05183610	CHIP RES.	18K OHM 1/10W J	CRJ10DJ183T
MAIN	R435		nsp	00MNN05473610	CHIP RES.	47K OHM 1/10W J	CRJ10DJ473T
MAIN	R436		nsp	00MNN05473610	CHIP RES.	47K OHM 1/10W J	CRJ10DJ473T
MAIN	R437		nsp	00MNN05473610	CHIP RES.	47K OHM 1/10W J	CRJ10DJ473T
MAIN	R438		nsp	00MNN05102610	CHIP RES.	1K OHM 1/10W J	CRJ10DJ102T
MAIN	R439		nsp	00MNN05473610	CHIP RES.	47K OHM 1/10W J	CRJ10DJ473T
MAIN	R440		nsp	00MNN05473610	CHIP RES.	47K OHM 1/10W J	CRJ10DJ473T
MAIN	R442		nsp	nsp	RES.	47K OHM 1/6W J CARBON	CRD20TJ473T
MAIN	R443		nsp	00MNN05473610	CHIP RES.	47K OHM 1/10W J	CRJ10DJ473T
MAIN	R444		nsp	00MNN05473610	CHIP RES.	47K OHM 1/10W J	CRJ10DJ473T
MAIN	R445		nsp	00MNN05473610	CHIP RES.	47K OHM 1/10W J	CRJ10DJ473T
MAIN	R446		nsp	00MNN05473610	CHIP RES.	47K OHM 1/10W J	CRJ10DJ473T
MAIN	R447		nsp	00MNN05473610	CHIP RES.	47K OHM 1/10W J	CRJ10DJ473T
MAIN	R448		nsp	nsp	RES.	47K OHM 1/6W J CARBON	CRD20TJ473T
MAIN	R450		nsp	00MNN05473610	CHIP RES.	47K OHM 1/10W J	CRJ10DJ473T
MAIN	R451		nsp	nsp	RES.	47K OHM 1/6W J CARBON	CRD20TJ473T
MAIN	R481		nsp	nsp	RES.	2.2K OHM 1/6W J CARBON	CRD20TJ222T
MAIN	R482		nsp	nsp	RES.	2.2K OHM 1/6W J CARBON	CRD20TJ222T
MAIN	R483		nsp	00MNN05222610	CHIP RES.	2.2K OHM 1/10W J	CRJ10DJ222T
MAIN	R484		nsp	00MNN05222610	CHIP RES.	2.2K OHM 1/10W J	CRJ10DJ222T

NOTE : "nsp" PART IS LISTED FOR REFERENCE ONLY, MARANTZ WILL NOT SUPPLY THESE PARTS.

P.W.B. NAME	POS. NO.	VERS. COLOR	PART NO. (FOR EUR)	PART NO. (MZ)	PART NAME	DESCRIPTION
MAIN	R485		nsp	00MNN05222610	CHIP RES.	2.2K OHM 1/10W J CRJ10DJ222T
MAIN	R486		nsp	00MNN05222610	CHIP RES.	2.2K OHM 1/10W J CRJ10DJ222T
MAIN	R487		nsp	00MNN05222610	CHIP RES.	2.2K OHM 1/10W J CRJ10DJ222T
MAIN	R488		nsp	00MNN05222610	CHIP RES.	2.2K OHM 1/10W J CRJ10DJ222T
MAIN	R501		nsp	nsp	RES.	330 OHM 1/6W J CARBON CRD20TJ331T
MAIN	R502		nsp	nsp	RES.	33K OHM 1/6W J CARBON CRD20TJ333T
MAIN	R503		nsp	nsp	RES.	10 OHM 1/6W J CARBON CRD20TJ100T
MAIN	R504		nsp	nsp	RES.	10 OHM 1/6W J CARBON CRD20TJ100T
MAIN	R505		nsp	nsp	RES.	47K OHM 1/6W J CARBON CRD20TJ473T
MAIN	R506		nsp	nsp	RES.	270 OHM 1/6W J CARBON CRD20TJ271T
MAIN	R507		nsp	nsp	RES.	1.5K OHM 1/6W J CARBON CRD20TJ152T
MAIN	R508		nsp	nsp	RES.	1.5K OHM 1/6W J CARBON CRD20TJ152T
MAIN	R509		nsp	nsp	RES.	470 OHM 1/6W J CARBON CRD20TJ471T
MAIN	R510		nsp	nsp	RES.	33K OHM 1/4W J CARBON CRD25TJ333T
MAIN	R511		nsp	nsp	RES.	1.3K OHM 1/6W J CARBON CRD20TJ132T
MAIN	R512		nsp	nsp	RES.	560 OHM 1/4W FLAME RETARDANT CRG14SANCJ561T
MAIN	R513		nsp	nsp	RES.	560 OHM 1/4W FLAME RETARDANT CRG14SANCJ561T
MAIN	R514		nsp	nsp	RES.	560 OHM 1/4W FLAME RETARDANT CRG14SANCJ561T
MAIN	R515		nsp	nsp	RES.	560 OHM 1/4W FLAME RETARDANT CRG14SANCJ561T
MAIN	R516		nsp	nsp	RES.	560 OHM 1/4W FLAME RETARDANT CRG14SANCJ561T
MAIN	R517		nsp	nsp	RES.	560 OHM 1/4W FLAME RETARDANT CRG14SANCJ561T
MAIN	R518		nsp	nsp	RES.	75 OHM 1/4W FLAME RETARDANT CRG14SANCJ750T
MAIN	R519		nsp	nsp	RES.	75 OHM 1/4W FLAME RETARDANT CRG14SANCJ750T
MAIN	R520		nsp	nsp	RES.	22K OHM 1/6W J CARBON CRD20TJ223T
MAIN	R521		nsp	nsp	RES.	22K OHM 1/6W J CARBON CRD20TJ223T
MAIN	R522		nsp	nsp	RES.	18 OHM 1/4W CARBON CRD25FJ180T
MAIN	R523		nsp	nsp	RES.	18 OHM 1/4W CARBON CRD25FJ180T
MAIN	R524		nsp	nsp	RES.	3.3 OHM 1/4W CARBON CRD25FJ3R3T
MAIN	R525		nsp	nsp	RES.	3.3 OHM 1/4W CARBON CRD25FJ3R3T
MAIN	R526		nsp	nsp	RES.	1.2K OHM 1/4W FLAME RETARDANT CRG14SANCJ122T
MAIN	R527		nsp	nsp	RES.	330 OHM 1/4W FLAME RETARDANT CRG14SANCJ331T
MAIN	R529		nsp	nsp	RES.	10 OHM 1/4W FLAME RETARDANT CRG14SANCJ100T
MAIN	R530		90M-GO000013R	90M-GO000013R	RES.	0.27OHM X2 5W CEMENT CRF5EKR27HX2K
MAIN	R531		nsp	nsp	RES.	47 OHM 1/4W J CARBON CRD25TJ470T
MAIN	R532		nsp	nsp	RES.	47 OHM 1/4W J CARBON CRD25TJ470T
MAIN	R533		nsp	nsp	RES.	10 OHM METAL OXIDE FILM CRG1ANJ100H
MAIN	R534		nsp	nsp	RES.	9.1K OHM 1/6W J CARBON CRD20TJ912T
MAIN	R535		nsp	nsp	RES.	9.1K OHM 1/6W J CARBON CRD20TJ912T
MAIN	R536		nsp	nsp	RES.	11K OHM 1/6W J CARBON CRD20TJ113T
MAIN	R537		nsp	nsp	RES.	22K OHM 1/6W J CARBON CRD20TJ223T
MAIN	R538		nsp	nsp	RES.	330 OHM 1W METAL OXIDE FILM CRG1ANJ331H
MAIN	R601		nsp	nsp	RES.	330 OHM 1/6W J CARBON CRD20TJ331T
MAIN	R602		nsp	nsp	RES.	33K OHM 1/6W J CARBON CRD20TJ333T
MAIN	R603		nsp	nsp	RES.	10 OHM 1/6W J CARBON CRD20TJ100T
MAIN	R604		nsp	nsp	RES.	10 OHM 1/6W J CARBON CRD20TJ100T
MAIN	R605		nsp	nsp	RES.	47K OHM 1/6W J CARBON CRD20TJ473T
MAIN	R606		nsp	nsp	RES.	270 OHM 1/6W J CARBON CRD20TJ271T
MAIN	R607		nsp	nsp	RES.	1.5K OHM 1/6W J CARBON CRD20TJ152T
MAIN	R608		nsp	nsp	RES.	1.5K OHM 1/6W J CARBON CRD20TJ152T
MAIN	R609		nsp	nsp	RES.	470 OHM 1/6W J CARBON CRD20TJ471T
MAIN	R610		nsp	nsp	RES.	33K OHM 1/4W J CARBON CRD25TJ333T
MAIN	R611		nsp	nsp	RES.	1.3K OHM 1/6W J CARBON CRD20TJ132T
MAIN	R612		nsp	nsp	RES.	560 OHM 1/4W FLAME RETARDANT CRG14SANCJ561T
MAIN	R613		nsp	nsp	RES.	560 OHM 1/4W FLAME RETARDANT CRG14SANCJ561T
MAIN	R614		nsp	nsp	RES.	560 OHM 1/4W FLAME RETARDANT CRG14SANCJ561T
MAIN	R615		nsp	nsp	RES.	560 OHM 1/4W FLAME RETARDANT CRG14SANCJ561T
MAIN	R616		nsp	nsp	RES.	560 OHM 1/4W FLAME RETARDANT CRG14SANCJ561T
MAIN	R617		nsp	nsp	RES.	560 OHM 1/4W FLAME RETARDANT CRG14SANCJ561T
MAIN	R618		nsp	nsp	RES.	75 OHM 1/4W FLAME RETARDANT CRG14SANCJ750T
MAIN	R619		nsp	nsp	RES.	75 OHM 1/4W FLAME RETARDANT CRG14SANCJ750T
MAIN	R620		nsp	nsp	RES.	22K OHM 1/6W J CARBON CRD20TJ223T
MAIN	R621		nsp	nsp	RES.	22K OHM 1/6W J CARBON CRD20TJ223T
MAIN	R622		nsp	nsp	RES.	18 OHM 1/4W CARBON CRD25FJ180T
MAIN	R623		nsp	nsp	RES.	18 OHM 1/4W CARBON CRD25FJ180T
MAIN	R624		nsp	nsp	RES.	3.3 OHM 1/4W CARBON CRD25FJ3R3T
MAIN	R625		nsp	nsp	RES.	3.3 OHM 1/4W CARBON CRD25FJ3R3T
MAIN	R626		nsp	nsp	RES.	1.2K OHM 1/4W FLAME RETARDANT CRG14SANCJ122T

NOTE : "nsp" PART IS LISTED FOR REFERENCE ONLY, MARANTZ WILL NOT SUPPLY THESE PARTS.

P.W.B. NAME	POS. NO.	VERS. COLOR	PART NO. (FOR EUR)	PART NO. (MZ)	PART NAME	DESCRIPTION
MAIN	R627		nsp	nsp	RES.	330 OHM 1/4W FLAME RETARDANT CRG14SANCJ331T
MAIN	R629		nsp	nsp	RES.	10 OHM 1/4W FLAME RETARDANT CRG14SANCJ100T
MAIN	R630		90M-GO000013R	90M-GO000013R	RES.	0.27OHM X2 5W CEMENT CRF5EKR27HX2K
MAIN	R631		nsp	nsp	RES.	47 OHM 1/4W J CARBON CRD25TJ470T
MAIN	R632		nsp	nsp	RES.	47 OHM 1/4W J CARBON CRD25TJ470T
MAIN	R633		nsp	nsp	RES.	10 OHM METAL OXIDE FILM CRG1ANJ100H
MAIN	R634		nsp	nsp	RES.	9.1K OHM 1/6W J CARBON CRD20TJ912T
MAIN	R635		nsp	nsp	RES.	9.1K OHM 1/6W J CARBON CRD20TJ912T
MAIN	R636		nsp	nsp	RES.	11K OHM 1/6W J CARBON CRD20TJ113T
MAIN	R637		nsp	nsp	RES.	22K OHM 1/6W J CARBON CRD20TJ223T
MAIN	R638		nsp	nsp	RES.	330 OHM 1W METAL OXIDE FILM CRG1ANJ331H
MAIN	R902		nsp	nsp	RES.	10 OHM 1/4W J CARBON CRD25TJ100T
MAIN	R903		nsp	nsp	RES.	2.2K OHM 1/6W J CARBON CRD20TJ222T
MAIN	R904		nsp	nsp	RES.	15K OHM 1/6W J CARBON CRD20TJ153T
MAIN	R905		nsp	nsp	RES.	1K OHM 1/6W J CARBON CRD20TJ102T
MAIN	▲ R921		90M-NH000080R	90M-NH000080R	FUSE RES.	! 0.47 OHM 1W J CRQ1AJR47H
MAIN	▲ R922		90M-NH000080R	90M-NH000080R	FUSE RES.	! 0.47 OHM 1W J CRQ1AJR47H
MAIN	R923		nsp	nsp	RES.	15K OHM 1/4W J CARBON CRD25TJ153T
MAIN	R924		nsp	nsp	RES.	15K OHM 1/4W J CARBON CRD25TJ153T
MAIN	R925		nsp	nsp	RES.	560 OHM 1/6W J CARBON CRD20TJ561T
MAIN	R931		nsp	nsp	RES.	47 OHM 1/4W J CARBON CRD25TJ470T
MAIN	R932		nsp	nsp	RES.	22 OHM 1/4W J CARBON CRD25TJ220T
MAIN	R933		nsp	nsp	RES.	22 OHM 1/4W J CARBON CRD25TJ220T
MAIN	R935		nsp	nsp	RES.	680 OHM 1W J METAL OXIDE FILM CRG1ANJ681H
MAIN	R941		nsp	nsp	RES.	100K OHM 1/6W J CARBON CRD20TJ104T
MAIN	R942		nsp	nsp	RES.	10K OHM 1/6W J CARBON CRD20TJ103T
MAIN	R943		nsp	nsp	RES.	33K OHM 1/6W J CARBON CRD20TJ333T
MAIN	R944		nsp	nsp	RES.	22K OHM 1/6W J CARBON CRD20TJ223T
MAIN	R945		nsp	nsp	RES.	22K OHM 1/6W J CARBON CRD20TJ223T
MAIN	R946		nsp	nsp	RES.	22K OHM 1/6W J CARBON CRD20TJ223T
MAIN	R947		nsp	nsp	RES.	15K OHM 1/6W J CARBON CRD20TJ153T
MAIN	R948		nsp	nsp	RES.	15K OHM 1/6W J CARBON CRD20TJ153T
MAIN	R949		nsp	nsp	RES.	15K OHM 1/6W J CARBON CRD20TJ153T
MAIN	R950		nsp	nsp	RES.	15K OHM 1/6W J CARBON CRD20TJ153T
MAIN	R961		nsp	nsp	RES.	2.2 OHM 1/4W J CARBON CRD25TJ2R2T
MAIN	R962		nsp	nsp	RES.	2.2 OHM 1/4W J CARBON CRD25TJ2R2T
MAIN	R963		nsp	nsp	RES.	47K OHM 1/6W J CARBON CRD20TJ473T
MAIN	R964		nsp	nsp	RES.	1.5K OHM 1/6W J CARBON CRD20TJ152T
MAIN	R965		nsp	nsp	RES.	390 OHM 1W J METAL OXIDE FILM CRG1ANJ391H
MAIN	RY31		943682002690S	943682002690S	RELAY	G5PA-28MC DC12V CSL3A018ZE
MAIN	RY33		943682002690S	943682002690S	RELAY	G5PA-28MC DC12V CSL3A018ZE
MAIN	▲ RY91		00MLY10120400	00MLY10120400	RELAY	! POWER RELAY G5PA-1 5A OMRON CSL1E002ZE
MAIN	SP32		943643002730S	943643002730S	TERMINAL	SPK JACK JB-405EW-02 CJJ5P029Z
MAIN	▲ T901		90M-TS003180R	90M-TS003180R	TRANSF.	# TRANSF. SUB CD6002/N CLT5I009ZE
MAIN	TH31		943252000680S	943252000680S	POSISTOR	SYPSX08850JD04(2.5MM PIN TYPE) CRTMM8003
MAIN	VR51		90M-RA001100R	90M-RA001100R	TRIM. RES.	220 OHM CVN1RA221B02T
MAIN	VR61		90M-RA001100R	90M-RA001100R	TRIM. RES.	220 OHM CVN1RA221B02T
MAIN	X401		943142002480S	943142002480S	CER. VIB	CSTLS16M0X53-A0 16MHZ 15PF CVFCSTLS16M0X53A0
					AC OUTLET PWB (CUP12107Z)	
OUTLET	CN97		nsp	nsp	CONN.	2P WAFER CJP02GA89ZY
OUTLET	▲ F904		90M-FS001070R	90M-FS001070R	FUSE	! AC250V T2.5AL KBA2D2500TLET
OUTLET	▲ OL93		943642002720S	943642002720S	TERMINAL	! OUTLET JACK A302D0060P CJJ7A021Z
					POWER SW PWB (CUP12107Z)	
P SW	▲ C999		90M-DK100800R	90M-DK100800R	CER. CAP.	! DKS471ME KCKDKS471ME
P SW	CN99		nsp	nsp	CONN.	2P WAFER CJP02GA89ZY
P SW	▲ SW99		90M-SP001250R	90M-SP001250R	SW	! JPP1197CSA64 KSH1A001ZV

NOTE : *nsp* PART IS LISTED FOR REFERENCE ONLY, MARANTZ WILL NOT SUPPLY THESE PARTS.

12. ABOUT REPLACE THE MICROPROCESSOR WITH A NEW ONE

When replaced of the μ -PRO (Microprocessor) or the Flash ROM, confirm contents of the following.

PWB Name	Pos. No.	Description	After replaced	Remark
MAIN	IC41	T5CB5(F ADD Z) MAIN CPU SR5023	B	

After replaced

- A** : Mask ROM (With software). No need write-in of software to the microprocessor.
- B** : Flash ROM (With software). Usually, no need write-in of software. But, when the software was updated, you should be write-in of the new software to the microprocessor or flash ROM. Please check the software version.
- C** : Empty Flash ROM (Without software). You should be write-in of the software to the microprocessor or flash ROM. Refer to "Update procedure" or "writing procedure", when you should be write-in the software.

マイコン等を交換した場合の対応について

μ -PRO(マイコン)およびFlash ROM等を交換した場合の対応方法を下記の記載します。

PWB Name	Pos. No.	Description	交換時の対応	備考
MAIN	IC41	T5CB5(F ADD Z) MAIN CPU SR5023	B	

交換時の対応

- A** : Mask ROM (ソフトウェア書き込み済み) 交換時にソフトウェアの書き込みは必要ありません。
- B** : Flash ROM (ソフトウェア書き込み済み) バージョンアップにより交換時にソフトウェアの書き換えが必要な場合があります。バージョンの確認をしてください。
- C** : 空ROM (Flash ROM) 交換時必ずソフトウェアの書き込みが必要になります。Update、書き込み方法を参照してください。