

# Service Manual

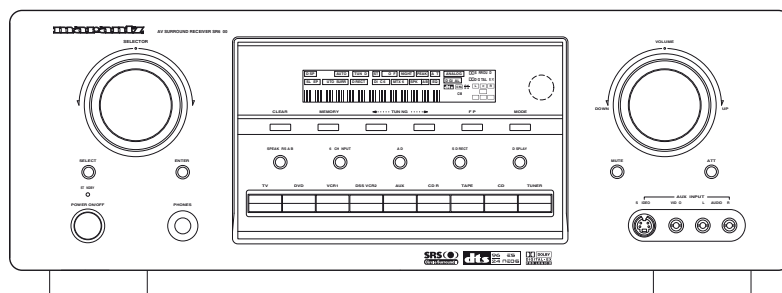
SR5400 /K1G/N1B/U1B  
/K1S/N1S/L1G

SR6400 /K1G/K1S/U1B

AV Surround Receiver

PS5400 /F1N

AV Surround Amplifier



PS5400

SR5400 / SR6400

**REMARK :**

1. Refer to service manual (part no. 27AW855020) for the parts list of model SR5400/L1G.
2. Refer to service manual (part no. 28AW855010) for the parts list of model SR6400/K1G/K1S/U1B.

**TABLE OF CONTENTS**

| SECTION                               | PAGE |
|---------------------------------------|------|
| 1. TECHNICAL SPECIFICATIONS .....     | 1    |
| 2. TECHNICAL DESCRIPTION .....        | 3    |
| 3. WIRING DIAGRAM .....               | 5    |
| 4. BLOCK DIAGRAM .....                | 7    |
| 5. SCHEMATIC DIAGRAM .....            | 9    |
| 6. PARTS LOCATION .....               | 31   |
| 7. IC DATA .....                      | 43   |
| 8. EXPLODED VIEW AND PARTS LIST ..... | 55   |
| 9. POWER AMPLIFIER ADJUSTMENT .....   | 59   |
| 10. SERVICE PROCEDURE .....           | 60   |
| 11. SYSTEM ERROR .....                | 60   |
| 12. ELECTRICAL PARTS LIST .....       | 62   |

Please use this service manual with referring to the user guide ( D.F.U. ) without fail.  
修理の際は、必ず取扱説明書を準備し操作方法を確認の上作業を行ってください。

# marantz®

## SR5400 / SR6400 / PS5400

## MARANTZ DESIGN AND SERVICE

Using superior design and selected high grade components, **MARANTZ** company has created the ultimate in stereo sound. Only original **MARANTZ** parts can insure that your **MARANTZ** product will continue to perform to the specifications for which it is famous.

Parts for your **MARANTZ** equipment are generally available to our National Marantz Subsidiary or Agent.

### ORDERING PARTS :

Parts can be ordered either by mail or by Fax.. In both cases, the correct part number has to be specified.

The following information must be supplied to eliminate delays in processing your order :

1. Complete address
2. Complete part numbers and quantities required
3. Description of parts
4. Model number for which part is required
5. Way of shipment
6. Signature : any order form or Fax. must be signed, otherwise such part order will be considered as null and void.

#### USA

**MARANTZ AMERICA, INC**  
1100 MAPLEWOOD DRIVE  
ITASCA, IL. 60143  
USA  
PHONE : 630 - 741 - 0300  
FAX : 630 - 741 - 0301

#### EUROPE / TRADING

**MARANTZ EUROPE B.V.**  
P. O. BOX 8744, BUILDING SILVERPOINT  
BEEMDSTRAAT 11, 5653 MA EINDHOVEN  
THE NETHERLANDS  
PHONE : +31 - 40 - 2507844  
FAX : +31 - 40 - 2507860

#### CANADA

**LENBROOK INDUSTRIES LIMITED**  
633 GRANITE COURT,  
PICKERING, ONTARIO L1W 3K1  
CANADA  
PHONE : 905 - 831 - 6333  
FAX : 905 - 831 - 6936

#### **PROFESSIONAL** AMERICAS

**SUPERSCOPE TECHNOLOGIES, INC.**  
MARANTZ PROFESSIONAL PRODUCTS  
2640 WHITE OAK CIRCLE, SUITE A  
AURORA, ILLINOIS 60504 USA  
PHONE : 630 - 820 - 4800  
FAX : 630 - 820 - 8103

#### **PROFESSIONAL** AUSTRALIA

**TECHNICAL AUDIO GROUP PTY, LTD**  
43-53 Bridge Rd.,  
STANMORE NSW 2048  
AUSTRALIA  
PHONE : +61 - (0)2 - 9519 - 0900  
FAX : +61 - (0)2 - 9519 - 0600

#### **PROFESSIONAL** HONG KONG

**Jolly ProAudio Broadcast Engineering Ltd.**  
UNIT 2, 10F, WAH HUNG CENTRE,  
41 HUNG TO ROAD, KWUN TONG, KLN.,  
HONG KONG  
PHONE : 852 - 21913660  
FAX : 852 - 21913990

#### AUSTRALIA

**QualiFi Pty Ltd,**  
24 LIONEL ROAD,  
MT. WAVERLEY VIC 3149  
AUSTRALIA  
PHONE : +61 - (0)3 - 9543 - 1522  
FAX : +61 - (0)3 - 9543 - 3677

#### THAILAND

**MRZ STANDARD CO., LTD**  
746 - 754 MAHACHAI ROAD.,  
WANGBURAPAPIROM, PHRANAKORN,  
BANGKOK, 10200 THAILAND  
PHONE : +66 - 2 - 222 9181  
FAX : +66 - 2 - 224 6795

#### SINGAPORE

**WO KEE HONG DISTRIBUTION PTE LTD**  
130 JOO SENG ROAD  
#03-02 OLIVINE BUILDING  
SINGAPORE 368357  
PHONE : +65 6858 5535 / +65 6381 8621  
FAX : +65 6858 6078

#### NEW ZEALAND

**WILDASH AUDIO SYSTEMS NZ**  
14 MALVERN ROAD MT ALBERT  
AUCKLAND NEW ZEALAND  
PHONE : +64 - 9 - 8451958  
FAX : +64 - 9 - 8463554

#### TAIWAN

**PAI-YUING CO., LTD.**  
6 TH FL NO, 148 SUNG KIANG ROAD,  
TAIPEI, 10429, TAIWAN R.O.C.  
PHONE : +886 - 2 - 25221304  
FAX : +886 - 2 - 25630415

#### MALAYSIA

**WO KEE HONG ELECTRONICS SDN. BHD.**  
2ND FLOOR BANGUNAN INFINITE CENTRE  
LOT 1, JALAN 13/6, 46200 PETALING JAYA  
SELANGOR DARUL EHSAN, MALAYSIA  
PHONE : +60 - 3 - 7954 8088  
FAX : +60 - 3 - 7954 7088

#### JAPAN *Technical*

**MARANTZ JAPAN, INC.**  
35- 1, 7- CHOME, SAGAMIONO  
SAGAMIHARA - SHI, KANAGAWA  
JAPAN 228-8505  
PHONE : +81 42 748 1013  
FAX : +81 42 741 9190

#### 日本マランツ株式会社

本社 〒228-8505  
神奈川県相模原市相模大野7-35-1

#### KOREA

**MK ENTERPRISES LTD.**  
ROOM 604/605, ELECTRO-OFFICETEL, 16-58,  
3GA, HANGANG-RO, YONGSAN-KU, SEOUL  
KOREA  
PHONE : +822 - 3232 - 155  
FAX : +822 - 3232 - 154

### SHOCK, FIRE HAZARD SERVICE TEST :

**CAUTION :** After servicing this appliance and prior to returning to customer, measure the resistance between either primary AC cord connector pins ( with unit NOT connected to AC mains and its Power switch ON ), and the face or Front Panel of product and controls and chassis bottom.

Any resistance measurement less than 1 Megohms should cause unit to be repaired or corrected before AC power is applied, and verified before it is return to the user/customer.

Ref. UL Standard No. 1492.

In case of difficulties, do not hesitate to contact the Technical  
Department at above mentioned address.

# 1. TECHNICAL SPECIFICATIONS

## FM TUNER SECTION

|                                     |                                |
|-------------------------------------|--------------------------------|
| Frequency Range.....                | 87.5 - 108.0 MHz               |
| Usable Sensitivity .....            | IHF 1.6 $\mu$ V/15.35 dB       |
| Signal to Noise Ratio.....          | Mono/Stereo 73/64 dB           |
| Distortion.....                     | Mono/Stereo 0.6/0.7 %          |
| Stereo Separation .....             | 1 kHz 33 dB                    |
| Alternate Channel Selectivity ..... | $\pm$ 300 kHz 60 dB            |
| Image Rejection .....               | 98 MHz 70 dB                   |
| Tuner Output Level .....            | 1 kHz, $\pm$ 75 kHz Dev 850 mV |

## AM TUNER SECTION

|                            |                        |
|----------------------------|------------------------|
| Frequency Range.....       | 531 - 1602 kHz [K/N/L] |
| .....                      | 520 - 1710 kHz [U]     |
| Signal to Noise Ratio..... | 41 dB                  |
| Usable Sensitivity .....   | Loop 560 $\mu$ V       |
| Distortion.....            | 1 kHz, 30 % Mod. 1.0 % |
| Selectivity .....          | $\pm$ 10 kHz 25 dB     |

## AUDIO SECTION [SR5400/PS5400]

|   |                              |
|---|------------------------------|
| Power Output (20 Hz - 20 kHz/THD=0.08%)                   |                              |
| Front L&R.....  | 8 ohms 90 W / Ch             |
| Center .....  | 8 ohms 90 W / Ch             |
| Surround L&R .....  | 8 ohms 90 W / Ch             |
| Surround Back .....                                       | 8 ohms 90 W / Ch             |
| Front L&R.....  | 6 ohms 110 W / Ch            |
| Center .....  | 6 ohms 110 W / Ch            |
| Surround L&R .....  | 6 ohms 110 W / Ch            |
| Surround Back .....                                       | 6 ohms 110 W / Ch            |
| Input Sensitivity/Impedance .....                         | 200 mV/ 47 kohms             |
| Signal to Noise Ratio(Analog Input / Source Direct) ..... | 100 dB                       |
| Frequency Response (Analog Input / Source Direct)         |                              |
| .....   | 8 Hz - 100 kHz ( $\pm$ 3 dB) |
| (Digital Input / 96 kHz PCM).....                         | 8 Hz - 45 kHz ( $\pm$ 3 dB)  |

## AUDIO SECTION [SR6400]

|   |                              |
|---|------------------------------|
| Power Output (20 Hz - 20 kHz/THD=0.08%)                   |                              |
| Front L&R.....  | 8 ohms 100 W / Ch            |
| Center .....  | 8 ohms 100 W / Ch            |
| Surround L&R .....  | 8 ohms 100 W / Ch            |
| Surround Back .....                                       | 8 ohms 100 W / Ch            |
| Front L&R.....  | 6 ohms 125 W / Ch            |
| Center .....  | 6 ohms 125 W / Ch            |
| Surround L&R .....  | 6 ohms 125 W / Ch            |
| Surround Back .....                                       | 6 ohms 125 W / Ch            |
| Input Sensitivity/Impedance .....                         | 168mV/ 47 kohms              |
| Signal to Noise Ratio(Analog Input / Source Direct) ..... | 105 dB                       |
| Frequency Response (Analog Input / Source Direct)         |                              |
| .....   | 8 Hz - 100 kHz ( $\pm$ 3 dB) |
| (Digital Input / 96 kHz PCM).....                         | 8 Hz - 45 kHz ( $\pm$ 3 dB)  |

## VIDEO

|                                |                        |
|--------------------------------|------------------------|
| Television Format .....        | NTSC/PAL               |
| Input Level/Impedance .....    | 1 Vp-p/75 ohms         |
| Output Level/Impedance .....   | 1 Vp-p/75 ohms         |
| Video Frequency Response ..... | 5 Hz to 8 MHz (- 1 dB) |
| S/N .....                      | 60 dB                  |

## GENERAL

|                         |                       |
|-------------------------|-----------------------|
| Power Requirement.....  | AC 100 V 50/60 Hz [F] |
| .....                   | AC 220 V 50 Hz [K]    |
| .....                   | AC 110 V 60 Hz [L]    |
| .....                   | AC 230 V 50 Hz [N]    |
| .....                   | AC 120 V 60 Hz [U]    |
| Power Consumption ..... | 400 W [SR5400/PS5400] |
| .....                   | 420 W [SR6400]        |
| Weight .....            | 12.5 Kg               |

## ACCESSORIES

|                                     |                   |
|-------------------------------------|-------------------|
| Remote Control Unit RC5400SR .....  | 1 [SR5400/PS5400] |
| AAA-size batteries.....             | 2 [SR6400/PS5400] |
| Remote Control Unit RC7300SRa ..... | 1 [SR6400]        |
| AA-size batteries .....             | 2 [SR6400]        |
| FM Antenna.....                     | 1                 |
| AM Loop Antenna .....               | 1                 |

**The relation between the selected surround mode and the input signal**

The surround mode is selected with the surround mode buttons on SR5400/SR6400/PS5400 or the remote control unit. However, the sound you hear is subject to the relationship between the selected surround mode and input signal. That relationship is as follows;

| Surround Mode  | Input Signal         | Decoding             | Output Channel |   |          |        |           | Front information display |                         |
|--|----------------------|----------------------|----------------|---|----------|--------|-----------|---------------------------|-------------------------|
|  |                      |                      | L/R            | C | SL<br>SR | SB     | SubW      | Signal format indicators  | Channel status          |
| AUTO   | Dolby Surr. EX       | Dolby Digital EX     | ○              | ○ | ○        | ○      | □         | DIGITAL                   | L, C, R, SL, SR, S, LFE |
|  | Dolby D (5.1ch)      | Dolby Digital 5.1    | ○              | ○ | -        | ○      | □         | DIGITAL                   | L, C, R, SL, SR, LFE    |
|  | Dolby D (2ch)        | Dolby Digital 2.0    | ○              | - | -        | -      | □         | DIGITAL                   | L, R                    |
|  | Dolby D (2ch Surr)   | Pro Logic II movie   | ○              | ○ | -        | -      | □         | DIGITAL , □ SURROUND      | L, R, S                 |
|  | DTS-ES               | DTS-ES               | ○              | ○ | ○        | ○      | dts , ES  | L, C, R, SL, SR, S, LFE   |                         |
|  | DTS 96/24            | DTS 96/24            | ○              | ○ | ○        | -      | dts 96/24 | L, C, R, SL, SR, LFE      |                         |
|  | DTS (5.1ch)          | DTS 5.1              | ○              | ○ | ○        | -      | dts       | L, C, R, SL, SR, LFE      |                         |
|  | PCM(Audio)           | PCM (Stereo)         | ○              | - | -        | -      | PCM       | L, R                      |                         |
|  | PCM 96kHz            | PCM (96kHz Stereo)   | ○              | - | -        | -      | PCM       | L, R                      |                         |
|  | Analog               | Stereo               | ○              | - | -        | -      | ANALOG    | -                         |                         |
| S-DIRECT   | Dolby D Surr. EX     | Dolby Digital EX     | ○              | ○ | ○        | ○      | □         | DIGITAL                   | L, C, R, SL, SR, S, LFE |
|  | Dolby D (5.1ch)      | Dolby Digital 5.1    | ○              | ○ | -        | ○      | □         | DIGITAL                   | L, C, R, SL, SR, LFE    |
|  | Dolby D (2ch)        | Dolby Digital 2.0    | ○              | - | -        | -      | □         | DIGITAL                   | L, R                    |
|  | Dolby D (2ch Surr)   | Pro Logic II movie   | ○              | ○ | -        | -      | □         | DIGITAL , □ SURROUND      | L, R, S                 |
|  | DTS-ES               | DTS-ES               | ○              | ○ | ○        | ○      | dts , ES  | L, C, R, SL, SR, S, LFE   |                         |
|  | DTS 96/24            | DTS 96/24            | ○              | ○ | ○        | -      | dts 96/24 | L, C, R, SL, SR, LFE      |                         |
|  | DTS (5.1ch)          | DTS 5.1              | ○              | ○ | ○        | -      | dts       | L, C, R, SL, SR, LFE      |                         |
|  | PCM (Audio)          | PCM (Stereo)         | ○              | - | -        | -      | PCM       | L, R                      |                         |
|  | PCM 96kHz            | PCM (96kHz Stereo)   | ○              | - | -        | -      | PCM       | L, R                      |                         |
|  | Analog               | Stereo               | ○              | - | -        | -      | ANALOG    | -                         |                         |
| EX/ES  | Dolby D Surr. EX     | Dolby Digital EX     | ○              | ○ | ○        | ○      | □         | DIGITAL                   | L, C, R, SL, SR, S, LFE |
|  | Dolby D (5.1ch)      | Dolby Digital EX     | ○              | ○ | -        | ○      | □         | DIGITAL                   | L, C, R, SL, SR, LFE    |
|  | DTS-ES               | DTS-ES               | ○              | ○ | ○        | ○      | dts , ES  | L, C, R, SL, SR, S, LFE   |                         |
|  | DTS(5.1ch)           | DTS-ES               | ○              | ○ | ○        | ○      | dts       | L, C, R, SL, SR, LFE      |                         |
| DOLBY<br>(PL II movie)<br>(PL II music)<br>(Pro Logic) | Dolby D Surr. EX     | Dolby Digital 5.1    | ○              | ○ | -        | ○      | □         | DIGITAL                   | L, C, R, SL, SR, S, LFE |
|  | Dolby D (5.1ch)      | Dolby Digital 5.1    | ○              | ○ | -        | ○      | □         | DIGITAL                   | L, C, R, SL, SR, LFE    |
|  | Dolby D (2ch)        | Pro Logic II         | ○              | ○ | -        | -      | □         | DIGITAL                   | L, R                    |
|  | Dolby D (2ch Surr)   | Pro Logic II         | ○              | ○ | -        | -      | □         | DIGITAL , □ SURROUND      | L, R, S                 |
|  | PCM (Audio)          | Pro Logic II         | ○              | ○ | -        | -      | PCM       | L, R                      |                         |
|  | Analog               | Pro Logic II         | ○              | ○ | -        | -      | ANALOG    | -                         |                         |
| DTS<br>(Neo:6 Cinema)<br>(Neo:6 Music)                 | DTS-ES               | DTS 5.1              | ○              | ○ | ○        | -      | dts , ES  | L, C, R, SL, SR, S, LFE   |                         |
|  | DTS 96/24            | DTS 96/24            | ○              | ○ | ○        | -      | dts 96/24 | L, C, R, SL, SR, LFE      |                         |
|  | DTS (5.1ch)          | DTS 5.1              | ○              | ○ | ○        | -      | dts       | L, C, R, SL, SR, LFE      |                         |
|  | PCM (Audio)          | Neo:6                | ○              | ○ | ○        | -      | PCM       | L, R                      |                         |
|  | Analog               | Neo:6                | ○              | ○ | ○        | -      | ANALOG    | -                         |                         |
|  | Dolby D (2ch)        | Neo:6                | ○              | ○ | ○        | -      | □         | DIGITAL                   | L, R                    |
| CS II Cinema<br>CS II Music<br>CS II Mono              | Dolby D (2ch Surr)   | Neo:6                | ○              | ○ | ○        | -      | □         | DIGITAL , □ SURROUND      | L, R, S                 |
|  | PCM (Audio)          | CS II                | ○              | ○ | ○        | ○      | PCM       | L, R                      |                         |
|  | Analog               | CS II                | ○              | ○ | ○        | ○      | ANALOG    | -                         |                         |
|  | Dolby D (2ch)        | CS II                | ○              | ○ | ○        | ○      | □         | DIGITAL                   | L, R                    |
|  | Dolby D (2ch Surr)   | CS II                | ○              | ○ | ○        | ○      | □         | DIGITAL , □ SURROUND      | L, R, S                 |
|  | Dolby Surr. EX       | Stereo               | ○              | - | -        | -      | □         | DIGITAL                   | L, C, R, SL, SR, S, LFE |
| STEREO   | Dolby D (5.1ch)      | Stereo               | ○              | - | -        | -      | □         | DIGITAL                   | L, C, R, SL, SR, LFE    |
|  | Dolby D (2ch)        | Stereo               | ○              | - | -        | -      | □         | DIGITAL                   | L, R                    |
|  | Dolby D (2ch Surr)   | Stereo               | ○              | - | -        | -      | □         | DIGITAL , □ SURROUND      | L, R, S                 |
|  | DTS-ES               | Stereo               | ○              | - | -        | -      | dts , ES  | L, C, R, SL, SR, S, LFE   |                         |
|  | DTS 96/24            | Stereo               | ○              | - | -        | -      | dts 96/24 | L, C, R, SL, SR, LFE      |                         |
|  | DTS (5.1ch)          | Stereo               | ○              | - | -        | -      | dts       | L, C, R, SL, SR, LFE      |                         |
|  | PCM (Audio)          | Stereo               | ○              | - | -        | -      | PCM       | L, R                      |                         |
|  | PCM 96kHz            | Stereo               | ○              | - | -        | -      | PCM       | L, R                      |                         |
|  | Analog               | Stereo               | ○              | - | -        | -      | ANALOG    | -                         |                         |
|  | Virtual              | Dolby Surr. EX       | Virtual        | ○ | -        | -      | -         | □                         | DIGITAL                 |
| Dolby D (5.1ch)  |                      | Virtual              | ○              | - | -        | -      | □         | DIGITAL                   | L, C, R, SL, SR, LFE    |
| Dolby D (2ch)  |                      | Virtual              | ○              | - | -        | -      | □         | DIGITAL                   | L, R                    |
| Dolby D (2ch Surr)                                     |                      | Virtual              | ○              | - | -        | -      | □         | DIGITAL , □ SURROUND      | L, R, S                 |
| DTS-ES   |                      | Virtual              | ○              | - | -        | -      | dts , ES  | L, C, R, SL, SR, S, LFE   |                         |
| DTS (5.1ch)  |                      | Virtual              | ○              | - | -        | -      | dts       | L, C, R, SL, SR, LFE      |                         |
| PCM (Audio)  |                      | Virtual              | ○              | - | -        | -      | PCM       | L, R                      |                         |
| Multi Ch.<br>Stereo                                    | Analog               | Virtual              | ○              | - | -        | -      | ANALOG    | -                         |                         |
|  | Dolby Surr. EX       | Dolby Digital EX     | ○              | ○ | ○        | ○      | □         | DIGITAL                   | L, C, R, SL, SR, S, LFE |
|  | Dolby D (5.1ch)      | Dolby Digital 5.1    | ○              | ○ | -        | ○      | □         | DIGITAL                   | L, C, R, SL, SR, LFE    |
|  | Dolby D (2ch)        | Multi Channel Stereo | ○              | ○ | ○        | -      | □         | DIGITAL                   | L, R                    |
|  | Dolby D (2ch Surr)   | Multi Channel Stereo | ○              | ○ | ○        | -      | □         | DIGITAL , □ SURROUND      | L, R, S                 |
|  | DTS-ES               | DTS-ES               | ○              | ○ | ○        | ○      | dts , ES  | L, C, R, SL, SR, S, LFE   |                         |
|  | DTS (5.1ch)          | DTS 5.1              | ○              | ○ | ○        | -      | dts       | L, C, R, SL, SR, LFE      |                         |
|  | PCM (Audio)          | Multi Channel Stereo | ○              | ○ | ○        | -      | PCM       | L, R                      |                         |
| Analog   | Multi Channel Stereo | ○                    | ○              | ○ | -        | ANALOG | -         |                           |                         |

**Note:**

- Dolby Digital (2 ch: Lt/Rt): signal with Dolby Surround flag Speakers are full set.
- No sound outputs from the surround speaker, center speaker and subwoofer if the DVD disc has no surround data.

**Abbreviations**

- L/R : Front speakers
- C : Center speaker
- SL/SR : Surround speakers
- SB : Surround Back speaker
- SubW : Sub woofer speaker

## 2. TECHNICAL DESCRIPTION



The advantages of discrete multichannel systems over matrix are well known.

But even in homes equipped for discrete multichannel, there remains a need for high-quality matrix decoding. This is because of the large library of matrix surround motion pictures available on disc and on VHS tape; and analog television broadcasts.

The typical matrix decoder of today derives a center channel and a mono surround channel from two-channel matrix stereo material. It is better than a simple matrix in that it includes steering logic to improve separation, but because of its mono, band-limited surround it can be disappointing to users accustomed to discrete multichannel.

Neo 6 offers several important improvements as follow,  
. Neo 6 provides up to six full-band channels of matrix decoding from stereo matrix material. Users with 6.1 and 5.1 systems will derive six and five separate channels, respectively, corresponding to the standard home-theater speaker layouts.

. Neo 6 technology allows various sound elements within a channel or channels to be steered separately, and in a way which follows naturally from the original presentation.

. Neo 6 offers a music mode to expand stereo nonmatrix recordings into the five- or six-channel layout, in a way which does not diminish the subtlety and integrity of the original stereo recording.



DTS-ES Extended Surround is a new multi-channel digital signal format developed by Digital Theater Systems Inc. While offering high compatibility with the conventional DTS Digital Surround format, DTSES Extended Surround greatly improves the 360-degree surround impression and space expression thanks to further expanded surround signals. This format has been used professionally in movie theaters since 1999.

In addition to the 5.1 surround channels (FL, FR, C, SL, SR and LFE), DTS-ES Extended Surround also offers the SB (Surround Back) channel for surround playback with a total of 6.1 channels. DTS-ES Extended Surround includes two signal formats with different surround signal recording methods, as DTS-ES Discrete 6.1 and DTSES Matrix 6.1.

"DTS", "DTS-ES Extended Surround" and "Neo:6" are trademarks of Digital Theater Systems, Inc.



The stereo CD is a 16-bit medium with sampling at 44.1 kHz. Professional audio has been 20- or 24-bit for some time, and there is increasing interest in higher sampling rates both for recording and for delivery into the home. Greater bit depths provide extended dynamic range. Higher sampling rates allow wider frequency response and the use of anti-alias and reconstruction filters with more favorable aural characteristics.

DTS 96/24 allows for 5.1 channel sound tracks to be encoded at a rate of 96kHz/24bits on DVD-Video titles.

When DVD-video appeared, it became possible to deliver 24-bit, 96 kHz audio into the home, but only in two channels, and with serious limitations on picture. This capability has had little use.

DVD-audio allows 96/24 in six channels, but a new player is needed, and only analog outputs are provided, necessitating the use of the D/A converters and analog electronics provided in the player.

DTS 96/24 offers the following:

1. Sound quality transparent to the original 96/24 master.
2. Full backward compatibility with all existing decoders. (Existing decoders will output a 48 kHz signal)
3. No new player required: DTS 96/24 can be carried on DVD-video, or in the video zone of DVD-audio, accessible to all DVD players.
4. 96/24 5.1-channel sound with full-quality full-motion video, for music programs and motion picture soundtracks on DVD-video.



Dolby Digital identifies the use of Dolby Digital audio coding for such consumer formats as DVD and DTV. As with film sound, Dolby Digital can provide up to five full-range channels for left, center, and right screen channels, independent left and right surround channels, and a sixth (".1") channel for low-frequency effects.

Dolby Surround Pro Logic II is an improved matrix decoding technology that provides better spatiality and directionality on Dolby Surround program material; provides a convincing three-dimensional soundfield on conventional stereo music recordings; and is ideally suited to bring the surround experience to automotive sound. While conventional surround programming is fully compatible with Dolby Surround Pro Logic II decoders, soundtracks will be able to be encoded specifically to take full advantage of Pro Logic II playback, including separate left and right surround channels. (Such material is also compatible with conventional Pro Logic decoders.)

Dolby Digital EX creates six full-bandwidth output channels from 5.1- channel sources. This is done using a matrix decoder that derives three surround channels from the two in the original recording. For best results, Dolby Digital EX should be used with movies soundtracks recorded with Dolby Digital Surround EX.

Manufactured under license from Dolby Laboratories. "Dolby", "Pro Logic", and the double-D symbol are trademarks of Dolby Laboratories.



Circle Surround II (CS-II) is a powerful and versatile multi channel technology. CS-II is designed to enable up to 6.1 multi channel surround sound playback from mono, stereo, CS encoded sources and other matrix encoded sources. In all cases the decoder extends it into 6 channels of surround audio and a LFE/subwoofer signal.

The CS-II decoder creates a listening environment that places the listener "inside" music performances and dramatically improves both hi-fi audio conventional surround-encoded video material. CS-II provides composite stereo rear channels to greatly improve separation and image positioning adding a heightened sense of realism to both audio and A/V productions.

CS-II is packed with other useful feature like dialog clarity (SRS Dialog) for movies and cinema-like bass enrichment (TruBass).

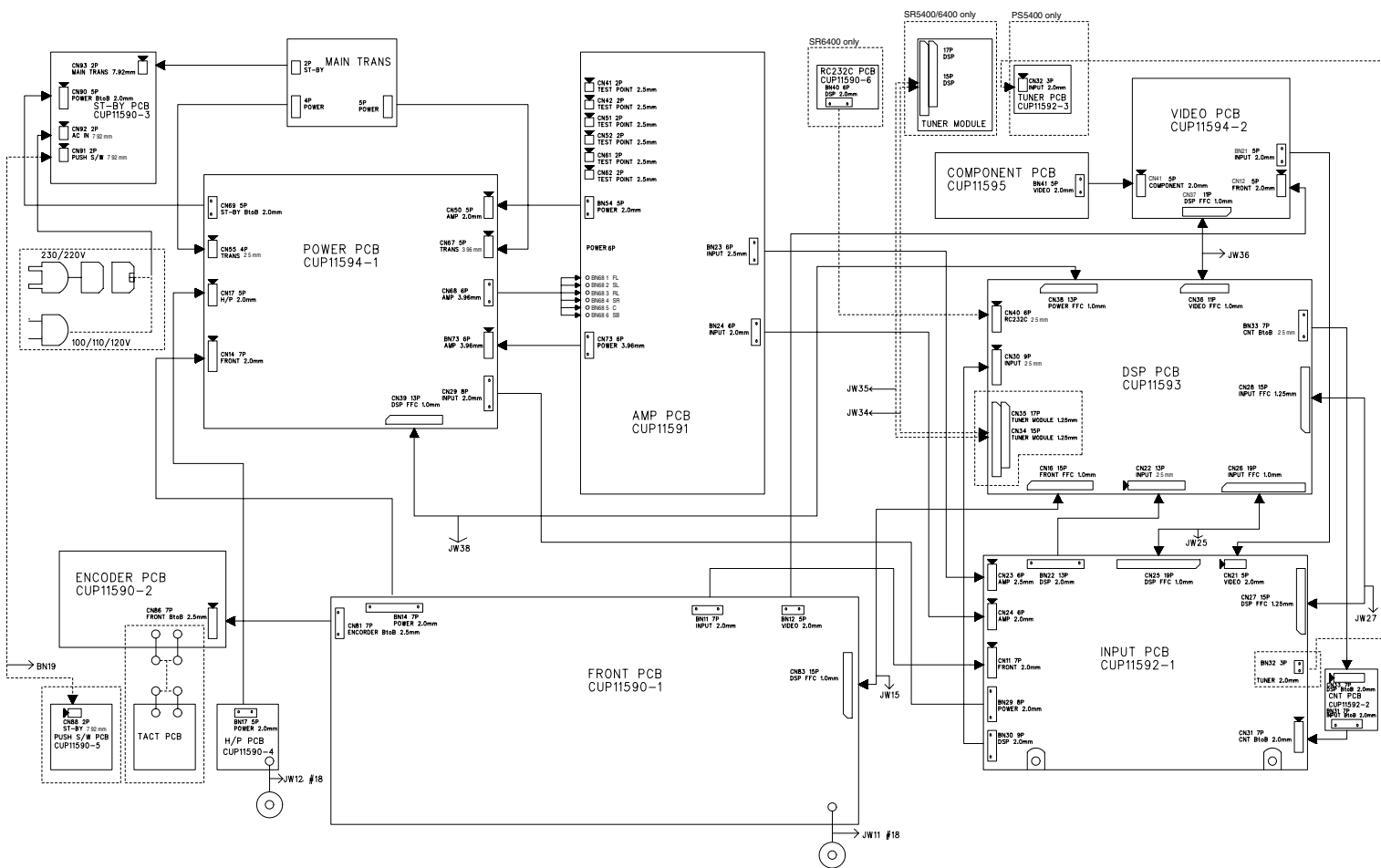
CS-II can enable the dialog to become clearer and more discernable in movies and it enables the bass frequencies contained in the original programming to more closely achieve low frequencies overcoming the low frequency limitations of the speakers by full octave.

Circle Surround II, Dialog Clarity, TruBass, SRS and symbol (●)® are trademarks of SRS Labs, Inc.

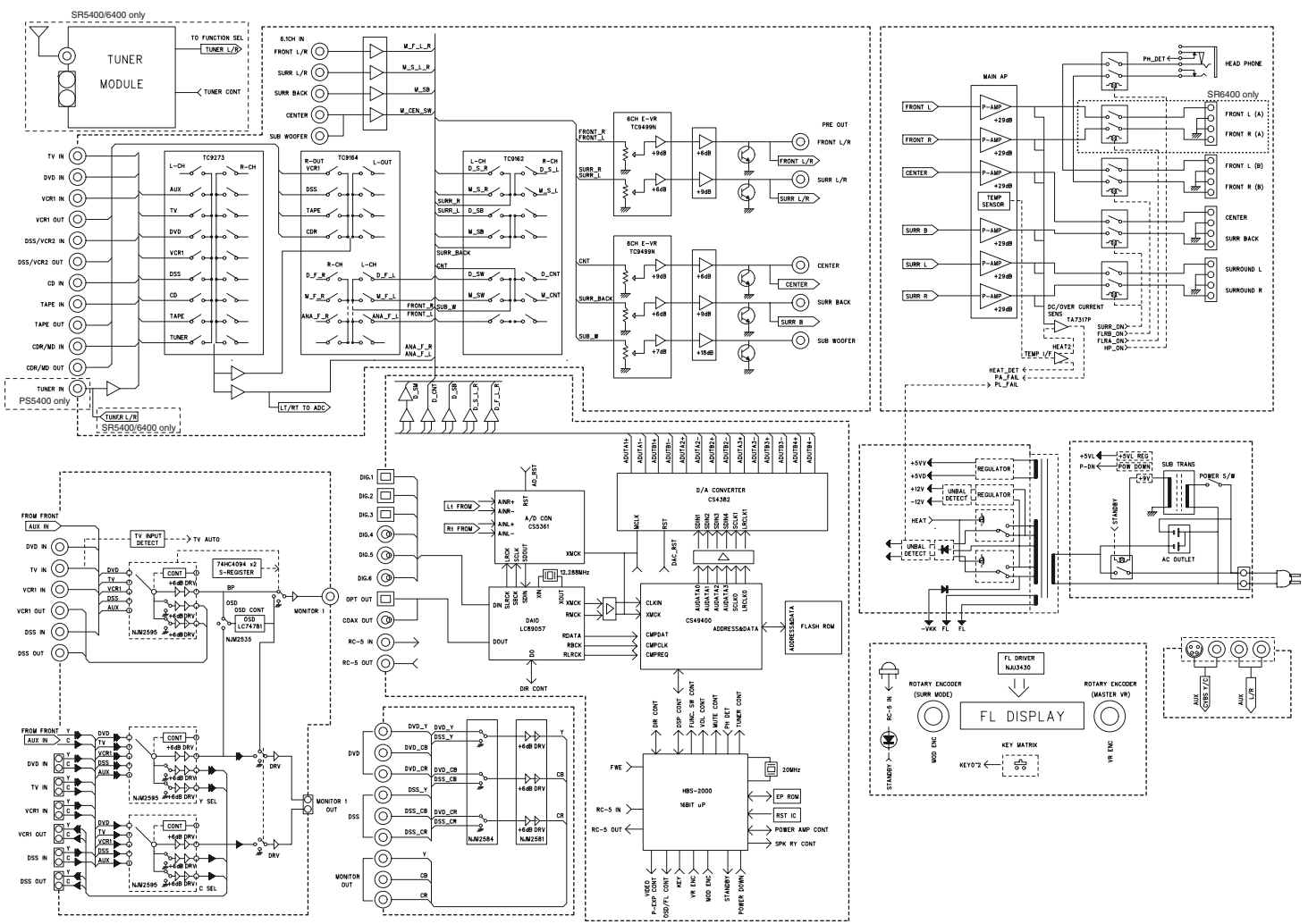
SRS Circle Surround II, SRS Dialog and SRS TruBass technology are incorporated under license from SRS Labs, Inc.

**Note :**

### 3. WIRING DIAGRAM

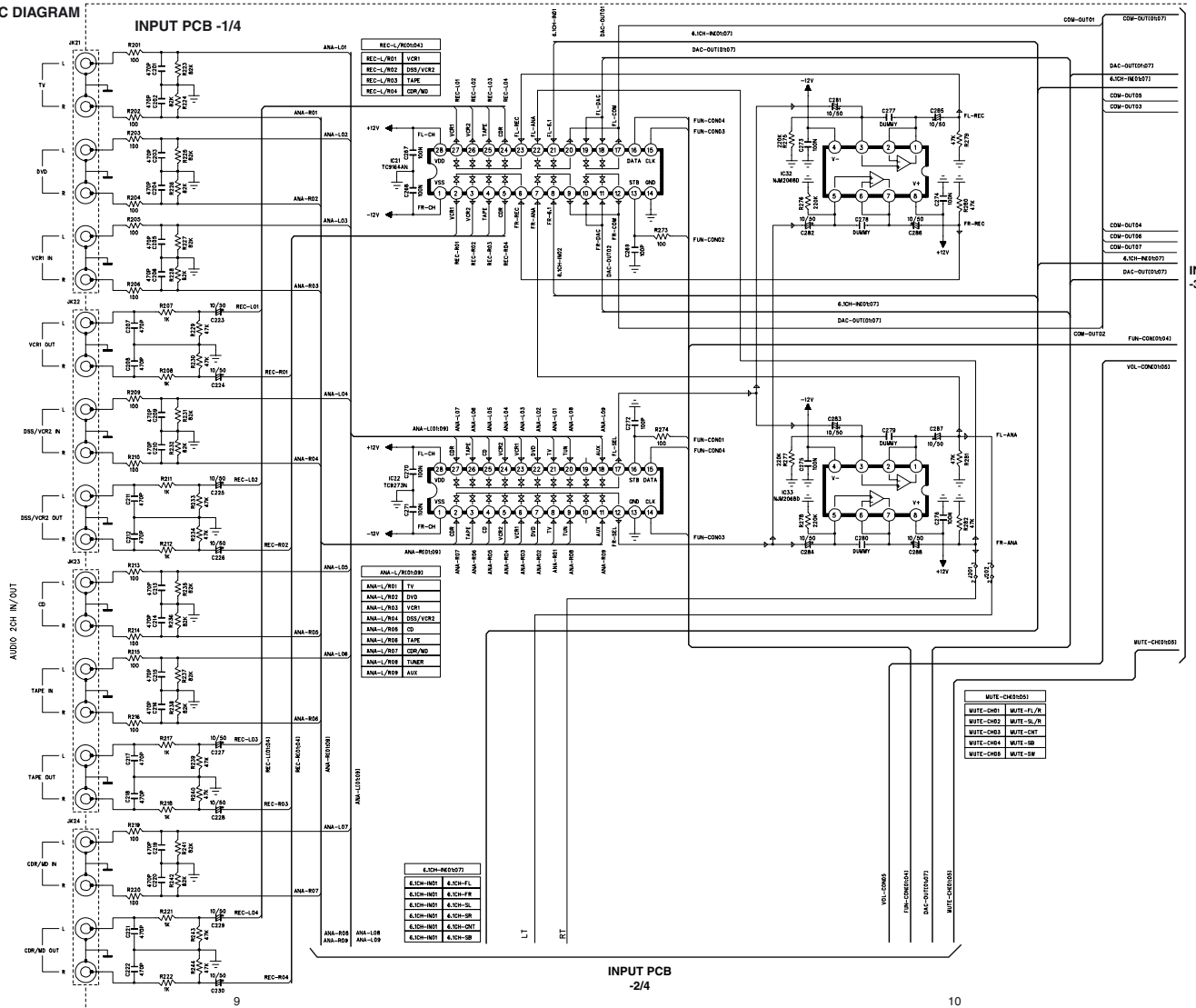


4. BLOCK DIAGRAM



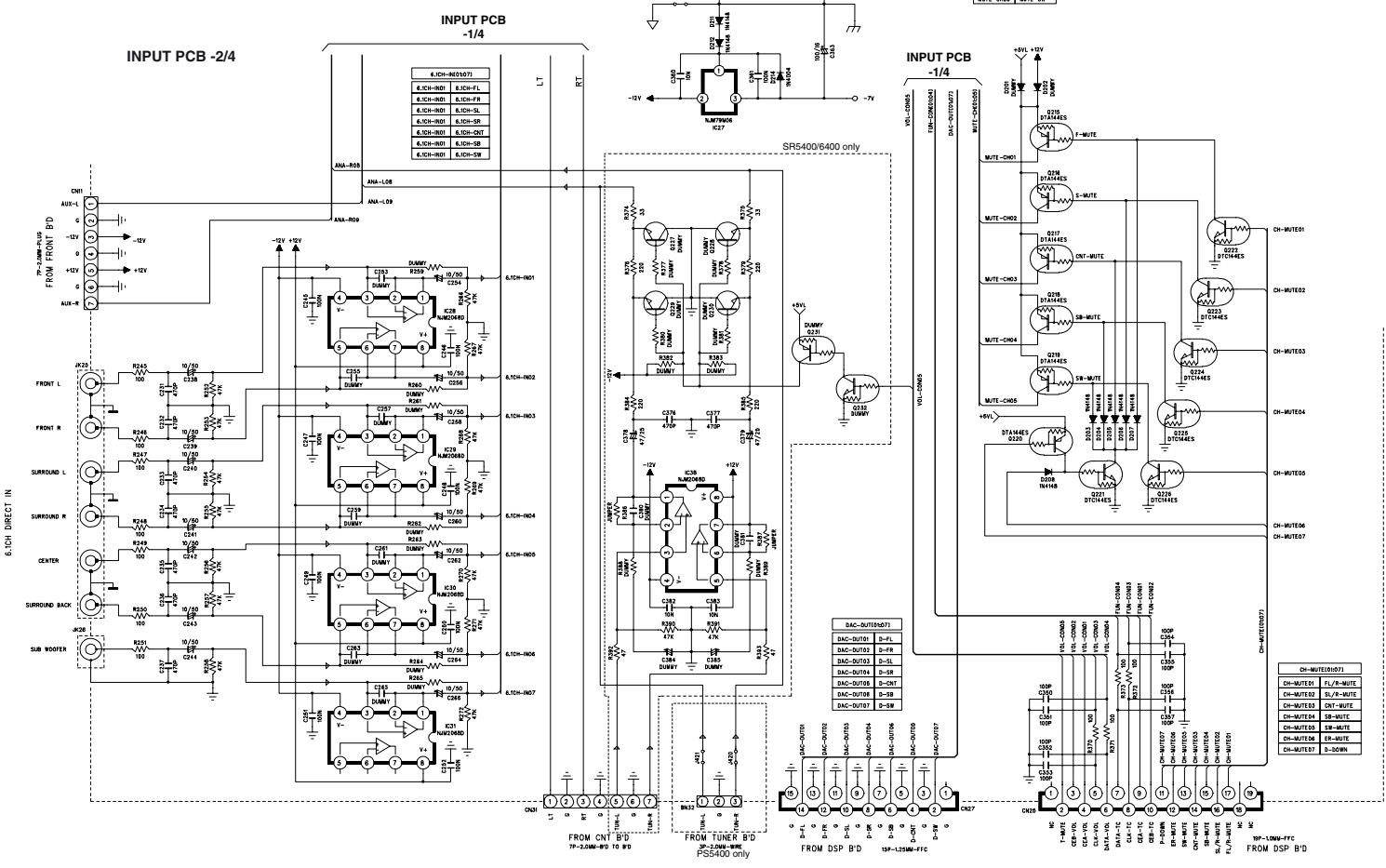


5. SCHEMATIC DIAGRAM

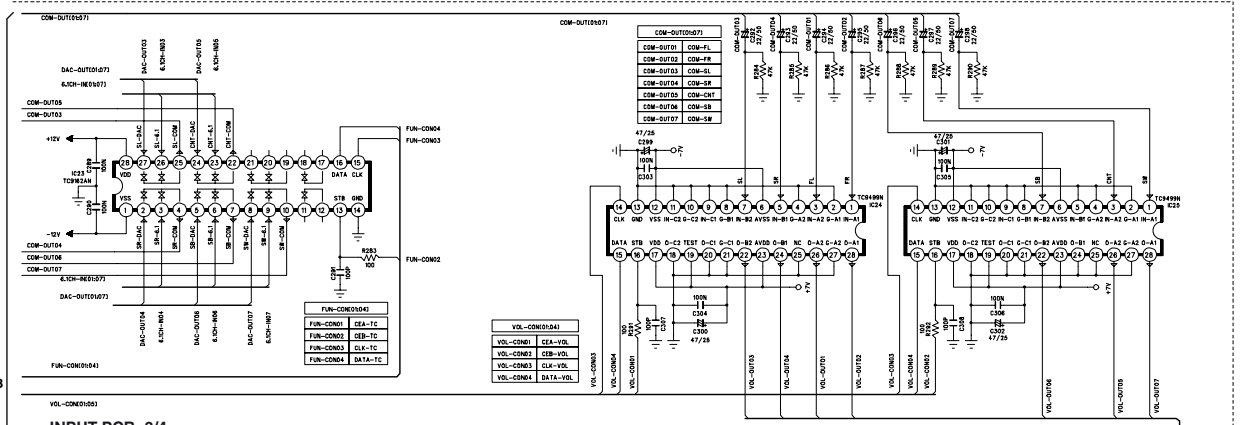


INPUT PCB  
-3/4

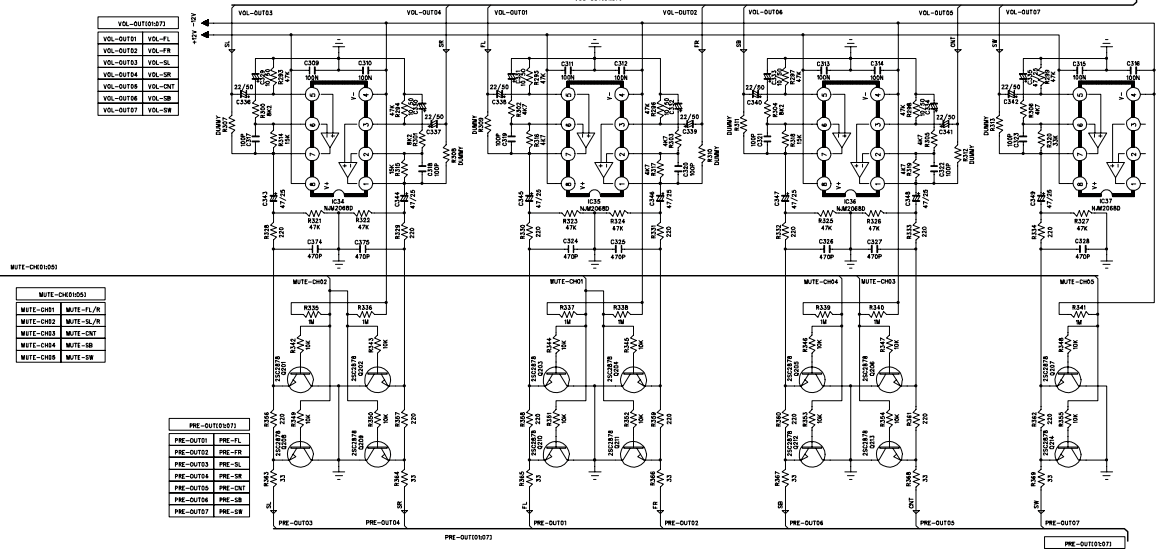
INPUT PCB  
-2/4



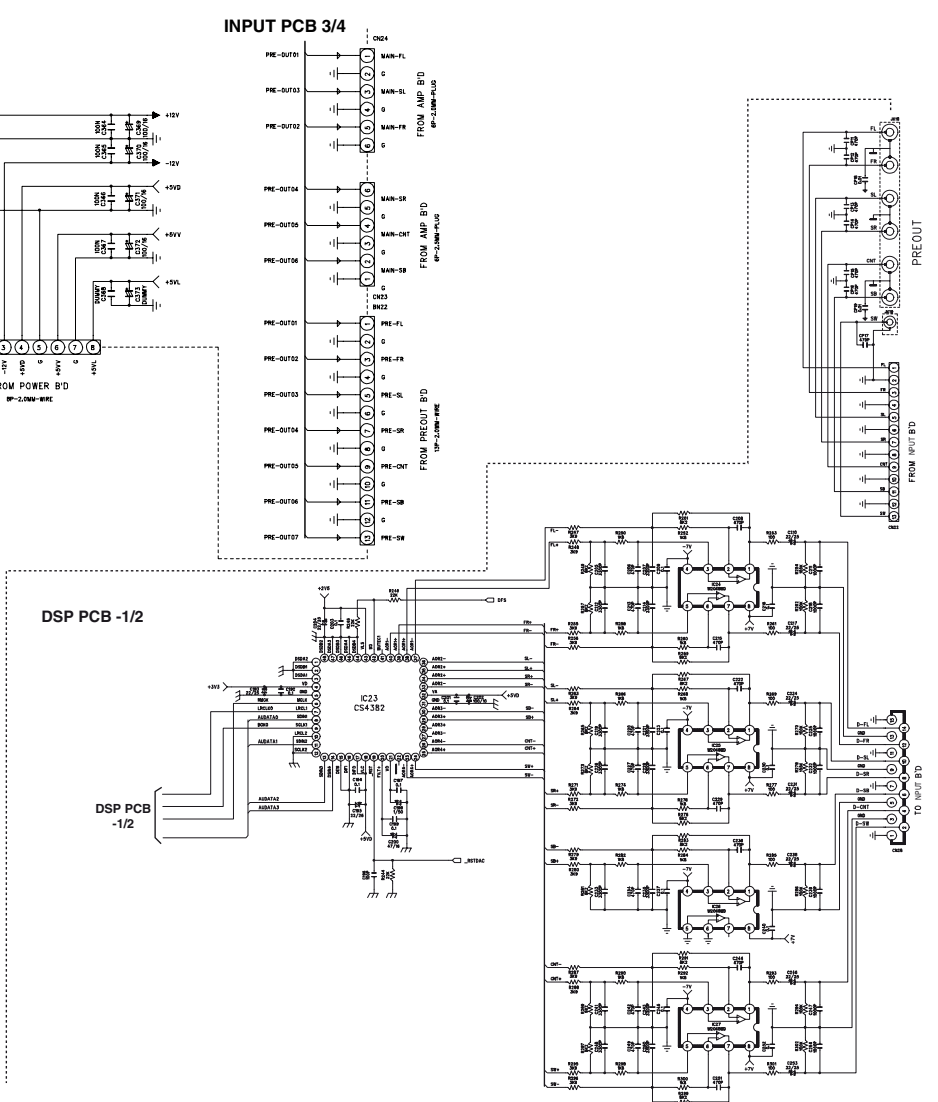
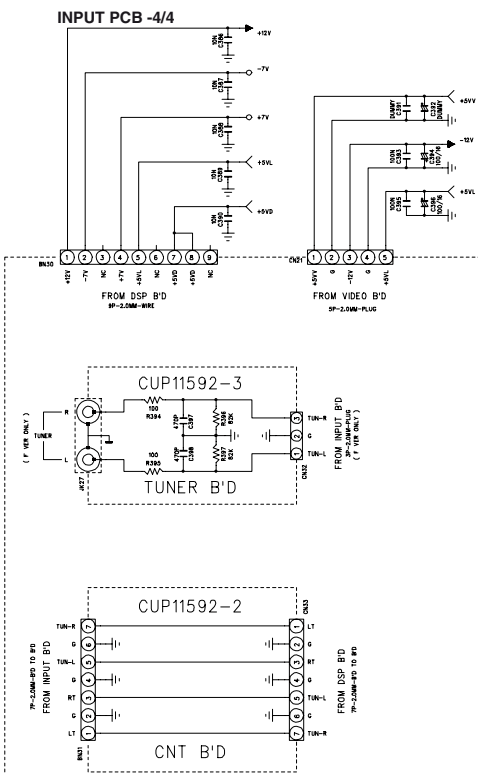
INPUT PCB  
-1/4

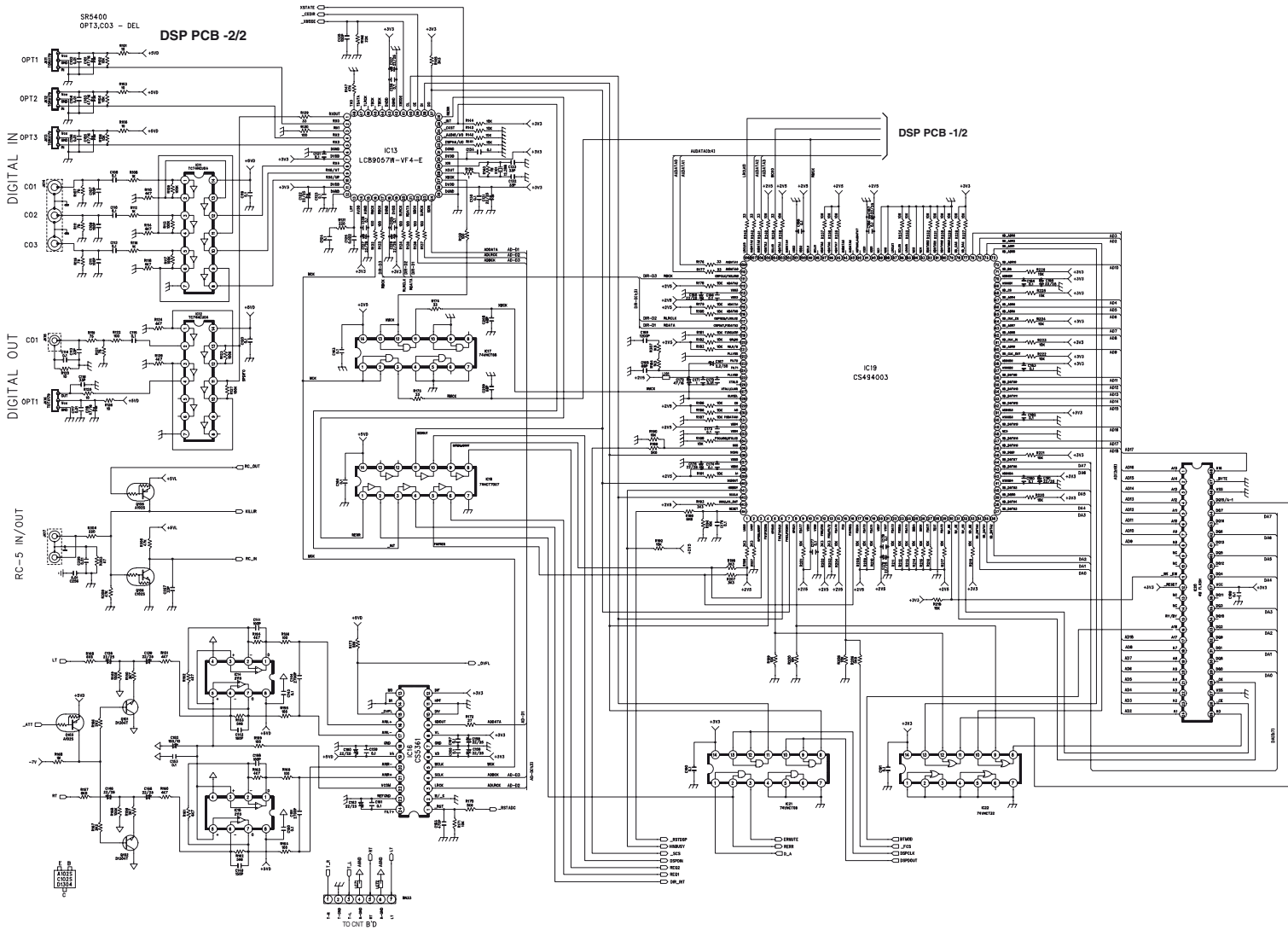


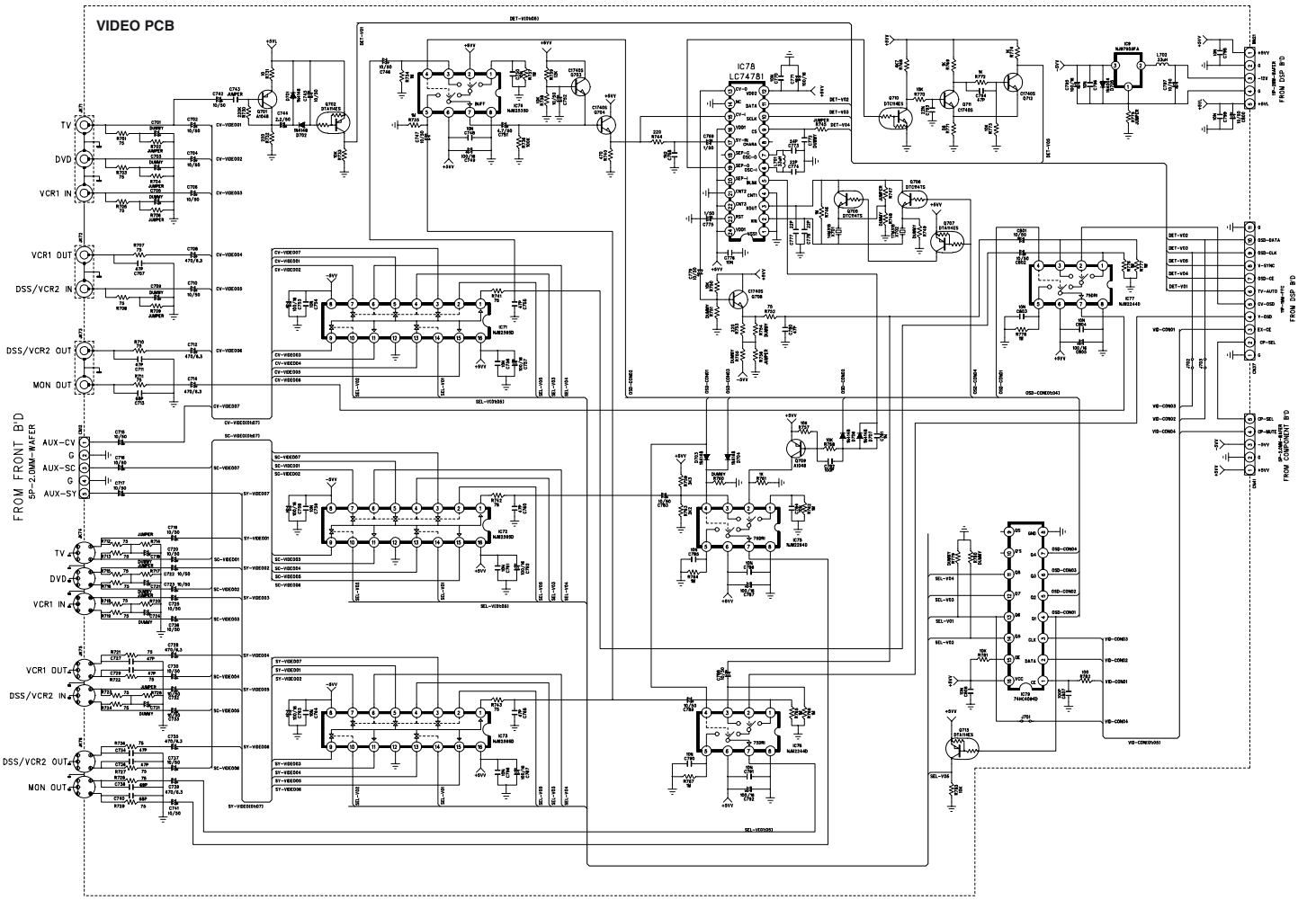
INPUT PCB -3/4

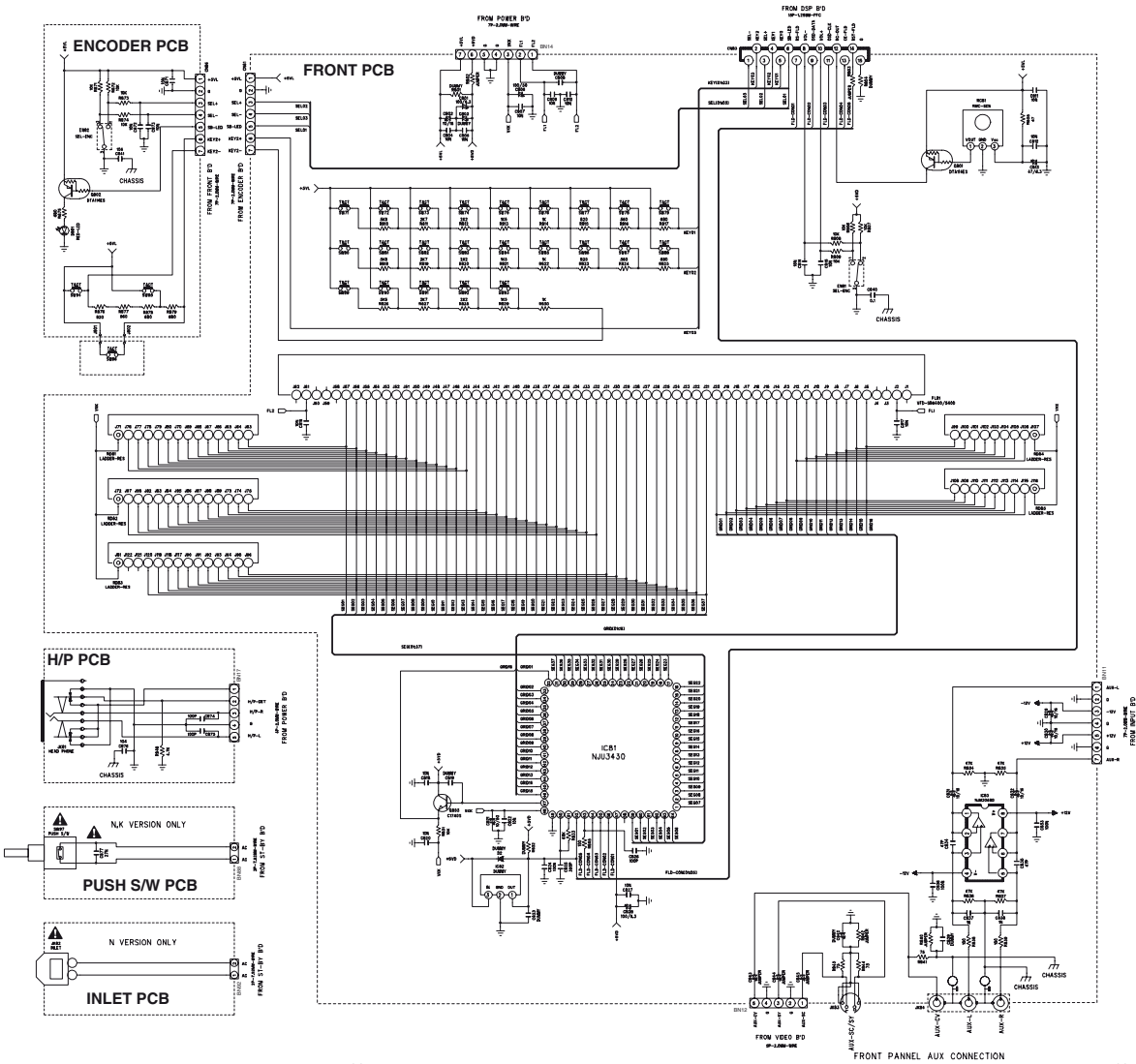


INPUT PCB  
-4/4

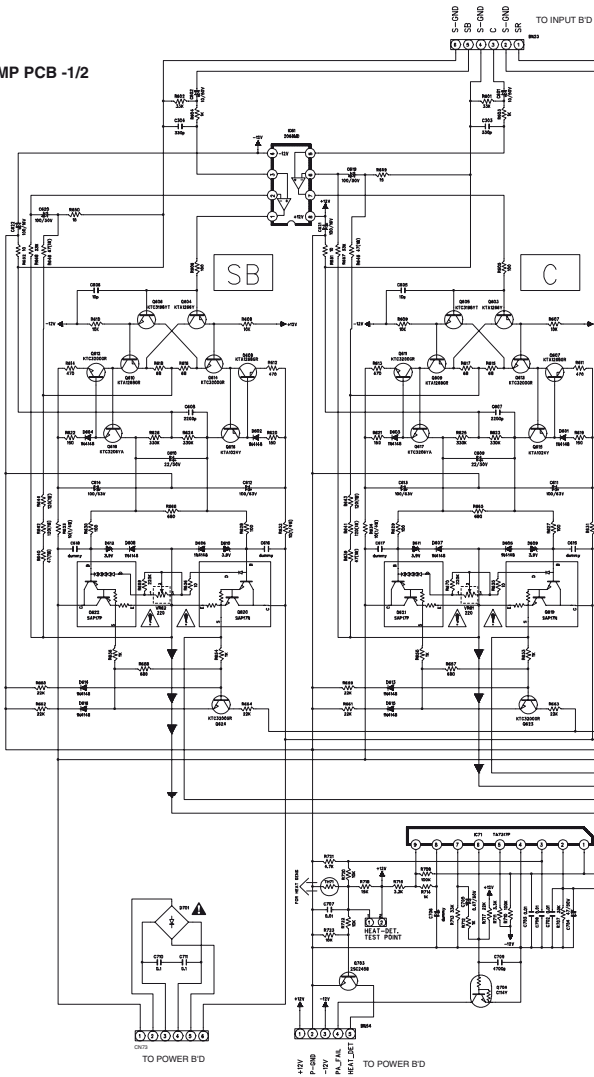




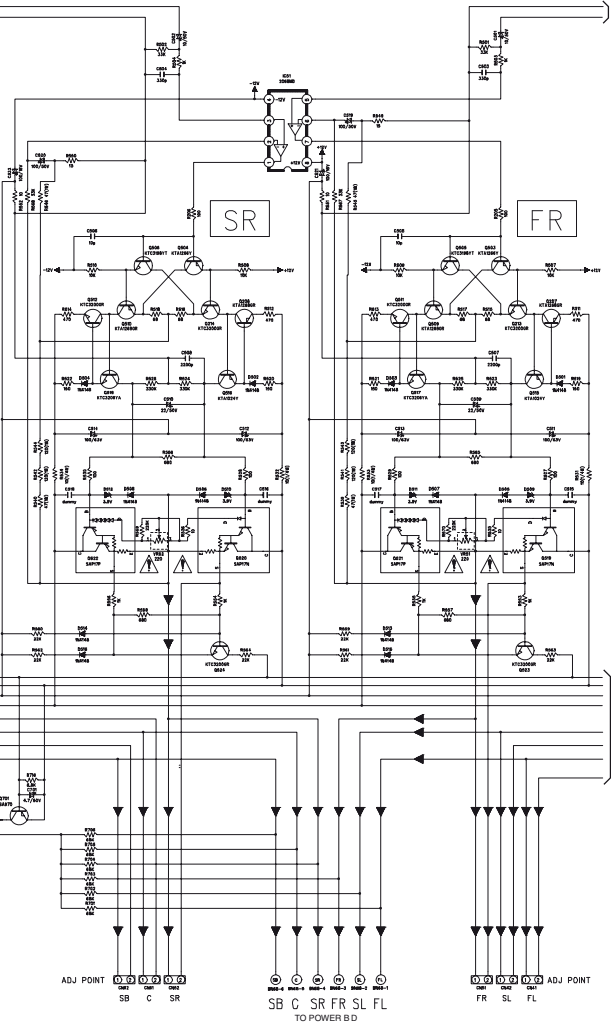




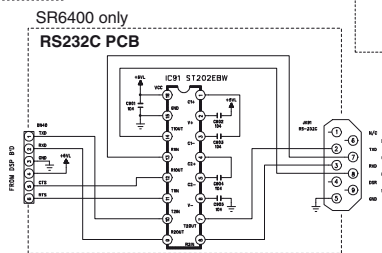
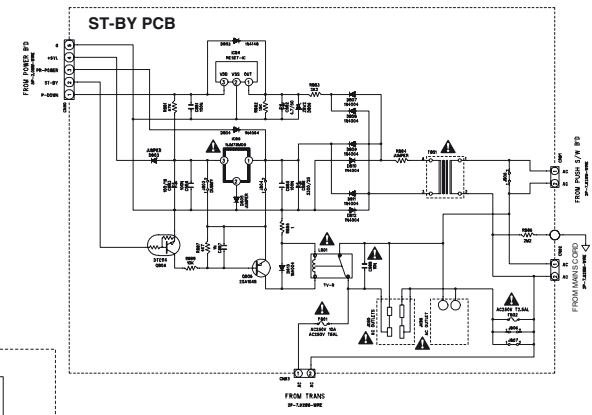
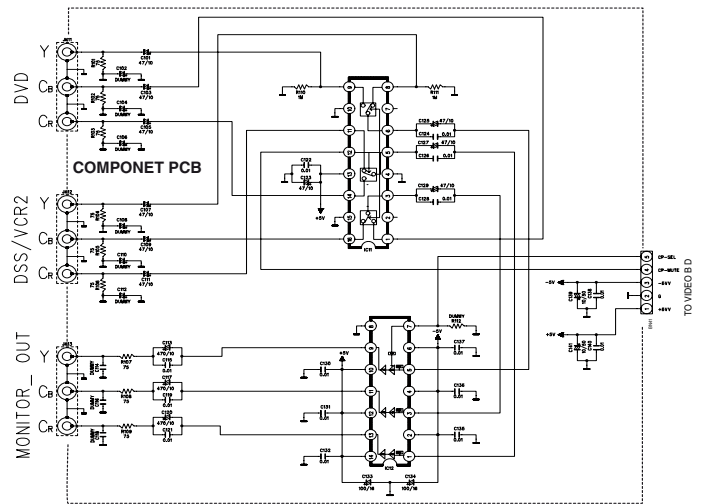
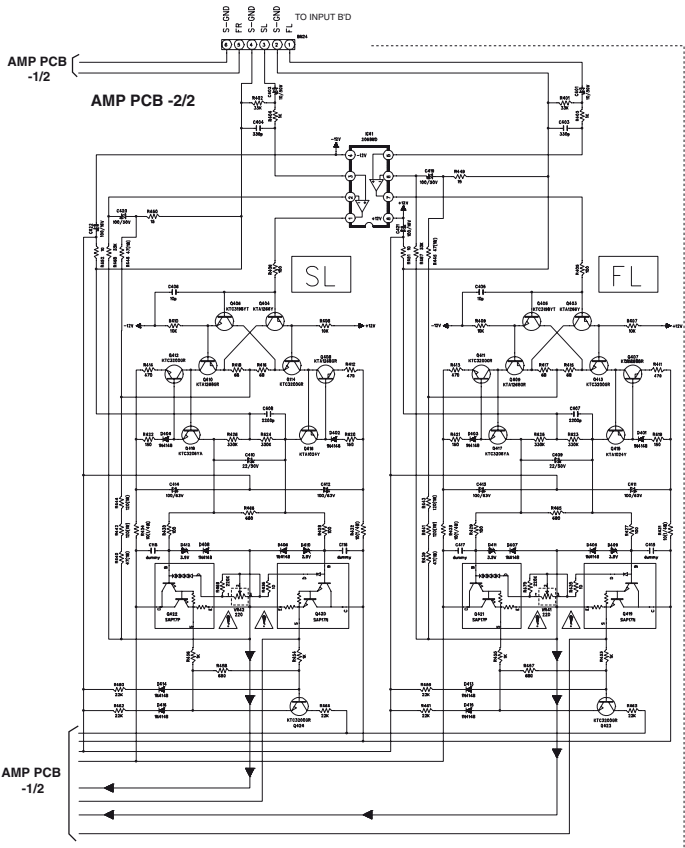
AMP PCB -1/2

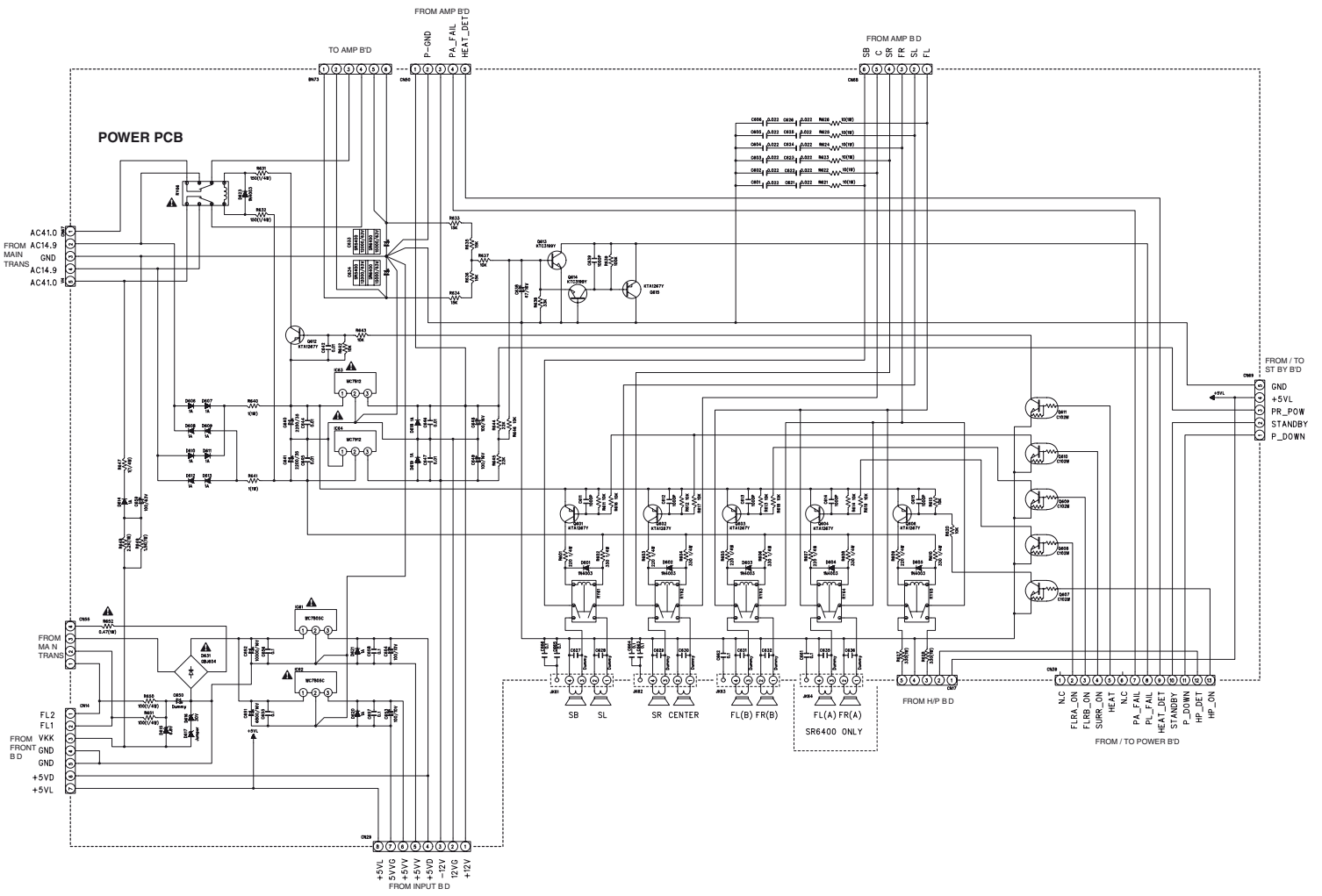


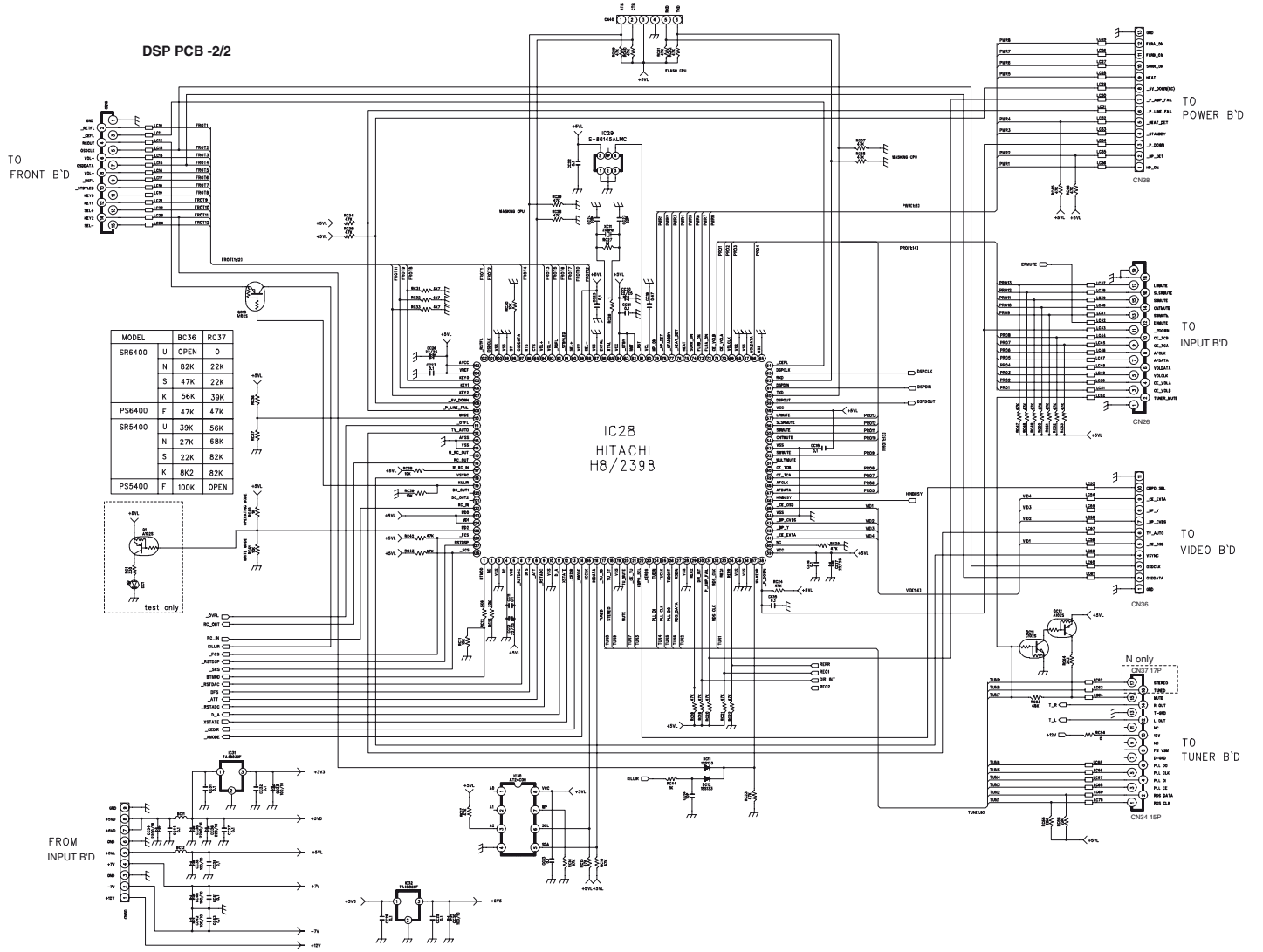
AMP PCB -2/2





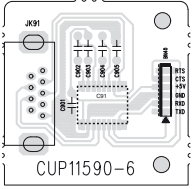




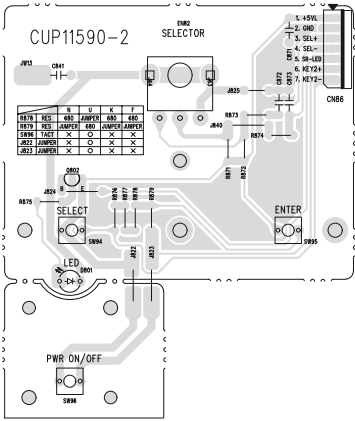


6. PARTS LOCATION

RS232C [SR6400 only]  
IC91



ENCODER & TACT  
Q802



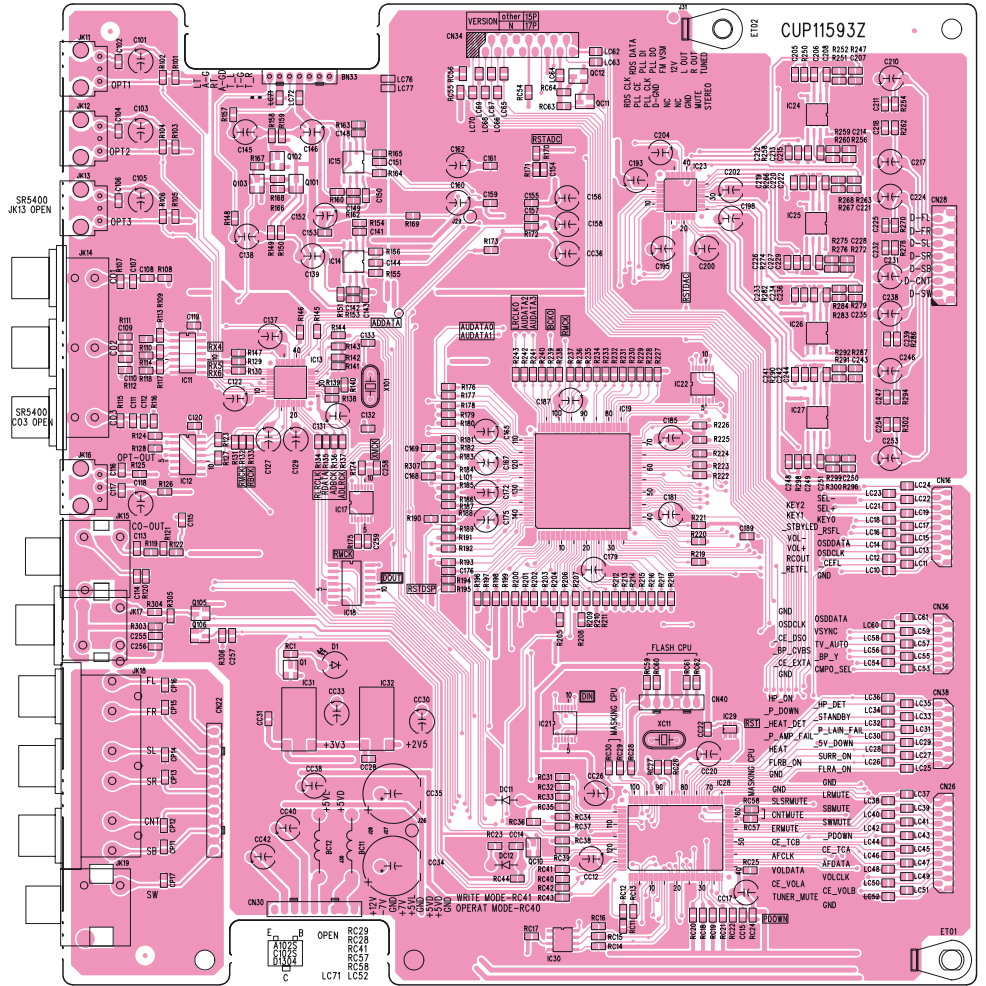
DSP A

IC101 - IC103 IC14 IC15  
IC11 IC12 IC13 IC17 IC18  
Q105 Q106 Q1 IC31 IC32

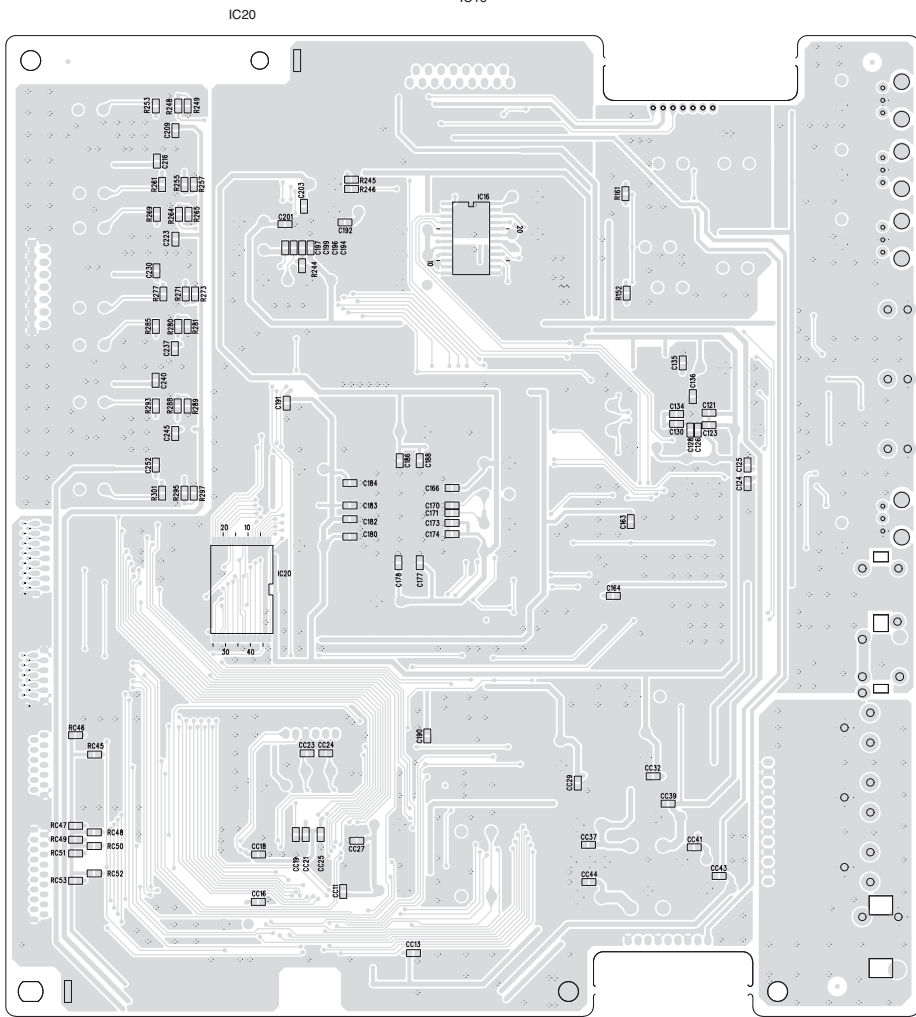
QC12 QC11  
IC19  
QC10 IC21 IC30

IC23  
IC22  
IC29

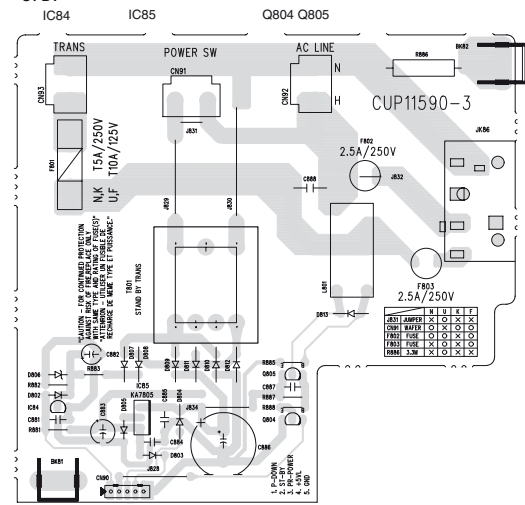
IC24 IC25  
IC26 IC27



DSP B



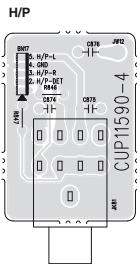
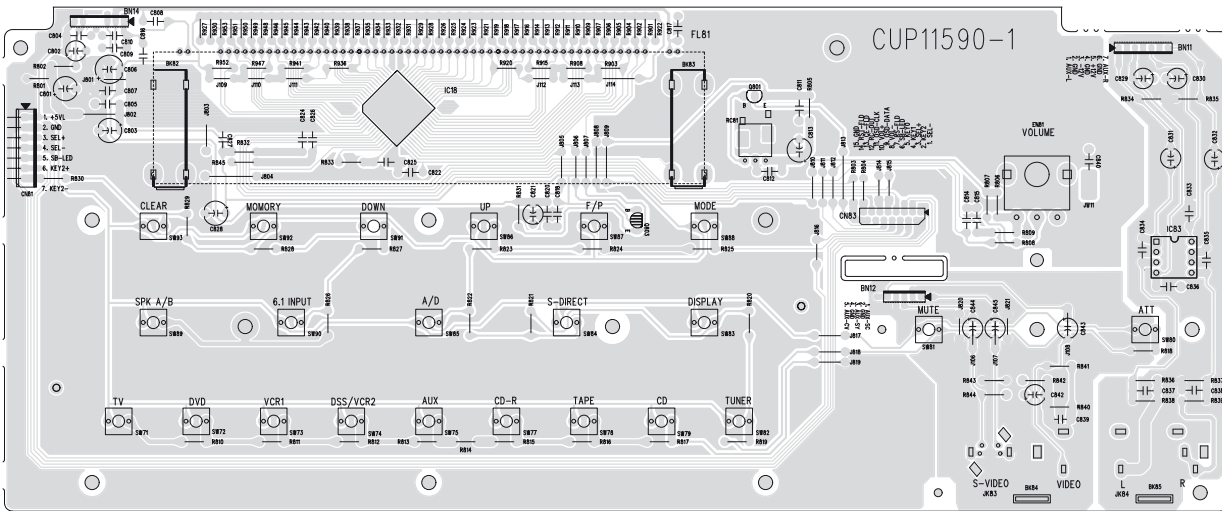
ST-BY



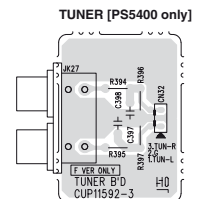
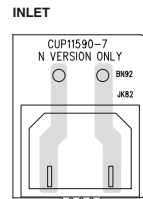
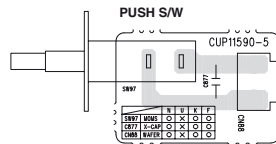
FRONT

IC81

IC83

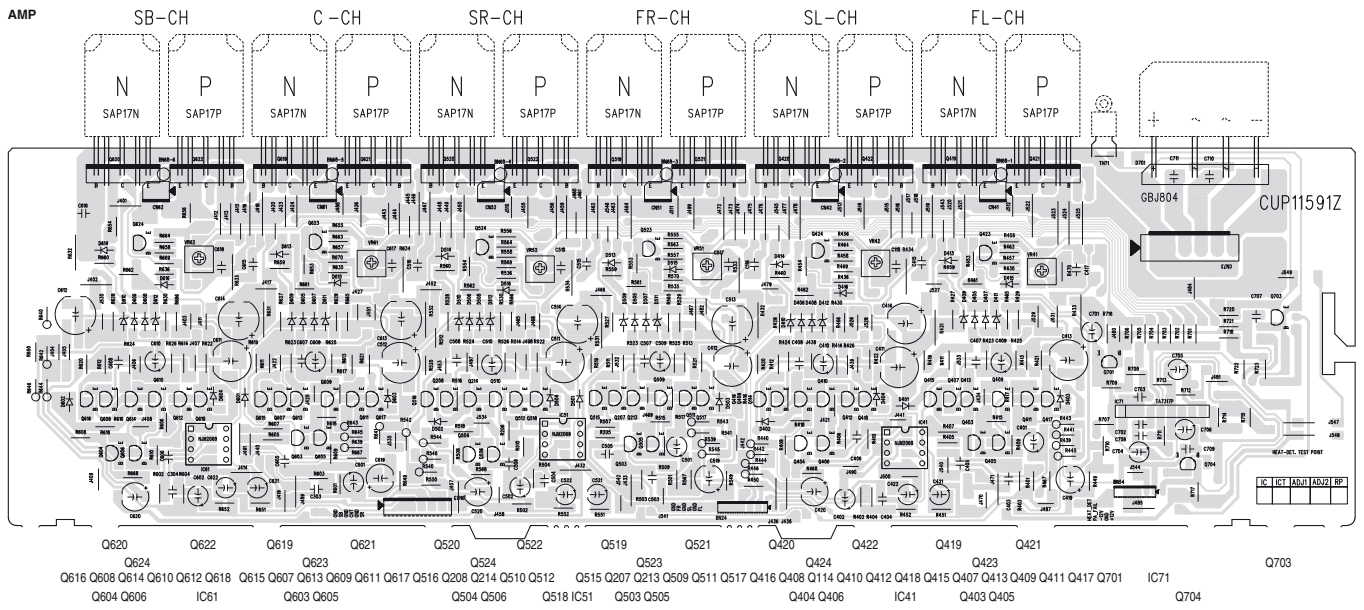


35

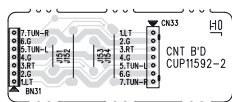


36

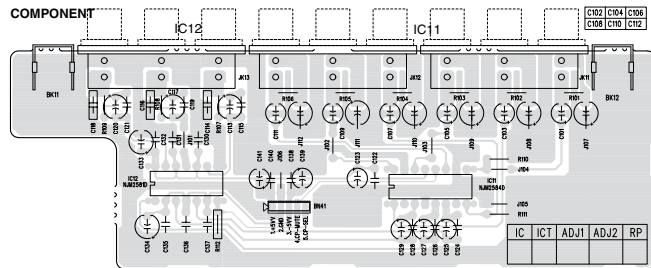
AMP



CNT

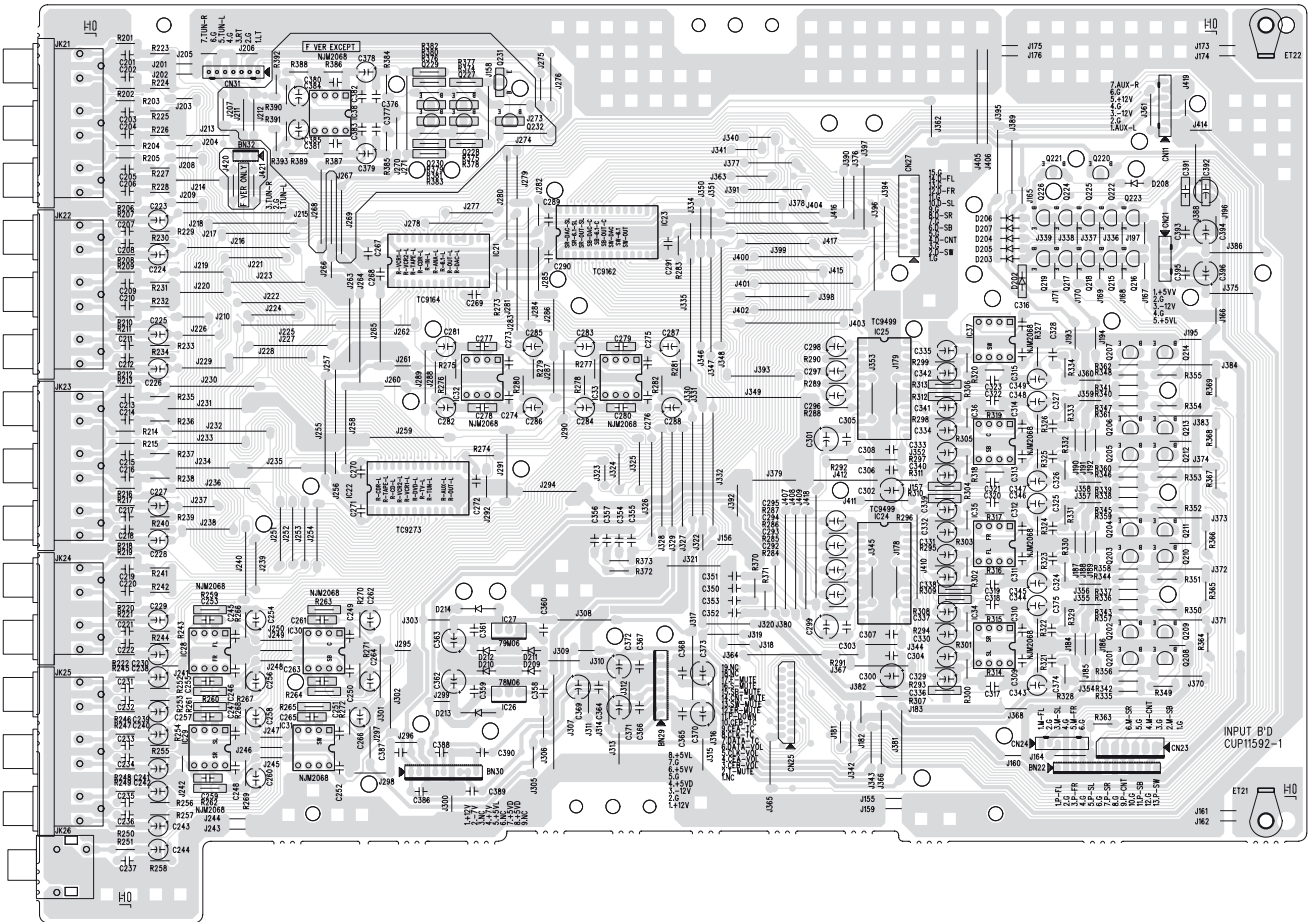


COMPONENT



INPUT

IC28 IC29 IC38 IC30 IC31 IC22 IC21 IC32 IC27 IC26 IC23 IC33 IC25 IC24 IC36 IC37 IC34 IC35 Q215-Q219 Q220-226 Q205-Q207 Q212-Q214 Q201-Q204 Q208-Q211





POWER  
Q601-Q604

Q608-Q610

Q607 Q606

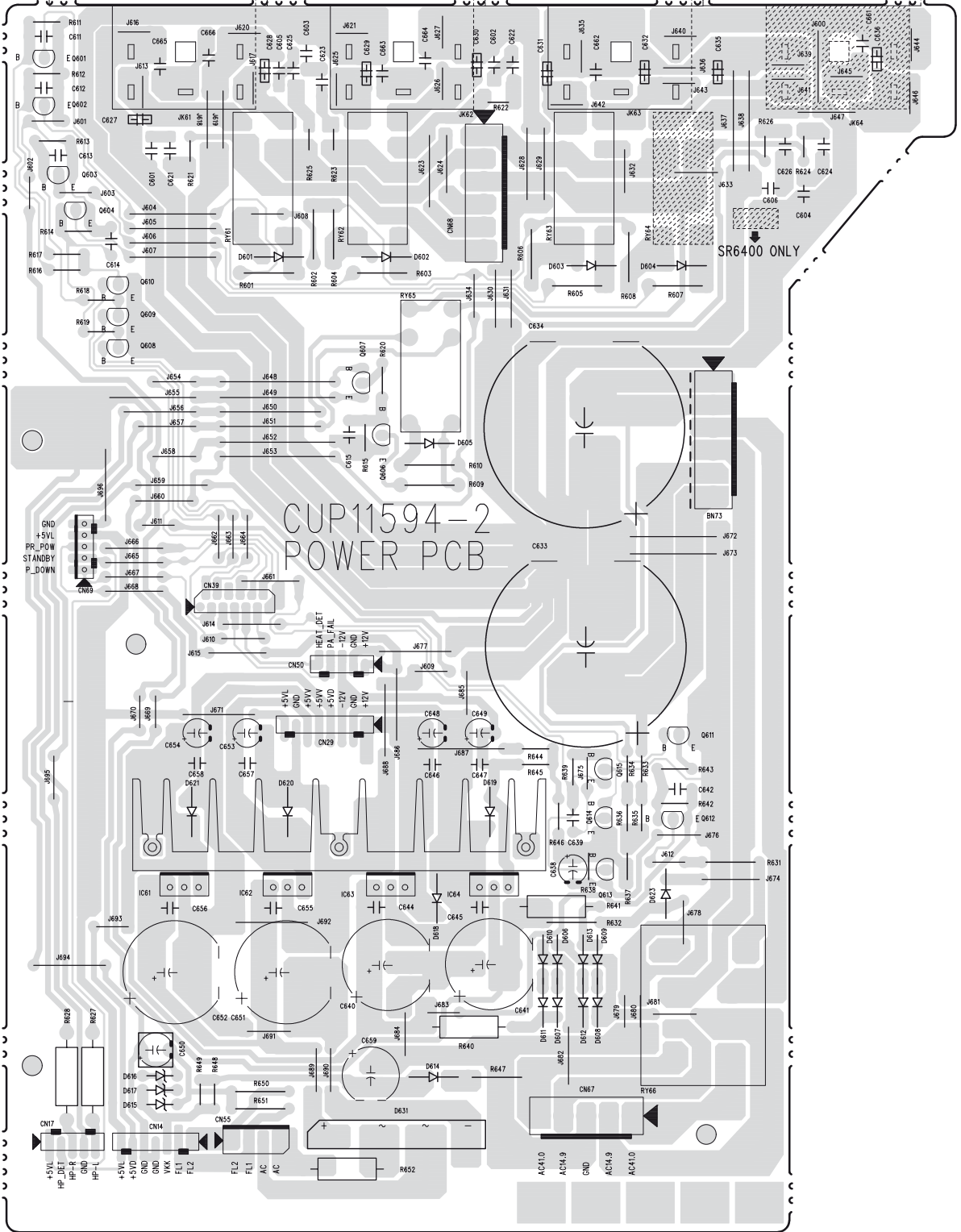
Q611-Q615

IC61

IC62

IC63

IC64



CUP11594-2  
POWER PCB

SR6400 ONLY

GND  
+5V  
PP\_PDOWN  
STANDBY  
P\_DOWN

+5V  
HP\_DET  
HP\_P  
HP\_N  
HP\_L

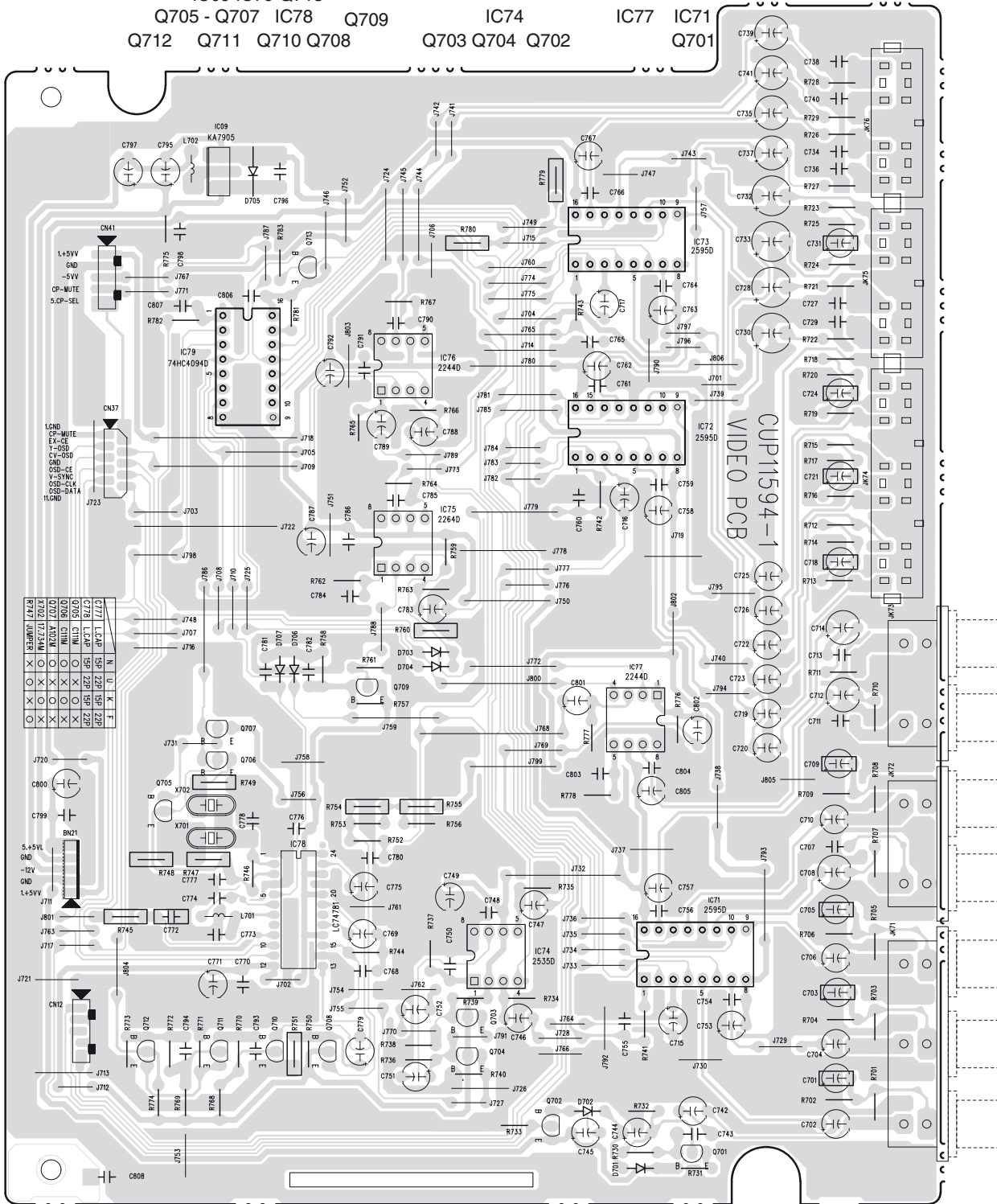
+5V  
+5V  
GND  
VAK  
FL1  
FL2

FL1  
FL2  
AC

AC41.0  
AC4.9  
GND  
AC4.9  
AC41.0

**VIDEO**

IC09 IC79 Q713 IC76 IC75 IC73 IC72  
 Q705 - Q707 IC78 Q709 IC74 IC77 IC71  
 Q712 Q711 Q710 Q708 Q703 Q704 Q702 Q701



|      | N | U | L | K | F |
|------|---|---|---|---|---|
| C771 | L | C | A | P |   |
| C778 | L | C | A | P |   |
| Q705 | L | S | Z | P |   |
| Q706 | L | S | Z | P |   |
| Q707 | L | S | Z | P |   |
| Q708 | L | S | Z | P |   |
| Q709 | L | S | Z | P |   |
| Q710 | L | S | Z | P |   |
| Q711 | L | S | Z | P |   |
| Q712 | L | S | Z | P |   |
| Q713 | L | S | Z | P |   |
| Q714 | L | S | Z | P |   |
| Q715 | L | S | Z | P |   |
| Q716 | L | S | Z | P |   |
| Q717 | L | S | Z | P |   |
| Q718 | L | S | Z | P |   |
| Q719 | L | S | Z | P |   |
| Q720 | L | S | Z | P |   |
| Q721 | L | S | Z | P |   |
| Q722 | L | S | Z | P |   |
| Q723 | L | S | Z | P |   |
| Q724 | L | S | Z | P |   |
| Q725 | L | S | Z | P |   |
| Q726 | L | S | Z | P |   |
| Q727 | L | S | Z | P |   |
| Q728 | L | S | Z | P |   |
| Q729 | L | S | Z | P |   |
| Q730 | L | S | Z | P |   |
| Q731 | L | S | Z | P |   |
| Q732 | L | S | Z | P |   |
| Q733 | L | S | Z | P |   |
| Q734 | L | S | Z | P |   |
| Q735 | L | S | Z | P |   |
| Q736 | L | S | Z | P |   |
| Q737 | L | S | Z | P |   |
| Q738 | L | S | Z | P |   |
| Q739 | L | S | Z | P |   |
| Q740 | L | S | Z | P |   |
| Q741 | L | S | Z | P |   |
| Q742 | L | S | Z | P |   |
| Q743 | L | S | Z | P |   |
| Q744 | L | S | Z | P |   |
| Q745 | L | S | Z | P |   |
| Q746 | L | S | Z | P |   |
| Q747 | L | S | Z | P |   |
| Q748 | L | S | Z | P |   |
| Q749 | L | S | Z | P |   |
| Q750 | L | S | Z | P |   |
| Q751 | L | S | Z | P |   |
| Q752 | L | S | Z | P |   |
| Q753 | L | S | Z | P |   |
| Q754 | L | S | Z | P |   |
| Q755 | L | S | Z | P |   |
| Q756 | L | S | Z | P |   |
| Q757 | L | S | Z | P |   |
| Q758 | L | S | Z | P |   |
| Q759 | L | S | Z | P |   |
| Q760 | L | S | Z | P |   |
| Q761 | L | S | Z | P |   |
| Q762 | L | S | Z | P |   |
| Q763 | L | S | Z | P |   |
| Q764 | L | S | Z | P |   |
| Q765 | L | S | Z | P |   |
| Q766 | L | S | Z | P |   |
| Q767 | L | S | Z | P |   |
| Q768 | L | S | Z | P |   |
| Q769 | L | S | Z | P |   |
| Q770 | L | S | Z | P |   |
| Q771 | L | S | Z | P |   |
| Q772 | L | S | Z | P |   |
| Q773 | L | S | Z | P |   |
| Q774 | L | S | Z | P |   |
| Q775 | L | S | Z | P |   |
| Q776 | L | S | Z | P |   |
| Q777 | L | S | Z | P |   |
| Q778 | L | S | Z | P |   |
| Q779 | L | S | Z | P |   |
| Q780 | L | S | Z | P |   |
| Q781 | L | S | Z | P |   |
| Q782 | L | S | Z | P |   |
| Q783 | L | S | Z | P |   |
| Q784 | L | S | Z | P |   |
| Q785 | L | S | Z | P |   |
| Q786 | L | S | Z | P |   |
| Q787 | L | S | Z | P |   |
| Q788 | L | S | Z | P |   |
| Q789 | L | S | Z | P |   |
| Q790 | L | S | Z | P |   |
| Q791 | L | S | Z | P |   |
| Q792 | L | S | Z | P |   |
| Q793 | L | S | Z | P |   |
| Q794 | L | S | Z | P |   |
| Q795 | L | S | Z | P |   |
| Q796 | L | S | Z | P |   |
| Q797 | L | S | Z | P |   |
| Q798 | L | S | Z | P |   |
| Q799 | L | S | Z | P |   |

## 7. IC DATA

IC29 : S-80145

S-801 Series

SOT-23-5

| No. | Test item                           | Test Condition   | Test Time  | r/n  |
|-----|-------------------------------------|--|------------|------|
| 1   | # High Temperature Bias             | Ta=125 °C V <sub>DD</sub> =Vabs max.×0.9   | 1000 h     | 0/22 |
| 2   | # Temperature Humidity Bias         | Ta=85 °C RH=85 % V <sub>DD</sub> =Vabs max.×0.9  | 1000 h     | 0/22 |
| 3   | # Un-saturated Pressure Cooker Bias | Ta=125 °C RH=85 % P=2×10 <sup>5</sup> Pa<br>V <sub>DD</sub> =Vabs max.×0.9                               | 100 h      | 0/22 |
| 4   | # High Temperature Storage          | Tstg max.=150 °C   | 1000 h     | 0/22 |
| 5   | # Low Temperature Storage           | Tstg min.=−65 °C   | 1000 h     | 0/22 |
| 6   | # Temperature Cycle ( Gas phase )   | Tstg max.=150 °C , Tstg min.=−65 °C ( 30min each )   | 200 cycles | 0/22 |
| 7   | # Thermal Shock ( Liquid phase )    | Tstg max=150 °C , Tstg min.=−65 °C ( 5min each )   | 100 cycles | 0/22 |
| 8   | Solderability                       | T=230 °C ±5 °C   | 5 s        | 0/11 |
| 9   | Lead Strength (Pull test)           | Pull force ; 2.5 N   | 30 s       | 0/11 |
| 10  | Lead Strength (Bending test)        | Load ; 1.25 N<br>45 degree Bend a lead   | Twice      | 0/11 |
| 11  | ESD                                 | V=±2000 V C=100 pF R =1.5 kΩ<br>Ref. To V <sub>DD</sub> / V <sub>SS</sub> ( 5 units for each direction ) | 5 pulses   | 0/20 |
| 12  | Latch Up                            | ±100 mA ( V <sub>CLAMP</sub> = Vabs max. ) 10 ms pulse<br>V <sub>DD</sub> = Vopr max.                    | 1 pulse    | 0/5  |

Remark : Vabs max. = Absolute maximum voltage , Vopr max. =Maximum operation voltage

# : Each test designated # is performed after Pre-Treatment finished.

Pre-Treatment consists of High Temperature Storage ,Temperature Humidity Storage and Soldering Heat. (See the table below.)

| Pre Treatment       |                                |                                      |
|---------------------|--------------------------------|--------------------------------------|
| High Temp. Storage  | Temperature Humidity Storage   | Soldering Heat                       |
| Ta=125 °C<br>t=24 h | Ta=85 °C<br>RH=65 %<br>t=168 h | Solder Dipping<br>T=260 °C<br>t=10 s |

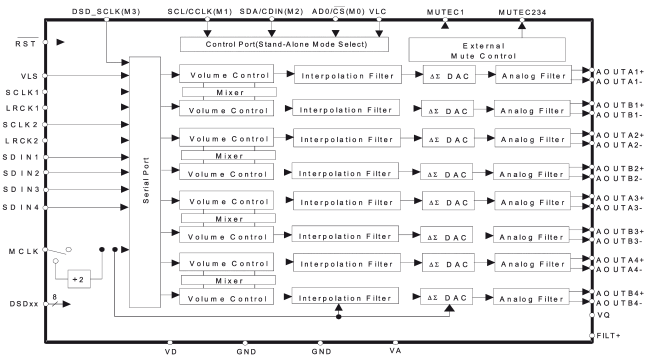
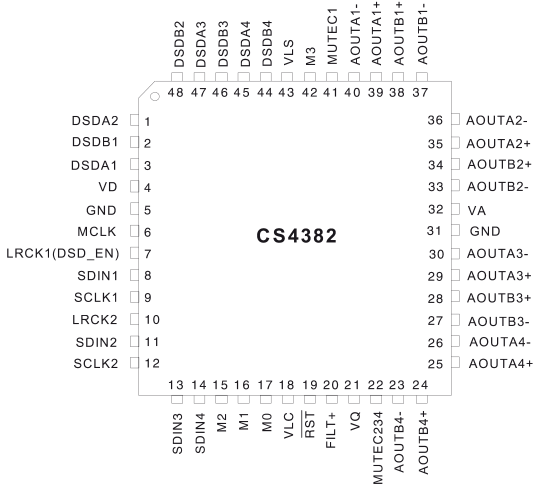
IC28 : H8S/2398(HD64F2398F20)

| Pin | Port mode = 7 | I/O | Use   | STBY | Name        | Port Setting |      | Note                                      |
|-----|---------------|-----|-------|------|-------------|--------------|------|---|
|     |               |     |       |      |             | Act.         | init |   |
| 1   | PG3           | I/O | O     | I    | BTMOD       | L            | L    | FLASH ROM Address (A18)                   |
| 2   | PG4           | I/O | I     | I    | N.C         | -            | -    | PULL DOWN                                 |
| 3   | VSS           | I   | -     | -    | VSS         | -            | -    | GND                                       |
| 4   | VSSNC         | -   | NC    | -    | NC          | -            | -    | GND                                       |
| 5   | VCC           | I   | YES   | -    | Vcc         | -            | -    |   |
| 6   | PC0           | I/O | O     | I    | _RSTDAC     | L            | L    | DAC                                       |
| 7   | PC1           | I/O | O     | I    | DFS         | H            | L    | DAC&ADC                                   |
| 8   | PC2           | I/O | O     | I    | _ATT        | L            | H    | ADC                                       |
| 9   | PC3           | I/O | O     | I    | _RSTADC     | L            | H    | ADC                                       |
| 10  | VSS           | I   | -     | -    | VSS         | -            | -    | GND                                       |
| 11  | PC4           | I/O | O     | I    | D_A         | -            | L    | DIR or _ADC sel                           |
| 12  | PC5           | I/O | I     | I    | XSTATE      | -            | -    | DIR                                       |
| 13  | PC6           | I/O | O     | I    | _CEDIR      | L            | L    | DIR CHIP ENABLE                           |
| 14  | PC7           | I/O | O     | I    | _XMODE      | L            | L    | DIR RESET                                 |
| 15  | PB0           | I/O | O     | O    | IICCLK      | -            | L    | I2C for E2PROM                            |
| 16  | PB1           | I/O | I/O   | I/O  | IICDATA     | -            | L    | I2C for E2PROM                            |
| 17  | PB2           | I/O | I     | I    | _TU_SD      | L            | -    | Tuned                                     |
| 18  | PB3           | I/O | I     | I    | TU_ST       | H            | -    | Stereo Tune/_ MONO                        |
| 19  | VSS           | I   | -     | -    | VSS         | -            | -    | GND                                       |
| 20  | PB4           | I/O | O     | I    | TU_MUTE     | H            | H    | Tuner MUTE                                |
| 21  | PB5           | I/O | O     | I    | _CE_TU      | L            | L    | Tuner Pack                                |
| 22  | PB6           | I/O | O     | I    | _CP_mute    | -            | -    | COMP MUTE                                 |
| 23  | PB7           | I/O | O     | I    | N.C         | -            | -    |   |
| 24  | PA0           | I/O | O     | I    | TUDOUT      | -            | L    | Tuner Pack                                |
| 25  | PA1           | I/O | O     | I    | TUCLK       | -            | L    | Tuner Pack                                |
| 26  | PA2           | I/O | I     | I    | TUDIN       | -            | -    | Tuner Pack                                |
| 27  | PA3           | I/O | I     | I    | RDSDIN      | -            | -    | Tuner Pack(RDS DATA)                      |
| 28  | VSS           | I   | -     | -    | VSS         | -            | -    | GND                                       |
| 29  | PA4/_IRQ4     | I/O | INT   | I    | REQ2        | L            | -    | DSP FINTR EQ                              |
| 30  | PA5/_IRQ5     | I/O | INT/I | I    | DIR_INT     | -            | -    | DIR INT OUTPUT                            |
| 31  | PA6/_IRQ6     | I/O | INT   | I    | _P_AMP_FAIL | L            | -    | Power amp Dectect                         |
| 32  | PA7/_IRQ7     | I/O | INT   | I    | IRQ7        | -            | -    | RDS Clock                                 |
| 33  | P67/_IRQ3     | I/O | INT   | I    | REQ1        | L            | -    | DSP INTER Q                               |
| 34  | P66/_IRQ2     | I/O | INT   | I    | RERR        | H            | -    | DIR ERROR                                 |
| 35  | VSS           | I   | -     | -    | VSS         | -            | -    | GND                                       |
| 36  | VSS           | I   | -     | --   | VSS         | -            | -    | GND                                       |
| 37  | P65/_IRQ1     | I/O | INT   | INT  | WAKEUP      | ↑            | -    | STANDBY MODE Release                      |
| 38  | P64/_IRQ0     | I/O | INT   | I    | _P_DOWN     | L            | -    | Power Down Detect                         |
| 39  | VCC           | I   | YES   | -    | Vcc         | -            | -    | +5V                                       |
| 40  | PE0           | I/O | O     | I    | N.C         | -            | -    | OPEN                                      |
| 41  | PE1           | I/O | O     | I    | _CEEX       | L            | H    | P-Exp(Video)Sel A                         |
| 42  | PE2           | I/O | O     | I    | Y_OSD       | H            | L    | Y/C_OSD_IC_BYPASS                         |
| 43  | PE3           | I/O | O     | I    | CVBS_OSD    | H            | L    | CVBS_OSD_IC_BYPASS                        |
| 44  | VSS           | I   | -     | -    | VSS         | -            | -    | GND                                       |
| 45  | PE4           | I/O | O     | I    | _CEOSD      | L            | H    | Video Circuit                             |
| 46  | PE5           | I/O | I     | I    | HINBSY      | -            | -    | DSP Busy Signal                           |
| 47  | PE6           | I/O | O     | I    | AFDATA      | -            | L    | Analog Switch DATA                        |
| 48  | PE7           | I/O | O     | I    | AFCLK       | -            | L    | Analog Switch CLOCK                       |
| 49  | PD0           | I/O | O     | I    | CE_TCA      | H            | L    | Analog Switch TC9273                      |
| 50  | PD1           | I/O | O     | I    | CE_TCB      | H            | L    | Analog Switch TC9262/9264                 |
| 51  | PD2           | I/O | O     | I    | N.C         | -            | -    |   |
| 52  | PD3           | I/O | O     | I    | SWMUTE      | H            | H    | SUB W MUTE                                |
| 53  | VSS           | I   | -     | -    | VSS         | -            | -    | GND                                       |
| 54  | PD4           | I/O | O     | I    | CNTMUTE     | H            | H    | CENTER SP MUTE                            |
| 55  | PD5           | I/O | O     | I    | SBMUTE      | H            | H    | SRR B MUTE                                |
| 56  | PD6           | I/O | O     | I    | SL/SRMUTE   | H            | H    | SL SR MUTE                                |
| 57  | PD7           | I/O | O     | I    | L/RMUTE     | H            | H    | FRONT L R MUTE                            |
| 58  | VCC           | I   | YES   | I    | Vcc         | -            | -    | +5V                                       |
| 59  | P30/TxD0      | I/O | SO    | I    | DSPDOUT     | -            | -    | DSP DIR Control Data OUT                  |
| 60  | P31/TxD1      | I/O | SO    | SO   | TXD         | -            | H    | Flash WR need Pull Up                     |
| 61  | P32/RxD0      | I/O | SI    | I    | DSPDIN      | -            | -    | DSP DIR Control Data IN                   |
| 62  | P33/RxD1      | I/O | SI    | SI   | RXD         | -            | -    | Flash WR need Pull Up/Reset release is H. |
| 63  | P34/SCK0      | I/O | SC    | I    | DSPCLK      | -            | -    | DSP DIR Control CLOCK                     |
| 64  | P35/SCK1      | I/O | O     | I    | _CEFL       | L            | L    | FL Driver chip sel                        |
| 65  | VSS           | I   | -     | -    | VSS         | -            | -    | GND                                       |
| 66  | P60/_DREQ0    | I/O | O     | I    | VOLDATA     | -            | L    | Volume IC DATA                            |
| 67  | VSS           | I   | -     | -    | VSS         | -            | -    | GND                                       |
| 68  | VSS           | I   | -     | -    | VSS         | -            | -    | GND                                       |
| 69  | P61/_TEND0    | I/O | O     | I    | VOLCLK      | -            | L    | Volume IC CLOCK                           |
| 70  | P62/_DREQ1    | I/O | O     | I    | CE_VOLA     | H            | L    | Volume IC Chip Sel A                      |
| 71  | P63/_TEND1    | I/O | O     | I    | CE_VOLB     | H            | L    | Volume IC Chip Sel B                      |

**IC28 : H8S/2398(HD64F2398F20)**

| Pin | Port mode = 7         | I/O | Use   | STBY | Name        | Port Setting |      | Note   |
|-----|-----------------------|-----|-------|------|-------------|--------------|------|--|
|     |                       |     |       |      |             | Act.         | init |  |
| 72  | P27/PO7/TIOCB5/TMO1   | I/O | O     | I    | FLRA_ON     | H            | L    | SPK A SELECT                                       |
| 73  | P26/PO6/TIOCA5/TMO0   | I/O | O     | I    | FLRB_ON     | H            | L    | SPK B SELECT                                       |
| 74  | P25/PO5/TIOCB4/TMCH1  | I/O | O     | I    | SURR_ON     | H            | L    | SURR/CNT/SB SPK ON                                 |
| 75  | P24/PO4/TIOCA4/TMRI1  | I/O | O     | I    | HEAT        | H            | L    | Power Amp±B_L_Sel                                  |
| 76  | P23/PO3/TIOCD3/TMCI0  | I/O | I     | I    | _HEAT_DET   | H            | -    | Power Amp Heat sink TempDetect                     |
| 77  | P22/PO2/TIOCC3/TMRI0  | I/O | O     | I    | _STANDBY    | L            | L    | Standby Power                                      |
| 78  | P21/PO1/TIOCB3        | I/O | I     | I    | _HP_DET     | L            | -    | HP Jack Detect                                     |
| 79  | P20/PO0/TIOCA3        | I/O | O     | I    | HP_ON       | H            | L    | HEAD PHONE ON                                      |
| 80  | VCL                   | I   | -     | I    | VCL         | -            | -    |  |
| 81  | _RES                  | I   | YES   | I    | _RST        | L            | -    | Reset  |
| 82  | NMI                   | I   | NO    | I    | NMI         | -            | -    | Fix H ( At the time of the un-use )                |
| 83  | _STBY                 | I   | NO    | I    | _STBY       | L            | H    | FixH   |
| 84  | VCC                   | I   | YES   | I    | Vcc         | -            | -    | +5V  |
| 85  | XTAL                  | I   | YES   | I    | XTAL        | -            | -    | Xtal(20M)  |
| 86  | EXTAL                 | I   | YES   | I    | EXTAL       | -            | -    | Xtal(20M)  |
| 87  | VSS                   | I   | -     | -    | VSS         | -            | -    | GND  |
| 88  | PF7/                  | I/O | I     | I    | SEL-        | -            | -    | Front Select. Encoder                              |
| 89  | VCC                   | I   | YES   | -    | Vcc         | -            | -    | +5V  |
| 90  | PF6                   | I/O | I     | I    | SEL+        | -            | -    | Front Select. Encoder                              |
| 91  | PF5                   | I/O | O     | O    | _STBY LED   | L            | H    | Standby LED On                                     |
| 92  | PF4                   | I/O | O     | I    | _RSFL       | L            | L    | Front FL Driver                                    |
| 93  | PF3                   | I/O | I     | I    | VOL-        | -            | -    | Front Vol. Encoder                                 |
| 94  | PF2                   | I/O | I     | I    | VOL+        | -            | -    | Front Vol. Encoder                                 |
| 95  | PF1                   | I/O | I     | I    | CTS         | -            | -    | UART   |
| 96  | PF0                   | I/O | O     | O    | RTS         | -            | H    | UART   |
| 97  | P50/TxD2/_IRQ4        | I/O | SO    | I    | OSDDATA     | -            | -    | Front FL & Video(OSD)                              |
| 98  | P51/RxD2/_IRQ5        | I   | I     | I    | N.C         | -            | -    | PULL DOWN  |
| 99  | VSS                   | I   | -     | -    | VSS         | -            | -    | GND  |
| 100 | VSS                   | I   | -     | -    | VSS         | -            | -    | GND  |
| 101 | P52/SCK2/_IRQ6        | I/O | SC    | I    | OSDCLK      | -            | -    | Front FL & Video(OSD)                              |
| 102 | P53/_ADTRG/_IRQ7      | I/O | O     | I    | _RSTFL      | L            | L    | Reset FL Driver                                    |
| 103 | AVCC                  | I   | -     | -    | AVCC        | -            | -    | +5V  |
| 104 | Vref                  | I   | -     | -    | VREF        | -            | -    | +5V  |
| 105 | P40/AN0               | I   | AD    | AD   | KEY0        | -            | -    | Front Key  |
| 106 | P41/AN1               | I   | AD    | AD   | KEY1        | -            | -    | Front Key  |
| 107 | P42/AN2               | I   | AD    | AD   | KEY2        | -            | -    | Front Key  |
| 108 | P43/AN3               | I   | AD    | AD   | _5V_DOWN    | -            | -    | Detect 5V  |
| 109 | P44/AN4               | I   | AD    | AD   | P_LINE_FAIL | -            | -    | Emergency Protection                               |
| 110 | P45/AN5               | I   | AD    | AD   | MODE        | -            | -    | CPU mode   |
| 111 | P46/AN6/DA0           | I   | I     | I    | _OVFL       | H            | -    | Peak Indicator                                     |
| 112 | P47/AN7/DA1           | I   | AD    | AD   | TV_AUTO     | H            | L    | TV Video Detect                                    |
| 113 | AVSS                  | I   | -     | -    | VSS         | -            | -    | GND  |
| 114 | VSS                   | I   | -     | -    | VSS         | -            | -    | GND  |
| 115 | P17/PO15/TIOCB2/TCLKD | I/O | I     | I    | N.C         | -            | -    |  |
| 116 | P16/PO14/TIOCA2       | I/O | T_OUT | I    | RC_OUT      | -            | L    | RC BUS output                                      |
| 117 | P15/PO13/TIOCB1/TCLKC | I/O | I     | I    | N.C         | -            | -    |  |
| 118 | P14/PO12/TIOCA1       | I/O | T_IN  | I    | VSYNC       | ↑            | -    | V-sync Det. & Change OSD                           |
| 119 | P13/PO11/TIOCD0/TCLKB | I/O | O     | O    | KILLIR      | H            | L    | Kill to IR input signal.                           |
| 120 | P12/PO10/TIOCC0/TCLKA | I/O | I     | I    | N.C         | -            | -    |  |
| 121 | P11/PO9/TIOCB0/_DACK1 | I/O | I     | I    | N.C         | -            | -    |  |
| 122 | P10/PO8/TIOCA0/_DACK0 | I/O | T_IN  | T_IN | RC_IN       | ↓↑           | -    | IR In for RC-5Input polarity is reverse to SR7300. |
| 123 | MD0                   | I   | YES   | YES  | MD0         | -            | -    | +5V  |
| 124 | MD1                   | I   | YES   | YES  | MD1         | -            | -    | Fix H  |
| 125 | MD2                   | I   | YES   | YES  | MD2         | -            | -    | Normal :H, Boot :L                                 |
| 126 | PG0                   | I/O | O     | I    | _FCS        | L            | H    | DSP CHIP ENABLE                                    |
| 127 | PG1                   | I/O | O     | I    | _RSTDSP     | L            | L    | DSP  |
| 128 | PG2                   | I/O | O     | I    | _SCS        | L            | H    | DSP CHIP ENABLE                                    |

IC23 : CS4382



Pin Name I/O #

|       |           |   |
|-------|-----------|---|
| VD    | 4         | <b>Digital Power (Input)</b> - Positive power supply for the digital section. Refer to the Recommended Operating Conditions for appropriate voltages.   |
| GND   | 5<br>  31 | <b>Ground (Input)</b> - Ground reference. Should be connected to analog ground.   |
| MCLK  | 6         | <b>Master Clock (Input)</b> - Clock source for the delta-sigma modulator and digital filters. Table 5 illustrates several standard audio sample rates and the required master clock frequency.  |
| LRCK1 | 7         | <b>Left Right Clock (Input)</b> - Determines which channel, Left or Right, is currently active on the serial audio data line. The frequency of the left/right clock must be at the audio sample rate, Fs.   |
| LRCK2 | 10        |   |
| SDIN1 | 8         | <b>Serial Audio Data Input (Input)</b> - Input for two's complement serial audio data.  |
| SDIN2 | 11        |   |
| SDIN3 | 13        |   |
| SDIN4 | 14        |   |
| SCLK1 | 9         | <b>Serial Clock (Input)</b> - Serial clock for the serial audio interface.  |
| SCLK2 | 12        |   |
| VLC   | 18        | <b>Control Port Power (Input)</b> - Determines the required signal level for the control port. Refer to the Recommended Operating Conditions for appropriate voltages.  |
| RST   | 19        | <b>Reset (Input)</b> - The device enters a low power mode and all internal registers are reset to their default settings when low.  |
| FILT+ | 20        | <b>Positive Voltage Reference (Output)</b> - Positive reference voltage for the internal sampling circuits. Requires the capacitive decoupling to analog ground, as shown in the Typical Connection Diagram.  |
| VQ    | 21        | <b>Quiescent Voltage (Output)</b> - Filter connection for internal quiescent voltage. VQ must be capacitively coupled to analog ground, as shown in the Typical Connection Diagram. The nominal voltage level is specified in the Analog Characteristics and Specifications section. VQ presents an appreciable source impedance and any current drawn from this pin will alter device performance. However, VQ can be used to bias the analog circuitry assuming there is no AC signal component and the DC current is less than the maximum specified in the Analog Characteristics and Specifications section. |

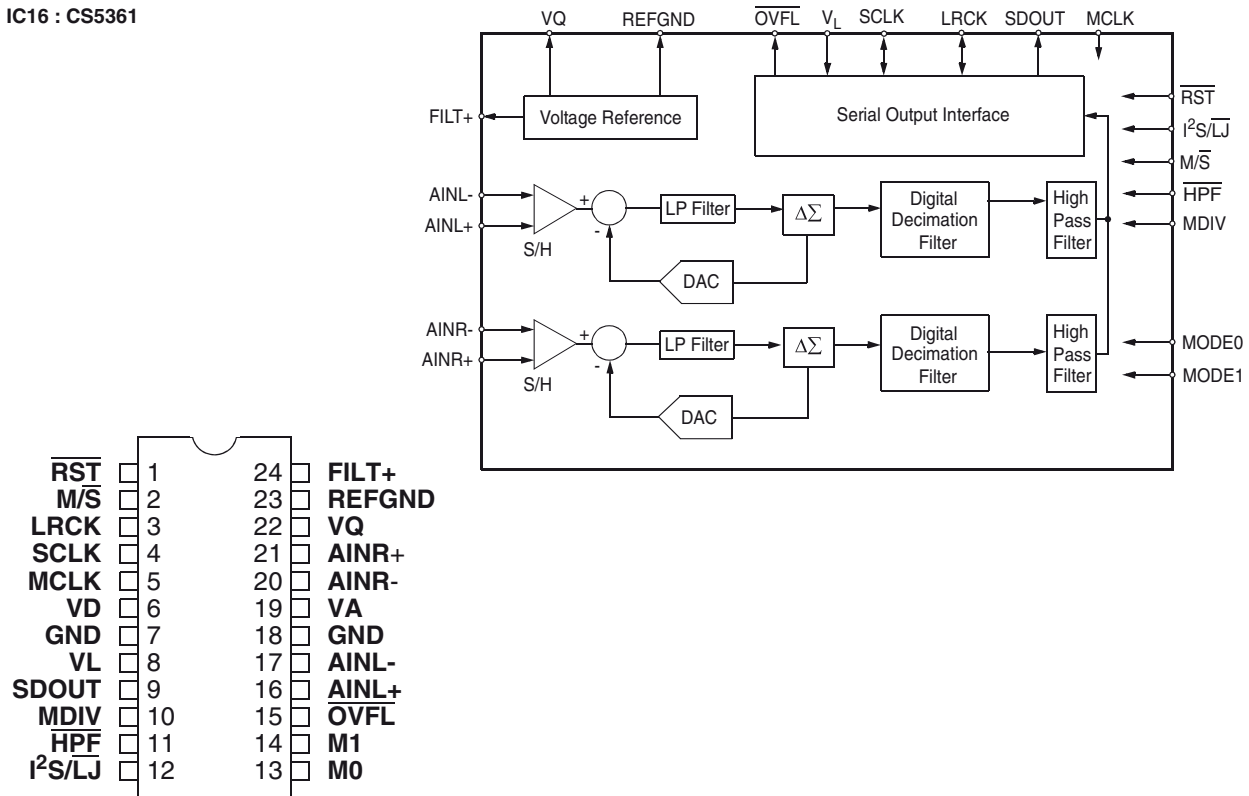
| Pin Name               | I/O | #      |  |
|------------------------|-----|--------|--|
| MUTE <sub>C1</sub>     | O   | 41     | <b>Mute Control (Output)</b> - The Mute Control pins go high during power-up initialization, reset, muting, power-down or if the master clock to left/right clock frequency ratio is incorrect. These pins are intended to be used as a control for external mute circuits to prevent the clicks and pops that can occur in any single supply system. The use of external mute circuits are not mandatory but may be desired for designs requiring the absolute minimum in extraneous clicks and pops. |
| MUTE <sub>C234</sub>   | O   | 22     |  |
| AOUT <sub>A1</sub> +,- | O   | 39, 40 | <b>Differential Analog Output (Output)</b> - The full scale differential analog output level is specified in the Analog Characteristics specification table.   |
| AOUT <sub>B1</sub> +,- | O   | 38, 37 |  |
| AOUT <sub>A2</sub> +,- | O   | 35, 36 |  |
| AOUT <sub>B2</sub> +,- | O   | 34, 33 |  |
| AOUT <sub>A3</sub> +,- | O   | 29, 30 |  |
| AOUT <sub>B3</sub> +,- | O   | 28, 27 |  |
| AOUT <sub>A4</sub> +,- | O   | 25, 26 |  |
| AOUT <sub>B4</sub> +,- | O   | 24, 23 |  |
| VA                     | I   | 32     | <b>Analog Power (Input)</b> - Positive power supply for the analog section. Refer to the Recommended Operating Conditions for appropriate voltages.  |
| VLS                    | I   | 43     | <b>Serial Audio Interface Power (Input)</b> - Determines the required signal level for the serial audio interface. Refer to the Recommended Operating Conditions for appropriate voltages.   |

### Stand-Alone Definitions

|    |    |  |
|----|----|--|
| M0 | 17 | <b>Mode Selection (Input)</b> - Determines the operational mode of the device as detailed in Tables 6 and 7. |
| M1 | 16 | <b>FIXED GND</b>   |
| M2 | 15 | <b>FIXED GND</b>   |
| M3 | 42 |  |

### DSD Definitions

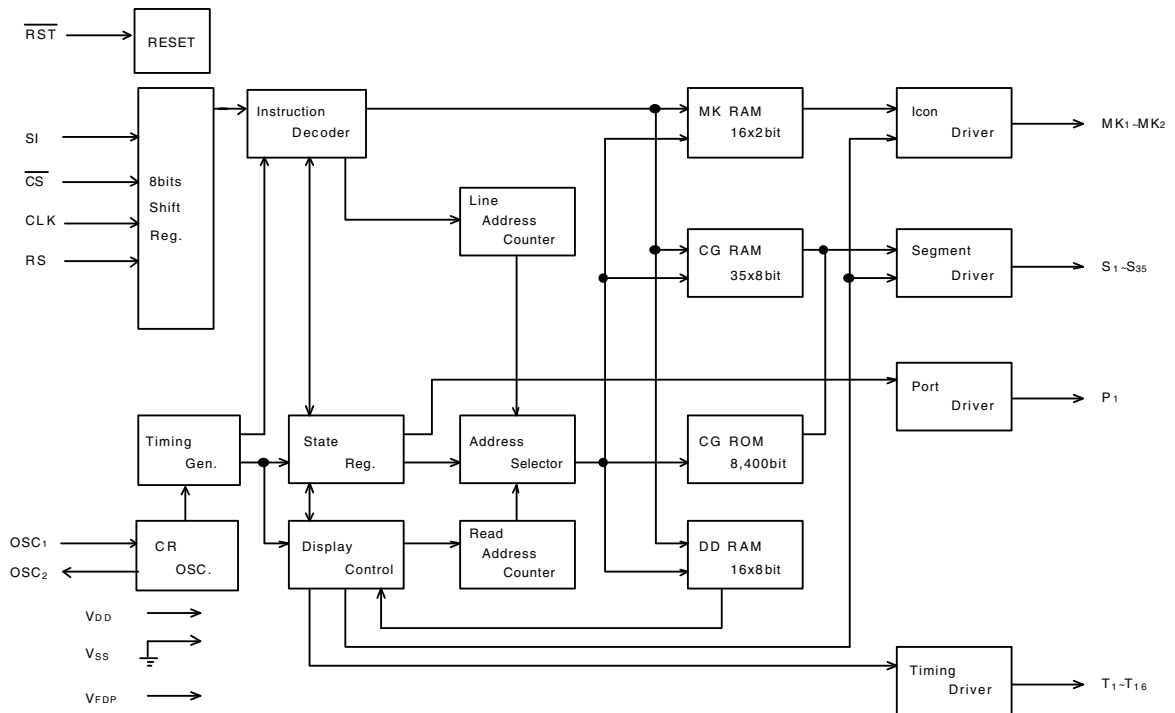
|       |    |                  |
|-------|----|------------------|
| DSDA1 | 3  | <b>FIXED GND</b> |
| DSDB1 | 2  | <b>FIXED GND</b> |
| DSDA2 | 1  | <b>FIXED GND</b> |
| DSDB2 | 48 | <b>FIXED GND</b> |
| DSDA3 | 47 | <b>FIXED GND</b> |
| DSDB3 | 46 | <b>FIXED GND</b> |
| DSDA4 | 45 | <b>FIXED GND</b> |
| DSDB4 | 44 | <b>FIXED GND</b> |



| Pin Name                 | #    | Pin Description   |
|--------------------------|------|---|
| $\overline{\text{RST}}$  | 1    | <b>Reset (Input)</b> - The device enters a low power mode when low.   |
| M/S                      | 2    | <b>Master/Slave Mode (Input)</b> - Selects operation as either clock master or slave.   |
| LRCK                     | 3    | <b>Left Right Clock (Input/Output)</b> - Determines which channel, Left or Right, is currently active on the serial audio data line.              |
| SCLK                     | 4    | <b>Serial Clock (Input/Output)</b> - Serial clock for the serial audio interface.   |
| MCLK                     | 5    | <b>Master Clock (Input)</b> - Clock source for the delta-sigma modulator and digital filters.   |
| VD                       | 6    | <b>Digital Power (Input)</b> - Positive power supply for the digital section.   |
| GND                      | 7,18 | <b>Ground (Input)</b> - Ground reference. Must be connected to analog ground.   |
| VL                       | 8    | <b>Logic Power (Input)</b> - Positive power for the digital input/output.   |
| SDOUT                    | 9    | <b>Serial Audio Data Output (Output)</b> - Output for two's complement serial audio data.   |
| MDIV                     | 10   | <b>MCLK Divider (Input)</b> - Enables a master clock divide by two function.  |
| HPF                      | 11   | <b>High Pass Filter Enable (Input)</b> - Enables the Digital High-Pass Filter.  |
| I <sup>2</sup> S/LJ      | 12   | <b>Serial Audio Interface Format Select (Input)</b> - Selects either the left-justified or I <sup>2</sup> S format for the SAI.                   |
| M0                       | 13   | <b>Mode Selection (Input)</b> - Determines the operational mode of the device.  |
| M1                       | 14   |   |
| $\overline{\text{OVFL}}$ | 15   | <b>Overflow (Output, open drain)</b> - Detects an overflow condition on both left and right channels.   |
| AINL+                    | 16   | <b>Differential Left Channel Analog Input (Input)</b> - Signals are presented differentially to the delta-sigma modulators via the AINL+/- pins.  |
| AINL-                    | 17   |   |
| VA                       | 19   | <b>Analog Power (Input)</b> - Positive power supply for the analog section.   |
| AINR-                    | 20   | <b>Differential Right Channel Analog Input (Input)</b> - Signals are presented differentially to the delta-sigma modulators via the AINR+/- pins. |
| AINR+                    | 21   |   |
| VQ                       | 22   | <b>Quiescent Voltage (Output)</b> - Filter connection for the internal quiescent reference voltage.   |
| REF_GND                  | 23   | <b>Reference Ground (Input)</b> - Ground reference for the internal sampling circuits.  |
| FILT+                    | 24   | <b>Positive Voltage Reference (Output)</b> - Positive reference voltage for the internal sampling circuits.                                       |

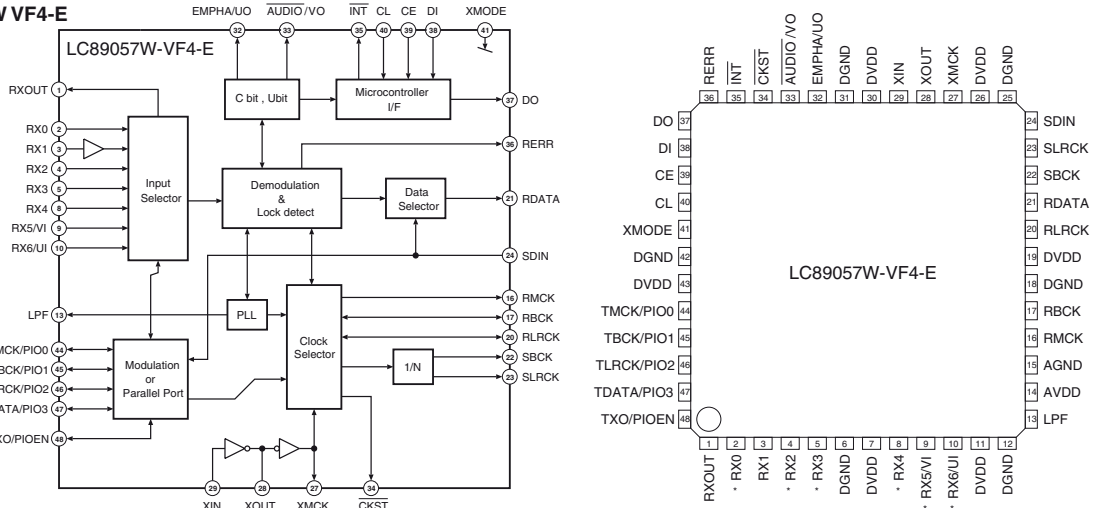


IC81 : NJU3430



| No.                  | SYMBOL     | I/O | F U N C T I O N  |
|----------------------|------------|-----|--|
| 57                   | VDD        | -   | Power Source : VDD=+3.0 to 5.5V  |
| 49                   | VSS        | -   | GND : VSS=0V   |
| 48                   | VFDP       | -   | VFD Driving Power Source<br>VDD-20V to VDD-45V   |
| 50                   | OSC1       | I   | CR Oscillation Terminal<br>External R and C connect to these terminals.<br>(Target fOSC=360kHz)  |
| 51                   | OSC2       | O   |  |
| 54                   | CLK        | I   | Serial Clock Input Terminal<br>The serial data input synchronizing the rise edge of this terminal.   |
| 53                   | CS         | I   | Chip Select Terminal<br>When the CS terminal is "H" the serial data input is not available.  |
| 55                   | SI         | I   | Serial Data Input Terminal<br>The data input is MSB first.   |
| 56                   | RS         | I   | Register Selection Signal Input Terminal<br>RS="0" : Instruction Register<br>RS="1" : Data Register  |
| 52                   | RST        | I   | Reset Terminal RST="L" : Reset<br>-Each Address : (00)H<br>-Each RAM Data : Unfixed<br>-Display Digits : 16-digit<br>-Contrast Control : 8/16 Dury<br>-All Display Off<br>-All Outputs are "L" |
| 61 to 64,<br>1 to 31 | S1 to S35  | O   | Segment Output Terminals (Internal Pull-down Resistance)   |
| 32 to 47             | T1 to T16  | O   | Timing Output Terminals (Internal Pull-down Resistance)  |
| 60<br>59             | MK1<br>MK2 | O   | Icon Output Terminals (Internal Pull-down Resistance)  |
| 58                   | P1         | O   | Output Port Terminal<br>This terminal is suitable for LED.   |

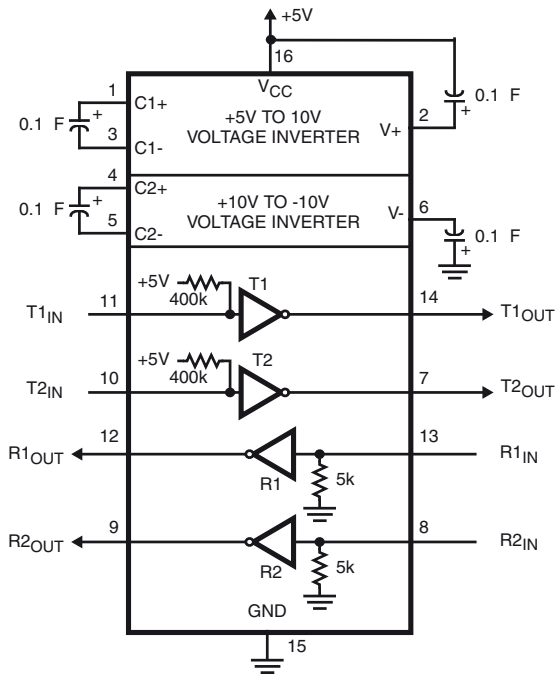
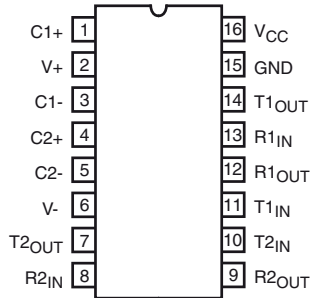
IC13: LC89057W VF4-E



| No. | Port name  | I/O | Description  |
|-----|------------|-----|--|
| 1   | RXOUT      | O   | Data Output  |
| 2   | RX0        | I   | Digital data Input (TTL)   |
| 3   | RX1        | I   | Digital data Input (Coaxial)   |
| 4   | RX2        | I   | Digital data Input (TTL)   |
| 5   | RX3        | I   | Digital data Input (TTL)   |
| 6   | DGND       |     | Digital GND  |
| 7   | DVDD       |     | Digital VDD  |
| 8   | RX4        | I   | Digital data Input (TTL)   |
| 9   | RX5/VI     | I   | Digital data Input (TTL)   |
| 10  | RX6/UI     | I   | Digital data Input (TTL)   |
| 11  | DVDD       |     | Digital GND for PLL  |
| 12  | DGND       |     | Digital VDD for PLL  |
| 13  | LPF        | O   | Loop filter for PLL  |
| 14  | AVDD       |     | Analog VDD for PLL   |
| 15  | AGND       |     | Analog GND for PLL   |
| 16  | RMCK       | O   | System clock Output for R (256fs, 512fs, XIN, VCO)                         |
| 17  | RBCK       | O/I | Bit clock Output for R (64fs)  |
| 18  | DGND       |     | Digital GND  |
| 19  | DVDD       |     | Digital VDD  |
| 20  | RLRCK      | O/I | LR clock Input/Output for R  |
| 21  | RDATA      | O   | Serial Audio data Input  |
| 22  | SBCK       | O   | Bit clock Output for S (32fs, 64fs, 128fs)                                 |
| 23  | SLRCK      | O   | LR clock Output for S (fs/2, fs, 2fs)                                      |
| 24  | SDIN       | I   | Serial Audio data Input  |
| 25  | DGND       |     | Digital GND  |
| 26  | DVDD       |     | Digital VDD  |
| 27  | XMCK       | O   | Oscillation amplifier  |
| 28  | XOUT       | O   | XOUT   |
| 29  | XIN        | I   | XIN or External clock Input (24.576MHz or 12.288MHz)                       |
| 30  | DVDD       |     | Digital VDD  |
| 31  | DGND       |     | Digital GND  |
| 32  | EMPHA/UO   | I/O | Emphasis Information / U data Output / Set for chip address                |
| 33  | AUDIO/V O  | I/O | Detected non-PCM / V flag Output / Set for chip address                    |
| 34  | CKST       | I/O | Clock timing Output / Switch to master or slave for demodulation           |
| 35  | INT        | I/O | Interrupt Output / Switch to Modulation or general-purpose I/O             |
| 36  | RERR       | O   | Error Output (PLL lock, data error)  |
| 37  | DO         | O   | IF, Read out data Output   |
| 38  | DI         | I   | IF, Write data Input   |
| 39  | CE         | I   | IF, Chip enable Input  |
| 40  | CL         | I   | IF, Clock Input  |
| 41  | XMODE      | I   | System reset Input   |
| 42  | DGND       |     | Digital GND  |
| 43  | DVDD       |     | Digital VDD  |
| 44  | TMCK/PIO0  | I/O | 256fs system-clock Input for modulation / General-purpose I/O input/output |
| 45  | TBCK/PIO1  | I/O | 64fs bit-clock Input for modulation / General-purpose I/O input/output     |
| 46  | TLRCK/PIO2 | I/O | Fs clock Input for modulation / General-purpose I/O input/output           |
| 47  | TDATA/PIO3 | I/O | Serial audio data for modulation / General-purpose I/O input/output        |
| 48  | TXO/PIOEN  | O/I | Modulation data Output / General-purpose I/O enable input                  |

IC91 : ST202EBW

TOP VIEW



**Pin Descriptions**

| PIN                 | FUNCTION   |
|---------------------|--|
| V <sub>CC</sub>     | Power Supply Input 5V ±10%, (5V ±5% HIN207E).  |
| V+                  | Internally generated positive supply (+10V nominal).   |
| V-                  | Internally generated negative supply (-10V nominal).   |
| GND                 | Ground Lead. Connect to 0V.  |
| C1+                 | External capacitor (+ terminal) is connected to this lead.   |
| C1-                 | External capacitor (- terminal) is connected to this lead.   |
| C2+                 | External capacitor (+ terminal) is connected to this lead.   |
| C2-                 | External capacitor (- terminal) is connected to this lead.   |
| T <sub>IN</sub>     | Transmitter Inputs. These leads accept TTL/CMOS levels. An internal 400kΩ pull-up resistor to V <sub>CC</sub> is connected to each lead.   |
| T <sub>OUT</sub>    | Transmitter Outputs. These are RS-232 levels (nominally ±10V).   |
| R <sub>IN</sub>     | Receiver Inputs. These inputs accept RS-232 input levels. An internal 5kΩ pull-down resistor to GND is connected to each input.  |
| R <sub>OUT</sub>    | Receiver Outputs. These are TTL/CMOS levels.   |
| $\overline{EN}$     | Enable Input. This is an active low input which enables the receiver outputs. With $\overline{EN} = 5V$ , the outputs are placed in a high impedance state.  |
| SD, $\overline{SD}$ | Shutdown Input. With SD = 5V (HIN213E $\overline{SD} = 0V$ ), the charge pump is disabled, the receiver outputs are in a high impedance state (except R4 and R5 of HIN241E) and the transmitters are shut off. |
| NC                  | No Connect. No connections are made to these leads.  |

**12.3 Pin Definitions**

**FILT1 — Phase-Locked Loop Filter**

Connects to an external filter for the on-chip phase-locked loop.

**FILT2 — Phase Locked Loop Filter**

Connects to an external filter for the on-chip phase-locked loop.

**CLKIN, XTALI — External Clock Input/Crystal Oscillator Input**

CS49400 clock input. This pin accepts an external clock input signal that is used to drive the internal core logic. When in internal clock mode (CLKSEL == VSS), this input is connected to the internal PLL from which all internal clocks are derived. When in external clock mode (CLKSEL == VDD), this input is connected to the DSP clock. Alternatively, a 12.288 MHz crystal oscillator can be connected between XTALI and XTALO. *INPUT*

**XTALO — Crystal Oscillator Output**

Crystal oscillator output. *OUTPUT*

**CLKSEL — DSP Clock Select**

This pin selects the internal source clock. When CLKSEL is low, CLKIN is connected to the internal PLL from which all internal clocks are derived. When CLKSEL is high, the PLL is bypassed and the external clock directly drives all input logic. *INPUT*

**FDAT7 — DSPAB Bidirectional Data Bus**

**FDAT6**

**FDAT5**

**FDAT4**

**FDAT3**

**FDAT2**

**FDAT1**

**FDAT0**

In parallel host mode, these pins provide a bidirectional data bus to DSPAB. These pins have an internal pull-up. *BIDIRECTIONAL - Default: INPUT*

**FA0, FSCCLK — Host Parallel Address Bit Zero or Serial Control Port Clock**

In parallel host mode, this pin serves as one of two address input pins used to select one of four parallel registers. In serial host mode, this pin serves as the serial control clock signal, specifically as the SPI clock input. *INPUT*

Digital-audio frame clock input. FLRCLKN1 typically is run at the sampling frequency. FLRCLKN1 operates asynchronously from all other DSPAB clocks. The polarity of FLRCLKN1 for a particular subframe can be programmed by the DSP. *BIDIRECTIONAL - Default: INPUT*

**FSDATAN1 — PCM Audio Data Input One**

Digital-audio data input that can accept from one compressed line or 2 channels of PCM data. FSDATAN1 can be sampled with either edge of FSCLKN1, depending on how FSCLKN1 has been configured. *INPUT*

**CMPCLK, FSCLKN2 — PCM Audio Input Bit Clock**

Digital-audio bit clock input. FSCLKN2 operates asynchronously from all other DSPAB clocks. The active edge of FSCLKN2 can be programmed by the DSP. *BIDIRECTIONAL - Default: INPUT*

**CMPDAT, FSDATAN2 — PCM Audio Data Input Number Two**

Digital-audio data input that can accept either one compressed line or 2 channels of PCM data. FSDATAN2 can be sampled with either edge of FSCLKN2, depending on how FSCLKN2 has been configured. *BIDIRECTIONAL - Default: INPUT*

**FDBCK — Reserved**

This pin is reserved and should be pulled up with an external 3.3k resistor. *INPUT*

**FDBDA — Reserved**

This pin is reserved and should be pulled up with an external 3.3k resistor. *BIDIRECTIONAL - Default: INPUT*

**PLLVDD — PLL Supply Voltage**

2.5 V PLL supply.

**PLLVSS — PLL Ground Voltage**

PLL ground.

**RESET — Master Reset Input**

Asynchronous active-low master reset input. Reset should be low at power-up to initialize the DSP and to guarantee that the device is not active during initial power-on stabilization periods. At the rising edge of reset the host interface mode of DSPAB is selected contingent on the state of the FHS0, FHS1, and FHS2 pins. At the rising edge of reset the host interface mode of DSPC is selected contingent on the state of the UHS0, UHS1, and UHS2 pins. If reset is low all bidirectional pins are high-Z inputs. *INPUT*

**TEST — Reserved**

**FA1, FSCDIN — Host Address Bit One or SPI Serial Control Data Input**

In parallel host mode, this pin serves as one of two address input pins used to select one of four parallel registers. In SPI serial host mode, this pin serves as the data input. *INPUT*

**FHS1, FRD, FRW — Mode Select Bit 1 or Host Parallel Output Enable or Host Parallel R/W**

DSPAB control port mode select bit 1. This bit is one of 3 control port select bits that are sampled on the rising edge of RESET to determine the control port mode of DSPAB. In Intel parallel host mode, this pin serves as the active-low data bus enable input. In Motorola parallel host mode, this pin serves as the read-high/write-low control input signal. In serial host mode, this pin can serve as the external memory active-low data-enable output signal. *BIDIRECTIONAL - Default: INPUT*

**FHS0, FWR, FDS — Mode Select Bit 0 or Host Write Strobe or Host Data Strobe**

DSPAB control port mode select bit 0. This bit is one of 3 control port select bits that are sampled on the rising edge of RESET to determine the control port mode of DSPAB. In Intel parallel host mode, this pin serves as the active-low data-write-input strobe. In Motorola parallel host mode, this pin serves as the active-low data-strobe-input signal. In serial host mode, this pin can serve as the external-memory active-low write-enable output signal. *BIDIRECTIONAL - Default: INPUT*

**FCS — Host Parallel Chip Select, Host Serial SPI Chip Select**

In parallel host mode, this pin serves as the active-low chip-select input signal. In serial host SPI mode, this pin is used as the active-low chip-select input signal. *INPUT*

**FHS2, FSCDIO, FSCDOUT — Mode Select Bit 2 or Serial Control Port Data Input and Output, Parallel Port Type Select**

DSPAB control port mode select bit 2. This bit is one of 3 control port select bits that are sampled on the rising edge of RESET to determine the control port mode of DSPAB. In SPI mode this pin serves as the data output pin. In parallel host mode, this pin is sampled at the rising edge of RESET to configure the parallel host mode as an Intel type bus or as a Motorola type bus. *BIDIRECTIONAL - Default: INPUT*

**FINTREQ — Control Port Interrupt Request**

Open-drain interrupt-request output. This pin is driven low to indicate that the DSP has outgoing control data that should be read by the host. *OPEN DRAIN I/O - Requires 3.3k Ohm Pull-Up*

**FSCLKN1, STCCLK2 — PCM Audio Input Bit Clock**

Digital-audio bit clock input. FSCLKN1 operates asynchronously from all other DSPAB clocks. In master mode, FSCLKN1 is derived from DSPAB's internal clock generator. The active edge of FSCLKN1 can be programmed by the DSP. *BIDIRECTIONAL - Default: INPUT*

**FLRCLKN1 — PCM Audio Input Sample Rate Clock**

This should be tied low for normal operation. *INPUT*

**MCLK — Audio Master Clock**

Bidirectional master audio clock. As an output, MCLK provides a low jitter oversampling clock. MCLK supports all standard oversampling frequencies. *BIDIRECTIONAL - Default: INPUT*

**SCLK0 — Audio Output Bit Clock**

Bidirectional digital-audio output bit clock for AUDATA0, AUDATA1, AUDATA2, and AUDATA3. As an output, SCLK0 can provide 32 Fs, 64 Fs, 128 Fs, 256 Fs, or 512 Fs frequencies and is synchronous to MCLK. As an input, SCLK0 is independent of MCLK. *BIDIRECTIONAL - Default: INPUT*

**SCLK1 — Audio Output Bit Clock**

Bidirectional digital-audio output bit clock for AUDATA4, AUDATA5, AUDATA6, and AUDATA7. As an output, SCLK1 can provide 32 Fs, 64 Fs, 128 Fs, 256 Fs, or 512 Fs frequencies and is synchronous to MCLK. As an input, SCLK1 is independent of MCLK. *BIDIRECTIONAL - Default: INPUT*

**LRCLK0 — Audio Output Sample Rate Clock**

Bidirectional digital-audio output frame clock for AUDATA0, AUDATA1, AUDATA2, and AUDATA3. As an output, LRCLK0 can provide all standard output sample rates up to 192 kHz and is synchronous to MCLK. As an input, LRCLK0 is independent of MCLK. *BIDIRECTIONAL - Default: INPUT*

**LRCLK1 — Audio Output Sample Rate Clock**

Bidirectional digital-audio output frame clock for AUDATA4, AUDATA5, AUDATA6, and AUDATA7. As an output, LRCLK1 can provide all standard output sample rates up to 192 kHz and is synchronous to MCLK. As an input, LRCLK1 is independent of MCLK. *BIDIRECTIONAL - Default: INPUT*

**AUDATA0 — Digital Audio Output 0**

PCM digital-audio data output. *OUTPUT*

**AUDATA1 — Digital Audio Output 1**

PCM digital-audio data output. *OUTPUT*

**AUDATA2 — Digital Audio Output 2**

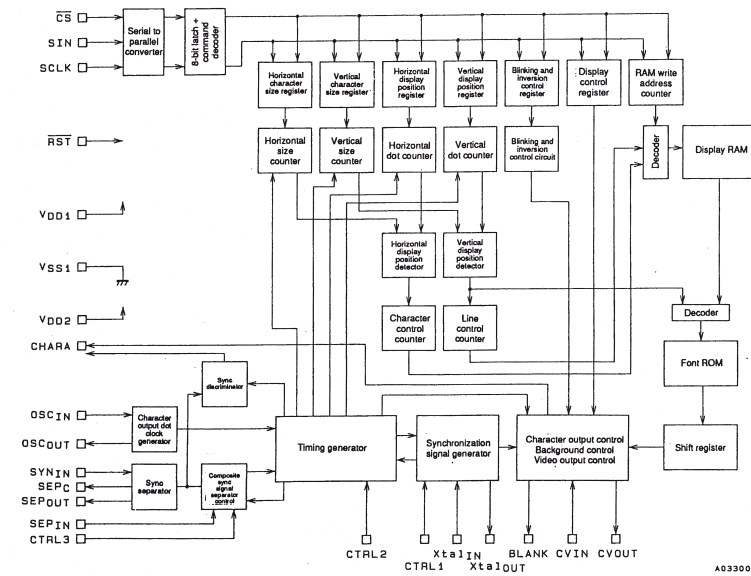
PCM digital-audio data output. *OUTPUT*

**AUDATA3, XMT958A — Digital Audio Output 3, SPDIF Transmitter**

IC23: CS4382

|   |   |
|---|---|
| CMOS level output that outputs a biphasic-mark encoded (S/PDIF) IEC60958 signal or digital audio data which is capable of carrying two channels of PCM digital audio. <b>OUTPUT</b>   | Digital-audio PCM data input. This pin can act as a general-purpose input or output that can be individually configured and controlled by DSPIC. <b>BIDIRECTIONAL</b> - Default: <b>INPUT</b>   |
| <b>AUDATA4, GPIO26</b> — Digital Audio Output 4, General Purpose I/O<br>PCM digital-audio data output. This pin can act as a general-purpose input or output that can be individually configured and controlled by DSPIC. <b>BIDIRECTIONAL</b> - Default: <b>OUTPUT</b>   | <b>SDATAN2, GPIO28</b> — PCM Audio Input Data, General Purpose I/O<br>Digital-audio PCM data input. This pin can act as a general-purpose input or output that can be individually configured and controlled by DSPIC. <b>BIDIRECTIONAL</b> - Default: <b>INPUT</b> |
| <b>AUDATA5, GPIO28</b> — Digital Audio Output 5, General Purpose I/O<br>PCM digital-audio data output. This pin can act as a general-purpose input or output that can be individually configured and controlled by DSPIC. <b>BIDIRECTIONAL</b> - Default: <b>OUTPUT</b>   | <b>SDATAN3, GPIO27</b> — PCM Audio Input Data, General Purpose I/O<br>Digital-audio PCM data input. This pin can act as a general-purpose input or output that can be individually configured and controlled by DSPIC. <b>BIDIRECTIONAL</b> - Default: <b>INPUT</b> |
| <b>AUDATA6, GPIO30</b> — Digital Audio Output 6, General Purpose I/O<br>PCM digital-audio data output. This pin can act as a general-purpose input or output that can be individually configured and controlled by DSPIC. <b>BIDIRECTIONAL</b> - Default: <b>OUTPUT</b>   | <b>SCS</b> — Host Serial SPI Chip Select<br>SPI mode active-low chip-select input signal. <b>INPUT</b>  |
| <b>AUDATA7, MTKISSB, GPIO31</b> — Digital Audio Output 7, S/PDIF Transmitter, General Purpose I/O<br>CMOS level output that contains a biphasic-mark encoded (S/PDIF) IEC60958 signal or digital audio data which is capable of carrying two channels of PCM digital audio. This pin can also act as a general-purpose input or output that can be individually configured and controlled by DSPIC. <b>BIDIRECTIONAL</b> - Default: <b>OUTPUT</b> | <b>SCCLK</b> — Serial Control Port Clock<br>This pin serves as the serial SPI clock input. <b>INPUT</b>   |
| <b>DBCK</b> — Debug Clock<br>Must be tied high to 3.3k ohm resistor. <b>INPUT</b>   | <b>SCDIN</b> — SPI Serial Control Data Input<br>In SPI mode this pin serves as the data input pin. <b>INPUT</b>   |
| <b>DBDA</b> — Debug Data<br>Must be tied high to 3.3k ohm resistor. <b>BIDIRECTIONAL</b> - Default: <b>INPUT</b>  | <b>SCDOU1, SCDO2</b> — Serial Control Port Data Input and Output<br>In SPI mode this pin serves as the data output pin. <b>BIDIRECTIONAL</b> - Default: <b>OUTPUT</b> in SPI mode   |
| <b>SLCKN, GPIO32</b> — PCM Audio Input Bit Clock, General Purpose I/O<br>Digital-audio bit clock that is an input. <b>SLCKN</b> operates asynchronously from all other DSPIC clocks. The active edge of <b>SLCKN</b> can be programmed by the DSP. This pin can act as a general-purpose input or output that can be individually configured and controlled by DSPIC. <b>BIDIRECTIONAL</b> - Default: <b>INPUT</b>                                | <b>INTREG</b> — Control Port Interrupt Request<br>Open-drain interrupt-request output. This pin is driven low to indicate that DSPIC has outgoing control data and should be serviced by the host.<br><b>OPEN DRAIN I/O</b> - Requires 3.3K Ohm Pull-Up             |
| <b>LRCLKN, GPIO33</b> — PCM Audio Input Sample Rate Clock, General Purpose I/O<br>Digital-audio frame clock input. <b>LRCLKN</b> operates asynchronously from all other DSPIC clocks. The polarity of <b>LRCLKN</b> for a particular system can be programmed by the DSP. This pin can act as a general-purpose input or output that can be individually configured and controlled by DSPIC. <b>BIDIRECTIONAL</b> - Default: <b>INPUT</b>         |   |
| <b>SDATAN0, GPIO24</b> — PCM Audio Input Data, General Purpose I/O<br>Digital-audio PCM data input. This pin can act as a general-purpose input or output that can be individually configured and controlled by DSPIC. <b>BIDIRECTIONAL</b> - Default: <b>INPUT</b>   |   |
| <b>SDATAN1, GPIO25</b> — PCM Audio Input Data, General Purpose I/O  |   |

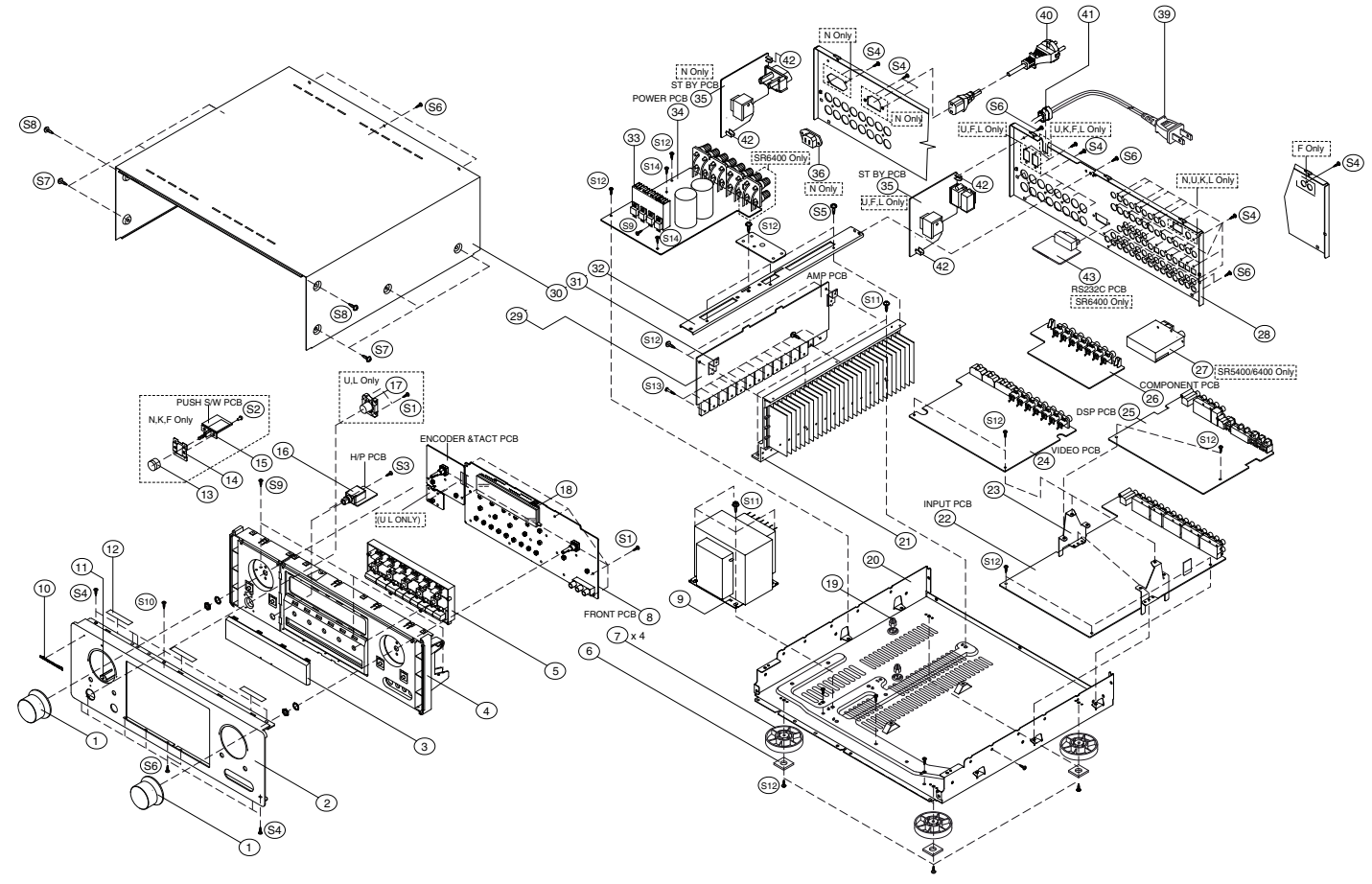
IC78 : LCT4781



Pin Functions

| Pin No | Symbol           | Function                              | Description  |
|--------|------------------|---------------------------------------|--|
| 1      | V <sub>SS1</sub> | Ground                                | Ground connection (digital system ground)  |
| 2      | XtalIN           | Crystal oscillator connection         | Used to connect the crystal oscillator and capacitor used to generate the internal synchronization signal, or to input an external clock (2fsc or 4fsc)  |
| 3      | XtalOUT          | Crystal oscillator connection         | Used to connect the crystal oscillator and capacitor used to generate the internal synchronization signal, or to input an external clock (2fsc or 4fsc)  |
| 4      | CTRL1            | Crystal oscillator input switching    | Switches between external clock input mode and crystal oscillator mode. Low = crystal oscillator mode, high = external clock mode  |
| 5      | BLANK            | Blanking output                       | Outputs the blank signal (the OR of the character and border signals) (Outputs a composite sync signal when MOD0 is high) Outputs the crystal oscillator clock during reset (when the RST pin is low), but can be set up to not output this signal by microprocessor command   |
| 6      | OSCIN            | LC oscillator connection              | Connections for the coil and capacitor that form the oscillator that generates the character output dot clock  |
| 7      | OSCOUT           | LC oscillator connection              | Connections for the coil and capacitor that form the oscillator that generates the character output dot clock  |
| 8      | CHARA            | Character output                      | Outputs the character signal (Functions as the external synchronization signal discrimination signal output pin when MOD0 is high, and outputs the state of the judgment as to whether the external synchronization signal is present or not. Outputs a high level when the synchronization signal is present) Outputs the dot clock (LC oscillator) during reset, but can be set up to not output this signal by microprocessor command |
| 9      | CS               | Enable input                          | Serial data input enable input. Serial data input is enabled when low. A pull up resistor is built in (hysteresis input)   |
| 10     | SCLK             | Clock input                           | Serial data input clock input. A pull up resistor is built in (hysteresis input)   |
| 11     | SIN              | Data input                            | Serial data input. A pull up resistor is built in (hysteresis input)   |
| 12     | V <sub>DD2</sub> | Power supply                          | Composite video signal level adjustment power supply pin (analog system power supply)  |
| 13     | CVOUT            | Video signal output                   | Composite video signal output  |
| 14     | NC               | Not connected                         | Must be either connected to ground or left open  |
| 15     | CVIN             | Video signal input                    | Composite video signal input   |
| 16     | V <sub>DD1</sub> | Power supply                          | Power supply (+5 V digital system power supply)  |
| 17     | SYNIN            | Sync separator circuit input          | Video signal input for the built in sync separator circuit (Used for other horizontal synchronization signal or composite sync signal input when the built in sync separator circuit is not used)  |
| 18     | SEPC             | Sync separator circuit bias voltage   | Built in sync separator circuit bias voltage monitor pin   |
| 19     | SEPOUT           | Composite sync signal output          | Built in sync separator circuit composite sync signal output (When MOD1 is high, outputs a high level during internal synchronization and a low level during external synchronization) (Outputs the SYNIN input signal when the internal sync separator circuit is not used)   |
| 20     | SEPIN            | Vertical synchronization signal input | Inputs a vertical synchronization signal created by integrating the SEPOUT pin output signal. An integrator must be attached at the SEPOUT pin. This pin must be tied to V <sub>DD1</sub> if unused  |
| 21     | CTRL2            | NTSC/PAL M switching input            | The setting indicated by this pin takes priority in switching between the NTSC, PAL, PAL M and PAL N formats. A low level selects NTSC after a reset. The microprocessor command NTSC, PAL, PAL M, or PAL N setting is valid. High = PAL M format  |
| 22     | CTRL3            | SEPIN input control                   | Controls whether or not the VSYNC signal is input to the SEPIN input. Low = VSYNC input, high = VSYNC not input  |
| 23     | RST              | Reset input                           | System reset input. A pull up resistor is built in (hysteresis input)  |
| 24     | V <sub>DD1</sub> | Power supply (+5 V)                   | Power supply (+5 V digital system power supply)  |

8. EXPLODED VIEW AND PARTS LIST



**SR5400/K/N/U, PS5400/F**

| POS. NO | VERS. COLOR       | PART NO. (FOR EUR) | PART NO. (MJJ) | DESCRIPTION |                              |                       |            |
|---------|-------------------|--------------------|----------------|-------------|------------------------------|-----------------------|------------|
| 1       | /F1N/K1G          | nsp                | 27AW154020     | KNOB        | MASTER KNOB (GOLD)           | HGK1A089ZA            |            |
| 1       | /K1S/N1S          | 27AW154030         | 27AW154030     | KNOB        | MASTER KNOB (SILVER)         | HGK1A089XA            |            |
| 1       | /N1B/U1B          | 27AW154010         | 27AW154010     | KNOB        | MASTER KNOB (BLACK)          | HGK1A089YA            |            |
| 2       | /F1N              | nsp                | 27AW248110     | PANEL       | FRONT AL PANEL (F GOLD)      | CKM1A134VC24          |            |
| 2       | /K1G              | nsp                | 27AW248110     | PANEL       | FRONT AL PANEL (GOLD)        | CKM1A134ZC24          |            |
| 2       | /K1S/N1S          | 27AW248210         | 27AW248210     | PANEL       | FRONT AL PANEL (SILVER)      | CKM1A134ZC40          |            |
| 2       | /N1B              | 27AW248010         | 27AW248010     | PANEL       | FRONT AL PANEL (BLACK)       | CKM1A134ZC23          |            |
| 2       | /U1B              | nsp                | 27AW248020     | PANEL       | FRONT AL PANEL (U BLACK)     | CKM1A134YC23          |            |
| 3       | /F1N              | nsp                | 27AW158040     | WINDOW      | FIP WINDOW                   | CGU1A306X             |            |
| 3       | /K1G/N1B /U1B     | 27AW158010         | 27AW158010     | WINDOW      | FIP WINDOW                   | CGU1A306Z             |            |
| 3       | /K1S/N1S          | 27AW158210         | 27AW158210     | WINDOW      | FIP WINDOW                   | CGU1A306Y             |            |
| 4       | /F1N/K1G          | nsp                | 27AW105120     | CHASSIS     | FRONT MOLD CHASSIS (GOLD)    | CGW1A358RFZD4         |            |
| 4       | /K1S/N1S          | 27AW105220         | 27AW105220     | CHASSIS     | FRONT MOLD CHASSIS (SILVER)  | CGW1A358R6ZG13        |            |
| 4       | /N1B/U1B          | 27AW105020         | 27AW105020     | CHASSIS     | FRONT MOLD CHASSIS (BLACK)   | CGW1A358ZK92          |            |
| 5       | /F1N/K1G          | nsp                | 27AW270110     | BUTTON      | FUNCTION BUTTON (GOLD)       | CBT1A876RFD4          |            |
| 5       | /K1S/N1S          | 27AW270210         | 27AW270210     | BUTTON      | FUNCTION BUTTON (SILVER)     | CBT1A876R6G13         |            |
| 5       | /N1B/U1B          | 27AW270010         | 27AW270010     | BUTTON      | FUNCTION BUTTON (BLACK)      | CBT1A876K92           |            |
| 6       |                   | nsp                | nsp            | CUSHION     | FOR LEG (RUBBER)             | KHG1A050              |            |
| 7       | /F1N/K1G /N1B/U1B | 243W057010         | 243W057010     | LEG         | FOOT                         | CKL2A042H11           |            |
| 7       | /K1S/N1S          | 243W057210         | 243W057210     | LEG         | FOOT                         | CKL2A042H46           |            |
| 8       | /F                | nsp                | nsp            | PCB ASSY    | FRONT PCB ASSY PS5400/F1     | COP11590E             |            |
| 8       | /K                | nsp                | nsp            | PCB ASSY    | FRONT PCB ASSY SR5400/K1     | COP11590D             |            |
| 8       | /N                | nsp                | nsp            | PCB ASSY    | FRONT PCB ASSY SR5400/N1     | COP11590B             |            |
| 8       | /U                | nsp                | nsp            | PCB ASSY    | FRONT PCB ASSY SR5400/U1     | COP11590C             |            |
| ▲       | 9                 | /F                 | nsp            | *TS001980R  | TRANSF.                      | MAINS POWER PS5400/F1 | CLT5W008ZJ |
| ▲       | 9                 | /K                 | nsp            | *TS001990R  | TRANSF.                      | MAINS POWER SR5400/K1 | CLT5W008ZH |
| ▲       | 9                 | /N                 | *TS002000R     | *TS002000R  | TRANSF.                      | MAINS POWER SR5400/N1 | CLT5W008ZE |
| ▲       | 9                 | /U                 | nsp            | *TS002010R  | TRANSF.                      | MAINS POWER SR5400/U1 | CLT5W008ZU |
| 10      | /F1N/K1G /N1B/U1B | 24AW251010         | 24AW251010     | BADGE       | NEW MZ BADGE                 | CGB1A117              |            |
| 10      | /K1S/N1S          | 24AW251020         | 24AW251020     | BADGE       | NEW MZ BADGE SILVER          | CGB1A117G             |            |
| 11      |                   | 27AW355010         | 27AW355010     | LENS        | STANDBY LENS                 | CGL1A216              |            |
| 13      | /F1N/K1G          | nsp                | 27AW270140     | BUTTON      | POWER SW BUTTON (GOLD)       | CBC1A146RFD4          |            |
| 13      | /K1S/N1S          | 27AW270240         | 27AW270240     | BUTTON      | POWER SW BUTTON (SILVER)     | CBC1A146R6G13         |            |
| 13      | /N1B              | 27AW270040         | 27AW270040     | BUTTON      | POWER SW BUTTON (BLACK)      | CBC1A146K92           |            |
| 14      | /F/K/N            | nsp                | nsp            | BRACKET     | POWER SW BRACKET             | CMD1A493              |            |
| 17      | /U1B              | nsp                | 27AW270030     | BUTTON      | POWER SW BUTTON TACT (BLACK) | CBT1A877K92           |            |
| 18      |                   | nsp                | nsp            | HOLDER      | FL DISPLAY HOLDER            | CMD1A374              |            |
| 19      |                   | nsp                | nsp            | HOLDER      | PCB HOLDER                   | CHE1A030              |            |
| 20      |                   | nsp                | nsp            | CHASSIS     | MAIN CHASSIS                 | CUA1A230              |            |
| 21      |                   | nsp                | nsp            | HEATSINK    | MAIN HEAT SINK               | CMY1A208              |            |
| 22      | /F                | nsp                | nsp            | PCB ASSY    | INPUT PCB ASSY PS5400/F1     | COP11592E             |            |
| 22      | /K                | nsp                | nsp            | PCB ASSY    | INPUT PCB ASSY SR5400/K1     | COP11592D             |            |
| 22      | /N                | nsp                | nsp            | PCB ASSY    | INPUT PCB ASSY SR5400/N1     | COP11592B             |            |
| 22      | /U                | nsp                | nsp            | PCB ASSY    | INPUT PCB ASSY SR5400/U1     | COP11592C             |            |
| 23      |                   | nsp                | nsp            | BRACKET     | BRACKET FOR PCB 1F-3F        | CMD1A492              |            |
| 25      | /F                | nsp                | nsp            | PCB ASSY    | DSP PCB ASSY PS5400/F1       | COP11593E             |            |
| 25      | /K                | nsp                | nsp            | PCB ASSY    | DSP PCB ASSY SR5400/K1       | COP11593D             |            |
| 25      | /N                | nsp                | nsp            | PCB ASSY    | DSP PCB ASSY SR5400/N1       | COP11593B             |            |
| 25      | /U                | nsp                | nsp            | PCB ASSY    | DSP PCB ASSY SR5400/U1       | COP11593C             |            |
| 26      |                   | nsp                | nsp            | PCB ASSY    | COMPONENT PCB ASSY SR5400    | COP11595B             |            |
| 27      | /K                | nsp                | *AV000330R     | TUNER       | KST-MB014MA1-8A (CHINA)      | CNVKSTMB014MA1A       |            |
| 27      | /N                | *AV000340R         | *AV000340R     | TUNER       | KST-MB114LA1-8 (EUR)         | CNVKSTMB114LA18       |            |
| 27      | /U                | nsp                | *AV000350R     | TUNER       | KST-MB014MA0-8 (USA)         | CNVKSTMB014MA08       |            |
| 28      | /F1N              | nsp                | nsp            | PANEL       | REAR PANEL (F GL)            | CKF4A257Z             |            |
| 28      | /K1G              | nsp                | nsp            | PANEL       | REAR PANEL (K GL)            | CKF3A257Z             |            |
| 28      | /K1S              | nsp                | nsp            | PANEL       | REAR PANEL (K SILVER)        | CKF3A257Y             |            |
| 28      | /N1B              | nsp                | nsp            | PANEL       | REAR PANEL (N BL)            | CKF1A257Z             |            |
| 28      | /N1S              | nsp                | nsp            | PANEL       | REAR PANEL (N SILVER)        | CKF1A257X             |            |
| 28      | /U1B              | nsp                | nsp            | PANEL       | REAR PANEL (U BL)            | CKF2A257Z             |            |
| 29      |                   | nsp                | nsp            | PCB ASSY    | AMP PCB ASSY SR5400          | COP11591D             |            |
| 31      |                   | nsp                | nsp            | BRACKET     | BRACKET FOR POWER AMP PCB    | CMD1A490              |            |
| 32      |                   | nsp                | nsp            | BRACKET     | BRACKET FOR HEATSINK TOP     | CMD1A491K92           |            |
| 34      | /F                | nsp                | nsp            | PCB ASSY    | POWER PCB ASSY PS5400/F1     | COP11594E             |            |
| 34      | /K                | nsp                | nsp            | PCB ASSY    | POWER PCB ASSY SR5400/K1     | COP11594D             |            |
| 34      | /N                | nsp                | nsp            | PCB ASSY    | POWER PCB ASSY SR5400/N1     | COP11594B             |            |

NOTE : "nsp" PART IS LISTED FOR REFERENCE ONLY, MARANTZ WILL NOT SUPPLY THESE PARTS.

**SR5400/K/N/U, PS5400/F**

| POS. NO                        | VERS. COLOR | PART NO. (FOR EUR) | PART NO. (MUJ) | DESCRIPTION  |                                  |                |
|--------------------------------|-------------|--------------------|----------------|--------------|----------------------------------|----------------|
| 34                             | /U          | nsp                | nsp            | PCB ASSY     | POWER PCB ASSY SR5400/U1         | GOP11594C      |
| ▲ 36                           | /N          | *YJ002690R         | *YJ002690R     | INLET        | R-301(187-2P) AC(10A/250V/EUR)   | HJJ8A001Z      |
| ▲ 39                           | /F          | nsp                | *YC000800R     | MAINS CORD   | MAINS CORD FOR /F                | CJA2J049ZA     |
| ▲ 39                           | /K          | nsp                | *YC000790R     | MAINS CORD   | MAINS CORD FOR /K                | CJA2N047ZA     |
| ▲ 39                           | /U          | nsp                | *YC000780R     | MAINS CORD   | MAINS CORD FOR /U                | CJA523FBYA     |
| 41                             | /F/K/U      | nsp                | nsp            | BUSHING      | FOR MAINS CORD                   | KHR1A028       |
| ▲ F801                         | /F/U        | nsp                | *FS001080R     | FUSE         | 10A/250V                         | KBA2C1002TLEY  |
| ▲ F801                         | /K/N        | *FS001090R         | *FS001090R     | FUSE         | 5A/250V(EUR) T5AL                | KBA2C5000TLEY  |
| <b>WIRE</b>                    |             |                    |                |              |                                  |                |
| JW15                           |             | nsp                | *YU001240R     | FFC          | FFC 15P 270MM                    | CWC1B4A15A270A |
| JW25                           |             | nsp                | *YU001250R     | FFC          | FFC 19P 80MM                     | CWC1B4A19A080B |
| JW27                           |             | nsp                | *YU001260R     | FFC          | FFC 15P 80MM HTS-3000            | CWC1C4A15B080B |
| JW34                           | /K/U        | nsp                | *YU001290R     | FFC          | FFC 15P 180MM                    | CWC1C4A15B180B |
| JW35                           | /N          | nsp                | *YU001300R     | FFC          | FFC 17P 180MM                    | CWC1C4A17B180B |
| JW36                           |             | nsp                | *YU001270R     | FFC          | FFC 11P 80MM PICH 1.0            | CWC1B4A11A080A |
| JW38                           |             | nsp                | *YU001280R     | FFC          | FFC 13P 430MM                    | CWC1B4A13A430A |
| BN19                           | /F/K/N      | nsp                | nsp            | CORD         | WIRE ASSY                        | CWB4FA32420UU  |
| BN23                           |             | nsp                | nsp            | CORD         | WIRE ASSY                        | CWZSR5400BN23  |
| BN24                           |             | nsp                | nsp            | CORD         | WIRE ASSY                        | CWZSR5400BN24  |
| BN54                           |             | nsp                | nsp            | CORD         | WIRE ASSY                        | CWB1B905170EN  |
| BN68                           |             | nsp                | nsp            | CORD         | WIRE ASSY                        | CWZSR5400BN68  |
| BN41                           |             | nsp                | nsp            | CORD         | WIRE ASSY                        | CWB1B905140EN  |
| BN11                           |             | nsp                | nsp            | CORD         | WIRE ASSY                        | CWB1B907230EN  |
| BN12                           |             | nsp                | nsp            | CORD         | WIRE ASSY                        | CWB1B905340EN  |
| BN14                           |             | nsp                | nsp            | CORD         | WIRE ASSY                        | CWB1B907370EN  |
| BN17                           |             | nsp                | nsp            | CORD         | WIRE ASSY                        | CWB1C905370EN  |
| BN92                           | /N          | nsp                | nsp            | CORD         | WIRE ASSY                        | CWZSR5400BN92  |
| JW11                           |             | nsp                | nsp            | CORD         | WIRE ASSY                        | CWE8102150RV   |
| JW12                           |             | nsp                | nsp            | CORD         | WIRE ASSY                        | CWE8102050RV   |
| JW13                           |             | nsp                | nsp            | CORD         | WIRE ASSY                        | CWE8102150RV   |
| BN22                           |             | nsp                | nsp            | CORD         | WIRE ASSY                        | CWB1B913330EN  |
| BN29                           |             | nsp                | nsp            | CORD         | WIRE ASSY                        | CWB1C908400EN  |
| BN30                           |             | nsp                | nsp            | CORD         | WIRE ASSY                        | CWB1C909120EN  |
| BN32                           | /F          | nsp                | nsp            | CORD         | WIRE ASSY                        | CWB1B903200EN  |
| BN21                           |             | nsp                | nsp            | CORD         | WIRE ASSY                        | CWB1C905170EN  |
| BN73                           |             | nsp                | nsp            | CORD         | WIRE ASSY                        | CWB3F006100UZ  |
| <b>PACKING</b>                 |             |                    |                |              |                                  |                |
|                                |             | ZK27AW0010         | ZK27AW0010     | UNIT KIT     | REMOTE CONTROLLER RC5400SR       | HARTSR5400     |
|                                | /F          | nsp                | 27AW851110     | USER GUIDE   | USER GUIDE PS5400 F              | CQX1A838Z      |
|                                | /K          | nsp                | 27AW851350     | USER GUIDE   | USER GUIDE SR5400 K              | CQX1A830Z      |
|                                | /N          | 27AW851310         | 27AW851310     | USER GUIDE   | USER GUIDE SR5400 N              | CQX1A828Z      |
|                                | /U          | nsp                | 27AW851250     | USER GUIDE   | USER GUIDE SR5400 U              | CQX1A829Z      |
| ▲ 40                           | /N          | *ZC000260R         | *ZC000260R     | MAINS CORD   | MAINS CORD FOR /N 2WIRE 10A/250V | HJA2B054Z      |
| <b>NOT STANDARD SPARE PART</b> |             |                    |                |              |                                  |                |
|                                | /F          | nsp                | 27AW801030     | PACKING CASE | PACKING CASE PS5400              | CPG1A720X      |
|                                | /K          | nsp                | 27AW801020     | PACKING CASE | PACKING CASE SR5400 WO CO        | CPG1A720W      |
|                                | /N/U        | nsp                | 27AW801010     | PACKING CASE | PACKING CASE SR5400              | CPG1A720Z      |
|                                |             | nsp                | 27AW809010     | CUSHION      | PAD , SNOW                       | CPS1A649       |
| 30                             | /F1N/K1G    | nsp                | 27AW257110     | LID          | TOP COVER (GOLD)                 | CKC1A139K118   |
| 30                             | /K1S/N1S    | 27AW257210         | 27AW257210     | LID          | TOP COVER (SILVER)               | CKC1A139G14    |
| 30                             | /N1B/U1B    | 27AW257010         | 27AW257010     | LID          | TOP COVER (BLACK)                | CKC1A139K117   |

NOTE : \*nsp\* PART IS LISTED FOR REFERENCE ONLY, MARANTZ WILL NOT SUPPLY THESE PARTS.



## 9. POWER AMPLIFIER ADJUSTMENT

### Idling Current Alignment

1. Each of the measurement points are provided with the two test points. Set a digital Voltage meter to DC voltage input, connect the meter to the test points at both contact points.
2. After the setup above, turn on the main switch and heat up the amplifier about 10 minutes.
3. Adjust variable resistors (VR41, VR42...VR62) according to the digital voltmeter readings. The target setting value is 4.9 mV +/- 0.05 mV for each channels.

Settings : Master Volume --- Minimum

Speaker out --- No Load

Top lid --- OPEN

| Channel | Alignment Point | Measurement Point |
|---------|-----------------|-------------------|
| Front L | VR41            | CN41              |
| Center  | VR61            | CN61              |
| Front R | VR51            | CN51              |
| Surr. L | VR42            | CN42              |
| Surr. R | VR52            | CN52              |
| SB      | VR62            | CN62              |

Time Table of Idling Current Rise

| After Turning ON | Measurement Voltage (CN**) |
|------------------|----------------------------|
| 5 min.           | 4.5 mV                     |
| 10 min.          | 4.9 mV                     |
| 20 min.          | 5.5 mV                     |
| 30 min.          | 6.2 mV                     |
| 40 min.          | 6.8 mV                     |
| 60 min.          | 7.0 mV                     |

## 10. SERVICE MODE

Microprocessor (IC28), DSP(IC20 )Version and FLD Segment Check Mode.

- 1.While the power is on, **ATT**, **TAPE** and **SELECT** buttons simultaneously more than 3 seconds.

The FL display shows "SERVICE"for 2 seconds then shows the model name.

|   |   |   |   |   |   |   |  |   |   |   |   |  |
|---|---|---|---|---|---|---|--|---|---|---|---|--|
| S | E | R | V | I | C | E |  | M | O | D | E |  |
|---|---|---|---|---|---|---|--|---|---|---|---|--|

|  |  |  |   |   |   |   |   |   |  |  |  |  |
|--|--|--|---|---|---|---|---|---|--|--|--|--|
|  |  |  | S | R | 5 | 4 | 0 | 0 |  |  |  |  |
|--|--|--|---|---|---|---|---|---|--|--|--|--|

- 2.Press **DISPLAY** button, The software version of the microprocessor (IC28) is displayed in the format below.

|   |   |   |   |   |   |   |  |   |   |  |  |  |
|---|---|---|---|---|---|---|--|---|---|--|--|--|
| V | 0 | 3 | 0 | 5 | 1 | 9 |  | 1 | U |  |  |  |
|---|---|---|---|---|---|---|--|---|---|--|--|--|

[Year] [Month] [Date]

[Dest.]

(Dest.:Destination)

- 3.Press **DISPLAY** button again, The software Type Number is displayed.

|   |   |   |   |  |   |   |   |   |  |  |   |   |
|---|---|---|---|--|---|---|---|---|--|--|---|---|
| S | O | F | T |  | T | Y | P | E |  |  | x | x |
|---|---|---|---|--|---|---|---|---|--|--|---|---|

(XX is displayed in Hex)

- 4.Press **DISPLAY** button again, The Code Group Type Number is displayed.

|   |   |   |   |  |   |   |   |   |   |   |   |   |
|---|---|---|---|--|---|---|---|---|---|---|---|---|
| C | O | D | E |  | T | Y | P | E | x | x | x | x |
|---|---|---|---|--|---|---|---|---|---|---|---|---|

(XXXX is displayed in Hex)

5. Press **DISPLAY** button again, The left half, right half and center of the label area in the FLD light on and off each other.
6. Press **DISPLAY** button again, The segments of the character area in the FLD flick in checker pattern.
7. Press **DISPLAY** button again, All the FL segments turns off.
- 8.Press **DISPLAY** button again. Every time **DISPLAY** button is pressed, DSP code is indicated in turn from NO.1 to NO.10.

|   |   |   |   |  |   |   |   |   |   |   |   |   |
|---|---|---|---|--|---|---|---|---|---|---|---|---|
| C | D | 0 | 1 |  | 0 | 1 | 0 | 2 | 0 | 1 | 0 | 1 |
|---|---|---|---|--|---|---|---|---|---|---|---|---|

[No.]

[Dev.]

[SIG]

[TYP]

[Ver.]

No.:CODE No. Dev.:Device ID SIG:CODE SIG ID

TYP:CODE TYP ID Ver.:Version

9. Press **DISPLAY** button again to quit this mode.

## 11. SYSTEM ERROR

When the microcomputer detects a trouble, the following information is displayed on the FLD.

- After the error contents indication, Surround Mode is initialized and returned Factory mode.
- The contents of the ERROR indication are the followings.

1. Trouble in DSP.

If communication with DSP is troubled more than 2 seconds

|   |   |   |   |   |  |   |   |   |  |  |  |  |
|---|---|---|---|---|--|---|---|---|--|--|--|--|
| C | H | E | C | K |  | D | S | P |  |  |  |  |
|---|---|---|---|---|--|---|---|---|--|--|--|--|

Indication is keep and sound is mute.

2. Trouble in DSP Code.

The trouble of DSP Code was found.

|   |   |   |   |   |  |   |   |   |  |   |   |   |
|---|---|---|---|---|--|---|---|---|--|---|---|---|
| C | H | E | C | K |  | D | S | P |  | R | O | M |
|---|---|---|---|---|--|---|---|---|--|---|---|---|

3. Trouble in ADC.

When ADC input was chosen and CAL signal continued High about 2 seconds after the ADC Calibration start.

|   |   |   |   |   |  |   |   |   |  |  |  |  |
|---|---|---|---|---|--|---|---|---|--|--|--|--|
| C | H | E | C | K |  | A | D | C |  |  |  |  |
|---|---|---|---|---|--|---|---|---|--|--|--|--|

- 4.Trouble in EEPROM

If data from EEPROM does not match.

|   |   |   |   |   |  |   |   |   |  |  |  |  |
|---|---|---|---|---|--|---|---|---|--|--|--|--|
| C | H | E | C | K |  | E | 2 | P |  |  |  |  |
|---|---|---|---|---|--|---|---|---|--|--|--|--|

5. Trouble in EEPROM IF

If communication with EEPROM is troubled more than 2 seconds.

|   |   |   |   |   |  |   |   |   |  |   |   |  |
|---|---|---|---|---|--|---|---|---|--|---|---|--|
| C | H | E | C | K |  | E | 2 | P |  | I | F |  |
|---|---|---|---|---|--|---|---|---|--|---|---|--|

6. Trouble in RS-232C.

If communication of Panja with RS232C (only SR6400) is troubled more than 2 seconds.

|   |   |   |   |   |  |   |   |   |   |  |  |  |
|---|---|---|---|---|--|---|---|---|---|--|--|--|
| C | H | E | C | K |  | 2 | 3 | 2 | C |  |  |  |
|---|---|---|---|---|--|---|---|---|---|--|--|--|

7. Trouble in 5V Supply

If 5V supply to DATA DIR is troubled.

|   |   |   |   |   |  |   |   |   |   |  |  |  |
|---|---|---|---|---|--|---|---|---|---|--|--|--|
| C | H | E | C | K |  | P | O | W | 5 |  |  |  |
|---|---|---|---|---|--|---|---|---|---|--|--|--|

8. Trouble in Protection

CPU turns off the speaker output

|   |   |   |   |   |   |   |  |  |  |  |  |  |
|---|---|---|---|---|---|---|--|--|--|--|--|--|
| P | R | O | T | E | C | T |  |  |  |  |  |  |
|---|---|---|---|---|---|---|--|--|--|--|--|--|

## 10. SERVICE MODE

Microprocessor (IC28), DSP(IC20) の Version 表示及び FL 点燈を確認するモードです。

1. セットの電源を入れます。ATT, TAPE, SELECT のボタンを同時に約 3 秒以上押します。

"SERVICE MODE" と表示が出ます。更に約 2 秒後に機種名が表示されます。

|   |   |   |   |   |   |   |  |   |   |   |   |  |  |  |  |
|---|---|---|---|---|---|---|--|---|---|---|---|--|--|--|--|
| S | E | R | V | I | C | E |  | M | O | D | E |  |  |  |  |
|---|---|---|---|---|---|---|--|---|---|---|---|--|--|--|--|

|  |  |  |   |   |   |   |   |   |  |  |  |  |  |  |  |
|--|--|--|---|---|---|---|---|---|--|--|--|--|--|--|--|
|  |  |  | S | R | 5 | 4 | 0 | 0 |  |  |  |  |  |  |  |
|--|--|--|---|---|---|---|---|---|--|--|--|--|--|--|--|

2. DISPLAY ボタンを押します。マイコン (IC28) のバージョンが次のように表示されます。

|   |   |   |   |   |   |   |  |   |   |  |  |  |  |  |  |
|---|---|---|---|---|---|---|--|---|---|--|--|--|--|--|--|
| V | 0 | 3 | 0 | 5 | 1 | 9 |  | 1 | U |  |  |  |  |  |  |
|---|---|---|---|---|---|---|--|---|---|--|--|--|--|--|--|

[Year] [Month] [Date] [Dest.]

(Dest.: 仕向け)

3. DISPLAY ボタンを押します。マイコン (IC28) の Software Type が表示されます

|   |   |   |   |  |   |   |   |   |  |  |   |   |  |  |  |
|---|---|---|---|--|---|---|---|---|--|--|---|---|--|--|--|
| S | O | F | T |  | T | Y | P | E |  |  | x | x |  |  |  |
|---|---|---|---|--|---|---|---|---|--|--|---|---|--|--|--|

(XX:Hex 数字表示)

4. DISPLAY ボタンを押します。Code Group Type が表示されます

|   |   |   |   |  |  |   |   |   |   |   |   |   |   |  |  |
|---|---|---|---|--|--|---|---|---|---|---|---|---|---|--|--|
| C | O | D | E |  |  | T | Y | P | E | x | x | x | x |  |  |
|---|---|---|---|--|--|---|---|---|---|---|---|---|---|--|--|

(XXXX:Hex 数字表示)

5. DISPLAY ボタンを押します。FL 表示の右、左、中央部分が交互に点燈を繰り返します。

6. DISPLAY ボタンを押します。FL の Character 部分が点滅します。

7. DISPLAY ボタンを押します。FL が全消灯します

8. DISPLAY ボタンを押します。ボタンを押す度に DSP Code ID が NO.1 から NO.10 まで順に表示されます。

|   |   |   |   |  |   |   |   |   |   |   |   |   |  |  |  |
|---|---|---|---|--|---|---|---|---|---|---|---|---|--|--|--|
| C | D | 0 | 1 |  | 0 | 1 | 0 | 2 | 0 | 1 | 0 | 1 |  |  |  |
|---|---|---|---|--|---|---|---|---|---|---|---|---|--|--|--|

[No.] [Dev.] [SIG] [TYP] [Ver.]

No.:CODE No. Dev.:Device ID SIG:CODE SIG ID

TYP:CODE TYP ID Ver.:Version

9. DISPLAY ボタンを押します。サービスモードは解除されます。

## 11. SYSTEM ERROR

製品内部での異常発生時に処理、表示を行います。主に各 Device との通信異常を検出します。

- ERROR 表示後、Surround Mode は初期化され工場出荷の状態に戻ります。

- ERROR 表示の内容は下記です。

1. DSP 異常検出表示。

DSP との通信上の不具合を約 2 秒検出した時。

|   |   |   |   |   |  |   |   |   |  |  |  |  |  |  |  |
|---|---|---|---|---|--|---|---|---|--|--|--|--|--|--|--|
| C | H | E | C | K |  | D | S | P |  |  |  |  |  |  |  |
|---|---|---|---|---|--|---|---|---|--|--|--|--|--|--|--|

表示状態はそのままで音声は Mute 状態

2. DSP Code 異常検出表示。

DSP Code の異常を検出した時。

|   |   |   |   |   |  |   |   |   |  |   |   |   |  |  |  |
|---|---|---|---|---|--|---|---|---|--|---|---|---|--|--|--|
| C | H | E | C | K |  | D | S | P |  | R | O | M |  |  |  |
|---|---|---|---|---|--|---|---|---|--|---|---|---|--|--|--|

3. ADC 異常検出表示。

ADC 入力を選択した場合に ADC Calibration 開始後、CAL 信号が約 2 秒以上 High を持続した時。

|   |   |   |   |   |  |   |   |   |  |  |  |  |  |  |  |
|---|---|---|---|---|--|---|---|---|--|--|--|--|--|--|--|
| C | H | E | C | K |  | A | D | C |  |  |  |  |  |  |  |
|---|---|---|---|---|--|---|---|---|--|--|--|--|--|--|--|

4. EEP-ROM 異常検出表示。

EEP-ROM Data の不整合を検出した時。

|   |   |   |   |   |  |   |   |   |  |  |  |  |  |  |  |
|---|---|---|---|---|--|---|---|---|--|--|--|--|--|--|--|
| C | H | E | C | K |  | E | 2 | P |  |  |  |  |  |  |  |
|---|---|---|---|---|--|---|---|---|--|--|--|--|--|--|--|

5. EEP-ROM IF 異常検出表示。

EEP-ROM との通信不具合が約 2 秒以上生じた時。

|   |   |   |   |   |  |   |   |   |  |   |   |  |  |  |  |
|---|---|---|---|---|--|---|---|---|--|---|---|--|--|--|--|
| C | H | E | C | K |  | E | 2 | P |  | I | F |  |  |  |  |
|---|---|---|---|---|--|---|---|---|--|---|---|--|--|--|--|

6. RS-232C 異常検出表示。

Panja 通信時 (SR6400 のみ) に RS-232C との通信不具合を約 2 秒以上検出した時。

|   |   |   |   |   |  |   |   |   |   |  |  |  |  |  |  |
|---|---|---|---|---|--|---|---|---|---|--|--|--|--|--|--|
| C | H | E | C | K |  | 2 | 3 | 2 | C |  |  |  |  |  |  |
|---|---|---|---|---|--|---|---|---|---|--|--|--|--|--|--|

7. 5V 異常検出表示。

DATA DIR. の異常を検出した時。

|   |   |   |   |   |  |   |   |   |   |  |  |  |  |  |  |
|---|---|---|---|---|--|---|---|---|---|--|--|--|--|--|--|
| C | H | E | C | K |  | P | O | W | 5 |  |  |  |  |  |  |
|---|---|---|---|---|--|---|---|---|---|--|--|--|--|--|--|

8. Protection 信号異常検出表示。

Speaker から出力を止めます。

|   |   |   |   |   |   |   |  |  |  |  |  |  |  |  |  |
|---|---|---|---|---|---|---|--|--|--|--|--|--|--|--|--|
| P | R | O | T | E | C | T |  |  |  |  |  |  |  |  |  |
|---|---|---|---|---|---|---|--|--|--|--|--|--|--|--|--|

## 12. ELECTRICAL PARTS LIST

### ASSIGNMENT OF COMMON PARTS CODES.

#### RESISTORS

R\*\*\*: 1) GD05 × × × 140, Carbon film fixed resistor, ±5% 1/4W  
 R\*\*\*: 2) GD05 × × × 160, Carbon film fixed resistor, ±5% 1/6W

① — Resistance value

Examples ;

① Resistance value  
 0.1 Ω .... 001    10 Ω .... 100    1 kΩ .... 102    100 kΩ .... 104  
 0.5 Ω .... 005    18 Ω .... 180    2.7 kΩ .... 272    680 kΩ .... 684  
 1 Ω .... 010    100 Ω .... 101    10 kΩ .... 103    1 MΩ .... 105  
 6.8 Ω .... 068    390 Ω .... 391    22 kΩ .... 223    4.7 MΩ .... 475

Note : Please distinguish 1/4W from 1/6W by the shape of parts used actually.

#### CAPACITORS

C\*\*\*: CERAMIC CAP.

3) DD1 × × × × 370, Ceramic capacitor  
 Disc type  
 Temp.coeff.P350 ~ N1000, 50V  
 ② — Capacity value  
 ③ — Tolerance

Examples ;

② Tolerance (Capacity deviation)  
 ±0.25 pF .... 0  
 ±0.5 pF .... 1  
 ±5% .... 5

\* Tolerance of COMMON PARTS handled here are as follows :

0.5 pF ~ 5 pF .... ±0.25 pF  
 6 pF ~ 10 pF .... ±0.5 pF  
 12 pF ~ 560 pF .... ±5%

③ Capacity value

0.5 pF .... 005    3 pF .... 030    100 pF .... 101  
 1 pF .... 010    10 pF .... 100    220 pF .... 221  
 1.5 pF .... 015    47 pF .... 470    560 pF .... 561

C\*\*\*: CERAMIC CAP.

4) DK16 × × × 300, High dielectric constant ceramic capacitor  
 Disc type  
 Temp.chara. 2B4, 50V  
 ④ — Capacity value

Examples ;

④ Capacity value  
 100 pF .... 101    1000 pF .... 102    10000 pF .... 103  
 470 pF .... 471    2200 pF .... 222

C\*\*\*: 5) ELECTROLY CAP. (  $\text{ZZ}$  ), 6) FILM CAP. (  $\text{Z}$  )

5) EA × × × × × 10, Electrolytic capacitor  
 One-way lead type, Tolerance ±20%  
 ⑤ — Working voltage  
 ⑥ — Capacity value

Examples ;

⑤ Capacity value  
 0.1 μF .... 104    4.7 μF .... 475    100 μF .... 107  
 0.33 μF .... 334    10 μF .... 106    330 μF .... 337  
 1 μF .... 105    22 μF .... 226    1100 μF .... 118  
 2200 μF .... 228

⑥ Working voltage

6.3V .... 006    25V .... 025  
 10V .... 010    35V .... 035  
 16V .... 016    50V .... 050

6) DF15 × × × 350 — Plastic film capacitor  
 DF15 × × × 310 — One-way type, Mylar ±5% 50V  
 DF16 × × × 310 — Plastic film capacitor  
 One-way type, Mylar ±10% 50V  
 ⑦ — Capacity value

Examples ;

⑦ Capacity value  
 0.001 μF (1000 pF) ..... 102    0.1 μF .... 104  
 0.0018 μF ..... 182    0.56 μF .... 564  
 0.01 μF ..... 103    1 μF .... 105  
 0.015 μF ..... 153

NOTE : 1) The above CODES ( R\*\*\*, R\*\*\*, C\*\*\*, C\*\*\* and C\*\*\* ) are omitted on the schematic diagram in some case.

2) On the occasion, be confirmed the common parts on the parts list.

3) Refer to "Common Parts List" for the other common parts (R105, DD4, DK4).

### NOTE ON SAFETY FOR FUSIBLE RESISTOR :

The suppliers and their type numbers of fusible resistors are as follows;

1. KOA Corporation

| Part No. (MJI) | Type No. (KOA)     | Description |
|----------------|--------------------|-------------|
| NH05 × × × 140 | RF25S × × × × ΩJ   | (±5% 1/4W)  |
| NH05 × × × 120 | RF50S × × × × ΩJ   | (±5% 1/2W)  |
| NH85 × × × 110 | RF73B2A × × × × ΩJ | (±5% 1/10W) |
| NH95 × × × 140 | RF73B2E × × × × ΩJ | (±5% 1/4W)  |

\* Resistance value      \* Resistance value  
 (0.1 Ω - 10 kΩ)

2. Matsushita Electronic Components Co., Ltd

| Part No. (MJI) | Type No. (MEC) | Description |
|----------------|----------------|-------------|
| NF05 × × × 140 | ERD-2FCJ × × × | (±5% 1/4W)  |
| RF05 × × × 140 |                |             |
| NF02 × × × 140 | ERD-2FCG × × × | (±2% 1/4W)  |
| RF02 × × × 140 |                |             |

\* Resistance value      \* Resistance value

Examples ;

\* Resistance value  
 0.1 Ω .... 001    10 Ω .... 100    1 kΩ .... 102    100 kΩ .... 104  
 0.5 Ω .... 005    18 Ω .... 180    2.7 kΩ .... 272    680 kΩ .... 684  
 1 Ω .... 010    100 Ω .... 101    10 kΩ .... 103    1 MΩ .... 105  
 6.8 Ω .... 068    390 Ω .... 391    22 kΩ .... 223    4.7 MΩ .... 475

### ABBREVIATION AND MARKS

|                        |                       |
|------------------------|-----------------------|
| ANT. : ANTENNA         | BATT. : BATTERY       |
| CAP. : CAPACITOR       | CER. : CERAMIC        |
| CONN. : CONNECTING     | DIG. : DIGITAL        |
| HP : HEADPHONE         | MIC. : MICROPHONE     |
| μ-PRO : MICROPROCESSOR | REC. : RECORDING      |
| RES. : RESISTOR        | SPK : SPEAKER         |
| SW : SWITCH            | TRANSF. : TRANSFORMER |
| TRIM. : TRIMMING       | TRS. : TRANSISTOR     |
| VAR. : VARIABLE        | X'TAL : CRYSTAL       |

### NOTE ON FUSE :

Regarding to all parts of parts code **FS20xx2xx**, replace only with Wickmann-Werke GmbH, Type 372 non glass type fuse.

### NOTE ON SAFETY :

Symbol  $\blacktriangle$  Fire or electrical shock hazard. Only original parts should be used to replaced any part marked with symbol  $\blacktriangle$ . Any other component substitution (other than original type), may increase risk of fire or electrical shock hazard.

### 安全上の注意 :

$\blacktriangle$  がついている部品は、安全上重要な部品です。必ず指定されている部品番号の部品を使用して下さい。

**SR5400/K/N/U, PS5400/F**

| POS. NO | VERS. COLOR | PART NO. (FOR EUR) | PART NO. (MJI) | DESCRIPTION                |                         |             |
|---------|-------------|--------------------|----------------|----------------------------|-------------------------|-------------|
|         |             |                    |                | <b>DSP PCB (CUP11593Z)</b> |                         |             |
| BN33    |             | nsp                | nsp            | CONNECTOR                  | MOLEX35237-0710         | KJP07GB99ZM |
| C101    |             | nsp                | OA47601640     | ELECT. CAP.                | 47µF 16V                | HCEA1CH470T |
| C102    |             | nsp                | DK96103300     | CHIP CAP.                  | 0.01µF 50V KC 1608SIZE  | HCUS1H103KC |
| C103    |             | nsp                | OA47601640     | ELECT. CAP.                | 47µF 16V                | HCEA1CH470T |
| C104    |             | nsp                | DK96103300     | CHIP CAP.                  | 0.01µF 50V KC 1608SIZE  | HCUS1H103KC |
| C105    |             | nsp                | OA47601640     | ELECT. CAP.                | 47µF 16V                | HCEA1CH470T |
| C106    |             | nsp                | DK96103300     | CHIP CAP.                  | 0.01µF 50V KC 1608SIZE  | HCUS1H103KC |
| C107    |             | nsp                | DD95101300     | CHIP CAP.                  | 100pF 50V JA 1608SIZE   | HCUS1H101JA |
| C108    |             | nsp                | DK96104300     | CHIP CAP.                  | 0.1µF 50V ZF 1608 SIZE  | HCUS1E104ZF |
| C109    |             | nsp                | DD95101300     | CHIP CAP.                  | 100pF 50V JA 1608SIZE   | HCUS1H101JA |
| C110    |             | nsp                | DK96104300     | CHIP CAP.                  | 0.1µF 50V ZF 1608 SIZE  | HCUS1E104ZF |
| C111    |             | nsp                | DD95101300     | CHIP CAP.                  | 100pF 50V JA 1608SIZE   | HCUS1H101JA |
| C112    |             | nsp                | DK96104300     | CHIP CAP.                  | 0.1µF 50V ZF 1608 SIZE  | HCUS1E104ZF |
| C113    |             | nsp                | DD95330300     | CHIP CAP.                  | 33pF 50V JA 1608SIZE    | HCUS1H330JA |
| C114    |             | nsp                | DK96104300     | CHIP CAP.                  | 0.1µF 50V ZF 1608 SIZE  | HCUS1E104ZF |
| C115    |             | nsp                | DK96104300     | CHIP CAP.                  | 0.1µF 50V ZF 1608 SIZE  | HCUS1E104ZF |
| C116    |             | nsp                | DD95330300     | CHIP CAP.                  | 33pF 50V JA 1608SIZE    | HCUS1H330JA |
| C117    |             | nsp                | DK96103300     | CHIP CAP.                  | 0.01µF 50V KC 1608SIZE  | HCUS1H103KC |
| C118    |             | nsp                | OA47601640     | ELECT. CAP.                | 47µF 16V                | HCEA1CH470T |
| C119    |             | nsp                | DK96104300     | CHIP CAP.                  | 0.1µF 50V ZF 1608 SIZE  | HCUS1E104ZF |
| C120    |             | nsp                | DK96104300     | CHIP CAP.                  | 0.1µF 50V ZF 1608 SIZE  | HCUS1E104ZF |
| C121    |             | nsp                | DK96104300     | CHIP CAP.                  | 0.1µF 50V ZF 1608 SIZE  | HCUS1E104ZF |
| C122    |             | nsp                | OA22605020     | ELECT. CAP.                | 22µF 50V                | HCEA1EH220T |
| C123    |             | nsp                | DK96104300     | CHIP CAP.                  | 0.1µF 50V ZF 1608 SIZE  | HCUS1E104ZF |
| C124    |             | nsp                | DK96104300     | CHIP CAP.                  | 0.1µF 50V ZF 1608 SIZE  | HCUS1E104ZF |
| C125    |             | nsp                | DK98223300     | CHIP CAP.                  | 0.022µF 50V KC 1608SIZE | HCUS1H223KC |
| C126    |             | nsp                | DK96104300     | CHIP CAP.                  | 0.1µF 50V ZF 1608 SIZE  | HCUS1E104ZF |
| C127    |             | nsp                | OA22605020     | ELECT. CAP.                | 22µF 50V                | HCEA1EH220T |
| C128    |             | nsp                | DK96104300     | CHIP CAP.                  | 0.1µF 50V ZF 1608 SIZE  | HCUS1E104ZF |
| C129    |             | nsp                | OA22605020     | ELECT. CAP.                | 22µF 50V                | HCEA1EH220T |
| C130    |             | nsp                | DK96104300     | CHIP CAP.                  | 0.1µF 50V ZF 1608 SIZE  | HCUS1E104ZF |
| C131    |             | nsp                | OA22605020     | ELECT. CAP.                | 22µF 50V                | HCEA1EH220T |
| C132    |             | nsp                | DD95330300     | CHIP CAP.                  | 33pF 50V JA 1608SIZE    | HCUS1H330JA |
| C133    |             | nsp                | DD95330300     | CHIP CAP.                  | 33pF 50V JA 1608SIZE    | HCUS1H330JA |
| C134    |             | nsp                | DK96104300     | CHIP CAP.                  | 0.1µF 50V ZF 1608 SIZE  | HCUS1E104ZF |
| C135    |             | nsp                | DD95101300     | CHIP CAP.                  | 100pF 50V JA 1608SIZE   | HCUS1H101JA |
| C136    |             | nsp                | DK96104300     | CHIP CAP.                  | 0.1µF 50V ZF 1608 SIZE  | HCUS1E104ZF |
| C137    |             | nsp                | OA22605020     | ELECT. CAP.                | 22µF 50V                | HCEA1EH220T |
| C138    |             | nsp                | OA22605020     | ELECT. CAP.                | 22µF 50V                | HCEA1EH220T |
| C139    |             | nsp                | OA22605020     | ELECT. CAP.                | 22µF 50V                | HCEA1EH220T |
| C141    |             | nsp                | DD95101300     | CHIP CAP.                  | 100pF 50V JA 1608SIZE   | HCUS1H101JA |
| C142    |             | nsp                | DD95151300     | CHIP CAP.                  | 150pF 50V JA 1608 SIZE  | HCUS1H151JA |
| C143    |             | nsp                | DK96104300     | CHIP CAP.                  | 0.1µF 50V ZF 1608 SIZE  | HCUS1E104ZF |
| C144    |             | nsp                | DK96272300     | CHIP CAP.                  | 2700pF 50V KC 1608SIZE  | HCUS1H272KC |
| C145    |             | nsp                | OA22605020     | ELECT. CAP.                | 22µF 50V                | HCEA1EH220T |
| C146    |             | nsp                | OA22605020     | ELECT. CAP.                | 22µF 50V                | HCEA1EH220T |
| C148    |             | nsp                | DD95101300     | CHIP CAP.                  | 100pF 50V JA 1608SIZE   | HCUS1H101JA |
| C149    |             | nsp                | DD95151300     | CHIP CAP.                  | 150pF 50V JA 1608 SIZE  | HCUS1H151JA |
| C150    |             | nsp                | DK96104300     | CHIP CAP.                  | 0.1µF 50V ZF 1608 SIZE  | HCUS1E104ZF |
| C151    |             | nsp                | DK96272300     | CHIP CAP.                  | 2700pF 50V KC 1608SIZE  | HCUS1H272KC |
| C152    |             | nsp                | OA10701620     | ELECT. CAP.                | 100µF 16V               | HCEA1CH101T |
| C153    |             | nsp                | DK96104300     | CHIP CAP.                  | 0.1µF 50V ZF 1608 SIZE  | HCUS1E104ZF |
| C154    |             | nsp                | DD95471300     | CHIP CAP.                  | 470pF 50V JA 1608SIZE   | HCUS1H471JA |
| C155    |             | nsp                | DK96104300     | CHIP CAP.                  | 0.1µF 50V ZF 1608 SIZE  | HCUS1E104ZF |
| C156    |             | nsp                | OA22605020     | ELECT. CAP.                | 22µF 50V                | HCEA1EH220T |
| C157    |             | nsp                | DK96104300     | CHIP CAP.                  | 0.1µF 50V ZF 1608 SIZE  | HCUS1E104ZF |
| C158    |             | nsp                | OA22605020     | ELECT. CAP.                | 22µF 50V                | HCEA1EH220T |
| C159    |             | nsp                | DK96104300     | CHIP CAP.                  | 0.1µF 50V ZF 1608 SIZE  | HCUS1E104ZF |

NOTE : "nsp" PART IS LISTED FOR REFERENCE ONLY, MARANTZ WILL NOT SUPPLY THESE PARTS.

**SR5400/K/N/U, PS5400/F**

| POS. NO | VERS. COLOR | PART NO. (FOR EUR) | PART NO. (MJI) | DESCRIPTION                                  |
|---------|-------------|--------------------|----------------|--|
| C160    |             | nsp                | OA22605020     | ELECT. CAP. 22µF 50V HCEA1EH220T             |
| C161    |             | nsp                | DK96104300     | CHIP CAP. 0.1µF 50V ZF 1608 SIZE HCUS1E104ZF |
| C162    |             | nsp                | OA22605020     | ELECT. CAP. 22µF 50V HCEA1EH220T             |
| C163    |             | nsp                | DK96104300     | CHIP CAP. 0.1µF 50V ZF 1608 SIZE HCUS1E104ZF |
| C164    |             | nsp                | DK96104300     | CHIP CAP. 0.1µF 50V ZF 1608 SIZE HCUS1E104ZF |
| C165    |             | nsp                | OA22605020     | ELECT. CAP. 22µF 50V HCEA1EH220T             |
| C166    |             | nsp                | DK96104300     | CHIP CAP. 0.1µF 50V ZF 1608 SIZE HCUS1E104ZF |
| C167    |             | nsp                | OA22505020     | ELECT. CAP. 2.2µF 50V HCEA1HH2R2T            |
| C168    |             | nsp                | DD95680300     | CHIP CAP. 68pF 50V JA 1608SIZE HCUS1H680JA   |
| C169    |             | nsp                | DK96122300     | CHIP CAP. 1200pF 50V KC 1608SIZE HCUS1H122KC |
| C170    |             | nsp                | DK96103300     | CHIP CAP. 0.01µF 50V KC 1608SIZE HCUS1H103KC |
| C171    |             | nsp                | DK96104300     | CHIP CAP. 0.1µF 50V ZF 1608 SIZE HCUS1E104ZF |
| C172    |             | nsp                | OA47601640     | ELECT. CAP. 47µF 16V HCEA1CH470T             |
| C173    |             | nsp                | DK96104300     | CHIP CAP. 0.1µF 50V ZF 1608 SIZE HCUS1E104ZF |
| C174    |             | nsp                | DK96104300     | CHIP CAP. 0.1µF 50V ZF 1608 SIZE HCUS1E104ZF |
| C175    |             | nsp                | OA22605020     | ELECT. CAP. 22µF 50V HCEA1EH220T             |
| C176    |             | nsp                | DK96104300     | CHIP CAP. 0.1µF 50V ZF 1608 SIZE HCUS1E104ZF |
| C177    |             | nsp                | DK96104300     | CHIP CAP. 0.1µF 50V ZF 1608 SIZE HCUS1E104ZF |
| C178    |             | nsp                | DK96104300     | CHIP CAP. 0.1µF 50V ZF 1608 SIZE HCUS1E104ZF |
| C179    |             | nsp                | OA22605020     | ELECT. CAP. 22µF 50V HCEA1EH220T             |
| C180    |             | nsp                | DK96104300     | CHIP CAP. 0.1µF 50V ZF 1608 SIZE HCUS1E104ZF |
| C181    |             | nsp                | OA22605020     | ELECT. CAP. 22µF 50V HCEA1EH220T             |
| C182    |             | nsp                | DK96104300     | CHIP CAP. 0.1µF 50V ZF 1608 SIZE HCUS1E104ZF |
| C183    |             | nsp                | DK96104300     | CHIP CAP. 0.1µF 50V ZF 1608 SIZE HCUS1E104ZF |
| C184    |             | nsp                | DK96104300     | CHIP CAP. 0.1µF 50V ZF 1608 SIZE HCUS1E104ZF |
| C185    |             | nsp                | OA22605020     | ELECT. CAP. 22µF 50V HCEA1EH220T             |
| C186    |             | nsp                | DK96104300     | CHIP CAP. 0.1µF 50V ZF 1608 SIZE HCUS1E104ZF |
| C187    |             | nsp                | OA22605020     | ELECT. CAP. 22µF 50V HCEA1EH220T             |
| C188    |             | nsp                | DK96104300     | CHIP CAP. 0.1µF 50V ZF 1608 SIZE HCUS1E104ZF |
| C189    |             | nsp                | DK96104300     | CHIP CAP. 0.1µF 50V ZF 1608 SIZE HCUS1E104ZF |
| C190    |             | nsp                | DK96104300     | CHIP CAP. 0.1µF 50V ZF 1608 SIZE HCUS1E104ZF |
| C191    |             | nsp                | DK96104300     | CHIP CAP. 0.1µF 50V ZF 1608 SIZE HCUS1E104ZF |
| C192    |             | nsp                | DK96104300     | CHIP CAP. 0.1µF 50V ZF 1608 SIZE HCUS1E104ZF |
| C193    |             | nsp                | OA22605020     | ELECT. CAP. 22µF 50V HCEA1EH220T             |
| C194    |             | nsp                | DK96104300     | CHIP CAP. 0.1µF 50V ZF 1608 SIZE HCUS1E104ZF |
| C195    |             | nsp                | OA22605020     | ELECT. CAP. 22µF 50V HCEA1EH220T             |
| C196    |             | nsp                | DD95101300     | CHIP CAP. 100pF 50V JA 1608SIZE HCUS1H101JA  |
| C197    |             | nsp                | DK96104300     | CHIP CAP. 0.1µF 50V ZF 1608 SIZE HCUS1E104ZF |
| C198    |             | nsp                | OA10505020     | ELECT. CAP. 1µF 50V HCEA1HH1R0T              |
| C199    |             | nsp                | DK96104300     | CHIP CAP. 0.1µF 50V ZF 1608 SIZE HCUS1E104ZF |
| C200    |             | nsp                | OA47601640     | ELECT. CAP. 47µF 16V HCEA1CH470T             |
| C201    |             | nsp                | DK96104300     | CHIP CAP. 0.1µF 50V ZF 1608 SIZE HCUS1E104ZF |
| C202    |             | nsp                | OA10701620     | ELECT. CAP. 100µF 16V HCEA1CH101T            |
| C203    |             | nsp                | DK96104300     | CHIP CAP. 0.1µF 50V ZF 1608 SIZE HCUS1E104ZF |
| C204    |             | nsp                | OA22605020     | ELECT. CAP. 22µF 50V HCEA1EH220T             |
| C205    |             | nsp                | DK96332300     | CHIP CAP. 3300pF 50V KC 1608SIZE HCUS1H332KC |
| C206    |             | nsp                | DD95471300     | CHIP CAP. 470pF 50V JA 1608SIZE HCUS1H471JA  |
| C207    |             | nsp                | DK96332300     | CHIP CAP. 3300pF 50V KC 1608SIZE HCUS1H332KC |
| C208    |             | nsp                | DD95471300     | CHIP CAP. 470pF 50V JA 1608SIZE HCUS1H471JA  |
| C209    |             | nsp                | DK96104300     | CHIP CAP. 0.1µF 50V ZF 1608 SIZE HCUS1E104ZF |
| C210    |             | nsp                | OA22605020     | ELECT. CAP. 22µF 50V HCEA1EH220T             |
| C211    |             | nsp                | DK96102300     | CHIP CAP. 1000pF 50V KC 1608SIZE HCUS1H102KC |
| C212    |             | nsp                | DK96332300     | CHIP CAP. 3300pF 50V KC 1608SIZE HCUS1H332KC |
| C213    |             | nsp                | DD95471300     | CHIP CAP. 470pF 50V JA 1608SIZE HCUS1H471JA  |
| C214    |             | nsp                | DK96332300     | CHIP CAP. 3300pF 50V KC 1608SIZE HCUS1H332KC |
| C215    |             | nsp                | DD95471300     | CHIP CAP. 470pF 50V JA 1608SIZE HCUS1H471JA  |
| C216    |             | nsp                | DK96104300     | CHIP CAP. 0.1µF 50V ZF 1608 SIZE HCUS1E104ZF |
| C217    |             | nsp                | OA22605020     | ELECT. CAP. 22µF 50V HCEA1EH220T             |
| C218    |             | nsp                | DK96102300     | CHIP CAP. 1000pF 50V KC 1608SIZE HCUS1H102KC |

NOTE : "nsp" PART IS LISTED FOR REFERENCE ONLY, MARANTZ WILL NOT SUPPLY THESE PARTS.

**SR5400/K/N/U, PS5400/F**

| POS. NO | VERS. COLOR | PART NO. (FOR EUR) | PART NO. (MJI) | DESCRIPTION                                   |
|---------|-------------|--------------------|----------------|---|
| C219    |             | nsp                | DK96332300     | CHIP CAP. 3300pF 50V KC 1608SIZE HCUS1H332KC  |
| C220    |             | nsp                | DD95471300     | CHIP CAP. 470pF 50V JA 1608SIZE HCUS1H471JA   |
| C221    |             | nsp                | DK96332300     | CHIP CAP. 3300pF 50V KC 1608SIZE HCUS1H332KC  |
| C222    |             | nsp                | DD95471300     | CHIP CAP. 470pF 50V JA 1608SIZE HCUS1H471JA   |
| C223    |             | nsp                | DK96104300     | CHIP CAP. 0.1µF 50V ZF 1608 SIZE HCUS1E104ZF  |
| C224    |             | nsp                | OA22605020     | ELECT. CAP. 22µF 50V HCEA1EH220T              |
| C225    |             | nsp                | DK96102300     | CHIP CAP. 1000pF 50V KC 1608SIZE HCUS1H102KC  |
| C226    |             | nsp                | DK96332300     | CHIP CAP. 3300pF 50V KC 1608SIZE HCUS1H332KC  |
| C227    |             | nsp                | DD95471300     | CHIP CAP. 470pF 50V JA 1608SIZE HCUS1H471JA   |
| C228    |             | nsp                | DK96332300     | CHIP CAP. 3300pF 50V KC 1608SIZE HCUS1H332KC  |
| C229    |             | nsp                | DD95471300     | CHIP CAP. 470pF 50V JA 1608SIZE HCUS1H471JA   |
| C230    |             | nsp                | DK96104300     | CHIP CAP. 0.1µF 50V ZF 1608 SIZE HCUS1E104ZF  |
| C231    |             | nsp                | OA22605020     | ELECT. CAP. 22µF 50V HCEA1EH220T              |
| C232    |             | nsp                | DK96102300     | CHIP CAP. 1000pF 50V KC 1608SIZE HCUS1H102KC  |
| C233    |             | nsp                | DK96332300     | CHIP CAP. 3300pF 50V KC 1608SIZE HCUS1H332KC  |
| C234    |             | nsp                | DD95471300     | CHIP CAP. 470pF 50V JA 1608SIZE HCUS1H471JA   |
| C235    |             | nsp                | DK96332300     | CHIP CAP. 3300pF 50V KC 1608SIZE HCUS1H332KC  |
| C236    |             | nsp                | DD95471300     | CHIP CAP. 470pF 50V JA 1608SIZE HCUS1H471JA   |
| C237    |             | nsp                | DK96104300     | CHIP CAP. 0.1µF 50V ZF 1608 SIZE HCUS1E104ZF  |
| C238    |             | nsp                | OA22605020     | ELECT. CAP. 22µF 50V HCEA1EH220T              |
| C239    |             | nsp                | DK96102300     | CHIP CAP. 1000pF 50V KC 1608SIZE HCUS1H102KC  |
| C240    |             | nsp                | DK96104300     | CHIP CAP. 0.1µF 50V ZF 1608 SIZE HCUS1E104ZF  |
| C241    |             | nsp                | DK96332300     | CHIP CAP. 3300pF 50V KC 1608SIZE HCUS1H332KC  |
| C242    |             | nsp                | DD95471300     | CHIP CAP. 470pF 50V JA 1608SIZE HCUS1H471JA   |
| C243    |             | nsp                | DK96332300     | CHIP CAP. 3300pF 50V KC 1608SIZE HCUS1H332KC  |
| C244    |             | nsp                | DD95471300     | CHIP CAP. 470pF 50V JA 1608SIZE HCUS1H471JA   |
| C245    |             | nsp                | DK96104300     | CHIP CAP. 0.1µF 50V ZF 1608 SIZE HCUS1E104ZF  |
| C246    |             | nsp                | OA22605020     | ELECT. CAP. 22µF 50V HCEA1EH220T              |
| C247    |             | nsp                | DK96102300     | CHIP CAP. 1000pF 50V KC 1608SIZE HCUS1H102KC  |
| C248    |             | nsp                | DK96332300     | CHIP CAP. 3300pF 50V KC 1608SIZE HCUS1H332KC  |
| C249    |             | nsp                | DD95471300     | CHIP CAP. 470pF 50V JA 1608SIZE HCUS1H471JA   |
| C250    |             | nsp                | DK96332300     | CHIP CAP. 3300pF 50V KC 1608SIZE HCUS1H332KC  |
| C251    |             | nsp                | DD95471300     | CHIP CAP. 470pF 50V JA 1608SIZE HCUS1H471JA   |
| C252    |             | nsp                | DK96104300     | CHIP CAP. 0.1µF 50V ZF 1608 SIZE HCUS1E104ZF  |
| C253    |             | nsp                | OA22605020     | ELECT. CAP. 22µF 50V HCEA1EH220T              |
| C254    |             | nsp                | DK96102300     | CHIP CAP. 1000pF 50V KC 1608SIZE HCUS1H102KC  |
| C255    |             | nsp                | DK96103300     | CHIP CAP. 0.01µF 50V KC 1608SIZE HCUS1H103KC  |
| C256    |             | nsp                | DK96103300     | CHIP CAP. 0.01µF 50V KC 1608SIZE HCUS1H103KC  |
| C257    |             | nsp                | DD95330300     | CHIP CAP. 33pF 50V JA 1608SIZE HCUS1H330JA    |
| C258    |             | nsp                | DD95330300     | CHIP CAP. 33pF 50V JA 1608SIZE HCUS1H330JA    |
| C259    |             | nsp                | DD95330300     | CHIP CAP. 33pF 50V JA 1608SIZE HCUS1H330JA    |
| CC11    |             | nsp                | DK96104300     | CHIP CAP. 0.1µF 50V ZF 1608 SIZE HCUS1E104ZF  |
| CC12    |             | nsp                | OA22605020     | ELECT. CAP. 22µF 50V HCEA1EH220T              |
| CC13    |             | nsp                | DK96104300     | CHIP CAP. 0.1µF 50V ZF 1608 SIZE HCUS1E104ZF  |
| CC14    |             | nsp                | DD91100300     | CHIP CAP. 10pF 50V JA 1608SIZE HCUS1H100JA    |
| CC15    |             | nsp                | DK96104300     | CHIP CAP. 0.1µF 50V ZF 1608 SIZE HCUS1E104ZF  |
| CC16    |             | nsp                | DK96104300     | CHIP CAP. 0.1µF 50V ZF 1608 SIZE HCUS1E104ZF  |
| CC17    |             | nsp                | OA22605020     | ELECT. CAP. 22µF 50V HCEA1EH220T              |
| CC18    |             | nsp                | DK96104300     | CHIP CAP. 0.1µF 50V ZF 1608 SIZE HCUS1E104ZF  |
| CC19    |             | nsp                | DK98473300     | CHIP CAP. 0.047µF 50V ZF 1608SIZE HCUS1H473ZF |
| CC20    |             | nsp                | OA22605020     | ELECT. CAP. 22µF 50V HCEA1EH220T              |
| CC21    |             | nsp                | DK96104300     | CHIP CAP. 0.1µF 50V ZF 1608 SIZE HCUS1E104ZF  |
| CC22    |             | nsp                | DK96104300     | CHIP CAP. 0.1µF 50V ZF 1608 SIZE HCUS1E104ZF  |
| CC23    |             | nsp                | DD95220300     | CHIP CAP. 22pF 50V JA 1608SIZE HCUS1H220JA    |
| CC24    |             | nsp                | DD95220300     | CHIP CAP. 22pF 50V JA 1608SIZE HCUS1H220JA    |
| CC25    |             | nsp                | DK96104300     | CHIP CAP. 0.1µF 50V ZF 1608 SIZE HCUS1E104ZF  |
| CC26    |             | nsp                | OA22605020     | ELECT. CAP. 22µF 50V HCEA1EH220T              |
| CC27    |             | nsp                | DK96104300     | CHIP CAP. 0.1µF 50V ZF 1608 SIZE HCUS1E104ZF  |
| CC28    |             | nsp                | DK96104300     | CHIP CAP. 0.1µF 50V ZF 1608 SIZE HCUS1E104ZF  |

NOTE : "nsp" PART IS LISTED FOR REFERENCE ONLY, MARANTZ WILL NOT SUPPLY THESE PARTS.

SR5400/K/N/U, PS5400/F

| POS. NO | VERS. COLOR | PART NO. (FOR EUR) | PART NO. (MJI) | DESCRIPTION    |                          |                 |
|---------|-------------|--------------------|----------------|----------------|--------------------------|-----------------|
| CC29    |             | nsp                | DK96104300     | CHIP CAP.      | 0.1µF 50V ZF 1608 SIZE   | HCUS1E104ZF     |
| CC30    |             | nsp                | OA10701620     | ELECT. CAP.    | 100µF 16V                | HCEA1CH101T     |
| CC31    |             | nsp                | DK96104300     | CHIP CAP.      | 0.1µF 50V ZF 1608 SIZE   | HCUS1E104ZF     |
| CC32    |             | nsp                | DK96104300     | CHIP CAP.      | 0.1µF 50V ZF 1608 SIZE   | HCUS1E104ZF     |
| CC33    |             | nsp                | OA10701620     | ELECT. CAP.    | 100µF 16V                | HCEA1CH101T     |
| CC34    |             | nsp                | OA22801620     | ELECT. CAP.    | 2200µF 16V               | HCEA1CH222E     |
| CC35    |             | nsp                | OA22801620     | ELECT. CAP.    | 2200µF 16V               | HCEA1CH222E     |
| CC36    |             | nsp                | OA22701620     | ELECT. CAP.    | 220µF 16V                | HCEA1CH221T     |
| CC37    |             | nsp                | DK96104300     | CHIP CAP.      | 0.1µF 50V ZF 1608 SIZE   | HCUS1E104ZF     |
| CC38    |             | nsp                | OA10701620     | ELECT. CAP.    | 100µF 16V                | HCEA1CH101T     |
| CC39    |             | nsp                | DK96104300     | CHIP CAP.      | 0.1µF 50V ZF 1608 SIZE   | HCUS1E104ZF     |
| CC40    |             | nsp                | OA10701620     | ELECT. CAP.    | 100µF 16V                | HCEA1CH101T     |
| CC41    |             | nsp                | DK96104300     | CHIP CAP.      | 0.1µF 50V ZF 1608 SIZE   | HCUS1E104ZF     |
| CC42    |             | nsp                | OA10701620     | ELECT. CAP.    | 100µF 16V                | HCEA1CH101T     |
| CC43    |             | nsp                | DK96104300     | CHIP CAP.      | 0.1µF 50V ZF 1608 SIZE   | HCUS1E104ZF     |
| CL44    |             | nsp                | DK96104300     | CHIP CAP.      | 0.1µF 50V ZF 1608 SIZE   | HCUS1E104ZF     |
| CN16    |             | nsp                | nsp            | JACK FFC       | 15P 1M/M S/T             | KJP15GA117ZG    |
| CN22    |             | nsp                | nsp            | JACK           | MOLEX53014-1310          | KJP13GA19ZM     |
| CN26    |             | nsp                | nsp            | JACK FFC       | C.CABLE                  | KJP19GA117ZG    |
| CN28    |             | nsp                | nsp            | JACK FFC       | GF120-15S-TS             | KJP15GA115ZG    |
| CN30    |             | nsp                | nsp            | JACK           | MOLEX53014-0910          | KJP09GA19ZM     |
| CN34    | /K/U        | nsp                | nsp            | JACK FFC       | GF120-15S-TS             | KJP15GA115ZG    |
| CN34    | /N          | nsp                | nsp            | JACK FFC       | GF120-17S-TS             | KJP17GA115ZG    |
| CN36    |             | nsp                | nsp            | JACK FFC       | C.CABLE                  | KJP11GA117ZG    |
| CN38    |             | nsp                | nsp            | JACK FFC       | GF102-13S-TS             | KJP13GA117ZG    |
| CN40    |             | nsp                | nsp            | JACK           | MOLEX53014-0610          | KJP06GA19ZM     |
| CP11    |             | nsp                | DD95471300     | CHIP CAP.      | 470pF 50V JA 1608SIZE    | HCUS1H471JA     |
| CP12    |             | nsp                | DD95471300     | CHIP CAP.      | 470pF 50V JA 1608SIZE    | HCUS1H471JA     |
| CP13    |             | nsp                | DD95471300     | CHIP CAP.      | 470pF 50V JA 1608SIZE    | HCUS1H471JA     |
| CP14    |             | nsp                | DD95471300     | CHIP CAP.      | 470pF 50V JA 1608SIZE    | HCUS1H471JA     |
| CP15    |             | nsp                | DD95471300     | CHIP CAP.      | 470pF 50V JA 1608SIZE    | HCUS1H471JA     |
| CP16    |             | nsp                | DD95471300     | CHIP CAP.      | 470pF 50V JA 1608SIZE    | HCUS1H471JA     |
| CP17    |             | nsp                | DD95471300     | CHIP CAP.      | 470pF 50V JA 1608SIZE    | HCUS1H471JA     |
| D001    |             | *HI101040R         | *HI101040R     | L E D.         | SLR342VCTB7T089 RED      | HVD342VCTB7T089 |
| DC11    |             | nsp                | HD20015210     | DIODE          | 1SS133T-77               | HVD1SS133MT     |
| DC12    |             | nsp                | HD20015210     | DIODE          | 1SS133T-77               | HVD1SS133MT     |
| IC11    |             | HC700400Z0         | HC700400Z0     | IC             | TC74HCU04AFN INVERTER    | HVITC74HCU04AFN |
| IC12    |             | HC700400Z0         | HC700400Z0     | IC             | TC74HCU04AFN INVERTER    | HVITC74HCU04AFN |
| IC13    |             | HC10418030         | HC10418030     | IC             | LC89057W-VF4-E DIR       | HVILC89057WVF4E |
| IC14    |             | HC10172090         | HC10172090     | IC             | NJM2115MD-TE1 OP AMP     | HVINJM2115MDTE1 |
| IC15    |             | HC10172090         | HC10172090     | IC             | NJM2115MD-TE1 OP AMP     | HVINJM2115MDTE1 |
| IC16    |             | HC10015880         | HC10015880     | IC             | CS5361-KS A/D CONVERTER  | HVICS5361-KS    |
| IC17    |             | HC007505K0         | HC007505K0     | IC             | TC74VHCT08FT AND-GATE    | HVITC74VHCT08FT |
| IC18    |             | *HC108430R         | *HC108430R     | IC             | TC74HC7007AFEL           | HVITC74HCT7007F |
| IC19    |             | HC10014880         | HC10014880     | IC             | CS49400-CQ DECODER       | HVICS49400-CQ   |
| IC20    |             | *HS27AWX0R         | *HS27AWX0R     | IC             | MX29LV400TTC-70 4M FLASH | HVIMX29LV400TTC |
| IC21    |             | HC007505K0         | HC007505K0     | IC             | TC74VHCT08FT AND-GATE    | HVITC74VHCT08FT |
| IC22    |             | HC010505K0         | HC010505K0     | IC             | TC74VHCT32AFT OR-GATE    | HVITC74VHCT32FT |
| IC23    |             | HC10012880         | HC10012880     | IC             | CS4382-KQ D/A CONVERTER  | HVICS4382-KQ    |
| IC24    |             | HC10102090         | HC10102090     | IC             | NJM2068MD-TE1 OP AMP     | HVINJM2068MDTE1 |
| IC25    |             | HC10102090         | HC10102090     | IC             | NJM2068MD-TE1 OP AMP     | HVINJM2068MDTE1 |
| IC26    |             | HC10102090         | HC10102090     | IC             | NJM2068MD-TE1 OP AMP     | HVINJM2068MDTE1 |
| IC27    |             | HC10102090         | HC10102090     | IC             | NJM2068MD-TE1 OP AMP     | HVINJM2068MDTE1 |
| IC28    |             | *HS27AWH0R         | *HS27AWH0R     | MICROPROCESSOR | HD64F2398F20 FLASH       | HVIHD64F2398F20 |
| IC29    |             | HC10099540         | HC10099540     | IC             | S-80145ALMC RESET        | HVIS-80145ALMC  |
| IC30    |             | *HC108390R         | *HC108390R     | IC             | AT24C08N10SC2.7          | HVIAT24C08N10SC |
| IC31    |             | HC36J25050         | HC36J25050     | IC             | TA48025FTE16 REGULATOR   | HVITA48033FTE16 |
| IC32    |             | HC36J25050         | HC36J25050     | IC             | TA48025FTE16 REGULATOR   | HVITA48025FTE16 |
| JK11    |             | *YJ002680R         | *YJ002680R     | OPT CONNECTOR  | TORX179L                 | HJSTORX179L     |

NOTE : \*nsp\* PART IS LISTED FOR REFERENCE ONLY, MARANTZ WILL NOT SUPPLY THESE PARTS.



**SR5400/K/N/U, PS5400/F**

| POS. NO | VERS. COLOR | PART NO. (FOR EUR) | PART NO. (MJI) | DESCRIPTION   |                        |             |
|---------|-------------|--------------------|----------------|---------------|------------------------|-------------|
| JK12    |             | *YJ002680R         | *YJ002680R     | OPT CONNECTOR | TORX179L               | HJSTORX179L |
| JK14    |             | *YT003190R         | *YT003190R     | JACK          | CINCH 2P BLACK SILVER  | CJJ4N064Z   |
| JK15    |             | *YT003170R         | *YT003170R     | JACK          | CINCH 1P BLACK SILVER  | CJJ4M048Z   |
| JK16    |             | *YJ002670R         | *YJ002670R     | OPT CONNECTOR | TOTX179L               | HJSTOTX179L |
| JK17    |             | *YT003120R         | *YT003120R     | JACK          | CINCH 2P ORANGE SILVER | CJJ4N036Z   |
| JK18    |             | *YT003200R         | *YT003200R     | JACK          | CINCH 6P BLACK SILVER  | CJJ4R039Z   |
| JK19    |             | *YT003170R         | *YT003170R     | JACK          | CINCH 1P BLACK SILVER  | CJJ4M048Z   |
| L101    |             | nsp                | NN05000610     | CHIP RES.     | 0Ω 1/10W J             | HRJ10DJ0R0T |
| LC10    |             | nsp                | NN05000610     | CHIP RES.     | 0Ω 1/10W J             | HRJ10DJ0R0T |
| LC11    |             | nsp                | NN05000610     | CHIP RES.     | 0Ω 1/10W J             | HRJ10DJ0R0T |
| LC12    |             | nsp                | NN05000610     | CHIP RES.     | 0Ω 1/10W J             | HRJ10DJ0R0T |
| LC13    |             | nsp                | NN05000610     | CHIP RES.     | 0Ω 1/10W J             | HRJ10DJ0R0T |
| LC14    |             | nsp                | NN05000610     | CHIP RES.     | 0Ω 1/10W J             | HRJ10DJ0R0T |
| LC15    |             | nsp                | NN05000610     | CHIP RES.     | 0Ω 1/10W J             | HRJ10DJ0R0T |
| LC16    |             | nsp                | NN05000610     | CHIP RES.     | 0Ω 1/10W J             | HRJ10DJ0R0T |
| LC17    |             | nsp                | NN05000610     | CHIP RES.     | 0Ω 1/10W J             | HRJ10DJ0R0T |
| LC18    |             | nsp                | NN05000610     | CHIP RES.     | 0Ω 1/10W J             | HRJ10DJ0R0T |
| LC19    |             | nsp                | NN05000610     | CHIP RES.     | 0Ω 1/10W J             | HRJ10DJ0R0T |
| LC21    |             | nsp                | NN05000610     | CHIP RES.     | 0Ω 1/10W J             | HRJ10DJ0R0T |
| LC22    |             | nsp                | NN05000610     | CHIP RES.     | 0Ω 1/10W J             | HRJ10DJ0R0T |
| LC23    |             | nsp                | NN05000610     | CHIP RES.     | 0Ω 1/10W J             | HRJ10DJ0R0T |
| LC24    |             | nsp                | NN05000610     | CHIP RES.     | 0Ω 1/10W J             | HRJ10DJ0R0T |
| LC25    |             | nsp                | NN05000610     | CHIP RES.     | 0Ω 1/10W J             | HRJ10DJ0R0T |
| LC26    |             | nsp                | NN05000610     | CHIP RES.     | 0Ω 1/10W J             | HRJ10DJ0R0T |
| LC27    |             | nsp                | NN05000610     | CHIP RES.     | 0Ω 1/10W J             | HRJ10DJ0R0T |
| LC28    |             | nsp                | NN05000610     | CHIP RES.     | 0Ω 1/10W J             | HRJ10DJ0R0T |
| LC29    |             | nsp                | NN05000610     | CHIP RES.     | 0Ω 1/10W J             | HRJ10DJ0R0T |
| LC30    |             | nsp                | NN05000610     | CHIP RES.     | 0Ω 1/10W J             | HRJ10DJ0R0T |
| LC31    |             | nsp                | NN05000610     | CHIP RES.     | 0Ω 1/10W J             | HRJ10DJ0R0T |
| LC32    |             | nsp                | NN05000610     | CHIP RES.     | 0Ω 1/10W J             | HRJ10DJ0R0T |
| LC33    |             | nsp                | NN05000610     | CHIP RES.     | 0Ω 1/10W J             | HRJ10DJ0R0T |
| LC34    |             | nsp                | NN05000610     | CHIP RES.     | 0Ω 1/10W J             | HRJ10DJ0R0T |
| LC35    |             | nsp                | NN05000610     | CHIP RES.     | 0Ω 1/10W J             | HRJ10DJ0R0T |
| LC36    |             | nsp                | NN05000610     | CHIP RES.     | 0Ω 1/10W J             | HRJ10DJ0R0T |
| LC37    |             | nsp                | NN05000610     | CHIP RES.     | 0Ω 1/10W J             | HRJ10DJ0R0T |
| LC38    |             | nsp                | NN05000610     | CHIP RES.     | 0Ω 1/10W J             | HRJ10DJ0R0T |
| LC39    |             | nsp                | NN05000610     | CHIP RES.     | 0Ω 1/10W J             | HRJ10DJ0R0T |
| LC40    |             | nsp                | NN05000610     | CHIP RES.     | 0Ω 1/10W J             | HRJ10DJ0R0T |
| LC41    |             | nsp                | NN05000610     | CHIP RES.     | 0Ω 1/10W J             | HRJ10DJ0R0T |
| LC42    |             | nsp                | NN05000610     | CHIP RES.     | 0Ω 1/10W J             | HRJ10DJ0R0T |
| LC43    |             | nsp                | NN05000610     | CHIP RES.     | 0Ω 1/10W J             | HRJ10DJ0R0T |
| LC44    |             | nsp                | NN05000610     | CHIP RES.     | 0Ω 1/10W J             | HRJ10DJ0R0T |
| LC45    |             | nsp                | NN05000610     | CHIP RES.     | 0Ω 1/10W J             | HRJ10DJ0R0T |
| LC46    |             | nsp                | NN05000610     | CHIP RES.     | 0Ω 1/10W J             | HRJ10DJ0R0T |
| LC47    |             | nsp                | NN05000610     | CHIP RES.     | 0Ω 1/10W J             | HRJ10DJ0R0T |
| LC48    |             | nsp                | NN05000610     | CHIP RES.     | 0Ω 1/10W J             | HRJ10DJ0R0T |
| LC49    |             | nsp                | NN05000610     | CHIP RES.     | 0Ω 1/10W J             | HRJ10DJ0R0T |
| LC50    |             | nsp                | NN05000610     | CHIP RES.     | 0Ω 1/10W J             | HRJ10DJ0R0T |
| LC51    |             | nsp                | NN05000610     | CHIP RES.     | 0Ω 1/10W J             | HRJ10DJ0R0T |
| LC52    |             | nsp                | NN05000610     | CHIP RES.     | 0Ω 1/10W J             | HRJ10DJ0R0T |
| LC53    |             | nsp                | NN05000610     | CHIP RES.     | 0Ω 1/10W J             | HRJ10DJ0R0T |
| LC54    |             | nsp                | NN05000610     | CHIP RES.     | 0Ω 1/10W J             | HRJ10DJ0R0T |
| LC55    |             | nsp                | NN05000610     | CHIP RES.     | 0Ω 1/10W J             | HRJ10DJ0R0T |
| LC56    |             | nsp                | NN05000610     | CHIP RES.     | 0Ω 1/10W J             | HRJ10DJ0R0T |
| LC57    |             | nsp                | NN05000610     | CHIP RES.     | 0Ω 1/10W J             | HRJ10DJ0R0T |
| LC58    |             | nsp                | NN05000610     | CHIP RES.     | 0Ω 1/10W J             | HRJ10DJ0R0T |
| LC59    |             | nsp                | NN05000610     | CHIP RES.     | 0Ω 1/10W J             | HRJ10DJ0R0T |
| LC60    |             | nsp                | NN05000610     | CHIP RES.     | 0Ω 1/10W J             | HRJ10DJ0R0T |
| LC61    |             | nsp                | NN05000610     | CHIP RES.     | 0Ω 1/10W J             | HRJ10DJ0R0T |

NOTE : "nsp" PART IS LISTED FOR REFERENCE ONLY, MARANTZ WILL NOT SUPPLY THESE PARTS.

**SR5400/K/N/U, PS5400/F**

| POS. NO | VERS. COLOR | PART NO. (FOR EUR) | PART NO. (MJI) | DESCRIPTION |                |             |
|---------|-------------|--------------------|----------------|-------------|----------------|-------------|
| LC62    |             | nsp                | NN05000610     | CHIP RES.   | 0Ω 1/10W J     | HRJ10DJ0R0T |
| LC63    |             | nsp                | NN05000610     | CHIP RES.   | 0Ω 1/10W J     | HRJ10DJ0R0T |
| LC64    |             | nsp                | NN05000610     | CHIP RES.   | 0Ω 1/10W J     | HRJ10DJ0R0T |
| LC65    |             | nsp                | NN05000610     | CHIP RES.   | 0Ω 1/10W J     | HRJ10DJ0R0T |
| LC66    |             | nsp                | NN05000610     | CHIP RES.   | 0Ω 1/10W J     | HRJ10DJ0R0T |
| LC67    |             | nsp                | NN05000610     | CHIP RES.   | 0Ω 1/10W J     | HRJ10DJ0R0T |
| LC68    |             | nsp                | NN05000610     | CHIP RES.   | 0Ω 1/10W J     | HRJ10DJ0R0T |
| LC69    |             | nsp                | NN05000610     | CHIP RES.   | 0Ω 1/10W J     | HRJ10DJ0R0T |
| LC70    |             | nsp                | NN05000610     | CHIP RES.   | 0Ω 1/10W J     | HRJ10DJ0R0T |
| Q001    |             | *HX600010R         | *HX600010R     | CHIP TRS.   | KRA102S        | HVTKRA102S  |
| Q101    |             | *HX900010R         | *HX900010R     | CHIP TRS.   | KTD1304 (MUTE) | HVTKTD1304T |
| Q102    |             | *HX900010R         | *HX900010R     | CHIP TRS.   | KTD1304 (MUTE) | HVTKTD1304T |
| Q103    |             | *HX600010R         | *HX600010R     | CHIP TRS.   | KRA102S        | HVTKRA102S  |
| Q105    |             | *HX600010R         | *HX600010R     | CHIP TRS.   | KRA102S        | HVTKRA102S  |
| Q106    |             | *HX800010R         | *HX800010R     | CHIP TRS.   | KRC102S        | HVTKRC102S  |
| QC10    |             | *HX600010R         | *HX600010R     | CHIP TRS.   | KRA102S        | HVTKRA102S  |
| QC11    |             | *HX800010R         | *HX800010R     | CHIP TRS.   | KRC102S        | HVTKRC102S  |
| QC12    |             | *HX600010R         | *HX600010R     | CHIP TRS.   | KRA102S        | HVTKRA102S  |
| R101    |             | nsp                | NN05100610     | CHIP RES.   | 10Ω 1/10W J    | HRJ10DJ100T |
| R102    |             | nsp                | NN05103610     | CHIP RES.   | 10kΩ 1608SIZE  | HRJ10DJ103T |
| R103    |             | nsp                | NN05100610     | CHIP RES.   | 10Ω 1/10W J    | HRJ10DJ100T |
| R104    |             | nsp                | NN05103610     | CHIP RES.   | 10kΩ 1608SIZE  | HRJ10DJ103T |
| R105    |             | nsp                | NN05100610     | CHIP RES.   | 10Ω 1/10W J    | HRJ10DJ100T |
| R106    |             | nsp                | NN05103610     | CHIP RES.   | 10kΩ 1608SIZE  | HRJ10DJ103T |
| R107    |             | nsp                | NN05750610     | CHIP RES.   | 75Ω 1/10W J    | HRJ10DJ750T |
| R108    |             | nsp                | NN05102610     | CHIP RES.   | 1kΩ 1/10W J    | HRJ10DJ102T |
| R109    |             | nsp                | NN05104610     | CHIP RES.   | 100kΩ 1608SIZE | HRJ10DJ104T |
| R110    |             | nsp                | NN05472610     | CHIP RES.   | 4.7kΩ 1/10W J  | HRJ10DJ472T |
| R111    |             | nsp                | NN05750610     | CHIP RES.   | 75Ω 1/10W J    | HRJ10DJ750T |
| R112    |             | nsp                | NN05102610     | CHIP RES.   | 1kΩ 1/10W J    | HRJ10DJ102T |
| R113    |             | nsp                | NN05104610     | CHIP RES.   | 100kΩ 1608SIZE | HRJ10DJ104T |
| R114    |             | nsp                | NN05472610     | CHIP RES.   | 4.7kΩ 1/10W J  | HRJ10DJ472T |
| R115    |             | nsp                | NN05750610     | CHIP RES.   | 75Ω 1/10W J    | HRJ10DJ750T |
| R116    |             | nsp                | NN05102610     | CHIP RES.   | 1kΩ 1/10W J    | HRJ10DJ102T |
| R117    |             | nsp                | NN05104610     | CHIP RES.   | 100kΩ 1608SIZE | HRJ10DJ104T |
| R118    |             | nsp                | NN05472610     | CHIP RES.   | 4.7kΩ 1/10W J  | HRJ10DJ472T |
| R119    |             | nsp                | NN05750610     | CHIP RES.   | 75Ω 1/10W J    | HRJ10DJ750T |
| R120    |             | nsp                | NN05100610     | CHIP RES.   | 10Ω 1/10W J    | HRJ10DJ100T |
| R121    |             | nsp                | NN05750610     | CHIP RES.   | 75Ω 1/10W J    | HRJ10DJ750T |
| R122    |             | nsp                | NN05101610     | CHIP RES.   | 100Ω 1/10W J   | HRJ10DJ101T |
| R123    |             | nsp                | NN05104610     | CHIP RES.   | 100kΩ 1608SIZE | HRJ10DJ104T |
| R124    |             | nsp                | NN05472610     | CHIP RES.   | 4.7kΩ 1/10W J  | HRJ10DJ472T |
| R125    |             | nsp                | NN05100610     | CHIP RES.   | 10Ω 1/10W J    | HRJ10DJ100T |
| R126    |             | nsp                | NN05100610     | CHIP RES.   | 10Ω 1/10W J    | HRJ10DJ100T |
| R127    |             | nsp                | NN05104610     | CHIP RES.   | 100kΩ 1608SIZE | HRJ10DJ104T |
| R128    |             | nsp                | NN05472610     | CHIP RES.   | 4.7kΩ 1/10W J  | HRJ10DJ472T |
| R129    |             | nsp                | NN05330610     | CHIP RES.   | 33Ω 1/10W J    | HRJ10DJ330T |
| R130    |             | nsp                | NN05101610     | CHIP RES.   | 100Ω 1/10W J   | HRJ10DJ101T |
| R131    |             | nsp                | NN05221610     | CHIP RES.   | 220Ω 1/10W     | HRJ10DJ221T |
| R132    |             | nsp                | NN05101610     | CHIP RES.   | 100Ω 1/10W J   | HRJ10DJ101T |
| R133    |             | nsp                | NN05101610     | CHIP RES.   | 100Ω 1/10W J   | HRJ10DJ101T |
| R134    |             | nsp                | NN05101610     | CHIP RES.   | 100Ω 1/10W J   | HRJ10DJ101T |
| R135    |             | nsp                | NN05101610     | CHIP RES.   | 100Ω 1/10W J   | HRJ10DJ101T |
| R136    |             | nsp                | NN05101610     | CHIP RES.   | 100Ω 1/10W J   | HRJ10DJ101T |
| R137    |             | nsp                | NN05101610     | CHIP RES.   | 100Ω 1/10W J   | HRJ10DJ101T |
| R138    |             | nsp                | NN05101610     | CHIP RES.   | 100Ω 1/10W J   | HRJ10DJ101T |
| R139    |             | nsp                | NN05010610     | CHIP RES.   | 1Ω 1608SIZE    | HRJ10DJ1R0T |
| R140    |             | nsp                | NN05105610     | CHIP RES.   | 1MΩ 1/10W      | HRJ10DJ105T |
| R141    |             | nsp                | NN05103610     | CHIP RES.   | 10kΩ 1608SIZE  | HRJ10DJ103T |

NOTE : \*nsp\* PART IS LISTED FOR REFERENCE ONLY, MARANTZ WILL NOT SUPPLY THESE PARTS.

**SR5400/K/N/U, PS5400/F**

| POS. NO | VERS. COLOR | PART NO. (FOR EUR) | PART NO. (MJI) | DESCRIPTION                          |
|---------|-------------|--------------------|----------------|--------------------------------------|
| R142    |             | nsp                | NN05103610     | CHIP RES. 10kΩ 1608SIZE HRJ10DJ103T  |
| R143    |             | nsp                | NN05103610     | CHIP RES. 10kΩ 1608SIZE HRJ10DJ103T  |
| R144    |             | nsp                | NN05103610     | CHIP RES. 10kΩ 1608SIZE HRJ10DJ103T  |
| R145    |             | nsp                | NN05332610     | CHIP RES. 3.3kΩ 1608SIZE HRJ10DJ332T |
| R146    |             | nsp                | NN05223610     | CHIP RES. 22kΩ 1608SIZE HRJ10DJ223T  |
| R147    |             | nsp                | NN05473610     | CHIP RES. 47kΩ 1/10W J HRJ10DJ473T   |
| R148    |             | nsp                | NN05682610     | CHIP RES. 6.8kΩ 1608SIZE HRJ10DJ682T |
| R149    |             | nsp                | NN05104610     | CHIP RES. 100kΩ 1608SIZE HRJ10DJ104T |
| R150    |             | nsp                | NN05272610     | CHIP RES. 2.7kΩ 1608SIZE HRJ10DJ272T |
| R151    |             | nsp                | NN05472610     | CHIP RES. 4.7kΩ 1/10W J HRJ10DJ472T  |
| R152    |             | nsp                | NN05472610     | CHIP RES. 4.7kΩ 1/10W J HRJ10DJ472T  |
| R153    |             | nsp                | NN05562610     | CHIP RES. 5.6kΩ 1608SIZE HRJ10DJ562T |
| R154    |             | nsp                | NN05472610     | CHIP RES. 4.7kΩ 1/10W J HRJ10DJ472T  |
| R155    |             | nsp                | NN05101610     | CHIP RES. 100Ω 1/10W J HRJ10DJ101T   |
| R156    |             | nsp                | NN05101610     | CHIP RES. 100Ω 1/10W J HRJ10DJ101T   |
| R157    |             | nsp                | NN05682610     | CHIP RES. 6.8kΩ 1608SIZE HRJ10DJ682T |
| R158    |             | nsp                | NN05104610     | CHIP RES. 100kΩ 1608SIZE HRJ10DJ104T |
| R159    |             | nsp                | NN05272610     | CHIP RES. 2.7kΩ 1608SIZE HRJ10DJ272T |
| R160    |             | nsp                | NN05472610     | CHIP RES. 4.7kΩ 1/10W J HRJ10DJ472T  |
| R161    |             | nsp                | NN05472610     | CHIP RES. 4.7kΩ 1/10W J HRJ10DJ472T  |
| R162    |             | nsp                | NN05562610     | CHIP RES. 5.6kΩ 1608SIZE HRJ10DJ562T |
| R163    |             | nsp                | NN05472610     | CHIP RES. 4.7kΩ 1/10W J HRJ10DJ472T  |
| R164    |             | nsp                | NN05101610     | CHIP RES. 100Ω 1/10W J HRJ10DJ101T   |
| R165    |             | nsp                | NN05101610     | CHIP RES. 100Ω 1/10W J HRJ10DJ101T   |
| R166    |             | nsp                | NN05222610     | CHIP RES. 2.2kΩ 1608SIZE HRJ10DJ222T |
| R167    |             | nsp                | NN05222610     | CHIP RES. 2.2kΩ 1608SIZE HRJ10DJ222T |
| R168    |             | nsp                | NN05105610     | CHIP RES. 1MΩ 1/10W HRJ10DJ105T      |
| R169    |             | nsp                | NN05101610     | CHIP RES. 100Ω 1/10W J HRJ10DJ101T   |
| R170    |             | nsp                | NN05562610     | CHIP RES. 5.6kΩ 1608SIZE HRJ10DJ562T |
| R171    |             | nsp                | NN05103610     | CHIP RES. 10kΩ 1608SIZE HRJ10DJ103T  |
| R172    |             | nsp                | NN05270610     | CHIP RES. 27Ω 1/10W HRJ10DJ270T      |
| R173    |             | nsp                | NN05563610     | CHIP RES. 56kΩ 1608SIZE HRJ10DJ563T  |
| R174    |             | nsp                | NN05330610     | CHIP RES. 33Ω 1/10W J HRJ10DJ330T    |
| R175    |             | nsp                | NN05330610     | CHIP RES. 33Ω 1/10W J HRJ10DJ330T    |
| R176    |             | nsp                | NN05330610     | CHIP RES. 33Ω 1/10W J HRJ10DJ330T    |
| R177    |             | nsp                | NN05330610     | CHIP RES. 33Ω 1/10W J HRJ10DJ330T    |
| R178    |             | nsp                | NN05103610     | CHIP RES. 10kΩ 1608SIZE HRJ10DJ103T  |
| R179    |             | nsp                | NN05103610     | CHIP RES. 10kΩ 1608SIZE HRJ10DJ103T  |
| R180    |             | nsp                | NN05103610     | CHIP RES. 10kΩ 1608SIZE HRJ10DJ103T  |
| R181    |             | nsp                | NN05103610     | CHIP RES. 10kΩ 1608SIZE HRJ10DJ103T  |
| R182    |             | nsp                | NN05103610     | CHIP RES. 10kΩ 1608SIZE HRJ10DJ103T  |
| R183    |             | nsp                | NN05103610     | CHIP RES. 10kΩ 1608SIZE HRJ10DJ103T  |
| R184    |             | nsp                | NN05152610     | CHIP RES. 1.5kΩ 1/10W J HRJ10DJ152T  |
| R185    |             | nsp                | NN05103610     | CHIP RES. 10kΩ 1608SIZE HRJ10DJ103T  |
| R186    |             | nsp                | NN05103610     | CHIP RES. 10kΩ 1608SIZE HRJ10DJ103T  |
| R187    |             | nsp                | NN05103610     | CHIP RES. 10kΩ 1608SIZE HRJ10DJ103T  |
| R188    |             | nsp                | NN05103610     | CHIP RES. 10kΩ 1608SIZE HRJ10DJ103T  |
| R189    |             | nsp                | NN05562610     | CHIP RES. 5.6kΩ 1608SIZE HRJ10DJ562T |
| R190    |             | nsp                | NN05103610     | CHIP RES. 10kΩ 1608SIZE HRJ10DJ103T  |
| R191    |             | nsp                | NN05103610     | CHIP RES. 10kΩ 1608SIZE HRJ10DJ103T  |
| R192    |             | nsp                | NN05103610     | CHIP RES. 10kΩ 1608SIZE HRJ10DJ103T  |
| R193    |             | nsp                | NN05332610     | CHIP RES. 3.3kΩ 1608SIZE HRJ10DJ332T |
| R194    |             | nsp                | NN05103610     | CHIP RES. 10kΩ 1608SIZE HRJ10DJ103T  |
| R195    |             | nsp                | NN05562610     | CHIP RES. 5.6kΩ 1608SIZE HRJ10DJ562T |
| R196    |             | nsp                | NN05332610     | CHIP RES. 3.3kΩ 1608SIZE HRJ10DJ332T |
| R197    |             | nsp                | NN05332610     | CHIP RES. 3.3kΩ 1608SIZE HRJ10DJ332T |
| R198    |             | nsp                | NN05332610     | CHIP RES. 3.3kΩ 1608SIZE HRJ10DJ332T |
| R199    |             | nsp                | NN05103610     | CHIP RES. 10kΩ 1608SIZE HRJ10DJ103T  |
| R200    |             | nsp                | NN05103610     | CHIP RES. 10kΩ 1608SIZE HRJ10DJ103T  |

NOTE : "nsp" PART IS LISTED FOR REFERENCE ONLY, MARANTZ WILL NOT SUPPLY THESE PARTS.

**SR5400/K/N/U, PS5400/F**

| POS. NO | VERS. COLOR | PART NO. (FOR EUR) | PART NO. (MJI) | DESCRIPTION |                |             |
|---------|-------------|--------------------|----------------|-------------|----------------|-------------|
| R201    |             | nsp                | NN05103610     | CHIP RES.   | 10kΩ 1608SIZE  | HRJ10DJ103T |
| R202    |             | nsp                | NN05332610     | CHIP RES.   | 3.3kΩ 1608SIZE | HRJ10DJ332T |
| R203    |             | nsp                | NN05332610     | CHIP RES.   | 3.3kΩ 1608SIZE | HRJ10DJ332T |
| R204    |             | nsp                | NN05103610     | CHIP RES.   | 10kΩ 1608SIZE  | HRJ10DJ103T |
| R205    |             | nsp                | NN05103610     | CHIP RES.   | 10kΩ 1608SIZE  | HRJ10DJ103T |
| R206    |             | nsp                | NN05562610     | CHIP RES.   | 5.6kΩ 1608SIZE | HRJ10DJ562T |
| R207    |             | nsp                | NN05332610     | CHIP RES.   | 3.3kΩ 1608SIZE | HRJ10DJ332T |
| R208    |             | nsp                | NN05103610     | CHIP RES.   | 10kΩ 1608SIZE  | HRJ10DJ103T |
| R209    |             | nsp                | NN05103610     | CHIP RES.   | 10kΩ 1608SIZE  | HRJ10DJ103T |
| R210    |             | nsp                | NN05103610     | CHIP RES.   | 10kΩ 1608SIZE  | HRJ10DJ103T |
| R211    |             | nsp                | NN05103610     | CHIP RES.   | 10kΩ 1608SIZE  | HRJ10DJ103T |
| R212    |             | nsp                | NN05103610     | CHIP RES.   | 10kΩ 1608SIZE  | HRJ10DJ103T |
| R213    |             | nsp                | NN05103610     | CHIP RES.   | 10kΩ 1608SIZE  | HRJ10DJ103T |
| R214    |             | nsp                | NN05103610     | CHIP RES.   | 10kΩ 1608SIZE  | HRJ10DJ103T |
| R215    |             | nsp                | NN05103610     | CHIP RES.   | 10kΩ 1608SIZE  | HRJ10DJ103T |
| R216    |             | nsp                | NN05103610     | CHIP RES.   | 10kΩ 1608SIZE  | HRJ10DJ103T |
| R217    |             | nsp                | NN05103610     | CHIP RES.   | 10kΩ 1608SIZE  | HRJ10DJ103T |
| R218    |             | nsp                | NN05103610     | CHIP RES.   | 10kΩ 1608SIZE  | HRJ10DJ103T |
| R219    |             | nsp                | NN05103610     | CHIP RES.   | 10kΩ 1608SIZE  | HRJ10DJ103T |
| R220    |             | nsp                | NN05103610     | CHIP RES.   | 10kΩ 1608SIZE  | HRJ10DJ103T |
| R221    |             | nsp                | NN05103610     | CHIP RES.   | 10kΩ 1608SIZE  | HRJ10DJ103T |
| R222    |             | nsp                | NN05103610     | CHIP RES.   | 10kΩ 1608SIZE  | HRJ10DJ103T |
| R223    |             | nsp                | NN05103610     | CHIP RES.   | 10kΩ 1608SIZE  | HRJ10DJ103T |
| R224    |             | nsp                | NN05103610     | CHIP RES.   | 10kΩ 1608SIZE  | HRJ10DJ103T |
| R225    |             | nsp                | NN05103610     | CHIP RES.   | 10kΩ 1608SIZE  | HRJ10DJ103T |
| R226    |             | nsp                | NN05103610     | CHIP RES.   | 10kΩ 1608SIZE  | HRJ10DJ103T |
| R227    |             | nsp                | NN05103610     | CHIP RES.   | 10kΩ 1608SIZE  | HRJ10DJ103T |
| R228    |             | nsp                | NN05103610     | CHIP RES.   | 10kΩ 1608SIZE  | HRJ10DJ103T |
| R229    |             | nsp                | NN05103610     | CHIP RES.   | 10kΩ 1608SIZE  | HRJ10DJ103T |
| R230    |             | nsp                | NN05103610     | CHIP RES.   | 10kΩ 1608SIZE  | HRJ10DJ103T |
| R231    |             | nsp                | NN05103610     | CHIP RES.   | 10kΩ 1608SIZE  | HRJ10DJ103T |
| R232    |             | nsp                | NN05103610     | CHIP RES.   | 10kΩ 1608SIZE  | HRJ10DJ103T |
| R233    |             | nsp                | NN05103610     | CHIP RES.   | 10kΩ 1608SIZE  | HRJ10DJ103T |
| R234    |             | nsp                | NN05103610     | CHIP RES.   | 10kΩ 1608SIZE  | HRJ10DJ103T |
| R235    |             | nsp                | NN05103610     | CHIP RES.   | 10kΩ 1608SIZE  | HRJ10DJ103T |
| R236    |             | nsp                | NN05103610     | CHIP RES.   | 10kΩ 1608SIZE  | HRJ10DJ103T |
| R237    |             | nsp                | NN05103610     | CHIP RES.   | 10kΩ 1608SIZE  | HRJ10DJ103T |
| R238    |             | nsp                | NN05103610     | CHIP RES.   | 10kΩ 1608SIZE  | HRJ10DJ103T |
| R239    |             | nsp                | NN05330610     | CHIP RES.   | 33Ω 1/10W J    | HRJ10DJ330T |
| R240    |             | nsp                | NN05103610     | CHIP RES.   | 10kΩ 1608SIZE  | HRJ10DJ103T |
| R241    |             | nsp                | NN05330610     | CHIP RES.   | 33Ω 1/10W J    | HRJ10DJ330T |
| R242    |             | nsp                | NN05330610     | CHIP RES.   | 33Ω 1/10W J    | HRJ10DJ330T |
| R243    |             | nsp                | NN05330610     | CHIP RES.   | 33Ω 1/10W J    | HRJ10DJ330T |
| R244    |             | nsp                | NN05223610     | CHIP RES.   | 22kΩ 1608SIZE  | HRJ10DJ223T |
| R245    |             | nsp                | NN05223610     | CHIP RES.   | 22kΩ 1608SIZE  | HRJ10DJ223T |
| R246    |             | nsp                | NN05223610     | CHIP RES.   | 22kΩ 1608SIZE  | HRJ10DJ223T |
| R247    |             | nsp                | NN05392610     | CHIP RES.   | 3.9kΩ 1608SIZE | HRJ10DJ392T |
| R248    |             | nsp                | NN05392610     | CHIP RES.   | 3.9kΩ 1608SIZE | HRJ10DJ392T |
| R249    |             | nsp                | NN05822610     | CHIP RES.   | 8.2kΩ 1608SIZE | HRJ10DJ822T |
| R250    |             | nsp                | NN05182610     | CHIP RES.   | 1.8kΩ 1608SIZE | HRJ10DJ182T |
| R251    |             | nsp                | NN05822610     | CHIP RES.   | 8.2kΩ 1608SIZE | HRJ10DJ822T |
| R252    |             | nsp                | NN05182610     | CHIP RES.   | 1.8kΩ 1608SIZE | HRJ10DJ182T |
| R253    |             | nsp                | NN05101610     | CHIP RES.   | 100Ω 1/10W J   | HRJ10DJ101T |
| R254    |             | nsp                | NN05104610     | CHIP RES.   | 100kΩ 1608SIZE | HRJ10DJ104T |
| R255    |             | nsp                | NN05392610     | CHIP RES.   | 3.9kΩ 1608SIZE | HRJ10DJ392T |
| R256    |             | nsp                | NN05392610     | CHIP RES.   | 3.9kΩ 1608SIZE | HRJ10DJ392T |
| R257    |             | nsp                | NN05822610     | CHIP RES.   | 8.2kΩ 1608SIZE | HRJ10DJ822T |
| R258    |             | nsp                | NN05182610     | CHIP RES.   | 1.8kΩ 1608SIZE | HRJ10DJ182T |
| R259    |             | nsp                | NN05822610     | CHIP RES.   | 8.2kΩ 1608SIZE | HRJ10DJ822T |

NOTE : \*nsp\* PART IS LISTED FOR REFERENCE ONLY, MARANTZ WILL NOT SUPPLY THESE PARTS.

**SR5400/K/N/U, PS5400/F**

| POS. NO | VERS. COLOR | PART NO. (FOR EUR) | PART NO. (MJI) | DESCRIPTION                          |
|---------|-------------|--------------------|----------------|--------------------------------------|
| R260    |             | nsp                | NN05182610     | CHIP RES. 1.8kΩ 1608SIZE HRJ10DJ182T |
| R261    |             | nsp                | NN05101610     | CHIP RES. 100Ω 1/10W J HRJ10DJ101T   |
| R262    |             | nsp                | NN05104610     | CHIP RES. 100kΩ 1608SIZE HRJ10DJ104T |
| R263    |             | nsp                | NN05392610     | CHIP RES. 3.9kΩ 1608SIZE HRJ10DJ392T |
| R264    |             | nsp                | NN05392610     | CHIP RES. 3.9kΩ 1608SIZE HRJ10DJ392T |
| R265    |             | nsp                | NN05822610     | CHIP RES. 8.2kΩ 1608SIZE HRJ10DJ822T |
| R266    |             | nsp                | NN05182610     | CHIP RES. 1.8kΩ 1608SIZE HRJ10DJ182T |
| R267    |             | nsp                | NN05822610     | CHIP RES. 8.2kΩ 1608SIZE HRJ10DJ822T |
| R268    |             | nsp                | NN05182610     | CHIP RES. 1.8kΩ 1608SIZE HRJ10DJ182T |
| R269    |             | nsp                | NN05101610     | CHIP RES. 100Ω 1/10W J HRJ10DJ101T   |
| R270    |             | nsp                | NN05104610     | CHIP RES. 100kΩ 1608SIZE HRJ10DJ104T |
| R271    |             | nsp                | NN05392610     | CHIP RES. 3.9kΩ 1608SIZE HRJ10DJ392T |
| R272    |             | nsp                | NN05392610     | CHIP RES. 3.9kΩ 1608SIZE HRJ10DJ392T |
| R273    |             | nsp                | NN05822610     | CHIP RES. 8.2kΩ 1608SIZE HRJ10DJ822T |
| R274    |             | nsp                | NN05182610     | CHIP RES. 1.8kΩ 1608SIZE HRJ10DJ182T |
| R275    |             | nsp                | NN05822610     | CHIP RES. 8.2kΩ 1608SIZE HRJ10DJ822T |
| R276    |             | nsp                | NN05182610     | CHIP RES. 1.8kΩ 1608SIZE HRJ10DJ182T |
| R277    |             | nsp                | NN05101610     | CHIP RES. 100Ω 1/10W J HRJ10DJ101T   |
| R278    |             | nsp                | NN05104610     | CHIP RES. 100kΩ 1608SIZE HRJ10DJ104T |
| R279    |             | nsp                | NN05392610     | CHIP RES. 3.9kΩ 1608SIZE HRJ10DJ392T |
| R280    |             | nsp                | NN05392610     | CHIP RES. 3.9kΩ 1608SIZE HRJ10DJ392T |
| R281    |             | nsp                | NN05822610     | CHIP RES. 8.2kΩ 1608SIZE HRJ10DJ822T |
| R282    |             | nsp                | NN05182610     | CHIP RES. 1.8kΩ 1608SIZE HRJ10DJ182T |
| R283    |             | nsp                | NN05822610     | CHIP RES. 8.2kΩ 1608SIZE HRJ10DJ822T |
| R284    |             | nsp                | NN05182610     | CHIP RES. 1.8kΩ 1608SIZE HRJ10DJ182T |
| R285    |             | nsp                | NN05101610     | CHIP RES. 100Ω 1/10W J HRJ10DJ101T   |
| R286    |             | nsp                | NN05104610     | CHIP RES. 100kΩ 1608SIZE HRJ10DJ104T |
| R287    |             | nsp                | NN05392610     | CHIP RES. 3.9kΩ 1608SIZE HRJ10DJ392T |
| R288    |             | nsp                | NN05392610     | CHIP RES. 3.9kΩ 1608SIZE HRJ10DJ392T |
| R289    |             | nsp                | NN05822610     | CHIP RES. 8.2kΩ 1608SIZE HRJ10DJ822T |
| R290    |             | nsp                | NN05182610     | CHIP RES. 1.8kΩ 1608SIZE HRJ10DJ182T |
| R291    |             | nsp                | NN05822610     | CHIP RES. 8.2kΩ 1608SIZE HRJ10DJ822T |
| R292    |             | nsp                | NN05182610     | CHIP RES. 1.8kΩ 1608SIZE HRJ10DJ182T |
| R293    |             | nsp                | NN05101610     | CHIP RES. 100Ω 1/10W J HRJ10DJ101T   |
| R294    |             | nsp                | NN05104610     | CHIP RES. 100kΩ 1608SIZE HRJ10DJ104T |
| R295    |             | nsp                | NN05392610     | CHIP RES. 3.9kΩ 1608SIZE HRJ10DJ392T |
| R296    |             | nsp                | NN05392610     | CHIP RES. 3.9kΩ 1608SIZE HRJ10DJ392T |
| R297    |             | nsp                | NN05822610     | CHIP RES. 8.2kΩ 1608SIZE HRJ10DJ822T |
| R298    |             | nsp                | NN05182610     | CHIP RES. 1.8kΩ 1608SIZE HRJ10DJ182T |
| R299    |             | nsp                | NN05822610     | CHIP RES. 8.2kΩ 1608SIZE HRJ10DJ822T |
| R300    |             | nsp                | NN05182610     | CHIP RES. 1.8kΩ 1608SIZE HRJ10DJ182T |
| R301    |             | nsp                | NN05101610     | CHIP RES. 100Ω 1/10W J HRJ10DJ101T   |
| R302    |             | nsp                | NN05104610     | CHIP RES. 100kΩ 1608SIZE HRJ10DJ104T |
| R303    |             | nsp                | NN05470610     | CHIP RES. 47Ω 1/10W HRJ10DJ470T      |
| R304    |             | nsp                | NN05221610     | CHIP RES. 220Ω 1/10W HRJ10DJ221T     |
| R305    |             | nsp                | NN05473610     | CHIP RES. 47kΩ 1/10W J HRJ10DJ473T   |
| R306    |             | nsp                | NN05473610     | CHIP RES. 47kΩ 1/10W J HRJ10DJ473T   |
| R307    |             | nsp                | NN05152610     | CHIP RES. 1.5kΩ 1/10W J HRJ10DJ152T  |
| RC01    |             | nsp                | NN05330610     | CHIP RES. 33Ω 1/10W J HRJ10DJ331T    |
| RC11    |             | nsp                | NN05103610     | CHIP RES. 10kΩ 1608SIZE HRJ10DJ103T  |
| RC12    |             | nsp                | NN05562610     | CHIP RES. 5.6kΩ 1608SIZE HRJ10DJ562T |
| RC13    |             | nsp                | NN05223610     | CHIP RES. 22kΩ 1608SIZE HRJ10DJ223T  |
| RC14    |             | nsp                | NN05473610     | CHIP RES. 47kΩ 1/10W J HRJ10DJ473T   |
| RC15    |             | nsp                | NN05473610     | CHIP RES. 47kΩ 1/10W J HRJ10DJ473T   |
| RC16    |             | nsp                | NN05473610     | CHIP RES. 47kΩ 1/10W J HRJ10DJ473T   |
| RC17    |             | nsp                | NN05473610     | CHIP RES. 47kΩ 1/10W J HRJ10DJ473T   |
| RC18    |             | nsp                | NN05473610     | CHIP RES. 47kΩ 1/10W J HRJ10DJ473T   |
| RC19    |             | nsp                | NN05473610     | CHIP RES. 47kΩ 1/10W J HRJ10DJ473T   |
| RC20    |             | nsp                | NN05473610     | CHIP RES. 47kΩ 1/10W J HRJ10DJ473T   |

NOTE : "nsp" PART IS LISTED FOR REFERENCE ONLY, MARANTZ WILL NOT SUPPLY THESE PARTS.

SR5400/K/N/U, PS5400/F

| POS. NO | VERS. COLOR | PART NO. (FOR EUR) | PART NO. (MJI) | DESCRIPTION |                            |               |
|---------|-------------|--------------------|----------------|-------------|----------------------------|---------------|
| RC21    |             | nsp                | NN05473610     | CHIP RES.   | 47kΩ 1/10W J               | HRJ10DJ473T   |
| RC22    |             | nsp                | NN05473610     | CHIP RES.   | 47kΩ 1/10W J               | HRJ10DJ473T   |
| RC23    |             | nsp                | NN05473610     | CHIP RES.   | 47kΩ 1/10W J               | HRJ10DJ473T   |
| RC24    |             | nsp                | NN05473610     | CHIP RES.   | 47kΩ 1/10W J               | HRJ10DJ473T   |
| RC25    |             | nsp                | NN05473610     | CHIP RES.   | 47kΩ 1/10W J               | HRJ10DJ473T   |
| RC26    |             | nsp                | NN05010610     | CHIP RES.   | 1Ω 1608SIZE                | HRJ10DJ1R0T   |
| RC27    |             | nsp                | NN05105610     | CHIP RES.   | 1MΩ 1/10W                  | HRJ10DJ105T   |
| RC30    |             | nsp                | NN05103610     | CHIP RES.   | 10kΩ 1608SIZE              | HRJ10DJ103T   |
| RC31    |             | nsp                | NN05472610     | CHIP RES.   | 4.7kΩ 1/10W J              | HRJ10DJ472T   |
| RC32    |             | nsp                | NN05472610     | CHIP RES.   | 4.7kΩ 1/10W J              | HRJ10DJ472T   |
| RC33    |             | nsp                | NN05472610     | CHIP RES.   | 4.7kΩ 1/10W J              | HRJ10DJ472T   |
| RC34    |             | nsp                | NN05473610     | CHIP RES.   | 47kΩ 1/10W J               | HRJ10DJ473T   |
| RC35    |             | nsp                | NN05473610     | CHIP RES.   | 47kΩ 1/10W J               | HRJ10DJ473T   |
| RC36    | /F          | nsp                | NN05104610     | CHIP RES.   | 100kΩ 1608SIZE             | HRJ10DJ104T   |
| RC36    | /N          | nsp                | NN05273610     | CHIP RES.   | 27kΩ 1608SIZE              | HRJ10DJ273T   |
| RC36    | /U          | nsp                | NN05390610     | CHIP RES.   | 39Ω 1/10W J                | HRJ10DJ393T   |
| RC36    | /K          | nsp                | NN05822610     | CHIP RES.   | 8.2kΩ 1608SIZE             | HRJ10DJ822T   |
| RC37    | /U          | nsp                | NN05563610     | CHIP RES.   | 56kΩ 1608SIZE              | HRJ10DJ563T   |
| RC37    | /N          | nsp                | NN05683610     | CHIP RES.   | 68kΩ 1/10W                 | HRJ10DJ683T   |
| RC37    | /K          | nsp                | NN05832610     | CHIP RES.   | 82kΩ 1608SIZE              | HRJ10DJ823T   |
| RC38    |             | nsp                | NN05103610     | CHIP RES.   | 10kΩ 1608SIZE              | HRJ10DJ103T   |
| RC39    |             | nsp                | NN05103610     | CHIP RES.   | 10kΩ 1608SIZE              | HRJ10DJ103T   |
| RC40    |             | nsp                | NN05102610     | CHIP RES.   | 1kΩ 1/10W J                | HRJ10DJ102T   |
| RC41    |             | nsp                | NN05103610     | CHIP RES.   | 10kΩ 1608SIZE              | HRJ10DJ103T   |
| RC42    |             | nsp                | NN05473610     | CHIP RES.   | 47kΩ 1/10W J               | HRJ10DJ473T   |
| RC43    |             | nsp                | NN05473610     | CHIP RES.   | 47kΩ 1/10W J               | HRJ10DJ473T   |
| RC44    |             | nsp                | NN05102610     | CHIP RES.   | 1kΩ 1/10W J                | HRJ10DJ102T   |
| RC45    |             | nsp                | NN05473610     | CHIP RES.   | 47kΩ 1/10W J               | HRJ10DJ473T   |
| RC46    |             | nsp                | NN05473610     | CHIP RES.   | 47kΩ 1/10W J               | HRJ10DJ473T   |
| RC47    |             | nsp                | NN05473610     | CHIP RES.   | 47kΩ 1/10W J               | HRJ10DJ473T   |
| RC48    |             | nsp                | NN05473610     | CHIP RES.   | 47kΩ 1/10W J               | HRJ10DJ473T   |
| RC49    |             | nsp                | NN05473610     | CHIP RES.   | 47kΩ 1/10W J               | HRJ10DJ473T   |
| RC50    |             | nsp                | NN05473610     | CHIP RES.   | 47kΩ 1/10W J               | HRJ10DJ473T   |
| RC51    |             | nsp                | NN05473610     | CHIP RES.   | 47kΩ 1/10W J               | HRJ10DJ473T   |
| RC52    |             | nsp                | NN05473610     | CHIP RES.   | 47kΩ 1/10W J               | HRJ10DJ473T   |
| RC53    |             | nsp                | NN05473610     | CHIP RES.   | 47kΩ 1/10W J               | HRJ10DJ473T   |
| RC54    |             | nsp                | NN05000610     | CHIP RES.   | 0Ω 1/10W J                 | HRJ10DJ0R0T   |
| RC55    |             | nsp                | NN05223610     | CHIP RES.   | 22kΩ 1608SIZE              | HRJ10DJ223T   |
| RC56    |             | nsp                | NN05223610     | CHIP RES.   | 22kΩ 1608SIZE              | HRJ10DJ223T   |
| RC59    |             | nsp                | NN05473610     | CHIP RES.   | 47kΩ 1/10W J               | HRJ10DJ473T   |
| RC60    |             | nsp                | NN05473610     | CHIP RES.   | 47kΩ 1/10W J               | HRJ10DJ473T   |
| RC61    |             | nsp                | NN05473610     | CHIP RES.   | 47kΩ 1/10W J               | HRJ10DJ473T   |
| RC62    |             | nsp                | NN05473610     | CHIP RES.   | 47kΩ 1/10W J               | HRJ10DJ473T   |
| RC63    |             | nsp                | NN05683610     | CHIP RES.   | 68kΩ 1/10W                 | HRJ10DJ683T   |
| RC64    |             | nsp                | NN05222610     | CHIP RES.   | 2.2kΩ 1608SIZE             | HRJ10DJ222T   |
| TE01    |             | nsp                | nsp            | TERMINAL    |                            | CNE75         |
| TE02    |             | nsp                | nsp            | TERMINAL    |                            | CNE75         |
| X101    |             | *JX001070R         | *JX001070R     | CRYSTAL     | 12.288MHz                  | HOX12288E320C |
| XC11    |             | *JX001100R         | *JX001100R     | CRYSTAL     | 20MHZ                      | HOX20000E220C |
|         |             |                    |                |             |                            |               |
|         |             |                    |                |             | <b>AMP PCB (CUP11591Z)</b> |               |
| C303    |             | nsp                | nsp            | CER. CAP.   | 330pF 50V KB               | CCKT1H331KB   |
| C304    |             | nsp                | nsp            | CER. CAP.   | 330pF 50V KB               | CCKT1H331KB   |
| C401    |             | nsp                | OA10605020     | ELECT. CAP. | 10μF 50V                   | HCEA1HH100T   |
| C402    |             | nsp                | OA10605020     | ELECT. CAP. | 10μF 50V                   | HCEA1HH100T   |
| C403    |             | nsp                | nsp            | CER. CAP.   | 330pF 50V KB               | CCKT1H331KB   |
| C404    |             | nsp                | nsp            | CER. CAP.   | 330pF 50V KB               | CCKT1H331KB   |
| C405    |             | nsp                | nsp            | CER. CAP.   | 10pF 50V DC                | CCCT1H100DC   |
| C406    |             | nsp                | nsp            | CER. CAP.   | 10pF 50V DC                | CCCT1H100DC   |


NOTE : \*nsp\* PART IS LISTED FOR REFERENCE ONLY, MARANTZ WILL NOT SUPPLY THESE PARTS.

**SR5400/K/N/U, PS5400/F**

| POS. NO | VERS. COLOR | PART NO. (FOR EUR) | PART NO. (MJI) | DESCRIPTION |                |              |
|---------|-------------|--------------------|----------------|-------------|----------------|--------------|
| C407    |             | *OF100350R         | *OF100350R     | FILM CAP    | 2200pF 50V J   | HCQI1H222JZT |
| C408    |             | *OF100350R         | *OF100350R     | FILM CAP    | 2200pF 50V J   | HCQI1H222JZT |
| C409    |             | nsp                | OA22605020     | ELECT. CAP. | 22µF 50V       | HCEA1HH220T  |
| C410    |             | nsp                | OA22605020     | ELECT. CAP. | 22µF 50V       | HCEA1HH220T  |
| C411    |             | nsp                | OA10706320     | ELECT. CAP. | 100µF 63V      | HCEA1JH101E  |
| C412    |             | nsp                | OA10706320     | ELECT. CAP. | 100µF 63V      | HCEA1JH101E  |
| C413    |             | nsp                | OA10706320     | ELECT. CAP. | 100µF 63V      | HCEA1JH101E  |
| C414    |             | nsp                | OA10706320     | ELECT. CAP. | 100µF 63V      | HCEA1JH101E  |
| C419    |             | nsp                | OA10705020     | ELECT. CAP. | 100µF 50V      | HCEA1HH101T  |
| C420    |             | nsp                | OA10705020     | ELECT. CAP. | 100µF 50V      | HCEA1HH101T  |
| C421    |             | nsp                | OA10701620     | ELECT. CAP. | 100µF 16V      | HCEA1CH101T  |
| C422    |             | nsp                | OA10701620     | ELECT. CAP. | 100µF 16V      | HCEA1CH101T  |
| C501    |             | nsp                | OA10605020     | ELECT. CAP. | 10µF 50V       | HCEA1HH100T  |
| C502    |             | nsp                | OA10605020     | ELECT. CAP. | 10µF 50V       | HCEA1HH100T  |
| C503    |             | nsp                | nsp            | CER. CAP.   | 330pF 50V KB   | CCKT1H331KB  |
| C504    |             | nsp                | nsp            | CER. CAP.   | 330pF 50V KB   | CCKT1H331KB  |
| C505    |             | nsp                | nsp            | CER. CAP.   | 10pF 50V DC    | CCCT1H100DC  |
| C506    |             | nsp                | nsp            | CER. CAP.   | 10pF 50V DC    | CCCT1H100DC  |
| C507    |             | *OF100350R         | *OF100350R     | FILM CAP    | 2200pF 50V J   | HCQI1H222JZT |
| C508    |             | *OF100350R         | *OF100350R     | FILM CAP    | 2200pF 50V J   | HCQI1H222JZT |
| C509    |             | nsp                | OA22605020     | ELECT. CAP. | 22µF 50V       | HCEA1HH220T  |
| C510    |             | nsp                | OA22605020     | ELECT. CAP. | 22µF 50V       | HCEA1HH220T  |
| C511    |             | nsp                | OA10706320     | ELECT. CAP. | 100µF 63V      | HCEA1JH101E  |
| C512    |             | nsp                | OA10706320     | ELECT. CAP. | 100µF 63V      | HCEA1JH101E  |
| C513    |             | nsp                | OA10706320     | ELECT. CAP. | 100µF 63V      | HCEA1JH101E  |
| C514    |             | nsp                | OA10706320     | ELECT. CAP. | 100µF 63V      | HCEA1JH101E  |
| C519    |             | nsp                | OA10705020     | ELECT. CAP. | 100µF 50V      | HCEA1HH101T  |
| C520    |             | nsp                | OA10705020     | ELECT. CAP. | 100µF 50V      | HCEA1HH101T  |
| C521    |             | nsp                | OA10701620     | ELECT. CAP. | 100µF 16V      | HCEA1CH101T  |
| C522    |             | nsp                | OA10701620     | ELECT. CAP. | 100µF 16V      | HCEA1CH101T  |
| C601    |             | nsp                | OA10605020     | ELECT. CAP. | 10µF 50V       | HCEA1HH100T  |
| C602    |             | nsp                | OA10605020     | ELECT. CAP. | 10µF 50V       | HCEA1HH100T  |
| C605    |             | nsp                | nsp            | CER. CAP.   | 10pF 50V DC    | CCCT1H100DC  |
| C606    |             | nsp                | nsp            | CER. CAP.   | 10pF 50V DC    | CCCT1H100DC  |
| C607    |             | *OF100350R         | *OF100350R     | FILM CAP    | 2200pF 50V J   | HCQI1H222JZT |
| C608    |             | *OF100350R         | *OF100350R     | FILM CAP    | 2200pF 50V J   | HCQI1H222JZT |
| C609    |             | nsp                | OA22605020     | ELECT. CAP. | 22µF 50V       | HCEA1HH220T  |
| C610    |             | nsp                | OA22605020     | ELECT. CAP. | 22µF 50V       | HCEA1HH220T  |
| C611    |             | nsp                | OA10706320     | ELECT. CAP. | 100µF 63V      | HCEA1JH101E  |
| C612    |             | nsp                | OA10706320     | ELECT. CAP. | 100µF 63V      | HCEA1JH101E  |
| C613    |             | nsp                | OA10706320     | ELECT. CAP. | 100µF 63V      | HCEA1JH101E  |
| C614    |             | nsp                | OA10706320     | ELECT. CAP. | 100µF 63V      | HCEA1JH101E  |
| C619    |             | nsp                | OA10705020     | ELECT. CAP. | 100µF 50V      | HCEA1HH101T  |
| C620    |             | nsp                | OA10705020     | ELECT. CAP. | 100µF 50V      | HCEA1HH101T  |
| C621    |             | nsp                | OA10701620     | ELECT. CAP. | 100µF 16V      | HCEA1CH101T  |
| C622    |             | nsp                | OA10701620     | ELECT. CAP. | 100µF 16V      | HCEA1CH101T  |
| C701    |             | nsp                | OA47505020     | ELECT. CAP. | 4.7µF 50V      | HCEA1HH4R7T  |
| C702    |             | nsp                | nsp            | CER. CAP.   | 0.01µF 50V ZF  | CCKT1H103ZF  |
| C703    |             | nsp                | nsp            | CER. CAP.   | 0.01µF 50V ZF  | CCKT1H103ZF  |
| C704    |             | nsp                | OA47605020     | ELECT. CAP. | 47µF 50V       | HCEA1HH470T  |
| C705    |             | nsp                | OA47405020     | ELECT. CAP. | 0.47µF 50V     | HCEA1HHR47T  |
| C707    |             | nsp                | nsp            | CER. CAP.   | 0.01µF 50V ZF  | CCKT1H103ZF  |
| C708    |             | nsp                | nsp            | CER. CAP.   | 0.01µF 50V ZF  | CCKT1H103ZF  |
| C709    |             | nsp                | nsp            | CER. CAP.   | 4700pF 50V ZF  | CCKT1H472ZF  |
| C710    |             | nsp                | nsp            | FILM CAP    | 0.1µF 50V J    | HCQI1H104JZT |
| C711    |             | nsp                | nsp            | FILM CAP    | 0.1µF 50V J    | HCQI1H104JZT |
| CN42    |             | nsp                | nsp            | JACK        | MOLEX 5267-02A | KJP02GA01ZM  |
| CN43    |             | nsp                | nsp            | JACK        | MOLEX 5267-02A | KJP02GA01ZM  |
| CN44    |             | nsp                | nsp            | JACK        | MOLEX 5267-02A | KJP02GA01ZM  |

NOTE : "nsp" PART IS LISTED FOR REFERENCE ONLY, MARANTZ WILL NOT SUPPLY THESE PARTS.

SR5400/K/N/U, PS5400/F

| POS. NO  | VERS. COLOR | PART NO. (FOR EUR) | PART NO. (MJI) | DESCRIPTION  |                      |               |
|--|-------------|--------------------|----------------|--------------|----------------------|---------------|
| CN45   |             | nsp                | nsp            | JACK         | MOLEX 5267-02A       | KJP02GA01ZM   |
| CN46   |             | nsp                | nsp            | JACK         | MOLEX 5267-02A       | KJP02GA01ZM   |
| CN47   |             | nsp                | nsp            | JACK         | MOLEX 5267-02A       | KJP02GA01ZM   |
| CN73   |             | nsp                | nsp            | JACK         | A3963WV2-6P          | CJP06GA148ZW  |
| D401   |             | nsp                | HD20015210     | DIODE        | 1SS133T-77           | HVD1SS133MT   |
| D402   |             | nsp                | HD20015210     | DIODE        | 1SS133T-77           | HVD1SS133MT   |
| D403   |             | nsp                | HD20015210     | DIODE        | 1SS133T-77           | HVD1SS133MT   |
| D404   |             | nsp                | HD20015210     | DIODE        | 1SS133T-77           | HVD1SS133MT   |
| D405   |             | nsp                | HD20015210     | DIODE        | 1SS133T-77           | HVD1SS133MT   |
| D406   |             | nsp                | HD20015210     | DIODE        | 1SS133T-77           | HVD1SS133MT   |
| D407   |             | nsp                | HD20015210     | DIODE        | 1SS133T-77           | HVD1SS133MT   |
| D408   |             | nsp                | HD20015210     | DIODE        | 1SS133T-77           | HVD1SS133MT   |
| D409   |             | *HD302180R         | *HD302180R     | ZENER DIODE  | MTZJ3.9B             | HVDMTZJ3.9BT  |
| D410   |             | *HD302180R         | *HD302180R     | ZENER DIODE  | MTZJ3.9B             | HVDMTZJ3.9BT  |
| D411   |             | *HD302180R         | *HD302180R     | ZENER DIODE  | MTZJ3.9B             | HVDMTZJ3.9BT  |
| D412   |             | *HD302180R         | *HD302180R     | ZENER DIODE  | MTZJ3.9B             | HVDMTZJ3.9BT  |
| D413   |             | nsp                | HD20015210     | DIODE        | 1SS133T-77           | HVD1SS133MT   |
| D414   |             | nsp                | HD20015210     | DIODE        | 1SS133T-77           | HVD1SS133MT   |
| D415   |             | nsp                | HD20015210     | DIODE        | 1SS133T-77           | HVD1SS133MT   |
| D416   |             | nsp                | HD20015210     | DIODE        | 1SS133T-77           | HVD1SS133MT   |
| D501   |             | nsp                | HD20015210     | DIODE        | 1SS133T-77           | HVD1SS133MT   |
| D502   |             | nsp                | HD20015210     | DIODE        | 1SS133T-77           | HVD1SS133MT   |
| D503   |             | nsp                | HD20015210     | DIODE        | 1SS133T-77           | HVD1SS133MT   |
| D504   |             | nsp                | HD20015210     | DIODE        | 1SS133T-77           | HVD1SS133MT   |
| D505   |             | nsp                | HD20015210     | DIODE        | 1SS133T-77           | HVD1SS133MT   |
| D506   |             | nsp                | HD20015210     | DIODE        | 1SS133T-77           | HVD1SS133MT   |
| D507   |             | nsp                | HD20015210     | DIODE        | 1SS133T-77           | HVD1SS133MT   |
| D508   |             | nsp                | HD20015210     | DIODE        | 1SS133T-77           | HVD1SS133MT   |
| D509   |             | *HD302180R         | *HD302180R     | ZENER DIODE  | MTZJ3.9B             | HVDMTZJ3.9BT  |
| D510   |             | *HD302180R         | *HD302180R     | ZENER DIODE  | MTZJ3.9B             | HVDMTZJ3.9BT  |
| D511   |             | *HD302180R         | *HD302180R     | ZENER DIODE  | MTZJ3.9B             | HVDMTZJ3.9BT  |
| D512   |             | *HD302180R         | *HD302180R     | ZENER DIODE  | MTZJ3.9B             | HVDMTZJ3.9BT  |
| D513   |             | nsp                | HD20015210     | DIODE        | 1SS133T-77           | HVD1SS133MT   |
| D514   |             | nsp                | HD20015210     | DIODE        | 1SS133T-77           | HVD1SS133MT   |
| D515   |             | nsp                | HD20015210     | DIODE        | 1SS133T-77           | HVD1SS133MT   |
| D516   |             | nsp                | HD20015210     | DIODE        | 1SS133T-77           | HVD1SS133MT   |
| D601   |             | nsp                | HD20015210     | DIODE        | 1SS133T-77           | HVD1SS133MT   |
| D602   |             | nsp                | HD20015210     | DIODE        | 1SS133T-77           | HVD1SS133MT   |
| D603   |             | nsp                | HD20015210     | DIODE        | 1SS133T-77           | HVD1SS133MT   |
| D604   |             | nsp                | HD20015210     | DIODE        | 1SS133T-77           | HVD1SS133MT   |
| D605   |             | nsp                | HD20015210     | DIODE        | 1SS133T-77           | HVD1SS133MT   |
| D606   |             | nsp                | HD20015210     | DIODE        | 1SS133T-77           | HVD1SS133MT   |
| D607   |             | nsp                | HD20015210     | DIODE        | 1SS133T-77           | HVD1SS133MT   |
| D608   |             | nsp                | HD20015210     | DIODE        | 1SS133T-77           | HVD1SS133MT   |
| D609   |             | *HD302180R         | *HD302180R     | ZENER DIODE  | MTZJ3.9B             | HVDMTZJ3.9BT  |
| D610   |             | *HD302180R         | *HD302180R     | ZENER DIODE  | MTZJ3.9B             | HVDMTZJ3.9BT  |
| D611   |             | *HD302180R         | *HD302180R     | ZENER DIODE  | MTZJ3.9B             | HVDMTZJ3.9BT  |
| D612   |             | *HD302180R         | *HD302180R     | ZENER DIODE  | MTZJ3.9B             | HVDMTZJ3.9BT  |
| D613   |             | nsp                | HD20015210     | DIODE        | 1SS133T-77           | HVD1SS133MT   |
| D614   |             | nsp                | HD20015210     | DIODE        | 1SS133T-77           | HVD1SS133MT   |
| D615   |             | nsp                | HD20015210     | DIODE        | 1SS133T-77           | HVD1SS133MT   |
| D616   |             | nsp                | HD20015210     | DIODE        | 1SS133T-77           | HVD1SS133MT   |
|  D701 |             | *HE200250R         | *HE200250R     | BRIDGE DIOCE | GBJ1504              | BVDGBJ1504    |
| IC41   |             | HC10053090         | HC10053090     | IC           | NJM2068DD OP AMP     | HVINJM2068DD  |
| IC51   |             | HC10053090         | HC10053090     | IC           | NJM2068DD OP AMP     | HVINJM2068DD  |
| IC61   |             | HC10053090         | HC10053090     | IC           | NJM2068DD OP AMP     | HVINJM2068DD  |
| IC71   |             | HC10042050         | HC10042050     | IC           | TA7317P PROTECTOR HK | HVITA7317P    |
| Q114   |             | *HT800060R         | *HT800060R     | TRS.         | KTC3200GR            | HVTKTC3200GRT |
| Q207   |             | *HT600020R         | *HT600020R     | TRS.         | KTA1268GR            | HVTKTA1268GRT |

NOTE : \*nsp\* PART IS LISTED FOR REFERENCE ONLY, MARANTZ WILL NOT SUPPLY THESE PARTS.



**SR5400/K/N/U, PS5400/F**

| POS. NO | VERS. COLOR | PART NO. (FOR EUR) | PART NO. (MJI) | DESCRIPTION |                      |               |
|---------|-------------|--------------------|----------------|-------------|----------------------|---------------|
| Q208    |             | *HT600020R         | *HT600020R     | TRS.        | KTA1268GR            | HVTKTA1268GRT |
| Q213    |             | *HT800060R         | *HT800060R     | TRS.        | KTC3200GR            | HVTKTC3200GRT |
| Q214    |             | *HT800060R         | *HT800060R     | TRS.        | KTC3200GR            | HVTKTC3200GRT |
| Q403    |             | *HT600010R         | *HT600010R     | TRS.        | KTA1266Y             | HVTKTA1266YT  |
| Q404    |             | *HT600010R         | *HT600010R     | TRS.        | KTA1266Y             | HVTKTA1266YT  |
| Q405    |             | *HT800050R         | *HT800050R     | TRS.        | KTC3198YT            | HVTKTC3198YT  |
| Q406    |             | *HT800050R         | *HT800050R     | TRS.        | KTC3198YT            | HVTKTC3198YT  |
| Q407    |             | *HT600020R         | *HT600020R     | TRS.        | KTA1268GR            | HVTKTA1268GRT |
| Q408    |             | *HT600020R         | *HT600020R     | TRS.        | KTA1268GR            | HVTKTA1268GRT |
| Q409    |             | *HT600020R         | *HT600020R     | TRS.        | KTA1268GR            | HVTKTA1268GRT |
| Q410    |             | *HT600020R         | *HT600020R     | TRS.        | KTA1268GR            | HVTKTA1268GRT |
| Q411    |             | *HT800060R         | *HT800060R     | TRS.        | KTC3200GR            | HVTKTC3200GRT |
| Q412    |             | *HT800060R         | *HT800060R     | TRS.        | KTC3200GR            | HVTKTC3200GRT |
| Q413    |             | *HT800060R         | *HT800060R     | TRS.        | KTC3200GR            | HVTKTC3200GRT |
| Q415    |             | *HT600030R         | *HT600030R     | TRS.        | KTA1024Y             | HVTKTA1024YT  |
| Q416    |             | *HT600030R         | *HT600030R     | TRS.        | KTA1024Y             | HVTKTA1024YT  |
| Q417    |             | *HT800090R         | *HT800090R     | TRS.        | KTC3206YA            | HVTKTC3206YAT |
| Q418    |             | *HT800090R         | *HT800090R     | TRS.        | KTC3206YA            | HVTKTC3206YAT |
| ▲       | Q419        | HC20002080         | HC20002080     | IC          | SAP17NLFNO.552 POWER | BVISAP17N     |
| ▲       | Q420        | HC20002080         | HC20002080     | IC          | SAP17NLFNO.552 POWER | BVISAP17N     |
| ▲       | Q421        | HC20001080         | HC20001080     | IC          | SAP17PLFNO.552 POWER | BVISAP17P     |
| ▲       | Q422        | HC20001080         | HC20001080     | IC          | SAP17PLFNO.552 POWER | BVISAP17P     |
|         | Q423        | *HT800060R         | *HT800060R     | TRS.        | KTC3200GR            | HVTKTC3200GRT |
|         | Q424        | *HT800060R         | *HT800060R     | TRS.        | KTC3200GR            | HVTKTC3200GRT |
|         | Q503        | *HT600010R         | *HT600010R     | TRS.        | KTA1266Y             | HVTKTA1266YT  |
|         | Q504        | *HT600010R         | *HT600010R     | TRS.        | KTA1266Y             | HVTKTA1266YT  |
|         | Q505        | *HT800050R         | *HT800050R     | TRS.        | KTC3198YT            | HVTKTC3198YT  |
|         | Q506        | *HT800050R         | *HT800050R     | TRS.        | KTC3198YT            | HVTKTC3198YT  |
|         | Q509        | *HT600020R         | *HT600020R     | TRS.        | KTA1268GR            | HVTKTA1268GRT |
|         | Q510        | *HT600020R         | *HT600020R     | TRS.        | KTA1268GR            | HVTKTA1268GRT |
|         | Q511        | *HT800060R         | *HT800060R     | TRS.        | KTC3200GR            | HVTKTC3200GRT |
|         | Q512        | *HT800060R         | *HT800060R     | TRS.        | KTC3200GR            | HVTKTC3200GRT |
|         | Q515        | *HT600030R         | *HT600030R     | TRS.        | KTA1024Y             | HVTKTA1024YT  |
|         | Q516        | *HT600030R         | *HT600030R     | TRS.        | KTA1024Y             | HVTKTA1024YT  |
|         | Q517        | *HT800090R         | *HT800090R     | TRS.        | KTC3206YA            | HVTKTC3206YAT |
|         | Q518        | *HT800090R         | *HT800090R     | TRS.        | KTC3206YA            | HVTKTC3206YAT |
| ▲       | Q519        | HC20002080         | HC20002080     | IC          | SAP17NLFNO.552 POWER | BVISAP17N     |
| ▲       | Q520        | HC20002080         | HC20002080     | IC          | SAP17NLFNO.552 POWER | BVISAP17N     |
| ▲       | Q521        | HC20001080         | HC20001080     | IC          | SAP17PLFNO.552 POWER | BVISAP17P     |
| ▲       | Q522        | HC20001080         | HC20001080     | IC          | SAP17PLFNO.552 POWER | BVISAP17P     |
|         | Q523        | *HT800060R         | *HT800060R     | TRS.        | KTC3200GR            | HVTKTC3200GRT |
|         | Q524        | *HT800060R         | *HT800060R     | TRS.        | KTC3200GR            | HVTKTC3200GRT |
|         | Q603        | *HT600010R         | *HT600010R     | TRS.        | KTA1266Y             | HVTKTA1266YT  |
|         | Q604        | *HT600010R         | *HT600010R     | TRS.        | KTA1266Y             | HVTKTA1266YT  |
|         | Q605        | *HT800050R         | *HT800050R     | TRS.        | KTC3198YT            | HVTKTC3198YT  |
|         | Q606        | *HT800050R         | *HT800050R     | TRS.        | KTC3198YT            | HVTKTC3198YT  |
|         | Q607        | *HT600020R         | *HT600020R     | TRS.        | KTA1268GR            | HVTKTA1268GRT |
|         | Q608        | *HT600020R         | *HT600020R     | TRS.        | KTA1268GR            | HVTKTA1268GRT |
|         | Q609        | *HT600020R         | *HT600020R     | TRS.        | KTA1268GR            | HVTKTA1268GRT |
|         | Q610        | *HT600020R         | *HT600020R     | TRS.        | KTA1268GR            | HVTKTA1268GRT |
|         | Q611        | *HT800060R         | *HT800060R     | TRS.        | KTC3200GR            | HVTKTC3200GRT |
|         | Q612        | *HT800060R         | *HT800060R     | TRS.        | KTC3200GR            | HVTKTC3200GRT |
|         | Q613        | *HT800060R         | *HT800060R     | TRS.        | KTC3200GR            | HVTKTC3200GRT |
|         | Q614        | *HT800060R         | *HT800060R     | TRS.        | KTC3200GR            | HVTKTC3200GRT |
|         | Q615        | *HT600030R         | *HT600030R     | TRS.        | KTA1024Y             | HVTKTA1024YT  |
|         | Q616        | *HT600030R         | *HT600030R     | TRS.        | KTA1024Y             | HVTKTA1024YT  |
|         | Q617        | *HT800090R         | *HT800090R     | TRS.        | KTC3206YA            | HVTKTC3206YAT |
|         | Q618        | *HT800090R         | *HT800090R     | TRS.        | KTC3206YA            | HVTKTC3206YAT |
| ▲       | Q619        | HC20002080         | HC20002080     | IC          | SAP17NLFNO.552 POWER | BVISAP17N     |

NOTE : \*nsp\* PART IS LISTED FOR REFERENCE ONLY, MARANTZ WILL NOT SUPPLY THESE PARTS.

SR5400/K/N/U, PS5400/F

| POS. NO | VERS. COLOR | PART NO. (FOR EUR) | PART NO. (MJI) | DESCRIPTION |                            |               |
|---------|-------------|--------------------|----------------|-------------|----------------------------|---------------|
| ▲ Q620  |             | HC20002080         | HC20002080     | IC          | SAP17NLFNO.552 POWER       | BVISAP17N     |
| ▲ Q621  |             | HC20001080         | HC20001080     | IC          | SAP17PLFNO.552 POWER       | BVISAP17P     |
| ▲ Q622  |             | HC20001080         | HC20001080     | IC          | SAP17PLFNO.552 POWER       | BVISAP17P     |
| Q623    |             | *HT800060R         | *HT800060R     | TRS.        | KTC3200GR                  | HVTKTC3200GRT |
| Q624    |             | *HT800060R         | *HT800060R     | TRS.        | KTC3200GR                  | HVTKTC3200GRT |
| Q701    |             | *HT600020R         | *HT600020R     | TRS.        | KTA1268GR                  | HVTKTA1268GRT |
| Q703    |             | *HT800050R         | *HT800050R     | TRS.        | KTC3198YT                  | HVTKTC3198YT  |
| Q704    |             | BA20001000         | BA20001000     | TRS.        | KRC102M                    | HVTKRC102MT   |
| R205    |             | nsp                | nsp            | RES.        | 100Ω 1/6W J                | CRD20TJ101T   |
| R206    |             | nsp                | nsp            | RES.        | 100Ω 1/6W J                | CRD20TJ101T   |
| R401    |             | nsp                | nsp            | RES.        | 33kΩ 1/6W J                | CRD20TJ333T   |
| R402    |             | nsp                | nsp            | RES.        | 33kΩ 1/6W J                | CRD20TJ333T   |
| R403    |             | nsp                | nsp            | RES.        | 1kΩ 1/6W J                 | CRD20TJ102T   |
| R404    |             | nsp                | nsp            | RES.        | 1kΩ 1/6W J                 | CRD20TJ102T   |
| R405    |             | nsp                | nsp            | RES.        | 100Ω 1/6W J                | CRD20TJ101T   |
| R406    |             | nsp                | nsp            | RES.        | 100Ω 1/6W J                | CRD20TJ101T   |
| R407    |             | nsp                | nsp            | RES.        | 10kΩ 1/6W J                | CRD20TJ103T   |
| R408    |             | nsp                | nsp            | RES.        | 10kΩ 1/6W J                | CRD20TJ103T   |
| R409    |             | nsp                | nsp            | RES.        | 10kΩ 1/6W J                | CRD20TJ103T   |
| R410    |             | nsp                | nsp            | RES.        | 10kΩ 1/6W J                | CRD20TJ103T   |
| R411    |             | nsp                | nsp            | RES.        | 470Ω 1/6W J                | CRD20TJ471T   |
| R412    |             | nsp                | nsp            | RES.        | 470Ω 1/6W J                | CRD20TJ471T   |
| R413    |             | nsp                | nsp            | RES.        | 470Ω 1/6W J                | CRD20TJ471T   |
| R414    |             | nsp                | nsp            | RES.        | 470Ω 1/6W J                | CRD20TJ471T   |
| R415    |             | nsp                | nsp            | RES.        | 68Ω 1/6W J                 | CRD20TJ680T   |
| R416    |             | nsp                | nsp            | RES.        | 68Ω 1/6W J                 | CRD20TJ680T   |
| R417    |             | nsp                | nsp            | RES.        | 68Ω 1/6W J                 | CRD20TJ680T   |
| R418    |             | nsp                | nsp            | RES.        | 68Ω 1/6W J                 | CRD20TJ680T   |
| R419    |             | nsp                | nsp            | RES.        | 150Ω 1/6W J                | CRD20TJ151T   |
| R420    |             | nsp                | nsp            | RES.        | 150Ω 1/6W J                | CRD20TJ151T   |
| R421    |             | nsp                | nsp            | RES.        | 150Ω 1/6W J                | CRD20TJ151T   |
| R422    |             | nsp                | nsp            | RES.        | 150Ω 1/6W J                | CRD20TJ151T   |
| R423    |             | nsp                | nsp            | RES.        | 330kΩ 1/6W J               | CRD20TJ334T   |
| R424    |             | nsp                | nsp            | RES.        | 330kΩ 1/6W J               | CRD20TJ334T   |
| R425    |             | nsp                | nsp            | RES.        | 330kΩ 1/6W J               | CRD20TJ334T   |
| R426    |             | nsp                | nsp            | RES.        | 330kΩ 1/6W J               | CRD20TJ334T   |
| R427    |             | nsp                | nsp            | RES.        | 100Ω 1/6W J                | CRD20TJ101T   |
| R428    |             | nsp                | nsp            | RES.        | 100Ω 1/6W J                | CRD20TJ101T   |
| R429    |             | nsp                | nsp            | RES.        | 100Ω 1/6W J                | CRD20TJ101T   |
| R430    |             | nsp                | nsp            | RES.        | 100Ω 1/6W J                | CRD20TJ101T   |
| R431    |             | nsp                | nsp            | RES.        | 10Ω 1/4W J                 | CRD25TJ100T   |
| R432    |             | nsp                | nsp            | RES.        | 10Ω 1/4W J                 | CRD25TJ100T   |
| R433    |             | nsp                | nsp            | RES.        | 10Ω 1/4W J                 | CRD25TJ100T   |
| R434    |             | nsp                | nsp            | RES.        | 10Ω 1/4W J                 | CRD25TJ100T   |
| R435    |             | nsp                | nsp            | RES.        | 10Ω 1/6W J                 | CRD20TJ100T   |
| R436    |             | nsp                | nsp            | RES.        | 10Ω 1/6W J                 | CRD20TJ100T   |
| R439    |             | nsp                | nsp            | RES.        | 47Ω 1W J METAL OXIDE FILM  | KRG1SANJ470RT |
| R440    |             | nsp                | nsp            | RES.        | 47Ω 1W J METAL OXIDE FILM  | KRG1SANJ470RT |
| R441    |             | nsp                | nsp            | RES.        | 120Ω 1W J METAL OXIDE FILM | KRG1SANJ121RT |
| R442    |             | nsp                | nsp            | RES.        | 120Ω 1W J METAL OXIDE FILM | KRG1SANJ121RT |
| R443    |             | nsp                | nsp            | RES.        | 120Ω 1W J METAL OXIDE FILM | KRG1SANJ121RT |
| R444    |             | nsp                | nsp            | RES.        | 120Ω 1W J METAL OXIDE FILM | KRG1SANJ121RT |
| R445    |             | nsp                | nsp            | RES.        | 47Ω 1W J METAL OXIDE FILM  | KRG1SANJ470RT |
| R446    |             | nsp                | nsp            | RES.        | 47Ω 1W J METAL OXIDE FILM  | KRG1SANJ470RT |
| R449    |             | nsp                | nsp            | RES.        | 15Ω 1/6W J                 | CRD20TJ150T   |
| R450    |             | nsp                | nsp            | RES.        | 15Ω 1/6W J                 | CRD20TJ150T   |
| R451    |             | nsp                | nsp            | RES.        | 10Ω 1/6W J                 | CRD20TJ100T   |
| R452    |             | nsp                | nsp            | RES.        | 10Ω 1/6W J                 | CRD20TJ100T   |
| R453    |             | nsp                | nsp            | RES.        | 1kΩ 1/6W J                 | CRD20TJ102T   |

NOTE : \*nsp\* PART IS LISTED FOR REFERENCE ONLY, MARANTZ WILL NOT SUPPLY THESE PARTS.

**SR5400/K/N/U, PS5400/F**

| POS. NO | VERS. COLOR | PART NO. (FOR EUR) | PART NO. (MJI) | DESCRIPTION |                            |               |
|---------|-------------|--------------------|----------------|-------------|----------------------------|---------------|
| R454    |             | nsp                | nsp            | RES.        | 1kΩ 1/6W J                 | CRD20TJ102T   |
| R455    |             | nsp                | nsp            | RES.        | 1kΩ 1/6W J                 | CRD20TJ102T   |
| R456    |             | nsp                | nsp            | RES.        | 1kΩ 1/6W J                 | CRD20TJ102T   |
| R457    |             | nsp                | nsp            | RES.        | 680Ω 1/6W J                | CRD20TJ681T   |
| R458    |             | nsp                | nsp            | RES.        | 680Ω 1/6W J                | CRD20TJ681T   |
| R459    |             | nsp                | nsp            | RES.        | 22kΩ 1/6W J                | CRD20TJ223T   |
| R460    |             | nsp                | nsp            | RES.        | 22kΩ 1/6W J                | CRD20TJ223T   |
| R461    |             | nsp                | nsp            | RES.        | 22kΩ 1/6W J                | CRD20TJ223T   |
| R462    |             | nsp                | nsp            | RES.        | 22kΩ 1/6W J                | CRD20TJ223T   |
| R463    |             | nsp                | nsp            | RES.        | 22kΩ 1/6W J                | CRD20TJ223T   |
| R464    |             | nsp                | nsp            | RES.        | 22kΩ 1/6W J                | CRD20TJ223T   |
| R465    |             | nsp                | nsp            | RES.        | 680Ω 1/6W J                | CRD20TJ681T   |
| R466    |             | nsp                | nsp            | RES.        | 680Ω 1/6W J                | CRD20TJ681T   |
| R467    |             | nsp                | nsp            | RES.        | 33kΩ 1/6W J                | CRD20TJ333T   |
| R468    |             | nsp                | nsp            | RES.        | 33kΩ 1/6W J                | CRD20TJ333T   |
| R469    |             | nsp                | nsp            | RES.        | 22kΩ 1/6W J                | CRD20TJ223T   |
| R470    |             | nsp                | nsp            | RES.        | 22kΩ 1/6W J                | CRD20TJ223T   |
| R501    |             | nsp                | nsp            | RES.        | 33kΩ 1/6W J                | CRD20TJ333T   |
| R502    |             | nsp                | nsp            | RES.        | 33kΩ 1/6W J                | CRD20TJ333T   |
| R503    |             | nsp                | nsp            | RES.        | 1kΩ 1/6W J                 | CRD20TJ102T   |
| R504    |             | nsp                | nsp            | RES.        | 1kΩ 1/6W J                 | CRD20TJ102T   |
| R507    |             | nsp                | nsp            | RES.        | 10kΩ 1/6W J                | CRD20TJ103T   |
| R508    |             | nsp                | nsp            | RES.        | 10kΩ 1/6W J                | CRD20TJ103T   |
| R509    |             | nsp                | nsp            | RES.        | 10kΩ 1/6W J                | CRD20TJ103T   |
| R510    |             | nsp                | nsp            | RES.        | 10kΩ 1/6W J                | CRD20TJ103T   |
| R511    |             | nsp                | nsp            | RES.        | 470Ω 1/6W J                | CRD20TJ471T   |
| R512    |             | nsp                | nsp            | RES.        | 470Ω 1/6W J                | CRD20TJ471T   |
| R513    |             | nsp                | nsp            | RES.        | 470Ω 1/6W J                | CRD20TJ471T   |
| R514    |             | nsp                | nsp            | RES.        | 470Ω 1/6W J                | CRD20TJ471T   |
| R515    |             | nsp                | nsp            | RES.        | 68Ω 1/6W J                 | CRD20TJ680T   |
| R516    |             | nsp                | nsp            | RES.        | 68Ω 1/6W J                 | CRD20TJ680T   |
| R517    |             | nsp                | nsp            | RES.        | 68Ω 1/6W J                 | CRD20TJ680T   |
| R518    |             | nsp                | nsp            | RES.        | 68Ω 1/6W J                 | CRD20TJ680T   |
| R519    |             | nsp                | nsp            | RES.        | 150Ω 1/6W J                | CRD20TJ151T   |
| R520    |             | nsp                | nsp            | RES.        | 150Ω 1/6W J                | CRD20TJ151T   |
| R521    |             | nsp                | nsp            | RES.        | 150Ω 1/6W J                | CRD20TJ151T   |
| R522    |             | nsp                | nsp            | RES.        | 150Ω 1/6W J                | CRD20TJ151T   |
| R523    |             | nsp                | nsp            | RES.        | 330kΩ 1/6W J               | CRD20TJ334T   |
| R524    |             | nsp                | nsp            | RES.        | 330kΩ 1/6W J               | CRD20TJ334T   |
| R525    |             | nsp                | nsp            | RES.        | 330kΩ 1/6W J               | CRD20TJ334T   |
| R526    |             | nsp                | nsp            | RES.        | 330kΩ 1/6W J               | CRD20TJ334T   |
| R527    |             | nsp                | nsp            | RES.        | 100Ω 1/6W J                | CRD20TJ101T   |
| R528    |             | nsp                | nsp            | RES.        | 100Ω 1/6W J                | CRD20TJ101T   |
| R529    |             | nsp                | nsp            | RES.        | 100Ω 1/6W J                | CRD20TJ101T   |
| R530    |             | nsp                | nsp            | RES.        | 100Ω 1/6W J                | CRD20TJ101T   |
| R531    |             | nsp                | nsp            | RES.        | 10Ω 1/4W J                 | CRD25TJ100T   |
| R532    |             | nsp                | nsp            | RES.        | 10Ω 1/4W J                 | CRD25TJ100T   |
| R533    |             | nsp                | nsp            | RES.        | 10Ω 1/4W J                 | CRD25TJ100T   |
| R534    |             | nsp                | nsp            | RES.        | 10Ω 1/4W J                 | CRD25TJ100T   |
| R535    |             | nsp                | nsp            | RES.        | 10Ω 1/6W J                 | CRD20TJ100T   |
| R536    |             | nsp                | nsp            | RES.        | 10Ω 1/6W J                 | CRD20TJ100T   |
| R539    |             | nsp                | nsp            | RES.        | 47Ω 1W J METAL OXIDE FILM  | KRG1SANJ470RT |
| R540    |             | nsp                | nsp            | RES.        | 47Ω 1W J METAL OXIDE FILM  | KRG1SANJ470RT |
| R541    |             | nsp                | nsp            | RES.        | 120Ω 1W J METAL OXIDE FILM | KRG1SANJ121RT |
| R542    |             | nsp                | nsp            | RES.        | 120Ω 1W J METAL OXIDE FILM | KRG1SANJ121RT |
| R543    |             | nsp                | nsp            | RES.        | 120Ω 1W J METAL OXIDE FILM | KRG1SANJ121RT |
| R544    |             | nsp                | nsp            | RES.        | 120Ω 1W J METAL OXIDE FILM | KRG1SANJ121RT |
| R545    |             | nsp                | nsp            | RES.        | 47Ω 1W J METAL OXIDE FILM  | KRG1SANJ470RT |
| R546    |             | nsp                | nsp            | RES.        | 47Ω 1W J METAL OXIDE FILM  | KRG1SANJ470RT |

NOTE : "nsp" PART IS LISTED FOR REFERENCE ONLY, MARANTZ WILL NOT SUPPLY THESE PARTS.

**SR5400/K/N/U, PS5400/F**

| POS. NO | VERS. COLOR | PART NO. (FOR EUR) | PART NO. (MJI) | DESCRIPTION |                           |               |
|---------|-------------|--------------------|----------------|-------------|---------------------------|---------------|
| R549    |             | nsp                | nsp            | RES.        | 15Ω 1/6W J                | CRD20TJ150T   |
| R550    |             | nsp                | nsp            | RES.        | 15Ω 1/6W J                | CRD20TJ150T   |
| R551    |             | nsp                | nsp            | RES.        | 10Ω 1/6W J                | CRD20TJ100T   |
| R552    |             | nsp                | nsp            | RES.        | 10Ω 1/6W J                | CRD20TJ100T   |
| R553    |             | nsp                | nsp            | RES.        | 1kΩ 1/6W J                | CRD20TJ102T   |
| R554    |             | nsp                | nsp            | RES.        | 1kΩ 1/6W J                | CRD20TJ102T   |
| R555    |             | nsp                | nsp            | RES.        | 1kΩ 1/6W J                | CRD20TJ102T   |
| R556    |             | nsp                | nsp            | RES.        | 1kΩ 1/6W J                | CRD20TJ102T   |
| R557    |             | nsp                | nsp            | RES.        | 680Ω 1/6W J               | CRD20TJ681T   |
| R558    |             | nsp                | nsp            | RES.        | 680Ω 1/6W J               | CRD20TJ681T   |
| R559    |             | nsp                | nsp            | RES.        | 22kΩ 1/6W J               | CRD20TJ223T   |
| R560    |             | nsp                | nsp            | RES.        | 22kΩ 1/6W J               | CRD20TJ223T   |
| R561    |             | nsp                | nsp            | RES.        | 22kΩ 1/6W J               | CRD20TJ223T   |
| R562    |             | nsp                | nsp            | RES.        | 22kΩ 1/6W J               | CRD20TJ223T   |
| R563    |             | nsp                | nsp            | RES.        | 22kΩ 1/6W J               | CRD20TJ223T   |
| R564    |             | nsp                | nsp            | RES.        | 22kΩ 1/6W J               | CRD20TJ223T   |
| R565    |             | nsp                | nsp            | RES.        | 680Ω 1/6W J               | CRD20TJ681T   |
| R566    |             | nsp                | nsp            | RES.        | 680Ω 1/6W J               | CRD20TJ681T   |
| R567    |             | nsp                | nsp            | RES.        | 33kΩ 1/6W J               | CRD20TJ333T   |
| R568    |             | nsp                | nsp            | RES.        | 33kΩ 1/6W J               | CRD20TJ333T   |
| R569    |             | nsp                | nsp            | RES.        | 22kΩ 1/6W J               | CRD20TJ223T   |
| R570    |             | nsp                | nsp            | RES.        | 22kΩ 1/6W J               | CRD20TJ223T   |
| R601    |             | nsp                | nsp            | RES.        | 33kΩ 1/6W J               | CRD20TJ333T   |
| R602    |             | nsp                | nsp            | RES.        | 33kΩ 1/6W J               | CRD20TJ333T   |
| R603    |             | nsp                | nsp            | RES.        | 1kΩ 1/6W J                | CRD20TJ102T   |
| R604    |             | nsp                | nsp            | RES.        | 1kΩ 1/6W J                | CRD20TJ102T   |
| R605    |             | nsp                | nsp            | RES.        | 100Ω 1/6W J               | CRD20TJ101T   |
| R606    |             | nsp                | nsp            | RES.        | 100Ω 1/6W J               | CRD20TJ101T   |
| R607    |             | nsp                | nsp            | RES.        | 10kΩ 1/6W J               | CRD20TJ103T   |
| R608    |             | nsp                | nsp            | RES.        | 10kΩ 1/6W J               | CRD20TJ103T   |
| R609    |             | nsp                | nsp            | RES.        | 10kΩ 1/6W J               | CRD20TJ103T   |
| R610    |             | nsp                | nsp            | RES.        | 10kΩ 1/6W J               | CRD20TJ103T   |
| R611    |             | nsp                | nsp            | RES.        | 470Ω 1/6W J               | CRD20TJ471T   |
| R612    |             | nsp                | nsp            | RES.        | 470Ω 1/6W J               | CRD20TJ471T   |
| R613    |             | nsp                | nsp            | RES.        | 470Ω 1/6W J               | CRD20TJ471T   |
| R614    |             | nsp                | nsp            | RES.        | 470Ω 1/6W J               | CRD20TJ471T   |
| R615    |             | nsp                | nsp            | RES.        | 68Ω 1/6W J                | CRD20TJ680T   |
| R616    |             | nsp                | nsp            | RES.        | 68Ω 1/6W J                | CRD20TJ680T   |
| R617    |             | nsp                | nsp            | RES.        | 68Ω 1/6W J                | CRD20TJ680T   |
| R618    |             | nsp                | nsp            | RES.        | 68Ω 1/6W J                | CRD20TJ680T   |
| R619    |             | nsp                | nsp            | RES.        | 150Ω 1/6W J               | CRD20TJ151T   |
| R620    |             | nsp                | nsp            | RES.        | 150Ω 1/6W J               | CRD20TJ151T   |
| R621    |             | nsp                | nsp            | RES.        | 150Ω 1/6W J               | CRD20TJ151T   |
| R622    |             | nsp                | nsp            | RES.        | 150Ω 1/6W J               | CRD20TJ151T   |
| R623    |             | nsp                | nsp            | RES.        | 330kΩ 1/6W J              | CRD20TJ334T   |
| R624    |             | nsp                | nsp            | RES.        | 330kΩ 1/6W J              | CRD20TJ334T   |
| R625    |             | nsp                | nsp            | RES.        | 330kΩ 1/6W J              | CRD20TJ334T   |
| R626    |             | nsp                | nsp            | RES.        | 330kΩ 1/6W J              | CRD20TJ334T   |
| R627    |             | nsp                | nsp            | RES.        | 100Ω 1/6W J               | CRD20TJ101T   |
| R628    |             | nsp                | nsp            | RES.        | 100Ω 1/6W J               | CRD20TJ101T   |
| R629    |             | nsp                | nsp            | RES.        | 100Ω 1/6W J               | CRD20TJ101T   |
| R630    |             | nsp                | nsp            | RES.        | 100Ω 1/6W J               | CRD20TJ101T   |
| R631    |             | nsp                | nsp            | RES.        | 10Ω 1/4W J                | CRD25TJ100T   |
| R632    |             | nsp                | nsp            | RES.        | 10Ω 1/4W J                | CRD25TJ100T   |
| R633    |             | nsp                | nsp            | RES.        | 10Ω 1/4W J                | CRD25TJ100T   |
| R634    |             | nsp                | nsp            | RES.        | 10Ω 1/4W J                | CRD25TJ100T   |
| R635    |             | nsp                | nsp            | RES.        | 10Ω 1/6W J                | CRD20TJ100T   |
| R636    |             | nsp                | nsp            | RES.        | 10Ω 1/6W J                | CRD20TJ100T   |
| R639    |             | nsp                | nsp            | RES.        | 47Ω 1W J METAL OXIDE FILM | KRG1SANJ470RT |

NOTE : "nsp" PART IS LISTED FOR REFERENCE ONLY, MARANTZ WILL NOT SUPPLY THESE PARTS.

**SR5400/K/N/U, PS5400/F**

| POS. NO | VERS. COLOR | PART NO. (FOR EUR) | PART NO. (MJI) | DESCRIPTION |                            |                 |
|---------|-------------|--------------------|----------------|-------------|----------------------------|-----------------|
| R640    |             | nsp                | nsp            | RES.        | 47Ω 1W J METAL OXIDE FILM  | KRG1SANJ470RT   |
| R641    |             | nsp                | nsp            | RES.        | 120Ω 1W J METAL OXIDE FILM | KRG1SANJ121RT   |
| R642    |             | nsp                | nsp            | RES.        | 120Ω 1W J METAL OXIDE FILM | KRG1SANJ121RT   |
| R643    |             | nsp                | nsp            | RES.        | 120Ω 1W J METAL OXIDE FILM | KRG1SANJ121RT   |
| R644    |             | nsp                | nsp            | RES.        | 120Ω 1W J METAL OXIDE FILM | KRG1SANJ121RT   |
| R645    |             | nsp                | nsp            | RES.        | 47Ω 1W J METAL OXIDE FILM  | KRG1SANJ470RT   |
| R646    |             | nsp                | nsp            | RES.        | 47Ω 1W J METAL OXIDE FILM  | KRG1SANJ470RT   |
| R649    |             | nsp                | nsp            | RES.        | 15Ω 1/6W J                 | CRD20TJ150T     |
| R650    |             | nsp                | nsp            | RES.        | 15Ω 1/6W J                 | CRD20TJ150T     |
| R651    |             | nsp                | nsp            | RES.        | 10Ω 1/6W J                 | CRD20TJ100T     |
| R652    |             | nsp                | nsp            | RES.        | 10Ω 1/6W J                 | CRD20TJ100T     |
| R653    |             | nsp                | nsp            | RES.        | 1kΩ 1/6W J                 | CRD20TJ102T     |
| R654    |             | nsp                | nsp            | RES.        | 1kΩ 1/6W J                 | CRD20TJ102T     |
| R655    |             | nsp                | nsp            | RES.        | 1kΩ 1/6W J                 | CRD20TJ102T     |
| R656    |             | nsp                | nsp            | RES.        | 1kΩ 1/6W J                 | CRD20TJ102T     |
| R657    |             | nsp                | nsp            | RES.        | 680Ω 1/6W J                | CRD20TJ681T     |
| R658    |             | nsp                | nsp            | RES.        | 680Ω 1/6W J                | CRD20TJ681T     |
| R659    |             | nsp                | nsp            | RES.        | 22kΩ 1/6W J                | CRD20TJ223T     |
| R660    |             | nsp                | nsp            | RES.        | 22kΩ 1/6W J                | CRD20TJ223T     |
| R661    |             | nsp                | nsp            | RES.        | 22kΩ 1/6W J                | CRD20TJ223T     |
| R662    |             | nsp                | nsp            | RES.        | 22kΩ 1/6W J                | CRD20TJ223T     |
| R663    |             | nsp                | nsp            | RES.        | 22kΩ 1/6W J                | CRD20TJ223T     |
| R664    |             | nsp                | nsp            | RES.        | 22kΩ 1/6W J                | CRD20TJ223T     |
| R665    |             | nsp                | nsp            | RES.        | 680Ω 1/6W J                | CRD20TJ681T     |
| R666    |             | nsp                | nsp            | RES.        | 680Ω 1/6W J                | CRD20TJ681T     |
| R667    |             | nsp                | nsp            | RES.        | 33kΩ 1/6W J                | CRD20TJ333T     |
| R668    |             | nsp                | nsp            | RES.        | 33kΩ 1/6W J                | CRD20TJ333T     |
| R669    |             | nsp                | nsp            | RES.        | 22kΩ 1/6W J                | CRD20TJ223T     |
| R670    |             | nsp                | nsp            | RES.        | 22kΩ 1/6W J                | CRD20TJ223T     |
| R701    |             | nsp                | nsp            | RES.        | 68kΩ 1/6W J                | CRD20TJ683T     |
| R702    |             | nsp                | nsp            | RES.        | 68kΩ 1/6W J                | CRD20TJ683T     |
| R703    |             | nsp                | nsp            | RES.        | 68kΩ 1/6W J                | CRD20TJ683T     |
| R704    |             | nsp                | nsp            | RES.        | 68kΩ 1/6W J                | CRD20TJ683T     |
| R705    |             | nsp                | nsp            | RES.        | 68kΩ 1/6W J                | CRD20TJ683T     |
| R706    |             | nsp                | nsp            | RES.        | 68kΩ 1/6W J                | CRD20TJ683T     |
| R707    |             | nsp                | nsp            | RES.        | 33kΩ 1/6W J                | CRD20TJ333T     |
| R708    |             | nsp                | nsp            | RES.        | 100kΩ 1/6W J               | CRD20TJ104T     |
| R709    |             | nsp                | nsp            | RES.        | 22kΩ 1/6W J                | CRD20TJ223T     |
| R710    |             | nsp                | nsp            | RES.        | 100kΩ 1/6W J               | CRD20TJ104T     |
| R711    |             | nsp                | nsp            | RES.        | 3.3kΩ 1/6W J               | CRD20TJ332T     |
| R712    |             | nsp                | nsp            | RES.        | 1kΩ 1/6W J                 | CRD20TJ102T     |
| R713    |             | nsp                | nsp            | RES.        | 33kΩ 1/6W J                | CRD20TJ333T     |
| R714    |             | nsp                | nsp            | RES.        | 1kΩ 1/6W J                 | CRD20TJ102T     |
| R715    |             | nsp                | nsp            | RES.        | 3.3kΩ 1/6W J               | CRD20TJ332T     |
| R716    |             | nsp                | nsp            | RES.        | 6.8kΩ 1/6W J               | CRD20TJ682T     |
| R717    |             | nsp                | nsp            | RES.        | 22kΩ 1/6W J                | CRD20TJ223T     |
| R718    |             | nsp                | nsp            | RES.        | 15kΩ 1/6W J                | CRD20TJ153T     |
| R720    |             | nsp                | nsp            | RES.        | 10kΩ 1/6W J                | CRD20TJ103T     |
| R721    |             | nsp                | nsp            | RES.        | 4.7kΩ 1/6W J               | CRD20TJ472T     |
| R722    |             | nsp                | nsp            | RES.        | 10kΩ 1/6W J                | CRD20TJ103T     |
| R723    |             | nsp                | nsp            | RES.        | 10kΩ 1/6W J                | CRD20TJ103T     |
| TH71    |             | HP00029230         | HP00029230     | POSISTOR    | PTFM04BD222Q2N34B0         | BRTPTFM04BD222Q |
| VR41    |             | nsp                | nsp            | RES.        | 220Ω                       | HVN1RE221B01T   |
| VR42    |             | nsp                | nsp            | RES.        | 220Ω                       | HVN1RE221B01T   |
| VR51    |             | nsp                | nsp            | RES.        | 220Ω                       | HVN1RE221B01T   |
| VR52    |             | nsp                | nsp            | RES.        | 220Ω                       | HVN1RE221B01T   |
| VR61    |             | nsp                | nsp            | RES.        | 220Ω                       | HVN1RE221B01T   |
| VR62    |             | nsp                | nsp            | RES.        | 220Ω                       | HVN1RE221B01T   |

NOTE : "nsp" PART IS LISTED FOR REFERENCE ONLY, MARANTZ WILL NOT SUPPLY THESE PARTS.

SR5400/K/N/U, PS5400/F

| POS. NO                         | VERS. COLOR | PART NO. (FOR EUR) | PART NO. (MJI) | DESCRIPTION |                                 |
|---------------------------------|-------------|--------------------|----------------|-------------|---------------------------------|
| <b>COMPONENT PCB (CUP11595)</b> |             |                    |                |             |                                 |
| BK11                            |             | nsp                | nsp            | BRACKET     | CMD1A387                        |
| BK12                            |             | nsp                | nsp            | BRACKET     | CMD1A387                        |
| C101                            |             | nsp                | OA47601640     | ELECT. CAP. | 47µF 16V HCEA1CH470T            |
| C103                            |             | nsp                | OA47601640     | ELECT. CAP. | 47µF 16V HCEA1CH470T            |
| C105                            |             | nsp                | OA47601640     | ELECT. CAP. | 47µF 16V HCEA1CH470T            |
| C107                            |             | nsp                | OA47601640     | ELECT. CAP. | 47µF 16V HCEA1CH470T            |
| C109                            |             | nsp                | OA47601640     | ELECT. CAP. | 47µF 16V HCEA1CH470T            |
| C111                            |             | nsp                | OA47601640     | ELECT. CAP. | 47µF 16V HCEA1CH470T            |
| C113                            |             | nsp                | OA47701020     | ELECT. CAP. | 470µF 10V HCEA1AH471T           |
| C115                            |             | nsp                | nsp            | CER. CAP.   | 0.01µF 50V Z HCBS1H103ZFT       |
| C117                            |             | nsp                | OA47701020     | ELECT. CAP. | 470µF 10V HCEA1AH471T           |
| C119                            |             | nsp                | nsp            | CER. CAP.   | 0.01µF 50V Z HCBS1H103ZFT       |
| C120                            |             | nsp                | OA47701020     | ELECT. CAP. | 470µF 10V HCEA1AH471T           |
| C121                            |             | nsp                | nsp            | CER. CAP.   | 0.01µF 50V Z HCBS1H103ZFT       |
| C122                            |             | nsp                | nsp            | CER. CAP.   | 0.01µF 50V Z HCBS1H103ZFT       |
| C123                            |             | nsp                | OA47601640     | ELECT. CAP. | 47µF 16V HCEA1CH470T            |
| C124                            |             | nsp                | nsp            | CER. CAP.   | 0.01µF 50V Z HCBS1H103ZFT       |
| C125                            |             | nsp                | OA47601640     | ELECT. CAP. | 47µF 16V HCEA1CH470T            |
| C126                            |             | nsp                | nsp            | CER. CAP.   | 0.01µF 50V Z HCBS1H103ZFT       |
| C127                            |             | nsp                | OA47601640     | ELECT. CAP. | 47µF 16V HCEA1CH470T            |
| C128                            |             | nsp                | nsp            | CER. CAP.   | 0.01µF 50V Z HCBS1H103ZFT       |
| C129                            |             | nsp                | OA47601640     | ELECT. CAP. | 47µF 16V HCEA1CH470T            |
| C130                            |             | nsp                | nsp            | CER. CAP.   | 0.01µF 50V Z HCBS1H103ZFT       |
| C131                            |             | nsp                | nsp            | CER. CAP.   | 0.01µF 50V Z HCBS1H103ZFT       |
| C132                            |             | nsp                | nsp            | CER. CAP.   | 0.01µF 50V Z HCBS1H103ZFT       |
| C133                            |             | nsp                | OA10701620     | ELECT. CAP. | 100µF 16V HCEA1CH101T           |
| C134                            |             | nsp                | OA10701620     | ELECT. CAP. | 100µF 16V HCEA1CH101T           |
| C135                            |             | nsp                | nsp            | CER. CAP.   | 0.01µF 50V Z HCBS1H103ZFT       |
| C136                            |             | nsp                | nsp            | CER. CAP.   | 0.01µF 50V Z HCBS1H103ZFT       |
| C137                            |             | nsp                | nsp            | CER. CAP.   | 0.01µF 50V Z HCBS1H103ZFT       |
| C138                            |             | nsp                | nsp            | CER. CAP.   | 0.01µF 50V Z HCBS1H103ZFT       |
| C139                            |             | nsp                | OA10601620     | ELECT. CAP. | 10µF 16V HCEA1CH100T            |
| C140                            |             | nsp                | nsp            | CER. CAP.   | 0.01µF 50V Z HCBS1H103ZFT       |
| C141                            |             | nsp                | OA10601620     | ELECT. CAP. | 10µF 16V HCEA1CH100T            |
| IC11                            |             | HC10230090         | HC10230090     | IC          | NJM2584D VIDEO HVINJM2584D      |
| IC12                            |             | HC10230090         | HC10230090     | IC          | NJM2581D VIDEO S/W HVINJM2581D  |
| JK11                            |             | *YT003210R         | *YT003210R     | JACK        | CINCH 3P G/B/R SILVER CJJ4S030Z |
| JK12                            |             | *YT003210R         | *YT003210R     | JACK        | CINCH 3P G/B/R SILVER CJJ4S030Z |
| JK13                            |             | *YT003210R         | *YT003210R     | JACK        | CINCH 3P G/B/R SILVER CJJ4S030Z |
| R101                            |             | nsp                | nsp            | RES.        | 75Ω 1/6W J CRD20TJ750T          |
| R102                            |             | nsp                | nsp            | RES.        | 75Ω 1/6W J CRD20TJ750T          |
| R103                            |             | nsp                | nsp            | RES.        | 75Ω 1/6W J CRD20TJ750T          |
| R104                            |             | nsp                | nsp            | RES.        | 75Ω 1/6W J CRD20TJ750T          |
| R105                            |             | nsp                | nsp            | RES.        | 75Ω 1/6W J CRD20TJ750T          |
| R106                            |             | nsp                | nsp            | RES.        | 75Ω 1/6W J CRD20TJ750T          |
| R107                            |             | nsp                | nsp            | RES.        | 75Ω 1/6W J CRD20TJ750T          |
| R108                            |             | nsp                | nsp            | RES.        | 75Ω 1/6W J CRD20TJ750T          |
| R109                            |             | nsp                | nsp            | RES.        | 75Ω 1/6W J CRD20TJ750T          |
| R110                            |             | nsp                | nsp            | RES.        | 1MΩ 1/6W J CRD20TJ105T          |
| R111                            |             | nsp                | nsp            | RES.        | 1MΩ 1/6W J CRD20TJ105T          |
| <b>FRONT PCB (CUP11590-1)</b>   |             |                    |                |             |                                 |
| C801                            |             | nsp                | OA10701020     | ELECT. CAP. | 100µF 10V HCEA1AH101T           |
| C802                            |             | nsp                | OA10601620     | ELECT. CAP. | 10µF 16V HCEA1CH100T            |
| C804                            |             | nsp                | nsp            | CER. CAP.   | 0.01µF 50V Z HCBS1H103ZFT       |
| C805                            |             | nsp                | nsp            | CER. CAP.   | 100pF 50V K HCBS1H101KBT        |
| C806                            |             | nsp                | OA10701620     | ELECT. CAP. | 100µF 16V HCEA1CH101T           |
| C807                            |             | nsp                | nsp            | CER. CAP.   | 100pF 50V K HCBS1H101KBT        |

NOTE : \*nsp\* PART IS LISTED FOR REFERENCE ONLY, MARANTZ WILL NOT SUPPLY THESE PARTS.

SR5400/K/N/U, PS5400/F

| POS. NO | VERS. COLOR | PART NO. (FOR EUR) | PART NO. (MJI) | DESCRIPTION   |                                |                 |
|---------|-------------|--------------------|----------------|---------------|--------------------------------|-----------------|
| C809    |             | nsp                | nsp            | CER. CAP.     | 100pF 50V K                    | HCBS1H101KBT    |
| C810    |             | nsp                | nsp            | CER. CAP.     | 100pF 50V K                    | HCBS1H101KBT    |
| C811    |             | nsp                | nsp            | CER. CAP.     | 100pF 50V K                    | HCBS1H101KBT    |
| C812    |             | nsp                | nsp            | CER. CAP.     | 100pF 50V K                    | HCBS1H101KBT    |
| C813    |             | nsp                | OA47601050     | ELECT. CAP.   | 47µF 10V                       | HCEA1AH470T     |
| C814    |             | nsp                | nsp            | CER. CAP.     | 100pF 50V K                    | HCBS1H101KBT    |
| C815    |             | nsp                | nsp            | CER. CAP.     | 100pF 50V K                    | HCBS1H101KBT    |
| C816    |             | nsp                | nsp            | CER. CAP.     | 100pF 50V K                    | HCBS1H101KBT    |
| C817    |             | nsp                | nsp            | CER. CAP.     | 100pF 50V K                    | HCBS1H101KBT    |
| C818    |             | nsp                | nsp            | CER. CAP.     | 100pF 50V K                    | HCBS1H101KBT    |
| C820    |             | nsp                | nsp            | CER. CAP.     | 100pF 50V K                    | HCBS1H101KBT    |
| C821    |             | nsp                | OA10605020     | ELECT. CAP.   | 10µF 50V KS                    | HCEA1HKS100T    |
| C822    |             | nsp                | nsp            | CER. CAP.     | 100pF 50V K                    | HCBS1H101KBT    |
| C824    |             | nsp                | nsp            | CER. CAP.     | 0.1µF 50V Z                    | HCBS1H104ZFT    |
| C825    |             | nsp                | nsp            | CER. CAP.     | 390pF 50V B                    | HCBS1H391KBT    |
| C826    |             | nsp                | nsp            | CER. CAP.     | 100pF 50V K                    | HCBS1H101KBT    |
| C827    |             | nsp                | nsp            | CER. CAP.     | 100pF 50V K                    | HCBS1H101KBT    |
| C828    |             | nsp                | OA10701020     | ELECT. CAP.   | 100µF 10V                      | HCEA1AKS101T    |
| C829    |             | nsp                | OA10601620     | ELECT. CAP.   | 10µF 16V                       | HCEA1CH100T     |
| C830    |             | nsp                | OA10601620     | ELECT. CAP.   | 10µF 16V                       | HCEA1CH100T     |
| C831    |             | nsp                | OA10601620     | ELECT. CAP.   | 10µF 16V                       | HCEA1CH100T     |
| C832    |             | nsp                | OA10601620     | ELECT. CAP.   | 10µF 16V                       | HCEA1CH100T     |
| C833    |             | nsp                | nsp            | CER. CAP.     | 0.1µF 50V Z                    | HCBS1H104ZFT    |
| C834    |             | nsp                | nsp            | CER. CAP.     | 47pF 50V J                     | HCBS1H470JT     |
| C835    |             | nsp                | nsp            | CER. CAP.     | 47pF 50V J                     | HCBS1H470JT     |
| C836    |             | nsp                | nsp            | CER. CAP.     | 0.1µF 50V Z                    | HCBS1H104ZFT    |
| C837    |             | nsp                | nsp            | CER. CAP.     | 1000pF 50V B                   | HCBS1H102KBT    |
| C838    |             | nsp                | nsp            | CER. CAP.     | 1000pF 50V B                   | HCBS1H102KBT    |
| C840    |             | nsp                | nsp            | CER. CAP.     | 0.1µF 50V Z                    | HCBS1H104ZFT    |
| CN81    |             | nsp                | nsp            | PIN HEADER    |                                | KJP07GB145ZP    |
| CN83    |             | nsp                | nsp            | JACK FFC      | 15P 1M/M S/T                   | KJP15GA117ZG    |
| EN81    |             | *SR000240R         | *SR000240R     | ROTARY SWITCH | EC16B243040HB                  | HSR2A004Z       |
| FIP1    |             | *HQ300620R         | *HQ300620R     | DISPLAY UNIT  | 16-BT-110GNK                   | HFL16BT110GNK   |
| IC81    |             | HC10220090         | HC10220090     | IC            | NJU3430F VFD DRIVER            | HVINJU3430F     |
| IC83    |             | HC10053090         | HC10053090     | IC            | NJM2068DD OP AMP               | HVINJM2068DD    |
| IC84    |             | *HC108410R         | *HC108410R     | IC            | S-80842CNY-X RESET             | HVIS-80842CNY-X |
| ▲ IC85  |             | *HC300500R         | *HC300500R     | IC            | KA7805-ABTU REGULATOR          | HVIMC7805C      |
| JK83    |             | *YT003240R         | *YT003240R     | JACK          | S-TERMINAL 1P                  | CJJ9M004Z       |
| JK84    |             | *YT003220R         | *YT003220R     | JACK          | CINCH 3P ADVR-7100 AUDIO VIDEO | CJJ4S028Z       |
| Q801    |             | BA10004000         | BA10004000     | TRS.          | KRA111M                        | HVTKRA111MT     |
| Q803    |             | HT30001000         | HT30001000     | TRS.          | KTC3199YT                      | HVTKTC3199YT    |
| R802    |             | nsp                | nsp            | JUMPER        | SN95/PB5 , 0.6                 | C3A206          |
| R803    |             | nsp                | nsp            | JUMPER        | SN95/PB5 , 0.6                 | C3A206          |
| R805    |             | nsp                | nsp            | RES.          | 47Ω 1/6W J                     | CRD20TJ470T     |
| R806    |             | nsp                | nsp            | RES.          | 10kΩ 1/6W J                    | CRD20TJ103T     |
| R807    |             | nsp                | nsp            | RES.          | 10kΩ 1/6W J                    | CRD20TJ103T     |
| R808    |             | nsp                | nsp            | RES.          | 10kΩ 1/6W J                    | CRD20TJ103T     |
| R809    |             | nsp                | nsp            | RES.          | 10kΩ 1/6W J                    | CRD20TJ103T     |
| R810    |             | nsp                | nsp            | RES.          | 5.6kΩ 1/6W J                   | CRD20TJ562T     |
| R811    |             | nsp                | nsp            | RES.          | 2.7kΩ 1/6W J                   | CRD20TJ272T     |
| R812    |             | nsp                | nsp            | RES.          | 2.2kΩ 1/6W J                   | CRD20TJ222T     |
| R813    |             | nsp                | nsp            | RES.          | 1.5kΩ 1/6W J                   | CRD20TJ152T     |
| R814    |             | nsp                | nsp            | RES.          | 1kΩ 1/6W J                     | CRD20TJ102T     |
| R815    |             | nsp                | nsp            | RES.          | 820Ω 1/6W J                    | CRD20TJ821T     |
| R816    |             | nsp                | nsp            | RES.          | 560Ω 1/6W J                    | CRD20TJ561T     |
| R817    |             | nsp                | nsp            | RES.          | 680Ω 1/6W J                    | CRD20TJ681T     |
| R818    |             | nsp                | nsp            | RES.          | 5.6kΩ 1/6W J                   | CRD20TJ562T     |
| R819    |             | nsp                | nsp            | RES.          | 2.7kΩ 1/6W J                   | CRD20TJ272T     |
| R820    |             | nsp                | nsp            | RES.          | 2.2kΩ 1/6W J                   | CRD20TJ222T     |

NOTE : "nsp" PART IS LISTED FOR REFERENCE ONLY, MARANTZ WILL NOT SUPPLY THESE PARTS.

SR5400/K/N/U, PS5400/F

| POS. NO | VERS. COLOR | PART NO. (FOR EUR) | PART NO. (MJI) | DESCRIPTION |                |             |
|---------|-------------|--------------------|----------------|-------------|----------------|-------------|
| R821    |             | nsp                | nsp            | RES.        | 1.5kΩ 1/6W J   | CRD20TJ152T |
| R822    |             | nsp                | nsp            | RES.        | 1kΩ 1/6W J     | CRD20TJ102T |
| R823    |             | nsp                | nsp            | RES.        | 820Ω 1/6W J    | CRD20TJ821T |
| R824    |             | nsp                | nsp            | RES.        | 560Ω 1/6W J    | CRD20TJ561T |
| R825    |             | nsp                | nsp            | RES.        | 680Ω 1/6W J    | CRD20TJ681T |
| R826    |             | nsp                | nsp            | RES.        | 5.6kΩ 1/6W J   | CRD20TJ562T |
| R827    |             | nsp                | nsp            | RES.        | 2.7kΩ 1/6W J   | CRD20TJ272T |
| R828    |             | nsp                | nsp            | RES.        | 2.2kΩ 1/6W J   | CRD20TJ222T |
| R829    |             | nsp                | nsp            | RES.        | 1.5kΩ 1/6W J   | CRD20TJ152T |
| R830    |             | nsp                | nsp            | RES.        | 1kΩ 1/6W J     | CRD20TJ102T |
| R831    |             | nsp                | nsp            | RES.        | 10kΩ 1/6W J    | CRD20TJ103T |
| R833    |             | nsp                | nsp            | RES.        | 68kΩ 1/6W J    | CRD20TJ683T |
| R834    |             | nsp                | nsp            | RES.        | 47kΩ 1/6W J    | CRD20TJ473T |
| R835    |             | nsp                | nsp            | RES.        | 47kΩ 1/6W J    | CRD20TJ473T |
| R836    |             | nsp                | nsp            | RES.        | 47kΩ 1/6W J    | CRD20TJ473T |
| R837    |             | nsp                | nsp            | RES.        | 47kΩ 1/6W J    | CRD20TJ473T |
| R838    |             | nsp                | nsp            | RES.        | 100Ω 1/6W J    | CRD20TJ101T |
| R839    |             | nsp                | nsp            | RES.        | 100Ω 1/6W J    | CRD20TJ101T |
| R840    |             | nsp                | nsp            | JUMPER      | SN95/PB5 , 0.6 | C3A206      |
| R841    |             | nsp                | nsp            | RES.        | 75Ω 1/6W J     | CRD20TJ750T |
| R842    |             | nsp                | nsp            | JUMPER      | SN95/PB5 , 0.6 | C3A206      |
| R843    |             | nsp                | nsp            | RES.        | 75Ω 1/6W J     | CRD20TJ750T |
| R844    |             | nsp                | nsp            | RES.        | 75Ω 1/6W J     | CRD20TJ750T |
| R845    |             | nsp                | nsp            | RES.        | 100Ω 1/6W J    | CRD20TJ101T |
| R901    |             | nsp                | nsp            | RES.        | 10kΩ 1/6W J    | CRD20TJ103T |
| R902    |             | nsp                | nsp            | RES.        | 10kΩ 1/6W J    | CRD20TJ103T |
| R903    |             | nsp                | nsp            | RES.        | 10kΩ 1/6W J    | CRD20TJ103T |
| R904    |             | nsp                | nsp            | RES.        | 10kΩ 1/6W J    | CRD20TJ103T |
| R905    |             | nsp                | nsp            | RES.        | 10kΩ 1/6W J    | CRD20TJ103T |
| R906    |             | nsp                | nsp            | RES.        | 10kΩ 1/6W J    | CRD20TJ103T |
| R907    |             | nsp                | nsp            | RES.        | 10kΩ 1/6W J    | CRD20TJ103T |
| R908    |             | nsp                | nsp            | RES.        | 10kΩ 1/6W J    | CRD20TJ103T |
| R909    |             | nsp                | nsp            | RES.        | 10kΩ 1/6W J    | CRD20TJ103T |
| R910    |             | nsp                | nsp            | RES.        | 10kΩ 1/6W J    | CRD20TJ103T |
| R911    |             | nsp                | nsp            | RES.        | 10kΩ 1/6W J    | CRD20TJ103T |
| R912    |             | nsp                | nsp            | RES.        | 10kΩ 1/6W J    | CRD20TJ103T |
| R913    |             | nsp                | nsp            | RES.        | 10kΩ 1/6W J    | CRD20TJ103T |
| R914    |             | nsp                | nsp            | RES.        | 10kΩ 1/6W J    | CRD20TJ103T |
| R915    |             | nsp                | nsp            | RES.        | 10kΩ 1/6W J    | CRD20TJ103T |
| R916    |             | nsp                | nsp            | RES.        | 10kΩ 1/6W J    | CRD20TJ103T |
| R917    |             | nsp                | nsp            | RES.        | 47kΩ 1/6W J    | CRD20TJ473T |
| R918    |             | nsp                | nsp            | RES.        | 47kΩ 1/6W J    | CRD20TJ473T |
| R919    |             | nsp                | nsp            | RES.        | 47kΩ 1/6W J    | CRD20TJ473T |
| R920    |             | nsp                | nsp            | RES.        | 47kΩ 1/6W J    | CRD20TJ473T |
| R921    |             | nsp                | nsp            | RES.        | 47kΩ 1/6W J    | CRD20TJ473T |
| R922    |             | nsp                | nsp            | RES.        | 47kΩ 1/6W J    | CRD20TJ473T |
| R923    |             | nsp                | nsp            | RES.        | 47kΩ 1/6W J    | CRD20TJ473T |
| R924    |             | nsp                | nsp            | RES.        | 47kΩ 1/6W J    | CRD20TJ473T |
| R925    |             | nsp                | nsp            | RES.        | 47kΩ 1/6W J    | CRD20TJ473T |
| R926    |             | nsp                | nsp            | RES.        | 47kΩ 1/6W J    | CRD20TJ473T |
| R927    |             | nsp                | nsp            | RES.        | 47kΩ 1/6W J    | CRD20TJ473T |
| R928    |             | nsp                | nsp            | RES.        | 47kΩ 1/6W J    | CRD20TJ473T |
| R929    |             | nsp                | nsp            | RES.        | 47kΩ 1/6W J    | CRD20TJ473T |
| R930    |             | nsp                | nsp            | RES.        | 47kΩ 1/6W J    | CRD20TJ473T |
| R931    |             | nsp                | nsp            | RES.        | 47kΩ 1/6W J    | CRD20TJ473T |
| R932    |             | nsp                | nsp            | RES.        | 47kΩ 1/6W J    | CRD20TJ473T |
| R933    |             | nsp                | nsp            | RES.        | 47kΩ 1/6W J    | CRD20TJ473T |
| R934    |             | nsp                | nsp            | RES.        | 47kΩ 1/6W J    | CRD20TJ473T |
| R935    |             | nsp                | nsp            | RES.        | 47kΩ 1/6W J    | CRD20TJ473T |

NOTE : "nsp" PART IS LISTED FOR REFERENCE ONLY, MARANTZ WILL NOT SUPPLY THESE PARTS.



**SR5400/K/N/U, PS5400/F**

| POS. NO | VERS. COLOR | PART NO. (FOR EUR) | PART NO. (MJI) | DESCRIPTION |                                  |              |
|---------|-------------|--------------------|----------------|-------------|----------------------------------|--------------|
| R936    |             | nsp                | nsp            | RES.        | 47kΩ 1/6W J                      | CRD20TJ473T  |
| R937    |             | nsp                | nsp            | RES.        | 47kΩ 1/6W J                      | CRD20TJ473T  |
| R938    |             | nsp                | nsp            | RES.        | 47kΩ 1/6W J                      | CRD20TJ473T  |
| R939    |             | nsp                | nsp            | RES.        | 47kΩ 1/6W J                      | CRD20TJ473T  |
| R940    |             | nsp                | nsp            | RES.        | 47kΩ 1/6W J                      | CRD20TJ473T  |
| R941    |             | nsp                | nsp            | RES.        | 47kΩ 1/6W J                      | CRD20TJ473T  |
| R942    |             | nsp                | nsp            | RES.        | 47kΩ 1/6W J                      | CRD20TJ473T  |
| R943    |             | nsp                | nsp            | RES.        | 47kΩ 1/6W J                      | CRD20TJ473T  |
| R944    |             | nsp                | nsp            | RES.        | 47kΩ 1/6W J                      | CRD20TJ473T  |
| R945    |             | nsp                | nsp            | RES.        | 47kΩ 1/6W J                      | CRD20TJ473T  |
| R946    |             | nsp                | nsp            | RES.        | 47kΩ 1/6W J                      | CRD20TJ473T  |
| R947    |             | nsp                | nsp            | RES.        | 47kΩ 1/6W J                      | CRD20TJ473T  |
| R948    |             | nsp                | nsp            | RES.        | 47kΩ 1/6W J                      | CRD20TJ473T  |
| R949    |             | nsp                | nsp            | RES.        | 47kΩ 1/6W J                      | CRD20TJ473T  |
| R950    |             | nsp                | nsp            | RES.        | 47kΩ 1/6W J                      | CRD20TJ473T  |
| R951    |             | nsp                | nsp            | RES.        | 47kΩ 1/6W J                      | CRD20TJ473T  |
| R952    |             | nsp                | nsp            | RES.        | 47kΩ 1/6W J                      | CRD20TJ473T  |
| R953    |             | nsp                | nsp            | RES.        | 47kΩ 1/6W J                      | CRD20TJ473T  |
| RC81    |             | *HW100650R         | *HW100650R     | PHOTO UNIT  | RPM6936-H4                       | HRVRPM6936H4 |
| SW71    |             | *SP001210R         | *SP001210R     | SWITCH      | SKHV10910G TACT                  | CST1A012ZT   |
| SW72    |             | *SP001210R         | *SP001210R     | SWITCH      | SKHV10910G TACT                  | CST1A012ZT   |
| SW73    |             | *SP001210R         | *SP001210R     | SWITCH      | SKHV10910G TACT                  | CST1A012ZT   |
| SW74    |             | *SP001210R         | *SP001210R     | SWITCH      | SKHV10910G TACT                  | CST1A012ZT   |
| SW75    |             | *SP001210R         | *SP001210R     | SWITCH      | SKHV10910G TACT                  | CST1A012ZT   |
| SW77    |             | *SP001210R         | *SP001210R     | SWITCH      | SKHV10910G TACT                  | CST1A012ZT   |
| SW78    |             | *SP001210R         | *SP001210R     | SWITCH      | SKHV10910G TACT                  | CST1A012ZT   |
| SW79    |             | *SP001210R         | *SP001210R     | SWITCH      | SKHV10910G TACT                  | CST1A012ZT   |
| SW80    |             | *SP001210R         | *SP001210R     | SWITCH      | SKHV10910G TACT                  | CST1A012ZT   |
| SW81    |             | *SP001210R         | *SP001210R     | SWITCH      | SKHV10910G TACT                  | CST1A012ZT   |
| SW82    |             | *SP001210R         | *SP001210R     | SWITCH      | SKHV10910G TACT                  | CST1A012ZT   |
| SW83    |             | *SP001210R         | *SP001210R     | SWITCH      | SKHV10910G TACT                  | CST1A012ZT   |
| SW84    |             | *SP001210R         | *SP001210R     | SWITCH      | SKHV10910G TACT                  | CST1A012ZT   |
| SW85    |             | *SP001210R         | *SP001210R     | SWITCH      | SKHV10910G TACT                  | CST1A012ZT   |
| SW86    |             | *SP001210R         | *SP001210R     | SWITCH      | SKHV10910G TACT                  | CST1A012ZT   |
| SW87    |             | *SP001210R         | *SP001210R     | SWITCH      | SKHV10910G TACT                  | CST1A012ZT   |
| SW88    |             | *SP001210R         | *SP001210R     | SWITCH      | SKHV10910G TACT                  | CST1A012ZT   |
| SW89    |             | *SP001210R         | *SP001210R     | SWITCH      | SKHV10910G TACT                  | CST1A012ZT   |
| SW90    |             | *SP001210R         | *SP001210R     | SWITCH      | SKHV10910G TACT                  | CST1A012ZT   |
| SW91    |             | *SP001210R         | *SP001210R     | SWITCH      | SKHV10910G TACT                  | CST1A012ZT   |
| SW92    |             | *SP001210R         | *SP001210R     | SWITCH      | SKHV10910G TACT                  | CST1A012ZT   |
| SW93    |             | *SP001210R         | *SP001210R     | SWITCH      | SKHV10910G TACT                  | CST1A012ZT   |
|         |             | nsp                | nsp            | BRACKET     | FOR DISPLAY UNIT                 | CMD1A374     |
|         |             | nsp                | nsp            | TERMINAL    |                                  | CMC1A111     |
|         |             |                    |                |             |                                  |              |
|         |             |                    |                |             | <b>H/P PCB (CUP11590-4)</b>      |              |
| C874    |             | nsp                | nsp            | CER. CAP.   | 100pF 50V KB                     | CCKT1H101KB  |
| C875    |             | nsp                | nsp            | CER. CAP.   | 100pF 50V KB                     | CCKT1H101KB  |
| C876    |             | nsp                | nsp            | CER. CAP.   | 0.1μF 50V Z                      | HCBS1H104ZFT |
| JK81    |             | *YT003160R         | *YT003160R     | JACK        | HEAD PHONE                       | CJJ2E020Z    |
| R846    |             | nsp                | nsp            | RES.        | 4.7kΩ 1/6W J                     | CRD20TJ472T  |
| R847    |             | nsp                | nsp            | RES.        | 470Ω 1/6W J                      | CRD20TJ471T  |
|         |             |                    |                |             |                                  |              |
|         |             |                    |                |             | <b>PUSH S/W PCB (CUP11590-5)</b> |              |
| ▲ C877  | /F/K/N      | *DK100800R         | *DK100800R     | CER. CAP.   | DKS471ME (KH TYPE)               | KCKDKS471ME  |
| CN88    | /F/K/N      | YP04000760         | YP04000760     | JACK        | MOLEX35328-02                    | KJP02GA89ZM  |
| ▲ SW97  | /F/K/N      | *SP000850R         | *SP000850R     | SWITCH      | JPP1197CSA64 PUSH                | KSH1A001ZV   |
|         |             |                    |                |             |                                  |              |
|         |             |                    |                |             | <b>ST-BY PCB (CUP11590-3)</b>    |              |
| BK81    |             | nsp                | nsp            | BRACKET     |                                  | CMD1A387     |

NOTE : "nsp" PART IS LISTED FOR REFERENCE ONLY, MARANTZ WILL NOT SUPPLY THESE PARTS.

SR5400/K/N/U, PS5400/F

| POS. NO                         | VERS. COLOR | PART NO. (FOR EUR) | PART NO. (MJI) | DESCRIPTION   |  |
|---------------------------------|-------------|--------------------|----------------|---------------|--|
| BK82                            |             | nsp                | nsp            | BRACKET       | CMD1A387                                 |
| C881                            |             | nsp                | nsp            | CER. CAP.     | 0.1µF 50V Z HCBS1H104ZFT                 |
| C882                            |             | nsp                | OA47505020     | ELECT. CAP.   | 4.7µF 50V HCEA1HH4R7T                    |
| C883                            |             | nsp                | OA10701620     | ELECT. CAP.   | 100µF 16V HCEA1CH101T                    |
| C884                            |             | nsp                | nsp            | CER. CAP.     | 0.1µF 50V Z HCBS1H104ZFT                 |
| C885                            |             | nsp                | nsp            | CER. CAP.     | 0.1µF 50V Z HCBS1H104ZFT                 |
| C886                            |             | nsp                | OA33802520     | ELECT. CAP.   | 3300µF 25V HCEA1EH332E                   |
| C887                            |             | nsp                | nsp            | CER. CAP.     | 1000pF 50V B HCBS1H102KBT                |
| ▲ C888                          |             | *DK100810R         | *DK100810R     | CER. CAP.     | DE1610-610F103M JP (KH TYPE) BCKWKH103MF |
| CN90                            |             | nsp                | nsp            | CONNECTOR     | KJP05GB99ZM                              |
| CN91                            | /F/K/N      | YP04000760         | YP04000760     | JACK          | MOLEX35328-02 KJP02GA89ZM                |
| CN92                            | /F/K/U      | nsp                | YP04000760     | JACK          | 7.92MM(YUNHO) KJP02KA060ZY               |
| CN92                            | /N          | YP04000760         | YP04000760     | JACK          | MOLEX35328-02 KJP02GA89ZM                |
| CN93                            |             | YP04000760         | YP04000760     | JACK          | MOLEX35328-02 KJP02GA89ZM                |
| D802                            |             | nsp                | HD20015210     | DIODE         | 1SS133T-77 HVD1SS133MT                   |
| D803                            |             | nsp                | nsp            | JUMPER        | SN95/PB5 , 0.6 C3A206                    |
| D804                            |             | nsp                | *HD201750R     | DIODE         | 1N4003 KVD1N4003SRT                      |
| D805                            |             | nsp                | nsp            | JUMPER        | SN95/PB5 , 0.6 C3A206                    |
| D806                            |             | HD30821000         | HD30821000     | ZENER DIODE   | 8.2V 1/2W HVDMTZJ8.2BT                   |
| D807                            |             | nsp                | *HD201750R     | DIODE         | 1N4003 KVD1N4003SRT                      |
| D808                            |             | nsp                | *HD201750R     | DIODE         | 1N4003 KVD1N4003SRT                      |
| D809                            |             | nsp                | *HD201750R     | DIODE         | 1N4003 KVD1N4003SRT                      |
| D810                            |             | nsp                | *HD201750R     | DIODE         | 1N4003 KVD1N4003SRT                      |
| D811                            |             | nsp                | *HD201750R     | DIODE         | 1N4003 KVD1N4003SRT                      |
| D812                            |             | nsp                | *HD201750R     | DIODE         | 1N4003 KVD1N4003SRT                      |
| D813                            |             | nsp                | *HD201750R     | DIODE         | 1N4003 KVD1N4003SRT                      |
| ▲ F801                          | /F/U        | nsp                | *FS001080R     | FUSE          | 10A/250V KBA2C1002TLEY                   |
| ▲ F801                          | /K/N        | *FS001090R         | *FS001090R     | FUSE          | 5A/250V(EUR) T5AL KBA2C5000TLEY          |
| F801                            |             | nsp                | nsp            | FUSE HOLDER   | KJCF5S                                   |
| ▲ F802                          | /F/N/U      | *FS001070R         | *FS001070R     | FUSE          | AC250V T2.5AL KBA2D2500TLET              |
| ▲ F803                          | /F/U        | nsp                | *FS001070R     | FUSE          | AC250V T2.5AL KBA2D2500TLET              |
| ▲ JK85                          | /F/U        | nsp                | *YT002410R     | OUTLET        | A204D0041P AC(UL/2P/SEP) KJJ7A015Z       |
| ▲ JK86                          | /N          | *YT002430R         | *YT002430R     | OUTLET        | A302D0061P AC(EUR/1P) KJJ7A022Z          |
| ▲ L801                          |             | LY10090010         | LY10090010     | RELAY         | SDT-S-109DMR HSL1D016ZE                  |
| Q804                            |             | BA20004000         | BA20004000     | TRS.          | KRC111M HVTKRC111MT                      |
| Q805                            |             | *HT600040R         | *HT600040R     | TRS.          | KTA1267Y HVTKTA1267YT                    |
| R881                            |             | nsp                | nsp            | RES.          | 47kΩ 1/6W J CRD20TJ473T                  |
| R882                            |             | nsp                | nsp            | RES.          | 10kΩ 1/6W J CRD20TJ103T                  |
| R883                            |             | nsp                | nsp            | RES.          | 2.2kΩ 1/6W J CRD20TJ222T                 |
| R885                            |             | nsp                | nsp            | RES.          | 1Ω 1/6W J CRD20TJ1R0T                    |
| ▲ R886                          | /U          | nsp                | *GG000010R     | RES.          | 3.3MΩ 1/2W BRDERC12UGK335T               |
| R887                            |             | nsp                | nsp            | RES.          | 4.7kΩ 1/6W J CRD20TJ472T                 |
| R888                            |             | nsp                | nsp            | RES.          | 10kΩ 1/6W J CRD20TJ103T                  |
| ▲ T801                          | /F          | nsp                | *TS001960R     | TRANSF.       | SUB PS5400(6400)/F1 CLT5I002ZJ           |
| ▲ T801                          | /K          | nsp                | *TS001950R     | TRANSF.       | SUB SR5400(6400)/K1 CLT5I002ZH           |
| ▲ T801                          | /N          | *TS001940R         | *TS001940R     | TRANSF.       | SUB SR5400(6400)/N1 CLT5I002ZE           |
| ▲ T801                          | /U          | nsp                | *TS001970R     | TRANSF.       | SUB SR5400(6400)/U1 CLT5I002ZU           |
| <b>ENCODER PCB (CUP11590-2)</b> |             |                    |                |               |  |
| C841                            |             | nsp                | nsp            | CER. CAP.     | 0.1µF 50V Z HCBS1H104ZFT                 |
| C871                            |             | nsp                | nsp            | CER. CAP.     | 100pF 50V K HCBS1H101KBT                 |
| C872                            |             | nsp                | nsp            | CER. CAP.     | 100pF 50V K HCBS1H101KBT                 |
| C873                            |             | nsp                | nsp            | CER. CAP.     | 100pF 50V K HCBS1H101KBT                 |
| CN86                            |             | nsp                | nsp            | SOCKET        | DIP SOCKET KJP07GB144ZP                  |
| D801                            |             | *HI101040R         | *HI101040R     | L.E.D.        | SLR342VCTB7T089 RED HVD342VCTB7T089      |
| EN82                            |             | *SR000180R         | *SR000180R     | ROTARY SWITCH | EC16B12S00D4ZZZ HSR2A019Z                |
| Q802                            |             | BA10004000         | BA10004000     | TRS.          | KRA111M HVTKRA111MT                      |
| R871                            |             | nsp                | nsp            | RES.          | 10kΩ 1/6W J CRD20TJ103T                  |
| R872                            |             | nsp                | nsp            | RES.          | 10kΩ 1/6W J CRD20TJ103T                  |

NOTE : \*nsp\* PART IS LISTED FOR REFERENCE ONLY, MARANTZ WILL NOT SUPPLY THESE PARTS.

**SR5400/K/N/U, PS5400/F**

| POS. NO                       | VERS. COLOR | PART NO. (FOR EUR) | PART NO. (MJI) | DESCRIPTION |                 |             |
|-------------------------------|-------------|--------------------|----------------|-------------|-----------------|-------------|
| R873                          |             | nsp                | nsp            | RES.        | 10kΩ 1/6W J     | CRD20TJ103T |
| R874                          |             | nsp                | nsp            | RES.        | 10kΩ 1/6W J     | CRD20TJ103T |
| R875                          |             | nsp                | nsp            | RES.        | 680Ω 1/6W J     | CRD20TJ681T |
| R876                          |             | nsp                | nsp            | RES.        | 820Ω 1/6W J     | CRD20TJ821T |
| R877                          |             | nsp                | nsp            | RES.        | 560Ω 1/6W J     | CRD20TJ561T |
| R878                          | /F/K/N      | nsp                | nsp            | RES.        | 680Ω 1/6W J     | CRD20TJ681T |
| R878                          | /U          | nsp                | nsp            | JUMPER      | SN95/PB5 , 0.6  | C3A206      |
| R879                          | /F/K/N      | nsp                | nsp            | JUMPER      | SN95/PB5 , 0.6  | C3A206      |
| R879                          | /U          | nsp                | nsp            | RES.        | 680Ω 1/6W J     | CRD20TJ681T |
| SW94                          |             | *SP001210R         | *SP001210R     | SWITCH      | SKHV10910G TACT | CST1A012ZT  |
| SW95                          |             | *SP001210R         | *SP001210R     | SWITCH      | SKHV10910G TACT | CST1A012ZT  |
| SW96                          | /U          | nsp                | *SP001210R     | SWITCH      | SKHV10910G TACT | CST1A012ZT  |
| <b>CNT PCB (CUP11592-2)</b>   |             |                    |                |             |                 |             |
| BN31                          |             | nsp                | nsp            | CONNECTOR   | MOLEX35237-0710 | KJP07GB99ZM |
| CN33                          |             | nsp                | nsp            | JACK        | MOLEX35336-0710 | KJP07GA98ZM |
| <b>INPUT PCB (CUP11592-1)</b> |             |                    |                |             |                 |             |
| C201                          |             | nsp                | nsp            | CER. CAP.   | 470pF 50V KB    | CCKT1H471KB |
| C202                          |             | nsp                | nsp            | CER. CAP.   | 470pF 50V KB    | CCKT1H471KB |
| C203                          |             | nsp                | nsp            | CER. CAP.   | 470pF 50V KB    | CCKT1H471KB |
| C204                          |             | nsp                | nsp            | CER. CAP.   | 470pF 50V KB    | CCKT1H471KB |
| C205                          |             | nsp                | nsp            | CER. CAP.   | 470pF 50V KB    | CCKT1H471KB |
| C206                          |             | nsp                | nsp            | CER. CAP.   | 470pF 50V KB    | CCKT1H471KB |
| C207                          |             | nsp                | nsp            | CER. CAP.   | 470pF 50V KB    | CCKT1H471KB |
| C208                          |             | nsp                | nsp            | CER. CAP.   | 470pF 50V KB    | CCKT1H471KB |
| C209                          |             | nsp                | nsp            | CER. CAP.   | 470pF 50V KB    | CCKT1H471KB |
| C210                          |             | nsp                | nsp            | CER. CAP.   | 470pF 50V KB    | CCKT1H471KB |
| C211                          |             | nsp                | nsp            | CER. CAP.   | 470pF 50V KB    | CCKT1H471KB |
| C212                          |             | nsp                | nsp            | CER. CAP.   | 470pF 50V KB    | CCKT1H471KB |
| C213                          |             | nsp                | nsp            | CER. CAP.   | 470pF 50V KB    | CCKT1H471KB |
| C214                          |             | nsp                | nsp            | CER. CAP.   | 470pF 50V KB    | CCKT1H471KB |
| C215                          |             | nsp                | nsp            | CER. CAP.   | 470pF 50V KB    | CCKT1H471KB |
| C216                          |             | nsp                | nsp            | CER. CAP.   | 470pF 50V KB    | CCKT1H471KB |
| C217                          |             | nsp                | nsp            | CER. CAP.   | 470pF 50V KB    | CCKT1H471KB |
| C218                          |             | nsp                | nsp            | CER. CAP.   | 470pF 50V KB    | CCKT1H471KB |
| C219                          |             | nsp                | nsp            | CER. CAP.   | 470pF 50V KB    | CCKT1H471KB |
| C220                          |             | nsp                | nsp            | CER. CAP.   | 470pF 50V KB    | CCKT1H471KB |
| C221                          |             | nsp                | nsp            | CER. CAP.   | 470pF 50V KB    | CCKT1H471KB |
| C222                          |             | nsp                | nsp            | CER. CAP.   | 470pF 50V KB    | CCKT1H471KB |
| C223                          |             | nsp                | OA10605020     | ELECT. CAP. | 10μF 50V        | HCEA1HH100T |
| C224                          |             | nsp                | OA10605020     | ELECT. CAP. | 10μF 50V        | HCEA1HH100T |
| C225                          |             | nsp                | OA10605020     | ELECT. CAP. | 10μF 50V        | HCEA1HH100T |
| C226                          |             | nsp                | OA10605020     | ELECT. CAP. | 10μF 50V        | HCEA1HH100T |
| C227                          |             | nsp                | OA10605020     | ELECT. CAP. | 10μF 50V        | HCEA1HH100T |
| C228                          |             | nsp                | OA10605020     | ELECT. CAP. | 10μF 50V        | HCEA1HH100T |
| C229                          |             | nsp                | OA10605020     | ELECT. CAP. | 10μF 50V        | HCEA1HH100T |
| C230                          |             | nsp                | OA10605020     | ELECT. CAP. | 10μF 50V        | HCEA1HH100T |
| C231                          |             | nsp                | nsp            | CER. CAP.   | 470pF 50V KB    | CCKT1H471KB |
| C232                          |             | nsp                | nsp            | CER. CAP.   | 470pF 50V KB    | CCKT1H471KB |
| C233                          |             | nsp                | nsp            | CER. CAP.   | 470pF 50V KB    | CCKT1H471KB |
| C234                          |             | nsp                | nsp            | CER. CAP.   | 470pF 50V KB    | CCKT1H471KB |
| C235                          |             | nsp                | nsp            | CER. CAP.   | 470pF 50V KB    | CCKT1H471KB |
| C236                          |             | nsp                | nsp            | CER. CAP.   | 470pF 50V KB    | CCKT1H471KB |
| C237                          |             | nsp                | nsp            | CER. CAP.   | 470pF 50V KB    | CCKT1H471KB |
| C238                          |             | nsp                | OA10605020     | ELECT. CAP. | 10μF 50V        | HCEA1HH100T |
| C239                          |             | nsp                | OA10605020     | ELECT. CAP. | 10μF 50V        | HCEA1HH100T |
| C240                          |             | nsp                | OA10605020     | ELECT. CAP. | 10μF 50V        | HCEA1HH100T |
| C241                          |             | nsp                | OA10605020     | ELECT. CAP. | 10μF 50V        | HCEA1HH100T |

NOTE : "nsp" PART IS LISTED FOR REFERENCE ONLY, MARANTZ WILL NOT SUPPLY THESE PARTS.

**SR5400/K/N/U, PS5400/F**

| POS. NO | VERS. COLOR | PART NO. (FOR EUR) | PART NO. (MJI) | DESCRIPTION |              |             |
|---------|-------------|--------------------|----------------|-------------|--------------|-------------|
| C242    |             | nsp                | OA10605020     | ELECT. CAP. | 10µF 50V     | HCEA1HH100T |
| C243    |             | nsp                | OA10605020     | ELECT. CAP. | 10µF 50V     | HCEA1HH100T |
| C244    |             | nsp                | OA10605020     | ELECT. CAP. | 10µF 50V     | HCEA1HH100T |
| C245    |             | nsp                | nsp            | CER. CAP.   | 0.1µF 50V    | CCKT1H104ZF |
| C246    |             | nsp                | nsp            | CER. CAP.   | 0.1µF 50V    | CCKT1H104ZF |
| C247    |             | nsp                | nsp            | CER. CAP.   | 0.1µF 50V    | CCKT1H104ZF |
| C248    |             | nsp                | nsp            | CER. CAP.   | 0.1µF 50V    | CCKT1H104ZF |
| C249    |             | nsp                | nsp            | CER. CAP.   | 0.1µF 50V    | CCKT1H104ZF |
| C250    |             | nsp                | nsp            | CER. CAP.   | 0.1µF 50V    | CCKT1H104ZF |
| C251    |             | nsp                | nsp            | CER. CAP.   | 0.1µF 50V    | CCKT1H104ZF |
| C252    |             | nsp                | nsp            | CER. CAP.   | 0.1µF 50V    | CCKT1H104ZF |
| C254    |             | nsp                | OA10605020     | ELECT. CAP. | 10µF 50V     | HCEA1HH100T |
| C256    |             | nsp                | OA10605020     | ELECT. CAP. | 10µF 50V     | HCEA1HH100T |
| C258    |             | nsp                | OA10605020     | ELECT. CAP. | 10µF 50V     | HCEA1HH100T |
| C260    |             | nsp                | OA10605020     | ELECT. CAP. | 10µF 50V     | HCEA1HH100T |
| C262    |             | nsp                | OA10605020     | ELECT. CAP. | 10µF 50V     | HCEA1HH100T |
| C264    |             | nsp                | OA10605020     | ELECT. CAP. | 10µF 50V     | HCEA1HH100T |
| C266    |             | nsp                | OA10605020     | ELECT. CAP. | 10µF 50V     | HCEA1HH100T |
| C267    |             | nsp                | nsp            | CER. CAP.   | 0.1µF 50V    | CCKT1H104ZF |
| C268    |             | nsp                | nsp            | CER. CAP.   | 0.1µF 50V    | CCKT1H104ZF |
| C269    |             | nsp                | nsp            | CER. CAP.   | 100pF 50V KB | CCKT1H101KB |
| C270    |             | nsp                | nsp            | CER. CAP.   | 0.1µF 50V    | CCKT1H104ZF |
| C271    |             | nsp                | nsp            | CER. CAP.   | 0.1µF 50V    | CCKT1H104ZF |
| C272    |             | nsp                | nsp            | CER. CAP.   | 100pF 50V KB | CCKT1H101KB |
| C273    |             | nsp                | nsp            | CER. CAP.   | 0.1µF 50V    | CCKT1H104ZF |
| C274    |             | nsp                | nsp            | CER. CAP.   | 0.1µF 50V    | CCKT1H104ZF |
| C275    |             | nsp                | nsp            | CER. CAP.   | 0.1µF 50V    | CCKT1H104ZF |
| C276    |             | nsp                | nsp            | CER. CAP.   | 0.1µF 50V    | CCKT1H104ZF |
| C281    |             | nsp                | OA10605020     | ELECT. CAP. | 10µF 50V     | HCEA1HH100T |
| C282    |             | nsp                | OA10605020     | ELECT. CAP. | 10µF 50V     | HCEA1HH100T |
| C283    |             | nsp                | OA10605020     | ELECT. CAP. | 10µF 50V     | HCEA1HH100T |
| C284    |             | nsp                | OA10605020     | ELECT. CAP. | 10µF 50V     | HCEA1HH100T |
| C285    |             | nsp                | OA10605020     | ELECT. CAP. | 10µF 50V     | HCEA1HH100T |
| C286    |             | nsp                | OA10605020     | ELECT. CAP. | 10µF 50V     | HCEA1HH100T |
| C287    |             | nsp                | OA10605020     | ELECT. CAP. | 10µF 50V     | HCEA1HH100T |
| C288    |             | nsp                | OA10605020     | ELECT. CAP. | 10µF 50V     | HCEA1HH100T |
| C289    |             | nsp                | nsp            | CER. CAP.   | 0.1µF 50V    | CCKT1H104ZF |
| C290    |             | nsp                | nsp            | CER. CAP.   | 0.1µF 50V    | CCKT1H104ZF |
| C291    |             | nsp                | nsp            | CER. CAP.   | 100pF 50V KB | CCKT1H101KB |
| C292    |             | nsp                | OA22605020     | ELECT. CAP. | 22µF 50V     | HCEA1HH220T |
| C293    |             | nsp                | OA22605020     | ELECT. CAP. | 22µF 50V     | HCEA1HH220T |
| C294    |             | nsp                | OA22605020     | ELECT. CAP. | 22µF 50V     | HCEA1HH220T |
| C295    |             | nsp                | OA22605020     | ELECT. CAP. | 22µF 50V     | HCEA1HH220T |
| C296    |             | nsp                | OA22605020     | ELECT. CAP. | 22µF 50V     | HCEA1HH220T |
| C297    |             | nsp                | OA22605020     | ELECT. CAP. | 22µF 50V     | HCEA1HH220T |
| C298    |             | nsp                | OA22605020     | ELECT. CAP. | 22µF 50V     | HCEA1HH220T |
| C299    |             | nsp                | OA47602520     | ELECT. CAP. | 47µF 25V     | HCEA1EH470T |
| C300    |             | nsp                | OA47602520     | ELECT. CAP. | 47µF 25V     | HCEA1EH470T |
| C301    |             | nsp                | OA47602520     | ELECT. CAP. | 47µF 25V     | HCEA1EH470T |
| C302    |             | nsp                | OA47602520     | ELECT. CAP. | 47µF 25V     | HCEA1EH470T |
| C303    |             | nsp                | nsp            | CER. CAP.   | 0.1µF 50V    | CCKT1H104ZF |
| C304    |             | nsp                | nsp            | CER. CAP.   | 0.1µF 50V    | CCKT1H104ZF |
| C305    |             | nsp                | nsp            | CER. CAP.   | 0.1µF 50V    | CCKT1H104ZF |
| C306    |             | nsp                | nsp            | CER. CAP.   | 0.1µF 50V    | CCKT1H104ZF |
| C307    |             | nsp                | nsp            | CER. CAP.   | 100pF 50V KB | CCKT1H101KB |
| C308    |             | nsp                | nsp            | CER. CAP.   | 100pF 50V KB | CCKT1H101KB |
| C309    |             | nsp                | nsp            | CER. CAP.   | 0.1µF 50V    | CCKT1H104ZF |
| C310    |             | nsp                | nsp            | CER. CAP.   | 0.1µF 50V    | CCKT1H104ZF |
| C311    |             | nsp                | nsp            | CER. CAP.   | 0.1µF 50V    | CCKT1H104ZF |

NOTE : "nsp" PART IS LISTED FOR REFERENCE ONLY, MARANTZ WILL NOT SUPPLY THESE PARTS.

**SR5400/K/N/U, PS5400/F**

| POS. NO | VERS. COLOR | PART NO. (FOR EUR) | PART NO. (MJI) | DESCRIPTION |               |             |
|---------|-------------|--------------------|----------------|-------------|---------------|-------------|
| C312    |             | nsp                | nsp            | CER. CAP.   | 0.1µF 50V     | CCKT1H104ZF |
| C313    |             | nsp                | nsp            | CER. CAP.   | 0.1µF 50V     | CCKT1H104ZF |
| C314    |             | nsp                | nsp            | CER. CAP.   | 0.1µF 50V     | CCKT1H104ZF |
| C315    |             | nsp                | nsp            | CER. CAP.   | 0.1µF 50V     | CCKT1H104ZF |
| C316    |             | nsp                | nsp            | CER. CAP.   | 0.1µF 50V     | CCKT1H104ZF |
| C317    |             | nsp                | nsp            | CER. CAP.   | 100pF 50V KB  | CCKT1H101KB |
| C318    |             | nsp                | nsp            | CER. CAP.   | 100pF 50V KB  | CCKT1H101KB |
| C319    |             | nsp                | nsp            | CER. CAP.   | 100pF 50V KB  | CCKT1H101KB |
| C320    |             | nsp                | nsp            | CER. CAP.   | 100pF 50V KB  | CCKT1H101KB |
| C321    |             | nsp                | nsp            | CER. CAP.   | 100pF 50V KB  | CCKT1H101KB |
| C322    |             | nsp                | nsp            | CER. CAP.   | 100pF 50V KB  | CCKT1H101KB |
| C323    |             | nsp                | nsp            | CER. CAP.   | 100pF 50V KB  | CCKT1H101KB |
| C324    |             | nsp                | nsp            | CER. CAP.   | 470pF 50V KB  | CCKT1H471KB |
| C325    |             | nsp                | nsp            | CER. CAP.   | 470pF 50V KB  | CCKT1H471KB |
| C326    |             | nsp                | nsp            | CER. CAP.   | 470pF 50V KB  | CCKT1H471KB |
| C327    |             | nsp                | nsp            | CER. CAP.   | 470pF 50V KB  | CCKT1H471KB |
| C328    |             | nsp                | nsp            | CER. CAP.   | 470pF 50V KB  | CCKT1H471KB |
| C329    |             | nsp                | OA10605020     | ELECT. CAP. | 10µF 50V      | HCEA1HH100T |
| C330    |             | nsp                | OA10605020     | ELECT. CAP. | 10µF 50V      | HCEA1HH100T |
| C331    |             | nsp                | OA10605020     | ELECT. CAP. | 10µF 50V      | HCEA1HH100T |
| C332    |             | nsp                | OA10605020     | ELECT. CAP. | 10µF 50V      | HCEA1HH100T |
| C333    |             | nsp                | OA10605020     | ELECT. CAP. | 10µF 50V      | HCEA1HH100T |
| C334    |             | nsp                | OA10605020     | ELECT. CAP. | 10µF 50V      | HCEA1HH100T |
| C335    |             | nsp                | OA47602520     | ELECT. CAP. | 47µF 25V      | HCEA1EH470T |
| C336    |             | nsp                | OA22605020     | ELECT. CAP. | 22µF 50V      | HCEA1HH220T |
| C337    |             | nsp                | OA22605020     | ELECT. CAP. | 22µF 50V      | HCEA1HH220T |
| C338    |             | nsp                | OA22605020     | ELECT. CAP. | 22µF 50V      | HCEA1HH220T |
| C339    |             | nsp                | OA22605020     | ELECT. CAP. | 22µF 50V      | HCEA1HH220T |
| C340    |             | nsp                | OA22605020     | ELECT. CAP. | 22µF 50V      | HCEA1HH220T |
| C341    |             | nsp                | OA22605020     | ELECT. CAP. | 22µF 50V      | HCEA1HH220T |
| C342    |             | nsp                | OA22605020     | ELECT. CAP. | 22µF 50V      | HCEA1HH220T |
| C343    |             | nsp                | OA47602520     | ELECT. CAP. | 47µF 25V      | HCEA1EH470T |
| C344    |             | nsp                | OA47602520     | ELECT. CAP. | 47µF 25V      | HCEA1EH470T |
| C345    |             | nsp                | OA47602520     | ELECT. CAP. | 47µF 25V      | HCEA1EH470T |
| C346    |             | nsp                | OA47602520     | ELECT. CAP. | 47µF 25V      | HCEA1EH470T |
| C347    |             | nsp                | OA47602520     | ELECT. CAP. | 47µF 25V      | HCEA1EH470T |
| C348    |             | nsp                | OA47602520     | ELECT. CAP. | 47µF 25V      | HCEA1EH470T |
| C349    |             | nsp                | OA47602520     | ELECT. CAP. | 47µF 25V      | HCEA1EH470T |
| C350    |             | nsp                | nsp            | CER. CAP.   | 100pF 50V KB  | CCKT1H101KB |
| C351    |             | nsp                | nsp            | CER. CAP.   | 100pF 50V KB  | CCKT1H101KB |
| C352    |             | nsp                | nsp            | CER. CAP.   | 100pF 50V KB  | CCKT1H101KB |
| C353    |             | nsp                | nsp            | CER. CAP.   | 100pF 50V KB  | CCKT1H101KB |
| C354    |             | nsp                | nsp            | CER. CAP.   | 100pF 50V KB  | CCKT1H101KB |
| C355    |             | nsp                | nsp            | CER. CAP.   | 100pF 50V KB  | CCKT1H101KB |
| C356    |             | nsp                | nsp            | CER. CAP.   | 100pF 50V KB  | CCKT1H101KB |
| C357    |             | nsp                | nsp            | CER. CAP.   | 100pF 50V KB  | CCKT1H101KB |
| C358    |             | nsp                | nsp            | CER. CAP.   | 0.01µF 50V ZF | CCKT1H103ZF |
| C359    |             | nsp                | nsp            | CER. CAP.   | 0.1µF 50V     | CCKT1H104ZF |
| C360    |             | nsp                | nsp            | CER. CAP.   | 0.01µF 50V ZF | CCKT1H103ZF |
| C361    |             | nsp                | nsp            | CER. CAP.   | 0.1µF 50V     | CCKT1H104ZF |
| C362    |             | nsp                | OA10701620     | ELECT. CAP. | 100µF 16V     | HCEA1CH101T |
| C363    |             | nsp                | OA10701620     | ELECT. CAP. | 100µF 16V     | HCEA1CH101T |
| C364    |             | nsp                | nsp            | CER. CAP.   | 0.1µF 50V     | CCKT1H104ZF |
| C365    |             | nsp                | nsp            | CER. CAP.   | 0.1µF 50V     | CCKT1H104ZF |
| C366    |             | nsp                | nsp            | CER. CAP.   | 0.1µF 50V     | CCKT1H104ZF |
| C367    |             | nsp                | nsp            | CER. CAP.   | 0.1µF 50V     | CCKT1H104ZF |
| C368    |             | nsp                | nsp            | CER. CAP.   | 0.1µF 50V     | CCKT1H104ZF |
| C369    |             | nsp                | OA10701620     | ELECT. CAP. | 100µF 16V     | HCEA1CH101T |
| C370    |             | nsp                | OA10701620     | ELECT. CAP. | 100µF 16V     | HCEA1CH101T |

NOTE : "nsp" PART IS LISTED FOR REFERENCE ONLY, MARANTZ WILL NOT SUPPLY THESE PARTS.

SR5400/K/N/U, PS5400/F

| POS. NO | VERS. COLOR | PART NO. (FOR EUR) | PART NO. (MJI) | DESCRIPTION |                   |              |
|---------|-------------|--------------------|----------------|-------------|-------------------|--------------|
| C371    |             | nsp                | OA10701620     | ELECT. CAP. | 100µF 16V         | HCEA1CH101T  |
| C372    |             | nsp                | OA10701620     | ELECT. CAP. | 100µF 16V         | HCEA1CH101T  |
| C373    |             | nsp                | OA10701620     | ELECT. CAP. | 100µF 16V         | HCEA1CH101T  |
| C374    |             | nsp                | nsp            | CER. CAP.   | 470pF 50V KB      | CCKT1H471KB  |
| C375    |             | nsp                | nsp            | CER. CAP.   | 470pF 50V KB      | CCKT1H471KB  |
| C376    | /K/N/U      | nsp                | nsp            | CER. CAP.   | 470pF 50V KB      | CCKT1H471KB  |
| C377    | /K/N/U      | nsp                | nsp            | CER. CAP.   | 470pF 50V KB      | CCKT1H471KB  |
| C378    | /K/N/U      | nsp                | OA47602520     | ELECT. CAP. | 47µF 25V          | HCEA1EH470T  |
| C379    | /K/N/U      | nsp                | OA47602520     | ELECT. CAP. | 47µF 25V          | HCEA1EH470T  |
| C382    | /K/N/U      | nsp                | nsp            | CER. CAP.   | 0.01µF 50V ZF     | CCKT1H103ZF  |
| C383    | /K/N/U      | nsp                | nsp            | CER. CAP.   | 0.01µF 50V ZF     | CCKT1H103ZF  |
| C386    |             | nsp                | nsp            | CER. CAP.   | 0.01µF 50V ZF     | CCKT1H103ZF  |
| C387    |             | nsp                | nsp            | CER. CAP.   | 0.01µF 50V ZF     | CCKT1H103ZF  |
| C388    |             | nsp                | nsp            | CER. CAP.   | 0.01µF 50V ZF     | CCKT1H103ZF  |
| C389    |             | nsp                | nsp            | CER. CAP.   | 0.01µF 50V ZF     | CCKT1H103ZF  |
| C390    |             | nsp                | nsp            | CER. CAP.   | 0.01µF 50V ZF     | CCKT1H103ZF  |
| C393    |             | nsp                | nsp            | CER. CAP.   | 0.1µF 50V         | CCKT1H104ZF  |
| C394    |             | nsp                | OA10701620     | ELECT. CAP. | 100µF 16V         | HCEA1CH101T  |
| C395    |             | nsp                | nsp            | CER. CAP.   | 0.1µF 50V         | CCKT1H104ZF  |
| C396    |             | nsp                | OA10701620     | ELECT. CAP. | 100µF 16V         | HCEA1CH101T  |
| CN11    |             | nsp                | nsp            | JACK        | MOLEX53014-0710   | KJP07GA19ZM  |
| CN21    |             | nsp                | nsp            | JACK        | MOLEX53014-0510   | KJP05GA19ZM  |
| CN23    |             | nsp                | nsp            | JACK        | MOLEX 5267-06A    | KJP06GA01ZM  |
| CN24    |             | nsp                | nsp            | JACK        | MOLEX53014-0610   | KJP06GA19ZM  |
| CN25    |             | nsp                | nsp            | JACK FFC    | C.CABLE           | KJP19GA117ZG |
| CN27    |             | nsp                | nsp            | JACK FFC    | GF120-15S-TS      | KJP15GA115ZG |
| CN31    |             | nsp                | nsp            | JACK        | MOLEX35336-0710   | KJP07GA98ZM  |
| D203    |             | nsp                | HD20015210     | DIODE       | 1SS133T-77        | HVD1SS133MT  |
| D204    |             | nsp                | HD20015210     | DIODE       | 1SS133T-77        | HVD1SS133MT  |
| D205    |             | nsp                | HD20015210     | DIODE       | 1SS133T-77        | HVD1SS133MT  |
| D206    |             | nsp                | HD20015210     | DIODE       | 1SS133T-77        | HVD1SS133MT  |
| D207    |             | nsp                | HD20015210     | DIODE       | 1SS133T-77        | HVD1SS133MT  |
| D208    |             | nsp                | HD20015210     | DIODE       | 1SS133T-77        | HVD1SS133MT  |
| D209    |             | nsp                | HD20015210     | DIODE       | 1SS133T-77        | HVD1SS133MT  |
| D210    |             | nsp                | HD20015210     | DIODE       | 1SS133T-77        | HVD1SS133MT  |
| D211    |             | nsp                | HD20015210     | DIODE       | 1SS133T-77        | HVD1SS133MT  |
| D212    |             | nsp                | HD20015210     | DIODE       | 1SS133T-77        | HVD1SS133MT  |
| D213    |             | nsp                | *HD201730R     | DIODE       | 1N4003            | KVD1N4003ST  |
| D214    |             | nsp                | *HD201730R     | DIODE       | 1N4003            | KVD1N4003ST  |
| ET21    |             | nsp                | nsp            | TERMINAL    |                   | CNE75        |
| ET22    |             | nsp                | nsp            | TERMINAL    |                   | CNE75        |
| IC21    |             | HC10470050         | HC10470050     | IC          | TC9164AN FUNCTION | HVITC9164AN  |
| IC22    |             | HC10468050         | HC10468050     | IC          | TC9273N FUNCTION  | HVITC9273N   |
| IC23    |             | HC10469050         | HC10469050     | IC          | TC9162AN FUNCTION | HVITC9162AN  |
| IC24    |             | HC10467050         | HC10467050     | IC          | TC9499N VOLUME    | HVITC9499N   |
| IC25    |             | HC10467050         | HC10467050     | IC          | TC9499N VOLUME    | HVITC9499N   |
| IC26    |             | *HC300550R         | *HC300550R     | IC          | KA7806 REGULATOR  | HVIMC7806    |
| IC27    |             | *HC300540R         | *HC300540R     | IC          | KA7906 REGULATOR  | HVIKA7906    |
| IC28    |             | HC10053090         | HC10053090     | IC          | NJM2068DD OP AMP  | HVINJM2068DD |
| IC29    |             | HC10053090         | HC10053090     | IC          | NJM2068DD OP AMP  | HVINJM2068DD |
| IC30    |             | HC10053090         | HC10053090     | IC          | NJM2068DD OP AMP  | HVINJM2068DD |
| IC31    |             | HC10053090         | HC10053090     | IC          | NJM2068DD OP AMP  | HVINJM2068DD |
| IC32    |             | HC10053090         | HC10053090     | IC          | NJM2068DD OP AMP  | HVINJM2068DD |
| IC33    |             | HC10053090         | HC10053090     | IC          | NJM2068DD OP AMP  | HVINJM2068DD |
| IC34    |             | HC10053090         | HC10053090     | IC          | NJM2068DD OP AMP  | HVINJM2068DD |
| IC35    |             | HC10053090         | HC10053090     | IC          | NJM2068DD OP AMP  | HVINJM2068DD |
| IC36    |             | HC10053090         | HC10053090     | IC          | NJM2068DD OP AMP  | HVINJM2068DD |
| IC37    |             | HC10053090         | HC10053090     | IC          | NJM2068DD OP AMP  | HVINJM2068DD |
| IC38    | /K/N/U      | HC10053090         | HC10053090     | IC          | NJM2068DD OP AMP  | HVINJM2068DD |

NOTE : \*nsp\* PART IS LISTED FOR REFERENCE ONLY, MARANTZ WILL NOT SUPPLY THESE PARTS.

**SR5400/K/N/U, PS5400/F**

| POS. NO | VERS. COLOR | PART NO. (FOR EUR) | PART NO. (MJI) | DESCRIPTION |                       |              |
|---------|-------------|--------------------|----------------|-------------|-----------------------|--------------|
| JK21    |             | *YT002960R         | *YT002960R     | JACK        | CINCH 6P AUDIO        | CJJ4R019Z    |
| JK22    |             | *YT002960R         | *YT002960R     | JACK        | CINCH 6P AUDIO        | CJJ4R019Z    |
| JK23    |             | *YT002960R         | *YT002960R     | JACK        | CINCH 6P AUDIO        | CJJ4R019Z    |
| JK24    |             | *YT003230R         | *YT003230R     | JACK        | CINCH 4P AUDIO        | CJJ4P014Y    |
| JK25    |             | *YT003200R         | *YT003200R     | JACK        | CINCH 6P BLACK SILVER | CJJ4R039Z    |
| JK26    |             | *YT003170R         | *YT003170R     | JACK        | CINCH 1P BLACK SILVER | CJJ4M048Z    |
| Q201    |             | HT805501B0         | HT805501B0     | TRS.        | KTC2874B              | HVTKTC2874BT |
| Q202    |             | HT805501B0         | HT805501B0     | TRS.        | KTC2874B              | HVTKTC2874BT |
| Q203    |             | HT805501B0         | HT805501B0     | TRS.        | KTC2874B              | HVTKTC2874BT |
| Q204    |             | HT805501B0         | HT805501B0     | TRS.        | KTC2874B              | HVTKTC2874BT |
| Q205    |             | HT805501B0         | HT805501B0     | TRS.        | KTC2874B              | HVTKTC2874BT |
| Q206    |             | HT805501B0         | HT805501B0     | TRS.        | KTC2874B              | HVTKTC2874BT |
| Q207    |             | HT805501B0         | HT805501B0     | TRS.        | KTC2874B              | HVTKTC2874BT |
| Q208    |             | HT805501B0         | HT805501B0     | TRS.        | KTC2874B              | HVTKTC2874BT |
| Q209    |             | HT805501B0         | HT805501B0     | TRS.        | KTC2874B              | HVTKTC2874BT |
| Q210    |             | HT805501B0         | HT805501B0     | TRS.        | KTC2874B              | HVTKTC2874BT |
| Q211    |             | HT805501B0         | HT805501B0     | TRS.        | KTC2874B              | HVTKTC2874BT |
| Q212    |             | HT805501B0         | HT805501B0     | TRS.        | KTC2874B              | HVTKTC2874BT |
| Q213    |             | HT805501B0         | HT805501B0     | TRS.        | KTC2874B              | HVTKTC2874BT |
| Q214    |             | HT805501B0         | HT805501B0     | TRS.        | KTC2874B              | HVTKTC2874BT |
| Q215    |             | BA10002000         | BA10002000     | TRS.        | KRA104M               | HVTKRA104MT  |
| Q216    |             | BA10002000         | BA10002000     | TRS.        | KRA104M               | HVTKRA104MT  |
| Q217    |             | BA10002000         | BA10002000     | TRS.        | KRA104M               | HVTKRA104MT  |
| Q218    |             | BA10002000         | BA10002000     | TRS.        | KRA104M               | HVTKRA104MT  |
| Q219    |             | BA10002000         | BA10002000     | TRS.        | KRA104M               | HVTKRA104MT  |
| Q220    |             | BA10002000         | BA10002000     | TRS.        | KRA104M               | HVTKRA104MT  |
| Q221    |             | BA20002000         | BA20002000     | TRS.        | KRC104M               | HVTKRC104MT  |
| Q222    |             | BA20002000         | BA20002000     | TRS.        | KRC104M               | HVTKRC104MT  |
| Q223    |             | BA20002000         | BA20002000     | TRS.        | KRC104M               | HVTKRC104MT  |
| Q224    |             | BA20002000         | BA20002000     | TRS.        | KRC104M               | HVTKRC104MT  |
| Q225    |             | BA20002000         | BA20002000     | TRS.        | KRC104M               | HVTKRC104MT  |
| Q226    |             | BA20002000         | BA20002000     | TRS.        | KRC104M               | HVTKRC104MT  |
| R201    |             | nsp                | nsp            | RES.        | 100Ω 1/6W J           | CRD20TJ101T  |
| R202    |             | nsp                | nsp            | RES.        | 100Ω 1/6W J           | CRD20TJ101T  |
| R203    |             | nsp                | nsp            | RES.        | 100Ω 1/6W J           | CRD20TJ101T  |
| R204    |             | nsp                | nsp            | RES.        | 100Ω 1/6W J           | CRD20TJ101T  |
| R205    |             | nsp                | nsp            | RES.        | 100Ω 1/6W J           | CRD20TJ101T  |
| R206    |             | nsp                | nsp            | RES.        | 100Ω 1/6W J           | CRD20TJ101T  |
| R207    |             | nsp                | nsp            | RES.        | 1kΩ 1/6W J            | CRD20TJ102T  |
| R208    |             | nsp                | nsp            | RES.        | 1kΩ 1/6W J            | CRD20TJ102T  |
| R209    |             | nsp                | nsp            | RES.        | 100Ω 1/6W J           | CRD20TJ101T  |
| R210    |             | nsp                | nsp            | RES.        | 100Ω 1/6W J           | CRD20TJ101T  |
| R211    |             | nsp                | nsp            | RES.        | 1kΩ 1/6W J            | CRD20TJ102T  |
| R212    |             | nsp                | nsp            | RES.        | 1kΩ 1/6W J            | CRD20TJ102T  |
| R213    |             | nsp                | nsp            | RES.        | 100Ω 1/6W J           | CRD20TJ101T  |
| R214    |             | nsp                | nsp            | RES.        | 100Ω 1/6W J           | CRD20TJ101T  |
| R215    |             | nsp                | nsp            | RES.        | 100Ω 1/6W J           | CRD20TJ101T  |
| R216    |             | nsp                | nsp            | RES.        | 100Ω 1/6W J           | CRD20TJ101T  |
| R217    |             | nsp                | nsp            | RES.        | 1kΩ 1/6W J            | CRD20TJ102T  |
| R218    |             | nsp                | nsp            | RES.        | 1kΩ 1/6W J            | CRD20TJ102T  |
| R219    |             | nsp                | nsp            | RES.        | 100Ω 1/6W J           | CRD20TJ101T  |
| R220    |             | nsp                | nsp            | RES.        | 100Ω 1/6W J           | CRD20TJ101T  |
| R221    |             | nsp                | nsp            | RES.        | 1kΩ 1/6W J            | CRD20TJ102T  |
| R222    |             | nsp                | nsp            | RES.        | 1kΩ 1/6W J            | CRD20TJ102T  |
| R223    |             | nsp                | nsp            | RES.        | 82kΩ 1/6W J           | CRD20TJ823T  |
| R224    |             | nsp                | nsp            | RES.        | 82kΩ 1/6W J           | CRD20TJ823T  |
| R225    |             | nsp                | nsp            | RES.        | 82kΩ 1/6W J           | CRD20TJ823T  |
| R226    |             | nsp                | nsp            | RES.        | 82kΩ 1/6W J           | CRD20TJ823T  |
| R227    |             | nsp                | nsp            | RES.        | 82kΩ 1/6W J           | CRD20TJ823T  |

NOTE : "nsp" PART IS LISTED FOR REFERENCE ONLY, MARANTZ WILL NOT SUPPLY THESE PARTS.

**SR5400/K/N/U, PS5400/F**

| POS. NO | VERS. COLOR | PART NO. (FOR EUR) | PART NO. (MJI) | DESCRIPTION |              |             |
|---------|-------------|--------------------|----------------|-------------|--------------|-------------|
| R228    |             | nsp                | nsp            | RES.        | 82kΩ 1/6W J  | CRD20TJ823T |
| R229    |             | nsp                | nsp            | RES.        | 47kΩ 1/6W J  | CRD20TJ473T |
| R230    |             | nsp                | nsp            | RES.        | 47kΩ 1/6W J  | CRD20TJ473T |
| R231    |             | nsp                | nsp            | RES.        | 82kΩ 1/6W J  | CRD20TJ823T |
| R232    |             | nsp                | nsp            | RES.        | 82kΩ 1/6W J  | CRD20TJ823T |
| R233    |             | nsp                | nsp            | RES.        | 47kΩ 1/6W J  | CRD20TJ473T |
| R234    |             | nsp                | nsp            | RES.        | 47kΩ 1/6W J  | CRD20TJ473T |
| R235    |             | nsp                | nsp            | RES.        | 82kΩ 1/6W J  | CRD20TJ823T |
| R236    |             | nsp                | nsp            | RES.        | 82kΩ 1/6W J  | CRD20TJ823T |
| R237    |             | nsp                | nsp            | RES.        | 82kΩ 1/6W J  | CRD20TJ823T |
| R238    |             | nsp                | nsp            | RES.        | 82kΩ 1/6W J  | CRD20TJ823T |
| R239    |             | nsp                | nsp            | RES.        | 47kΩ 1/6W J  | CRD20TJ473T |
| R240    |             | nsp                | nsp            | RES.        | 47kΩ 1/6W J  | CRD20TJ473T |
| R241    |             | nsp                | nsp            | RES.        | 82kΩ 1/6W J  | CRD20TJ823T |
| R242    |             | nsp                | nsp            | RES.        | 82kΩ 1/6W J  | CRD20TJ823T |
| R243    |             | nsp                | nsp            | RES.        | 47kΩ 1/6W J  | CRD20TJ473T |
| R244    |             | nsp                | nsp            | RES.        | 47kΩ 1/6W J  | CRD20TJ473T |
| R245    |             | nsp                | nsp            | RES.        | 100Ω 1/6W J  | CRD20TJ101T |
| R246    |             | nsp                | nsp            | RES.        | 100Ω 1/6W J  | CRD20TJ101T |
| R247    |             | nsp                | nsp            | RES.        | 100Ω 1/6W J  | CRD20TJ101T |
| R248    |             | nsp                | nsp            | RES.        | 100Ω 1/6W J  | CRD20TJ101T |
| R249    |             | nsp                | nsp            | RES.        | 100Ω 1/6W J  | CRD20TJ101T |
| R250    |             | nsp                | nsp            | RES.        | 100Ω 1/6W J  | CRD20TJ101T |
| R251    |             | nsp                | nsp            | RES.        | 100Ω 1/6W J  | CRD20TJ101T |
| R252    |             | nsp                | nsp            | RES.        | 47kΩ 1/6W J  | CRD20TJ473T |
| R253    |             | nsp                | nsp            | RES.        | 47kΩ 1/6W J  | CRD20TJ473T |
| R254    |             | nsp                | nsp            | RES.        | 47kΩ 1/6W J  | CRD20TJ473T |
| R255    |             | nsp                | nsp            | RES.        | 47kΩ 1/6W J  | CRD20TJ473T |
| R256    |             | nsp                | nsp            | RES.        | 47kΩ 1/6W J  | CRD20TJ473T |
| R257    |             | nsp                | nsp            | RES.        | 47kΩ 1/6W J  | CRD20TJ473T |
| R258    |             | nsp                | nsp            | RES.        | 47kΩ 1/6W J  | CRD20TJ473T |
| R266    |             | nsp                | nsp            | RES.        | 47kΩ 1/6W J  | CRD20TJ473T |
| R267    |             | nsp                | nsp            | RES.        | 47kΩ 1/6W J  | CRD20TJ473T |
| R268    |             | nsp                | nsp            | RES.        | 47kΩ 1/6W J  | CRD20TJ473T |
| R269    |             | nsp                | nsp            | RES.        | 47kΩ 1/6W J  | CRD20TJ473T |
| R270    |             | nsp                | nsp            | RES.        | 47kΩ 1/6W J  | CRD20TJ473T |
| R271    |             | nsp                | nsp            | RES.        | 47kΩ 1/6W J  | CRD20TJ473T |
| R272    |             | nsp                | nsp            | RES.        | 47kΩ 1/6W J  | CRD20TJ473T |
| R273    |             | nsp                | nsp            | RES.        | 100Ω 1/6W J  | CRD20TJ101T |
| R274    |             | nsp                | nsp            | RES.        | 100Ω 1/6W J  | CRD20TJ101T |
| R275    |             | nsp                | nsp            | RES.        | 220kΩ 1/6W J | CRD20TJ224T |
| R276    |             | nsp                | nsp            | RES.        | 220kΩ 1/6W J | CRD20TJ224T |
| R277    |             | nsp                | nsp            | RES.        | 220kΩ 1/6W J | CRD20TJ224T |
| R278    |             | nsp                | nsp            | RES.        | 220kΩ 1/6W J | CRD20TJ224T |
| R279    |             | nsp                | nsp            | RES.        | 47kΩ 1/6W J  | CRD20TJ473T |
| R280    |             | nsp                | nsp            | RES.        | 47kΩ 1/6W J  | CRD20TJ473T |
| R281    |             | nsp                | nsp            | RES.        | 47kΩ 1/6W J  | CRD20TJ473T |
| R282    |             | nsp                | nsp            | RES.        | 47kΩ 1/6W J  | CRD20TJ473T |
| R283    |             | nsp                | nsp            | RES.        | 100Ω 1/6W J  | CRD20TJ101T |
| R284    |             | nsp                | nsp            | RES.        | 47kΩ 1/6W J  | CRD20TJ473T |
| R285    |             | nsp                | nsp            | RES.        | 47kΩ 1/6W J  | CRD20TJ473T |
| R286    |             | nsp                | nsp            | RES.        | 47kΩ 1/6W J  | CRD20TJ473T |
| R287    |             | nsp                | nsp            | RES.        | 47kΩ 1/6W J  | CRD20TJ473T |
| R288    |             | nsp                | nsp            | RES.        | 47kΩ 1/6W J  | CRD20TJ473T |
| R289    |             | nsp                | nsp            | RES.        | 47kΩ 1/6W J  | CRD20TJ473T |
| R290    |             | nsp                | nsp            | RES.        | 47kΩ 1/6W J  | CRD20TJ473T |
| R291    |             | nsp                | nsp            | RES.        | 100Ω 1/6W J  | CRD20TJ101T |
| R292    |             | nsp                | nsp            | RES.        | 100Ω 1/6W J  | CRD20TJ101T |
| R293    |             | nsp                | nsp            | RES.        | 47kΩ 1/6W J  | CRD20TJ473T |

NOTE : "nsp" PART IS LISTED FOR REFERENCE ONLY, MARANTZ WILL NOT SUPPLY THESE PARTS.



**SR5400/K/N/U, PS5400/F**

| POS. NO | VERS. COLOR | PART NO. (FOR EUR) | PART NO. (MJI) | DESCRIPTION |              |             |
|---------|-------------|--------------------|----------------|-------------|--------------|-------------|
| R294    |             | nsp                | nsp            | RES.        | 47kΩ 1/6W J  | CRD20TJ473T |
| R295    |             | nsp                | nsp            | RES.        | 47kΩ 1/6W J  | CRD20TJ473T |
| R296    |             | nsp                | nsp            | RES.        | 47kΩ 1/6W J  | CRD20TJ473T |
| R297    |             | nsp                | nsp            | RES.        | 47kΩ 1/6W J  | CRD20TJ473T |
| R298    |             | nsp                | nsp            | RES.        | 47kΩ 1/6W J  | CRD20TJ473T |
| R299    |             | nsp                | nsp            | RES.        | 47kΩ 1/6W J  | CRD20TJ473T |
| R300    |             | nsp                | nsp            | RES.        | 8.2kΩ 1/6W J | CRD20TJ822T |
| R301    |             | nsp                | nsp            | RES.        | 8.2kΩ 1/6W J | CRD20TJ822T |
| R302    |             | nsp                | nsp            | RES.        | 4.7kΩ 1/6W J | CRD20TJ472T |
| R303    |             | nsp                | nsp            | RES.        | 4.7kΩ 1/6W J | CRD20TJ472T |
| R304    |             | nsp                | nsp            | RES.        | 8.2kΩ 1/6W J | CRD20TJ822T |
| R305    |             | nsp                | nsp            | RES.        | 4.7kΩ 1/6W J | CRD20TJ472T |
| R306    |             | nsp                | nsp            | RES.        | 4.7kΩ 1/6W J | CRD20TJ472T |
| R314    |             | nsp                | nsp            | RES.        | 15kΩ 1/6W J  | CRD20TJ153T |
| R315    |             | nsp                | nsp            | RES.        | 15kΩ 1/6W J  | CRD20TJ153T |
| R316    |             | nsp                | nsp            | RES.        | 4.7kΩ 1/6W J | CRD20TJ472T |
| R317    |             | nsp                | nsp            | RES.        | 4.7kΩ 1/6W J | CRD20TJ472T |
| R318    |             | nsp                | nsp            | RES.        | 15kΩ 1/6W J  | CRD20TJ153T |
| R319    |             | nsp                | nsp            | RES.        | 4.7kΩ 1/6W J | CRD20TJ472T |
| R320    |             | nsp                | nsp            | RES.        | 33kΩ 1/6W J  | CRD20TJ333T |
| R321    |             | nsp                | nsp            | RES.        | 47kΩ 1/6W J  | CRD20TJ473T |
| R322    |             | nsp                | nsp            | RES.        | 47kΩ 1/6W J  | CRD20TJ473T |
| R323    |             | nsp                | nsp            | RES.        | 47kΩ 1/6W J  | CRD20TJ473T |
| R324    |             | nsp                | nsp            | RES.        | 47kΩ 1/6W J  | CRD20TJ473T |
| R325    |             | nsp                | nsp            | RES.        | 47kΩ 1/6W J  | CRD20TJ473T |
| R326    |             | nsp                | nsp            | RES.        | 47kΩ 1/6W J  | CRD20TJ473T |
| R327    |             | nsp                | nsp            | RES.        | 47kΩ 1/6W J  | CRD20TJ473T |
| R328    |             | nsp                | nsp            | RES.        | 220Ω 1/6W J  | CRD20TJ221T |
| R329    |             | nsp                | nsp            | RES.        | 220Ω 1/6W J  | CRD20TJ221T |
| R330    |             | nsp                | nsp            | RES.        | 220Ω 1/6W J  | CRD20TJ221T |
| R331    |             | nsp                | nsp            | RES.        | 220Ω 1/6W J  | CRD20TJ221T |
| R332    |             | nsp                | nsp            | RES.        | 220Ω 1/6W J  | CRD20TJ221T |
| R333    |             | nsp                | nsp            | RES.        | 220Ω 1/6W J  | CRD20TJ221T |
| R334    |             | nsp                | nsp            | RES.        | 220Ω 1/6W J  | CRD20TJ221T |
| R335    |             | nsp                | nsp            | RES.        | 1MΩ 1/6W J   | CRD20TJ105T |
| R336    |             | nsp                | nsp            | RES.        | 1MΩ 1/6W J   | CRD20TJ105T |
| R337    |             | nsp                | nsp            | RES.        | 1MΩ 1/6W J   | CRD20TJ105T |
| R338    |             | nsp                | nsp            | RES.        | 1MΩ 1/6W J   | CRD20TJ105T |
| R339    |             | nsp                | nsp            | RES.        | 1MΩ 1/6W J   | CRD20TJ105T |
| R340    |             | nsp                | nsp            | RES.        | 1MΩ 1/6W J   | CRD20TJ105T |
| R341    |             | nsp                | nsp            | RES.        | 1MΩ 1/6W J   | CRD20TJ105T |
| R342    |             | nsp                | nsp            | RES.        | 10kΩ 1/6W J  | CRD20TJ103T |
| R343    |             | nsp                | nsp            | RES.        | 10kΩ 1/6W J  | CRD20TJ103T |
| R344    |             | nsp                | nsp            | RES.        | 10kΩ 1/6W J  | CRD20TJ103T |
| R345    |             | nsp                | nsp            | RES.        | 10kΩ 1/6W J  | CRD20TJ103T |
| R346    |             | nsp                | nsp            | RES.        | 10kΩ 1/6W J  | CRD20TJ103T |
| R347    |             | nsp                | nsp            | RES.        | 10kΩ 1/6W J  | CRD20TJ103T |
| R348    |             | nsp                | nsp            | RES.        | 10kΩ 1/6W J  | CRD20TJ103T |
| R349    |             | nsp                | nsp            | RES.        | 10kΩ 1/6W J  | CRD20TJ103T |
| R350    |             | nsp                | nsp            | RES.        | 10kΩ 1/6W J  | CRD20TJ103T |
| R351    |             | nsp                | nsp            | RES.        | 10kΩ 1/6W J  | CRD20TJ103T |
| R352    |             | nsp                | nsp            | RES.        | 10kΩ 1/6W J  | CRD20TJ103T |
| R353    |             | nsp                | nsp            | RES.        | 10kΩ 1/6W J  | CRD20TJ103T |
| R354    |             | nsp                | nsp            | RES.        | 10kΩ 1/6W J  | CRD20TJ103T |
| R355    |             | nsp                | nsp            | RES.        | 10kΩ 1/6W J  | CRD20TJ103T |
| R356    |             | nsp                | nsp            | RES.        | 220Ω 1/6W J  | CRD20TJ221T |
| R357    |             | nsp                | nsp            | RES.        | 220Ω 1/6W J  | CRD20TJ221T |
| R358    |             | nsp                | nsp            | RES.        | 220Ω 1/6W J  | CRD20TJ221T |
| R359    |             | nsp                | nsp            | RES.        | 220Ω 1/6W J  | CRD20TJ221T |

NOTE : "nsp" PART IS LISTED FOR REFERENCE ONLY, MARANTZ WILL NOT SUPPLY THESE PARTS.

**SR5400/K/N/U, PS5400/F**

| POS. NO | VERS. COLOR | PART NO. (FOR EUR) | PART NO. (MJI) | DESCRIPTION |   |               |
|---------|-------------|--------------------|----------------|-------------|---|---------------|
| R360    |             | nsp                | nsp            | RES.        | 220Ω 1/6W J                                 | CRD20TJ221T   |
| R361    |             | nsp                | nsp            | RES.        | 220Ω 1/6W J                                 | CRD20TJ221T   |
| R362    |             | nsp                | nsp            | RES.        | 220Ω 1/6W J                                 | CRD20TJ221T   |
| R363    |             | nsp                | nsp            | RES.        | 33Ω 1/6W J                                  | CRD20TJ330T   |
| R364    |             | nsp                | nsp            | RES.        | 33Ω 1/6W J                                  | CRD20TJ330T   |
| R365    |             | nsp                | nsp            | RES.        | 33Ω 1/6W J                                  | CRD20TJ330T   |
| R366    |             | nsp                | nsp            | RES.        | 33Ω 1/6W J                                  | CRD20TJ330T   |
| R367    |             | nsp                | nsp            | RES.        | 33Ω 1/6W J                                  | CRD20TJ330T   |
| R368    |             | nsp                | nsp            | RES.        | 33Ω 1/6W J                                  | CRD20TJ330T   |
| R369    |             | nsp                | nsp            | RES.        | 33Ω 1/6W J                                  | CRD20TJ330T   |
| R370    |             | nsp                | nsp            | RES.        | 100Ω 1/6W J                                 | CRD20TJ101T   |
| R371    |             | nsp                | nsp            | RES.        | 100Ω 1/6W J                                 | CRD20TJ101T   |
| R372    |             | nsp                | nsp            | RES.        | 100Ω 1/6W J                                 | CRD20TJ101T   |
| R373    |             | nsp                | nsp            | RES.        | 100Ω 1/6W J                                 | CRD20TJ101T   |
| R374    | /K/N/U      | nsp                | nsp            | RES.        | 33Ω 1/6W J                                  | CRD20TJ330T   |
| R375    | /K/N/U      | nsp                | nsp            | RES.        | 33Ω 1/6W J                                  | CRD20TJ330T   |
| R376    | /K/N/U      | nsp                | nsp            | RES.        | 220Ω 1/6W J                                 | CRD20TJ221T   |
| R379    | /K/N/U      | nsp                | nsp            | RES.        | 220Ω 1/6W J                                 | CRD20TJ221T   |
| R384    | /K/N/U      | nsp                | nsp            | RES.        | 220Ω 1/6W J                                 | CRD20TJ221T   |
| R385    | /K/N/U      | nsp                | nsp            | RES.        | 220Ω 1/6W J                                 | CRD20TJ221T   |
| R386    |             | nsp                | nsp            | JUMPER      | SN95/PB5 , 0.6                              | C3A206        |
| R387    |             | nsp                | nsp            | JUMPER      | SN95/PB5 , 0.6                              | C3A206        |
| R390    | /K/N/U      | nsp                | nsp            | RES.        | 47kΩ 1/6W J                                 | CRD20TJ473T   |
| R391    | /K/N/U      | nsp                | nsp            | RES.        | 47kΩ 1/6W J                                 | CRD20TJ473T   |
| R392    | /K/N/U      | nsp                | nsp            | RES.        | 47Ω 1/6W J                                  | CRD20TJ470T   |
| R393    | /K/N/U      | nsp                | nsp            | RES.        | 47Ω 1/6W J                                  | CRD20TJ470T   |
|         |             |                    |                |             |   |               |
|         |             |                    |                |             | <b>TUNER PCB (CUP11592-3) [PS5400 only]</b> |               |
| C397    | /F          | nsp                | nsp            | CER. CAP.   | 470pF 50V KB                                | CCKT1H471KB   |
| C398    | /F          | nsp                | nsp            | CER. CAP.   | 470pF 50V KB                                | CCKT1H471KB   |
| JK27    | /F          | nsp                | *YT003180R     | JACK        | CINCH 2P AUDIO                              | CJJ4N063Z     |
| R394    | /F          | nsp                | nsp            | RES.        | 100Ω 1/6W J                                 | CRD20TJ101T   |
| R395    | /F          | nsp                | nsp            | RES.        | 100Ω 1/6W J                                 | CRD20TJ101T   |
| R396    | /F          | nsp                | nsp            | RES.        | 82kΩ 1/6W J                                 | CRD20TJ823T   |
| R397    | /F          | nsp                | nsp            | RES.        | 82kΩ 1/6W J                                 | CRD20TJ823T   |
|         |             |                    |                |             |   |               |
|         |             |                    |                |             | <b>POWER PCB (CUP11594-2)</b>               |               |
| C601    |             | *OF100370R         | *OF100370R     | FILM CAP    | 0.022μF 50V J                               | HCQ11H223JZT  |
| C602    |             | *OF100370R         | *OF100370R     | FILM CAP    | 0.022μF 50V J                               | HCQ11H223JZT  |
| C603    |             | *OF100370R         | *OF100370R     | FILM CAP    | 0.022μF 50V J                               | HCQ11H223JZT  |
| C604    |             | *OF100370R         | *OF100370R     | FILM CAP    | 0.022μF 50V J                               | HCQ11H223JZT  |
| C605    |             | *OF100370R         | *OF100370R     | FILM CAP    | 0.022μF 50V J                               | HCQ11H223JZT  |
| C606    |             | *OF100370R         | *OF100370R     | FILM CAP    | 0.022μF 50V J                               | HCQ11H223JZT  |
| C611    |             | nsp                | nsp            | CER. CAP.   | 1000pF 50V KB                               | CCKT1H102KB   |
| C612    |             | nsp                | nsp            | CER. CAP.   | 1000pF 50V KB                               | CCKT1H102KB   |
| C613    |             | nsp                | nsp            | CER. CAP.   | 1000pF 50V KB                               | CCKT1H102KB   |
| C614    |             | nsp                | nsp            | CER. CAP.   | 1000pF 50V KB                               | CCKT1H102KB   |
| C615    |             | nsp                | nsp            | CER. CAP.   | 1000pF 50V KB                               | CCKT1H102KB   |
| C621    |             | *OF100370R         | *OF100370R     | FILM CAP    | 0.022μF 50V J                               | HCQ11H223JZT  |
| C622    |             | *OF100370R         | *OF100370R     | FILM CAP    | 0.022μF 50V J                               | HCQ11H223JZT  |
| C623    |             | *OF100370R         | *OF100370R     | FILM CAP    | 0.022μF 50V J                               | HCQ11H223JZT  |
| C624    |             | *OF100370R         | *OF100370R     | FILM CAP    | 0.022μF 50V J                               | HCQ11H223JZT  |
| C625    |             | *OF100370R         | *OF100370R     | FILM CAP    | 0.022μF 50V J                               | HCQ11H223JZT  |
| C626    |             | *OF100370R         | *OF100370R     | FILM CAP    | 0.022μF 50V J                               | HCQ11H223JZT  |
| C633    |             | EB12906330         | EB12906330     | ELECT. CAP. | DL63VN 12000(M)                             | KCET63VDL123N |
| C634    |             | EB12906330         | EB12906330     | ELECT. CAP. | DL63VN 12000(M)                             | KCET63VDL123N |
| C638    |             | nsp                | OA47601640     | ELECT. CAP. | 47μF 16V                                    | HCEA1CH470T   |
| C639    |             | nsp                | nsp            | CER. CAP.   | 1000pF 50V KB                               | CCKT1H102KB   |
| C640    |             | nsp                | OA22803520     | ELECT. CAP. | 2200μF 35V                                  | HCEA1VH222E   |

NOTE : \*nsp\* PART IS LISTED FOR REFERENCE ONLY, MARANTZ WILL NOT SUPPLY THESE PARTS.

**SR5400/K/N/U, PS5400/F**

| POS. NO | VERS. COLOR | PART NO. (FOR EUR) | PART NO. (MJI) | DESCRIPTION  |                       |              |
|---------|-------------|--------------------|----------------|--------------|-----------------------|--------------|
| C641    |             | nsp                | OA22803520     | ELECT. CAP.  | 2200µF 35V            | HCEA1VH222E  |
| C642    |             | nsp                | nsp            | CER. CAP.    | 0.01µF 50V ZF         | CCKT1H103ZF  |
| C644    |             | nsp                | nsp            | CER. CAP.    | 0.01µF 50V ZF         | CCKT1H103ZF  |
| C645    |             | nsp                | nsp            | CER. CAP.    | 0.01µF 50V ZF         | CCKT1H103ZF  |
| C646    |             | nsp                | nsp            | CER. CAP.    | 0.01µF 50V ZF         | CCKT1H103ZF  |
| C647    |             | nsp                | nsp            | CER. CAP.    | 0.01µF 50V ZF         | CCKT1H103ZF  |
| C648    |             | nsp                | OA10701620     | ELECT. CAP.  | 100µF 16V             | HCEA1CH101T  |
| C649    |             | nsp                | OA10701620     | ELECT. CAP.  | 100µF 16V             | HCEA1CH101T  |
| C651    |             | nsp                | OA68801620     | ELECT. CAP.  | 6800µF 16V            | HCEA1CH682E  |
| C652    |             | EA10901670         | EA10901670     | ELECT. CAP.  | 10000µF 16V           | HCEA1CH103E  |
| C653    |             | nsp                | OA10701620     | ELECT. CAP.  | 100µF 16V             | HCEA1CH101T  |
| C654    |             | nsp                | OA10701620     | ELECT. CAP.  | 100µF 16V             | HCEA1CH101T  |
| C655    |             | nsp                | nsp            | CER. CAP.    | 0.1µF 50V             | CCKT1H104ZF  |
| C656    |             | nsp                | nsp            | CER. CAP.    | 0.1µF 50V             | CCKT1H104ZF  |
| C657    |             | nsp                | nsp            | CER. CAP.    | 0.1µF 50V             | CCKT1H104ZF  |
| C658    |             | nsp                | nsp            | CER. CAP.    | 0.1µF 50V             | CCKT1H104ZF  |
| C659    |             | nsp                | OA10706320     | ELECT. CAP.  | 100µF 63V             | HCEA1JH101E  |
| C661    |             | nsp                | nsp            | CER. CAP.    | 0.1µF 50V             | CCKT1H104ZF  |
| C662    |             | nsp                | nsp            | CER. CAP.    | 0.1µF 50V             | CCKT1H104ZF  |
| C663    |             | nsp                | nsp            | CER. CAP.    | 0.1µF 50V             | CCKT1H104ZF  |
| C664    |             | nsp                | nsp            | CER. CAP.    | 0.1µF 50V             | CCKT1H104ZF  |
| C665    |             | nsp                | nsp            | CER. CAP.    | 0.1µF 50V             | CCKT1H104ZF  |
| C666    |             | nsp                | nsp            | CER. CAP.    | 0.1µF 50V             | CCKT1H104ZF  |
| CN14    |             | nsp                | nsp            | JACK         | MOLEX53014-0710       | KJP07GA19ZM  |
| CN17    |             | nsp                | nsp            | JACK         | MOLEX53014-0510       | KJP05GA19ZM  |
| CN29    |             | nsp                | nsp            | JACK         | MOLEX53014-0810       | KJP08GA19ZM  |
| CN39    |             | nsp                | nsp            | JACK FFC     | GF102-13S-TS          | KJP13GA117ZG |
| CN50    |             | nsp                | nsp            | JACK         | MOLEX53014-0510       | KJP05GA19ZM  |
| CN55    |             | nsp                | nsp            | JACK         | MOLEX 5267-04A        | KJP04GA01ZM  |
| CN67    |             | nsp                | nsp            | JACK         | A3963WV2-5P (3.96MM)  | CJP05GA148ZW |
| CN68    |             | nsp                | nsp            | JACK         | A3963WV2-6P           | CJP06GA148ZW |
| CN69    |             | nsp                | nsp            | JACK         |                       | KJP05GA98ZM  |
| D601    |             | nsp                | *HD201750R     | DIODE        | 1N4003                | KVD1N4003SRT |
| D602    |             | nsp                | *HD201750R     | DIODE        | 1N4003                | KVD1N4003SRT |
| D603    |             | nsp                | *HD201750R     | DIODE        | 1N4003                | KVD1N4003SRT |
| D604    |             | nsp                | *HD201750R     | DIODE        | 1N4003                | KVD1N4003SRT |
| D605    |             | nsp                | *HD201750R     | DIODE        | 1N4003                | KVD1N4003SRT |
| D606    |             | nsp                | *HD201750R     | DIODE        | 1N4003                | KVD1N4003SRT |
| D607    |             | nsp                | *HD201750R     | DIODE        | 1N4003                | KVD1N4003SRT |
| D608    |             | nsp                | *HD201750R     | DIODE        | 1N4003                | KVD1N4003SRT |
| D609    |             | nsp                | *HD201750R     | DIODE        | 1N4003                | KVD1N4003SRT |
| D610    |             | nsp                | *HD201750R     | DIODE        | 1N4003                | KVD1N4003SRT |
| D611    |             | nsp                | *HD201750R     | DIODE        | 1N4003                | KVD1N4003SRT |
| D612    |             | nsp                | *HD201750R     | DIODE        | 1N4003                | KVD1N4003SRT |
| D613    |             | nsp                | *HD201750R     | DIODE        | 1N4003                | KVD1N4003SRT |
| D614    |             | nsp                | *HD201750R     | DIODE        | 1N4003                | KVD1N4003SRT |
| D615    |             | *HD302150R         | *HD302150R     | ZENER DIODE  | MTZJ6.8B              | HVDMTZJ6.8BT |
| D616    |             | *HD302190R         | *HD302190R     | ZENER DIODE  | MTZJ30B               | HVDMTZJ30BT  |
| D617    |             | nsp                | nsp            | JUMPER       | SN95/PB5 , 0.6        | C3A206       |
| D618    |             | nsp                | *HD201750R     | DIODE        | 1N4003                | KVD1N4003SRT |
| D619    |             | nsp                | *HD201750R     | DIODE        | 1N4003                | KVD1N4003SRT |
| D620    |             | nsp                | *HD201750R     | DIODE        | 1N4003                | KVD1N4003SRT |
| D621    |             | nsp                | *HD201750R     | DIODE        | 1N4003                | KVD1N4003SRT |
| D623    |             | nsp                | *HD201750R     | DIODE        | 1N4003                | KVD1N4003SRT |
| ▲ D631  |             | *HE200340R         | *HE200340R     | BRIDGE DIOCE | GBJ804                | BVDGBJ804    |
| ▲ IC61  |             | *HC300500R         | *HC300500R     | IC           | KA7805-ABTU REGULATOR | HVIMC7805C   |
| ▲ IC62  |             | *HC300500R         | *HC300500R     | IC           | KA7805-ABTU REGULATOR | HVIMC7805C   |
| ▲ IC63  |             | *HC300520R         | *HC300520R     | IC           | KA7812-ABTU REGULATOR | HVIMC7812C   |
| ▲ IC64  |             | HC3991209F         | HC3991209F     | IC           | NJM7912FA REGULATOR   | HVINJM7912FA |

NOTE : "nsp" PART IS LISTED FOR REFERENCE ONLY, MARANTZ WILL NOT SUPPLY THESE PARTS.

SR5400/K/N/U, PS5400/F

| POS. NO | VERS. COLOR | PART NO. (FOR EUR) | PART NO. (MJI) | DESCRIPTION |                           |               |
|---------|-------------|--------------------|----------------|-------------|---------------------------|---------------|
| JK61    |             | *YT003270R         | *YT003270R     | TERMINAL    | SPEAKER TERMINAL          | CJJ5Q007Z     |
| JK63    |             | *YT003280R         | *YT003280R     | TERMINAL    | SPEAKER TERMINAL          | CJJ5P011Z     |
| Q601    |             | *HT600040R         | *HT600040R     | TRS.        | KTA1267Y                  | HVTKTA1267YT  |
| Q602    |             | *HT600040R         | *HT600040R     | TRS.        | KTA1267Y                  | HVTKTA1267YT  |
| Q603    |             | *HT600040R         | *HT600040R     | TRS.        | KTA1267Y                  | HVTKTA1267YT  |
| Q604    |             | *HT600040R         | *HT600040R     | TRS.        | KTA1267Y                  | HVTKTA1267YT  |
| Q606    |             | *HT600040R         | *HT600040R     | TRS.        | KTA1267Y                  | HVTKTA1267YT  |
| Q607    |             | BA20001000         | BA20001000     | TRS.        | KRC102M                   | HVTKRC102MT   |
| Q608    |             | BA20001000         | BA20001000     | TRS.        | KRC102M                   | HVTKRC102MT   |
| Q609    |             | BA20001000         | BA20001000     | TRS.        | KRC102M                   | HVTKRC102MT   |
| Q610    |             | BA20001000         | BA20001000     | TRS.        | KRC102M                   | HVTKRC102MT   |
| Q611    |             | BA20001000         | BA20001000     | TRS.        | KRC102M                   | HVTKRC102MT   |
| Q612    |             | *HT600040R         | *HT600040R     | TRS.        | KTA1267Y                  | HVTKTA1267YT  |
| Q613    |             | *HT800050R         | *HT800050R     | TRS.        | KTC3198YT                 | HVTKTC3198YT  |
| Q614    |             | *HT800050R         | *HT800050R     | TRS.        | KTC3198YT                 | HVTKTC3198YT  |
| Q615    |             | *HT600040R         | *HT600040R     | TRS.        | KTA1267Y                  | HVTKTA1267YT  |
| R601    |             | nsp                | nsp            | RES.        | 220Ω 1/4W J               | CRD25TJ221T   |
| R602    |             | nsp                | nsp            | RES.        | 330Ω 1/4W J               | CRD25TJ331T   |
| R603    |             | nsp                | nsp            | RES.        | 220Ω 1/4W J               | CRD25TJ221T   |
| R604    |             | nsp                | nsp            | RES.        | 330Ω 1/4W J               | CRD25TJ331T   |
| R605    |             | nsp                | nsp            | RES.        | 220Ω 1/4W J               | CRD25TJ221T   |
| R606    |             | nsp                | nsp            | RES.        | 330Ω 1/4W J               | CRD25TJ331T   |
| R607    |             | nsp                | nsp            | RES.        | 220Ω 1/4W J               | CRD25TJ221T   |
| R608    |             | nsp                | nsp            | RES.        | 330Ω 1/4W J               | CRD25TJ331T   |
| R609    |             | nsp                | nsp            | RES.        | 220Ω 1/4W J               | CRD25TJ221T   |
| R610    |             | nsp                | nsp            | RES.        | 330Ω 1/4W J               | CRD25TJ331T   |
| R611    |             | nsp                | nsp            | RES.        | 10kΩ 1/6W J               | CRD20TJ103T   |
| R612    |             | nsp                | nsp            | RES.        | 10kΩ 1/6W J               | CRD20TJ103T   |
| R613    |             | nsp                | nsp            | RES.        | 10kΩ 1/6W J               | CRD20TJ103T   |
| R614    |             | nsp                | nsp            | RES.        | 10kΩ 1/6W J               | CRD20TJ103T   |
| R615    |             | nsp                | nsp            | RES.        | 10kΩ 1/6W J               | CRD20TJ103T   |
| R616    |             | nsp                | nsp            | RES.        | 10kΩ 1/6W J               | CRD20TJ103T   |
| R617    |             | nsp                | nsp            | RES.        | 10kΩ 1/6W J               | CRD20TJ103T   |
| R618    |             | nsp                | nsp            | RES.        | 10kΩ 1/6W J               | CRD20TJ103T   |
| R619    |             | nsp                | nsp            | RES.        | 10kΩ 1/6W J               | CRD20TJ103T   |
| R620    |             | nsp                | nsp            | RES.        | 10kΩ 1/6W J               | CRD20TJ103T   |
| R621    |             | nsp                | nsp            | RES.        | 10Ω 1W J METAL OXIDE FILM | KRG1SANJ100RT |
| R622    |             | nsp                | nsp            | RES.        | 10Ω 1W J METAL OXIDE FILM | KRG1SANJ100RT |
| R623    |             | nsp                | nsp            | RES.        | 10Ω 1W J METAL OXIDE FILM | KRG1SANJ100RT |
| R624    |             | nsp                | nsp            | RES.        | 10Ω 1W J METAL OXIDE FILM | KRG1SANJ100RT |
| R625    |             | nsp                | nsp            | RES.        | 10Ω 1W J METAL OXIDE FILM | KRG1SANJ100RT |
| R626    |             | nsp                | nsp            | RES.        | 10Ω 1W J METAL OXIDE FILM | KRG1SANJ100RT |
| R627    |             | nsp                | nsp            | RES.        | 330Ω METAL OXIDE FILM     | CRG1ANJ331H   |
| R628    |             | nsp                | nsp            | RES.        | 330Ω METAL OXIDE FILM     | CRG1ANJ331H   |
| R631    |             | nsp                | nsp            | RES.        | 150Ω 1/4W J               | CRD25TJ151T   |
| R632    |             | nsp                | nsp            | RES.        | 150Ω 1/4W J               | CRD25TJ151T   |
| R633    |             | nsp                | nsp            | RES.        | 15kΩ 1/6W J               | CRD20TJ153T   |
| R634    |             | nsp                | nsp            | RES.        | 15kΩ 1/6W J               | CRD20TJ153T   |
| R635    |             | nsp                | nsp            | RES.        | 15kΩ 1/6W J               | CRD20TJ153T   |
| R636    |             | nsp                | nsp            | RES.        | 15kΩ 1/6W J               | CRD20TJ153T   |
| R637    |             | nsp                | nsp            | RES.        | 10kΩ 1/6W J               | CRD20TJ103T   |
| R638    |             | nsp                | nsp            | RES.        | 33kΩ 1/6W J               | CRD20TJ333T   |
| R639    |             | nsp                | nsp            | RES.        | 100kΩ 1/6W J              | CRD20TJ104T   |
| R640    |             | nsp                | nsp            | RES.        | 1Ω METAL OXIDE FILM       | CRG1ANJ1R0H   |
| R641    |             | nsp                | nsp            | RES.        | 1Ω METAL OXIDE FILM       | CRG1ANJ1R0H   |
| R642    |             | nsp                | nsp            | RES.        | 10kΩ 1/6W J               | CRD20TJ103T   |
| R643    |             | nsp                | nsp            | RES.        | 10kΩ 1/6W J               | CRD20TJ103T   |
| R644    |             | nsp                | nsp            | RES.        | 22kΩ 1/6W J               | CRD20TJ223T   |
| R645    |             | nsp                | nsp            | RES.        | 22kΩ 1/6W J               | CRD20TJ223T   |

NOTE : \*nsp\* PART IS LISTED FOR REFERENCE ONLY, MARANTZ WILL NOT SUPPLY THESE PARTS.

**SR5400/K/N/U, PS5400/F**

| POS. NO | VERS. COLOR | PART NO. (FOR EUR) | PART NO. (MJI) | DESCRIPTION    |                               |               |
|---------|-------------|--------------------|----------------|----------------|-------------------------------|---------------|
| R646    |             | nsp                | nsp            | RES.           | 10kΩ 1/6W J                   | CRD20TJ103T   |
| R647    |             | nsp                | nsp            | RES.           | 1Ω 1/4W J                     | CRD25TJ1R0T   |
| R648    |             | nsp                | nsp            | RES.           | 2.2kΩ 1W J METAL OXIDE FILM   | KRG1SANJ222RT |
| R649    |             | nsp                | nsp            | RES.           | 1.5kΩ 1W J METAL OXIDE FILM   | KRG1SANJ152RT |
| R650    |             | nsp                | nsp            | RES.           | 100Ω 1/4W J                   | CRD25TJ101T   |
| R651    |             | nsp                | nsp            | RES.           | 100Ω 1/4W J                   | CRD25TJ101T   |
| ▲ R652  |             | *NH000080R         | *NH000080R     | FUSIBLE RESIST | 0.47Ω 1W J                    | KRQ1AJR47H    |
| RY61    |             | LY20240490         | LY20240490     | RELAY          | 5GPA-28 DC24                  | HSL3B013ZE    |
| RY62    |             | LY20240490         | LY20240490     | RELAY          | 5GPA-28 DC24                  | HSL3B013ZE    |
| RY63    |             | LY20240490         | LY20240490     | RELAY          | 5GPA-28 DC24                  | HSL3B013ZE    |
| RY65    |             | LY20240510         | LY20240510     | RELAY          | OSA-SS-224DM3                 | HSL4B017ZU    |
| ▲ RY66  |             | LY20240520         | LY20240520     | RELAY          | PCLH-203D1SP                  | HSL4B018ZU    |
|         | /N          | nsp                | nsp            | SCREW          |                               | CTB3+8J       |
|         | /N          | nsp                | nsp            | COMPOUND       |                               | K8AYG6260     |
|         |             | nsp                | nsp            | HEATSINK       | SUB HEATSINK                  | CMY1A207      |
|         |             |                    |                |                |                               |               |
|         |             |                    |                |                | <b>VIDEO PCB (CUP11594-1)</b> |               |
| C702    |             | nsp                | OA10605020     | ELECT. CAP.    | 10μF 50V                      | HCEA1HH100T   |
| C704    |             | nsp                | OA10605020     | ELECT. CAP.    | 10μF 50V                      | HCEA1HH100T   |
| C706    |             | nsp                | OA10605020     | ELECT. CAP.    | 10μF 50V                      | HCEA1HH100T   |
| C707    |             | nsp                | nsp            | CER. CAP.      | 47pF 50V JC                   | CCCT1H470JC   |
| C708    |             | nsp                | OA47701020     | ELECT. CAP.    | 470μF 10V                     | HCEA1AH471T   |
| C710    |             | nsp                | OA10605020     | ELECT. CAP.    | 10μF 50V                      | HCEA1HH100T   |
| C711    |             | nsp                | nsp            | CER. CAP.      | 47pF 50V JC                   | CCCT1H470JC   |
| C712    |             | nsp                | OA47701020     | ELECT. CAP.    | 470μF 10V                     | HCEA1AH471T   |
| C713    |             | nsp                | nsp            | CER. CAP.      | 68pF 50V JC                   | CCCT1H680JC   |
| C714    |             | nsp                | OA47701020     | ELECT. CAP.    | 470μF 10V                     | HCEA1AH471T   |
| C715    |             | nsp                | OA10605020     | ELECT. CAP.    | 10μF 50V                      | HCEA1HH100T   |
| C716    |             | nsp                | OA10605020     | ELECT. CAP.    | 10μF 50V                      | HCEA1HH100T   |
| C717    |             | nsp                | OA10605020     | ELECT. CAP.    | 10μF 50V                      | HCEA1HH100T   |
| C719    |             | nsp                | OA10605020     | ELECT. CAP.    | 10μF 50V                      | HCEA1HH100T   |
| C720    |             | nsp                | OA10605020     | ELECT. CAP.    | 10μF 50V                      | HCEA1HH100T   |
| C722    |             | nsp                | OA10605020     | ELECT. CAP.    | 10μF 50V                      | HCEA1HH100T   |
| C723    |             | nsp                | OA10605020     | ELECT. CAP.    | 10μF 50V                      | HCEA1HH100T   |
| C725    |             | nsp                | OA10605020     | ELECT. CAP.    | 10μF 50V                      | HCEA1HH100T   |
| C726    |             | nsp                | OA10605020     | ELECT. CAP.    | 10μF 50V                      | HCEA1HH100T   |
| C727    |             | nsp                | nsp            | CER. CAP.      | 47pF 50V JC                   | CCCT1H470JC   |
| C728    |             | nsp                | OA47701020     | ELECT. CAP.    | 470μF 10V                     | HCEA1AH471T   |
| C729    |             | nsp                | nsp            | CER. CAP.      | 47pF 50V JC                   | CCCT1H470JC   |
| C730    |             | nsp                | OA10605020     | ELECT. CAP.    | 10μF 50V                      | HCEA1HH100T   |
| C732    |             | nsp                | OA10605020     | ELECT. CAP.    | 10μF 50V                      | HCEA1HH100T   |
| C733    |             | nsp                | OA10605020     | ELECT. CAP.    | 10μF 50V                      | HCEA1HH100T   |
| C734    |             | nsp                | nsp            | CER. CAP.      | 47pF 50V JC                   | CCCT1H470JC   |
| C735    |             | nsp                | OA47701020     | ELECT. CAP.    | 470μF 10V                     | HCEA1AH471T   |
| C736    |             | nsp                | nsp            | CER. CAP.      | 47pF 50V JC                   | CCCT1H470JC   |
| C737    |             | nsp                | OA10605020     | ELECT. CAP.    | 10μF 50V                      | HCEA1HH100T   |
| C738    |             | nsp                | nsp            | CER. CAP.      | 68pF 50V JC                   | CCCT1H680JC   |
| C739    |             | nsp                | OA47701020     | ELECT. CAP.    | 470μF 10V                     | HCEA1AH471T   |
| C740    |             | nsp                | nsp            | CER. CAP.      | 68pF 50V JC                   | CCCT1H680JC   |
| C741    |             | nsp                | OA10605020     | ELECT. CAP.    | 10μF 50V                      | HCEA1HH100T   |
| C742    |             | nsp                | OA10605020     | ELECT. CAP.    | 10μF 50V                      | HCEA1HH100T   |
| C743    |             | nsp                | nsp            | JUMPER         | SN95/PB5 , 0.6                | C3A206        |
| C744    |             | nsp                | OA10701620     | ELECT. CAP.    | 100μF 16V                     | HCEA1CH101T   |
| C745    |             | nsp                | OA10605020     | ELECT. CAP.    | 10μF 50V                      | HCEA1HH100T   |
| C746    |             | nsp                | OA10605020     | ELECT. CAP.    | 10μF 50V                      | HCEA1HH100T   |
| C747    |             | nsp                | OA10605020     | ELECT. CAP.    | 10μF 50V                      | HCEA1HH100T   |
| C748    |             | nsp                | nsp            | CER. CAP.      | 0.01μF 50V ZF                 | CCKT1H103ZF   |
| C749    |             | nsp                | OA10701620     | ELECT. CAP.    | 100μF 16V                     | HCEA1CH101T   |
| C750    |             | nsp                | nsp            | CER. CAP.      | 0.01μF 50V ZF                 | CCKT1H103ZF   |

NOTE : "nsp" PART IS LISTED FOR REFERENCE ONLY, MARANTZ WILL NOT SUPPLY THESE PARTS.

SR5400/K/N/U, PS5400/F

| POS. NO | VERS. COLOR | PART NO. (FOR EUR) | PART NO. (MJI) | DESCRIPTION |                |             |
|---------|-------------|--------------------|----------------|-------------|----------------|-------------|
| C751    |             | nsp                | OA47505020     | ELECT. CAP. | 4.7µF 50V      | HCEA1HH4R7T |
| C752    |             | nsp                | OA10605020     | ELECT. CAP. | 10µF 50V       | HCEA1HH100T |
| C753    |             | nsp                | OA10701620     | ELECT. CAP. | 100µF 16V      | HCEA1CH101T |
| C754    |             | nsp                | nsp            | CER. CAP.   | 0.01µF 50V ZF  | CCKT1H103ZF |
| C755    |             | nsp                | nsp            | CER. CAP.   | 47pF 50V JC    | CCCT1H470JC |
| C756    |             | nsp                | nsp            | CER. CAP.   | 0.01µF 50V ZF  | CCKT1H103ZF |
| C757    |             | nsp                | OA10701620     | ELECT. CAP. | 100µF 16V      | HCEA1CH101T |
| C758    |             | nsp                | OA10701620     | ELECT. CAP. | 100µF 16V      | HCEA1CH101T |
| C759    |             | nsp                | nsp            | CER. CAP.   | 0.01µF 50V ZF  | CCKT1H103ZF |
| C760    |             | nsp                | nsp            | CER. CAP.   | 47pF 50V JC    | CCCT1H470JC |
| C761    |             | nsp                | nsp            | CER. CAP.   | 0.01µF 50V ZF  | CCKT1H103ZF |
| C762    |             | nsp                | OA10701620     | ELECT. CAP. | 100µF 16V      | HCEA1CH101T |
| C763    |             | nsp                | OA10701620     | ELECT. CAP. | 100µF 16V      | HCEA1CH101T |
| C764    |             | nsp                | nsp            | CER. CAP.   | 0.01µF 50V ZF  | CCKT1H103ZF |
| C765    |             | nsp                | nsp            | CER. CAP.   | 47pF 50V JC    | CCCT1H470JC |
| C766    |             | nsp                | nsp            | CER. CAP.   | 0.01µF 50V ZF  | CCKT1H103ZF |
| C767    |             | nsp                | OA10701620     | ELECT. CAP. | 100µF 16V      | HCEA1CH101T |
| C768    |             | nsp                | nsp            | CER. CAP.   | 1200pF 50V KB  | CCKT1H122KB |
| C769    |             | nsp                | OA10505020     | ELECT. CAP. | 1µF 50V        | HCEA1HH1R0T |
| C770    |             | nsp                | nsp            | CER. CAP.   | 0.01µF 50V ZF  | CCKT1H103ZF |
| C771    |             | nsp                | OA10701620     | ELECT. CAP. | 100µF 16V      | HCEA1CH101T |
| C773    |             | nsp                | nsp            | CER. CAP.   | 24pF 50V JC    | CCCT1H240JC |
| C774    |             | nsp                | nsp            | CER. CAP.   | 22pF 50V JC    | CCCT1H220JC |
| C775    |             | nsp                | OA10505020     | ELECT. CAP. | 1µF 50V        | HCEA1HH1R0T |
| C776    |             | nsp                | nsp            | CER. CAP.   | 0.01µF 50V ZF  | CCKT1H103ZF |
| C777    | /F/U        | nsp                | nsp            | CER. CAP.   | 22pF 50V JC    | CCCT1H220JC |
| C777    | /K/N        | nsp                | nsp            | CER. CAP.   | 15pF 50V JC    | CCCT1H150JC |
| C778    | /F/U        | nsp                | nsp            | CER. CAP.   | 22pF 50V JC    | CCCT1H220JC |
| C778    | /K/N        | nsp                | nsp            | CER. CAP.   | 15pF 50V JC    | CCCT1H150JC |
| C779    |             | nsp                | OA10605020     | ELECT. CAP. | 10µF 50V       | HCEA1HH100T |
| C780    |             | nsp                | nsp            | CER. CAP.   | 47pF 50V JC    | CCCT1H470JC |
| C781    |             | nsp                | nsp            | CER. CAP.   | 1000pF 50V KB  | CCKT1H102KB |
| C782    |             | nsp                | nsp            | CER. CAP.   | 100pF 50V KB   | CCKT1H101KB |
| C783    |             | nsp                | OA10605020     | ELECT. CAP. | 10µF 50V       | HCEA1HH100T |
| C784    |             | nsp                | nsp            | CER. CAP.   | 0.01µF 50V ZF  | CCKT1H103ZF |
| C785    |             | nsp                | nsp            | CER. CAP.   | 0.01µF 50V ZF  | CCKT1H103ZF |
| C786    |             | nsp                | nsp            | CER. CAP.   | 0.01µF 50V ZF  | CCKT1H103ZF |
| C787    |             | nsp                | OA10701620     | ELECT. CAP. | 100µF 16V      | HCEA1CH101T |
| C788    |             | nsp                | OA10605020     | ELECT. CAP. | 10µF 50V       | HCEA1HH100T |
| C789    |             | nsp                | OA10605020     | ELECT. CAP. | 10µF 50V       | HCEA1HH100T |
| C790    |             | nsp                | nsp            | CER. CAP.   | 0.01µF 50V ZF  | CCKT1H103ZF |
| C791    |             | nsp                | nsp            | CER. CAP.   | 0.01µF 50V ZF  | CCKT1H103ZF |
| C792    |             | nsp                | OA10701620     | ELECT. CAP. | 100µF 16V      | HCEA1CH101T |
| C793    |             | nsp                | nsp            | CER. CAP.   | 0.022µF 50V ZF | CCKT1H223ZF |
| C794    |             | nsp                | nsp            | CER. CAP.   | 47pF 50V JC    | CCCT1H470JC |
| C795    |             | nsp                | OA10701620     | ELECT. CAP. | 100µF 16V      | HCEA1CH101T |
| C796    |             | nsp                | nsp            | CER. CAP.   | 0.01µF 50V ZF  | CCKT1H103ZF |
| C797    |             | nsp                | OA10605020     | ELECT. CAP. | 10µF 50V       | HCEA1HH100T |
| C798    |             | nsp                | nsp            | CER. CAP.   | 0.01µF 50V ZF  | CCKT1H103ZF |
| C799    |             | nsp                | nsp            | CER. CAP.   | 0.01µF 50V ZF  | CCKT1H103ZF |
| C800    |             | nsp                | OA10605020     | ELECT. CAP. | 10µF 50V       | HCEA1HH100T |
| C801    |             | nsp                | OA10605020     | ELECT. CAP. | 10µF 50V       | HCEA1HH100T |
| C802    |             | nsp                | OA10605020     | ELECT. CAP. | 10µF 50V       | HCEA1HH100T |
| C803    |             | nsp                | nsp            | CER. CAP.   | 0.01µF 50V ZF  | CCKT1H103ZF |
| C804    |             | nsp                | nsp            | CER. CAP.   | 0.01µF 50V ZF  | CCKT1H103ZF |
| C805    |             | nsp                | OA10701620     | ELECT. CAP. | 100µF 16V      | HCEA1CH101T |
| C806    |             | nsp                | nsp            | CER. CAP.   | 0.01µF 50V ZF  | CCKT1H103ZF |
| C807    |             | nsp                | nsp            | CER. CAP.   | 100pF 50V KB   | CCKT1H101KB |
| C808    |             | nsp                | nsp            | CER. CAP.   | 0.1µF 50V      | CCKT1H104ZF |

NOTE : "nsp" PART IS LISTED FOR REFERENCE ONLY, MARANTZ WILL NOT SUPPLY THESE PARTS.

**SR5400/K/N/U, PS5400/F**

| POS. NO | VERS. COLOR | PART NO. (FOR EUR) | PART NO. (MJI) | DESCRIPTION |                             |                 |
|---------|-------------|--------------------|----------------|-------------|-----------------------------|-----------------|
| CN12    |             | nsp                | nsp            | JACK        | MOLEX53014-0510             | KJP05GA19ZM     |
| CN37    |             | nsp                | nsp            | JACK FFC    | C.CABLE                     | KJP11GA117ZG    |
| CN41    |             | nsp                | nsp            | JACK        | MOLEX53014-0510             | KJP05GA19ZM     |
| D701    |             | nsp                | HD20015210     | DIODE       | 1SS133T-77                  | HVD1SS133MT     |
| D702    |             | nsp                | HD20015210     | DIODE       | 1SS133T-77                  | HVD1SS133MT     |
| D703    |             | nsp                | HD20015210     | DIODE       | 1SS133T-77                  | HVD1SS133MT     |
| D704    |             | nsp                | HD20015210     | DIODE       | 1SS133T-77                  | HVD1SS133MT     |
| D705    |             | nsp                | *HD201750R     | DIODE       | 1N4003                      | KVD1N4003SRT    |
| D706    |             | nsp                | HD20015210     | DIODE       | 1SS133T-77                  | HVD1SS133MT     |
| D707    |             | nsp                | HD20015210     | DIODE       | 1SS133T-77                  | HVD1SS133MT     |
| IC09    |             | *HC300560R         | *HC300560R     | IC          | KA7805 REGULATOR            | HVIMC7905C      |
| IC71    |             | HC10227090         | HC10227090     | IC          | NJM2595D VIDEO S/W          | HVINJM2595D     |
| IC72    |             | HC10227091         | HC10227091     | IC          | NJM2595D VIDEO S/W          | HVINJM2595D     |
| IC73    |             | HC10227092         | HC10227092     | IC          | NJM2595D VIDEO S/W          | HVINJM2595D     |
| IC74    |             | *HC108400R         | *HC108400R     | IC          | NJM2535D VIDEO S/W          | HVINJM2535D     |
| IC75    |             | HC10185090         | HC10185090     | IC          | NJM2264D VIDEO              | HVINJM2264D     |
| IC76    |             | HC10119090         | HC10119090     | IC          | NJM2244D VIDEO              | HVINJM2244D     |
| IC77    |             | HC10119090         | HC10119090     | IC          | NJM2244D VIDEO              | HVINJM2244D     |
| IC78    |             | HC10377030         | HC10377030     | IC          | LC74781-9013 OSD            | HVILC74781-9013 |
| IC79    |             | *HC108420R         | *HC108420R     | IC          | TC74HC4094AP SHIFT REGISTER | HVITC74HC4094AP |
| JK71    |             | *YT002940R         | *YT002940R     | JACK        | CINCH 3P YELLOW SILVER      | CJJ4S010Z       |
| JK72    |             | *YT002950R         | *YT002950R     | JACK        | CINCH 2P YELLOW SILVER      | CJJ4N043Z       |
| JK73    |             | *YT002950R         | *YT002950R     | JACK        | CINCH 2P YELLOW SILVER      | CJJ4N043Z       |
| JK74    |             | *YT003260R         | *YT003260R     | JACK        | S-TERMINAL 3P               | CJJ9S001Z       |
| JK75    |             | *YT003250R         | *YT003250R     | JACK        | S-TERMINAL 2P               | CJJ9N001Z       |
| JK76    |             | *YT003250R         | *YT003250R     | JACK        | S-TERMINAL 2P               | CJJ9N001Z       |
| L701    |             | LC13330140         | LC13330140     | CHOKE COIL  | 33UH                        | HLQ02C330KT     |
| L702    |             | LC13330140         | LC13330140     | CHOKE COIL  | 33UH                        | HLQ02C330KT     |
| Q701    |             | *HT600040R         | *HT600040R     | TRS.        | KTA1267Y                    | HVTKTA1267YT    |
| Q702    |             | BA10001000         | BA10001000     | TRS.        | KRA102M                     | HVTKRA102MT     |
| Q703    |             | HT30001000         | HT30001000     | TRS.        | KTC3199YT                   | HVTKTC3199YT    |
| Q704    |             | HT30001000         | HT30001000     | TRS.        | KTC3199YT                   | HVTKTC3199YT    |
| Q705    | /K/N        | BA20004000         | BA20004000     | TRS.        | KRC111M                     | HVTKRC111MT     |
| Q706    | /K/N        | BA20004000         | BA20004000     | TRS.        | KRC111M                     | HVTKRC111MT     |
| Q707    | /K/N        | BA10001000         | BA10001000     | TRS.        | KRA102M                     | HVTKRA102MT     |
| Q708    |             | HT30001000         | HT30001000     | TRS.        | KTC3199YT                   | HVTKTC3199YT    |
| Q709    |             | *HT600040R         | *HT600040R     | TRS.        | KTA1267Y                    | HVTKTA1267YT    |
| Q710    |             | BA20001000         | BA20001000     | TRS.        | KRC102M                     | HVTKRC102MT     |
| Q711    |             | HT30001000         | HT30001000     | TRS.        | KTC3199YT                   | HVTKTC3199YT    |
| Q712    |             | HT30001000         | HT30001000     | TRS.        | KTC3199YT                   | HVTKTC3199YT    |
| Q713    |             | BA10001000         | BA10001000     | TRS.        | KRA102M                     | HVTKRA102MT     |
| R701    |             | nsp                | nsp            | RES.        | 75Ω 1/6W J                  | CRD20TJ750T     |
| R702    |             | nsp                | nsp            | JUMPER      | SN95/PB5 , 0.6              | C3A206          |
| R703    |             | nsp                | nsp            | RES.        | 75Ω 1/6W J                  | CRD20TJ750T     |
| R704    |             | nsp                | nsp            | JUMPER      | SN95/PB5 , 0.6              | C3A206          |
| R705    |             | nsp                | nsp            | RES.        | 75Ω 1/6W J                  | CRD20TJ750T     |
| R706    |             | nsp                | nsp            | JUMPER      | SN95/PB5 , 0.6              | C3A206          |
| R707    |             | nsp                | nsp            | RES.        | 75Ω 1/6W J                  | CRD20TJ750T     |
| R708    |             | nsp                | nsp            | RES.        | 75Ω 1/6W J                  | CRD20TJ750T     |
| R709    |             | nsp                | nsp            | JUMPER      | SN95/PB5 , 0.6              | C3A206          |
| R710    |             | nsp                | nsp            | RES.        | 75Ω 1/6W J                  | CRD20TJ750T     |
| R711    |             | nsp                | nsp            | RES.        | 75Ω 1/6W J                  | CRD20TJ750T     |
| R712    |             | nsp                | nsp            | RES.        | 75Ω 1/6W J                  | CRD20TJ750T     |
| R713    |             | nsp                | nsp            | RES.        | 75Ω 1/6W J                  | CRD20TJ750T     |
| R714    |             | nsp                | nsp            | JUMPER      | SN95/PB5 , 0.6              | C3A206          |
| R715    |             | nsp                | nsp            | RES.        | 75Ω 1/6W J                  | CRD20TJ750T     |
| R716    |             | nsp                | nsp            | RES.        | 75Ω 1/6W J                  | CRD20TJ750T     |
| R717    |             | nsp                | nsp            | JUMPER      | SN95/PB5 , 0.6              | C3A206          |
| R718    |             | nsp                | nsp            | RES.        | 75Ω 1/6W J                  | CRD20TJ750T     |

NOTE : "nsp" PART IS LISTED FOR REFERENCE ONLY, MARANTZ WILL NOT SUPPLY THESE PARTS.

SR5400/K/N/U, PS5400/F

| POS. NO | VERS. COLOR | PART NO. (FOR EUR) | PART NO. (MJI) | DESCRIPTION |                |               |
|---------|-------------|--------------------|----------------|-------------|----------------|---------------|
| R719    |             | nsp                | nsp            | RES.        | 75Ω 1/6W J     | CRD20TJ750T   |
| R720    |             | nsp                | nsp            | JUMPER      | SN95/PB5 , 0.6 | C3A206        |
| R721    |             | nsp                | nsp            | RES.        | 75Ω 1/6W J     | CRD20TJ750T   |
| R722    |             | nsp                | nsp            | RES.        | 75Ω 1/6W J     | CRD20TJ750T   |
| R723    |             | nsp                | nsp            | RES.        | 75Ω 1/6W J     | CRD20TJ750T   |
| R724    |             | nsp                | nsp            | RES.        | 75Ω 1/6W J     | CRD20TJ750T   |
| R725    |             | nsp                | nsp            | JUMPER      | SN95/PB5 , 0.6 | C3A206        |
| R726    |             | nsp                | nsp            | RES.        | 75Ω 1/6W J     | CRD20TJ750T   |
| R727    |             | nsp                | nsp            | RES.        | 75Ω 1/6W J     | CRD20TJ750T   |
| R728    |             | nsp                | nsp            | RES.        | 75Ω 1/6W J     | CRD20TJ750T   |
| R729    |             | nsp                | nsp            | RES.        | 75Ω 1/6W J     | CRD20TJ750T   |
| R730    |             | nsp                | nsp            | RES.        | 220kΩ 1/6W J   | CRD20TJ224T   |
| R731    |             | nsp                | nsp            | RES.        | 10Ω 1/6W J     | CRD20TJ100T   |
| R732    |             | nsp                | nsp            | RES.        | 220Ω 1/6W J    | CRD20TJ221T   |
| R733    |             | nsp                | nsp            | RES.        | 10kΩ 1/6W J    | CRD20TJ103T   |
| R734    |             | nsp                | nsp            | RES.        | 1MΩ 1/6W J     | CRD20TJ105T   |
| R735    |             | nsp                | nsp            | RES.        | 1MΩ 1/6W J     | CRD20TJ105T   |
| R736    |             | nsp                | nsp            | RES.        | 100kΩ 1/6W J   | CRD20TJ104T   |
| R737    |             | nsp                | nsp            | RES.        | 1MΩ 1/6W J     | CRD20TJ105T   |
| R738    |             | nsp                | nsp            | RES.        | 10kΩ 1/6W J    | CRD20TJ103T   |
| R739    |             | nsp                | nsp            | RES.        | 12kΩ 1/6W J    | CRD20TJ123T   |
| R740    |             | nsp                | nsp            | RES.        | 470Ω 1/6W J    | CRD20TJ471T   |
| R741    |             | nsp                | nsp            | RES.        | 75Ω 1/6W J     | CRD20TJ750T   |
| R742    |             | nsp                | nsp            | RES.        | 75Ω 1/6W J     | CRD20TJ750T   |
| R743    |             | nsp                | nsp            | RES.        | 75Ω 1/6W J     | CRD20TJ750T   |
| R744    |             | nsp                | nsp            | RES.        | 220Ω 1/6W J    | CRD20TJ221T   |
| R745    |             | nsp                | nsp            | JUMPER      | SN95/PB5 , 0.6 | C3A206        |
| R746    |             | nsp                | nsp            | RES.        | 1MΩ 1/6W J     | CRD20TJ105T   |
| R747    | /F/U        | nsp                | nsp            | JUMPER      | SN95/PB5 , 0.6 | C3A206        |
| R750    |             | nsp                | nsp            | RES.        | 10kΩ 1/6W J    | CRD20TJ103T   |
| R752    |             | nsp                | nsp            | RES.        | 75Ω 1/6W J     | CRD20TJ750T   |
| R753    |             | nsp                | nsp            | RES.        | 220Ω 1/6W J    | CRD20TJ221T   |
| R756    |             | nsp                | nsp            | JUMPER      | SN95/PB5 , 0.6 | C3A206        |
| R757    |             | nsp                | nsp            | RES.        | 10kΩ 1/6W J    | CRD20TJ103T   |
| R758    |             | nsp                | nsp            | RES.        | 10kΩ 1/6W J    | CRD20TJ103T   |
| R759    |             | nsp                | nsp            | RES.        | 3.3kΩ 1/6W J   | CRD20TJ332T   |
| R761    |             | nsp                | nsp            | RES.        | 1kΩ 1/6W J     | CRD20TJ102T   |
| R762    |             | nsp                | nsp            | RES.        | 1MΩ 1/6W J     | CRD20TJ105T   |
| R763    |             | nsp                | nsp            | RES.        | 2.2kΩ 1/6W J   | CRD20TJ222T   |
| R764    |             | nsp                | nsp            | RES.        | 1MΩ 1/6W J     | CRD20TJ105T   |
| R765    |             | nsp                | nsp            | RES.        | 1MΩ 1/6W J     | CRD20TJ105T   |
| R766    |             | nsp                | nsp            | RES.        | 1MΩ 1/6W J     | CRD20TJ105T   |
| R767    |             | nsp                | nsp            | RES.        | 1MΩ 1/6W J     | CRD20TJ105T   |
| R768    |             | nsp                | nsp            | RES.        | 4.7kΩ 1/6W J   | CRD20TJ472T   |
| R769    |             | nsp                | nsp            | RES.        | 1kΩ 1/6W J     | CRD20TJ102T   |
| R770    |             | nsp                | nsp            | RES.        | 10kΩ 1/6W J    | CRD20TJ103T   |
| R771    |             | nsp                | nsp            | RES.        | 56Ω 1/6W J     | CRD20TJ560T   |
| R772    |             | nsp                | nsp            | RES.        | 1kΩ 1/6W J     | CRD20TJ102T   |
| R773    |             | nsp                | nsp            | RES.        | 10kΩ 1/6W J    | CRD20TJ103T   |
| R774    |             | nsp                | nsp            | RES.        | 1kΩ 1/6W J     | CRD20TJ102T   |
| R775    |             | nsp                | nsp            | JUMPER      | SN95/PB5 , 0.6 | C3A206        |
| R776    |             | nsp                | nsp            | RES.        | 1MΩ 1/6W J     | CRD20TJ105T   |
| R777    |             | nsp                | nsp            | RES.        | 1MΩ 1/6W J     | CRD20TJ105T   |
| R778    |             | nsp                | nsp            | RES.        | 1MΩ 1/6W J     | CRD20TJ105T   |
| R781    |             | nsp                | nsp            | RES.        | 10kΩ 1/6W J    | CRD20TJ103T   |
| R782    |             | nsp                | nsp            | RES.        | 100Ω 1/6W J    | CRD20TJ101T   |
| R783    |             | nsp                | nsp            | RES.        | 10kΩ 1/6W J    | CRD20TJ103T   |
| X701    |             | *JX001080R         | *JX001080R     | CRYSTAL     | 14M318         | HOX14318D220F |
| X702    | /K/N        | *JX001090R         | *JX001090R     | CRYSTAL     | 17M318         | HOX17744D220F |

NOTE : \*nsp\* PART IS LISTED FOR REFERENCE ONLY, MARANTZ WILL NOT SUPPLY THESE PARTS.