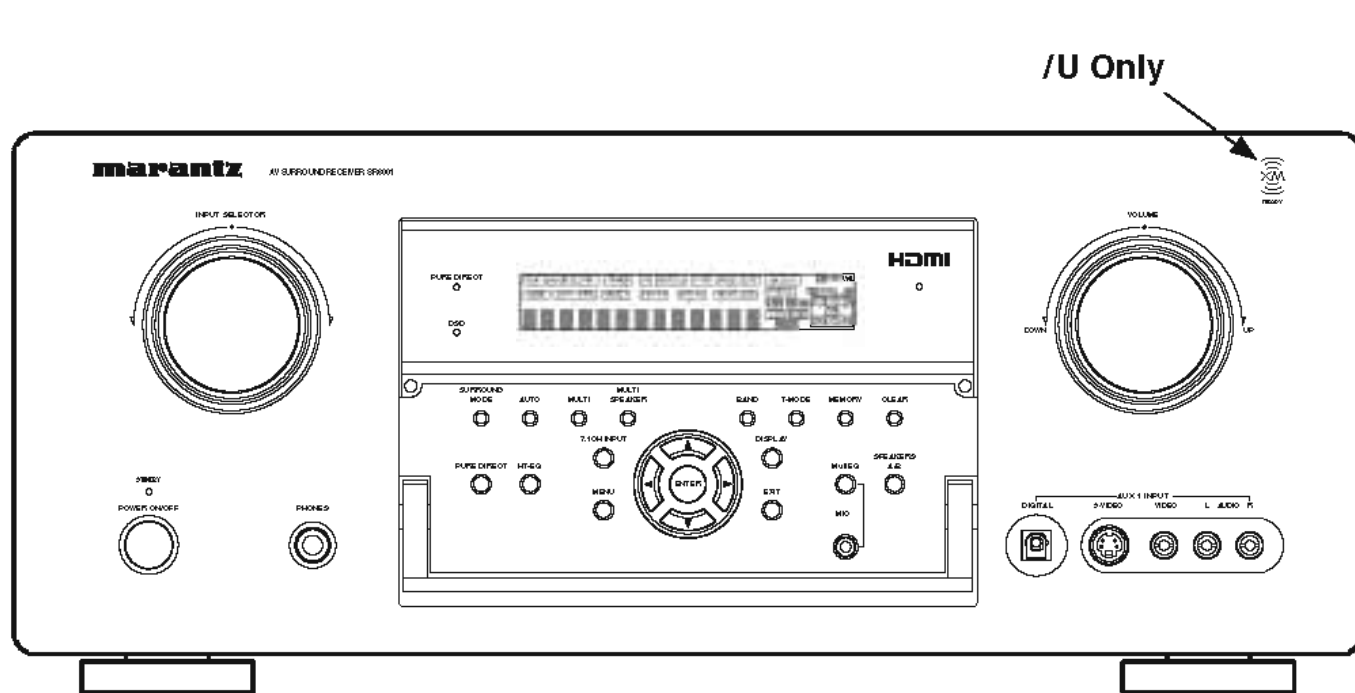


Service Manual

SR6001 /N1B/N1S/U1B

AV Surround Receiver



AUDYSSEY
MULTEQ

NSV
PRECISION VIDEO

SRS
Circle Surround II

HDCD

DTS
96 24
ES
24 192K

DOLBY
VIRTUAL SPEAKER

TABLE OF CONTENTS

SECTION	PAGE
1. TECHNICAL SPECIFICATIONS	1
2. TECHNICAL DESCRIPTION	4
3. POWER AMPLIFIER ADJUSTMENT	8
4. SERVICE MODE	9
5. SYSTEM ERROR.....	11
6. UPDATE FIRMWARE	13
[A] SOFTWARE (fdtv306r00.exe) DOWNLOADS AND INSTALLS PROCEDURE	13
[B] WRITING AND UPDATE SOFTWARE	38
Mode 1: Update/Download MAIN CPU's software to internal Flash-ROM.....	39
Mode 2: Update/Download DSP's software to 4M Flash-ROM.....	44
Mode 3: Update/Download HDMI CPU's software to internal Flash-ROM	49
7. WIRING DIAGRAM.....	59
8. BLOCK DIAGRAM	61
9. SCHEMATIC DIAGRAM	65
10. PARTS LOCATION	95
11. EXPLODED VIEW AND PARTS LIST	129
12. IC DATA.....	135
13. ELECTRICAL PARTS LIST.....	173
14. ABOUT REPLACE THE MICROPROCESSOR WITH A NEW ONE	235



DOLBY
DIGITAL • EX
PRO LOGIC IIx

HDMI



READY

Please use this service manual with referring to the user guide (D.F.U.) without fail.
修理の際は、必ず取扱説明書を準備し操作方法を確認の上作業を行ってください。

marantz®

SR6001

MARANTZ DESIGN AND SERVICE

Using superior design and selected high grade components, **MARANTZ** company has created the ultimate in stereo sound. Only original **MARANTZ** parts can insure that your **MARANTZ** product will continue to perform to the specifications for which it is famous.

Parts for your **MARANTZ** equipment are generally available to our National Marantz Subsidiary or Agent.

ORDERING PARTS :

Parts can be ordered either by mail or by Fax.. In both cases, the correct part number has to be specified.

The following information must be supplied to eliminate delays in processing your order :

1. Complete address
2. Complete part numbers and quantities required
3. Description of parts
4. Model number for which part is required
5. Way of shipment
6. Signature : any order form or Fax. must be signed, otherwise such part order will be considered as null and void.

USA

MARANTZ AMERICA, INC
100 CORPORATE DRIVE
MAHWAH, NEW JERSEY 07430
USA

EUROPE / TRADING

MARANTZ EUROPE B.V.
P. O. BOX 8744, BUILDING SILVERPOINT
BEEMDSTRAAT 11, 5653 MA EINDHOVEN
THE NETHERLANDS
PHONE : +31 - 40 - 2507844
FAX : +31 - 40 - 2507860

CANADA

MARANTZ CANADA INC.
5-505 APPLE CREEK BLVD.
MARKHAM, ONTARIO L3R 5B1
CANADA
PHONE : 905 - 415 - 9292
FAX : 905 - 475 - 4159

JAPAN

D&M Holdings Inc.
D&M BUILDING, 2-1 NISSHIN-CHO,
KAWASAKI-KU, KAWASAKI-SHI,
KANAGAWA, 210-8569 JAPAN

株式会社 ディーアンドエムホールディングス

本社 〒210-8569
神奈川県川崎市川崎区日進町2-1 D&Mビル

KOREA

D&M SALES AND MARKETING KOREA LTD.
CHUNG JIN B/D., #1001,
53-5, WONHYORO 3 GA, YONGSAN-GU,
SEOUL, 140-719, KOREA
PHONE : +82 - 2 - 323 - 2155
FAX : +82 - 2 - 323 - 2154

CHINA

MARANTZ SHANGHAI TRADING LTD.
ROOM 506 SHANGHAI LIGHT INDUSTRY MANSION
1578 NANJING (WEST) ROAD SHANGHAI
CHINA
TEL : 021 - 6248 - 1064
FAX : 021 - 6248 - 3565

SHOCK, FIRE HAZARD SERVICE TEST :

CAUTION : After servicing this appliance and prior to returning to customer, measure the resistance between either primary AC cord connector pins (with unit NOT connected to AC mains and its Power switch ON), and the face or Front Panel of product and controls and chassis bottom.

Any resistance measurement less than 1 Megohms should cause unit to be repaired or corrected before AC power is applied, and verified before it is return to the user/customer.

Ref. UL Standard No. 1492.

In case of difficulties, do not hesitate to contact the Technical Department at above mentioned address.

1. TECHNICAL SPECIFICATIONS

FMTUNER SECTION

Frequency Range 87.5 - 108.0 MHz [/N /U]
 Usable Sensitivity IHF 1.8 μ V/16.4 dBf
 Signal to Noise Ratio Mono/Stereo 75/70 dB
 Distortion Mono/Stereo 0.2/0.3 %
 Stereo Separation..... 1 kHz 45 dB
 Alternate Channel Selectivity \pm 300 kHz 60 dB
 Image Rejection..... 98 MHz 70 dB
 Tuner Output Level 1 kHz, \pm 75 kHz Dev 800 mV

AM TUNER SECTION

Frequency Range 531 - 1602 kHz [/N]
 520 - 1710 kHz [/U]
 Signal to Noise Ratio 50 dB
 Usable Sensitivity Loop 400 μ V
 Distortion 400Hz, 30 % Mod. 0.5 %
 Selectivity \pm 20 kHz 70 dB

HDMI SECTION

Version 1.2 [INPUT]
 1.1 [OUTPUT]

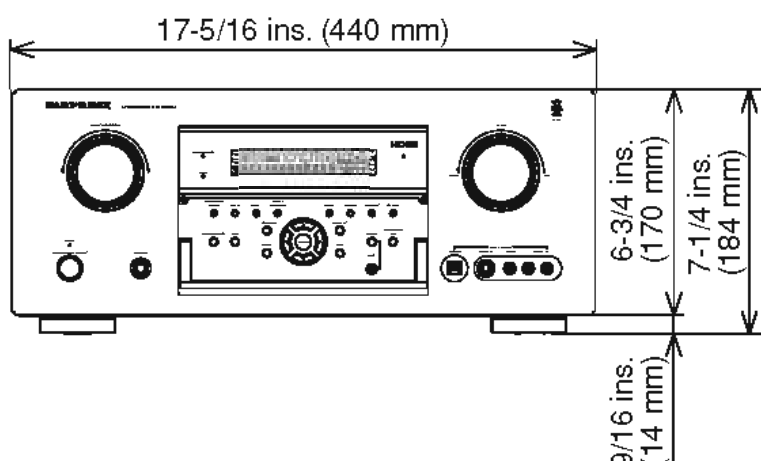
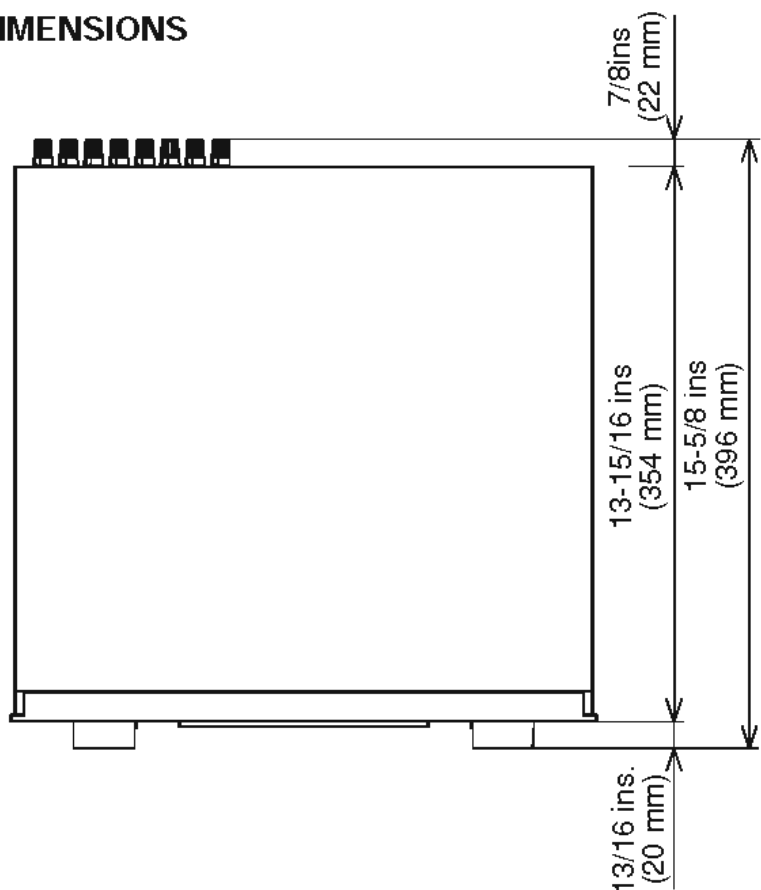
AUDIO SECTION

Power Output (20 Hz - 20 kHz/THD=0.08%)
 Front L&R 8 ohms 100 W / Ch
 Center 8 ohms 100 W / Ch
 Surround L&R..... 8 ohms 100 W / Ch
 Surround Back L&R..... 8 ohms 100 W / Ch
 Front L&R 6 ohms 120 W / Ch
 Center 6 ohms 120 W / Ch
 Surround L&R..... 6 ohms 120 W / Ch
 Surround Back L&R..... 6 ohms 120 W / Ch
 Input Sensitivity/Impedance..... 168 mV/ 47 kohms
 Signal to Noise Ratio
 (Analog Input / Pure Direct) 105 dB
 Frequency Response
 (Analog Input / Pure Direct) 8 Hz - 100 kHz (\pm 3 dB)
 (Digital Input / 96 kHz PCM) 8 Hz - 45 kHz (\pm 3 dB)

VIDEO SECTION

Television FormatNTSC/PAL
 Input Level/Impedance 1 Vp-p/75 ohms
 Output Level/Impedance..... 1 Vp-p/75 ohms
 Video Frequency Response 5 Hz to 8 MHz (- 1 dB)
 Video Frequency (Component) 5 Hz to 80 MHz (- 1 dB)
 S/N..... 60 dB

DIMENSIONS

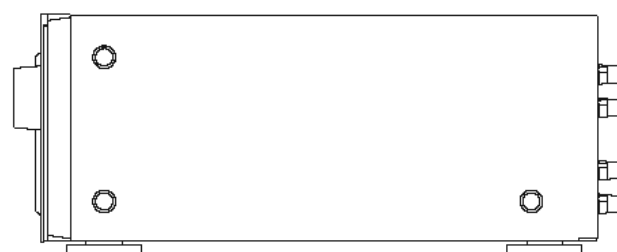


GENERAL

Power Requirement.....AC 230 V 50 Hz [/N]
AC 120 V 60 Hz [/U]
 Power Consumption 760 W [/N]
6.3 A [/U]
 Weight 15.0 kg (33.1 lbs)

ACCESSORIES

Remote Control Unit RC5001SR..... 1
 AAA-size batteries 2
 Microphone [Only N Version] 1
 FM Antenna 1
 AM Loop Antenna..... 1
 Front AUX Jack Cover 1
 AC cable 1



The relation between the selected surround mode and the input signal

The surround mode is selected with the surround mode buttons on SR6001 or the remote control unit. However, the sound you hear is subject to the relationship between the selected surround mode and input signal.

That relationship is as follows;

Surround Mode	Input Signal	Decoding	Output Channel					Front information display	
			L/R	C	SL SR	SBL SBR	SubW	Signal format indicators	Channel status
AUTO	Dolby Surr EX	Dolby Digital EX	○	○	○	○	○	DIGITAL EX	L C R SL SR S LFE
	Dolby D (5 1ch)	Dolby Digital 5.1	○	○	○	-	○	DIGITAL	L C R SL SR LFE
	Dolby D (2ch)	Dolby Digital 2.0	○	-	-	-	○	DIGITAL	L R
	Dolby D (2ch Surr)	Pro Logic IIx movie	○	○	○	○	○	DIGITAL SURROUND	L R S
	DTS-ES	DTS-ES	○	○	○	○	○	dts ES	L C R SL SR S LFE
	DTS 96/24	DTS-96/24	○	○	○	-	○	dts 96/24	L C R SL SR LFE
	DTS (5 1ch)	DTS 5.1	○	○	○	-	○	dts	L C R SL SR LFE
	Multi Ch-PCM	Multi Ch-PCM	○	○	○	-	○	PCM	L C R SL SR LFE
	Multi Ch-PCM 96kHz	Multi Ch-PCM 96kHz	○	○	○	-	○	PCM	L C R SL SR LFE
	DSD (5 1ch)	Multi Ch-PCM	○	○	○	-	○	DSD	L C R SL SR LFE
	DSD (2ch)	PCM (Stereo)	○	-	-	-	○	DSD	L R
	PCM (Audio)	PCM (Stereo)	○	-	-	-	○	PCM	L R
	PCM 96kHz	PCM (Stereo 96kHz)	○	-	-	-	○	PCM	L R
	HDCD	HDCD	○	-	-	-	○	PCM_HDCD	L R
	Analog	Stereo	○	-	-	-	○	ANALOG	-
	SOURCE DIRECT PURE DIRECT	7.1ch input	Multi Ch	○	○	○	○	○	ANALOG
Dolby Surr EX		Dolby Digital EX	○	○	○	○	○	DIGITAL EX	L C R SL SR S LFE
Dolby D (5 1ch)		Dolby Digital 5.1	○	○	○	-	○	DIGITAL	L C R SL SR LFE
Dolby D (2ch)		Dolby Digital 2.0	○	-	-	-	○	DIGITAL	L R
Dolby D (2ch Surr)		Pro Logic IIx movie	○	○	○	○	○	DIGITAL SURROUND	L R S
DTS-ES		DTS-ES	○	○	○	○	○	dts ES	L C R SL SR S LFE
DTS 96/24		DTS-96/24	○	○	○	-	○	dts 96/24	L C R SL SR LFE
DTS (5 1ch)		DTS 5.1	○	○	○	-	○	dts	L C R SL SR LFE
Multi Ch-PCM		Multi Ch-PCM	○	○	○	-	○	PCM	L C R SL SR LFE
Multi Ch-PCM 96kHz		Multi Ch-PCM 96kHz	○	○	○	-	○	PCM	L C R SL SR LFE
DSD (5 1ch)		DSD (5.1ch)	○	○	○	-	○	DSD	L C R SL SR LFE
DSD (2ch)		DSD (2ch)	○	-	-	-	○	DSD	L R
PCM (Audio)		PCM (Stereo)	○	-	-	-	○	PCM	L R
PCM 96kHz		PCM (Stereo 96kHz)	○	-	-	-	○	PCM	L R
HDCD		HDCD	○	-	-	-	○	PCM_HDCD	L R
Analog		Stereo	○	-	-	-	○	ANALOG	-
EX/ES	7.1ch input	Multi Ch	○	○	○	○	○	ANALOG	-
	Dolby Surr EX	Dolby Digital EX	○	○	○	○	○	DIGITAL EX	L C R SL SR S LFE
	Dolby D (5 1ch)	Dolby Digital EX	○	○	○	○	○	DIGITAL	L C R SL SR LFE
	DTS-ES	DTS-ES	○	○	○	○	○	dts ES	L C R SL SR S LFE
	DTS (5 1ch)	DTS-ES	○	○	○	○	○	dts	L C R SL SR LFE
	Multi-PCM	Multi Ch-PCM + Dolby Digital EX	○	○	○	○	○	PCM	L C R SL SR LFE
DOLBY (PLIIx movie) (PLIIx music) (PLIIx game)	DSD (5 1ch)	Multi Ch-PCM + Dolby Digital EX	○	○	○	○	○	DSD	L C R SL SR LFE
	Dolby Surr EX	Dolby Digital EX	○	○	○	-	○	DIGITAL EX	L C R SL SR S LFE
	Dolby D (5 1ch)	Dolby Digital 5.1	○	○	○	-	○	DIGITAL	L C R SL SR LFE
	Dolby D (5 1ch)	Dolby Digital 5.1 + PLIIx	○	○	○	○	○	DIGITAL	L C R SL SR LFE
	Dolby D (2ch)	Pro Logic IIx	○	○	○	○	○	DIGITAL	L R
	Dolby D (2ch Surr)	Pro Logic IIx	○	○	○	○	○	DIGITAL SURROUND	L R S
	Multi Ch-PCM	Multi Ch-PCM + PLIIx	○	○	○	○	○	PCM	L C R SL SR LFE
	DSD (5 1ch)	Multi Ch-PCM + PLIIx	○	○	○	○	○	DSD	L C R SL SR LFE
	DSD (2ch)	Pro Logic IIx	○	○	○	○	○	DSD	L R
	PCM (Audio)	Pro Logic IIx	○	○	○	○	○	PCM	L R
DTS (Neo 6 Cinema) (Neo 6 Music)	HDCD	Pro Logic IIx	○	○	○	○	○	PCM_HDCD	L R
	Analog	Pro Logic IIx	○	○	○	○	○	ANALOG	-
	DTS-ES	DTS 5.1	○	○	○	-	○	dts ES	L C R SL SR S LFE
	DTS 96/24	DTS-96/24	○	○	○	-	○	dts 96/24	L C R SL SR LFE
	DTS (5 1ch)	DTS 5.1	○	○	○	-	○	dts	L C R SL SR LFE
	Dolby D (2ch)	Neo 6	○	○	○	○	○	DIGITAL	L R
	Dolby D (2ch Surr)	Neo 6	○	○	○	○	○	DIGITAL SURROUND	L R S
	DSD (2ch)	Neo 6	○	○	○	○	○	DSD	L R
PCM (Audio)	Neo 6	○	○	○	○	○	PCM	L R	
CSII Cinema CSII Music CSII Mono	HDCD	Neo 6	○	○	○	○	○	PCM_HDCD	L R
	Analog	Neo 6	○	○	○	○	○	ANALOG	-
	Dolby D (2ch)	CSII	○	○	○	○	○	DIGITAL	L R
	Dolby D (2ch Surr)	CSII	○	○	○	○	○	DIGITAL SURROUND	L R S
	DSD (2ch)	CSII	○	○	○	○	○	DSD	L R
	PCM (Audio)	CSII	○	○	○	○	○	PCM	L R
STEREO	HDCD	CSII	○	○	○	○	○	PCM_HDCD	L R
	Analog	CSII	○	○	○	○	○	ANALOG	-
	Dolby Surr EX	Stereo	○	-	-	-	○	DIGITAL EX	L C R SL SR S LFE
	Dolby D (5 1ch)	Stereo	○	-	-	-	○	DIGITAL	L C R SL SR LFE
	Dolby D (2ch)	Stereo	○	-	-	-	○	DIGITAL	L R
	Dolby D (2ch Surr)	Stereo	○	-	-	-	○	DIGITAL SURROUND	L R S
	DTS-ES	Stereo	○	-	-	-	○	dts ES	L C R SL SR S LFE
	DTS 96/24	Stereo	○	-	-	-	○	dts 96/24	L C R SL SR LFE
	DTS (5 1ch)	Stereo	○	-	-	-	○	dts	L C R SL SR LFE
	Multi Ch-PCM	Stereo	○	-	-	-	○	PCM	L C R SL SR LFE
	Multi Ch-PCM 96kHz	Stereo	○	-	-	-	○	PCM	L C R SL SR LFE
	DSD (5 1ch)	Stereo	○	-	-	-	○	DSD	L C R SL SR LFE
	DSD (2ch)	Stereo	○	-	-	-	○	DSD	L R
	PCM (Audio)	Stereo	○	-	-	-	○	PCM	L R
	PCM 96kHz	Stereo	○	-	-	-	○	PCM	L R
	HDCD	Stereo	○	-	-	-	○	PCM_HDCD	L R
Analog	Stereo	○	-	-	-	○	ANALOG	-	

Surround Mode	Input Signal	Decoding	Output Channel					Front information display	
			L/R	C	SL SR	SBL SBR	SubW	Signal format indicators	Channel status
Dolby Virtual Speaker	Dolby Surr EX	Dolby Virtual Speaker	○	-	-	-	-	□ DIGITAL EX	L, C, R, SL, SR, S, LFE
	Dolby D (5.1ch)	Dolby Virtual Speaker	○	-	-	-	-	□ DIGITAL	L, C, R, SL, SR, LFE
	Dolby D (2ch)	Dolby Virtual Speaker	○	-	-	-	-	□ DIGITAL	L, R
	Dolby D (2ch Surr)	Dolby Virtual Speaker	○	-	-	-	-	□ DIGITAL □ SURROUND	L, R, S
	DTS-ES	Dolby Virtual Speaker	○	-	-	-	-	dts, ES	L, C, R, SL, SR, S, LFE
	DTS 96/24	Dolby Virtual Speaker	○	-	-	-	-	dts 96/24	L, C, R, SL, SR, LFE
	DTS (5.1ch)	Dolby Virtual Speaker	○	-	-	-	-	dts	L, C, R, SL, SR, LFE
	Multi Ch-PCM	Dolby Virtual Speaker	○	-	-	-	-	PCM	L, C, R, SL, SR, LFE
	DSD (5.1ch)	Dolby Virtual Speaker	○	-	-	-	-	DSD	L, C, R, SL, SR, LFE
	DSD (2ch)	Dolby Virtual Speaker	○	-	-	-	-	DSD	L, R
	PCM (Audio)	Dolby Virtual Speaker	○	-	-	-	-	PCM	L, R
	HDCD	Dolby Virtual Speaker	○	-	-	-	-	PCM, HDCD	L, R
	Analog	Dolby Virtual Speaker	○	-	-	-	-	ANALOG	-
Multi Ch Movie Music	Dolby Surr EX	Dolby Digital EX	○	○	○	○	○	□ DIGITAL EX	L, C, R, SL, SR, S, LFE
	Dolby D (5.1ch)	Dolby Digital 5.1	○	○	○	-	○	□ DIGITAL	L, C, R, SL, SR, LFE
	Dolby D (2ch)	Multi Channel	○	○	○	○	○	□ DIGITAL	L, R
	Dolby D (2ch Surr)	Multi Channel	○	○	○	○	○	□ DIGITAL □ SURROUND	L, R, S
	DTS-ES	DTS-ES	○	○	○	○	○	dts, ES	L, C, R, SL, SR, S, LFE
	DTS 96/24	DTS-96/24	○	○	○	-	○	dts 96/24	L, C, R, SL, SR, LFE
	DTS (5.1ch)	DTS 5.1	○	○	○	-	○	dts	L, C, R, SL, SR, LFE
	Multi Ch-PCM	Multi Ch-PCM	○	○	○	-	○	PCM	L, C, R, SL, SR, LFE
	Multi Ch-PCM 96kHz	Multi Ch-PCM 96kHz	○	○	○	-	○	PCM	L, C, R, SL, SR, LFE
	DSD (5.1ch)	Multi Ch-PCM	○	○	○	-	○	DSD	L, C, R, SL, SR, LFE
	DSD (2ch)	Multi Channel	○	○	○	○	○	DSD	L, R
	PCM (Audio)	Multi Channel	○	○	○	○	○	PCM	L, R
	HDCD	Multi Channel	○	○	○	○	○	PCM, HDCD	L, R
Analog	Multi Channel	○	○	○	○	○	ANALOG	-	
Dolby HP	Dolby Surr EX	Dolby HP	○	-	-	-	-	□ DIGITAL EX	L, C, R, SL, SR, S, LFE
	Dolby D (5.1ch)	Dolby HP	○	-	-	-	-	□ DIGITAL	L, C, R, SL, SR, LFE
	Dolby D (2ch)	Dolby HP	○	-	-	-	-	□ DIGITAL	L, R
	Dolby D (2ch Surr)	Dolby HP	○	-	-	-	-	□ DIGITAL □ SURROUND	L, R, S
	DTS-ES	Dolby HP	○	-	-	-	-	dts, ES	L, C, R, SL, SR, S, LFE
	DTS 96/24	Dolby HP	○	-	-	-	-	dts 96/24	L, C, R, SL, SR, LFE
	DTS (5.1ch)	Dolby HP	○	-	-	-	-	dts	L, C, R, SL, SR, LFE
	Multi Ch-PCM	Dolby HP	○	-	-	-	-	PCM	L, C, R, SL, SR, LFE
	DSD (5.1ch)	Dolby HP	○	-	-	-	-	DSD	L, C, R, SL, SR, LFE
	DSD (2ch)	Dolby HP	○	-	-	-	-	DSD	L, R
	PCM (Audio)	Dolby HP	○	-	-	-	-	PCM	L, R
	HDCD	Dolby HP	○	-	-	-	-	PCM, HDCD	L, R
	Analog	Dolby HP	○	-	-	-	-	ANALOG	-

Notes:

- Dolby Digital (2 channel L/R): Speakers for signal with Dolby Surround are fully equipped.
- No sound is outputs from the surround speaker, center speaker and subwoofer if the DVD disc has no surround data.

Abbreviations

- L/R : Front speakers
- C : Center speaker
- SL/SR : Surround speakers
- SBL/SBR : Surround back speakers
- SubW : Subwoofer

2. TECHNICAL DESCRIPTION

DESCRIPTION



DTS was introduced in 1994 to provide 5.1 channels of discrete digital audio into home theater systems. DTS brings you premium quality discrete multichannel digital sound to both movies and music.

DTS is a multichannel sound system designed to create full range digital sound reproduction.

The no compromise DTS digital process sets the standard of quality for cinema sound by delivering an exact copy of the studio master recordings to neighborhood and home theaters.

Now, every moviegoer can hear the sound exactly as the moviemaker intended.

DTS can be enjoyed in the home for either movies or music on of DVD's, LD's, and CD's.

"DTS" and "DTS Digital Surround" are registered trademarks of Digital Theater Systems, Inc.



The advantages of discrete multichannel systems over matrix are well known.

But even in homes equipped for discrete multichannel, there remains a need for high-quality matrix decoding. This is because of the large library of matrix surround motion pictures available on disc and on VHS tape; and analog television broadcasts.

The typical matrix decoder of today derives a center channel and a mono surround channel from two-channel matrix stereo material. It is better than a simple matrix in that it includes steering logic to improve separation, but because of its mono, band-limited surround it can be disappointing to users accustomed to discrete multichannel.

Neo:6 offers several important improvements as follow,

- Neo:6 provides up to six full-band channels of matrix decoding from stereo matrix material. Users with 6.1 and 5.1 systems will derive six and five separate channels, respectively, corresponding to the standard home-theater speaker layouts.
- Neo:6 technology allows various sound elements within a channel or channels to be steered separately, and in a way which follows naturally from the original presentation.

- Neo:6 offers a music mode to expand stereo nonmatrix recordings into the five- or six-channel layout, in a way which does not diminish the subtlety and integrity of the original stereo recording.



DTS-ES Extended Surround is a new multichannel digital signal format developed by Digital Theater Systems Inc. While offering high compatibility with the conventional DTS Digital Surround format, DTS-ES Extended Surround greatly improves the 360-degree surround impression and space expression thanks to further expanded surround signals. This format has been used professionally in movie theaters since 1999.

In addition to the 5.1 surround channels (FL, FR, C, SL, SR and LFE), DTS-ES Extended Surround also offers the SB (Surround Back) channel for surround playback with a total of 6.1 channels. DTS-ES Extended Surround includes two signal formats with different surround signal recording methods, as DTS-ES Discrete 6.1 and DTS-ES Matrix 6.1.

"DTS", "DTS-ES" and "Neo:6" are trademarks of Digital Theater Systems, Inc.



The stereo CD is a 16-bit medium with sampling at 44.1 kHz. Professional audio has been 20- or 24-bit for some time, and there is increasing interest in higher sampling rates both for recording and for delivery into the home. Greater bit depths provide extended dynamic range. Higher sampling rates allow wider frequency response and the use of anti-alias and reconstruction filters with more favorable aural characteristics.

DTS 96/24 allows for 5.1 channel sound tracks to be encoded at a rate of 96kHz/24bits on DVD-Video titles.

When DVD-video appeared, it became possible to deliver 24-bit, 96 kHz audio into the home, but only in two channels, and with serious limitations on picture. This capability has had little use.

DVD-audio allows 96/24 in six channels, but a new player is needed, and only analog outputs are provided, necessitating the use of the D/A converters and analog electronics provided in the player.

DTS 96/24 offers the following:

1. Sound quality transparent to the original 96/24 master.
2. Full backward compatibility with all existing decoders. (Existing decoders will output a 48 kHz signal)
3. No new player required: DTS 96/24 can be carried on DVD-video, or in the video zone of DVD-audio, accessible to all DVD players.
4. 96/24 5.1-channel sound with full-quality full-motion video, for music programs and motion picture soundtracks on DVD-video.

“DTS” and “DTS 96/24” are trademarks of Digital Theater Systems, Inc.



Dolby Digital identifies the use of Dolby Digital audio coding for such consumer formats as DVD and DTV. As with film sound, Dolby Digital can provide up to five full-range channels for left, center, and right screen channels, independent left and right surround channels, and a sixth (".1") channel for low-frequency effects.

Dolby Surround Pro Logic II is an improved matrix decoding technology that provides better spatiality and directionality on Dolby Surround program material; provides a convincing three-dimensional soundfield on conventional stereo music recordings; and is ideally suited to bring the surround experience to automotive sound. While conventional surround programming is fully compatible with Dolby Surround Pro Logic II decoders, soundtracks will be able to be encoded specifically to take full advantage of Pro Logic II playback, including separate left and right surround channels. (Such material is also compatible with conventional Pro Logic decoders.)

Dolby Digital EX creates six full-bandwidth output channels from 5.1-channel sources. This is done using a matrix decoder that derives three surround channels from the two in the original recording. For best results, Dolby Digital EX should be used with movies soundtracks recorded with Dolby Digital Surround EX.

About Dolby Pro Logic IIx

Dolby Pro Logic IIx technology delivers a natural and immersing 7.1-channel listening experience to the home theater environment. A product of Dolby's expertise in surround sound and matrix decoding technologies, Dolby Pro Logic IIx is a complete surround sound solution that maximizes the entertainment experience from stereo as well as 5.1-channel encoded sources.

Dolby Pro Logic IIx is fully compatible with Dolby Surround Pro Logic technology and can optimally decode the thousands of commercially available Dolby Surround encoded video cassettes and television programs with enhanced depth and spatiality. It can also process any high-quality stereo or Advanced Resolution 5.1-channel music content into a seamless 6.1- or 7.1-channel listening experience.



The Dolby Headphone technology provides a surround sound listening experience over headphones.

When listening to multichannel content such as DVD movies over headphones, the listening experience is fundamentally different than listening to speakers. Since the headphone speaker drivers are covering the pinna of the ear, the listening experience differs greatly from traditional speaker playback. Dolby utilizes patented headphone perspective curves to solve this problem and provides a non-fatiguing, immersive, home theater listening experience. Dolby Headphone also delivers exceptional 3D audio from stereo material.



Dolby Virtual Speaker is a technology certified by Dolby Laboratories that creates a virtualized surround sound experience from two speakers using a multichannel Dolby Digital source. Additionally, Dolby Virtual Speaker can simulate the surround sound effect produced by Dolby Pro Logic or Dolby Pro Logic II.


Dolby Virtual Speaker retains all the original Multichannel audio information and provides the listener with the sensation of being surrounded by additional speakers.

Manufactured under license from Dolby Laboratories. "Dolby", "Pro Logic", and the double-D symbol are trademarks of Dolby Laboratories.



Circle Surround II (CS-II) is a powerful and versatile multichannel technology. CS-II is designed to enable up to 6.1 multichannel surround sound playback from mono, stereo, CS encoded sources and other matrix encoded sources. In all cases the decoder extends it into 6 channels of surround audio and a LFE/subwoofer signal. The CS-II decoder creates a listening environment that places the listener "inside" music performances and dramatically improves both hi-fi audio conventional surround-encoded video material. CS-II provides composite stereo rear channels to greatly improve separation and image positioning—adding a heightened sense of realism to both audio and AV productions.

CS-II is packed with other useful feature like dialog clarity (SRS Dialog) for movies and cinema-like bass enrichment (TruBass). CS-II can enable the dialog to become clearer and more discernable in movies and it enables the bass frequencies contained in the original programming to more closely achieve low frequencies—overcoming the low frequency limitations of the speakers by full octave.

Circle Surround II, Dialog Clarity, TruBass, SRS and  symbol are trademarks of SRS Labs, Inc. Circle Surround II, Dialog Clarity and TruBass technology are incorporated under license from SRS Labs, Inc.

Microsoft®



HDCD® (High Definition Compatible Digital®) is a patented process for delivering on Compact Disc the full richness and details of the original microphone feed.


HDCD encoded CDs sound better because they are encoded with 20-bits of real musical information as compared to 16-bits for all other CDs.

HDCD overcomes the limitation of the 16-bit CD format by using a sophisticated system to encode the additional four bits onto the CD while remaining completely compatible with the CD format.

When listening to HDCD recordings, you hear more dynamic range, a focused 3-D sound stage, and extremely natural vocal and musical timbre. With HDCD, you get the body, depth and emotion of the original performance not a flat, digital imitation.

HDCD system manufactured under license from Microsoft. This product is covered by one or more of the following: In the United States 5,479,168 5,638,074 5,640,161 5,808,574 5,838,274 5,854,600 5,864,311 5,872,531 and in Australia 669,114 with other patents pending.



HDMI, the  and High-Definition Multimedia Interface are trademarks or registered trademarks of HDMI Licensing LLC.



There are several factors that can degrade the sound from even the best loudspeakers in a listening room. One of the most important is the interaction of sound from the loudspeakers with large surfaces such as walls, the floor, and the ceiling in the room. Even with careful loudspeaker placement and acoustical treatments, there are significant problems that are caused by room acoustics. These include reflections from nearby surfaces and standing waves that are created between large parallel surfaces in the room. In a home theater the situation is further complicated because there are several listening locations. The effects of room acoustics on the sound arriving at each person's ears are very different and the result is a listening experience that is degraded in a different way for every person in the room. It is not uncommon to have variations in two adjacent seats that are as large as 10 dB, particularly in the frequency range below 250 Hz.

The solution to this problem is to apply room correction after precisely measuring how each loudspeaker interacts with the room. Because the room causes variations in the frequency response of the loudspeakers that are so large from seat to seat, it is important to measure each loudspeaker at several locations in the listening room. This should be done even if there is only one listener. Measurement at a single location is not representative of the acoustical problems in the room and will in most cases, degrade overall performance. Audyssey MultEQ is the only technology that can achieve room correction for multiple listeners in a large listening area. It does so by combining the data collected at several points in the room from each loudspeaker and then applying correction that minimizes the acoustical effects of the room and is matched to the frequency resolution of human perception (known as psychoacoustics). Furthermore, MultEQ correction is applied both in frequency and time domains and so there are no artifacts (such as smearing of sound or modal ringing) that are sometimes associated with traditional methods of room equalization.

In addition to correcting frequency response problems over a wide listening area, Audyssey MultEQ provides a completely automated sound system set-up process. It identifies how many loudspeakers are connected to the amplifiers and whether they are full-range, satellites, or subwoofers. If there is a least one subwoofer connected, Audyssey MultEQ determines the optimum crossover frequency between each satellite and the subwoofer(s). It automatically checks the polarity of each loudspeaker and alerts the user if there are any that may be wired

out-of-phase relative to the others. It measures the distance to each loudspeaker from the main listening position and adjusts the delays so that sound from each loudspeaker arrives at the same time. Finally, Audyssey MultEQ determines the playback level of each loudspeaker and adjusts the volume trims so that all levels are equal.



MultEQ and the Audyssey MultEQ logo are trademarks of Audyssey Laboratories, Inc. All rights reserved.

XM Satellite Radio Ready



The XM name and related logos are registered trademarks of XM Satellite Radio Inc.

3. POWER AMPLIFIER ADJUSTMENT

Idling Current Alignment

1. Each of the measurement points are provided with the two test points. Set a digital Voltage meter to DC voltage input, connect the meter to the test points at both contact points.
2. After the setup above, turn on the main switch.
3. Adjust variable resistors (VR41 - VR71) according to the digital voltmeter readings. The target setting value is the following table for each channel.

Settings: Master Volume — Minimum
 Speaker out — No Load
 Top lid — OPEN

アイドリング電流調整

1. 電源を ON する前にそれぞれの "+" 端子と "-" 端子間にデジタルボルトメーターを接続します。デジタルボルトメーターを DC 電圧入力にセットします。
2. 上記のセットアップの後に、本機の電源を ON します。
3. デジタルボルトメーターの電圧値を監視しながら可変抵抗器 (VR41 ~ VR71) を調節します。各チャンネルの目標値は下記の表を参照下さい。

セッティング: マスター・ボリューム — 最小
 スピーカー接続 — 無し
 トップカバー — 無し

Channel	Alignment Point	Measurement Point
Front L	VR41	CN41
Center	VR61	CN61
Front R	VR51	CN51
Surround L	VR42	CN42
Surround R	VR52	CN52
Surround Back L	VR62	CN62
Surround Back R	VR71	CN71

Time Table of Idling Current Rise

After Turning ON	Ambient temperature 20 to 30 degrees centigrade
	Measurement Voltage
10 min.	2.4 mV ± 0.3 mV
20 min.	2.4 mV ± 0.3 mV
30 min.	2.4 mV ± 0.3 mV

4. SERVICE MODE

MAIN CPU Version, DSP Version, HDMI CPU Version and Segment Check Mode

1. Connect the mains cord into the unit.
2. Press the **POWER ON/STANDBY** button for turn on the unit.
3. Press the **PURE DIRECT, 7.1CH INPUT** and **MultEQ** buttons simultaneously more than 3 seconds.
4. The FL display shows "SERVICE MODE" for 2 seconds then shows the model name.

S	E	R	V	I	C	E		M	O	D	E	
---	---	---	---	---	---	---	--	---	---	---	---	--

			S	R	6	0	0	1				
--	--	--	---	---	---	---	---	---	--	--	--	--

5. Press the **ENTER** button, the software version of the MAIN CPU (IC17) is displayed in the format below.

V	0	6	1	2	2	5		1	U			

Year
Month
Date
Release No.
Destination

6. Press the **ENTER** button again, the serial Number of the unit is displayed.

M	Z		2	9	4	9	6	7	2	9	5	
---	---	--	---	---	---	---	---	---	---	---	---	--

7. Press the **ENTER** button, the software version of the TI DSP (IC34) is displayed in the format below.

T	I		V	0	3	8	6	0	6	1	2	1

Year
Month
Date
Release No.

8. Press the **ENTER** button, the software version of the HDMI CPU (IC90) is displayed in the format below.

H	D	M	I		V	e	r	.	h	4	9
---	---	---	---	--	---	---	---	---	---	---	---

9. Press the **ENTER** button again, the left half, right half and center of the label area in the FLD light on and off each other.
10. Press the **ENTER** button again, the segments of the character area in the FLD flick in checker pattern.
11. Press the **ENTER** button again, all the FL segments turns off.
12. Press the **ENTER** button again to quit this mode.

4. SERVICE MODE

MAIN CPU Version, DSP Version, HDMI CPU Version and Segment Check Mode

1. 本機に電源コードを接続します。
2. **POWER ON/STANDBY**ボタンを押し、本機の電源を入れます。
3. **PURE DIRECT, 7.1CH INPUT, MultEQ**の3つのボタンを同時に3秒以上押します。
4. FLに"SERVICE MODE"と2秒表示し、次にモデル名を表示します。

S	E	R	V	I	C	E		M	O	D	E	
---	---	---	---	---	---	---	--	---	---	---	---	--

			S	R	6	0	0	1				
--	--	--	---	---	---	---	---	---	--	--	--	--

5. **ENTER**ボタンを押すと、MAINマイコン(IC17)のバージョンが表示されます。

V	0	6	1	2	2	5		1	U			

Year
Month
Date
リリース No.
仕向け

6. 更に**ENTER**ボタンを押すと、シリアルナンバーが表示されます。

M	Z		2	9	4	9	6	7	2	9	5	
---	---	--	---	---	---	---	---	---	---	---	---	--

7. 更に**ENTER**ボタンを押すと、TI DSP (IC34)のバージョンが表示されます。

T	I		V	0	3	8	6	0	6	1	2	1

Year
Month
Date
リリース No.

8. 更に**ENTER**ボタンを押すと、HDMI CPUのバージョンが表示されます。

H	D	M	I		V	e	r	.	h	4	9
---	---	---	---	--	---	---	---	---	---	---	---

9. 更に**ENTER**ボタンを押すと、FLのラベル部分の左半分と右半分および中心部が交互に点灯と消灯を繰り返します。
10. 更に**ENTER**ボタンを押すと、FLのキャラクタセグメント部がチェッカーフラグのように点灯と消灯を繰り返します。
11. 更に**ENTER**ボタンを押すと、FLは全消灯します。
12. 更に**ENTER**ボタンを押すと、サービスモードを終了します。

5. SYSTEM ERROR

1. Trouble in EEP-ROM (DSP PWB / IC15) Interface

C	H	E	C	K		E	2	P		I	F	
---	---	---	---	---	--	---	---	---	--	---	---	--

- If the communication error that ACK did not return by communication with EEP-ROM (DSP PWB / IC15) occurred 2 seconds and more.

CHECKPOINT

1. Turn the power on. Are the IIC Clock Line (IC17/130pin - IC15 / 6pin) normal?
2. Are the IIC Data Line (IC17/131pin - IC15 / 5pin) normal?
3. Is +3.3V voltage supplied to 8pin of IC15?
4. When no problem to the above 1-3, replace IC15.

2. Trouble in +5V Supply

C	H	E	C	K		P	O	W	5			
---	---	---	---	---	--	---	---	---	---	--	--	--

- If +5V inputted into 68pin of IC17 is troubled and the following the fault of 1 - 4.

CHECKPOINT

1. Turn the power on. Is +5V voltage supplied to CN30/ 6pin and CN30/7pin of DSP PWB.
2. Is the signal of IC17 H? 29pin (P_AMP_FAIL)= H. (When 2 second or more "L" state is continuing to 29pin, Abnormalities have occurred in the POWER AMP circuit.)
3. Is the signal of IC17 H? 66pin (P_LINE_FAIL)= H. (When the 2 second and more "L" state is continuing to 66pin, Abnormalities have occurred to +/-15V power supply or the power supply for Power Amp.)
4. Is the signal of IC17 H? 77pin (P_DOWN)= H. (When 2 second and more "L" state is continuing to 77pin, Abnormalities have occurred in IC74 and around IC77 circuit of STANDBY PWB.)

3. Trouble in Protection

P	R	O	T	E	C	T						
---	---	---	---	---	---	---	--	--	--	--	--	--

- When unusual states, such as overload of Power Amp and DC output, are detected.

The unusual detection method is the following.

1. When "L" of 100msec and more is detected by 29pin (P_AMP_FAIL) of IC17, Speaker Relay becomes OFF state promptly, And after 100msec, the MCU will be in standby mode and STANDBY LED will blink.

5. SYSTEM ERROR

1. EEP-ROM (DSP PWB / IC15) Interface異常検出表示

- EEP-ROM (DSP PWB / IC15)との通信でACKが帰ってこない状態（通信エラー）が約2秒以上生じた時に表示されます。

回路上の確認箇所

- ①. Power ON時にIIC Clock Line (IC17/130pin - IC15 / 6pin)が正常なのを確認する。
- ②. Power ON時にIIC Data Line (IC17/131pin - IC15 / 5pin)が正常なのを確認する。
- ③. IC15 / 8pinにVCC (+3.3V)が供給されていることを確認する。
- ④. 上記の①-③に不具合が生じていない場合はIC15の不良が考えられます。

2. +5V Supply異常検出表示

- 電源ON時に68pinに入力される+5Vの検出が出来なかった場合に表示されます。又、下記の②~④の不具合発生時にも同様の表示を行います。

回路上の確認箇所

- ①. 電源ON時にCN30 (DSP PWB) 6,7pinに+5Vが供給されていることを確認する。
- ②. 電源ON時にマイコンの29pin (P_AMP_FAIL)が"H"になっていることを確認する。（29pinが電源ONしてから2秒以上"L"状態が継続している場合はPOWER AMP回路に異常が発生している）
- ③. 電源ON時にマイコンの66pin (P_LINE_FAIL)が"H"になっていることを確認する。（66pinが電源ONしてから2秒以上"L"状態が継続している場合は+/-15V電源又は、Power Amp用の電源に異常が発生している）
- ④. 電源ON時にマイコンの77pin (P_DOWN)が "H"になっていることを確認する。（77pinが電源ONしても"L"状態が継続している場合はSTANDBY PWB上のIC74及び周辺回路に異常が発生している）

3. PROTECTION検出表示

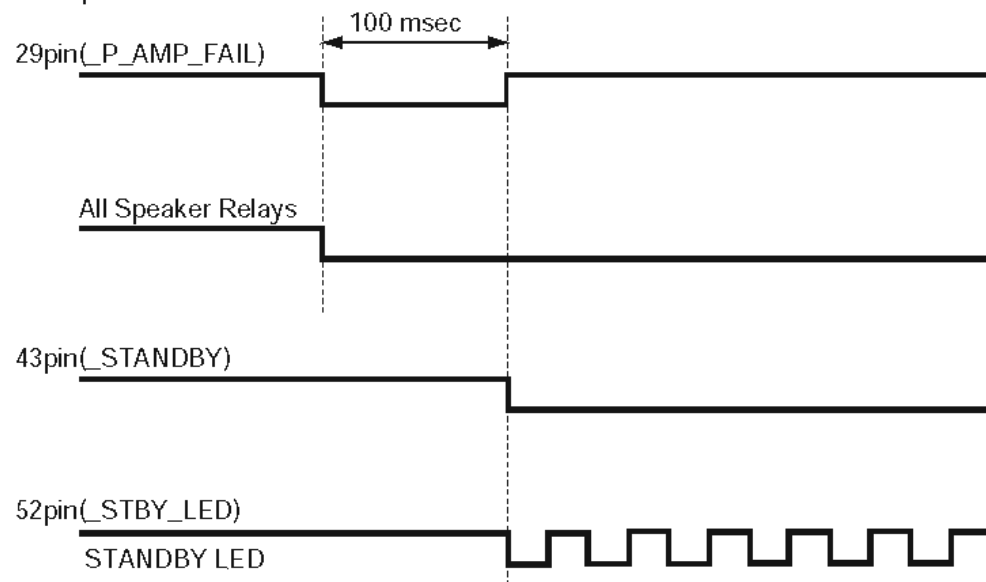
- Power Ampの過負荷、DC出力等の異常状態が検出された際に表示されます。

また、異常検出は以下の様に行われます。

- ①. マイコンの29pin (P_AMP_FAIL)に"L"検出がされた時Speaker RelayをOFFにし、100msec以上の場合はSETをSTANDBY状態にしてFront Panel上のSTANDBY LEDを点滅状態にします。

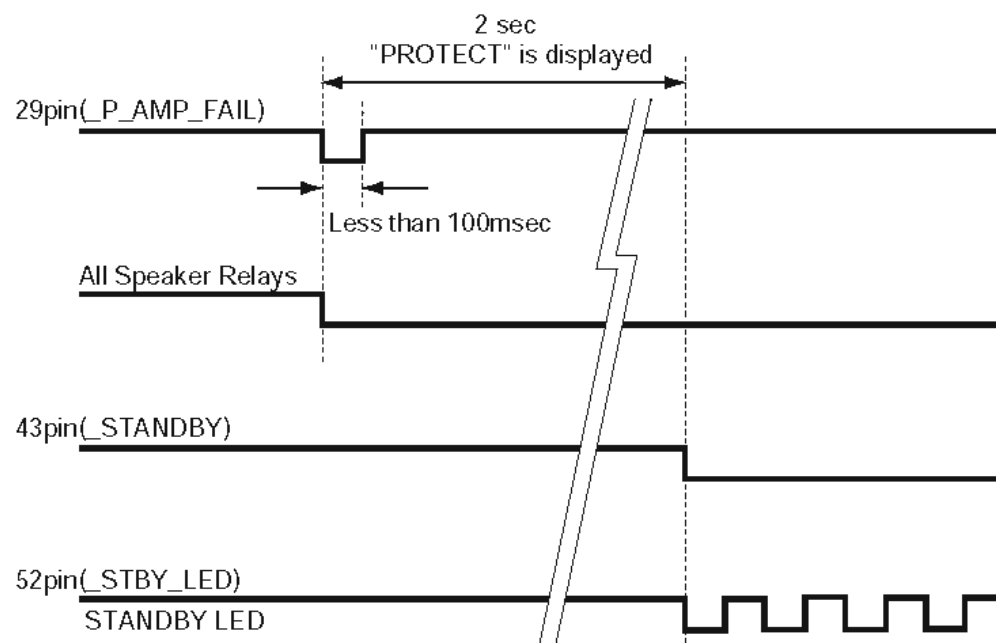
Recover from this standby mode by only MAINS POWER OFF and ON operation.

点検確認をしてください。



2. When "L" of less than 100msec is detected by 29pin (_P_AMP_FAIL) of IC17, Speaker Relay becomes OFF state promptly ("PROTECT" is displayed), After 2 seconds, the MCU will be in standby mode and STANDBY LED will blink. Recover from this standby mode by only MAINS POWER OFF and ON operation.

②. マイコンの29pin (_P_AMP_FAIL)に"L"検出がされた時Speaker RelayをOFFにし、100msec未満の場合は、2秒間FL Displayに "PROTECT"の表示を行う。その後SETはSTANDBY状態にしてFront Panel上のSTANDBY LEDを点滅状態にします。点検確認をし、異常が無い時は再度電源をONにしてください。



CHECKPOINT

1. Check AMP PWB.
2. When AMP does not have a problem, it is confirmed whether there is not abnormality by disconnection of pattern of 29pin (_P_AMP_FAIL) and the detect circuit.

回路上の確認箇所

- ①. Power Ampに不具合が生じている場合は修理を行う。
- ②. Power Ampに不具合が無い場合は、29pin (_P_AMP_FAIL)のパターンの断線及び検出回路に異常が無いか確認する。

4. Trouble in Other

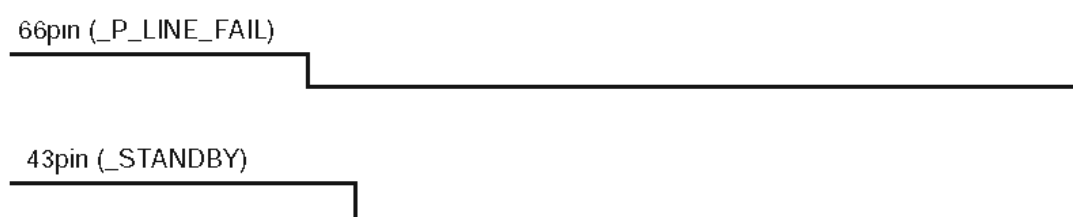
(The contents of detection are not indicated to FL.)

- When the abnormalities of ±15V power supply and the ±power supply for Power Amp are detected, the unit will be in standby mode. The detection is performed by 66pin (_P_LINE_FAIL).

4. その他の異常検出

(FLにCaution表示はしません)

- ±15V電源及び、Power Amp用の±電源の異常を検出した場合、SETをSTANDBYにします。検出は66pin (_P_LINE_FAIL)で行われます。



CHECKPOINT

1. Check Power supply circuit.
2. When Power supply circuit does not have a problem, it is confirmed whether there is not abnormality by disconnection of pattern of 66pin (_P_LINE_FAIL) and the detect circuit.

回路上の確認箇所

- ①. 上記の電源回路に不具合が生じている場合は修理を行う。
- ②. 電源回路に不具合が無い場合は、66pin (_P_LINE_FAIL)のパターンの断線及び検出回路に異常が無いか確認する。

6. UPDATE FIRMWARE

[A] SOFTWARE (fdtv306r00.exe) DOWNLOADS AND INSTALLS PROCEDURE

[A-1] DOWNLOADS OF THE SOFTWARE

(Flash Development Toolkit: the rest is FDT)

Download the software for update of the HDMI CPU.

1. Launch the browser.
2. Type the "http://www.renesas.com/" into an address. And click the **Go** or press the **Enter** on keyboard of PC.

NOTE : This site is managed by RENESAS. The following explanation may differ from the actual composition. When different, please proceed along with the site composition of RENESAS.

3. Click the **GLOBAL SITE**.

6. UPDATE FIRMWARE

[A] SOFTWARE (fdtv306r00.exe) DOWNLOADS AND INSTALLS PROCEDURE

[A-1] DOWNLOADS OF THE SOFTWARE

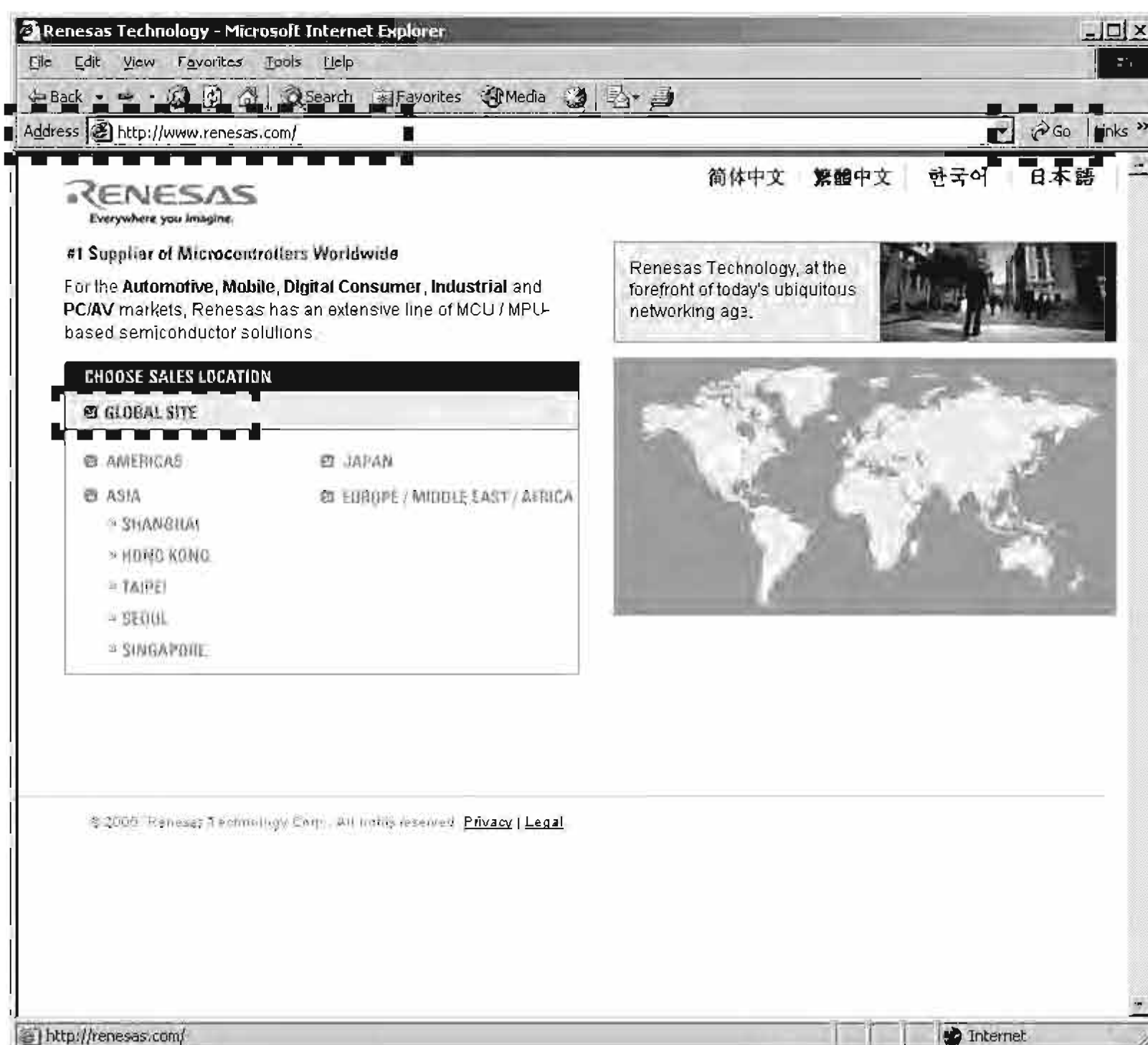
(Flash Development Toolkit: 以下 FDT)

HDMIマイコンの書き込みのためのソフトウェア(FDT)をダウンロードします。

1. ブラウザ(インターネットエクスプローラーなど)を立ち上げます。
2. ブラウザのアドレスに"http://www.renesas.com/"を入力し、**移動**、またはキーボードの**Enter**を押します。

注意：このサイトはRENESASが管理しているため、以下の説明が実際のサイト構成と異なっている場合があります。その場合は実際のRENESASのサイト構成に沿って進めてください。

3. **GLOBAL SITE**をクリックします。



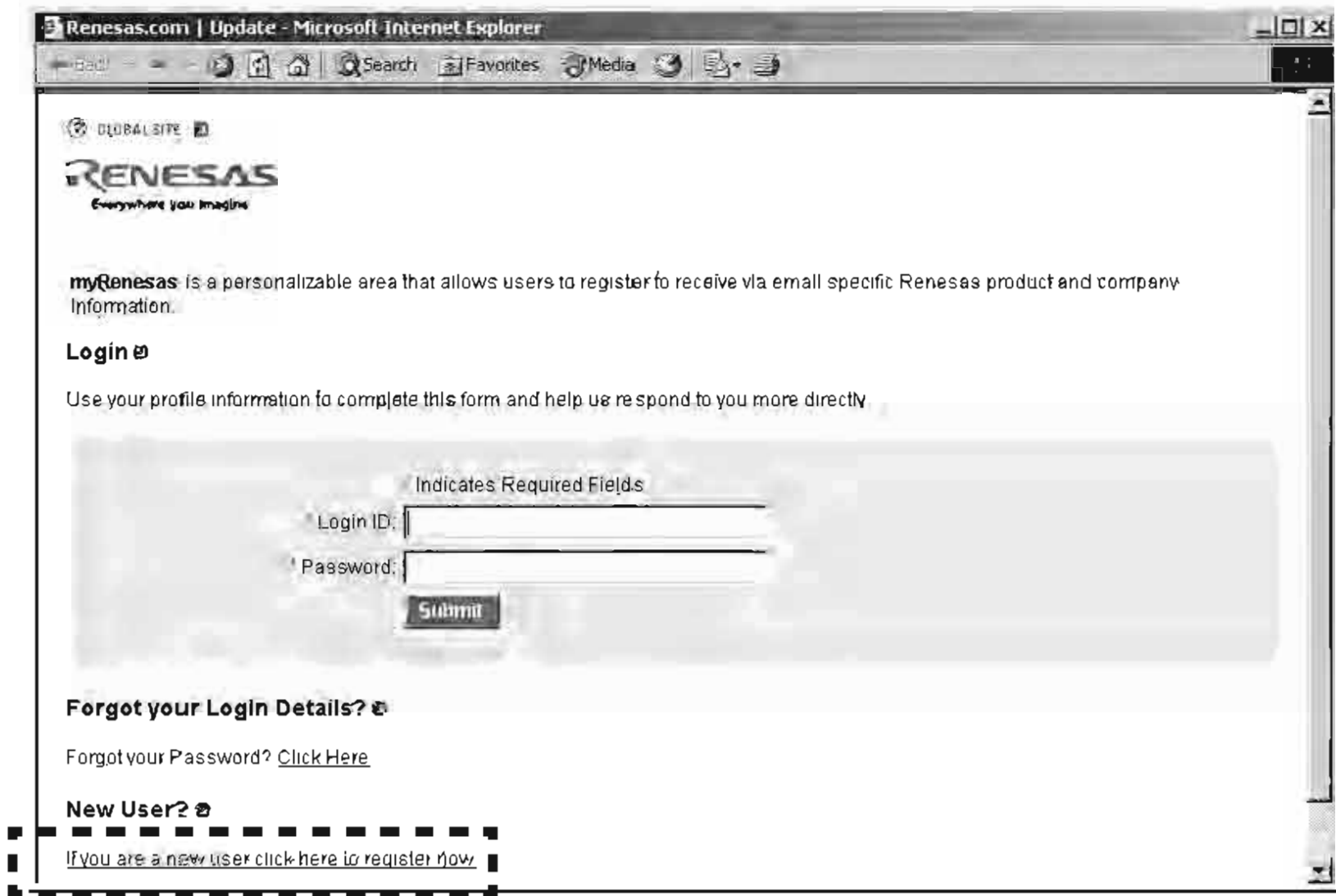
4. A login ID is necessary to download the FDT.
 If you have Login ID, please advance to step 15.
 If you do not have Login ID, Click the **MY RENESAS**.

4. FDTのダウンロードにはLogin IDが必要になります。
 既にLogin IDを持っている方は手順の15へ進んでください。
 Login IDを持っていない方は**MY RENESAS**をクリックします。



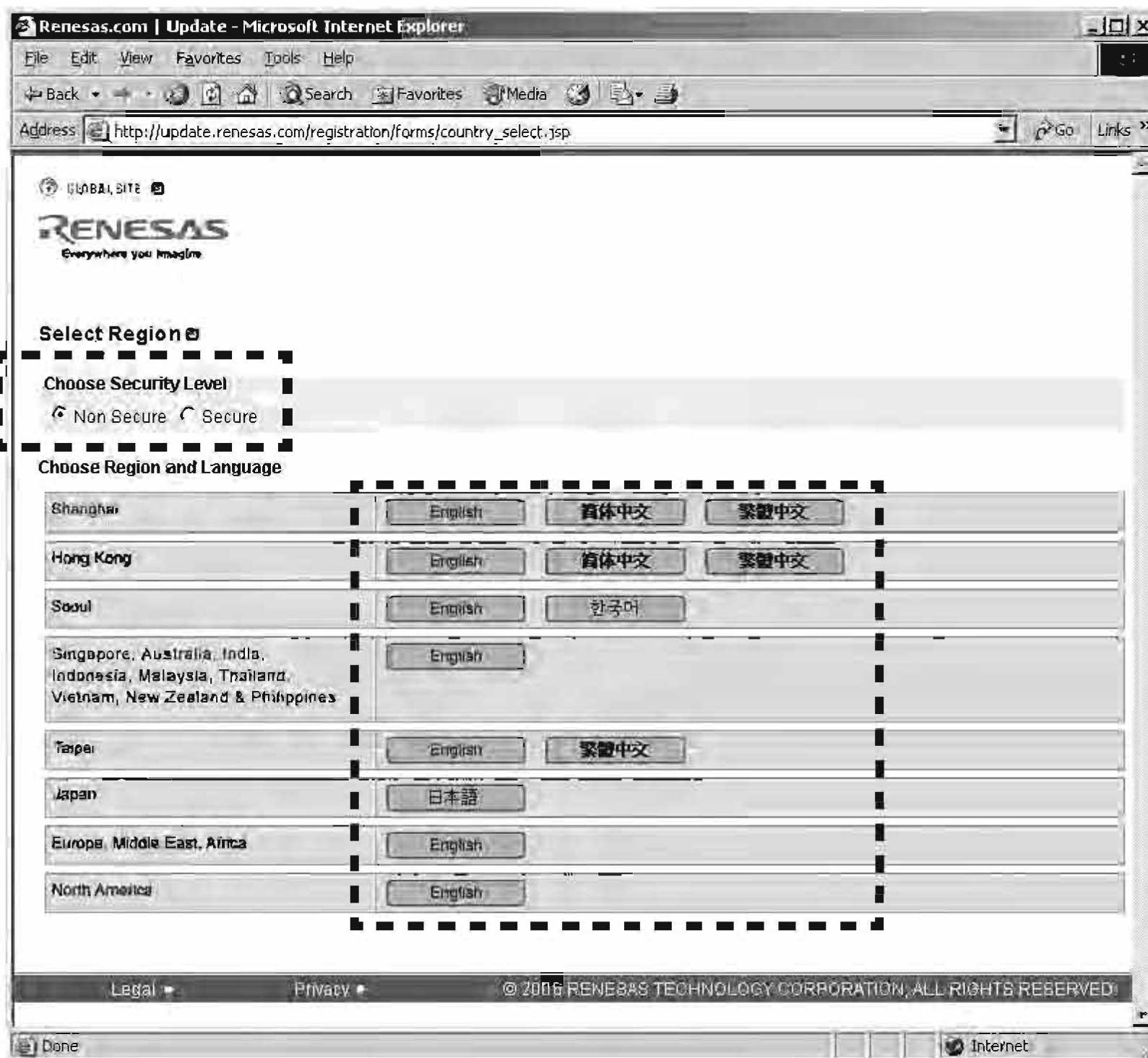
5. Click the If you are a new user click here to register now.

5. If you are a new user click here to register nowをクリックします。



6. Choose **Non Secure** or **Secure** in Security Level at your network environment.
Choose **English** or **another one** in Region and Language.

6. PCのネットワーク環境により**Choose Security Level**から **Non Secure**、または**Secure**を選んでください。
Choose Region and Languageから日本語をクリックします。



7. Input the each item.

NOTE : The items displayed by a language and region are different.

7. 各項目を記入します。

注意：下記説明は英語ですが、日本語を選んだ場合日本語で表示されます。

The screenshot shows a web browser window titled "Renesas.com | Update - Microsoft Internet Explorer". The address bar displays the URL: `http://update.renesas.com/registration/forms/register0.do?action=register0&language=en®ion=na`. The page content includes the Renesas logo with the tagline "Everywhere You Imagine". Below the logo, the heading "Account Registration" is followed by the instruction: "To register for Renesas.com, please provide the following information". A legend indicates that an asterisk (*) denotes required fields. The registration form consists of the following fields:

- Title: A dropdown menu with "Mr." selected.
- Given Name / First Name: A text input field.
- Family Name / Last Name: A text input field.
- Email Address: A text input field.
- Company Name: A text input field.
- Job Title: A text input field.
- Address 1: A text input field.
- Address 2: A text input field.
- City: A text input field.
- State: A text input field.
- Country / Region: A dropdown menu with "Select Country/Region" selected.
- Postal Code: A text input field.
- Phone Number: A text input field.
- Select Login ID: A text input field.

The browser's status bar at the bottom shows "Done" and "Internet".

8. If you have inputted the necessary items, check the **I Agree**, and click the **Submit**.

8. 必須項目を入力したならば、**同意します**にチェックを入れ、送信をクリックします。

City:

State:

Country / Region:

Postal Code:

Phone Number:

Select Login ID:

Select Password:

Password (confirm):

Password Hint:

Answer:

Do not supply my information to authorized distributors.


Renesas may use the e-mail address I have provided above to send me marketing promotions and news updates.

Renesas Sales can contact me.

Registration Agreement

Do you allow Renesas to process and store the information you submit in accordance with the Renesas Privacy Policy? [Click Here](#)

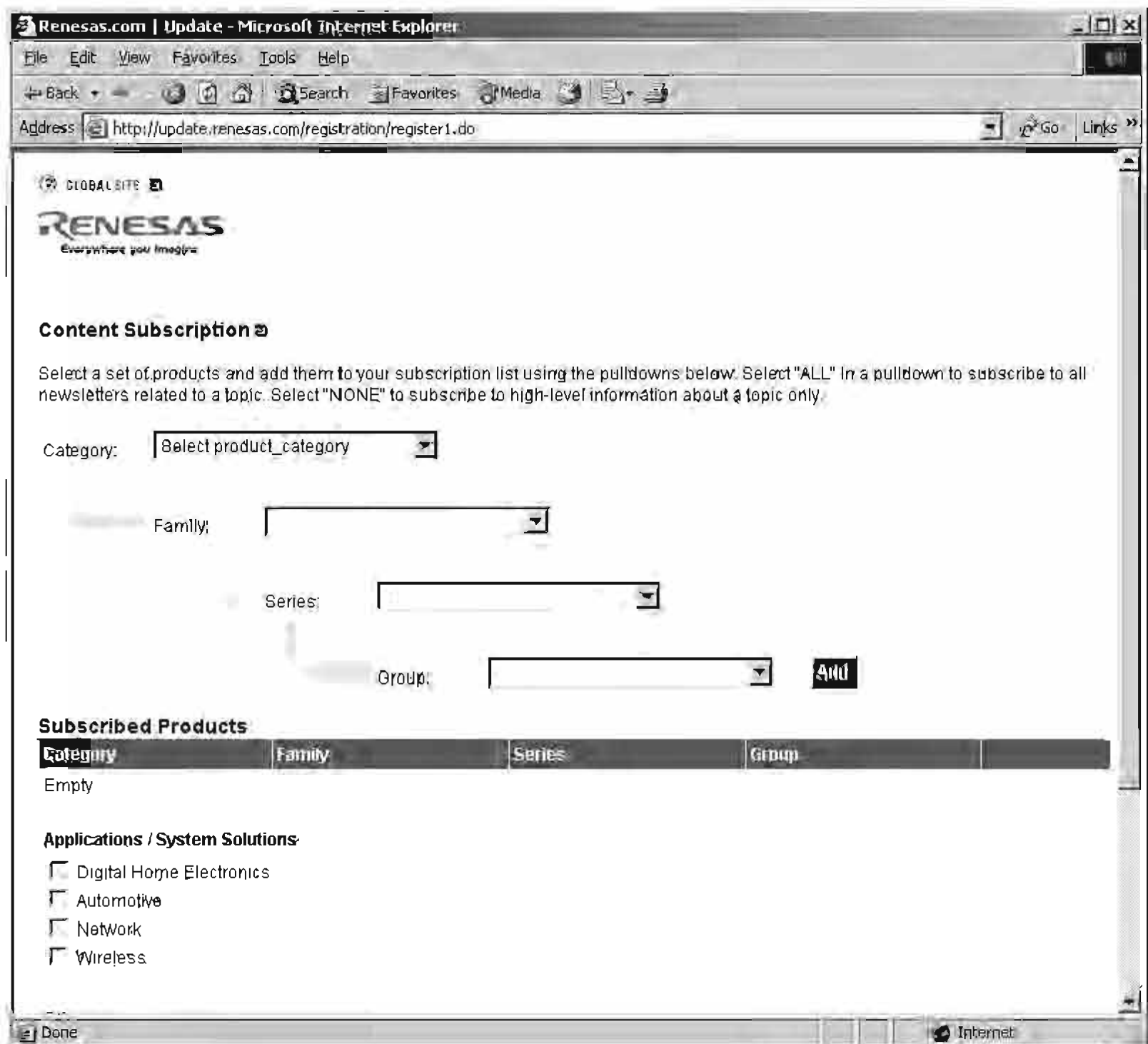
I Disagree I Agree

 site privacy statement

Legal Privacy © 2006 RENESAS TECHNOLOGY CORPORATION, ALL RIGHTS RESERVED. Done Internet

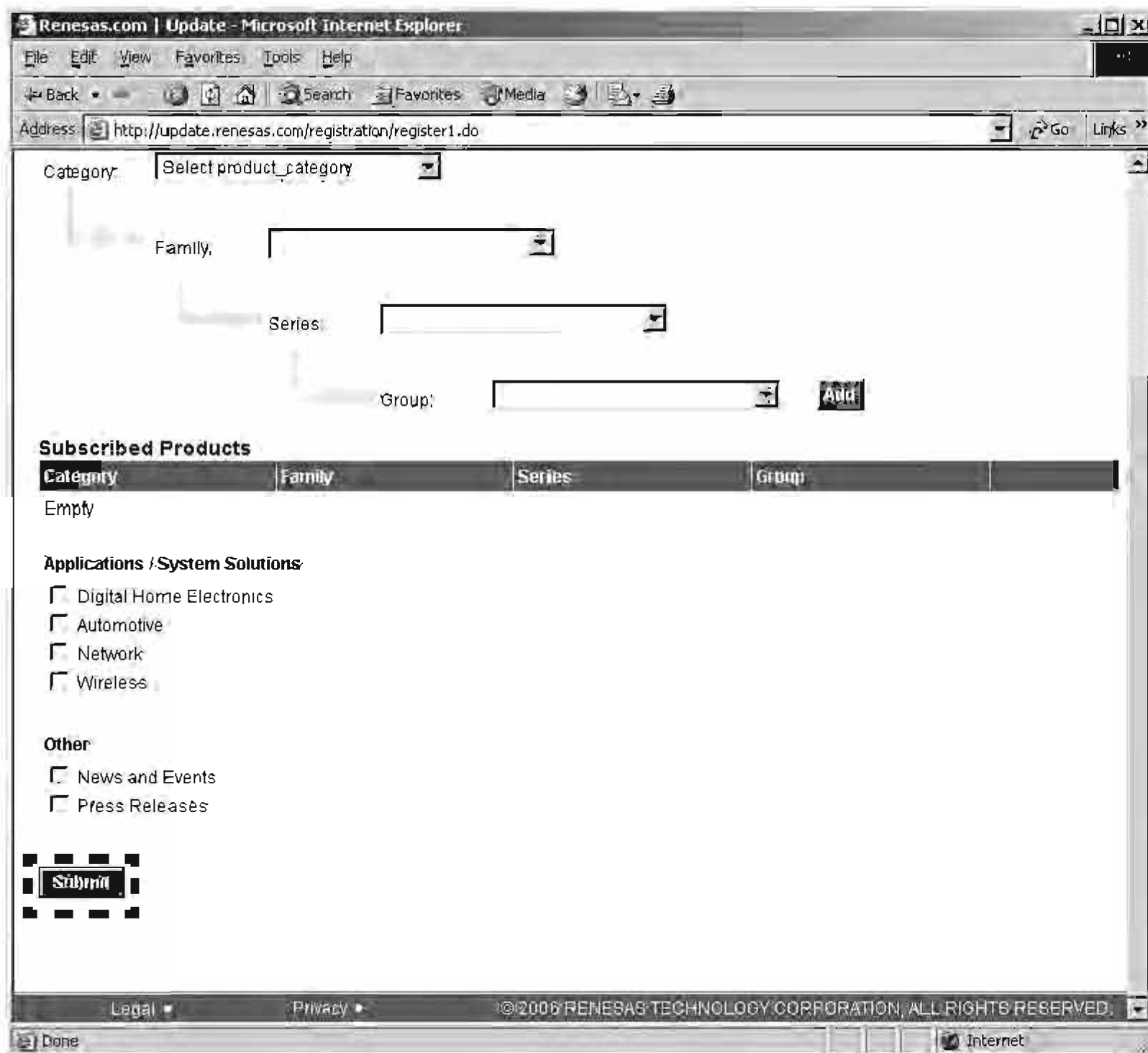
9. The input is needless in this page.
Scroll down the page.

9. このページは入力しなくても結構です。
ページをスクロールダウンします。



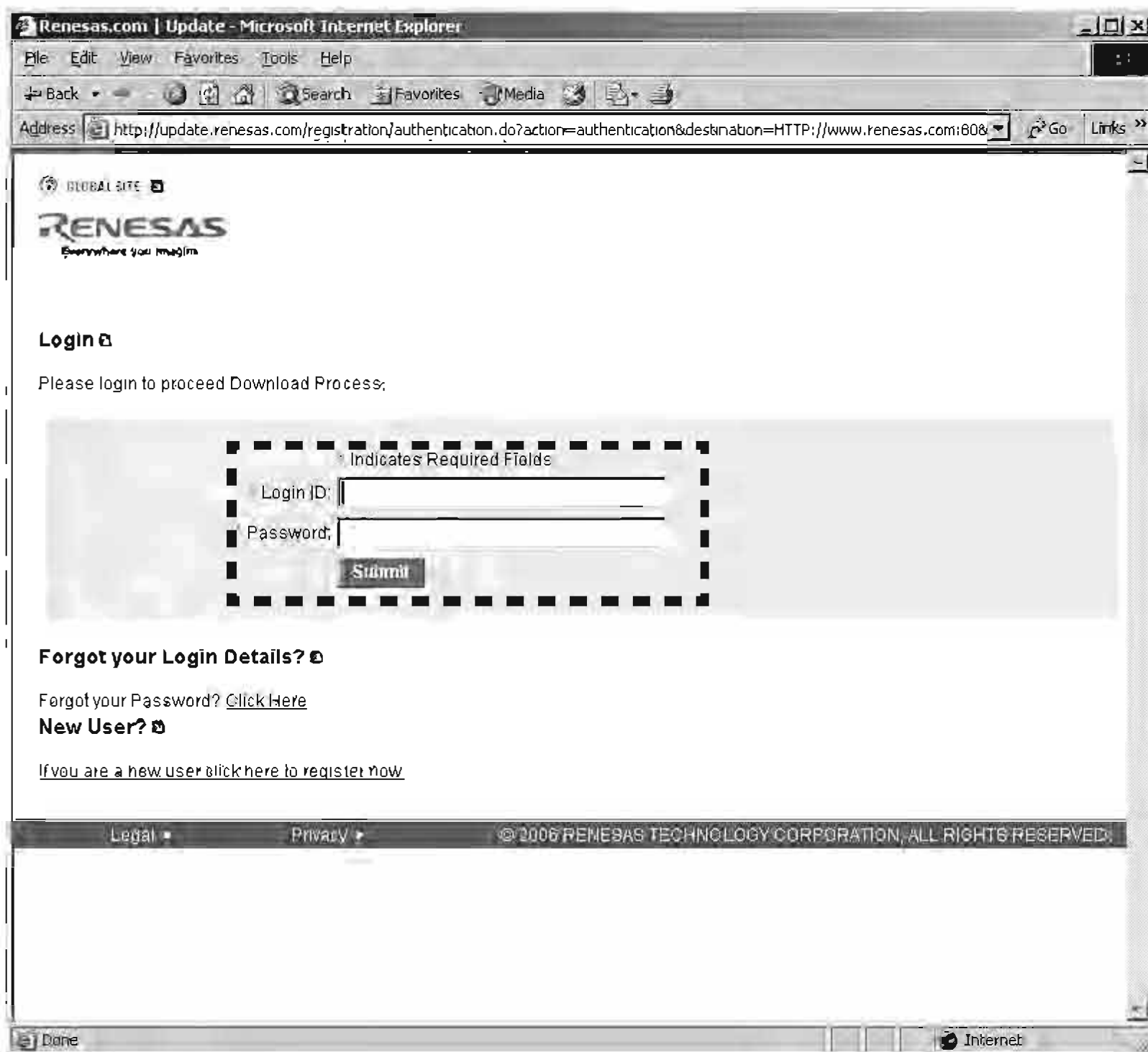
10. Click the **Submit**.

10. 送信をクリックします。



11. Immediately, an E-mail arrives from the RENESAS.
Click the link in the E-mail to go to the registration site,
and input the Login ID and Password.
And Click the **Submit**.

11. 直ちに、RENESASからE-mailが届きます。
E-mail内に有る登録サイトへのリンクをクリックします。
Login IDとPasswordを入力し**Submit**をクリックします。

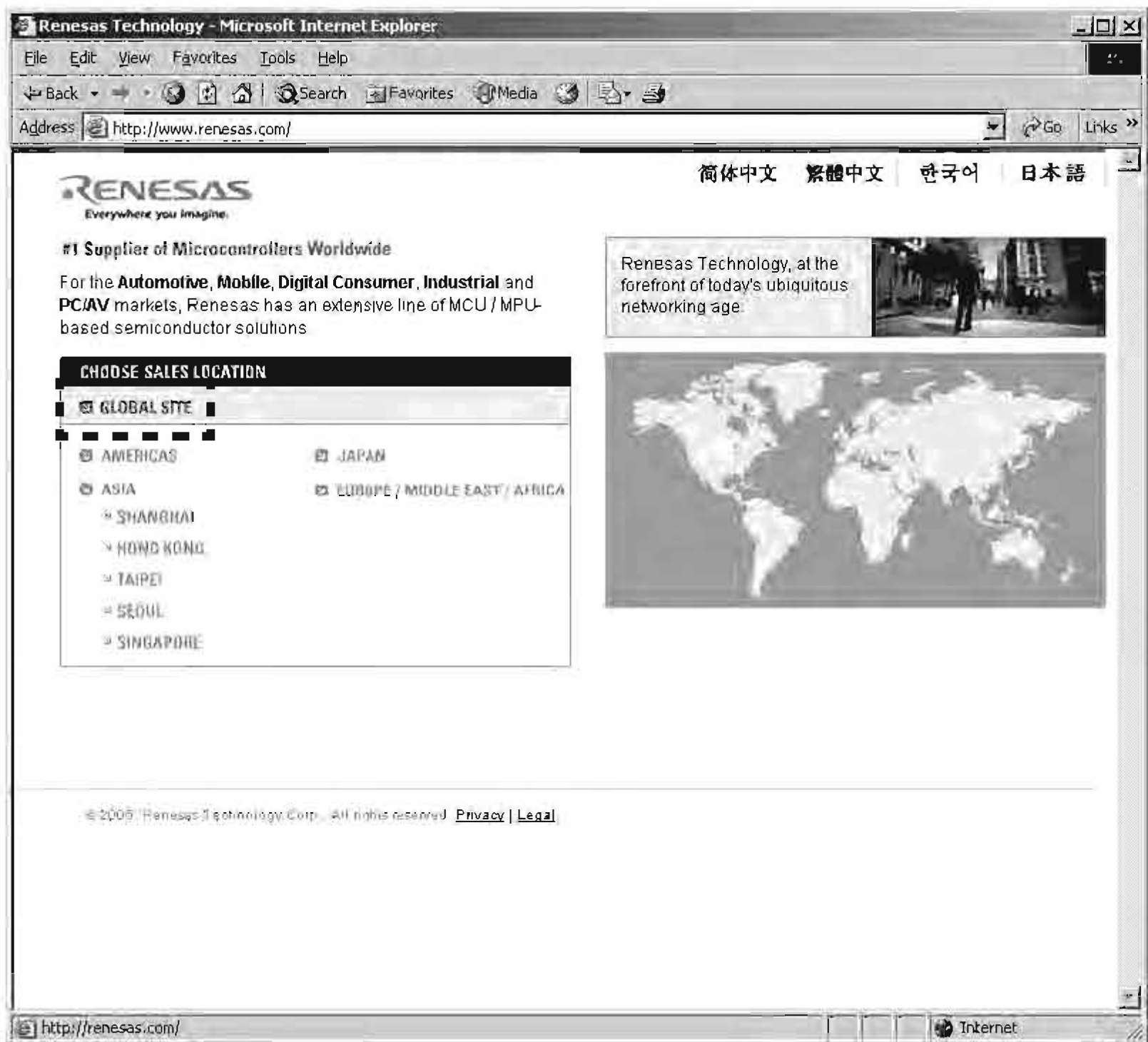


12. Registration is finished.
13. Open the RENESAS top page from registration page.

12. 登録が完了します。
13. 登録ページに有るリンクからRENESASのトップページに移動します。

14. Click the **GLOBAL SITE**.

14. **GLOBAL SITE**をクリックします。



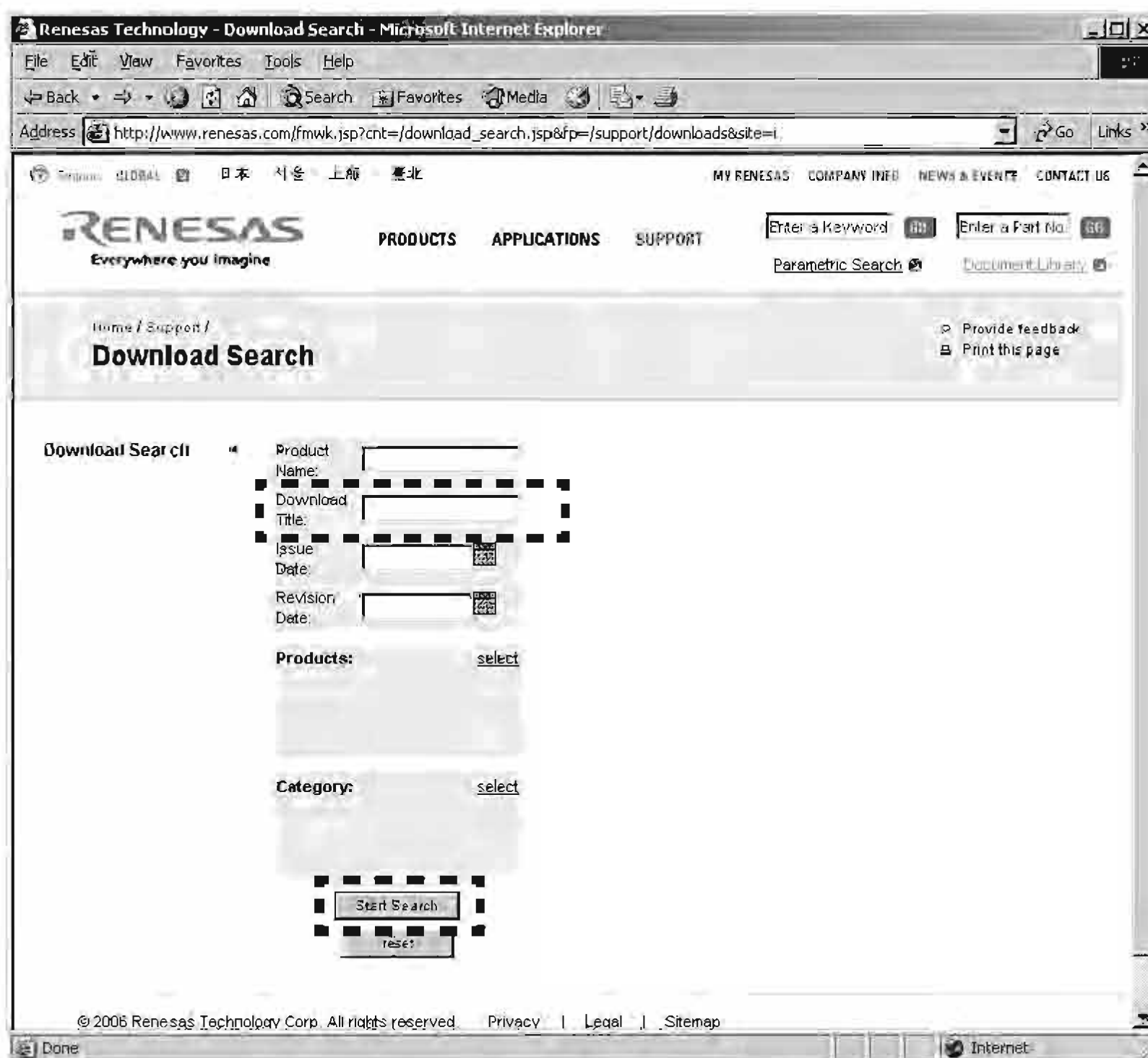
15. Click the **Downloads** in the DESIGN SUPPORT.

15. DESIGN SUPPORT内の**Downloads**をクリックします。



16. Type the "Flash Development toolkit" into the Download Title.
And click the **Start Search**.

16. Download Titleに"Flash Development toolkit"を入力します。
Start Searchをクリックします。



17. Click the **Flash Development Toolkit** of the top on the table.

NOTE : The latest edition is FDT V3.06 at present. (July, 2006) It is in FDT V3.06 as follows and explains it.

17. 検索結果の一番上の**Flash Development Toolkit**をクリックします。

注意：現時点(2006年7月)での最新バージョンはV3.06になります。以下FDT V3.06で説明します。

Download Search Results
page 1 of 1 [1] >> | <<

Product Name	Download Title	Issue Date	Comments
Flash Development Toolkit	Flash Development Toolkit V.3.06 Release 00 Evaluation Software	2006-05-22	Login ID and password are required to access this SW.
Flash Development Toolkit	Flash Development Toolkit Ver. 2.0.001	2005-11-10	
Flash Development Toolkit	Flash Development Toolkit Ver. 2.1	2005-11-10	
Flash Development Toolkit	Flash Development Toolkit Ver. 2.2	2005-11-10	
Flash Development Toolkit	Flash Development Toolkit Ver. 2.2.001	2005-11-10	
Flash Development Toolkit	Flash Development Toolkit Ver. 2.2.003	2005-11-10	
Flash Development Toolkit	Flash Development Toolkit Ver.2.2.004	2005-11-10	
Flash Development Toolkit	Flash Development Toolkit Ver 2.2.005	2005-11-10	This is the latest version for the Flash Development Toolkit Ver 2.xx Upgrading to this latest version from any version of the Flash Development Toolkit Ver2 is available
Flash Development Toolkit	Flash Development Toolkit Ver. 2.2.006	2005-11-10	The latest version is V3.06 Release 00

18. Input the Login ID and Password.
And click the **Submit**.

18. ダウンロードするためにLogin IDとPasswordを入力しま
す。
Submit.をクリックします。

GLOBAL SITE

RENEASAS
Everywhere you imagine.

Login

Please login to proceed Download Process.

Indicates Required Fields

Login ID:

Password:

Submit

Forgot your Login Details?

Forgot your Password? [Click Here](#)

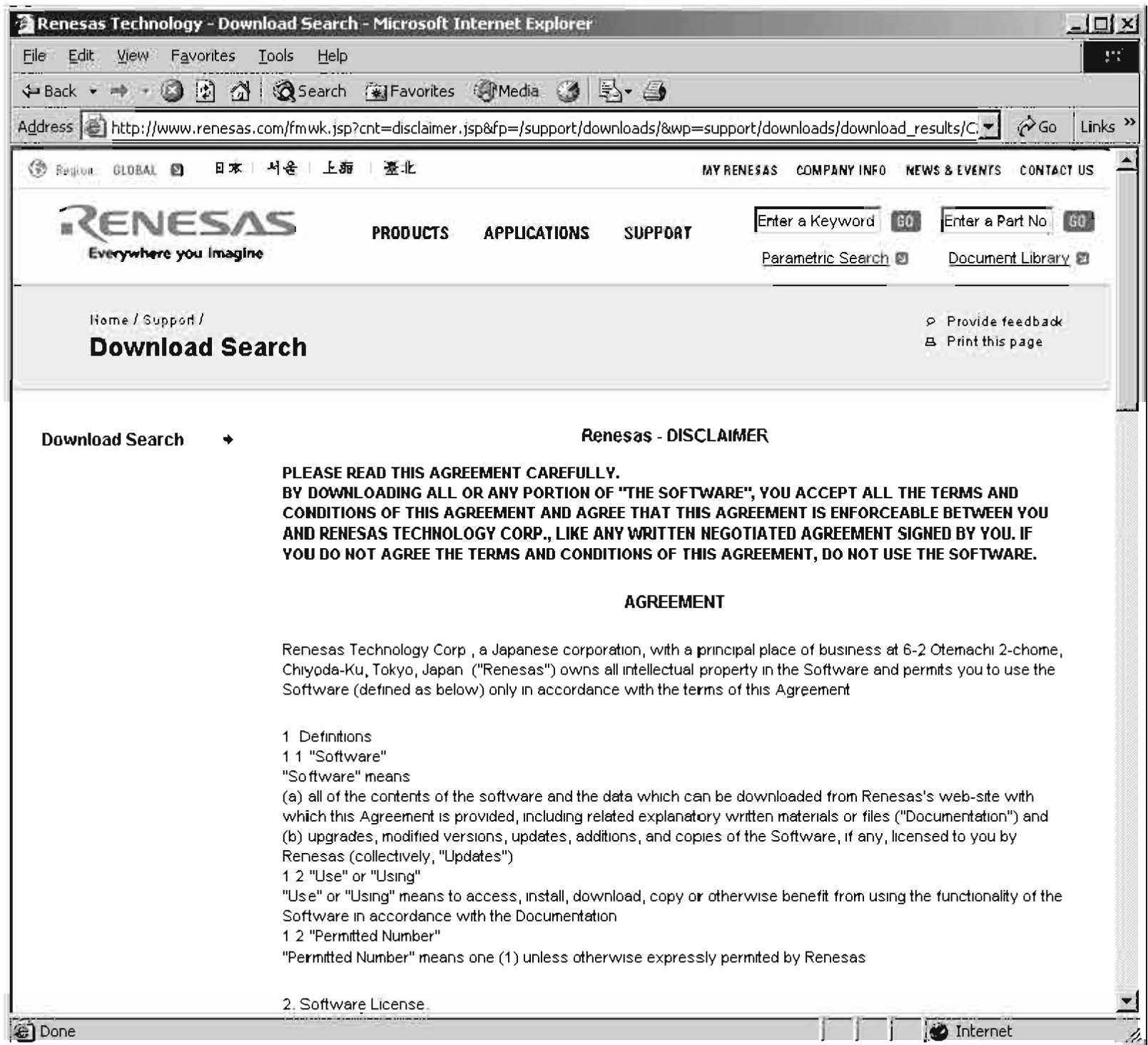
New User?

[If you are a new user click here to register now.](#)

Legal Privacy © 2006 RENESAS TECHNOLOGY CORPORATION, ALL RIGHTS RESERVED.

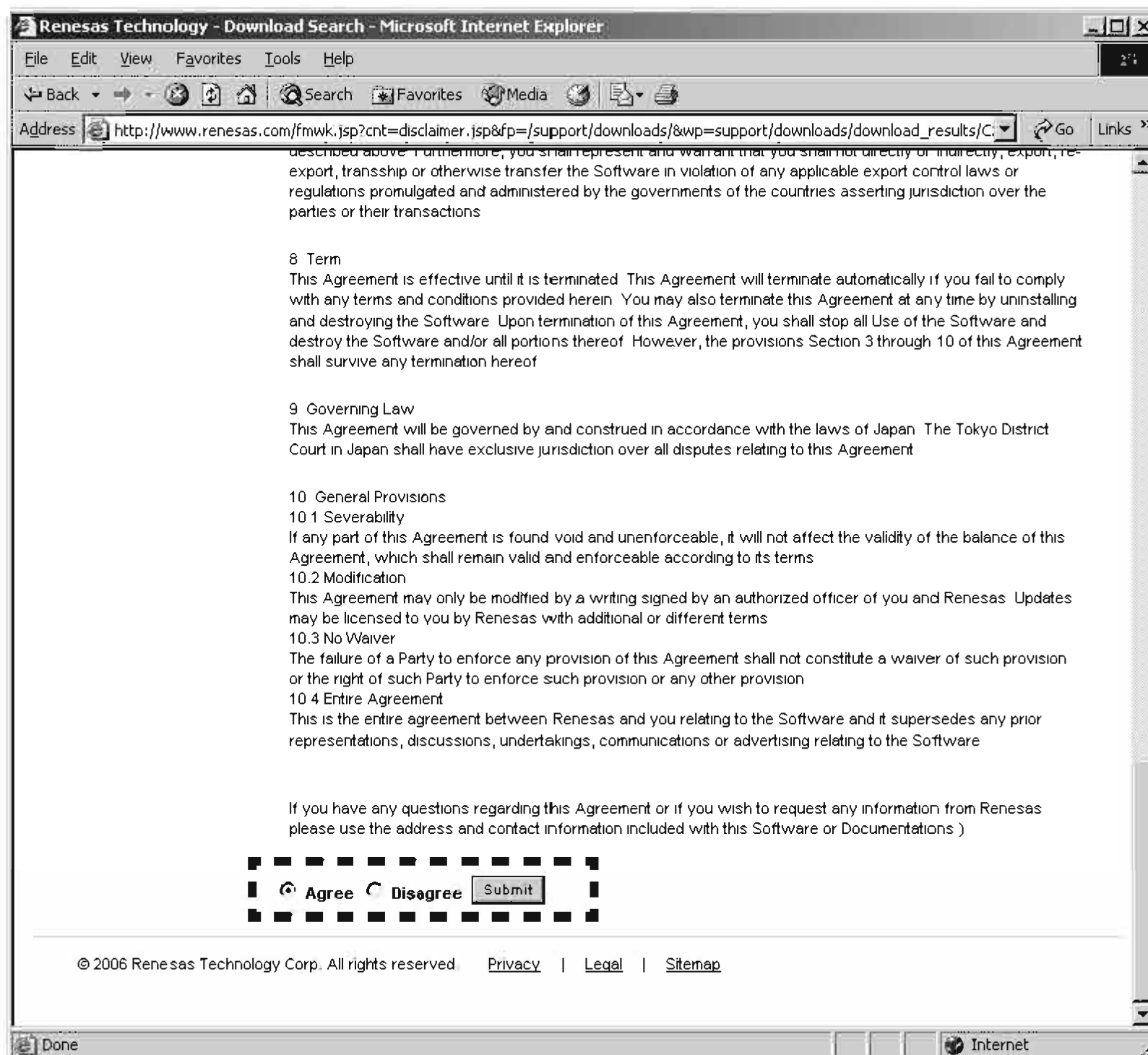
19. Scroll down the page.

19. ページをスクロールダウンします。



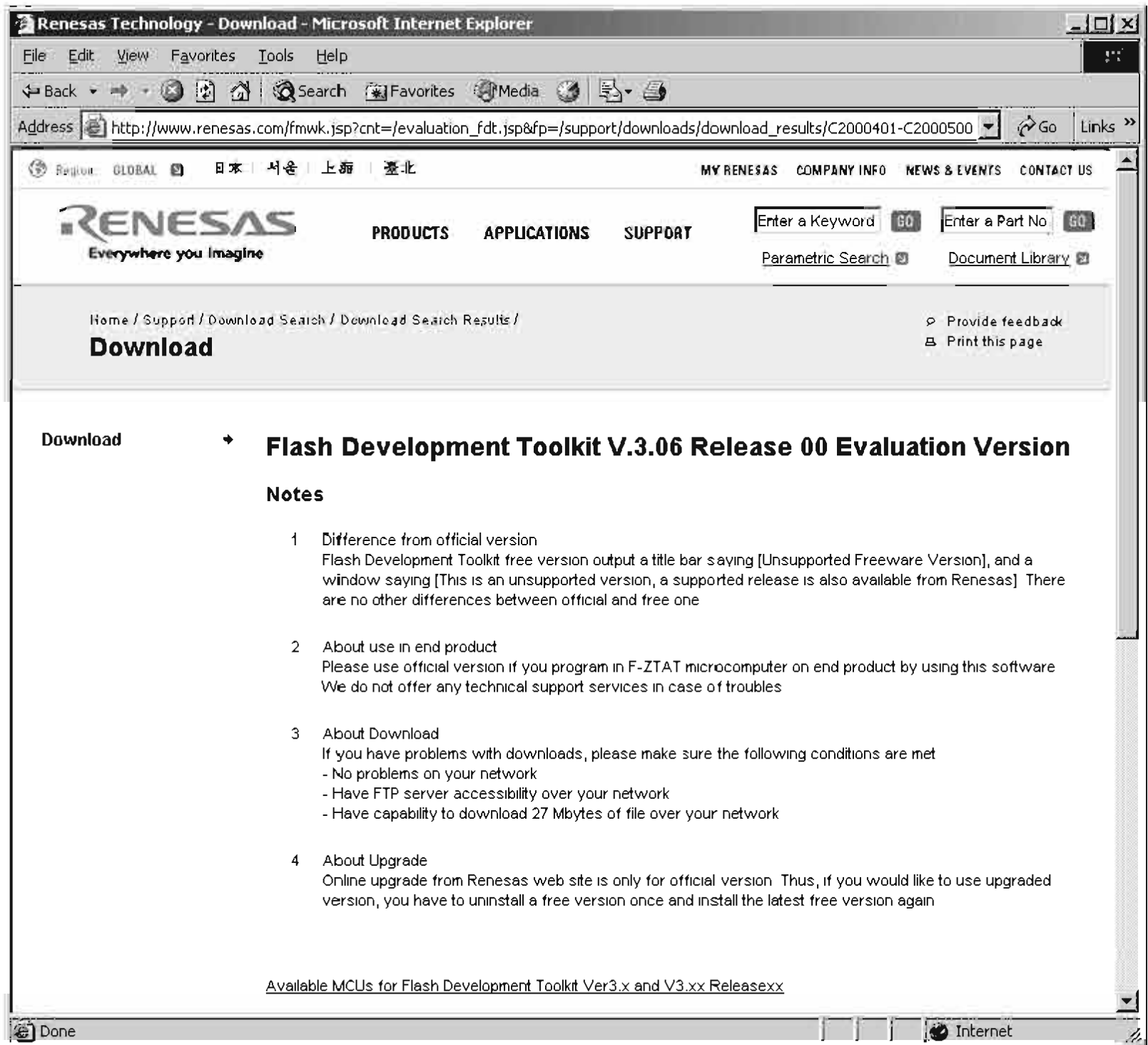
20. Check the **Agree**, and click the **Submit**.

20. **Agree**にチェックを入れ、**Submit**をクリックします。



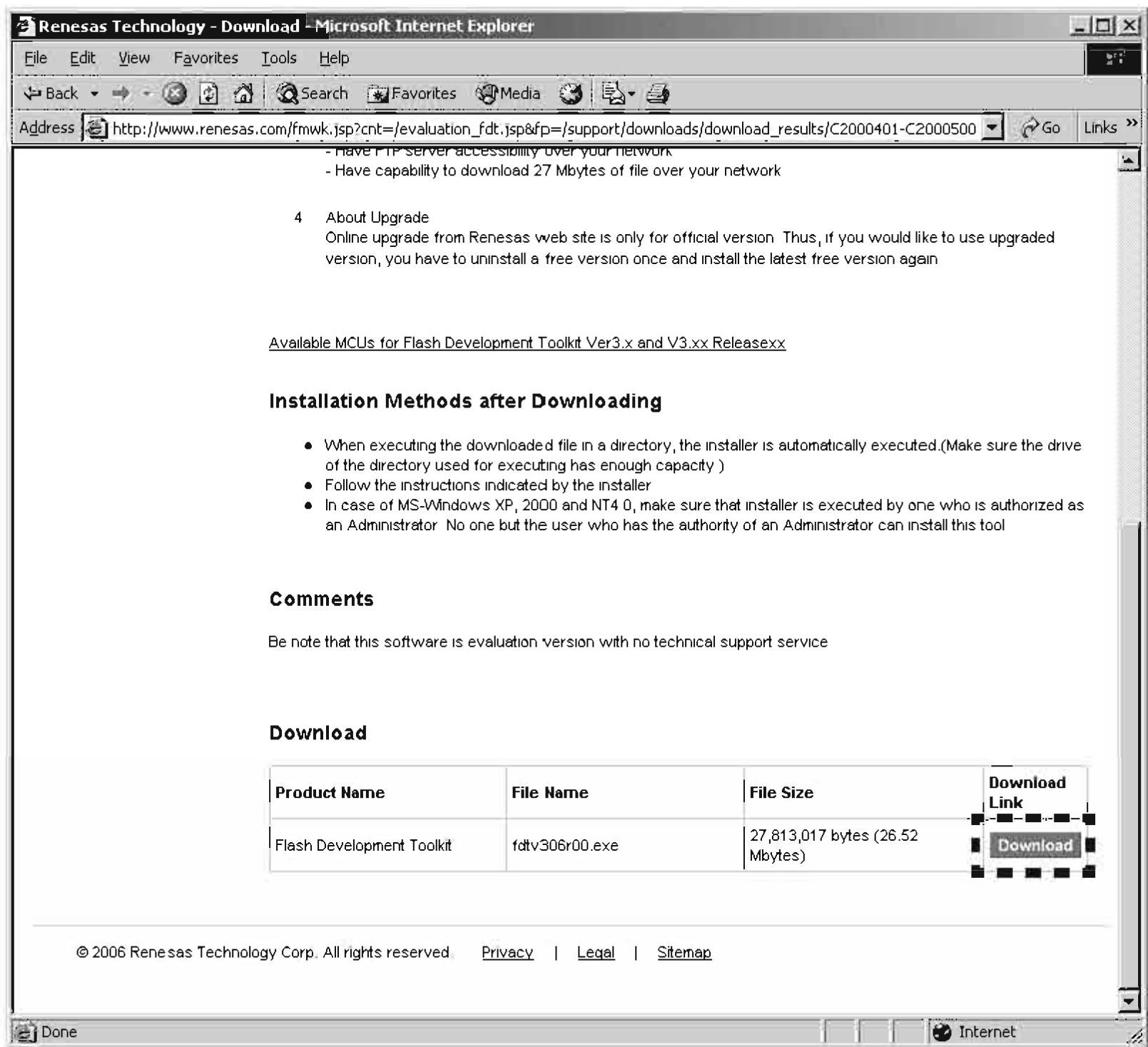
21. Scroll down the page.

21. ページをスクロールダウンします。



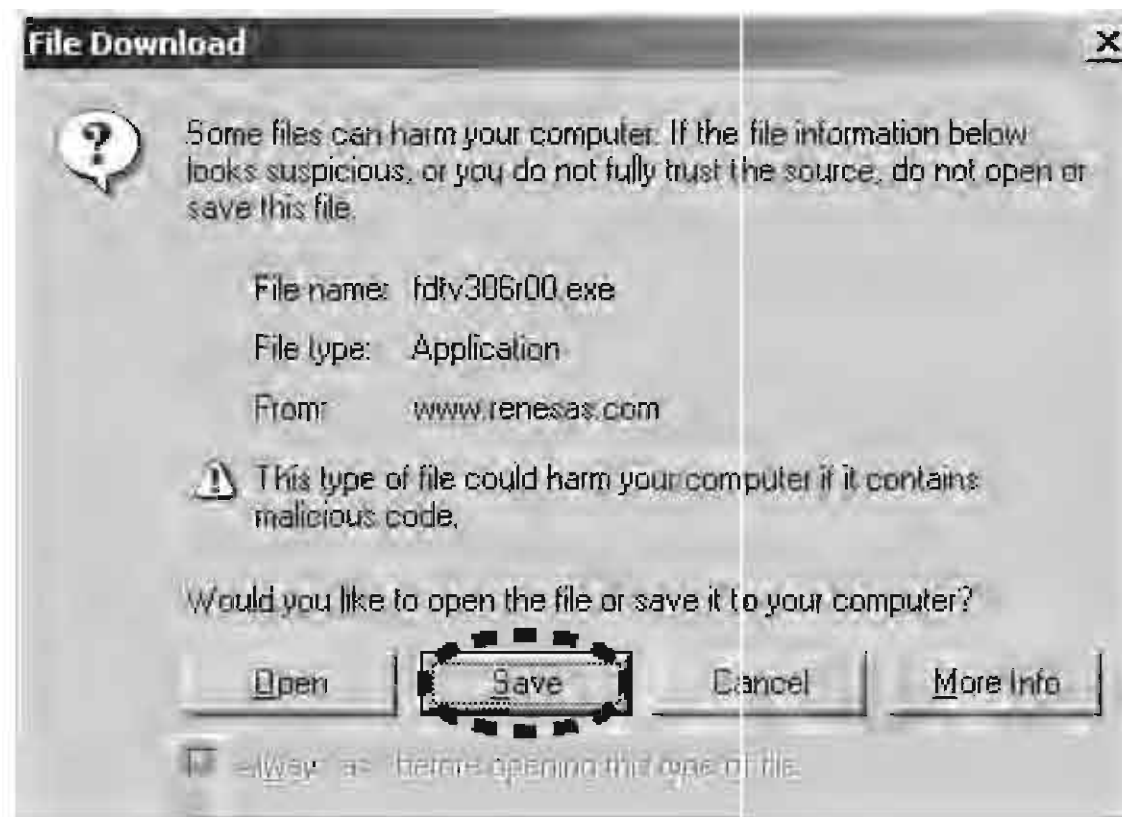
22. Click the **Download**.

22. **Download**をクリックします。



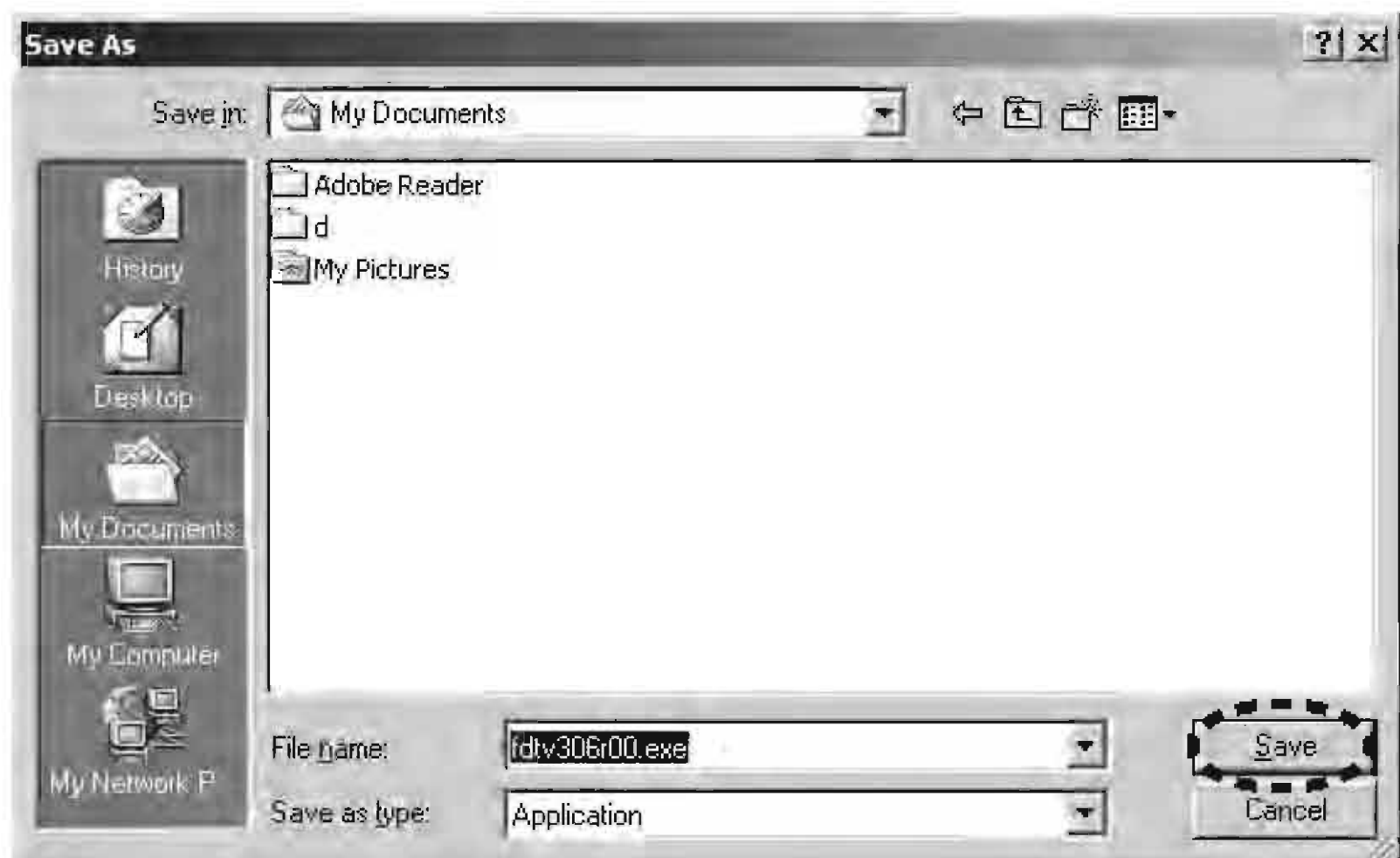
23. Click the **Save**.

23. **Save**をクリックします。



24. Save the fdtv306r00.exe on your PC's hard disc.
NOTE : A file name is change by improvement.

24. fdtv306r00.exeを任意のフォルダに保存します。
注意：ファイル名はバージョンにより変わります。

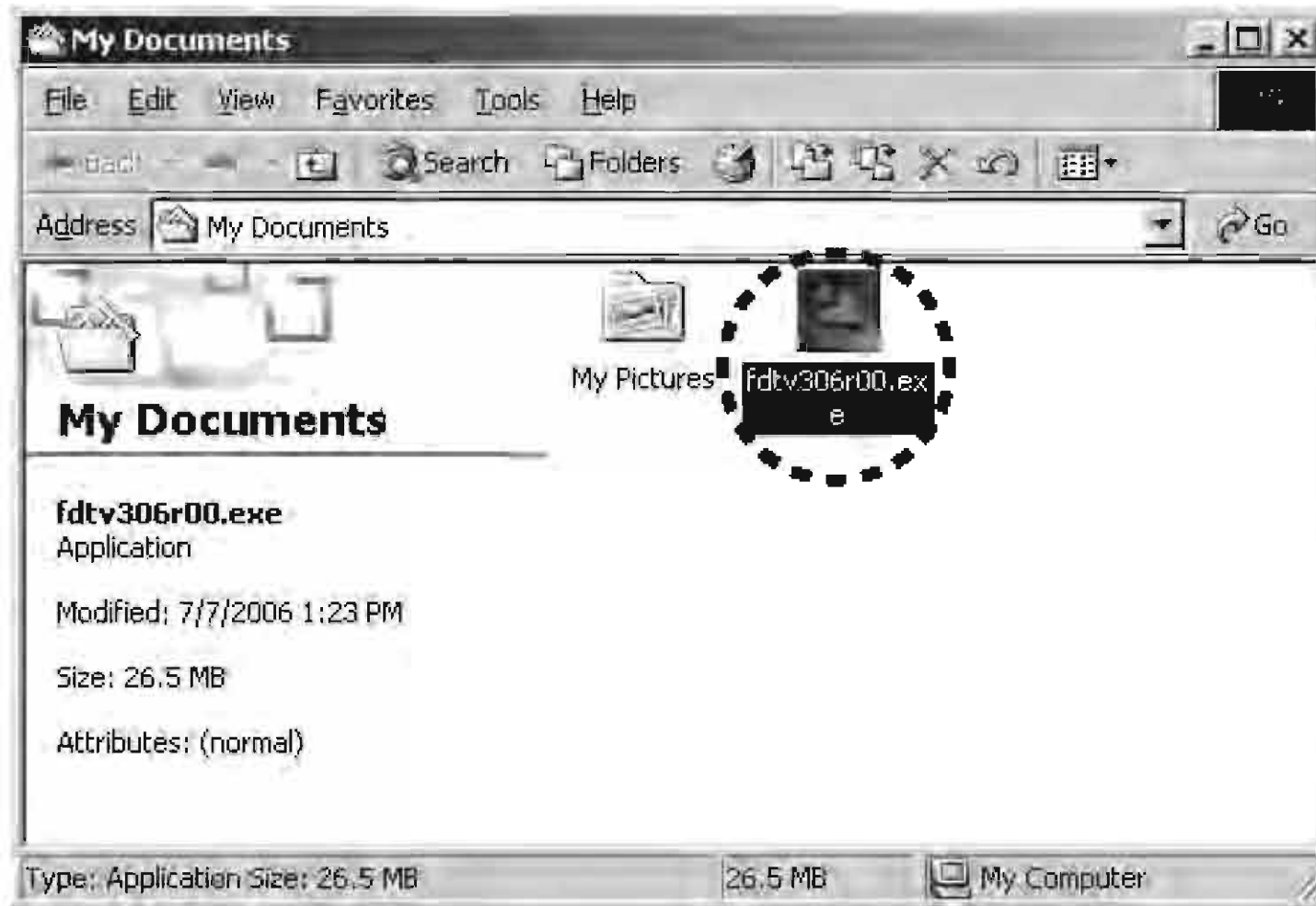


**[A-2] INSTALLS OF THE SOFTWARE
(Flash Development Toolkit Ver.3.06)**

1. Open the folder with the downloaded file.
2. And double click the **fdtv306r00.exe**.

**[A-2] INSTALLS OF THE SOFTWARE
(Flash Development Toolkit Ver.3.06)**

1. ダウンロードしたファイルのあるフォルダを開きます。
2. **fdtv306r00.exe**をダブルクリックします。



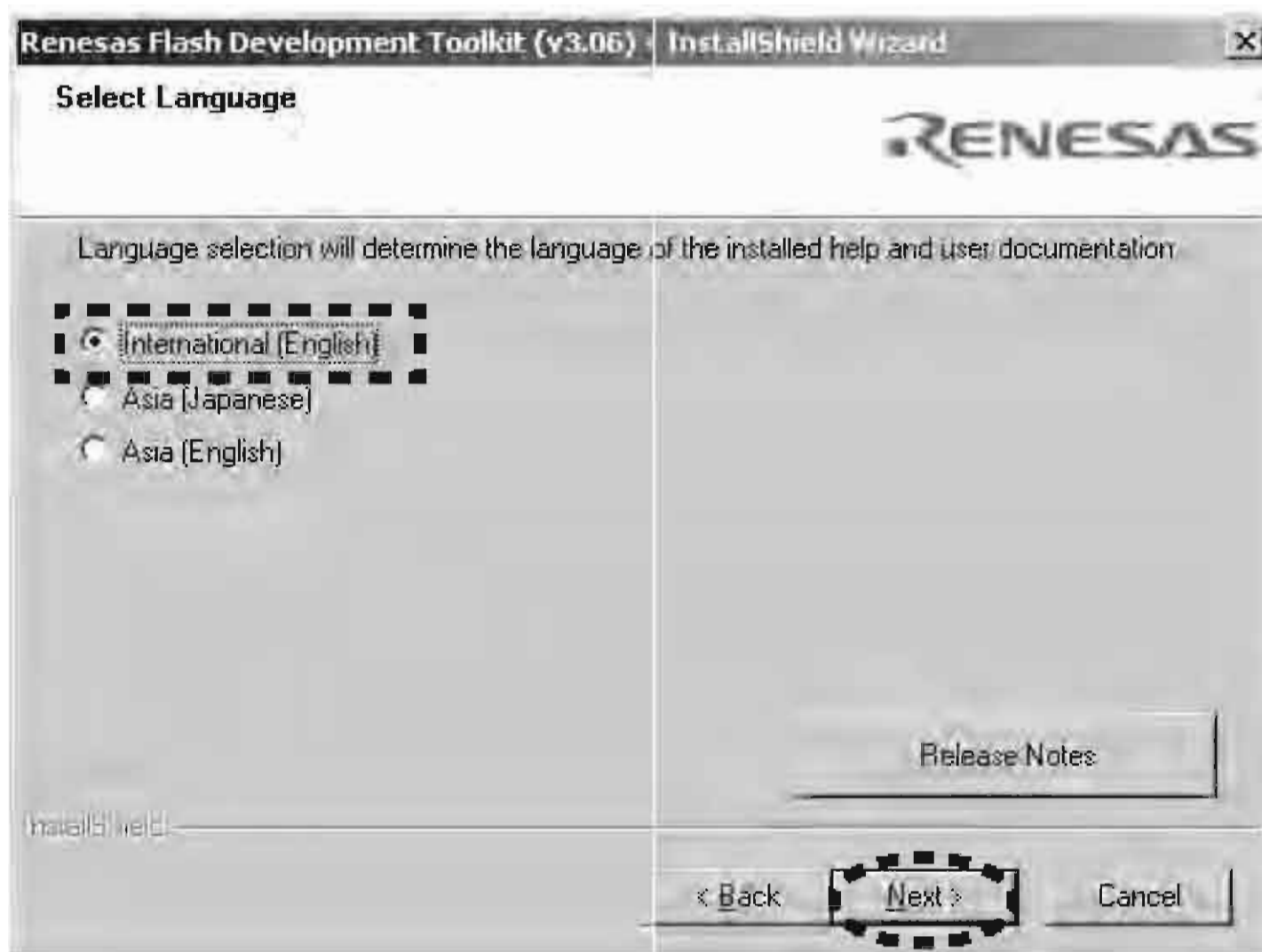
3. Click the **Next**.

3. **Next**をクリックします。



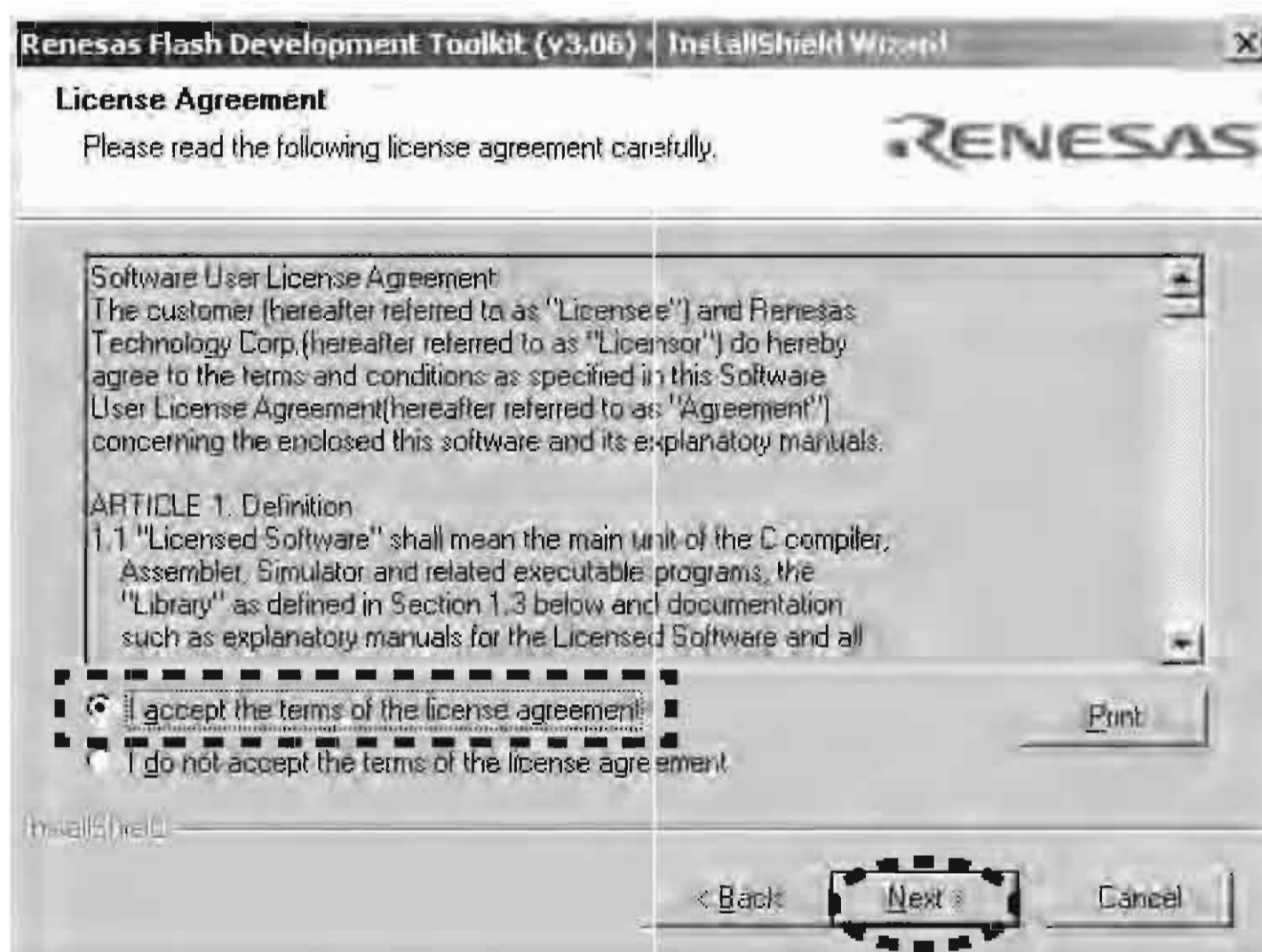
4. Check the **International [English]**, and click the **Next**.

4. **International [English]**にチェックを入れ**Next**をクリックします。



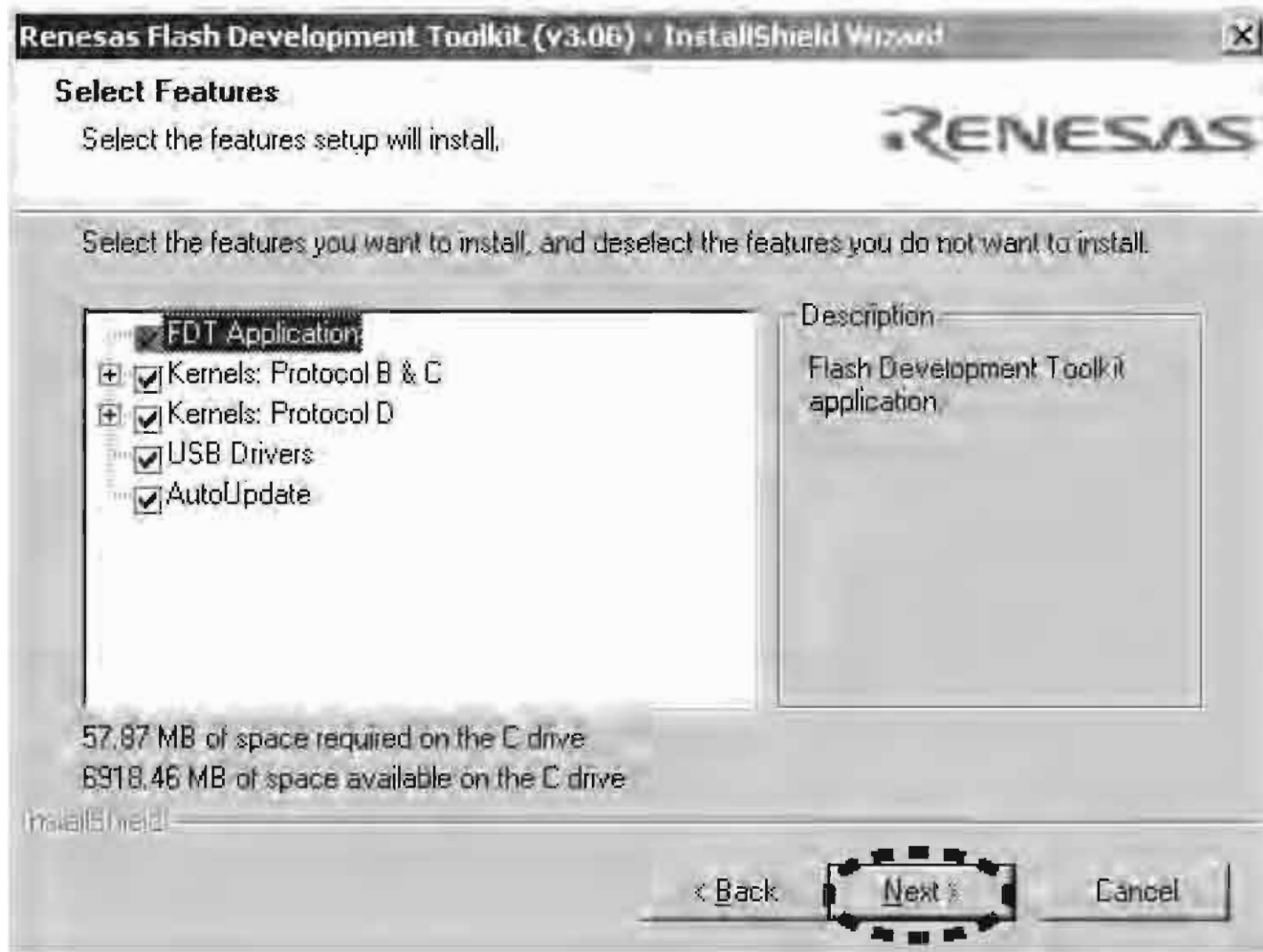
5. Check the **I accept the terms of the license agreement**, and Click the **Next**.

5. **I accept the terms of the license agreement**にチェックを入れ、**Next**をクリックします。



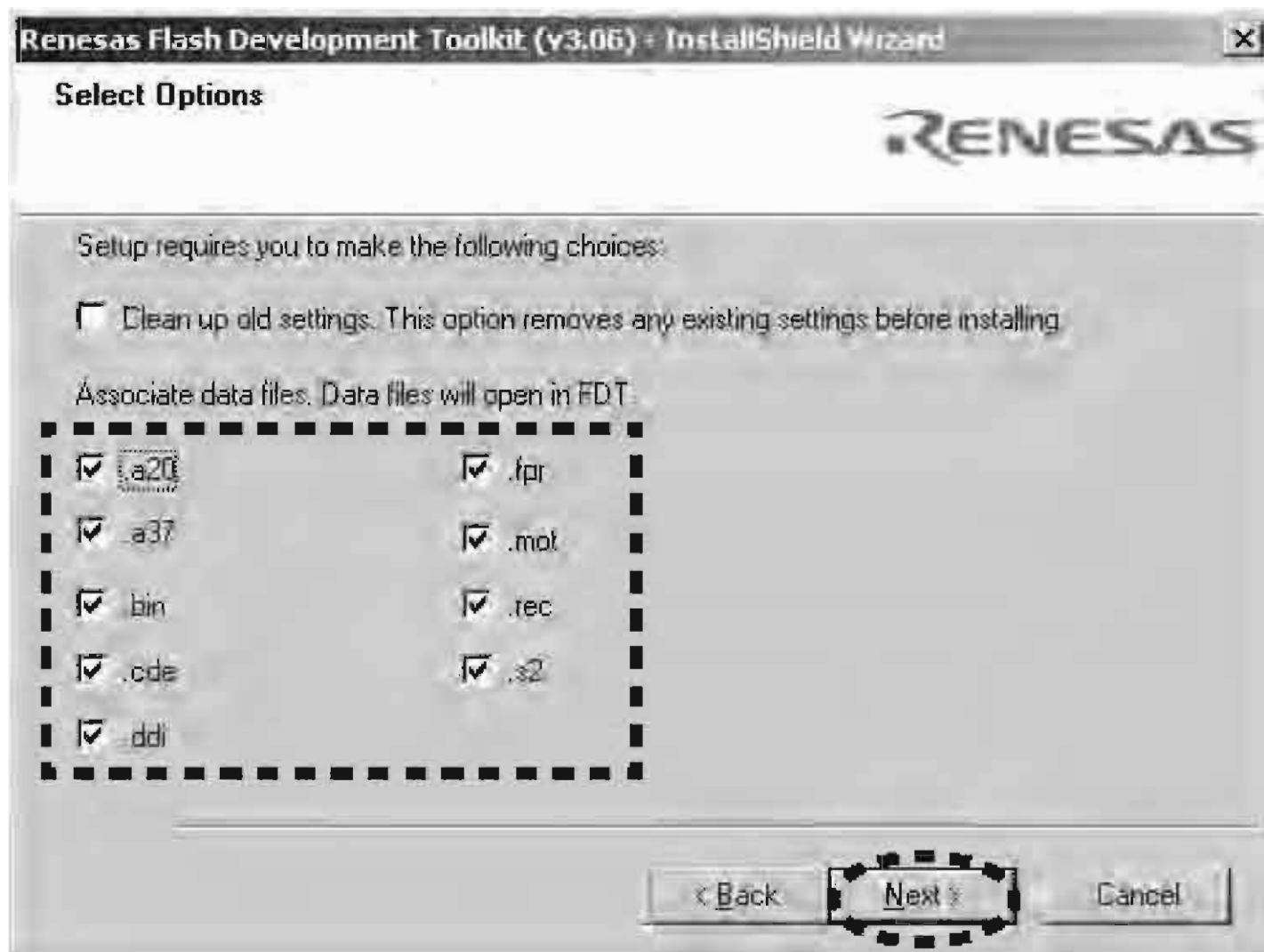
6 Click the **Next**.

6. **Next**をクリックします。



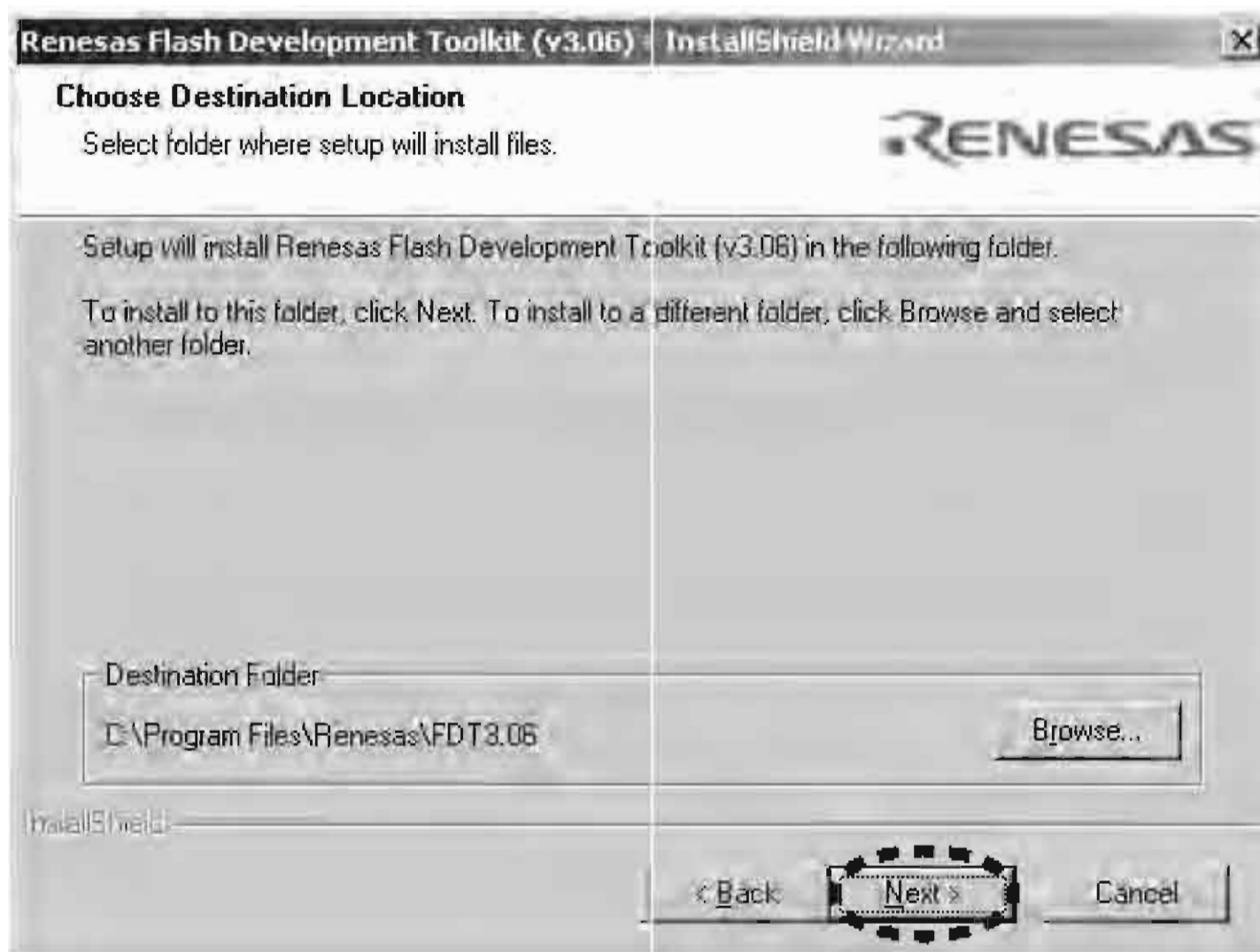
7. Check the all file type, and Click the **Next**.

7. 全てのファイルタイプにチェックを入れ、**Next**をクリックします。



8. Click the **Next**.

8. **Next**をクリックします。



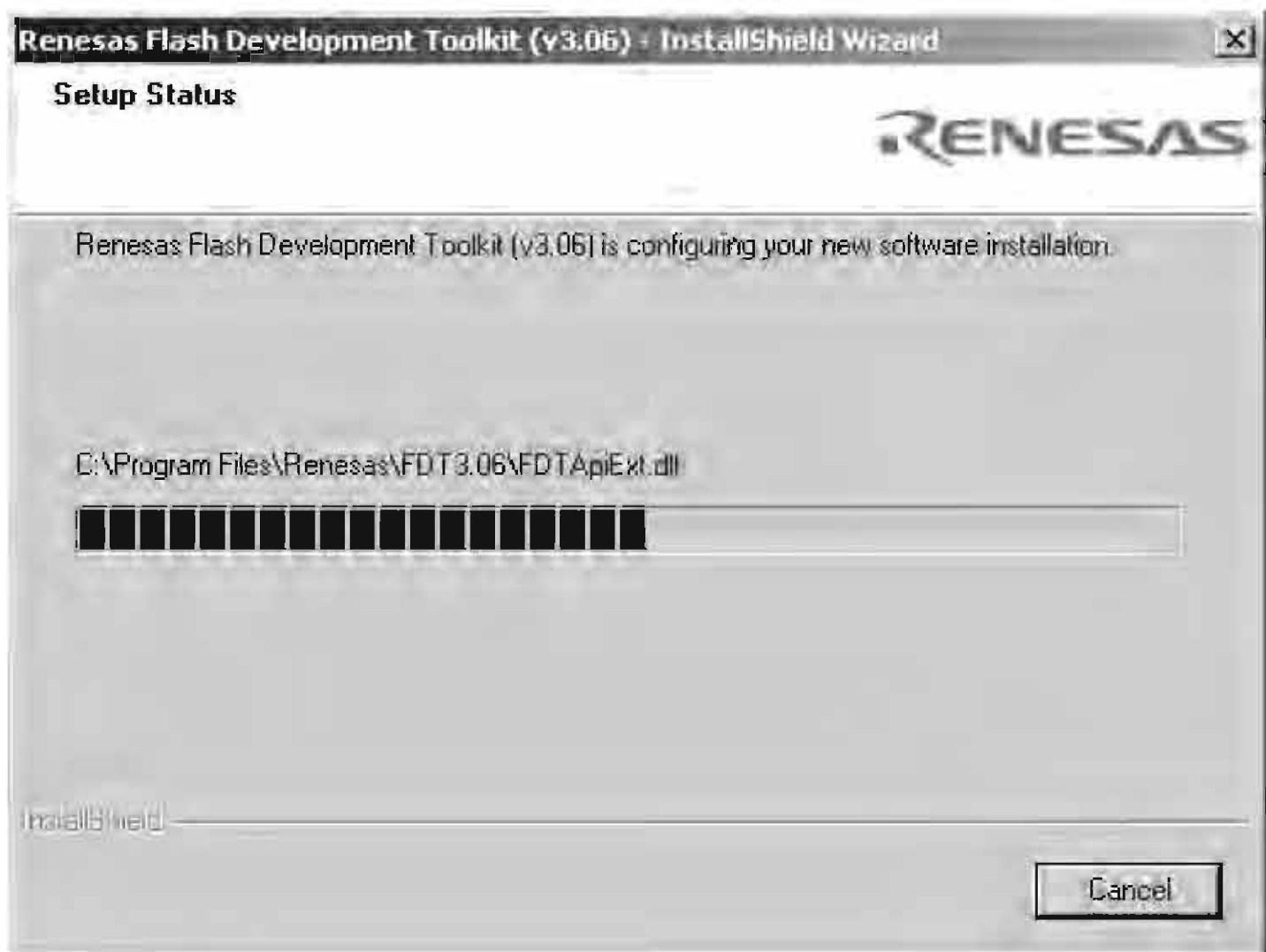
9. Click the **Install**.

9. **Install**をクリックします。



10. The Setup Status bar appears.

10. インストールの状態が表示されます。



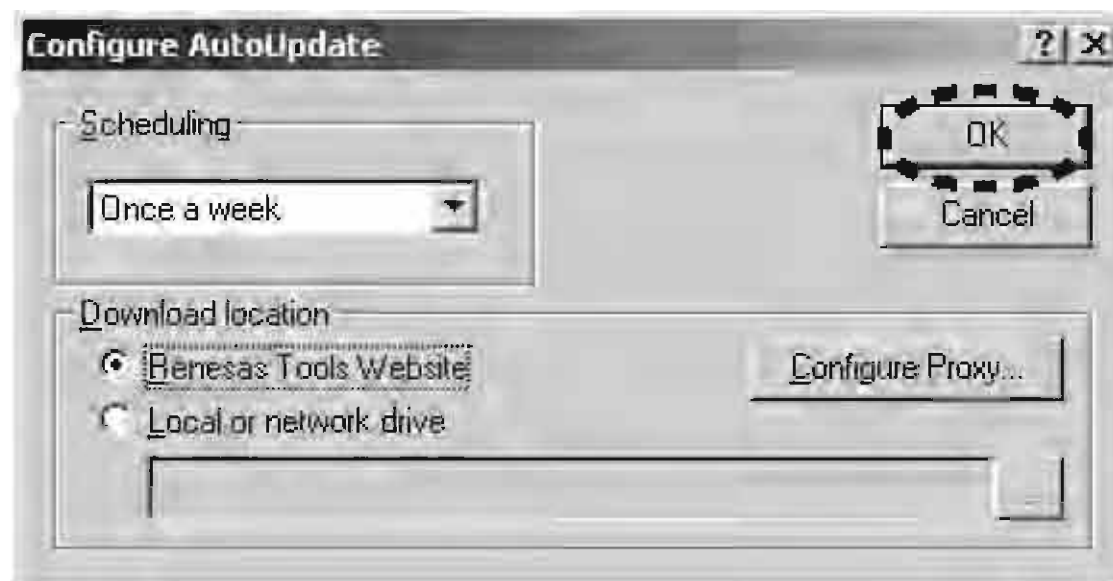
11. Click the **Finish**.

11. **Finish**をクリックします。



12. Click the **OK**.

12. **OK**をクリックします。



[B] WRITING AND UPDATE SOFTWARE

Software for MAIN CPU, flash ROM for DSP and HDMI CPU can be updated/downloaded.

Have update/download application software. ("H8Download.exe", "da708_writer.exe" and "fdtv306r00.exe (FDT3.06) or latest version")

There are three mode of download, regarding to the target of software as bellow.

Mode 1: Update/Download MAIN CPU's software to internal Flash-ROM.

This mode is to update/download the software for MAIN CPU.

The target devise is internal flash ROM of CPU (IC17) on CUP11951Z (DSP PWB).

The unit needs to be set to writing condition, by pushing internal switch from rear panel.

The updating of software takes about 2 minutes and 30 seconds.

Mode 2: Update/Download DSP's software to 8M Flash-ROM.

This mode is to update/download the software for DSP.

The target devise is 8M Flash-ROM (IC34) on CUP11951Z (DSP PWB).

The unit needs to be set writing condition, by three front buttons.

The updating of software takes about 2 minutes.

Mode 3: Update/Download HDMI CPU's software to internal Flash-ROM.

This mode is to update/download the software for HDMI CPU.

The target devise is internal flash ROM of CPU (IC90) on CUP11875Z (HDMI PWB).

The unit needs to be set writing condition, by three front buttons.

The updating of software takes about 45 seconds.

NECESSARY EQUIPMENT

The following items are required for updating/downloading.

Windows PC (OS: Windows2000 or WindowsXP) with Serial port.

RS-232C Dsub-9 pin cable (female to female/straight type)

Update software to MAIN CPU. (H8Download.exe, etc... in MAIN folder)

Update software to flash ROM for DSP. (da708_writer.exe, etc... in DSP folder)

Update software to HDMI CPU. (Writing data in HDMI folder)

Flash Development Toolkit 3.06 or latest version (fdtv306r00.exe or latest version)

Use RS232C Dsub-9 pin cable (female to female/straight type) to connect PC and the RS-232C port in rear panel of the unit, when updating/downloading MAIN CPU DSP and HDMI CPU.

[B] WRITING AND UPDATE SOFTWARE

MAINマイコン、DSPのフラッシュROM、およびHDMIマイコンのソフトウェアは更新、および書き込みが出来ます。

更新および書き込みには書き込み用アプリケーションが必要です。("H8Download.exe"、 "da708_writer.exe"、 "fdtv306r00.exe (FDT3.06)または最新版")

書き込みには下記の3つのモードがあります。

Mode 1: Update/Download MAIN CPU's software to internal Flash-ROM.

このモードはMAINマイコンの更新および書き込み用です。基板CUP11951Z (DSP PWB)のIC17のマイコン内部のフラッシュROMに書き込みます。

本機のリアパネルから内部スイッチを押し、書き込みモードにする必要があります。

書き込みにかかる時間は約2分30秒です。

Mode 2: Update/Download DSP's software to 8M Flash-ROM.

このモードはDSPのフラッシュROMの更新および書き込み用です。

基板CUP11951Z (DSP PWB)のIC34のフラッシュROMに書き込みます。

本機のフロントボタン3つから書き込みモードにする必要があります。

書き込みにかかる時間は約2分です。

Mode 3: Update/Download HDMI CPU's software to internal Flash-ROM.

このモードはHDMIマイコンの更新および書き込み用です。基板CUP11875Z (HDMI PWB)のIC90のマイコン内部のフラッシュROMに書き込みます。

本機のフロントボタン3つから書き込みモードにする必要があります。

書き込みにかかる時間は約45秒です。

必要機器

下記は更新および書き込みに必要な機器です。

Windows PC (OS : Windows2000 またはWindowsXP) で Serial ポートのあるもの

RS-232C ストレートケーブル(9Pin メス-9Pin メス)

MAINマイコン用書き込みソフトウェア(MAINフォルダ内 H8Download.exe、 など)

DSPフラッシュROM用書き込みソフトウェア(DSPフォルダ内da708_writer.exe、 など)

HDMIマイコン用書き込みソフトウェア(HDMIフォルダ内書き込み用データ)

Flash Development Toolkit 3.06または最新版 (fdtv306r00.exeまたは最新版)

MAINマイコン、 DSPフラッシュROM、 HDMIマイコンのソフトウェアを更新および書き込みする場合、 RS-232Cケーブルで本機リアパネルのRS232CコネクタとWindows PCのSerialポートを接続します。

Mode 1: Update/Download MAIN CPU's software to internal Flash-ROM

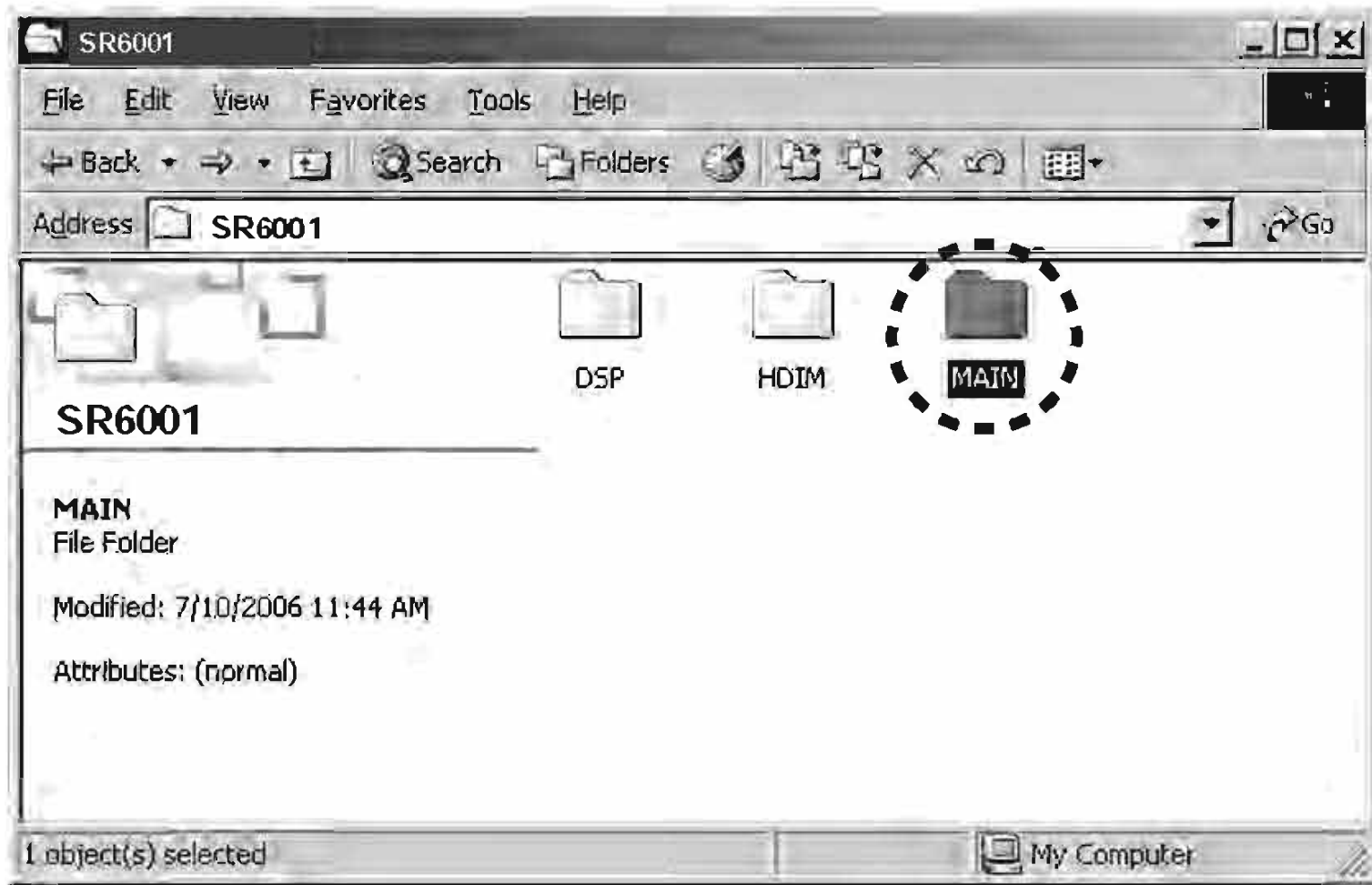
Update/Download software for MAIN CPU (Mode 1)

1. Put the "MAIN" folder into anywhere on your PC's hard disc.

Mode 1: Update/Download MAIN CPU's software to internal Flash-ROM

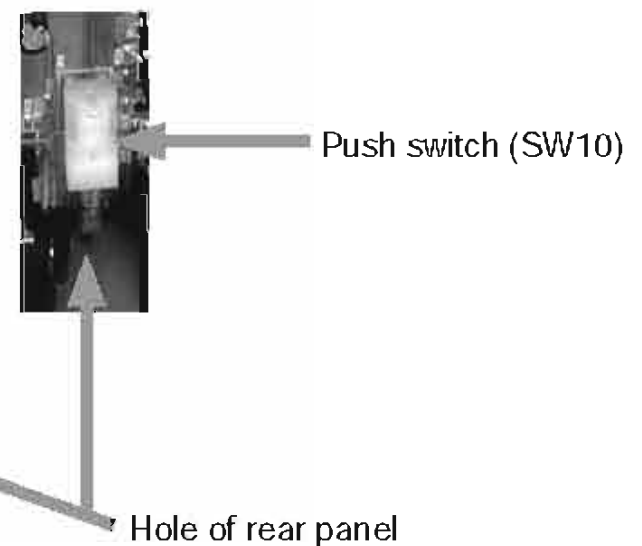
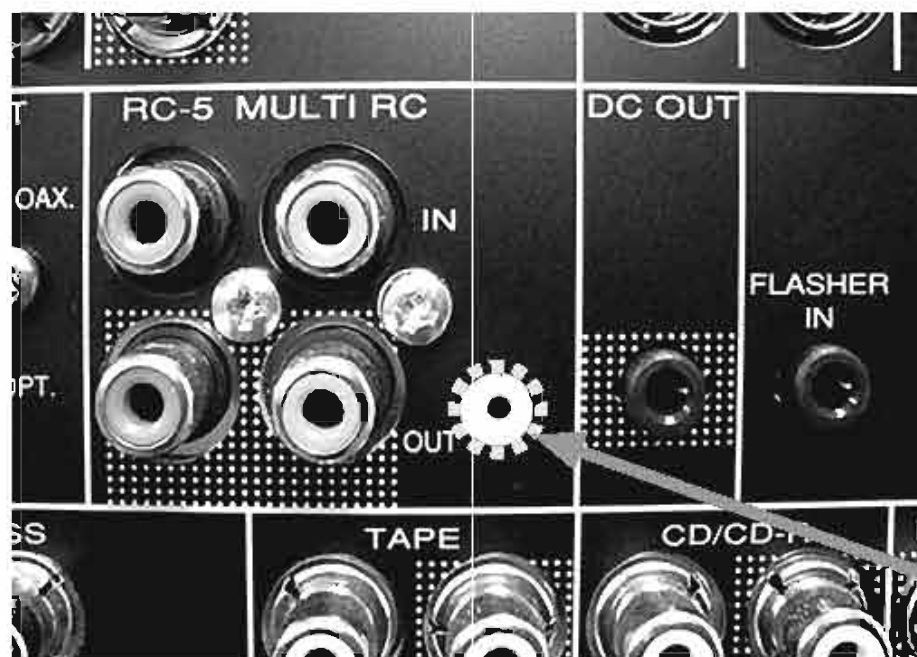
Update/Download software for MAIN CPU (Mode 1)

1. "MAIN"フォルダをPCの任意のフォルダにコピーします。



2. Connect RS-232C on the rear panel of the unit and Serial Port of windows PC with RS-232C cable.
3. Insert a thin rod to the hole near the MULTI RC OUT terminal and push the switch (SW10) inside to turn on the switch.

2. 本機のリアパネルにあるRS-232CコネクタとWindows PCのSerialポートをRS-232Cケーブルで接続します。
3. 細い棒を使い本機のMULTI RC OUT端子の右とりにある穴から内部スイッチ(SW10)を押して書き込みモードにします。

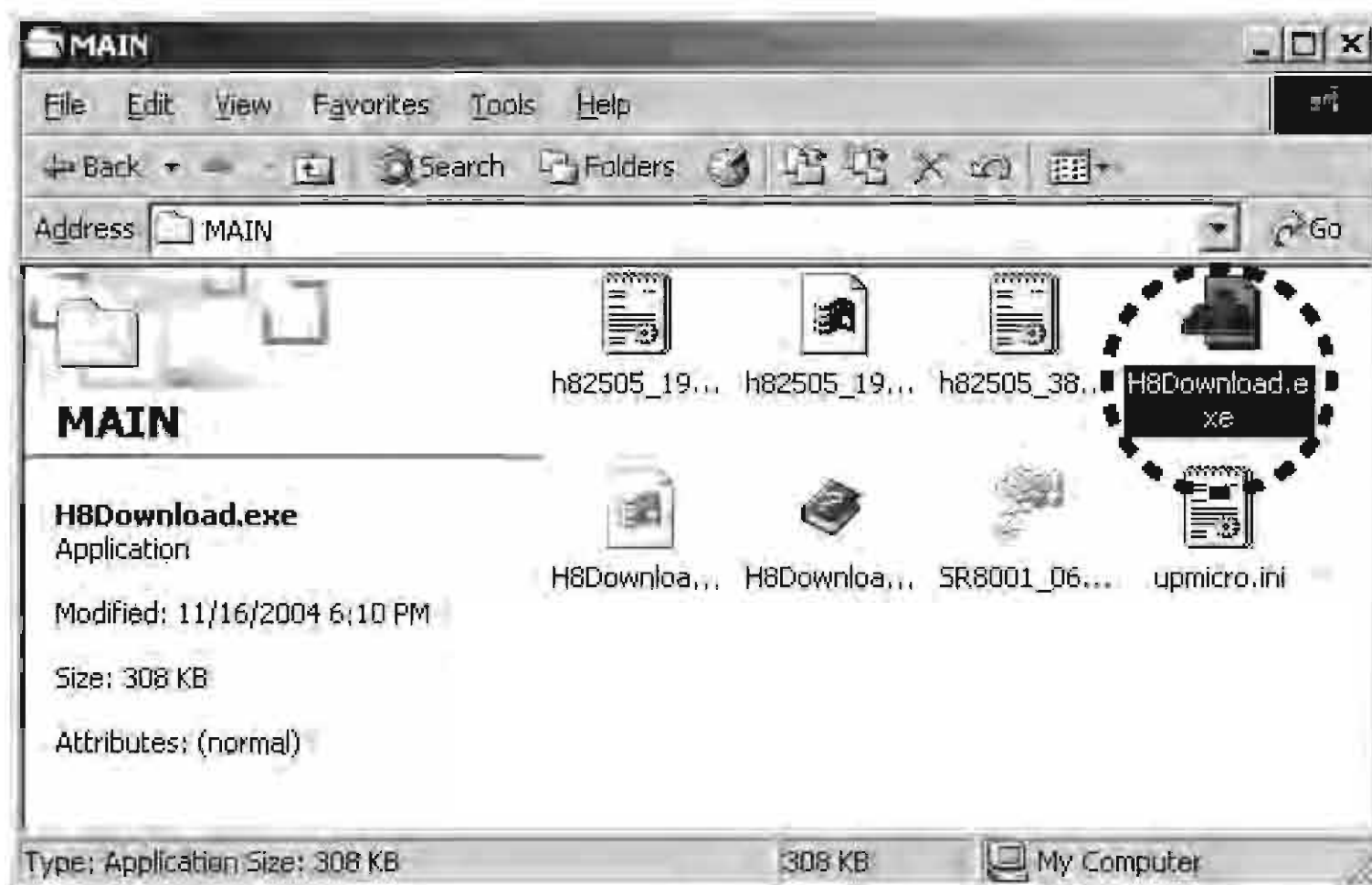


4. Connect the mains cord into the unit. And press the **POWER ON/STANDBY** button for turn on the unit. (Except U1B)
NOTE : When the unit is into boot mode, STANDBY LED is lights at green.

4. 本機に電源ケーブルを差し、**POWER ON/STANDBY**ボタンを押して電源を入れます。
注意 : 本機が書き込みモードになるとSTANDBY LEDが緑色に点灯します。

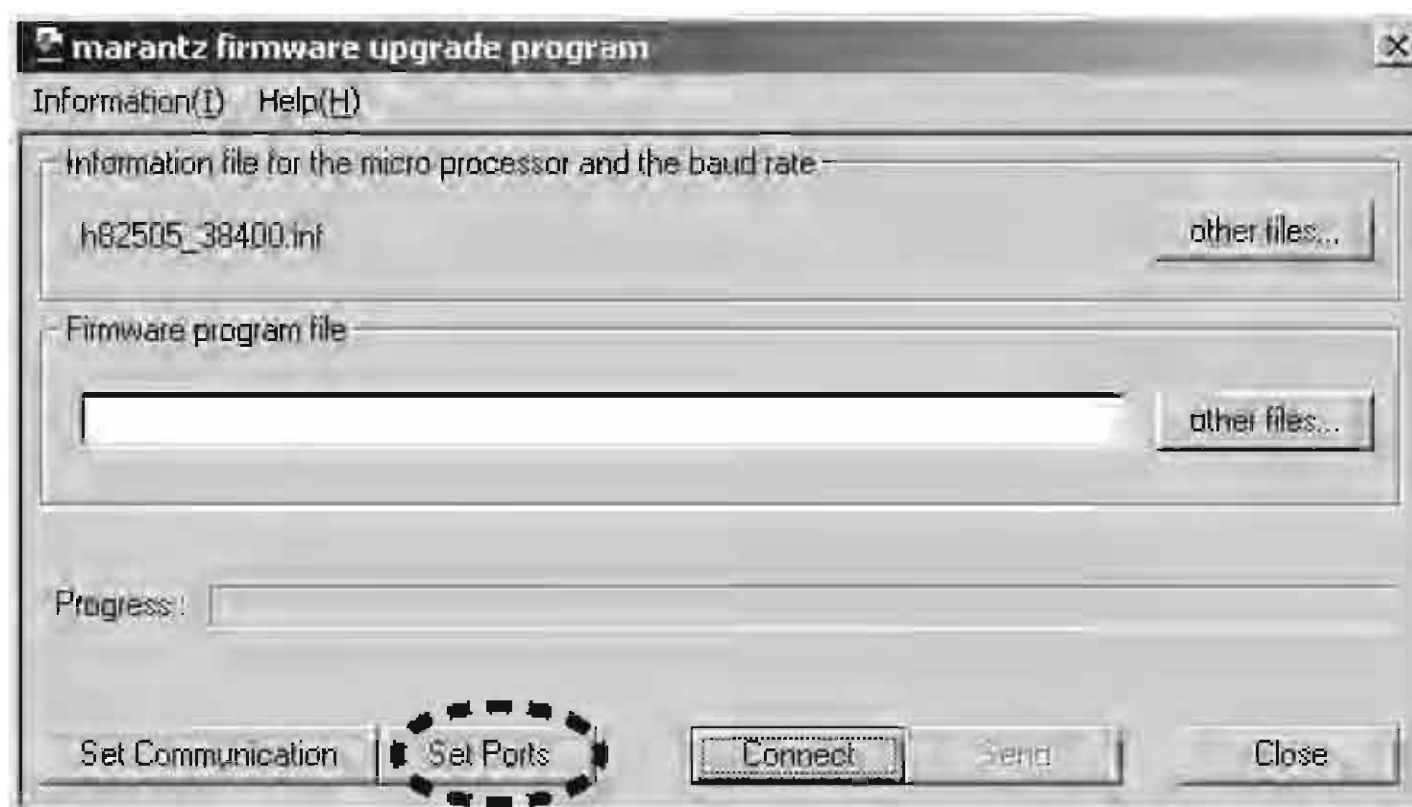
5. Double click the H8Download.exe. And launch the marantz firmware upgrade program.

5. H8Download.exeをダブルクリックし、marantz firmware upgrade programを起動します。



6. Click the **Set Ports**.

6. **Set Ports**をクリックします。



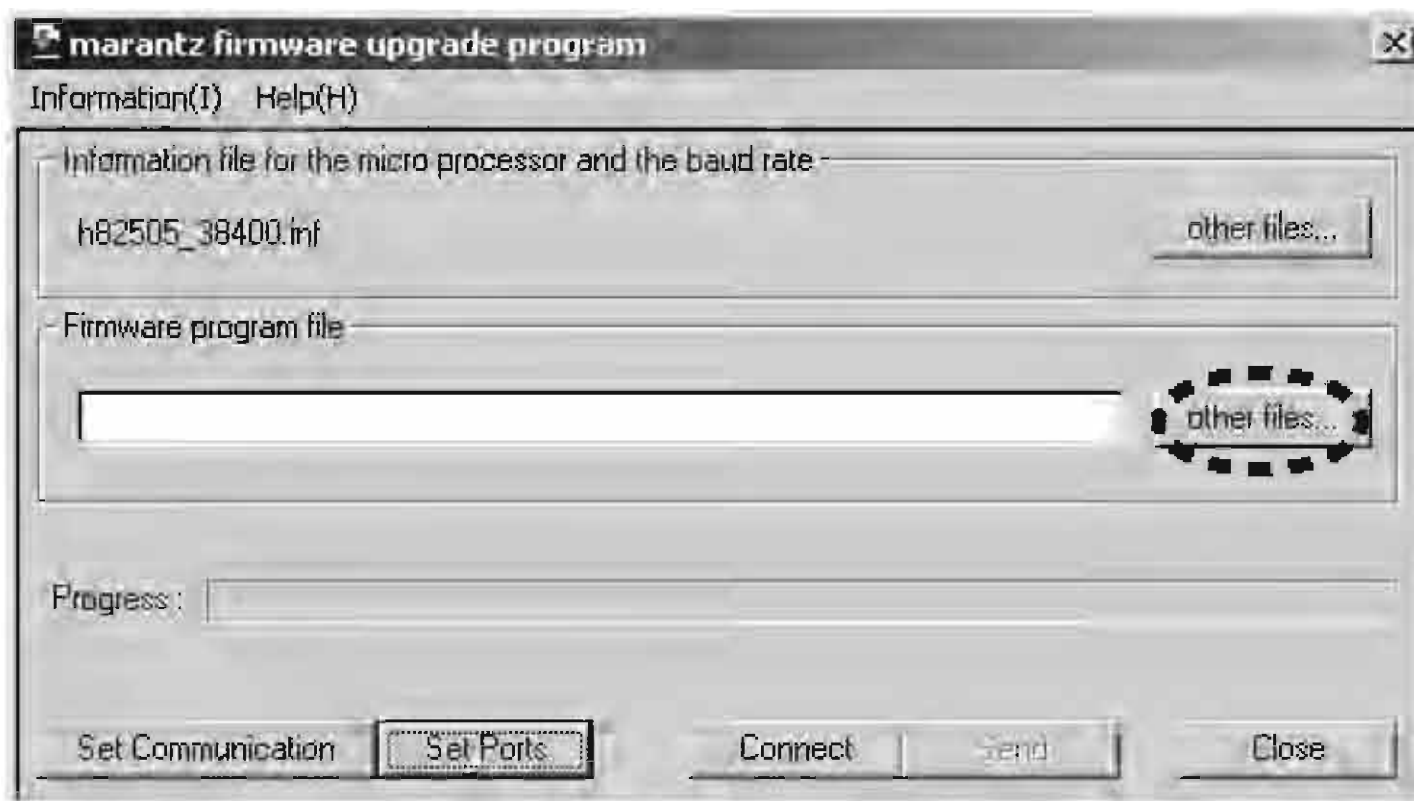
7. Choose the **COM Port number**. And Click the **OK**.

7. 使用するCOMポート番号を選択し、**OK**をクリックします。



8. Click the **other files...** in the Firmware program file.

8. Firmware program file内の**other files...**をクリックします。

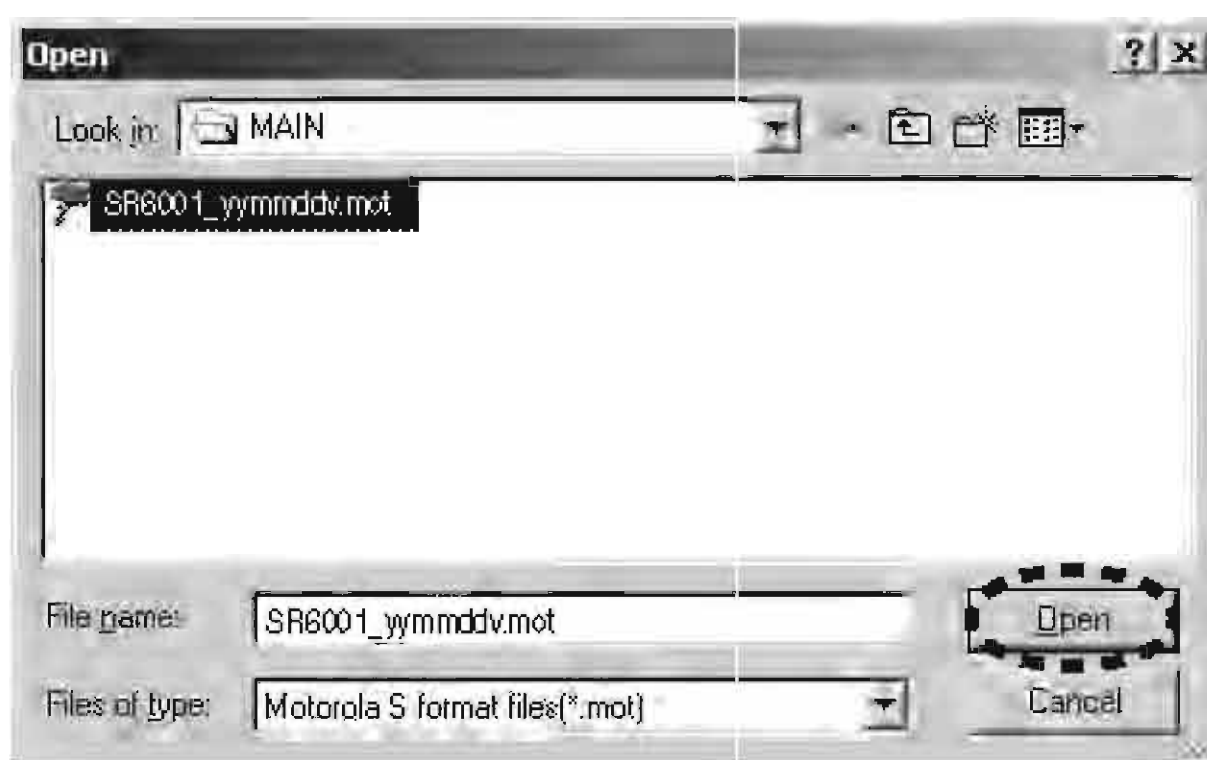


9. Choose the SR6001_yymmddv.mot. And click the **Open**.

NOTE : The yy is two digits of year. The mm is month. The dd is date. The v is release number.

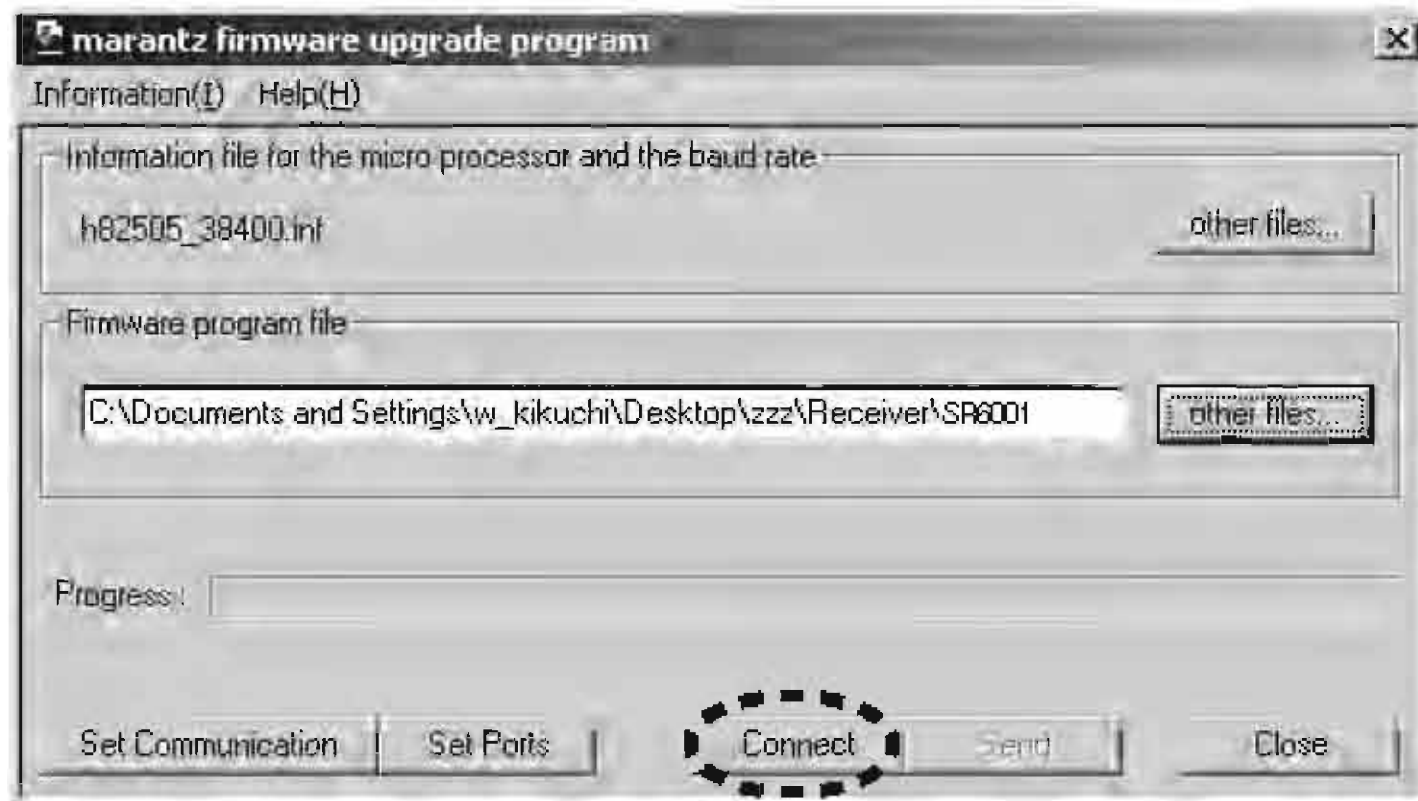
9. SR6001_yymmddv.motを選択し、**Open**をクリックします。

注意：yyは年の下二桁、mmは月、ddは日、vはリリースナンバー



10. Click the **Connect**.

10. **Connect**をクリックします。



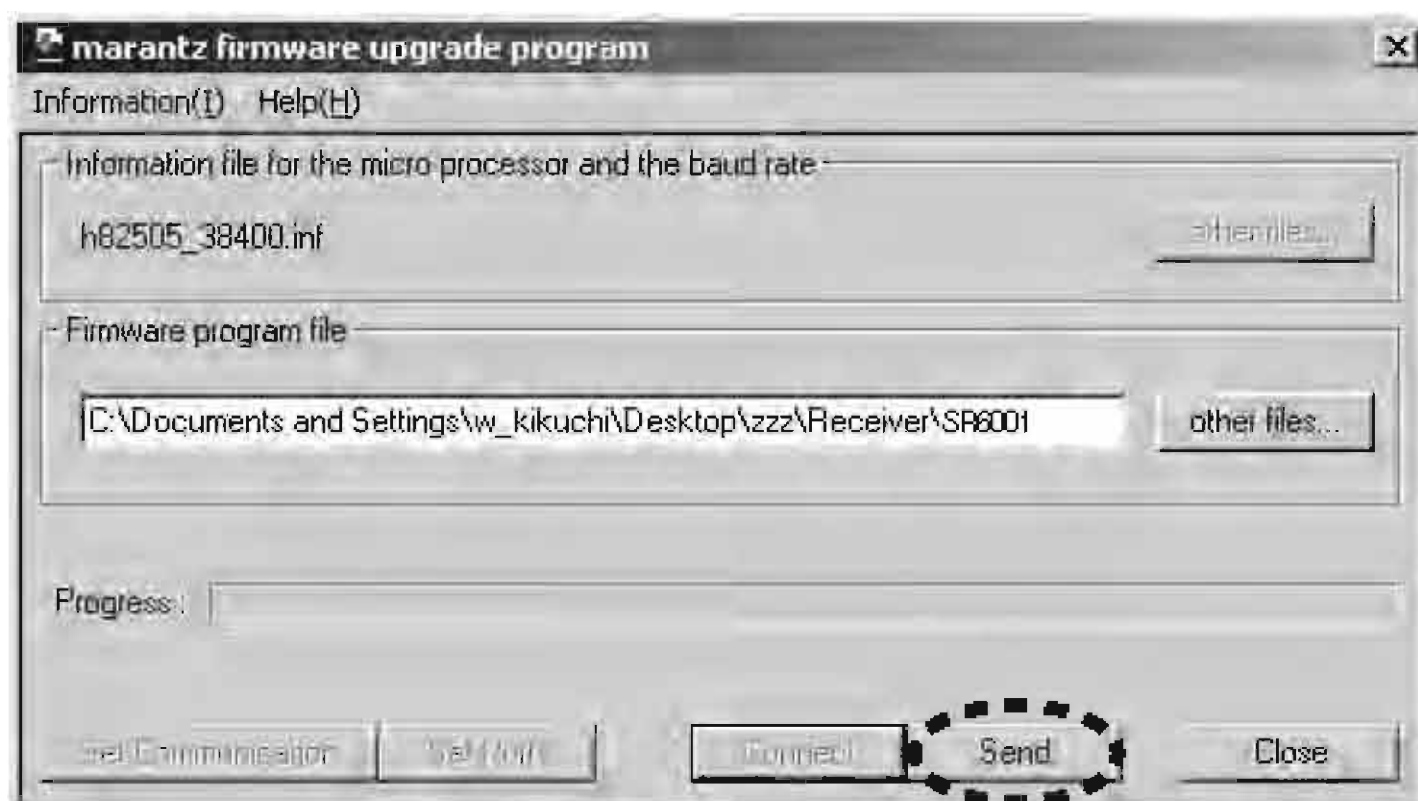
11. If the connection with the H8 μ -P is successfully made, a dialogue box saying "Success to the H8 micro processor connection" appears. If the connection fails, error message will appear. Click the **OK**.

11. H8マイコンとの接続に成功すると"Success to the H8 micro processor connection"と表示したダイアログボックスが表示されます。接続に失敗するとエラーメッセージが表示されます。**OK**をクリックします。



12. Click the **Send** to start update/download. The writing of software takes about 2 minute and 30 seconds.

12. **Send**をクリックし書き込みを開始します。書き込みにかかる時間は約2分30秒です。



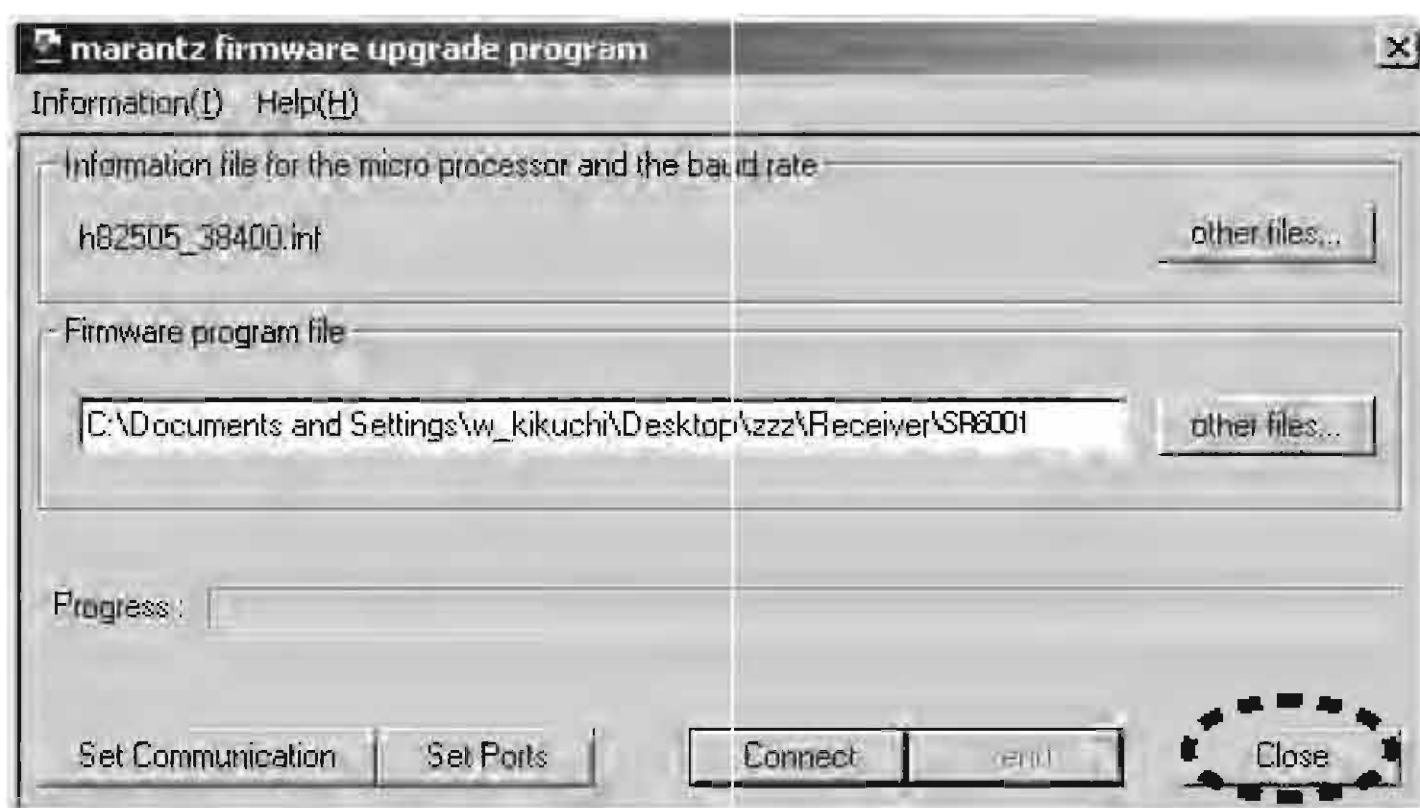
13. If the firmware is updated/downloaded successfully, a dialog box saying "Finished the firmware program sending" appears. Click the **OK**.

13. 書き込みが成功すると"Finished the firmware program sending"と表示したダイアログボックスが表示されます。**OK**をクリックします。



14. Click the **Close** to close the application.

14. **Close**をクリックしてアプリケーションを閉じます。



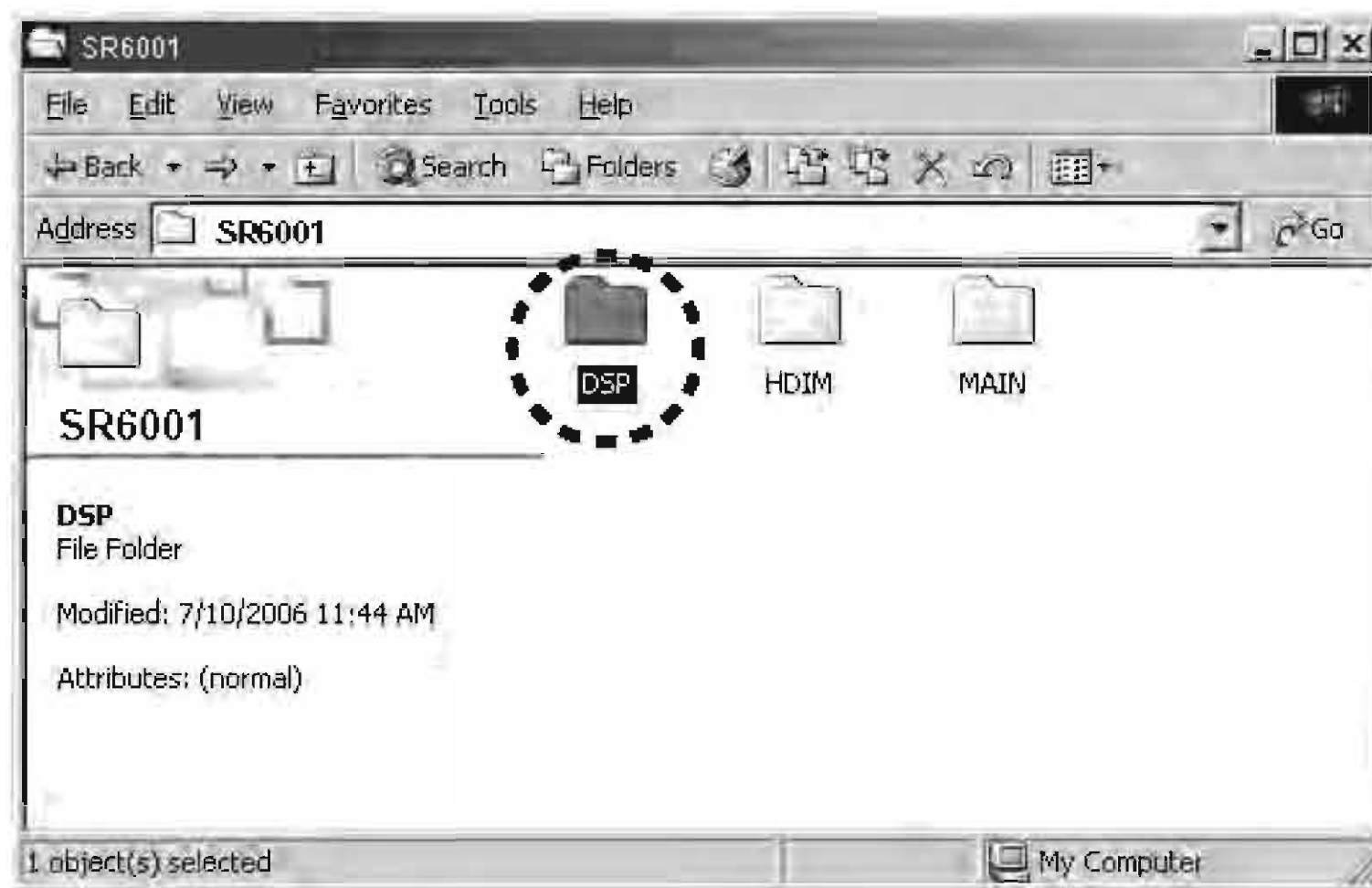
15. Press the **POWER ON/STANDBY** button for turn off the unit. (Except U1B)
 16. Disconnect the mains cord and RS-232C cable from the unit.
 17. Insert a thin rod to the hole and push the switch (SW10) inside to turn off the switch.

15. **POWER ON/STANDBY**ボタンを押して本機の電源を切ります。
 16. 電源ケーブルとRS-232Cケーブルを本機から外します。
 17. 細い棒を使い本機のMULTI RC OUT端子の右とりにある穴から内部スイッチ(SW10)を押して書き込みモードを解除します。

Mode 2 : Update/Download DSP's software to 8M Flash-ROM

Update/Download Software for DSP (Mode 2)

1. Put the "DSP" folder into anywhere on your PC's hard disc.



Mode 2: Update/Download DSP' s software to 8M Flash-ROM

Update/Download Software for DSP (Mode 2)

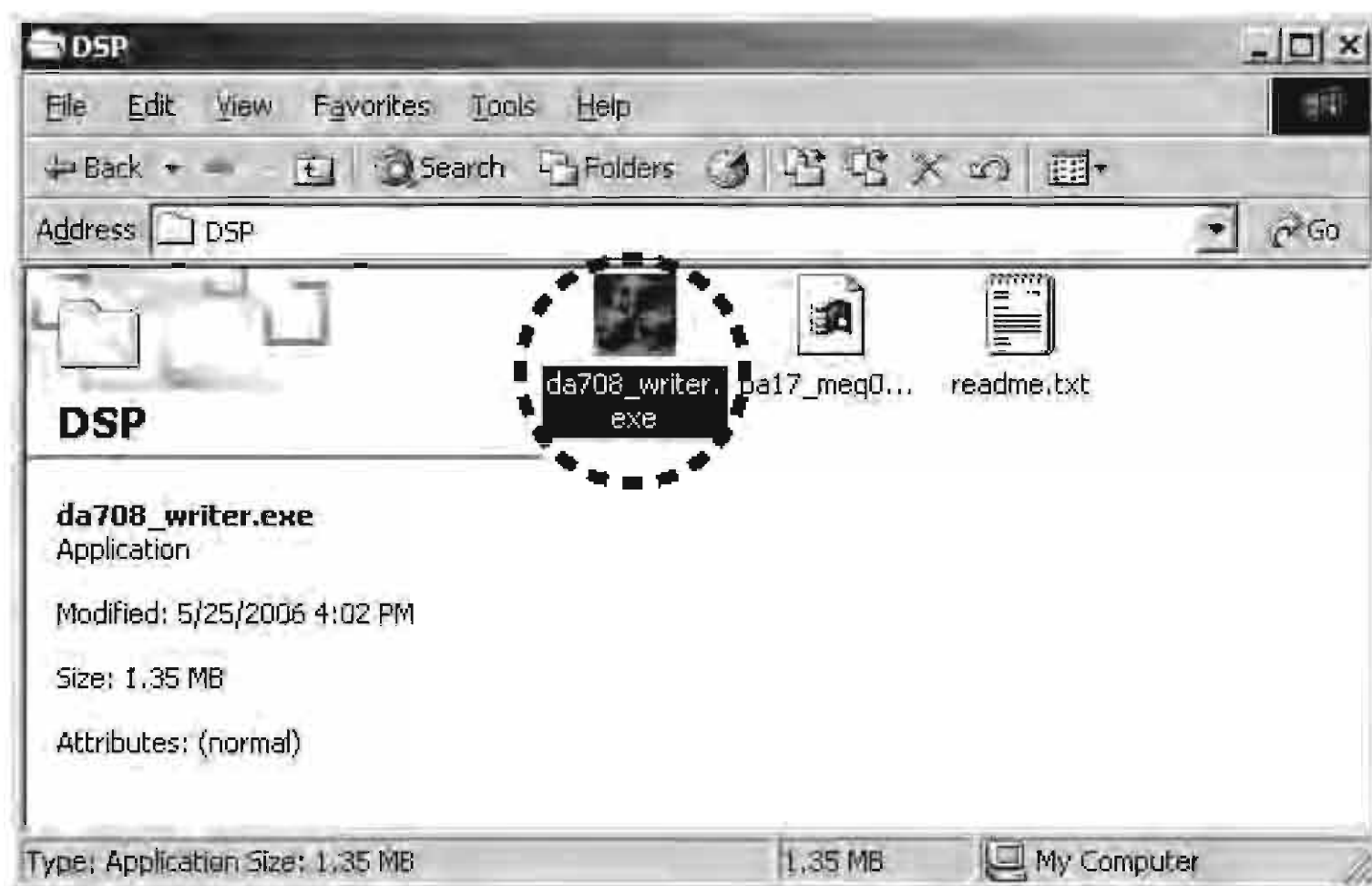
1. "DSP"フォルダをPCの任意のフォルダにコピーします。

2. Connect the RS-232C on rear panel of the unit and the Serial Port of windows PC with RS-232C cable.
3. Connect the mains cord into the unit.
4. Press the **POWER ON/STANDBY** button for turn on the unit.
5. Press the **ENTER, SURROUND MODE** and **T-MODE** buttons simultaneously more than 3 seconds to turn the unit into Loading Mode.
6. The FLD shows "SELECT DSP" after showed "LOADING MODE".
7. Press the **ENTER** button.
8. "SELECTED DSP" shows on the FLD.

2. 本機のリアパネルにあるRS-232CコネクタとWindows PCのSerialポートをRS-232Cケーブルで接続します。
3. 本機に電源ケーブルを差します。
4. **POWER ON/STANDBY**ボタンを押し、本機の電源を入れます。
5. **ENTER, SURROUND MODE, T-MODE**の3つボタンを同時に3秒以上押し続け、本機をローディングモードにします。
6. FLに"LOADING MODE"と表示された後、"SELECT DSP"と表示されます。
7. **ENTER**ボタンを押しします。
8. FLの表示が"SELECTED DSP"に変わります。

9. Double click the da708_writer.exe. And Launch the SR8001 TI Writer.

9. da708_writer.exeをダブルクリックし、SR8001 TI Writerを起動します。



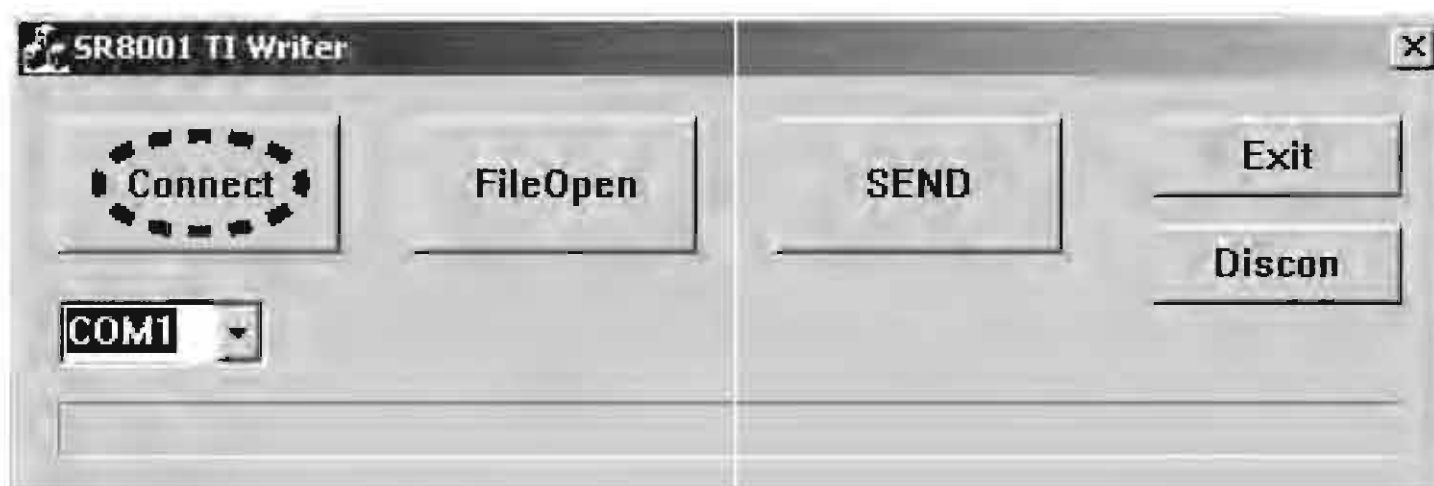
10. Choose the COM Port number.

10. 使用するCOMポート番号を選択します。



11. Click the Connect.

11. Connectをクリックします。



12. "Connection OK!!" appears on SR8001 TI Writer. And click the **FileOpen**.

12. SR8001 TI Writer上に"Connection OK!!"と表示されたら、**FileOpen**をクリックします。

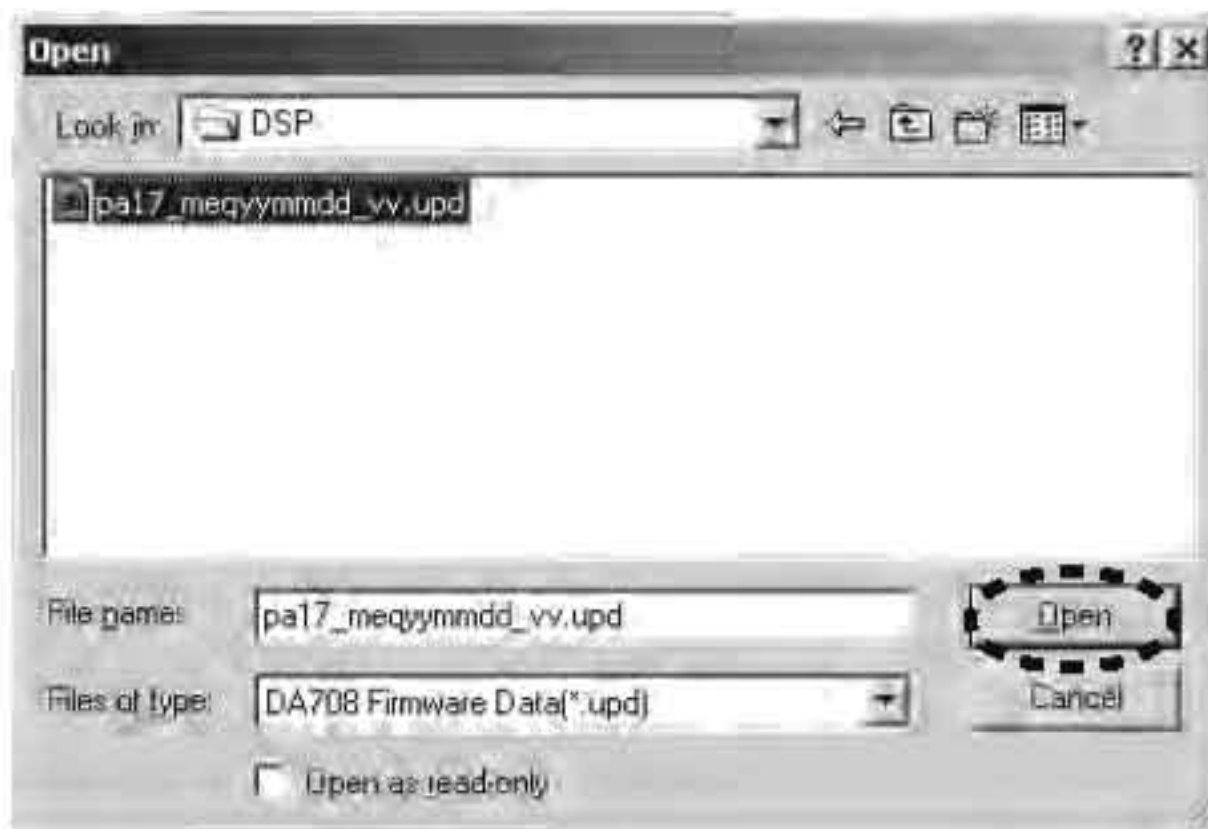


13. Choose the pa17_meqyymmdd_vv.upd. And click the **Open**.

13. pa17_meqyymmdd_vv.updを選択し、**Open**をクリックします。

NOTE : The yy is two digits of year. The mm is month. The dd is date. The vv is release number.

注意：yyは年の下二桁、mmは月、ddは日、vvはリリース番号



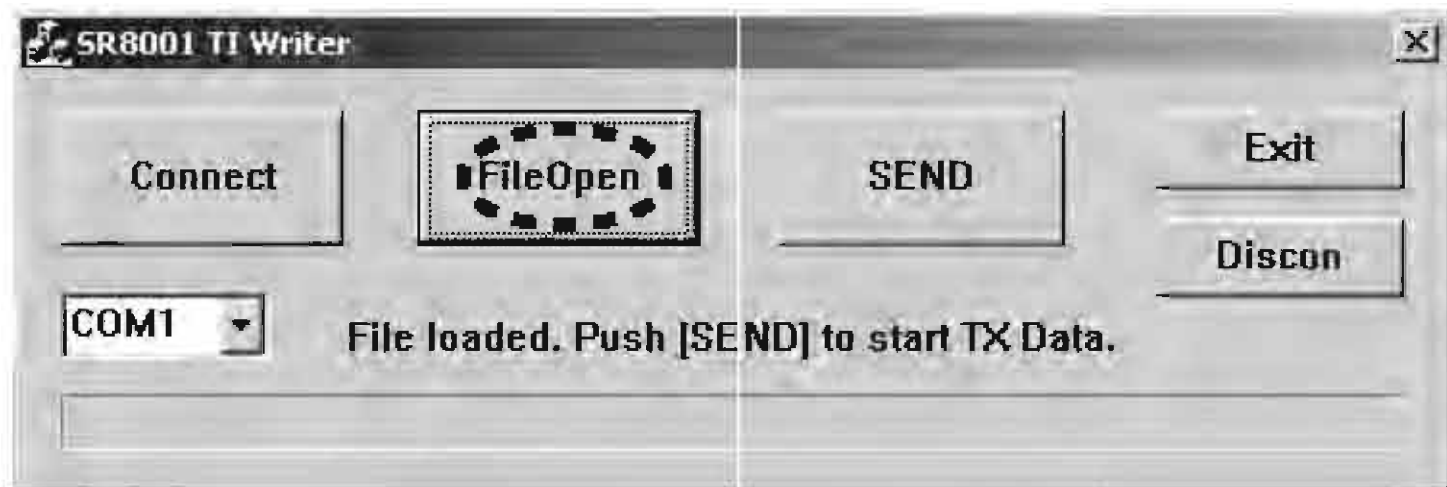
14. Click the **OK**.

14. **OK**をクリックします。



15. Click the **SEND**.

15. **SEND**をクリックします。



16. Software is written into the DSP Flash ROM.
The writing of software takes about 2 minute.

16. ソフトウェアがDSPフラッシュROMに書き込まれます。
書き込みにかかる時間は約2分です。



17. Click the **OK**.

17. **OK**をクリックします。



19. Click the **Discon**.

18. **Discon**をクリックします。



19. Click the **Exit**.

19. **Exit**をクリックします。



20. Press the **POWER ON/STANDBY** button for turn off the unit.

20. **POWER ON/STANDBY**ボタンを押し、本機の電源を切ります。

21. Disconnect the mains cord and RS-232C cable from the unit.

21. 本機から電源コードとRS-232Cケーブルを外します。

Mode 3: Update/Download HDMI CPU's software to internal Flash-ROM.

Update/Download software for HDMI CPU (Mode 3)

[M3-1]The writing software setup procedure

1. Launch the Flash Development Toolkit v3.06 (FDT).

NOTE : Please refer to "[A] SOFTWARE (fdtv306r00.exe) DOWNLOAD AND INSTALL PROCEDURE", when you do not have FDT.

Can NOT update/download software by FDT ver.3.3.

2. Click **Start, Programs, Renesas, Flash Development Toolkit 3.06** and **Flash Development Toolkit 3.06**.

Mode 3: Update/Download HDMI CPU's software to internal Flash-ROM.

Update/Download software for HDMI CPU (Mode 3)

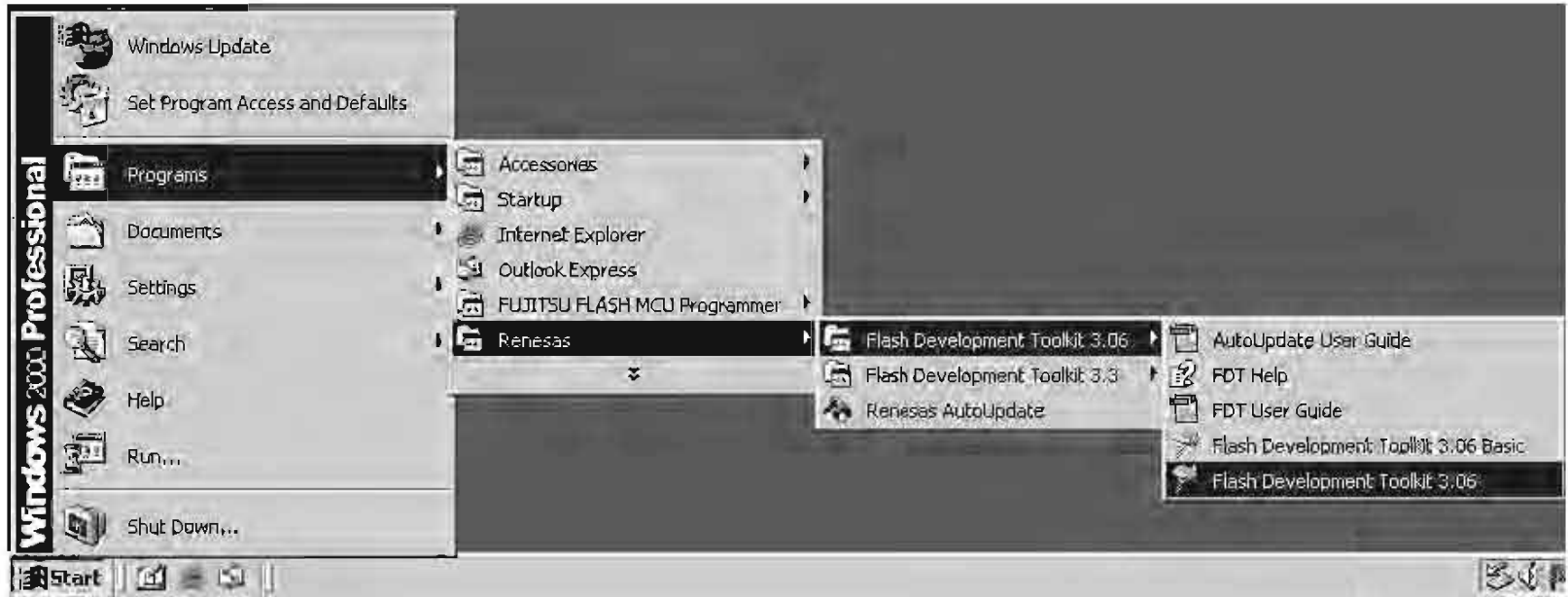
[M3-1]The writing software setup procedure

1. Flash Development Toolkit v3.06 (FDT)を起動します。

注意 : FDTを持っていない方は"[A] SOFTWARE (fdtv306r00.exe) DOWNLOAD AND INSTALL PROCEDURE"を参照してダウンロードしてください。

この書き込みはFDT ver.3.3では出来ません。

2. **Start, Programs, Renesas, Flash Development Toolkit 3.06, Flash Development Toolkit 3.06**をクリックします。



3. Check the **Create a new project workspace**, and click the **OK**.

NOTE : It is needs setup for SR6001/SR7001/SR8001. When you have already setup, please advance to "[M3-2] Writing Procedure for HDMI CPU".

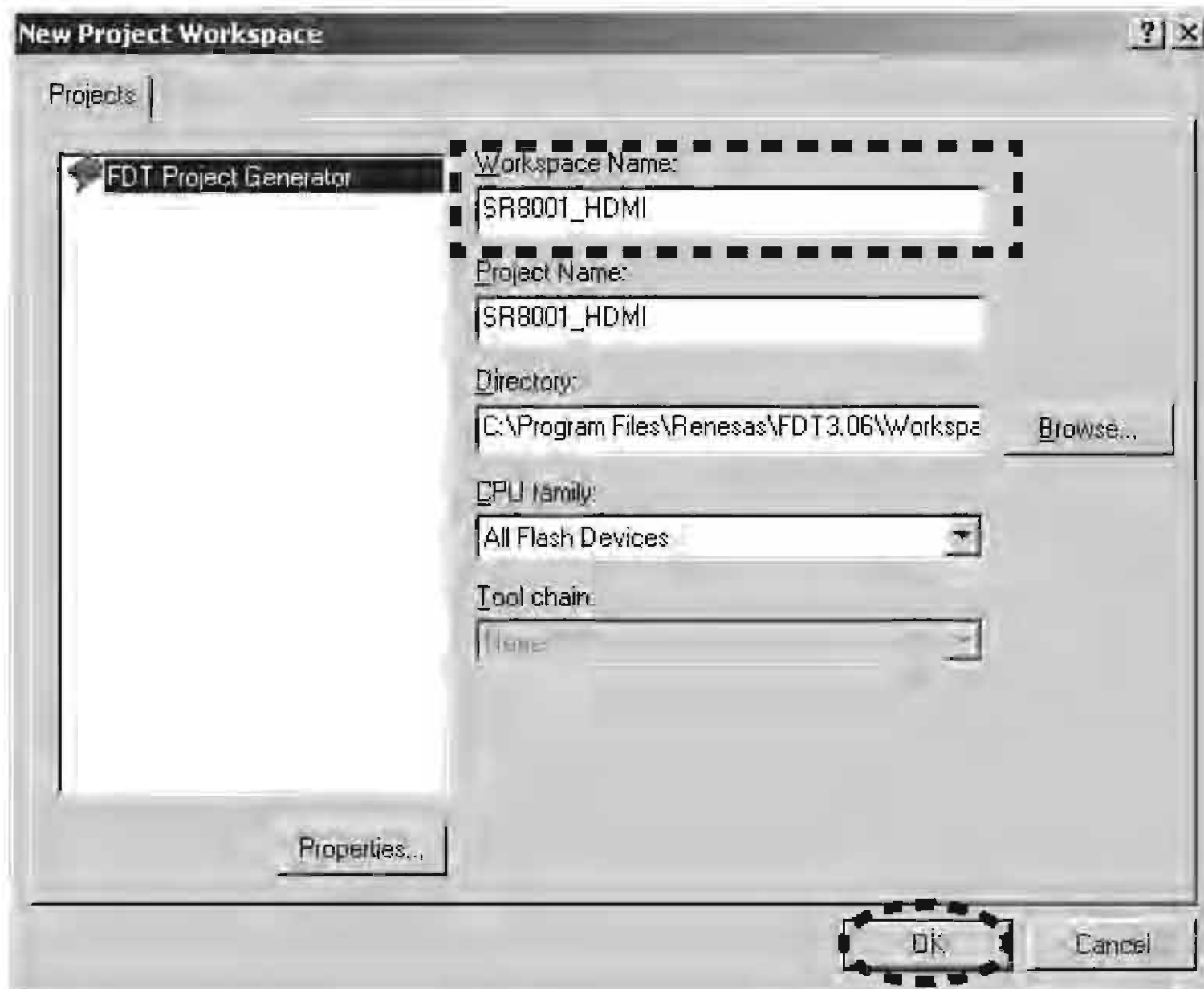
3. **Create a new project workspace**をチェックし、**OK**をクリックします。

注意 : SR6001/SR7001/SR8001用の設定が必要です。既に設定が終わっている方は"[M3-2] Writing Procedure for HDMI CPU"へ進んでください。



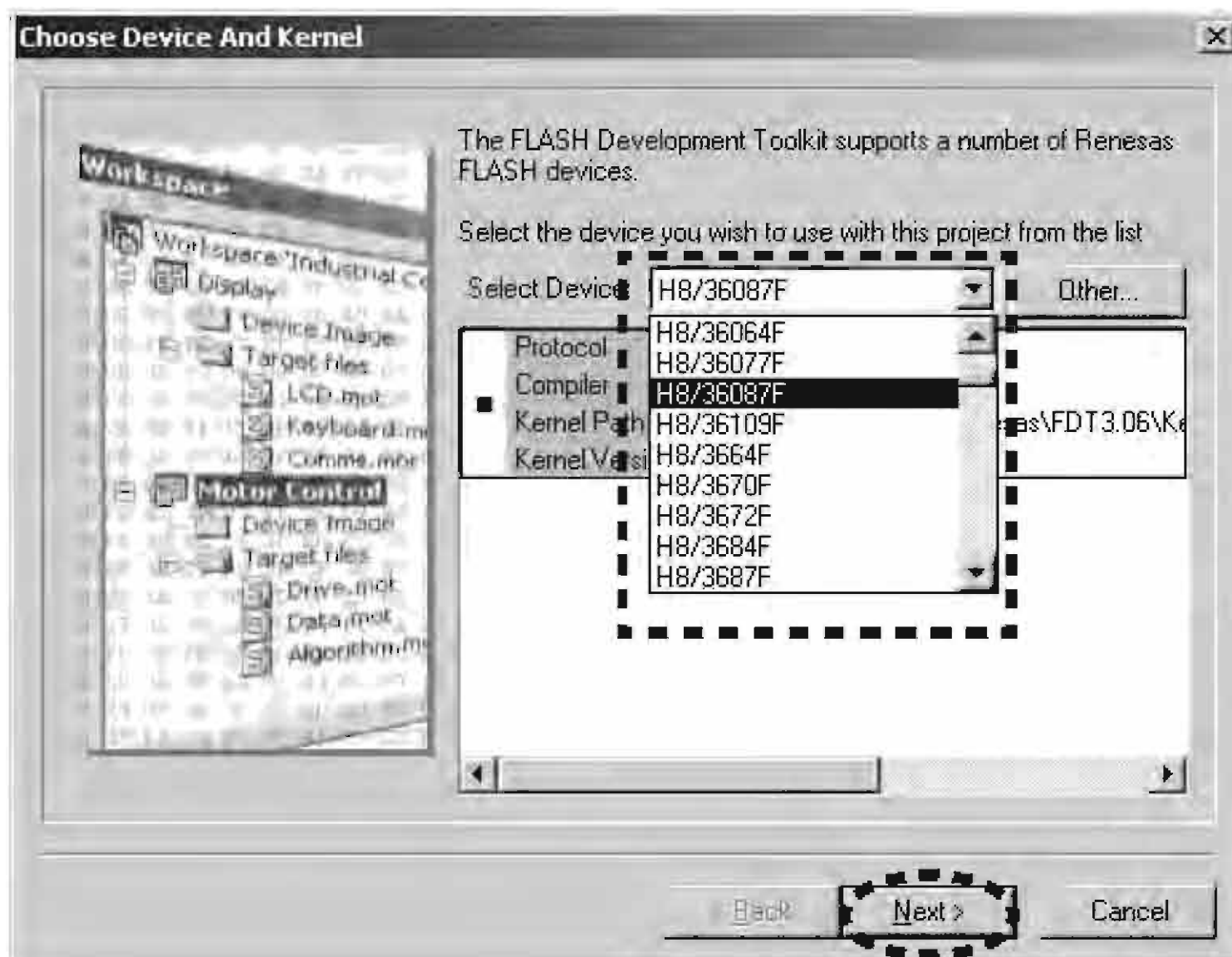
4. **SR8001_HDMI** is inputted into the Workspace Name.
(It is simultaneously inputted into Project Name.)
Click the **OK**.

4. Workspace Nameに**SR8001_HDMI**を入力します。
(同時にProject Nameにも入力されます)
OKをクリックします。



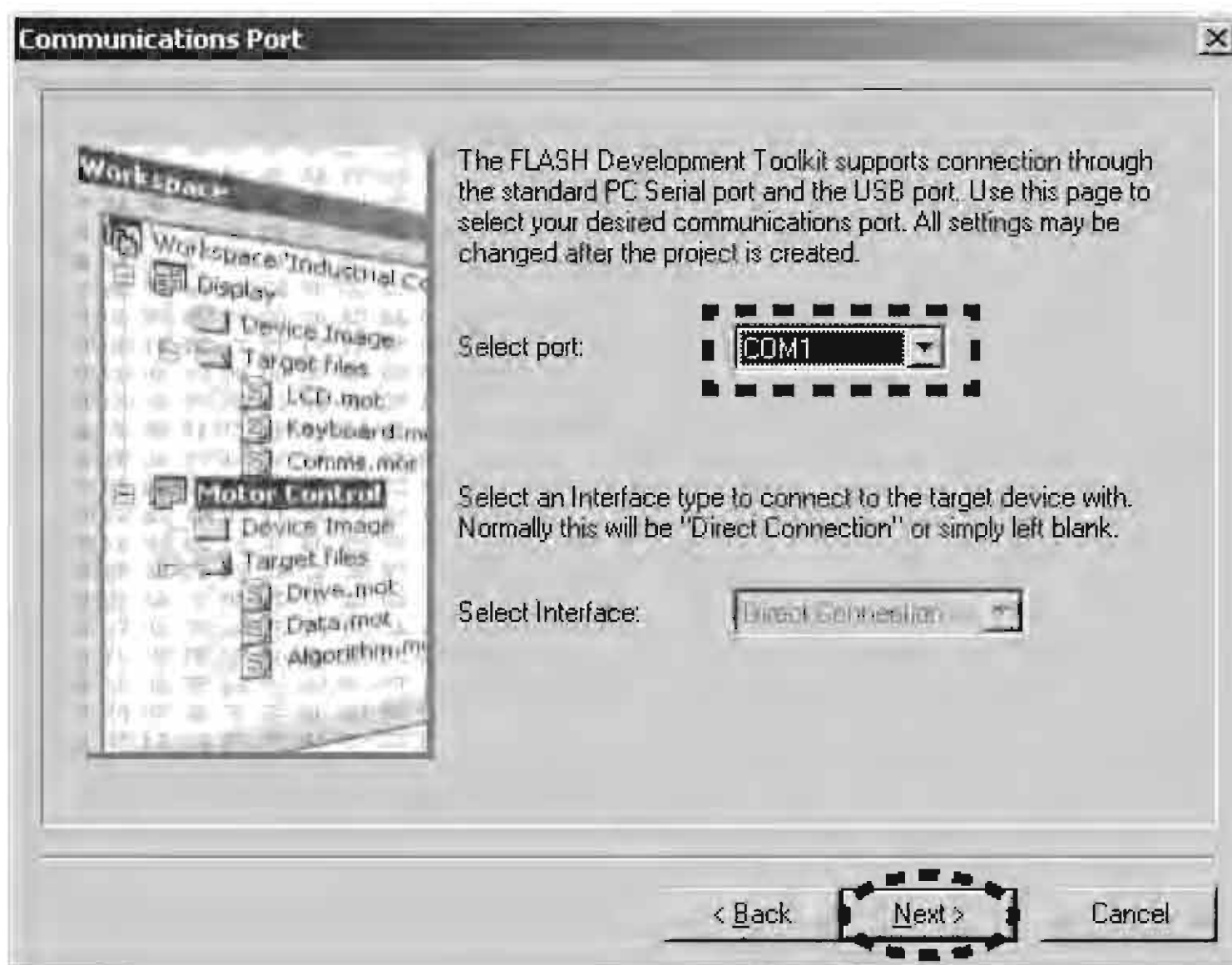
5. Choose the **H8/36087F** in Select Device. And click the **Next**.

5. Select Deviceから**H8/36087F**を選択し、**Next**をクリックします。



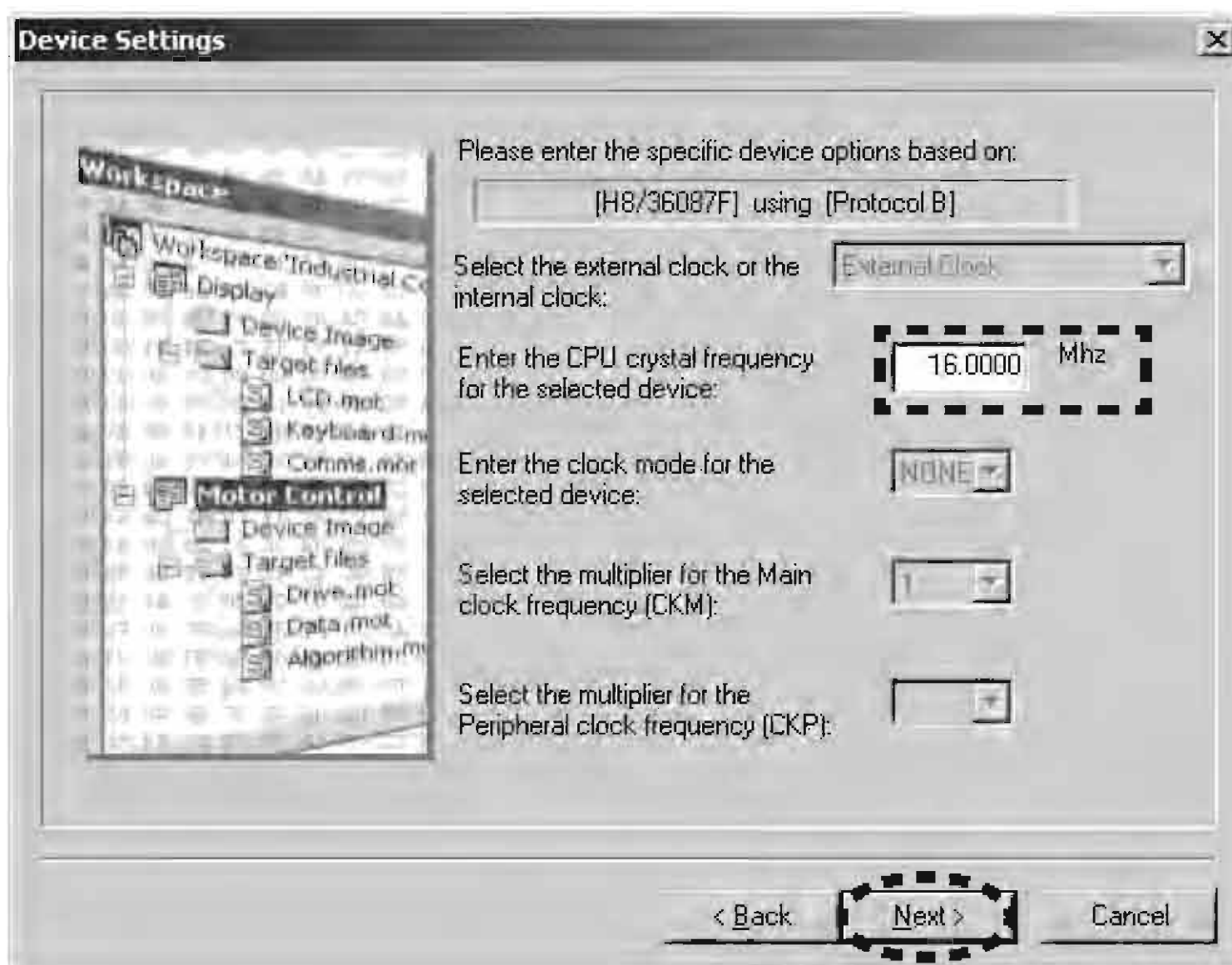
6. Choose the **Serial port number** in the Select Port. And click the **Next**.

6. Select Portから**Serial**ポート番号を選び、**Next**をクリックします。



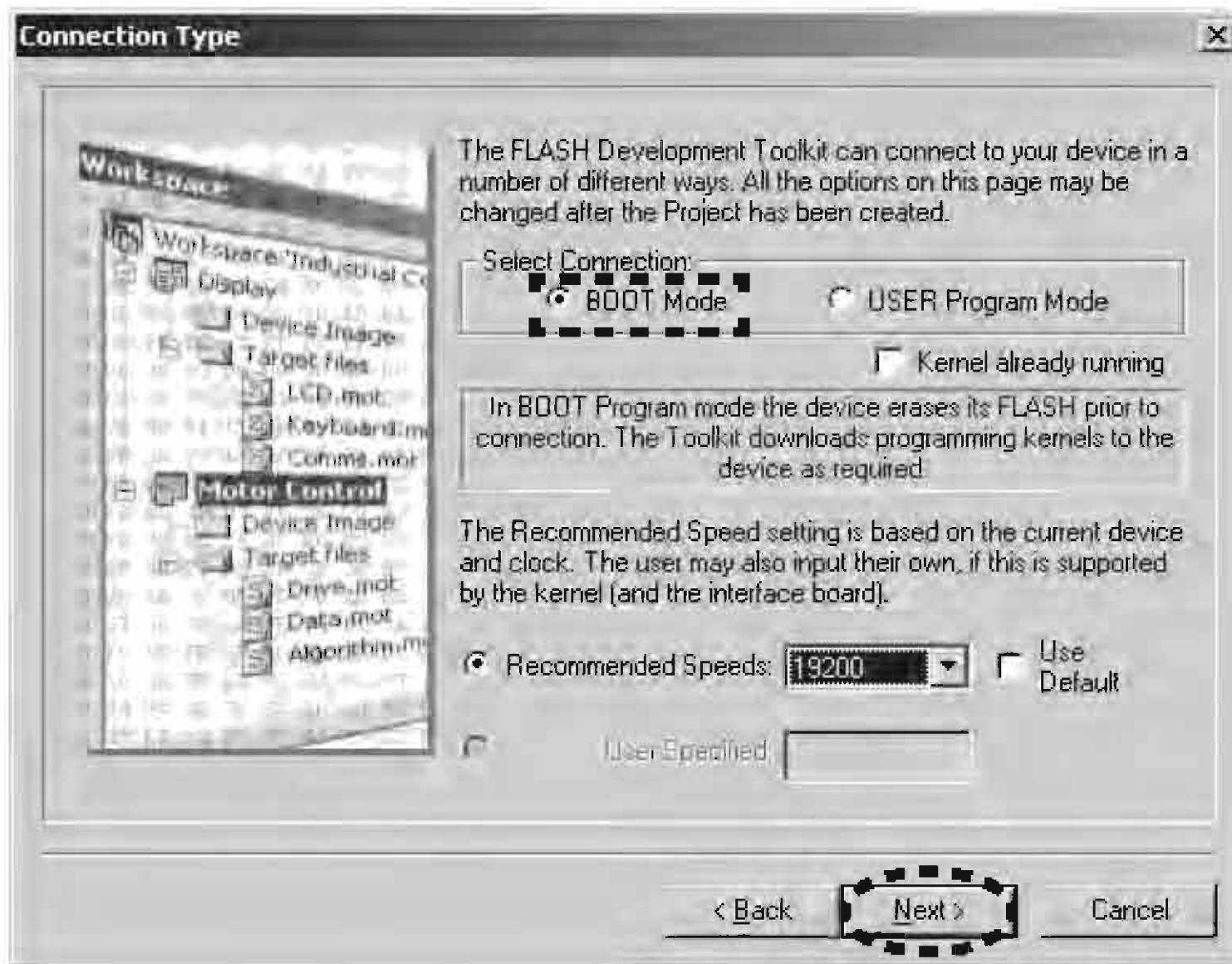
7. **16.0000** is inputted into the Enter the CPU crystal frequency for the selected device. And click the **Next**.

7. Enter the CPU crystal frequency for the selected device に**16.0000**を入力し、**Next**をクリックします。



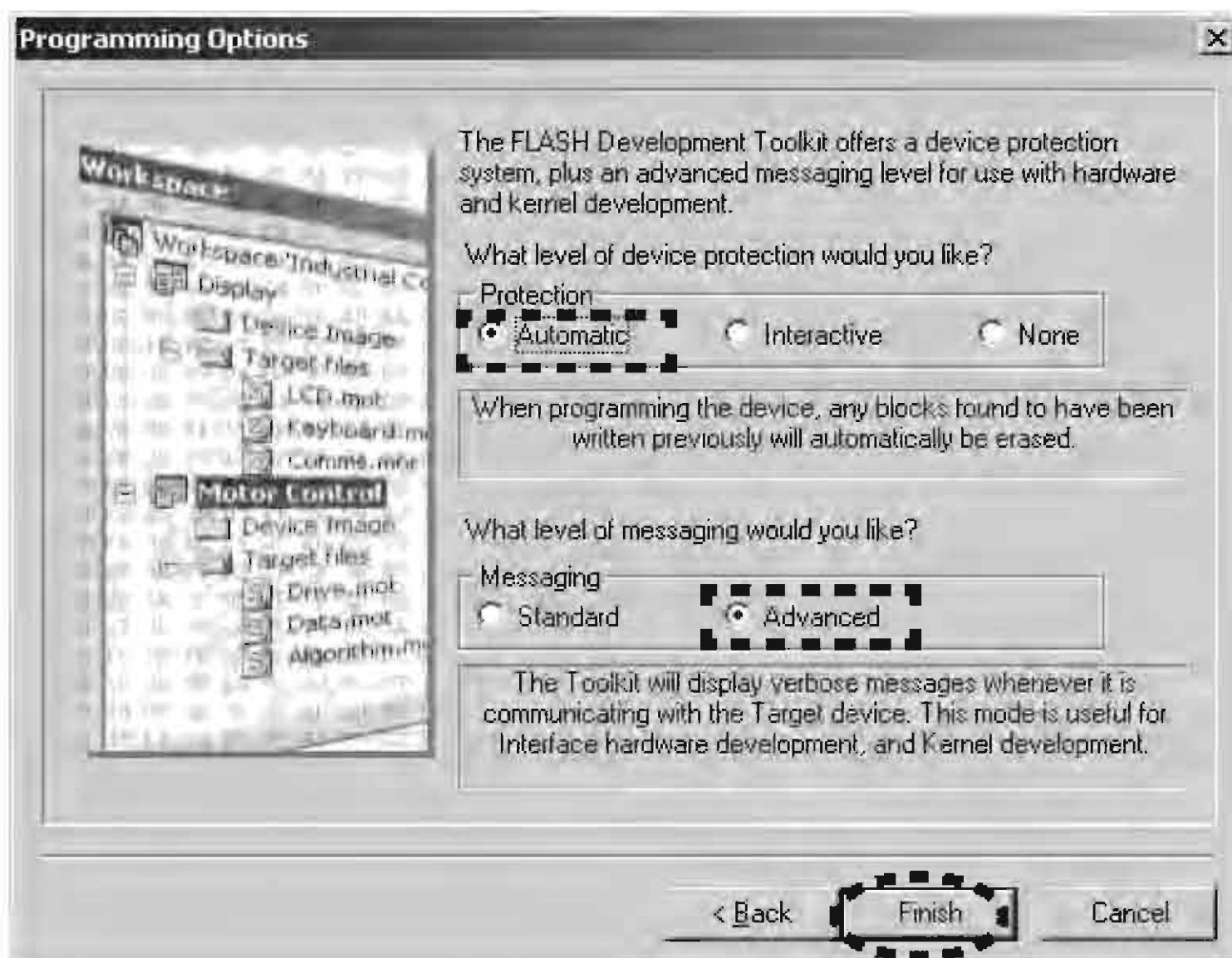
8. Check The **BOOT Mode** in Select Connection.
Un-check the **Use Default**, and choose the **19200** in Recommended Speeds.
Click the **Next**.

8. Select Connectionの**BOOT Mode**をチェックします。
Recommended Speedsの**Use Default**のチェックを外し、**19200**を選択します。
Nextをクリックします。



9. Check the **Automatic** in Protection.
Check the **Advanced** in Messaging.
Click the **Finish**.

9. Protectionの**Automatic**をチェックします。
Messagingの**Advanced**をチェックします。
Finishをクリックします。

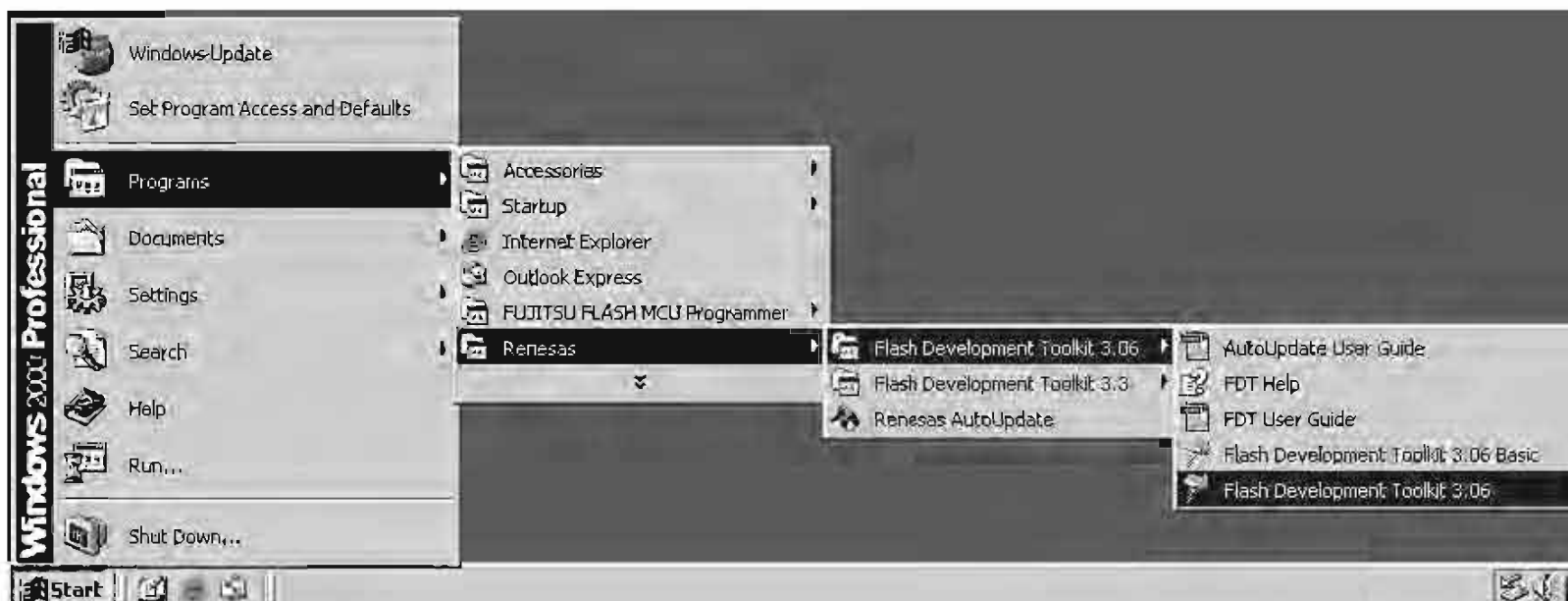


[M3-2] Writing Procedure for HDMI CPU

1. Connect the RS-232C on rear panel of the unit and the Serial Port of windows PC with RS-232C cable.
2. Connect the mains cord into the unit.
3. Launch the Flash Development Toolkit (FDT), When FDT is not launch.
When FDT is already launch, please advance to step No.7.
4. Click **Start, Programs, Renesas, Flash Development Toolkit 3.06** and **Flash Development Toolkit 3.06**.

[M3-2] Writing Procedure for HDMI CPU

1. 本機のリアパネルにあるRS-232CコネクタとWindows PCのSerialポートをRS-232Cケーブルで接続します。
2. 本機に電源コードを接続します。
3. Flash Development Toolkit v3.06(FDT)を起動していない場合は起動します。
既にFDTを起動している方はステップ7に進んでください。
4. **Start, Programs, Renesas, Flash Development Toolkit 3.06, Flash Development Toolkit 3.06**をクリックします。



5. Check the **Browse to another project workspace**, and click **OK**.

5. **Browse to another project workspace**をチェックし、**OK**をクリックします。



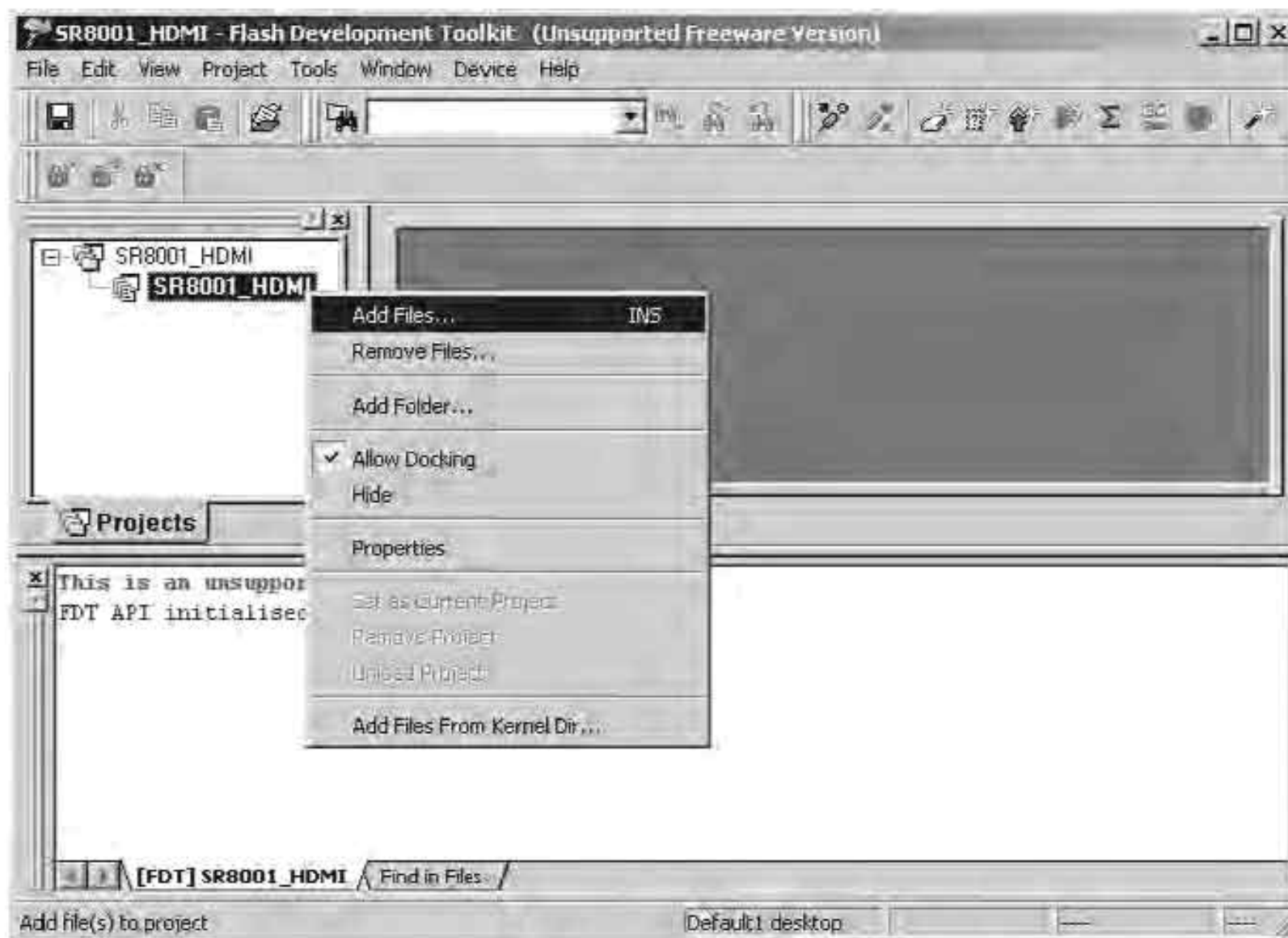
6. Choose **SP8001_HDMI.AWS** in SR8001_HDMI folder under workspace folder. And Click the **Open**.

6. workspaceフォルダの下のSR8001_HDMIフォルダ内のSP8001_HDMI.AWSを選択し、**Open**をクリックします。



7. Right button of mouse click on the **SR8001_HDMI**, and select the **Add Files...** in a menu.

7. SR8001_HDMIを右クリックし、メニューから**Add Files...**をクリックします。

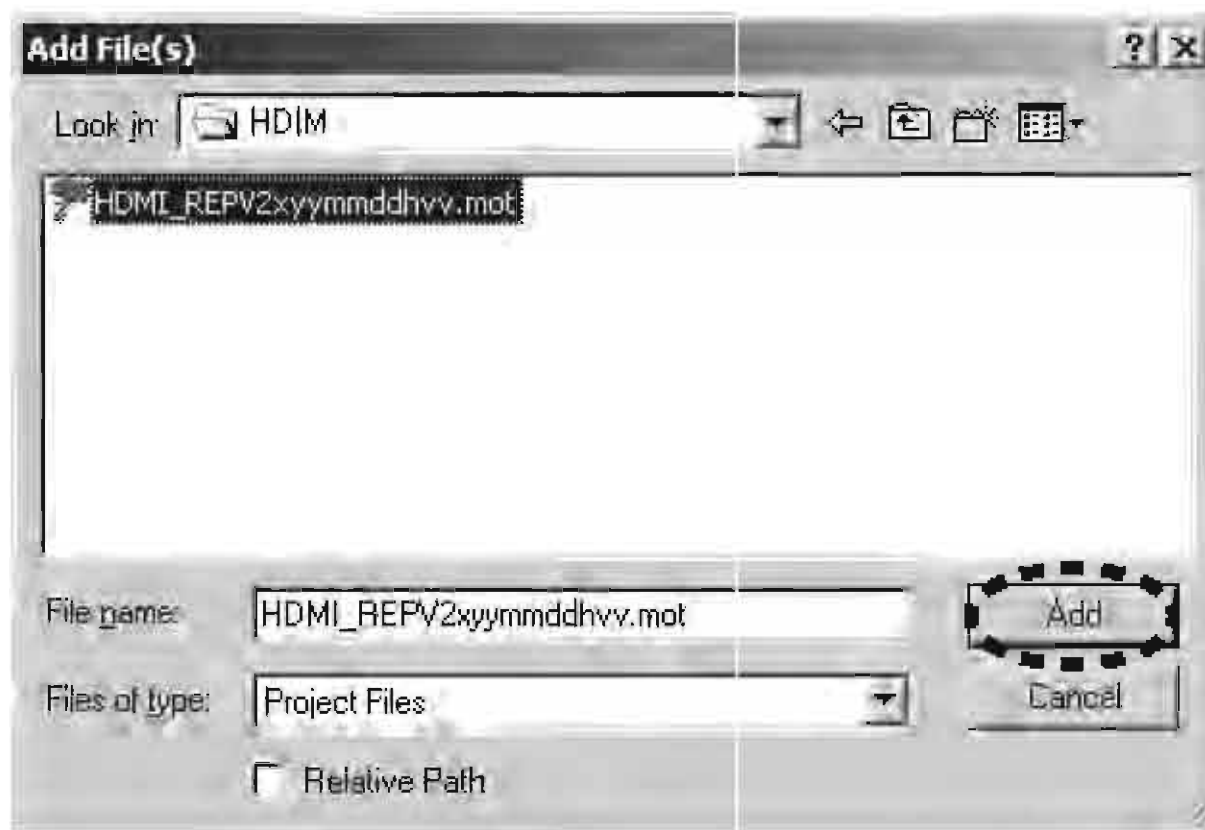


8. Choose the **HDMI_REPV2xyymmddhv.mot**, and click the **Add**.

NOTE : The yy is two digits of year. The mm is month. The dd is date. The vv is release number.

8. **HDMI_REPV2xyymmddhv.mot**を選択し、**Add**をクリックします。

注意：yyは年の下二桁、mmは月、ddは日、vvはリリースナンバー

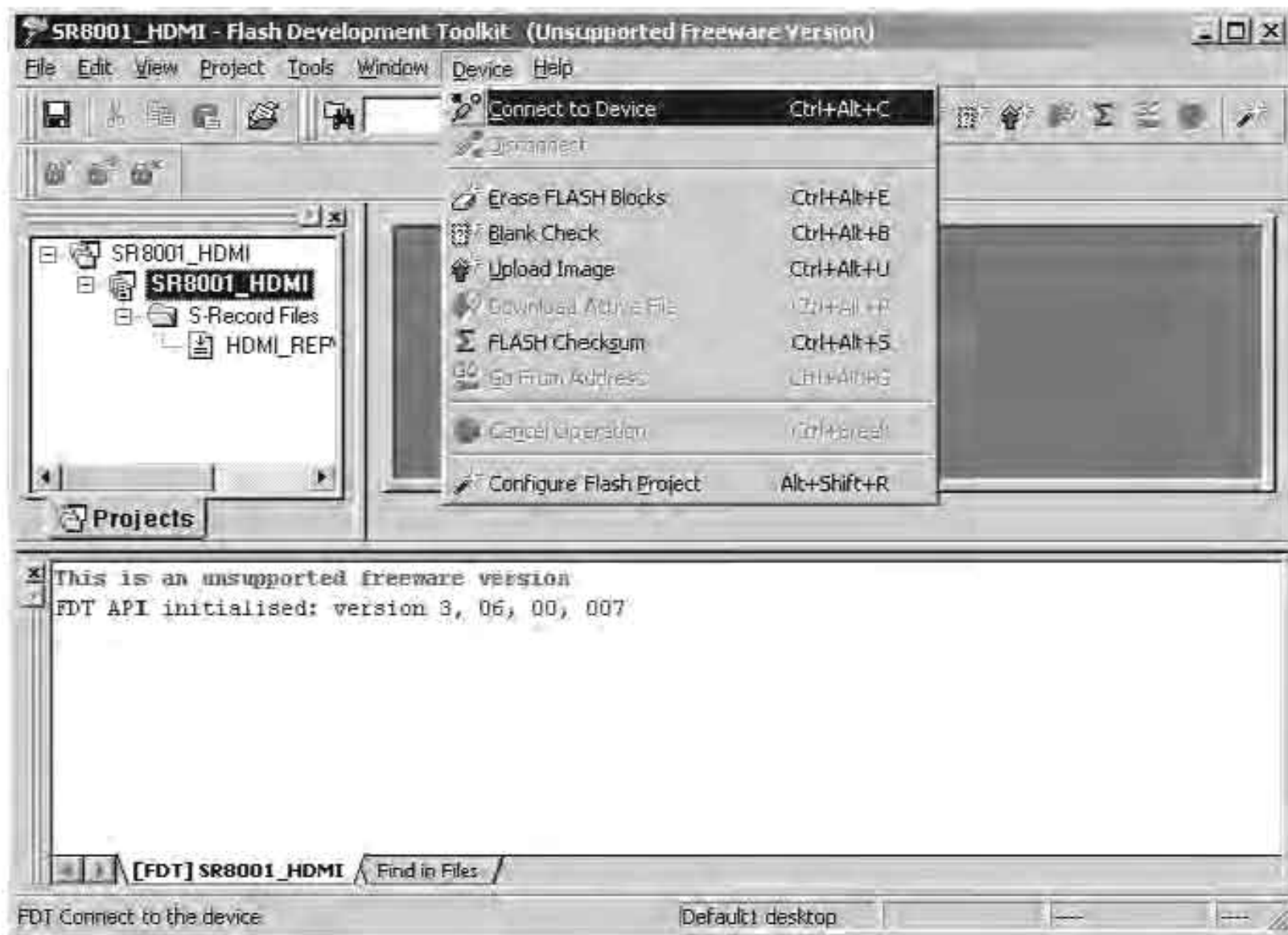


9. Press the **POWER ON/STANDBY** button for turn on the unit.
10. Press the **ENTER**, **SURROUND MODE** and **T-MODE** buttons simultaneously more than 3 seconds to turn the unit into Loading Mode.
11. The FLD shows "SELECT DSP" after showed "LOADING MODE".
12. Turn the **INPUT SELECTOR** to change display from "SELECT DSP" to "SELECT HDMI" on FLD.
13. Press the **ENTER** button.
14. "SELECTED HDMI" shows on the FLD.

9. **POWER ON/STANDBY**ボタンを押し、本機の電源を入れます。
10. **ENTER**, **SURROUND MODE**, **T-MODE**の3つボタンを同時に3秒以上押し続け、本機をローディングモードにします。
11. FLに"LOADING MODE"と表示された後、"SELECT DSP"と表示されます。
12. 本機の**INPUT SELECTOR**を回して、FLの表示が"SELECT DSP"から"SELECT HDMI"に換えます。
13. **ENTER**ボタンを押しします。
14. FLの表示が"SELECTED HDMI"に変わります。

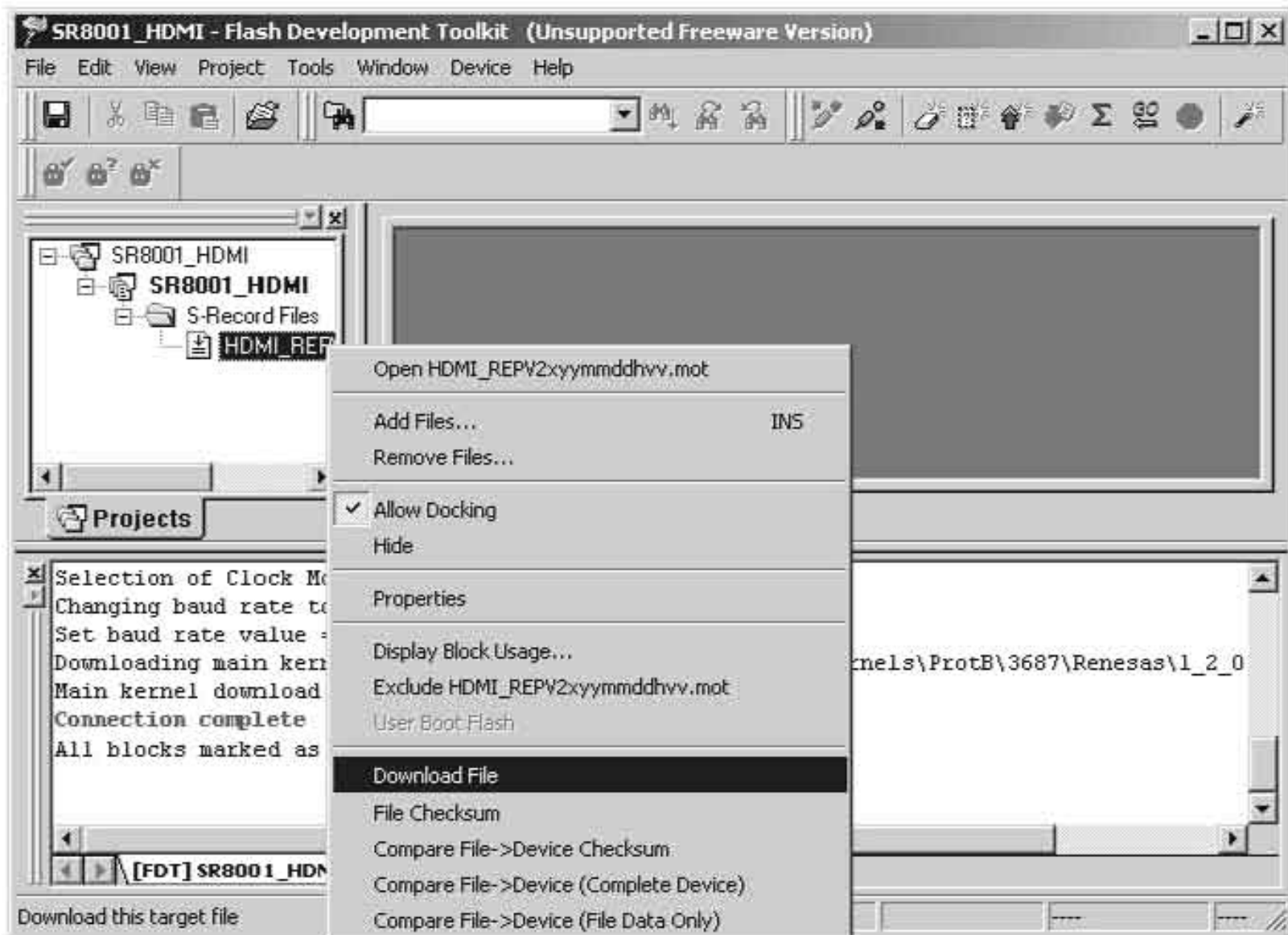
15. Click the **Device** in the menu bar and select the **Connect to Device**.

15. **Device**をクリックし、メニューから**Connect to Device**をクリックします。



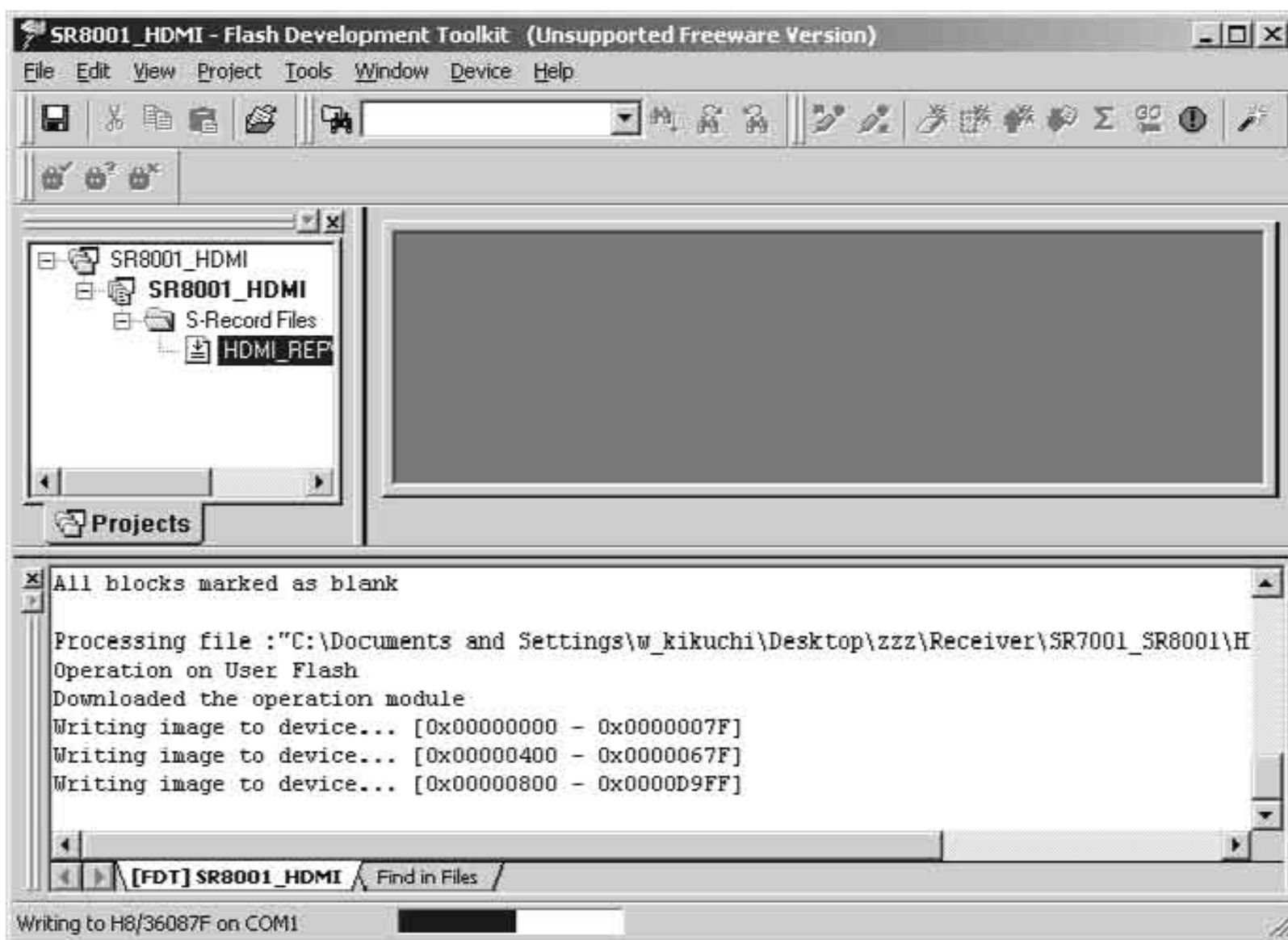
16. Press right button of mouse on the **HDMI_REPV2xyymmddhv.mot**, and select the **Download File** in a menu.

16. **HDMI_REPV2xyymmddhv.mot**を右クリックし、メニューから**Download File**をクリックします。



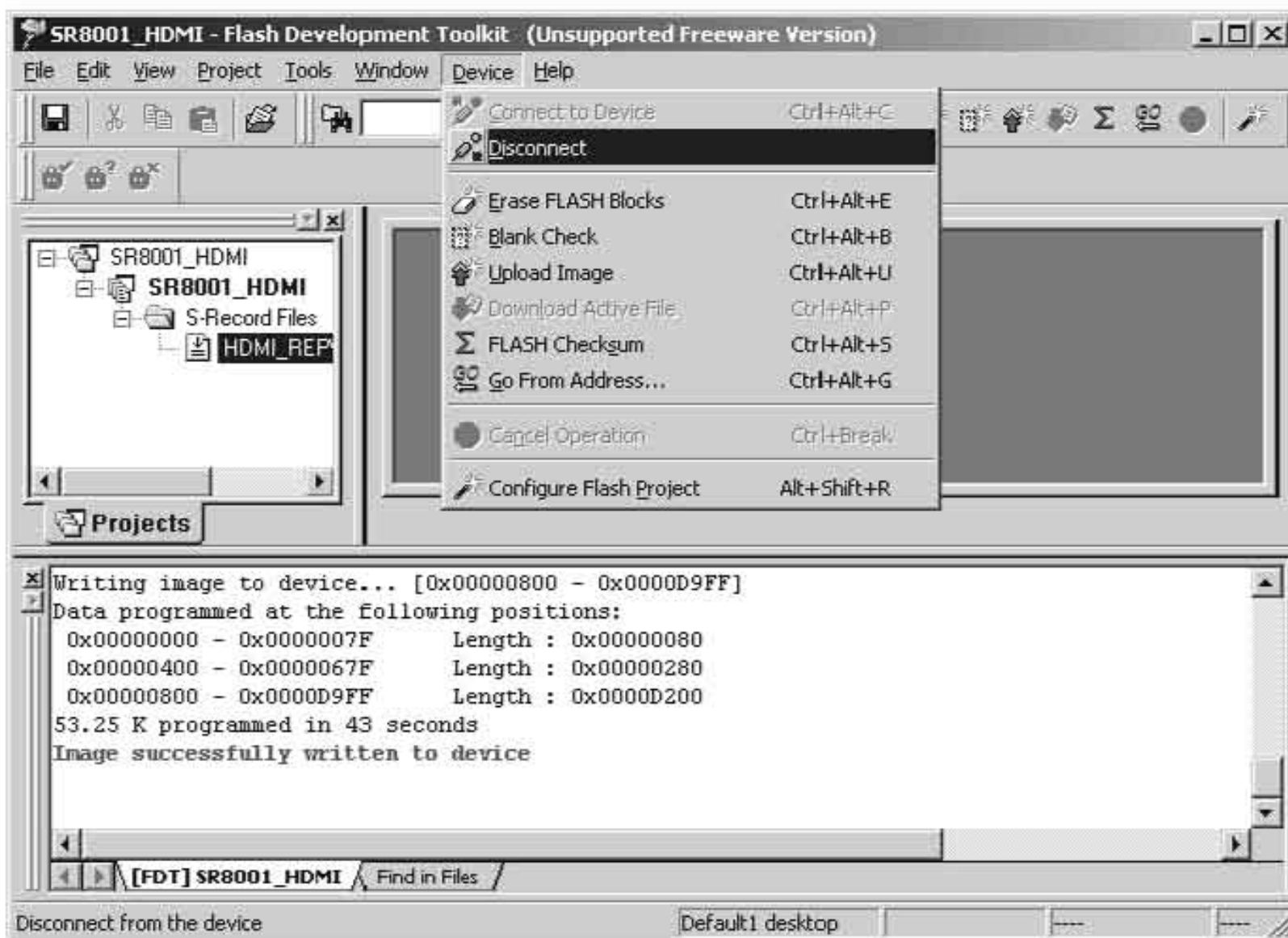
17. Software is written into the HDMI CPU.
The writing of software takes about 45 seconds.

17. ソフトウェアがHDMIマイコンに書き込まれます。
書き込みにかかる時間は約45秒です。



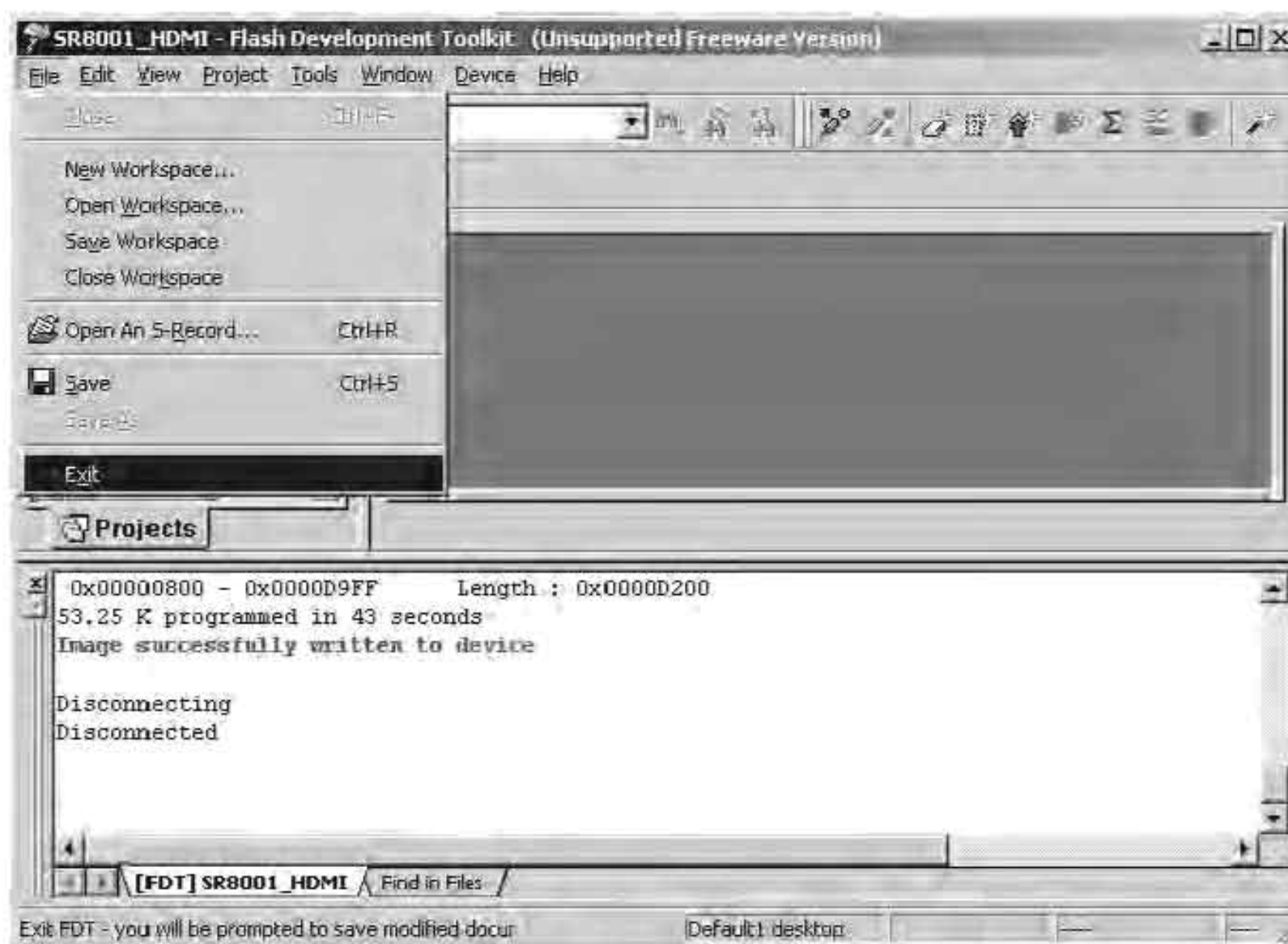
18. Click the **Device** in the menu bar and select the **Disconnect**.

18. **Device**をクリックし、メニューから**Disconnect**をクリックします。



19. Click the **File** and select the **Exit** in menu.

19. **File**をクリックし、メニューから**Exit**をクリックします。



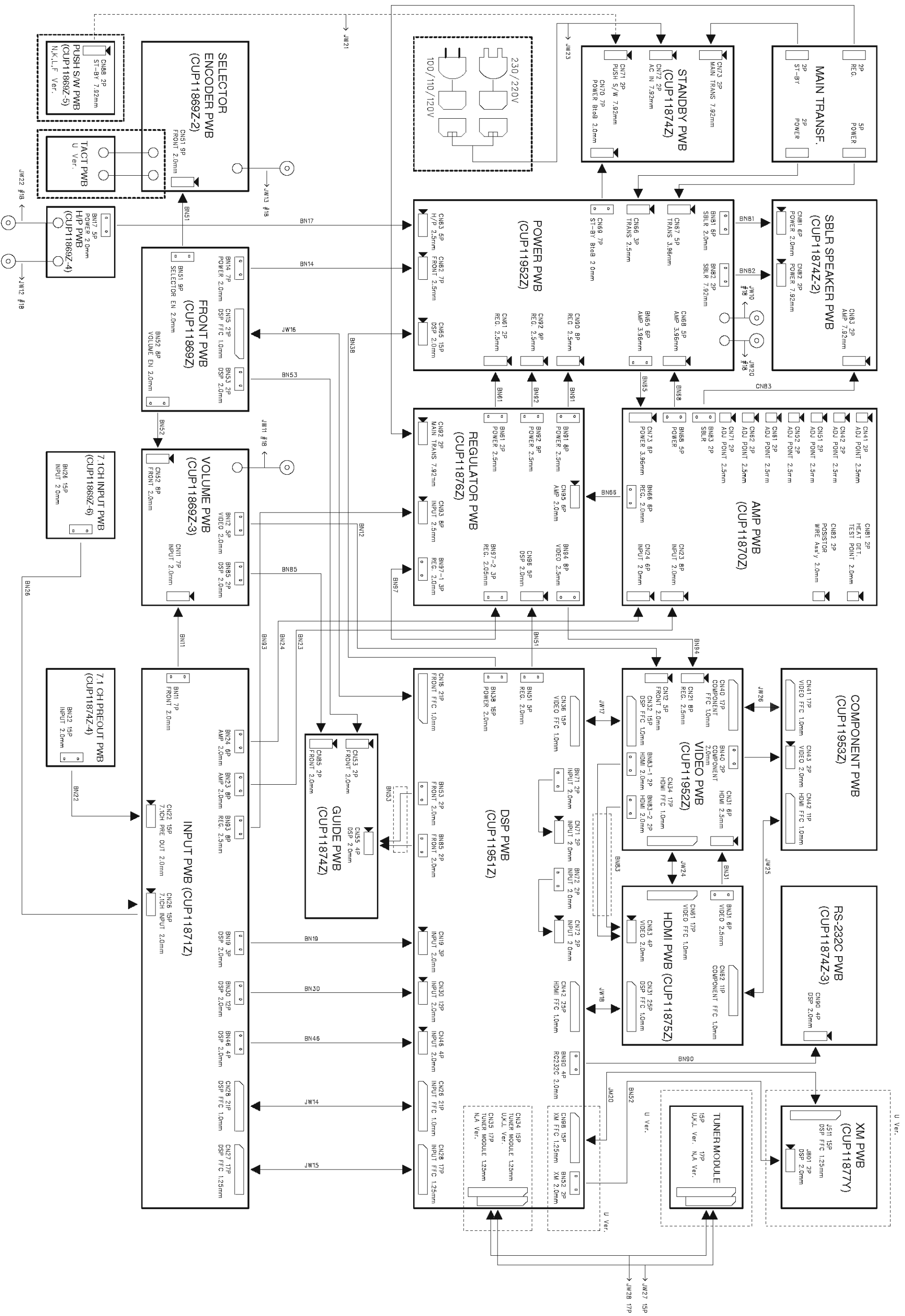
20. Press the **POWER ON/STANDBY** button for turn off the unit.

20. **POWER ON/STANDBY**ボタンを押し、本機の電源を切ります。

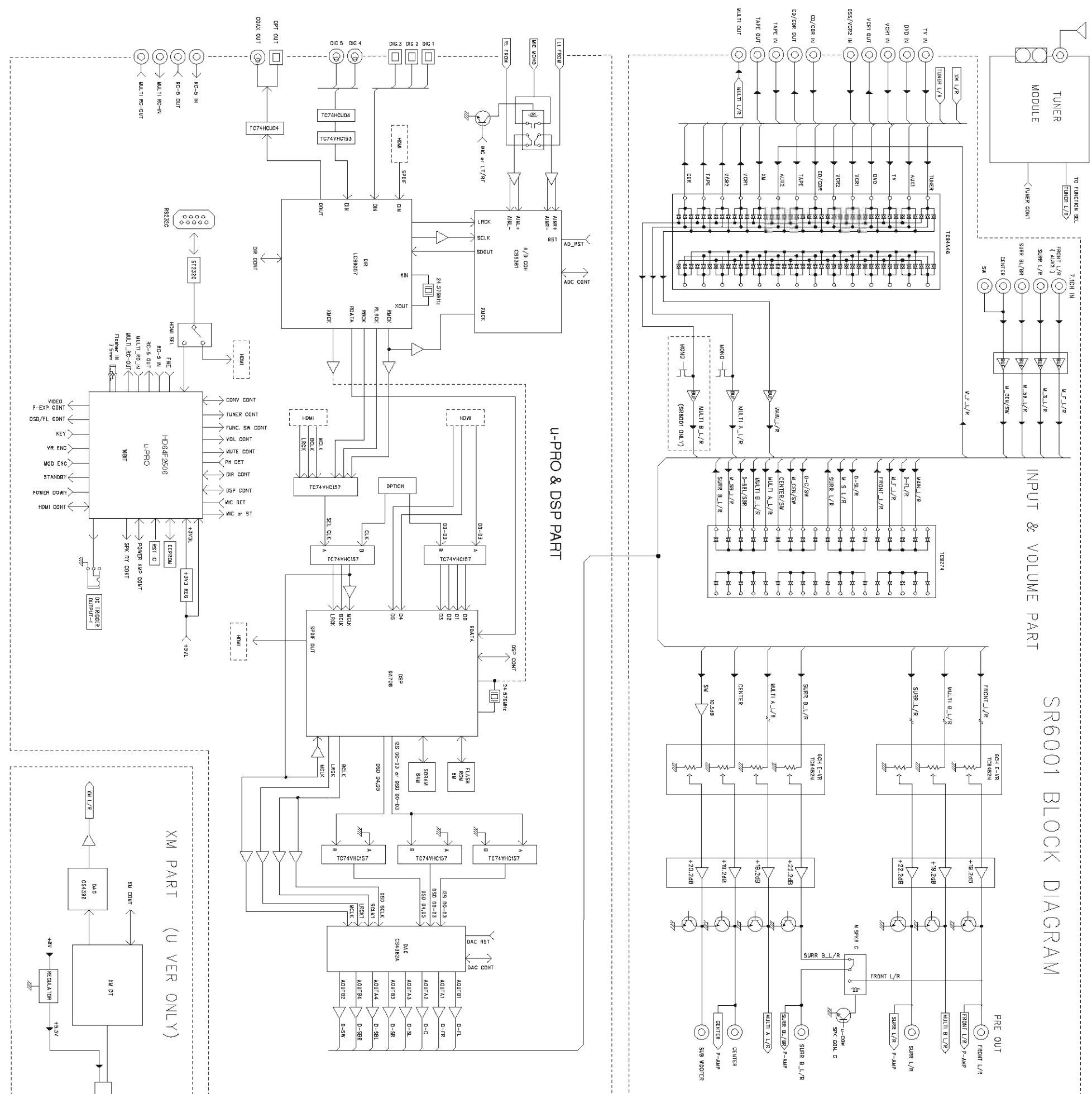
21. Disconnect the mains cord and RS-232C cable from the unit.

21. 本機から電源コードとRS-232Cケーブルを外します。

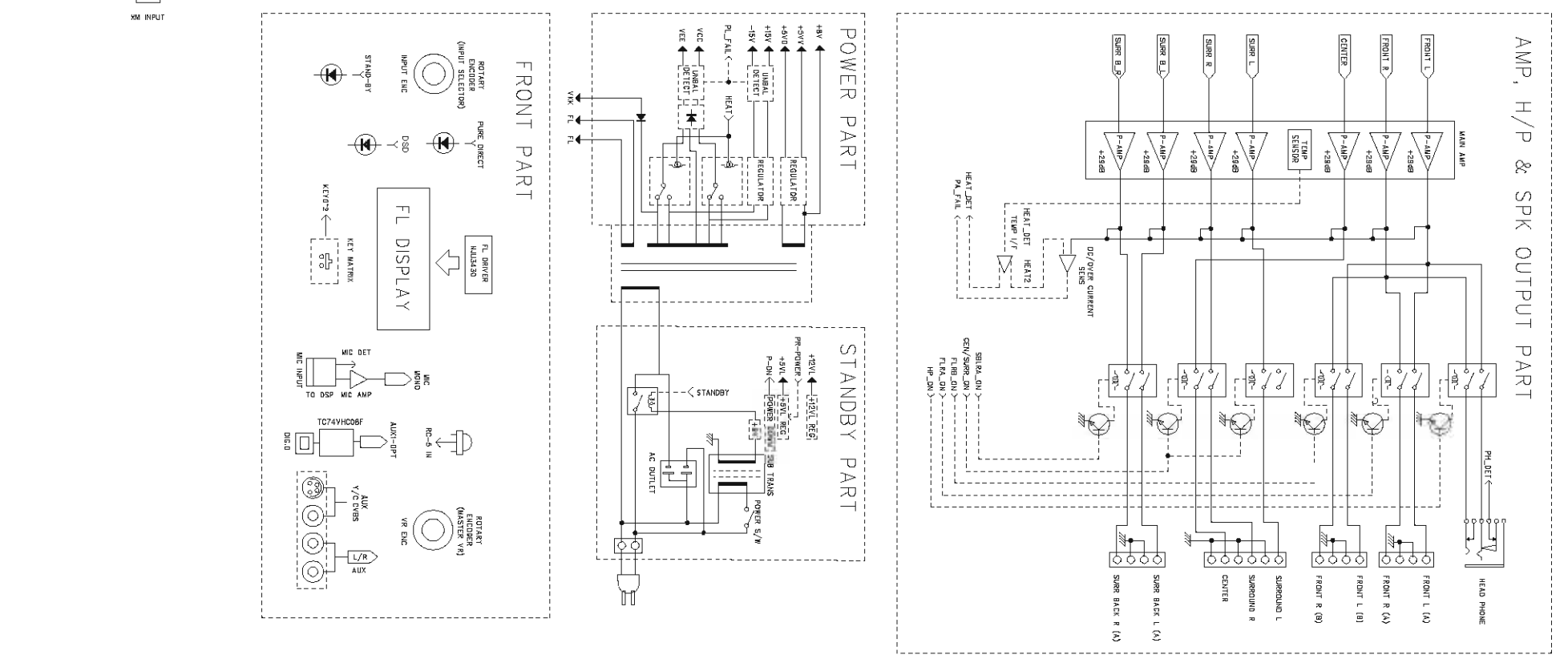
7. WIRING DIAGRAM

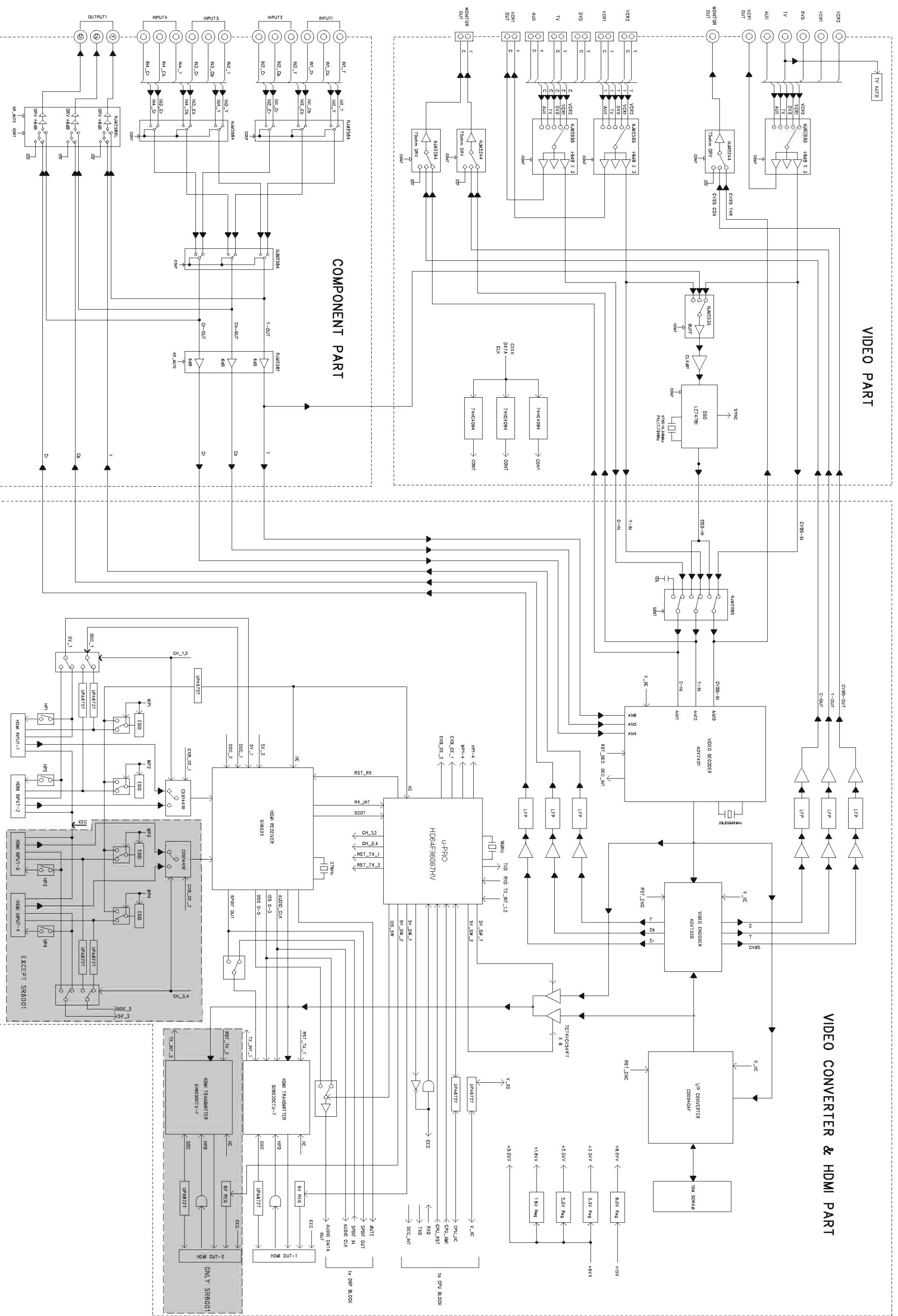


8. BLOCK DIAGRAM



SR6001 BLOCK DIAGRAM



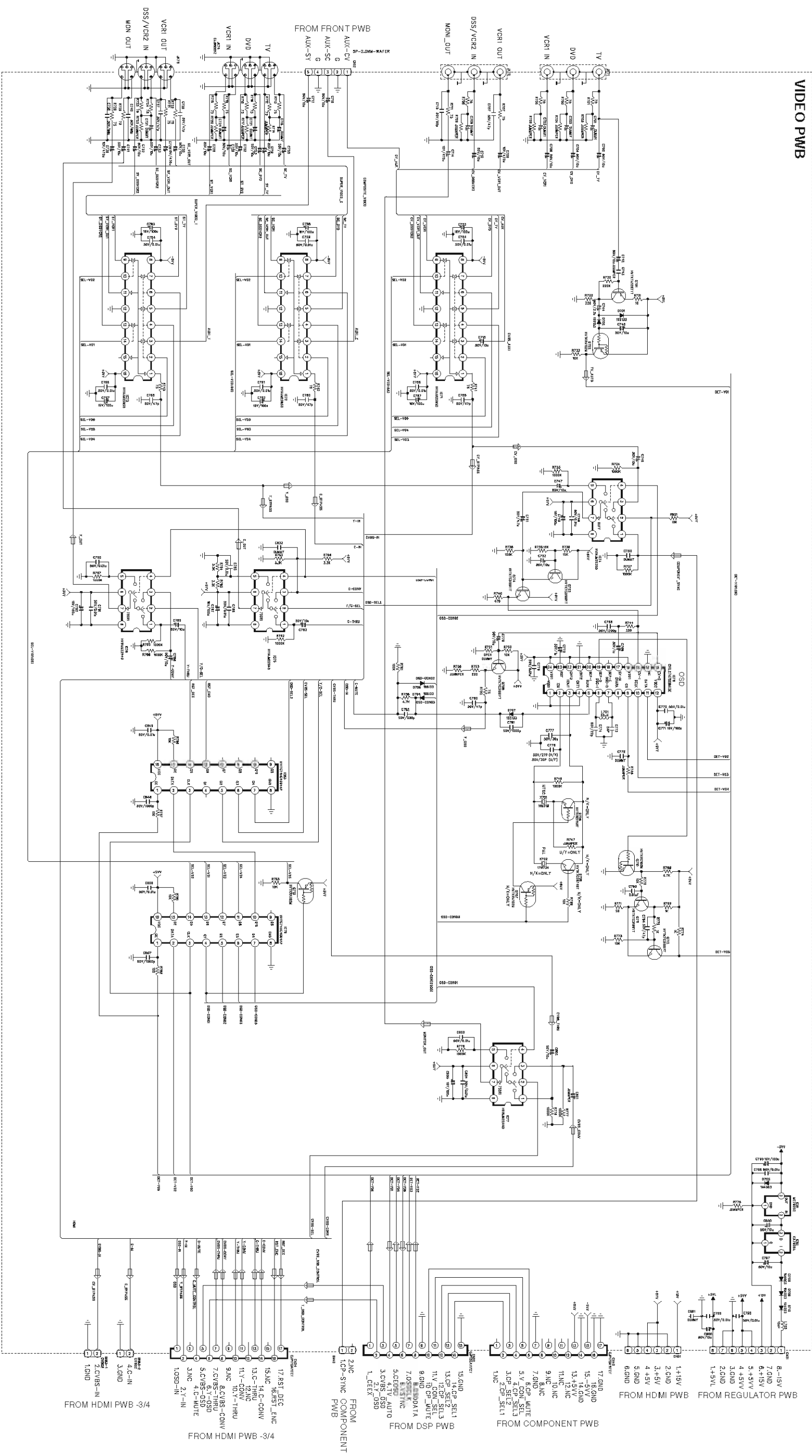


VIDEO PART

VIDEO CONVERTER & HDMI PART

COMPONENT PART

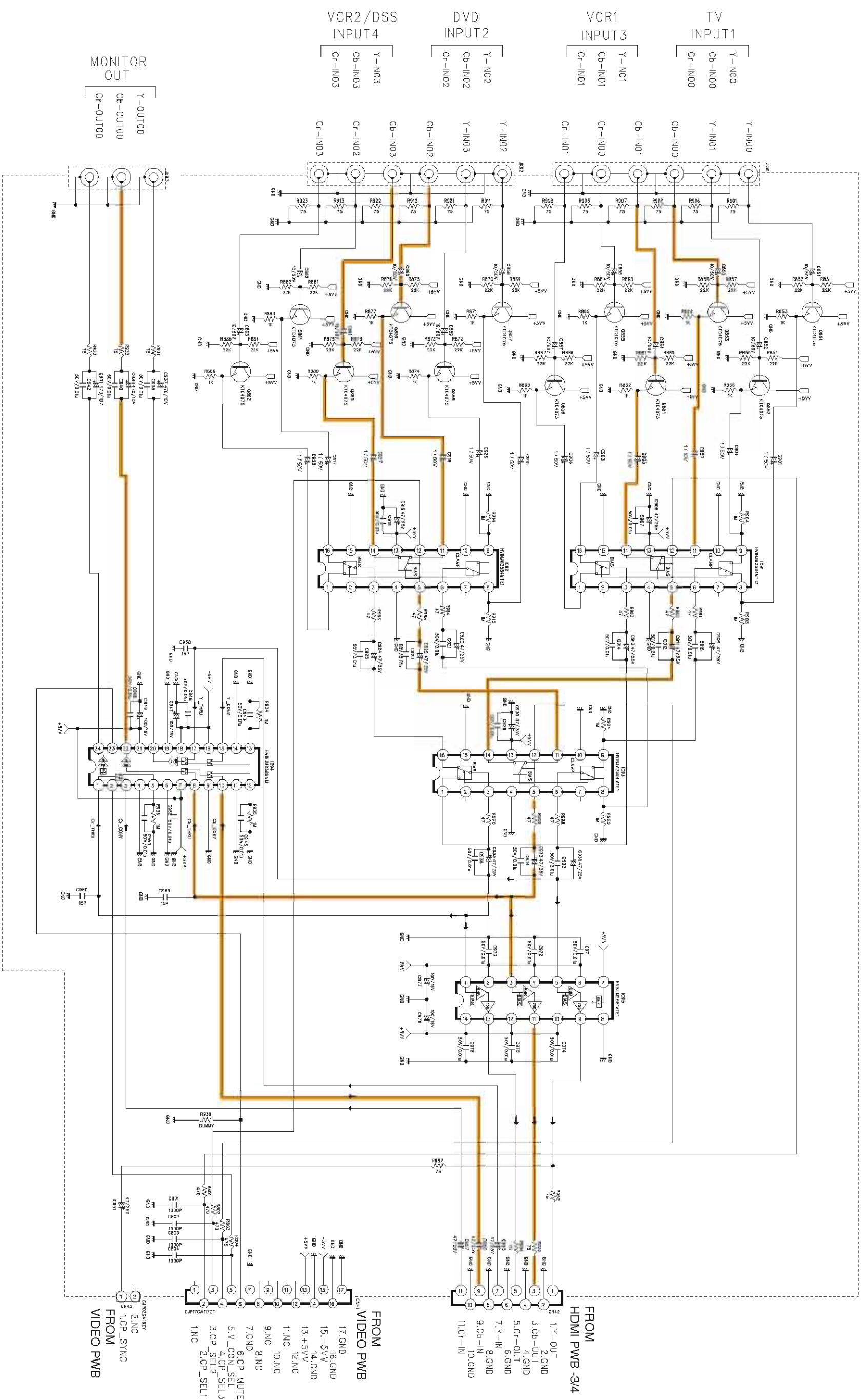
9. SCHEMATIC DIAGRAM



VERSION OPTION TABLE

	N (EUR)	U (USA)	K (CHINA)	F (JAPAN)
C777	LOAD CAP 30p	30p	30p	30p
C778	LOAD CAP 27p	30p	27p	30p
Q705	KRC11M	X	X	X
Q706	KRC11M	X	X	X
Q707	KRA102M	X	X	X
R747	JUMPER	X	X	X
X702	17.7344MHZ	X	X	X

COMPONENT PWB

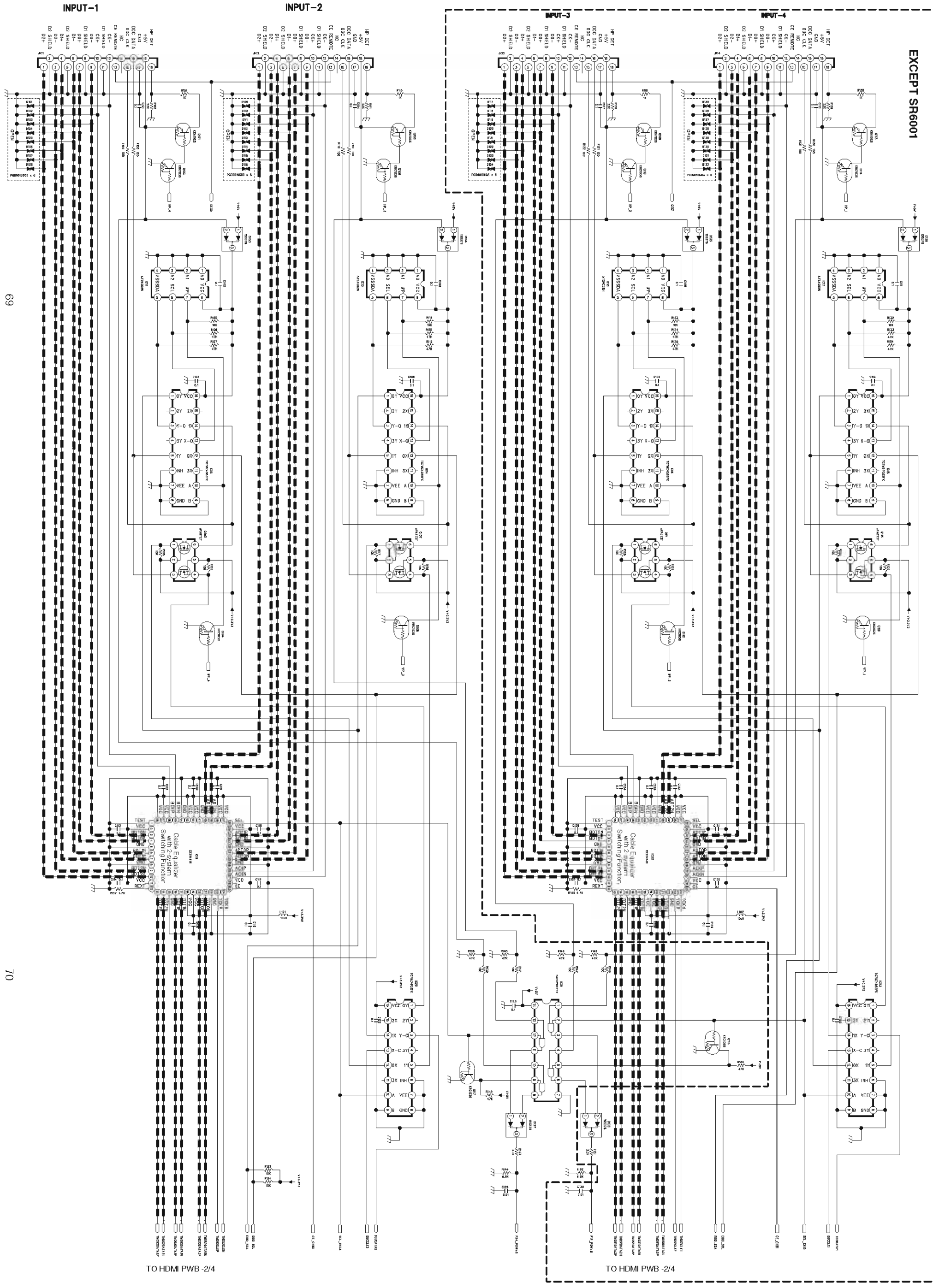


IC94 PIN2

SW1 SW2	OUT PUT
0 X	IN1
1 0	IN2

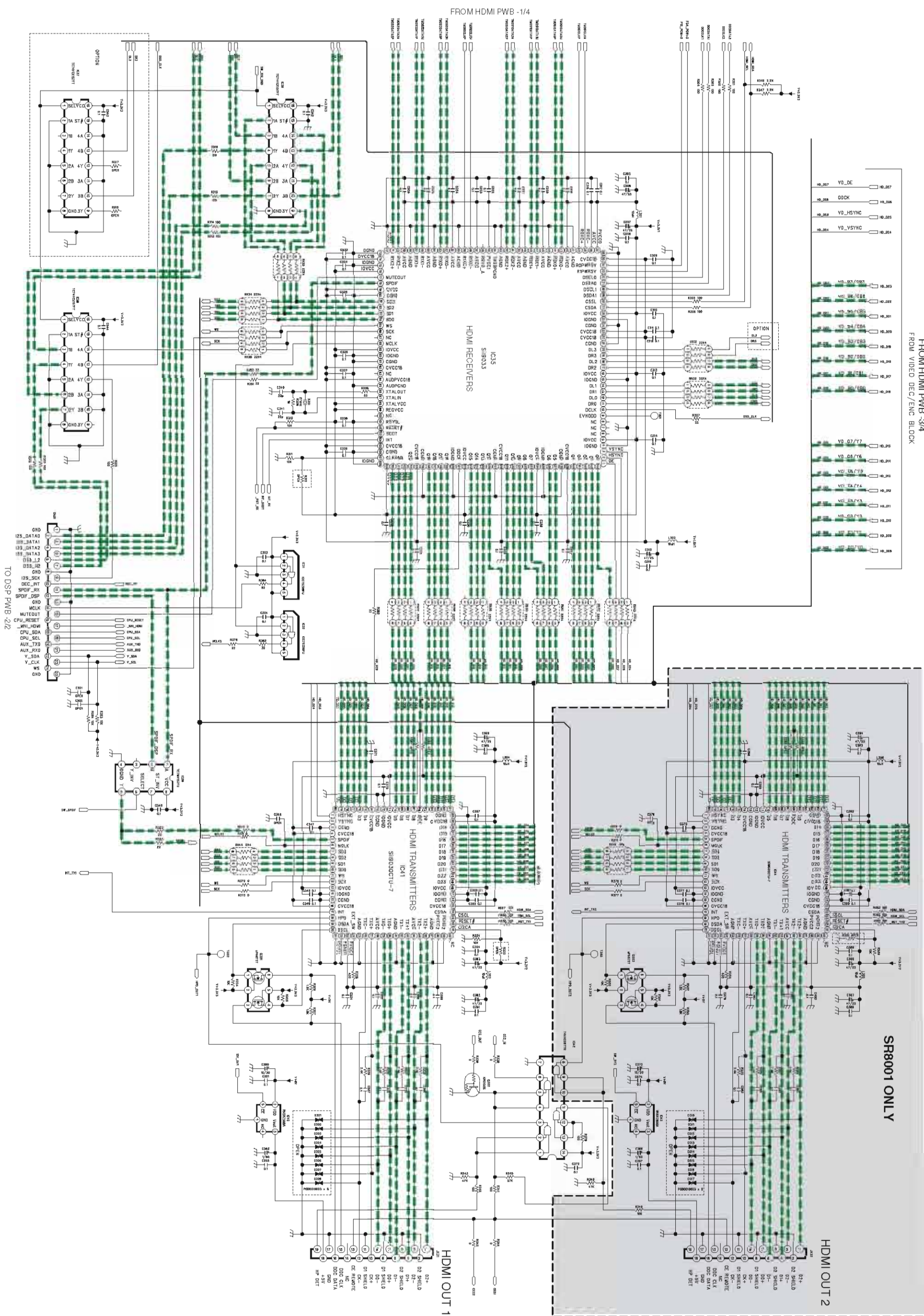
X = DONT CARE

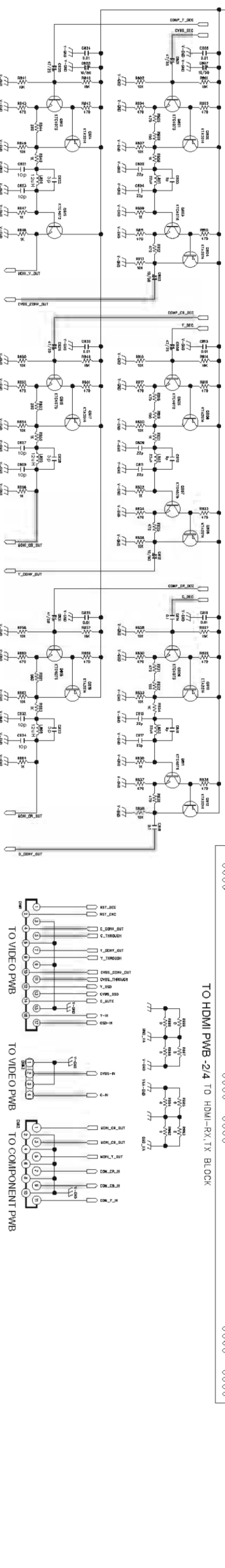
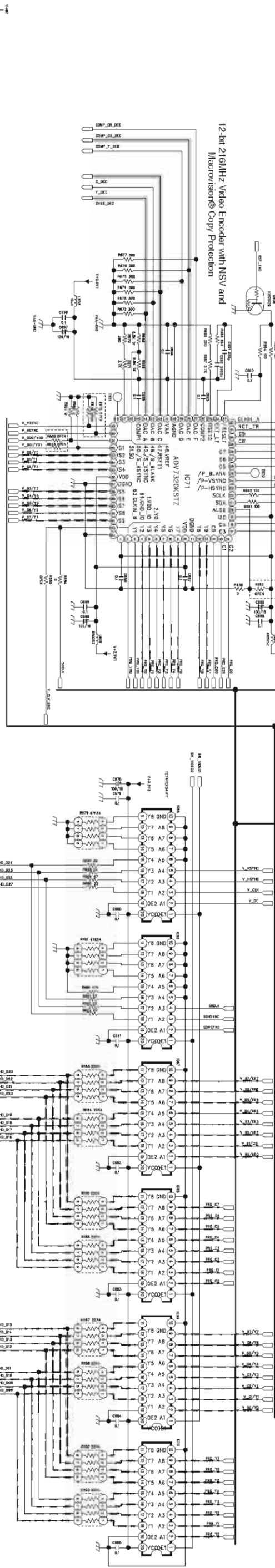
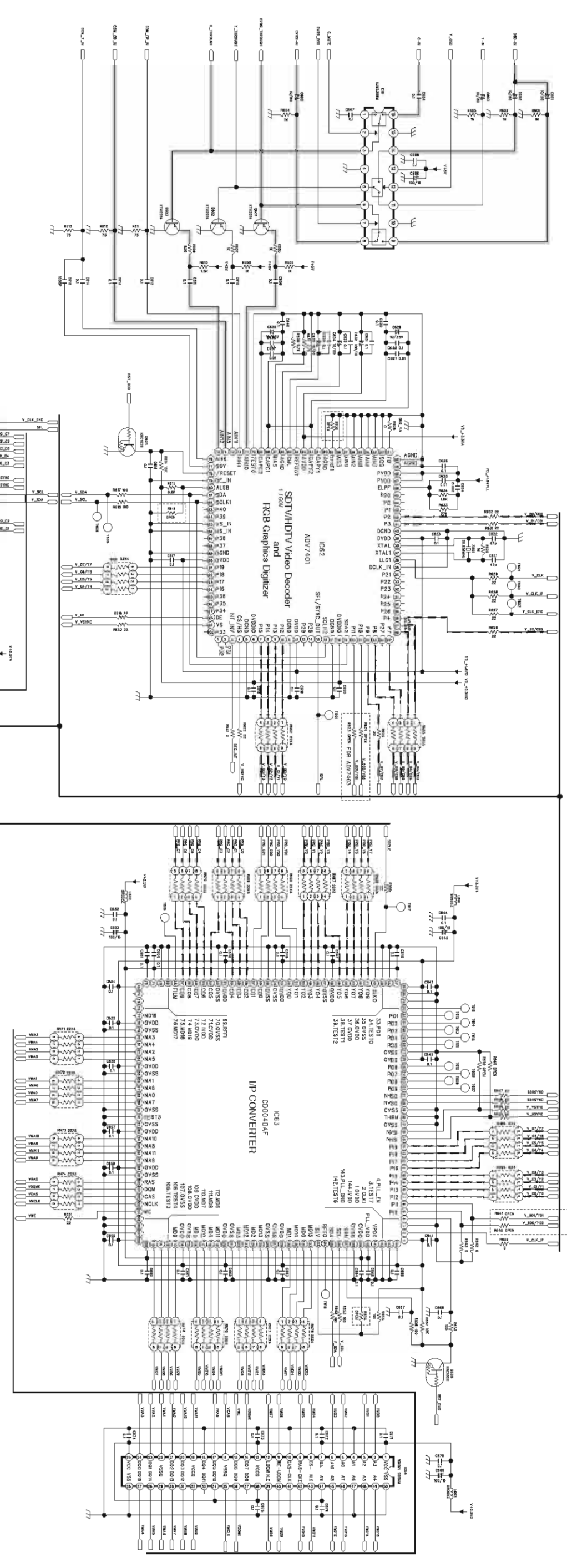
EXCEPT SR6001

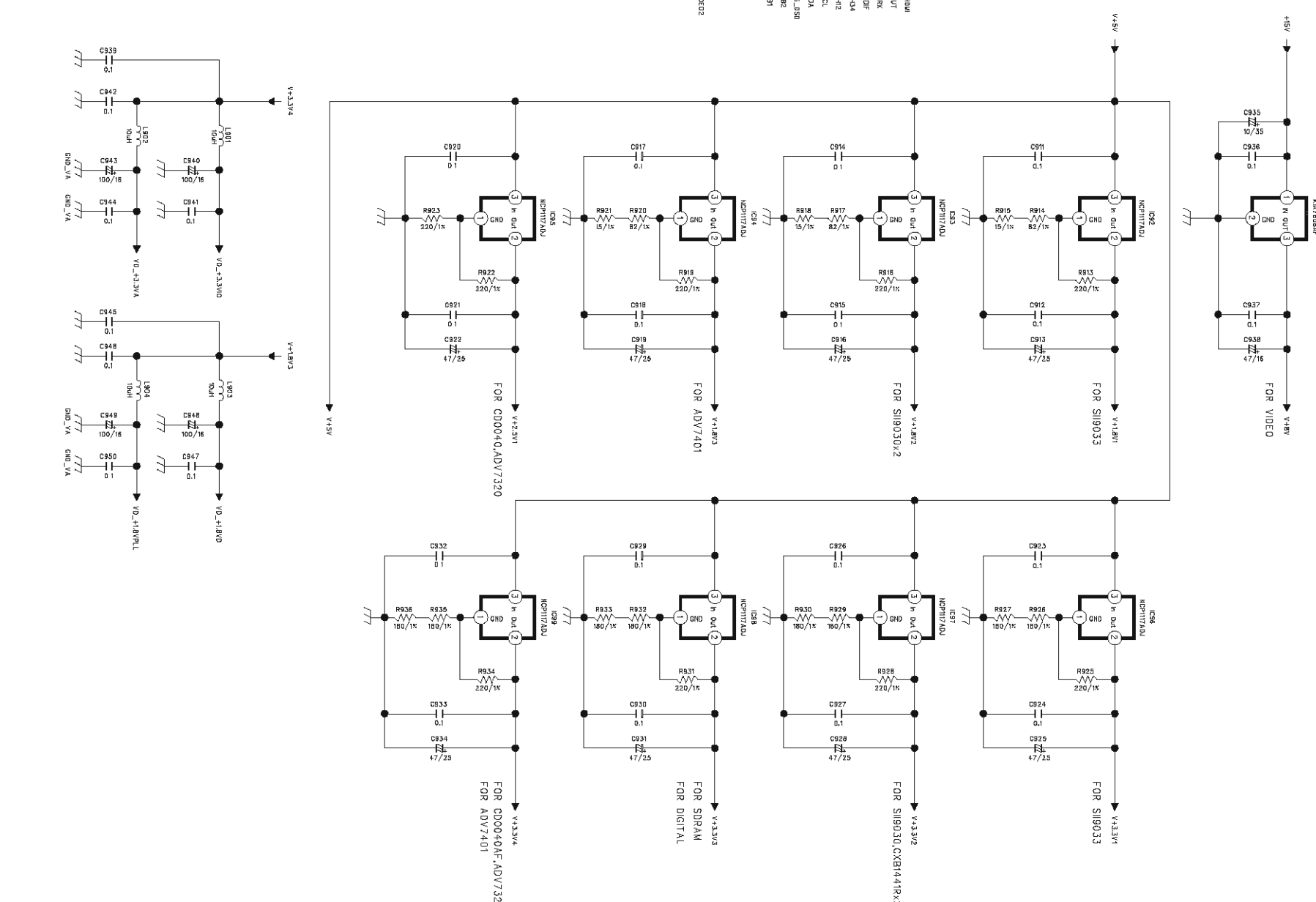
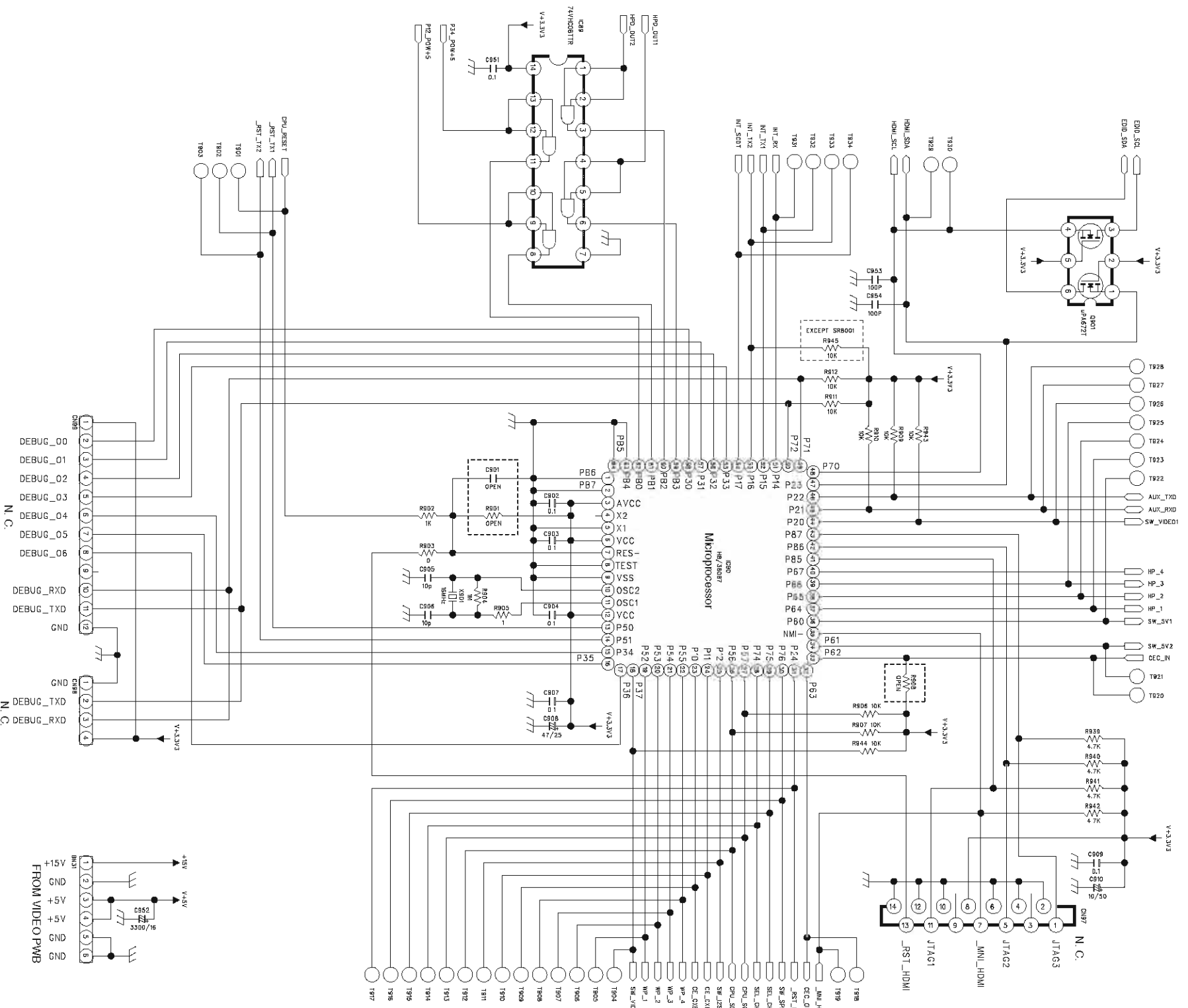


TO HDMI PWB -2/4

TO HDMI PWB -2/4

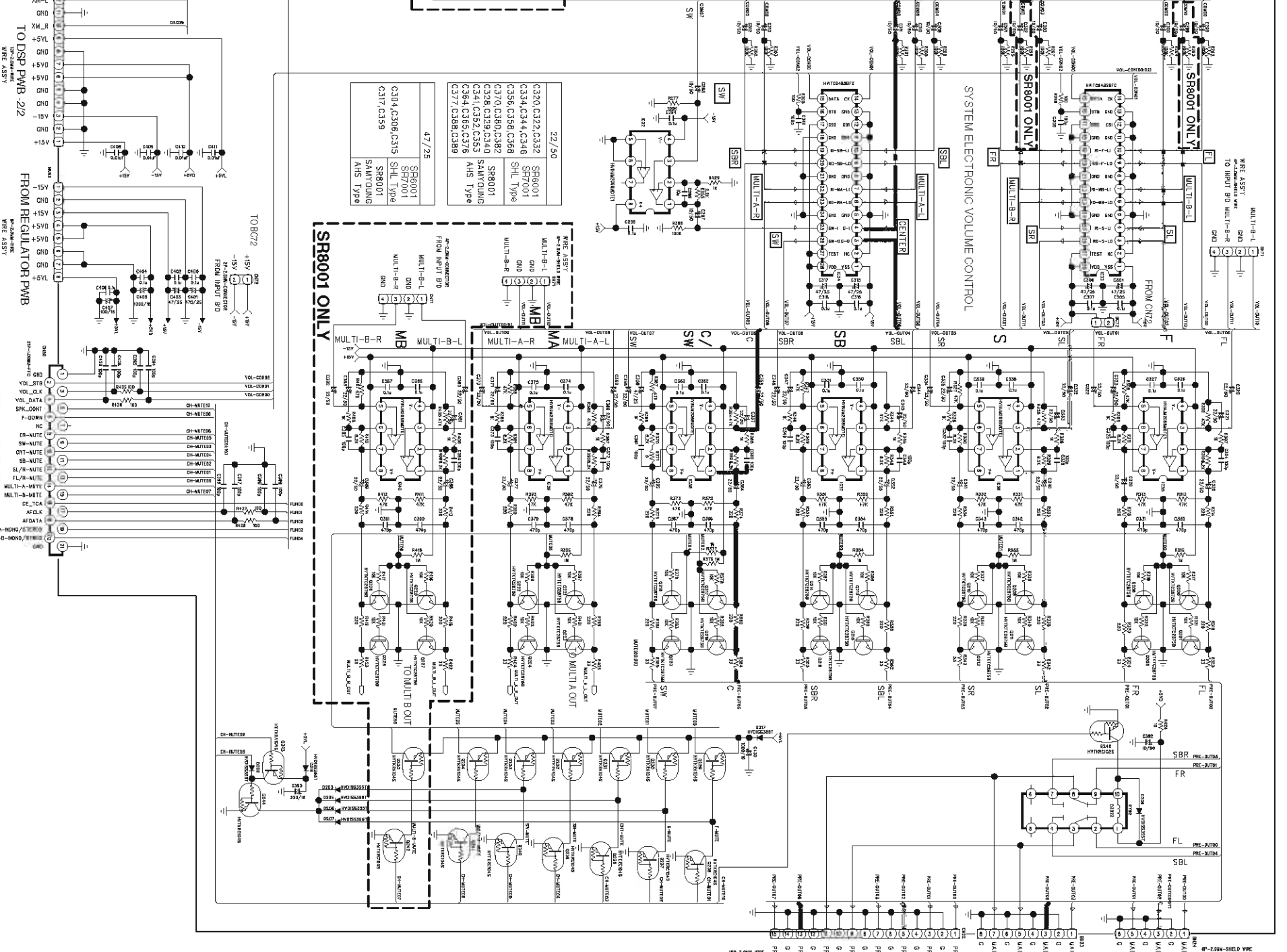
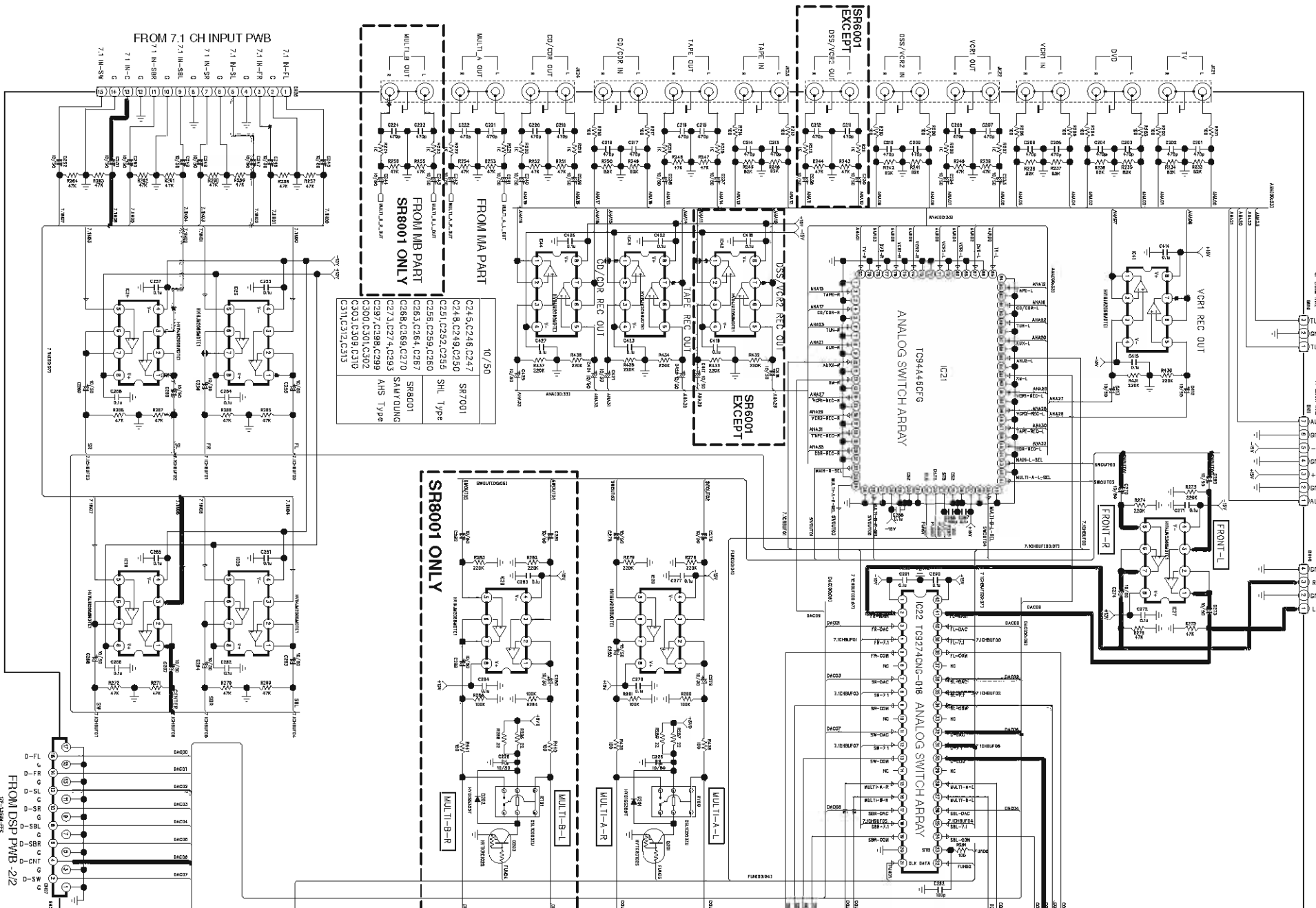






FROM DSP PWB-1/2 FROM FRONT PWB

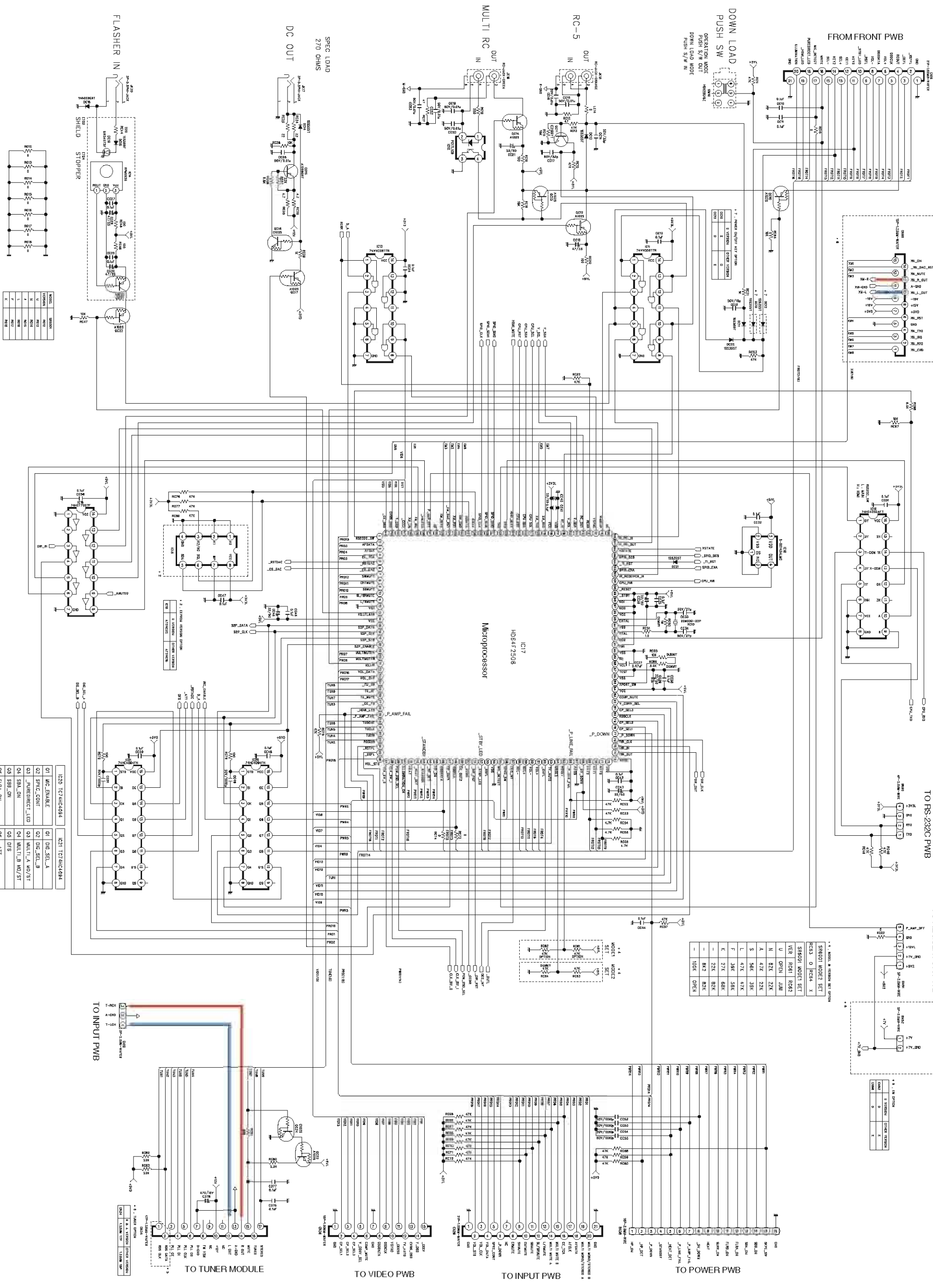
TO DSP PWB-2/2

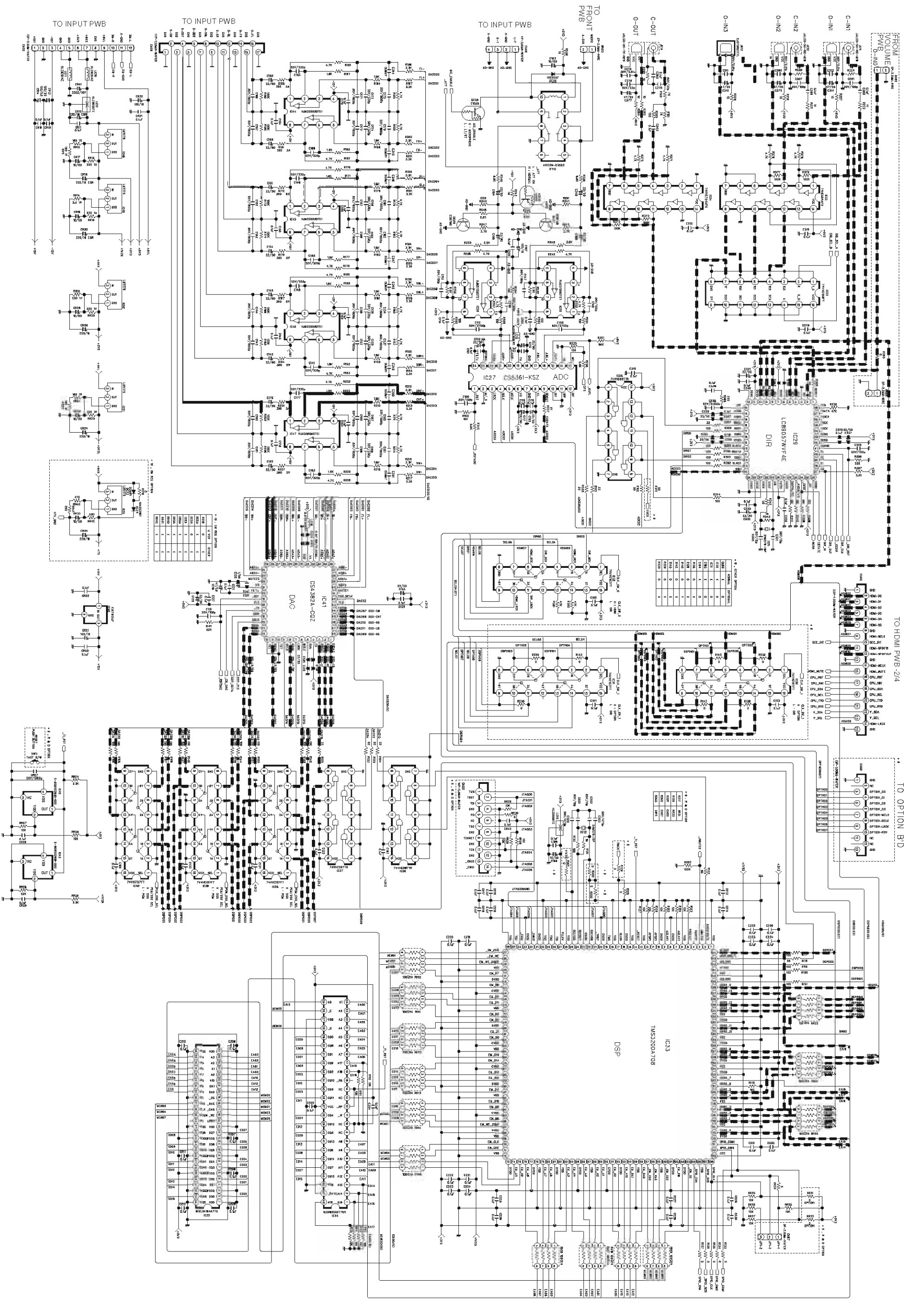


FROM 7.1 CH PREOUT PWB

TO AMP PWB

TO AMP PWB





TO HDMI PWB-2/4

TO OPTION B/D

TO INPUT PWB

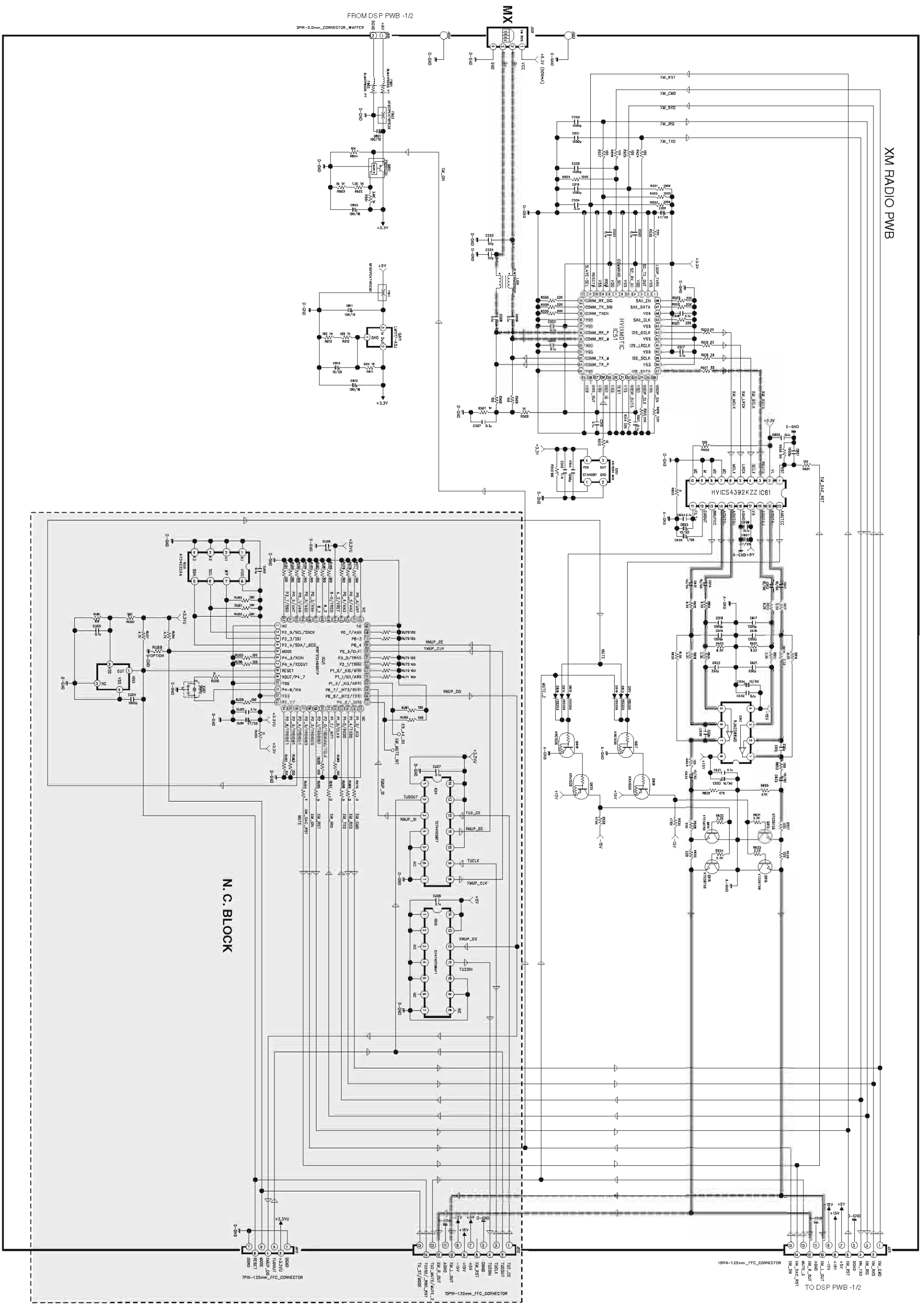
TO INPUT PWB

TO INPUT PWB

1.2 & 1.5 kHz FILTER

1.2 & 1.5 kHz FILTER

1.2 & 1.5 kHz FILTER

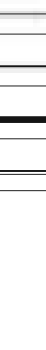
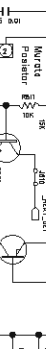
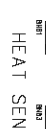
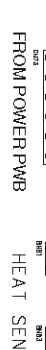
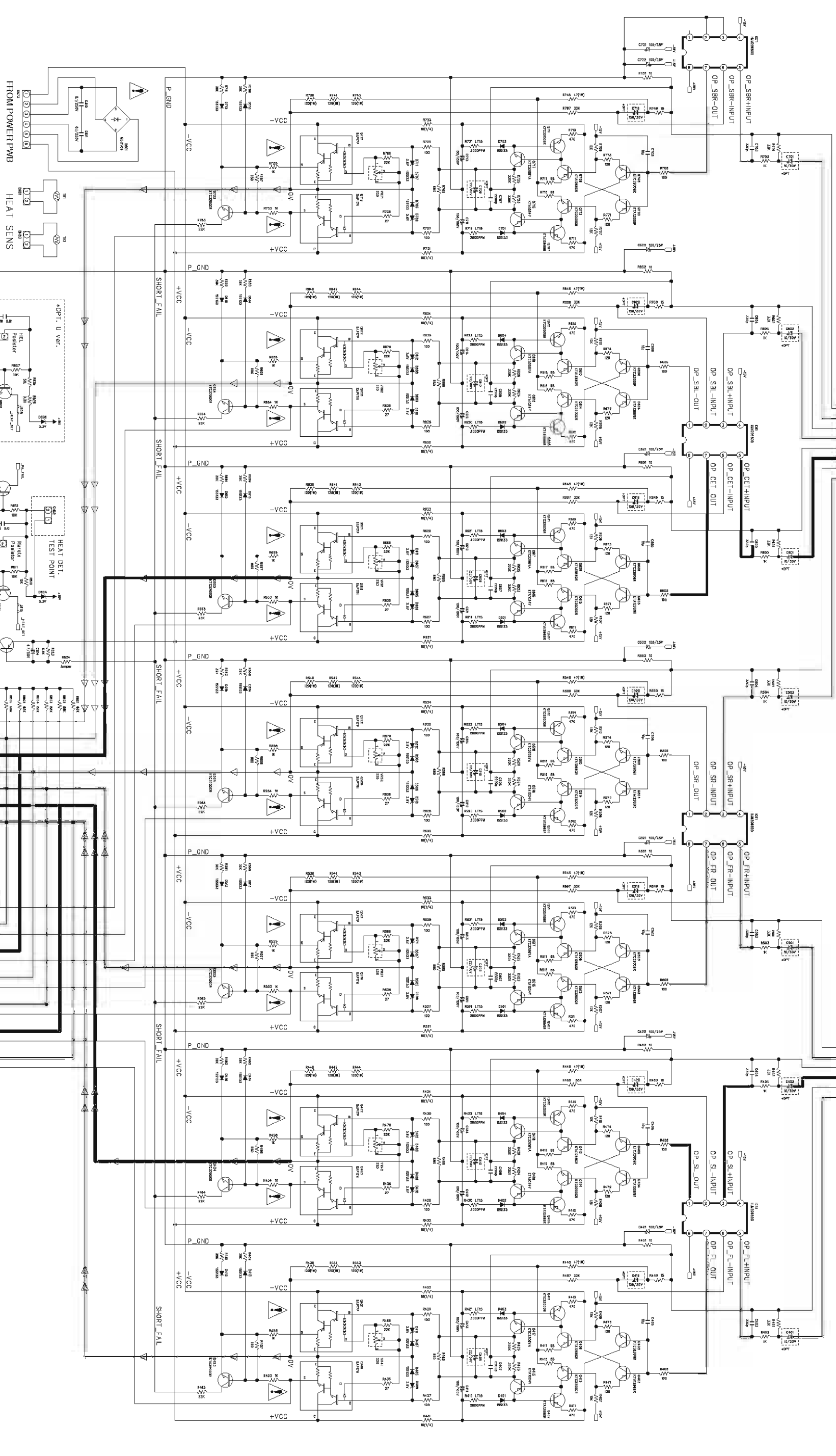


FROM INPUT PWB

FROM INPUT PWB

SBR-SGNG
SBR
SBL-SGNG
SBL
CET-SGNG
CET
SR-SGNG
SR

FR-SGNG
FR
SL-SGNG
SL
FL-SGNG
FL

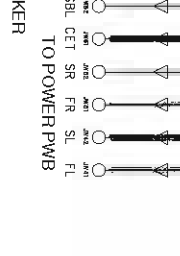
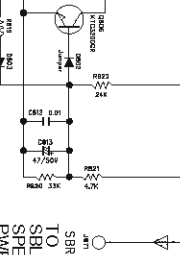
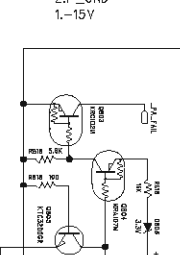
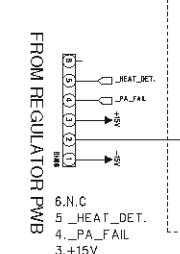


* OPT.

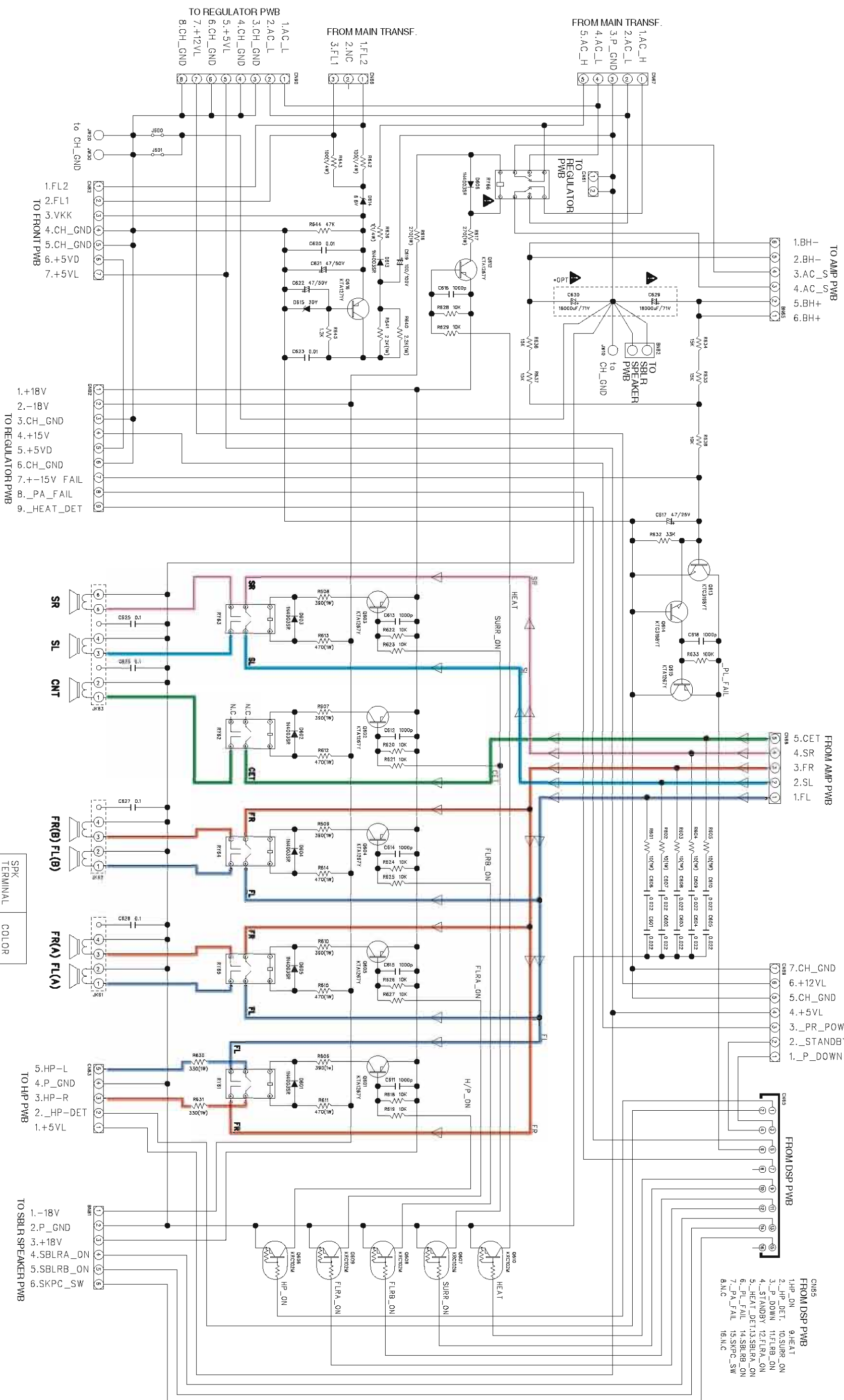
*SR801 E-CAP Option	HCEAHHS2201
HCEAHHQ401	HCEAHHS101
ELNA E-CAP	SamYoung E-CAP
ROA Type	AHS Type
C401,C402	C419,C420
C501,C502	C519,C520
C601,C602	C619,C620
C701	C719

* OPT.

*POSTISTOR Option.	N/K/F Ver.
U Ver.	U Ver.
HEL Postistor	Mutate Postistor



POWER PWB



- TO AMP PWB**
- 1. BH-
 - 2. BH+
 - 3. AC_L
 - 4. AC_L
 - 5. BH+
 - 6. BH+

- FROM AMP PWB**
- 1. FL
 - 2. SL
 - 3. FR
 - 4. SR
 - 5. CET

- FROM STANDBY PWB**
- 1. P_DOWN
 - 2. STANDBY
 - 3. PR_POW
 - 4. +5VL
 - 5. CH_GND
 - 6. +12VL
 - 7. CH_GND

- FROM DSP PWB**
- 1. HP_ON
 - 2. HP_DET.
 - 3. P_DOWN
 - 4. STANDBY
 - 5. HEAT_DET.13.SBLRA_ON
 - 6. PL_FAIL
 - 7. PA_FAIL
 - 8. N.C.
 - 9. HEAT
 - 10. SURR_ON
 - 11. FLRB_ON
 - 12. FLRA_ON
 - 13. SBLRA_ON
 - 14. SBLRB_ON
 - 15. SKPC_SW
 - 16. N.C.

- TO FRONT PWB**
- 1. FL2
 - 2. FL1
 - 3. VKK
 - 4. CH_GND
 - 5. CH_GND
 - 6. +5VD
 - 7. +5VL

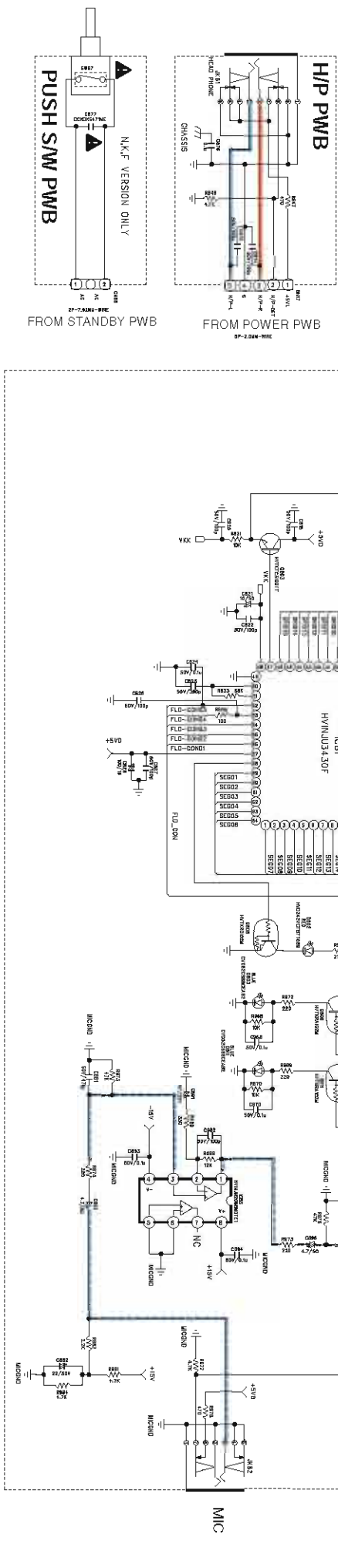
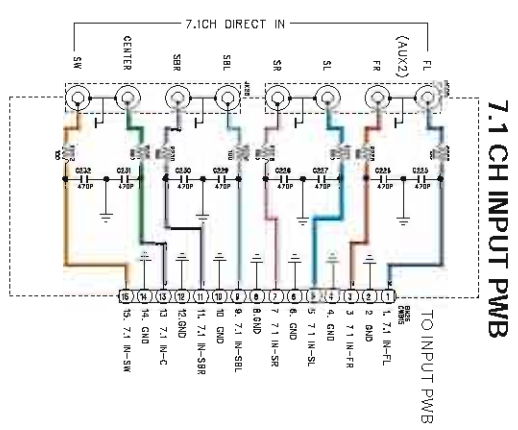
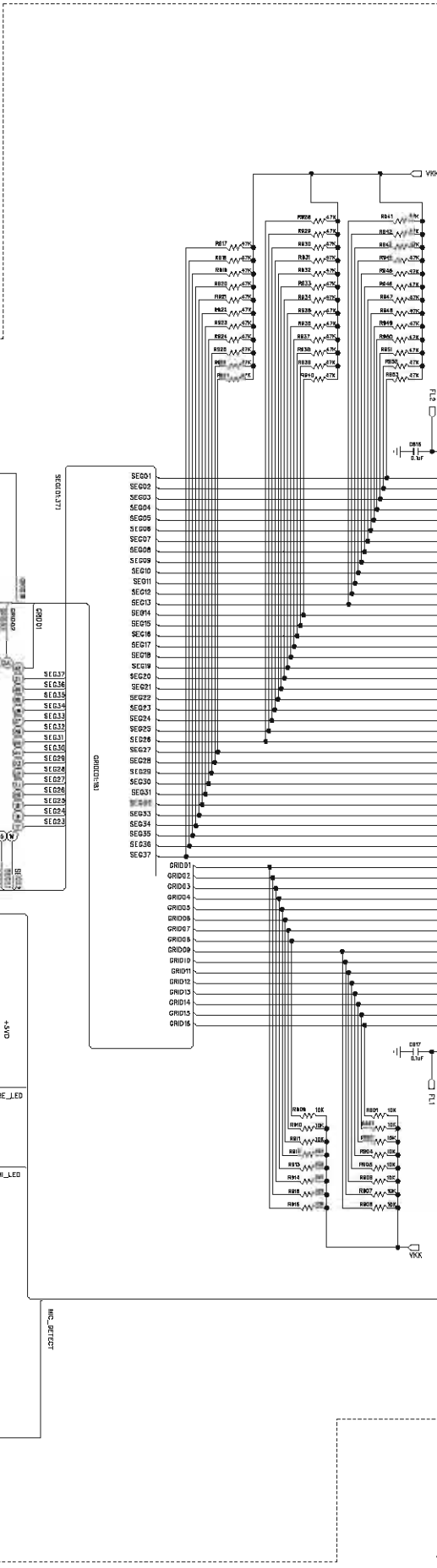
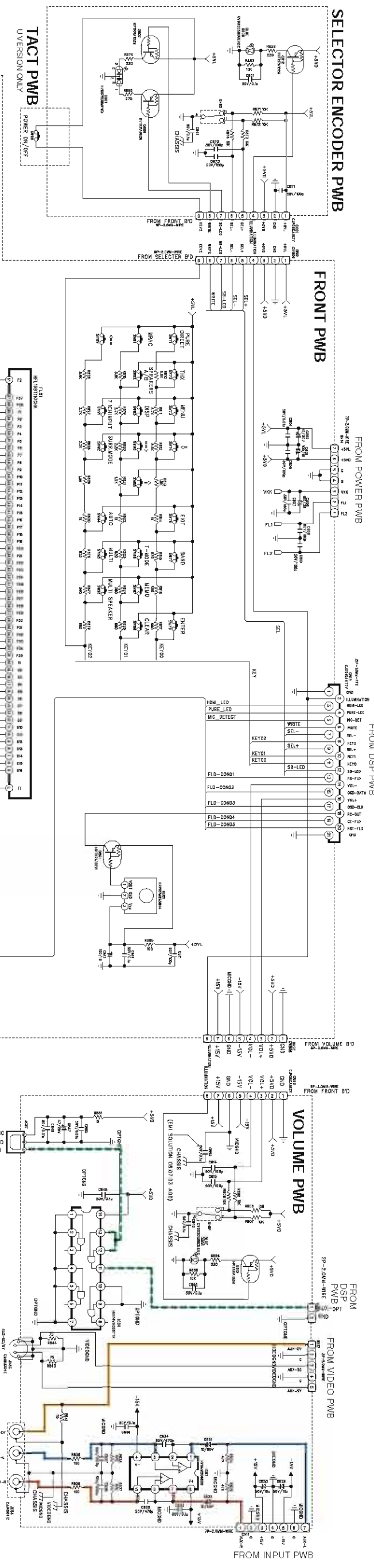
- TO REGULATOR PWB**
- 1. +18V
 - 2. -18V
 - 3. CH_GND
 - 4. +15V
 - 5. +5VD
 - 6. CH_GND
 - 7. +15V FAIL
 - 8. PA_FAIL
 - 9. HEAT_DET

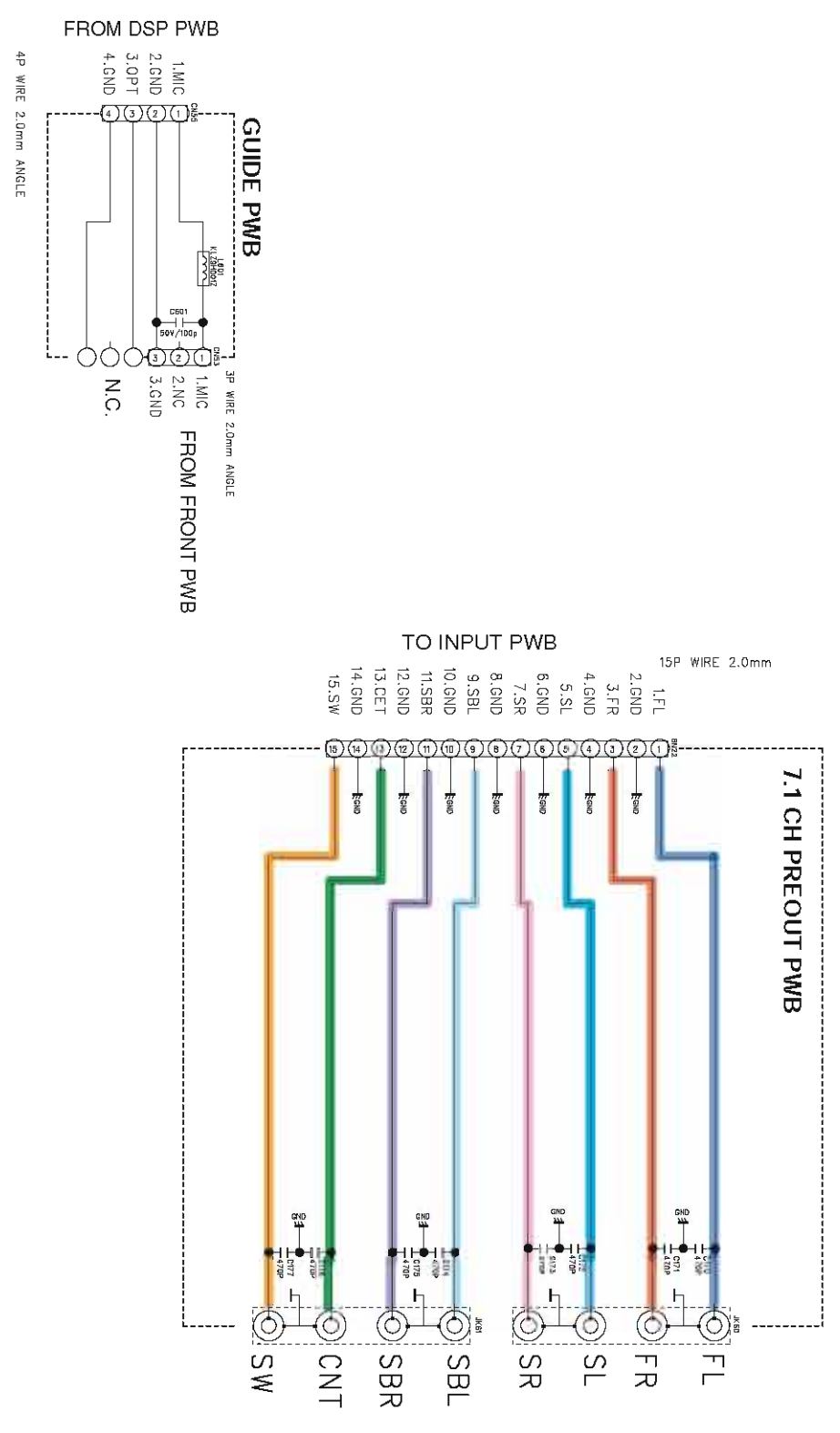
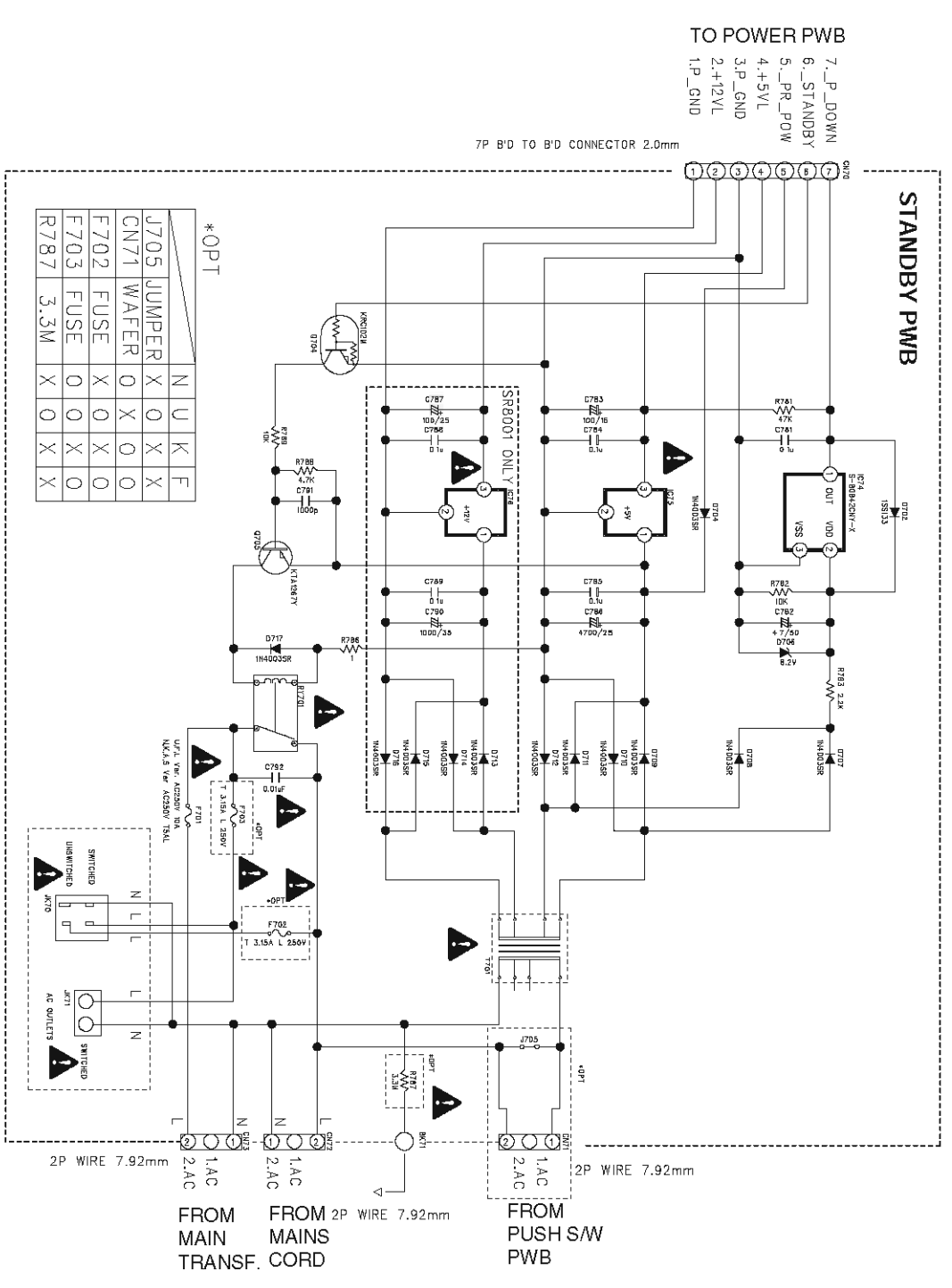
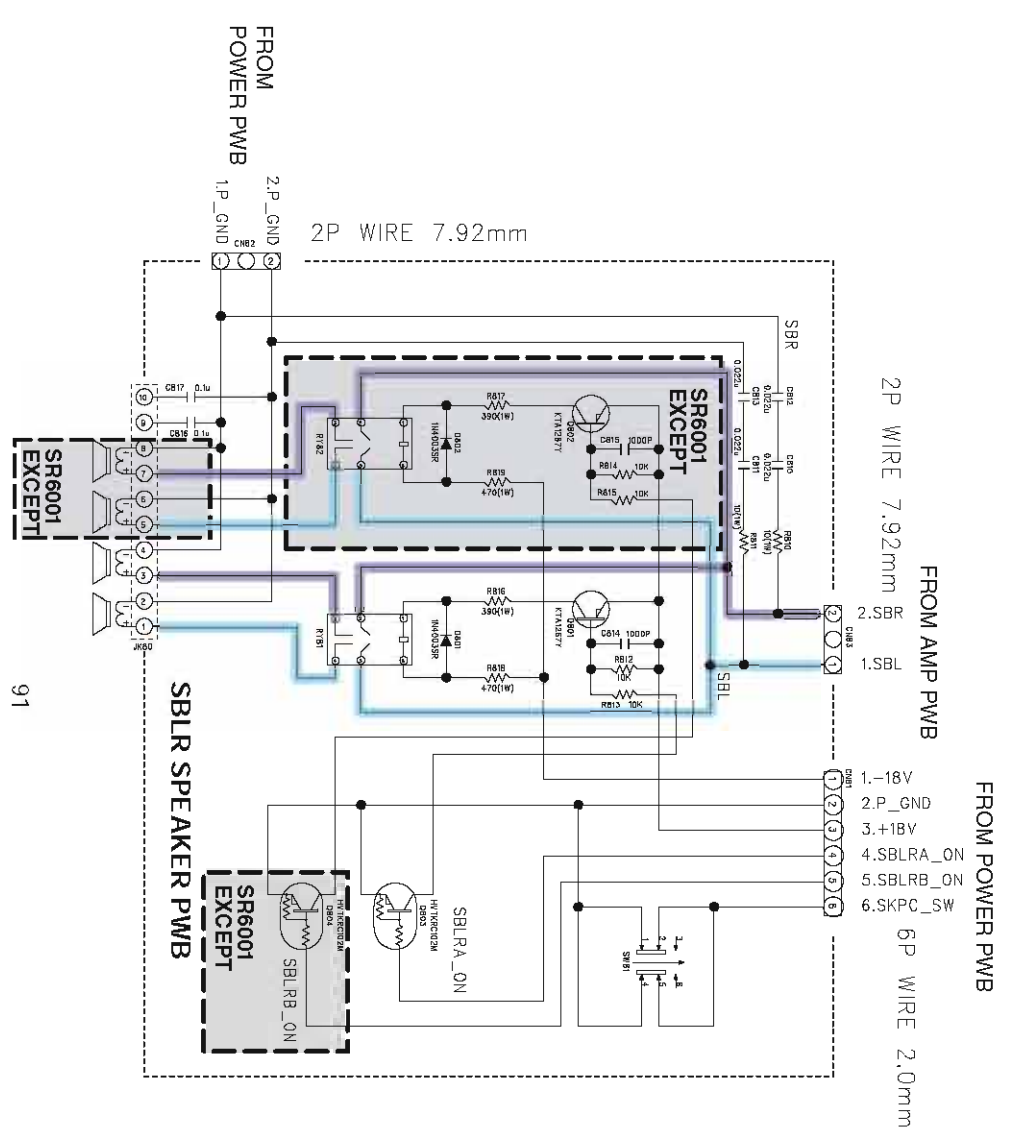
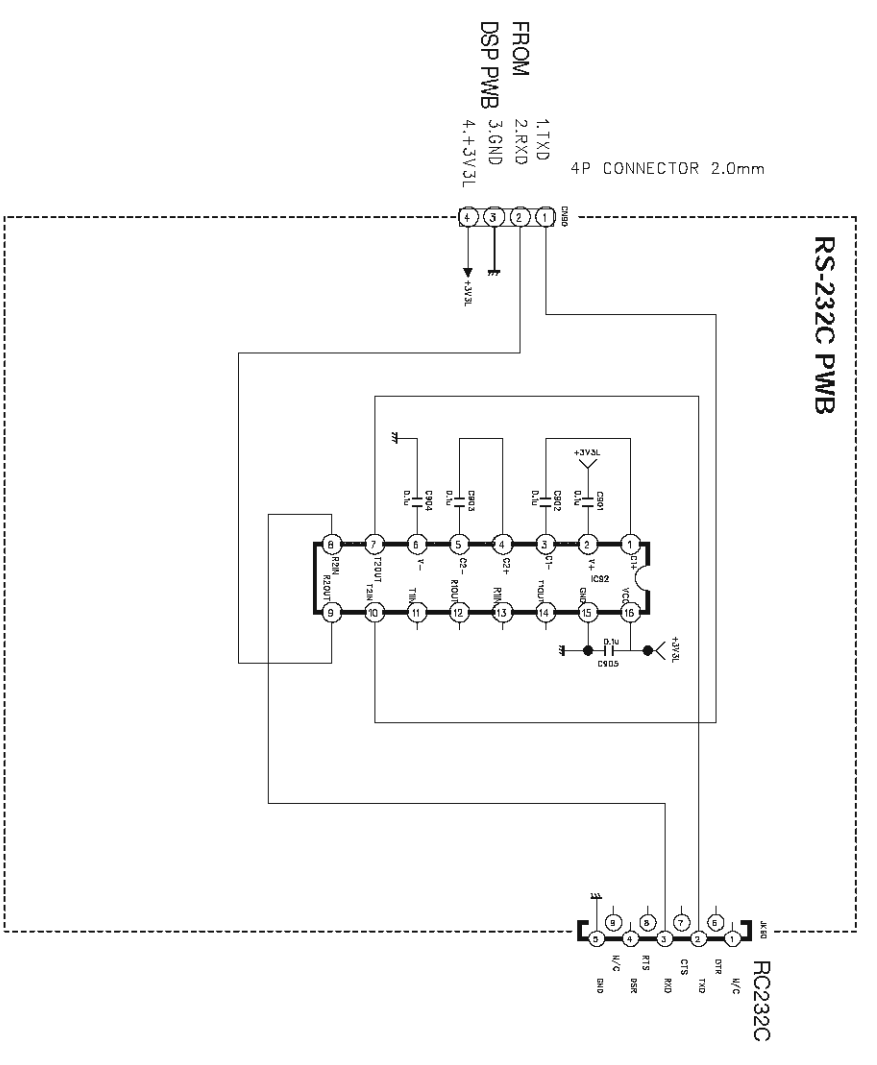
- TO HP PWB**
- 1. +5VL
 - 2. HP-DET
 - 3. HP-R
 - 4. P_GND
 - 5. HP-L

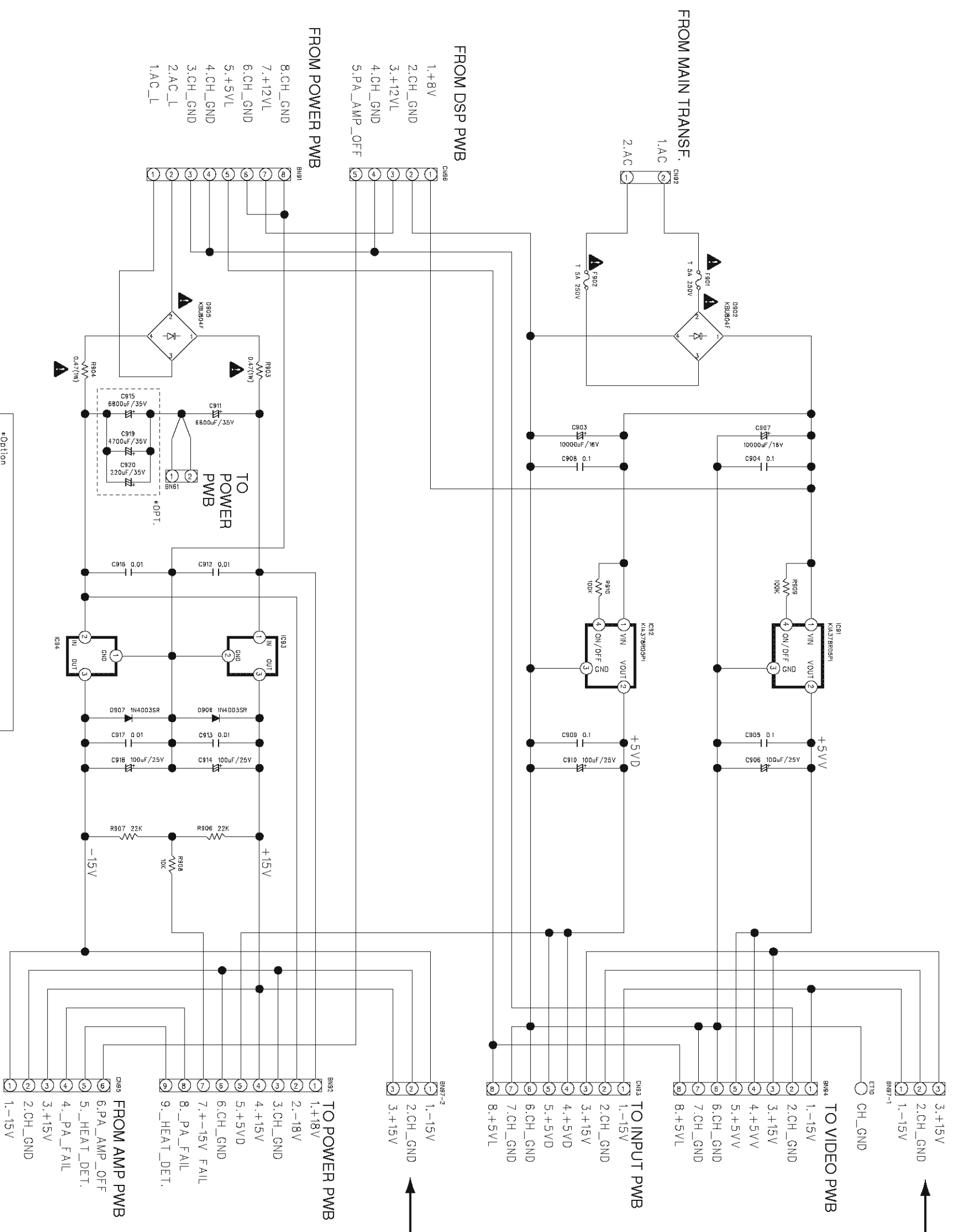
- TO SBLR SPEAKER PWB**
- 1. -18V
 - 2. P_GND
 - 3. +18V
 - 4. SBLRA_ON
 - 5. SBLRB_ON
 - 6. SKPC_SW

* OPTION	CS29, CS30
SR6001	LH6 TYPE 71V 18000UF
SR7001	LH6 TYPE 71V 18000UF
SR8001	LH0 TYPE 71V 18000UF

SPK TERMINAL	COLOR
FR(A)	RED
FL(A)	WHITE
FR(B)	RED
FL(B)	WHITE
FR(A)	GREEN
FL(A)	GRAY
SL	BROWN

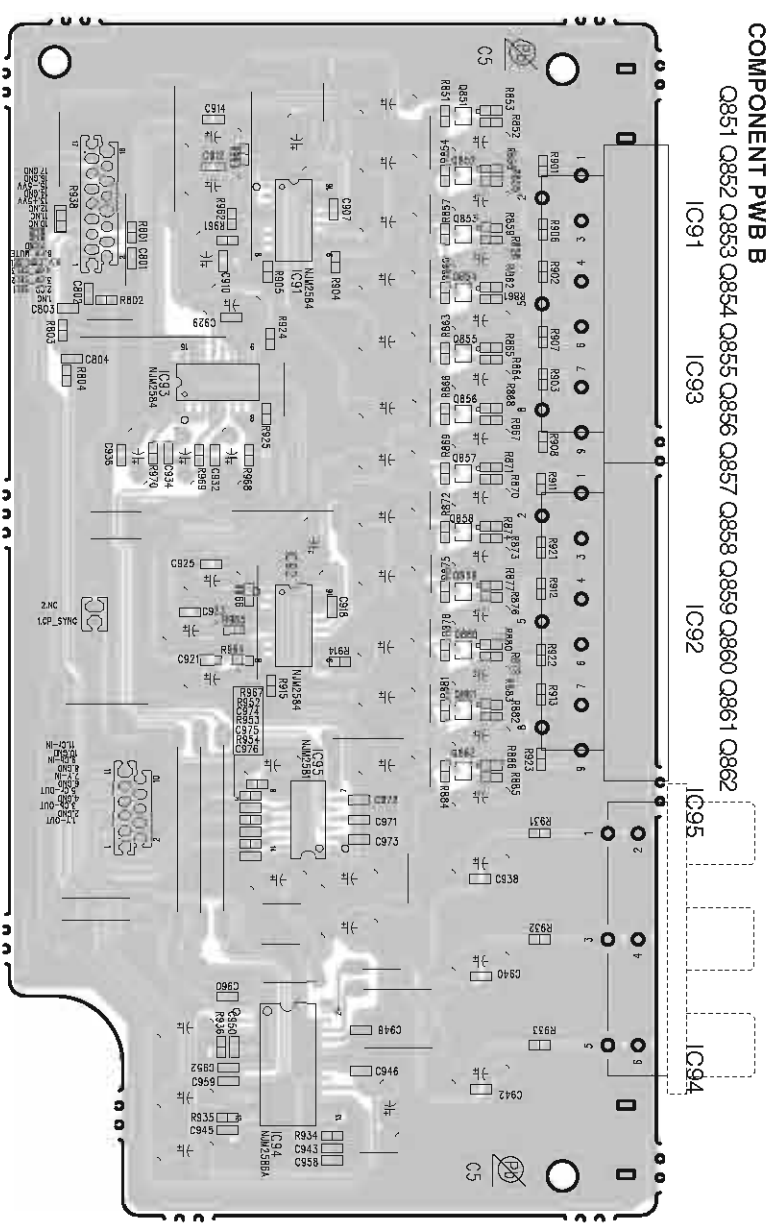
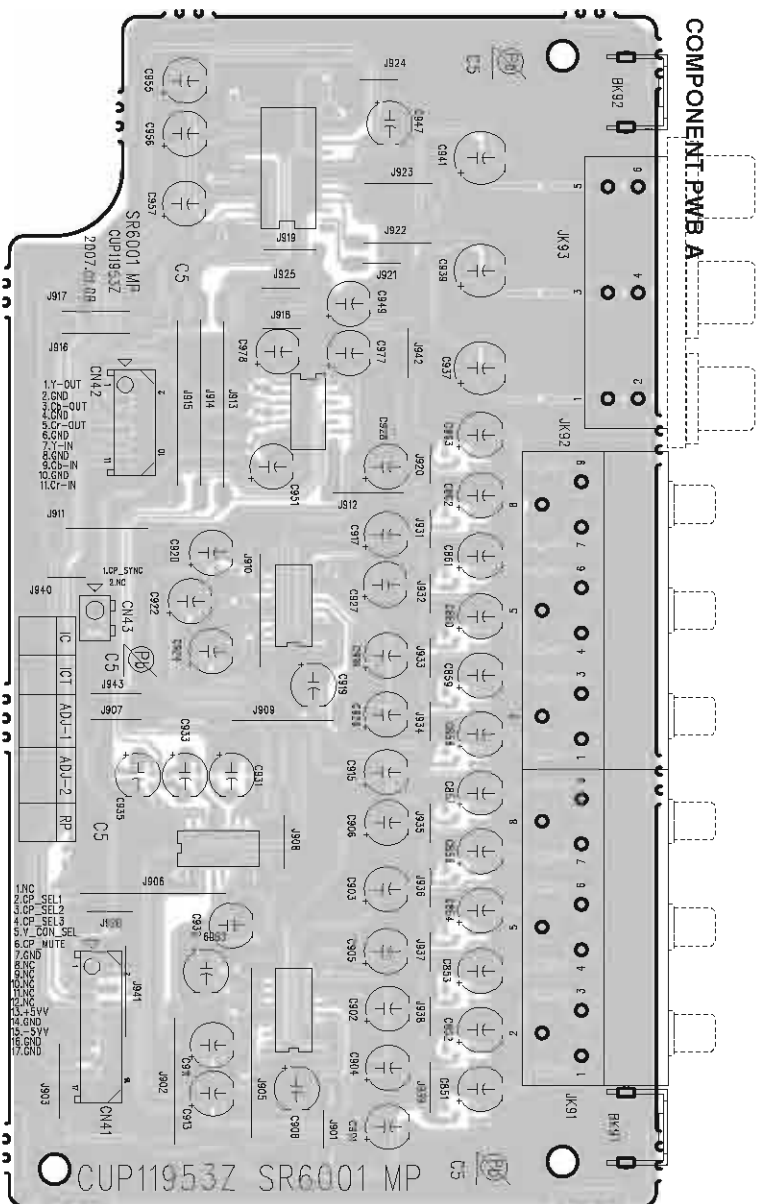






*Option		SR6001/SR7001/SR8001 U Ver.	
Ref.	Value	Use	Ref.
C915	6800uF/35V	X	C915
C919	4700uF/35V	0	C919
C920	220uF/35V	0	C920

10. PARTS LOCATION



COMPONENT PWB B

Q851 Q852 Q853 Q854 Q855 Q856 Q857 Q858 Q859 Q860 Q861 Q862
IC91 IC93 IC92 IC94

IC95

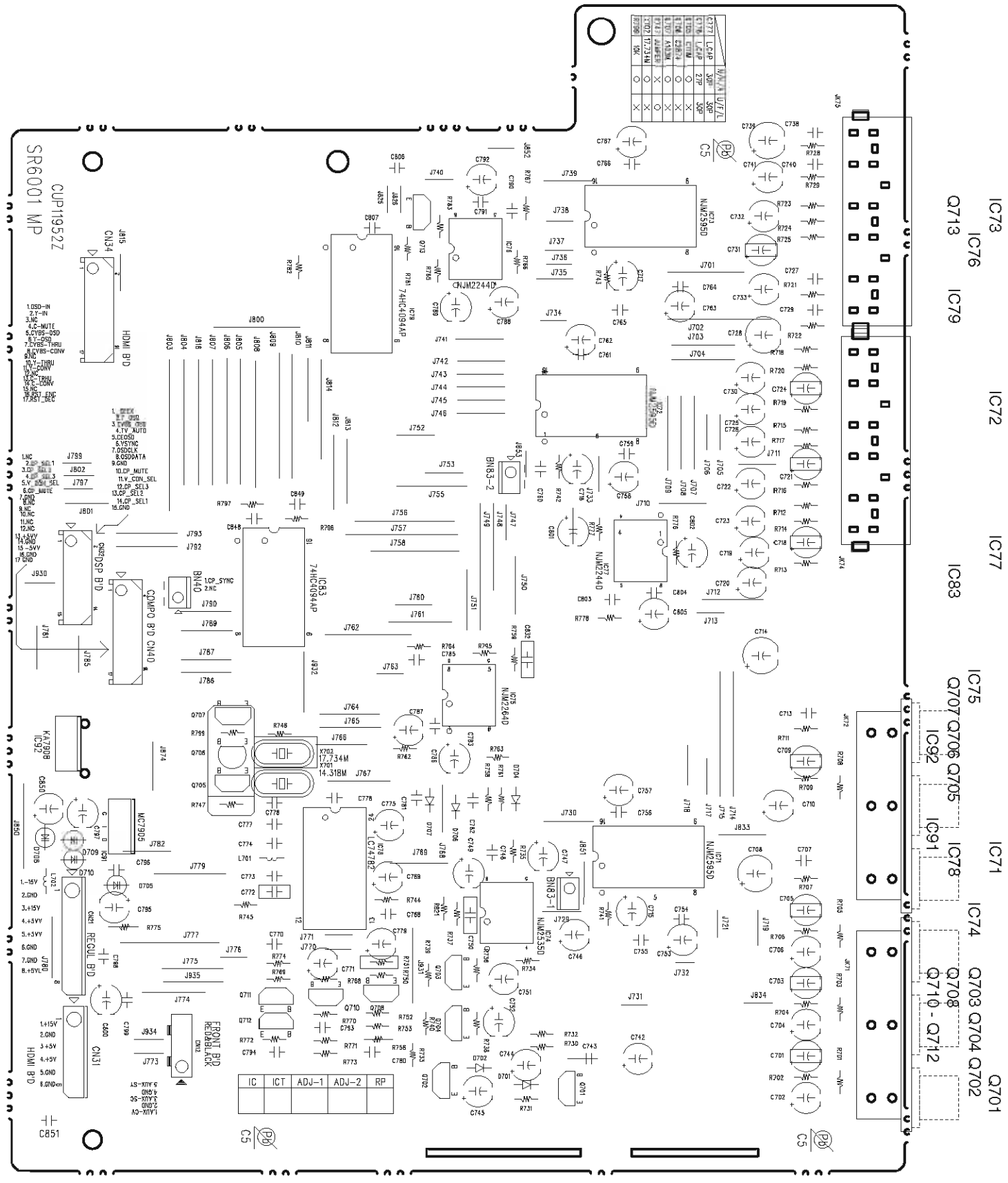
鉛フリー半田

半田付けには、鉛フリー半田 (Sn-Ag-Cu) を使用してください。

Lead-free Solder

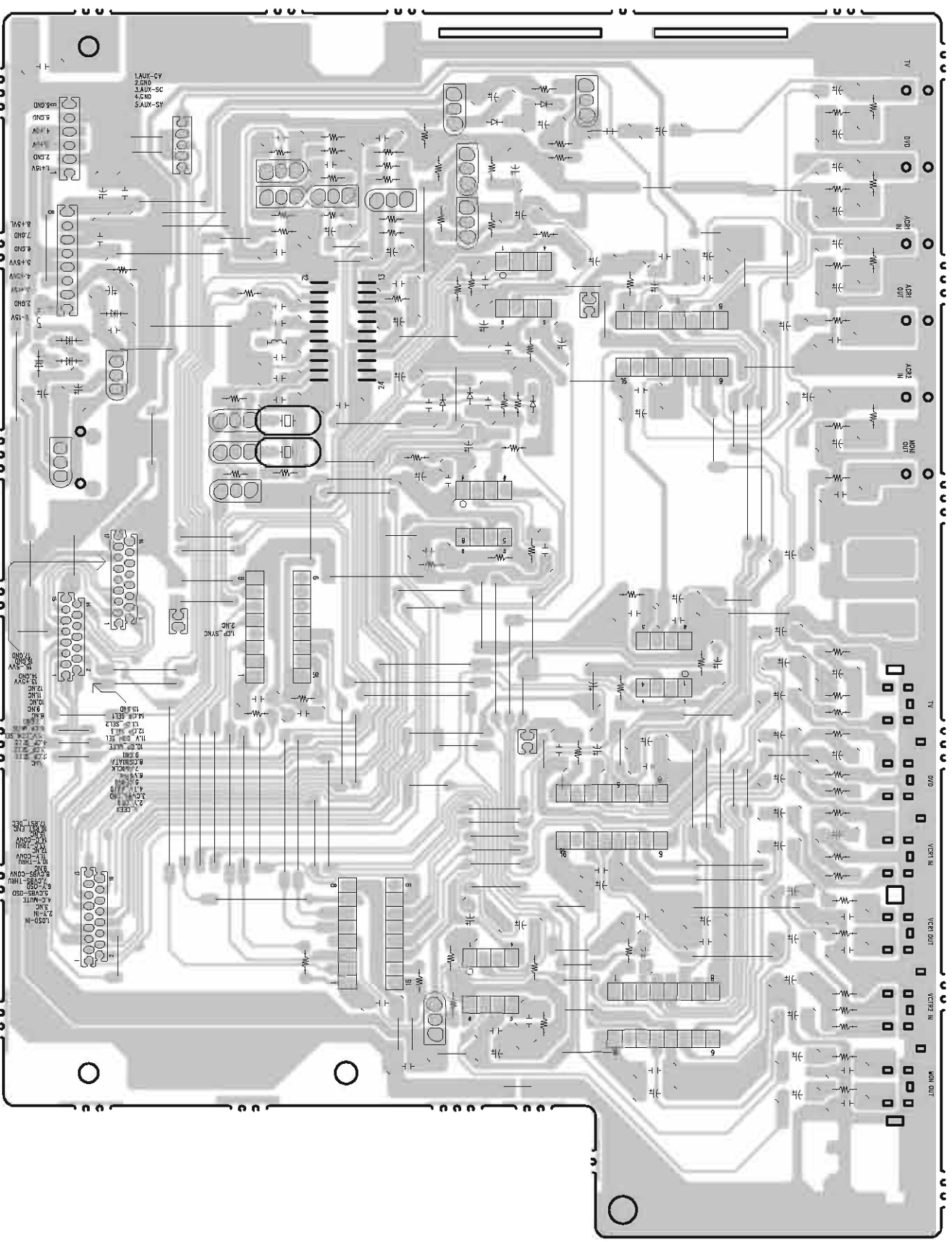
When soldering, use the Lead-free Solder (Sn-Ag-Cu).

VIDEO PWB A



IC	U/F/L	W	M	A	V	F	L
C771	L649	30M	30P				
C776	L649	27P	30P				
C778	C78						
C779	C78						
C780	C78						
C781	C78						
C782	C78						
C783	C78						
C784	C78						
C785	C78						
C786	C78						
C787	C78						
C788	C78						
C789	C78						
C790	C78						
C791	C78						
C792	C78						
C793	C78						
C794	C78						
C795	C78						
C796	C78						
C797	C78						
C798	C78						
C799	C78						
C800	C78						

鉛フリー半田
半田付けには、鉛フリー半田 (Sn-Ag-Cu) を使用してください。
Lead-free Solder
When soldering, use the Lead-free Solder (Sn-Ag-Cu).



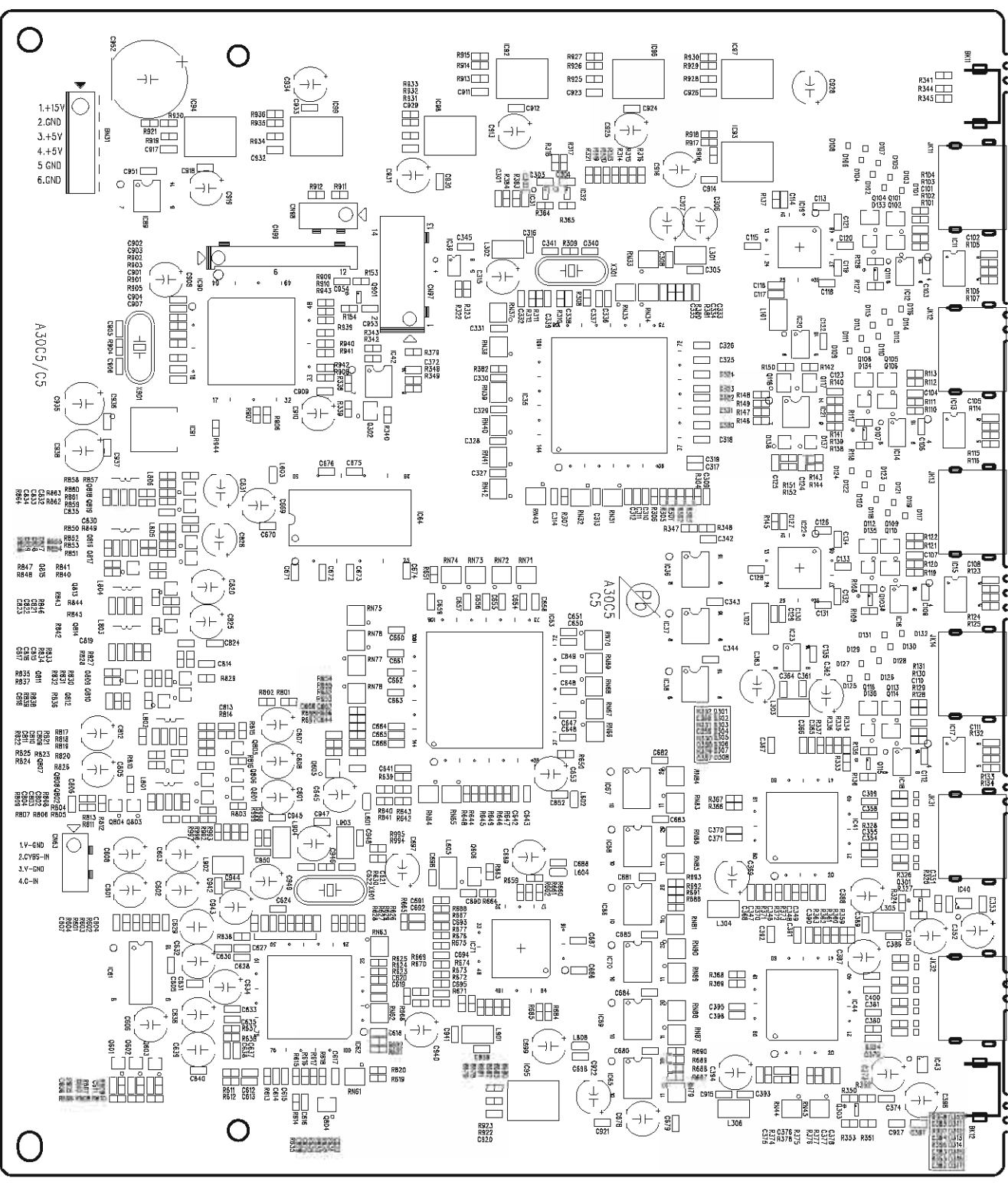
鉛フリー半田
半田付けには、鉛フリー半田 (Sn-Ag-Cu) を使用してください。

Lead-free Solder

When soldering, use the Lead-free Solder (Sn-Ag-Cu).

HDMI PWB A

IC11	IC13	IC15	IC17	IC40	IC43
Q101 Q102 IC12	Q105 Q106 IC14	Q109 Q110 IC16	Q113 Q114 IC18	Q301	IC43
Q104 Q111	Q108 Q107	Q112 Q103	Q116 Q115		Q303
IC19	IC20 Q117 Q118 IC21	IC22	IC23	IC41	IC44
IC97	IC93	IC35	IC36	IC37	IC38
IC96	IC98 IC32 IC31 IC39	IC35	IC36	IC37	IC38
IC92	IC99	Q901	IC42 Q302	IC64	IC67
IC94	IC90	IC90	IC91	Q816-Q819	IC66
				Q815 Q813 Q814 Q811 Q812	IC70
				Q807 Q803 Q804	IC69
					IC65
					IC95
					Q804
					IC61
					Q803-Q801

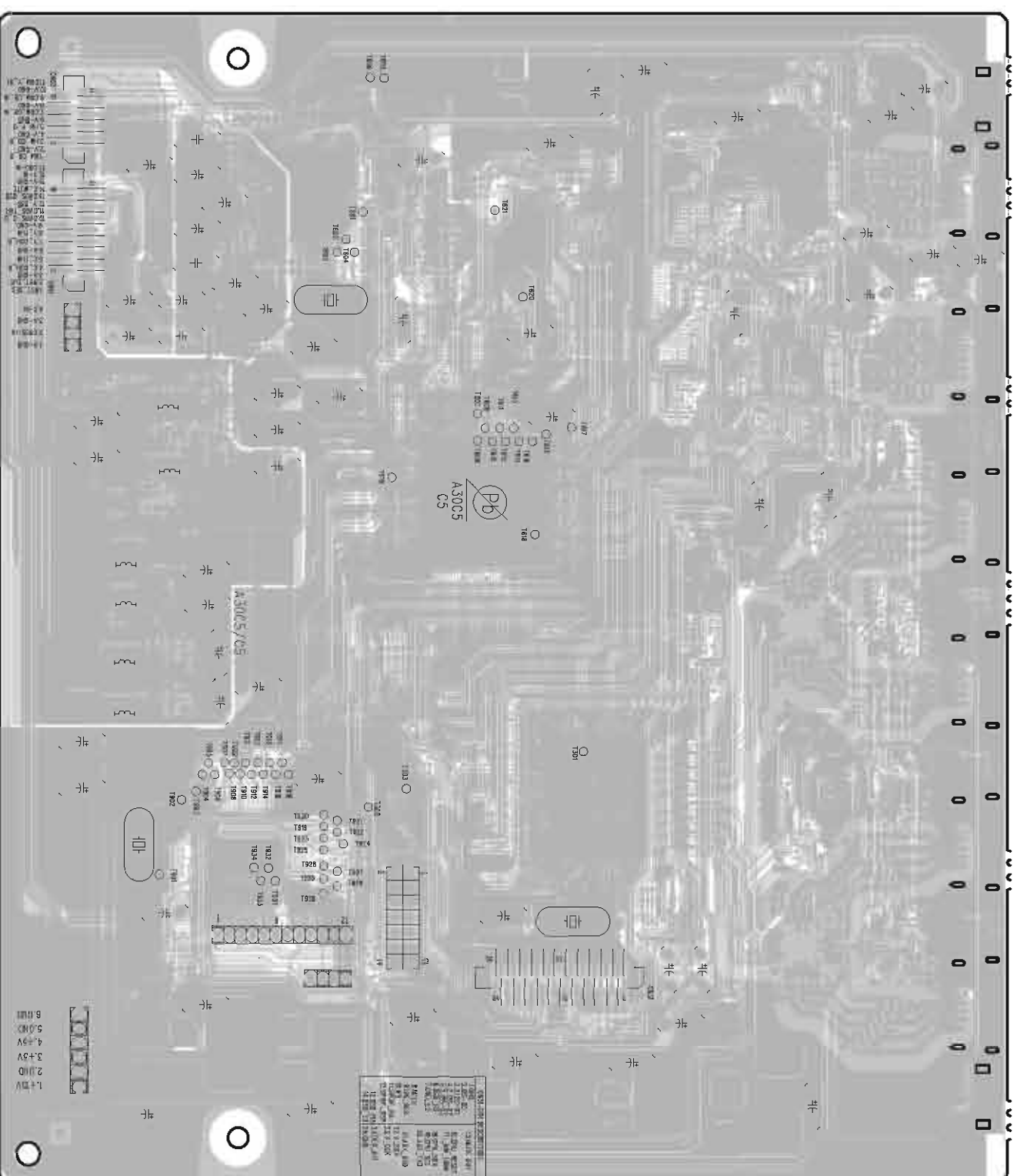


鉛フリー半田

半田付けには、鉛フリー半田 (Sn-Ag-Cu) を使用してください。

Lead-free Solder

When soldering, use the Lead-free Solder (Sn-Ag-Cu).



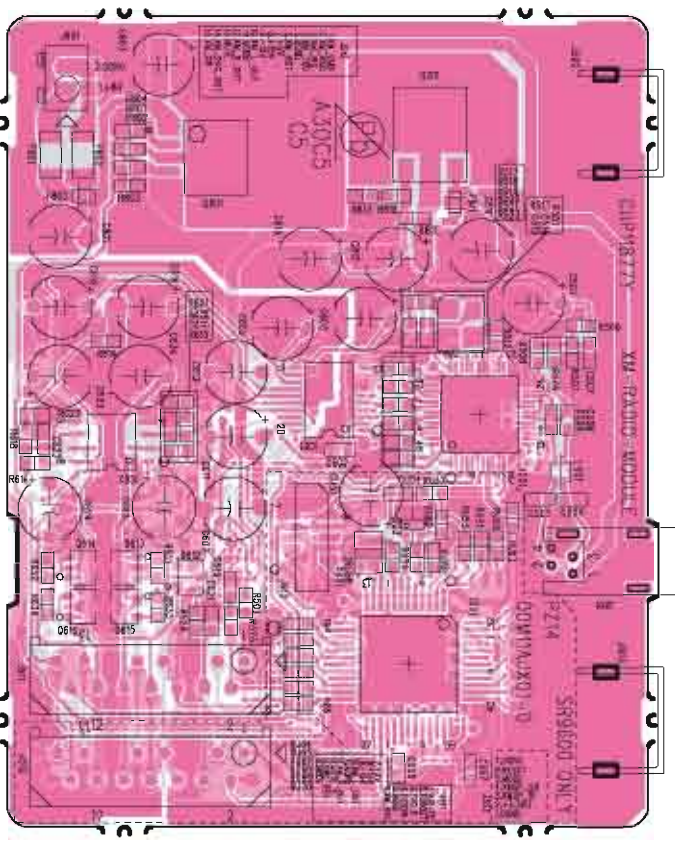
鉛フリー半田

半田付けには、鉛フリー半田 (Sn-Ag-Cu) を使用してください。

Lead-free Solder

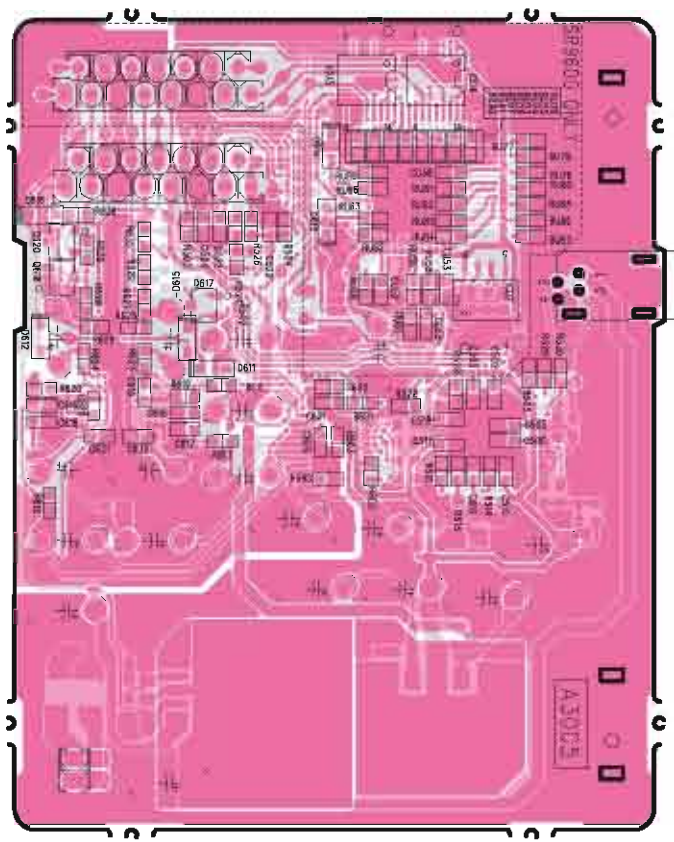
When soldering, use the Lead-free Solder (Sn-Ag-Cu).

XM RADIO PWB A



- Q811
- Q801
- IC51
- IC61
- IC62
- ICU3
- Q619
- Q613 - Q616
- ICU1

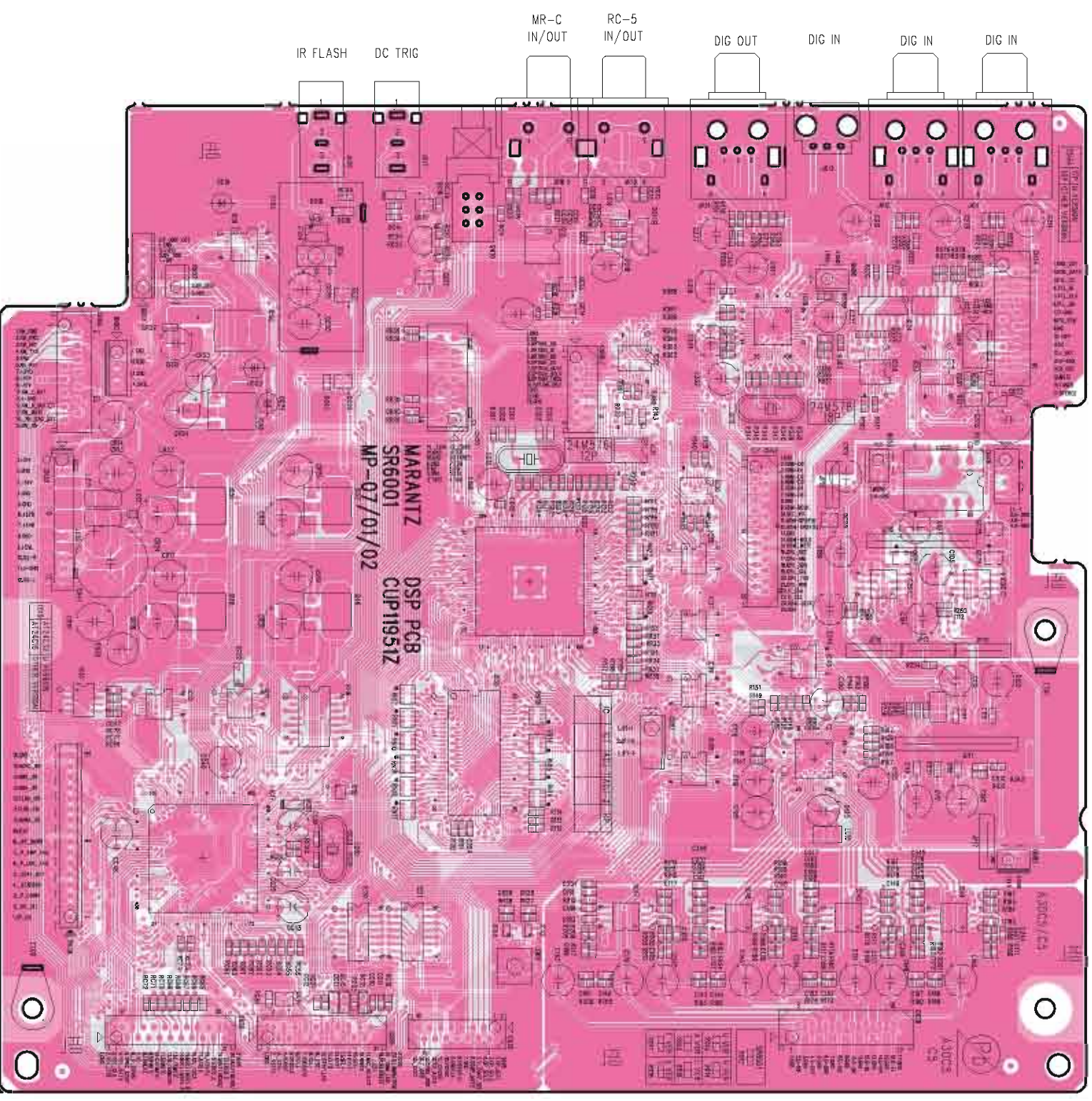
XM RADIO PWB B



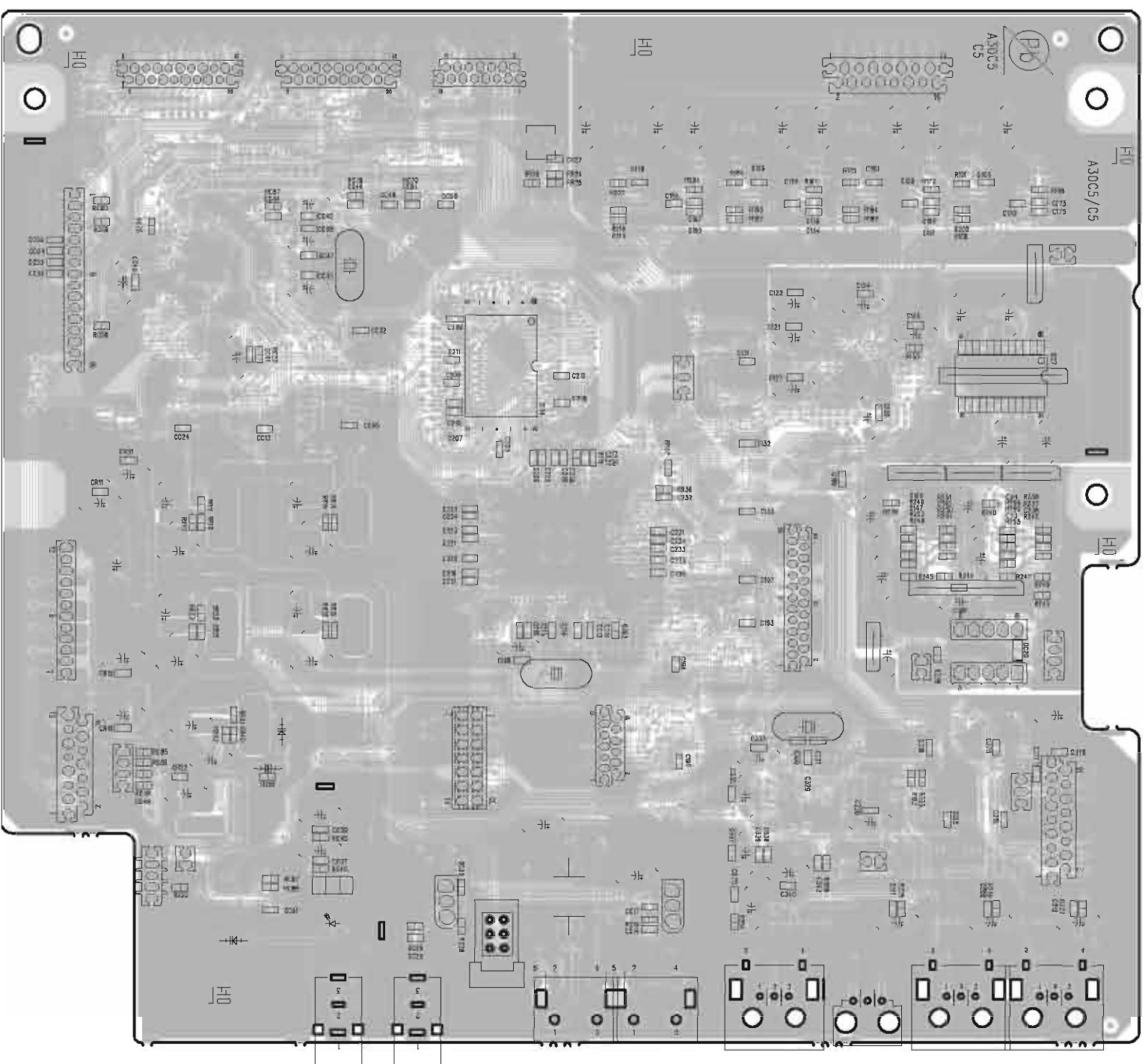
- ICU4
- ICU5
- ICU2
- Q617
- Q620 Q618

鉛フリー半田
半田付けには、鉛フリー半田 (Sn-Ag-Cu) を使用してください。
Lead-free Solder
When soldering, use the Lead-free Solder (Sn-Ag-Cu).

DSP PWB A



- IR FLASH
- DC TRIG
- MR-C IN/OUT
- RC-5 IN/OUT
- DIG OUT
- DIG IN
- DIG IN
- DIG IN
- QC23 QC24
- QC22
- QC27
- QC28
- QC29
- QC25
- QC30
- QC36
- QC37
- QC39
- QC41
- QC42
- QC43
- QC47
- QC16 QC15 QC17
- QC12 QC13 QC14
- QC11 QC12
- QC32
- QC31
- QC33
- QC35
- QC10
- IC22
- IC23
- IC24
- IC28
- IC29
- IC30
- IC36
- IC37
- IC39
- IC41
- IC42
- IC43
- IC47
- IC44
- IC45
- IC46
- IC42
- IC43
- IC21
- IC20
- IC14 QC21
- IC19
- IC50
- IC53
- IC52
- IC51
- IC48
- IC49
- IC16
- IC11
- IC18
- IC17
- IC15 IC13
- IC31
- IC32
- IC33
- IC35
- IC38
- IC39
- IC40
- IC41
- IC44
- IC45
- IC46
- IC47
- IC42
- IC43
- IC21
- IC20
- QC10



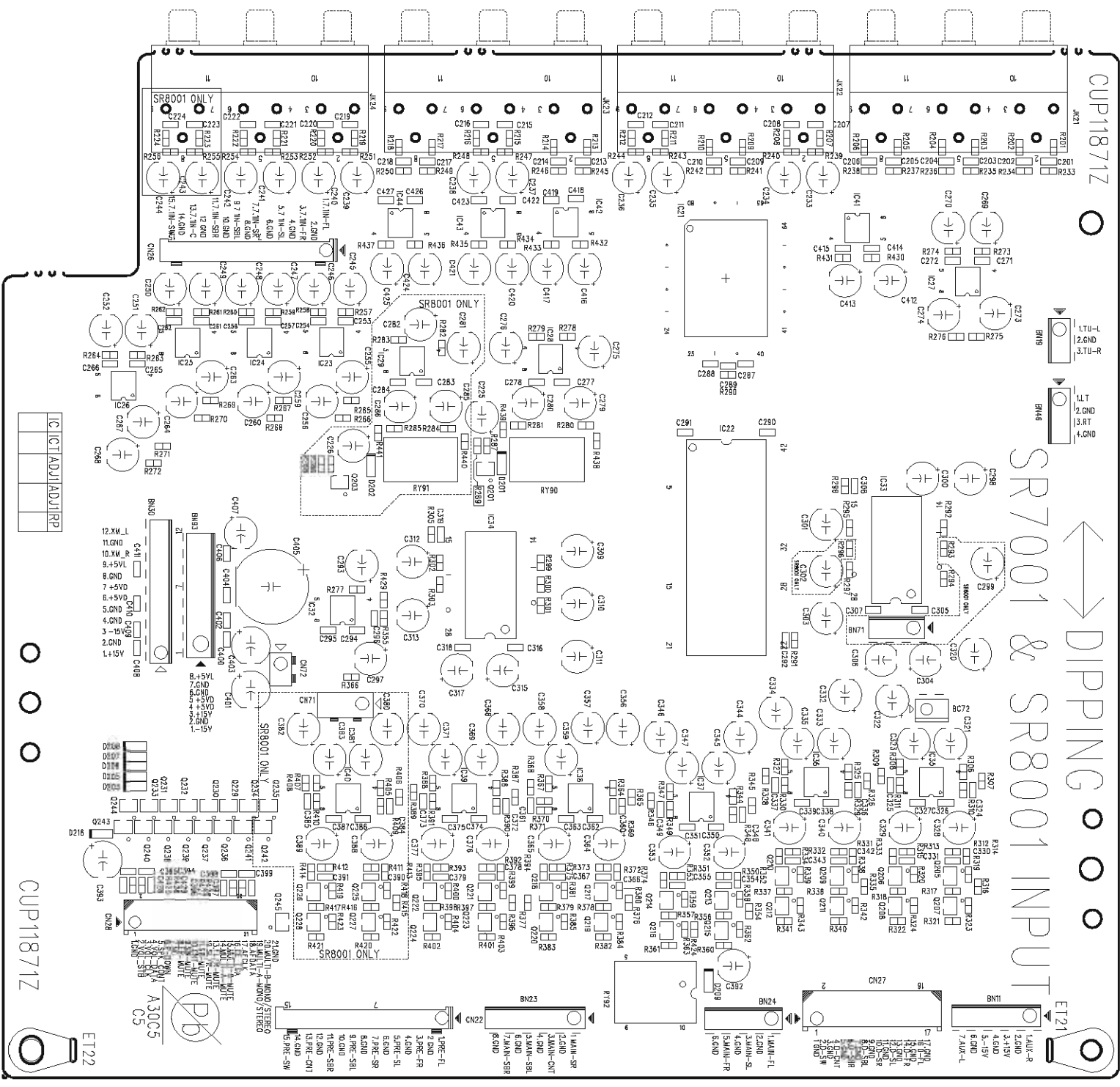
鉛フリー半田
半田付けには、鉛フリー半田 (Sn-Ag-Cu) を使用してください。

Lead-free Solder

When soldering, use the Lead-free Solder (Sn-Ag-Cu).

INPUT PWB A

- | | | | |
|------|------|------|-------------|
| IC27 | IC33 | IC35 | Q205 - Q208 |
| IC41 | IC21 | IC36 | Q209 - Q212 |
| IC42 | IC28 | IC37 | Q213 - Q216 |
| IC43 | IC22 | IC38 | Q217 - Q220 |
| IC44 | Q201 | IC39 | Q211 - Q224 |
| | Q203 | IC32 | IC40 |
| | | | Q225 - Q228 |
| | | | Q229 - Q244 |
| | | | Q245 |

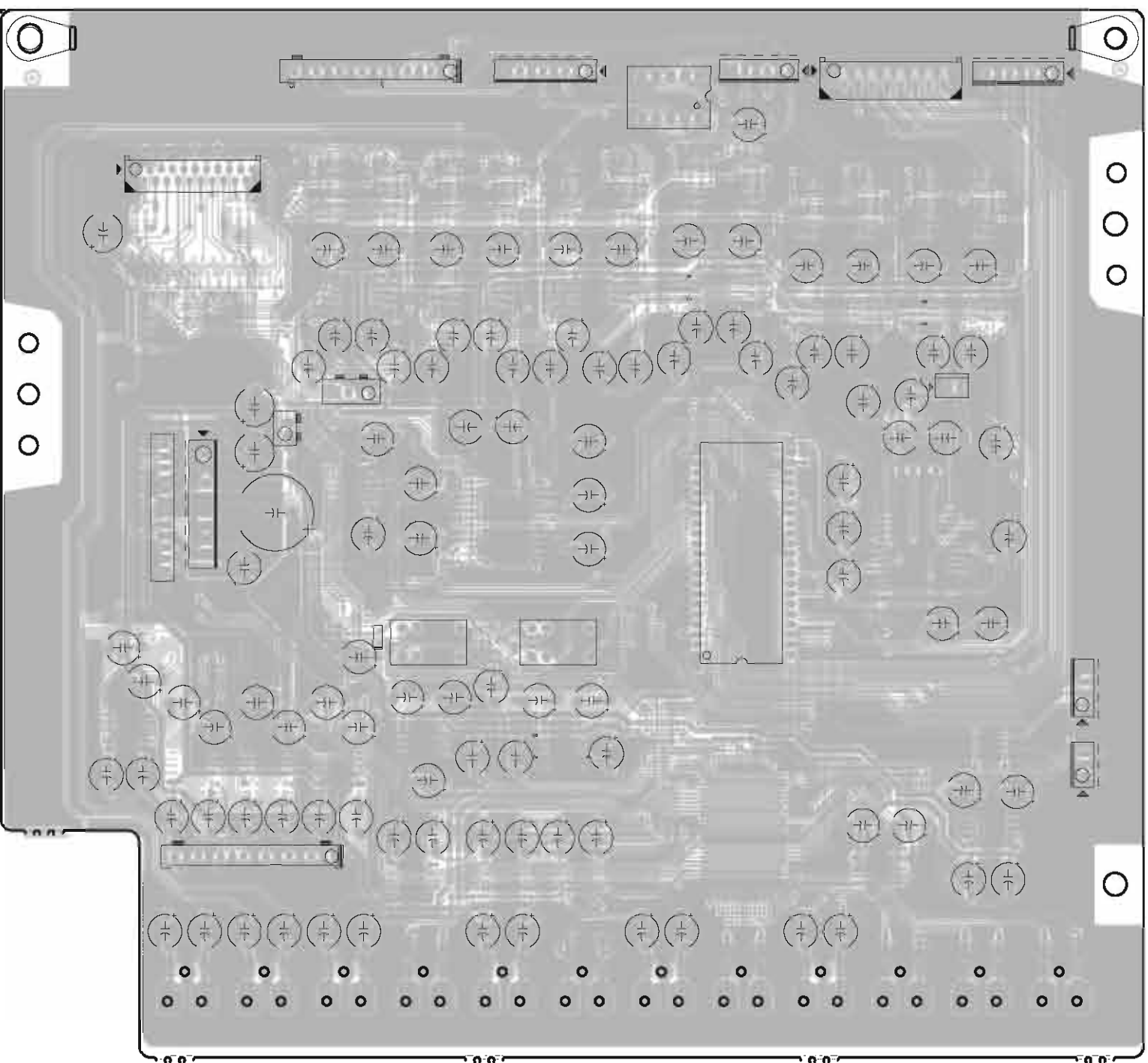


鉛フリー半田

半田付けには、鉛フリー半田 (Sn-Ag-Cu) を使用してください。

Lead-free Solder

When soldering, use the Lead-free Solder (Sn-Ag-Cu).



鉛フリー半田

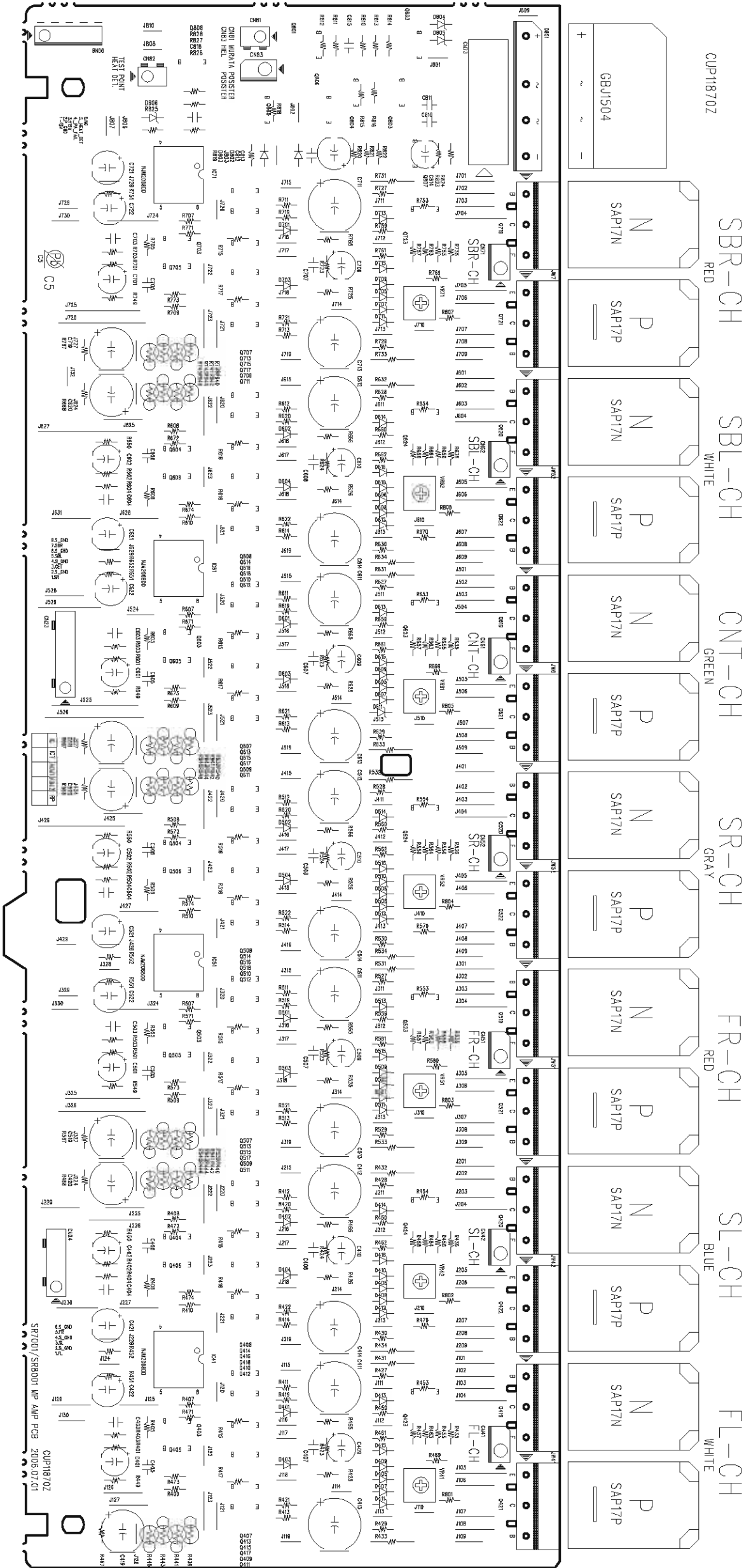
半田付けには、鉛フリー半田 (Sn-Ag-Cu) を使用してください。

Lead-free Solder

When soldering, use the Lead-free Solder (Sn-Ag-Cu).

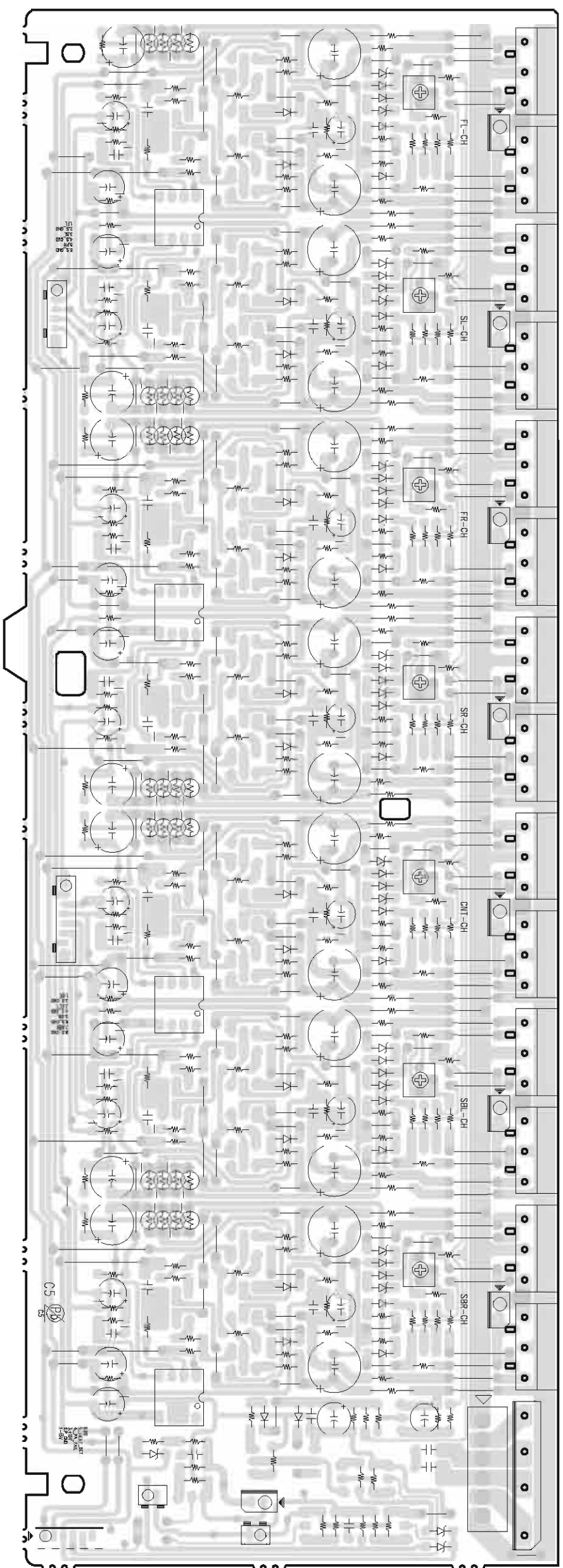
AMP PWB A

Q802 Q803	Q807 Q723	Q620	Q622	Q619	Q621	Q520	Q522	Q519	Q521	Q420	Q422	Q419	Q421
Q801 Q804 Q806	Q707 Q715 Q709	Q624	Q616 Q610	Q608 Q615 Q609	Q623	Q508 Q516 Q510	Q523	Q507 Q515 Q509	Q424	Q408 Q416 Q410	Q423	Q407 Q415 Q409	
Q805	Q713 Q717 Q711	Q614 Q618 Q612	Q604 Q606	Q613 Q617 Q611	Q624	Q514 Q518 Q512	Q523	Q513 Q517 Q511	Q414 Q418 Q412	Q413 Q417 Q411			
Q808	IC71 Q703 Q705	IC61 Q603 Q605		IC61 Q603 Q605		IC51 Q503 Q505		IC51 Q503 Q505	IC41 Q403 Q405				



CUP1870Z
SR700V/SR8001 WP AMP PCB
2008.07.01

鉛フリー半田
半田付けには、鉛フリー半田 (Sn-Ag-Cu) を使用してください。
Lead-free Solder
When soldering, use the Lead-free Solder (Sn-Ag-Cu).



鉛フリー半田
 半田付けには、鉛フリー半田 (Sn-Ag-Cu) を使用してください。
Lead-free Solder
 When soldering, use the Lead-free Solder (Sn-Ag-Cu).

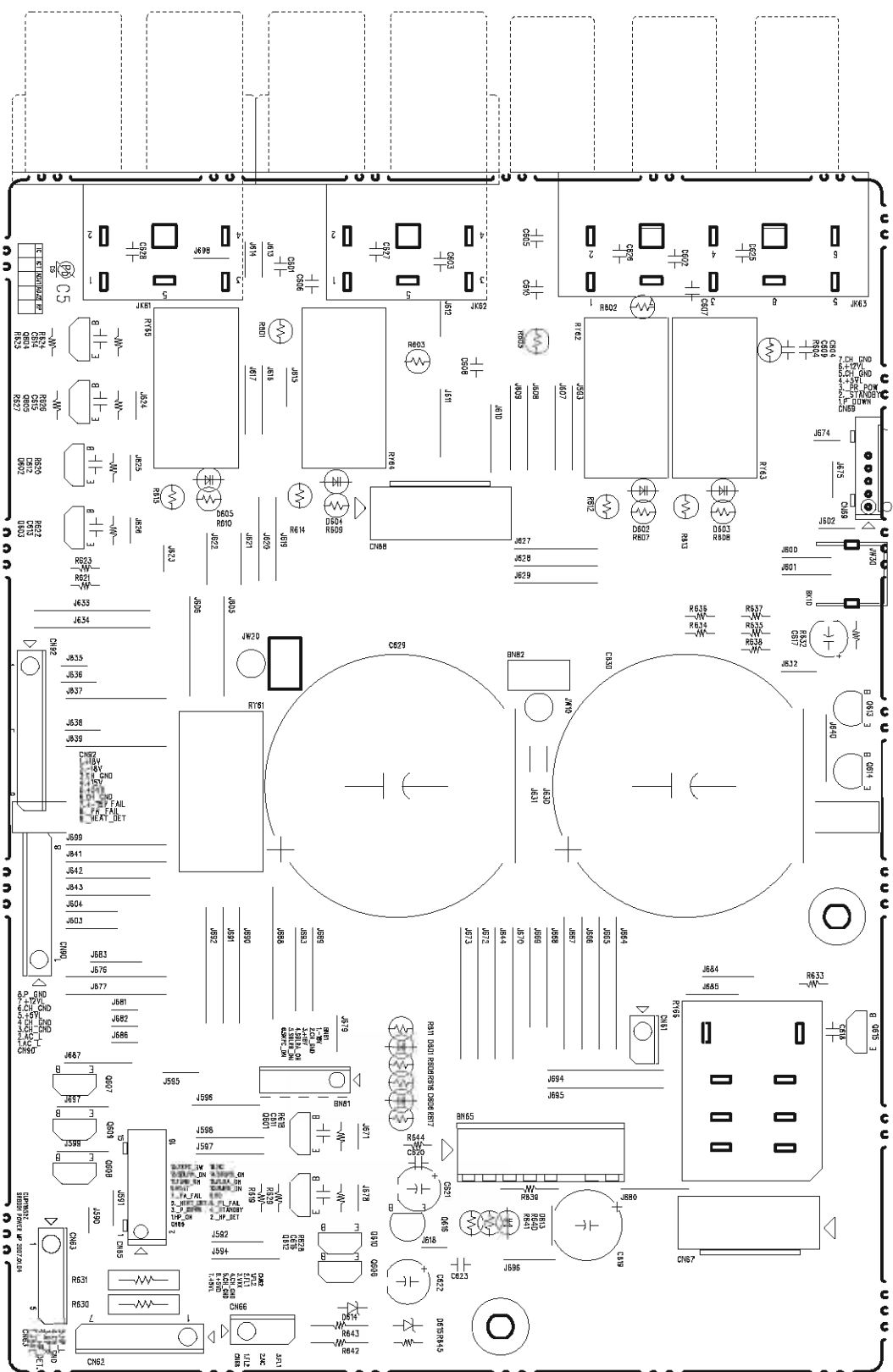
POWER PWB A

Q604 Q605 Q602 Q603

Q613 Q614

Q615

Q601 Q612 Q610 Q606
Q607 Q609 Q608

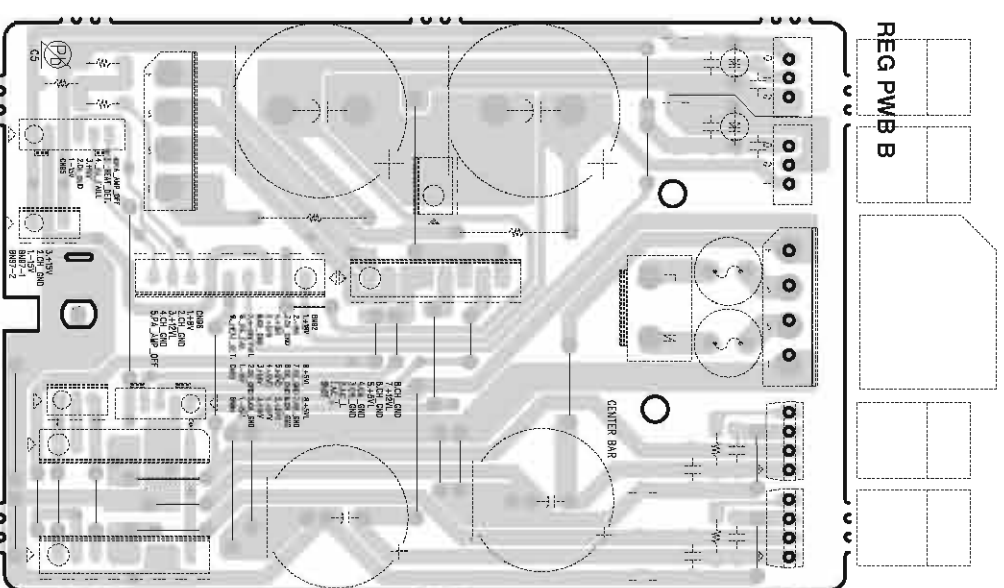
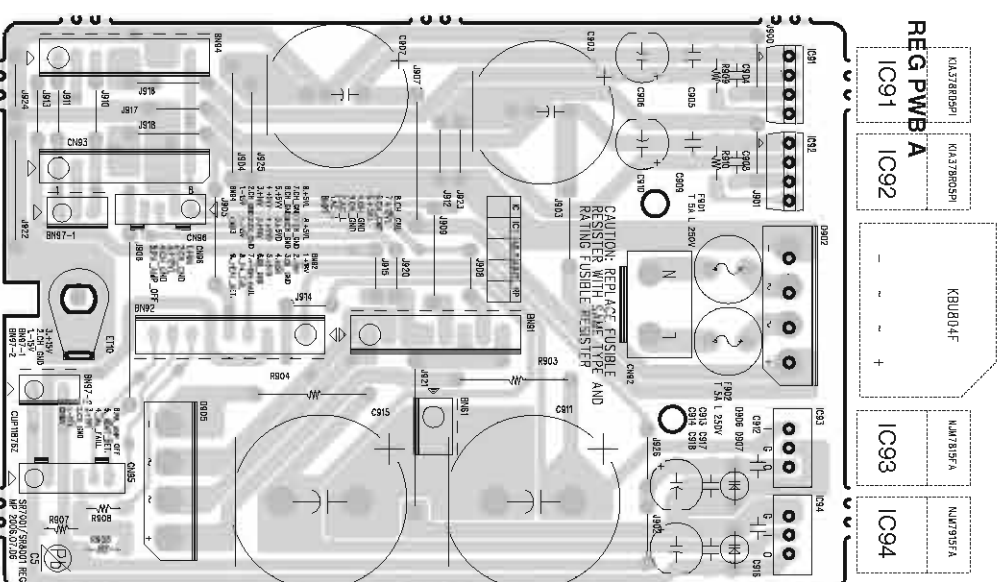
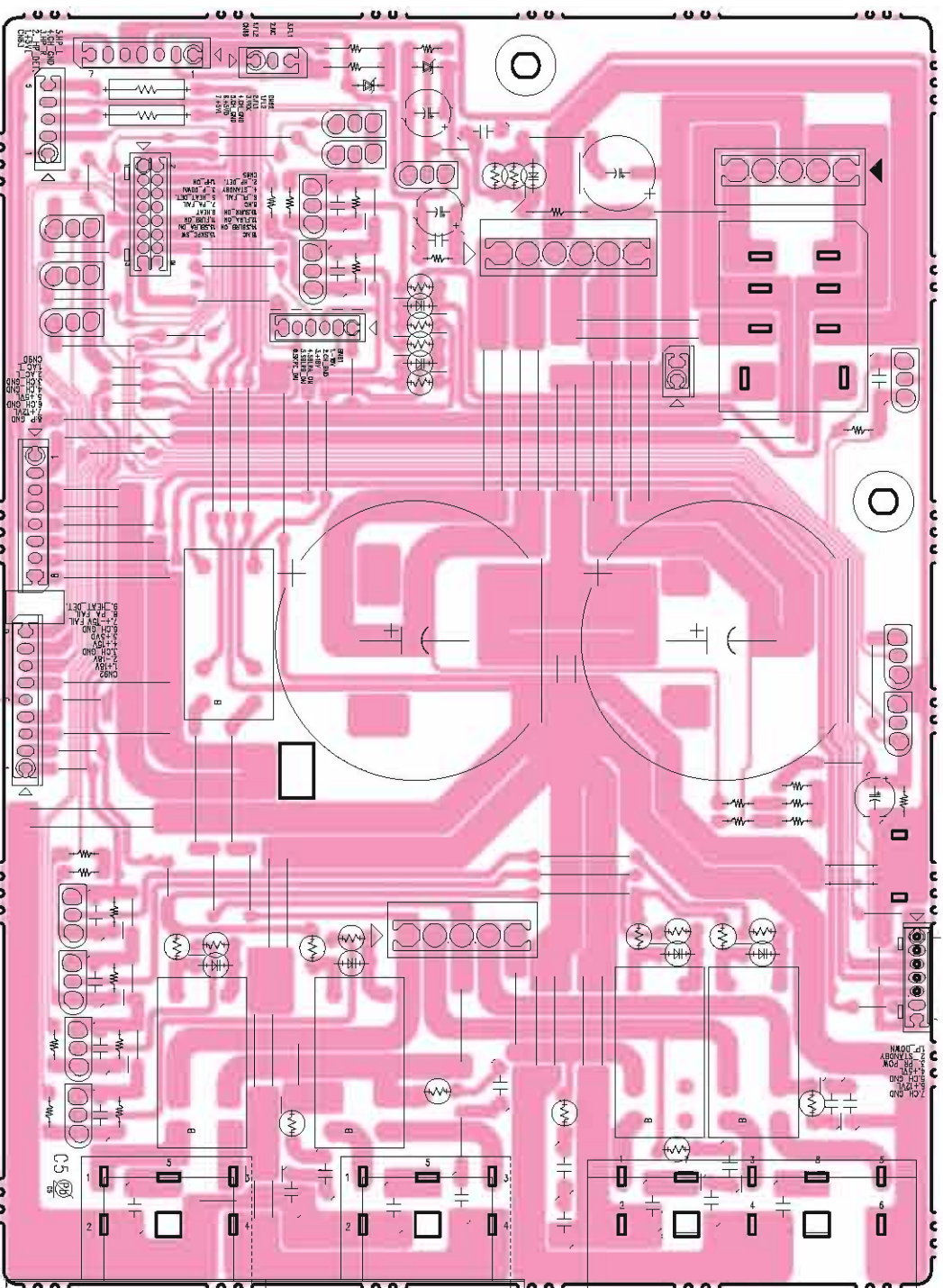


鉛フリー半田

半田付けには、鉛フリー半田 (Sn-Ag-Cu) を使用してください。

Lead-free Solder

When soldering, use the Lead-free Solder (Sn-Ag-Cu).



鉛フリー半田

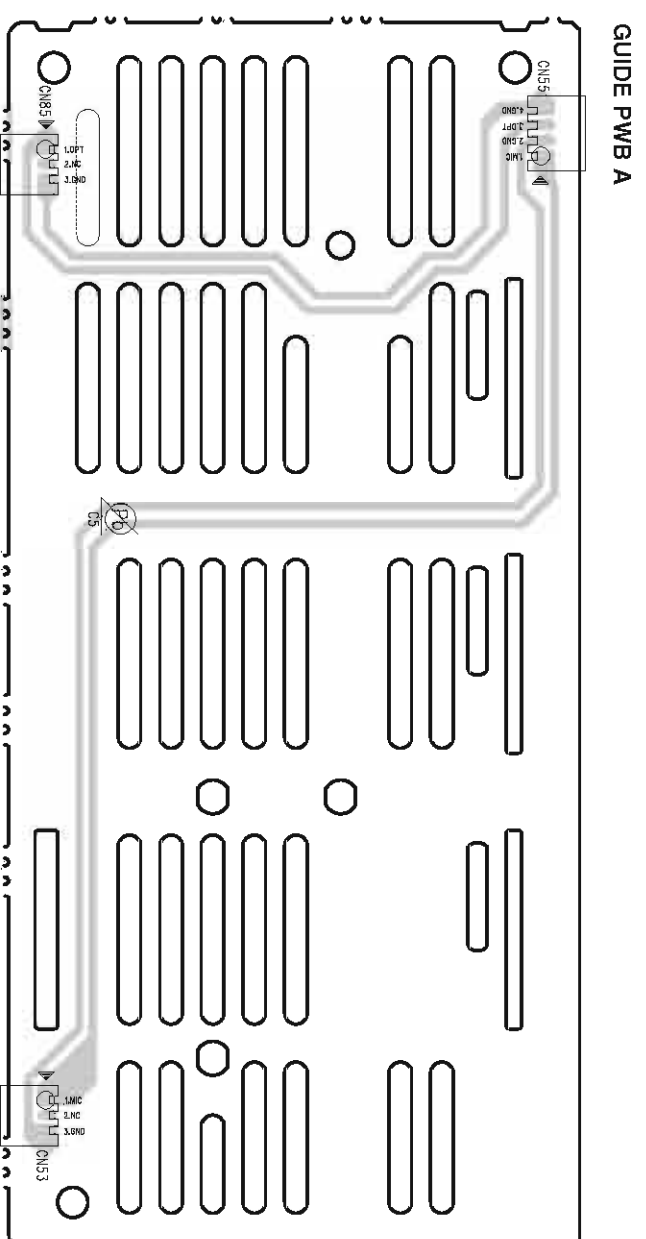
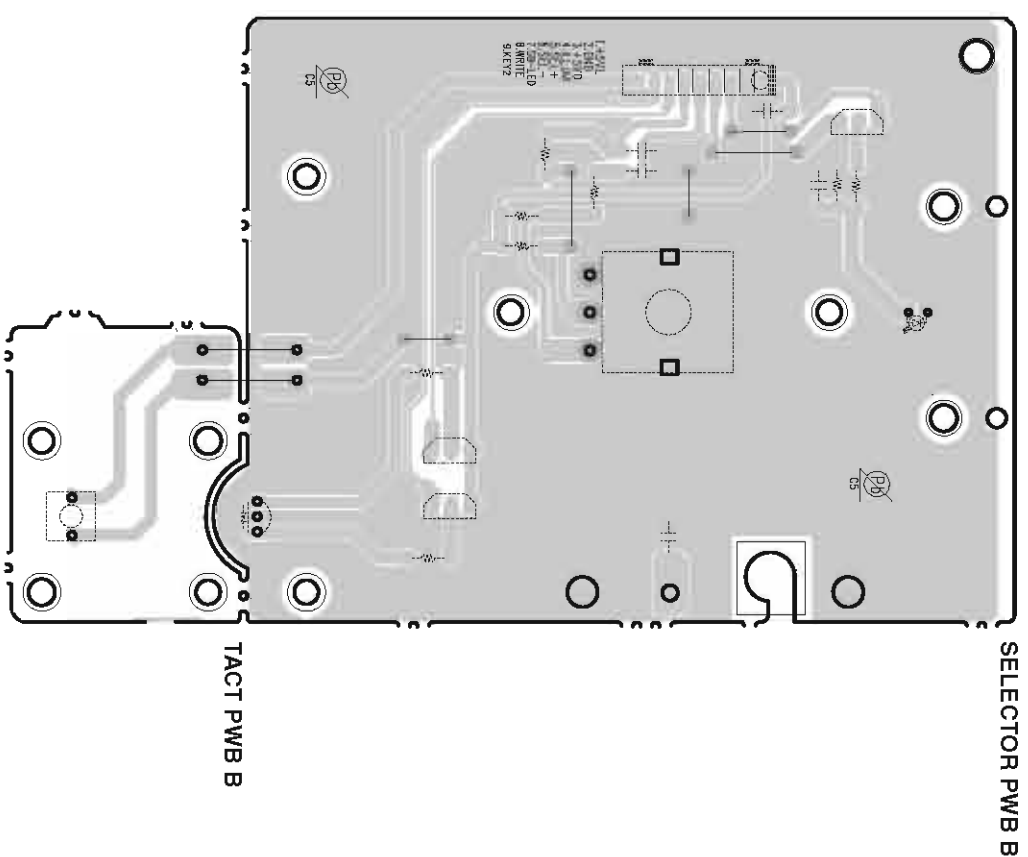
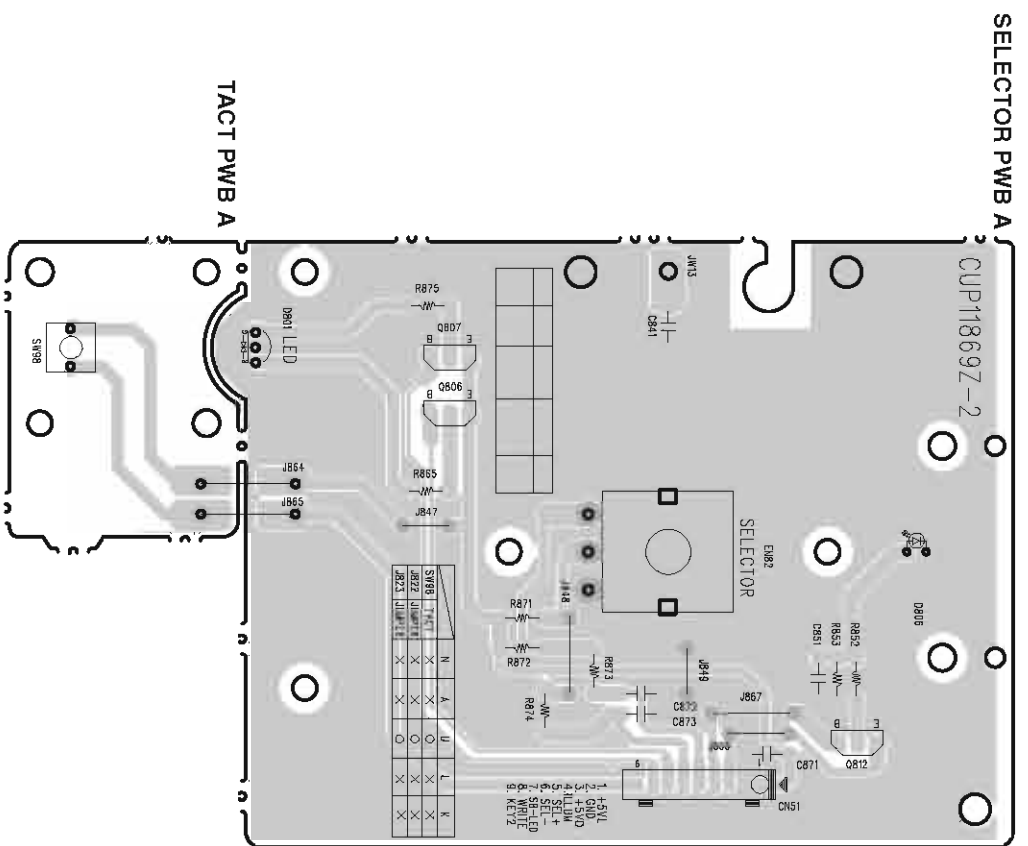
半田付けには、鉛フリー半田 (Sn-Ag-Cu) を使用してください。

Lead-free Solder

When soldering, use the Lead-free Solder (Sn-Ag-Cu).

Q807 Q806

Q812



鉛フリー半田
半田付けには、鉛フリー半田 (Sn-Ag-Cu) を使用してください。
Lead-free Solder
When soldering, use the Lead-free Solder (Sn-Ag-Cu).

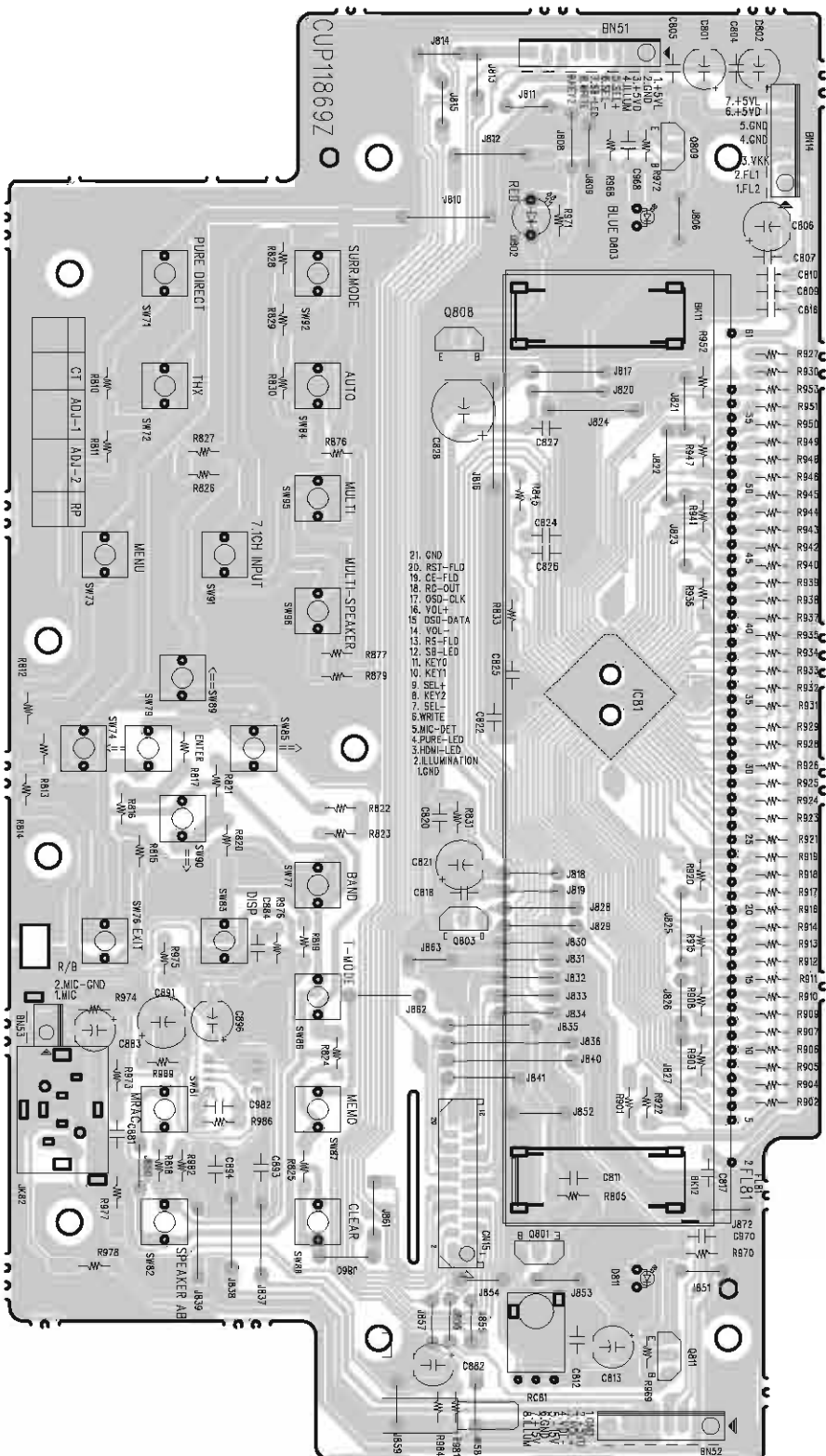
FRONT PWB A
Q809

Q808

Q803

Q801

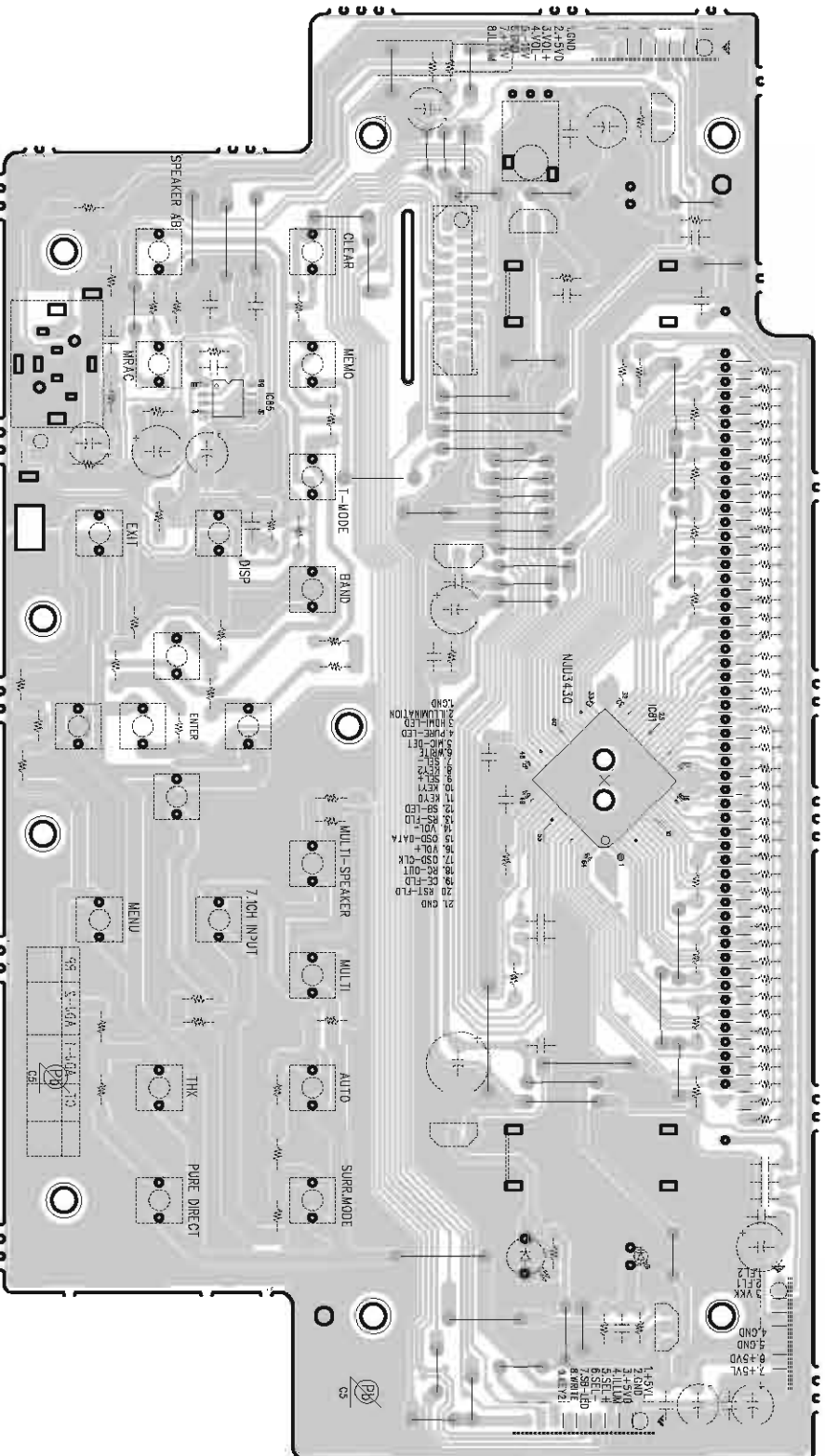
Q811



FRONT PWB B

IC85

IC81



鉛フリー半田

半田付けには、鉛フリー半田 (Sn-Ag-Cu) を使用してください。

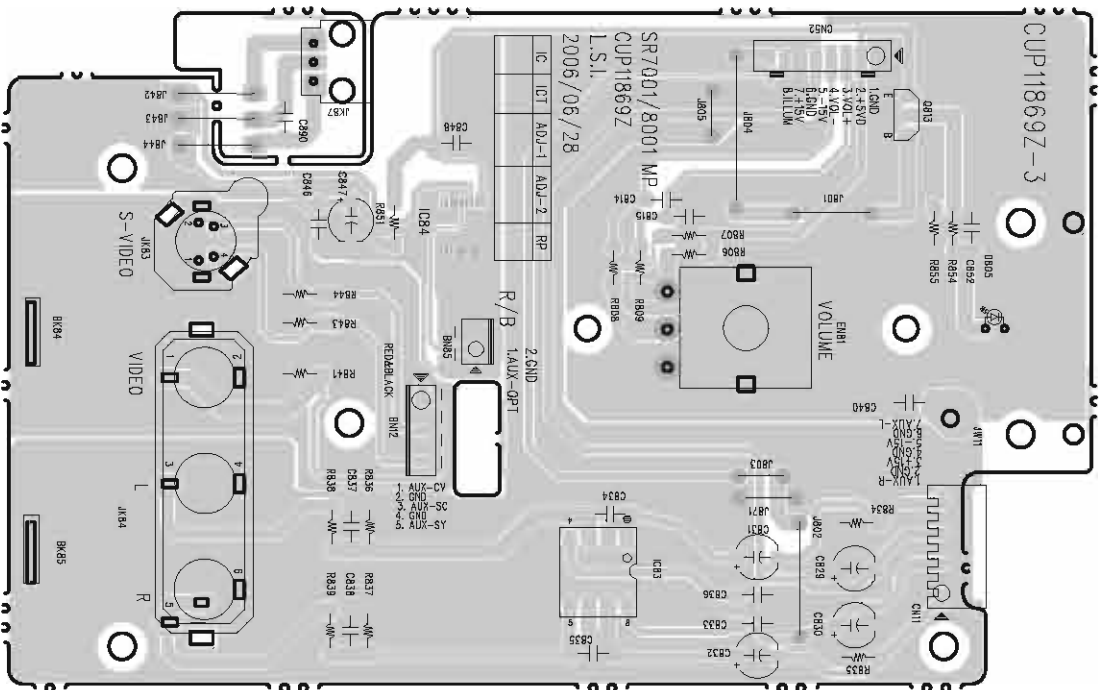
Lead-free Solder

When soldering, use the Lead-free Solder (Sn-Ag-Cu).

VOLUME PWB A

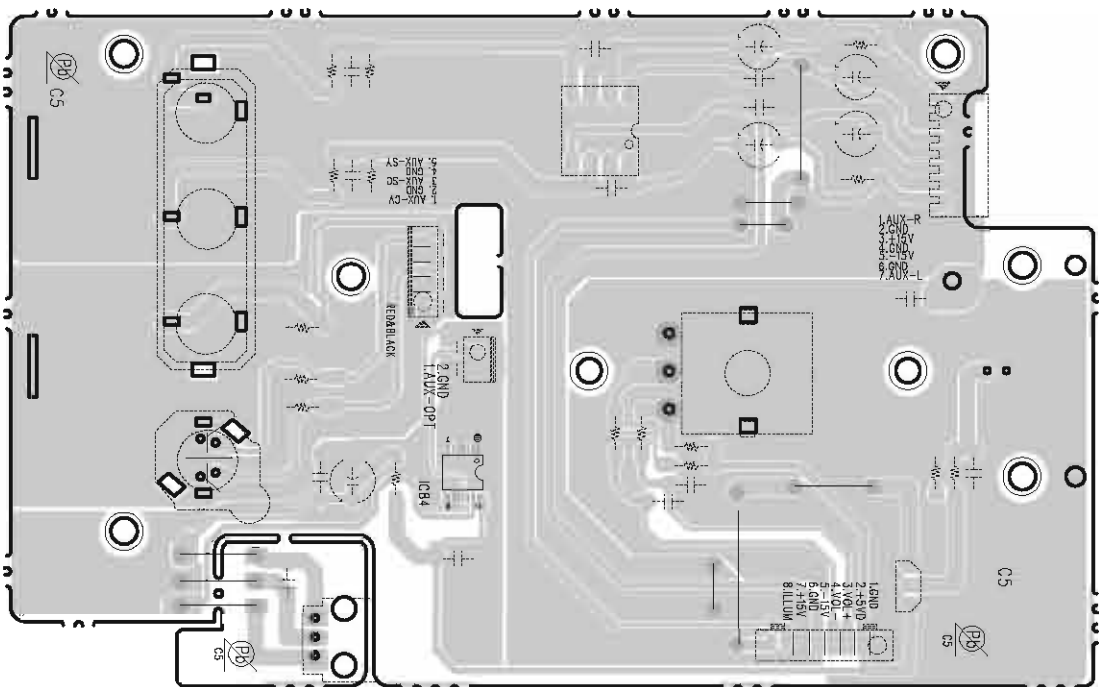
Q813

IC83

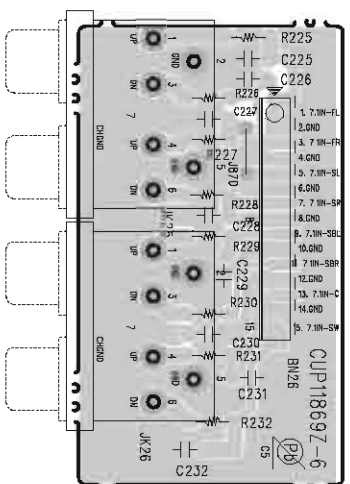


VOLUME PWB B

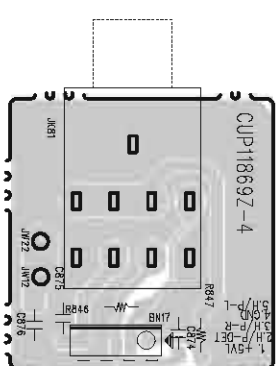
IC84



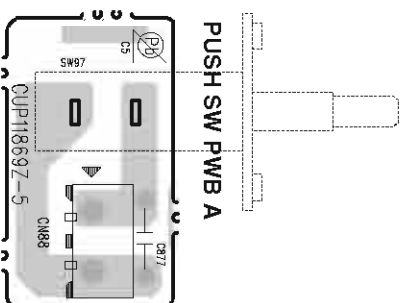
7.1CH INPUT PWB A



H/P PWB A

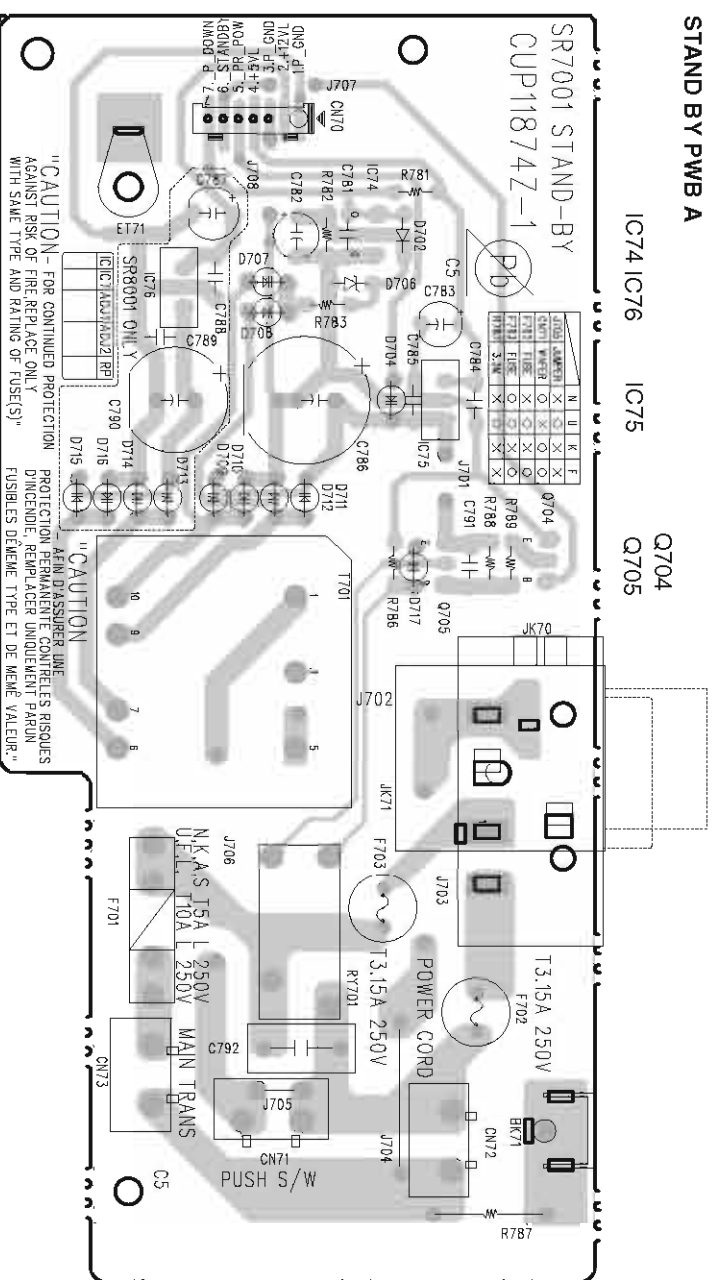


PUSH SW PWB A

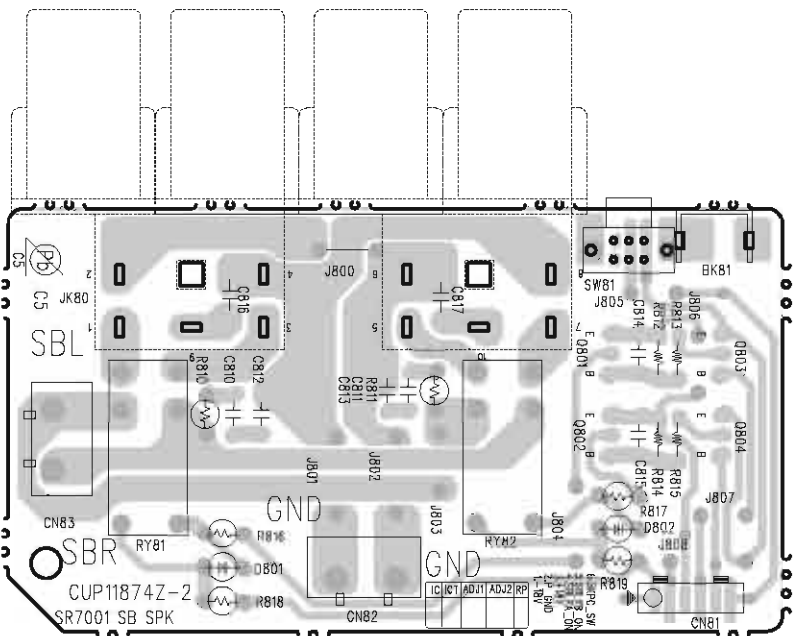


鉛フリー半田
半田付けには、鉛フリー半田 (Sn-Ag-Cu) を使用してください。
Lead-free Solder
When soldering, use the Lead-free Solder (Sn-Ag-Cu).

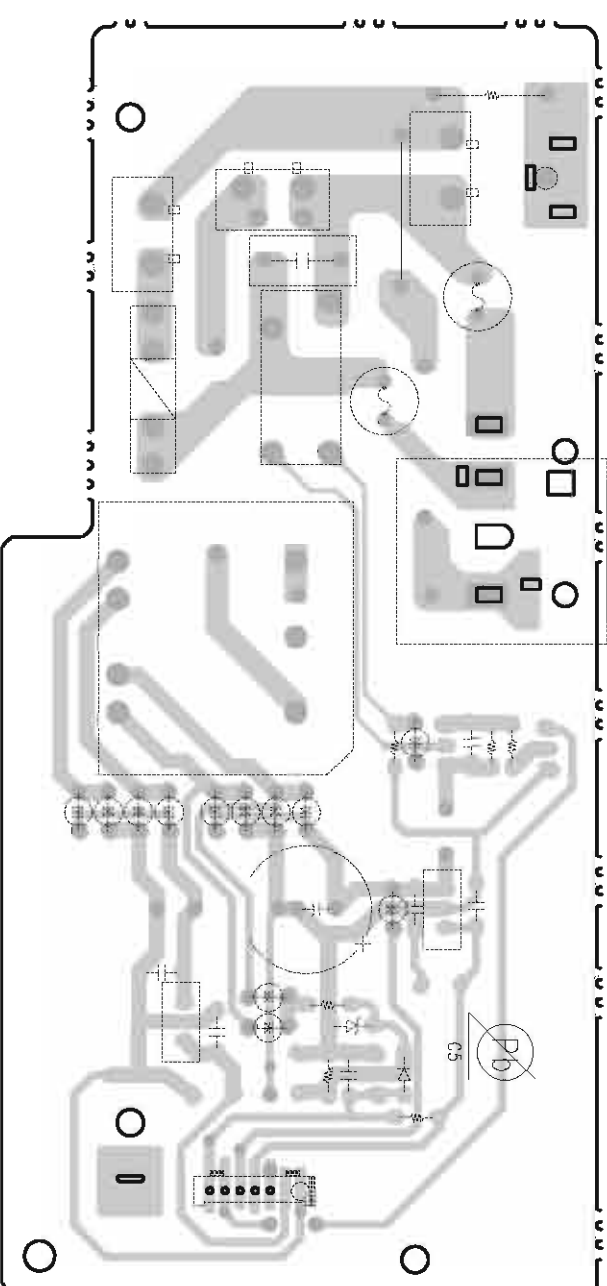
STAND BY PWB A



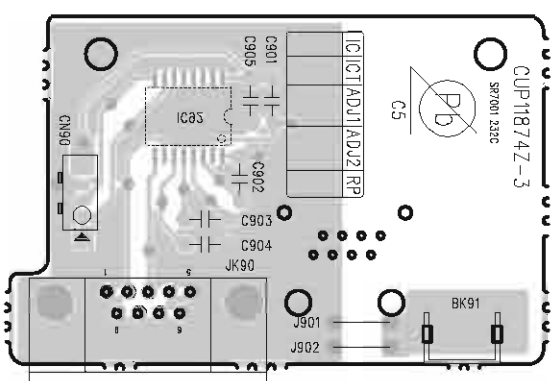
SBLR SPEAKER PWB A
Q803 Q804
Q801 Q802



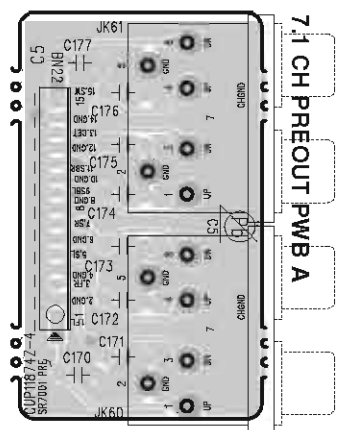
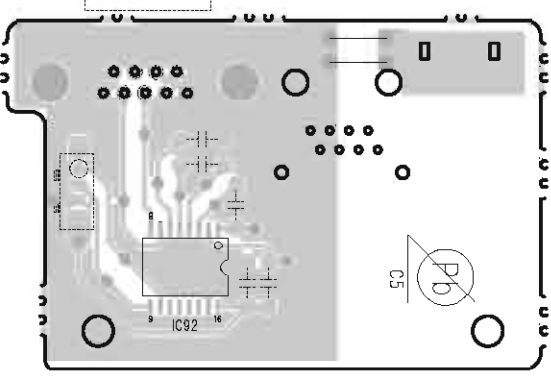
STAND BY PWB B



RS-232C PWB A

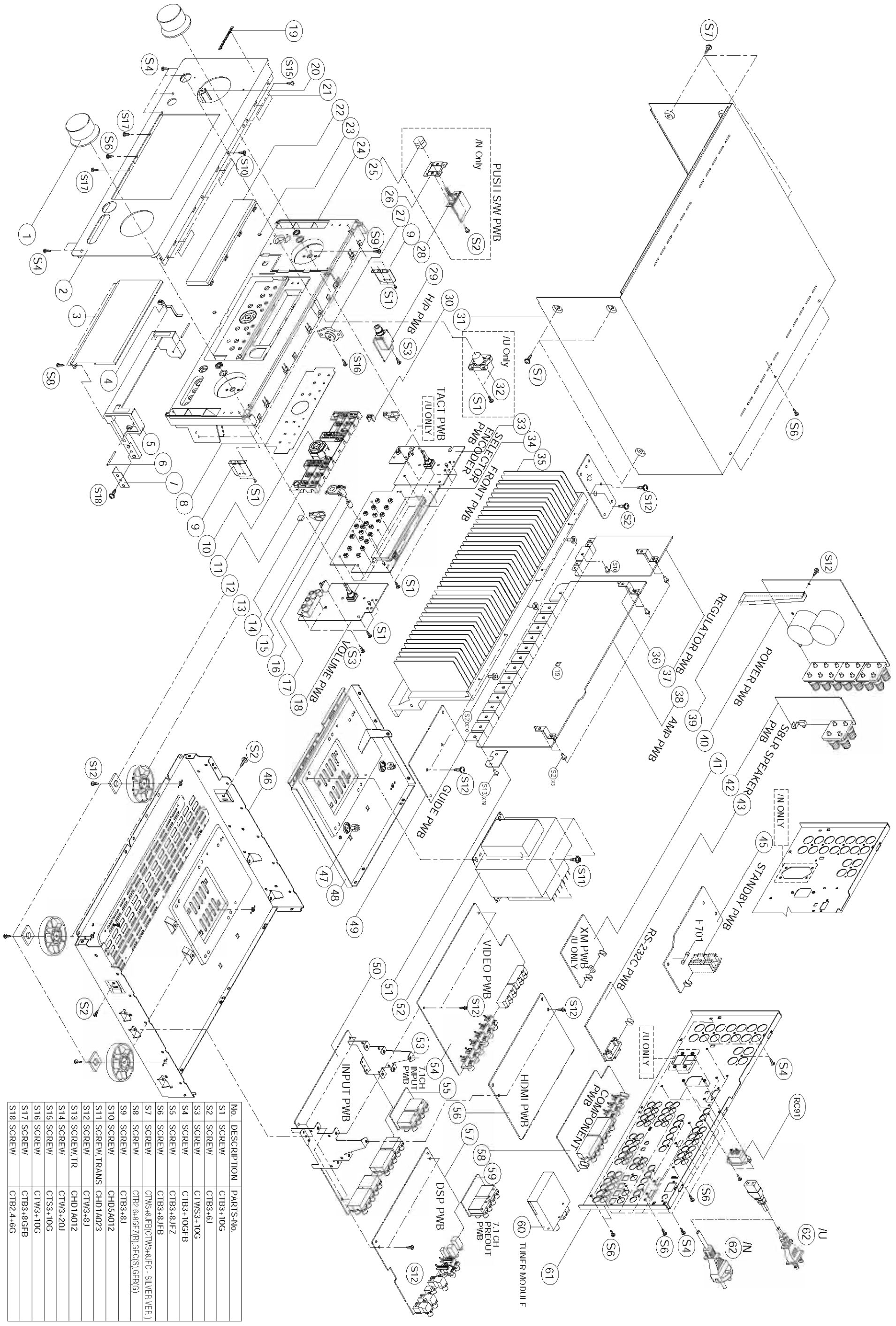


RS-232C PWB B



鉛フリー半田
半田付けには、鉛フリー半田 (Sn-Ag-Cu) を使用してください。
Lead-free Solder
When soldering, use the Lead-free Solder (Sn-Ag-Cu).

11. EXPLODED VIEW AND PARTS LIST



No.	DESCRIPTION	PARTS-No.
S1	SCREW	CTB3-10G
S2	SCREW	CTB3-6J
S3	SCREW	CTWS3-10G
S4	SCREW	CTB3-10GFB
S5	SCREW	CTB3-8JFZ
S6	SCREW	CTB3-8JFB
S7	SCREW	CTW3-8JFBC(TW3-8JFBC-SILVER VER)
S8	SCREW	CTB2-6-8GFZ(B)GFC(S)GFB(G)
S9	SCREW	CTB3-8J
S10	SCREW	CHD5A012
S11	SCREW/TRANS	CHD1A023
S12	SCREW	CTW3-8J
S13	SCREW/TR	CHD1A012
S14	SCREW	CTW3-20I
S15	SCREW	CTIS3-10G
S16	SCREW	CTW3-10G
S17	SCREW	CTB3-8GFB
S18	SCREW	CTB2-4-6G

P.W.B. NAME	POS. NO.	VERS. COLOR	PART NO. (FOR EUR)	PART NO. (MZ)	PART NAME	DESCRIPTION	
	1	/N1B	00M28AW154010	00M28AW154010	KNOB	MASTER KNOB (BLACK)	HGK1A090YA
	1	/N1S	00M28AW154030	00M28AW154030	KNOB	MASTER KNOB (SILVER)	HGK1A090XA
	1	/U1B	nsp	00M28AW154010	KNOB	MASTER KNOB (BLACK)	HGK1A090YA
	2	/N1B	00M25CW248010	00M25CW248010	PANEL	FRONT AL PANEL (BLACK)	CKM1A159NC23
	2	/N1S	00M25CW248210	00M25CW248210	PANEL	FRONT AL PANEL (SILVER)	CKM1A159NC40
	2	/U1B	nsp	00M25CW248020	PANEL	FRONT AL PANEL (BLACK)	CKM1A159OC23
	3	/N1B	00M25CW162020	00M25CW162020	DOOR	DOOR FRONT (AL) BLACK	CKM1A160UC23
	3	/N1S	00M25CW162210	00M25CW162210	DOOR	DOOR FRONT (AL) SILVER	CKM1A160VC40
	3	/U1B	nsp	00M25CW162020	DOOR	DOOR FRONT (AL) BLACK	CKM1A160UC23
	4		nsp	nsp	CONTACTOR	EARTH PLATE	CMC1A251
	5	/N1B	00M05CW271050	00M05CW271050	HOLDER	DOOR HOLDER BLACK	CKG2A046R4K92
	5	/N1S	00M05CW271210	00M05CW271210	HOLDER	DOOR HOLDER SILVER	CKG2A046R6G13
	5	/U1B	nsp	00M05CW271050	HOLDER	DOOR HOLDER BLACK	CKG2A046R4K92
	6		00M10BW112010	00M10BW112010	SHAFT	SHAFT BASE	CDF1A018
	7		00M10BW104010	00M10BW104010	RETAINER	BRACKET BASE	CMD1A542
	8	/N1B	00M25CW063010	00M25CW063010	ESCUTCHEON	FRONT COVER BLACK	CGX1A358Q
	8	/N1S	00M25CW063210	00M25CW063210	ESCUTCHEON	FRONT COVER SILVER	CGX1A358R
	8	/U1B	nsp	00M25CW063010	ESCUTCHEON	FRONT COVER BLACK	CGX1A358Q
	9		nsp	nsp	BRACKET	SIDE BRACKET	CMD2A443
	10	/N1B	00M10BW270010	00M10BW270010	BUTTON	CURSOR BUTTON BLACK	CBT1A957ZK92
	10	/N1S	00M10BW270210	00M10BW270210	BUTTON	CURSOR BUTTON SILVER	CBT1A957R6ZG13
	10	/U1B	nsp	00M10BW270010	BUTTON	CURSOR BUTTON BLACK	CBT1A957ZK92
	11	/N1B	00M10BW270020	00M10BW270020	BUTTON	FUNCTION BUTTON BLACK	CBT1A958K92
	11	/N1S	00M10BW270220	00M10BW270220	BUTTON	FUNCTION BUTTON SILVER	CBT1A958R6G13
	11	/U1B	nsp	00M10BW270020	BUTTON	FUNCTION BUTTON BLACK	CBT1A958K92
	12		00M11BW056010	00M11BW056010	BUFFER	RUBBER CUSHION	KHG1A050
	13		00M243W057010	00M243W057010	LEG	LEG GOLD/BLACK	CKL2A042H11
	14		00M10BW305010	00M10BW305010	MAGNET	MAGNET BASE	CJC1A008
	15		00M05CW355050	00M05CW355050	LENS	INDICATOR VOL/SELECTOR	CGL1A249
	16		nsp	nsp	HOLDER	HOLDER INDICATOR VOL/SEL	CKG1A048R4K92
	17		00M03CW355010	00M03CW355010	LENS	HDMI INDICATOR	CGL1A245Z
	18	/N1B	nsp	nsp	PWB ASSY	VOLUME PWB ASSY	COP11869B
	18	/N1S	nsp	nsp	PWB ASSY	VOLUME PWB ASSY	COP11869D
	18	/U1B	nsp	nsp	PWB ASSY	VOLUME PWB ASSY	COP11869C
	19	/N1B	00M24AW251010	00M24AW251010	BADGE	NEW MZ BADGE	CGB1A117
	19	/N1S	00M24AW251020	00M24AW251020	BADGE	NEW MZ BADGE SILVER	CGB1A117G
	19	/U1B	nsp	00M24AW251010	BADGE	NEW MZ BADGE	CGB1A117
	20		00M10BW355010	00M10BW355010	LENS	INDICATOR POWER	CGL1A231
	21		nsp	nsp	TAPE	TAPE HEMELON	KHS1A032
	22		00M05CW158010	00M05CW158010	WINDOW	WINDOW FIP	CGU1A359Y
	23		00M446T056010	00M446T056010	BUFFER	CUSHION DOOR	CHG1A296Y
	24	/N1B	00M05CW105020	00M05CW105020	CHASSIS	FRONT MOLD CHASSIS (BLACK)	CGW2A390R4K92
	24	/N1S	00M05CW105220	00M05CW105220	CHASSIS	FRONT MOLD CHASSIS (SILVER)	CGW2A390R6G13
	24	/U1B	nsp	00M05CW105020	CHASSIS	FRONT MOLD CHASSIS (BLACK)	CGW2A390R4K92
	25	/N1B	00M27AW270040	00M27AW270040	BUTTON	POWER SW BUTTON (BLACK)	CBC1A146K92
	25	/N1S	00M27AW270240	00M27AW270240	BUTTON	POWER SW BUTTON (SILVER)	CBC1A146R6G13
	26	/N1B	nsp	nsp	BRACKET	POWER SW BRACKET	CMD1A493
	26	/N1S	nsp	nsp	BRACKET	POWER SW BRACKET	CMD1A493
	27		00M391H130030	00M391H130030	DAMPER	DUMPER ASSY	KDG1A006Z
	28	/N1B	nsp	nsp	PWB ASSY	PUSH SW PWB ASSY	COP11869B
	28	/N1S	nsp	nsp	PWB ASSY	PUSH SW PWB ASSY	COP11869D
	29	/N1B	nsp	nsp	PWB ASSY	H/P PWB ASSY	COP11869B
	29	/N1S	nsp	nsp	PWB ASSY	H/P PWB ASSY	COP11869D
	29	/U1B	nsp	nsp	PWB ASSY	H/P PWB ASSY	COP11869C
	30		00M10BW355020	00M10BW355020	LENS	INDICATOR THX	CGL1A232
	32	/U1B	nsp	00M27AW270030	BUTTON	POWER SW BUTTON TACT (BLACK)	CBT1A877K92
	33	/N1B	nsp	nsp	PWB ASSY	SELECTOR ENCODER PWB ASSY	COP11869B
	33	/N1S	nsp	nsp	PWB ASSY	SELECTOR ENCODER PWB ASSY	COP11869D
	33	/U1B	nsp	nsp	PWB ASSY	SELECTOR ENCODER PWB ASSY	COP11869C
	34	/N1B	nsp	nsp	PWB ASSY	FRONT ENCODER PWB ASSY	COP11869B
	34	/N1S	nsp	nsp	PWB ASSY	FRONT ENCODER PWB ASSY	COP11869D
	34	/U1B	nsp	nsp	PWB ASSY	FRONT ENCODER PWB ASSY	COP11869C
	35		nsp	nsp	HEATSINK	HEATSINK	CMY1A263ZA
	36		nsp	nsp	BRACKET	BRACKET FOR POWER AMP PWB	CMD1A490
	37	/N1B	nsp	nsp	PWB ASSY	REGULATOR PWB ASSY	COP11876B
	37	/N1S	nsp	nsp	PWB ASSY	REGULATOR PWB ASSY	COP11876B
	37	/U1B	nsp	nsp	PWB ASSY	REGULATOR PWB ASSY	COP11876C

NOTE "nsp" PART IS LISTED FOR REFERENCE ONLY, MARANTZ WILL NOT SUPPLY THESE PARTS

P.W.B. NAME	POS. NO.	VERS. COLOR	PART NO. (FOR EUR)	PART NO. (MZ)	PART NAME	DESCRIPTION	
	38	/N1B	nsp	nsp	PWB ASSY	AMP PWB ASSY	COP11870B
	38	/N1S	nsp	nsp	PWB ASSY	AMP PWB ASSY	COP11870B
	38	/U1B	nsp	nsp	PWB ASSY	AMP PWB ASSY	COP11870C
	39		nsp	nsp	BRACKET	BRACKET PWB AG-D9320	CMD1A398
	40	/N1B	nsp	nsp	PWB ASSY	POWER PWB ASSY	COP11952B
	40	/N1S	nsp	nsp	PWB ASSY	POWER PWB ASSY	COP11952B
	40	/U1B	nsp	nsp	PWB ASSY	POWER PWB ASSY	COP11952C
	41	/U1B	nsp	nsp	PWB ASSY	XM PWB ASSY	COP11877E
	42	/N1B	nsp	nsp	PWB ASSY	SBLR SPEAKER PWB ASSY	COP11874R
	42	/N1S	nsp	nsp	PWB ASSY	SBLR SPEAKER PWB ASSY	COP11874R
	42	/U1B	nsp	nsp	PWB ASSY	SBLR SPEAKER PWB ASSY	COP11874S
	43	/N1B	nsp	nsp	PWB ASSY	RS-232 PWB ASSY	COP11874R
	43	/N1S	nsp	nsp	PWB ASSY	RS-232 PWB ASSY	COP11874R
	43	/U1B	nsp	nsp	PWB ASSY	RS-232 PWB ASSY	COP11874S
	45	/N1B	nsp	nsp	PWB ASSY	STANDBY PWB ASSY	COP11874R
	45	/N1S	nsp	nsp	PWB ASSY	STANDBY PWB ASSY	COP11874R
	45	/U1B	nsp	nsp	PWB ASSY	STANDBY PWB ASSY	COP11874S
	46		nsp	nsp	CHASSIS	CHASSIS BOTTOM	CUA1A264
	47		nsp	nsp	HOLDER	HOLDER PWB	CHE170
	48		nsp	nsp	BRACKET	BRACKET MAIN TRANSF.	CMD1A581
	49	/N1B	nsp	nsp	PWB ASSY	GUIDE PWB ASSY	COP11874R
	49	/N1S	nsp	nsp	PWB ASSY	GUIDE PWB ASSY	COP11874R
	49	/U1B	nsp	nsp	PWB ASSY	GUIDE PWB ASSY	COP11874S
	50		nsp	nsp	PWB ASSY	INPUT PWB ASSY	COP11871C
	51		00M10BW109010	00M10BW109010	SHIELD	BRACKET SHIELD	CMC1A252Z
▲	52	/N1B	90M-TS003130R	90M-TS003130R	TRANSF.	! TRANS POWER (SR6001N 105X65)	CLT5W029ZE
▲	52	/N1S	90M-TS003130R	90M-TS003130R	TRANSF.	! TRANS POWER (SR6001N 105X65)	CLT5W029ZE
▲	52	/U1B	nsp	90M-TS002920R	TRANSF.	! EI POWER TRANSF. U	CLT5W023ZU
	53		nsp	nsp	BRACKET	BRACKET MULTI PWB	CMD1A582
	54	/N1B	nsp	nsp	PWB ASSY	VIDEO PWB ASSY	COP11952B
	54	/N1S	nsp	nsp	PWB ASSY	VIDEO PWB ASSY	COP11952B
	54	/U1B	nsp	nsp	PWB ASSY	VIDEO PWB ASSY	COP11952C
	55	/N1B	nsp	nsp	PWB ASSY	7.1CH PREOUT PWB ASSY	COP11874R
	55	/N1S	nsp	nsp	PWB ASSY	7.1CH PREOUT PWB ASSY	COP11874R
	55	/U1B	nsp	nsp	PWB ASSY	7.1CH PREOUT PWB ASSY	COP11874S
	56		nsp	nsp	PWB ASSY	HDMI PWB ASSY	COP11875C
	57	/N1B	nsp	nsp	PWB ASSY	DSP PWB ASSY	COP11951B
	57	/N1S	nsp	nsp	PWB ASSY	DSP PWB ASSY	COP11951B
	57	/U1B	nsp	nsp	PWB ASSY	DSP PWB ASSY	COP11951C
	58		nsp	nsp	PWB ASSY	COMPONENT PWB ASSY	COP11953B
	59	/N1B	nsp	nsp	PWB ASSY	FRONT PWB ASSY	COP11869B
	59	/N1S	nsp	nsp	PWB ASSY	FRONT PWB ASSY	COP11869D
	59	/U1B	nsp	nsp	PWB ASSY	FRONT PWB ASSY	COP11869C
	60	/N1B	90M-AV000400R	90M-AV000400R	TUNER	TUNER MODULE(EUR)	CNVMB114MA18L
	60	/N1S	90M-AV000400R	90M-AV000400R	TUNER	TUNER MODULE(EUR)	CNVMB114MA18L
	60	/U1B	nsp	90M-AV000570R	TUNER	MODULE TUNER USA	CNVMB014MA08LS
	61	/N1B	nsp	nsp	PANEL	REAR PANEL SR6001 N	CKF1A324Z
	61	/N1S	nsp	nsp	PANEL	REAR PANEL SR6001 N	CKF1A324Z
	61	/U1B	nsp	nsp	PANEL	REAR PANEL SR6001 U	CKF2A324Z
	JW14		nsp	90M-YU002390R	FPC	21P 100MM FPC	CWC1B4A21A100B
	JW15		nsp	90M-YU002410R	FPC	17P 100MM FPC	CWC1C4A17B100B
	JW16		nsp	90M-YU002400R	FPC	21P 300MM FPC	CWC1B4A21A300A
	JW17		nsp	90M-YU002430R	FPC	15P 100MM FPC	CWC3B4A15A100A
	JW18		nsp	90M-YU002450R	FPC	25P 170MM FPC	CWC3B4A25A170B
	JW20	/U1B	nsp	90M-YU002460R	FPC	15P 150MM FPC	CWC3C4A15B150B
	JW21	/N1B	nsp	nsp	CORD	WIRE ASSY	CWB4F232500UU
	JW21	/N1S	nsp	nsp	CORD	WIRE ASSY	CWB4F232500UU
	JW23		nsp	nsp	CORD	WIRE ASSY	CWZSR7001BN92A
	JW24		nsp	90M-YU002380R	FPC	17P 80MM FPC	CWC1B4A17A080A
	JW25		nsp	90M-YU002420R	FPC	11P 130MM FPC	CWC3B4A11A130A
	JW26		nsp	90M-YU002440R	FPC	17P 170MM FPC	CWC3B4A17A170B
	JW27	/U1B	nsp	90M-YU001880R	FPC	15P 200MM FPC	CWC1C4A15B200B
	JW28	/N1B	nsp	90M-YU001890R	FPC	17P 200MM FPC	CWC1C4A17B200B
	JW28	/N1S	nsp	90M-YU001890R	FPC	17P 200MM FPC	CWC1C4A17B200B
▲	RC91		90M-YJ002690R	90M-YJ002690R	TERMINAL	! R-301(187-2P) 10A/250V	HJJ8A001Z
		/N1B	90M-FC500130R	90M-FC500130R	FERRITE CORE	FERRITE CORE	CLZ9Z071Z
		/N1S	90M-FC500130R	90M-FC500130R	FERRITE CORE	FERRITE CORE	CLZ9Z071Z

NOTE "nsp" PART IS LISTED FOR REFERENCE ONLY, MARANTZ WILL NOT SUPPLY THESE PARTS

P.W.B. NAME	POS. NO.	VERS. COLOR	PART NO. (FOR EUR)	PART NO. (MZ)	PART NAME	DESCRIPTION	
			90M-FC500120R	90M-FC500120R	FERRITE CORE	FERRITE CORE	CLZ9Z070Z
			90M-FC500130R	90M-FC500130R	FERRITE CORE	FERRITE CORE	CLZ9Z071Z
			90M-FC500040R	90M-FC500040R	FERRITE CORE	FERRITE CORE(21.2X6.4X12.7) K5C T	CLZ9Z028Z
PACKING							
		/N1B	00M25CW851310	00M25CW851310	USER GUIDE	USER GUIDE SR6001 N	CQX1A1163Z
		/N1S	00M25CW851310	00M25CW851310	USER GUIDE	USER GUIDE SR6001 N	CQX1A1163Z
		/U1B	nsp	00M25CW851250	USER GUIDE	USER GUIDE SR6001 U	CQX1A1164Z
			00MZK04CW0010	00MZK04CW0010	UNIT KIT	REMOTE CONTROLLER RC5001SR	CARTSR5001M
	▲	62 /N1B	90M-ZC000320R	90M-ZC000320R	MAINS CORD	! MAINS CORD 2WIRE 10A/250V	CJA2B054Z
	▲	62 /N1S	90M-ZC000320R	90M-ZC000320R	MAINS CORD	! MAINS CORD 2WIRE 10A/250V	CJA2B054Z
	▲	62 /U1B	nsp	90M-ZC000310R	MAINS CORD	! MAINS CORD UL 032508/12	CJA2A070Z
		/N1B	90M-ZK000670R	90M-ZK000670R	MICROPHONE	MIC AUDYSSEY	CMICROSR8001A
		/N1S	90M-ZK000670R	90M-ZK000670R	MICROPHONE	MIC AUDYSSEY	CMICROSR8001A
		/U1B	nsp	90M-ZK000670R	MICROPHONE	MIC AUDYSSEY OPTION (ACM1)	CMICROSR8001A
NOT STANDARD SPARE PART							
		/N1B	nsp	00M25CW805010	MASS CARTON	SR6001 MASTER PKG	CPG1A808X
		/N1S	nsp	00M25CW805010	MASS CARTON	SR6001 MASTER PKG	CPG1A808X
			nsp	00M25CW801010	PACKING CASE	PACKING CASE SR6001	CPG1A807R
			nsp	00M05CW809010	CUSHION	PAD SNOW L	CPS1A744
			nsp	00M05CW809020	CUSHION	PAD SNOW R	CPS1A745
	31	/N1B	nsp	00M05CW257010	LID	TOP COVER (BLACK)	CKC1A170K117
	31	/N1S	nsp	00M05CW257210	LID	TOP COVER (SILVER)	CKC1A170G14
	31	/U1B	nsp	00M05CW257010	LID	TOP COVER (BLACK)	CKC1A170K117
			nsp	90M-ZA000240R	ANTENNA	AM LOOP ANT	CSA1A020Z
		/N1B	nsp	90M-ZA000210R	ANTENNA	ANT FM WIRE (PIGTAIL)	CSA1A007
		/N1S	nsp	90M-ZA000210R	ANTENNA	ANT FM WIRE (PIGTAIL)	CSA1A007
		/U1B	nsp	90M-ZA000230R	ANTENNA	FM 1 POL ANT(UL)	CSA1A019Z
			nsp	00M10BW067010	CAP	COVER FOR FRONT JACK	CGR1A344

NOTE "nsp" PART IS LISTED FOR REFERENCE ONLY, MARANTZ WILL NOT SUPPLY THESE PARTS

12. MICROPROCESSOR AND IC DATA

IC11 : HD64F2505

pin No	Port Name Mode7	I/O	use	STBY	Name	Port Setting		Note
						Act.	init	
1	PE5	I/O	O	I	RS232C_SW			RS232C Switch (Main CPU or HDMI CPU)
2	PE6	I/O	O	I	AFDATA	-	L	Analog Switch Data (TC94A46FG/TC9274N)
3	PE7	I/O	O	I	AFCLK	-	L	Analog Switch Clock (TC94A46FG/TC9274N)
4	PD0	I/O	O	I	CE_TCA	H	L	Analog Switch (TC94A46FG/TC9274N)
5	PD1	I/O	O	I	_RSTDAC	L	L	Reset for DAC (CS4382)
6	PD2	I/O	O	I	_CS_DAC	L	H	DAC CHIP SELECTION (CS4382)
7	PD3	I/O	O	I	SWMUTE	H	H	SUB W SPK MUTE
8	PD4	I/O	O	I	CNTMUTE	H	H	CENTER SPK MUTE
9	PD5	I/O	O	I	SBMUTE	H	H	SRR B SPK MUTE
10	PD6	I/O	O	I	SL/SRMUTE	H	H	SL/SR SPK MUTE
11	PD7	I/O	O	I	L/RMUTE	H	H	FRONT L/R SPK MUTE
12	Vss	I	-	I	VSS	-	-	GND
13	PC0	I/O	O	I	KILLFLASH	H	L	Kill Flasher OUT
14	P1Vcc	I	YES	I	VCC	-	-	+5V'
15	PC1	I/O	O	I	S2P_DATA	-	L	4094 Data (74HC4094 x2pcs/CS4382)
16	PC2	I/O	O	I	S2P_CLK	-	L	4094 Clock (74HC4094 x2pcs/CS4382)
17	PC3	I/O	O	I	S2P_STB	-	H	4094 Strobe (74HC4094 x2pcs)
18	PC4	I/O	O	I	S2P__ENABLE	-	L	4094 Output Enable (Disable 4094 before strobe.) (74HC4094 x2pcs)
19	PC5	I/O	O	I	MULTIMUTEA	H	H	MULTI ROOM A MUTE
20	PC6	I/O	O	I	MULTIMUTEA	H	H	MULTI ROOM B MUTE
21	PC7	I/O	O	O	KILLIR	H	L	Kill to IR Input Signal
22	PB0	I/O	O	I	VOL_DATA	-	L	Ele Volume IC Data (TC9482)
23	PB1	I/O	O	I	VOL_CLK	-	L	Ele Volume IC Clock (TC9482)
24	PB2	I/O	I	I	_TU_SD	L	H	Tuner Tuned (Tuner Pack)
25	PB3	I/O	I	I	TU_ST	H		Tuner Stereo/_MONO (Tuner Pack)
26	PB4	I/O	O	I	TU_MUTE	H	H	Tuner MUTE (Tuner Pack)
27	PB5	I/O	O	I	_CE_TU	L	L	Tuner PLL CE (Tuner Pack)
28	PB6	I/O	O	I	_HDMI_LED	L	H	HDMI LED On
29	PB7	I/O	I	I	_P_AMP_FAIL	L	-	Power Amp Dectect (Open Collector)
30	PA0	I/O	O	I	TUDOUT	-	L	Tuner PLL Data Out (Tuner Pack)
31	PA1	I/O	O	I	TUCLK	-	L	Tuner PLL Clock (Tuner Pack)
32	PA2	I/O	I	I	TUDIN	-	L	Tuner PLL Data In (Tuner Pack)
33	PA3	I/O	I	I	RDS_DIN	-	L	Tuner RDS Data In (Tuner Pack)
34	PA4	I/O	O	I	_RSTFL	L	L	Front FL Driver Reset (NJU3430)
35	PA5	I/O	O	I	_CEFL	L	L	Front FL Driver Chip Select (NJU3430)
36	PA6	I/O	O	I	VOL_STB	H	L	Ele Volume IC Strobe (TC9482)
37	PA7	I/O	O	I	CLK_SW_0	-	L	_DIR/HDMI Audio Clock Select, L:DIR, H: HDMI (74VHC157)
38	PH7	I/O	O	I	CLK_SW_1	-	L	_DIR/Option Audio Clock Select, L:DIR, H: Opt (74VHC157)
39	PH6	I/O	O	I	_PCM_DSD_SEL	-	L	PCM/DSD DAC Audio input Select, L:PCM, H:DSD (74VHC157)
40	PH5	I/O	O	I	ILLUMINATION_ON_OFF	L	H	FRONT ILLUMINATION ON/OFF
41	PH4	I/O	O	I	HEAT	H	L	Power Amp±B AC_L Select
42	PH3	I/O	I	I	_HEAT_DET	H	-	Power Amp Heatsink Temp Detect
43	PH2	I/O	O	I	_STANDBY	L	L	Standby Power
44	PH1	I/O	I	I	_HP_DET	L	H	HP Jack Detect
45	PH0	I/O	O	I	HP_ON	H	L	HEAD PHONE ON
46	PJ7	I/O	SO	O	OSDDATA	-	L	Front FL, Video (OSD), 4094 Data (NJM3430/LC74781/74HC4094 x3pcs)
47	PJ6	I/O	O	I	DC_OUT1	L	H	DC Triger 1
48	PJ5	I/O	SC	I	OSDCLK	-	L	Front FL, Video (OSD), 4094 Clock (NJM3430/LC74781/74HC4094 x3pcs)
49	PJ4	I/O	O	I	DC_OUT2	L	H	DC Triger 2

IC11 : HD64F2505

pin No	Port Name Mode7	I/O	use	STBY	Name	Port Setting		Note
						Act.	init	
50	PJ3	I/O	O	I	_CEDIR	L	L	DIR Chip Enable (LC89057W)
51	PJ2	I/O	O	I	_DIR_RST	L	L	DIR Reset (LC89057W)
52	PJ1	I/O	O	O	_STBY_LED	L	H	Standby LED On
53	PJ0	I/O	O	I	_RSFL	L	L	Front FL Driver Register Selection (NJU3430)
54	Vss	I	-	I	VSS	-	-	GND
55	P97/AN15/DA1	I,I,O	I	I	MIC_DETECT	L	H	MIC Jack Detection for MRAC
56	P96/AN14/DA0	I,I,O	I	I	SPKC_SW	L	-	Speaker C Switch (Slide SW)
57	P95/AN13	I,I	I	I	DEC_INT	-	-	VIDEO DEC Interrupt (ADV7401)
58	P94/AN12	I,I	I	I	SEL-	L	H	Front Select Knob Encoder -
59	P93/AN11	I,I	I	I	SEL+	L	H	Front Select Knob Encoder +
60	P92/AN10	I,I	I	I	VOL-	L	H	Front Vol. Knob Encoder -
61	P91/AN9	I,I	I	I	VOL+	L	H	Front Vol. Knob Encoder +
62	P90/AN8	I,I	I	I	_OVFL	-	-	ADC Overflow for Peak Indicator (CS5361)
63	P47/AN7	I,I	I	I	TV_AUTO	-	-	TV Video Detect
64	P46/AN6	I,I	AD	AD	MODE2	-	-	CPU mode 2
65	P45/AN5	I,I	AD	AD	MODE1	-	-	CPU mode 1
66	P44/AN4	I,I	AD	AD	P_LINE_FAIL	-	-	Emergency Protection
67	AVss	I	-	I	AVSS	-	-	GND
68	P43/AN3	I,I	AD	AD	_5V_DOWN	-	-	Detect 5V
69	P42/AN2	I,I	AD	AD	KEY2	-	-	Front Button Key 2
70	P41/AN1	I,I	AD	AD	KEY1	-	-	Front Button Key 1
71	P40/AN0	I,I	AD	AD	KEY0	-	-	Front Button Key 0
72	Vref	I	YES	I	VCC	-	-	+5V'
73	AVcc	I	YES	I	AVCC	-	-	+5V'
74	P50/TxD2	I/O,O	O	I	DIR_OUT	-	-	Serial Data for DIR (LC89057W)
75	P51/RxD2	I/O,I	I	I	DIR_IN	-	-	Serial Data from DIR (LC89057W)
76	P52/SCK2	I/O,O	O	I	DIR_CLK	-	-	Serial Clock Out for DIR (LC89057W)
77	PF0/~IRQ2	I/O,I	INT	I	_P_DOWN	L	-	Power Down Detect
78	PF1/BUZZ	I/O,O	O	I	CP_SEL1			Component Video Input Select 1 (NJM2584) 1/3
79	PF2	I/O	O	I	CP_SEL2			Component Video Input Select 2 (NJM2584) 2/3
80	PF3/~ADTRG/~IRQ3	I/O,I,I	INT	I	RDS_CLK	-	-	Tuner RDS Clock (Tuner Pack)
81	PF4	I/O	O	I	CP_SEL3			Component Video Input Select 3 (NJM2584) 3/3
82	PF5	I/O	O	I	V_CONV_SEL			Component Video Monitor Select (NJM2586)
83	PF6	I/O	O	I	COMP_MUTE			Component Video Monitor Mute (NJM2586)
84	P1Vcc	I	YES	I	VCC	-	-	+5V'
85	PF7/	I/O,O	O	I	XPORT_SW			Switch of RS232C or X_PORT
86	Vss	I	-	I	VSS	-	-	GND
87	TEST	I	NO	I	TEST	-	-	GND
88	VCL	I	-	I	VCL	-	-	GND (0.47uF)
89	OSC2	I	NO	I	NC	-	-	OPEN
90	OSC1	I	NO	I	VSS	-	-	GND
91	NMI	I	NO	I	NMI	H	H	Fix : H
92	MD2	I	YES	I	MD2	H	H	Operation : H, Boot : L
93	XTAL	I	YES	I	XTAL	-	-	X'tal (20MHz)
94	Vss	I	NO	I	VSS	-	-	GND
95	EXTAL	I	YES	I	EXTAL	-	-	X'tal (20MHz)
96	Vcc	I	YES	I	VCC	-	-	+5V'
97	MD0	I	YES	I	MD0	H	H	Fix H
98	MD1	I	YES	I	MD1	H	H	Fix H
99	~STBY	I	NO	I	_STBY	L	H	Fix H

IC11 : HD64F2505

pin No	Port Name Mode7	I/O	use	STBY	Name	Port Setting		Note
						Act.	init	
100	~RES	I	YES	I	_RES	L	H	RESET
101	P20/TIOCA3	I/O,O	O	I	CPU_NMI			HDMI CPU WRITE MODE (H8/36087)
102	P21/TIOCB3	I/O,I/O	T_IN	I	IR_RECEIVER_IN	-	-	RFC
103	P22/TIOCC3	I/O,I/O	I	I	SPIO_ENA	L	H	Communication Enable from TI DSP (DA708)
104	P23/TIOCD3	I/O,I/O	O	I	_TI_RST	L	H	Reset for TI DSP (DA708)
105	P24/TIOCA4	I/O,I/O	O	I	_SPIO_SCS	L	H	Chip Select for TI DSP (DA708)
106	P25/TIOCB4	I/O,I/O	I	I	XSTATE	L	H	DIR CKST (LC89057W)
107	P26/TIOCA5	I/O,I/O	T_OUT	I	M_RC_OUT	-	L	RC BUS MULT OUT
108	P27/TIOCB5	I/O,I/O	T_IN	O	M_RC_IN	L	H	Multi RC5 In Detect Signal
109	P17/TIOCB2/ TCLKD	I/O,I/O,I/O	O	I	N.C	-	L	OPEN
110	P16/TIOCA2/ ~IRQ1	I/O,I/O,I	INT	INT	WAKEUP	↑	-	Standby Mode Release
111	P15/TIOCB1/ TCLKC	I/O,I/O,I/O	T_IN	I	VSYNC	↑	-	V-sync Det. & Change OSD (LC74781)
112	P14/TIOCA1/ ~IRQ0	I/O,I/O,I	INT	I	RERR	H	-	DIR Error (LC89057W)
113	P13/ TIOCD0/ TCLKB	I/O,I/O,I/O	T_OUT	O	RC_OUT	-	L	RC BUS OUT
114	P12/ TIOCC0/ TCLKA	I/O,I/O,I/O	O	I/O	V_SDA	-	H	I2C Data for VIDEO DEC/ENC (ADV7401/ ADV7320/CD0040AF)
115	P11/TIOCB0	I/O,I/O	O	O	V_SCL	-	H	I2C Clock for VIDEO DEC/ENC (ADV7401/ ADV7320/CD0040AF)
116	P10/TIOCA0	I/O,I/O	T_IN	I	RC_IN	↑↓	-	IR In for RC-5
117	Vss	I	YES	I	VSS	-	-	GND
118	P2Vcc	I	YES	I	VCC	-	-	+3.3V'
119	P37/TxD4	I/O,O	SO	O	XM_RXD	-	H	UART for XM Module
120	P36/RxD4	I/O,I	SI	I	XM_TXD	-	H	UART for XM Module
121	P35/SCK1/ SCK4/SCL0/ ~IRQ5	I/O,I/O,I/O,I/O,I	SC	I	CPU_SCL	-	H	HDMI CPU I/F (H8/36087)
122	P34/RxD1/ SDA0	I/O,I,I/O	SIO	I	CPU_SDA	-	H	HDMI CPU I/F (H8/36087)
123	P33/TxD1/ SCL1	I/O,O,I/O	O	I	CPU_RST	L	H	HDMI CPU Reset (H8/36087)
124	P32/SCK0/ SDA1/~IRQ4	I/O,I/O,I/O,I	INT	I	HDMI_MUTE	-	L	HDMI MUTE (Sil9033)
125	P31/RxD0	I/O,I	SI	I	RXD	-	H	UART for RS232C
126	P30/TxD0	I/O,O	SC	I	TXD	-	H	UART for RS232C
127	P77/TxD3	I/O,O	SO	I	SPIO_SIMO	-	H	Serial Data Out for TI DSP (DA708)
128	P76/RxD3	I/O,I	SI	I	SPIO_SOMI	-	L	Serial Data In from TI DSP (DA708)
129	P75/TMO3/ SCK3	I/O,I/O,I/O	SC	I	SPIO_CLK	-	L	Serial Clock Out for TI DSP (DA708)
130	P74/TMO2/ ~MRES	I/O,O	O	O	IICCLK	-	L	I2C Clock for E2PROM (AT24C128)
131	P73/TMO1	I/O,O	I/O	I/O	IICDATA	-	L	I2C Data for E2PROM (AT24C128)
132	P72/TMO0	I/O,O	O	I	XM_CMD	H	L	DTIC mode select (XM Module)
133	P71/TMRI23/ TMCI23	I/O,O,O	O	I	XM_RST	L	L	Reset for XM DTIC (XM Module)
134	P70/TMRI01/ TMCI01	I/O,O,O	O	I	_XM_DAC_RST	L	L	DAC Reset for XM_Module (CS4392)
135	PG4	I/O	O	I	XM_MUTE	H	H	Mute On for XM Module
136	PG3	I/O	O	I	N.C	-	L	OPEN
137	PG2	I/O	O	O	N.C	-	L	OPEN
138	PG1/~IRQ7	I/O,I	INT	I	_AMUTE0	L	H	MUTE Control from TI DSP (DA708)
139	PG0/~IRQ6	I/O,I	INT	I	XM_IRQ	L	H	XM error detect (XM Module)
140	PE0	I/O	O		XM_ON	H	L	Control Power to XM/DT Bus (XM Module)
141	PE1	I/O	O	I	_CEEX	L	H	Serial to Parallel Expander for Video Strobe (74HC4094 x3pcs)
142	PE2	I/O	O	I	Y_OSD	H	L	Y/C_OSD_IC_BYPASS (NJM2595)
143	PE3	I/O	O	I	CVBS_OSD	H	L	CVBS_OSD_IC_BYPASS (NJM2595)
144	PE4	I/O	O	I	_CEOSD	L	H	Video Circuit (LC74781)

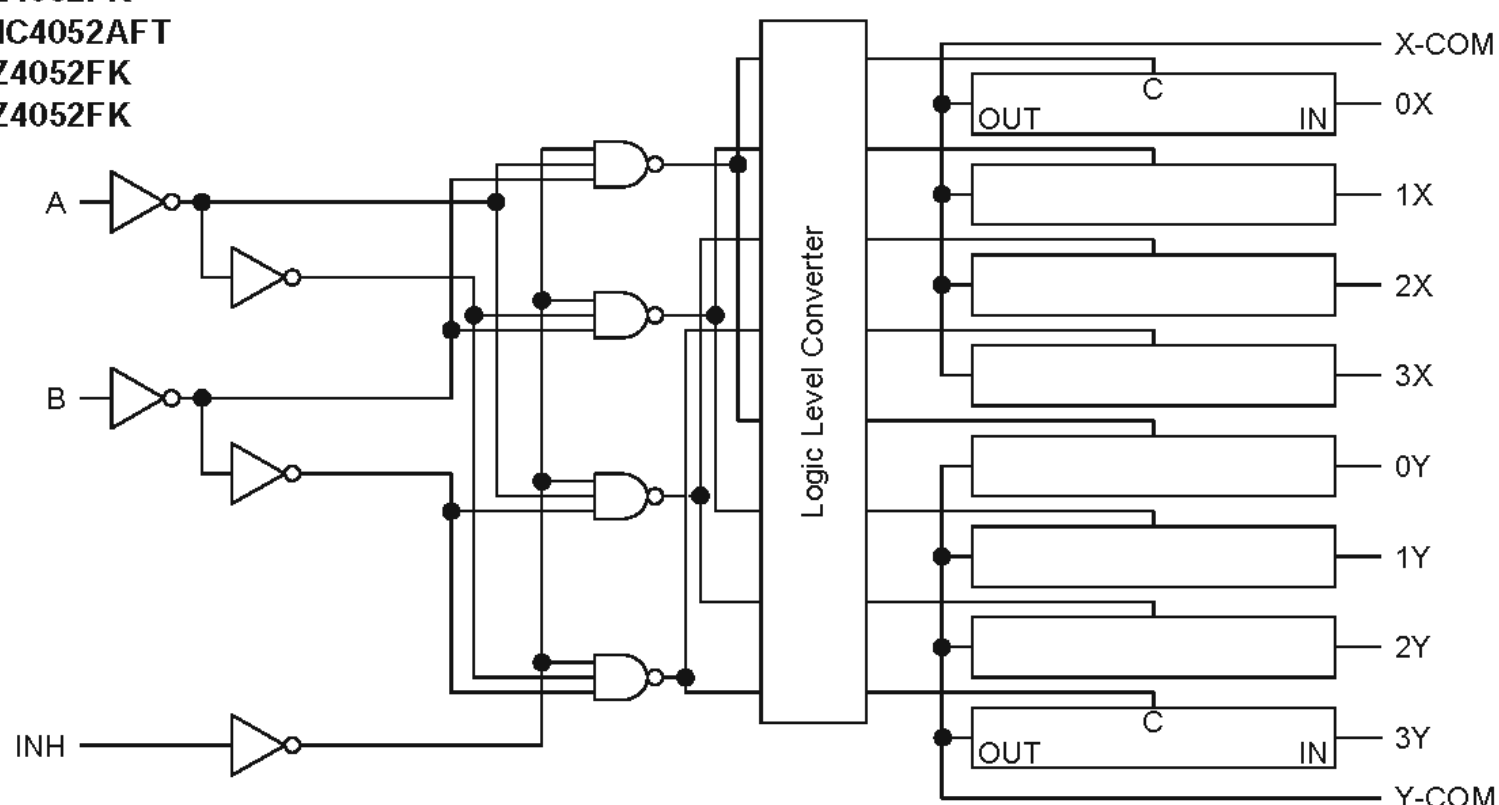
IC90 : HD64F36087HV

pin No	Port Name Mode7	I/O	use	STBY	Name	Port Setting		Note
						Act.	init	
1	PB6/AN6	I	I	I	SW6	-	-	to GND (or Temporary Pull up)
2	PB7/AN7	I	I	I	SW7	-	-	to GND (or Temporary Pull up)
3	Avcc	I	-	-				
4	X2	O	-	-				
5	X1	I	-	-				
6	Vcc	I	Vcc	-				
7	_RESET	I	_RES	-	_RST_HDMI			also use for JTAG
8	TEST	I	TEST	-				
9	Vss	I	Vss	-				
10	OSC2	O	OSC2	-	16MHz			
11	OSC1	I	OSC1	-	16MHz			
12	Vcc	I						
13	P50/_WKP0	I/O	O	I	_RST_TX1	L	H	HDMI Tx device1 Reset
14	P51/_WKP1	I/O	O	I	_RST_TX2	L	H	HDMI Tx device2 Reset
15	P34	I/O	O	I	DEBUG_O4	-	L	to Virtual Connector Land
16	P35	I/O	O	I	DEBUG_O5	-	L	to Virtual Connector Land
17	P36	I/O	O	I	DEBUG_O6	-	L	to Virtual Connector Land
18	P37	I/O	O	I	SW_VIDEO2	L	H	Select I/P Converter
19	P52/_WKP2	I/O	O	I	WP_4	L	L	Write Protect E2PROM4
20	P53/_WKP3	I/O	O	I	WP_3	L	L	Write Protect E2PROM3
21	P54/_WKP4	I/O	O	I	WP_2	L	L	Write Protect E2PROM2
22	P55/_WKP5	I/O	O	I	WP_1	L	L	Write Protect E2PROM1
23	P10/TMOW	I/O	O	I	CE_CXB2	H	L	CXB1441R 2 Chip Enable
24	P11/PWM	I/O	O	I	CE_CXB1	H	L	CXB1441R 1 Chip Enable
25	P12	I/O	O	I	SW_I2S_DSD			Switch I2S(L) or DSD(H)
26	P56/SDA	I/O	SDA	I	CPU_SDA			Communcation to Main CPU
27	P57/SCL	I/O	SCL	I	CPU_SCL			Communcation to Main CPU
28	P74/TMRIV	I/O	O	I	SEL_CH34	-	L	Select Input Ch. 3(L) or 4(H)
29	P75/TMCIV	I/O	O	I	SEL_CH12	-	L	Select Input Ch. 1(L) or 2(H)
30	P76/TMOV	I/O	O	I	SW_SPDIF			Sel. SPDIF Inp Rx(L) or DSP(H)
31	P24	I/O	O	I	_RST_RX	L	H	HDMI Rx device Reset
32	P63/FTIOD0	I/O	FTIOD	I	CEC_OUT	L	H	CEC Output
33	P62/FTIOC0	I/O	FTIOC	I	CEC_IN	L	-	CEC input
34	P61/FTIOB0	I/O	O	I	SW_5V2			+5V output to SINK2
35	_MNI	I	MNI		_MNI_HDMI			also use for JTAG
36	P60/FTIOA0	I/O	O	I	SW_5V1			+5V output to SINK1
37	P64/FTIOA1	I/O	O	I	HP_4			HPD switch for Input 4
38	P65/FTIOB1	I/O	O	I	HP_3			HPD switch for Input 3
39	P66/FTIOC1	I/O	O	I	HP_2			HPD switch for Input 2
40	P67/FTIOD1	I/O	O	I	HP_1			HPD switch for Input 1
41	P85	I/O			JTAG			use for JTAG (Pull up)
42	P86	I/O			JTAG			use for JTAG
43	P87	I/O			JTAG			use for JTAG
44	P20/SCK3	I/O	O	I	SW_VIDEO1	L	H	Select Video Decoder
45	P21/RXD	I/O	RXD	I	AUX_RxD			RS232C RxD for Host I/F
46	P22/TXD	I/O	TXD	I	AUX_TxD			RS232C TxD for Host I/F
47	P23	I/O	I/O	I	HDMI_SDA			I2C Line for HDMI Control
48	P70/SCK3_2	I/O	O	I	HDMI_SCL			I2C Line for HDMI Control

IC90 : HD64F36087HV

pin No	Port Name Mode7	I/O	use	STBY	Name	Port Setting		Note
						Act.	init	
49	P71/RXD_2	I/O	RXD	I	DEBUG_RxD			RS232C RxD for Debug
50	P72/TXD_2	I/O	TXD	I	DEBUG_TxD			RS232C TxD for Debug
51	P14/_IRQ0	I/O	INT	I	INT_RX	L	-	HDMI Rx device Int.
52	P15/_IRQ1	I/O	INT	I	INT_TX1	L	-	HDMI Tx device1 Int.
	/TMIB1							
53	P16/_IRQ2	I/O	INT	I	INT_TX2	L	-	HDMI Tx device2 Int.
54	P17/_IRQ3	I/O	INT	I	INT_SCDT	L	-	SCDT Int.
	/TRGV							
55	P33	I/O	O	I	DEBUG_O3	-	L	to Virtual Connector Land
56	P32	I/O	O	I	DEBUG_O2	-	L	to Virtual Connector Land
57	P31	I/O	O	I	DEBUG_O1	-	L	to Virtual Connector Land
58	P30	I/O	O	I	DEBUG_O0	-	L	to Virtual Connector Land
59	PB3/AN3	I	I	I	I_HPDI_O1			HDP Input for Out1
60	PB2/AN2	I	I	I	I_HPDI_O2			HDP Input for Out2
61	PB1/AN1	I	I	I	I_5V_CH34			5V Input for CH3,4
62	PB0/AN0	I	I	I	I_5V_CH12			5V Input for CH1,2
63	PB4/AN4	I	I	I	SW4			to GND (or Temporary Pull up)
64	PB5/AN5	I	I	I	SW5			to GND (or Temporary Pull up)

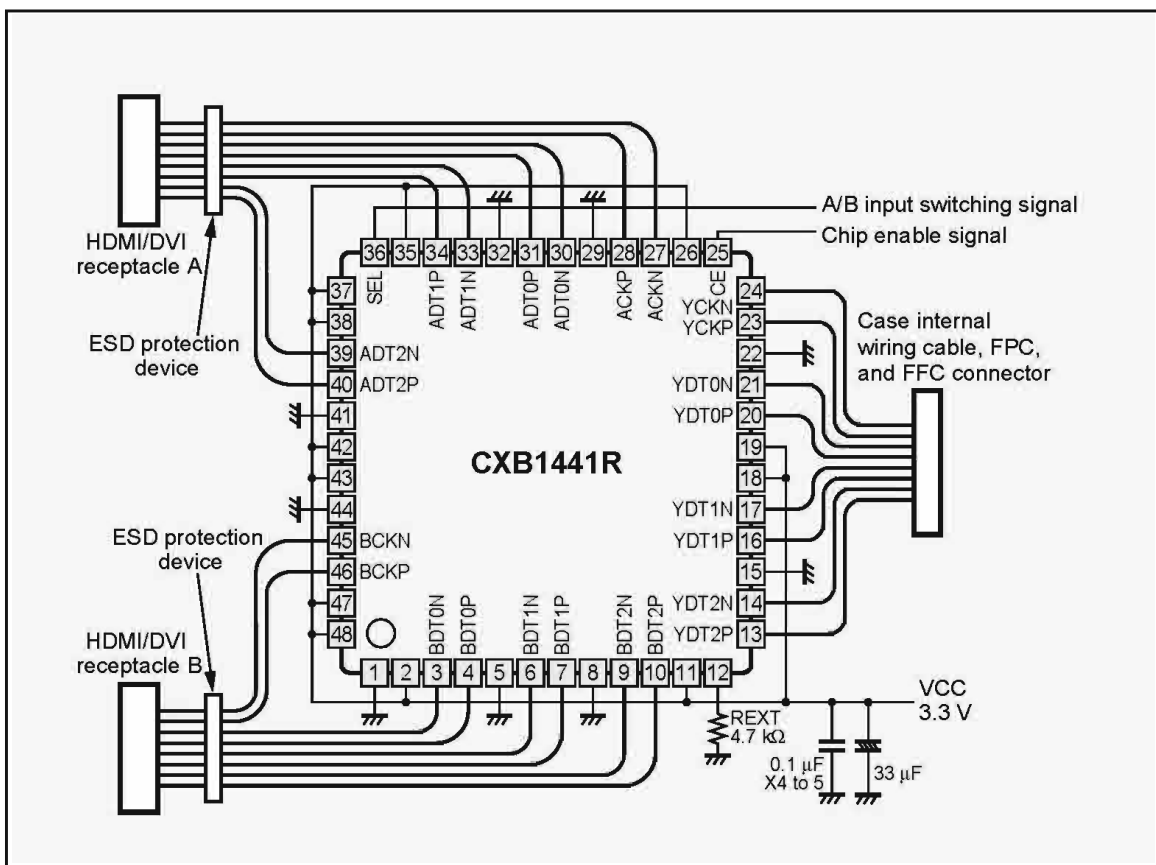
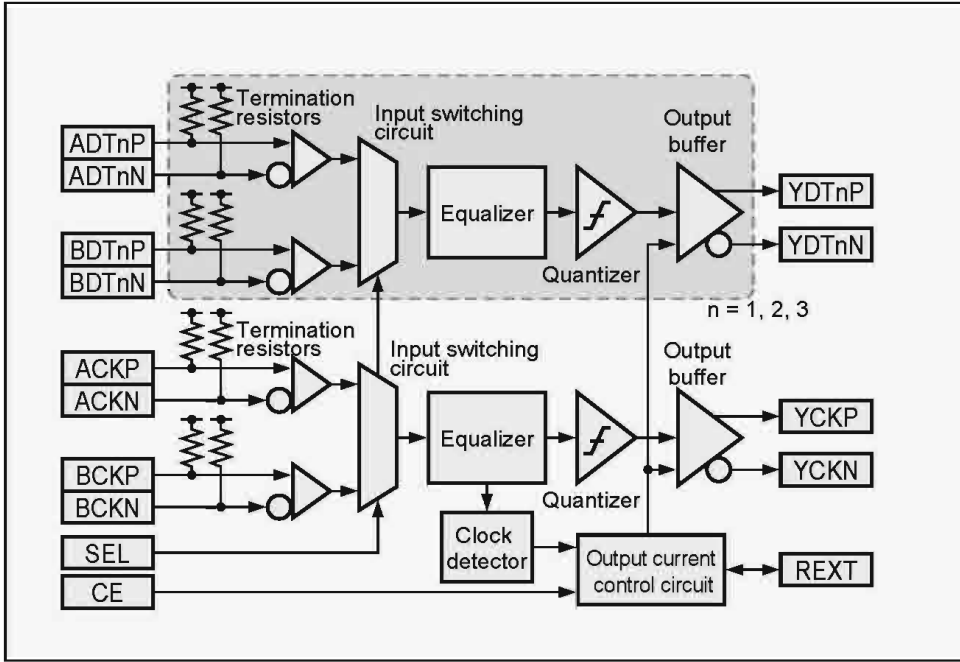
- IC12 : TC7MZ4052FK
- IC14 : TC7MZ4052FK
- IC16 : TC7MZ4052FK
- IC18 : TC7MZ4052FK
- IC19 : TC74HC4052AFT
- IC20 : TC7MZ4052FK
- IC23 : TC7MZ4052FK



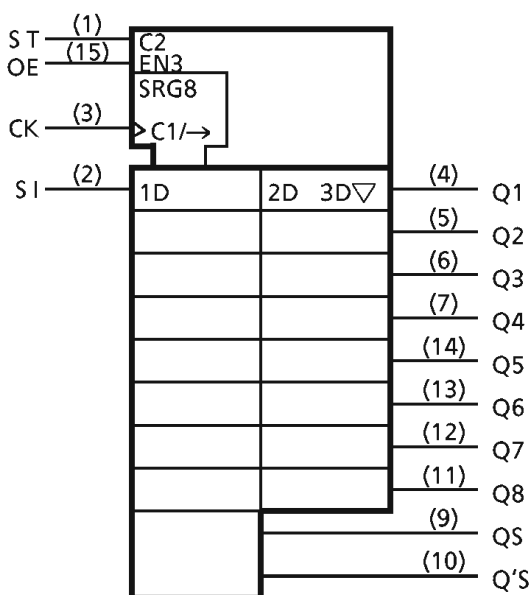
Control Inputs				"ON" Channel		
Inhibit	C*	B	A	MZ4051FK	MZ4052FK	MZ4053FK
L	L	L	L	0	0X, 0Y	0X, 0Y, 0Z
L	L	L	H	1	1X, 1Y	1X, 0Y, 0Z
L	L	H	L	2	2X, 2Y	0X, 1Y, 0Z
L	L	H	H	3	3X, 3Y	1X, 1Y, 0Z
L	H	L	L	4	—	0X, 0Y, 1Z
L	H	L	H	5	—	1X, 0Y, 1Z
L	H	H	L	6	—	0X, 1Y, 1Z
L	H	H	H	7	—	1X, 1Y, 1Z
H	X	X	X	None	None	None

X: Don't care, *: Except MZ4052FK

IC19 : CXB1441R
 IC22 : CXB1441R



IC20 : TC74HC4094AFN
 IC21 : TC74HC4094AFN
 IC79 : TC74HC4094AFN
 IC80 : TC74HC4094AFN
 IC83 : TC74HC4094AFN



CK	OE	ST	SI	PARA. OUT		SERI. OUT	
				Q1	Qn	Qs	Q's
	H	H	L	L	Qn - 1	Q7	NC
	H	H	H	H	Qn - 1	Q7	NC
	H	L	*	NC	NC	Q7	NC
	L	*	*	Z	Z	Q7	NC
	H	*	*	NC	NC	NC	Qs
	L	*	*	Z	Z	NC	Qs

X : DON'T CARE
 NC : NO CHANGE
 Z : HIGH IMPEDANCE

IC20 : TC74HC4094AFN
 IC21 : TC74HC4094AFN
 IC79 : TC74HC4094AFN
 IC80 : TC74HC4094AFN
 IC83 : TC74HC4094AFN

IC20

Port Name	Use	STBY	Name	V	PortSetup		Note
				Device	Act.	Int	
Q1	O	I	MIC_ENABLE	3.3-5.0V	H	L	MIC Enable for MRAC (Relay)
Q2	O	I	SPKC_CONT	5.0V	H	L	Speaker C Relay Control (Relay)
Q3	O	I	_PUREDIRECT_LED	5.0V	L	H	PURE DIRECT LED On
Q4	O	I	SBA_ON	3.3-5.0V	H	L	Surr-Back SPK A SELECT
Q5	O	I	SBB_ON	3.3-5.0V	H	L	Surr-Back SPK B SELECT
Q6	O	I	FLRA_ON	3.3-5.0V	H	L	SPK A SELECT
Q7	O	I	FLRB_ON	3.3-5.0V	H	L	SPK B SELECT
Q8	O	I	SURR_ON	3.3-5.0V	H	L	SURR/CNT SPK ON

IC21

Port Name	Use	STBY	Name	V	PortSetup		Note
				Device	Act.	Int	
Q1	O	I	DIG_SEL_A	3.3V(-5.0V)	-	L	DIGITAL INPUT SEL-A FOR DIR (74HC151 or 74VHC153)
Q2	O	I	DIG_SEL_B	3.3V(-5.0V)	-	L	DIGITAL INPUT SEL-B FOR DIR (74HC151 or 74VHC153)
Q3	O	I	Multi_A Mono/Stereo	3.3-5.0V	H	L	Multi Room Out A Mono/Stereo SELECT Mono :H Stereo : L
Q4	O	I	Multi_B Mono/Stereo	3.3-5.0V	H	L	Multi Room Out B Mono/Stereo SELECT Mono :H Stereo : L
Q5	O	I	DFS	3.3V	H	L	ADC Mode Selection 0 (CS5361)
Q6	O	I	_ATT	5.0V	L	H	Analog Audio (Lt/Rt) Input ATT
Q7	O	I	_RSTADC	3.3V	L	H	ADC Reset (CS5361)
Q8	O	I	D_A	3.3-5.0V	-	L	DIR or _ADC sel (Error Unsel) (74VHC08 to ERMUTE)

IC80

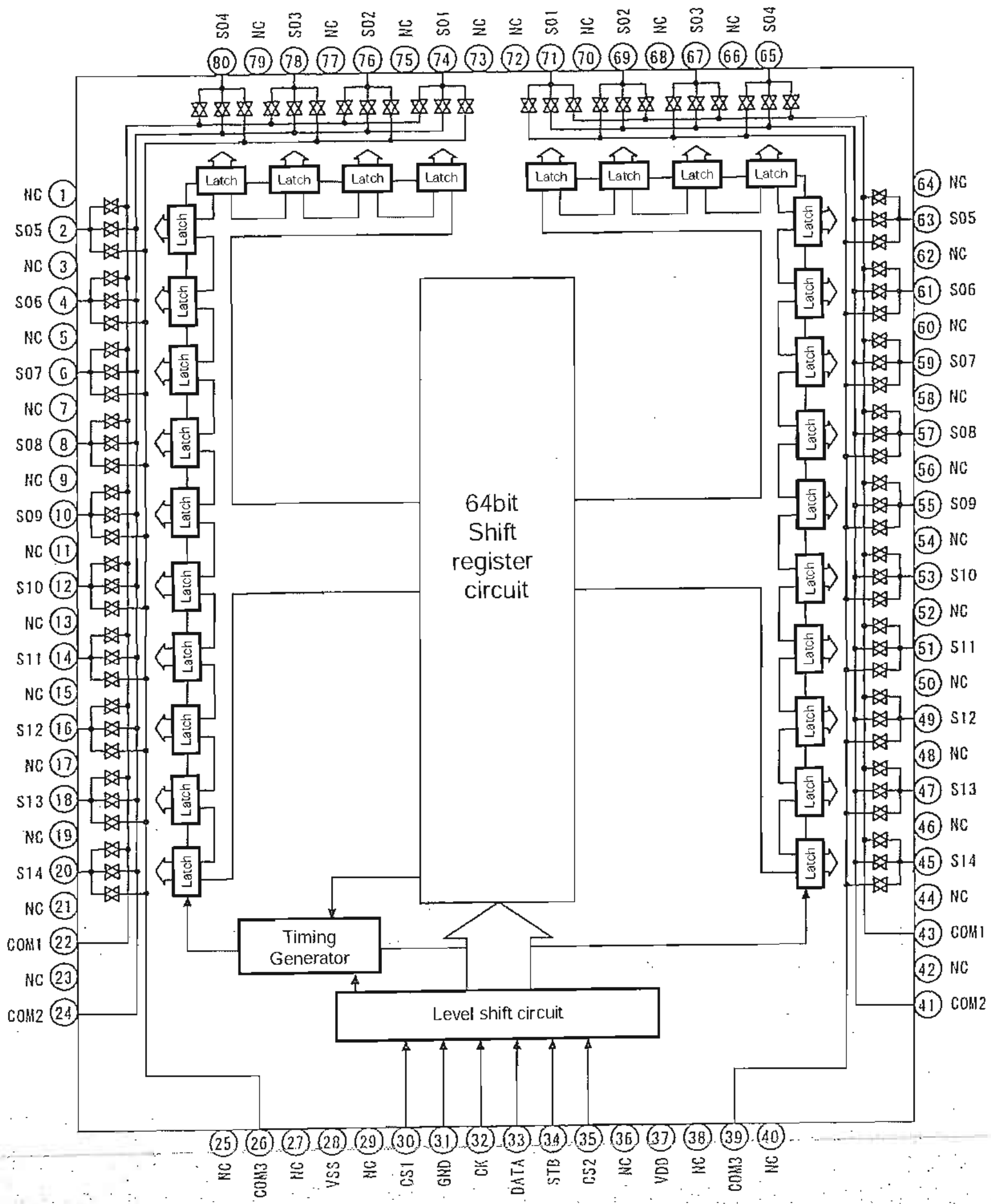
Port Name	Use	STBY	Name	V	PortSetup		Note
				Device	Act.	Int	
Q1	O	I	MCP_MUTE	5.0V	H	-	Multi Component MUTE
Q2	O	I	SE_VIDEO03	5.0V	H	-	CVBS Input Select 3 (VCR/DVD/TV/AUX) (NJM2595)
Q3	O	I	SE_VIDEO02	5.0V	H	-	CVBS Input Select 2 (VCR/DVD/TV/AUX) (NJM2595)
Q4	O	I	SE_VIDEO01	5.0V	H	-	CVBS Input Select 1 (VCR/DVD/TV/AUX) (NJM2595)
Q5	O	I	OSD_CON05	5.0V	H	-	
Q6	O	I	SE_VIDEO06	5.0V	H	-	CVBS Multi Monitor Select (Through/OSD) (NJM2244)
Q7	O	I	SE_VIDEO05	5.0V	H	-	CVBS Multi Monitor Select (Through/OSD) (NJM2244)
Q8	O	I	SE_VIDEO04	5.0V	H	-	CVBS Input Select 4 (VCR/DVD/TV/AUX) (NJM2595)

IC79

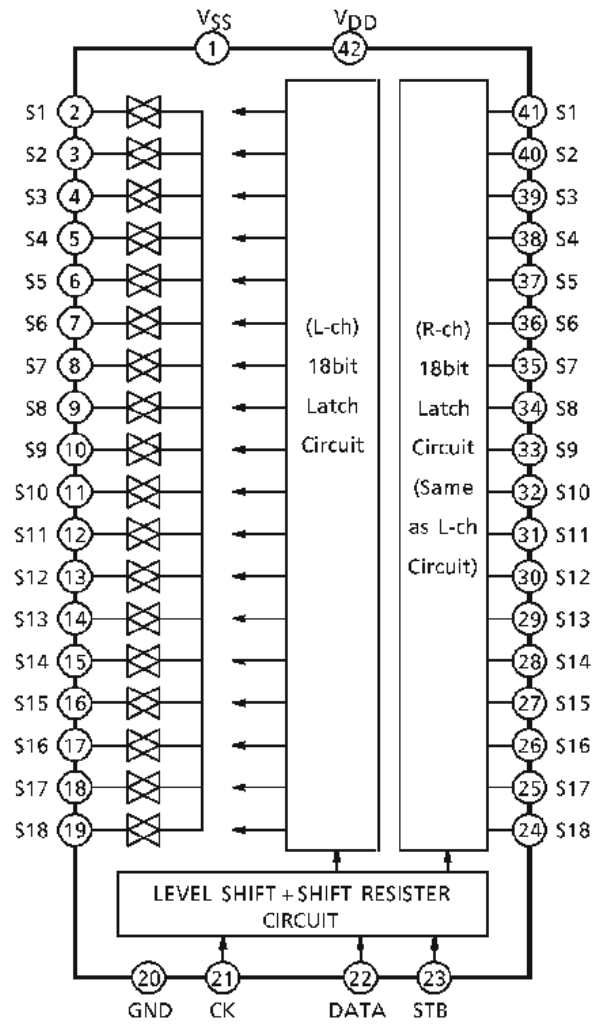
Port Name	Use	STBY	Name	V	PortSetup		Note
				Device	Act.	Int	
Q1	O	I	OSD_CON01	5.0V	H	-	CVBS & Y/C Monitor Select (Through/Converted) (NJM2244)
Q2	O	I	OSD_CON02	5.0V	H	-	OSD Sync Input Select (MJM2535/NJM2285)
Q3	O	I	OSD_CON03	5.0V	H	-	VIDEO DEC Input Select (MJM2285)
Q4	O	I	MCP_SEL4	5.0V	H	-	Multi Component SEL4
Q5	O	I	SEL_V02	5.0V	H	-	CVBS & Y/C Input Select 2 (VCR/DVD/TV/AUX) (NJM2595)
Q6	O	I	SEL_V01	5.0V	H	-	CVBS & Y/C Input Select 1 (VCR/DVD/TV/AUX) (NJM2595)
Q7	O	I	SEL_V03	5.0V	H	-	CVBS & Y/C Input Select 3 (VCR/DVD/TV/AUX) (NJM2595)
Q8	O	I	SEL_V04	5.0V	H	-	CVBS & Y/C Input Select 4 (VCR/DVD/TV/AUX) (NJM2595)

IC83

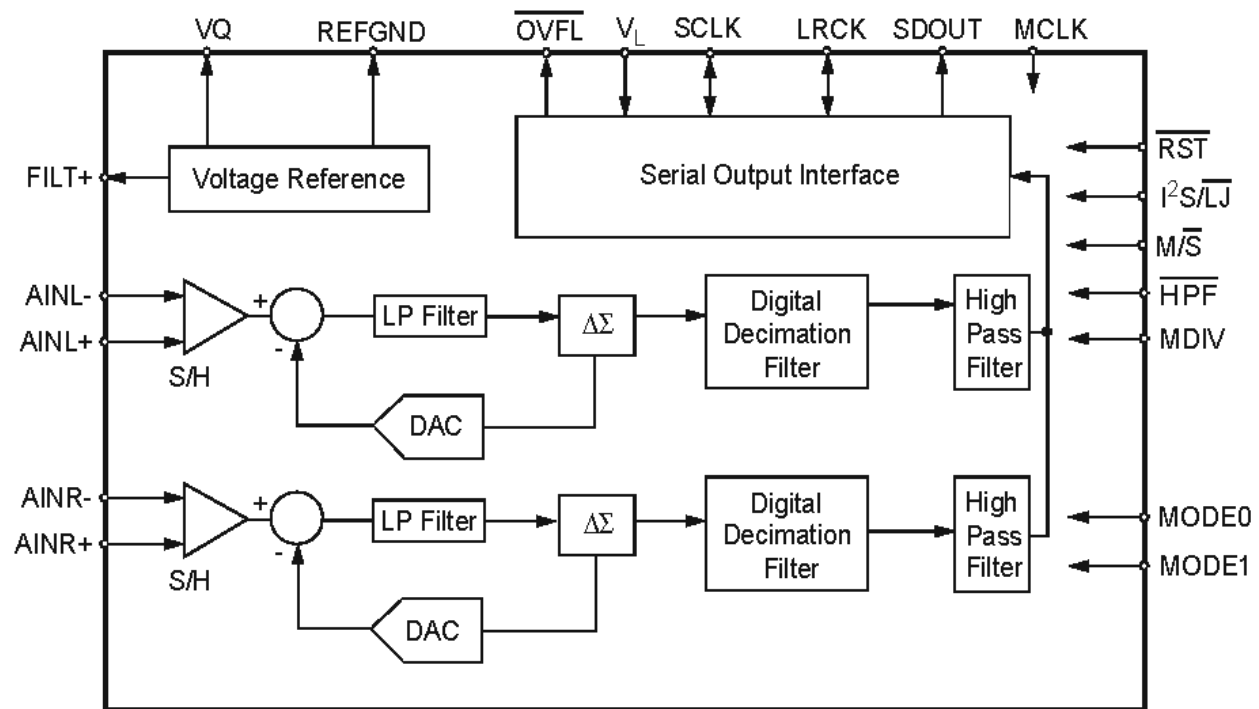
Port Name	Use	STBY	Name	V	PortSetup		Note
				Device	Act.	Int	
Q1	O	I	MCP_SEL1	5.0V	H	-	Multi Component SEL1
Q2	O	I	Y/C_SEL	5.0V	H	-	Y/C Monitor Select (Through/Converted) (NJM2244)
Q3	O	I	CVBS_SEL	5.0V	H	-	CVBS Monitor Select (Through/Converted) (NJM2244)
Q4	O	I	OSD_SEL	5.0V	H	-	SYNC SCAN Select
Q5	O	I	RST_DEC	5.0V	H	H	VIDEO DEC Reset
Q6	O	I	RST_ENC	5.0V	H	H	VIDEO ENC Reset
Q7	O	I	MCP_SEL2	5.0V	H	-	Multi Component SEL2
Q8	O	I	MCP_SEL3	5.0V	H	-	Multi Component SEL3

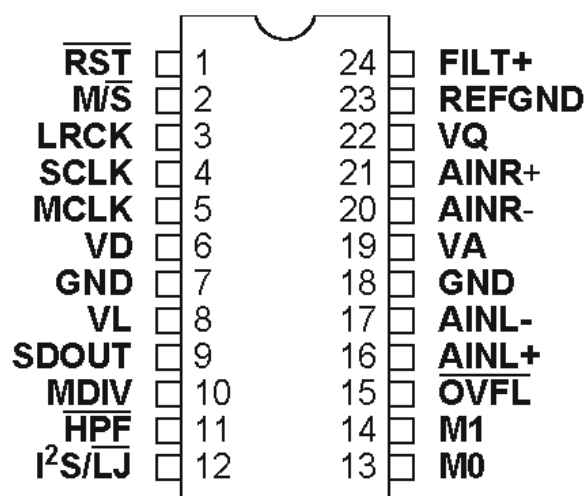


IC22 : TC9274CNG



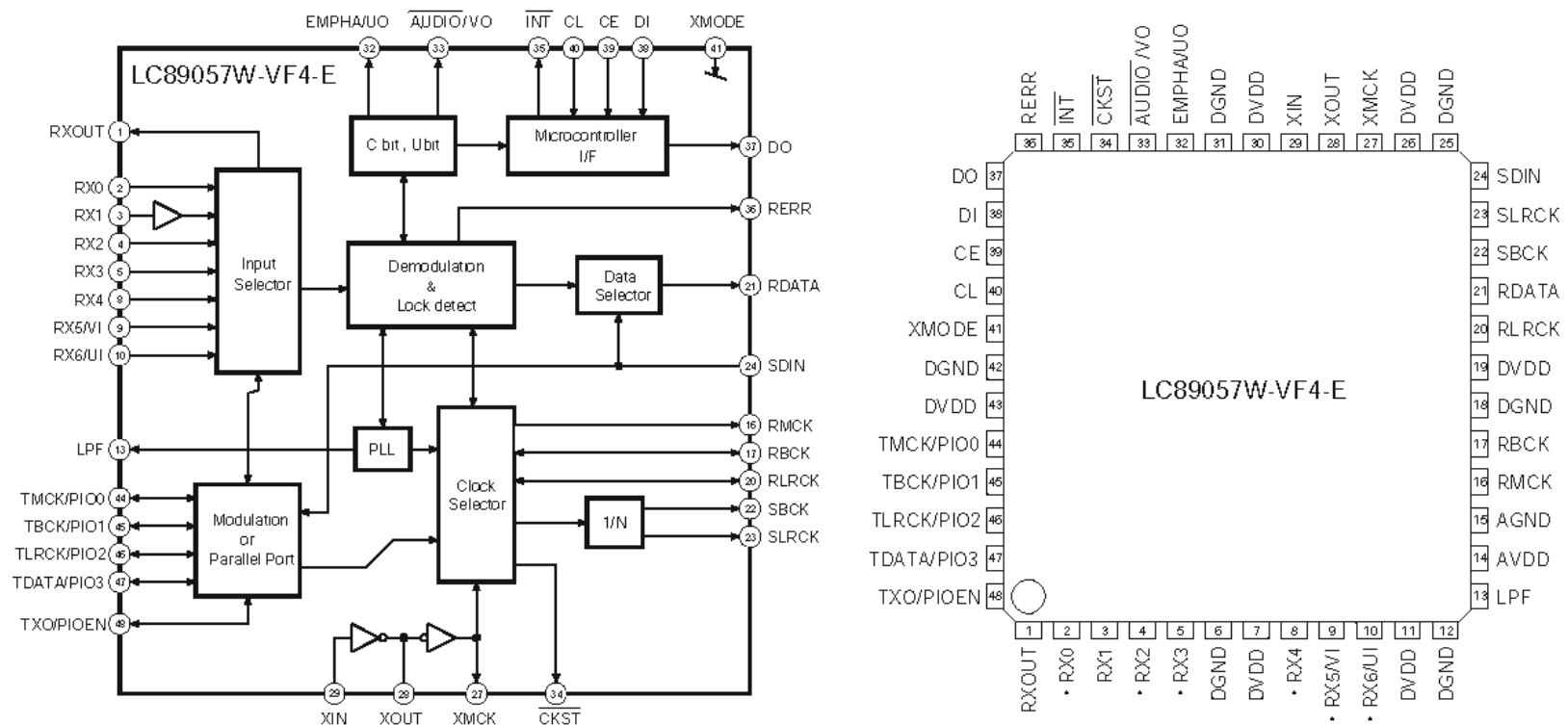
IC27 : CS5361-KS





Pin Name	#	Pin Description
$\overline{\text{RST}}$	1	Reset (Input) - The device enters a low power mode when low.
$\overline{\text{M/S}}$	2	Master/Slave Mode (Input) - Selects operation as either clock master or slave.
LRCK	3	Left Right Clock (Input/Output) - Determines which channel, Left or Right, is currently active on the serial audio data line.
SCLK	4	Serial Clock (Input/Output) - Serial clock for the serial audio interface.
MCLK	5	Master Clock (Input) - Clock source for the delta-sigma modulator and digital filters.
VD	6	Digital Power (Input) - Positive power supply for the digital section.
GND	7,18	Ground (Input) - Ground reference. Must be connected to analog ground.
VL	8	Logic Power (Input) - Positive power for the digital input/output.
SDOUT	9	Serial Audio Data Output (Output) - Output for two's complement serial audio data.
MDIV	10	MCLK Divider (Input) - Enables a master clock divide by two function.
$\overline{\text{HPF}}$	11	High-pass Filter Enable (Input) - Enables the Digital High-Pass Filter.
$\text{I}^2\text{S/LJ}$	12	Serial Audio Interface Format Select (Input) -Selects either the left-justified or I^2S format for the SAI.
M0 M1	13, 14	Mode Selection (Input) - Determines the operational mode of the device.
$\overline{\text{OVFL}}$	15	Overflow (Output, open drain) - Detects an overflow condition on both left and right channels.
AINL+ AINL-	16, 17	Differential Left Channel Analog Input (Input) - Signals are presented differentially to the delta-sigma modulators via the AINL+/- pins.
VA	19	Analog Power (Input) - Positive power supply for the analog section.
AINR- AINR+	20, 21	Differential Right Channel Analog Input (Input) -Signals are presented differentially to the delta-sigma modulators via the AINR+/- pins.
VQ	22	Quiescent Voltage (Output) - Filter connection for the internal quiescent reference voltage.
REF_GND	23	Reference Ground (Input) - Ground reference for the internal sampling circuits.
FILT+	24	Positive Voltage Reference (Output) - Positive reference voltage for the internal sampling circuits.

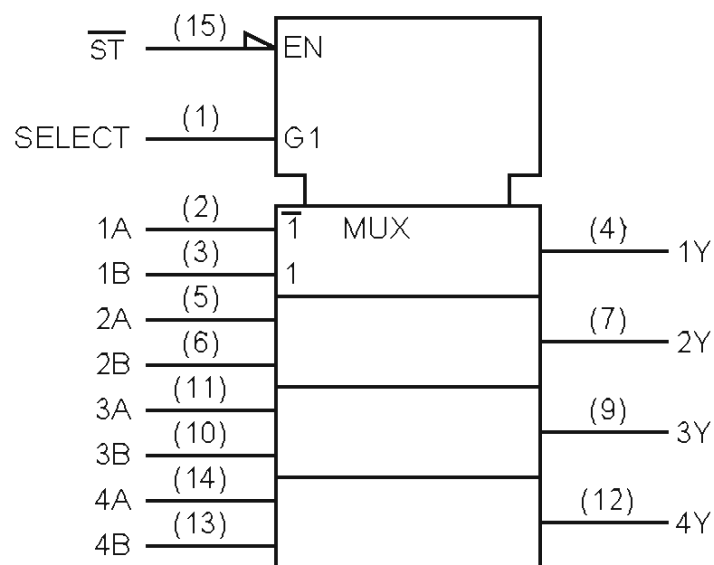
IC29 : LC89057WVF4E



LC89057W

No.	Port name	I/O	Description
1	RXOUT	O	Data Output
2	RX0	I	Digital data Input (TTL)
3	RX1	I	Digital data Input (Coaxial)
4	RX2	I	Digital data Input (TTL)
5	RX3	I	Digital data Input (TTL)
6	DGND		Digital GND
7	DVDD		Digital VDD
8	RX4	I	Digital data Input (TTL)
9	RX5/VI	I	Digital data Input (TTL)
10	RX6/UI	I	Digital data Input (TTL)
11	DVDD		Digital GND for PLL
12	DGND		Digital VDD for PLL
13	LPF	O	Loop filter for PLL
14	AVDD		Analog VDD for PLL
15	AGND		Analog GND for PLL
16	RMCK	O	System clock Output for R (256fs, 512fs, XIN, VCO)
17	RBCK	O/I	Bit clock Output for R (64fs)
18	DGND		Digital GND
19	DVDD		Digital VDD
20	RLRCK	O/I	LR clock Input/Output for R
21	RDATA	O	Serial Audio data Input
22	SBCK	O	Bit clock Output for S (32fs, 64fs, 128fs)
23	SLRCK	O	LR clock Output for S (fs/2, fs, 2fs)
24	SDIN	I	Serial Audio data Input
25	DGND		Digital GND
26	DVDD		Digital VDD
27	XMCK	O	Oscillation amplifier
28	XOUT	O	XOUT
29	XIN	I	XIN or External clock Input (24.576MHz or 12.288MHz)
30	DVDD		Digital VDD
31	DGND		Digital GND
32	EMPHA/UO	I/O	Emphasis Information / U data Output / Set for chip address
33	AUDIO/VO	I/O	Detected non-PCM / V flag Output / Set for chip address
34	CKST	I/O	Clock timing Output / Switch to master or slave for demodulation
35	INT	I/O	Interrupt Output / Switch to Modulation or general-purpose I/O
36	RERR	O	Error Output (PLL lock, data error)
37	DO	O	IF, Read out data Output
38	DI	I	IF, Write data Input
39	CE	I	IF, Chip enable Input
40	CL	I	IF, Clock Input
41	XMODE	I	System reset Input
42	DGND		Digital GND
43	DVDD		Digital VDD
44	TMCK/PIO0	I/O	256fs system-clock Input for modulation / General-purpose I/O input/output
45	TBCK/PIO1	I/O	64fs bit-clock Input for modulation / General-purpose I/O input/output
46	TLRCK/PIO2	I/O	Fs clock Input for modulation / General-purpose I/O input/output
47	TDATA/PIO3	I/O	Serial audio data for modulation / General-purpose I/O input/output
48	TXO/PIOEN	O/I	Modulation data Output / General-purpose I/O enable input

IC32 : TC74VHC157FT



Inputs				Outputs
\overline{ST}	SELECT	A	B	Y
H	X	X	X	L
L	L	L	X	L
L	L	H	X	H
L	H	X	L	L
L	H	X	H	H

X: Don't care

IC33 : TMS320DA708

1 Second Generation Aureus™ DSP

1.1 Features

- **DA708: 32-/64-Bit 250-MHz Floating-Point DSP**
- **Upgrades to C67x+ CPU From DA6xx Family:**
 - 2X CPU Registers [64 General-Purpose]
 - New Audio-Specific Instructions
 - Compatible With the DA6xx C67x CPU
- **Enhanced Memory System**
 - 256K-Byte Unified Program/Data RAM
 - 768K-Byte Unified Program/Data ROM
 - Single-Cycle Data Access From CPU
 - Large Program Cache (32K-Byte) Supports RAM, ROM, and External Memory
- **External Memory Interface (EMIF) Supports:**
 - 100-MHz SDRAM (16-Bit)
 - Async Flash/SRAM (8- or 16-Bit)
- **Enhanced I/O System**
 - High-Performance Crossbar Switch
 - Dedicated McASP DMA Bus
 - Deterministic I/O Performance
- **dMAX Dual Data Movement Accelerator:**
 - Memory-to-Memory Transfers
 - Memory-to-Peripheral Transfers
 - Packing/Unpacking Delay Data
 - Circular Addressing
 - Non-Sequential Addressing for Reverb
- **Three Multichannel Audio Serial Ports**
 - Five Clock Zones and 16 Serial Data Pins
 - Supports TDM, I2S, and Similar Formats
 - DIT Only (McASP2)
- **Two SPI Ports With 3-, 4-, and 5-Pin Options**
- **Two Inter-Integrated Circuit (I2C) Ports**
- **Real-Time Interrupt Counter/Watchdog**
- **Oscillator- and Software-Controlled PLL**
- **Commercial or Extended Temperature**
- **144-Pin, 0.5-mm, PowerPAD™ Thin Quad Flatpack (TQFP) [RFP Suffix]**
- **Security Features Available**



- **Applications**
 - A/V and DVD Receiver
 - Multizone A/V Receiver
 - HDD Jukebox
 - Navigation Systems
 - High-Speed Encode With Simultaneous Multichannel Decode
- **Software Support**
 - Dolby® Digital, Dolby® Digital EX, Dolby® Pro Logic® IIx, Dolby® Headphone, Dolby® Virtual Surround
 - DTS® 5.1, DTS-ES™ 6.1, DTS Neo:6™, DTS 96/24™, DTS-ES 96/24™
 - MPEG-2 AAC LC Decode
 - THX® Select, THX® Ultra 2
 - MP3 Encode, MP3 Decode
 - WMA9 Encode, WMA9 Decode, WMA9 Pro Decode
 - HDCD® Decode
 - ATRAC3plus® Encode, ATRAC3plus® Decode
 - Audyssey MultEQ XT®, MultEQ®, PreVeq®
 - SRS® Circle Surround™ II (CS II)
 - Waves' MaxxBass® Technology
 - TI Effects Library
 - TI DSD-to-PCM Decode
 - TI Filter Library
 - TI Performance Audio Framework (PA/F)
 - TI DSP/BIOS™
 - Chip Support Library and DSP Library

Table 2-2. Terminal Functions

SIGNAL NAME	PIN NO.	TYPE ⁽¹⁾	PULL ⁽²⁾	GPIO ⁽³⁾	DESCRIPTION
External Memory Interface (EMIF) Address and Control					
EM_A[0]	91	O	-	N	EMIF Address Bus
EM_A[1]	89	O	-	N	
EM_A[2]	88	O	-	N	
EM_A[3]	86	O	-	N	
EM_A[4]	84	O	-	N	
EM_A[5]	83	O	-	N	
EM_A[6]	80	O	-	N	
EM_A[7]	79	O	-	N	
EM_A[8]	76	O	-	N	
EM_A[9]	75	O	-	N	
EM_A[10]	93	O	-	N	
EM_A[11]	74	O	-	N	
EM_BA[0]	96	O	-	N	SDRAM Bank Address and Asynchronous Memory Low-Order Address
EM_BA[1]	94	O	-	N	
EM_CS[0]	97	O	-	N	SDRAM Chip Select
EM_CS[2]	100	O	-	N	Asynchronous Memory Chip Select
EM_CAS	37	O	-	N	SDRAM Column Address Strobe
EM_RAS	98	O	-	N	SDRAM Row Address Strobe
EM_WE	38	O	-	N	SDRAM Write Enable
EM_CKE	71	O	-	N	SDRAM Clock Enable
EM_CLK	70	O	-	N	SDRAM Clock
EM_WE_DQM[0]	39	O	-	N	Write Enable or Byte Enable for EM_D[7:0]
EM_WE_DQM[1]	67	O	-	N	Write Enable or Byte Enable for EM_D[15:8]
EM_OE	104	O	-	N	SDRAM Output Enable
EM_RW	102	O	-	N	Asynchronous Memory Read/not Write

- (1) TYPE column refers to pin direction in functional mode. If a pin has more than one function with different directions, the functions are separated with a slash (/).
- (2) PULL column:
IPD = Internal Pulldown resistor
IPU = Internal Pullup resistor
- (3) If the GPIO column is 'Y', then in GPIO mode, the pin is configurable as an IO unless otherwise marked.

Table 2-2. Terminal Functions (continued)

SIGNAL NAME	PIN NO.	TYPE ⁽¹⁾	PULL ⁽²⁾	GPIO ⁽³⁾	DESCRIPTION
External Memory Interface (EMIF) Data Bus					
EM_D[0]	52	IO	-	N	EMIF Data Bus [Lower 16 Bits]
EM_D[1]	51	IO	-	N	
EM_D[2]	49	IO	-	N	
EM_D[3]	48	IO	-	N	
EM_D[4]	46	IO	-	N	
EM_D[5]	45	IO	-	N	
EM_D[6]	43	IO	-	N	
EM_D[7]	41	IO	-	N	
EM_D[8]	66	IO	-	N	
EM_D[9]	64	IO	-	N	
EM_D[10]	63	IO	-	N	
EM_D[11]	61	IO	-	N	
EM_D[12]	59	IO	-	N	
EM_D[13]	58	IO	-	N	
EM_D[14]	56	IO	-	N	
EM_D[15]	55	IO	-	N	

Table 2-2. Terminal Functions (continued)

SIGNAL NAME	PIN NO.	TYPE (1)	PULL (2)	GPIO (3)	DESCRIPTION
McASP0, McASP1, McASP2, and SPI1 Serial Ports					
AHCLKR0/AHCLKR1	143	IO	-	Y	McASP0 and McASP1 Receive Master Clock
ACLKR0	139	IO	-	Y	McASP0 Receive Bit Clock
AFSR0	141	IO	-	Y	McASP0 Receive Frame Sync (L/R Clock)
AHCLKX0/AHCLKX2	2	IO	-	Y	McASP0 and McASP2 Transmit Master Clock
ACLKX0	142	IO	-	Y	McASP0 Transmit Bit Clock
AFSX0	144	IO	-	Y	McASP0 Transmit Frame Sync (L/R Clock)
AMUTE0	3	O	-	Y	McASP0 MUTE Output
AXR0[0]	113	IO	-	Y	McASP0 Serial Data 0
AXR0[1]	115	IO	-	Y	McASP0 Serial Data 1
AXR0[2]	116	IO	-	Y	McASP0 Serial Data 2
AXR0[3]	117	IO	-	Y	McASP0 Serial Data 3
AXR0[4]	119	IO	-	Y	McASP0 Serial Data 4
AXR0[5]/SPI1_SC5	120	IO	-	Y	McASP0 Serial Data 5 <i>or</i> SPI1 Slave Chip Select
AXR0[6]/SPI1_ENA	121	IO	-	Y	McASP0 Serial Data 6 <i>or</i> SPI1 Enable (Ready)
AXR0[7]/SPI1_CLK	122	IO	-	Y	McASP0 Serial Data 7 <i>or</i> SPI1 Serial Clock
AXR0[8]/AXR1[5]/SPI1_SOMI	126	IO	-	Y	McASP0 Serial Data 8 <i>or</i> McASP1 Serial Data 5 <i>or</i> SPI1 Data Pin Slave Out Master In
AXR0[9]/AXR1[4]/SPI1_SIMO	127	IO	-	Y	McASP0 Serial Data 9 <i>or</i> McASP1 Serial Data 4 <i>or</i> SPI1 Data Pin Slave In Master Out
AXR0[10]/AXR1[3]	130	IO	-	Y	McASP0 Serial Data 10 <i>or</i> McASP1 Serial Data 3
AXR0[11]/AXR1[2]	131	IO	-	Y	McASP0 Serial Data 11 <i>or</i> McASP1 Serial Data 2
AXR0[12]/AXR1[1]	134	IO	-	Y	McASP0 Serial Data 12 <i>or</i> McASP1 Serial Data 1
AXR0[13]/AXR1[0]	135	IO	-	Y	McASP0 Serial Data 13 <i>or</i> McASP1 Serial Data 0
AXR0[14]/AXR2[1]	137	IO	-	Y	McASP0 Serial Data 14 <i>or</i> McASP2 Serial Data 1
AXR0[15]/AXR2[0]	138	IO	-	Y	McASP0 Serial Data 15 <i>or</i> McASP2 Serial Data 0
ACLKR1	9	IO	-	Y	McASP1 Receive Bit Clock
AFSR1	12	IO	-	Y	McASP1 Receive Frame Sync (L/R Clock)
AHCLKX1	5	IO	-	Y	McASP1 Transmit Master Clock
ACLKX1	7	IO	-	Y	McASP1 Transmit Bit Clock
AFSX1	11	IO	-	Y	McASP1 Transmit Frame Sync (L/R Clock)
AMUTE1	4	O	-	Y	McASP1 MUTE Output
SPI0, I2C0, and I2C1 Serial Port Pins					
SPI0_SOMI/I2C0_SDA	111	IO	-	Y	SPI0 Data Pin Slave Out Master In <i>or</i> I2C0 Serial Data
SPI0_SIMO	110	IO	-	Y	SPI0 Data Pin Slave In Master Out
SPI0_CLK/I2C0_SCL	108	IO	-	Y	SPI0 Serial Clock <i>or</i> I2C0 Serial Clock
SPI0_SC5/I2C1_SCL	107	IO	-	Y	SPI0 Slave Chip Select <i>or</i> I2C1 Serial Clock
SPI0_ENA/I2C1_SDA	105	IO	-	Y	SPI0 Enable (Ready) <i>or</i> I2C1 Serial Data

Table 2-2. Terminal Functions (continued)

SIGNAL NAME	PIN NO.	TYPE (1)	PULL (2)	GPIO(3)	DESCRIPTION
Clocks					
OSCIN	23	I	-	N	1.2-V Oscillator Input
OSCOUT	24	O	-	N	1.2-V Oscillator Output
OSCV _{DD}	25	PWR	-	N	Oscillator 1.2-V V _{DD} tap point (for filter only)
OSCV _{SS}	22	PWR	-	N	Oscillator V _{SS} tap point (for filter only)
CLKIN	17	I	-	N	Alternate clock input (3.3-V LVCMOS Input)
PLLHV	27	PWR	-	N	PLL 3.3-V Supply Input (requires external filter)
Device Reset					
RESET	14	I	-	N	Device reset pin
Emulation/JTAG Port					
TCK	35	I	IPU	N	Test Clock
TMS	19	I	IPU	N	Test Mode Select
TDI	28	I	IPU	N	Test Data In
TDO	29	OZ	IPU	N	Test Data Out
TRST	21	I	IPD	N	Test Reset
EMU[0]	32	IO	IPU	N	Emulation Pin 0
EMU[1]	34	IO	IPU	N	Emulation Pin 1
Power Pins					
Core Supply (CV _{DD})	8, 16, 20, 33, 44, 53, 57, 65, 77, 85, 90, 101, 123, 128, 132				
IO Supply (DV _{DD})	10, 31, 42, 50, 60, 68, 73, 81, 92, 103, 112, 125, 136				
Ground (V _{SS})	1, 6, 13, 15, 18, 26, 30, 36, 40, 47, 54, 62, 69, 72, 78, 82, 87, 95, 99, 106, 109, 114, 118, 124, 129, 133, 140				

2.15 Device Block Diagram

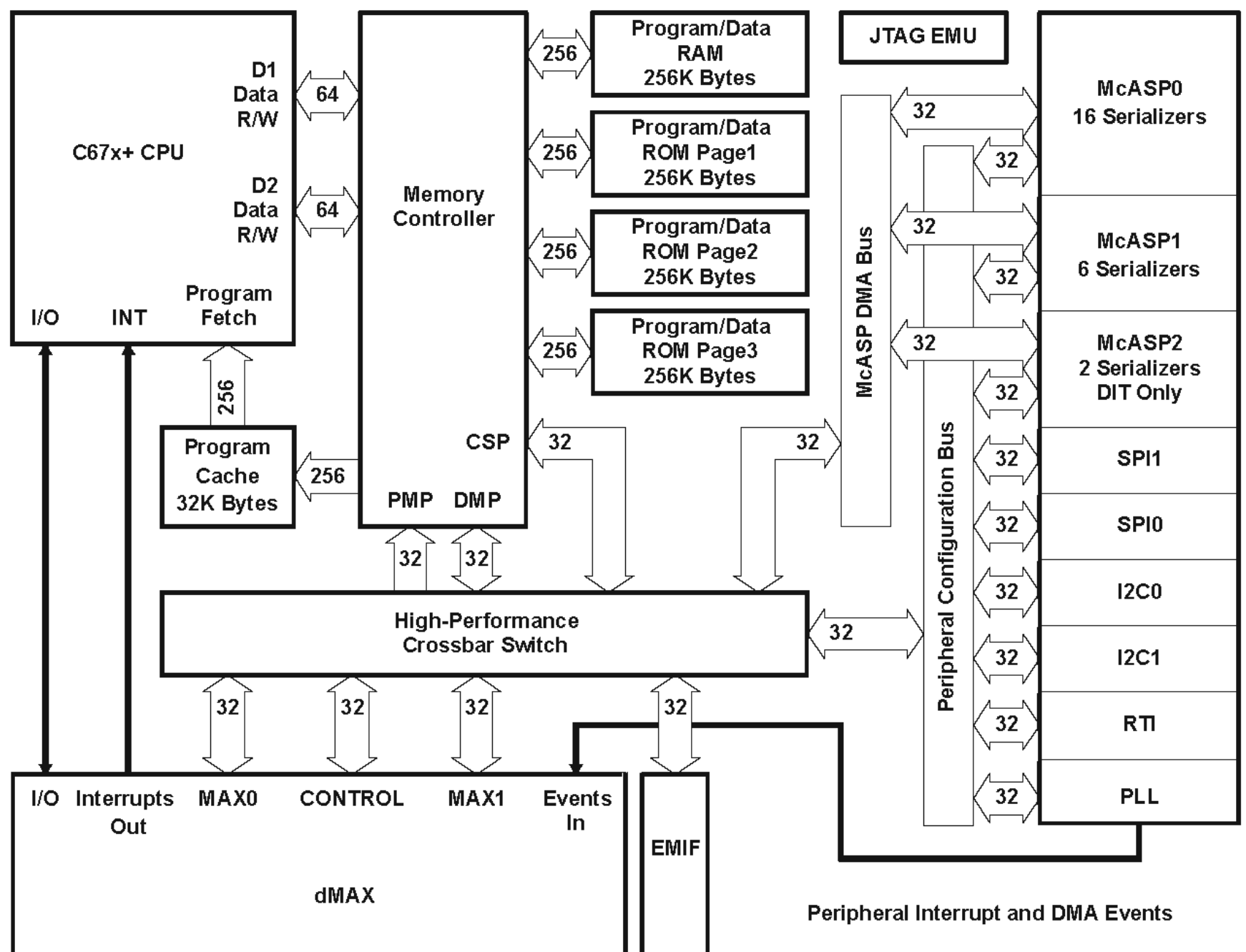


Figure 2-3. DA708 DSP Block Diagram

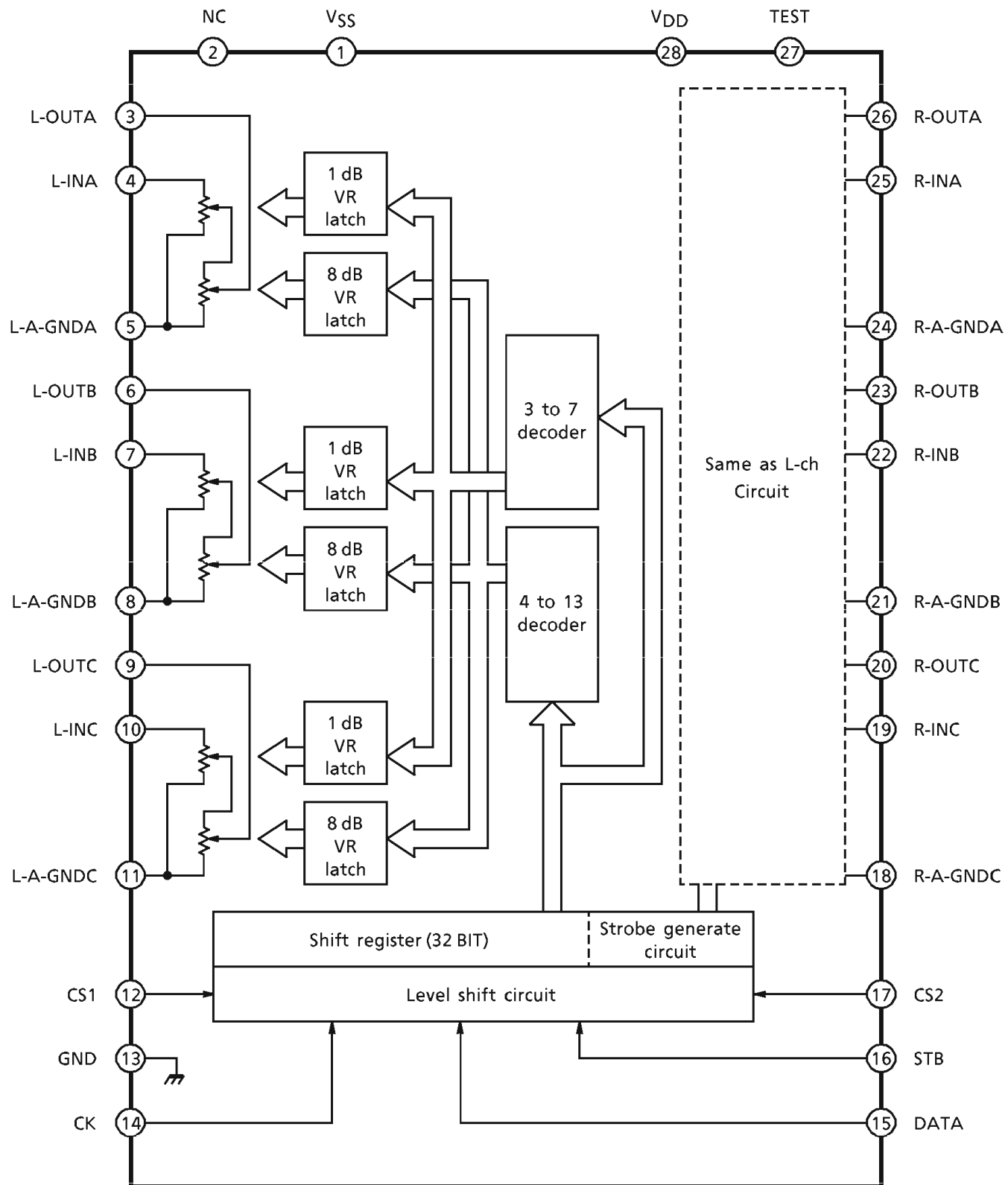
IC33 : TC9482BFG

IC34 : TC9482BFG

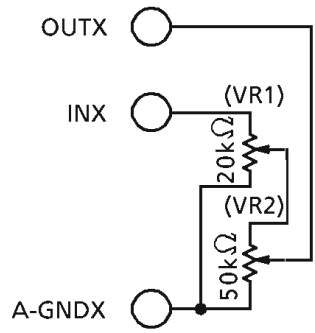
PIN CONNECTIONS

VSS	1	28	VDD
NC	2	27	TEST
L-OUTA	3	26	R-OUTA
L-INA	4	25	R-INA
L-A-GNDA	5	24	R-A-GNDA
L-OUTB	6	23	R-OUTB
L-INB	7	22	R-INB
L-A-GNDB	8	21	R-A-GNDB
L-OUTC	9	20	R-OUTC
L-INC	10	19	R-INC
L-A-GNDC	11	18	R-A-GNDC
CS1	12	17	CS2
GND	13	16	STB
CK	14	15	DATA

BLOCK DIAGRAM



PIN DESCRIPTION

PIN No.	SYMBOL	PIN NAME	FUNCTION	REMARK
1	V _{SS}	Negative power supply pin	<ul style="list-style-type: none"> Power Supply Pins 	—
28	V _{DD}	Positive power supply pin		
3	L-OUTA	Volume output pin	<ul style="list-style-type: none"> Volume circuit 	—
26	R-OUTA			
6	L-OUTB			
22	R-OUTB			
9	L-OUTC			
19	R-OUTC			
4	L-INA	Volume input pin		—
25	R-INA			
7	L-INB			
22	R-INB			
10	L-INC			
19	R-INC			
5	L-A-GNDA	Analog GND pin		—
24	R-A-GNDA			
8	L-A-GNDB			
21	R-A-GNDB			
11	L-A-GNDC			
18	R-A-GNDC			
12	CS1	Chip select input pin	Up to 4 chips on the same bus can be used by switching over chip select code.	—
17	CS2			
14	CK	Clock input pin	Inputs clock for serial data transfer.	Low threshold value input pin
15	DATA	Data input pin	Inputs control data for setting volume.	
16	STB	Strobe input pin	Inputs strobe for writing data.	
13	GND	Digital GND pin	Digital ground pin	—
27	TEST	Test Pin	Normally connect to V _{DD} pin.	—
2	NC	No connection	—	—

IC34 : M29W800DT70N

Figure 2. Logic Diagram

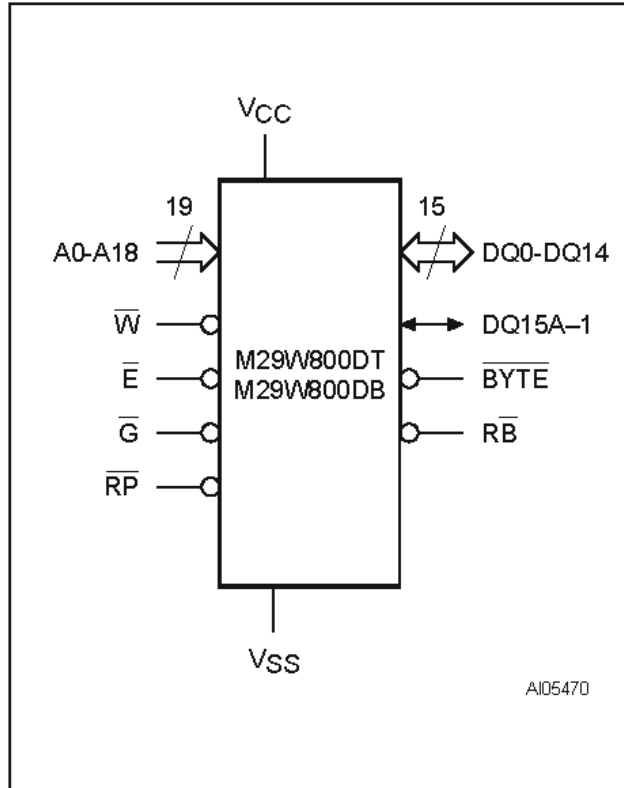
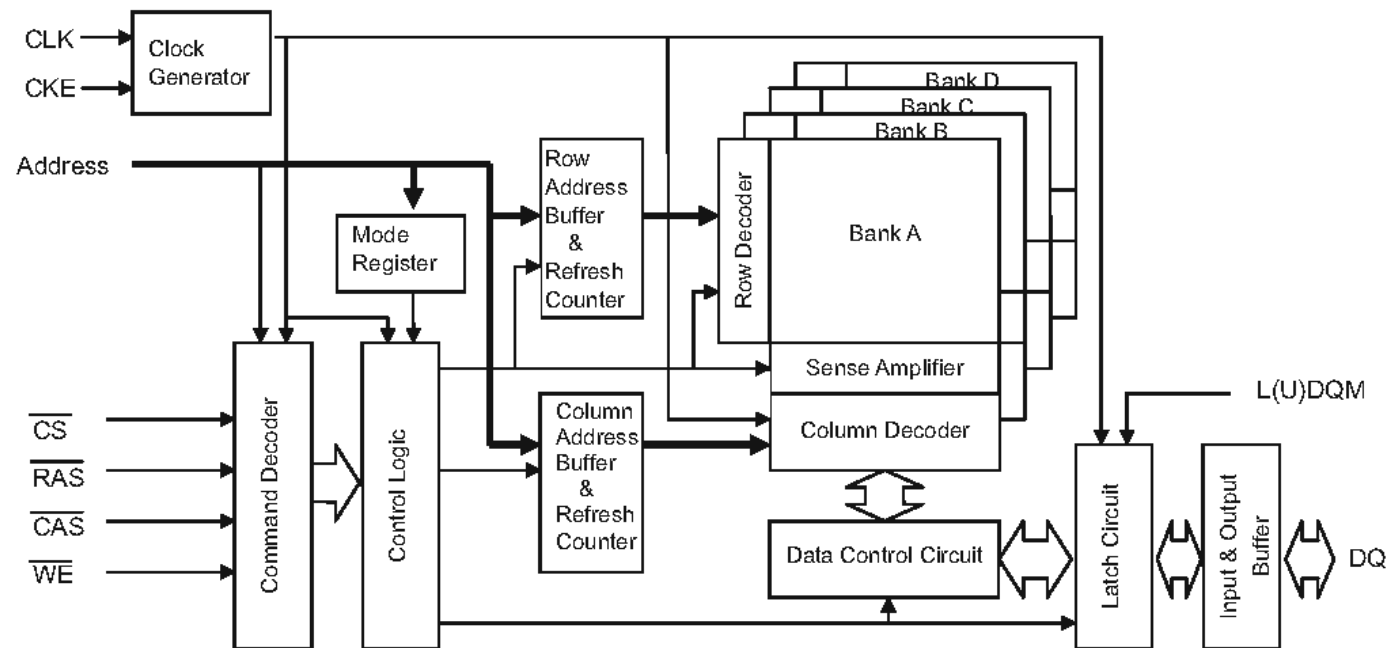


Table 1. Signal Names

A0-A18	Address Inputs
DQ0-DQ7	Data Inputs/Outputs
DQ8-DQ14	Data Inputs/Outputs
DQ15A-1	Data Input/Output or Address Input
\bar{E}	Chip Enable
\bar{G}	Output Enable
\bar{W}	Write Enable
\bar{RP}	Reset/Block Temporary Unprotect
\bar{RB}	Ready/Busy Output (not available on SO44 package)
BYTE	Byte/Word Organization Select
V _{CC}	Supply Voltage
V _{SS}	Ground
NC	Not Connected Internally

IC35 : M12L64164A7T

FUNCTIONAL BLOCK DIAGRAM



PIN FUNCTION DESCRIPTION

PIN	NAME	INPUT FUNCTION
CLK	System Clock	Active on the positive going edge to sample all inputs
\bar{CS}	Chip Select	Disables or enables device operation by masking or enabling all inputs except CLK , CKE and L(U)DQM
CKE	Clock Enable	Masks system clock to freeze operation from the next clock cycle. CKE should be enabled at least one cycle prior new command. Disable input buffers for power down in standby.
A0 ~ A11	Address	Row / column address are multiplexed on the same pins. Row address : RA0~RA11, column address : CA0~CA7
A12 , A13	Bank Select Address	Selects bank to be activated during row address latch time. Selects bank for read / write during column address latch time.
\bar{RAS}	Row Address Strobe	Latches row addresses on the positive going edge of the CLK with \bar{RAS} low. Enables row access & precharge.
\bar{CAS}	Column Address Strobe	Latches column address on the positive going edge of the CLK with \bar{CAS} low. Enables column access.
\bar{WE}	Write Enable	Enables write operation and row precharge. Latches data in starting from \bar{CAS} , \bar{WE} active.
L(U)DQM	Data Input / Output Mask	Makes data output Hi-Z, t_{SHZ} after the clock and masks the output. Blocks data input when L(U)DQM active.
DQ0 ~ DQ15	Data Input / Output	Data inputs / outputs are multiplexed on the same pins.
VDD / VSS	Power Supply / Ground	Power and ground for the input buffers and the core logic.
VDDQ / VSSQ	Data Output Power / Ground	Isolated power supply and ground for the output buffers to provide improved noise immunity.
NC	No Connection	This pin is recommended to be left No Connection on the device.

Sil 9033 Features HDMI Receiver

Industry-Standard Compliance

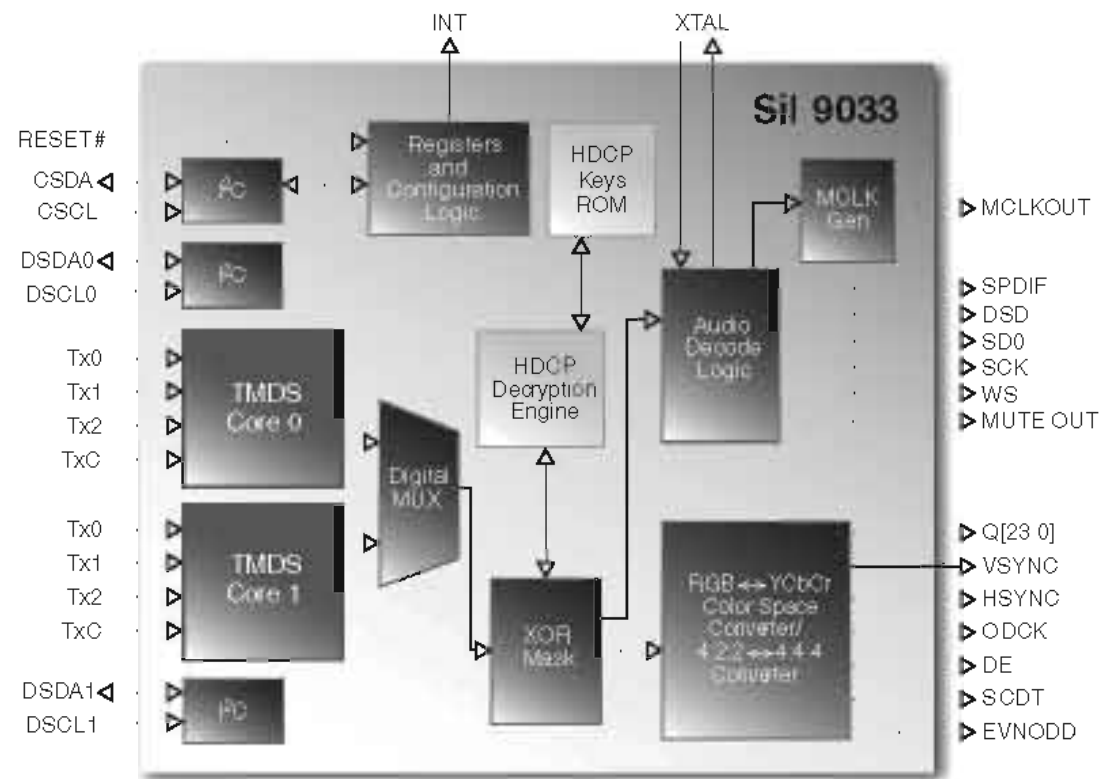
- HDMI 1.2
- DVI 1.0
- EIA/CEA-861C
- HDCP 1.1

Digital Video Output

- Dual integrated cores
- Supports DTV (480i/576i/480p/576p/720p/1080i/1080p) and PC (VGA/XGA/SXGA/WSXGA.UXGA) resolutions
- Flexible digital video interface
 - 24-bit RGB/YCbCr 4:4:4
 - 16/20/24-bit YCbCr 4:2:2
 - 8/10/12-bit YCbCr 4:2:2 (ITU-R BT.656)
 - 12-bit digital media interface
- Integrated RGB ↔ YCbCr color space conversion
- 4:2:2 ↔ 4:4:4 converter

Digital Audio Output

- Industry-standard S/PDIF and I²S output
- Supports high-end audio including SACD and DVD-Audio
 - 2-ch. 32-192kHz or
 - 8-ch. 32-192kHz
- Programmable I²S output supports numerous low-cost audio DACs
- Supports IEC60958 2-channel PCM
- Capable of carrying IEC61937 compressed audio (Dolby Digital, DTS,etc.)



Content Protection

- Integrated HDCP cipher engine
- Built-in HDCP BIST
- Pre-programmed HDCP keys
 - Simplify manufacturing process
 - Most secure solution available
 - Lower system, manufacturing costs
- New built-in HDCP self-test
- Supports HDCP repeater capability
- Decrypts both video and audio

System Operation

- Register-programmable via slave I²C interface
- Auto video mode simplifies design
- Auto audio mode allows more robust system
- Flexible interrupt registers with interrupt pin

Power Management

- 1.8V core provides low-power operation
- Flexible power-down modes

Silicon Image's Sil 9033 Starter Kit (CP9033HDMI)

Contents include:

Hardware

- Sil 9033 Receiver Daughter Board
- HDMI to HDMI cable

Software

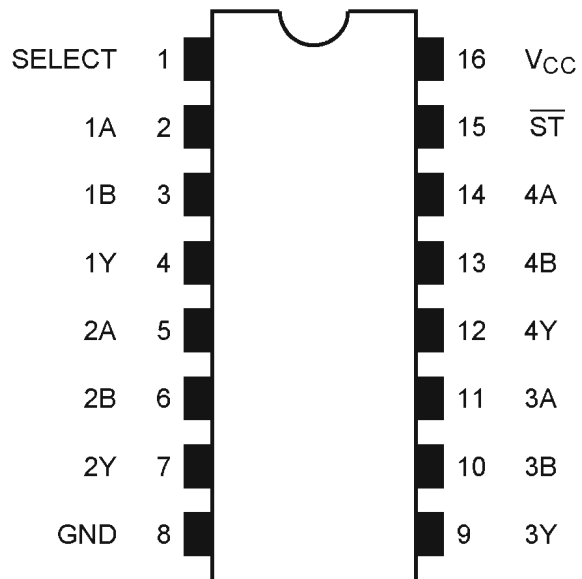
- HDMIGear Receiver Software Tool

Documentation

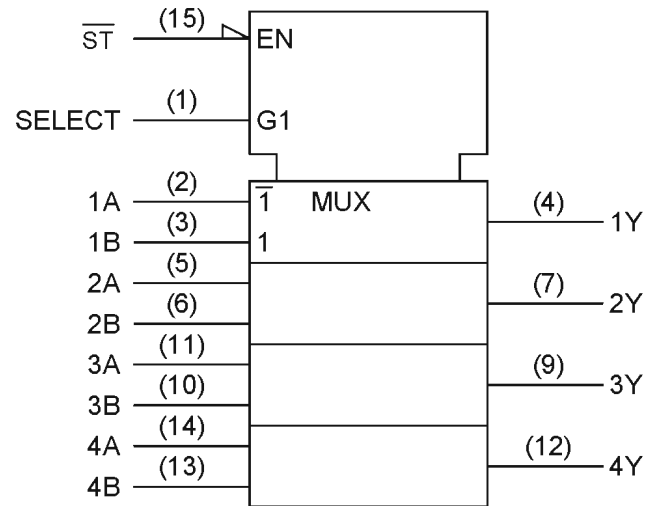
- User's Guide
- Schematics
- Bill of Materials (BOM)

IC36 : TC74VCX157FT
 IC38 : TC74VCX157FT

Pin Assignment (top view)



IEC Logic Symbol



Truth Table

Inputs				Outputs
\overline{ST}	SELECT	A	B	Y
H	X	X	X	L
L	L	L	X	L
L	L	H	X	H
L	H	X	L	L
L	H	X	H	H

X: Don't care

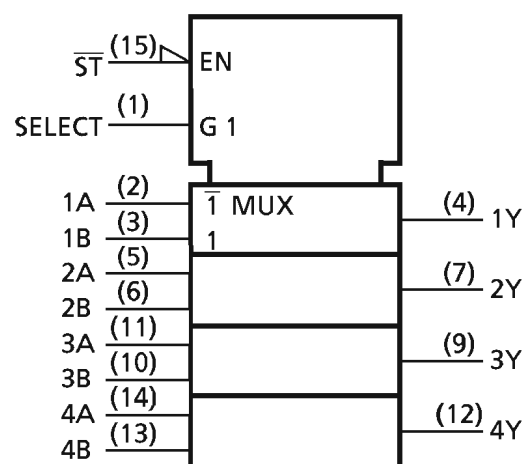
IC38 : TC74VHC157FT

TRUTH TABLE

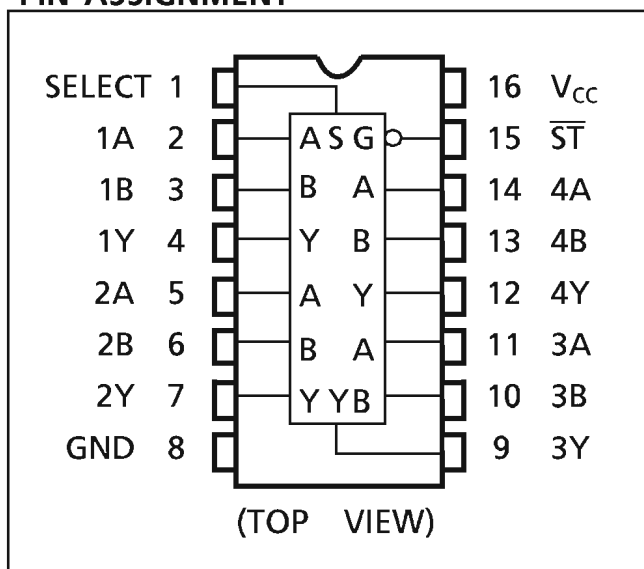
INPUTS				OUTPUT
\overline{ST}	SELECT	A	B	
H	X	X	X	L
L	L	L	X	L
L	L	H	X	H
L	H	X	L	L
L	H	X	H	H

X : Don't Care

IEC LOGIC SYMBOL

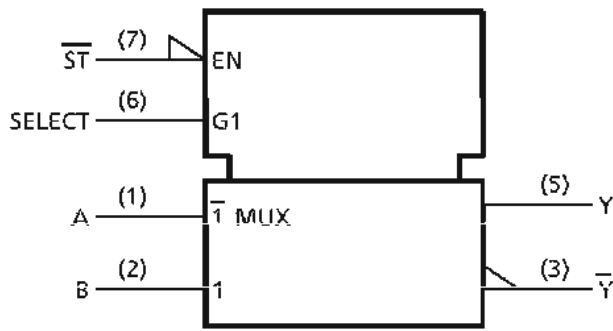


PIN ASSIGNMENT



IC39 : TC7WH157FU

LOGIC DIAGRAM



TRUTH TABLE

INPUTS				OUTPUTS	
ST	SELECT	A	B	Y	Ȳ
H	x	x	x	L	H
L	L	L	x	L	H
L	L	H	x	H	L
L	H	x	L	L	H
L	H	x	H	H	L

x : Don't care

IC41 : SiI 9030CTU-7

SiI 9030 Features
PanelLink Cinema Transmitter

Industry-Standard Compliance

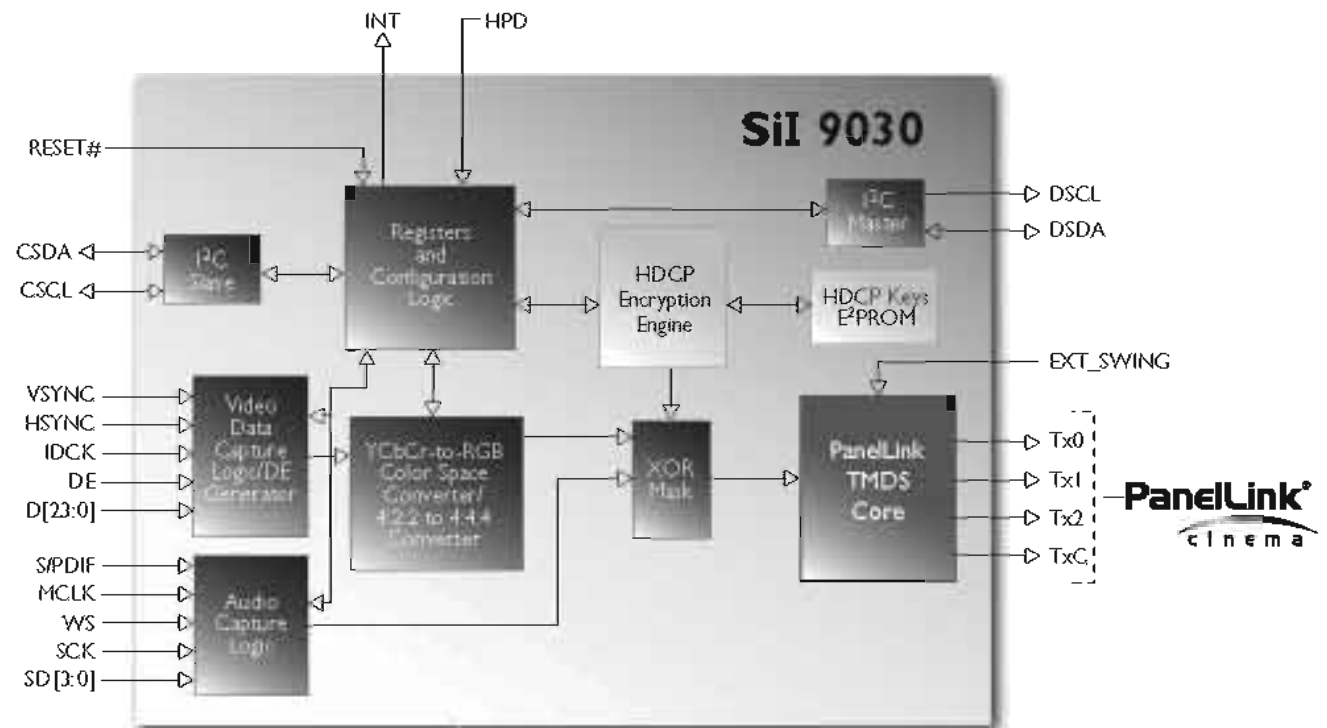
- HDMI 1.0
- DVI 1.0
- EIA/CEA-861B
- HDCP 1.1

Digital Video Output

- Integrated PanelLink® core
- Supports DTV (480i/576i/480p/576p/720p/1080i/1080p) and PC (VGA/XGA/SXGA/WSXGA) resolutions
- Flexible video interface supports DVD and HD MPEG decoders
 - 12/24-bit RGBYCbCr 4:4:4
 - 16/20/24-bit YCbCr 4:2:2
 - 8/10/12-bit YCbCr 4:2:2 (ITU-R BT.601 & BT.656)
- Integrated YCbCr ↔ RGB color space conversion
- 4:2:2 ↔ 4:4:4 up-converter
- Programmable Data Enable (DE) generator

Digital Audio Output

- DVD-Audio support thru 4xI²S inputs
- Supports 2-channel 192kHz or 8-channel 96kHz
- Supports IEC60958 2-channel PCM or IEC61937 compressed audio (Dolby Digital, DTS, etc.)
- Industry-standard S/PDIF input



Content Protection

- Integrated HDCP cipher engine
- Pre-programmed HDCP keys
 - Simplify manufacturing process
 - Most secure solution available
 - Lower system, manufacturing costs
- Encrypts both video and audio

System Operation

- Register-programmable via slave I²C interface
- Master I²C simplifies system design
- Flexible interrupt registers with interrupt pin
- Monitor detection supported through hot plug and receiver detection

Power Management

- 1.8V core provides low-power operation
- Flexible power-down modes

Silicon Image's SiI 9030 Starter Kit (CP9030HDMI)

Contents include:

- Hardware**
- SiI 9030 Transmitter Stand Alone Board
 - HDMI to HDMI cable

Software

- HDMIGear Software Tool

Documentation

- User's Guide
- Schematics
- Bill of Materials (BOM)

114 dB, 192 kHz 8-Channel D/A Converter

Features

- 24-bit Conversion
- Up to 192 kHz Sample Rates
- 114 dB Dynamic Range
- -100 dB THD+N
- Supports PCM and DSD Data Formats
- Selectable Digital Filters
- Volume Control with Soft Ramp
 - 1 dB Step Size
 - Zero Crossing Click-free Transitions
- Dedicated DSD inputs
- Low Clock Jitter Sensitivity
- Simultaneous Support for Two Synchronous Sample Rates for DVD Audio
- μ C or Stand-alone Operation

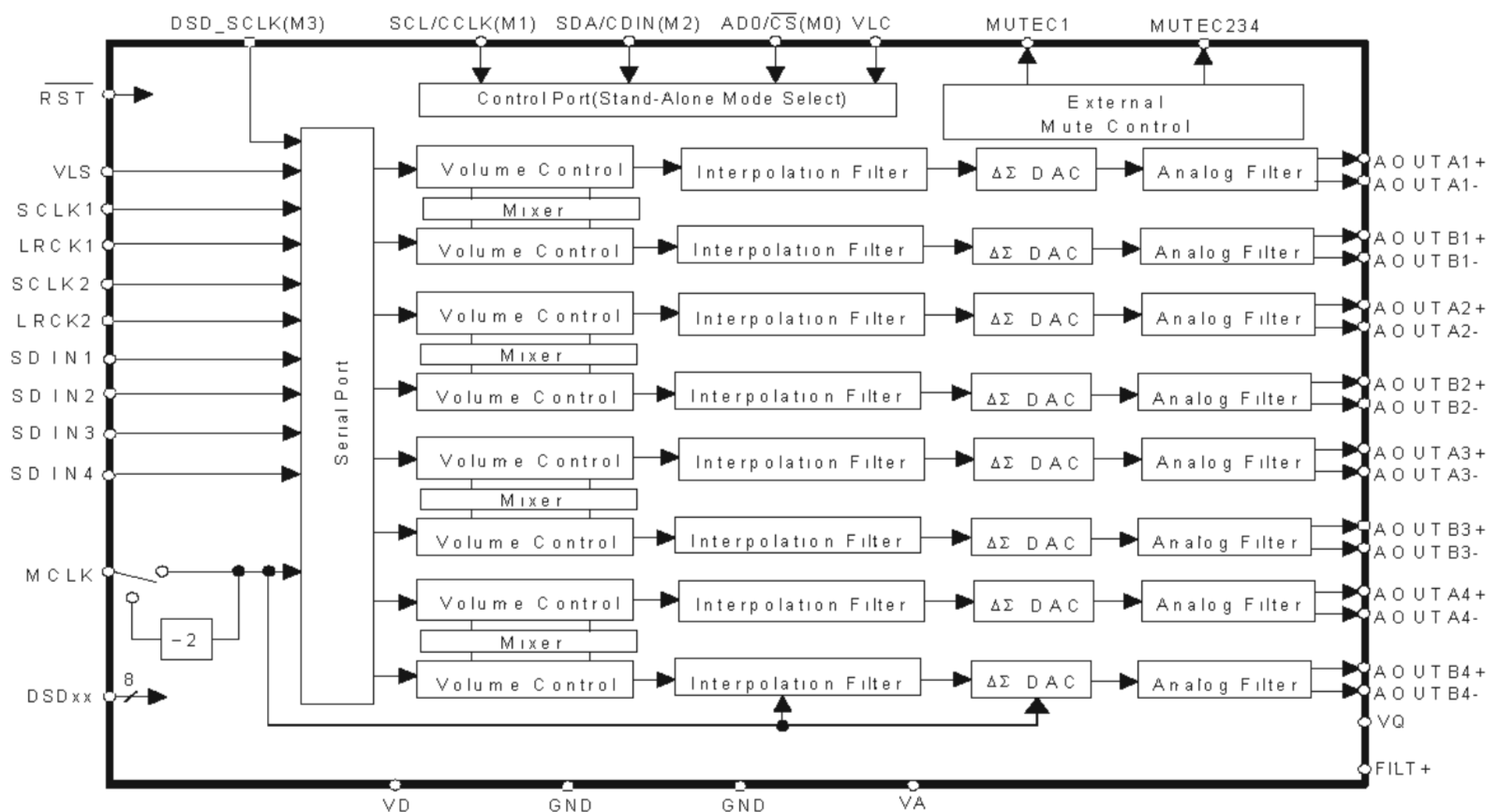
Description

The CS4382 is a complete 8-channel digital-to-analog system including digital interpolation, fifth-order delta-sigma digital-to-analog conversion, digital de-emphasis, volume control and analog filtering. The advantages of this architecture include: ideal differential linearity, no distortion mechanisms due to resistor matching errors, no linearity drift over time and temperature and a high tolerance to clock jitter.

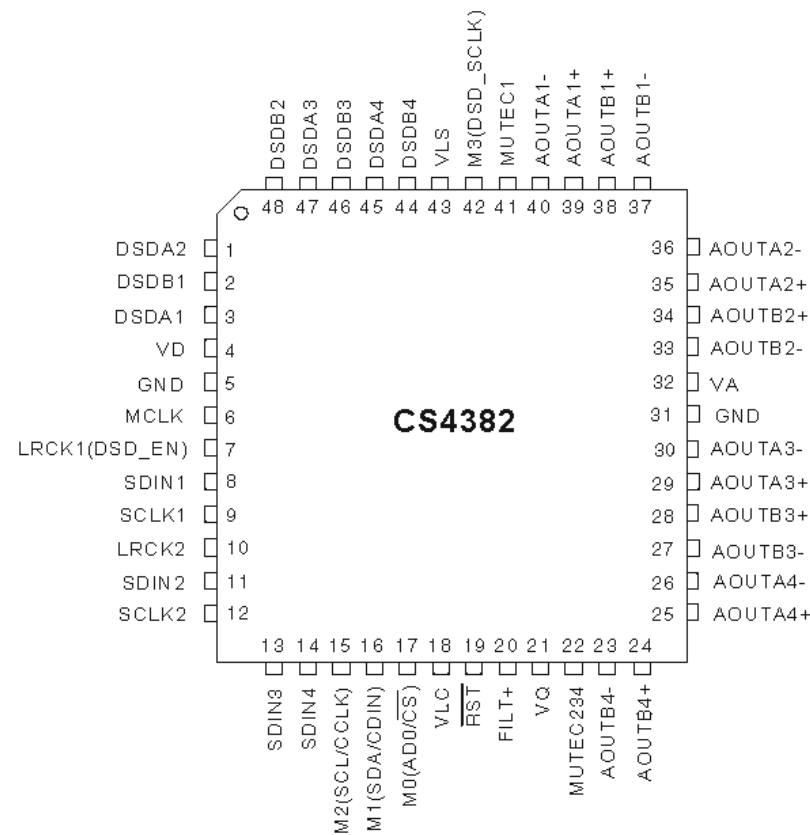
The CS4382 accepts PCM data at sample rates from 4 kHz to 192 kHz, DSD audio data, and operates over a wide power supply range. These features are ideal for multi-channel audio systems including DVD players, SACD players, AV receivers, digital TV's, mixing consoles, effects processors, and automotive audio systems.

ORDERING INFORMATION

CS4382-KQZ, Lead Free -10 to 70 °C 48-pin LQFP
 CDB4382 Evaluation Board



IC41 : CS4382A-CQ



Pin Name	#	Pin Description
VD	4	Digital Power (Input) - Positive power supply for the digital section. Refer to the Recommended Operating Conditions for appropriate voltages.
GND	5 31	Ground (Input) - Ground reference. Should be connected to analog ground.
MCLK	6	Master Clock (Input) - Clock source for the delta-sigma modulator and digital filters. Table 5 illustrates several standard audio sample rates and the required master clock frequency.
LRCK1	7	Left Right Clock (Input) - Determines which channel, Left or Right, is currently active on the serial audio data line. The frequency of the left/right clock must be at the audio sample rate, Fs.
LRCK2	10	
SDIN1	8	Serial Audio Data Input (Input) - Input for two's complement serial audio data.
SDIN2	11	
SDIN3	13	
SDIN4	14	
SCLK1	9	Serial Clock (Input) - Serial clock for the serial audio interface.
SCLK2	12	
VLC	18	Control Port Power (Input) - Determines the required signal level for the control port. Refer to the Recommended Operating Conditions for appropriate voltages.
RST	19	Reset (Input) - The device enters a low power mode and all internal registers are reset to their default settings when low.
FILT+	20	Positive Voltage Reference (Output) - Positive reference voltage for the internal sampling circuits. Requires the capacitive decoupling to analog ground, as shown in the Typical Connection Diagram.
VQ	21	Quiescent Voltage (Output) - Filter connection for internal quiescent voltage. VQ must be capacitively coupled to analog ground, as shown in the Typical Connection Diagram. The nominal voltage level is specified in the Analog Characteristics and Specifications section. VQ presents an appreciable source impedance and any current drawn from this pin will alter device performance. However, VQ can be used to bias the analog circuitry assuming there is no AC signal component and the DC current is less than the maximum specified in the Analog Characteristics and Specifications section.

IC41 : CS4382A-CQ

Pin Name	#	Pin Description
MUTE1	41	Mute Control (Output) - The Mute Control pins go high during power-up initialization, reset, muting, power-down or if the master clock to left/right clock frequency ratio is incorrect. These pins are intended to be used as a control for external mute circuits to prevent the clicks and pops that can occur in any single supply system. The use of external mute circuits are not mandatory but may be desired for designs requiring the absolute minimum in extraneous clicks and pops.
MUTE234	22	
AOUTA1 +,-	39, 40	Differential Analog Output (Output) - The full scale differential analog output level is specified in the Analog Characteristics specification table.
AOUTB1 +,-	38, 37	
AOUTA2 +,-	35, 36	
AOUTB2 +,-	34, 33	
AOUTA3 +,-	29, 30	
AOUTB3 +,-	28, 27	
AOUTA4 +,-	25, 26	
AOUTB4 +,-	24, 23	
VA	32	Analog Power (Input) - Positive power supply for the analog section. Refer to the Recommended Operating Conditions for appropriate voltages.
VLS	43	Serial Audio Interface Power (Input) - Determines the required signal level for the serial audio interface. Refer to the Recommended Operating Conditions for appropriate voltages.

Control Port Definitions

SCL/CCLK	15	Serial Control Port Clock (Input) - Serial clock for the serial control port. Requires an external pull-up resistor to the logic interface voltage in I ² C mode as shown in the Typical Connection Diagram.
SDA/CDIN	16	Serial Control Data (Input/Output) - SDA is a data I/O line in I ² C mode and requires an external pull-up resistor to the logic interface voltage, as shown in the Typical Connection Diagram. CDIN is the input data line for the control port interface in SPI mode.
AD0/ $\overline{\text{CS}}$	17	Address Bit 0 (I²C) / Control Port Chip Select (SPI) (Input) - AD0 is a chip address pin in I ² C mode, $\overline{\text{CS}}$ is the chip select signal for SPI format.

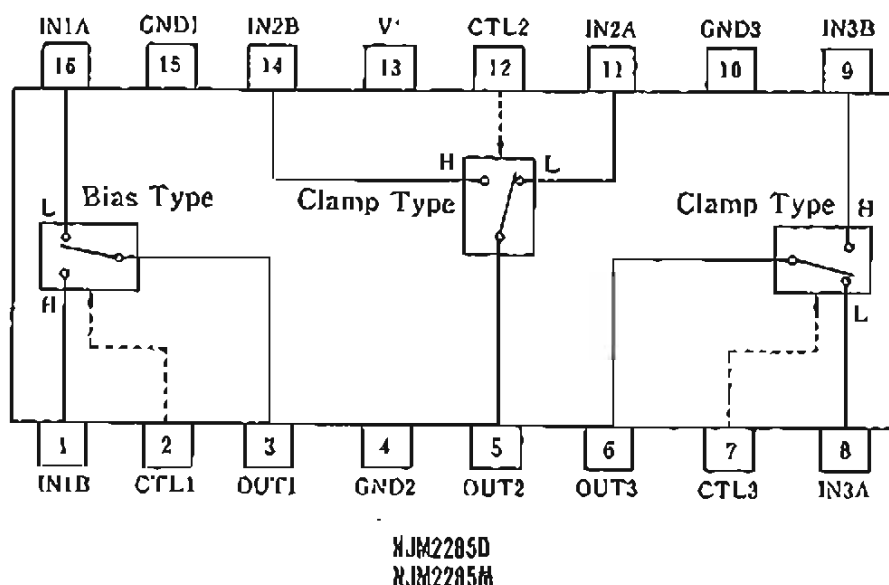
Stand-Alone Definitions

M0	17	Mode Selection (Input) - Determines the operational mode of the device as detailed in Tables 6 and 7.
M1	16	
M2	15	
M3	42	

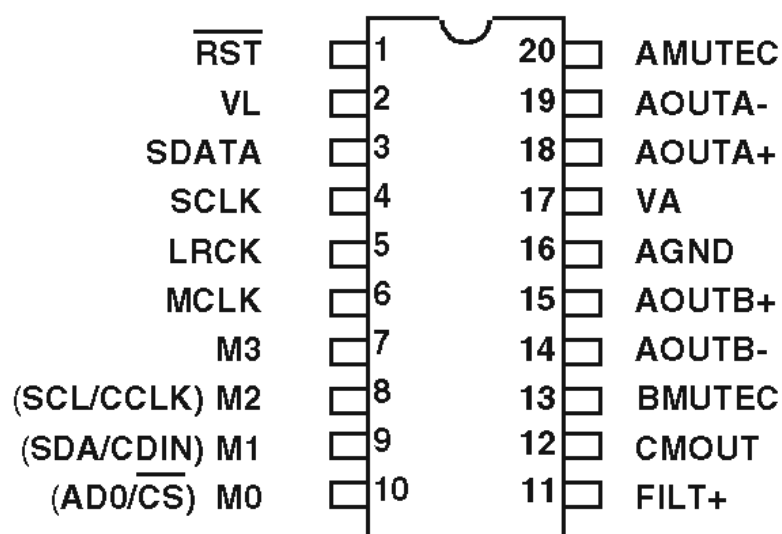
DSD Definitions

DSD_SCLK	42	DSD Serial Clock (Input) - Serial clock for the Direct Stream Digital audio interface.
DSD_EN	7	DSD-Enable (Input) - When held at logic '1' the device will enter DSD mode (Stand-Alone mode only).
DSDA1	3	Direct Stream Digital Input (Input) - Input for Direct Stream Digital serial audio data.
DSDB1	2	
DSDA2	1	
DSDB2	48	
DSDA3	47	
DSDB3	46	
DSDA4	45	
DSDB4	44	

IC61 : NJM2285MTE1

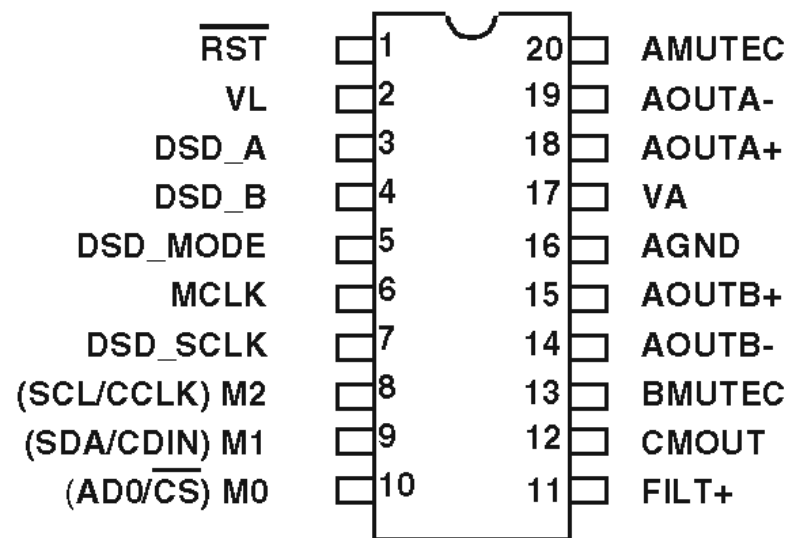


1. PIN DESCRIPTION - PCM DATA MODE

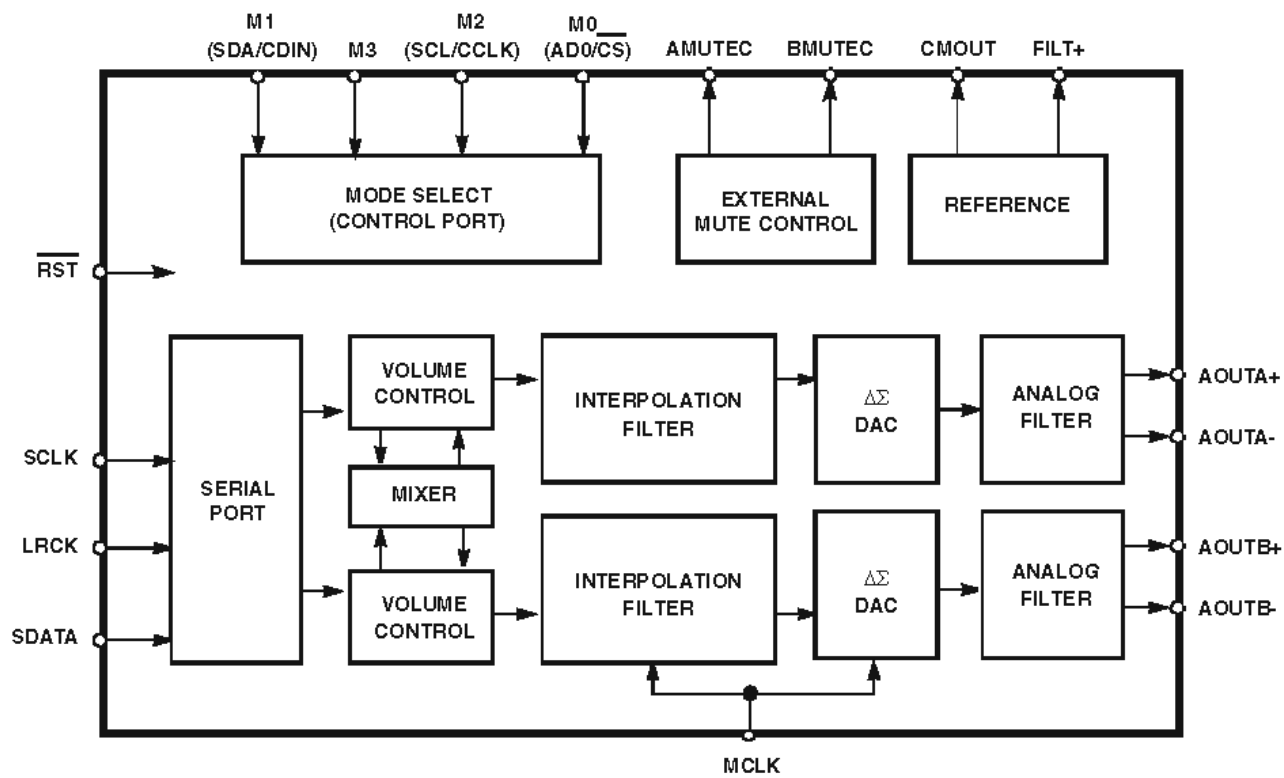


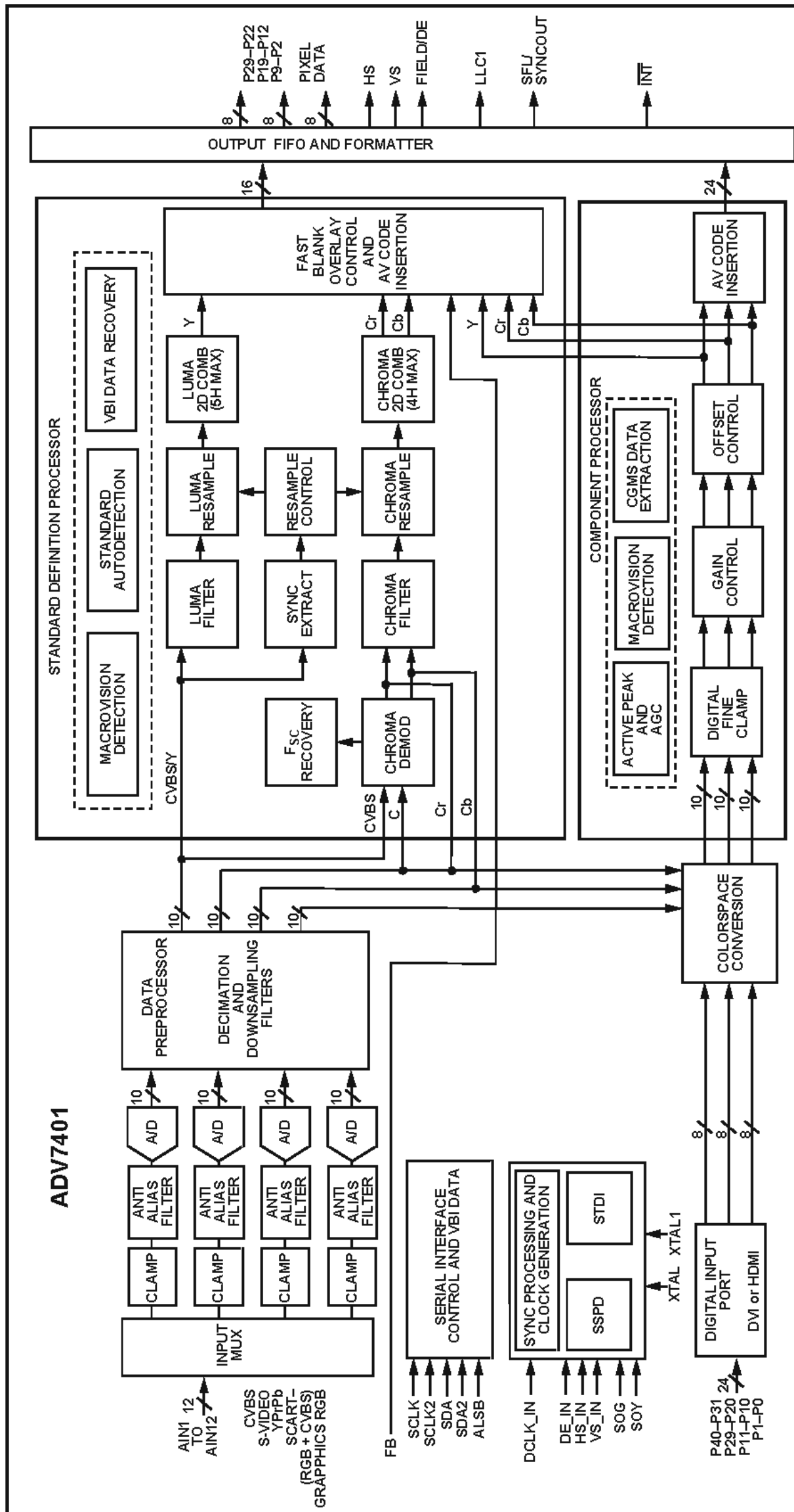
RST	1	Reset (Input) - Powers down device and resets all internal registers to their default settings.
VL	2	Logic Power (Input) - Positive power for the digital input/output.
SDATA	3	Serial Audio Data (Input) - Input for two's complement serial audio data.
SCLK	4	Serial Clock (Input/Output) - Serial clock for the serial audio interface.
LRCK	5	Left Right Clock (Input/Output) - Determines which channel, Left or Right, is currently active on the serial audio data line.
MCLK	6	Master Clock (Input) - Clock source for the delta-sigma modulator and digital filters.
FILT+	11	Positive Voltage Reference (Output) - Positive reference voltage for the internal sampling circuits.
CMOUT	12	Common Mode Voltage (Output) - Filter connection for internal quiescent voltage.
AMUTEK	20	Mute Control (Output) - The Mute Control pin goes high during power-up initialization, reset, muting, power-down or if the master clock to left/right clock frequency ratio is incorrect.
BMUTEK	13	
AOUTB-	14	Differential Analog Output (Outputs) - The full scale differential analog output level is specified in the Analog Characteristics specification table.
AOUTB+	15	
AOUTA+	18	
AOUTA-	19	
AGND	16	Ground (Input)
VA	17	Analog Power (Input) - Positive power for the analog section.
Control Port Mode Definitions		
M3	7	Mode Selection (Input) - This pins should be tied to GND level during control port mode.
SCL/CCLK	8	Serial Control Port Clock (Input) - Serial clock for the serial control port.
SDA/CDIN	9	Serial Control Data (Input/Output) - SDA is a data I/O line in I ² C mode. CDIN is the input data line for the control port interface in SPI mode.
AD0/CS	10	Address Bit 0 (I²C) / Control Port Chip Select (SPI) (Input/Output) - AD0 is a chip address pin in I ² C mode; CS is the chip select signal for SPI format.
Stand-Alone Mode Definitions		
M3	7	Mode Selection (Input) - Determines the operational mode of the device.
M2	8	
M1	9	
M0	10	

1.1 PIN DESCRIPTION - DSD mode



DSD_A	3	DSD Data (Input) - Input for Direct Stream Digital serial audio data.
DSD_B	4	
DSD_Mode	5	DSD Mode (Input) - In stand alone mode, this pin must be set to a logic '1' for operation of DSD Mode.
DSD_SCLK	7	DSD Serial Clock (Input/Output) - Serial clock for the Direct Stream Digital audio interface.





06340-001

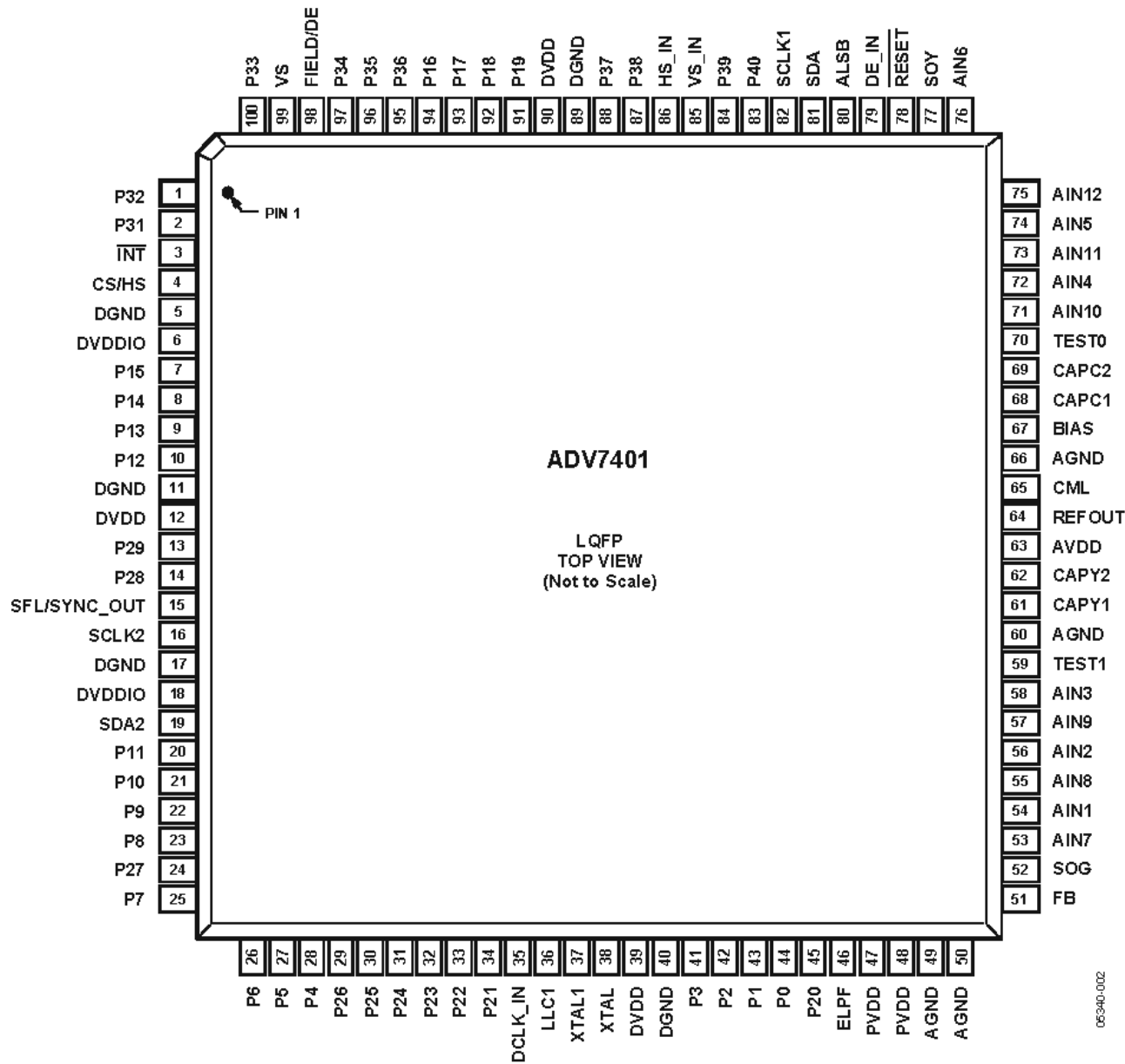


Figure 2.ADV7401 Pin Configuration

Table 7. Pin Function Descriptions

Pin No.	Mnemonic	Type	Function
5, 11, 17, 40, 89	DGND	G	Digital Ground.
49, 50, 60, 66	AGND	G	Analog Ground.
6, 18	DVDDIO	P	Digital I/O Supply Voltage (3.3 V).
12, 39, 90	DVDD	P	Digital Core Supply Voltage (1.8 V).
63	AVDD	P	Analog Supply Voltage (3.3 V).
47, 48	PVDD	P	PLL Supply Voltage (1.8 V).
51	FB	I	Fast Switch Overlay Input. This pin switches between CVBS and RGB analog signals.
54, 56, 58, 72, 74, 76, 53, 55, 57, 71, 73, 75	AIN1 to AIN12	I	Analog Video Input Channels.
42, 41, 28, 27, 26, 25, 23, 22, 10, 9, 8, 7, 94, 93, 92, 91	P2 to P9, P12 to P19	O	Video Pixel Output Port.
33, 32, 31, 30, 29, 24, 14, 13	P22 to P29	I/O	Video Input/Output Port
44, 43, 21, 20, 45, 34, 2, 1, 100, 97, 96, 95, 88, 87, 84, 83	P0 to P1, P10 to P11, P20 to P21, P31 to P40	I	Video Pixel Input Port.
3	INT	O	Interrupt. This pin can be active low or active high. When SDP/CP status bits change this pin triggers. The set of events which triggers an interrupt are under user control.

IC62 : ADV7401BS80

Pin No.	Mnemonic	Type	Function
4	HS/CS	O	HS is a Horizontal Synchronization Output Signal (SDP and CP modes). CS is a Digital Composite Synchronization Signal (and can be selected while in CP mode).
99	VS	O	Vertical Synchronization Output Signal (SDP and CP modes).
98	FIELD/DE	O	Field Synchronization Output Signal (all interlaced video modes). This pin also can be enabled as a Data Enable signal (DE) in CP mode to allow direct connection to a HDMI/DVI Tx IC.
81, 19	SDA1, SDA2	I/O	I ² C Port Serial Data Input/Output Pins. SDA1 is the data line for the Control port and SDA2 is the data line for the VBI readback port.
82, 16	SCLK1, SCLK2	I	I ² C port serial clock input (max clock rate of 400 kHz). SCLK1 is the clock line for the Control port and SCLK2 is the clock line for the VBI data readback port.
80	ALSB	I	This pin selects the I ² C address for the ADV7401 Control and VBI readback ports. ALSB set to a logic 0 sets the address for a write to control port of 0x40 and the readback address for the VBI port of 0x21. ALSB set to a logic high sets the address for a write to control port of 0x42 and the readback address for the VBI port of 0x23.
78	<u>RESET</u>	I	System reset input, active low. A minimum low reset pulse width of 5 ms is required to reset the ADV7401 circuitry.
36	LLC1	O	LLC1 is a line locked output clock for the pixel data (range is 12.825 MHz to 140 MHz for ADV7401KSTZ-140; 12.825 MHz to 110 MHz for ADV7401BSTZ-110; 12.825 MHz to 80 MHz for ADV7401BSTZ-80).
38	XTAL	I	Input pin for 28.6363 MHz crystal, or can be overdriven by an external 3.3 V 28.6363 MHz clock oscillator source to clock the ADV7401.
37	XTAL1	O	This pin should be connected to the 28.6363 MHz crystal or left as a no connect if an external 3.3 V 28.6363 MHz clock oscillator source is used to clock the ADV7401. In crystal mode the crystal must be a fundamental crystal.
46	ELPF	O	The recommend external loop filter must be connected to this ELPF pin.
70	TEST0	O	This pin should be left unconnected or alternatively tied to AGND.
59	TEST1	O	This pin should be left unconnected.
15	SFL/SYNC_OUT	O	Subcarrier Frequency Lock (SFL). This pin contains a serial output stream which can be used to lock the subcarrier frequency when this decoder is connected to any Analog Devices digital video encoder. SYNC_OUT is the sliced sync output signal only available in CP mode.
64	REFOUT	O	Internal Voltage Reference Output.
65	CML	O	Common-Mode Level Pin (CML)for the internal ADCs.
61, 62	CAPY1 to CAPY2	I	ADC Capacitor Network.
68, 69	CAPC1 to CAPC2	I	ADC Capacitor Network.
67	BIAS	O	External Bias Setting Pin. Connect the recommended resistor (1.35k Ω) between pin and ground.
86	HS_IN/CS_IN	I	Can be configured in CP mode to be either a digital HS input signal or a digital CS input signal used to extract timing in a 5-wire or 4-wire RGB mode.
85	VS_IN	I	VS input signal. Used in CP mode for 5-wire timing mode.
79	DE_IN	I	Data Enable Input Signal. Used in 24-bit digital input port mode (for example, processing 24-bit RGB data from a DVI Rx IC).
35	DCLK_IN	I	Clock Input Signal. Used in 24-bit digital input mode (for example, processing 24-bit RGB data from a DVI Rx IC) and also in digital CVBS input mode.
52	SOG	I	Sync on Green Input. Used in embedded sync mode.
77	SOY	I	Sync on Luma Input. Used in embedded sync mode.

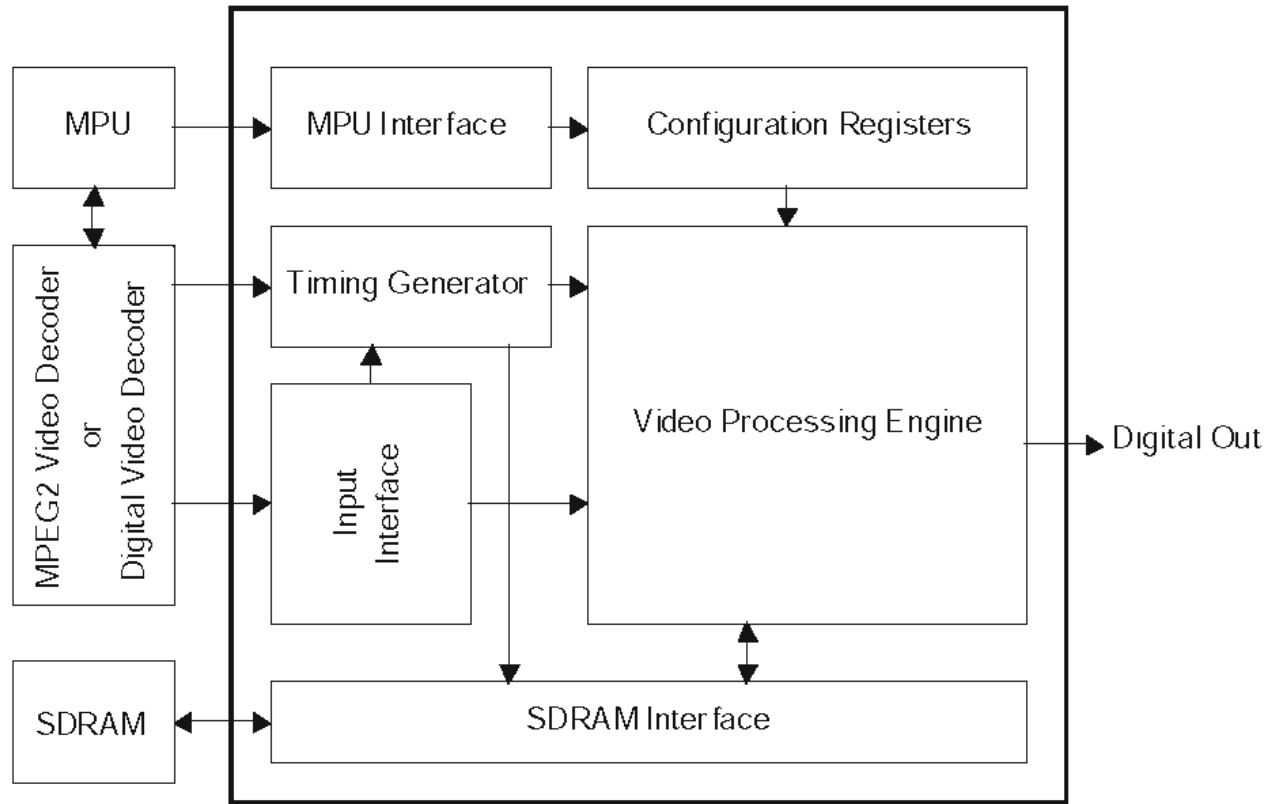


Fig. 2-1: System Block Diagram

Pin Assignment of CD0040AF

108	ovdd	109	cvdd
107	ovss	110	MD7
106	TEST4	111	MD8
105	TEST3	112	MD6
104	WE	113	MD9
103	MCLK	114	ovdd
102	CAS	115	ovss
101	DQM	116	MD5
100	RAS	117	MD10
99	ovss	118	MD4
98	ovdd	119	MD11
97	MA9	120	ovdd
96	MA11	121	ovss
95	MA8	122	MD3
94	MA10	123	MD12
93	ovdd	124	MD2
92	cvss	125	MD13
91	TEST5	126	ovss
90	ovss	127	cvss
89	MA7	128	ovdd
88	MA0	129	MD1
87	MA6	130	MD14
86	MA1	131	MD0
85	ovss	132	MD15
84	ovdd	133	SLV
83	MA5	134	RFFO
82	MA2	135	SDA
81	MA4	136	SCL
80	MA3	137	SRN
79	ovss	138	ovss
78	ovdd	139	cvdd
77	MD16	140	PLL_VDD
76	MD17	141	VPDX
75	MD18	142	TEST6
74	MD19	143	PLL_GND
73	ovdd	144	ivdd

72	ivdd
71	cvdd
70	ovss
69	RFFI
68	FILM
67	CO9
66	CO8
65	CO7
64	CO6
63	CO5
62	ovss
61	ovdd
60	CO4
59	CO3
58	CO2
57	CO1
56	CO0
55	ovss
54	cvss
53	ovdd
52	YO0
51	YO1
50	YO2
49	YO3
48	YO4
47	ovss
46	ovdd
45	YO5
44	YO6
43	YO7
42	YO8
41	YO9
40	CLKO
39	TEST2
38	TEST1
37	cvdd

IC63 : CD0040AF

No	Name	I/O ¹	Attribute	Functional Description
1	OVDD	P	-	Positive supply voltage(+3.3V) for Pad Ring
2	CLKI	In	CMOS	System Clock Input (27MHz)
3	TEST7	In	CMOS	Test purpose only(must be connected to Ground)
4	PLL_EN	In	CMOS	PLL enable
5	PI0	In	CMOS	ITU-R BT 656/601 Input (LSB)
6	PI1	In	CMOS	ITU-R BT 656/601 Input
7	PI2	In	CMOS	ITU-R BT 656/601 Input
8	PI3	In	CMOS	ITU-R BT 656/601 Input
9	PI4	In	CMOS	ITU-R BT 656/601 Input
10	PI5	In	CMOS	ITU-R BT 656/601 Input
11	PI6	In	CMOS	ITU-R BT 656/601 Input
12	PI7	In	CMOS	ITU-R BT 656/601 Input
13	PI8	In	CMOS	ITU-R BT 656/601 Input
14	PI9	In	CMOS	ITU-R BT 656/601 Input (MSB)
15	NHSI	In	Schmitt	Active low horizontal sync input
16	NVSI	In	Schmitt	Active low vertical sync input
17	OVSS	P	-	Digital ground for Pad Ring
18	THMD	In	Schmitt	Through mode setting terminal Usually, this must be connected to ground
19	CVSS	P	-	Digital ground for Core
20	NVSO	Out	2mA	Active low vertical sync output (Interlace or Progressive) Refer "11.2 Video Output"
21	NHSO	Out	2mA	Active low horizontal sync output(Interlace or Progressive) Refer "11.2 Video Output"
22	PO9	Inout	CMOS / 2mA	ITU-R BT 656/601 output (MSB) / clamp signal output / ITU-R BT 601 CbCr input(MSB)
23	PO8	Inout	CMOS / 2mA	ITU-R BT 656/601 output / Video active signal output / ITU-R BT 601 CbCr input Refer "11.1 Video Input""11.2 Video Output""11.3 Through Mode"
24	PO7	Inout	CMOS / 2mA	ITU-R BT 656/601 output / Video blanking signal output / ITU-R BT 601 CbCr input Refer "11.1 Video Input""11.2 Video Output"
25	PO6	Inout	CMOS / 2mA	ITU-R BT 656/601 output / ITU-R BT 601 CbCr input Refer "11.1 Video Input""11.2 Video Output""11.3 Through Mode"
26	OVDD	P	-	Positive supply voltage (+3.3V) for Pad Ring
27	OVSS	P	-	Digital ground for Pad Ring
28	PO5	Inout	CMOS / 2mA	ITU-R BT 656/601 output / ITU-R BT 601 CbCr input Refer "11.1 Video Input""11.2 Video Output""11.3 Through Mode"
29	PO4	Inout	CMOS / 2mA	ITU-R BT 656/601 output / ITU-R BT 601 CbCr input Refer "11.1 Video Input""11.2 Video Output""11.3 Through Mode"
30	PO3	Inout	CMOS / 2mA	ITU-R BT 656/601 output / ITU-R BT 601 CbCr input Refer "11.1 Video Input""11.2 Video Output""11.3 Through Mode"
31	PO2	Inout	CMOS / 2mA	ITU-R BT 656/601 output / ITU-R BT 601 CbCr input Refer "11.1 Video Input""11.2 Video Output""11.3 Through Mode"
32	PO1	Inout	CMOS / 2mA	ITU-R BT 656/601 output / ITU-R BT 601 CbCr input *2 Refer "11.1 Video Input""11.2 Video Output""11.3 Through Mode"
33	PO0	Inout	CMOS / 2mA	ITU-R BT 656/601 output (LSB) / ITU-R BT 601 CbCr input *2 Refer "11.1 Video Input""11.2 Video Output""11.3 Through Mode"
34	TEST0	In	CMOS	Test purpose only (must be connected to ground)
35	OVSS	P	-	Digital ground for Pad Ring
36	OVDD	P	-	Positive supply voltage (+3.3V) for Pad Ring
37	CVDD	P	-	Digital positive supply voltage (+2.5V) for core
38	TEST1	In	CMOS	Test purpose only (must be connected to ground)
39	TEST2	In	CMOS	Test purpose only (must be connected to ground)
40	CLKO	Out	2mA	Clock output(27MHz)
41	YO9	Out	4mA	ANSI/SMPTE 293M Y output(MSB)
42	YO8	Out	4mA	ANSI/SMPTE 293M Y output
43	YO7	Out	4mA	ANSI/SMPTE 293M Y output
44	YO6	Out	4mA	ANSI/SMPTE 293M Y output
45	YO5	Out	4mA	ANSI/SMPTE 293M Y output
46	OVDD	P	-	Positive supply voltage (+3.3V) for Pad Ring
47	OVSS	P	-	Digital ground for Pad Ring
48	YO4	Out	4mA	ANSI/SMPTE 293M Y output
49	YO3	Out	4mA	ANSI/SMPTE 293M Y output
50	YO2	Out	4mA	ANSI/SMPTE 293M Y output
51	YO1	Out	4mA	ANSI/SMPTE 293M Y output
52	YO0	Out	4mA	ANSI/SMPTE 293M Y output (LSB)
53	OVDD	P	-	Positive supply voltage (+3.3V) for Pad Ring
54	CVSS	P	-	Digital ground for core
55	OVSS	P	-	Digital ground for Pad Ring
56	CO0	Out	4mA	ANSI/SMPTE 293M Cb/Cr output
57	CO1	Out	4mA	ANSI/SMPTE 293M Cb/Cr output
58	CO2	Out	4mA	ANSI/SMPTE 293M Cb/Cr output
59	CO3	Out	4mA	ANSI/SMPTE 293M Cb/Cr output
60	CO4	Out	4mA	ANSI/SMPTE 293M Cb/Cr output
61	OVDD	P	-	Positive supply voltage (+3.3V) for Pad Ring
62	OVSS	P	-	Digital ground for Pad Ring
63	CO5	Out	4mA	ANSI/SMPTE 293M Cb/Cr output
64	CO6	Out	4mA	ANSI/SMPTE 293M Cb/Cr output
65	CO7	Out	4mA	ANSI/SMPTE 293M Cb/Cr output
66	CO8	Out	4mA	ANSI/SMPTE 293M Cb/Cr output
67	CO9	Out	4mA	ANSI/SMPTE 293M Cb/Cr output (MSB)
68	FILM	Out	2mA	Film sequence detection flag output. Refer "11.4.1.9 Film detection Flag Output"
69	RFFI	In	CMOS	MPEG flag (Repeat First Field) input port. Refer "11.4.1.6 Film I/P Conversion""11.4.1.8 Film Sequence Flag Control Mode"

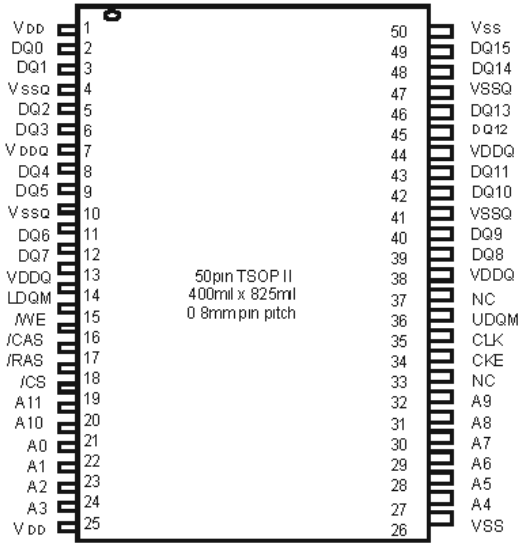
No	Name	I/O ¹	Attribute	Functional Description
70	OVSS	P	-	Digital ground for Pad Ring
71	CVDD	P	-	Digital positive supply voltage (+2.5V) for core
72	IVDD	P	-	Positive supply voltage (+3.3V) for Pad Ring
73	OVDD	P	-	Positive supply voltage (+3.3V) for Pad Ring
74	MD19	Inout	CMOS, pull-up / 4mA	Data input/output port for SDRAM
75	MD18	Inout	CMOS, pull-up / 4mA	Data input/output port for SDRAM
76	MD17	Inout	CMOS, pull-up / 4mA	Data input/output port for SDRAM
77	MD16	Inout	CMOS, pull-up / 4mA	Data input/output port for SDRAM
78	OVDD	P	-	Positive supply voltage (+3.3V) for Pad Ring
79	OVSS	P	-	Digital ground for Pad Ring
80	MA3	Out	4mA	Address output port for SDRAM
81	MA4	Out	4mA	Address output port for SDRAM
82	MA2	Out	4mA	Address output port for SDRAM
83	MA5	Out	4mA	Address output port for SDRAM
84	OVDD	P	-	Positive supply voltage (+3.3V) for Pad Ring
85	OVSS	P	-	Digital ground for Pad Ring
86	MA1	Out	4mA	Address output port for SDRAM
87	MA6	Out	4mA	Address output port for SDRAM
88	MA0	Out	4mA	Address output port for SDRAM (LSB)
89	MA7	Out	4mA	Address output port for SDRAM
90	OVSS	P	-	Digital ground for Pad Ring
91	IVSS	P	-	Digital ground for Pad Ring
92	CVSS	P	-	Digital ground for Pad Ring for Core
93	OVDD	P	-	Positive supply voltage (+3.3V) for Pad Ring
94	MA10	Out	4mA	Address output port for SDRAM
95	MA8	Out	4mA	Address output port for SDRAM
96	MA11	Out	4mA	Address output port for SDRAM (MSB)
97	MA9	Out	4mA	Address output port for SDRAM
98	OVDD	P	-	Positive supply voltage (+3.3V) for Pad Ring
99	OVSS	P	-	Digital ground for Pad Ring
100	RAS	Out	4mA	Row Address Strobe command output port for SDRAM
101	DQM	Out	4mA	DQM output port for SDRAM. In addition, please connect the CKE terminal of SDRAM to the power supply of SDRAM
102	CAS	Out	4mA	Column Address Strobe command output port for SDRAM
103	MCLK	Out	4mA	Clock output port for SDRAM (54MHz)
104	WE	Out	4mA	Write Enable output port for SDRAM
105	TEST3	In	CMOS	Test purpose only (must be connected to ground)
106	TEST4	In	CMOS	Test purpose only (must be connected to ground)
107	OVSS	P	-	Digital ground for Pad Ring
108	OVDD	P	-	Positive supply voltage (+3.3V) for Pad Ring
109	CVDD	P	-	Digital positive supply voltage (+2.5V) for core
110	MD7	Inout	CMOS, pull-up / 4mA	Data input/output port for SDRAM
111	MD8	Inout	CMOS, pull-up / 4mA	Data input/output port for SDRAM
112	MD6	Inout	CMOS, pull-up / 4mA	Data input/output port for SDRAM
113	MD9	Inout	CMOS, pull-up / 4mA	Data input/output port for SDRAM
114	OVDD	P	-	Positive supply voltage (+3.3V) for Pad Ring
115	OVSS	P	-	Digital ground for Pad Ring
116	MD5	Inout	CMOS, pull-up / 4mA	Data input/output port for SDRAM
117	MD10	Inout	CMOS, pull-up / 4mA	Data input/output port for SDRAM
118	MD4	Inout	CMOS, pull-up / 4mA	Data input/output port for SDRAM
119	MD11	Inout	CMOS, pull-up / 4mA	Data input/output port for SDRAM
120	OVDD	P	-	Positive supply voltage (+3.3V) for Pad Ring
121	OVSS	P	-	Digital ground for Pad Ring
122	MD3	Inout	CMOS, pull-up / 4mA	Data input/output port for SDRAM
123	MD12	Inout	CMOS, pull-up / 4mA	Data input/output port for SDRAM
124	MD2	Inout	CMOS, pull-up / 4mA	Data input/output port for SDRAM
125	MD13	Inout	CMOS, pull-up / 4mA	Data input/output port for SDRAM
126	OVSS	P	-	Digital ground for Pad Ring
127	CVSS	P	-	Digital ground for core
128	OVDD	P	-	Positive supply voltage (+3.3V) for Pad Ring
129	MD1	Inout	CMOS, pull-up / 4mA	Data input/output port for SDRAM
130	MD14	Inout	CMOS, pull-up / 4mA	Data input/output port for SDRAM
131	MD0	Inout	CMOS, pull-up / 4mA	Data input/output port for SDRAM
132	MD15	Inout	CMOS, pull-up / 4mA	Data input/output port for SDRAM
133	SLV	In	CMOS	Slave address selection input for I2C. Slave address is set up to 0x72 when SLV is "0", 0x70 when "1"
134	RFFO	Out	2mA	MPEG flag (Repeat First Field) output port. If not used, leave open
135	SDA	Inout	Schmitt, 3.3V / 4mA	Data input/output of MPU interface
136	SCL	In	Schmitt, 3.3V	Clock input of MPU interface
137	SRN	In	Schmitt	System reset input(negative)
138	OVSS	P	-	Digital ground for Pad Ring
139	CVDD	P	-	Digital positive supply voltage (+2.5V) for core
140	PLL_VDD	P	-	Digital positive supply voltage (+2.5V) for PLL
141	VPDX	In	CMOS	Must be connected to ground
142	TEST6	In	CMOS	Test purpose only (must be connected to ground)
143	PLL_GND	P	-	Ground for PLL
144	IVDD	P	-	Positive supply voltage (+3.3V) for Pad Ring

Note *1 P10 and P11 should be connected to GND at the time of 8bit input
*2 PO0 and PO1 should be connected to GND at the time of 8bit input
*3 Although the same bidirectional buffer as PO is used in order to unite PO and timing at the time of PO input, it is always fixed as an input
*4 The initial-setting value of the initial state in a reset period and after reset release

IC64 : HY57V161610E-T7

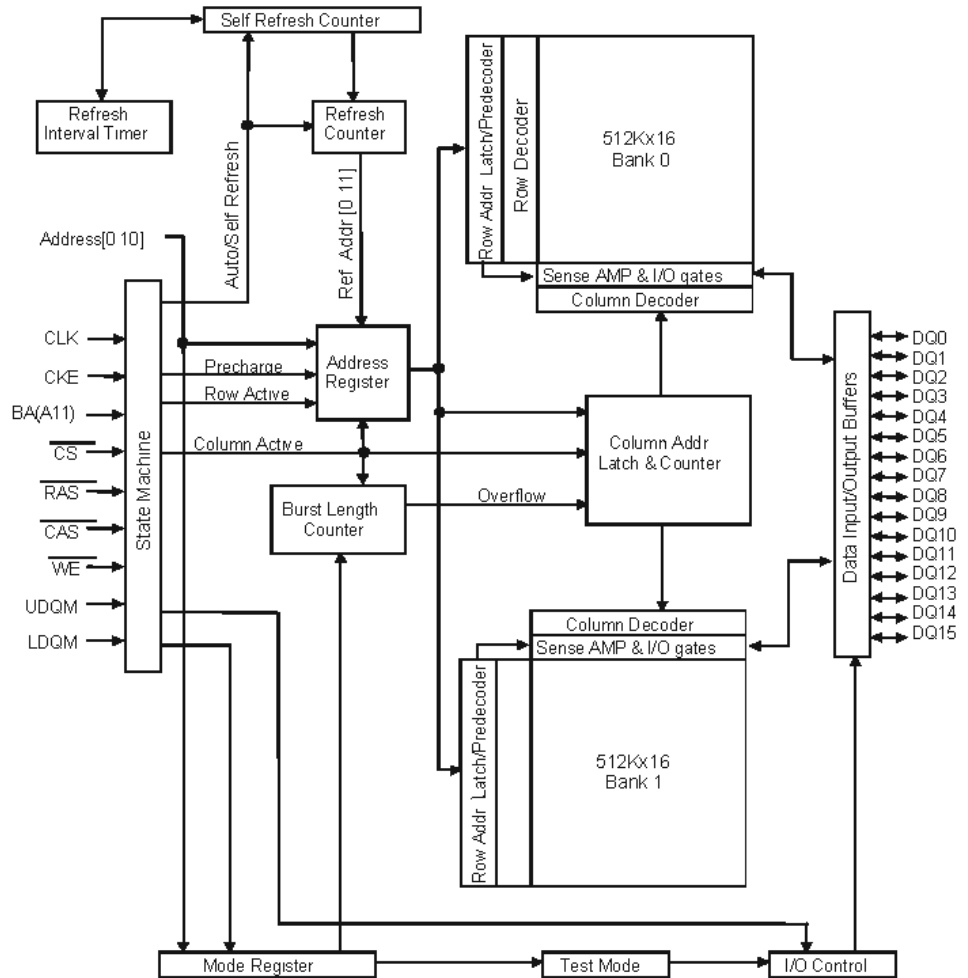
1Mx16 Synchronous DRAM

PIN CONFIGURATION



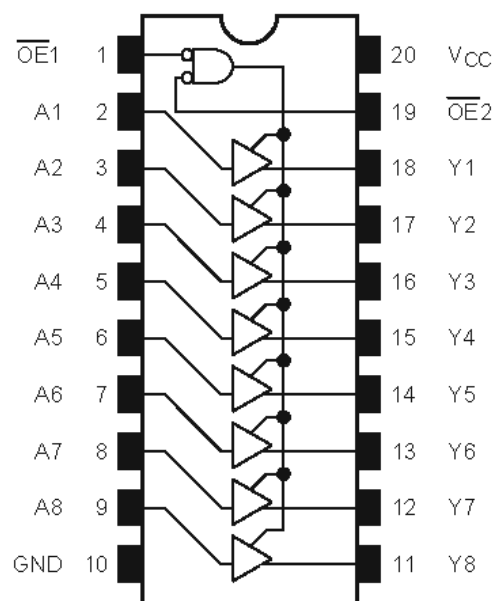
PIN DESCRIPTION

PIN	PIN NAME	DESCRIPTION
CLK	Clock	The system clock input. All other inputs are referenced to the SDRAM on the rising edge of CLK.
CKE	Clock Enable	Controls internal clock signal and when deactivated, the SDRAM will be one of the states among power down, suspend or self refresh.
CS	Chip Select	Command input enable or mask except CLK, CKE and DQM.
BA	Bank Address	Select either one of banks during both RAS and CAS activity.
A0 ~ A10	Address	Row Address: RA0 ~ RA10, Column Address: CA0 ~ CA7. Auto-precharge flag: A10.
RAS, CAS, WE	Row Address Strobe, Column Address Strobe, Write Enable	RAS, CAS and WE define the operation. Refer function truth table for details.
LDQM, UDQM	Data Input/Output Mask	DQM control output buffer in read mode and mask input data in write mode.
DQ0 ~ DQ15	Data Input/Output	Multiplexed data input / output pin.
VDD/VSS	Power Supply/Ground	Power supply for internal circuit and input buffer.
VDDQ/VSSQ	Data Output Power/Ground	Power supply for DQ.
NC	No Connection	No connection.

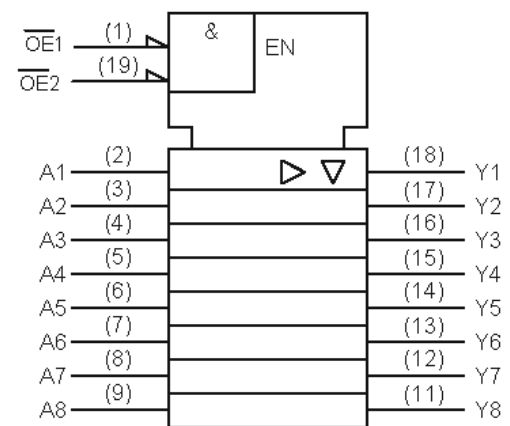


- IC65 : TC74VCX541FT
- IC66 : TC74VCX541FT
- IC67 : TC74VCX541FT
- IC68 : TC74VCX541FT
- IC69 : TC74VCX541FT
- IC70 : TC74VCX541FT

Pin Assignment (top view)



IEC Logic Symbol



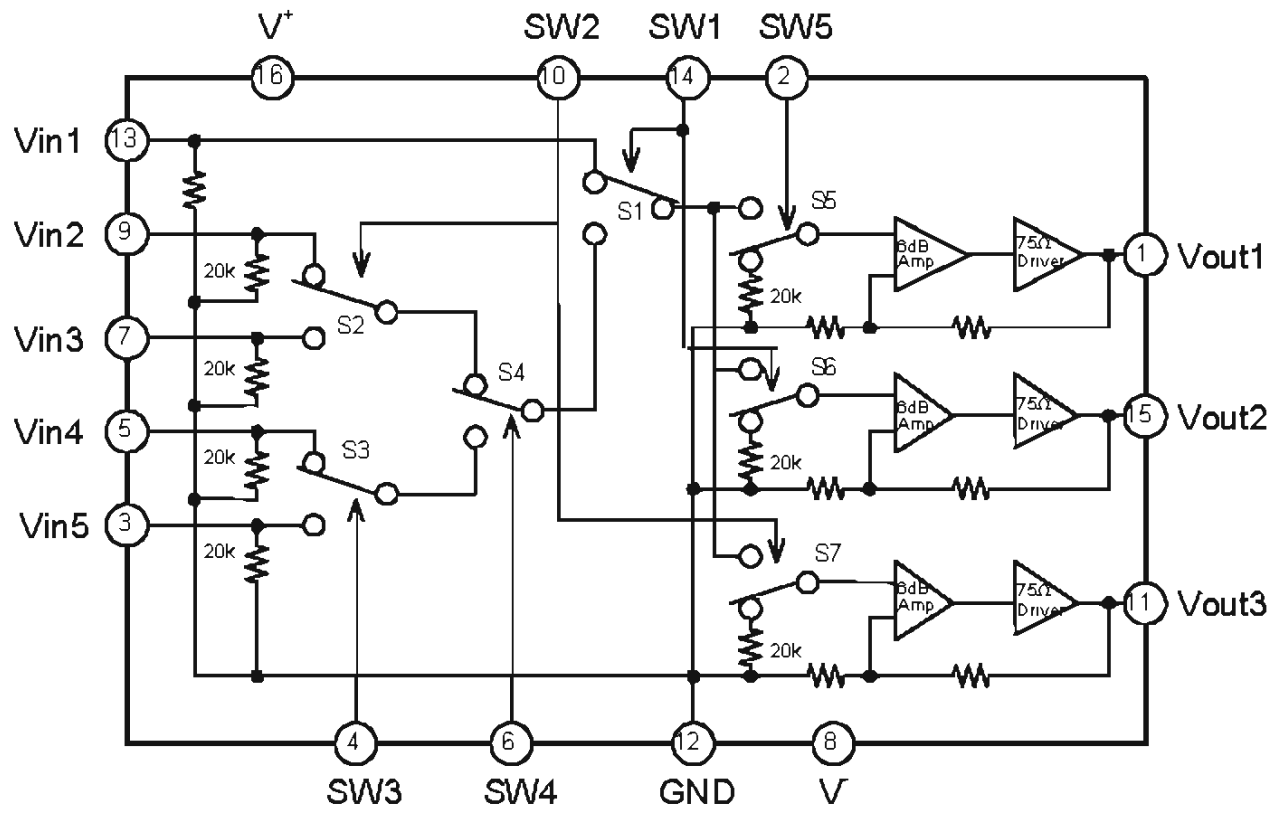
Truth Table

Inputs			Outputs
OE1	OE2	An	
H	X	X	Z
X	H	X	Z
L	L	H	H
L	L	L	L

X: Don't care

Z: High impedance

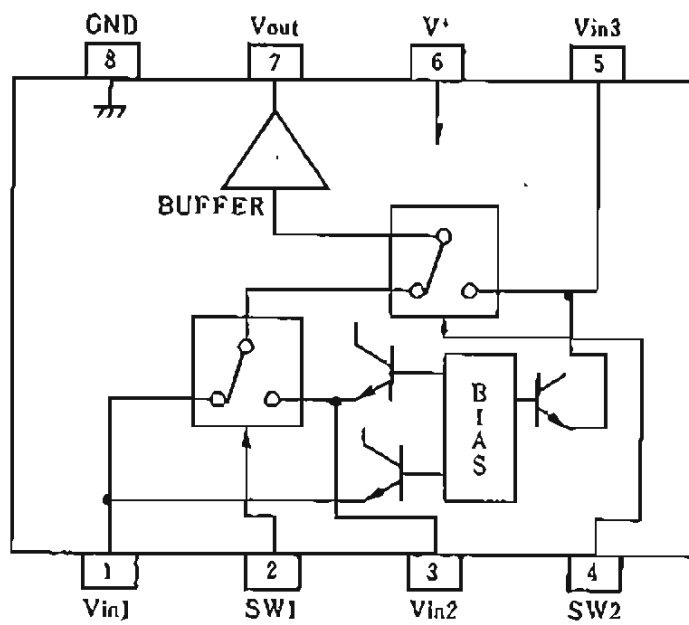
IC71 : NJM2595MTE1
 IC72 : NJM2595MTE1
 IC73 : NJM2595MTE1
 IC81 : NJM2595MTE1



■ Control Signal vs. Output Signal (L=V_{OH}, H=V_{OL}, X=L or H)

SW1	SW2	SW3	SW4	SW5	Vout1	Vout2	Vout3
L	H	X	X	H	Vin1	MUTE	Vin1
	L			Vin1	MUTE	MUTE	
	H			MUTE	MUTE	Vin1	
H	L	X	L	H	Vin2	Vin2	MUTE
				L	MUTE	Vin2	MUTE
				H	Vin3	Vin3	Vin3
H	H	X	L	L	MUTE	Vin3	Vin3
				H	Vin4	Vin4	Vin4
				L	MUTE	Vin4	MUTE
H	H	L	H	H	Vin4	Vin4	Vin4
				L	MUTE	Vin4	Vin4
				H	Vin4	Vin4	MUTE
H	L	H	H	L	MUTE	Vin4	MUTE
				H	Vin5	Vin5	Vin5
				L	MUTE	Vin5	Vin5
H	H	H	H	L	MUTE	Vin5	Vin5
				H	Vin5	Vin5	MUTE
				L	MUTE	Vin5	MUTE
L	L	X	X	L	MUTE	MUTE	MUTE

IC74 : NJM2535D

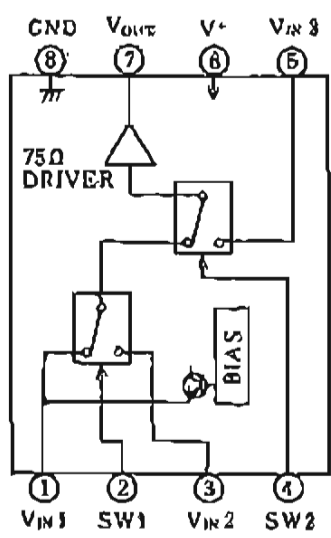


PIN FUNCTION

- 1 : Vin1
- 2 : SW1
- 3 : Vin2
- 4 : SW2
- 5 : Vin3
- 6 : V⁺
- 7 : V_{OUT}
- 8 : GND

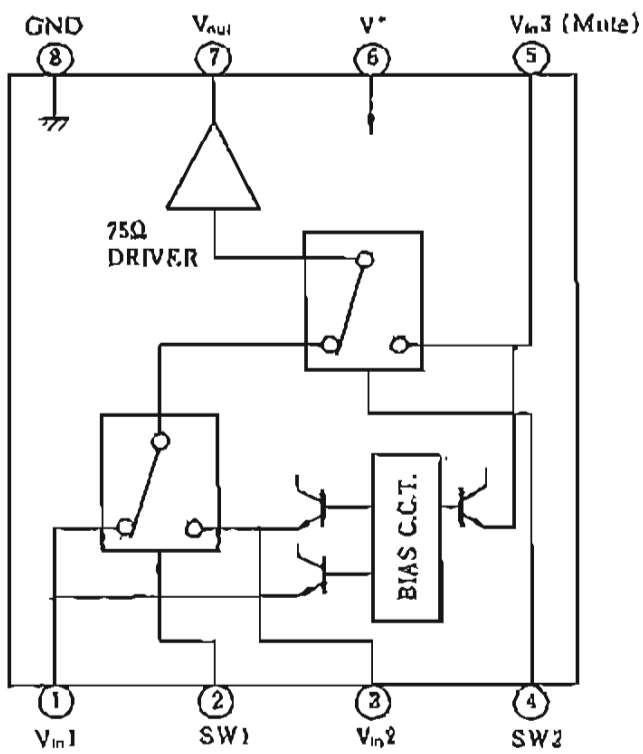
SW1	SW2	OUTPUT SIGNAL
L	L	V _{IN1}
H	L	V _{IN2}
L/H	H	V _{IN3}

IC75 : NJM2264D



SW 1	SW 2	OUTPUT SIGNAL
L	L	V _{IN 1}
H	L	V _{IN 2}
L/H	H	V _{IN 3}

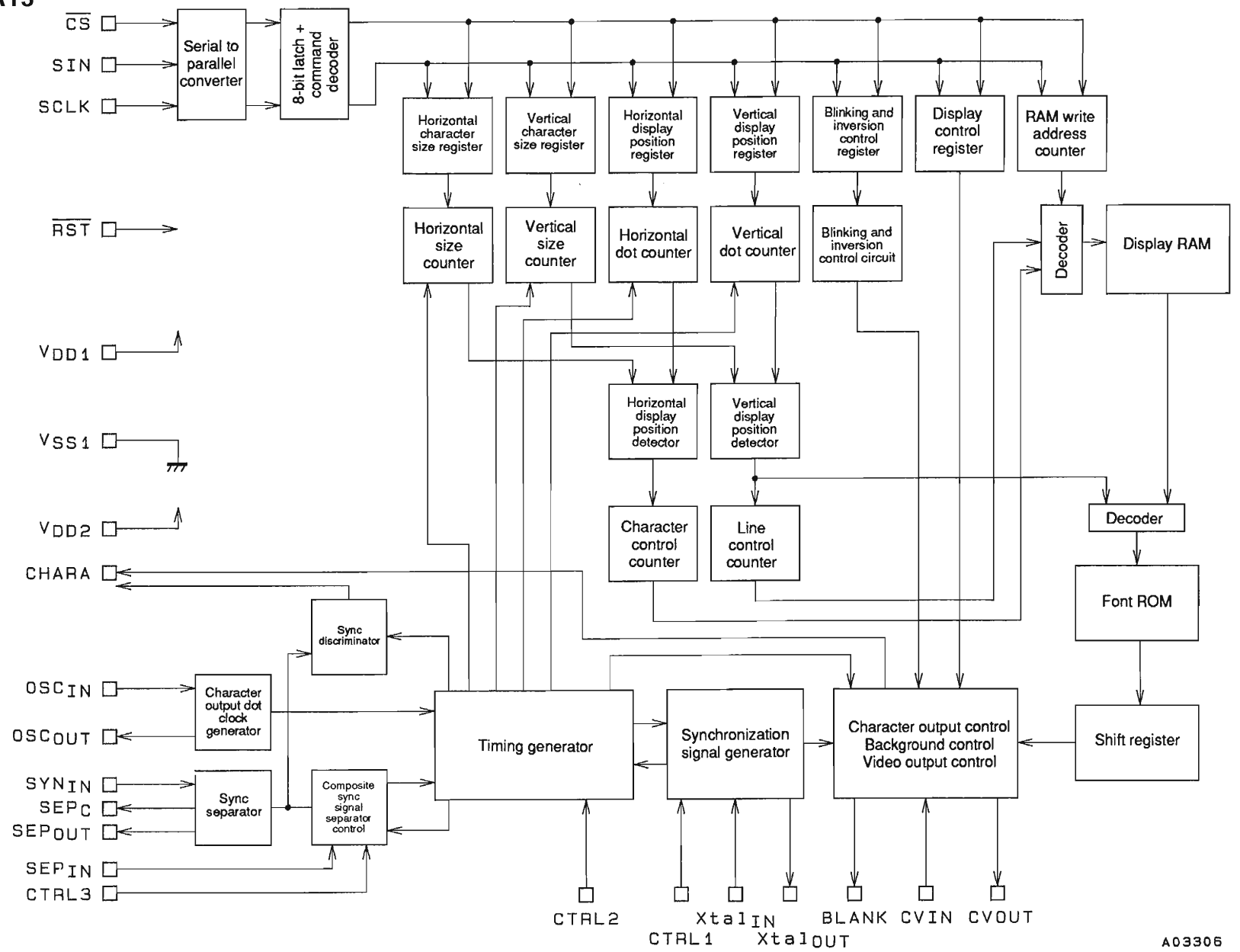
IC76 : NJM2244D
 IC77 : NJM2244D
 IC82 : NJM2244D



SW 1	SW 2	OUTPUT SIGNAL
L	L	V _{IN 1}
H	L	V _{IN 2}
L/H	H	V _{IN 3}

note): Input clamp voltage is about 2/5 of supply voltage.

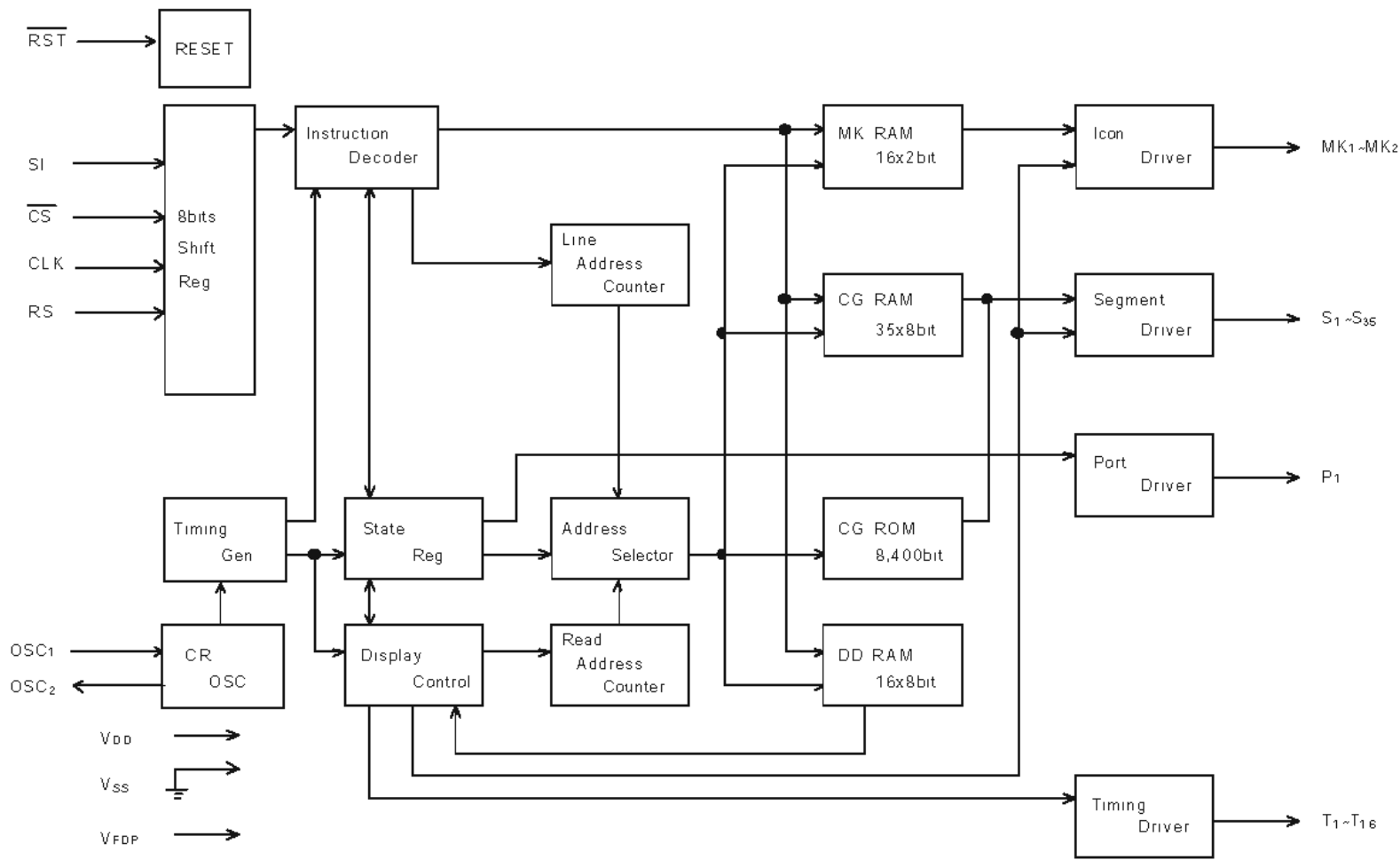
IC78 : LC747828A13



A03306

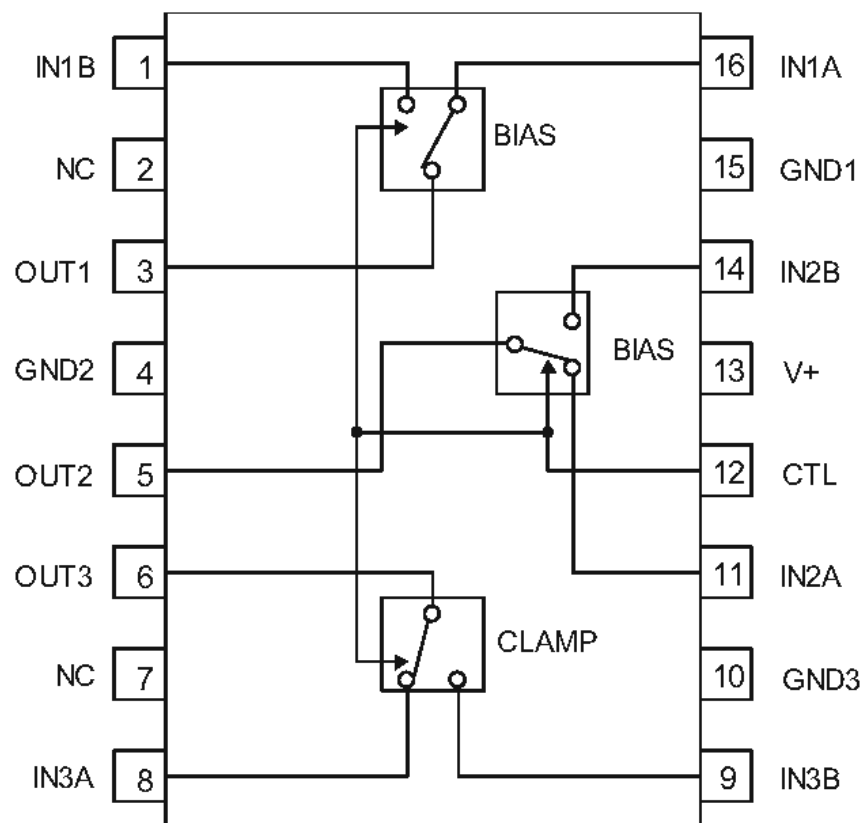
Pin No.	Symbol	Function	Description
1	V _{SS1}	Ground	Ground connection (digital system ground)
2	Xtal _{IN}	Crystal oscillator connection	Used to connect the crystal oscillator and capacitor used to generate the internal synchronization signal, or to input an external clock (2fsc or 4fsc).
3	Xtal _{OUT}		
4	CTRL1	Crystal oscillator input switching	Switches between external clock input mode and crystal oscillator mode. Low = crystal oscillator mode, high = external clock mode
5	BLANK	Blanking output	Outputs the blank signal (the OR of the character and border signals). (Outputs a composite sync signal when MOD0 is high.) Outputs the crystal oscillator clock during reset (when the RST pin is low), but can be set up to not output this signal by microprocessor command.
6	OSC _{IN}	LC oscillator connection	Connections for the coil and capacitor that form the oscillator that generates the character output dot clock.
7	OSC _{OUT}		
8	CHARA	Character output	Outputs the character signal. (Functions as the external synchronization signal discrimination signal output pin when MOD0 is high, and outputs the state of the judgment as to whether the external synchronization signal is present or not. Outputs a high level when the synchronization signal is present.) Outputs the dot clock (LC oscillator) during reset, but can be set up to not output this signal by microprocessor command.
9	CS	Enable input	Serial data input enable input. Serial data input is enabled when low. A pull-up resistor is built in (hysteresis input).
10	SCLK	Clock input	Serial data input clock input. A pull-up resistor is built in (hysteresis input).
11	SIN	Data input	Serial data input. A pull-up resistor is built in (hysteresis input).
12	V _{DD2}	Power supply	Composite video signal level adjustment power supply pin (analog system power supply).
13	CV _{OUT}	Video signal output	Composite video signal output
14	NC		Must be either connected to ground or left open.
15	CV _{IN}	Video signal input	Composite video signal input
16	V _{DD1}	Power supply	Power supply (+5 V: digital system power supply)
17	SYN _{IN}	Sync separator circuit input	Video signal input for the built-in sync separator circuit (Used for either horizontal synchronization signal or composite sync signal input when the built-in sync separator circuit is not used.)
18	SEPC	Sync separator circuit bias voltage	Built-in sync separator circuit bias voltage monitor pin
19	SEPOUT	Composite sync signal output	Built-in sync separator circuit composite sync signal output. (When MOD1 is high, outputs a high level during internal synchronization and a low level during external synchronization.) (Outputs the SYN _{IN} input signal when the internal sync separator circuit is not used.)
20	SEP _{IN}	Vertical synchronization signal input	Inputs a vertical synchronization signal created by integrating the SEPOUT pin output signal. An integrator must be attached at the SEPOUT pin. This pin must be tied to V _{DD1} if unused.
21	CTRL2	NTSC/PAL-M switching input	The setting indicated by this pin takes priority in switching between the NTSC, PAL, PAL-M and PAL-N formats. A low level selects NTSC after a reset. The microprocessor command NTSC, PAL, PAL-M, or PAL-N setting is valid. High = PAL-M format.
22	CTRL3	SEP _{IN} input control	Controls whether or not the \overline{VSYNC} signal is input to the SEP _{IN} input. Low = \overline{VSYNC} input, high = \overline{VSYNC} not input.
23	\overline{RST}	Reset input	System reset input. A pull-up resistor is built in (hysteresis input).
24	V _{DD1}	Power supply (+5 V)	Power supply (+5 V: digital system power supply)

IC81 : NJU3430F



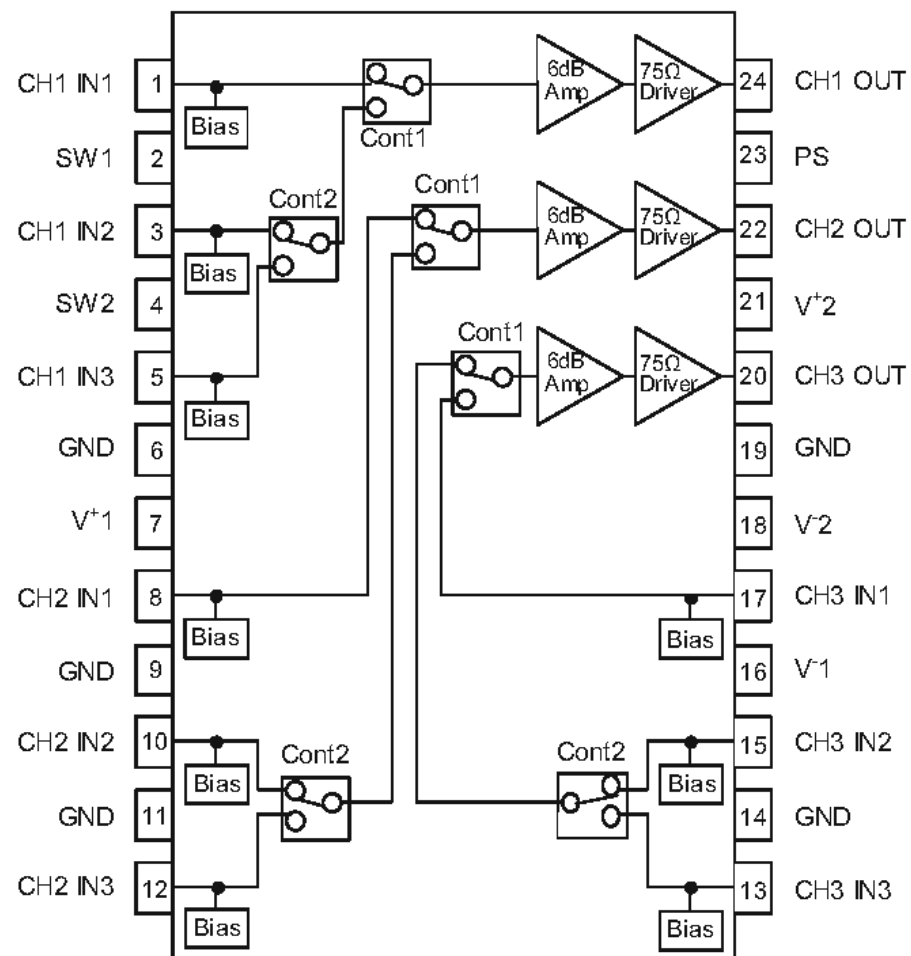
No.	SYMBOL	I/O	F U N C T I O N
57	VDD	-	Power Source : VDD=+3.0 to 5.5V
49	VSS	-	GND : VSS=0V
48	VFDP	-	VFD Driving Power Source VDD-20V to VDD-45V
50	OSC1	I	CR Oscillation Terminal External R and C connect to these terminals. (Target fosc=360kHz)
51	OSC2	O	
54	CLK	I	Serial Clock Input Terminal The serial data input synchronizing the rise edge of this terminal.
53	\overline{CS}	I	Chip Select Terminal When the CS terminal is "H" the serial data input is not available.
55	SI	I	Serial Data Input Terminal The data input is MSB first.
56	RS	I	Register Selection Signal Input Terminal RS="0" : Instruction Register RS="1" : Data Register
52	\overline{RST}	I	Reset Terminal RST="L" : Reset -Each Address : (00)H -Each RAM Data : Unfixed -Display Digits : 16-digit -Contrast Control : 8/16 Dury -All Display Off -All Outputs are "L"
61 to 64, 1 to 31	S1 to S35	O	Segment Output Terminals (Internal Pull-down Resistance)
32 to 47	T1 to T16	O	Timing Output Terminals (Internal Pull-down Resistance)
60 59	MK1 MK2	O	Icon Output Terminals (Internal Pull-down Resistance)
58	P1	O	Output Port Terminal This terminal is suitable for LED.

IC91 : NJM2584M
 IC92 : NJM2584M
 IC93 : NJM2584M
 IC96 : NJM2584M (SR8001 only)
 IC97 : NJM2584M (SR8001 only)
 IC98 : NJM2584M (SR8001 only)



PIN	MODE	NOTES
Control	H	B channel output
	L	A channel output
	OPEN	A channel output

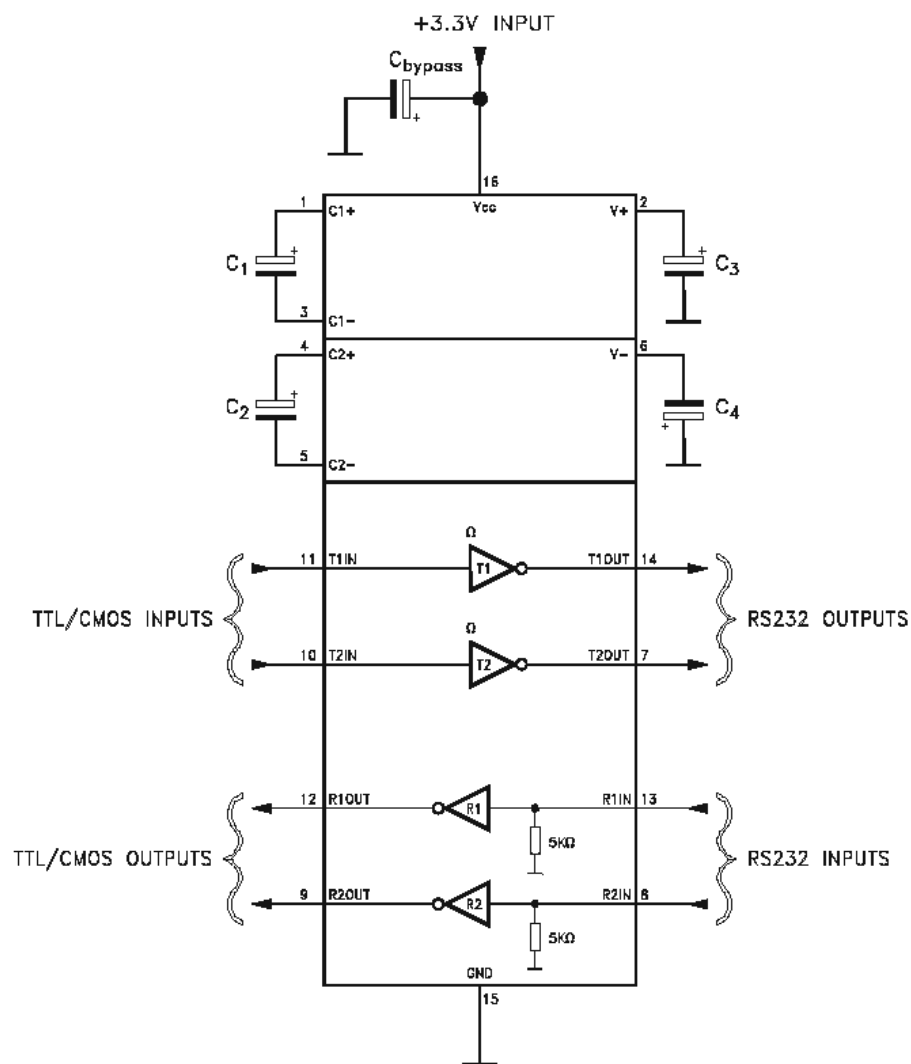
IC94 : NJM2586AM
 IC99 : NJM2586AM (SR8001 only)



PARAMETER	STATUS	NOTE
PS	H	Power Save: OFF
	L	Power Save: ON
	OPEN	Power Save: ON

PARAMETER	STATUS		NOTE
	SW1	SW2	
SW1, SW2	L, OPEN	X	IN1 (X=don't care)
	H	L, OPEN	IN2
	H	H	IN3

IC92 : ST3232ECWR



PIN DESCRIPTION

PIN N°	SYMBOL	NAME AND FUNCTION
1	C ₁₊	Positive Terminal for the first Charge Pump Capacitor
2	V+	Doubled Voltage Terminal
3	C ₁₋	Negative Terminal for the first Charge Pump Capacitor
4	C ₂₊	Positive Terminal for the second Charge Pump Capacitor
5	C ₂₋	Negative Terminal for the second Charge Pump Capacitor
6	V-	Inverted Voltage Terminal
7	T _{2OUT}	Second Transmitter Output Voltage
8	R _{2IN}	Second Receiver Input Voltage
9	R _{2OUT}	Second Receiver Output Voltage
10	T _{2IN}	Second Transmitter Input Voltage
11	T _{1IN}	First Transmitter Input Voltage
12	R _{1OUT}	First Receiver Output Voltage
13	R _{1IN}	First Receiver Input Voltage
14	T _{1OUT}	First Transmitter Output Voltage
15	GND	Ground
16	V _{CC}	Supply Voltage

13. ELECTRICAL PARTS LIST

PARTS INFORMATION

RESISTORS

- 1) 00MGD05 x x x 140, Carbon film fixed resistor, ±5% 1/4W
 2) 00MGD05 x x x 160, Carbon film fixed resistor, ±5% 1/6W
 ① — Resistance value

Examples ;

- ① Resistance value
 0.1Ω ... 001 10Ω ... 100 1kΩ ... 102 100kΩ ... 104
 0.5Ω ... 005 18Ω ... 180 2.7kΩ ... 272 680kΩ ... 684
 1Ω ... 010 100Ω ... 101 10kΩ ... 103 1MΩ ... 105
 6.8Ω ... 068 390Ω ... 391 22kΩ ... 223 4.7MΩ ... 475

Note : Please distinguish 1/4W from 1/6W by the shape of parts used actually.

CAPACITORS

CERAMIC CAP.

- 3) 00MDD1 x x x x 370, Ceramic capacitor
 Disc type
 Temp.coef.P350 ~ N1000, 50V
 ② — Tolerance
 ③ — Capacity value

Examples ;

- ② Tolerance (Capacity deviation)
 ±0.25pF 0
 ±0.5pF 1
 ±5% 5

* Tolerance of COMMON PARTS handled here are as follows :

- 0.5pF ~ 5pF ... ±0.25pF
 6pF ~ 10pF ... ±0.5pF
 12pF ~ 560pF ... ±5%

③ Capacity value

- 0.5pF ... 005 3pF ... 030 100pF ... 101
 1pF ... 010 10pF ... 100 220pF ... 221
 1.5pF ... 015 47pF ... 470 560pF ... 561

CERAMIC CAP.

- 4) 00MDK16 x x x 300, High dielectric constant ceramic capacitor
 Disc type
 Temp.chara. 2B4, 50V
 ④ — Capacity value

Examples ;

- ④ Capacity value
 100pF ... 101 1000pF ... 102 10000pF ... 103
 470pF ... 471 2200pF ... 222

ELECTROLY CAP. (⏏)

- 5) 00MEA x x x x x 10, Electrolytic capacitor
 One-way lead type, Tolerance ±20%
 ⑤ — Capacity value
 ⑥ — Working voltage

Examples ;

- ⑤ Capacity value
 0.1μF ... 104 4.7μF ... 475 100μF ... 107
 0.33μF ... 334 10μF ... 106 330μF ... 337
 1μF ... 105 22μF ... 226 1100μF ... 118
 2200μF ... 228
- ⑥ Working voltage
 6.3V ... 006 25V ... 025
 10V ... 010 35V ... 035
 16V ... 016 50V ... 050

FILM CAP. (⏏)

- 6) 00MDF15 x x x 350 — Plastic film capacitor
 00MDF15 x x x 310 — One-way type, Mylar ±5% 50V
 00MDF16 x x x 310 — Plastic film capacitor
 One-way type, Mylar ±10% 50V
 ⑦ — Capacity value

Examples ;

- ⑦ Capacity value
 0.001μF (1000pF) 102 0.1μF ... 104
 0.0018μF 182 0.56μF ... 564
 0.01μF 103 1μF ... 105
 0.015μF 153

NOTE ON SAFETY FOR FUSIBLE RESISTOR :

The suppliers and their type numbers of fusible resistors are as follows;

1. KOA Corporation

Part No. (MJI)	Type No. (KOA)	Description
00MNH05 x x x 140	RF25S x x x x ΩJ	(±5% 1/4W)
00MNH05 x x x 120	RF50S x x x x ΩJ	(±5% 1/2W)
00MNH85 x x x 110	RF73B2A x x x x ΩJ	(±5% 1/10W)
00MNH95 x x x 140	RF73B2E x x x x ΩJ	(±5% 1/4W)

* Resistance value Resistance value (0.1 – 10kΩ)

2. Matsushita Electronic Components Co., Ltd

Part No. (MJI)	Type No. (MEC)	Description
00MNF05 x x x 140	ERD-2FCJ x x x	(±5% 1/4W)
00MRF05 x x x 140		
00MNF02 x x x 140	ERD-2FCG x x x	(±2% 1/4W)
00MRF02 x x x 140		

* Resistance value * Resistance value

Examples ;

- * Resistance value
 0.1Ω ... 001 10Ω ... 100 1kΩ ... 102 100kΩ ... 104
 0.5Ω ... 005 18Ω ... 180 2.7kΩ ... 272 680kΩ ... 684
 1Ω ... 010 100Ω ... 101 10kΩ ... 103 1MΩ ... 105
 6.8Ω ... 068 390Ω ... 391 22kΩ ... 223 4.7MΩ ... 475

ABBREVIATION AND MARKS

ANT. : ANTENNA	BATT. : BATTERY
CAP. : CAPACITOR	CER. : CERAMIC
CONN. : CONNECTING	DIG. : DIGITAL
HP : HEADPHONE	MIC. : MICROPHONE
μ-PRO : MICROPROCESSOR	REC. : RECORDING
RES. : RESISTOR	SPK : SPEAKER
SW : SWITCH	TRANSF. : TRANSFORMER
TRIM. : TRIMMING	TRS. : TRANSISTOR
VAR. : VARIABLE	XTAL : CRYSTAL

NOTE ON FUSE :

Regarding to all parts of parts code 00MFS20xxx2xx, replace only with Wickmann-Werke GmbH, Type 372 non glass type fuse.

NOTE ON SAFETY :

Symbol ⚠ Fire or electrical shock hazard. Only original parts should be used to replaced any part marked with symbol ⚠ . Any other component substitution (other than original type), may increase risk of fire or electrical shock hazard.

安全上の注意 :


⚠ がついている部品は、安全上重要な部品です。必ず指定されている部品番号の部品を使用して下さい。

P.W.B. NAME	POS. NO.	VERS. COLOR	PART NO. (FOR EUR)	PART NO. (MZ)	PART NAME	DESCRIPTION
7.1CH INPUT PWB (CUP11869Y-6)						
7.1IN	BN26		nsp	nsp	CORD	WIRE ASSY CWB1B915080EN
7.1IN	C225		nsp	nsp	CER. CAP.	470PF 50V KB CCKT1H471KB
7.1IN	C226		nsp	nsp	CER. CAP.	470PF 50V KB CCKT1H471KB
7.1IN	C227		nsp	nsp	CER. CAP.	470PF 50V KB CCKT1H471KB
7.1IN	C228		nsp	nsp	CER. CAP.	470PF 50V KB CCKT1H471KB
7.1IN	C229		nsp	nsp	CER. CAP.	470PF 50V KB CCKT1H471KB
7.1IN	C230		nsp	nsp	CER. CAP.	470PF 50V KB CCKT1H471KB
7.1IN	C231		nsp	nsp	CER. CAP.	470PF 50V KB CCKT1H471KB
7.1IN	C232		nsp	nsp	CER. CAP.	470PF 50V KB CCKT1H471KB
7.1IN	J870		nsp	nsp	CORD	SN95/PB5, 0.6 C3A206
7.1IN	JK25		90M-YT004050R	90M-YT004050R	TERMINAL	RCA-401DA-16 CJJ4P052Z
7.1IN	JK26		90M-YT004040R	90M-YT004040R	TERMINAL	RCA-401DA-28 CJJ4P051Z
7.1IN	R225		nsp	nsp	RES.	100 OHM 1/5W J CRD20TJ101T
7.1IN	R226		nsp	nsp	RES.	100 OHM 1/5W J CRD20TJ101T
7.1IN	R227		nsp	nsp	RES.	100 OHM 1/5W J CRD20TJ101T
7.1IN	R228		nsp	nsp	RES.	100 OHM 1/5W J CRD20TJ101T
7.1IN	R229		nsp	nsp	RES.	100 OHM 1/5W J CRD20TJ101T
7.1IN	R230		nsp	nsp	RES.	100 OHM 1/5W J CRD20TJ101T
7.1IN	R231		nsp	nsp	RES.	100 OHM 1/5W J CRD20TJ101T
7.1IN	R232		nsp	nsp	RES.	100 OHM 1/5W J CRD20TJ101T
7.1 CH PREOUT PWB (CUP11874Y-4)						
7.1PRE	BN22		nsp	nsp	CORD	WIRE ASSY CWB1B915250EN
7.1PRE	C170		nsp	nsp	CER. CAP.	470PF 50V KB CCKT1H471KB
7.1PRE	C171		nsp	nsp	CER. CAP.	470PF 50V KB CCKT1H471KB
7.1PRE	C172		nsp	nsp	CER. CAP.	470PF 50V KB CCKT1H471KB
7.1PRE	C173		nsp	nsp	CER. CAP.	470PF 50V KB CCKT1H471KB
7.1PRE	C174		nsp	nsp	CER. CAP.	470PF 50V KB CCKT1H471KB
7.1PRE	C175		nsp	nsp	CER. CAP.	470PF 50V KB CCKT1H471KB
7.1PRE	C176		nsp	nsp	CER. CAP.	470PF 50V KB CCKT1H471KB
7.1PRE	C177		nsp	nsp	CER. CAP.	470PF 50V KB CCKT1H471KB
7.1PRE	JK60		90M-YT004050R	90M-YT004050R	TERMINAL	RCA-401DA-16 CJJ4P052Z
7.1PRE	JK61		90M-YT004040R	90M-YT004040R	TERMINAL	RCA-401DA-28 CJJ4P051Z
AMP PWB (CUP11870Y)						
AMP	BN66		nsp	nsp	CORD	WIRE ASSY CWB1D906050EN
AMP	BN68		nsp	nsp	CORD	WIRE ASSY CWZSR7001BN68
AMP	C401		nsp	00MOA10605020	ELECT CAP.	10UF 50V CCEA1HH100T
AMP	C402		nsp	00MOA10605020	ELECT CAP.	10UF 50V CCEA1HH100T
AMP	C403		nsp	nsp	CER. CAP.	330PF 50V KB CCKT1H331KB
AMP	C404		nsp	nsp	CER. CAP.	330PF 50V KB CCKT1H331KB
AMP	C405		nsp	nsp	CER. CAP.	10PF 50V DC CCCT1H100DC
AMP	C406		nsp	nsp	CER. CAP.	10PF 50V DC CCCT1H100DC
AMP	C407		90M-OF100350R	90M-OF100350R	FILM CAP.	2200PF 50V J HCQI1H222JZT
AMP	C408		90M-OF100350R	90M-OF100350R	FILM CAP.	2200PF 50V J HCQI1H222JZT
AMP	C409		nsp	00MOA22605020	ELECT CAP.	22UF 50V CCEA1HH220T
AMP	C410		nsp	00MOA22605020	ELECT CAP.	22UF 50V CCEA1HH220T
AMP	C411		nsp	00MOA10710020	ELECT CAP.	100UF 100V CCEA2AH101E
AMP	C412		nsp	00MOA10710020	ELECT CAP.	100UF 100V CCEA2AH101E
AMP	C413		nsp	00MOA10710020	ELECT CAP.	100UF 100V CCEA2AH101E
AMP	C414		nsp	00MOA10710020	ELECT CAP.	100UF 100V CCEA2AH101E
AMP	C419		nsp	00MOA10705020	ELECT CAP.	100UF 50V CCEA1HH101T
AMP	C420		nsp	00MOA10705020	ELECT CAP.	100UF 50V CCEA1HH101T
AMP	C421		nsp	00MOA10702520	ELECT CAP.	100UF 25V CCEA1EH101T
AMP	C422		nsp	00MOA10702520	ELECT CAP.	100UF 25V CCEA1EH101T
AMP	C501		nsp	00MOA10605020	ELECT CAP.	10UF 50V CCEA1HH100T
AMP	C502		nsp	00MOA10605020	ELECT CAP.	10UF 50V CCEA1HH100T
AMP	C503		nsp	nsp	CER. CAP.	330PF 50V KB CCKT1H331KB
AMP	C504		nsp	nsp	CER. CAP.	330PF 50V KB CCKT1H331KB
AMP	C505		nsp	nsp	CER. CAP.	10PF 50V DC CCCT1H100DC
AMP	C506		nsp	nsp	CER. CAP.	10PF 50V DC CCCT1H100DC
AMP	C507		90M-OF100350R	90M-OF100350R	FILM CAP.	2200PF 50V J HCQI1H222JZT
AMP	C508		90M-OF100350R	90M-OF100350R	FILM CAP.	2200PF 50V J HCQI1H222JZT
AMP	C509		nsp	00MOA22605020	ELECT CAP.	22UF 50V CCEA1HH220T
AMP	C510		nsp	00MOA22605020	ELECT CAP.	22UF 50V CCEA1HH220T
AMP	C511		nsp	00MOA10710020	ELECT CAP.	100UF 100V CCEA2AH101E
AMP	C512		nsp	00MOA10710020	ELECT CAP.	100UF 100V CCEA2AH101E
AMP	C513		nsp	00MOA10710020	ELECT CAP.	100UF 100V CCEA2AH101E

NOTE "nsp" PART IS LISTED FOR REFERENCE ONLY, MARANTZ WILL NOT SUPPLY THESE PARTS

P.W.B. NAME	POS. NO.	VERS. COLOR	PART NO. (FOR EUR)	PART NO. (MZ)	PART NAME	DESCRIPTION	
AMP	C514		nsp	00MOA10710020	ELECT CAP.	100UF 100V	CCEA2AH101E
AMP	C519		nsp	00MOA10705020	ELECT CAP.	100UF 50V	CCEA1HH101T
AMP	C520		nsp	00MOA10705020	ELECT CAP.	100UF 50V	CCEA1HH101T
AMP	C521		nsp	00MOA10702520	ELECT CAP.	100UF 25V	CCEA1EH101T
AMP	C522		nsp	00MOA10702520	ELECT CAP.	100UF 25V	CCEA1EH101T
AMP	C601		nsp	00MOA10605020	ELECT CAP.	10UF 50V	CCEA1HH100T
AMP	C602		nsp	00MOA10605020	ELECT CAP.	10UF 50V	CCEA1HH100T
AMP	C603		nsp	nsp	CER. CAP.	330PF 50V KB	CCKT1H331KB
AMP	C604		nsp	nsp	CER. CAP.	330PF 50V KB	CCKT1H331KB
AMP	C605		nsp	nsp	CER. CAP.	10PF 50V DC	CCCT1H100DC
AMP	C606		nsp	nsp	CER. CAP.	10PF 50V DC	CCCT1H100DC
AMP	C607		90M-OF100350R	90M-OF100350R	FILM CAP.	2200PF 50V J	HCQI1H222JZT
AMP	C608		90M-OF100350R	90M-OF100350R	FILM CAP.	2200PF 50V J	HCQI1H222JZT
AMP	C609		nsp	00MOA22605020	ELECT CAP.	22UF 50V	CCEA1HH220T
AMP	C610		nsp	00MOA22605020	ELECT CAP.	22UF 50V	CCEA1HH220T
AMP	C611		nsp	00MOA10710020	ELECT CAP.	100UF 100V	CCEA2AH101E
AMP	C612		nsp	00MOA10710020	ELECT CAP.	100UF 100V	CCEA2AH101E
AMP	C613		nsp	00MOA10710020	ELECT CAP.	100UF 100V	CCEA2AH101E
AMP	C614		nsp	00MOA10710020	ELECT CAP.	100UF 100V	CCEA2AH101E
AMP	C619		nsp	00MOA10705020	ELECT CAP.	100UF 50V	CCEA1HH101T
AMP	C620		nsp	00MOA10705020	ELECT CAP.	100UF 50V	CCEA1HH101T
AMP	C621		nsp	00MOA10702520	ELECT CAP.	100UF 25V	CCEA1EH101T
AMP	C622		nsp	00MOA10702520	ELECT CAP.	100UF 25V	CCEA1EH101T
AMP	C701		nsp	00MOA10605020	ELECT CAP.	10UF 50V	CCEA1HH100T
AMP	C703		nsp	nsp	CER. CAP.	330PF 50V KB	CCKT1H331KB
AMP	C705		nsp	nsp	CER. CAP.	10PF 50V DC	CCCT1H100DC
AMP	C707		90M-OF100350R	90M-OF100350R	FILM CAP.	2200PF 50V J	HCQI1H222JZT
AMP	C709		nsp	00MOA22605020	ELECT CAP.	22UF 50V	CCEA1HH220T
AMP	C711		nsp	00MOA10710020	ELECT CAP.	100UF 100V	CCEA2AH101E
AMP	C713		nsp	00MOA10710020	ELECT CAP.	100UF 100V	CCEA2AH101E
AMP	C719		nsp	00MOA10705020	ELECT CAP.	100UF 50V	CCEA1HH101T
AMP	C721		nsp	00MOA10702520	ELECT CAP.	100UF 25V	CCEA1EH101T
AMP	C722		nsp	00MOA10702520	ELECT CAP.	100UF 25V	CCEA1EH101T
AMP	C810		90M-OF100490R	90M-OF100490R	FILM CAP.	0.1UF 250V	KCME2E104JP04T
AMP	C811		90M-OF100490R	90M-OF100490R	FILM CAP.	0.1UF 250V	KCME2E104JP04T
AMP	C812		nsp	nsp	CER. CAP.	0.01UF 50V Z	CCFT1H103ZF
AMP	C813		nsp	00MOA47605020	ELECT CAP.	47UF 50V	CCEA1HH470T
AMP	C814		nsp	00MOA47505020	ELECT CAP.	4.7UF 50V	CCEA1HH470T
AMP	C815		nsp	nsp	CER. CAP.	0.01UF 50V Z	CCFT1H103ZF
AMP	C816	/U1B	nsp	nsp	CER. CAP.	0.01UF 50V Z	CCFT1H103ZF
AMP	CN23		nsp	nsp	CONN.	STRAIGHT 8PIN	CJP08GA19ZY
AMP	CN24		nsp	nsp	CONN.	6P STRAIGHT	CJP06GA19ZY
AMP	CN41		nsp	nsp	CONN.	STRAIGHT, 2PIN	CJP02GA01ZY
AMP	CN42		nsp	nsp	CONN.	STRAIGHT, 2PIN	CJP02GA01ZY
AMP	CN51		nsp	nsp	CONN.	STRAIGHT, 2PIN	CJP02GA01ZY
AMP	CN52		nsp	nsp	CONN.	STRAIGHT, 2PIN	CJP02GA01ZY
AMP	CN61		nsp	nsp	CONN.	STRAIGHT, 2PIN	CJP02GA01ZY
AMP	CN62		nsp	nsp	CONN.	STRAIGHT, 2PIN	CJP02GA01ZY
AMP	CN71		nsp	nsp	CONN.	STRAIGHT, 2PIN	CJP02GA01ZY
AMP	CN73		nsp	nsp	CONN.	A3963WV2-6P	CJP06GA148ZW
AMP	CN81		nsp	nsp	CONN.	2PIN CJP02GA19ZY	CJP02GA19ZY
AMP	CN82		nsp	nsp	CONN.	2PIN CJP02GA19ZY	CJP02GA19ZY
AMP	CN83		nsp	nsp	CORD	WIRE ASSY	CWZSR7001CN83
AMP	CN83	/U1B	nsp	nsp	CONN.	STRAIGHT, 2PIN	CJP02GA01ZY
AMP	D401		nsp	00MHD20015210	DIODE	1SS133T-77	CVD1SS133MT
AMP	D402		nsp	00MHD20015210	DIODE	1SS133T-77	CVD1SS133MT
AMP	D403		nsp	00MHD20015210	DIODE	1SS133T-77	CVD1SS133MT
AMP	D404		nsp	00MHD20015210	DIODE	1SS133T-77	CVD1SS133MT
AMP	D405		nsp	00MHD20015210	DIODE	1SS133T-77	CVD1SS133MT
AMP	D406		nsp	00MHD20015210	DIODE	1SS133T-77	CVD1SS133MT
AMP	D407		nsp	00MHD20015210	DIODE	1SS133T-77	CVD1SS133MT
AMP	D408		nsp	00MHD20015210	DIODE	1SS133T-77	CVD1SS133MT
AMP	D409		90M-HD302380R	90M-HD302380R	ZENER DIODE	ZJ3.6BT	CVDZJ3.6BT
AMP	D410		90M-HD302380R	90M-HD302380R	ZENER DIODE	ZJ3.6BT	CVDZJ3.6BT
AMP	D411		90M-HD302380R	90M-HD302380R	ZENER DIODE	ZJ3.6BT	CVDZJ3.6BT
AMP	D412		90M-HD302380R	90M-HD302380R	ZENER DIODE	ZJ3.6BT	CVDZJ3.6BT
AMP	D413		nsp	00MHD20015210	DIODE	1SS133T-77	CVD1SS133MT

NOTE *nsp* PART IS LISTED FOR REFERENCE ONLY, MARANTZ WILL NOT SUPPLY THESE PARTS

P.W.B. NAME	POS. NO.	VERS. COLOR	PART NO. (FOR EUR)	PART NO. (MZ)	PART NAME	DESCRIPTION
AMP	D414		nsp	00MHD20015210	DIODE	1SS133T-77 CVD1SS133MT
AMP	D415		nsp	00MHD20015210	DIODE	1SS133T-77 CVD1SS133MT
AMP	D416		nsp	00MHD20015210	DIODE	1SS133T-77 CVD1SS133MT
AMP	D501		nsp	00MHD20015210	DIODE	1SS133T-77 CVD1SS133MT
AMP	D502		nsp	00MHD20015210	DIODE	1SS133T-77 CVD1SS133MT
AMP	D503		nsp	00MHD20015210	DIODE	1SS133T-77 CVD1SS133MT
AMP	D504		nsp	00MHD20015210	DIODE	1SS133T-77 CVD1SS133MT
AMP	D505		nsp	00MHD20015210	DIODE	1SS133T-77 CVD1SS133MT
AMP	D506		nsp	00MHD20015210	DIODE	1SS133T-77 CVD1SS133MT
AMP	D507		nsp	00MHD20015210	DIODE	1SS133T-77 CVD1SS133MT
AMP	D508		nsp	00MHD20015210	DIODE	1SS133T-77 CVD1SS133MT
AMP	D509		90M-HD302380R	90M-HD302380R	ZENER DIODE	ZJ3.6BT CVDZJ3.6BT
AMP	D510		90M-HD302380R	90M-HD302380R	ZENER DIODE	ZJ3.6BT CVDZJ3.6BT
AMP	D511		90M-HD302380R	90M-HD302380R	ZENER DIODE	ZJ3.6BT CVDZJ3.6BT
AMP	D512		90M-HD302380R	90M-HD302380R	ZENER DIODE	ZJ3.6BT CVDZJ3.6BT
AMP	D513		nsp	00MHD20015210	DIODE	1SS133T-77 CVD1SS133MT
AMP	D514		nsp	00MHD20015210	DIODE	1SS133T-77 CVD1SS133MT
AMP	D515		nsp	00MHD20015210	DIODE	1SS133T-77 CVD1SS133MT
AMP	D516		nsp	00MHD20015210	DIODE	1SS133T-77 CVD1SS133MT
AMP	D601		nsp	00MHD20015210	DIODE	1SS133T-77 CVD1SS133MT
AMP	D602		nsp	00MHD20015210	DIODE	1SS133T-77 CVD1SS133MT
AMP	D603		nsp	00MHD20015210	DIODE	1SS133T-77 CVD1SS133MT
AMP	D604		nsp	00MHD20015210	DIODE	1SS133T-77 CVD1SS133MT
AMP	D605		nsp	00MHD20015210	DIODE	1SS133T-77 CVD1SS133MT
AMP	D606		nsp	00MHD20015210	DIODE	1SS133T-77 CVD1SS133MT
AMP	D607		nsp	00MHD20015210	DIODE	1SS133T-77 CVD1SS133MT
AMP	D608		nsp	00MHD20015210	DIODE	1SS133T-77 CVD1SS133MT
AMP	D609		90M-HD302380R	90M-HD302380R	ZENER DIODE	ZJ3.6BT CVDZJ3.6BT
AMP	D610		90M-HD302380R	90M-HD302380R	ZENER DIODE	ZJ3.6BT CVDZJ3.6BT
AMP	D611		90M-HD302380R	90M-HD302380R	ZENER DIODE	ZJ3.6BT CVDZJ3.6BT
AMP	D612		90M-HD302380R	90M-HD302380R	ZENER DIODE	ZJ3.6BT CVDZJ3.6BT
AMP	D613		nsp	00MHD20015210	DIODE	1SS133T-77 CVD1SS133MT
AMP	D614		nsp	00MHD20015210	DIODE	1SS133T-77 CVD1SS133MT
AMP	D615		nsp	00MHD20015210	DIODE	1SS133T-77 CVD1SS133MT
AMP	D616		nsp	00MHD20015210	DIODE	1SS133T-77 CVD1SS133MT
AMP	D701		nsp	00MHD20015210	DIODE	1SS133T-77 CVD1SS133MT
AMP	D703		nsp	00MHD20015210	DIODE	1SS133T-77 CVD1SS133MT
AMP	D705		nsp	00MHD20015210	DIODE	1SS133T-77 CVD1SS133MT
AMP	D707		nsp	00MHD20015210	DIODE	1SS133T-77 CVD1SS133MT
AMP	D709		90M-HD302380R	90M-HD302380R	ZENER DIODE	ZJ3.6BT CVDZJ3.6BT
AMP	D711		90M-HD302380R	90M-HD302380R	ZENER DIODE	ZJ3.6BT CVDZJ3.6BT
AMP	D713		nsp	00MHD20015210	DIODE	1SS133T-77 CVD1SS133MT
AMP	D715		nsp	00MHD20015210	DIODE	1SS133T-77 CVD1SS133MT
AMP	 D801		90M-HE200250R	90M-HE200250R	DIODE	! GBJ1504 HVDGBJ1504
AMP	D802		nsp	nsp	CORD	SN95/PB5, 0.6 C3A206
AMP	D803		nsp	nsp	CORD	SN95/PB5, 0.6 C3A206
AMP	D804		90M-HD302390R	90M-HD302390R	ZENER DIODE	ZJ3.3BT CVDZJ3.3BT
AMP	D805		90M-HD302390R	90M-HD302390R	ZENER DIODE	ZJ3.3BT CVDZJ3.3BT
AMP	D806	/U1B	nsp	90M-HD302390R	ZENER DIODE	ZJ3.3BT CVDZJ3.3BT
AMP	IC41		00MHC10053090	00MHC10053090	IC	NJM2068DD HVINJM2068DD
AMP	IC51		00MHC10053090	00MHC10053090	IC	NJM2068DD HVINJM2068DD
AMP	IC61		00MHC10053090	00MHC10053090	IC	NJM2068DD HVINJM2068DD
AMP	IC71		00MHC10053090	00MHC10053090	IC	NJM2068DD HVINJM2068DD
AMP	J101		nsp	nsp	CORD	SN95/PB5, 0.6 C3A206
AMP	J102		nsp	nsp	CORD	SN95/PB5, 0.6 C3A206
AMP	J103		nsp	nsp	CORD	SN95/PB5, 0.6 C3A206
AMP	J104		nsp	nsp	CORD	SN95/PB5, 0.6 C3A206
AMP	J105		nsp	nsp	CORD	SN95/PB5, 0.6 C3A206
AMP	J106		nsp	nsp	CORD	SN95/PB5, 0.6 C3A206
AMP	J107		nsp	nsp	CORD	SN95/PB5, 0.6 C3A206
AMP	J108		nsp	nsp	CORD	SN95/PB5, 0.6 C3A206
AMP	J109		nsp	nsp	CORD	SN95/PB5, 0.6 C3A206
AMP	J110		nsp	nsp	CORD	SN95/PB5, 0.6 C3A206
AMP	J111		nsp	nsp	CORD	SN95/PB5, 0.6 C3A206
AMP	J112		nsp	nsp	CORD	SN95/PB5, 0.6 C3A206
AMP	J113		nsp	nsp	CORD	SN95/PB5, 0.6 C3A206
AMP	J114		nsp	nsp	CORD	SN95/PB5, 0.6 C3A206

NOTE "nsp" PART IS LISTED FOR REFERENCE ONLY, MARANTZ WILL NOT SUPPLY THESE PARTS

P.W.B. NAME	POS. NO.	VERS. COLOR	PART NO. (FOR EUR)	PART NO. (MZ)	PART NAME	DESCRIPTION
AMP	J115		nsp	nsp	CORD	SN95/PB5, 0.6 C3A206
AMP	J116		nsp	nsp	CORD	SN95/PB5, 0.6 C3A206
AMP	J117		nsp	nsp	CORD	SN95/PB5, 0.6 C3A206
AMP	J118		nsp	nsp	CORD	SN95/PB5, 0.6 C3A206
AMP	J119		nsp	nsp	CORD	SN95/PB5, 0.6 C3A206
AMP	J120		nsp	nsp	CORD	SN95/PB5, 0.6 C3A206
AMP	J121		nsp	nsp	CORD	SN95/PB5, 0.6 C3A206
AMP	J122		nsp	nsp	CORD	SN95/PB5, 0.6 C3A206
AMP	J123		nsp	nsp	CORD	SN95/PB5, 0.6 C3A206
AMP	J124		nsp	nsp	CORD	SN95/PB5, 0.6 C3A206
AMP	J125		nsp	nsp	CORD	SN95/PB5, 0.6 C3A206
AMP	J126		nsp	nsp	CORD	SN95/PB5, 0.6 C3A206
AMP	J127		nsp	nsp	CORD	SN95/PB5, 0.6 C3A206
AMP	J128		nsp	nsp	CORD	SN95/PB5, 0.6 C3A206
AMP	J129		nsp	nsp	CORD	SN95/PB5, 0.6 C3A206
AMP	J130		nsp	nsp	CORD	SN95/PB5, 0.6 C3A206
AMP	J132		nsp	nsp	CORD	SN95/PB5, 0.6 C3A206
AMP	J201		nsp	nsp	CORD	SN95/PB5, 0.6 C3A206
AMP	J202		nsp	nsp	CORD	SN95/PB5, 0.6 C3A206
AMP	J203		nsp	nsp	CORD	SN95/PB5, 0.6 C3A206
AMP	J204		nsp	nsp	CORD	SN95/PB5, 0.6 C3A206
AMP	J205		nsp	nsp	CORD	SN95/PB5, 0.6 C3A206
AMP	J206		nsp	nsp	CORD	SN95/PB5, 0.6 C3A206
AMP	J207		nsp	nsp	CORD	SN95/PB5, 0.6 C3A206
AMP	J208		nsp	nsp	CORD	SN95/PB5, 0.6 C3A206
AMP	J209		nsp	nsp	CORD	SN95/PB5, 0.6 C3A206
AMP	J210		nsp	nsp	CORD	SN95/PB5, 0.6 C3A206
AMP	J211		nsp	nsp	CORD	SN95/PB5, 0.6 C3A206
AMP	J212		nsp	nsp	CORD	SN95/PB5, 0.6 C3A206
AMP	J213		nsp	nsp	CORD	SN95/PB5, 0.6 C3A206
AMP	J214		nsp	nsp	CORD	SN95/PB5, 0.6 C3A206
AMP	J215		nsp	nsp	CORD	SN95/PB5, 0.6 C3A206
AMP	J216		nsp	nsp	CORD	SN95/PB5, 0.6 C3A206
AMP	J217		nsp	nsp	CORD	SN95/PB5, 0.6 C3A206
AMP	J218		nsp	nsp	CORD	SN95/PB5, 0.6 C3A206
AMP	J219		nsp	nsp	CORD	SN95/PB5, 0.6 C3A206
AMP	J220		nsp	nsp	CORD	SN95/PB5, 0.6 C3A206
AMP	J221		nsp	nsp	CORD	SN95/PB5, 0.6 C3A206
AMP	J222		nsp	nsp	CORD	SN95/PB5, 0.6 C3A206
AMP	J223		nsp	nsp	CORD	SN95/PB5, 0.6 C3A206
AMP	J224		nsp	nsp	CORD	SN95/PB5, 0.6 C3A206
AMP	J225		nsp	nsp	CORD	SN95/PB5, 0.6 C3A206
AMP	J226		nsp	nsp	CORD	SN95/PB5, 0.6 C3A206
AMP	J227		nsp	nsp	CORD	SN95/PB5, 0.6 C3A206
AMP	J228		nsp	nsp	CORD	SN95/PB5, 0.6 C3A206
AMP	J229		nsp	nsp	CORD	SN95/PB5, 0.6 C3A206
AMP	J230		nsp	nsp	CORD	SN95/PB5, 0.6 C3A206
AMP	J301		nsp	nsp	CORD	SN95/PB5, 0.6 C3A206
AMP	J302		nsp	nsp	CORD	SN95/PB5, 0.6 C3A206
AMP	J303		nsp	nsp	CORD	SN95/PB5, 0.6 C3A206
AMP	J304		nsp	nsp	CORD	SN95/PB5, 0.6 C3A206
AMP	J305		nsp	nsp	CORD	SN95/PB5, 0.6 C3A206
AMP	J306		nsp	nsp	CORD	SN95/PB5, 0.6 C3A206
AMP	J307		nsp	nsp	CORD	SN95/PB5, 0.6 C3A206
AMP	J308		nsp	nsp	CORD	SN95/PB5, 0.6 C3A206
AMP	J309		nsp	nsp	CORD	SN95/PB5, 0.6 C3A206
AMP	J310		nsp	nsp	CORD	SN95/PB5, 0.6 C3A206
AMP	J311		nsp	nsp	CORD	SN95/PB5, 0.6 C3A206
AMP	J312		nsp	nsp	CORD	SN95/PB5, 0.6 C3A206
AMP	J313		nsp	nsp	CORD	SN95/PB5, 0.6 C3A206
AMP	J314		nsp	nsp	CORD	SN95/PB5, 0.6 C3A206
AMP	J315		nsp	nsp	CORD	SN95/PB5, 0.6 C3A206
AMP	J316		nsp	nsp	CORD	SN95/PB5, 0.6 C3A206
AMP	J317		nsp	nsp	CORD	SN95/PB5, 0.6 C3A206
AMP	J318		nsp	nsp	CORD	SN95/PB5, 0.6 C3A206
AMP	J319		nsp	nsp	CORD	SN95/PB5, 0.6 C3A206
AMP	J320		nsp	nsp	CORD	SN95/PB5, 0.6 C3A206

NOTE "nsp" PART IS LISTED FOR REFERENCE ONLY, MARANTZ WILL NOT SUPPLY THESE PARTS

P.W.B. NAME	POS. NO.	VERS. COLOR	PART NO. (FOR EUR)	PART NO. (MZ)	PART NAME	DESCRIPTION
AMP	J321		nsp	nsp	CORD	SN95/PB5, 0.6 C3A206
AMP	J322		nsp	nsp	CORD	SN95/PB5, 0.6 C3A206
AMP	J323		nsp	nsp	CORD	SN95/PB5, 0.6 C3A206
AMP	J324		nsp	nsp	CORD	SN95/PB5, 0.6 C3A206
AMP	J325		nsp	nsp	CORD	SN95/PB5, 0.6 C3A206
AMP	J326		nsp	nsp	CORD	SN95/PB5, 0.6 C3A206
AMP	J327		nsp	nsp	CORD	SN95/PB5, 0.6 C3A206
AMP	J328		nsp	nsp	CORD	SN95/PB5, 0.6 C3A206
AMP	J329		nsp	nsp	CORD	SN95/PB5, 0.6 C3A206
AMP	J330		nsp	nsp	CORD	SN95/PB5, 0.6 C3A206
AMP	J401		nsp	nsp	CORD	SN95/PB5, 0.6 C3A206
AMP	J402		nsp	nsp	CORD	SN95/PB5, 0.6 C3A206
AMP	J403		nsp	nsp	CORD	SN95/PB5, 0.6 C3A206
AMP	J404		nsp	nsp	CORD	SN95/PB5, 0.6 C3A206
AMP	J405		nsp	nsp	CORD	SN95/PB5, 0.6 C3A206
AMP	J406		nsp	nsp	CORD	SN95/PB5, 0.6 C3A206
AMP	J407		nsp	nsp	CORD	SN95/PB5, 0.6 C3A206
AMP	J408		nsp	nsp	CORD	SN95/PB5, 0.6 C3A206
AMP	J409		nsp	nsp	CORD	SN95/PB5, 0.6 C3A206
AMP	J410		nsp	nsp	CORD	SN95/PB5, 0.6 C3A206
AMP	J411		nsp	nsp	CORD	SN95/PB5, 0.6 C3A206
AMP	J412		nsp	nsp	CORD	SN95/PB5, 0.6 C3A206
AMP	J413		nsp	nsp	CORD	SN95/PB5, 0.6 C3A206
AMP	J414		nsp	nsp	CORD	SN95/PB5, 0.6 C3A206
AMP	J415		nsp	nsp	CORD	SN95/PB5, 0.6 C3A206
AMP	J416		nsp	nsp	CORD	SN95/PB5, 0.6 C3A206
AMP	J417		nsp	nsp	CORD	SN95/PB5, 0.6 C3A206
AMP	J418		nsp	nsp	CORD	SN95/PB5, 0.6 C3A206
AMP	J419		nsp	nsp	CORD	SN95/PB5, 0.6 C3A206
AMP	J420		nsp	nsp	CORD	SN95/PB5, 0.6 C3A206
AMP	J421		nsp	nsp	CORD	SN95/PB5, 0.6 C3A206
AMP	J422		nsp	nsp	CORD	SN95/PB5, 0.6 C3A206
AMP	J423		nsp	nsp	CORD	SN95/PB5, 0.6 C3A206
AMP	J424		nsp	nsp	CORD	SN95/PB5, 0.6 C3A206
AMP	J425		nsp	nsp	CORD	SN95/PB5, 0.6 C3A206
AMP	J426		nsp	nsp	CORD	SN95/PB5, 0.6 C3A206
AMP	J427		nsp	nsp	CORD	SN95/PB5, 0.6 C3A206
AMP	J428		nsp	nsp	CORD	SN95/PB5, 0.6 C3A206
AMP	J429		nsp	nsp	CORD	SN95/PB5, 0.6 C3A206
AMP	J501		nsp	nsp	CORD	SN95/PB5, 0.6 C3A206
AMP	J502		nsp	nsp	CORD	SN95/PB5, 0.6 C3A206
AMP	J503		nsp	nsp	CORD	SN95/PB5, 0.6 C3A206
AMP	J504		nsp	nsp	CORD	SN95/PB5, 0.6 C3A206
AMP	J505		nsp	nsp	CORD	SN95/PB5, 0.6 C3A206
AMP	J506		nsp	nsp	CORD	SN95/PB5, 0.6 C3A206
AMP	J507		nsp	nsp	CORD	SN95/PB5, 0.6 C3A206
AMP	J508		nsp	nsp	CORD	SN95/PB5, 0.6 C3A206
AMP	J509		nsp	nsp	CORD	SN95/PB5, 0.6 C3A206
AMP	J510		nsp	nsp	CORD	SN95/PB5, 0.6 C3A206
AMP	J511		nsp	nsp	CORD	SN95/PB5, 0.6 C3A206
AMP	J512		nsp	nsp	CORD	SN95/PB5, 0.6 C3A206
AMP	J513		nsp	nsp	CORD	SN95/PB5, 0.6 C3A206
AMP	J514		nsp	nsp	CORD	SN95/PB5, 0.6 C3A206
AMP	J515		nsp	nsp	CORD	SN95/PB5, 0.6 C3A206
AMP	J516		nsp	nsp	CORD	SN95/PB5, 0.6 C3A206
AMP	J517		nsp	nsp	CORD	SN95/PB5, 0.6 C3A206
AMP	J518		nsp	nsp	CORD	SN95/PB5, 0.6 C3A206
AMP	J519		nsp	nsp	CORD	SN95/PB5, 0.6 C3A206
AMP	J520		nsp	nsp	CORD	SN95/PB5, 0.6 C3A206
AMP	J521		nsp	nsp	CORD	SN95/PB5, 0.6 C3A206
AMP	J522		nsp	nsp	CORD	SN95/PB5, 0.6 C3A206
AMP	J523		nsp	nsp	CORD	SN95/PB5, 0.6 C3A206
AMP	J524		nsp	nsp	CORD	SN95/PB5, 0.6 C3A206
AMP	J525		nsp	nsp	CORD	SN95/PB5, 0.6 C3A206
AMP	J526		nsp	nsp	CORD	SN95/PB5, 0.6 C3A206
AMP	J527		nsp	nsp	CORD	SN95/PB5, 0.6 C3A206
AMP	J528		nsp	nsp	CORD	SN95/PB5, 0.6 C3A206

NOTE "nsp" PART IS LISTED FOR REFERENCE ONLY, MARANTZ WILL NOT SUPPLY THESE PARTS

P.W.B. NAME	POS. NO.	VERS. COLOR	PART NO. (FOR EUR)	PART NO. (MZ)	PART NAME	DESCRIPTION
AMP	J529		nsp	nsp	CORD	SN95/PB5, 0.6 C3A206
AMP	J601		nsp	nsp	CORD	SN95/PB5, 0.6 C3A206
AMP	J602		nsp	nsp	CORD	SN95/PB5, 0.6 C3A206
AMP	J603		nsp	nsp	CORD	SN95/PB5, 0.6 C3A206
AMP	J604		nsp	nsp	CORD	SN95/PB5, 0.6 C3A206
AMP	J605		nsp	nsp	CORD	SN95/PB5, 0.6 C3A206
AMP	J606		nsp	nsp	CORD	SN95/PB5, 0.6 C3A206
AMP	J607		nsp	nsp	CORD	SN95/PB5, 0.6 C3A206
AMP	J608		nsp	nsp	CORD	SN95/PB5, 0.6 C3A206
AMP	J609		nsp	nsp	CORD	SN95/PB5, 0.6 C3A206
AMP	J610		nsp	nsp	CORD	SN95/PB5, 0.6 C3A206
AMP	J611		nsp	nsp	CORD	SN95/PB5, 0.6 C3A206
AMP	J612		nsp	nsp	CORD	SN95/PB5, 0.6 C3A206
AMP	J613		nsp	nsp	CORD	SN95/PB5, 0.6 C3A206
AMP	J614		nsp	nsp	CORD	SN95/PB5, 0.6 C3A206
AMP	J615		nsp	nsp	CORD	SN95/PB5, 0.6 C3A206
AMP	J616		nsp	nsp	CORD	SN95/PB5, 0.6 C3A206
AMP	J617		nsp	nsp	CORD	SN95/PB5, 0.6 C3A206
AMP	J618		nsp	nsp	CORD	SN95/PB5, 0.6 C3A206
AMP	J619		nsp	nsp	CORD	SN95/PB5, 0.6 C3A206
AMP	J620		nsp	nsp	CORD	SN95/PB5, 0.6 C3A206
AMP	J621		nsp	nsp	CORD	SN95/PB5, 0.6 C3A206
AMP	J622		nsp	nsp	CORD	SN95/PB5, 0.6 C3A206
AMP	J623		nsp	nsp	CORD	SN95/PB5, 0.6 C3A206
AMP	J624		nsp	nsp	CORD	SN95/PB5, 0.6 C3A206
AMP	J625		nsp	nsp	CORD	SN95/PB5, 0.6 C3A206
AMP	J627		nsp	nsp	CORD	SN95/PB5, 0.6 C3A206
AMP	J628		nsp	nsp	CORD	SN95/PB5, 0.6 C3A206
AMP	J629		nsp	nsp	CORD	SN95/PB5, 0.6 C3A206
AMP	J631		nsp	nsp	CORD	SN95/PB5, 0.6 C3A206
AMP	J701		nsp	nsp	CORD	SN95/PB5, 0.6 C3A206
AMP	J702		nsp	nsp	CORD	SN95/PB5, 0.6 C3A206
AMP	J703		nsp	nsp	CORD	SN95/PB5, 0.6 C3A206
AMP	J704		nsp	nsp	CORD	SN95/PB5, 0.6 C3A206
AMP	J705		nsp	nsp	CORD	SN95/PB5, 0.6 C3A206
AMP	J706		nsp	nsp	CORD	SN95/PB5, 0.6 C3A206
AMP	J707		nsp	nsp	CORD	SN95/PB5, 0.6 C3A206
AMP	J708		nsp	nsp	CORD	SN95/PB5, 0.6 C3A206
AMP	J709		nsp	nsp	CORD	SN95/PB5, 0.6 C3A206
AMP	J710		nsp	nsp	CORD	SN95/PB5, 0.6 C3A206
AMP	J711		nsp	nsp	CORD	SN95/PB5, 0.6 C3A206
AMP	J712		nsp	nsp	CORD	SN95/PB5, 0.6 C3A206
AMP	J713		nsp	nsp	CORD	SN95/PB5, 0.6 C3A206
AMP	J714		nsp	nsp	CORD	SN95/PB5, 0.6 C3A206
AMP	J715		nsp	nsp	CORD	SN95/PB5, 0.6 C3A206
AMP	J716		nsp	nsp	CORD	SN95/PB5, 0.6 C3A206
AMP	J717		nsp	nsp	CORD	SN95/PB5, 0.6 C3A206
AMP	J718		nsp	nsp	CORD	SN95/PB5, 0.6 C3A206
AMP	J719		nsp	nsp	CORD	SN95/PB5, 0.6 C3A206
AMP	J720		nsp	nsp	CORD	SN95/PB5, 0.6 C3A206
AMP	J721		nsp	nsp	CORD	SN95/PB5, 0.6 C3A206
AMP	J722		nsp	nsp	CORD	SN95/PB5, 0.6 C3A206
AMP	J723		nsp	nsp	CORD	SN95/PB5, 0.6 C3A206
AMP	J724		nsp	nsp	CORD	SN95/PB5, 0.6 C3A206
AMP	J725		nsp	nsp	CORD	SN95/PB5, 0.6 C3A206
AMP	J726		nsp	nsp	CORD	SN95/PB5, 0.6 C3A206
AMP	J727		nsp	nsp	CORD	SN95/PB5, 0.6 C3A206
AMP	J728		nsp	nsp	CORD	SN95/PB5, 0.6 C3A206
AMP	J729		nsp	nsp	CORD	SN95/PB5, 0.6 C3A206
AMP	J730		nsp	nsp	CORD	SN95/PB5, 0.6 C3A206
AMP	J801		nsp	nsp	CORD	SN95/PB5, 0.6 C3A206
AMP	J802		nsp	nsp	CORD	SN95/PB5, 0.6 C3A206
AMP	J803		nsp	nsp	CORD	SN95/PB5, 0.6 C3A206
AMP	J806		nsp	nsp	CORD	SN95/PB5, 0.6 C3A206
AMP	J807		nsp	nsp	CORD	SN95/PB5, 0.6 C3A206
AMP	J808	/U1B	nsp	nsp	CORD	SN95/PB5, 0.6 C3A206
AMP	J809		nsp	nsp	CORD	SN95/PB5, 0.6 C3A206

NOTE *nsp* PART IS LISTED FOR REFERENCE ONLY, MARANTZ WILL NOT SUPPLY THESE PARTS

P.W.B. NAME	POS. NO.	VERS. COLOR	PART NO. (FOR EUR)	PART NO. (MZ)	PART NAME	DESCRIPTION
AMP	J810		nsp	nsp	CORD	SN95/PB5, 0.6 C3A206
AMP	Q403		00MHT600121A0	00MHT600121A0	TRS.	KTA1268GR HVTKTA1268GRT
AMP	Q404		00MHT600121A0	00MHT600121A0	TRS.	KTA1268GR HVTKTA1268GRT
AMP	Q405		00MHT800931A0	00MHT800931A0	TRS.	KTC3200GR HVTKTC3200GRT
AMP	Q406		00MHT800931A0	00MHT800931A0	TRS.	KTC3200GR HVTKTC3200GRT
AMP	Q407		00MHT600121A0	00MHT600121A0	TRS.	KTA1268GR HVTKTA1268GRT
AMP	Q408		00MHT600121A0	00MHT600121A0	TRS.	KTA1268GR HVTKTA1268GRT
AMP	Q409		00MHT600121A0	00MHT600121A0	TRS.	KTA1268GR HVTKTA1268GRT
AMP	Q410		00MHT600121A0	00MHT600121A0	TRS.	KTA1268GR HVTKTA1268GRT
AMP	Q411		00MHT800931A0	00MHT800931A0	TRS.	KTC3200GR HVTKTC3200GRT
AMP	Q412		00MHT800931A0	00MHT800931A0	TRS.	KTC3200GR HVTKTC3200GRT
AMP	Q413		00MHT800931A0	00MHT800931A0	TRS.	KTC3200GR HVTKTC3200GRT
AMP	Q414		00MHT800931A0	00MHT800931A0	TRS.	KTC3200GR HVTKTC3200GRT
AMP	Q415		90M-HT600030R	90M-HT600030R	TRS.	KTA1024Y HVTKTA1024YT
AMP	Q416		90M-HT600030R	90M-HT600030R	TRS.	KTA1024Y HVTKTA1024YT
AMP	Q417		00MHT800941B0	00MHT800941B0	TRS.	KTC3206Y HVTKTC3206YAT
AMP	Q418		00MHT800941B0	00MHT800941B0	TRS.	KTC3206Y HVTKTC3206YAT
AMP	▲ Q419		00MHC20002080	00MHC20002080	IC	! SAP17NLFNO.552 HVISAP17N
AMP	▲ Q420		00MHC20002080	00MHC20002080	IC	! SAP17NLFNO.552 HVISAP17N
AMP	▲ Q421		00MHC20001080	00MHC20001080	IC	! SAP17PLFNO.552 HVISAP17P
AMP	▲ Q422		00MHC20001080	00MHC20001080	IC	! SAP17PLFNO.552 HVISAP17P
AMP	Q423		00MHT800931A0	00MHT800931A0	TRS.	KTC3200GR HVTKTC3200GRT
AMP	Q424		00MHT800931A0	00MHT800931A0	TRS.	KTC3200GR HVTKTC3200GRT
AMP	Q503		00MHT600121A0	00MHT600121A0	TRS.	KTA1268GR HVTKTA1268GRT
AMP	Q504		00MHT600121A0	00MHT600121A0	TRS.	KTA1268GR HVTKTA1268GRT
AMP	Q505		00MHT800931A0	00MHT800931A0	TRS.	KTC3200GR HVTKTC3200GRT
AMP	Q506		00MHT800931A0	00MHT800931A0	TRS.	KTC3200GR HVTKTC3200GRT
AMP	Q507		00MHT600121A0	00MHT600121A0	TRS.	KTA1268GR HVTKTA1268GRT
AMP	Q508		00MHT600121A0	00MHT600121A0	TRS.	KTA1268GR HVTKTA1268GRT
AMP	Q509		00MHT600121A0	00MHT600121A0	TRS.	KTA1268GR HVTKTA1268GRT
AMP	Q510		00MHT600121A0	00MHT600121A0	TRS.	KTA1268GR HVTKTA1268GRT
AMP	Q511		00MHT800931A0	00MHT800931A0	TRS.	KTC3200GR HVTKTC3200GRT
AMP	Q512		00MHT800931A0	00MHT800931A0	TRS.	KTC3200GR HVTKTC3200GRT
AMP	Q513		00MHT800931A0	00MHT800931A0	TRS.	KTC3200GR HVTKTC3200GRT
AMP	Q514		00MHT800931A0	00MHT800931A0	TRS.	KTC3200GR HVTKTC3200GRT
AMP	Q515		90M-HT600030R	90M-HT600030R	TRS.	KTA1024Y HVTKTA1024YT
AMP	Q516		90M-HT600030R	90M-HT600030R	TRS.	KTA1024Y HVTKTA1024YT
AMP	Q517		00MHT800941B0	00MHT800941B0	TRS.	KTC3206Y HVTKTC3206YAT
AMP	Q518		00MHT800941B0	00MHT800941B0	TRS.	KTC3206Y HVTKTC3206YAT
AMP	▲ Q519		00MHC20002080	00MHC20002080	IC	! SAP17NLFNO.552 HVISAP17N
AMP	▲ Q520		00MHC20002080	00MHC20002080	IC	! SAP17NLFNO.552 HVISAP17N
AMP	▲ Q521		00MHC20001080	00MHC20001080	IC	! SAP17PLFNO.552 HVISAP17P
AMP	▲ Q522		00MHC20001080	00MHC20001080	IC	! SAP17PLFNO.552 HVISAP17P
AMP	Q523		00MHT800931A0	00MHT800931A0	TRS.	KTC3200GR HVTKTC3200GRT
AMP	Q524		00MHT800931A0	00MHT800931A0	TRS.	KTC3200GR HVTKTC3200GRT
AMP	Q603		00MHT600121A0	00MHT600121A0	TRS.	KTA1268GR HVTKTA1268GRT
AMP	Q604		00MHT600121A0	00MHT600121A0	TRS.	KTA1268GR HVTKTA1268GRT
AMP	Q605		00MHT800931A0	00MHT800931A0	TRS.	KTC3200GR HVTKTC3200GRT
AMP	Q606		00MHT800931A0	00MHT800931A0	TRS.	KTC3200GR HVTKTC3200GRT
AMP	Q607		00MHT600121A0	00MHT600121A0	TRS.	KTA1268GR HVTKTA1268GRT
AMP	Q608		00MHT600121A0	00MHT600121A0	TRS.	KTA1268GR HVTKTA1268GRT
AMP	Q609		00MHT600121A0	00MHT600121A0	TRS.	KTA1268GR HVTKTA1268GRT
AMP	Q610		00MHT600121A0	00MHT600121A0	TRS.	KTA1268GR HVTKTA1268GRT
AMP	Q611		00MHT800931A0	00MHT800931A0	TRS.	KTC3200GR HVTKTC3200GRT
AMP	Q612		00MHT800931A0	00MHT800931A0	TRS.	KTC3200GR HVTKTC3200GRT
AMP	Q613		00MHT800931A0	00MHT800931A0	TRS.	KTC3200GR HVTKTC3200GRT
AMP	Q614		00MHT800931A0	00MHT800931A0	TRS.	KTC3200GR HVTKTC3200GRT
AMP	Q615		90M-HT600030R	90M-HT600030R	TRS.	KTA1024Y HVTKTA1024YT
AMP	Q616		90M-HT600030R	90M-HT600030R	TRS.	KTA1024Y HVTKTA1024YT
AMP	Q617		00MHT800941B0	00MHT800941B0	TRS.	KTC3206Y HVTKTC3206YAT
AMP	Q618		00MHT800941B0	00MHT800941B0	TRS.	KTC3206Y HVTKTC3206YAT
AMP	▲ Q619		00MHC20002080	00MHC20002080	IC	! SAP17NLFNO.552 HVISAP17N
AMP	▲ Q620		00MHC20002080	00MHC20002080	IC	! SAP17NLFNO.552 HVISAP17N
AMP	▲ Q621		00MHC20001080	00MHC20001080	IC	! SAP17PLFNO.552 HVISAP17P
AMP	▲ Q622		00MHC20001080	00MHC20001080	IC	! SAP17PLFNO.552 HVISAP17P
AMP	Q623		00MHT800931A0	00MHT800931A0	TRS.	KTC3200GR HVTKTC3200GRT
AMP	Q624		00MHT800931A0	00MHT800931A0	TRS.	KTC3200GR HVTKTC3200GRT

NOTE "nsp" PART IS LISTED FOR REFERENCE ONLY, MARANTZ WILL NOT SUPPLY THESE PARTS

P.W.B. NAME	POS. NO.	VERS. COLOR	PART NO. (FOR EUR)	PART NO. (MZ)	PART NAME	DESCRIPTION
AMP	Q703		00MHT600121A0	00MHT600121A0	TRS.	KTA1268GR HVTKTA1268GRT
AMP	Q705		00MHT800931A0	00MHT800931A0	TRS.	KTC3200GR HVTKTC3200GRT
AMP	Q707		00MHT600121A0	00MHT600121A0	TRS.	KTA1268GR HVTKTA1268GRT
AMP	Q709		00MHT600121A0	00MHT600121A0	TRS.	KTA1268GR HVTKTA1268GRT
AMP	Q711		00MHT800931A0	00MHT800931A0	TRS.	KTC3200GR HVTKTC3200GRT
AMP	Q713		00MHT800931A0	00MHT800931A0	TRS.	KTC3200GR HVTKTC3200GRT
AMP	Q715		90M-HT600030R	90M-HT600030R	TRS.	KTA1024Y HVTKTA1024YT
AMP	Q717		00MHT800941B0	00MHT800941B0	TRS.	KTC3206Y HVTKTC3206YAT
AMP	▲ Q719		00MHC20002080	00MHC20002080	IC	! SAP17NLFNO.552 HVISAP17N
AMP	▲ Q721		00MHC20001080	00MHC20001080	IC	! SAP17PLFNO.552 HVISAP17P
AMP	Q723		00MHT800931A0	00MHT800931A0	TRS.	KTC3200GR HVTKTC3200GRT
AMP	Q801		90M-HT800050R	90M-HT800050R	TRS.	KTC3198Y HVTKTC3198YT
AMP	Q802		90M-HT800050R	90M-HT800050R	TRS.	KTC3198Y HVTKTC3198YT
AMP	Q803		00MBA20001000	00MBA20001000	TRS.	KRC102M HVTKRC102MT
AMP	Q804		90M-BA001450R	90M-BA001450R	TRS.	KRA107M HVTKRA107MT
AMP	Q805		00MHT800931A0	00MHT800931A0	TRS.	KTC3200GR HVTKTC3200GRT
AMP	Q806		00MHT800931A0	00MHT800931A0	TRS.	KTC3200GR HVTKTC3200GRT
AMP	Q807		00MHT600121A0	00MHT600121A0	TRS.	KTA1268GR HVTKTA1268GRT
AMP	Q808	/U1B	nsp	90M-HT800050R	TRS.	KTC3198Y HVTKTC3198YT
AMP	R401		nsp	nsp	RES.	33K OHM 1/5W J CRD20TJ333T
AMP	R402		nsp	nsp	RES.	33K OHM 1/5W J CRD20TJ333T
AMP	R403		nsp	nsp	RES.	1K OHM 1/5W J CRD20TJ102T
AMP	R404		nsp	nsp	RES.	1K OHM 1/5W J CRD20TJ102T
AMP	R405		nsp	nsp	RES.	100 OHM 1/5W J CRD20TJ101T
AMP	R406		nsp	nsp	RES.	100 OHM 1/5W J CRD20TJ101T
AMP	R407		nsp	nsp	RES.	12K OHM 1/5W J CRD20TJ123T
AMP	R408		nsp	nsp	RES.	12K OHM 1/5W J CRD20TJ123T
AMP	R409		nsp	nsp	RES.	12K OHM 1/5W J CRD20TJ123T
AMP	R410		nsp	nsp	RES.	12K OHM 1/5W J CRD20TJ123T
AMP	R411		nsp	nsp	RES.	470 OHM 1/5W J CRD20TJ471T
AMP	R412		nsp	nsp	RES.	470 OHM 1/5W J CRD20TJ471T
AMP	R413		nsp	nsp	RES.	470 OHM 1/5W J CRD20TJ471T
AMP	R414		nsp	nsp	RES.	470 OHM 1/5W J CRD20TJ471T
AMP	R415		nsp	nsp	RES.	68 OHM 1/5W J CRD20TJ680T
AMP	R416		nsp	nsp	RES.	68 OHM 1/5W J CRD20TJ680T
AMP	R417		nsp	nsp	RES.	68 OHM 1/5W J CRD20TJ680T
AMP	R418		nsp	nsp	RES.	68 OHM 1/5W J CRD20TJ680T
AMP	R419		90M-NB000010R	90M-NB000010R	RES.	LT20001/6S J HRT16C1512000JT
AMP	R420		90M-NB000010R	90M-NB000010R	RES.	LT20001/6S J HRT16C1512000JT
AMP	R421		90M-NB000010R	90M-NB000010R	RES.	LT20001/6S J HRT16C1512000JT
AMP	R422		90M-NB000010R	90M-NB000010R	RES.	LT20001/6S J HRT16C1512000JT
AMP	R423		nsp	nsp	RES.	330K OHM 1/6W J CRD20TJ334T
AMP	R424		nsp	nsp	RES.	330K OHM 1/6W J CRD20TJ334T
AMP	R425		nsp	nsp	RES.	330K OHM 1/6W J CRD20TJ334T
AMP	R426		nsp	nsp	RES.	330K OHM 1/6W J CRD20TJ334T
AMP	R427		nsp	nsp	RES.	100 OHM 1/5W J CRD20TJ101T
AMP	R428		nsp	nsp	RES.	100 OHM 1/5W J CRD20TJ101T
AMP	R429		nsp	nsp	RES.	100 OHM 1/5W J CRD20TJ101T
AMP	R430		nsp	nsp	RES.	100 OHM 1/5W J CRD20TJ101T
AMP	R431		nsp	nsp	RES.	10 OHM 1/4W J CRD25TJ100T
AMP	R432		nsp	nsp	RES.	10 OHM 1/4W J CRD25TJ100T
AMP	R433		nsp	nsp	RES.	10 OHM 1/4W J CRD25TJ100T
AMP	R434		nsp	nsp	RES.	10 OHM 1/4W J CRD25TJ100T
AMP	R435		nsp	nsp	RES.	27 OHM 1/6W J CRD20TJ270T
AMP	R436		nsp	nsp	RES.	27 OHM 1/6W J CRD20TJ270T
AMP	R439		nsp	nsp	RES.	120 OHM 1W J KRG1SANJ121RT
AMP	R440		nsp	nsp	RES.	120 OHM 1W J KRG1SANJ121RT
AMP	R441		nsp	nsp	RES.	120 OHM 1W J KRG1SANJ121RT
AMP	R442		nsp	nsp	RES.	120 OHM 1W J KRG1SANJ121RT
AMP	R443		nsp	nsp	RES.	120 OHM 1W J KRG1SANJ121RT
AMP	R444		nsp	nsp	RES.	120 OHM 1W J KRG1SANJ121RT
AMP	R445		nsp	nsp	RES.	47 OHM 1W J KRG1SANJ470RT
AMP	R446		nsp	nsp	RES.	47 OHM 1W J KRG1SANJ470RT
AMP	R449		nsp	nsp	RES.	15 OHM 1/6W J CRD20TJ150T
AMP	R450		nsp	nsp	RES.	15 OHM 1/6W J CRD20TJ150T
AMP	R451		nsp	nsp	RES.	10 OHM 1/5W J CRD20TJ100T
AMP	R452		nsp	nsp	RES.	10 OHM 1/5W J CRD20TJ100T

NOTE "nsp" PART IS LISTED FOR REFERENCE ONLY, MARANTZ WILL NOT SUPPLY THESE PARTS

P.W.B. NAME	POS. NO.	VERS. COLOR	PART NO. (FOR EUR)	PART NO. (MZ)	PART NAME	DESCRIPTION
AMP	R453		nsp	nsp	RES.	1K OHM 1/5W J CRD20TJ102T
AMP	R454		nsp	nsp	RES.	1K OHM 1/5W J CRD20TJ102T
AMP	R455		nsp	nsp	RES.	1K OHM 1/5W J CRD20TJ102T
AMP	R456		nsp	nsp	RES.	1K OHM 1/5W J CRD20TJ102T
AMP	R457		nsp	nsp	RES.	680 OHM 1/5W J CRD20TJ681T
AMP	R458		nsp	nsp	RES.	680 OHM 1/5W J CRD20TJ681T
AMP	R459		nsp	nsp	RES.	39K OHM 1/5W J CRD20TJ393T
AMP	R460		nsp	nsp	RES.	39K OHM 1/5W J CRD20TJ393T
AMP	R461		nsp	nsp	RES.	39K OHM 1/5W J CRD20TJ393T
AMP	R462		nsp	nsp	RES.	39K OHM 1/5W J CRD20TJ393T
AMP	R463		nsp	nsp	RES.	22K OHM 1/5W J CRD20TJ223T
AMP	R464		nsp	nsp	RES.	22K OHM 1/5W J CRD20TJ223T
AMP	R465		nsp	nsp	RES.	680 OHM 1/5W J CRD20TJ681T
AMP	R466		nsp	nsp	RES.	680 OHM 1/5W J CRD20TJ681T
AMP	R467		nsp	nsp	RES.	33K OHM 1/5W J CRD20TJ333T
AMP	R468		nsp	nsp	RES.	33K OHM 1/5W J CRD20TJ333T
AMP	R469		nsp	nsp	RES.	22K OHM 1/5W J CRD20TJ223T
AMP	R470		nsp	nsp	RES.	22K OHM 1/5W J CRD20TJ223T
AMP	R471		nsp	nsp	RES.	120 OHM 1/5W J CRD20TJ121T
AMP	R472		nsp	nsp	RES.	120 OHM 1/5W J CRD20TJ121T
AMP	R473		nsp	nsp	RES.	120 OHM 1/5W J CRD20TJ121T
AMP	R474		nsp	nsp	RES.	120 OHM 1/5W J CRD20TJ121T
AMP	R501		nsp	nsp	RES.	33K OHM 1/5W J CRD20TJ333T
AMP	R502		nsp	nsp	RES.	33K OHM 1/5W J CRD20TJ333T
AMP	R503		nsp	nsp	RES.	1K OHM 1/5W J CRD20TJ102T
AMP	R504		nsp	nsp	RES.	1K OHM 1/5W J CRD20TJ102T
AMP	R505		nsp	nsp	RES.	100 OHM 1/5W J CRD20TJ101T
AMP	R506		nsp	nsp	RES.	100 OHM 1/5W J CRD20TJ101T
AMP	R507		nsp	nsp	RES.	12K OHM 1/5W J CRD20TJ123T
AMP	R508		nsp	nsp	RES.	12K OHM 1/5W J CRD20TJ123T
AMP	R509		nsp	nsp	RES.	12K OHM 1/5W J CRD20TJ123T
AMP	R510		nsp	nsp	RES.	12K OHM 1/5W J CRD20TJ123T
AMP	R511		nsp	nsp	RES.	470 OHM 1/5W J CRD20TJ471T
AMP	R512		nsp	nsp	RES.	470 OHM 1/5W J CRD20TJ471T
AMP	R513		nsp	nsp	RES.	470 OHM 1/5W J CRD20TJ471T
AMP	R514		nsp	nsp	RES.	470 OHM 1/5W J CRD20TJ471T
AMP	R515		nsp	nsp	RES.	68 OHM 1/5W J CRD20TJ680T
AMP	R516		nsp	nsp	RES.	68 OHM 1/5W J CRD20TJ680T
AMP	R517		nsp	nsp	RES.	68 OHM 1/5W J CRD20TJ680T
AMP	R518		nsp	nsp	RES.	68 OHM 1/5W J CRD20TJ680T
AMP	R519		90M-NB000010R	90M-NB000010R	RES.	LT20001/6S J HRT16C1512000JT
AMP	R520		90M-NB000010R	90M-NB000010R	RES.	LT20001/6S J HRT16C1512000JT
AMP	R521		90M-NB000010R	90M-NB000010R	RES.	LT20001/6S J HRT16C1512000JT
AMP	R522		90M-NB000010R	90M-NB000010R	RES.	LT20001/6S J HRT16C1512000JT
AMP	R523		nsp	nsp	RES.	330K OHM 1/6W J CRD20TJ334T
AMP	R524		nsp	nsp	RES.	330K OHM 1/6W J CRD20TJ334T
AMP	R525		nsp	nsp	RES.	330K OHM 1/6W J CRD20TJ334T
AMP	R526		nsp	nsp	RES.	330K OHM 1/6W J CRD20TJ334T
AMP	R527		nsp	nsp	RES.	100 OHM 1/5W J CRD20TJ101T
AMP	R528		nsp	nsp	RES.	100 OHM 1/5W J CRD20TJ101T
AMP	R529		nsp	nsp	RES.	100 OHM 1/5W J CRD20TJ101T
AMP	R530		nsp	nsp	RES.	100 OHM 1/5W J CRD20TJ101T
AMP	R531		nsp	nsp	RES.	10 OHM 1/4W J CRD25TJ100T
AMP	R532		nsp	nsp	RES.	10 OHM 1/4W J CRD25TJ100T
AMP	R533		nsp	nsp	RES.	10 OHM 1/4W J CRD25TJ100T
AMP	R534		nsp	nsp	RES.	10 OHM 1/4W J CRD25TJ100T
AMP	R535		nsp	nsp	RES.	27 OHM 1/6W J CRD20TJ270T
AMP	R536		nsp	nsp	RES.	27 OHM 1/6W J CRD20TJ270T
AMP	R539		nsp	nsp	RES.	120 OHM 1W J KRG1SANJ121RT
AMP	R540		nsp	nsp	RES.	120 OHM 1W J KRG1SANJ121RT
AMP	R541		nsp	nsp	RES.	120 OHM 1W J KRG1SANJ121RT
AMP	R542		nsp	nsp	RES.	120 OHM 1W J KRG1SANJ121RT
AMP	R543		nsp	nsp	RES.	120 OHM 1W J KRG1SANJ121RT
AMP	R544		nsp	nsp	RES.	120 OHM 1W J KRG1SANJ121RT
AMP	R545		nsp	nsp	RES.	47 OHM 1W J KRG1SANJ470RT
AMP	R546		nsp	nsp	RES.	47 OHM 1W J KRG1SANJ470RT
AMP	R549		nsp	nsp	RES.	15 OHM 1/6W J CRD20TJ150T

NOTE "nsp" PART IS LISTED FOR REFERENCE ONLY, MARANTZ WILL NOT SUPPLY THESE PARTS

P.W.B. NAME	POS. NO.	VERS. COLOR	PART NO. (FOR EUR)	PART NO. (MZ)	PART NAME	DESCRIPTION
AMP	R550		nsp	nsp	RES.	15 OHM 1/6W J CRD20TJ150T
AMP	R551		nsp	nsp	RES.	10 OHM 1/5W J CRD20TJ100T
AMP	R552		nsp	nsp	RES.	10 OHM 1/5W J CRD20TJ100T
AMP	R553		nsp	nsp	RES.	1K OHM 1/5W J CRD20TJ102T
AMP	R554		nsp	nsp	RES.	1K OHM 1/5W J CRD20TJ102T
AMP	R555		nsp	nsp	RES.	1K OHM 1/5W J CRD20TJ102T
AMP	R556		nsp	nsp	RES.	1K OHM 1/5W J CRD20TJ102T
AMP	R557		nsp	nsp	RES.	680 OHM 1/5W J CRD20TJ681T
AMP	R558		nsp	nsp	RES.	680 OHM 1/5W J CRD20TJ681T
AMP	R559		nsp	nsp	RES.	39K OHM 1/5W J CRD20TJ393T
AMP	R560		nsp	nsp	RES.	39K OHM 1/5W J CRD20TJ393T
AMP	R561		nsp	nsp	RES.	39K OHM 1/5W J CRD20TJ393T
AMP	R562		nsp	nsp	RES.	39K OHM 1/5W J CRD20TJ393T
AMP	R563		nsp	nsp	RES.	22K OHM 1/5W J CRD20TJ223T
AMP	R564		nsp	nsp	RES.	22K OHM 1/5W J CRD20TJ223T
AMP	R565		nsp	nsp	RES.	680 OHM 1/5W J CRD20TJ681T
AMP	R566		nsp	nsp	RES.	680 OHM 1/5W J CRD20TJ681T
AMP	R567		nsp	nsp	RES.	33K OHM 1/5W J CRD20TJ333T
AMP	R568		nsp	nsp	RES.	33K OHM 1/5W J CRD20TJ333T
AMP	R569		nsp	nsp	RES.	22K OHM 1/5W J CRD20TJ223T
AMP	R570		nsp	nsp	RES.	22K OHM 1/5W J CRD20TJ223T
AMP	R571		nsp	nsp	RES.	120 OHM 1/5W J CRD20TJ121T
AMP	R572		nsp	nsp	RES.	120 OHM 1/5W J CRD20TJ121T
AMP	R573		nsp	nsp	RES.	120 OHM 1/5W J CRD20TJ121T
AMP	R574		nsp	nsp	RES.	120 OHM 1/5W J CRD20TJ121T
AMP	R601		nsp	nsp	RES.	33K OHM 1/5W J CRD20TJ333T
AMP	R602		nsp	nsp	RES.	33K OHM 1/5W J CRD20TJ333T
AMP	R603		nsp	nsp	RES.	1K OHM 1/5W J CRD20TJ102T
AMP	R604		nsp	nsp	RES.	1K OHM 1/5W J CRD20TJ102T
AMP	R605		nsp	nsp	RES.	100 OHM 1/5W J CRD20TJ101T
AMP	R606		nsp	nsp	RES.	100 OHM 1/5W J CRD20TJ101T
AMP	R607		nsp	nsp	RES.	12K OHM 1/5W J CRD20TJ123T
AMP	R608		nsp	nsp	RES.	12K OHM 1/5W J CRD20TJ123T
AMP	R609		nsp	nsp	RES.	12K OHM 1/5W J CRD20TJ123T
AMP	R610		nsp	nsp	RES.	12K OHM 1/5W J CRD20TJ123T
AMP	R611		nsp	nsp	RES.	470 OHM 1/5W J CRD20TJ471T
AMP	R612		nsp	nsp	RES.	470 OHM 1/5W J CRD20TJ471T
AMP	R613		nsp	nsp	RES.	470 OHM 1/5W J CRD20TJ471T
AMP	R614		nsp	nsp	RES.	470 OHM 1/5W J CRD20TJ471T
AMP	R615		nsp	nsp	RES.	68 OHM 1/5W J CRD20TJ680T
AMP	R616		nsp	nsp	RES.	68 OHM 1/5W J CRD20TJ680T
AMP	R617		nsp	nsp	RES.	68 OHM 1/5W J CRD20TJ680T
AMP	R618		nsp	nsp	RES.	68 OHM 1/5W J CRD20TJ680T
AMP	R619		90M-NB000010R	90M-NB000010R	RES.	LT20001/6S J HRT16C1512000JT
AMP	R620		90M-NB000010R	90M-NB000010R	RES.	LT20001/6S J HRT16C1512000JT
AMP	R621		90M-NB000010R	90M-NB000010R	RES.	LT20001/6S J HRT16C1512000JT
AMP	R622		90M-NB000010R	90M-NB000010R	RES.	LT20001/6S J HRT16C1512000JT
AMP	R623		nsp	nsp	RES.	330K OHM 1/6W J CRD20TJ334T
AMP	R624		nsp	nsp	RES.	330K OHM 1/6W J CRD20TJ334T
AMP	R625		nsp	nsp	RES.	330K OHM 1/6W J CRD20TJ334T
AMP	R626		nsp	nsp	RES.	330K OHM 1/6W J CRD20TJ334T
AMP	R627		nsp	nsp	RES.	100 OHM 1/5W J CRD20TJ101T
AMP	R628		nsp	nsp	RES.	100 OHM 1/5W J CRD20TJ101T
AMP	R629		nsp	nsp	RES.	100 OHM 1/5W J CRD20TJ101T
AMP	R630		nsp	nsp	RES.	100 OHM 1/5W J CRD20TJ101T
AMP	R631		nsp	nsp	RES.	10 OHM 1/4W J CRD25TJ100T
AMP	R632		nsp	nsp	RES.	10 OHM 1/4W J CRD25TJ100T
AMP	R633		nsp	nsp	RES.	10 OHM 1/4W J CRD25TJ100T
AMP	R634		nsp	nsp	RES.	10 OHM 1/4W J CRD25TJ100T
AMP	R635		nsp	nsp	RES.	27 OHM 1/6W J CRD20TJ270T
AMP	R636		nsp	nsp	RES.	27 OHM 1/6W J CRD20TJ270T
AMP	R639		nsp	nsp	RES.	120 OHM 1W J KRG1SANJ121RT
AMP	R640		nsp	nsp	RES.	120 OHM 1W J KRG1SANJ121RT
AMP	R641		nsp	nsp	RES.	120 OHM 1W J KRG1SANJ121RT
AMP	R642		nsp	nsp	RES.	120 OHM 1W J KRG1SANJ121RT
AMP	R643		nsp	nsp	RES.	120 OHM 1W J KRG1SANJ121RT
AMP	R644		nsp	nsp	RES.	120 OHM 1W J KRG1SANJ121RT

NOTE *nsp* PART IS LISTED FOR REFERENCE ONLY, MARANTZ WILL NOT SUPPLY THESE PARTS

P.W.B. NAME	POS. NO.	VERS. COLOR	PART NO. (FOR EUR)	PART NO. (MZ)	PART NAME	DESCRIPTION
AMP	R645		nsp	nsp	RES.	47 OHM 1W J KRG1SANJ470RT
AMP	R646		nsp	nsp	RES.	47 OHM 1W J KRG1SANJ470RT
AMP	R649		nsp	nsp	RES.	15 OHM 1/6W J CRD20TJ150T
AMP	R650		nsp	nsp	RES.	15 OHM 1/6W J CRD20TJ150T
AMP	R651		nsp	nsp	RES.	10 OHM 1/5W J CRD20TJ100T
AMP	R652		nsp	nsp	RES.	10 OHM 1/5W J CRD20TJ100T
AMP	R653		nsp	nsp	RES.	1K OHM 1/5W J CRD20TJ102T
AMP	R654		nsp	nsp	RES.	1K OHM 1/5W J CRD20TJ102T
AMP	R655		nsp	nsp	RES.	1K OHM 1/5W J CRD20TJ102T
AMP	R656		nsp	nsp	RES.	1K OHM 1/5W J CRD20TJ102T
AMP	R657		nsp	nsp	RES.	680 OHM 1/5W J CRD20TJ681T
AMP	R658		nsp	nsp	RES.	680 OHM 1/5W J CRD20TJ681T
AMP	R659		nsp	nsp	RES.	39K OHM 1/5W J CRD20TJ393T
AMP	R660		nsp	nsp	RES.	39K OHM 1/5W J CRD20TJ393T
AMP	R661		nsp	nsp	RES.	39K OHM 1/5W J CRD20TJ393T
AMP	R662		nsp	nsp	RES.	39K OHM 1/5W J CRD20TJ393T
AMP	R663		nsp	nsp	RES.	22K OHM 1/5W J CRD20TJ223T
AMP	R664		nsp	nsp	RES.	22K OHM 1/5W J CRD20TJ223T
AMP	R665		nsp	nsp	RES.	680 OHM 1/5W J CRD20TJ681T
AMP	R666		nsp	nsp	RES.	680 OHM 1/5W J CRD20TJ681T
AMP	R667		nsp	nsp	RES.	33K OHM 1/5W J CRD20TJ333T
AMP	R668		nsp	nsp	RES.	33K OHM 1/5W J CRD20TJ333T
AMP	R669		nsp	nsp	RES.	22K OHM 1/5W J CRD20TJ223T
AMP	R670		nsp	nsp	RES.	22K OHM 1/5W J CRD20TJ223T
AMP	R671		nsp	nsp	RES.	120 OHM 1/5W J CRD20TJ121T
AMP	R672		nsp	nsp	RES.	120 OHM 1/5W J CRD20TJ121T
AMP	R673		nsp	nsp	RES.	120 OHM 1/5W J CRD20TJ121T
AMP	R674		nsp	nsp	RES.	120 OHM 1/5W J CRD20TJ121T
AMP	R701		nsp	nsp	RES.	33K OHM 1/5W J CRD20TJ333T
AMP	R703		nsp	nsp	RES.	1K OHM 1/5W J CRD20TJ102T
AMP	R705		nsp	nsp	RES.	100 OHM 1/5W J CRD20TJ101T
AMP	R707		nsp	nsp	RES.	12K OHM 1/5W J CRD20TJ123T
AMP	R709		nsp	nsp	RES.	12K OHM 1/5W J CRD20TJ123T
AMP	R711		nsp	nsp	RES.	470 OHM 1/5W J CRD20TJ471T
AMP	R713		nsp	nsp	RES.	470 OHM 1/5W J CRD20TJ471T
AMP	R715		nsp	nsp	RES.	68 OHM 1/5W J CRD20TJ680T
AMP	R717		nsp	nsp	RES.	68 OHM 1/5W J CRD20TJ680T
AMP	R719		90M-NB000010R	90M-NB000010R	RES.	LT20001/6S J HRT16C1512000JT
AMP	R721		90M-NB000010R	90M-NB000010R	RES.	LT20001/6S J HRT16C1512000JT
AMP	R723		nsp	nsp	RES.	330K OHM 1/6W J CRD20TJ334T
AMP	R725		nsp	nsp	RES.	330K OHM 1/6W J CRD20TJ334T
AMP	R727		nsp	nsp	RES.	100 OHM 1/5W J CRD20TJ101T
AMP	R729		nsp	nsp	RES.	100 OHM 1/5W J CRD20TJ101T
AMP	R731		nsp	nsp	RES.	10 OHM 1/4W J CRD25TJ100T
AMP	R733		nsp	nsp	RES.	10 OHM 1/4W J CRD25TJ100T
AMP	R735		nsp	nsp	RES.	27 OHM 1/6W J CRD20TJ270T
AMP	R739		nsp	nsp	RES.	120 OHM 1W J KRG1SANJ121RT
AMP	R741		nsp	nsp	RES.	120 OHM 1W J KRG1SANJ121RT
AMP	R743		nsp	nsp	RES.	120 OHM 1W J KRG1SANJ121RT
AMP	R745		nsp	nsp	RES.	47 OHM 1W J KRG1SANJ470RT
AMP	R749		nsp	nsp	RES.	15 OHM 1/6W J CRD20TJ150T
AMP	R751		nsp	nsp	RES.	10 OHM 1/5W J CRD20TJ100T
AMP	R753		nsp	nsp	RES.	1K OHM 1/5W J CRD20TJ102T
AMP	R755		nsp	nsp	RES.	1K OHM 1/5W J CRD20TJ102T
AMP	R757		nsp	nsp	RES.	680 OHM 1/5W J CRD20TJ681T
AMP	R759		nsp	nsp	RES.	39K OHM 1/5W J CRD20TJ393T
AMP	R761		nsp	nsp	RES.	39K OHM 1/5W J CRD20TJ393T
AMP	R763		nsp	nsp	RES.	22K OHM 1/5W J CRD20TJ223T
AMP	R765		nsp	nsp	RES.	680 OHM 1/5W J CRD20TJ681T
AMP	R767		nsp	nsp	RES.	33K OHM 1/5W J CRD20TJ333T
AMP	R769		nsp	nsp	RES.	22K OHM 1/5W J CRD20TJ223T
AMP	R771		nsp	nsp	RES.	120 OHM 1/5W J CRD20TJ121T
AMP	R773		nsp	nsp	RES.	120 OHM 1/5W J CRD20TJ121T
AMP	R801		nsp	nsp	RES.	68K OHM 1/5W J CRD20TJ683T
AMP	R802		nsp	nsp	RES.	68K OHM 1/5W J CRD20TJ683T
AMP	R803		nsp	nsp	RES.	68K OHM 1/5W J CRD20TJ683T
AMP	R804		nsp	nsp	RES.	68K OHM 1/5W J CRD20TJ683T

NOTE "nsp" PART IS LISTED FOR REFERENCE ONLY, MARANTZ WILL NOT SUPPLY THESE PARTS

P.W.B. NAME	POS. NO.	VERS. COLOR	PART NO. (FOR EUR)	PART NO. (MZ)	PART NAME	DESCRIPTION	
AMP	R805		nsp	nsp	RES.	68K OHM 1/5W J	CRD20TJ683T
AMP	R806		nsp	nsp	RES.	68K OHM 1/5W J	CRD20TJ683T
AMP	R807		nsp	nsp	RES.	68K OHM 1/5W J	CRD20TJ683T
AMP	R810		nsp	nsp	RES.	15K OHM 1/5W J	CRD20TJ153T
AMP	R811		nsp	nsp	RES.	10K OHM 1/5W J	CRD20TJ103T
AMP	R812		nsp	nsp	RES.	10K OHM 1/5W J	CRD20TJ103T
AMP	R813		nsp	nsp	RES.	10K OHM 1/5W J	CRD20TJ103T
AMP	R814		nsp	nsp	RES.	4.7K OHM 1/5W J	CRD20TJ472T
AMP	R815		nsp	nsp	RES.	15K OHM 1/5W J	CRD20TJ153T
AMP	R816		nsp	nsp	RES.	5.6K OHM 1/5W J	CRD20TJ562T
AMP	R818		nsp	nsp	RES.	100 OHM 1/5W J	CRD20TJ101T
AMP	R819		nsp	nsp	RES.	100 OHM 1/5W J	CRD20TJ101T
AMP	R820		nsp	nsp	RES.	33K OHM 1/5W J	CRD20TJ333T
AMP	R821		nsp	nsp	RES.	4.7K OHM 1/5W J	CRD20TJ472T
AMP	R822		nsp	nsp	RES.	24K OHM 1/5W J	CRD20TJ243T
AMP	R823		nsp	nsp	RES.	6.8K OHM 1/5W J	CRD20TJ682T
AMP	R824		nsp	nsp	CORD	SN95/PB5, 0.6	C3A206
AMP	R825	/U1B	nsp	nsp	RES.	3.3K OHM 1/5W J	CRD20TJ332T
AMP	R826	/U1B	nsp	nsp	RES.	51K OHM 1/5W J	CRD20TJ513T
AMP	R827	/U1B	nsp	nsp	RES.	15K OHM 1/5W J	CRD20TJ153T
AMP	R828	/U1B	nsp	nsp	RES.	7.5K OHM 1/5W J	CRD20TJ752T
AMP	TH81		90M-HP000080R	90M-HP000080R	VARISTOR	PTFM04BD222Q2N34B0	BRTPTFM04BD222Q
AMP	VR41		90M-RA001090R	90M-RA001090R	TRIM. RES.	220 OHM	CVN1RE221B01T
AMP	VR42		90M-RA001090R	90M-RA001090R	TRIM. RES.	220 OHM	CVN1RE221B01T
AMP	VR51		90M-RA001090R	90M-RA001090R	TRIM. RES.	220 OHM	CVN1RE221B01T
AMP	VR52		90M-RA001090R	90M-RA001090R	TRIM. RES.	220 OHM	CVN1RE221B01T
AMP	VR61		90M-RA001090R	90M-RA001090R	TRIM. RES.	220 OHM	CVN1RE221B01T
AMP	VR62		90M-RA001090R	90M-RA001090R	TRIM. RES.	220 OHM	CVN1RE221B01T
AMP	VR71		90M-RA001090R	90M-RA001090R	TRIM. RES.	220 OHM	CVN1RE221B01T
					COMPONENT PWB (CUP11953Z)		
COMP	BK91		nsp	nsp	BRACKET	BRACKET FOR PWB	CMD1A569
COMP	BK92		nsp	nsp	BRACKET	BRACKET FOR PWB	CMD1A569
COMP	C801		nsp	00MDK96102300	CER. CAP.	1000PF 50V KC	CCUS1H102KC
COMP	C802		nsp	00MDK96102300	CER. CAP.	1000PF 50V KC	CCUS1H102KC
COMP	C803		nsp	00MDK96102300	CER. CAP.	1000PF 50V KC	CCUS1H102KC
COMP	C804		nsp	00MDK96102300	CER. CAP.	1000PF 50V KC	CCUS1H102KC
COMP	C851		nsp	00MOA10605020	ELECT CAP.	10UF 50V	CCEA1HH100T
COMP	C852		nsp	00MOA10605020	ELECT CAP.	10UF 50V	CCEA1HH100T
COMP	C853		nsp	00MOA10605020	ELECT CAP.	10UF 50V	CCEA1HH100T
COMP	C854		nsp	00MOA10605020	ELECT CAP.	10UF 50V	CCEA1HH100T
COMP	C856		nsp	00MOA10605020	ELECT CAP.	10UF 50V	CCEA1HH100T
COMP	C857		nsp	00MOA10605020	ELECT CAP.	10UF 50V	CCEA1HH100T
COMP	C858		nsp	00MOA10605020	ELECT CAP.	10UF 50V	CCEA1HH100T
COMP	C859		nsp	00MOA10605020	ELECT CAP.	10UF 50V	CCEA1HH100T
COMP	C860		nsp	00MOA10605020	ELECT CAP.	10UF 50V	CCEA1HH100T
COMP	C861		nsp	00MOA10605020	ELECT CAP.	10UF 50V	CCEA1HH100T
COMP	C862		nsp	00MOA10605020	ELECT CAP.	10UF 50V	CCEA1HH100T
COMP	C863		nsp	00MOA10605020	ELECT CAP.	10UF 50V	CCEA1HH100T
COMP	C901		nsp	00MOA10505020	ELECT CAP.	1UF 50V	CCEA1HH1R0T
COMP	C902		nsp	00MOA10505020	ELECT CAP.	1UF 50V	CCEA1HH1R0T
COMP	C903		nsp	00MOA10505020	ELECT CAP.	1UF 50V	CCEA1HH1R0T
COMP	C904		nsp	00MOA10505020	ELECT CAP.	1UF 50V	CCEA1HH1R0T
COMP	C905		nsp	00MOA10505020	ELECT CAP.	1UF 50V	CCEA1HH1R0T
COMP	C906		nsp	00MOA10505020	ELECT CAP.	1UF 50V	CCEA1HH1R0T
COMP	C907		nsp	00MDK96103300	CER. CAP.	0.01UF 50V KC	CCUS1H103KC
COMP	C908		nsp	00MOA47602520	ELECT CAP.	47UF 25V	CCEA1EH470T
COMP	C909		nsp	00MOA47602520	ELECT CAP.	47UF 25V	CCEA1EH470T
COMP	C910		nsp	00MDK96103300	CER. CAP.	0.01UF 50V KC	CCUS1H103KC
COMP	C911		nsp	00MOA47602520	ELECT CAP.	47UF 25V	CCEA1EH470T
COMP	C912		nsp	00MDK96103300	CER. CAP.	0.01UF 50V KC	CCUS1H103KC
COMP	C913		nsp	00MOA47602520	ELECT CAP.	47UF 25V	CCEA1EH470T
COMP	C914		nsp	00MDK96103300	CER. CAP.	0.01UF 50V KC	CCUS1H103KC
COMP	C915		nsp	00MOA10505020	ELECT CAP.	1UF 50V	CCEA1HH1R0T
COMP	C916		nsp	00MOA10505020	ELECT CAP.	1UF 50V	CCEA1HH1R0T
COMP	C917		nsp	00MOA10505020	ELECT CAP.	1UF 50V	CCEA1HH1R0T
COMP	C918		nsp	00MDK96103300	CER. CAP.	0.01UF 50V KC	CCUS1H103KC
COMP	C919		nsp	00MOA47602520	ELECT CAP.	47UF 25V	CCEA1EH470T

NOTE "nsp" PART IS LISTED FOR REFERENCE ONLY, MARANTZ WILL NOT SUPPLY THESE PARTS

P.W.B. NAME	POS. NO.	VERS. COLOR	PART NO. (FOR EUR)	PART NO. (MZ)	PART NAME	DESCRIPTION
COMP	C920		nsp	00MOA47602520	ELECT CAP.	47UF 25V CCEA1EH470T
COMP	C921		nsp	00MDK96103300	CER. CAP.	0.01UF 50V KC CCUS1H103KC
COMP	C922		nsp	00MOA47602520	ELECT CAP.	47UF 25V CCEA1EH470T
COMP	C923		nsp	00MDK96103300	CER. CAP.	0.01UF 50V KC CCUS1H103KC
COMP	C924		nsp	00MOA47602520	ELECT CAP.	47UF 25V CCEA1EH470T
COMP	C925		nsp	00MDK96103300	CER. CAP.	0.01UF 50V KC CCUS1H103KC
COMP	C926		nsp	00MOA10505020	ELECT CAP.	1UF 50V CCEA1HH1R0T
COMP	C927		nsp	00MOA10505020	ELECT CAP.	1UF 50V CCEA1HH1R0T
COMP	C928		nsp	00MOA10505020	ELECT CAP.	1UF 50V CCEA1HH1R0T
COMP	C929		nsp	00MDK96103300	CER. CAP.	0.01UF 50V KC CCUS1H103KC
COMP	C930		nsp	00MOA47602520	ELECT CAP.	47UF 25V CCEA1EH470T
COMP	C931		nsp	00MOA47602520	ELECT CAP.	47UF 25V CCEA1EH470T
COMP	C932		nsp	00MDK96103300	CER. CAP.	0.01UF 50V KC CCUS1H103KC
COMP	C933		nsp	00MOA47602520	ELECT CAP.	47UF 25V CCEA1EH470T
COMP	C934		nsp	00MDK96103300	CER. CAP.	0.01UF 50V KC CCUS1H103KC
COMP	C935		nsp	00MOA47602520	ELECT CAP.	47UF 25V CCEA1EH470T
COMP	C936		nsp	00MDK96103300	CER. CAP.	0.01UF 50V KC CCUS1H103KC
COMP	C937		nsp	00MOA47701020	ELECT CAP.	470UF 10V CCEA1AH471T
COMP	C938		nsp	00MDK96103300	CER. CAP.	0.01UF 50V KC CCUS1H103KC
COMP	C939		nsp	00MOA47701020	ELECT CAP.	470UF 10V CCEA1AH471T
COMP	C940		nsp	00MDK96103300	CER. CAP.	0.01UF 50V KC CCUS1H103KC
COMP	C941		nsp	00MOA47701020	ELECT CAP.	470UF 10V CCEA1AH471T
COMP	C942		nsp	00MDK96103300	CER. CAP.	0.01UF 50V KC CCUS1H103KC
COMP	C943		nsp	00MDK96103300	CER. CAP.	0.01UF 50V KC CCUS1H103KC
COMP	C945		nsp	00MDK96103300	CER. CAP.	0.01UF 50V KC CCUS1H103KC
COMP	C946		nsp	00MDK96103300	CER. CAP.	0.01UF 50V KC CCUS1H103KC
COMP	C947		nsp	00MOA10701620	ELECT CAP.	100UF 16V CCEA1CH101T
COMP	C948		nsp	00MDK96103300	CER. CAP.	0.01UF 50V KC CCUS1H103KC
COMP	C949		nsp	00MOA10701620	ELECT CAP.	100UF 16V CCEA1CH101T
COMP	C950		nsp	00MDK96103300	CER. CAP.	0.01UF 50V KC CCUS1H103KC
COMP	C951		nsp	00MOA47602520	ELECT CAP.	47UF 25V CCEA1EH470T
COMP	C952		nsp	00MDK96103300	CER. CAP.	0.01UF 50V KC CCUS1H103KC
COMP	C955		nsp	00MOA47602520	ELECT CAP.	47UF 25V CCEA1EH470T
COMP	C956		nsp	00MOA47602520	ELECT CAP.	47UF 25V CCEA1EH470T
COMP	C957		nsp	00MOA47602520	ELECT CAP.	47UF 25V CCEA1EH470T
COMP	C958		nsp	00MDD9515030R	CER. CAP.	15PF 50V JA CCUS1H150JA
COMP	C959		nsp	00MDD9515030R	CER. CAP.	15PF 50V JA CCUS1H150JA
COMP	C960		nsp	00MDD9515030R	CER. CAP.	15PF 50V JA CCUS1H150JA
COMP	C971		nsp	00MDK96103300	CER. CAP.	0.01UF 50V KC CCUS1H103KC
COMP	C972		nsp	00MDK96103300	CER. CAP.	0.01UF 50V KC CCUS1H103KC
COMP	C973		nsp	00MDK96103300	CER. CAP.	0.01UF 50V KC CCUS1H103KC
COMP	C974		nsp	00MDK96103300	CER. CAP.	0.01UF 50V KC CCUS1H103KC
COMP	C975		nsp	00MDK96103300	CER. CAP.	0.01UF 50V KC CCUS1H103KC
COMP	C976		nsp	00MDK96103300	CER. CAP.	0.01UF 50V KC CCUS1H103KC
COMP	C977		nsp	00MOA10701620	ELECT CAP.	100UF 16V CCEA1CH101T
COMP	C978		nsp	00MOA10701620	ELECT CAP.	100UF 16V CCEA1CH101T
COMP	CN41		nsp	nsp	CONN.	17P WAFER CARD CABLE CJP17GA117ZY
COMP	CN42		nsp	nsp	CONN.	CARD CABLE CJP11GA117ZY
COMP	CN43		nsp	nsp	CONN.	2PIN CJP02GA19ZY CJP02GA19ZY
COMP	IC91		90M-HC109830R	90M-HC109830R	IC	NJM2584M HVINJM2584MTE1
COMP	IC92		90M-HC109830R	90M-HC109830R	IC	NJM2584M HVINJM2584MTE1
COMP	IC93		90M-HC109830R	90M-HC109830R	IC	NJM2584M HVINJM2584MTE1
COMP	IC94		00MHC10236090	00MHC10236090	IC	NJM2586AM HVINJM2586AMTE1
COMP	IC95		00MHC10239090	00MHC10239090	IC	NJM2581M HVINJM2581MTE1
COMP	J901		nsp	nsp	CORD	SN95/PB5, 0.6 C3A206
COMP	J902		nsp	nsp	CORD	SN95/PB5, 0.6 C3A206
COMP	J903		nsp	nsp	CORD	SN95/PB5, 0.6 C3A206
COMP	J905		nsp	nsp	CORD	SN95/PB5, 0.6 C3A206
COMP	J906		nsp	nsp	CORD	SN95/PB5, 0.6 C3A206
COMP	J907		nsp	nsp	CORD	SN95/PB5, 0.6 C3A206
COMP	J908		nsp	nsp	CORD	SN95/PB5, 0.6 C3A206
COMP	J909		nsp	nsp	CORD	SN95/PB5, 0.6 C3A206
COMP	J910		nsp	nsp	CORD	SN95/PB5, 0.6 C3A206
COMP	J911		nsp	nsp	CORD	SN95/PB5, 0.6 C3A206
COMP	J912		nsp	nsp	CORD	SN95/PB5, 0.6 C3A206
COMP	J913		nsp	nsp	CORD	SN95/PB5, 0.6 C3A206
COMP	J914		nsp	nsp	CORD	SN95/PB5, 0.6 C3A206

NOTE "nsp" PART IS LISTED FOR REFERENCE ONLY, MARANTZ WILL NOT SUPPLY THESE PARTS

P.W.B. NAME	POS. NO.	VERS. COLOR	PART NO. (FOR EUR)	PART NO. (MZ)	PART NAME	DESCRIPTION
COMP	J915		nsp	nsp	CORD	SN95/PB5, 0.6 C3A206
COMP	J916		nsp	nsp	CORD	SN95/PB5, 0.6 C3A206
COMP	J917		nsp	nsp	CORD	SN95/PB5, 0.6 C3A206
COMP	J918		nsp	nsp	CORD	SN95/PB5, 0.6 C3A206
COMP	J919		nsp	nsp	CORD	SN95/PB5, 0.6 C3A206
COMP	J920		nsp	nsp	CORD	SN95/PB5, 0.6 C3A206
COMP	J921		nsp	nsp	CORD	SN95/PB5, 0.6 C3A206
COMP	J922		nsp	nsp	CORD	SN95/PB5, 0.6 C3A206
COMP	J923		nsp	nsp	CORD	SN95/PB5, 0.6 C3A206
COMP	J924		nsp	nsp	CORD	SN95/PB5, 0.6 C3A206
COMP	J925		nsp	nsp	CORD	SN95/PB5, 0.6 C3A206
COMP	J926		nsp	nsp	CORD	SN95/PB5, 0.6 C3A206
COMP	J931		nsp	nsp	CORD	SN95/PB5, 0.6 C3A206
COMP	J932		nsp	nsp	CORD	SN95/PB5, 0.6 C3A206
COMP	J933		nsp	nsp	CORD	SN95/PB5, 0.6 C3A206
COMP	J934		nsp	nsp	CORD	SN95/PB5, 0.6 C3A206
COMP	J935		nsp	nsp	CORD	SN95/PB5, 0.6 C3A206
COMP	J936		nsp	nsp	CORD	SN95/PB5, 0.6 C3A206
COMP	J937		nsp	nsp	CORD	SN95/PB5, 0.6 C3A206
COMP	J938		nsp	nsp	CORD	SN95/PB5, 0.6 C3A206
COMP	J939		nsp	nsp	CORD	SN95/PB5, 0.6 C3A206
COMP	J940		nsp	nsp	CORD	SN95/PB5, 0.6 C3A206
COMP	J941		nsp	nsp	CORD	SN95/PB5, 0.6 C3A206
COMP	J942		nsp	nsp	CORD	SN95/PB5, 0.6 C3A206
COMP	J943		nsp	nsp	CORD	SN95/PB5, 0.6 C3A206
COMP	JK91		90M-YT004300R	90M-YT004300R	TERMINAL	JACK , BOARD 6P G/B/R SILVER CJJ4R045Z
COMP	JK92		90M-YT004300R	90M-YT004300R	TERMINAL	JACK , BOARD 6P G/B/R SILVER CJJ4R045Z
COMP	JK93		90M-YT003210R	90M-YT003210R	TERMINAL	CINCH 3P G/B/R SILVER CJJ4S030Z
COMP	Q851		90M-HT800110R	90M-HT800110R	TRS.	KTC4075GR HVTKTC4075GR
COMP	Q852		90M-HT800110R	90M-HT800110R	TRS.	KTC4075GR HVTKTC4075GR
COMP	Q853		90M-HT800110R	90M-HT800110R	TRS.	KTC4075GR HVTKTC4075GR
COMP	Q854		90M-HT800110R	90M-HT800110R	TRS.	KTC4075GR HVTKTC4075GR
COMP	Q855		90M-HT800110R	90M-HT800110R	TRS.	KTC4075GR HVTKTC4075GR
COMP	Q856		90M-HT800110R	90M-HT800110R	TRS.	KTC4075GR HVTKTC4075GR
COMP	Q857		90M-HT800110R	90M-HT800110R	TRS.	KTC4075GR HVTKTC4075GR
COMP	Q858		90M-HT800110R	90M-HT800110R	TRS.	KTC4075GR HVTKTC4075GR
COMP	Q859		90M-HT800110R	90M-HT800110R	TRS.	KTC4075GR HVTKTC4075GR
COMP	Q860		90M-HT800110R	90M-HT800110R	TRS.	KTC4075GR HVTKTC4075GR
COMP	Q861		90M-HT800110R	90M-HT800110R	TRS.	KTC4075GR HVTKTC4075GR
COMP	Q862		90M-HT800110R	90M-HT800110R	TRS.	KTC4075GR HVTKTC4075GR
COMP	R801		nsp	00MNN05471610	CHIP RES.	470 OHM 1/10W J CRJ10DJ471T
COMP	R802		nsp	00MNN05471610	CHIP RES.	470 OHM 1/10W J CRJ10DJ471T
COMP	R803		nsp	00MNN05471610	CHIP RES.	470 OHM 1/10W J CRJ10DJ471T
COMP	R804		nsp	00MNN05471610	CHIP RES.	470 OHM 1/10W J CRJ10DJ471T
COMP	R851		nsp	00MNN05223610	CHIP RES.	22K OHM 1/10W J CRJ10DJ223T
COMP	R852		nsp	00MNN05223610	CHIP RES.	22K OHM 1/10W J CRJ10DJ223T
COMP	R853		nsp	00MNN05102610	CHIP RES.	1K OHM 1/10W J CRJ10DJ102T
COMP	R854		nsp	00MNN05223610	CHIP RES.	22K OHM 1/10W J CRJ10DJ223T
COMP	R855		nsp	00MNN05223610	CHIP RES.	22K OHM 1/10W J CRJ10DJ223T
COMP	R856		nsp	00MNN05102610	CHIP RES.	1K OHM 1/10W J CRJ10DJ102T
COMP	R857		nsp	00MNN05223610	CHIP RES.	22K OHM 1/10W J CRJ10DJ223T
COMP	R858		nsp	00MNN05223610	CHIP RES.	22K OHM 1/10W J CRJ10DJ223T
COMP	R859		nsp	00MNN05102610	CHIP RES.	1K OHM 1/10W J CRJ10DJ102T
COMP	R860		nsp	00MNN05223610	CHIP RES.	22K OHM 1/10W J CRJ10DJ223T
COMP	R861		nsp	00MNN05223610	CHIP RES.	22K OHM 1/10W J CRJ10DJ223T
COMP	R862		nsp	00MNN05102610	CHIP RES.	1K OHM 1/10W J CRJ10DJ102T
COMP	R863		nsp	00MNN05223610	CHIP RES.	22K OHM 1/10W J CRJ10DJ223T
COMP	R864		nsp	00MNN05223610	CHIP RES.	22K OHM 1/10W J CRJ10DJ223T
COMP	R865		nsp	00MNN05102610	CHIP RES.	1K OHM 1/10W J CRJ10DJ102T
COMP	R866		nsp	00MNN05223610	CHIP RES.	22K OHM 1/10W J CRJ10DJ223T
COMP	R867		nsp	00MNN05223610	CHIP RES.	22K OHM 1/10W J CRJ10DJ223T
COMP	R868		nsp	00MNN05102610	CHIP RES.	1K OHM 1/10W J CRJ10DJ102T
COMP	R869		nsp	00MNN05223610	CHIP RES.	22K OHM 1/10W J CRJ10DJ223T
COMP	R870		nsp	00MNN05223610	CHIP RES.	22K OHM 1/10W J CRJ10DJ223T
COMP	R871		nsp	00MNN05102610	CHIP RES.	1K OHM 1/10W J CRJ10DJ102T
COMP	R872		nsp	00MNN05223610	CHIP RES.	22K OHM 1/10W J CRJ10DJ223T
COMP	R873		nsp	00MNN05223610	CHIP RES.	22K OHM 1/10W J CRJ10DJ223T

NOTE "nsp" PART IS LISTED FOR REFERENCE ONLY, MARANTZ WILL NOT SUPPLY THESE PARTS

P.W.B. NAME	POS. NO.	VERS. COLOR	PART NO. (FOR EUR)	PART NO. (MZ)	PART NAME	DESCRIPTION
COMP	R874		nsp	00MNN05102610	CHIP RES.	1K OHM 1/10W J CRJ10DJ102T
COMP	R875		nsp	00MNN05223610	CHIP RES.	22K OHM 1/10W J CRJ10DJ223T
COMP	R876		nsp	00MNN05223610	CHIP RES.	22K OHM 1/10W J CRJ10DJ223T
COMP	R877		nsp	00MNN05102610	CHIP RES.	1K OHM 1/10W J CRJ10DJ102T
COMP	R878		nsp	00MNN05223610	CHIP RES.	22K OHM 1/10W J CRJ10DJ223T
COMP	R879		nsp	00MNN05223610	CHIP RES.	22K OHM 1/10W J CRJ10DJ223T
COMP	R880		nsp	00MNN05102610	CHIP RES.	1K OHM 1/10W J CRJ10DJ102T
COMP	R881		nsp	00MNN05223610	CHIP RES.	22K OHM 1/10W J CRJ10DJ223T
COMP	R882		nsp	00MNN05223610	CHIP RES.	22K OHM 1/10W J CRJ10DJ223T
COMP	R883		nsp	00MNN05102610	CHIP RES.	1K OHM 1/10W J CRJ10DJ102T
COMP	R884		nsp	00MNN05223610	CHIP RES.	22K OHM 1/10W J CRJ10DJ223T
COMP	R885		nsp	00MNN05223610	CHIP RES.	22K OHM 1/10W J CRJ10DJ223T
COMP	R886		nsp	00MNN05102610	CHIP RES.	1K OHM 1/10W J CRJ10DJ102T
COMP	R901		nsp	00MNN05750610	CHIP RES.	75 OHM 1/10W J CRJ10DJ750T
COMP	R902		nsp	00MNN05750610	CHIP RES.	75 OHM 1/10W J CRJ10DJ750T
COMP	R903		nsp	00MNN05750610	CHIP RES.	75 OHM 1/10W J CRJ10DJ750T
COMP	R904		nsp	00MNN05105610	CHIP RES.	1M OHM 1/10W J CRJ10DJ105T
COMP	R905		nsp	00MNN05105610	CHIP RES.	1M OHM 1/10W J CRJ10DJ105T
COMP	R906		nsp	00MNN05750610	CHIP RES.	75 OHM 1/10W J CRJ10DJ750T
COMP	R907		nsp	00MNN05750610	CHIP RES.	75 OHM 1/10W J CRJ10DJ750T
COMP	R908		nsp	00MNN05750610	CHIP RES.	75 OHM 1/10W J CRJ10DJ750T
COMP	R911		nsp	00MNN05750610	CHIP RES.	75 OHM 1/10W J CRJ10DJ750T
COMP	R912		nsp	00MNN05750610	CHIP RES.	75 OHM 1/10W J CRJ10DJ750T
COMP	R913		nsp	00MNN05750610	CHIP RES.	75 OHM 1/10W J CRJ10DJ750T
COMP	R914		nsp	00MNN05105610	CHIP RES.	1M OHM 1/10W J CRJ10DJ105T
COMP	R915		nsp	00MNN05105610	CHIP RES.	1M OHM 1/10W J CRJ10DJ105T
COMP	R921		nsp	00MNN05750610	CHIP RES.	75 OHM 1/10W J CRJ10DJ750T
COMP	R922		nsp	00MNN05750610	CHIP RES.	75 OHM 1/10W J CRJ10DJ750T
COMP	R923		nsp	00MNN05750610	CHIP RES.	75 OHM 1/10W J CRJ10DJ750T
COMP	R924		nsp	00MNN05105610	CHIP RES.	1M OHM 1/10W J CRJ10DJ105T
COMP	R925		nsp	00MNN05105610	CHIP RES.	1M OHM 1/10W J CRJ10DJ105T
COMP	R931		nsp	00MNN05750610	CHIP RES.	75 OHM 1/10W J CRJ10DJ750T
COMP	R932		nsp	00MNN05750610	CHIP RES.	75 OHM 1/10W J CRJ10DJ750T
COMP	R933		nsp	00MNN05750610	CHIP RES.	75 OHM 1/10W J CRJ10DJ750T
COMP	R934		nsp	00MNN05105610	CHIP RES.	1M OHM 1/10W J CRJ10DJ105T
COMP	R935		nsp	00MNN05105610	CHIP RES.	1M OHM 1/10W J CRJ10DJ105T
COMP	R936		nsp	00MNN05105610	CHIP RES.	1M OHM 1/10W J CRJ10DJ105T
COMP	R952		nsp	00MNN05750610	CHIP RES.	75 OHM 1/10W J CRJ10DJ750T
COMP	R953		nsp	00MNN05750610	CHIP RES.	75 OHM 1/10W J CRJ10DJ750T
COMP	R954		nsp	00MNN05750610	CHIP RES.	75 OHM 1/10W J CRJ10DJ750T
COMP	R961		nsp	00MNN05470610	CHIP RES.	47 OHM 1/10W J CRJ10DJ470T
COMP	R962		nsp	00MNN05470610	CHIP RES.	47 OHM 1/10W J CRJ10DJ470T
COMP	R963		nsp	00MNN05470610	CHIP RES.	47 OHM 1/10W J CRJ10DJ470T
COMP	R964		nsp	00MNN05470610	CHIP RES.	47 OHM 1/10W J CRJ10DJ470T
COMP	R965		nsp	00MNN05470610	CHIP RES.	47 OHM 1/10W J CRJ10DJ470T
COMP	R966		nsp	00MNN05470610	CHIP RES.	47 OHM 1/10W J CRJ10DJ470T
COMP	R967		nsp	00MNN05750610	CHIP RES.	75 OHM 1/10W J CRJ10DJ750T
COMP	R968		nsp	00MNN05470610	CHIP RES.	47 OHM 1/10W J CRJ10DJ470T
COMP	R969		nsp	00MNN05470610	CHIP RES.	47 OHM 1/10W J CRJ10DJ470T
COMP	R970		nsp	00MNN05470610	CHIP RES.	47 OHM 1/10W J CRJ10DJ470T
					DSP PWB (CUP11951Z)	
DSP	BN38		nsp	nsp	CORD	WIRE ASSY CWZSR7001BN38
DSP	BN51		nsp	nsp	CORD	WIRE ASSY CWB1C905500EN
DSP	BN52	/U1B	nsp	nsp	CORD	WIRE ASSY CWB1C902200EN
DSP	BN53		nsp	nsp	CORD	WIRE ASSY CWZSR8001CN55
DSP	BN86		nsp	nsp	CORD	WIRE ASSY CWZSR8001BN85
DSP	BN90		nsp	nsp	CORD	WIRE ASSY CWB1B904200EN
DSP	C100		nsp	00MDD95101300	CER. CAP.	100PF 50V JA CCUS1H101JA
DSP	C101		nsp	00MDK96104300	CER. CAP.	0.1UF 50V K CCUS1H104KC
DSP	C102		nsp	00MOA22605020	ELECT CAP.	22UF 50V CCEA1HH220T
DSP	C103		nsp	00MOA10605020	ELECT CAP.	10UF 50V CCEA1HH100T
DSP	C104		nsp	00MOA22605020	ELECT CAP.	22UF 50V CCEA1HH220T
DSP	C105		nsp	00MOA22605020	ELECT CAP.	22UF 50V CCEA1HH220T
DSP	C106		nsp	00MDK96104300	CER. CAP.	0.1UF 50V K CCUS1H104KC
DSP	C107		nsp	00MOA10701620	ELECT CAP.	100UF 16V CCEA1CH101T
DSP	C108		nsp	00MDK96272300	CER. CAP.	2700PF 50V KC CCUS1H272KC
DSP	C109		nsp	00MDK96104300	CER. CAP.	0.1UF 50V K CCUS1H104KC

NOTE "nsp" PART IS LISTED FOR REFERENCE ONLY, MARANTZ WILL NOT SUPPLY THESE PARTS

P.W.B. NAME	POS. NO.	VERS. COLOR	PART NO. (FOR EUR)	PART NO. (MZ)	PART NAME	DESCRIPTION	
DSP	C110		nsp	00MOA22605020	ELECT CAP.	22UF 50V	CCEA1HH220T
DSP	C111		nsp	00MDK96104300	CER. CAP.	0.1UF 50V K	CCUS1H104KC
DSP	C112		nsp	00MDK96272300	CER. CAP.	2700PF 50V KC	CCUS1H272KC
DSP	C113		nsp	00MDD95151300	CER. CAP.	150PF 50V JA	CCUS1H151JA
DSP	C114		nsp	00MDK96104300	CER. CAP.	0.1UF 50V K	CCUS1H104KC
DSP	C115		nsp	00MDK96104300	CER. CAP.	0.1UF 50V K	CCUS1H104KC
DSP	C116		nsp	00MDK96104300	CER. CAP.	0.1UF 50V K	CCUS1H104KC
DSP	C117		nsp	00MOA22605020	ELECT CAP.	22UF 50V	CCEA1HH220T
DSP	C118		nsp	00MDD95101300	CER. CAP.	100PF 50V JA	CCUS1H101JA
DSP	C119		nsp	00MOA47602520	ELECT CAP.	47UF 25V	CCEA1EH470T
DSP	C120		nsp	00MOA10505020	ELECT CAP.	1UF 50V	CCEA1HH1R0T
DSP	C121		nsp	00MDK96104300	CER. CAP.	0.1UF 50V K	CCUS1H104KC
DSP	C122		nsp	00MDK96104300	CER. CAP.	0.1UF 50V K	CCUS1H104KC
DSP	C123		nsp	00MOA10701620	ELECT CAP.	100UF 16V	CCEA1CH101T
DSP	C124		nsp	00MDK96104300	CER. CAP.	0.1UF 50V K	CCUS1H104KC
DSP	C125		nsp	00MOA22605020	ELECT CAP.	22UF 50V	CCEA1HH220T
DSP	C126		nsp	00MDK96104300	CER. CAP.	0.1UF 50V K	CCUS1H104KC
DSP	C127		nsp	00MDK96104300	CER. CAP.	0.1UF 50V K	CCUS1H104KC
DSP	C128		nsp	00MOA22605020	ELECT CAP.	22UF 50V	CCEA1HH220T
DSP	C129		nsp	00MDK96104300	CER. CAP.	0.1UF 50V K	CCUS1H104KC
DSP	C130		nsp	00MOA22605020	ELECT CAP.	22UF 50V	CCEA1HH220T
DSP	C131		nsp	00MDK96104300	CER. CAP.	0.1UF 50V K	CCUS1H104KC
DSP	C132		nsp	00MDK96104300	CER. CAP.	0.1UF 50V K	CCUS1H104KC
DSP	C133		nsp	00MDK96104300	CER. CAP.	0.1UF 50V K	CCUS1H104KC
DSP	C134		nsp	00MDK96182300	CER. CAP.	1800PF/50V/1608/X7R	CCUS1H182KC
DSP	C135		nsp	00MDD95331300	CER. CAP.	330PF 50V JA	CCUS1H331JA
DSP	C136		nsp	00MDD95331300	CER. CAP.	330PF 50V JA	CCUS1H331JA
DSP	C137		nsp	00MDK96182300	CER. CAP.	1800PF/50V/1608/X7R	CCUS1H182KC
DSP	C138		nsp	00MDK96182300	CER. CAP.	1800PF/50V/1608/X7R	CCUS1H182KC
DSP	C139		nsp	00MDK96104300	CER. CAP.	0.1UF 50V K	CCUS1H104KC
DSP	C140		nsp	00MDD95101300	CER. CAP.	100PF 50V JA	CCUS1H101JA
DSP	C141		nsp	00MDD95331300	CER. CAP.	330PF 50V JA	CCUS1H331JA
DSP	C142		nsp	00MOA22605020	ELECT CAP.	22UF 50V	CCEA1HH220T
DSP	C143		nsp	00MDK96182300	CER. CAP.	1800PF/50V/1608/X7R	CCUS1H182KC
DSP	C144		nsp	00MDK96182300	CER. CAP.	1800PF/50V/1608/X7R	CCUS1H182KC
DSP	C145		nsp	00MOA22605020	ELECT CAP.	22UF 50V	CCEA1HH220T
DSP	C146		nsp	00MDK96104300	CER. CAP.	0.1UF 50V K	CCUS1H104KC
DSP	C147		nsp	00MDD95151300	CER. CAP.	150PF 50V JA	CCUS1H151JA
DSP	C148		nsp	00MDD95331300	CER. CAP.	330PF 50V JA	CCUS1H331JA
DSP	C149		nsp	00MDD95331300	CER. CAP.	330PF 50V JA	CCUS1H331JA
DSP	C150		nsp	00MDK96104300	CER. CAP.	0.1UF 50V K	CCUS1H104KC
DSP	C151		nsp	00MOA22605020	ELECT CAP.	22UF 50V	CCEA1HH220T
DSP	C152		nsp	00MDK96182300	CER. CAP.	1800PF/50V/1608/X7R	CCUS1H182KC
DSP	C153		nsp	00MDK96182300	CER. CAP.	1800PF/50V/1608/X7R	CCUS1H182KC
DSP	C154		nsp	00MOA22605020	ELECT CAP.	22UF 50V	CCEA1HH220T
DSP	C155		nsp	00MDD95331300	CER. CAP.	330PF 50V JA	CCUS1H331JA
DSP	C156		nsp	00MDK96104300	CER. CAP.	0.1UF 50V K	CCUS1H104KC
DSP	C157		nsp	00MDK96182300	CER. CAP.	1800PF/50V/1608/X7R	CCUS1H182KC
DSP	C158		nsp	00MDK96182300	CER. CAP.	1800PF/50V/1608/X7R	CCUS1H182KC
DSP	C159		nsp	00MDD95331300	CER. CAP.	330PF 50V JA	CCUS1H331JA
DSP	C160		nsp	00MDD95331300	CER. CAP.	330PF 50V JA	CCUS1H331JA
DSP	C161		nsp	00MDK96182300	CER. CAP.	1800PF/50V/1608/X7R	CCUS1H182KC
DSP	C162		nsp	00MDK96182300	CER. CAP.	1800PF/50V/1608/X7R	CCUS1H182KC
DSP	C163		nsp	00MDD95331300	CER. CAP.	330PF 50V JA	CCUS1H331JA
DSP	C164		nsp	00MDK96104300	CER. CAP.	0.1UF 50V K	CCUS1H104KC
DSP	C165		nsp	00MOA22605020	ELECT CAP.	22UF 50V	CCEA1HH220T
DSP	C166		nsp	00MDK96182300	CER. CAP.	1800PF/50V/1608/X7R	CCUS1H182KC
DSP	C167		nsp	00MDK96182300	CER. CAP.	1800PF/50V/1608/X7R	CCUS1H182KC
DSP	C168		nsp	00MOA22605020	ELECT CAP.	22UF 50V	CCEA1HH220T
DSP	C169		nsp	00MDD95331300	CER. CAP.	330PF 50V JA	CCUS1H331JA
DSP	C170		nsp	00MDK96104300	CER. CAP.	0.1UF 50V K	CCUS1H104KC
DSP	C171		nsp	00MDK96182300	CER. CAP.	1800PF/50V/1608/X7R	CCUS1H182KC
DSP	C172		nsp	00MDK96182300	CER. CAP.	1800PF/50V/1608/X7R	CCUS1H182KC
DSP	C173		nsp	00MDD95331300	CER. CAP.	330PF 50V JA	CCUS1H331JA
DSP	C174		nsp	00MDD95331300	CER. CAP.	330PF 50V JA	CCUS1H331JA
DSP	C175		nsp	00MDK96182300	CER. CAP.	1800PF/50V/1608/X7R	CCUS1H182KC
DSP	C176		nsp	00MDK96182300	CER. CAP.	1800PF/50V/1608/X7R	CCUS1H182KC

NOTE *nsp* PART IS LISTED FOR REFERENCE ONLY, MARANTZ WILL NOT SUPPLY THESE PARTS

P.W.B. NAME	POS. NO.	VERS. COLOR	PART NO. (FOR EUR)	PART NO. (MZ)	PART NAME	DESCRIPTION
DSP	C177		nsp	00MDD95331300	CER. CAP.	330PF 50V JA CCUS1H331JA
DSP	C178		nsp	00MDK96104300	CER. CAP.	0.1UF 50V K CCUS1H104KC
DSP	C179		nsp	00MOA22605020	ELECT CAP.	22UF 50V CCEA1HH220T
DSP	C180		nsp	00MDK96182300	CER. CAP.	1800PF/50V/1608/X7R CCUS1H182KC
DSP	C181		nsp	00MDK96182300	CER. CAP.	1800PF/50V/1608/X7R CCUS1H182KC
DSP	C182		nsp	00MOA22605020	ELECT CAP.	22UF 50V CCEA1HH220T
DSP	C183		nsp	00MDD95331300	CER. CAP.	330PF 50V JA CCUS1H331JA
DSP	C184		nsp	00MDK96104300	CER. CAP.	0.1UF 50V K CCUS1H104KC
DSP	C185		nsp	00MDK96182300	CER. CAP.	1800PF/50V/1608/X7R CCUS1H182KC
DSP	C186		nsp	00MDK96182300	CER. CAP.	1800PF/50V/1608/X7R CCUS1H182KC
DSP	C187		nsp	00MDD95331300	CER. CAP.	330PF 50V JA CCUS1H331JA
DSP	C188		nsp	00MDD95331300	CER. CAP.	330PF 50V JA CCUS1H331JA
DSP	C189		nsp	00MOA22605020	ELECT CAP.	22UF 50V CCEA1HH220T
DSP	C190		nsp	00MDK96182300	CER. CAP.	1800PF/50V/1608/X7R CCUS1H182KC
DSP	C191		nsp	00MDK96182300	CER. CAP.	1800PF/50V/1608/X7R CCUS1H182KC
DSP	C192		nsp	00MOA22605020	ELECT CAP.	22UF 50V CCEA1HH220T
DSP	C195		nsp	00MDK96104300	CER. CAP.	0.1UF 50V K CCUS1H104KC
DSP	C196		nsp	00MDK96104300	CER. CAP.	0.1UF 50V K CCUS1H104KC
DSP	C197		nsp	00MDK96104300	CER. CAP.	0.1UF 50V K CCUS1H104KC
DSP	C198		nsp	00MDK96104300	CER. CAP.	0.1UF 50V K CCUS1H104KC
DSP	C199		nsp	00MOA10605020	ELECT CAP.	10UF 50V CCEA1HH100T
DSP	C200		nsp	00MDD95471300	CER. CAP.	470PF 50V JA CCUS1H471JA
DSP	C201		nsp	00MDD91100300	CER. CAP.	10PF 50V JA CCUS1H100JA
DSP	C202		nsp	00MDD91100300	CER. CAP.	10PF 50V JA CCUS1H100JA
DSP	C203		nsp	00MDD95471300	CER. CAP.	470PF 50V JA CCUS1H471JA
DSP	C204		nsp	00MDK96104300	CER. CAP.	0.1UF 50V K CCUS1H104KC
DSP	C205		nsp	00MDK96104300	CER. CAP.	0.1UF 50V K CCUS1H104KC
DSP	C206		nsp	00MDK96104300	CER. CAP.	0.1UF 50V K CCUS1H104KC
DSP	C207		nsp	00MDK96104300	CER. CAP.	0.1UF 50V K CCUS1H104KC
DSP	C208		nsp	00MDK96104300	CER. CAP.	0.1UF 50V K CCUS1H104KC
DSP	C209		nsp	00MDK96104300	CER. CAP.	0.1UF 50V K CCUS1H104KC
DSP	C210		nsp	00MDK96104300	CER. CAP.	0.1UF 50V K CCUS1H104KC
DSP	C211		nsp	00MDK96104300	CER. CAP.	0.1UF 50V K CCUS1H104KC
DSP	C212		nsp	00MDK96104300	CER. CAP.	0.1UF 50V K CCUS1H104KC
DSP	C213		nsp	00MDK96104300	CER. CAP.	0.1UF 50V K CCUS1H104KC
DSP	C214		nsp	00MDK96104300	CER. CAP.	0.1UF 50V K CCUS1H104KC
DSP	C215		nsp	00MDK96104300	CER. CAP.	0.1UF 50V K CCUS1H104KC
DSP	C216		nsp	00MDK96104300	CER. CAP.	0.1UF 50V K CCUS1H104KC
DSP	C217		nsp	00MDK96104300	CER. CAP.	0.1UF 50V K CCUS1H104KC
DSP	C218		nsp	00MDK96104300	CER. CAP.	0.1UF 50V K CCUS1H104KC
DSP	C219		nsp	00MDK96104300	CER. CAP.	0.1UF 50V K CCUS1H104KC
DSP	C220		nsp	00MDK96104300	CER. CAP.	0.1UF 50V K CCUS1H104KC
DSP	C221		nsp	00MDK96104300	CER. CAP.	0.1UF 50V K CCUS1H104KC
DSP	C222		nsp	00MDK96104300	CER. CAP.	0.1UF 50V K CCUS1H104KC
DSP	C223		nsp	00MDK96104300	CER. CAP.	0.1UF 50V K CCUS1H104KC
DSP	C224		nsp	00MDK96104300	CER. CAP.	0.1UF 50V K CCUS1H104KC
DSP	C225		nsp	00MDK96104300	CER. CAP.	0.1UF 50V K CCUS1H104KC
DSP	C226		nsp	00MDK96104300	CER. CAP.	0.1UF 50V K CCUS1H104KC
DSP	C227		nsp	00MDK96104300	CER. CAP.	0.1UF 50V K CCUS1H104KC
DSP	C228		nsp	00MDK96104300	CER. CAP.	0.1UF 50V K CCUS1H104KC
DSP	C229		nsp	00MDK96104300	CER. CAP.	0.1UF 50V K CCUS1H104KC
DSP	C230		nsp	00MDK96104300	CER. CAP.	0.1UF 50V K CCUS1H104KC
DSP	C231		nsp	00MDK96104300	CER. CAP.	0.1UF 50V K CCUS1H104KC
DSP	C232		nsp	00MDK96104300	CER. CAP.	0.1UF 50V K CCUS1H104KC
DSP	C233		nsp	00MDK96104300	CER. CAP.	0.1UF 50V K CCUS1H104KC
DSP	C234		nsp	00MDK96104300	CER. CAP.	0.1UF 50V K CCUS1H104KC
DSP	C235		nsp	00MDK96104300	CER. CAP.	0.1UF 50V K CCUS1H104KC
DSP	C236		nsp	00MDK96104300	CER. CAP.	0.1UF 50V K CCUS1H104KC
DSP	C237		nsp	00MDK96182300	CER. CAP.	1800PF/50V/1608/X7R CCUS1H182KC
DSP	C238		nsp	00MDD95101300	CER. CAP.	100PF 50V JA CCUS1H101JA
DSP	C240		nsp	00MOA22605020	ELECT CAP.	22UF 50V CCEA1HH220T
DSP	C263		nsp	00MDK96104300	CER. CAP.	0.1UF 50V K CCUS1H104KC
DSP	C275		nsp	00MDK96103300	CER. CAP.	0.01UF 50V KC CCUS1H103KC
DSP	C276		nsp	00MDD95330300	CER. CAP.	33PF 50V JA CCUS1H330JA
DSP	C277		nsp	00MOA47602520	ELECT CAP.	47UF 25V CCEA1EH470T
DSP	C278		nsp	00MDD95330300	CER. CAP.	33PF 50V JA CCUS1H330JA
DSP	C279		nsp	00MOA47602520	ELECT CAP.	47UF 25V CCEA1EH470T

NOTE "nsp" PART IS LISTED FOR REFERENCE ONLY, MARANTZ WILL NOT SUPPLY THESE PARTS

P.W.B. NAME	POS. NO.	VERS. COLOR	PART NO. (FOR EUR)	PART NO. (MZ)	PART NAME	DESCRIPTION	
DSP	C280		nsp	00MDK96103300	CER. CAP.	0.01UF 50V KC	CCUS1H103KC
DSP	C281		nsp	00MDD95101300	CER. CAP.	100PF 50V JA	CCUS1H101JA
DSP	C288		nsp	00MDK96104300	CER. CAP.	0.1UF 50V K	CCUS1H104KC
DSP	C307		nsp	00MDD95101300	CER. CAP.	100PF 50V JA	CCUS1H101JA
DSP	C308		nsp	00MDK96104300	CER. CAP.	0.1UF 50V K	CCUS1H104KC
DSP	C310		nsp	00MOA47602520	ELECT CAP.	47UF 25V	CCEA1EH470T
DSP	C311		nsp	00MDK96103300	CER. CAP.	0.01UF 50V KC	CCUS1H103KC
DSP	C313		nsp	00MDK96103300	CER. CAP.	0.01UF 50V KC	CCUS1H103KC
DSP	C314		nsp	00MOA47602520	ELECT CAP.	47UF 25V	CCEA1EH470T
DSP	C315		nsp	00MDK96104300	CER. CAP.	0.1UF 50V K	CCUS1H104KC
DSP	C316		nsp	00MDK96104300	CER. CAP.	0.1UF 50V K	CCUS1H104KC
DSP	C318		nsp	00MDK96104300	CER. CAP.	0.1UF 50V K	CCUS1H104KC
DSP	C326		nsp	00MDD95101300	CER. CAP.	100PF 50V JA	CCUS1H101JA
DSP	C327		nsp	00MOA22605020	ELECT CAP.	22UF 50V	CCEA1HH220T
DSP	C328		nsp	00MDK96104300	CER. CAP.	0.1UF 50V K	CCUS1H104KC
DSP	C329		nsp	00MDK96104300	CER. CAP.	0.1UF 50V K	CCUS1H104KC
DSP	C330		nsp	00MDD95120300	CER. CAP.	12PF 50V JA	CCUS1H120JA
DSP	C331		nsp	00MDD9515030R	CER. CAP.	15PF 50V JA	CCUS1H150JA
DSP	C332		nsp	00MOA22605020	ELECT CAP.	22UF 50V	CCEA1HH220T
DSP	C333		nsp	00MDK96104300	CER. CAP.	0.1UF 50V K	CCUS1H104KC
DSP	C334		nsp	00MOA22605020	ELECT CAP.	22UF 50V	CCEA1HH220T
DSP	C335		nsp	00MDK96104300	CER. CAP.	0.1UF 50V K	CCUS1H104KC
DSP	C336		nsp	00MOA22605020	ELECT CAP.	22UF 50V	CCEA1HH220T
DSP	C337		nsp	00MDK96104300	CER. CAP.	0.1UF 50V K	CCUS1H104KC
DSP	C338		nsp	00MDK98223300	CER. CAP.	0.022UF 50V KC	CCUS1H223KC
DSP	C339		nsp	00MDK96104300	CER. CAP.	0.1UF 50V K	CCUS1H104KC
DSP	C340		nsp	00MDK96104300	CER. CAP.	0.1UF 50V K	CCUS1H104KC
DSP	C341		nsp	00MOA22605020	ELECT CAP.	22UF 50V	CCEA1HH220T
DSP	C342		nsp	00MDK96104300	CER. CAP.	0.1UF 50V K	CCUS1H104KC
DSP	C343		nsp	00MDK96104300	CER. CAP.	0.1UF 50V K	CCUS1H104KC
DSP	C375		nsp	00MDK96104300	CER. CAP.	0.1UF 50V K	CCUS1H104KC
DSP	C376		nsp	00MDK96104300	CER. CAP.	0.1UF 50V K	CCUS1H104KC
DSP	C377		nsp	00MDK96104300	CER. CAP.	0.1UF 50V K	CCUS1H104KC
DSP	C378		nsp	00MOA47701620	ELECT CAP.	470UF 16V ZF	CCEA1CH471T
DSP	CC10		nsp	00MDK96104300	CER. CAP.	0.1UF 50V K	CCUS1H104KC
DSP	CC11		nsp	00MDK96104300	CER. CAP.	0.1UF 50V K	CCUS1H104KC
DSP	CC12		nsp	00MDD95180300	CER. CAP.	18PF 50V JA	CCUS1H180JA
DSP	CC13		nsp	00MDK96104300	CER. CAP.	0.1UF 50V K	CCUS1H104KC
DSP	CC14		nsp	00MDD95330300	CER. CAP.	33PF 50V JA	CCUS1H330JA
DSP	CC15		nsp	00MDK96103300	CER. CAP.	0.01UF 50V KC	CCUS1H103KC
DSP	CC16		nsp	00MDK96103300	CER. CAP.	0.01UF 50V KC	CCUS1H103KC
DSP	CC17		nsp	00MDD95330300	CER. CAP.	33PF 50V JA	CCUS1H330JA
DSP	CC18		nsp	00MOA47602520	ELECT CAP.	47UF 25V	CCEA1EH470T
DSP	CC19		nsp	00MDK96103300	CER. CAP.	0.01UF 50V KC	CCUS1H103KC
DSP	CC20		nsp	00MDK96103300	CER. CAP.	0.01UF 50V KC	CCUS1H103KC
DSP	CC21		nsp	00MOA22605020	ELECT CAP.	22UF 50V	CCEA1HH220T
DSP	CC22		nsp	00MDK96103300	CER. CAP.	0.01UF 50V KC	CCUS1H103KC
DSP	CC23		nsp	00MDK96103300	CER. CAP.	0.01UF 50V KC	CCUS1H103KC
DSP	CC24		nsp	00MDK96104300	CER. CAP.	0.1UF 50V K	CCUS1H104KC
DSP	CC25		nsp	00MDK96103300	CER. CAP.	0.01UF 50V KC	CCUS1H103KC
DSP	CC27		nsp	00MDK96104300	CER. CAP.	0.1UF 50V K	CCUS1H104KC
DSP	CC28		nsp	00MOA47602520	ELECT CAP.	47UF 25V	CCEA1EH470T
DSP	CC29		nsp	00MDK96104300	CER. CAP.	0.1UF 50V K	CCUS1H104KC
DSP	CC30		nsp	00MOA47602520	ELECT CAP.	47UF 25V	CCEA1EH470T
DSP	CC31		nsp	00MDK96104300	CER. CAP.	0.1UF 50V K	CCUS1H104KC
DSP	CC32		nsp	00MDK96104300	CER. CAP.	0.1UF 50V K	CCUS1H104KC
DSP	CC33		nsp	00MDD95270300	CER. CAP.	27PF 50V JA	CCUS1H270JA
DSP	CC34		nsp	00MDD95270300	CER. CAP.	27PF 50V JA	CCUS1H270JA
DSP	CC35		nsp	00MDK96104300	CER. CAP.	0.1UF 50V K	CCUS1H104KC
DSP	CC36		nsp	00MOA22605020	ELECT CAP.	22UF 50V	CCEA1HH220T
DSP	CC37		nsp	00MDK96474200	CER. CAP.	0.47UF 10V	CCUS1A474KC
DSP	CC38		nsp	00MDK96104300	CER. CAP.	0.1UF 50V K	CCUS1H104KC
DSP	CC39		nsp	00MOA22605020	ELECT CAP.	22UF 50V	CCEA1HH220T
DSP	CC40		nsp	00MOA22605020	ELECT CAP.	22UF 50V	CCEA1HH220T
DSP	CC41		nsp	00MDK96104300	CER. CAP.	0.1UF 50V K	CCUS1H104KC
DSP	CC42		nsp	00MDK96104300	CER. CAP.	0.1UF 50V K	CCUS1H104KC
DSP	CC43		nsp	00MOA22605020	ELECT CAP.	22UF 50V	CCEA1HH220T

NOTE *nsp* PART IS LISTED FOR REFERENCE ONLY, MARANTZ WILL NOT SUPPLY THESE PARTS

P.W.B. NAME	POS. NO.	VERS. COLOR	PART NO. (FOR EUR)	PART NO. (MZ)	PART NAME	DESCRIPTION	
DSP	CC44		nsp	00MDK96104300	CER. CAP.	0.1UF 50V K	CCUS1H104KC
DSP	CC45		nsp	00MDK96104300	CER. CAP.	0.1UF 50V K	CCUS1H104KC
DSP	CC46		nsp	00MOA22605020	ELECT CAP.	22UF 50V	CCEA1HH220T
DSP	CC47		nsp	00MDK96104300	CER. CAP.	0.1UF 50V K	CCUS1H104KC
DSP	CC48		nsp	00MDK96104300	CER. CAP.	0.1UF 50V K	CCUS1H104KC
DSP	CC49		nsp	00MDK96102300	CER. CAP.	1000PF 50V KC	CCUS1H102KC
DSP	CC50		nsp	00MDK96104300	CER. CAP.	0.1UF 50V K	CCUS1H104KC
DSP	CC51		nsp	00MDK96102300	CER. CAP.	1000PF 50V KC	CCUS1H102KC
DSP	CC52		nsp	00MDK96102300	CER. CAP.	1000PF 50V KC	CCUS1H102KC
DSP	CC53		nsp	00MDK96102300	CER. CAP.	1000PF 50V KC	CCUS1H102KC
DSP	CC54		nsp	00MDK96102300	CER. CAP.	1000PF 50V KC	CCUS1H102KC
DSP	CC55		nsp	00MDK96102300	CER. CAP.	1000PF 50V KC	CCUS1H102KC
DSP	CC56		nsp	00MDK96104300	CER. CAP.	0.1UF 50V K	CCUS1H104KC
DSP	CN16		nsp	nsp	CONN.	21P FPC WAFER	CJP21GA117ZY
DSP	CN19		nsp	nsp	CONN.	STRAIGHT, 3PIN	CJP03GA19ZY
DSP	CN26		nsp	nsp	CONN.	21P FPC WAFER	CJP21GA117ZY
DSP	CN28		nsp	nsp	CONN.	17P WAFER CARD CABLE	CJP17GA115ZY
DSP	CN30		nsp	nsp	CONN.	STRAIGHT 6PIN	CJP12GA19ZY
DSP	CN34	/N1B	nsp	nsp	CONN.	17P WAFER CARD CABLE	CJP17GA115ZY
DSP	CN34	/N1S	nsp	nsp	CONN.	17P WAFER CARD CABLE	CJP17GA115ZY
DSP	CN34	/U1B	nsp	nsp	CONN.	15P CARD CABLE	CJP15GA115ZY
DSP	CN36		nsp	nsp	CONN.	15P WAFER CARD CABLE	CJP15GA117ZY
DSP	CN42		nsp	nsp	CONN.	25P WAFER CARD CABLE	CJP25GA117ZY
DSP	CN46		nsp	nsp	CONN.	00906-0027 4P STRAIGHT	CJP04GA19ZY
DSP	CN98	/U1B	nsp	nsp	CONN.	15P CARD CABLE	CJP15GA115ZY
DSP	CR10		nsp	90M-OA000540R	ELECT CAP.	220UF 16V ESR	CCEA1CKXL221T
DSP	CR11		nsp	00MDK96104300	CER. CAP.	0.1UF 50V K	CCUS1H104KC
DSP	CR13		nsp	00MOA10702520	ELECT CAP.	100UF 25V	CCEA1EH101T
DSP	CR14		nsp	00MOA10702520	ELECT CAP.	100UF 25V	CCEA1EH101T
DSP	CR15		nsp	00MDK96104300	CER. CAP.	0.1UF 50V K	CCUS1H104KC
DSP	CR16		nsp	00MDK96104300	CER. CAP.	0.1UF 50V K	CCUS1H104KC
DSP	CR17		nsp	00MOA10605020	ELECT CAP.	10UF 50V	CCEA1HH100T
DSP	CR18		nsp	90M-OA000540R	ELECT CAP.	220UF 16V ESR	CCEA1CKXL221T
DSP	CR19		nsp	00MOA10605020	ELECT CAP.	10UF 50V	CCEA1HH100T
DSP	CR20		nsp	90M-OA000540R	ELECT CAP.	220UF 16V ESR	CCEA1CKXL221T
DSP	CR21		nsp	00MOA10701620	ELECT CAP.	100UF 16V	CCEA1CH101T
DSP	CR22		nsp	00MDK96104300	CER. CAP.	0.1UF 50V K	CCUS1H104KC
DSP	CR23		nsp	00MOA10605020	ELECT CAP.	10UF 50V	CCEA1HH100T
DSP	CR24		nsp	00MOA22701620	ELECT CAP.	220UF 16V	CCEA1CH221T
DSP	CR25		nsp	00MOA10605020	ELECT CAP.	10UF 50V	CCEA1HH100T
DSP	CR26		nsp	00MOA22701620	ELECT CAP.	220UF 16V	CCEA1CH221T
DSP	CR27		nsp	00MDK96102300	CER. CAP.	1000PF 50V KC	CCUS1H102KC
DSP	CR28		nsp	00MDK96104300	CER. CAP.	0.1UF 50V K	CCUS1H104KC
DSP	CR29		nsp	00MDK96104300	CER. CAP.	0.1UF 50V K	CCUS1H104KC
DSP	CR30		nsp	00MOA10701620	ELECT CAP.	100UF 16V	CCEA1CH101T
DSP	CR31		nsp	00MDK96104300	CER. CAP.	0.1UF 50V K	CCUS1H104KC
DSP	CR32		nsp	00MDK96104300	CER. CAP.	0.1UF 50V K	CCUS1H104KC
DSP	CR40		nsp	00MDK96104300	CER. CAP.	0.1UF 50V K	CCUS1H104KC
DSP	CR41		90M-EA000930R	90M-EA000930R	ELECT CAP.	3300UF 16V	CCEA1CH332E
DSP	DC10	/N1B	00MHZ21303210	00MHZ21303210	DIODE	1SS355	CVD1SS355T
DSP	DC10	/N1S	00MHZ21303210	00MHZ21303210	DIODE	1SS355	CVD1SS355T
DSP	DC11		00MHZ21303210	00MHZ21303210	DIODE	1SS355	CVD1SS355T
DSP	DC12	/U1B	nsp	00MHZ21303210	DIODE	1SS355	CVD1SS355T
DSP	DC13		00MHZ21303210	00MHZ21303210	DIODE	1SS355	CVD1SS355T
DSP	DC14		00MHZ21303210	00MHZ21303210	DIODE	1SS355	CVD1SS355T
DSP	DC16		nsp	90M-HD201750R	DIODE	1N4003	CVD1N4003SRT
DSP	DC18		00MHZ21303210	00MHZ21303210	DIODE	1SS355	CVD1SS355T
DSP	DC19		90M-HI200020R	90M-HI200020R	L.E.D.	SIR-34ST3F	BVDSIR34ST3F
DSP	DC20		00MHZ21303210	00MHZ21303210	DIODE	1SS355	CVD1SS355T
DSP	DC21		00MHZ21303210	00MHZ21303210	DIODE	1SS355	CVD1SS355T
DSP	DC22		00MHZ21303210	00MHZ21303210	DIODE	1SS355	CVD1SS355T
DSP	DC24	/U1B	nsp	90M-HD201750R	DIODE	1N4003	CVD1N4003SRT
DSP	ET01		nsp	nsp	TERMINAL	EARTH PLATE	CNE75
DSP	ET02		nsp	nsp	TERMINAL	EARTH PLATE	CNE75
DSP	ET03		nsp	nsp	BRACKET	BRACKET SHIELD	CMD1A512
DSP	ET04		nsp	nsp	BUFFER	STOPPER IR SENSOR	CHG1A262
DSP	IC11		90M-HC108910R	90M-HC108910R	IC	74VHC08	HV174VHC08TTR

NOTE "nsp" PART IS LISTED FOR REFERENCE ONLY, MARANTZ WILL NOT SUPPLY THESE PARTS

P.W.B. NAME	POS. NO.	VERS. COLOR	PART NO. (FOR EUR)	PART NO. (MZ)	PART NAME	DESCRIPTION
DSP	IC12		90M-HW100710R	90M-HW100710R	PHOTO UNIT	PC-17L1CB HVIPC17L1CB
DSP	IC13		90M-HC108910R	90M-HC108910R	IC	74VHC08 HVI74VHC08TTR
DSP	IC14		90M-HW100690R	90M-HW100690R	PHOTO UNIT	RPM674CBR-S BRVRPM6936
DSP	IC15	/N1B	90M-HC109610R	90M-HC109610R	IC	EEPROM HVIC16AN10SU2.7
DSP	IC15	/N1S	90M-HC109610R	90M-HC109610R	IC	EEPROM HVIC16AN10SU2.7
DSP	IC15	/U1B	nsp	90M-HC109840R	IC	C32AN10SU2.7 CVIC32AN10SU2.7
DSP	IC16		90M-HC108430R	90M-HC108430R	IC	TC74HC7007AFEL HVITC74HCT7007F
DSP	IC17		90M-HS25CWH0R	90M-HS25CWH0R	U-PRO	HD64F2506FC26DV SR6001 CVIHD64F2506DV
DSP	IC18		00MHC10099540	00MHC10099540	IC	S-80145ALMC HVIS-80145ALMC
DSP	IC19		00MHC705205Y0	00MHC705205Y0	IC	TC74HC4052AFT CVITC74HC4052AFT
DSP	IC20		90M-HC400060R	90M-HC400060R	IC	TC74HC4094AFN HVITC74HC4094FN
DSP	IC21		90M-HC400060R	90M-HC400060R	IC	TC74HC4094AFN HVITC74HC4094FN
DSP	IC22		00MHC700400Z0	00MHC700400Z0	IC	TC74HCU04AFN HVITC74HCU04AFN
DSP	IC23		00MHC011905K0	00MHC011905K0	IC	TC74VHC153FT CVITC74VHC153FT
DSP	IC24		90M-HC700630R	90M-HC700630R	IC	TC74VHCT04AFN CVITC74VHCT04AFN
DSP	IC25		00MHC10172090	00MHC10172090	IC	NJM2115MD OP AMP HVINJM2115MDTE1
DSP	IC26		00MHC10172090	00MHC10172090	IC	NJM2115MD OP AMP HVINJM2115MDTE1
DSP	IC27		00MHC10015880	00MHC10015880	IC	CS5361-KS A/D CONVERTER HVICS5361-KS
DSP	IC28		90M-HC108910R	90M-HC108910R	IC	74VHC08 HVI74VHC08TTR
DSP	IC29		00MHC10418030	00MHC10418030	IC	LC89057W-VF4-E HVILC89057WVF4E
DSP	IC32		90M-HC109290R	90M-HC109290R	IC	TC74VHC157FT HVITC74VHC157FT
DSP	IC33		90M-HC109910R	90M-HC109910R	IC	TMS320DA708 CVITMS320DA708
DSP	IC34		90M-HS05CW10R	90M-HS05CW10R	U-PRO	M29W800DT70N SR8001 HVIM29W800DT70N
DSP	IC35		90M-HC109920R	90M-HC109920R	IC	M12L64164A7T HVIM12L64164A7T
DSP	IC36		90M-HC108910R	90M-HC108910R	IC	74VHC08 HVI74VHC08TTR
DSP	IC37		90M-HC108910R	90M-HC108910R	IC	74VHC08 HVI74VHC08TTR
DSP	IC38		90M-HC109290R	90M-HC109290R	IC	TC74VHC157FT HVITC74VHC157FT
DSP	IC39		90M-HC109290R	90M-HC109290R	IC	TC74VHC157FT HVITC74VHC157FT
DSP	IC40		90M-HC109290R	90M-HC109290R	IC	TC74VHC157FT HVITC74VHC157FT
DSP	IC41		90M-HC109790R	90M-HC109790R	IC	CS4382A-CQ CVICS4382A-CQ
DSP	IC42		00MHC10114530	00MHC10114530	IC	S-80810CNNB CVIS-80810CNNB
DSP	IC43		00MHC10114530	00MHC10114530	IC	S-80810CNNB CVIS-80810CNNB
DSP	IC44		00MHC10102090	00MHC10102090	IC	NJM2068MD-TE1 HVINJM2068MDTE1
DSP	IC45		00MHC10102090	00MHC10102090	IC	NJM2068MD-TE1 HVINJM2068MDTE1
DSP	IC46		00MHC10102090	00MHC10102090	IC	NJM2068MD-TE1 HVINJM2068MDTE1
DSP	IC47		00MHC10102090	00MHC10102090	IC	NJM2068MD-TE1 HVINJM2068MDTE1
DSP	IC48		90M-HC300940R	90M-HC300940R	IC	LM1117-ADJ HVILM1117S-ADJ
DSP	IC49		90M-HC300940R	90M-HC300940R	IC	LM1117-ADJ HVILM1117S-ADJ
DSP	IC50		90M-HC900090R	90M-HC900090R	IC	KAI7812AF-RTF HVIKIA7812AF
DSP	IC51		90M-HC300940R	90M-HC300940R	IC	LM1117-ADJ HVILM1117S-ADJ
DSP	IC52		90M-HC300940R	90M-HC300940R	IC	LM1117-ADJ HVILM1117S-ADJ
DSP	JK11		90M-YT005330R	90M-YT005330R	TERMINAL	YKC22-0836V OPT+CINCH RX CJS9U013Z
DSP	JK12		90M-YT005330R	90M-YT005330R	TERMINAL	YKC22-0836V OPT+CINCH RX CJS9U013Z
DSP	JK13		90M-YT005030R	90M-YT005030R	OPT. CONN.	TORX177L HJSTORX177L
DSP	JK14		90M-YT005340R	90M-YT005340R	TERMINAL	YKC22-0835V OPT+CINCH TX CJS9U012Z
DSP	JK15		90M-YT003120R	90M-YT003120R	TERMINAL	CINCH 2P (GOLD) REMOTE CJJ4N036Z
DSP	JK16		90M-YT003650R	90M-YT003650R	TERMINAL	CINCH 2P GREEN SILVER CJJ4N071Z
DSP	JK17		90M-YT004860R	90M-YT004860R	TERMINAL	3.5MM JACK STEREO CJJ2D008Z
DSP	JK20		90M-YT004860R	90M-YT004860R	TERMINAL	3.5MM JACK STEREO CJJ2D008Z
DSP	JP11		nsp	nsp	CORD	SN95/PB5, 0.6 C3A206
DSP	JP12		nsp	nsp	CORD	SN95/PB5, 0.6 C3A206
DSP	JP13		nsp	nsp	CORD	SN95/PB5, 0.6 C3A206
DSP	JP14		nsp	nsp	CORD	SN95/PB5, 0.6 C3A206
DSP	JP15		nsp	nsp	CORD	SN95/PB5, 0.6 C3A206
DSP	JP16		nsp	nsp	CORD	SN95/PB5, 0.6 C3A206
DSP	LC10		90M-FC900340R	90M-FC900340R	FERRITE CORE	HU-1H4516-600JT HLZ9Z014Z
DSP	LC11		90M-FC900340R	90M-FC900340R	FERRITE CORE	HU-1H4516-600JT HLZ9Z014Z
DSP	LC12		90M-FC900460R	90M-FC900460R	EMI FILTER	CHIP BEAD (EMC FILTER) CLZ9R007Z
DSP	LC13		90M-FC900460R	90M-FC900460R	EMI FILTER	CHIP BEAD (EMC FILTER) CLZ9R007Z
DSP	LC14		nsp	00MNN05000610	CHIP RES.	0 OHM 1/10W J CRJ10DJ0R0T
DSP	LC15		90M-LU000220R	90M-LU000220R	COIL	10UH HLQ10E100KRZ
DSP	LC16		90M-LU000270R	90M-LU000270R	CHIP INDUCT	INDUCTOR CHIP CLQ10E100KRY
DSP	QC10		90M-HX600010R	90M-HX600010R	CHIP TRS.	KRA102S HVTKRA102S
DSP	QC11		00MHT30001000	00MHT30001000	TRS.	KTC3199Y HVTKTC3199YT
DSP	QC12		90M-HX600010R	90M-HX600010R	CHIP TRS.	KRA102S HVTKRA102S
DSP	QC13		90M-HX600010R	90M-HX600010R	CHIP TRS.	KRA102S HVTKRA102S
DSP	QC14		90M-HX600010R	90M-HX600010R	CHIP TRS.	KRA102S HVTKRA102S

NOTE *nsp* PART IS LISTED FOR REFERENCE ONLY, MARANTZ WILL NOT SUPPLY THESE PARTS

P.W.B. NAME	POS. NO.	VERS. COLOR	PART NO. (FOR EUR)	PART NO. (MZ)	PART NAME	DESCRIPTION	
DSP	QC15		00MHT600121A0	00MHT600121A0	TRS.	KTA1268GR	HVTKTA1268GRT
DSP	QC16		90M-HX800010R	90M-HX800010R	CHIP TRS.	KRC102S	HVTKRC102S
DSP	QC17		90M-HX600010R	90M-HX600010R	CHIP TRS.	KRA102S	HVTKRA102S
DSP	QC21		90M-HX600010R	90M-HX600010R	CHIP TRS.	KRA102S	HVTKRA102S
DSP	QC22		90M-HX600010R	90M-HX600010R	CHIP TRS.	KRA102S	HVTKRA102S
DSP	QC23		90M-HX600010R	90M-HX600010R	CHIP TRS.	KRA102S	HVTKRA102S
DSP	QC24		90M-HX800010R	90M-HX800010R	CHIP TRS.	KRC102S	HVTKRC102S
DSP	QC25		90M-HX800010R	90M-HX800010R	CHIP TRS.	KRC102S	HVTKRC102S
DSP	QC26		90M-HX600010R	90M-HX600010R	CHIP TRS.	KRA102S	HVTKRA102S
DSP	QC27		90M-HT300970R	90M-HT300970R	TRS.	KTC2875B	HVTKTC2875B
DSP	QC28		90M-HT300970R	90M-HT300970R	TRS.	KTC2875B	HVTKTC2875B
DSP	R100		nsp	00MNN05103610	CHIP RES.	10K OHM 1/10W J	CRJ10DJ103T
DSP	R101		nsp	00MNN05750610	CHIP RES.	75 OHM 1/10W J	CRJ10DJ750T
DSP	R102		nsp	00MNN05330610	CHIP RES.	33 OHM 1/10W J	CRJ10DJ330T
DSP	R103		nsp	00MNN05330610	CHIP RES.	33 OHM 1/10W J	CRJ10DJ330T
DSP	R104		nsp	00MNN05330610	CHIP RES.	33 OHM 1/10W J	CRJ10DJ330T
DSP	R105		nsp	00MNN05330610	CHIP RES.	33 OHM 1/10W J	CRJ10DJ330T
DSP	R106		nsp	00MNN05101610	CHIP RES.	100 OHM 1/10W J	CRJ10DJ101T
DSP	R107		nsp	00MNN05101610	CHIP RES.	100 OHM 1/10W J	CRJ10DJ101T
DSP	R108		nsp	00MNN05101610	CHIP RES.	100 OHM 1/10W J	CRJ10DJ101T
DSP	R109		nsp	00MNN05101610	CHIP RES.	100 OHM 1/10W J	CRJ10DJ101T
DSP	R110		nsp	00MNN05103610	CHIP RES.	10K OHM 1/10W J	CRJ10DJ103T
DSP	R111		nsp	00MNN05103610	CHIP RES.	10K OHM 1/10W J	CRJ10DJ103T
DSP	R112		nsp	00MNN05103610	CHIP RES.	10K OHM 1/10W J	CRJ10DJ103T
DSP	R113		nsp	00MNN05103610	CHIP RES.	10K OHM 1/10W J	CRJ10DJ103T
DSP	R114		nsp	00MNN05103610	CHIP RES.	10K OHM 1/10W J	CRJ10DJ103T
DSP	R115		nsp	00MNN05103610	CHIP RES.	10K OHM 1/10W J	CRJ10DJ103T
DSP	R116		nsp	00MNN05103610	CHIP RES.	10K OHM 1/10W J	CRJ10DJ103T
DSP	R117		nsp	00MNN05101610	CHIP RES.	100 OHM 1/10W J	CRJ10DJ101T
DSP	R118		nsp	00MNN05560610	CHIP RES.	56 OHM 1/10W J	CRJ10DJ560T
DSP	R119		nsp	00MNN05101610	CHIP RES.	100 OHM 1/10W J	CRJ10DJ101T
DSP	R120		nsp	00MNN05101610	CHIP RES.	100 OHM 1/10W J	CRJ10DJ101T
DSP	R121		nsp	00MNN05101610	CHIP RES.	100 OHM 1/10W J	CRJ10DJ101T
DSP	R122		nsp	00MNN05560610	CHIP RES.	56 OHM 1/10W J	CRJ10DJ560T
DSP	R123		nsp	00MNN05103610	CHIP RES.	10K OHM 1/10W J	CRJ10DJ103T
DSP	R124		nsp	00MNN05103610	CHIP RES.	10K OHM 1/10W J	CRJ10DJ103T
DSP	R125		nsp	00MNN05103610	CHIP RES.	10K OHM 1/10W J	CRJ10DJ103T
DSP	R126		nsp	00MNN05103610	CHIP RES.	10K OHM 1/10W J	CRJ10DJ103T
DSP	R127		nsp	00MNN05103610	CHIP RES.	10K OHM 1/10W J	CRJ10DJ103T
DSP	R128		nsp	00MNN05000610	CHIP RES.	0 OHM 1/10W J	CRJ10DJ0R0T
DSP	R130		nsp	00MNN05750610	CHIP RES.	75 OHM 1/10W J	CRJ10DJ750T
DSP	R131		nsp	00MNN05105610	CHIP RES.	1M OHM 1/10W J	CRJ10DJ105T
DSP	R132		nsp	00MNN05101610	CHIP RES.	100 OHM 1/10W J	CRJ10DJ101T
DSP	R133		nsp	00MNN05000610	CHIP RES.	0 OHM 1/10W J	CRJ10DJ0R0T
DSP	R134		nsp	00MNN05000610	CHIP RES.	0 OHM 1/10W J	CRJ10DJ0R0T
DSP	R135		nsp	00MNN05000610	CHIP RES.	0 OHM 1/10W J	CRJ10DJ0R0T
DSP	R136		nsp	00MNN05000610	CHIP RES.	0 OHM 1/10W J	CRJ10DJ0R0T
DSP	R137		nsp	00MNN05000610	CHIP RES.	0 OHM 1/10W J	CRJ10DJ0R0T
DSP	R138		nsp	00MNN05000610	CHIP RES.	0 OHM 1/10W J	CRJ10DJ0R0T
DSP	R139		nsp	00MNN05000610	CHIP RES.	0 OHM 1/10W J	CRJ10DJ0R0T
DSP	R140		nsp	00MNN05000610	CHIP RES.	0 OHM 1/10W J	CRJ10DJ0R0T
DSP	R141		nsp	00MNN05223610	CHIP RES.	22K OHM 1/10W J	CRJ10DJ223T
DSP	R142		nsp	00MNN05000610	CHIP RES.	0 OHM 1/10W J	CRJ10DJ0R0T
DSP	R143		nsp	00MNN05000610	CHIP RES.	0 OHM 1/10W J	CRJ10DJ0R0T
DSP	R144		nsp	00MNN05101610	CHIP RES.	100 OHM 1/10W J	CRJ10DJ101T
DSP	R145		nsp	00MNN05101610	CHIP RES.	100 OHM 1/10W J	CRJ10DJ101T
DSP	R146		nsp	00MNN05101610	CHIP RES.	100 OHM 1/10W J	CRJ10DJ101T
DSP	R147		nsp	00MNN05101610	CHIP RES.	100 OHM 1/10W J	CRJ10DJ101T
DSP	R148		nsp	00MNN05101610	CHIP RES.	100 OHM 1/10W J	CRJ10DJ101T
DSP	R149		nsp	00MNN05101610	CHIP RES.	100 OHM 1/10W J	CRJ10DJ101T
DSP	R150		nsp	00MNN05101610	CHIP RES.	100 OHM 1/10W J	CRJ10DJ101T
DSP	R151		nsp	00MNN05101610	CHIP RES.	100 OHM 1/10W J	CRJ10DJ101T
DSP	R152		nsp	00MNN05820610	CHIP RES.	82 OHM 1/10W J	CRJ10DJ820T
DSP	R153		nsp	00MNN05820610	CHIP RES.	82 OHM 1/10W J	CRJ10DJ820T
DSP	R154		nsp	00MNN05332610	CHIP RES.	3.3K OHM 1/10W J	CRJ10DJ332T
DSP	R155		nsp	00MNN05332610	CHIP RES.	3.3K OHM 1/10W J	CRJ10DJ332T
DSP	R156		nsp	00MNN05182610	CHIP RES.	1.8K OHM 1/10W J	CRJ10DJ182T

NOTE "nsp" PART IS LISTED FOR REFERENCE ONLY, MARANTZ WILL NOT SUPPLY THESE PARTS

P.W.B. NAME	POS. NO.	VERS. COLOR	PART NO. (FOR EUR)	PART NO. (MZ)	PART NAME	DESCRIPTION	
DSP	R157		nsp	00MNN05472610	CHIP RES.	4.7K OHM 1/10W J	CRJ10DJ472T
DSP	R158		nsp	00MNN05332610	CHIP RES.	3.3K OHM 1/10W J	CRJ10DJ332T
DSP	R159		nsp	00MNN05332610	CHIP RES.	3.3K OHM 1/10W J	CRJ10DJ332T
DSP	R160		nsp	00MNN05472610	CHIP RES.	4.7K OHM 1/10W J	CRJ10DJ472T
DSP	R161		nsp	00MNN05182610	CHIP RES.	1.8K OHM 1/10W J	CRJ10DJ182T
DSP	R162		nsp	00MNN05182610	CHIP RES.	1.8K OHM 1/10W J	CRJ10DJ182T
DSP	R163		nsp	00MNN05472610	CHIP RES.	4.7K OHM 1/10W J	CRJ10DJ472T
DSP	R164		nsp	00MNN05391610	CHIP RES.	390 OHM 1/10W J	CRJ10DJ391T
DSP	R165		nsp	00MNN05104610	CHIP RES.	100K OHM 1/10W J	CRJ10DJ104T
DSP	R166		nsp	00MNN05104610	CHIP RES.	100K OHM 1/10W J	CRJ10DJ104T
DSP	R167		nsp	00MNN05391610	CHIP RES.	390 OHM 1/10W J	CRJ10DJ391T
DSP	R168		nsp	00MNN05182610	CHIP RES.	1.8K OHM 1/10W J	CRJ10DJ182T
DSP	R169		nsp	00MNN05472610	CHIP RES.	4.7K OHM 1/10W J	CRJ10DJ472T
DSP	R170		nsp	00MNN05472610	CHIP RES.	4.7K OHM 1/10W J	CRJ10DJ472T
DSP	R171		nsp	00MNN05182610	CHIP RES.	1.8K OHM 1/10W J	CRJ10DJ182T
DSP	R172		nsp	00MNN05391610	CHIP RES.	390 OHM 1/10W J	CRJ10DJ391T
DSP	R173		nsp	00MNN05104610	CHIP RES.	100K OHM 1/10W J	CRJ10DJ104T
DSP	R174		nsp	00MNN05104610	CHIP RES.	100K OHM 1/10W J	CRJ10DJ104T
DSP	R175		nsp	00MNN05391610	CHIP RES.	390 OHM 1/10W J	CRJ10DJ391T
DSP	R176		nsp	00MNN05472610	CHIP RES.	4.7K OHM 1/10W J	CRJ10DJ472T
DSP	R177		nsp	00MNN05182610	CHIP RES.	1.8K OHM 1/10W J	CRJ10DJ182T
DSP	R178		nsp	00MNN05182610	CHIP RES.	1.8K OHM 1/10W J	CRJ10DJ182T
DSP	R179		nsp	00MNN05472610	CHIP RES.	4.7K OHM 1/10W J	CRJ10DJ472T
DSP	R180		nsp	00MNN05332610	CHIP RES.	3.3K OHM 1/10W J	CRJ10DJ332T
DSP	R181		nsp	00MNN05332610	CHIP RES.	3.3K OHM 1/10W J	CRJ10DJ332T
DSP	R182		nsp	00MNN05472610	CHIP RES.	4.7K OHM 1/10W J	CRJ10DJ472T
DSP	R183		nsp	00MNN05182610	CHIP RES.	1.8K OHM 1/10W J	CRJ10DJ182T
DSP	R184		nsp	00MNN05332610	CHIP RES.	3.3K OHM 1/10W J	CRJ10DJ332T
DSP	R185		nsp	00MNN05332610	CHIP RES.	3.3K OHM 1/10W J	CRJ10DJ332T
DSP	R186		nsp	00MNN05472610	CHIP RES.	4.7K OHM 1/10W J	CRJ10DJ472T
DSP	R187		nsp	00MNN05182610	CHIP RES.	1.8K OHM 1/10W J	CRJ10DJ182T
DSP	R188		nsp	00MNN05391610	CHIP RES.	390 OHM 1/10W J	CRJ10DJ391T
DSP	R189		nsp	00MNN05104610	CHIP RES.	100K OHM 1/10W J	CRJ10DJ104T
DSP	R190		nsp	00MNN05104610	CHIP RES.	100K OHM 1/10W J	CRJ10DJ104T
DSP	R191		nsp	00MNN05391610	CHIP RES.	390 OHM 1/10W J	CRJ10DJ391T
DSP	R192		nsp	00MNN05472610	CHIP RES.	4.7K OHM 1/10W J	CRJ10DJ472T
DSP	R193		nsp	00MNN05182610	CHIP RES.	1.8K OHM 1/10W J	CRJ10DJ182T
DSP	R194		nsp	00MNN05182610	CHIP RES.	1.8K OHM 1/10W J	CRJ10DJ182T
DSP	R195		nsp	00MNN05472610	CHIP RES.	4.7K OHM 1/10W J	CRJ10DJ472T
DSP	R196		nsp	00MNN05332610	CHIP RES.	3.3K OHM 1/10W J	CRJ10DJ332T
DSP	R197		nsp	00MNN05332610	CHIP RES.	3.3K OHM 1/10W J	CRJ10DJ332T
DSP	R198		nsp	00MNN05472610	CHIP RES.	4.7K OHM 1/10W J	CRJ10DJ472T
DSP	R199		nsp	00MNN05182610	CHIP RES.	1.8K OHM 1/10W J	CRJ10DJ182T
DSP	R200		nsp	00MNN05332610	CHIP RES.	3.3K OHM 1/10W J	CRJ10DJ332T
DSP	R201		nsp	00MNN05332610	CHIP RES.	3.3K OHM 1/10W J	CRJ10DJ332T
DSP	R202		nsp	00MNN05472610	CHIP RES.	4.7K OHM 1/10W J	CRJ10DJ472T
DSP	R203		nsp	00MNN05182610	CHIP RES.	1.8K OHM 1/10W J	CRJ10DJ182T
DSP	R204		nsp	00MNN05391610	CHIP RES.	390 OHM 1/10W J	CRJ10DJ391T
DSP	R205		nsp	00MNN05104610	CHIP RES.	100K OHM 1/10W J	CRJ10DJ104T
DSP	R206		nsp	00MNN05104610	CHIP RES.	100K OHM 1/10W J	CRJ10DJ104T
DSP	R207		nsp	00MNN05391610	CHIP RES.	390 OHM 1/10W J	CRJ10DJ391T
DSP	R208		nsp	00MNN05472610	CHIP RES.	4.7K OHM 1/10W J	CRJ10DJ472T
DSP	R209		nsp	00MNN05182610	CHIP RES.	1.8K OHM 1/10W J	CRJ10DJ182T
DSP	R210		nsp	00MNN05182610	CHIP RES.	1.8K OHM 1/10W J	CRJ10DJ182T
DSP	R211		nsp	00MNN05472610	CHIP RES.	4.7K OHM 1/10W J	CRJ10DJ472T
DSP	R212		nsp	00MNN05332610	CHIP RES.	3.3K OHM 1/10W J	CRJ10DJ332T
DSP	R213		nsp	00MNN05332610	CHIP RES.	3.3K OHM 1/10W J	CRJ10DJ332T
DSP	R214		nsp	00MNN05472610	CHIP RES.	4.7K OHM 1/10W J	CRJ10DJ472T
DSP	R215		nsp	00MNN05182610	CHIP RES.	1.8K OHM 1/10W J	CRJ10DJ182T
DSP	R216		nsp	00MNN05332610	CHIP RES.	3.3K OHM 1/10W J	CRJ10DJ332T
DSP	R217		nsp	00MNN05332610	CHIP RES.	3.3K OHM 1/10W J	CRJ10DJ332T
DSP	R218	/U1B	nsp	00MNN05000610	CHIP RES.	0 OHM 1/10W J	CRJ10DJ0R0T
DSP	R219		nsp	00MNN05100610	CHIP RES.	10 OHM 1/10W J	CRJ10DJ100T
DSP	R220		nsp	00MNN05750610	CHIP RES.	75 OHM 1/10W J	CRJ10DJ750T
DSP	R221		nsp	00MNN05102610	CHIP RES.	1K OHM 1/10W J	CRJ10DJ102T
DSP	R222		nsp	00MNN05000610	CHIP RES.	0 OHM 1/10W J	CRJ10DJ0R0T
DSP	R223		nsp	00MNN05102610	CHIP RES.	1K OHM 1/10W J	CRJ10DJ102T

NOTE *nsp* PART IS LISTED FOR REFERENCE ONLY, MARANTZ WILL NOT SUPPLY THESE PARTS

P.W.B. NAME	POS. NO.	VERS. COLOR	PART NO. (FOR EUR)	PART NO. (MZ)	PART NAME	DESCRIPTION
DSP	R224		nsp	00MNN05750610	CHIP RES.	75 OHM 1/10W J CRJ10DJ750T
DSP	R225		nsp	00MNN05100610	CHIP RES.	10 OHM 1/10W J CRJ10DJ100T
DSP	R227		nsp	00MNN05100610	CHIP RES.	10 OHM 1/10W J CRJ10DJ100T
DSP	R228		nsp	00MNN05473610	CHIP RES.	47K OHM 1/10W J CRJ10DJ473T
DSP	R229		nsp	00MNN05000610	CHIP RES.	0 OHM 1/10W J CRJ10DJ0R0T
DSP	R230		nsp	00MNN05000610	CHIP RES.	0 OHM 1/10W J CRJ10DJ0R0T
DSP	R235		nsp	00MNN05103610	CHIP RES.	10K OHM 1/10W J CRJ10DJ103T
DSP	R236		nsp	00MNN05562610	CHIP RES.	5.6K OHM 1/10W J CRJ10DJ562T
DSP	R237		nsp	00MNN05270610	CHIP RES.	27 OHM 1/10W J CRJ10DJ270T
DSP	R238		nsp	00MNN05100610	CHIP RES.	10 OHM 1/10W J CRJ10DJ100T
DSP	R239		nsp	00MNN05682610	CHIP RES.	6.8K OHM 1/10W J CRJ10DJ682T
DSP	R240		nsp	00MNN05682610	CHIP RES.	6.8K OHM 1/10W J CRJ10DJ682T
DSP	R241		nsp	00MNN05104610	CHIP RES.	100K OHM 1/10W J CRJ10DJ104T
DSP	R242		nsp	00MNN05104610	CHIP RES.	100K OHM 1/10W J CRJ10DJ104T
DSP	R243		nsp	00MNN05105610	CHIP RES.	1M OHM 1/10W J CRJ10DJ105T
DSP	R244		nsp	00MNN05222610	CHIP RES.	2.2K OHM 1/10W J CRJ10DJ222T
DSP	R245		nsp	00MNN05272610	CHIP RES.	2.7K OHM 1/10W J CRJ10DJ272T
DSP	R246		nsp	00MNN05222610	CHIP RES.	2.2K OHM 1/10W J CRJ10DJ222T
DSP	R247		nsp	00MNN05272610	CHIP RES.	2.7K OHM 1/10W J CRJ10DJ272T
DSP	R248		nsp	00MNN05392610	CHIP RES.	3.9K OHM 1/10W J CRJ10DJ392T
DSP	R249		nsp	00MNN05472610	CHIP RES.	4.7K OHM 1/10W J CRJ10DJ472T
DSP	R250		nsp	00MNN05472610	CHIP RES.	4.7K OHM 1/10W J CRJ10DJ472T
DSP	R251		nsp	00MNN05101610	CHIP RES.	100 OHM 1/10W J CRJ10DJ101T
DSP	R252		nsp	00MNN05562610	CHIP RES.	5.6K OHM 1/10W J CRJ10DJ562T
DSP	R253		nsp	00MNN05101610	CHIP RES.	100 OHM 1/10W J CRJ10DJ101T
DSP	R254		nsp	00MNN05101610	CHIP RES.	100 OHM 1/10W J CRJ10DJ101T
DSP	R255		nsp	00MNN05392610	CHIP RES.	3.9K OHM 1/10W J CRJ10DJ392T
DSP	R256		nsp	00MNN05472610	CHIP RES.	4.7K OHM 1/10W J CRJ10DJ472T
DSP	R257		nsp	00MNN05472610	CHIP RES.	4.7K OHM 1/10W J CRJ10DJ472T
DSP	R258		nsp	00MNN05101610	CHIP RES.	100 OHM 1/10W J CRJ10DJ101T
DSP	R259		nsp	00MNN05562610	CHIP RES.	5.6K OHM 1/10W J CRJ10DJ562T
DSP	R260		nsp	00MNN05101610	CHIP RES.	100 OHM 1/10W J CRJ10DJ101T
DSP	R261		nsp	00MNN05563610	CHIP RES.	56K OHM 1/10W J CRJ10DJ563T
DSP	R262		nsp	00MNN05100610	CHIP RES.	10 OHM 1/10W J CRJ10DJ100T
DSP	R263		nsp	00MNN05100610	CHIP RES.	10 OHM 1/10W J CRJ10DJ100T
DSP	R264		nsp	00MNN05100610	CHIP RES.	10 OHM 1/10W J CRJ10DJ100T
DSP	R265		nsp	00MNN05101610	CHIP RES.	100 OHM 1/10W J CRJ10DJ101T
DSP	R335		nsp	00MNN05330610	CHIP RES.	33 OHM 1/10W J CRJ10DJ330T
DSP	R336		nsp	00MNN05223610	CHIP RES.	22K OHM 1/10W J CRJ10DJ223T
DSP	R337		nsp	00MNN05332610	CHIP RES.	3.3K OHM 1/10W J CRJ10DJ332T
DSP	R338		nsp	00MNN05103610	CHIP RES.	10K OHM 1/10W J CRJ10DJ103T
DSP	R339		nsp	00MNN05103610	CHIP RES.	10K OHM 1/10W J CRJ10DJ103T
DSP	R340		nsp	00MNN05103610	CHIP RES.	10K OHM 1/10W J CRJ10DJ103T
DSP	R341		nsp	00MNN05103610	CHIP RES.	10K OHM 1/10W J CRJ10DJ103T
DSP	R342		nsp	00MNN05010610	CHIP RES.	1 OHM 1/10W J CRJ10DJ1R0T
DSP	R343		nsp	00MNN05105610	CHIP RES.	1M OHM 1/10W J CRJ10DJ105T
DSP	R344		nsp	00MNN05101610	CHIP RES.	100 OHM 1/10W J CRJ10DJ101T
DSP	R345		nsp	00MNN05562610	CHIP RES.	5.6K OHM 1/10W J CRJ10DJ562T
DSP	R362		nsp	00MNN05101610	CHIP RES.	100 OHM 1/10W J CRJ10DJ101T
DSP	R363		nsp	00MNN05101610	CHIP RES.	100 OHM 1/10W J CRJ10DJ101T
DSP	R364		nsp	00MNN05101610	CHIP RES.	100 OHM 1/10W J CRJ10DJ101T
DSP	R365		nsp	00MNN05101610	CHIP RES.	100 OHM 1/10W J CRJ10DJ101T
DSP	R366		nsp	00MNN05101610	CHIP RES.	100 OHM 1/10W J CRJ10DJ101T
DSP	R367		nsp	00MNN05330610	CHIP RES.	33 OHM 1/10W J CRJ10DJ330T
DSP	R368		nsp	00MNN05221610	CHIP RES.	220 OHM 1/10W J CRJ10DJ221T
DSP	R369		nsp	00MNN05330610	CHIP RES.	33 OHM 1/10W J CRJ10DJ330T
DSP	R370		nsp	00MNN05472610	CHIP RES.	4.7K OHM 1/10W J CRJ10DJ472T
DSP	R371		nsp	00MNN05472610	CHIP RES.	4.7K OHM 1/10W J CRJ10DJ472T
DSP	R372		nsp	00MNN05104610	CHIP RES.	100K OHM 1/10W J CRJ10DJ104T
DSP	R373		nsp	00MNN05104610	CHIP RES.	100K OHM 1/10W J CRJ10DJ104T
DSP	R376		nsp	00MNN05472610	CHIP RES.	4.7K OHM 1/10W J CRJ10DJ472T
DSP	R377		nsp	00MNN05104610	CHIP RES.	100K OHM 1/10W J CRJ10DJ104T
DSP	R378		nsp	00MNN05472610	CHIP RES.	4.7K OHM 1/10W J CRJ10DJ472T
DSP	R379		nsp	00MNN05104610	CHIP RES.	100K OHM 1/10W J CRJ10DJ104T
DSP	R380		nsp	00MNN05473610	CHIP RES.	47K OHM 1/10W J CRJ10DJ473T
DSP	R381		nsp	00MNN05473610	CHIP RES.	47K OHM 1/10W J CRJ10DJ473T
DSP	R382		nsp	00MNN05104610	CHIP RES.	100K OHM 1/10W J CRJ10DJ104T

NOTE "nsp" PART IS LISTED FOR REFERENCE ONLY, MARANTZ WILL NOT SUPPLY THESE PARTS

P.W.B. NAME	POS. NO.	VERS. COLOR	PART NO. (FOR EUR)	PART NO. (MZ)	PART NAME	DESCRIPTION	
DSP	RC10		nsp	00MNN05000610	CHIP RES.	0 OHM 1/10W J	CRJ10DJ0R0T
DSP	RC11		nsp	00MNN05473610	CHIP RES.	47K OHM 1/10W J	CRJ10DJ473T
DSP	RC12		nsp	00MNN05470610	CHIP RES.	47 OHM 1/10W J	CRJ10DJ470T
DSP	RC13		nsp	00MNN05473610	CHIP RES.	47K OHM 1/10W J	CRJ10DJ473T
DSP	RC14		nsp	00MNN05183610	CHIP RES.	18K OHM 1/10W J	CRJ10DJ183T
DSP	RC15		nsp	00MNN05473610	CHIP RES.	47K OHM 1/10W J	CRJ10DJ473T
DSP	RC16		nsp	00MNN05221610	CHIP RES.	220 OHM 1/10W J	CRJ10DJ221T
DSP	RC17		nsp	00MNN05470610	CHIP RES.	47 OHM 1/10W J	CRJ10DJ470T
DSP	RC18		nsp	00MNN05183610	CHIP RES.	18K OHM 1/10W J	CRJ10DJ183T
DSP	RC19		nsp	00MNN05101610	CHIP RES.	100 OHM 1/10W J	CRJ10DJ101T
DSP	RC20		nsp	00MNN05101610	CHIP RES.	100 OHM 1/10W J	CRJ10DJ101T
DSP	RC21		nsp	00MNN05102610	CHIP RES.	1K OHM 1/10W J	CRJ10DJ102T
DSP	RC22		nsp	00MNN05473610	CHIP RES.	47K OHM 1/10W J	CRJ10DJ473T
DSP	RC23		nsp	00MNN05473610	CHIP RES.	47K OHM 1/10W J	CRJ10DJ473T
DSP	RC24		nsp	00MNN05220610	CHIP RES.	22 OHM 1/10W J	CRJ10DJ220T
DSP	RC25		nsp	00MNN05220610	CHIP RES.	22 OHM 1/10W J	CRJ10DJ220T
DSP	RC26		nsp	00MNN05103610	CHIP RES.	10K OHM 1/10W J	CRJ10DJ103T
DSP	RC27		nsp	00MNN05223610	CHIP RES.	22K OHM 1/10W J	CRJ10DJ223T
DSP	RC28		nsp	00MNN05682610	CHIP RES.	6.8K OHM 1/10W J	CRJ10DJ682T
DSP	RC29		nsp	00MNN05047610	CHIP RES.	4.7 OHM 1/10W J	CRJ10DJ4R7T
DSP	RC30		nsp	00MNN05047610	CHIP RES.	4.7 OHM 1/10W J	CRJ10DJ4R7T
DSP	RC39		nsp	00MNN05102610	CHIP RES.	1K OHM 1/10W J	CRJ10DJ102T
DSP	RC44		nsp	00MNN05221610	CHIP RES.	220 OHM 1/10W J	CRJ10DJ221T
DSP	RC45		nsp	00MNN05101610	CHIP RES.	100 OHM 1/10W J	CRJ10DJ101T
DSP	RC46		nsp	00MNN05101610	CHIP RES.	100 OHM 1/10W J	CRJ10DJ101T
DSP	RC47		nsp	00MNN05103610	CHIP RES.	10K OHM 1/10W J	CRJ10DJ103T
DSP	RC48		nsp	00MNN05473610	CHIP RES.	47K OHM 1/10W J	CRJ10DJ473T
DSP	RC49		nsp	00MNN05473610	CHIP RES.	47K OHM 1/10W J	CRJ10DJ473T
DSP	RC51		nsp	00MNN05010610	CHIP RES.	1 OHM 1/10W J	CRJ10DJ1R0T
DSP	RC52		nsp	00MNN05473610	CHIP RES.	47K OHM 1/10W J	CRJ10DJ473T
DSP	RC53		nsp	00MNN05473610	CHIP RES.	47K OHM 1/10W J	CRJ10DJ473T
DSP	RC54		nsp	00MNN05472610	CHIP RES.	4.7K OHM 1/10W J	CRJ10DJ472T
DSP	RC55		nsp	00MNN05472610	CHIP RES.	4.7K OHM 1/10W J	CRJ10DJ472T
DSP	RC56		nsp	00MNN05472610	CHIP RES.	4.7K OHM 1/10W J	CRJ10DJ472T
DSP	RC57		nsp	00MNN05473610	CHIP RES.	47K OHM 1/10W J	CRJ10DJ473T
DSP	RC58		nsp	00MNN05473610	CHIP RES.	47K OHM 1/10W J	CRJ10DJ473T
DSP	RC59		nsp	00MNN05473610	CHIP RES.	47K OHM 1/10W J	CRJ10DJ473T
DSP	RC60		nsp	00MNN05473610	CHIP RES.	47K OHM 1/10W J	CRJ10DJ473T
DSP	RC61	/N1B	nsp	00MNN05832610	CHIP RES.	82K OHM 1/10W J	CRJ10DJ823T
DSP	RC61	/N1S	nsp	00MNN05832610	CHIP RES.	82K OHM 1/10W J	CRJ10DJ823T
DSP	RC62	/N1B	nsp	00MNN05223610	CHIP RES.	22K OHM 1/10W J	CRJ10DJ223T
DSP	RC62	/N1S	nsp	00MNN05223610	CHIP RES.	22K OHM 1/10W J	CRJ10DJ223T
DSP	RC62	/U1B	nsp	00MNN05000610	CHIP RES.	0 OHM 1/10W J	CRJ10DJ0R0T
DSP	RC63		nsp	00MNN05473610	CHIP RES.	47K OHM 1/10W J	CRJ10DJ473T
DSP	RC65		nsp	00MNN05473610	CHIP RES.	47K OHM 1/10W J	CRJ10DJ473T
DSP	RC66		nsp	00MNN05473610	CHIP RES.	47K OHM 1/10W J	CRJ10DJ473T
DSP	RC67		nsp	00MNN05473610	CHIP RES.	47K OHM 1/10W J	CRJ10DJ473T
DSP	RC68		nsp	00MNN05473610	CHIP RES.	47K OHM 1/10W J	CRJ10DJ473T
DSP	RC69		nsp	00MNN05473610	CHIP RES.	47K OHM 1/10W J	CRJ10DJ473T
DSP	RC70		nsp	00MNN05473610	CHIP RES.	47K OHM 1/10W J	CRJ10DJ473T
DSP	RC71		nsp	00MNN05473610	CHIP RES.	47K OHM 1/10W J	CRJ10DJ473T
DSP	RC72		nsp	00MNN05473610	CHIP RES.	47K OHM 1/10W J	CRJ10DJ473T
DSP	RC73		nsp	00MNN05000610	CHIP RES.	0 OHM 1/10W J	CRJ10DJ0R0T
DSP	RC74		nsp	00MNN05000610	CHIP RES.	0 OHM 1/10W J	CRJ10DJ0R0T
DSP	RC75		nsp	00MNN05473610	CHIP RES.	47K OHM 1/10W J	CRJ10DJ473T
DSP	RC76		nsp	00MNN05473610	CHIP RES.	47K OHM 1/10W J	CRJ10DJ473T
DSP	RC77		nsp	00MNN05473610	CHIP RES.	47K OHM 1/10W J	CRJ10DJ473T
DSP	RC78		nsp	00MNN05101610	CHIP RES.	100 OHM 1/10W J	CRJ10DJ101T
DSP	RC79		nsp	00MNN05101610	CHIP RES.	100 OHM 1/10W J	CRJ10DJ101T
DSP	RC80		nsp	00MNN05222610	CHIP RES.	2.2K OHM 1/10W J	CRJ10DJ222T
DSP	RC81		nsp	00MNN05683610	CHIP RES.	68K OHM 1/10W J	CRJ10DJ683T
DSP	RC82		nsp	00MNN05223610	CHIP RES.	22K OHM 1/10W J	CRJ10DJ223T
DSP	RC83		nsp	00MNN05223610	CHIP RES.	22K OHM 1/10W J	CRJ10DJ223T
DSP	RC84		nsp	00MNN05103610	CHIP RES.	10K OHM 1/10W J	CRJ10DJ103T
DSP	RC87		nsp	00MNN05103610	CHIP RES.	10K OHM 1/10W J	CRJ10DJ103T
DSP	RC88		nsp	00MNN05562610	CHIP RES.	5.6K OHM 1/10W J	CRJ10DJ562T
DSP	RC89		nsp	00MNN05473610	CHIP RES.	47K OHM 1/10W J	CRJ10DJ473T

NOTE *nsp* PART IS LISTED FOR REFERENCE ONLY, MARANTZ WILL NOT SUPPLY THESE PARTS

P.W.B. NAME	POS. NO.	VERS. COLOR	PART NO. (FOR EUR)	PART NO. (MZ)	PART NAME	DESCRIPTION
DSP	RN10		90M-BW000390R	90M-BW000390R	RES. COMPO.	ARC 241 100R CRJ104DJ101T
DSP	RN11		90M-BW000390R	90M-BW000390R	RES. COMPO.	ARC 241 100R CRJ104DJ101T
DSP	RN12		90M-BW000390R	90M-BW000390R	RES. COMPO.	ARC 241 100R CRJ104DJ101T
DSP	RN13		90M-BW000390R	90M-BW000390R	RES. COMPO.	ARC 241 100R CRJ104DJ101T
DSP	RN14		90M-BW000390R	90M-BW000390R	RES. COMPO.	ARC 241 100R CRJ104DJ101T
DSP	RN15		90M-BW000390R	90M-BW000390R	RES. COMPO.	ARC 241 100R CRJ104DJ101T
DSP	RN16		90M-BW000390R	90M-BW000390R	RES. COMPO.	ARC 241 100R CRJ104DJ101T
DSP	RN17		90M-BW000390R	90M-BW000390R	RES. COMPO.	ARC 241 100R CRJ104DJ101T
DSP	RN18		90M-BW000390R	90M-BW000390R	RES. COMPO.	ARC 241 100R CRJ104DJ101T
DSP	RN19		90M-BW000390R	90M-BW000390R	RES. COMPO.	ARC 241 100R CRJ104DJ101T
DSP	RN20		90M-BW000390R	90M-BW000390R	RES. COMPO.	ARC 241 100R CRJ104DJ101T
DSP	RN21		90M-BW000390R	90M-BW000390R	RES. COMPO.	ARC 241 100R CRJ104DJ101T
DSP	RN22		90M-BW000390R	90M-BW000390R	RES. COMPO.	ARC 241 100R CRJ104DJ101T
DSP	RO12		nsp	00MNN05000610	CHIP RES.	0 OHM 1/10W J CRJ10DJ0R0T
DSP	RO13	/U1B	nsp	00MNN05000610	CHIP RES.	0 OHM 1/10W J CRJ10DJ0R0T
DSP	RO14	/N1B	nsp	00MNN05000610	CHIP RES.	0 OHM 1/10W J CRJ10DJ0R0T
DSP	RO14	/N1S	nsp	00MNN05000610	CHIP RES.	0 OHM 1/10W J CRJ10DJ0R0T
DSP	RR10		nsp	00MNM11800020	CHIP RES.	180 OHM 1% CRJ10DF1800T
DSP	RR11		nsp	00MNM11800020	CHIP RES.	180 OHM 1% CRJ10DF1800T
DSP	RR13		nsp	00MNM12200020	CHIP RES.	220 OHM 1% CRJ10DF2200T
DSP	RR14		nsp	00MNM1033G020	CHIP RES.	3.3 OHM 1% CRJ10DF3R30T
DSP	RR15		nsp	00MNM12200020	CHIP RES.	220 OHM 1% CRJ10DF2200T
DSP	RR19		nsp	00MNM12200020	CHIP RES.	220 OHM 1% CRJ10DF2200T
DSP	RR20		nsp	00MNM12200020	CHIP RES.	220 OHM 1% CRJ10DF2200T
DSP	RR21		nsp	00MNM11800020	CHIP RES.	180 OHM 1% CRJ10DF1800T
DSP	RR22		nsp	00MNM11800020	CHIP RES.	180 OHM 1% CRJ10DF1800T
DSP	RR23		nsp	00MNM12200020	CHIP RES.	220 OHM 1% CRJ10DF2200T
DSP	RR24		nsp	00MNN05222610	CHIP RES.	2.2K OHM 1/10W J CRJ10DJ222T
DSP	RR25		nsp	00MNN05183610	CHIP RES.	18K OHM 1/10W J CRJ10DJ183T
DSP	RR26		nsp	00MNN05222610	CHIP RES.	2.2K OHM 1/10W J CRJ10DJ222T
DSP	RR27		nsp	00MNN05103610	CHIP RES.	10K OHM 1/10W J CRJ10DJ103T
DSP	RR28		nsp	00MNN05223610	CHIP RES.	22K OHM 1/10W J CRJ10DJ223T
DSP	RR29		nsp	00MNN05103610	CHIP RES.	10K OHM 1/10W J CRJ10DJ103T
DSP	RR30		nsp	00MNN05000610	CHIP RES.	0 OHM 1/10W J CRJ10DJ0R0T
DSP	RR32		nsp	00MNN05103610	CHIP RES.	10K OHM 1/10W J CRJ10DJ103T
DSP	RR34		nsp	00MNN05000610	CHIP RES.	0 OHM 1/10W J CRJ10DJ0R0T
DSP	RR35		nsp	00MNN05103610	CHIP RES.	10K OHM 1/10W J CRJ10DJ103T
DSP	RR36		nsp	00MNN05103610	CHIP RES.	10K OHM 1/10W J CRJ10DJ103T
DSP	RR37		nsp	00MNN05103610	CHIP RES.	10K OHM 1/10W J CRJ10DJ103T
DSP	RR38		nsp	00MNN05103610	CHIP RES.	10K OHM 1/10W J CRJ10DJ103T
DSP	RR39		nsp	00MNN05103610	CHIP RES.	10K OHM 1/10W J CRJ10DJ103T
DSP	RY10		90M-LY000380R	90M-LY000380R	RELAY	D3023 HSL4C008ZE
DSP	SW10		90M-SP001290R	90M-SP001290R	SW	SPUJ19XSM011 HSH2B018Z
DSP	XC10		90M-JX001190R	90M-JX001190R	X'TAL	20MHZ HOX20000E220TF
DSP	XC11		90M-JX001340R	90M-JX001340R	X'TAL	24.576MHZ COX24576E180TF
DSP	XC12		90M-JX001350R	90M-JX001350R	X'TAL	24.576MHZ 10PPM COX24576E120TF
FRONT PWB (CUP11869Y)						
FRONT	BN14		nsp	nsp	CORD	WIRE ASSY CWB1B907450BN
FRONT	BN51		nsp	nsp	CORD	WIRE ASSY CWB1B909050EN
FRONT	BN52		nsp	nsp	CORD	WIRE ASSY CWB1B908050EN
FRONT	BN53		nsp	nsp	CORD	WIRE ASSY CWZSR7001BN53
FRONT	C801		nsp	00MOA10701620	ELECT CAP.	100UF 16V CCEA1CH101T
FRONT	C802		nsp	00MOA10605020	ELECT CAP.	10UF 50V CCEA1HH100T
FRONT	C804		nsp	nsp	CER. CAP.	0.01UF 50V Z HCBS1H103ZFT
FRONT	C805		nsp	nsp	CER. CAP.	100PF 50V K HCBS1H101KBT
FRONT	C806		nsp	00MOA10703520	ELECT CAP.	100UF 35V CCEA1VH101T
FRONT	C807		nsp	nsp	CER. CAP.	100PF 50V K HCBS1H101KBT
FRONT	C809		nsp	nsp	CER. CAP.	100PF 50V K HCBS1H101KBT
FRONT	C810		nsp	nsp	CER. CAP.	100PF 50V K HCBS1H101KBT
FRONT	C811		nsp	nsp	CER. CAP.	100PF 50V K HCBS1H101KBT
FRONT	C812		nsp	nsp	CER. CAP.	0.1UF 50V Z HCBS1H104ZFT
FRONT	C813		nsp	00MOA10701620	ELECT CAP.	100UF 16V CCEA1CH101T
FRONT	C816		nsp	nsp	CER. CAP.	0.1UF 50V Z HCBS1H104ZFT
FRONT	C817		nsp	nsp	CER. CAP.	0.1UF 50V Z HCBS1H104ZFT
FRONT	C818		nsp	nsp	CER. CAP.	100PF 50V K HCBS1H101KBT
FRONT	C820		nsp	nsp	CER. CAP.	100PF 50V K HCBS1H101KBT
FRONT	C821		nsp	90M-EJ000040R	ELECT CAP.	10UF 50V KS CCEA1HKS100T

NOTE "nsp" PART IS LISTED FOR REFERENCE ONLY, MARANTZ WILL NOT SUPPLY THESE PARTS

P.W.B. NAME	POS. NO.	VERS. COLOR	PART NO. (FOR EUR)	PART NO. (MZ)	PART NAME	DESCRIPTION	
FRONT	C822		nsp	nsp	CER. CAP.	100PF 50V K	HCBS1H101KBT
FRONT	C824		nsp	nsp	CER. CAP.	0.1UF 50V Z	HCBS1H104ZFT
FRONT	C825		nsp	nsp	CER. CAP.	390PF 50V KB	HCBS1H391KBT
FRONT	C826		nsp	nsp	CER. CAP.	100PF 50V K	HCBS1H101KBT
FRONT	C827		nsp	nsp	CER. CAP.	100PF 50V K	HCBS1H101KBT
FRONT	C828		nsp	00MEJ10601610	ELECT CAP.	100UF 16V KS	CCEA1CKS101T
FRONT	C881		nsp	nsp	CER. CAP.	470PF 50V	HCBS1H471KBT
FRONT	C882		nsp	00MOA22605020	ELECT CAP.	22UF 50V	CCEA1HH220T
FRONT	C883		nsp	90M-EJ000050R	ELECT CAP.	4.7UF 50V	CCEA1HKS4R7T
FRONT	C884		nsp	nsp	CER. CAP.	470PF 50V	HCBS1H471KBT
FRONT	C891		nsp	90M-EJ000120R	ELECT CAP.	47UF 25V	CCEA1EKS470T
FRONT	C893		nsp	nsp	CER. CAP.	0.1UF 50V Z	HCBS1H104ZFT
FRONT	C894		nsp	nsp	CER. CAP.	0.1UF 50V Z	HCBS1H104ZFT
FRONT	C896		nsp	90M-EJ000050R	ELECT CAP.	4.7UF 50V	CCEA1HKS4R7T
FRONT	C968		nsp	nsp	CER. CAP.	0.1UF 50V Z	HCBS1H104ZFT
FRONT	C970		nsp	nsp	CER. CAP.	0.1UF 50V Z	HCBS1H104ZFT
FRONT	C982		nsp	nsp	CER. CAP.	100PF 50V K	HCBS1H101KBT
FRONT	CN15		nsp	nsp	CONN.	21P FPC WAFER	CJP21GA117ZY
FRONT	D802		90M-HI101040R	90M-HI101040R	L.E.D.	SLR342VCTB7T089	HVD342VCTB7T089
FRONT	D803		90M-HI101190R	90M-HI101190R	L.E.D.	BLUE LED TOL-52CSBBCEAB2	CVD52CSBBCEAB2
FRONT	D811		90M-HI101190R	90M-HI101190R	L.E.D.	BLUE LED TOL-52CSBBCEAB2	CVD52CSBBCEAB2
FRONT	FL81		90M-HQ300620R	90M-HQ300620R	DISPLAY	16-BT-110GNK	HFL16BT110GNK
FRONT	IC81		00MHC10220090	00MHC10220090	IC	NJU3430F VFD DRIVER	HVINJU3430F
FRONT	IC85		00MHC10102090	00MHC10102090	IC	NJM2068MD-TE1	HVINJM2068MDTE1
FRONT	J806		nsp	nsp	CORD	SN95/PB5, 0.6	C3A206
FRONT	J808		nsp	nsp	CORD	SN95/PB5, 0.6	C3A206
FRONT	J809		nsp	nsp	CORD	SN95/PB5, 0.6	C3A206
FRONT	J810		nsp	nsp	CORD	SN95/PB5, 0.6	C3A206
FRONT	J811		nsp	nsp	CORD	SN95/PB5, 0.6	C3A206
FRONT	J812		nsp	nsp	CORD	SN95/PB5, 0.6	C3A206
FRONT	J813		nsp	nsp	CORD	SN95/PB5, 0.6	C3A206
FRONT	J814		nsp	nsp	CORD	SN95/PB5, 0.6	C3A206
FRONT	J815		nsp	nsp	CORD	SN95/PB5, 0.6	C3A206
FRONT	J816		nsp	nsp	CORD	SN95/PB5, 0.6	C3A206
FRONT	J817		nsp	nsp	CORD	SN95/PB5, 0.6	C3A206
FRONT	J818		nsp	nsp	CORD	SN95/PB5, 0.6	C3A206
FRONT	J819		nsp	nsp	CORD	SN95/PB5, 0.6	C3A206
FRONT	J820		nsp	nsp	CORD	SN95/PB5, 0.6	C3A206
FRONT	J821		nsp	nsp	CORD	SN95/PB5, 0.6	C3A206
FRONT	J822		nsp	nsp	CORD	SN95/PB5, 0.6	C3A206
FRONT	J823		nsp	nsp	CORD	SN95/PB5, 0.6	C3A206
FRONT	J824		nsp	nsp	CORD	SN95/PB5, 0.6	C3A206
FRONT	J825		nsp	nsp	CORD	SN95/PB5, 0.6	C3A206
FRONT	J826		nsp	nsp	CORD	SN95/PB5, 0.6	C3A206
FRONT	J827		nsp	nsp	CORD	SN95/PB5, 0.6	C3A206
FRONT	J828		nsp	nsp	CORD	SN95/PB5, 0.6	C3A206
FRONT	J829		nsp	nsp	CORD	SN95/PB5, 0.6	C3A206
FRONT	J830		nsp	nsp	CORD	SN95/PB5, 0.6	C3A206
FRONT	J831		nsp	nsp	CORD	SN95/PB5, 0.6	C3A206
FRONT	J832		nsp	nsp	CORD	SN95/PB5, 0.6	C3A206
FRONT	J833		nsp	nsp	CORD	SN95/PB5, 0.6	C3A206
FRONT	J834		nsp	nsp	CORD	SN95/PB5, 0.6	C3A206
FRONT	J835		nsp	nsp	CORD	SN95/PB5, 0.6	C3A206
FRONT	J836		nsp	nsp	CORD	SN95/PB5, 0.6	C3A206
FRONT	J837		nsp	nsp	CORD	SN95/PB5, 0.6	C3A206
FRONT	J838		nsp	nsp	CORD	SN95/PB5, 0.6	C3A206
FRONT	J839		nsp	nsp	CORD	SN95/PB5, 0.6	C3A206
FRONT	J840		nsp	nsp	CORD	SN95/PB5, 0.6	C3A206
FRONT	J841		nsp	nsp	CORD	SN95/PB5, 0.6	C3A206
FRONT	J850		nsp	nsp	CORD	SN95/PB5, 0.6	C3A206
FRONT	J851		nsp	nsp	CORD	SN95/PB5, 0.6	C3A206
FRONT	J852		nsp	nsp	CORD	SN95/PB5, 0.6	C3A206
FRONT	J853		nsp	nsp	CORD	SN95/PB5, 0.6	C3A206
FRONT	J854		nsp	nsp	CORD	SN95/PB5, 0.6	C3A206
FRONT	J855		nsp	nsp	CORD	SN95/PB5, 0.6	C3A206
FRONT	J856		nsp	nsp	CORD	SN95/PB5, 0.6	C3A206
FRONT	J857		nsp	nsp	CORD	SN95/PB5, 0.6	C3A206

NOTE "nsp" PART IS LISTED FOR REFERENCE ONLY, MARANTZ WILL NOT SUPPLY THESE PARTS

P.W.B. NAME	POS. NO.	VERS. COLOR	PART NO. (FOR EUR)	PART NO. (MZ)	PART NAME	DESCRIPTION
FRONT	J858		nsp	nsp	CORD	SN95/PB5, 0.6 C3A206
FRONT	J859		nsp	nsp	CORD	SN95/PB5, 0.6 C3A206
FRONT	J860		nsp	nsp	CORD	SN95/PB5, 0.6 C3A206
FRONT	J861		nsp	nsp	CORD	SN95/PB5, 0.6 C3A206
FRONT	J862		nsp	nsp	CORD	SN95/PB5, 0.6 C3A206
FRONT	J863		nsp	nsp	CORD	SN95/PB5, 0.6 C3A206
FRONT	J872		nsp	nsp	CORD	SN95/PB5, 0.6 C3A206
FRONT	JK82		90M-YT004320R	90M-YT004320R	TERMINAL	HEADPHONE JACK HJJ2D003Z
FRONT	Q801		00MBA10001000	00MBA10001000	TRS.	KRA102M HVTKRA102MT
FRONT	Q803		00MHT30001000	00MHT30001000	TRS.	KTC3199Y HVTKTC3199YT
FRONT	Q808		00MBA20001000	00MBA20001000	TRS.	KRC102M HVTKRC102MT
FRONT	Q809		00MBA10001000	00MBA10001000	TRS.	KRA102M HVTKRA102MT
FRONT	Q811		00MBA10001000	00MBA10001000	TRS.	KRA102M HVTKRA102MT
FRONT	R805		nsp	nsp	RES.	100 OHM 1/5W J CRD20TJ101T
FRONT	R810		nsp	nsp	RES.	5.6K OHM 1/5W J CRD20TJ562T
FRONT	R811		nsp	nsp	RES.	2.7K OHM 1/5W J CRD20TJ272T
FRONT	R812		nsp	nsp	RES.	2.2K OHM 1/5W J CRD20TJ222T
FRONT	R813		nsp	nsp	RES.	1.5K OHM 1/5W J CRD20TJ152T
FRONT	R814		nsp	nsp	RES.	1K OHM 1/5W J CRD20TJ102T
FRONT	R815		nsp	nsp	RES.	820 OHM 1/5W J CRD20TJ821T
FRONT	R816		nsp	nsp	RES.	560 OHM 1/5W J CRD20TJ561T
FRONT	R817		nsp	nsp	RES.	680 OHM 1/5W J CRD20TJ681T
FRONT	R818		nsp	nsp	RES.	5.6K OHM 1/5W J CRD20TJ562T
FRONT	R819		nsp	nsp	RES.	2.7K OHM 1/5W J CRD20TJ272T
FRONT	R820		nsp	nsp	RES.	2.2K OHM 1/5W J CRD20TJ222T
FRONT	R821		nsp	nsp	RES.	1.5K OHM 1/5W J CRD20TJ152T
FRONT	R822		nsp	nsp	RES.	1K OHM 1/5W J CRD20TJ102T
FRONT	R823		nsp	nsp	RES.	820 OHM 1/5W J CRD20TJ821T
FRONT	R824		nsp	nsp	RES.	560 OHM 1/5W J CRD20TJ561T
FRONT	R825		nsp	nsp	RES.	680 OHM 1/5W J CRD20TJ681T
FRONT	R826		nsp	nsp	RES.	5.6K OHM 1/5W J CRD20TJ562T
FRONT	R827		nsp	nsp	RES.	2.7K OHM 1/5W J CRD20TJ272T
FRONT	R828		nsp	nsp	RES.	2.2K OHM 1/5W J CRD20TJ222T
FRONT	R829		nsp	nsp	RES.	1.5K OHM 1/5W J CRD20TJ152T
FRONT	R830		nsp	nsp	RES.	1K OHM 1/5W J CRD20TJ102T
FRONT	R831		nsp	nsp	RES.	10K OHM 1/5W J CRD20TJ103T
FRONT	R833		nsp	nsp	RES.	68K OHM 1/5W J CRD20TJ683T
FRONT	R845		nsp	nsp	RES.	100 OHM 1/5W J CRD20TJ101T
FRONT	R876		nsp	nsp	RES.	820 OHM 1/5W J CRD20TJ821T
FRONT	R877		nsp	nsp	RES.	560 OHM 1/5W J CRD20TJ561T
FRONT	R879		nsp	nsp	RES.	680 OHM 1/5W J CRD20TJ681T
FRONT	R901		nsp	nsp	RES.	10K OHM 1/5W J CRD20TJ103T
FRONT	R902		nsp	nsp	RES.	10K OHM 1/5W J CRD20TJ103T
FRONT	R903		nsp	nsp	RES.	10K OHM 1/5W J CRD20TJ103T
FRONT	R904		nsp	nsp	RES.	10K OHM 1/5W J CRD20TJ103T
FRONT	R905		nsp	nsp	RES.	10K OHM 1/5W J CRD20TJ103T
FRONT	R906		nsp	nsp	RES.	10K OHM 1/5W J CRD20TJ103T
FRONT	R907		nsp	nsp	RES.	10K OHM 1/5W J CRD20TJ103T
FRONT	R908		nsp	nsp	RES.	10K OHM 1/5W J CRD20TJ103T
FRONT	R909		nsp	nsp	RES.	10K OHM 1/5W J CRD20TJ103T
FRONT	R910		nsp	nsp	RES.	10K OHM 1/5W J CRD20TJ103T
FRONT	R911		nsp	nsp	RES.	10K OHM 1/5W J CRD20TJ103T
FRONT	R912		nsp	nsp	RES.	10K OHM 1/5W J CRD20TJ103T
FRONT	R913		nsp	nsp	RES.	10K OHM 1/5W J CRD20TJ103T
FRONT	R914		nsp	nsp	RES.	10K OHM 1/5W J CRD20TJ103T
FRONT	R915		nsp	nsp	RES.	10K OHM 1/5W J CRD20TJ103T
FRONT	R916		nsp	nsp	RES.	10K OHM 1/5W J CRD20TJ103T
FRONT	R917		nsp	nsp	RES.	47K OHM 1/5W J CRD20TJ473T
FRONT	R918		nsp	nsp	RES.	47K OHM 1/5W J CRD20TJ473T
FRONT	R919		nsp	nsp	RES.	47K OHM 1/5W J CRD20TJ473T
FRONT	R920		nsp	nsp	RES.	47K OHM 1/5W J CRD20TJ473T
FRONT	R921		nsp	nsp	RES.	47K OHM 1/5W J CRD20TJ473T
FRONT	R922		nsp	nsp	RES.	47K OHM 1/5W J CRD20TJ473T
FRONT	R923		nsp	nsp	RES.	47K OHM 1/5W J CRD20TJ473T
FRONT	R924		nsp	nsp	RES.	47K OHM 1/5W J CRD20TJ473T
FRONT	R925		nsp	nsp	RES.	47K OHM 1/5W J CRD20TJ473T
FRONT	R926		nsp	nsp	RES.	47K OHM 1/5W J CRD20TJ473T

NOTE "nsp" PART IS LISTED FOR REFERENCE ONLY, MARANTZ WILL NOT SUPPLY THESE PARTS

P.W.B. NAME	POS. NO.	VERS. COLOR	PART NO. (FOR EUR)	PART NO. (MZ)	PART NAME	DESCRIPTION
FRONT	R927		nsp	nsp	RES.	47K OHM 1/5W J CRD20TJ473T
FRONT	R928		nsp	nsp	RES.	47K OHM 1/5W J CRD20TJ473T
FRONT	R929		nsp	nsp	RES.	47K OHM 1/5W J CRD20TJ473T
FRONT	R930		nsp	nsp	RES.	47K OHM 1/5W J CRD20TJ473T
FRONT	R931		nsp	nsp	RES.	47K OHM 1/5W J CRD20TJ473T
FRONT	R932		nsp	nsp	RES.	47K OHM 1/5W J CRD20TJ473T
FRONT	R933		nsp	nsp	RES.	47K OHM 1/5W J CRD20TJ473T
FRONT	R934		nsp	nsp	RES.	47K OHM 1/5W J CRD20TJ473T
FRONT	R935		nsp	nsp	RES.	47K OHM 1/5W J CRD20TJ473T
FRONT	R936		nsp	nsp	RES.	47K OHM 1/5W J CRD20TJ473T
FRONT	R937		nsp	nsp	RES.	47K OHM 1/5W J CRD20TJ473T
FRONT	R938		nsp	nsp	RES.	47K OHM 1/5W J CRD20TJ473T
FRONT	R939		nsp	nsp	RES.	47K OHM 1/5W J CRD20TJ473T
FRONT	R940		nsp	nsp	RES.	47K OHM 1/5W J CRD20TJ473T
FRONT	R941		nsp	nsp	RES.	47K OHM 1/5W J CRD20TJ473T
FRONT	R942		nsp	nsp	RES.	47K OHM 1/5W J CRD20TJ473T
FRONT	R943		nsp	nsp	RES.	47K OHM 1/5W J CRD20TJ473T
FRONT	R944		nsp	nsp	RES.	47K OHM 1/5W J CRD20TJ473T
FRONT	R945		nsp	nsp	RES.	47K OHM 1/5W J CRD20TJ473T
FRONT	R946		nsp	nsp	RES.	47K OHM 1/5W J CRD20TJ473T
FRONT	R947		nsp	nsp	RES.	47K OHM 1/5W J CRD20TJ473T
FRONT	R948		nsp	nsp	RES.	47K OHM 1/5W J CRD20TJ473T
FRONT	R949		nsp	nsp	RES.	47K OHM 1/5W J CRD20TJ473T
FRONT	R950		nsp	nsp	RES.	47K OHM 1/5W J CRD20TJ473T
FRONT	R951		nsp	nsp	RES.	47K OHM 1/5W J CRD20TJ473T
FRONT	R952		nsp	nsp	RES.	47K OHM 1/5W J CRD20TJ473T
FRONT	R953		nsp	nsp	RES.	47K OHM 1/5W J CRD20TJ473T
FRONT	R968		nsp	nsp	RES.	10K OHM 1/5W J CRD20TJ103T
FRONT	R969		nsp	nsp	RES.	220 OHM 1/5W J CRD20TJ221T
FRONT	R970		nsp	nsp	RES.	10K OHM 1/5W J CRD20TJ103T
FRONT	R971		nsp	nsp	RES.	270 OHM 1/5W J CRD20TJ271T
FRONT	R972		nsp	nsp	RES.	220 OHM 1/5W J CRD20TJ221T
FRONT	R973		nsp	nsp	RES.	47K OHM 1/5W J CRD20TJ473T
FRONT	R974		nsp	nsp	RES.	220 OHM 1/5W J CRD20TJ221T
FRONT	R975		nsp	nsp	RES.	220 OHM 1/5W J CRD20TJ221T
FRONT	R976		nsp	nsp	RES.	47K OHM 1/5W J CRD20TJ473T
FRONT	R977		nsp	nsp	RES.	4.7K OHM 1/5W J CRD20TJ472T
FRONT	R978		nsp	nsp	RES.	470 OHM 1/5W J CRD20TJ471T
FRONT	R981		nsp	nsp	RES.	4.7K OHM 1/5W J CRD20TJ472T
FRONT	R982		nsp	nsp	RES.	2.2K OHM 1/5W J CRD20TJ222T
FRONT	R984		nsp	nsp	RES.	4.7K OHM 1/5W J CRD20TJ472T
FRONT	R986		nsp	nsp	RES.	12K OHM 1/5W J CRD20TJ123T
FRONT	R989		nsp	nsp	RES.	330 OHM 1/5W J CRD20TJ331T
FRONT	RC81		90M-HW100650R	90M-HW100650R	PHOTO UNIT	RPM6936-H4 HRVRPM6936H4
FRONT	SW71		90M-SP001210R	90M-SP001210R	SW	SKHV10910G TACT CST1A012ZT
FRONT	SW72		90M-SP001210R	90M-SP001210R	SW	SKHV10910G TACT CST1A012ZT
FRONT	SW73		90M-SP001210R	90M-SP001210R	SW	SKHV10910G TACT CST1A012ZT
FRONT	SW74		90M-SP001210R	90M-SP001210R	SW	SKHV10910G TACT CST1A012ZT
FRONT	SW76		90M-SP001210R	90M-SP001210R	SW	SKHV10910G TACT CST1A012ZT
FRONT	SW77		90M-SP001210R	90M-SP001210R	SW	SKHV10910G TACT CST1A012ZT
FRONT	SW79		90M-SP001210R	90M-SP001210R	SW	SKHV10910G TACT CST1A012ZT
FRONT	SW81		90M-SP001210R	90M-SP001210R	SW	SKHV10910G TACT CST1A012ZT
FRONT	SW82		90M-SP001210R	90M-SP001210R	SW	SKHV10910G TACT CST1A012ZT
FRONT	SW83		90M-SP001210R	90M-SP001210R	SW	SKHV10910G TACT CST1A012ZT
FRONT	SW84		90M-SP001210R	90M-SP001210R	SW	SKHV10910G TACT CST1A012ZT
FRONT	SW85		90M-SP001210R	90M-SP001210R	SW	SKHV10910G TACT CST1A012ZT
FRONT	SW86		90M-SP001210R	90M-SP001210R	SW	SKHV10910G TACT CST1A012ZT
FRONT	SW87		90M-SP001210R	90M-SP001210R	SW	SKHV10910G TACT CST1A012ZT
FRONT	SW88		90M-SP001210R	90M-SP001210R	SW	SKHV10910G TACT CST1A012ZT
FRONT	SW89		90M-SP001210R	90M-SP001210R	SW	SKHV10910G TACT CST1A012ZT
FRONT	SW90		90M-SP001210R	90M-SP001210R	SW	SKHV10910G TACT CST1A012ZT
FRONT	SW91		90M-SP001210R	90M-SP001210R	SW	SKHV10910G TACT CST1A012ZT
FRONT	SW92		90M-SP001210R	90M-SP001210R	SW	SKHV10910G TACT CST1A012ZT
FRONT	SW95		90M-SP001210R	90M-SP001210R	SW	SKHV10910G TACT CST1A012ZT
FRONT	SW96		90M-SP001210R	90M-SP001210R	SW	SKHV10910G TACT CST1A012ZT
					GUIDE PWB (CUP11874Y-5)	
GUIDE	C601		nsp	nsp	CER. CAP.	100PF 50V K HCBS1H101KBT

NOTE *nsp* PART IS LISTED FOR REFERENCE ONLY, MARANTZ WILL NOT SUPPLY THESE PARTS

P.W.B. NAME	POS. NO.	VERS. COLOR	PART NO. (FOR EUR)	PART NO. (MZ)	PART NAME	DESCRIPTION	
GUIDE	CN53		nsp	nsp	CONN.	3PIN ANGLE	CJP03GB46ZY
GUIDE	CN55		nsp	nsp	CONN.	3PIN ANGLE	CJP03GB46ZY
GUIDE	L601		90M-FN000090R	90M-FN000090R	EMI FILTER	BEAD	KLZ9H001Z
H/P PWB (CUP11869Y-4)							
H/P	BN17		nsp	nsp	CORD	WIRE ASSY	CWB1B905540BN
H/P	C874		nsp	nsp	CER. CAP.	100PF 50V K	HCBS1H101KBT
H/P	C875		nsp	nsp	CER. CAP.	100PF 50V K	HCBS1H101KBT
H/P	C876		nsp	nsp	CER. CAP.	0.1UF 50V Z	HCBS1H104ZFT
H/P	JK81	/N1B	90M-YT003160R	90M-YT003160R	TERMINAL	HTJ-064-05NG HEADPHONE JACK	CJJ2E020Z
H/P	JK81	/N1S	90M-YT004500R	90M-YT004500R	TERMINAL	JACK HEADPHONE(SILVER)	CJJ2E026Z
H/P	JK81	/U1B	nsp	90M-YT003160R	TERMINAL	HTJ-064-05NG HEADPHONE JACK	CJJ2E020Z
H/P	JW12		nsp	nsp	CORD	WIRE ASSY	CWE8102050RV
H/P	JW22		nsp	nsp	CORD	WIRE ASSY	CWE8102050RV
H/P	R846		nsp	nsp	RES.	4.7K OHM 1/5W J	CRD20TJ472T
H/P	R847		nsp	nsp	RES.	470 OHM 1/5W J	CRD20TJ471T
HDMI PWB (CUP11875Y)							
HDMI	BK11		nsp	nsp	BRACKET	BRACKET FOR PWB	CMD1A569
HDMI	BK12		nsp	nsp	BRACKET	BRACKET FOR PWB	CMD1A569
HDMI	BN31		nsp	nsp	CORD	WIRE ASSY	CWB1D906060BM
HDMI	C101		nsp	00MDK96104300	CER. CAP.	0.1UF 50V K	CCUS1H104KC
HDMI	C102		nsp	00MDK96104300	CER. CAP.	0.1UF 50V K	CCUS1H104KC
HDMI	C103		nsp	00MDK96104300	CER. CAP.	0.1UF 50V K	CCUS1H104KC
HDMI	C104		nsp	00MDK96104300	CER. CAP.	0.1UF 50V K	CCUS1H104KC
HDMI	C105		nsp	00MDK96104300	CER. CAP.	0.1UF 50V K	CCUS1H104KC
HDMI	C106		nsp	00MDK96104300	CER. CAP.	0.1UF 50V K	CCUS1H104KC
HDMI	C113		nsp	00MDK96104300	CER. CAP.	0.1UF 50V K	CCUS1H104KC
HDMI	C114		nsp	00MDK96104300	CER. CAP.	0.1UF 50V K	CCUS1H104KC
HDMI	C115		nsp	00MDK96104300	CER. CAP.	0.1UF 50V K	CCUS1H104KC
HDMI	C116		nsp	00MDK96104300	CER. CAP.	0.1UF 50V K	CCUS1H104KC
HDMI	C117		nsp	00MDK96104300	CER. CAP.	0.1UF 50V K	CCUS1H104KC
HDMI	C118		nsp	00MDK96104300	CER. CAP.	0.1UF 50V K	CCUS1H104KC
HDMI	C119		nsp	00MDK96104300	CER. CAP.	0.1UF 50V K	CCUS1H104KC
HDMI	C120		nsp	00MDK96104300	CER. CAP.	0.1UF 50V K	CCUS1H104KC
HDMI	C121		nsp	00MDK96104300	CER. CAP.	0.1UF 50V K	CCUS1H104KC
HDMI	C122		nsp	00MDK96104300	CER. CAP.	0.1UF 50V K	CCUS1H104KC
HDMI	C123		nsp	00MDK96104300	CER. CAP.	0.1UF 50V K	CCUS1H104KC
HDMI	C124		nsp	00MDK96103300	CER. CAP.	0.01UF 50V KC	CCUS1H103KC
HDMI	C303		nsp	00MDK96104300	CER. CAP.	0.1UF 50V K	CCUS1H104KC
HDMI	C304		nsp	00MDK96104300	CER. CAP.	0.1UF 50V K	CCUS1H104KC
HDMI	C305		nsp	00MDK96104300	CER. CAP.	0.1UF 50V K	CCUS1H104KC
HDMI	C306		nsp	00MOA47602520	ELECT CAP.	47UF 25V	CCEA1EH470T
HDMI	C307		nsp	00MOA47602520	ELECT CAP.	47UF 25V	CCEA1EH470T
HDMI	C308		nsp	00MDK96104300	CER. CAP.	0.1UF 50V K	CCUS1H104KC
HDMI	C309		nsp	00MDK96104300	CER. CAP.	0.1UF 50V K	CCUS1H104KC
HDMI	C310		nsp	00MDK96104300	CER. CAP.	0.1UF 50V K	CCUS1H104KC
HDMI	C311		nsp	00MDK96104300	CER. CAP.	0.1UF 50V K	CCUS1H104KC
HDMI	C312		nsp	00MDK96104300	CER. CAP.	0.1UF 50V K	CCUS1H104KC
HDMI	C313		nsp	00MDK96104300	CER. CAP.	0.1UF 50V K	CCUS1H104KC
HDMI	C314		nsp	00MDK96104300	CER. CAP.	0.1UF 50V K	CCUS1H104KC
HDMI	C315		nsp	00MOA47602520	ELECT CAP.	47UF 25V	CCEA1EH470T
HDMI	C316		nsp	00MDK96104300	CER. CAP.	0.1UF 50V K	CCUS1H104KC
HDMI	C317		nsp	00MDK96104300	CER. CAP.	0.1UF 50V K	CCUS1H104KC
HDMI	C318		nsp	00MDK96104300	CER. CAP.	0.1UF 50V K	CCUS1H104KC
HDMI	C319		nsp	00MDK96104300	CER. CAP.	0.1UF 50V K	CCUS1H104KC
HDMI	C320		nsp	00MDK96104300	CER. CAP.	0.1UF 50V K	CCUS1H104KC
HDMI	C322		nsp	00MDK96104300	CER. CAP.	0.1UF 50V K	CCUS1H104KC
HDMI	C323		nsp	00MDK96104300	CER. CAP.	0.1UF 50V K	CCUS1H104KC
HDMI	C324		nsp	00MDK96104300	CER. CAP.	0.1UF 50V K	CCUS1H104KC
HDMI	C325		nsp	00MDK96104300	CER. CAP.	0.1UF 50V K	CCUS1H104KC
HDMI	C326		nsp	00MDK96104300	CER. CAP.	0.1UF 50V K	CCUS1H104KC
HDMI	C327		nsp	00MDK96104300	CER. CAP.	0.1UF 50V K	CCUS1H104KC
HDMI	C328		nsp	00MDK96104300	CER. CAP.	0.1UF 50V K	CCUS1H104KC
HDMI	C329		nsp	00MDK96104300	CER. CAP.	0.1UF 50V K	CCUS1H104KC
HDMI	C330		nsp	00MDK96104300	CER. CAP.	0.1UF 50V K	CCUS1H104KC
HDMI	C331		nsp	00MDK96104300	CER. CAP.	0.1UF 50V K	CCUS1H104KC
HDMI	C332		nsp	00MDK96104300	CER. CAP.	0.1UF 50V K	CCUS1H104KC
HDMI	C333		nsp	00MDK96104300	CER. CAP.	0.1UF 50V K	CCUS1H104KC

NOTE "nsp" PART IS LISTED FOR REFERENCE ONLY, MARANTZ WILL NOT SUPPLY THESE PARTS

P.W.B. NAME	POS. NO.	VERS. COLOR	PART NO. (FOR EUR)	PART NO. (MZ)	PART NAME	DESCRIPTION	
HDMI	C334		nsp	00MDK96104300	CER. CAP.	0.1UF 50V K	CCUS1H104KC
HDMI	C335		nsp	00MDK96104300	CER. CAP.	0.1UF 50V K	CCUS1H104KC
HDMI	C336		nsp	00MDK96104300	CER. CAP.	0.1UF 50V K	CCUS1H104KC
HDMI	C337		nsp	00MDK96104300	CER. CAP.	0.1UF 50V K	CCUS1H104KC
HDMI	C338		nsp	00MDK96104300	CER. CAP.	0.1UF 50V K	CCUS1H104KC
HDMI	C339		nsp	00MDK96104300	CER. CAP.	0.1UF 50V K	CCUS1H104KC
HDMI	C340		nsp	00MDD95200300	CER. CAP.	20PF 50V J	CCUS1H200JA
HDMI	C341		nsp	00MDD95200300	CER. CAP.	20PF 50V J	CCUS1H200JA
HDMI	C342		nsp	00MDK96104300	CER. CAP.	0.1UF 50V K	CCUS1H104KC
HDMI	C344		nsp	00MDK96104300	CER. CAP.	0.1UF 50V K	CCUS1H104KC
HDMI	C345		nsp	00MDK96104300	CER. CAP.	0.1UF 50V K	CCUS1H104KC
HDMI	C347		nsp	00MDK96104300	CER. CAP.	0.1UF 50V K	CCUS1H104KC
HDMI	C348		nsp	00MDK96104300	CER. CAP.	0.1UF 50V K	CCUS1H104KC
HDMI	C349		nsp	00MDK96104300	CER. CAP.	0.1UF 50V K	CCUS1H104KC
HDMI	C350		nsp	00MOA10605020	ELECT CAP.	10UF 50V	CCEA1HH100T
HDMI	C351		nsp	00MDK96104300	CER. CAP.	0.1UF 50V K	CCUS1H104KC
HDMI	C352		nsp	00MOA10505020	ELECT CAP.	1UF 50V	CCEA1HH1R0T
HDMI	C353		nsp	00MDK96104300	CER. CAP.	0.1UF 50V K	CCUS1H104KC
HDMI	C354		nsp	00MDK96104300	CER. CAP.	0.1UF 50V K	CCUS1H104KC
HDMI	C355		nsp	00MDK96104300	CER. CAP.	0.1UF 50V K	CCUS1H104KC
HDMI	C356		nsp	00MDK96104300	CER. CAP.	0.1UF 50V K	CCUS1H104KC
HDMI	C357		nsp	00MDK96104300	CER. CAP.	0.1UF 50V K	CCUS1H104KC
HDMI	C358		nsp	00MDK96104300	CER. CAP.	0.1UF 50V K	CCUS1H104KC
HDMI	C359		nsp	00MDK96104300	CER. CAP.	0.1UF 50V K	CCUS1H104KC
HDMI	C360		nsp	00MDK96104300	CER. CAP.	0.1UF 50V K	CCUS1H104KC
HDMI	C361		nsp	00MDK96104300	CER. CAP.	0.1UF 50V K	CCUS1H104KC
HDMI	C362		nsp	00MOA47602520	ELECT CAP.	47UF 25V	CCEA1EH470T
HDMI	C363		nsp	00MOA47602520	ELECT CAP.	47UF 25V	CCEA1EH470T
HDMI	C364		nsp	00MDK96104300	CER. CAP.	0.1UF 50V K	CCUS1H104KC
HDMI	C365		nsp	00MDK96104300	CER. CAP.	0.1UF 50V K	CCUS1H104KC
HDMI	C366		nsp	00MDK96104300	CER. CAP.	0.1UF 50V K	CCUS1H104KC
HDMI	C367		nsp	00MDK96104300	CER. CAP.	0.1UF 50V K	CCUS1H104KC
HDMI	C368		nsp	00MDK96104300	CER. CAP.	0.1UF 50V K	CCUS1H104KC
HDMI	C369		nsp	00MOA47602520	ELECT CAP.	47UF 25V	CCEA1EH470T
HDMI	C370		nsp	00MDK96104300	CER. CAP.	0.1UF 50V K	CCUS1H104KC
HDMI	C371		nsp	00MDK96104300	CER. CAP.	0.1UF 50V K	CCUS1H104KC
HDMI	C372		nsp	00MDK96104300	CER. CAP.	0.1UF 50V K	CCUS1H104KC
HDMI	C399		nsp	00MDK96104300	CER. CAP.	0.1UF 50V K	CCUS1H104KC
HDMI	C601		nsp	00MOA10605020	ELECT CAP.	10UF 50V	CCEA1HH100T
HDMI	C602		nsp	00MOA10605020	ELECT CAP.	10UF 50V	CCEA1HH100T
HDMI	C603		nsp	00MOA10605020	ELECT CAP.	10UF 50V	CCEA1HH100T
HDMI	C604		nsp	00MDK96104300	CER. CAP.	0.1UF 50V K	CCUS1H104KC
HDMI	C605		nsp	00MDK96104300	CER. CAP.	0.1UF 50V K	CCUS1H104KC
HDMI	C606		nsp	00MOA10701620	ELECT CAP.	100UF 16V	CCEA1CH101T
HDMI	C607		nsp	00MDK96104300	CER. CAP.	0.1UF 50V K	CCUS1H104KC
HDMI	C608		nsp	00MOA10605020	ELECT CAP.	10UF 50V	CCEA1HH100T
HDMI	C609		nsp	00MDK96104300	CER. CAP.	0.1UF 50V K	CCUS1H104KC
HDMI	C610		nsp	00MDK96104300	CER. CAP.	0.1UF 50V K	CCUS1H104KC
HDMI	C611		nsp	00MDK96104300	CER. CAP.	0.1UF 50V K	CCUS1H104KC
HDMI	C612		nsp	00MDK96104300	CER. CAP.	0.1UF 50V K	CCUS1H104KC
HDMI	C613		nsp	00MDK96104300	CER. CAP.	0.1UF 50V K	CCUS1H104KC
HDMI	C614		nsp	00MDK96104300	CER. CAP.	0.1UF 50V K	CCUS1H104KC
HDMI	C615		nsp	00MDK96102300	CER. CAP.	1000PF 50V KC	CCUS1H102KC
HDMI	C616		nsp	00MDK96104300	CER. CAP.	0.1UF 50V K	CCUS1H104KC
HDMI	C617		nsp	00MDK96104300	CER. CAP.	0.1UF 50V K	CCUS1H104KC
HDMI	C618		nsp	00MDK96104300	CER. CAP.	0.1UF 50V K	CCUS1H104KC
HDMI	C619		nsp	00MDK96104300	CER. CAP.	0.1UF 50V K	CCUS1H104KC
HDMI	C620		nsp	00MDK96104300	CER. CAP.	0.1UF 50V K	CCUS1H104KC
HDMI	C621		nsp	00MDD95470300	CER. CAP.	47PF 50V JA	CCUS1H470JA
HDMI	C622		nsp	00MDD95470300	CER. CAP.	47PF 50V JA	CCUS1H470JA
HDMI	C623		nsp	00MDK96104300	CER. CAP.	0.1UF 50V K	CCUS1H104KC
HDMI	C624		nsp	90M-DK900100R	CER. CAP.	0.082UF 50V K	CCUS1H823KC
HDMI	C625		nsp	00MDK96103300	CER. CAP.	0.01UF 50V KC	CCUS1H103KC
HDMI	C626		nsp	00MDK96104300	CER. CAP.	0.1UF 50V K	CCUS1H104KC
HDMI	C627		nsp	00MDK96103300	CER. CAP.	0.01UF 50V KC	CCUS1H103KC
HDMI	C628		nsp	00MDK96104300	CER. CAP.	0.1UF 50V K	CCUS1H104KC
HDMI	C629		90M-EQ000040R	90M-EQ000040R	ELECT CAP.	10UF 25V NON-POLAR	CCEA1EN100T

NOTE *nsp* PART IS LISTED FOR REFERENCE ONLY, MARANTZ WILL NOT SUPPLY THESE PARTS

P.W.B. NAME	POS. NO.	VERS. COLOR	PART NO. (FOR EUR)	PART NO. (MZ)	PART NAME	DESCRIPTION
HDMI	C630		nsp	00MDK96104300	CER. CAP.	0.1UF 50V K CCUS1H104KC
HDMI	C631		nsp	00MDK96104300	CER. CAP.	0.1UF 50V K CCUS1H104KC
HDMI	C632		nsp	00MOA10701620	ELECT CAP.	100UF 16V CCEA1CH101T
HDMI	C633		nsp	00MDK96104300	CER. CAP.	0.1UF 50V K CCUS1H104KC
HDMI	C634		nsp	00MOA10605020	ELECT CAP.	10UF 50V CCEA1HH100T
HDMI	C635		nsp	00MDK96104300	CER. CAP.	0.1UF 50V K CCUS1H104KC
HDMI	C636		nsp	00MOA10605020	ELECT CAP.	10UF 50V CCEA1HH100T
HDMI	C637		nsp	00MDK96103300	CER. CAP.	0.01UF 50V KC CCUS1H103KC
HDMI	C638		nsp	00MDK96104300	CER. CAP.	0.1UF 50V K CCUS1H104KC
HDMI	C639		90M-EQ000040R	90M-EQ000040R	ELECT CAP.	10UF 25V NON-POLAR CCEA1EN100T
HDMI	C640		nsp	00MDK96104300	CER. CAP.	0.1UF 50V K CCUS1H104KC
HDMI	C641		nsp	00MDK96104300	CER. CAP.	0.1UF 50V K CCUS1H104KC
HDMI	C642		nsp	00MDK96104300	CER. CAP.	0.1UF 50V K CCUS1H104KC
HDMI	C643		nsp	00MDK96104300	CER. CAP.	0.1UF 50V K CCUS1H104KC
HDMI	C644		nsp	00MDK96104300	CER. CAP.	0.1UF 50V K CCUS1H104KC
HDMI	C645		nsp	00MOA10701620	ELECT CAP.	100UF 16V CCEA1CH101T
HDMI	C646		nsp	00MDK96104300	CER. CAP.	0.1UF 50V K CCUS1H104KC
HDMI	C647		nsp	00MDK96104300	CER. CAP.	0.1UF 50V K CCUS1H104KC
HDMI	C648		nsp	00MDK96104300	CER. CAP.	0.1UF 50V K CCUS1H104KC
HDMI	C649		nsp	00MDK96104300	CER. CAP.	0.1UF 50V K CCUS1H104KC
HDMI	C650		nsp	00MDK96104300	CER. CAP.	0.1UF 50V K CCUS1H104KC
HDMI	C651		nsp	00MDK96104300	CER. CAP.	0.1UF 50V K CCUS1H104KC
HDMI	C652		nsp	00MDK96104300	CER. CAP.	0.1UF 50V K CCUS1H104KC
HDMI	C653		nsp	00MOA10701620	ELECT CAP.	100UF 16V CCEA1CH101T
HDMI	C654		nsp	00MDK96104300	CER. CAP.	0.1UF 50V K CCUS1H104KC
HDMI	C655		nsp	00MDK96104300	CER. CAP.	0.1UF 50V K CCUS1H104KC
HDMI	C657		nsp	00MDK96104300	CER. CAP.	0.1UF 50V K CCUS1H104KC
HDMI	C658		nsp	00MDK96104300	CER. CAP.	0.1UF 50V K CCUS1H104KC
HDMI	C659		nsp	00MDK96104300	CER. CAP.	0.1UF 50V K CCUS1H104KC
HDMI	C660		nsp	00MDK96104300	CER. CAP.	0.1UF 50V K CCUS1H104KC
HDMI	C661		nsp	00MDK96104300	CER. CAP.	0.1UF 50V K CCUS1H104KC
HDMI	C662		nsp	00MDK96104300	CER. CAP.	0.1UF 50V K CCUS1H104KC
HDMI	C663		nsp	00MDK96104300	CER. CAP.	0.1UF 50V K CCUS1H104KC
HDMI	C664		nsp	00MDK96104300	CER. CAP.	0.1UF 50V K CCUS1H104KC
HDMI	C665		nsp	00MDK96104300	CER. CAP.	0.1UF 50V K CCUS1H104KC
HDMI	C666		nsp	00MDK96104300	CER. CAP.	0.1UF 50V K CCUS1H104KC
HDMI	C667		nsp	00MDK96104300	CER. CAP.	0.1UF 50V K CCUS1H104KC
HDMI	C668		nsp	00MDK96104300	CER. CAP.	0.1UF 50V K CCUS1H104KC
HDMI	C669		nsp	00MOA10701620	ELECT CAP.	100UF 16V CCEA1CH101T
HDMI	C670		nsp	00MDK96104300	CER. CAP.	0.1UF 50V K CCUS1H104KC
HDMI	C671		nsp	00MDK96104300	CER. CAP.	0.1UF 50V K CCUS1H104KC
HDMI	C672		nsp	00MDK96104300	CER. CAP.	0.1UF 50V K CCUS1H104KC
HDMI	C673		nsp	00MDK96104300	CER. CAP.	0.1UF 50V K CCUS1H104KC
HDMI	C674		nsp	00MDK96104300	CER. CAP.	0.1UF 50V K CCUS1H104KC
HDMI	C675		nsp	00MDK96104300	CER. CAP.	0.1UF 50V K CCUS1H104KC
HDMI	C676		nsp	00MDK96104300	CER. CAP.	0.1UF 50V K CCUS1H104KC
HDMI	C678		nsp	00MOA10701620	ELECT CAP.	100UF 16V CCEA1CH101T
HDMI	C679		nsp	00MDK96104300	CER. CAP.	0.1UF 50V K CCUS1H104KC
HDMI	C680		nsp	00MDK96104300	CER. CAP.	0.1UF 50V K CCUS1H104KC
HDMI	C681		nsp	00MDK96104300	CER. CAP.	0.1UF 50V K CCUS1H104KC
HDMI	C682		nsp	00MDK96104300	CER. CAP.	0.1UF 50V K CCUS1H104KC
HDMI	C683		nsp	00MDK96104300	CER. CAP.	0.1UF 50V K CCUS1H104KC
HDMI	C684		nsp	00MDK96104300	CER. CAP.	0.1UF 50V K CCUS1H104KC
HDMI	C685		nsp	00MDK96104300	CER. CAP.	0.1UF 50V K CCUS1H104KC
HDMI	C686		nsp	00MDK96104300	CER. CAP.	0.1UF 50V K CCUS1H104KC
HDMI	C687		nsp	00MDK96104300	CER. CAP.	0.1UF 50V K CCUS1H104KC
HDMI	C688		nsp	00MDK96104300	CER. CAP.	0.1UF 50V K CCUS1H104KC
HDMI	C689		nsp	00MOA10701620	ELECT CAP.	100UF 16V CCEA1CH101T
HDMI	C690		nsp	00MDK96104300	CER. CAP.	0.1UF 50V K CCUS1H104KC
HDMI	C691		nsp	00MDK96821300	CER. CAP.	820PF 50V J CCUS1H821JA
HDMI	C692		nsp	00MDK96392300	CER. CAP.	CHIP CERAMIC CAP. 1608 (3900PF) CCUS1H392KC
HDMI	C693		nsp	00MDK96104300	CER. CAP.	0.1UF 50V K CCUS1H104KC
HDMI	C694		nsp	00MDK96104300	CER. CAP.	0.1UF 50V K CCUS1H104KC
HDMI	C695		nsp	00MDK96104300	CER. CAP.	0.1UF 50V K CCUS1H104KC
HDMI	C696		nsp	00MDK96104300	CER. CAP.	0.1UF 50V K CCUS1H104KC
HDMI	C697		nsp	00MOA10701620	ELECT CAP.	100UF 16V CCEA1CH101T
HDMI	C698		nsp	00MDK96104300	CER. CAP.	0.1UF 50V K CCUS1H104KC

NOTE "nsp" PART IS LISTED FOR REFERENCE ONLY, MARANTZ WILL NOT SUPPLY THESE PARTS

P.W.B. NAME	POS. NO.	VERS. COLOR	PART NO. (FOR EUR)	PART NO. (MZ)	PART NAME	DESCRIPTION
HDMI	C699		nsp	00MOA10701620	ELECT CAP.	100UF 16V CCEA1CH101T
HDMI	C801		nsp	00MOA47602520	ELECT CAP.	47UF 25V CCEA1EH470T
HDMI	C802		nsp	00MDD95220300	CER. CAP.	22PF 50V JA CCUS1H220JA
HDMI	C803		nsp	00MDD91090300	CER. CAP.	9PF 50V DA CCUS1H090DA
HDMI	C804		nsp	00MDD95220300	CER. CAP.	22PF 50V JA CCUS1H220JA
HDMI	C805		nsp	00MOA10605020	ELECT CAP.	10UF 50V CCEA1HH100T
HDMI	C806		nsp	00MDK96103300	CER. CAP.	0.01UF 50V KC CCUS1H103KC
HDMI	C807		nsp	00MOA10605020	ELECT CAP.	10UF 50V CCEA1HH100T
HDMI	C808		nsp	00MOA47602520	ELECT CAP.	47UF 25V CCEA1EH470T
HDMI	C809		nsp	00MDD95220300	CER. CAP.	22PF 50V JA CCUS1H220JA
HDMI	C810		nsp	00MDD91090300	CER. CAP.	9PF 50V DA CCUS1H090DA
HDMI	C811		nsp	00MDD95220300	CER. CAP.	22PF 50V JA CCUS1H220JA
HDMI	C812		nsp	00MOA10605020	ELECT CAP.	10UF 50V CCEA1HH100T
HDMI	C813		nsp	00MDK96103300	CER. CAP.	0.01UF 50V KC CCUS1H103KC
HDMI	C814		nsp	00MDK96104300	CER. CAP.	0.1UF 50V K CCUS1H104KC
HDMI	C815		nsp	00MDD95220300	CER. CAP.	22PF 50V JA CCUS1H220JA
HDMI	C816		nsp	00MDD91090300	CER. CAP.	9PF 50V DA CCUS1H090DA
HDMI	C817		nsp	00MDD95220300	CER. CAP.	22PF 50V JA CCUS1H220JA
HDMI	C818		nsp	00MDK96104300	CER. CAP.	0.1UF 50V K CCUS1H104KC
HDMI	C819		nsp	00MDK96103300	CER. CAP.	0.01UF 50V KC CCUS1H103KC
HDMI	C820		nsp	00MOA47602520	ELECT CAP.	47UF 25V CCEA1EH470T
HDMI	C821		nsp	00MDD91100300	CER. CAP.	10PF 50V JA CCUS1H100JA
HDMI	C822		nsp	00MDD90030300	CER. CAP.	3PF 50V CCUS1H030CA
HDMI	C823		nsp	00MDD91100300	CER. CAP.	10PF 50V JA CCUS1H100JA
HDMI	C824		nsp	00MDK96103300	CER. CAP.	0.01UF 50V KC CCUS1H103KC
HDMI	C825		nsp	00MOA10605020	ELECT CAP.	10UF 50V CCEA1HH100T
HDMI	C826		nsp	00MOA47602520	ELECT CAP.	47UF 25V CCEA1EH470T
HDMI	C827		nsp	00MDD91100300	CER. CAP.	10PF 50V JA CCUS1H100JA
HDMI	C828		nsp	00MDD90030300	CER. CAP.	3PF 50V CCUS1H030CA
HDMI	C829		nsp	00MDD91100300	CER. CAP.	10PF 50V JA CCUS1H100JA
HDMI	C830		nsp	00MDK96103300	CER. CAP.	0.01UF 50V KC CCUS1H103KC
HDMI	C831		nsp	00MOA47602520	ELECT CAP.	47UF 25V CCEA1EH470T
HDMI	C832		nsp	00MDD91100300	CER. CAP.	10PF 50V JA CCUS1H100JA
HDMI	C833		nsp	00MDD90030300	CER. CAP.	3PF 50V CCUS1H030CA
HDMI	C834		nsp	00MDD91100300	CER. CAP.	10PF 50V JA CCUS1H100JA
HDMI	C835		nsp	00MDK96103300	CER. CAP.	0.01UF 50V KC CCUS1H103KC
HDMI	C902		nsp	00MDK96104300	CER. CAP.	0.1UF 50V K CCUS1H104KC
HDMI	C903		nsp	00MDK96104300	CER. CAP.	0.1UF 50V K CCUS1H104KC
HDMI	C904		nsp	00MDK96104300	CER. CAP.	0.1UF 50V K CCUS1H104KC
HDMI	C905		nsp	00MDD91100300	CER. CAP.	10PF 50V JA CCUS1H100JA
HDMI	C906		nsp	00MDD91100300	CER. CAP.	10PF 50V JA CCUS1H100JA
HDMI	C907		nsp	00MDK96104300	CER. CAP.	0.1UF 50V K CCUS1H104KC
HDMI	C908		nsp	00MOA47602520	ELECT CAP.	47UF 25V CCEA1EH470T
HDMI	C909		nsp	00MDK96104300	CER. CAP.	0.1UF 50V K CCUS1H104KC
HDMI	C910		nsp	00MOA10605020	ELECT CAP.	10UF 50V CCEA1HH100T
HDMI	C911		nsp	00MDK96104300	CER. CAP.	0.1UF 50V K CCUS1H104KC
HDMI	C912		nsp	00MDK96104300	CER. CAP.	0.1UF 50V K CCUS1H104KC
HDMI	C913		nsp	00MOA47602520	ELECT CAP.	47UF 25V CCEA1EH470T
HDMI	C914		nsp	00MDK96104300	CER. CAP.	0.1UF 50V K CCUS1H104KC
HDMI	C915		nsp	00MDK96104300	CER. CAP.	0.1UF 50V K CCUS1H104KC
HDMI	C916		nsp	00MOA47602520	ELECT CAP.	47UF 25V CCEA1EH470T
HDMI	C917		nsp	00MDK96104300	CER. CAP.	0.1UF 50V K CCUS1H104KC
HDMI	C918		nsp	00MDK96104300	CER. CAP.	0.1UF 50V K CCUS1H104KC
HDMI	C919		nsp	00MOA47602520	ELECT CAP.	47UF 25V CCEA1EH470T
HDMI	C920		nsp	00MDK96104300	CER. CAP.	0.1UF 50V K CCUS1H104KC
HDMI	C921		nsp	00MDK96104300	CER. CAP.	0.1UF 50V K CCUS1H104KC
HDMI	C922		nsp	00MOA47602520	ELECT CAP.	47UF 25V CCEA1EH470T
HDMI	C923		nsp	00MDK96104300	CER. CAP.	0.1UF 50V K CCUS1H104KC
HDMI	C924		nsp	00MDK96104300	CER. CAP.	0.1UF 50V K CCUS1H104KC
HDMI	C925		nsp	00MOA47602520	ELECT CAP.	47UF 25V CCEA1EH470T
HDMI	C926		nsp	00MDK96104300	CER. CAP.	0.1UF 50V K CCUS1H104KC
HDMI	C927		nsp	00MDK96104300	CER. CAP.	0.1UF 50V K CCUS1H104KC
HDMI	C928		nsp	00MOA47602520	ELECT CAP.	47UF 25V CCEA1EH470T
HDMI	C929		nsp	00MDK96104300	CER. CAP.	0.1UF 50V K CCUS1H104KC
HDMI	C930		nsp	00MDK96104300	CER. CAP.	0.1UF 50V K CCUS1H104KC
HDMI	C931		nsp	00MOA47602520	ELECT CAP.	47UF 25V CCEA1EH470T
HDMI	C932		nsp	00MDK96104300	CER. CAP.	0.1UF 50V K CCUS1H104KC

NOTE "nsp" PART IS LISTED FOR REFERENCE ONLY, MARANTZ WILL NOT SUPPLY THESE PARTS

P.W.B. NAME	POS. NO.	VERS. COLOR	PART NO. (FOR EUR)	PART NO. (MZ)	PART NAME	DESCRIPTION	
HDMI	C933		nsp	00MDK96104300	CER. CAP.	0.1UF 50V K	CCUS1H104KC
HDMI	C934		nsp	00MOA47602520	ELECT CAP.	47UF 25V	CCEA1EH470T
HDMI	C935		nsp	00MEJ10605010	ELECT CAP.	10UF 35V	CCEA1VKS100T
HDMI	C936		nsp	00MDK96104300	CER. CAP.	0.1UF 50V K	CCUS1H104KC
HDMI	C937		nsp	00MDK96104300	CER. CAP.	0.1UF 50V K	CCUS1H104KC
HDMI	C938		nsp	00MEJ47601640	ELECT CAP.	47 UF 16V KS	CCEA1CKS470T
HDMI	C939		nsp	00MDK96104300	CER. CAP.	0.1UF 50V K	CCUS1H104KC
HDMI	C940		nsp	00MOA10701620	ELECT CAP.	100UF 16V	CCEA1CH101T
HDMI	C941		nsp	00MDK96104300	CER. CAP.	0.1UF 50V K	CCUS1H104KC
HDMI	C942		nsp	00MDK96104300	CER. CAP.	0.1UF 50V K	CCUS1H104KC
HDMI	C943		nsp	00MOA10701620	ELECT CAP.	100UF 16V	CCEA1CH101T
HDMI	C944		nsp	00MDK96104300	CER. CAP.	0.1UF 50V K	CCUS1H104KC
HDMI	C945		nsp	00MDK96104300	CER. CAP.	0.1UF 50V K	CCUS1H104KC
HDMI	C946		nsp	00MOA10701620	ELECT CAP.	100UF 16V	CCEA1CH101T
HDMI	C947		nsp	00MDK96104300	CER. CAP.	0.1UF 50V K	CCUS1H104KC
HDMI	C948		nsp	00MDK96104300	CER. CAP.	0.1UF 50V K	CCUS1H104KC
HDMI	C949		nsp	00MOA10701620	ELECT CAP.	100UF 16V	CCEA1CH101T
HDMI	C950		nsp	00MDK96104300	CER. CAP.	0.1UF 50V K	CCUS1H104KC
HDMI	C951		nsp	00MDK96104300	CER. CAP.	0.1UF 50V K	CCUS1H104KC
HDMI	C952		90M-EA000930R	90M-EA000930R	ELECT CAP.	3300UF 16V	CCEA1CH332E
HDMI	C953		nsp	00MDD95101300	CER. CAP.	100PF 50V JA	CCUS1H101JA
HDMI	C954		nsp	00MDD95101300	CER. CAP.	100PF 50V JA	CCUS1H101JA
HDMI	C999		nsp	nsp	FILM CAP.	0.1UF 50V ZF	CCFT1H104ZF
HDMI	CN31		nsp	nsp	CONN.	25P FPC WAFER	CJP25GA193ZY
HDMI	CN61		nsp	nsp	CONN.	17P FPC WAFER	CJP17GA193ZY
HDMI	CN62		nsp	nsp	CONN.	11P FPC WAFER	CJP11GA193ZY
HDMI	CN63		nsp	nsp	CONN.	00906-0027 4P STRAIGHT	CJP04GA19ZY
HDMI	D133		00MHZ20039050	00MHZ20039050	DIODE	1SS378	CVD1SS378
HDMI	D134		00MHZ20039050	00MHZ20039050	DIODE	1SS378	CVD1SS378
HDMI	D137		00MHZ20039050	00MHZ20039050	DIODE	1SS378	CVD1SS378
HDMI	ET99		nsp	nsp	TERMINAL	EARTH PLATE	CNE75
HDMI	IC11		90M-HC109780R	90M-HC109780R	IC	AT24C02NSU EEPROM(2K)	CVIAT24C02NSU18
HDMI	IC12		90M-HC400080R	90M-HC400080R	IC	TC7MZ4052FK 4CH MUX	CVITC7MZ4052FK
HDMI	IC13		90M-HC109780R	90M-HC109780R	IC	AT24C02NSU EEPROM(2K)	CVIAT24C02NSU18
HDMI	IC14		90M-HC400080R	90M-HC400080R	IC	TC7MZ4052FK 4CH MUX	CVITC7MZ4052FK
HDMI	IC19		90M-HC109870R	90M-HC109870R	IC	CXB1441R	CVICXB1441R
HDMI	IC20		90M-HC400080R	90M-HC400080R	IC	TC7MZ4052FK 4CH MUX	CVITC7MZ4052FK
HDMI	IC21		90M-HC108910R	90M-HC108910R	IC	74VHC08	HVI74VHC08TTR
HDMI	IC31		90M-HC700660R	90M-HC700660R	IC	KIC7SZ08FU	HVIKIC7SZ08FU
HDMI	IC32		90M-HC700660R	90M-HC700660R	IC	KIC7SZ08FU	HVIKIC7SZ08FU
HDMI	IC35		00D2623654006	00D2623654006	IC	SII9033CTU	CVISII9033CTU
HDMI	IC36		90M-HC700640R	90M-HC700640R	IC	TC74VCX157FT	CVITC74VCX157FT
HDMI	IC38		90M-HC700640R	90M-HC700640R	IC	TC74VCX157FT	CVITC74VCX157FT
HDMI	IC39		00MHC009105K0	00MHC009105K0	IC	TC7WH157FU	HVITC7WH157FU
HDMI	IC40		90M-HC300830R	90M-HC300830R	IC	RN5RZ50BA	HVIRN5RZ50BA
HDMI	IC41		00MHC10498990	00MHC10498990	IC	SII9030CTU-7 HDMI TX	CVISII9030CTU7
HDMI	IC42		90M-HC108910R	90M-HC108910R	IC	74VHC08	HVI74VHC08TTR
HDMI	IC61		90M-HC108830R	90M-HC108830R	IC	NJM2285M	HVINJM2285MTE1
HDMI	IC62		00D2623603002	00D2623603002	IC	ADV7401BS80	CVIADV7401BS80
HDMI	IC63		00MHC10019660	00MHC10019660	IC	CD0040AF	HVICD0040AF
HDMI	IC64		90M-HC108970R	90M-HC108970R	IC	HY57V161610ET-7	HVI57V161610ET7
HDMI	IC65		90M-HC700650R	90M-HC700650R	IC	TC74VCX541FT	CVITC74VCX541FT
HDMI	IC66		90M-HC700650R	90M-HC700650R	IC	TC74VCX541FT	CVITC74VCX541FT
HDMI	IC67		90M-HC700650R	90M-HC700650R	IC	TC74VCX541FT	CVITC74VCX541FT
HDMI	IC68		90M-HC700650R	90M-HC700650R	IC	TC74VCX541FT	CVITC74VCX541FT
HDMI	IC69		90M-HC700650R	90M-HC700650R	IC	TC74VCX541FT	CVITC74VCX541FT
HDMI	IC70		90M-HC700650R	90M-HC700650R	IC	TC74VCX541FT	CVITC74VCX541FT
HDMI	IC71		00D2623478004	00D2623478004	IC	ADV7320KSTZ	CVIADV7320KSTZ
HDMI	IC89		90M-HC108910R	90M-HC108910R	IC	74VHC08	HVI74VHC08TTR
HDMI	IC90		90M-HS05CW20R	90M-HS05CW20R	U-PRO	HD64F36087HV SR8001	CVIHD64F36087HV
HDMI	IC91		00D2631213905	00D2631213905	IC	KIA7808AF	CVIKIA7808AF
HDMI	IC92		90M-HC300940R	90M-HC300940R	IC	LM1117-ADJ	HVILM1117S-ADJ
HDMI	IC93		90M-HC300940R	90M-HC300940R	IC	LM1117-ADJ	HVILM1117S-ADJ
HDMI	IC94		90M-HC300940R	90M-HC300940R	IC	LM1117-ADJ	HVILM1117S-ADJ
HDMI	IC95		90M-HC300940R	90M-HC300940R	IC	LM1117-ADJ	HVILM1117S-ADJ
HDMI	IC96		90M-HC300940R	90M-HC300940R	IC	LM1117-ADJ	HVILM1117S-ADJ
HDMI	IC97		90M-HC300940R	90M-HC300940R	IC	LM1117-ADJ	HVILM1117S-ADJ

NOTE "nsp" PART IS LISTED FOR REFERENCE ONLY, MARANTZ WILL NOT SUPPLY THESE PARTS

P.W.B. NAME	POS. NO.	VERS. COLOR	PART NO. (FOR EUR)	PART NO. (MZ)	PART NAME	DESCRIPTION	
HDMI	IC98		90M-HC300940R	90M-HC300940R	IC	LM1117-ADJ	HVILM1117S-ADJ
HDMI	IC99		90M-HC300940R	90M-HC300940R	IC	LM1117-ADJ	HVILM1117S-ADJ
HDMI	JK11		90M-YT005010R	90M-YT005010R	TERMINAL	HDMI YKF45-7009	HJJ9H003Z
HDMI	JK12		90M-YT005010R	90M-YT005010R	TERMINAL	HDMI YKF45-7009	HJJ9H003Z
HDMI	JK31		90M-YT005010R	90M-YT005010R	TERMINAL	HDMI YKF45-7009	HJJ9H003Z
HDMI	L101		90M-LU000260R	90M-LU000260R	CHIP INDUCT	10UH	CLQ10E100MRZ
HDMI	L301		90M-LU000260R	90M-LU000260R	CHIP INDUCT	10UH	CLQ10E100MRZ
HDMI	L302		90M-LU000260R	90M-LU000260R	CHIP INDUCT	10UH	CLQ10E100MRZ
HDMI	L303		90M-LU000260R	90M-LU000260R	CHIP INDUCT	10UH	CLQ10E100MRZ
HDMI	L304		90M-LU000260R	90M-LU000260R	CHIP INDUCT	10UH	CLQ10E100MRZ
HDMI	L601		90M-FC900400R	90M-FC900400R	FERRITE CORE	BEAD CHIP 60(1608 SIZE)	HLZ9R005Z
HDMI	L602		90M-FC900400R	90M-FC900400R	FERRITE CORE	BEAD CHIP 60(1608 SIZE)	HLZ9R005Z
HDMI	L603		90M-FC900400R	90M-FC900400R	FERRITE CORE	BEAD CHIP 60(1608 SIZE)	HLZ9R005Z
HDMI	L604		90M-FC900400R	90M-FC900400R	FERRITE CORE	BEAD CHIP 60(1608 SIZE)	HLZ9R005Z
HDMI	L605		90M-LU000260R	90M-LU000260R	CHIP INDUCT	10UH	CLQ10E100MRZ
HDMI	L606		90M-FC900400R	90M-FC900400R	FERRITE CORE	BEAD CHIP 60(1608 SIZE)	HLZ9R005Z
HDMI	L801		nsp	nsp	COIL	22UH,K	HLQ02C220KT
HDMI	L802		nsp	nsp	COIL	22UH,K	HLQ02C220KT
HDMI	L803		nsp	nsp	COIL	22UH,K	HLQ02C220KT
HDMI	L804		nsp	nsp	COIL	12UH	CLQ02C120KT
HDMI	L805		nsp	nsp	COIL	12UH	CLQ02C120KT
HDMI	L806		nsp	nsp	COIL	12UH	CLQ02C120KT
HDMI	L901		90M-LU000260R	90M-LU000260R	CHIP INDUCT	10UH	CLQ10E100MRZ
HDMI	L902		90M-LU000260R	90M-LU000260R	CHIP INDUCT	10UH	CLQ10E100MRZ
HDMI	L903		90M-LU000260R	90M-LU000260R	CHIP INDUCT	10UH	CLQ10E100MRZ
HDMI	L904		90M-LU000260R	90M-LU000260R	CHIP INDUCT	10UH	CLQ10E100MRZ
HDMI	Q101		90M-HX600010R	90M-HX600010R	CHIP TRS.	KRA102S	HVTKRA102S
HDMI	Q102		90M-BA001620R	90M-BA001620R	CHIP TRS.	KRC103S	CVTKRC103S
HDMI	Q103		90M-HY200050R	90M-HY200050R	F.E.T.	UPA672T	CVTUPA672T
HDMI	Q104		90M-BA001620R	90M-BA001620R	CHIP TRS.	KRC103S	CVTKRC103S
HDMI	Q105		90M-HX600010R	90M-HX600010R	CHIP TRS.	KRA102S	HVTKRA102S
HDMI	Q106		90M-BA001620R	90M-BA001620R	CHIP TRS.	KRC103S	CVTKRC103S
HDMI	Q107		90M-HY200050R	90M-HY200050R	F.E.T.	UPA672T	CVTUPA672T
HDMI	Q108		90M-BA001620R	90M-BA001620R	CHIP TRS.	KRC103S	CVTKRC103S
HDMI	Q117		90M-BA001620R	90M-BA001620R	CHIP TRS.	KRC103S	CVTKRC103S
HDMI	Q118		90M-BA001620R	90M-BA001620R	CHIP TRS.	KRC103S	CVTKRC103S
HDMI	Q301		90M-HY200050R	90M-HY200050R	F.E.T.	UPA672T	CVTUPA672T
HDMI	Q302		90M-BA001620R	90M-BA001620R	CHIP TRS.	KRC103S	CVTKRC103S
HDMI	Q601		90M-HT600050R	90M-HT600050R	TRS.	KTA2014GR	HVTKTA2014GR
HDMI	Q602		90M-HT600050R	90M-HT600050R	TRS.	KTA2014GR	HVTKTA2014GR
HDMI	Q603		90M-HT600050R	90M-HT600050R	TRS.	KTA2014GR	HVTKTA2014GR
HDMI	Q604		90M-HX800010R	90M-HX800010R	CHIP TRS.	KRC102S	HVTKRC102S
HDMI	Q605		90M-HX800010R	90M-HX800010R	CHIP TRS.	KRC102S	HVTKRC102S
HDMI	Q606		90M-HX800010R	90M-HX800010R	CHIP TRS.	KRC102S	HVTKRC102S
HDMI	Q801		90M-HT800110R	90M-HT800110R	TRS.	KTC4075GR	HVTKTC4075GR
HDMI	Q802		90M-HT600050R	90M-HT600050R	TRS.	KTA2014GR	HVTKTA2014GR
HDMI	Q803		90M-HT800110R	90M-HT800110R	TRS.	KTC4075GR	HVTKTC4075GR
HDMI	Q804		90M-HT600050R	90M-HT600050R	TRS.	KTA2014GR	HVTKTA2014GR
HDMI	Q805		90M-HT800110R	90M-HT800110R	TRS.	KTC4075GR	HVTKTC4075GR
HDMI	Q806		90M-HT600050R	90M-HT600050R	TRS.	KTA2014GR	HVTKTA2014GR
HDMI	Q807		90M-HT800110R	90M-HT800110R	TRS.	KTC4075GR	HVTKTC4075GR
HDMI	Q808		90M-HT600050R	90M-HT600050R	TRS.	KTA2014GR	HVTKTA2014GR
HDMI	Q809		90M-HT800110R	90M-HT800110R	TRS.	KTC4075GR	HVTKTC4075GR
HDMI	Q810		90M-HT600050R	90M-HT600050R	TRS.	KTA2014GR	HVTKTA2014GR
HDMI	Q811		90M-HT800110R	90M-HT800110R	TRS.	KTC4075GR	HVTKTC4075GR
HDMI	Q812		90M-HT600050R	90M-HT600050R	TRS.	KTA2014GR	HVTKTA2014GR
HDMI	Q813		90M-HT800110R	90M-HT800110R	TRS.	KTC4075GR	HVTKTC4075GR
HDMI	Q814		90M-HT600050R	90M-HT600050R	TRS.	KTA2014GR	HVTKTA2014GR
HDMI	Q815		90M-HT800110R	90M-HT800110R	TRS.	KTC4075GR	HVTKTC4075GR
HDMI	Q816		90M-HT800110R	90M-HT800110R	TRS.	KTC4075GR	HVTKTC4075GR
HDMI	Q817		90M-HT600050R	90M-HT600050R	TRS.	KTA2014GR	HVTKTA2014GR
HDMI	Q818		90M-HT800110R	90M-HT800110R	TRS.	KTC4075GR	HVTKTC4075GR
HDMI	Q819		90M-HT600050R	90M-HT600050R	TRS.	KTA2014GR	HVTKTA2014GR
HDMI	Q901		90M-HY200050R	90M-HY200050R	F.E.T.	UPA672T	CVTUPA672T
HDMI	R101		nsp	00MNN05102610	CHIP RES.	1K OHM 1/10W J	CRJ10DJ102T
HDMI	R102		nsp	00MNN05223610	CHIP RES.	22K OHM 1/10W J	CRJ10DJ223T
HDMI	R103		nsp	00MNN05101610	CHIP RES.	100 OHM 1/10W J	CRJ10DJ101T

NOTE "nsp" PART IS LISTED FOR REFERENCE ONLY, MARANTZ WILL NOT SUPPLY THESE PARTS

P.W.B. NAME	POS. NO.	VERS. COLOR	PART NO. (FOR EUR)	PART NO. (MZ)	PART NAME	DESCRIPTION
HDMI	R104		nsp	00MNN05101610	CHIP RES.	100 OHM 1/10W J CRJ10DJ101T
HDMI	R105		nsp	00MNN05103610	CHIP RES.	10K OHM 1/10W J CRJ10DJ103T
HDMI	R106		nsp	00MNN05473610	CHIP RES.	47K OHM 1/10W J CRJ10DJ473T
HDMI	R107		nsp	00MNN05473610	CHIP RES.	47K OHM 1/10W J CRJ10DJ473T
HDMI	R108		nsp	00MNN05103610	CHIP RES.	10K OHM 1/10W J CRJ10DJ103T
HDMI	R109		nsp	00MNN05103610	CHIP RES.	10K OHM 1/10W J CRJ10DJ103T
HDMI	R110		nsp	00MNN05102610	CHIP RES.	1K OHM 1/10W J CRJ10DJ102T
HDMI	R111		nsp	00MNN05223610	CHIP RES.	22K OHM 1/10W J CRJ10DJ223T
HDMI	R112		nsp	00MNN05101610	CHIP RES.	100 OHM 1/10W J CRJ10DJ101T
HDMI	R113		nsp	00MNN05101610	CHIP RES.	100 OHM 1/10W J CRJ10DJ101T
HDMI	R114		nsp	00MNN05103610	CHIP RES.	10K OHM 1/10W J CRJ10DJ103T
HDMI	R115		nsp	00MNN05473610	CHIP RES.	47K OHM 1/10W J CRJ10DJ473T
HDMI	R116		nsp	00MNN05473610	CHIP RES.	47K OHM 1/10W J CRJ10DJ473T
HDMI	R117		nsp	00MNN05103610	CHIP RES.	10K OHM 1/10W J CRJ10DJ103T
HDMI	R118		nsp	00MNN05103610	CHIP RES.	10K OHM 1/10W J CRJ10DJ103T
HDMI	R137		nsp	00MNN05472610	CHIP RES.	4.7K OHM 1/10W J CRJ10DJ472T
HDMI	R138		nsp	00MNN05473610	CHIP RES.	47K OHM 1/10W J CRJ10DJ473T
HDMI	R139		nsp	00MNN05101610	CHIP RES.	100 OHM 1/10W J CRJ10DJ101T
HDMI	R140		nsp	00MNN05473610	CHIP RES.	47K OHM 1/10W J CRJ10DJ473T
HDMI	R141		nsp	00MNN05101610	CHIP RES.	100 OHM 1/10W J CRJ10DJ101T
HDMI	R142		nsp	00MNN05473610	CHIP RES.	47K OHM 1/10W J CRJ10DJ473T
HDMI	R143		nsp	00MNN05332610	CHIP RES.	3.3K OHM 1/10W J CRJ10DJ332T
HDMI	R144		nsp	00MNN05682610	CHIP RES.	6.8K OHM 1/10W J CRJ10DJ682T
HDMI	R146		nsp	00MNN05473610	CHIP RES.	47K OHM 1/10W J CRJ10DJ473T
HDMI	R147		nsp	00MNN05101610	CHIP RES.	100 OHM 1/10W J CRJ10DJ101T
HDMI	R148		nsp	00MNN05473610	CHIP RES.	47K OHM 1/10W J CRJ10DJ473T
HDMI	R149		nsp	00MNN05101610	CHIP RES.	100 OHM 1/10W J CRJ10DJ101T
HDMI	R150		nsp	00MNN05473610	CHIP RES.	47K OHM 1/10W J CRJ10DJ473T
HDMI	R152		nsp	00MNN05682610	CHIP RES.	6.8K OHM 1/10W J CRJ10DJ682T
HDMI	R153		nsp	00MNN05103610	CHIP RES.	10K OHM 1/10W J CRJ10DJ103T
HDMI	R154		nsp	00MNN05103610	CHIP RES.	10K OHM 1/10W J CRJ10DJ103T
HDMI	R301		nsp	00MNN05101610	CHIP RES.	100 OHM 1/10W J CRJ10DJ101T
HDMI	R302		nsp	00MNN05101610	CHIP RES.	100 OHM 1/10W J CRJ10DJ101T
HDMI	R305		nsp	00MNN05101610	CHIP RES.	100 OHM 1/10W J CRJ10DJ101T
HDMI	R306		nsp	00MNN05101610	CHIP RES.	100 OHM 1/10W J CRJ10DJ101T
HDMI	R307		nsp	00MNN05220610	CHIP RES.	22 OHM 1/10W J CRJ10DJ220T
HDMI	R308		nsp	00MNN05330610	CHIP RES.	33 OHM 1/10W J CRJ10DJ330T
HDMI	R309		nsp	00MNN05105610	CHIP RES.	1M OHM 1/10W J CRJ10DJ105T
HDMI	R310		nsp	00MNN05103610	CHIP RES.	10K OHM 1/10W J CRJ10DJ103T
HDMI	R311		nsp	00MNN05103610	CHIP RES.	10K OHM 1/10W J CRJ10DJ103T
HDMI	R313		nsp	00MNN05101610	CHIP RES.	100 OHM 1/10W J CRJ10DJ101T
HDMI	R314		nsp	00MNN05101610	CHIP RES.	100 OHM 1/10W J CRJ10DJ101T
HDMI	R315		nsp	00MNN05101610	CHIP RES.	100 OHM 1/10W J CRJ10DJ101T
HDMI	R316		nsp	00MNN05101610	CHIP RES.	100 OHM 1/10W J CRJ10DJ101T
HDMI	R319		nsp	00MNN05101610	CHIP RES.	100 OHM 1/10W J CRJ10DJ101T
HDMI	R320		nsp	00MNN05101610	CHIP RES.	100 OHM 1/10W J CRJ10DJ101T
HDMI	R321		nsp	00MNN05101610	CHIP RES.	100 OHM 1/10W J CRJ10DJ101T
HDMI	R322		nsp	00MNN05220610	CHIP RES.	22 OHM 1/10W J CRJ10DJ220T
HDMI	R323		nsp	00MNN05220610	CHIP RES.	22 OHM 1/10W J CRJ10DJ220T
HDMI	R324		nsp	00MNN05103610	CHIP RES.	10K OHM 1/10W J CRJ10DJ103T
HDMI	R325		nsp	00MNN05103610	CHIP RES.	10K OHM 1/10W J CRJ10DJ103T
HDMI	R326		nsp	00MNN05182610	CHIP RES.	1.8K OHM 1/10W J CRJ10DJ182T
HDMI	R327		nsp	00MNN05182610	CHIP RES.	1.8K OHM 1/10W J CRJ10DJ182T
HDMI	R328		nsp	00MNN05431610	CHIP RES.	430 OHM 1/10W J CRJ10DJ431T
HDMI	R329		nsp	00MNN05242610	CHIP RES.	2.4K OHM CRJ10DJ242T
HDMI	R330		nsp	00MNN05242610	CHIP RES.	2.4K OHM CRJ10DJ242T
HDMI	R331		nsp	00MNN05242610	CHIP RES.	2.4K OHM CRJ10DJ242T
HDMI	R332		nsp	00MNN05242610	CHIP RES.	2.4K OHM CRJ10DJ242T
HDMI	R334		nsp	00MNN05103610	CHIP RES.	10K OHM 1/10W J CRJ10DJ103T
HDMI	R335		nsp	00MNN05101610	CHIP RES.	100 OHM 1/10W J CRJ10DJ101T
HDMI	R336		nsp	00MNN05101610	CHIP RES.	100 OHM 1/10W J CRJ10DJ101T
HDMI	R337		nsp	00MNN05101610	CHIP RES.	100 OHM 1/10W J CRJ10DJ101T
HDMI	R338		nsp	00MNN05000610	CHIP RES.	0 OHM 1/10W J CRJ10DJ0R0T
HDMI	R339		nsp	00MNN05000610	CHIP RES.	0 OHM 1/10W J CRJ10DJ0R0T
HDMI	R340		nsp	00MNN05273610	CHIP RES.	27K OHM 1/10W J CRJ10DJ273T
HDMI	R341		nsp	00MNN05101610	CHIP RES.	100 OHM 1/10W J CRJ10DJ101T
HDMI	R342		nsp	00MNN05101610	CHIP RES.	100 OHM 1/10W J CRJ10DJ101T

NOTE "nsp" PART IS LISTED FOR REFERENCE ONLY, MARANTZ WILL NOT SUPPLY THESE PARTS

P.W.B. NAME	POS. NO.	VERS. COLOR	PART NO. (FOR EUR)	PART NO. (MZ)	PART NAME	DESCRIPTION	
HDMI	R343		nsp	00MNN05473610	CHIP RES.	47K OHM 1/10W J	CRJ10DJ473T
HDMI	R344		nsp	00MNN05000610	CHIP RES.	0 OHM 1/10W J	CRJ10DJ0R0T
HDMI	R345		nsp	00MNN05000610	CHIP RES.	0 OHM 1/10W J	CRJ10DJ0R0T
HDMI	R346		nsp	00MNN05222610	CHIP RES.	2.2K OHM 1/10W J	CRJ10DJ222T
HDMI	R347		nsp	00MNN05222610	CHIP RES.	2.2K OHM 1/10W J	CRJ10DJ222T
HDMI	R348		nsp	00MNN05473610	CHIP RES.	47K OHM 1/10W J	CRJ10DJ473T
HDMI	R364		nsp	00MNN05820610	CHIP RES.	82 OHM 1/10W J	CRJ10DJ820T
HDMI	R365		nsp	00MNN05390610	CHIP RES.	39 OHM 1/10W J	CRJ10DJ390T
HDMI	R370		nsp	00MNN05000610	CHIP RES.	0 OHM 1/10W J	CRJ10DJ0R0T
HDMI	R371		nsp	00MNN05000610	CHIP RES.	0 OHM 1/10W J	CRJ10DJ0R0T
HDMI	R372		nsp	00MNN05000610	CHIP RES.	0 OHM 1/10W J	CRJ10DJ0R0T
HDMI	R373		nsp	00MNN05000610	CHIP RES.	0 OHM 1/10W J	CRJ10DJ0R0T
HDMI	R378		nsp	00MNN05220610	CHIP RES.	22 OHM 1/10W J	CRJ10DJ220T
HDMI	R379		nsp	00MNN05101610	CHIP RES.	100 OHM 1/10W J	CRJ10DJ101T
HDMI	R380		nsp	00MNN05220610	CHIP RES.	22 OHM 1/10W J	CRJ10DJ220T
HDMI	R381		nsp	00MNN05220610	CHIP RES.	22 OHM 1/10W J	CRJ10DJ220T
HDMI	R382		nsp	00MNN05220610	CHIP RES.	22 OHM 1/10W J	CRJ10DJ220T
HDMI	R383		nsp	00MNN05103610	CHIP RES.	10K OHM 1/10W J	CRJ10DJ103T
HDMI	R384		nsp	00MNN05103610	CHIP RES.	10K OHM 1/10W J	CRJ10DJ103T
HDMI	R601		nsp	00MNN05105610	CHIP RES.	1M OHM 1/10W J	CRJ10DJ105T
HDMI	R602		nsp	00MNN05105610	CHIP RES.	1M OHM 1/10W J	CRJ10DJ105T
HDMI	R603		nsp	00MNN05105610	CHIP RES.	1M OHM 1/10W J	CRJ10DJ105T
HDMI	R604		nsp	00MNN05105610	CHIP RES.	1M OHM 1/10W J	CRJ10DJ105T
HDMI	R605		nsp	00MNN05102610	CHIP RES.	1K OHM 1/10W J	CRJ10DJ102T
HDMI	R606		nsp	00MNN05102610	CHIP RES.	1K OHM 1/10W J	CRJ10DJ102T
HDMI	R607		nsp	00MNN05102610	CHIP RES.	1K OHM 1/10W J	CRJ10DJ102T
HDMI	R608		nsp	00MNN05102610	CHIP RES.	1K OHM 1/10W J	CRJ10DJ102T
HDMI	R609		nsp	00MNN05821610	CHIP RES.	820 OHM 1/10W J	CRJ10DJ821T
HDMI	R610		nsp	00MNN05152610	CHIP RES.	1.5K OHM 1/10W J	CRJ10DJ152T
HDMI	R611		nsp	00MNN05750610	CHIP RES.	75 OHM 1/10W J	CRJ10DJ750T
HDMI	R612		nsp	00MNN05750610	CHIP RES.	75 OHM 1/10W J	CRJ10DJ750T
HDMI	R613		nsp	00MNN05750610	CHIP RES.	75 OHM 1/10W J	CRJ10DJ750T
HDMI	R614		nsp	00MNN05103610	CHIP RES.	10K OHM 1/10W J	CRJ10DJ103T
HDMI	R615		nsp	00MNN05562610	CHIP RES.	5.6K OHM 1/10W J	CRJ10DJ562T
HDMI	R617		nsp	00MNN05101610	CHIP RES.	100 OHM 1/10W J	CRJ10DJ101T
HDMI	R618		nsp	00MNN05101610	CHIP RES.	100 OHM 1/10W J	CRJ10DJ101T
HDMI	R619		nsp	00MNN05220610	CHIP RES.	22 OHM 1/10W J	CRJ10DJ220T
HDMI	R620		nsp	00MNN05220610	CHIP RES.	22 OHM 1/10W J	CRJ10DJ220T
HDMI	R621		nsp	00MNN05000610	CHIP RES.	0 OHM 1/10W J	CRJ10DJ0R0T
HDMI	R622		nsp	00MNN05220610	CHIP RES.	22 OHM 1/10W J	CRJ10DJ220T
HDMI	R625		nsp	00MNN05220610	CHIP RES.	22 OHM 1/10W J	CRJ10DJ220T
HDMI	R626		nsp	00MNN05220610	CHIP RES.	22 OHM 1/10W J	CRJ10DJ220T
HDMI	R627		nsp	00MNN05220610	CHIP RES.	22 OHM 1/10W J	CRJ10DJ220T
HDMI	R628		nsp	00MNN05220610	CHIP RES.	22 OHM 1/10W J	CRJ10DJ220T
HDMI	R629		nsp	00MNN05220610	CHIP RES.	22 OHM 1/10W J	CRJ10DJ220T
HDMI	R630		nsp	00MNN05105610	CHIP RES.	1M OHM 1/10W J	CRJ10DJ105T
HDMI	R631		nsp	00MNN05220610	CHIP RES.	22 OHM 1/10W J	CRJ10DJ220T
HDMI	R632		nsp	00MNN05220610	CHIP RES.	22 OHM 1/10W J	CRJ10DJ220T
HDMI	R633		nsp	00MNN05273610	CHIP RES.	27K OHM 1/10W J	CRJ10DJ273T
HDMI	R634		nsp	00MNN05182610	CHIP RES.	1.8K OHM 1/10W J	CRJ10DJ182T
HDMI	R635		nsp	00MNN05000610	CHIP RES.	0 OHM 1/10W J	CRJ10DJ0R0T
HDMI	R637		nsp	00MNN05272610	CHIP RES.	2.7K OHM 1/10W J	CRJ10DJ272T
HDMI	R638		nsp	00MNN05272610	CHIP RES.	2.7K OHM 1/10W J	CRJ10DJ272T
HDMI	R639		nsp	00MNN05000610	CHIP RES.	0 OHM 1/10W J	CRJ10DJ0R0T
HDMI	R642		nsp	00MNN05000610	CHIP RES.	0 OHM 1/10W J	CRJ10DJ0R0T
HDMI	R643		nsp	00MNN05000610	CHIP RES.	0 OHM 1/10W J	CRJ10DJ0R0T
HDMI	R644		nsp	00MNN05220610	CHIP RES.	22 OHM 1/10W J	CRJ10DJ220T
HDMI	R645		nsp	00MNN05220610	CHIP RES.	22 OHM 1/10W J	CRJ10DJ220T
HDMI	R646		nsp	00MNN05220610	CHIP RES.	22 OHM 1/10W J	CRJ10DJ220T
HDMI	R647		nsp	00MNN05220610	CHIP RES.	22 OHM 1/10W J	CRJ10DJ220T
HDMI	R650		nsp	00MNN05220610	CHIP RES.	22 OHM 1/10W J	CRJ10DJ220T
HDMI	R651		nsp	00MNN05220610	CHIP RES.	22 OHM 1/10W J	CRJ10DJ220T
HDMI	R652		nsp	00MNN05101610	CHIP RES.	100 OHM 1/10W J	CRJ10DJ101T
HDMI	R653		nsp	00MNN05101610	CHIP RES.	100 OHM 1/10W J	CRJ10DJ101T
HDMI	R655		nsp	00MNN05103610	CHIP RES.	10K OHM 1/10W J	CRJ10DJ103T
HDMI	R656		nsp	00MNN05101610	CHIP RES.	100 OHM 1/10W J	CRJ10DJ101T
HDMI	R657		nsp	00MNN05103610	CHIP RES.	10K OHM 1/10W J	CRJ10DJ103T

NOTE "nsp" PART IS LISTED FOR REFERENCE ONLY, MARANTZ WILL NOT SUPPLY THESE PARTS

P.W.B. NAME	POS. NO.	VERS. COLOR	PART NO. (FOR EUR)	PART NO. (MZ)	PART NAME	DESCRIPTION
HDMI	R658		nsp	00MNN05101610	CHIP RES.	100 OHM 1/10W J CRJ10DJ101T
HDMI	R659		nsp	00MNN05000610	CHIP RES.	0 OHM 1/10W J CRJ10DJ0R0T
HDMI	R661		nsp	00MNN05101610	CHIP RES.	100 OHM 1/10W J CRJ10DJ101T
HDMI	R662		nsp	00MNN05101610	CHIP RES.	100 OHM 1/10W J CRJ10DJ101T
HDMI	R663		nsp	00MNN05103610	CHIP RES.	10K OHM 1/10W J CRJ10DJ103T
HDMI	R664		nsp	00MNN05101610	CHIP RES.	100 OHM 1/10W J CRJ10DJ101T
HDMI	R665		nsp	00MNN05681610	CHIP RES.	680 OHM 1/10W J CRJ10DJ681T
HDMI	R666		nsp	00MNN05391610	CHIP RES.	390 OHM 1/10W J CRJ10DJ391T
HDMI	R667		nsp	00MNN05272610	CHIP RES.	2.7K OHM 1/10W J CRJ10DJ272T
HDMI	R668		nsp	90M-NN000850R	CHIP RES.	6.8K OHM 1608 1% CRJ10DF6801T
HDMI	R669		nsp	90M-NN000850R	CHIP RES.	6.8K OHM 1608 1% CRJ10DF6801T
HDMI	R670		nsp	00MNN05391610	CHIP RES.	390 OHM 1/10W J CRJ10DJ391T
HDMI	R671		nsp	00MNN05272610	CHIP RES.	2.7K OHM 1/10W J CRJ10DJ272T
HDMI	R672		nsp	90M-NN000860R	CHIP RES.	300 OHM 1/10W J CRJ10DJ301T
HDMI	R673		nsp	90M-NN000860R	CHIP RES.	300 OHM 1/10W J CRJ10DJ301T
HDMI	R674		nsp	90M-NN000860R	CHIP RES.	300 OHM 1/10W J CRJ10DJ301T
HDMI	R675		nsp	90M-NN000860R	CHIP RES.	300 OHM 1/10W J CRJ10DJ301T
HDMI	R676		nsp	90M-NN000860R	CHIP RES.	300 OHM 1/10W J CRJ10DJ301T
HDMI	R677		nsp	90M-NN000860R	CHIP RES.	300 OHM 1/10W J CRJ10DJ301T
HDMI	R680		nsp	00MNN05000610	CHIP RES.	0 OHM 1/10W J CRJ10DJ0R0T
HDMI	R681		nsp	00MNN05000610	CHIP RES.	0 OHM 1/10W J CRJ10DJ0R0T
HDMI	R684		nsp	00MNN05000610	CHIP RES.	0 OHM 1/10W J CRJ10DJ0R0T
HDMI	R686		nsp	00MNN05473610	CHIP RES.	47K OHM 1/10W J CRJ10DJ473T
HDMI	R687		nsp	00MNN05220610	CHIP RES.	22 OHM 1/10W J CRJ10DJ220T
HDMI	R688		nsp	00MNN05220610	CHIP RES.	22 OHM 1/10W J CRJ10DJ220T
HDMI	R689		nsp	00MNN05470610	CHIP RES.	47 OHM 1/10W J CRJ10DJ470T
HDMI	R690		nsp	00MNN05220610	CHIP RES.	22 OHM 1/10W J CRJ10DJ220T
HDMI	R691		nsp	00MNN05220610	CHIP RES.	22 OHM 1/10W J CRJ10DJ220T
HDMI	R692		nsp	00MNN05220610	CHIP RES.	22 OHM 1/10W J CRJ10DJ220T
HDMI	R693		nsp	00MNN05220610	CHIP RES.	22 OHM 1/10W J CRJ10DJ220T
HDMI	R801		nsp	00MNN05153610	CHIP RES.	15K OHM 1/10W J CRJ10DJ153T
HDMI	R802		nsp	00MNN05103610	CHIP RES.	10K OHM 1/10W J CRJ10DJ103T
HDMI	R803		nsp	00MNN05471610	CHIP RES.	470 OHM 1/10W J CRJ10DJ471T
HDMI	R804		nsp	00MNN05471610	CHIP RES.	470 OHM 1/10W J CRJ10DJ471T
HDMI	R805		nsp	00MNN05471610	CHIP RES.	470 OHM 1/10W J CRJ10DJ471T
HDMI	R806		nsp	00MNN05151610	CHIP RES.	150 OHM 1/10W J CRJ10DJ151T
HDMI	R807		nsp	00MNN05103610	CHIP RES.	10K OHM 1/10W J CRJ10DJ103T
HDMI	R808		nsp	00MNN05102610	CHIP RES.	1K OHM 1/10W J CRJ10DJ102T
HDMI	R809		nsp	00MNN05102610	CHIP RES.	1K OHM 1/10W J CRJ10DJ102T
HDMI	R810		nsp	00MNN05471610	CHIP RES.	470 OHM 1/10W J CRJ10DJ471T
HDMI	R811		nsp	00MNN05471610	CHIP RES.	470 OHM 1/10W J CRJ10DJ471T
HDMI	R812		nsp	00MNN05471610	CHIP RES.	470 OHM 1/10W J CRJ10DJ471T
HDMI	R813		nsp	00MNN05103610	CHIP RES.	10K OHM 1/10W J CRJ10DJ103T
HDMI	R814		nsp	00MNN05153610	CHIP RES.	15K OHM 1/10W J CRJ10DJ153T
HDMI	R815		nsp	00MNN05103610	CHIP RES.	10K OHM 1/10W J CRJ10DJ103T
HDMI	R816		nsp	00MNN05471610	CHIP RES.	470 OHM 1/10W J CRJ10DJ471T
HDMI	R817		nsp	00MNN05471610	CHIP RES.	470 OHM 1/10W J CRJ10DJ471T
HDMI	R818		nsp	00MNN05471610	CHIP RES.	470 OHM 1/10W J CRJ10DJ471T
HDMI	R819		nsp	00MNN05151610	CHIP RES.	150 OHM 1/10W J CRJ10DJ151T
HDMI	R820		nsp	00MNN05103610	CHIP RES.	10K OHM 1/10W J CRJ10DJ103T
HDMI	R821		nsp	00MNN05102610	CHIP RES.	1K OHM 1/10W J CRJ10DJ102T
HDMI	R822		nsp	00MNN05102610	CHIP RES.	1K OHM 1/10W J CRJ10DJ102T
HDMI	R823		nsp	00MNN05471610	CHIP RES.	470 OHM 1/10W J CRJ10DJ471T
HDMI	R824		nsp	00MNN05471610	CHIP RES.	470 OHM 1/10W J CRJ10DJ471T
HDMI	R825		nsp	00MNN05471610	CHIP RES.	470 OHM 1/10W J CRJ10DJ471T
HDMI	R826		nsp	00MNN05103610	CHIP RES.	10K OHM 1/10W J CRJ10DJ103T
HDMI	R827		nsp	00MNN05153610	CHIP RES.	15K OHM 1/10W J CRJ10DJ153T
HDMI	R828		nsp	00MNN05103610	CHIP RES.	10K OHM 1/10W J CRJ10DJ103T
HDMI	R829		nsp	00MNN05471610	CHIP RES.	470 OHM 1/10W J CRJ10DJ471T
HDMI	R830		nsp	00MNN05471610	CHIP RES.	470 OHM 1/10W J CRJ10DJ471T
HDMI	R831		nsp	00MNN05471610	CHIP RES.	470 OHM 1/10W J CRJ10DJ471T
HDMI	R832		nsp	00MNN05151610	CHIP RES.	150 OHM 1/10W J CRJ10DJ151T
HDMI	R833		nsp	00MNN05103610	CHIP RES.	10K OHM 1/10W J CRJ10DJ103T
HDMI	R834		nsp	00MNN05102610	CHIP RES.	1K OHM 1/10W J CRJ10DJ102T
HDMI	R835		nsp	00MNN05102610	CHIP RES.	1K OHM 1/10W J CRJ10DJ102T
HDMI	R836		nsp	00MNN05471610	CHIP RES.	470 OHM 1/10W J CRJ10DJ471T
HDMI	R837		nsp	00MNN05471610	CHIP RES.	470 OHM 1/10W J CRJ10DJ471T

NOTE "nsp" PART IS LISTED FOR REFERENCE ONLY, MARANTZ WILL NOT SUPPLY THESE PARTS

P.W.B. NAME	POS. NO.	VERS. COLOR	PART NO. (FOR EUR)	PART NO. (MZ)	PART NAME	DESCRIPTION	
HDMI	R838		nsp	00MNN05471610	CHIP RES.	470 OHM 1/10W J	CRJ10DJ471T
HDMI	R839		nsp	00MNN05103610	CHIP RES.	10K OHM 1/10W J	CRJ10DJ103T
HDMI	R840		nsp	00MNN05183610	CHIP RES.	18K OHM 1/10W J	CRJ10DJ183T
HDMI	R841		nsp	00MNN05103610	CHIP RES.	10K OHM 1/10W J	CRJ10DJ103T
HDMI	R842		nsp	00MNN05471610	CHIP RES.	470 OHM 1/10W J	CRJ10DJ471T
HDMI	R843		nsp	00MNN05471610	CHIP RES.	470 OHM 1/10W J	CRJ10DJ471T
HDMI	R844		nsp	00MNN05561610	CHIP RES.	560 OHM 1/10W J	CRJ10DJ561T
HDMI	R845		nsp	00MNN05103610	CHIP RES.	10K OHM 1/10W J	CRJ10DJ103T
HDMI	R846		nsp	00MNN05102610	CHIP RES.	1K OHM 1/10W J	CRJ10DJ102T
HDMI	R847		nsp	00MNN05102610	CHIP RES.	1K OHM 1/10W J	CRJ10DJ102T
HDMI	R848		nsp	00MNN05102610	CHIP RES.	1K OHM 1/10W J	CRJ10DJ102T
HDMI	R849		nsp	00MNN05183610	CHIP RES.	18K OHM 1/10W J	CRJ10DJ183T
HDMI	R850		nsp	00MNN05103610	CHIP RES.	10K OHM 1/10W J	CRJ10DJ103T
HDMI	R851		nsp	00MNN05471610	CHIP RES.	470 OHM 1/10W J	CRJ10DJ471T
HDMI	R852		nsp	00MNN05471610	CHIP RES.	470 OHM 1/10W J	CRJ10DJ471T
HDMI	R853		nsp	00MNN05561610	CHIP RES.	560 OHM 1/10W J	CRJ10DJ561T
HDMI	R854		nsp	00MNN05103610	CHIP RES.	10K OHM 1/10W J	CRJ10DJ103T
HDMI	R855		nsp	00MNN05102610	CHIP RES.	1K OHM 1/10W J	CRJ10DJ102T
HDMI	R856		nsp	00MNN05102610	CHIP RES.	1K OHM 1/10W J	CRJ10DJ102T
HDMI	R857		nsp	00MNN05183610	CHIP RES.	18K OHM 1/10W J	CRJ10DJ183T
HDMI	R858		nsp	00MNN05103610	CHIP RES.	10K OHM 1/10W J	CRJ10DJ103T
HDMI	R859		nsp	00MNN05471610	CHIP RES.	470 OHM 1/10W J	CRJ10DJ471T
HDMI	R860		nsp	00MNN05471610	CHIP RES.	470 OHM 1/10W J	CRJ10DJ471T
HDMI	R861		nsp	00MNN05561610	CHIP RES.	560 OHM 1/10W J	CRJ10DJ561T
HDMI	R862		nsp	00MNN05103610	CHIP RES.	10K OHM 1/10W J	CRJ10DJ103T
HDMI	R863		nsp	00MNN05102610	CHIP RES.	1K OHM 1/10W J	CRJ10DJ102T
HDMI	R864		nsp	00MNN05102610	CHIP RES.	1K OHM 1/10W J	CRJ10DJ102T
HDMI	R902		nsp	00MNN05102610	CHIP RES.	1K OHM 1/10W J	CRJ10DJ102T
HDMI	R903		nsp	00MNN05000610	CHIP RES.	0 OHM 1/10W J	CRJ10DJ0R0T
HDMI	R904		nsp	00MNN05105610	CHIP RES.	1M OHM 1/10W J	CRJ10DJ105T
HDMI	R905		nsp	00MNN05010610	CHIP RES.	1 OHM 1/10W J	CRJ10DJ1R0T
HDMI	R906		nsp	00MNN05103610	CHIP RES.	10K OHM 1/10W J	CRJ10DJ103T
HDMI	R907		nsp	00MNN05103610	CHIP RES.	10K OHM 1/10W J	CRJ10DJ103T
HDMI	R909		nsp	00MNN05103610	CHIP RES.	10K OHM 1/10W J	CRJ10DJ103T
HDMI	R910		nsp	00MNN05103610	CHIP RES.	10K OHM 1/10W J	CRJ10DJ103T
HDMI	R911		nsp	00MNN05103610	CHIP RES.	10K OHM 1/10W J	CRJ10DJ103T
HDMI	R912		nsp	00MNN05103610	CHIP RES.	10K OHM 1/10W J	CRJ10DJ103T
HDMI	R913		nsp	00MNM12200020	CHIP RES.	220 OHM 1%	CRJ10DF2200T
HDMI	R914		nsp	90M-NN000810R	CHIP RES.	82 OHM 1%	CRJ10DF82R0T
HDMI	R915		nsp	90M-NN000820R	CHIP RES.	15 OHM 1%	CRJ10DF15R0T
HDMI	R916		nsp	00MNM12200020	CHIP RES.	220 OHM 1%	CRJ10DF2200T
HDMI	R917		nsp	90M-NN000810R	CHIP RES.	82 OHM 1%	CRJ10DF82R0T
HDMI	R918		nsp	90M-NN000820R	CHIP RES.	15 OHM 1%	CRJ10DF15R0T
HDMI	R919		nsp	00MNM12200020	CHIP RES.	220 OHM 1%	CRJ10DF2200T
HDMI	R920		nsp	90M-NN000810R	CHIP RES.	82 OHM 1%	CRJ10DF82R0T
HDMI	R921		nsp	90M-NN000820R	CHIP RES.	15 OHM 1%	CRJ10DF15R0T
HDMI	R922		nsp	00MNM12200020	CHIP RES.	220 OHM 1%	CRJ10DF2200T
HDMI	R923		nsp	00MNM12200020	CHIP RES.	220 OHM 1%	CRJ10DF2200T
HDMI	R925		nsp	00MNM12200020	CHIP RES.	220 OHM 1%	CRJ10DF2200T
HDMI	R926		nsp	00MNM11800020	CHIP RES.	180 OHM 1%	CRJ10DF1800T
HDMI	R927		nsp	00MNM11800020	CHIP RES.	180 OHM 1%	CRJ10DF1800T
HDMI	R928		nsp	00MNM12200020	CHIP RES.	220 OHM 1%	CRJ10DF2200T
HDMI	R929		nsp	00MNM11800020	CHIP RES.	180 OHM 1%	CRJ10DF1800T
HDMI	R930		nsp	00MNM11800020	CHIP RES.	180 OHM 1%	CRJ10DF1800T
HDMI	R931		nsp	00MNM12200020	CHIP RES.	220 OHM 1%	CRJ10DF2200T
HDMI	R932		nsp	00MNM11800020	CHIP RES.	180 OHM 1%	CRJ10DF1800T
HDMI	R933		nsp	00MNM11800020	CHIP RES.	180 OHM 1%	CRJ10DF1800T
HDMI	R934		nsp	00MNM12200020	CHIP RES.	220 OHM 1%	CRJ10DF2200T
HDMI	R935		nsp	00MNM11800020	CHIP RES.	180 OHM 1%	CRJ10DF1800T
HDMI	R936		nsp	00MNM11800020	CHIP RES.	180 OHM 1%	CRJ10DF1800T
HDMI	R939		nsp	00MNN05472610	CHIP RES.	4.7K OHM 1/10W J	CRJ10DJ472T
HDMI	R940		nsp	00MNN05472610	CHIP RES.	4.7K OHM 1/10W J	CRJ10DJ472T
HDMI	R941		nsp	00MNN05472610	CHIP RES.	4.7K OHM 1/10W J	CRJ10DJ472T
HDMI	R942		nsp	00MNN05472610	CHIP RES.	4.7K OHM 1/10W J	CRJ10DJ472T
HDMI	R943		nsp	00MNN05103610	CHIP RES.	10K OHM 1/10W J	CRJ10DJ103T
HDMI	R944		nsp	00MNN05103610	CHIP RES.	10K OHM 1/10W J	CRJ10DJ103T
HDMI	R945		nsp	00MNN05103610	CHIP RES.	10K OHM 1/10W J	CRJ10DJ103T

NOTE "nsp" PART IS LISTED FOR REFERENCE ONLY, MARANTZ WILL NOT SUPPLY THESE PARTS

P.W.B. NAME	POS. NO.	VERS. COLOR	PART NO. (FOR EUR)	PART NO. (MZ)	PART NAME	DESCRIPTION	
HDMI	R992		nsp	00MNN05000610	CHIP RES.	0 OHM 1/10W J	CRJ10DJ0R0T
HDMI	R993		nsp	00MNN05000610	CHIP RES.	0 OHM 1/10W J	CRJ10DJ0R0T
HDMI	R994		nsp	00MNN05000610	CHIP RES.	0 OHM 1/10W J	CRJ10DJ0R0T
HDMI	R995		nsp	00MNN05000610	CHIP RES.	0 OHM 1/10W J	CRJ10DJ0R0T
HDMI	R996		nsp	00MNN05000610	CHIP RES.	0 OHM 1/10W J	CRJ10DJ0R0T
HDMI	R997		nsp	00MNN05000610	CHIP RES.	0 OHM 1/10W J	CRJ10DJ0R0T
HDMI	R998		nsp	00MNN05000610	CHIP RES.	0 OHM 1/10W J	CRJ10DJ0R0T
HDMI	R999		nsp	00MNN05000610	CHIP RES.	0 OHM 1/10W J	CRJ10DJ0R0T
HDMI	RN31		90M-BW000400R	90M-BW000400R	RES. COMPO.	22 OHM X4 2012	CRJ104DJ220T
HDMI	RN32		90M-BW000400R	90M-BW000400R	RES. COMPO.	22 OHM X4 2012	CRJ104DJ220T
HDMI	RN33		90M-BW000400R	90M-BW000400R	RES. COMPO.	22 OHM X4 2012	CRJ104DJ220T
HDMI	RN34		90M-BW000400R	90M-BW000400R	RES. COMPO.	22 OHM X4 2012	CRJ104DJ220T
HDMI	RN35		90M-BW000400R	90M-BW000400R	RES. COMPO.	22 OHM X4 2012	CRJ104DJ220T
HDMI	RN37		90M-BW000400R	90M-BW000400R	RES. COMPO.	22 OHM X4 2012	CRJ104DJ220T
HDMI	RN38		90M-BW000400R	90M-BW000400R	RES. COMPO.	22 OHM X4 2012	CRJ104DJ220T
HDMI	RN39		90M-BW000400R	90M-BW000400R	RES. COMPO.	22 OHM X4 2012	CRJ104DJ220T
HDMI	RN40		90M-BW000400R	90M-BW000400R	RES. COMPO.	22 OHM X4 2012	CRJ104DJ220T
HDMI	RN41		90M-BW000400R	90M-BW000400R	RES. COMPO.	22 OHM X4 2012	CRJ104DJ220T
HDMI	RN42		90M-BW000400R	90M-BW000400R	RES. COMPO.	22 OHM X4 2012	CRJ104DJ220T
HDMI	RN43		90M-BW000400R	90M-BW000400R	RES. COMPO.	22 OHM X4 2012	CRJ104DJ220T
HDMI	RN44		90M-BW000470R	90M-BW000470R	RES. COMPO.	RES ARRAY 0 OHM 1608X4	CRJ104DJ0R0T
HDMI	RN61		90M-BW000400R	90M-BW000400R	RES. COMPO.	22 OHM X4 2012	CRJ104DJ220T
HDMI	RN62		90M-BW000400R	90M-BW000400R	RES. COMPO.	22 OHM X4 2012	CRJ104DJ220T
HDMI	RN63		90M-BW000400R	90M-BW000400R	RES. COMPO.	22 OHM X4 2012	CRJ104DJ220T
HDMI	RN64		90M-BW000470R	90M-BW000470R	RES. COMPO.	RES ARRAY 0 OHM 1608X4	CRJ104DJ0R0T
HDMI	RN65		90M-BW000470R	90M-BW000470R	RES. COMPO.	RES ARRAY 0 OHM 1608X4	CRJ104DJ0R0T
HDMI	RN66		90M-BW000400R	90M-BW000400R	RES. COMPO.	22 OHM X4 2012	CRJ104DJ220T
HDMI	RN67		90M-BW000400R	90M-BW000400R	RES. COMPO.	22 OHM X4 2012	CRJ104DJ220T
HDMI	RN68		90M-BW000400R	90M-BW000400R	RES. COMPO.	22 OHM X4 2012	CRJ104DJ220T
HDMI	RN69		90M-BW000400R	90M-BW000400R	RES. COMPO.	22 OHM X4 2012	CRJ104DJ220T
HDMI	RN70		90M-BW000400R	90M-BW000400R	RES. COMPO.	22 OHM X4 2012	CRJ104DJ220T
HDMI	RN71		90M-BW000400R	90M-BW000400R	RES. COMPO.	22 OHM X4 2012	CRJ104DJ220T
HDMI	RN72		90M-BW000400R	90M-BW000400R	RES. COMPO.	22 OHM X4 2012	CRJ104DJ220T
HDMI	RN73		90M-BW000400R	90M-BW000400R	RES. COMPO.	22 OHM X4 2012	CRJ104DJ220T
HDMI	RN74		90M-BW000400R	90M-BW000400R	RES. COMPO.	22 OHM X4 2012	CRJ104DJ220T
HDMI	RN75		90M-BW000400R	90M-BW000400R	RES. COMPO.	22 OHM X4 2012	CRJ104DJ220T
HDMI	RN76		90M-BW000400R	90M-BW000400R	RES. COMPO.	22 OHM X4 2012	CRJ104DJ220T
HDMI	RN77		90M-BW000400R	90M-BW000400R	RES. COMPO.	22 OHM X4 2012	CRJ104DJ220T
HDMI	RN78		90M-BW000400R	90M-BW000400R	RES. COMPO.	22 OHM X4 2012	CRJ104DJ220T
HDMI	RN79		90M-BW000480R	90M-BW000480R	RES. COMPO.	RES ARRAY 47K 1608X4	CRJ104DJ473T
HDMI	RN81		90M-BW000480R	90M-BW000480R	RES. COMPO.	RES ARRAY 47K 1608X4	CRJ104DJ473T
HDMI	RN83		90M-BW000400R	90M-BW000400R	RES. COMPO.	22 OHM X4 2012	CRJ104DJ220T
HDMI	RN84		90M-BW000400R	90M-BW000400R	RES. COMPO.	22 OHM X4 2012	CRJ104DJ220T
HDMI	RN85		90M-BW000400R	90M-BW000400R	RES. COMPO.	22 OHM X4 2012	CRJ104DJ220T
HDMI	RN86		90M-BW000400R	90M-BW000400R	RES. COMPO.	22 OHM X4 2012	CRJ104DJ220T
HDMI	RN87		90M-BW000400R	90M-BW000400R	RES. COMPO.	22 OHM X4 2012	CRJ104DJ220T
HDMI	RN88		90M-BW000400R	90M-BW000400R	RES. COMPO.	22 OHM X4 2012	CRJ104DJ220T
HDMI	RN89		90M-BW000400R	90M-BW000400R	RES. COMPO.	22 OHM X4 2012	CRJ104DJ220T
HDMI	RN90		90M-BW000400R	90M-BW000400R	RES. COMPO.	22 OHM X4 2012	CRJ104DJ220T
HDMI	X301		90M-JX001330R	90M-JX001330R	X'TAL	27MHZ	COX27000E180TF
HDMI	X601		90M-JX001360R	90M-JX001360R	X'TAL	28.636MHZ	COX28636E330TF
HDMI	X901		90M-JX001370R	90M-JX001370R	X'TAL	16.000MHZ	COX16000E120TF
					INPUT PWB (CUP11871Y)		
INPUT	BC72		nsp	nsp	CORD	WIRE ASSY	CWB1C902150EN
INPUT	BN11		nsp	nsp	CORD	WIRE ASSY	CWB1B907300EN
INPUT	BN19		nsp	nsp	CORD	WIRE ASSY	CWB1B903100EN
INPUT	BN23		nsp	nsp	CORD	WIRE ASSY	CWZSR7001BN23
INPUT	BN24		nsp	nsp	CORD	WIRE ASSY	CWZSR7001BN24
INPUT	BN30		nsp	nsp	CORD	WIRE ASSY	CWB1D912130EN
INPUT	BN46		nsp	nsp	CORD	WIRE ASSY	CWB1B904100EN
INPUT	BN93		nsp	nsp	CORD	WIRE ASSY	CWB1D908450BM
INPUT	C201		nsp	00MDD95471300	CER. CAP.	470PF 50V JA	CCUS1H471JA
INPUT	C202		nsp	00MDD95471300	CER. CAP.	470PF 50V JA	CCUS1H471JA
INPUT	C203		nsp	00MDD95471300	CER. CAP.	470PF 50V JA	CCUS1H471JA
INPUT	C204		nsp	00MDD95471300	CER. CAP.	470PF 50V JA	CCUS1H471JA
INPUT	C205		nsp	00MDD95471300	CER. CAP.	470PF 50V JA	CCUS1H471JA
INPUT	C206		nsp	00MDD95471300	CER. CAP.	470PF 50V JA	CCUS1H471JA

NOTE "nsp" PART IS LISTED FOR REFERENCE ONLY, MARANTZ WILL NOT SUPPLY THESE PARTS

P.W.B. NAME	POS. NO.	VERS. COLOR	PART NO. (FOR EUR)	PART NO. (MZ)	PART NAME	DESCRIPTION
INPUT	C207		nsp	00MDD95471300	CER. CAP.	470PF 50V JA CCUS1H471JA
INPUT	C208		nsp	00MDD95471300	CER. CAP.	470PF 50V JA CCUS1H471JA
INPUT	C209		nsp	00MDD95471300	CER. CAP.	470PF 50V JA CCUS1H471JA
INPUT	C210		nsp	00MDD95471300	CER. CAP.	470PF 50V JA CCUS1H471JA
INPUT	C213		nsp	00MDD95471300	CER. CAP.	470PF 50V JA CCUS1H471JA
INPUT	C214		nsp	00MDD95471300	CER. CAP.	470PF 50V JA CCUS1H471JA
INPUT	C215		nsp	00MDD95471300	CER. CAP.	470PF 50V JA CCUS1H471JA
INPUT	C216		nsp	00MDD95471300	CER. CAP.	470PF 50V JA CCUS1H471JA
INPUT	C217		nsp	00MDD95471300	CER. CAP.	470PF 50V JA CCUS1H471JA
INPUT	C218		nsp	00MDD95471300	CER. CAP.	470PF 50V JA CCUS1H471JA
INPUT	C219		nsp	00MDD95471300	CER. CAP.	470PF 50V JA CCUS1H471JA
INPUT	C220		nsp	00MDD95471300	CER. CAP.	470PF 50V JA CCUS1H471JA
INPUT	C221		nsp	00MDD95471300	CER. CAP.	470PF 50V JA CCUS1H471JA
INPUT	C222		nsp	00MDD95471300	CER. CAP.	470PF 50V JA CCUS1H471JA
INPUT	C225		nsp	00MOA10605020	ELECT CAP.	10UF 50V CCEA1HH100T
INPUT	C233		nsp	00MOA10605020	ELECT CAP.	10UF 50V CCEA1HH100T
INPUT	C234		nsp	00MOA10605020	ELECT CAP.	10UF 50V CCEA1HH100T
INPUT	C237		nsp	00MOA10605020	ELECT CAP.	10UF 50V CCEA1HH100T
INPUT	C238		nsp	00MOA10605020	ELECT CAP.	10UF 50V CCEA1HH100T
INPUT	C239		nsp	00MOA10605020	ELECT CAP.	10UF 50V CCEA1HH100T
INPUT	C240		nsp	00MOA10605020	ELECT CAP.	10UF 50V CCEA1HH100T
INPUT	C241		nsp	00MOA10605020	ELECT CAP.	10UF 50V CCEA1HH100T
INPUT	C242		nsp	00MOA10605020	ELECT CAP.	10UF 50V CCEA1HH100T
INPUT	C245		nsp	00MOA10605020	ELECT CAP.	10UF 50V CCEA1HH100T
INPUT	C246		nsp	00MOA10605020	ELECT CAP.	10UF 50V CCEA1HH100T
INPUT	C247		nsp	00MOA10605020	ELECT CAP.	10UF 50V CCEA1HH100T
INPUT	C248		nsp	00MOA10605020	ELECT CAP.	10UF 50V CCEA1HH100T
INPUT	C249		nsp	00MOA10605020	ELECT CAP.	10UF 50V CCEA1HH100T
INPUT	C250		nsp	00MOA10605020	ELECT CAP.	10UF 50V CCEA1HH100T
INPUT	C251		nsp	00MOA10605020	ELECT CAP.	10UF 50V CCEA1HH100T
INPUT	C252		nsp	00MOA10605020	ELECT CAP.	10UF 50V CCEA1HH100T
INPUT	C253		nsp	00MDK96104300	CER. CAP.	0.1UF 50V K CCUS1H104KC
INPUT	C254		nsp	00MDK96104300	CER. CAP.	0.1UF 50V K CCUS1H104KC
INPUT	C255		nsp	00MOA10605020	ELECT CAP.	10UF 50V CCEA1HH100T
INPUT	C256		nsp	00MOA10605020	ELECT CAP.	10UF 50V CCEA1HH100T
INPUT	C257		nsp	00MDK96104300	CER. CAP.	0.1UF 50V K CCUS1H104KC
INPUT	C258		nsp	00MDK96104300	CER. CAP.	0.1UF 50V K CCUS1H104KC
INPUT	C259		nsp	00MOA10605020	ELECT CAP.	10UF 50V CCEA1HH100T
INPUT	C260		nsp	00MOA10605020	ELECT CAP.	10UF 50V CCEA1HH100T
INPUT	C261		nsp	00MDK96104300	CER. CAP.	0.1UF 50V K CCUS1H104KC
INPUT	C262		nsp	00MDK96104300	CER. CAP.	0.1UF 50V K CCUS1H104KC
INPUT	C263		nsp	00MOA10605020	ELECT CAP.	10UF 50V CCEA1HH100T
INPUT	C264		nsp	00MOA10605020	ELECT CAP.	10UF 50V CCEA1HH100T
INPUT	C265		nsp	00MDK96104300	CER. CAP.	0.1UF 50V K CCUS1H104KC
INPUT	C266		nsp	00MDK96104300	CER. CAP.	0.1UF 50V K CCUS1H104KC
INPUT	C267		nsp	00MOA10605020	ELECT CAP.	10UF 50V CCEA1HH100T
INPUT	C268		nsp	00MOA10605020	ELECT CAP.	10UF 50V CCEA1HH100T
INPUT	C269		nsp	00MOA10605020	ELECT CAP.	10UF 50V CCEA1HH100T
INPUT	C270		nsp	00MOA10605020	ELECT CAP.	10UF 50V CCEA1HH100T
INPUT	C271		nsp	00MDK96104300	CER. CAP.	0.1UF 50V K CCUS1H104KC
INPUT	C272		nsp	00MDK96104300	CER. CAP.	0.1UF 50V K CCUS1H104KC
INPUT	C273		nsp	00MOA10605020	ELECT CAP.	10UF 50V CCEA1HH100T
INPUT	C274		nsp	00MOA10605020	ELECT CAP.	10UF 50V CCEA1HH100T
INPUT	C275		nsp	00MOA10605020	ELECT CAP.	10UF 50V CCEA1HH100T
INPUT	C276		nsp	00MOA10605020	ELECT CAP.	10UF 50V CCEA1HH100T
INPUT	C277		nsp	00MDK96104300	CER. CAP.	0.1UF 50V K CCUS1H104KC
INPUT	C278		nsp	00MDK96104300	CER. CAP.	0.1UF 50V K CCUS1H104KC
INPUT	C279		nsp	00MOA10605020	ELECT CAP.	10UF 50V CCEA1HH100T
INPUT	C280		nsp	00MOA10605020	ELECT CAP.	10UF 50V CCEA1HH100T
INPUT	C287		nsp	00MDK96104300	CER. CAP.	0.1UF 50V K CCUS1H104KC
INPUT	C288		nsp	00MDK96104300	CER. CAP.	0.1UF 50V K CCUS1H104KC
INPUT	C289		nsp	00MDD95101300	CER. CAP.	100PF 50V JA CCUS1H101JA
INPUT	C290		nsp	00MDK96104300	CER. CAP.	0.1UF 50V K CCUS1H104KC
INPUT	C291		nsp	00MDK96104300	CER. CAP.	0.1UF 50V K CCUS1H104KC
INPUT	C292		nsp	00MDD95101300	CER. CAP.	100PF 50V JA CCUS1H101JA
INPUT	C293		nsp	00MOA10605020	ELECT CAP.	10UF 50V CCEA1HH100T
INPUT	C294		nsp	00MDK96104300	CER. CAP.	0.1UF 50V K CCUS1H104KC

NOTE "nsp" PART IS LISTED FOR REFERENCE ONLY, MARANTZ WILL NOT SUPPLY THESE PARTS

P.W.B. NAME	POS. NO.	VERS. COLOR	PART NO. (FOR EUR)	PART NO. (MZ)	PART NAME	DESCRIPTION
INPUT	C295		nsp	00MDK96104300	CER. CAP.	0.1UF 50V K CCUS1H104KC
INPUT	C296		nsp	00MDD91100300	CER. CAP.	10PF 50V JA CCUS1H100JA
INPUT	C297		nsp	00MOA10605020	ELECT CAP.	10UF 50V CCEA1HH100T
INPUT	C298		nsp	00MOA10605020	ELECT CAP.	10UF 50V CCEA1HH100T
INPUT	C300		nsp	00MOA10605020	ELECT CAP.	10UF 50V CCEA1HH100T
INPUT	C301		nsp	00MOA10605020	ELECT CAP.	10UF 50V CCEA1HH100T
INPUT	C303		nsp	00MOA10605020	ELECT CAP.	10UF 50V CCEA1HH100T
INPUT	C304		nsp	00MOA47602520	ELECT CAP.	47UF 25V CCEA1EH470T
INPUT	C305		nsp	00MDK96104300	CER. CAP.	0.1UF 50V K CCUS1H104KC
INPUT	C306		nsp	00MOA47602520	ELECT CAP.	47UF 25V CCEA1EH470T
INPUT	C307		nsp	00MDK96104300	CER. CAP.	0.1UF 50V K CCUS1H104KC
INPUT	C308		nsp	00MDD95101300	CER. CAP.	100PF 50V JA CCUS1H101JA
INPUT	C309		nsp	00MOA10605020	ELECT CAP.	10UF 50V CCEA1HH100T
INPUT	C310		nsp	00MOA10605020	ELECT CAP.	10UF 50V CCEA1HH100T
INPUT	C311		nsp	00MOA10605020	ELECT CAP.	10UF 50V CCEA1HH100T
INPUT	C312		nsp	00MOA10605020	ELECT CAP.	10UF 50V CCEA1HH100T
INPUT	C313		nsp	00MOA10605020	ELECT CAP.	10UF 50V CCEA1HH100T
INPUT	C315		nsp	00MOA47602520	ELECT CAP.	47UF 25V CCEA1EH470T
INPUT	C316		nsp	00MDK96104300	CER. CAP.	0.1UF 50V K CCUS1H104KC
INPUT	C317		nsp	00MOA47602520	ELECT CAP.	47UF 25V CCEA1EH470T
INPUT	C318		nsp	00MDK96104300	CER. CAP.	0.1UF 50V K CCUS1H104KC
INPUT	C319		nsp	00MDD95101300	CER. CAP.	100PF 50V JA CCUS1H101JA
INPUT	C320		nsp	00MOA22605020	ELECT CAP.	22UF 50V CCEA1HH220T
INPUT	C321		nsp	00MOA22605020	ELECT CAP.	22UF 50V CCEA1HH220T
INPUT	C322		nsp	00MOA22605020	ELECT CAP.	22UF 50V CCEA1HH220T
INPUT	C323		nsp	00MOA22605020	ELECT CAP.	22UF 50V CCEA1HH220T
INPUT	C324		nsp	00MDD95101300	CER. CAP.	100PF 50V JA CCUS1H101JA
INPUT	C325		nsp	00MDD95101300	CER. CAP.	100PF 50V JA CCUS1H101JA
INPUT	C326		nsp	00MDK96104300	CER. CAP.	0.1UF 50V K CCUS1H104KC
INPUT	C327		nsp	00MDK96104300	CER. CAP.	0.1UF 50V K CCUS1H104KC
INPUT	C328		nsp	00MOA22605020	ELECT CAP.	22UF 50V CCEA1HH220T
INPUT	C329		nsp	00MOA22605020	ELECT CAP.	22UF 50V CCEA1HH220T
INPUT	C330		nsp	00MDD95471300	CER. CAP.	470PF 50V JA CCUS1H471JA
INPUT	C331		nsp	00MDD95471300	CER. CAP.	470PF 50V JA CCUS1H471JA
INPUT	C332		nsp	00MOA22605020	ELECT CAP.	22UF 50V CCEA1HH220T
INPUT	C333		nsp	00MOA22605020	ELECT CAP.	22UF 50V CCEA1HH220T
INPUT	C334		nsp	00MOA22605020	ELECT CAP.	22UF 50V CCEA1HH220T
INPUT	C335		nsp	00MOA22605020	ELECT CAP.	22UF 50V CCEA1HH220T
INPUT	C336		nsp	00MDD95101300	CER. CAP.	100PF 50V JA CCUS1H101JA
INPUT	C337		nsp	00MDD95101300	CER. CAP.	100PF 50V JA CCUS1H101JA
INPUT	C338		nsp	00MDK96104300	CER. CAP.	0.1UF 50V K CCUS1H104KC
INPUT	C339		nsp	00MDK96104300	CER. CAP.	0.1UF 50V K CCUS1H104KC
INPUT	C340		nsp	00MOA22605020	ELECT CAP.	22UF 50V CCEA1HH220T
INPUT	C341		nsp	00MOA22605020	ELECT CAP.	22UF 50V CCEA1HH220T
INPUT	C342		nsp	00MDD95471300	CER. CAP.	470PF 50V JA CCUS1H471JA
INPUT	C343		nsp	00MDD95471300	CER. CAP.	470PF 50V JA CCUS1H471JA
INPUT	C344		nsp	00MOA22605020	ELECT CAP.	22UF 50V CCEA1HH220T
INPUT	C345		nsp	00MOA22605020	ELECT CAP.	22UF 50V CCEA1HH220T
INPUT	C346		nsp	00MOA22605020	ELECT CAP.	22UF 50V CCEA1HH220T
INPUT	C347		nsp	00MOA22605020	ELECT CAP.	22UF 50V CCEA1HH220T
INPUT	C348		nsp	00MDD95101300	CER. CAP.	100PF 50V JA CCUS1H101JA
INPUT	C349		nsp	00MDD95101300	CER. CAP.	100PF 50V JA CCUS1H101JA
INPUT	C350		nsp	00MDK96104300	CER. CAP.	0.1UF 50V K CCUS1H104KC
INPUT	C351		nsp	00MDK96104300	CER. CAP.	0.1UF 50V K CCUS1H104KC
INPUT	C352		nsp	00MOA22605020	ELECT CAP.	22UF 50V CCEA1HH220T
INPUT	C353		nsp	00MOA22605020	ELECT CAP.	22UF 50V CCEA1HH220T
INPUT	C354		nsp	00MDD95471300	CER. CAP.	470PF 50V JA CCUS1H471JA
INPUT	C355		nsp	00MDD95471300	CER. CAP.	470PF 50V JA CCUS1H471JA
INPUT	C356		nsp	00MOA22605020	ELECT CAP.	22UF 50V CCEA1HH220T
INPUT	C357		nsp	00MOA22605020	ELECT CAP.	22UF 50V CCEA1HH220T
INPUT	C358		nsp	00MOA22605020	ELECT CAP.	22UF 50V CCEA1HH220T
INPUT	C359		nsp	00MOA47602520	ELECT CAP.	47UF 25V CCEA1EH470T
INPUT	C360		nsp	00MDD95101300	CER. CAP.	100PF 50V JA CCUS1H101JA
INPUT	C361		nsp	00MDD95101300	CER. CAP.	100PF 50V JA CCUS1H101JA
INPUT	C362		nsp	00MDK96104300	CER. CAP.	0.1UF 50V K CCUS1H104KC
INPUT	C363		nsp	00MDK96104300	CER. CAP.	0.1UF 50V K CCUS1H104KC
INPUT	C364		nsp	00MOA22605020	ELECT CAP.	22UF 50V CCEA1HH220T

NOTE "nsp" PART IS LISTED FOR REFERENCE ONLY, MARANTZ WILL NOT SUPPLY THESE PARTS

P.W.B. NAME	POS. NO.	VERS. COLOR	PART NO. (FOR EUR)	PART NO. (MZ)	PART NAME	DESCRIPTION	
INPUT	C365		nsp	00MOA22605020	ELECT CAP.	22UF 50V	CCEA1HH220T
INPUT	C366		nsp	00MDD95471300	CER. CAP.	470PF 50V JA	CCUS1H471JA
INPUT	C367		nsp	00MDD95471300	CER. CAP.	470PF 50V JA	CCUS1H471JA
INPUT	C368		nsp	00MOA22605020	ELECT CAP.	22UF 50V	CCEA1HH220T
INPUT	C369		nsp	00MOA22605020	ELECT CAP.	22UF 50V	CCEA1HH220T
INPUT	C370		nsp	00MOA22605020	ELECT CAP.	22UF 50V	CCEA1HH220T
INPUT	C371		nsp	00MOA22605020	ELECT CAP.	22UF 50V	CCEA1HH220T
INPUT	C372		nsp	00MDD95101300	CER. CAP.	100PF 50V JA	CCUS1H101JA
INPUT	C373		nsp	00MDD95101300	CER. CAP.	100PF 50V JA	CCUS1H101JA
INPUT	C374		nsp	00MDK96104300	CER. CAP.	0.1UF 50V K	CCUS1H104KC
INPUT	C375		nsp	00MDK96104300	CER. CAP.	0.1UF 50V K	CCUS1H104KC
INPUT	C376		nsp	00MOA22605020	ELECT CAP.	22UF 50V	CCEA1HH220T
INPUT	C377		nsp	00MOA22605020	ELECT CAP.	22UF 50V	CCEA1HH220T
INPUT	C378		nsp	00MDD95471300	CER. CAP.	470PF 50V JA	CCUS1H471JA
INPUT	C379		nsp	00MDD95471300	CER. CAP.	470PF 50V JA	CCUS1H471JA
INPUT	C392		nsp	00MOA10605020	ELECT CAP.	10UF 50V	CCEA1HH100T
INPUT	C393		nsp	00MOA22701620	ELECT CAP.	220UF 16V	CCEA1CH221T
INPUT	C394		nsp	00MDD95101300	CER. CAP.	100PF 50V JA	CCUS1H101JA
INPUT	C395		nsp	00MDD95101300	CER. CAP.	100PF 50V JA	CCUS1H101JA
INPUT	C396		nsp	00MDD95101300	CER. CAP.	100PF 50V JA	CCUS1H101JA
INPUT	C397		nsp	00MDD95101300	CER. CAP.	100PF 50V JA	CCUS1H101JA
INPUT	C398		nsp	00MDD95101300	CER. CAP.	100PF 50V JA	CCUS1H101JA
INPUT	C399		nsp	00MDD95101300	CER. CAP.	100PF 50V JA	CCUS1H101JA
INPUT	C400		nsp	00MDK96104300	CER. CAP.	0.1UF 50V K	CCUS1H104KC
INPUT	C401		nsp	00MOA47702520	ELECT CAP.	470UF 25V	CCEA1EH471T
INPUT	C402		nsp	00MDK96104300	CER. CAP.	0.1UF 50V K	CCUS1H104KC
INPUT	C403		nsp	00MOA47602520	ELECT CAP.	47UF 25V	CCEA1EH470T
INPUT	C404		nsp	00MDK96104300	CER. CAP.	0.1UF 50V K	CCUS1H104KC
INPUT	C405		90M-EA000930R	90M-EA000930R	ELECT CAP.	3300UF 16V	CCEA1CH332E
INPUT	C406		nsp	00MDK96104300	CER. CAP.	0.1UF 50V K	CCUS1H104KC
INPUT	C407		nsp	00MOA10701620	ELECT CAP.	100UF 16V	CCEA1CH101T
INPUT	C408		nsp	00MDK96103300	CER. CAP.	0.01UF 50V KC	CCUS1H103KC
INPUT	C409		nsp	00MDK96103300	CER. CAP.	0.01UF 50V KC	CCUS1H103KC
INPUT	C410		nsp	00MDK96103300	CER. CAP.	0.01UF 50V KC	CCUS1H103KC
INPUT	C411		nsp	00MDK96103300	CER. CAP.	0.01UF 50V KC	CCUS1H103KC
INPUT	C412		nsp	00MOA10605020	ELECT CAP.	10UF 50V	CCEA1HH100T
INPUT	C413		nsp	00MOA10605020	ELECT CAP.	10UF 50V	CCEA1HH100T
INPUT	C414		nsp	00MDK96104300	CER. CAP.	0.1UF 50V K	CCUS1H104KC
INPUT	C415		nsp	00MDK96104300	CER. CAP.	0.1UF 50V K	CCUS1H104KC
INPUT	C420		nsp	00MOA10605020	ELECT CAP.	10UF 50V	CCEA1HH100T
INPUT	C421		nsp	00MOA10605020	ELECT CAP.	10UF 50V	CCEA1HH100T
INPUT	C422		nsp	00MDK96104300	CER. CAP.	0.1UF 50V K	CCUS1H104KC
INPUT	C423		nsp	00MDK96104300	CER. CAP.	0.1UF 50V K	CCUS1H104KC
INPUT	C424		nsp	00MOA10605020	ELECT CAP.	10UF 50V	CCEA1HH100T
INPUT	C425		nsp	00MOA10605020	ELECT CAP.	10UF 50V	CCEA1HH100T
INPUT	C426		nsp	00MDK96104300	CER. CAP.	0.1UF 50V K	CCUS1H104KC
INPUT	C427		nsp	00MDK96104300	CER. CAP.	0.1UF 50V K	CCUS1H104KC
INPUT	C428		nsp	00MDD95101300	CER. CAP.	100PF 50V JA	CCUS1H101JA
INPUT	C429		nsp	00MDD95101300	CER. CAP.	100PF 50V JA	CCUS1H101JA
INPUT	C430		nsp	90M-OA000570R	ELECT CAP.	1000UF 10V	CCEA1AH102E
INPUT	CN22		nsp	nsp	CONN.	15P WAFER	CJP15GA19ZY
INPUT	CN26		nsp	nsp	CONN.	15P WAFER	CJP15GA19ZY
INPUT	CN27		nsp	nsp	CONN.	17P WAFER CARD CABLE	CJP17GA115ZY
INPUT	CN28		nsp	nsp	CONN.	21P FPC WAFER	CJP21GA117ZY
INPUT	CN72		nsp	nsp	CONN.	2PIN CJP02GA19ZY	CJP02GA19ZY
INPUT	D201		00MHZ21303210	00MHZ21303210	DIODE	1SS355	CVD1SS355T
INPUT	D203		00MHZ21303210	00MHZ21303210	DIODE	1SS355	CVD1SS355T
INPUT	D205		00MHZ21303210	00MHZ21303210	DIODE	1SS355	CVD1SS355T
INPUT	D206		00MHZ21303210	00MHZ21303210	DIODE	1SS355	CVD1SS355T
INPUT	D207		00MHZ21303210	00MHZ21303210	DIODE	1SS355	CVD1SS355T
INPUT	D208		00MHZ21303210	00MHZ21303210	DIODE	1SS355	CVD1SS355T
INPUT	D209		00MHZ21303210	00MHZ21303210	DIODE	1SS355	CVD1SS355T
INPUT	D216		00MHZ21303210	00MHZ21303210	DIODE	1SS355	CVD1SS355T
INPUT	D217		00MHZ21303210	00MHZ21303210	DIODE	1SS355	CVD1SS355T
INPUT	IC21		90M-HC109900R	90M-HC109900R	IC	TC94A46CFG	CVITC94A46CFG
INPUT	IC22		00MHC10466050	00MHC10466050	IC	TC9274CNG-016	CVITC9274CNG-016
INPUT	IC23		00MHC10102090	00MHC10102090	IC	NJM2068MD-TE1	HVINJM2068MDTE1

NOTE *nsp* PART IS LISTED FOR REFERENCE ONLY, MARANTZ WILL NOT SUPPLY THESE PARTS

P.W.B. NAME	POS. NO.	VERS. COLOR	PART NO. (FOR EUR)	PART NO. (MZ)	PART NAME	DESCRIPTION
INPUT	IC24		00MHC10102090	00MHC10102090	IC	NJM2068MD-TE1 HVINJM2068MDTE1
INPUT	IC25		00MHC10102090	00MHC10102090	IC	NJM2068MD-TE1 HVINJM2068MDTE1
INPUT	IC26		00MHC10102090	00MHC10102090	IC	NJM2068MD-TE1 HVINJM2068MDTE1
INPUT	IC27		00MHC10102090	00MHC10102090	IC	NJM2068MD-TE1 HVINJM2068MDTE1
INPUT	IC28		00MHC10102090	00MHC10102090	IC	NJM2068MD-TE1 HVINJM2068MDTE1
INPUT	IC32		00MHC10102090	00MHC10102090	IC	NJM2068MD-TE1 HVINJM2068MDTE1
INPUT	IC33		90M-HC109930R	90M-HC109930R	IC	TC9482BFG HVITC9482BFG
INPUT	IC34		90M-HC109930R	90M-HC109930R	IC	TC9482BFG HVITC9482BFG
INPUT	IC35		00MHC10102090	00MHC10102090	IC	NJM2068MD-TE1 HVINJM2068MDTE1
INPUT	IC36		00MHC10102090	00MHC10102090	IC	NJM2068MD-TE1 HVINJM2068MDTE1
INPUT	IC37		00MHC10102090	00MHC10102090	IC	NJM2068MD-TE1 HVINJM2068MDTE1
INPUT	IC38		00MHC10102090	00MHC10102090	IC	NJM2068MD-TE1 HVINJM2068MDTE1
INPUT	IC39		00MHC10102090	00MHC10102090	IC	NJM2068MD-TE1 HVINJM2068MDTE1
INPUT	IC41		00MHC10102090	00MHC10102090	IC	NJM2068MD-TE1 HVINJM2068MDTE1
INPUT	IC43		00MHC10102090	00MHC10102090	IC	NJM2068MD-TE1 HVINJM2068MDTE1
INPUT	IC44		00MHC10102090	00MHC10102090	IC	NJM2068MD-TE1 HVINJM2068MDTE1
INPUT	JK21		90M-YT002960R	90M-YT002960R	TERMINAL	CINCH 6P AUDIO CJJ4R019Z
INPUT	JK22		90M-YT003230R	90M-YT003230R	TERMINAL	CINCH 4P AUDIO CJJ4P014Y
INPUT	JK23		90M-YT002960R	90M-YT002960R	TERMINAL	CINCH 6P AUDIO CJJ4R019Z
INPUT	JK24		90M-YT003230R	90M-YT003230R	TERMINAL	CINCH 4P AUDIO CJJ4P014Y
INPUT	Q201		90M-HX800010R	90M-HX800010R	CHIP TRS.	KRC102S HVTKRC102S
INPUT	Q205		90M-HT300970R	90M-HT300970R	TRS.	KTC2875B HVTKTC2875B
INPUT	Q206		90M-HT300970R	90M-HT300970R	TRS.	KTC2875B HVTKTC2875B
INPUT	Q207		90M-HT300970R	90M-HT300970R	TRS.	KTC2875B HVTKTC2875B
INPUT	Q208		90M-HT300970R	90M-HT300970R	TRS.	KTC2875B HVTKTC2875B
INPUT	Q209		90M-HT300970R	90M-HT300970R	TRS.	KTC2875B HVTKTC2875B
INPUT	Q210		90M-HT300970R	90M-HT300970R	TRS.	KTC2875B HVTKTC2875B
INPUT	Q211		90M-HT300970R	90M-HT300970R	TRS.	KTC2875B HVTKTC2875B
INPUT	Q212		90M-HT300970R	90M-HT300970R	TRS.	KTC2875B HVTKTC2875B
INPUT	Q213		90M-HT300970R	90M-HT300970R	TRS.	KTC2875B HVTKTC2875B
INPUT	Q214		90M-HT300970R	90M-HT300970R	TRS.	KTC2875B HVTKTC2875B
INPUT	Q215		90M-HT300970R	90M-HT300970R	TRS.	KTC2875B HVTKTC2875B
INPUT	Q216		90M-HT300970R	90M-HT300970R	TRS.	KTC2875B HVTKTC2875B
INPUT	Q217		90M-HT300970R	90M-HT300970R	TRS.	KTC2875B HVTKTC2875B
INPUT	Q218		90M-HT300970R	90M-HT300970R	TRS.	KTC2875B HVTKTC2875B
INPUT	Q219		90M-HT300970R	90M-HT300970R	TRS.	KTC2875B HVTKTC2875B
INPUT	Q220		90M-HT300970R	90M-HT300970R	TRS.	KTC2875B HVTKTC2875B
INPUT	Q221		90M-HT300970R	90M-HT300970R	TRS.	KTC2875B HVTKTC2875B
INPUT	Q222		90M-HT300970R	90M-HT300970R	TRS.	KTC2875B HVTKTC2875B
INPUT	Q223		90M-HT300970R	90M-HT300970R	TRS.	KTC2875B HVTKTC2875B
INPUT	Q224		90M-HT300970R	90M-HT300970R	TRS.	KTC2875B HVTKTC2875B
INPUT	Q229		00D2690191903	00D2690191903	CHIP TRS.	KRA104S HVTKRA104S
INPUT	Q230		00D2690191903	00D2690191903	CHIP TRS.	KRA104S HVTKRA104S
INPUT	Q231		00D2690191903	00D2690191903	CHIP TRS.	KRA104S HVTKRA104S
INPUT	Q232		00D2690191903	00D2690191903	CHIP TRS.	KRA104S HVTKRA104S
INPUT	Q233		00D2690191903	00D2690191903	CHIP TRS.	KRA104S HVTKRA104S
INPUT	Q234		00D2690191903	00D2690191903	CHIP TRS.	KRA104S HVTKRA104S
INPUT	Q236		00D2690193901	00D2690193901	CHIP TRS.	KRC104S CVTKRC104S
INPUT	Q237		00D2690193901	00D2690193901	CHIP TRS.	KRC104S CVTKRC104S
INPUT	Q238		00D2690193901	00D2690193901	CHIP TRS.	KRC104S CVTKRC104S
INPUT	Q239		00D2690193901	00D2690193901	CHIP TRS.	KRC104S CVTKRC104S
INPUT	Q240		00D2690193901	00D2690193901	CHIP TRS.	KRC104S CVTKRC104S
INPUT	Q241		00D2690193901	00D2690193901	CHIP TRS.	KRC104S CVTKRC104S
INPUT	Q243		00D2690191903	00D2690191903	CHIP TRS.	KRA104S HVTKRA104S
INPUT	Q244		00D2690193901	00D2690193901	CHIP TRS.	KRC104S CVTKRC104S
INPUT	Q245		90M-HX800010R	90M-HX800010R	CHIP TRS.	KRC102S HVTKRC102S
INPUT	R201		nsp	00MNN05101610	CHIP RES.	100 OHM 1/10W J CRJ10DJ101T
INPUT	R202		nsp	00MNN05101610	CHIP RES.	100 OHM 1/10W J CRJ10DJ101T
INPUT	R203		nsp	00MNN05101610	CHIP RES.	100 OHM 1/10W J CRJ10DJ101T
INPUT	R204		nsp	00MNN05101610	CHIP RES.	100 OHM 1/10W J CRJ10DJ101T
INPUT	R205		nsp	00MNN05101610	CHIP RES.	100 OHM 1/10W J CRJ10DJ101T
INPUT	R206		nsp	00MNN05101610	CHIP RES.	100 OHM 1/10W J CRJ10DJ101T
INPUT	R207		nsp	00MNN05102610	CHIP RES.	1K OHM 1/10W J CRJ10DJ102T
INPUT	R208		nsp	00MNN05102610	CHIP RES.	1K OHM 1/10W J CRJ10DJ102T
INPUT	R209		nsp	00MNN05101610	CHIP RES.	100 OHM 1/10W J CRJ10DJ101T
INPUT	R210		nsp	00MNN05101610	CHIP RES.	100 OHM 1/10W J CRJ10DJ101T
INPUT	R213		nsp	00MNN05101610	CHIP RES.	100 OHM 1/10W J CRJ10DJ101T

NOTE "nsp" PART IS LISTED FOR REFERENCE ONLY, MARANTZ WILL NOT SUPPLY THESE PARTS

P.W.B. NAME	POS. NO.	VERS. COLOR	PART NO. (FOR EUR)	PART NO. (MZ)	PART NAME	DESCRIPTION
INPUT	R214		nsp	00MNN05101610	CHIP RES.	100 OHM 1/10W J CRJ10DJ101T
INPUT	R215		nsp	00MNN05102610	CHIP RES.	1K OHM 1/10W J CRJ10DJ102T
INPUT	R216		nsp	00MNN05102610	CHIP RES.	1K OHM 1/10W J CRJ10DJ102T
INPUT	R217		nsp	00MNN05101610	CHIP RES.	100 OHM 1/10W J CRJ10DJ101T
INPUT	R218		nsp	00MNN05101610	CHIP RES.	100 OHM 1/10W J CRJ10DJ101T
INPUT	R219		nsp	00MNN05102610	CHIP RES.	1K OHM 1/10W J CRJ10DJ102T
INPUT	R220		nsp	00MNN05102610	CHIP RES.	1K OHM 1/10W J CRJ10DJ102T
INPUT	R221		nsp	00MNN05102610	CHIP RES.	1K OHM 1/10W J CRJ10DJ102T
INPUT	R222		nsp	00MNN05102610	CHIP RES.	1K OHM 1/10W J CRJ10DJ102T
INPUT	R233		nsp	00MNN05832610	CHIP RES.	82K OHM 1/10W J CRJ10DJ823T
INPUT	R234		nsp	00MNN05832610	CHIP RES.	82K OHM 1/10W J CRJ10DJ823T
INPUT	R235		nsp	00MNN05832610	CHIP RES.	82K OHM 1/10W J CRJ10DJ823T
INPUT	R236		nsp	00MNN05832610	CHIP RES.	82K OHM 1/10W J CRJ10DJ823T
INPUT	R237		nsp	00MNN05832610	CHIP RES.	82K OHM 1/10W J CRJ10DJ823T
INPUT	R238		nsp	00MNN05832610	CHIP RES.	82K OHM 1/10W J CRJ10DJ823T
INPUT	R239		nsp	00MNN05473610	CHIP RES.	47K OHM 1/10W J CRJ10DJ473T
INPUT	R240		nsp	00MNN05473610	CHIP RES.	47K OHM 1/10W J CRJ10DJ473T
INPUT	R241		nsp	00MNN05832610	CHIP RES.	82K OHM 1/10W J CRJ10DJ823T
INPUT	R242		nsp	00MNN05832610	CHIP RES.	82K OHM 1/10W J CRJ10DJ823T
INPUT	R245		nsp	00MNN05832610	CHIP RES.	82K OHM 1/10W J CRJ10DJ823T
INPUT	R246		nsp	00MNN05832610	CHIP RES.	82K OHM 1/10W J CRJ10DJ823T
INPUT	R247		nsp	00MNN05473610	CHIP RES.	47K OHM 1/10W J CRJ10DJ473T
INPUT	R248		nsp	00MNN05473610	CHIP RES.	47K OHM 1/10W J CRJ10DJ473T
INPUT	R249		nsp	00MNN05832610	CHIP RES.	82K OHM 1/10W J CRJ10DJ823T
INPUT	R250		nsp	00MNN05832610	CHIP RES.	82K OHM 1/10W J CRJ10DJ823T
INPUT	R251		nsp	00MNN05473610	CHIP RES.	47K OHM 1/10W J CRJ10DJ473T
INPUT	R252		nsp	00MNN05473610	CHIP RES.	47K OHM 1/10W J CRJ10DJ473T
INPUT	R253		nsp	00MNN05473610	CHIP RES.	47K OHM 1/10W J CRJ10DJ473T
INPUT	R254		nsp	00MNN05473610	CHIP RES.	47K OHM 1/10W J CRJ10DJ473T
INPUT	R257		nsp	00MNN05473610	CHIP RES.	47K OHM 1/10W J CRJ10DJ473T
INPUT	R258		nsp	00MNN05473610	CHIP RES.	47K OHM 1/10W J CRJ10DJ473T
INPUT	R259		nsp	00MNN05473610	CHIP RES.	47K OHM 1/10W J CRJ10DJ473T
INPUT	R260		nsp	00MNN05473610	CHIP RES.	47K OHM 1/10W J CRJ10DJ473T
INPUT	R261		nsp	00MNN05473610	CHIP RES.	47K OHM 1/10W J CRJ10DJ473T
INPUT	R262		nsp	00MNN05473610	CHIP RES.	47K OHM 1/10W J CRJ10DJ473T
INPUT	R263		nsp	00MNN05473610	CHIP RES.	47K OHM 1/10W J CRJ10DJ473T
INPUT	R264		nsp	00MNN05473610	CHIP RES.	47K OHM 1/10W J CRJ10DJ473T
INPUT	R265		nsp	00MNN05473610	CHIP RES.	47K OHM 1/10W J CRJ10DJ473T
INPUT	R266		nsp	00MNN05473610	CHIP RES.	47K OHM 1/10W J CRJ10DJ473T
INPUT	R267		nsp	00MNN05473610	CHIP RES.	47K OHM 1/10W J CRJ10DJ473T
INPUT	R268		nsp	00MNN05473610	CHIP RES.	47K OHM 1/10W J CRJ10DJ473T
INPUT	R269		nsp	00MNN05473610	CHIP RES.	47K OHM 1/10W J CRJ10DJ473T
INPUT	R270		nsp	00MNN05473610	CHIP RES.	47K OHM 1/10W J CRJ10DJ473T
INPUT	R271		nsp	00MNN05473610	CHIP RES.	47K OHM 1/10W J CRJ10DJ473T
INPUT	R272		nsp	00MNN05473610	CHIP RES.	47K OHM 1/10W J CRJ10DJ473T
INPUT	R273		nsp	00MNN05224610	CHIP RES.	220K OHM 1/10W J CRJ10DJ224T
INPUT	R274		nsp	00MNN05224610	CHIP RES.	220K OHM 1/10W J CRJ10DJ224T
INPUT	R275		nsp	00MNN05473610	CHIP RES.	47K OHM 1/10W J CRJ10DJ473T
INPUT	R276		nsp	00MNN05473610	CHIP RES.	47K OHM 1/10W J CRJ10DJ473T
INPUT	R277		nsp	00MNN05104610	CHIP RES.	100K OHM 1/10W J CRJ10DJ104T
INPUT	R278		nsp	00MNN05224610	CHIP RES.	220K OHM 1/10W J CRJ10DJ224T
INPUT	R279		nsp	00MNN05224610	CHIP RES.	220K OHM 1/10W J CRJ10DJ224T
INPUT	R280		nsp	00MNN05104610	CHIP RES.	100K OHM 1/10W J CRJ10DJ104T
INPUT	R281		nsp	00MNN05104610	CHIP RES.	100K OHM 1/10W J CRJ10DJ104T
INPUT	R287		nsp	00MNN05220610	CHIP RES.	22 OHM 1/10W J CRJ10DJ220T
INPUT	R289		nsp	00MNN05220610	CHIP RES.	22 OHM 1/10W J CRJ10DJ220T
INPUT	R290		nsp	00MNN05101610	CHIP RES.	100 OHM 1/10W J CRJ10DJ101T
INPUT	R291		nsp	00MNN05101610	CHIP RES.	100 OHM 1/10W J CRJ10DJ101T
INPUT	R292		nsp	00MNN05104610	CHIP RES.	100K OHM 1/10W J CRJ10DJ104T
INPUT	R294		nsp	00MNN05104610	CHIP RES.	100K OHM 1/10W J CRJ10DJ104T
INPUT	R295		nsp	00MNN05104610	CHIP RES.	100K OHM 1/10W J CRJ10DJ104T
INPUT	R297		nsp	00MNN05104610	CHIP RES.	100K OHM 1/10W J CRJ10DJ104T
INPUT	R298		nsp	00MNN05101610	CHIP RES.	100 OHM 1/10W J CRJ10DJ101T
INPUT	R299		nsp	00MNN05104610	CHIP RES.	100K OHM 1/10W J CRJ10DJ104T
INPUT	R300		nsp	00MNN05104610	CHIP RES.	100K OHM 1/10W J CRJ10DJ104T
INPUT	R301		nsp	00MNN05104610	CHIP RES.	100K OHM 1/10W J CRJ10DJ104T
INPUT	R302		nsp	00MNN05104610	CHIP RES.	100K OHM 1/10W J CRJ10DJ104T

NOTE "nsp" PART IS LISTED FOR REFERENCE ONLY, MARANTZ WILL NOT SUPPLY THESE PARTS

P.W.B. NAME	POS. NO.	VERS. COLOR	PART NO. (FOR EUR)	PART NO. (MZ)	PART NAME	DESCRIPTION
INPUT	R303		nsp	00MNN05104610	CHIP RES.	100K OHM 1/10W J CRJ10DJ104T
INPUT	R305		nsp	00MNN05101610	CHIP RES.	100 OHM 1/10W J CRJ10DJ101T
INPUT	R306		nsp	00MNN05104610	CHIP RES.	100K OHM 1/10W J CRJ10DJ104T
INPUT	R307		nsp	00MNN05102610	CHIP RES.	1K OHM 1/10W J CRJ10DJ102T
INPUT	R308		nsp	00MNN05104610	CHIP RES.	100K OHM 1/10W J CRJ10DJ104T
INPUT	R309		nsp	00MNN05102610	CHIP RES.	1K OHM 1/10W J CRJ10DJ102T
INPUT	R310		nsp	00MNN05822610	CHIP RES.	8.2K OHM 1/10W J CRJ10DJ822T
INPUT	R311		nsp	00MNN05822610	CHIP RES.	8.2K OHM 1/10W J CRJ10DJ822T
INPUT	R312		nsp	00MNN05473610	CHIP RES.	47K OHM 1/10W J CRJ10DJ473T
INPUT	R313		nsp	00MNN05473610	CHIP RES.	47K OHM 1/10W J CRJ10DJ473T
INPUT	R314		nsp	00MNN05221610	CHIP RES.	220 OHM 1/10W J CRJ10DJ221T
INPUT	R315		nsp	00MNN05221610	CHIP RES.	220 OHM 1/10W J CRJ10DJ221T
INPUT	R316		nsp	00MNN05105610	CHIP RES.	1M OHM 1/10W J CRJ10DJ105T
INPUT	R317		nsp	00MNN05103610	CHIP RES.	10K OHM 1/10W J CRJ10DJ103T
INPUT	R318		nsp	00MNN05103610	CHIP RES.	10K OHM 1/10W J CRJ10DJ103T
INPUT	R319		nsp	00MNN05221610	CHIP RES.	220 OHM 1/10W J CRJ10DJ221T
INPUT	R320		nsp	00MNN05221610	CHIP RES.	220 OHM 1/10W J CRJ10DJ221T
INPUT	R321		nsp	00MNN05103610	CHIP RES.	10K OHM 1/10W J CRJ10DJ103T
INPUT	R322		nsp	00MNN05103610	CHIP RES.	10K OHM 1/10W J CRJ10DJ103T
INPUT	R323		nsp	00MNN05330610	CHIP RES.	33 OHM 1/10W J CRJ10DJ330T
INPUT	R324		nsp	00MNN05330610	CHIP RES.	33 OHM 1/10W J CRJ10DJ330T
INPUT	R325		nsp	00MNN05104610	CHIP RES.	100K OHM 1/10W J CRJ10DJ104T
INPUT	R326		nsp	00MNN05102610	CHIP RES.	1K OHM 1/10W J CRJ10DJ102T
INPUT	R327		nsp	00MNN05104610	CHIP RES.	100K OHM 1/10W J CRJ10DJ104T
INPUT	R328		nsp	00MNN05102610	CHIP RES.	1K OHM 1/10W J CRJ10DJ102T
INPUT	R329		nsp	00MNN05822610	CHIP RES.	8.2K OHM 1/10W J CRJ10DJ822T
INPUT	R330		nsp	00MNN05822610	CHIP RES.	8.2K OHM 1/10W J CRJ10DJ822T
INPUT	R331		nsp	00MNN05473610	CHIP RES.	47K OHM 1/10W J CRJ10DJ473T
INPUT	R332		nsp	00MNN05473610	CHIP RES.	47K OHM 1/10W J CRJ10DJ473T
INPUT	R333		nsp	00MNN05221610	CHIP RES.	220 OHM 1/10W J CRJ10DJ221T
INPUT	R334		nsp	00MNN05221610	CHIP RES.	220 OHM 1/10W J CRJ10DJ221T
INPUT	R335		nsp	00MNN05105610	CHIP RES.	1M OHM 1/10W J CRJ10DJ105T
INPUT	R336		nsp	00MNN05103610	CHIP RES.	10K OHM 1/10W J CRJ10DJ103T
INPUT	R337		nsp	00MNN05103610	CHIP RES.	10K OHM 1/10W J CRJ10DJ103T
INPUT	R338		nsp	00MNN05221610	CHIP RES.	220 OHM 1/10W J CRJ10DJ221T
INPUT	R339		nsp	00MNN05221610	CHIP RES.	220 OHM 1/10W J CRJ10DJ221T
INPUT	R340		nsp	00MNN05103610	CHIP RES.	10K OHM 1/10W J CRJ10DJ103T
INPUT	R341		nsp	00MNN05103610	CHIP RES.	10K OHM 1/10W J CRJ10DJ103T
INPUT	R342		nsp	00MNN05330610	CHIP RES.	33 OHM 1/10W J CRJ10DJ330T
INPUT	R343		nsp	00MNN05330610	CHIP RES.	33 OHM 1/10W J CRJ10DJ330T
INPUT	R344		nsp	00MNN05104610	CHIP RES.	100K OHM 1/10W J CRJ10DJ104T
INPUT	R345		nsp	00MNN05102610	CHIP RES.	1K OHM 1/10W J CRJ10DJ102T
INPUT	R346		nsp	00MNN05102610	CHIP RES.	1K OHM 1/10W J CRJ10DJ102T
INPUT	R347		nsp	00MNN05104610	CHIP RES.	100K OHM 1/10W J CRJ10DJ104T
INPUT	R348		nsp	00MNN05822610	CHIP RES.	8.2K OHM 1/10W J CRJ10DJ822T
INPUT	R349		nsp	00MNN05822610	CHIP RES.	8.2K OHM 1/10W J CRJ10DJ822T
INPUT	R350		nsp	00MNN05473610	CHIP RES.	47K OHM 1/10W J CRJ10DJ473T
INPUT	R351		nsp	00MNN05473610	CHIP RES.	47K OHM 1/10W J CRJ10DJ473T
INPUT	R352		nsp	00MNN05221610	CHIP RES.	220 OHM 1/10W J CRJ10DJ221T
INPUT	R353		nsp	00MNN05221610	CHIP RES.	220 OHM 1/10W J CRJ10DJ221T
INPUT	R354		nsp	00MNN05105610	CHIP RES.	1M OHM 1/10W J CRJ10DJ105T
INPUT	R355		nsp	00MNN05222610	CHIP RES.	2.2K OHM 1/10W J CRJ10DJ222T
INPUT	R356		nsp	00MNN05103610	CHIP RES.	10K OHM 1/10W J CRJ10DJ103T
INPUT	R357		nsp	00MNN05103610	CHIP RES.	10K OHM 1/10W J CRJ10DJ103T
INPUT	R358		nsp	00MNN05221610	CHIP RES.	220 OHM 1/10W J CRJ10DJ221T
INPUT	R359		nsp	00MNN05221610	CHIP RES.	220 OHM 1/10W J CRJ10DJ221T
INPUT	R360		nsp	00MNN05103610	CHIP RES.	10K OHM 1/10W J CRJ10DJ103T
INPUT	R361		nsp	00MNN05103610	CHIP RES.	10K OHM 1/10W J CRJ10DJ103T
INPUT	R362		nsp	00MNN05330610	CHIP RES.	33 OHM 1/10W J CRJ10DJ330T
INPUT	R363		nsp	00MNN05330610	CHIP RES.	33 OHM 1/10W J CRJ10DJ330T
INPUT	R364		nsp	00MNN05104610	CHIP RES.	100K OHM 1/10W J CRJ10DJ104T
INPUT	R365		nsp	00MNN05102610	CHIP RES.	1K OHM 1/10W J CRJ10DJ102T
INPUT	R366		nsp	00MNN05104610	CHIP RES.	100K OHM 1/10W J CRJ10DJ104T
INPUT	R367		nsp	00MNN05104610	CHIP RES.	100K OHM 1/10W J CRJ10DJ104T
INPUT	R368		nsp	00MNN05102610	CHIP RES.	1K OHM 1/10W J CRJ10DJ102T
INPUT	R369		nsp	00MNN05822610	CHIP RES.	8.2K OHM 1/10W J CRJ10DJ822T
INPUT	R370		nsp	00MNN05822610	CHIP RES.	8.2K OHM 1/10W J CRJ10DJ822T

NOTE "nsp" PART IS LISTED FOR REFERENCE ONLY, MARANTZ WILL NOT SUPPLY THESE PARTS

P.W.B. NAME	POS. NO.	VERS. COLOR	PART NO. (FOR EUR)	PART NO. (MZ)	PART NAME	DESCRIPTION	
INPUT	R371		nsp	00MNN05000610	CHIP RES.	0 OHM 1/10W J	CRJ10DJ0R0T
INPUT	R372		nsp	00MNN05473610	CHIP RES.	47K OHM 1/10W J	CRJ10DJ473T
INPUT	R373		nsp	00MNN05473610	CHIP RES.	47K OHM 1/10W J	CRJ10DJ473T
INPUT	R374		nsp	00MNN05221610	CHIP RES.	220 OHM 1/10W J	CRJ10DJ221T
INPUT	R375		nsp	00MNN05221610	CHIP RES.	220 OHM 1/10W J	CRJ10DJ221T
INPUT	R376		nsp	00MNN05105610	CHIP RES.	1M OHM 1/10W J	CRJ10DJ105T
INPUT	R377		nsp	00MNN05105610	CHIP RES.	1M OHM 1/10W J	CRJ10DJ105T
INPUT	R378		nsp	00MNN05103610	CHIP RES.	10K OHM 1/10W J	CRJ10DJ103T
INPUT	R379		nsp	00MNN05103610	CHIP RES.	10K OHM 1/10W J	CRJ10DJ103T
INPUT	R380		nsp	00MNN05221610	CHIP RES.	220 OHM 1/10W J	CRJ10DJ221T
INPUT	R381		nsp	00MNN05221610	CHIP RES.	220 OHM 1/10W J	CRJ10DJ221T
INPUT	R382		nsp	00MNN05103610	CHIP RES.	10K OHM 1/10W J	CRJ10DJ103T
INPUT	R383		nsp	00MNN05103610	CHIP RES.	10K OHM 1/10W J	CRJ10DJ103T
INPUT	R384		nsp	00MNN05330610	CHIP RES.	33 OHM 1/10W J	CRJ10DJ330T
INPUT	R385		nsp	00MNN05330610	CHIP RES.	33 OHM 1/10W J	CRJ10DJ330T
INPUT	R386		nsp	00MNN05104610	CHIP RES.	100K OHM 1/10W J	CRJ10DJ104T
INPUT	R387		nsp	00MNN05102610	CHIP RES.	1K OHM 1/10W J	CRJ10DJ102T
INPUT	R388		nsp	00MNN05104610	CHIP RES.	100K OHM 1/10W J	CRJ10DJ104T
INPUT	R389		nsp	00MNN05102610	CHIP RES.	1K OHM 1/10W J	CRJ10DJ102T
INPUT	R390		nsp	00MNN05822610	CHIP RES.	8.2K OHM 1/10W J	CRJ10DJ822T
INPUT	R391		nsp	00MNN05822610	CHIP RES.	8.2K OHM 1/10W J	CRJ10DJ822T
INPUT	R392		nsp	00MNN05473610	CHIP RES.	47K OHM 1/10W J	CRJ10DJ473T
INPUT	R393		nsp	00MNN05473610	CHIP RES.	47K OHM 1/10W J	CRJ10DJ473T
INPUT	R394		nsp	00MNN05221610	CHIP RES.	220 OHM 1/10W J	CRJ10DJ221T
INPUT	R395		nsp	00MNN05221610	CHIP RES.	220 OHM 1/10W J	CRJ10DJ221T
INPUT	R396		nsp	00MNN05105610	CHIP RES.	1M OHM 1/10W J	CRJ10DJ105T
INPUT	R397		nsp	00MNN05103610	CHIP RES.	10K OHM 1/10W J	CRJ10DJ103T
INPUT	R398		nsp	00MNN05103610	CHIP RES.	10K OHM 1/10W J	CRJ10DJ103T
INPUT	R399		nsp	00MNN05221610	CHIP RES.	220 OHM 1/10W J	CRJ10DJ221T
INPUT	R400		nsp	00MNN05221610	CHIP RES.	220 OHM 1/10W J	CRJ10DJ221T
INPUT	R401		nsp	00MNN05103610	CHIP RES.	10K OHM 1/10W J	CRJ10DJ103T
INPUT	R402		nsp	00MNN05103610	CHIP RES.	10K OHM 1/10W J	CRJ10DJ103T
INPUT	R403		nsp	00MNN05330610	CHIP RES.	33 OHM 1/10W J	CRJ10DJ330T
INPUT	R404		nsp	00MNN05330610	CHIP RES.	33 OHM 1/10W J	CRJ10DJ330T
INPUT	R424		nsp	00MNN05100610	CHIP RES.	10 OHM 1/10W J	CRJ10DJ100T
INPUT	R425		nsp	00MNN05101610	CHIP RES.	100 OHM 1/10W J	CRJ10DJ101T
INPUT	R426		nsp	00MNN05101610	CHIP RES.	100 OHM 1/10W J	CRJ10DJ101T
INPUT	R427		nsp	00MNN05101610	CHIP RES.	100 OHM 1/10W J	CRJ10DJ101T
INPUT	R428		nsp	00MNN05101610	CHIP RES.	100 OHM 1/10W J	CRJ10DJ101T
INPUT	R429		nsp	00MNN05102610	CHIP RES.	1K OHM 1/10W J	CRJ10DJ102T
INPUT	R430		nsp	00MNN05224610	CHIP RES.	220K OHM 1/10W J	CRJ10DJ224T
INPUT	R431		nsp	00MNN05224610	CHIP RES.	220K OHM 1/10W J	CRJ10DJ224T
INPUT	R434		nsp	00MNN05224610	CHIP RES.	220K OHM 1/10W J	CRJ10DJ224T
INPUT	R435		nsp	00MNN05224610	CHIP RES.	220K OHM 1/10W J	CRJ10DJ224T
INPUT	R436		nsp	00MNN05224610	CHIP RES.	220K OHM 1/10W J	CRJ10DJ224T
INPUT	R437		nsp	00MNN05224610	CHIP RES.	220K OHM 1/10W J	CRJ10DJ224T
INPUT	R438		nsp	00MNN05101610	CHIP RES.	100 OHM 1/10W J	CRJ10DJ101T
INPUT	R439		nsp	00MNN05101610	CHIP RES.	100 OHM 1/10W J	CRJ10DJ101T
INPUT	RY90		90M-LY000430R	90M-LY000430R	RELAY	RELAY (BA1-5H)	CSL1C003ZU
INPUT	RY92		90M-LY000380R	90M-LY000380R	RELAY	D3023	HSL4C008ZE
					PUSH S/W PWB (CUP11869Y-5)		
P SW	▲ C877	/N1B	90M-DK100800R	90M-DK100800R	CER. CAP.	! DKS471ME	KCKDKS471ME
P SW	▲ C877	/N1S	90M-DK100800R	90M-DK100800R	CER. CAP.	! DKS471ME	KCKDKS471ME
P SW	CN88	/N1B	nsp	nsp	CONN.	2P WAFER	CJP02GA89ZY
P SW	CN88	/N1S	nsp	nsp	CONN.	2P WAFER	CJP02GA89ZY
P SW	▲ SW97	/N1B	90M-SP001250R	90M-SP001250R	SW	! JPP1197CSA64	KSH1A001ZV
P SW	▲ SW97	/N1S	90M-SP001250R	90M-SP001250R	SW	! JPP1197CSA64	KSH1A001ZV
					POWER PWB (CUP11952Z)		
POWER	BK10		nsp	nsp	BRACKET	BRACKET PWB	CMD1A387
POWER	BN65		nsp	nsp	CORD	WIRE ASSY	CWB3F006150UZ
POWER	BN81		nsp	nsp	CORD	WIRE ASSY	CWB1B906200EN
POWER	BN82		nsp	nsp	CORD	WIRE ASSY	CWZSR7001BN82
POWER	C601		90M-OF100370R	90M-OF100370R	FILM CAP.	0.022UF 50V J	HCQ1H223JZT
POWER	C602		90M-OF100370R	90M-OF100370R	FILM CAP.	0.022UF 50V J	HCQ1H223JZT
POWER	C603		90M-OF100370R	90M-OF100370R	FILM CAP.	0.022UF 50V J	HCQ1H223JZT
POWER	C604		90M-OF100370R	90M-OF100370R	FILM CAP.	0.022UF 50V J	HCQ1H223JZT
POWER	C605		90M-OF100370R	90M-OF100370R	FILM CAP.	0.022UF 50V J	HCQ1H223JZT

NOTE *nsp* PART IS LISTED FOR REFERENCE ONLY, MARANTZ WILL NOT SUPPLY THESE PARTS

P.W.B. NAME	POS. NO.	VERS. COLOR	PART NO. (FOR EUR)	PART NO. (MZ)	PART NAME	DESCRIPTION	
POWER	C606		90M-OF100370R	90M-OF100370R	FILM CAP.	0.022UF 50V J	HCQI1H223JZT
POWER	C607		90M-OF100370R	90M-OF100370R	FILM CAP.	0.022UF 50V J	HCQI1H223JZT
POWER	C608		90M-OF100370R	90M-OF100370R	FILM CAP.	0.022UF 50V J	HCQI1H223JZT
POWER	C609		90M-OF100370R	90M-OF100370R	FILM CAP.	0.022UF 50V J	HCQI1H223JZT
POWER	C610		90M-OF100370R	90M-OF100370R	FILM CAP.	0.022UF 50V J	HCQI1H223JZT
POWER	C611		nsp	nsp	CER. CAP.	1000PF 50V KB	CCKT1H102KB
POWER	C612		nsp	nsp	CER. CAP.	1000PF 50V KB	CCKT1H102KB
POWER	C613		nsp	nsp	CER. CAP.	1000PF 50V KB	CCKT1H102KB
POWER	C614		nsp	nsp	CER. CAP.	1000PF 50V KB	CCKT1H102KB
POWER	C615		nsp	nsp	CER. CAP.	1000PF 50V KB	CCKT1H102KB
POWER	C616		nsp	nsp	CER. CAP.	1000PF 50V KB	CCKT1H102KB
POWER	C617		nsp	00MOA47602520	ELECT CAP.	47UF 25V	CCEA1EH470T
POWER	C618		nsp	nsp	CER. CAP.	1000PF 50V KB	CCKT1H102KB
POWER	C619		nsp	00MOA10710020	ELECT CAP.	100UF 100V	CCEA2AH101E
POWER	C620		nsp	nsp	CER. CAP.	0.01UF 50V Z	CCFT1H103ZF
POWER	C621		nsp	00MOA47605020	ELECT CAP.	47UF 50V	CCEA1HH470T
POWER	C622		nsp	00MOA47605020	ELECT CAP.	47UF 50V	CCEA1HH470T
POWER	C623		nsp	nsp	CER. CAP.	0.01UF 50V Z	CCFT1H103ZF
POWER	C625		nsp	nsp	FILM CAP.	0.1UF 50V ZF	CCFT1H104ZF
POWER	C626		nsp	nsp	FILM CAP.	0.1UF 50V ZF	CCFT1H104ZF
POWER	C627		nsp	nsp	FILM CAP.	0.1UF 50V ZF	CCFT1H104ZF
POWER	C628		nsp	nsp	FILM CAP.	0.1UF 50V ZF	CCFT1H104ZF
POWER	▲ C629		90M-EB000020R	90M-EB000020R	ELECT CAP.	! ELNA LH6 SERIES 71V 18000UF	CCET71VLH6183R
POWER	▲ C630		90M-EB000020R	90M-EB000020R	ELECT CAP.	! ELNA LH6 SERIES 71V 18000UF	CCET71VLH6183R
POWER	CN61		nsp	nsp	CONN.	STRAIGHT, 2PIN	CJP02GA01ZY
POWER	CN62		nsp	nsp	CONN.	STRAIGHT, 7PIN	CJP07GA01ZY
POWER	CN63		nsp	nsp	CONN.	5P WAFER YMW025-05R	CJP05GA01ZY
POWER	CN65		nsp	nsp	CONN.	16P WAFER	CJP16GA147ZY
POWER	CN66		nsp	nsp	CONN.	3P STRAIGHT	CJP03GA01ZY
POWER	CN67		nsp	nsp	CONN.	A3963WV2-5P (3.96MM)	CJP05GA148ZW
POWER	CN68		nsp	nsp	CONN.	A3963WV2-5P (3.96MM)	CJP05GA148ZW
POWER	CN69		90M-YJ003110R	90M-YJ003110R	CONN.	7P B TO B HOUSING	CJP07GB99ZY
POWER	CN90		nsp	nsp	CONN.	8P STRAIGHT	CJP08GA01ZY
POWER	CN92		nsp	nsp	CONN.	9P WAFER YMW025-09R	CJP09GA01ZY
POWER	D601		nsp	90M-HD201750R	DIODE	1N4003	CVD1N4003SRT
POWER	D602		nsp	90M-HD201750R	DIODE	1N4003	CVD1N4003SRT
POWER	D603		nsp	90M-HD201750R	DIODE	1N4003	CVD1N4003SRT
POWER	D604		nsp	90M-HD201750R	DIODE	1N4003	CVD1N4003SRT
POWER	D605		nsp	90M-HD201750R	DIODE	1N4003	CVD1N4003SRT
POWER	D606		nsp	90M-HD201750R	DIODE	1N4003	CVD1N4003SRT
POWER	D613		nsp	90M-HD201750R	DIODE	1N4003	CVD1N4003SRT
POWER	D614		90M-HD302360R	90M-HD302360R	ZENER DIODE	ZJ6.8B 1/2W	CVDZJ6.8BT
POWER	D615		90M-HD302400R	90M-HD302400R	ZENER DIODE	ZJ30BT	CVDZJ30BT
POWER	J590		nsp	nsp	CORD	SN95/PB5, 0.6	C3A206
POWER	J591		nsp	nsp	CORD	SN95/PB5, 0.6	C3A206
POWER	J592		nsp	nsp	CORD	SN95/PB5, 0.6	C3A206
POWER	J593		nsp	nsp	CORD	SN95/PB5, 0.6	C3A206
POWER	J594		nsp	nsp	CORD	SN95/PB5, 0.6	C3A206
POWER	J595		nsp	nsp	CORD	SN95/PB5, 0.6	C3A206
POWER	J596		nsp	nsp	CORD	SN95/PB5, 0.6	C3A206
POWER	J597		nsp	nsp	CORD	SN95/PB5, 0.6	C3A206
POWER	J598		nsp	nsp	CORD	SN95/PB5, 0.6	C3A206
POWER	J599		nsp	nsp	CORD	SN95/PB5, 0.6	C3A206
POWER	J600		nsp	nsp	CORD	SN95/PB5, 0.6	C3A206
POWER	J601		nsp	nsp	CORD	SN95/PB5, 0.6	C3A206
POWER	J602		nsp	nsp	CORD	SN95/PB5, 0.6	C3A206
POWER	J603		nsp	nsp	CORD	SN95/PB5, 0.6	C3A206
POWER	J604		nsp	nsp	CORD	SN95/PB5, 0.6	C3A206
POWER	J605		nsp	nsp	CORD	SN95/PB5, 0.6	C3A206
POWER	J606		nsp	nsp	CORD	SN95/PB5, 0.6	C3A206
POWER	J607		nsp	nsp	CORD	SN95/PB5, 0.6	C3A206
POWER	J608		nsp	nsp	CORD	SN95/PB5, 0.6	C3A206
POWER	J609		nsp	nsp	CORD	SN95/PB5, 0.6	C3A206
POWER	J610		nsp	nsp	CORD	SN95/PB5, 0.6	C3A206
POWER	J611		nsp	nsp	CORD	SN95/PB5, 0.6	C3A206
POWER	J612		nsp	nsp	CORD	SN95/PB5, 0.6	C3A206
POWER	J613		nsp	nsp	CORD	SN95/PB5, 0.6	C3A206

NOTE "nsp" PART IS LISTED FOR REFERENCE ONLY, MARANTZ WILL NOT SUPPLY THESE PARTS

P.W.B. NAME	POS. NO.	VERS. COLOR	PART NO. (FOR EUR)	PART NO. (MZ)	PART NAME	DESCRIPTION
POWER	J614		nsp	nsp	CORD	SN95/PB5, 0.6 C3A206
POWER	J615		nsp	nsp	CORD	SN95/PB5, 0.6 C3A206
POWER	J616		nsp	nsp	CORD	SN95/PB5, 0.6 C3A206
POWER	J617		nsp	nsp	CORD	SN95/PB5, 0.6 C3A206
POWER	J618		nsp	nsp	CORD	SN95/PB5, 0.6 C3A206
POWER	J619		nsp	nsp	CORD	SN95/PB5, 0.6 C3A206
POWER	J620		nsp	nsp	CORD	SN95/PB5, 0.6 C3A206
POWER	J621		nsp	nsp	CORD	SN95/PB5, 0.6 C3A206
POWER	J622		nsp	nsp	CORD	SN95/PB5, 0.6 C3A206
POWER	J623		nsp	nsp	CORD	SN95/PB5, 0.6 C3A206
POWER	J624		nsp	nsp	CORD	SN95/PB5, 0.6 C3A206
POWER	J625		nsp	nsp	CORD	SN95/PB5, 0.6 C3A206
POWER	J626		nsp	nsp	CORD	SN95/PB5, 0.6 C3A206
POWER	J627		nsp	nsp	CORD	SN95/PB5, 0.6 C3A206
POWER	J628		nsp	nsp	CORD	SN95/PB5, 0.6 C3A206
POWER	J629		nsp	nsp	CORD	SN95/PB5, 0.6 C3A206
POWER	J630		nsp	nsp	CORD	SN95/PB5, 0.6 C3A206
POWER	J631		nsp	nsp	CORD	SN95/PB5, 0.6 C3A206
POWER	J632		nsp	nsp	CORD	SN95/PB5, 0.6 C3A206
POWER	J633		nsp	nsp	CORD	SN95/PB5, 0.6 C3A206
POWER	J634		nsp	nsp	CORD	SN95/PB5, 0.6 C3A206
POWER	J635		nsp	nsp	CORD	SN95/PB5, 0.6 C3A206
POWER	J636		nsp	nsp	CORD	SN95/PB5, 0.6 C3A206
POWER	J637		nsp	nsp	CORD	SN95/PB5, 0.6 C3A206
POWER	J638		nsp	nsp	CORD	SN95/PB5, 0.6 C3A206
POWER	J639		nsp	nsp	CORD	SN95/PB5, 0.6 C3A206
POWER	J640		nsp	nsp	CORD	SN95/PB5, 0.6 C3A206
POWER	J641		nsp	nsp	CORD	SN95/PB5, 0.6 C3A206
POWER	J642		nsp	nsp	CORD	SN95/PB5, 0.6 C3A206
POWER	J643		nsp	nsp	CORD	SN95/PB5, 0.6 C3A206
POWER	J644		nsp	nsp	CORD	SN95/PB5, 0.6 C3A206
POWER	J664		nsp	nsp	CORD	SN95/PB5, 0.6 C3A206
POWER	J665		nsp	nsp	CORD	SN95/PB5, 0.6 C3A206
POWER	J666		nsp	nsp	CORD	SN95/PB5, 0.6 C3A206
POWER	J667		nsp	nsp	CORD	SN95/PB5, 0.6 C3A206
POWER	J668		nsp	nsp	CORD	SN95/PB5, 0.6 C3A206
POWER	J669		nsp	nsp	CORD	SN95/PB5, 0.6 C3A206
POWER	J670		nsp	nsp	CORD	SN95/PB5, 0.6 C3A206
POWER	J671		nsp	nsp	CORD	SN95/PB5, 0.6 C3A206
POWER	J672		nsp	nsp	CORD	SN95/PB5, 0.6 C3A206
POWER	J673		nsp	nsp	CORD	SN95/PB5, 0.6 C3A206
POWER	J674		nsp	nsp	CORD	SN95/PB5, 0.6 C3A206
POWER	J675		nsp	nsp	CORD	SN95/PB5, 0.6 C3A206
POWER	J676		nsp	nsp	CORD	SN95/PB5, 0.6 C3A206
POWER	J677		nsp	nsp	CORD	SN95/PB5, 0.6 C3A206
POWER	J678		nsp	nsp	CORD	SN95/PB5, 0.6 C3A206
POWER	J679		nsp	nsp	CORD	SN95/PB5, 0.6 C3A206
POWER	J680		nsp	nsp	CORD	SN95/PB5, 0.6 C3A206
POWER	J681		nsp	nsp	CORD	SN95/PB5, 0.6 C3A206
POWER	J682		nsp	nsp	CORD	SN95/PB5, 0.6 C3A206
POWER	J683		nsp	nsp	CORD	SN95/PB5, 0.6 C3A206
POWER	J684		nsp	nsp	CORD	SN95/PB5, 0.6 C3A206
POWER	J685		nsp	nsp	CORD	SN95/PB5, 0.6 C3A206
POWER	J686		nsp	nsp	CORD	SN95/PB5, 0.6 C3A206
POWER	J687		nsp	nsp	CORD	SN95/PB5, 0.6 C3A206
POWER	J688		nsp	nsp	CORD	SN95/PB5, 0.6 C3A206
POWER	J689		nsp	nsp	CORD	SN95/PB5, 0.6 C3A206
POWER	J690		nsp	nsp	CORD	SN95/PB5, 0.6 C3A206
POWER	J691		nsp	nsp	CORD	SN95/PB5, 0.6 C3A206
POWER	J692		nsp	nsp	CORD	SN95/PB5, 0.6 C3A206
POWER	J693		nsp	nsp	CORD	SN95/PB5, 0.6 C3A206
POWER	J694		nsp	nsp	CORD	SN95/PB5, 0.6 C3A206
POWER	J695		nsp	nsp	CORD	SN95/PB5, 0.6 C3A206
POWER	J696		nsp	nsp	CORD	SN95/PB5, 0.6 C3A206
POWER	J697		nsp	nsp	CORD	SN95/PB5, 0.6 C3A206
POWER	J698		nsp	nsp	CORD	SN95/PB5, 0.6 C3A206
POWER	J699		nsp	nsp	CORD	SN95/PB5, 0.6 C3A206

NOTE "nsp" PART IS LISTED FOR REFERENCE ONLY, MARANTZ WILL NOT SUPPLY THESE PARTS

P.W.B. NAME	POS. NO.	VERS. COLOR	PART NO. (FOR EUR)	PART NO. (MZ)	PART NAME	DESCRIPTION
POWER	JK61		90M-YT003520R	90M-YT003520R	TERMINAL	4P SPEAKER TERMINAL FL FR CJJ5P020Z
POWER	JK62		90M-YT003520R	90M-YT003520R	TERMINAL	4P SPEAKER TERMINAL FL FR CJJ5P020Z
POWER	JK63		90M-YT003530R	90M-YT003530R	TERMINAL	6PIN SPEAKER TERMINAL CNT SL SR CJJ5R006Z
POWER	JW10		nsp	nsp	CORD	WIRE ASSY CWE8102100RV
POWER	JW20		nsp	nsp	CORD	WIRE ASSY CWE8102150RV
POWER	Q601		00MHT600111B0	00MHT600111B0	TRS.	KTA1267Y HVTKTA1267YT
POWER	Q602		00MHT600111B0	00MHT600111B0	TRS.	KTA1267Y HVTKTA1267YT
POWER	Q603		00MHT600111B0	00MHT600111B0	TRS.	KTA1267Y HVTKTA1267YT
POWER	Q604		00MHT600111B0	00MHT600111B0	TRS.	KTA1267Y HVTKTA1267YT
POWER	Q605		00MHT600111B0	00MHT600111B0	TRS.	KTA1267Y HVTKTA1267YT
POWER	Q606		00MBA20001000	00MBA20001000	TRS.	KRC102M HVTKRC102MT
POWER	Q607		00MBA20001000	00MBA20001000	TRS.	KRC102M HVTKRC102MT
POWER	Q608		00MBA20001000	00MBA20001000	TRS.	KRC102M HVTKRC102MT
POWER	Q609		00MBA20001000	00MBA20001000	TRS.	KRC102M HVTKRC102MT
POWER	Q610		00MBA20001000	00MBA20001000	TRS.	KRC102M HVTKRC102MT
POWER	Q612		00MHT600111B0	00MHT600111B0	TRS.	KTA1267Y HVTKTA1267YT
POWER	Q613		90M-HT800050R	90M-HT800050R	TRS.	KTC3198Y HVTKTC3198YT
POWER	Q614		90M-HT800050R	90M-HT800050R	TRS.	KTC3198Y HVTKTC3198YT
POWER	Q615		00MHT600111B0	00MHT600111B0	TRS.	KTA1267Y HVTKTA1267YT
POWER	Q616		00MHT600141B0	00MHT600141B0	TRS.	KTA1271Y HVTKTA1271YT
POWER	R601		nsp	nsp	RES.	10 OHM 1W J KRG1SANJ100RT
POWER	R602		nsp	nsp	RES.	10 OHM 1W J KRG1SANJ100RT
POWER	R603		nsp	nsp	RES.	10 OHM 1W J KRG1SANJ100RT
POWER	R604		nsp	nsp	RES.	10 OHM 1W J KRG1SANJ100RT
POWER	R605		nsp	nsp	RES.	10 OHM 1W J KRG1SANJ100RT
POWER	R606		nsp	nsp	RES.	390 OHM 1W J KRG1SANJ391RT
POWER	R607		nsp	nsp	RES.	390 OHM 1W J KRG1SANJ391RT
POWER	R608		nsp	nsp	RES.	390 OHM 1W J KRG1SANJ391RT
POWER	R609		nsp	nsp	RES.	390 OHM 1W J KRG1SANJ391RT
POWER	R610		nsp	nsp	RES.	390 OHM 1W J KRG1SANJ391RT
POWER	R611		nsp	nsp	RES.	470 OHM 1W J KRG1SANJ471RT
POWER	R612		nsp	nsp	RES.	470 OHM 1W J KRG1SANJ471RT
POWER	R613		nsp	nsp	RES.	470 OHM 1W J KRG1SANJ471RT
POWER	R614		nsp	nsp	RES.	470 OHM 1W J KRG1SANJ471RT
POWER	R615		nsp	nsp	RES.	470 OHM 1W J KRG1SANJ471RT
POWER	R616		nsp	nsp	RES.	270 OHM 1W J KRG1SANJ271RT
POWER	R617		nsp	nsp	RES.	270 OHM 1W J KRG1SANJ271RT
POWER	R618		nsp	nsp	RES.	10K OHM 1/5W J CRD20TJ103T
POWER	R619		nsp	nsp	RES.	10K OHM 1/5W J CRD20TJ103T
POWER	R620		nsp	nsp	RES.	10K OHM 1/5W J CRD20TJ103T
POWER	R621		nsp	nsp	RES.	10K OHM 1/5W J CRD20TJ103T
POWER	R622		nsp	nsp	RES.	10K OHM 1/5W J CRD20TJ103T
POWER	R623		nsp	nsp	RES.	10K OHM 1/5W J CRD20TJ103T
POWER	R624		nsp	nsp	RES.	10K OHM 1/5W J CRD20TJ103T
POWER	R625		nsp	nsp	RES.	10K OHM 1/5W J CRD20TJ103T
POWER	R626		nsp	nsp	RES.	10K OHM 1/5W J CRD20TJ103T
POWER	R627		nsp	nsp	RES.	10K OHM 1/5W J CRD20TJ103T
POWER	R628		nsp	nsp	RES.	10K OHM 1/5W J CRD20TJ103T
POWER	R629		nsp	nsp	RES.	10K OHM 1/5W J CRD20TJ103T
POWER	R630		nsp	nsp	RES.	330 OHM 1W CRG1ANJ331H
POWER	R631		nsp	nsp	RES.	330 OHM 1W CRG1ANJ331H
POWER	R632		nsp	nsp	RES.	33K OHM 1/5W J CRD20TJ333T
POWER	R633		nsp	nsp	RES.	100K OHM 1/5W J CRD20TJ104T
POWER	R634		nsp	nsp	RES.	15K OHM 1/5W J CRD20TJ153T
POWER	R635		nsp	nsp	RES.	15K OHM 1/5W J CRD20TJ153T
POWER	R636		nsp	nsp	RES.	15K OHM 1/5W J CRD20TJ153T
POWER	R637		nsp	nsp	RES.	15K OHM 1/5W J CRD20TJ153T
POWER	R638		nsp	nsp	RES.	10K OHM 1/5W J CRD20TJ103T
POWER	R639		nsp	nsp	RES.	1 OHM 1/4W J CRD25TJ1R0T
POWER	R640		nsp	nsp	RES.	2.2K OHM 1W J KRG1SANJ222RT
POWER	R641		nsp	nsp	RES.	2.2K OHM 1W J KRG1SANJ222RT
POWER	R642		nsp	nsp	RES.	100 OHM 1/4W J CRD25TJ101T
POWER	R643		nsp	nsp	RES.	100 OHM 1/4W J CRD25TJ101T
POWER	R644		nsp	nsp	RES.	47K OHM 1/5W J CRD20TJ473T
POWER	R645		nsp	nsp	RES.	1.2K OHM 1/5W J CRD20TJ122T
POWER	RY61		00MLY20240510	00MLY20240510	RELAY	OSA-SS-224DM3 HSL4B017ZU
POWER	RY62		00MLY20240490	00MLY20240490	RELAY	5GPA-28 DC24 HSL3B013ZE

NOTE "nsp" PART IS LISTED FOR REFERENCE ONLY, MARANTZ WILL NOT SUPPLY THESE PARTS

P.W.B. NAME	POS. NO.	VERS. COLOR	PART NO. (FOR EUR)	PART NO. (MZ)	PART NAME	DESCRIPTION
POWER	RY63		00MLY20240490	00MLY20240490	RELAY	5GPA-28 DC24 HSL3B013ZE
POWER	RY64		00MLY20240490	00MLY20240490	RELAY	5GPA-28 DC24 HSL3B013ZE
POWER	RY65		00MLY20240490	00MLY20240490	RELAY	5GPA-28 DC24 HSL3B013ZE
POWER	▲ RY66		00MLY20240520	00MLY20240520	RELAY	! PCLH-203D1SP HSL4B018ZU
REGULATOR PWB (CUP11876Y)						
REG	BN61		nsp	nsp	CORD	WIRE ASSY CWB1D902150BM
REG	BN91		nsp	nsp	CORD	WIRE ASSY CWB1D908180BM
REG	BN92		nsp	nsp	CORD	WIRE ASSY CWB1D909200BM
REG	BN94		nsp	nsp	CORD	WIRE ASSY CWB1D908670BM
REG	BN97		nsp	nsp	CORD	WIRE ASSY CWB1B003050NN
REG	C903		00MEA10901670	00MEA10901670	ELECT CAP.	10000UF 16V CCEA1CH103E
REG	C904		nsp	nsp	FILM CAP.	0.1UF 50V ZF CCFT1H104ZF
REG	C905		nsp	nsp	FILM CAP.	0.1UF 50V ZF CCFT1H104ZF
REG	C906		nsp	00MOA10702520	ELECT CAP.	100UF 25V CCEA1EH101T
REG	C907		00MEA10901670	00MEA10901670	ELECT CAP.	10000UF 16V CCEA1CH103E
REG	C908		nsp	nsp	FILM CAP.	0.1UF 50V ZF CCFT1H104ZF
REG	C909		nsp	nsp	FILM CAP.	0.1UF 50V ZF CCFT1H104ZF
REG	C910		nsp	00MOA10702520	ELECT CAP.	100UF 25V CCEA1EH101T
REG	C911		90M-EA001190R	90M-EA001190R	ELECT CAP.	6800UF 35V CCET35VKL5682NK
REG	C912		nsp	nsp	CER. CAP.	0.01UF 50V Z CCFT1H103ZF
REG	C913		nsp	nsp	CER. CAP.	0.01UF 50V Z CCFT1H103ZF
REG	C914		nsp	00MOA10702520	ELECT CAP.	100UF 25V CCEA1EH101T
REG	C916		nsp	nsp	CER. CAP.	0.01UF 50V Z CCFT1H103ZF
REG	C917		nsp	nsp	CER. CAP.	0.01UF 50V Z CCFT1H103ZF
REG	C918		nsp	00MOA22702520	ELECT CAP.	220UF 25V CCEA1EH221T
REG	C919		nsp	90M-OA000560R	ELECT CAP.	4700UF 35V 16X30 CCEA1VH472E
REG	C920	/N1B	nsp	00MOA22703520	ELECT CAP.	220UF 35V CCEA1VH221T
REG	C920	/N1S	nsp	00MOA22703520	ELECT CAP.	220UF 35V CCEA1VH221T
REG	CN92		00MYP04000760	00MYP04000760	CONN.	7.92MM(YUNHO) CJP02KA060ZY
REG	CN93		nsp	nsp	CONN.	8P STRAIGHT CJP08GA01ZY
REG	CN95		nsp	nsp	CONN.	6P STRAIGHT CJP06GA19ZY
REG	CN96		nsp	nsp	CONN.	5P STRAIGHT CJP05GA19ZY
REG	▲ D902		90M-HE200330R	90M-HE200330R	DIODE	! BU804F HVDKBU804F
REG	▲ D905		90M-HE200330R	90M-HE200330R	DIODE	! BU804F HVDKBU804F
REG	D906		nsp	90M-HD201750R	DIODE	1N4003 CVD1N4003SRT
REG	D907		nsp	90M-HD201750R	DIODE	1N4003 CVD1N4003SRT
REG	ET10		nsp	nsp	TERMINAL	EARTH PLATE CNE75
REG	▲ F901		90M-FS001450R	90M-FS001450R	FUSE	! T 5A 250V LITTLE FUSE 382 KBA2D5000A2EYT
REG	▲ F902		90M-FS001450R	90M-FS001450R	FUSE	! T 5A 250V LITTLE FUSE 382 KBA2D5000A2EYT
REG	IC91		90M-HC300750R	90M-HC300750R	IC	KIA378R05PI HVIKIA378R05PI
REG	IC92		90M-HC300750R	90M-HC300750R	IC	KIA378R05PI HVIKIA378R05PI
REG	IC93		00MHC3891509F	00MHC3891509F	IC	NJM7815FA HVINJM7815FA
REG	IC94		00MHC3991509F	00MHC3991509F	IC	NJM7915FA HVINJM7915FA
REG	J900		nsp	nsp	CORD	SN95/PB5, 0.6 C3A206
REG	J901		nsp	nsp	CORD	SN95/PB5, 0.6 C3A206
REG	J902		nsp	nsp	CORD	SN95/PB5, 0.6 C3A206
REG	J903		nsp	nsp	CORD	SN95/PB5, 0.6 C3A206
REG	J904		nsp	nsp	CORD	SN95/PB5, 0.6 C3A206
REG	J905		nsp	nsp	CORD	SN95/PB5, 0.6 C3A206
REG	J906		nsp	nsp	CORD	SN95/PB5, 0.6 C3A206
REG	J907		nsp	nsp	CORD	SN95/PB5, 0.6 C3A206
REG	J908		nsp	nsp	CORD	SN95/PB5, 0.6 C3A206
REG	J909		nsp	nsp	CORD	SN95/PB5, 0.6 C3A206
REG	J910		nsp	nsp	CORD	SN95/PB5, 0.6 C3A206
REG	J911		nsp	nsp	CORD	SN95/PB5, 0.6 C3A206
REG	J912		nsp	nsp	CORD	SN95/PB5, 0.6 C3A206
REG	J913		nsp	nsp	CORD	SN95/PB5, 0.6 C3A206
REG	J914		nsp	nsp	CORD	SN95/PB5, 0.6 C3A206
REG	J915		nsp	nsp	CORD	SN95/PB5, 0.6 C3A206
REG	J916		nsp	nsp	CORD	SN95/PB5, 0.6 C3A206
REG	J917		nsp	nsp	CORD	SN95/PB5, 0.6 C3A206
REG	J918		nsp	nsp	CORD	SN95/PB5, 0.6 C3A206
REG	J920		nsp	nsp	CORD	SN95/PB5, 0.6 C3A206
REG	J921		nsp	nsp	CORD	SN95/PB5, 0.6 C3A206
REG	J922		nsp	nsp	CORD	SN95/PB5, 0.6 C3A206
REG	J923		nsp	nsp	CORD	SN95/PB5, 0.6 C3A206
REG	J924		nsp	nsp	CORD	SN95/PB5, 0.6 C3A206

NOTE *nsp* PART IS LISTED FOR REFERENCE ONLY, MARANTZ WILL NOT SUPPLY THESE PARTS

P.W.B. NAME	POS. NO.	VERS. COLOR	PART NO. (FOR EUR)	PART NO. (MZ)	PART NAME	DESCRIPTION
REG	J925		nsp	nsp	CORD	SN95/PB5, 0.6 C3A206
REG	J926		nsp	nsp	CORD	SN95/PB5, 0.6 C3A206
REG	▲ R903		90M-NH000080R	90M-NH000080R	FUSE RES.	! 0.47 OHM 1W J KRQ1AJR47H
REG	▲ R904		90M-NH000080R	90M-NH000080R	FUSE RES.	! 0.47 OHM 1W J KRQ1AJR47H
REG	R906		nsp	nsp	RES.	22K OHM 1/5W J CRD20TJ223T
REG	R907		nsp	nsp	RES.	22K OHM 1/5W J CRD20TJ223T
REG	R908		nsp	nsp	RES.	10K OHM 1/5W J CRD20TJ103T
REG	R909		nsp	nsp	RES.	100K OHM 1/5W J CRD20TJ104T
REG	R910		nsp	nsp	RES.	100K OHM 1/5W J CRD20TJ104T
RS-232C PWB (CUP11874Y-3)						
RS232	BK91		nsp	nsp	BRACKET	BRACKET FOR PWB CMD1A569
RS232	C901		nsp	nsp	CER. CAP.	0.1UF 50V Z HCBS1H104ZFT
RS232	C902		nsp	nsp	CER. CAP.	0.1UF 50V Z HCBS1H104ZFT
RS232	C903		nsp	nsp	CER. CAP.	0.1UF 50V Z HCBS1H104ZFT
RS232	C904		nsp	nsp	CER. CAP.	0.1UF 50V Z HCBS1H104ZFT
RS232	C905		nsp	nsp	CER. CAP.	0.1UF 50V Z HCBS1H104ZFT
RS232	CN90		nsp	nsp	CONN.	00906-0027 4P STRAIGHT CJP04GA19ZY
RS232	IC92		90M-HC109890R	90M-HC109890R	IC	ST3232ECWR CVIST3232ECWR
RS232	J902		nsp	nsp	CORD	SN95/PB5, 0.6 C3A206
RS232	JK90		90M-YT005040R	90M-YT005040R	TERMINAL	9P D-SUB MALE (RS-232C) SEMCO CJJ9V001Z
SBLR SPEAKER PWB (CUP11874Y-2)						
SBLR	BK81		nsp	nsp	BRACKET	BRACKET FOR PWB CMD1A569
SBLR	C810		90M-OF100370R	90M-OF100370R	FILM CAP.	0.022UF 50V J HCQI1H223JZT
SBLR	C811		90M-OF100370R	90M-OF100370R	FILM CAP.	0.022UF 50V J HCQI1H223JZT
SBLR	C812		90M-OF100370R	90M-OF100370R	FILM CAP.	0.022UF 50V J HCQI1H223JZT
SBLR	C813		90M-OF100370R	90M-OF100370R	FILM CAP.	0.022UF 50V J HCQI1H223JZT
SBLR	C814		nsp	nsp	CER. CAP.	1000PF 50V KB CKKT1H102KB
SBLR	C816		nsp	nsp	CER. CAP.	0.1UF 50V Z HCBS1H104ZFT
SBLR	C817		nsp	nsp	CER. CAP.	0.1UF 50V Z HCBS1H104ZFT
SBLR	CN81		nsp	nsp	CONN.	6P STRAIGHT CJP06GA19ZY
SBLR	CN82		nsp	nsp	CONN.	2P WAFER CJP02GA89ZY
SBLR	CN83		nsp	nsp	CONN.	2P WAFER CJP02GA89ZY
SBLR	D801		nsp	90M-HD201750R	DIODE	1N4003 CVD1N4003SRT
SBLR	J800		nsp	nsp	CORD	SN95/PB5, 0.6 C3A206
SBLR	J801		nsp	nsp	CORD	SN95/PB5, 0.6 C3A206
SBLR	J802		nsp	nsp	CORD	SN95/PB5, 0.6 C3A206
SBLR	J803		nsp	nsp	CORD	SN95/PB5, 0.6 C3A206
SBLR	J804		nsp	nsp	CORD	SN95/PB5, 0.6 C3A206
SBLR	J805		nsp	nsp	CORD	SN95/PB5, 0.6 C3A206
SBLR	J806		nsp	nsp	CORD	SN95/PB5, 0.6 C3A206
SBLR	J807		nsp	nsp	CORD	SN95/PB5, 0.6 C3A206
SBLR	J808		nsp	nsp	CORD	SN95/PB5, 0.6 C3A206
SBLR	JK80		90M-YT004400R	90M-YT004400R	TERMINAL	DCS2003 CJJ5P021Z
SBLR	Q801		00MHT600111B0	00MHT600111B0	TRS.	KTA1267Y HVTKTA1267YT
SBLR	Q803		00MBA20001000	00MBA20001000	TRS.	KRC102M HVTKRC102MT
SBLR	R810		nsp	nsp	RES.	10 OHM 1W J KRG1SANJ100RT
SBLR	R811		nsp	nsp	RES.	10 OHM 1W J KRG1SANJ100RT
SBLR	R812		nsp	nsp	RES.	10K OHM 1/5W J CRD20TJ103T
SBLR	R813		nsp	nsp	RES.	10K OHM 1/5W J CRD20TJ103T
SBLR	R816		nsp	nsp	RES.	390 OHM 1W J KRG1SANJ391RT
SBLR	R818		nsp	nsp	RES.	470 OHM 1W J KRG1SANJ471RT
SBLR	RY81		00MLY20240490	00MLY20240490	RELAY	5GPA-28 DC24 HSL3B013ZE
SBLR	SW81		90M-SS000710R	90M-SS000710R	SW	SLIDE SWITCH KSS2B016Z
SELECTOR ENCODER PWB (CUP11869Y-2)						
SEL/ENC	C841		nsp	nsp	CER. CAP.	0.1UF 50V Z HCBS1H104ZFT
SEL/ENC	C851		nsp	nsp	CER. CAP.	0.1UF 50V Z HCBS1H104ZFT
SEL/ENC	C871		nsp	nsp	CER. CAP.	100PF 50V K HCBS1H101KBT
SEL/ENC	C872		nsp	nsp	CER. CAP.	100PF 50V K HCBS1H101KBT
SEL/ENC	C873		nsp	nsp	CER. CAP.	100PF 50V K HCBS1H101KBT
SEL/ENC	CN51		nsp	nsp	CONN.	9P STRAIGHT CJP09GA19ZY
SEL/ENC	D801		90M-HI101090R	90M-HI101090R	L.E.D.	SPR-39MVW3 2COLOR HVDSR39MVW3
SEL/ENC	D806		90M-HI101190R	90M-HI101190R	L.E.D.	BLUE LED TOL-52CSBBCEAB2 CVD52CSBBCEAB2
SEL/ENC	EN82		90M-SR000270R	90M-SR000270R	ROTARY SW	EC16B12S0AD4ZZZ HSR2A032Z
SEL/ENC	J847		nsp	nsp	CORD	SN95/PB5, 0.6 C3A206
SEL/ENC	J848		nsp	nsp	CORD	SN95/PB5, 0.6 C3A206
SEL/ENC	J849		nsp	nsp	CORD	SN95/PB5, 0.6 C3A206
SEL/ENC	J866		nsp	nsp	CORD	SN95/PB5, 0.6 C3A206

NOTE "nsp" PART IS LISTED FOR REFERENCE ONLY, MARANTZ WILL NOT SUPPLY THESE PARTS

P.W.B. NAME	POS. NO.	VERS. COLOR	PART NO. (FOR EUR)	PART NO. (MZ)	PART NAME	DESCRIPTION
SEL/ENC	J867		nsp	nsp	CORD	SN95/PB5, 0.6 C3A206
SEL/ENC	JW13		nsp	nsp	CORD	WIRE ASSY CWE8102140RV
SEL/ENC	Q806		00MBA10001000	00MBA10001000	TRS.	KRA102M HVTKRA102MT
SEL/ENC	Q807		00MBA10001000	00MBA10001000	TRS.	KRA102M HVTKRA102MT
SEL/ENC	Q812		00MBA10001000	00MBA10001000	TRS.	KRA102M HVTKRA102MT
SEL/ENC	R852		nsp	nsp	RES.	220 OHM 1/5W J CRD20TJ221T
SEL/ENC	R853		nsp	nsp	RES.	10K OHM 1/5W J CRD20TJ103T
SEL/ENC	R865		nsp	nsp	RES.	270 OHM 1/5W J CRD20TJ271T
SEL/ENC	R871		nsp	nsp	RES.	10K OHM 1/5W J CRD20TJ103T
SEL/ENC	R872		nsp	nsp	RES.	10K OHM 1/5W J CRD20TJ103T
SEL/ENC	R873		nsp	nsp	RES.	10K OHM 1/5W J CRD20TJ103T
SEL/ENC	R874		nsp	nsp	RES.	10K OHM 1/5W J CRD20TJ103T
SEL/ENC	R875		nsp	nsp	RES.	220 OHM 1/5W J CRD20TJ221T
STANDBY PWB (CUP11874Y-1)						
ST-BY	BK71		nsp	nsp	BRACKET	BRACKET FOR PWB (A) CMD1A188
ST-BY	C781		nsp	nsp	CER. CAP.	0.1UF 50V Z HCBS1H104ZFT
ST-BY	C782		nsp	00MOA47505020	ELECT CAP.	4.7UF 50V CCEA1HH4R7T
ST-BY	C783		nsp	00MOA10701620	ELECT CAP.	100UF 16V CCEA1CH101T
ST-BY	C784		nsp	nsp	CER. CAP.	0.1UF 50V Z HCBS1H104ZFT
ST-BY	C785		nsp	nsp	CER. CAP.	0.1UF 50V Z HCBS1H104ZFT
ST-BY	C786		nsp	00MOA33802520	ELECT CAP.	3300UF 25V CCEA1EH332E
ST-BY	C791		nsp	nsp	CER. CAP.	1000PF 50V KB CCKT1H102KB
ST-BY	▲ C792		90M-DK100810R	90M-DK100810R	CER. CAP.	! DE1610-610F103M JP (KH TYPE) HCKWKH103MF
ST-BY	CN70		90M-YP100410R	90M-YP100410R	CONN.	PIN HEADER (7PIN) CJP07GA98ZY
ST-BY	CN71	/N1B	nsp	nsp	CONN.	2P WAFER CJP02GA89ZY
ST-BY	CN71	/N1S	nsp	nsp	CONN.	2P WAFER CJP02GA89ZY
ST-BY	CN72		nsp	nsp	CONN.	2P WAFER CJP02GA89ZY
ST-BY	CN73		nsp	nsp	CONN.	2P WAFER CJP02GA89ZY
ST-BY	D702		nsp	00MHD20015210	DIODE	1SS133T-77 CVD1SS133MT
ST-BY	D704		nsp	90M-HD201750R	DIODE	1N4003 CVD1N4003SRT
ST-BY	D706		90M-HD302410R	90M-HD302410R	ZENER DIODE	ZJ8.2BT CVDZJ8.2BT
ST-BY	D707		nsp	90M-HD201750R	DIODE	1N4003 CVD1N4003SRT
ST-BY	D708		nsp	90M-HD201750R	DIODE	1N4003 CVD1N4003SRT
ST-BY	D709		nsp	90M-HD201750R	DIODE	1N4003 CVD1N4003SRT
ST-BY	D710		nsp	90M-HD201750R	DIODE	1N4003 CVD1N4003SRT
ST-BY	D711		nsp	90M-HD201750R	DIODE	1N4003 CVD1N4003SRT
ST-BY	D712		nsp	90M-HD201750R	DIODE	1N4003 CVD1N4003SRT
ST-BY	D717		nsp	90M-HD201750R	DIODE	1N4003 CVD1N4003SRT
ST-BY	ET71		nsp	nsp	TERMINAL	EARTH PLATE CNE75
ST-BY	F701		nsp	nsp	CONN.	HOLDER, FUSE KJCF5S
ST-BY	▲ F701	/N1B	90M-FS001090R	90M-FS001090R	FUSE	! 5A/250V(EUR) T5AL KBA2C5000TLEY
ST-BY	▲ F701	/N1S	90M-FS001090R	90M-FS001090R	FUSE	! 5A/250V(EUR) T5AL KBA2C5000TLEY
ST-BY	▲ F701	/U1B	nsp	90M-FS001080R	FUSE	! 10A/250V KBA2C1002TLEY
ST-BY	▲ F702	/U1B	nsp	90M-FS001460R	FUSE	! T 3.15A L 250V LITTLE FUSE 382 KBA2D3150A2EYT
ST-BY	▲ F703		90M-FS001460R	90M-FS001460R	FUSE	! T 3.15A L 250V LITTLE FUSE 382 KBA2D3150A2EYT
ST-BY	IC74		90M-HC108410R	90M-HC108410R	IC	S-80842CNY-X HVIS-80842CNY-X
ST-BY	▲ IC75		90M-HC300500R	90M-HC300500R	IC	! KA7805-ABTU HVIMC7805C
ST-BY	J701		nsp	nsp	CORD	SN95/PB5, 0.6 C3A206
ST-BY	J702		nsp	nsp	CORD	SN95/PB5, 0.6 C3A206
ST-BY	J703		nsp	nsp	CORD	SN95/PB5, 0.6 C3A206
ST-BY	J704		nsp	nsp	CORD	SN95/PB5, 0.6 C3A206
ST-BY	J705	/U1B	nsp	nsp	CORD	SN95/PB5, 0.6 C3A206
ST-BY	J706		nsp	nsp	CORD	SN95/PB5, 0.6 C3A206
ST-BY	J707		nsp	nsp	CORD	SN95/PB5, 0.6 C3A206
ST-BY	J708		nsp	nsp	CORD	SN95/PB5, 0.6 C3A206
ST-BY	▲ JK70	/U1B	nsp	90M-YT002410R	TERMINAL	! A204D0041P AC(UL/2P/SEP) KJJ7A015Z
ST-BY	▲ JK71	/N1B	90M-YT002430R	90M-YT002430R	TERMINAL	! A302D0061P AC(EUR/1P) KJJ7A022Z
ST-BY	▲ JK71	/N1S	90M-YT002430R	90M-YT002430R	TERMINAL	! A302D0061P AC(EUR/1P) KJJ7A022Z
ST-BY	Q704		00MBA20001000	00MBA20001000	TRS.	KRC102M HVTKRC102MT
ST-BY	Q705		00MHT600111B0	00MHT600111B0	TRS.	KTA1267Y HVTKTA1267YT
ST-BY	R781		nsp	nsp	RES.	47K OHM 1/5W J CRD20TJ473T
ST-BY	R782		nsp	nsp	RES.	10K OHM 1/5W J CRD20TJ103T
ST-BY	R783		nsp	nsp	RES.	2.2K OHM 1/5W J CRD20TJ222T
ST-BY	R786		nsp	nsp	RES.	1 OHM 1/5W J CRD20TJ1R0T
ST-BY	▲ R787	/U1B	nsp	90M-GG000010R	RES.	! 3.3M OHM 1/10W J HRDERC12UGK335T
ST-BY	R788		nsp	nsp	RES.	4.7K OHM 1/5W J CRD20TJ472T
ST-BY	R789		nsp	nsp	RES.	10K OHM 1/5W J CRD20TJ103T

NOTE *nsp* PART IS LISTED FOR REFERENCE ONLY, MARANTZ WILL NOT SUPPLY THESE PARTS

P.W.B. NAME	POS. NO.	VERS. COLOR	PART NO. (FOR EUR)	PART NO. (MZ)	PART NAME	DESCRIPTION
ST-BY	▲ RY701		00MLY10090010	00MLY10090010	RELAY	! SDT-S-109DMR HSL1D016ZE
ST-BY	▲ T701	/N1B	90M-TS002930R	90M-TS002930R	TRANSF.	! TRANSF. SUB N CLT5K006ZE
ST-BY	▲ T701	/N1S	90M-TS002930R	90M-TS002930R	TRANSF.	! TRANSF. SUB N CLT5K006ZE
ST-BY	▲ T701	/U1B	nsp	90M-TS002950R	TRANSF.	! TRANSF. SUB U CLT5K006ZU
					TACT PWB	
TACT	J864	/U1B	nsp	nsp	CORD	SN95/PB5, 0.6 C3A206
TACT	J865	/U1B	nsp	nsp	CORD	SN95/PB5, 0.6 C3A206
TACT	SW98	/U1B	nsp	90M-SP001210R	SW	SKHV10910G TACT CST1A012ZT
					VIDEO PWB (CUP11952Z)	
VIDEO	BN40		nsp	nsp	CORD	WIRE ASSY CWZSR7001BN40
VIDEO	BN83		nsp	nsp	CORD	WIRE ASSY CWZSR7001BN83
VIDEO	C702		nsp	00MOA10605020	ELECT CAP.	10UF 50V CCEA1HH100T
VIDEO	C704		nsp	00MOA10605020	ELECT CAP.	10UF 50V CCEA1HH100T
VIDEO	C706		nsp	00MOA10605020	ELECT CAP.	10UF 50V CCEA1HH100T
VIDEO	C707		nsp	nsp	CER. CAP.	47PF 50V JC CCCT1H470JC
VIDEO	C708		nsp	00MOA47701020	ELECT CAP.	470UF 10V CCEA1AH471T
VIDEO	C710		nsp	00MOA10605020	ELECT CAP.	10UF 50V CCEA1HH100T
VIDEO	C713		nsp	nsp	CER. CAP.	68PF 50V JC CCCT1H680JC
VIDEO	C714		nsp	00MOA47701020	ELECT CAP.	470UF 10V CCEA1AH471T
VIDEO	C715		nsp	00MOA10605020	ELECT CAP.	10UF 50V CCEA1HH100T
VIDEO	C716		nsp	00MOA10605020	ELECT CAP.	10UF 50V CCEA1HH100T
VIDEO	C717		nsp	00MOA10605020	ELECT CAP.	10UF 50V CCEA1HH100T
VIDEO	C719		nsp	00MOA10605020	ELECT CAP.	10UF 50V CCEA1HH100T
VIDEO	C720		nsp	00MOA10605020	ELECT CAP.	10UF 50V CCEA1HH100T
VIDEO	C722		nsp	00MOA10605020	ELECT CAP.	10UF 50V CCEA1HH100T
VIDEO	C723		nsp	00MOA10605020	ELECT CAP.	10UF 50V CCEA1HH100T
VIDEO	C725		nsp	00MOA10605020	ELECT CAP.	10UF 50V CCEA1HH100T
VIDEO	C726		nsp	00MOA10605020	ELECT CAP.	10UF 50V CCEA1HH100T
VIDEO	C727		nsp	nsp	CER. CAP.	47PF 50V JC CCCT1H470JC
VIDEO	C728		nsp	00MOA47701020	ELECT CAP.	470UF 10V CCEA1AH471T
VIDEO	C729		nsp	nsp	CER. CAP.	47PF 50V JC CCCT1H470JC
VIDEO	C730		nsp	00MOA10605020	ELECT CAP.	10UF 50V CCEA1HH100T
VIDEO	C732		nsp	00MOA10605020	ELECT CAP.	10UF 50V CCEA1HH100T
VIDEO	C733		nsp	00MOA10605020	ELECT CAP.	10UF 50V CCEA1HH100T
VIDEO	C738		nsp	nsp	CER. CAP.	68PF 50V JC CCCT1H680JC
VIDEO	C739		nsp	00MOA47701020	ELECT CAP.	470UF 10V CCEA1AH471T
VIDEO	C740		nsp	nsp	CER. CAP.	68PF 50V JC CCCT1H680JC
VIDEO	C741		nsp	00MOA10605020	ELECT CAP.	10UF 50V CCEA1HH100T
VIDEO	C742		nsp	00MOA10605020	ELECT CAP.	10UF 50V CCEA1HH100T
VIDEO	C743		nsp	nsp	CORD	SN95/PB5, 0.6 C3A206
VIDEO	C744		nsp	00MOA22505020	ELECT CAP.	2.2UF 50V CCEA1HH2R2T
VIDEO	C745		nsp	00MOA10605020	ELECT CAP.	10UF 50V CCEA1HH100T
VIDEO	C746		nsp	00MOA10605020	ELECT CAP.	10UF 50V CCEA1HH100T
VIDEO	C747		nsp	00MOA10605020	ELECT CAP.	10UF 50V CCEA1HH100T
VIDEO	C748		nsp	nsp	CER. CAP.	0.01UF 50V Z CCFT1H103ZF
VIDEO	C749		nsp	00MOA10701620	ELECT CAP.	100UF 16V CCEA1CH101T
VIDEO	C751		nsp	00MOA47505020	ELECT CAP.	4.7UF 50V CCEA1HH4R7T
VIDEO	C752		nsp	00MOA10605020	ELECT CAP.	10UF 50V CCEA1HH100T
VIDEO	C753		nsp	00MOA10701620	ELECT CAP.	100UF 16V CCEA1CH101T
VIDEO	C754		nsp	nsp	CER. CAP.	0.01UF 50V Z CCFT1H103ZF
VIDEO	C755		nsp	nsp	CER. CAP.	47PF 50V JC CCCT1H470JC
VIDEO	C756		nsp	nsp	CER. CAP.	0.01UF 50V Z CCFT1H103ZF
VIDEO	C757		nsp	00MOA10701620	ELECT CAP.	100UF 16V CCEA1CH101T
VIDEO	C758		nsp	00MOA10701620	ELECT CAP.	100UF 16V CCEA1CH101T
VIDEO	C759		nsp	nsp	CER. CAP.	0.01UF 50V Z CCFT1H103ZF
VIDEO	C760		nsp	nsp	CER. CAP.	47PF 50V JC CCCT1H470JC
VIDEO	C761		nsp	nsp	CER. CAP.	0.01UF 50V Z CCFT1H103ZF
VIDEO	C762		nsp	00MOA10701620	ELECT CAP.	100UF 16V CCEA1CH101T
VIDEO	C763		nsp	00MOA10701620	ELECT CAP.	100UF 16V CCEA1CH101T
VIDEO	C764		nsp	nsp	CER. CAP.	0.01UF 50V Z CCFT1H103ZF
VIDEO	C765		nsp	nsp	CER. CAP.	47PF 50V JC CCCT1H470JC
VIDEO	C766		nsp	nsp	CER. CAP.	0.01UF 50V Z CCFT1H103ZF
VIDEO	C767		nsp	00MOA10701620	ELECT CAP.	100UF 16V CCEA1CH101T
VIDEO	C768		nsp	nsp	CER. CAP.	1200PF 50V KB CCKT1H122KB
VIDEO	C769		nsp	00MOA10505020	ELECT CAP.	1UF 50V CCEA1HH1R0T
VIDEO	C770		nsp	nsp	CER. CAP.	0.01UF 50V Z CCFT1H103ZF
VIDEO	C771		nsp	00MOA10701620	ELECT CAP.	100UF 16V CCEA1CH101T

NOTE "nsp" PART IS LISTED FOR REFERENCE ONLY, MARANTZ WILL NOT SUPPLY THESE PARTS

P.W.B. NAME	POS. NO.	VERS. COLOR	PART NO. (FOR EUR)	PART NO. (MZ)	PART NAME	DESCRIPTION	
VIDEO	C773		nsp	nsp	CER. CAP.	24PF 50V JC	CCCT1H240JC
VIDEO	C774		nsp	nsp	CER. CAP.	22PF 50V JC	CCCT1H220JC
VIDEO	C775		nsp	00MOA10505020	ELECT CAP.	1UF 50V	CCEA1HH1R0T
VIDEO	C776		nsp	nsp	CER. CAP.	0.01UF 50V Z	CCFT1H103ZF
VIDEO	C777		nsp	nsp	CER. CAP.	30PF 50V JC	CCCT1H300JC
VIDEO	C778	/N1B	nsp	nsp	CER. CAP.	27PF 50V JC	CCCT1H270JC
VIDEO	C778	/N1S	nsp	nsp	CER. CAP.	27PF 50V JC	CCCT1H270JC
VIDEO	C778	/U1B	nsp	nsp	CER. CAP.	30PF 50V JC	CCCT1H300JC
VIDEO	C779		nsp	00MOA10605020	ELECT CAP.	10UF 50V	CCEA1HH100T
VIDEO	C780		nsp	nsp	CER. CAP.	47PF 50V JC	CCCT1H470JC
VIDEO	C781		nsp	nsp	CER. CAP.	1000PF 50V KB	CCKT1H102KB
VIDEO	C782		nsp	nsp	FILM CAP.	220PF 50V KB	CCKT1H221KB
VIDEO	C783		nsp	00MOA10605020	ELECT CAP.	10UF 50V	CCEA1HH100T
VIDEO	C785		nsp	nsp	CER. CAP.	0.01UF 50V Z	CCFT1H103ZF
VIDEO	C786		nsp	nsp	CER. CAP.	0.01UF 50V Z	CCFT1H103ZF
VIDEO	C787		nsp	00MOA10701620	ELECT CAP.	100UF 16V	CCEA1CH101T
VIDEO	C788		nsp	00MOA10605020	ELECT CAP.	10UF 50V	CCEA1HH100T
VIDEO	C789		nsp	00MOA10605020	ELECT CAP.	10UF 50V	CCEA1HH100T
VIDEO	C790		nsp	nsp	CER. CAP.	0.01UF 50V Z	CCFT1H103ZF
VIDEO	C791		nsp	nsp	CER. CAP.	0.01UF 50V Z	CCFT1H103ZF
VIDEO	C792		nsp	00MOA10701620	ELECT CAP.	100UF 16V	CCEA1CH101T
VIDEO	C793		nsp	nsp	CER. CAP.	0.01UF 50V Z	CCFT1H103ZF
VIDEO	C794		nsp	nsp	CER. CAP.	47PF 50V JC	CCCT1H470JC
VIDEO	C795		nsp	00MOA10701620	ELECT CAP.	100UF 16V	CCEA1CH101T
VIDEO	C796		nsp	nsp	CER. CAP.	0.01UF 50V ZF	CCKT1H103ZF
VIDEO	C797		nsp	00MOA10605020	ELECT CAP.	10UF 50V	CCEA1HH100T
VIDEO	C798		nsp	nsp	CER. CAP.	0.01UF 50V ZF	CCKT1H103ZF
VIDEO	C799		nsp	nsp	CER. CAP.	0.01UF 50V Z	CCFT1H103ZF
VIDEO	C800		nsp	00MOA10605020	ELECT CAP.	10UF 50V	CCEA1HH100T
VIDEO	C801		nsp	nsp	CORD	SN95/PB5, 0.6	C3A206
VIDEO	C802		nsp	00MOA10605020	ELECT CAP.	10UF 50V	CCEA1HH100T
VIDEO	C803		nsp	nsp	CER. CAP.	0.01UF 50V Z	CCFT1H103ZF
VIDEO	C804		nsp	nsp	CER. CAP.	0.01UF 50V Z	CCFT1H103ZF
VIDEO	C805		nsp	00MOA10701620	ELECT CAP.	100UF 16V	CCEA1CH101T
VIDEO	C806		nsp	nsp	CER. CAP.	0.01UF 50V Z	CCFT1H103ZF
VIDEO	C807		nsp	nsp	CER. CAP.	1000PF 50V KB	CCKT1H102KB
VIDEO	C848		nsp	nsp	CER. CAP.	1000PF 50V KB	CCKT1H102KB
VIDEO	C849		nsp	nsp	CER. CAP.	0.01UF 50V Z	CCFT1H103ZF
VIDEO	C850		nsp	00MOA10605020	ELECT CAP.	10UF 50V	CCEA1HH100T
VIDEO	C851		nsp	nsp	FILM CAP.	0.1UF 50V ZF	CCFT1H104ZF
VIDEO	CN12		nsp	nsp	CONN.	5P STRAIGHT	CJP05GA19ZY
VIDEO	CN21		nsp	nsp	CONN.	8P STRAIGHT	CJP08GA01ZY
VIDEO	CN31		nsp	nsp	CONN.	6P WAFER	CJP06GA01ZY
VIDEO	CN32		nsp	nsp	CONN.	15P WAFER CARD CABLE	CJP15GA117ZY
VIDEO	CN34		nsp	nsp	CONN.	17P WAFER CARD CABLE	CJP17GA117ZY
VIDEO	CN40		nsp	nsp	CONN.	17P WAFER CARD CABLE	CJP17GA117ZY
VIDEO	D701		nsp	00MHD20015210	DIODE	1SS133T-77	CVD1SS133MT
VIDEO	D702		nsp	00MHD20015210	DIODE	1SS133T-77	CVD1SS133MT
VIDEO	D704		nsp	00MHD20015210	DIODE	1SS133T-77	CVD1SS133MT
VIDEO	D705		nsp	90M-HD201750R	DIODE	1N4003	CVD1N4003SRT
VIDEO	D706		nsp	00MHD20015210	DIODE	1SS133T-77	CVD1SS133MT
VIDEO	D707		nsp	00MHD20015210	DIODE	1SS133T-77	CVD1SS133MT
VIDEO	D708		nsp	90M-HD201750R	DIODE	1N4003	CVD1N4003SRT
VIDEO	D709		nsp	90M-HD201750R	DIODE	1N4003	CVD1N4003SRT
VIDEO	D710		nsp	90M-HD201750R	DIODE	1N4003	CVD1N4003SRT
VIDEO	IC71		00MHC10227090	00MHC10227090	IC	NJM2595D VIDEO S/W	HVINJM2595D
VIDEO	IC72		00MHC10227090	00MHC10227090	IC	NJM2595D VIDEO S/W	HVINJM2595D
VIDEO	IC73		00MHC10227090	00MHC10227090	IC	NJM2595D VIDEO S/W	HVINJM2595D
VIDEO	IC74		90M-HC108400R	90M-HC108400R	IC	NJM2535D VIDEO S/W	HVINJM2535D
VIDEO	IC75		00MHC10185090	00MHC10185090	IC	NJM2264D VIDEO	HVINJM2264D
VIDEO	IC76		00MHC10119090	00MHC10119090	IC	NJM2244D VIDEO	HVINJM2244D
VIDEO	IC77		00MHC10119090	00MHC10119090	IC	NJM2244D VIDEO	HVINJM2244D
VIDEO	IC78		00MHC10423030	00MHC10423030	IC	LC747828A13E	CVILC747828A13E
VIDEO	IC79		90M-HC108420R	90M-HC108420R	IC	TC74HC4094AP	HVITC74HC4094AP
VIDEO	IC83		90M-HC108420R	90M-HC108420R	IC	TC74HC4094AP	HVITC74HC4094AP
VIDEO	IC91		90M-HC300560R	90M-HC300560R	IC	KA7805	HVIMC7905C
VIDEO	IC92		00MHC3990809F	00MHC3990809F	IC	NJM7908FA	HVINJM7908FA

NOTE *nsp* PART IS LISTED FOR REFERENCE ONLY, MARANTZ WILL NOT SUPPLY THESE PARTS

P.W.B. NAME	POS. NO.	VERS. COLOR	PART NO. (FOR EUR)	PART NO. (MZ)	PART NAME	DESCRIPTION
VIDEO	J701		nsp	nsp	CORD	SN95/PB5, 0.6 C3A206
VIDEO	J702		nsp	nsp	CORD	SN95/PB5, 0.6 C3A206
VIDEO	J703		nsp	nsp	CORD	SN95/PB5, 0.6 C3A206
VIDEO	J704		nsp	nsp	CORD	SN95/PB5, 0.6 C3A206
VIDEO	J705		nsp	nsp	CORD	SN95/PB5, 0.6 C3A206
VIDEO	J706		nsp	nsp	CORD	SN95/PB5, 0.6 C3A206
VIDEO	J707		nsp	nsp	CORD	SN95/PB5, 0.6 C3A206
VIDEO	J708		nsp	nsp	CORD	SN95/PB5, 0.6 C3A206
VIDEO	J709		nsp	nsp	CORD	SN95/PB5, 0.6 C3A206
VIDEO	J710		nsp	nsp	CORD	SN95/PB5, 0.6 C3A206
VIDEO	J711		nsp	nsp	CORD	SN95/PB5, 0.6 C3A206
VIDEO	J712		nsp	nsp	CORD	SN95/PB5, 0.6 C3A206
VIDEO	J713		nsp	nsp	CORD	SN95/PB5, 0.6 C3A206
VIDEO	J714		nsp	nsp	CORD	SN95/PB5, 0.6 C3A206
VIDEO	J715		nsp	nsp	CORD	SN95/PB5, 0.6 C3A206
VIDEO	J717		nsp	nsp	CORD	SN95/PB5, 0.6 C3A206
VIDEO	J719		nsp	nsp	CORD	SN95/PB5, 0.6 C3A206
VIDEO	J721		nsp	nsp	CORD	SN95/PB5, 0.6 C3A206
VIDEO	J729		nsp	nsp	CORD	SN95/PB5, 0.6 C3A206
VIDEO	J730		nsp	nsp	CORD	SN95/PB5, 0.6 C3A206
VIDEO	J733		nsp	nsp	CORD	SN95/PB5, 0.6 C3A206
VIDEO	J734		nsp	nsp	CORD	SN95/PB5, 0.6 C3A206
VIDEO	J735		nsp	nsp	CORD	SN95/PB5, 0.6 C3A206
VIDEO	J736		nsp	nsp	CORD	SN95/PB5, 0.6 C3A206
VIDEO	J737		nsp	nsp	CORD	SN95/PB5, 0.6 C3A206
VIDEO	J738		nsp	nsp	CORD	SN95/PB5, 0.6 C3A206
VIDEO	J739		nsp	nsp	CORD	SN95/PB5, 0.6 C3A206
VIDEO	J740		nsp	nsp	CORD	SN95/PB5, 0.6 C3A206
VIDEO	J741		nsp	nsp	CORD	SN95/PB5, 0.6 C3A206
VIDEO	J742		nsp	nsp	CORD	SN95/PB5, 0.6 C3A206
VIDEO	J743		nsp	nsp	CORD	SN95/PB5, 0.6 C3A206
VIDEO	J744		nsp	nsp	CORD	SN95/PB5, 0.6 C3A206
VIDEO	J745		nsp	nsp	CORD	SN95/PB5, 0.6 C3A206
VIDEO	J746		nsp	nsp	CORD	SN95/PB5, 0.6 C3A206
VIDEO	J747		nsp	nsp	CORD	SN95/PB5, 0.6 C3A206
VIDEO	J748		nsp	nsp	CORD	SN95/PB5, 0.6 C3A206
VIDEO	J749		nsp	nsp	CORD	SN95/PB5, 0.6 C3A206
VIDEO	J750		nsp	nsp	CORD	SN95/PB5, 0.6 C3A206
VIDEO	J751		nsp	nsp	CORD	SN95/PB5, 0.6 C3A206
VIDEO	J752		nsp	nsp	CORD	SN95/PB5, 0.6 C3A206
VIDEO	J753		nsp	nsp	CORD	SN95/PB5, 0.6 C3A206
VIDEO	J755		nsp	nsp	CORD	SN95/PB5, 0.6 C3A206
VIDEO	J756		nsp	nsp	CORD	SN95/PB5, 0.6 C3A206
VIDEO	J757		nsp	nsp	CORD	SN95/PB5, 0.6 C3A206
VIDEO	J758		nsp	nsp	CORD	SN95/PB5, 0.6 C3A206
VIDEO	J760		nsp	nsp	CORD	SN95/PB5, 0.6 C3A206
VIDEO	J761		nsp	nsp	CORD	SN95/PB5, 0.6 C3A206
VIDEO	J762		nsp	nsp	CORD	SN95/PB5, 0.6 C3A206
VIDEO	J763		nsp	nsp	CORD	SN95/PB5, 0.6 C3A206
VIDEO	J764		nsp	nsp	CORD	SN95/PB5, 0.6 C3A206
VIDEO	J765		nsp	nsp	CORD	SN95/PB5, 0.6 C3A206
VIDEO	J766		nsp	nsp	CORD	SN95/PB5, 0.6 C3A206
VIDEO	J767		nsp	nsp	CORD	SN95/PB5, 0.6 C3A206
VIDEO	J768		nsp	nsp	CORD	SN95/PB5, 0.6 C3A206
VIDEO	J769		nsp	nsp	CORD	SN95/PB5, 0.6 C3A206
VIDEO	J770		nsp	nsp	CORD	SN95/PB5, 0.6 C3A206
VIDEO	J771		nsp	nsp	CORD	SN95/PB5, 0.6 C3A206
VIDEO	J773		nsp	nsp	CORD	SN95/PB5, 0.6 C3A206
VIDEO	J774		nsp	nsp	CORD	SN95/PB5, 0.6 C3A206
VIDEO	J775		nsp	nsp	CORD	SN95/PB5, 0.6 C3A206
VIDEO	J776		nsp	nsp	CORD	SN95/PB5, 0.6 C3A206
VIDEO	J777		nsp	nsp	CORD	SN95/PB5, 0.6 C3A206
VIDEO	J779		nsp	nsp	CORD	SN95/PB5, 0.6 C3A206
VIDEO	J780		nsp	nsp	CORD	SN95/PB5, 0.6 C3A206
VIDEO	J781		nsp	nsp	CORD	SN95/PB5, 0.6 C3A206
VIDEO	J782		nsp	nsp	CORD	SN95/PB5, 0.6 C3A206
VIDEO	J785		nsp	nsp	CORD	SN95/PB5, 0.6 C3A206

NOTE "nsp" PART IS LISTED FOR REFERENCE ONLY, MARANTZ WILL NOT SUPPLY THESE PARTS

P.W.B. NAME	POS. NO.	VERS. COLOR	PART NO. (FOR EUR)	PART NO. (MZ)	PART NAME	DESCRIPTION	
VIDEO	J786		nsp	nsp	CORD	SN95/PB5, 0.6	C3A206
VIDEO	J787		nsp	nsp	CORD	SN95/PB5, 0.6	C3A206
VIDEO	J789		nsp	nsp	CORD	SN95/PB5, 0.6	C3A206
VIDEO	J790		nsp	nsp	CORD	SN95/PB5, 0.6	C3A206
VIDEO	J792		nsp	nsp	CORD	SN95/PB5, 0.6	C3A206
VIDEO	J793		nsp	nsp	CORD	SN95/PB5, 0.6	C3A206
VIDEO	J797		nsp	nsp	CORD	SN95/PB5, 0.6	C3A206
VIDEO	J799		nsp	nsp	CORD	SN95/PB5, 0.6	C3A206
VIDEO	J801		nsp	nsp	CORD	SN95/PB5, 0.6	C3A206
VIDEO	J806		nsp	nsp	CORD	SN95/PB5, 0.6	C3A206
VIDEO	J807		nsp	nsp	CORD	SN95/PB5, 0.6	C3A206
VIDEO	J808		nsp	nsp	CORD	SN95/PB5, 0.6	C3A206
VIDEO	J809		nsp	nsp	CORD	SN95/PB5, 0.6	C3A206
VIDEO	J810		nsp	nsp	CORD	SN95/PB5, 0.6	C3A206
VIDEO	J811		nsp	nsp	CORD	SN95/PB5, 0.6	C3A206
VIDEO	J812		nsp	nsp	CORD	SN95/PB5, 0.6	C3A206
VIDEO	J813		nsp	nsp	CORD	SN95/PB5, 0.6	C3A206
VIDEO	J814		nsp	nsp	CORD	SN95/PB5, 0.6	C3A206
VIDEO	J815		nsp	nsp	CORD	SN95/PB5, 0.6	C3A206
VIDEO	J816		nsp	nsp	CORD	SN95/PB5, 0.6	C3A206
VIDEO	J825		nsp	nsp	CORD	SN95/PB5, 0.6	C3A206
VIDEO	J826		nsp	nsp	CORD	SN95/PB5, 0.6	C3A206
VIDEO	J833		nsp	nsp	CORD	SN95/PB5, 0.6	C3A206
VIDEO	J834		nsp	nsp	CORD	SN95/PB5, 0.6	C3A206
VIDEO	J850		nsp	nsp	CORD	SN95/PB5, 0.6	C3A206
VIDEO	J851		nsp	nsp	CORD	SN95/PB5, 0.6	C3A206
VIDEO	J852		nsp	nsp	CORD	SN95/PB5, 0.6	C3A206
VIDEO	J853		nsp	nsp	CORD	SN95/PB5, 0.6	C3A206
VIDEO	J874		nsp	nsp	CORD	SN95/PB5, 0.6	C3A206
VIDEO	J930		nsp	nsp	CORD	SN95/PB5, 0.6	C3A206
VIDEO	J931		nsp	nsp	CORD	SN95/PB5, 0.6	C3A206
VIDEO	J932		nsp	nsp	CORD	SN95/PB5, 0.6	C3A206
VIDEO	J934		nsp	nsp	CORD	SN95/PB5, 0.6	C3A206
VIDEO	J935		nsp	nsp	CORD	SN95/PB5, 0.6	C3A206
VIDEO	JK71		90M-YT002940R	90M-YT002940R	TERMINAL	CINCH 3P YELLOW SILVER	CJJ4S010Z
VIDEO	JK72		90M-YT002940R	90M-YT002940R	TERMINAL	CINCH 3P YELLOW SILVER	CJJ4S010Z
VIDEO	JK74		90M-YT003260R	90M-YT003260R	TERMINAL	S-TERMINAL 3P	CJJ9S001Z
VIDEO	JK75		90M-YT003260R	90M-YT003260R	TERMINAL	S-TERMINAL 3P	CJJ9S001Z
VIDEO	L701		nsp	nsp	COIL	33UH	HLQ02C330JT
VIDEO	L702		nsp	nsp	COIL	10UH,K	HLQ02C100KT
VIDEO	Q701		00MHT600111B0	00MHT600111B0	TRS.	KTA1267Y	HVTKTA1267YT
VIDEO	Q702		00MBA10001000	00MBA10001000	TRS.	KRA102M	HVTKRA102MT
VIDEO	Q703		00MHT30001000	00MHT30001000	TRS.	KTC3199Y	HVTKTC3199YT
VIDEO	Q704		00MHT30001000	00MHT30001000	TRS.	KTC3199Y	HVTKTC3199YT
VIDEO	Q705	/N1B	00MBA20004000	00MBA20004000	TRS.	KRC111M	HVTKRC111MT
VIDEO	Q705	/N1S	00MBA20004000	00MBA20004000	TRS.	KRC111M	HVTKRC111MT
VIDEO	Q706	/N1B	00MHT805501B0	00MHT805501B0	TRS.	KTC2874B	HVTKTC2874BT
VIDEO	Q706	/N1S	00MHT805501B0	00MHT805501B0	TRS.	KTC2874B	HVTKTC2874BT
VIDEO	Q707	/N1B	00MBA10001000	00MBA10001000	TRS.	KRA102M	HVTKRA102MT
VIDEO	Q707	/N1S	00MBA10001000	00MBA10001000	TRS.	KRA102M	HVTKRA102MT
VIDEO	Q708		00MHT30001000	00MHT30001000	TRS.	KTC3199Y	HVTKTC3199YT
VIDEO	Q710		00MBA20001000	00MBA20001000	TRS.	KRC102M	HVTKRC102MT
VIDEO	Q711		00MHT30001000	00MHT30001000	TRS.	KTC3199Y	HVTKTC3199YT
VIDEO	Q712		00MHT30001000	00MHT30001000	TRS.	KTC3199Y	HVTKTC3199YT
VIDEO	Q713		00MBA10001000	00MBA10001000	TRS.	KRA102M	HVTKRA102MT
VIDEO	R701		nsp	nsp	RES.	75 OHM 1/5W J	CRD20TJ750T
VIDEO	R702		nsp	nsp	CORD	SN95/PB5, 0.6	C3A206
VIDEO	R703		nsp	nsp	RES.	75 OHM 1/5W J	CRD20TJ750T
VIDEO	R704		nsp	nsp	CORD	SN95/PB5, 0.6	C3A206
VIDEO	R705		nsp	nsp	RES.	75 OHM 1/5W J	CRD20TJ750T
VIDEO	R706		nsp	nsp	CORD	SN95/PB5, 0.6	C3A206
VIDEO	R707		nsp	nsp	RES.	75 OHM 1/5W J	CRD20TJ750T
VIDEO	R708		nsp	nsp	RES.	75 OHM 1/5W J	CRD20TJ750T
VIDEO	R709		nsp	nsp	CORD	SN95/PB5, 0.6	C3A206
VIDEO	R711		nsp	nsp	RES.	75 OHM 1/5W J	CRD20TJ750T
VIDEO	R712		nsp	nsp	RES.	75 OHM 1/5W J	CRD20TJ750T
VIDEO	R713		nsp	nsp	RES.	75 OHM 1/5W J	CRD20TJ750T

NOTE "nsp" PART IS LISTED FOR REFERENCE ONLY, MARANTZ WILL NOT SUPPLY THESE PARTS

P.W.B. NAME	POS. NO.	VERS. COLOR	PART NO. (FOR EUR)	PART NO. (MZ)	PART NAME	DESCRIPTION
VIDEO	R714		nsp	nsp	CORD	SN95/PB5, 0.6 C3A206
VIDEO	R715		nsp	nsp	RES.	75 OHM 1/5W J CRD20TJ750T
VIDEO	R716		nsp	nsp	RES.	75 OHM 1/5W J CRD20TJ750T
VIDEO	R717		nsp	nsp	CORD	SN95/PB5, 0.6 C3A206
VIDEO	R718		nsp	nsp	RES.	75 OHM 1/5W J CRD20TJ750T
VIDEO	R719		nsp	nsp	RES.	75 OHM 1/5W J CRD20TJ750T
VIDEO	R720		nsp	nsp	CORD	SN95/PB5, 0.6 C3A206
VIDEO	R721		nsp	nsp	RES.	75 OHM 1/5W J CRD20TJ750T
VIDEO	R722		nsp	nsp	RES.	75 OHM 1/5W J CRD20TJ750T
VIDEO	R723		nsp	nsp	RES.	75 OHM 1/5W J CRD20TJ750T
VIDEO	R724		nsp	nsp	RES.	75 OHM 1/5W J CRD20TJ750T
VIDEO	R725		nsp	nsp	CORD	SN95/PB5, 0.6 C3A206
VIDEO	R728		nsp	nsp	RES.	75 OHM 1/5W J CRD20TJ750T
VIDEO	R729		nsp	nsp	RES.	75 OHM 1/5W J CRD20TJ750T
VIDEO	R730		nsp	nsp	RES.	220K OHM 1/6W J CRD20TJ224T
VIDEO	R731		nsp	nsp	RES.	10 OHM 1/5W J CRD20TJ100T
VIDEO	R732		nsp	nsp	RES.	220 OHM 1/5W J CRD20TJ221T
VIDEO	R733		nsp	nsp	RES.	10K OHM 1/5W J CRD20TJ103T
VIDEO	R734		nsp	nsp	RES.	1M OHM 1/5W J CRD20TJ105T
VIDEO	R735		nsp	nsp	RES.	1M OHM 1/5W J CRD20TJ105T
VIDEO	R736		nsp	nsp	RES.	100K OHM 1/5W J CRD20TJ104T
VIDEO	R737		nsp	nsp	RES.	1M OHM 1/5W J CRD20TJ105T
VIDEO	R738		nsp	nsp	RES.	10K OHM 1/5W J CRD20TJ103T
VIDEO	R739		nsp	nsp	RES.	15K OHM 1/5W J CRD20TJ153T
VIDEO	R740		nsp	nsp	RES.	470 OHM 1/5W J CRD20TJ471T
VIDEO	R741		nsp	nsp	RES.	75 OHM 1/5W J CRD20TJ750T
VIDEO	R742		nsp	nsp	RES.	75 OHM 1/5W J CRD20TJ750T
VIDEO	R743		nsp	nsp	RES.	75 OHM 1/5W J CRD20TJ750T
VIDEO	R744		nsp	nsp	RES.	220 OHM 1/5W J CRD20TJ221T
VIDEO	R745		nsp	nsp	CORD	SN95/PB5, 0.6 C3A206
VIDEO	R746		nsp	nsp	RES.	1M OHM 1/5W J CRD20TJ105T
VIDEO	R747	/U1B	nsp	nsp	CORD	SN95/PB5, 0.6 C3A206
VIDEO	R750		nsp	nsp	RES.	10K OHM 1/5W J CRD20TJ103T
VIDEO	R752		nsp	nsp	RES.	75 OHM 1/5W J CRD20TJ750T
VIDEO	R753		nsp	nsp	RES.	220 OHM 1/5W J CRD20TJ221T
VIDEO	R756		nsp	nsp	CORD	SN95/PB5, 0.6 C3A206
VIDEO	R758		nsp	nsp	RES.	4.7K OHM 1/5W J CRD20TJ472T
VIDEO	R759		nsp	nsp	RES.	3.3K OHM 1/5W J CRD20TJ332T
VIDEO	R761		nsp	nsp	RES.	100K OHM 1/5W J CRD20TJ104T
VIDEO	R762		nsp	nsp	RES.	1M OHM 1/5W J CRD20TJ105T
VIDEO	R763		nsp	nsp	RES.	3.3K OHM 1/5W J CRD20TJ332T
VIDEO	R764		nsp	nsp	RES.	3.3K OHM 1/5W J CRD20TJ332T
VIDEO	R765		nsp	nsp	RES.	1M OHM 1/5W J CRD20TJ105T
VIDEO	R766		nsp	nsp	RES.	1M OHM 1/5W J CRD20TJ105T
VIDEO	R767		nsp	nsp	RES.	1M OHM 1/5W J CRD20TJ105T
VIDEO	R768		nsp	nsp	RES.	4.7K OHM 1/5W J CRD20TJ472T
VIDEO	R769		nsp	nsp	RES.	1K OHM 1/5W J CRD20TJ102T
VIDEO	R770		nsp	nsp	RES.	10K OHM 1/5W J CRD20TJ103T
VIDEO	R771		nsp	nsp	RES.	56 OHM 1/5W J CRD20TJ560T
VIDEO	R772		nsp	nsp	RES.	1K OHM 1/5W J CRD20TJ102T
VIDEO	R773		nsp	nsp	RES.	10K OHM 1/5W J CRD20TJ103T
VIDEO	R774		nsp	nsp	RES.	1K OHM 1/5W J CRD20TJ102T
VIDEO	R775		nsp	nsp	CORD	SN95/PB5, 0.6 C3A206
VIDEO	R776		nsp	nsp	RES.	1M OHM 1/5W J CRD20TJ105T
VIDEO	R777		nsp	nsp	RES.	1M OHM 1/5W J CRD20TJ105T
VIDEO	R778		nsp	nsp	RES.	1M OHM 1/5W J CRD20TJ105T
VIDEO	R781		nsp	nsp	RES.	10K OHM 1/5W J CRD20TJ103T
VIDEO	R782		nsp	nsp	RES.	100 OHM 1/5W J CRD20TJ101T
VIDEO	R783		nsp	nsp	RES.	10K OHM 1/5W J CRD20TJ103T
VIDEO	R795		nsp	nsp	RES.	3.3K OHM 1/5W J CRD20TJ332T
VIDEO	R796		nsp	nsp	RES.	10K OHM 1/5W J CRD20TJ103T
VIDEO	R797		nsp	nsp	RES.	100 OHM 1/5W J CRD20TJ101T
VIDEO	R799	/N1B	nsp	nsp	RES.	10K OHM 1/5W J CRD20TJ103T
VIDEO	R799	/N1S	nsp	nsp	RES.	10K OHM 1/5W J CRD20TJ103T
VIDEO	R821		nsp	nsp	RES.	10K OHM 1/5W J CRD20TJ103T
VIDEO	X701		90M-JX001080R	90M-JX001080R	X'TAL	14M318 HOX14318D220F
VIDEO	X702	/N1B	90M-JX001090R	90M-JX001090R	X'TAL	17M318 HOX17744D220F

NOTE "nsp" PART IS LISTED FOR REFERENCE ONLY, MARANTZ WILL NOT SUPPLY THESE PARTS

P.W.B. NAME	POS. NO.	VERS. COLOR	PART NO. (FOR EUR)	PART NO. (MZ)	PART NAME	DESCRIPTION
VIDEO	X702	/N1S	90M-JX001090R	90M-JX001090R	X'TAL	17M318 HOX17744D220F
VOLUME PWB (CUP11869Y-3)						
VOL	BK84		nsp	nsp	TERMINAL	PLATE EARTH CMC3A111
VOL	BK85		nsp	nsp	TERMINAL	PLATE EARTH CMC3A111
VOL	BN12		nsp	nsp	CORD	WIRE ASSY CWB1B005300EN
VOL	BN85		nsp	nsp	CORD	SWITCHING SHIELD WIRE ASSY2 CWZSR8001CN85
VOL	C814		nsp	nsp	CER. CAP.	100PF 50V K HCBS1H101KBT
VOL	C815		nsp	nsp	CER. CAP.	100PF 50V K HCBS1H101KBT
VOL	C829		nsp	00MOA10605020	ELECT CAP.	10UF 50V CCEA1HH100T
VOL	C830		nsp	00MOA10605020	ELECT CAP.	10UF 50V CCEA1HH100T
VOL	C831		nsp	00MOA10605020	ELECT CAP.	10UF 50V CCEA1HH100T
VOL	C832		nsp	00MOA10605020	ELECT CAP.	10UF 50V CCEA1HH100T
VOL	C833		nsp	nsp	CER. CAP.	0.1UF 50V Z HCBS1H104ZFT
VOL	C834		nsp	nsp	CER. CAP.	470PF 50V HCBS1H471KBT
VOL	C835		nsp	nsp	CER. CAP.	470PF 50V HCBS1H471KBT
VOL	C836		nsp	nsp	CER. CAP.	0.1UF 50V Z HCBS1H104ZFT
VOL	C837		nsp	nsp	CER. CAP.	1000PF 50V B HCBS1H102KBT
VOL	C838		nsp	nsp	CER. CAP.	1000PF 50V B HCBS1H102KBT
VOL	C840		nsp	nsp	CER. CAP.	0.1UF 50V Z HCBS1H104ZFT
VOL	C846		nsp	nsp	CER. CAP.	0.01UF 50V Z HCBS1H103ZFT
VOL	C847		nsp	00MOA47602520	ELECT CAP.	47UF 25V CCEA1EH470T
VOL	C848		nsp	nsp	CER. CAP.	0.1UF 50V Z HCBS1H104ZFT
VOL	C852		nsp	nsp	CER. CAP.	0.1UF 50V Z HCBS1H104ZFT
VOL	C890		nsp	nsp	CER. CAP.	0.01UF 50V Z HCBS1H103ZFT
VOL	C895		nsp	nsp	CER. CAP.	0.1UF 50V Z HCBS1H104ZFT
VOL	CN11		nsp	nsp	CONN.	ANGLE 7PIN CJP07GB46ZY
VOL	CN52		nsp	nsp	CONN.	STRAIGHT 8PIN CJP08GA19ZY
VOL	D805		90M-HI101190R	90M-HI101190R	L.E.D.	BLUE LED TOL-52CSBBCEAB2 CVD52CSBBCEAB2
VOL	EN81		90M-SR000240R	90M-SR000240R	ROTARY SW	EC16B243040HB HSR2A004Z
VOL	IC83		00MHC10053090	00MHC10053090	IC	NJM2068DD HVINJM2068DD
VOL	IC84		90M-HC108910R	90M-HC108910R	IC	74VHC08 HV174VHC08TTR
VOL	J801		nsp	nsp	CORD	SN95/PB5, 0.6 C3A206
VOL	J802		nsp	nsp	CORD	SN95/PB5, 0.6 C3A206
VOL	J803		nsp	nsp	CORD	SN95/PB5, 0.6 C3A206
VOL	J804		nsp	nsp	CORD	SN95/PB5, 0.6 C3A206
VOL	J805		nsp	nsp	CORD	SN95/PB5, 0.6 C3A206
VOL	J842		nsp	nsp	CORD	SN95/PB5, 0.6 C3A206
VOL	J843		nsp	nsp	CORD	SN95/PB5, 0.6 C3A206
VOL	J844		nsp	nsp	CORD	SN95/PB5, 0.6 C3A206
VOL	J871		nsp	nsp	CORD	SN95/PB5, 0.6 C3A206
VOL	JK83		90M-YT003240R	90M-YT003240R	TERMINAL	S-TERMINAL 1P CJJ9M004Z
VOL	JK84		90M-YT004310R	90M-YT004310R	TERMINAL	CINCH 3P BLACK GOLDPLATE CJJ4S041Z
VOL	JK87		90M-YT005030R	90M-YT005030R	OPT. CONN.	TORX177L HJSTORX177L
VOL	JW11		nsp	nsp	CORD	WIRE ASSY CWE8102160RV
VOL	Q813		00MBA10001000	00MBA10001000	TRS.	KRA102M HVTKRA102MT
VOL	R806		nsp	nsp	RES.	10K OHM 1/5W J CRD20TJ103T
VOL	R807		nsp	nsp	RES.	10K OHM 1/5W J CRD20TJ103T
VOL	R808		nsp	nsp	RES.	10K OHM 1/5W J CRD20TJ103T
VOL	R809		nsp	nsp	RES.	10K OHM 1/5W J CRD20TJ103T
VOL	R834		nsp	nsp	RES.	47K OHM 1/5W J CRD20TJ473T
VOL	R835		nsp	nsp	RES.	47K OHM 1/5W J CRD20TJ473T
VOL	R836		nsp	nsp	RES.	47K OHM 1/5W J CRD20TJ473T
VOL	R837		nsp	nsp	RES.	47K OHM 1/5W J CRD20TJ473T
VOL	R838		nsp	nsp	RES.	100 OHM 1/5W J CRD20TJ101T
VOL	R839		nsp	nsp	RES.	100 OHM 1/5W J CRD20TJ101T
VOL	R841		nsp	nsp	RES.	75 OHM 1/5W J CRD20TJ750T
VOL	R843		nsp	nsp	RES.	75 OHM 1/5W J CRD20TJ750T
VOL	R844		nsp	nsp	RES.	75 OHM 1/5W J CRD20TJ750T
VOL	R851		nsp	nsp	RES.	10 OHM 1/5W J CRD20TJ100T
VOL	R854		nsp	nsp	RES.	220 OHM 1/5W J CRD20TJ221T
VOL	R855		nsp	nsp	RES.	10K OHM 1/5W J CRD20TJ103T
XM PWB (CUP11877Y)						
XM	C501	/U1B	nsp	00MOA47602520	ELECT CAP.	47UF 25V CCEA1EH470T
XM	C502	/U1B	nsp	00MDK96104300	CER. CAP.	0.1UF 50V K CCUS1H104KC
XM	C503	/U1B	nsp	00MDK96104300	CER. CAP.	0.1UF 50V K CCUS1H104KC
XM	C504	/U1B	nsp	00MDK96104300	CER. CAP.	0.1UF 50V K CCUS1H104KC
XM	C505	/U1B	nsp	00MDK96104300	CER. CAP.	0.1UF 50V K CCUS1H104KC

NOTE *nsp* PART IS LISTED FOR REFERENCE ONLY, MARANTZ WILL NOT SUPPLY THESE PARTS

P.W.B. NAME	POS. NO.	VERS. COLOR	PART NO. (FOR EUR)	PART NO. (MZ)	PART NAME	DESCRIPTION	
XM	C506	/U1B	nsp	00MDK96104300	CER. CAP.	0.1UF 50V K	CCUS1H104KC
XM	C507	/U1B	nsp	00MDK96104300	CER. CAP.	0.1UF 50V K	CCUS1H104KC
XM	C508	/U1B	nsp	00MDK96104300	CER. CAP.	0.1UF 50V K	CCUS1H104KC
XM	C509	/U1B	nsp	00MDK96104300	CER. CAP.	0.1UF 50V K	CCUS1H104KC
XM	C510	/U1B	nsp	00MDK96104300	CER. CAP.	0.1UF 50V K	CCUS1H104KC
XM	C511	/U1B	nsp	00MDK96104300	CER. CAP.	0.1UF 50V K	CCUS1H104KC
XM	C514	/U1B	nsp	00MDK96102300	CER. CAP.	1000PF 50V KC	CCUS1H102KC
XM	C515	/U1B	nsp	00MDK96104300	CER. CAP.	0.1UF 50V K	CCUS1H104KC
XM	C517	/U1B	nsp	00MDK96104300	CER. CAP.	0.1UF 50V K	CCUS1H104KC
XM	C518	/U1B	nsp	00MDK96104300	CER. CAP.	0.1UF 50V K	CCUS1H104KC
XM	C519	/U1B	nsp	00MDK96102300	CER. CAP.	1000PF 50V KC	CCUS1H102KC
XM	C520	/U1B	nsp	00MDK96102300	CER. CAP.	1000PF 50V KC	CCUS1H102KC
XM	C521	/U1B	nsp	00MDK96102300	CER. CAP.	1000PF 50V KC	CCUS1H102KC
XM	C522	/U1B	nsp	00MDK96102300	CER. CAP.	1000PF 50V KC	CCUS1H102KC
XM	C523	/U1B	nsp	00MDD95220300	CER. CAP.	22PF 50V JA	CCUS1H220JA
XM	C524	/U1B	nsp	00MDD95220300	CER. CAP.	22PF 50V JA	CCUS1H220JA
XM	C601	/U1B	nsp	00MDK96102300	CER. CAP.	1000PF 50V KC	CCUS1H102KC
XM	C602	/U1B	nsp	00MDK96104300	CER. CAP.	0.1UF 50V K	CCUS1H104KC
XM	C603	/U1B	nsp	00MOA10605020	ELECT CAP.	10UF 50V	CCEA1HH100T
XM	C604	/U1B	nsp	00MDK96104300	CER. CAP.	0.1UF 50V K	CCUS1H104KC
XM	C605	/U1B	nsp	00MOA10505020	ELECT CAP.	1UF 50V	CCEA1HH1R0T
XM	C606	/U1B	nsp	00MDK96104300	CER. CAP.	0.1UF 50V K	CCUS1H104KC
XM	C607	/U1B	nsp	00MOA47602520	ELECT CAP.	47UF 25V	CCEA1EH470T
XM	C611	/U1B	nsp	00MOA10605020	ELECT CAP.	10UF 50V	CCEA1HH100T
XM	C612	/U1B	nsp	00MOA10605020	ELECT CAP.	10UF 50V	CCEA1HH100T
XM	C613	/U1B	nsp	00MOA10605020	ELECT CAP.	10UF 50V	CCEA1HH100T
XM	C614	/U1B	nsp	00MOA10605020	ELECT CAP.	10UF 50V	CCEA1HH100T
XM	C615	/U1B	nsp	00MDK96122300	CER. CAP.	1200PF 50V KC	CCUS1H122KC
XM	C616	/U1B	nsp	00MDK96122300	CER. CAP.	1200PF 50V KC	CCUS1H122KC
XM	C617	/U1B	nsp	00MDK96122300	CER. CAP.	1200PF 50V KC	CCUS1H122KC
XM	C618	/U1B	nsp	00MDK96122300	CER. CAP.	1200PF 50V KC	CCUS1H122KC
XM	C619	/U1B	nsp	00MDD95331300	CER. CAP.	330PF 50V JA	CCUS1H331JA
XM	C620	/U1B	nsp	00MDD95331300	CER. CAP.	330PF 50V JA	CCUS1H331JA
XM	C621	/U1B	nsp	00MDD95331300	CER. CAP.	330PF 50V JA	CCUS1H331JA
XM	C622	/U1B	nsp	00MDD95331300	CER. CAP.	330PF 50V JA	CCUS1H331JA
XM	C623	/U1B	nsp	00MOA10605020	ELECT CAP.	10UF 50V	CCEA1HH100T
XM	C624	/U1B	nsp	00MOA10605020	ELECT CAP.	10UF 50V	CCEA1HH100T
XM	C631	/U1B	nsp	00MDK96104300	CER. CAP.	0.1UF 50V K	CCUS1H104KC
XM	C632	/U1B	nsp	00MDK96104300	CER. CAP.	0.1UF 50V K	CCUS1H104KC
XM	C633	/U1B	nsp	00MOA10605020	ELECT CAP.	10UF 50V	CCEA1HH100T
XM	C634	/U1B	nsp	00MOA10605020	ELECT CAP.	10UF 50V	CCEA1HH100T
XM	C801	/U1B	nsp	00MOA10701620	ELECT CAP.	100UF 16V	CCEA1CH101T
XM	C803	/U1B	nsp	00MOA10701620	ELECT CAP.	100UF 16V	CCEA1CH101T
XM	C811	/U1B	nsp	00MOA10701620	ELECT CAP.	100UF 16V	CCEA1CH101T
XM	C812	/U1B	nsp	00MOA10701620	ELECT CAP.	100UF 16V	CCEA1CH101T
XM	C813	/U1B	nsp	00MOA10605020	ELECT CAP.	10UF 50V	CCEA1HH100T
XM	D611	/U1B	nsp	00MHZ21303210	DIODE	1SS355	CVD1SS355T
XM	D612	/U1B	nsp	00MHZ21303210	DIODE	1SS355	CVD1SS355T
XM	D615	/U1B	nsp	00MHZ21303210	DIODE	1SS355	CVD1SS355T
XM	D616	/U1B	nsp	00MHZ21303210	DIODE	1SS355	CVD1SS355T
XM	F801	/U1B	nsp	90M-FC900340R	FERRITE CORE	HU-1H4516-600JT	HLZ9Z014Z
XM	F802	/U1B	nsp	90M-FC900340R	FERRITE CORE	HU-1H4516-600JT	HLZ9Z014Z
XM	F803	/U1B	nsp	90M-FC900460R	EMI FILTER	CHIP BEAD (EMC FILTER)	CLZ9R007Z
XM	F811	/U1B	nsp	90M-FC900460R	EMI FILTER	CHIP BEAD (EMC FILTER)	CLZ9R007Z
XM	IC51	/U1B	nsp	00D2623517907	IC	F2602-01-TR	CVI00D2623517907M
XM	IC61	/U1B	nsp	00MHC10025880	IC	CS4392KZZ	HVICS4392KZZ
XM	IC62	/U1B	nsp	00MHC10102090	IC	NJM2068MD-TE1	HVINJM2068MDTE1
XM	J501	/U1B	nsp	00D2051362009	TERMINAL	CAM-D96	CJJ9L006Z
XM	J502	/U1B	nsp	nsp	BRACKET	BRACKET FOR PWB	CMD1A569
XM	J503	/U1B	nsp	nsp	BRACKET	BRACKET FOR PWB	CMD1A569
XM	J511	/U1B	nsp	nsp	CONN.	15P CARD CABLE	CJP15GA115ZY
XM	J801	/U1B	nsp	nsp	CONN.	2PIN CJP02GA19ZY	CJP02GA19ZY
XM	L501	/U1B	nsp	00MFN21000080	EMI FILTER	DLW21HN121SQ2L	CLZ9R008Z
XM	Q613	/U1B	nsp	90M-HT300970R	TRS.	KTC2875B	HVTKTC2875B
XM	Q614	/U1B	nsp	90M-HT300970R	TRS.	KTC2875B	HVTKTC2875B
XM	Q615	/U1B	nsp	90M-HT300970R	TRS.	KTC2875B	HVTKTC2875B
XM	Q616	/U1B	nsp	90M-HT300970R	TRS.	KTC2875B	HVTKTC2875B

NOTE "nsp" PART IS LISTED FOR REFERENCE ONLY, MARANTZ WILL NOT SUPPLY THESE PARTS

P.W.B. NAME	POS. NO.	VERS. COLOR	PART NO. (FOR EUR)	PART NO. (MZ)	PART NAME	DESCRIPTION	
XM	Q617	/U1B	nsp	90M-BA001620R	CHIP TRS.	KRC103S	CVTKRC103S
XM	Q618	/U1B	nsp	90M-BA001620R	CHIP TRS.	KRC103S	CVTKRC103S
XM	Q619	/U1B	nsp	90M-BA001630R	CHIP TRS.	KRA103S	HVTKRA103S
XM	Q620	/U1B	nsp	90M-BA001630R	CHIP TRS.	KRA103S	HVTKRA103S
XM	Q801	/U1B	nsp	00MHC98520320	IC	PQ20VZ51	CVIPQ20VZ51
XM	Q811	/U1B	nsp	90M-HC300940R	IC	LM1117-ADJ	HVILM1117S-ADJ
XM	R501	/U1B	nsp	00MNN05104610	CHIP RES.	100K OHM 1/10W J	CRJ10DJ104T
XM	R502	/U1B	nsp	00MNN05104610	CHIP RES.	100K OHM 1/10W J	CRJ10DJ104T
XM	R503	/U1B	nsp	00MNN05104610	CHIP RES.	100K OHM 1/10W J	CRJ10DJ104T
XM	R504	/U1B	nsp	00MNN05104610	CHIP RES.	100K OHM 1/10W J	CRJ10DJ104T
XM	R505	/U1B	nsp	00MNN05223610	CHIP RES.	22K OHM 1/10W J	CRJ10DJ223T
XM	R506	/U1B	nsp	00MNN05102610	CHIP RES.	1K OHM 1/10W J	CRJ10DJ102T
XM	R507	/U1B	nsp	00MNN05102610	CHIP RES.	1K OHM 1/10W J	CRJ10DJ102T
XM	R508	/U1B	nsp	00MNN05101610	CHIP RES.	100 OHM 1/10W J	CRJ10DJ101T
XM	R509	/U1B	nsp	00MNN05101610	CHIP RES.	100 OHM 1/10W J	CRJ10DJ101T
XM	R512	/U1B	nsp	00MNN05100610	CHIP RES.	10 OHM 1/10W J	CRJ10DJ100T
XM	R513	/U1B	nsp	00MNN05101610	CHIP RES.	100 OHM 1/10W J	CRJ10DJ101T
XM	R514	/U1B	nsp	00MNN05223610	CHIP RES.	22K OHM 1/10W J	CRJ10DJ223T
XM	R515	/U1B	nsp	00MNN05223610	CHIP RES.	22K OHM 1/10W J	CRJ10DJ223T
XM	R516	/U1B	nsp	00MNN05223610	CHIP RES.	22K OHM 1/10W J	CRJ10DJ223T
XM	R517	/U1B	nsp	00MNN05220610	CHIP RES.	22 OHM 1/10W J	CRJ10DJ220T
XM	R518	/U1B	nsp	00MNN05220610	CHIP RES.	22 OHM 1/10W J	CRJ10DJ220T
XM	R519	/U1B	nsp	00MNN05220610	CHIP RES.	22 OHM 1/10W J	CRJ10DJ220T
XM	R520	/U1B	nsp	00MNN05220610	CHIP RES.	22 OHM 1/10W J	CRJ10DJ220T
XM	R521	/U1B	nsp	00MNN05223610	CHIP RES.	22K OHM 1/10W J	CRJ10DJ223T
XM	R522	/U1B	nsp	00MNN05223610	CHIP RES.	22K OHM 1/10W J	CRJ10DJ223T
XM	R523	/U1B	nsp	00MNN05223610	CHIP RES.	22K OHM 1/10W J	CRJ10DJ223T
XM	R524	/U1B	nsp	00MNN05101610	CHIP RES.	100 OHM 1/10W J	CRJ10DJ101T
XM	R525	/U1B	nsp	00MNN05101610	CHIP RES.	100 OHM 1/10W J	CRJ10DJ101T
XM	R526	/U1B	nsp	00MNN05101610	CHIP RES.	100 OHM 1/10W J	CRJ10DJ101T
XM	R527	/U1B	nsp	00MNN05101610	CHIP RES.	100 OHM 1/10W J	CRJ10DJ101T
XM	R528	/U1B	nsp	00MNN05223610	CHIP RES.	22K OHM 1/10W J	CRJ10DJ223T
XM	R529	/U1B	nsp	00MNN05223610	CHIP RES.	22K OHM 1/10W J	CRJ10DJ223T
XM	R530	/U1B	nsp	00MNN05223610	CHIP RES.	22K OHM 1/10W J	CRJ10DJ223T
XM	R601	/U1B	nsp	00MNN05101610	CHIP RES.	100 OHM 1/10W J	CRJ10DJ101T
XM	R602	/U1B	nsp	00MNN05101610	CHIP RES.	100 OHM 1/10W J	CRJ10DJ101T
XM	R603	/U1B	nsp	00MNN05000610	CHIP RES.	0 OHM 1/10W J	CRJ10DJ0R0T
XM	R605	/U1B	nsp	00MNN05103610	CHIP RES.	10K OHM 1/10W J	CRJ10DJ103T
XM	R611	/U1B	nsp	00MNN05822610	CHIP RES.	8.2K OHM 1/10W J	CRJ10DJ822T
XM	R612	/U1B	nsp	00MNN05822610	CHIP RES.	8.2K OHM 1/10W J	CRJ10DJ822T
XM	R613	/U1B	nsp	00MNN05822610	CHIP RES.	8.2K OHM 1/10W J	CRJ10DJ822T
XM	R614	/U1B	nsp	00MNN05822610	CHIP RES.	8.2K OHM 1/10W J	CRJ10DJ822T
XM	R615	/U1B	nsp	00MNN05332610	CHIP RES.	3.3K OHM 1/10W J	CRJ10DJ332T
XM	R616	/U1B	nsp	00MNN05332610	CHIP RES.	3.3K OHM 1/10W J	CRJ10DJ332T
XM	R617	/U1B	nsp	00MNN05332610	CHIP RES.	3.3K OHM 1/10W J	CRJ10DJ332T
XM	R618	/U1B	nsp	00MNN05332610	CHIP RES.	3.3K OHM 1/10W J	CRJ10DJ332T
XM	R619	/U1B	nsp	00MNN05822610	CHIP RES.	8.2K OHM 1/10W J	CRJ10DJ822T
XM	R620	/U1B	nsp	00MNN05822610	CHIP RES.	8.2K OHM 1/10W J	CRJ10DJ822T
XM	R621	/U1B	nsp	00MNN05822610	CHIP RES.	8.2K OHM 1/10W J	CRJ10DJ822T
XM	R622	/U1B	nsp	00MNN05822610	CHIP RES.	8.2K OHM 1/10W J	CRJ10DJ822T
XM	R623	/U1B	nsp	00MNN05101610	CHIP RES.	100 OHM 1/10W J	CRJ10DJ101T
XM	R624	/U1B	nsp	00MNN05101610	CHIP RES.	100 OHM 1/10W J	CRJ10DJ101T
XM	R625	/U1B	nsp	00MNN05473610	CHIP RES.	47K OHM 1/10W J	CRJ10DJ473T
XM	R626	/U1B	nsp	00MNN05473610	CHIP RES.	47K OHM 1/10W J	CRJ10DJ473T
XM	R627	/U1B	nsp	00MNN05221610	CHIP RES.	220 OHM 1/10W J	CRJ10DJ221T
XM	R628	/U1B	nsp	00MNN05221610	CHIP RES.	220 OHM 1/10W J	CRJ10DJ221T
XM	R629	/U1B	nsp	00MNN05221610	CHIP RES.	220 OHM 1/10W J	CRJ10DJ221T
XM	R630	/U1B	nsp	00MNN05221610	CHIP RES.	220 OHM 1/10W J	CRJ10DJ221T
XM	R631	/U1B	nsp	00MNN05222610	CHIP RES.	2.2K OHM 1/10W J	CRJ10DJ222T
XM	R632	/U1B	nsp	00MNN05222610	CHIP RES.	2.2K OHM 1/10W J	CRJ10DJ222T
XM	R633	/U1B	nsp	00MNN05222610	CHIP RES.	2.2K OHM 1/10W J	CRJ10DJ222T
XM	R634	/U1B	nsp	00MNN05222610	CHIP RES.	2.2K OHM 1/10W J	CRJ10DJ222T
XM	R635	/U1B	nsp	00MNN05474610	CHIP RES.	470K OHM 1/10W J	CRJ10DJ474T
XM	R636	/U1B	nsp	00MNN05474610	CHIP RES.	470K OHM 1/10W J	CRJ10DJ474T
XM	R801	/U1B	nsp	00MNM13901020	CHIP RES.	3.9KOHM/1608/1%	CRJ10DF3901T
XM	R802	/U1B	nsp	00MNM11201020	CHIP RES.	1.2KOHM/1608/1%	CRJ10DF1201T
XM	R803	/U1B	nsp	00MNM1180G020	CHIP RES.	18OHM/1608/1%	CRJ10DF18R0T

NOTE *nsp* PART IS LISTED FOR REFERENCE ONLY, MARANTZ WILL NOT SUPPLY THESE PARTS

P.W.B. NAME	POS. NO.	VERS. COLOR	PART NO. (FOR EUR)	PART NO. (MZ)	PART NAME	DESCRIPTION
XM	R804	/U1B	nsp	00MNN05103610	CHIP RES.	10K OHM 1/10W J CRJ10DJ103T
XM	R811	/U1B	nsp	00MNM12200020	CHIP RES.	220 OHM 1% CRJ10DF2200T
XM	R812	/U1B	nsp	00MNM11800020	CHIP RES.	180 OHM 1% CRJ10DF1800T
XM	R813	/U1B	nsp	00MNM11800020	CHIP RES.	180 OHM 1% CRJ10DF1800T
XM	X501	/U1B	nsp	00D2623516908	X'TAL	45.1584 MHZ COX45158ISCR

NOTE "nsp" PART IS LISTED FOR REFERENCE ONLY, MARANTZ WILL NOT SUPPLY THESE PARTS

14. ABOUT REPLACE THE MICROPROCESSOR WITH A NEW ONE

When replaced of the U-PRO (Microprocessor) or the Flash ROM, confirm contents of the following.

PWB Name	Pos. No.	Description	After replaced	Remark
DSP	IC17	HD64F2506 SR6001	B	
DSP	IC34	M29W800DT70N SR8001	B	
DHMI	IC90	HD64F36087HV SR8001	B	

After replaced

A : Mask ROM (With software). No need write-in of software to the microprocessor.

B : Flash ROM (With software). Usually, no need write-in of software. But, when the software was updated, you should be write-in of the new software to the microprocessor or flash ROM. Please check the software version.

C : Empty Flash ROM (Without software). You should be write-in of the software to the microprocessor or flash ROM. Refer to "Update procedure" or "writing procedure", when you should be write-in the software.

マイコン等を交換した場合の対応について

U-PRO(マイコン)およびFlash ROM等を交換した場合の対応方法を下記の記載します。

PWB Name	Pos. No.	Description	交換時の対応	備考
DSP	IC17	HD64F2506 SR6001	B	
DSP	IC34	M29W800DT70N SR8001	B	
DHMI	IC90	HD64F36087HV SR8001	B	

交換時の対応

A : Mask ROM (ソフトウェア書き込み済み) 交換時にソフトウェアの書き込みは必要ありません。

B : Flash ROM (ソフトウェア書き込み済み) バージョンアップにより交換時にソフトウェアの書き換えが必要な場合があります。バージョンの確認をしてください。

C : 空ROM (Flash ROM) 交換時必ずソフトウェアの書き込みが必要になります。Update、書き込み方法を参照してください。