

marantz[®]

Service Bulletin

No. : MZ09-100

Date: September 30, 2009

Model: SR6004, SR5004

Subject: A Hum Noise occurs at shorting of FRONT AUX Audio input.

Symptom: The AUX Audio input (Front) terminal is shorted at MAIN Volume MAX. The Hum noise is louder than REAR AUX input terminal in the rear panel. The earth side of the AUX input terminal is connected directly with the chassis, the earth circuit is looped.

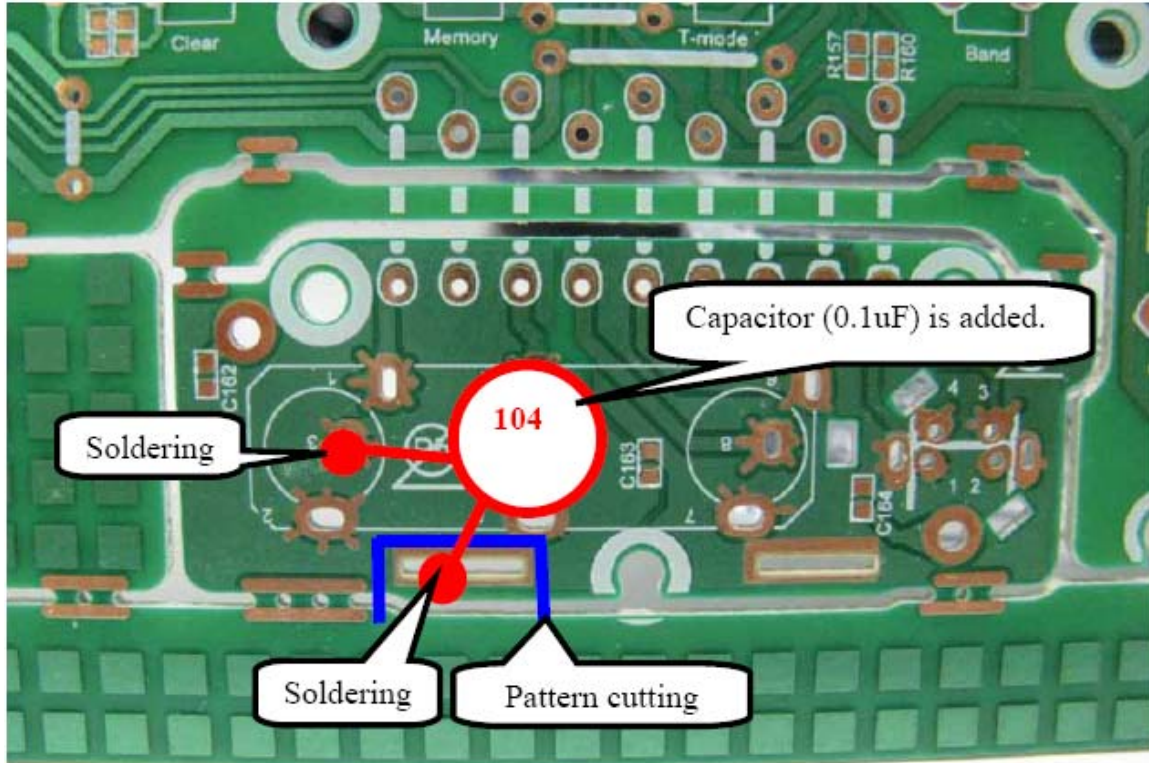
Solution: Add a capacitor and cut the trace as outlined.

COUNTERMEASURE:

Please add the following capacitor on AUX P.W.B. (FRONT P.W.B. ASSY: CUP12205Z/Y) and cut the pattern as shown below.

CONFIDENTIALITY NOTICE:

The information contained in this document is intended for the exclusive use by MARANTZ Authorized Service Centers and their employees. This document may contain information that is privileged, confidential and may be protected from disclosure under applicable laws and terms of the MARANTZ Service Agreement. Any distribution, disclosure, dissemination or copying of this document and the information it contains is prohibited. No responsibility will be accepted by MARANTZ for any damage, injury or loss resulting from the misuse of the information contained in this document.



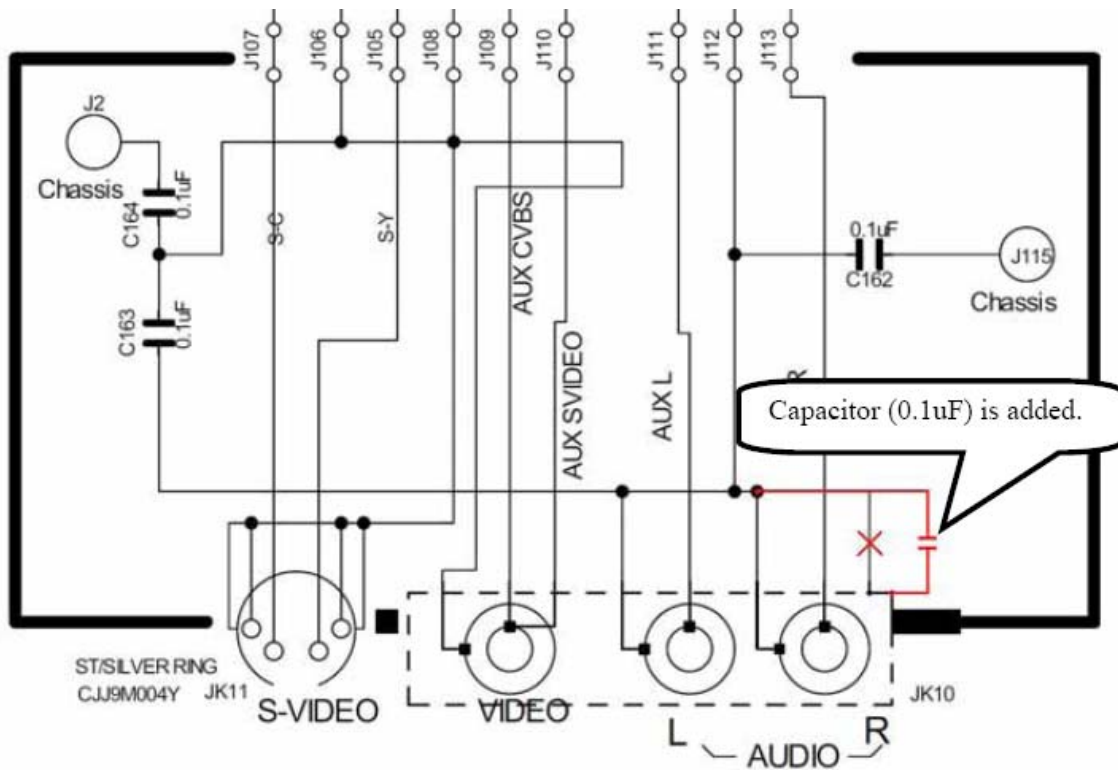
Bottom SIDE of CUP12205Z/Y AUX P.W.B. (FRONT P.W.B. ASSY)

Before the modification:

Ref. Nr.	Parts Number	Parts Name	Remarks
-	nsp	CCBS1H104ZFT	0.1uF+80/-20% /50V CERAMIC Capacitor CCBS1H104ZFT

CONFIDENTIALITY NOTICE:

The information contained in this document is intended for the exclusive use by MARANTZ Authorized Service Centers and their employees. This document may contain information that is privileged, confidential and may be protected from disclosure under applicable laws and terms of the MARANTZ Service Agreement. Any distribution, disclosure, dissemination or copying of this document and the information it contains is prohibited. No responsibility will be accepted by MARANTZ for any damage, injury or loss resulting from the misuse of the information contained in this document.



Serial Number Range:

Please apply the above modification to production models in the following serial number range.

SR6004 ~ MZ0009**001640
 SR5004 ~ MZ0109**004210

CONFIDENTIALITY NOTICE:

The information contained in this document is intended for the exclusive use by MARANTZ Authorized Service Centers and their employees. This document may contain information that is privileged, confidential and may be protected from disclosure under applicable laws and terms of the MARANTZ Service Agreement. Any distribution, disclosure, dissemination or copying of this document and the information it contains is prohibited. No responsibility will be accepted by MARANTZ for any damage, injury or loss resulting from the misuse of the information contained in this document.