



Service Bulletin

No. : MZ09-136

Date: January 4, 2010

Model: SR6004, SR5004

Subject: The unit might be turning on the "protection-mode (Standby LED is flashing at high speed)".

Countermeasure is applicable upon claim from the customer and upon repair.

Symptom: Standby LED flashes at high speed.

Cause: If customer connects the specific HDMI cable or extra HDMI repeater to the unit, current of grounding circuit will be increased, and the grounding level is not stable. Therefore balance of voltage of power supply (+/-12Volts) is not stable, and then the unit might be turning on the "protection-mode".

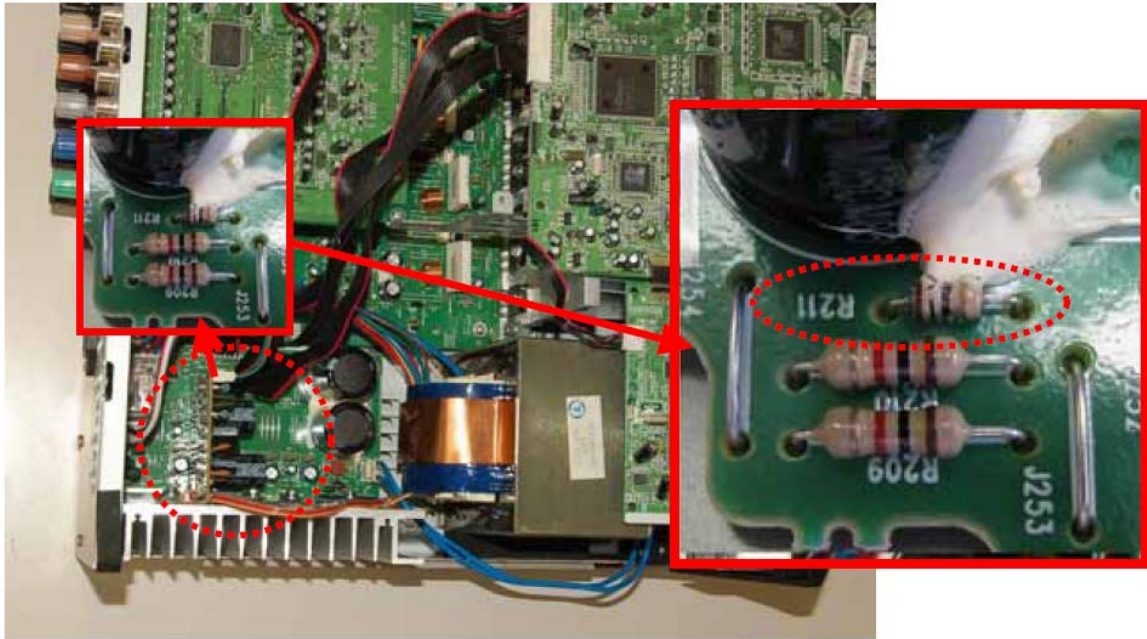
Solution: Please short the both end of R211 (10 ohms).

MODIFICATION:

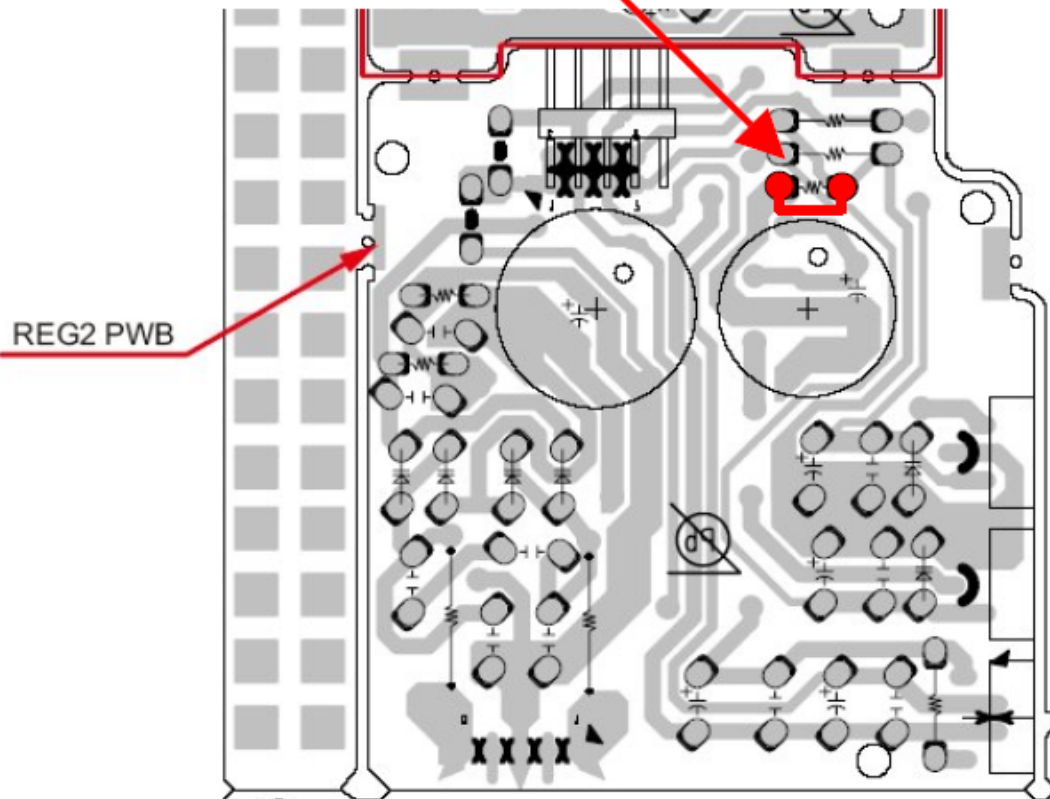
CONFIDENTIALITY NOTICE:

The information contained in this document is intended for the exclusive use by MARANTZ Authorized Service Centers and their employees. This document may contain information that is privileged, confidential and may be protected from disclosure under applicable laws and terms of the MARANTZ Service Agreement. Any distribution, disclosure, dissemination or copying of this document and the information it contains is prohibited. No responsibility will be accepted by MARANTZ for any damage, injury or loss resulting from the misuse of the information contained in this document.

1) Remove the "REG PWB (REG2 PWB)" ASSY from the unit.

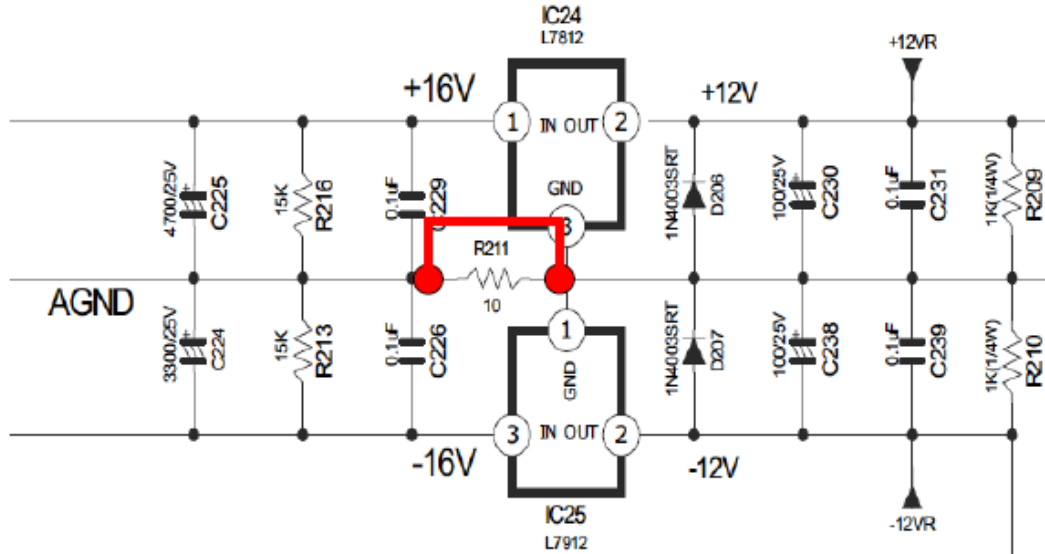


2) Short between both lands of pattern side of the R211 by thin copper wire.
(Please do not cut the R211 10 ohms.)



CONFIDENTIALITY NOTICE:

The information contained in this document is intended for the exclusive use by MARANTZ Authorized Service Centers and their employees. This document may contain information that is privileged, confidential and may be protected from disclosure under applicable laws and terms of the MARANTZ Service Agreement. Any distribution, disclosure, dissemination or copying of this document and the information it contains is prohibited. No responsibility will be accepted by MARANTZ for any damage, injury or loss resulting from the misuse of the information contained in this document.



3) Re-assemble the unit.

Serial Number Range:

THE FOLLOWING ARE THE MODELS AND SERIAL NUMBERS OF UNITS IN THE MARKET TO WHICH THE ABOVE MODIFICATION APPLIES:

Please apply the above modification to the production models in the following serial numbers.

(Full-digit)

Model	Serial Number
SR6004	MZ*****000001 ~ MZ020947003060
SR5004	MZ*****000001 ~ MZ020946005640

CONFIDENTIALITY NOTICE:

The information contained in this document is intended for the exclusive use by MARANTZ Authorized Service Centers and their employees. This document may contain information that is privileged, confidential and may be protected from disclosure under applicable laws and terms of the MARANTZ Service Agreement. Any distribution, disclosure, dissemination or copying of this document and the information it contains is prohibited. No responsibility will be accepted by MARANTZ for any damage, injury or loss resulting from the misuse of the information contained in this document.